

# S5D5 Microcontroller Group

User's Manual

## Renesas Synergy™ Platform

Synergy Microcontrollers

S5 Series

All information contained in these materials, including products and product specifications, represents information on the product at the time of publication and is subject to change by Renesas Electronics Corp. without notice. Please review the latest information published by Renesas Electronics Corp. through various means, including the Renesas Electronics Corp. website (<http://www.renesas.com>).

## Notice

1. Descriptions of circuits, software and other related information in this document are provided only to illustrate the operation of semiconductor products and application examples. You are fully responsible for the incorporation or any other use of the circuits, software, and information in the design of your product or system. Renesas Electronics disclaims any and all liability for any losses and damages incurred by you or third parties arising from the use of these circuits, software, or information.
  2. Renesas Electronics hereby expressly disclaims any warranties against and liability for infringement or any other claims involving patents, copyrights, or other intellectual property rights of third parties, by or arising from the use of Renesas Electronics products or technical information described in this document, including but not limited to, the product data, drawings, charts, programs, algorithms, and application examples.
  3. No license, express, implied or otherwise, is granted hereby under any patents, copyrights or other intellectual property rights of Renesas Electronics or others.
  4. You shall not alter, modify, copy, or reverse engineer any Renesas Electronics product, whether in whole or in part. Renesas Electronics disclaims any and all liability for any losses or damages incurred by you or third parties arising from such alteration, modification, copying or reverse engineering.
  5. Renesas Electronics products are classified according to the following two quality grades: "Standard" and "High Quality". The intended applications for each Renesas Electronics product depends on the product's quality grade, as indicated below.

"Standard": Computers; office equipment; communications equipment; test and measurement equipment; audio and visual equipment; home electronic appliances; machine tools; personal electronic equipment; industrial robots; etc.

"High Quality": Transportation equipment (automobiles, trains, ships, etc.); traffic control (traffic lights); large-scale communication equipment; key financial terminal systems; safety control equipment; etc.

Unless expressly designated as a high reliability product or a product for harsh environments in a Renesas Electronics data sheet or other Renesas Electronics document, Renesas Electronics products are not intended or authorized for use in products or systems that may pose a direct threat to human life or bodily injury (artificial life support devices or systems; surgical implantations; etc.), or may cause serious property damage (space system; undersea repeaters; nuclear power control systems; aircraft control systems; key plant systems; military equipment; etc.). Renesas Electronics disclaims any and all liability for any damages or losses incurred by you or any third parties arising from the use of any Renesas Electronics product that is inconsistent with any Renesas Electronics data sheet, user's manual or other Renesas Electronics document.
  6. When using Renesas Electronics products, refer to the latest product information (data sheets, user's manuals, application notes, "General Notes for Handling and Using Semiconductor Devices" in the reliability handbook, etc.), and ensure that usage conditions are within the ranges specified by Renesas Electronics with respect to maximum ratings, operating power supply voltage range, heat dissipation characteristics, installation, etc. Renesas Electronics disclaims any and all liability for any malfunctions, failure or accident arising out of the use of Renesas Electronics products outside of such specified ranges.
  7. Although Renesas Electronics endeavors to improve the quality and reliability of Renesas Electronics products, semiconductor products have specific characteristics, such as the occurrence of failure at a certain rate and malfunctions under certain use conditions. Unless designated as a high reliability product or a product for harsh environments in a Renesas Electronics data sheet or other Renesas Electronics document, Renesas Electronics products are not subject to radiation resistance design. You are responsible for implementing safety measures to guard against the possibility of bodily injury, injury or damage caused by fire, and/or danger to the public in the event of a failure or malfunction of Renesas Electronics products, such as safety design for hardware and software, including but not limited to redundancy, fire control and malfunction prevention, appropriate treatment for aging degradation or any other appropriate measures. Because the evaluation of microcomputer software alone is very difficult and impractical, you are responsible for evaluating the safety of the final products or systems manufactured by you.
  8. Please contact a Renesas Electronics sales office for details as to environmental matters such as the environmental compatibility of each Renesas Electronics product. You are responsible for carefully and sufficiently investigating applicable laws and regulations that regulate the inclusion or use of controlled substances, including without limitation, the EU RoHS Directive, and using Renesas Electronics products in compliance with all these applicable laws and regulations. Renesas Electronics disclaims any and all liability for damages or losses occurring as a result of your noncompliance with applicable laws and regulations.
  9. Renesas Electronics products and technologies shall not be used for or incorporated into any products or systems whose manufacture, use, or sale is prohibited under any applicable domestic or foreign laws or regulations. You shall comply with any applicable export control laws and regulations promulgated and administered by the governments of any countries asserting jurisdiction over the parties or transactions.
  10. It is the responsibility of the buyer or distributor of Renesas Electronics products, or any other party who distributes, disposes of, or otherwise sells or transfers the product to a third party, to notify such third party in advance of the contents and conditions set forth in this document.
  11. This document shall not be reprinted, reproduced or duplicated in any form, in whole or in part, without prior written consent of Renesas Electronics.
  12. Please contact a Renesas Electronics sales office if you have any questions regarding the information contained in this document or Renesas Electronics products.
- (Note 1) "Renesas Electronics" as used in this document means Renesas Electronics Corporation and also includes its directly or indirectly controlled subsidiaries.
- (Note 2) "Renesas Electronics product(s)" means any product developed or manufactured by or for Renesas Electronics.

## General Precautions

### 1. Precaution against Electrostatic Discharge (ESD)

A strong electrical field, when exposed to a CMOS device, can cause destruction of the gate oxide and ultimately degrade the device operation. Steps must be taken to stop the generation of static electricity as much as possible, and quickly dissipate it when it occurs. Environmental control must be adequate. When it is dry, a humidifier should be used. This is recommended to avoid using insulators that can easily build up static electricity. Semiconductor devices must be stored and transported in an anti-static container, static shielding bag or conductive material. All test and measurement tools including work benches and floors must be grounded. The operator must also be grounded using a wrist strap. Semiconductor devices must not be touched with bare hands. Similar precautions must be taken for printed circuit boards with mounted semiconductor devices.

### 2. Processing at power-on

The state of the product is undefined at the time when power is supplied. The states of internal circuits in the LSI are indeterminate and the states of register settings and pins are undefined at the time when power is supplied. In a finished product where the reset signal is applied to the external reset pin, the states of pins are not guaranteed from the time when power is supplied until the reset process is completed. In a similar way, the states of pins in a product that is reset by an on-chip power-on reset function are not guaranteed from the time when power is supplied until the power reaches the level at which resetting is specified.

### 3. Input of signal during power-off state

Do not input signals or an I/O pull-up power supply while the device is powered off. The current injection that results from input of such a signal or I/O pull-up power supply may cause malfunction and the abnormal current that passes in the device at this time may cause degradation of internal elements. Follow the guideline for input signal during power-off state as described in your product documentation.

### 4. Handling of unused pins

Handle unused pins in accordance with the directions given under handling of unused pins in the manual. The input pins of CMOS products are generally in the high-impedance state. In operation with an unused pin in the open-circuit state, extra electromagnetic noise is induced in the vicinity of the LSI, an associated shoot-through current flows internally, and malfunctions occur due to the false recognition of the pin state as an input signal become possible.

### 5. Clock signals

After applying a reset, only release the reset line after the operating clock signal becomes stable. When switching the clock signal during program execution, wait until the target clock signal is stabilized. When the clock signal is generated with an external resonator or from an external oscillator during a reset, ensure that the reset line is only released after full stabilization of the clock signal. Additionally, when switching to a clock signal produced with an external resonator or by an external oscillator while program execution is in progress, wait until the target clock signal is stable.

### 6. Voltage application waveform at input pin

Waveform distortion due to input noise or a reflected wave may cause malfunction. If the input of the CMOS device stays in the area between  $V_{IL}$  (Max.) and  $V_{IH}$  (Min.) due to noise, for example, the device may malfunction. Take care to prevent chattering noise from entering the device when the input level is fixed, and also in the transition period when the input level passes through the area between  $V_{IL}$  (Max.) and  $V_{IH}$  (Min.).

### 7. Prohibition of access to reserved addresses

Access to reserved addresses is prohibited. The reserved addresses are provided for possible future expansion of functions. Do not access these addresses as the correct operation of the LSI is not guaranteed.

### 8. Differences between products

Before changing from one product to another, for example to a product with a different part number, confirm that the change will not lead to problems. The characteristics of a microprocessing unit or microcontroller unit products in the same group but having a different part number might differ in terms of internal memory capacity, layout pattern, and other factors, which can affect the ranges of electrical characteristics, such as characteristic values, operating margins, immunity to noise, and amount of radiated noise. When changing to a product with a different part number, implement a system-evaluation test for the given product.

# Preface

## 1. About this Document

This manual describes the functions and electrical characteristics of the Renesas Synergy™ Microcontroller.

This manual is generally organized into an overview of the product, descriptions of the CPU, system control functions, peripheral functions, electrical characteristics, and usage notes. This manual describes the product specification of the microcontroller (MCU) superset. Depending on your product, some pins, registers, or functions might not exist. Address space that store unavailable registers are reserved.

## 2. Audience

This manual is written for system designers who are designing and programming applications using the Renesas Synergy Microcontroller. The user is expected to have basic knowledge of electrical circuits, logic circuits, and the MCU.

## 3. Renesas Publications

Renesas provides the following documents for the Renesas Synergy Microcontroller. Before using any of these documents, visit [renesas.com/docs](http://renesas.com/docs) for the most up-to-date version of the document.

| Component               | Document type                    | Description  |
|-------------------------|----------------------------------|--|
| Microcontrollers        | Datasheet                        | Features, overview, and electrical characteristics of the MCU  |
|                         | User's Manual: Microcontrollers  | MCU specifications such as pin assignments, memory maps, peripheral functions, electrical characteristics, timing diagrams, and operation descriptions   |
|                         | Application Notes                | Technical notes, board design guidelines, and software migration information   |
|                         | Technical Update (TU)            | Preliminary reports on product specifications such as restriction and errata   |
| Software                | Datasheet                        | Functional descriptions and specific performance data for software modules that are included in Renesas Synergy Software Package (SSP)   |
|                         | User's Manual: Software          | API reference including SSP architecture and programming information   |
|                         | Application Notes                | Project files, guidelines for software programming, and application examples to develop embedded software applications   |
| Tools & Kits, Solutions | User's Manual: Development Tools | User's manual and quick start guide for developing embedded software applications with Development Kit (DK), Starter Kit (SK), Promotion Kit (PK), Target Board Kit (TB), Product Examples (PE), and Application Examples (AE) |
|                         | User's Manual: Software          |  |
|                         | Quick Start Guide                |  |
|                         | Application Notes                | Project files, guidelines for software programming, and application examples to develop embedded software applications   |

## 4. Numbering Notation

The following numbering notation is used throughout this manual:

| Example | Description  |
|---------|--|
| 011b    | Binary number. For example, the binary equivalent of the number 3 is 011b.   |
| 1Fh     | Hexadecimal number. For example, the hexadecimal equivalent of the number 31 is described 1Fh. In some cases, a hexadecimal number is shown with the prefix 0x, based on C/C++ formatting. |
| 1234    | Decimal number. Decimal numbers are generally shown without a suffix.  |

## 5. Typographic Notation

The following typographic notation is used throughout this manual:

| Example         | Description  |
|-----------------|--|
| ICU.NMICR.NMIMD | Periods separate a function module symbol (ICU), register symbol (NMICR), and bit field symbol (NMIMD)   |
| ICU.NMICR       | A period separates a function module symbol (ICU) and register symbol (NMICR)  |
| NMICR.NMIMD     | A period separates a register symbol (NMICR) and bit field symbol (NMIMD)  |
| NFCLKSEL[1:0]   | In a register bit name, the bit range enclosed in square brackets indicates the number of bits in the field at this location. In this example, NFCLKSEL[1:0] represents a 2-bit field at the specified location in the NMI Pin Interrupt Control Register (NMICR). |

## 6. Unit Prefix

The following unit prefixes are sometimes misleading. Those unit prefixes are described throughout this manual with the following meaning:

| Prefix | Description   |
|--------|---|
| b      | Bit   |
| B      | Byte. This unit prefix is generally used for memory specification of the MCU and address space.   |
| k      | $1000 = 10^3$ . k is also used to denote 1024 ( $2^{10}$ ) but this unit prefix is used to denote 1000 ( $10^3$ ) throughout this manual. |
| K      | $1024 = 2^{10}$ . This unit prefix is used to denote 1024 ( $2^{10}$ ) not 1000 ( $10^3$ ) throughout this manual.                        |

## 7. Special Terms

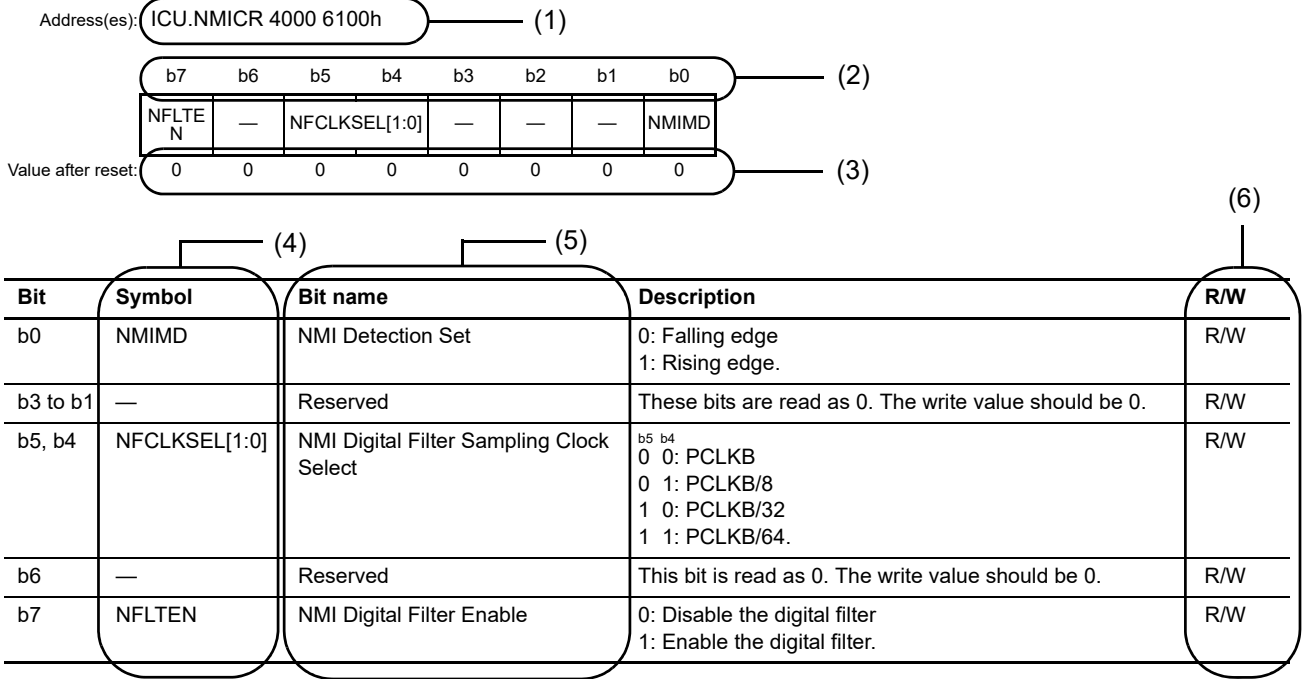
The following terms have special meanings:

| Term | Description  |
|------|--|
| NC   | Not connected pin. NC means the pin is not connected to the MCU. |
| Hi-Z | High impedance   |

## 8. Register Description

Each register description includes both a register diagram that shows the bit assignments and a register bit table that describes the content of each bit. The example of symbols used in these tables are described in the sections that follow. The following is an example of a register description and associated bit field definition.

### X.X.X NMI Pin Interrupt Control Register (NMICR)



#### (1) Function module symbol, register symbol, and address assignment

Function module symbol, register symbol, and address assignment of this register are generally expressed. ICU.NMICR 4000 6100h means NMI Pin Interrupt Control Register (NMICR) of Interrupt Controller Unit (ICU) is assigned to address 4000 6100h.

#### (2) Bit number

This number indicates the bit number. These bits are shown in order from b31 to b0 for a 32-bit register, from b15 to b0 for a 16-bit register, and from b7 to b0 for an 8-bit register.

#### (3) Value after reset

This symbol or number indicates the value of each bit after a reset. The value is shown in binary unless specified otherwise.

0: Indicates that the value is 0 after a reset.

1: Indicates that the value is 1 after a reset.

x: Indicates that the value is undefined after a reset.

#### (4) Bit symbol

Bit symbol indicates the short name of the bit field. Reserved bit is expressed with a —.

#### (5) Bit name

Bit name indicates the full name of the bit field.

#### (6) R/W

The R/W column indicates access type: whether the bit field is read or write.

R/W: The bit field is read and write.

R/(W): The bit field is read and write. But writing to this bit field has some limitations. For details on the limitations, see the description or notes of respective registers.

R: The bit field is read-only. Writing to this bit field has no effect.

W: The bit field is write-only. The read value is undefined.

## 9. Abbreviations

Abbreviations used in this manual are shown in the following table:

| Abbreviation | Description                                 |
|--------------|---|
| AES          | Advanced Encryption Standard                |
| AHB          | Advanced High-Performance Bus               |
| AHB-AP       | AHB Access Port                             |
| APB          | Advanced Peripheral Bus                     |
| ARC          | Alleged RC                                  |
| ATB          | Advanced Trace Bus                          |
| BCD          | Binary Coded Decimal                        |
| BSDL         | Boundary Scan Description Language          |
| DES          | Data Encryption Standard                    |
| DSA          | Digital Signature Algorithm                 |
| ECC          | Elliptic Curve Cryptography                 |
| ETB          | Embedded Trace Buffer                       |
| ETM          | Embedded Trace Macrocell                    |
| FLL          | Frequency Locked Loop                       |
| FPU          | Floating-Point Unit                         |
| GSM          | Global System for Mobile communications     |
| HMI          | Human Machine Interface                     |
| IrDA         | Infrared Data Association                   |
| LSB          | Least Significant Bit                       |
| MSB          | Most Significant Bit                        |
| NVIC         | Nested Vector Interrupt Controller          |
| PC           | Program Counter                             |
| PFS          | Port Function Select                        |
| PLL          | Phase Locked Loop                           |
| POR          | Power-On Reset                              |
| PWM          | Pulse Width Modulation                      |
| RSA          | Rivest Shamir Adleman                       |
| SHA          | Secure Hash Algorithm                       |
| S/H          | Sample and Hold                             |
| SP           | Stack Pointer                               |
| SWD          | Serial Wire Debug                           |
| SW-DP        | Serial Wire-Debug Port                      |
| TRNG         | True Random Number Generator                |
| UART         | Universal Asynchronous Receiver/Transmitter |

## 10. Proprietary Notice

All text, graphics, photographs, trademarks, logos, artwork and computer code, collectively known as content, contained in this document is owned, controlled or licensed by or to Renesas, and is protected by trade dress, copyright, patent and trademark laws, and other intellectual property rights and unfair competition laws. Except as expressly provided herein, no part of this document or content may be copied, reproduced, republished, posted, publicly displayed, encoded, translated, transmitted or distributed in any other medium for publication or distribution or for any commercial enterprise, without prior written consent from Renesas.

Arm® and Cortex® are registered trademarks of Arm Limited. CoreSight™ is a trademark of Arm Limited.

CoreMark® is a registered trademark of the Embedded Microprocessor Benchmark Consortium.

Magic Packet™ is a trademark of Advanced Micro Devices, Inc.

SuperFlash® is a registered trademark of Silicon Storage Technology, Inc. in several countries including the United States and Japan.

Other brands and names mentioned in this document may be the trademarks or registered trademarks of their respective holders.

## 11. Website and Support

Visit the following vanity URLs to learn about key elements of the Synergy Platform, download components and related documentation, and get support.

|                                 |  |
|---------------------------------|--|
| Synergy Software                | <a href="http://www.renesas.com/synergy/software">www.renesas.com/synergy/software</a>                       |
| Synergy Software Package        | <a href="http://www.renesas.com/synergy/ssp">www.renesas.com/synergy/ssp</a>                                 |
| Software add-ons                | <a href="http://www.renesas.com/synergy/addons">www.renesas.com/synergy/addons</a>                           |
| Software glossary               | <a href="http://www.renesas.com/synergy/softwareglossary">www.renesas.com/synergy/softwareglossary</a>       |
| Development tools               | <a href="http://www.renesas.com/synergy/tools">www.renesas.com/synergy/tools</a>                             |
| Synergy Hardware                | <a href="http://www.renesas.com/synergy/hardware">www.renesas.com/synergy/hardware</a>                       |
| Microcontrollers                | <a href="http://www.renesas.com/synergy/mcus">www.renesas.com/synergy/mcus</a>                               |
| MCU glossary                    | <a href="http://www.renesas.com/synergy/mcuglossary">www.renesas.com/synergy/mcuglossary</a>                 |
| Parametric search               | <a href="http://www.renesas.com/synergy/parametric">www.renesas.com/synergy/parametric</a>                   |
| Kits                            | <a href="http://www.renesas.com/synergy/kits">www.renesas.com/synergy/kits</a>                               |
| Synergy Solutions Gallery       | <a href="http://www.renesas.com/synergy/solutionsgallery">www.renesas.com/synergy/solutionsgallery</a>       |
| Partner projects                | <a href="http://www.renesas.com/synergy/partnerprojects">www.renesas.com/synergy/partnerprojects</a>         |
| Application projects            | <a href="http://www.renesas.com/synergy/applicationprojects">www.renesas.com/synergy/applicationprojects</a> |
| Self-service support resources: |  |
| Documentation                   | <a href="http://www.renesas.com/synergy/docs">www.renesas.com/synergy/docs</a>                               |
| Knowledgebase                   | <a href="http://www.renesas.com/synergy/knowledgebase">www.renesas.com/synergy/knowledgebase</a>             |
| Forums                          | <a href="http://www.renesas.com/synergy/forum">www.renesas.com/synergy/forum</a>                             |
| Training                        | <a href="http://www.renesas.com/synergy/training">www.renesas.com/synergy/training</a>                       |
| Videos                          | <a href="http://www.renesas.com/synergy/videos">www.renesas.com/synergy/videos</a>                           |
| Chat and web ticket             | <a href="http://www.renesas.com/synergy/resourcelibrary">www.renesas.com/synergy/resourcelibrary</a>         |



## 12. Feedback on the Product

If you have any comments or suggestions about this product, go to [renesassynergy.com/support](https://renesassynergy.com/support).

## 13. Feedback on Content

If you have any comments on the document such as general suggestions for improvements, go to [renesassynergy.com/support](https://renesassynergy.com/support), and provide:

- The title of the Renesas Synergy document
- The document number
- If applicable, the page number(s) to which your comments refer
- A detailed explanation of your comments.

# Contents

|   |    |
|---|----|
| Features .....  | 58 |
| 1. Overview .....   | 59 |
| 1.1 Function Outline .....  | 59 |
| 1.2 Block Diagram .....   | 65 |
| 1.3 Part Numbering .....  | 66 |
| 1.4 Function Comparison .....   | 67 |
| 1.5 Pin Functions .....   | 68 |
| 1.6 Pin Assignments .....   | 73 |
| 1.7 Pin Lists .....   | 76 |
| 2. CPU .....  | 80 |
| 2.1 Overview .....  | 80 |
| 2.1.1 CPU .....   | 80 |
| 2.1.2 Debug .....   | 80 |
| 2.1.3 Operating Frequency .....                                       | 81 |
| 2.2 MCU Implementation Options .....                                  | 82 |
| 2.3 Trace Interface .....   | 82 |
| 2.4 JTAG/SWD Interface .....  | 82 |
| 2.5 Debug Mode .....  | 83 |
| 2.5.1 Debug Mode Definition .....                                     | 83 |
| 2.5.2 Debug Mode Effects .....  | 83 |
| 2.5.2.1 Low power mode .....  | 83 |
| 2.5.2.2 Reset .....   | 83 |
| 2.6 Programmers Model .....   | 84 |
| 2.6.1 Address Spaces .....  | 84 |
| 2.6.2 Cortex-M4 Peripheral Address Map .....                          | 84 |
| 2.6.3 CoreSight ROM Table .....                                       | 85 |
| 2.6.3.1 ROM entries .....   | 85 |
| 2.6.3.2 CoreSight component registers .....                           | 85 |
| 2.6.4 DBGREG Module .....   | 86 |
| 2.6.4.1 <a href="#">Debug Status Register (DBGSTR)</a> .....          | 86 |
| 2.6.4.2 <a href="#">Debug Stop Control Register (DBGSTOPCR)</a> ..... | 87 |
| 2.6.4.3 <a href="#">Trace Control Register (TRACECTR)</a> .....       | 87 |
| 2.6.4.4 DBGREG CoreSight component registers .....                    | 88 |
| 2.6.5 OCDREG Module .....   | 88 |
| 2.6.5.1 ID Authentication Code Register (IAUTH0 to 3) .....           | 88 |
| 2.6.5.2 <a href="#">MCU Status Register (MCUSTAT)</a> .....           | 89 |
| 2.6.5.3 <a href="#">MCU Control Register (MCUCTRL)</a> .....          | 90 |
| 2.6.5.4 OCDREG CoreSight component registers .....                    | 90 |
| 2.7 CoreSight ATB Funnel .....  | 90 |

|          |  |     |
|----------|--|-----|
| 2.8      | Flash Patch and Break Unit .....                                       | 91  |
| 2.9      | SysTick System Timer .....   | 91  |
| 2.10     | CoreSight Time Stamp Generator .....                                   | 91  |
| 2.11     | OCD Emulator Connection .....  | 91  |
| 2.11.1   | DBGEN .....  | 92  |
| 2.11.2   | Unlock ID Code .....   | 92  |
| 2.11.3   | Restrictions on Connecting an OCD Emulator .....                       | 92  |
| 2.11.3.1 | Starting connection while in low power mode .....                      | 92  |
| 2.11.3.2 | Changing low power mode while in OCD mode .....                        | 92  |
| 2.11.3.3 | Modifying the unlock ID code in OSIS .....                             | 93  |
| 2.11.3.4 | Connecting sequence and JTAG/SWD authentication .....                  | 93  |
| 2.12     | References .....   | 94  |
| 3.       | Operating Modes .....  | 95  |
| 3.1      | Overview .....   | 95  |
| 3.2      | Details of Operating Modes .....                                       | 95  |
| 3.2.1    | Single-Chip Mode .....   | 95  |
| 3.2.2    | SCI Boot Mode .....  | 95  |
| 3.2.3    | USB Boot Mode .....  | 95  |
| 3.3      | Operating Mode Transitions .....                                       | 95  |
| 3.3.1    | Operating Mode Transitions as Determined by the Mode-Setting Pin ..... | 95  |
| 4.       | Address Space .....  | 96  |
| 4.1      | Overview .....   | 96  |
| 4.2      | External Address Space .....   | 97  |
| 5.       | Memory Mirror Function (MMF) .....                                     | 98  |
| 5.1      | Overview .....   | 98  |
| 5.2      | Register Descriptions .....  | 98  |
| 5.2.1    | <a href="#">MemMirror Special Function Register (MMSFR)</a> .....      | 98  |
| 5.2.2    | <a href="#">MemMirror Enable Register (MMEN)</a> .....                 | 99  |
| 5.3      | Operation .....  | 99  |
| 5.3.1    | MMF Operation .....  | 99  |
| 5.3.2    | Setting Example .....  | 102 |
| 6.       | Resets .....   | 104 |
| 6.1      | Overview .....   | 104 |
| 6.2      | Register Descriptions .....  | 108 |
| 6.2.1    | <a href="#">Reset Status Register 0 (RSTSR0)</a> .....                 | 108 |
| 6.2.2    | <a href="#">Reset Status Register 1 (RSTSR1)</a> .....                 | 109 |
| 6.2.3    | <a href="#">Reset Status Register 2 (RSTSR2)</a> .....                 | 111 |
| 6.3      | Operation .....  | 112 |
| 6.3.1    | RES Pin Reset .....  | 112 |
| 6.3.2    | Power-On Reset .....   | 112 |
| 6.3.3    | Voltage Monitor Reset .....  | 113 |

|       |  |     |
|-------|--|-----|
| 6.3.4 | Deep Software Standby Reset .....  | 114 |
| 6.3.5 | Independent Watchdog Timer Reset .....   | 114 |
| 6.3.6 | Watchdog Timer Reset .....   | 115 |
| 6.3.7 | Software Reset .....   | 115 |
| 6.3.8 | Determination of Cold/Warm Start .....   | 115 |
| 6.3.9 | Determination of Reset Generation Source .....   | 115 |
| 7.    | Option-Setting Memory .....  | 117 |
| 7.1   | Overview .....   | 117 |
| 7.2   | Register Descriptions .....  | 117 |
| 7.2.1 | Option Function Select Register 0 (OFS0) .....   | 117 |
| 7.2.2 | Option Function Select Register 1 (OFS1) .....   | 120 |
| 7.2.3 | Access Window Setting Register (AWS) .....   | 121 |
| 7.2.4 | OCD/Serial Programmer ID Setting Register (OSIS) .....                                   | 123 |
| 7.3   | Setting the Option-Setting Memory .....  | 124 |
| 7.3.1 | Allocation of Data in the Option-Setting Memory .....                                    | 124 |
| 7.3.2 | Setting Data for Programming the Option-Setting Memory .....                             | 124 |
| 7.4   | Usage Notes .....  | 124 |
| 7.4.1 | Data for Programming Reserved Areas and Reserved Bits in the Option-Setting Memory ..... | 124 |
| 8.    | Low Voltage Detection (LVD) .....  | 125 |
| 8.1   | Overview .....   | 125 |
| 8.2   | Register Descriptions .....  | 127 |
| 8.2.1 | Voltage Monitor 1 Circuit Control Register 1 (LVD1CR1) .....                             | 127 |
| 8.2.2 | Voltage Monitor 1 Circuit Status Register (LVD1SR) .....                                 | 128 |
| 8.2.3 | Voltage Monitor 2 Circuit Control Register 1 (LVD2CR1) .....                             | 128 |
| 8.2.4 | Voltage Monitor 2 Circuit Status Register (LVD2SR) .....                                 | 129 |
| 8.2.5 | Voltage Monitor Circuit Control Register (LVCMPCR) .....                                 | 129 |
| 8.2.6 | Voltage Detection Level Select Register (LVDLVLR) .....                                  | 130 |
| 8.2.7 | Voltage Monitor 1 Circuit Control Register 0 (LVD1CR0) .....                             | 130 |
| 8.2.8 | Voltage Monitor 2 Circuit Control Register 0 (LVD2CR0) .....                             | 131 |
| 8.3   | VCC Input Voltage Monitor .....  | 132 |
| 8.3.1 | Monitoring Vdet0 .....   | 132 |
| 8.3.2 | Monitoring Vdet1 .....   | 132 |
| 8.3.3 | Monitoring Vdet2 .....   | 133 |
| 8.4   | Reset from Voltage Monitor 0 .....   | 133 |
| 8.5   | Interrupt and Reset from Voltage Monitor 1 .....   | 134 |
| 8.6   | Interrupt and Reset from Voltage Monitor 2 .....   | 137 |
| 8.7   | Event Link Output .....  | 139 |
| 8.7.1 | Interrupt Handling and Event Linking .....   | 140 |
| 9.    | Clock Generation Circuit .....   | 141 |
| 9.1   | Overview .....   | 141 |

|        |   |     |
|--------|---|-----|
| 9.2    | Register Descriptions .....   | 145 |
| 9.2.1  | System Clock Division Control Register (SCKDIVCR) .....               | 145 |
| 9.2.2  | System Clock Division Control Register 2 (SCKDIVCR2) .....            | 149 |
| 9.2.3  | System Clock Source Control Register (SCKSCR) .....                   | 149 |
| 9.2.4  | PLL Clock Control Register (PLLCCR) .....                             | 152 |
| 9.2.5  | PLL Control Register (PLLCR) .....                                    | 153 |
| 9.2.6  | External Bus Clock Control Register (BCKCR) .....                     | 153 |
| 9.2.7  | Main Clock Oscillator Control Register (MOSCCR) .....                 | 154 |
| 9.2.8  | Subclock Oscillator Control Register (SOSCCR) .....                   | 155 |
| 9.2.9  | Low-Speed On-Chip Oscillator Control Register (LOCOCR) .....          | 155 |
| 9.2.10 | High-Speed On-Chip Oscillator Control Register (HOCOOCR) .....        | 156 |
| 9.2.11 | High-Speed On-Chip Oscillator Wait Control Register (HOCOWTCR) .....  | 157 |
| 9.2.12 | Middle-Speed On-Chip Oscillator Control Register (MOCOOCR) .....      | 157 |
| 9.2.13 | FLL Control Register 1 (FLLCR1) .....                                 | 158 |
| 9.2.14 | FLL Control Register 2 (FLLCR2) .....                                 | 160 |
| 9.2.15 | Oscillation Stabilization Flag Register (OSCSF) .....                 | 160 |
| 9.2.16 | Oscillation Stop Detection Control Register (OSTDCR) .....            | 161 |
| 9.2.17 | Oscillation Stop Detection Status Register (OSTDSR) .....             | 162 |
| 9.2.18 | Main Clock Oscillator Wait Control Register (MOSCWTCR) .....          | 163 |
| 9.2.19 | Main Clock Oscillator Mode Oscillation Control Register (MOMCR) ..... | 164 |
| 9.2.20 | Subclock Oscillator Mode Control Register (SOMCR) .....               | 165 |
| 9.2.21 | Clock Out Control Register (CKOOCR) .....                             | 165 |
| 9.2.22 | External Bus Clock Output Control Register (EBCKOOCR) .....           | 166 |
| 9.2.23 | SDRAM Clock Output Control Register (SDCKOOCR) .....                  | 166 |
| 9.2.24 | LOCO User Trimming Control Register (LOCOUTCR) .....                  | 167 |
| 9.2.25 | MOCO User Trimming Control Register (MOCOUTCR) .....                  | 167 |
| 9.2.26 | HOCO User Trimming Control Register (HOCOUTCR) .....                  | 168 |
| 9.2.27 | Trace Clock Control Register (TRCKCR) .....                           | 168 |
| 9.3    | Main Clock Oscillator .....   | 168 |
| 9.3.1  | Connecting the Crystal Resonator .....                                | 169 |
| 9.3.2  | External Clock Input .....  | 169 |
| 9.3.3  | Notes on External Clock Input .....                                   | 169 |
| 9.4    | Sub-Clock Oscillator .....  | 170 |
| 9.4.1  | Connecting a 32.768-kHz Crystal Resonator .....                       | 170 |
| 9.4.2  | Handling of Pins When the Sub-Clock Oscillator Is Not Used .....      | 170 |
| 9.5    | Oscillation Stop Detection Function .....                             | 171 |
| 9.5.1  | Oscillation Stop Detection and Operation after Detection .....        | 171 |
| 9.5.2  | Oscillation Stop Detection Interrupts .....                           | 172 |
| 9.6    | PLL Circuit .....   | 173 |
| 9.7    | Internal Clock .....  | 173 |
| 9.7.1  | System Clock (ICLK) .....   | 173 |

|        |   |     |
|--------|---|-----|
| 9.7.2  | Peripheral Module Clock (PCLKA, PCLKB, PCLKC, PCLKD) .....                        | 174 |
| 9.7.3  | Flash Interface Clock (FCLK) .....  | 175 |
| 9.7.4  | External Bus Clock (BCLK) .....   | 175 |
| 9.7.5  | SDRAM Clock (SDCLK) .....   | 175 |
| 9.7.6  | USB Clock (UCLK) .....  | 175 |
| 9.7.7  | CAN Clock (CANMCLK) .....   | 176 |
| 9.7.8  | CAC Clock (CACCLK) .....  | 176 |
| 9.7.9  | RTC-Dedicated Clock (RTCSCLK, RTCLCLK) .....                                      | 176 |
| 9.7.10 | IWDT-Dedicated Clock (IWDTCLK) .....  | 176 |
| 9.7.11 | AGT-Dedicated Clock (AGTSCLK, AGTLCLK) .....                                      | 176 |
| 9.7.12 | SysTick Timer-Dedicated Clock (SYSTICCLK) .....                                   | 176 |
| 9.7.13 | Clock/Buzzer Output Clock (CLKOUT) .....  | 176 |
| 9.7.14 | JTAG Clock (JTAGTCK) .....  | 176 |
| 9.8    | Usage Notes .....   | 176 |
| 9.8.1  | Notes on Clock Generation Circuit .....   | 176 |
| 9.8.2  | Notes on the Resonator .....  | 177 |
| 9.8.3  | Notes on Board Design .....   | 177 |
| 9.8.4  | Notes on the Resonator Connect Pin .....  | 177 |
| 9.8.5  | Notes on Using Sub-Clock Oscillator for LGA Packages .....                        | 177 |
| 9.8.6  | Notes on the Main Clock Oscillator Drive Capability Auto Switching Function ..... | 177 |
| 10.    | Clock Frequency Accuracy Measurement Circuit (CAC) .....                          | 179 |
| 10.1   | Overview .....  | 179 |
| 10.2   | Register Descriptions .....   | 180 |
| 10.2.1 | <a href="#">CAC Control Register 0 (CACR0)</a> .....                              | 180 |
| 10.2.2 | <a href="#">CAC Control Register 1 (CACR1)</a> .....                              | 181 |
| 10.2.3 | <a href="#">CAC Control Register 2 (CACR2)</a> .....                              | 182 |
| 10.2.4 | <a href="#">CAC Interrupt Control Register (CAICR)</a> .....                      | 183 |
| 10.2.5 | <a href="#">CAC Status Register (CASTR)</a> .....                                 | 184 |
| 10.2.6 | <a href="#">CAC Upper-Limit Value Setting Register (CAULVR)</a> .....             | 185 |
| 10.2.7 | <a href="#">CAC Lower-Limit Value Setting Register (CALLVR)</a> .....             | 185 |
| 10.2.8 | <a href="#">CAC Counter Buffer Register (CACNTBR)</a> .....                       | 185 |
| 10.3   | Operation .....   | 185 |
| 10.3.1 | Measuring Clock Frequency .....   | 185 |
| 10.3.2 | Digital Filtering of Signals on CACREF Pin .....                                  | 187 |
| 10.4   | Interrupt Requests .....  | 187 |
| 10.5   | Usage Notes .....   | 187 |
| 10.5.1 | Settings for the Module-Stop Function .....                                       | 187 |
| 11.    | Low Power Modes .....   | 188 |
| 11.1   | Overview .....  | 188 |
| 11.2   | Register Descriptions .....   | 192 |
| 11.2.1 | <a href="#">Standby Control Register (SBYCR)</a> .....                            | 192 |

|         |   |     |
|---------|---|-----|
| 11.2.2  | Module Stop Control Register A (MSTPCRA)                    | 193 |
| 11.2.3  | Module Stop Control Register B (MSTPCRB)                    | 194 |
| 11.2.4  | Module Stop Control Register C (MSTPCRC)                    | 195 |
| 11.2.5  | Module Stop Control Register D (MSTPCRD)                    | 196 |
| 11.2.6  | Operating Power Control Register (OPCCR)                    | 198 |
| 11.2.7  | Sub Operating Power Control Register (SOPCCR)               | 199 |
| 11.2.8  | Snooze Control Register (SNZCR)                             | 200 |
| 11.2.9  | Snooze End Control Register (SNZEDCR)                       | 201 |
| 11.2.10 | Snooze Request Control Register (SNZREQCR)                  | 202 |
| 11.2.11 | Deep Software Standby Control Register (DPSBYCR)            | 204 |
| 11.2.12 | Deep Software Standby Interrupt Enable Register 0 (DPSIER0) | 205 |
| 11.2.13 | Deep Software Standby Interrupt Enable Register 1 (DPSIER1) | 206 |
| 11.2.14 | Deep Software Standby Interrupt Enable Register 2 (DPSIER2) | 206 |
| 11.2.15 | Deep Software Standby Interrupt Enable Register 3 (DPSIER3) | 207 |
| 11.2.16 | Deep Software Standby Interrupt Flag Register 0 (DPSIFR0)   | 208 |
| 11.2.17 | Deep Software Standby Interrupt Flag Register 1 (DPSIFR1)   | 209 |
| 11.2.18 | Deep Software Standby Interrupt Flag Register 2 (DPSIFR2)   | 210 |
| 11.2.19 | Deep Software Standby Interrupt Flag Register 3 (DPSIFR3)   | 211 |
| 11.2.20 | Deep Software Standby Interrupt Edge Register 0 (DPSIEGR0)  | 212 |
| 11.2.21 | Deep Software Standby Interrupt Edge Register 1 (DPSIEGR1)  | 212 |
| 11.2.22 | Deep Software Standby Interrupt Edge Register 2 (DPSIEGR2)  | 213 |
| 11.2.23 | System Control OCD Control Register (SYOCD CR)              | 213 |
| 11.2.24 | Standby Condition Register (STCONR)                         | 214 |
| 11.3    | Reducing Power Consumption by Switching Clock Signals       | 214 |
| 11.4    | Module-Stop Function  | 215 |
| 11.5    | Function for Lower Operating Power Consumption              | 215 |
| 11.5.1  | Setting the Operating Power Control Mode                    | 215 |
| 11.6    | Sleep Mode  | 216 |
| 11.6.1  | Transition to Sleep Mode                                    | 216 |
| 11.6.2  | Canceling Sleep Mode  | 217 |
| 11.7    | Software Standby Mode                                       | 218 |
| 11.7.1  | Transition to Software Standby Mode                         | 218 |
| 11.7.2  | Canceling Software Standby Mode                             | 219 |
| 11.7.3  | Example of Software Standby Mode Application                | 221 |
| 11.8    | Snooze Mode   | 222 |
| 11.8.1  | Transition to Snooze Mode                                   | 222 |
| 11.8.2  | Canceling Snooze Mode                                       | 223 |
| 11.8.3  | Return to Software Standby Mode                             | 223 |
| 11.8.4  | Snooze Operation Example                                    | 225 |
| 11.9    | Deep Software Standby Mode                                  | 229 |
| 11.9.1  | Transition to Deep Software Standby Mode                    | 229 |

|          |  |     |
|----------|--|-----|
| 11.9.2   | Canceling Deep Software Standby Mode .....   | 229 |
| 11.9.3   | Pin States when Deep Software Standby Mode is Canceled .....                           | 230 |
| 11.9.4   | Example of Deep Software Standby Mode Application .....                                | 230 |
| 11.9.5   | Usage Flow for Deep Software Standby Mode .....  | 231 |
| 11.10    | Usage Notes .....  | 232 |
| 11.10.1  | Register Access .....  | 232 |
| 11.10.2  | I/O Port States .....  | 234 |
| 11.10.3  | Module-Stop State of DMAC and DTC .....  | 234 |
| 11.10.4  | Internal Interrupt Sources .....   | 234 |
| 11.10.5  | Input Buffer Control by the DIRQnE Bit (n = 0 to 13) .....                             | 234 |
| 11.10.6  | Transition to Low Power Modes .....  | 234 |
| 11.10.7  | Timing of WFI Instruction .....  | 234 |
| 11.10.8  | Writing to the WDT and IWDT Registers by the DMAC or DTC in Sleep or Snooze Mode ..... | 234 |
| 11.10.9  | Oscillators in Snooze Mode .....   | 235 |
| 11.10.10 | Snooze Mode Entry by RXD0 Falling Edge .....   | 235 |
| 11.10.11 | Using SCI0 in Snooze Mode .....  | 235 |
| 11.10.12 | Conditions of A/D Conversion Start in Snooze Mode .....                                | 235 |
| 11.10.13 | ELC Events in Snooze Mode .....  | 235 |
| 11.10.14 | Conditions of CTSU in Snooze Mode .....  | 235 |
| 12.      | Battery Backup Function .....  | 236 |
| 12.1     | Overview .....   | 236 |
| 12.1.1   | Features of Battery Backup Function .....  | 236 |
| 12.1.2   | Battery Power Supply Switch .....  | 236 |
| 12.1.3   | Backup Registers .....   | 236 |
| 12.1.4   | Time Capture Pin Detection .....   | 236 |
| 12.2     | Register Descriptions .....  | 237 |
| 12.2.1   | <a href="#">VBATT Backup Register (VBTBKRn)</a> (n = 0 to 511) .....                   | 237 |
| 12.2.2   | <a href="#">VBATT Input Control Register (VBTICTLR)</a> .....                          | 238 |
| 12.3     | Operation .....  | 238 |
| 12.3.1   | Battery Backup Function .....  | 238 |
| 12.3.2   | VBATT Battery Power Supply Switch Usage .....  | 240 |
| 12.3.3   | VBATT Backup Register Usage .....  | 240 |
| 12.4     | Usage Notes .....  | 240 |
| 13.      | Register Write Protection .....  | 241 |
| 13.1     | Overview .....   | 241 |
| 13.2     | Register Descriptions .....  | 241 |
| 13.2.1   | <a href="#">Protect Register (PRCR)</a> .....  | 241 |
| 14.      | Interrupt Controller Unit (ICU) .....  | 242 |
| 14.1     | Overview .....   | 242 |
| 14.2     | Register Descriptions .....  | 244 |



|          |  |     |
|----------|--|-----|
| 14.2.1   | IRQ Control Register $i$ (IRQCRI) ( $i = 0$ to $15$ )                | 244 |
| 14.2.2   | Non-Maskable Interrupt Status Register (NMISR)                       | 245 |
| 14.2.3   | Non-Maskable Interrupt Enable Register (NMIER)                       | 247 |
| 14.2.4   | Non-Maskable Interrupt Status Clear Register (NMICLR)                | 249 |
| 14.2.5   | NMI Pin Interrupt Control Register (NMICR)                           | 250 |
| 14.2.6   | ICU Event Link Setting Register $n$ (IELSR $n$ ) ( $n = 0$ to $95$ ) | 251 |
| 14.2.7   | DMAC Event Link Setting Register $n$ (DELSR $n$ ) ( $n = 0$ to $7$ ) | 252 |
| 14.2.8   | SYS Event Link Setting Register (SELSR0)                             | 253 |
| 14.2.9   | Wake Up Interrupt Enable Register (WUPEN)                            | 253 |
| 14.3     | Vector Table   | 255 |
| 14.3.1   | Interrupt Vector Table   | 255 |
| 14.3.2   | Event Numbers  | 258 |
| 14.4     | Interrupt Operation  | 265 |
| 14.4.1   | Detecting Interrupts   | 266 |
| 14.4.2   | Selecting Interrupt Request Destinations                             | 267 |
| 14.4.2.1 | CPU interrupt request  | 267 |
| 14.4.2.2 | DTC activation   | 267 |
| 14.4.2.3 | DMAC activation  | 268 |
| 14.4.3   | Digital Filter   | 268 |
| 14.4.4   | External Pin Interrupts  | 269 |
| 14.5     | Non-Maskable Interrupt Operation                                     | 269 |
| 14.6     | Return from Low Power Modes  | 270 |
| 14.6.1   | Return from Sleep Mode   | 270 |
| 14.6.2   | Return from Software Standby Mode                                    | 270 |
| 14.6.3   | Return from Snooze Mode  | 270 |
| 14.7     | Using the WFI Instruction with Non-Maskable Interrupts               | 271 |
| 14.8     | Reference  | 271 |
| 15.      | Buses  | 272 |
| 15.1     | Overview   | 272 |
| 15.2     | Description of Buses   | 273 |
| 15.2.1   | Main Buses   | 273 |
| 15.2.2   | Slave Interface  | 274 |
| 15.2.3   | External Bus   | 274 |
| 15.2.4   | Parallel Operations  | 276 |
| 15.2.5   | Bus Settings   | 277 |
| 15.2.6   | Restrictions   | 277 |
| 15.3     | Register Descriptions  | 277 |
| 15.3.1   | CS $n$ Control Register (CS $n$ CR) ( $n = 0$ to $7$ )               | 277 |
| 15.3.2   | CS $n$ Recovery Cycle Register (CS $n$ REC) ( $n = 0$ to $7$ )       | 279 |
| 15.3.3   | CS Recovery Cycle Insertion Enable Register (CSRECEN)                | 280 |
| 15.3.4   | CS $n$ Mode Register (CS $n$ MOD) ( $n = 0$ to $7$ )                 | 282 |

|           |   |     |
|-----------|---|-----|
| 15.3.5    | CSn Wait Control Register 1 (CSnWCR1) (n = 0 to 7)              | 283 |
| 15.3.6    | CSn Wait Control Register 2 (CSnWCR2) (n = 0 to 7)              | 285 |
| 15.3.7    | SDC Control Register (SDCCR)                                    | 288 |
| 15.3.8    | SDC Mode Register (SDCMOD)                                      | 288 |
| 15.3.9    | SDRAM Self-Refresh Control Register (SDSELF)                    | 289 |
| 15.3.10   | SDRAM Refresh Control Register (SDRFCR)                         | 289 |
| 15.3.10.1 | Auto-refresh request interval and RFC set value                 | 290 |
| 15.3.11   | SDRAM Auto-Refresh Control Register (SDRFEN)                    | 290 |
| 15.3.12   | SDRAM Initialization Sequence Control Register (SDICR)          | 291 |
| 15.3.13   | SDRAM Initialization Register (SDIR)                            | 291 |
| 15.3.14   | SDRAM Address Register (SDADR)                                  | 292 |
| 15.3.15   | SDRAM Timing Register (SDTR)                                    | 293 |
| 15.3.16   | SDRAM Mode Register (SDMOD)                                     | 294 |
| 15.3.17   | SDRAM Status Register (SDSR)                                    | 295 |
| 15.3.18   | Master Bus Control Register (BUSMCNT<master>)                   | 296 |
| 15.3.19   | Slave Bus Control Register (BUSSCNT<slave>)                     | 297 |
| 15.3.20   | Bus Error Address Register (BUSnERRADD) (n = 1 to 5)            | 298 |
| 15.3.21   | Bus Error Status Register (BUSnERRSTAT) (n = 1 to 5)            | 299 |
| 15.4      | Endianness and Data Alignment                                   | 299 |
| 15.4.1    | Data Alignment Control for the CS Areas                         | 300 |
| 15.4.2    | Data Alignment Control for the SDRAM Area                       | 303 |
| 15.5      | Operation of CS Area Controller                                 | 304 |
| 15.5.1    | Separate Bus  | 304 |
| 15.5.2    | Address/Data Multiplexed Bus                                    | 315 |
| 15.5.3    | External Wait Function  | 317 |
| 15.5.4    | Insertion of Recovery Cycles                                    | 320 |
| 15.5.5    | No Access State   | 323 |
| 15.5.6    | Write Buffer Function (External Bus)                            | 323 |
| 15.5.7    | Constraints   | 324 |
| 15.6      | SDRAM Area Controller Operation                                 | 325 |
| 15.6.1    | Enabling/Disabling SDRAM Access and Setting the SDRAM Bus Width | 325 |
| 15.6.2    | No Access State   | 325 |
| 15.6.3    | Insertion of Recovery Cycles                                    | 325 |
| 15.6.4    | Write Buffer Function   | 326 |
| 15.6.5    | SDRAM Commands  | 326 |
| 15.6.6    | Conditions for Setting the SDRAMC Registers                     | 326 |
| 15.6.7    | Self-Refresh  | 327 |
| 15.6.8    | Auto-Refresh  | 329 |
| 15.6.9    | Initialization Sequencer  | 330 |
| 15.6.10   | Setting the Mode Register                                       | 331 |
| 15.6.11   | SDRAMC Setting Examples   | 331 |

|           |   |     |
|-----------|---|-----|
| 15.6.11.1 | SDRAMC access procedure .....   | 331 |
| 15.6.11.2 | Procedure for transitioning to and recovering from self-refresh mode .....            | 332 |
| 15.6.11.3 | Timing register settings and access timing .....                                      | 334 |
| 15.6.12   | Address Multiplexing .....  | 340 |
| 15.6.13   | Example SDRAM Connections .....   | 341 |
| 15.6.13.1 | 16-bit bus space .....  | 341 |
| 15.6.14   | Constraints .....   | 344 |
| 15.7      | Bus Error Monitoring Section .....  | 344 |
| 15.7.1    | Bus Error Types .....   | 345 |
| 15.7.2    | Operation When a Bus Error Occurs .....   | 345 |
| 15.7.3    | Conditions Leading to Illegal Address Access Errors .....                             | 345 |
| 15.7.4    | Timeout .....   | 346 |
| 15.8      | Notes on using Flash Cache .....  | 346 |
| 15.9      | References .....  | 346 |
| 16.       | Memory Protection Unit (MPU) .....  | 347 |
| 16.1      | Overview .....  | 347 |
| 16.2      | CPU Stack Pointer Monitor .....   | 348 |
| 16.2.1    | Register Descriptions .....   | 350 |
| 16.2.1.1  | Main Stack Pointer Monitor Start Address Register (MSPMPUSA) .....                    | 350 |
| 16.2.1.2  | Main Stack Pointer Monitor End Address Register (MSPMPUEA) .....                      | 351 |
| 16.2.1.3  | Process Stack Pointer Monitor Start Address Register (PSPMPUSA) .....                 | 351 |
| 16.2.1.4  | Process Stack Pointer Monitor End Address Register (PSPMPUEA) .....                   | 352 |
| 16.2.1.5  | Stack Pointer Monitor Operation After Detection Register (MSPMPUOAD, PSPMPUOAD) ..... | 352 |
| 16.2.1.6  | Stack Pointer Monitor Access Control Register (MSPMPUCTL, PSPMPUCTL) .....            | 353 |
| 16.2.1.7  | Stack Pointer Monitor Protection Register (MSPMPUPT, PSPMPUPT) .....                  | 354 |
| 16.2.2    | Operation .....   | 354 |
| 16.2.2.1  | Protecting the registers .....  | 354 |
| 16.2.2.2  | Overflow and underflow errors .....   | 354 |
| 16.3      | Arm MPU .....   | 355 |
| 16.4      | Bus Master MPU .....  | 355 |
| 16.4.1    | Register Descriptions .....   | 357 |
| 16.4.1.1  | Group m Region n Start Address Register (MMPUSmn) (m = A or B; n = 0 to 31) .....     | 357 |
| 16.4.1.2  | Group m Region n End Address Register (MMPUEmn) (m = A or B; n = 0 to 31) .....       | 357 |
| 16.4.1.3  | Group m Region n Access Control Register (MMPUACmn) (m = A or B; n = 0 to 31) .....   | 358 |
| 16.4.1.4  | Bus Master MPU Control Register (MMPUCTLm) (m = A or B) .....                         | 359 |
| 16.4.1.5  | Group m Protection of Register (MMPUPTm) (m = A or B) .....                           | 360 |
| 16.4.2    | Operation .....   | 361 |
| 16.4.2.1  | Memory protection .....   | 361 |

|           |   |     |
|-----------|---|-----|
| 16.4.2.2  | Protecting the registers .....  | 363 |
| 16.4.2.3  | Memory protection error .....   | 363 |
| 16.5      | Bus Slave MPU .....   | 363 |
| 16.5.1    | Register Descriptions .....   | 364 |
| 16.5.1.1  | Access Control Register for Memory Bus 3 (SMPUMBIU) .....                             | 364 |
| 16.5.1.2  | Access Control Register for Internal Peripheral Bus 9 (SMPUFBIU) .....                | 365 |
| 16.5.1.3  | Access Control Register for Memory Bus 4 (SMPUSRAM0) .....                            | 366 |
| 16.5.1.4  | Access Control Register for Memory Bus 5 (SMPUSRAM1) .....                            | 367 |
| 16.5.1.5  | Access Control Register for Internal Peripheral Bus 1 (SMPUP0BIU) .....               | 368 |
| 16.5.1.6  | Access Control Register for Internal Peripheral Bus 3 (SMPUP2BIU) .....               | 369 |
| 16.5.1.7  | Access Control Register for Internal Peripheral Bus 7 (SMPUP6BIU) .....               | 370 |
| 16.5.1.8  | Access Control Register for CS Area and SDRAM Area (SMPUEXBIU) .....                  | 371 |
| 16.5.1.9  | Access Control Register for QSPI Area (SMPUEXBIU2) .....                              | 372 |
| 16.5.1.10 | Slave MPU Control Register (SMPUCTL) .....  | 373 |
| 16.5.2    | Operation .....   | 373 |
| 16.5.2.1  | Memory protection .....   | 373 |
| 16.5.2.2  | Protecting the registers .....  | 374 |
| 16.5.2.3  | Memory protection error .....   | 374 |
| 16.6      | Security MPU .....  | 374 |
| 16.6.1    | Register Descriptions (Option-Setting memory) .....                                   | 375 |
| 16.6.1.1  | Security MPU Program Counter Start Address Register (SECMPU PCSn)<br>(n = 0, 1) ..... | 375 |
| 16.6.1.2  | Security MPU Program Counter End Address Register (SECMPU PCEn)<br>(n = 0, 1) .....   | 376 |
| 16.6.1.3  | Security MPU Region 0 Start Address Register (SECMPU S0) .....                        | 376 |
| 16.6.1.4  | Security MPU Region 0 End Address Register (SECMPU E0) .....                          | 377 |
| 16.6.1.5  | Security MPU Region 1 Start Address Register (SECMPU S1) .....                        | 378 |
| 16.6.1.6  | Security MPU Region 1 End Address Register (SECMPU E1) .....                          | 378 |
| 16.6.1.7  | Security MPU Region 2 Start Address Register (SECMPU S2) .....                        | 379 |
| 16.6.1.8  | Security MPU Region 2 End Address Register (SECMPU E2) .....                          | 379 |
| 16.6.1.9  | Security MPU Region 3 Start Address Register (SECMPU S3) .....                        | 380 |
| 16.6.1.10 | Security MPU Region 3 End Address Register (SECMPU E3) .....                          | 381 |
| 16.6.1.11 | Security MPU Access Control Register (SECMPU AC) .....                                | 381 |
| 16.6.2    | Memory Protection .....   | 382 |
| 16.6.2.1  | Notes on debug .....  | 383 |
| 16.7      | References .....  | 383 |
| 17.       | DMA Controller (DMAC) .....   | 384 |
| 17.1      | Overview .....  | 384 |
| 17.2      | Register Descriptions .....   | 386 |
| 17.2.1    | DMA Source Address Register (DMSAR) .....   | 386 |
| 17.2.2    | DMA Destination Address Register (DMDAR) .....  | 386 |
| 17.2.3    | DMA Transfer Count Register (DMCRA) .....   | 387 |

|         |   |     |
|---------|---|-----|
| 17.2.4  | DMA Block Transfer Count Register (DMCRB)   | 388 |
| 17.2.5  | DMA Transfer Mode Register (DMTMD)  | 388 |
| 17.2.6  | DMA Interrupt Setting Register (DMINT)  | 389 |
| 17.2.7  | DMA Address Mode Register (DMAMD)   | 390 |
| 17.2.8  | DMA Offset Register (DMOFR)   | 392 |
| 17.2.9  | DMA Transfer Enable Register (DMCNT)  | 392 |
| 17.2.10 | DMA Software Start Register (DMREQ)   | 393 |
| 17.2.11 | DMA Status Register (DMSTS)   | 394 |
| 17.2.12 | DMAC Module Activation Register (DMAST)   | 395 |
| 17.3    | Operation   | 395 |
| 17.3.1  | Transfer Mode   | 395 |
| 17.3.2  | Extended Repeat Area Function   | 398 |
| 17.3.3  | Address Update Function Using Offset  | 400 |
| 17.3.4  | Activation Sources  | 403 |
| 17.3.5  | Operation Timing  | 404 |
| 17.3.6  | Execution Cycles of DMAC  | 405 |
| 17.3.7  | Activating the DMAC   | 405 |
| 17.3.8  | Starting DMA Transfer   | 407 |
| 17.3.9  | Registers during DMA Transfer   | 407 |
| 17.3.10 | Channel Priority  | 408 |
| 17.4    | Ending DMA Transfer   | 408 |
| 17.4.1  | Transfer End by Completion of Specified Total Number of Transfer Operations                 | 408 |
| 17.4.2  | Transfer End by Repeat Size End Interrupt   | 408 |
| 17.4.3  | Transfer End by Interrupt on Extended Repeat Area Overflow                                  | 408 |
| 17.4.4  | Precautions for the End of DMA Transfer   | 409 |
| 17.5    | Interrupts  | 409 |
| 17.6    | Event Link  | 410 |
| 17.7    | Low Power Consumption Function  | 410 |
| 17.8    | Usage Notes   | 411 |
| 17.8.1  | DMA Transfer to External Devices  | 411 |
| 17.8.2  | Access to Registers during DMA Transfer   | 411 |
| 17.8.3  | DMA Transfer to Reserved Areas  | 411 |
| 17.8.4  | Setting the DMAC Event Link Setting Register of the Interrupt Controller Unit (ICU.DEL-SRn) | 411 |
| 17.8.5  | Suspending or Restarting DMA Activation   | 411 |
| 18.     | Data Transfer Controller (DTC)  | 412 |
| 18.1    | Overview  | 412 |
| 18.2    | Register Descriptions   | 413 |
| 18.2.1  | DTC Mode Register A (MRA)   | 414 |
| 18.2.2  | DTC Mode Register B (MRB)   | 414 |
| 18.2.3  | DTC Transfer Source Register (SAR)  | 415 |

|         |  |     |
|---------|--|-----|
| 18.2.4  | DTC Transfer Destination Register (DAR)                              | 416 |
| 18.2.5  | DTC Transfer Count Register A (CRA)                                  | 416 |
| 18.2.6  | DTC Transfer Count Register B (CRB)                                  | 417 |
| 18.2.7  | DTC Control Register (DTCCR)   | 417 |
| 18.2.8  | DTC Vector Base Register (DTCVBR)                                    | 418 |
| 18.2.9  | DTC Module Start Register (DTCST)                                    | 418 |
| 18.2.10 | DTC Status Register (DTCSTS)   | 419 |
| 18.3    | Activation Sources   | 419 |
| 18.3.1  | Allocating Transfer Information and the DTC Vector Table             | 420 |
| 18.4    | Operation  | 421 |
| 18.4.1  | Transfer Information Read Skip Function                              | 424 |
| 18.4.2  | Transfer Information Write-Back Skip Function                        | 424 |
| 18.4.3  | Normal Transfer Mode   | 425 |
| 18.4.4  | Repeat Transfer Mode   | 426 |
| 18.4.5  | Block Transfer Mode  | 427 |
| 18.4.6  | Chain Transfer   | 428 |
| 18.4.7  | Operation Timing   | 429 |
| 18.4.8  | Execution Cycles of DTC  | 430 |
| 18.4.9  | DTC Bus Mastership Release Timing                                    | 431 |
| 18.5    | DTC Setting Procedure  | 431 |
| 18.6    | Examples of DTC Usage  | 432 |
| 18.6.1  | Normal Transfer  | 432 |
| 18.6.2  | Chain Transfer   | 433 |
| 18.6.3  | Chain Transfer when Counter = 0                                      | 434 |
| 18.7    | Interrupt Sources  | 436 |
| 18.8    | Event Link   | 436 |
| 18.9    | Snooze Control Interface   | 436 |
| 18.10   | Module-Stop Function   | 436 |
| 18.11   | Usage Notes  | 437 |
| 18.11.1 | Transfer information Start Address                                   | 437 |
| 19.     | Event Link Controller (ELC)  | 438 |
| 19.1    | Overview   | 438 |
| 19.2    | Register Descriptions  | 439 |
| 19.2.1  | Event Link Controller Register (ELCR)                                | 439 |
| 19.2.2  | Event Link Software Event Generation Register n (ELSEGRn) (n = 0, 1) | 439 |
| 19.2.3  | Event Link Setting Register n (ELSRn) (n = 0 to 18)                  | 440 |
| 19.3    | Operation  | 447 |
| 19.3.1  | Relation between Interrupt Handling and Event Linking                | 447 |
| 19.3.2  | Linking Events   | 447 |
| 19.3.3  | Example Procedure for Linking Events                                 | 447 |
| 19.4    | Usage Notes  | 447 |

|          |   |     |
|----------|---|-----|
| 19.4.1   | Linking DMAC or DTC Transfer End Signals as Events .....  | 447 |
| 19.4.2   | Setting Clocks .....  | 448 |
| 19.4.3   | Settings for the Module-Stop Function .....   | 448 |
| 19.4.4   | ELC Delay Time .....  | 448 |
| 20.      | I/O Ports .....   | 449 |
| 20.1     | Overview .....  | 449 |
| 20.2     | Register Descriptions .....   | 451 |
| 20.2.1   | Port Control Register 1 (PCNTR1/PODR/PDR) .....   | 451 |
| 20.2.2   | Port Control Register 2 (PCNTR2/EIDR/PIDR) .....  | 452 |
| 20.2.3   | Port Control Register 3 (PCNTR3/PORR/POSR) .....  | 453 |
| 20.2.4   | Port Control Register 4 (PCNTR4/EORR/EOSR) .....  | 454 |
| 20.2.5   | Port mn Pin Function Select Register (PmnPFS/PmnPFS_HA/PmnPFS_BY)<br>(m = 0 to 8; n = 00 to 15) ..... | 455 |
| 20.2.6   | Write-Protect Register (PWPR) .....   | 457 |
| 20.2.7   | Ethernet Control Register (PFENET) .....  | 457 |
| 20.3     | Operation .....   | 457 |
| 20.3.1   | General I/O Ports .....   | 457 |
| 20.3.2   | Port Function Select .....  | 458 |
| 20.3.3   | Port Group Function for the ELC .....   | 458 |
| 20.3.3.1 | Behavior when ELC_PORT1, 2, 3, or 4 is input from the ELC .....                                       | 458 |
| 20.3.3.2 | Behavior when an event pulse is output to the ELC .....   | 459 |
| 20.4     | Handling of Unused Pins .....   | 460 |
| 20.5     | Usage Notes .....   | 461 |
| 20.5.1   | Procedure for Specifying the Pin Functions .....  | 461 |
| 20.5.2   | Procedure for Using Port Group Input .....  | 461 |
| 20.5.3   | Port Output Data Register (PODR) Summary .....  | 461 |
| 20.5.4   | Notes on Using Analog Functions .....   | 461 |
| 20.5.5   | I/O Buffer Specification .....  | 461 |
| 20.6     | Peripheral Select Settings for each Product .....   | 463 |
| 20.7     | Notes on the PmnPFS Register Setting .....  | 463 |
| 21.      | Key Interrupt Function (KINT) .....   | 477 |
| 21.1     | Overview .....  | 477 |
| 21.2     | Register Descriptions .....   | 479 |
| 21.2.1   | Key Return Control Register (KRCTL) .....   | 479 |
| 21.2.2   | Key Return Flag Register (KRF) .....  | 479 |
| 21.2.3   | Key Return Mode Register (KRM) .....  | 479 |
| 21.3     | Operation .....   | 480 |
| 21.3.1   | Operation When Not Using Key Interrupt Flag (KRMD = 0) .....  | 480 |
| 21.3.2   | Operation When Using the Key Interrupt Flags (KRMD = 1) .....   | 480 |
| 21.4     | Usage Notes .....   | 482 |

|          |   |     |
|----------|---|-----|
| 22.      | Port Output Enable for GPT (POEG) .....   | 483 |
| 22.1     | Overview .....  | 483 |
| 22.2     | Register Descriptions .....   | 485 |
| 22.2.1   | POEG Group n Setting Register (POEGGn) (n = A to D) .....   | 485 |
| 22.3     | Output-Disable Control Operation .....  | 486 |
| 22.3.1   | Pin Input Level Detection Operation .....   | 486 |
| 22.3.1.1 | Digital filter .....  | 486 |
| 22.3.2   | Output-Disable Requests from the GPT .....  | 487 |
| 22.3.3   | Comparator Interrupt Detection .....  | 487 |
| 22.3.4   | Output-Disable Control Using Detection of Stopped Oscillation .....                                 | 487 |
| 22.3.5   | Output-Disable Control Using Registers .....  | 487 |
| 22.3.6   | Release from Output-Disable .....   | 487 |
| 22.4     | Interrupt Sources .....   | 488 |
| 22.5     | External Trigger Output to the GPT .....  | 489 |
| 22.6     | Usage Notes .....   | 489 |
| 22.6.1   | Transition to Software Standby Mode .....   | 489 |
| 22.6.2   | Specifying Pins Associated with the GPT .....   | 489 |
| 23.      | General PWM Timer (GPT) .....   | 490 |
| 23.1     | Overview .....  | 490 |
| 23.2     | Register Descriptions .....   | 494 |
| 23.2.1   | General PWM Timer Write-Protection Register (GTWP) .....  | 496 |
| 23.2.2   | General PWM Timer Software Start Register (GTSTR) .....   | 496 |
| 23.2.3   | General PWM Timer Software Stop Register (GTSTP) .....  | 497 |
| 23.2.4   | General PWM Timer Software Clear Register (GTCLR) .....   | 497 |
| 23.2.5   | General PWM Timer Start Source Select Register (GTSSR) .....  | 498 |
| 23.2.6   | General PWM Timer Stop Source Select Register (GTPSR) .....   | 501 |
| 23.2.7   | General PWM Timer Clear Source Select Register (GTCSR) .....  | 504 |
| 23.2.8   | General PWM Timer Up Count Source Select Register (GTUPSR) .....                                    | 507 |
| 23.2.9   | General PWM Timer Down Count Source Select Register (GTDNSR) .....                                  | 510 |
| 23.2.10  | General PWM Timer Input Capture Source Select Register A (GTICASR) .....                            | 513 |
| 23.2.11  | General PWM Timer Input Capture Source Select Register B (GTICBSR) .....                            | 516 |
| 23.2.12  | General PWM Timer Control Register (GTCR) .....   | 519 |
| 23.2.13  | General PWM Timer Count Direction and Duty Setting Register (GTUDDTYC) .....                        | 520 |
| 23.2.14  | General PWM Timer I/O Control Register (GTIOR) .....  | 523 |
| 23.2.15  | General PWM Timer Interrupt Output Setting Register (GTINTAD) .....                                 | 527 |
| 23.2.16  | General PWM Timer Status Register (GTST) .....  | 529 |
| 23.2.17  | General PWM Timer Buffer Enable Register (GTBER) .....  | 534 |
| 23.2.18  | General PWM Timer Interrupt and A/D Converter Start Request Skipping Setting Register (GTITC) ..... | 537 |
| 23.2.19  | General PWM Timer Counter (GTCNT) .....   | 539 |
| 23.2.20  | General PWM Timer Compare Capture Register n (GTCCRn) (n = A to F) .....                            | 539 |
| 23.2.21  | General PWM Timer Cycle Setting Register (GTPR) .....   | 540 |



|          |   |     |
|----------|---|-----|
| 23.2.22  | General PWM Timer Cycle Setting Buffer Register (GTPBR) .....                               | 540 |
| 23.2.23  | General PWM Timer Cycle Setting Double-Buffer Register (GTPDBR) .....                       | 540 |
| 23.2.24  | A/D Converter Start Request Timing Register n (GTADTRn) (n = A, B) .....                    | 541 |
| 23.2.25  | A/D Converter Start Request Timing Buffer Register n (GTADTBRn)<br>(n = A, B) .....         | 541 |
| 23.2.26  | A/D Converter Start Request Timing Double-Buffer Register n (GTADTDBRn)<br>(n = A, B) ..... | 542 |
| 23.2.27  | General PWM Timer Dead Time Control Register (GTDTCR) .....                                 | 542 |
| 23.2.28  | General PWM Timer Dead Time Value Register n (GTDVn) (n = U, D) .....                       | 544 |
| 23.2.29  | General PWM Timer Dead Time Buffer Register n (GTDBn) (n = U, D) .....                      | 544 |
| 23.2.30  | General PWM Timer Output Protection Function Status Register (GTSOS) .....                  | 545 |
| 23.2.31  | General PWM Timer Output Protection Function Temporary Release Register (GT-<br>SOTR) ..... | 545 |
| 23.2.32  | Output Phase Switching Control Register (OPSCR) .....                                       | 546 |
| 23.3     | Operation .....   | 548 |
| 23.3.1   | Basic Operation .....   | 548 |
| 23.3.1.1 | Counter operation .....   | 548 |
| 23.3.1.2 | Waveform output by compare match .....  | 553 |
| 23.3.1.3 | Input capture function .....  | 556 |
| 23.3.2   | Buffer Operation .....  | 558 |
| 23.3.2.1 | GTPR register buffer operation .....  | 558 |
| 23.3.2.2 | Buffer operation for GTCCRA and GTCCRB .....  | 561 |
| 23.3.2.3 | Buffer operation for GTADTRA and GTADTRB .....  | 566 |
| 23.3.3   | PWM Output Operating Mode .....   | 569 |
| 23.3.3.1 | Saw-wave PWM mode .....   | 569 |
| 23.3.3.2 | Saw-wave one-shot pulse mode .....  | 572 |
| 23.3.3.3 | Triangle-wave PWM mode 1 (32-bit transfer at trough) .....                                  | 575 |
| 23.3.3.4 | Triangle-wave PWM mode 2 (32-bit transfer at crest and trough) .....                        | 577 |
| 23.3.3.5 | Triangle-wave PWM mode 3 (64-bit transfer at trough) .....                                  | 579 |
| 23.3.4   | Automatic Dead Time Setting Function .....  | 581 |
| 23.3.5   | Count Direction Changing Function .....   | 587 |
| 23.3.6   | Function of Output Duty 0% and 100% .....   | 587 |
| 23.3.7   | Hardware Count Start/Count Stop and Clear Operation .....                                   | 589 |
| 23.3.7.1 | Hardware start operation .....  | 589 |
| 23.3.7.2 | Hardware stop operation .....   | 590 |
| 23.3.7.3 | Hardware clear operation .....  | 593 |
| 23.3.8   | Synchronized Operation .....  | 595 |
| 23.3.8.1 | Synchronized operation by software .....  | 595 |
| 23.3.8.2 | Synchronized operation by hardware .....  | 597 |
| 23.3.9   | PWM Output Operation Examples .....   | 599 |
| 23.3.10  | Phase Counting Function .....   | 605 |
| 23.3.11  | Output Phase Switching (GPT_ OPS) .....   | 612 |

|           |   |     |
|-----------|---|-----|
| 23.3.11.1 | Input selection and synchronization of external input signal .....                                | 615 |
| 23.3.11.2 | Input sampling .....  | 616 |
| 23.3.11.3 | Input phase decode .....  | 616 |
| 23.3.11.4 | Output selection control .....  | 616 |
| 23.3.11.5 | Output selection control (group output disable function) .....                                    | 617 |
| 23.3.11.6 | Event Link Controller (ELC) output .....  | 618 |
| 23.3.11.7 | GPT_OPS start operation setting flow .....  | 619 |
| 23.4      | Interrupt Sources .....   | 619 |
| 23.4.1    | Overview .....  | 619 |
| 23.4.2    | DMAC/DTC Activation .....   | 625 |
| 23.4.3    | Interrupt and A/D Conversion Request Skipping Function .....                                      | 625 |
| 23.5      | A/D Converter Start Request .....   | 629 |
| 23.6      | Operations Linked by the ELC .....  | 632 |
| 23.6.1    | Event Signal Output to the ELC .....  | 632 |
| 23.6.2    | Event Signal Inputs from the ELC .....  | 632 |
| 23.7      | Noise Filter Function .....   | 632 |
| 23.8      | Protection Function .....   | 633 |
| 23.8.1    | Write-Protection for Registers .....  | 633 |
| 23.8.2    | Disabling of Buffer Operation .....   | 633 |
| 23.8.3    | GTIOC Pin Output Negate Control .....   | 634 |
| 23.8.4    | Output Protection Function for GTIOC Pin Output .....   | 635 |
| 23.8.4.1  | Output protection function when the GTCCRA register is set to 0 during buffer transfer .....      | 636 |
| 23.8.4.2  | Output protection function when $GTCCRA \geq GTPR$ is set during buffer transfer at troughs ..... | 638 |
| 23.8.4.3  | Output protection function when $GTCCRA \geq GTPR$ is set during buffer transfer at crests .....  | 640 |
| 23.8.4.4  | Restricted specification of output protection function .....                                      | 641 |
| 23.8.4.5  | Temporary cancellation of output protection function .....  | 641 |
| 23.9      | Initialization Method of Output Pins .....  | 642 |
| 23.9.1    | Pin Settings after Reset .....  | 642 |
| 23.9.2    | Pin Initialization Caused by Error during Operation .....   | 643 |
| 23.10     | Usage Notes .....   | 643 |
| 23.10.1   | Module-Stop Function Setting .....  | 643 |
| 23.10.2   | GTCCRn Settings during Compare Match Operation (n = A to F) .....                                 | 643 |
| 23.10.3   | Setting Range for the GTCNT Counter .....   | 644 |
| 23.10.4   | Starting and Stopping the GTCNT Counter .....   | 644 |
| 23.10.5   | Priority Order of Each Event .....  | 645 |
| 24.       | PWM Delay Generation Circuit .....  | 646 |
| 24.1      | Overview .....  | 646 |
| 24.2      | Register Descriptions .....   | 647 |
| 24.2.1    | <a href="#">PWM Output Delay Control Register (GTDLYCR)</a> .....                                 | 647 |

|         |   |     |
|---------|---|-----|
| 24.2.2  | PWM Output Delay Control Register 2 (GTDLYCR2)                                      | 647 |
| 24.2.3  | GTIOCnA Rising Output Delay Register (GTDLYRnA) (n = 0 to 3)                        | 649 |
| 24.2.4  | GTIOCnA Falling Output Delay Register (GTDLYFnA) (n = 0 to 3)                       | 650 |
| 24.2.5  | GTIOCnB Rising Output Delay Register (GTDLYRnB) (n = 0 to 3)                        | 651 |
| 24.2.6  | GTIOCnB Falling Output Delay Register (GTDLYFnB) (n = 0 to 3)                       | 652 |
| 24.3    | Operation   | 652 |
| 24.3.1  | Adjustments to the Timing of Rising and Falling Edges in PWM Waveforms              | 652 |
| 24.3.2  | Timing for Transfer of GTDLYRnA, GTDLYRnB, GTDLYFnA, and GTDLYFnB Register Settings | 654 |
| 24.4    | Usage Notes   | 655 |
| 24.4.1  | Module-Stop Function Settings   | 655 |
| 24.4.2  | Notes on Delay Settings for PWM Delay Generation Circuit                            | 655 |
| 25.     | Asynchronous General-Purpose Timer (AGT)  | 657 |
| 25.1    | Overview  | 657 |
| 25.2    | Register Descriptions   | 659 |
| 25.2.1  | AGT Counter Register (AGT)  | 659 |
| 25.2.2  | AGT Compare Match A Register (AGTCMA)   | 659 |
| 25.2.3  | AGT Compare Match B Register (AGTCMB)   | 660 |
| 25.2.4  | AGT Control Register (AGTCR)  | 660 |
| 25.2.5  | AGT Mode Register 1 (AGTMR1)  | 662 |
| 25.2.6  | AGT Mode Register 2 (AGTMR2)  | 663 |
| 25.2.7  | AGT I/O Control Register (AGTIOC)   | 663 |
| 25.2.8  | AGT Event Pin Select Register (AGTISR)  | 664 |
| 25.2.9  | AGT Compare Match Function Select Register (AGTCMSR)                                | 665 |
| 25.2.10 | AGT Pin Select Register (AGTIOSEL)  | 665 |
| 25.3    | Operation   | 666 |
| 25.3.1  | Reload Register and Counter Rewrite Operation                                       | 666 |
| 25.3.2  | Reload Register and Compare Register A/B Rewrite Operation                          | 668 |
| 25.3.3  | Timer Mode  | 669 |
| 25.3.4  | Pulse Output Mode   | 670 |
| 25.3.5  | Event Counter Mode  | 671 |
| 25.3.6  | Pulse Width Measurement Mode  | 672 |
| 25.3.7  | Pulse Period Measurement Mode   | 673 |
| 25.3.8  | Compare Match Function  | 674 |
| 25.3.9  | Output Settings for Each Mode   | 675 |
| 25.3.10 | Standby Mode  | 677 |
| 25.3.11 | Interrupt Sources   | 677 |
| 25.3.12 | Event Signal Output to ELC  | 678 |
| 25.4    | Usage Notes   | 678 |
| 25.4.1  | Count Operation Start and Stop Control  | 678 |
| 25.4.2  | Access to Counter Register  | 679 |

|         |  |     |
|---------|--|-----|
| 25.4.3  | When Changing Mode .....   | 679 |
| 25.4.4  | Digital Filter .....   | 679 |
| 25.4.5  | How to Calculate Event Number, Pulse Width, and Pulse Period .....   | 679 |
| 25.4.6  | When Count Is Forcibly Stopped by TSTOP Bit .....  | 679 |
| 25.4.7  | When Selecting AGT0 Underflow as the Count Source .....  | 679 |
| 25.4.8  | Reset of I/O Register .....  | 680 |
| 25.4.9  | When Selecting PCLKB, PCLKB/8, or PCLKB/2 as the Count Source .....  | 680 |
| 25.4.10 | When Selecting AGTSClk or AGTLCLK as the Count Source .....  | 680 |
| 25.4.11 | When Switching Source Clock .....  | 680 |
| 26.     | Realtime Clock (RTC) .....   | 681 |
| 26.1    | Overview .....   | 681 |
| 26.2    | Register Descriptions .....  | 683 |
| 26.2.1  | 64-Hz Counter (R64CNT) .....   | 683 |
| 26.2.2  | Second Counter (RSECCNT)/Binary Counter 0 (BCNT0) .....  | 683 |
| 26.2.3  | Minute Counter (RMINCNT)/Binary Counter 1 (BCNT1) .....  | 684 |
| 26.2.4  | Hour Counter (RHRCNT)/Binary Counter 2 (BCNT2) .....   | 685 |
| 26.2.5  | Day-of-Week Counter (RWKCNT)/Binary Counter 3 (BCNT3) .....  | 686 |
| 26.2.6  | Day Counter (RDAYCNT) .....  | 687 |
| 26.2.7  | Month Counter (RMONCNT) .....  | 687 |
| 26.2.8  | Year Counter (RYRCNT) .....  | 688 |
| 26.2.9  | Second Alarm Register (RSECAR)/Binary Counter 0 Alarm Register (BCNT0AR) ..                                | 688 |
| 26.2.10 | Minute Alarm Register (RMINAR)/Binary Counter 1 Alarm Register (BCNT1AR) ....                              | 689 |
| 26.2.11 | Hour Alarm Register (RHRAR)/Binary Counter 2 Alarm Register (BCNT2AR) .....                                | 690 |
| 26.2.12 | Day-of-Week Alarm Register (RWKAR)/Binary Counter 3 Alarm Register (BCNT3AR)<br>.....                      | 691 |
| 26.2.13 | Date Alarm Register (RDAYAR)/Binary Counter 0 Alarm Enable Register (BCNT0AER)<br>.....                    | 692 |
| 26.2.14 | Month Alarm Register (RMONAR)/Binary Counter 1 Alarm Enable Register<br>(BCNT1AER) .....                   | 693 |
| 26.2.15 | Year Alarm Register (RYRAR)/Binary Counter 2 Alarm Enable Register (BCNT2AER)<br>.....                     | 694 |
| 26.2.16 | Year Alarm Enable Register (RYRAREN)/Binary Counter 3 Alarm Enable Register<br>(BCNT3AER) .....            | 695 |
| 26.2.17 | RTC Control Register 1 (RCR1) .....  | 696 |
| 26.2.18 | RTC Control Register 2 (RCR2) .....  | 697 |
| 26.2.19 | RTC Control Register 4 (RCR4) .....  | 700 |
| 26.2.20 | Frequency Register (RFRH/RFRL) .....   | 701 |
| 26.2.21 | Time Error Adjustment Register (RADJ) .....  | 702 |
| 26.2.22 | Time Capture Control Register y (RTCCPy) (y = 0 to 2) .....  | 702 |
| 26.2.23 | Second Capture Register y (RSECCPy) (y = 0 to 2)/BCNT0 Capture Register y<br>(BCNT0CPy) (y = 0 to 2) ..... | 704 |
| 26.2.24 | Minute Capture Register y (RMINCPy) (y = 0 to 2)/BCNT1 Capture Register y<br>(BCNT1CPy) (y = 0 to 2) ..... | 704 |

|          |   |     |
|----------|---|-----|
| 26.2.25  | Hour Capture Register y (RHRCPy) (y = 0 to 2)/BCNT2 Capture Register y (BCNT2CPy) (y = 0 to 2)  | 705 |
| 26.2.26  | Date Capture Register y (RDAYCPy) (y = 0 to 2)/BCNT3 Capture Register y (BCNT3CPy) (y = 0 to 2) | 706 |
| 26.2.27  | Month Capture Register y (RMONCPy) (y = 0 to 2)   | 707 |
| 26.3     | Operation   | 707 |
| 26.3.1   | Outline of Initial Settings of Registers after Power On   | 707 |
| 26.3.2   | Clock and Count Mode Setting Procedure  | 708 |
| 26.3.3   | Setting the Time  | 708 |
| 26.3.4   | 30-Second Adjustment  | 709 |
| 26.3.5   | Reading 64-Hz Counter and Time  | 710 |
| 26.3.6   | Alarm Function  | 711 |
| 26.3.7   | Procedure for Disabling Alarm Interrupt   | 712 |
| 26.3.8   | Time Error Adjustment Function  | 712 |
| 26.3.8.1 | Automatic adjustment  | 712 |
| 26.3.8.2 | Adjustment by software  | 713 |
| 26.3.8.3 | Procedure for changing the mode of adjustment   | 713 |
| 26.3.8.4 | Procedure for stopping adjustment   | 714 |
| 26.3.8.5 | Capturing the time  | 714 |
| 26.4     | Interrupt Sources   | 715 |
| 26.5     | Event Link Output   | 716 |
| 26.5.1   | Interrupt Handling and Event Linking  | 717 |
| 26.6     | Usage Notes   | 717 |
| 26.6.1   | Register Writing during Counting  | 717 |
| 26.6.2   | Use of Periodic Interrupts  | 717 |
| 26.6.3   | RTCOUNT (1-Hz/64-Hz) Clock Output   | 718 |
| 26.6.4   | Transitions to Low Power Modes after Setting Registers  | 718 |
| 26.6.5   | Notes on Writing to and Reading from Registers  | 718 |
| 26.6.6   | Changing the Count Mode   | 718 |
| 26.6.7   | Initialization Procedure when the Realtime Clock Is Not To Be Used                              | 718 |
| 26.6.8   | When Switching Source Clock   | 719 |
| 27.      | Watchdog Timer (WDT)  | 720 |
| 27.1     | Overview  | 720 |
| 27.2     | Register Descriptions   | 721 |
| 27.2.1   | WDT Refresh Register (WDTRR)  | 721 |
| 27.2.2   | WDT Control Register (WDTCR)  | 722 |
| 27.2.3   | WDT Status Register (WDTSR)   | 724 |
| 27.2.4   | WDT Reset Control Register (WDTRCR)   | 725 |
| 27.2.5   | WDT Count Stop Control Register (WDTCTPR)   | 726 |
| 27.2.6   | Option Function Select Register 0 (OFS0)  | 726 |
| 27.3     | Operation   | 726 |
| 27.3.1   | Count Operation in Each Start Mode  | 726 |

|          |   |     |
|----------|---|-----|
| 27.3.1.1 | Register start mode .....   | 726 |
| 27.3.1.2 | Auto start mode .....   | 728 |
| 27.3.2   | Controlling Writes to the WDTCSR, WDTRCR, and WDTCS0PR Registers .....                      | 729 |
| 27.3.3   | Refresh Operation .....   | 730 |
| 27.3.4   | Reset Output .....  | 731 |
| 27.3.5   | Interrupt Sources .....   | 731 |
| 27.3.6   | Reading the Down-Counter Value .....  | 731 |
| 27.3.7   | Association between Option Function Select Register 0 (OFS0) and WDT Registers .....        | 732 |
| 27.4     | Link Operation by ELC .....   | 732 |
| 27.5     | Usage Notes .....   | 732 |
| 27.5.1   | ICU Event Link Setting Register n (IELSRn) Setting .....                                    | 732 |
| 28.      | Independent Watchdog Timer (IWDT) .....   | 733 |
| 28.1     | Overview .....  | 733 |
| 28.2     | Register Descriptions .....   | 734 |
| 28.2.1   | <a href="#">IWDT Refresh Register (IWDTRR)</a> .....  | 734 |
| 28.2.2   | <a href="#">IWDT Status Register (IWDTSR)</a> .....   | 735 |
| 28.2.3   | Option Function Select Register 0 (OFS0) .....  | 736 |
| 28.3     | Operation .....   | 738 |
| 28.3.1   | Auto Start Mode .....   | 738 |
| 28.3.2   | Refresh Operation .....   | 739 |
| 28.3.3   | Status Flags .....  | 740 |
| 28.3.4   | Reset Output .....  | 741 |
| 28.3.5   | Interrupt Sources .....   | 741 |
| 28.3.6   | Reading the Down-Counter Value .....  | 741 |
| 28.4     | Output to the Event Link Controller (ELC) .....   | 741 |
| 28.5     | Usage Notes .....   | 742 |
| 28.5.1   | Refresh Operations .....  | 742 |
| 28.5.2   | Constraints on the Clock Division Ratio Setting .....                                       | 742 |
| 29.      | Ethernet MAC Controller (ETHERC) .....  | 743 |
| 29.1     | Overview .....  | 743 |
| 29.2     | Register Descriptions .....   | 747 |
| 29.2.1   | <a href="#">ETHERC Mode Register (ECMR)</a> .....   | 747 |
| 29.2.2   | <a href="#">Receive Frame Maximum Length Register (RFLR)</a> .....                          | 749 |
| 29.2.3   | <a href="#">ETHERC Status Register (ECSR)</a> .....   | 750 |
| 29.2.4   | <a href="#">ETHERC Interrupt Enable Register (ECSIPR)</a> .....                             | 751 |
| 29.2.5   | <a href="#">PHY Interface Register (PIR)</a> .....  | 752 |
| 29.2.6   | <a href="#">PHY Status Register (PSR)</a> .....   | 752 |
| 29.2.7   | <a href="#">Random Number Generation Counter Upper Limit Setting Register (RDMLR)</a> ..... | 753 |
| 29.2.8   | <a href="#">Interpacket Gap Register (IPGR)</a> .....                                       | 753 |
| 29.2.9   | <a href="#">Automatic PAUSE Frame Register (APR)</a> .....                                  | 754 |

|          |  |     |
|----------|--|-----|
| 29.2.10  | Manual PAUSE Frame Register (MPR)                        | 754 |
| 29.2.11  | Received PAUSE Frame Counter (RFCF)                      | 755 |
| 29.2.12  | PAUSE Frame Retransmit Count Setting Register (TPAUSER)  | 755 |
| 29.2.13  | PAUSE Frame Retransmit Counter (TPAUSECR)                | 756 |
| 29.2.14  | Broadcast Frame Receive Count Setting Register (BCFRR)   | 756 |
| 29.2.15  | MAC Address Upper Bit Register (MAHR)                    | 757 |
| 29.2.16  | MAC Address Lower Bit Register (MALR)                    | 757 |
| 29.2.17  | Transmit Retry Over Counter Register (TROCR)             | 758 |
| 29.2.18  | Late Collision Detect Counter Register (CDCR)            | 758 |
| 29.2.19  | Lost Carrier Counter Register (LCCR)                     | 759 |
| 29.2.20  | Carrier Not Detect Counter Register (CNDCR)              | 759 |
| 29.2.21  | CRC Error Frame Receive Counter Register (CEFCR)         | 760 |
| 29.2.22  | Frame Receive Error Counter Register (FRECR)             | 760 |
| 29.2.23  | Too-Short Frame Receive Counter Register (TSFRCR)        | 761 |
| 29.2.24  | Too-Long Frame Receive Counter Register (TLFRCR)         | 761 |
| 29.2.25  | Received Alignment Error Frame Counter Register (RFCR)   | 762 |
| 29.2.26  | Multicast Address Frame Receive Counter Register (MAFCR) | 762 |
| 29.3     | Operation  | 763 |
| 29.3.1   | Transmission   | 763 |
| 29.3.2   | Reception  | 764 |
| 29.3.3   | Frame Timing   | 765 |
| 29.3.3.1 | MII frame timing   | 765 |
| 29.3.3.2 | RMII frame timing  | 767 |
| 29.3.4   | Accessing the MII and RMII Registers                     | 768 |
| 29.3.4.1 | MII and RMII management frame format                     | 768 |
| 29.3.4.2 | MII and RMII register access procedure                   | 768 |
| 29.3.5   | Magic Packet Detection                                   | 770 |
| 29.3.5.1 | Constraints on Magic Packet detection                    | 770 |
| 29.3.6   | Adjusting Transmission Efficiency by Changing the IPG    | 770 |
| 29.3.7   | Flow Control   | 771 |
| 29.3.7.1 | Automatic PAUSE frame transmission                       | 771 |
| 29.3.7.2 | Manual PAUSE frame transmission                          | 772 |
| 29.3.7.3 | PAUSE frame reception                                    | 772 |
| 29.3.8   | MAC Filter   | 772 |
| 29.4     | Interrupts   | 772 |
| 29.5     | Usage Notes  | 772 |
| 29.5.1   | Preventing the LCHNG Flag from Erroneously Setting to 1  | 772 |
| 29.5.2   | Input to RMII0_RX_ER Pin While RMII Is Selected          | 772 |
| 29.5.3   | Collision Occurrence in Half-Duplex Mode                 | 772 |
| 30.      | Ethernet DMA Controller (EDMAC)                          | 773 |
| 30.1     | Overview   | 773 |

|          |  |     |
|----------|--|-----|
| 30.2     | Register Descriptions .....  | 775 |
| 30.2.1   | EDMAC Mode Register (EDMR) .....   | 775 |
| 30.2.2   | EDMAC Transmit Request Register (EDTRR) .....                            | 776 |
| 30.2.3   | EDMAC Receive Request Register (EDRRR) .....                             | 776 |
| 30.2.4   | Transmit Descriptor List Start Address Register (TDLAR) .....            | 777 |
| 30.2.5   | Receive Descriptor List Start Address Register (RDLAR) .....             | 777 |
| 30.2.6   | ETHERC/EDMAC Status Register (EESR) .....                                | 778 |
| 30.2.7   | ETHERC/EDMAC Status Interrupt Enable Register (EESIPR) .....             | 781 |
| 30.2.8   | ETHERC/EDMAC Transmit/Receive Status Copy Enable Register (TRSCER) ..... | 782 |
| 30.2.9   | Missed-Frame Counter Register (RMFCR) .....                              | 783 |
| 30.2.10  | Transmit FIFO Threshold Register (TFTR) .....                            | 784 |
| 30.2.11  | FIFO Depth Register (FDR) .....  | 785 |
| 30.2.12  | Receive Method Control Register (RMCR) .....                             | 785 |
| 30.2.13  | Transmit FIFO Underflow Counter (TFUCR) .....                            | 786 |
| 30.2.14  | Receive FIFO Overflow Counter (RFOCR) .....                              | 786 |
| 30.2.15  | Independent Output Signal Setting Register (IOSR) .....                  | 787 |
| 30.2.16  | Flow Control Start FIFO Threshold Setting Register (FCFTR) .....         | 788 |
| 30.2.17  | Receive Data Padding Insert Register (RPADIR) .....                      | 789 |
| 30.2.18  | Transmit Interrupt Setting Register (TRIMD) .....                        | 790 |
| 30.2.19  | Receive Buffer Write Address Register (RBWAR) .....                      | 790 |
| 30.2.20  | Receive Descriptor Fetch Address Register (RDFAR) .....                  | 791 |
| 30.2.21  | Transmit Buffer Read Address Register (TBRAR) .....                      | 791 |
| 30.2.22  | Transmit Descriptor Fetch Address Register (TDFAR) .....                 | 792 |
| 30.3     | Operation .....  | 792 |
| 30.3.1   | Descriptor Lists and Data Buffers .....                                  | 792 |
| 30.3.1.1 | Transmit descriptor .....  | 792 |
| 30.3.1.2 | Receive descriptor .....   | 794 |
| 30.3.2   | Transmission .....   | 796 |
| 30.3.3   | Reception .....  | 797 |
| 30.3.4   | Multi-Buffer Frame Transmission .....                                    | 798 |
| 30.3.4.1 | Error processing while transmitting multi-buffer frame .....             | 798 |
| 30.3.4.2 | Error processing while receiving multi-buffer frame .....                | 799 |
| 30.4     | Interrupts .....   | 800 |
| 30.5     | Usage Notes .....  | 800 |
| 30.5.1   | Settings for the Module-Stop Function .....                              | 800 |
| 30.5.2   | Stopping the EDMAC during Operation .....                                | 800 |
| 31.      | USB 2.0 Full-Speed Module (USBFS) .....                                  | 801 |
| 31.1     | Overview .....   | 801 |
| 31.2     | Register Descriptions .....  | 803 |
| 31.2.1   | System Configuration Control Register (SYSCFG) .....                     | 803 |
| 31.2.2   | System Configuration Status Register 0 (SYSSTS0) .....                   | 804 |



|         |  |     |
|---------|--|-----|
| 31.2.3  | Device State Control Register 0 (DVSTCTR0) .....   | 805 |
| 31.2.4  | CFIFO Port Register (CFIFO/CFIFOL)<br>D0FIFO Port Register (D0FIFO/D0FIFOL)<br>D1FIFO Port Register (D1FIFO/D1FIFOL) .....           | 807 |
| 31.2.5  | CFIFO Port Select Register (CFIFOSEL)<br>D0FIFO Port Select Register (D0FIFOSEL)<br>D1FIFO Port Select Register (D1FIFOSEL) .....    | 809 |
| 31.2.6  | CFIFO Port Control Register (CFIFOCTR)<br>D0FIFO Port Control Register (D0FIFOCTR)<br>D1FIFO Port Control Register (D1FIFOCTR) ..... | 812 |
| 31.2.7  | Interrupt Enable Register 0 (INTENB0) .....  | 814 |
| 31.2.8  | Interrupt Enable Register 1 (INTENB1) .....  | 815 |
| 31.2.9  | BRDY Interrupt Enable Register (BRDYENB) .....   | 815 |
| 31.2.10 | NRDY Interrupt Enable Register (NRDYENB) .....   | 816 |
| 31.2.11 | BEMP Interrupt Enable Register (BEMPENB) .....   | 817 |
| 31.2.12 | SOF Output Configuration Register (SOFCFG) .....   | 818 |
| 31.2.13 | Interrupt Status Register 0 (INTSTS0) .....  | 818 |
| 31.2.14 | Interrupt Status Register 1 (INTSTS1) .....  | 821 |
| 31.2.15 | BRDY Interrupt Status Register (BRDYSTS) .....   | 823 |
| 31.2.16 | NRDY Interrupt Status Register (NRDYSTS) .....   | 824 |
| 31.2.17 | BEMP Interrupt Status Register (BEMPSTS) .....   | 824 |
| 31.2.18 | Frame Number Register (FRMNUM) .....   | 825 |
| 31.2.19 | Device State Change Register (DVCHGR) .....  | 826 |
| 31.2.20 | USB Address Register (USBADDR) .....   | 826 |
| 31.2.21 | USB Request Type Register (USBREQ) .....   | 827 |
| 31.2.22 | USB Request Value Register (USBVAL) .....  | 828 |
| 31.2.23 | USB Request Index Register (USBINDX) .....   | 828 |
| 31.2.24 | USB Request Length Register (USBLENG) .....  | 829 |
| 31.2.25 | DCP Configuration Register (DCPCFG) .....  | 829 |
| 31.2.26 | DCP Maximum Packet Size Register (DCPMAXP) .....   | 830 |
| 31.2.27 | DCP Control Register (DCPCTR) .....  | 831 |
| 31.2.28 | Pipe Window Select Register (PIPESEL) .....  | 834 |
| 31.2.29 | Pipe Configuration Register (PIPECFG) .....  | 834 |
| 31.2.30 | Pipe Maximum Packet Size Register (PIPEMAXP) .....   | 836 |
| 31.2.31 | Pipe Cycle Control Register (PIPEPERI) .....   | 837 |
| 31.2.32 | PIPE <sub>n</sub> Control Registers (PIPE <sub>n</sub> CTR) (n = 1 to 9) .....   | 838 |
| 31.2.33 | PIPE <sub>n</sub> Transaction Counter Enable Register (PIPE <sub>n</sub> TRE) (n = 1 to 5) .....                                     | 844 |
| 31.2.34 | PIPE <sub>n</sub> Transaction Counter Register (PIPE <sub>n</sub> TRN) (n = 1 to 5) .....  | 845 |
| 31.2.35 | Device Address n Configuration Register (DEVADD <sub>n</sub> ) (n = 0 to 5) .....  | 846 |
| 31.2.36 | PHY Cross Point Adjustment Register (PHYSLEW) .....  | 846 |
| 31.2.37 | Deep Software Standby USB Transceiver Control/Pin Monitor Register (DPUSR0R)<br>.....  | 847 |
| 31.2.38 | Deep Software Standby USB Suspend/Resume Interrupt Register (DPUSR1R) ....   | 848 |

|           |  |     |
|-----------|--|-----|
| 31.3      | Operation .....  | 850 |
| 31.3.1    | System Control .....   | 850 |
| 31.3.1.1  | Setting data to the USBFS registers .....  | 850 |
| 31.3.1.2  | Selecting the controller function .....  | 850 |
| 31.3.1.3  | Controlling the USB data bus using resistors .....                                     | 850 |
| 31.3.1.4  | Example external connection circuits .....   | 850 |
| 31.3.1.5  | Release from deep software standby mode because of USB suspend/resume interrupts ..... | 855 |
| 31.3.2    | Interrupts .....   | 858 |
| 31.3.3    | Interrupt Descriptions .....   | 861 |
| 31.3.3.1  | BRDY interrupt .....   | 861 |
| 31.3.3.2  | NRDY interrupt .....   | 864 |
| 31.3.3.3  | BEMP interrupt .....   | 866 |
| 31.3.3.4  | Device state transition interrupt (device controller mode) .....                       | 867 |
| 31.3.3.5  | Control transfer stage transition interrupt (device controller mode) .....             | 868 |
| 31.3.3.6  | Frame update interrupt .....   | 869 |
| 31.3.3.7  | VBUS interrupt .....   | 869 |
| 31.3.3.8  | Resume interrupt .....   | 869 |
| 31.3.3.9  | OVRCCR interrupt .....   | 869 |
| 31.3.3.10 | BCHG interrupt .....   | 869 |
| 31.3.3.11 | DTCH interrupt .....   | 869 |
| 31.3.3.12 | SACK interrupt .....   | 869 |
| 31.3.3.13 | SIGN interrupt .....   | 869 |
| 31.3.3.14 | ATTCH interrupt .....  | 870 |
| 31.3.3.15 | EOFERR interrupt .....   | 870 |
| 31.3.4    | Pipe Control .....   | 870 |
| 31.3.4.1  | Pipe control register switching procedures .....                                       | 872 |
| 31.3.4.2  | Transfer types .....   | 872 |
| 31.3.4.3  | Endpoint number .....  | 872 |
| 31.3.4.4  | Maximum packet size setting .....  | 873 |
| 31.3.4.5  | Transaction counter for pipes 1 to 5 in the receiving direction .....                  | 873 |
| 31.3.4.6  | Response PID .....   | 873 |
| 31.3.4.7  | Data PID sequence bit .....  | 874 |
| 31.3.4.8  | Response PID = NAK function .....  | 874 |
| 31.3.4.9  | Auto response mode .....   | 875 |
| 31.3.4.10 | OUT-NAK mode .....   | 875 |
| 31.3.4.11 | Null auto response mode .....  | 875 |
| 31.3.5    | FIFO Buffer .....  | 875 |
| 31.3.6    | FIFO Buffer Clearing .....   | 876 |
| 31.3.7    | FIFO Port Functions .....  | 876 |
| 31.3.8    | DMA Transfers (D0FIFO and D1FIFO Ports) .....  | 877 |

|           |   |     |
|-----------|---|-----|
| 31.3.9    | Control Transfers Using the DCP .....   | 878 |
| 31.3.9.1  | Control transfers in host controller mode .....   | 878 |
| 31.3.9.2  | Control transfers in device controller mode .....   | 879 |
| 31.3.10   | Bulk Transfers (Pipes 1 to 5) .....   | 880 |
| 31.3.11   | Interrupt Transfers (Pipes 6 to 9) .....  | 880 |
| 31.3.11.1 | Interval counter for interrupt transfers in host controller mode .....  | 880 |
| 31.3.12   | Isochronous Transfers (Pipes 1 and 2) .....   | 880 |
| 31.3.12.1 | Error detection in isochronous transfers .....  | 881 |
| 31.3.12.2 | DATA-PID .....  | 882 |
| 31.3.12.3 | Interval counter .....  | 882 |
| 31.3.13   | SOF Interpolation Function .....  | 887 |
| 31.3.14   | Pipe Schedule .....   | 888 |
| 31.3.14.1 | Conditions for generating transactions .....  | 888 |
| 31.3.14.2 | Transfer schedule .....   | 888 |
| 31.3.14.3 | Enabling USB communication .....  | 889 |
| 31.4      | Usage Notes .....   | 889 |
| 31.4.1    | Settings for the Module-Stop State .....  | 889 |
| 31.4.2    | Clearing the Interrupt Status Register on Exiting Software Standby Mode .....   | 889 |
| 31.4.3    | Clearing the Interrupt Status Register after Setting Up the Port Function .....   | 889 |
| 32.       | Serial Communications Interface (SCI) .....   | 890 |
| 32.1      | Overview .....  | 890 |
| 32.2      | Register Descriptions .....   | 894 |
| 32.2.1    | Receive Shift Register (RSR) .....  | 894 |
| 32.2.2    | <a href="#">Receive Data Register (RDR)</a> .....   | 894 |
| 32.2.3    | <a href="#">Receive 9-Bit Data Register (RDRHL)</a> .....   | 895 |
| 32.2.4    | Receive FIFO Data Register H, L, HL ( <a href="#">FRDRH</a> , <a href="#">FRDRL</a> , <a href="#">FRDRHL</a> ) .....                                | 896 |
| 32.2.5    | <a href="#">Transmit Data Register (TDR)</a> .....  | 897 |
| 32.2.6    | <a href="#">Transmit 9-Bit Data Register (TDRHL)</a> .....  | 897 |
| 32.2.7    | Transmit FIFO Data Register H, L, HL ( <a href="#">FTDRH</a> , <a href="#">FTDRL</a> , <a href="#">FTDRHL</a> ) .....                               | 898 |
| 32.2.8    | Transmit Shift Register (TSR) .....   | 899 |
| 32.2.9    | <a href="#">Serial Mode Register (SMR)</a> for Non-Smart Card Interface Mode (SCMR.SMIF = 0) .....  | 899 |
| 32.2.10   | <a href="#">Serial Mode Register</a> for Smart Card Interface Mode ( <a href="#">SMR_SMCI</a> ) (SCMR.SMIF = 1) .....                               | 900 |
| 32.2.11   | <a href="#">Serial Control Register (SCR)</a> for Non-Smart Card Interface Mode (SCMR.SMIF = 0) .....   | 902 |
| 32.2.12   | <a href="#">Serial Control Register</a> for Smart Card Interface Mode ( <a href="#">SCR_SMCI</a> ) (SCMR.SMIF = 1) .....                            | 904 |
| 32.2.13   | <a href="#">Serial Status Register (SSR)</a> for Non-Smart Card Interface and Non-FIFO Mode (SCMR.SMIF = 0 and FCR.FM = 0) .....                    | 905 |
| 32.2.14   | <a href="#">Serial Status Register</a> for Non-Smart Card Interface and FIFO Mode ( <a href="#">SSR_FIFO</a> ) (SCMR.SMIF = 0 and FCR.FM = 1) ..... | 908 |
| 32.2.15   | <a href="#">Serial Status Register</a> for Smart Card Interface Mode ( <a href="#">SSR_SMCI</a> ) (SCMR.SMIF = 1) .                                 |     |

|         |   |     |
|---------|---|-----|
| 32.2.16 | Smart Card Mode Register (SCMR) .....   | 913 |
| 32.2.17 | Bit Rate Register (BRR) .....   | 914 |
| 32.2.18 | Modulation Duty Register (MDDR) .....   | 924 |
| 32.2.19 | Serial Extended Mode Register (SEMR) .....  | 926 |
| 32.2.20 | Noise Filter Setting Register (SNFR) .....  | 928 |
| 32.2.21 | IIC Mode Register 1 (SIMR1) .....   | 928 |
| 32.2.22 | IIC Mode Register 2 (SIMR2) .....   | 929 |
| 32.2.23 | IIC Mode Register 3 (SIMR3) .....   | 930 |
| 32.2.24 | IIC Status Register (SISR) .....  | 932 |
| 32.2.25 | SPI Mode Register (SPMR) .....  | 932 |
| 32.2.26 | FIFO Control Register (FCR) .....   | 934 |
| 32.2.27 | FIFO Data Count Register (FDR) .....  | 935 |
| 32.2.28 | Line Status Register (LSR) .....  | 936 |
| 32.2.29 | Compare Match Data Register (CDR) .....   | 936 |
| 32.2.30 | Data Compare Match Control Register (DCCR) .....                                    | 937 |
| 32.2.31 | Serial Port Register (SPTR) .....   | 938 |
| 32.3    | Operation in Asynchronous Mode .....  | 939 |
| 32.3.1  | Serial Data Transfer Format .....   | 939 |
| 32.3.2  | Receive Data Sampling Timing and Reception Margin in Asynchronous Mode .....        | 941 |
| 32.3.3  | Clock .....   | 942 |
| 32.3.4  | Double-Speed Operation and Frequency of 6 Times the Bit Rate .....                  | 942 |
| 32.3.5  | CTS and RTS Functions .....   | 943 |
| 32.3.6  | Address Match (Receive Data Match Detection) Function .....                         | 943 |
| 32.3.7  | SCI Initialization in Asynchronous Mode .....                                       | 947 |
| 32.3.8  | Serial Data Transmission in Asynchronous Mode .....                                 | 948 |
| 32.3.9  | Serial Data Reception in Asynchronous Mode .....                                    | 953 |
| 32.4    | Multi-Processor Communication Function .....  | 960 |
| 32.4.1  | Multi-Processor Serial Data Transmission .....                                      | 961 |
| 32.4.2  | Multi-Processor Serial Data Reception .....   | 964 |
| 32.5    | Operation in Clock Synchronous Mode .....   | 968 |
| 32.5.1  | Clock .....   | 969 |
| 32.5.2  | CTS and RTS Functions .....   | 969 |
| 32.5.3  | SCI Initialization in Clock Synchronous Mode .....                                  | 970 |
| 32.5.4  | Serial Data Transmission in Clock Synchronous Mode .....                            | 972 |
| 32.5.5  | Serial Data Reception in Clock Synchronous Mode .....                               | 976 |
| 32.5.6  | Simultaneous Serial Data Transmission and Reception in Clock Synchronous Mode ..... | 981 |
| 32.6    | Operation in Smart Card Interface Mode .....  | 983 |
| 32.6.1  | Example Connection .....  | 983 |
| 32.6.2  | Data Format (Except in Block Transfer Mode) .....                                   | 984 |

|         |  |      |
|---------|--|------|
| 32.6.3  | Block Transfer Mode .....  | 985  |
| 32.6.4  | Receive Data Sampling Timing and Reception Margin .....  | 985  |
| 32.6.5  | Initialization of the SCI .....  | 986  |
| 32.6.6  | Serial Data Transmission (Except in Block Transfer Mode) .....                                 | 988  |
| 32.6.7  | Serial Data Reception (Except in Block Transfer Mode) .....                                    | 990  |
| 32.6.8  | Clock Output Control .....   | 992  |
| 32.7    | Operation in Simple IIC Mode .....   | 992  |
| 32.7.1  | Generation of Start, Restart, and Stop Conditions .....  | 993  |
| 32.7.2  | Clock Synchronization .....  | 994  |
| 32.7.3  | SDA Output Delay .....   | 995  |
| 32.7.4  | SCI Initialization in Simple IIC Mode .....  | 996  |
| 32.7.5  | Operation in Master Transmission in Simple IIC Mode .....                                      | 997  |
| 32.7.6  | Master Reception in Simple IIC Mode .....  | 1000 |
| 32.8    | Operation in Simple SPI Mode .....   | 1002 |
| 32.8.1  | States of Pins in Master and Slave Modes .....   | 1002 |
| 32.8.2  | SS Function in Master Mode .....   | 1003 |
| 32.8.3  | SS Function in Slave Mode .....  | 1003 |
| 32.8.4  | Relationship between Clock and Transmit/Receive Data .....                                     | 1003 |
| 32.8.5  | SCI Initialization in Simple SPI Mode .....  | 1004 |
| 32.8.6  | Transmission and Reception of Serial Data in Simple SPI Mode .....                             | 1004 |
| 32.9    | Bit Rate Modulation Function .....   | 1004 |
| 32.10   | Interrupt Sources .....  | 1005 |
| 32.10.1 | Buffer Operation for SCIn_TXI and SCIn_RXI Interrupts (non-FIFO selected) .....                | 1005 |
| 32.10.2 | Buffer Operation for SCIn_TXI and SCIn_RXI Interrupts (FIFO selected) .....                    | 1005 |
| 32.10.3 | Interrupts in Asynchronous, Clock Synchronous, and Simple SPI Modes .....                      | 1005 |
| 32.10.4 | Interrupts in Smart Card Interface Mode .....  | 1007 |
| 32.10.5 | Interrupts in Simple IIC Mode .....  | 1007 |
| 32.11   | Event Linking .....  | 1008 |
| 32.12   | Address mismatch event output (SCI0_DCUF) .....  | 1009 |
| 32.13   | Noise Cancellation Function .....  | 1009 |
| 32.14   | Usage Notes .....  | 1010 |
| 32.14.1 | Settings for the Module-Stop Function .....  | 1010 |
| 32.14.2 | SCI Operation during Low Power State .....   | 1010 |
| 32.14.3 | Break Detection and Processing .....   | 1014 |
| 32.14.4 | Mark State and Production of Breaks .....  | 1015 |
| 32.14.5 | Receive Error Flags and Transmit Operation in Clock Synchronous and Simple SPI Modes .....     | 1015 |
| 32.14.6 | Restrictions on Clock Synchronous Transmission in Clock Synchronous and Simple SPI Modes ..... | 1015 |
| 32.14.7 | Restrictions on Using DMAC or DTC .....  | 1016 |
| 32.14.8 | Notes on Starting Transfer .....   | 1017 |
| 32.14.9 | External Clock Input in Clock Synchronous and Simple SPI Modes .....                           | 1017 |

|          |   |      |
|----------|---|------|
| 32.14.10 | Limitations on Simple SPI Mode .....                            | 1017 |
| 33.      | IrDA Interface .....  | 1019 |
| 33.1     | Overview .....  | 1019 |
| 33.2     | Register Descriptions .....                                     | 1020 |
| 33.2.1   | IrDA Control Register (IRCR) .....                              | 1020 |
| 33.3     | Operation .....   | 1021 |
| 33.3.1   | IrDA Interface Setup Procedure .....                            | 1021 |
| 33.3.2   | Transmission .....  | 1021 |
| 33.3.3   | Reception .....   | 1021 |
| 33.4     | Usage Notes .....   | 1022 |
| 33.4.1   | Settings for the Module-Stop Function .....                     | 1022 |
| 33.4.2   | Asynchronous Reference Clock for SCI1 .....                     | 1022 |
| 34.      | I <sup>2</sup> C Bus Interface (IIC) .....                      | 1023 |
| 34.1     | Overview .....  | 1023 |
| 34.2     | Register Descriptions .....                                     | 1026 |
| 34.2.1   | I <sup>2</sup> C Bus Control Register 1 (ICCR1) .....           | 1026 |
| 34.2.2   | I <sup>2</sup> C Bus Control Register 2 (ICCR2) .....           | 1028 |
| 34.2.3   | I <sup>2</sup> C Bus Mode Register 1 (ICMR1) .....              | 1031 |
| 34.2.4   | I <sup>2</sup> C Bus Mode Register 2 (ICMR2) .....              | 1032 |
| 34.2.5   | I <sup>2</sup> C Bus Mode Register 3 (ICMR3) .....              | 1033 |
| 34.2.6   | I <sup>2</sup> C Bus Function Enable Register (ICFER) .....     | 1035 |
| 34.2.7   | I <sup>2</sup> C Bus Status Enable Register (ICSER) .....       | 1036 |
| 34.2.8   | I <sup>2</sup> C Bus Interrupt Enable Register (ICIER) .....    | 1037 |
| 34.2.9   | I <sup>2</sup> C Bus Status Register 1 (ICSR1) .....            | 1038 |
| 34.2.10  | I <sup>2</sup> C Bus Status Register 2 (ICSR2) .....            | 1041 |
| 34.2.11  | I <sup>2</sup> C Bus Wakeup Unit Register (ICWUR) .....         | 1044 |
| 34.2.12  | I <sup>2</sup> C-Bus Wakeup Unit Register 2 (ICWUR2) .....      | 1045 |
| 34.2.13  | Slave Address Register L y (SARLy) (y = 0 to 2) .....           | 1046 |
| 34.2.14  | Slave Address Register U y (SARUy) (y = 0 to 2) .....           | 1046 |
| 34.2.15  | I <sup>2</sup> C Bus Bit Rate Low-Level Register (ICBRL) .....  | 1047 |
| 34.2.16  | I <sup>2</sup> C Bus Bit Rate High-Level Register (ICBRH) ..... | 1047 |
| 34.2.17  | I <sup>2</sup> C Bus Transmit Data Register (ICDRT) .....       | 1049 |
| 34.2.18  | I <sup>2</sup> C Bus Receive Data Register (ICDRR) .....        | 1049 |
| 34.2.19  | I <sup>2</sup> C Bus Shift Register (ICDRS) .....               | 1049 |
| 34.3     | Operation .....   | 1049 |
| 34.3.1   | Communication Data Format .....                                 | 1049 |
| 34.3.2   | Initial Settings .....  | 1050 |
| 34.3.3   | Master Transmit Operation .....                                 | 1051 |
| 34.3.4   | Master Receive Operation .....                                  | 1055 |
| 34.3.5   | Slave Transmit Operation .....                                  | 1060 |
| 34.3.6   | Slave Receive Operation .....                                   | 1063 |

|         |  |      |
|---------|--|------|
| 34.4    | SCL Synchronization Circuit .....  | 1065 |
| 34.5    | SDA Output Delay Function .....  | 1066 |
| 34.6    | Digital Noise Filter Circuits .....  | 1067 |
| 34.7    | Address Match Detection .....  | 1067 |
| 34.7.1  | Slave-Address Match Detection .....  | 1067 |
| 34.7.2  | Detection of General Call Address .....  | 1069 |
| 34.7.3  | Device ID Address Detection .....  | 1070 |
| 34.7.4  | Host Address Detection .....   | 1071 |
| 34.8    | Wakeup Function .....  | 1071 |
| 34.8.1  | Normal Wakeup Mode 1 .....   | 1072 |
| 34.8.2  | Normal Wakeup Mode 2 .....   | 1075 |
| 34.8.3  | Command Recovery Mode and EEP Response Mode (Special Wakeup Modes) ..            | 1077 |
| 34.8.4  | Precautions for WFI Instruction Execution .....                                  | 1080 |
| 34.9    | Automatic Low-Hold Function for SCL .....  | 1080 |
| 34.9.1  | Function to Prevent Wrong Transmission of Transmit Data .....                    | 1080 |
| 34.9.2  | NACK Reception Transfer Suspension Function .....                                | 1081 |
| 34.9.3  | Function to Prevent Failure to Receive Data .....                                | 1082 |
| 34.10   | Arbitration-Lost Detection Functions .....                                       | 1084 |
| 34.10.1 | Master Arbitration-Lost Detection (MALE Bit) .....                               | 1084 |
| 34.10.2 | Function to Detect Loss of Arbitration during NACK Transmission (NALE Bit) ..... | 1086 |
| 34.10.3 | Slave Arbitration-Lost Detection (SALE Bit) .....                                | 1087 |
| 34.11   | Start, Restart, and Stop Condition Issuing Function .....                        | 1087 |
| 34.11.1 | Issuing a Start Condition .....  | 1087 |
| 34.11.2 | Issuing a Restart Condition .....  | 1088 |
| 34.11.3 | Issuing a Stop Condition .....   | 1089 |
| 34.12   | Bus Hanging .....  | 1090 |
| 34.12.1 | Timeout Function .....   | 1090 |
| 34.12.2 | Extra SCL Clock Cycle Output Function .....                                      | 1091 |
| 34.12.3 | IIC Reset and Internal Reset .....   | 1092 |
| 34.13   | SMBus Operation .....  | 1092 |
| 34.13.1 | SMBus Timeout Measurement .....  | 1093 |
| 34.13.2 | Packet Error Code (PEC) .....  | 1094 |
| 34.13.3 | SMBus Host Notification Protocol (Notify ARP Master Command) .....               | 1094 |
| 34.14   | Interrupt Sources .....  | 1094 |
| 34.14.1 | Buffer Operation for IICn_TXI and IICn_RXI Interrupts .....                      | 1095 |
| 34.15   | State of Registers when Issuing each Condition .....                             | 1095 |
| 34.16   | Output to the Event Link Controller (ELC) .....                                  | 1097 |
| 34.16.1 | Interrupt Handling and Event Linking .....                                       | 1097 |
| 34.17   | Usage Notes .....  | 1097 |
| 34.17.1 | Settings for the Module-Stop Function .....                                      | 1097 |
| 34.17.2 | Starting Transfer after an Interrupt Occurrence .....                            | 1097 |

|         |  |      |
|---------|--|------|
| 35.     | Controller Area Network (CAN) Module .....                                       | 1098 |
| 35.1    | Overview .....   | 1098 |
| 35.2    | Register Descriptions .....  | 1100 |
| 35.2.1  | Control Register (CTRL) .....  | 1100 |
| 35.2.2  | Bit Configuration Register (BCR) .....   | 1103 |
| 35.2.3  | Mask Register k (MKRk) (k = 0 to 7) .....  | 1104 |
| 35.2.4  | FIFO Received ID Compare Registers 0 and 1 (FIDCR0 and FIDCR1) .....             | 1105 |
| 35.2.5  | Mask Invalid Register (MKIVLR) .....   | 1106 |
| 35.2.6  | Mailbox Register j (MBj_ID, MBj_DL, MBj_Dm, MBj_TS) (j = 0 to 31; m = 0 to 7) .. | 1106 |
| 35.2.7  | Mailbox Interrupt Enable Register (MIER) .....                                   | 1110 |
| 35.2.8  | Mailbox Interrupt Enable Register for FIFO Mailbox Mode (MIER_FIFO) .....        | 1111 |
| 35.2.9  | Message Control Register for Transmit (MCTL_TXj) (j = 0 to 31) .....             | 1112 |
| 35.2.10 | Message Control Register for Receive (MCTL_RXj) (j = 0 to 31) .....              | 1114 |
| 35.2.11 | Receive FIFO Control Register (RFCR) .....                                       | 1115 |
| 35.2.12 | Receive FIFO Pointer Control Register (RFPCR) .....                              | 1117 |
| 35.2.13 | Transmit FIFO Control Register (TFCR) .....                                      | 1118 |
| 35.2.14 | Transmit FIFO Pointer Control Register (TFPCR) .....                             | 1119 |
| 35.2.15 | Status Register (STR) .....  | 1120 |
| 35.2.16 | Mailbox Search Mode Register (MSMR) .....  | 1122 |
| 35.2.17 | Mailbox Search Status Register (MSSR) .....                                      | 1122 |
| 35.2.18 | Channel Search Support Register (CSSR) .....                                     | 1123 |
| 35.2.19 | Acceptance Filter Support Register (AFSR) .....                                  | 1124 |
| 35.2.20 | Error Interrupt Enable Register (EIER) .....                                     | 1125 |
| 35.2.21 | Error Interrupt Factor Judge Register (EIFR) .....                               | 1126 |
| 35.2.22 | Receive Error Count Register (RECR) .....  | 1128 |
| 35.2.23 | Transmit Error Count Register (TECR) .....                                       | 1128 |
| 35.2.24 | Error Code Store Register (ECSR) .....   | 1129 |
| 35.2.25 | Time Stamp Register (TSR) .....  | 1130 |
| 35.2.26 | Test Control Register (TCR) .....  | 1130 |
| 35.3    | Operation Modes .....  | 1132 |
| 35.3.1  | CAN Reset Mode .....   | 1132 |
| 35.3.2  | CAN Halt Mode .....  | 1133 |
| 35.3.3  | CAN Sleep Mode .....   | 1134 |
| 35.3.4  | CAN Operation Mode (Excluding Bus-Off State) .....                               | 1134 |
| 35.3.5  | CAN Operation Mode (Bus-Off State) .....   | 1135 |
| 35.4    | Data Transfer Rate Configuration .....   | 1136 |
| 35.4.1  | Clock Setting .....  | 1136 |
| 35.4.2  | Bit Timing Setting .....   | 1136 |
| 35.4.3  | Data Transfer Rate .....   | 1136 |
| 35.5    | Mailbox and Mask Register Structure .....  | 1137 |
| 35.6    | Acceptance Filtering and Masking Functions .....                                 | 1138 |



|          |   |      |
|----------|---|------|
| 35.7     | Reception and Transmission .....  | 1140 |
| 35.7.1   | Reception .....   | 1141 |
| 35.7.2   | Transmission .....  | 1143 |
| 35.8     | Interrupts .....  | 1143 |
| 35.9     | Usage Notes .....   | 1144 |
| 35.9.1   | Settings for the Module-Stop Function .....   | 1144 |
| 35.9.2   | Settings for the Operating Clock .....  | 1144 |
| 36.      | Serial Peripheral Interface (SPI) .....   | 1145 |
| 36.1     | Overview .....  | 1145 |
| 36.2     | Register Descriptions .....   | 1147 |
| 36.2.1   | <a href="#">SPI Control Register (SPCR)</a> .....                                       | 1147 |
| 36.2.2   | <a href="#">SPI Slave Select Polarity Register (SSLP)</a> .....                         | 1149 |
| 36.2.3   | <a href="#">SPI Pin Control Register (SPPCR)</a> .....                                  | 1149 |
| 36.2.4   | <a href="#">SPI Status Register (SPSR)</a> .....  | 1150 |
| 36.2.5   | <a href="#">SPI Data Register (SPDR/SPDR_HA)</a> .....                                  | 1152 |
| 36.2.6   | <a href="#">SPI Sequence Control Register (SPSCR)</a> .....                             | 1155 |
| 36.2.7   | <a href="#">SPI Sequence Status Register (SPSSR)</a> .....                              | 1156 |
| 36.2.8   | <a href="#">SPI Bit Rate Register (SPBR)</a> .....                                      | 1157 |
| 36.2.9   | <a href="#">SPI Data Control Register (SPDCR)</a> .....                                 | 1158 |
| 36.2.10  | <a href="#">SPI Clock Delay Register (SPCKD)</a> .....                                  | 1159 |
| 36.2.11  | <a href="#">SPI Slave Select Negation Delay Register (SSLND)</a> .....                  | 1160 |
| 36.2.12  | <a href="#">SPI Next-Access Delay Register (SPND)</a> .....                             | 1160 |
| 36.2.13  | <a href="#">SPI Control Register 2 (SPCR2)</a> .....                                    | 1161 |
| 36.2.14  | SPI Command Registers 0 to 7 ( <a href="#">SPCMD0</a> to <a href="#">SPCMD7</a> ) ..... | 1162 |
| 36.2.15  | <a href="#">SPI Data Control Register 2 (SPDCR2)</a> .....                              | 1164 |
| 36.3     | Operation .....   | 1165 |
| 36.3.1   | Overview of SPI Operation .....   | 1165 |
| 36.3.2   | Controlling the SPI Pins .....  | 1166 |
| 36.3.3   | SPI System Configuration Examples .....   | 1167 |
| 36.3.3.1 | Single master and single slave with the MCU as a master .....                           | 1167 |
| 36.3.3.2 | Single master and single slave with the MCU as a slave .....                            | 1168 |
| 36.3.3.3 | Single master and multi slave with the MCU as a master .....                            | 1169 |
| 36.3.3.4 | Single master and multi-slave with the MCU as a slave .....                             | 1170 |
| 36.3.3.5 | Multi master and multi slave with the MCU as a master .....                             | 1170 |
| 36.3.3.6 | Master and slave in clock synchronous mode with the MCU as a master .....               | 1171 |
| 36.3.3.7 | Master and slave in clock synchronous mode with the MCU as a slave .....                | 1172 |
| 36.3.4   | Data Formats .....  | 1172 |
| 36.3.4.1 | Operation when parity is disabled ( <a href="#">SPCR2.SPPE</a> = 0) .....               | 1173 |
| 36.3.4.2 | Operation when parity is enabled ( <a href="#">SPCR2.SPPE</a> = 1) .....                | 1177 |
| 36.3.5   | Transfer Formats .....  | 1181 |
| 36.3.5.1 | Transfer format when <a href="#">CPHA</a> = 0 .....                                     | 1181 |

|           |  |      |
|-----------|--|------|
| 36.3.5.2  | When CPHA = 1 .....  | 1182 |
| 36.3.6    | Data Transfer Modes .....  | 1183 |
| 36.3.6.1  | Full-duplex synchronous serial communications (SPCR.TXMD = 0) .....              | 1183 |
| 36.3.6.2  | Transmit operations only (SPCR.TXMD = 1) .....                                   | 1184 |
| 36.3.7    | Transmit Buffer Empty and Receive Buffer Full Interrupts .....                   | 1185 |
| 36.3.8    | Error Detection .....  | 1186 |
| 36.3.8.1  | Overrun errors .....   | 1188 |
| 36.3.8.2  | Parity errors .....  | 1190 |
| 36.3.8.3  | Mode fault errors .....  | 1190 |
| 36.3.8.4  | Underrun errors .....  | 1191 |
| 36.3.9    | Initializing the SPI .....   | 1191 |
| 36.3.9.1  | Initialization by clearing of the SPE bit .....                                  | 1191 |
| 36.3.9.2  | System reset .....   | 1191 |
| 36.3.10   | SPI Operation .....  | 1191 |
| 36.3.10.1 | Master mode operation .....  | 1191 |
| 36.3.10.2 | Slave mode operation .....   | 1202 |
| 36.3.11   | Clock Synchronous Operation .....  | 1205 |
| 36.3.11.1 | Master mode operation .....  | 1206 |
| 36.3.11.2 | Slave mode operation .....   | 1210 |
| 36.3.12   | Loopback Mode .....  | 1212 |
| 36.3.13   | Self-Diagnosis of Parity Bit Function .....                                      | 1212 |
| 36.3.14   | Interrupt Sources .....  | 1214 |
| 36.4      | Output to the Event Link Controller (ELC) .....                                  | 1214 |
| 36.4.1    | Receive Buffer Full Event Output .....   | 1215 |
| 36.4.2    | Transmit Buffer Empty Event Output .....   | 1215 |
| 36.4.3    | Mode-Fault, Underrun, Overrun, or Parity Error Event Output .....                | 1215 |
| 36.4.4    | SPI Idle Event Output .....  | 1215 |
| 36.4.5    | Transmission-Completed Event Output .....  | 1215 |
| 36.5      | Usage Notes .....  | 1216 |
| 36.5.1    | Settings for the Module-Stop Function .....                                      | 1216 |
| 36.5.2    | Constraint on Low Power Functions .....  | 1216 |
| 36.5.3    | Constraints on Starting Transfer .....   | 1216 |
| 36.5.4    | Constraints on Mode-Fault, Underrun, Overrun, or Parity Error Event Output ..... | 1216 |
| 36.5.5    | Constraints on the SPRF and SPTEF Flags .....                                    | 1216 |
| 37.       | Quad Serial Peripheral Interface (QSPI) .....                                    | 1217 |
| 37.1      | Overview .....   | 1217 |
| 37.2      | Register Descriptions .....  | 1218 |
| 37.2.1    | Transfer Mode Control Register (SFMSMD) .....                                    | 1218 |
| 37.2.2    | Chip Selection Control Register (FMSSC) .....                                    | 1219 |
| 37.2.3    | Clock Control Register (SFMSKC) .....  | 1220 |
| 37.2.4    | Status Register (SFMSST) .....   | 1221 |

|         |   |      |
|---------|---|------|
| 37.2.5  | Communication Port Register (SFMCOM)              | 1222 |
| 37.2.6  | Communication Mode Control Register (SFMCMD)      | 1222 |
| 37.2.7  | Communication Status Register (SFMCST)            | 1223 |
| 37.2.8  | Instruction Code Register (SFMSIC)                | 1223 |
| 37.2.9  | Address Mode Control Register (SFMSAC)            | 1224 |
| 37.2.10 | Dummy Cycle Control Register (SFMSDC)             | 1225 |
| 37.2.11 | SPI Protocol Control Register (SFMSPC)            | 1226 |
| 37.2.12 | Port Control Register (SFMPMD)                    | 1226 |
| 37.2.13 | External QSPI Address Register (SFMCNT1)          | 1227 |
| 37.3    | Memory Map  | 1227 |
| 37.3.1  | Internal Bus Space                                | 1227 |
| 37.3.2  | Address Width of the SPI Space and SPI Bus        | 1228 |
| 37.4    | SPI Bus   | 1229 |
| 37.4.1  | SPI Protocol                                      | 1229 |
| 37.4.2  | SPI Mode  | 1231 |
| 37.5    | SPI Bus Timing Adjustment                         | 1231 |
| 37.5.1  | SPI Bus Reference Cycles                          | 1231 |
| 37.5.2  | QSPCLK Signal Duty Ratio                          | 1232 |
| 37.5.3  | Minimum High-Level Width for the QSSL Signal      | 1233 |
| 37.5.4  | QSSL Signal Setup Time                            | 1233 |
| 37.5.5  | QSSL Signal Hold Time                             | 1233 |
| 37.5.6  | Hold Time of the Serial Data Output Enable        | 1234 |
| 37.5.7  | Setup Time for Serial Data Output                 | 1234 |
| 37.5.8  | Hold Time for Serial Data Output                  | 1235 |
| 37.5.9  | Serial Data Receiving Latency                     | 1235 |
| 37.6    | SPI Instruction Set Used for Flash Access         | 1236 |
| 37.6.1  | SPI Instructions That Are Automatically Generated | 1236 |
| 37.6.2  | Standard Read Instruction                         | 1237 |
| 37.6.3  | Fast Read Instruction                             | 1238 |
| 37.6.4  | Fast Read Dual Output Instruction                 | 1239 |
| 37.6.5  | Fast Read Dual I/O Instruction                    | 1240 |
| 37.6.6  | Fast Read Quad Output Instruction                 | 1241 |
| 37.6.7  | Fast Read Quad I/O Instruction                    | 1241 |
| 37.6.8  | Enter 4-Byte Mode Instruction                     | 1243 |
| 37.6.9  | Exit 4-Byte Mode Instruction                      | 1243 |
| 37.6.10 | Write Enable Instruction                          | 1244 |
| 37.7    | SPI Bus Cycle Arrangement                         | 1244 |
| 37.7.1  | Flash Read Based on Individual Conversion         | 1244 |
| 37.7.2  | Flash Read Using the Prefetch Function            | 1245 |
| 37.7.3  | Halt of Prefetching                               | 1245 |
| 37.7.4  | Direct Specification of Prefetch Destination      | 1245 |

|         |   |      |
|---------|---|------|
| 37.7.5  | Prefetch State Polling .....  | 1246 |
| 37.7.6  | Flash Read Using the SPI Bus Cycle Extension Function .....                 | 1246 |
| 37.8    | XIP Control .....   | 1247 |
| 37.8.1  | Selecting the XIP Mode .....  | 1247 |
| 37.8.2  | Releasing the XIP Mode .....  | 1247 |
| 37.9    | QIO2 and QIO3 Pin States .....  | 1248 |
| 37.10   | Direct Communication Mode .....   | 1248 |
| 37.10.1 | About Direct Communication .....  | 1248 |
| 37.10.2 | Using Direct Communication Mode .....                                       | 1248 |
| 37.10.3 | Generating the SPI Bus Cycle during Direct Communication .....              | 1249 |
| 37.11   | Operation .....   | 1250 |
| 37.11.1 | Procedure for Changing Settings in Multiple Control Registers .....         | 1250 |
| 37.12   | Interrupts .....  | 1250 |
| 37.13   | Usage Notes .....   | 1251 |
| 37.13.1 | Settings for the Module-Stop Function .....                                 | 1251 |
| 38.     | Cyclic Redundancy Check (CRC) Calculator .....                              | 1252 |
| 38.1    | Overview .....  | 1252 |
| 38.2    | Register Descriptions .....   | 1253 |
| 38.2.1  | <a href="#">CRC Control Register 0 (CRCCR0)</a> .....                       | 1253 |
| 38.2.2  | <a href="#">CRC Control Register 1 (CRCCR1)</a> .....                       | 1254 |
| 38.2.3  | <a href="#">CRC Data Input Register (CRCDIR/CRCDIR_BY)</a> .....            | 1254 |
| 38.2.4  | <a href="#">CRC Data Output Register (CRCDOR/CRCDOR_HA/CRCDOR_BY)</a> ..... | 1255 |
| 38.2.5  | <a href="#">Snoop Address Register (CRCSAR)</a> .....                       | 1255 |
| 38.3    | Operation .....   | 1257 |
| 38.3.1  | Basic Operation .....   | 1257 |
| 38.3.2  | CRC Snoop .....   | 1261 |
| 38.4    | Usage Notes .....   | 1261 |
| 38.4.1  | Settings for the Module-Stop Function .....                                 | 1261 |
| 38.4.2  | Note on Transmission .....  | 1261 |
| 39.     | Serial Sound Interface Enhanced (SSIE) .....                                | 1263 |
| 39.1    | Overview .....  | 1263 |
| 39.2    | Features .....  | 1263 |
| 39.3    | Block Diagram .....   | 1265 |
| 39.4    | Register Descriptions .....   | 1267 |
| 39.4.1  | <a href="#">Control Register (SSICR)</a> .....                              | 1267 |
| 39.4.2  | <a href="#">Status Register (SSISR)</a> .....                               | 1276 |
| 39.4.3  | <a href="#">FIFO Control Register (SSIFCR)</a> .....                        | 1286 |
| 39.4.4  | <a href="#">FIFO Status Register (SSIFSR)</a> .....                         | 1292 |
| 39.4.5  | <a href="#">Transmit FIFO Data Register (SSIFTRDR)</a> .....                | 1294 |
| 39.4.6  | <a href="#">Receive FIFO Data Register (SSIFRDR)</a> .....                  | 1297 |
| 39.4.7  | <a href="#">Audio Format Register (SSIOFR)</a> .....                        | 1299 |

|           |  |      |
|-----------|--|------|
| 39.4.8    | <a href="#">Status Control Register (SSISCR)</a>   | 1303 |
| 39.5      | Communication Formats                              | 1304 |
| 39.5.1    | I <sup>2</sup> S Format                            | 1305 |
| 39.5.2    | Monaural Format                                    | 1305 |
| 39.5.2.1  | Short frame  | 1306 |
| 39.5.2.2  | Long frame   | 1306 |
| 39.5.3    | TDM Format   | 1307 |
| 39.6      | Communication Modes                                | 1308 |
| 39.6.1    | Slave-mode Communication                           | 1308 |
| 39.6.2    | Master-mode Communication                          | 1308 |
| 39.6.3    | Transmission                                       | 1309 |
| 39.6.4    | Reception  | 1309 |
| 39.6.5    | Transmission and Reception                         | 1309 |
| 39.7      | Operation  | 1309 |
| 39.7.1    | Idle State   | 1310 |
| 39.7.2    | Communication States                               | 1312 |
| 39.7.2.1  | Data communication state                           | 1313 |
| 39.7.2.2  | Padding communication                              | 1315 |
| 39.8      | Communication Operation                            | 1315 |
| 39.8.1    | Start Communication                                | 1316 |
| 39.8.2    | Transmission                                       | 1317 |
| 39.8.3    | Reception  | 1318 |
| 39.8.4    | Transmission and Reception                         | 1318 |
| 39.8.5    | Halt Communication                                 | 1319 |
| 39.8.6    | Error Handling                                     | 1320 |
| 39.8.7    | Resume Communication                               | 1321 |
| 39.9      | Interrupts   | 1322 |
| 39.9.1    | SSIE0_SSIF Interrupt                               | 1322 |
| 39.9.2    | SSIE0_SSITXI Interrupt [Full-duplex communication] | 1323 |
| 39.9.3    | SSIE0_SSIRXI Interrupt                             | 1323 |
| 39.10     | Software Resets                                    | 1323 |
| 39.10.1   | Software Reset Procedure                           | 1323 |
| 39.11     | Notes  | 1324 |
| 39.11.1   | Notes for Slave-mode Communication                 | 1324 |
| 39.11.1.1 | ADCKE control                                      | 1324 |
| 39.11.1.2 | SSILRCK/SSIFS pin                                  | 1324 |
| 39.11.2   | Notes for Master-mode Communication                | 1325 |
| 39.11.2.1 | ADCKE control                                      | 1325 |
| 39.11.2.2 | LRCONT control                                     | 1325 |
| 39.11.2.3 | BCKASTP control                                    | 1325 |
| 39.11.3   | Notes for Communication Flow                       | 1325 |

|           |   |      |
|-----------|---|------|
| 39.11.3.1 | When an error interrupt is generated .....  | 1325 |
| 39.11.3.2 | Transmit data empty interrupt .....   | 1326 |
| 39.11.3.3 | Receive data full interrupt .....   | 1326 |
| 39.11.3.4 | Switching transfer modes .....  | 1326 |
| 39.11.3.5 | Resume communication after halting SSIE .....   | 1326 |
| 39.11.4   | Write Access Restriction .....  | 1326 |
| 39.11.4.1 | SSICR register .....  | 1326 |
| 39.11.4.2 | SSISR register .....  | 1326 |
| 39.11.4.3 | Communication state .....   | 1327 |
| 40.       | Sampling Rate Converter (SRC) .....   | 1328 |
| 40.1      | Overview .....  | 1328 |
| 40.2      | Register Descriptions .....   | 1329 |
| 40.2.1    | <a href="#">Input Data Register (SRCID)</a> .....   | 1329 |
| 40.2.2    | <a href="#">Output Data Register (SRCOD)</a> .....  | 1329 |
| 40.2.3    | <a href="#">Input Data Control Register (SRCIDCTRL)</a> .....   | 1330 |
| 40.2.4    | <a href="#">Output Data Control Register (SRCODCTRL)</a> .....  | 1331 |
| 40.2.5    | <a href="#">Control Register (SRCCTRL)</a> .....  | 1332 |
| 40.2.6    | <a href="#">Status Register (SRCSTAT)</a> .....   | 1335 |
| 40.2.7    | <a href="#">Filter Coefficient Table n (SRCFCTRn) (n = 0 to 5551)</a> .....   | 1337 |
| 40.3      | Operation .....   | 1337 |
| 40.3.1    | Initial Settings .....  | 1337 |
| 40.3.2    | Data Input .....  | 1338 |
| 40.3.3    | Data Output .....   | 1339 |
| 40.4      | Interrupts .....  | 1340 |
| 40.5      | Usage Notes .....   | 1341 |
| 40.5.1    | Notes on Accessing Registers .....  | 1341 |
| 40.5.2    | Notes on Flush Processing .....   | 1341 |
| 40.5.3    | Notes on DMAC or DTC Transfer .....   | 1341 |
| 40.5.4    | Notes on SRC Operation .....  | 1341 |
| 40.5.5    | Settings for the Module-Stop Function .....   | 1341 |
| 41.       | SD/MMC Host Interface (SDHI) .....  | 1342 |
| 41.1      | Overview .....  | 1342 |
| 41.2      | Register Descriptions .....   | 1344 |
| 41.2.1    | <a href="#">Command Type Register (SD_CMD)</a> .....  | 1344 |
| 41.2.2    | <a href="#">SD Command Argument Register (SD_ARG)</a> .....   | 1345 |
| 41.2.3    | <a href="#">SD Command Argument Register 1 (SD_ARG1)</a> .....  | 1345 |
| 41.2.4    | <a href="#">Data Stop Register (SD_STOP)</a> .....  | 1346 |
| 41.2.5    | <a href="#">Block Count Register (SD_SECCNT)</a> .....  | 1347 |
| 41.2.6    | <a href="#">SD Card Response Register 10 (SD_RSP10), SD Card Response Register 32 (SD_RSP32), SD Card Response Register 54 (SD_RSP54)</a> ..... | 1347 |
| 41.2.7    | <a href="#">SD Card Response Register 1 (SD_RSP1), SD Card Response Register 3 (SD_RSP3), SD Card Response Register 5 (SD_RSP5)</a> .....       | 1347 |

|           |   |      |
|-----------|---|------|
| 41.2.8    | SD Card Response Register 76 (SD_RSP76)                 | 1348 |
| 41.2.9    | SD Card Response Register 7 (SD_RSP7)                   | 1348 |
| 41.2.10   | SD Card Interrupt Flag Register 1 (SD_INFO1)            | 1349 |
| 41.2.11   | SD Card Interrupt Flag Register 2 (SD_INFO2)            | 1352 |
| 41.2.12   | SD INFO1 Interrupt Mask Register (SD_INFO1_MASK)        | 1356 |
| 41.2.13   | SD INFO2 Interrupt Mask Register (SD_INFO2_MASK)        | 1357 |
| 41.2.14   | SD Clock Control Register (SD_CLK_CTRL)                 | 1358 |
| 41.2.15   | Transfer Data Length Register (SD_SIZE)                 | 1359 |
| 41.2.16   | SD Card Access Control Option Register (SD_OPTION)      | 1359 |
| 41.2.17   | SD Error Status Register 1 (SD_ERR_STS1)                | 1360 |
| 41.2.18   | SD Error Status Register 2 (SD_ERR_STS2)                | 1361 |
| 41.2.19   | SD Buffer Register (SD_BUF0)                            | 1362 |
| 41.2.20   | SDIO Mode Control Register (SDIO_MODE)                  | 1363 |
| 41.2.21   | SDIO Interrupt Flag Register (SDIO_INFO1)               | 1364 |
| 41.2.22   | SDIO INFO1 Interrupt Mask Register (SDIO_INFO1_MASK)    | 1365 |
| 41.2.23   | DMA Mode Enable Register (SD_DMAEN)                     | 1366 |
| 41.2.24   | Software Reset Register (SOFT_RST)                      | 1367 |
| 41.2.25   | SD Interface Mode Setting Register (SDIF_MODE)          | 1368 |
| 41.2.26   | Swap Control Register (EXT_SWAP)                        | 1368 |
| 41.3      | Operation   | 1369 |
| 41.3.1    | SD/MMC Interface  | 1369 |
| 41.3.2    | Card Detect/Write Protect                               | 1371 |
| 41.3.2.1  | Card detect   | 1371 |
| 41.3.2.2  | Write protect   | 1372 |
| 41.3.3    | Interrupt Request and DMA Transfer Request              | 1372 |
| 41.3.3.1  | Interrupts  | 1372 |
| 41.3.3.2  | DMA transfer requests (SDHI_MMCh_ODMSDBREQ, n = 0 to 1) | 1373 |
| 41.3.4    | Communication Errors and Timeouts                       | 1374 |
| 41.3.5    | Command without Data Transfer (SD/MMC)                  | 1376 |
| 41.3.5.1  | Operation for command without data transfer             | 1377 |
| 41.3.6    | Single Block Read (SD/MMC)                              | 1378 |
| 41.3.6.1  | Single block read operation                             | 1379 |
| 41.3.7    | Single Block Write (SD/MMC)                             | 1380 |
| 41.3.7.1  | Single block write operation                            | 1381 |
| 41.3.8    | Multiple Block Read (SD/MMC)                            | 1382 |
| 41.3.8.1  | Multiple block read operation                           | 1383 |
| 41.3.9    | Multiple Block Write (SD/MMC Using Internal Timer)      | 1384 |
| 41.3.9.1  | Multiple block write operation using internal timer     | 1385 |
| 41.3.10   | Multiple Block Write (MMC using external timer)         | 1386 |
| 41.3.10.1 | Multiple block write operation using external timer     | 1387 |
| 41.3.11   | IO_RW_DIRECT Command (SD: CMD52)                        | 1388 |

|           |   |      |
|-----------|---|------|
| 41.3.12   | IO_RW_EXTENDED Command (SD: CMD53/Multiple Block Read) .....      | 1388 |
| 41.3.13   | IO_RW_EXTENDED Command (SD: CMD53/Multiple Block Write) .....     | 1390 |
| 41.3.14   | DMA Transfer (SD/MMC) .....                                       | 1392 |
| 41.3.14.1 | SD_BUF DMA transfer .....   | 1392 |
| 41.3.15   | Example of SD_CMD Register Setting .....                          | 1394 |
| 41.4      | Usage Notes .....   | 1396 |
| 41.4.1    | SD_BUF Illegal Write Access (SD/MMC) .....                        | 1396 |
| 41.4.2    | Block Number Constraint for Multiple Block Read (SD)] .....       | 1396 |
| 41.4.2.1  | Mechanism of incorrect reading .....                              | 1396 |
| 41.4.3    | Automatic Control of SD/MMC Clock Output (SD/MMC) .....           | 1397 |
| 41.4.4    | Control of the C52PUB Setting for Multiple Block Write (SD) ..... | 1397 |
| 41.4.5    | Notes on SD_CLK_CTRL Register Settings (SD/MMC) .....             | 1397 |
| 41.4.6    | Specification Limitations .....                                   | 1398 |
| 41.4.7    | STP Bit Setting during Multiple Block Read (SD/MMC) .....         | 1398 |
| 41.4.8    | Register Setting Notes .....                                      | 1398 |
| 42.       | Parallel Data Capture Unit (PDC) .....                            | 1399 |
| 42.1      | Overview .....  | 1399 |
| 42.2      | Register Descriptions .....                                       | 1401 |
| 42.2.1    | <a href="#">PDC Control Register 0 (PCCR0)</a> .....              | 1401 |
| 42.2.2    | <a href="#">PDC Control Register 1 (PCCR1)</a> .....              | 1403 |
| 42.2.3    | <a href="#">PDC Status Register (PCSR)</a> .....                  | 1404 |
| 42.2.4    | <a href="#">PDC Pin Monitor Register (PCMONR)</a> .....           | 1406 |
| 42.2.5    | <a href="#">PDC Receive Data Register (PCDR)</a> .....            | 1406 |
| 42.2.6    | <a href="#">Vertical Capture Register (VCR)</a> .....             | 1408 |
| 42.2.7    | <a href="#">Horizontal Capture Register (HCR)</a> .....           | 1409 |
| 42.3      | Operation .....   | 1410 |
| 42.3.1    | Transfer Formats .....  | 1410 |
| 42.3.2    | Transfer Timing .....   | 1411 |
| 42.3.3    | VCR and HCR Register Settings and the Capture Range .....         | 1412 |
| 42.3.4    | Reception Operation .....   | 1414 |
| 42.3.5    | Operation during Horizontal Blanking Period .....                 | 1415 |
| 42.3.6    | Continued Reception Operations at Frame End .....                 | 1415 |
| 42.3.7    | Error Detection .....   | 1416 |
| 42.3.8    | Initial Settings .....  | 1418 |
| 42.3.9    | Operation Flows .....   | 1420 |
| 42.3.10   | Interrupt Sources .....   | 1422 |
| 42.3.11   | Reset State .....   | 1423 |
| 42.4      | Usage Notes .....   | 1424 |
| 42.4.1    | Settings for the Module-Stop Function .....                       | 1424 |
| 42.4.2    | Constraints on the Low Power Function .....                       | 1424 |
| 42.4.3    | Constraints on Error Interrupts .....                             | 1424 |



|         |  |      |
|---------|--|------|
| 42.4.4  | Constraints on Using the DTC .....   | 1424 |
| 42.4.5  | Constraints on Using the DMAC .....  | 1424 |
| 43.     | Boundary Scan .....  | 1425 |
| 43.1    | Overview .....   | 1425 |
| 43.2    | Register Descriptions .....  | 1426 |
| 43.2.1  | Instruction Register (JTIR) .....  | 1426 |
| 43.2.2  | ID Code Register (JTIDR) .....   | 1427 |
| 43.2.3  | Bypass Register (JTBPR) .....  | 1427 |
| 43.2.4  | Boundary Scan Register (JTBSR) .....   | 1427 |
| 43.3    | Operation .....  | 1427 |
| 43.3.1  | TAP Controller .....   | 1427 |
| 43.3.2  | Commands .....   | 1428 |
| 43.4    | Usage Notes .....  | 1429 |
| 44.     | Secure Cryptographic Engine (SCE7) .....   | 1431 |
| 44.1    | Overview .....   | 1431 |
| 44.2    | Operation .....  | 1433 |
| 44.2.1  | Encryption Engine .....  | 1433 |
| 44.2.2  | Encryption and Decryption .....  | 1434 |
| 44.3    | Usage Notes .....  | 1434 |
| 44.3.1  | Software Standby Mode .....  | 1434 |
| 44.3.2  | Settings for the Module-Stop Function .....  | 1434 |
| 45.     | 12-Bit A/D Converter (ADC12) .....   | 1435 |
| 45.1    | Overview .....   | 1435 |
| 45.2    | Register Descriptions .....  | 1440 |
| 45.2.1  | A/D Data Registers y (ADDRy), A/D Data Duplexing Register (ADDBLDR),<br>A/D Data Duplexing Register A (ADDBLDRA), A/D Data Duplexing Register B<br>(ADDBLDRB), A/D Temperature Sensor Data Register (ADTSDR),<br>A/D Internal Reference Voltage Data Register (ADOCDR) ..... | 1440 |
| 45.2.2  | A/D Self-Diagnosis Data Register (ARDR) .....  | 1444 |
| 45.2.3  | A/D Control Register (ADCSR) .....   | 1447 |
| 45.2.4  | A/D Channel Select Register A0 (ADANSA0) .....   | 1451 |
| 45.2.5  | A/D Channel Select Register A1 (ADANSA1) .....   | 1451 |
| 45.2.6  | A/D Channel Select Register B0 (ADANSB0) .....   | 1452 |
| 45.2.7  | A/D Channel Select Register B1 (ADANSB1) .....   | 1452 |
| 45.2.8  | A/D-Converted Value Addition/Average Channel Select Register 0 (ADADS0) .....  | 1453 |
| 45.2.9  | A/D-Converted Value Addition/Average Channel Select Register 1 (ADADS1) .....  | 1453 |
| 45.2.10 | A/D-Converted Value Addition/Average Count Select Register (ADADC) .....   | 1454 |
| 45.2.11 | A/D Control Extended Register (ADCER) .....  | 1455 |
| 45.2.12 | A/D Conversion Start Trigger Select Register (ADSTRGR) .....   | 1456 |
| 45.2.13 | A/D Conversion Extended Input Control Register (ADEXICR) .....   | 1458 |
| 45.2.14 | A/D Sampling State Register n (ADSSTRn) (n = 00 to 07, L, T, O) .....  | 1459 |
| 45.2.15 | A/D Sample and Hold Circuit Control Register (ADSHCR) .....  | 1460 |

|          |  |      |
|----------|--|------|
| 45.2.16  | A/D Sample and Hold Operation Mode Selection Register (ADSHMSR) .....  | 1461 |
| 45.2.17  | A/D Disconnection Detection Control Register (ADDISCR) .....   | 1461 |
| 45.2.18  | A/D Group Scan Priority Control Register (ADGSPCR) .....   | 1462 |
| 45.2.19  | A/D Compare Function Control Register (ADCMPCR) .....  | 1463 |
| 45.2.20  | A/D Compare Function Window A Channel Select Register 0 (ADCMPANSR0) ....  | 1464 |
| 45.2.21  | A/D Compare Function Window A Channel Select Register 1 (ADCMPANSR1) ....  | 1465 |
| 45.2.22  | A/D Compare Function Window A Extended Input Select Register (ADCMPANSER)<br>.....   | 1465 |
| 45.2.23  | A/D Compare Function Window A Comparison Condition Setting Register 0 (ADCM-<br>PLR0) .....  | 1466 |
| 45.2.24  | A/D Compare Function Window A Comparison Condition Setting Register 1 (ADCM-<br>PLR1) .....  | 1468 |
| 45.2.25  | A/D Compare Function Window A Extended Input Comparison Condition Setting Regis-<br>ter (ADCMPLER) .....   | 1468 |
| 45.2.26  | A/D Compare Function Window A Lower-Side Level Setting Register (ADCMPDR0), A/D<br>Compare Function Window A Upper-Side Level Setting Register (ADCMPDR1), A/D<br>Compare Function Window B Lower-Side Level Setting Register (ADWINLLB), A/D<br>Compare Function Window B Upper-Side Level Setting Register (ADWINULB) .... | 1469 |
| 45.2.27  | A/D Compare Function Window A Channel Status Register 0 (ADCMPSR0) .....   | 1471 |
| 45.2.28  | A/D Compare Function Window A Channel Status Register1 (ADCMPSR1) .....  | 1471 |
| 45.2.29  | A/D Compare Function Window A Extended Input Channel Status Register (ADCMPS-<br>ER) .....   | 1472 |
| 45.2.30  | A/D Compare Function Window B Channel Select Register (ADCMPBNSR) .....  | 1473 |
| 45.2.31  | A/D Compare Function Window B Status Register (ADCMPBSR) .....   | 1475 |
| 45.2.32  | A/D Compare Function Window A/B Status Monitor Register (ADWINMON) .....   | 1475 |
| 45.3     | Operation .....  | 1476 |
| 45.3.1   | Scanning Operation .....   | 1476 |
| 45.3.2   | Single Scan Mode .....   | 1477 |
| 45.3.2.1 | Basic operation without channel-dedicated sample-and-hold circuits .....   | 1477 |
| 45.3.2.2 | Basic operation with channel-dedicated sample-and-hold circuits and continuous<br>sampling disabled .....  | 1478 |
| 45.3.2.3 | Basic operation with channel-dedicated sample-and-hold circuits and continuous<br>sampling enabled .....   | 1479 |
| 45.3.2.4 | Channel selection and self-diagnosis without channel-dedicated sample-and-hold<br>circuits .....   | 1480 |
| 45.3.2.5 | Channel selection and self-diagnosis with channel-dedicated sample-and-hold cir-<br>cuits and continuous sampling disabled .....   | 1481 |
| 45.3.2.6 | Channel selection and self-diagnosis with channel-dedicated sample-and-hold cir-<br>cuits and continuous sampling enabled .....  | 1482 |
| 45.3.2.7 | A/D conversion of temperature sensor output or internal reference voltage ...  | 1483 |
| 45.3.2.8 | A/D conversion in double-trigger mode .....  | 1484 |
| 45.3.2.9 | Extended operations when double-trigger mode is selected .....   | 1485 |
| 45.3.3   | Continuous Scan Mode .....   | 1486 |
| 45.3.3.1 | Basic operation without channel-dedicated sample-and-hold circuits .....   | 1486 |
| 45.3.3.2 | Basic operation with channel-dedicated sample-and-hold circuits and continuous   |      |

|          |   |      |
|----------|---|------|
|          | sampling disabled .....   | 1487 |
| 45.3.3.3 | Basic operation with channel-dedicated sample-and-hold circuits and continuous sampling enabled .....                       | 1488 |
| 45.3.3.4 | Channel selection and self-diagnosis without channel-dedicated sample-and-hold circuits .....                               | 1489 |
| 45.3.3.5 | Channel selection and self-diagnosis with channel-dedicated sample-and-hold circuits and continuous sampling disabled ..... | 1490 |
| 45.3.3.6 | Channel selection and self-diagnosis with channel-dedicated sample-and-hold circuits and continuous sampling enabled .....  | 1491 |
| 45.3.3.7 | A/D conversion of temperature sensor output or internal reference voltage ...   | 1492 |
| 45.3.4   | Group Scan Mode .....   | 1493 |
| 45.3.4.1 | Basic operation .....   | 1493 |
| 45.3.4.2 | A/D conversion in double-trigger mode .....   | 1494 |
| 45.3.4.3 | Operation with group A priority control .....   | 1495 |
| 45.3.5   | Compare Function for Windows A and B .....  | 1502 |
| 45.3.5.1 | Compare function .....  | 1502 |
| 45.3.5.2 | Event output of compare function .....  | 1504 |
| 45.3.5.3 | Restrictions on the compare function .....  | 1505 |
| 45.3.6   | Analog Input Sampling and Scan Conversion Time .....  | 1506 |
| 45.3.7   | Usage Example of A/D Data Register Automatic Clearing Function .....  | 1508 |
| 45.3.8   | A/D-Converted Value Addition/Average Mode .....   | 1509 |
| 45.3.9   | Disconnection Detection Assist Function .....   | 1509 |
| 45.3.10  | Starting A/D Conversion with an Asynchronous Trigger .....  | 1511 |
| 45.3.11  | Starting A/D Conversion with a Synchronous Trigger from a Peripheral Module ...   | 1511 |
| 45.4     | Interrupt Sources and DTC/DMAC Transfer Requests .....  | 1511 |
| 45.4.1   | Interrupt Requests .....  | 1511 |
| 45.5     | Event Link Function .....   | 1513 |
| 45.5.1   | Event Output to the ELC .....   | 1513 |
| 45.5.2   | ADC12 Operation through an Event from the ELC .....   | 1513 |
| 45.6     | Usage Notes .....   | 1514 |
| 45.6.1   | Constraints on Reading the Data Registers .....   | 1514 |
| 45.6.2   | Constraints on Stopping A/D Conversion .....  | 1514 |
| 45.6.3   | A/D Conversion Restart and Termination Timing .....   | 1515 |
| 45.6.4   | Constraints on Scan End Interrupt Handling .....  | 1515 |
| 45.6.5   | Settings for the Module-Stop Function .....   | 1515 |
| 45.6.6   | Notes on Entering the Low-Power States .....  | 1516 |
| 45.6.7   | Error in Absolute Accuracy When Disconnection Detection Assistance Is in Use ..   | 1516 |
| 45.6.8   | Constraints on Operating Modes and Status Bits .....  | 1516 |
| 45.6.9   | Notes on Board Design .....   | 1516 |
| 45.6.10  | Constraints on Noise Prevention .....   | 1516 |
| 45.6.11  | Port Settings When Using the ADC12 Input .....  | 1517 |
| 45.6.12  | Relationship between ADC12 Units 0 and 1 and the ACMPHS .....   | 1517 |

|        |   |      |
|--------|---|------|
| 46.    | 12-Bit D/A Converter (DAC12)  | 1519 |
| 46.1   | Overview  | 1519 |
| 46.2   | Register Descriptions   | 1520 |
| 46.2.1 | D/A Data Register m (DADRm) (m = 0, 1)  | 1520 |
| 46.2.2 | D/A Control Register (DACR)   | 1520 |
| 46.2.3 | DADRm Format Select Register (DADPR)  | 1522 |
| 46.2.4 | D/A A/D Synchronous Start Control Register (DAADSCR)  | 1522 |
| 46.2.5 | D/A Output Amplifier Control Register (DAAMPCR)   | 1523 |
| 46.2.6 | D/A Amplifier Stabilization Wait Control Register (DAASWCR)                                 | 1523 |
| 46.2.7 | D/A A/D Synchronous Unit Select Register (DAADUSR)  | 1524 |
| 46.3   | Operation   | 1524 |
| 46.3.1 | Reducing Interference between D/A and A/D Conversion  | 1525 |
| 46.4   | Event Link Operation Setting Procedure  | 1527 |
| 46.4.1 | DA0 Event Link Operation Setting Procedure  | 1527 |
| 46.4.2 | DA1 Event Link Operation Setting Procedure  | 1527 |
| 46.5   | Usage Notes on Event Link Operation   | 1527 |
| 46.6   | Usage Notes   | 1527 |
| 46.6.1 | Settings for the Module-Stop Function   | 1527 |
| 46.6.2 | DAC12 Operation in the Module-Stop State  | 1527 |
| 46.6.3 | DAC12 Operation in Software Standby Mode  | 1528 |
| 46.6.4 | Constraint on Entering Deep Software Standby Mode   | 1528 |
| 46.6.5 | Initialization Procedure with the Output Amplifier  | 1528 |
| 46.6.6 | Restrictions on Usage When Interference Reduction between D/A and A/D Conversion Is Enabled | 1528 |
| 47.    | Temperature Sensor (TSN)  | 1529 |
| 47.1   | Overview  | 1529 |
| 47.2   | Register Descriptions   | 1530 |
| 47.2.1 | Temperature Sensor Control Register (TSCR)  | 1530 |
| 47.2.2 | Temperature Sensor Calibration Data Register (TSCDR)  | 1530 |
| 47.3   | Using the Temperature Sensor  | 1530 |
| 47.3.1 | Preparation for Using the Temperature Sensor  | 1530 |
| 47.3.2 | Procedures for Using the Temperature Sensor   | 1531 |
| 47.4   | Usage Notes   | 1533 |
| 47.4.1 | Settings for the Module-Stop Function   | 1533 |
| 47.4.2 | Constraints   | 1533 |
| 48.    | High-Speed Analog Comparator (ACMPHS)   | 1534 |
| 48.1   | Overview  | 1534 |
| 48.2   | Register Descriptions   | 1535 |
| 48.2.1 | Comparator Control Register (CMPCTL)  | 1535 |
| 48.2.2 | Comparator Input Select Register (CMPSEL0)  | 1536 |
| 48.2.3 | Comparator Reference Voltage Select Register (CMPSEL1)                                      | 1537 |
| 48.2.4 | Comparator Output Monitor Register (CMPMON)   | 1537 |

|          |   |      |
|----------|---|------|
| 48.2.5   | Comparator Output Control Register (CPIOC) .....                                      | 1538 |
| 48.3     | Operation .....   | 1538 |
| 48.4     | Noise Filter .....  | 1540 |
| 48.5     | ACMPHS Interrupts .....   | 1540 |
| 48.6     | ACMPHS Output to the Event Link Controller (ELC) .....                                | 1541 |
| 48.7     | ACMPHS Pin Output .....   | 1541 |
| 48.8     | Usage Notes .....   | 1541 |
| 48.8.1   | Settings for the Module-Stop Function .....   | 1541 |
| 48.8.2   | Relationship with the ADC12 .....   | 1541 |
| 49.      | Capacitive Touch Sensing Unit (CTSU) .....  | 1542 |
| 49.1     | Overview .....  | 1542 |
| 49.2     | Register Descriptions .....   | 1544 |
| 49.2.1   | CTSU Control Register 0 (CTSUCR0) .....   | 1544 |
| 49.2.2   | CTSU Control Register 1 (CTSUCR1) .....   | 1546 |
| 49.2.3   | CTSU Synchronous Noise Reduction Setting Register (CTSUSDPRS) .....                   | 1547 |
| 49.2.4   | CTSU Sensor Stabilization Wait Control Register (CTSUSST) .....                       | 1548 |
| 49.2.5   | CTSU Measurement Channel Register 0 (CTSUMCH0) .....                                  | 1549 |
| 49.2.6   | CTSU Measurement Channel Register 1 (CTSUMCH1) .....                                  | 1550 |
| 49.2.7   | CTSU Channel Enable Control Register 0 (CTSUCHAC0) .....                              | 1550 |
| 49.2.8   | CTSU Channel Enable Control Register 1 (CTSUCHAC1) .....                              | 1551 |
| 49.2.9   | CTSU Channel Enable Control Register 2 (CTSUCHAC2) .....                              | 1551 |
| 49.2.10  | CTSU Channel Transmit/Receive Control Register 0 (CTSUCHTRC0) .....                   | 1552 |
| 49.2.11  | CTSU Channel Transmit/Receive Control Register 1 (CTSUCHTRC1) .....                   | 1552 |
| 49.2.12  | CTSU Channel Transmit/Receive Control Register 2 (CTSUCHTRC2) .....                   | 1553 |
| 49.2.13  | CTSU High-Pass Noise Reduction Control Register (CTSUDCLKC) .....                     | 1553 |
| 49.2.14  | CTSU Status Register (CTSUST) .....   | 1554 |
| 49.2.15  | CTSU High-Pass Noise Reduction Spectrum Diffusion Control Register (CTSUSSC)<br>..... | 1555 |
| 49.2.16  | CTSU Sensor Offset Register 0 (CTSUSO0) .....   | 1556 |
| 49.2.17  | CTSU Sensor Offset Register 1 (CTSUSO1) .....   | 1557 |
| 49.2.18  | CTSU Sensor Counter (CTSUSC) .....  | 1558 |
| 49.2.19  | CTSU Reference Counter (CTSURC) .....   | 1558 |
| 49.2.20  | CTSU Error Status Register (CTSUERRS) .....   | 1559 |
| 49.3     | Operation .....   | 1560 |
| 49.3.1   | Principles of Measurement Operation .....   | 1560 |
| 49.3.2   | Measurement Modes .....   | 1561 |
| 49.3.2.1 | Initial settings flow .....   | 1562 |
| 49.3.2.2 | Status counter .....  | 1563 |
| 49.3.2.3 | Self-capacitance single scan mode operation .....                                     | 1564 |
| 49.3.2.4 | Self-capacitance multi-scan mode operation .....                                      | 1565 |
| 49.3.2.5 | Mutual capacitance full scan mode operation .....                                     | 1568 |
| 49.3.3   | Parameters Common to Multiple Modes .....   | 1570 |

|          |  |      |
|----------|--|------|
| 49.3.3.1 | Sensor stabilization wait time and measurement time .....                            | 1570 |
| 49.3.3.2 | Interrupts .....   | 1571 |
| 49.4     | Usage Notes .....  | 1572 |
| 49.4.1   | Measurement Result Data (CTSUSC and CTSURC Counters) .....                           | 1572 |
| 49.4.2   | Constraint on Software Trigger .....   | 1572 |
| 49.4.3   | Constraints on External Triggers .....   | 1573 |
| 49.4.4   | Constraints on Forced Stops .....  | 1573 |
| 49.4.5   | TSCAP Pin .....  | 1573 |
| 49.4.6   | Constraints on Measurement Operation (CTSUCR0.CTSUSTRT Bit = 1) .....                | 1573 |
| 50.      | Data Operation Circuit (DOC) .....   | 1574 |
| 50.1     | Overview .....   | 1574 |
| 50.2     | Register Descriptions .....  | 1575 |
| 50.2.1   | <a href="#">DOC Control Register (DOCR)</a> .....                                    | 1575 |
| 50.2.2   | <a href="#">DOC Data Input Register (DODIR)</a> .....                                | 1576 |
| 50.2.3   | <a href="#">DOC Data Setting Register (DODSR)</a> .....                              | 1576 |
| 50.3     | Operation .....  | 1576 |
| 50.3.1   | Data Comparison Mode .....   | 1576 |
| 50.3.2   | Data Addition Mode .....   | 1577 |
| 50.3.3   | Data Subtraction Mode .....  | 1577 |
| 50.4     | Interrupt Request and Output to the Event Link Controller (ELC) .....                | 1578 |
| 50.5     | Usage Notes .....  | 1578 |
| 50.5.1   | Settings for the Module-Stop Function .....  | 1578 |
| 51.      | SRAM .....   | 1579 |
| 51.1     | Overview .....   | 1579 |
| 51.2     | Register Descriptions .....  | 1579 |
| 51.2.1   | <a href="#">SRAM Parity Error Operation After Detection Register (PARIOAD)</a> ..... | 1579 |
| 51.2.2   | <a href="#">SRAM Protection Register (SRAMPRCR)</a> .....                            | 1580 |
| 51.2.3   | <a href="#">SRAM Wait State Control Register (SRAMWTSC)</a> .....                    | 1580 |
| 51.2.4   | <a href="#">ECC Operating Mode Control Register (ECCMODE)</a> .....                  | 1581 |
| 51.2.5   | <a href="#">ECC 2-Bit Error Status Register (ECC2STS)</a> .....                      | 1581 |
| 51.2.6   | <a href="#">ECC 1-Bit Error Information Update Enable Register (ECC1STSEN)</a> ..... | 1582 |
| 51.2.7   | <a href="#">ECC 1-Bit Error Status Register (ECC1STS)</a> .....                      | 1582 |
| 51.2.8   | <a href="#">ECC Protection Register (ECCPRCR)</a> .....                              | 1583 |
| 51.2.9   | <a href="#">ECC Test Control Register (ECCETST)</a> .....                            | 1583 |
| 51.2.10  | <a href="#">SRAM ECC Error Operation After Detection Register (ECCOAD)</a> .....     | 1584 |
| 51.3     | Operation .....  | 1584 |
| 51.3.1   | Low-Power Functions .....  | 1584 |
| 51.3.2   | ECC Function .....   | 1584 |
| 51.3.3   | ECC Error Generation .....   | 1585 |
| 51.3.4   | ECC Decoder Testing .....  | 1585 |
| 51.3.5   | Parity Calculation Function .....  | 1586 |

|          |  |      |
|----------|--|------|
| 51.3.6   | SRAM Error Sources .....                               | 1588 |
| 51.3.7   | Access Cycles .....                                    | 1588 |
| 51.4     | Usage Notes .....                                      | 1589 |
| 51.4.1   | Wait State Insertion .....                             | 1589 |
| 51.4.2   | Instruction Fetch from the SRAM Area .....             | 1589 |
| 51.4.3   | Store Buffer of SRAM .....                             | 1589 |
| 52.      | Standby SRAM .....                                     | 1590 |
| 52.1     | Overview .....   | 1590 |
| 52.2     | Operation .....  | 1590 |
| 52.2.1   | Data Retention .....                                   | 1590 |
| 52.2.2   | Low Power Function .....                               | 1590 |
| 52.2.3   | Parity Calculation Function .....                      | 1590 |
| 52.2.4   | Access Cycle .....                                     | 1590 |
| 52.3     | Usage Notes .....                                      | 1591 |
| 52.3.1   | Instruction Fetch from the Standby SRAM area .....     | 1591 |
| 53.      | Flash Memory .....                                     | 1592 |
| 53.1     | Overview .....   | 1592 |
| 53.2     | Structure of Memory .....                              | 1593 |
| 53.3     | Flash Cache .....                                      | 1594 |
| 53.3.1   | Overview .....   | 1594 |
| 53.3.2   | Register Descriptions .....                            | 1595 |
| 53.3.2.1 | Flash Cache Enable Register (FCACHEE) .....            | 1595 |
| 53.3.2.2 | Flash Cache Invalidate Register (FCACHEIV) .....       | 1596 |
| 53.3.2.3 | Flash Wait Cycle Register (FLWT) .....                 | 1596 |
| 53.4     | Operation .....  | 1596 |
| 53.4.1   | Notice to use Flash Cache .....                        | 1597 |
| 53.5     | Operating Modes Associated with the Flash Memory ..... | 1597 |
| 53.5.1   | ID Code Protection .....                               | 1597 |
| 53.6     | Overview of Functions .....                            | 1598 |
| 53.6.1   | Configuration Area Bit Map .....                       | 1600 |
| 53.6.2   | Startup Area Select .....                              | 1601 |
| 53.6.3   | Protection by Access Window .....                      | 1601 |
| 53.7     | Programming Commands .....                             | 1603 |
| 53.8     | Suspend Operation .....                                | 1603 |
| 53.9     | Protection .....                                       | 1604 |
| 53.10    | Serial Programming Mode .....                          | 1604 |
| 53.10.1  | SCI Boot Mode .....                                    | 1604 |
| 53.10.2  | USB Boot Mode .....                                    | 1605 |
| 53.11    | Using a Serial Programmer for Programming .....        | 1605 |
| 53.11.1  | Serial Programming .....                               | 1606 |
| 53.11.2  | Programming Environments .....                         | 1606 |

|         |  |      |
|---------|--|------|
| 53.12   | Programming through Self-Programming .....   | 1606 |
| 53.12.1 | Overview .....   | 1606 |
| 53.12.2 | Background Operation .....   | 1607 |
| 53.13   | Reading the Flash Memory .....   | 1607 |
| 53.13.1 | Reading the Code Flash Memory .....  | 1607 |
| 53.13.2 | Reading the Data Flash Memory .....  | 1607 |
| 53.14   | Usage Notes .....  | 1607 |
| 53.14.1 | Reading Areas Where Programming or Erasure Was Interrupted .....                               | 1607 |
| 53.14.2 | Constraint on Additional Writes .....  | 1607 |
| 53.14.3 | Resets during Programming and Erasure .....  | 1608 |
| 53.14.4 | Allocation of Vectors for Interrupts and Other Exceptions during Programming and Erasure ..... | 1608 |
| 53.14.5 | Constraints during Programming and Erasure .....   | 1608 |
| 53.14.6 | Abnormal Termination of Programming and Erasure .....  | 1608 |
| 54.     | Internal Voltage Regulator .....   | 1609 |
| 54.1    | Overview .....   | 1609 |
| 54.2    | Operation .....  | 1609 |
| 55.     | Electrical Characteristics .....   | 1610 |
| 55.1    | Absolute Maximum Ratings .....   | 1610 |
| 55.2    | DC Characteristics .....   | 1611 |
| 55.2.1  | $T_j/T_a$ Definition .....   | 1611 |
| 55.2.2  | I/O $V_{IH}$ , $V_{IL}$ .....  | 1611 |
| 55.2.3  | I/O $I_{OH}$ , $I_{OL}$ .....  | 1613 |
| 55.2.4  | I/O $V_{OH}$ , $V_{OL}$ , and Other Characteristics .....                                      | 1614 |
| 55.2.5  | Operating and Standby Current .....  | 1615 |
| 55.2.6  | VCC Rise and Fall Gradient and Ripple Frequency .....  | 1618 |
| 55.3    | AC Characteristics .....   | 1619 |
| 55.3.1  | Frequency .....  | 1619 |
| 55.3.2  | Clock Timing .....   | 1620 |
| 55.3.3  | Reset Timing .....   | 1623 |
| 55.3.4  | Wakeup Timing .....  | 1624 |
| 55.3.5  | NMI and IRQ Noise Filter .....   | 1626 |
| 55.3.6  | Bus Timing .....   | 1627 |
| 55.3.7  | I/O Ports, POEG, GPT32, AGT, KINT, and ADC12 Trigger Timing .....                              | 1637 |
| 55.3.8  | PWM Delay Generation Circuit Timing .....  | 1640 |
| 55.3.9  | CAC Timing .....   | 1640 |
| 55.3.10 | SCI Timing .....   | 1641 |
| 55.3.11 | SPI Timing .....   | 1646 |
| 55.3.12 | QSPI Timing .....  | 1650 |
| 55.3.13 | IIC Timing .....   | 1651 |
| 55.3.14 | SSIE Timing .....  | 1654 |



|                  |   |      |
|------------------|---|------|
| 55.3.15          | SD/MMC Host Interface Timing .....                          | 1656 |
| 55.3.16          | ETHERC Timing .....   | 1657 |
| 55.3.17          | PDC Timing .....  | 1661 |
| 55.4             | USB Characteristics .....                                   | 1662 |
| 55.4.1           | USBFS Timing .....  | 1662 |
| 55.5             | ADC12 Characteristics .....                                 | 1663 |
| 55.6             | DAC12 Characteristics .....                                 | 1667 |
| 55.7             | TSN Characteristics .....                                   | 1668 |
| 55.8             | OSC Stop Detect Characteristics .....                       | 1668 |
| 55.9             | POR and LVD Characteristics .....                           | 1668 |
| 55.10            | VBATT Characteristics .....                                 | 1671 |
| 55.11            | CTSU Characteristics .....                                  | 1671 |
| 55.12            | ACMPHS Characteristics .....                                | 1671 |
| 55.13            | Flash Memory Characteristics .....                          | 1672 |
| 55.13.1          | Code Flash Memory Characteristics .....                     | 1672 |
| 55.13.2          | Data Flash Memory Characteristics .....                     | 1674 |
| 55.14            | Boundary Scan .....   | 1674 |
| 55.15            | Joint Test Action Group (JTAG) .....                        | 1676 |
| 55.16            | Serial Wire Debug (SWD) .....                               | 1677 |
| 55.17            | Embedded Trace Macro Interface (ETM) .....                  | 1678 |
| Appendix 1.      | Port States in Each Processing Mode .....                   | 1679 |
| Appendix 2.      | Package Dimensions .....                                    | 1684 |
| Appendix 3.      | I/O Registers .....   | 1687 |
| 3.1              | Peripheral Base Addresses .....                             | 1687 |
| 3.2              | Access Cycles .....   | 1689 |
| 3.3              | Register Descriptions .....                                 | 1691 |
| Appendix 4.      | Revised Mask Set of the Ethernet Peripheral Interface ..... | 1727 |
| Revision History | .....   | 1728 |

Leading performance 120-MHz Arm® Cortex®-M4 core, up to 1-MB code flash memory, 384-KB SRAM, Capacitive Touch Sensing Unit, Ethernet MAC Controller, USB 2.0 Full-Speed, SDHI, Quad SPI, security and safety features, and advanced analog.

## Features

### ■ Arm Cortex-M4 Core with Floating Point Unit (FPU)

- Armv7E-M architecture with DSP instruction set
- Maximum operating frequency: 120 MHz
- Support for 4-GB address space
- On-chip debugging system: JTAG, SWD, and ETM
- Boundary scan and Arm Memory Protection Unit (Arm MPU)

### ■ Memory

- Up to 1-MB code flash memory (40 MHz zero wait states)
- 32-KB data flash memory (125,000 erase/write cycles)
- Up to 384-KB SRAM
- Flash Cache (FCACHE)
- Memory Protection Units (MPU)
- Memory Mirror Function (MMF)
- 128-bit unique ID

### ■ Connectivity

- Ethernet MAC Controller (ETHERC)
- Ethernet DMA Controller (EDMAC)
- USB 2.0 Full-Speed (USBFS) module
  - On-chip transceiver
- Serial Communications Interface (SCI) with FIFO × 10
- Serial Peripheral Interface (SPI) × 2
- I<sup>2</sup>C bus interface (IIC) × 3
- Controller Area Network (CAN) × 2
- Serial Sound Interface Enhanced (SSIE)
- SD/MMC Host Interface (SDHI) × 2
- Quad Serial Peripheral Interface (QSPI)
- IrDA interface
- Sampling Rate Converter (SRC)
- External address space
  - 8-bit or 16-bit bus space is selectable per area
  - SDRAM support

### ■ Analog

- 12-bit A/D Converter (ADC12) with 3 sample-and-hold circuits each × 2
- 12-bit D/A Converter (DAC12) × 2
- High-Speed Analog Comparator (ACMPHS) × 6
- Temperature Sensor (TSN)

### ■ Timers

- General PWM Timer 32-bit Enhanced High Resolution (GPT32EH) × 4
- General PWM Timer 32-bit Enhanced (GPT32E) × 4
- General PWM Timer 32-bit (GPT32) × 6
- Asynchronous General-Purpose Timer (AGT) × 2
- Watchdog Timer (WDT)

### ■ Safety

- Error Correction Code (ECC) in SRAM
- SRAM parity error check
- Flash area protection
- ADC self-diagnosis function
- Clock Frequency Accuracy Measurement Circuit (CAC)
- Cyclic Redundancy Check (CRC) calculator
- Data Operation Circuit (DOC)
- Port Output Enable for GPT (POEG)
- Independent Watchdog Timer (IWDT)
- GPIO readback level detection
- Register write protection
- Main oscillator stop detection
- Illegal memory access

### ■ System and Power Management

- Low power modes
- Realtime Clock (RTC) with calendar and VBATT support
- Event Link Controller (ELC)
- DMA Controller (DMAC) × 8
- Data Transfer Controller (DTC)
- Key Interrupt Function (KINT)
- Power-on reset
- Low Voltage Detection (LVD) with voltage settings

### ■ Security and Encryption

- AES128/192/256
- 3DES/ARC4
- SHA1/SHA224/SHA256/MD5
- GHASH
- RSA/DSA/ECC
- True Random Number Generator (TRNG)

### ■ Human Machine Interface (HMI)

- Capacitive Touch Sensing Unit (CTSU)
- Parallel Data Capture Unit (PDC)

### ■ Multiple Clock Sources

- Main clock oscillator (MOSC) (8 to 24 MHz)
- Sub-clock oscillator (SOSC) (32.768 kHz)
- High-speed on-chip oscillator (HOCO) (16/18/20 MHz)
- Middle-speed on-chip oscillator (MOCO) (8 MHz)
- Low-speed on-chip oscillator (LOCO) (32.768 kHz)
- IWDT-dedicated on-chip oscillator (15 kHz)
- Clock trim function for HOCO/MOCO/LOCO
- Clock out support

### ■ General-Purpose I/O Ports

- Up to 110 input/output pins
  - Up to 1 CMOS input
  - Up to 109 CMOS input/output
    - Up to 21 input/output 5 V tolerant
    - Up to 18 high current (20 mA)

### ■ Operating Voltage

- VCC: 2.7 to 3.6 V

### ■ Operating Temperature and Packages

- Ta = -40°C to +85°C
  - 145-pin LGA (7 mm × 7 mm, 0.5 mm pitch)
- Ta = -40°C to +105°C
  - 144-pin LQFP (20 mm × 20 mm, 0.5 mm pitch)
  - 100-pin LQFP (14 mm × 14 mm, 0.5 mm pitch)

## 1. Overview

The MCU integrates multiple series of software- and pin-compatible Arm<sup>®</sup>-based 32-bit cores that share a common set of Renesas peripherals to facilitate design scalability and efficient platform-based product development.

The MCU in this series incorporates a high-performance Arm Cortex<sup>®</sup>-M4 core running up to 120 MHz with the following features:

- Up to 1-MB code flash memory
- 384-KB SRAM
- Capacitive Touch Sensing Unit (CTSU)
- Ethernet MAC Controller (ETHERC), USBFS, SD/MMC Host Interface
- Quad Serial Peripheral Interface (QSPI)
- Security and safety features
- 12-bit A/D Converter (ADC12)
- 12-bit D/A Converter (DAC12)
- Analog peripherals.

### 1.1 Function Outline

**Table 1.1 Arm core**

| Feature            | Functional description   |
|--------------------|--|
| Arm Cortex-M4 core | <ul style="list-style-type: none"> <li>• Maximum operating frequency: up to 120 MHz</li> <li>• Arm Cortex-M4 core:               <ul style="list-style-type: none"> <li>- Revision: r0p1-01rel0</li> <li>- ARMv7E-M architecture profile</li> <li>- Single precision floating-point unit compliant with the ANSI/IEEE Std 754-2008.</li> </ul> </li> <li>• Arm Memory Protection Unit (Arm MPU):               <ul style="list-style-type: none"> <li>- Armv7 Protected Memory System Architecture</li> <li>- 8 protect regions.</li> </ul> </li> <li>• SysTick timer:               <ul style="list-style-type: none"> <li>- Driven by SYSTICCLK (LOCO) or ICLK.</li> </ul> </li> </ul> |

**Table 1.2 Memory**

| Feature                      | Functional description   |
|------------------------------|--|
| Code flash memory            | Maximum 1-MB code flash memory. See <a href="#">section 53, Flash Memory</a> .   |
| Data flash memory            | 32-KB data flash memory. See <a href="#">section 53, Flash Memory</a> .  |
| Memory Mirror Function (MMF) | The Memory Mirror Function (MMF) can be configured to mirror the target application image load address in code flash memory to the application image link address in the 23-bit unused memory space (memory mirror space addresses). Your application code is developed and linked to run from this MMF destination address. The application code does not need to know the load location where it is stored in code flash memory. See <a href="#">section 5, Memory Mirror Function (MMF)</a> . |
| Option-setting memory        | The option-setting memory determines the state of the MCU after a reset. See <a href="#">section 7, Option-Setting Memory</a> .  |
| SRAM                         | On-chip high-speed SRAM with either parity-bit or Error Correction Code (ECC). The first 32 KB of SRAM0 error correction capability using ECC. Parity check is performed for other areas. See <a href="#">section 51, SRAM</a> .   |
| Standby SRAM                 | On-chip SRAM that can retain data in Deep Software Standby mode. See <a href="#">section 52, Standby SRAM</a> .  |

Table 1.3 System (1 of 2)

| Feature  | Functional description  |
|--|---|
| Operating modes                                    | Two operating modes: <ul style="list-style-type: none"> <li>• Single-chip mode</li> <li>• SCI or USB boot mode.</li> </ul> See <a href="#">section 3, Operating Modes</a> .   |
| Resets   | 14 resets: <ul style="list-style-type: none"> <li>• RES pin reset</li> <li>• Power-on reset</li> <li>• Voltage monitor 0 reset</li> <li>• Voltage monitor 1 reset</li> <li>• Voltage monitor 2 reset</li> <li>• Independent watchdog timer reset</li> <li>• Watchdog timer reset</li> <li>• Deep Software Standby reset</li> <li>• SRAM parity error reset</li> <li>• SRAM ECC error reset</li> <li>• Bus master MPU error reset</li> <li>• Bus slave MPU error reset</li> <li>• Stack pointer error reset</li> <li>• Software reset.</li> </ul> See <a href="#">section 6, Resets</a> .                                  |
| Low Voltage Detection (LVD)                        | The Low Voltage Detection (LVD) function monitors the voltage level input to the VCC pin, and the detection level can be selected using a software program. See <a href="#">section 8, Low Voltage Detection (LVD)</a> .  |
| Clocks   | <ul style="list-style-type: none"> <li>• Main clock oscillator (MOSC)</li> <li>• Sub-clock oscillator (SOSC)</li> <li>• High-speed on-chip oscillator (HOCO)</li> <li>• Middle-speed on-chip oscillator (MOCO)</li> <li>• Low-speed on-chip oscillator (LOCO)</li> <li>• PLL frequency synthesizer</li> <li>• IWDT-dedicated on-chip oscillator</li> <li>• Clock out support.</li> </ul> See <a href="#">section 9, Clock Generation Circuit</a> .  |
| Clock Frequency Accuracy Measurement Circuit (CAC) | The Clock Frequency Accuracy Measurement Circuit (CAC) counts pulses of the clock to be measured (measurement target clock) within the time generated by the clock to be used as a measurement reference (measurement reference clock), and determines the accuracy depending on whether the number of pulses is within the allowable range. When measurement is complete or the number of pulses within the time generated by the measurement reference clock is not within the allowable range, an interrupt request is generated. See <a href="#">section 10, Clock Frequency Accuracy Measurement Circuit (CAC)</a> . |
| Interrupt Controller Unit (ICU)                    | The Interrupt Controller Unit (ICU) controls which event signals are linked to the NVIC/DTC module and DMAC module. The ICU also controls NMI interrupts. See <a href="#">section 14, Interrupt Controller Unit (ICU)</a> .   |
| Key Interrupt Function (KINT)                      | A key interrupt can be generated by setting the Key Return Mode Register (KRM) and inputting a rising or falling edge to the key interrupt input pins. See <a href="#">section 21, Key Interrupt Function (KINT)</a> .  |
| Low power modes                                    | Power consumption can be reduced in multiple ways, such as by setting clock dividers, controlling EBCLK output, controlling SDCLK output, stopping modules, selecting power control mode in normal operation, and transitioning to low power modes. See <a href="#">section 11, Low Power Modes</a> .   |
| Battery backup function                            | A battery backup function is provided for partial powering by a battery. The battery powered area includes the RTC, SOSC, backup memory, and switch between VCC and VBATT. See <a href="#">section 12, Battery Backup Function</a> .  |
| Register write protection                          | The register write protection function protects important registers from being overwritten because of software errors. See <a href="#">section 13, Register Write Protection</a> .  |
| Memory Protection Unit (MPU)                       | Four Memory Protection Units (MPUs) and a CPU stack pointer monitor function are provided for memory protection. See <a href="#">section 16, Memory Protection Unit (MPU)</a> .   |

**Table 1.3 System (2 of 2)**

| Feature                           | Functional description  |
|-----------------------------------|---|
| Watchdog Timer (WDT)              | The Watchdog Timer (WDT) is a 14-bit down-counter that can be used to reset the MCU when the counter underflows because the system has run out of control and is unable to refresh the WDT. In addition, a non-maskable interrupt or interrupt can be generated by an underflow. A refresh-permitted period can be set to refresh the counter and be used as the condition for detecting when the system runs out of control. See <a href="#">section 27, Watchdog Timer (WDT)</a> .  |
| Independent Watchdog Timer (IWDT) | The Independent Watchdog Timer (IWDT) consists of a 14-bit down-counter that must be serviced periodically to prevent counter underflow. The IWDT provides functionality to reset the MCU or to generate a non-maskable interrupt or interrupt for a timer underflow. Because the timer operates with an independent, dedicated clock source, it is particularly useful in returning the MCU to a known state as a fail-safe mechanism when the system runs out of control. The IWDT can be triggered automatically on a reset, underflow, or refresh error, or by a refresh of the count value in the registers. See <a href="#">section 28, Independent Watchdog Timer (IWDT)</a> . |

**Table 1.4 Event link**

| Feature                     | Functional description   |
|-----------------------------|--|
| Event Link Controller (ELC) | The Event Link Controller (ELC) uses the interrupt requests generated by various peripheral modules as event signals to connect them to different modules, enabling direct interaction between the modules without CPU intervention. See <a href="#">section 19, Event Link Controller (ELC)</a> . |

**Table 1.5 Direct memory access**

| Feature                        | Functional description   |
|--------------------------------|--|
| Data Transfer Controller (DTC) | A Data Transfer Controller (DTC) module is provided for transferring data when activated by an interrupt request. See <a href="#">section 18, Data Transfer Controller (DTC)</a> .   |
| DMA Controller (DMAC)          | An 8-channel DMAC module is provided for transferring data without the CPU. When a DMA transfer request is generated, the DMAC transfers data stored at the transfer source address to the transfer destination address. See <a href="#">section 17, DMA Controller (DMAC)</a> . |

**Table 1.6 External bus interface**

| Feature        | Functional description  |
|----------------|---|
| External buses | <ul style="list-style-type: none"> <li>• CS area (EXBIU): Connected to the external devices (external memory interface)</li> <li>• SDRAM area (EXBIU): Connected to the SDRAM (external memory interface)</li> <li>• QSPI area (EXBIUT2): Connected to the QSPI (external device interface).</li> </ul> |

**Table 1.7 Timers**

| Feature                                  | Functional description  |
|--|---|
| General PWM Timer (GPT)                  | The General PWM Timer (GPT) is a 32-bit timer with 14 channels. PWM waveforms can be generated by controlling the up-counter, down-counter, or up- and down-counter. In addition, PWM waveforms can be generated for controlling brushless DC motors. The GPT can also be used as a general-purpose timer. See <a href="#">section 23, General PWM Timer (GPT)</a> .  |
| Port Output Enable for GPT (POEG)        | Use the Port Output Enable for GPT (POEG) function to place the General PWM Timer (GPT) output pins in the output disable state. See <a href="#">section 22, Port Output Enable for GPT (POEG)</a> .  |
| Asynchronous General-Purpose Timer (AGT) | The Asynchronous General Purpose Timer (AGT) is a 16-bit timer that can be used for pulse output, external pulse width or period measurement, and counting of external events. This 16-bit timer consists of a reload register and a down-counter. The reload register and the down-counter are allocated to the same address, and can be accessed with the AGT register. See <a href="#">section 25, Asynchronous General-Purpose Timer (AGT)</a> .  |
| Realtime Clock (RTC)                     | The Realtime Clock (RTC) has two counting modes, calendar count mode and binary count mode, that are controlled by the register settings.<br>For calendar count mode, the RTC has a 100-year calendar from 2000 to 2099 and automatically adjusts dates for leap years.<br>For binary count mode, the RTC counts seconds and retains the information as a serial value. Binary count mode can be used for calendars other than the Gregorian (Western) calendar. See <a href="#">section 26, Realtime Clock (RTC)</a> . |

**Table 1.8 Communication interfaces (1 of 2)**

| Feature                                 | Functional description   |
|---|--|
| Serial Communications Interface (SCI)   | <p>The Serial Communications Interface (SCI) is configurable to five asynchronous and synchronous serial interfaces:</p> <ul style="list-style-type: none"> <li>• Asynchronous interfaces (UART and Asynchronous Communications Interface Adapter (ACIA))</li> <li>• 8-bit clock synchronous interface</li> <li>• Simple IIC (master-only)</li> <li>• Simple SPI</li> <li>• Smart card interface.</li> </ul> <p>The smart card interface complies with the ISO/IEC 7816-3 standard for electronic signals and transmission protocol.</p> <p>Each SCI has FIFO buffers to enable continuous and full-duplex communication, and the data transfer speed can be configured independently using an on-chip baud rate generator. See <a href="#">section 32, Serial Communications Interface (SCI)</a>.</p> |
| IrDA Interface (IrDA)                   | <p>The IrDA interface sends and receives IrDA data communication waveforms in cooperation with the SCI1 based on the IrDA (Infrared Data Association) standard 1.0. See <a href="#">section 33, IrDA Interface</a>.</p>  |
| I <sup>2</sup> C bus interface (IIC)    | <p>The 3-channel I<sup>2</sup>C bus interface (IIC) conforms with and provides a subset of the NXP I<sup>2</sup>C (Inter-Integrated Circuit) bus interface functions. See <a href="#">section 34, I<sup>2</sup>C Bus Interface (IIC)</a>.</p>  |
| Serial Peripheral Interface (SPI)       | <p>Two independent Serial Peripheral Interface (SPI) channels are capable of high-speed, full-duplex synchronous serial communications with multiple processors and peripheral devices. See <a href="#">section 36, Serial Peripheral Interface (SPI)</a>.</p>   |
| Serial Sound Interface Enhanced (SSIE)  | <p>The Serial Sound Interface Enhanced (SSIE) peripheral provides functionality to interface with digital audio devices for transmitting I<sup>2</sup>S (Inter-Integrated Sound) 2ch, 4ch, 6ch, 8ch, Word Select (WS) Continue/Monaural/TDM audio data over a serial bus. The SSIE supports an audio clock frequency of up to 50 MHz, and can be operated as a slave or master receiver, transmitter, or transceiver to suit various applications. The SSIE includes 32-stage FIFO buffers in the receiver and transmitter, and supports interrupts and DMA-driven data reception and transmission. See <a href="#">section 39, Serial Sound Interface Enhanced (SSIE)</a>.</p>  |
| Quad Serial Peripheral Interface (QSPI) | <p>The Quad Serial Peripheral Interface (QSPI) is a memory controller for connecting a serial ROM (nonvolatile memory such as a serial flash memory, serial EEPROM, or serial FeRAM) that has an SPI-compatible interface. See <a href="#">section 37, Quad Serial Peripheral Interface (QSPI)</a>.</p>  |
| Controller Area Network (CAN) module    | <p>The Controller Area Network (CAN) module provides functionality to receive and transmit data using a message-based protocol between multiple slaves and masters in electromagnetically-noisy applications.</p> <p>The CAN module complies with the ISO 11898-1 (CAN 2.0A/CAN 2.0B) standard and supports up to 32 mailboxes, which can be configured for transmission or reception in normal mailbox and FIFO modes. Both standard (11-bit) and extended (29-bit) messaging formats are supported. See <a href="#">section 35, Controller Area Network (CAN) Module</a>.</p>  |
| USB 2.0 Full-Speed (USBFS) module       | <p>The USB 2.0 Full-Speed (USBFS) module can operate as a host controller or device controller. The module supports full-speed and low-speed (host controller only) transfer as defined in Universal Serial Bus Specification 2.0. The module has an internal USB transceiver and supports all of the transfer types defined in Universal Serial Bus Specification 2.0. The USB has buffer memory for data transfer, providing a maximum of 10 pipes. Pipes 1 to 9 can be assigned any endpoint number based on the peripheral devices used for communication or based on your system. See <a href="#">section 31, USB 2.0 Full-Speed Module (USBFS)</a>.</p>  |
| Ethernet MAC (ETHERC)                   | <p>One-channel Ethernet MAC Controller (ETHERC) compliant with the Ethernet/IEEE802.3 Media Access Control (MAC) layer protocol. An ETHERC channel provides one channel of the MAC layer interface, connecting the MCU to the physical layer LSI (PHY-LSI) that allows transmission and reception of frames compliant with the Ethernet and IEEE802.3 standards. The ETHERC is connected to the Ethernet DMA Controller (EDMAC) so data can be transferred without using the CPU. See <a href="#">section 29, Ethernet MAC Controller (ETHERC)</a>.</p>  |

**Table 1.8 Communication interfaces (2 of 2)**

| Feature                      | Functional description   |
|------------------------------|--|
| SD/MMC Host Interface (SDHI) | The SDHI and MultiMediaCard (MMC) interface module provides the functionality required to connect a variety of external memory cards to the MCU. The SDHI supports both 1- and 4-bit buses for connecting memory cards that support SD, SDHC, and SDXC formats. When developing host devices that are compliant with the SD Specifications, you must comply with the SD Host/Ancillary Product License Agreement (SD HALA).<br>The MMC interface supports 1-bit, 4-bit, and 8-bit MMC buses that provide eMMC 4.51 (JEDEC Standard JESD 84-B451) device access. This interface also provides backward compatibility and supports high-speed SDR transfer modes. See <a href="#">section 41, SD/MMC Host Interface (SDHI)</a> . |

**Table 1.9 Analog**

| Feature                               | Functional description  |
|---------------------------------------|---|
| 12-bit A/D Converter (ADC12)          | Up to two successive approximation 12-bit A/D Converters (ADC12) are provided. In unit 0, up to 13 analog input channels are selectable. In unit 1, up to nine analog input channels, the temperature sensor output, and an internal reference voltage are selectable for conversion. The A/D conversion accuracy is selectable from 12-bit, 10-bit, and 8-bit conversion, making it possible to optimize the tradeoff between speed and resolution in generating a digital value. See <a href="#">section 45, 12-Bit A/D Converter (ADC12)</a> .                                   |
| 12-bit D/A Converter (DAC12)          | The 12-bit D/A Converter (DAC12) converts data and includes an output amplifier. See <a href="#">section 46, 12-Bit D/A Converter (DAC12)</a> .   |
| Temperature sensor (TSN)              | The on-chip temperature sensor can determine and monitor the die temperature for reliable operation of the device. The sensor outputs a voltage directly proportional to the die temperature, and the relationship between the die temperature and the output voltage is linear. The output voltage is provided to the ADC12 for conversion and can also be used by the end application. See <a href="#">section 47, Temperature Sensor (TSN)</a> .   |
| High-Speed Analog Comparator (ACMPHS) | The High-Speed Analog Comparator (ACMPHS) compares a test voltage with a reference voltage and provides a digital output based on the conversion result.<br>Both the test and reference voltages can be provided to the comparator from internal sources such as the DAC12 output and internal reference voltage, and an external source. Such flexibility is useful in applications that require go/no-go comparisons to be performed between analog signals without necessarily requiring A/D conversion. See <a href="#">section 48, High-Speed Analog Comparator (ACMPHS)</a> . |

**Table 1.10 Human machine interfaces**

| Feature                              | Functional description  |
|--------------------------------------|---|
| Capacitive Touch Sensing Unit (CTSU) | The Capacitive Touch Sensing Unit (CTSU) measures the electrostatic capacitance of the touch sensor. Changes in the electrostatic capacitance are determined by software, which enables the CTSU to detect whether a finger is in contact with the touch sensor. The electrode surface of the touch sensor is usually enclosed with an electrical insulator so that fingers do not come into direct contact with the electrodes. See <a href="#">section 49, Capacitive Touch Sensing Unit (CTSU)</a> . |

**Table 1.11 Graphics**

| Feature                          | Functional description  |
|----------------------------------|---|
| Parallel Data Capture (PDC) unit | One Parallel Data Capture (PDC) unit is provided to communicate with external I/O devices, including image sensors, and to transfer parallel data such as an image output from the external I/O device through the DTC or DMAC to the on-chip SRAM and external address spaces (the CS and SDRAM areas). See <a href="#">section 42, Parallel Data Capture Unit (PDC)</a> . |

**Table 1.12 Data processing**

| Feature                                  | Functional description  |
|--|---|
| Cyclic Redundancy Check (CRC) calculator | The CRC calculator generates CRC codes to detect errors in the data. The bit order of CRC calculation results can be switched for LSB-first or MSB-first communication. Additionally, various CRC-generating polynomials are available. The snoop function allows monitoring reads from and writes to specific addresses. This function is useful in applications that require CRC code to be generated automatically in certain events, such as monitoring writes to the serial transmit buffer and reads from the serial receive buffer. See <a href="#">section 38, Cyclic Redundancy Check (CRC) Calculator</a> . |
| Data Operation Circuit (DOC)             | The Data Operation Circuit (DOC) compares, adds, and subtracts 16-bit data. See <a href="#">section 50, Data Operation Circuit (DOC)</a> .  |
| Sampling Rate Converter (SRC)            | The Sampling Rate Converter (SRC) converts the sampling rate of data produced by various audio decoders, such as the WMA, MP3, and AAC. Both 16-bit stereo and monaural data are supported.<br>See <a href="#">section 40, Sampling Rate Converter (SRC)</a> .  |

**Table 1.13 Security**

| Feature                       | Functional description   |
|-------------------------------|--|
| Secure Crypto Engine 7 (SCE7) | <ul style="list-style-type: none"> <li>• Security algorithms: <ul style="list-style-type: none"> <li>- Symmetric algorithms: AES, 3DES, and ARC4</li> <li>- Asymmetric algorithms: RSA, DSA, and ECC.</li> </ul> </li> <li>• Other support features: <ul style="list-style-type: none"> <li>- TRNG (True Random Number Generator)</li> <li>- Hash-value generation: SHA1, SHA224, SHA256, GHASH, and MD5</li> <li>- 128-bit unique ID.</li> </ul> </li> </ul> See <a href="#">section 44, Secure Cryptographic Engine (SCE7)</a> . |



## 1.2 Block Diagram

Figure 1.1 shows a block diagram of the MCU superset, some individual devices within the group have a subset of the features.

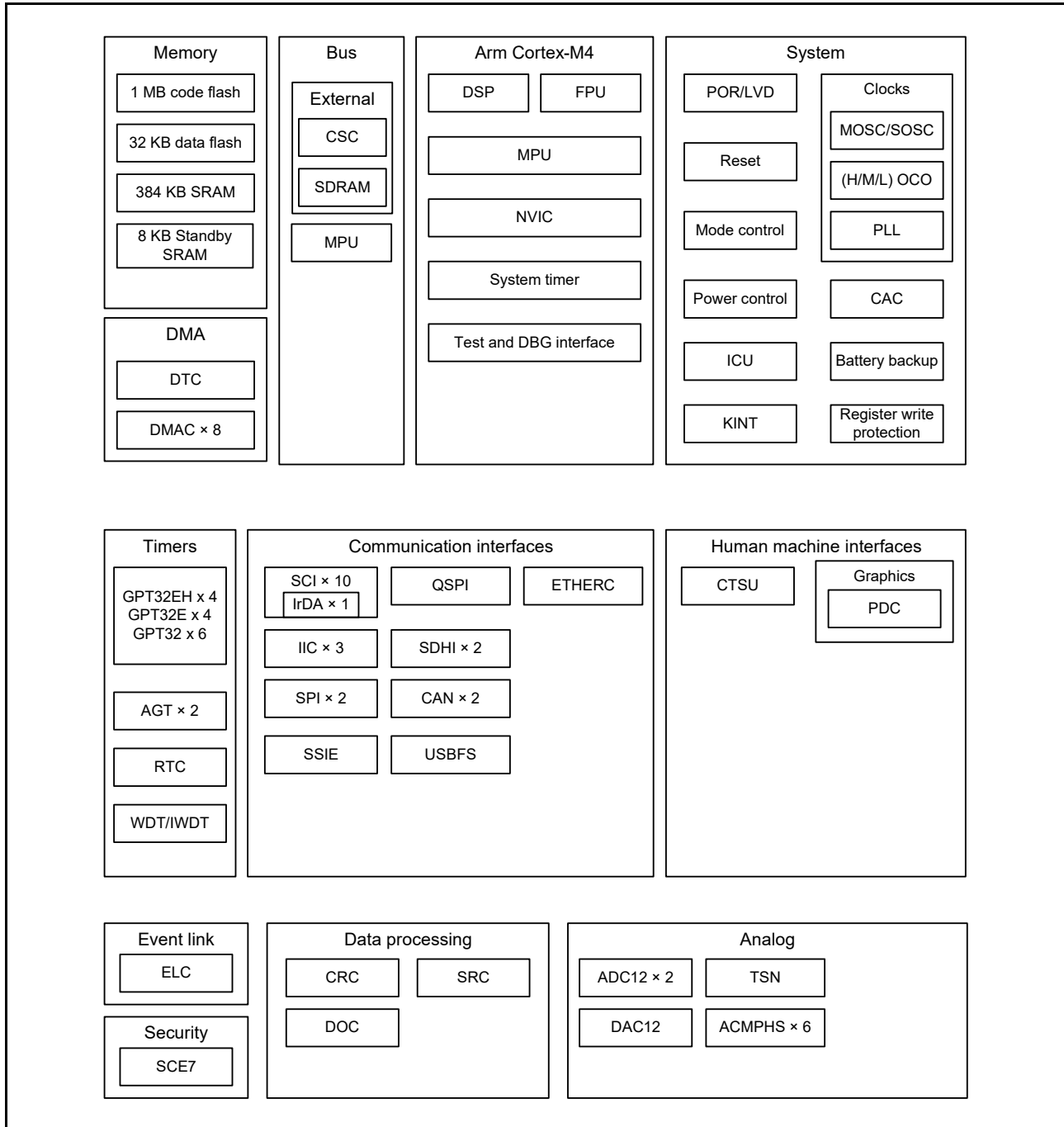


Figure 1.1 Block diagram

### 1.3 Part Numbering

Figure 1.2 shows the product part number information, including memory capacity and package type. Table 1.14 shows a list of products.

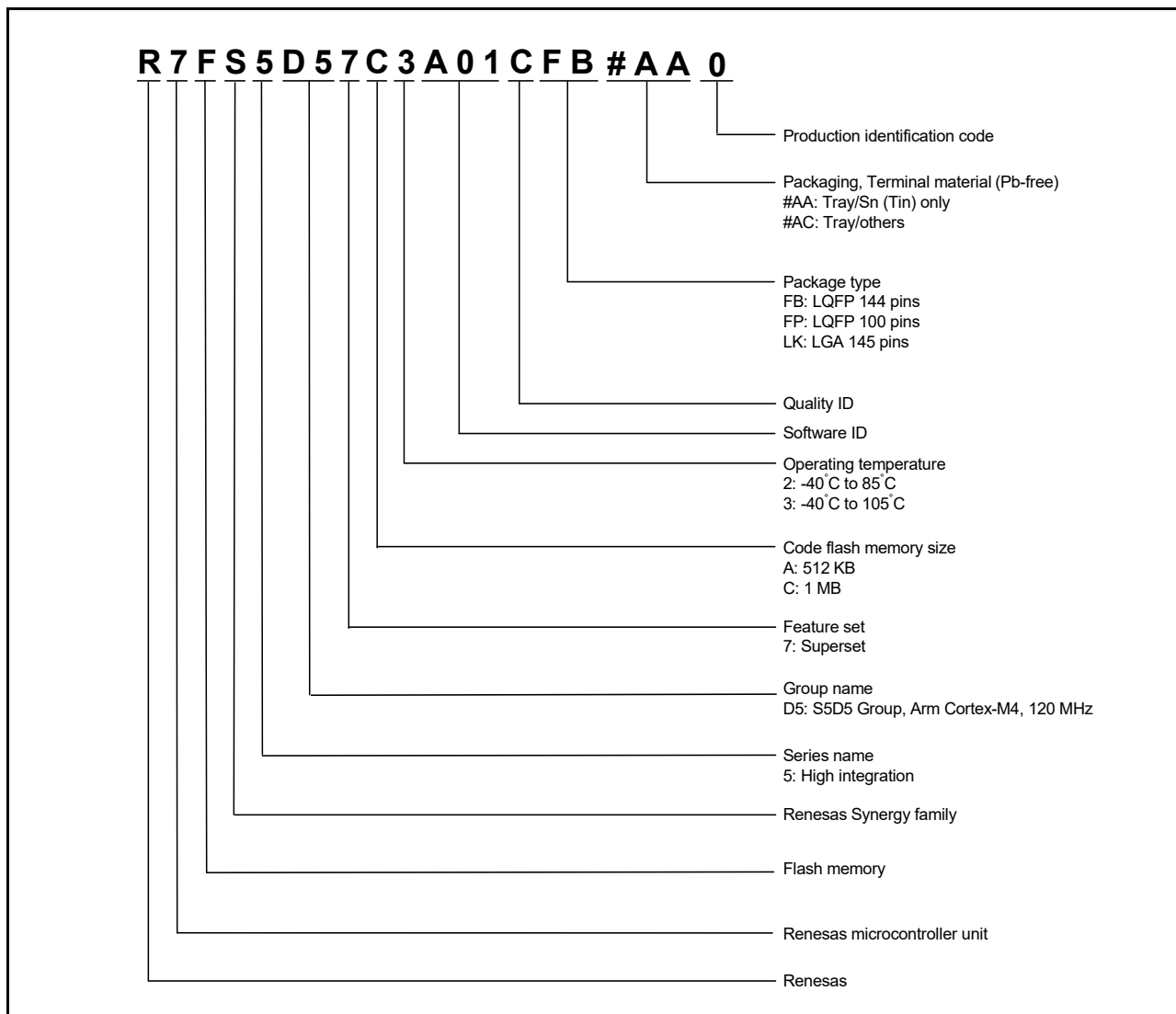


Figure 1.2 Part numbering scheme

Table 1.14 Product list

| Product part number | Orderable part number | Package      | Code flash | Data flash | SRAM   | Operating temperature |
|---------------------|-----------------------|--------------|------------|------------|--------|-----------------------|
| R7FS5D57C2A01CLK    | R7FS5D57C2A01CLK#AC1  | PTLG0145KA-A | 1 MB       | 32 KB      | 384 KB | -40 to +85°C          |
| R7FS5D57C3A01CFB    | R7FS5D57C3A01CFB#AA1  | PLQP0144KA-B |            |            |        | -40 to +105°C         |
| R7FS5D57C3A01CFP    | R7FS5D57C3A01CFP#AA1  | PLQP0100KB-B |            |            |        | -40 to +105°C         |
| R7FS5D57A2A01CLK    | R7FS5D57A2A01CLK#AC1  | PTLG0145KA-A | 512 KB     |            |        | -40 to +85°C          |
| R7FS5D57A3A01CFB    | R7FS5D57A3A01CFB#AA1  | PLQP0144KA-B |            |            |        | -40 to +105°C         |
| R7FS5D57A3A01CFP    | R7FS5D57A3A01CFP#AA1  | PLQP0100KB-B |            |            |        | -40 to +105°C         |

## 1.4 Function Comparison

Table 1.15 Functional comparison

| Function          | Part numbers                          |                                       |                                       |
|-------------------|---------------------------------------|---------------------------------------|---------------------------------------|
|                   | R7FS5D57C2A01CLK/<br>R7FS5D57A2A01CLK | R7FS5D57C3A01CFB/<br>R7FS5D57A3A01CFB | R7FS5D57C3A01CFP/<br>R7FS5D57A3A01CFP |
| Pin count         | 145                                   | 144                                   | 100                                   |
| Package           | LGA                                   | LQFP                                  | LQFP                                  |
| Code flash memory | 1 MB/512 KB                           |                                       |                                       |
| Data flash memory | 32 KB                                 |                                       |                                       |
| SRAM              | 384 KB                                |                                       |                                       |
|                   | Parity                                | 352 KB                                |                                       |
|                   | ECC                                   | 32 KB                                 |                                       |
| Standby SRAM      | 8 KB                                  |                                       |                                       |
| System            | CPU clock                             | 120 MHz                               |                                       |
|                   | Backup registers                      | 512 B                                 |                                       |
|                   | ICU                                   | Yes                                   |                                       |
|                   | KINT                                  | 8                                     |                                       |
| Event link        | ELC                                   | Yes                                   |                                       |
| DMA               | DTC                                   | Yes                                   |                                       |
|                   | DMAC                                  | 8                                     |                                       |
| BUS               | External bus                          | 16-bit bus                            | 8-bit bus                             |
|                   | SDRAM                                 | Yes                                   | No                                    |
| Timers            | GPT32EH                               | 4                                     | 4                                     |
|                   | GPT32E                                | 4                                     | 4                                     |
|                   | GPT32                                 | 6                                     | 5                                     |
|                   | AGT                                   | 2                                     | 2                                     |
|                   | RTC                                   | Yes                                   |                                       |
|                   | WDT/IWDT                              | Yes                                   |                                       |
| Communication     | SCI                                   | 10                                    |                                       |
|                   | IIC                                   | 3                                     | 2                                     |
|                   | SPI                                   | 2                                     |                                       |
|                   | SSIE                                  | 1                                     |                                       |
|                   | QSPI                                  | 1                                     |                                       |
|                   | SDHI                                  | 2                                     |                                       |
|                   | CAN                                   | 2                                     |                                       |
|                   | USBFS                                 | Yes                                   |                                       |
|                   | ETHERC                                | 1                                     |                                       |
| Analog            | ADC12                                 | 22                                    | 19                                    |
|                   | DAC12                                 | 2                                     |                                       |
|                   | ACMPHS                                | 6                                     |                                       |
|                   | TSN                                   | Yes                                   |                                       |
| HMI               | CTSU                                  | 18                                    | 12                                    |
|                   | Graphics                              | PDC                                   | Yes                                   |
| Data processing   | CRC                                   | Yes                                   |                                       |
|                   | DOC                                   | Yes                                   |                                       |
|                   | SRC                                   | Yes                                   |                                       |
| Security          | SCE7                                  |                                       |                                       |

## 1.5 Pin Functions

Table 1.16 Pin functions (1 of 5)

| Function               | Signal                 | I/O    | Description   |
|------------------------|------------------------|--------|---|
| Power supply           | VCC                    | Input  | Power supply pin. This is used as the digital power supply for the respective modules and internal voltage regulator, and used to monitor the voltage of the POR/LVD. Connect it to the system power supply. Connect this pin to VSS by a 0.1- $\mu$ F capacitor. Place the capacitor close to the pin. |
|                        | VCL0                   | -      | Connect to VSS through a 0.1- $\mu$ F smoothing capacitor close to each VCL pin. Stabilize the internal power supply.   |
|                        | VCL                    | -      |   |
|                        | VSS                    | Input  | Ground pin. Connect to the system power supply (0 V).   |
|                        | VBATT                  | Input  | Backup power pin  |
| Clock                  | XTAL                   | Output | Pins for a crystal resonator. An external clock signal can be input through the EXTAL pin.  |
|                        | EXTAL                  | Input  |   |
|                        | XCIN                   | Input  | Input/output pins for the sub-clock oscillator. Connect a crystal resonator between XCOU and XCIN.  |
|                        | XCOU                   | Output |   |
|                        | EBCLK                  | Output | Outputs the external bus clock for external devices   |
|                        | SDCLK                  | Output | Outputs the SDRAM-dedicated clock   |
|                        | CLKOUT                 | Output | Clock output pin  |
| Operating mode control | MD                     | Input  | Pin for setting the operating mode. The signal level on this pin must not be changed during operation mode transition on release from the reset state.  |
| System control         | RES                    | Input  | Reset signal input pin. The MCU enters the reset state when this signal goes low.   |
| CAC                    | CACREF                 | Input  | Measurement reference clock input pin   |
| Interrupt              | NMI                    | Input  | Non-maskable interrupt request pin  |
|                        | IRQ0 to IRQ15          | Input  | Maskable interrupt request pins   |
| KINT                   | KR00 to KR07           | Input  | A key interrupt can be generated by inputting a falling edge to the key interrupt input pins  |
| On-chip emulator       | TMS                    | I/O    | On-chip emulator or boundary scan pins  |
|                        | TDI                    | Input  |   |
|                        | TCK                    | Input  |   |
|                        | TDO                    | Output |   |
|                        | TCLK                   | Output | This pin outputs the clock for synchronization with the trace data  |
|                        | TDATA0 to TDATA3       | Output | Trace data output   |
|                        | SWDIO                  | I/O    | Serial wire debug data input/output pin   |
|                        | SWCLK                  | Input  | Serial wire clock pin   |
|                        | SWO                    | Output | Serial wire trace output pin  |
|                        | External bus interface | RD     | Output  |
| WR                     |                        | Output | Strobe signal indicating that writing to the external bus interface space is in progress, in 1-write strobe mode, active-low  |
| WR0 to WR1             |                        | Output | Strobe signals indicating that either group of data bus pins (D07 to D00 or D15 to D08) is valid in writing to the external bus interface space, in byte strobe mode, active-low  |
| BC0 to BC1             |                        | Output | Strobe signals indicating that either group of data bus pins (D07 to D00 or D15 to D08) is valid in access to the external bus interface space, in 1-write strobe mode, active-low  |
| ALE                    |                        | Output | Address latch signal when address/data multiplexed bus is selected  |
| WAIT                   |                        | Input  | Input pin for wait request signals in access to the external space, active-low  |
| CS0 to CS7             |                        | Output | Select signals for CS areas, active-low   |
| A00 to A20             |                        | Output | Address bus   |
| D00 to D15             |                        | I/O    | Data bus  |
| A00/D00 to A15/D15     |                        | I/O    | Address/data multiplexed bus  |

**Table 1.16 Pin functions (2 of 5)**

| Function        | Signal                                   | I/O  | Description  |
|-----------------|--|--|--|
| SDRAM interface | CKE                                      | Output   | SDRAM clock enable signal  |
|                 | SDCS                                     | Output   | SDRAM chip select signal, active-low   |
|                 | RAS                                      | Output   | SDRAM low address strobe signal, active-low  |
|                 | CAS                                      | Output   | SDRAM column address strobe signal, active-low   |
|                 | WE                                       | Output   | SDRAM write enable signal, active-low  |
|                 | DQM0                                     | Output   | SDRAM I/O data mask enable signal for DQ07 to DQ00   |
|                 | DQM1                                     | Output   | SDRAM I/O data mask enable signal for DQ15 to DQ08   |
|                 | A00 to A15                               | Output   | Address bus  |
| DQ00 to DQ15    | I/O                                      | Data bus   |  |
| GPT             | GTETRGA, GTETRGB, GTETRGC, GTETRGD       | Input  | External trigger input pins  |
|                 | GTIOC0A to GTIOC13A, GTIOC0B to GTIOC13B | I/O  | Input capture, output compare, or PWM output pins  |
|                 | GTIU                                     | Input  | Hall sensor input pin U  |
|                 | GTIV                                     | Input  | Hall sensor input pin V  |
|                 | GTIW                                     | Input  | Hall sensor input pin W  |
|                 | GTOUUP                                   | Output   | 3-phase PWM output for BLDC motor control (positive U phase)   |
|                 | GTOULO                                   | Output   | 3-phase PWM output for BLDC motor control (negative U phase)   |
|                 | GTOVUP                                   | Output   | 3-phase PWM output for BLDC motor control (positive V phase)   |
|                 | GTOVLO                                   | Output   | 3-phase PWM output for BLDC motor control (negative V phase)   |
|                 | GTOWUP                                   | Output   | 3-phase PWM output for BLDC motor control (positive W phase)   |
|                 | GTOWLO                                   | Output   | 3-phase PWM output for BLDC motor control (negative W phase)   |
|                 | AGT                                      | AGTEE0, AGTEE1                                       | Input  |
| AGTIO0, AGTIO1  |  | I/O  | External event input and pulse output pins   |
| AGTO0, AGTO1    |  | Output   | Pulse output pins  |
| AGTOA0, AGTOA1  |  | Output   | Output compare match A output pins   |
| AGTOB0, AGTOB1  |  | Output   | Output compare match B output pins   |
| RTC             | RTCOUT                                   | Output   | Output pin for 1-Hz or 64-Hz clock   |
|                 | RTCIC0 to RTCIC2                         | Input  | Time capture event input pins  |
| SCI             | SCK0 to SCK9                             | I/O  | Input/output pins for the clock (clock synchronous mode)   |
|                 | RXD0 to RXD9                             | Input  | Input pins for received data (asynchronous mode/clock synchronous mode)  |
|                 | TXD0 to TXD9                             | Output   | Output pins for transmitted data (asynchronous mode/clock synchronous mode)  |
|                 | CTS0_RTS0 to CTS9_RTS9                   | I/O  | Input/output pins for controlling the start of transmission and reception (asynchronous mode/clock synchronous mode), active-low |
|                 | SCL0 to SCL9                             | I/O  | Input/output pins for the IIC clock (simple IIC mode)  |
|                 | SDA0 to SDA9                             | I/O  | Input/output pins for the IIC data (simple IIC mode)   |
|                 | SCK0 to SCK9                             | I/O  | Input/output pins for the clock (simple SPI mode)  |
|                 | MISO0 to MISO9                           | I/O  | Input/output pins for slave transmission of data (simple SPI mode)   |
|                 | MOSI0 to MOSI9                           | I/O  | Input/output pins for master transmission of data (simple SPI mode)  |
| SS0 to SS9      | Input                                    | Chip-select input pins (simple SPI mode), active-low |  |
| IIC             | SCL0 to SCL2                             | I/O  | Input/output pins for the clock  |
|                 | SDA0 to SDA2                             | I/O  | Input/output pins for data   |
| SSIE            | SSIBCK0                                  | I/O  | SSIE serial bit clock pins   |
|                 | SSILRCK0/SSIFS0                          | I/O  | LR clock/frame synchronization pins  |
|                 | SSITXD0                                  | Output   | Serial data output pins  |
|                 | SSIRXD0                                  | Input  | Serial data input pins   |
|                 | SSIDATA0                                 | I/O  | Serial data input/output pins  |
|                 | AUDIO_CLK                                | Input  | External clock pin for audio (input oversampling clock)  |

**Table 1.16 Pin functions (3 of 5)**

| Function | Signal                         | I/O  | Description   |
|----------|--------------------------------|--|---|
| SPI      | RSPCKA, RSPCKB                 | I/O  | Clock input/output pin  |
|          | MOSIA, MOSIB                   | I/O  | Input or output pins for data output from the master  |
|          | MISOA, MISOB                   | I/O  | Input or output pins for data output from the slave   |
|          | SSLA0, SSLB0                   | I/O  | Input or output pin for slave selection   |
|          | SSLA1 to SSLA3, SSLB1 to SSLB3 | Output   | Output pins for slave selection   |
| QSPI     | QSPCLK                         | Output   | QSPI clock output pin   |
|          | QSSL                           | Output   | QSPI slave output pin   |
|          | QIO0 to QIO3                   | I/O  | Data0 to Data3  |
| CAN      | CRX0, CRX1                     | Input  | Receive data  |
|          | CTX0, CTX1                     | Output   | Transmit data   |
| USBFS    | VCC_USB                        | Input  | Power supply pins   |
|          | VSS_USB                        | Input  | Ground pins   |
|          | USB_DP                         | I/O  | D+ I/O pin of the USB on-chip transceiver. Connect this pin to the D+ pin of the USB bus  |
|          | USB_DM                         | I/O  | D- I/O pin of the USB on-chip transceiver. Connect this pin to the D- pin of the USB bus  |
|          | USB_VBUS                       | Input  | USB cable connection monitor pin. Connect this pin to VBUS of the USB bus. The VBUS pin status (connected or disconnected) can be detected when the USB module is operating as a device controller. |
|          | USB_EXICEN                     | Output   | Low-power control signal for external power supply (OTG) chip   |
|          | USB_VBUSEN                     | Output   | VBUS (5 V) supply enable signal for external power supply chip  |
|          | USB_OVRCURA, USB_OVRCURB       | Input  | Connect the external overcurrent detection signals to these pins. Connect the VBUS comparator signals to these pins when the OTG power supply chip is connected.                                    |
| USB_ID   | Input                          | Connect the MicroAB connector ID input signal to this pin during operation in OTG mode |   |

**Table 1.16 Pin functions (4 of 5)**

| Function            | Signal                                 | I/O   | Description   |
|---------------------|--|---|---|
| ETHERC              | REF50CK0                               | Input   | 50-MHz reference clock. This pin inputs reference signal for transmission/reception timing in RMII mode.  |
|                     | RMII0_CRS_DV                           | Input   | Indicates carrier detection signals and valid receive data on RMII0_RXD1 and RMII0_RXD0 in RMII mode  |
|                     | RMII0_TXD0, RMII0_TXD1                 | Output  | 2-bit transmit data in RMII mode  |
|                     | RMII0_RXD0, RMII0_RXD1                 | Input   | 2-bit receive data in RMII mode   |
|                     | RMII0_TXD_EN                           | Output  | Output pin for data transmit enable signal in RMII mode   |
|                     | RMII0_RX_ER                            | Input   | Indicates an error occurred during reception of data in RMII mode   |
|                     | ET0_CRS                                | Input   | Carrier detection/data reception enable signal  |
|                     | ET0_RX_DV                              | Input   | Indicates valid receive data on ET0_ERXD3 to ET0_ERXD0  |
|                     | ET0_EXOUT                              | Output  | General-purpose external output pin   |
|                     | ET0_LINKSTA                            | Input   | Input link status from the PHY-LSI  |
|                     | ET0_ETXD0 to ET0_ETXD3                 | Output  | 4 bits of MII transmit data   |
|                     | ET0_ERXD0 to ET0_ERXD3                 | Input   | 4 bits of MII receive data  |
|                     | ET0_TX_EN                              | Output  | Transmit enable signal. Functions as signal indicating that transmit data is ready on ET0_ETXD3 to ET0_ETXD0  |
|                     | ET0_TX_ER                              | Output  | Transmit error pin. Functions as signal notifying the PHY_LSI of an error during transmission   |
|                     | ET0_RX_ER                              | Input   | Receive error pin. Functions as signal to recognize an error during reception   |
|                     | ET0_TX_CLK                             | Input   | Transmit clock pin. This pin inputs reference signal for output timing from ET0_TX_EN, ET0_ETXD3 to ET0_ETXD0, and ET0_TX_ER  |
|                     | ET0_RX_CLK                             | Input   | Receive clock pin. This pin inputs reference signal for input timing to ET0_RX_DV, ET0_ERXD3 to ET0_ERXD0, and ET0_RX_ER  |
|                     | ET0_COL                                | Input   | Input collision detection signal  |
|                     | ET0_WOL                                | Output  | Receive Magic packets   |
|                     | ET0_MDC                                | Output  | Output reference clock signal for information transfer through ET0_MDIO   |
| ET0_MDIO            | I/O                                    | Input or output bidirectional signal for exchange of management data with PHY-LSI |   |
| SDHI                | SD0CLK, SD1CLK                         | Output  | SD clock output pins  |
|                     | SD0CMD, SD1CMD                         | I/O   | Command output pin and response input signal pins   |
|                     | SD0DAT0 to SD0DAT7, SD1DAT0 to SD1DAT7 | I/O   | SD and MMC data bus pins  |
|                     | SD0CD, SD1CD                           | Input   | SD card detection pins  |
|                     | SD0WP                                  | Input   | SD write-protect signals  |
| Analog power supply | AVCC0                                  | Input   | Analog voltage supply pin. This is used as the analog power supply for the respective modules. Supply this pin with the same voltage as the VCC pin.  |
|                     | AVSS0                                  | Input   | Analog ground pin. This is used as the analog ground for the respective modules. Supply this pin with the same voltage as the VSS pin.  |
|                     | VREFH0                                 | Input   | Analog reference voltage supply pin for the ADC12 (unit 0). Connect this pin to VCC when not using the ADC12 (unit 0) and sample-and-hold circuit for AN000 to AN002.                                   |
|                     | VREFL0                                 | Input   | Analog reference ground pin for the ADC12. Connect this pin to VSS when not using the ADC12 (unit 0) and sample-and-hold circuit for AN000 to AN002   |
|                     | VREFH                                  | Input   | Analog reference voltage supply pin for the ADC12 (unit 1) and D/A Converter. Connect this pin to VCC when not using the ADC12 (unit 1), sample-and-hold circuit for AN100 to AN102, and D/A Converter. |
|                     | VREFL                                  | Input   | Analog reference ground pin for the ADC12 and D/A Converter. Connect this pin to VSS when not using the ADC12 (unit 1), sample-and-hold circuit for AN100 to AN102, and D/A Converter.                  |

**Table 1.16 Pin functions (5 of 5)**

| Function   | Signal   | I/O                               | Description   |
|------------|--|-----------------------------------|---|
| ADC12      | AN000 to AN007,<br>AN016 to AN020                    | Input                             | Input pins for the analog signals to be processed by the ADC12            |
|            | AN100 to AN102,<br>AN105 to AN107,<br>AN116 to AN118 | Input                             |   |
|            | ADTRG0   | Input                             | Input pins for the external trigger signals that start the A/D conversion |
|            | ADTRG1   | Input                             |   |
| DAC12      | DA0, DA1   | Output                            | Output pins for the analog signals processed by the D/A converter         |
| ACMPHS     | VCOU   | Output                            | Comparator output pin   |
|            | IVREF0 to IVREF3                                     | Input                             | Reference voltage input pins for comparator                               |
|            | IVCMP0 to IVCMP2                                     | Input                             | Analog voltage input pins for comparator                                  |
| CTSU       | TS00 to TS17   | Input                             | Capacitive touch detection pins (touch pins)                              |
|            | TSCAP  | -                                 | Secondary power supply pin for the touch driver                           |
| I/O ports  | P000 to P009,<br>P014, P015                          | I/O                               | General-purpose input/output pins   |
|            | P100 to P115   | I/O                               | General-purpose input/output pins   |
|            | P200   | Input                             | General-purpose input pin   |
|            | P201 to P214   | I/O                               | General-purpose input/output pins   |
|            | P300 to P313   | I/O                               | General-purpose input/output pins   |
|            | P400 to P415   | I/O                               | General-purpose input/output pins   |
|            | P500 to P506,<br>P508, P511, P512                    | I/O                               | General-purpose input/output pins   |
|            | P600 to P605,<br>P608 to P614                        | I/O                               | General-purpose input/output pins   |
|            | P700 to P705,<br>P708 to P713                        | I/O                               | General-purpose input/output pins   |
| P800, P801 | I/O  | General-purpose input/output pins |   |
| PDC        | PIXCLK   | Input                             | Image transfer clock pin  |
|            | VSYNC  | Input                             | Vertical synchronization signal pin                                       |
|            | HSYNC  | Input                             | Horizontal synchronization signal pin                                     |
|            | PIXD0 to PIXD7                                       | Input                             | 8-bit image data pins   |
|            | PCKO   | Output                            | Output pin for dot clock  |



### 1.6 Pin Assignments

Figure 1.3 to Figure 1.5 show the pin assignments.

**R7FS5D57XXA01CLK**

|    | A                  | B                  | C    | D        | E    | F    | G              | H     | J     | K    | L     | M      | N      |     |   |
|----|--------------------|--------------------|------|----------|------|------|----------------|-------|-------|------|-------|--------|--------|-----|---|
| 13 | P407               | P409               | P412 | P708     | P711 | VCC  | P212<br>/EXTAL | XCIN  | VCL0  | P702 | P405  | P402   | P400   | 13  |   |
| 12 | USB_DM             | USB_DP             | P410 | P414     | P710 | VSS  | P213<br>/XTAL  | XCOUT | VBATT | P701 | P404  | P511   | VCC    | 12  |   |
| 11 | VCC_USB            | VSS_USB            | P207 | P411     | P415 | P712 | P705           | P704  | P703  | P403 | P401  | P512   | VSS    | 11  |   |
| 10 | P205               | P206               | P204 | P408     | P413 | P709 | P713           | P700  | P406  | P003 | P000  | P002   | P001   | 10  |   |
| 9  | P203               | P313               | P202 | VSS      |      |      |                |       |       | P004 | P006  | P009   | P008   | 9   |   |
| 8  | P214               | P211               | P200 | VCC      |      |      |                |       |       | P005 | AVSS0 | VREFL0 | VREFH0 | 8   |   |
| 7  | P210               | P209               | RES  | P310     |      |      |                |       |       | P007 | AVCC0 | VREFL  | VREFH  | 7   |   |
| 6  | P208               | P201/MD            | P312 | P305     |      |      |                |       |       | P505 | P506  | P015   | P014   | 6   |   |
| 5  | P309               | P311               | P308 | P303     | NC   |      |                |       |       |      | P503  | P504   | VSS    | VCC | 5 |
| 4  | P307               | P306               | P304 | P109/TDO | P114 | P608 | P604           | P600  | P105  | P500 | P502  | P501   | P508   | 4   |   |
| 3  | VSS                | VCC                | P301 | P112     | P115 | P610 | P614           | P603  | P107  | P106 | P104  | VSS    | VCC    | 3   |   |
| 2  | P302               | P300/TCK<br>/SWCLK | P111 | VCC      | P609 | P612 | VSS            | P605  | P601  | VCC  | P800  | P101   | P801   | 2   |   |
| 1  | P108/TMS<br>/SWDIO | P110/TDI           | P113 | VSS      | P611 | P613 | VCC            | VCL   | P602  | VSS  | P103  | P102   | P100   | 1   |   |

**Figure 1.3 Pin assignment for 145-pin LGA (top view)**

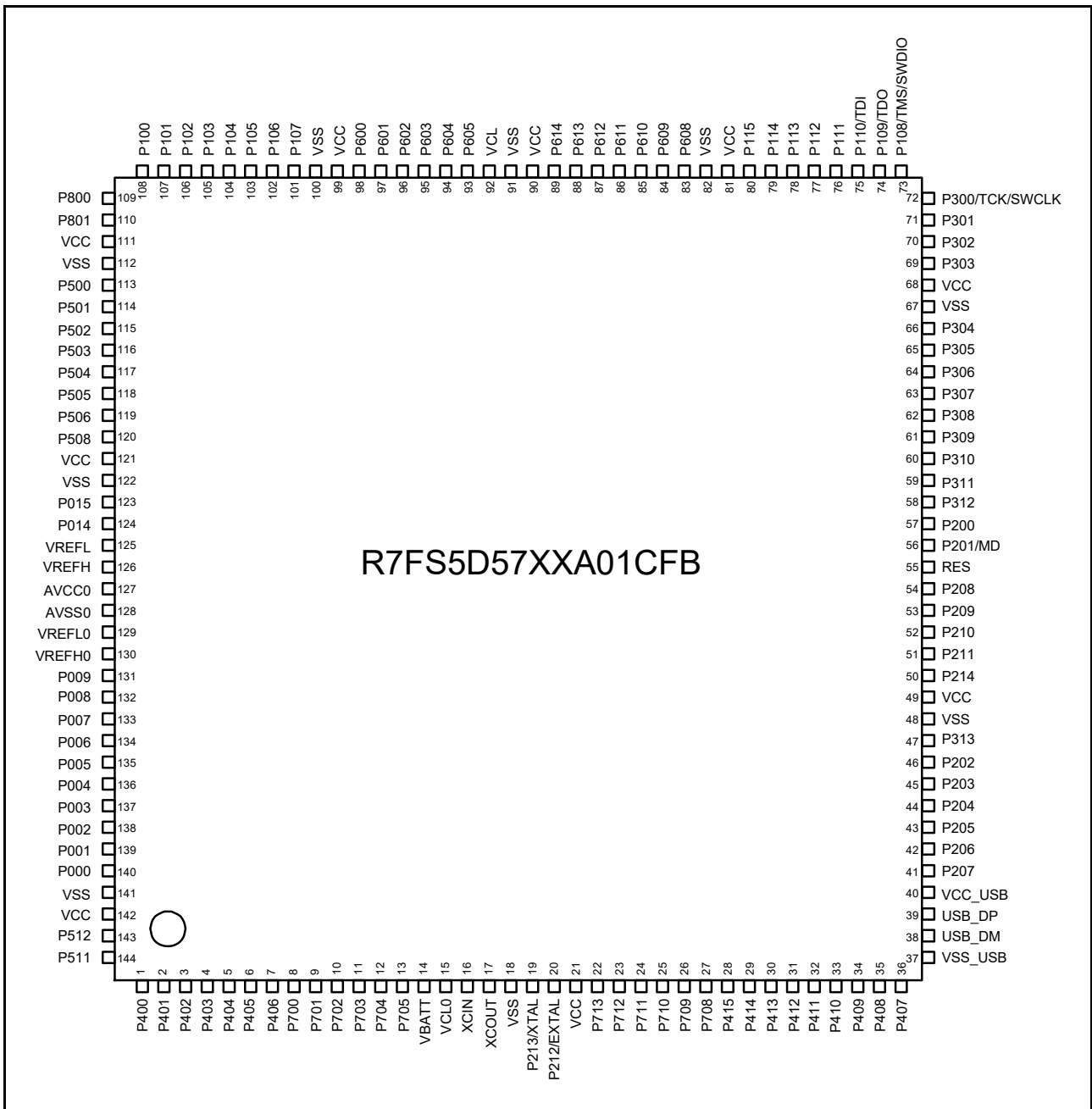


Figure 1.4 Pin assignment for 144-pin LQFP (top view)

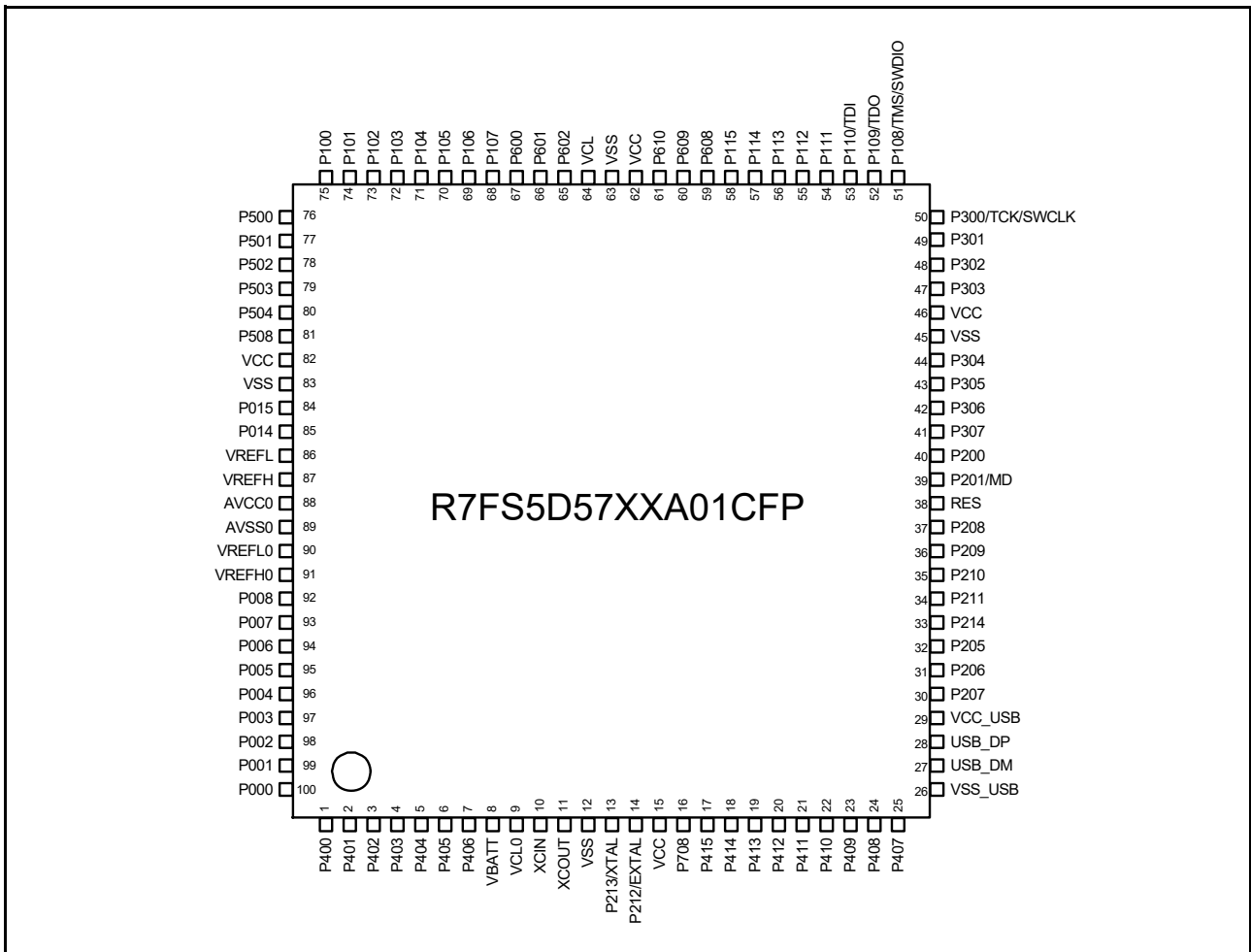


Figure 1.5 Pin assignment for 100-pin LQFP (top view)

## 1.7 Pin Lists

| Pin number | LGA145 | LQFP144 | LQFP100  | Power, System,<br>Clock, Debug,<br>CAC | Interrupt | I/O port | Extbus       |       | Timers        |         |     |       | Communication interfaces |                          |                          |                  |                  |         |                         |                           | Analog         |              |                  | HMI  |        |      |   |   |        |        |
|------------|--------|---------|----------|--|-----------|----------|--------------|-------|---------------|---------|-----|-------|--------------------------|--------------------------|--------------------------|------------------|------------------|---------|-------------------------|---------------------------|----------------|--------------|------------------|------|--------|------|---|---|--------|--------|
|            |        |         |          |  |           |          | External bus | SDRAM | AGT           | GPT     | GPT | RTC   | USBFS,<br>CAN            | SC10,2,4,6,8<br>(30 MHz) | SC11,3,5,7,9<br>(30 MHz) | IIC              | SPI, QSPI        | SSIE    | ETHERC (MI)<br>(25 MHz) | ETHERC (RMII)<br>(50 MHz) | SDHI           | ADC12        | DAC12,<br>ACMPHS | CTSU | PDC    |      |   |   |        |        |
| N13        | 1      | 1       | -        | -                                      | IRQ0      | P400     | -            | -     | AGTIO1        | -       | -   | -     | GTIOC6A                  | -                        | -                        | SCK4             | SCK7             | SCL0_A  | -                       | AUDIO_CLK                 | ET0_WOL        | ET0_WOL      | -                | -    | ADTRG1 | -    | - | - | -      |        |
| L11        | 2      | 2       | -        | -                                      | IRQ5-DS   | P401     | -            | -     | -             | GTETRGA | -   | -     | GTIOC6B                  | -                        | CTX0                     | CTS4_RTS4/SS4    | RXD7/MOSI7/SDA7  | SDA0_A  | -                       | -                         | ET0_MDC        | ET0_MDC      | -                | -    | -      | -    | - | - | -      |        |
| M13        | 3      | 3       | CACREF   | -                                      | IRQ4-DS   | P402     | -            | -     | AGTIO0/AGTIO1 | -       | -   | RTIC0 | CRX0                     | -                        | -                        | -                | -                | -       | AUDIO_CLK               | ET0_MDI0                  | ET0_MDI0       | -            | -                | -    | -      | -    | - | - | VSYNC  |        |
| K11        | 4      | 4       | -        | -                                      | -         | P403     | -            | -     | AGTIO0/AGTIO1 | -       | -   | RTIC1 | -                        | -                        | -                        | CTS7_RTS7/SS7    | -                | -       | SSIBCK0_A               | ET0_LINKSTA               | ET0_LINKSTA    | SD1DAT7_B    | -                | -    | -      | -    | - | - | PIXD7  |        |
| L12        | 5      | 5       | -        | -                                      | -         | P404     | -            | -     | -             | -       | -   | RTIC2 | -                        | -                        | -                        | -                | -                | -       | SSILRCK0/SIFS0_A        | ET0_EXOUT                 | ET0_EXOUT      | SD1DAT6_B    | -                | -    | -      | -    | - | - | PIXD6  |        |
| L13        | 6      | 6       | -        | -                                      | -         | P405     | -            | -     | -             | -       | -   | -     | -                        | -                        | -                        | -                | -                | -       | SSITXD0_A               | ET0_TXEN                  | RMII0_TXD_EN_B | SD1DAT5_B    | -                | -    | -      | -    | - | - | PIXD5  |        |
| J10        | 7      | 7       | -        | -                                      | -         | P406     | -            | -     | -             | -       | -   | -     | -                        | -                        | -                        | -                | -                | -       | SSLB3_C                 | SSIRXD0_A                 | ET0_RXER       | RMII0_TXD1_B | SD1DAT4_B        | -    | -      | -    | - | - | PIXD4  |        |
| H10        | 8      | -       | -        | -                                      | -         | P700     | -            | -     | -             | -       | -   | -     | -                        | -                        | -                        | -                | -                | -       | MISOB_C                 | ET0_ETXD1                 | RMII0_TXD0_B   | SD1DAT3_B    | -                | -    | -      | -    | - | - | PIXD3  |        |
| K12        | 9      | -       | -        | -                                      | -         | P701     | -            | -     | -             | -       | -   | -     | -                        | -                        | -                        | -                | -                | -       | MOSIB_C                 | ET0_ETXD0                 | REF50CK0_B     | SD1DAT2_B    | -                | -    | -      | -    | - | - | PIXD2  |        |
| K13        | 10     | -       | -        | -                                      | -         | P702     | -            | -     | -             | -       | -   | -     | -                        | -                        | -                        | -                | -                | -       | RSPCKB_C                | ET0_ERXD1                 | RMII0_RXD0_B   | SD1DAT1_B    | -                | -    | -      | -    | - | - | PIXD1  |        |
| J11        | 11     | -       | -        | -                                      | -         | P703     | -            | -     | -             | -       | -   | -     | -                        | -                        | -                        | -                | -                | -       | SSLB0_C                 | ET0_ERXD0                 | RMII0_RXD1_B   | SD1DAT0_B    | -                | -    | -      | VCOU | - | - | PIXD0  |        |
| H11        | 12     | -       | -        | -                                      | -         | P704     | -            | -     | AGT00         | -       | -   | -     | -                        | -                        | CTX0                     | -                | -                | -       | SSLB1_C                 | ET0_RXCLK                 | RMII0_RX_ER_B  | SD1CLK_B     | -                | -    | -      | -    | - | - | HSYNC  |        |
| G11        | 13     | -       | -        | -                                      | -         | P705     | -            | -     | AGTIO0        | -       | -   | -     | -                        | -                        | CRX0                     | -                | -                | -       | SSLB2_C                 | ET0_CRS                   | RMII0_CRS_DV_B | SD1CMD_B     | -                | -    | -      | -    | - | - | PIXCLK |        |
| J12        | 14     | 8       | VBATT    | -                                      | -         | -        | -            | -     | -             | -       | -   | -     | -                        | -                        | -                        | -                | -                | -       | -                       | -                         | -              | -            | -                | -    | -      | -    | - | - | -      |        |
| J13        | 15     | 9       | VCL0     | -                                      | -         | -        | -            | -     | -             | -       | -   | -     | -                        | -                        | -                        | -                | -                | -       | -                       | -                         | -              | -            | -                | -    | -      | -    | - | - | -      |        |
| H13        | 16     | 10      | XCIN     | -                                      | -         | -        | -            | -     | -             | -       | -   | -     | -                        | -                        | -                        | -                | -                | -       | -                       | -                         | -              | -            | -                | -    | -      | -    | - | - | -      |        |
| H12        | 17     | 11      | XCOU     | -                                      | -         | -        | -            | -     | -             | -       | -   | -     | -                        | -                        | -                        | -                | -                | -       | -                       | -                         | -              | -            | -                | -    | -      | -    | - | - | -      |        |
| F12        | 18     | 12      | VSS      | -                                      | -         | -        | -            | -     | -             | -       | -   | -     | -                        | -                        | -                        | -                | -                | -       | -                       | -                         | -              | -            | -                | -    | -      | -    | - | - | -      |        |
| G12        | 19     | 13      | XTAL     | -                                      | IRQ2      | P213     | -            | -     | -             | GTETRG  | -   | -     | GTIOC0A                  | -                        | -                        | -                | TXD1/MOSI1/SDA1  | -       | -                       | -                         | -              | -            | -                | -    | ADTRG1 | -    | - | - | -      |        |
| G13        | 20     | 14      | EXTAL    | -                                      | IRQ3      | P212     | -            | -     | AGTEE1        | GTETRGD | -   | -     | GTIOC0B                  | -                        | -                        | -                | RXD1/MISO1/SC L1 | -       | -                       | -                         | -              | -            | -                | -    | -      | -    | - | - | -      |        |
| F13        | 21     | 15      | VCC      | -                                      | -         | -        | -            | -     | -             | -       | -   | -     | -                        | -                        | -                        | -                | -                | -       | -                       | -                         | -              | -            | -                | -    | -      | -    | - | - | -      |        |
| G10        | 22     | -       | -        | -                                      | -         | P713     | -            | -     | AGTOA0        | -       | -   | -     | GTIOC2A                  | -                        | -                        | -                | -                | -       | -                       | -                         | -              | -            | -                | -    | -      | -    | - | - | TS17   |        |
| F11        | 23     | -       | -        | -                                      | -         | P712     | -            | -     | AGTOB0        | -       | -   | -     | GTIOC2B                  | -                        | -                        | -                | -                | -       | -                       | -                         | -              | -            | -                | -    | -      | -    | - | - | TS16   |        |
| E13        | 24     | -       | -        | -                                      | -         | P711     | -            | -     | AGTEE0        | -       | -   | -     | -                        | -                        | -                        | CTS1_RTS1/SS1    | -                | -       | -                       | -                         | ET0_TXCLK      | -            | -                | -    | -      | -    | - | - | TS15   |        |
| E12        | 25     | -       | -        | -                                      | -         | P710     | -            | -     | -             | -       | -   | -     | -                        | -                        | -                        | SCK1             | -                | -       | -                       | -                         | ET0_TXER       | -            | -                | -    | -      | -    | - | - | TS14   |        |
| F10        | 26     | -       | -        | -                                      | -         | IRQ10    | P709         | -     | -             | -       | -   | -     | -                        | -                        | -                        | TXD1/MOSI1/SDA1  | -                | -       | -                       | -                         | ET0_ETXD2      | -            | -                | -    | -      | -    | - | - | TS13   |        |
| D13        | 27     | 16      | CACREF   | -                                      | IRQ11     | P708     | -            | -     | -             | -       | -   | -     | -                        | -                        | -                        | RXD1/MISO1/SC L1 | -                | SSLA3_B | AUDIO_CLK               | ET0_ETXD3                 | -              | -            | -                | -    | -      | -    | - | - | TS12   | PCKO   |
| E11        | 28     | 17      | -        | -                                      | IRQ8      | P415     | -            | -     | -             | -       | -   | -     | GTIOC0A                  | -                        | -                        | -                | -                | -       | SSLA2_B                 | ET0_TXEN                  | RMII0_TXD_EN_A | SD0CD        | -                | -    | -      | -    | - | - | TS11   | PIXD5  |
| D12        | 29     | 18      | -        | -                                      | IRQ9      | P414     | -            | -     | -             | -       | -   | -     | GTIOC0B                  | -                        | -                        | -                | -                | -       | SSLA1_B                 | ET0_RXER                  | RMII0_TXD1_A   | SD0WP        | -                | -    | -      | -    | - | - | TS10   | PIXD4  |
| E10        | 30     | 19      | -        | -                                      | -         | P413     | -            | -     | -             | GTOUUP  | -   | -     | -                        | -                        | -                        | CTS0_RTS0/SS0    | -                | -       | SSLA0_B                 | ET0_ETXD1                 | RMII0_TXD0_A   | SD0CLK_A     | -                | -    | -      | -    | - | - | TS09   | PIXD3  |
| C13        | 31     | 20      | -        | -                                      | -         | P412     | -            | -     | AGTEE1        | GTOULO  | -   | -     | -                        | -                        | -                        | SCK0             | -                | -       | RSPCKA_B                | ET0_ETXD0                 | REF50CK0_A     | SD0CMD_A     | -                | -    | -      | -    | - | - | TS08   | PIX02  |
| D11        | 32     | 21      | -        | -                                      | IRQ4      | P411     | -            | -     | AGTOA1        | GTOVUP  | -   | -     | GTIOC9A                  | -                        | -                        | TXD0/MOSI0/SDA0  | CTS3_RTS3/SS3    | MOSIA_B | ET0_ERXD1               | RMII0_RXD0_A              | SD0DA0_A       | -            | -                | -    | -      | -    | - | - | TS07   | PIX01  |
| C12        | 33     | 22      | -        | -                                      | IRQ5      | P410     | -            | -     | AGTOB1        | GTOVLO  | -   | -     | GTIOC9B                  | -                        | -                        | RXD0/MISO0/SC L0 | SCK3             | MISOA_B | ET0_ERXD0               | RMII0_RXD1_A              | SD0DA1_A       | -            | -                | -    | -      | -    | - | - | TS06   | PIXD0  |
| B13        | 34     | 23      | -        | -                                      | IRQ6      | P409     | -            | -     | -             | GTOVUP  | -   | -     | GTIOC10A                 | -                        | -                        | TXD3/MOSI3/SDA3  | -                | -       | -                       | ET0_RXCLK                 | RMII0_RX_ER_A  | -            | -                | -    | -      | -    | - | - | TS05   | HSYNC  |
| D10        | 35     | 24      | -        | -                                      | IRQ7      | P408     | -            | -     | -             | GTOVLO  | -   | -     | GTIOC10B                 | -                        | -                        | -                | RXD3/MISO3/SC L3 | SDA0_B  | -                       | ET0_CRS                   | RMII0_CRS_DV_A | -            | -                | -    | -      | -    | - | - | TS04   | PIXCLK |
| A13        | 36     | 25      | -        | -                                      | -         | P407     | -            | -     | AGTIO0        | -       | -   | RTIC0 | USB_VBUS                 | CTS4_RTS4/SS4            | -                        | -                | SDA0_B           | SSLB3_A | -                       | ET0_EXOUT                 | ET0_EXOUT      | -            | -                | -    | ADTRG0 | -    | - | - | TS03   |        |
| B11        | 37     | 26      | VSS_US B | -                                      | -         | -        | -            | -     | -             | -       | -   | -     | -                        | -                        | -                        | -                | -                | -       | -                       | -                         | -              | -            | -                | -    | -      | -    | - | - | -      | -      |
| A12        | 38     | 27      | -        | -                                      | -         | -        | -            | -     | -             | -       | -   | -     | -                        | -                        | -                        | -                | -                | -       | USB_DM                  | -                         | -              | -            | -                | -    | -      | -    | - | - | -      | -      |
| B12        | 39     | 28      | -        | -                                      | -         | -        | -            | -     | -             | -       | -   | -     | -                        | -                        | -                        | -                | -                | -       | USB_DP                  | -                         | -              | -            | -                | -    | -      | -    | - | - | -      | -      |
| A11        | 40     | 29      | VCC_US B | -                                      | -         | -        | -            | -     | -             | -       | -   | -     | -                        | -                        | -                        | -                | -                | -       | -                       | -                         | -              | -            | -                | -    | -      | -    | - | - | -      | -      |

| Pin number | Power, System, Clock, Debug, CAC |         |         | Interrupt              | I/O port | Extbus       |             |              |        | Timers |             |               |                       | Communication interfaces |                         |                         |        |                       |                              | Analog          |                 |               | HMI  |      |           |  |  |
|------------|----------------------------------|---------|---------|------------------------|----------|--------------|-------------|--------------|--------|--------|-------------|---------------|-----------------------|--------------------------|-------------------------|-------------------------|--------|-----------------------|------------------------------|-----------------|-----------------|---------------|------|------|-----------|--|--|
|            | LGA145                           | LQFP144 | LQFP100 |                        |          | External bus | SDRAM       | AGT          | GPT    | GPT    | RTC         | USBFS, CAN    | SCI0,2,4,6,8 (30 MHz) | SCI1,3,5,7,9 (30 MHz)    | IIC                     | SPI, QSPI               | SSIE   | ETHERC (MII) (25 MHz) | ETHERC (RMII) (50 MHz)       | SDHI            | ADC12           | DAC12, ACMPHS | CTS0 | PDC  |           |  |  |
| C11        | 41                               | 30      |         |                        | P207     | A17          |             |              |        |        |             |               |                       | SSLB2_AQS<br>SL          |                         |                         |        |                       |                              |                 |                 |               |      | TS02 |           |  |  |
| B10        | 42                               | 31      |         | IRQ0-DS                | P206     | WAI<br>T     |             |              |        |        | GTIU        |               |                       | USB_VBUS<br>EN           | RXD4/M<br>SO4/SC<br>L4  |                         | SDA1_A | SSLB1_A               | SSIDA<br>TA0_C               | ET0_LINK<br>STA | ET0_LINK<br>STA | SD0DA<br>T2_A |      |      | TS01      |  |  |
| A10        | 43                               | 32      |         | CLKOUT                 | IRQ1-DS  | P205         | A16         |              | AGT01  | GTIV   | GTIOC<br>4A |               |                       | USB_OVRC<br>URA-<br>DS   | TXD4/M<br>OSI4/SD<br>A4 | CTS9_R<br>TS9/SS9       | SCL1_A | SSLB0_A               | SSILR<br>CK0/S<br>SIFS0<br>C | ET0_WOL         | ET0_WOL         | SD0DA<br>T3_A |      |      | TSCA<br>P |  |  |
| C10        | 44                               |         |         | CACREF                 |          | P204         | A18         |              | AGTIO1 | GTIW   | GTIOC<br>4B |               |                       | USB_OVRC<br>URB-<br>DS   | SCK4                    | SCK9                    | SCL0_B | RSPC<br>KB_A          | SSIBC<br>K0_C                | ET0_RX_<br>DV   |                 | SD0DA<br>T4_A |      |      | TS00      |  |  |
| A9         | 45                               |         |         |                        | IRQ2-DS  | P203         | A19         |              |        |        | GTIOC<br>5A |               |                       | CTX0                     | CTS2_R<br>TS2/SS2       | TXD9/M<br>OSI9/SD<br>A9 |        | MOSIB_A               |                              | ET0_COL         |                 | SD0DA<br>T5_A |      |      | TSCA<br>P |  |  |
| C9         | 46                               |         |         |                        | IRQ3-DS  | P202         | WR1<br>/BC1 |              |        |        | GTIOC<br>5B |               |                       | CRX0                     | SCK2                    | RXD9/M<br>SO9/SC<br>L9  |        | MISOB_A               |                              | ET0_ERX<br>D2   |                 | SD0DA<br>T6_A |      |      |           |  |  |
| B9         | 47                               |         |         |                        |          | P313         | A20         |              |        |        |             |               |                       |                          |                         |                         |        |                       |                              | ET0_ERX<br>D3   |                 | SD0DA<br>T7_A |      |      |           |  |  |
| D9         | 48                               |         |         | VSS                    |          |              |             |              |        |        |             |               |                       |                          |                         |                         |        |                       |                              |                 |                 |               |      |      |           |  |  |
| D8         | 49                               |         |         | VCC                    |          |              |             |              |        |        |             |               |                       |                          |                         |                         |        |                       |                              |                 |                 |               |      |      |           |  |  |
| A8         | 50                               | 33      |         | TRCLK                  |          | P214         |             |              |        |        | GTIU        |               |                       |                          |                         |                         |        | QSPC<br>LK            |                              | ET0_MDC         | ET0_MDC         | SD0CL<br>K_B  |      |      |           |  |  |
| B8         | 51                               | 34      |         | TRDATA0                |          | P211         | CS7         |              |        |        | GTIV        |               |                       |                          |                         |                         |        | QIO0                  |                              | ET0_MDI<br>O    | ET0_MDI<br>O    | SD0CM<br>D_B  |      |      |           |  |  |
| A7         | 52                               | 35      |         | TRDATA1                |          | P210         | CS6         |              |        |        | GTIW        |               |                       |                          |                         |                         |        | QIO1                  |                              | ET0_WOL         | ET0_WOL         | SD0CD         |      |      |           |  |  |
| B7         | 53                               | 36      |         | TRDATA2                |          | P209         | CS5         |              |        |        | GTOVUP      |               |                       |                          |                         |                         |        | QIO2                  |                              | ET0_EXO<br>UT   | ET0_EXO<br>UT   | SD0WP         |      |      |           |  |  |
| A6         | 54                               | 37      |         | TRDATA3                |          | P208         | CS4         |              |        |        | GTOVLO      |               |                       |                          |                         |                         |        | QIO3                  |                              | ET0_LINK<br>STA | ET0_LINK<br>STA | SD0DA<br>T0_B |      |      |           |  |  |
| C7         | 55                               | 38      |         | RES                    |          |              |             |              |        |        |             |               |                       |                          |                         |                         |        |                       |                              |                 |                 |               |      |      |           |  |  |
| B6         | 56                               | 39      |         | MD                     |          | P201         |             |              |        |        |             |               |                       |                          |                         |                         |        |                       |                              |                 |                 |               |      |      |           |  |  |
| C8         | 57                               | 40      |         |                        |          | P200         |             |              |        |        |             |               |                       |                          |                         |                         |        |                       |                              |                 |                 |               |      |      |           |  |  |
| C6         | 58                               |         |         |                        |          | P312         | CS3         | CAS          | AGTOA1 |        |             |               |                       |                          |                         |                         |        |                       |                              |                 |                 |               |      |      |           |  |  |
| B5         | 59                               |         |         |                        |          | P311         | CS2         | RAS          | AGTOB1 |        |             |               |                       |                          |                         |                         |        |                       |                              |                 |                 |               |      |      |           |  |  |
| D7         | 60                               |         |         |                        |          | P310         | A15         | A15          | AGTEE1 |        |             |               |                       |                          |                         |                         |        |                       |                              |                 |                 |               |      |      |           |  |  |
| A5         | 61                               |         |         |                        |          | P309         | A14         | A14          |        |        |             |               |                       |                          |                         |                         |        |                       |                              |                 |                 |               |      |      |           |  |  |
| C5         | 62                               |         |         |                        |          | P308         | A13         | A13          |        |        |             |               |                       |                          |                         |                         |        |                       |                              |                 |                 |               |      |      |           |  |  |
| A4         | 63                               | 41      |         |                        |          | P307         | A12         | A12          |        |        | GTOUUP      |               |                       |                          |                         |                         |        |                       |                              |                 |                 |               |      |      |           |  |  |
| B4         | 64                               | 42      |         |                        |          | P306         | A11         | A11          |        |        | GTOULO      |               |                       |                          |                         |                         |        |                       |                              |                 |                 |               |      |      |           |  |  |
| D6         | 65                               | 43      |         |                        |          | IRQ8         | P305        | A10          | A10    |        | GTOUUP      |               |                       |                          |                         |                         |        |                       |                              |                 |                 |               |      |      |           |  |  |
| C4         | 66                               | 44      |         |                        |          | IRQ9         | P304        | A09          | A09    |        | GTOVLO      | GTIOC<br>7A   |                       |                          |                         |                         |        |                       |                              |                 |                 |               |      |      |           |  |  |
| A3         | 67                               | 45      |         | VSS                    |          |              |             |              |        |        |             |               |                       |                          |                         |                         |        |                       |                              |                 |                 |               |      |      |           |  |  |
| B3         | 68                               | 46      |         | VCC                    |          |              |             |              |        |        |             |               |                       |                          |                         |                         |        |                       |                              |                 |                 |               |      |      |           |  |  |
| D5         | 69                               | 47      |         |                        |          | P303         | A08         | A08          |        |        | GTIOC<br>7B |               |                       |                          |                         |                         |        |                       |                              |                 |                 |               |      |      |           |  |  |
| A2         | 70                               | 48      |         |                        |          | IRQ5         | P302        | A07          | A07    |        | GTOUUP      | GTIOC<br>4A   |                       |                          |                         |                         |        |                       |                              |                 |                 |               |      |      |           |  |  |
| C3         | 71                               | 49      |         |                        |          | IRQ6         | P301        | A06          | A06    | AGTIO0 | GTOULO      | GTIOC<br>4B   |                       |                          |                         |                         |        |                       |                              |                 |                 |               |      |      |           |  |  |
| B2         | 72                               | 50      |         | TCK/SW<br>CLK          |          | P300         |             |              |        |        | GTOUUP      | GTIOC<br>0A_A |                       |                          |                         |                         |        |                       |                              |                 |                 |               |      |      |           |  |  |
| A1         | 73                               | 51      |         | TMS/SW<br>DIO          |          | P108         |             |              |        |        | GTOULO      | GTIOC<br>0B_A |                       |                          |                         |                         |        |                       |                              |                 |                 |               |      |      |           |  |  |
| D4         | 74                               | 52      |         | CLKOUT<br>/TDO/S<br>WO |          | P109         |             |              |        |        | GTOUUP      | GTIOC<br>1A_A |                       |                          |                         |                         |        |                       |                              |                 |                 |               |      |      |           |  |  |
| B1         | 75                               | 53      |         | TDI                    |          | IRQ3         | P110        |              |        |        | GTOVLO      | GTIOC<br>1B_A |                       |                          |                         |                         |        |                       |                              |                 |                 |               |      |      |           |  |  |
| C2         | 76                               | 54      |         |                        |          | IRQ4         | P111        | A05          | A05    |        |             | GTIOC<br>3A_A |                       |                          |                         |                         |        |                       |                              |                 |                 |               |      |      |           |  |  |
| D3         | 77                               | 55      |         |                        |          | P112         | A04         | A04          |        |        |             | GTIOC<br>3B_A |                       |                          |                         |                         |        |                       |                              |                 |                 |               |      |      |           |  |  |
| C1         | 78                               | 56      |         |                        |          | P113         | A03         | A03          |        |        |             | GTIOC<br>2A   |                       |                          |                         |                         |        |                       |                              |                 |                 |               |      |      |           |  |  |
| E4         | 79                               | 57      |         |                        |          | P114         | A02         | A02          |        |        |             | GTIOC<br>2B   |                       |                          |                         |                         |        |                       |                              |                 |                 |               |      |      |           |  |  |
| E3         | 80                               | 58      |         |                        |          | P115         | A01         | A01          |        |        |             | GTIOC<br>4A   |                       |                          |                         |                         |        |                       |                              |                 |                 |               |      |      |           |  |  |
| D2         | 81                               |         |         | VCC                    |          |              |             |              |        |        |             |               |                       |                          |                         |                         |        |                       |                              |                 |                 |               |      |      |           |  |  |
| D1         | 82                               |         |         | VSS                    |          |              |             |              |        |        |             |               |                       |                          |                         |                         |        |                       |                              |                 |                 |               |      |      |           |  |  |
| F4         | 83                               | 59      |         |                        |          | P608         | A00/<br>BC0 | A00/D<br>QM1 | CKE    |        |             | GTIOC<br>4B   |                       |                          |                         |                         |        |                       |                              |                 |                 |               |      |      |           |  |  |
| E2         | 84                               | 60      |         |                        |          | P609         | CS1         |              |        |        |             | GTIOC<br>5A   |                       |                          |                         |                         |        |                       |                              |                 |                 |               |      |      |           |  |  |
| F3         | 85                               | 61      |         |                        |          | P610         | CS0         | WE           |        |        |             | GTIOC<br>5B   |                       |                          |                         |                         |        |                       |                              |                 |                 |               |      |      |           |  |  |



| Pin number | Power, System, Clock, Debug, CAC |         |         | Interrupt | I/O port | Extbus       |       | Timers |     |     |     |            | Communication interfaces |                      |     |           |      |                      | Analog                 |       | HMI    |               |      |      |
|------------|----------------------------------|---------|---------|-----------|----------|--------------|-------|--------|-----|-----|-----|------------|--------------------------|----------------------|-----|-----------|------|----------------------|------------------------|-------|--------|---------------|------|------|
|            | LGA145                           | LQFP144 | LQFP100 |           |          | External bus | SDRAM | AGT    | GPT | GPT | RTC | USBFS, CAN | SC0,2,4,6,8 (30 MHz)     | SC1,3,5,7,9 (30 MHz) | IIC | SPI, QSPI | SSIE | ETHERC (MI) (25 MHz) | ETHERC (RMII) (50 MHz) | SDHI  | ADC12  | DAC12, ACOMP5 | CTSU | PDC  |
| N7         | 126                              | 87      | VREFH   | -         | -        | -            | -     | -      | -   | -   | -   | -          | -                        | -                    | -   | -         | -    | -                    | -                      | -     | -      | -             | -    | -    |
| L7         | 127                              | 88      | AVCC0   | -         | -        | -            | -     | -      | -   | -   | -   | -          | -                        | -                    | -   | -         | -    | -                    | -                      | -     | -      | -             | -    | -    |
| L8         | 128                              | 89      | AVSS0   | -         | -        | -            | -     | -      | -   | -   | -   | -          | -                        | -                    | -   | -         | -    | -                    | -                      | -     | -      | -             | -    | -    |
| M8         | 129                              | 90      | VREFL0  | -         | -        | -            | -     | -      | -   | -   | -   | -          | -                        | -                    | -   | -         | -    | -                    | -                      | -     | -      | -             | -    | -    |
| N8         | 130                              | 91      | VREFH0  | -         | -        | -            | -     | -      | -   | -   | -   | -          | -                        | -                    | -   | -         | -    | -                    | -                      | -     | -      | -             | -    | -    |
| M9         | 131                              | -       | -       | IRQ13-DS  | P009     | -            | -     | -      | -   | -   | -   | -          | -                        | -                    | -   | -         | -    | -                    | -                      | AN004 | -      | -             | -    | -    |
| N9         | 132                              | 92      | -       | IRQ12-DS  | P008     | -            | -     | -      | -   | -   | -   | -          | -                        | -                    | -   | -         | -    | -                    | -                      | AN003 | -      | -             | -    | -    |
| K7         | 133                              | 93      | -       | -         | P007     | -            | -     | -      | -   | -   | -   | -          | -                        | -                    | -   | -         | -    | -                    | -                      | AN107 | -      | -             | -    | -    |
| L9         | 134                              | 94      | -       | IRQ11-DS  | P006     | -            | -     | -      | -   | -   | -   | -          | -                        | -                    | -   | -         | -    | -                    | -                      | AN102 | IVCMP2 | -             | -    | -    |
| K8         | 135                              | 95      | -       | IRQ10-DS  | P005     | -            | -     | -      | -   | -   | -   | -          | -                        | -                    | -   | -         | -    | -                    | -                      | AN101 | IVCMP2 | -             | -    | -    |
| K9         | 136                              | 96      | -       | IRQ9-DS   | P004     | -            | -     | -      | -   | -   | -   | -          | -                        | -                    | -   | -         | -    | -                    | -                      | AN100 | IVCMP2 | -             | -    | -    |
| K10        | 137                              | 97      | -       | -         | P003     | -            | -     | -      | -   | -   | -   | -          | -                        | -                    | -   | -         | -    | -                    | -                      | AN007 | -      | -             | -    | -    |
| M10        | 138                              | 98      | -       | IRQ8-DS   | P002     | -            | -     | -      | -   | -   | -   | -          | -                        | -                    | -   | -         | -    | -                    | -                      | AN002 | IVCMP2 | -             | -    | -    |
| N10        | 139                              | 99      | -       | IRQ7-DS   | P001     | -            | -     | -      | -   | -   | -   | -          | -                        | -                    | -   | -         | -    | -                    | -                      | AN001 | IVCMP2 | -             | -    | -    |
| L10        | 140                              | 100     | -       | IRQ6-DS   | P000     | -            | -     | -      | -   | -   | -   | -          | -                        | -                    | -   | -         | -    | -                    | -                      | AN000 | IVCMP2 | -             | -    | -    |
| N11        | 141                              | -       | VSS     | -         | -        | -            | -     | -      | -   | -   | -   | -          | -                        | -                    | -   | -         | -    | -                    | -                      | -     | -      | -             | -    | -    |
| N12        | 142                              | -       | VCC     | -         | -        | -            | -     | -      | -   | -   | -   | -          | -                        | -                    | -   | -         | -    | -                    | -                      | -     | -      | -             | -    | -    |
| M11        | 143                              | -       | -       | IRQ14     | P512     | -            | -     | -      | -   | -   | -   | -          | -                        | -                    | -   | -         | -    | -                    | -                      | -     | -      | -             | -    | VSYN |
| M12        | 144                              | -       | -       | IRQ15     | P511     | -            | -     | -      | -   | -   | -   | -          | -                        | -                    | -   | -         | -    | -                    | -                      | -     | -      | -             | -    | PCKO |

Note: Some pin names have the added suffix of \_A, \_B, and \_C. When assigning the GPT, IIC, SPI, SSIE, ETHERC (RMII), and SDHI functionality, select the functional pins with the same suffix.

## 2. CPU

The MCU is based on the Arm® Cortex®-M4 core.

### 2.1 Overview

#### 2.1.1 CPU

- Arm Cortex-M4
  - Revision: r0p1-01rel0
  - ARMv7E-M architecture profile
  - Single Precision Floating Point Unit compliant with the ANSI/IEEE Std 754-2008.
- Memory Protection Unit (MPU)
  - ARMv7 Protected Memory System Architecture
  - 8 protected regions.
- SysTick timer
  - Driven by SYSTICCLK (LOCO) or ICLK.

See [reference 1.](#) and [reference 2.](#) for details.

#### 2.1.2 Debug

- Arm CoreSight™ ETM-M4
  - Revision: r0p1-00rel0
  - Arm ETM architecture version 3.5.
- CoreSight Instrumentation Trace Macrocell (ITM)
- Data Watchpoint and Trace Unit (DWT)
  - 4 comparators for watchpoints and triggers.
- Flash Patch and Breakpoint Unit (FPB)
  - Flash Patch (remap) function is not available, only Breakpoint function is available
  - 6 instruction comparators
  - 2 literal comparators.
- CoreSight Time Stamp Generator (TSG)
  - Time stamp for ETM and ITM
  - Driven by CPU clock.
- Debug Register Module (DBGREG)
  - Reset control
  - Halt control.
- CoreSight Debug Access Port (DAP)
  - JTAG Debug Port (JTAG-DP)
  - Serial Wire Debug Port (SW-DP).
- Cortex-M4 Trace Port Interface Unit (TPIU)
  - 4-bit TPIU formatter output
  - Serial Wire Output.



- CoreSight Embedded Trace Buffer (ETB)
  - CoreSight Trace Memory Controller with ETB configuration
  - Buffer size: 2 KB.

See [reference 1.](#) and [reference 2.](#) for details.

### 2.1.3 Operating Frequency

The operating frequencies for the MCU are as follows:

- CPU: maximum 120 MHz
- 4-bit TPIU trace interface: maximum 60 MHz
- Serial Write Output (SWO) trace interface: maximum 60 MHz
- Joint Test Action Group (JTAG) interface: maximum 25 MHz
- SWD interface: maximum 25 MHz.

[Figure 2.1](#) shows a block diagram of the Cortex-M4 CPU.

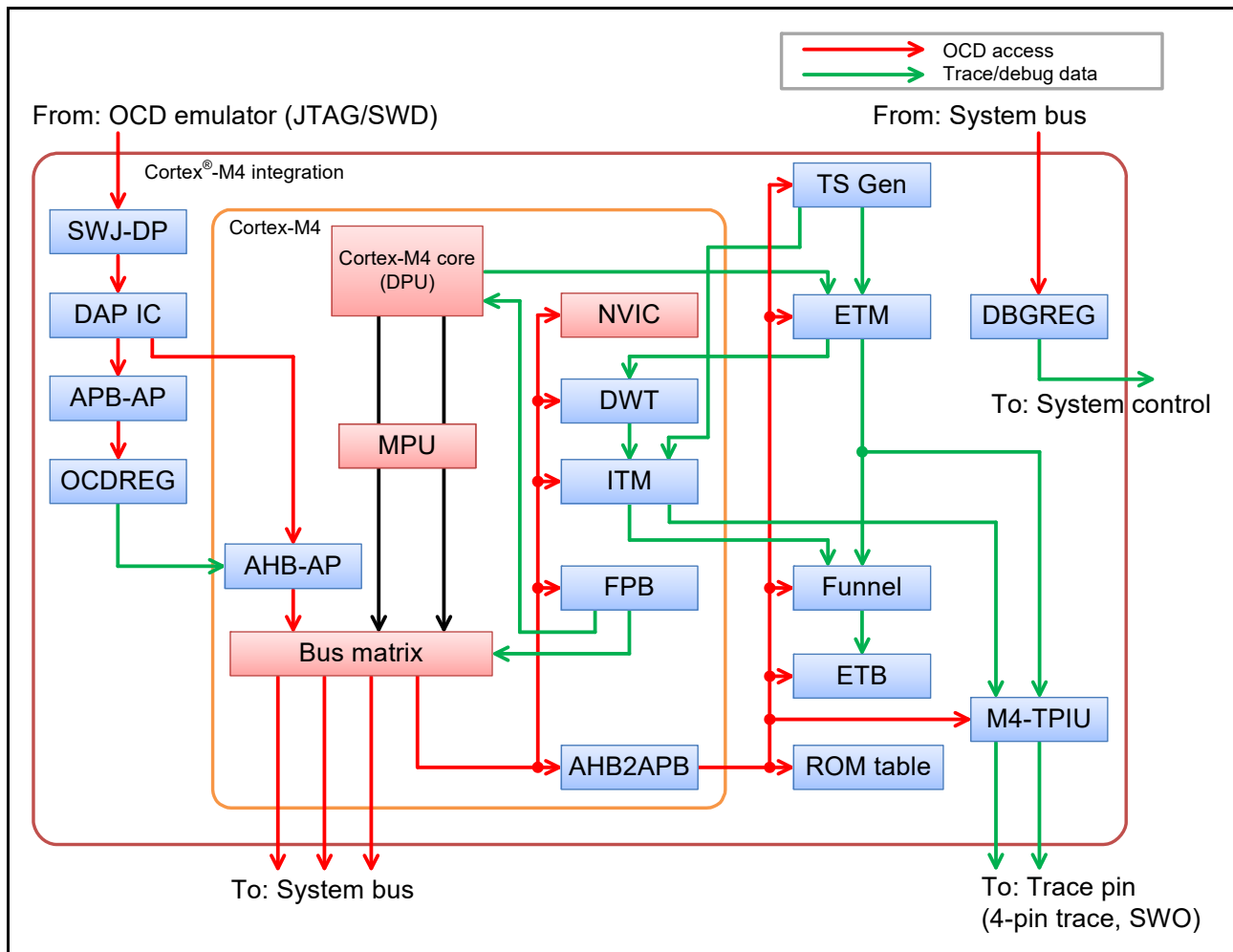


Figure 2.1 Cortex-M4 CPU block diagram

## 2.2 MCU Implementation Options

Table 2.1 shows the implementation options of the MCU and is based on the configurable options in [reference 2](#).

**Table 2.1 Implementation options**

| Option   | Implementation   |
|--|--|
| MPU  | Included, 8 protect regions  |
| FPB  | Flash Patch (remap) function is not available, only Breakpoint function is available   |
| FPU  | Included   |
| Number of interrupts                           | 96   |
| Number of priority bits                        | 4  |
| Number of Wakeup Interrupt Controllers (WIC*1) | Not included   |
| Sleep mode power saving                        | Sleep mode and other low power modes are supported. For more details, see <a href="#">section 11, Low Power Modes</a> .<br>Note: SCB.SCR.SLEEPDEEP is ignored.   |
| Endianness                                     | Little-endian  |
| SysTick SYST_CALIB register                    | SYST_CALIB = 4000 0147h<br>Bit [31] = 0 Reference clock provided<br>Bit [30] = 1 TERMS value is inexact<br>Bits [29:24] = 00h Reserved<br>Bits [23:0] = 000147h TERM: (32768 × 10 ms) - 1 / 32.768 kHz<br>= 326.66 decimal<br>= 327 with skew<br>= 000147h |
| Event input/output                             | Not implemented  |
| System reset request output                    | The SYSRESETREQ bit in the Application Interrupt and Reset Control Register causes a CPU reset   |
| Auxiliary fault inputs (AUXFAULT)              | Not implemented  |

Note 1. The ICU can wake up the CPU instead of the Wakeup Interrupt Controller (WIC). For details, see [section 14, Interrupt Controller Unit \(ICU\)](#).

## 2.3 Trace Interface

A Trace Port Interface Unit (TPIU) and Serial Wire Output (SWO) provide trace output. [Table 2.2](#) shows the MCU pins for the function. These pins are multiplexed with other functions.

**Table 2.2 Trace function pins**

| Name    | I/O    | Width | Function  |
|---------|--------|-------|---|
| TCLK    | Output | 1 bit | Trace clock   |
| TDATA0  | Output | 1 bit | Trace data output 0                                 |
| TDATA1  | Output | 1 bit | Trace data output 1                                 |
| TDATA2  | Output | 1 bit | Trace data output 2                                 |
| TDATA3  | Output | 1 bit | Trace data output 3                                 |
| TDO/SWO | Output | 1 bit | Serial wire output<br>Multiplexed with JTAG TDO pin |

## 2.4 JTAG/SWD Interface

[Table 2.3](#) shows the JTAG/SWD pins.

**Table 2.3 JTAG/SWD pins**

| Name      | I/O    | P/N  | Width | Function  | When not in use |
|-----------|--------|------|-------|---|-----------------|
| TCK/SWCLK | Input  | Pos. | 1 bit | JTAG clock pin                                      | Pull-up         |
| TMS/SWDIO | I/O    | Neg. | 1 bit | JTAG TMS pin<br>SWD I/O pin                         | Pull-up         |
| TDI       | Input  | Pos. | 1 bit | JTAG TDI pin  | Pull-up         |
| TDO/SWO   | Output | Neg. | 1 bit | JTAG TDO pin<br>Multiplexed with serial wire output | Open            |

## 2.5 Debug Mode

### 2.5.1 Debug Mode Definition

In single chip mode, the debugger state of connection is defined as OCD mode, the debugger state of disconnection is defined as User mode. [Table 2.4](#) shows the two CPU debug modes and usage conditions.

**Table 2.4 CPU debug mode and conditions**

| Conditions    |                         | Mode       |                      |
|---------------|-------------------------|------------|----------------------|
| OCD connect   | JTAG/SWD authentication | Debug mode | Debug authentication |
| Not connected | —                       | User mode  | Disabled             |
| Connected     | Failed                  | User mode  | Disabled             |
| Connected     | Passed                  | OCD mode   | Enabled              |

Note 1. OCD connect is determined by the CDBGPWRUPREQ bit output in the SWJ-DP register. The bit can only be written by the OCD. However, the level of the bit can be confirmed by reading the DBGSTR.CDBGPWRUPREQ bit.

Note 2. Debug Authentication is defined by the ARMv7-M architecture. Enabled means that both invasive and non-invasive CPU debugging are permitted. Disabled means that both are not permitted.

### 2.5.2 Debug Mode Effects

This section describes the effects of debug mode, which occur both internally and externally to the CPU.

#### 2.5.2.1 Low power mode

All CoreSight debug components can store the register settings even when the CPU enters Software Standby, Snooze, or Deep Software Standby mode. However, AHB-AP cannot respond to On-Chip Debug (OCD) access in these low power modes. The OCD must wait for cancellation of the low power mode to access the CoreSight debug components. To request low power mode cancellation, the OCD can set the DBIRQ bit in the MCUCTRL register. For details, see [section 2.6.5.3, MCU Control Register \(MCUCTRL\)](#).

#### 2.5.2.2 Reset

In OCD mode, some resets depend on the CPU status and the DBGSTOPCR setting.

**Table 2.5 Reset or interrupt and mode setting (1 of 2)**

| Reset or interrupt name                    | Control in On-Chip Debug (OCD) mode |                                |
|--|-------------------------------------|--------------------------------|
|  | OCD break mode                      | OCD run mode                   |
| RES pin reset                              | Same as user mode                   |                                |
| Power-on reset                             | Same as user mode                   |                                |
| Independent watchdog timer reset/interrupt | Does not occur*1                    | Depends on DBGSTOPCR setting*2 |
| Watchdog timer reset/interrupt             | Does not occur*1                    | Depends on DBGSTOPCR setting*2 |
| Voltage monitor 0 reset                    | Depends on DBGSTOPCR setting*3      |                                |
| Voltage monitor 1 reset/interrupt          | Depends on DBGSTOPCR setting*3      |                                |

**Table 2.5 Reset or interrupt and mode setting (2 of 2)**

| Reset or interrupt name             | Control in On-Chip Debug (OCD) mode |              |
|-------------------------------------|-------------------------------------|--------------|
|                                     | OCD break mode                      | OCD run mode |
| Voltage monitor 2 reset/interrupt   | Depends on DBGSTOPPCR setting*3     |              |
| SRAM parity error reset/interrupt   | Depends on DBGSTOPPCR setting*3     |              |
| SRAM ECC error reset/interrupt      | Depends on DBGSTOPPCR setting*3     |              |
| MPU bus master reset/interrupt      | Same as user mode                   |              |
| MPU bus slave reset/interrupt       | Same as user mode                   |              |
| Stack pointer error reset/interrupt | Same as user mode                   |              |
| Deep software standby reset         | Same as user mode                   |              |
| Software reset                      | Same as user mode                   |              |

Note: In OCD break mode, the CPU is halted. In OCD run mode, the CPU is in OCD mode and the CPU is not halted.

Note 1. The IWDG and WDG always stop in this mode.

Note 2. The IWDG and WDG operation depends on the DBGSTOPPCR setting.

Note 3. Reset or interrupt masking depends on the DBGSTOPPCR setting.

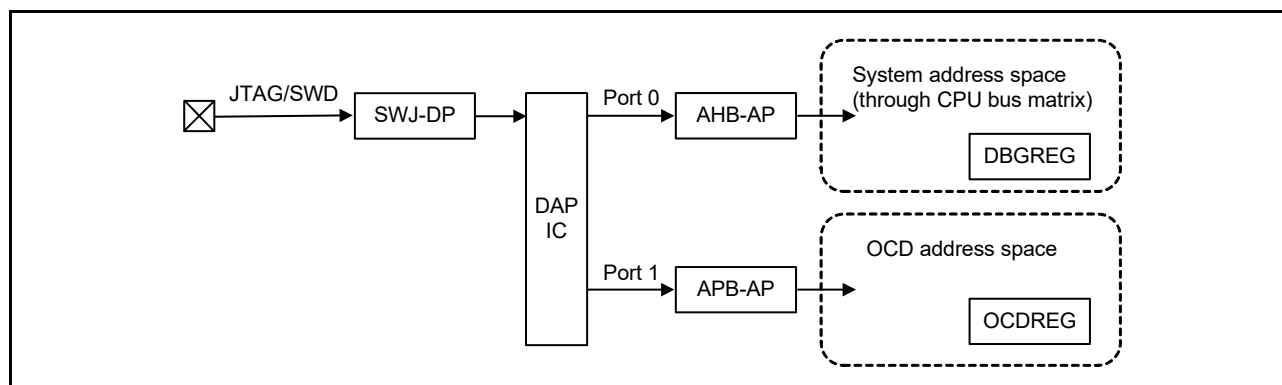
## 2.6 Programmers Model

### 2.6.1 Address Spaces

The MCU debug system includes two CoreSight Access Ports (AP):

- AHB-AP, which is connected to the CPU bus matrix and has the same access to the system address space as the CPU
- APB-AP, which has a dedicated address space (OCD address space) and is connected to the OCD register.

Figure 2.2 shows a block diagram of the AP connection and address spaces.



**Figure 2.2 JTAG/SWD authentication block diagram**

For debugging purposes, there are two register modules, DBGREG and OCDREG. DBGREG is located in the system address space and can be accessed from the OCD emulator, the CPU, and other bus masters in the MCU. OCDREG is located in the OCD address space and can only be accessed from the OCD tool. The CPU and other bus masters cannot access the OCD registers.

### 2.6.2 Cortex-M4 Peripheral Address Map

In the system address space, the Cortex-M4 core has a Private Peripheral Bus (PPB) that can only be accessed from the CPU and OCD emulator. The PPB is expanded from the Cortex-M4 original implementation for the MCU. Table 2.6 shows the address map of the MCU.

**Table 2.6** Cortex-M4 peripheral address map

| Component name       | Start address | End address | Note  |
|----------------------|---------------|-------------|---|
| ITM                  | E000 0000h    | E000 0FFFh  | See <a href="#">reference 2</a> .                                   |
| DWT                  | E000 1000h    | E000 1FFFh  | See <a href="#">reference 2</a> .                                   |
| FPB                  | E000 2000h    | E000 2FFFh  | See <a href="#">reference 2</a> .                                   |
| SCS                  | E000 E000h    | E000 EFFFh  | See <a href="#">reference 2</a> .                                   |
| TPIU                 | E004 0000h    | E004 0FFFh  | See <a href="#">reference 2</a> .                                   |
| ETM                  | E004 1000h    | E004 1FFFh  | See <a href="#">reference 5</a> .                                   |
| ATB funnel           | E004 2000h    | E004 2FFFh  | See <a href="#">section 2.7</a> and <a href="#">reference 4</a> .   |
| ETB                  | E004 3000h    | E004 3FFFh  | See <a href="#">reference 6</a> .                                   |
| Time Stamp Generator | E004 4000h    | E004 4FFFh  | See <a href="#">section 2.10</a> and <a href="#">reference 4</a> .  |
| ROM Table            | E00F F000h    | E00F FFFFh  | See <a href="#">section 2.6.3</a> and <a href="#">reference 7</a> . |

### 2.6.3 CoreSight ROM Table

The MCU contains one CoreSight ROM Table, which lists the Arm components.

#### 2.6.3.1 ROM entries

[Table 2.7](#) shows the ROM entries in the CoreSight ROM Table. The OCD emulator can use the ROM entries to determine which components are implemented in a system. See [reference 7](#) for details.

**Table 2.7** CoreSight ROM Table

| # | Address    | Access size | R/W | Value    | Component        |
|---|------------|-------------|-----|----------|------------------|
| 0 | E00F F000h | 32 bits     | R   | FFF0F003 | NVIC             |
| 1 | E00F F004h | 32 bits     | R   | FFF02003 | SWT              |
| 2 | E00F F008h | 32 bits     | R   | FFF03003 | FPB              |
| 3 | E00F F00Ch | 32 bits     | R   | FFF01003 | ITM              |
| 4 | E00F F010h | 32 bits     | R   | FFF41003 | TPIU             |
| 5 | E00F F014h | 32 bits     | R   | FFF42003 | ETM              |
| 6 | E00F F018h | 32 bits     | R   | FFF43003 | Funnel           |
| 7 | E00F F01Ch | 32 bits     | R   | FFF44003 | ETB              |
| 8 | E00F F020h | 32 bits     | R   | FFF45003 | TSG              |
| 9 | E00F F024h | 32 bits     | R   | 00000000 | (End of entries) |

#### 2.6.3.2 CoreSight component registers

The CoreSight ROM Table lists the CoreSight component registers defined in the Arm CoreSight architecture.

[Table 2.8](#) shows the registers. See [reference 7](#) for details of each register.

**Table 2.8** CoreSight component registers in the CoreSight ROM Table (1 of 2)

| Name    | Address    | Access size | R/W | Initial value |
|---------|------------|-------------|-----|---------------|
| DEVTYPE | E00F FFCCh | 32 bits     | R   | 00000001h     |
| PID4    | E00F FFD0h | 32 bits     | R   | 00000004h     |
| PID5    | E00F FFD4h | 32 bits     | R   | 00000000h     |
| PID6    | E00F FFD8h | 32 bits     | R   | 00000000h     |

**Table 2.8 CoreSight component registers in the CoreSight ROM Table (2 of 2)**

| Name | Address     | Access size | R/W | Initial value |
|------|-------------|-------------|-----|---------------|
| PID7 | E00F FFDCh  | 32 bits     | R   | 00000000h     |
| PID0 | E00F FFE0h  | 32 bits     | R   | 00000015h     |
| PID1 | E00F FFE4h  | 32 bits     | R   | 00000030h     |
| PID2 | E00F FFE8h  | 32 bits     | R   | 0000000Ah     |
| PID3 | E00F FFECCh | 32 bits     | R   | 00000000h     |
| CID0 | E00F FFF0h  | 32 bits     | R   | 0000000Dh     |
| CID1 | E00F FFF4h  | 32 bits     | R   | 00000010h     |
| CID2 | E00F FFF8h  | 32 bits     | R   | 00000005h     |
| CID3 | E00F FFFCh  | 32 bits     | R   | 000000B1h     |

## 2.6.4 DBGREG Module

The DBGREG register module controls the debug functionalities and is implemented as a CoreSight-compliant component.

Table 2.9 shows the DBGREG registers other than the CoreSight component registers.

**Table 2.9 Non-CoreSight DBGREG registers**

| Name                        | DAP port  | Address    | Access size | R/W |
|-----------------------------|-----------|------------|-------------|-----|
| Debug Status Register       | DBGSTR    | 4001 B000h | 32 bits     | R   |
| Debug Stop Control Register | DBGSTOPCR | 4001 B010h | 32 bits     | R/W |
| Trace Control Register      | TRACECTR  | 4001 B020h | 32 bits     | R/W |

### 2.6.4.1 Debug Status Register (DBGSTR)

Address(es): [DBG.DBGSTR 4001 B000h](#)

|                    | b31 | b30 | b29                  | b28                  | b27 | b26 | b25 | b24 | b23 | b22 | b21 | b20 | b19 | b18 | b17 | b16 |
|--------------------|-----|-----|----------------------|----------------------|-----|-----|-----|-----|-----|-----|-----|-----|-----|-----|-----|-----|
|                    | —   | —   | CDBGP<br>WRUP<br>ACK | CDBGP<br>WRUP<br>REQ | —   | —   | —   | —   | —   | —   | —   | —   | —   | —   | —   | —   |
| Value after reset: | 0   | 0   | 0                    | 0                    | 0   | 0   | 0   | 0   | 0   | 0   | 0   | 0   | 0   | 0   | 0   | 0   |
|                    | b15 | b14 | b13                  | b12                  | b11 | b10 | b9  | b8  | b7  | b6  | b5  | b4  | b3  | b2  | b1  | b0  |
|                    | —   | —   | —                    | —                    | —   | —   | —   | —   | —   | —   | —   | —   | —   | —   | —   | —   |
| Value after reset: | 0   | 0   | 0                    | 0                    | 0   | 0   | 0   | 0   | 0   | 0   | 0   | 0   | 0   | 0   | 0   | 0   |

| Bit       | Symbol                       | Bit name                   | Description   | R/W |
|-----------|------------------------------|----------------------------|---|-----|
| b27 to b0 | —                            | Reserved                   | These bits are read as 0  | R   |
| b28       | <a href="#">CDBGPWRUPREQ</a> | Debug power-up request     | 0: OCD is not requesting debug power-up<br>1: OCD is requesting debug power-up.             | R   |
| b29       | <a href="#">CDBGPWRUPACK</a> | Debug power-up acknowledge | 0: Debug power-up request is not acknowledged<br>1: Debug power-up request is acknowledged. | R   |
| b31, b30  | —                            | Reserved                   | These bits are read as 0  | R   |

### 2.6.4.2 Debug Stop Control Register (DBGSTOPCR)

Address(es): [DBG.DBGSTOPCR 4001 B010h](#)

|                    |     |     |     |     |     |     |               |              |     |     |     |     |     |                  |             |              |
|--------------------|-----|-----|-----|-----|-----|-----|---------------|--------------|-----|-----|-----|-----|-----|------------------|-------------|--------------|
|                    | b31 | b30 | b29 | b28 | b27 | b26 | b25           | b24          | b23 | b22 | b21 | b20 | b19 | b18              | b17         | b16          |
|                    | —   | —   | —   | —   | —   | —   | DBGSTOP_RECCR | DBGSTOP_RPER | —   | —   | —   | —   | —   | DBGSTOP_LVD[2:0] |             |              |
| Value after reset: | 0   | 0   | 0   | 0   | 0   | 0   | 0             | 0            | 0   | 0   | 0   | 0   | 0   | 0                | 0           | 0            |
|                    | b15 | b14 | b13 | b12 | b11 | b10 | b9            | b8           | b7  | b6  | b5  | b4  | b3  | b2               | b1          | b0           |
|                    | —   | —   | —   | —   | —   | —   | —             | —            | —   | —   | —   | —   | —   | —                | DBGSTOP_WDT | DBGSTOP_IWDT |
| Value after reset: | 0   | 0   | 0   | 0   | 0   | 0   | 0             | 0            | 0   | 0   | 0   | 0   | 0   | 0                | 1           | 1            |

| Bit        | Symbol                           | Bit name  | Description  | R/W |
|------------|----------------------------------|---|--|-----|
| b0         | <a href="#">DBGSTOP_IWDT</a>     | Mask bit for IWDT reset or interrupt              | 0: Enable IWDT reset or interrupt<br>1: Mask IWDT reset or interrupt and stop WDT count when CPU is in OCD break mode. | R/W |
| b1         | <a href="#">DBGSTOP_WDT</a>      | Mask bit for WDT reset or interrupt               | 0: Enable WDT reset or interrupt<br>1: Mask WDT reset or interrupt and stop WDT count when CPU is in OCD break mode.   | R/W |
| b15 to b2  | —                                | Reserved  | These bits are read as 0. The write value should be 0.   | R/W |
| b16        | <a href="#">DBGSTOP_LVD[2:0]</a> | Mask bit for LVD0 reset                           | 0: Enable LVD0 reset<br>1: Mask LVD0 reset.  | R/W |
| b17        |                                  | Mask bit for LVD1 reset or interrupt              | 0: Enable LVD1 reset or interrupt<br>1: Mask LVD1 reset or interrupt.  | R/W |
| b18        |                                  | Mask bit for LVD2 reset or interrupt              | 0: Enable LVD2 reset or interrupt<br>1: Mask LVD2 reset or interrupt.  | R/W |
| b23 to b19 | —                                | Reserved  | These bits are read as 0. The write value should be 0.   | R/W |
| b24        | <a href="#">DBGSTOP_RPER</a>     | Mask bit for SRAM parity error reset or interrupt | 0: Enable SRAM parity error reset or interrupt<br>1: Mask SRAM parity error reset or interrupt.                        | R/W |
| b25        | <a href="#">DBGSTOP_RECCR</a>    | Mask bit for SRAM ECC error reset or interrupt    | 0: Enable SRAM ECC error reset or interrupt<br>1: Mask SRAM ECC error reset or interrupt.                              | R/W |
| b31 to b26 | —                                | Reserved  | These bits are read as 0. The write value should be 0.   | R/W |

The Debug Stop Control Register (DBGSTOPCR) specifies the functional stop in OCD mode. All bits in the register are regarded as 0 when the MCU is not in OCD mode.

### 2.6.4.3 Trace Control Register (TRACECTR)

Address(es): [DBG.TRACECTR 4001 B020h](#)

|                    |            |     |     |     |     |     |     |     |     |     |     |     |     |     |     |     |
|--------------------|------------|-----|-----|-----|-----|-----|-----|-----|-----|-----|-----|-----|-----|-----|-----|-----|
|                    | b31        | b30 | b29 | b28 | b27 | b26 | b25 | b24 | b23 | b22 | b21 | b20 | b19 | b18 | b17 | b16 |
|                    | ENETB FULL | —   | —   | —   | —   | —   | —   | —   | —   | —   | —   | —   | —   | —   | —   | —   |
| Value after reset: | 0          | 0   | 0   | 0   | 0   | 0   | 0   | 0   | 0   | 0   | 0   | 0   | 0   | 0   | 0   | 0   |
|                    | b15        | b14 | b13 | b12 | b11 | b10 | b9  | b8  | b7  | b6  | b5  | b4  | b3  | b2  | b1  | b0  |
|                    | —          | —   | —   | —   | —   | —   | —   | —   | —   | —   | —   | —   | —   | —   | —   | —   |
| Value after reset: | 0          | 0   | 0   | 0   | 0   | 0   | 0   | 0   | 0   | 0   | 0   | 0   | 0   | 0   | 0   | 0   |

| Bit       | Symbol | Bit name | Description  | R/W |
|-----------|--------|----------|--|-----|
| b30 to b0 | —      | Reserved | These bits are read as 0. The write value should be 0. | R/W |

| Bit | Symbol    | Bit name                                | Description   | R/W |
|-----|-----------|---|---|-----|
| b31 | ENETBFULL | Enable bit for halt request on ETB full | 0: ETB full does not cause a CPU halt<br>1: ETB full causes a CPU halt. | R/W |

#### 2.6.4.4 DBGREG CoreSight component registers

The DBGREG module provides the CoreSight component registers defined in the Arm CoreSight architecture.

Table 2.10 shows these registers. See [reference 7](#) for details of each register.

**Table 2.10** DBGREG CoreSight component registers

| Name | Address     | Access size | R/W | Initial value |
|------|-------------|-------------|-----|---------------|
| PID4 | 4001 BFD0h  | 32 bits     | R   | 00000004h     |
| PID5 | 4001 BFD4h  | 32 bits     | R   | 00000000h     |
| PID6 | 4001 BFD8h  | 32 bits     | R   | 00000000h     |
| PID7 | 4001 BFDCh  | 32 bits     | R   | 00000000h     |
| PID0 | 4001 BFE0h  | 32 bits     | R   | 00000005h     |
| PID1 | 4001 BFE4h  | 32 bits     | R   | 00000030h     |
| PID2 | 4001 BFE8h  | 32 bits     | R   | 0000001Ah     |
| PID3 | 4001 BFECCh | 32 bits     | R   | 00000000h     |
| CID0 | 4001 BFF0h  | 32 bits     | R   | 0000000Dh     |
| CID1 | 4001 BFF4h  | 32 bits     | R   | 000000F0h     |
| CID2 | 4001 BFF8h  | 32 bits     | R   | 00000005h     |
| CID3 | 4001 BFFCh  | 32 bits     | R   | 000000B1h     |

#### 2.6.5 OCDREG Module

The OCDREG register module controls the On-Chip Debug (OCD) emulator functionalities and is implemented as a CoreSight-compliant component.

Table 2.11 shows the OCDREG registers other than the CoreSight component registers.

**Table 2.11** Non-CoreSight OCDREG registers

| Name                              |         | DAP port | Address    | Access size | R/W |
|-----------------------------------|---------|----------|------------|-------------|-----|
| ID Authentication Code Register 0 | IAUTH0  | Port 1   | 8000_0000  | 32 bits     | W   |
| ID Authentication Code Register 1 | IAUTH1  | Port 1   | 8000_0100  | 32 bits     | W   |
| ID Authentication Code Register 2 | IAUTH2  | Port 1   | 8000_0200  | 32 bits     | W   |
| ID Authentication Code Register 3 | IAUTH3  | Port 1   | 8000_0300  | 32 bits     | W   |
| MCU Status Register               | MCUSTAT | Port 1   | 8000 0400h | 32 bits     | R   |
| MCU Control Register              | MCUCTRL | Port 1   | 8000 0410h | 32 bits     | R/W |

Note: OCDREG is located in the dedicated OCD address space. This address map is independent from the system address map. See [section 2.6.2, Cortex-M4 Peripheral Address Map](#).

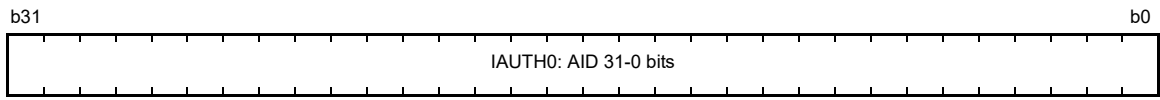
##### 2.6.5.1 ID Authentication Code Register (IAUTH0 to 3)

Four authentication registers are provided for writing the 128-bit key. These registers must be written in sequential order from IAUTH0 to IAUTH3. If the set of register writes is not compliant with this order, the result is unpredictable.

Only 32-bit writes are permitted. The initial value of the registers is all 1s. This means that JTAG/SWD access is initially permitted when the ID code in the OSIS register has the initial value. See [section 2.11.2, Unlock ID Code](#).

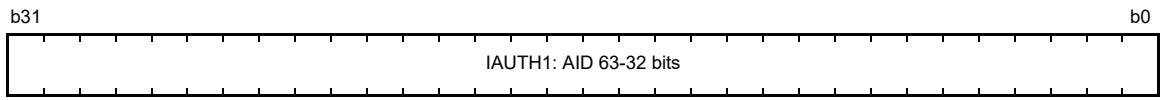


Address(es): IAUTH0 8000 0000h



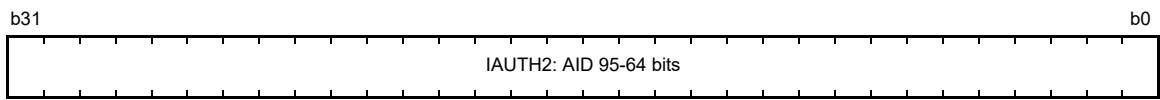
Value after reset:

Address(es): IAUTH1 8000 0100h



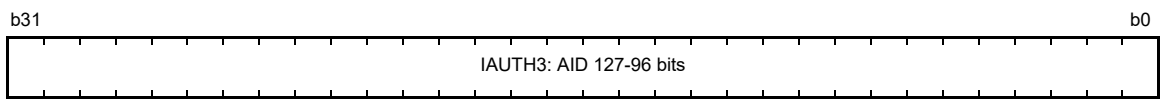
Value after reset:

Address(es): IAUTH2 8000 0200h



Value after reset:

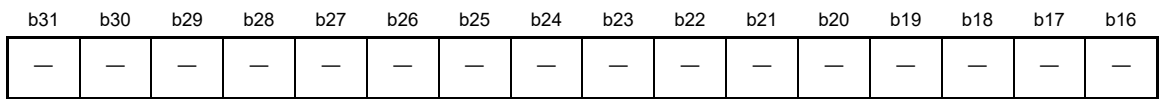
Address(es): IAUTH3 8000 0300h



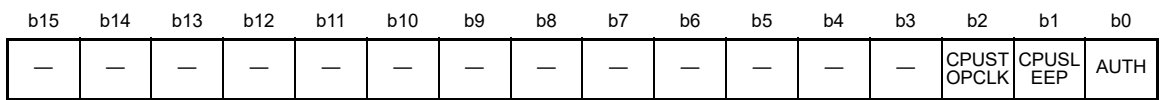
Value after reset:

### 2.6.5.2 MCU Status Register (MCUSTAT)

Address(es): MCUSTAT 8000 0400h



Value after reset:



Value after reset:

| Bit       | Symbol     | Bit name              | Description  | R/W |
|-----------|------------|-----------------------|--|-----|
| b0        | AUTH       | Authentication status | 0: Authentication failed<br>1: Authentication succeeded.   | R   |
| b1        | CPUSLEEP   |                       | 0: CPU is not in Sleep mode<br>1: CPU is in Sleep mode.  | R   |
| b2        | CPUSTOPCLK |                       | 0: CPU clock is not stopped. This indicates that the MCU is in Normal or Sleep mode<br>1: CPU clock is stopped. This indicates that the MCU is in Snooze or Software Standby mode. | R   |
| b31 to b3 | —          | Reserved              | These bits are read as 0.  | R   |

Note 1. Depends on the MCU status.

### 2.6.5.3 MCU Control Register (MCUCTRL)

Address(es): [MCUCTRL 8000 0410h](#)

|                    |     |     |     |     |     |     |     |       |     |     |     |     |     |     |     |        |
|--------------------|-----|-----|-----|-----|-----|-----|-----|-------|-----|-----|-----|-----|-----|-----|-----|--------|
|                    | b31 | b30 | b29 | b28 | b27 | b26 | b25 | b24   | b23 | b22 | b21 | b20 | b19 | b18 | b17 | b16    |
|                    | —   | —   | —   | —   | —   | —   | —   | —     | —   | —   | —   | —   | —   | —   | —   | —      |
| Value after reset: | 0   | 0   | 0   | 0   | 0   | 0   | 0   | 0     | 0   | 0   | 0   | 0   | 0   | 0   | 0   | 0      |
|                    | b15 | b14 | b13 | b12 | b11 | b10 | b9  | b8    | b7  | b6  | b5  | b4  | b3  | b2  | b1  | b0     |
|                    | —   | —   | —   | —   | —   | —   | —   | DBIRQ | —   | —   | —   | —   | —   | —   | —   | EDBGRQ |
| Value after reset: | 0   | 0   | 0   | 0   | 0   | 0   | 0   | 0     | 0   | 0   | 0   | 0   | 0   | 0   | 0   | 0      |

| Bit       | Symbol                 | Bit name                | Description   | R/W |
|-----------|------------------------|-------------------------|---|-----|
| b0        | <a href="#">EDBGRQ</a> | External Debug Request  | Writing 1 to the bit causes a CPU halt or debug monitor exception:<br>0: Debug event not requested<br>1: Debug event requested.<br>When the EDBGRQ bit is set to 0 or the CPU is halted, the EDBGRQ bit is cleared. | R/W |
| b7 to b1  | —                      | Reserved                | These bits are read as 0. The write value should be 0.  | R/W |
| b8        | <a href="#">DBIRQ</a>  | Debug Interrupt Request | Writing 1 to the bit wakes up the MCU from low power mode:<br>0: Debug interrupt not requested<br>1: Debug interrupt requested.<br>The condition can be cleared by writing 0 to the DBIRQ bit.                      | R/W |
| b31 to b9 | —                      | Reserved                | These bits are read as 0. The write value should be 0.  | R/W |

Note: Set DBIRQ and EDBGRQ to the same value.

### 2.6.5.4 OCDREG CoreSight component registers

The OCDREG module provides the CoreSight component registers defined in the Arm CoreSight architecture.

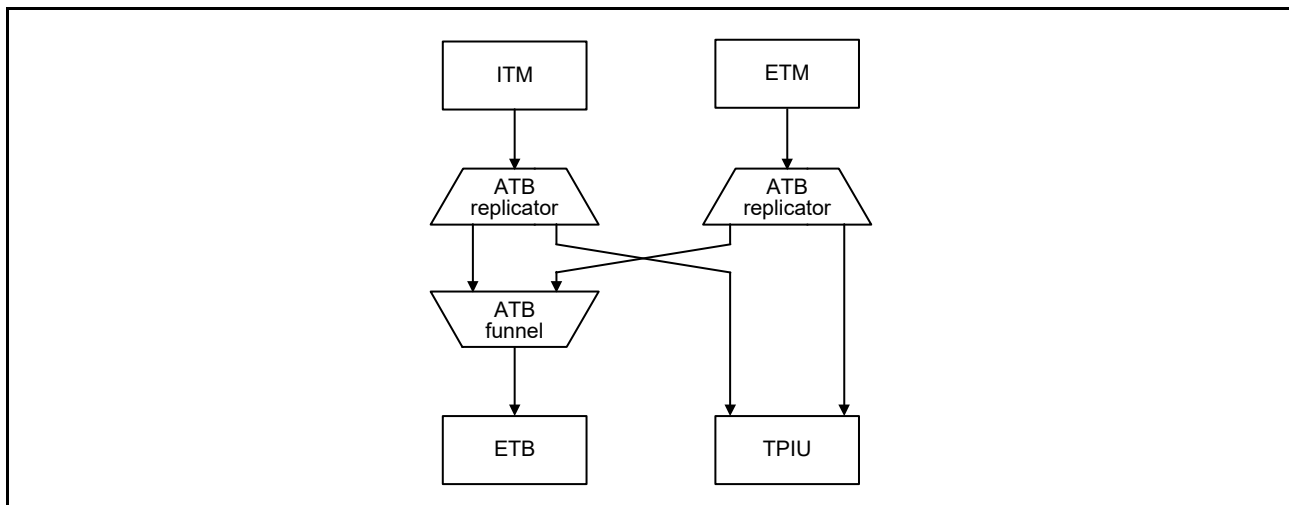
[Table 2.12](#) shows these registers. See [reference 7](#) for details of each register.

**Table 2.12** OCDREG CoreSight component registers

| Name | Address    | Access size | R/W       | Initial value |
|------|------------|-------------|-----------|---------------|
| PID4 | 8000 0FD0h | 32 bits     | Read-only | 00000004h     |
| PID5 | 8000 0FD4h | 32 bits     | Read-only | 00000000h     |
| PID6 | 8000 0FD8h | 32 bits     | Read-only | 00000000h     |
| PID7 | 8000 0FDCh | 32 bits     | Read-only | 00000000h     |
| PID0 | 8000 0FE0h | 32 bits     | Read-only | 00000004h     |
| PID1 | 8000 0FE4h | 32 bits     | Read-only | 00000030h     |
| PID2 | 8000 0FE8h | 32 bits     | Read-only | 0000000Ah     |
| PID3 | 8000 0FECh | 32 bits     | Read-only | 00000000h     |
| CID0 | 8000 0FF0h | 32 bits     | Read-only | 0000000Dh     |
| CID1 | 8000 0FF4h | 32 bits     | Read-only | 000000F0h     |
| CID2 | 8000 0FF8h | 32 bits     | Read-only | 00000005h     |
| CID3 | 8000 0FFCh | 32 bits     | Read-only | 000000B1h     |

## 2.7 CoreSight ATB Funnel

There is one CoreSight ATB funnel in the MCU. The funnel has two ATB slaves and one ATB master, and it selects the debug trace source from ETM and ITM to ETB. [Figure 2.3](#) shows the CoreSight ATB connection in the MCU.



**Figure 2.3** CoreSight ATB connection

Table 2.13 shows the ATB slave connection for the funnel.

**Table 2.13** ATB slave connection

| ATB slave number | Connected trace source |
|------------------|------------------------|
| #0               | ITM                    |
| #1               | ETM                    |

For details of the ATB and funnel, see [reference 4](#).

## 2.8 Flash Patch and Break Unit

The MCU has a flash patch and break unit. Breakpoint function is available, but flash patch (remap) function is not available. Therefore, do not set the REPLACE bits [31:30] in the FP\_COMPn register to 0. Bit [28] of FP\_REMAP register is always set to 1. When writing to this register, write 1 to bit [28]. When reading this register, bit [28] is always read as 1. See [reference 1](#).<sup>\*1</sup> for details.

Note 1. In the reference, SYSTICCLK (LOCO) is the IMPLEMENTATION DEFINED external reference clock and ICLK is the processor clock.

## 2.9 SysTick System Timer

The SysTick system timer provides a simple 24-bit down counter. The reference clock for the timer can be selected as the CPU clock (ICLK) or SysTick Timer clock (SYSTICCLK). See [reference 1](#) for details.

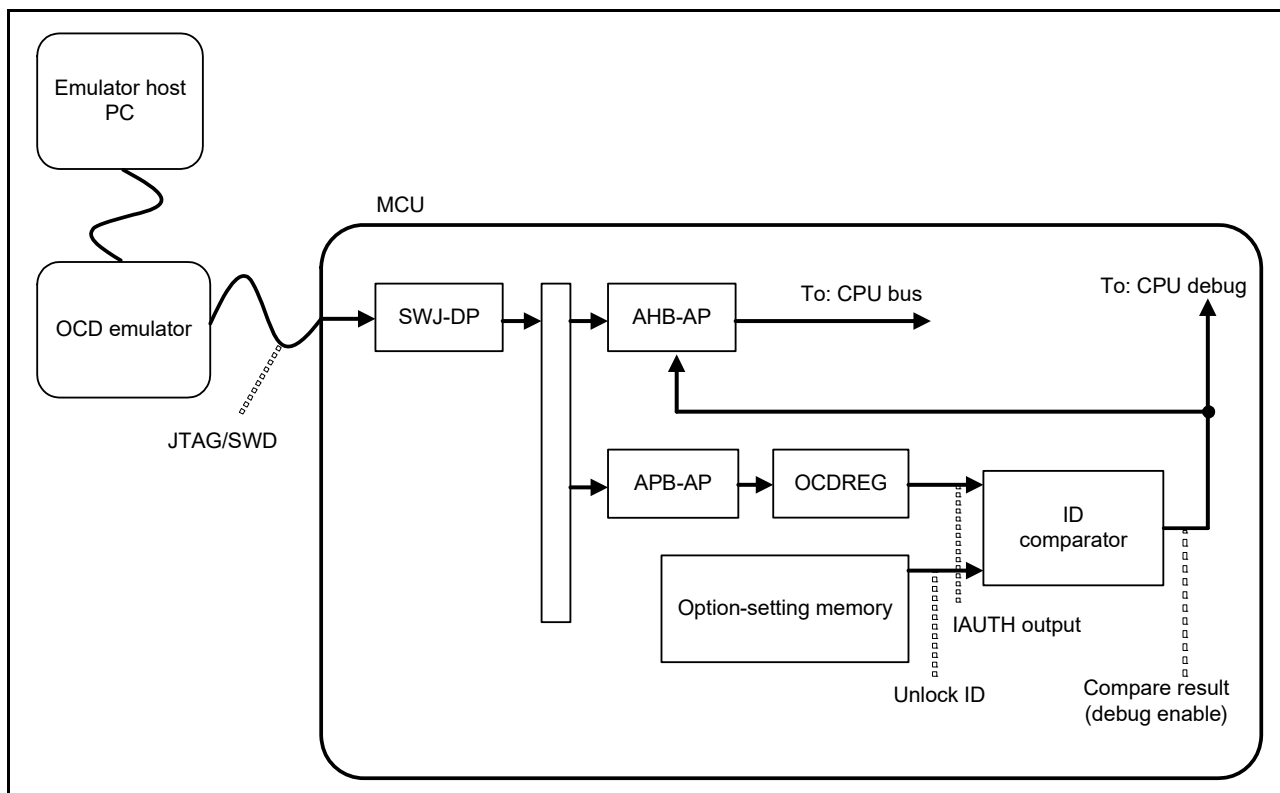
## 2.10 CoreSight Time Stamp Generator

A CoreSight Time Stamp Generator provides a CPU clock-based timestamp to ITM and ETM. The 48 LSB bits of the 64-bit counter are used for the two components. See [reference 4](#) for details.

## 2.11 OCD Emulator Connection

A JTAG/SWD authentication mechanism checks access permission for debug and MCU resources. To obtain full debug functionality, a pass result of the authentication mechanism is required.

[Figure 2.4](#) shows a block diagram of the authentication mechanism.



**Figure 2.4 Authentication mechanism block diagram**

An ID comparator is available in the MCU for authentication. The comparator compares the 128-bit IAUTH output from OCDREG and the 128-bit unlock ID code from the option-setting memory. When the two outputs are identical, the CPU debug functions and system bus access from the OCD emulator are permitted.

### 2.11.1 DBGEN

After the OCD emulator gets access permission, the OCD emulator must set the DBGEN bit in the System Control OCD Control Register (SYOCD CR). In addition, the OCD emulator must clear the DBGEN bit before disconnecting it. See [section 11, Low Power Modes](#) for details.

### 2.11.2 Unlock ID Code

The unlock ID code is used for checking permissions for debug and access to on-chip resources. If the unlock ID code matches the 128-bit data written in ID Authentication Registers 0 to 3, the JTAG/SWD debugger obtains access permission. Unlock ID code is written in the OCD/Serial Programmer ID Setting Register (OSIS) in the option-setting memory. The initial value of the unlock ID code is all 1s (FFFFFFFF\_FFFFFFFF\_FFFFFFFFh). See [section 7, Option-Setting Memory](#) for details.

### 2.11.3 Restrictions on Connecting an OCD Emulator

This section describes the restrictions on emulator access.

#### 2.11.3.1 Starting connection while in low power mode

When starting a JTAG/SWD connection from an OCD emulator, the MCU must be in Normal or Sleep mode. If the MCU is in Software Standby, Snooze, or Deep Software Standby mode, the OCD emulator can cause the MCU to hang.

#### 2.11.3.2 Changing low power mode while in OCD mode

When the MCU is in OCD mode, the low power mode can be changed. However, system bus access from AHB-AP is prohibited in Software Standby, Snooze, or Deep Software Standby mode. Only SWJ-DP, APB-AP, and OCDREG can be accessed from the OCD emulator in these modes. [Table 2.14](#) shows the restrictions.

**Table 2.14 Restrictions by mode**

| Active mode           | Start OCD emulator connection | Change low power mode | Access AHB-AP and system bus | Access APB-AP and OCDREG |
|-----------------------|-------------------------------|-----------------------|------------------------------|--------------------------|
| Normal                | Yes                           | Yes                   | Yes                          | Yes                      |
| Sleep                 | Yes                           | Yes                   | Yes                          | Yes                      |
| Software Standby      | No                            | Yes                   | No                           | Yes                      |
| Snooze                | No                            | Yes                   | No                           | Yes                      |
| Deep Software Standby | No                            | Yes                   | No                           | Yes                      |

If system bus access is required in Software Standby, Snooze, or Deep Software Standby mode, set the OCUCTRL.DBIRG bit in OCDREG to wake up the MCU from the low power modes. Simultaneously, using the OCUCTRL.EDBGRQ bit in OCDREG, the OCD emulator can wake up the MCU without starting CPU execution by using a CPU break.

### 2.11.3.3 Modifying the unlock ID code in OSIS

After modifying the unlock ID code in the OSIS, the OCD emulator must reset the MCU by asserting the RES pin or setting the SYSRESETREQ bit of the Application Interrupt and Reset Control Register in the system control block to 1. The modified unlock ID code is reflected after reset.

### 2.11.3.4 Connecting sequence and JTAG/SWD authentication

Because the OCD emulator is protected by the JTAG/SWD authentication mechanism, the OCD might be required to input the ID code to the authentication registers. The OSIS value in the option-setting memory determines whether the code is required.

After the negation of the reset, a 5  $\mu$ s wait time is required before comparing the OSIS value at cold start.

#### (1) When MSB of OSIS is 0 (bit [127] = 0)

The ID code is always mismatching and connection to the OCD is prohibited.

#### (2) When OSIS is all 1s (default)

OCD authentication is not required and the OCD can use the AHB-AP without the authentication.

1. Connect the OCD emulator to the MCU through the JTAG or SWD interface.
2. Set up SWJ-DP to access the DAP bus. In the setup, the OCD emulator must assert CDBGPWRUPREQ in the SWJ-DP Control Status Register, then wait until CSDBGPWRUPACK in the same register is asserted.
3. Set up the AHB-AP to access the system address space. The AHB-AP is connected to the DAP bus port 0.
4. Start accessing the CPU debug resources using the AHB-AP.

#### (3) When OSIS[127:126] = 2'b10

OCD authentication is required and the OCD must write the unlock ID code to the IAUTH registers 0 to 3 in the OCDREG before using the AHB-AP.

1. Connect the OCD debugger to the MCU through the JTAG or SWD interface.
2. Set up SWJ-DP to access the DAP bus. In the setup, the OCD emulator must assert CDBGPWRUPREQ in the SWJ-DP Control Status Register, and wait until CSDBGPWRUPACK in the same register is asserted.
3. Set up the APB-AP to access OCDREG. The APB-AP is connected to the DAP bus port 1.
4. Write the 128-bit ID code to IAUTH registers 0 to 3 in the OCDREG register using the APB-AP.
5. If the 128-bit ID code matches the OSIS value, the AHB-AP is authorized to issue an AHB transaction. The authorization result can be confirmed in the AUTH bit in the MCUSTAT Register or the DbgStatus bit in the AHB-AP Control Status Word Register.
  - When the DbgStatus bit is 1, the 128-bit ID code is a match with the OSIS value. AHB transfers are permitted.

- When the DbgStatus bit is 0, the 128-bit ID code is not a match with the OSIS value. AHB transfers are not permitted.
6. Set up the AHB-AP to access the system address space. The AHB-AP is connected to the DAP bus port 0.
  7. Start accessing the CPU debug resources using the AHB-AP.

#### (4) When OSIS[127:126] is 2'b11

OCD authentication is required and the OCD must write the unlock ID code to IAUTH registers 0 to 3 in the OCDREG register. The connection sequence is the same when OSIS[127:126] is 2'b10 except for ALeRASE capability.

When IATUH0-3 are ALeRASE in ASCII code, the contents of the code flash, data flash, and configuration area are erased at once. See [section 53, Flash Memory](#) for details.

ALeRASE sequence:

1. Connect the OCD debugger to the MCU through the JTAG or SWD interface.
2. Set up SWJ-DP to access DAP bus. In the setup, the OCD emulator must assert CDBGPWRUPREQ in the SWJDP Control Status Register, and then wait until CSDBGPWRUPACK in the same register is asserted.
3. Set the APB-AP to access OCDREG. This APB-AP is connected to the DAP bus port 1.
4. Write the 128-bit ID code to IAUTH registers 0 to 3 in the OCDREG register using the APB-AP.
5. If the 128-bit ID code is ALeRASE in ASCII code (414C\_6552\_4153\_45FF\_FFFF\_FFFF\_FFFF\_FFFFh), the contents of the code flash, data flash, and configuration area are erased. After that, the MCU transitions to Sleep mode.

## 2.12 References

1. *ARM®v7-M Architecture Reference Manual* (ARM DDI 0403D).
2. *ARM® Cortex®-M4 Processor Technical Reference Manual* (ARM DDI 0439D).
3. *ARM® Cortex®-M4 Devices Generic User Guide* (ARM DUI 0553A).
4. *ARM® CoreSight™ SoC-400 Technical Reference Manual* (ARM DDI 0480F).
5. *ARM® CoreSight™ ETM-M4 Technical Reference Manual* (ARM DDI 0440C).
6. *ARM® CoreSight™ Trace Memory Controller Technical Reference Manual* (ARM DDI 0461B).
7. *ARM® CoreSight™ Architecture Specification* (ARM IHI 0029D).

### 3. Operating Modes

#### 3.1 Overview

Table 3.1 shows the selection of operating modes by the mode-setting pin. For details, see section 3.2, Details of Operating Modes. Operation starts with the on-chip flash memory enabled, regardless of the mode in which operation started.

**Table 3.1 Selection of operating modes by the mode-setting pin**

| Mode-setting pin |                   |                      |              |
|------------------|-------------------|----------------------|--------------|
| MD               | Operating mode    | On-chip flash memory | External bus |
| 1                | Single-chip mode  | Enable               | Disable      |
| 0                | SCI/USB boot mode | Enable               | Disable      |

#### 3.2 Details of Operating Modes

##### 3.2.1 Single-Chip Mode

In single-chip mode, all I/O pins are available for use as input or output port, inputs or outputs for peripheral functions, or as interrupt inputs. When a reset is released while the MD pin is high, the MCU starts in single-chip mode and the on-chip flash is enabled.

##### 3.2.2 SCI Boot Mode

In this mode, the on-chip flash memory programming routine (SCI boot program), stored in a dedicated area within the MCU, is used. The on-chip flash, including the code flash memory and data flash memory, can be modified from outside the MCU by using a universal asynchronous receiver/transmitter (UART) SCI. For details, see section 53, Flash Memory. The MCU starts in SCI boot mode if the MD pin is held low on release from the reset state.

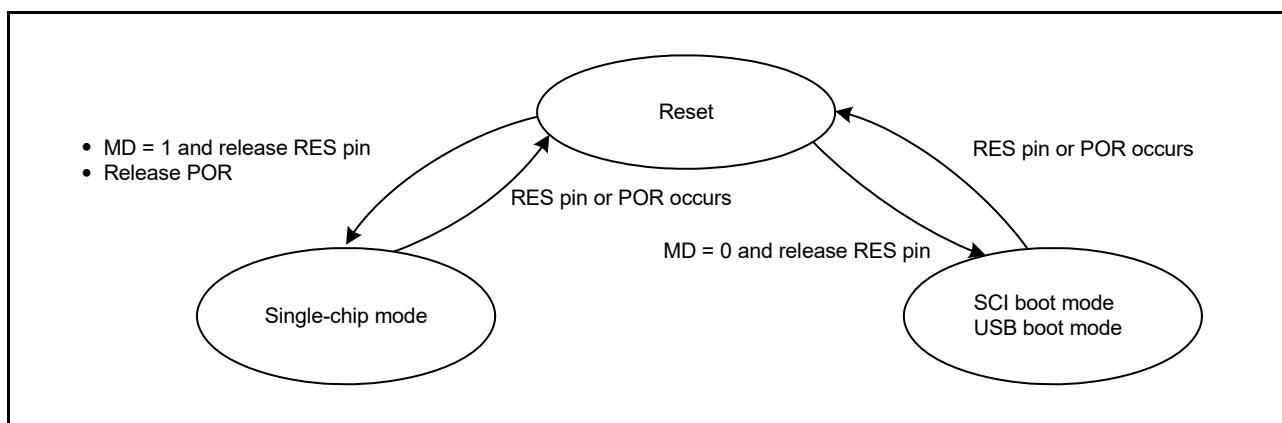
##### 3.2.3 USB Boot Mode

In this mode, the on-chip flash memory programming routine (USB boot program), stored in the boot area within the MCU, is used. The on-chip flash, including the code flash memory and data flash memory, can be modified from outside the MCU by using the USB. For details, see section 53, Flash Memory. The MCU starts in USB boot mode if the MD pin is held low on release from the reset state.

#### 3.3 Operating Mode Transitions

##### 3.3.1 Operating Mode Transitions as Determined by the Mode-Setting Pin

Figure 3.1 shows operating mode transitions determined by the settings of the MD pin.



**Figure 3.1 Mode-setting pin level and operating mode**

## 4. Address Space

### 4.1 Overview

The MCU supports a 4-GB linear address space ranging from 0000 0000h to FFFF FFFFh that can contain both program and data. [Figure 4.1](#) shows the memory map.

|            |  |
|------------|--|
| FFFF FFFFh | System for Cortex <sup>®</sup> -M4                         |
| E000 0000h | Reserved area*2  |
| 9800 0000h | External address space (SDRAM area)                        |
| 9000 0000h | Reserved area*2  |
| 8720 0000h | External address space (CS area)                           |
| 8000 0000h | Reserved area*2  |
| 6800 0000h | External address space (SPI area)                          |
| 6000 0000h | Reserved area*2  |
| 4080 0000h | Flash I/O registers  |
| 407F C000h | Reserved area*2  |
| 407F B1A0h | On-chip flash (option-setting memory) <sup>1,4</sup>       |
| 407F B17Ch | Reserved area*2  |
| 407F 0000h | Flash I/O registers  |
| 407E 0000h | Reserved area*2  |
| 4010 8000h | On-chip flash (data flash)                                 |
| 4010 0000h | Peripheral I/O registers                                   |
| 4000 0000h | Reserved area*2  |
| 2010 0000h | Standby SRAM   |
| 200F E000h | Reserved area*2  |
| 2004 0000h | SRAM0  |
| 2000 0000h | SRAMHS   |
| 1FFE 0000h | Reserved area*2  |
| 0280 0000h | Memory mapping area  |
| 0200 0000h | Reserved area*2  |
| 0100 A168h | On-chip flash (option-setting memory)                      |
| 0100 A150h | Reserved area*2  |
| 0100 8000h | On-chip flash (option-setting memory)                      |
| 0100 7000h | Reserved area*2  |
| 0010 0000h | On-chip flash (program flash) (read only) <sup>1,*,3</sup> |
| 0000 0000h |  |

Note 1. The capacity of the flash differs depending on the product.

| Code flash memory capacity | Address                 | Data flash memory capacity | Address                 | RAM capacity | Address                 |
|----------------------------|-------------------------|----------------------------|-------------------------|--------------|-------------------------|
| 1 Mbytes                   | 0000 0000h - 000F FFFFh | 32 Kbytes                  | 4010 0000h - 4010 7FFFh | 384 Kbyte    | 1FFE 0000h - 2003 FFFFh |
| 512 Kbytes                 | 0000 0000h - 0007 FFFFh |                            |                         |              |                         |

Note 2. Do not access reserved areas.

Note 3. Some regions are reserved for the option-setting memory. For details, see [section 7, Option-Setting Memory](#).

Note 4. Do not access from 407F B180h to 407F B19Bh.

**Figure 4.1** Memory map



## 4.2 External Address Space

The external address space is divided into CS areas (CS0 to CS7), SDRAM area (SDCS), and SPI area. The eight CS areas (CS0 to CS7) each correspond to the CSn signal output from a CSn (n = 0 to 7) pin. The SPI area is divided into two areas, QSPI I/O registers and external SPI device space.

Figure 4.2 shows the address ranges associated with the individual CS areas (CS0 to CS7), SDRAM area (SDCS), and SPI area.

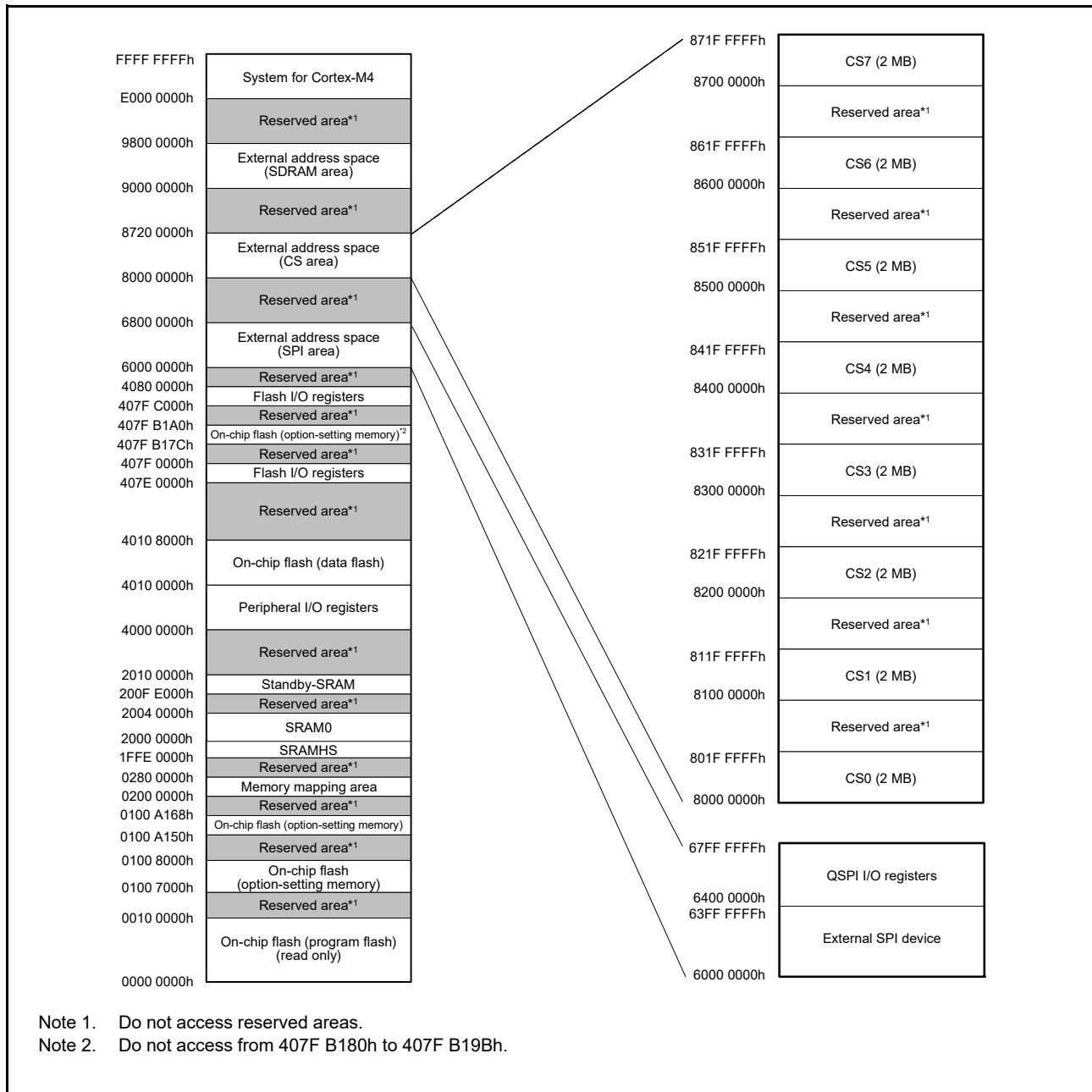


Figure 4.2 Association between external address spaces and CS areas

## 5. Memory Mirror Function (MMF)

### 5.1 Overview

The MCU provides a Memory Mirror Function (MMF). You can configure the MMF to map an application image load address in the code flash memory to the application image link address in the unused 23-bit memory mirror space addresses. Your application code must be developed and linked to run from this MMF destination address. The application code is not required to know the load location where it is stored in the code flash memory.

Table 5.1 lists the MMF specifications.

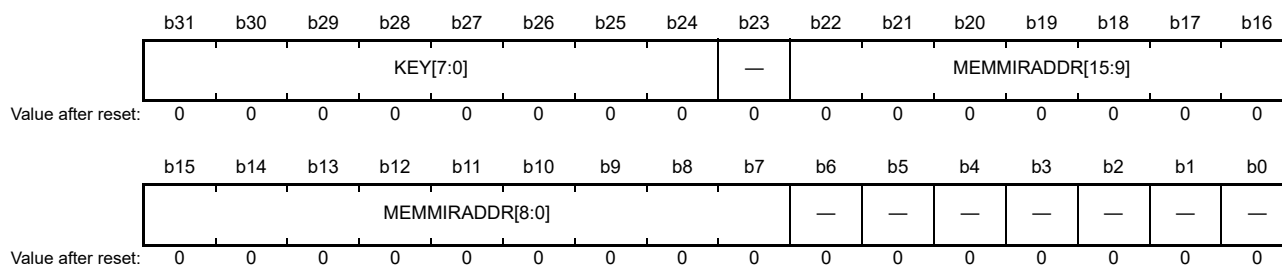
**Table 5.1 MMF specifications**

| Parameter              | Description                     |
|------------------------|---------------------------------|
| Memory mirror space    | 8 MB (0200 0000h to 027F FFFFh) |
| Memory mirror boundary | 128 bytes                       |

### 5.2 Register Descriptions

#### 5.2.1 MemMirror Special Function Register (MMSFR)

Address(es): MMF.MMSFR 4000 1000h



| Bits       | Symbol           | Bit name              | Description   | R/W |
|------------|------------------|-----------------------|---|-----|
| b6 to b0   | —                | Reserved              | These bits are read as 0. The write value should be 0.        | R/W |
| b22 to b7  | MEMMIRADDR[15:0] | Memory Mirror Address | 0000h to FFFFh (8 MB)   | R/W |
| b23        | —                | Reserved              | This bit is read as 0. The write value should be 0.           | R/W |
| b31 to b24 | KEY[7:0]         | MMSFR Key Code        | These bits enable or disable rewriting of the MEMMIRADDR bits | R/W |

#### MEMMIRADDR[15:0] bits (Memory Mirror Address)

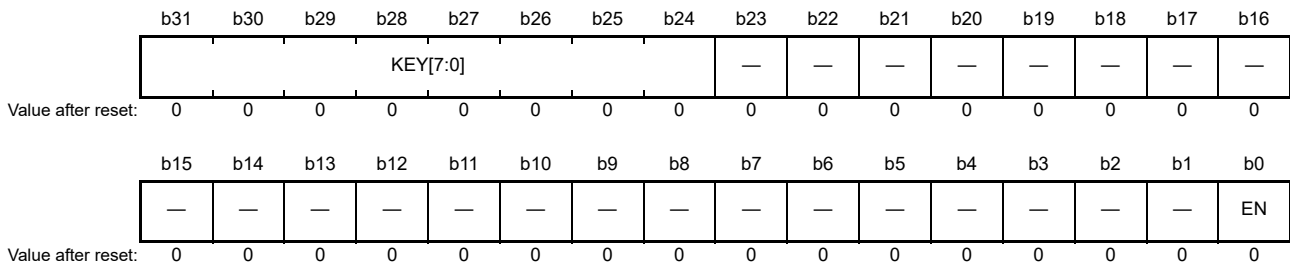
The MEMMIRADDR bits specify bits [22:7] of the memory mirror address. They define where the start address of the memory mirror space addresses (0200 0000h) is linked to. Writing to these bits is enabled only when this register is accessed in 32-bit words and the value DBh is written to the KEY[7:0] bits.

#### KEY[7:0] bits (MMSFR Key Code)

The KEY[7:0] bits enable or disable rewriting of the MEMMIRADDR bits. Data written to the KEY bits is not saved. These bits are read as 0. The KEY code and MEMMIRADDR must be written to in the same cycle.

## 5.2.2 MemMirror Enable Register (MMEN)

Address(es): MMF.MMEN 4000 1004h



| Bits       | Symbol   | Bit name                      | Description  | R/W |
|------------|----------|-------------------------------|--|-----|
| b0         | EN       | Memory Mirror Function Enable | 0: Disable MMF<br>1: Enable MMF.                       | R/W |
| b23 to b1  | —        | Reserved                      | These bits are read as 0. The write value should be 0. | R/W |
| b31 to b24 | KEY[7:0] | MMEN Key Code                 | These bits enable or disable rewriting of the EN bit.  | R/W |

### EN bit (Memory Mirror Function Enable)

Writing to the EN bit is enabled only when the MemMirror Enable Register is accessed in 32-bit words and the value DBh is written to the KEY[7:0] bits.

### KEY[7:0] bits (MMEN Key Code)

The KEY[7:0] bits enable or disable rewriting of the EN bit. Data written to the KEY[7:0] bits is not saved. These bits are read as 0. The KEY code and the EN bit must be written to in the same cycle.

## 5.3 Operation

### 5.3.1 MMF Operation

The MMF links the memory mirror space (0200 0000h to 027F FFFFh) to the code flash area. If MMEN.EN = 1, the CPU can access code flash using both normal addresses (starting at 0000 0000h) and memory mirror space addresses (starting at 0200 0000h). [Figure 5.1](#) shows an overview of the MMF. The MMSFR.MEMMIRADDR bits specify where the start address of the memory mirror space addresses (0200 0000h) is linked to. [Figure 5.2](#), [Figure 5.3](#), and [Figure 5.4](#) show the MMF operation. [Figure 5.5](#) shows the setting procedure of the MMF.

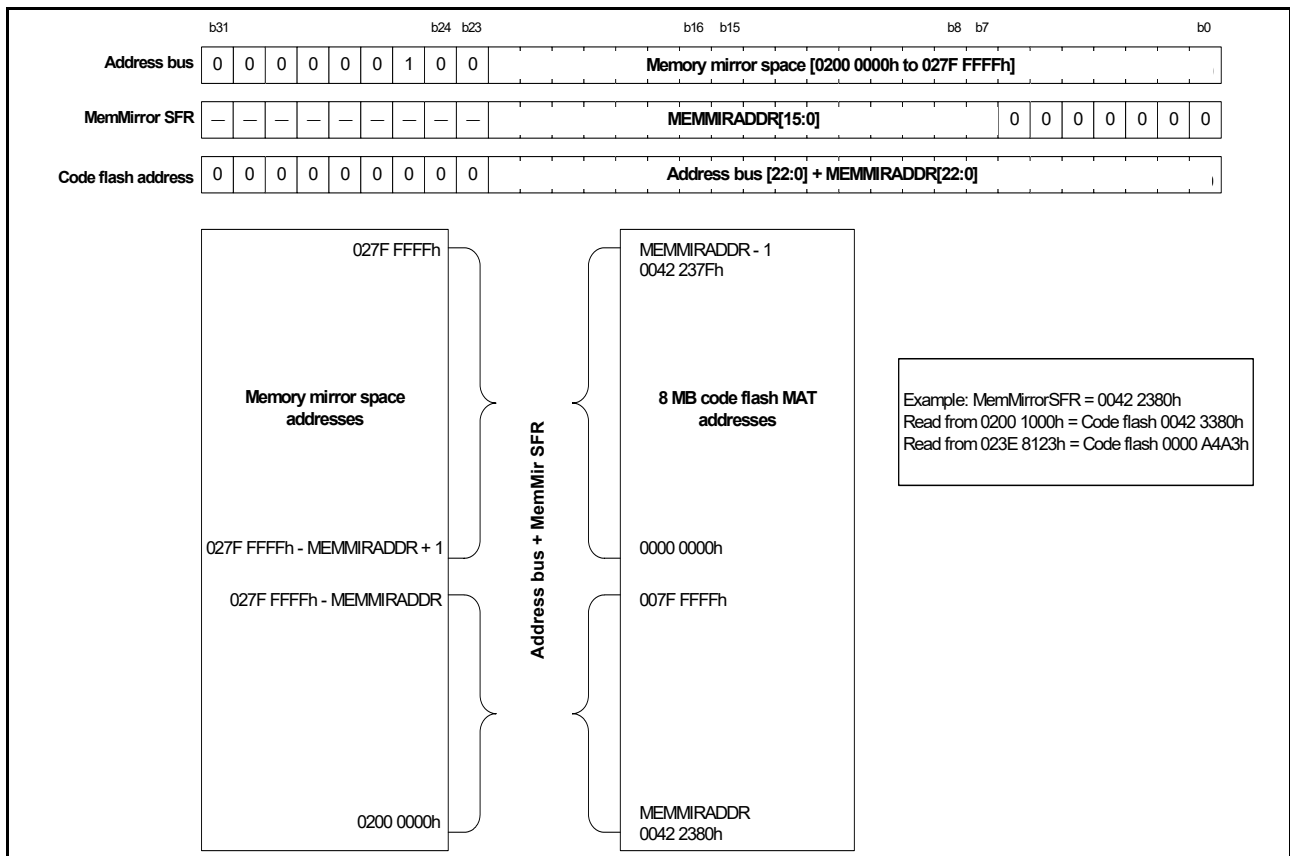
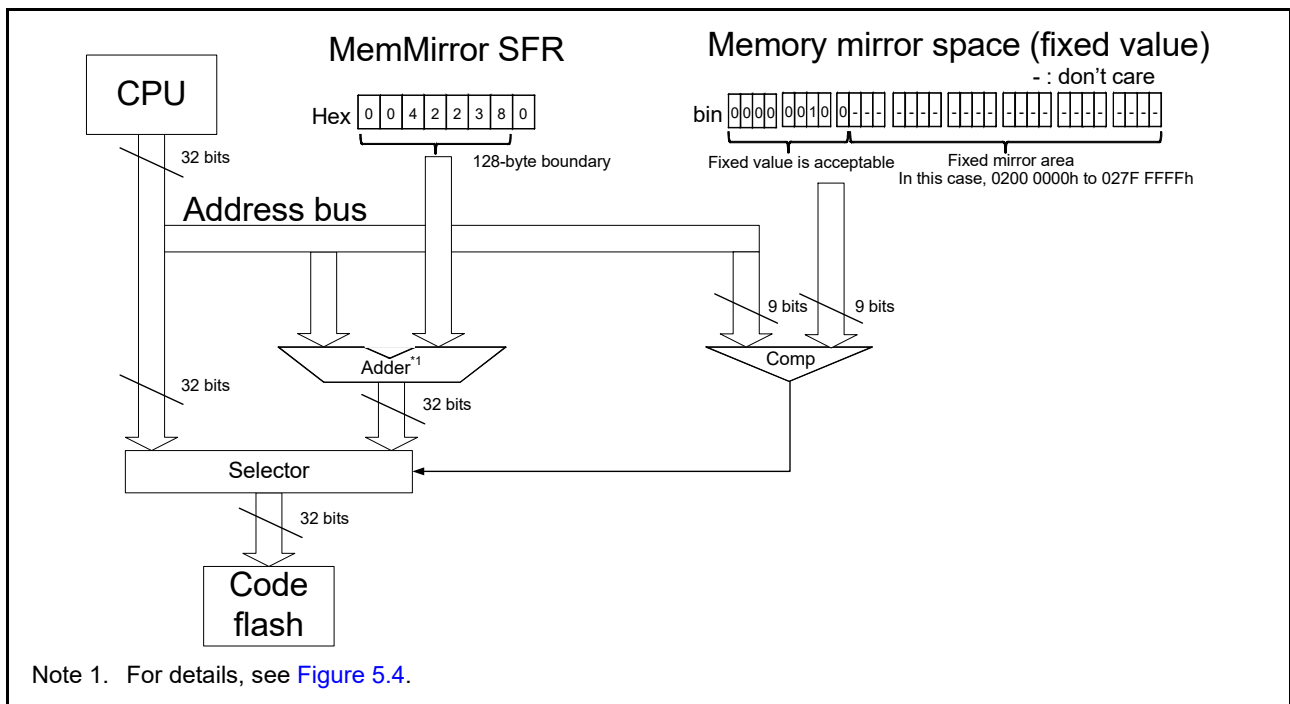


Figure 5.1 MMF operation



Note 1. For details, see Figure 5.4.

Figure 5.2 MMF block diagram

Figure 5.3 shows the addresses handled by each module. The Arm® MPU uses the original address of the CPU. The security MPU and code flash memory each uses an address after conversion through the Memory Mirror Function.

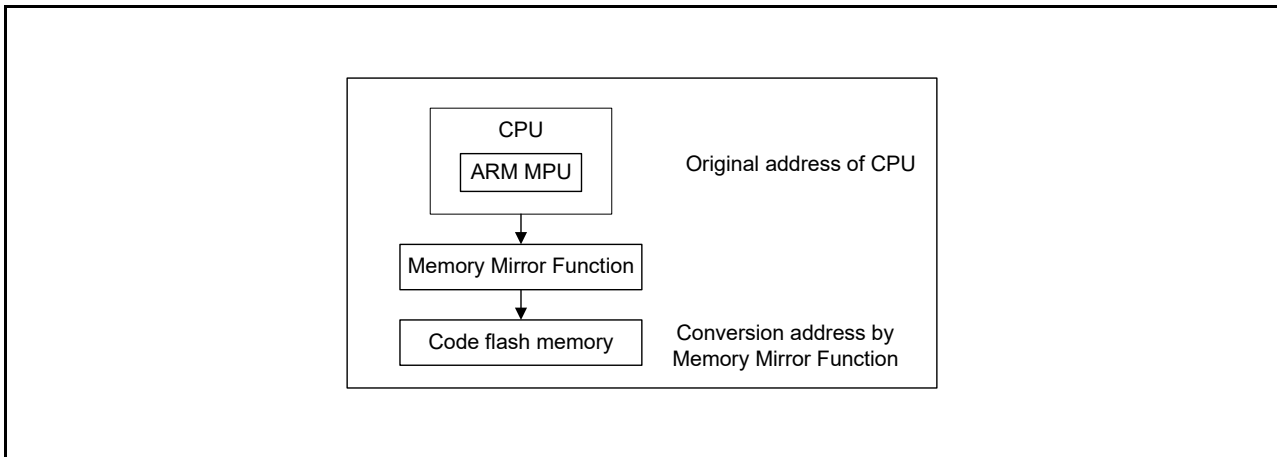


Figure 5.3 MMF address handling

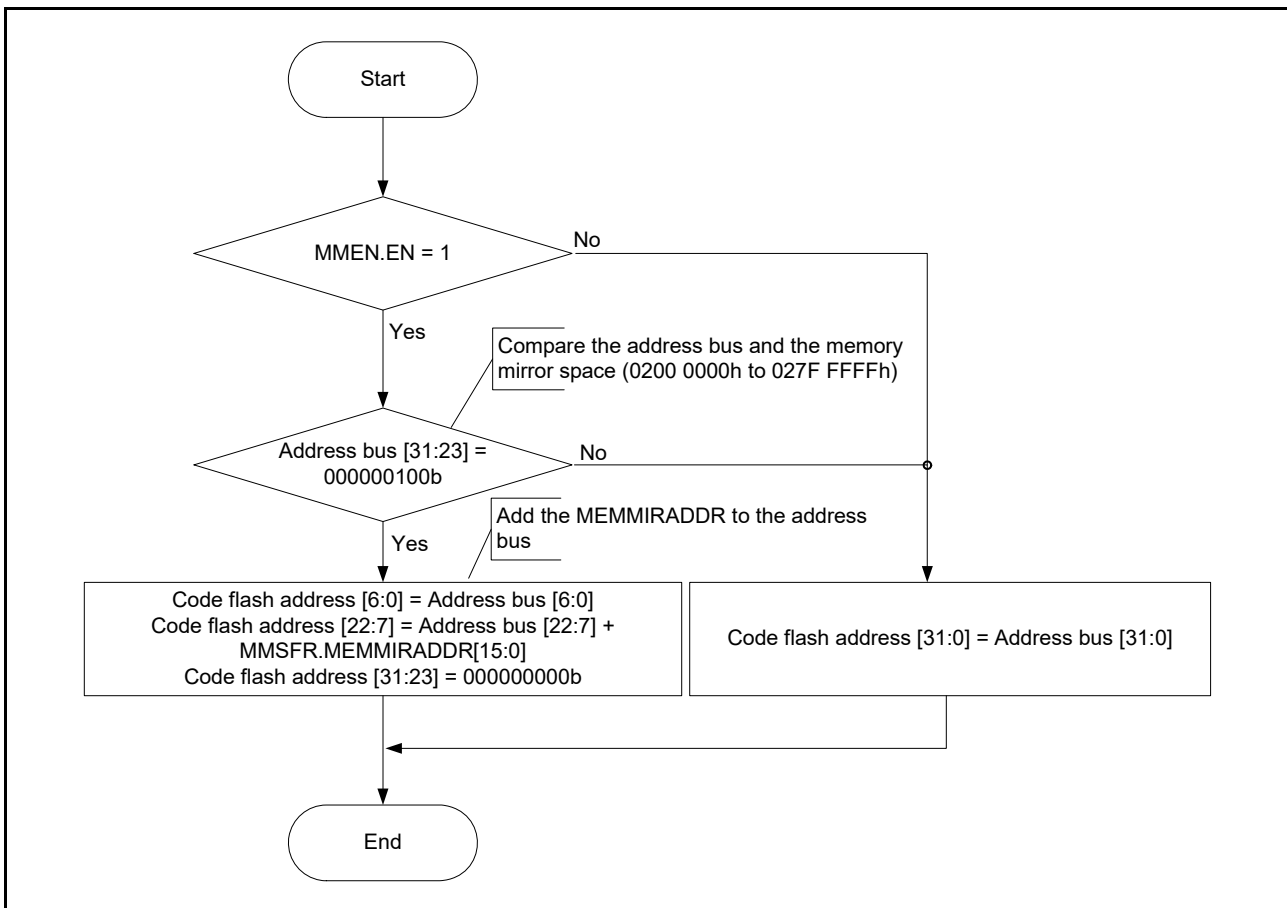
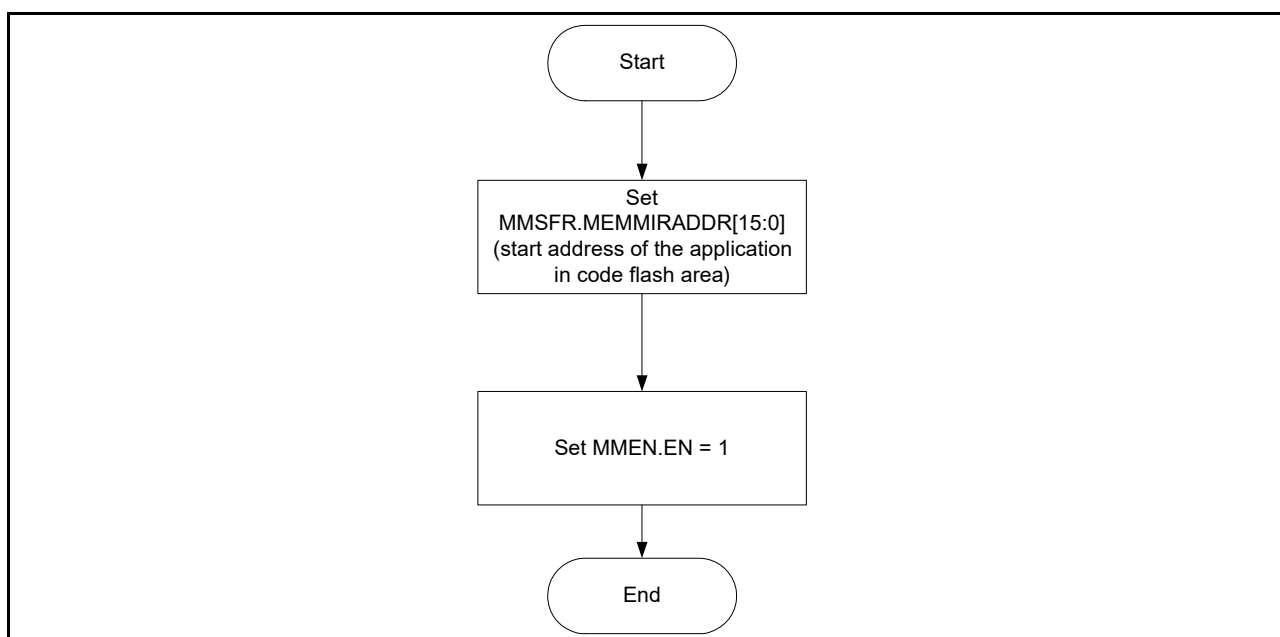


Figure 5.4 MMF operation flow

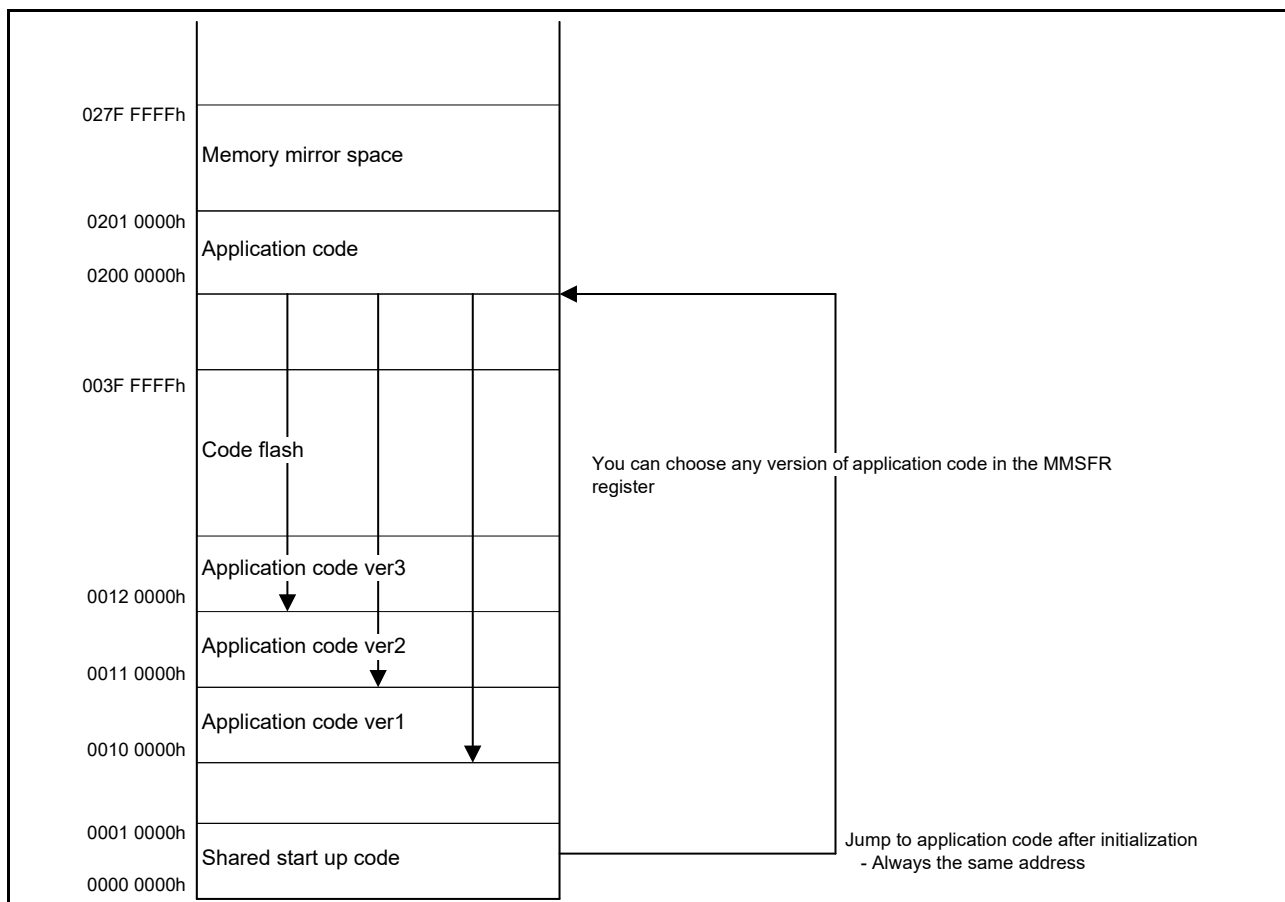


**Figure 5.5** MMF setup flow

### 5.3.2 Setting Example

The target application code on the code flash can be accessed from the address 0200 0000h on the memory mirror space by setting up the code flash start address in MMSFR.MEMMIRADDR and setting MMEN.EN = 1.

[Figure 5.6](#) shows an example of how to use the MMF.



**Figure 5.6 MMF setting example**

Setting the MMSFR register to DB10 0000h to use the application code ver1.

Setting the MMSFR register to DB11 0000h to use the application code ver2.

Setting the MMSFR register to DB12 0000h to use the application code ver3.

## 6. Resets

### 6.1 Overview

The MCU provides 14 resets:

- RES pin reset
- Power-on reset
- Independent watchdog timer reset
- Watchdog timer reset
- Voltage monitor 0 reset
- Voltage monitor 1 reset
- Voltage monitor 2 reset
- SRAM parity error reset
- SRAM ECC error reset
- Bus master MPU error reset
- Bus slave MPU error reset
- Stack pointer error reset
- Deep Software Standby reset
- Software reset.

[Table 6.1](#) lists the reset names and sources.

**Table 6.1 Reset names and sources**

| Reset name                       | Source   |
|----------------------------------|--|
| RES pin reset                    | Voltage input to the RES pin is driven low                           |
| Power-on reset                   | VCC rise (voltage detection $V_{POR}$ ) <sup>*1</sup>                |
| Independent watchdog timer reset | IWDT underflow or refresh error                                      |
| Watchdog timer reset             | WDT underflow or refresh error                                       |
| Voltage monitor 0 reset          | VCC fall (voltage detection $V_{det0}$ ) <sup>*1</sup>               |
| Voltage monitor 1 reset          | VCC fall (voltage detection $V_{det1}$ ) <sup>*1</sup>               |
| Voltage monitor 2 reset          | VCC fall (voltage detection $V_{det2}$ ) <sup>*1</sup>               |
| SRAM parity error reset          | SRAM parity error detection  |
| SRAM ECC error reset             | SRAM ECC error detection   |
| Bus master MPU error reset       | Bus master MPU error detection                                       |
| Bus slave MPU error reset        | Bus slave MPU error detection  |
| Stack pointer error reset        | Stack pointer error detection  |
| Deep software standby reset      | Canceling of Deep Software Standby mode by an interrupt              |
| Software reset                   | Register setting (use the Arm® software reset bit AIRCR.SYSRESETREQ) |

Note 1. For details on the voltages to be monitored ( $V_{POR}$ ,  $V_{det0}$ ,  $V_{det1}$ , and  $V_{det2}$ ), see [section 8, Low Voltage Detection \(LVD\)](#) and [section 55, Electrical Characteristics](#).

The internal state and pins are initialized by a reset. [Table 6.2](#) and [Table 6.3](#) list the targets initialized by resets.



Table 6.2 Reset detect flags initialized by each reset source

| Flag to be initialized                                       | Reset source  |                |                         |                                  |                      |                         |                         |                |
|--|---------------|----------------|-------------------------|----------------------------------|----------------------|-------------------------|-------------------------|----------------|
|  | RES pin reset | Power-on reset | Voltage monitor 0 reset | Independent watchdog timer reset | Watchdog timer reset | Voltage monitor 1 reset | Voltage monitor 2 reset | Software reset |
| Power-On Reset Detect Flag (RSTSR0.PORF)                     | ✓             | x              | x                       | x                                | x                    | x                       | x                       | x              |
| Voltage Monitor 0 Reset Detect Flag (RSTSR0.LVD0RF)          | ✓             | ✓              | x                       | x                                | x                    | x                       | x                       | x              |
| Independent Watchdog Timer Reset Detect Flag (RSTSR1.IWDTRF) | ✓             | ✓              | ✓                       | x                                | x                    | x                       | x                       | x              |
| Watchdog Timer Reset Detect Flag (RSTSR1.WDTRF)              | ✓             | ✓              | ✓                       | x                                | x                    | x                       | x                       | x              |
| Voltage Monitor 1 Reset Detect Flag (RSTSR0.LVD1RF)          | ✓             | ✓              | ✓                       | x                                | x                    | x                       | x                       | x              |
| Voltage Monitor 2 Reset Detect Flag (RSTSR0.LVD2RF)          | ✓             | ✓              | ✓                       | x                                | x                    | x                       | x                       | x              |
| Software Reset Detect Flag (RSTSR1.SWRF)                     | ✓             | ✓              | ✓                       | x                                | x                    | x                       | x                       | x              |
| SRAM Parity Error Reset Detect Flag (RSTSR1.RPERF)           | ✓             | ✓              | ✓                       | x                                | x                    | x                       | x                       | x              |
| SRAM ECC Error Reset Detect Flag (RSTSR1.REERF)              | ✓             | ✓              | ✓                       | x                                | x                    | x                       | x                       | x              |
| Bus Slave MPU Error Reset Detect Flag (RSTSR1.BUSSRF)        | ✓             | ✓              | ✓                       | x                                | x                    | x                       | x                       | x              |
| Bus Master MPU Error Reset Detect Flag (RSTSR1.BUSMRF)       | ✓             | ✓              | ✓                       | x                                | x                    | x                       | x                       | x              |
| Stack Pointer Error Reset Detect Flag (RSTSR1.SPERF)         | ✓             | ✓              | ✓                       | x                                | x                    | x                       | x                       | x              |
| Deep Software Standby Reset Detect Flag (RSTSR0.DPSRSTF)     | ✓             | ✓              | ✓                       | x                                | x                    | x                       | x                       | x              |
| Cold Start/Warm Start Determination Flag (RSTSR2.CWSF)       | x             | ✓              | x                       | x                                | x                    | x                       | x                       | x              |

| Flag to be initialized                                       | Reset source            |                      |                            |                           |                           |                             |                |
|--|-------------------------|----------------------|----------------------------|---------------------------|---------------------------|-----------------------------|----------------|
|  | SRAM parity error reset | SRAM ECC error reset | Bus master MPU error reset | Bus slave MPU error reset | Stack pointer error reset | Deep Software Standby reset |                |
|  |                         |                      |                            |                           |                           | DEEPCUT[0] = 0              | DEEPCUT[0] = 1 |
| Power-On Reset Detect Flag (RSTSR0.PORF)                     | x                       | x                    | x                          | x                         | x                         | x                           | x              |
| Voltage Monitor 0 Reset Detect Flag (RSTSR0.LVD0RF)          | x                       | x                    | x                          | x                         | x                         | x                           | x              |
| Independent Watchdog Timer Reset Detect Flag (RSTSR1.IWDTRF) | x                       | x                    | x                          | x                         | x                         | ✓                           | ✓              |
| Watchdog Timer Reset Detect Flag (RSTSR1.WDTRF)              | x                       | x                    | x                          | x                         | x                         | ✓                           | ✓              |
| Voltage Monitor 1 Reset Detect Flag (RSTSR0.LVD1RF)          | x                       | x                    | x                          | x                         | x                         | x                           | x              |
| Voltage Monitor 2 Reset Detect Flag (RSTSR0.LVD2RF)          | x                       | x                    | x                          | x                         | x                         | x                           | x              |
| Software Reset Detect Flag (RSTSR1.SWRF)                     | x                       | x                    | x                          | x                         | x                         | ✓                           | ✓              |
| SRAM Parity Error Reset Detect Flag (RSTSR1.RPERF)           | x                       | x                    | x                          | x                         | x                         | ✓                           | ✓              |
| SRAM ECC Error Reset Detect Flag (RSTSR1.REERF)              | x                       | x                    | x                          | x                         | x                         | ✓                           | ✓              |
| Bus Slave MPU Error Reset Detect Flag (RSTSR1.BUSSRF)        | x                       | x                    | x                          | x                         | x                         | ✓                           | ✓              |
| Bus Master MPU Error Reset Detect Flag (RSTSR1.BUSMRF)       | x                       | x                    | x                          | x                         | x                         | ✓                           | ✓              |
| Stack Pointer Error Reset Detect Flag (RSTSR1.SPERF)         | x                       | x                    | x                          | x                         | x                         | ✓                           | ✓              |
| Deep Software Standby Reset Detect Flag (RSTSR0.DPSRSTF)     | x                       | x                    | x                          | x                         | x                         | x                           | x              |
| Cold Start/Warm Start Determination Flag (RSTSR2.CWSF)       | x                       | x                    | x                          | x                         | x                         | x                           | x              |

✓: Initialized to 0

x: Not initialized

Table 6.3 Module-related registers initialized by each reset source

| Registers to be initialized                               |   | Reset source  |                 |                         |                                  |                      |                         |                         |                |
|---|---|---------------|-----------------|-------------------------|----------------------------------|----------------------|-------------------------|-------------------------|----------------|
|   |   | RES pin reset | Power-on reset  | Voltage monitor 0 reset | Independent watchdog timer reset | Watchdog timer reset | Voltage monitor 1 reset | Voltage monitor 2 reset | Software reset |
| Watchdog timer registers                                  | WDTRR, WDTCR, WDTSR, WDTRCR, WDTCSNTPR                                | ✓             | ✓               | ✓                       | ✓                                | ✓                    | ✓                       | ✓                       | ✓              |
| Voltage monitor function 1 registers                      | LVD1CR0, LVCMPPCR.LVD1E, LVDLVL.R.LVD1LVL                             | ✓             | ✓               | ✓                       | ✓                                | ✓                    | ×                       | ×                       | ×              |
|   | LVD1CR1/LVD1SR  | ✓             | ✓               | ✓                       | ✓                                | ✓                    | ×                       | ×                       | ×              |
| Voltage monitor function 2 registers                      | LVD2CR0, LVCMPPCR.LVD2E, LVDLVL.R.LVD2LVL                             | ✓             | ✓               | ✓                       | ✓                                | ✓                    | ×                       | ×                       | ×              |
|   | LVD2CR1/LVD2SR  | ✓             | ✓               | ✓                       | ✓                                | ✓                    | ×                       | ×                       | ×              |
| SOSC register   | SOSCCR  | ×             | ✓ <sup>+1</sup> | ×                       | ×                                | ×                    | ×                       | ×                       | ×              |
|   | SOMCR   | ×             | ×               | ×                       | ×                                | ×                    | ×                       | ×                       | ×              |
| LOCO registers  | LOCOCR  | ✓             | ✓               | ✓                       | ✓                                | ✓                    | ✓                       | ✓                       | ✓              |
|   | LOCOUTCR  | ×             | ✓               | ✓                       | ×                                | ×                    | ✓                       | ✓                       | ×              |
| MOSC register   | MOMCR   | ✓             | ✓               | ✓                       | ✓                                | ✓                    | ✓                       | ✓                       | ✓              |
| Realtime Clock (RTC) register <sup>*2</sup>               |   | ×             | ×               | ×                       | ×                                | ×                    | ×                       | ×                       | ×              |
| AGT registers   |   | ×             | ✓               | ✓                       | ×                                | ×                    | ✓                       | ✓                       | ×              |
| USBFS registers   | Except DPUSR0R, DPUSR1R   | ✓             | ✓               | ✓                       | ✓                                | ✓                    | ✓                       | ✓                       | ✓              |
|   | DPUSR0R, DPUSR1R  | ✓             | ✓               | ✓                       | ✓                                | ✓                    | ✓                       | ✓                       | ✓              |
| MPU register  |   | ✓             | ✓               | ✓                       | ✓                                | ✓                    | ✓                       | ✓                       | ✓              |
| Pin states (except XCIN/XCOUT pin)                        |   | ✓             | ✓               | ✓                       | ✓                                | ✓                    | ✓                       | ✓                       | ✓              |
| Pin states (XCIN/XCOUT pin)                               |   | ×             | ×               | ×                       | ×                                | ×                    | ×                       | ×                       | ×              |
| Low-power function registers                              | DPSBYCR, DPSIER0 to DPSIER3, DPSIFR0 to DPSIFR3, DPSIEGR0 to DPSIEGR2 | ✓             | ✓               | ✓                       | ✓                                | ✓                    | ✓                       | ✓                       | ✓              |
| Battery backup register                                   |   | ×             | ×               | ×                       | ×                                | ×                    | ×                       | ×                       | ×              |
| Registers other than those shown, CPU, and internal state |   | ✓             | ✓               | ✓                       | ✓                                | ✓                    | ✓                       | ✓                       | ✓              |

| Registers to be initialized                               |   | Reset source            |                      |                            |                           |                           |                             |                |  |
|---|---|-------------------------|----------------------|----------------------------|---------------------------|---------------------------|-----------------------------|----------------|--|
|   |   | SRAM parity error reset | SRAM ECC error reset | Bus master MPU error reset | Bus slave MPU error reset | Stack pointer error reset | Deep Software Standby reset |                |  |
|   |   |                         |                      |                            |                           |                           | DEEPCUT[0] = 0              | DEEPCUT[0] = 1 |  |
| Watchdog timer registers                                  | WDTRR, WDTCR, WDTSR, WDTRCR, WDTCSNTPR                                | ✓                       | ✓                    | ✓                          | ✓                         | ✓                         | ✓                           | ✓              |  |
| Voltage monitor function 1 registers                      | LVD1CR0, LVCMPPCR.LVD1E, LVDLVL.R.LVD1LVL                             | ×                       | ×                    | ×                          | ×                         | ×                         | ×                           | ×              |  |
|   | LVD1CR1/LVD1SR  | ×                       | ×                    | ×                          | ×                         | ×                         | ✓                           | ✓              |  |
| Voltage monitor function 2 registers                      | LVD2CR0, LVCMPPCR.LVD2E, LVDLVL.R.LVD2LVL                             | ×                       | ×                    | ×                          | ×                         | ×                         | ×                           | ×              |  |
|   | LVD2CR1/LVD2SR  | ×                       | ×                    | ×                          | ×                         | ×                         | ✓                           | ✓              |  |
| SOSC register   | SOSCCR  | ×                       | ×                    | ×                          | ×                         | ×                         | ×                           | ×              |  |
|   | SOMCR   | ×                       | ×                    | ×                          | ×                         | ×                         | ×                           | ×              |  |
| LOCO register   | LOCOCR  | ✓                       | ✓                    | ✓                          | ✓                         | ✓                         | ✓                           | ✓              |  |
|   | LOCOUTCR  | ×                       | ×                    | ×                          | ×                         | ×                         | ×                           | ✓              |  |
| MOSC registers  | MOMCR   | ✓                       | ✓                    | ✓                          | ✓                         | ✓                         | ×                           | ×              |  |
| Realtime Clock (RTC) register <sup>*2</sup>               |   | ×                       | ×                    | ×                          | ×                         | ×                         | ×                           | ×              |  |
| AGT register  |   | ×                       | ×                    | ×                          | ×                         | ×                         | ×                           | ✓              |  |
| USBFS registers   | Except DPUSR0R, DPUSR1R   | ✓                       | ✓                    | ✓                          | ✓                         | ✓                         | ✓                           | ✓              |  |
|   | DPUSR0R, DPUSR1R  | ✓                       | ✓                    | ✓                          | ✓                         | ✓                         | ×                           | ✓              |  |
| MPU register  |   | ✓                       | ✓                    | ×                          | ×                         | ×                         | ✓                           | ✓              |  |
| Pin states (except XCIN/XCOUT pin)                        |   | ✓                       | ✓                    | ✓                          | ✓                         | ✓                         | *3                          | *3             |  |
| Pin states (XCIN/XCOUT pin)                               |   | ×                       | ×                    | ×                          | ×                         | ×                         | ×                           | ×              |  |
| Low-power function registers                              | DPSBYCR, DPSIER0 to DPSIER3, DPSIFR0 to DPSIFR3, DPSIEGR0 to DPSIEGR2 | ✓                       | ✓                    | ✓                          | ✓                         | ✓                         | ×                           | ×              |  |
| Battery backup register                                   |   | ×                       | ×                    | ×                          | ×                         | ×                         | ×                           | ×              |  |
| Registers other than those shown, CPU, and internal state |   | ✓                       | ✓                    | ✓                          | ✓                         | ✓                         | ✓                           | ✓              |  |

✓: Initialized  
 x: Not initialized

Note 1. For the initial value of each register, see [section 9, Clock Generation Circuit](#).

Note 2. The RTC has a software reset. RCR1.RTCOS, RCR1.CIE, RCR2.RTCOE, RCR2.ADJ30, and RCR2.RESET are initialized by all types of resets. For details on the target bits, see [section 26, Realtime Clock \(RTC\)](#).

Note 3. Depends on the setting of DPSBYCR.IOKEEP.

The RTC is not initialized by any reset source. SOSC and LOCO can be selected as the clock sources of RTC. [Table 6.4](#) and [Table 6.5](#) show the states of SOSC and LOCO when a reset occurs.

**Table 6.4 States of SOSC when a reset occurs**

|      |                   | Reset source  |   |
|------|-------------------|---|---|
|      |                   | POR   | Other   |
| SOSC | Enable or disable | Initialized to enable   | Continue with the state that was selected before the reset occurred |
|      | Drive capability  | Continue with the state that was selected before the reset occurred |   |

**Table 6.5 States of LOCO when a reset occurs**

|      |                        | Reset source  |   |
|------|------------------------|---|---|
|      |                        | POR, LVD0, LVD1, LVD2/<br>Deep Software Standby<br>(DEEPCUT[0] = 1)         | Other   |
| LOCO | Enable or disable      | Initialized to enable   |   |
|      | Oscillation accuracy*1 | Initialized to accuracy before trimming by LOCOUTCR (accuracy: $\pm 15\%$ ) | Continue with the accuracy that was trimmed by LOCOUTCR |

Note 1. The LOCO User Trimming Control Register (LOCOUTCR) is reset by POR, LVD0, LVD1, LVD2, and Deep Software Standby (DEEPCUT[0] = 1) resets, returning the LOCO to the default oscillation accuracy. This can affect RTC accuracy if the RTC uses the LOCO (with a user trimming value in LOCOUTCR) as the RTC source clock. To restore the pre-reset LOCO oscillation accuracy, reload the required trimming value into LOCOUTCR after any of these resets.

[Table 6.6](#) lists the pin related to the reset function.

**Table 6.6 Reset I/O pin**

| Pin name | I/O   | Function  |
|----------|-------|-----------|
| RES      | Input | Reset pin |

## 6.2 Register Descriptions

### 6.2.1 Reset Status Register 0 (RSTSR0)

Address(es): SYSTEM.RSTSR0 4001 E410h

|                    | b7          | b6 | b5 | b4 | b3         | b2         | b1         | b0   |
|--------------------|-------------|----|----|----|------------|------------|------------|------|
|                    | DPSRS<br>TF | —  | —  | —  | LVD2R<br>F | LVD1R<br>F | LVD0R<br>F | PORF |
| Value after reset: | x*1         | 0  | 0  | 0  | x*1        | x*1        | x*1        | x*1  |

x: Undefined

| Bit      | Symbol  | Bit name                            | Description   | R/W     |
|----------|---------|-------------------------------------|---|---------|
| b0       | PORF    | Power-On Reset Detect Flag          | 0: Power-on reset not detected<br>1: Power-on reset detected.   | R(/W)*2 |
| b1       | LVD0RF  | Voltage Monitor 0 Reset Detect Flag | 0: Voltage monitor 0 reset not detected<br>1: Voltage monitor 0 reset detected.   | R(/W)*2 |
| b2       | LVD1RF  | Voltage Monitor 1 Reset Detect Flag | 0: Voltage monitor 1 reset not detected<br>1: Voltage monitor 1 reset detected.   | R(/W)*2 |
| b3       | LVD2RF  | Voltage Monitor 2 Reset Detect Flag | 0: Voltage monitor 2 reset not detected<br>1: Voltage monitor 2 reset detected.   | R(/W)*2 |
| b6 to b4 | —       | Reserved                            | These bits are read as 0. The write value should be 0.  | R/W     |
| b7       | DPSRSTF | Deep Software Standby Reset Flag    | 0: Deep Software Standby mode cancellation not requested by an interrupt<br>1: Deep Software Standby mode cancellation requested by an interrupt. | R(/W)*2 |

Note 1. The value after reset depends on the reset source.

Note 2. Only 0 can be written to clear the flag. The flag must be cleared by writing 0 after 1 is read.

#### PORF flag (Power-On Reset Detect Flag)

The PORF flag indicates that a power-on reset occurred.

[Setting condition]

- When a power-on reset occurs.

[Clearing conditions]

- When a reset listed in [Table 6.2](#) occurs
- When 1 is read from and then 0 is written to PORF.

#### LVD0RF flag (Voltage Monitor 0 Reset Detect Flag)

The LVD0RF flag indicates that the VCC voltage fell below  $V_{det0}$ .

[Setting condition]

- When a voltage monitor 0 reset occurs.

[Clearing conditions]

- When a reset listed in [Table 6.2](#) occurs
- When 1 is read from and then 0 is written to LVD0RF.

#### LVD1RF flag (Voltage Monitor 1 Reset Detect Flag)

The LVD1RF flag indicates that the VCC voltage fell below  $V_{det1}$ .

[Setting condition]

- When a voltage monitor 1 reset occurs.

[Clearing conditions]

- When a reset listed in [Table 6.2](#) occurs
- When 1 is read from and then 0 is written to LVD1RF.

### LVD2RF flag (Voltage Monitor 2 Reset Detect Flag)

The LVD2RF flag indicates that the VCC voltage fell below  $V_{det2}$ .

[Setting condition]

- When a voltage monitor 2 reset occurs.

[Clearing conditions]

- When a reset listed in [Table 6.2](#) occurs
- When 1 is read from and then 0 is written to LVD2RF.

### DPSRSTF flag (Deep Software Standby Reset Flag)

The DPSRSTF flag indicates that Deep Software Standby mode is canceled by an external or internal interrupt, and that an internal reset (Deep Software Standby reset) occurs when an exception from Deep Software Standby mode occurs.

[Setting condition]

- When Deep Software Standby mode is canceled by an external or internal interrupt. For details, see [section 11, Low Power Modes](#).

[Clearing conditions]

- When a reset listed in [Table 6.2](#) occurs
- When 1 is read from and then 0 is written to DPSRSTF.

## 6.2.2 Reset Status Register 1 (RSTSR1)

Address(es): [SYSTEM.RSTSR1 4001 E0C0h](#)

|                    | b15 | b14 | b13 | b12   | b11    | b10    | b9    | b8    | b7 | b6 | b5 | b4 | b3 | b2   | b1    | b0     |
|--------------------|-----|-----|-----|-------|--------|--------|-------|-------|----|----|----|----|----|------|-------|--------|
|                    | —   | —   | —   | SPERF | BUSMRF | BUSSRF | REERF | RPERF | —  | —  | —  | —  | —  | SWRF | WDTRF | IWDTRF |
| Value after reset: | 0   | 0   | 0   | x*1   | x*1    | x*1    | x*1   | x*1   | 0  | 0  | 0  | 0  | 0  | x*1  | x*1   | x*1    |

| Bit      | Symbol                 | Bit name                                     | Description   | R/W         |
|----------|------------------------|--|---|-------------|
| b0       | <a href="#">IWDTRF</a> | Independent Watchdog Timer Reset Detect Flag | 0: Independent watchdog timer reset not detected<br>1: Independent watchdog timer reset detected. | R/(W)<br>*2 |
| b1       | <a href="#">WDTRF</a>  | Watchdog Timer Reset Detect Flag             | 0: Watchdog timer reset not detected<br>1: Watchdog timer reset detected.                         | R/(W)<br>*2 |
| b2       | <a href="#">SWRF</a>   | Software Reset Detect Flag                   | 0: Software reset not detected<br>1: Software reset detected.                                     | R/(W)<br>*2 |
| b7 to b3 | —                      | Reserved                                     | These bits are read as 0. The write value should be 0.  | R/W         |
| b8       | <a href="#">RPERF</a>  | SRAM Parity Error Reset Detect Flag          | 0: SRAM parity error reset not detected<br>1: SRAM parity error reset detected.                   | R/(W)<br>*2 |
| b9       | <a href="#">REERF</a>  | SRAM ECC Error Reset Detect Flag             | 0: SRAM ECC error reset not detected<br>1: SRAM ECC error reset detected.                         | R/(W)<br>*2 |
| b10      | <a href="#">BUSSRF</a> | Bus Slave MPU Error Reset Detect Flag        | 0: Bus slave MPU error reset not detected<br>1: Bus slave MPU error reset detected.               | R/(W)<br>*2 |
| b11      | <a href="#">BUSMRF</a> | Bus Master MPU Error Reset Detect Flag       | 0: Bus master MPU error reset not detected<br>1: Bus master MPU error reset detected.             | R/(W)<br>*2 |
| b12      | <a href="#">SPERF</a>  | SP Error Reset Detect Flag                   | 0: SP error reset not detected<br>1: SP error reset detected.                                     | R/(W)<br>*2 |

| Bit        | Symbol | Bit name | Description  | R/W |
|------------|--------|----------|--|-----|
| b15 to b13 | —      | Reserved | These bits are read as 0. The write value should be 0. | R/W |

Note 1. The value after reset depends on the reset source.

Note 2. Only 0 can be written to clear the flag. The flag must be cleared by writing 0 after 1 is read.

### IWDTRF flag (Independent Watchdog Timer Reset Detect Flag)

The IWDTRF flag indicates that an independent watchdog timer reset occurred.

[Setting condition]

- When an independent watchdog timer reset occurs.

[Clearing conditions]

- When a reset listed in [Table 6.2](#) occurs
- When 1 is read from and then 0 is written to IWDTRF.

### WDTRF flag (Watchdog Timer Reset Detect Flag)

The WDTRF flag indicates that a watchdog timer reset occurred.

[Setting condition]

- When a watchdog timer reset occurs.

[Clearing conditions]

- When a reset listed in [Table 6.2](#) occurs
- When 1 is read from and then 0 is written to WDTRF.

### SWRF flag (Software Reset Detect Flag)

The SWRF flag indicates that a software reset occurred.

[Setting condition]

- When a software reset occurs.

[Clearing conditions]

- When a reset listed in [Table 6.2](#) occurs
- When 1 is read from and then 0 is written to SWRF.

### RPERF flag (SRAM Parity Error Reset Detect Flag)

The RPERF flag indicates that a SRAM parity error reset occurred.

[Setting condition]

- When a SRAM parity error reset occurs.

[Clearing conditions]

- When a reset listed in [Table 6.2](#) occurs
- When 1 is read from and then 0 is written to RPERF.

### REERF flag (SRAM ECC Error Reset Detect Flag)

The REERF flag indicates that a SRAM ECC error reset occurred.

[Setting condition]

- When a SRAM ECC error reset occurs.

[Clearing conditions]

- When a reset listed in [Table 6.2](#) occurs

- When 1 is read from and then 0 is written to REERF.

#### **BUSSRF flag (Bus Slave MPU Error Reset Detect Flag)**

The BUSSRF flag indicates that a bus slave MPU error reset occurred.

[Setting condition]

- When a bus slave MPU error reset occurs.

[Clearing conditions]

- When a reset listed in [Table 6.2](#) occurs
- When 1 is read from and then 0 is written to BUSSRF.

#### **BUSMRF flag (Bus Master MPU Error Reset Detect Flag)**

The BUSMRF flag indicates that a bus master MPU error reset occurred.

[Setting condition]

- When a bus master MPU error reset occurs.

[Clearing conditions]

- When a reset listed in [Table 6.2](#) occurs
- When 1 is read from and then 0 is written to BUSMRF.

#### **SPERF flag (SP Error Reset Detect Flag)**

The SPERF flag indicates that a stack pointer error reset occurred.

[Setting condition]

- When a stack pointer error reset occurs.

[Clearing conditions]

- When a reset listed in [Table 6.2](#) occurs
- When 1 is read from and then 0 is written to SPERF.

### 6.2.3 Reset Status Register 2 (RSTSR2)

Address(es): [SYSTEM.RSTSR2 4001 E411h](#)

|                    |    |    |    |    |    |    |    |      |
|--------------------|----|----|----|----|----|----|----|------|
|                    | b7 | b6 | b5 | b4 | b3 | b2 | b1 | b0   |
|                    | —  | —  | —  | —  | —  | —  | —  | CWSF |
| Value after reset: | 0  | 0  | 0  | 0  | 0  | 0  | 0  | x*1  |

x: Undefined

| Bit      | Symbol | Bit name                           | Description  | R/W         |
|----------|--------|------------------------------------|--|-------------|
| b0       | CWSF   | Cold/Warm Start Determination Flag | 0: Cold start<br>1: Warm start.                        | R/(W)<br>*2 |
| b7 to b1 | —      | Reserved                           | These bits are read as 0. The write value should be 0. | R/W         |

Note 1. The value after reset depends on the reset source.

Note 2. Only 1 can be written to set the flag.

RSTSR2 determines whether a power-on reset caused the reset processing (cold start) or a reset signal input during operation caused the reset processing (warm start).

#### **CWSF flag (Cold/Warm Start Determination Flag)**

The CWSF flag indicates the type of reset processing, either cold start or warm start. The CWSF flag is initialized by a

power-on reset. It is not initialized by a reset signal generated by the RES pin.

[Setting condition]

- When 1 is written by software. Writing 0 to CWSF does not set it to 0.

[Clearing condition]

- When a reset listed in [Table 6.2](#) occurs.

## 6.3 Operation

### 6.3.1 RES Pin Reset

The RES pin generates this reset. When the RES pin is driven low, all the processing in progress is aborted and the MCU enters a reset state. To successfully reset the MCU, the RES pin must be held low for the power supply stabilization time specified at power-on.

When the RES pin is driven high from low, the internal reset is canceled after the post-RES cancellation wait time ( $t_{RESWT}$ ) elapses. The CPU then starts the reset exception handling.

For details, see [section 55, Electrical Characteristics](#).

### 6.3.2 Power-On Reset

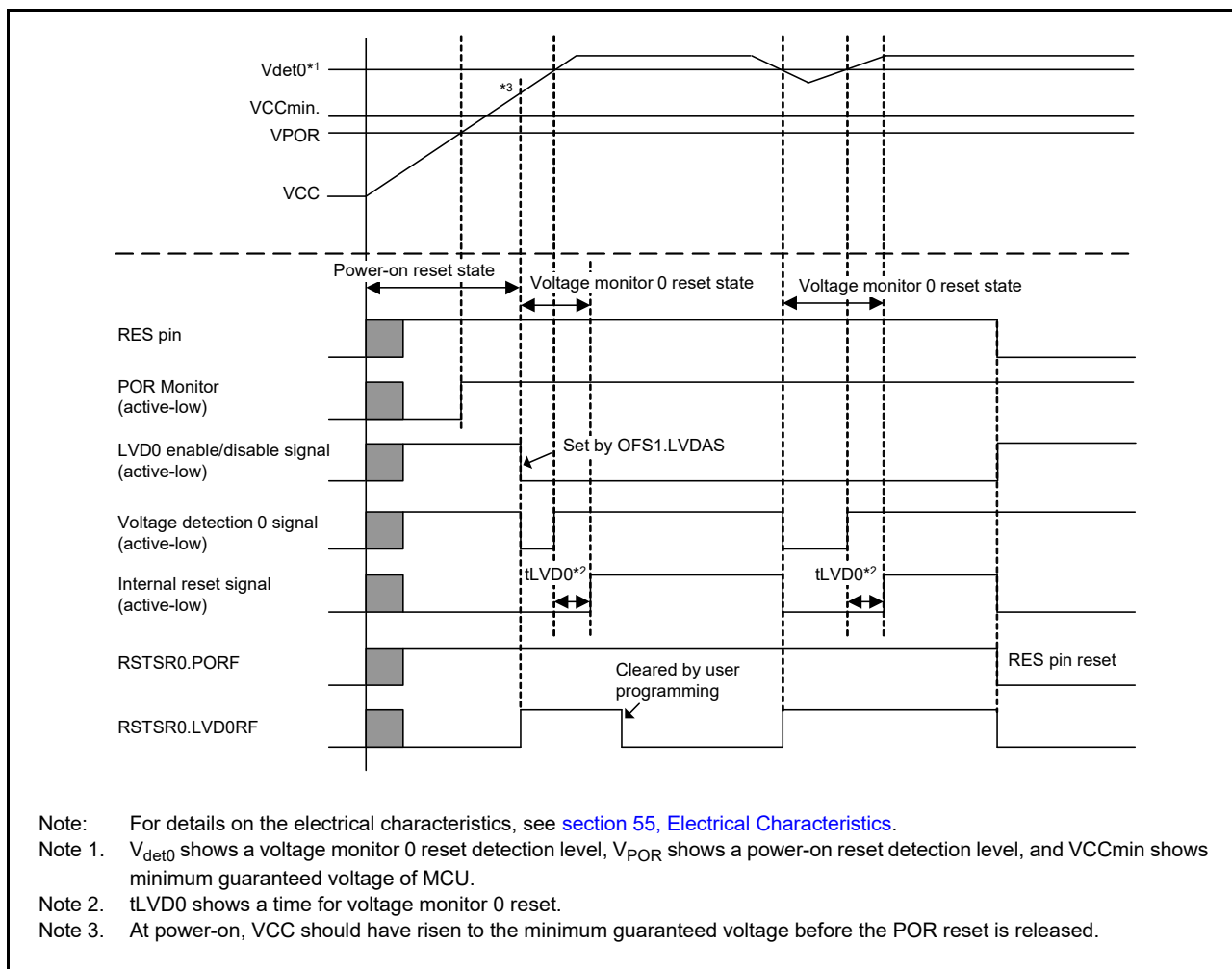
The power-on reset (POR) is an internal reset generated by the power-on reset circuit. If the RES pin is in a high-level state when power is supplied, a power-on reset is generated. After VCC exceeds  $V_{POR}$  and the specified power-on reset time elapses, the internal reset is canceled and the CPU starts the reset exception handling. The power-on reset time is the stabilization period for the external power supply and the MCU circuit. After a power-on reset is generated, the PORF flag in the RSTSR0 is set to 1. The PORF flag is initialized by the RES pin reset.

The voltage monitor 0 reset is an internal reset generated by the voltage monitor circuit. If the Voltage Detection 0 Circuit Start bit (LVDAS) in Option Function Select Register 1 (OFS1) is 0 (voltage monitor 0 reset is enabled after a reset) and VCC falls below  $V_{det0}$ , the RSTSR0.LVD0RF flag is set to 1 and the voltage detection circuit generates voltage monitor 0 reset. Clear the OFS1.LVDAS bit to 0 if the voltage monitor 0 reset is to be used.

After VCC exceeds  $V_{det0}$  and the voltage monitor 0 reset time ( $t_{LVD0}$ ) elapses, the internal reset is canceled and the CPU starts the reset exception handling. The  $V_{det0}$  voltage detection level can be changed by the setting in the VDSEL[1:0] bits in Option Function Select Register 1 (OFS1).

[Figure 6.1](#) shows example of operations during a power-on reset and voltage monitor 0 reset.





**Figure 6.1** Example of operations during power-on and voltage monitor 0 resets

### 6.3.3 Voltage Monitor Reset

The voltage monitor 0 reset is an internal reset generated by the voltage monitor circuit. If the Voltage Detection 0 Circuit Start (LVDAS) bit in Option Function Select Register 1 (OFS1) is 0 (voltage monitor 0 reset is enabled after a reset) and VCC falls below  $V_{det0}$ , the RSTR0.LVD0RF flag is set to 1 and the voltage detection circuit generates a voltage monitor 0 reset. Clear the OFS1.LVDAS bit to 0 if the voltage monitor 0 reset is to be used. After VCC exceeds  $V_{det0}$  and the voltage monitor 0 reset time ( $t_{LVD0}$ ) elapses, the internal reset is canceled and the CPU starts the reset exception handling.

When the Voltage Monitor 1 Interrupt/Reset Enable bit (RIE) is set to 1 (enabling generation of a reset or interrupt by the voltage detection circuit) and the Voltage Monitor 1 Circuit Mode Select bit (LVD1CR0.RI) is set to 1 (selecting generation of a reset in response to detection of a low voltage) in the Voltage Monitor 1 Circuit Control Register 0 (LVD1CR0), the RSTR0.LVD1RF flag is set to 1 and the voltage detection circuit generates a voltage monitor 1 reset if VCC falls to or below  $V_{det1}$ .

Likewise, when the Voltage Monitor 2 Interrupt/Reset Enable bit (RIE) is set to 1 (enabling generation of a reset or interrupt by the voltage detection circuit) and the Voltage Monitor 2 Circuit Mode Select bit (LVD2CR0.RI) is set to 1 (selecting generation of a reset in response to detection of a low voltage) in Voltage Monitor 2 Circuit Control Register 0 (LVD2CR0), the RSTR0.LVD2RF flag is set to 1 and the voltage detection circuit generates a voltage monitor 2 reset if VCC falls to or below  $V_{det2}$ .

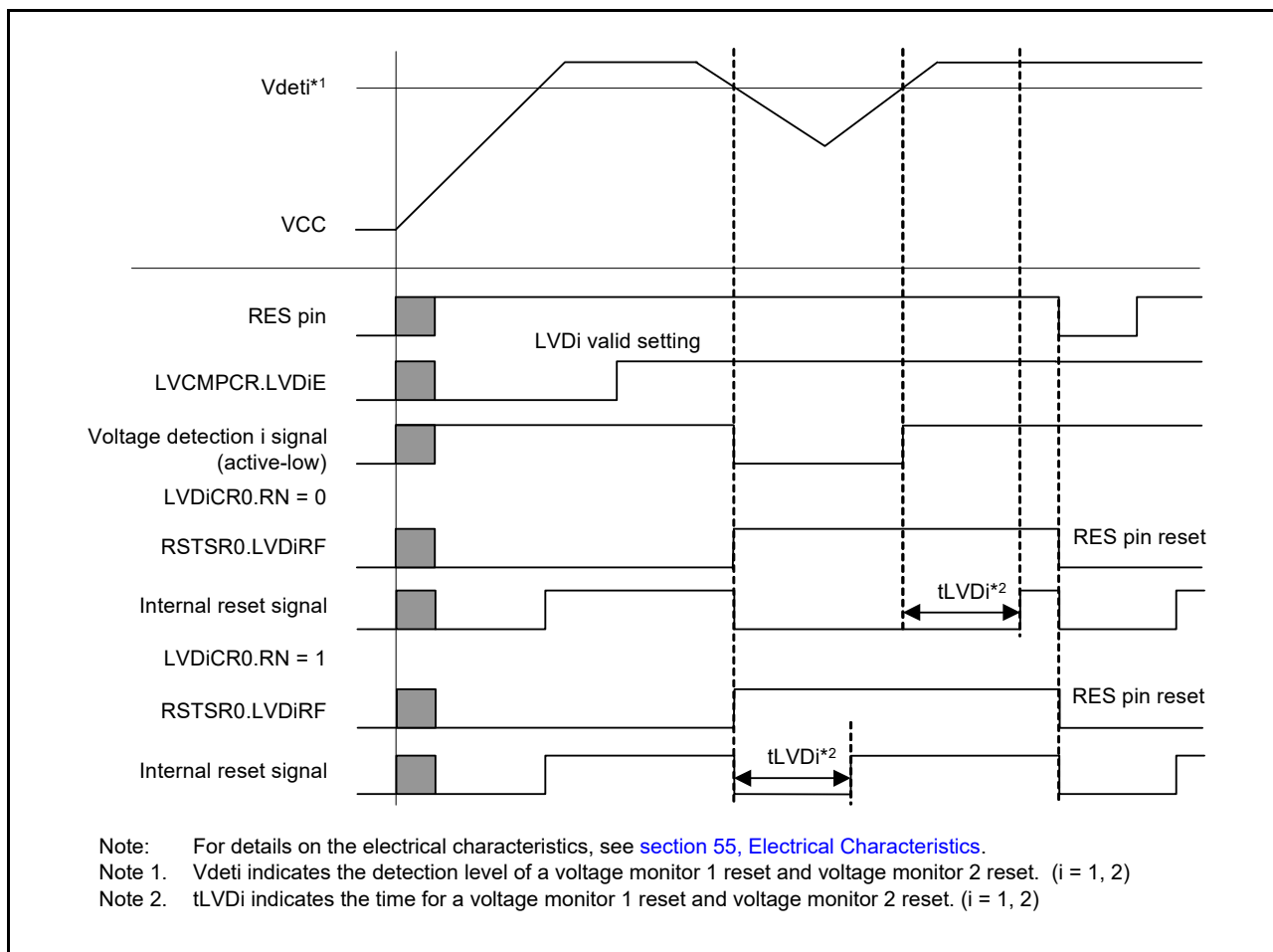
Similarly, timing for release from the voltage monitor 1 reset state is selectable in the Voltage Monitor 1 Reset Negate Select bit (RN) in the LVD1CR0. When the LVD1CR0.RN bit is 0 and VCC falls to or below  $V_{det1}$ , the CPU is released from the internal reset state and starts reset exception handling when the LVD1 reset time ( $t_{LVD1}$ ) elapses after VCC rises above  $V_{det1}$ . When the LVD1CR0.RN bit is 1 and VCC falls to or below  $V_{det1}$ , the CPU is released from the

internal reset state and starts reset exception handling when the LVD1 reset time ( $t_{LVD1}$ ) elapses.

Likewise, timing for release from the voltage monitor 2 reset state is selectable in the Voltage Monitor 2 Reset Negate Select bit (RN) in the LDV2CR0 register.

Detection levels  $V_{det1}$  and  $V_{det2}$  can be changed in the Voltage Detection Level Select Register (LDV1VLR).

Figure 6.2 shows example of operations during voltage monitor 1 and 2 resets. For details on the voltage monitor 1 reset and voltage monitor 2 reset, see [section 8, Low Voltage Detection \(LVD\)](#).



**Figure 6.2** Example of operations during voltage monitor 1 and voltage monitor 2 resets

### 6.3.4 Deep Software Standby Reset

The deep software standby reset is an internal reset generated when Deep Software Standby mode is canceled by an associated interrupt. The deep software standby reset is canceled after  $t_{DSBY}$  (return time after Deep Software Standby mode cancellation) elapses.

When  $t_{DSBYWT}$  (wait time after Deep Software Standby mode cancellation) elapses after Deep Software Standby mode is canceled, the internal reset is canceled and the CPU starts the reset exception handling.

For details on the deep software standby reset, see [section 11, Low Power Modes](#).

### 6.3.5 Independent Watchdog Timer Reset

The independent watchdog timer reset is an internal reset generated from the Independent Watchdog Timer (IWDT). Output of the reset from the IWDT can be selected in the Option Function Select Register 0 (OFS0).

When output of the independent watchdog timer reset is selected, the reset is generated if the IWDT underflows, or if data is written when refresh operation is disabled. When the internal reset time ( $t_{RESW2}$ ) elapses after the independent watchdog timer reset is generated, the internal reset is canceled and the CPU starts the reset exception handling.

For details on the independent watchdog timer reset, see [section 28, Independent Watchdog Timer \(IWDT\)](#).

### 6.3.6 Watchdog Timer Reset

The watchdog timer reset is an internal reset generated from the Watchdog Timer (WDT). Output of the reset from the WDT can be selected in the WDT Reset Control Register (WDTRCR) or Option Function Select Register 0 (OFS0).

When output of the watchdog timer reset is selected, the reset is generated if the WDT underflows, or if data is written when refresh operation is disabled. When the internal reset time ( $t_{RESW2}$ ) elapses after the watchdog timer reset is generated, the internal reset is canceled and the CPU starts the reset exception handling.

For details on the watchdog timer reset, see [section 27, Watchdog Timer \(WDT\)](#).

### 6.3.7 Software Reset

Software reset is an internal reset generated by a software setting of the SYSRESETREQ bit in the AIRCR register in the Arm core. When the SYSRESETREQ bit is set to 1, a software reset is generated. When the internal reset time ( $t_{RESW2}$ ) elapses after a software reset is generated, the internal reset is canceled and the CPU starts the reset exception handling.

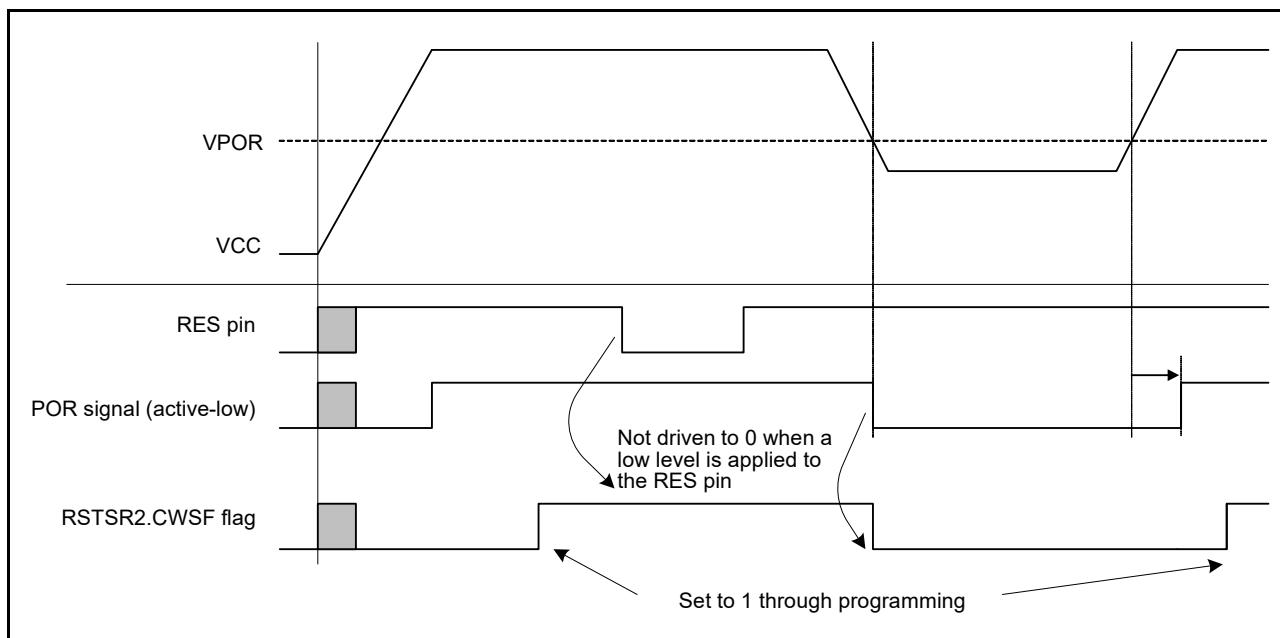
For details on the SYSRESETREQ bit, see the *ARM® Cortex®-M4 Technical Reference Manual*.

### 6.3.8 Determination of Cold/Warm Start

Read the CWSF flag in RSTSR2 to determine the cause of reset processing. The flag indicates whether a power-on reset caused the reset processing (cold start) or a reset signal input during operation caused the reset processing (warm start).

The CWSF flag is set to 0 when a power-on reset occurs (cold start). Otherwise, the flag is not set to 0. The flag is set to 1 when 1 is written to it through software. It is not set to 0 even on writing 0 to it.

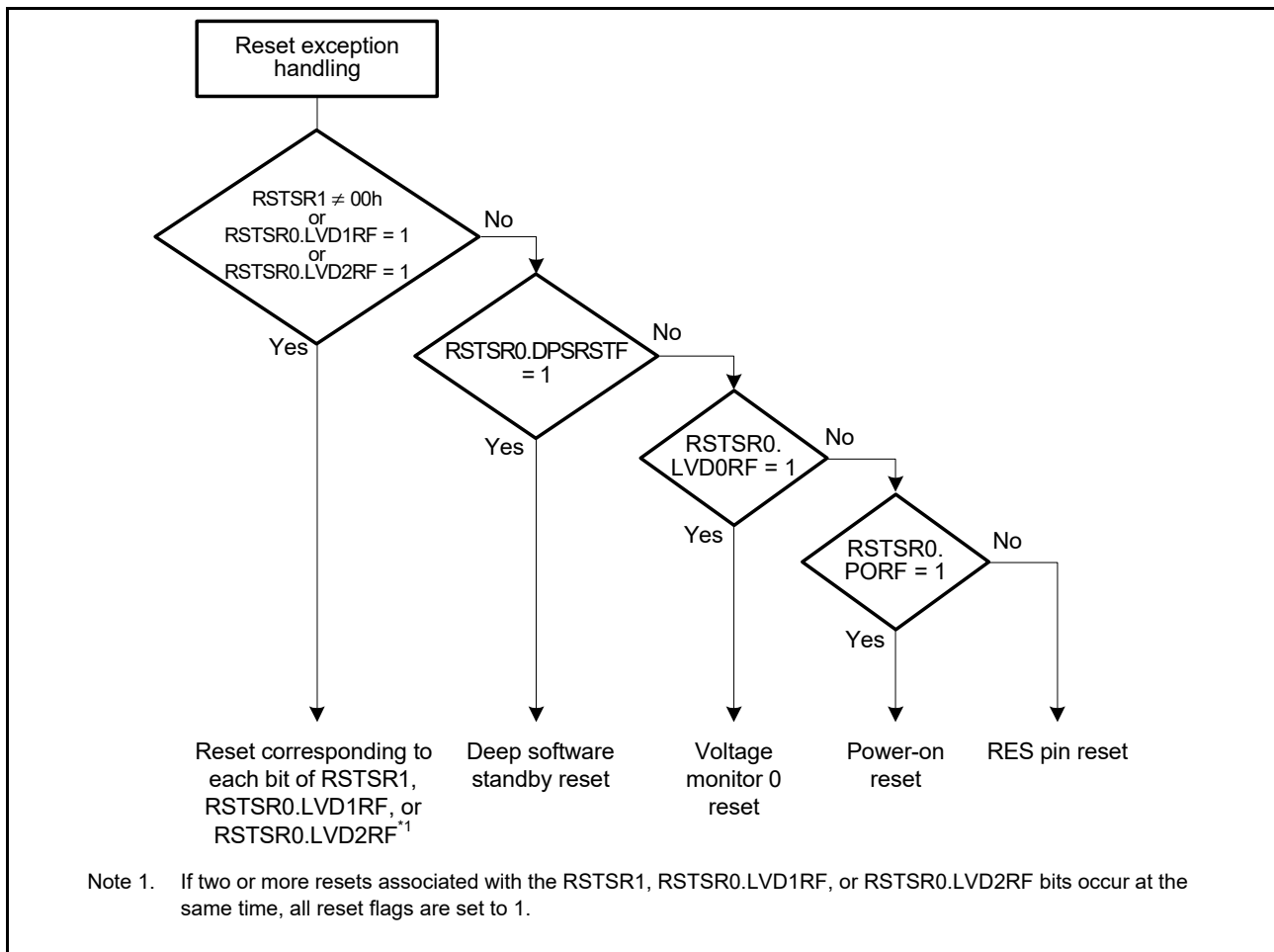
[Figure 6.3](#) shows an example of a cold/warm start determination operation.



**Figure 6.3** Example of a cold/warm start determination operation

### 6.3.9 Determination of Reset Generation Source

Read RSTSR0 and RSTSR1 to determine which reset executes the reset exception handling. [Figure 6.4](#) shows an example of the flow to identify a reset generation source. The reset flag must be written with 0 after it is read as 1.



**Figure 6.4** Example of reset generation source determination flow

## 7. Option-Setting Memory

### 7.1 Overview

The option-setting memory determines the state of the MCU after a reset. The option-setting memory is allocated to the configuration setting area and the program flash area of the flash memory, and the available methods of setting are different for the two areas.

Figure 7.1 shows the option-setting memory area.

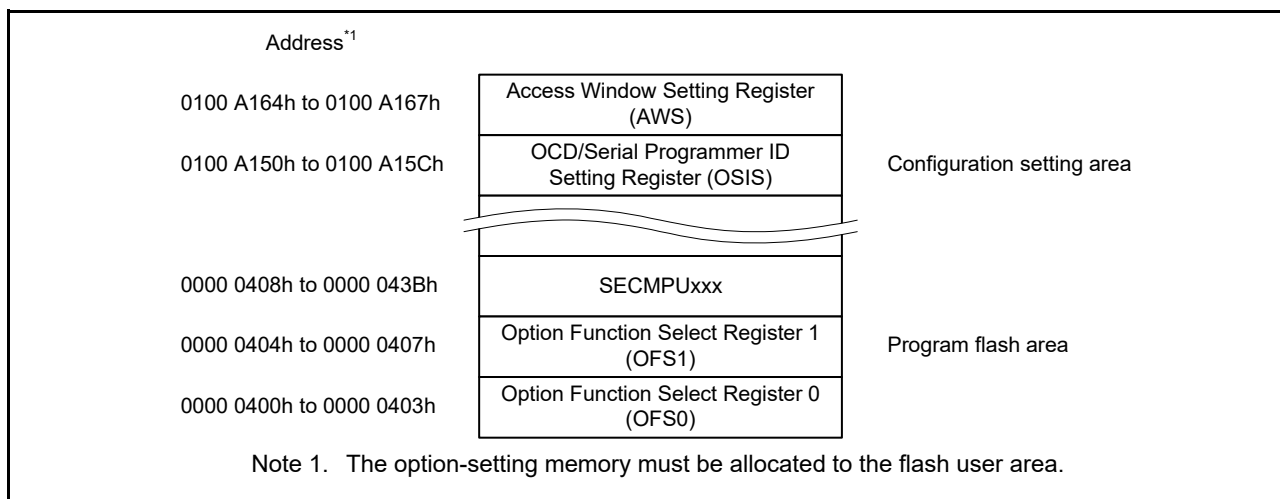


Figure 7.1 Option-setting memory area

### 7.2 Register Descriptions

#### 7.2.1 Option Function Select Register 0 (OFS0)

Address(es): OFS0 0000 0400h

|     |            |     |             |             |             |             |     |     |              |          |     |     |     |     |     |
|-----|------------|-----|-------------|-------------|-------------|-------------|-----|-----|--------------|----------|-----|-----|-----|-----|-----|
| b31 | b30        | b29 | b28         | b27         | b26         | b25         | b24 | b23 | b22          | b21      | b20 | b19 | b18 | b17 | b16 |
| —   | WDTST PCTL | —   | WDTRS TIROS | WDRPSS[1:0] | WDRPES[1:0] | WDTCKS[3:0] |     |     | WDTTOPS[1:0] | WDTST RT | —   |     |     |     |     |

Value after reset: User setting\*1

|     |              |     |              |              |              |              |    |    |               |            |    |    |    |    |    |
|-----|--------------|-----|--------------|--------------|--------------|--------------|----|----|---------------|------------|----|----|----|----|----|
| b15 | b14          | b13 | b12          | b11          | b10          | b9           | b8 | b7 | b6            | b5         | b4 | b3 | b2 | b1 | b0 |
| —   | IWDTST TPCTL | —   | IWDTRS TIROS | IWDRPSS[1:0] | IWDRPES[1:0] | IWDTCKS[3:0] |    |    | IWDTTOPS[1:0] | IWDTST TRT | —  |    |    |    |    |

Value after reset: User setting\*1

| Bit    | Symbol        | Bit name                   | Description  | R/W |
|--------|---------------|----------------------------|--|-----|
| b0     | —             | Reserved                   | When read, this bit returns the written value. The write value should be 1.  | R   |
| b1     | IWDTSTRT      | IWDT Start Mode Select     | 0: Automatically activate IWDT after a reset (auto start mode)<br>1: Disable IWDT.                                   | R   |
| b3, b2 | IWDTTOPS[1:0] | IWDT Timeout Period Select | b3 b2<br>0 0: 128 cycles (007Fh)<br>0 1: 512 cycles (01FFh)<br>1 0: 1024 cycles (03FFh)<br>1 1: 2048 cycles (07FFh). | R   |

| Bit        | Symbol       | Bit name   | Description   | R/W |
|------------|--------------|--|---|-----|
| b7 to b4   | IWDTCKS[3:0] | IWDT-Dedicated Clock Frequency Division Ratio Select | b7 b4<br>0 0 0 0: × 1<br>0 0 1 0: × 1/16<br>0 0 1 1: × 1/32<br>0 1 0 0: × 1/64<br>1 1 1 1: × 1/128<br>0 1 0 1: × 1/256.<br>Other settings are prohibited.   | R   |
| b9, b8     | IWDRPES[1:0] | IWDT Window End Position Select                      | b9 b8<br>0 0: 75%<br>0 1: 50%<br>1 0: 25%<br>1 1: 0% (no window end position setting).  | R   |
| b11, b10   | IWDRPSS[1:0] | IWDT Window Start Position Select                    | b11 b10<br>0 0: 25%<br>0 1: 50%<br>1 0: 75%<br>1 1: 100% (no window start position setting).  | R   |
| b12        | IWDRSTIRQS   | IWDT Reset Interrupt Request Select                  | 0: Enable non-maskable interrupt request or interrupt request<br>1: Enable reset.   | R   |
| b13        | —            | Reserved   | When read, this bit returns the written value. The write value should be 1.   | R   |
| b14        | IWDTSTPCTL   | IWDT Stop Control                                    | 0: Continue counting<br>1: Stop counting when in Sleep, Snooze, or Software Standby mode.   | R   |
| b16, b15   | —            | Reserved   | When read, these bits return the written value. The write value should be 1.  | R   |
| b17        | WDTSTRT      | WDT Start Mode Select                                | 0: Automatically activate WDT after a reset (auto start mode)<br>1: Stop WDT after a reset (register start mode).   | R   |
| b19, b18   | WDTTOPS[1:0] | WDT Timeout Period Select                            | b19 b18<br>0 0: 1024 cycles (03FFh)<br>0 1: 4096 cycles (0FFFh)<br>1 0: 8192 cycles (1FFFh)<br>1 1: 16384 cycles (3FFFh).   | R   |
| b23 to b20 | WDTCKS[3:0]  | WDT Clock Frequency Division Ratio Select            | b23 b20<br>0 0 0 1: PCLKB divided by 4<br>0 1 0 0: PCLKB divided by 64<br>1 1 1 1: PCLKB divided by 128<br>0 1 1 0: PCLKB divided by 512<br>0 1 1 1: PCLKB divided by 2048<br>1 0 0 0: PCLKB divided by 8192.<br>Other settings are prohibited. | R   |
| b25, b24   | WDRPES[1:0]  | WDT Window End Position Select                       | b25 b24<br>0 0: 75%<br>0 1: 50%<br>1 0: 25%<br>1 1: 0% (No window end position setting).  | R   |
| b27, b26   | WDRPSS[1:0]  | WDT Window Start Position Select                     | b27 b26<br>0 0: 25%<br>0 1: 50%<br>1 0: 75%<br>1 1: 100% (No window start position setting).  | R   |
| b28        | WDRSTIRQS    | WDT Reset Interrupt Request Select                   | WDT Behavior Select<br>0: NMI<br>1: Reset.  | R   |
| b29        | —            | Reserved   | When read, this bit returns the written value. The write value should be 1.   | R   |
| b30        | WDTSTPCTL    | WDT Stop Control                                     | 0: Continue counting<br>1: Stop counting when entering Sleep mode.  | R   |
| b31        | —            | Reserved   | When read, this bit returns the written value. The write value should be 1.   | R   |

Note 1. The value in a blank product is FFFF FFFFh. It is set to the value written by your application.

#### **IWDTSTRT bit (IWDT Start Mode Select)**

The IWDTSTRT bit selects the mode in which the IWDT is activated after a reset (stopped state or activated state).

#### **IWDTTOPS[1:0] bits (IWDT Timeout Period Select)**

The IWDTTOPS[1:0] bits select the timeout period, the time it takes for the down counter to underflow, as 128, 512, 1024, or 2048 cycles of the frequency-divided clock set in the IWDTCKS[3:0] bits. The number of clock cycles that the counter takes to underflow after a refresh operation is determined by the combination of the IWDTCKS[3:0] and IWDTTOPS[1:0] bits.

For details, see [section 28, Independent Watchdog Timer \(IWDT\)](#).

#### **IWDTCKS[3:0] bits (IWDT-Dedicated Clock Frequency Division Ratio Select)**

The IWDTCKS[3:0] bits select the division ratio of the prescaler for dividing the frequency of the clock for the IWDT as 1/1, 1/16, 1/32, 1/64, 1/128, or 1/256. Using this setting combined with the IWDTTOPS[1:0] bit setting, the IWDT counting period can be set from 128 to 524,288 IWDT clock cycles.

For details, see [section 28, Independent Watchdog Timer \(IWDT\)](#).

#### **IWDRPES[1:0] bits (IWDT Window End Position Select)**

The IWDRPES[1:0] bits select the position where the window for the down counter ends as 0%, 25%, 50%, or 75% of the count value. The value of the window end position must be smaller than the value of the window start position. Otherwise, only the value for the window start position is valid.

The counter values associated with the settings for the start and end positions of the window, in the IWDRPSS[1:0] and IWDRPES[1:0] bits vary with the setting in the IWDTTOPS[1:0] bits.

For details, see [section 28, Independent Watchdog Timer \(IWDT\)](#).

#### **IWDRPSS[1:0] bits (IWDT Window Start Position Select)**

The IWDRPSS[1:0] bits select the position where the window for the down counter starts as 25%, 50%, 75%, or 100% of the counted value. The point at which counting starts is 100% and the point at which an underflow occurs is 0%. The interval between the positions where the window starts and ends becomes the period in which a refresh is possible. However, refresh is not possible outside this period.

For details, see [section 28, Independent Watchdog Timer \(IWDT\)](#).

#### **IWDRSTIRQS bit (IWDT Reset Interrupt Request Select)**

The IWDRSTIRQS bit selects the operation on an underflow of the down counter or generation of a refresh error. The selected operation can be an independent watchdog timer reset, non-maskable interrupt request, or interrupt request.

For details, see [section 28, Independent Watchdog Timer \(IWDT\)](#).

#### **IWDTSTPCTL bit (IWDT Stop Control)**

The IWDTSTPCTL bit specifies whether to stop counting when entering Sleep, Snooze, or Software Standby mode.

For details, see [section 28, Independent Watchdog Timer \(IWDT\)](#).

#### **WDTSTRT bit (WDT Start Mode Select)**

The WDTSTRT bit selects the mode in which the WDT is activated after a reset (stopped state or activated state). When the WDT is activated in auto start mode, the OFS0 register setting for the WDT is valid.

#### **WDTTOPS[1:0] bits (WDT Timeout Period Select)**

The WDTTOPS[1:0] bits select the timeout period, the time it takes for the down counter to underflow, as 1024, 4096, 8192, or 16384 cycles of the frequency-divided clock set in the WDTCKS[3:0] bits. The number of PCLKB cycles that the counter takes to underflow after a refresh operation is determined by the combination of the WDTCKS[3:0] and WDTTOPS[1:0] bits.

For details, see [section 27, Watchdog Timer \(WDT\)](#).

**WDTCK[3:0] bits (WDT Clock Frequency Division Ratio Select)**

The WDTCK[3:0] bits select the division ratio of the prescaler to divide the PCLKB frequency as 1/4, 1/64, 1/128, 1/512, 1/2048, or 1/8192. Using this setting combined with the WDTTOPS[1:0] bit setting, the WDT counting period can be set from 4,096 to 134,217,728 PCLKB cycles.

For details, see [section 27, Watchdog Timer \(WDT\)](#).

**WDRPES[1:0] bits (WDT Window End Position Select)**

The WDRPES[1:0] bits select the position where the window for the down counter ends as 0%, 25%, 50%, or 75% of the counted value. The value of the window end position must be smaller than the value of the window start position. Otherwise, only the value for the window start position is valid.

The counter values associated with the settings for the start and end positions of the window, in the WDTRPSS[1:0] and WDRPES[1:0] bits, vary with the setting of the WDTTOPS[1:0] bits.

For details, see [section 27, Watchdog Timer \(WDT\)](#).

**WDTRPSS[1:0] bits (WDT Window Start Position Select)**

The WDTRPSS[1:0] bits select the position where the window for the down counter starts as 25%, 50%, 75%, or 100% of the counted value. The point at which counting starts is 100% and the point at which an underflow occurs is 0%. The interval between the positions where the window starts and ends becomes the period in which a refresh is possible. However, refresh is not possible outside this period.

For details, see [section 27, Watchdog Timer \(WDT\)](#).

**WDRSTIRQS bit (WDT Reset Interrupt Request Select)**

The WDRSTIRQS bit selects the operation on an underflow of the down counter or generation of a refresh error. The selected operation can be a watchdog timer reset, non-maskable interrupt request, or interrupt request.

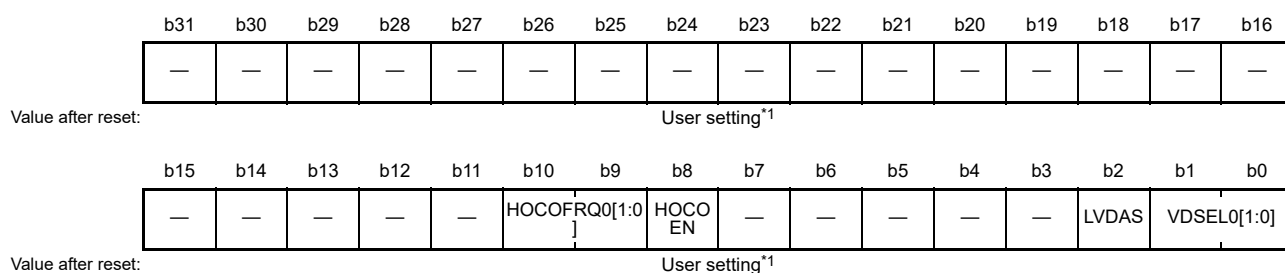
For details, see [section 27, Watchdog Timer \(WDT\)](#).

**WDTSTPCTL bit (WDT Stop Control)**

The WDTSTPCTL bit specifies whether to stop counting when entering Sleep mode. For details, see [section 27, Watchdog Timer \(WDT\)](#).

**7.2.2 Option Function Select Register 1 (OFS1)**

Address(es): **OFS1 0000 0404h**



| Bit      | Symbol             | Bit name                          | Description  | R/W |
|----------|--------------------|-----------------------------------|--|-----|
| b1, b0   | <b>VDSEL0[1:0]</b> | Voltage Detection 0 Level Select  | b1 b0<br>0 0: Setting prohibited<br>0 1: Select 2.94 V<br>1 0: Select 2.87 V<br>1 1: Select 2.80 V.  | R   |
| b2       | <b>LVDAS</b>       | Voltage Detection 0 Circuit Start | 0: Enable voltage monitor 0 reset after a reset<br>1: Disable voltage monitor 0 reset after a reset. | R   |
| b7 to b3 | —                  | Reserved                          | When read, these bits return the written value. The write value should be 1.                         | R   |



| Bit        | Symbol                        | Bit name                 | Description  | R/W |
|------------|-------------------------------|--------------------------|--|-----|
| b8         | <a href="#">HOCOEN</a>        | HOCO Oscillation Enable  | 0: Enable HOCO oscillation after a reset<br>1: Disable HOCO oscillation after a reset. | R   |
| b10, b9    | <a href="#">HOCOFRQ0[1:0]</a> | HOCO Frequency Setting 0 | b10 b9<br>0 0: 16 MHz<br>0 1: 18 MHz<br>1 0: 20 MHz<br>1 1: Setting prohibited.        | R   |
| b31 to b11 | —                             | Reserved                 | When read, these bits return the written value. The write value should be 1.           | R   |

Note 1. The value in a blank product is FFFF FFFFh. It is set to the value written by your application.

### [VDSEL0\[1:0\] bits \(Voltage Detection 0 Level Select\)](#)

The VDSEL0[1:0] bits select the voltage detection level of the voltage detection 0 circuit.

### [LVDAS bit \(Voltage Detection 0 Circuit Start\)](#)

The LVDAS bit selects whether the voltage monitor 0 reset is enabled or disabled after a reset.

### [HOCOEN bit \(HOCO Oscillation Enable\)](#)

The HOCOEN bit selects whether the HOCO oscillation is enabled or disabled after a reset. Setting this bit to 0 allows the HOCO oscillation to start before the CPU starts operation, which reduces the wait time for oscillation stabilization.

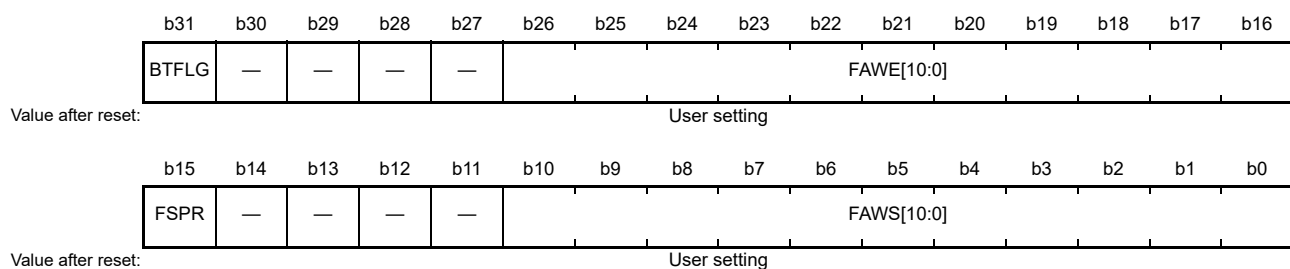
Note: When the HOCOEN bit is set to 0, the system clock source is not switched to HOCO. The system clock source is only switched to HOCO by setting the Clock Source Select bits (SCKSCR.CKSEL[2:0]). To use the HOCO clock, you must set the OFS1.HOCOFRQ0 bit to an optimum value.

### [HOCOFRQ0\[1:0\] bits \(HOCO Frequency Setting 0\)](#)

The HOCOFRQ0[1:0] bits specify the HOCO frequency after a reset as 16, 18, or 20 MHz.

## 7.2.3 Access Window Setting Register (AWS)

Address(es): [AWS 0100 A164h](#)



| Bit        | Symbol                     | Bit name                          | Description  | R/W |
|------------|----------------------------|-----------------------------------|--|-----|
| b10 to b0  | <a href="#">FAWS[10:0]</a> | Access Window Start Block Address | These bits specify the start block address for the access window. They do not represent the block number of the access window. The access window is only valid in the program flash area. The block address specifies the first address of the block and consists of address bits [23:13]. | R   |
| b14 to b11 | —                          | Reserved                          | When read, these bits return the written value. The write value should be 1.   | R   |

| Bit        | Symbol     | Bit name   | Description  | R/W |
|------------|------------|--|--|-----|
| b15        | FSPR       | Protection of Access Window and Startup Area Select Function | This bit controls the programming of the write/erase protection for the access window, the Startup Area Select flag (AWS.BTFLG), and the temporary boot swap control. When this bit is set to 0, it cannot be changed to 1.<br>0: Executing the configuration setting command for programming the access window (FAWE[10:0], FAWS[10:0]) and the Startup Area Select flag (AWS.BTFLG) is invalid<br>1: Executing the configuration setting command for programming the access window (FAWE[10:0], FAWS[10:0]) and the Startup Area Select flag (AWS.BTFLG) is valid. | R   |
| b26 to b16 | FAWE[10:0] | Access Window End Block Address                              | These bits specify the end block address for the access window. They do not represent the block number of the access window. The access window is only valid in the program flash area. The end block address for the access window is the next block to the region acceptable for programming and erasure defined by the access window. The block address specifies the first address of the block and consists of the address bits [23:13].  | R   |
| b30 to b27 | —          | Reserved   | When read, these bits return the written value. The write value should be 1.   | R   |
| b31        | BTFLG      | Startup Area Select Flag                                     | This bit specifies whether the address of the startup area is exchanged for the boot swap function or not:<br>0: First 8-KB area (0000 0000h to 0000 1FFFh) and second 8-KB area (0000 2000h to 0000 3FFFh) are exchanged<br>1: First 8-KB area (0000 0000h to 0000 1FFFh) and second 8-KB area (0000 2000h to 0000 3FFFh) are not exchanged.  | R   |

Issuing the program or erase (P/E) command to an area outside the access window causes a command-locked state. The access window is only valid in the program flash area. The access window provides protection in self-programming mode, serial programming mode, and on-chip debug mode. The access window can be locked by the FSPR bit.

The access window is specified in both the FAWS[10:0] and FAWE[10:0] bits: The following describes how to set the FAWS[10:0] and FAWE[10:0] bits:

- FAWE[10:0] = FAWS[10:0]: The P/E command is allowed to execute in the full program flash area
- FAWE[10:0] > FAWS[10:0]: The P/E command is only allowed to execute in the window from the block pointed to by the FAWS[10:0] bits to the block one lower than the block pointed to by the FAWE[10:0] bits
- FAWE[10:0] < FAWS[10:0]: The P/E command is not allowed to execute in the program flash area.

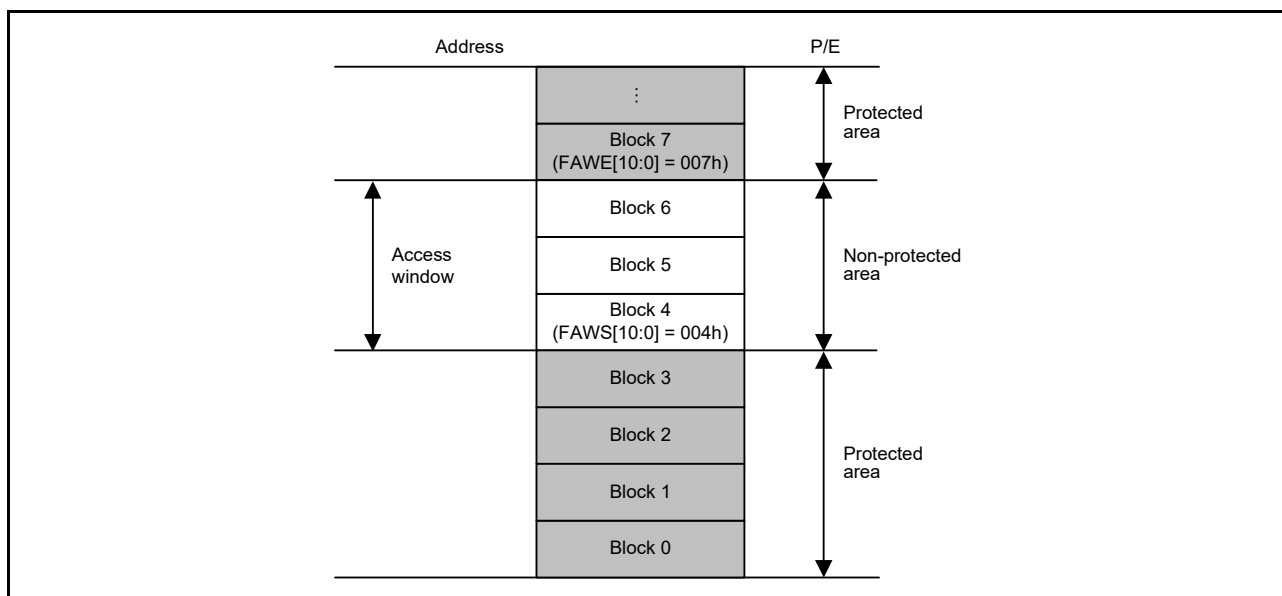


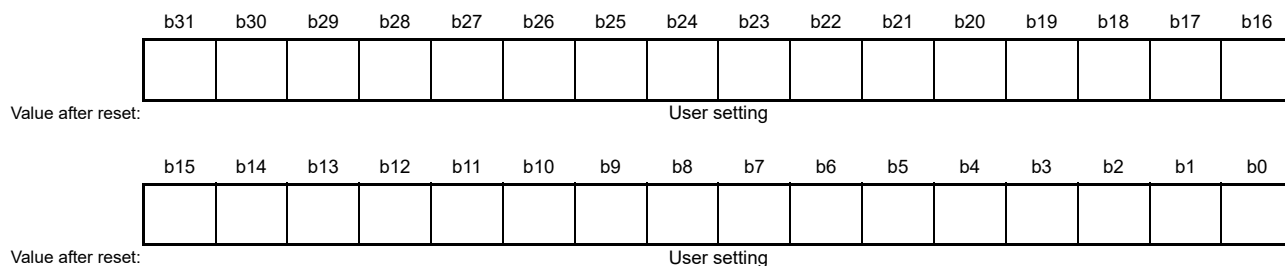
Figure 7.2 Access window overview

### 7.2.4 OCD/Serial Programmer ID Setting Register (OSIS)

The OSIS register stores the ID for ID code protection of the OCD/serial programmer. When connecting the OCD/serial programmer, write values so that the MCU can determine whether to permit the connection. Use this register to check whether a code transmitted from the OCD/serial programmer matches the ID code in the option-setting memory.

When the ID codes match, connection of the OCD/serial programmer is permitted, if not, connection with the OCD/serial programmer is not possible. The OSIS register must be set in 32-bit words.

Address(es): OSIS 0100 A150h, OSIS 0100 A154h, OSIS 0100 A158h, OSIS 0100 A15Ch



These fields hold the ID for use in ID authentication for the OCD/serial programmer.

ID code bits [127] and [126] determine whether ID code protection is enabled and the method of authentication to use with the host. Table 7.1 shows how the ID code determines the method of authentication.

Setting bit [127] to 0 prevents Renesas from accessing the test mode. Therefore, Renesas cannot perform failure analysis unless provided with bits [126:0]. To process any warranty claim, Renesas must be able to perform failure analysis.

**Table 7.1 Specifications for ID code protection**

| Operating mode on boot up                   | ID code   | State of protection | Operations on connection to programmer or on-chip debugger   |
|---|---|---------------------|--|
| Serial programming mode (SCI/USB boot mode) | FFh, ..., FFh (all bytes are FFh)   | Protection disabled | The ID code is not checked, the ID code always matches, and the connection to programmer or on-chip debugger is permitted  |
| On-chip debug mode (JTAG/SWD boot mode)     | Bit [127] = 1 and bit [126] = 1, and at least one of the 16 bytes is not FFh. | Protection enabled  | Matching ID code = authentication is complete and connection to the programmer or the on-chip debugger is permitted.<br>Mismatching ID code = transition to the ID code protection wait state.<br>When the ID code sent from the programmer or the on-chip debugger is ALeRASE in ASCII code (414C_6552_4153_45FF_FFFF_FFFF_FFFF_FF FFh), the contents of the user flash (code and data) area and the configuration area are erased. However, forced erasure is not executed when the FSPR bit is 0. |
|   | Bit [127] = 1 and bit [126] = 0   | Protection enabled  | Matching ID code = authentication is complete and connection to the programmer or the on-chip debugger is permitted.<br>Mismatching ID code = transition to the ID code protection wait state.   |
|   | Bit [127] = 0   | Protection enabled  | The ID code is not checked, the ID code is always mismatching, and the connection to the programmer or the on-chip debugger is prohibited  |

## 7.3 Setting the Option-Setting Memory

### 7.3.1 Allocation of Data in the Option-Setting Memory

Programming data is allocated to the addresses in the option-setting memory shown in [Figure 7.1](#). The allocated data is used by tools such as a flash programming software or an on-chip debugger.

Note: Programming formats vary depending on the compiler. See the compiler manual for details.

### 7.3.2 Setting Data for Programming the Option-Setting Memory

Allocating data as described in [section 7.3.1, Allocation of Data in the Option-Setting Memory](#), alone does not actually write the data to the option-setting memory. You must also follow one of the actions described in this section.

#### (1) Changing the option-setting memory by self-programming

To write data to the program flash area, use the programming command. To write data to the option-setting memory in the configuration setting area, use the configuration setting command. In addition, use the startup area select function to safely update the boot program that includes the option-setting memory.

For details on the programming command, the configuration setting command, and the startup area select function, see [section 53, Flash Memory](#).

Note: While programming the configuration setting area, the following restrictions apply:

- The code must not access addresses that satisfy the ranges described by the expression defined in [Expression 1](#) from all bus masters
- The code must not execute on addresses that satisfy the ranges described by the expression defined in [Expression 1](#).

#### Expression 1

If  $((\text{address} \ \& \ 0x0101F800) == 0x01010000) \ || \ ((\text{address} \ \& \ 0x0101FC00) == 0x01012000)$

For example, the ranges of addresses 0x1FFF0000 to 0x1FFF07FF or 0x1FFF2000 to 0x1FFF23FF are associated with the SRAMHS area that is tagged as restricted. Also, interrupts are allowed, however, the ISR has these specified restrictions. Therefore, it is highly recommended that you disable all interrupts, and bus masters except the CPU while programming the configuration setting area because the interrupts and these modules might access prohibited area in [Expression 1](#).

#### (2) Debugging through an OCD or programming by a flash writer

This procedure depends on the tool in use, see the tool manual for details.

The MCU provides two setting procedures:

- Read the data allocated as described in [section 7.3.1, Allocation of Data in the Option-Setting Memory](#), from an object file or Motorola S-format file generated by the compiler, and write the data to the MCU
- Use the GUI interface of the tool to program the same data allocated as described in [section 7.3.1, Allocation of Data in the Option-Setting Memory](#).

Note: While programming the OSIS or AWS registers, the following restrictions apply:

- The code must not access addresses that satisfy the ranges described by the expression defined in [Expression 1](#) from all bus masters
- The code must not execute on addresses that satisfy the ranges described by the expression defined in [Expression 1](#).

## 7.4 Usage Notes

### 7.4.1 Data for Programming Reserved Areas and Reserved Bits in the Option-Setting Memory

When reserved areas and reserved bits in the option-setting memory are within the scope of programming, write 1 to all bits in reserved areas and all reserved bits. Operation is not guaranteed if 0 is written to these bits.

## 8. Low Voltage Detection (LVD)

### 8.1 Overview

The Low Voltage Detection (LVD) module monitors the voltage level input to the VCC pin, and the detection level can be selected using a software program. The LVD module consists of three separate voltage level detectors, 0, 1, and 2, which measure the voltage level input to the VCC pin. LVD voltage detection registers allow your application to configure detection of VCC changes at various voltage thresholds.

Each voltage level detector has a voltage monitor associated with it, for example voltage monitors 0, 1, and 2. Voltage monitor registers are used to configure the LVD to trigger an interrupt, event link output, or reset when the thresholds are crossed.

Table 8.1 lists the LVD specifications. Figure 8.1 shows a block diagram of voltage detectors 0, 1, and 2, Figure 8.2 shows a block diagram of the voltage monitor 1 interrupt and reset circuit, and Figure 8.3 shows a block diagram of the voltage monitor 2 interrupt and reset circuit.

**Table 8.1 LVD specifications**

| Parameter                    |                          | Voltage monitor 0 specifications   | Voltage monitor 1 specifications   | Voltage monitor 2 specifications   |
|------------------------------|--------------------------|--|--|--|
| VCC monitoring               | Monitored voltage        | $V_{det0}$   | $V_{det1}$   | $V_{det2}$   |
|                              | Detected event           | Voltage falls past $V_{det0}$  | Voltage rises or falls past $V_{det1}$   | Voltage rises or falls past $V_{det2}$   |
|                              | Detection voltage        | Selectable from three different levels in the OFS1.VDSEL0[1:0] bits  | Selectable from three different levels in the LVDLVLRLVD1LVL[4:0] bits   | Selectable from three different levels in the LVDLVLRLVD2LVL[2:0] bits   |
|                              | Monitor flag             | None   | LVD1SR.MON flag: Monitors whether voltage is higher or lower than $V_{det1}$<br>LVD1SR.DET flag: $V_{det1}$ passage detection                              | LVD2SR.MON flag: Monitors whether voltage is higher or lower than $V_{det2}$<br>LVD2SR.DET flag: $V_{det2}$ passage detection                              |
| Process on voltage detection | Reset                    | Voltage monitor 0 reset<br>Reset when $V_{det0} > VCC$<br>CPU restart after specified time with $VCC > V_{det0}$ | Voltage monitor 1 reset<br>Reset when $V_{det1} > VCC$<br>CPU restart timing selectable:<br>after specified time with $VCC > V_{det1}$ or $V_{det1} > VCC$ | Voltage monitor 2 reset<br>Reset when $V_{det2} > VCC$<br>CPU restart timing selectable:<br>after specified time with $VCC > V_{det2}$ or $V_{det2} > VCC$ |
|                              | Interrupt                | No interrupt   | Voltage monitor 1 interrupt<br>Non-maskable or maskable interrupt selectable<br>Interrupt request issued when $V_{det1} > VCC$ or $VCC > V_{det1}$         | Voltage monitor 2 interrupt<br>Non-maskable or maskable interrupt selectable<br>Interrupt request issued when $V_{det2} > VCC$ or $VCC > V_{det2}$         |
| Digital filter               | Enable/Disable switching | Digital filter function not available  | Available  | Available  |
|                              | Sampling time            | —  | 1/n LOCO frequency × 2<br>(n: 2, 4, 8, 16)   | 1/n LOCO frequency × 2<br>(n: 2, 4, 8, 16)   |
| Event linking                | None                     | None   | Available<br>Output of event signals on detection of $V_{det1}$ crossings  | Available<br>Output of event signals on detection of $V_{det2}$ crossings  |

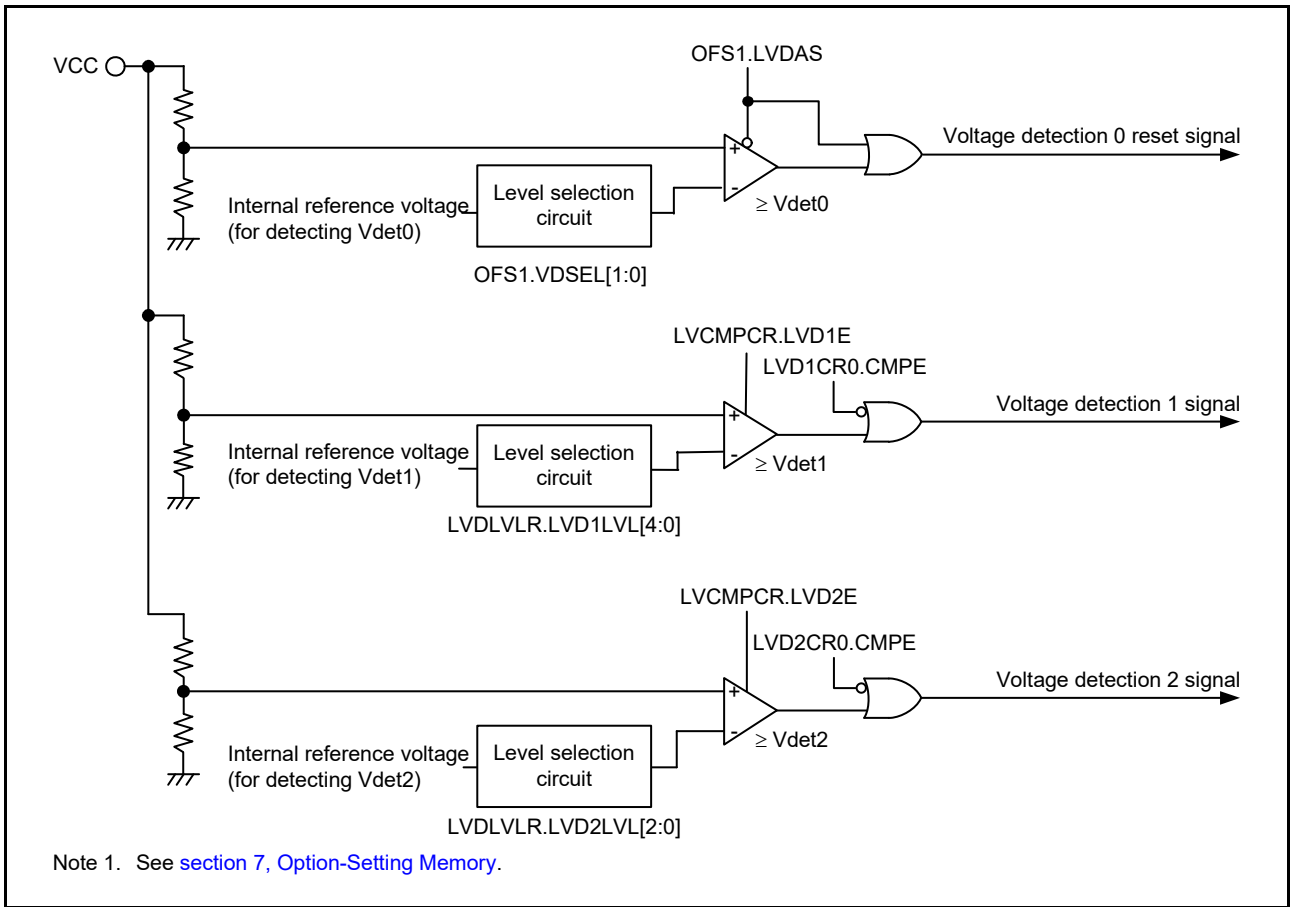


Figure 8.1 Voltage detection 0, 1, and 2 block diagram

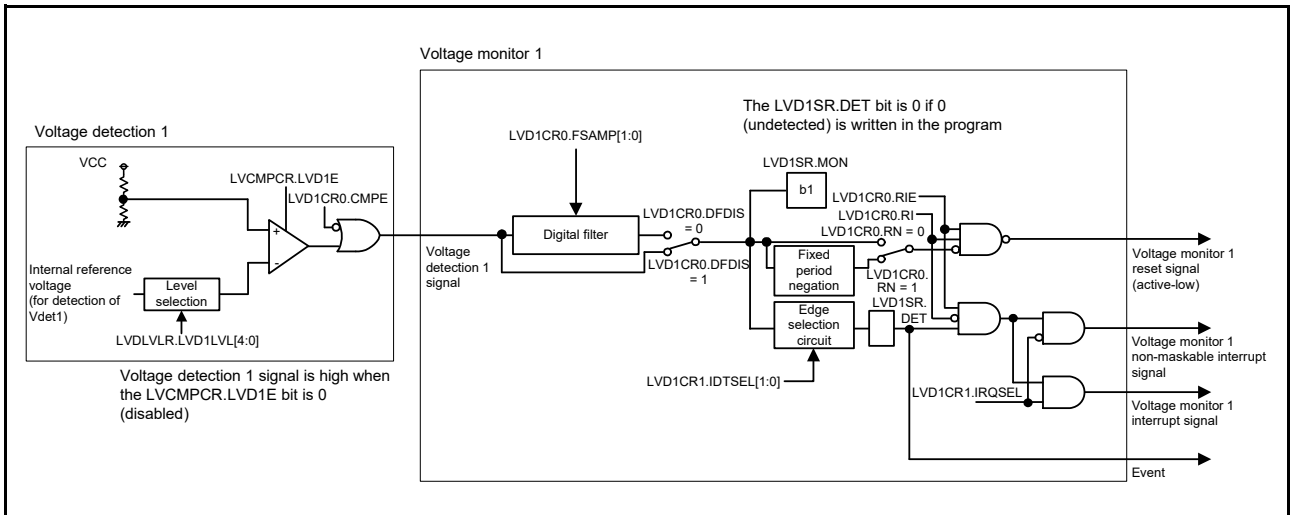


Figure 8.2 Voltage monitor 1 interrupt and reset circuit block diagram

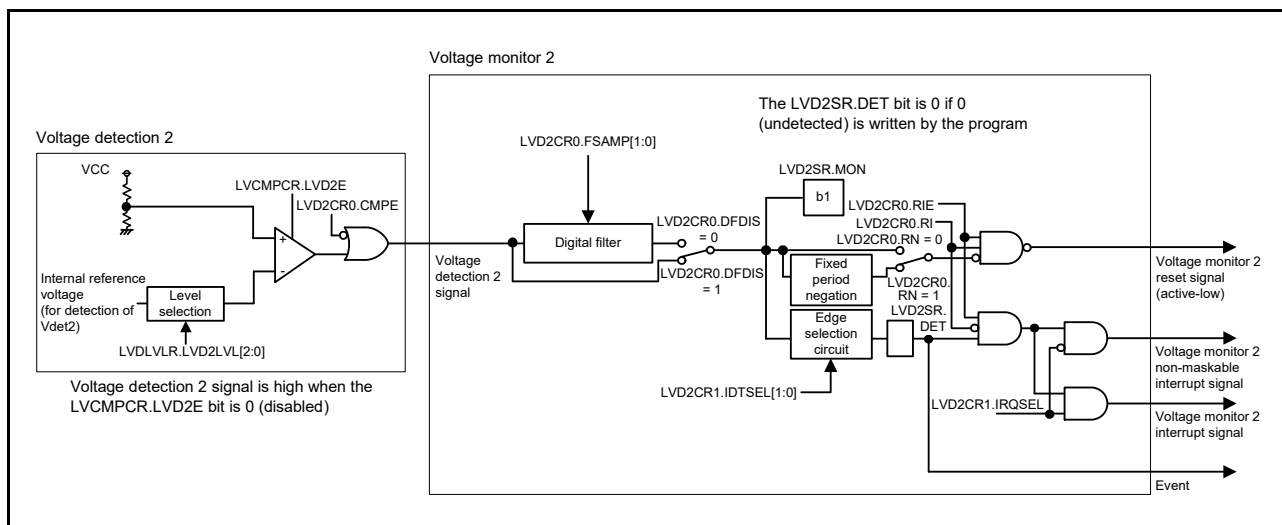
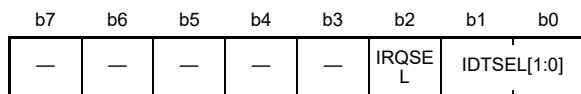


Figure 8.3 Voltage monitor 2 interrupt and reset circuit block diagram

## 8.2 Register Descriptions

### 8.2.1 Voltage Monitor 1 Circuit Control Register 1 (LVD1CR1)

Address(es): SYSTEM.LVD1CR1 4001 E0E0h



Value after reset: 0 0 0 0 0 0 0 1

| Bit      | Symbol      | Bit name  | Description   | R/W |
|----------|-------------|---|---|-----|
| b1, b0   | IDTSEL[1:0] | Voltage Monitor 1 Interrupt Generation Condition Select | b1 b0<br>0 0: When $VCC \geq V_{det1}$ (rise) is detected<br>0 1: When $VCC < V_{det1}$ (fall) is detected<br>1 0: When fall and rise are detected<br>1 1: Settings prohibited. | R/W |
| b2       | IRQSEL      | Voltage Monitor 1 Interrupt Type Select                 | 0: Non-maskable interrupt<br>1: Maskable interrupt.*1   | R/W |
| b7 to b3 | —           | Reserved  | These bits are read as 0. The write value should be 0.  | R/W |

Note: Set the PRCR.PRC3 bit to 1 (write enabled) before rewriting this register.

Note 1. When enabling maskable interrupts, do not change the value of the NMIER.LVD1EN bit in the ICU from the reset state.

## 8.2.2 Voltage Monitor 1 Circuit Status Register (LVD1SR)

Address(es): SYSTEM.LVD1SR 4001 E0E1h

|    |    |    |    |    |    |     |     |
|----|----|----|----|----|----|-----|-----|
| b7 | b6 | b5 | b4 | b3 | b2 | b1  | b0  |
| —  | —  | —  | —  | —  | —  | MON | DET |
| 0  | 0  | 0  | 0  | 0  | 0  | 1   | 0   |

Value after reset:

| Bit      | Symbol | Bit name  | Description   | R/W         |
|----------|--------|---|---|-------------|
| b0       | DET    | Voltage Monitor 1 Voltage Change Detection Flag | 0: Not detected<br>1: $V_{det1}$ passage detected.                | R/(W)<br>*1 |
| b1       | MON    | Voltage Monitor 1 Signal Monitor Flag           | 0: $VCC < V_{det1}$<br>1: $VCC \geq V_{det1}$ or MON is disabled. | R           |
| b7 to b2 | —      | Reserved  | These bits are read as 0. The write value should be 0.            | R/W         |

Note 1. Only 0 can be written to this bit. After writing 0 to this bit, 2 system clock cycles are required for the bit to be read as 0.

### DET flag (Voltage Monitor 1 Voltage Change Detection Flag)

The DET flag is enabled when the LVCMPCR.LVD1E bit is 1 (voltage detection 1 circuit enabled) and the LVD1CR0.CMPE bit is 1 (voltage monitor 1 circuit comparison result output enabled).

Set the DET flag to 0 after LVD1CR0.RIE is set to 0 (disabled). LVD1CR0.RIE can be set to 1 (enabled) after 2 or more PCLKB cycles have elapsed.

### MON flag (Voltage Monitor 1 Signal Monitor Flag)

The MON flag is enabled when the LVCMPCR.LVD1E bit is 1 (voltage detection 1 circuit enabled) and the LVD1CR0.CMPE bit is 1 (voltage monitor 1 circuit comparison result output enabled).

Note: Set the PRCR.PRC3 bit to 1 (write enabled) before rewriting this register.

## 8.2.3 Voltage Monitor 2 Circuit Control Register 1 (LVD2CR1)

Address(es): SYSTEM.LVD2CR1 4001 E0E2h

|    |    |    |    |    |        |             |    |
|----|----|----|----|----|--------|-------------|----|
| b7 | b6 | b5 | b4 | b3 | b2     | b1          | b0 |
| —  | —  | —  | —  | —  | IRQSEL | IDTSEL[1:0] |    |
| 0  | 0  | 0  | 0  | 0  | 0      | 0           | 1  |

Value after reset:

| Bit      | Symbol      | Bit name  | Description   | R/W |
|----------|-------------|---|---|-----|
| b1, b0   | IDTSEL[1:0] | Voltage Monitor 2 Interrupt Generation Condition Select | b1 b0<br>0 0: When $VCC \geq V_{det2}$ (rise) is detected<br>0 1: When $VCC < V_{det2}$ (fall) is detected<br>1 0: When fall and rise are detected<br>1 1: Settings prohibited. | R/W |
| b2       | IRQSEL      | Voltage Monitor 2 Interrupt Type Select                 | 0: Non-maskable interrupt<br>1: Maskable interrupt.*1   | R/W |
| b7 to b3 | —           | Reserved  | These bits are read as 0. The write value should be 0.  | R/W |

Note: Set the PRCR.PRC3 bit to 1 (write enabled) before rewriting this register.

Note 1. When enabling maskable interrupts, do not change the value of the NMIER.LVD1EN bit in the ICU from the reset state.



### 8.2.4 Voltage Monitor 2 Circuit Status Register (LVD2SR)

Address(es): SYSTEM.LVD2SR 4001 E0E3h

|    |    |    |    |    |    |     |     |
|----|----|----|----|----|----|-----|-----|
| b7 | b6 | b5 | b4 | b3 | b2 | b1  | b0  |
| —  | —  | —  | —  | —  | —  | MON | DET |
| 0  | 0  | 0  | 0  | 0  | 0  | 1   | 0   |

Value after reset:

| Bit      | Symbol | Bit name  | Description   | R/W         |
|----------|--------|---|---|-------------|
| b0       | DET    | Voltage Monitor 2 Voltage Change Detection Flag | 0: Not detected<br>1: $V_{det2}$ passage detected.                | R/(W)<br>*1 |
| b1       | MON    | Voltage Monitor 2 Signal Monitor Flag           | 0: $VCC < V_{det2}$<br>1: $VCC \geq V_{det2}$ or MON is disabled. | R           |
| b7 to b2 | —      | Reserved  | These bits are read as 0. The write value should be 0.            | R/W         |

Note 1. Only 0 can be written to this bit. After writing 0 to this bit, it takes two system clock cycles for the bit to be read as 0.

#### DET flag (Voltage Monitor 2 Voltage Change Detection Flag)

The DET flag is enabled when the LVCMPER.LVD2E bit is 1 (voltage detection 2 circuit enabled) and the LVD2CR0.CMPE bit is 1 (voltage monitor 2 circuit comparison result output enabled).

Set the DET flag to 0 after LVD2CR0.RIE is set to 0 (disabled). LVD2CR0.RIE can be set to 1 (enabled) after 2 or more PCLKB cycles have elapsed.

#### MON flag (Voltage Monitor 2 Signal Monitor Flag)

The MON flag is enabled when the LVCMPER.LVD2E bit is 1 (voltage detection 2 circuit enabled) and the LVD2CR0.CMPE bit is 1 (voltage monitor 2 circuit comparison result output enabled).

Note: Set the PRCR.PRC3 bit to 1 (write enabled) before rewriting this register.

### 8.2.5 Voltage Monitor Circuit Control Register (LVCMPER)

Address(es): SYSTEM.LVCMPER 4001 E417h

|    |       |       |    |    |    |    |    |
|----|-------|-------|----|----|----|----|----|
| b7 | b6    | b5    | b4 | b3 | b2 | b1 | b0 |
| —  | LVD2E | LVD1E | —  | —  | —  | —  | —  |
| 0  | 0     | 0     | 0  | 0  | 0  | 0  | 0  |

Value after reset:

| Bit      | Symbol | Bit name                   | Description  | R/W |
|----------|--------|----------------------------|--|-----|
| b4 to b0 | —      | Reserved                   | These bits are read as 0. The write value should be 0.                             | R/W |
| b5       | LVD1E  | Voltage Detection 1 Enable | 0: Voltage detection 1 circuit disabled<br>1: Voltage detection 1 circuit enabled. | R/W |
| b6       | LVD2E  | Voltage Detection 2 Enable | 0: Voltage detection 2 circuit disabled<br>1: Voltage detection 2 circuit enabled. | R/W |
| b7       | —      | Reserved                   | This bit is read as 0. The write value should be 0.                                | R/W |

#### LVD1E bit (Voltage Detection 1 Enable)

When using voltage detection 1 interrupt/reset or the LVD1SR.MON bit, set the LVD1E bit to 1. The voltage detection 1 circuit starts when  $t_d(E-A)$  elapses after the LVD1E bit value is changed from 0 to 1. When using the voltage detection 1 circuit in Deep Software Standby mode, do not set the DPSBYCR.DEEPCUT[1:0] bits to 11b.

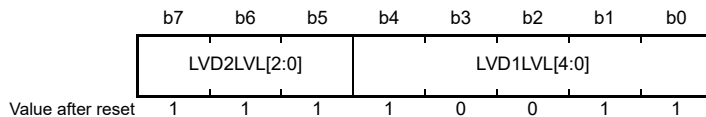
**LVD2E bit (Voltage Detection 2 Enable)**

When using voltage detection 2 interrupt/reset or the LVD2SR.MON bit, set the LVD2E bit to 1. The voltage detection 2 circuit starts when  $t_d(E-A)$  elapses after the LVD2E bit value is changed from 0 to 1. When using the voltage detection 2 circuit in Deep Software Standby mode, do not set the DPSBYCR.DEEPCUT[1:0] bits to 11b.

Note: Set the PRCR.PRC3 bit to 1 (write enabled) before rewriting this register.

**8.2.6 Voltage Detection Level Select Register (LVDLVLR)**

Address(es): [SYSTEM.LVDLVLR 4001 E418h](#)



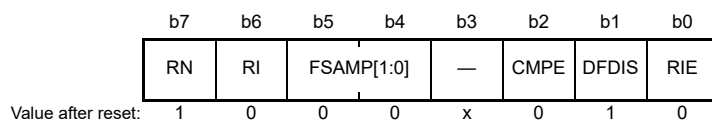
| Bit      | Symbol                       | Bit name  | Description   | R/W |    |  |         |   |                  |         |   |                  |         |   |                   |     |
|----------|------------------------------|---|---|-----|----|--|---------|---|------------------|---------|---|------------------|---------|---|-------------------|-----|
| b4 to b0 | <a href="#">LVD1LVL[4:0]</a> | Voltage Detection 1 Level Select<br>(standard voltage during fall in voltage) | <table border="0"> <tr> <td>b4</td><td>b0</td><td></td> </tr> <tr> <td>1 0 0 0</td><td>1</td><td>2.99 V (Vdet1_1)</td> </tr> <tr> <td>1 0 0 1</td><td>0</td><td>2.92 V (Vdet1_2)</td> </tr> <tr> <td>1 0 0 1</td><td>1</td><td>2.85 V (Vdet1_3).</td> </tr> </table> Other settings are prohibited. | b4  | b0 |  | 1 0 0 0 | 1 | 2.99 V (Vdet1_1) | 1 0 0 1 | 0 | 2.92 V (Vdet1_2) | 1 0 0 1 | 1 | 2.85 V (Vdet1_3). | R/W |
| b4       | b0                           |   |   |     |    |  |         |   |                  |         |   |                  |         |   |                   |     |
| 1 0 0 0  | 1                            | 2.99 V (Vdet1_1)  |   |     |    |  |         |   |                  |         |   |                  |         |   |                   |     |
| 1 0 0 1  | 0                            | 2.92 V (Vdet1_2)  |   |     |    |  |         |   |                  |         |   |                  |         |   |                   |     |
| 1 0 0 1  | 1                            | 2.85 V (Vdet1_3).   |   |     |    |  |         |   |                  |         |   |                  |         |   |                   |     |
| b7 to b5 | <a href="#">LVD2LVL[2:0]</a> | Voltage Detection 2 Level Select<br>(standard voltage during fall in voltage) | <table border="0"> <tr> <td>b7</td><td>b5</td><td></td> </tr> <tr> <td>1 0 1</td><td></td><td>2.99 V (Vdet2_1)</td> </tr> <tr> <td>1 1 0</td><td></td><td>2.92 V (Vdet2_2)</td> </tr> <tr> <td>1 1 1</td><td></td><td>2.85 V (Vdet2_3).</td> </tr> </table> Other settings are prohibited.          | b7  | b5 |  | 1 0 1   |   | 2.99 V (Vdet2_1) | 1 1 0   |   | 2.92 V (Vdet2_2) | 1 1 1   |   | 2.85 V (Vdet2_3). | R/W |
| b7       | b5                           |   |   |     |    |  |         |   |                  |         |   |                  |         |   |                   |     |
| 1 0 1    |                              | 2.99 V (Vdet2_1)  |   |     |    |  |         |   |                  |         |   |                  |         |   |                   |     |
| 1 1 0    |                              | 2.92 V (Vdet2_2)  |   |     |    |  |         |   |                  |         |   |                  |         |   |                   |     |
| 1 1 1    |                              | 2.85 V (Vdet2_3).   |   |     |    |  |         |   |                  |         |   |                  |         |   |                   |     |

The contents of the LVDLVLR register can only be changed if the LVCMPCR.LVD1E and LVCMPCR.LVD2E bits (voltage detection n circuit disable, n = 1, 2) are both 0. Do not set LVD detectors 1 and 2 to the same voltage detection level.

Set the PRCR.PRC3 bit to 1 (write enabled) before rewriting this register.

**8.2.7 Voltage Monitor 1 Circuit Control Register 0 (LVD1CR0)**

Address(es): [SYSTEM.LVD1CR0 4001 E41Ah](#)



x: Undefined

| Bit | Symbol                | Bit name  | Description  | R/W |
|-----|-----------------------|---|--|-----|
| b0  | <a href="#">RIE</a>   | Voltage Monitor 1<br>Interrupt/Reset Enable                     | 0: Disable<br>1: Enable.   | R/W |
| b1  | <a href="#">DFDIS</a> | Voltage Monitor 1 Digital<br>Filter Disable Mode Select         | 0: Enable digital filter<br>1: Disable digital filter.   | R/W |
| b2  | <a href="#">CMPE</a>  | Voltage Monitor 1 Circuit<br>Comparison Result Output<br>Enable | 0: Disable voltage monitor 1 circuit comparison result output<br>1: Enable voltage monitor 1 circuit comparison result output. | R/W |
| b3  | —                     | Reserved  | The read value is undefined. The write value should be 1.  | R/W |

| Bit    | Symbol     | Bit name                              | Description  | R/W |
|--------|------------|---------------------------------------|--|-----|
| b5, b4 | FSAMP[1:0] | Sampling Clock Select                 | b5 b4<br>0 0: 1/2 LOCO frequency<br>0 1: 1/4 LOCO frequency<br>1 0: 1/8 LOCO frequency<br>1 1: 1/16 LOCO frequency.  | R/W |
| b6     | RI         | Voltage Monitor 1 Circuit Mode Select | 0: Generate voltage monitor 1 interrupt on $V_{det1}$ passage<br>1: Enable voltage monitor 1 reset when the voltage falls to and below $V_{det1}$ .            | R/W |
| b7     | RN         | Voltage Monitor 1 Reset Negate Select | 0: Negate after a stabilization time (tLVD1) when $VCC > V_{det1}$ is detected<br>1: Negate after a stabilization time (tLVD1) on assertion of the LVD1 reset. | R/W |

### RIE bit (Voltage Monitor 1 Interrupt/Reset Enable)

The RIE bit enables or disables the voltage monitor 1 interrupt/reset. Set this bit to ensure that neither a voltage monitor 1 interrupt nor a voltage monitor 1 reset is generated during programming or erasure of the flash memory.

### DFDIS bit (Voltage Monitor 1 Digital Filter Disable Mode Select)

The DFDIS bit enables the digital filter circuit. Set the LOCOCR.LCSTP bit to 0 (the LOCO operates) if this bit is 0 (enabled). Set the bit to 1 (disabled) when using the voltage monitor 1 circuit in Software Standby or Deep Software Standby mode.

### FSAMP[1:0] bits (Sampling Clock Select)

Only change the FSAMP[1:0] bits when the LVD1CR0.DFDIS bit is 1 (digital filter circuit disabled) but not when LVD1CR0.DFDIS is 0 (digital filter circuit enabled).

### RI bit (Voltage Monitor 1 Circuit Mode Select)

When the RI bit is 1 (voltage monitor 1 reset selected) or when the LVD2CR0.RI bit is 1 (voltage monitor 2 reset selected), transition to Software Standby mode can be made but not to Deep Software Standby mode. To enter Deep Software Standby mode, set the RI bit to 0 (voltage monitor 1 interrupt selected) and the LVD2CR0.RI bit to 0 (voltage monitor 2 interrupt selected).

### RN bit (Voltage Monitor 1 Reset Negate Select)

If the RN bit is to be set to 1 (negation follows a stabilization time on assertion of the LVD1 reset signal), set the LOCOCR.LCSTP bit to 0 (the LOCO operates). In addition, for a transition to Software Standby or Deep Software Standby, the only possible value for the RN bit is 0 (negation follows a stabilization time when  $VCC > V_{det1}$  is detected). Do not set the RN bit to 1 when this is the case.

Note: Set the PRCR.PRC3 bit to 1 (write enabled) before rewriting this register.

## 8.2.8 Voltage Monitor 2 Circuit Control Register 0 (LVD2CR0)

Address(es): SYSTEM.LVD2CR0 4001 E41Bh

|                    | b7 | b6 | b5         | b4 | b3   | b2    | b1  | b0 |
|--------------------|----|----|------------|----|------|-------|-----|----|
|                    | RN | RI | FSAMP[1:0] | —  | CMPE | DFDIS | RIE |    |
| Value after reset: | 1  | 0  | 0          | 0  | x    | 0     | 1   | 0  |

x: Undefined

| Bit | Symbol | Bit name   | Description  | R/W |
|-----|--------|--|--|-----|
| b0  | RIE    | Voltage Monitor 2 Interrupt/Reset Enable             | 0: Disable<br>1: Enable.                               | R/W |
| b1  | DFDIS  | Voltage Monitor 2 Digital Filter Disable Mode Select | 0: Enable digital filter<br>1: Disable digital filter. | R/W |

| Bit    | Symbol     | Bit name  | Description  | R/W |
|--------|------------|---|--|-----|
| b2     | CMPE       | Voltage Monitor 2 Circuit Comparison Result Output Enable | 0: Disable voltage monitor 2 circuit comparison result output<br>1: Enable voltage monitor 2 circuit comparison result output.                                 | R/W |
| b3     | —          | Reserved  | The read value is undefined. The write value should be 1.  | R/W |
| b5, b4 | FSAMP[1:0] | Sampling Clock Select                                     | b5 b4<br>0 0: 1/2 LOCO frequency<br>0 1: 1/4 LOCO frequency<br>1 0: 1/8 LOCO frequency<br>1 1: 1/16 LOCO frequency.  | R/W |
| b6     | RI         | Voltage Monitor 2 Circuit Mode Select                     | 0: Generate voltage monitor 2 interrupt on $V_{det2}$ passage<br>1: Enable voltage monitor 2 reset when the voltage falls to and below $V_{det2}$ .            | R/W |
| b7     | RN         | Voltage Monitor 2 Reset Negate Select                     | 0: Negate after a stabilization time (tLVD2) when $VCC > V_{det2}$ is detected<br>1: Negate after a stabilization time (tLVD2) on assertion of the LVD2 reset. | R/W |

### RIE bit (Voltage Monitor 2 Interrupt/Reset Enable)

The RIE bit enables or disables voltage monitor 2 interrupt/reset. Set this bit to ensure that neither a voltage monitor 2 interrupt nor a voltage monitor 2 reset is generated during programming or erasure of the flash memory.

### DFDIS bit (Voltage Monitor 2 Digital Filter Disable Mode Select)

The DFDIS bit enables the digital filter circuit. Set the LOCOCR.LCSTP bit to 0 (the LOCO operates) if this bit is 0 (enabled). Set the bit to 1 (disabled) when using the voltage monitor 2 circuit in Software Standby or Deep Software Standby mode.

### FSAMP[1:0] bits (Sampling Clock Select)

Only change the FSAMP[1:0] bits when the LVD2CR0.DFDIS bit is 1 (digital filter circuit disabled), but not when LVD2CR0.DFDIS is 0 (digital filter circuit enabled).

### RI bit (Voltage Monitor 2 Circuit Mode Select)

When the RI bit is 1 (voltage monitor 2 reset selected) or when the LVD1CR0.RI bit is 1 (voltage monitor 1 reset selected), transition to Software Standby mode can be made but not to Deep Software Standby mode. To enter Deep Software Standby mode, set the RI bit to 0 (voltage monitor 2 interrupt selected) and the LVD1CR0.RI bit to 0 (voltage monitor 1 interrupt selected).

### RN bit (Voltage Monitor 2 Reset Negate Select)

If the RN bit is set to 1 (negation follows a stabilization time on assertion of the LVD2 reset signal), set the LOCOCR.LCSTP bit to 0 (the LOCO operates). Additionally, for a transition to Software Standby or Deep Software Standby mode, the only possible value for the RN bit is 0 (negation follows a stabilization time when  $VCC > V_{det2}$  is detected). Do not set the RN bit to 1 (negation follows a stabilization time after assertion of the LVD2 reset signal) when this is the case.

Note: Set the PRCR.PRC3 bit to 1 (write enabled) before rewriting this register.

## 8.3 VCC Input Voltage Monitor

### 8.3.1 Monitoring $V_{det0}$

The comparison results from voltage monitor 0 are not available for reading.

### 8.3.2 Monitoring $V_{det1}$

Table 8.2 shows the procedure to set up monitoring against  $V_{det1}$ . After the settings are complete, the comparison results from voltage monitor 1 can be monitored with the LVD1SR.MON flag.

**Table 8.2 Procedure to set up monitoring against  $V_{det1}$** 

| Step                                    | Monitoring the comparison results from voltage monitor 1 |   |
|---|--|---|
| Setting the voltage detection 1 circuit | 1  | Set LVCMPCR.LVD1E = 0 to disable voltage detection 1 before writing to LVDLVL register.   |
|   | 2  | Select the detection voltage in the LVDLVL.LVD1LVL[4:0] bits.   |
|   | 3  | Set LVCMPCR.LVD1E = 1 to enable voltage detection 1.  |
|   | 4  | Wait for at least $t_d(E-A)$ for the LVD operation stabilization time after LVD is enabled.*1   |
| Setting the digital filter*2            | 5  | Select the sampling clock for the digital filter in the LVD1CR0.FSAMP[1:0] bits.  |
|   | 6  | Set LVD1CR0.DFDIS = 0 to enable the digital filter.   |
|   | 7  | Wait for at least $2n + 3$ cycles of the LOCO, where $n = 2, 4, 8, 16$ and the sampling clock for the digital filter is the LOCO frequency-divided by $n$ . |
| Enabling output                         | 8  | Set LVD1CR0.CMPE = 1 to enable output of the comparison results from voltage monitor 1.   |

Note 1. Steps 5 to 7 can be performed during the wait time in step 4. For details on  $t_d(E-A)$ , see [section 55, Electrical Characteristics](#).

Note 2. Steps 5 to 7 are not required if the digital filter is not in use.

### 8.3.3 Monitoring $V_{det2}$

[Table 8.3](#) shows the procedure to set up monitoring against  $V_{det2}$ . After the settings are complete, the comparison results from voltage monitor 2 can be monitored with the LVD2SR.MON flag.

**Table 8.3 Procedure to set up monitoring against  $V_{det2}$** 

| Step                                       | Monitoring the comparison results by voltage monitor 2 |  |
|--|--|--|
| Setting up the voltage detection 2 circuit | 1  | Set LVCMPCR.LVD2E = 0 to disable voltage detection 2 before writing to the LVDLVL register.  |
|  | 2  | Select the detection voltage in the LVDLVL.LVD2LVL[2:0] bits.  |
|  | 3  | Set LVCMPCR.LVD2E = 1 to enable the voltage detection 2 circuit.   |
|  | 4  | Wait for at least $t_d(E-A)$ for the LVD operation stabilization time after LVD is enabled.*1  |
| Setting up the digital filter*2            | 5  | Select the sampling clock for the digital filter in the LVD2CR0.FSAMP[1:0] bits.   |
|  | 6  | Set LVD2CR0.DFDIS = 0 to enable the digital filter.  |
|  | 7  | Wait for at least $2n + 3$ LOCO cycles, where $n = 2, 4, 8, 16$ and the sampling clock for the digital filter is the LOCO frequency-divided by $n$ . |
| Enabling output                            | 8  | Set LVD2CR0.CMPE = 1 to enable output of the comparison results by voltage monitor 2.  |

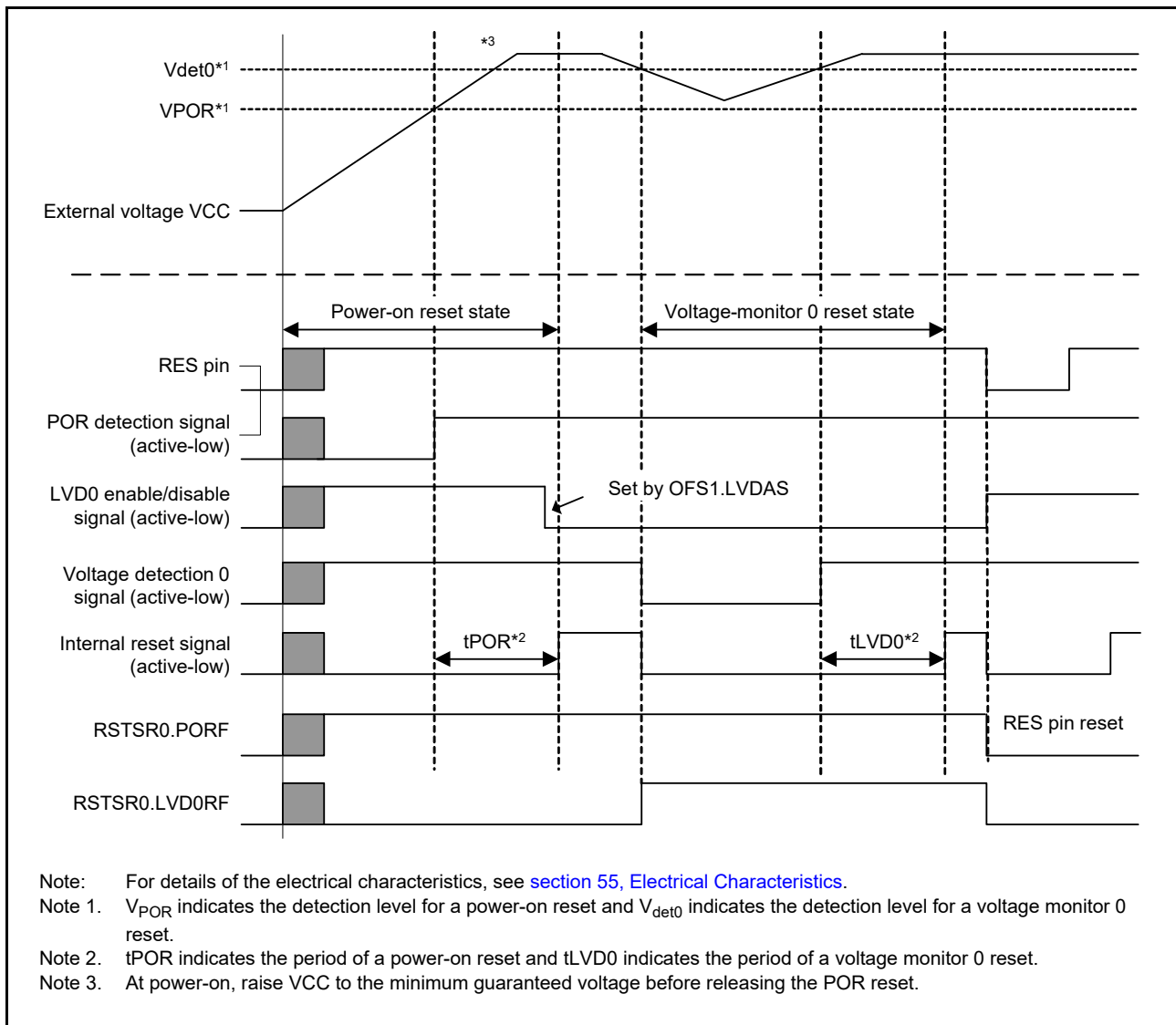
Note 1. Steps 5 to 7 can be performed during the wait time in step 4. For details on  $t_d(E-A)$ , see [section 55, Electrical Characteristics](#).

Note 2. Steps 5 to 7 are not required if the digital filter is not in use.

## 8.4 Reset from Voltage Monitor 0

When using the reset from voltage monitor 0, clear the OFS1.LVDAS bit to 0 to enable the voltage monitor 0 reset after a reset. However, at boot mode, the reset from voltage monitor 0 is disabled regardless of the value of OFS1.LVDAS bit.

[Figure 8.4](#) shows an example of operations for a voltage monitor 0 reset.



**Figure 8.4 Example of voltage monitor 0 reset operation**

## 8.5 Interrupt and Reset from Voltage Monitor 1

An interrupt or reset can be generated in response to the comparison results from the voltage monitor 1 circuit.

[Table 8.4](#) shows the procedure for setting bits related to the voltage monitor 1 interrupt and reset so that voltage monitoring operates. [Table 8.5](#) shows the procedure for setting bits related to the voltage monitor 1 interrupt and reset so that voltage monitoring stops. [Figure 8.5](#) shows an example of operations for a voltage monitor 1 interrupt. For the operation of the voltage monitor 1 reset, see [Figure 6.2](#) in [section 6, Resets](#).

When using the voltage monitor 1 circuit in Software Standby or Deep Software Standby, set the circuit with the following procedures.

### (1) Settings in Software Standby mode

- Disable the digital filter ( $LVD1CR0.DFDIS = 1$ )
- When  $VCC > V_{det1}$  is detected, negate the voltage monitor 1 reset signal ( $LVD1CR0.RN = 0$ ) following a stabilization time.

### (2) Settings in Deep Software Standby mode

- Disable the digital filter ( $LVD1CR0.DFDIS = 1$ )

- Enable voltage monitor 1 interrupts (LVD1CR0.RI = 0). If the voltage monitor 1 reset is enabled (LVD1CR0.RI = 1), a transition to Deep Software Standby mode is not possible, and the operation transitions to Software Standby mode instead
- When the DPSBYCR.DEEPCUT[1:0] bits are 11b, the voltage monitor 1 circuit stops. To use the voltage monitor 1 circuit in Deep Software Standby mode, set the DPSBYCR.DEEPCUT[1:0] bits to a value other than 11b.

**Table 8.4 Procedure to set bits related to the voltage monitor 1 interrupt and voltage monitor 1 reset so that voltage monitoring operates**

| Step  | Voltage monitor 1 interrupt (voltage monitor 1 ELC event output) | Voltage monitor 1 reset  |
|---|--|--|
| Setting up the voltage detection 1 circuit          | 1  | Set LVCMPCR.LVD1E = 0 to disable voltage detection 1 before writing to the LVDLVLRL register.  |
|   | 2  | Select the detection voltage in the LVDLVLRL.LVD1LVL[3:0] bits.  |
|   | 3  | Set LVCMPCR.LVD1E = 1 to enable the voltage detection 1 circuit.   |
|   | 4  | Wait for at least $t_d(E-A)$ for the LVD operation stabilization time after LVD is enabled.*1  |
| Setting up the digital filter *2                    | 5  | Select the sampling clock for the digital filter in the LVD1CR0.FSAMP[1:0] bits.   |
|   | 6  | Set LVD1CR0.DFDIS = 0 to enable the digital filter.  |
|   | 7  | Wait for at least $2n + 3$ LOCO cycles, where $n = 2, 4, 8, 16$ and the sampling clock for the digital filter is the LOCO frequency-divided by $n$ .*4   |
| Setting up the voltage monitor 1 interrupt or reset | 8  | Set LVD1CR0.RI = 0 to select the voltage monitor 1 interrupt. <ul style="list-style-type: none"> <li>• Set LVD1CR0.RI = 1 to select the voltage monitor 1 reset</li> <li>• Select the type of reset negation in the LVD1CR0.RN bit.</li> </ul> |
|   | 9  | <ul style="list-style-type: none"> <li>• Select the interrupt request timing in the LVD1CR1.IDTSEL[1:0] bits</li> <li>• Select the interrupt type in the LVD1CR1.IRQSEL bit.</li> </ul>  |
| Enabling output                                     | 10   | Set LVD1SR.DET = 0.  |
|   | 11   | Set LVD1CR0.RIE = 1 to enable the voltage monitor 1 interrupt or reset.*3  |
|   | 12   | Set LVD1CR0.CMPE = 1 to enable output of the comparison results from voltage monitor 1.  |

Note 1. Steps 5 to 11 can be performed during the wait time in step 4. For details on  $t_d(E-A)$ , see [section 55, Electrical Characteristics](#).

Note 2. Steps 5 to 7 are not required if the digital filter is not in use.

Note 3. Step 11 is not required if only the ELC event signal is to be output.

Note 4. Steps 8 to 11 can be performed during the wait time in step 7.

**Table 8.5 Procedure to set bits related to the voltage monitor 1 interrupt and voltage monitor 1 reset so that voltage monitoring stops**

| Step                                     | Voltage monitor 1 interrupt (voltage monitor 1 ELC event output), voltage monitor 1 reset |  |
|--|---|--|
| Settings to stop enabling output         | 1   | Set LVD1CR0.CMPE = 0 to disable output of the comparison results by voltage monitor 1.   |
|  | 2   | Wait for at least $2n + 3$ LOCO cycles, where $n = 2, 4, 8, 16$ and the sampling clock for the digital filter is the LOCO frequency-divided by $n$ .*1 |
|  | 3   | Set LVD1CR0.RIE = 0 to disable the voltage monitor 1 interrupt or reset.*2   |
| Stopping the digital filter              | 4   | Set LVD1CR0.DFDIS = 1 to disable the digital filter.*1, *3   |
| Stopping the voltage detection 1 circuit | 5   | Set LVCMPCR.LVD1E = 0 to disable the voltage detection 1 circuit.  |

Note 1. Steps 2 and 4 are not required if the digital filter is not in use.

Note 2. Step 3 is not required if only the ELC event signal is to be output.

Note 3. To disable the digital filter from its enabled state and then re-enable it, disable it and wait for at least 2 LOCO clock cycles before re-enabling it.

If the voltage monitor 1 interrupt or reset setting is to be made again after it is used and stopped once, omit the following steps in the procedures for stopping and setting, depending on the conditions:

- Setting or stopping the voltage detection 1 circuit is not required if the settings for the circuit do not change
- Setting or stopping the digital filter is not required if the settings for the digital filter do not change
- Setting the voltage monitor 1 interrupt or reset is not required if the settings for the voltage monitor 1 interrupt or reset do not change.

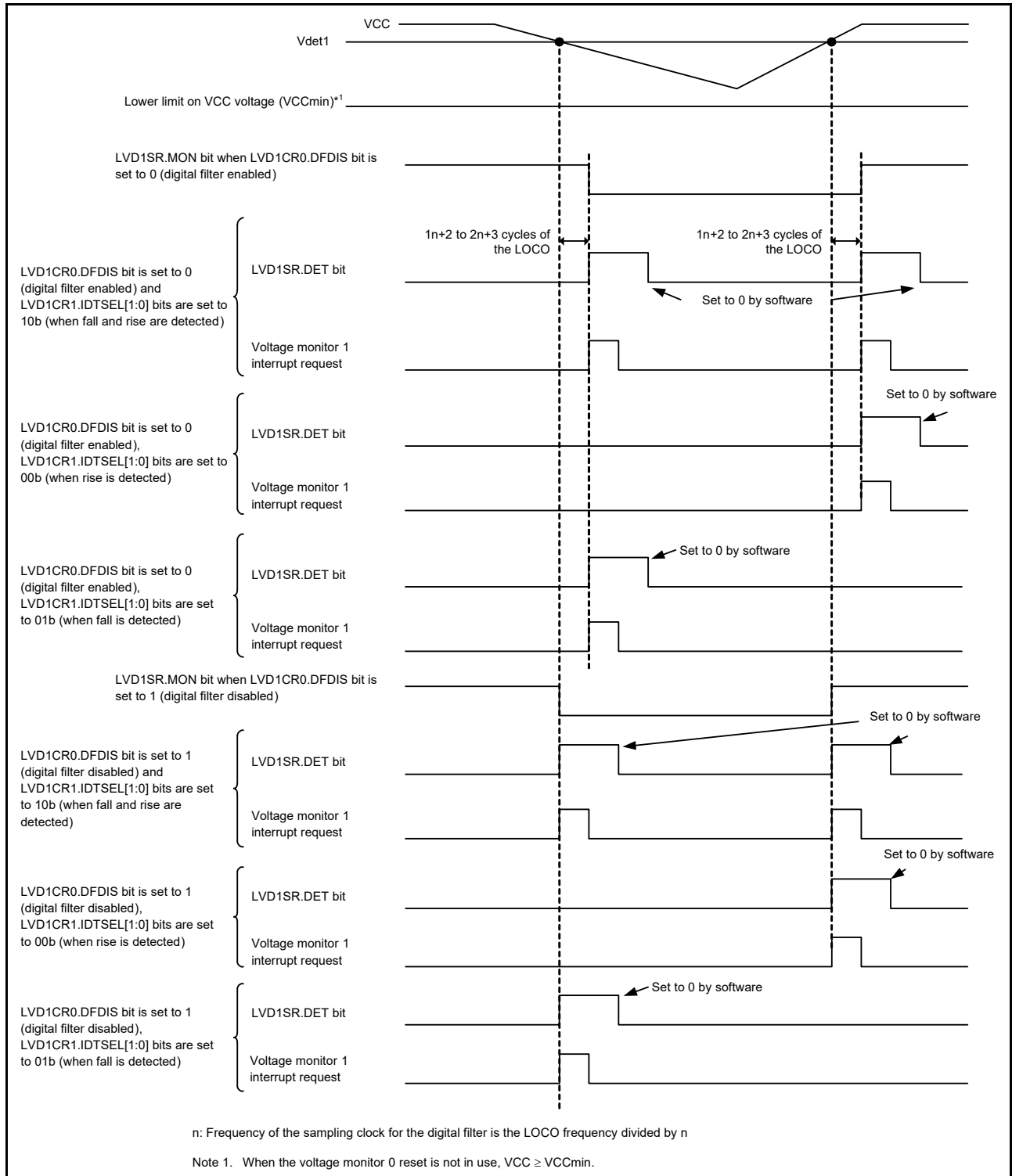


Figure 8.5 Voltage monitor 1 interrupt operation example



## 8.6 Interrupt and Reset from Voltage Monitor 2

An interrupt or reset can be generated in response to the comparison results from the voltage monitor 2 circuit.

Table 8.6 shows the procedure for setting bits related to the voltage monitor 2 interrupt and reset so that voltage monitoring operates. Table 8.7 shows the procedure for setting bits related to the voltage monitor 2 interrupt and reset so that voltage monitoring stops. Figure 8.6 shows an example of operations for a voltage monitor 2 interrupt. For the operation of the voltage monitor 2 reset, see Figure 6.2 in section 6, Resets.

When using the voltage monitor 2 circuit in Software Standby or Deep Software Standby, set the circuit with the following procedures.

### (1) Settings in Software Standby mode

- Disable the digital filter (LVD2CR0.DFDIS = 1)
- When  $V_{CC} > V_{det2}$  is detected, negate the voltage monitor 2 reset signal (LVD2CR0.RN = 0) following the stabilization time.

### (2) Settings in Deep Software Standby mode

- Disable the digital filter (LVD2CR0.DFDIS = 1)
- Enable voltage monitor 2 interrupts (LVD2CR0.RI = 0). If the voltage monitor 2 reset is enabled (LVD2CR0.RI = 1), a transition to Deep Software Standby mode is not possible, and the operation transitions to Software Standby mode instead.
- When the DPSBYCR.DEEPCUT[1:0] bits are 11b, the voltage monitor 2 circuit stops. To use the voltage monitor 2 circuit in Deep Software Standby mode, set the DPSBYCR.DEEPCUT[1:0] bits to a value other than 11b.

**Table 8.6 Procedures to set bits related to voltage monitor 2 interrupt and voltage monitor 2 reset so that voltage monitoring operates**

| Step  | Voltage monitor 2 interrupt<br>(voltage monitor 2 ELC event output) | Voltage monitor 2 reset  |
|---|---|--|
| Setting up the voltage detection 2 circuit          | 1   | Set LVCMPCR.LVD2E = 0 to disable voltage detection 2 before writing to the LVDLVL register.  |
|   | 2   | Select the detection voltage in the LVDLVL.LVD2LVL[2:0] bits.  |
|   | 3   | Set LVCMPCR.LVD2E = 1 to enable the voltage detection 2 circuit.   |
|   | 4   | Wait for at least $t_d(E-A)$ for the LVD operation stabilization time after LVD is enabled.*1  |
| Setting up the digital filter *2                    | 5   | Select the sampling clock for the digital filter in the LVD2CR0.FSAMP[1:0] bits.   |
|   | 6   | Set LVD2CR0.DFDIS = 0 to enable the digital filter.  |
|   | 7   | Wait for at least $2n + 3$ LOCO cycles, where $n = 2, 4, 8, 16$ , and the sampling clock for the digital filter is the LOCO frequency-divided by $n$ .*4   |
| Setting up the voltage monitor 2 interrupt or reset | 8   | Set LVD2CR0.RI = 0 to select the voltage monitor 2 interrupt. <ul style="list-style-type: none"> <li>• Set LVD2CR0.RI = 1 to select the voltage monitor 2 reset</li> <li>• Select the type of reset negation in the LVD2CR0.RN bit.</li> </ul> |
|   | 9   | <ul style="list-style-type: none"> <li>• Select the interrupt request timing in the LVD2CR1.IDTSEL[1:0] bits</li> <li>• Select the interrupt type in the LVD2CR1.IRQSEL bit.</li> </ul>  |
| Enabling output                                     | 10  | Set LVD2SR.DET = 0.  |
|   | 11  | Set LVD2CR0.RIE = 1 to enable the voltage monitor 2 interrupt or reset.*3  |
|   | 12  | Set LVD2CR0.CMPE = 1 to enable output of the comparison results from voltage monitor 2.  |

Note 1. Steps 5 to 11 can be performed during the wait time in step 4. For details on  $t_d(E-A)$ , see section 55, Electrical Characteristics.

Note 2. Steps 5 to 7 are not required if the digital filter is not in use.

Note 3. Step 11 is not required if only the ELC event signal is to be output.

Note 4. Steps 8 to 10 can be performed during the wait time in step 7.

**Table 8.7 Procedure to set bits related to voltage monitor 2 interrupt and voltage monitor 2 reset so that voltage monitoring stops**

| Step                                     | Voltage monitor 2 interrupt (voltage monitor 2 ELC event output), voltage monitor 2 reset |  |
|--|---|--|
| Settings to stop enabling output         | 1   | Set LVD2CR0.CMPE = 0 to disable output of the comparison results by voltage monitor 2.   |
|  | 2   | Wait for at least $2n + 3$ LOCO cycles, where $n = 2, 4, 8, 16$ , and the sampling clock for the digital filter is the LOCO frequency-divided by $n$ . <sup>*1</sup> |
|  | 3   | Set LVD2CR0.RIE = 0 to disable the voltage monitor 2 interrupt or reset. <sup>*2</sup>   |
| Stopping the digital filter              | 4   | Set LVD2CR0.DFDIS = 1 to disable the digital filter. <sup>*1, *3</sup>   |
| Stopping the voltage detection 1 circuit | 5   | Set LVCMPCR.LVD2E = 0 to disable the voltage detection 2 circuit.  |

Note 1. Steps 2 and 4 are not required if the digital filter is not in use.

Note 2. Step 3 is not required if only the ELC event signal is to be output.

Note 3. To disable the digital filter from its enabled state and then re-enable it, disable it and wait for at least 2 LOCO cycles before re-enabling it.

If the voltage monitor 2 interrupt or reset setting is to be made again after it is used and stopped once, omit the following steps in the procedures for stopping and setting, depending on the conditions:

- Setting or stopping the voltage detection 2 circuit is not required if the settings for the circuit do not change
- Setting or stopping the digital filter is not required if the settings for the digital filter do not change
- Setting the voltage monitor 2 interrupt or reset is not required if the settings for the voltage monitor 2 interrupt or voltage monitor 2 reset do not change.

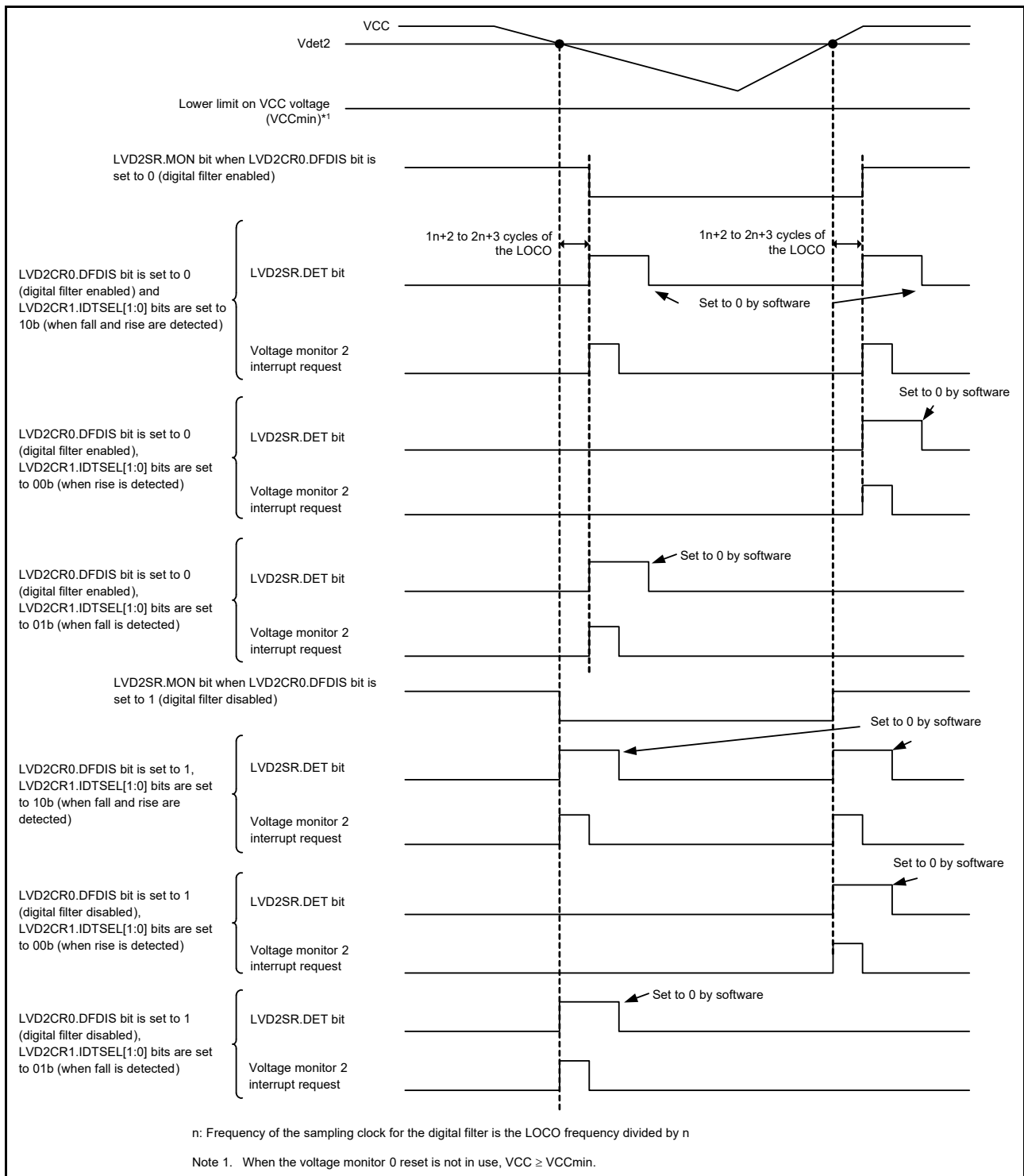


Figure 8.6 Example of voltage monitor 2 interrupt operation

## 8.7 Event Link Output

The LVD can output the event signals to the Event Link Controller (ELC).

### (1) $V_{det1}$ Crossing Detection Event

The LVD outputs the event signal when it detects that the voltage has passed the  $V_{det1}$  voltage while both the voltage detection 1 circuit and the voltage monitor 1 circuit comparison result output are enabled.

## (2) $V_{\text{det}2}$ Crossing Detection Event

The LVD outputs the event signal when it detects that the voltage has passed the  $V_{\text{det}2}$  voltage while both the voltage detection 2 circuit and the voltage monitor 2 circuit comparison result output are enabled.

When enabling the event link output function of the LVD, you must enable the LVD before enabling the LVD event link function of the ELC. To stop the event link output function of the LVD, you must stop the LVD before disabling the LVD event link function of the ELC.

### 8.7.1 Interrupt Handling and Event Linking

The LVD provides bits to separately enable or disable the voltage monitor 1 and 2 interrupts. When an interrupt source is generated and the interrupt is enabled by the interrupt enable bit, the interrupt signal (LVD1CR0.RIE or LVD2CR0.RIE) is output to the CPU.

On the other hand, as soon as an interrupt source is generated, an event link signal is output as the event signal to the other module through the ELC, regardless of the state of the interrupt enable bit.

It is possible to output voltage monitor 1 and 2 interrupts in Software Standby and Deep Software Standby modes. The event signals for the ELC in Software Standby and Deep Software Standby modes are output as follows:

- When a  $V_{\text{det}1}$  or  $V_{\text{det}2}$  passage event is detected in Software Standby mode, event signals are not generated for the ELC because the clock is not supplied in Software Standby mode. Because the  $V_{\text{det}1}$  and  $V_{\text{det}2}$  passage detection flags are saved, when the clock supply resumes after returning from Software Standby mode, the event signals for the ELC are output based on the state of the  $V_{\text{det}1}$  and  $V_{\text{det}2}$  detection flags.
- When a  $V_{\text{det}1}$  or  $V_{\text{det}2}$  passage events is detected in Deep Software Standby mode, event signals are not generated for the ELC.

## 9. Clock Generation Circuit

### 9.1 Overview

The MCU provides a clock generation circuit. [Table 9.1](#) and [Table 9.2](#) list the clock generation circuit specifications, [Figure 9.1](#) shows a block diagram, and [Table 9.3](#) lists the I/O pins.

**Table 9.1 Clock generation circuit specifications for the clock sources**

| Clock source                                 | Parameter  | Specifications  |
|--|--|---|
| Main clock oscillator (MOSC)                 | Resonator frequency  | 8 to 24 MHz<br>USB boot mode: 8, 10, 12, 15, 16, 20, 24 MHz |
|  | External clock input frequency                                       | Up to 24 MHz  |
|  | External resonator or additional circuit: ceramic resonator, crystal | Available   |
|  | Connection pins EXTAL, XTAL  |   |
|  | Drive capability switching   |   |
|  | Oscillation stop detection function                                  |   |
| Sub-clock oscillator (SOSC)                  | Resonator frequency  | 32.768 kHz  |
|  | External resonator or additional circuit: crystal resonator          | Available   |
|  | Connection pins: XCIN, XCOUT   |   |
|  | Drive capability switching   |   |
| PLL circuit                                  | Input clock source   | MOSC, HOCO  |
|  | Input pulse frequency division ratio                                 | Selectable from 1, 2, and 3                                 |
|  | Input frequency  | 8 to 24 MHz   |
|  | Frequency multiplication ratio                                       | Selectable from 10 to 30 (0.5 steps)                        |
|  | PLL output frequency   | 120 to 240 MHz  |
| High-speed on-chip oscillator (HOCO)         | Oscillation frequency  | 16, 18, 20 MHz  |
|  | User trimming  | Available   |
| Middle-speed on-chip oscillator (MOCO)       | Oscillation frequency  | 8 MHz   |
|  | User trimming  | Available   |
| Low-speed on-chip oscillator (LOCO)          | Oscillation frequency  | 32.768 kHz  |
|  | User trimming  | Available   |
| IWDT-dedicated on-chip oscillator (IWDTLOCO) | Oscillation frequency  | 15 kHz  |
| External clock input for JTAG (TCK)          | Input clock frequency  | Up to 25 MHz  |
| External clock input for SWD (SWCLK)         | Input clock frequency  | Up to 25 MHz  |

**Table 9.2 Clock generation circuit specifications for the internal clocks (1 of 2)**

| Parameter                         | Clock sources                     | Clock supply   | Specifications   |
|-----------------------------------|-----------------------------------|--|--|
| System clock (ICLK)               | MOSC, SOSC, HOCO, MOCO, LOCO, PLL | CPU, DTC, DMAC, Flash, SRAM  | Up to 120 MHz<br>Division ratios: 1, 2, 4, 8, 16, 32, 64   |
| Peripheral module clock A (PCLKA) | MOSC, SOSC, HOCO, MOCO, LOCO, PLL | Peripheral modules (ETHERC, EDMAC, QSPI, SPI, SCI, SCE7, SDHI, CRC, IrDA, GPT bus-clock) | Up to 120 MHz*2<br>Division ratios: 1, 2, 4, 8, 16, 32, 64 |

**Table 9.2 Clock generation circuit specifications for the internal clocks (2 of 2)**

| Parameter                         | Clock sources                     | Clock supply   | Specifications   |
|-----------------------------------|-----------------------------------|--|--|
| Peripheral module clock B (PCLKB) | MOSC, SOSC, HOCO, MOCO, LOCO, PLL | Peripheral modules (IIC, SSIE, SRC, DOC, CAC, CAN, DAC12, POEG, CTSU, AGT, Standby SRAM, ELC, I/O ports, RTC, WDT, IWDT, ADC12, KINT, USBFS, ACMPHS, TSN, PDC) | Up to 60 MHz<br>Division ratios: 1, 2, 4, 8, 16, 32, 64                                |
| Peripheral module clock C (PCLKC) | MOSC, SOSC, HOCO, MOCO, LOCO, PLL | Peripheral module (ADC12 conversion clock)   | Up to 60 MHz<br>Division ratios: 1, 2, 4, 8, 16, 32, 64                                |
| Peripheral module clock D (PCLKD) | MOSC, SOSC, HOCO, MOCO, LOCO, PLL | Peripheral module (GPT count-clock)  | Up to 120 MHz<br>Division ratios: 1, 2, 4, 8, 16, 32, 64                               |
| Flash interface clock (FCLK)      | MOSC, SOSC, HOCO, MOCO, LOCO, PLL | Flash interface  | 4 to 60 MHz (P/E)<br>Up to 60 MHz (read) *1<br>Division ratios: 1, 2, 4, 8, 16, 32, 64 |
| External bus clock (BCLK)         | MOSC, SOSC, HOCO, MOCO, LOCO, PLL | External bus   | Up to 120 MHz<br>Division ratios: 1, 2, 4, 8, 16, 32, 64                               |
| EBCLK pin output (EBCLK)          | BCLK or 1/2 BCLK                  | EBCLK pin  | Up to 60 MHz<br>Division ratios: 1, 2  |
| SDCLK pin output (SDCLK)          | BCLK                              | SDCLK pin  | Up to 120 MHz  |
| USB clock (UCLK)                  | PLL                               | USB  | 48 MHz<br>Division ratios: 3, 4, 5   |
| CAN clock (CANMCLK)               | MOSC                              | CAN  | 8 to 24 MHz  |
| AGT clock (AGTSCLK, AGTLCLK)      | SOSC, LOCO                        | AGT  | 32.768 kHz   |
| CAC main clock (CACMCLK)          | MOSC                              | CAC  | Up to 24 MHz   |
| CAC sub-clock (CACSCLK)           | SOSC                              | CAC  | 32.768 kHz   |
| CAC LOCO clock (CACLCLK)          | LOCO                              | CAC  | 32.768 kHz   |
| CAC MOCO clock (CACMOCLK)         | MOCO                              | CAC  | 8 MHz  |
| CAC HOCO clock (CACHCLK)          | HOCO                              | CAC  | 16, 18, 20 MHz   |
| CAC IWDTLOCO clock (CACILCLK)     | IWDTLOCO                          | CAC  | 15 kHz   |
| RTC clock (RTCSCLK, RTCLCLK)      | SOSC, LOCO                        | RTC  | 32.768 kHz   |
| IWDT clock (IWDTCLK)              | IWDTLOCO                          | IWDT   | 15 kHz   |
| SysTick timer clock (SYSTICCLK)   | LOCO                              | SysTick timer  | 32.768 kHz   |
| JTAG clock (JTAGTCK)              | TCK pin                           | JTAG   | Up to 25 MHz   |
| Clock and buzzer output (CLKOUT)  | MOSC, SOSC, LOCO, MOCO, HOCO      | CLKOUT pin   | Up to 24 MHz<br>Division ratios: 1, 2, 4, 8, 16, 32, 64, 128                           |
| Serial wire clock (SWCLK)         | SWCLK pin                         | OCD  | Up to 25 MHz   |
| Trace clock (TRCLK)               | MOSC, SOSC, HOCO, MOCO, LOCO, PLL | CPU-OCD  | Up to 60 MHz<br>Division ratios: 1, 2, 4   |
| TCLK pin output (TCLK)            | 1/2 TRCLK                         | TCLK pin   | Up to 30 MHz   |

Note: Restrictions on the clock frequency settings:  $ICLK \geq PCLKA \geq PCLKB$ ,  $PCLKD \geq PCLKA \geq PCLKB$

Restrictions on the clock frequency ratio (N: integer, and up to 64):

$ICLK:FCLK = N:1$ ,  $ICLK:BCLK = N:1$ ,  $ICLK:PCLKA = N:1$ ,  $ICLK:PCLKB = N:1$

$ICLK:PCLKC = N:1$  or  $1:N$ ,  $ICLK:PCLKD = N:1$  or  $1:N$

If the A/D converter is enabled, the clock frequency ratio is constrained as follows:

$PCLKB:PCLKC = 1:1$  or  $1:2$  or  $1:4$  or  $2:1$  or  $4:1$  or  $8:1$ .

- Note: Clocks have a permissible frequency range. See [Table 9.2](#).  
Flash memory and SRAM also have a permissible operating frequency range in each wait cycle setting. See [section 51, SRAM](#), and [section 53, Flash Memory](#).  
Those clock frequency ranges must be satisfied even when the HOCO has its maximum or minimum frequency. See [section 55, Electrical Characteristics](#).
- Note: If the PLL reference clock source is HOCO, the PLL multiplication setting must be set to 120 - 240 MHz in consideration of HOCO frequency (minimum/maximum).
- Note 1. The minimum FCLK frequency is 4 MHz in Programming/Erase (P/E) mode.
- Note 2. When using ETHERC, the PCLKA frequency is in the range  $12.5 \text{ MHz} \leq \text{PCLKA} \leq 120 \text{ MHz}$ .  
When using ETHERC and PCLKA = ICLK.

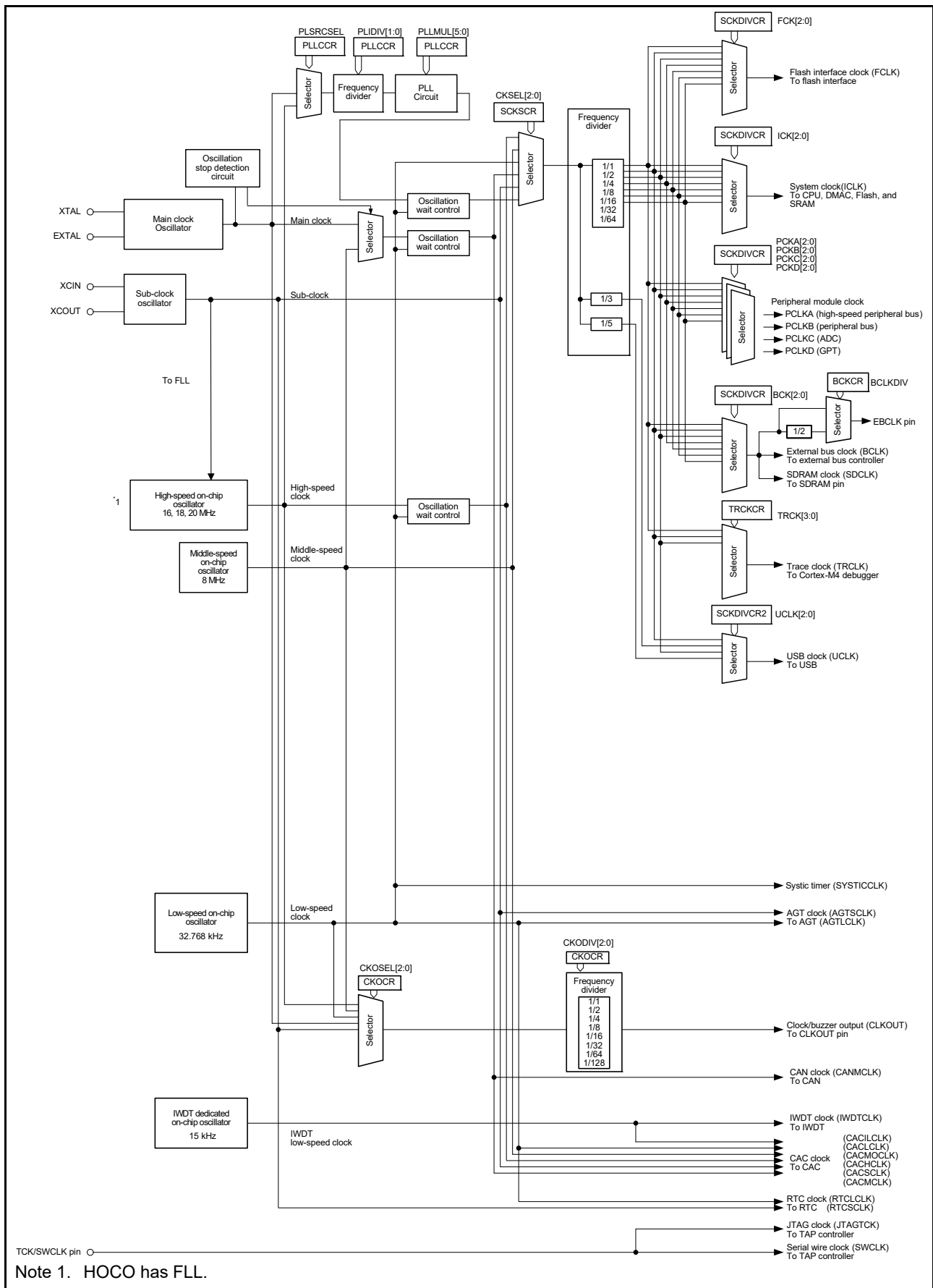


Figure 9.1 Clock generation circuit block diagram



**Table 9.3** Clock Generation Circuit I/O pins

| Pin name  | I/O    | Description   |
|-----------|--------|---|
| XTAL      | Output | Crystal resonator connections   |
| EXTAL     | Input  | The EXTAL pin can also be used to input an external clock. For details, see <a href="#">section 9.3.2, External Clock Input</a> . |
| XCIN      | Input  | 32.768-kHz crystal resonator connection   |
| XCOU      | Output |   |
| TCK/SWCLK | Input  | JTAG clock input  |
| EBCLK     | Output | External bus clock (EBCLK) supply for external devices  |
| SDCLK     | Output | SDRAM clock (SDCLK) supply for external devices   |
| CLKOUT    | Output | CLKOUT and BUZZER clock output  |

## 9.2 Register Descriptions

### 9.2.1 System Clock Division Control Register (SCKDIVCR)

Address(es): [SYSTEM.SCKDIVCR 4001 E020h](#)

|                    |           |     |     |     |           |     |     |     |           |     |     |     |           |     |     |
|--------------------|-----------|-----|-----|-----|-----------|-----|-----|-----|-----------|-----|-----|-----|-----------|-----|-----|
| b31                | b30       | b29 | b28 | b27 | b26       | b25 | b24 | b23 | b22       | b21 | b20 | b19 | b18       | b17 | b16 |
| —                  | FCK[2:0]  |     |     | —   | ICK[2:0]  |     |     | —   | —         | —   | —   | —   | BCK[2:0]  |     |     |
| Value after reset: |           |     |     |     |           |     |     |     |           |     |     |     |           |     |     |
| 0                  | 0         | 1   | 0   | 0   | 0         | 1   | 0   | 0   | 0         | 0   | 0   | 0   | 0         | 1   | 0   |
| b15                | b14       | b13 | b12 | b11 | b10       | b9  | b8  | b7  | b6        | b5  | b4  | b3  | b2        | b1  | b0  |
| —                  | PCKA[2:0] |     |     | —   | PCKB[2:0] |     |     | —   | PCKC[2:0] |     |     | —   | PCKD[2:0] |     |     |
| Value after reset: |           |     |     |     |           |     |     |     |           |     |     |     |           |     |     |
| 0                  | 0         | 1   | 0   | 0   | 0         | 1   | 0   | 0   | 0         | 1   | 0   | 0   | 0         | 1   | 0   |

| Bit      | Symbol                    | Bit name                                   | Description  | R/W |
|----------|---------------------------|--|--|-----|
| b2 to b0 | <a href="#">PCKD[2:0]</a> | Peripheral Module Clock D (PCLKD) Select*4 | b2 b0<br>0 0 0: ×1/1<br>0 0 1: ×1/2<br>0 1 0: ×1/4<br>0 1 1: ×1/8<br>1 0 0: ×1/16<br>1 0 1: ×1/32<br>1 1 0: ×1/64.<br>Other settings are prohibited. | R/W |
| b3       | —                         | Reserved                                   | This bit is read as 0. The write value should be 0.  | R/W |
| b6 to b4 | <a href="#">PCKC[2:0]</a> | Peripheral Module Clock C (PCLKC) Select*4 | b6 b4<br>0 0 0: ×1/1<br>0 0 1: ×1/2<br>0 1 0: ×1/4<br>0 1 1: ×1/8<br>1 0 0: ×1/16<br>1 0 1: ×1/32<br>1 1 0: ×1/64.<br>Other settings are prohibited. | R/W |
| b7       | —                         | Reserved                                   | This bit is read as 0. The write value should be 0.  | R/W |

| Bit        | Symbol    | Bit name                                   | Description  | R/W |
|------------|-----------|--|--|-----|
| b10 to b8  | PCKB[2:0] | Peripheral Module Clock B (PCLKB) Select*3 | b10 b8<br>0 0 0: ×1/1<br>0 0 1: ×1/2<br>0 1 0: ×1/4<br>0 1 1: ×1/8<br>1 0 0: ×1/16<br>1 0 1: ×1/32<br>1 1 0: ×1/64.<br>Other settings are prohibited.  | R/W |
| b11        | —         | Reserved                                   | This bit is read as 0. The write value should be 0.  | R/W |
| b14 to b12 | PCKA[2:0] | Peripheral Module Clock A (PCLKA) Select*3 | b14 b12<br>0 0 0: ×1/1<br>0 0 1: ×1/2<br>0 1 0: ×1/4<br>0 1 1: ×1/8<br>1 0 0: ×1/16<br>1 0 1: ×1/32<br>1 1 0: ×1/64.<br>Other settings are prohibited. | R/W |
| b15        | —         | Reserved                                   | This bit is read as 0. The write value should be 0.  | R/W |
| b18 to b16 | BCK[2:0]  | External Bus Clock (BCLK) Select*2         | b18 b16<br>0 0 0: ×1/1<br>0 0 1: ×1/2<br>0 1 0: ×1/4<br>0 1 1: ×1/8<br>1 0 0: ×1/16<br>1 0 1: ×1/32<br>1 1 0: ×1/64.<br>Other settings are prohibited. | R/W |
| b23 to b19 | —         | Reserved                                   | These bits are read as 0. The write value should be 0.   | R/W |
| b26 to b24 | ICK[2:0]  | System Clock (ICK) Select*1*2*3*4*5        | b26 b24<br>0 0 0: ×1/1<br>0 0 1: ×1/2<br>0 1 0: ×1/4<br>0 1 1: ×1/8<br>1 0 0: ×1/16<br>1 0 1: ×1/32<br>1 1 0: ×1/64.<br>Other settings are prohibited. | R/W |
| b27        | —         | Reserved                                   | This bit is read as 0. The write value should be 0.  | R/W |
| b30 to b28 | FCK[2:0]  | Flash Interface Clock (FCLK) Select*1      | b30 b28<br>0 0 0: ×1/1<br>0 0 1: ×1/2<br>0 1 0: ×1/4<br>0 1 1: ×1/8<br>1 0 0: ×1/16<br>1 0 1: ×1/32<br>1 1 0: ×1/64.<br>Other settings are prohibited. | R/W |
| b31        | —         | Reserved                                   | This bit is read as 0. The write value should be 0.  | R/W |

- Note 1. The following association is required between the frequencies of the system clock (ICK) and the flash interface clock (FCLK):  
 ICLK:FCLK = N:1 (N: integer)  
 If a setting is made where ICLK < FCLK, then that setting is ignored.
- Note 2. The following association is required between the frequencies of the system clock (ICK) and the external bus clock (BCLK):  
 ICLK:BCLK = N:1 (N: integer)  
 If a setting is made where ICLK < BCLK, then that setting is ignored.
- Note 3. The following association is required between the frequencies of the system clock (ICK) and the peripheral module clocks (PCLKA, PCLKB): ICLK:PCLKA = N:1, ICLK:PCLKB = N:1 (N: integer)  
 If a setting is made where ICLK < PCLKA or ICLK < PCLKB, then that setting is ignored.
- Note 4. The following association is required between the frequencies of the system clock (ICK) and the peripheral module clocks (PCLKC, PCLKD): ICLK:PCLKC, PCLKD = N:1 or 1:N (N: integer).
- Note 5. The frequency of the system clock (ICK) is limited to the flash wait cycle register (FLWT). See [section 53, Flash Memory](#).

The SCKDIVCR register selects the frequencies of the system clock (ICLK), the peripheral module clocks (PCLKA, PCLKB, PCLKC, PCLKD), flash interface clock (FCLK), external bus clock (BCLK), and SDRAM clock (SDCLK).

When the PLL is selected as the clock source, set the following modules to the module-stop state before changing the value of SCKDIVCR:

- ETHERC
- EDMAC
- SCE7
- GPT32EH
- GPT32E.

In addition, when changing any value in SCKDIVCR from a lower division ratio to a higher division ratio, wait at least 750 ns before changing the value. When changing any value from a higher division ratio to a lower division ratio, wait at least 250 ns after changing the value, before starting subsequent processing.

The recommended method to measure the wait time is through software. Be sure to consider the worst-case conditions to ensure that the required wait time elapses.

Figure 9.2 shows an example flow for changing the value of SCKDIVCR.

#### **PCKD[2:0] bits (Peripheral Module Clock D (PCLKD) Select\*4)**

The PCKD[2:0] bits select the frequency for peripheral module clock D (PCLKD).

#### **PCKC[2:0] bits (Peripheral Module Clock C (PCLKC) Select\*4)**

The PCKC[2:0] bits select the frequency for peripheral module clock C (PCLKC).

#### **PCKB[2:0] bits (Peripheral Module Clock B (PCLKB) Select\*3)**

The PCKB[2:0] bits select the frequency for peripheral module clock B (PCLKB).

#### **PCKA[2:0] bits (Peripheral Module Clock A (PCLKA) Select\*3)**

The PCKA[2:0] bits select the frequency for peripheral module clock A (PCLKA).

#### **BCK[2:0] bits (External Bus Clock (BCLK) Select\*2)**

The BCK[2:0] bits select the frequency for the external bus clock (BCLK) and the SDRAM clock (SDCLK).

#### **ICK[2:0] bits (System Clock (ICLK) Select\*1\*2\*3\*4\*5)**

The ICK[2:0] bits select the frequency for the system clock for the CPU, DMAC, and DTC.

#### **FCK[2:0] bits (Flash Interface Clock (FCLK) Select\*1)**

The FCK[2:0] bits select the frequency for the flash interface clock (FCLK).

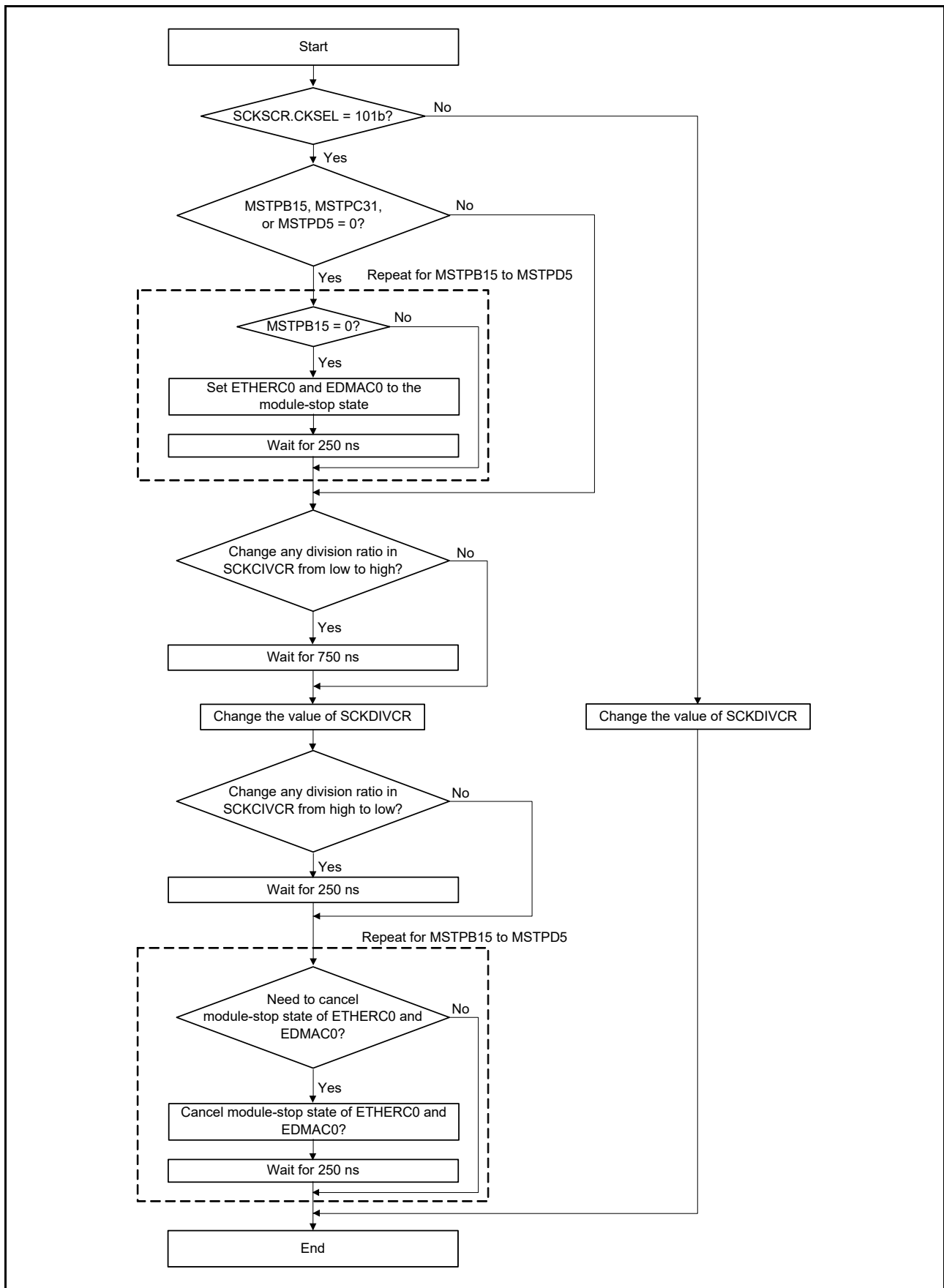
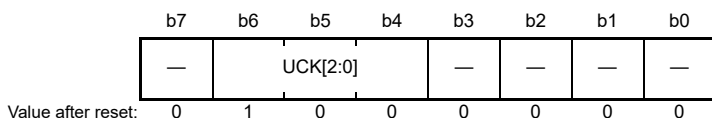


Figure 9.2 Example flow for changing the value of SCKDIVCR

## 9.2.2 System Clock Division Control Register 2 (SCKDIVCR2)

Address(es): [SYSTEM.SCKDIVCR2 4001 E024h](#)



| Bit      | Symbol                   | Bit name                | Description   | R/W |
|----------|--------------------------|-------------------------|---|-----|
| b3 to b0 | —                        | Reserved                | These bits are read as 0. The write value should be 0.                                | R/W |
| b6 to b4 | <a href="#">UCK[2:0]</a> | USB Clock (UCLK) Select | b6 b4<br>0 1 0: ×1/3<br>0 1 1: ×1/4<br>1 0 0: ×1/5.<br>Other settings are prohibited. | R/W |
| b7       | —                        | Reserved                | This bit is read as 0. The write value should be 0.                                   | R/W |

Note: Do not write to SCKDIVCR2 and SCKSCR at the same time by 32-bit access.

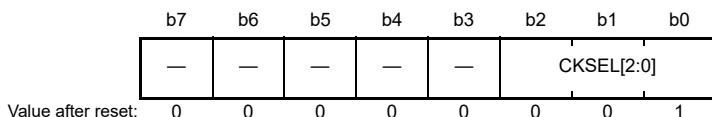
The SCKDIVCR2 register selects the frequency of the USB clock (UCLK).

### [UCK\[2:0\] bits \(USB Clock \(UCLK\) Select\)](#)

The UCK[2:0] bits select the frequency of the USB clock (UCLK). The duty ratio is 2:1 when ×1/3 is selected or 3:2 when ×1/5 is selected.

## 9.2.3 System Clock Source Control Register (SCKSCR)

Address(es): [SYSTEM.SCKSCR 4001 E026h](#)



| Bit      | Symbol                     | Bit name            | Description  | R/W |
|----------|----------------------------|---------------------|--|-----|
| b2 to b0 | <a href="#">CKSEL[2:0]</a> | Clock Source Select | b2 b0<br>0 0 0: HOCO<br>0 0 1: MOCO<br>0 1 0: LOCO<br>0 1 1: Main clock oscillator<br>1 0 0: Sub-clock oscillator<br>1 0 1: PLL.<br>Other settings are prohibited. | R/W |
| b7 to b3 | —                          | Reserved            | These bits are read as 0. The write value should be 0.   | R/W |

Note: Do not write to SCKDIVCR2 and SCKSCR at the same time by 32-bit access.

The SCKSCR register selects the clock source for the system clock.

When changing the value of SCKSCR to either select or deselect the PLL, set the following modules to the module-stop state before changing the SCKSCR value:

- ETHERC
- EDMAC
- SCE7
- GPT32EH

- GPT32E.

In addition, when changing the value of SCKSCR from the PLL to a different clock source, wait at least 750 ns before changing the value. When changing the value from a non-PLL clock source to the PLL, wait at least 250 ns after changing the value, before starting subsequent processing.

The recommended method to measure the wait time is through software. Be sure to consider the worst-case conditions to ensure that the required wait time elapses.

Figure 9.3 shows an example flow for changing the value of SCKSCR.

#### **CKSEL[2:0] bits (Clock Source Select)**

The CKSEL[2:0] bits select the clock source for the following modules:

- System clock (ICLK)
- Peripheral module clocks (PCLKA, PCLKB, PCLKC, and PCLKD)
- Flash interface clock (FCLK)
- External bus clock (BCLK)
- SDRAM clock (SDCLK)
- USBFS clock (UCLK).

The bits select from one of the following sources:

- Low-speed on-chip oscillator (LOCO)
- Middle-speed on-chip oscillator (MOCO)
- High-speed on-chip oscillator (HOCO)
- Main clock oscillator
- Sub-clock oscillator
- PLL circuit.

The clock sources should be switched when there are no occurring internal asynchronous interrupt.

Transitions to clock sources that are not in operation are prohibited.

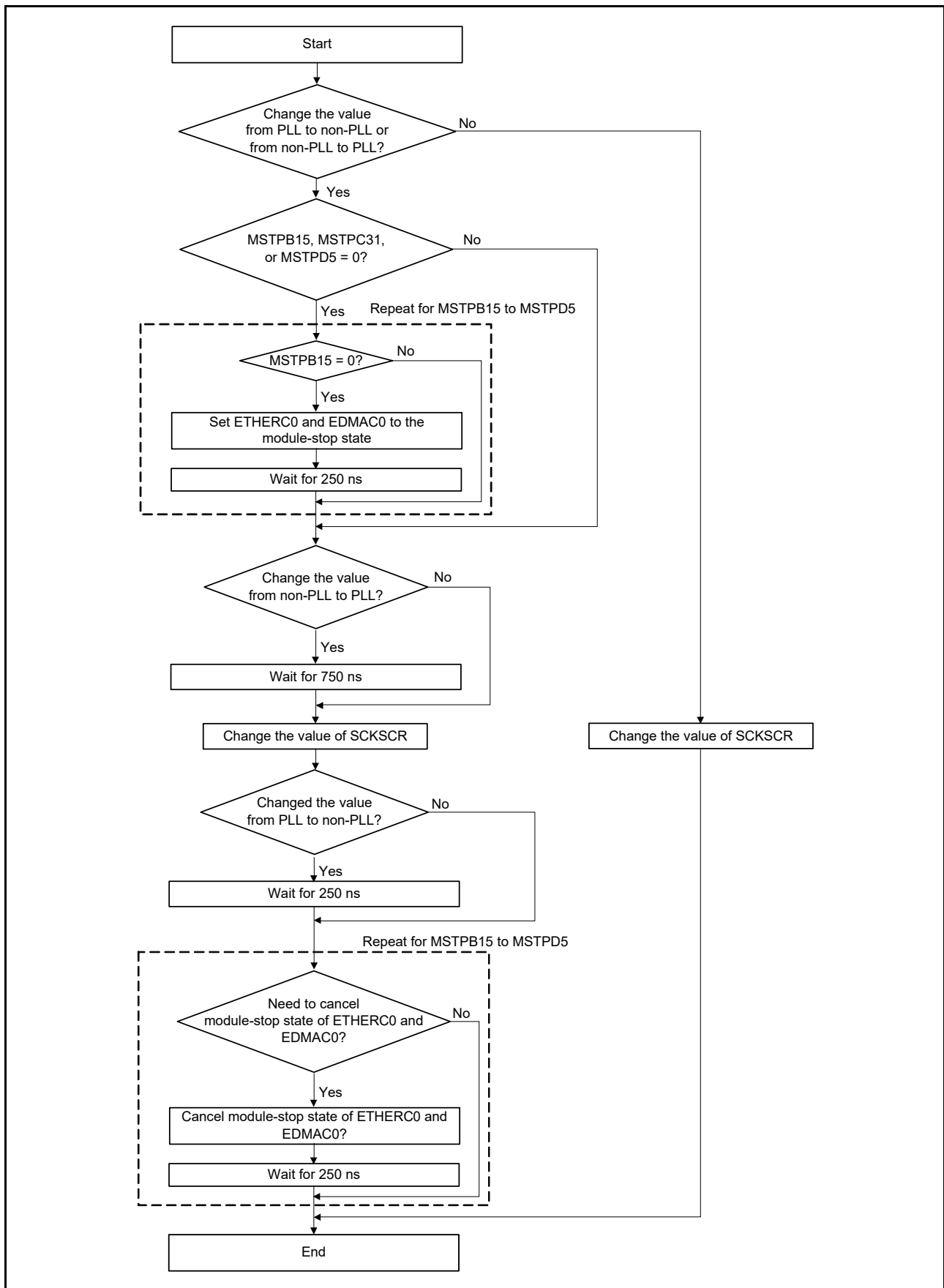


Figure 9.3 Example flow for changing the value of SCKSCR

### 9.2.4 PLL Clock Control Register (PLLCCR)

Address(es): [SYSTEM.PLLCCR 4001 E028h](#)



| Bit       | Symbol                      | Bit name                                     | Description   | R/W |
|-----------|-----------------------------|--|---|-----|
| b1, b0    | <a href="#">PLIDIV[1:0]</a> | PLL Input Frequency Division Ratio Select*1  | b1 b0<br>0 0: × 1<br>0 1: × 1/2<br>1 0: × 1/3<br>1 1: Setting prohibited.   | R/W |
| b3, b2    | —                           | Reserved                                     | These bits are read as 0. The write value should be 0.  | R/W |
| b4        | <a href="#">PLSRCSEL</a>    | PLL Clock Source Select                      | 0: Main clock oscillator*3<br>1: HOCO.  | R/W |
| b7 to b5  | —                           | Reserved                                     | These bits are read as 0. The write value should be 0.  | R/W |
| b13 to b8 | <a href="#">PLLMUL[5:0]</a> | PLL Frequency Multiplication Factor Select*2 | b13 b8<br>0 1 0 0 1 1: × 10.0<br>0 1 0 1 0 0: × 10.5<br>0 1 0 1 0 1: × 11.0<br>...<br>0 1 1 1 0 0: × 14.5<br>0 1 1 1 0 1: × 15.0<br>0 1 1 1 1 0: × 15.5<br>...<br>1 1 1 0 1 0: × 29.5<br>1 1 1 0 1 1: × 30.0.<br>Other settings are prohibited. | R/W |
| b15, b14  | —                           | Reserved                                     | These bits are read as 0. The write value should be 0.  | R/W |

Note 1. PLIDIV[1:0] must be set so that the frequency of the PLL input signal is within the range listed in [Table 9.1](#).

Note 2. PLLMUL[5:0] must be set so that the frequency of the PLL output signal is within the range listed in [Table 9.1](#).

Note 3. PLSRCSEL must be set to 0 when using UCLK.

The PLLCCR register sets up the operation of the PLL circuit. Writing to the PLLCCR is prohibited when the PLL is operating (when the PLLCR.PLLSTP bit is 0).

#### [PLIDIV\[1:0\] bits \(PLL Input Frequency Division Ratio Select\\*1\)](#)

The PLIDIV[1:0] bits select the frequency division ratio for the PLL clock source.

#### [PLSRCSEL bit \(PLL Clock Source Select\)](#)

The PLSRCSEL bit selects the clock source for the PLL.

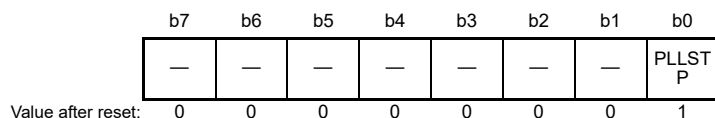
#### [PLLMUL\[5:0\] bits \(PLL Frequency Multiplication Factor Select\\*2\)](#)

The PLLMUL[5:0] bits select the frequency multiplication factor for the PLL circuit.



### 9.2.5 PLL Control Register (PLLCR)

Address(es): [SYSTEM.PLLCR 4001 E02Ah](#)



| Bit      | Symbol                 | Bit name         | Description  | R/W |
|----------|------------------------|------------------|--|-----|
| b0       | <a href="#">PLLSTP</a> | PLL Stop Control | 0: Operate the PLL<br>1: Stop the PLL.                 | R/W |
| b7 to b1 | —                      | Reserved         | These bits are read as 0. The write value should be 0. | R/W |

The PLLCR register controls the operation of the PLL circuit.

#### PLLSTP bit (PLL Stop Control)

The PLLSTP bit starts or stops the PLL circuit. When selecting the main clock oscillator as the clock source for the PLL in the PLLCCR.PLSRCSEL bit, you must also set the Main Clock Oscillator Wait Control Register (MOSCWTCR).

After setting the PLLSTP bit to 0, confirm that the OSCSF.PLLSF bit is set to 1 before using the PLL clock. A fixed stabilization wait is required after setting the PLL to start operation. A fixed wait for the oscillation to stop is also required.

The following restrictions apply when starting and stopping the PLL operation:

- After stopping the PLL, confirm that the OSCSF.PLLSF bit is 0 before restarting the PLL
- Confirm that the PLL operates and that the OSCSF.PLLSF bit is 1 before stopping the PLL
- Regardless of whether the PLL clock is selected as the system clock, after setting the PLL to start operation, confirm that the OSCSF.PLLSF is set to 1 before executing a WFI instruction to place the MCU in Software Standby or Deep Software Standby mode
- When a transition to Software Standby or Deep Software Standby mode is to follow the setting to stop the PLL, confirm that the OSCSF.PLLSF bit is set to 0 before executing the WFI instruction.

Writing 1 to PLLSTP is prohibited under the following condition:

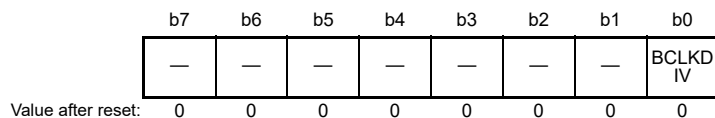
- SCKSCR.CKSEL[2:0] = 101b (system clock source = PLL).

Make sure the following conditions apply before writing 0 to PLLSTP:

- When PLL source clock = MOSC, OSCSF.MOSCSF bit = 1
- When PLL source clock = HOCO, OSCSF.HOCOSF bit = 1.

### 9.2.6 External Bus Clock Control Register (BCKCR)

Address(es): [SYSTEM.BCKCR 4001 E030h](#)



| Bit      | Symbol                  | Bit name                | Description  | R/W |
|----------|-------------------------|-------------------------|--|-----|
| b0       | <a href="#">BCLKDIV</a> | EBCLK Pin Output Select | 0: BCLK<br>1: BCLK/2.                                  | R/W |
| b7 to b1 | —                       | Reserved                | These bits are read as 0. The write value should be 0. | R/W |

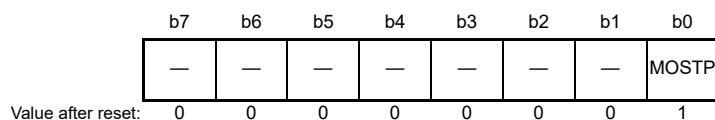
The BCKCR register controls the external bus clock pin.

### BCLKDIV bit (EBCLK Pin Output Select)

The BCLKDIV bit selects the clock signal for output from the EBCLK pin. The signal can be selected from either the BCLK clock with the frequency selected in the BCK[2:0] bits in SCKDIVCR or the BCLK clock divided by 2.

## 9.2.7 Main Clock Oscillator Control Register (MOSCCR)

Address(es): SYSTEM.MOSCCR 4001 E032h



| Bit      | Symbol       | Bit name                   | Description  | R/W |
|----------|--------------|----------------------------|--|-----|
| b0       | <b>MOSTP</b> | Main Clock Oscillator Stop | 0: Operate the main clock oscillator*1<br>1: Stop the main clock oscillator. | R/W |
| b7 to b1 | —            | Reserved                   | These bits are read as 0. The write value should be 0.                       | R/W |

Note 1. The MOMCR register must be set before setting MOSTP to 0.

The MOSCCR register controls the main clock oscillator.

### MOSTP bit (Main Clock Oscillator Stop)

The MOSTP bit starts or stops the main clock oscillator. To start the main clock oscillator, set this bit to 0. When changing the value of the bit, only execute subsequent instructions after reading the bit to check that the value was updated. When using the main clock oscillator, you must set the Main Clock Oscillator Mode Oscillation Control Register (MOMCR) and the Main Clock Oscillator Wait Control Register (MOSCWTCR) before setting MOSTP to 0.

After setting the MOSTP bit to 0, confirm that the OSCSF.MOSCSF bit is set to 1 before using the main clock oscillator. A fixed stabilization wait is required after setting the main clock oscillator to start operation. A fixed wait for the oscillation to stop is also required.

The following restrictions apply when starting and stopping the main clock oscillator operation:

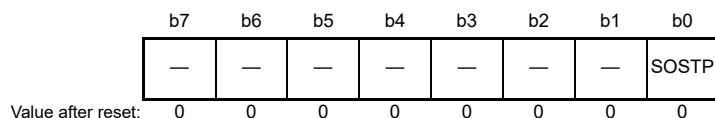
- After stopping the main clock oscillator, ensure that the OSCSF.MOSCSF bit is 0 before restarting the main clock oscillator
- Confirm that the main clock oscillator operates and that the OSCSF.MOSCSF bit is 1 before stopping the main clock oscillator
- Regardless of whether the main clock oscillator is selected as the system clock, confirm that the OSCSF.MOSCSF bit is set to 1 before executing a WFI instruction to place the MCU in Software Standby or Deep Software Standby mode
- When a transition to Software Standby or Deep Software Standby mode is to follow the setting to stop the main clock oscillator, confirm that the OSCSF.MOSCSF bit is set to 0 before executing the WFI instruction.

Writing 1 to MOSTP is prohibited under the following conditions:

- SCKSCR.CKSEL[2:0] = 011b (system clock source = MOSC)
- PLLCCR.PLSRCSEL = 0 (PLL source clock = MOSC) and SCKSCR.CKSEL[2:0] = 101b (system clock source = PLL)
- PLLCCR.PLSRCSEL = 0 (PLL source clock = MOSC) and PLLCR.PLLSTP = 0 (PLL is operating).

### 9.2.8 Subclock Oscillator Control Register (SOSCCR)

Address(es): SYSTEM.SOSCCR 4001 E480h



| Bit      | Symbol | Bit name                  | Description  | R/W |
|----------|--------|---------------------------|--|-----|
| b0       | SOSTP  | Sub-Clock Oscillator Stop | 0: Operate the sub-clock oscillator* <sup>1</sup><br>1: Stop the sub-clock oscillator. | R/W |
| b7 to b1 | —      | Reserved                  | These bits are read as 0. The write value should be 0.                                 | R/W |

Note 1. The SOMCR register must be set before setting SOSTP to 0.

The SOSCCR register controls the sub-clock oscillator.

#### SOSTP bit (Sub-Clock Oscillator Stop)

The SOSTP bit starts or stops the sub-clock oscillator.

When changing the value of the SOSTP bit, only execute subsequent instructions after reading the bit and checking that its value is updated. Use the SOSTP bit when using the sub-clock oscillator as the source for a peripheral module, for example the RTC. When using the sub-clock oscillator, you must set the Sub-Clock Oscillator Mode Control Register (SOMCR) before setting SOSTP to 0.

After setting SOSTP to 0, only use the sub-clock oscillator after the sub-clock oscillation stabilization wait time (tSUBOSCOWT) elapses. A fixed stabilization wait is required after setting the sub-clock oscillator to start operation. A fixed wait for the oscillation to stop is also required.

The following restrictions apply when starting and stopping operation:

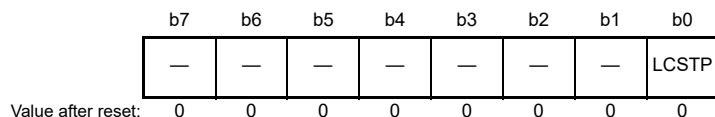
- After stopping the sub-clock oscillator, allow a stop interval of at least 5 SOSC clock cycles before restarting it
- Confirm that sub-clock oscillation is stable before stopping the sub-clock oscillator
- Regardless of whether the sub-clock oscillator is selected as the system clock, confirm that sub-clock oscillation is stable before executing a WFI instruction to place the MCU in Software Standby mode
- When a transition to Software Standby mode is to follow the setting to stop the sub-clock oscillator, wait for at least 3 SOSC clock cycles before executing the WFI instruction.

Writing 1 to SOSTP is prohibited under the following condition:

- SCKSCR.CKSEL[2:0] = 100b (system clock source = SOSC).

### 9.2.9 Low-Speed On-Chip Oscillator Control Register (LOCOCR)

Address(es): SYSTEM.LOCOCR 4001 E490h



| Bit      | Symbol | Bit name  | Description  | R/W |
|----------|--------|-----------|--|-----|
| b0       | LCSTP  | LOCO Stop | 0: Operate the LOCO clock<br>1: Stop the LOCO clock.   | R/W |
| b7 to b1 | —      | Reserved  | These bits are read as 0. The write value should be 0. | R/W |

The LOCOCR register controls the LOCO clock.

### LCSTP bit (LOCO Stop)

The LCSTP bit starts or stops the LOCO clock.

After setting the LCSTP bit to 0 to start the LOCO clock, only use the clock after the LOCO clock oscillation stabilization wait time (tLOCOWT) elapses. A fixed stabilization wait is required after setting the LOCO clock to start operation. A fixed wait for the oscillation to stop is also required.

The following restrictions apply when starting and stopping operation:

- After stopping the LOCO clock, allow a stop interval of at least 5 LOCO clock cycles before restarting it
- Confirm that LOCO oscillation is stable before stopping the LOCO clock
- Regardless of whether the LOCO clock is selected as the system clock, confirm that LOCO oscillation is stable before executing a WFI instruction to place the MCU in Software Standby or Deep Software Standby mode
- When a transition to Software Standby or Deep Software Standby mode is to follow the setting to stop the LOCO clock, wait for at least 3 LOCO clock cycles before executing the WFI instruction.

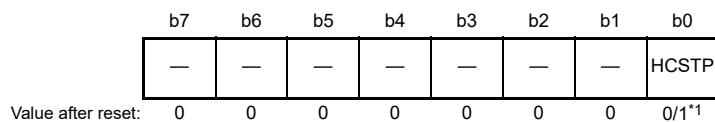
Writing 1 to LOSTP is prohibited under the following condition:

- SCKSCR.CKSEL[2:0] = 010b (system clock source = LOCO).

Because the LOCO clock measures the wait time for other oscillators, it continues to oscillate while measuring this time, regardless of the setting in LOCOCR.LCSTP. As a result, the LOCO clock might be unintentionally supplied even when the LCSTP is set to stop.

### 9.2.10 High-Speed On-Chip Oscillator Control Register (HOCOOCR)

Address(es): SYSTEM.HOCOOCR 4001 E036h



| Bit      | Symbol | Bit name  | Description  | R/W |
|----------|--------|-----------|--|-----|
| b0       | HCSTP  | HOCO Stop | 0: Operate the HOCO clock*2<br>1: Stop the HOCO clock. | R/W |
| b7 to b1 | —      | Reserved  | These bits are read as 0. The write value should be 0. | R/W |

Note 1. The HCSTP bit value after a reset is 0 when the OFS1.HOCOEN bit is 0. It is 1 when the OFS1.HOCOEN bit is 1.

Note 2. If you use the HOCO (HCSTP = 0), you must set the OFS1.HOCOFRQ1 bit to an optimum value.

The HOCOOCR register controls the HOCO clock.

### HCSTP bit (HOCO Stop)

The HCSTP bit starts or stops the HOCO clock.

After setting the HCSTP bit to 0 to start the HOCO clock, confirm that the OSCSF.HOSCSF bit is set to 1 before using the clock. When OFS1.HOCOEN is set to 1, confirm that the OSCSF.HOCOSF is also set to 1 before using the HOCO clock. A fixed stabilization wait is required after setting the HOCO clock to start operation. A fixed wait for oscillation to stop is also required. For the HOCO to operate, the HOCO Wait Control Register (HOCOWTCR) must also be set.

The following restrictions apply when starting and stopping operation:

- After stopping the HOCO, confirm that the OSCSF.HOCOSF bit is 0 before restarting the HOCO clock
- Confirm that the HOCO clock operates and that the OSCSF.HOCOSF bit is 1 before stopping the HOCO clock
- Regardless of whether the HOCO clock is selected as the system clock, confirm that the OSCSF.HOSCSF bit is set

to 1 before executing a WFI instruction to place the MCU in Software Standby or Deep Software Standby mode

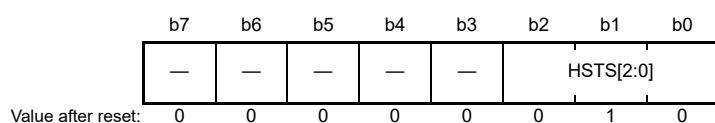
- When a transition to Software Standby or Deep Software Standby mode is to follow the setting to stop the HOCO clock, confirm that the OSCSF.MOSCSF bit is set to 0, before executing the WFI instruction.

Writing 1 to HCSTP is prohibited under the following conditions:

- SCKSCR.CKSEL[2:0] = 000b (system clock source = HOCO)
- PLLCCR.PLSRCSEL = 1 (PLL source clock = HOCO) and SCKSCR.CKSEL[2:0] = 101b (system clock source = PLL)
- PLLCCR.PLSRCSEL = 1 (PLL source clock = HOCO) and PLLCR.PLLSTP = 0 (PLL is operating).

### 9.2.11 High-Speed On-Chip Oscillator Wait Control Register (HOCOWTCR)

Address(es): SYSTEM.HOCOWTCR 4001 E0A5h



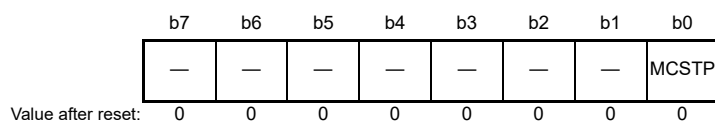
| Bit      | Symbol    | Bit name               | Description  | R/W |
|----------|-----------|------------------------|--|-----|
| b2 to b0 | HSTS[2:0] | HOCO Wait Time Setting | Wait time (s) = (HSTS[2:0] setting +3) / f <sub>LOCO</sub> | R/W |
| b7 to b3 | —         | Reserved               | These bits are read as 0. The write value should be 0.     | R   |

#### HSTS[2:0] bits (HOCO Wait Time Setting)

The HOCOWTCR.HSTS[2:0] bits must be set to 110b, except when using SC10 in Snooze mode. When using SC10 in Snooze mode, the HOCOWTCR.HSTS[2:0] bits must be set to 010b.

### 9.2.12 Middle-Speed On-Chip Oscillator Control Register (MOCOOCR)

Address(es): SYSTEM.MOCOOCR 4001 E038h



| Bit      | Symbol | Bit name  | Description  | R/W |
|----------|--------|-----------|--|-----|
| b0       | MCSTP  | MOCO Stop | 0: Operate the MOCO clock<br>1: Stop the MOCO clock.   | R/W |
| b7 to b1 | —      | Reserved  | These bits are read as 0. The write value should be 0. | R/W |

The MOCOOCR register controls the MOCO clock.

#### MCSTP bit (MOCO Stop)

The MCSTP bit starts or stops the MOCO clock.

After setting the MCSTP bit to 0 to start the MOCO clock, only use the clock after the MOCO clock oscillation stabilization time (t<sub>MOCOWT</sub>) elapses. A fixed stabilization wait is required after setting the MOCO clock to start operation. A fixed wait for oscillation to stop is also required.

The following restrictions apply when starting and stopping operation:

- After stopping the MOCO clock, allow a stop interval of at least 5 MOCO clock cycles before restarting it
- Confirm that MOCO oscillation is stable before stopping the MOCO clock

- Regardless of whether the MOCO clock is selected as the system clock, confirm that MOCO oscillation is stable before executing a WFI instruction to place the MCU in Software Standby or Deep Software Standby mode
- When a transition to Software Standby or Deep Software Standby mode is to follow the setting to stop the MOCO clock, wait for at least 3 MOCO clock cycles before executing the WFI instruction.

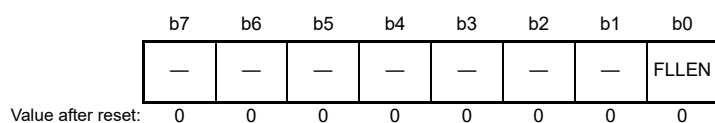
Writing 1 to MCSTP is prohibited under the following condition:

- SCKSCR.CKSEL[2:0] = 001b (system clock source = MOCO).

Writing 1 to the MCSTP bit (stopping the MOCO) is prohibited if oscillation stop detection is enabled in the Oscillation Stop Detection Control Register (OSTDCR.OSTDE).

### 9.2.13 FLL Control Register 1 (FLLCR1)

Address(es): SYSTEM.FLLCR1 4001 E039h



| Bit      | Symbol | Bit name   | Description  | R/W |
|----------|--------|------------|--|-----|
| b0       | FLEEN  | FLL Enable | 0: FLL function is disabled<br>1: FLL function is enabled. | R/W |
| b7 to b1 | —      | Reserved   | These bits are read as 0. The write value should be 0.     | R/W |

Note: HOCO must be stopped (HOCOCCR.HCSTP = 1) before FLLCR1.FLEEN is changed.  
SOSC must operate with stabilization while FLL is enabled (FLLCR1.FLEEN = 1).

The FLLCR1 register controls the FLL function of the HOCO. The FLL function uses SOSC when available for better accuracy in HOCO.

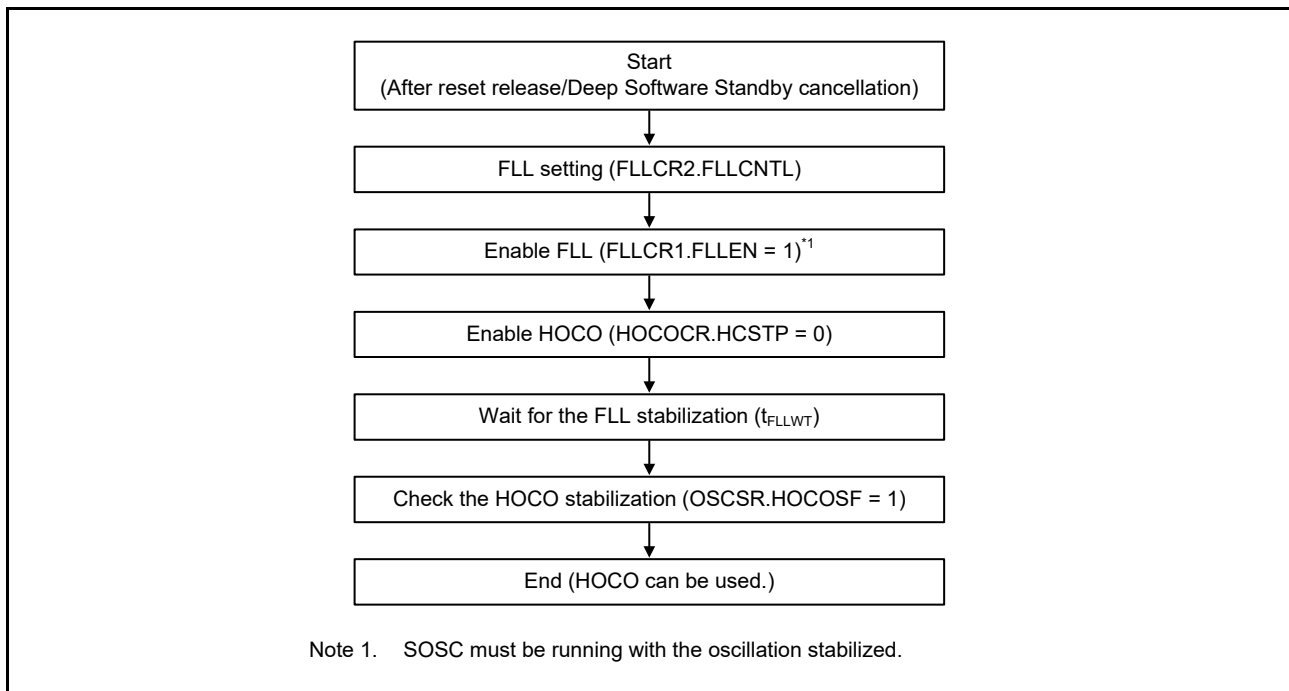
#### FLEEN bit (FLL Enable)

The FLEEN bit enables or disables the FLL function of the HOCO.

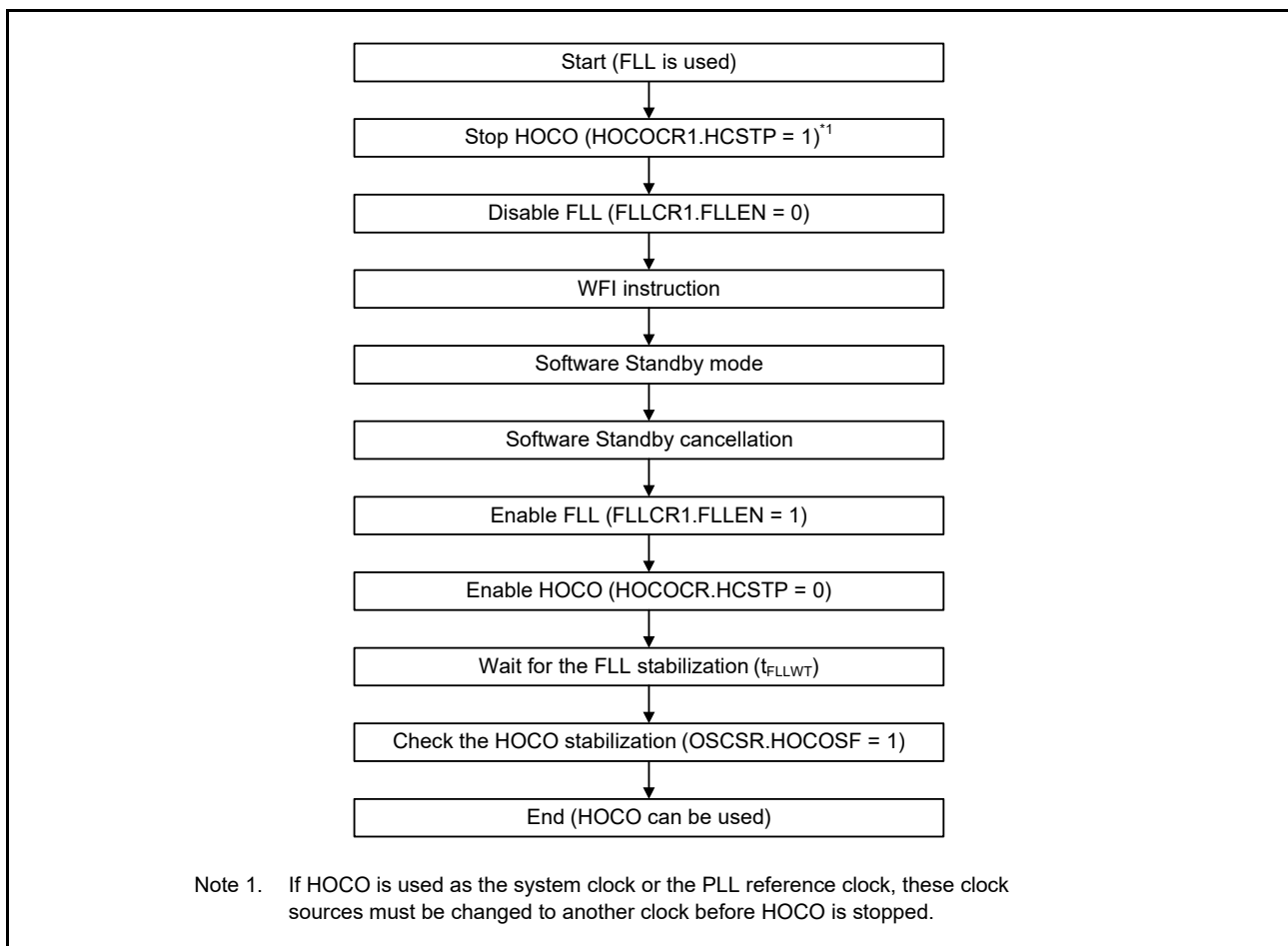
If the FLL function is enabled, the frequency accuracy is guaranteed after the FLL is stabilized. The FLL stabilization can be checked by the frequency measurement of the Clock Frequency Accuracy Measurement Circuit (CAC) after the HOCO is stabilized.

The FLL function must be disabled before the transition to Software Standby mode. Therefore, this bit must be set to 0 before the transition to Software Standby mode.

Figure 9.4 and Figure 9.5 show an example flow of the FLL setting in each case.



**Figure 9.4 FLL setting flow after reset release/Deep Software Standby cancellation**



**Figure 9.5 Software Standby transition/cancellation flow**

### 9.2.14 FLL Control Register 2 (FLLCR2)

Address(es): SYSTEM.FLLCR2.4001 E03Ah



| Bit        | Symbol        | Bit name                   | Description   | R/W |
|------------|---------------|----------------------------|---|-----|
| b10 to b0  | FLLCNTL[10:0] | FLL Multiplication Control | <ul style="list-style-type: none"> <li>• When OFS1.HOCOFRQ0[1:0] is 00b (16 MHz), these bits must be set to 1E9h</li> <li>• When OFS1.HOCOFRQ0[1:0] is 01b (18 MHz), these bits must be set to 226h</li> <li>• When OFS1.HOCOFRQ0[1:0] is 10b (20 MHz), these bits must be set to 263h.</li> </ul> Other settings are prohibited. | R/W |
| b15 to b11 | —             | Reserved                   | These bits are read as 0. The write value should be 0.  | R/W |

The FLLCR2 register controls the FLL function of the HOCO.

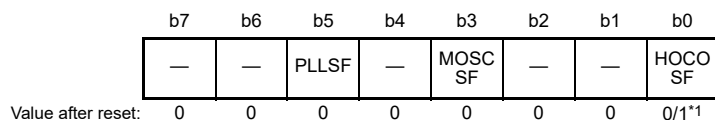
#### FLLCNTL[10:0] bits (FLL Multiplication Control)

The FLLCNTL[10:0] bits select the multiplication ratio of the FLL reference clock.

These bits must be set before FLL is enabled (FLLCR1.FLLEN = 1).

### 9.2.15 Oscillation Stabilization Flag Register (OSCSF)

Address(es): SYSTEM.OSCSF 4001 E03Ch



| Bit    | Symbol | Bit name                                  | Description   | R/W |
|--------|--------|---|---|-----|
| b0     | HOCOSF | HOCO Clock Oscillation Stabilization Flag | 0: The HOCO clock is stopped or is not yet stable<br>1: The HOCO clock is stable, and is available for use as the system clock.                                     | R   |
| b2, b1 | —      | Reserved                                  | These bits are read as 0.   | R   |
| b3     | MOSCSF | Main Clock Oscillation Stabilization Flag | 0: The main clock oscillator is stopped (MOSTP = 1) or is not yet stable*2<br>1: The main clock oscillator is stable, and is available for use as the system clock. | R   |
| b4     | —      | Reserved                                  | This bit is read as 0.  | R   |
| b5     | PLLSF  | PLL Clock Oscillation Stabilization Flag  | 0: The PLL clock is stopped or is not yet stable<br>1: The PLL clock is stable, and is available for use as the system clock.                                       | R   |
| b7, b6 | —      | Reserved                                  | These bits are read as 0  | R   |

Note 1. The value after reset depends on the OFS1.HOCOEN setting.  
 When OFS1.HOCOEN = 1, the value after reset of HOCOSF is 0.  
 When OFS1.HOCOEN = 0, the HOCOSF value becomes 0 after reset is released, and HOCOSF is set to 1 after the HOCO oscillation stabilization wait time elapses.

Note 2. An appropriate value is set in the Wait Control Register for the given oscillator. If the wait time value is not sufficient, the oscillation stabilization flag is set to 1 and supply of the clock signal to the internal circuits starts before oscillation is stable.



The OSCSF register contains flags to indicate the operating status of the counters in the oscillation stabilization wait circuits for the individual oscillators. After oscillation starts, these counters measure the wait time until each oscillator output clock is supplied to the internal circuits. An overflow of a counter indicates that the clock supply is stable and available for the associated circuit.

### HOCOSF flag (HOCO Clock Oscillation Stabilization Flag)

The HOCOSF flag indicates the operating status of the counter that measures the wait time for the high-speed clock oscillator (HOCO). When OFS1.HOCOEN is set to 1, confirm that the OSCSF.HOCOSF is also set to 1 before using the HOCO clock.

[Setting condition]

- After the HOCO clock stops and the HOCOCR.HCSTP bit is set to 0, supply of the MCU clock starts after the number of LOCO cycles associated with the setting of the HOCOWTCR register elapses.

[Clearing condition]

- When the HOCO clock is operating and then is deactivated because the HOCOCR.HCSTP bit is set to 1.

### MOSCSF flag (Main Clock Oscillation Stabilization Flag)

The MOSCSF flag indicates the operating status of the counter that measures the wait time for the main clock oscillator.

[Setting condition]

- After the main clock oscillator stops and the MOSCCR.MOSTP bit is set to 0, supply of the MCU clock starts after the number of LOCO cycles associated with the setting of the MOSCWTCR register elapses.

[Clearing condition]

- When the main clock oscillator is operating and then is deactivated because the MOSCCR.MOSTP bit is set to 1.

### PLLSF flag (PLL Clock Oscillation Stabilization Flag)

The PLLSF flag indicates the operating status of the counter that measures the wait time for the PLL.

[Setting condition]

- After the PLL stops and the PLLCR.PLLSTP bit is set to 0, supply of the MCU clock starts after 31 LOCO cycles. If oscillation by the PLL clock source selected in the PLLCCR.PLSRCSEL bit is not stable when the PLLSTP bit is set to 0, counting of the LOCO cycles continues after the PLL clock source oscillation is stabilized. Wait time is calculated as:

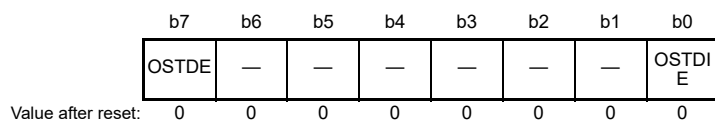
$$1 \text{ cycle} = \text{LOCO} (32.768 \text{ kHz}) \times 8 (3.81 \mu\text{s typical}).$$

[Clearing condition]

- When the PLL is operating and then is deactivated because the PLLCCR.PLLSTP bit is set to 1.

## 9.2.16 Oscillation Stop Detection Control Register (OSTDCR)

Address(es): SYSTEM.OSTDCR 4001 E040h



| Bit      | Symbol | Bit name                                    | Description   | R/W |
|----------|--------|---|---|-----|
| b0       | OSTDIE | Oscillation Stop Detection Interrupt Enable | 0: Disable oscillation stop detection interrupt (do not notify the POEG)<br>1: Enable oscillation stop detection interrupt (notify the POEG). | R/W |
| b6 to b1 | —      | Reserved                                    | These bits are read as 0. The write value should be 0.  | R/W |

| Bit | Symbol | Bit name                                   | Description  | R/W |
|-----|--------|--|--|-----|
| b7  | OSTDE  | Oscillation Stop Detection Function Enable | 0: Disable oscillation stop detection function<br>1: Enable oscillation stop detection function. | R/W |

The OSTDCR register controls the oscillation stop detection function.

#### OSTDIE bit (Oscillation Stop Detection Interrupt Enable)

The OSTDIE bit enables the oscillation stop detection function interrupt. It also controls whether oscillation stop detection is reported to the POEG.

If the Oscillation Stop Detection flag in the Oscillation Stop Detection Status Register (OSTDSR.OSTDF) requires clearing, set the OSTDIE bit to 0 before clearing OSTDF. Wait for at least 2 PCLKB cycles before setting the OSTDIE bit to 1. A longer PCLKB wait time might be required, depending on the number of cycles required to read a given I/O register.

#### OSTDE bit (Oscillation Stop Detection Function Enable)

The OSTDE bit enables the oscillation stop detection function.

When OSTDE is 1 (enabled), the MOCO stop bit (MOCO.CMSTP) is set to 0 and MOCO operation starts. The MOCO clock cannot be stopped while the oscillation stop detection function is enabled. Writing 1 to the MOCO.CMSTP bit (MOCO stopped) is invalid.

When the Oscillation Stop Detection flag in the Oscillation Stop Detection Status Register (OSTDSR.OSTDF) is 1 (main clock oscillation stop detected), writing 0 to the OSTDE bit is invalid.

The OSTDE bit must be set to 0 before transitioning to Software Standby or Deep Software Standby mode. To transition to either of these modes, first set the OSTDE bit to 0, then execute the WFI instruction.

The following restrictions apply when using the oscillation stop detection function:

- In low-speed mode, selecting division by 1, 2, 4, 8 for ICLK, FCLK, BCLK, PCLKA, PCLKB, PCLKC, PCLKD is prohibited.

### 9.2.17 Oscillation Stop Detection Status Register (OSTDSR)

Address(es): SYSTEM.OSTDSR 4001 E041h

|                    | b7 | b6 | b5 | b4 | b3 | b2 | b1 | b0    |
|--------------------|----|----|----|----|----|----|----|-------|
|                    | —  | —  | —  | —  | —  | —  | —  | OSTDF |
| Value after reset: | 0  | 0  | 0  | 0  | 0  | 0  | 0  | 0     |

| Bit      | Symbol | Bit name                        | Description   | R/W                 |
|----------|--------|---------------------------------|---|---------------------|
| b0       | OSTDF  | Oscillation Stop Detection Flag | 0: Main clock oscillation stop not detected<br>1: Main clock oscillation stop detected. | R/(W) <sup>*1</sup> |
| b7 to b1 | —      | Reserved                        | These bits are read as 0. The write value should be 0.                                  | R                   |

Note 1. This bit can only be set to 0.

The OSTDSR register indicates the stop detection status of the main clock oscillator.

#### OSTDF flag (Oscillation Stop Detection Flag)

The OSTDF flag indicates the main clock oscillator status. When OSTDF is 1, it indicates that the main clock oscillation stop was detected. After this stop is detected, the OSTDF flag is not set to 0 even when oscillation is restarted. The OSTDF flag is set to 0 by writing 0 after reading it as 1.

At least 3 ICLK cycles of wait time are required between writing 0 to OSTDF and reading OSTDF as 0. If the OSTDF flag is set to 0 when the main clock oscillation is stopped, the OSTDF flag becomes 0 then returns to 1.

OSTDSR.OSTDF cannot be set to 0 under the following conditions:

- SCKSCR.CKSEL[2:0] = 011b (system clock source = MOSC)
- PLLCCR.PLSRCSEL = 0 (PLL source clock = MOSC) and SCKSCR.CKSEL[2:0] = 101b (system clock source = PLL).

The OSTDF flag must be set to 0 after switching the clock source to sources other than the main clock oscillator and PLL.

[Setting condition]

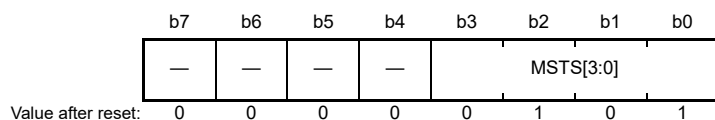
- The main clock oscillator is stopped when OSTDCR.OSTDE = 1 (oscillation stop detection function enabled).

[Clearing condition]

- 1 is read and then 0 is written when the SCKSCR.CKSEL[2:0] bits are neither 011b (system clock = MOSC) nor 101b (system clock = PLL), and the PLLCCR.PLSRCSEL bit is not 0 (PLL source clock = MOSC).

### 9.2.18 Main Clock Oscillator Wait Control Register (MOSCWTCR)

Address(es): SYSTEM.MOSCWTCR 4001 E0A2h



| Bit      | Symbol    | Bit name                                | Description  | R/W  |    |    |    |  |   |   |   |   |                                    |   |   |   |   |                                    |   |   |   |   |                                     |   |   |   |   |                                     |   |   |   |   |  |   |   |   |   |                                       |   |   |   |   |                                       |   |   |   |   |  |   |   |   |   |   |    |    |    |    |  |   |   |   |   |                                    |   |   |   |   |                                    |   |   |   |   |                                     |   |   |   |   |                                     |   |   |   |   |  |   |   |   |   |                                       |   |   |   |   |                                       |   |   |   |   |  |   |   |   |   |   |     |
|----------|-----------|---|--|--|----|----|----|--|---|---|---|---|------------------------------------|---|---|---|---|------------------------------------|---|---|---|---|-------------------------------------|---|---|---|---|-------------------------------------|---|---|---|---|--|---|---|---|---|---------------------------------------|---|---|---|---|---------------------------------------|---|---|---|---|--|---|---|---|---|---|----|----|----|----|--|---|---|---|---|------------------------------------|---|---|---|---|------------------------------------|---|---|---|---|-------------------------------------|---|---|---|---|-------------------------------------|---|---|---|---|--|---|---|---|---|---------------------------------------|---|---|---|---|---------------------------------------|---|---|---|---|--|---|---|---|---|---|-----|
| b3 to b0 | MSTS[3:0] | Main Clock Oscillator Wait Time Setting | <p>When drive capability automatic switching function is disabled (MOMCR.AUTODRVEN = 0 [default]):</p> <table border="0"> <tr> <td>b3</td> <td>b2</td> <td>b1</td> <td>b0</td> <td></td> </tr> <tr> <td>0</td> <td>0</td> <td>0</td> <td>1</td> <td>: Wait time = 35 cycles (133.5 μs)</td> </tr> <tr> <td>0</td> <td>0</td> <td>1</td> <td>0</td> <td>: Wait time = 67 cycles (255.6 μs)</td> </tr> <tr> <td>0</td> <td>0</td> <td>1</td> <td>1</td> <td>: Wait time = 131 cycles (499.7 μs)</td> </tr> <tr> <td>0</td> <td>1</td> <td>0</td> <td>0</td> <td>: Wait time = 259 cycles (988.0 μs)</td> </tr> <tr> <td>0</td> <td>1</td> <td>0</td> <td>1</td> <td>: Wait time = 547 cycles (2086.6 μs) (value after reset)</td> </tr> <tr> <td>0</td> <td>1</td> <td>1</td> <td>0</td> <td>: Wait time = 1059 cycles (4039.8 μs)</td> </tr> <tr> <td>0</td> <td>1</td> <td>1</td> <td>1</td> <td>: Wait time = 2147 cycles (8190.2 μs)</td> </tr> <tr> <td>1</td> <td>0</td> <td>0</td> <td>0</td> <td>: Wait time = 4291 cycles (16368.9 μs)</td> </tr> <tr> <td>1</td> <td>0</td> <td>0</td> <td>1</td> <td>: Wait time = 8163 cycles (31139.4 μs).</td> </tr> </table> <p>When drive capability automatic switching function is enabled (MOMCR.AUTODRVEN = 1):</p> <table border="0"> <tr> <td>b3</td> <td>b2</td> <td>b1</td> <td>b0</td> <td></td> </tr> <tr> <td>0</td> <td>0</td> <td>0</td> <td>1</td> <td>: Wait time = 36 cycles (137.3 μs)</td> </tr> <tr> <td>0</td> <td>0</td> <td>1</td> <td>0</td> <td>: Wait time = 68 cycles (259.4 μs)</td> </tr> <tr> <td>0</td> <td>0</td> <td>1</td> <td>1</td> <td>: Wait time = 132 cycles (503.5 μs)</td> </tr> <tr> <td>0</td> <td>1</td> <td>0</td> <td>0</td> <td>: Wait time = 260 cycles (991.8 μs)</td> </tr> <tr> <td>0</td> <td>1</td> <td>0</td> <td>1</td> <td>: Wait time = 548 cycles (2090.5 μs) (value after reset)</td> </tr> <tr> <td>0</td> <td>1</td> <td>1</td> <td>0</td> <td>: Wait time = 1060 cycles (4043.6 μs)</td> </tr> <tr> <td>0</td> <td>1</td> <td>1</td> <td>1</td> <td>: Wait time = 2148 cycles (8194.0 μs)</td> </tr> <tr> <td>1</td> <td>0</td> <td>0</td> <td>0</td> <td>: Wait time = 4292 cycles (16372.7 μs)</td> </tr> <tr> <td>1</td> <td>0</td> <td>0</td> <td>1</td> <td>: Wait time = 8164 cycles (31143.2 μs).</td> </tr> </table> <p>Other settings are prohibited.</p> <p>Wait time is calculated as:<br/> <math>1 \text{ cycle } (\mu\text{s}) = 1 / (f\_LOCO \text{ [MHz]} \times 8) = 1 / (0.032768 \times 8) = 3.81 \mu\text{s}</math></p> | b3   | b2 | b1 | b0 |  | 0 | 0 | 0 | 1 | : Wait time = 35 cycles (133.5 μs) | 0 | 0 | 1 | 0 | : Wait time = 67 cycles (255.6 μs) | 0 | 0 | 1 | 1 | : Wait time = 131 cycles (499.7 μs) | 0 | 1 | 0 | 0 | : Wait time = 259 cycles (988.0 μs) | 0 | 1 | 0 | 1 | : Wait time = 547 cycles (2086.6 μs) (value after reset) | 0 | 1 | 1 | 0 | : Wait time = 1059 cycles (4039.8 μs) | 0 | 1 | 1 | 1 | : Wait time = 2147 cycles (8190.2 μs) | 1 | 0 | 0 | 0 | : Wait time = 4291 cycles (16368.9 μs) | 1 | 0 | 0 | 1 | : Wait time = 8163 cycles (31139.4 μs). | b3 | b2 | b1 | b0 |  | 0 | 0 | 0 | 1 | : Wait time = 36 cycles (137.3 μs) | 0 | 0 | 1 | 0 | : Wait time = 68 cycles (259.4 μs) | 0 | 0 | 1 | 1 | : Wait time = 132 cycles (503.5 μs) | 0 | 1 | 0 | 0 | : Wait time = 260 cycles (991.8 μs) | 0 | 1 | 0 | 1 | : Wait time = 548 cycles (2090.5 μs) (value after reset) | 0 | 1 | 1 | 0 | : Wait time = 1060 cycles (4043.6 μs) | 0 | 1 | 1 | 1 | : Wait time = 2148 cycles (8194.0 μs) | 1 | 0 | 0 | 0 | : Wait time = 4292 cycles (16372.7 μs) | 1 | 0 | 0 | 1 | : Wait time = 8164 cycles (31143.2 μs). | R/W |
| b3       | b2        | b1                                      | b0   |  |    |    |    |  |   |   |   |   |                                    |   |   |   |   |                                    |   |   |   |   |                                     |   |   |   |   |                                     |   |   |   |   |  |   |   |   |   |                                       |   |   |   |   |                                       |   |   |   |   |  |   |   |   |   |   |    |    |    |    |  |   |   |   |   |                                    |   |   |   |   |                                    |   |   |   |   |                                     |   |   |   |   |                                     |   |   |   |   |  |   |   |   |   |                                       |   |   |   |   |                                       |   |   |   |   |  |   |   |   |   |   |     |
| 0        | 0         | 0                                       | 1  | : Wait time = 35 cycles (133.5 μs)                       |    |    |    |  |   |   |   |   |                                    |   |   |   |   |                                    |   |   |   |   |                                     |   |   |   |   |                                     |   |   |   |   |  |   |   |   |   |                                       |   |   |   |   |                                       |   |   |   |   |  |   |   |   |   |   |    |    |    |    |  |   |   |   |   |                                    |   |   |   |   |                                    |   |   |   |   |                                     |   |   |   |   |                                     |   |   |   |   |  |   |   |   |   |                                       |   |   |   |   |                                       |   |   |   |   |  |   |   |   |   |   |     |
| 0        | 0         | 1                                       | 0  | : Wait time = 67 cycles (255.6 μs)                       |    |    |    |  |   |   |   |   |                                    |   |   |   |   |                                    |   |   |   |   |                                     |   |   |   |   |                                     |   |   |   |   |  |   |   |   |   |                                       |   |   |   |   |                                       |   |   |   |   |  |   |   |   |   |   |    |    |    |    |  |   |   |   |   |                                    |   |   |   |   |                                    |   |   |   |   |                                     |   |   |   |   |                                     |   |   |   |   |  |   |   |   |   |                                       |   |   |   |   |                                       |   |   |   |   |  |   |   |   |   |   |     |
| 0        | 0         | 1                                       | 1  | : Wait time = 131 cycles (499.7 μs)                      |    |    |    |  |   |   |   |   |                                    |   |   |   |   |                                    |   |   |   |   |                                     |   |   |   |   |                                     |   |   |   |   |  |   |   |   |   |                                       |   |   |   |   |                                       |   |   |   |   |  |   |   |   |   |   |    |    |    |    |  |   |   |   |   |                                    |   |   |   |   |                                    |   |   |   |   |                                     |   |   |   |   |                                     |   |   |   |   |  |   |   |   |   |                                       |   |   |   |   |                                       |   |   |   |   |  |   |   |   |   |   |     |
| 0        | 1         | 0                                       | 0  | : Wait time = 259 cycles (988.0 μs)                      |    |    |    |  |   |   |   |   |                                    |   |   |   |   |                                    |   |   |   |   |                                     |   |   |   |   |                                     |   |   |   |   |  |   |   |   |   |                                       |   |   |   |   |                                       |   |   |   |   |  |   |   |   |   |   |    |    |    |    |  |   |   |   |   |                                    |   |   |   |   |                                    |   |   |   |   |                                     |   |   |   |   |                                     |   |   |   |   |  |   |   |   |   |                                       |   |   |   |   |                                       |   |   |   |   |  |   |   |   |   |   |     |
| 0        | 1         | 0                                       | 1  | : Wait time = 547 cycles (2086.6 μs) (value after reset) |    |    |    |  |   |   |   |   |                                    |   |   |   |   |                                    |   |   |   |   |                                     |   |   |   |   |                                     |   |   |   |   |  |   |   |   |   |                                       |   |   |   |   |                                       |   |   |   |   |  |   |   |   |   |   |    |    |    |    |  |   |   |   |   |                                    |   |   |   |   |                                    |   |   |   |   |                                     |   |   |   |   |                                     |   |   |   |   |  |   |   |   |   |                                       |   |   |   |   |                                       |   |   |   |   |  |   |   |   |   |   |     |
| 0        | 1         | 1                                       | 0  | : Wait time = 1059 cycles (4039.8 μs)                    |    |    |    |  |   |   |   |   |                                    |   |   |   |   |                                    |   |   |   |   |                                     |   |   |   |   |                                     |   |   |   |   |  |   |   |   |   |                                       |   |   |   |   |                                       |   |   |   |   |  |   |   |   |   |   |    |    |    |    |  |   |   |   |   |                                    |   |   |   |   |                                    |   |   |   |   |                                     |   |   |   |   |                                     |   |   |   |   |  |   |   |   |   |                                       |   |   |   |   |                                       |   |   |   |   |  |   |   |   |   |   |     |
| 0        | 1         | 1                                       | 1  | : Wait time = 2147 cycles (8190.2 μs)                    |    |    |    |  |   |   |   |   |                                    |   |   |   |   |                                    |   |   |   |   |                                     |   |   |   |   |                                     |   |   |   |   |  |   |   |   |   |                                       |   |   |   |   |                                       |   |   |   |   |  |   |   |   |   |   |    |    |    |    |  |   |   |   |   |                                    |   |   |   |   |                                    |   |   |   |   |                                     |   |   |   |   |                                     |   |   |   |   |  |   |   |   |   |                                       |   |   |   |   |                                       |   |   |   |   |  |   |   |   |   |   |     |
| 1        | 0         | 0                                       | 0  | : Wait time = 4291 cycles (16368.9 μs)                   |    |    |    |  |   |   |   |   |                                    |   |   |   |   |                                    |   |   |   |   |                                     |   |   |   |   |                                     |   |   |   |   |  |   |   |   |   |                                       |   |   |   |   |                                       |   |   |   |   |  |   |   |   |   |   |    |    |    |    |  |   |   |   |   |                                    |   |   |   |   |                                    |   |   |   |   |                                     |   |   |   |   |                                     |   |   |   |   |  |   |   |   |   |                                       |   |   |   |   |                                       |   |   |   |   |  |   |   |   |   |   |     |
| 1        | 0         | 0                                       | 1  | : Wait time = 8163 cycles (31139.4 μs).                  |    |    |    |  |   |   |   |   |                                    |   |   |   |   |                                    |   |   |   |   |                                     |   |   |   |   |                                     |   |   |   |   |  |   |   |   |   |                                       |   |   |   |   |                                       |   |   |   |   |  |   |   |   |   |   |    |    |    |    |  |   |   |   |   |                                    |   |   |   |   |                                    |   |   |   |   |                                     |   |   |   |   |                                     |   |   |   |   |  |   |   |   |   |                                       |   |   |   |   |                                       |   |   |   |   |  |   |   |   |   |   |     |
| b3       | b2        | b1                                      | b0   |  |    |    |    |  |   |   |   |   |                                    |   |   |   |   |                                    |   |   |   |   |                                     |   |   |   |   |                                     |   |   |   |   |  |   |   |   |   |                                       |   |   |   |   |                                       |   |   |   |   |  |   |   |   |   |   |    |    |    |    |  |   |   |   |   |                                    |   |   |   |   |                                    |   |   |   |   |                                     |   |   |   |   |                                     |   |   |   |   |  |   |   |   |   |                                       |   |   |   |   |                                       |   |   |   |   |  |   |   |   |   |   |     |
| 0        | 0         | 0                                       | 1  | : Wait time = 36 cycles (137.3 μs)                       |    |    |    |  |   |   |   |   |                                    |   |   |   |   |                                    |   |   |   |   |                                     |   |   |   |   |                                     |   |   |   |   |  |   |   |   |   |                                       |   |   |   |   |                                       |   |   |   |   |  |   |   |   |   |   |    |    |    |    |  |   |   |   |   |                                    |   |   |   |   |                                    |   |   |   |   |                                     |   |   |   |   |                                     |   |   |   |   |  |   |   |   |   |                                       |   |   |   |   |                                       |   |   |   |   |  |   |   |   |   |   |     |
| 0        | 0         | 1                                       | 0  | : Wait time = 68 cycles (259.4 μs)                       |    |    |    |  |   |   |   |   |                                    |   |   |   |   |                                    |   |   |   |   |                                     |   |   |   |   |                                     |   |   |   |   |  |   |   |   |   |                                       |   |   |   |   |                                       |   |   |   |   |  |   |   |   |   |   |    |    |    |    |  |   |   |   |   |                                    |   |   |   |   |                                    |   |   |   |   |                                     |   |   |   |   |                                     |   |   |   |   |  |   |   |   |   |                                       |   |   |   |   |                                       |   |   |   |   |  |   |   |   |   |   |     |
| 0        | 0         | 1                                       | 1  | : Wait time = 132 cycles (503.5 μs)                      |    |    |    |  |   |   |   |   |                                    |   |   |   |   |                                    |   |   |   |   |                                     |   |   |   |   |                                     |   |   |   |   |  |   |   |   |   |                                       |   |   |   |   |                                       |   |   |   |   |  |   |   |   |   |   |    |    |    |    |  |   |   |   |   |                                    |   |   |   |   |                                    |   |   |   |   |                                     |   |   |   |   |                                     |   |   |   |   |  |   |   |   |   |                                       |   |   |   |   |                                       |   |   |   |   |  |   |   |   |   |   |     |
| 0        | 1         | 0                                       | 0  | : Wait time = 260 cycles (991.8 μs)                      |    |    |    |  |   |   |   |   |                                    |   |   |   |   |                                    |   |   |   |   |                                     |   |   |   |   |                                     |   |   |   |   |  |   |   |   |   |                                       |   |   |   |   |                                       |   |   |   |   |  |   |   |   |   |   |    |    |    |    |  |   |   |   |   |                                    |   |   |   |   |                                    |   |   |   |   |                                     |   |   |   |   |                                     |   |   |   |   |  |   |   |   |   |                                       |   |   |   |   |                                       |   |   |   |   |  |   |   |   |   |   |     |
| 0        | 1         | 0                                       | 1  | : Wait time = 548 cycles (2090.5 μs) (value after reset) |    |    |    |  |   |   |   |   |                                    |   |   |   |   |                                    |   |   |   |   |                                     |   |   |   |   |                                     |   |   |   |   |  |   |   |   |   |                                       |   |   |   |   |                                       |   |   |   |   |  |   |   |   |   |   |    |    |    |    |  |   |   |   |   |                                    |   |   |   |   |                                    |   |   |   |   |                                     |   |   |   |   |                                     |   |   |   |   |  |   |   |   |   |                                       |   |   |   |   |                                       |   |   |   |   |  |   |   |   |   |   |     |
| 0        | 1         | 1                                       | 0  | : Wait time = 1060 cycles (4043.6 μs)                    |    |    |    |  |   |   |   |   |                                    |   |   |   |   |                                    |   |   |   |   |                                     |   |   |   |   |                                     |   |   |   |   |  |   |   |   |   |                                       |   |   |   |   |                                       |   |   |   |   |  |   |   |   |   |   |    |    |    |    |  |   |   |   |   |                                    |   |   |   |   |                                    |   |   |   |   |                                     |   |   |   |   |                                     |   |   |   |   |  |   |   |   |   |                                       |   |   |   |   |                                       |   |   |   |   |  |   |   |   |   |   |     |
| 0        | 1         | 1                                       | 1  | : Wait time = 2148 cycles (8194.0 μs)                    |    |    |    |  |   |   |   |   |                                    |   |   |   |   |                                    |   |   |   |   |                                     |   |   |   |   |                                     |   |   |   |   |  |   |   |   |   |                                       |   |   |   |   |                                       |   |   |   |   |  |   |   |   |   |   |    |    |    |    |  |   |   |   |   |                                    |   |   |   |   |                                    |   |   |   |   |                                     |   |   |   |   |                                     |   |   |   |   |  |   |   |   |   |                                       |   |   |   |   |                                       |   |   |   |   |  |   |   |   |   |   |     |
| 1        | 0         | 0                                       | 0  | : Wait time = 4292 cycles (16372.7 μs)                   |    |    |    |  |   |   |   |   |                                    |   |   |   |   |                                    |   |   |   |   |                                     |   |   |   |   |                                     |   |   |   |   |  |   |   |   |   |                                       |   |   |   |   |                                       |   |   |   |   |  |   |   |   |   |   |    |    |    |    |  |   |   |   |   |                                    |   |   |   |   |                                    |   |   |   |   |                                     |   |   |   |   |                                     |   |   |   |   |  |   |   |   |   |                                       |   |   |   |   |                                       |   |   |   |   |  |   |   |   |   |   |     |
| 1        | 0         | 0                                       | 1  | : Wait time = 8164 cycles (31143.2 μs).                  |    |    |    |  |   |   |   |   |                                    |   |   |   |   |                                    |   |   |   |   |                                     |   |   |   |   |                                     |   |   |   |   |  |   |   |   |   |                                       |   |   |   |   |                                       |   |   |   |   |  |   |   |   |   |   |    |    |    |    |  |   |   |   |   |                                    |   |   |   |   |                                    |   |   |   |   |                                     |   |   |   |   |                                     |   |   |   |   |  |   |   |   |   |                                       |   |   |   |   |                                       |   |   |   |   |  |   |   |   |   |   |     |
| b7 to b4 | —         | Reserved                                | These bits are read as 0. The write value should be 0.   | R  |    |    |    |  |   |   |   |   |                                    |   |   |   |   |                                    |   |   |   |   |                                     |   |   |   |   |                                     |   |   |   |   |  |   |   |   |   |                                       |   |   |   |   |                                       |   |   |   |   |  |   |   |   |   |   |    |    |    |    |  |   |   |   |   |                                    |   |   |   |   |                                    |   |   |   |   |                                     |   |   |   |   |                                     |   |   |   |   |  |   |   |   |   |                                       |   |   |   |   |                                       |   |   |   |   |  |   |   |   |   |   |     |

#### MSTS[3:0] bits (Main Clock Oscillator Wait Time Setting)

Set the MSTS[3:0] bits to select the oscillation stabilization wait time for the main clock oscillator.

Specify a time period longer than or equal to the stabilization time recommended by the oscillator manufacturer. When the main clock is input externally, set these bits to 0001b, because the oscillation stabilization time is not required.

The wait time set in the MSTS[3:0] bits is counted using:

$$1 \text{ cycle } (\mu\text{s}) = 1 / (f\_LOCO [\text{MHz}] \times 8) = 1 / (0.032768 \times 8) = 3.81 (\mu\text{s}).$$

The LOCO clock automatically oscillates when necessary, regardless of the value of the LOCOCR.LOSTP bit. After the specified wait time elapses, supply of the main clock oscillator starts internally in the MCU, and the OSCSF.MOSCSF flag is set to 1. If the specified wait time is short, supply of the main clock oscillator starts before oscillation of the clock becomes stable.

Only rewrite the MOSCWTCR register when the MOSCCR.MOSTP bit is 1 and the OSCSF.MOSCSF flag is 0. Do not rewrite this register under any other conditions.

### 9.2.19 Main Clock Oscillator Mode Oscillation Control Register (MOMCR)

Address(es): SYSTEM.MOMCR 4001 E413h

|                    |           |       |             |    |    |    |    |    |
|--------------------|-----------|-------|-------------|----|----|----|----|----|
|                    | b7        | b6    | b5          | b4 | b3 | b2 | b1 | b0 |
|                    | AUTODRVEN | MOSEL | MODRV0[1:0] | —  | —  | —  | —  | —  |
| Value after reset: | 0         | 0     | 0           | 0  | 0  | 0  | 0  | 0  |

| Bit      | Symbol      | Bit name   | Description  | R/W |
|----------|-------------|--|--|-----|
| b3 to b0 | —           | Reserved   | These bits are read as 0. The write value should be 0.                             | R/W |
| b5, b4   | MODRV0[1:0] | Main Clock Oscillator Drive Capability 0 Switching           | b5 b4<br>0 0: 20 to 24 MHz<br>0 1: 16 to 20 MHz<br>1 0: 8 to 16 MHz<br>1 1: 8 MHz. | R/W |
| b6       | MOSEL       | Main Clock Oscillator Switching                              | 0: Resonator<br>1: External clock input.   | R/W |
| b7       | AUTODRVEN   | Main Clock Oscillator Drive Capability Auto Switching Enable | 0: Disable<br>1: Enable.   | R/W |

Note: The EXTAL/XTAL pin is also used as a port. In the initial state, the port function is selected.

Note: The MOSTP bit must be 1 (MOSC = stopped) before changing this register.

#### MODRV0[1:0] bits (Main Clock Oscillator Drive Capability 0 Switching)

The MODRV0[1:0] bits switch the drive capability of the main clock oscillator.

#### MOSEL bit (Main Clock Oscillator Switching)

The MOSEL bit switches the source for the main clock oscillator.

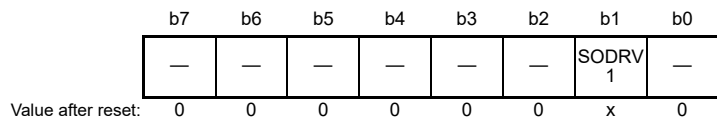
#### AUTODRVEN bit (Main Clock Oscillator Drive Capability Auto Switching Enable)

The AUTODRVEN bit controls the drive capability auto switching of the main clock oscillator.

When AUTODRVEN = 1, after the time set in the MSTS bits in the Main Clock Oscillator Wait Control Register elapses, the effective main clock oscillator drive capability is automatically set to the lowest, regardless of the MOMCR.MODRV0[1:0] setting. The main clock oscillator restarts oscillation with MOMCR.MODRV0 specified drive capability after the oscillation stops by the MOSCCR.MOSTP setting or by entering Software Standby mode.

### 9.2.20 Subclock Oscillator Mode Control Register (SOMCR)

Address(es): SYSTEM.SOMCR 4001 E481h



x: Undefined

| Bit      | Symbol | Bit name  | Description  | R/W |
|----------|--------|---|--|-----|
| b0       | —      | Reserved  | This bit is read as 0. The write value should be 0.    | R/W |
| b1       | SODRV1 | Sub-Clock Oscillator Drive Capability Switching | 0: Standard<br>1: Low.                                 | R/W |
| b7 to b2 | —      | Reserved  | These bits are read as 0. The write value should be 0. | R/W |

Note: The SOSCCR.SOSTP bit must be 1 (SOSC = stopped) before changing this register.

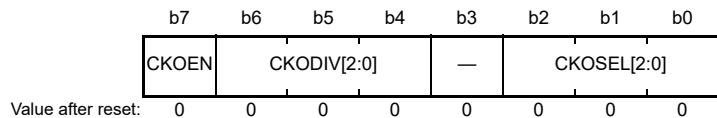
#### SODRV1 bit (Sub-Clock Oscillator Drive Capability Switching)

The SODRV1 bit switches the drive capability of the sub-clock oscillator. This bit is undefined at the first power on, but the value after reset of SOSCCR.SOSTP is 0 (SOSC = operating). Set up the SOSC as follows at the first power on:

1. Set the SOSCCR.SOSTP bit to 1 (SOSC = stopped).
2. Set the SODRV1 bit to the correct value for the current capacitor.
3. Set the SOSCCR.SOSTP bit to 0 (SOSC = operating).

### 9.2.21 Clock Out Control Register (CKOCR)

Address(es): SYSTEM.CKOCR 4001 E03Eh



| Bit      | Symbol      | Bit name                                  | Description   | R/W |    |  |   |   |         |   |   |         |   |   |         |   |   |         |   |   |          |     |   |        |   |   |        |   |   |          |     |
|----------|-------------|---|---|-----|----|--|---|---|---------|---|---|---------|---|---|---------|---|---|---------|---|---|----------|-----|---|--------|---|---|--------|---|---|----------|-----|
| b2 to b0 | CKOSEL[2:0] | Clock Out Source Select                   | <table style="font-size: small; border: none;"> <tr> <td>b2</td> <td>b0</td> <td></td> </tr> <tr> <td>0</td> <td>0</td> <td>0: HOCO</td> </tr> <tr> <td>0</td> <td>0</td> <td>1: MOCO</td> </tr> <tr> <td>0</td> <td>1</td> <td>0: LOCO</td> </tr> <tr> <td>0</td> <td>1</td> <td>1: MOSC</td> </tr> <tr> <td>1</td> <td>0</td> <td>0: SOSC.</td> </tr> </table> Other settings are prohibited.   | b2  | b0 |  | 0 | 0 | 0: HOCO | 0 | 0 | 1: MOCO | 0 | 1 | 0: LOCO | 0 | 1 | 1: MOSC | 1 | 0 | 0: SOSC. | R/W |   |        |   |   |        |   |   |          |     |
| b2       | b0          |   |   |     |    |  |   |   |         |   |   |         |   |   |         |   |   |         |   |   |          |     |   |        |   |   |        |   |   |          |     |
| 0        | 0           | 0: HOCO                                   |   |     |    |  |   |   |         |   |   |         |   |   |         |   |   |         |   |   |          |     |   |        |   |   |        |   |   |          |     |
| 0        | 0           | 1: MOCO                                   |   |     |    |  |   |   |         |   |   |         |   |   |         |   |   |         |   |   |          |     |   |        |   |   |        |   |   |          |     |
| 0        | 1           | 0: LOCO                                   |   |     |    |  |   |   |         |   |   |         |   |   |         |   |   |         |   |   |          |     |   |        |   |   |        |   |   |          |     |
| 0        | 1           | 1: MOSC                                   |   |     |    |  |   |   |         |   |   |         |   |   |         |   |   |         |   |   |          |     |   |        |   |   |        |   |   |          |     |
| 1        | 0           | 0: SOSC.                                  |   |     |    |  |   |   |         |   |   |         |   |   |         |   |   |         |   |   |          |     |   |        |   |   |        |   |   |          |     |
| b3       | —           | Reserved                                  | This bit is read as 0. The write value should be 0.   | R/W |    |  |   |   |         |   |   |         |   |   |         |   |   |         |   |   |          |     |   |        |   |   |        |   |   |          |     |
| b6 to b4 | CKODIV[2:0] | Clock Out Input Frequency Division Select | <table style="font-size: small; border: none;"> <tr> <td>b6</td> <td>b4</td> <td></td> </tr> <tr> <td>0</td> <td>0</td> <td>0: ×1</td> </tr> <tr> <td>0</td> <td>0</td> <td>1: /2</td> </tr> <tr> <td>0</td> <td>1</td> <td>0: /4</td> </tr> <tr> <td>0</td> <td>1</td> <td>1: /8</td> </tr> <tr> <td>1</td> <td>0</td> <td>0: /16</td> </tr> <tr> <td>1</td> <td>0</td> <td>1: /32</td> </tr> <tr> <td>1</td> <td>1</td> <td>0: /64</td> </tr> <tr> <td>1</td> <td>1</td> <td>1: /128.</td> </tr> </table> | b6  | b4 |  | 0 | 0 | 0: ×1   | 0 | 0 | 1: /2   | 0 | 1 | 0: /4   | 0 | 1 | 1: /8   | 1 | 0 | 0: /16   | 1   | 0 | 1: /32 | 1 | 1 | 0: /64 | 1 | 1 | 1: /128. | R/W |
| b6       | b4          |   |   |     |    |  |   |   |         |   |   |         |   |   |         |   |   |         |   |   |          |     |   |        |   |   |        |   |   |          |     |
| 0        | 0           | 0: ×1                                     |   |     |    |  |   |   |         |   |   |         |   |   |         |   |   |         |   |   |          |     |   |        |   |   |        |   |   |          |     |
| 0        | 0           | 1: /2                                     |   |     |    |  |   |   |         |   |   |         |   |   |         |   |   |         |   |   |          |     |   |        |   |   |        |   |   |          |     |
| 0        | 1           | 0: /4                                     |   |     |    |  |   |   |         |   |   |         |   |   |         |   |   |         |   |   |          |     |   |        |   |   |        |   |   |          |     |
| 0        | 1           | 1: /8                                     |   |     |    |  |   |   |         |   |   |         |   |   |         |   |   |         |   |   |          |     |   |        |   |   |        |   |   |          |     |
| 1        | 0           | 0: /16                                    |   |     |    |  |   |   |         |   |   |         |   |   |         |   |   |         |   |   |          |     |   |        |   |   |        |   |   |          |     |
| 1        | 0           | 1: /32                                    |   |     |    |  |   |   |         |   |   |         |   |   |         |   |   |         |   |   |          |     |   |        |   |   |        |   |   |          |     |
| 1        | 1           | 0: /64                                    |   |     |    |  |   |   |         |   |   |         |   |   |         |   |   |         |   |   |          |     |   |        |   |   |        |   |   |          |     |
| 1        | 1           | 1: /128.                                  |   |     |    |  |   |   |         |   |   |         |   |   |         |   |   |         |   |   |          |     |   |        |   |   |        |   |   |          |     |
| b7       | CKOEN       | Clock Out Enable                          | 0: Disable clock out<br>1: Enable clock out.  | R/W |    |  |   |   |         |   |   |         |   |   |         |   |   |         |   |   |          |     |   |        |   |   |        |   |   |          |     |

**CKOSEL[2:0] bits (Clock Out Source Select)**

The CKOSEL[2:0] bits specify the HOCO, MOCO, LOCO, MOSC, or SOSC clock as the source of the clock to be output from the CLKOUT pin. When changing the CLKOUT source clock, set the CKOEN bit to 0.

**CKODIV[2:0] bits (Clock Out Input Frequency Division Select)**

The CKODIV[2:0] bits specify the clock division ratio. Set the CKOEN bit to 0 when changing the division ratio. The division ratio of the output clock frequency must be set to a value no higher than the characteristics of the CLKOUT pin output frequency. For details on the characteristics of the CLKOUT pin, see [section 55, Electrical Characteristics](#).

**CKOEN bit (Clock Out Enable)**

The CKOEN bit enables output from the CLKOUT pin. When CKOEN is set to 1, the selected clock is output. When CKOEN is set to 0, low is output. When changing this bit, confirm that the clock out source clock selected in the CKOSEL[2:0] bits is stable. Otherwise, a glitch might be generated in the output.

The CKOEN bit must be cleared before entering Software Standby or Deep Software Standby mode if the selected clock out source clock is stopped in that mode.

**9.2.22 External Bus Clock Output Control Register (EBCKOCR)**

Address(es): [SYSTEM.EBCKOCR 4001 E052h](#)

|    |    |    |    |    |    |    |             |
|----|----|----|----|----|----|----|-------------|
| b7 | b6 | b5 | b4 | b3 | b2 | b1 | b0          |
| —  | —  | —  | —  | —  | —  | —  | EBCKO<br>EN |

Value after reset: 0 0 0 0 0 0 0 0

| Bit      | Symbol                  | Bit name                 | Description   | R/W |
|----------|-------------------------|--------------------------|---|-----|
| b0       | <a href="#">EBCKOEN</a> | EBCLK Pin Output Control | 0: Disable EBCLK pin output (fixed high)<br>1: Enable EBCLK pin output. | R/W |
| b7 to b1 | —                       | Reserved                 | These bits are read as 0. The write value should be 0.                  | R/W |

**9.2.23 SDRAM Clock Output Control Register (SDCKOCR)**

Address(es): [SYSTEM.SDCKOCR 4001 E053h](#)

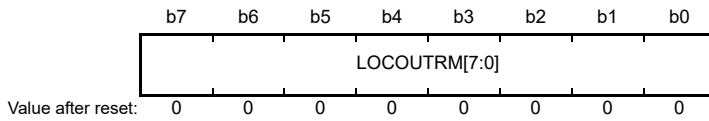
|    |    |    |    |    |    |    |             |
|----|----|----|----|----|----|----|-------------|
| b7 | b6 | b5 | b4 | b3 | b2 | b1 | b0          |
| —  | —  | —  | —  | —  | —  | —  | SDCKO<br>EN |

Value after reset: 0 0 0 0 0 0 0 0

| Bit      | Symbol                  | Bit name                 | Description   | R/W |
|----------|-------------------------|--------------------------|---|-----|
| b0       | <a href="#">SDCKOEN</a> | SDCLK Pin Output Control | 0: Disable SDCLK pin output (fixed high)<br>1: Enable SDCLK pin output. | R/W |
| b7 to b1 | —                       | Reserved                 | These bits are read as 0. The write value should be 0.                  | R/W |

### 9.2.24 LOCO User Trimming Control Register (LOCOUTCR)

Address(es): [SYSTEM.LOCOUTCR 4001 E492h](#)



| Bit      | Symbol                        | Bit name           | Description  | R/W |
|----------|-------------------------------|--------------------|--|-----|
| b7 to b0 | <a href="#">LOCOUTRM[7:0]</a> | LOCO User Trimming | b7 b0<br>1 0 0 0 0 0 0 0: -128<br>1 0 0 0 0 0 0 1: -127<br>1 0 0 0 0 0 1 0: -126<br>...<br>1 1 1 1 1 1 1 1: -1<br>0 0 0 0 0 0 0 0: Center Code<br>0 0 0 0 0 0 0 1: +1<br>...<br>0 1 1 1 1 1 0 1: +125<br>0 1 1 1 1 1 1 0: +126<br>0 1 1 1 1 1 1 1: +127. | R/W |

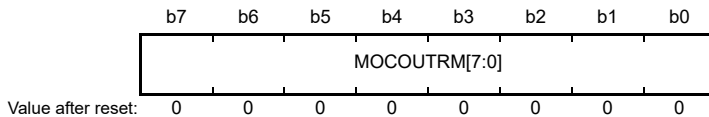
These bits are added to the original LOCO trimming bits.

Note: MCU operation is not guaranteed when LOCOUTCR is set to a value that causes the LOCO frequency to be outside of the specification range.

Note: When LOCOUTCR is changed, the time that the frequency is stabilized corresponds to the frequency stabilization time at the start of the MCU operation.

### 9.2.25 MOCO User Trimming Control Register (MOCOUTCR)

Address(es): [SYSTEM.MOCOUTCR 4001 E061h](#)



| Bit      | Symbol                        | Bit name           | Description  | R/W |
|----------|-------------------------------|--------------------|--|-----|
| b7 to b0 | <a href="#">MOCOUTRM[7:0]</a> | MOCO User Trimming | b7 b0<br>1 0 0 0 0 0 0 0: -128<br>1 0 0 0 0 0 0 1: -127<br>1 0 0 0 0 0 1 0: -126<br>...<br>1 1 1 1 1 1 1 1: -1<br>0 0 0 0 0 0 0 0: Center Code<br>0 0 0 0 0 0 0 1: +1<br>...<br>0 1 1 1 1 1 0 1: +125<br>0 1 1 1 1 1 1 0: +126<br>0 1 1 1 1 1 1 1: +127. | R/W |

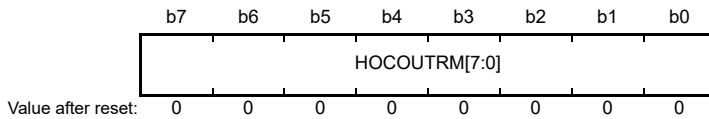
These bits are added to the original MOCO trimming bits.

Note: MCU operation is not guaranteed when MOCOUTCR is set to a value that causes the MOCO frequency to be outside of the specification range.

Note: When MOCOUTCR is changed, the time that the frequency is stabilized corresponds to the frequency stabilization time at the start of the MCU operation.

### 9.2.26 HOCO User Trimming Control Register (HOCOUTCR)

Address(es): [SYSTEM.HOCOUTCR 4001 E062h](#)



| Bit      | Symbol                        | Bit name           | Description   | R/W |
|----------|-------------------------------|--------------------|---|-----|
| b7 to b0 | <a href="#">HOCOUTRM[7:0]</a> | HOCO User Trimming | b7                      b0<br>1 0 0 0 0 0 0 0: -128<br>1 0 0 0 0 0 0 1: -127<br>1 0 0 0 0 0 1 0: -126<br>...<br>1 1 1 1 1 1 1 1: -1<br>0 0 0 0 0 0 0 0: Center Code<br>0 0 0 0 0 0 0 1: +1<br>...<br>0 1 1 1 1 1 0 1: +125<br>0 1 1 1 1 1 1 0: +126<br>0 1 1 1 1 1 1 1: +127. | R/W |

These bits are added to the original HOCO trimming bits.

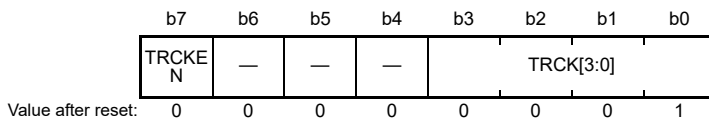
Note: MCU operation is not guaranteed when HOCOUTCR is set to a value that causes the HOCO frequency to be outside of the specification range.

Note: When HOCOUTCR is changed, the time that the frequency is stabilized corresponds to the frequency stabilization time at the start of the MCU operation.

Note: These bits must be 00000000b when FLL is enabled (FLLCR1.FLLEN = 1).

### 9.2.27 Trace Clock Control Register (TRCKCR)

Address(es): [SYSTEM.TRCKCR 4001 E03Fh](#)



| Bit      | Symbol                    | Bit name                               | Description  | R/W |
|----------|---------------------------|--|--|-----|
| b3 to b0 | <a href="#">TRCK[3:0]</a> | Trace Clock Operating Frequency Select | b3                      b0<br>0 0 0 0: /1<br>0 0 0 1: /2 (value after reset)<br>0 0 1 0: /4.<br>Other settings are prohibited. | R/W |
| b6 to b4 | —                         | Reserved                               | These bits are read as 0. The write value should be 0.   | R/W |
| b7       | <a href="#">TRCKEN</a>    | Trace Clock Operation Enable           | 0: Disable operation<br>1: Enable operation.   | R/W |

The Trace Clock Control Register controls the switching of the trace clock. Before changing the TRCLK frequency, set the TRCKEN bit to 0. The TRCKCR register is initialized by all reset sources.

## 9.3 Main Clock Oscillator

Use one of the following ways to supply the clock signal to the main clock oscillator:

- Connect an oscillator
- Connect the input of an external clock signal.



### 9.3.1 Connecting the Crystal Resonator

Figure 9.6 shows an example connection to a crystal resonator. A damping resistor ( $R_d$ ) can be added, if required. Because the resistor values vary according to the resonator and the oscillation drive capability, use values recommended by the resonator manufacturer. If the manufacturer recommends using an external feedback resistor ( $R_f$ ), insert an  $R_f$  between EXTAL and XTAL by following the instructions.

When connecting a resonator to supply the clock, the frequency of the resonator must be in the frequency range of the resonator for the main clock oscillator as described in Table 9.1.

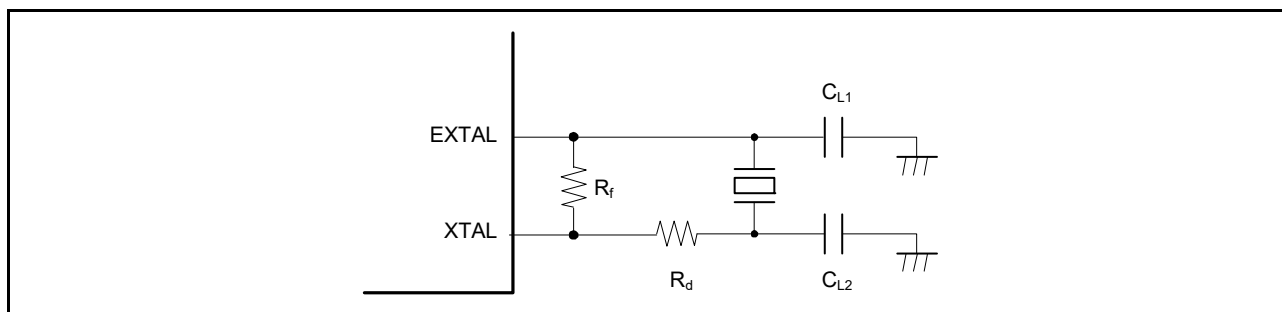


Figure 9.6 Example of crystal resonator connection

Figure 9.7 shows an equivalent circuit of the crystal resonator.

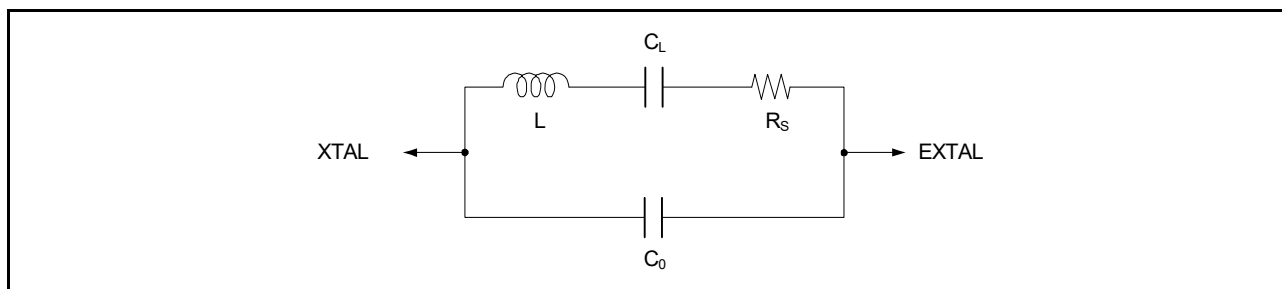


Figure 9.7 Equivalent circuit of the crystal resonator

### 9.3.2 External Clock Input

Figure 9.8 shows an example connection to an external clock input. To operate the oscillator with an external clock signal, set the MOMCR.MOSEL bit to 1. The XTAL pin is the function that is set in PFS.P213PFS.



Figure 9.8 Equivalent circuit for external clock

### 9.3.3 Notes on External Clock Input

The frequency of the external clock input can only be changed when the main clock oscillator is stopped. Do not change the frequency of the external clock input when the Main Clock Oscillator Stop bit (MOSCCR.MOSTP) is 0.

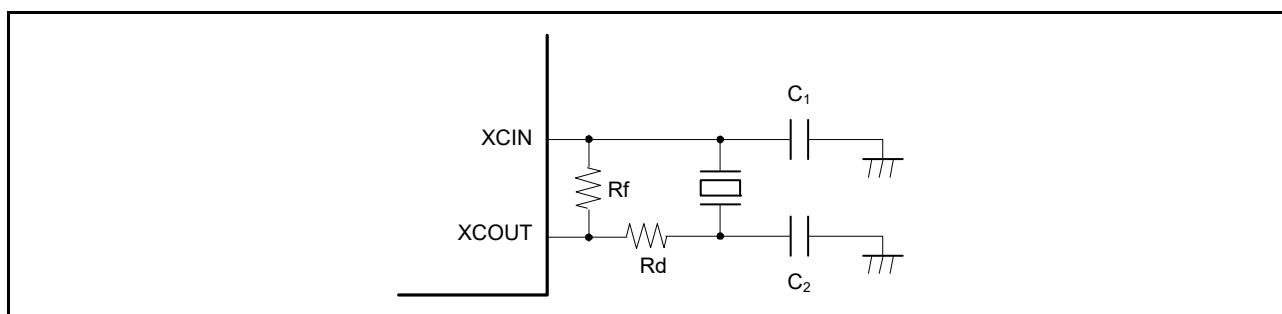
### 9.4 Sub-Clock Oscillator

The only way of supplying a clock signal to the sub-clock oscillator is by connecting a crystal oscillator.

#### 9.4.1 Connecting a 32.768-kHz Crystal Resonator

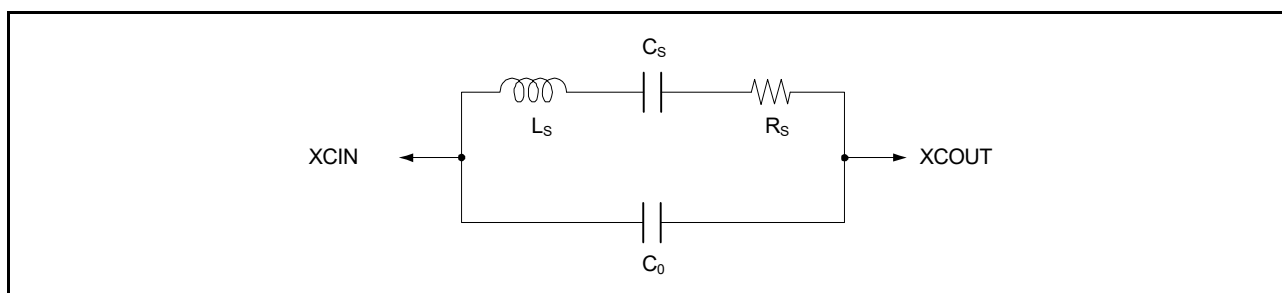
To supply a clock to the sub-clock oscillator, connect a 32.768-kHz crystal resonator as shown in Figure 9.9. A damping resistor ( $R_d$ ) can be added, if required. Because the resistor values vary according to the resonator and the oscillation drive capability, use values recommended by the resonator manufacturer. If the manufacturer recommends using an external feedback resistor ( $R_f$ ), insert an  $R_f$  between XCIN and XCOU**T** by following the instructions.

When connecting a resonator to supply the clock, the frequency of the resonator must be in the frequency range of the resonator for the sub-clock oscillator as described in Table 9.1.



**Figure 9.9** Connection example of 32.768-kHz crystal resonator

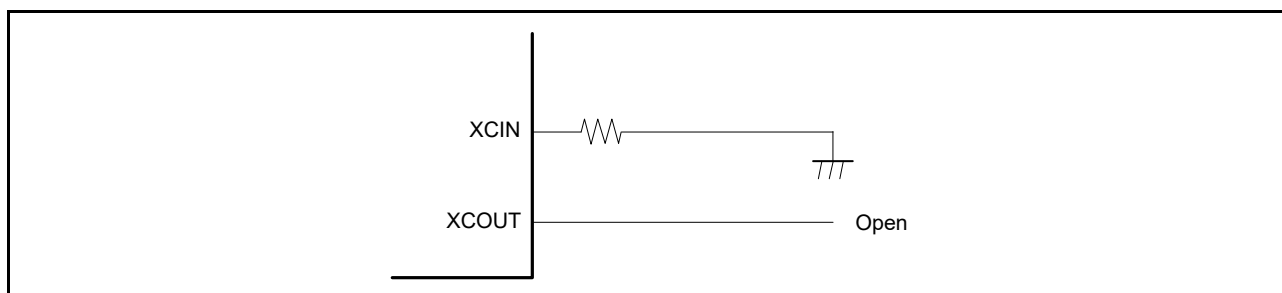
Figure 9.10 shows an equivalent circuit for the 32.768-kHz crystal resonator.



**Figure 9.10** Equivalent circuit for the 32.768-kHz crystal resonator

#### 9.4.2 Handling of Pins When the Sub-Clock Oscillator Is Not Used

When the sub-clock oscillator is not in use, connect the XCIN pin to VSS through a resistor (to pull VSS down) and leave the XCOU**T** pin open as shown in Figure 9.11. In addition, if an oscillator is not connected, set the Sub-clock Oscillator Stop bit (SOSCCR.SOSTP) to 1 to stop the oscillator.



**Figure 9.11** Pin handling when the sub-clock oscillator is not used

## 9.5 Oscillation Stop Detection Function

### 9.5.1 Oscillation Stop Detection and Operation after Detection

The oscillation stop detection function detects the main clock oscillator stop. When an oscillation stop is detected, the system clock switches as follows:

- If an oscillation stop is detected with `SCKSCR.CKSEL[2:0] = 011b` (system clock source = MOSC), the system clock source switches to the MOCO clock.
- If an oscillation stop is detected with `PLLCCR.PLSRCSEL = 0` (PLL source clock = MOSC) and `SCKSCR.CKSEL[2:0] = 101b` (system clock source = PLL), the PLL clock remains as the system clock source. The frequency becomes a free-running oscillation frequency, and the setting of `SCKSCR.CKSEL[2:0]` bits does not change.

An oscillation stop detection interrupt request can be generated when an oscillation stop is detected. In addition, the General PWM Timer (GPT) output can be forced to a high-impedance state on detection.

The main clock oscillation stop is detected when the input clock remains at 0 or 1 for a certain period, for example, when a malfunction occurs in the main clock oscillator. See [section 55, Electrical Characteristics](#).

Switching between the main clock oscillator and the MOCO clock or between the PLL clock and the PLL free-running clock is controlled by the Oscillation Stop Detection flag (`OSTDSR.OSTDF`).

The `OSTDF` flag controls the switched clock as follows:

- When `SCKSCR.CKSEL[2:0] = 011b` (system clock source = MOSC):
  - When `OSTDF` changes from 0 to 1, the clock source switches to the MOCO clock.
  - When `OSTDF` changes from 1 to 0, the clock source switches to MOSC again.
- When `PLLCCR.PLSRCSEL = 0` (PLL source clock = MOSC) and `SCKSCR.CKSEL[2:0] = 101b` (system clock source = PLL)
  - When `OSTDF` changes from 0 to 1, the clock source switches to the PLL free-running oscillation clock.
  - When `OSTDF` changes from 1 to 0, the clock source switches to PLL again.

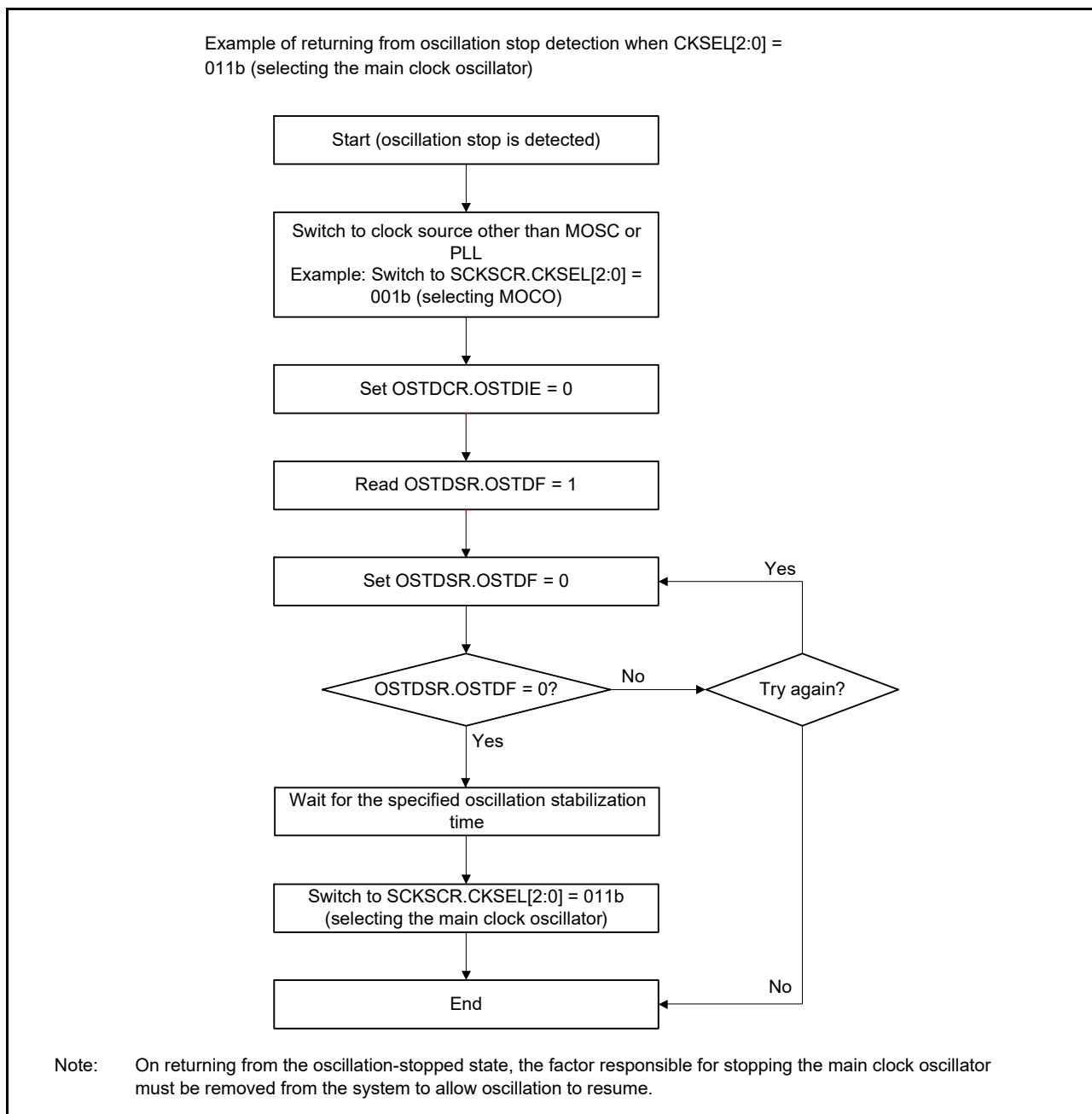
To switch the clock source to the main clock oscillator or PLL clock again after oscillation stop detection, set the `CKSEL[2:0]` bits to a clock source other than the main clock oscillator or PLL clock, and clear the `OSTDF` flag to 0. Also, check that the `OSTDF` flag is not 1, and then set the `CKSEL[2:0]` bits to the main clock oscillator or PLL clock after the specified oscillation stabilization time elapses.

After a reset release, the main clock oscillator is stopped and the oscillation stop detection function is disabled. To enable the oscillation stop detection function, activate the main clock oscillator and write 1 to the Oscillation Stop Detection Function Enable bit (`OSTDCR.OSTDE`) after the specified oscillation stabilization time elapses.

The oscillation stop detection function detects when the main clock oscillator is stopped by an external cause. This means that the oscillation stop detection function must be disabled before the main clock oscillator is stopped by software or before entering Software Standby or Deep Software Standby mode.

The oscillation stop detection function switches the following clocks to the MOCO clock (when the system clock is MOSC) or the PLL free-running clock (when the system clock is PLL):

- All clocks that can be selected as the MOSC clock or PLL except `CLKOUT`
- The system clock (`ICLK`) frequency during MOCO operation (when the system clock is MOSC) or PLL free-running operation (when the system clock is PLL) is specified in the MOCO oscillation frequency and the division ratio set in the System Clock Select bits (`SCKDIVCR.ICK[2:0]`).



**Figure 9.12** Flow of recovery on detection of oscillator stop

### 9.5.2 Oscillation Stop Detection Interrupts

An oscillation stop detection interrupt (MOSC\_STOP) is generated when the Oscillation Stop Detection flag (OSTDSR.OSTDF) is 1 and the Oscillation Stop Detection Interrupt Enable bit in the Oscillation Stop Detection Control Register (OSTDCR.OSTDIE) is 1 (enabled). The Port Output Enable for GPT (POEG) is notified of the main clock oscillator stop. On receiving the notification, the POEG sets the Oscillation Stop Detection Flag in the POEG Group n Setting Register (POEGGn.OSTPF) to 1 (n = A, B).

After the oscillation stop is detected, wait at least 10 PCLKB cycles before writing to the POEGGn.OSTPF flag. When the OSTDSR.OSTDF flag requires clearing, do so after clearing the Oscillation Stop Detection Interrupt Enable bit in the Oscillation Stop Detection Control Register (OSTDCR.OSTDIE). Wait for at least 2 PCLKB clock cycles before setting the OSTDCR.OSTDIE bit to 1 again. Depending on the number of cycles required to read a given I/O register, a longer PCLKB wait time might be required.

The oscillation stop detection interrupt is a non-maskable interrupt. Because non-maskable interrupts are disabled in the initial state after a reset release, enable non-maskable interrupts through software before using oscillation stop detection interrupts. For details, see [section 14, Interrupt Controller Unit \(ICU\)](#).

## 9.6 PLL Circuit

The PLL circuit provides a function for multiplying the frequency from the oscillator.

## 9.7 Internal Clock

Clock sources for the internal clock signals include:

- Main clock oscillator
- Sub-clock oscillator
- HOCO clock
- MOCO clock
- LOCO clock
- PLL clock
- Dedicated clock for the IWDT
- External clock for JTAG.

The following internal clocks are produced from these sources:

- Operating clock for the CPU, DMAC, DTC, flash memory, and SRAM — system clock (ICLK)
- Operating clocks for peripheral modules — PCLKA, PCLKB, PCLKC, and PCLKD
- Operating clock for the flash interface — FCLK
- Clock for the external bus controller and external pin output — EBCLK
- Clock for the external bus controller and external pin output for the SDRAM — SDCLK
- Operating clock for the USBFS — UCLK
- Operating clock for the CAN — CANMCLK
- Operating clock for the CAC — CACCLK
- Operating clock for the RTC LOCO clock — RTCLCLK
- Operating clock for the RTC sub-clock — RTCSCCLK
- Operating clock for the IWDT — IWDTCLK
- Operating clock for the AGT LOCO clock — AGTLCLK
- Operating clock for the AGT sub-clock — AGTSCLK
- Operating clock for the SysTick timer — SYSTICCLK
- Clock for external pin output — CLKOUT
- Operating clock for the JTAG — JTAGTCK.

For details on the registers used to set the frequencies of the internal clocks, see [section 9.7.1, System Clock \(ICLK\)](#) to [section 9.7.14, JTAG Clock \(JTAGTCK\)](#). If the value of any of these bits is changed, subsequent operation is at the frequency determined by the new value.

### 9.7.1 System Clock (ICLK)

The system clock, ICLK, is the operating clock for the CPU, DMAC, DTC, flash memory, and SRAM. Specify the frequency in the following bits:

- ICK[2:0] bits in SCKDIVCR

- CKSEL[2:0] bits in SCKSCR
- PLLMUL[5:0] and PLIDIV[1:0] bits in PLLCCR
- HOCOFRQ[1:0] bits in OFS1.

When the ICLK clock source is switched, the duration of the ICLK clock cycle becomes longer during the clock source transition period. See Figure 9.13 and Figure 9.14.

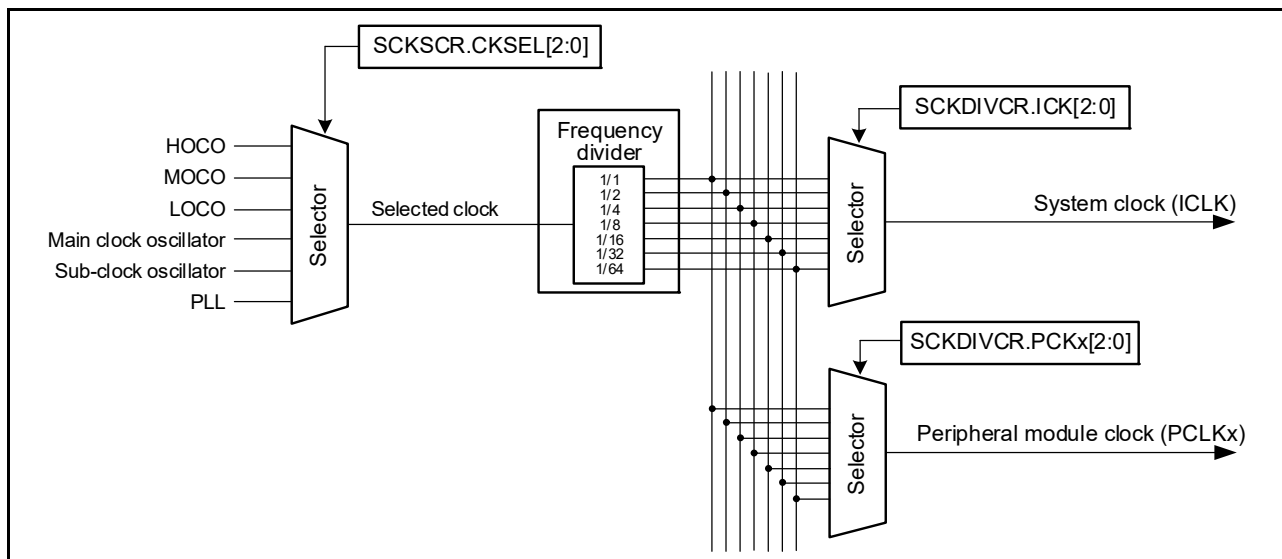


Figure 9.13 Clock source selector block diagram

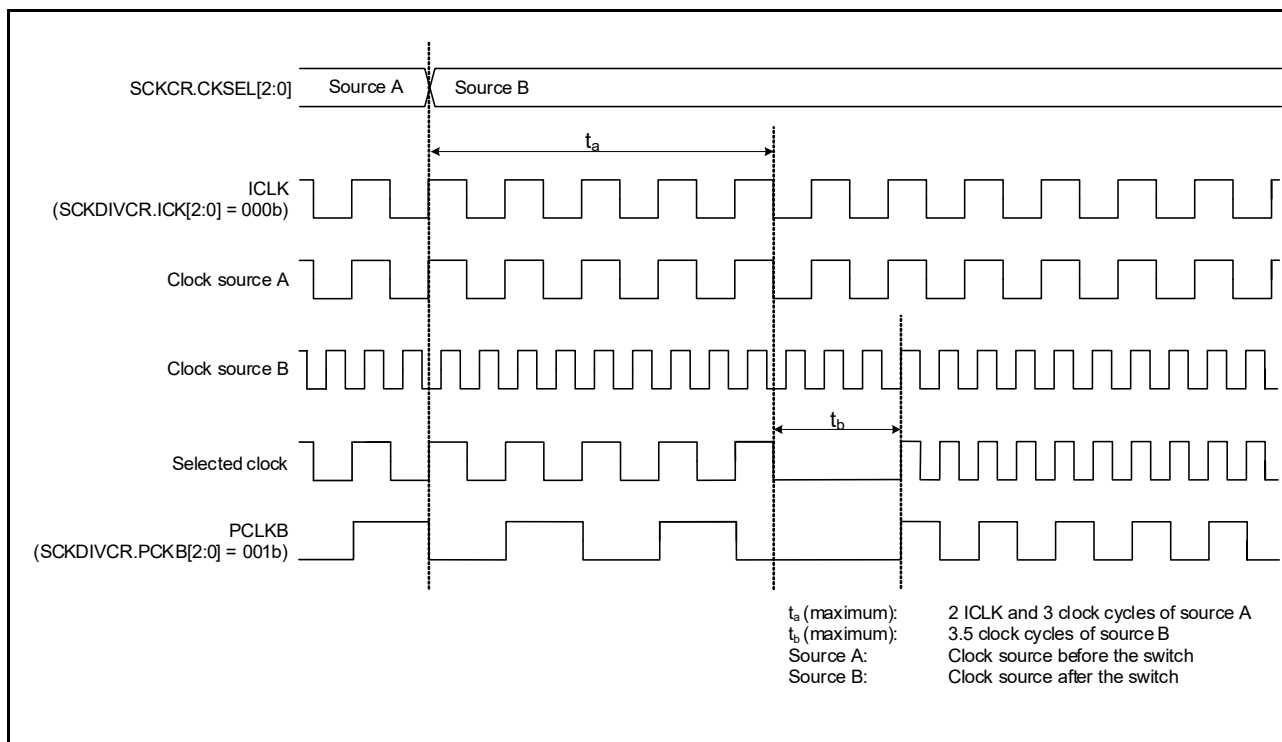


Figure 9.14 Clock source switching timing diagram

### 9.7.2 Peripheral Module Clock (PCLKA, PCLKB, PCLKC, PCLKD)

The peripheral module clocks, PCLKA, PCLKB, PCLKC, and PCLKD, are the operating clocks for the peripheral modules. Specify the frequency in the following bits:

- PCKA[2:0], PCKB[2:0], PCKC[2:0], and PCKD[2:0] bits in SCKDIVCR
- CKSEL[2:0] bits in SCKSCR
- PLLMUL[5:0] and PLIDIV[1:0] bits in PLLCCR
- HOCOFRQ[1:0] bits in OFS1.

When the clock source of the peripheral module clock is switched, the duration of the peripheral module clock cycle becomes longer during the clock source transition period. See [Figure 9.13](#) and [Figure 9.14](#).

### 9.7.3 Flash Interface Clock (FCLK)

The flash interface clock, FCLK, is the operating clock for the flash memory interface. In addition to reading from the data flash, it is used for the programming and erasure of the code flash and data flash. Specify the frequency in the following bits:

- FCK[2:0] bits in SCKDIVCR
- CKSEL[2:0] bits in SCKSCR
- PLLMUL[5:0] and PLIDIV[1:0] bits in PLLCCR
- HOCOFRQ[1:0] bits in OFS1.

### 9.7.4 External Bus Clock (BCLK)

The external bus clock, BCLK, is an operating clock for the external bus controller. It is also output externally from the EBCLK pin for the external connection bus. To output BCLK from the EBCLK pin, set the EBCKOCR.EBCKOEN bit to 1 and set the PmnPFS.PSEL[4:0] bits to 01011b. Only change the PmnPFS.PSEL[4:0] bits to 01011b when the EBCKOCR.EBCKOEN bit is 0. When the BCKCR.BCLKDIV bit is 1, the BCLK clock divided by 2 is output from the EBCLK pin. Specify the frequency in the following bits:

- BCK[2:0] bits in SCKDIVCR
- CKSEL[2:0] bits in SCKSCR
- PLLMUL[5:0] and PLIDIV[1:0] bits in PLLCCR
- HOCOFRQ[1:0] bits in OFS1.

Do not set BCLK to a frequency higher than that of the system clock (ICLK).

### 9.7.5 SDRAM Clock (SDCLK)

The SDRAM clock, SDCLK, is an operating clock for the external bus controller. It is output externally from the SDCLK pin for the SDRAM that is connected to the external bus. To output SDCLK on the SDCLK pin, set the SDCKOCR.SDCKOEN bit to 1 and set the PmnPFS.PSEL[4:0] bits to 01011b (enabling SDCLK output). Only change the value in the PmnPFS.PSEL[4:0] bits when the SDCKOCR.SDCKOEN bit is 0. Specify the frequency in the following bits:

- SCKDIVCR.BCK[2:0], SCKSCR.CKSEL[2:0], PLLMUL[5:0], and PLIDIV[1:0] bits in PLLCCR
- HOCOFRQ[1:0] bits in OFS1.

Do not set SDCLK to a frequency higher than that of the system clock (ICLK).

### 9.7.6 USB Clock (UCLK)

The USB clock, UCLK, is the operating clock for the USBFS module. A 48-MHz clock must be supplied to the USBFS module. When the module is used, the UCLK clock must be specified as 48 MHz. Specify the frequency in the following bits:

- UCK[2:0] bits in SCKDIVCR2
- CKSEL[2:0] bits in SCKSCR
- PLLMUL[5:0] and PLIDIV[1:0] bits in PLLCCR.

### 9.7.7 CAN Clock (CANMCLK)

The CAN clock, CANMCLK, is the operating clock for the CAN module. CANMCLK is generated by the main clock oscillator.

### 9.7.8 CAC Clock (CACCLK)

The CAC clock, CACCLK, is the operating clock for the CAC. CACCLK is generated by the following oscillators:

- Main clock oscillator
- Sub-clock oscillator
- High-speed clock oscillator (HOCO)
- Middle-speed clock oscillator (MOCO)
- Low-speed on-chip oscillator (LOCO)
- IWDT-dedicated on-chip oscillator.

### 9.7.9 RTC-Dedicated Clock (RTCSCLK, RTCLCLK)

The RTC-dedicated clocks, RTCSCLK and RTCLCLK, are the operating clocks for the RTC. RTCSCLK is generated by the sub-clock oscillator and RTCLCLK by the LOCO clock.

### 9.7.10 IWDT-Dedicated Clock (IWDTCLK)

The IWDT-dedicated clock, IWDTCLK, is the operating clock for the IWDT. IWDTCLK is internally generated by the IWDT-dedicated on-chip oscillator.

### 9.7.11 AGT-Dedicated Clock (AGTSCLK, AGTLCLK)

The AGT-dedicated clocks, AGTSCLK and AGTLCLK, are the operating clocks for the AGT. AGTSCLK is generated by the sub-clock oscillator and AGTLCLK is generated by the LOCO clock.

### 9.7.12 SysTick Timer-Dedicated Clock (SYSTICCLK)

The SysTick timer-dedicated clock, SYSTICCLK, is the operating clock for the SYSTICCLK. SYSTICCLK is generated by the LOCO clock.

### 9.7.13 Clock/Buzzer Output Clock (CLKOUT)

The CLKOUT is output externally from the CLKOUT pin for the clock or buzzer output. CLKOUT is output to the CLKOUT pin when CKOCR.CKOEN is set to 1. Only change the value in the CKODIV[2:0] or CKOSEL[2:0] bits in CKOCR when the CKOCR.CKOEN bit is 0. Specify the frequency in the following bits:

- CKODIV[2:0] or CKOSEL[2:0] bits in CKOCR
- HOCOFREQ[1:0] bits in OFS1.

### 9.7.14 JTAG Clock (JTAGTCK)

The JTAG-dedicated clock, JTAGTCK, is the operating clock for the JTAG. JTAGTCK is generated by the external clock for JTAG (TCK).

## 9.8 Usage Notes

### 9.8.1 Notes on Clock Generation Circuit

The frequencies of the system clock (ICLK), peripheral module clock (PCLKA to PCLKD), flash interface clock (FCLK), external bus clock (BCLK), and SDRAM clock (SDCLK) supplied to each module change according to the settings in SCKDIVCR. Each frequency must meet the following conditions:

- Each frequency must be selected within the operation-guaranteed range of the clock cycle time (tcyc) specified in the AC electrical characteristics, see [section 55, Electrical Characteristics](#)



- The frequencies must not exceed the ranges listed in [Table 9.2](#)
- The peripheral modules operate on PCLKB and PCLKA. As a result, the operating speed of modules such as the timer and SCI is different before and after the frequency is changed.
- The system clock (ICLK), peripheral module clock (PCLKA to PCLKD), flash interface clock (FCLK), and external bus clock (BCLK) must be set as shown in [Table 9.2](#).

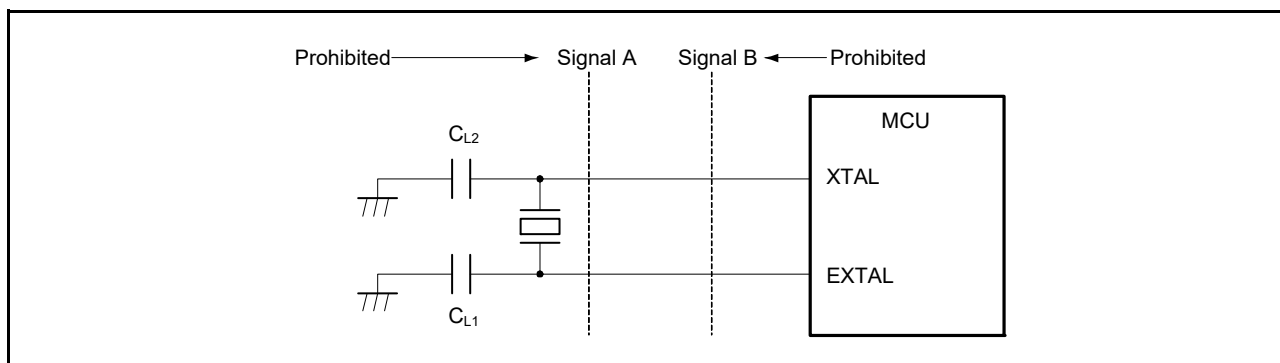
Do not change the clock frequency during external bus access. Additionally, when access by the external bus starts after a change to the clock frequency, only access by the bus after confirming that the change to the frequencies is complete. To ensure correct processing after the clock frequency changes, first write to the relevant Clock Control Register to change the frequency, then read the value from the register, and finally perform the subsequent processing.

### 9.8.2 Notes on the Resonator

Because the resonator characteristics relate closely to your board design, adequate evaluation is required before use. See the resonator connection example in [Figure 9.9](#). The circuit constants for the resonator depend on the resonator to be used and the stray capacitance of the mounting circuit. Always consult the resonator manufacturer when determining the circuit constants. The voltage to be applied between the resonator pins must be within the absolute maximum rating.

### 9.8.3 Notes on Board Design

When using a crystal resonator, place the resonator and its load capacitors as close to the XTAL and EXTAL pins as possible. Route other signal lines away from the oscillation circuit, as shown in [Figure 9.15](#), to prevent electromagnetic induction from interfering with correct oscillation.



**Figure 9.15** Notes on board design for oscillation circuit (applies to the sub-clock oscillator for the main clock oscillator)

### 9.8.4 Notes on the Resonator Connect Pin

When the main clock oscillator is not used, the EXTAL and XTAL pins can be used as general ports P212 and P213. When these pins are used as general ports, the main clock oscillator must be stopped (MOSCCR.MOSTP must be set to 1).

### 9.8.5 Notes on Using Sub-Clock Oscillator for LGA Packages

The output of the P212 (EXTAL), P213 (XTAL), and P704 pins may affect the oscillation by the sub-clock oscillator.

If the sub-clock oscillator is used, implement the board design so as not to affect the oscillation. Renesas strongly recommends setting the DSCR[1:0] bits to 00b or 01b when using P212 (EXTAL), P213 (XTAL), and P704 as output pins and using the sub-clock oscillator.

In addition, when using the sub-clock oscillator in middle drive capability (SOMCR.SODRV1 = 1), Renesas recommends not to use two or more ports of P212 (EXTAL), P213 (XTAL), and P704 simultaneously as output pins to avoid affecting the oscillation.

### 9.8.6 Notes on the Main Clock Oscillator Drive Capability Auto Switching Function

The drive capability auto switching function lowers the main clock oscillator drive capability automatically after the main clock oscillator starts and suppresses the EMI associated with the main clock oscillator.

To enable drive capability auto switching, set MOMCR.AUTODRVEN to 1 when the main clock oscillator is stopped (MOSCCR.MOSTP = 1). Regardless of the MOMCR.AUTODRVEN setting, the Drive Capability Switching register (MOMCR.MODRV0[1:0]) must be set properly according to the selected oscillator. Next, enable the main clock oscillator (MOSCCR.MOSTP = 0). After the Oscillation Stabilization flag (OSCSF.MOSCSF) becomes 1, the main clock can be used.

EMI suppression is gained in return for an extension in the oscillation stabilization wait time. For more information, see [section 9.2.18, Main Clock Oscillator Wait Control Register \(MOSCWTCR\)](#).

## 10. Clock Frequency Accuracy Measurement Circuit (CAC)

### 10.1 Overview

The Clock Frequency Accuracy Measurement Circuit (CAC) counts pulses of the clock to be measured (measurement target clock) within the time generated by the clock selected as a measurement reference (measurement reference clock), and determines the accuracy depending on whether the number of pulses is within the allowable range.

The reference clock can be provided externally through an I/O port pin or internally from various on-chip oscillators. Interrupt signals can be generated when the clock does not match or measurement ends. This feature is useful in implementing a fail-safe mechanism for home and industrial automation applications.

[Table 10.1](#) lists the CAC specifications, [Figure 10.1](#) shows a block diagram, and [Table 10.2](#) describes the I/O pin.

**Table 10.1 CAC specifications**

| Parameter                    | Specifications   |
|------------------------------|--|
| Measurement target clocks    | Frequency can be measured for: <ul style="list-style-type: none"> <li>• Main clock oscillator</li> <li>• Sub-clock oscillator</li> <li>• HOCO clock</li> <li>• MOCO clock</li> <li>• LOCO clock</li> <li>• IWDTCLK clock</li> <li>• Peripheral module clock B (PCLKB).</li> </ul>  |
| Measurement reference clocks | Frequency can be referenced to: <ul style="list-style-type: none"> <li>• External clock input to the CACREF pin</li> <li>• Main clock oscillator</li> <li>• Sub-clock oscillator</li> <li>• HOCO clock</li> <li>• MOCO clock</li> <li>• LOCO clock</li> <li>• IWDTCLK clock</li> <li>• Peripheral module clock B (PCLKB).</li> </ul> |
| Selectable function          | Digital filter   |
| Interrupt sources            | <ul style="list-style-type: none"> <li>• Measurement end</li> <li>• Frequency error</li> <li>• Overflow.</li> </ul>  |
| Module-stop function         | Module-stop state can be set to reduce power consumption   |

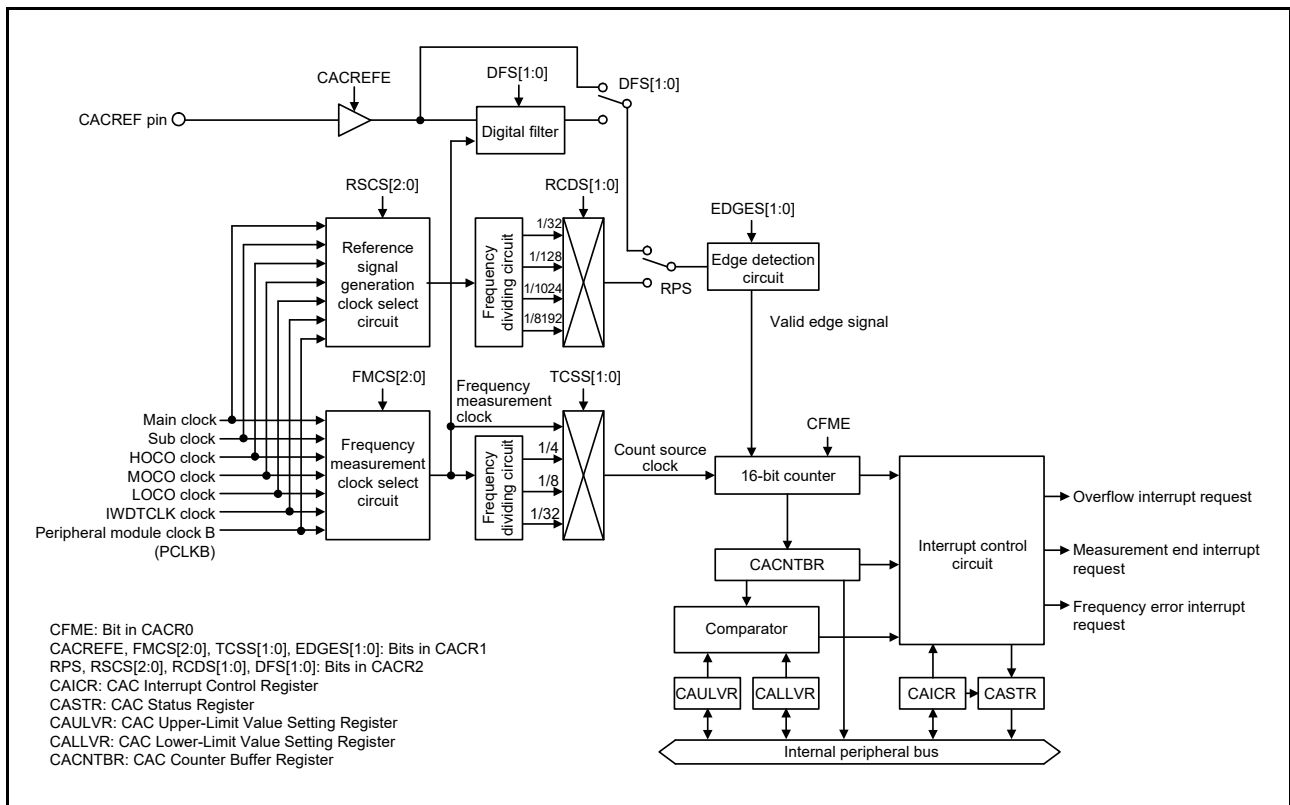


Figure 10.1 CAC block diagram

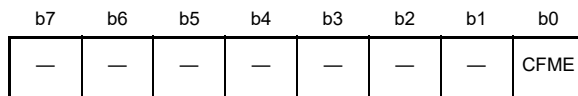
Table 10.2 CAC I/O pin

| Pin name | I/O   | Function                              |
|----------|-------|---------------------------------------|
| CACREF   | Input | Measurement reference clock input pin |

## 10.2 Register Descriptions

### 10.2.1 CAC Control Register 0 (CACR0)

Address(es): [CAC.CACR0 4004 4600h](#)



Value after reset: 0 0 0 0 0 0 0 0

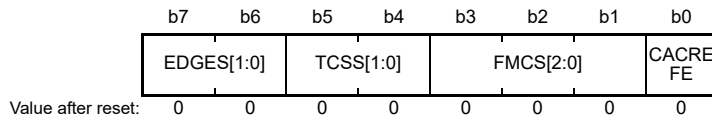
| Bit      | Symbol | Bit name                           | Description  | R/W |
|----------|--------|------------------------------------|--|-----|
| b0       | CFME   | Clock Frequency Measurement Enable | 0: Disable<br>1: Enable.                               | R/W |
| b7 to b1 | —      | Reserved                           | These bits are read as 0. The write value should be 0. | R/W |

#### CFME bit (Clock Frequency Measurement Enable)

The CFME bit enables the clock frequency measurement. Read the CFME bit to confirm that the bit value has changed. Additional write accesses are ignored before the change is complete.

## 10.2.2 CAC Control Register 1 (CACR1)

Address(es): CAC.CACR1 4004 4601h



| Bit      | Symbol     | Bit name   | Description  | R/W |
|----------|------------|--|--|-----|
| b0       | CACREFE    | CACREF Pin Input Enable                                  | 0: Disable<br>1: Enable.   | R/W |
| b3 to b1 | FMCS[2:0]  | Measurement Target Clock Select                          | b3 b1<br>0 0 0: Main clock oscillator<br>0 0 1: Sub-clock oscillator<br>0 1 0: HOCO clock<br>0 1 1: MOCO clock<br>1 0 0: LOCO clock<br>1 0 1: Peripheral module clock (PCLKB)<br>1 1 0: IWDCLK clock<br>1 1 1: Setting prohibited. | R/W |
| b5, b4   | TCSS[1:0]  | Measurement Target Clock Frequency Division Ratio Select | b5 b4<br>0 0: No division<br>0 1: ×1/4 clock<br>1 0: ×1/8 clock<br>1 1: ×1/32 clock.   | R/W |
| b7, b6   | EDGES[1:0] | Valid Edge Select  | b7 b6<br>0 0: Rising edge<br>0 1: Falling edge<br>1 0: Both rising and falling edges<br>1 1: Setting prohibited.   | R/W |

Note: Set the CACR1 register when the CACR0.CFME bit is 0.

### CACREFE bit (CACREF Pin Input Enable)

The CACREFE bit enables the CACREF pin input.

### FMCS[2:0] bits (Measurement Target Clock Select)

The FMCS[2:0] bits select the clock for which the frequency is to be measured.

### TCSS[1:0] bits (Measurement Target Clock Frequency Division Ratio Select)

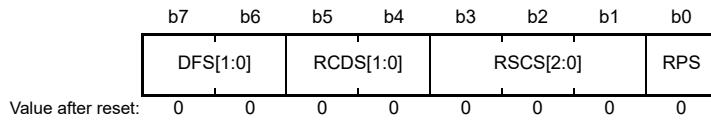
The TCSS[1:0] bits select the division ratio of the measurement target clock.

### EDGES[1:0] bits (Valid Edge Select)

The EDGES[1:0] bits select the valid edge for the reference signal.

### 10.2.3 CAC Control Register 2 (CACR2)

Address(es): CAC.CACR2 4004 4602h



| Bit      | Symbol    | Bit name  | Description  | R/W |    |  |   |   |                           |   |   |  |   |   |   |   |   |   |     |   |               |   |   |                                    |   |   |                   |   |   |                        |     |
|----------|-----------|---|--|-----|----|--|---|---|---------------------------|---|---|--|---|---|---|---|---|---|-----|---|---------------|---|---|------------------------------------|---|---|-------------------|---|---|------------------------|-----|
| b0       | RPS       | Reference Signal Select   | 0: CACREF pin input<br>1: Internal clock (internally generated signal).  | R/W |    |  |   |   |                           |   |   |  |   |   |   |   |   |   |     |   |               |   |   |                                    |   |   |                   |   |   |                        |     |
| b3 to b1 | RSCS[2:0] | Measurement Reference Clock Select  | <table style="font-size: small; border: none;"> <tr> <td style="padding-right: 10px;">b3</td> <td style="padding-right: 10px;">b1</td> <td></td> </tr> <tr> <td>0</td> <td>0</td> <td>0: Main clock oscillator</td> </tr> <tr> <td>0</td> <td>1</td> <td>1: Sub-clock oscillator</td> </tr> <tr> <td>0</td> <td>1</td> <td>0: HOCO clock</td> </tr> <tr> <td>0</td> <td>1</td> <td>1: MOCO clock</td> </tr> <tr> <td>1</td> <td>0</td> <td>0: LOCO clock</td> </tr> <tr> <td>1</td> <td>0</td> <td>1: Peripheral module clock (PCLKB)</td> </tr> <tr> <td>1</td> <td>1</td> <td>0: IWDTCCLK clock</td> </tr> <tr> <td>1</td> <td>1</td> <td>1: Setting prohibited.</td> </tr> </table> | b3  | b1 |  | 0 | 0 | 0: Main clock oscillator  | 0 | 1 | 1: Sub-clock oscillator  | 0 | 1 | 0: HOCO clock   | 0 | 1 | 1: MOCO clock   | 1   | 0 | 0: LOCO clock | 1 | 0 | 1: Peripheral module clock (PCLKB) | 1 | 1 | 0: IWDTCCLK clock | 1 | 1 | 1: Setting prohibited. | R/W |
| b3       | b1        |   |  |     |    |  |   |   |                           |   |   |  |   |   |   |   |   |   |     |   |               |   |   |                                    |   |   |                   |   |   |                        |     |
| 0        | 0         | 0: Main clock oscillator  |  |     |    |  |   |   |                           |   |   |  |   |   |   |   |   |   |     |   |               |   |   |                                    |   |   |                   |   |   |                        |     |
| 0        | 1         | 1: Sub-clock oscillator   |  |     |    |  |   |   |                           |   |   |  |   |   |   |   |   |   |     |   |               |   |   |                                    |   |   |                   |   |   |                        |     |
| 0        | 1         | 0: HOCO clock   |  |     |    |  |   |   |                           |   |   |  |   |   |   |   |   |   |     |   |               |   |   |                                    |   |   |                   |   |   |                        |     |
| 0        | 1         | 1: MOCO clock   |  |     |    |  |   |   |                           |   |   |  |   |   |   |   |   |   |     |   |               |   |   |                                    |   |   |                   |   |   |                        |     |
| 1        | 0         | 0: LOCO clock   |  |     |    |  |   |   |                           |   |   |  |   |   |   |   |   |   |     |   |               |   |   |                                    |   |   |                   |   |   |                        |     |
| 1        | 0         | 1: Peripheral module clock (PCLKB)  |  |     |    |  |   |   |                           |   |   |  |   |   |   |   |   |   |     |   |               |   |   |                                    |   |   |                   |   |   |                        |     |
| 1        | 1         | 0: IWDTCCLK clock   |  |     |    |  |   |   |                           |   |   |  |   |   |   |   |   |   |     |   |               |   |   |                                    |   |   |                   |   |   |                        |     |
| 1        | 1         | 1: Setting prohibited.  |  |     |    |  |   |   |                           |   |   |  |   |   |   |   |   |   |     |   |               |   |   |                                    |   |   |                   |   |   |                        |     |
| b5, b4   | RCDS[1:0] | Measurement Reference Clock Frequency Division Ratio Select                               | <table style="font-size: small; border: none;"> <tr> <td style="padding-right: 10px;">b5</td> <td style="padding-right: 10px;">b4</td> <td></td> </tr> <tr> <td>0</td> <td>0</td> <td>×1/32 clock</td> </tr> <tr> <td>0</td> <td>1</td> <td>×1/128 clock</td> </tr> <tr> <td>1</td> <td>0</td> <td>×1/1024 clock</td> </tr> <tr> <td>1</td> <td>1</td> <td>×1/8192 clock.</td> </tr> </table>  | b5  | b4 |  | 0 | 0 | ×1/32 clock               | 0 | 1 | ×1/128 clock   | 1 | 0 | ×1/1024 clock   | 1 | 1 | ×1/8192 clock.  | R/W |   |               |   |   |                                    |   |   |                   |   |   |                        |     |
| b5       | b4        |   |  |     |    |  |   |   |                           |   |   |  |   |   |   |   |   |   |     |   |               |   |   |                                    |   |   |                   |   |   |                        |     |
| 0        | 0         | ×1/32 clock   |  |     |    |  |   |   |                           |   |   |  |   |   |   |   |   |   |     |   |               |   |   |                                    |   |   |                   |   |   |                        |     |
| 0        | 1         | ×1/128 clock  |  |     |    |  |   |   |                           |   |   |  |   |   |   |   |   |   |     |   |               |   |   |                                    |   |   |                   |   |   |                        |     |
| 1        | 0         | ×1/1024 clock   |  |     |    |  |   |   |                           |   |   |  |   |   |   |   |   |   |     |   |               |   |   |                                    |   |   |                   |   |   |                        |     |
| 1        | 1         | ×1/8192 clock.  |  |     |    |  |   |   |                           |   |   |  |   |   |   |   |   |   |     |   |               |   |   |                                    |   |   |                   |   |   |                        |     |
| b7, b6   | DFS[1:0]  | Digital Filter Select   | <table style="font-size: small; border: none;"> <tr> <td style="padding-right: 10px;">b7</td> <td style="padding-right: 10px;">b6</td> <td></td> </tr> <tr> <td>0</td> <td>0</td> <td>Disable digital filtering</td> </tr> <tr> <td>0</td> <td>1</td> <td>Use sampling clock for the digital filter as the frequency measuring clock</td> </tr> <tr> <td>1</td> <td>0</td> <td>Use sampling clock for the digital filter as the frequency measuring clock divided by 4</td> </tr> <tr> <td>1</td> <td>1</td> <td>Use sampling clock for the digital filter as the frequency measuring clock divided by 16.</td> </tr> </table>   | b7  | b6 |  | 0 | 0 | Disable digital filtering | 0 | 1 | Use sampling clock for the digital filter as the frequency measuring clock | 1 | 0 | Use sampling clock for the digital filter as the frequency measuring clock divided by 4 | 1 | 1 | Use sampling clock for the digital filter as the frequency measuring clock divided by 16. | R/W |   |               |   |   |                                    |   |   |                   |   |   |                        |     |
| b7       | b6        |   |  |     |    |  |   |   |                           |   |   |  |   |   |   |   |   |   |     |   |               |   |   |                                    |   |   |                   |   |   |                        |     |
| 0        | 0         | Disable digital filtering   |  |     |    |  |   |   |                           |   |   |  |   |   |   |   |   |   |     |   |               |   |   |                                    |   |   |                   |   |   |                        |     |
| 0        | 1         | Use sampling clock for the digital filter as the frequency measuring clock                |  |     |    |  |   |   |                           |   |   |  |   |   |   |   |   |   |     |   |               |   |   |                                    |   |   |                   |   |   |                        |     |
| 1        | 0         | Use sampling clock for the digital filter as the frequency measuring clock divided by 4   |  |     |    |  |   |   |                           |   |   |  |   |   |   |   |   |   |     |   |               |   |   |                                    |   |   |                   |   |   |                        |     |
| 1        | 1         | Use sampling clock for the digital filter as the frequency measuring clock divided by 16. |  |     |    |  |   |   |                           |   |   |  |   |   |   |   |   |   |     |   |               |   |   |                                    |   |   |                   |   |   |                        |     |

Note: Set the CACR2 register when the CACR0.CFME bit is 0.

#### RPS bit (Reference Signal Select)

The RPS bit selects whether to use the CACREF pin input or an internal clock (internally generated signal) as the reference signal.

#### RSCS[2:0] bits (Measurement Reference Clock Select)

The RSCS[2:0] bits select the clock source for generating the measurement reference clock.

#### RCDS[1:0] bits (Measurement Reference Clock Frequency Division Ratio Select)

The RCDS[1:0] bits select the frequency division ratio of the measurement reference clock when an internal reference clock is selected (RPS = 1). When RPS = 0 (CACREF pin is used as the reference clock source), the reference clock is not divided.

#### DFS[1:0] bits (Digital Filter Select)

The setting of the DFS[1:0] bits enables or disables the digital filter and selects its sampling clock.

### 10.2.4 CAC Interrupt Control Register (CAICR)

Address(es): CAC.CAICR 4004 4603h

|    |            |             |             |    |       |            |            |
|----|------------|-------------|-------------|----|-------|------------|------------|
| b7 | b6         | b5          | b4          | b3 | b2    | b1         | b0         |
| —  | OVFFC<br>L | MENDF<br>CL | FERRF<br>CL | —  | OVFIE | MENDI<br>E | FERRI<br>E |
| 0  | 0          | 0           | 0           | 0  | 0     | 0          | 0          |

Value after reset:

| Bit | Symbol  | Bit name                                 | Description  | R/W |
|-----|---------|--|--|-----|
| b0  | FERRIE  | Frequency Error Interrupt Request Enable | 0: Disable<br>1: Enable.   | R/W |
| b1  | MENDIE  | Measurement End Interrupt Request Enable | 0: Disable<br>1: Enable.   | R/W |
| b2  | OVFIE   | Overflow Interrupt Request Enable        | 0: Disable<br>1: Enable.   | R/W |
| b3  | —       | Reserved                                 | This bit is read as 0. The write value should be 0.                                    | R/W |
| b4  | FERRFCL | FERRF Clear                              | When 1 is written to this bit, the CASTR.FERRF flag is cleared. This bit is read as 0. | R/W |
| b5  | MENDFCL | MENDF Clear                              | When 1 is written to this bit, the CASTR.MENDF flag is cleared. This bit is read as 0. | R/W |
| b6  | OVFFCL  | OVFF Clear                               | When 1 is written to this bit, the CASTR.OVFF flag is cleared. This bit is read as 0.  | R/W |
| b7  | —       | Reserved                                 | This bit is read as 0. The write value should be 0.                                    | R/W |

#### FERRIE bit (Frequency Error Interrupt Request Enable)

The FERRIE bit enables the frequency error interrupt request.

#### MENDIE bit (Measurement End Interrupt Request Enable)

The MENDIE bit enables the measurement end interrupt request.

#### OVFIE bit (Overflow Interrupt Request Enable)

The OVFIE bit enables the overflow interrupt request.

#### FERRFCL bit (FERRF Clear)

Setting the FERRFCL bit to 1 clears the CASTR.FERRF flag.

#### MENDFCL bit (MENDF Clear)

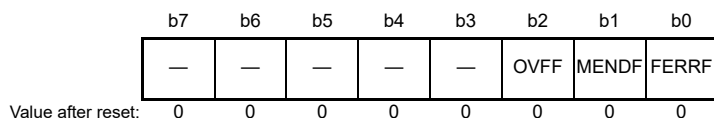
Setting the MENDFCL bit to 1 clears the CASTR.MENDF flag.

#### OVFFCL bit (OVFF Clear)

Setting the OVFFCL bit to 1 clears the CASTR.OVFF flag.

### 10.2.5 CAC Status Register (CASTR)

Address(es): CAC.CASTR 4004 4604h



| Bit      | Symbol | Bit name             | Description   | R/W |
|----------|--------|----------------------|---|-----|
| b0       | FERRF  | Frequency Error Flag | 0: Clock frequency is within the allowable range<br>1: Clock frequency has deviated beyond the allowable range (frequency error). | R   |
| b1       | MENDF  | Measurement End Flag | 0: Measurement is in progress<br>1: Measurement ended.  | R   |
| b2       | OVFF   | Overflow Flag        | 0: Counter has not overflowed<br>1: Counter overflowed.   | R   |
| b7 to b3 | —      | Reserved             | These bits are read as 0  | R   |

#### FERRF flag (Frequency Error Flag)

The FERRF flag indicates a deviation of the clock frequency from the set value (frequency error).

[Setting condition]

- The clock frequency is outside the allowable range defined in the CAULVR and CALLVR registers.

[Clearing condition]

- 1 is written to the FERRFCL bit.

#### MENDF flag (Measurement End Flag)

The MENDF flag indicates the end of measurement.

[Setting condition]

- Measurement completes.

[Clearing condition]

- 1 is written to the MENDFCL bit.

#### OVFF flag (Overflow Flag)

The OVFF flag indicates that the counter overflowed.

[Setting condition]

- The counter overflows.

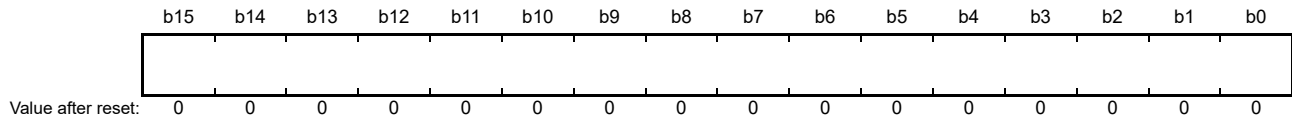
[Clearing condition]

- 1 is written to the OVFFCL bit.



### 10.2.6 CAC Upper-Limit Value Setting Register (CAULVR)

Address(es): CAC.CAULVR 4004 4606h

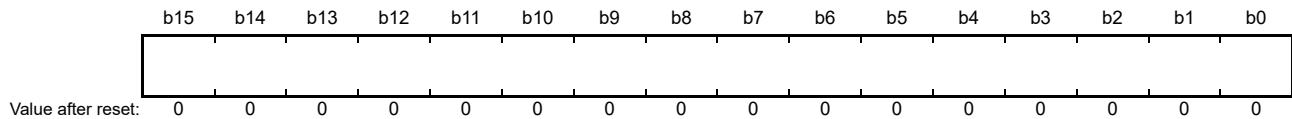


CAULVR is a 16-bit read/write register that specifies the upper value of the allowable range. When the counter value exceeds the value specified in this register, a frequency error is detected. Write to this register when the CACR0.CFME bit is 0.

The counter value stored in CACNTBR can vary depending on the difference between the phases of the digital filter and edge-detection circuit, and the signal on the CACREF pin. Ensure that this setting allows an adequate margin.

### 10.2.7 CAC Lower-Limit Value Setting Register (CALLVR)

Address(es): CAC.CALLVR 4004 4608h

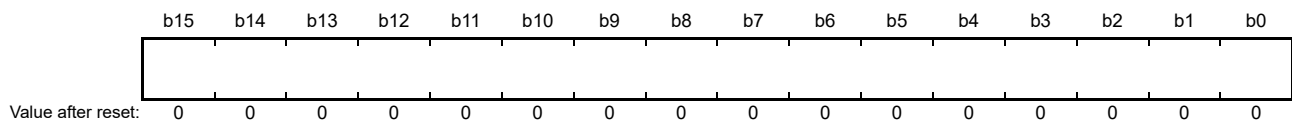


CALLVR is a 16-bit read/write register that specifies the lower value of the allowable range. When the counter value falls below the value specified in this register, a frequency error is detected. Write to this register when the CACR0.CFME bit is 0.

The counter value stored in CACNTBR can vary depending on the difference between the phases of the digital filter and edge-detection circuit, and the signal on the CACREF pin. Ensure that this setting allows an adequate margin.

### 10.2.8 CAC Counter Buffer Register (CACNTBR)

Address(es): CAC.CACNTBR 4004 460Ah

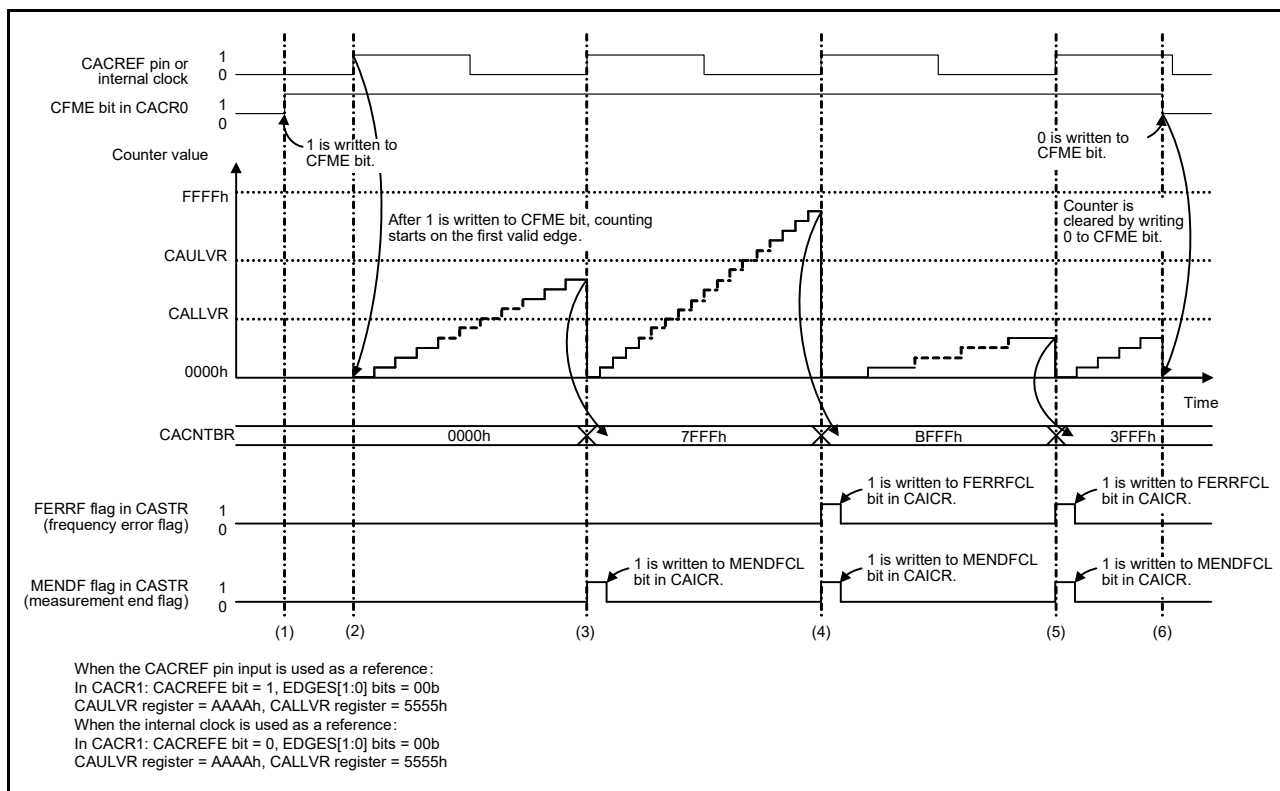


CACNTBR is a 16-bit read-only register that stores the measurement result.

## 10.3 Operation

### 10.3.1 Measuring Clock Frequency

The CAC measures the clock frequency using the CACREF pin input or the internal clock as a reference. [Figure 10.2](#) shows an operating example of the CAC.



**Figure 10.2 CAC operating example**

The events in [Figure 10.2](#) are:

1. Before writing 1 to CACR0.CFME, set CACR1 and CACR2 to define the measurement target clock and measurement reference clock. Writing 1 to the CACR0.CFME bit enables clock frequency measurement.
2. The timer starts counting up if the valid edge selected in the CACR1.EDGES[1:0] bits is input from the measurement reference clock. In [Figure 10.2](#), the valid edge is a rising edge (CACR1.EDGES[1:0] = 00b).
3. When the next valid edge is input, the counter value is transferred to CACNTBR and compared with the values in CAULVR and CALLVR. If both  $CACNTBR \leq CAULVR$  and  $CACNTBR \geq CALLVR$  are true, only the MENDF flag in CASTER is set to 1, because the clock frequency is correct. If the MENDIE bit in CAICR is 1, a measurement end interrupt is generated.
4. When the next valid edge is input, the counter value is transferred to CACNTBR and compared with the values in CAULVR and CALLVR. If  $CACNTBR > CAULVR$ , the FERRF flag in CASTER is set to 1, because the clock frequency is erroneous. If the FERRIE bit in CAICR is 1, a frequency error interrupt is generated. The MENDF flag in CASTER is set to 1 at the end of measurement. If the MENDIE bit in CAICR is 1, a measurement end interrupt is generated.
5. When the next valid edge is input, the counter value is transferred to CACNTBR and compared with the values in CAULVR and CALLVR. If  $CACNTBR < CALLVR$ , the FERRF flag in CASTER is set to 1, because the clock frequency is erroneous. If the FERRIE bit in CAICR is 1, a frequency error interrupt is generated. The MENDF flag in CASTER is set to 1 at the end of measurement. If the MENDIE bit in CAICR is 1, a measurement end interrupt is generated.
6. When the CFME bit in CACR0 is 1, the counter value is transferred to CACNTBR and compared with the values in CAULVR and CALLVR every time a valid edge is input. Writing 0 to the CFME bit in CACR0 clears the counter and stops up-counting.

### 10.3.2 Digital Filtering of Signals on CACREF Pin

The CACREF pin has a digital filter, and levels on the CACREF pin are transmitted to the internal circuitry after three consecutive matches in the selected sampling interval. The same level continues to be transmitted internally until the level on the pin has three consecutive matches again. Enabling or disabling of the digital filter and its sampling clock are selectable.

The counter value transferred to CACNTBR might be in error by up to 1 cycle of the sampling clock because of the difference between the phases of the digital filter and the signal input to the CACREF pin. When a frequency dividing clock is selected as a count source clock, the counter value error is obtained using the following formula:

$$\text{Counter value error} = (1 \text{ cycle of the count source clock}) / (1 \text{ cycle of the sampling clock})$$

## 10.4 Interrupt Requests

The CAC generates three types of interrupt requests:

- Frequency error interrupt
- Measurement end interrupt
- Overflow interrupt.

When an interrupt source is generated, the associated status flag becomes 1. [Table 10.3](#) provides information on the CAC interrupt requests.

**Table 10.3 CAC interrupt requests**

| Interrupt request         | Interrupt enable bit | Status flag | Interrupt sources  |
|---------------------------|----------------------|-------------|--|
| Frequency error interrupt | CAICR.FERRIE         | CASTR.FERRF | The result of comparing CACNTBR with CAULVR and CALLVR is either CACNTBR > CAULVR or CACNTBR < CALLVR  |
| Measurement end interrupt | CAICR.MENDIE         | CASTR.MENDF | <ul style="list-style-type: none"> <li>• Valid edge is input from the CACREF pin or internal clock</li> <li>• Measurement end interrupt does not occur at the first valid edge after writing 1 to the CACR0.CFME bit.</li> </ul> |
| Overflow interrupt        | CAICR.OVFIE          | CASTR.OVFF  | The counter overflows  |

## 10.5 Usage Notes

### 10.5.1 Settings for the Module-Stop Function

The Module Stop Control Register C (MSTPCRC) can enable or disable CAC operation. The CAC module is initially stopped after reset. Releasing the module-stop state enables access to the registers. For details, see [section 11, Low Power Modes](#).

## 11. Low Power Modes

### 11.1 Overview

The MCU provides several functions for reducing power consumption, such as setting clock dividers, controlling EBCLK output, controlling SDCLK output, stopping modules, selecting power control mode in normal mode, and transitioning to low power modes.

[Table 11.1](#) lists the specifications of the low power mode functions. [Table 11.2](#) lists the conditions to transition to low power modes, the states of the CPU and peripheral modules, and the method for canceling each mode. After a reset, the MCU enters the program execution state, but only the DMAC, DTC, and SRAM operate.

**Table 11.1 Specifications of the low power mode functions**

| Parameter   | Specifications   |
|---|--|
| Reducing power consumption by switching clock signals | Frequency division ratio independently selectable for the system clock (ICLK), peripheral module clocks (PCLKA, PCLKB, PCLKC, PCLKD), external bus clock (BCLK), and flash interface clock (FCLK)*1  |
| EBCLK output control                                  | Selectable to BCLK output or high-level output   |
| SDCLK output control                                  | Selectable to SDCLK output or high-level output  |
| Module-stop state                                     | Peripheral module functions can be stopped independently   |
| Low power modes                                       | <ul style="list-style-type: none"> <li>• Sleep mode</li> <li>• Software Standby mode</li> <li>• Snooze mode</li> <li>• Deep Software Standby mode.</li> </ul>  |
| Power control modes                                   | Power consumption can be reduced in Normal, Sleep, and Snooze modes by selecting an appropriate operating power control mode according to the operating frequency and voltage.<br>Available operating power control modes: <ul style="list-style-type: none"> <li>• High-speed mode</li> <li>• Low-speed mode</li> <li>• Subosc-speed mode.</li> </ul> |

Note 1. For details, see [section 9, Clock Generation Circuit](#).

**Table 11.2 Operating conditions of each low power mode (1 of 3)**

| Parameter                                | Sleep mode  | Software Standby mode   | Snooze mode*1   | Deep Software Standby mode  |
|--|---|---|---|---|
| Transition condition                     | WFI instruction while SBYCR.SSBY = 0                | WFI instruction while SBYCR.SSBY = 1 and DPSBYCR.DPSBY = 0                        | Snooze request trigger in Software Standby mode.<br>SNZCR.SNZE = 1                | WFI instruction while SBYCR.SSBY = 1 and DPSBYCR.DPSBY = 1                        |
| Canceling method                         | All interrupts.<br>Any reset available in the mode. | Interrupts shown in <a href="#">Table 11.3</a> . Any reset available in the mode. | Interrupts shown in <a href="#">Table 11.3</a> . Any reset available in the mode. | Interrupts shown in <a href="#">Table 11.3</a> . Any reset available in the mode. |
| State after cancellation by an interrupt | Program execution state (interrupt processing)      | Program execution state (interrupt processing)                                    | Program execution state (interrupt processing)                                    | Reset state   |
| State after cancellation by a reset      | Reset state   | Reset state   | Reset state   | Reset state   |
| Main clock oscillator                    | Selectable  | Stop  | Selectable*2  | Stop  |
| Sub-clock oscillator                     | Selectable  | Selectable  | Selectable  | Selectable  |
| High-speed on-chip oscillator            | Selectable  | Stop  | Selectable  | Stop  |
| Middle-speed on-chip oscillator          | Selectable  | Stop  | Selectable  | Stop  |
| Low-speed on-chip oscillator             | Selectable  | Selectable  | Selectable  | Selectable*3  |
| IWDT-dedicated on-chip oscillator        | Selectable*7  | Selectable*7  | Selectable*7  | Stop  |

**Table 11.2 Operating conditions of each low power mode (2 of 3)**

| Parameter   | Sleep mode      | Software Standby mode                                     | Snooze mode*1   | Deep Software Standby mode  |
|---|-----------------|---|---|---|
| PLL   | Selectable      | Stop  | Selectable*2  | Stop  |
| Oscillation stop detection function                 | Selectable      | Operation prohibited                                      | Operation prohibited  | Operation prohibited  |
| Clock/buzzer output function                        | Selectable      | Selectable*4  | Selectable  | Stop (Undefined)  |
| External Bus (EBCLK)                                | Selectable      | Stop (Retained)   | Operation prohibited  | Stop (Retained)   |
| CPU   | Stop (Retained) | Stop (Retained)   | Stop (Retained)   | Stop (Undefined)  |
| SRAM0, SRAMHS, ECC SRAM                             | Selectable      | Stop (Retained)   | Selectable  | Stop (Undefined)  |
| Standby SRAM  | Selectable      | Stop (Retained)   | Selectable  | Stop (Retained/Undefined)*5   |
| Flash memory  | Operating       | Stop (Retained)   | Stop (Retained)   | Stop (Retained)   |
| DMA Controller (DMAC)                               | Selectable      | Stop (Retained)   | Operation prohibited  | Stop (Undefined)  |
| Data Transfer Controller (DTC)                      | Selectable      | Stop (Retained)   | Selectable  | Stop (Undefined)  |
| USB 2.0 Full-Speed Module (USBFS)                   | Selectable      | Stop (Retained). Detection of USB resumption is possible. | Operation prohibited. Detection of USB resumption is possible.                                    | Stop (Retained/Undefined). Detection of USB resumption is possible.*6 |
| Watchdog Timer (WDT)                                | Selectable*7    | Stop (Retained)   | Stop (Retained)   | Stop (Undefined)  |
| Independent Watchdog Timer (IWDG)                   | Selectable*7    | Selectable*7  | Selectable *7   | Stop (Undefined)  |
| Realtime clock (RTC)                                | Selectable      | Selectable  | Selectable  | Selectable*8  |
| Asynchronous General Purpose Timer (AGTn, n = 0, 1) | Selectable      | Selectable*9  | Selectable*9  | Selectable*9  |
| 12-bit A/D Converter (ADC12)                        | Selectable      | Stop (Retained)   | Selectable*18   | Stop (Undefined)  |
| 12-bit D/A Converter (DAC12)                        | Selectable      | Stop (Retained)   | Selectable  | Stop (Undefined)  |
| Capacitive Touch Sensing Unit (CTSU)                | Selectable      | Stop (Retained)   | Selectable  | Stop (Undefined)  |
| Data Operation Circuit (DOC)                        | Selectable      | Stop (Retained)   | Selectable  | Stop (Undefined)  |
| Serial Communications Interface (SCI0)              | Selectable      | Stop (Retained)   | Selectable (RXD0 falling edge is available, to enter Snooze mode) (only in asynchronous mode).*14 | Stop (Undefined)  |
| Serial Communications Interface (SCIn, n = 1 to 9)  | Selectable      | Stop (Retained)   | Operation prohibited  | Stop (Undefined)  |
| I <sup>2</sup> C Bus Interface (IIC0)               | Selectable      | Selectable*13   | Selectable*13   | Stop (Undefined)  |
| I <sup>2</sup> C Bus Interface (IICn, n = 1, 2)     | Selectable      | Stop (Retained)   | Operation prohibited  | Stop (Undefined)  |
| Event Link Controller (ELC)                         | Selectable      | Stop (Retained)   | Selectable*10   | Stop (Undefined)  |
| High-Speed Analog Comparator (ACMPHS0)              | Selectable      | Selectable*12   | Selectable. VCOUT function only.*12   | Stop (Undefined)  |
| High-Speed Analog Comparator (ACMPHSn, n = 1 to 5)  | Selectable      | Selectable*11   | Selectable. VCOUT function only.*11   | Stop (Undefined)  |

**Table 11.2 Operating conditions of each low power mode (3 of 3)**

| Parameter                                | Sleep mode | Software Standby mode | Snooze mode*1        | Deep Software Standby mode |
|--|------------|-----------------------|----------------------|----------------------------|
| IRQn (n = 0 to 15) pin interrupt         | Selectable | Selectable            | Selectable           | Stop (Undefined)           |
| NMI, IRQn-DS (n = 0 to 13) pin interrupt | Selectable | Selectable            | Selectable           | Selectable                 |
| Key Interrupt Function (KINT)            | Selectable | Selectable            | Selectable           | Stop (Undefined)           |
| Low voltage detection (LVD)              | Selectable | Selectable            | Selectable           | Selectable*15              |
| Power-on reset circuit                   | Operating  | Operating             | Operating            | Operating*16               |
| Other peripheral modules                 | Selectable | Stop (Retained)       | Operation prohibited | Stop (Undefined)           |
| I/O ports                                | Operating  | Retained*17           | Operating            | Retained*17                |

Note: Selectable means that operating or not operating can be selected in the control registers.

Stop (Retained) means that the contents of the internal registers are retained but the operations are suspended.

Operation prohibited means that the function must be stopped before entering Software Standby mode.

Stop (Undefined) means that the contents of the internal registers are undefined and power to the internal circuit is cut off.

- Note 1. All modules whose module-stop bits are 0 start as soon as PCLKs are supplied after entering Snooze mode. To avoid an increase in power consumption in Snooze mode, set the module-stop bit of modules that are not required in Snooze mode to 1 before entering Software Standby mode.
- Note 2. When using SCIO in Snooze mode, the MOSCCR.MOSTP and PLLCR.PLLSTP bits must be 1.
- Note 3. If the DPSBYCR.DEEPCUT[1:0] bits are 00b, the oscillator status is the same as before entering Deep Software Standby mode. When the DPSBYCR.DEEPCUT[1:0] bits are not 00b, the oscillator stops when the MCU enters Deep Software Standby mode.
- Note 4. Stopped when the clock output source select bits (CKOCR.CKOSEL[2:0]) are set to a value other than 010b (LOCO) and 100b (SOSC).
- Note 5. If the DPSBYCR.DEEPCUT[1:0] bits are 00b, data in the Standby SRAM is retained in Deep Software Standby mode. When the DPSBYCR.DEEPCUT[1:0] bits are not 00b, data in the Standby SRAM is undefined in Deep Software Standby mode.
- Note 6. If the DPSBYCR.DEEPCUT[1:0] bits are 00b, the values of the USB resume detection circuit registers are retained and detection of USB resumption is enabled, and the values of other registers are undefined in Deep Software Standby mode. When the DPSBYCR.DEEPCUT[1:0] bits are not 00b, the values of all registers are undefined in Deep Software Standby mode.
- Note 7. In IWDT-dedicated on-chip oscillator and IWDT, operating or stopping is selected by setting the IWDT Stop Control bit (IWDTSTPCTL) in Option Function Select register 0 (OFS0) in IWDT auto start mode. In WDT, operating or stopping is selected by setting the WDT Stop Control bit (WDTSTPCTL) in Option Function Select Register 0 (OFS0) in WDT auto start mode.
- Note 8. When the RCR4.RCKSEL bit set to 1 (LOCO), the DPSBYCR.DEEPCUT[1:0] bits must set to 00b before entering Deep Software Standby mode.
- Note 9. AGT0 operation is possible when 100b (AGTLCLK) or 110b (AGTSCLK) is selected in the AGT0.AGTMR1.TCK[2:0] bits. AGT1 operation is possible when 100b (AGTLCLK), 110b (AGTSCLK) or 101 (underflow event signal from AGT0) is selected in the AGT1.AGTMR1.TCK[2:0] bits. When 100b (AGTLCLK) is selected in AGTn.AGTMR1.TCK[2:0] bits (n = 0, 1), the DPSBYCR.DEEPCUT[1:0] bits must set to 00b before entering Deep Software Standby mode.
- Note 10. Event lists the restrictions described in [section 11.10.13, ELC Events in Snooze Mode](#).
- Note 11. Only VCOOUT function is permitted. The VCOOUT pin operates when ACMPHS uses no digital filter. For details on digital filter, see [section 48, High-Speed Analog Comparator \(ACMPHS\)](#).
- Note 12. When CMPCTL0.CSTEN bit is 1, canceling Software Standby Mode or entering Snooze mode by the comparator detection is available.
- Note 13. IIC0 wakeup interrupt is available.
- Note 14. Serial communication mode of SCIO is asynchronous mode.
- Note 15. When using LVD in Deep Software Standby mode, DPSBYCR.DEEPCUT[1:0] bits must be 00b or 01b before entering Deep Software Standby mode.
- Note 16. When the MCU enters Deep Software Standby mode with the DPSBYCR.DEEPCUT[1:0] bits set to 11b, the LVD circuit stops and the low power function of the power-on reset circuit is enabled.
- Note 17. For the address bus and bus control signals (For SRAM: [CS0 to CS7, RD, WR0 to WR1, WR, BC0 to BC1, and ALE], and for SDRAM: [SDCS, RAS, CAS and WE]), keeping the output state or changing to the high-impedance state can be selected in the SBYCR.OPE bit.
- Note 18. When using the 12-bit A/D Converter in Snooze mode, the ADCMPCR.CMPAE and ADCMPCR.CMPBE bits must be 1.

**Table 11.3 Interrupt sources for canceling Snooze, Software Standby, and Deep Software Standby modes**

| Interrupt source     | Name                       | Software Standby mode | Snooze mode          | Deep Software Standby mode |
|----------------------|----------------------------|-----------------------|----------------------|----------------------------|
| NMI                  |                            | Yes                   | Yes                  | Yes                        |
| Port                 | PORT_IRQn (n = 0 to 15)    | Yes                   | Yes                  | No                         |
|                      | PORT_IRQn-DS (n = 0 to 13) | Yes                   | Yes                  | Yes                        |
| LVD                  | LVD_LVD1                   | Yes                   | Yes                  | Yes                        |
|                      | LVD_LVD2                   | Yes                   | Yes                  | Yes                        |
| IWDT                 | IWDT_NMIUNDF               | Yes                   | Yes                  | No                         |
| USBFS                | USBFS_USBR                 | Yes                   | Yes                  | Yes                        |
| RTC                  | RTC_ALM                    | Yes                   | Yes                  | Yes                        |
|                      | RTC_PRD                    | Yes                   | Yes                  | Yes                        |
| KINT                 | KEY_INTKR                  | Yes                   | Yes                  | No                         |
| AGT1                 | AGT1_AGTI                  | Yes                   | Yes*3                | Yes                        |
|                      | AGT1_AGTCMAI               | Yes                   | Yes                  | No                         |
|                      | AGT1_AGTCMBI               | Yes                   | Yes                  | No                         |
| ACMPHS               | ACMP_HS0                   | Yes                   | Yes                  | No                         |
| IIC0                 | IIC0_WUI                   | Yes                   | Yes                  | No                         |
| ADC12n<br>(n = 0, 1) | ADC12n_WCMPPM              | No                    | Yes with SELSR0*1,*3 | No                         |
|                      | ADC12n_WCMPUM              | No                    | Yes with SELSR0*1,*3 | No                         |
| SCI0                 | SCI0_AM                    | No                    | Yes with SELSR0*1,*2 | No                         |
|                      | SCI0_RXI_OR_ERI            | No                    | Yes with SELSR0*1,*2 | No                         |
| DTC                  | DTC_COMPLETE               | No                    | Yes with SELSR0*1,*3 | No                         |
| DOC                  | DOC_DOPCI                  | No                    | Yes with SELSR0*1    | No                         |
| CTSU                 | CTSU_CTSUFN                | No                    | Yes with SELSR0*1    | No                         |

Note 1. To use the interrupt request as a trigger for exiting Snooze mode, the request must be selected in SELSR0. See [section 14, Interrupt Controller Unit \(ICU\)](#). When a trigger selected in SELSR0 occurs after executing a WFI instruction and during the transition from Normal to Software Standby mode, whether the request can be accepted depends on the timing of the occurrence.

Note 2. Only one of either SCI0\_AM or SCI0\_RXI\_OR\_ERI can be set.

Note 3. The event that is enabled by the SNZEDCR register must not be used.

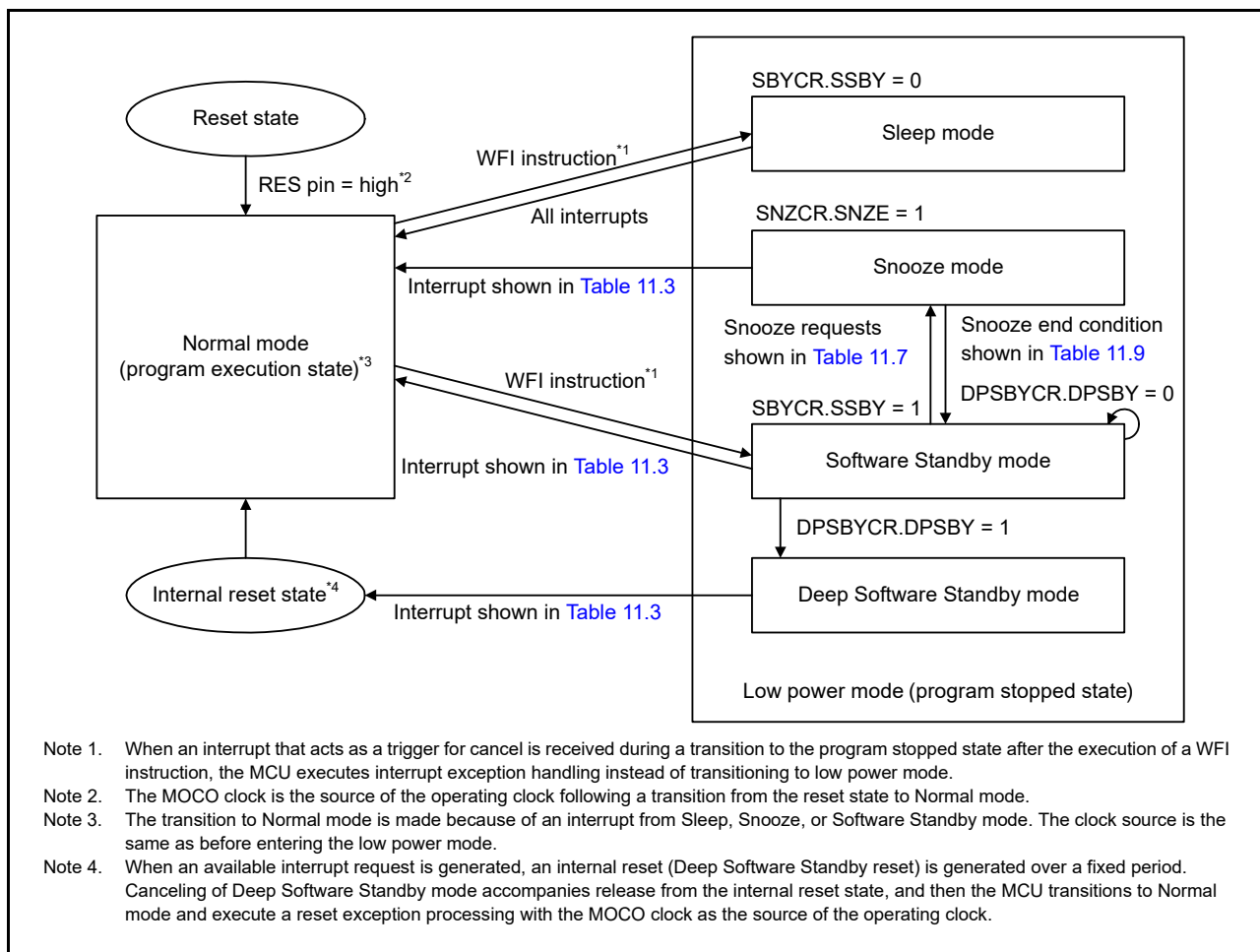


Figure 11.1 Mode transitions

## 11.2 Register Descriptions

### 11.2.1 Standby Control Register (SBYCR)

Address(es): SYSTEM.SBYCR 4001 E00Ch

|                    |      |     |     |     |     |     |    |    |    |    |    |    |    |    |    |    |
|--------------------|------|-----|-----|-----|-----|-----|----|----|----|----|----|----|----|----|----|----|
|                    | b15  | b14 | b13 | b12 | b11 | b10 | b9 | b8 | b7 | b6 | b5 | b4 | b3 | b2 | b1 | b0 |
|                    | SSBY | OPE | —   | —   | —   | —   | —  | —  | —  | —  | —  | —  | —  | —  | —  | —  |
| Value after reset: | 0    | 1   | 0   | 0   | 0   | 0   | 0  | 0  | 0  | 0  | 0  | 0  | 0  | 0  | 0  | 0  |

| Bit       | Symbol | Bit name           | Description  | R/W |
|-----------|--------|--------------------|--|-----|
| b13 to b0 | —      | Reserved           | These bits are read as 0. The write value should be 0.   | R/W |
| b14       | OPE    | Output Port Enable | 0: In Software Standby or Deep Software Standby mode, set the address bus and bus control signals to the high-impedance state. In Snooze mode, the status of the address bus and bus control signals are the same as before entering Software Standby mode.<br>1: In Software Standby or Deep Software Standby mode, retain the output state of the address bus and bus control signals. | R/W |
| b15       | SSBY   | Software Standby   | 0: Sleep mode<br>1: Software Standby mode when DPSBYCR.DPSBY = 0 and Deep Software Standby mode when DPSBYCR.DPSBY = 1.  | R/W |



### OPE bit (Output Port Enable)

The OPE bit specifies whether to set to the high-impedance state or to retain the output of the address bus and bus control signals (for SRAM: CS0 to CS7, RD, WR0 to WR1, WR, BC0 to BC1, and ALE, and for SDRAM: SDCS, RAS, CAS, and WE) in Software Standby mode or Deep Software Standby mode.

### SSBY bit (Software Standby)

The SSBY bit specifies the target transition after a WFI instruction is executed. When the SSBY bit is set to 1, the MCU enters Software Standby mode after executing the WFI instruction. When the MCU cancels Software Standby mode by an interrupt, the SSBY bit remains 1. The SSBY bit can be cleared by writing 0 to it.

When the OSTDCR.OSTDE bit is 1, the SSBY bit is ignored. Even if the SSBY bit is 1, the MCU enters Sleep mode on execution of a WFI instruction.

When the FENTRYR.FENTRYi bit (i = 0 to 3) is 1 or the FENTRYR.FENTRYD bit is 1, the setting of SSBY is ignored. Even if the SSBY bit is 1, the MCU enters Sleep mode on execution of a WFI instruction. See Table 11.6 for details.

When using the HOCO clock to enter Software Standby mode, STCONR.STCON[1:0] must be set to 00b and HOCOWTCR.HSTS[2:0] must be set to 110b. However, when using SCI0 in Snooze mode, HOCOWTCR.HSTS[2:0] must be set to 010b.

## 11.2.2 Module Stop Control Register A (MSTPCRA)

Address(es): SYSTEM.MSTPCRA 4001 E01Ch

|                    |     |     |     |     |     |     |     |     |                    |                     |                    |     |     |     |     |                    |
|--------------------|-----|-----|-----|-----|-----|-----|-----|-----|--------------------|---------------------|--------------------|-----|-----|-----|-----|--------------------|
|                    | b31 | b30 | b29 | b28 | b27 | b26 | b25 | b24 | b23                | b22                 | b21                | b20 | b19 | b18 | b17 | b16                |
|                    | —   | —   | —   | —   | —   | —   | —   | —   | —                  | MSTPA <sub>22</sub> | —                  | —   | —   | —   | —   | —                  |
| Value after reset: | 1   | 1   | 1   | 1   | 1   | 1   | 1   | 1   | 1                  | 0                   | 1                  | 1   | 1   | 1   | 1   | 1                  |
|                    | b15 | b14 | b13 | b12 | b11 | b10 | b9  | b8  | b7                 | b6                  | b5                 | b4  | b3  | b2  | b1  | b0                 |
|                    | —   | —   | —   | —   | —   | —   | —   | —   | MSTPA <sub>7</sub> | MSTPA <sub>6</sub>  | MSTPA <sub>5</sub> | —   | —   | —   | —   | MSTPA <sub>0</sub> |
| Value after reset: | 1   | 1   | 1   | 1   | 1   | 1   | 1   | 1   | 0                  | 0                   | 0                  | 1   | 1   | 1   | 1   | 0                  |

| Bit        | Symbol  | Bit name  | Description  | R/W |
|------------|---------|---|--|-----|
| b0         | MSTPA0  | SRAM0 Module Stop*1                                   | Target module: SRAM0<br>0: Cancel the module-stop state<br>1: Enter the module-stop state.           | R/W |
| b4 to b1   | —       | Reserved  | These bits are read as 1. The write value should be 1.   | R/W |
| b5         | MSTPA5  | High-Speed SRAM Module Stop                           | Target module: high-speed SRAM<br>0: Cancel the module-stop state<br>1: Enter the module-stop state. | R/W |
| b6         | MSTPA6  | ECC SRAM Module Stop*1                                | Target module: ECC SRAM<br>0: Cancel the module-stop state<br>1: Enter the module-stop state.        | R/W |
| b7         | MSTPA7  | Standby SRAM Module Stop                              | Target module: Standby SRAM<br>0: Cancel the module-stop state<br>1: Enter the module-stop state.    | R/W |
| b21 to b8  | —       | Reserved  | These bits are read as 1. The write value should be 1.   | R/W |
| b22        | MSTPA22 | DMA Controller/Data Transfer Controller Module Stop*2 | Target modules: DMAC, DTC<br>0: Cancel the module-stop state<br>1: Enter the module-stop state.      | R/W |
| b31 to b23 | —       | Reserved  | These bits are read as 1. The write value should be 1.   | R/W |

Note 1. The MSTPA0 and MSTPA6 bit settings must be the same.

Note 2. When rewriting the MSTPA22 bit from 0 to 1, disable the DMAC and DTC before setting the MSTPA22 bit.

### 11.2.3 Module Stop Control Register B (MSTPCRB)

Address(es): **MSTP.MSTPCRB 4004 7000h**

|                    |             |             |             |             |             |             |             |             |             |             |            |     |             |             |            |     |
|--------------------|-------------|-------------|-------------|-------------|-------------|-------------|-------------|-------------|-------------|-------------|------------|-----|-------------|-------------|------------|-----|
|                    | b31         | b30         | b29         | b28         | b27         | b26         | b25         | b24         | b23         | b22         | b21        | b20 | b19         | b18         | b17        | b16 |
|                    | MSTPB<br>31 | MSTPB<br>30 | MSTPB<br>29 | MSTPB<br>28 | MSTPB<br>27 | MSTPB<br>26 | MSTPB<br>25 | MSTPB<br>24 | MSTPB<br>23 | MSTPB<br>22 | —          | —   | MSTPB<br>19 | MSTPB<br>18 | —          | —   |
| Value after reset: | 1           | 1           | 1           | 1           | 1           | 1           | 1           | 1           | 1           | 1           | 1          | 1   | 1           | 1           | 1          | 1   |
|                    | b15         | b14         | b13         | b12         | b11         | b10         | b9          | b8          | b7          | b6          | b5         | b4  | b3          | b2          | b1         | b0  |
|                    | MSTPB<br>15 | —           | —           | —           | MSTPB<br>11 | —           | MSTPB<br>9  | MSTPB<br>8  | MSTPB<br>7  | MSTPB<br>6  | MSTPB<br>5 | —   | —           | MSTPB<br>2  | MSTPB<br>1 | —   |
| Value after reset: | 1           | 1           | 1           | 1           | 1           | 1           | 1           | 1           | 1           | 1           | 1          | 1   | 1           | 1           | 1          | 1   |

| Bit        | Symbol         | Bit name  | Description   | R/W |
|------------|----------------|---|---|-----|
| b0         | —              | Reserved  | This bit is read as 1. The write value should be 1.   | R/W |
| b1         | <b>MSTPB1</b>  | Controller Area Network 1 Module Stop* <sup>1</sup>             | Target module: CAN1<br>0: Cancel the module-stop state<br>1: Enter the module-stop state.             | R/W |
| b2         | <b>MSTPB2</b>  | Controller Area Network 0 Module Stop* <sup>1</sup>             | Target module: CAN0<br>0: Cancel the module-stop state<br>1: Enter the module-stop state.             | R/W |
| b4, b3     | —              | Reserved  | These bits are read as 1. The write value should be 1.  | R/W |
| b5         | <b>MSTPB5</b>  | IrDA Module Stop  | Target module: IrDA<br>0: Cancel the module-stop state<br>1: Enter the module-stop state.             | R/W |
| b6         | <b>MSTPB6</b>  | Quad Serial Peripheral Interface Module Stop                    | Target module: QSPI<br>0: Cancel the module-stop state<br>1: Enter the module-stop state.             | R/W |
| b7         | <b>MSTPB7</b>  | I <sup>2</sup> C Bus Interface 2 Module Stop                    | Target module: IIC2<br>0: Cancel the module-stop state<br>1: Enter the module-stop state.             | R/W |
| b8         | <b>MSTPB8</b>  | I <sup>2</sup> C Bus Interface 1 Module Stop                    | Target module: IIC1<br>0: Cancel the module-stop state<br>1: Enter the module-stop state.             | R/W |
| b9         | <b>MSTPB9</b>  | I <sup>2</sup> C Bus Interface 0 Module Stop                    | Target module: IIC0<br>0: Cancel the module-stop state<br>1: Enter the module-stop state.             | R/W |
| b10        | —              | Reserved  | This bit is read as 1. The write value should be 1.   | R/W |
| b11        | <b>MSTPB11</b> | Universal Serial Bus 2.0 FS Interface Module Stop* <sup>2</sup> | Target module: USBFS<br>0: Cancel the module-stop state<br>1: Enter the module-stop state.            | R/W |
| b14 to b12 | —              | Reserved  | These bits are read as 1. The write value should be 1.  | R/W |
| b15        | <b>MSTPB15</b> | ETHERC0 and EDMAC0 Controller Module Stop                       | Target modules: ETHERC0, EDMAC0<br>0: Cancel the module-stop state<br>1: Enter the module-stop state. | R/W |
| b17, b16   | —              | Reserved  | These bits are read as 1. The write value should be 1.  | R/W |
| b18        | <b>MSTPB18</b> | Serial Peripheral Interface 1 Module Stop                       | Target module: SPI1<br>0: Cancel the module-stop state<br>1: Enter the module-stop state.             | R/W |
| b19        | <b>MSTPB19</b> | Serial Peripheral Interface 0 Module Stop                       | Target module: SPI0<br>0: Cancel the module-stop state<br>1: Enter the module-stop state.             | R/W |
| b21, b20   | —              | Reserved  | These bits are read as 1. The write value should be 1.  | R/W |

| Bit | Symbol  | Bit name                                     | Description   | R/W |
|-----|---------|--|---|-----|
| b22 | MSTPB22 | Serial Communication Interface 9 Module Stop | Target module: SCI9<br>0: Cancel the module-stop state<br>1: Enter the module-stop state. | R/W |
| b23 | MSTPB23 | Serial Communication Interface 8 Module Stop | Target module: SCI8<br>0: Cancel the module-stop state<br>1: Enter the module-stop state. | R/W |
| b24 | MSTPB24 | Serial Communication Interface 7 Module Stop | Target module: SCI7<br>0: Cancel the module-stop state<br>1: Enter the module-stop state. | R/W |
| b25 | MSTPB25 | Serial Communication Interface 6 Module Stop | Target module: SCI6<br>0: Cancel the module-stop state<br>1: Enter the module-stop state. | R/W |
| b26 | MSTPB26 | Serial Communication Interface 5 Module Stop | Target module: SCI5<br>0: Cancel the module-stop state<br>1: Enter the module-stop state. | R/W |
| b27 | MSTPB27 | Serial Communication Interface 4 Module Stop | Target module: SCI4<br>0: Cancel the module-stop state<br>1: Enter the module-stop state. | R/W |
| b28 | MSTPB28 | Serial Communication Interface 3 Module Stop | Target module: SCI3<br>0: Cancel the module-stop state<br>1: Enter the module-stop state. | R/W |
| b29 | MSTPB29 | Serial Communication Interface 2 Module Stop | Target module: SCI2<br>0: Cancel the module-stop state<br>1: Enter the module-stop state. | R/W |
| b30 | MSTPB30 | Serial Communication Interface 1 Module Stop | Target module: SCI1<br>0: Cancel the module-stop state<br>1: Enter the module-stop state. | R/W |
| b31 | MSTPB31 | Serial Communication Interface 0 Module Stop | Target module: SCIO<br>0: Cancel the module-stop state<br>1: Enter the module-stop state. | R/W |

Note 1. The MSTPBi bit must be written to while the oscillation of the clock controlled by this bit is stable. To enter Software Standby mode after writing to this bit, wait for 2 CAN clock (CANMCLK) cycles after writing, then execute a WFI instruction (i = 1, 2).

Note 2. To enter Software Standby mode after writing to the MSTPB11 bit, wait for 2 USB clock (UCLK) cycles after writing, then execute a WFI instruction.

### 11.2.4 Module Stop Control Register C (MSTPCRC)

Address(es): MSTP.MSTPCRC 4004 7004h

|                    |         |         |         |         |         |     |        |        |     |     |     |     |        |        |        |        |
|--------------------|---------|---------|---------|---------|---------|-----|--------|--------|-----|-----|-----|-----|--------|--------|--------|--------|
|                    | b31     | b30     | b29     | b28     | b27     | b26 | b25    | b24    | b23 | b22 | b21 | b20 | b19    | b18    | b17    | b16    |
|                    | MSTPC31 | —       | —       | —       | —       | —   | —      | —      | —   | —   | —   | —   | —      | —      | —      | —      |
| Value after reset: | 1       | 1       | 1       | 1       | 1       | 1   | 1      | 1      | 1   | 1   | 1   | 1   | 1      | 1      | 1      | 1      |
|                    | b15     | b14     | b13     | b12     | b11     | b10 | b9     | b8     | b7  | b6  | b5  | b4  | b3     | b2     | b1     | b0     |
|                    | —       | MSTPC14 | MSTPC13 | MSTPC12 | MSTPC11 | —   | MSTPC9 | MSTPC8 | —   | —   | —   | —   | MSTPC3 | MSTPC2 | MSTPC1 | MSTPC0 |
| Value after reset: | 1       | 1       | 1       | 1       | 1       | 1   | 1      | 1      | 1   | 1   | 1   | 1   | 1      | 1      | 1      | 1      |

| Bit | Symbol   | Bit name   | Description  | R/W |
|-----|----------|--|--|-----|
| b0  | MSTPC0*1 | Clock Frequency Accuracy Measurement Circuit Module Stop | Target module: CAC<br>0: Cancel the module-stop state<br>1: Enter the module-stop state. | R/W |
| b1  | MSTPC1   | Cyclic Redundancy Check Calculator Module Stop           | Target module: CRC<br>0: Cancel the module-stop state<br>1: Enter the module-stop state. | R/W |

| Bit        | Symbol         | Bit name  | Description  | R/W |
|------------|----------------|---|--|-----|
| b2         | <b>MSTPC2</b>  | Parallel Data Capture Module Stop                       | Target module: PDC<br>0: Cancel the module-stop state<br>1: Enter the module-stop state.       | R/W |
| b3         | <b>MSTPC3</b>  | Capacitive Touch Sensing Unit Module Stop               | Target module: CTSU<br>0: Cancel the module-stop state<br>1: Enter the module-stop state.      | R/W |
| b7 to b4   | —              | Reserved  | These bits are read as 1. The write value should be 1.   | R/W |
| b8         | <b>MSTPC8</b>  | Serial Sound Interface Enhanced (channel 0) Module Stop | Target module: SSIE0<br>0: Cancel the module-stop state<br>1: Enter the module-stop state.     | R/W |
| b9         | <b>MSTPC9</b>  | Sampling Rate Converter Module Stop                     | Target module: SRC<br>0: Cancel the module-stop state<br>1: Enter the module-stop state.       | R/W |
| b10        | —              | Reserved  | This bit is read as 1. The write value should be 1.  | R/W |
| b11        | <b>MSTPC11</b> | Secure Digital Host IF/ MultiMediaCard 1 Module Stop    | Target module: SDHI/MMC1<br>0: Cancel the module-stop state<br>1: Enter the module-stop state. | R/W |
| b12        | <b>MSTPC12</b> | Secure Digital Host IF/ MultiMediaCard 0 Module Stop    | Target module: SDHI/MMC0<br>0: Cancel the module-stop state<br>1: Enter the module-stop state. | R/W |
| b13        | <b>MSTPC13</b> | Data Operation Circuit Module Stop                      | Target module: DOC<br>0: Cancel the module-stop state<br>1: Enter the module-stop state.       | R/W |
| b14        | <b>MSTPC14</b> | Event Link Controller Module Stop                       | Target module: ELC<br>0: Cancel the module-stop state<br>1: Enter the module-stop state.       | R/W |
| b30 to b15 | —              | Reserved  | These bits are read as 1. The write value should be 1.   | R/W |
| b31        | <b>MSTPC31</b> | SCE7 Module Stop  | Target module: SCE7<br>0: Cancel the module-stop state<br>1: Enter the module-stop state.      | R/W |

Note 1. The MSTPC0 bit must be written to while the oscillation of the clock controlled by this bit is stable. To enter Software Standby mode after writing to this bit, wait for 2 cycles of the slowest clock from the clocks output by the oscillators, then execute a WFI instruction.

## 11.2.5 Module Stop Control Register D (MSTPCRD)

Address(es): **MSTP.MSTPCRD 4004 7008h**

|                    | b31      | b30      | b29 | b28      | b27      | b26      | b25      | b24      | b23      | b22      | b21     | b20      | b19     | b18     | b17 | b16      |
|--------------------|----------|----------|-----|----------|----------|----------|----------|----------|----------|----------|---------|----------|---------|---------|-----|----------|
|                    | —        | —        | —   | MSTPD 28 | MSTPD 27 | MSTPD 26 | MSTPD 25 | MSTPD 24 | MSTPD 23 | MSTPD 22 | —       | MSTPD 20 | —       | —       | —   | MSTPD 16 |
| Value after reset: | 1        | 1        | 1   | 1        | 1        | 1        | 1        | 1        | 1        | 1        | 1       | 1        | 1       | 1       | 1   | 1        |
|                    | b15      | b14      | b13 | b12      | b11      | b10      | b9       | b8       | b7       | b6       | b5      | b4       | b3      | b2      | b1  | b0       |
|                    | MSTPD 15 | MSTPD 14 | —   | —        | —        | —        | —        | —        | —        | MSTPD 6  | MSTPD 5 | —        | MSTPD 3 | MSTPD 2 | —   | —        |
| Value after reset: | 1        | 1        | 1   | 1        | 1        | 1        | 1        | 1        | 1        | 1        | 1       | 1        | 1       | 1       | 1   | 1        |

| Bit    | Symbol        | Bit name   | Description   | R/W |
|--------|---------------|--|---|-----|
| b1, b0 | —             | Reserved   | These bits are read as 1. The write value should be 1.                                    | R/W |
| b2     | <b>MSTPD2</b> | Asynchronous General Purpose Timer 1 Module Stop*1 | Target module: AGT1<br>0: Cancel the module-stop state<br>1: Enter the module-stop state. | R/W |
| b3     | <b>MSTPD3</b> | Asynchronous General Purpose Timer 0 Module Stop*2 | Target module: AGT0<br>0: Cancel the module-stop state<br>1: Enter the module-stop state. | R/W |

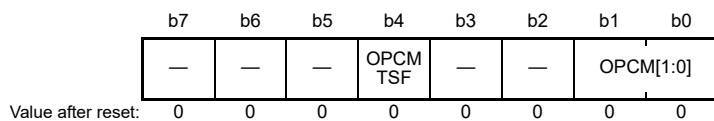
| Bit        | Symbol  | Bit name   | Description   | R/W |
|------------|---------|--|---|-----|
| b4         | —       | Reserved   | This bit is read as 1. The write value should be 1.   | R/W |
| b5         | MSTPD5  | General PWM Timer 32EH0 to 32EH3 and 32E4 to 32E7 and PWM Delay Generation Circuit Module Stop | Target modules: GPT32EHx (x = 0 to 3), GPT32Ey (y = 4 to 7), and PWM Delay Generation Circuit<br>0: Cancel the module-stop state<br>1: Enter the module-stop state. | R/W |
| b6         | MSTPD6  | General PWM Timer 328 to 3213 Module Stop  | Target modules: GPT32x (x = 8 to 13)<br>0: Cancel the module-stop state<br>1: Enter the module-stop state.  | R/W |
| b13 to b7  | —       | Reserved   | These bits are read as 1. The write value should be 1.  | R/W |
| b14        | MSTPD14 | Port Output Enable for GPT Module Stop   | Target module: POEG<br>0: Cancel the module-stop state<br>1: Enter the module-stop state.   | R/W |
| b15        | MSTPD15 | 12-Bit A/D Converter 1 Module Stop   | Target module: ADC121<br>0: Cancel the module-stop state<br>1: Enter the module-stop state.   | R/W |
| b16        | MSTPD16 | 12-Bit A/D Converter 0 Module Stop   | Target module: ADC120<br>0: Cancel the module-stop state<br>1: Enter the module-stop state.   | R/W |
| b19 to b17 | —       | Reserved   | These bits are read as 1. The write value should be 1.  | R/W |
| b20        | MSTPD20 | 12-Bit D/A Converter Module Stop   | Target module: DAC12<br>0: Cancel the module-stop state<br>1: Enter the module-stop state.  | R/W |
| b21        | —       | Reserved   | This bit is read as 1. The write value should be 1.   | R/W |
| b22        | MSTPD22 | Temperature Sensor Module Stop   | Target module: TSN<br>0: Cancel the module-stop state<br>1: Enter the module-stop state.  | R/W |
| b23        | MSTPD23 | High-Speed Analog Comparator 5 Module Stop   | Target module: ACMPHS5<br>0: Cancel the module-stop state<br>1: Enter the module-stop state.  | R/W |
| b24        | MSTPD24 | High-Speed Analog Comparator 4 Module Stop   | Target module: ACMPHS4<br>0: Cancel the module-stop state<br>1: Enter the module-stop state.  | R/W |
| b25        | MSTPD25 | High-Speed Analog Comparator 3 Module Stop   | Target module: ACMPHS3<br>0: Cancel the module-stop state<br>1: Enter the module-stop state.  | R/W |
| b26        | MSTPD26 | High-Speed Analog Comparator 2 Module Stop   | Target module: ACMPHS2<br>0: Cancel the module-stop state<br>1: Enter the module-stop state.  | R/W |
| b27        | MSTPD27 | High-Speed Analog Comparator 1 Module Stop   | Target module: ACMPHS1<br>0: Cancel the module-stop state<br>1: Enter the module-stop state.  | R/W |
| b28        | MSTPD28 | High-Speed Analog Comparator 0 Module Stop   | Target module: ACMPHS0<br>0: Cancel the module-stop state<br>1: Enter the module-stop state.  | R/W |
| b31 to b29 | —       | Reserved   | These bits are read as 1. The write value should be 1.  | R/W |

Note 1. When the count source is sub-clock oscillator or LOCO, AGT1 counting does not stop even if MSTPD2 is set to 1. If the count source is the sub-clock oscillator or LOCO, this bit must be set to 1 except when accessing the AGT1 registers.

Note 2. When the count source is sub-clock oscillator or LOCO, AGT0 counting does not stop even if MSTPD3 is set to 1. If the count source is the sub-clock oscillator or LOCO, this bit must be set to 1 except when accessing the AGT0 registers.

## 11.2.6 Operating Power Control Register (OPCCR)

Address(es): SYSTEM.OPCCR 4001 E0A0h



| Bit      | Symbol    | Bit name  | Description  | R/W |
|----------|-----------|---|--|-----|
| b1, b0   | OPCM[1:0] | Operating Power Control Mode Select                 | b1 b0<br>0 0: High-speed mode<br>1 1: Low-speed mode.<br>Other settings are prohibited.  | R/W |
| b3, b2   | —         | Reserved  | These bits are read as 0. The write value should be 0.   | R/W |
| b4       | OPCMTSF   | Operating Power Control Mode Transition Status Flag | <ul style="list-style-type: none"> <li>• Read</li> <li>0: Transition completed</li> <li>1: Transition in progress.</li> </ul><br><ul style="list-style-type: none"> <li>• Write</li> <li>The write value should be 0.</li> </ul> | R   |
| b7 to b5 | —         | Reserved  | These bits are read as 0. The write value should be 0.   | R/W |

The OPCCR register is used to reduce power consumption in Normal and Sleep modes by specifying a lower operating frequency and operating voltage. For the procedure to change the operating power control modes, see [section 11.5, Function for Lower Operating Power Consumption](#).

When transitioning from Software Standby mode to Normal or Snooze mode, the settings in the OPCCR.OPCM[1:0] and SOPCCR.SOPCM bits are as follows, regardless of their settings before entering Software Standby mode:

- OPCCR.OPCM[1:0] = 00b (High-speed mode)
- SOPCCR.SOPCM = 0b (not Subosc-speed mode).

If Software Standby mode is canceled before the transition to Software Standby completes, the OPCCR.OPCM[1:0] and SOPCCR.SOPCM bits retain their settings from before the WFI instruction is executed. If this causes any problem, set the MCU to High-speed mode during the exception handling procedure when canceling Software Standby mode.

### OPCM[1:0] bits (Operating Power Control Mode Select)

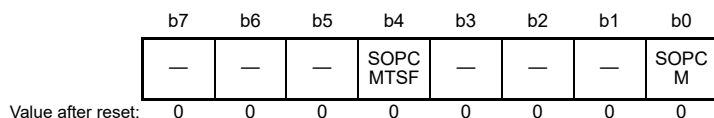
The OPCM[1:0] bits select the operating power control mode in Normal and Sleep modes. [Table 11.4](#) shows the relationship between the operating power control modes and the OPCM[1:0] and SOPCM settings.

### OPCMTSF flag (Operating Power Control Mode Transition Status Flag)

The OPCMTSF flag indicates the switching control state when the operating power control mode is switched. This flag becomes 1 when the OPCM[1:0] bits are written, and 0 when the mode transition completed. Read this flag and confirm that it is 0 before proceeding.

## 11.2.7 Sub Operating Power Control Register (SOPCCR)

Address(es): `SYSTEM.SOPCCR 4001 E0AAh`



| Bit      | Symbol          | Bit name  | Description  | R/W |
|----------|-----------------|---|--|-----|
| b0       | <b>SOPCM</b>    | Sub Operating Power Control Mode Select                 | 0: Not Subosc-speed mode<br>1: Subosc-speed mode.      | R/W |
| b3 to b1 | —               | Reserved  | These bits are read as 0. The write value should be 0. | R/W |
| b4       | <b>SOPCMTSF</b> | Sub Operating Power Control Mode Transition Status Flag | 0: Transition completed<br>1: Transition in progress.  | R   |
| b7 to b5 | —               | Reserved  | These bits are read as 0. The write value should be 0. | R/W |

The SOPCCR register is used to reduce power consumption in Normal and Sleep modes by initiating entry to and exit from Subosc-speed mode. Subosc-speed mode is only available when using the sub-clock oscillator or LOCO without dividing the frequency.

The flash cache function should be set to disabled by setting `FCACHEE.FCACHEEN` to 0 before switching the operating power control mode. For details, see [section 53, Flash Memory](#).

For the procedure to change operating power control modes, see [section 11.5, Function for Lower Operating Power Consumption](#).

### SOPCM bit (Sub Operating Power Control Mode Select)

The SOPCM bit selects the operating power control mode in Normal and Sleep modes. Setting this bit to 1 allows transition to Subosc-speed mode. Setting this bit to 0 allows a return to the operating mode (operating mode set by `OPCCR.OPCM[1:0]`) that was active before the transition to Subosc-speed mode.

When transitioning from Software Standby mode to Normal mode or Snooze mode, the `OPCCR.OPCM[1:0]` and `SOPCCR.SOPCM` settings are as follows, regardless of their settings before entering Software Standby mode:

- `OPCCR.OPCM[1:0] = 00b` (High-speed mode)
- `SOPCCR.SOPCM = 0b` (not Subosc-speed mode).

If Software Standby mode is canceled before the transition to Software Standby completes, the `OPCCR.OPCM[1:0]` and `SOPCCR.SOPCM` bits retain their settings from before the WFI instruction is executed. If this causes any problem, set the MCU to High-speed mode during the exception handling procedure when canceling Software Standby mode.

[Table 11.4](#) shows the relationship between the operating power control modes and the `OPCM[1:0]` and `SOPCM` settings.

### SOPCMTSF flag (Sub Operating Power Control Mode Transition Status Flag)

The SOPCMTSF flag indicates the switching control state when the operating power control mode is switched to Subosc-speed mode or from Subosc-speed mode. The flag is set to 1 on a write access to the SOPCM bit, and to 0 when the mode transition completes. Confirm that the flag is 0 before next proceeding.

**Table 11.4 Relationship between the operating power control modes and the `OPCM[1:0]` and `SOPCM` settings**

| Operating power control mode | OPCM[1:0] bits | SOPCM bit | Power consumption |
|------------------------------|----------------|-----------|-------------------|
| High-speed mode              | 00b            | 0         | High<br>↓<br>Low  |
| Low-speed mode               | 11b            | 0         |                   |
| Subosc-speed mode            | 00b, 11b       | 1         |                   |

Note: See [section 55, Electrical Characteristics](#), for the operating frequency range and voltage range.

### High-speed operating mode

After a reset cancellation, the MCU is activated in this mode.

### Low-speed mode

The following constraints apply in low-speed mode:

- Programming and erasure operations for the flash memory are prohibited
- Using the PLL is prohibited. See [section 11.10.1, Register Access](#).

In this mode, lower power consumption is possible than in High-speed mode when the same operation is performed under the same conditions, such as operating frequency and operating voltage.

### Subosc-speed mode

The following constraints apply in Subosc-speed mode:

- Programming and erasure operations for the flash memory are prohibited
- Reading of the data flash is prohibited
- Using MOSC, PLL, MOCO, or HOCO is prohibited. See [section 11.10.1, Register Access](#)
- Using the divided clock for ICK or FCK is prohibited. See [section 11.10.1, Register Access](#)
- Using the oscillation stop detection function of the main clock oscillator is prohibited.

## 11.2.8 Snooze Control Register (SNZCR)

Address(es): [SYSTEM.SNZCR 4001 E092h](#)

|                    | b7   | b6 | b5 | b4 | b3 | b2 | b1       | b0       |
|--------------------|------|----|----|----|----|----|----------|----------|
|                    | SNZE | —  | —  | —  | —  | —  | SNZDTCEN | RXDREQEN |
| Value after reset: | 0    | 0  | 0  | 0  | 0  | 0  | 0        | 0        |

| Bit      | Symbol                   | Bit name                   | Description   | R/W |
|----------|--------------------------|----------------------------|---|-----|
| b0       | <a href="#">RXDREQEN</a> | RXD0 Snooze Request Enable | 0: Ignore the RXD0 falling edge in Software Standby mode<br>1: Detect the RXD0 falling edge in Software Standby mode. | R/W |
| b1       | <a href="#">SNZDTCEN</a> | DTC Enable in Snooze mode  | 0: Disable DTC operation in Snooze mode<br>1: Enable DTC operation in Snooze mode.                                    | R/W |
| b6 to b2 | —                        | Reserved                   | These bits are read as 0. The write value should be 0.  | R/W |
| b7       | <a href="#">SNZE</a>     | Snooze Mode Enable         | 0: Disable Snooze mode<br>1: Enable Snooze mode.  | R/W |

#### [RXDREQEN bit \(RXD0 Snooze Request Enable\)](#)

The RXDREQEN bit specifies whether to detect a falling edge of the RXD0 pin in Software Standby mode. This bit is only available when SCIO operates in asynchronous mode. To detect a falling edge of the RXD0 pin, set this bit before entering Software Standby mode. When this bit is set to 1, a falling edge of the RXD0 pin in Software Standby mode causes the MCU to enter Snooze mode.

#### [SNZDTCEN bit \(DTC Enable in Snooze mode\)](#)

The SNZDTCEN bit specifies whether to use the DTC and SRAM in Snooze mode. To use the DTC and SRAM in Snooze mode, set this bit to 1 before entering Software Standby mode. When this bit is set to 1, the DTC can be activated by setting IELSRn (ICU Event Link Setting Register n).

#### [SNZE bit \(Snooze Mode Enable\)](#)

The SNZE bit enables or disables a transition from Software Standby to Snooze mode. To use Snooze mode, set this bit to 1 before entering Software Standby mode. When this bit is set to 1, one of the event triggers shown in [Table 11.7](#) occurring in Software Standby mode causes the MCU to enter Snooze mode. After the MCU transitions from Software



Standby or Snooze mode to Normal mode, clear the SNZE bit once and then set it before re-entering Software Standby mode. For details, see [section 11.8, Snooze Mode](#).

### 11.2.9 Snooze End Control Register (SNZEDCR)

Address(es): SYSTEM.SNZEDCR 4001 E094h

|                    |          |        |          |        |          |         |          |
|--------------------|----------|--------|----------|--------|----------|---------|----------|
| b7                 | b6       | b5     | b4       | b3     | b2       | b1      | b0       |
| SCI0UMTED          | AD1UMTED | AD1MAT | AD0UMTED | AD0MAT | DTCNZRED | DTCZRED | AGTUNFED |
| Value after reset: | 0        | 0      | 0        | 0      | 0        | 0       | 0        |

| Bit | Symbol                    | Bit name   | Description  | R/W |
|-----|---------------------------|--|--|-----|
| b0  | <a href="#">AGTUNFED</a>  | AGT1 Underflow Snooze End Enable                       | 0: Disable the Snooze end request<br>1: Enable the Snooze end request. | R/W |
| b1  | <a href="#">DTCZRED</a>   | Last DTC Transmission Completion Snooze End Enable     | 0: Disable the Snooze end request<br>1: Enable the Snooze end request. | R/W |
| b2  | <a href="#">DTCNZRED</a>  | Not Last DTC Transmission Completion Snooze End Enable | 0: Disable the Snooze end request<br>1: Enable the Snooze end request. | R/W |
| b3  | <a href="#">AD0MATED</a>  | AD Compare Match 0 Snooze End Enable                   | 0: Disable the Snooze end request<br>1: Enable the Snooze end request. | R/W |
| b4  | <a href="#">AD0UMTED</a>  | AD Compare Mismatch 0 Snooze End Enable                | 0: Disable the Snooze end request<br>1: Enable the Snooze end request. | R/W |
| b5  | <a href="#">AD1MATED</a>  | AD Compare Match 1 Snooze End Enable                   | 0: Disable the Snooze end request<br>1: Enable the Snooze end request. | R/W |
| b6  | <a href="#">AD1UMTED</a>  | AD Compare Mismatch 1 Snooze End Enable                | 0: Disable the Snooze end request<br>1: Enable the Snooze end request. | R/W |
| b7  | <a href="#">SCI0UMTED</a> | SCI0 Address Mismatch Snooze End Enable                | 0: Disable the Snooze end request<br>1: Enable the Snooze end request. | R/W |

To use one of the triggers shown in [Table 11.8](#) as a condition to switch from Snooze to Software Standby mode, set the associated bit in the SNZEDCR register to 1.

The event that is used for returning to Normal mode from Snooze mode as listed in [Table 11.3](#) must not be enabled in the SNZEDCR register.

#### **AGTUNFED bit (AGT1 Underflow Snooze End Enable)**

The AGTUNFED bit enables or disables a transition from Snooze to Software Standby mode on an AGT1 underflow. For details on the trigger conditions, see [section 25, Asynchronous General-Purpose Timer \(AGT\)](#).

#### **DTCZRED bit (Last DTC Transmission Completion Snooze End Enable)**

The DTCZRED bit enables or disables a transition from Snooze to Software Standby mode on completion of the last DTC transmission, signaled when the CRA or CRB register in the DTC is 0. For details on the trigger conditions, see [section 18, Data Transfer Controller \(DTC\)](#).

#### **DTCNZRED bit (Not Last DTC Transmission Completion Snooze End Enable)**

The DTCNZRED bit enables or disables a transition from Snooze to Software Standby mode on completion of each DTC transmission, signaled when the CRA or CRB register in the DTC is not 0. For details on the trigger conditions, see [section 18, Data Transfer Controller \(DTC\)](#).

#### **AD0MATED bit (AD Compare Match 0 Snooze End Enable)**

The AD0MATED bit enables or disables a transition from Snooze to Software Standby mode on an AD0 event when a conversion result matches the expected data. For details on the trigger conditions, see [section 45, 12-Bit A/D Converter \(ADC12\)](#).

**AD0UMTED bit (AD Compare Mismatch 0 Snooze End Enable)**

The AD0UMTED bit enables or disables a transition from Snooze to Software Standby mode on an AD0 event when the conversion result does not match the expected data. For details on the trigger conditions, see [section 45, 12-Bit A/D Converter \(ADC12\)](#).

**AD1MATED bit (AD Compare Match 1 Snooze End Enable)**

The AD1MATED bit enables or disables a transition from Snooze to Software Standby mode on an AD1 event when the conversion result matches the expected data. For details on the trigger conditions, see [section 45, 12-Bit A/D Converter \(ADC12\)](#).

**AD1UMTED bit (AD Compare Mismatch 1 Snooze End Enable)**

The AD1UMTED bit enables or disables a transition from Snooze to Software Standby mode on an AD1 event when the conversion result does not match the expected data. For details on the trigger conditions, see [section 45, 12-Bit A/D Converter \(ADC12\)](#).

**SCIOUMTED bit (SCIO Address Mismatch Snooze End Enable)**

The SCIOUMTED bit enables or disables a transition from Snooze to Software Standby mode on an SCIO event when an address received in Software Standby mode does not match the expected data. For details on the trigger conditions, see [section 32, Serial Communications Interface \(SCI\)](#). Only set this bit to 1 when SCIO is operating in asynchronous mode.

**11.2.10 Snooze Request Control Register (SNZREQCR)**

Address(es): [SYSTEM.SNZREQCR 4001 E098h](#)

|                    |            |            |            |            |            |            |            |           |            |           |           |           |           |            |           |
|--------------------|------------|------------|------------|------------|------------|------------|------------|-----------|------------|-----------|-----------|-----------|-----------|------------|-----------|
| b31                | b30        | b29        | b28        | b27        | b26        | b25        | b24        | b23       | b22        | b21       | b20       | b19       | b18       | b17        | b16       |
| —                  | SNZREQEN30 | SNZREQEN29 | SNZREQEN28 | —          | —          | SNZREQEN25 | SNZREQEN24 | —         | SNZREQEN22 | —         | —         | —         | —         | SNZREQEN17 | —         |
| Value after reset: | 0          | 0          | 0          | 0          | 0          | 0          | 0          | 0         | 0          | 0         | 0         | 0         | 0         | 0          | 0         |
| b15                | b14        | b13        | b12        | b11        | b10        | b9         | b8         | b7        | b6         | b5        | b4        | b3        | b2        | b1         | b0        |
| SNZREQEN15         | SNZREQEN14 | SNZREQEN13 | SNZREQEN12 | SNZREQEN11 | SNZREQEN10 | SNZREQEN9  | SNZREQEN8  | SNZREQEN7 | SNZREQEN6  | SNZREQEN5 | SNZREQEN4 | SNZREQEN3 | SNZREQEN2 | SNZREQEN1  | SNZREQEN0 |
| Value after reset: | 0          | 0          | 0          | 0          | 0          | 0          | 0          | 0         | 0          | 0         | 0         | 0         | 0         | 0          | 0         |

| Bit | Symbol                    | Bit name                | Description  | R/W |
|-----|---------------------------|-------------------------|--|-----|
| b0  | <a href="#">SNZREQEN0</a> | Snooze Request Enable 0 | Enables the IRQ0 pin snooze request:<br>0: Disable<br>1: Enable. | R/W |
| b1  | <a href="#">SNZREQEN1</a> | Snooze Request Enable 1 | Enables the IRQ1 pin snooze request:<br>0: Disable<br>1: Enable. | R/W |
| b2  | <a href="#">SNZREQEN2</a> | Snooze Request Enable 2 | Enables the IRQ2 pin snooze request:<br>0: Disable<br>1: Enable. | R/W |
| b3  | <a href="#">SNZREQEN3</a> | Snooze Request Enable 3 | Enables the IRQ3 pin snooze request:<br>0: Disable<br>1: Enable. | R/W |
| b4  | <a href="#">SNZREQEN4</a> | Snooze Request Enable 4 | Enables the IRQ4 pin snooze request:<br>0: Disable<br>1: Enable. | R/W |
| b5  | <a href="#">SNZREQEN5</a> | Snooze Request Enable 5 | Enables the IRQ5 pin snooze request:<br>0: Disable<br>1: Enable. | R/W |
| b6  | <a href="#">SNZREQEN6</a> | Snooze Request Enable 6 | Enables the IRQ6 pin snooze request:<br>0: Disable<br>1: Enable. | R/W |

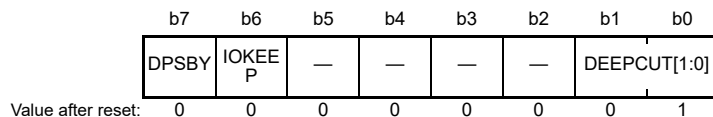
| Bit        | Symbol                     | Bit name                 | Description  | R/W |
|------------|----------------------------|--------------------------|--|-----|
| b7         | <a href="#">SNZREQEN7</a>  | Snooze Request Enable 7  | Enables the IRQ7 pin snooze request:<br>0: Disable<br>1: Enable.             | R/W |
| b8         | <a href="#">SNZREQEN8</a>  | Snooze Request Enable 8  | Enables the IRQ8 pin snooze request:<br>0: Disable<br>1: Enable.             | R/W |
| b9         | <a href="#">SNZREQEN9</a>  | Snooze Request Enable 9  | Enables the IRQ9 pin snooze request:<br>0: Disable<br>1: Enable.             | R/W |
| b10        | <a href="#">SNZREQEN10</a> | Snooze Request Enable 10 | Enables the IRQ10 pin snooze request:<br>0: Disable<br>1: Enable.            | R/W |
| b11        | <a href="#">SNZREQEN11</a> | Snooze Request Enable 11 | Enables the IRQ11 pin snooze request:<br>0: Disable<br>1: Enable.            | R/W |
| b12        | <a href="#">SNZREQEN12</a> | Snooze Request Enable 12 | Enables the IRQ12 pin snooze request:<br>0: Disable<br>1: Enable.            | R/W |
| b13        | <a href="#">SNZREQEN13</a> | Snooze Request Enable 13 | Enables the IRQ13 pin snooze request:<br>0: Disable<br>1: Enable.            | R/W |
| b14        | <a href="#">SNZREQEN14</a> | Snooze Request Enable 14 | Enables the IRQ14 pin snooze request:<br>0: Disable<br>1: Enable.            | R/W |
| b15        | <a href="#">SNZREQEN15</a> | Snooze Request Enable 15 | Enables the IRQ15 pin snooze request:<br>0: Disable<br>1: Enable.            | R/W |
| b16        | —                          | Reserved                 | This bit is read as 0. The write value should be 0.                          | R/W |
| b17        | <a href="#">SNZREQEN17</a> | Snooze Request Enable 17 | Enables the Key Interrupt snooze request:<br>0: Disable<br>1: Enable.        | R/W |
| b21 to b18 | —                          | Reserved                 | These bits are read as 0. The write value should be 0.                       | R/W |
| b22        | <a href="#">SNZREQEN22</a> | Snooze Request Enable 22 | Enables the ACMPHS0 snooze request:<br>0: Disable<br>1: Enable.              | R/W |
| b23        | —                          | Reserved                 | This bit is read as 0. The write value should be 0.                          | R/W |
| b24        | <a href="#">SNZREQEN24</a> | Snooze Request Enable 24 | Enables the RTC alarm snooze request:<br>0: Disable<br>1: Enable.            | R/W |
| b25        | <a href="#">SNZREQEN25</a> | Snooze Request Enable 25 | Enables the RTC period snooze request:<br>0: Disable<br>1: Enable.           | R/W |
| b27, b26   | —                          | Reserved                 | These bits are read as 0. The write value should be 0.                       | R/W |
| b28        | <a href="#">SNZREQEN28</a> | Snooze Request Enable 28 | Enables the AGT1 underflow snooze request:<br>0: Disable<br>1: Enable.       | R/W |
| b29        | <a href="#">SNZREQEN29</a> | Snooze Request Enable 29 | Enables the AGT1 compare match A snooze request:<br>0: Disable<br>1: Enable. | R/W |
| b30        | <a href="#">SNZREQEN30</a> | Snooze Request Enable 30 | Enables the AGT1 compare match B snooze request:<br>0: Disable<br>1: Enable. | R/W |
| b31        | —                          | Reserved                 | This bit is read as 0. The write value should be 0.                          | R/W |

The SNZREQCR register controls which trigger causes the MCU to switch from Software Standby to Snooze mode. If a trigger is selected as a request to cancel Software Standby mode in the WUPEN register (see [section 14, Interrupt Controller Unit \(ICU\)](#)), the MCU enters Normal mode when the trigger is generated even when the associated bit of the

SNZREQCR is 1. The setting of the WUPEN register always has a higher priority than the SNZREQCR register settings. For details, see [section 11.8, Snooze Mode](#), and [section 14, Interrupt Controller Unit \(ICU\)](#).

### 11.2.11 Deep Software Standby Control Register (DPSBYCR)

Address(es): SYSTEM.DPSBYCR 4001 E400h



| Bit      | Symbol                        | Bit name              | Description   | R/W |
|----------|-------------------------------|-----------------------|---|-----|
| b1, b0   | <a href="#">DEEPCUT [1:0]</a> | Power-Supply Control  | b1 b0<br>0 0: Supply power to the Standby SRAM, low-speed on-chip oscillator, AGTn, and USBFS resume detecting unit in Deep Software Standby mode<br>0 1: Do not supply power to the Standby SRAM, low-speed on-chip oscillator, AGTn, and USBFS resume detecting unit in Deep Software Standby mode<br>1 0: Setting prohibited<br>1 1: Do not supply power to the Standby SRAM, low-speed on-chip oscillator, AGTn, and USBFS resume detecting unit in Deep Software Standby mode. In addition, disable the LVD and enable the low power function of the power-on reset circuit. | R/W |
| b5 to b2 | —                             | Reserved              | These bits are read as 0. The write value should be 0.  | R/W |
| b6       | <a href="#">IOKEEP</a>        | I/O Port Retention    | 0: When Deep Software Standby mode is canceled, clear the I/O ports to the reset state<br>1: When Deep Software Standby mode is canceled, keep the I/O ports in the same state as in Deep Software Standby mode.  | R/W |
| b7       | <a href="#">DPSBY</a>         | Deep Software Standby | 0: Sleep mode (SBYCR.SSBY = 0) or Software Standby mode (SBYCR.SSBY = 1)<br>1: Sleep mode (SBYCR.SSBY = 0) or Deep Software Standby mode (SBYCR.SSBY = 1).  | R/W |

The DPSBYCR register is not initialized by the internal reset signal that cancels Deep Software Standby mode. For details, see [Table 6.2, Reset detect flags initialized by each reset source](#).

#### [DEEPCUT\[1:0\] bits \(Power-Supply Control\)](#)

The DEEPCUT[1:0] bits control the internal power supply to the Standby SRAM, low-speed on-chip oscillator, AGTn, and USBFS resume detecting unit in Deep Software Standby mode. In addition, these bits control the state of the LVD and power-on reset circuit in Deep Software Standby mode. When a USBFS suspend/resume interrupt is used as a canceling source for Deep Software Standby mode, the DEEPCUT[1:0] bits must be set to 00b. When an LVD interrupt is used in Deep Software Standby mode, the DEEPCUT[1:0] bits must be set to 00b or 01b.

For lower power consumption, set the DEEPCUT[1:0] bits to 11b so that the LVD is stopped and the low power mode function of the power-on reset circuit is enabled. The internal power supply of the SRAM stops in Deep Software Standby mode regardless of the DEEPCUT[1:0] bit settings.

#### [IOKEEP bit \(I/O Port Retention\)](#)

In Deep Software Standby mode, the I/O ports keep the same states as in Software Standby mode. The IOKEEP bit specifies whether to reset the state of the I/O ports when Deep Software Standby mode is canceled.

#### [DPSBY bit \(Deep Software Standby\)](#)

The DPSBY bit controls transitions to Deep Software Standby mode. See [Table 11.6](#) for details.

When the WFI instruction is executed while the SBYCR.SSBY and DPSBYCR.DPSBY bits are both 1, the MCU enters Deep Software Standby mode through Software Standby mode.

The DPSBY bit remains 1 when Deep Software Standby mode is canceled by certain pins that are the sources of external pin interrupts (NMI and IRQ0-DS to IRQ13-DS) or by a peripheral interrupt (RTC alarm, RTC interval, USB suspend/resume, voltage monitor 1, or voltage monitor 2). Write 0 to this bit to clear it.

The DPSBY setting is invalid when the OFS0.IWDTSTPCTL bit is 0 (counting continues), regardless of the setting in the OFS0.IWDTSTRT bit. When the SBYCR.SSBY and DPSBY bits are 1, the MCU transitions to Software Standby mode on execution of a WFI instruction.

The DPSBY setting is invalid when the voltage monitor 1 reset is enabled (LVD1CR0.RI = 1) or when the voltage monitor 2 reset is enabled (LVD2CR0.RI = 1). When the SBYCR.SSBY and the DPSBY bits are 1, the MCU transitions to Software Standby mode on execution of a WFI instruction.

## 11.2.12 Deep Software Standby Interrupt Enable Register 0 (DPSIER0)

Address(es): [SYSTEM.DPSIER0 4001 E402h](#)

|                    | b7         | b6         | b5         | b4         | b3         | b2         | b1         | b0         |
|--------------------|------------|------------|------------|------------|------------|------------|------------|------------|
|                    | DIRQ7<br>E | DIRQ6<br>E | DIRQ5<br>E | DIRQ4<br>E | DIRQ3<br>E | DIRQ2<br>E | DIRQ1<br>E | DIRQ0<br>E |
| Value after reset: | 0          | 0          | 0          | 0          | 0          | 0          | 0          | 0          |

| Bit | Symbol                 | Bit name           | Description   | R/W |
|-----|------------------------|--------------------|---|-----|
| b0  | <a href="#">DIRQ0E</a> | IRQ0-DS Pin Enable | Enables canceling of Deep Software Standby mode by the IRQ0-DS pin:<br>0: Disable<br>1: Enable. | R/W |
| b1  | <a href="#">DIRQ1E</a> | IRQ1-DS Pin Enable | Enables canceling of Deep Software Standby mode by the IRQ1-DS pin:<br>0: Disable<br>1: Enable. | R/W |
| b2  | <a href="#">DIRQ2E</a> | IRQ2-DS Pin Enable | Enables canceling of Deep Software Standby mode by the IRQ2-DS pin:<br>0: Disable<br>1: Enable. | R/W |
| b3  | <a href="#">DIRQ3E</a> | IRQ3-DS Pin Enable | Enables canceling of Deep Software Standby mode by the IRQ3-DS pin:<br>0: Disable<br>1: Enable. | R/W |
| b4  | <a href="#">DIRQ4E</a> | IRQ4-DS Pin Enable | Enables canceling of Deep Software Standby mode by the IRQ4-DS pin:<br>0: Disable<br>1: Enable. | R/W |
| b5  | <a href="#">DIRQ5E</a> | IRQ5-DS Pin Enable | Enables canceling of Deep Software Standby mode by the IRQ5-DS pin:<br>0: Disable<br>1: Enable. | R/W |
| b6  | <a href="#">DIRQ6E</a> | IRQ6-DS Pin Enable | Enables canceling of Deep Software Standby mode by the IRQ6-DS pin:<br>0: Disable<br>1: Enable. | R/W |
| b7  | <a href="#">DIRQ7E</a> | IRQ7-DS Pin Enable | Enables canceling of Deep Software Standby mode by the IRQ7-DS pin:<br>0: Disable<br>1: Enable. | R/W |

The DPSIER0 register is not initialized by the internal reset signal that cancels Deep Software Standby mode. For details, see [Table 6.2, Reset detect flags initialized by each reset source](#). After a setting in DPSIER0 is changed, an edge can be internally generated depending on the associated pin state, resulting in the associated DPSIFR0 bit being set to 1. Clear DPSIFR0 to 0 before entering Deep Software Standby mode.

### 11.2.13 Deep Software Standby Interrupt Enable Register 1 (DPSIER1)

Address(es): SYSTEM.DPSIER1 4001 E403h

|                    | b7 | b6 | b5          | b4          | b3          | b2          | b1         | b0         |
|--------------------|----|----|-------------|-------------|-------------|-------------|------------|------------|
|                    | —  | —  | DIRQ1<br>3E | DIRQ1<br>2E | DIRQ11<br>E | DIRQ1<br>0E | DIRQ9<br>E | DIRQ8<br>E |
| Value after reset: | 0  | 0  | 0           | 0           | 0           | 0           | 0          | 0          |

| Bit    | Symbol  | Bit name            | Description  | R/W |
|--------|---------|---------------------|--|-----|
| b0     | DIRQ8E  | IRQ8-DS Pin Enable  | Enables canceling of Deep Software Standby mode by the IRQ8-DS pin:<br>0: Disable<br>1: Enable.  | R/W |
| b1     | DIRQ9E  | IRQ9-DS Pin Enable  | Enables canceling of Deep Software Standby mode by the IRQ9-DS pin:<br>0: Disable<br>1: Enable.  | R/W |
| b2     | DIRQ10E | IRQ10-DS Pin Enable | Enables canceling of Deep Software Standby mode by the IRQ10-DS pin:<br>0: Disable<br>1: Enable. | R/W |
| b3     | DIRQ11E | IRQ11-DS Pin Enable | Enables canceling of Deep Software Standby mode by the IRQ11-DS pin:<br>0: Disable<br>1: Enable. | R/W |
| b4     | DIRQ12E | IRQ12-DS Pin Enable | Enables canceling of Deep Software Standby mode by the IRQ12-DS pin:<br>0: Disable<br>1: Enable. | R/W |
| b5     | DIRQ13E | IRQ13-DS Pin Enable | Enables canceling of Deep Software Standby mode by the IRQ13-DS pin:<br>0: Disable<br>1: Enable. | R/W |
| b7, b6 | —       | Reserved            | These bits are read as 0. The write value should be 0.   | R/W |

The DPSIER1 register is not initialized by the internal reset signal that cancels Deep Software Standby mode. For details, see [Table 6.2, Reset detect flags initialized by each reset source](#). After a setting in DPSIER1 is changed, an edge can be internally generated depending on the associated pin state, resulting in the associated DPSIFR1 bit being set to 1. Clear DPSIFR1 to 0 before entering Deep Software Standby mode.

### 11.2.14 Deep Software Standby Interrupt Enable Register 2 (DPSIER2)

Address(es): SYSTEM.DPSIER2 4001 E404h

|                    | b7 | b6 | b5 | b4    | b3          | b2          | b1          | b0          |
|--------------------|----|----|----|-------|-------------|-------------|-------------|-------------|
|                    | —  | —  | —  | DNMIE | DRTCA<br>IE | DRTCII<br>E | DLVD2I<br>E | DLVD1I<br>E |
| Value after reset: | 0  | 0  | 0  | 0     | 0           | 0           | 0           | 0           |

| Bit | Symbol  | Bit name  | Description  | R/W |
|-----|---------|---|--|-----|
| b0  | DLVD1IE | LVD1 Deep Software Standby Cancel Signal Enable | Enables canceling of Deep Software Standby mode by the voltage monitor 1 signal:<br>0: Disable<br>1: Enable. | R/W |
| b1  | DLVD2IE | LVD2 Deep Software Standby Cancel Signal Enable | Enables canceling of Deep Software Standby mode by the voltage monitor 2 signal:<br>0: Disable<br>1: Enable. | R/W |

| Bit      | Symbol                  | Bit name  | Description   | R/W   |
|----------|-------------------------|---|---|-------|
| b2       | <a href="#">DRTCIE</a>  | RTC Interval Interrupt Deep Software Standby Cancel Signal Enable | Enables canceling of Deep Software Standby mode by the RTC interval interrupt signal:<br>0: Disable<br>1: Enable. | R/W   |
| b3       | <a href="#">DRTCAIE</a> | RTC Alarm Interrupt Deep Software Standby Cancel Signal Enable    | Enables canceling of Deep Software Standby mode by the RTC alarm interrupt signal:<br>0: Disable<br>1: Enable.    | R/W   |
| b4       | <a href="#">DNMIE</a>   | NMI Pin Enable  | Enables canceling of Deep Software Standby mode by the NMI pin:<br>0: Disable<br>1: Enable.                       | R/W*1 |
| b7 to b5 | —                       | Reserved  | These bits are read as 0. The write value should be 0.  | R/W   |

Note 1. 1 can be written only once. After 1 is written to this bit, subsequent write accesses are disabled.

The DPSIER2 register is not initialized by the internal reset signal that cancels Deep Software Standby mode. For details, see [Table 6.2, Reset detect flags initialized by each reset source](#). After a setting in DPSIER2 is changed, an edge can be internally generated depending on the associated pin state, resulting in the associated DPSIFR2 bit being set to 1. Clear DPSIFR2 to 0 before entering Deep Software Standby mode.

### 11.2.15 Deep Software Standby Interrupt Enable Register 3 (DPSIER3)

Address(es): [SYSTEM.DPSIER3 4001 E405h](#)

|                    | b7 | b6 | b5 | b4 | b3 | b2          | b1 | b0           |
|--------------------|----|----|----|----|----|-------------|----|--------------|
|                    | —  | —  | —  | —  | —  | DAGT1<br>IE | —  | DUSBF<br>SIE |
| Value after reset: | 0  | 0  | 0  | 0  | 0  | 0           | 0  | 0            |

| Bit      | Symbol                   | Bit name  | Description  | R/W |
|----------|--------------------------|---|--|-----|
| b0       | <a href="#">DUSBFSIE</a> | USBFS Suspend/Resume Deep Software Standby Cancel Signal Enable | Enables canceling of Deep Software Standby mode by a USBFS suspend/resume:<br>0: Disable<br>1: Enable. | R/W |
| b1       | —                        | Reserved  | This bit is read as 0. The write value should be 0.  | R/W |
| b2       | <a href="#">DAGT1IE</a>  | AGT1 Underflow Deep Software Standby Cancel Signal Enable       | Enables canceling of Deep Software Standby mode by an AGT1 underflow:<br>0: Disable<br>1: Enable.      | R/W |
| b7 to b3 | —                        | Reserved  | These bits are read as 0. The write value should be 0.   | R/W |

The DPSIER3 register is not initialized by the internal reset signal that cancels Deep Software Standby mode. For details, see [Table 6.2, Reset detect flags initialized by each reset source](#). After a setting in DPSIER3 is changed, an edge can be internally generated depending on the associated pin state, resulting in the associated DPSIFR3 bit setting to 1. Clear DPSIFR3 to 0 before entering Deep Software Standby mode.

## 11.2.16 Deep Software Standby Interrupt Flag Register 0 (DPSIFR0)

Address(es): SYSTEM.DPSIFR0 4001 E406h

| b7                   | b6         | b5         | b4         | b3         | b2         | b1         | b0         |
|----------------------|------------|------------|------------|------------|------------|------------|------------|
| DIRQ7<br>F           | DIRQ6<br>F | DIRQ5<br>F | DIRQ4<br>F | DIRQ3<br>F | DIRQ2<br>F | DIRQ1<br>F | DIRQ0<br>F |
| Value after reset: 0 | 0          | 0          | 0          | 0          | 0          | 0          | 0          |

| Bit | Symbol | Bit name                                  | Description  | R/W         |
|-----|--------|---|--|-------------|
| b0  | DIRQ0F | IRQ0-DS Deep Software Standby Cancel Flag | Indicates Deep Software Standby cancel request by the IRQ0-DS pin:<br>0: No request generated<br>1: Request generated. | R/(W)<br>*1 |
| b1  | DIRQ1F | IRQ1-DS Deep Software Standby Cancel Flag | Indicates Deep Software Standby cancel request by the IRQ1-DS pin:<br>0: No request generated<br>1: Request generated. | R/(W)<br>*1 |
| b2  | DIRQ2F | IRQ2-DS Deep Software Standby Cancel Flag | Indicates Deep Software Standby cancel request by the IRQ2-DS pin:<br>0: No request generated<br>1: Request generated. | R/(W)<br>*1 |
| b3  | DIRQ3F | IRQ3-DS Deep Software Standby Cancel Flag | Indicates Deep Software Standby cancel request by the IRQ3-DS pin:<br>0: No request generated<br>1: Request generated. | R/(W)<br>*1 |
| b4  | DIRQ4F | IRQ4-DS Deep Software Standby Cancel Flag | Indicates Deep Software Standby cancel request by the IRQ4-DS pin:<br>0: No request generated<br>1: Request generated. | R/(W)<br>*1 |
| b5  | DIRQ5F | IRQ5-DS Deep Software Standby Cancel Flag | Indicates Deep Software Standby cancel request by the IRQ5-DS pin:<br>0: No request generated<br>1: Request generated. | R/(W)<br>*1 |
| b6  | DIRQ6F | IRQ6-DS Deep Software Standby Cancel Flag | Indicates Deep Software Standby cancel request by the IRQ6-DS pin:<br>0: No request generated<br>1: Request generated. | R/(W)<br>*1 |
| b7  | DIRQ7F | IRQ7-DS Deep Software Standby Cancel Flag | Indicates Deep Software Standby cancel request by the IRQ7-DS pin:<br>0: No request generated<br>1: Request generated. | R/(W)<br>*1 |

Note 1. Only 0 can be written to clear the flag.

The flags in the DPSIFR0 register is set to 1 when the associated cancel request specified in DPSIEGR0 is generated. Each flag can be set to 1 when a cancel request is generated in any mode, not only in Deep Software Standby mode, or when the setting in DPSIER0 is changed. Clear DPSIFR0 to 00h before entering Deep Software Standby mode.

To clear DPSIFR0 to 00h after modifying DPSIER0, wait for at least 6 PCLKB cycles, read DPSIFR0, and then write 0 to DPSIFR0. Six or more PCLKB cycles can be secured, for example, by reading DPSIER0. DPSIFR0 is not initialized by the internal reset signal that cancels Deep Software Standby mode. For details, see [Table 6.2, Reset detect flags initialized by each reset source](#).

### DIRQnF flags (IRQn-DS Deep Software Standby Cancel Flag) (n = 0 to 7)

The DIRQnF flag indicates that a cancel request is generated by the IRQn-DS pin.

[Setting condition]

- A cancel request generated by an IRQn-DS pin specified in DPSIEGR0.



[Clearing condition]

- Writing 0 to the flag after reading it as 1.

## 11.2.17 Deep Software Standby Interrupt Flag Register 1 (DPSIFR1)

Address(es): SYSTEM.DPSIFR1 4001 E407h

|                    | b7 | b6 | b5          | b4          | b3          | b2          | b1         | b0         |
|--------------------|----|----|-------------|-------------|-------------|-------------|------------|------------|
|                    | —  | —  | DIRQ1<br>3F | DIRQ1<br>2F | DIRQ11<br>F | DIRQ1<br>0F | DIRQ9<br>F | DIRQ8<br>F |
| Value after reset: | 0  | 0  | 0           | 0           | 0           | 0           | 0          | 0          |

| Bit    | Symbol  | Bit name                                   | Description   | R/W     |
|--------|---------|--|---|---------|
| b0     | DIRQ8F  | IRQ8-DS Deep Software Standby Cancel Flag  | Indicates Deep Software Standby cancel request by the IRQ8-DS pin:<br>0: No request generated<br>1: Request generated.  | R/(W)*1 |
| b1     | DIRQ9F  | IRQ9-DS Deep Software Standby Cancel Flag  | Indicates Deep Software Standby cancel request by the IRQ9-DS pin:<br>0: No request generated<br>1: Request generated.  | R/(W)*1 |
| b2     | DIRQ10F | IRQ10-DS Deep Software Standby Cancel Flag | Indicates Deep Software Standby cancel request by the IRQ10-DS pin:<br>0: No request generated<br>1: Request generated. | R/(W)*1 |
| b3     | DIRQ11F | IRQ11-DS Deep Software Standby Cancel Flag | Indicates Deep Software Standby cancel request by the IRQ11-DS pin:<br>0: No request generated<br>1: Request generated. | R/(W)*1 |
| b4     | DIRQ12F | IRQ12-DS Deep Software Standby Cancel Flag | Indicates Deep Software Standby cancel request by the IRQ12-DS pin:<br>0: No request generated<br>1: Request generated. | R/(W)*1 |
| b5     | DIRQ13F | IRQ13-DS Deep Software Standby Cancel Flag | Indicates Deep Software Standby cancel request by the IRQ13-DS pin:<br>0: No request generated<br>1: Request generated. | R/(W)*1 |
| b7, b6 | —       | Reserved                                   | These bits are read as 0. The write value should be 0.  | R/(W)*1 |

Note 1. Only 0 can be written to clear the flag.

The flags in the DPSIFR1 register are set to 1 when the associated cancel request specified in DPSIEGR1 is generated. Each flag can be set to 1 when a cancel request is generated in any mode, not only in Deep Software Standby mode, or when the setting in DPSIER1 is changed. Clear DPSIFR1 to 00h before entering Deep Software Standby mode.

To clear DPSIFR1 to 00h after modifying DPSIER1, wait for at least 6 PCLKB cycles, read DPSIFR1, and then write 0 to DPSIFR1. Six or more PCLKB cycles can be secured, for example, by reading DPSIER1. DPSIFR1 is not initialized by the internal reset signal that cancels Deep Software Standby mode. For details, see [Table 6.2, Reset detect flags initialized by each reset source](#).

### DIRQnF flags (IRQn-DS Deep Software Standby Cancel Flag) (n = 8 to 13)

The DIRQnF flag indicates that a cancel request is generated by the IRQn-DS pin.

[Setting condition]

- A cancel request generated by the IRQn-DS pin specified in DPSIEGR1.

[Clearing condition]

- Writing 0 to the flag after reading it as 1.

## 11.2.18 Deep Software Standby Interrupt Flag Register 2 (DPSIFR2)

Address(es): SYSTEM.DPSIFR2 4001 E408h

| b7 | b6 | b5 | b4    | b3      | b2       | b1      | b0      |
|----|----|----|-------|---------|----------|---------|---------|
| —  | —  | —  | DNMIF | DRTCAIF | DRTCIIIF | DLVD2IF | DLVD1IF |
| 0  | 0  | 0  | 0     | 0       | 0        | 0       | 0       |

Value after reset:

| Bit      | Symbol   | Bit name   | Description  | R/W     |
|----------|----------|--|--|---------|
| b0       | DLVD1IF  | LVD1 Deep Software Standby Cancel Flag                   | Indicates Deep Software Standby cancel request by the voltage monitor 1 signal:<br>0: No request generated<br>1: Request generated.      | R/(W)*1 |
| b1       | DLVD2IF  | LVD2 Deep Software Standby Cancel Flag                   | Indicates Deep Software Standby cancel request by the voltage monitor 2 signal:<br>0: No request generated<br>1: Request generated.      | R/(W)*1 |
| b2       | DRTCIIIF | RTC Interval Interrupt Deep Software Standby Cancel Flag | Indicates Deep Software Standby cancel request by the RTC interval interrupt signal:<br>0: No request generated<br>1: Request generated. | R/(W)*1 |
| b3       | DRTCAIF  | RTC Alarm Interrupt Deep Software Standby Cancel Flag    | Indicates Deep Software Standby cancel request by the RTC alarm interrupt signal:<br>0: No request generated<br>1: Request generated.    | R/(W)*1 |
| b4       | DNMIF    | NMI Deep Software Standby Cancel Flag                    | Indicates Deep Software Standby cancel request by the NMI pin:<br>0: No request generated<br>1: Request generated.                       | R/(W)*1 |
| b7 to b5 | —        | Reserved   | These bits are read as 0. The write value should be 0.   | R/W     |

Note 1. Only 0 can be written to clear the flag.

The flags in the DPSIFR2 register are set to 1 when the associated cancel request specified in DPSIEGR2 is generated. Each flag can be set to 1 when a cancel request is generated in any mode, not only in Deep Software Standby mode, or when the setting in DPSIER2 is changed. Clear DPSIFR2 to 00h before entering Deep Software Standby mode.

To clear DPSIFR2 to 00h after modifying DPSIER2, wait for at least 6 PCLKB cycles, read DPSIFR2, and then write 0 to DPSIFR2. Six or more PCLKB cycles can be secured, for example, by reading DPSIER2. DPSIFR2 is not initialized by the internal reset signal that cancels Deep Software Standby mode. For details, see [Table 6.2, Reset detect flags initialized by each reset source](#).

### DLVDmIF flag (LVDm Deep Software Standby Cancel Flag) (m = 1 or 2)

The DLVDmIF flag indicates that a cancel request is generated by the voltage monitor m signal.

[Setting condition]

- A cancel request generated by the voltage monitor m signal specified in DPSIEGR2.

[Clearing condition]

- Writing 0 to the flag after reading it as 1.

### DRTCIIIF flag (RTC Interval Interrupt Deep Software Standby Cancel Flag)

The DRTCIIIF flag indicates that a cancel request is generated by the RTC interval interrupt signal.

[Setting condition]

- A cancel request generated by the RTC interval interrupt signal.

[Clearing condition]

- Writing 0 to the flag after reading it as 1.

### DRTCAIF flag (RTC Alarm Interrupt Deep Software Standby Cancel Flag)

The DRTCAIF flag indicates that a cancel request is generated by the RTC alarm interrupt signal.

[Setting condition]

- A cancel request generated by the RTC alarm interrupt signal.

[Clearing condition]

- Writing 0 to the flag after reading it as 1.

### DNMIF flag (NMI Deep Software Standby Cancel Flag)

The DNMIF flag indicates that a cancel request is generated by the NMI pin.

[Setting condition]

- A cancel request generated by the NMI pin specified in DPSIEGR2.

[Clearing condition]

- Writing 0 to the flag after reading it as 1.

## 11.2.19 Deep Software Standby Interrupt Flag Register 3 (DPSIFR3)

Address(es): SYSTEM.DPSIFR3 4001 E409h

|                    |    |    |    |    |             |    |              |
|--------------------|----|----|----|----|-------------|----|--------------|
| b7                 | b6 | b5 | b4 | b3 | b2          | b1 | b0           |
| —                  | —  | —  | —  | —  | DAGT1<br>IF | —  | DUSBF<br>SIF |
| Value after reset: | 0  | 0  | 0  | 0  | 0           | 0  | 0            |

| Bit      | Symbol   | Bit name   | Description   | R/W     |
|----------|----------|--|---|---------|
| b0       | DUSBFSIF | USBFS Suspend/Resume Deep Software Standby Cancel Flag | Indicates Deep Software Standby cancel request by a USBFS suspend/resume:<br>0: No request generated<br>1: Request generated. | R/(W)*1 |
| b1       | —        | Reserved   | This bit is read as 0. The write value should be 0.   | R/W     |
| b2       | DAGT1IF  | AGT1 Underflow Deep Software Standby Cancel Flag       | Indicates Deep Software Standby cancel request by an AGT1 underflow:<br>0: No request generated<br>1: Request generated.      | R/(W)*1 |
| b7 to b3 | —        | Reserved   | These bits are read as 0. The write value should be 0.  | R/W     |

Note 1. Only 0 can be written to clear the flag.

The flags in the DPSIFR3 register are set to 1 when the associated cancel request is generated. Each flag can be set to 1 when a cancel request is generated in any mode, not only in Deep Software Standby mode, or when the setting in DPSIER3 is changed. Clear DPSIFR3 to 00h before entering Deep Software Standby mode.

To clear DPSIFR3 to 00h after modifying DPSIER3, wait for at least 6 PCLKB cycles, read DPSIFR3, and then write 0 to DPSIFR3. Six or more PCLKB cycles can be secured, for example, by reading DPSIER3. DPSIFR3 is not initialized by the internal reset signal that cancels Deep Software Standby mode. For details, see [section 6, Resets](#).

### DUSBFSIF flag (USBFS Suspend/Resume Deep Software Standby Cancel Flag)

The DUSBFSIF flag indicates that a cancel request is generated by a USBFS suspend/resume.

[Setting condition]

- A cancel request generated by the USBFS suspend/resume.

[Clearing condition]

- Writing 0 to the flag after reading it as 1.

### DAGT1IF flag (AGT1 Underflow Deep Software Standby Cancel Flag)

The DAGT1IF flag indicates that a cancel request is generated by an AGT1 underflow.

[Setting condition]

- A cancel request generated by the AGT1 underflow.

[Clearing condition]

- Writing 0 to the flag after reading it as 1.

## 11.2.20 Deep Software Standby Interrupt Edge Register 0 (DPSIEGR0)

Address(es): [SYSTEM.DPSIEGR0 4001 E40Ah](#)

|                    |             |             |             |             |             |             |             |             |
|--------------------|-------------|-------------|-------------|-------------|-------------|-------------|-------------|-------------|
|                    | b7          | b6          | b5          | b4          | b3          | b2          | b1          | b0          |
|                    | DIRQ7<br>EG | DIRQ6<br>EG | DIRQ5<br>EG | DIRQ4<br>EG | DIRQ3<br>EG | DIRQ2<br>EG | DIRQ1<br>EG | DIRQ0<br>EG |
| Value after reset: | 0           | 0           | 0           | 0           | 0           | 0           | 0           | 0           |

| Bit | Symbol                  | Bit name                | Description  | R/W |
|-----|-------------------------|-------------------------|--|-----|
| b0  | <a href="#">DIRQ0EG</a> | IRQ0-DS Pin Edge Select | 0: Generate cancel request on falling edge<br>1: Generate cancel request on rising edge. | R/W |
| b1  | <a href="#">DIRQ1EG</a> | IRQ1-DS Pin Edge Select | 0: Generate cancel request on falling edge<br>1: Generate cancel request on rising edge. | R/W |
| b2  | <a href="#">DIRQ2EG</a> | IRQ2-DS Pin Edge Select | 0: Generate cancel request on falling edge<br>1: Generate cancel request on rising edge. | R/W |
| b3  | <a href="#">DIRQ3EG</a> | IRQ3-DS Pin Edge Select | 0: Generate cancel request on falling edge<br>1: Generate cancel request on rising edge. | R/W |
| b4  | <a href="#">DIRQ4EG</a> | IRQ4-DS Pin Edge Select | 0: Generate cancel request on falling edge<br>1: Generate cancel request on rising edge. | R/W |
| b5  | <a href="#">DIRQ5EG</a> | IRQ5-DS Pin Edge Select | 0: Generate cancel request on falling edge<br>1: Generate cancel request on rising edge. | R/W |
| b6  | <a href="#">DIRQ6EG</a> | IRQ6-DS Pin Edge Select | 0: Generate cancel request on falling edge<br>1: Generate cancel request on rising edge. | R/W |
| b7  | <a href="#">DIRQ7EG</a> | IRQ7-DS Pin Edge Select | 0: Generate cancel request on falling edge<br>1: Generate cancel request on rising edge. | R/W |

The DPSIEGR0 register is not initialized by the internal reset signal that cancels Deep Software Standby mode. For details, see [Table 6.2, Reset detect flags initialized by each reset source](#).

## 11.2.21 Deep Software Standby Interrupt Edge Register 1 (DPSIEGR1)

Address(es): [SYSTEM.DPSIEGR1 4001 E40Bh](#)

|                    |    |    |              |              |              |              |             |             |
|--------------------|----|----|--------------|--------------|--------------|--------------|-------------|-------------|
|                    | b7 | b6 | b5           | b4           | b3           | b2           | b1          | b0          |
|                    | —  | —  | DIRQ1<br>3EG | DIRQ1<br>2EG | DIRQ11<br>EG | DIRQ1<br>0EG | DIRQ9<br>EG | DIRQ8<br>EG |
| Value after reset: | 0  | 0  | 0            | 0            | 0            | 0            | 0           | 0           |

| Bit | Symbol                  | Bit name                | Description  | R/W |
|-----|-------------------------|-------------------------|--|-----|
| b0  | <a href="#">DIRQ8EG</a> | IRQ8-DS Pin Edge Select | 0: Generate cancel request on falling edge<br>1: Generate cancel request on rising edge. | R/W |
| b1  | <a href="#">DIRQ9EG</a> | IRQ9-DS Pin Edge Select | 0: Generate cancel request on falling edge<br>1: Generate cancel request on rising edge. | R/W |

| Bit    | Symbol                   | Bit name                 | Description  | R/W |
|--------|--------------------------|--------------------------|--|-----|
| b2     | <a href="#">DIRQ10EG</a> | IRQ10-DS Pin Edge Select | 0: Generate cancel request on falling edge<br>1: Generate cancel request on rising edge. | R/W |
| b3     | <a href="#">DIRQ11EG</a> | IRQ11-DS Pin Edge Select | 0: Generate cancel request on falling edge<br>1: Generate cancel request on rising edge. | R/W |
| b4     | <a href="#">DIRQ12EG</a> | IRQ12-DS Pin Edge Select | 0: Generate cancel request on falling edge<br>1: Generate cancel request on rising edge. | R/W |
| b5     | <a href="#">DIRQ13EG</a> | IRQ13-DS Pin Edge Select | 0: Generate cancel request on falling edge<br>1: Generate cancel request on rising edge. | R/W |
| b7, b6 | —                        | Reserved                 | These bits are read as 0. The write value should be 0.                                   | R/W |

The DPSIEGR1 register is not initialized by the internal reset signal that cancels Deep Software Standby mode. For details, see [Table 6.2, Reset detect flags initialized by each reset source](#).

### 11.2.22 Deep Software Standby Interrupt Edge Register 2 (DPSIEGR2)

Address(es): [SYSTEM.DPSIEGR2 4001 E40Ch](#)

| b7 | b6 | b5 | b4     | b3 | b2 | b1      | b0      |
|----|----|----|--------|----|----|---------|---------|
| —  | —  | —  | DNMIEG | —  | —  | DLVD2EG | DLVD1EG |

Value after reset: 0 0 0 0 0 0 0 0

| Bit      | Symbol                  | Bit name            | Description  | R/W |
|----------|-------------------------|---------------------|--|-----|
| b0       | <a href="#">DLVD1EG</a> | LVD1 Edge Select    | 0: Generate cancel request when $VCC < V_{det1}$ (fall) is detected<br>1: Generate cancel request when $VCC \geq V_{det1}$ (rise) is detected. | R/W |
| b1       | <a href="#">DLVD2EG</a> | LVD2 Edge Select    | 0: Generate cancel request when $VCC < V_{det2}$ (fall) is detected<br>1: Generate cancel request when $VCC \geq V_{det2}$ (rise) is detected. | R/W |
| b3, b2   | —                       | Reserved            | These bits are read as 0. The write value should be 0.   | R/W |
| b4       | <a href="#">DNMIEG</a>  | NMI Pin Edge Select | 0: Generate cancel request on falling edge<br>1: Generate cancel request on rising edge.   | R/W |
| b7 to b5 | —                       | Reserved            | These bits are read as 0. The write value should be 0.   | R/W |

The DPSIEGR2 register is not initialized by the internal reset signal that cancels Deep Software Standby mode. For details, see [Table 6.2, Reset detect flags initialized by each reset source](#).

### 11.2.23 System Control OCD Control Register (SYOCD CR)

Address(es): [SYSTEM.SYOCD CR 4001 E40Eh](#)

| b7    | b6 | b5 | b4 | b3 | b2 | b1 | b0    |
|-------|----|----|----|----|----|----|-------|
| DBGEN | —  | —  | —  | —  | —  | —  | DOCDF |

Value after reset: 0 0 0 0 0 0 0 x

| Bit      | Symbol                | Bit name                       | Description   | R/W     |
|----------|-----------------------|--------------------------------|---|---------|
| b0       | <a href="#">DOCDF</a> | Deep Software Standby OCD Flag | Indicates cancel request by the DBIRQ:<br>0: DBIRQ is not generated<br>1: DBIRQ is generated.             | R/(W)*1 |
| b6 to b1 | —                     | Reserved                       | These bits are read as 0. The write value must be 0.  | R/W     |
| b7       | <a href="#">DBGEN</a> | Debugger Enable Bit            | 0: Disable on-chip debugger<br>1: Enable on-chip debugger.<br>Set to 1 first in On-Chip Debug (OCD) mode. | R/W     |

Note 1. Writing 0 clears the flag. Writing 1 is ignored.

SYOCDRCR is not initialized by the internal reset signal that cancels Deep Software Standby mode.

#### DOCDF flag (Deep Software Standby OCD Flag)

The DOCDF flag indicates that a Deep Software Standby cancel request is generated by the MCUCTRL.DBIRQ bit. The flag is set to 1 when the cancel request is generated. The flag can be set to 1 when a cancel request is generated in any mode, not only in Deep Software Standby mode. Clear the DOCDF flag to 0 before entering Deep Software Standby mode.

[Setting condition]

- A cancel request generated by the MCUCTRL.DBIRQ bit.

[Clearing condition]

- Writing 0 to the flag after reading it as 1
- When the DBGEN bit is 0.

#### DBGEN bit (Debugger Enable Bit)

The DBGEN bit enables the OCD mode. This bit must be set to 1 first in the OCD mode.

[Setting condition]

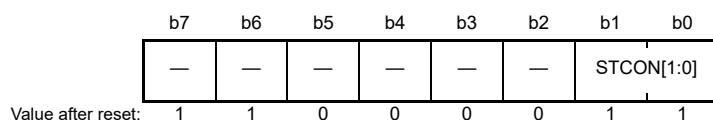
- Writing 1 to the bit when the debugger is connected.

[Clearing condition]

- Power-on reset is generated
- Writing 0 to the bit.

### 11.2.24 Standby Condition Register (STCONR)

Address(es): SYSTEM.STCONR 4001 E40Fh



| Bit      | Symbol     | Bit name            | Description  | R/W |
|----------|------------|---------------------|--|-----|
| b1 to b0 | STCON[1:0] | SSTBY Condition Bit | b1 b0<br>0 0: Set this value to transition to Software Standby mode when using HOCO<br>1 1: Set this value to transition to Software Standby mode when not using HOCO. | R/W |
| b5 to b2 | —          | Reserved            | These bits are read as 0. The write value should be 0.   | R/W |
| b7 to b6 | —          | Reserved            | These bits are read as 1. The write value should be 1.   | R/W |

#### STCON[1:0] bits (SSTBY Condition Bit)

The STCON[1:0] bits must always be set to 00b when using HOCO to enter Software Standby mode.

### 11.3 Reducing Power Consumption by Switching Clock Signals

When the SCKDIVCR.FCK[2:0], ICK[2:0], BCK[2:0], PCKA[2:0], PCKB[2:0], PCKC[2:0], and PCKD[2:0] bits are set, the clock frequency changes. The module and clock associations are as follows:

- The CPU, DMAC, DTC, flash, and SRAM use the operating clock specified in the ICK[2:0] bits
- Peripheral modules use the operating clocks specified in the PCKA[2:0], PCKB[2:0], PCKC[2:0], and PCKD[2:0] bits
- The flash memory interface uses the operating clock specified in the FCK[2:0] bits

- The external bus uses the operating clock specified in the BCK[2:0] bits.

For details, see [section 9, Clock Generation Circuit](#).

## 11.4 Module-Stop Function

The module-stop function can be set for each on-chip peripheral module. When the MSTPmi bit (m = A to D, i = 31 to 0) in MSTPCRA to MSTPCRD is set to 1, the specified module stops operating and enters the module-stop state, but the CPU continues to operate independently. Clearing the MSTPmi bit to 0 cancels the module-stop state, allowing the module to resume operation at the end of the bus cycle. The internal states of the modules are retained in the module-stop state.

After a reset is canceled, all modules other than the DMAC, DTC, and SRAM modules are placed in the module-stop state. Do not access the module while the associated MSTPmi bit is 1. Otherwise, the read/write data and the operation of the module is not guaranteed. Do not set the MSTPmi bit to 1 while the associated module is being accessed.

When the PLL is selected as the clock source, MSTPmi bits must be changed only one bit at a time. In this case, wait at least 250 ns after changing each MSTPmi bit before starting subsequent processing if you change any of the following bits:

- MSTPA22 (DMAC, DTC)
- MSTPB15 (ETHERC0, EDMAC0)
- MSTPC31 (SCE7)
- MSTPD5 (GPT32EH, GPT32E).

The recommended method to measure the wait time is through software. Be sure to consider the worst-case conditions to ensure that the required wait time elapses.

## 11.5 Function for Lower Operating Power Consumption

Power consumption can be reduced in Normal, Sleep, and Snooze modes by selecting an appropriate operating power mode for the given operating frequency and operating voltage.

### 11.5.1 Setting the Operating Power Control Mode

Make sure that the operating conditions, such as the voltage and frequency ranges, are always within the specified ranges before and after switching the operating power control modes. This section provides example procedures for switching operating power control modes.

**Table 11.5 Available oscillators in each mode**

| Mode         | Oscillator |                               |                                 |                              |                       |                      |                                   |
|--------------|------------|-------------------------------|---------------------------------|------------------------------|-----------------------|----------------------|-----------------------------------|
|              | PLL        | High-speed on-chip oscillator | Middle-speed on-chip oscillator | Low-speed on-chip oscillator | Main clock oscillator | Sub-clock oscillator | IWDT-dedicated on-chip oscillator |
| High-speed   | Available  | Available                     | Available                       | Available                    | Available             | Available            | Available                         |
| Low-speed    | N/A        | Available                     | Available                       | Available                    | Available             | Available            | Available                         |
| Subosc-speed | N/A        | N/A                           | N/A                             | Available                    | N/A                   | Available            | Available                         |

#### (1) Switching from a higher to a lower power mode

Example 1: From High-speed mode to Low-speed mode

Operation begins in High-speed mode.

1. Change the oscillator to that used in Low-speed mode. Set the frequency of each clock lower than the maximum operating frequency in Low-speed mode.
2. Turn off the oscillator that is not required in Low-speed mode.
3. Confirm that the OPCCR.OPCMTSF flag is 0 (indicates transition completed).
4. Set the OPCCR.OPCM[1:0] bits to 11b (Low-speed mode).

5. Confirm that the OPCCR.OPCMTSF flag is 0 (indicates transition completed).

Operation is now in Low-speed mode.

Example 2: From High-speed mode to Subosc-speed mode

Operation begins in High-speed mode.

1. Change the clock source to the sub-clock oscillator.
2. Turn off HOCO, MOCO, LOCO, main oscillator, and PLL.
3. Confirm that all clock sources except the sub-clock oscillator are stopped.
4. Confirm that the SOPCCR.SOPCMTSF flag is 0 (indicates transition completed).
5. Set the SOPCCR.SOPCM bit to 1 (Subosc-speed mode).
6. Confirm that the SOPCCR.SOPCMTSF flag is 0 (indicates transition completed).

Operation is now in Subosc-speed mode.

## (2) Switching from a lower to a higher power mode

Example 1: From Subosc-speed mode to High-speed mode

Operation begins in Subosc-speed mode.

1. Confirm that the SOPCCR.SOPCMTSF flag is 0 (indicates transition completed).
2. Set the SOPCCR.SOPCM bit to 0 (High-speed mode).
3. Confirm that the SOPCCR.SOPCMTSF flag is 0 (indicates transition completed).
4. Turn on the desired oscillator in High-speed mode.
5. Set the frequency of each clock lower than the maximum operating frequency for High-speed mode.

Operation is now in High-speed mode.

Example 2: From Low-speed mode to High-speed mode

Operation begins in Low-speed mode.

1. Confirm that the OPCCR.OPCMTSF flag is 0 (indicates transition completed).
2. Set the OPCCR.OPCM[1:0] bits to 00b (High-speed mode).
3. Confirm that the OPCCR.OPCMTSF flag is 0 (indicates transition completed).
4. Turn on any desired oscillator in High-speed mode.
5. Set the frequency of each clock lower than the maximum operating frequency for High-speed mode.

Operation is now in High-speed mode.

## 11.6 Sleep Mode

### 11.6.1 Transition to Sleep Mode

When a WFI instruction is executed while the SBYCR.SSBY bit is 0, the MCU enters Sleep mode. In Sleep mode, the CPU stops operating, but the contents of its internal registers are retained. Other peripheral functions do not stop. Available resets or interrupts in Sleep mode cause the MCU to cancel Sleep mode. All interrupt sources are available. If using an interrupt to cancel Sleep mode, you must set the associated IELSRn register before executing a WFI instruction. For details, see [section 14, Interrupt Controller Unit \(ICU\)](#).

Counting by the IWDT stops when the MCU enters Sleep mode while the IWDT is in auto start mode and the OFS0.IWDTSTPCTL bit is 1 (IWDT stops in Sleep, Software Standby, or Snooze mode).

Counting by the IWDT continues when the MCU enters Sleep mode while the IWDT is in auto start mode and the OFS0.IWDTSTPCTL bit is 0 (IWDT does not stop in Sleep, Software Standby, or Snooze mode).

Counting by the WDT stops when the MCU enters Sleep mode while the WDT is in auto start mode and the



OFS0.WDTSTPCTL bit is 1 (WDT stops in Sleep mode). In the same way, counting by the WDT stops when the MCU enters Sleep mode while the WDT is in register start mode and the WDTCSSTPR.SLCSTP bit is 1 (WDT stops in Sleep mode).

Counting by the WDT continues when the MCU enters Sleep mode while the WDT is in auto start mode and the OFS0.WDTSTPCTL bit is 0 (WDT does not stop in Sleep mode). In the same way, counting by the WDT continues when the MCU enters Sleep mode while the WDT is in register start mode and the WDTCSSTPR.SLCSTP bit is 0 (WDT does not stop in Sleep mode).

### 11.6.2 Canceling Sleep Mode

Sleep mode is canceled by:

- An interrupt
- RES pin reset
- A power-on reset
- A voltage monitor reset
- An SRAM parity error reset
- An SRAM ECC error reset
- Bus master MPU error reset
- Bus slave MPU error reset
- A reset caused by an IWDT
- A WDT underflow.

The operations are as follows:

- Canceling by an interrupt  
When an available interrupt request (see [Table 11.3](#)) is generated, Sleep mode is canceled and the MCU starts the interrupt handling.
- Canceling by RES pin reset  
When the RES pin is driven low, the MCU enters the reset state. You must keep the RES pin low for the time period specified in [section 55, Electrical Characteristics](#). When the RES pin is driven high after the specified time period, the CPU starts the reset exception handling.
- Canceling by IWDT reset  
Sleep mode is canceled by an internal reset generated by an IWDT underflow, and the MCU starts the reset exception handling. However, IWDT stops in Sleep mode and an internal reset for canceling Sleep mode is not generated in the following conditions:
  - OFS0.IWDTSTRT = 0 and OFS0.IWDTSTPCTL = 1.
- Canceling by WDT reset  
Sleep mode is canceled by an internal reset generated by an WDT underflow and the MCU starts the reset exception handling. However, WDT stops in Sleep mode even when counting in Normal mode and an internal reset for canceling Sleep mode is not generated in the following conditions:
  - OFS0.WDTSTRT = 0 (auto start mode) and OFS0.WDTSTPCTL = 1
  - OFS0.WDTSTRT = 1 (register start mode) and WDTCSSTPR.SLCSTP = 1.
- Canceling by other resets available in Sleep mode  
Sleep mode is canceled by the associated resets, and the MCU starts the reset exception handling.

Note: For details on proper setting of the interrupts, see [section 14, Interrupt Controller Unit \(ICU\)](#).

## 11.7 Software Standby Mode

### 11.7.1 Transition to Software Standby Mode

When a WFI instruction is executed while the SBYCR.SSBY bit is 1 and the DPSBYCR.DPSBY bit is 0, the MCU enters Software Standby mode. In this mode, the CPU, most of the on-chip peripheral functions, and the oscillators stop. However, the contents of the CPU internal registers and the SRAM data, the states of the on-chip peripheral functions, and the I/O port states are retained. Software Standby mode allows a significant reduction in power consumption because most of the oscillators stop in this mode. [Table 11.2](#) shows the status of the on-chip peripheral functions and oscillators. Available resets or interrupts in Software Standby mode cause the MCU to cancel Software Standby mode. See [Table 11.3](#) for available interrupt sources and [section 14.2.9, Wake Up Interrupt Enable Register \(WUPEN\)](#) for information on waking up the MCU from Software Standby mode. If using an interrupt to cancel Software Standby mode, you must set the associated IELSRn register before executing a WFI instruction. For details, see [section 14, Interrupt Controller Unit \(ICU\)](#).

The status of the address bus and bus control signals in Software Standby mode can be selected with the SBYCR.OPE bit.

Clear the DMAST.DMST and DTCST.DTCST bits to 0 before executing a WFI instruction, except when using the DTC in Snooze mode. If the DTC is required in Snooze mode, set the DTCST.DTCST bit to 1 before executing a WFI instruction.

Counting by the IWDG stops when the MCU enters Software Standby mode while the IWDG is in auto start mode and the OFS0.IWDGSTOPCTL bit is 1 (IWDG stops in Sleep, Software Standby, or Snooze mode).

Counting by the IWDG continues when the MCU enters Software Standby mode while the IWDG is in auto start mode and the OFS0.IWDGSTOPCTL bit is 0 (IWDG does not stop in Sleep mode, Software Standby, or Snooze mode). The WDT stops counting when the MCU enters Software Standby mode.

Do not enter Software Standby mode while OSTDCR.OSTDE is 1 (oscillation stop detection function enabled). To enter Software Standby mode, execute a WFI instruction after disabling the oscillation stop detection function (OSTDCR.OSTDE is 0). If software executes a WFI instruction while OSTDCR.OSTDE is 1, the MCU enters Sleep mode even when SBYCR.SSBY is 1. Do not enter Software Standby mode while the flash memory is performing a programming or erasing procedure. To enter Software Standby mode, execute a WFI instruction after the programming or erasing procedure completes.

When the PLL is selected as the clock source, set the following modules to the module-stop state before executing a WFI instruction:

- ETHERC
- EDMAC
- SCE7
- GPT32EH
- GPT32E.

In this case, you must also insert a wait time of at least 750 ns before executing the WFI instruction. The recommended method to measure the wait time is through software. Be sure to consider the worst-case conditions to ensure that the required wait time elapses.

[Table 11.6](#) shows the setting of the related control bits and the modes entered on execution of a WFI instruction.

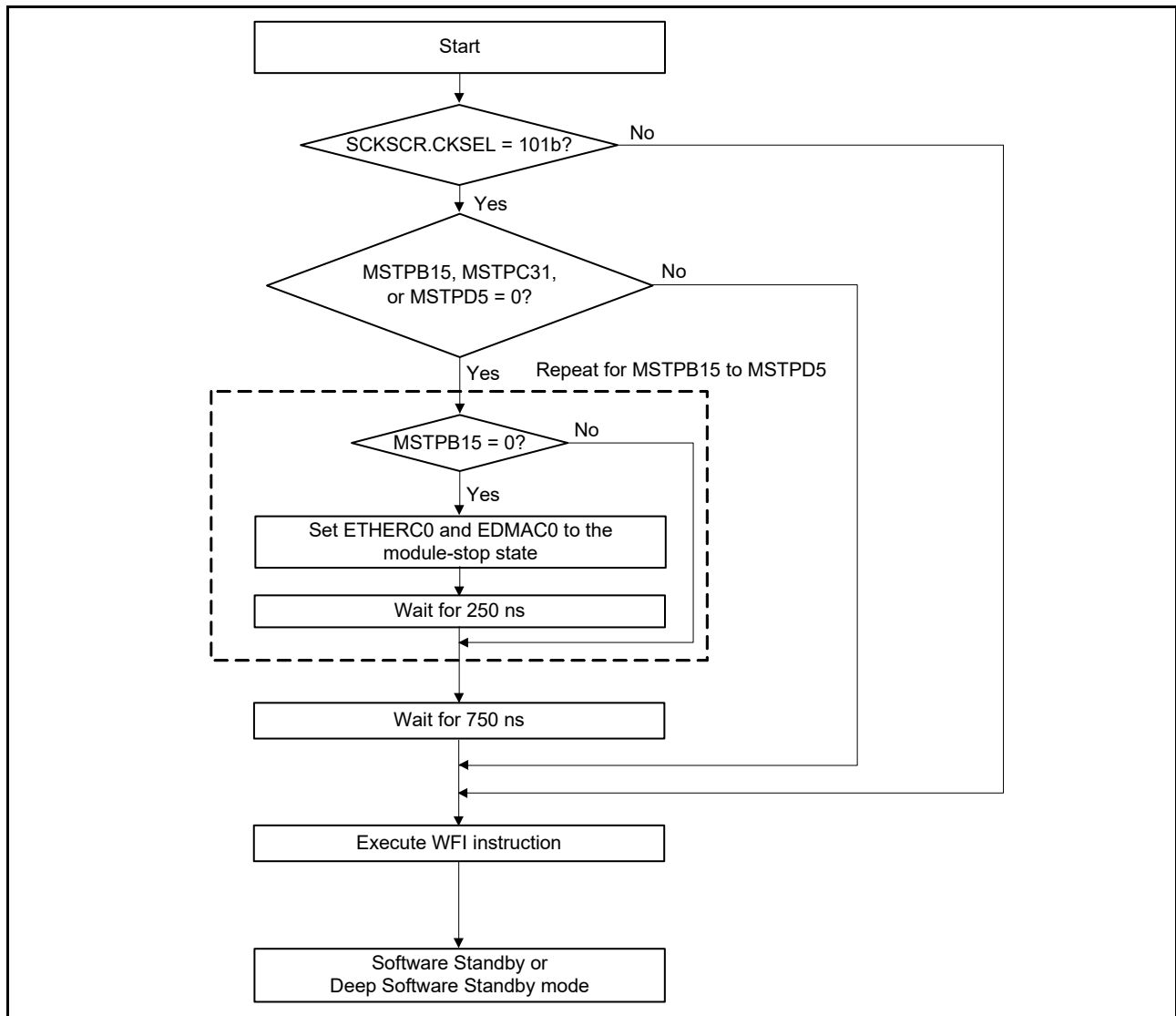
[Figure 11.2](#) shows an example flow for transitioning to Software Standby or Deep Software Standby mode.

**Table 11.6 Bit settings that affect modes on WFI instruction execution (1 of 2)**

| Other bit settings |   | SBYCR.SSBY and DPSBYCR.DPSBY bit settings |                     |                       |                            |
|--------------------|---|---|---------------------|-----------------------|----------------------------|
|                    |   | SSBY = 0, DPSBY = 0                       | SSBY = 0, DPSBY = 1 | SSBY = 1, DPSBY = 0   | SSBY = 1, DPSBY = 1        |
| OSTDCR.OSTDE       | 0 | Sleep mode                                | Sleep mode          | Software Standby mode | Deep Software Standby mode |
|                    | 1 |   |                     | Sleep mode            | Sleep mode                 |

**Table 11.6 Bit settings that affect modes on WFI instruction execution (2 of 2)**

| Other bit settings |   | SBYCR.SSBY and DPSBYCR.DPSBY bit settings |                     |                       |                            |
|--------------------|---|---|---------------------|-----------------------|----------------------------|
|                    |   | SSBY = 0, DPSBY = 0                       | SSBY = 0, DPSBY = 1 | SSBY = 1, DPSBY = 0   | SSBY = 1, DPSBY = 1        |
| FENTRYR.FENTRYI    | 0 | Sleep mode                                | Sleep mode          | Software Standby mode | Deep Software Standby mode |
|                    | 1 |   |                     | Sleep mode            | Sleep mode                 |
| OFS0.IWDTSTPCTL    | 0 | Sleep mode                                | Sleep mode          | Software Standby mode | Software Standby mode      |
|                    | 1 |   |                     |                       | Deep Software Standby mode |
| LVD1CR0.RI         | 0 | Sleep mode                                | Sleep mode          | Software Standby mode | Deep Software Standby mode |
|                    | 1 |   |                     |                       | Software Standby mode      |
| LVD2CR0.RI         | 0 | Sleep mode                                | Sleep mode          | Software Standby mode | Deep Software Standby mode |
|                    | 1 |   |                     |                       | Software Standby mode      |



**Figure 11.2 Example flow for transition to Software Standby or Deep Software Standby mode**

### 11.7.2 Canceling Software Standby Mode

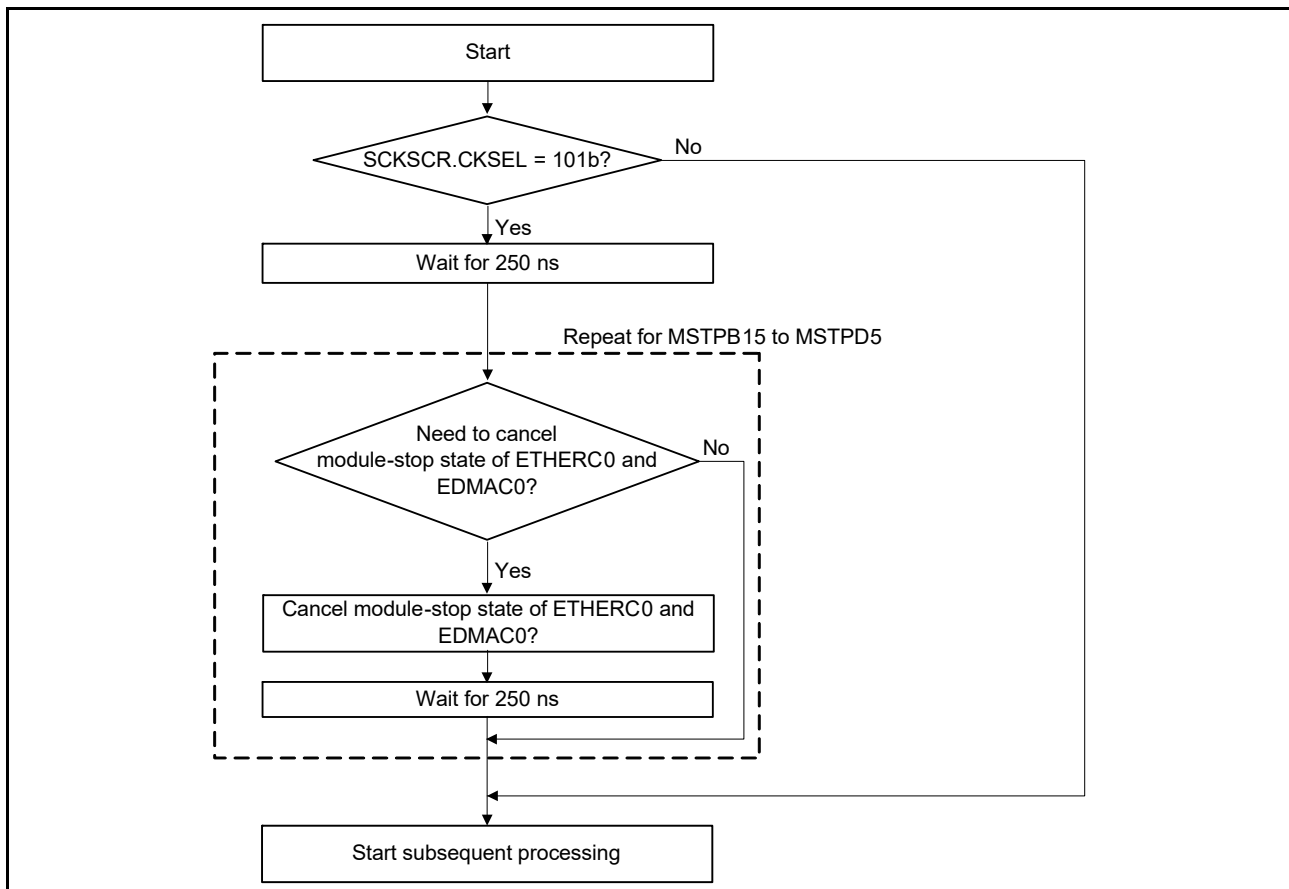
Software Standby mode is canceled by:

- An available interrupt shown in [Table 11.3](#)
- RES pin reset
- A power-on reset
- A voltage monitor reset
- A reset caused by an IWDT underflow.

On exiting Software Standby mode, the oscillators that operate before transitioning to the mode restart. After all the oscillators are stabilized, the MCU returns to Normal mode from Software Standby mode. See [section 14.2.9, Wake Up Interrupt Enable Register \(WUPEN\)](#), for information on waking up the MCU from Software Standby mode.

You can cancel Software Standby mode in any of the following ways:

- **Canceling by an interrupt**  
When an available interrupt request (see [Table 11.3](#)) is generated, all oscillators that operate before the transition to Software Standby mode restart. After all the oscillators are stabilized, the MCU cancels Software Standby mode and starts the interrupt handling. When the PLL is selected as the clock source, you must insert a wait time of at least 250 ns at the beginning of the interrupt handling. The recommended method to measure the wait time is through software. Be sure to consider the worst-case conditions to ensure that the required wait time elapses. [Figure 11.3](#) shows an example flow for canceling Software Standby by an interrupt.
- **Canceling by RES pin reset**  
When the RES pin is driven low, the MCU enters the reset state and the oscillators start to operate in their default status. Make sure to keep the RES pin low for the time period specified in [section 55, Electrical Characteristics](#). When the RES pin is driven high after the specified time period, the CPU starts the reset exception handling.
- **Canceling by a power-on reset**  
Software Standby mode is canceled by a power-on reset and the MCU starts the reset exception handling.
- **Canceling by a voltage monitor reset**  
Software Standby mode is canceled by a voltage monitor reset from the voltage detection circuit and the MCU starts the reset exception handling.
- **Canceling by IWDT reset**  
Software Standby mode is canceled by an internal reset generated by an IWDT underflow, and the MCU starts reset exception handling. However, IWDT stops in Software Standby mode and an internal reset for canceling Software Standby mode is not generated in the following conditions:
  - $OFS0.IWDTSTRT = 0$  and  $OFS0.IWDTSTPCTL = 1$ .
- **Canceling by other resets available in Software Standby mode**  
Software Standby mode is canceled by the associated resets, and the MCU starts the reset exception handling.



**Figure 11.3** Example flow for canceling Software Standby mode

### 11.7.3 Example of Software Standby Mode Application

Figure 11.4 shows an example of entry to Software Standby mode on detection of a falling edge of the IRQn pin, and exit from Software Standby mode on a rising edge of the IRQn pin. In this example, an IRQn pin interrupt is accepted when the IRQCRi.IRQMD[1:0] bits of the ICU are set to 01b (falling edge) in Normal mode, and then set to 10b (rising edge). Next, the SBYCR.SSBY bit is set to 1 and a WFI instruction is executed. As a result, entry to Software Standby mode completes, and exit from Software Standby mode is initiated by a rising edge of the IRQn pin.

Setting the ICU is also required to exit Software Standby mode. For details, see [section 14, Interrupt Controller Unit \(ICU\)](#). The oscillation stabilization time in [Figure 11.4](#) is specified in [section 55, Electrical Characteristics](#).

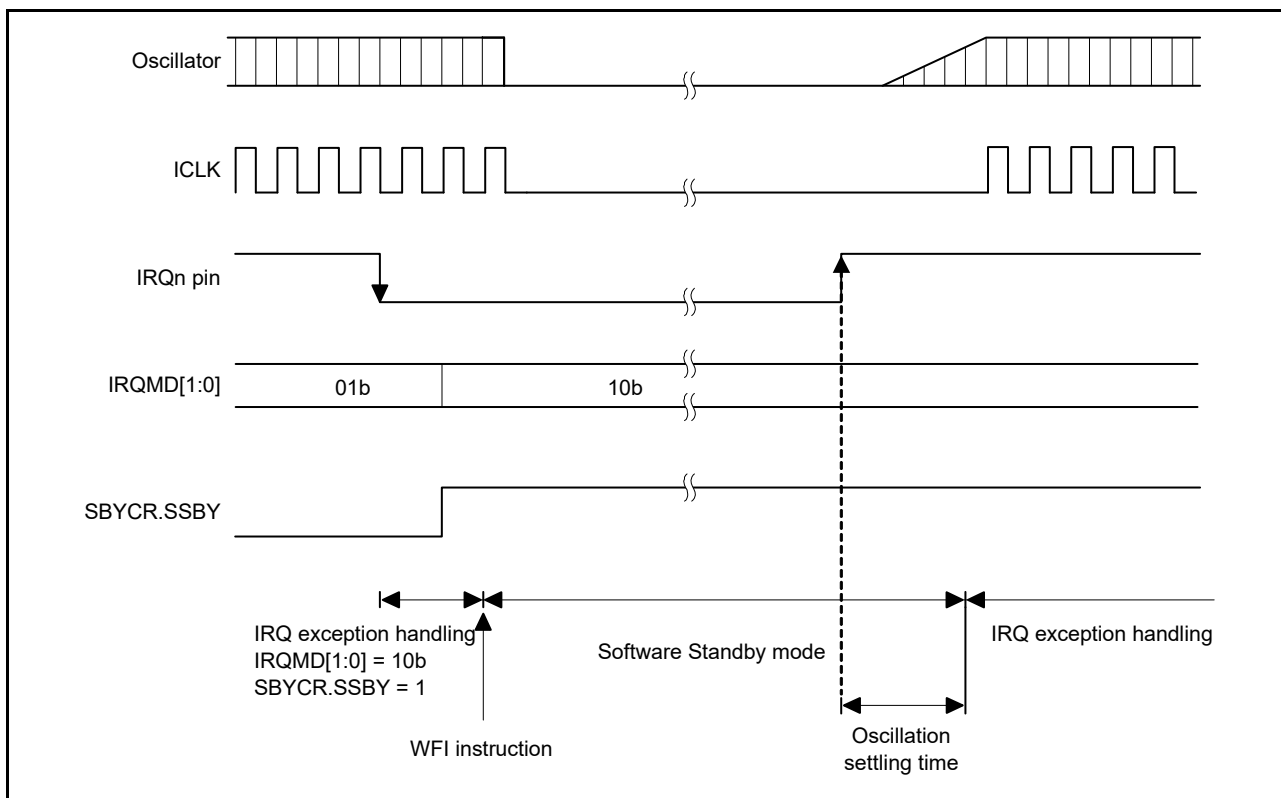


Figure 11.4 Example of Software Standby mode application

## 11.8 Snooze Mode

### 11.8.1 Transition to Snooze Mode

Figure 11.5 shows snooze mode entry configuration. When the snooze control circuit receives a snooze request in Software Standby mode, the MCU transitions to Snooze mode. In this mode, some peripheral modules operate without waking up the CPU. Table 11.2 shows the peripheral modules that can operate in Snooze mode. Also, DTC operation can be selected in Snooze mode by setting the SNZCR.SNZDTCEN bit.

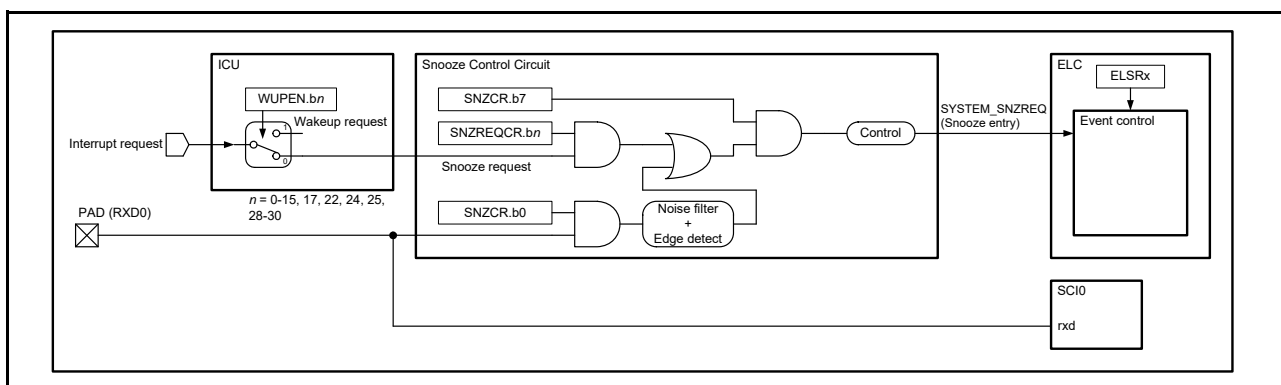


Figure 11.5 Snooze entry configuration

Table 11.7 shows the snooze requests to switch the MCU from Software Standby mode to Snooze mode. To use a listed snooze requests as a trigger to switch to Snooze mode, you must set the associated SNZREQENn bit of the SNZREQCR register or RXDREQEN bit of the SNZCR register before entering Software Standby mode.

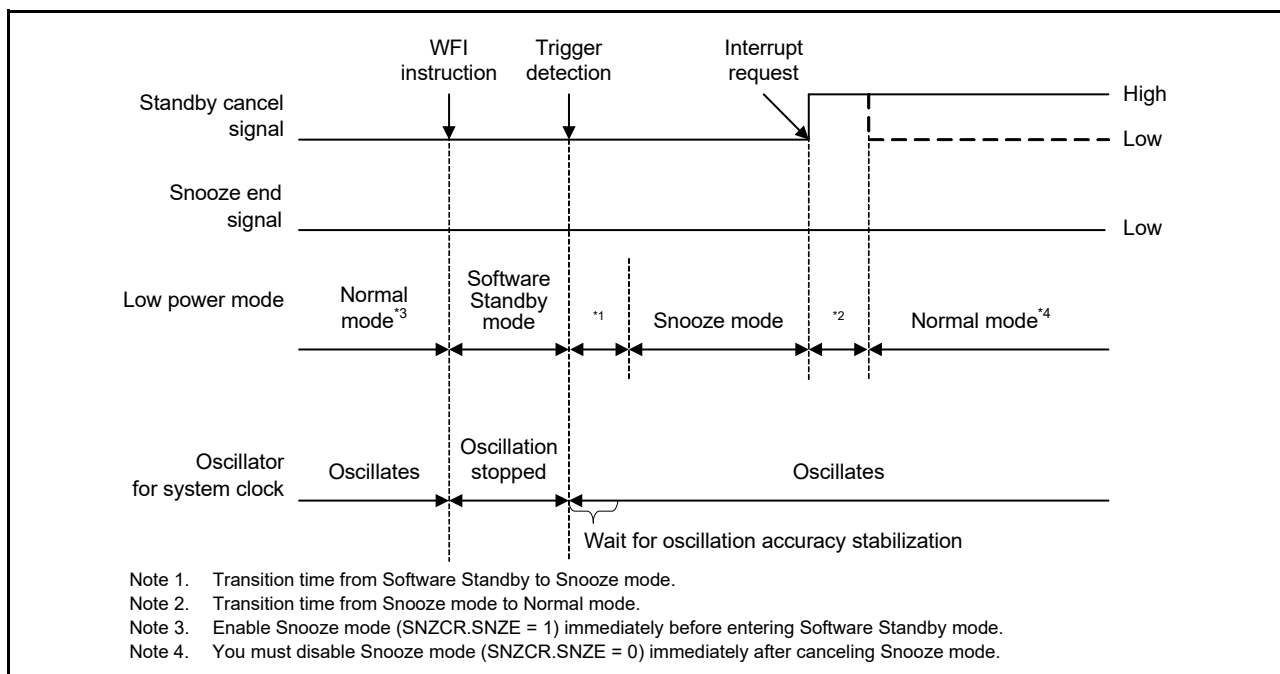
**Table 11.7 Available snooze requests to switch to Snooze mode**

| Snooze request          | Control Register |                         |
|-------------------------|------------------|-------------------------|
|                         | Register         | Bit*1                   |
| PORT_IRQn (n = 0 to 15) | SNZREQCR         | SNZREQENn (n = 0 to 15) |
| KEY_INTKR               | SNZREQCR         | SNZREQEN17              |
| ACMP_HS0                | SNZREQCR         | SNZREQEN22              |
| RTC_ALM                 | SNZREQCR         | SNZREQEN24              |
| RTC_PRD                 | SNZREQCR         | SNZREQEN25              |
| AGT1_AGTI               | SNZREQCR         | SNZREQEN28              |
| AGT1_AGTCMAI            | SNZREQCR         | SNZREQEN29              |
| AGT1_AGTCMBI            | SNZREQCR         | SNZREQEN30              |
| RXD0 falling edge       | SNZCR            | RXDREQEN*2              |

Note 1. Do not enable multiple snooze requests at the same time.  
 Note 2. Do not set the RXDREQEN bit to 1 except in asynchronous mode.

### 11.8.2 Canceling Snooze Mode

Snooze mode is canceled by an interrupt request that is available in Software Standby mode or a reset. Table 11.3 shows the requests that can be used to exit each mode. After canceling the Snooze mode, the MCU enters Normal mode and proceeds with exception processing for the given interrupt or reset. The action triggered by the interrupt requests that is selected in SELSR0, cancels Snooze mode. Interrupt canceling Snooze mode must be selected in IELSRn (n = 0 to 96) to link to the NVIC for the corresponding interrupt handling. See section 14, Interrupt Controller Unit (ICU), for the setting of SELSR0 and IELSRn registers.



**Figure 11.6 Canceling of Snooze mode when an interrupt request signal is generated**

### 11.8.3 Return to Software Standby Mode

Table 11.8 shows the snooze end requests that can be used as triggers to return to Software Standby mode. The snooze end requests are available only in Snooze mode. If the requests are generated when the MCU is not in Snooze mode, they are ignored. When multiple requests are selected, each one of the requests invokes transition to Software Standby mode from Snooze mode.

Table 11.9 shows the snooze end conditions that consist of the snooze end requests and the conditions of the peripheral modules. The CTSU, SCI0, ADC120, ADC121, and DTC modules can keep the MCU in Snooze mode until they complete their operation.

An AGT1 underflow as a trigger to return to Software Standby mode cancels Snooze mode without waiting for the completion of the SCI0 operation.

Figure 11.7 shows the timing diagram for the transition from Snooze mode to Software Standby mode. This mode transition occurs according to which snooze end requests are set in the SNZEDCR register. A snooze request is cleared automatically after it is returned to Software Standby mode.

**Table 11.8 Available snooze end requests (triggers to return to Software Standby mode)**

| Snooze end request                                 | Enable/disable control |     |
|--|------------------------|-----|
|  | Register               | Bit |
| AGT1 underflow or measurement complete (AGT1_AGTI) | SNZEDCR                | b0  |
| DTC transfer completion (DTC_COMPLETE)             | SNZEDCR                | b1  |
| Not DTC transfer completion (DTC_TRANSFER)         | SNZEDCR                | b2  |
| ADC120 window A/B compare match (ADC120_WCMPPM)    | SNZEDCR                | b3  |
| ADC120 window A/B compare mismatch (ADC120_WCMPUM) | SNZEDCR                | b4  |
| ADC121 window A/B compare match (ADC121_WCMPPM)    | SNZEDCR                | b5  |
| ADC121 window A/B compare mismatch (ADC121_WCMPUM) | SNZEDCR                | b6  |
| SCI0 address mismatch (SCI0_DCUF)                  | SNZEDCR                | b7  |

**Table 11.9 Snooze end conditions**

| Operating module when a Snooze end request occurs | Snooze end request   |  |
|---|--|--|
|   | AGT1 underflow   | All except AGT1 underflow  |
| DTC   | The MCU transitions to Software Standby mode after all of the modules listed to the left of this column complete operation | The MCU transitions to Software Standby mode after all of the modules complete operation |
| ADC120  |  |  |
| ADC121  |  |  |
| CTSU  |  |  |
| SCI0  | The MCU transitions to Software Standby mode immediately after a snooze end request is generated                           |  |
| All other modules                                 | The MCU transitions to Software Standby mode immediately after a snooze end request is generated                           |  |

Note: If the DTC is used to activate the ADC120, ADC121, CTSU, or SCI, the MCU transitions to Software Standby mode immediately after a Snooze end request is generated.



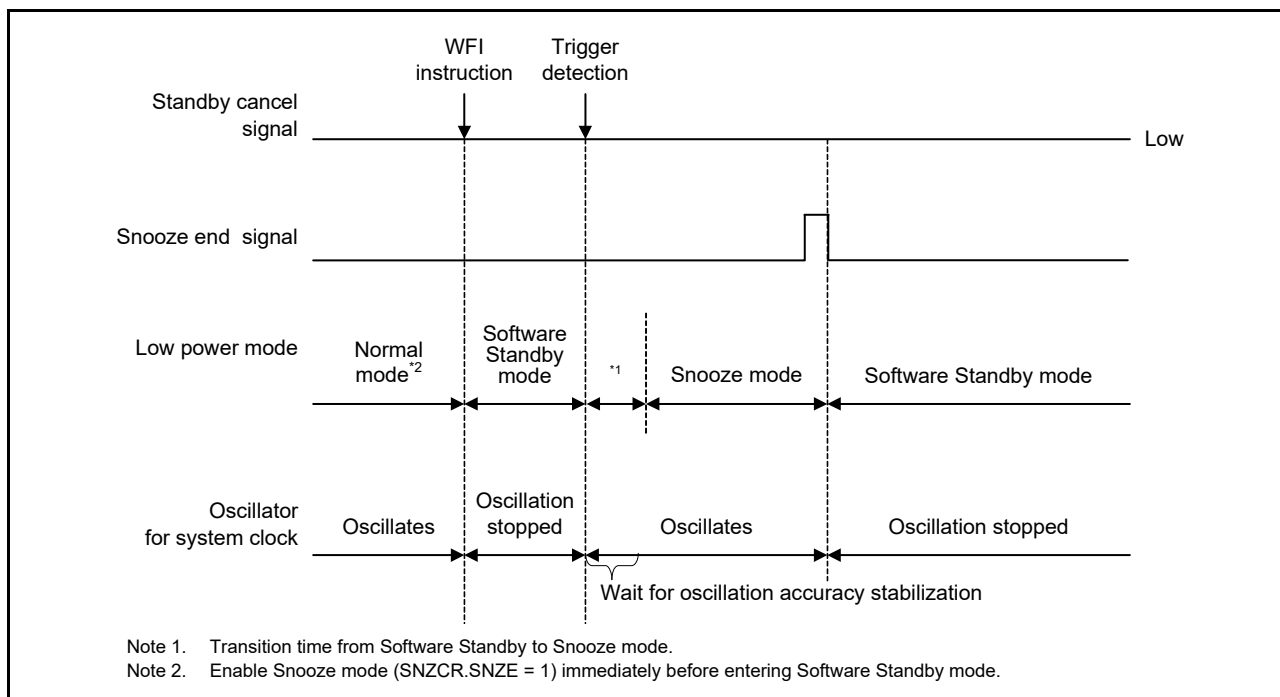


Figure 11.7 Canceling of Snooze mode when interrupt request signal is not generated

### 11.8.4 Snooze Operation Example

Figure 11.8 shows an example setting for using ELC in Snooze mode.

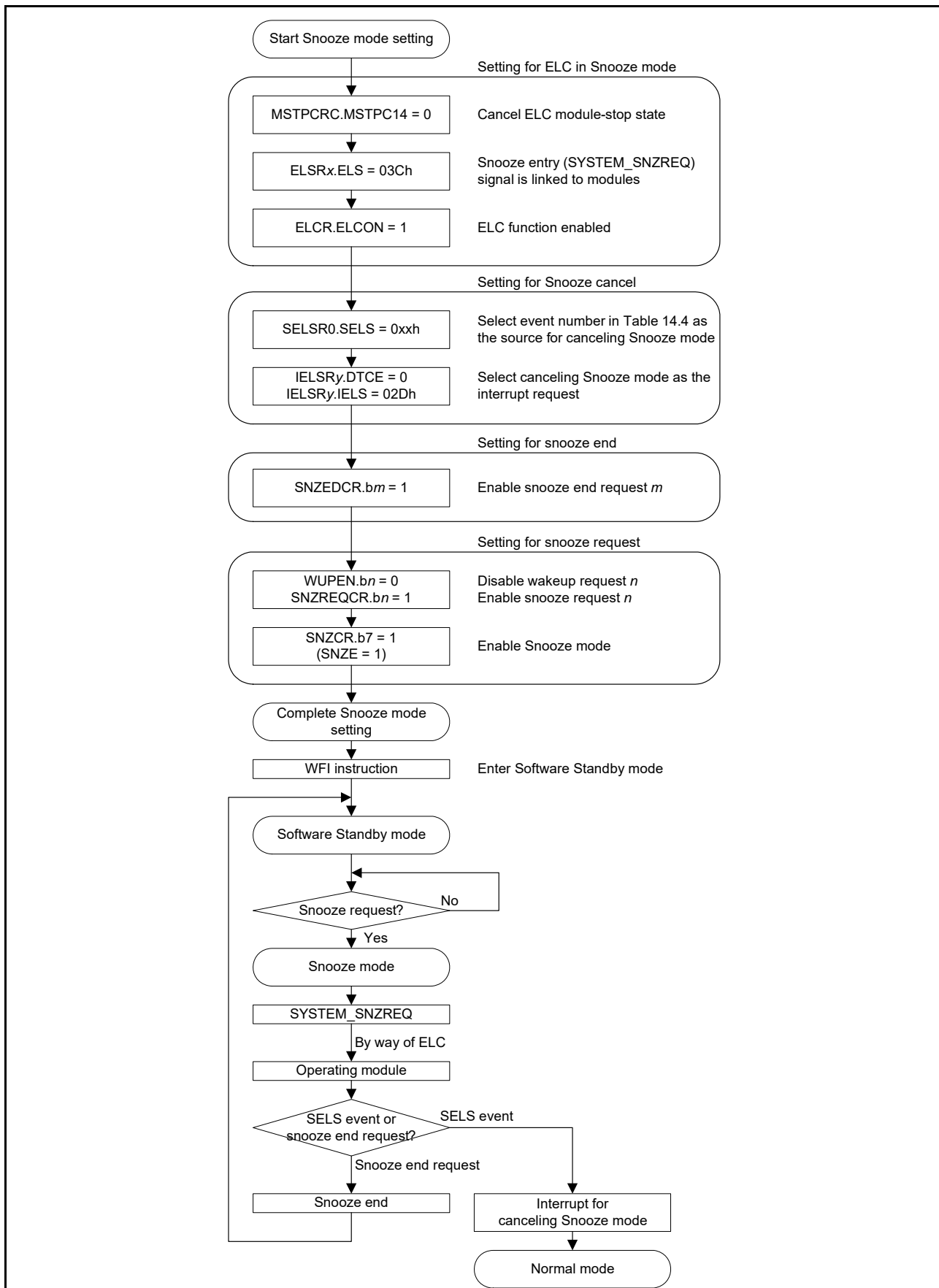


Figure 11.8 Setting example of using ELC in Snooze mode

The MCU can transmit and receive data in SCI0 asynchronous mode without CPU intervention. When using the SCI0 in Snooze mode, use either High-speed mode or Low-speed mode.

Do not use Subosc-speed mode. [Table 11.10](#) shows the maximum transfer rate of SCI0 in Snooze mode.

**Table 11.10 HOCO:  $\pm 1.4\%$  ( $T_a = -20$  to  $105^\circ\text{C}$ ) (Unit: bps)**

| Maximum division ratio of ICLK, PCLKA, PCLKB, PCLKC, PCLKD, FCLK, BCLK, and TRCLK | HOCO frequency        |        |        |                   |        |        |
|---|-----------------------|--------|--------|-------------------|--------|--------|
|   | LOCO is not operating |        |        | LOCO is operating |        |        |
|   | 16 MHz                | 18 MHz | 20 MHz | 16 MHz            | 18 MHz | 20 MHz |
| 1   | 2400                  |        |        | 4800              |        |        |
| 2   |                       |        |        |                   |        |        |
| 4   |                       |        |        |                   |        |        |
| 8   |                       |        |        |                   |        |        |
| 16  |                       |        |        |                   |        |        |
| 32  | 1200                  |        |        | 2400              |        |        |
| 64  |                       |        |        |                   |        |        |

[Figure 11.9](#) shows an example setting for using SCI0 in Snooze mode entry.

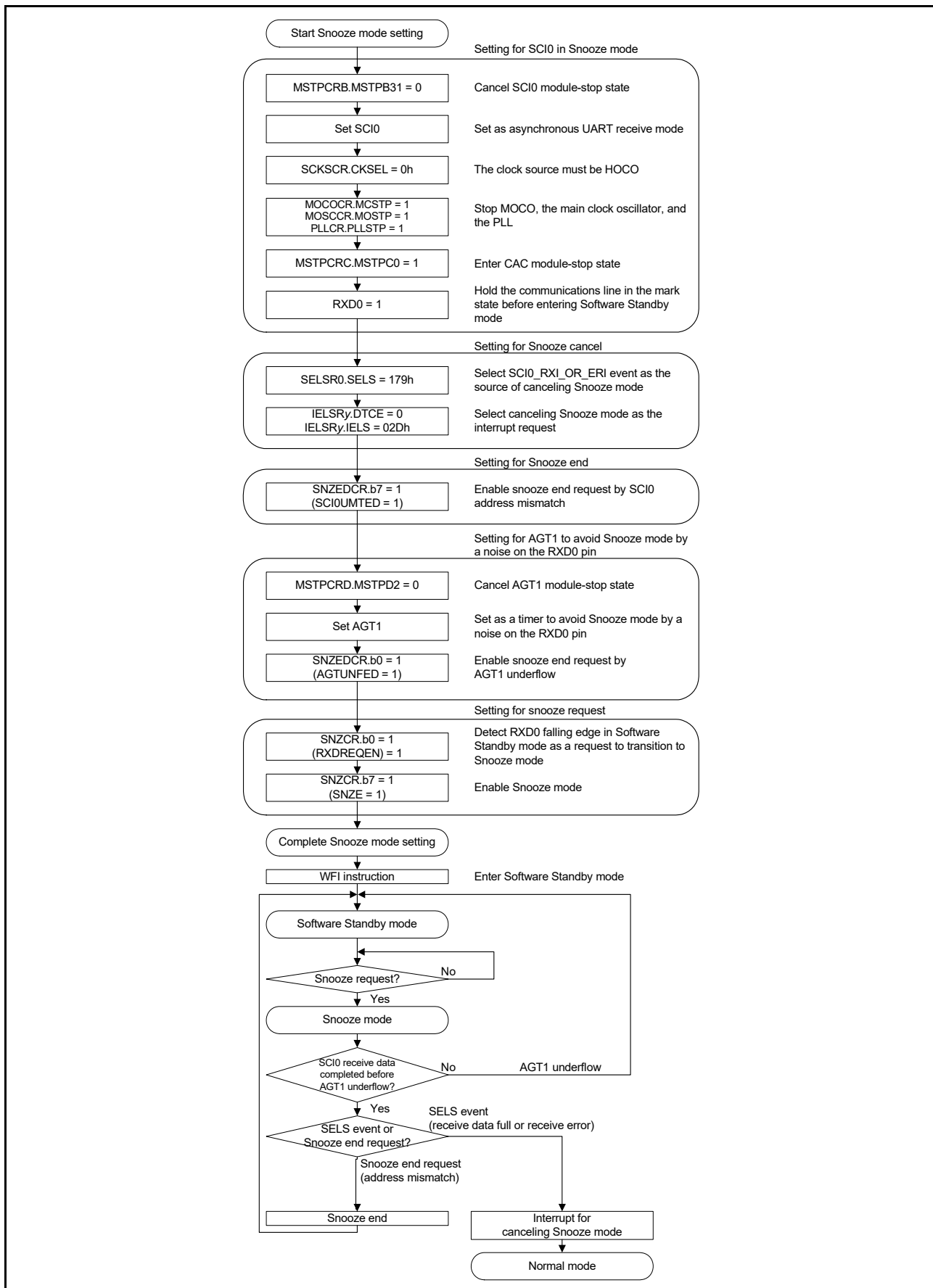


Figure 11.9 Setting example of using SCI0 in Snooze mode entry

## 11.9 Deep Software Standby Mode

### 11.9.1 Transition to Deep Software Standby Mode

The MCU enters Deep Software Standby mode when a WFI instruction is executed with the SBYCR.SSBY bit set to 1 and the DPSBYCR.DPSBY bit set to 1. See [Table 11.6](#) for the settings of the related control bits.

In Deep Software Standby mode, the CPU, on-chip peripheral functions except for the RTC alarm, RTC interval, and USB suspend/resume detecting unit, SRAM (not the Standby SRAM), and all oscillators except for the sub-clock oscillator and low-speed on-chip oscillator are stopped. Power consumption is reduced because the internal power supply to these modules is stopped. The contents of all of the CPU registers and internal peripheral modules, except for the RTC alarm, RTC interval, and USB suspend/resume detecting unit, become undefined.

Data in the Standby SRAM is saved if the setting in the DEEPCUT[1:0] bits is 00b. If the setting in the DEEPCUT[1:0] bits is 01b, the internal power supply to the Standby SRAM and the USB resume detecting unit is cut off, and power consumption is reduced. Data in the Standby SRAM becomes undefined at this time.

If the setting in the DEEPCUT[1:0] bits is 11b, the internal power supply to the Standby SRAM and the USB resume detecting unit is cut off, the LVD is stopped, and the low power mode function of the power-on reset circuit is enabled. Therefore, power consumption is further reduced. For details, see [section 55, Electrical Characteristics](#).

When the MCU enters Deep Software Standby mode while the IWDT is in auto start mode and the OFS0.IWDTSTPCTL bit is 1, power supply to the IWDT-dedicated clock and the IWDT is cut off. Counting by the IWDT also stops.

When the OFS0.IWDTSTPCTL bit is 0, the MCU enters Software Standby mode instead of Deep Software Standby mode, regardless of the setting in the OFS0.IWDTSTRT or DPSBYCR.DPSBY bit. When the OFS0.IWDTSTPCTL bit is 0 while the OFS0.IWDTSTRT bit is 0 (auto start mode), the IWDT-dedicated clock and IWDT continue operation.

When the LVD1CR0.RI bit is 1 (selecting the voltage monitor 1 reset) or the LVD2CR0.RI bit is 1 (selecting the voltage monitor 2 reset), the MCU enters Software Standby mode instead of Deep Software Standby mode. The I/O port states are the same as in Software Standby mode.

When the PLL is selected as the clock source, set the following modules to the module-stop state before executing a WFI instruction:

- ETHERC
- EDMAC
- SCE7
- GPT32EH
- GPT32E.

In this case, you must also insert a wait time of at least 750 ns before executing the WFI instruction. The recommended method to measure the wait time is through software. Be sure to consider the worst-case conditions to ensure that the required wait time elapses.

[Figure 11.2](#) shows an example flow for transitioning to Software Standby or Deep Software Standby mode.

Note 1. Conditions on the DTC, DMAC, and IWDT for transition to Software Standby mode must be met before the WFI instruction is executed. For details, see [section 11.7, Software Standby Mode](#).

### 11.9.2 Canceling Deep Software Standby Mode

Deep Software Standby mode is canceled by the interrupts shown in [Table 11.3](#), a RES pin reset, a power-on reset, or a voltage monitor 0 reset. The operations are as follows:

1. Canceling by an interrupt
 

Canceling by interrupts is controlled by DPSIERn (n = 0 to 3) and DPSIFRn (n = 0 to 3). When an available interrupt request is generated, the associated flag in DPSIFRn is set to 1. If the interrupt is enabled in DPSIERn, Deep Software Standby mode is canceled. Rising or falling edge detection can be selected in DPSIEGRn (n = 0 to 2). The detection edge can be selected for the NMI, IRQ0-DS to IRQ13-DS, voltage monitor 1, and voltage monitor 2 interrupts. When a Deep Software Standby mode canceling request occurs, internal power is supplied, the MOCO clock starts to oscillate, and then an internal reset (Deep Software Standby reset) is generated for the entire MCU.

The stable MOCO clock is supplied to the entire MCU and Deep Software Standby reset is canceled. The MCU starts reset exception handling.

When Deep Software Standby mode is canceled by an external interrupt pin or internal interrupt signal, the RSTSR0.DPSRSTF flag is set to 1.

2. Canceling by RES pin reset

When the RES pin is driven low, the MCU cancels Deep Software Standby mode and enters a reset state. Make sure to keep the RES pin low for the time period specified in [section 55, Electrical Characteristics](#). When the RES pin is driven high after the specified time period, the CPU starts reset exception handling.

3. Canceling by power-on reset

Deep Software Standby mode is canceled by a power-on reset, and the MCU starts reset exception handling.

4. Canceling by voltage monitor 0 reset

Deep Software Standby mode is canceled by a voltage monitor 0 reset from the voltage detection circuit, and the MCU starts reset exception handling.

### 11.9.3 Pin States when Deep Software Standby Mode is Canceled

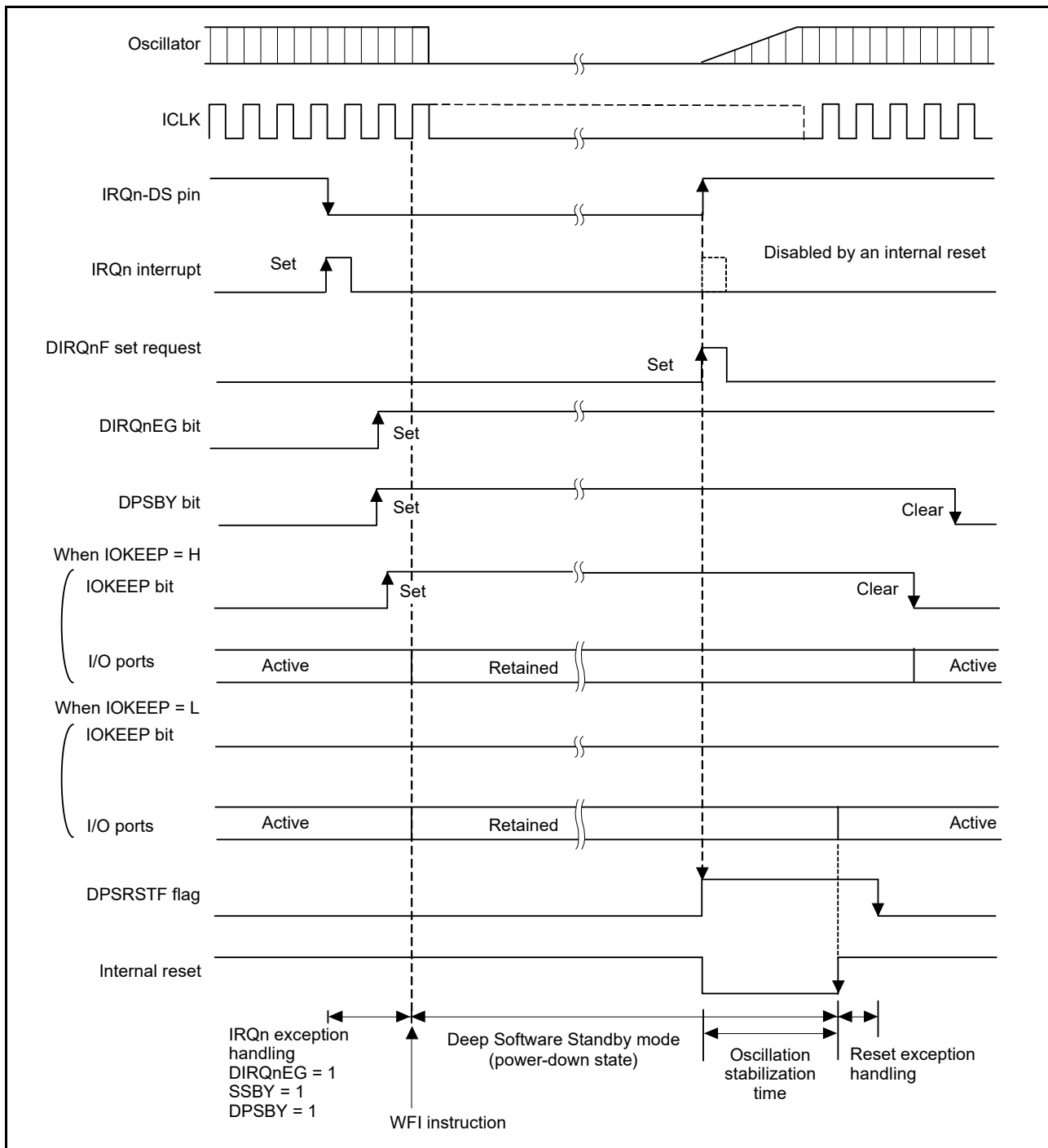
In Deep Software Standby mode, the I/O ports retain the same states from Software Standby mode. The MCU is initialized by an internal reset generated when Deep Software Standby mode is canceled, and reset exception handling starts immediately. The DPSBYCR.IOKEEP bit setting determines whether to initialize the I/O ports or to retain the I/O ports states for Software Standby mode. The following is the state of the I/O ports for each bit setting:

- When the DPSBYCR.IOKEEP bit = 0  
The I/O ports are initialized by an internal reset generated when Deep Software Standby mode is canceled.
- When the DPSBYCR.IOKEEP bit = 1  
Although the MCU is initialized by an internal reset generated when Deep Software Standby mode is canceled, the I/O ports retain their states from Software Standby mode regardless of the MCU internal state. The I/O ports states remain unchanged from Software Standby mode even when settings are made to the I/O ports or peripheral modules. The retained I/O ports states are released by clearing the DPSBYCR.IOKEEP bit to 0, and the MCU operates according to the internal state. The DPSBYCR.IOKEEP bit is not initialized by any internal reset generated when Deep Software Standby mode is canceled.

### 11.9.4 Example of Deep Software Standby Mode Application

#### (1) Entering and exiting Deep Software Standby mode

[Figure 11.10](#) shows an example transition to Deep Software Standby mode on the falling edge of the IRQn-DS pin, and an exit from Deep Software Standby mode on the rising edge of the IRQn-DS pin. In this example, an IRQn interrupt is accepted with the IRQCRi.IRQMD[1:0] bits of the ICU set to 01b (falling edge). After the DPSIEGRy.DIRQnEG bit (y = 0, 1 and n = 0 to 13) is set to 1 (rising edge) and the SBYCR.SSBY and DPSBYCR.DPSBY bits are both set to 1, the WFI instruction is executed. As a result, the MCU transitions to Deep Software Standby mode. Deep Software Standby mode is then canceled on the rising edge of the IRQn-DS pin.



**Figure 11.10 Example of Deep Software Standby mode application**

### 11.9.5 Usage Flow for Deep Software Standby Mode

Figure 11.11 shows an example flow for using Deep Software Standby mode. In this example, the RSTSR0.DPSRSTF flag of the reset function is read after reset exception handling to determine whether the reset is generated by the RES pin or by the cancellation of Deep Software Standby mode. For a reset by the RES pin, the MCU transitions to Deep Software Standby mode after the required register settings are made. For a reset by cancellation of Deep Software Standby mode, the DPSBYCR.IOKEEP bit is set to 0 after the I/O port settings are made.

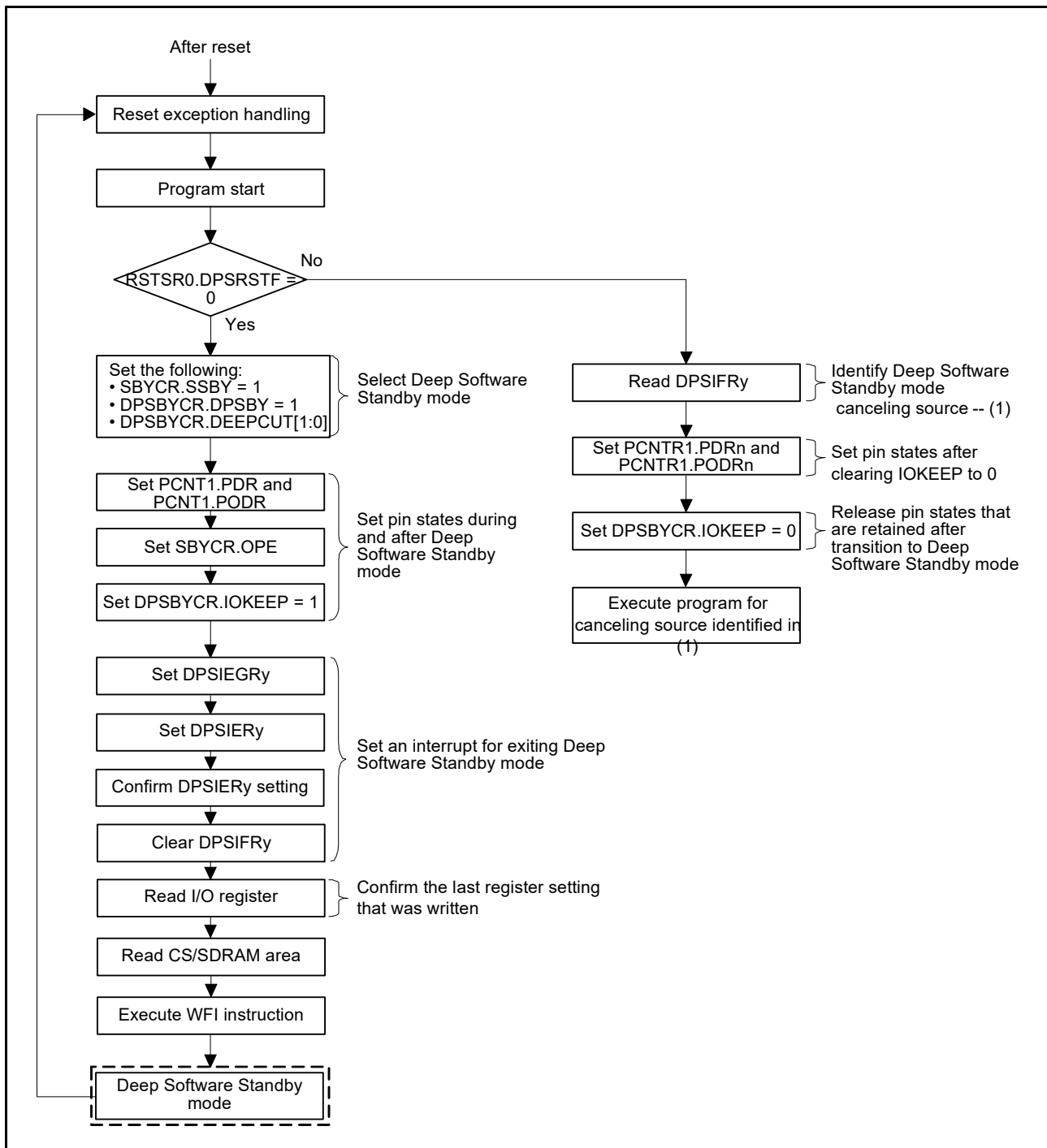


Figure 11.11 Example flow for using Deep Software Standby mode

## 11.10 Usage Notes

### 11.10.1 Register Access

(1) Invalid register write accesses during specific modes or transitions

Do not write to registers under any of the listed conditions in this section.

[Registers]

- All registers with a peripheral name of SYSTEM.



[Conditions]

- OPCCR.OPCMTSF = 1 or SOPCCR.SOPCMTSF = 1 (during transition of the operating power control mode)
- During the time period from executing a WFI instruction to returning to Normal mode
- When FENTRYR.FENTRYi = 1 (i = 0 to 3) (flash P/E mode) or FENTRYR.FENTRYD = 1 (data flash P/E mode).

## (2) Valid settings for the clock-related registers

Table 11.11 and Table 11.12 show the valid settings of the clock-related registers in each operating power control mode. Do not write any value other than the valid setting. Any other written value is ignored. Each register has certain prohibited settings under conditions other than those related to the operating power control modes. See [section 9, Clock Generation Circuit](#), for these other conditions for each register.

**Table 11.11 Valid settings for the clock-related registers (1)**

| Mode         | Valid settings   |   |                              |                              |                              |                              |                              |                              |
|--------------|--|---|------------------------------|------------------------------|------------------------------|------------------------------|------------------------------|------------------------------|
|              | SCKSCR.CKSEL[2:0], CKOCCR.CKOSEL[2:0]  | SCKDIVCR.FCK[2:0], ICK[2:0]   | PLLCR.PLLSTP                 | HOCOCCR.HCSTP                | MOCOCCR.MCSTP                | LOCOCCR.LCSTP                | MOSCCR.MOSTP                 | SOSCCR.SOSTP                 |
| High-speed   | 000b (HOCO)<br>001b (MOCO)<br>010b (LOCO)<br>011b (Main clock)<br>100b (Sub-clock)<br>101b (PLL)*1 | 000b (1/1)<br>001b (1/2)<br>010b (1/4)<br>011b (1/8)<br>100b (1/16)<br>101b (1/32)<br>110b (1/64) | 0 (operating)<br>1 (stopped) | 0 (operating)<br>1 (stopped) | 0 (operating)<br>1 (stopped) | 0 (operating)<br>1 (stopped) | 0 (operating)<br>1 (stopped) | 0 (operating)<br>1 (stopped) |
| Low-speed    | 000b (HOCO)<br>001b (MOCO)<br>010b (LOCO)<br>011b (Main clock)<br>100b (Sub-clock)                 |   | 1 (stopped)                  |                              |                              |                              |                              |                              |
| Subosc-speed | 010b (LOCO)<br>100b (Sub-clock)  | 000b (1/1)  | 1 (stopped)                  | 1 (stopped)                  | 1 (stopped)                  | 0 (operating)<br>1 (stopped) | 1 (stopped)                  | 0 (operating)<br>1 (stopped) |

Note 1. SCKSCR.CKSEL[2:0] only.

**Table 11.12 Valid settings for the clock related registers (2)**

| Operating oscillator              | Valid settings  |              |
|-----------------------------------|-----------------|--------------|
|                                   | OPCCR.OPCM[1:0] | SOPCCR.SOPCM |
| PLL                               | 00b             | 0            |
| High-speed on-chip oscillator     | 00b, 11b        | 0            |
| Middle-speed on-chip oscillator   |                 |              |
| Main clock oscillator             |                 |              |
| Low-speed on-chip oscillator      | 00b, 11b        | 0, 1         |
| Sub-clock oscillator              |                 |              |
| IWDT-dedicated on-chip oscillator |                 |              |

## (3) Invalid register write accesses in subosc-speed mode

Do not write to registers under the listed condition in this section.

[Registers]

- SCKSCR, OPCCR.

[Condition]

- SOPCCR.SOPCM = 1 (Subosc-speed mode).

## (4) Invalid register write accesses by the DTC or DMAC

Do not write to registers listed in this section by the DTC or DMAC.

[Registers]

- MSTPCRA, MSTPCRB, MSTPCRC, MSTPCRD.

### (5) Invalid register write accesses in Snooze mode

Do not write to registers listed in this section in Snooze mode. They must be set before entering Software Standby mode.

[Registers]

- SNZCR, SNZEDCR, SNZREQCR.

### (6) Invalid write access to FLWT.FLWT[2:0]

Do not write any value other than 000b to the FLWT.FLWT[2:0] bits under the listed condition.

[Condition]

- SOPCCR.SOPCM = 1 (Subosc-speed mode)

### (7) Invalid write access when PRCR.PRC1 is 0

Do not write to registers listed in this section when the PRCR.PRC1 bit is 0.

[Registers]

- SBYCR, SNZCR, SNZEDCR, SNZREQCR, OPCCR, SOPCCR, DPSBYCR, DPSIER<sub>n</sub> (n = 0 to 3), DPSIFR<sub>n</sub> (n = 0 to 3), DPSIEGR<sub>n</sub> (n = 0 to 2), and SYOCDCR.

## 11.10.2 I/O Port States

The I/O port states in Software Standby, Deep Software Standby, and Snooze modes (except when modifying in Snooze mode) are the same before entering the modes. Therefore, power consumption is not reduced while the output signals are held high.

## 11.10.3 Module-Stop State of DMAC and DTC

Before writing 1 to MSTPCRA.MSTPA22, clear the DMAST.DMST bit of the DMAC and the DTCST.DTCST bit of the DTC to 0.

## 11.10.4 Internal Interrupt Sources

Interrupts do not operate in the module-stop state. If the module-stop bit is set when an interrupt request is generated, a CPU interrupt source or a DMAC or DTC startup source cannot be cleared. Always disable the associated interrupts before setting the module-stop bits.

## 11.10.5 Input Buffer Control by the DIRQnE Bit (n = 0 to 13)

Setting the DPSIER<sub>y</sub>.DIRQ<sub>nE</sub> bit (y = 0, 1 and n = 0 to 13) to 1 enables the associated input buffer of the IRQ0-DS to IRQ13-DS pins. Although inputs to these pins are sent to the DPSIFR<sub>y</sub>.DIRQ<sub>nF</sub> bits (y = 0, 1 and n = 0 to 13), they are not sent to the ICU, peripheral modules, or I/O ports.

## 11.10.6 Transition to Low Power Modes

Because the MCU does not support wakeup by events, do not enter the low power modes (Sleep, Software Standby, or Deep Software Standby mode) by executing a WFE instruction. Also, do not set the SLEEPDEEP bit of the System Control Register in the Cortex<sup>®</sup>-M4 core, because the MCU does not support low power modes by SLEEPDEEP.

## 11.10.7 Timing of WFI Instruction

It is possible for the WFI instruction to be executed before I/O register and CS/SDRAM area writes are complete, in which case operation might not proceed as intended. This can happen if the WFI is placed immediately after a write to an I/O register or CS/SDRAM area. To avoid this problem, read back the register or CS/SDRAM area that was written to confirm that the write completed.

## 11.10.8 Writing to the WDT and IWDG Registers by the DMAC or DTC in Sleep or Snooze Mode

Do not write to the WDT or IWDG registers by the DMAC or DTC while the WDT or IWDG is stopped after entering Sleep or Snooze mode.

### 11.10.9 Oscillators in Snooze Mode

Oscillators that stop on entering Software Standby mode automatically restart when a trigger for switching to Snooze mode is generated. The MCU does not enter Snooze mode until all of the oscillators stabilize. In Snooze mode, you must disable oscillators that are not required in Snooze mode before entering Software Standby mode. Otherwise, the transition from Software Standby to Snooze mode takes longer.

#### 11.10.10 Snooze Mode Entry by RXD0 Falling Edge

When the SNZCR.RXDREQEN bit is 1, noise on the RXD0 pin might cause the MCU transition from Software Standby to Snooze mode. Any subsequent RXD0 data can be received in Snooze mode by noise on the RXD0 pin. If the MCU does not receive any RXD0 data after the noise, interrupts such as SCI0\_ERI or SCI0\_RXI, and address mismatch events are not generated, the MCU stays in Snooze mode. To avoid this, an AGT1 underflow interrupt must be used to return to Software Standby or Normal mode when using SCI0 in Snooze mode. However, do not use the AGT1 underflow as a source to return to Software Standby mode during an SCI communication. This makes the SCI0 stop the operation in a half-finished state.

#### 11.10.11 Using SCI0 in Snooze Mode

When using SCI0 in Snooze mode, the AGT1 underflow must be used for the interrupt request or Snooze end request. Do not use any other trigger.

When using SCI0 in Snooze mode, the following conditions must be satisfied:

- The clock source must be HOCO
- MOCO, the main clock oscillator, and the PLL must be stopped before entering Software Standby mode
- The RXD0 pin must be kept at the high level before entering Software Standby mode
- A transition to Software Standby mode must not occur during an SCI communication
- The MSTPCRC.MSTPC0 bit must be 1 before entering Software Standby mode.

#### 11.10.12 Conditions of A/D Conversion Start in Snooze Mode

The ADC12 can only be triggered by the ELC in Snooze mode. Do not use a software trigger or ADTRGn pin.

#### 11.10.13 ELC Events in Snooze Mode

Only the ELC events listed in this section are available in Snooze mode. Do not use any other events. If starting peripheral modules for the first time after entering Snooze mode, the Event Link Setting Register (ELSRn) must set a Snooze mode entry event (SYSTEM\_SNZREQ) as the trigger.

- Snooze mode entry (SYSTEM\_SNZREQ)
- DTC transfer end (DTC\_DTCEND)
- ADC12n Window A/B compare match (ADC12n\_WCMPPM) (n = 0, 1)
- ADC12n Window A/B compare mismatch (ADC12n\_WCMPUM) (n = 0, 1)
- Data operation circuit interrupt (DOC\_DOPCI).

#### 11.10.14 Conditions of CTSU in Snooze Mode

The CTSU can only be started by the ELC in Snooze mode.

## 12. Battery Backup Function

### 12.1 Overview

The MCU provides a battery backup function that maintains partial battery powering in the event of a power loss. Switching between VCC and VBATT, the battery-powered area includes RTC, SOSOC, and backup memory.

During normal operation, the battery-powered area is powered by the main power supply, the VCC pin. When a VCC voltage drop is detected, the power source switches to the dedicated battery backup power pin, the VBATT pin. When the voltage rises again, the power source switches back from VBATT to VCC.

#### 12.1.1 Features of Battery Backup Function

The features include:

- Battery power supply switch
- Backup registers
- Time capture pin detection.

#### 12.1.2 Battery Power Supply Switch

When the voltage applied to the VCC pin drops, this feature switches the power supply from the VCC pin to the VBATT pin. When the voltage rises, it switches the power supply from the VBATT pin back to the VCC pin.

#### 12.1.3 Backup Registers

The battery-powered area provides 512 one-byte backup registers. These registers retain data only when VBATT is supplied and VCC is powered off.

#### 12.1.4 Time Capture Pin Detection

The RTC detects input level changes on the time capture pin. For more information, see [section 26, Realtime Clock \(RTC\)](#).

**Note:** When VCC is  $< V_{DET\_BATT}$  and  $> (V_{BATT} + 0.6\text{ V})$ , the injected current flows from the VCC to the VBATT pin through an internal diode. If the power supply battery connected to the VBATT pin cannot support this current injection, for example if the battery is not rechargeable, Renesas strongly recommends that you connect through a low-voltage threshold diode between the power supply battery and the VBATT pin.

**Note:** You must enable voltage monitor 0 resets to use the battery backup function. The voltage monitor 0 level must be higher than the VBATT switch level.

[Figure 12.1](#) shows the configuration of the battery backup function.

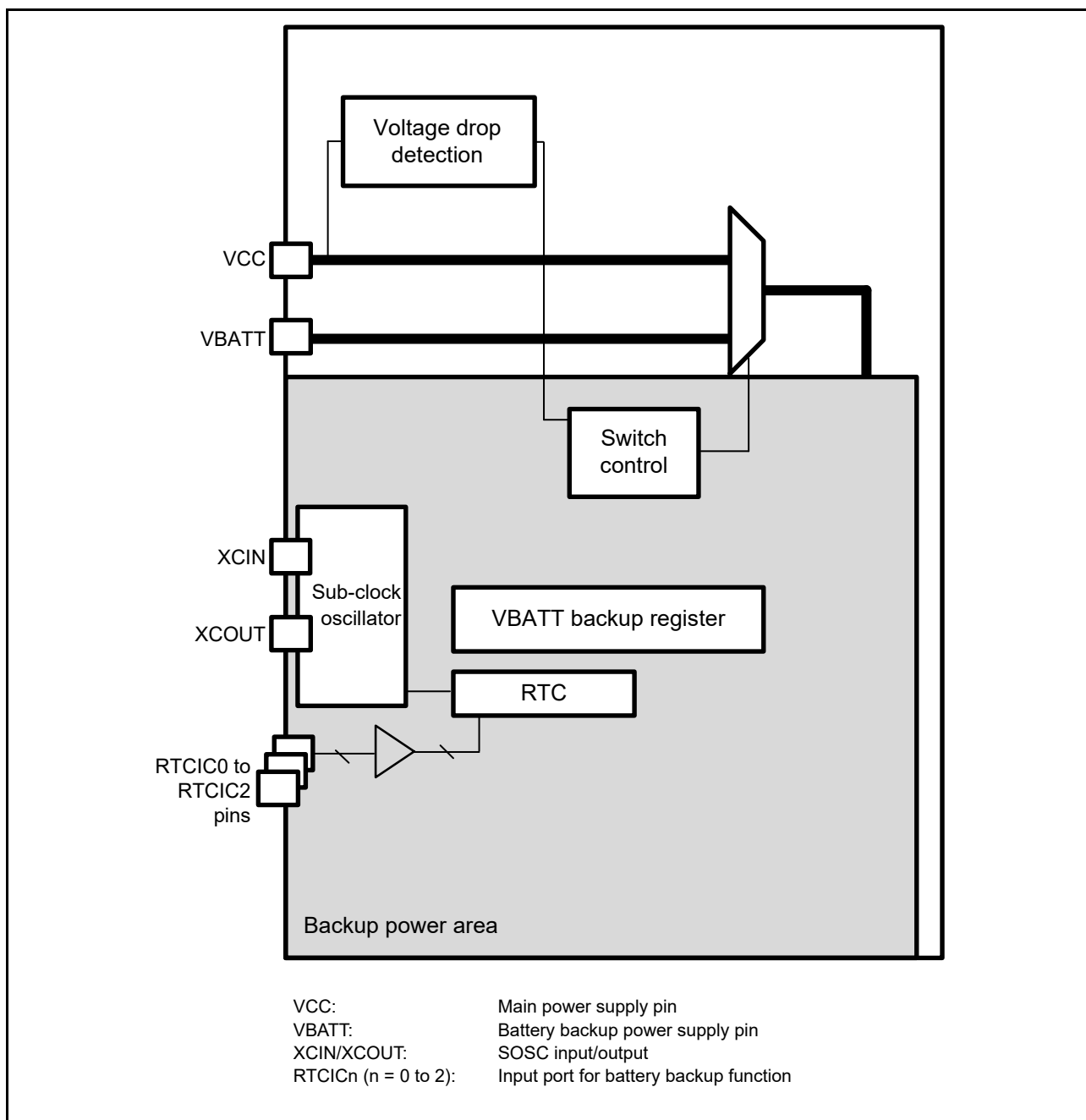
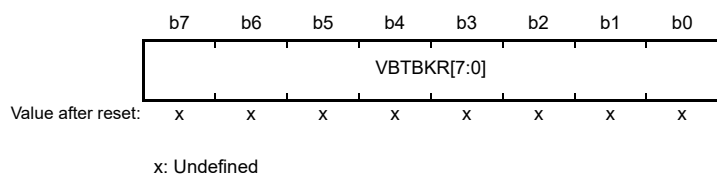


Figure 12.1 Configuration of the battery backup function

## 12.2 Register Descriptions

### 12.2.1 VBATT Backup Register (VBTBKRn) (n = 0 to 511)

Address(es): [SYSTEM.VBTBKR\[0\] 4001 E500h](#) to [SYSTEM.VBTBKR\[511\] 4001 E6FFh](#)



VBTBKRn is an 8-bit access read/write register to store data powered by VBATT. The value of this register is retained when VCC is not powered and VBATT is powered. This register is not initialized by any reset.

## 12.2.2 VBATT Input Control Register (VBTICTLR)

Address(es): SYSTEM.VBTICTLR 4001 E4BBh

|                    | b7 | b6 | b5 | b4 | b3 | b2       | b1       | b0       |
|--------------------|----|----|----|----|----|----------|----------|----------|
|                    | —  | —  | —  | —  | —  | VCH2INEN | VCH1INEN | VCH0INEN |
| Value after reset: | 0  | 0  | 0  | 0  | 0  | x        | x        | x        |

x: Undefined

| Bit      | Symbol   | Bit name               | Description  | R/W |
|----------|----------|------------------------|--|-----|
| b0       | VCH0INEN | VBATT CH0 Input Enable | 0: Disable<br>1: Enable.                               | R/W |
| b1       | VCH1INEN | VBATT CH1 Input Enable | 0: Disable<br>1: Enable.                               | R/W |
| b2       | VCH2INEN | VBATT CH2 Input Enable | 0: Disable<br>1: Enable.                               | R/W |
| b7 to b3 | —        | Reserved               | These bits are read as 0. The write value should be 0. | R/W |

The VBTICTLR register selects the VBATT I/O direction as input.

### VCHnINEN bit (VBATT CHn Input Enable Bit) (n = 0 to 2)

The VCHnINEN bit enables the input direction on the associated VBATT channel.

For more information on CH0 to CH2 associated function, see [section 20.5.5, I/O Buffer Specification](#).

## 12.3 Operation

### 12.3.1 Battery Backup Function

When the voltage on the VCC pin drops, power can be supplied to the RTC and sub-clock oscillator from the VBATT pin. When a power supply drop from the VCC pin is detected, the power connection switches from the power supply to the VBATT pin. The power supply from the VCC pin is resumed when the voltage on the VCC pin exceeds VDET<sub>BATT</sub>. This power supply change does not affect the RTC operation.

You must enable voltage monitor 0 resets to use the battery backup function. The RTC supports time capture detection, triggered by a change to the time capture pin input level.

The VBATT pin supplies power to the following modules:

- RTC
- Sub-clock oscillator (including XCIN and XCOOUT pins)
- VBATT Backup Register.

[Table 12.1](#) shows the operating states in VBATT mode.

**Table 12.1 Operating states in VBATT mode (1 of 2)**

| Operating state                          | VBATT mode                    |
|--|-------------------------------|
| Transition condition                     | Detection of VCC voltage drop |
| Canceling method other than reset        | Detection of VCC voltage rise |
| State after cancellation by an interrupt | —                             |
| State after cancellation by a reset      | —                             |
| Main clock oscillator                    | Stopped                       |
| Sub-clock oscillator                     | Operating                     |
| High-speed on-chip oscillator            | Stopped                       |

**Table 12.1 Operating states in VBATT mode (2 of 2)**

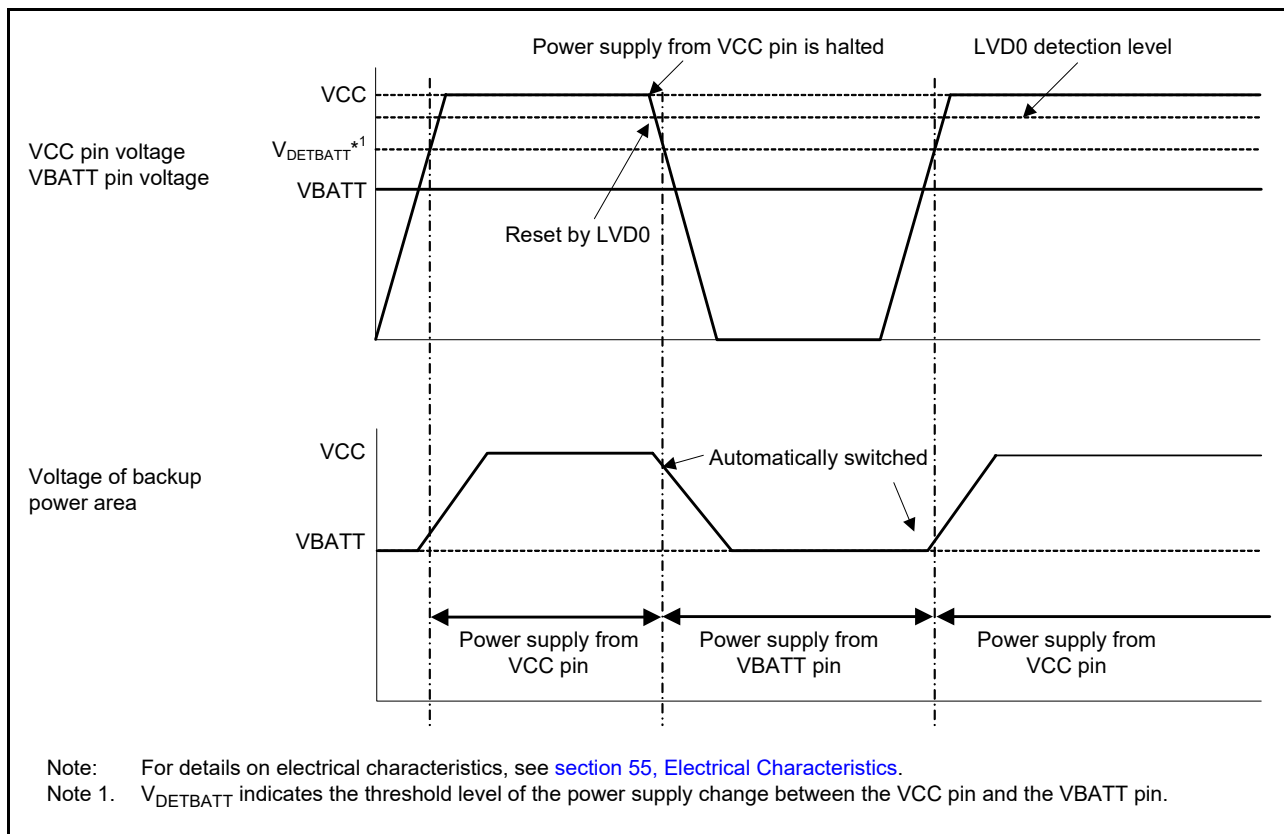
| Operating state                   | VBATT mode   |
|-----------------------------------|--|
| Middle-speed on-chip oscillator   | Stopped  |
| Low-speed on-chip oscillator      | Stopped  |
| IWDT-dedicated on-chip oscillator | Stopped  |
| PLL                               | Stopped  |
| CPU                               | Stopped (undefined)  |
| SRAM (ECC SRAM included)          | Stopped (undefined)  |
| Standby SRAM                      | Stopped (undefined)  |
| VBATT Backup Register             | Stopped (retained)   |
| Flash memory                      | Stopped (retained)   |
| Realtime Clock (RTC)              | Selectable when selecting clock that serves as the count source  |
| AGTn (n = 0, 1)                   | Stopped (undefined)  |
| Low Voltage Detection (LVD)       | Stopped  |
| Power-on reset circuit            | Stopped  |
| Other peripheral modules          | Stopped (undefined)  |
| I/O ports                         | <ul style="list-style-type: none"> <li>• RTCICn ports (n = 0 to 2): Operating</li> <li>• Other than the specified ports: Undefined.</li> </ul> |

Note: Selectable means that operating or stopped is selectable in the control registers. Some modules are also controlled by the associated module-stop bit.

Note: Stopped (retained) means that the contents of the internal registers are retained but the operations are suspended.

Note: Stop (undefined) means that the contents of the internal registers are undefined and power to the internal circuit is cut off.

Figure 12.2 shows the switching sequence of the battery backup function.



**Figure 12.2 Switching sequence for the battery backup function**

### 12.3.2 VBATT Battery Power Supply Switch Usage

The battery power supply switch can switch the power supply from the VCC pin to the VBATT pin when the voltage applied to the VCC pin drops. When the voltage rises, this switch changes the power supply from the VBATT pin to the VCC pin.

Note: You must enable voltage monitor 0 resets to use the battery backup function. Voltage monitor 0 level must be higher than the VBATT switch level.

### 12.3.3 VBATT Backup Register Usage

Use the VBATT backup registers VBTBKRn, where n = 0 to 511, to store or restore data with an 8-bit read or write operation.

## 12.4 Usage Notes

1. When the voltage level on VBATT is lower than the guaranteed operation range, operation of the sub-clock oscillator and RTC cannot be guaranteed. The RTC must be initialized to restart the power supply after the VBATT pin falls below the guaranteed operating voltage.
2. If a reset is generated while writing to the registers described in this section, the register values might be lost.
3. When VCC is higher than  $V_{DET\text{BATT}}$ , the VCC and VBATT pins are separated. When VCC is lower than  $V_{DET\text{BATT}}$  and the switch is connected to the VBATT pin, and if the voltage on VBATT drops lower than (VCC - 0.6 V), current might flow into the VBATT pin through the parasitic diode between the VCC and VBATT pins.
4. During RTC operation using the voltage from the VBATT pin and the I/O ports (P402, P403 and P404) within the backup, the power supply area can only be used as time capture event input pins for the RTC.



## 13. Register Write Protection

### 13.1 Overview

The register write protection function protects important registers from being overwritten because of software errors. The registers to be protected are set with the Protect Register (PRCR).

Table 13.1 lists the association between the PRCR bits and the registers to be protected.

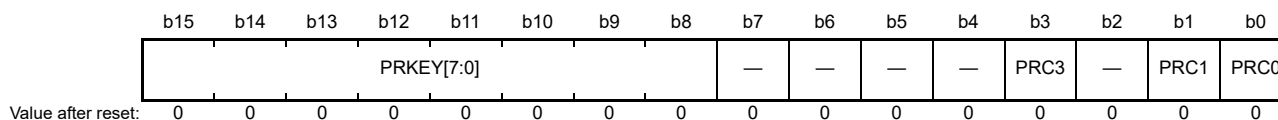
**Table 13.1 Association between PRCR bits and registers to be protected**

| PRCR bit | Registers to be protected   |
|----------|---|
| PRC0     | <ul style="list-style-type: none"> <li>Registers related to the clock generation circuit:<br/>SCKDIVCR, SCKDIVCR2, SCKSCR, PLLCCR, PLLCR, BCKCR, MOSCCR, HOCOGR, MOCOGR, CKOCR, TRCKCR, OSTDCR, OSTDSR, EBCKOCR, SDCKOCR, MOCOUTCR, HOCOUTCR, MOSCWTCR, MOMCR, SOSCCR, SOMCR, LOCOGR, LOCOUTCR, HOCOWTCR, FLLCR1, FLLCR2</li> </ul> |
| PRC1     | <ul style="list-style-type: none"> <li>Registers related to the low power modes:<br/>SBYCR, SNZCR, SNZEDCR, SNZREQCR, OPCCR, SOPCCR, DPSBYCR, DPSIER0-3, DPSIFR0-3, DPSIEGR0-2, SYOCDCCR, STCONR</li> <li>Registers related to the battery backup function:<br/>VBTBKRn (n = 0 to 511), VBTICTLR</li> </ul>                         |
| PRC3     | <ul style="list-style-type: none"> <li>Registers related to the LVD:<br/>LVD1CR1, LVD1SR, LVD2CR1, LVD2SR, LVCMPCCR, LVDLVL, LVD1CR0, LVD2CR0</li> </ul>  |

### 13.2 Register Descriptions

#### 13.2.1 Protect Register (PRCR)

Address(es): [SYSTEM.PRCR 4001 E3FEh](#)



| Bit       | Symbol                     | Bit name      | Function  | R/W |
|-----------|----------------------------|---------------|---|-----|
| b0        | <a href="#">PRC0</a>       | Protect Bit 0 | Enables writing to the registers related to the clock generation circuit:<br>0: Disable writes<br>1: Enable writes.   | R/W |
| b1        | <a href="#">PRC1</a>       | Protect Bit 1 | Enables writing to the registers related to the low power modes and the battery backup function:<br>0: Disable writes<br>1: Enable writes.                                  | R/W |
| b2        | —                          | Reserved      | This bit is read as 0. The write value should be 0.   | R/W |
| b3        | <a href="#">PRC3</a>       | Protect Bit 3 | Enables writing to the registers related to the LVD:<br>0: Disable writes<br>1: Enable writes.  | R/W |
| b7 to b4  | —                          | Reserved      | These bits are read as 0. The write value should be 0.  | R/W |
| b15 to b8 | <a href="#">PRKEY[7:0]</a> | PRC Key Code  | These bits control write access to the PRCR register. To modify the PRCR register, write A5h to the upper 8 bits and the target value to the lower 8 bits as a 16-bit unit. | W*1 |

Note 1. Write data is not retained. Always reads 00h.

#### PRCn bits (Protect Bit n) (n = 0, 1, 3)

The PRCn bits enable or disable writing to the protected registers listed in Table 13.1. Setting PRCn to 1 or 0 enables or disables writing, respectively.

## 14. Interrupt Controller Unit (ICU)

### 14.1 Overview

The Interrupt Controller Unit (ICU) controls which event signals are linked to the NVIC, DTC, and DMAC modules. The ICU also controls non-maskable interrupts. [Table 14.1](#) lists the ICU specifications, [Figure 14.1](#) shows a block diagram, and [Table 14.2](#) lists the I/O pins.

**Table 14.1 ICU specifications**

| Parameter                                | Specifications  |  |
|--|---|--|
| Interrupts                               | Peripheral function interrupts <ul style="list-style-type: none"> <li>Interrupts from peripheral modules</li> <li>Number of sources: 301 (select factors within event list numbers 64 to 511)</li> </ul>  |  |
|  | External pin interrupts <ul style="list-style-type: none"> <li>Interrupt detection on low level, falling edge, rising edge, rising and falling edges</li> <li>One of these detection methods can be set for each source.</li> <li>Digital filter function supported</li> <li>16 sources, with interrupts from IRQ0 to IRQ15 pins.</li> </ul>  |  |
|  | DTC and DMAC control  | The DTC and DMAC can be activated using interrupt sources* <sup>1</sup>        |
|  | Interrupt sources for NVIC  | 96 sources   |
| Non-maskable interrupts* <sup>2</sup>    | NMI pin interrupt <ul style="list-style-type: none"> <li>Interrupt from the NMI pin</li> <li>Interrupt detection on falling edge or rising edge</li> <li>Digital filter function supported.</li> </ul>  |  |
|  | Oscillation stop detection interrupt* <sup>3</sup>  | Interrupt on detecting that the main oscillator has stopped                    |
|  | WDT underflow/refresh error* <sup>3</sup>   | Interrupt on an underflow of the down-counter or occurrence of a refresh error |
|  | IWDT underflow/refresh error* <sup>3</sup>  | Interrupt on an underflow of the down-counter or occurrence of a refresh error |
|  | Voltage monitor 1 interrupt* <sup>3</sup>   | Voltage monitor interrupt of low voltage detection detector 1 (LVD1)           |
|  | Voltage monitor 2 interrupt* <sup>3</sup>   | Voltage monitor interrupt of low voltage detection detector 2 (LVD2)           |
|  | RPEST   | Interrupt on SRAM parity error   |
|  | RECCST  | Interrupt on SRAM ECC error  |
|  | BUSSST  | Interrupt on MPU bus slave error   |
|  | BUSMST  | Interrupt on MPU bus master error  |
|  | SPEST   | Interrupt on CPU stack pointer monitor   |
| Return from low power mode* <sup>4</sup> | <ul style="list-style-type: none"> <li>Sleep mode: return is initiated by non-maskable interrupts or any other interrupt source</li> <li>Software Standby mode: return is initiated by non-maskable interrupts</li> <li>Interrupts can be selected in the WUPEN register.</li> <li>Snooze mode: return is initiated by non-maskable interrupts</li> <li>Interrupts can be selected in the SELSR0 and WUPEN registers.</li> </ul> See <a href="#">section 14.2.8, SYS Event Link Setting Register (SELSR0)</a> , and <a href="#">section 14.2.9, Wake Up Interrupt Enable Register (WUPEN)</a> . |  |

Note 1. For the DTC and DMAC activation sources, see [Table 14.4](#).

Note 2. Non-maskable interrupts can be enabled only once after a reset release.

Note 3. These non-maskable interrupts can also be used as event signals. When used as interrupts, do not change the value of the NMIER register from the reset state. To enable voltage monitor 1 and voltage monitor 2 interrupts, set the LVD1CR1.IRQSEL and LVD2CR1.IRQSEL bits to 1.

Note 4. For return from Deep Software Standby mode, see [section 11.9, Deep Software Standby Mode](#).

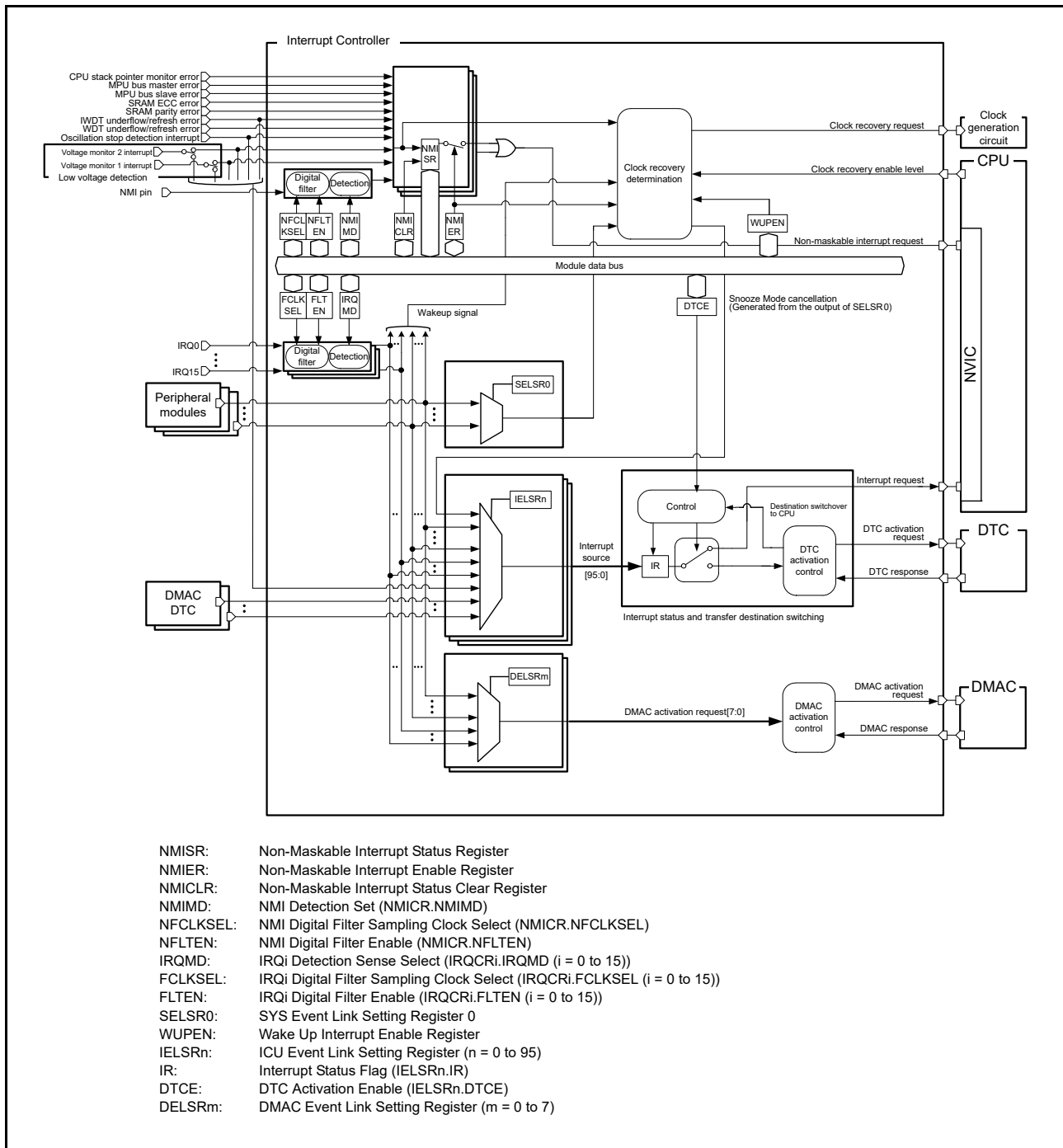


Figure 14.1 ICU block diagram

Table 14.2 lists the ICU input/output pins.

Table 14.2 ICU I/O pins

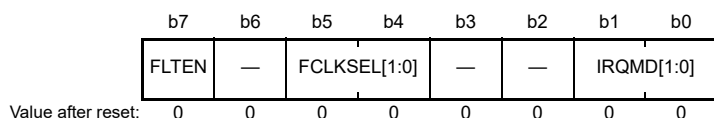
| Pin name      | I/O   | Description                        |
|---------------|-------|------------------------------------|
| NMI           | Input | Non-maskable interrupt request pin |
| IRQ0 to IRQ15 | Input | External interrupt request pins    |

## 14.2 Register Descriptions

This chapter does not describe the Arm® NVIC internal registers. For information on these registers, see the *ARM® Cortex®-M4 Processor Technical Reference Manual* (ARM DDI 0439D).

### 14.2.1 IRQ Control Register i (IRQCRi) (i = 0 to 15)

Address(es): ICU.IRQCR0 4000 6000h, ICU.IRQCR1 4000 6001h, ICU.IRQCR2 4000 6002h, ICU.IRQCR3 4000 6003h, ICU.IRQCR4 4000 6004h, ICU.IRQCR5 4000 6005h, ICU.IRQCR6 4000 6006h, ICU.IRQCR7 4000 6007h, ICU.IRQCR8 4000 6008h, ICU.IRQCR9 4000 6009h, ICU.IRQCR10 4000 600Ah, ICU.IRQCR11 4000 600Bh, ICU.IRQCR12 4000 600Ch, ICU.IRQCR13 4000 600Dh, ICU.IRQCR14 4000 600Eh, ICU.IRQCR15 4000 600Fh



| Bit    | Symbol       | Bit name                                  | Description  | R/W |
|--------|--------------|---|--|-----|
| b1, b0 | IRQMD[1:0]   | IRQi Detection Sense Select               | b1 b0<br>0 0: Falling edge<br>0 1: Rising edge<br>1 0: Rising and falling edges<br>1 1: Low level. | R/W |
| b3, b2 | —            | Reserved                                  | These bits are read as 0. The write value should be 0.   | R/W |
| b5, b4 | FCLKSEL[1:0] | IRQi Digital Filter Sampling Clock Select | b5 b4<br>0 0: PCLKB<br>0 1: PCLKB/8<br>1 0: PCLKB/32<br>1 1: PCLKB/64.                             | R/W |
| b6     | —            | Reserved                                  | This bit is read as 0. The write value should be 0.  | R/W |
| b7     | FLTEN        | IRQi Digital Filter Enable                | 0: Disable<br>1: Enable.   | R/W |

IRQCRi register changes must satisfy the following conditions:

- For a CPU interrupt or DTC trigger:  
Change the IRQCRi register setting before setting the target IELSRn register (n = 0 to 95).  
You can change the register values only when the IELSRn.IELS[8:0] bits are 000h.
- For a DMAC trigger:  
Change the IRQCRi register setting before setting the target DELSRn register (n = 0 to 7).  
You can change the register values only when the DELSRn.DELR[8:0] bits are 000h.
- For a wakeup enable signal:  
Change the IRQCRi register setting before setting the target WUPEN.IRQWUPEN[n] (n = 0 to 15).  
You can only change the register values when the target WUPEN.IRQWUPEN[n] is 0.

#### IRQMD[1:0] bits (IRQi Detection Sense Select)

The IRQMD[1:0] bits set the detection sensing method for the IRQi external pin interrupt sources. For more information on the settings, see [section 14.4.4, External Pin Interrupts](#).

#### FCLKSEL[1:0] bits (IRQi Digital Filter Sampling Clock Select)

The FCLKSEL[1:0] bits select the digital filter sampling clock for the IRQi external pin interrupt requests, selectable to:

- PCLKB (every cycle)
- PCLKB/8 (once every 8 cycles)
- PCLKB/32 (once every 32 cycles)
- PCLKB/64 (once every 64 cycles).

For details on the digital filter, see [section 14.4.3, Digital Filter](#).

**FLTEN bit (IRQi Digital Filter Enable)**

The FLTEN bit enables the digital filter used for the IRQi external pin interrupt sources. The filter is enabled when FLTEN is 1 and disabled when FLTEN is 0. The IRQi pin level is sampled at the cycle specified in FCLKSEL[1:0]. When the sampled level matches three times, the output level from the digital filter changes. For details on the digital filter, see [section 14.4.3, Digital Filter](#).

**14.2.2 Non-Maskable Interrupt Status Register (NMISR)**

Address(es): ICU.NMISR 4000 6140h

|                    |     |     |       |        |         |        |       |       |       |    |    |        |        |       |        |
|--------------------|-----|-----|-------|--------|---------|--------|-------|-------|-------|----|----|--------|--------|-------|--------|
| b15                | b14 | b13 | b12   | b11    | b10     | b9     | b8    | b7    | b6    | b5 | b4 | b3     | b2     | b1    | b0     |
| —                  | —   | —   | SPEST | BUSMST | BUSSSST | RECCST | RPEST | NMIST | OSTST | —  | —  | LVD2ST | LVD1ST | WDTST | IWDTST |
| Value after reset: | 0   | 0   | 0     | 0      | 0       | 0      | 0     | 0     | 0     | 0  | 0  | 0      | 0      | 0     | 0      |

| Bit        | Symbol  | Bit name  | Description   | R/W |
|------------|---------|---|---|-----|
| b0         | IWDTST  | IWDT Underflow/Refresh Error Status Flag              | 0: Interrupt not requested<br>1: Interrupt requested.   | R   |
| b1         | WDTST   | WDT Underflow/Refresh Error Status Flag               | 0: Interrupt not requested<br>1: Interrupt requested.   | R   |
| b2         | LVD1ST  | Voltage Monitor 1 Interrupt Status Flag               | 0: Interrupt not requested<br>1: Interrupt requested.   | R   |
| b3         | LVD2ST  | Voltage Monitor 2 Interrupt Status Flag               | 0: Interrupt not requested<br>1: Interrupt requested.   | R   |
| b5, b4     | —       | Reserved  | These bits are read as 0.   | R   |
| b6         | OSTST   | Main Oscillation Stop Detection Interrupt Status Flag | 0: Interrupt not requested for main oscillation stop<br>1: Interrupt requested for main oscillation stop. | R   |
| b7         | NMIST   | NMI Status Flag                                       | 0: NMI pin interrupt not requested<br>1: NMI pin interrupt requested.                                     | R   |
| b8         | RPEST   | SRAM Parity Error Interrupt Status Flag               | 0: Interrupt not requested<br>1: Interrupt requested.   | R   |
| b9         | RECCST  | SRAM ECC Error Interrupt Status Flag                  | 0: Interrupt not requested<br>1: Interrupt requested.   | R   |
| b10        | BUSSSST | MPU Bus Slave Error Interrupt Status Flag             | 0: Interrupt not requested<br>1: Interrupt requested.   | R   |
| b11        | BUSMST  | MPU Bus Master Error Interrupt Status Flag            | 0: Interrupt not requested<br>1: Interrupt requested.   | R   |
| b12        | SPEST   | CPU Stack Pointer Monitor Interrupt Status Flag       | 0: Interrupt not requested<br>1: Interrupt requested.   | R   |
| b15 to b13 | —       | Reserved  | These bits are read as 0.   | R   |

The NMISR register monitors the status of non-maskable interrupt sources. Writes to the NMISR register are ignored. The setting in the Non-Maskable Interrupt Enable Register (NMIER) does not affect the status flags in this register. Before the end of the non-maskable interrupt handler, check that all of the bits in this register are set to 0 to confirm that no other NMI requests have occurred during handler processing.

**IWDTST flag (IWDT Underflow/Refresh Error Status Flag)**

The IWDTST flag indicates an IWDT underflow/refresh error interrupt request. It is read-only and cleared by the NMICLR.IWDTCLR bit.

[Setting condition]

When an IWDT underflow/refresh error interrupt occurs and this interrupt source is enabled.

[Clearing condition]

When 1 is written to the NMICLR.IWDTCLR bit.

**WDTST flag (WDT Underflow/Refresh Error Status Flag)**

The WDTST flag indicates a WDT underflow/refresh error interrupt request. It is read-only and cleared by the NMICLR.WDTCLR bit.

[Setting condition]

When a WDT underflow/refresh error interrupt occurs.

[Clearing condition]

When 1 is written to the NMICLR.WDTCLR bit.

**LVD1ST flag (Voltage Monitor 1 Interrupt Status Flag)**

The LVD1ST flag indicates a request for voltage monitor 1 interrupt. It is read-only and cleared by the NMICLR.LVD1CLR bit.

[Setting condition]

- When a voltage monitor 1 interrupt occurs and this interrupt source is enabled.

[Clearing condition]

- When 1 is written to the NMICLR.LVD1CLR bit.

**LVD2ST flag (Voltage Monitor 2 Interrupt Status Flag)**

The LVD2ST flag indicates a request for voltage monitor 2 interrupt. It is read-only and cleared by the NMICLR.LVD2CLR bit.

[Setting condition]

- When a voltage monitor 2 interrupt occurs and this interrupt source is enabled.

[Clearing condition]

- When 1 is written to the NMICLR.LVD2CLR bit.

**OSTST flag (Main Oscillation Stop Detection Interrupt Status Flag)**

The OSTST flag indicates a main oscillation stop detection interrupt request. It is read-only and cleared by the NMICLR.OSTCLR bit.

[Setting condition]

- When an oscillation stop detection interrupt occurs.

[Clearing condition]

- When 1 is written to the NMICLR.OSTCLR bit.

**NMIST flag (NMI Status Flag)**

The NMIST flag indicates an NMI pin interrupt request. It is read-only and cleared by the NMICLR.NMIST bit.

[Setting condition]

- When an edge specified in the NMICR.NMIMD bit is input to the NMI pin.

[Clearing condition]

- When 1 is written to the NMICLR.NMIST bit.

**RPEST flag (SRAM Parity Error Interrupt Status Flag)**

The RPEST flag indicates an SRAM parity error interrupt request.

[Setting condition]

- When an interrupt occurs in response to an SRAM parity error.

[Clearing condition]

- When 1 is written to the NMICLR.RPECLR bit.

#### RECCST flag (SRAM ECC Error Interrupt Status Flag)

The RECCST flag indicates an SRAM ECC error interrupt request.

[Setting condition]

- When an interrupt occurs in response to an SRAM ECC error.

[Clearing condition]

- When 1 is written to the NMICLR.RECCCLR bit.

#### BUSSST flag (MPU Bus Slave Error Interrupt Status Flag)

The BUSST flag indicates a bus slave error interrupt request.

[Setting condition]

- When an interrupt occurs in response to a bus slave error.

[Clearing condition]

- When 1 is written to the NMICLR.BUSSCLR bit.

#### BUSMST flag (MPU Bus Master Error Interrupt Status Flag)

The BUSMST flag indicates a bus master error interrupt request.

[Setting condition]

- When an interrupt occurs in response to a bus master error.

[Clearing condition]

- When 1 is written to the NMICLR.BUSMCLR bit.

#### SPEST flag (CPU Stack Pointer Monitor Interrupt Status Flag)

The SPEST flag indicates a CPU stack pointer monitor interrupt request.

[Setting condition]

- When an interrupt occurs in response to a CPU stack pointer monitor error.

[Clearing condition]

- When 1 is written to the NMICLR.SPECLR bit.

### 14.2.3 Non-Maskable Interrupt Enable Register (NMIER)

Address(es): ICU.NMIER 4000 6120h

|                    | b15 | b14 | b13 | b12   | b11        | b10        | b9         | b8    | b7    | b6    | b5 | b4 | b3         | b2         | b1        | b0         |
|--------------------|-----|-----|-----|-------|------------|------------|------------|-------|-------|-------|----|----|------------|------------|-----------|------------|
|                    | —   | —   | —   | SPEEN | BUSME<br>N | BUSSE<br>N | RECCE<br>N | RPEEN | NMIEN | OSTEN | —  | —  | LVD2E<br>N | LVD1E<br>N | WDTE<br>N | IWDTE<br>N |
| Value after reset: | 0   | 0   | 0   | 0     | 0          | 0          | 0          | 0     | 0     | 0     | 0  | 0  | 0          | 0          | 0         | 0          |

| Bit | Symbol | Bit name                                      | Description              | R/W             |
|-----|--------|---|--------------------------|-----------------|
| b0  | IWDTEN | IWDT Underflow/Refresh Error Interrupt Enable | 0: Disable<br>1: Enable. | R/(W)<br>*1, *2 |
| b1  | WDTEN  | WDT Underflow/Refresh Error Interrupt Enable  | 0: Disable<br>1: Enable. | R/(W)<br>*1, *2 |
| b2  | LVD1EN | Voltage Monitor 1 Interrupt Enable            | 0: Disable<br>1: Enable. | R/(W)<br>*1, *2 |

| Bit        | Symbol | Bit name                                    | Description  | R/W             |
|------------|--------|---|--|-----------------|
| b3         | LVD2EN | Voltage Monitor 2 Interrupt Enable          | 0: Disable<br>1: Enable.                               | R/(W)<br>*1, *2 |
| b5 to b4   | —      | Reserved                                    | This bit is read as 0. The write value should be 0.    | R/W             |
| b6         | OSTEN  | Oscillation Stop Detection Interrupt Enable | 0: Disable<br>1: Enable.                               | R/(W)<br>*1, *2 |
| b7         | NMIEN  | NMI Pin Interrupt Enable                    | 0: Disable<br>1: Enable.                               | R/(W)<br>*1     |
| b8         | RPEEN  | SRAM Parity Error Interrupt Enable          | 0: Disable<br>1: Enable.                               | R/(W)<br>*1, *2 |
| b9         | RECCEN | SRAM ECC Error Interrupt Enable             | 0: Disable<br>1: Enable.                               | R/(W)<br>*1, *2 |
| b10        | BUSSEN | MPU Bus Slave Error Interrupt Enable        | 0: Disable<br>1: Enable.                               | R/(W)<br>*1, *2 |
| b11        | BUSMEN | MPU Bus Master Error Interrupt Enable       | 0: Disable<br>1: Enable.                               | R/(W)<br>*1, *2 |
| b12        | SPEEN  | CPU Stack Pointer Monitor Interrupt Enable  | 0: Disable<br>1: Enable.                               | R/(W)<br>*1, *2 |
| b15 to b13 | —      | Reserved                                    | These bits are read as 0. The write value should be 0. | R/W             |

Note 1. You can write 1 to this bit only once after reset. Subsequent write accesses are invalid. Writing 0 to this bit is invalid.

Note 2. Do not write 1 to this bit when the source is used as an event signal.

#### **IWDTEN bit (IWDT Underflow/Refresh Error Interrupt Enable)**

The IWDTEN bit enables IWDT underflow/refresh error interrupts as an NMI trigger.

#### **WDTEN bit (WDT Underflow/Refresh Error Interrupt Enable)**

The WDTEN bit enables WDT underflow/refresh error interrupts as an NMI trigger.

#### **LVD1EN bit (Voltage Monitor 1 Interrupt Enable)**

The LVD1EN bit enables voltage monitor 1 interrupts as an NMI trigger.

#### **LVD2EN bit (Voltage Monitor 2 Interrupt Enable)**

The LVD2EN bit enables voltage monitor 2 interrupts as an NMI trigger.

#### **OSTEN bit (Oscillation Stop Detection Interrupt Enable)**

The OSTEN bit enables main oscillation stop detection interrupts as an NMI trigger.

#### **NMIEN bit (NMI Pin Interrupt Enable)**

The NMIEN bit enables NMI pin interrupts as an NMI trigger.

#### **RPEEN bit (SRAM Parity Error Interrupt Enable)**

The RPEEN bit enables SRAM parity error interrupts as an NMI trigger.

#### **RECCEN bit (SRAM ECC Error Interrupt Enable)**

The RECCEN bit enables SRAM ECC error interrupts as an NMI trigger.

#### **BUSSEN bit (MPU Bus Slave Error Interrupt Enable)**

The BUSSEN bit enables bus slave error interrupts as an NMI trigger.

#### **BUSMEN bit (MPU Bus Master Error Interrupt Enable)**

The BUSMEN bit enables bus master error interrupts as an NMI trigger.

#### **SPEEN bit (CPU Stack Pointer Monitor Interrupt Enable)**

The SPEEN bit enables CPU stack pointer monitor interrupts as an NMI trigger.



### 14.2.4 Non-Maskable Interrupt Status Clear Register (NMICLR)

Address(es): ICU.NMICLR 4000 6130h

|  |     |     |            |             |             |            |            |            |            |    |    |             |             |            |             |
|--|-----|-----|------------|-------------|-------------|------------|------------|------------|------------|----|----|-------------|-------------|------------|-------------|
| b15  | b14 | b13 | b12        | b11         | b10         | b9         | b8         | b7         | b6         | b5 | b4 | b3          | b2          | b1         | b0          |
| —  | —   | —   | SPECL<br>R | BUSM<br>CLR | BUSSC<br>LR | RECC<br>LR | RPECL<br>R | NMICL<br>R | OSTCL<br>R | —  | —  | LVD2C<br>LR | LVD1C<br>LR | WDTCL<br>R | IWDTCL<br>R |
| Value after reset: 0 0 0 0 0 0 0 0 0 0 0 0 0 0 0 0 |     |     |            |             |             |            |            |            |            |    |    |             |             |            |             |

| Bit        | Symbol  | Bit name                | Description  | R/W                 |
|------------|---------|-------------------------|--|---------------------|
| b0         | IWDTCLR | IWDT Clear              | 0: No effect<br>1: Clear the NMISR.IWDTST flag.        | R/(W) <sup>*1</sup> |
| b1         | WDTCLR  | WDT Clear               | 0: No effect<br>1: Clear the NMISR.WDTST flag.         | R/(W) <sup>*1</sup> |
| b2         | LVD1CLR | LVD1 Clear              | 0: No effect<br>1: Clear the NMISR.LVD1ST flag.        | R/(W) <sup>*1</sup> |
| b3         | LVD2CLR | LVD2 Clear              | 0: No effect<br>1: Clear the NMISR.LVD2ST flag.        | R/(W) <sup>*1</sup> |
| b5 to b4   | —       | Reserved                | The write value should be 0.                           | R/(W) <sup>*1</sup> |
| b6         | OSTCLR  | OST Clear               | 0: No effect<br>1: Clear the NMISR.OSTST flag.         | R/(W) <sup>*1</sup> |
| b7         | NMICLR  | NMI Clear               | 0: No effect<br>1: Clear the NMISR.NMIST flag.         | R/(W) <sup>*1</sup> |
| b8         | RPECLR  | SRAM Parity Error Clear | 0: No effect<br>1: Clear the NMISR.RPEST flag.         | R/(W) <sup>*1</sup> |
| b9         | RECCCLR | SRAM ECC Error Clear    | 0: No effect<br>1: Clear the NMISR.RECCST flag.        | R/(W) <sup>*1</sup> |
| b10        | BUSSCLR | Bus Slave Error Clear   | 0: No effect<br>1: Clear the NMISR.BUSSST flag.        | R/(W) <sup>*1</sup> |
| b11        | BUSMCLR | Bus Master Error Clear  | 0: No effect<br>1: Clear the NMISR.BUSMST flag.        | R/(W) <sup>*1</sup> |
| b12        | SPECLR  | SPEST Clear             | 0: No effect<br>1: Clear the NMISR.SPEST flag.         | R/(W) <sup>*1</sup> |
| b15 to b13 | —       | Reserved                | These bits are read as 0. The write value should be 0. | R/(W) <sup>*1</sup> |

Note 1. Only write 1 to this bit.

#### IWDTCLR bit (IWDT Clear)

Writing 1 to the IWDTCLR bit clears the NMISR.IWDTST flag. This bit is read as 0.

#### WDTCLR bit (WDT Clear)

Writing 1 to the WDTCLR bit clears the NMISR.WDTST flag. This bit is read as 0.

#### LVD1CLR bit (LVD1 Clear)

Writing 1 to the LVD1CLR bit clears the NMISR.LVD1ST flag. This bit is read as 0.

#### LVD2CLR bit (LVD2 Clear)

Writing 1 to the LVD2CLR bit clears the NMISR.LVD2ST flag. This bit is read as 0.

#### OSTCLR bit (OST Clear)

Writing 1 to the OSTCLR bit clears the NMISR.OSTST flag. This bit is read as 0.

#### NMICLR bit (NMI Clear)

Writing 1 to the NMICLR bit clears the NMISR.NMIST flag. This bit is read as 0.

**RPECLR bit (SRAM Parity Error Clear)**

Writing 1 to the RPECLR bit clears the NMISR.RPEST flag. This bit is read as 0.

**RECCCLR bit (SRAM ECC Error Clear)**

Writing 1 to the RECCCLR bit clears the NMISR.RECCST flag. This bit is read as 0.

**BUSSCLR bit (Bus Slave Error Clear)**

Writing 1 to the BUSSCLR bit clears the NMISR.BUSSST flag. This bit is read as 0.

**BUSMCLR bit (Bus Master Error Clear)**

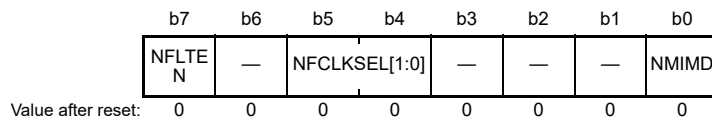
Writing 1 to the BUSMCLR bit clears the NMISR.BUSMSST flag. This bit is read as 0.

**SPECLR bit (SPEST Clear)**

Writing 1 to the SPECLR bit clears the NMISR.SPEST flag. This bit is read as 0.

**14.2.5 NMI Pin Interrupt Control Register (NMICR)**

Address(es): ICU.NMICR 4000 6100h



| Bit      | Symbol        | Bit name                                 | Description  | R/W |
|----------|---------------|--|--|-----|
| b0       | NMIMD         | NMI Detection Set                        | 0: Falling edge<br>1: Rising edge.                                     | R/W |
| b3 to b1 | —             | Reserved                                 | These bits are read as 0. The write value should be 0.                 | R/W |
| b5, b4   | NFCLKSEL[1:0] | NMI Digital Filter Sampling Clock Select | b5 b4<br>0 0: PCLKB<br>0 1: PCLKB/8<br>1 0: PCLKB/32<br>1 1: PCLKB/64. | R/W |
| b6       | —             | Reserved                                 | This bit is read as 0. The write value should be 0.                    | R/W |
| b7       | NFLTEN        | NMI Digital Filter Enable                | 0: Disable<br>1: Enable.   | R/W |

Change the NMICR register settings before enabling NMI pin interrupts (before setting NMIER.NMIEN to 1).

**NMIMD bit (NMI Detection Set)**

The NMIMD bit selects the detection sensing method for the NMI pin interrupts.

**NFCLKSEL[1:0] bits (NMI Digital Filter Sampling Clock Select)**

The NFCLKSEL[1:0] bits select the digital filter sampling clock for the NMI pin interrupts, selectable to:

- PCLKB (every cycle)
- PCLKB/8 (once every 8 cycles)
- PCLKB/32 (once every 32 cycles)
- PCLKB/64 (once every 64 cycles).

For details of the digital filter, see [section 14.4.3, Digital Filter](#).

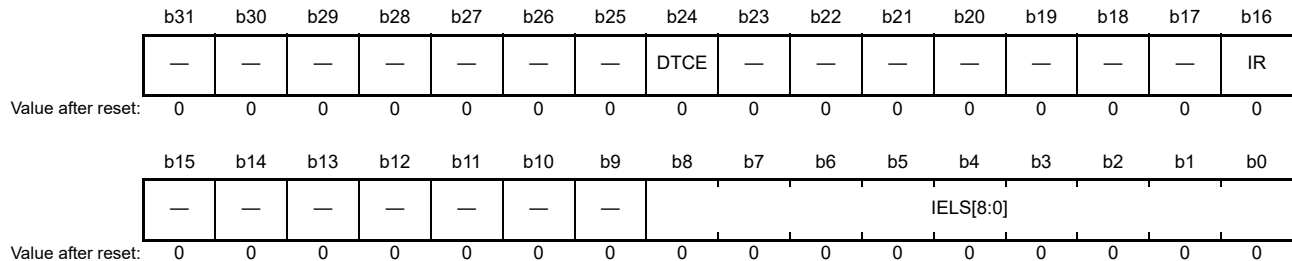
**NFLTEN bit (NMI Digital Filter Enable)**

The NFLTEN bit enables the digital filter used for NMI pin interrupts. The filter is enabled when NFLTEN is 1 and disabled when NFLTEN is 0. The NMI pin level is sampled at the cycle specified in NMIFLTC.NFCLKSEL[1:0]. When

the sampled level matches three times, the output level from the digital filter changes. For details of the digital filter, see [section 14.4.3, Digital Filter](#).

### 14.2.6 ICU Event Link Setting Register n (IELSRn) (n = 0 to 95)

Address(es): ICU.IELSR0 4000 6300h, ICU.IELSR1 4000 6304h, ICU.IELSR2 4000 6308h, ICU.IELSR3 4000 630Ch,.....  
.....ICU.IELSR92 4000 6470h, ICU.IELSR93 4000 6474h, ICU.IELSR94 4000 6478h, ICU.IELSR95 4000 647Ch



| Bit        | Symbol                    | Bit name              | Description   | R/W                |
|------------|---------------------------|-----------------------|---|--------------------|
| b8 to b0   | <a href="#">IELS[8:0]</a> | ICU Event Link Select | b8<br>b0<br>00000000: Disable interrupts to the associated NVIC or DTC module<br>00000001 to 11111111: Event signal number to be linked.<br>For details, see <a href="#">Table 14.4</a> . | R/W <sup>1</sup>   |
| b15 to b9  | —                         | Reserved              | These bits are read as 0. The write value should be 0.  | R/W                |
| b16        | <a href="#">IR</a>        | Interrupt Status Flag | 0: No interrupt request occurred<br>1: Interrupt request occurred.  | R/(W) <sup>2</sup> |
| b23 to b17 | —                         | Reserved              | These bits are read as 0. The write value should be 0.  | R/W                |
| b24        | <a href="#">DTCE</a>      | DTC Activation Enable | 0: Disable<br>1: Enable.  | R/W                |
| b31 to b25 | —                         | Reserved              | These bits are read as 0. The write value should be 0.  | R/W                |

Note 1. This register requires halfword or word access.

Note 2. Writing 1 to the IR flag is prohibited.

The IELSRn register selects the IRQ source used by the NVIC. For details, see [Table 14.4, IELSRn](#), where n = 0 to 95, corresponds to the NVIC IRQ input source numbers 0 to 95.

#### [IELS\[8:0\] bits \(ICU Event Link Select\)](#)

The IELS[8:0] bits link an event signal to the associated NVIC or DTC module. All IELS[8:0] bits must be written to simultaneously.

#### [IR flag \(Interrupt Status Flag\)](#)

The IR flag indicates an individual interrupt request from the event specified in IELS[8:0].

[Setting condition]

- When an interrupt request is received from the associated peripheral module or IRQi pin.

[Clearing conditions]

- When 0 is written to the bit. DTCE must be set to 0 before writing 0 to the IR flag.

To clear the IR flag:

1. Negate the input interrupt signal.
2. Read access the peripheral once and wait for 2 clock cycles of the target module clock.
3. Clear the IR flag by writing 0.

**DTCE bit (DTC Activation Enable)**

When the DTCE bit is set to 1, the associated event is selected as the source for DTC activation.

[Setting condition]

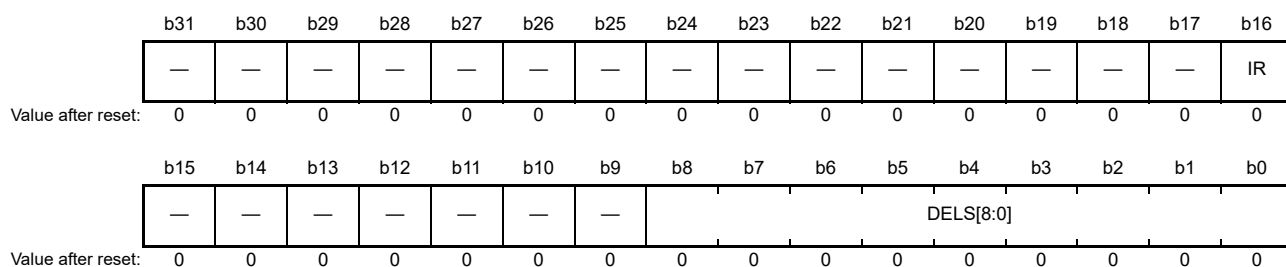
- When 1 is written to the DTCE bit.

[Clearing conditions]

- When the specified number of transfers is complete. For chain transfers, when the specified number of transfers for the last chain transfer is complete.
- When 0 is written to the bit.

**14.2.7 DMAC Event Link Setting Register n (DELSRn) (n = 0 to 7)**

Address(es): [ICU.DELSR0 4000 6280h](#), [ICU.DELSR1 4000 6284h](#), [ICU.DELSR2 4000 6288h](#), [ICU.DELSR3 4000 628Ch](#), [ICU.DELSR4 4000 6290h](#), [ICU.DELSR5 4000 6294h](#), [ICU.DELSR6 4000 6298h](#), [ICU.DELSR7 4000 629Ch](#)



| Bit        | Symbol                    | Bit name                       | Description  | R/W     |
|------------|---------------------------|--------------------------------|--|---------|
| b8 to b0   | <a href="#">DELS[8:0]</a> | DMAC Event Link Select         | b8 b0<br>00000000: Disable DMA start requests to the associated DMAC module<br>00000001 to 11111111: Event signal number to be linked. For details, see <a href="#">Table 14.4</a> . | R/W*1   |
| b15 to b9  | —                         | Reserved                       | These bits are read as 0. The write value should be 0.   | R/W     |
| b16        | <a href="#">IR</a>        | Interrupt Status Flag for DMAC | 0: No interrupt request is generated<br>1: An interrupt request is generated.  | R/(W)*2 |
| b31 to b17 | —                         | Reserved                       | These bits are read as 0. The write value should be 0.   | R/W     |

Note 1. This register requires halfword or word access.

Note 2. Writing 1 to the IR flag is prohibited.

**DELS[8:0] bits (DMAC Event Link Select)**

The DELS[8:0] bits link an event signal to the DMAC module. All DELS[8:0] bits must be written to simultaneously.

**IR flag (Interrupt Status Flag for DMAC)**

The IR flag is the status flag of an individual DMA transfer request. This flag corresponds to DELS[8:0] bits of the same register.

[Setting condition]

The flag is set to 1 when a DMA transfer request is generated from the corresponding peripheral module or IRQi pin.

[Clearing conditions]

- When 0 is written to the flag.
- At the start of the DMA transfer after the DMA transfer request is issued.

### 14.2.8 SYS Event Link Setting Register (SELSR0)

Address(es): ICU.SELSR0 4000 6200h



| Bit       | Symbol    | Bit name              | Description  | R/W |
|-----------|-----------|-----------------------|--|-----|
| b8 to b0  | SELS[8:0] | SYS Event Link Select | b8 to b0<br>00000000: Disable event output to the associated low-power mode module<br>00000001 to 11111111: Event signal number to be linked.<br>For details, see <a href="#">Table 14.4</a> . | R/W |
| b15 to b9 | —         | Reserved              | These bits are read as 0. The write value should be 0.   | R/W |

Note: This register requires halfword access.

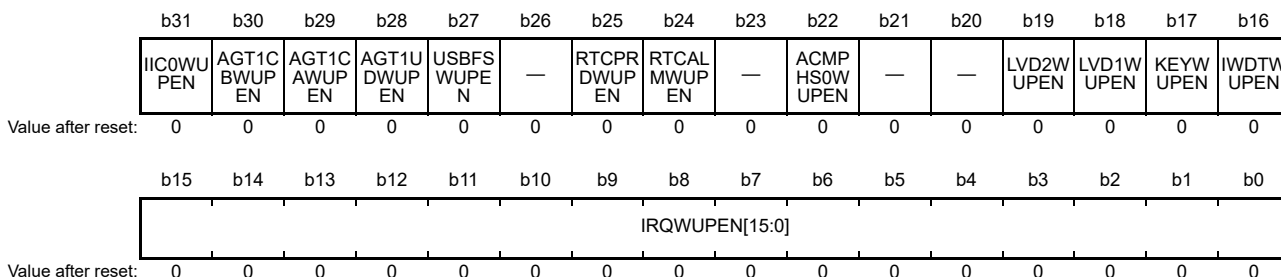
The SELSR0 register selects the events that wake the CPU from Snooze mode. You can only use the events listed in [Table 14.4](#) checked under “Canceling Snooze using SELSR0”. Events specified in this register are defined as ICU\_SNZCANCEL (02Dh) in [Table 14.4](#). When 02Dh is set in IELSRn.IELS, the SELSR0 event interrupt occurs.

#### SELS[8:0] bits (SYS Event Link Select)

All SELS[8:0] bits must be written to simultaneously.

### 14.2.9 Wake Up Interrupt Enable Register (WUPEN)

Address(es): ICU.WUPEN 4000 61A0h



| Bit        | Symbol         | Bit name  | Description  | R/W |
|------------|----------------|---|--|-----|
| b15 to b0  | IRQWUPEN[15:0] | IRQ Interrupt Software Standby Returns Enable     | 0: Disable Software Standby returns by IRQ interrupts<br>1: Enable Software Standby returns by IRQ interrupts.         | R/W |
| b16        | IWDTWUPEN      | IWDT Interrupt Software Standby Returns Enable    | 0: Disable Software Standby returns by IWDT interrupts<br>1: Enable Software Standby returns by IWDT interrupts.       | R/W |
| b17        | KEYWUPEN       | Key Interrupt Software Standby Returns Enable     | 0: Disable Software Standby returns by KEY interrupts<br>1: Enable Software Standby returns by KEY interrupts.         | R/W |
| b18        | LVD1WUPEN      | LVD1 Interrupt Software Standby Returns Enable    | 0: Disable Software Standby returns by LVD1 interrupts<br>1: Enable Software Standby returns by LVD1 interrupts.       | R/W |
| b19        | LVD2WUPEN      | LVD2 Interrupt Software Standby Returns Enable    | 0: Disable Software Standby returns by LVD2 interrupts<br>1: Enable Software Standby returns by LVD2 interrupts.       | R/W |
| b21 to b20 | —              | Reserved  | This bit is read as 0. The write value should be 0.  | R/W |
| b22        | ACMPHS0WUPEN   | ACMPHS0 Interrupt Software Standby Returns Enable | 0: Disable Software Standby returns by ACMPHS0 interrupts<br>1: Enable Software Standby returns by ACMPHS0 interrupts. | R/W |

| Bit | Symbol                      | Bit name   | Description  | R/W |
|-----|-----------------------------|--|--|-----|
| b23 | —                           | Reserved   | This bit is read as 0. The write value should be 0.  | R/W |
| b24 | <a href="#">RTCALMWUPEN</a> | RTC Alarm Interrupt Software Standby Returns Enable            | 0: Disable Software Standby returns by RTC alarm interrupts<br>1: Enable Software Standby returns by RTC alarm interrupts.                       | R/W |
| b25 | <a href="#">RTCPRDWUPEN</a> | RTC Period Interrupt Software Standby Returns Enable           | 0: Disable Software Standby returns by RTC period interrupts<br>1: Enable Software Standby returns by RTC period interrupts.                     | R/W |
| b26 | —                           | Reserved   | This bit is read as 0. The write value should be 0.  | R/W |
| b27 | <a href="#">USBFSWUPEN</a>  | USBFS Interrupt Software Standby Returns Enable                | 0: Disable Software Standby returns by USBFS interrupts<br>1: Enable Software Standby returns by USBFS interrupts.                               | R/W |
| b28 | <a href="#">AGT1UDWUPEN</a> | AGT1 Underflow Interrupt Software Standby Returns Enable       | 0: Disable Software Standby returns by AGT1 underflow interrupts<br>1: Enable Software Standby returns by AGT1 underflow interrupts.             | R/W |
| b29 | <a href="#">AGT1CAWUPEN</a> | AGT1 Compare Match A Interrupt Software Standby Returns Enable | 0: Disable Software Standby returns by AGT1 compare match A interrupts<br>1: Enable Software Standby returns by AGT1 compare match A interrupts. | R/W |
| b30 | <a href="#">AGT1CBWUPEN</a> | AGT1 Compare Match B Interrupt Software Standby Returns Enable | 0: Disable Software Standby returns by AGT1 compare match B interrupts<br>1: Enable Software Standby returns by AGT1 compare match B interrupts. | R/W |
| b31 | <a href="#">IIC0WUPEN</a>   | IIC0 Address Match Interrupt Software Standby Returns Enable   | 0: Disable Software Standby returns by IIC0 address match interrupts<br>1: Enable Software Standby returns by IIC0 address match interrupts.     | R/W |

The bits in this register control whether the associated interrupt can wake up the CPU from Software Standby mode.

#### **[IRQWUPEN\[15:0\]](#) bits (IRQ Interrupt Software Standby Returns Enable)**

The [IRQWUPEN\[15:0\]](#) bits enable the use of IRQn interrupts to cancel Software Standby mode.

#### **[IWDTWUPEN](#) bit (IWDT Interrupt Software Standby Returns Enable)**

The [IWDTWUPEN](#) bit enables the use of IWDT interrupts to cancel Software Standby mode.

#### **[KEYWUPEN](#) bit (Key Interrupt Software Standby Returns Enable)**

The [KEYWUPEN](#) bit enables the use of key interrupts to cancel Software Standby mode.

#### **[LVD1WUPEN](#) bit (LVD1 Interrupt Software Standby Returns Enable)**

The [LVD1WUPEN](#) bit enables the use of LVD1 interrupts to cancel Software Standby mode.

#### **[LVD2WUPEN](#) bit (LVD2 Interrupt Software Standby Returns Enable)**

The [LVD2WUPEN](#) bit enables the use of LVD2 interrupts to cancel Software Standby mode.

#### **[ACMPHS0WUPEN](#) bit (ACMPHS0 Interrupt Software Standby Returns Enable)**

The [ACMPHS0WUPEN](#) bit enables the use of ACMPHS0 interrupts to cancel Software Standby mode.

#### **[RTCALMWUPEN](#) bit (RTC Alarm Interrupt Software Standby Returns Enable)**

The [RTCALMWUPEN](#) bit enables the use of RTC alarm interrupts to cancel Software Standby mode.

#### **[RTCPRDWUPEN](#) bit (RTC Period Interrupt Software Standby Returns Enable)**

The [RTCPRDWUPEN](#) bit enables the use of RTC period interrupts to cancel Software Standby mode.

**USBFSWUPEN bit (USBFS Interrupt Software Standby Returns Enable)**

The USBFSWUPEN bit enables the use of USBFS interrupts to cancel Software Standby mode.

**AGT1UDWUPEN bit (AGT1 Underflow Interrupt Software Standby Returns Enable)**

The AGT1UDWUPEN bit enables the use of AGT1 underflow interrupts to cancel Software Standby mode.

**AGT1CAWUPEN bit (AGT1 Compare Match A Interrupt Software Standby Returns Enable)**

The AGT1CAWUPEN bit enables the use of AGT1 compare match A interrupts to cancel Software Standby mode.

**AGT1CBWUPEN bit (AGT1 Compare Match B Interrupt Software Standby Returns Enable)**

The AGT1CBWUPEN bit enables the use of AGT1 compare match B interrupts to cancel Software Standby mode.

**IIC0WUPEN bit (IIC0 Address Match Interrupt Software Standby Returns Enable)**

The IIC0WUPEN bit enables the use of IIC0 interrupts to cancel Software Standby mode.

### 14.3 Vector Table

The ICU detects two types of interrupts, maskable and non-maskable. Interrupt priorities are set up in the Arm NVIC. See the NVIC chapter of the *ARM® Cortex®-M4 Processor Technical Reference Manual* (ARM DDI 0439D).

#### 14.3.1 Interrupt Vector Table

Table 14.3 describes the interrupt vectors. The addresses conform to the NVIC specifications.

**Table 14.3** Interrupt vector table (1 of 3)

| Exception number | IRQ number | Vector offset | Source     | Description  |
|------------------|------------|---------------|------------|--|
| 0                | -          | 000h          | Arm        | Initial stack pointer                                |
| 1                | -          | 004h          | Arm        | Initial program counter (reset vector)               |
| 2                | -          | 008h          | Arm        | Non-maskable interrupt (NMI)                         |
| 3                | -          | 00Ch          | Arm        | Hard fault   |
| 4                | -          | 010h          | Arm        | MemManage fault                                      |
| 5                | -          | 014h          | Arm        | Bus fault  |
| 6                | -          | 018h          | Arm        | Usage fault  |
| 7                | -          | 01Ch          | Arm        | Reserved   |
| 8                | -          | 020h          | Arm        | Reserved   |
| 9                | -          | 024h          | Arm        | Reserved   |
| 10               | -          | 028h          | Arm        | Reserved   |
| 11               | -          | 02Ch          | Arm        | Supervisor call (SVCall)                             |
| 12               | -          | 030h          | Arm        | Debug Monitor  |
| 13               | -          | 034h          | Arm        | Reserved   |
| 14               | -          | 038h          | Arm        | Pendable request for system service (PendableSrvReq) |
| 15               | -          | 03Ch          | Arm        | System tick timer (SysTick)                          |
| 16               | 0          | 040h          | ICU.IELSR0 | Event selected in the ICU.IELSR0 register            |
| 17               | 1          | 044h          | ICU.IELSR1 | Event selected in the ICU.IELSR1 register            |
| 18               | 2          | 048h          | ICU.IELSR2 | Event selected in the ICU.IELSR2 register            |
| 19               | 3          | 04Ch          | ICU.IELSR3 | Event selected in the ICU.IELSR3 register            |
| 20               | 4          | 050h          | ICU.IELSR4 | Event selected in the ICU.IELSR4 register            |
| 21               | 5          | 054h          | ICU.IELSR5 | Event selected in the ICU.IELSR5 register            |
| 22               | 6          | 058h          | ICU.IELSR6 | Event selected in the ICU.IELSR6 register            |
| 23               | 7          | 05Ch          | ICU.IELSR7 | Event selected in the ICU.IELSR7 register            |

**Table 14.3** Interrupt vector table (2 of 3)

| Exception number | IRQ number | Vector offset | Source      | Description                                |
|------------------|------------|---------------|-------------|--|
| 24               | 8          | 060h          | ICU.IELSR8  | Event selected in the ICU.IELSR8 register  |
| 25               | 9          | 064h          | ICU.IELSR9  | Event selected in the ICU.IELSR9 register  |
| 26               | 10         | 068h          | ICU.IELSR10 | Event selected in the ICU.IELSR10 register |
| 27               | 11         | 06Ch          | ICU.IELSR11 | Event selected in the ICU.IELSR11 register |
| 28               | 12         | 070h          | ICU.IELSR12 | Event selected in the ICU.IELSR12 register |
| 29               | 13         | 074h          | ICU.IELSR13 | Event selected in the ICU.IELSR13 register |
| 30               | 14         | 078h          | ICU.IELSR14 | Event selected in the ICU.IELSR14 register |
| 31               | 15         | 07Ch          | ICU.IELSR15 | Event selected in the ICU.IELSR15 register |
| 32               | 16         | 080h          | ICU.IELSR16 | Event selected in the ICU.IELSR16 register |
| 33               | 17         | 084h          | ICU.IELSR17 | Event selected in the ICU.IELSR17 register |
| 34               | 18         | 088h          | ICU.IELSR18 | Event selected in the ICU.IELSR18 register |
| 35               | 19         | 08Ch          | ICU.IELSR19 | Event selected in the ICU.IELSR19 register |
| 36               | 20         | 090h          | ICU.IELSR20 | Event selected in the ICU.IELSR20 register |
| 37               | 21         | 094h          | ICU.IELSR21 | Event selected in the ICU.IELSR21 register |
| 38               | 22         | 098h          | ICU.IELSR22 | Event selected in the ICU.IELSR22 register |
| 39               | 23         | 09Ch          | ICU.IELSR23 | Event selected in the ICU.IELSR23 register |
| 40               | 24         | 0A0h          | ICU.IELSR24 | Event selected in the ICU.IELSR24 register |
| 41               | 25         | 0A4h          | ICU.IELSR25 | Event selected in the ICU.IELSR25 register |
| 42               | 26         | 0A8h          | ICU.IELSR26 | Event selected in the ICU.IELSR26 register |
| 43               | 27         | 0ACh          | ICU.IELSR27 | Event selected in the ICU.IELSR27 register |
| 44               | 28         | 0B0h          | ICU.IELSR28 | Event selected in the ICU.IELSR28 register |
| 45               | 29         | 0B4h          | ICU.IELSR29 | Event selected in the ICU.IELSR29 register |
| 46               | 30         | 0B8h          | ICU.IELSR30 | Event selected in the ICU.IELSR30 register |
| 47               | 31         | 0BCh          | ICU.IELSR31 | Event selected in the ICU.IELSR31 register |
| 48               | 32         | 0C0h          | ICU.IELSR32 | Event selected in the ICU.IELSR32 register |
| 49               | 33         | 0C4h          | ICU.IELSR33 | Event selected in the ICU.IELSR33 register |
| 50               | 34         | 0C8h          | ICU.IELSR34 | Event selected in the ICU.IELSR34 register |
| 51               | 35         | 0CCh          | ICU.IELSR35 | Event selected in the ICU.IELSR35 register |
| 52               | 36         | 0D0h          | ICU.IELSR36 | Event selected in the ICU.IELSR36 register |
| 53               | 37         | 0D4h          | ICU.IELSR37 | Event selected in the ICU.IELSR37 register |
| 54               | 38         | 0D8h          | ICU.IELSR38 | Event selected in the ICU.IELSR38 register |
| 55               | 39         | 0DCh          | ICU.IELSR39 | Event selected in the ICU.IELSR39 register |
| 56               | 40         | 0E0h          | ICU.IELSR40 | Event selected in the ICU.IELSR40 register |
| 57               | 41         | 0E4h          | ICU.IELSR41 | Event selected in the ICU.IELSR41 register |
| 58               | 42         | 0E8h          | ICU.IELSR42 | Event selected in the ICU.IELSR42 register |
| 59               | 43         | 0ECh          | ICU.IELSR43 | Event selected in the ICU.IELSR43 register |
| 60               | 44         | 0F0h          | ICU.IELSR44 | Event selected in the ICU.IELSR44 register |
| 61               | 45         | 0F4h          | ICU.IELSR45 | Event selected in the ICU.IELSR45 register |
| 62               | 46         | 0F8h          | ICU.IELSR46 | Event selected in the ICU.IELSR46 register |
| 63               | 47         | 0FCh          | ICU.IELSR47 | Event selected in the ICU.IELSR47 register |
| 64               | 48         | 100h          | ICU.IELSR48 | Event selected in the ICU.IELSR48 register |
| 65               | 49         | 104h          | ICU.IELSR49 | Event selected in the ICU.IELSR49 register |
| 66               | 50         | 108h          | ICU.IELSR50 | Event selected in the ICU.IELSR50 register |
| 67               | 51         | 10Ch          | ICU.IELSR51 | Event selected in the ICU.IELSR51 register |
| 68               | 52         | 110h          | ICU.IELSR52 | Event selected in the ICU.IELSR52 register |



**Table 14.3** Interrupt vector table (3 of 3)

| Exception number | IRQ number | Vector offset | Source      | Description                                |
|------------------|------------|---------------|-------------|--|
| 69               | 53         | 114h          | ICU.IELSR53 | Event selected in the ICU.IELSR53 register |
| 70               | 54         | 118h          | ICU.IELSR54 | Event selected in the ICU.IELSR54 register |
| 71               | 55         | 11Ch          | ICU.IELSR55 | Event selected in the ICU.IELSR55 register |
| 72               | 56         | 120h          | ICU.IELSR56 | Event selected in the ICU.IELSR56 register |
| 73               | 57         | 124h          | ICU.IELSR57 | Event selected in the ICU.IELSR57 register |
| 74               | 58         | 128h          | ICU.IELSR58 | Event selected in the ICU.IELSR58 register |
| 75               | 59         | 12Ch          | ICU.IELSR59 | Event selected in the ICU.IELSR59 register |
| 76               | 60         | 130h          | ICU.IELSR60 | Event selected in the ICU.IELSR60 register |
| 77               | 61         | 134h          | ICU.IELSR61 | Event selected in the ICU.IELSR61 register |
| 78               | 62         | 138h          | ICU.IELSR62 | Event selected in the ICU.IELSR62 register |
| 79               | 63         | 13Ch          | ICU.IELSR63 | Event selected in the ICU.IELSR63 register |
| 80               | 64         | 140h          | ICU.IELSR64 | Event selected in the ICU.IELSR64 register |
| 81               | 65         | 144h          | ICU.IELSR65 | Event selected in the ICU.IELSR65 register |
| 82               | 66         | 148h          | ICU.IELSR66 | Event selected in the ICU.IELSR66 register |
| 83               | 67         | 14Ch          | ICU.IELSR67 | Event selected in the ICU.IELSR67 register |
| 84               | 68         | 150h          | ICU.IELSR68 | Event selected in the ICU.IELSR68 register |
| 85               | 69         | 154h          | ICU.IELSR69 | Event selected in the ICU.IELSR69 register |
| 86               | 70         | 158h          | ICU.IELSR70 | Event selected in the ICU.IELSR70 register |
| 87               | 71         | 15Ch          | ICU.IELSR71 | Event selected in the ICU.IELSR71 register |
| 88               | 72         | 160h          | ICU.IELSR72 | Event selected in the ICU.IELSR72 register |
| 89               | 73         | 164h          | ICU.IELSR73 | Event selected in the ICU.IELSR73 register |
| 90               | 74         | 168h          | ICU.IELSR74 | Event selected in the ICU.IELSR74 register |
| 91               | 75         | 16Ch          | ICU.IELSR75 | Event selected in the ICU.IELSR75 register |
| 92               | 76         | 170h          | ICU.IELSR76 | Event selected in the ICU.IELSR76 register |
| 93               | 77         | 174h          | ICU.IELSR77 | Event selected in the ICU.IELSR77 register |
| 94               | 78         | 178h          | ICU.IELSR78 | Event selected in the ICU.IELSR78 register |
| 95               | 79         | 17Ch          | ICU.IELSR79 | Event selected in the ICU.IELSR79 register |
| 96               | 80         | 180h          | ICU.IELSR80 | Event selected in the ICU.IELSR80 register |
| 97               | 81         | 184h          | ICU.IELSR81 | Event selected in the ICU.IELSR81 register |
| 98               | 82         | 188h          | ICU.IELSR82 | Event selected in the ICU.IELSR82 register |
| 99               | 83         | 18Ch          | ICU.IELSR83 | Event selected in the ICU.IELSR83 register |
| 100              | 84         | 190h          | ICU.IELSR84 | Event selected in the ICU.IELSR84 register |
| 101              | 85         | 194h          | ICU.IELSR85 | Event selected in the ICU.IELSR85 register |
| 102              | 86         | 198h          | ICU.IELSR86 | Event selected in the ICU.IELSR86 register |
| 103              | 87         | 19Ch          | ICU.IELSR87 | Event selected in the ICU.IELSR87 register |
| 104              | 88         | 1A0h          | ICU.IELSR88 | Event selected in the ICU.IELSR88 register |
| 105              | 89         | 1A4h          | ICU.IELSR89 | Event selected in the ICU.IELSR89 register |
| 106              | 90         | 1A8h          | ICU.IELSR90 | Event selected in the ICU.IELSR90 register |
| 107              | 91         | 1ACh          | ICU.IELSR91 | Event selected in the ICU.IELSR91 register |
| 108              | 92         | 1B0h          | ICU.IELSR92 | Event selected in the ICU.IELSR92 register |
| 109              | 93         | 1B4h          | ICU.IELSR93 | Event selected in the ICU.IELSR93 register |
| 110              | 94         | 1B8h          | ICU.IELSR94 | Event selected in the ICU.IELSR94 register |
| 111              | 95         | 1BCh          | ICU.IELSR95 | Event selected in the ICU.IELSR95 register |

### 14.3.2 Event Numbers

The following table lists heading details for [Table 14.4](#), which describes each event number.

| Heading                              | Description   |
|--------------------------------------|---|
| Interrupt request source             | Name of the source generating the interrupt request   |
| Name                                 | Name of the interrupt   |
| Connect to NVIC                      | "√" indicates the interrupt can be used as a CPU interrupt (IELSRn setting)   |
| Invoke DTC                           | "√" indicates the interrupt can be used to request DTC activation (IELSRn setting)  |
| Invoke DMAC                          | "√" indicates the interrupt can be used to request DMAC activation (DELSRn setting)   |
| Canceling Snooze mode                | "√" indicates the interrupt can be used to request a return from Snooze mode using SELSR0. Otherwise, "√" indicates it can be used directly |
| Canceling Software Standby mode      | "√" indicates the interrupt can be used to request a return from Software Standby mode  |
| Canceling Deep Software Standby mode | "√" indicates the interrupt can be used to request a return from Deep Software Standby mode   |

**Table 14.4** Event table (1 of 8)

| Event number | Interrupt request source | Name          | IELSRn          |            | DELSRn      | Canceling Snooze mode | Canceling Software Standby mode | Canceling Deep Software Standby mode |
|--------------|--------------------------|---------------|-----------------|------------|-------------|-----------------------|---------------------------------|--------------------------------------|
|              |                          |               | Connect to NVIC | Invoke DTC | Invoke DMAC |                       |                                 |                                      |
| 001h         | Port                     | PORT_IRQ0     | √               | √          | √           | √                     | √                               | √                                    |
| 002h         |                          | PORT_IRQ1     | √               | √          | √           | √                     | √                               | √                                    |
| 003h         |                          | PORT_IRQ2     | √               | √          | √           | √                     | √                               | √                                    |
| 004h         |                          | PORT_IRQ3     | √               | √          | √           | √                     | √                               | √                                    |
| 005h         |                          | PORT_IRQ4     | √               | √          | √           | √                     | √                               | √                                    |
| 006h         |                          | PORT_IRQ5     | √               | √          | √           | √                     | √                               | √                                    |
| 007h         |                          | PORT_IRQ6     | √               | √          | √           | √                     | √                               | √                                    |
| 008h         |                          | PORT_IRQ7     | √               | √          | √           | √                     | √                               | √                                    |
| 009h         |                          | PORT_IRQ8     | √               | √          | √           | √                     | √                               | √                                    |
| 00Ah         |                          | PORT_IRQ9     | √               | √          | √           | √                     | √                               | √                                    |
| 00Bh         |                          | PORT_IRQ10    | √               | √          | √           | √                     | √                               | √                                    |
| 00Ch         |                          | PORT_IRQ11    | √               | √          | √           | √                     | √                               | √                                    |
| 00Dh         |                          | PORT_IRQ12    | √               | √          | √           | √                     | √                               | √                                    |
| 00Eh         |                          | PORT_IRQ13    | √               | √          | √           | √                     | √                               | √                                    |
| 00Fh         |                          | PORT_IRQ14    | √               | √          | √           | √                     | √                               | √                                    |
| 010h         |                          | PORT_IRQ15    | √               | √          | √           | √                     | √                               | -                                    |
| 020h         | DMAC0                    | DMAC0_INT     | √               | √          | -           | -                     | -                               | -                                    |
| 021h         | DMAC1                    | DMAC1_INT     | √               | √          | -           | -                     | -                               | -                                    |
| 022h         | DMAC2                    | DMAC2_INT     | √               | √          | -           | -                     | -                               | -                                    |
| 023h         | DMAC3                    | DMAC3_INT     | √               | √          | -           | -                     | -                               | -                                    |
| 024h         | DMAC4                    | DMAC4_INT     | √               | √          | -           | -                     | -                               | -                                    |
| 025h         | DMAC5                    | DMAC5_INT     | √               | √          | -           | -                     | -                               | -                                    |
| 026h         | DMAC6                    | DMAC6_INT     | √               | √          | -           | -                     | -                               | -                                    |
| 027h         | DMAC7                    | DMAC7_INT     | √               | √          | -           | -                     | -                               | -                                    |
| 029h         | DTC                      | DTC_COMPLETE  | √               | -          | -           | √*5                   | -                               | -                                    |
| 02Dh         | ICU                      | ICU_SNZCANCEL | √               | -          | -           | √                     | -                               | -                                    |
| 030h         | FCU                      | FCU_FIFERR    | √               | -          | -           | -                     | -                               | -                                    |
| 031h         |                          | FCU_FRDYI     | √               | -          | -           | -                     | -                               | -                                    |

Table 14.4 Event table (2 of 8)

| Event number | Interrupt request source | Name          | IELSRn          |            | DELSRn      | Canceling Snooze mode | Canceling Software Standby mode | Canceling Deep Software Standby mode |
|--------------|--------------------------|---------------|-----------------|------------|-------------|-----------------------|---------------------------------|--------------------------------------|
|              |                          |               | Connect to NVIC | Invoke DTC | Invoke DMAC |                       |                                 |                                      |
| 038h         | LVD                      | LVD_LVD1      | ✓               | -          | -           | ✓                     | ✓                               | ✓                                    |
| 039h         |                          | LVD_LVD2      | ✓               | -          | -           | ✓                     | ✓                               | ✓                                    |
| 03Bh         | MOSC                     | MOSC_STOP     | ✓               | -          | -           | -                     | -                               | -                                    |
| 03Ch         | Low power mode           | SYSTEM_SNZREQ | -               | ✓          | -           | -                     | -                               | -                                    |
| 040h         | AGT0                     | AGT0_AGTI     | ✓               | ✓          | ✓           | -                     | -                               | -                                    |
| 041h         |                          | AGT0_AGTCMAI  | ✓               | ✓          | ✓           | -                     | -                               | -                                    |
| 042h         |                          | AGT0_AGTCMBI  | ✓               | ✓          | ✓           | -                     | -                               | -                                    |
| 043h         | AGT1                     | AGT1_AGTI     | ✓               | ✓          | ✓           | ✓                     | ✓                               | ✓                                    |
| 044h         |                          | AGT1_AGTCMAI  | ✓               | ✓          | ✓           | ✓                     | ✓                               | -                                    |
| 045h         |                          | AGT1_AGTCMBI  | ✓               | ✓          | ✓           | ✓                     | ✓                               | -                                    |
| 046h         | IWDT                     | IWDT_NMIUNDF  | ✓               | -          | -           | ✓                     | ✓                               | -                                    |
| 047h         | WDT                      | WDT_NMIUNDF   | ✓               | -          | -           | -                     | -                               | -                                    |
| 048h         | RTC                      | RTC_ALM       | ✓               | -          | -           | ✓                     | ✓                               | ✓                                    |
| 049h         |                          | RTC_PRD       | ✓               | -          | -           | ✓                     | ✓                               | ✓                                    |
| 04Ah         |                          | RTC_CUP       | ✓               | -          | -           | -                     | -                               | -                                    |
| 04Bh         | ADC120                   | ADC120_ADI    | ✓               | ✓          | ✓           | -                     | -                               | -                                    |
| 04Ch         |                          | ADC120_GBADI  | ✓               | ✓          | ✓           | -                     | -                               | -                                    |
| 04Dh         |                          | ADC120_CMPAI  | ✓               | -          | -           | -                     | -                               | -                                    |
| 04Eh         |                          | ADC120_CMPBI  | ✓               | -          | -           | -                     | -                               | -                                    |
| 04Fh         |                          | ADC120_WCMPPM | -               | ✓          | ✓           | ✓*5                   | -                               | -                                    |
| 050h         |                          | ADC120_WCMPUM | -               | ✓          | ✓           | ✓*5                   | -                               | -                                    |
| 051h         | ADC121                   | ADC121_ADI    | ✓               | ✓          | ✓           | -                     | -                               | -                                    |
| 052h         |                          | ADC121_GBADI  | ✓               | ✓          | ✓           | -                     | -                               | -                                    |
| 053h         |                          | ADC121_CMPAI  | ✓               | -          | -           | -                     | -                               | -                                    |
| 054h         |                          | ADC121_CMPBI  | ✓               | -          | -           | -                     | -                               | -                                    |
| 055h         |                          | ADC121_WCMPPM | -               | ✓          | ✓           | ✓*5                   | -                               | -                                    |
| 056h         |                          | ADC121_WCMPUM | -               | ✓          | ✓           | ✓*5                   | -                               | -                                    |
| 057h         | ACMPHS                   | ACMP_HS0      | ✓               | -          | -           | ✓*1                   | ✓*1                             | -                                    |
| 058h         |                          | ACMP_HS1      | ✓               | -          | -           | -                     | -                               | -                                    |
| 059h         |                          | ACMP_HS2      | ✓               | -          | -           | -                     | -                               | -                                    |
| 05Ah         |                          | ACMP_HS3      | ✓               | -          | -           | -                     | -                               | -                                    |
| 05Bh         |                          | ACMP_HS4      | ✓               | -          | -           | -                     | -                               | -                                    |
| 05Ch         |                          | ACMP_HS5      | ✓               | -          | -           | -                     | -                               | -                                    |
| 05Fh         | USBFS                    | USBFS_D0FIFO  | ✓               | ✓          | ✓           | -                     | -                               | -                                    |
| 060h         |                          | USBFS_D1FIFO  | ✓               | ✓          | ✓           | -                     | -                               | -                                    |
| 061h         |                          | USBFS_USBI    | ✓               | -          | -           | -                     | -                               | -                                    |
| 062h         |                          | USBFS_USBR    | ✓               | -          | -           | ✓                     | ✓                               | ✓                                    |
| 063h         | IIC0                     | IIC0_RXI      | ✓               | ✓          | ✓           | -                     | -                               | -                                    |
| 064h         |                          | IIC0_TXI      | ✓               | ✓          | ✓           | -                     | -                               | -                                    |
| 065h         |                          | IIC0_TEI      | ✓               | -          | -           | -                     | -                               | -                                    |
| 066h         |                          | IIC0_EEI      | ✓               | -          | -           | -                     | -                               | -                                    |
| 067h         |                          | IIC0_WUI      | ✓               | -          | -           | ✓                     | ✓                               | -                                    |
| 068h         | IIC1                     | IIC1_RXI      | ✓               | ✓          | ✓           | -                     | -                               | -                                    |
| 069h         |                          | IIC1_TXI      | ✓               | ✓          | ✓           | -                     | -                               | -                                    |
| 06Ah         |                          | IIC1_TEI      | ✓               | -          | -           | -                     | -                               | -                                    |
| 06Bh         |                          | IIC1_EEI      | ✓               | -          | -           | -                     | -                               | -                                    |

Table 14.4 Event table (3 of 8)

| Event number | Interrupt request source | Name          | IELSRn          |            | DELSRn      | Canceling Snooze mode | Canceling Software Standby mode | Canceling Deep Software Standby mode |
|--------------|--------------------------|---------------|-----------------|------------|-------------|-----------------------|---------------------------------|--------------------------------------|
|              |                          |               | Connect to NVIC | Invoke DTC | Invoke DMAC |                       |                                 |                                      |
| 06Dh         | IIC2                     | IIC2_RXI      | ✓               | ✓          | ✓           | -                     | -                               | -                                    |
| 06Eh         |                          | IIC2_TXI      | ✓               | ✓          | ✓           | -                     | -                               | -                                    |
| 06Fh         |                          | IIC2_TEI      | ✓               | -          | -           | -                     | -                               | -                                    |
| 070h         |                          | IIC2_EEI      | ✓               | -          | -           | -                     | -                               | -                                    |
| 072h         | SSIE0                    | SSIE0_SSITXI  | ✓               | ✓          | ✓           | -                     | -                               | -                                    |
| 073h         |                          | SSIE0_SSIRXI  | ✓               | ✓          | ✓           | -                     | -                               | -                                    |
| 075h         |                          | SSIE0_SSIF    | ✓               | -          | -           | -                     | -                               | -                                    |
| 07Ah         | SRC                      | SRC_IDEI      | ✓               | ✓          | ✓           | -                     | -                               | -                                    |
| 07Bh         |                          | SRC_ODFI      | ✓               | ✓          | ✓           | -                     | -                               | -                                    |
| 07Ch         |                          | SRC_OVFI      | ✓               | -          | -           | -                     | -                               | -                                    |
| 07Dh         |                          | SRC_UDFI      | ✓               | -          | -           | -                     | -                               | -                                    |
| 07Eh         |                          | SRC_CEFI      | ✓               | -          | -           | -                     | -                               | -                                    |
| 07Fh         | PDC                      | PDC_PCDFI     | ✓               | ✓          | ✓           | -                     | -                               | -                                    |
| 080h         |                          | PDC_PCFEI     | ✓               | -          | -           | -                     | -                               | -                                    |
| 081h         |                          | PDC_PCERI     | ✓               | -          | -           | -                     | -                               | -                                    |
| 082h         | CTSU                     | CTSU_CTSUWR   | ✓               | ✓          | ✓           | -                     | -                               | -                                    |
| 083h         |                          | CTSU_CTSURD   | ✓               | ✓          | ✓           | -                     | -                               | -                                    |
| 084h         |                          | CTSU_CTSUFN   | ✓               | -          | -           | ✓*5                   | -                               | -                                    |
| 085h         | KINT                     | KEY_INTKR     | ✓               | -          | -           | ✓*2                   | ✓*2                             | -                                    |
| 086h         | DOC                      | DOC_DOPCI     | ✓               | -          | -           | ✓*5                   | -                               | -                                    |
| 087h         | CAC                      | CAC_FERRI     | ✓               | -          | -           | -                     | -                               | -                                    |
| 088h         |                          | CAC_MENDI     | ✓               | -          | -           | -                     | -                               | -                                    |
| 089h         |                          | CAC_OVFI      | ✓               | -          | -           | -                     | -                               | -                                    |
| 08Ah         | CAN0                     | CAN0_ERS      | ✓               | -          | -           | -                     | -                               | -                                    |
| 08Bh         |                          | CAN0_RXF      | ✓               | -          | -           | -                     | -                               | -                                    |
| 08Ch         |                          | CAN0_TXF      | ✓               | -          | -           | -                     | -                               | -                                    |
| 08Dh         |                          | CAN0_RXM      | ✓               | -          | -           | -                     | -                               | -                                    |
| 08Eh         |                          | CAN0_TXM      | ✓               | -          | -           | -                     | -                               | -                                    |
| 08Fh         | CAN1                     | CAN1_ERS      | ✓               | -          | -           | -                     | -                               | -                                    |
| 090h         |                          | CAN1_RXF      | ✓               | -          | -           | -                     | -                               | -                                    |
| 091h         |                          | CAN1_TXF      | ✓               | -          | -           | -                     | -                               | -                                    |
| 092h         |                          | CAN1_RXM      | ✓               | -          | -           | -                     | -                               | -                                    |
| 093h         |                          | CAN1_TXM      | ✓               | -          | -           | -                     | -                               | -                                    |
| 094h         | I/O port                 | IOPORT_GROUP1 | ✓               | ✓*3        | ✓*3         | -                     | -                               | -                                    |
| 095h         |                          | IOPORT_GROUP2 | ✓               | ✓*3        | ✓*3         | -                     | -                               | -                                    |
| 096h         |                          | IOPORT_GROUP3 | ✓               | ✓*3        | ✓*3         | -                     | -                               | -                                    |
| 097h         |                          | IOPORT_GROUP4 | ✓               | ✓*3        | ✓*3         | -                     | -                               | -                                    |
| 098h         | ELC                      | ELC_SWEVT0    | ✓*4             | ✓          | -           | -                     | -                               | -                                    |
| 099h         |                          | ELC_SWEVT1    | ✓*4             | ✓          | -           | -                     | -                               | -                                    |
| 09Ah         | POEG                     | POEG_GROUP0   | ✓               | -          | -           | -                     | -                               | -                                    |
| 09Bh         |                          | POEG_GROUP1   | ✓               | -          | -           | -                     | -                               | -                                    |
| 09Ch         |                          | POEG_GROUP2   | ✓               | -          | -           | -                     | -                               | -                                    |
| 09Dh         |                          | POEG_GROUP3   | ✓               | -          | -           | -                     | -                               | -                                    |

Table 14.4 Event table (4 of 8)

| Event number | Interrupt request source | Name        | IELSRn          |            | DELSRn      | Canceling Snooze mode | Canceling Software Standby mode | Canceling Deep Software Standby mode |
|--------------|--------------------------|-------------|-----------------|------------|-------------|-----------------------|---------------------------------|--------------------------------------|
|              |                          |             | Connect to NVIC | Invoke DTC | Invoke DMAC |                       |                                 |                                      |
| 0B0h         | GPT32EH0                 | GPT0_CCMPA  | ✓               | ✓          | ✓           | -                     | -                               | -                                    |
| 0B1h         |                          | GPT0_CCMPB  | ✓               | ✓          | ✓           | -                     | -                               | -                                    |
| 0B2h         |                          | GPT0_CMPC   | ✓               | ✓          | ✓           | -                     | -                               | -                                    |
| 0B3h         |                          | GPT0_CMPD   | ✓               | ✓          | ✓           | -                     | -                               | -                                    |
| 0B4h         |                          | GPT0_CMPE   | ✓               | ✓          | ✓           | -                     | -                               | -                                    |
| 0B5h         |                          | GPT0_CMPF   | ✓               | ✓          | ✓           | -                     | -                               | -                                    |
| 0B6h         |                          | GPT0_OVF    | ✓               | ✓          | ✓           | -                     | -                               | -                                    |
| 0B7h         |                          | GPT0_UDF    | ✓               | ✓          | ✓           | -                     | -                               | -                                    |
| 0B8h         |                          | GPT0_ADTRGA | ✓               | ✓          | ✓           | -                     | -                               | -                                    |
| 0B9h         |                          | GPT0_ADTRGB | ✓               | ✓          | ✓           | -                     | -                               | -                                    |
| 0BAh         | GPT32EH1                 | GPT1_CCMPA  | ✓               | ✓          | ✓           | -                     | -                               | -                                    |
| 0BBh         |                          | GPT1_CCMPB  | ✓               | ✓          | ✓           | -                     | -                               | -                                    |
| 0BCh         |                          | GPT1_CMPC   | ✓               | ✓          | ✓           | -                     | -                               | -                                    |
| 0BDh         |                          | GPT1_CMPD   | ✓               | ✓          | ✓           | -                     | -                               | -                                    |
| 0BEh         |                          | GPT1_CMPE   | ✓               | ✓          | ✓           | -                     | -                               | -                                    |
| 0BFh         |                          | GPT1_CMPF   | ✓               | ✓          | ✓           | -                     | -                               | -                                    |
| 0C0h         |                          | GPT1_OVF    | ✓               | ✓          | ✓           | -                     | -                               | -                                    |
| 0C1h         |                          | GPT1_UDF    | ✓               | ✓          | ✓           | -                     | -                               | -                                    |
| 0C2h         |                          | GPT1_ADTRGA | ✓               | ✓          | ✓           | -                     | -                               | -                                    |
| 0C3h         |                          | GPT1_ADTRGB | ✓               | ✓          | ✓           | -                     | -                               | -                                    |
| 0C4h         | GPT32EH2                 | GPT2_CCMPA  | ✓               | ✓          | ✓           | -                     | -                               | -                                    |
| 0C5h         |                          | GPT2_CCMPB  | ✓               | ✓          | ✓           | -                     | -                               | -                                    |
| 0C6h         |                          | GPT2_CMPC   | ✓               | ✓          | ✓           | -                     | -                               | -                                    |
| 0C7h         |                          | GPT2_CMPD   | ✓               | ✓          | ✓           | -                     | -                               | -                                    |
| 0C8h         |                          | GPT2_CMPE   | ✓               | ✓          | ✓           | -                     | -                               | -                                    |
| 0C9h         |                          | GPT2_CMPF   | ✓               | ✓          | ✓           | -                     | -                               | -                                    |
| 0CAh         |                          | GPT2_OVF    | ✓               | ✓          | ✓           | -                     | -                               | -                                    |
| 0CBh         |                          | GPT2_UDF    | ✓               | ✓          | ✓           | -                     | -                               | -                                    |
| 0CCh         |                          | GPT2_ADTRGA | ✓               | ✓          | ✓           | -                     | -                               | -                                    |
| 0CDh         |                          | GPT2_ADTRGB | ✓               | ✓          | ✓           | -                     | -                               | -                                    |
| 0CEh         | GPT32EH3                 | GPT3_CCMPA  | ✓               | ✓          | ✓           | -                     | -                               | -                                    |
| 0CFh         |                          | GPT3_CCMPB  | ✓               | ✓          | ✓           | -                     | -                               | -                                    |
| 0D0h         |                          | GPT3_CMPC   | ✓               | ✓          | ✓           | -                     | -                               | -                                    |
| 0D1h         |                          | GPT3_CMPD   | ✓               | ✓          | ✓           | -                     | -                               | -                                    |
| 0D2h         |                          | GPT3_CMPE   | ✓               | ✓          | ✓           | -                     | -                               | -                                    |
| 0D3h         |                          | GPT3_CMPF   | ✓               | ✓          | ✓           | -                     | -                               | -                                    |
| 0D4h         |                          | GPT3_OVF    | ✓               | ✓          | ✓           | -                     | -                               | -                                    |
| 0D5h         |                          | GPT3_UDF    | ✓               | ✓          | ✓           | -                     | -                               | -                                    |
| 0D6h         |                          | GPT3_ADTRGA | ✓               | ✓          | ✓           | -                     | -                               | -                                    |
| 0D7h         |                          | GPT3_ADTRGB | ✓               | ✓          | ✓           | -                     | -                               | -                                    |

Table 14.4 Event table (5 of 8)

| Event number | Interrupt request source | Name        | IELSRn          |            | DELSRn      | Canceling Snooze mode | Canceling Software Standby mode | Canceling Deep Software Standby mode |
|--------------|--------------------------|-------------|-----------------|------------|-------------|-----------------------|---------------------------------|--------------------------------------|
|              |                          |             | Connect to NVIC | Invoke DTC | Invoke DMAC |                       |                                 |                                      |
| 0D8h         | GPT32E4                  | GPT4_CCMPA  | ✓               | ✓          | ✓           | -                     | -                               | -                                    |
| 0D9h         |                          | GPT4_CCMPB  | ✓               | ✓          | ✓           | -                     | -                               | -                                    |
| 0DAh         |                          | GPT4_CMPC   | ✓               | ✓          | ✓           | -                     | -                               | -                                    |
| 0DBh         |                          | GPT4_CMPD   | ✓               | ✓          | ✓           | -                     | -                               | -                                    |
| 0DCh         |                          | GPT4_CMPE   | ✓               | ✓          | ✓           | -                     | -                               | -                                    |
| 0DDh         |                          | GPT4_CMPF   | ✓               | ✓          | ✓           | -                     | -                               | -                                    |
| 0DEh         |                          | GPT4_OVF    | ✓               | ✓          | ✓           | -                     | -                               | -                                    |
| 0DFh         |                          | GPT4_UDF    | ✓               | ✓          | ✓           | -                     | -                               | -                                    |
| 0E0h         |                          | GPT4_ADTRGA | ✓               | ✓          | ✓           | -                     | -                               | -                                    |
| 0E1h         |                          | GPT4_ADTRGB | ✓               | ✓          | ✓           | -                     | -                               | -                                    |
| 0E2h         |                          | GPT32E5     | GPT5_CCMPA      | ✓          | ✓           | ✓                     | -                               | -                                    |
| 0E3h         | GPT5_CCMPB               |             | ✓               | ✓          | ✓           | -                     | -                               | -                                    |
| 0E4h         | GPT5_CMPC                |             | ✓               | ✓          | ✓           | -                     | -                               | -                                    |
| 0E5h         | GPT5_CMPD                |             | ✓               | ✓          | ✓           | -                     | -                               | -                                    |
| 0E6h         | GPT5_CMPE                |             | ✓               | ✓          | ✓           | -                     | -                               | -                                    |
| 0E7h         | GPT5_CMPF                |             | ✓               | ✓          | ✓           | -                     | -                               | -                                    |
| 0E8h         | GPT5_OVF                 |             | ✓               | ✓          | ✓           | -                     | -                               | -                                    |
| 0E9h         | GPT5_UDF                 |             | ✓               | ✓          | ✓           | -                     | -                               | -                                    |
| 0EAh         | GPT5_ADTRGA              |             | ✓               | ✓          | ✓           | -                     | -                               | -                                    |
| 0EBh         | GPT5_ADTRGB              |             | ✓               | ✓          | ✓           | -                     | -                               | -                                    |
| 0ECh         | GPT32E6                  |             | GPT6_CCMPA      | ✓          | ✓           | ✓                     | -                               | -                                    |
| 0EDh         |                          | GPT6_CCMPB  | ✓               | ✓          | ✓           | -                     | -                               | -                                    |
| 0EEh         |                          | GPT6_CMPC   | ✓               | ✓          | ✓           | -                     | -                               | -                                    |
| 0EFh         |                          | GPT6_CMPD   | ✓               | ✓          | ✓           | -                     | -                               | -                                    |
| 0F0h         |                          | GPT6_CMPE   | ✓               | ✓          | ✓           | -                     | -                               | -                                    |
| 0F1h         |                          | GPT6_CMPF   | ✓               | ✓          | ✓           | -                     | -                               | -                                    |
| 0F2h         |                          | GPT6_OVF    | ✓               | ✓          | ✓           | -                     | -                               | -                                    |
| 0F3h         |                          | GPT6_UDF    | ✓               | ✓          | ✓           | -                     | -                               | -                                    |
| 0F4h         |                          | GPT6_ADTRGA | ✓               | ✓          | ✓           | -                     | -                               | -                                    |
| 0F5h         |                          | GPT6_ADTRGB | ✓               | ✓          | ✓           | -                     | -                               | -                                    |
| 0F6h         |                          | GPT32E7     | GPT7_CCMPA      | ✓          | ✓           | ✓                     | -                               | -                                    |
| 0F7h         | GPT7_CCMPB               |             | ✓               | ✓          | ✓           | -                     | -                               | -                                    |
| 0F8h         | GPT7_CMPC                |             | ✓               | ✓          | ✓           | -                     | -                               | -                                    |
| 0F9h         | GPT7_CMPD                |             | ✓               | ✓          | ✓           | -                     | -                               | -                                    |
| 0FAh         | GPT7_CMPE                |             | ✓               | ✓          | ✓           | -                     | -                               | -                                    |
| 0FBh         | GPT7_CMPF                |             | ✓               | ✓          | ✓           | -                     | -                               | -                                    |
| 0FCh         | GPT7_OVF                 |             | ✓               | ✓          | ✓           | -                     | -                               | -                                    |
| 0FDh         | GPT7_UDF                 |             | ✓               | ✓          | ✓           | -                     | -                               | -                                    |
| 0FEh         | GPT7_ADTRGA              |             | ✓               | ✓          | ✓           | -                     | -                               | -                                    |
| 0FFh         | GPT7_ADTRGB              |             | ✓               | ✓          | ✓           | -                     | -                               | -                                    |

Table 14.4 Event table (6 of 8)

| Event number | Interrupt request source | Name        | IELSRn          |            | DELSRn      | Canceling Snooze mode | Canceling Software Standby mode | Canceling Deep Software Standby mode |
|--------------|--------------------------|-------------|-----------------|------------|-------------|-----------------------|---------------------------------|--------------------------------------|
|              |                          |             | Connect to NVIC | Invoke DTC | Invoke DMAC |                       |                                 |                                      |
| 100h         | GPT328                   | GPT8_CCMPA  | ✓               | ✓          | ✓           | -                     | -                               | -                                    |
| 101h         |                          | GPT8_CCMPB  | ✓               | ✓          | ✓           | -                     | -                               | -                                    |
| 102h         |                          | GPT8_CMPC   | ✓               | ✓          | ✓           | -                     | -                               | -                                    |
| 103h         |                          | GPT8_CMPD   | ✓               | ✓          | ✓           | -                     | -                               | -                                    |
| 104h         |                          | GPT8_CMPE   | ✓               | ✓          | ✓           | -                     | -                               | -                                    |
| 105h         |                          | GPT8_CMPF   | ✓               | ✓          | ✓           | -                     | -                               | -                                    |
| 106h         |                          | GPT8_OVF    | ✓               | ✓          | ✓           | -                     | -                               | -                                    |
| 107h         |                          | GPT8_UDF    | ✓               | ✓          | ✓           | -                     | -                               | -                                    |
| 10Ah         | GPT329                   | GPT9_CCMPA  | ✓               | ✓          | ✓           | -                     | -                               | -                                    |
| 10Bh         |                          | GPT9_CCMPB  | ✓               | ✓          | ✓           | -                     | -                               | -                                    |
| 10Ch         |                          | GPT9_CMPC   | ✓               | ✓          | ✓           | -                     | -                               | -                                    |
| 10Dh         |                          | GPT9_CMPD   | ✓               | ✓          | ✓           | -                     | -                               | -                                    |
| 10Eh         |                          | GPT9_CMPE   | ✓               | ✓          | ✓           | -                     | -                               | -                                    |
| 10Fh         |                          | GPT9_CMPF   | ✓               | ✓          | ✓           | -                     | -                               | -                                    |
| 110h         |                          | GPT9_OVF    | ✓               | ✓          | ✓           | -                     | -                               | -                                    |
| 111h         |                          | GPT9_UDF    | ✓               | ✓          | ✓           | -                     | -                               | -                                    |
| 114h         | GPT3210                  | GPT10_CCMPA | ✓               | ✓          | ✓           | -                     | -                               | -                                    |
| 115h         |                          | GPT10_CCMPB | ✓               | ✓          | ✓           | -                     | -                               | -                                    |
| 116h         |                          | GPT10_CMPC  | ✓               | ✓          | ✓           | -                     | -                               | -                                    |
| 117h         |                          | GPT10_CMPD  | ✓               | ✓          | ✓           | -                     | -                               | -                                    |
| 118h         |                          | GPT10_CMPE  | ✓               | ✓          | ✓           | -                     | -                               | -                                    |
| 119h         |                          | GPT10_CMPF  | ✓               | ✓          | ✓           | -                     | -                               | -                                    |
| 11Ah         |                          | GPT10_OVF   | ✓               | ✓          | ✓           | -                     | -                               | -                                    |
| 11Bh         |                          | GPT10_UDF   | ✓               | ✓          | ✓           | -                     | -                               | -                                    |
| 11Eh         | GPT3211                  | GPT11_CCMPA | ✓               | ✓          | ✓           | -                     | -                               | -                                    |
| 11Fh         |                          | GPT11_CCMPB | ✓               | ✓          | ✓           | -                     | -                               | -                                    |
| 120h         |                          | GPT11_CMPC  | ✓               | ✓          | ✓           | -                     | -                               | -                                    |
| 121h         |                          | GPT11_CMPD  | ✓               | ✓          | ✓           | -                     | -                               | -                                    |
| 122h         |                          | GPT11_CMPE  | ✓               | ✓          | ✓           | -                     | -                               | -                                    |
| 123h         |                          | GPT11_CMPF  | ✓               | ✓          | ✓           | -                     | -                               | -                                    |
| 124h         |                          | GPT11_OVF   | ✓               | ✓          | ✓           | -                     | -                               | -                                    |
| 125h         |                          | GPT11_UDF   | ✓               | ✓          | ✓           | -                     | -                               | -                                    |
| 128h         | GPT3212                  | GPT12_CCMPA | ✓               | ✓          | ✓           | -                     | -                               | -                                    |
| 129h         |                          | GPT12_CCMPB | ✓               | ✓          | ✓           | -                     | -                               | -                                    |
| 12Ah         |                          | GPT12_CMPC  | ✓               | ✓          | ✓           | -                     | -                               | -                                    |
| 12Bh         |                          | GPT12_CMPD  | ✓               | ✓          | ✓           | -                     | -                               | -                                    |
| 12Ch         |                          | GPT12_CMPE  | ✓               | ✓          | ✓           | -                     | -                               | -                                    |
| 12Dh         |                          | GPT12_CMPF  | ✓               | ✓          | ✓           | -                     | -                               | -                                    |
| 12Eh         |                          | GPT12_OVF   | ✓               | ✓          | ✓           | -                     | -                               | -                                    |
| 12Fh         |                          | GPT12_UDF   | ✓               | ✓          | ✓           | -                     | -                               | -                                    |

Table 14.4 Event table (7 of 8)

| Event number | Interrupt request source | Name            | IELSRn          |            | DELSRn      | Canceling Snooze mode | Canceling Software Standby mode | Canceling Deep Software Standby mode |
|--------------|--------------------------|-----------------|-----------------|------------|-------------|-----------------------|---------------------------------|--------------------------------------|
|              |                          |                 | Connect to NVIC | Invoke DTC | Invoke DMAC |                       |                                 |                                      |
| 132h         | GPT3213                  | GPT13_CCMPA     | ✓               | ✓          | ✓           | -                     | -                               | -                                    |
| 133h         |                          | GPT13_CCMPB     | ✓               | ✓          | ✓           | -                     | -                               | -                                    |
| 134h         |                          | GPT13_CMPC      | ✓               | ✓          | ✓           | -                     | -                               | -                                    |
| 135h         |                          | GPT13_CMPD      | ✓               | ✓          | ✓           | -                     | -                               | -                                    |
| 136h         |                          | GPT13_CMPE      | ✓               | ✓          | ✓           | -                     | -                               | -                                    |
| 137h         |                          | GPT13_CMPF      | ✓               | ✓          | ✓           | -                     | -                               | -                                    |
| 138h         |                          | GPT13_OVF       | ✓               | ✓          | ✓           | -                     | -                               | -                                    |
| 139h         |                          | GPT13_UDF       | ✓               | ✓          | ✓           | -                     | -                               | -                                    |
| 150h         | GPT                      | GPT_UVWEDGE     | ✓               |            |             | -                     | -                               | -                                    |
| 163h         | Ethernet Controller      | ETHER_EINT0     | ✓               | -          | -           | -                     | -                               | -                                    |
| 174h         | SCI0                     | SCI0_RXI        | ✓               | ✓          | ✓           | -                     | -                               | -                                    |
| 175h         |                          | SCI0_TXI        | ✓               | ✓          | ✓           | -                     | -                               | -                                    |
| 176h         |                          | SCI0_TEI        | ✓               | -          | -           | -                     | -                               | -                                    |
| 177h         |                          | SCI0_ERI        | ✓               | -          | -           | -                     | -                               | -                                    |
| 178h         |                          | SCI0_AM         | ✓               | -          | -           | ✓*5                   | -                               | -                                    |
| 179h         |                          | SCI0_RXI_OR_ERI | -               | -          | -           | ✓*5                   | -                               | -                                    |
| 17Ah         | SCI1                     | SCI1_RXI        | ✓               | ✓          | ✓           | -                     | -                               | -                                    |
| 17Bh         |                          | SCI1_TXI        | ✓               | ✓          | ✓           | -                     | -                               | -                                    |
| 17Ch         |                          | SCI1_TEI        | ✓               | -          | -           | -                     | -                               | -                                    |
| 17Dh         |                          | SCI1_ERI        | ✓               | -          | -           | -                     | -                               | -                                    |
| 17Eh         |                          | SCI1_AM         | ✓               | -          | -           | -                     | -                               | -                                    |
| 180h         | SCI2                     | SCI2_RXI        | ✓               | ✓          | ✓           | -                     | -                               | -                                    |
| 181h         |                          | SCI2_TXI        | ✓               | ✓          | ✓           | -                     | -                               | -                                    |
| 182h         |                          | SCI2_TEI        | ✓               | -          | -           | -                     | -                               | -                                    |
| 183h         |                          | SCI2_ERI        | ✓               | -          | -           | -                     | -                               | -                                    |
| 184h         |                          | SCI2_AM         | ✓               | -          | -           | -                     | -                               | -                                    |
| 186h         | SCI3                     | SCI3_RXI        | ✓               | ✓          | ✓           | -                     | -                               | -                                    |
| 187h         |                          | SCI3_TXI        | ✓               | ✓          | ✓           | -                     | -                               | -                                    |
| 188h         |                          | SCI3_TEI        | ✓               | -          | -           | -                     | -                               | -                                    |
| 189h         |                          | SCI3_ERI        | ✓               | -          | -           | -                     | -                               | -                                    |
| 18Ah         |                          | SCI3_AM         | ✓               | -          | -           | -                     | -                               | -                                    |
| 18Ch         | SCI4                     | SCI4_RXI        | ✓               | ✓          | ✓           | -                     | -                               | -                                    |
| 18Dh         |                          | SCI4_TXI        | ✓               | ✓          | ✓           | -                     | -                               | -                                    |
| 18Eh         |                          | SCI4_TEI        | ✓               | -          | -           | -                     | -                               | -                                    |
| 18Fh         |                          | SCI4_ERI        | ✓               | -          | -           | -                     | -                               | -                                    |
| 190h         |                          | SCI4_AM         | ✓               | -          | -           | -                     | -                               | -                                    |
| 192h         | SCI5                     | SCI5_RXI        | ✓               | ✓          | ✓           | -                     | -                               | -                                    |
| 193h         |                          | SCI5_TXI        | ✓               | ✓          | ✓           | -                     | -                               | -                                    |
| 194h         |                          | SCI5_TEI        | ✓               | -          | -           | -                     | -                               | -                                    |
| 195h         |                          | SCI5_ERI        | ✓               | -          | -           | -                     | -                               | -                                    |
| 196h         |                          | SCI5_AM         | ✓               | -          | -           | -                     | -                               | -                                    |
| 198h         | SCI6                     | SCI6_RXI        | ✓               | ✓          | ✓           | -                     | -                               | -                                    |
| 199h         |                          | SCI6_TXI        | ✓               | ✓          | ✓           | -                     | -                               | -                                    |
| 19Ah         |                          | SCI6_TEI        | ✓               | -          | -           | -                     | -                               | -                                    |
| 19Bh         |                          | SCI6_ERI        | ✓               | -          | -           | -                     | -                               | -                                    |
| 19Ch         |                          | SCI6_AM         | ✓               | -          | -           | -                     | -                               | -                                    |



Table 14.4 Event table (8 of 8)

| Event number | Interrupt request source | Name                | IELSRn          |            | DELSRn      | Canceling Snooze mode | Canceling Software Standby mode | Canceling Deep Software Standby mode |
|--------------|--------------------------|---------------------|-----------------|------------|-------------|-----------------------|---------------------------------|--------------------------------------|
|              |                          |                     | Connect to NVIC | Invoke DTC | Invoke DMAC |                       |                                 |                                      |
| 19Eh         | SCI7                     | SCI7_RXI            | ✓               | ✓          | ✓           | -                     | -                               | -                                    |
| 19Fh         |                          | SCI7_TXI            | ✓               | ✓          | ✓           | -                     | -                               | -                                    |
| 1A0h         |                          | SCI7_TEI            | ✓               | -          | -           | -                     | -                               | -                                    |
| 1A1h         |                          | SCI7_ERI            | ✓               | -          | -           | -                     | -                               | -                                    |
| 1A2h         |                          | SCI7_AM             | ✓               | -          | -           | -                     | -                               | -                                    |
| 1A4h         | SCI8                     | SCI8_RXI            | ✓               | ✓          | ✓           | -                     | -                               | -                                    |
| 1A5h         |                          | SCI8_TXI            | ✓               | ✓          | ✓           | -                     | -                               | -                                    |
| 1A6h         |                          | SCI8_TEI            | ✓               | -          | -           | -                     | -                               | -                                    |
| 1A7h         |                          | SCI8_ERI            | ✓               | -          | -           | -                     | -                               | -                                    |
| 1A8h         |                          | SCI8_AM             | ✓               | -          | -           | -                     | -                               | -                                    |
| 1AAh         | SCI9                     | SCI9_RXI            | ✓               | ✓          | ✓           | -                     | -                               | -                                    |
| 1ABh         |                          | SCI9_TXI            | ✓               | ✓          | ✓           | -                     | -                               | -                                    |
| 1ACh         |                          | SCI9_TEI            | ✓               | -          | -           | -                     | -                               | -                                    |
| 1ADh         |                          | SCI9_ERI            | ✓               | -          | -           | -                     | -                               | -                                    |
| 1AEh         |                          | SCI9_AM             | ✓               | -          | -           | -                     | -                               | -                                    |
| 1BCh         | SPI0                     | SPI0_SPRI           | ✓               | ✓          | ✓           | -                     | -                               | -                                    |
| 1BDh         |                          | SPI0_SPTI           | ✓               | ✓          | ✓           | -                     | -                               | -                                    |
| 1BEh         |                          | SPI0_SPII           | ✓               | -          | -           | -                     | -                               | -                                    |
| 1BFh         |                          | SPI0_SPEI           | ✓               | -          | -           | -                     | -                               | -                                    |
| 1C0h         |                          | SPI0_SPTEND         | ✓               | -          | -           | -                     | -                               | -                                    |
| 1C1h         | SPI1                     | SPI1_SPRI           | ✓               | ✓          | ✓           | -                     | -                               | -                                    |
| 1C2h         |                          | SPI1_SPTI           | ✓               | ✓          | ✓           | -                     | -                               | -                                    |
| 1C3h         |                          | SPI1_SPII           | ✓               | -          | -           | -                     | -                               | -                                    |
| 1C4h         |                          | SPI1_SPEI           | ✓               | -          | -           | -                     | -                               | -                                    |
| 1C5h         |                          | SPI1_SPTEND         | ✓               | -          | -           | -                     | -                               | -                                    |
| 1C6h         | QSPI                     | QSPI_INTR           | ✓               | -          | -           | -                     | -                               | -                                    |
| 1C7h         | SDHI0                    | SDHI_MMC0_ACCS      | ✓               | -          | -           | -                     | -                               | -                                    |
| 1C8h         |                          | SDHI_MMC0_SDIO      | ✓               | -          | -           | -                     | -                               | -                                    |
| 1C9h         |                          | SDHI_MMC0_CARD      | ✓               | -          | -           | -                     | -                               | -                                    |
| 1CAh         |                          | SDHI_MMC0_ODMSDBREQ | -               | ✓          | ✓           | -                     | -                               | -                                    |
| 1CBh         | SDHI1                    | SDHI_MMC1_ACCS      | ✓               | -          | -           | -                     | -                               | -                                    |
| 1CCh         |                          | SDHI_MMC1_SDIO      | ✓               | -          | -           | -                     | -                               | -                                    |
| 1CDh         |                          | SDHI_MMC1_CARD      | ✓               | -          | -           | -                     | -                               | -                                    |
| 1CEh         |                          | SDHI_MMC1_ODMSDBREQ | -               | ✓          | ✓           | -                     | -                               | -                                    |

Note 1. Only supported when CMPCTL0.CSTEN = 1.

Note 2. Only supported when KRCTL.KRMD = 1.

Note 3. Only the first edge detection is valid.

Note 4. Only interrupts after DTC transfer are supported.

Note 5. Using SELSR0.

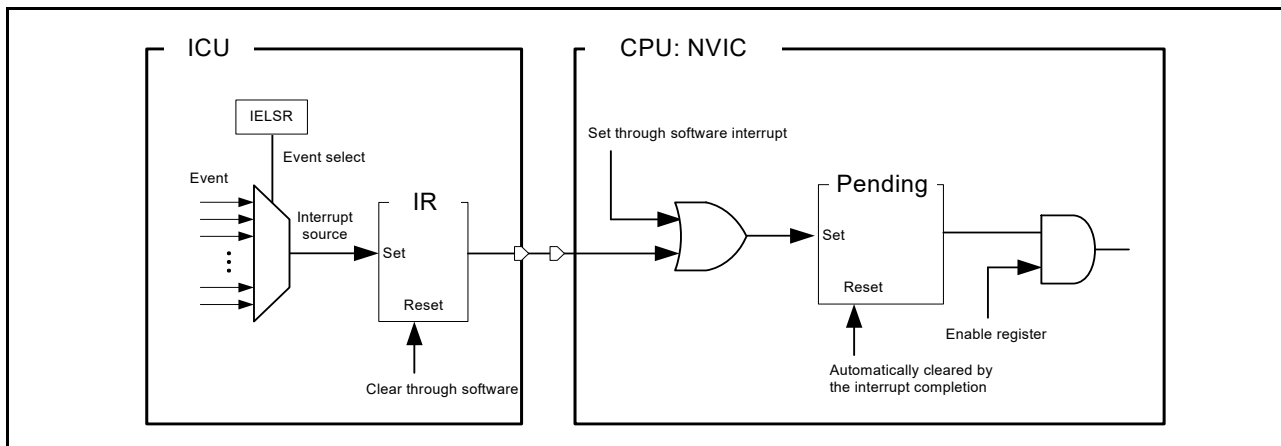
## 14.4 Interrupt Operation

The ICU performs the following functions:

- Detecting interrupts
- Enabling and disabling interrupts
- Selecting interrupt request destinations such as CPU interrupt, DTC activation, or DMAC activation.

### 14.4.1 Detecting Interrupts

External pin interrupt requests are detected by either the edge or level (falling edge, rising edge, rising and falling edges, or low level) of the interrupt signal. Set the IRQMD[1:0] bits in the IRQCRi register to select the detection mode for the IRQi pins. For interrupt sources associated with peripheral modules, see [section 14.3.2, Event Numbers](#). Events must be accepted by the NVIC before an interrupt occurs and is accepted by the CPU.



**Figure 14.2** Interrupt path of the ICU and CPU: NVIC

Use the procedures in this section to detect interrupts:

- General operations during an interrupt
  - When a non-software interrupt occurs:  
The IELSRn.IR flag and Interrupt Set/Clear-Pending register (NVIC) are set.
  - When a software interrupt occurs:  
Set the Interrupt Set-Pending register.
  - When an interrupt is complete:  
Clear the IELSRn.IR flag in the software.  
The Interrupt Set/Clear-Pending register clears automatically.
- When interrupts are enabled
  - a. Set the Interrupt Set-Enable register (NVIC).
  - b. Set the IELSRn.IELS bits as the interrupt source.
  - c. Specify the operation settings for the event source.
- When interrupts are disabled
  - d. Disable the settings for the event source.
  - e. Clear the IELSRn.IELS bits (IELSRn.IELS = 0000h). Clear the IELSRn.IR flag as required.
  - f. Clear the Interrupt Clear-Enable register. Clear the Interrupt Clear-Pending register as required.
- When polling for interrupts

- g. Set the Interrupt Clear-Enable register (disabling interrupts).
- h. Set the IELSRn.IELS bits (selecting the source).
- i. Specify the operation settings for the event source.
- j. Poll the Interrupt Set-Pending register.
- k. When polling is no longer required, follow the procedure for clearing an interrupt when it is complete. Clear the IELSRn.IR flag through software.

#### 14.4.2 Selecting Interrupt Request Destinations

The interrupt output destination, CPU, DTC, or DMAC, can be independently selected for each interrupt source. The available destinations are fixed for each interrupt, as described in [Table 14.4](#).

Note: Do not use an interrupt request destination setting that is not indicated by a “✓” in the event list ([Table 14.4](#)).

If you select the CPU or DTC in one IELSRn register, setting the same interrupt factor in any other IELSRn register is prohibited. Similarly, if you select the DMAC in one DELSRn register, setting the same interrupt factor in any other DELSRn register is prohibited.

Note: Setting the same interrupt factor for IELSRn and DELSRn is prohibited.

If the DMAC or DTC is selected as the destination for requests from an IRQi pin, you must set the IRQMD[1:0] bits in IRQCRi for that interrupt to select edge detection.

##### 14.4.2.1 CPU interrupt request

When IELSRn.DTCE = 0, the event specified in the IELSRn register is output to the NVIC. Set the IELSRn.IELS bits to the target event and the IELSRn.DTCE bit to 0.

##### 14.4.2.2 DTC activation

When IELSRn.DTCE = 1, the event specified in the IELSRn register is output to the DTC. After DTC transmission completes, the associated interrupt occurs. Use the following procedure:

1. Set the IELSRn.IELS bits to the target event and the IELSRn.DTCE bit to 1.
2. Set the DTC module start bit (DTCST.DTCST) to 1.

[Table 14.5](#) shows operation when the DTC is the request destination.

**Table 14.5 Operations when the DTC is activated**

| Interrupt request destination | DISEL*1 | Remaining transfer operations | Operations per request       | IR*2  | Interrupt request destination after transfer                       |
|-------------------------------|---------|-------------------------------|------------------------------|---|--|
| DTC*3                         | 1       | ≠ 0                           | DTC transfer → CPU interrupt | Cleared on interrupt acceptance by the CPU                                | DTC  |
|                               |         | = 0                           | DTC transfer → CPU interrupt | Cleared on interrupt acceptance by the CPU                                | The IELSRn.DTCE bit is cleared and the CPU becomes the destination |
|                               | 0       | ≠ 0                           | DTC transfer                 | Cleared at the start of DTC data transfer after DTC transfer data is read | DTC  |
|                               |         | = 0                           | DTC transfer → CPU interrupt | Cleared on interrupt acceptance by the CPU                                | The IELSRn.DTCE bit is cleared and the CPU becomes the destination |

Note 1. Set the interrupt request mode for the DTC in the DTC.MRB.DISEL bit.

Note 2. When the IELSRn.IR flag is 1, an interrupt request (DTC activation request) that occurs again is ignored.

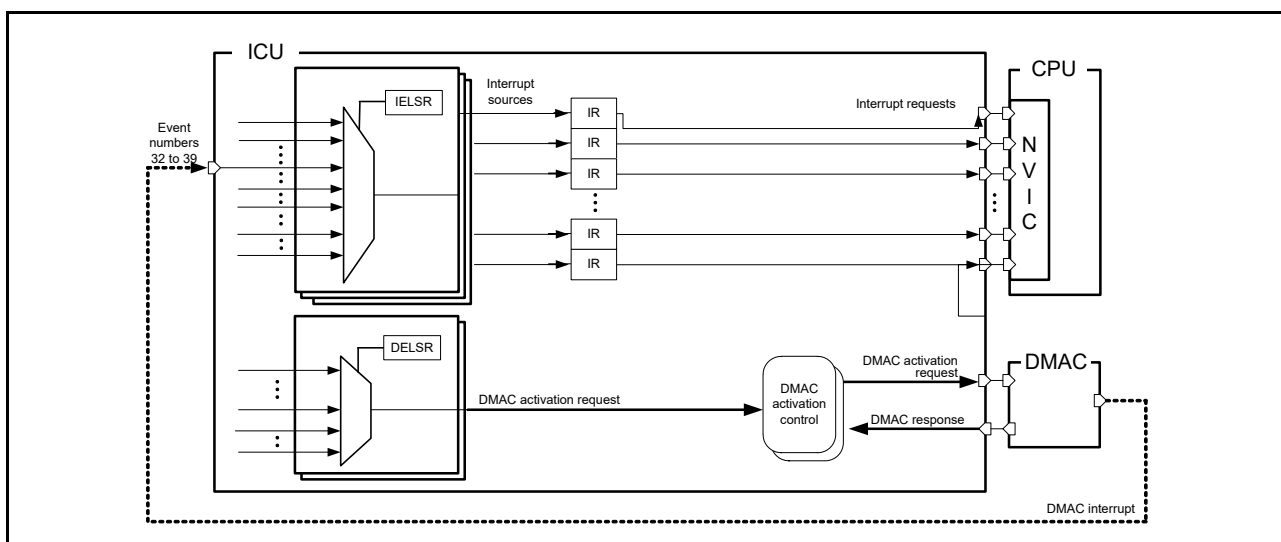
Note 3. For chain transfers, DTC transfer continues until the last chain transfer ends. At this point, the DISEL bit state and the remaining transfer count determine whether a CPU interrupt occurs, the IELSRn.IR flag clear timing, and the interrupt request

destination after transfer. See [Table 18.3, Chain transfer conditions](#), in [section 18, Data Transfer Controller \(DTC\)](#).

### 14.4.2.3 DMAC activation

Events specified in the DELSRn registers are output to the DMAC. When using interrupts, you must select the DMAC as the interrupt source in the IELSRn.IELS[8:0] bits and enable DMAC output by setting IELSRn.DTCE to 1. When IELSRn.DTCE is 0, the events specified in the IELSRn registers are output to the NVIC. Use the following procedure:

1. Set the DELSRn.DELS[8:0] bits to the target event.
2. When using interrupts, set the IELSRn.IELS bit to DMAC interrupts as the source, and set the IELSRn.DTCE bit to 1.
3. Set the activation source for the target DMAC channel (DMACm.DMTMD.DCTG[1:0]) to 01b (interrupt module detection).
4. Set the DMAC transfer enable bit for the target DMAC channel (DMACm.DMCNT.DTE) to 1.
5. Set the DMAC operation enable bit (DMACm.DMAST.DMST) to 1.



**Figure 14.3** DMAC request trigger and interrupt path

### 14.4.3 Digital Filter

A digital filter function is provided for the external interrupt request pins (IRQ<sub>i</sub>, *i* = 0 to 15) and NMI pin interrupt. It samples input signals on the filter PCLKB sampling clock and removes any signal with a pulse width less than 3 sampling cycles.

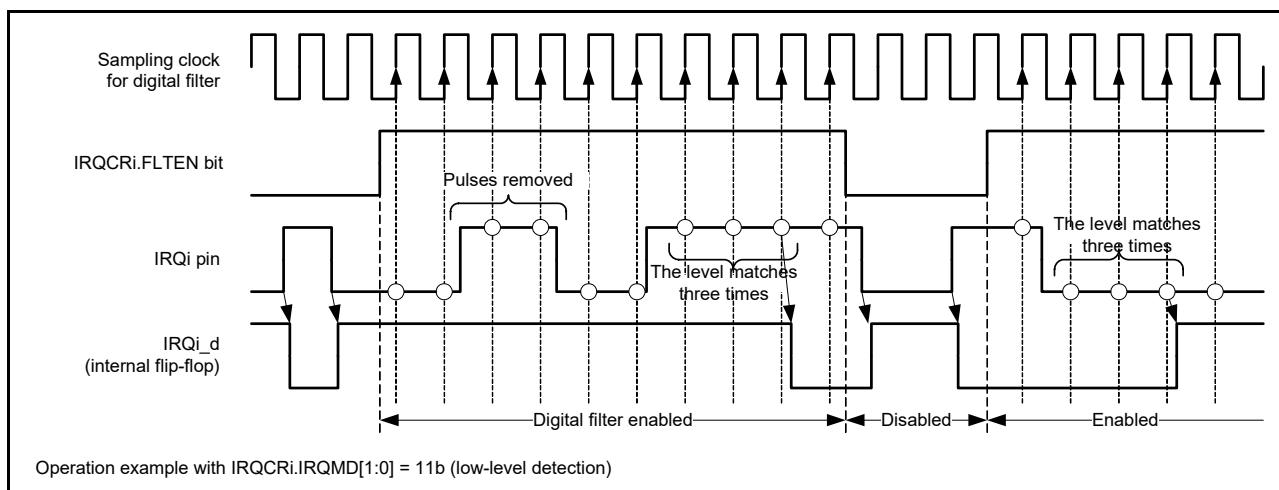
To use the digital filter for an IRQ<sub>i</sub> pin:

1. Set the sampling clock cycle to PCLKB, PCLKB/8, PCLKB/32, or PCLKB/64 in the IRQCR<sub>i</sub>.FCLKSEL[1:0] bits.
2. Set the IRQCR<sub>i</sub>.FLTEN bit to 1 (digital filter enabled).

To use the digital filter for the NMI pin:

1. Set the sampling clock cycle to PCLKB, PCLKB/8, PCLKB/32, or PCLKB/64 in the NMICR.NFCLKSEL[1:0] bits.
2. Set the NMICR.NFLTEN bit to 1 (digital filter enabled).

[Figure 14.4](#) shows an example of digital filter operation.



**Figure 14.4 Digital filter operation example**

Before entering Software Standby mode, disable the digital filters by clearing the IRQCRi.FLTEN and NMICR.NFLTEN bits. The clock for the ICU stops in Software Standby mode. On exiting Software Standby, the circuit detects the edge by comparing the state before standby to the state after standby release. If the input changes during Software Standby, an incorrect edge might be detected. You can enable the digital filters again after exiting Software Standby mode.

#### 14.4.4 External Pin Interrupts

To use external pin interrupts:

1. Clear the IRQCRi.FLTEN bit ( $i = 0$  to 15) to 0 (digital filter disabled).
2. Set or confirm the I/O port settings.
3. Set the IRQMD[1:0] bits, FCLKSEL[1:0] bits, and FLTEN bit of the IRQCRi register.
4. Select the IRQ pin as follows:
  - If the IRQ pin is to be used for CPU interrupt requests, set the IELSRn.IELS bits and set the IELSRn.DTCE bit to 0
  - If the IRQ pin is to be used for DTC activation, set the IELSRn.IELS bits and set the IELSRn.DTCE bit to 1
  - If the IRQ pin is to be used for DMAC activation, set the DELSRn.DELS bits.

#### 14.5 Non-Maskable Interrupt Operation

The following sources can trigger a non-maskable interrupt:

- NMI pin interrupt
- Oscillation stop detection interrupt
- WDT underflow/refresh error interrupt
- IWDT underflow/refresh error interrupt
- Voltage monitor 1 interrupt
- Voltage monitor 2 interrupt
- SRAM parity error interrupt
- SRAM ECC error interrupt
- MPU bus master error interrupt
- MPU bus slave error interrupt
- CPU stack pointer monitor interrupt.

Non-maskable interrupts can only be used with the CPU, not to activate the DTC or DMAC. Non-maskable interrupts take precedence over all other interrupts. The non-maskable interrupt states can be verified in the Non-Maskable Interrupt Status Register (NMISR). Confirm that all bits in the NMISR are 0 before returning from the NMI handler.

Non-maskable interrupts are disabled by default. To use non-maskable interrupts, you must:

1. Clear the NMICR.NFLTEN bit to 0 (digital filter disabled) to use the NMI pin.
2. Set the NMIMD bit, NFCLKSEL[1:0] bits, and NFLTEN bit of NMICR register to use the NMI pin.
3. Write 1 to the NMICLR.NMICLR bit to clear the NMISR.NMIST flag to 0 to use the NMI pin.
4. Enable the non-maskable interrupt by writing 1 to the associated bit in the Non-Maskable Interrupt Enable Register (NMIER).

After 1 is written to the NMIER register, subsequent write access to the NMIEN bit in NMIER is ignored. An NMI interrupt cannot be disabled when enabled, except by a reset.

## 14.6 Return from Low Power Modes

Table 14.4 lists the interrupt sources you can use to exit Sleep or Software Standby mode. For more information, see section 11, Low Power Modes. Sections 14.6.1 to 14.6.3 describe how to use interrupts to return from Sleep, Software Standby, and Snooze modes. For Deep Software Standby, see section 11.9, Deep Software Standby Mode.

### 14.6.1 Return from Sleep Mode

To return from Sleep mode in response to an interrupt:

1. Select the CPU as the interrupt request destination.
2. Enable the interrupt in the NVIC.

To return from Sleep mode in response to a non-maskable interrupt, use the NMIER register to enable the target interrupt request.

### 14.6.2 Return from Software Standby Mode

The ICU can return from Software Standby mode using a non-maskable interrupt or an interrupt selected in the WUPEN register. See section 14.2.9, Wake Up Interrupt Enable Register (WUPEN).

To return from Software Standby mode:

1. Select the interrupt source that enables return from Software Standby.
  - For non-maskable interrupts, use the NMIER register to enable the target interrupt request
  - For maskable interrupts, use the WUPEN register to enable the target interrupt request.
2. Select the CPU as the interrupt request destination.
3. Enable the interrupt in the NVIC.

Interrupt requests through the IRQ pins that do not satisfy these conditions are not detected while the clock is stopped in Software Standby mode.

### 14.6.3 Return from Snooze Mode

The ICU can return from Snooze mode using the interrupts provided for this mode.

To return to Normal mode from Snooze mode:

1. Use either of the following methods to select the event that you want to trigger a return to Normal mode from Snooze mode:
  - Set the event that you want to trigger a return to Normal mode from Snooze mode in SELSR0.SEL and set the value 02Dh (ICU\_SNZCANCEL) in IELSRn.IELS.
  - Set the event that you want to trigger a return to Normal mode from Snooze mode in IELSRn.IELS.
2. Select the CPU as the interrupt request destination.

3. Enable the interrupt in the NVIC.

Note: In Snooze mode, a clock is supplied to the ICU. If an event selected in IELSRn is detected, the CPU can acknowledge the interrupt after returning to Normal mode from Software Standby mode. If an event selected in DELSRn is detected, the DMAC can acknowledge the interrupt after returning to Normal mode from Software Standby mode.

## 14.7 Using the WFI Instruction with Non-Maskable Interrupts

Whenever a WFI instruction is executed, confirm that all status flags in the NMISR register are 0.

## 14.8 Reference

*ARM® Cortex®-M4 Processor Technical Reference Manual (ARM DDI 0439D).*

## 15. Buses

### 15.1 Overview

Table 15.1 lists the bus specifications, Figure 15.1 shows the bus configuration, and Table 15.2 lists the addresses assigned for each bus.

This bus interface can also apply to connect LCD Intel 8080 and Motorola 6800 interfaces.

**Table 15.1 Bus specifications**

| Bus type                  |  | Specifications   |
|---------------------------|--|--|
| Main bus                  | ICode bus (CPU)  | <ul style="list-style-type: none"> <li>Connected to the CPU</li> <li>Connected to the on-chip memory (code flash memory, SRAMHS).</li> </ul>                                   |
|                           | DCode bus (CPU)  | <ul style="list-style-type: none"> <li>Connected to the CPU</li> <li>Connected to the on-chip memory (code flash memory, SRAMHS).</li> </ul>                                   |
|                           | System bus (CPU)   | <ul style="list-style-type: none"> <li>Connected to the CPU</li> <li>Connected to the on-chip memory, internal peripheral buses, and external bus.</li> </ul>                  |
|                           | DMA bus  | <ul style="list-style-type: none"> <li>Connected to the DMAC and DTC</li> <li>Connected to the on-chip memory, internal peripheral buses, and external bus.</li> </ul>         |
|                           | ETHER bus  | <ul style="list-style-type: none"> <li>Connected to the EDMAC</li> <li>Connected to the on-chip memory, internal peripheral buses, and external bus.</li> </ul>                |
| Slave interface           | Memory bus 1   | <ul style="list-style-type: none"> <li>Connected to code flash memory</li> </ul>   |
|                           | Memory bus 2   | <ul style="list-style-type: none"> <li>Connected to SRAMHS</li> </ul>  |
|                           | Memory bus 3   | <ul style="list-style-type: none"> <li>Connected to code flash memory and SRAMHS through the DMA bus and ETHER bus</li> </ul>  |
|                           | Memory bus 4   | <ul style="list-style-type: none"> <li>Connected to SRAM0</li> </ul>   |
|                           | Memory bus 5   | <ul style="list-style-type: none"> <li>Connected to Standby SRAM</li> </ul>  |
|                           | Internal peripheral bus 1  | <ul style="list-style-type: none"> <li>Connected to system control related to peripheral modules</li> </ul>  |
|                           | Internal peripheral bus 3  | <ul style="list-style-type: none"> <li>Connected to peripheral modules (CAC, ELC, I/O ports, POEG, RTC, WDT, IWDT, IIC, CAN, SSIE, SRC, ADC12, DAC12, TSN, and DOC)</li> </ul> |
|                           | Internal peripheral bus 4  | <ul style="list-style-type: none"> <li>Connected to peripheral modules (GPT, ETHERC, EDMAC, SCI, IrDA, SPI, CRC, and SDHI)</li> </ul>  |
|                           | Internal peripheral bus 5  | <ul style="list-style-type: none"> <li>Connected to peripheral modules (KINT, AGT, USBFS, PDC, ACPHS, and CTSU)</li> </ul>   |
|                           | Internal peripheral bus 7  | <ul style="list-style-type: none"> <li>Connected to Secure IPs (SCE7)</li> </ul>   |
| Internal peripheral bus 9 | <ul style="list-style-type: none"> <li>Connected to flash memory (in P/E)*1, data flash memory, and TSN</li> </ul> |  |
| External bus              | CS area  | <ul style="list-style-type: none"> <li>Connected to the external devices</li> </ul>  |
|                           | SDRAM area   | <ul style="list-style-type: none"> <li>Connected to SDRAM</li> </ul>   |
|                           | QSPI area  | <ul style="list-style-type: none"> <li>Connected to the external SPI devices</li> </ul>  |

Note 1. P/E: Programming and erasure.



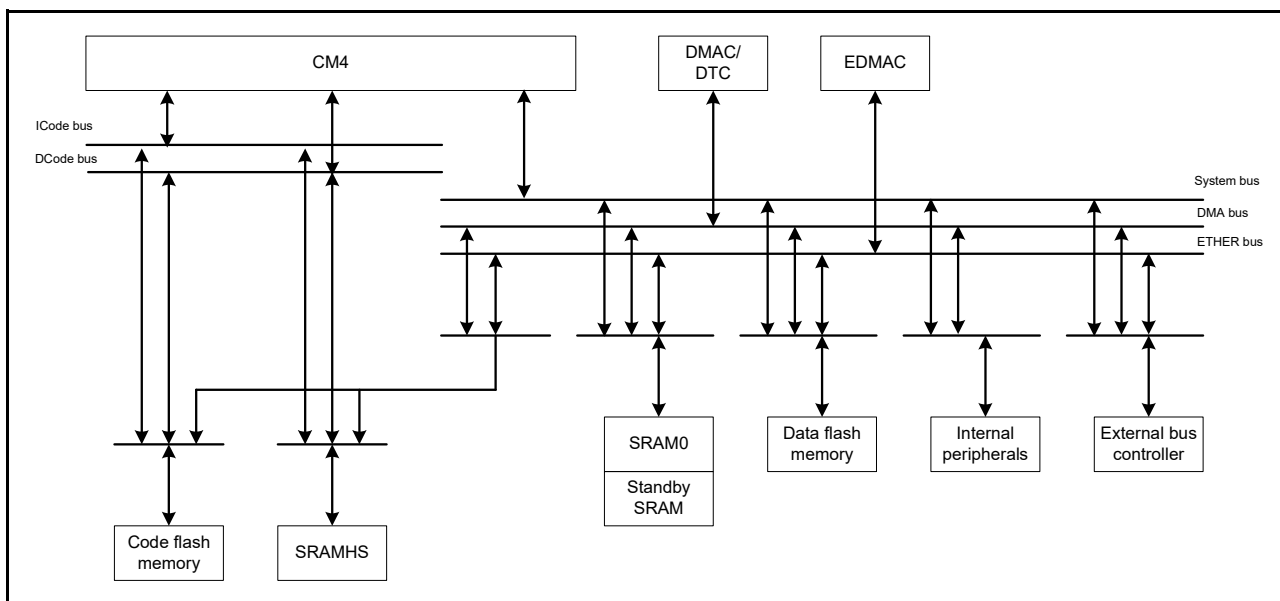


Figure 15.1 Bus configuration

Table 15.2 Addresses assigned for each bus

| Addresses                | Bus                       | Area  |
|--------------------------|---------------------------|---|
| 0000 0000h to 01FF FFFFh | Memory bus 1, 3           | Code flash memory                                   |
| 1FFE 0000h to 1FFF FFFFh | Memory bus 2, 3           | SRAMHS  |
| 2000 0000h to 2003 FFFFh | Memory bus 4              | SRAM0   |
| 2004 0000h to 200F FFFFh | Memory bus 5              | Standby SRAM  |
| 4000 0000h to 4001 FFFFh | Internal peripheral bus 1 | Peripheral I/O registers                            |
| 4004 0000h to 4005 FFFFh | Internal peripheral bus 3 |   |
| 4006 0000h to 4007 FFFFh | Internal peripheral bus 4 |   |
| 4008 0000h to 4009 FFFFh | Internal peripheral bus 5 |   |
| 400C 0000h to 400D FFFFh | Internal peripheral bus 7 |   |
| 4010 0000h to 407F FFFFh | Internal peripheral bus 9 | Flash memory (in P/E*1), data flash memory, and TSN |
| 6000 0000h to 67FF FFFFh | External bus              | QSPI area   |
| 8000 0000h to 97FF FFFFh | External bus              | CS area and SDRAM area                              |

Note 1. P/E: Programming and erasure.

## 15.2 Description of Buses

### 15.2.1 Main Buses

The main buses for the CPU constitute the ICode bus, DCode bus, and system bus:

- The ICode and DCode buses are connected to the code flash memory and SRAMHS. The ICode bus is used for instruction access to the CPU, and the DCode bus is used for data access to the CPU.
- The system bus is connected to the SRAM0, Standby SRAM, data flash memory, internal peripheral buses, and external bus. It is used for instruction and data accesses to the CPU.

The main bus for modules other than the CPU consists of the DMA bus, and ETHER bus:

- The DMA bus is connected to the code flash memory, SRAMHS, SRAM0, Standby SRAM, data flash memory, and external bus
- The ETHER bus is connected to the code flash memory, SRAMHS, SRAM0, Standby SRAM, data flash memory,

and external bus.

Different master and slave transfer combinations can proceed simultaneously.

Arbitration between the DMAC and DTC for the mastership of the DMA bus occurs in the DMAC and DTC. The following fixed-priority order is used:

DMAC0 > DMAC1 > DMAC2 > DMAC3 > DMAC4 > DMAC5 > DMAC6 > DMAC7 > DTC.

Only one DTC and DMAC channels that have accepted the activation requests can issue the bus mastership request. In addition, requests for bus access from masters other than the DTC are not accepted during reads of transfer control information for the DTC.

The arbitration protocol is selectable as either fixed-priority or round-robin. For more information, see [section 15.3.19, Slave Bus Control Register \(BUSSCNT<slave>\)](#).

## 15.2.2 Slave Interface

Products using the Cortex<sup>®</sup>-M4 core contain ICode and DCode bus areas and a system bus area.

To create the ICode and DCode bus areas, a bus matrix connects the ICode bus, DCode bus, and memory bus 3 from the main bus to the slave interfaces of the code flash memory and SRAMHS. Bus access to the slave interfaces is arbitrated between the three buses. The arbitration protocol is selectable as either fixed-priority or round-robin. For more information, see [section 15.3.19, Slave Bus Control Register \(BUSSCNT<slave>\)](#).

To create the system bus area, a bus matrix connects the system bus, DMA bus, and ETHER bus from the main bus to the slave interfaces of the SRAM0, Standby SRAM, data flash memory, internal peripherals, and external bus. Bus access to the slave interfaces is arbitrated between the three buses. The arbitration protocol is selectable as either fixed-priority or round-robin. For more information, see [section 15.3.19, Slave Bus Control Register \(BUSSCNT<slave>\)](#).

For connections from the main bus to the slave interfaces, see the slave interfaces in [Table 15.1](#). For a description of the external bus, see [section 15.2.3, External Bus](#).

Different master and slave transfer combinations can proceed simultaneously.

## 15.2.3 External Bus

The external bus controller arbitrates requests for bus access on the external address space from the CPU system bus, DMAC bus, and ETHER bus. The priority order can be set using the external bus priority control bits (BUSSCNT.ARBMET[1:0]). For more information, see [section 15.3.19, Slave Bus Control Register \(BUSSCNT<slave>\)](#).

The bus system provides an external space for the QSPI. See [section 37, Quad Serial Peripheral Interface \(QSPI\)](#).

[Table 15.3](#) lists the external bus specifications and [Table 15.4](#) lists the I/O pins.

**Table 15.3 External bus specifications (1 of 2)**

| Parameter              | Specifications   |
|------------------------|--|
| External address space | <ul style="list-style-type: none"> <li>• The external address space is divided into 8 CS areas (CS0 to CS7) and the SDRAM area (SDCS) for management</li> <li>• Chip select signals can be output for each area</li> <li>• The bus width can be set for each area:               <ul style="list-style-type: none"> <li>- Separate bus: Selectable to 8-bit or 16-bit bus space</li> <li>- Address/data multiplexed bus: Selectable to 8-bit or 16-bit bus space</li> </ul> </li> <li>• Endian mode can be specified for each area.</li> </ul> |

**Table 15.3 External bus specifications (2 of 2)**

| Parameter             | Specifications   |
|-----------------------|--|
| CS area controller    | <ul style="list-style-type: none"> <li>Recovery cycles can be inserted: <ul style="list-style-type: none"> <li>Read recovery: Up to 15 cycles</li> <li>Write recovery: Up to 15 cycles</li> </ul> </li> <li>Cycle wait function: Wait for up to 31 cycles (for page access, up to 7 cycles)</li> <li>Use wait control to set up: <ul style="list-style-type: none"> <li>Assertion and negation timing of chip select signals (CS0 to CS7)</li> <li>Assertion timing of the read signal (RD) and write signals (WR0/WR and WR1)</li> <li>Timing of data output starts and ends</li> </ul> </li> <li>Write access modes: <ul style="list-style-type: none"> <li>Single-write strobe mode and byte strobe mode</li> </ul> </li> <li>Separate bus or address/data multiplexed bus can be set for each area.</li> </ul> |
| SDRAM area controller | <ul style="list-style-type: none"> <li>Multiplexed output of row address and column address (8, 9, 10, or 11 bits)</li> <li>Self-refresh and auto-refresh selectable</li> <li>CAS latency can be specified from 1 to 3 cycles.</li> </ul>  |
| Write buffer function | When write data from the bus master is written to the write buffer, write access by the bus master is complete   |
| Frequency             | <ul style="list-style-type: none"> <li>The CS area controller (CSC) operates in synchronization with the external bus clock (BCLK)*1</li> <li>The frequency of the EBCLK pin output is the same as BCLK by default. Half of the BCLK cycles can be supplied by setting the EBCLK Pin Output Select bit, BCKCR.BCLKDIV, in the External Bus Clock Control Register. For more information, see <a href="#">section 9, Clock Generation Circuit</a>.</li> <li>The SDRAM area controller (SDRAMC) operates in synchronization with the SDRAM clock (SDCLK).</li> </ul>   |

Note 1. BCLK and SDCLK must operate at the same frequency when the SDRAM is in use.

**Table 15.4 External bus I/O pins (1 of 2)**

| Pin name                   | I/O    |             | Description   |
|----------------------------|--------|-------------|---|
| EBCLK, SDCLK*1             | Output | CSC, SDRAMC | Clock output pin  |
| A20 to A00*2               | Output | CSC, SDRAMC | Address output pins   |
| D15 to D00<br>DQ15 to DQ00 | I/O    | CSC, SDRAMC | D15 to D00 are CSC data input/output pins<br>DQ15 to DQ00 are SDRAMC data input/output pins <ul style="list-style-type: none"> <li>D015 to D00, DQ15 to DQ00 pins are enabled when the 16-bit bus space is specified</li> <li>D07 to D00, DQ07 to DQ00 pins are enabled when the 8-bit bus space is specified.</li> </ul>   |
| BC0                        | Output | CSC         | <ul style="list-style-type: none"> <li>Strobe signal that indicates (when low) that D07 to D00 are valid during access to an external address space in single-write strobe mode, active-low</li> <li>When an 8-bit bus space is specified, this output pin is always held low regardless of the write access mode.</li> </ul>   |
| BC1                        | Output | CSC         | <ul style="list-style-type: none"> <li>Strobe signal that indicates (when low) that D15 to D08 are valid during access to an external address space in single-write strobe mode, active-low</li> <li>This pin is not used when the 8-bit bus space is specified.</li> </ul>   |
| CS0*3                      | Output | CSC         | Chip select signal for area 0 (CS0), active-low   |
| CS1*3                      | Output | CSC         | Chip select signal for area 1 (CS1), active-low   |
| CS2*3                      | Output | CSC         | Chip select signal for area 2 (CS2), active-low   |
| CS3*3                      | Output | CSC         | Chip select signal for area 3 (CS3), active-low   |
| CS4                        | Output | CSC         | Chip select signal for area 4 (CS4), active-low   |
| CS5                        | Output | CSC         | Chip select signal for area 5 (CS5), active-low   |
| CS6                        | Output | CSC         | Chip select signal for area 6 (CS6), active-low   |
| CS7                        | Output | CSC         | Chip select signal for area 7 (CS7), active-low   |
| RD                         | Output | CSC         | Strobe signal that indicates that a read from an external address space (CS0 to CS7) is in progress, active-low   |
| WR0/WR*4                   | Output | CSC         | <ul style="list-style-type: none"> <li>WR0 signal is a strobe signal that indicates that a write to an external address space is in progress in byte strobe mode, and D07 to D00 are valid, active-low</li> <li>WR signal is a strobe signal that indicates that a write to an external address space is in progress in single-write strobe mode, active-low</li> <li>When an 8-bit bus space is specified, this output pin is held low during a write access regardless of the write access mode.</li> </ul> |

**Table 15.4 External bus I/O pins (2 of 2)**

| Pin name | I/O    |        | Description   |
|----------|--------|--------|---|
| WR1      | Output | CSC    | <ul style="list-style-type: none"> <li>Strobe signal that indicates that D15 to D08 are valid during a write to an external address space in byte strobe mode, active-low</li> <li>This signal is invalid in single-write strobe mode</li> <li>This pin is not used when the 8-bit bus space is specified.</li> </ul> |
| ALE      | Output | CSC    | Address latch signal when address/data multiplexed bus is selected  |
| WAIT     | Input  | CSC    | Wait request signal used when accessing the external address space (CS0 to CS7), active-low   |
| CKE      | Output | SDRAMC | Clock enable signal   |
| SDCS     | Output | SDRAMC | Chip select signal, active-low  |
| RAS      | Output | SDRAMC | Row address strobe signal, active-low   |
| CAS      | Output | SDRAMC | Column address strobe signal, active-low  |
| WE       | Output | SDRAMC | Write enable signal, active-low   |
| DQM0     | Output | SDRAMC | I/O data mask enable signal for DQ07 to DQ00  |
| DQM1     | Output | SDRAMC | I/O data mask enable signal for DQ15 to DQ08  |

Note 1. The EBCLK and the SDCLK pin functions are shared by the CS area controller (CSC) and the SDRAM area controller (SDRAMC).

When using the CSC and the SDRAMC simultaneously, the SDCLK pin function is valid.

Note 2. The A20 to A00 pin functions are shared by the CSC and the SDRAMC.

When using the CSC only:

The A00 and BC0 pin functions share the same pin, and either becomes valid according to the area, with the function being A00 in byte strobe mode and BC0 in single-write strobe mode. Setting the 8-bit external bus width is prohibited in single-write strobe mode.

When using the SDRAMC only:

The A15 to A00 pin functions are valid.

The A00 and DQM1 pin functions share the same pin, and either becomes valid according to the external bus width.

When selecting 8-bit bus width, the pin function is A00. When selecting 16-bit bus width, the pin function is DQM1.

When using the CSC and the SDRAMC simultaneously:

The A20 to A16 pin functions are valid for CSC. The A15 to A00 pin functions are shared by the CSC and the SDRAMC.

In the SDRAMC functions, the A00 and the DQM1 pin function works as described.

In the CSC functions, the A00 and the BC0 pin function works as described.

Note 3. The CS0 to CS3 (CSC) and SDRAMC pin functions share the same pin. When using the CSC and the SDRAMC simultaneously, the CS0 to CS3 pin functions are invalid.

Note 4. The WR0 signal and WR signal are identical. The WR0 signal is referred to as WR in single-write strobe mode.

### 15.2.4 Parallel Operations

Parallel operations are possible when different bus masters request access to different slave modules. For example, if the CPU fetches an instruction from the flash and an operand from the SRAM, the DMAC can handle transfers between a peripheral bus and the external bus at the same time.

An example of parallel operations is shown in [Figure 15.2](#). In this example, the CPU uses the instruction and operand buses for simultaneous access to the flash and SRAM, respectively. Additionally, the DMAC/DTC, and EDMAC simultaneously use the DMA bus (DMAC/DTC), and ETHER bus (EDMAC) for access to a peripheral bus or external bus during access to the flash memory and SRAM by the CPU.

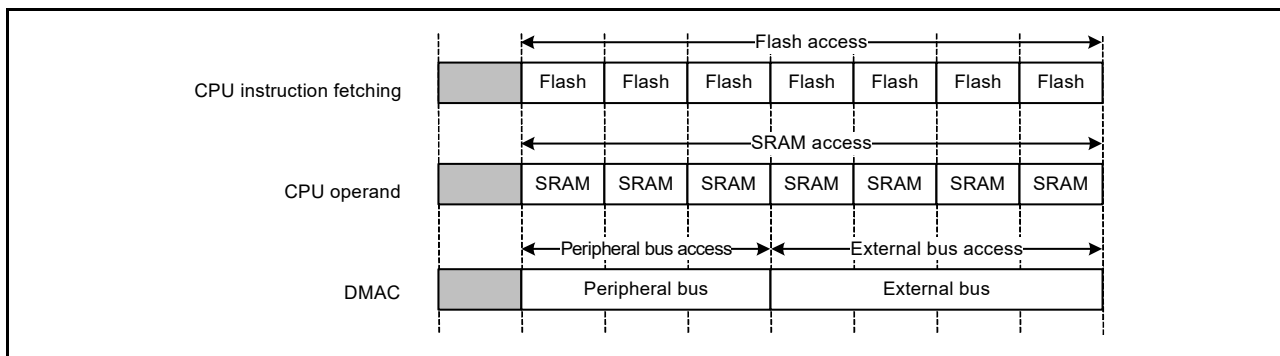


Figure 15.2 Example of parallel operations

### 15.2.5 Bus Settings

Set up the external bus with the following registers:

- Mode settings:  
CSn Mode Register (CSnMOD), CSn Wait Control Register 1 (CSnWCR1), CSn Wait Control Register 2 (CSnWCR2), CSn Control Register (CSnCR), CSn Recovery Cycle Setting Register (CSnREC), CS Recovery Cycle Insertion Enable Register (CSRECEN), and Bus Priority Control Register (BUSSCNT)
- I/O port assignments:  
PmnPFS.PMR = 1 and PmnPFS.PSEL[4:0] = 0Bh
- Frequency of the external bus clock (BCLK) and SDRAM clock (SDCLK):  
SCKDIVCR register.

See [section 20, I/O Ports](#), for information on PmnPFS and [section 9, Clock Generation Circuit](#) for information on SCKDIVCR.

### 15.2.6 Restrictions

#### (1) Endianness constraint

Memory space must be little-endian to execute code on the Cortex®-M4 core.

## 15.3 Register Descriptions

### 15.3.1 CSn Control Register (CSnCR) (n = 0 to 7)

Address(es): [BUS.CS0CR 4000 3802h](#)

|     |     |     |       |     |     |    |        |    |    |            |    |    |    |    |       |
|-----|-----|-----|-------|-----|-----|----|--------|----|----|------------|----|----|----|----|-------|
| b15 | b14 | b13 | b12   | b11 | b10 | b9 | b8     | b7 | b6 | b5         | b4 | b3 | b2 | b1 | b0    |
| —   | —   | —   | MPXEN | —   | —   | —  | EMOD E | —  | —  | BSIZE[1:0] | —  | —  | —  | —  | EXENB |
| 0   | 0   | 0   | 0     | 0   | 0   | 0  | 0      | 0  | 0  | 1          | 0  | 0  | 0  | 0  | 1     |

Value after reset:

Address(es): [BUS.CS1CR 4000 3812h](#), [BUS.CS2CR 4000 3822h](#), [BUS.CS3CR 4000 3832h](#), [BUS.CS4CR 4000 3842h](#), [BUS.CS5CR 4000 3852h](#), [BUS.CS6CR 4000 3862h](#), [BUS.CS7CR 4000 3872h](#)

|     |     |     |       |     |     |    |        |    |    |            |    |    |    |    |       |
|-----|-----|-----|-------|-----|-----|----|--------|----|----|------------|----|----|----|----|-------|
| b15 | b14 | b13 | b12   | b11 | b10 | b9 | b8     | b7 | b6 | b5         | b4 | b3 | b2 | b1 | b0    |
| —   | —   | —   | MPXEN | —   | —   | —  | EMOD E | —  | —  | BSIZE[1:0] | —  | —  | —  | —  | EXENB |
| 0   | 0   | 0   | 0     | 0   | 0   | 0  | 0      | 0  | 0  | 0          | 0  | 0  | 0  | 0  | 0     |

Value after reset:

| Bit | Symbol | Bit name         | Description                                  | R/W |
|-----|--------|------------------|--|-----|
| b0  | EXENB  | Operation Enable | 0: Disable operation<br>1: Enable operation. | R/W |

| Bit        | Symbol            | Bit name                                      | Description   | R/W |
|------------|-------------------|---|---|-----|
| b3 to b1   | —                 | Reserved                                      | These bits are read as 0. The write value should be 0.  | R/W |
| b5, b4     | <b>BSIZE[1:0]</b> | External Bus Width Select                     | b5 b4<br>0 0: 16-bit bus space<br>0 1: Setting prohibited<br>1 0: 8-bit bus space<br>1 1: Setting prohibited.                       | R/W |
| b7, b6     | —                 | Reserved                                      | These bits are read as 0. The write value should be 0.  | R/W |
| b8         | <b>EMODE</b>      | Endian Mode                                   | 0: Little-endian<br>1: Big-endian.  | R/W |
| b11 to b9  | —                 | Reserved                                      | These bits are read as 0. The write value should be 0.  | R/W |
| b12        | <b>MPXEN</b>      | Address/Data Multiplexed I/O Interface Select | 0: Separate bus interface is selected for area n<br>1: Address/data multiplexed I/O interface is selected for area n. (n = 0 to 7). | R/W |
| b15 to b13 | —                 | Reserved                                      | These bits are read as 0. The write value should be 0.  | R/W |

Do not attempt to write to the CSnCR register while the external bus is being accessed.

#### **EXENB bit (Operation Enable)**

The EXENB bit enables operation of the associated CS area. On MCU reset, operation is enabled (EXENB = 1) only for area 0. Operation in other areas is disabled (EXENB = 0). Attempts to access disabled areas have no effect.

When the CSC and SDRAMC are in use at the same time, BCLK and SDCLK must operate at the same frequency.

#### **BSIZE[1:0] bits (External Bus Width Select)**

The BSIZE[1:0] bits specify the data bus width for the associated area.

#### **EMODE bit (Endian Mode)**

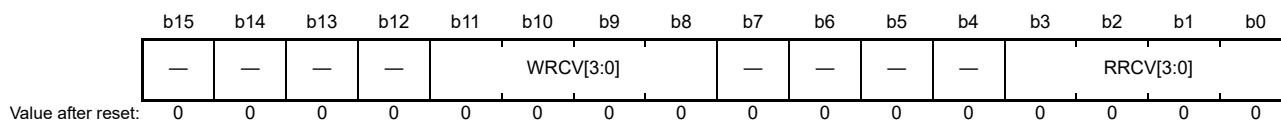
The EMODE bit specifies the endianness for the associated area. The Cortex<sup>®</sup>-M4 core is fixed at little-endian order, so instruction code can only be allocated to external spaces with little-endian specified. If an area is specified as big-endian, no instruction code can be allocated to it.

#### **MPXEN bit (Address/Data Multiplexed I/O Interface Select)**

The MPXEN bit specifies separate bus interface or address/data multiplexed I/O interface of each area.

### 15.3.2 CSn Recovery Cycle Register (CSnREC) (n = 0 to 7)

Address(es): [BUS.CS0REC 4000 380Ah](#), [BUS.CS1REC 4000 381Ah](#), [BUS.CS2REC 4000 382Ah](#), [BUS.CS3REC 4000 383Ah](#),  
[BUS.CS4REC 4000 384Ah](#), [BUS.CS5REC 4000 385Ah](#), [BUS.CS6REC 4000 386Ah](#), [BUS.CS7REC 4000 387Ah](#)



| Bit        | Symbol                    | Bit name                          | Description   | R/W |    |  |       |   |                                   |       |   |                         |       |   |                          |       |   |                          |       |   |                          |       |   |                          |       |   |                          |       |   |                          |       |   |                          |       |   |                          |       |   |                           |       |   |                           |       |   |                           |       |   |                           |       |   |                           |       |   |                            |     |
|------------|---------------------------|-----------------------------------|---|-----|----|--|-------|---|-----------------------------------|-------|---|-------------------------|-------|---|--------------------------|-------|---|--------------------------|-------|---|--------------------------|-------|---|--------------------------|-------|---|--------------------------|-------|---|--------------------------|-------|---|--------------------------|-------|---|--------------------------|-------|---|---------------------------|-------|---|---------------------------|-------|---|---------------------------|-------|---|---------------------------|-------|---|---------------------------|-------|---|----------------------------|-----|
| b3 to b0   | <a href="#">RRCV[3:0]</a> | Read Recovery                     | <table style="width: 100%; border: none;"> <tr> <td style="width: 50px;">b3</td><td style="width: 50px;">b0</td><td></td></tr> <tr> <td>0 0 0</td><td>0</td><td>Do not insert any recovery cycles</td></tr> <tr> <td>0 0 0</td><td>1</td><td>Insert 1 recovery cycle</td></tr> <tr> <td>0 0 1</td><td>0</td><td>Insert 2 recovery cycles</td></tr> <tr> <td>0 0 1</td><td>1</td><td>Insert 3 recovery cycles</td></tr> <tr> <td>0 1 0</td><td>0</td><td>Insert 4 recovery cycles</td></tr> <tr> <td>0 1 0</td><td>1</td><td>Insert 5 recovery cycles</td></tr> <tr> <td>0 1 1</td><td>0</td><td>Insert 6 recovery cycles</td></tr> <tr> <td>0 1 1</td><td>1</td><td>Insert 7 recovery cycles</td></tr> <tr> <td>1 0 0</td><td>0</td><td>Insert 8 recovery cycles</td></tr> <tr> <td>1 0 0</td><td>1</td><td>Insert 9 recovery cycles</td></tr> <tr> <td>1 0 1</td><td>0</td><td>Insert 10 recovery cycles</td></tr> <tr> <td>1 0 1</td><td>1</td><td>Insert 11 recovery cycles</td></tr> <tr> <td>1 1 0</td><td>0</td><td>Insert 12 recovery cycles</td></tr> <tr> <td>1 1 0</td><td>1</td><td>Insert 13 recovery cycles</td></tr> <tr> <td>1 1 1</td><td>0</td><td>Insert 14 recovery cycles</td></tr> <tr> <td>1 1 1</td><td>1</td><td>Insert 15 recovery cycles.</td></tr> </table>  | b3  | b0 |  | 0 0 0 | 0 | Do not insert any recovery cycles | 0 0 0 | 1 | Insert 1 recovery cycle | 0 0 1 | 0 | Insert 2 recovery cycles | 0 0 1 | 1 | Insert 3 recovery cycles | 0 1 0 | 0 | Insert 4 recovery cycles | 0 1 0 | 1 | Insert 5 recovery cycles | 0 1 1 | 0 | Insert 6 recovery cycles | 0 1 1 | 1 | Insert 7 recovery cycles | 1 0 0 | 0 | Insert 8 recovery cycles | 1 0 0 | 1 | Insert 9 recovery cycles | 1 0 1 | 0 | Insert 10 recovery cycles | 1 0 1 | 1 | Insert 11 recovery cycles | 1 1 0 | 0 | Insert 12 recovery cycles | 1 1 0 | 1 | Insert 13 recovery cycles | 1 1 1 | 0 | Insert 14 recovery cycles | 1 1 1 | 1 | Insert 15 recovery cycles. | R/W |
| b3         | b0                        |                                   |   |     |    |  |       |   |                                   |       |   |                         |       |   |                          |       |   |                          |       |   |                          |       |   |                          |       |   |                          |       |   |                          |       |   |                          |       |   |                          |       |   |                           |       |   |                           |       |   |                           |       |   |                           |       |   |                           |       |   |                            |     |
| 0 0 0      | 0                         | Do not insert any recovery cycles |   |     |    |  |       |   |                                   |       |   |                         |       |   |                          |       |   |                          |       |   |                          |       |   |                          |       |   |                          |       |   |                          |       |   |                          |       |   |                          |       |   |                           |       |   |                           |       |   |                           |       |   |                           |       |   |                           |       |   |                            |     |
| 0 0 0      | 1                         | Insert 1 recovery cycle           |   |     |    |  |       |   |                                   |       |   |                         |       |   |                          |       |   |                          |       |   |                          |       |   |                          |       |   |                          |       |   |                          |       |   |                          |       |   |                          |       |   |                           |       |   |                           |       |   |                           |       |   |                           |       |   |                           |       |   |                            |     |
| 0 0 1      | 0                         | Insert 2 recovery cycles          |   |     |    |  |       |   |                                   |       |   |                         |       |   |                          |       |   |                          |       |   |                          |       |   |                          |       |   |                          |       |   |                          |       |   |                          |       |   |                          |       |   |                           |       |   |                           |       |   |                           |       |   |                           |       |   |                           |       |   |                            |     |
| 0 0 1      | 1                         | Insert 3 recovery cycles          |   |     |    |  |       |   |                                   |       |   |                         |       |   |                          |       |   |                          |       |   |                          |       |   |                          |       |   |                          |       |   |                          |       |   |                          |       |   |                          |       |   |                           |       |   |                           |       |   |                           |       |   |                           |       |   |                           |       |   |                            |     |
| 0 1 0      | 0                         | Insert 4 recovery cycles          |   |     |    |  |       |   |                                   |       |   |                         |       |   |                          |       |   |                          |       |   |                          |       |   |                          |       |   |                          |       |   |                          |       |   |                          |       |   |                          |       |   |                           |       |   |                           |       |   |                           |       |   |                           |       |   |                           |       |   |                            |     |
| 0 1 0      | 1                         | Insert 5 recovery cycles          |   |     |    |  |       |   |                                   |       |   |                         |       |   |                          |       |   |                          |       |   |                          |       |   |                          |       |   |                          |       |   |                          |       |   |                          |       |   |                          |       |   |                           |       |   |                           |       |   |                           |       |   |                           |       |   |                           |       |   |                            |     |
| 0 1 1      | 0                         | Insert 6 recovery cycles          |   |     |    |  |       |   |                                   |       |   |                         |       |   |                          |       |   |                          |       |   |                          |       |   |                          |       |   |                          |       |   |                          |       |   |                          |       |   |                          |       |   |                           |       |   |                           |       |   |                           |       |   |                           |       |   |                           |       |   |                            |     |
| 0 1 1      | 1                         | Insert 7 recovery cycles          |   |     |    |  |       |   |                                   |       |   |                         |       |   |                          |       |   |                          |       |   |                          |       |   |                          |       |   |                          |       |   |                          |       |   |                          |       |   |                          |       |   |                           |       |   |                           |       |   |                           |       |   |                           |       |   |                           |       |   |                            |     |
| 1 0 0      | 0                         | Insert 8 recovery cycles          |   |     |    |  |       |   |                                   |       |   |                         |       |   |                          |       |   |                          |       |   |                          |       |   |                          |       |   |                          |       |   |                          |       |   |                          |       |   |                          |       |   |                           |       |   |                           |       |   |                           |       |   |                           |       |   |                           |       |   |                            |     |
| 1 0 0      | 1                         | Insert 9 recovery cycles          |   |     |    |  |       |   |                                   |       |   |                         |       |   |                          |       |   |                          |       |   |                          |       |   |                          |       |   |                          |       |   |                          |       |   |                          |       |   |                          |       |   |                           |       |   |                           |       |   |                           |       |   |                           |       |   |                           |       |   |                            |     |
| 1 0 1      | 0                         | Insert 10 recovery cycles         |   |     |    |  |       |   |                                   |       |   |                         |       |   |                          |       |   |                          |       |   |                          |       |   |                          |       |   |                          |       |   |                          |       |   |                          |       |   |                          |       |   |                           |       |   |                           |       |   |                           |       |   |                           |       |   |                           |       |   |                            |     |
| 1 0 1      | 1                         | Insert 11 recovery cycles         |   |     |    |  |       |   |                                   |       |   |                         |       |   |                          |       |   |                          |       |   |                          |       |   |                          |       |   |                          |       |   |                          |       |   |                          |       |   |                          |       |   |                           |       |   |                           |       |   |                           |       |   |                           |       |   |                           |       |   |                            |     |
| 1 1 0      | 0                         | Insert 12 recovery cycles         |   |     |    |  |       |   |                                   |       |   |                         |       |   |                          |       |   |                          |       |   |                          |       |   |                          |       |   |                          |       |   |                          |       |   |                          |       |   |                          |       |   |                           |       |   |                           |       |   |                           |       |   |                           |       |   |                           |       |   |                            |     |
| 1 1 0      | 1                         | Insert 13 recovery cycles         |   |     |    |  |       |   |                                   |       |   |                         |       |   |                          |       |   |                          |       |   |                          |       |   |                          |       |   |                          |       |   |                          |       |   |                          |       |   |                          |       |   |                           |       |   |                           |       |   |                           |       |   |                           |       |   |                           |       |   |                            |     |
| 1 1 1      | 0                         | Insert 14 recovery cycles         |   |     |    |  |       |   |                                   |       |   |                         |       |   |                          |       |   |                          |       |   |                          |       |   |                          |       |   |                          |       |   |                          |       |   |                          |       |   |                          |       |   |                           |       |   |                           |       |   |                           |       |   |                           |       |   |                           |       |   |                            |     |
| 1 1 1      | 1                         | Insert 15 recovery cycles.        |   |     |    |  |       |   |                                   |       |   |                         |       |   |                          |       |   |                          |       |   |                          |       |   |                          |       |   |                          |       |   |                          |       |   |                          |       |   |                          |       |   |                           |       |   |                           |       |   |                           |       |   |                           |       |   |                           |       |   |                            |     |
| b7 to b4   | —                         | Reserved                          | These bits are read as 0. The write value should be 0.  | R/W |    |  |       |   |                                   |       |   |                         |       |   |                          |       |   |                          |       |   |                          |       |   |                          |       |   |                          |       |   |                          |       |   |                          |       |   |                          |       |   |                           |       |   |                           |       |   |                           |       |   |                           |       |   |                           |       |   |                            |     |
| b11 to b8  | <a href="#">WRCV[3:0]</a> | Write Recovery                    | <table style="width: 100%; border: none;"> <tr> <td style="width: 50px;">b11</td><td style="width: 50px;">b8</td><td></td></tr> <tr> <td>0 0 0</td><td>0</td><td>Do not insert any recovery cycles</td></tr> <tr> <td>0 0 0</td><td>1</td><td>Insert 1 recovery cycle</td></tr> <tr> <td>0 0 1</td><td>0</td><td>Insert 2 recovery cycles</td></tr> <tr> <td>0 0 1</td><td>1</td><td>Insert 3 recovery cycles</td></tr> <tr> <td>0 1 0</td><td>0</td><td>Insert 4 recovery cycles</td></tr> <tr> <td>0 1 0</td><td>1</td><td>Insert 5 recovery cycles</td></tr> <tr> <td>0 1 1</td><td>0</td><td>Insert 6 recovery cycles</td></tr> <tr> <td>0 1 1</td><td>1</td><td>Insert 7 recovery cycles</td></tr> <tr> <td>1 0 0</td><td>0</td><td>Insert 8 recovery cycles</td></tr> <tr> <td>1 0 0</td><td>1</td><td>Insert 9 recovery cycles</td></tr> <tr> <td>1 0 1</td><td>0</td><td>Insert 10 recovery cycles</td></tr> <tr> <td>1 0 1</td><td>1</td><td>Insert 11 recovery cycles</td></tr> <tr> <td>1 1 0</td><td>0</td><td>Insert 12 recovery cycles</td></tr> <tr> <td>1 1 0</td><td>1</td><td>Insert 13 recovery cycles</td></tr> <tr> <td>1 1 1</td><td>0</td><td>Insert 14 recovery cycles</td></tr> <tr> <td>1 1 1</td><td>1</td><td>Insert 15 recovery cycles.</td></tr> </table> | b11 | b8 |  | 0 0 0 | 0 | Do not insert any recovery cycles | 0 0 0 | 1 | Insert 1 recovery cycle | 0 0 1 | 0 | Insert 2 recovery cycles | 0 0 1 | 1 | Insert 3 recovery cycles | 0 1 0 | 0 | Insert 4 recovery cycles | 0 1 0 | 1 | Insert 5 recovery cycles | 0 1 1 | 0 | Insert 6 recovery cycles | 0 1 1 | 1 | Insert 7 recovery cycles | 1 0 0 | 0 | Insert 8 recovery cycles | 1 0 0 | 1 | Insert 9 recovery cycles | 1 0 1 | 0 | Insert 10 recovery cycles | 1 0 1 | 1 | Insert 11 recovery cycles | 1 1 0 | 0 | Insert 12 recovery cycles | 1 1 0 | 1 | Insert 13 recovery cycles | 1 1 1 | 0 | Insert 14 recovery cycles | 1 1 1 | 1 | Insert 15 recovery cycles. | R/W |
| b11        | b8                        |                                   |   |     |    |  |       |   |                                   |       |   |                         |       |   |                          |       |   |                          |       |   |                          |       |   |                          |       |   |                          |       |   |                          |       |   |                          |       |   |                          |       |   |                           |       |   |                           |       |   |                           |       |   |                           |       |   |                           |       |   |                            |     |
| 0 0 0      | 0                         | Do not insert any recovery cycles |   |     |    |  |       |   |                                   |       |   |                         |       |   |                          |       |   |                          |       |   |                          |       |   |                          |       |   |                          |       |   |                          |       |   |                          |       |   |                          |       |   |                           |       |   |                           |       |   |                           |       |   |                           |       |   |                           |       |   |                            |     |
| 0 0 0      | 1                         | Insert 1 recovery cycle           |   |     |    |  |       |   |                                   |       |   |                         |       |   |                          |       |   |                          |       |   |                          |       |   |                          |       |   |                          |       |   |                          |       |   |                          |       |   |                          |       |   |                           |       |   |                           |       |   |                           |       |   |                           |       |   |                           |       |   |                            |     |
| 0 0 1      | 0                         | Insert 2 recovery cycles          |   |     |    |  |       |   |                                   |       |   |                         |       |   |                          |       |   |                          |       |   |                          |       |   |                          |       |   |                          |       |   |                          |       |   |                          |       |   |                          |       |   |                           |       |   |                           |       |   |                           |       |   |                           |       |   |                           |       |   |                            |     |
| 0 0 1      | 1                         | Insert 3 recovery cycles          |   |     |    |  |       |   |                                   |       |   |                         |       |   |                          |       |   |                          |       |   |                          |       |   |                          |       |   |                          |       |   |                          |       |   |                          |       |   |                          |       |   |                           |       |   |                           |       |   |                           |       |   |                           |       |   |                           |       |   |                            |     |
| 0 1 0      | 0                         | Insert 4 recovery cycles          |   |     |    |  |       |   |                                   |       |   |                         |       |   |                          |       |   |                          |       |   |                          |       |   |                          |       |   |                          |       |   |                          |       |   |                          |       |   |                          |       |   |                           |       |   |                           |       |   |                           |       |   |                           |       |   |                           |       |   |                            |     |
| 0 1 0      | 1                         | Insert 5 recovery cycles          |   |     |    |  |       |   |                                   |       |   |                         |       |   |                          |       |   |                          |       |   |                          |       |   |                          |       |   |                          |       |   |                          |       |   |                          |       |   |                          |       |   |                           |       |   |                           |       |   |                           |       |   |                           |       |   |                           |       |   |                            |     |
| 0 1 1      | 0                         | Insert 6 recovery cycles          |   |     |    |  |       |   |                                   |       |   |                         |       |   |                          |       |   |                          |       |   |                          |       |   |                          |       |   |                          |       |   |                          |       |   |                          |       |   |                          |       |   |                           |       |   |                           |       |   |                           |       |   |                           |       |   |                           |       |   |                            |     |
| 0 1 1      | 1                         | Insert 7 recovery cycles          |   |     |    |  |       |   |                                   |       |   |                         |       |   |                          |       |   |                          |       |   |                          |       |   |                          |       |   |                          |       |   |                          |       |   |                          |       |   |                          |       |   |                           |       |   |                           |       |   |                           |       |   |                           |       |   |                           |       |   |                            |     |
| 1 0 0      | 0                         | Insert 8 recovery cycles          |   |     |    |  |       |   |                                   |       |   |                         |       |   |                          |       |   |                          |       |   |                          |       |   |                          |       |   |                          |       |   |                          |       |   |                          |       |   |                          |       |   |                           |       |   |                           |       |   |                           |       |   |                           |       |   |                           |       |   |                            |     |
| 1 0 0      | 1                         | Insert 9 recovery cycles          |   |     |    |  |       |   |                                   |       |   |                         |       |   |                          |       |   |                          |       |   |                          |       |   |                          |       |   |                          |       |   |                          |       |   |                          |       |   |                          |       |   |                           |       |   |                           |       |   |                           |       |   |                           |       |   |                           |       |   |                            |     |
| 1 0 1      | 0                         | Insert 10 recovery cycles         |   |     |    |  |       |   |                                   |       |   |                         |       |   |                          |       |   |                          |       |   |                          |       |   |                          |       |   |                          |       |   |                          |       |   |                          |       |   |                          |       |   |                           |       |   |                           |       |   |                           |       |   |                           |       |   |                           |       |   |                            |     |
| 1 0 1      | 1                         | Insert 11 recovery cycles         |   |     |    |  |       |   |                                   |       |   |                         |       |   |                          |       |   |                          |       |   |                          |       |   |                          |       |   |                          |       |   |                          |       |   |                          |       |   |                          |       |   |                           |       |   |                           |       |   |                           |       |   |                           |       |   |                           |       |   |                            |     |
| 1 1 0      | 0                         | Insert 12 recovery cycles         |   |     |    |  |       |   |                                   |       |   |                         |       |   |                          |       |   |                          |       |   |                          |       |   |                          |       |   |                          |       |   |                          |       |   |                          |       |   |                          |       |   |                           |       |   |                           |       |   |                           |       |   |                           |       |   |                           |       |   |                            |     |
| 1 1 0      | 1                         | Insert 13 recovery cycles         |   |     |    |  |       |   |                                   |       |   |                         |       |   |                          |       |   |                          |       |   |                          |       |   |                          |       |   |                          |       |   |                          |       |   |                          |       |   |                          |       |   |                           |       |   |                           |       |   |                           |       |   |                           |       |   |                           |       |   |                            |     |
| 1 1 1      | 0                         | Insert 14 recovery cycles         |   |     |    |  |       |   |                                   |       |   |                         |       |   |                          |       |   |                          |       |   |                          |       |   |                          |       |   |                          |       |   |                          |       |   |                          |       |   |                          |       |   |                           |       |   |                           |       |   |                           |       |   |                           |       |   |                           |       |   |                            |     |
| 1 1 1      | 1                         | Insert 15 recovery cycles.        |   |     |    |  |       |   |                                   |       |   |                         |       |   |                          |       |   |                          |       |   |                          |       |   |                          |       |   |                          |       |   |                          |       |   |                          |       |   |                          |       |   |                           |       |   |                           |       |   |                           |       |   |                           |       |   |                           |       |   |                            |     |
| b15 to b12 | —                         | Reserved                          | These bits are read as 0. The write value should be 0.  | R/W |    |  |       |   |                                   |       |   |                         |       |   |                          |       |   |                          |       |   |                          |       |   |                          |       |   |                          |       |   |                          |       |   |                          |       |   |                          |       |   |                           |       |   |                           |       |   |                           |       |   |                           |       |   |                           |       |   |                            |     |

Do not attempt to write to the CSnREC register while the external bus is being accessed.

When the preceding bus access is from a separate bus, CSnREC is valid when the recovery cycle insertion is enabled in the Separate Bus Recovery Cycle Insertion Enable bit (RCVEN<sub>i</sub> (i = 0 to 7)) in CSRECEN. When the preceding bus access is an address/data multiplexed bus access, CSnREC is valid when the recovery cycle insertion is enabled with the Multiplexed Bus Recovery Cycle Insertion Enable bit (RCVENM<sub>j</sub> (j = 0 to 7)) in CSRECEN. For more information, see [section 15.5.4, Insertion of Recovery Cycles](#).

#### [RRCV\[3:0\] bits \(Read Recovery\)](#)

The RRCV[3:0] bits specify the number of recovery cycles inserted after a read access on the external bus for CSn (n = 0 to 7). When recovery cycle insertion is enabled and a value other than 0000b is set, 1 to 15 recovery cycles are inserted when:

- After a read access to the external bus, a read access is made to the external bus in the same area

- After a read access to the external bus, a read access is made to the external bus in a different area
- After a read access to the external bus, a write access is made to the external bus in the same area
- After a read access to the external bus, a write access is made to the external bus in a different area.

### WRCV[3:0] bits (Write Recovery)

The WRCV[3:0] bits specify the number of recovery cycles inserted after a write access on the external bus for CS<sub>n</sub> (n = 0 to 7). When recovery cycle insertion is enabled and a value other than 0000b is set, 1 to 15 recovery cycles are inserted when:

- After a write access to the external bus, a read access is made to the external bus in the same area
- After a write access to the external bus, a read access is made to the external bus in a different area
- After a write access to the external bus, a write access is made to the external bus in the same area
- After a write access to the external bus, a write access is made to the external bus in a different area.

### 15.3.3 CS Recovery Cycle Insertion Enable Register (CSRECEN)

Address(es): [BUS.CSRECEN 4000 3880h](#)

|                    |             |             |             |             |             |             |             |             |            |            |            |            |            |            |            |            |
|--------------------|-------------|-------------|-------------|-------------|-------------|-------------|-------------|-------------|------------|------------|------------|------------|------------|------------|------------|------------|
|                    | b15         | b14         | b13         | b12         | b11         | b10         | b9          | b8          | b7         | b6         | b5         | b4         | b3         | b2         | b1         | b0         |
|                    | RCVEN<br>M7 | RCVEN<br>M6 | RCVEN<br>M5 | RCVEN<br>M4 | RCVEN<br>M3 | RCVEN<br>M2 | RCVEN<br>M1 | RCVEN<br>M0 | RCVEN<br>7 | RCVEN<br>6 | RCVEN<br>5 | RCVEN<br>4 | RCVEN<br>3 | RCVEN<br>2 | RCVEN<br>1 | RCVEN<br>0 |
| Value after reset: | 0           | 0           | 1           | 1           | 1           | 1           | 1           | 0           | 0          | 0          | 1          | 1          | 1          | 1          | 1          | 0          |

| Bit | Symbol                  | Bit name  | Description              | R/W |
|-----|-------------------------|---|--------------------------|-----|
| b0  | <a href="#">RCVEN0</a>  | Separate Bus Recovery Cycle Insertion Enable 0    | 0: Disable<br>1: Enable. | R/W |
| b1  | <a href="#">RCVEN1</a>  | Separate Bus Recovery Cycle Insertion Enable 1    | 0: Disable<br>1: Enable. | R/W |
| b2  | <a href="#">RCVEN2</a>  | Separate Bus Recovery Cycle Insertion Enable 2    | 0: Disable<br>1: Enable. | R/W |
| b3  | <a href="#">RCVEN3</a>  | Separate Bus Recovery Cycle Insertion Enable 3    | 0: Disable<br>1: Enable. | R/W |
| b4  | <a href="#">RCVEN4</a>  | Separate Bus Recovery Cycle Insertion Enable 4    | 0: Disable<br>1: Enable. | R/W |
| b5  | <a href="#">RCVEN5</a>  | Separate Bus Recovery Cycle Insertion Enable 5    | 0: Disable<br>1: Enable. | R/W |
| b6  | <a href="#">RCVEN6</a>  | Separate Bus Recovery Cycle Insertion Enable 6    | 0: Disable<br>1: Enable. | R/W |
| b7  | <a href="#">RCVEN7</a>  | Separate Bus Recovery Cycle Insertion Enable 7    | 0: Disable<br>1: Enable. | R/W |
| b8  | <a href="#">RCVENM0</a> | Multiplexed Bus Recovery Cycle Insertion Enable 0 | 0: Disable<br>1: Enable. | R/W |
| b9  | <a href="#">RCVENM1</a> | Multiplexed Bus Recovery Cycle Insertion Enable 1 | 0: Disable<br>1: Enable. | R/W |
| b10 | <a href="#">RCVENM2</a> | Multiplexed Bus Recovery Cycle Insertion Enable 2 | 0: Disable<br>1: Enable. | R/W |
| b11 | <a href="#">RCVENM3</a> | Multiplexed Bus Recovery Cycle Insertion Enable 3 | 0: Disable<br>1: Enable. | R/W |
| b12 | <a href="#">RCVENM4</a> | Multiplexed Bus Recovery Cycle Insertion Enable 4 | 0: Disable<br>1: Enable. | R/W |
| b13 | <a href="#">RCVENM5</a> | Multiplexed Bus Recovery Cycle Insertion Enable 5 | 0: Disable<br>1: Enable. | R/W |



| Bit | Symbol  | Bit name  | Description              | R/W |
|-----|---------|---|--------------------------|-----|
| b14 | RCVENM6 | Multiplexed Bus Recovery Cycle Insertion Enable 6 | 0: Disable<br>1: Enable. | R/W |
| b15 | RCVENM7 | Multiplexed Bus Recovery Cycle Insertion Enable 7 | 0: Disable<br>1: Enable. | R/W |

Do not attempt to write to the CSRECEN register while the external bus is being accessed. For more information on insertion recovery cycles, see [15.5.4 Insertion of Recovery Cycles](#).

#### RCVEN<sub>i</sub> bit (Separate Bus Recovery Cycle Insertion Enable i) (i = 0 to 7)

The RCVEN<sub>i</sub> bit enables the insertion of read or write recovery cycles when, after a read or write access on the external bus, a read or write access is made on the external bus to the same or different area.

#### RCVENM<sub>j</sub> bit (Multiplexed Bus Recovery Cycle Insertion Enable j) (j = 0 to 7)

The RCVENM<sub>j</sub> bit enables the insertion of read or write recovery cycles when, after a read or write access on the external bus, a read or write access is made on the external bus to the same or different area.

**Table 15.5** Insertion of recovery cycles

| Access type                     | External address space | Insertion of recovery cycles  | Associated bits (Separate/Multiplexed) |
|---------------------------------|------------------------|---|--|
| Read access after read access   | Same area              | Recovery cycles specified in the RRCV[3:0] bits are inserted for the priority access area | RCVEN0/RCVENM0                         |
|                                 | Different area         | Recovery cycles specified in the RRCV[3:0] bits are inserted for the priority access area | RCVEN1/RCVENM1                         |
| Write access after read access  | Same area              | Recovery cycles specified in the RRCV[3:0] bits are inserted for the priority access area | RCVEN2/RCVENM2                         |
|                                 | Different area         | Recovery cycles specified in the RRCV[3:0] bits are inserted for the priority access area | RCVEN3/RCVENM3                         |
| Read access after write access  | Same area              | Recovery cycles specified in the WRCV[3:0] bits are inserted for the priority access area | RCVEN4/RCVENM4                         |
|                                 | Different area         | Recovery cycles specified in the WRCV[3:0] bits are inserted for the priority access area | RCVEN5/RCVENM5                         |
| Write access after write access | Same area              | Recovery cycles specified in the WRCV[3:0] bits are inserted for the priority access area | RCVEN6/RCVENM6                         |
|                                 | Different area         | Recovery cycles specified in the WRCV[3:0] bits are inserted for the priority access area | RCVEN7/RCVENM7                         |

### 15.3.4 CSn Mode Register (CSnMOD) (n = 0 to 7)

Address(es): [BUS.CS0MOD 4000 3002h](#), [BUS.CS1MOD 4000 3012h](#), [BUS.CS2MOD 4000 3022h](#), [BUS.CS3MOD 4000 3032h](#),  
[BUS.CS4MOD 4000 3042h](#), [BUS.CS5MOD 4000 3052h](#), [BUS.CS6MOD 4000 3062h](#), [BUS.CS7MOD 4000 3072h](#)

|       |     |     |     |     |     |       |       |    |    |    |    |       |    |    |       |
|-------|-----|-----|-----|-----|-----|-------|-------|----|----|----|----|-------|----|----|-------|
| b15   | b14 | b13 | b12 | b11 | b10 | b9    | b8    | b7 | b6 | b5 | b4 | b3    | b2 | b1 | b0    |
| PRMOD | —   | —   | —   | —   | —   | PWENB | PRENB | —  | —  | —  | —  | EWENB | —  | —  | WRMOD |
| 0     | 0   | 0   | 0   | 0   | 0   | 0     | 0     | 0  | 0  | 0  | 0  | 0     | 0  | 0  | 0     |

Value after reset:

| Bit        | Symbol                | Bit name                     | Description  | R/W |
|------------|-----------------------|------------------------------|--|-----|
| b0         | <a href="#">WRMOD</a> | Write Access Mode Select     | 0: Byte strobe mode<br>1: Single-write strobe mode.                                  | R/W |
| b2, b1     | —                     | Reserved                     | These bits are read as 0. The write value should be 0.                               | R/W |
| b3         | <a href="#">EWENB</a> | External Wait Enable         | 0: Disable<br>1: Enable.   | R/W |
| b7 to b4   | —                     | Reserved                     | These bits are read as 0. The write value should be 0.                               | R/W |
| b8         | <a href="#">PRENB</a> | Page Read Access Enable      | 0: Disable<br>1: Enable.   | R/W |
| b9         | <a href="#">PWENB</a> | Page Write Access Enable     | 0: Disable<br>1: Enable.   | R/W |
| b14 to b10 | —                     | Reserved                     | These bits are read as 0. The write value should be 0.                               | R/W |
| b15        | <a href="#">PRMOD</a> | Page Read Access Mode Select | 0: Normal access compatible mode<br>1: External data read continuous assertion mode. | R/W |

Do not write to the CSnMOD register while access to the CSn area is in progress.

#### [WRMOD](#) bit (Write Access Mode Select)

The WRMOD bit selects the write access operating mode. Writing 0 selects byte strobe mode, in which data writes are controlled by the WRn signals (n = 0 to 1) associated with the respective byte positions. Writing 1 selects single-write strobe mode, in which data writes are controlled by the BCn (n = 0 to 1) and WR signals associated with the respective byte positions.

Note: Setting the external bus width to 8 bits is prohibited in single-write strobe mode.

**Table 15.6 Control signals for write access modes**

| Write access mode        | Pin name |         |     |     |
|--------------------------|----------|---------|-----|-----|
|                          | WR1      | WR0/WR  | BC1 | BC0 |
| Byte strobe mode         | ✓        | ✓ (WR0) | ×   | ×   |
| Single-write strobe mode | ×        | ✓ (WR)  | ✓   | ✓   |

✓: Enabled, ×: Disabled

#### [EWENB](#) bit (External Wait Enable)

The EWENB bit enables external waits. Writing 0 disables the WAIT signal. Writing 1 selects external wait and allows the WAIT signal to control the number of waits per cycle. In this state, wait cycles are inserted when the WAIT signal is low.

#### [PRENB](#) bit (Page Read Access Enable)

The PRENB bit enables page read accesses.

Note: When the address/data multiplexed I/O interface is selected with the CSnCR.MPXEN bit, PRENB should not be set to enable page read accesses. Page read accesses are not supported in the address/data multiplexed I/O interface.

**PWENB bit (Page Write Access Enable)**

The PWENB bit enables page write accesses.

Note: When the address/data multiplexed I/O interface is selected with the CSnCR.MPXEN bit, PWENB should not be set to enable page write accesses. Page write accesses are not supported in the address/data multiplexed I/O interface.

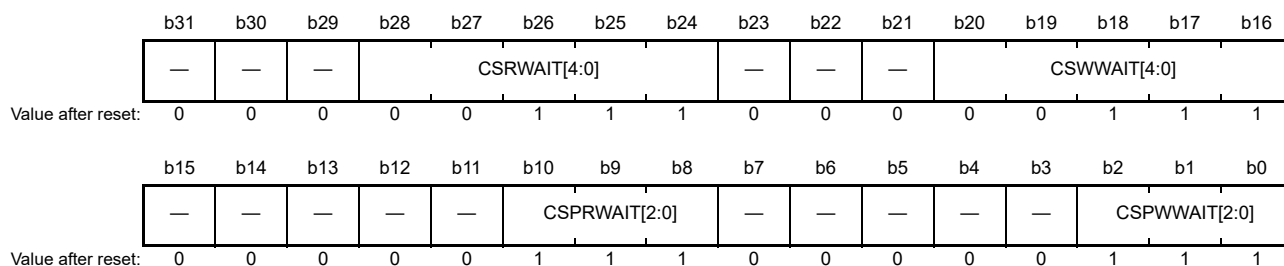
**PRMOD bit (Page Read Access Mode Select)**

The PRMOD bit selects the operating mode for page read accesses. Writing 0 selects normal access compatible mode, in which the RD signal is negated and an RD assert wait is inserted each time a unit of data is read. When there is no RD assert wait, the RD signal is negated only in the final transfer of the external bus access.

Writing 1 selects external data read continuous assertion mode, in which an RD assert wait is inserted and the RD signal is continuously asserted during the wait.

**15.3.5 CSn Wait Control Register 1 (CSnWCR1) (n = 0 to 7)**

Address(es): [BUS.CS0WCR1 4000 3004h](#), [BUS.CS1WCR1 4000 3014h](#), [BUS.CS2WCR1 4000 3024h](#), [BUS.CS3WCR1 4000 3034h](#),  
[BUS.CS4WCR1 4000 3044h](#), [BUS.CS5WCR1 4000 3054h](#), [BUS.CS6WCR1 4000 3064h](#), [BUS.CS7WCR1 4000 3074h](#)



| Bit        | Symbol                        | Bit name                       | Description   | R/W |
|------------|-------------------------------|--------------------------------|---|-----|
| b2 to b0   | <a href="#">CSPWWAIT[2:0]</a> | Page Write Cycle Wait Select*1 | b2 b0<br>0 0 0: Do not insert wait<br>0 0 1: Insert wait of 1 clock cycle<br>0 1 0: Insert wait of 2 clock cycles<br>0 1 1: Insert wait of 3 clock cycles<br>1 0 0: Insert wait of 4 clock cycles<br>1 0 1: Insert wait of 5 clock cycles<br>1 1 0: Insert wait of 6 clock cycles<br>1 1 1: Insert wait of 7 clock cycles.  | R/W |
| b7 to b3   | —                             | Reserved                       | These bits are read as 0. The write value should be 0.  | R/W |
| b10 to b8  | <a href="#">CSPRWAIT[2:0]</a> | Page Read Cycle Wait Select*2  | b10 b8<br>0 0 0: Do not insert wait<br>0 0 1: Insert wait of 1 clock cycle<br>0 1 0: Insert wait of 2 clock cycles<br>0 1 1: Insert wait of 3 clock cycles<br>1 0 0: Insert wait of 4 clock cycles<br>1 0 1: Insert wait of 5 clock cycles<br>1 1 0: Insert wait of 6 clock cycles<br>1 1 1: Insert wait of 7 clock cycles. | R/W |
| b15 to b11 | —                             | Reserved                       | These bits are read as 0. The write value should be 0.  | R/W |

| Bit        | Symbol       | Bit name                       | Description  | R/W |
|------------|--------------|--------------------------------|--|-----|
| b20 to b16 | CSWWAIT[4:0] | Normal Write Cycle Wait Select | b20      b16<br>0 0 0 0: Do not insert wait<br>0 0 0 1: Insert wait of 1 clock cycle<br>0 0 1 0: Insert wait of 2 clock cycles<br>0 0 1 1: Insert wait of 3 clock cycles<br>...<br>1 1 1 0: Insert wait of 29 clock cycles<br>1 1 1 1: Insert wait of 30 clock cycles<br>1 1 1 1: Insert wait of 31 clock cycles.  | R/W |
| b23 to b21 | —            | Reserved                       | These bits are read as 0. The write value should be 0.   | R/W |
| b28 to b24 | CSRWAIT[4:0] | Normal Read Cycle Wait Select  | b28      b24<br>0 0 0 0: Do not insert wait<br>0 0 0 1: Insert wait of 1 clock cycle<br>0 0 1 0: Insert wait of 2 clock cycles<br>0 0 1 1: Insert wait of 3 clock cycles.<br>...<br>1 1 1 0: Insert wait of 29 clock cycles<br>1 1 1 1: Insert wait of 30 clock cycles<br>1 1 1 1: Insert wait of 31 clock cycles. | R/W |
| b31 to b29 | —            | Reserved                       | These bits are read as 0. The write value should be 0.   | R/W |

Note 1. The CSPWWAIT[2:0] value is only valid when the CSnMOD.PWENB bit is set to 1.

Note 2. The CSPRWAIT[2:0] value is only valid when the CSnMOD.PRENB bit is set to 1.

Do not attempt to write to the CSnWCR1 register while the external bus is being accessed. Set each of these bits within a range of the restrictions described in [section 15.5.7, Constraints, \(1\) Constraints on using a separate bus interface](#) or [section 15.5.7, Constraints, \(2\) Constraints on using address/data multiplexed bus interface](#), according to the bus interface used.

#### CSPWWAIT[2:0] bits (Page Write Cycle Wait Select)

The CSPWWAIT[2:0] bits specify the number of wait cycles to be inserted into the second and subsequent accesses during a page write cycle. The setting is enabled when the CSnMOD.PWENB bit is set to 1.

Note: The settings must satisfy  $1 \leq \text{CSnWCR2.WDON}[2:0] \text{ value} \leq \text{CSnWCR2.WRON}[2:0] \text{ value} \leq \text{CSnWCR1.CSPWWAIT}[2:0] \text{ value}$ , and  $\text{CSnWCR2.CSON}[2:0] \text{ value} \leq \text{CSnWCR2.WRON}[2:0] \text{ value} \leq \text{CSnWCR1.CSPWWAIT}[2:0] \text{ value}$ .

#### CSPRWAIT[2:0] bits (Page Read Cycle Wait Select)

The CSPRWAIT[2:0] bits specify the number of wait cycles to be inserted into the second and subsequent accesses during a page read cycle. The setting is enabled when the CSnMOD.PRENB bit is set to 1.

Note: The settings must satisfy  $\text{CSnWCR2.CSON}[2:0] \text{ value} \leq \text{CSnWCR2.RDON}[2:0] \text{ value} \leq \text{CSnWCR1.CSPRWAIT}[2:0] \text{ value}$ .

#### CSWWAIT[4:0] bits (Normal Write Cycle Wait Select)

The CSWWAIT[4:0] bits specify the number of wait cycles to be inserted into the first access during a normal write cycle or page write cycle.

Note: The settings must satisfy  $1 \leq \text{CSnWCR2.WDON}[2:0] \text{ value} \leq \text{CSnWCR2.WRON}[2:0] \text{ value} \leq \text{CSnWCR1.CSWWAIT}[4:0] \text{ value}$ , and  $\text{CSnWCR2.CSON}[2:0] \text{ value} \leq \text{CSnWCR2.WRON}[2:0] \text{ value} \leq \text{CSnWCR1.CSWWAIT}[4:0] \text{ value}$ .

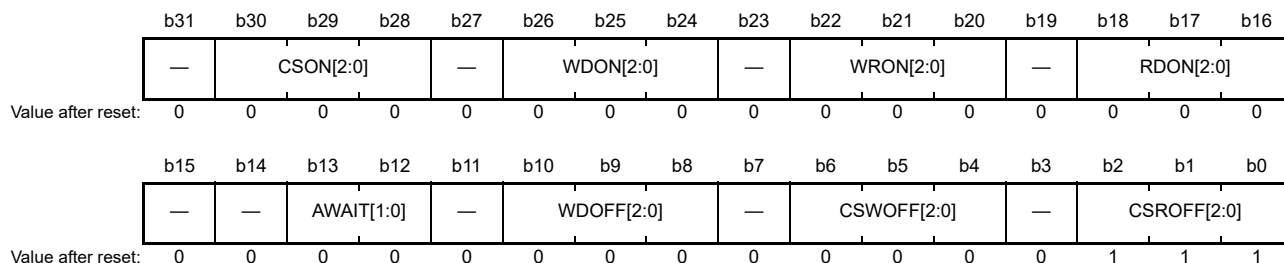
#### CSRWAIT[4:0] bits (Normal Read Cycle Wait Select)

The CSRWAIT[4:0] bits specify the number of wait cycles to be inserted into the first access during a normal read cycle or page read cycle.

Note: The settings must satisfy CSnWCR2.CSON[2:0] value  $\leq$  CSnWCR2.RDON[2:0] value  $\leq$  CSnWCR1.CSRWAIT[4:0] value.

### 15.3.6 CSn Wait Control Register 2 (CSnWCR2) (n = 0 to 7)

Address(es): [BUS.CS0WCR2 4000 3008h](#), [BUS.CS1WCR2 4000 3018h](#), [BUS.CS2WCR2 4000 3028h](#), [BUS.CS3WCR2 4000 3038h](#), [BUS.CS4WCR2 4000 3048h](#), [BUS.CS5WCR2 4000 3058h](#), [BUS.CS6WCR2 4000 3068h](#), [BUS.CS7WCR2 4000 3078h](#)



| Bit       | Symbol                      | Bit name                                 | Description   | R/W |
|-----------|-----------------------------|--|---|-----|
| b2 to b0  | <a href="#">CSROFF[2:0]</a> | Read-Access CS Extension Cycle Select    | b2 b0<br>0 0 0: Do not insert wait<br>0 0 1: Insert wait of 1 clock cycle<br>0 1 0: Insert wait of 2 clock cycles<br>0 1 1: Insert wait of 3 clock cycles<br>1 0 0: Insert wait of 4 clock cycles<br>1 0 1: Insert wait of 5 clock cycles<br>1 1 0: Insert wait of 6 clock cycles<br>1 1 1: Insert wait of 7 clock cycles.  | R/W |
| b3        | —                           | Reserved                                 | This bit is read as 0. The write value should be 0.   | R/W |
| b6 to b4  | <a href="#">CSWOFF[2:0]</a> | Write-Access CS Extension Cycle Select   | b6 b4<br>0 0 0: Do not insert wait<br>0 0 1: Insert wait of 1 clock cycle<br>0 1 0: Insert wait of 2 clock cycles<br>0 1 1: Insert wait of 3 clock cycles<br>1 0 0: Insert wait of 4 clock cycles<br>1 0 1: Insert wait of 5 clock cycles<br>1 1 0: Insert wait of 6 clock cycles<br>1 1 1: Insert wait of 7 clock cycles.  | R/W |
| b7        | —                           | Reserved                                 | This bit is read as 0. The write value should be 0.   | R/W |
| b10 to b8 | <a href="#">WDOFF[2:0]</a>  | Write Data Output Extension Cycle Select | b10 b8<br>0 0 0: Do not insert wait<br>0 0 1: Insert wait of 1 clock cycle<br>0 1 0: Insert wait of 2 clock cycles<br>0 1 1: Insert wait of 3 clock cycles<br>1 0 0: Insert wait of 4 clock cycles<br>1 0 1: Insert wait of 5 clock cycles<br>1 1 0: Insert wait of 6 clock cycles<br>1 1 1: Insert wait of 7 clock cycles. | R/W |
| b11       | —                           | Reserved                                 | This bit is read as 0. The write value should be 0.   | R/W |
| b13, b12  | <a href="#">AWAIT[1:0]</a>  | Address Cycle Wait Select                | b13 b12<br>0 0: Do not insert wait<br>0 1: Insert wait of 1 clock cycle<br>1 0: Insert wait of 2 clock cycles<br>1 1: Insert wait of 3 clock cycles.  | R/W |
| b15, b14  | —                           | Reserved                                 | These bits are read as 0. The write value should be 0.  | R/W |

| Bit        | Symbol                    | Bit name                      | Description  | R/W |
|------------|---------------------------|-------------------------------|--|-----|
| b18 to b16 | <a href="#">RDON[2:0]</a> | RD Assert Wait Select         | b18 b16<br>0 0 0: Do not insert wait<br>0 0 1: Insert wait of 1 clock cycle<br>0 1 0: Insert wait of 2 clock cycles<br>0 1 1: Insert wait of 3 clock cycles<br>1 0 0: Insert wait of 4 clock cycles<br>1 0 1: Insert wait of 5 clock cycles<br>1 1 0: Insert wait of 6 clock cycles<br>1 1 1: Insert wait of 7 clock cycles. | R/W |
| b19        | —                         | Reserved                      | This bit is read as 0. The write value should be 0.  | R/W |
| b22 to b20 | <a href="#">WRON[2:0]</a> | WR Assert Wait Select         | b22 b20<br>0 0 0: Do not insert wait<br>0 0 1: Insert wait of 1 clock cycle<br>0 1 0: Insert wait of 2 clock cycles<br>0 1 1: Insert wait of 3 clock cycles<br>1 0 0: Insert wait of 4 clock cycles<br>1 0 1: Insert wait of 5 clock cycles<br>1 1 0: Insert wait of 6 clock cycles<br>1 1 1: Insert wait of 7 clock cycles. | R/W |
| b23        | —                         | Reserved                      | This bit is read as 0. The write value should be 0.  | R/W |
| b26 to b24 | <a href="#">WDON[2:0]</a> | Write Data Output Wait Select | b26 b24<br>0 0 0: Do not insert wait<br>0 0 1: Insert wait of 1 clock cycle<br>0 1 0: Insert wait of 2 clock cycles<br>0 1 1: Insert wait of 3 clock cycles<br>1 0 0: Insert wait of 4 clock cycles<br>1 0 1: Insert wait of 5 clock cycles<br>1 1 0: Insert wait of 6 clock cycles<br>1 1 1: Insert wait of 7 clock cycles. | R/W |
| b27        | —                         | Reserved                      | This bit is read as 0. The write value should be 0.  | R/W |
| b30 to b28 | <a href="#">CSON[2:0]</a> | CS Assert Wait Select         | b30 b28<br>0 0 0: Do not insert wait<br>0 0 1: Insert wait of 1 clock cycle<br>0 1 0: Insert wait of 2 clock cycles<br>0 1 1: Insert wait of 3 clock cycles<br>1 0 0: Insert wait of 4 clock cycles<br>1 0 1: Insert wait of 5 clock cycles<br>1 1 0: Insert wait of 6 clock cycles<br>1 1 1: Insert wait of 7 clock cycles. | R/W |
| b31        | —                         | Reserved                      | This bit is read as 0. The write value should be 0.  | R/W |

Do not attempt to write to the CSnWCR2 register while the external bus is being accessed. Set each of these bits within a range of the restrictions described in [section 15.5.7, Constraints, \(1\) Constraints on using a separate bus interface](#), or [section 15.5.7, Constraints, \(2\) Constraints on using address/data multiplexed bus interface](#), according to the bus interface used.

#### **CSROFF[2:0] bits (Read-Access CS Extension Cycle Select)**

The CSROFF[2:0] bits specify the number of wait cycles to be inserted during the period from the end of a wait cycle (RD signal negated) until the CSn signal (n = 0 to 7) is negated in read access mode.

#### **CSWOFF[2:0] bits (Write-Access CS Extension Cycle Select)**

The CSWOFF[2:0] bits specify the number of wait cycles to be inserted during the period from the end of a wait cycle (WRn signal (n = 0, 1) negated) until the CSn signal (n = 0 to 7) is negated in write access mode.

Note: The settings must satisfy CSnWCR2.WDOFF[2:0] value ≤ CSnWCR2.CSWOFF[2:0] value.

#### **WDOFF[2:0] bits (Write Data Output Extension Cycle Select)**

The WDOFF[2:0] bits specify the number of wait cycles to be inserted during the period from the end of a wait cycle (WRn signal (n = 0, 1) negated) until the write-data output is complete in write access mode.

Note: The settings must satisfy CSnWCR2.WDOFF[2:0] value ≤ CSnWCR2.CSWOFF[2:0] value.

**AWAIT[1:0] bits (Address Cycle Wait Select)**

The AWAIT[1:0] bits specify the number of wait cycles to be inserted into an address output cycle with the address/data multiplexed I/O interface.

Note: CSnWCR2.CSON[2:0] value  $\leq$  CSnWCR2.AWAIT[1:0] value.  
 For read access, satisfy CSnWCR2.AWAIT[1:0] value + 2  $\leq$  CSnWCR2.RDON[2:0] value  $\leq$  CSnWCR1.CSRWAIT[4:0] value.  
 For write access, satisfy CSnWCR2.AWAIT[1:0] value + 2  $\leq$  CSnWCR2.WRON[2:0] value  $\leq$  CSnWCR1.CSWWAIT[4:0] value and CSnWCR2.AWAIT[1:0] value + 2  $\leq$  CSnWCR2.WDON[2:0] value  $\leq$  CSnWCR1.CSWWAIT[4:0] value.

**RDON[2:0] bits (RD Assert Wait Select)**

The RDON[2:0] bits specify the number of wait cycles to be inserted before the RD signal is asserted.

Note: For normal read access, satisfy CSnWCR2.CSON[2:0] value  $\leq$  CSnWCR2.RDON[2:0] value  $\leq$  CSnWCR1.CSRWAIT[4:0] value.  
 For page read access, satisfy CSnWCR2.CSON[2:0] value  $\leq$  CSnWCR2.RDON[2:0] value  $\leq$  CSnWCR1.CSPRWAIT[2:0] value.  
 When the address/data multiplexed I/O interface is selected, satisfy CSnWCR2.AWAIT[1:0] value + 2  $\leq$  CSnWCR2.RDON[2:0] value  $\leq$  CSnWCR1.CSRWAIT[4:0] value.

**WRON[2:0] bits (WR Assert Wait Select)**

The WRON[2:0] bits specify the number of wait cycles to be inserted before the WRn signal (n = 0, 1) is asserted.

Note: For normal write access, satisfy 1  $\leq$  CSnWCR2.WDON[2:0] value  $\leq$  CSnWCR2.WRON[2:0] value  $\leq$  CSnWCR1.CSWWAIT[4:0] value, and CSnWCR2.CSON[2:0] value  $\leq$  CSnWCR2.WRON[2:0] value  $\leq$  CSnWCR1.CSWWAIT[4:0] value.  
 For page write access, satisfy 1  $\leq$  CSnWCR2.WDON[2:0] value  $\leq$  CSnWCR2.WRON[2:0] value  $\leq$  CSnWCR1.CSPWAIT[2:0] value, and CSnWCR2.CSON[2:0] value  $\leq$  CSnWCR2.WRON[2:0] value  $\leq$  CSnWCR1.CSPWAIT[2:0] value.  
 When the address/data multiplexed I/O interface is selected, satisfy CSnWCR2.AWAIT[1:0] value + 2  $\leq$  CSnWCR2.WRON[2:0] value  $\leq$  CSnWCR1.CSWWAIT[4:0] value.

**WDON[2:0] bits (Write Data Output Wait Select)**

The WDON[2:0] bits specify the number of wait cycles to be inserted before the write data is output.

Note: For normal write access, satisfy 1  $\leq$  CSnWCR2.WDON[2:0] value  $\leq$  CSnWCR2.WRON[2:0] value  $\leq$  CSnWCR1.CSWWAIT[4:0] value.  
 For page write access, satisfy 1  $\leq$  CSnWCR2.WDON[2:0] value  $\leq$  CSnWCR2.WRON[2:0] value  $\leq$  CSnWCR1.CSPWAIT[2:0] value.  
 When the address/data multiplexed I/O interface is selected, satisfy CSnWCR2.AWAIT[1:0] value + 2  $\leq$  CSnWCR2.WDON[2:0] value  $\leq$  CSnWCR1.CSWWAIT[4:0] value.

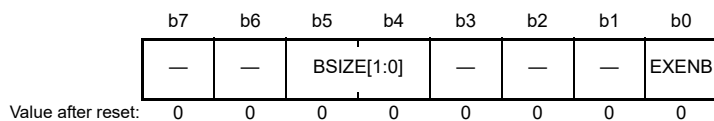
**CSON[2:0] bits (CS Assert Wait Select)**

The CSON[2:0] bits specify the number of wait cycles to be inserted before the CSn signal (n = 0 to 7) is asserted.

Note: For normal read access, satisfy CSnWCR2.CSON[2:0] value  $\leq$  CSnWCR2.RDON[2:0] value  $\leq$  CSnWCR1.CSRWAIT[4:0] value.  
 For page read access, satisfy CSnWCR2.CSON[2:0] value  $\leq$  CSnWCR2.RDON[2:0] value  $\leq$  CSnWCR1.CSPRWAIT[2:0] value.  
 For normal write access, satisfy CSnWCR2.CSON[2:0] value  $\leq$  CSnWCR2.WRON[2:0] value  $\leq$  CSnWCR1.CSWWAIT[4:0] value.  
 For page write access, satisfy CSnWCR2.CSON[2:0] value  $\leq$  CSnWCR2.WRON[2:0] value  $\leq$  CSnWCR1.CSPWAIT[2:0] value.  
 When the address/data multiplexed I/O interface is selected, satisfy CSnWCR2.CSON[2:0] value  $\leq$  CSnWCR2.AWAIT[1:0] value.

### 15.3.7 SDC Control Register (SDCCR)

Address(es): [BUS.SDCCR 4000 3C00h](#)



| Bit      | Symbol                     | Bit name               | Description   | R/W |
|----------|----------------------------|------------------------|---|-----|
| b0       | <a href="#">EXENB</a>      | Operation Enable       | 0: Disable<br>1: Enable.  | R/W |
| b3 to b1 | —                          | Reserved               | These bits are read as 0. The write value should be 0.  | R/W |
| b5, b4   | <a href="#">BSIZE[1:0]</a> | SDRAM Bus Width Select | b5 b4<br>0 0: 16-bit bus space<br>0 1: Setting prohibited<br>1 0: 8-bit bus space<br>1 1: Setting prohibited. | R/W |
| b7, b6   | —                          | Reserved               | These bits are read as 0. The write value should be 0.  | R/W |

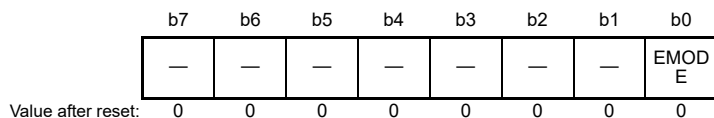
#### **EXENB bit (Operation Enable)**

The EXENB bit enables the operation of the SDRAM address space. On reset, operation is disabled (EXENB = 0). Attempts to access disabled areas have no effect.

When CSC and SDRAMC are in use at the same time, BCLK and SDCLK must operate at the same frequency.

### 15.3.8 SDC Mode Register (SDCMOD)

Address(es): [BUS.SDCMOD 4000 3C01h](#)



| Bit      | Symbol                | Bit name    | Description   | R/W |
|----------|-----------------------|-------------|---|-----|
| b0       | <a href="#">EMODE</a> | Endian Mode | 0: Endian order of SDRAM address space is the same as the endian order of the operating mode<br>1: Endian order of SDRAM address space is not the endian order of the operating mode. | R/W |
| b7 to b1 | —                     | Reserved    | These bits are read as 0. The write value should be 0.  | R/W |

Writing to this register is possible only once after release from reset. Operation is not guaranteed if more than one write access is attempted.

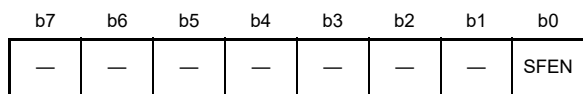
#### **EMODE bit (Endian Mode)**

The EMODE bit specifies the endianness for the SDRAM address space. The Cortex<sup>®</sup>-M4 core is fixed at little-endian order, so instruction code can only be allocated to external spaces with little-endian specified. If an area is specified as big-endian, no instruction code can be allocated to it.



### 15.3.9 SDRAM Self-Refresh Control Register (SDSELF)

Address(es): [BUS.SDSELF 4000 3C10h](#)



Value after reset: 0 0 0 0 0 0 0 0

| Bit      | Symbol | Bit name                  | Description  | R/W |
|----------|--------|---------------------------|--|-----|
| b0       | SFEN   | SDRAM Self-Refresh Enable | 0: Disable<br>1: Enable.                               | R/W |
| b7 to b1 | —      | Reserved                  | These bits are read as 0. The write value should be 0. | R/W |

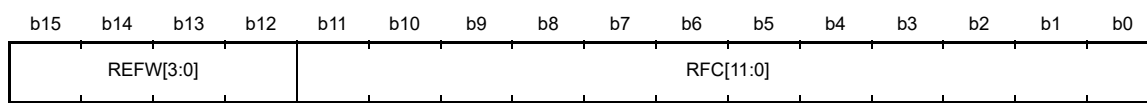
Set the SDSELF register only when the conditions in [Table 15.14](#) are satisfied. Otherwise, operation is not guaranteed.

#### SFEN bit (SDRAM Self-Refresh Enable)

The SFEN bit controls the self-refresh operation. Setting this bit to 1 initiates an auto-refresh cycle, after which self-refresh begins. Clearing this bit to 0 ends the self-refresh, and auto-refresh resumes. When the bit is set to 1, the write value takes effect when the self-refresh operation starts. When it is cleared to 0, the write value has already taken effect when auto-refresh starts after the end of the self-refresh.

### 15.3.10 SDRAM Refresh Control Register (SDRFCSR)

Address(es): [BUS.SDRFCSR 4000 3C14h](#)



Value after reset: 0 0 0 0 0 0 0 0 0 0 0 0 0 0 0 1

| Bit        | Symbol    | Bit name   | Description   | R/W |     |     |     |    |    |    |                       |    |    |    |             |   |   |   |             |   |   |   |             |   |   |   |                       |   |   |   |             |   |   |   |             |   |   |   |             |   |   |   |             |   |   |   |              |   |   |   |              |   |   |   |              |   |   |   |              |   |   |   |              |   |   |   |              |   |   |   |               |     |   |   |              |     |
|------------|-----------|--|---|-----|-----|-----|-----|----|----|----|-----------------------|----|----|----|-------------|---|---|---|-------------|---|---|---|-------------|---|---|---|-----------------------|---|---|---|-------------|---|---|---|-------------|---|---|---|-------------|---|---|---|-------------|---|---|---|--------------|---|---|---|--------------|---|---|---|--------------|---|---|---|--------------|---|---|---|--------------|---|---|---|--------------|---|---|---|---------------|-----|---|---|--------------|-----|
| b11 to b0  | RFC[11:0] | Auto-Refresh Request Interval Setting                        | <table border="1"> <thead> <tr> <th>b11</th> <th>b10</th> <th>b9</th> <th>b8</th> <th>b7</th> <th>b6</th> <th>b5</th> <th>b4</th> <th>b3</th> <th>b2</th> <th>b1</th> <th>b0</th> </tr> </thead> <tbody> <tr> <td>0</td><td>0</td><td>0</td><td>0</td><td>0</td><td>0</td><td>0</td><td>0</td><td>0</td><td>0</td><td>0</td><td>0: Setting prohibited</td> </tr> <tr> <td>0</td><td>0</td><td>0</td><td>0</td><td>0</td><td>0</td><td>0</td><td>0</td><td>0</td><td>0</td><td>1</td><td>2 cycles</td> </tr> <tr> <td>0</td><td>0</td><td>0</td><td>0</td><td>0</td><td>0</td><td>0</td><td>0</td><td>0</td><td>1</td><td>0</td><td>3 cycles</td> </tr> <tr> <td></td><td></td><td></td><td></td><td></td><td></td><td></td><td></td><td></td><td></td><td>:</td><td></td> </tr> <tr> <td>1</td><td>1</td><td>1</td><td>1</td><td>1</td><td>1</td><td>1</td><td>1</td><td>1</td><td>1</td><td>1</td><td>4096 cycles.</td> </tr> </tbody> </table>  | b11 | b10 | b9  | b8  | b7 | b6 | b5 | b4                    | b3 | b2 | b1 | b0          | 0 | 0 | 0 | 0           | 0 | 0 | 0 | 0           | 0 | 0 | 0 | 0: Setting prohibited | 0 | 0 | 0 | 0           | 0 | 0 | 0 | 0           | 0 | 0 | 1 | 2 cycles    | 0 | 0 | 0 | 0           | 0 | 0 | 0 | 0            | 0 | 1 | 0 | 3 cycles     |   |   |   |              |   |   |   |              |   |   | : |              | 1 | 1 | 1 | 1            | 1 | 1 | 1 | 1             | 1   | 1 | 1 | 4096 cycles. | R/W |
| b11        | b10       | b9   | b8  | b7  | b6  | b5  | b4  | b3 | b2 | b1 | b0                    |    |    |    |             |   |   |   |             |   |   |   |             |   |   |   |                       |   |   |   |             |   |   |   |             |   |   |   |             |   |   |   |             |   |   |   |              |   |   |   |              |   |   |   |              |   |   |   |              |   |   |   |              |   |   |   |              |   |   |   |               |     |   |   |              |     |
| 0          | 0         | 0  | 0   | 0   | 0   | 0   | 0   | 0  | 0  | 0  | 0: Setting prohibited |    |    |    |             |   |   |   |             |   |   |   |             |   |   |   |                       |   |   |   |             |   |   |   |             |   |   |   |             |   |   |   |             |   |   |   |              |   |   |   |              |   |   |   |              |   |   |   |              |   |   |   |              |   |   |   |              |   |   |   |               |     |   |   |              |     |
| 0          | 0         | 0  | 0   | 0   | 0   | 0   | 0   | 0  | 0  | 1  | 2 cycles              |    |    |    |             |   |   |   |             |   |   |   |             |   |   |   |                       |   |   |   |             |   |   |   |             |   |   |   |             |   |   |   |             |   |   |   |              |   |   |   |              |   |   |   |              |   |   |   |              |   |   |   |              |   |   |   |              |   |   |   |               |     |   |   |              |     |
| 0          | 0         | 0  | 0   | 0   | 0   | 0   | 0   | 0  | 1  | 0  | 3 cycles              |    |    |    |             |   |   |   |             |   |   |   |             |   |   |   |                       |   |   |   |             |   |   |   |             |   |   |   |             |   |   |   |             |   |   |   |              |   |   |   |              |   |   |   |              |   |   |   |              |   |   |   |              |   |   |   |              |   |   |   |               |     |   |   |              |     |
|            |           |  |   |     |     |     |     |    |    | :  |                       |    |    |    |             |   |   |   |             |   |   |   |             |   |   |   |                       |   |   |   |             |   |   |   |             |   |   |   |             |   |   |   |             |   |   |   |              |   |   |   |              |   |   |   |              |   |   |   |              |   |   |   |              |   |   |   |              |   |   |   |               |     |   |   |              |     |
| 1          | 1         | 1  | 1   | 1   | 1   | 1   | 1   | 1  | 1  | 1  | 4096 cycles.          |    |    |    |             |   |   |   |             |   |   |   |             |   |   |   |                       |   |   |   |             |   |   |   |             |   |   |   |             |   |   |   |             |   |   |   |              |   |   |   |              |   |   |   |              |   |   |   |              |   |   |   |              |   |   |   |              |   |   |   |               |     |   |   |              |     |
| b15 to b12 | REFW[3:0] | Auto-Refresh Cycle/Self-Refresh Clearing Cycle Count Setting | <table border="1"> <thead> <tr> <th>b15</th> <th>b14</th> <th>b13</th> <th>b12</th> </tr> </thead> <tbody> <tr> <td>0</td><td>0</td><td>0</td><td>0: 1 cycle</td> </tr> <tr> <td>0</td><td>0</td><td>0</td><td>1: 2 cycles</td> </tr> <tr> <td>0</td><td>0</td><td>1</td><td>0: 3 cycles</td> </tr> <tr> <td>0</td><td>0</td><td>1</td><td>1: 4 cycles</td> </tr> <tr> <td>0</td><td>1</td><td>0</td><td>0: 5 cycles</td> </tr> <tr> <td>0</td><td>1</td><td>0</td><td>1: 6 cycles</td> </tr> <tr> <td>0</td><td>1</td><td>1</td><td>0: 7 cycles</td> </tr> <tr> <td>0</td><td>1</td><td>1</td><td>1: 8 cycles</td> </tr> <tr> <td>1</td><td>0</td><td>0</td><td>0: 9 cycles</td> </tr> <tr> <td>1</td><td>0</td><td>0</td><td>1: 10 cycles</td> </tr> <tr> <td>1</td><td>0</td><td>1</td><td>0: 11 cycles</td> </tr> <tr> <td>1</td><td>0</td><td>1</td><td>1: 12 cycles</td> </tr> <tr> <td>1</td><td>1</td><td>0</td><td>0: 13 cycles</td> </tr> <tr> <td>1</td><td>1</td><td>0</td><td>1: 14 cycles</td> </tr> <tr> <td>1</td><td>1</td><td>1</td><td>0: 15 cycles</td> </tr> <tr> <td>1</td><td>1</td><td>1</td><td>1: 16 cycles.</td> </tr> </tbody> </table> | b15 | b14 | b13 | b12 | 0  | 0  | 0  | 0: 1 cycle            | 0  | 0  | 0  | 1: 2 cycles | 0 | 0 | 1 | 0: 3 cycles | 0 | 0 | 1 | 1: 4 cycles | 0 | 1 | 0 | 0: 5 cycles           | 0 | 1 | 0 | 1: 6 cycles | 0 | 1 | 1 | 0: 7 cycles | 0 | 1 | 1 | 1: 8 cycles | 1 | 0 | 0 | 0: 9 cycles | 1 | 0 | 0 | 1: 10 cycles | 1 | 0 | 1 | 0: 11 cycles | 1 | 0 | 1 | 1: 12 cycles | 1 | 1 | 0 | 0: 13 cycles | 1 | 1 | 0 | 1: 14 cycles | 1 | 1 | 1 | 0: 15 cycles | 1 | 1 | 1 | 1: 16 cycles. | R/W |   |   |              |     |
| b15        | b14       | b13  | b12   |     |     |     |     |    |    |    |                       |    |    |    |             |   |   |   |             |   |   |   |             |   |   |   |                       |   |   |   |             |   |   |   |             |   |   |   |             |   |   |   |             |   |   |   |              |   |   |   |              |   |   |   |              |   |   |   |              |   |   |   |              |   |   |   |              |   |   |   |               |     |   |   |              |     |
| 0          | 0         | 0  | 0: 1 cycle  |     |     |     |     |    |    |    |                       |    |    |    |             |   |   |   |             |   |   |   |             |   |   |   |                       |   |   |   |             |   |   |   |             |   |   |   |             |   |   |   |             |   |   |   |              |   |   |   |              |   |   |   |              |   |   |   |              |   |   |   |              |   |   |   |              |   |   |   |               |     |   |   |              |     |
| 0          | 0         | 0  | 1: 2 cycles   |     |     |     |     |    |    |    |                       |    |    |    |             |   |   |   |             |   |   |   |             |   |   |   |                       |   |   |   |             |   |   |   |             |   |   |   |             |   |   |   |             |   |   |   |              |   |   |   |              |   |   |   |              |   |   |   |              |   |   |   |              |   |   |   |              |   |   |   |               |     |   |   |              |     |
| 0          | 0         | 1  | 0: 3 cycles   |     |     |     |     |    |    |    |                       |    |    |    |             |   |   |   |             |   |   |   |             |   |   |   |                       |   |   |   |             |   |   |   |             |   |   |   |             |   |   |   |             |   |   |   |              |   |   |   |              |   |   |   |              |   |   |   |              |   |   |   |              |   |   |   |              |   |   |   |               |     |   |   |              |     |
| 0          | 0         | 1  | 1: 4 cycles   |     |     |     |     |    |    |    |                       |    |    |    |             |   |   |   |             |   |   |   |             |   |   |   |                       |   |   |   |             |   |   |   |             |   |   |   |             |   |   |   |             |   |   |   |              |   |   |   |              |   |   |   |              |   |   |   |              |   |   |   |              |   |   |   |              |   |   |   |               |     |   |   |              |     |
| 0          | 1         | 0  | 0: 5 cycles   |     |     |     |     |    |    |    |                       |    |    |    |             |   |   |   |             |   |   |   |             |   |   |   |                       |   |   |   |             |   |   |   |             |   |   |   |             |   |   |   |             |   |   |   |              |   |   |   |              |   |   |   |              |   |   |   |              |   |   |   |              |   |   |   |              |   |   |   |               |     |   |   |              |     |
| 0          | 1         | 0  | 1: 6 cycles   |     |     |     |     |    |    |    |                       |    |    |    |             |   |   |   |             |   |   |   |             |   |   |   |                       |   |   |   |             |   |   |   |             |   |   |   |             |   |   |   |             |   |   |   |              |   |   |   |              |   |   |   |              |   |   |   |              |   |   |   |              |   |   |   |              |   |   |   |               |     |   |   |              |     |
| 0          | 1         | 1  | 0: 7 cycles   |     |     |     |     |    |    |    |                       |    |    |    |             |   |   |   |             |   |   |   |             |   |   |   |                       |   |   |   |             |   |   |   |             |   |   |   |             |   |   |   |             |   |   |   |              |   |   |   |              |   |   |   |              |   |   |   |              |   |   |   |              |   |   |   |              |   |   |   |               |     |   |   |              |     |
| 0          | 1         | 1  | 1: 8 cycles   |     |     |     |     |    |    |    |                       |    |    |    |             |   |   |   |             |   |   |   |             |   |   |   |                       |   |   |   |             |   |   |   |             |   |   |   |             |   |   |   |             |   |   |   |              |   |   |   |              |   |   |   |              |   |   |   |              |   |   |   |              |   |   |   |              |   |   |   |               |     |   |   |              |     |
| 1          | 0         | 0  | 0: 9 cycles   |     |     |     |     |    |    |    |                       |    |    |    |             |   |   |   |             |   |   |   |             |   |   |   |                       |   |   |   |             |   |   |   |             |   |   |   |             |   |   |   |             |   |   |   |              |   |   |   |              |   |   |   |              |   |   |   |              |   |   |   |              |   |   |   |              |   |   |   |               |     |   |   |              |     |
| 1          | 0         | 0  | 1: 10 cycles  |     |     |     |     |    |    |    |                       |    |    |    |             |   |   |   |             |   |   |   |             |   |   |   |                       |   |   |   |             |   |   |   |             |   |   |   |             |   |   |   |             |   |   |   |              |   |   |   |              |   |   |   |              |   |   |   |              |   |   |   |              |   |   |   |              |   |   |   |               |     |   |   |              |     |
| 1          | 0         | 1  | 0: 11 cycles  |     |     |     |     |    |    |    |                       |    |    |    |             |   |   |   |             |   |   |   |             |   |   |   |                       |   |   |   |             |   |   |   |             |   |   |   |             |   |   |   |             |   |   |   |              |   |   |   |              |   |   |   |              |   |   |   |              |   |   |   |              |   |   |   |              |   |   |   |               |     |   |   |              |     |
| 1          | 0         | 1  | 1: 12 cycles  |     |     |     |     |    |    |    |                       |    |    |    |             |   |   |   |             |   |   |   |             |   |   |   |                       |   |   |   |             |   |   |   |             |   |   |   |             |   |   |   |             |   |   |   |              |   |   |   |              |   |   |   |              |   |   |   |              |   |   |   |              |   |   |   |              |   |   |   |               |     |   |   |              |     |
| 1          | 1         | 0  | 0: 13 cycles  |     |     |     |     |    |    |    |                       |    |    |    |             |   |   |   |             |   |   |   |             |   |   |   |                       |   |   |   |             |   |   |   |             |   |   |   |             |   |   |   |             |   |   |   |              |   |   |   |              |   |   |   |              |   |   |   |              |   |   |   |              |   |   |   |              |   |   |   |               |     |   |   |              |     |
| 1          | 1         | 0  | 1: 14 cycles  |     |     |     |     |    |    |    |                       |    |    |    |             |   |   |   |             |   |   |   |             |   |   |   |                       |   |   |   |             |   |   |   |             |   |   |   |             |   |   |   |             |   |   |   |              |   |   |   |              |   |   |   |              |   |   |   |              |   |   |   |              |   |   |   |              |   |   |   |               |     |   |   |              |     |
| 1          | 1         | 1  | 0: 15 cycles  |     |     |     |     |    |    |    |                       |    |    |    |             |   |   |   |             |   |   |   |             |   |   |   |                       |   |   |   |             |   |   |   |             |   |   |   |             |   |   |   |             |   |   |   |              |   |   |   |              |   |   |   |              |   |   |   |              |   |   |   |              |   |   |   |              |   |   |   |               |     |   |   |              |     |
| 1          | 1         | 1  | 1: 16 cycles.   |     |     |     |     |    |    |    |                       |    |    |    |             |   |   |   |             |   |   |   |             |   |   |   |                       |   |   |   |             |   |   |   |             |   |   |   |             |   |   |   |             |   |   |   |              |   |   |   |              |   |   |   |              |   |   |   |              |   |   |   |              |   |   |   |              |   |   |   |               |     |   |   |              |     |

#### RFC[11:0] bits (Auto-Refresh Request Interval Setting)

The RFC[11:0] bits specify the auto-refresh request interval. They can be written to at any time, regardless of the state of

the Auto-Refresh Operation Enable bit (RFEN) in SDRFEN. If auto-refresh is enabled, the write value takes effect after the end of the auto-refresh cycles. The refresh counter uses SDCLK.

### REFW[3:0] bits (Auto-Refresh Cycle/Self-Refresh Clearing Cycle Count Setting)

The REFW[3:0] bits specify the number of auto-refresh cycles and the number of self-refresh clearing cycles. They can be written to at any time, regardless of the state of the Auto-Refresh Operation Enable bit (RFEN) in SDRFEN. If an auto-refresh cycle is in progress, the value written to the bits while auto-refresh is enabled takes effect after the cycle completes.

**Note:** Auto-refresh requests are not accepted while the SDRAM is being accessed. This means they must sometimes wait until the access completes for the auto-refresh interval to be extended. Set the RFC[11:0] bits to an auto-refresh request interval value that meets the specifications of the SDRAM being used. Additionally, make sure to set the auto-refresh request interval to a duration longer than the auto-refresh cycle. The auto-refresh interval cannot be automatically adjusted when the frequency is changed during operation. In this case, perform a self-refresh operation and set the auto-refresh interval to an appropriate value for the frequency again.

#### 15.3.10.1 Auto-refresh request interval and RFC set value

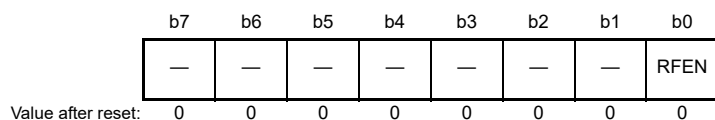
The SDRAMC (SDRAM area controller) includes a 12-bit refresh counter that generates auto-refresh requests at fixed intervals. Use the following equation to calculate the set value for the RFC[11:0] bits from the auto-refresh request interval:

$$\text{RFC} = (\text{Auto-refresh request interval} / \text{SDCLK cycle}) - 1$$

**Note:** Auto-refresh requests are not accepted while the SDRAM is being accessed. They must wait until the access completes. However, the counter value is updated regardless of whether or not the request was accepted. If two or more auto-refresh requests are generated while the SDRAM is being accessed, the second and subsequent requests are ignored.

#### 15.3.11 SDRAM Auto-Refresh Control Register (SDRFEN)

Address(es): [BUS.SDRFEN 4000 3C16h](#)



| Bit      | Symbol | Bit name                      | Description  | R/W |
|----------|--------|-------------------------------|--|-----|
| b0       | RFEN   | Auto-Refresh Operation Enable | 0: Disable<br>1: Enable.                               | R/W |
| b7 to b1 | —      | Reserved                      | These bits are read as 0. The write value should be 0. | R/W |

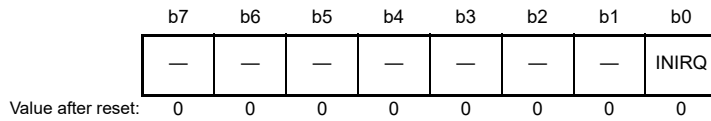
#### RFEN bit (Auto-Refresh Operation Enable)

The RFEN bit enables auto-refresh operation. When auto-refresh is required, set the RFEN bit to 1 before SDRAM access.

Clearing this bit to 0 while auto-refreshing is enabled causes RFEN to be cleared to 0 and auto-refresh operation to halt after the end of the auto-refresh cycle. The interval at which refresh requests are generated is determined by the value in the Auto-Refresh Request Interval Setting bits (RFC[11:0]) in the SDRAM Refresh Control Register (SDRFCR).

### 15.3.12 SDRAM Initialization Sequence Control Register (SDICR)

Address(es): [BUS.SDICR 4000 3C20h](#)



| Bit      | Symbol                | Bit name                      | Description  | R/W |
|----------|-----------------------|-------------------------------|--|-----|
| b0       | <a href="#">INIRQ</a> | Initialization Sequence Start | 0: Invalid<br>1: Start initialization sequence.        | R/W |
| b7 to b1 | —                     | Reserved                      | These bits are read as 0. The write value should be 0. | R/W |

Writing to this register is possible only once after release from reset. Operation is not guaranteed if more than one write access is attempted.

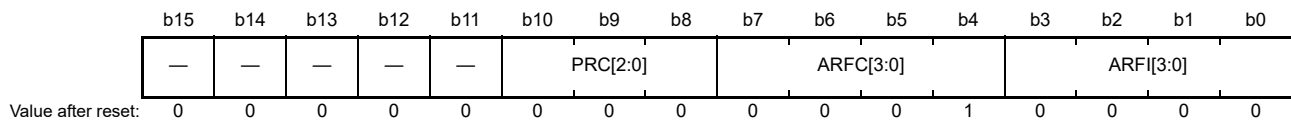
#### INIRQ bit (Initialization Sequence Start)

Setting the INIRQ bit to 1 starts the SDRAM initialization sequence and automatically sets the Initialization Status bit (INIST) in the SDRAM Status Register (SDSR) to 1. The INIST bit clears automatically after the initialization sequence ends. The value written to the INIRQ bit is not retained.

Note: Set the INIRQ bit to start the SDRAM initialization sequence only when the conditions in [Table 15.14](#) are satisfied. Otherwise, operation is not guaranteed.

### 15.3.13 SDRAM Initialization Register (SDIR)

Address(es): [BUS.SDIR 4000 3C24h](#)



| Bit      | Symbol                    | Bit name                             | Description  | R/W |    |  |       |   |          |       |   |          |       |   |          |       |   |          |       |   |          |       |   |          |       |   |          |       |   |           |       |   |           |       |   |           |       |   |           |       |   |           |       |   |           |       |   |           |       |   |           |       |   |            |     |
|----------|---------------------------|--------------------------------------|--|-----|----|--|-------|---|----------|-------|---|----------|-------|---|----------|-------|---|----------|-------|---|----------|-------|---|----------|-------|---|----------|-------|---|-----------|-------|---|-----------|-------|---|-----------|-------|---|-----------|-------|---|-----------|-------|---|-----------|-------|---|-----------|-------|---|-----------|-------|---|------------|-----|
| b3 to b0 | <a href="#">ARFI[3:0]</a> | Initialization Auto-Refresh Interval | <table border="0"> <tr> <td>b3</td><td>b0</td><td></td> </tr> <tr> <td>0 0 0</td><td>0</td><td>3 cycles</td> </tr> <tr> <td>0 0 0</td><td>1</td><td>4 cycles</td> </tr> <tr> <td>0 0 1</td><td>0</td><td>5 cycles</td> </tr> <tr> <td>0 0 1</td><td>1</td><td>6 cycles</td> </tr> <tr> <td>0 1 0</td><td>0</td><td>7 cycles</td> </tr> <tr> <td>0 1 0</td><td>1</td><td>8 cycles</td> </tr> <tr> <td>0 1 1</td><td>0</td><td>9 cycles</td> </tr> <tr> <td>0 1 1</td><td>1</td><td>10 cycles</td> </tr> <tr> <td>1 0 0</td><td>0</td><td>11 cycles</td> </tr> <tr> <td>1 0 0</td><td>1</td><td>12 cycles</td> </tr> <tr> <td>1 0 1</td><td>0</td><td>13 cycles</td> </tr> <tr> <td>1 0 1</td><td>1</td><td>14 cycles</td> </tr> <tr> <td>1 1 0</td><td>0</td><td>15 cycles</td> </tr> <tr> <td>1 1 0</td><td>1</td><td>16 cycles</td> </tr> <tr> <td>1 1 1</td><td>0</td><td>17 cycles</td> </tr> <tr> <td>1 1 1</td><td>1</td><td>18 cycles.</td> </tr> </table> | b3  | b0 |  | 0 0 0 | 0 | 3 cycles | 0 0 0 | 1 | 4 cycles | 0 0 1 | 0 | 5 cycles | 0 0 1 | 1 | 6 cycles | 0 1 0 | 0 | 7 cycles | 0 1 0 | 1 | 8 cycles | 0 1 1 | 0 | 9 cycles | 0 1 1 | 1 | 10 cycles | 1 0 0 | 0 | 11 cycles | 1 0 0 | 1 | 12 cycles | 1 0 1 | 0 | 13 cycles | 1 0 1 | 1 | 14 cycles | 1 1 0 | 0 | 15 cycles | 1 1 0 | 1 | 16 cycles | 1 1 1 | 0 | 17 cycles | 1 1 1 | 1 | 18 cycles. | R/W |
| b3       | b0                        |                                      |  |     |    |  |       |   |          |       |   |          |       |   |          |       |   |          |       |   |          |       |   |          |       |   |          |       |   |           |       |   |           |       |   |           |       |   |           |       |   |           |       |   |           |       |   |           |       |   |           |       |   |            |     |
| 0 0 0    | 0                         | 3 cycles                             |  |     |    |  |       |   |          |       |   |          |       |   |          |       |   |          |       |   |          |       |   |          |       |   |          |       |   |           |       |   |           |       |   |           |       |   |           |       |   |           |       |   |           |       |   |           |       |   |           |       |   |            |     |
| 0 0 0    | 1                         | 4 cycles                             |  |     |    |  |       |   |          |       |   |          |       |   |          |       |   |          |       |   |          |       |   |          |       |   |          |       |   |           |       |   |           |       |   |           |       |   |           |       |   |           |       |   |           |       |   |           |       |   |           |       |   |            |     |
| 0 0 1    | 0                         | 5 cycles                             |  |     |    |  |       |   |          |       |   |          |       |   |          |       |   |          |       |   |          |       |   |          |       |   |          |       |   |           |       |   |           |       |   |           |       |   |           |       |   |           |       |   |           |       |   |           |       |   |           |       |   |            |     |
| 0 0 1    | 1                         | 6 cycles                             |  |     |    |  |       |   |          |       |   |          |       |   |          |       |   |          |       |   |          |       |   |          |       |   |          |       |   |           |       |   |           |       |   |           |       |   |           |       |   |           |       |   |           |       |   |           |       |   |           |       |   |            |     |
| 0 1 0    | 0                         | 7 cycles                             |  |     |    |  |       |   |          |       |   |          |       |   |          |       |   |          |       |   |          |       |   |          |       |   |          |       |   |           |       |   |           |       |   |           |       |   |           |       |   |           |       |   |           |       |   |           |       |   |           |       |   |            |     |
| 0 1 0    | 1                         | 8 cycles                             |  |     |    |  |       |   |          |       |   |          |       |   |          |       |   |          |       |   |          |       |   |          |       |   |          |       |   |           |       |   |           |       |   |           |       |   |           |       |   |           |       |   |           |       |   |           |       |   |           |       |   |            |     |
| 0 1 1    | 0                         | 9 cycles                             |  |     |    |  |       |   |          |       |   |          |       |   |          |       |   |          |       |   |          |       |   |          |       |   |          |       |   |           |       |   |           |       |   |           |       |   |           |       |   |           |       |   |           |       |   |           |       |   |           |       |   |            |     |
| 0 1 1    | 1                         | 10 cycles                            |  |     |    |  |       |   |          |       |   |          |       |   |          |       |   |          |       |   |          |       |   |          |       |   |          |       |   |           |       |   |           |       |   |           |       |   |           |       |   |           |       |   |           |       |   |           |       |   |           |       |   |            |     |
| 1 0 0    | 0                         | 11 cycles                            |  |     |    |  |       |   |          |       |   |          |       |   |          |       |   |          |       |   |          |       |   |          |       |   |          |       |   |           |       |   |           |       |   |           |       |   |           |       |   |           |       |   |           |       |   |           |       |   |           |       |   |            |     |
| 1 0 0    | 1                         | 12 cycles                            |  |     |    |  |       |   |          |       |   |          |       |   |          |       |   |          |       |   |          |       |   |          |       |   |          |       |   |           |       |   |           |       |   |           |       |   |           |       |   |           |       |   |           |       |   |           |       |   |           |       |   |            |     |
| 1 0 1    | 0                         | 13 cycles                            |  |     |    |  |       |   |          |       |   |          |       |   |          |       |   |          |       |   |          |       |   |          |       |   |          |       |   |           |       |   |           |       |   |           |       |   |           |       |   |           |       |   |           |       |   |           |       |   |           |       |   |            |     |
| 1 0 1    | 1                         | 14 cycles                            |  |     |    |  |       |   |          |       |   |          |       |   |          |       |   |          |       |   |          |       |   |          |       |   |          |       |   |           |       |   |           |       |   |           |       |   |           |       |   |           |       |   |           |       |   |           |       |   |           |       |   |            |     |
| 1 1 0    | 0                         | 15 cycles                            |  |     |    |  |       |   |          |       |   |          |       |   |          |       |   |          |       |   |          |       |   |          |       |   |          |       |   |           |       |   |           |       |   |           |       |   |           |       |   |           |       |   |           |       |   |           |       |   |           |       |   |            |     |
| 1 1 0    | 1                         | 16 cycles                            |  |     |    |  |       |   |          |       |   |          |       |   |          |       |   |          |       |   |          |       |   |          |       |   |          |       |   |           |       |   |           |       |   |           |       |   |           |       |   |           |       |   |           |       |   |           |       |   |           |       |   |            |     |
| 1 1 1    | 0                         | 17 cycles                            |  |     |    |  |       |   |          |       |   |          |       |   |          |       |   |          |       |   |          |       |   |          |       |   |          |       |   |           |       |   |           |       |   |           |       |   |           |       |   |           |       |   |           |       |   |           |       |   |           |       |   |            |     |
| 1 1 1    | 1                         | 18 cycles.                           |  |     |    |  |       |   |          |       |   |          |       |   |          |       |   |          |       |   |          |       |   |          |       |   |          |       |   |           |       |   |           |       |   |           |       |   |           |       |   |           |       |   |           |       |   |           |       |   |           |       |   |            |     |

| Bit        | Symbol    | Bit name                             | Description  | R/W |
|------------|-----------|--------------------------------------|--|-----|
| b7 to b4   | ARFC[3:0] | Initialization Auto-Refresh Count    | b7 b4<br>0 0 0 0: Setting prohibited<br>0 0 0 1: 1 time<br>0 0 1 0: 2 times<br>0 0 1 1: 3 times<br>0 1 0 0: 4 times<br>0 1 0 1: 5 times<br>0 1 1 0: 6 times<br>0 1 1 1: 7 times<br>1 0 0 0: 8 times<br>1 0 0 1: 9 times<br>1 0 1 0: 10 times<br>1 0 1 1: 11 times<br>1 1 0 0: 12 times<br>1 1 0 1: 13 times<br>1 1 1 0: 14 times<br>1 1 1 1: 15 times. | R/W |
| b10 to b8  | PRC[2:0]  | Initialization Precharge Cycle Count | b10 b8<br>0 0 0: 3 cycles<br>0 0 1: 4 cycles<br>0 1 0: 5 cycles<br>0 1 1: 6 cycles<br>1 0 0: 7 cycles<br>1 0 1: 8 cycles<br>1 1 0: 9 cycles<br>1 1 1: 10 cycles.   | R/W |
| b15 to b11 | —         | Reserved                             | These bits are read as 0. The write value should be 0.   | R/W |

Writing to this register is possible only once after release from reset. Operation is not guaranteed if more than one write access is attempted.

#### ARFI[3:0] bits (Initialization Auto-Refresh Interval)

The ARFI[3:0] bits specify the interval at which the auto-refresh commands are issued in the SDRAM initialization sequence.

#### ARFC[3:0] bits (Initialization Auto-Refresh Count)

The ARFC[3:0] bits specify the number of times auto-refresh is to be performed in the SDRAM initialization sequence.

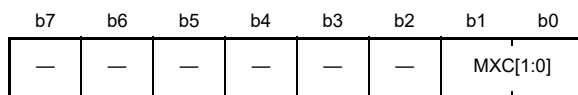
#### PRC[2:0] bits (Initialization Precharge Cycle Count)

The PRC[2:0] bits specify the number of precharged cycles in the SDRAM initialization sequence.

Note: Implement settings that satisfy the specifications of the connected SDRAM before starting the initialization sequence.

### 15.3.14 SDRAM Address Register (SDADR)

Address(es): BUS.SDADR 4000 3C40h



Value after reset: 0 0 0 0 0 0 0 0

| Bit    | Symbol   | Bit name                 | Description  | R/W |
|--------|----------|--------------------------|--|-----|
| b1, b0 | MXC[1:0] | Address Multiplex Select | b1 b0<br>0 0: 8-bit shift<br>0 1: 9-bit shift<br>1 0: 10-bit shift<br>1 1: 11-bit shift. | R/W |

| Bit      | Symbol | Bit name | Description  | R/W |
|----------|--------|----------|--|-----|
| b7 to b2 | —      | Reserved | These bits are read as 0. The write value should be 0. | R/W |

Set SDADR only when the conditions in [Table 15.14](#) are satisfied. Otherwise, operation is not guaranteed.

### **MXC[1:0] bits (Address Multiplex Select)**

The MXC[1:0] bits select the size of the shift towards the lower half of the row address in row address/column address multiplexing. For details, see [Table 15.17](#).

### 15.3.15 SDRAM Timing Register (SDTR)

Address(es): [BUS.SDTR 4000 3C44h](#)

|                    |     |     |          |     |         |     |     |     |     |     |     |     |     |         |          |     |
|--------------------|-----|-----|----------|-----|---------|-----|-----|-----|-----|-----|-----|-----|-----|---------|----------|-----|
|                    | b31 | b30 | b29      | b28 | b27     | b26 | b25 | b24 | b23 | b22 | b21 | b20 | b19 | b18     | b17      | b16 |
|                    | —   | —   | —        | —   | —       | —   | —   | —   | —   | —   | —   | —   | —   | —       | RAS[2:0] |     |
| Value after reset: | 0   | 0   | 0        | 0   | 0       | 0   | 0   | 0   | 0   | 0   | 0   | 0   | 0   | 0       | 0        | 0   |
|                    | b15 | b14 | b13      | b12 | b11     | b10 | b9  | b8  | b7  | b6  | b5  | b4  | b3  | b2      | b1       | b0  |
|                    | —   | —   | RCD[1:0] |     | RP[2:0] |     |     | WR  | —   | —   | —   | —   | —   | CL[2:0] |          |     |
| Value after reset: | 0   | 0   | 0        | 0   | 0       | 0   | 0   | 0   | 0   | 0   | 0   | 0   | 0   | 0       | 1        | 0   |

| Bit        | Symbol                   | Bit name                | Description   | R/W |
|------------|--------------------------|-------------------------|---|-----|
| b2 to b0   | <a href="#">CL[2:0]</a>  | SDRAMC Column Latency   | $b_2 \ b_0$<br>0 0 0: Setting prohibited<br>0 0 1: 1 cycle<br>0 1 0: 2 cycles<br>0 1 1: 3 cycles<br>1 0 0: Setting prohibited<br>1 0 1: Setting prohibited<br>1 1 0: Setting prohibited<br>1 1 1: Setting prohibited. | R/W |
| b7 to b3   | —                        | Reserved                | These bits are read as 0. The write value should be 0.  | R/W |
| b8         | <a href="#">WR</a>       | Write Recovery Interval | 0: 1 cycle<br>1: 2 cycles.  | R/W |
| b11 to b9  | <a href="#">RP[2:0]</a>  | Row Precharge Interval  | $b_{11} \ b_9$<br>0 0 0: 1 cycle<br>0 0 1: 2 cycles<br>0 1 0: 3 cycles<br>0 1 1: 4 cycles<br>1 0 0: 5 cycles<br>1 0 1: 6 cycles<br>1 1 0: 7 cycles<br>1 1 1: 8 cycles.  | R/W |
| b13, b12   | <a href="#">RCD[1:0]</a> | Row Column Latency      | $b_{13} \ b_{12}$<br>0 0: 1 cycle<br>0 1: 2 cycles<br>1 0: 3 cycles<br>1 1: 4 cycles.   | R/W |
| b15, b14   | —                        | Reserved                | These bits are read as 0. The write value should be 0.  | R/W |
| b18 to b16 | <a href="#">RAS[2:0]</a> | Row Active Interval     | $b_{18} \ b_{16}$<br>0 0 0: 1 cycle<br>0 0 1: 2 cycles<br>0 1 0: 3 cycles<br>0 1 1: 4 cycles<br>1 0 0: 5 cycles<br>1 0 1: 6 cycles<br>1 1 0: 7 cycles<br>1 1 1: Setting prohibited.                                   | R/W |
| b31 to b19 | —                        | Reserved                | These bits are read as 0. The write value should be 0.  | R/W |

The SDTR register specifies the timing for read and write accesses to the SDRAM. For more information, see [section 15.6.11.3, Timing register settings and access timing](#).

Set the SDTR register only when the conditions in [Table 15.14](#) are satisfied. Otherwise, operation is not guaranteed.

Writing to this register is possible only once after release from reset. Operation is not guaranteed if more than one write access is attempted.

#### CL[2:0] bits (SDRAMC Column Latency)

The CL[2:0] bits specify the column latency of the SDRAM controller. This setting only affects the latency setting on the SDRAM controller side. To specify the column latency for externally connected SDRAM, use the SDRAM mode register (SDMOD).

#### WR bit (Write Recovery Interval)

The WR bit specifies the interval that must elapse between the SDRAM write command (WRIT) and deactivation (PALL).

#### RP[2:0] bits (Row Precharge Interval)

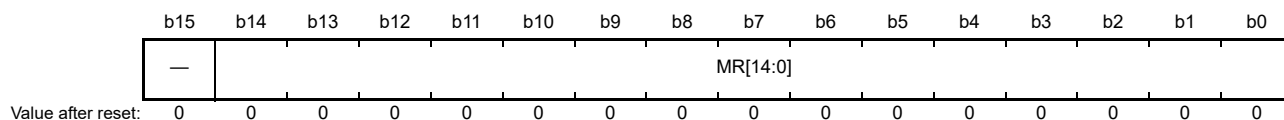
The RP[2:0] bits specify the minimum number of cycles that must elapse between the SDRAM deactivation command (PALL) and the next valid command.

#### RAS[2:0] bits (Row Active Interval)

The RAS[2:0] bits specify the minimum interval that must elapse between the SDRAM row activation command (ACTV) and deactivation (PALL). The value specified in these bits must be less than or equal to the sum of the row column latency (RCD[1:0]) and column latency (CL[2:0]) settings.

### 15.3.16 SDRAM Mode Register (SDMOD)

Address(es): [BUS.SDMOD 4000 3C48h](#)



| Bit       | Symbol   | Bit name              | Description  | R/W |
|-----------|----------|-----------------------|--|-----|
| b14 to b0 | MR[14:0] | Mode Register Setting | Writing to these bits triggers a mode register set command | R/W |
| b15       | —        | Reserved              | This bit is read as 0. The write value should be 0.        | R/W |

The SDMOD register specifies the value to be written to the SDRAM mode register. Writing to SDMOD causes a mode register set command to be issued automatically to the SDRAM. Set SDMOD only when the conditions in [Table 15.14](#) are satisfied. Otherwise, operation is not guaranteed.

Writing to this register is possible only once after release from reset. Operation is not guaranteed if more than one write access is attempted.

#### MR[14:0] bits (Mode Register Setting)

Writing to the MR[14:0] bits causes a mode register set command to be issued to the SDRAM, and the setting in the MR[14:0] bits is output to the lower bits of the address. For more information, see [section 15.6.10, Setting the Mode Register](#).

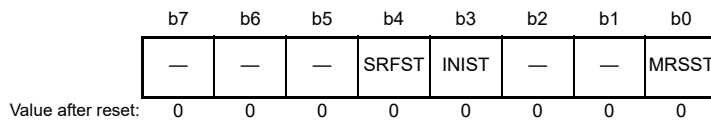
Note: Set a burst length of 1 for the SDRAM. Operation is not guaranteed with any other burst length setting.

Note: The SDRAM column latency must match the setting in the SDRAMC Column Latency setting (CL[2:0]) in the SDRAM Timing Register (SDTR). Operation is not guaranteed if the latency settings do not agree.

Note: Make sure the SRFST, INIST, and MRSST status bits in the SDRAM Status Register (SDSR) are all 0.

### 15.3.17 SDRAM Status Register (SDSR)

Address(es): [BUS.SDSR 4000 3C50h](#)



| Bit      | Symbol                | Bit name                                | Description   | R/W |
|----------|-----------------------|---|---|-----|
| b0       | <a href="#">MRSST</a> | Mode Register Setting Status            | 0: Mode register setting not in progress<br>1: Mode register setting in progress.     | R   |
| b2, b1   | —                     | Reserved                                | These bits are read as 0  | R   |
| b3       | <a href="#">INIST</a> | Initialization Status                   | 0: Initialization sequence not in progress<br>1: Initialization sequence in progress. | R   |
| b4       | <a href="#">SRFST</a> | Self-Refresh Transition/Recovery Status | 0: Transition/recovery not in progress<br>1: Transition/recovery in progress.         | R   |
| b7 to b5 | —                     | Reserved                                | These bits are read as 0  | R   |

#### [MRSST bit \(Mode Register Setting Status\)](#)

When set to 1, the MRSST bit indicates that SDRAM mode register setting is in progress.

#### [INIST bit \(Initialization Status\)](#)

When set to 1, the INIST bit indicates that the SDRAM initialization sequence is in progress.

#### [SRFST bit \(Self-Refresh Transition/Recovery Status\)](#)

When set to 1, the SRFST bit indicates that a transition to or recovery from a self-refresh operation is in progress for the SDRAM. The in progress interval begins when the bits in [Table 15.7](#) are written to and lasts until the associated commands are issued.

Note: Execution of a self-refresh, initialization sequence, or mode register setting can only be performed when all the status bits are 0. Do not rewrite the registers and bits in [Table 15.7](#) when any of the SRFST, INIST, or MRSST status bits is set to 1.

**Table 15.7 Registers and bits requiring status bit checking**

| Function                | Register | Bits     |
|-------------------------|----------|----------|
| Self-refresh            | SDSELF   | SFEN     |
| Initialization sequence | SDICR    | INIRQ    |
| Mode register setting   | SDMOD    | MR[14:0] |

### 15.3.18 Master Bus Control Register (BUSMCNT<master>)

Address(es): BUS.BUSMCNTM4I 4000 4000h, BUS.BUSMCNTM4D 4000 4004h, BUS.BUSMCNTSYS 4000 4008h, BUS.BUSMCNTDMA 4000 400Ch, BUS.BUSMCNTEDM 4000 4010h

|                    |       |     |     |     |     |     |    |    |    |    |    |    |    |    |    |    |
|--------------------|-------|-----|-----|-----|-----|-----|----|----|----|----|----|----|----|----|----|----|
|                    | b15   | b14 | b13 | b12 | b11 | b10 | b9 | b8 | b7 | b6 | b5 | b4 | b3 | b2 | b1 | b0 |
|                    | IERES | —   | —   | —   | —   | —   | —  | —  | —  | —  | —  | —  | —  | —  | —  | —  |
| Value after reset: | 0     | 0   | 0   | 0   | 0   | 0   | 0  | 0  | 0  | 0  | 0  | 0  | 0  | 0  | 0  | 0  |

| Bit       | Symbol | Bit name               | Description  | R/W |
|-----------|--------|------------------------|--|-----|
| b14 to b0 | —      | Reserved               | These bits are read as 0. The write value should be 0. | R/W |
| b15       | IERES  | Ignore Error Responses | 0: Report bus errors<br>1: Do not report bus errors.   | R/W |

Note: Changing reserved bits from the initial value of 0 is prohibited. Operation during the change is not guaranteed.

Table 15.8 shows the registers associated with each bus type.

**Table 15.8 Associations between bus types and registers**

| Bus type                              | Master Bus Control Register | Slave Bus Control Register     | Bus Error Address Register | Bus Error Status Register |
|---------------------------------------|-----------------------------|--------------------------------|----------------------------|---------------------------|
| ICode bus (CPU)                       | BUSMCNTM4I                  | -                              | BUS1ERRADD                 | BUS1ERRSTAT               |
| DCode bus (CPU)                       | BUSMCNTM4D                  | -                              | BUS2ERRADD                 | BUS2ERRSTAT               |
| System bus (CPU)                      | BUSMCNTSYS                  | -                              | BUS3ERRADD                 | BUS3ERRSTAT               |
| DMA bus                               | BUSMCNTDMA                  | -                              | BUS4ERRADD                 | BUS4ERRSTAT               |
| EDMAC bus                             | BUSMCNTEDM                  | -                              | BUS5ERRADD                 | BUS5ERRSTAT               |
| Memory bus 1                          | -                           | BUSSCNTFLI                     | -                          | -                         |
| Memory bus 2                          | -                           | BUSSCNTRAMH                    | -                          | -                         |
| Memory bus 3                          | -                           | BUSSCNTMBIU                    | -                          | -                         |
| Memory bus 4                          | -                           | BUSSCNTRAM0                    | -                          | -                         |
| Memory bus 5                          | -                           | BUSSCNTRAM1                    | -                          | -                         |
| Internal peripheral bus 1, 3, 4, 5, 7 | -                           | BUSSCNTPhB (n = 0, 2, 3, 4, 6) | -                          | -                         |
| Internal peripheral bus 9             | -                           | BUSSCNTFBU                     | -                          | -                         |
| External bus (CS and SDRAM areas)     | -                           | BUSSCNTEXT                     | -                          | -                         |
| External bus (QSPI area)              | -                           | BUSSCNTEXT2                    | -                          | -                         |

#### IERES bit (Ignore Error Responses)

The IERES bit, when set, disables the AHB-Lite protocol error response.



### 15.3.19 Slave Bus Control Register (BUSSCNT<slave>)

Address(es): BUS.BUSSCNTFLI 4000 4100h, BUS.BUSSCNTTRAMH 4000 4104h, BUS.BUSSCNTMBIU 4000 4108h, BUS.BUSSCNTTRAM0 4000 410Ch, BUS.BUSSCNTTRAM1 4000 4110h, BUS.BUSSCNTP0B 4000 4114h, BUS.BUSSCNTP2B 4000 4118h, BUS.BUSSCNTP3B 4000 411Ch, BUS.BUSSCNTP4B 4000 4120h, BUS.BUSSCNTP6B 4000 4128h, BUS.BUSSCNTFBU 4000 4130h, BUS.BUSSCNTTEXT 4000 4134h, BUS.BUSSCNTTEXT2 4000 4138h

|                    |     |     |     |     |     |    |       |    |    |             |    |    |    |    |    |
|--------------------|-----|-----|-----|-----|-----|----|-------|----|----|-------------|----|----|----|----|----|
| b15                | b14 | b13 | b12 | b11 | b10 | b9 | b8    | b7 | b6 | b5          | b4 | b3 | b2 | b1 | b0 |
| —                  | —   | —   | —   | —   | —   | —  | EWRES | —  | —  | ARBMET[1:0] | —  | —  | —  | —  | —  |
| Value after reset: | 0   | 0   | 0   | 0   | 0   | 0  | 0     | 0  | 0  | 0           | 0  | 0  | 0  | 0  | 0  |

| Bit       | Symbol      | Bit name             | Description  | R/W |
|-----------|-------------|----------------------|--|-----|
| b3 to b0  | —           | Reserved             | These bits are read as 0. The write value should be 0.   | R/W |
| b5, b4    | ARBMET[1:0] | Arbitration Method   | Specifies the group priorities.<br>b5 b4<br>0 0: Fixed priority<br>0 1: Round-robin<br>1 0: Setting prohibited<br>1 1: Setting prohibited. | R/W |
| b7, b6    | —           | Reserved             | These bits are read as 0. The write value should be 0.   | R/W |
| b8        | EWRES       | Early Write Response | 0: Disable early write response<br>1: Enable early write response.   | R/W |
| b15 to b9 | —           | Reserved             | These bits are read as 0. The write value should be 0.   | R/W |

Note: Changing reserved bits from the initial value of 0 is prohibited. Operation during the change is not guaranteed.

Table 15.8 lists the registers associated with each bus type.

#### ARBMET[1:0] bits (Arbitration Method)

The ARBMET[1:0] bits specify the arbitration protocol, with priority defined for all bus masters. For fixed priority, see Table 15.9. For round-robin, see Table 15.10.

#### EWRES bit (Early Write Response)

The EWRES bit indicates whether the next write request is accepted before the response for the current write transaction occurs. When the value is 1, the next write request is accepted and high-speed transfer is possible, but AHB-Lite error responses are not detected. Bus errors are returned to the requesting master IP using the error response protocol for AHB-Lite. For details on errors that occur on each bus, see section 15.7, Bus Error Monitoring Section. Only use the BUSSCNTMBIU, BUSSCNTP0B, and BUSSCNTTEXT registers.

**Table 15.9 Bus priorities with fixed-priority arbitration (ARBMET[1:0] = 00b)**

| Slave Bus Control Register     | Slave interface                       | Priority order                                   |
|--------------------------------|---------------------------------------|--|
| BUSSCNTFLI                     | Memory bus 1                          | Memory bus 3 > DCode bus (CPU) > ICode bus (CPU) |
| BUSSCNTTRAMH                   | Memory bus 2                          | Memory bus 3 > DCode bus (CPU) > ICode bus (CPU) |
| BUSSCNTMBIU                    | Memory bus 3                          | ETHER bus > DMA bus                              |
| BUSSCNTTRAM0                   | Memory bus 4                          | ETHER bus > DMA bus > system bus (CPU)           |
| BUSSCNTTRAM1                   | Memory bus 5                          | ETHER bus > DMA bus > system bus (CPU)           |
| BUSSCNTPnB (n = 0, 2, 3, 4, 6) | Internal peripheral bus 1, 3, 4, 5, 7 | DMA bus > system bus (CPU)                       |
| BUSSCNTFBU                     | Internal peripheral bus 9             | ETHER bus > DMA bus > system bus (CPU)           |
| BUSSCNTTEXT                    | External bus (CS and SDRAM areas)     | ETHER bus > DMA bus > system bus (CPU)           |
| BUSSCNTTEXT2                   | External bus (QSPI area)              | ETHER bus > DMA bus > system bus (CPU)           |

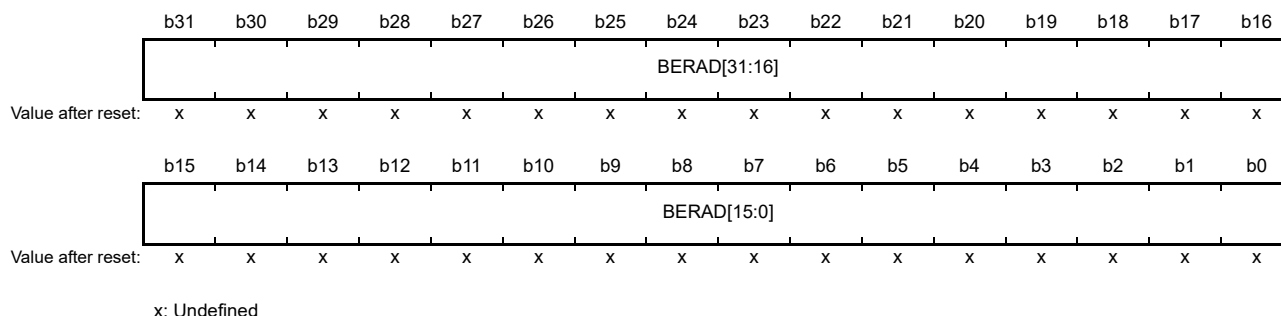
**Table 15.10 Bus priorities with round-robin priority arbitration (ARBMET[1:0] = 01b)**

| Slave Bus Control Register     | Slave interface                       | Priority order*1                                     |
|--------------------------------|---------------------------------------|--|
| BUSSCNTFLI                     | Memory bus 1                          | Memory bus 3 <=> DCode bus (CPU) <=> ICode bus (CPU) |
| BUSSCNTRAMH                    | Memory bus 2                          | Memory bus 3 <=> DCode bus (CPU) <=> ICode bus (CPU) |
| BUSSCNTMBIU                    | Memory bus 3                          | ETHER bus <=> DMA bus                                |
| BUSSCNTRAM0                    | Memory bus 4                          | ETHER bus <=> DMA bus <=> system bus (CPU)           |
| BUSSCNTRAM1                    | Memory bus 5                          | ETHER bus <=> DMA bus <=> system bus (CPU)           |
| BUSSCNTpNB (n = 0, 2, 3, 4, 6) | Internal peripheral bus 1, 3, 4, 5, 7 | DMA bus <=> system bus (CPU)                         |
| BUSSCNTFBU                     | Internal peripheral bus 9             | ETHER bus <=> DMA bus <=> system bus (CPU)           |
| BUSSCNTEXT                     | External bus (CS and SDRAM areas)     | ETHER bus <=> DMA bus <=> system bus (CPU)           |
| BUSSCNTEXT2                    | External bus (QSPI area)              | ETHER bus <=> DMA bus <=> system bus (CPU)           |

Note 1. Round-robin priority is denoted by <=>.

### 15.3.20 Bus Error Address Register (BUSnERRADD) (n = 1 to 5)

Address(es): [BUS.BUS1ERRADD 4000 4800h](#), [BUS.BUS2ERRADD 4000 4810h](#), [BUS.BUS3ERRADD 4000 4820h](#), [BUS.BUS4ERRADD 4000 4830h](#), [BUS.BUS5ERRADD 4000 4840h](#)



| Bit       | Symbol      | Bit name          | Description   | R/W |
|-----------|-------------|-------------------|---|-----|
| b31 to b0 | BERAD[31:0] | Bus Error Address | When a bus error occurs, these bits store the error address | R   |

Note: This register is cleared only by reset other than MPU related reset. For more information, see [section 6, Resets](#), and [section 16, Memory Protection Unit \(MPU\)](#).

[Table 15.8](#) lists the registers associated with each bus type.

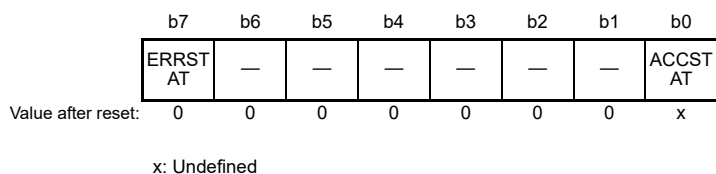
#### BERAD[31:0] bits (Bus Error Address)

When a bus error occurs, the BERAD[31:0] bits store the access address. For more information, see the BUSnERRSTAT.ERRSTAT bit description and [section 15.7, Bus Error Monitoring Section](#).

A value of BUSnERRADD.BERAD[31:0] (n = 1 to 5) is only valid when BUSnERRSTAT.ERRSTAT (n = 1 to 5) is set to 1.

### 15.3.21 Bus Error Status Register (BUSnERRSTAT) (n = 1 to 5)

Address(es): [BUS.BUS1ERRSTAT 4000 4804h](#), [BUS.BUS2ERRSTAT 4000 4814h](#), [BUS.BUS3ERRSTAT 4000 4824h](#),  
[BUS.BUS4ERRSTAT 4000 4834h](#), [BUS.BUS5ERRSTAT 4000 4844h](#)



| Bit      | Symbol                  | Bit name            | Description  | R/W |
|----------|-------------------------|---------------------|--|-----|
| b0       | <a href="#">ACCSTAT</a> | Error Access Status | Access status when the error occurred:<br>1: Write access<br>0: Read access. | R   |
| b6 to b1 | —                       | Reserved            | These bits are read as 0. The write value should be 0.                       | R/W |
| b7       | <a href="#">ERRSTAT</a> | Bus Error Status    | 0: No bus error occurred<br>1: Bus error occurred.                           | R   |

Note: This register is cleared only by reset other than MPU related reset. For more information, see [section 6, Resets](#), and [section 16, Memory Protection Unit \(MPU\)](#).

[Table 15.8](#) lists the registers associated with each bus type.

#### [ACCSTAT bit \(Error Access Status\)](#)

The ACCSTAT bit indicates the access status, write access or read access, when an error occurs on the associated bus. For more information, see the BUSnERRSTAT.ERRSTAT bit description and [section 15.7, Bus Error Monitoring Section](#).

The value is only valid when BUSnERRSTAT.ERRSTAT (n = 1 to 5) is set to 1.

#### [ERRSTAT bit \(Bus Error Status\)](#)

The ERRSTAT bit indicates whether a bus error occurred. When an error occurs on the associated bus, the access address and status of write or read access are stored. BUSnERRSTATn.ERRSTAT (n = 1 to 5) is set to 1.

The following types of errors can occur on each bus:

- Illegal address access
- Bus master MPU error
- Bus slave MPU error
- Time out.

When detecting bus master MPU errors or bus slave MPU errors, and reset is selected in the respective OAD bit, BUSnERRSTAT.ERRSTAT (n = 1 to 5) is not set to 1 if the bus access that caused the MPU error completes later than the internal reset signal being generated, which may occur depending on the wait setting.

When detecting bus master MPU errors or bus slave MPU errors, and NMI is selected in the respective OAD bit, BUSnERRSTAT.ERRSTAT (n = 1 to 5) is set to 1 when the bus access that caused the MPU error completes.

For more information on errors that occur on each bus, see [section 15.7, Bus Error Monitoring Section](#), and [section 16, Memory Protection Unit \(MPU\)](#).

## 15.4 Endianness and Data Alignment

The external bus has a data alignment function to control which byte of the data bus (D15 to D08, D07 to D00) is used when accessing the external address space (the CS and SDRAM areas). Alignment is based on the bus specifications of the area to be accessed (8-bit or 16-bit bus space), the data size, and the endian order.

### 15.4.1 Data Alignment Control for the CS Areas

#### (1) 16-bit bus space

When a 16-bit bus space is selected in the BSIZE[1:0] bits in CSnCR, address buses A20 to A01 are enabled to output address signals in 16-bit units, and the address bus A00 is disabled (always outputs low).

When byte strobe mode is selected (WRMOD = 0 in CSnMOD), the WR0 and WR1 pins are enabled. The BC0 and BC1 pins are not used.

When single-write strobe mode is selected (WRMOD = 1 in CSnMOD), only the WR0 pin is enabled, and it always outputs low during write access, regardless of the data size. The WR1 pin is invalid (always outputs high). The valid byte position is indicated by the BC0 and BC1 pins.

The valid positions of control signals and data external to the chip differ depending on the endian order. See [Figure 15.3](#) and [Figure 15.4](#).

Page access can occur for accesses to data in 32-bit units. Page access can only occur when an access does not extend over a 32-bit boundary and causes no change in the BC0 and BC1 signals. The situations in which page access occurs are indicated by the letter (p) in [Figure 15.3](#) and [Figure 15.4](#).

| Data size | Accessed address | Number of accesses | Bus cycle | Unit of data | Address  | Control signals and data bus |         |     |     |
|-----------|------------------|--------------------|-----------|--------------|----------|------------------------------|---------|-----|-----|
|           |                  |                    |           |              |          | WR1/BC1                      | WR0/BC0 | RD  |     |
|           |                  |                    |           |              |          | D15                          | D08     | D07 | D00 |
| 8 bits    | 4n               | One                | First     | 8 bits       | 4n       |                              | 7       |     | 0   |
|           | 4n+1             | One                | First     | 8 bits       | 4n       | 7                            |         |     | 0   |
|           | 4n+2             | One                | First     | 8 bits       | 4n+2     |                              | 7       |     | 0   |
|           | 4n+3             | One                | First     | 8 bits       | 4n+2     | 7                            |         |     | 0   |
| 16 bits   | 4n               | One                | First     | 16 bits      | 4n       | 15                           | 8       | 7   | 0   |
|           | 4n+2             | One                | First     | 16 bits      | 4n+2     | 15                           | 8       | 7   | 0   |
| 32 bits   | 4n               | Two                | First     | 16 bits      | 4n       | 15                           | 8       | 7   | 0   |
|           |                  |                    | Second    | 16 bits      | 4n+2 (p) | 31                           | 24      | 23  | 16  |

(p): Page access (only when page access is enabled in the PRENB and PWENB bits in CSnMOD).

Figure 15.3 Data alignment in 16-bit bus space with little-endian order for CS areas

| Data size | Accessed address | Number of accesses | Bus cycle | Unit of data | Address  | Data bus              |     |     |     |
|-----------|------------------|--------------------|-----------|--------------|----------|-----------------------|-----|-----|-----|
|           |                  |                    |           |              |          | D15                   | D08 | D07 | D00 |
| 8 bits    | 4n               | One                | First     | 8 bits       | 4n       | [ 7   0 ]             |     |     |     |
|           | 4n+1             | One                | First     | 8 bits       | 4n       | [ 7   0 ]             |     |     |     |
|           | 4n+2             | One                | First     | 8 bits       | 4n+2     | [ 7   0 ]             |     |     |     |
|           | 4n+3             | One                | First     | 8 bits       | 4n+2     | [ 7   0 ]             |     |     |     |
| 16 bits   | 4n               | One                | First     | 16 bits      | 4n       | [ 15   8   7   0 ]    |     |     |     |
|           | 4n+2             | One                | First     | 16 bits      | 4n+2     | [ 15   8   7   0 ]    |     |     |     |
| 32 bits   | 4n               | Two                | First     | 16 bits      | 4n       | [ 31   24   23   16 ] |     |     |     |
|           |                  |                    | Second    | 16 bits      | 4n+2 (p) | [ 15   8   7   0 ]    |     |     |     |

(p): Page access (only when page access is enabled in the PRENB and PWENB bits in CSnMOD).

**Figure 15.4 Data alignment in 16-bit bus space with big-endian order for CS areas**

## (2) 8-bit bus space

When an 8-bit bus space is selected in the BSIZE[1:0] bits in CSnCR, the address buses A20 to A00 are enabled to output address signals in byte units.

In 8-bit bus space, only the WR0 pin is valid, regardless of the write access mode, and it always outputs low during write access. The WR1 and BC0 pins are not used.

The valid positions of data external to the chip are D07 to D00, and WR0 is used as the control signal, regardless of the endian mode. See [Figure 15.5](#) and [Figure 15.6](#).

Page access can occur for accesses to data in 16-bit or 32-bit units. Page access can only occur when an access does not extend over a 32-bit boundary. The situations in which page access occurs are indicated by the letter (p) in [Figure 15.5](#) and [Figure 15.6](#).

| Data size | Accessed address | Number of accesses | Bus cycle | Unit of data | Address  | RD          |     |         |     |
|-----------|------------------|--------------------|-----------|--------------|----------|-------------|-----|---------|-----|
|           |                  |                    |           |              |          | WR1/BC1     |     | WR0/BC0 |     |
|           |                  |                    |           |              |          | Data bus    |     |         |     |
|           |                  |                    |           |              |          | D15         | D08 | D07     | D00 |
| 8 bits    | 4n               | One                | First     | 8 bits       | 4n       | [ 7   0 ]   |     |         |     |
|           | 4n+1             | One                | First     | 8 bits       | 4n+1     | [ 7   0 ]   |     |         |     |
|           | 4n+2             | One                | First     | 8 bits       | 4n+2     | [ 7   0 ]   |     |         |     |
|           | 4n+3             | One                | First     | 8 bits       | 4n+3     | [ 7   0 ]   |     |         |     |
| 16 bits   | 4n               | Two                | First     | 8 bits       | 4n       | [ 7   0 ]   |     |         |     |
|           |                  |                    | Second    | 8 bits       | 4n+1 (p) | [ 15   8 ]  |     |         |     |
|           | 4n+2             | Two                | First     | 8 bits       | 4n+2     | [ 7   0 ]   |     |         |     |
|           |                  |                    | Second    | 8 bits       | 4n+3 (p) | [ 15   8 ]  |     |         |     |
| 32 bits   | 4n               | Four               | First     | 8 bits       | 4n       | [ 7   0 ]   |     |         |     |
|           |                  |                    | Second    | 8 bits       | 4n+1 (p) | [ 15   8 ]  |     |         |     |
|           |                  |                    | Third     | 8 bits       | 4n+2 (p) | [ 23   16 ] |     |         |     |
|           |                  |                    | Fourth    | 8 bits       | 4n+3 (p) | [ 31   24 ] |     |         |     |

(p): Page access (only when page access is enabled in the PRENB and PWENB bits in CSnMOD)

Figure 15.5 Data alignment in 8-bit bus space with little-endian order for CS areas

| Data size | Accessed address | Number of accesses | Bus cycle | Unit of data | Address  | RD          |     |         |     |
|-----------|------------------|--------------------|-----------|--------------|----------|-------------|-----|---------|-----|
|           |                  |                    |           |              |          | WR1/BC1     |     | WR0/BC0 |     |
|           |                  |                    |           |              |          | Data bus    |     |         |     |
|           |                  |                    |           |              |          | D15         | D08 | D07     | D00 |
| 8 bits    | 4n               | One                | First     | 8 bits       | 4n       | [ 7   0 ]   |     |         |     |
|           | 4n+1             | One                | First     | 8 bits       | 4n+1     | [ 7   0 ]   |     |         |     |
|           | 4n+2             | One                | First     | 8 bits       | 4n+2     | [ 7   0 ]   |     |         |     |
|           | 4n+3             | One                | First     | 8 bits       | 4n+3     | [ 7   0 ]   |     |         |     |
| 16 bits   | 4n               | Two                | First     | 8 bits       | 4n       | [ 15   8 ]  |     |         |     |
|           |                  |                    | Second    | 8 bits       | 4n+1 (p) | [ 7   0 ]   |     |         |     |
|           | 4n+2             | Two                | First     | 8 bits       | 4n+2     | [ 15   8 ]  |     |         |     |
|           |                  |                    | Second    | 8 bits       | 4n+3 (p) | [ 7   0 ]   |     |         |     |
| 32 bits   | 4n               | Four               | First     | 8 bits       | 4n       | [ 31   24 ] |     |         |     |
|           |                  |                    | Second    | 8 bits       | 4n+1 (p) | [ 23   16 ] |     |         |     |
|           |                  |                    | Third     | 8 bits       | 4n+2 (p) | [ 15   8 ]  |     |         |     |
|           |                  |                    | Fourth    | 8 bits       | 4n+3 (p) | [ 7   0 ]   |     |         |     |

(p): Page access (only when page access is enabled in the PRENB and PWENB bits in CSnMOD)

Figure 15.6 Data alignment in 8-bit bus space with big-endian order for CS areas

### 15.4.2 Data Alignment Control for the SDRAM Area

#### (1) 16-bit bus space

When a 16-bit bus space is selected in the BSIZE[1:0] bits in SDCCR, address buses A26 to A01 are enabled to output address signals in 16-bit units, and the address bus A00 is disabled (always outputs low). The valid byte position is indicated by the DQM0 and DQM1 signals.

External data is accessed using the DQ15 to DQ08 and DQ07 to DQ00 pins and DQM0 and DQM1 control signals. Data can be accessed in either 8-bit or 16-bit units at a time.

The valid positions of control signals and data external to the chip differ depending on the endian order. See [Figure 15.7](#) and [Figure 15.8](#).

| Data size | Accessed address | Number of accesses | Bus cycle | Unit of data | Address | Control signals |             |      |      |
|-----------|------------------|--------------------|-----------|--------------|---------|-----------------|-------------|------|------|
|           |                  |                    |           |              |         | DQM1            | DQM0        | WE   |      |
|           |                  |                    |           |              |         | Data bus        |             |      |      |
|           |                  |                    |           |              |         | DQ15            | DQ08        | DQ07 | DQ00 |
| 8 bits    | 4n               | One                | First     | 8 bits       | 4n      | [ 7   0 ]       |             |      |      |
|           | 4n+1             | One                | First     | 8 bits       | 4n      | [ 7   0 ]       |             |      |      |
|           | 4n+2             | One                | First     | 8 bits       | 4n+2    | [ 7   0 ]       |             |      |      |
|           | 4n+3             | One                | First     | 8 bits       | 4n+2    | [ 7   0 ]       |             |      |      |
| 16 bit    | 4n               | One                | First     | 16 bits      | 4n      | [ 15   8 ]      | [ 7   0 ]   |      |      |
|           | 4n+2             | One                | First     | 16 bits      | 4n+2    | [ 15   8 ]      | [ 7   0 ]   |      |      |
| 32 bits   | 4n               | Two                | First     | 16 bits      | 4n      | [ 15   8 ]      | [ 7   0 ]   |      |      |
|           |                  |                    | Second    | 16 bits      | 4n+2    | [ 31   24 ]     | [ 23   16 ] |      |      |

**Figure 15.7 Data alignment in 16-bit bus space with little-endian order for SDRAM area**

| Data size | Accessed address | Number of accesses | Bus cycle | Unit of data | Address | Control signals |             |      |      |
|-----------|------------------|--------------------|-----------|--------------|---------|-----------------|-------------|------|------|
|           |                  |                    |           |              |         | DQM1            | DQM0        | WE   |      |
|           |                  |                    |           |              |         | Data bus        |             |      |      |
|           |                  |                    |           |              |         | DQ15            | DQ08        | DQ07 | DQ00 |
| 8 bits    | 4n               | One                | First     | 8 bits       | 4n      | [ 7   0 ]       |             |      |      |
|           | 4n+1             | One                | First     | 8 bits       | 4n      | [ 7   0 ]       |             |      |      |
|           | 4n+2             | One                | First     | 8 bits       | 4n+2    | [ 7   0 ]       |             |      |      |
|           | 4n+3             | One                | First     | 8 bits       | 4n+2    | [ 7   0 ]       |             |      |      |
| 16 bits   | 4n               | One                | First     | 16 bits      | 4n      | [ 15   8 ]      | [ 7   0 ]   |      |      |
|           | 4n+2             | One                | First     | 16 bits      | 4n+2    | [ 15   8 ]      | [ 7   0 ]   |      |      |
| 32 bits   | 4n               | Two                | First     | 16 bits      | 4n      | [ 31   24 ]     | [ 23   16 ] |      |      |
|           |                  |                    | Second    | 16 bits      | 4n+2    | [ 15   8 ]      | [ 7   0 ]   |      |      |

**Figure 15.8 Data alignment in 16-bit bus space with big-endian order for SDRAM area**

#### (2) 8-bit bus space

When an 8-bit width is selected in the BSIZE[1:0] bits in SDCCR, address buses A26 to A00 are enabled to output address signals in 8-bit units.

External data is accessed using the DQ07 to DQ00 pins and DQM0 control signal. 8-bit data is accessed in single 8-bit accesses, 16-bit data with two 8-bit accesses, and 32-bit data with four 8-bit accesses.

The valid positions of control signals and data external to the chip differ depending on the endian order. See [Figure 15.9](#) and [Figure 15.10](#).

| Data size | Accessed address | Number of accesses | Bus cycle | Unit of data | Address | Data bus |      |      |          |
|-----------|------------------|--------------------|-----------|--------------|---------|----------|------|------|----------|
|           |                  |                    |           |              |         | DQM1     | DQM0 | WE   | Data bus |
|           |                  |                    |           |              |         | DQ15     | DQ08 | DQ07 | DQ00     |
| 8 bits    | 4n               | One                | First     | 8 bits       | 4n      | 7        | 0    |      |          |
|           | 4n+1             | One                | First     | 8 bits       | 4n+1    | 7        | 0    |      |          |
|           | 4n+2             | One                | First     | 8 bits       | 4n+2    | 7        | 0    |      |          |
|           | 4n+3             | One                | First     | 8 bits       | 4n+3    | 7        | 0    |      |          |
| 16 bits   | 4n               | Two                | First     | 8 bits       | 4n      | 7        | 0    |      |          |
|           |                  |                    | Second    | 8 bits       | 4n+1    | 15       | 8    |      |          |
|           | 4n+2             | Two                | First     | 8 bits       | 4n+2    | 7        | 0    |      |          |
|           |                  |                    | Second    | 8 bits       | 4n+3    | 15       | 8    |      |          |
| 32 bits   | 4n               | Four               | First     | 8 bits       | 4n      | 7        | 0    |      |          |
|           |                  |                    | Second    | 8 bits       | 4n+1    | 15       | 8    |      |          |
|           |                  |                    | Third     | 8 bits       | 4n+2    | 23       | 16   |      |          |
|           |                  |                    | Fourth    | 8 bits       | 4n+3    | 31       | 24   |      |          |

Figure 15.9 Data alignment in 8-bit bus space with little-endian order for SDRAM area

| Data size | Accessed address | Number of accesses | Bus cycle | Unit of data | Address | Data bus |      |      |          |
|-----------|------------------|--------------------|-----------|--------------|---------|----------|------|------|----------|
|           |                  |                    |           |              |         | DQM1     | DQM0 | WE   | Data bus |
|           |                  |                    |           |              |         | DQ15     | DQ08 | DQ07 | DQ00     |
| 8 bits    | 4n               | One                | First     | 8 bits       | 4n      | 7        | 0    |      |          |
|           | 4n+1             | One                | First     | 8 bits       | 4n+1    | 7        | 0    |      |          |
|           | 4n+2             | One                | First     | 8 bits       | 4n+2    | 7        | 0    |      |          |
|           | 4n+3             | One                | First     | 8 bits       | 4n+3    | 7        | 0    |      |          |
| 16 bits   | 4n               | Two                | First     | 8 bits       | 4n      | 15       | 8    |      |          |
|           |                  |                    | Second    | 8 bits       | 4n+1    | 7        | 0    |      |          |
|           | 4n+2             | Two                | First     | 8 bits       | 4n+2    | 15       | 8    |      |          |
|           |                  |                    | Second    | 8 bits       | 4n+3    | 7        | 0    |      |          |
| 32 bits   | 4n               | Four               | First     | 8 bits       | 4n      | 31       | 24   |      |          |
|           |                  |                    | Second    | 8 bits       | 4n+1    | 23       | 16   |      |          |
|           |                  |                    | Third     | 8 bits       | 4n+2    | 15       | 8    |      |          |
|           |                  |                    | Fourth    | 8 bits       | 4n+3    | 7        | 0    |      |          |

Figure 15.10 Data alignment in 8-bit bus space with big-endian order for SDRAM area

## 15.5 Operation of CS Area Controller

### 15.5.1 Separate Bus

This section describes the periods shown in the timing diagrams. The CS area controller (CSC) operates in synchronization with the external bus clock, BCLK. Operation cycles, such as wait cycles, specified in the CSC register, are counted on BCLK. In the following description, the frequencies of BCLK and EBCLK pin output are the same, unless otherwise noted. Access through the external bus starts at the same point as the output of a rising edge on the EBCLK pin. However, if the external bus clock, BCLK, and the output on the EBCLK pin are at different frequencies,



the wait settings can cause the start of access for the second and subsequent rounds to coincide with the falling edge of the output on the EBCLK pin. See [Figure 15.16](#) to [Figure 15.20](#). If recovery cycles are inserted for bus access, the setting for the number of recovery cycles can also cause the start of access for the second and subsequent rounds to coincide with the falling edge of the output on the EBCLK pin. See [Figure 15.38](#).

**(a) Tw1 to Twn (clock cycles for waiting for a normal read cycle or normal write cycle)**

The period from Tw1 to Twn is the number of clock cycles from the start of access through the external bus clock to 1 cycle before the strobe signal is valid. The number of cycles is selectable from 0 to 31. Within this period, the timing of CSn, RD, and WRn assertion (driving the signals low) is determined by the respective wait settings. The wait periods are controlled by the CS Assert Wait Select bits (CSON), the RD Assert Wait Select bits (RDON), the WR Assert Wait Select bits (WRON), and the Write-Data Output Wait Select bits (WDON) in CSn Wait Control Register 2 (CSnWCR2). The number of clock cycles for each of these wait periods is selectable as a value from 0 to 7, counted from the start of external bus access. The selectable number of cycles is also within the overall number of clock cycles required for waiting to read or write.

**(b) Tend (clock cycle where the strobe signal is valid)**

Tend is the next clock cycle after completion of the wait period for a normal cycle of read or write, or for a cycle of page reading or page writing. If the wait select bit for these cycles is 0, bus access starts on the clock cycle where the strobe signal is valid. The RD and WRn signals are negated in the next clock cycle. For a read access, the clock cycle where the strobe signal is valid is where the data to be read is sampled. If an external wait is enabled, the wait signal is sampled on the cycle where the strobe signal is valid. The bus cycle is extended if the wait signal is low. The bus cycle completes in the next clock cycle if the wait signal is high. Tend indicates the cycle where sampling of the wait signal starts.

After the first cycle where the strobe signal is valid during page access, second and subsequent page access operations (see [section \(e\)](#), [Tpw1 to Tpwn \(page read cycle wait or page write cycle wait\)](#)) start in the next cycle, except during write access with a setting other than 0 for write-data output extension clock cycles (see [section \(d\)](#), [Tdw1 to Tdwn \(clock cycles for write-data output extension\)](#)). If the setting for the RD or WR assertion wait is any value other than 0, the RD and WRn signals are negated in the next clock cycle. If the setting is 0, assertion continues. Additionally, the CSn signal continues to be asserted rather than negated.

**(c) Tn1 to Tnm (clock cycles for CS extension)**

For normal access, Tn1 to Tnm represent the clock cycles of the period following the cycle where the strobe signal is valid (Tend) up to negation of the CSn signal. For read or write access, the negation timing can be controlled by the read-access CS Extension Cycle Select bits (CSROFF) and the write-access CS Extension Cycle Select bits (CSWOFF) in the CSn Wait Control Register 2 (CSnWCR2). The number of cycles is counted from the cycle following the cycle where the strobe signal is valid.

For page access, Tn1 to Tnm represent the clock cycles of the period following the last cycle where the strobe signal is valid up to negation of the CSn signal.

For write access, setting the Write Data Output Extension Cycle Select bits (WDOFF) controls extension of the period where the address and output data is valid.

**(d) Tdw1 to Tdwn (clock cycles for write-data output extension)**

For write access, if the wait setting for the write-data output extension is any value other than 0, the specified clock cycles are inserted from the cycle following the cycle where the strobe signal is valid (Tend).

For normal access, this period is inserted within the clock cycle period for CS extension (Tn1 to Tnm).

For page access, this period is inserted within the clock cycle period where the strobe signal is valid and subsequent page accesses, or within the clock cycle period for the CS extension (Tn1 to Tnm). Valid address and data output are extended over this period, and the WRn signal is negated.

**(e) Tpw1 to Tpwn (page read cycle wait or page write cycle wait)**

For the second and subsequent bus cycles during page access, the values for a page read cycle wait or page write cycle wait are used instead of the settings for a normal read or write cycle wait. The settings in the WR Assert Wait Select bits become enabled in the same way as for the first access. The RD assertion control operation depends on the page read access mode setting (the PRMOD bit in CSnMOD) as follows:

- CSnMOD.PRMOD = 0: A wait for RD assertion is inserted in the same way as for the first access, and the RD

signal is negated

- CSnMOD.PRMOD = 1: Although a wait for RD assertion is inserted in the same way as for normal-access compatibility mode, the RD signal continues to be asserted over this period.

(f) Tr1 to Trn (recovery cycles)

Recovery cycles can be inserted from the point where a bus cycle is complete (CSn signal negation). The number of recovery cycles can be controlled by setting the Read Recovery (RRCV) or Write Recovery (WRCV) bits in the CSn Recovery Cycle Register (CSnREC). Both numbers of recovery cycles are counted from the end of a bus cycle (CSn negation) and can be selected from 0 to 15 cycles. For more information, see [section 15.5.4, Insertion of Recovery Cycles](#).

(1) Normal access

When the PRENB and PWENB bits in CSnMOD are set to 0 to disable page read and page write access, all bus accesses take the form of normal read and write operations. Even when these bits are set to 1 to enable page read and page write access, bus access other than page access takes the form of normal read and write operations. [Figure 15.11](#) to [Figure 15.13](#) show the normal access operations.

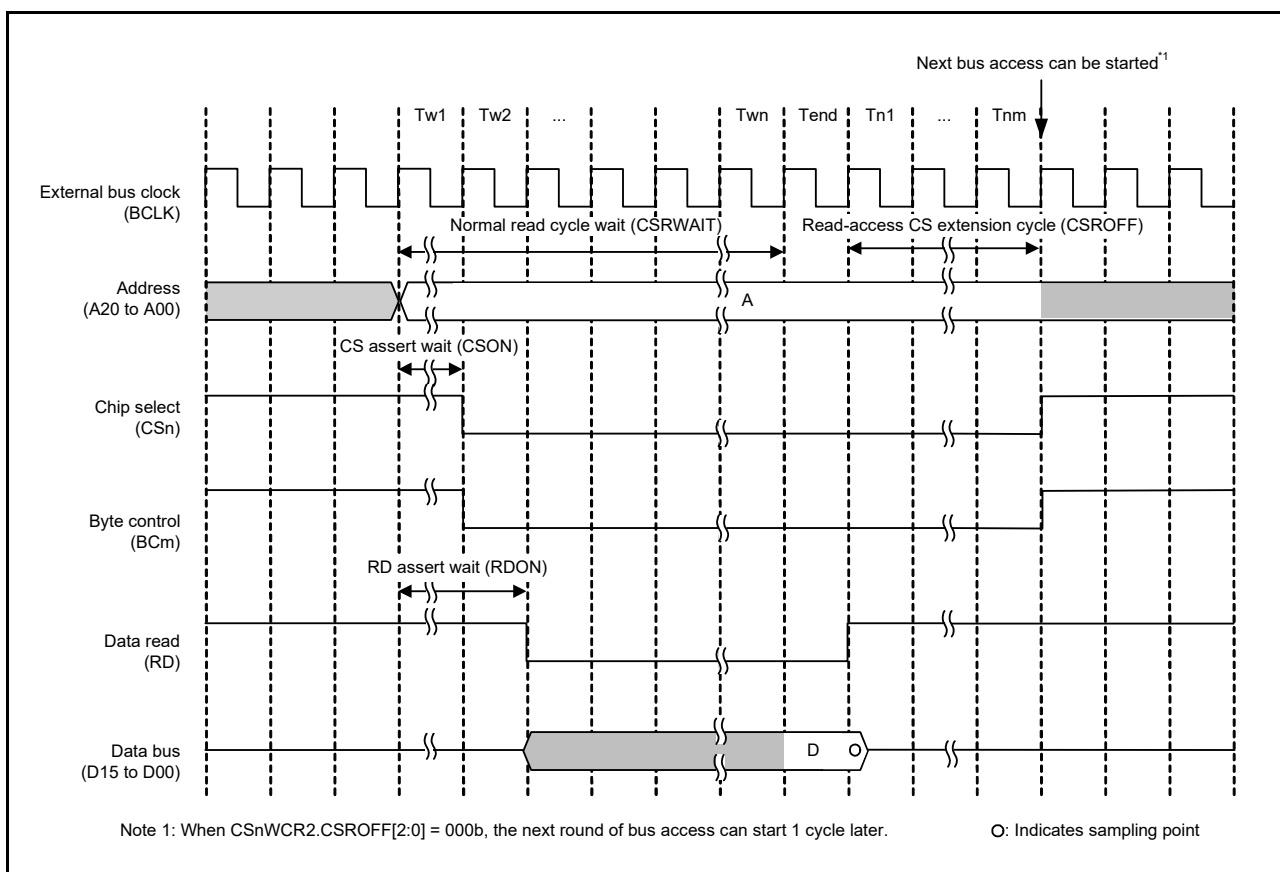


Figure 15.11 Bus timing for normal read operation (n = 0 to 7, m = 0, 1)

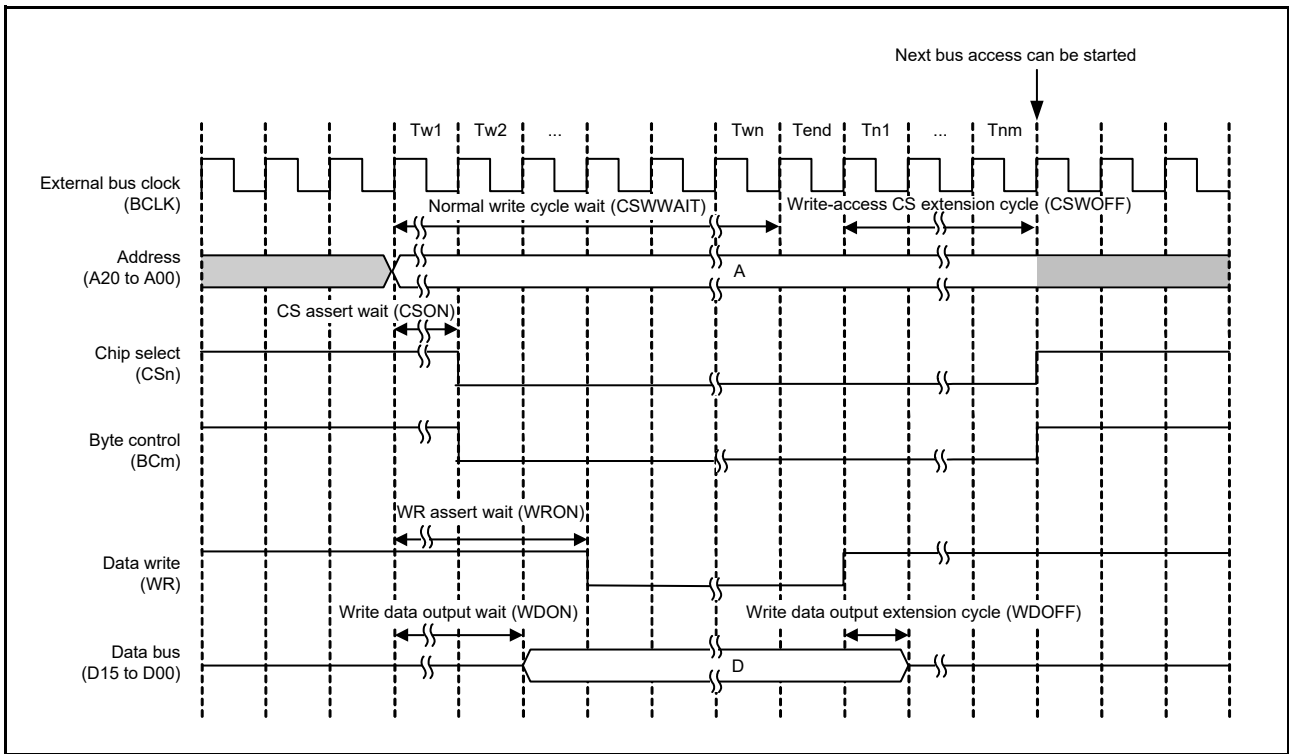


Figure 15.12 Bus timing for normal write operation in single-write strobe mode (n = 0 to 7, m = 0, 1)

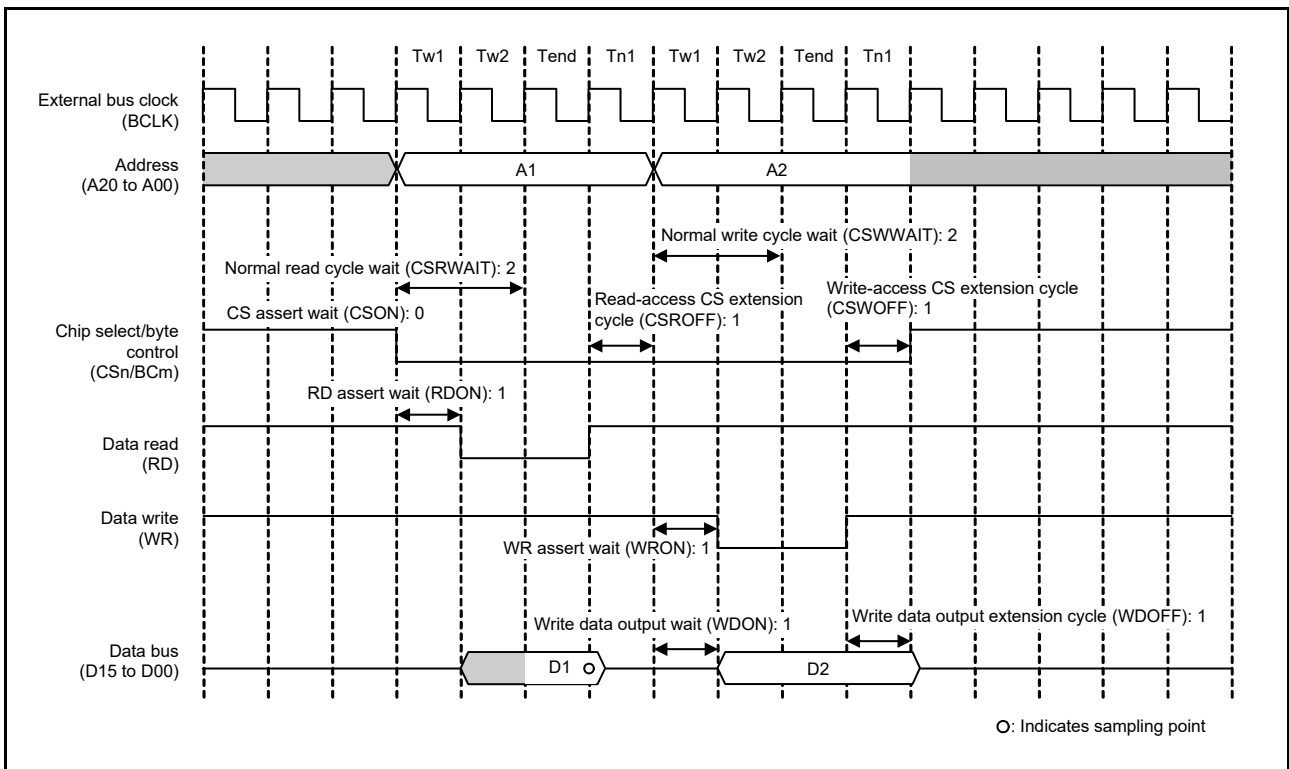
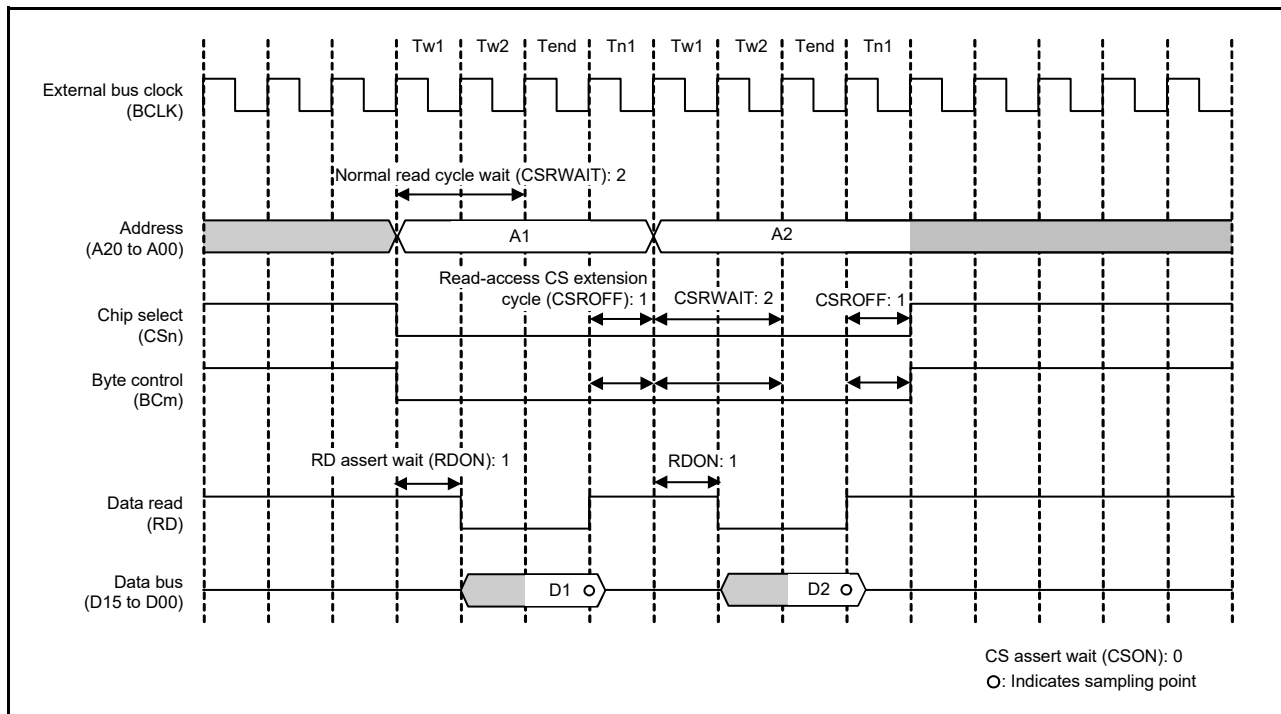


Figure 15.13 Example of normal access operation for read and write (n = 0 to 7, m = 0, 1)

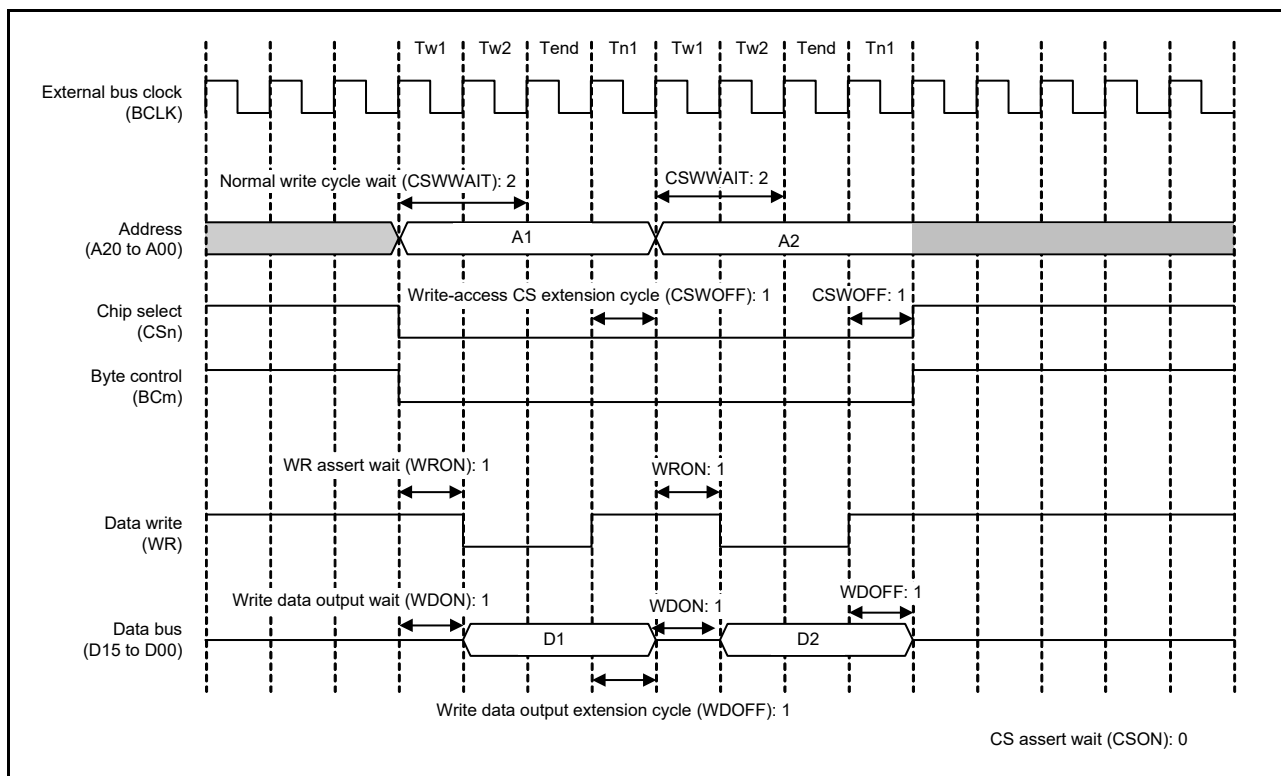
When two or more rounds of external bus access are required in response to a single request for transfer from a bus master, normal access operations are repeated. See section (a), Tw1 to Twn (clock cycles for waiting for a normal read cycle or normal write cycle) to section (d), Tdwl to Tdwn (clock cycles for write-data output extension). Figure 15.14 and Figure 15.15 show examples of operations when two rounds of bus access are generated in response to a single transfer request. If the recovery cycle insertion condition is satisfied, recovery cycles (section (f), Tr1 to Trn (recovery

cycles)) are also inserted in the second and subsequent external bus accesses. See Figure 15.36.

The values in the wait control registers shown in the figures are example settings. In your application, set the registers appropriately for the specifications of connected devices.



**Figure 15.14** Example of normal read operation when two rounds of bus access are generated in response to a single transfer request ( $n = 0$  to  $7$ ,  $m = 0$ ,  $1$ )



**Figure 15.15** Example of normal write operation when two rounds of bus access are generated in response to a single transfer request in single-write strobe mode ( $n = 0$  to  $7$ ,  $m = 0$ ,  $1$ )

Figure 15.16 to Figure 15.20 show examples of normal accesses made when BCLK/2 is selected as the frequency division in the EBCLK Pin Output Select bit.

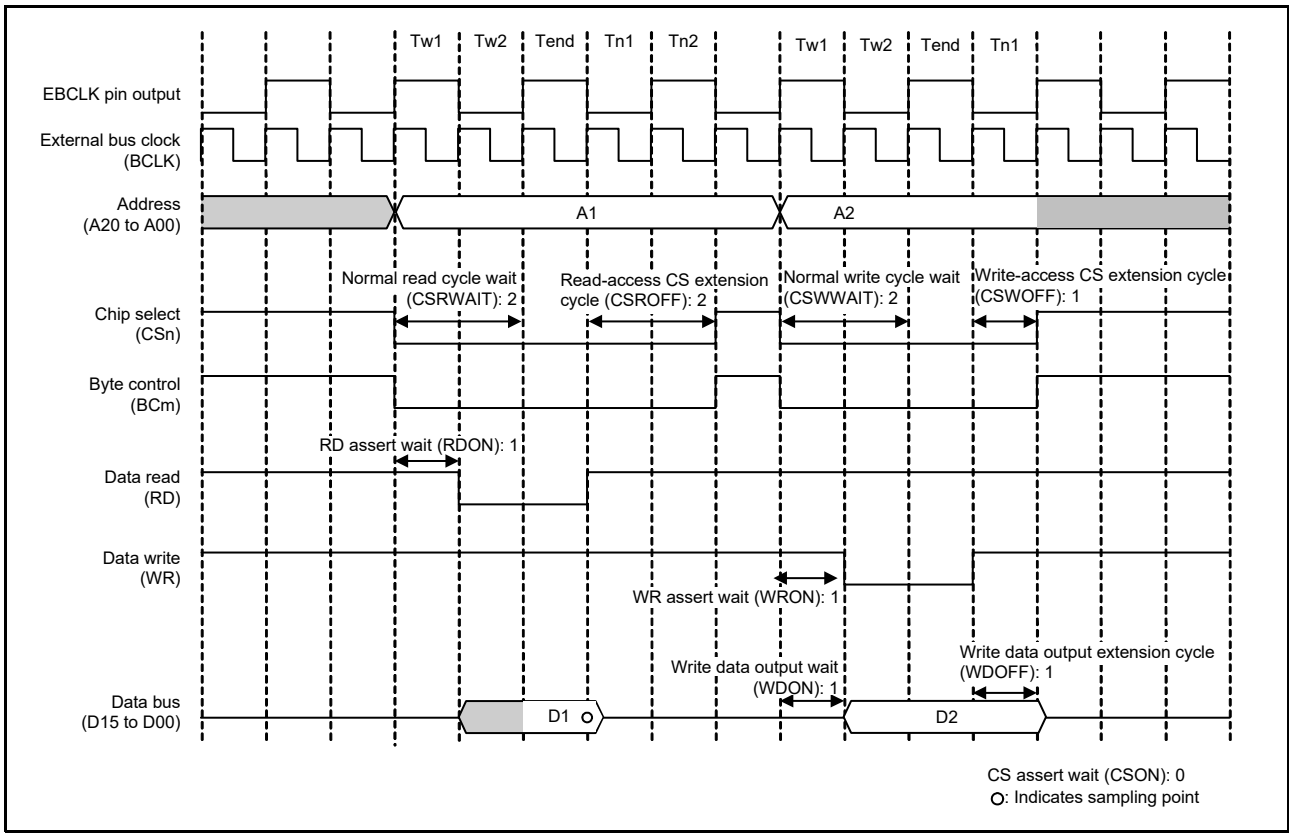


Figure 15.16 Example of normal access when BCLK/2 is selected in the EBCLK Pin Output Select bit (n = 0 to 7, m = 0, 1)

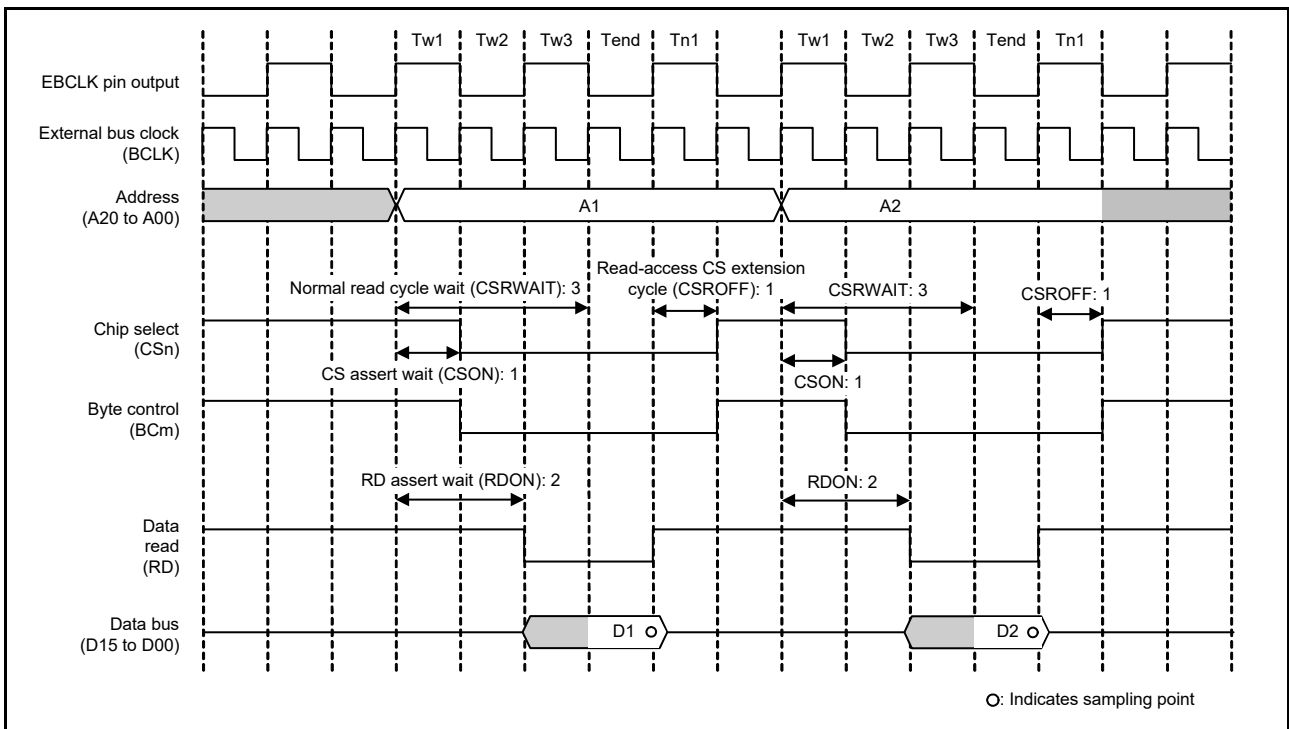
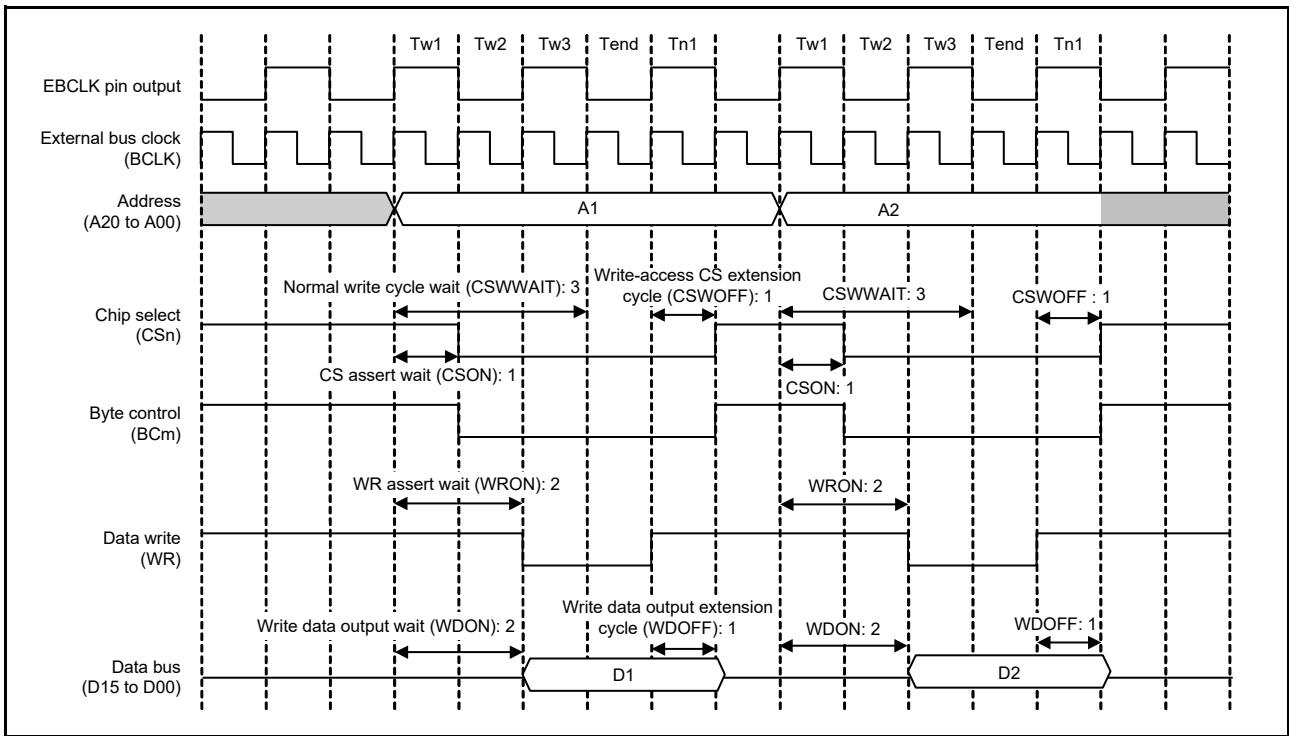
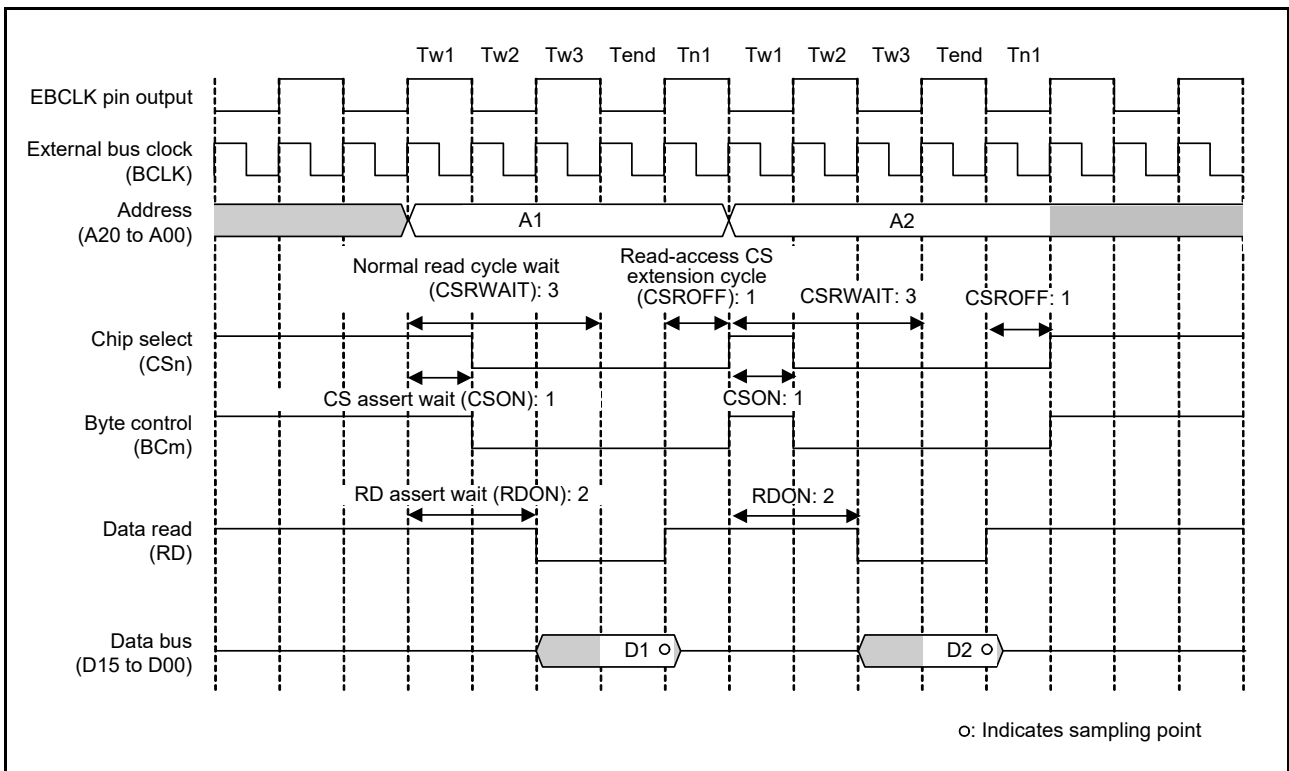


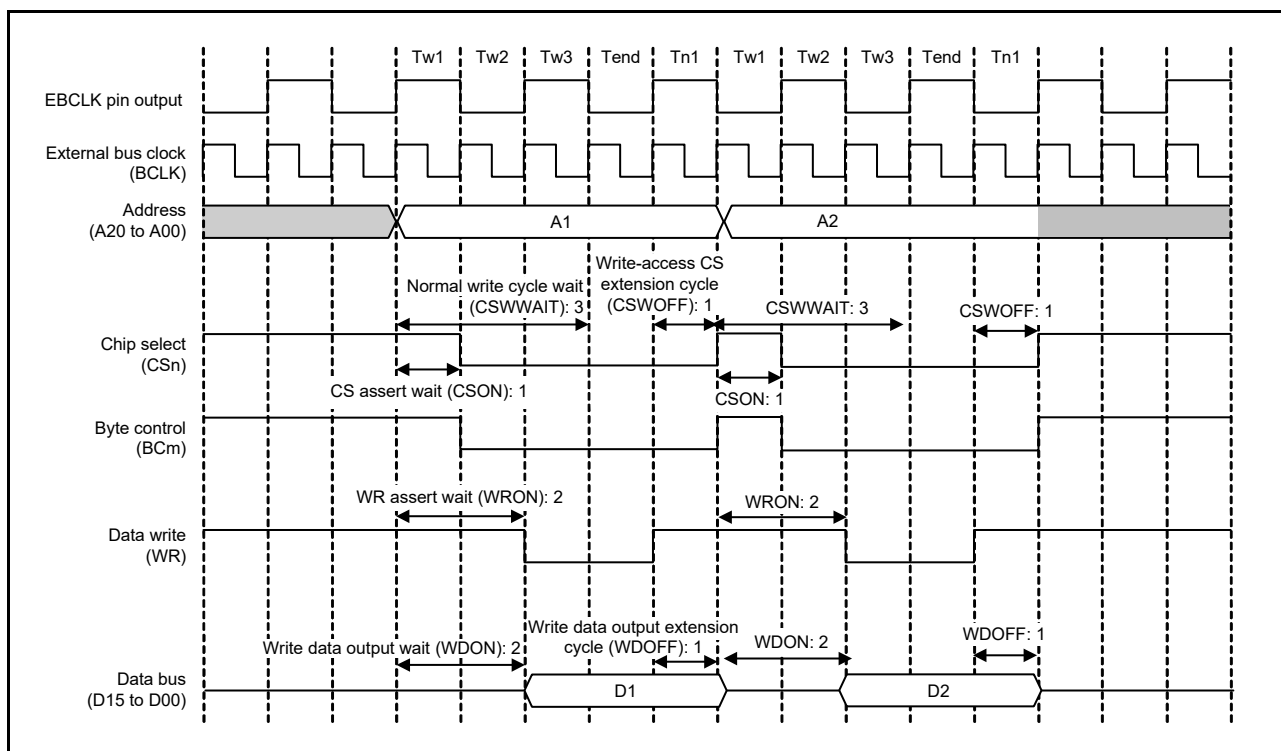
Figure 15.17 Example of normal read operation when BCLK/2 is selected in the EBCLK Pin Output Select bit (n = 0 to 7, m = 0, 1)



**Figure 15.18** Example of normal write operation when BCLK/2 is selected in the EBCLK Pin Output Select bit (n = 0 to 7, m = 0, 1)



**Figure 15.19** Example of normal read operation when BCLK/2 is selected in the EBCLK Pin Output Select bit and two rounds of bus access are generated in response to a single transfer request (n = 0 to 7, m = 0, 1)



**Figure 15.20** Example of normal write operation when BCLK/2 is selected in the EBCLK Pin Output Select bit and two rounds of bus access are generated in response to a single transfer request ( $n = 0$  to  $7$ ,  $m = 0, 1$ )

(2) Page access

When the PRENB and PWENB bits in CSnMOD are set to 1 to enable page read and page write access, the bus access for page access operations becomes page reading and writing. Page access can only occur when two or more rounds of external bus access are required for a single transfer request from the bus master. However, normal access is made when split accesses are not aligned or access extends across the 32-bit boundary. See Figure 15.3 to Figure 15.6 for the conditions under which page access occurs.

Figure 15.21 and Figure 15.22 show examples of page access operations.

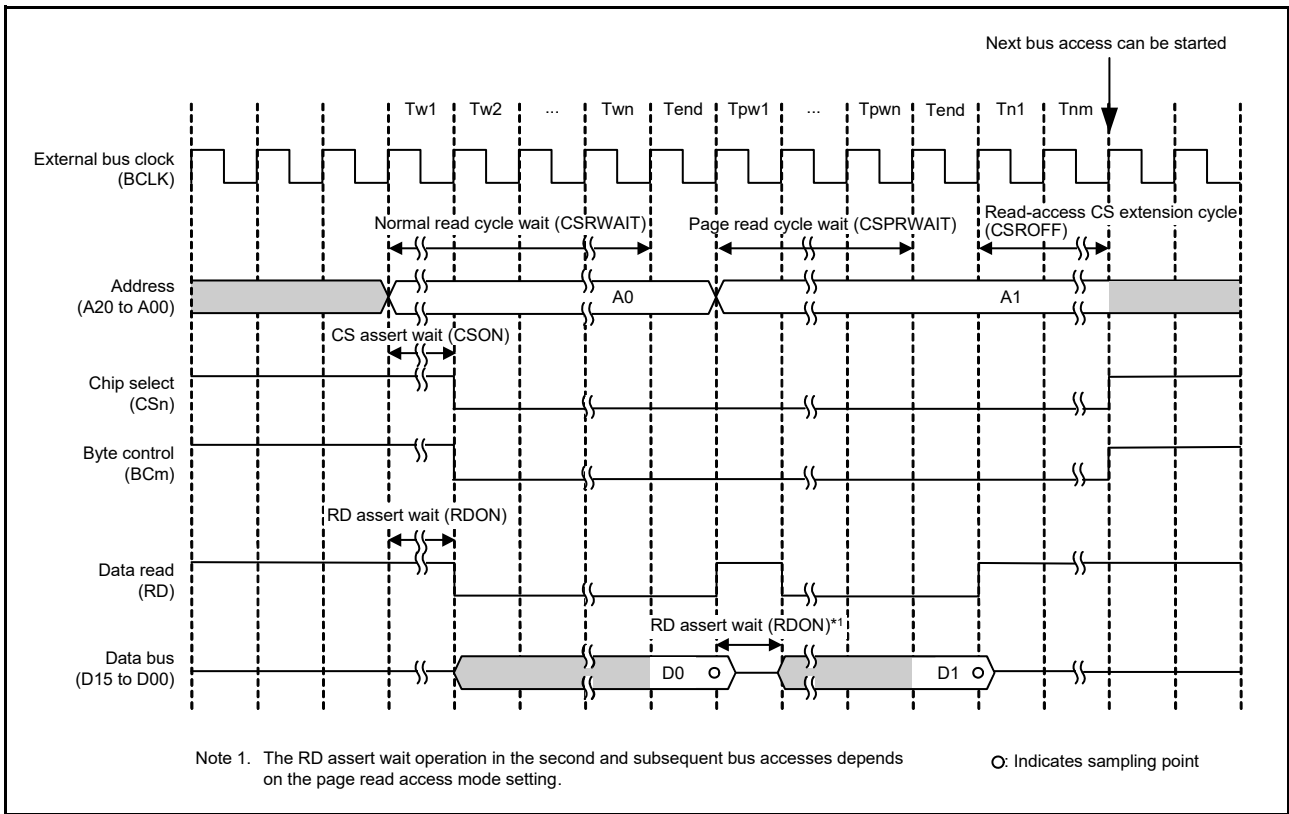


Figure 15.21 Page read access timing (n = 0 to 7, m = 0, 1)

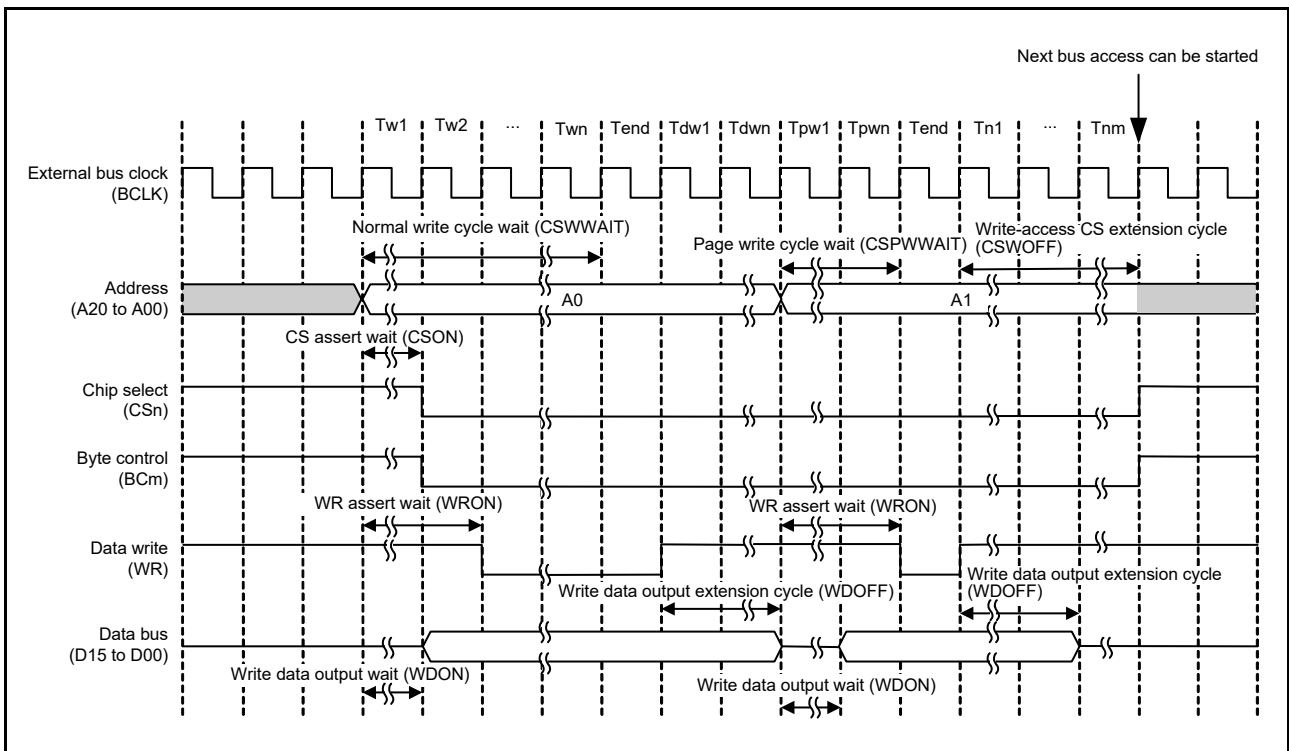


Figure 15.22 Page write access timing (n = 0 to 7, m = 0, 1)

Figure 15.23 and Figure 15.24 show examples of operations for access to a 16-bit bus space in 32 bits. The values of the wait control registers shown in the figures are example settings. In your application, set the registers appropriately for the specifications of connected devices.



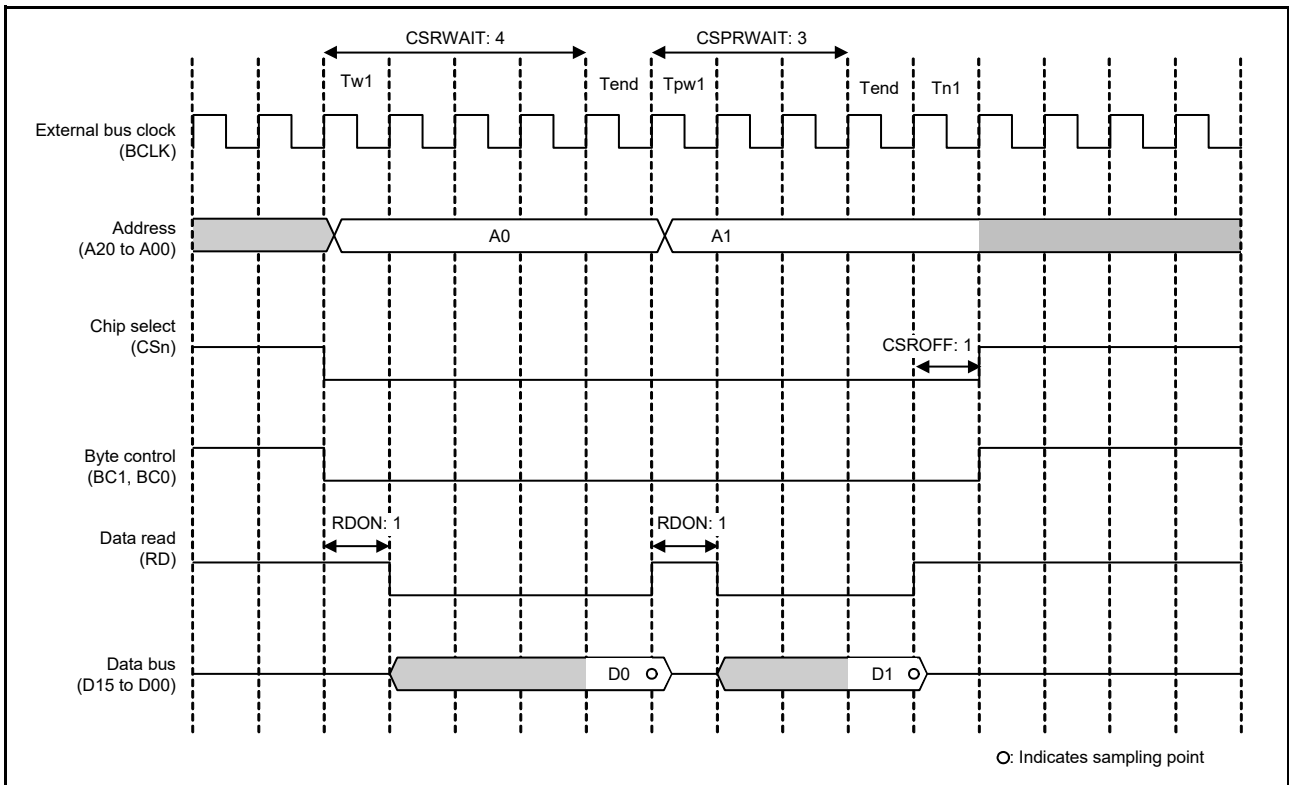


Figure 15.23 Example page read access operation when 16-bit bus space is accessed in 32 bits (n = 0 to 7)

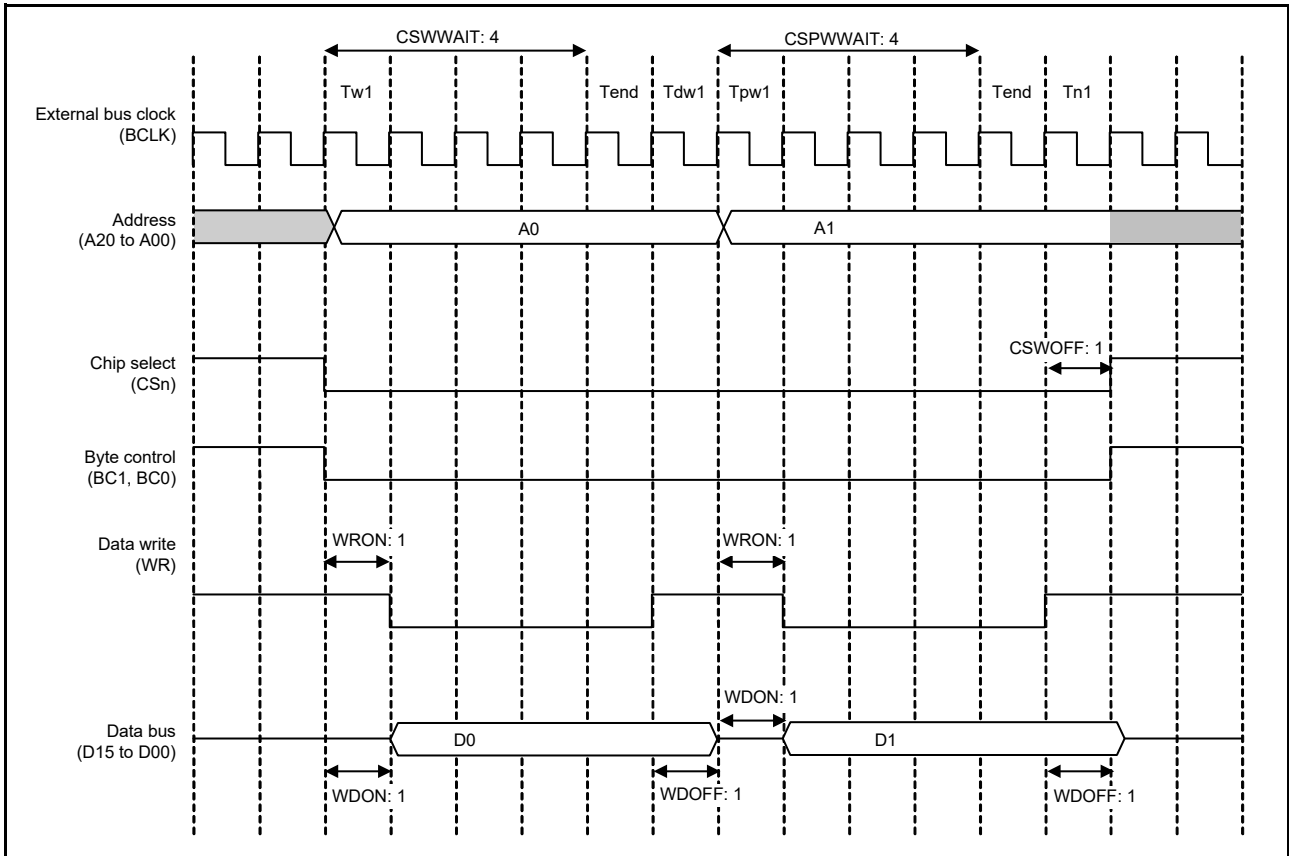
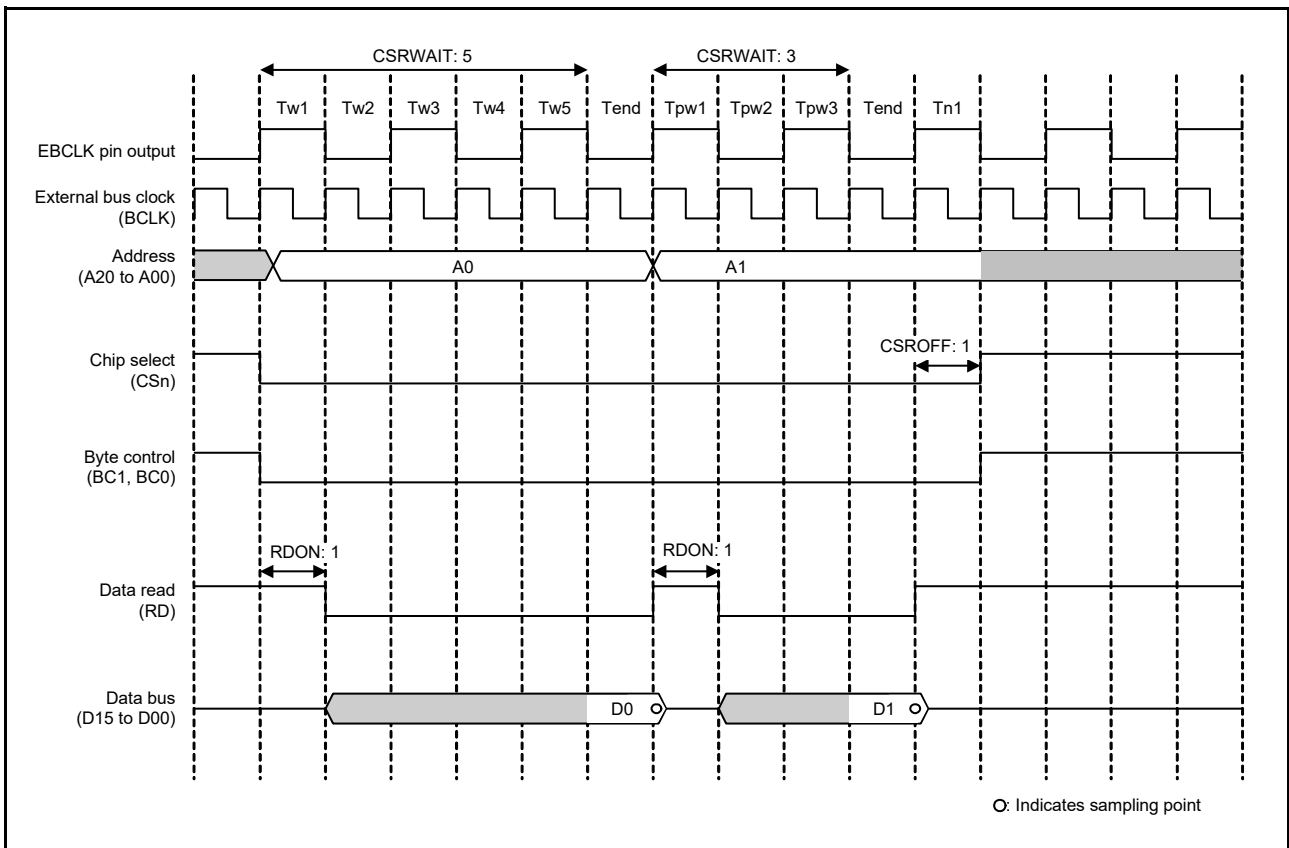
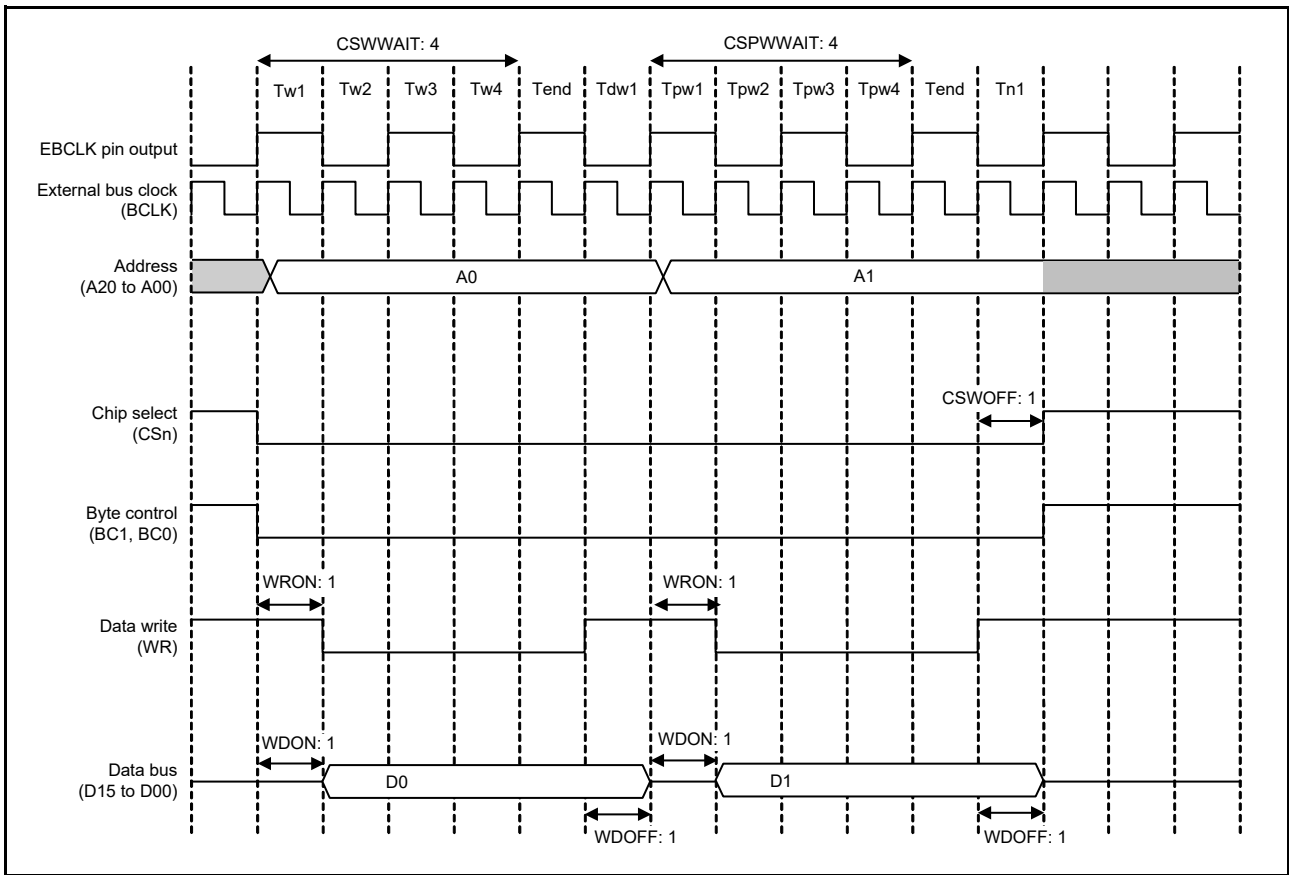


Figure 15.24 Example page write access operation when 16-bit bus space is accessed in 32 bits in single-write strobe mode (n = 0 to 7)

Figure 15.25 and Figure 15.26 show examples of page access operations when BCLK/2 is selected as the frequency division in the EBCLK Pin Output Select bit.



**Figure 15.25** Example page read access operation when BCLK/2 is selected in the EBCLK Pin Output Select bit and two rounds of bus access are generated in response to a single transfer request (n = 0 to 7)



**Figure 15.26** Example page write access operation when BCLK/2 is selected in the EBCLK Pin Output Select bit and two rounds of bus access are generated in response to a single transfer request, in single-write strobe mode (n = 0 to 7)

### 15.5.2 Address/Data Multiplexed Bus

When the address/data Multiplexed I/O Interface Select bit (MPXEN) in CSnCR is set to 1, addresses and data can be multiplexing input/output to/from the D15 to D00 pins in the corresponding area. Using this function enables direct connection of this LSI to peripheral LSIs requiring address/data multiplexing. When 8-bit width is selected with the BSIZE[1:0] bits in CSnCR, D7 to D00 are multiplexed with A07 to A00. When 16-bit width is selected, D15 to D00 are multiplexed with A15 to A00. In the address/data multiplexed I/O space, accesses are controlled with the ALE, RD, WRn, and BCn signals.

Byte strobe mode or single-write strobe mode is selectable in the same way as for a separate bus. However, with regard to the BCn signals within the address cycle, the byte-control signal is output for the data being read or written.

During the address/data multiplexed I/O space access, after the number of wait cycles specified by the address cycle wait select bits (AWAIT[1:0]) in CSnWCR2 is inserted in the address output cycle, data access is performed.

#### Ta1 to Tan (Address Cycle Wait)

The period Ta1 to Tan is valid only when the address/data multiplexed I/O space is specified. This period is made up of the number of clock cycles between the start of external bus access and 1 cycle before the address latch (ALE) signal is negated. The number of cycles are selectable within the range from zero to three. Addresses are output until the next cycle of ALE signal negation (address cycle). The timing of ALE signal is the same as that of CS assertion. After the address cycle, a data cycle is started. CSnWCR1 and CSnWCR2 should be set so that an address cycle and a data cycle do not overlap.

Page access to the address/data multiplexed I/O space is invalid. When the PRENB or PWENB bit in CSnMOD is set to 1 to enable page-read or page-write access, these settings are ignored and normal read or write operation is performed.

Figure 15.27 to Figure 15.29 show examples of operations with the address/data multiplexed I/O interface

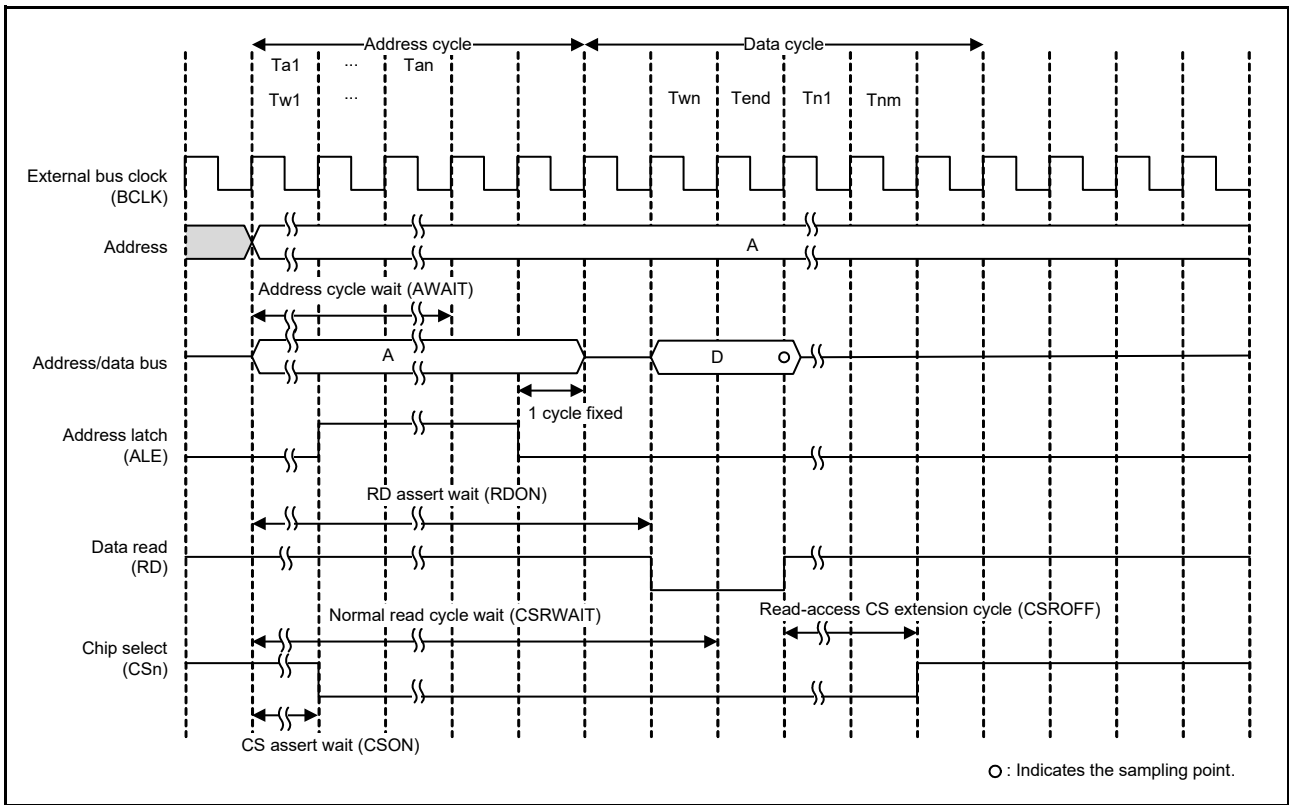


Figure 15.27 Example of read access operation with address/data multiplexed I/O interface (n = 0 to 7)

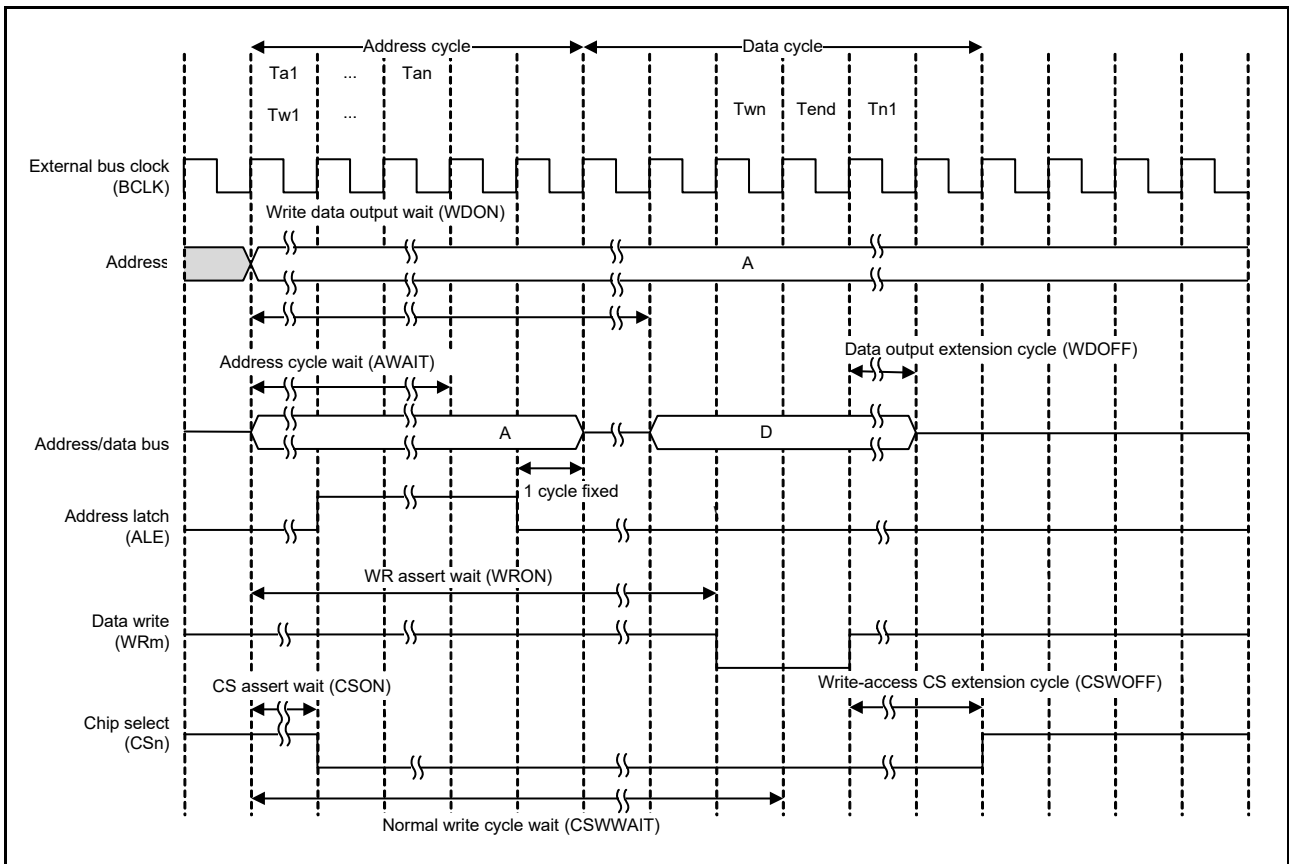


Figure 15.28 Example of write access operation with address/data multiplexed I/O interface (m = 0, 1)

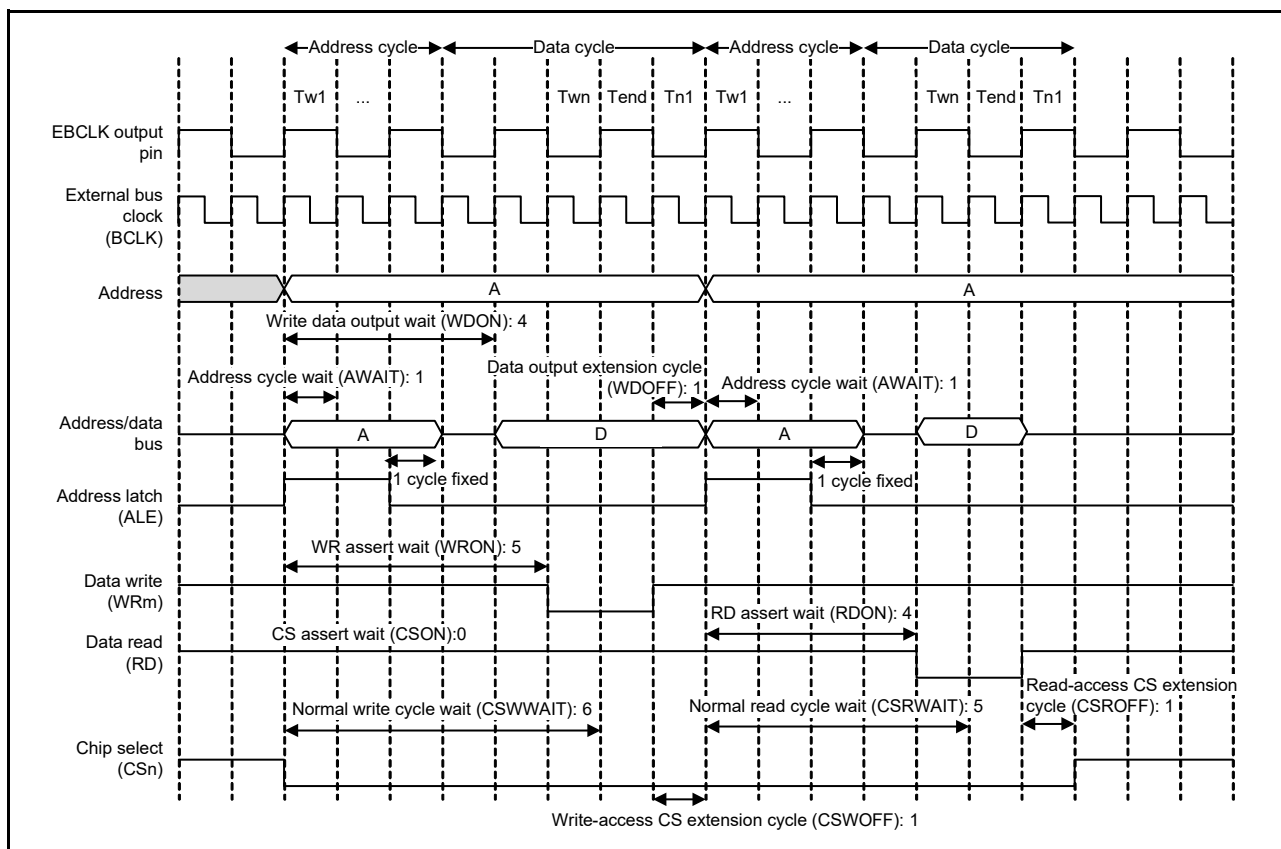


Figure 15.29 Example of bus timing with address/data multiplexed I/O interface (m = 0, 1)

### 15.5.3 External Wait Function

Wait cycles can be extended by the WAIT signal beyond the length of the normal access cycle wait specified in the CSRWAIT[4:0] and CSWWAIT[4:0] bits in CSnWCR1, and the page access cycle wait specified in the CSPRWAIT[2:0] and CSPWWAIT[2:0] bits in CSnWCR1.

When external wait is enabled (EWENB = 1 in CSnMOD), wait cycles are inserted while the WAIT signal is held low. When external wait is disabled (EWENB = 0 in CSnMOD), the WAIT signal has no effect. All wait cycles specified in CSnWCR1 are inserted independently of the WAIT signal.

#### (1) Normal access

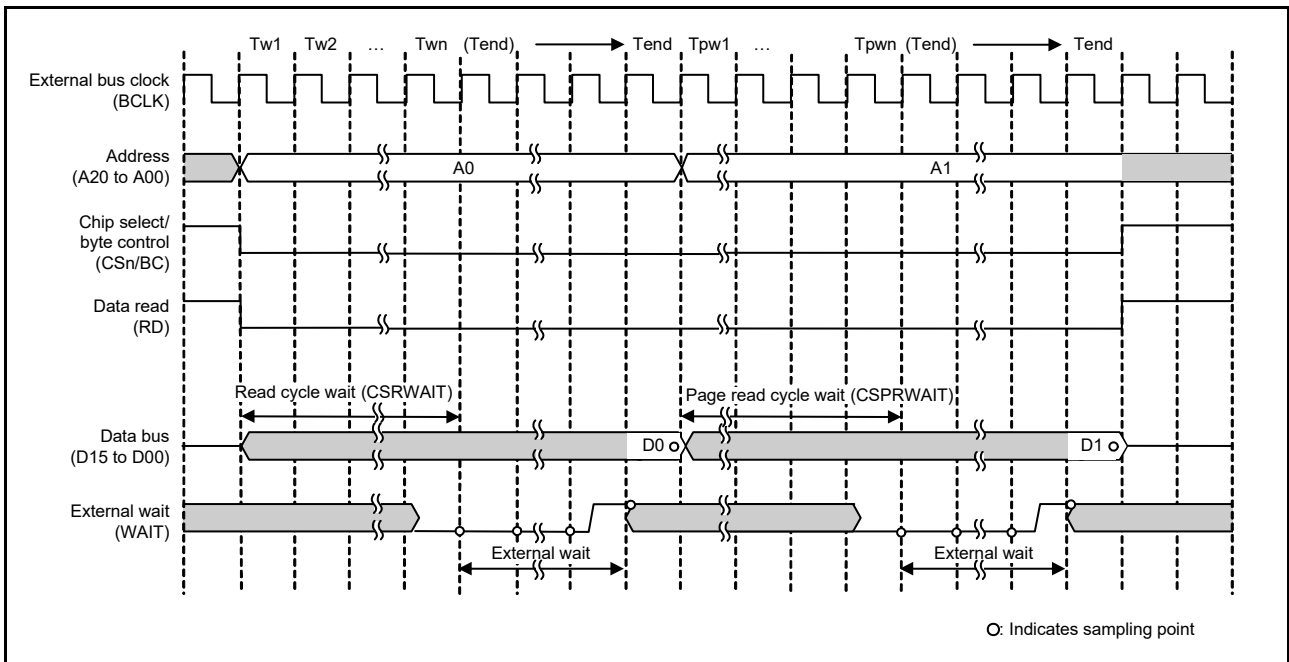
Sampling of the WAIT signal begins on completion of the wait cycle (Tend) specified in CSnWCR1. The bus cycle is extended while the WAIT signal is held low. The wait cycle ends (Tend) at the next cycle after the WAIT signal goes high.

#### (2) Page access

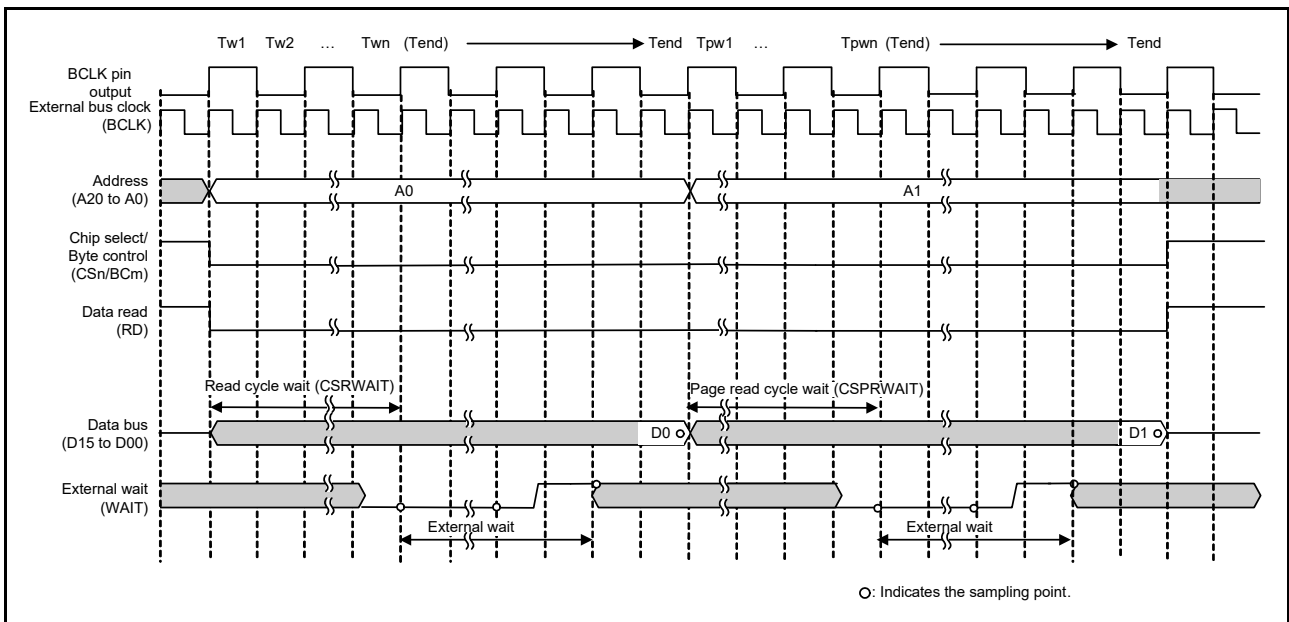
The first access operation is the same as the normal access operation. Sampling of the WAIT signal begins on completion of the wait cycle (Tend) specified in the CSnWCR1 register. The bus cycle is extended while the WAIT signal is held low. The wait cycle (Tend) ends at the next cycle after the WAIT signal goes high.

For the second and subsequent accesses, sampling of the WAIT signal begins on completion of the page access wait cycle (Tend). The page access wait cycle is extended while the WAIT signal is held low, and ends (Tend) at the next cycle after the WAIT signal goes high.

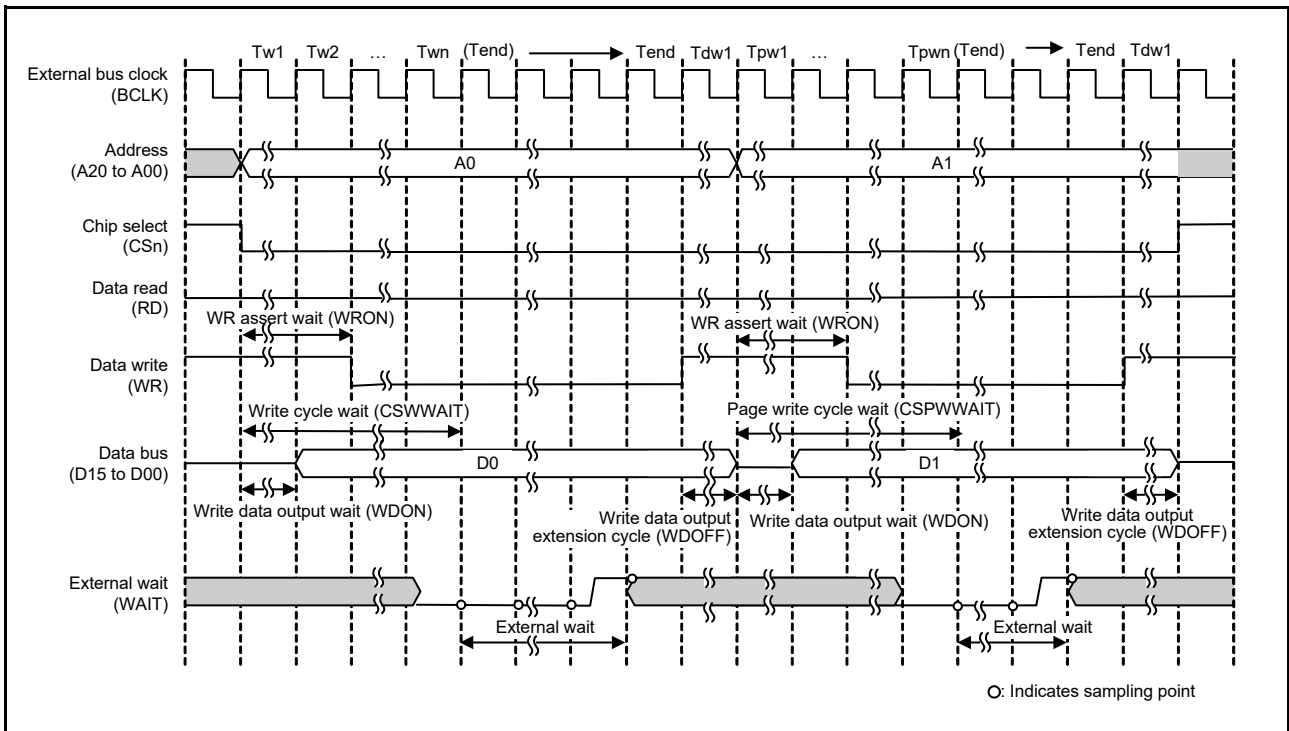
Figure 15.30 to Figure 15.33 show examples of external wait insertion timing with the separate bus interface.



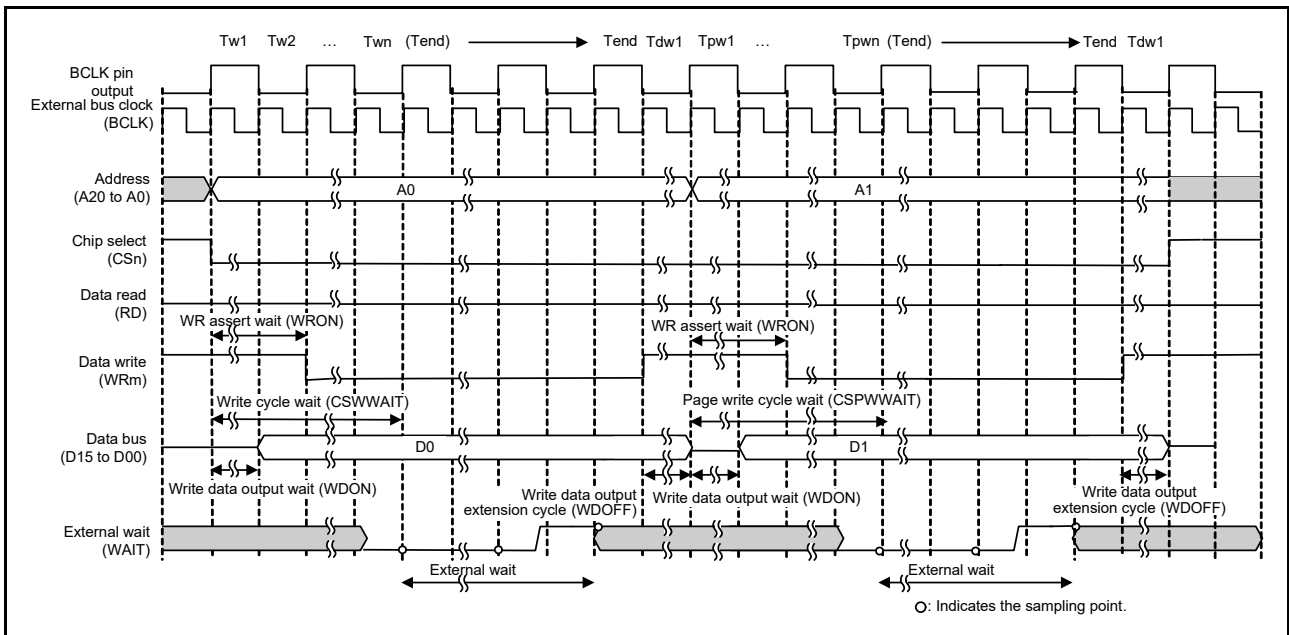
**Figure 15.30** Example external wait timing for page read access to 16-bit bus space (when 1/1 BCLK is selected with the BCLK Pin Output Select bit) (n = 0 to 7, m = 0, 1)



**Figure 15.31** Example external wait timing for page read access to 16-bit bus space (when 1/2 BCLK is Selected with the BCLK Pin Output Select bit) (n = 0 to 7, m = 0, 1)



**Figure 15.32** Example external wait timing for page write access to 16-bit bus space in byte strobe mode (when 1/1 BCLK is selected with the BCLK Pin Output Select bit) (n = 0 to 7, m = 0, 1)



**Figure 15.33** Example external wait timing for page write access to 16-bit bus space in byte strobe mode (when 1/2 BCLK is selected with the BCLK Pin Output Select bit) (n = 0 to 7, m = 0, 1)

(3) Address/data multiplexed I/O interface

In a data cycle with the address/data multiplexed I/O interface, programmed waits and pin waits using the WAIT pin can be inserted in the same way as that with the separate bus interface.

Address cycles are not affected by the wait control settings. Figure 15.34 shows an example of external wait insertion timing with the address/data multiplexed I/O interface.

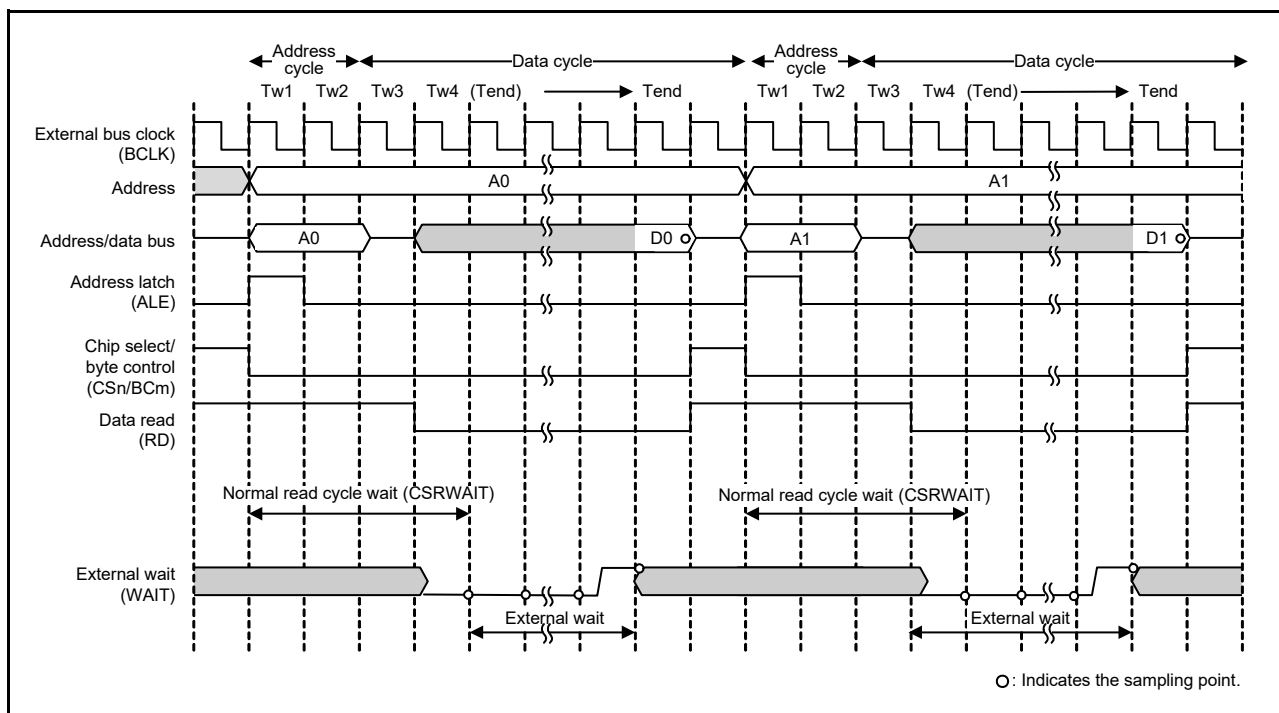


Figure 15.34 Example external wait Insertion timing with address/data multiplexed I/O interface ( $m = 0, 1$ )

### 15.5.4 Insertion of Recovery Cycles

Recovery cycles can be inserted between consecutive rounds of external bus access by setting the Recovery Cycle Insertion Enable bit in CSRECEN to 1.

The number of recovery cycles to be inserted after read cycles and write cycles can be independently set for each area using CSnREC. When the preceding bus cycle is a write access, the number of write recovery cycles must be set with the WRCV[3:0] bits for the associated area. When the preceding bus cycle is a read access, the number of read recovery cycles must be set with the RRCV[3:0] bits for the associated area. For example, when a CS1 read access occurs after a CS0 read access, the number of recovery cycles to be inserted between them is set in the RRCV[3:0] bits in CS0REC.

Recovery cycle insertion can be enabled or disabled with RCVEN<sub>i</sub> ( $i = 0$  to 7) in CSRECEN when the preceding bus access is a separate bus access, and with RCVENM<sub>j</sub> ( $j = 0$  to 7) when the preceding bus access is an address/data multiplexed bus access.

Recovery cycles can be inserted on any of the following conditions:

- After a read access to the external bus, a read access is made to the external bus in the same area
- After a read access to the external bus, a read access is made to the external bus in a different area
- After a read access to the external bus, a write access is made to the external bus in the same area
- After a read access to the external bus, a write access is made to the external bus in a different area
- After a write access to the external bus, a read access is made to the external bus in the same area
- After a write access to the external bus, a read access is made to the external bus in a different area
- After a write access to the external bus, a write access is made to the external bus in the same area
- After a write access to the external bus, a write access is made to the external bus in a different area.

The recovery cycle starts at the end of the preceding bus cycle, for example when the CS<sub>n</sub> signal ( $n = 0$  to 7) is negated. A high-level period of the CS<sub>n</sub> signal is inserted for the specified recovery cycle period starting from this point.

In the fastest case, the CS<sub>n</sub> signal for the next round of bus access is asserted immediately after the end of the recovery cycles. Even if the next request for access to an external address space is generated during the recovery period, the next access over the external bus starts immediately after the end of the recovery cycles.



When two or more external bus access cycles are required for a single transfer request from a bus master, and the recovery cycle insertion condition is satisfied, recovery cycles are also inserted between these bus access cycles. However, when page read access is enabled ( $CSnMOD.PRENB = 1$ ) or page write access is enabled ( $CSnMOD.PWENB = 1$ ), recovery cycles are not inserted except after the last bus access cycle of the transfer, even if the recovery cycle insertion condition is satisfied. See Figure 15.37.

Similarly, during normal access with page access enabled, recovery cycles are not inserted between bus access cycles but only after the last bus access cycle of the transfer. With the address/data multiplexed I/O interface, when the recovery cycle insertion condition is satisfied, recovery cycles are inserted between bus access cycles regardless of the page access enable setting.

Figure 15.35 to Figure 15.37 show examples of recovery cycle insertion with the separate bus interface.

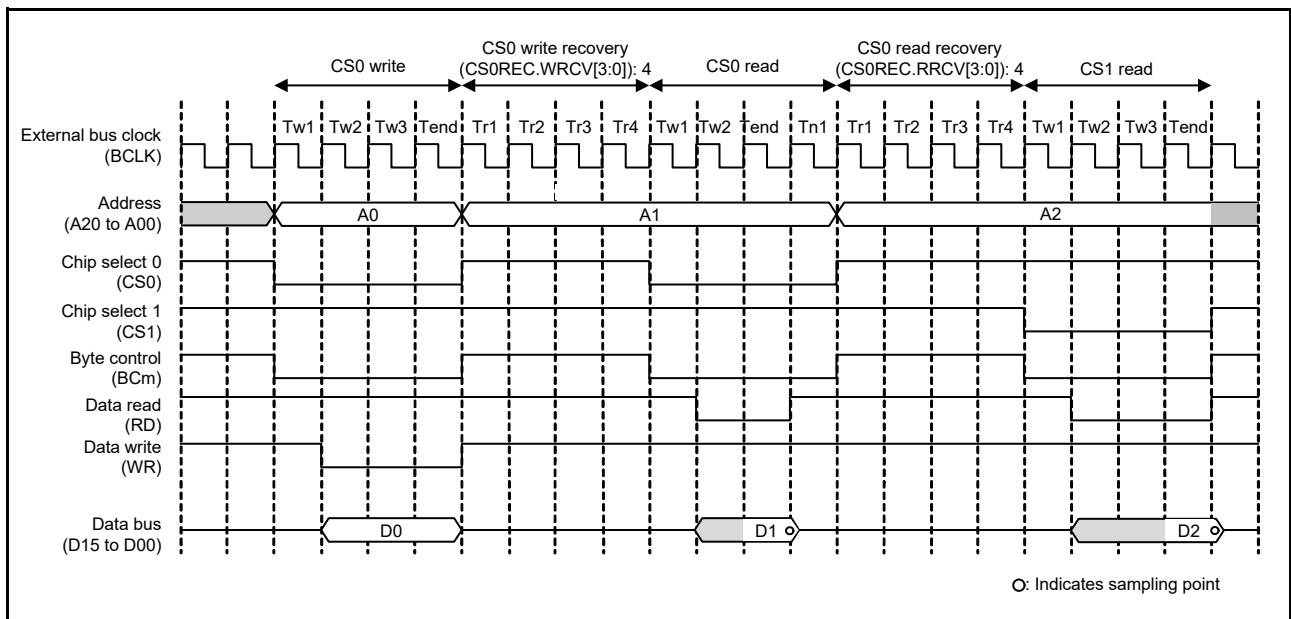


Figure 15.35 Example recovery cycle insertion with separate bus interface ( $m = 0, 1$ )

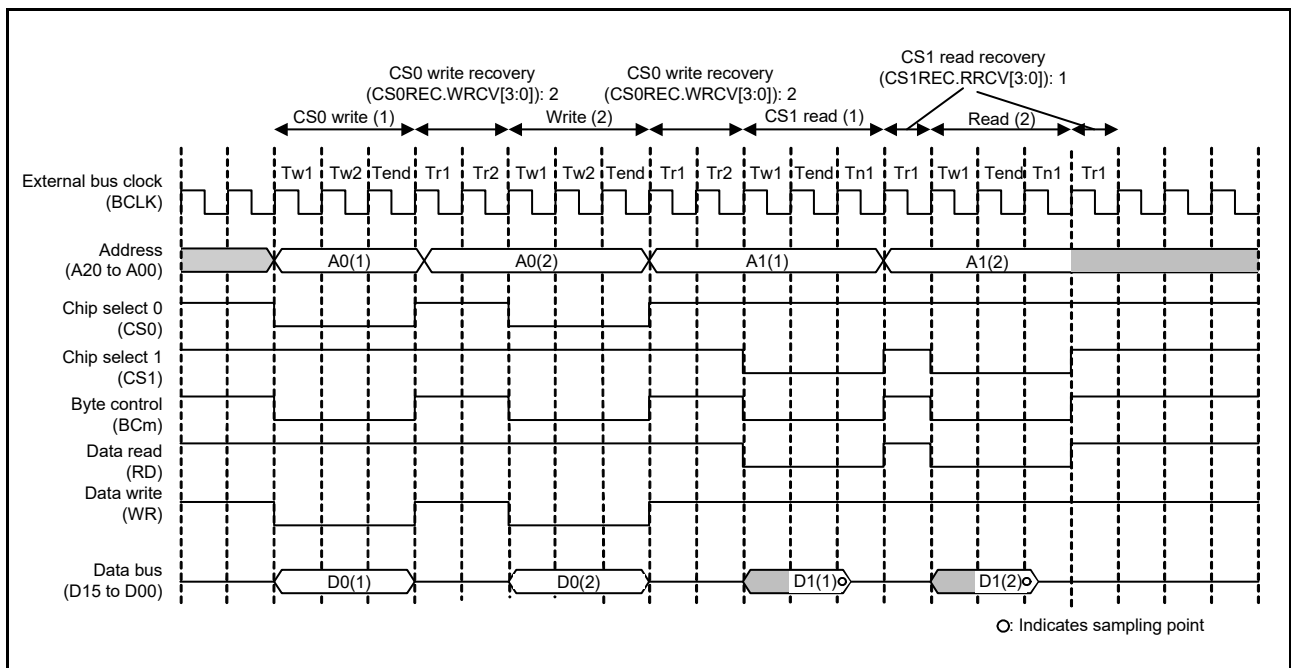
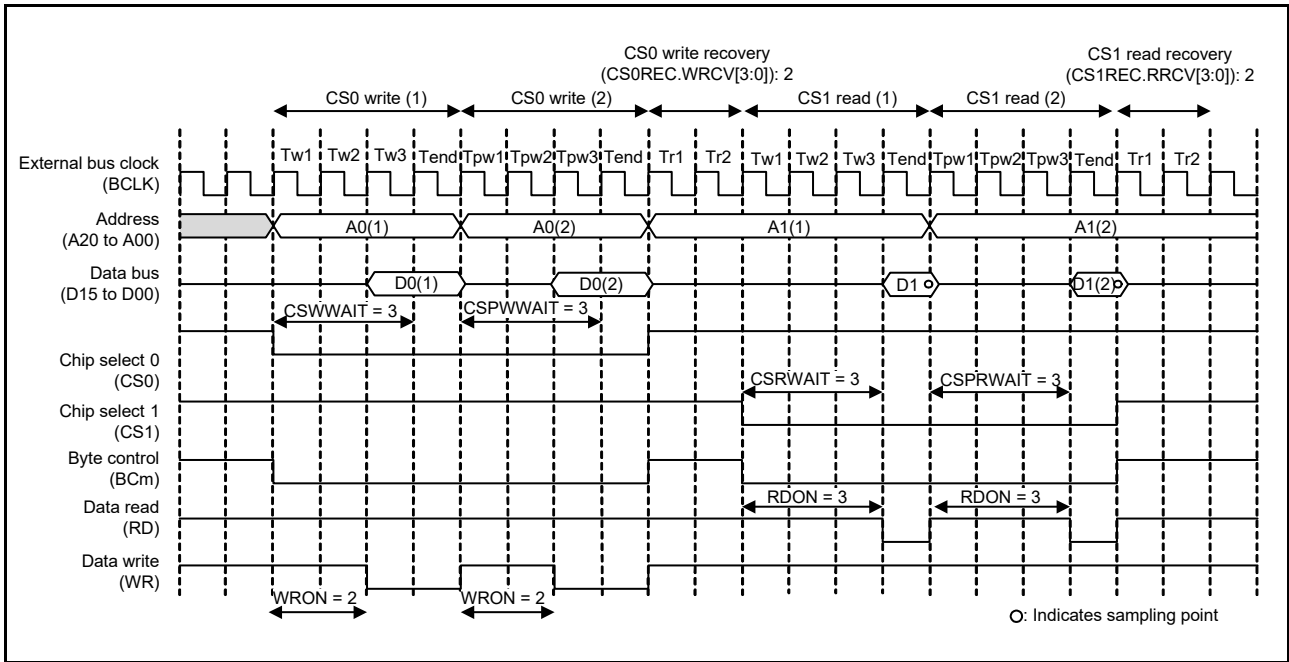
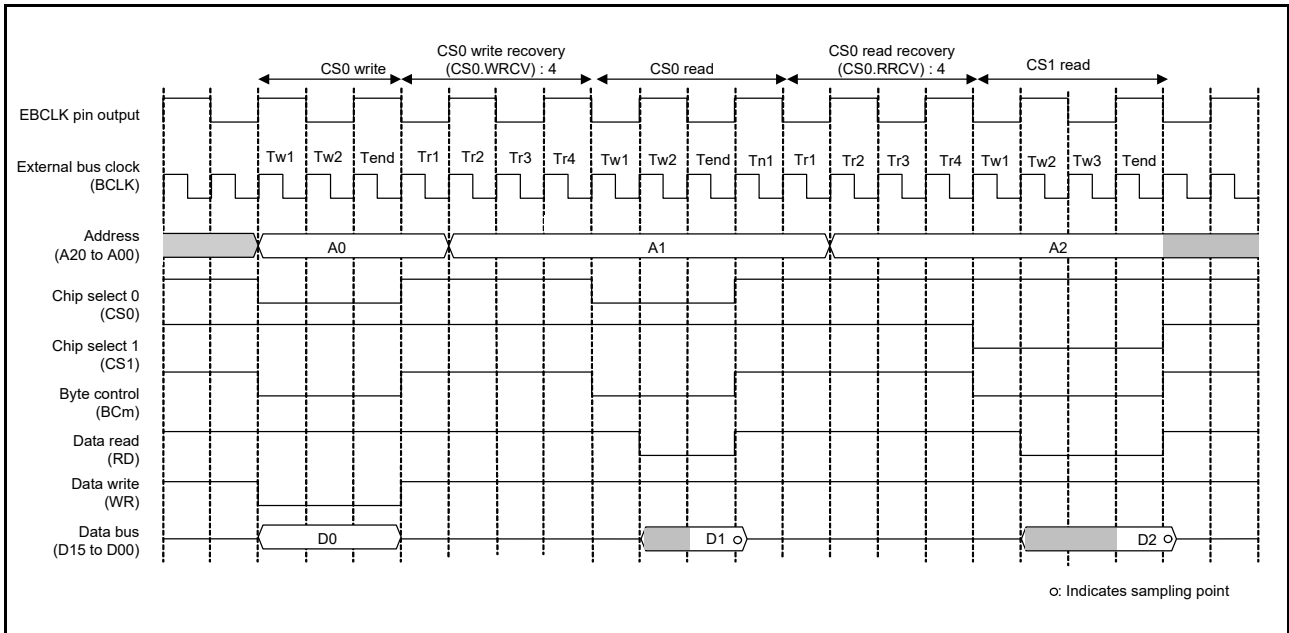


Figure 15.36 Example recovery cycle insertion when bus access is split, with separate bus interface and normal access ( $m = 0, 1$ )



**Figure 15.37** Example recovery cycle insertion when bus access is split, with separate bus interface and page access (m = 0, 1)

Figure 15.38 shows an example operation when BCLK/2 is selected as the frequency division in the EBCLK Pin Output Select bit.



**Figure 15.38** Example operation for recovery cycles when BCLK/2 is selected in the EBCLK Pin Output Select bit, with normal access through a separate bus interface (m = 0, 1)

With the address/data multiplexed I/O interface, recovery cycles are inserted in the same way as that with the separate bus interface. Figure 15.39 and Figure 15.40 show examples of recovery cycle insertion with the address/data multiplexed I/O interface.

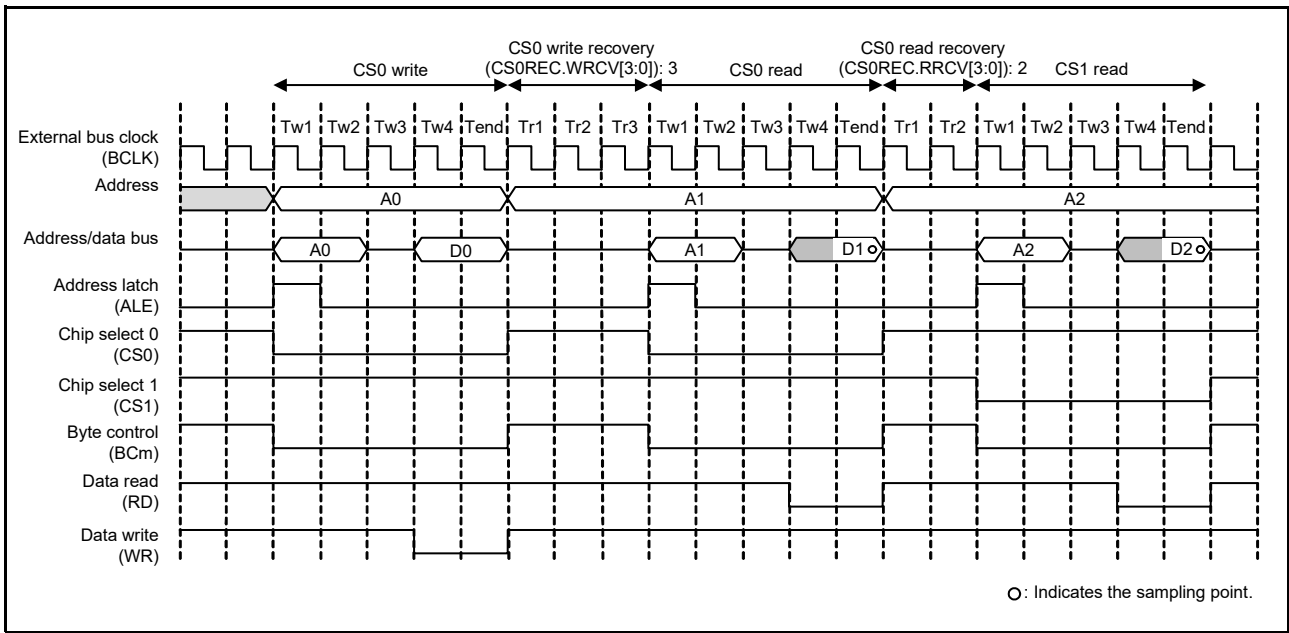


Figure 15.39 Example of recovery cycle insertion with address/data multiplexed I/O interface (m = 0, 1)

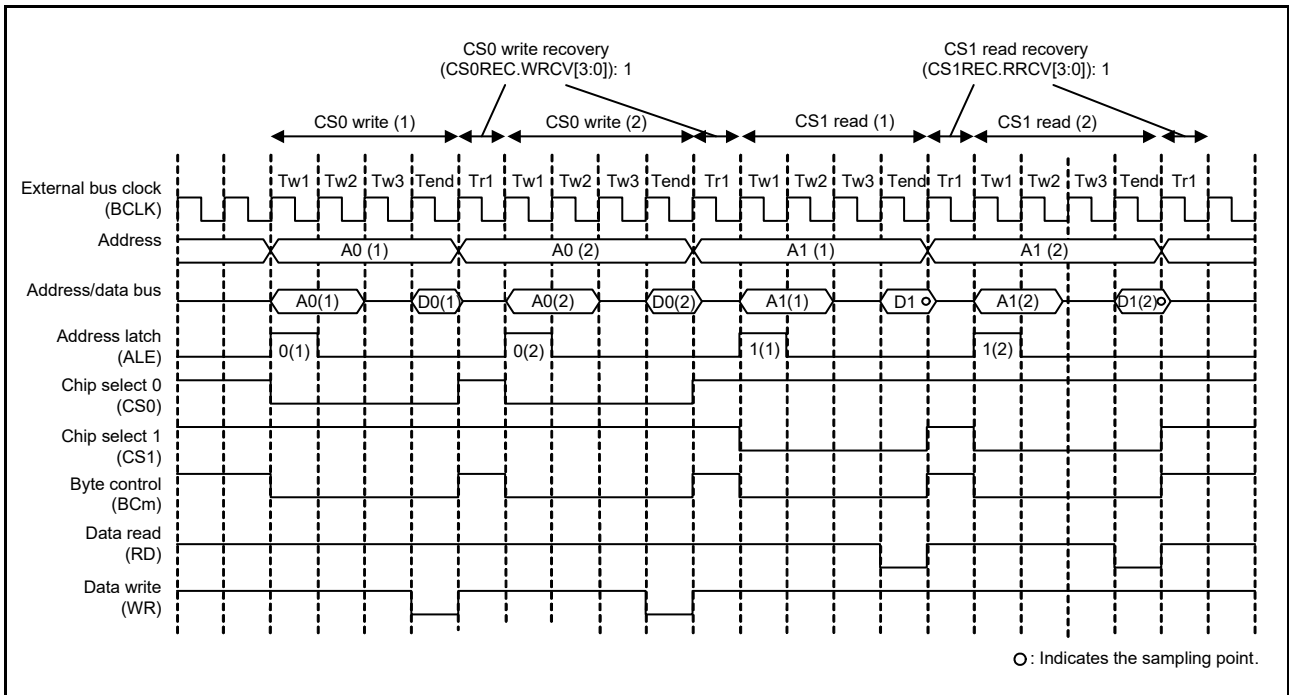


Figure 15.40 Example of recovery cycle insertion when a bus access is split with address/data multiplexed I/O interface (m = 0, 1)

### 15.5.5 No Access State

When no external address space is accessed, the CS<sub>n</sub>, BC<sub>n</sub>, WR<sub>n</sub>, RD signals are high, ALE signal is low, and D15 to D00 are in the high-impedance state.

### 15.5.6 Write Buffer Function (External Bus)

In write access, the main bus is released by writing data to the write buffer before the access is complete. This allows the next round of bus access to start. However, if the next access is to an external address space or to a register of the external bus controller, it is suspended until the external bus operations already in progress are complete.

Figure 15.41 shows an example of operation when the write buffer function is in use. When this function is in use, if the next operation after an external write is an internal access, the internal access is executed in parallel with the external write, for example without waiting for completion of the latter operation.

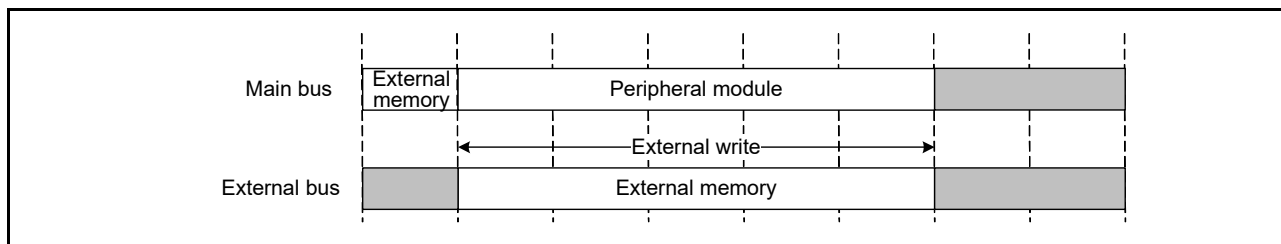


Figure 15.41 Example operation when the write buffer function is in use

### 15.5.7 Constraints

#### (1) Constraints on using a separate bus interface

Table 15.11 lists the constraints that apply to bits in the CSn Wait Control Register 1 (CSnWCR1) and CSn Wait Control Register 2 (CSnWCR2) when normal and page accesses occur.

Even if the Page Read Access Enable bit or Page Write Access Enable bit in the CSn Mode Register is set to enable (CSnMOD.PRENB = 1 or CSnMOD.PWENB = 1), the first page access or access that does not fall within the scope of a page access is a normal access operation. Because of this, constraints on normal access must be satisfied.

Table 15.11 Constraints on normal access and page access

| Constraints on normal access |                          | Constraints on page access |                           |
|------------------------------|--------------------------|----------------------------|---------------------------|
| Reading                      | Writing                  | Reading                    | Writing                   |
| $CSON[2:0] \leq CSRWAIT$     | $1 \leq WDON[2:0]$       | $CSON[2:0] \leq CSPRWAIT$  | $1 \leq WDON[2:0]$        |
| $RDON[2:0] \leq CSRWAIT$     | $CSON[2:0] \leq CSWWAIT$ | $RDON[2:0] \leq CSPRWAIT$  | $CSON[2:0] \leq CSPWWAIT$ |
| $CSON[2:0] \leq RDON$        | $WRON[2:0] \leq CSWWAIT$ | $CSON[2:0] \leq RDON$      | $WRON[2:0] \leq CSPWWAIT$ |
|                              | $WDON[2:0] \leq CSWWAIT$ |                            | $WDON[2:0] \leq CSPWWAIT$ |
|                              | $WDOFF[2:0] \leq CSWOFF$ |                            | $WDOFF[2:0] \leq CSWOFF$  |
|                              | $WDON[2:0] \leq WRON$    |                            | $WDON[2:0] \leq WRON$     |
|                              | $CSON[2:0] \leq WRON$    |                            | $CSON[2:0] \leq WRON$     |

Note: When two or more external bus access cycles are required for a single transfer request from a bus master, and the recovery cycle insertion condition is satisfied, with page read access enabled (CSnMOD.PRENB = 1) or page write access enabled (CSnMOD.PWENB = 1), recovery cycles are not inserted between bus access cycles and are inserted only after the last bus access cycle of the transfer.

#### (2) Constraints on using address/data multiplexed bus interface

In the address/data multiplexed I/O space, page accesses are invalid. If a page access setting is specified, the setting is ignored and the normal read or write operation is performed.

Table 15.12 Constraints at the time of normal access

| Constraints at the time of normal access |                            |
|--|----------------------------|
| Reading                                  | Writing                    |
| $CSON[2:0] \leq CSRWAIT$                 | $CSON[2:0] \leq CSWWAIT$   |
| $RDON[2:0] \leq CSRWAIT$                 | $WRON[2:0] \leq CSWWAIT$   |
| $CSON[2:0] \leq RDON$                    | $WDON[2:0] \leq CSWWAIT$   |
| $AWAIT[1:0] + 2 \leq RDON$               | $WDOFF[2:0] \leq CSWOFF$   |
| $CSON[2:0] \leq AWAIT$                   | $WDON[2:0] \leq WRON$      |
|  | $CSON[2:0] \leq WRON$      |
|  | $AWAIT[1:0] + 2 \leq WRON$ |
|  | $AWAIT[1:0] + 2 \leq WDON$ |
|  | $CSON[2:0] \leq AWAIT$     |

### (3) Constraint on pin multiplexing between the A00 and BC0 functions

Setting the single-write strobe mode is prohibited in the 8-bit bus space.

### (4) Constraints when BCLK/2 is selected in the EBCLK Pin Output Select bit

When 1/2 cycle of BCLK is selected in the EBCLK Pin Output Select bit, the external bus access cycle starts on the rising edge of the EBCLK pin output. However, when 2 or more external bus access cycles are generated for a single transfer request from a bus master, the second or subsequent external bus access cycle can start on the falling edge of the EBCLK pin output, depending on the wait cycle settings. Set the registers appropriately for the specifications of connected devices.

### (5) Instruction code constraint

You must fix the instruction code to little-endian order.

## 15.6 SDRAM Area Controller Operation

This section describes how the SDRAM area controller (SDRAMC) is enabled and the SDRAM bus width is set, followed by a description of the SDRAMC operations, including read, write, auto-refresh, self-refresh, initialization sequence, and mode register settings.

### 15.6.1 Enabling/Disabling SDRAM Access and Setting the SDRAM Bus Width

SDRAM access can be enabled or disabled using the SDC Control Register (SDCCR). The SDRAM bus width can also be set using SDCCR. The refresh operation is available even when the operation of the SDRAM address space is disabled, as long as self-refresh or auto-refresh is enabled.

### 15.6.2 No Access State

When no external address space is accessed, the SDCS, WE, RAS and CAS signals are high.

### 15.6.3 Insertion of Recovery Cycles

When access to the SDRAM area follows access to the CS area, data recovery cycles are inserted for the CS area controller (CSC). If the number of recovery cycles for the CSC is 0, the ACT command for the next SDRAM access is issued immediately after negation of CSn signal at the earliest. If the number of recovery cycles are not 0, the ACT command is issued 2 cycles after the specified recovery cycle period elapsed after negation of CSn signal at the earliest. Because no data conflicts can occur during access to the SDRAM area, there is no need to set data recovery cycles for the SDRAM (fixed to 0 cycle).

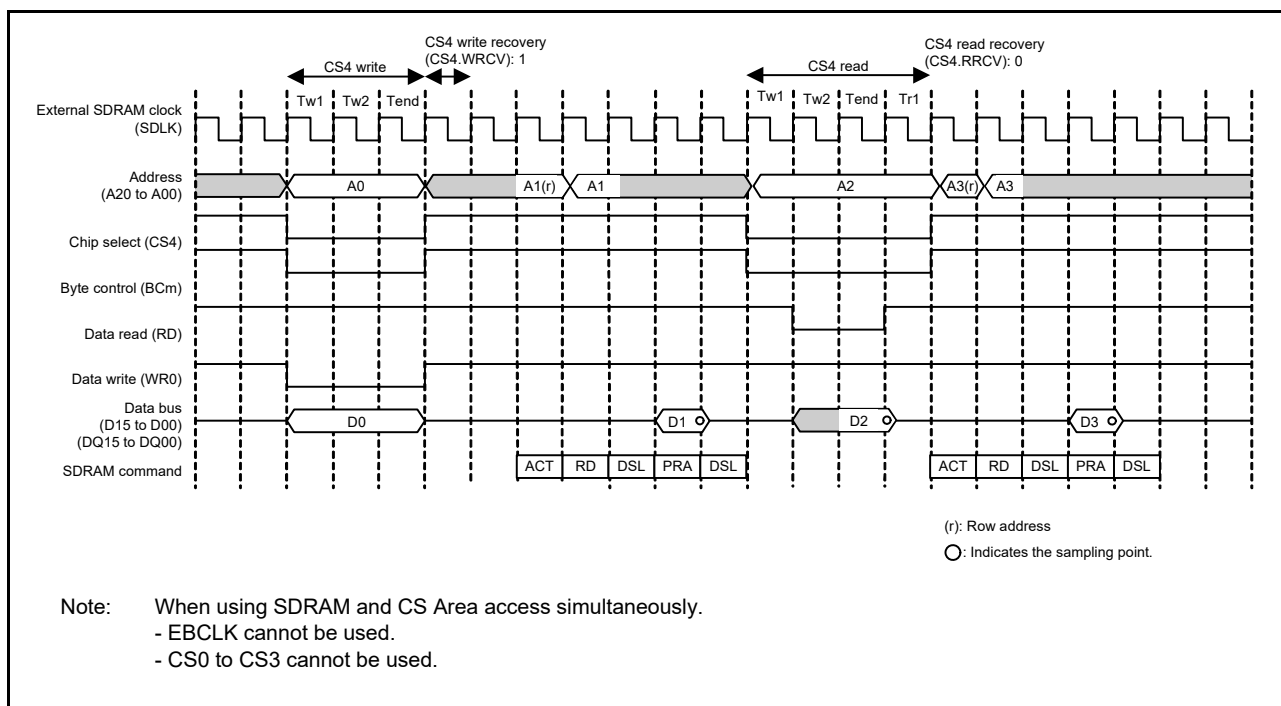


Figure 15.42 Example of recovery timing for SDRAM access

### 15.6.4 Write Buffer Function

In write access, the main bus is released by writing data to the write buffer before access is complete. This allows the next round of bus access to start. However, if the next access is to an external address space or to a register of the external bus controller, it is suspended until the external bus operations already in progress are complete.

### 15.6.5 SDRAM Commands

To control the SDRAM, the SDRAMC issues a command for each bus cycle. Commands are defined by a combination of the SDCS, RAS, CAS, WE, CKE, and other signals. Table 15.13 lists the commands issued by the SDRAMC.

Table 15.13 SDRAMC commands

| Name | Abbreviation | Command            | SDCS | RAS | CAS | WE | CKE |   | BA1 | BA0 |
|------|--------------|--------------------|------|-----|-----|----|-----|---|-----|-----|
|      |              |                    |      |     |     |    | n-1 | n |     |     |
| DESL | DSL          | Device deselect    | H    | x   | x   | x  | H   | x | x   | x   |
| ACTV | ACT          | Bank active        | L    | L   | H   | H  | H   | x | V   | V   |
| READ | RD           | Read               | L    | H   | L   | H  | H   | x | V   | V   |
| WRIT | WRI          | Write              | L    | H   | L   | L  | H   | x | V   | V   |
| PALL | PRA          | All bank precharge | L    | L   | H   | L  | H   | x | x   | x   |
| REF  | RFA          | Auto-refresh       | L    | L   | L   | H  | H   | x | x   | x   |
| MRS  | MRS          | Mode register set  | L    | L   | L   | L  | H   | x | L   | L   |
| SELF | RFS          | Self-refresh entry | L    | L   | L   | H  | H   | L | x   | x   |
| SELF | RFX          | Self-refresh end   | H    | x   | x   | x  | L   | H | x   | x   |

Note: H = high level, L = low level, V = valid, x = don't care.  
 n = command issue cycle, n - 1 = 1 cycle before the command is issued.

### 15.6.6 Conditions for Setting the SDRAMC Registers

The SDRAMC registers must only be modified when all the conditions shown in Table 15.14 are satisfied.

**Table 15.14 Conditions for register modification**

| Function or operation   | Registers | Conditions   |
|-------------------------|-----------|--|
| Self-refresh            | SDSELF*1  | <ul style="list-style-type: none"> <li>• SDRAM access is disabled (SDCCR.EXENB = 0*2)</li> <li>• Auto-refresh operation is enabled (SDRFEN.RFEN = 1).</li> </ul>   |
| Auto-refresh            | SDRFCR    | Self-refresh operation is disabled (SDSELF.SFEN = 0)   |
|                         | SDRFEN    | <ul style="list-style-type: none"> <li>• SDRAM access is disabled (SDCCR.EXENB = 0*2)</li> <li>• Self-refresh operation is disabled (SDSELF.SFEN = 0).</li> </ul>  |
| Initialization sequence | SDIR*1    | SDICR is not set yet, and the same conditions as for SDICR modification are satisfied  |
|                         | SDICR*1   | <ul style="list-style-type: none"> <li>• SDRAM access is disabled (SDCCR.EXENB = 0*2)</li> <li>• Auto-refresh operation is disabled (SDRFEN.RFEN = 0)</li> <li>• Self-refresh operation is disabled (SDSELF.SFEN = 0).</li> </ul>  |
| Address register        | SDADR     | <ul style="list-style-type: none"> <li>• SDRAM access is disabled (SDCCR.EXENB = 0*2)</li> <li>• Auto-refresh operation is disabled (SDRFEN.RFEN = 0)</li> <li>• Self-refresh operation is disabled (SDSELF.SFEN = 0).</li> </ul>  |
| Timing register         | SDTR      | <ul style="list-style-type: none"> <li>• Self-refresh operation is in progress (SDSELF.SFEN = 1)</li> </ul> or <ul style="list-style-type: none"> <li>• SDRAM access is disabled (SDCCR.EXENB = 0*2)</li> <li>• Auto-refresh operation is disabled (SDRFEN.RFEN = 0)</li> <li>• Self-refresh operation is disabled (SDSELF.SFEN = 0).</li> </ul> |
| Mode register           | SDMOD*1   | <ul style="list-style-type: none"> <li>• SDRAM access is disabled (SDCCR.EXENB = 0*2)</li> <li>• Self-refresh operation is disabled (SDSELF.SFEN = 0).</li> </ul>  |

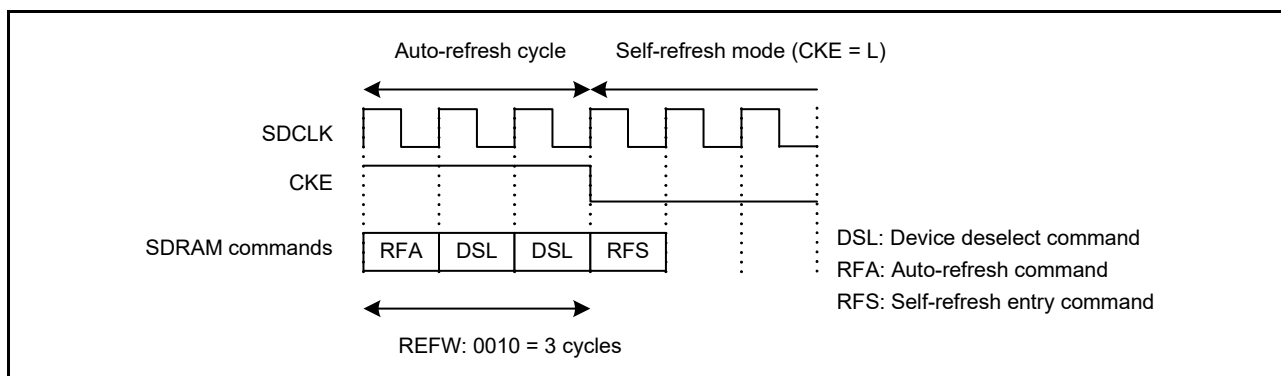
Note 1. Before modifying this register, confirm that all the status bits in SDSR are 0.

Note 2. After writing 0 to the EXENB bit, confirm that it is cleared to 0.

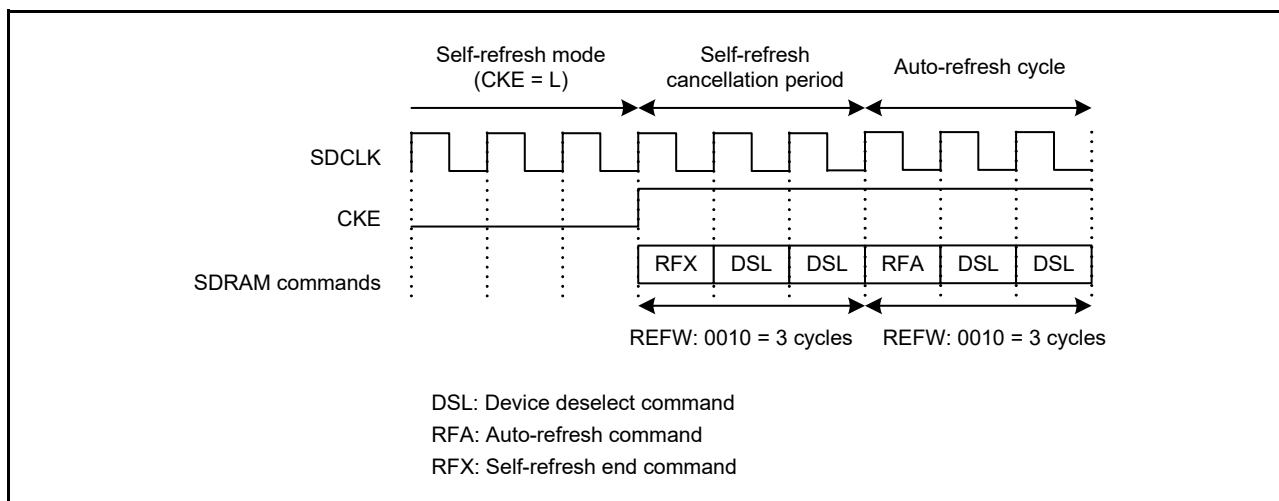
### 15.6.7 Self-Refresh

Transition to or recovery from self-refresh mode is controlled with the SDRAM Self-Refresh Control Register (SDSELF). Immediately before the transition to self-refresh mode, an auto-refresh operation is performed. In self-refresh mode, the CKE signal is low. Immediately after recovery from self-refresh mode, the auto-refresh cycle starts.

Figure 15.43 and Figure 15.44 show timing examples of the transition to and recovery from self-refresh mode.



**Figure 15.43 Example timing for transition to self-refresh mode when SDRFCR.REFW[3:0] = 0010b (3 cycles)**



**Figure 15.44** Example timing for recovery from self-refresh mode

### (1) Self-refresh in Software Standby mode

When invoking self-refresh in Software Standby mode, first follow the procedure shown in [section 15.6.11.2, Procedure for transitioning to and recovering from self-refresh mode](#). Next, set up the transition to Software Standby mode. In this mode, set the Output Port Enable bit (OPE) in the Standby Control Register (SBYCR) to 1 to hold the output state of the address bus and bus control signals.

After canceling Software Standby mode, follow the procedure shown in [section 15.6.11.2, Procedure for transitioning to and recovering from self-refresh mode](#). For details on invoking and canceling Software Standby mode, see [section 11, Low Power Modes](#).

### (2) Self-refresh in Deep Software Standby mode

Deep Software Standby mode is invoked from within Software Standby mode. On this transition, the pin states remain unchanged. Therefore, invoking of self-refresh in Deep Software Standby mode can be handled the same as for Software Standby mode with one additional setting. You must also set the I/O Port Keep bit (IOKEEP) in the Deep Software Standby mode Control Register (DPSBYCR) to 1.

Because the SDRAMC is reset internally when Deep Software Standby mode is canceled, the SDRAM control registers must be set again. After canceling Software Standby mode, follow the procedure in this section to cancel self-refresh.

[Figure 15.45](#) shows self-refresh timing in Deep Software Standby mode. For details on invoking and canceling Deep Software Standby mode, see [section 11, Low Power Modes](#).

To cancel self-refresh mode:

1. Set DPSBYCR.IOKEEP to 1 to keep the CKE signal output low in Deep Software Standby mode.
2. Start the clock supply to the SDRAMC.
3. Set the SDRAM control registers (SDCMOD, SDADR, and SDTR) again. These registers were initialized by an internal reset on entering Deep Software Standby mode.
4. Enable an auto-refresh operation by setting SDRFEN.RFEN to 1.
5. Check that all the status bits in SDSR are cleared to 0 and set SDSELF.SFEN to 1 to select self-refresh mode again.
6. Modify the port settings for the SDRAM interface.
7. Set SDCKOCR.SDCKOEN to 1 to start the clock supply to the SDRAM with the SDCLK pin.
8. Check that all the status bits in SDSR are cleared to 0 and set SDSELF.SFEN to 0 to cancel self-refresh mode.



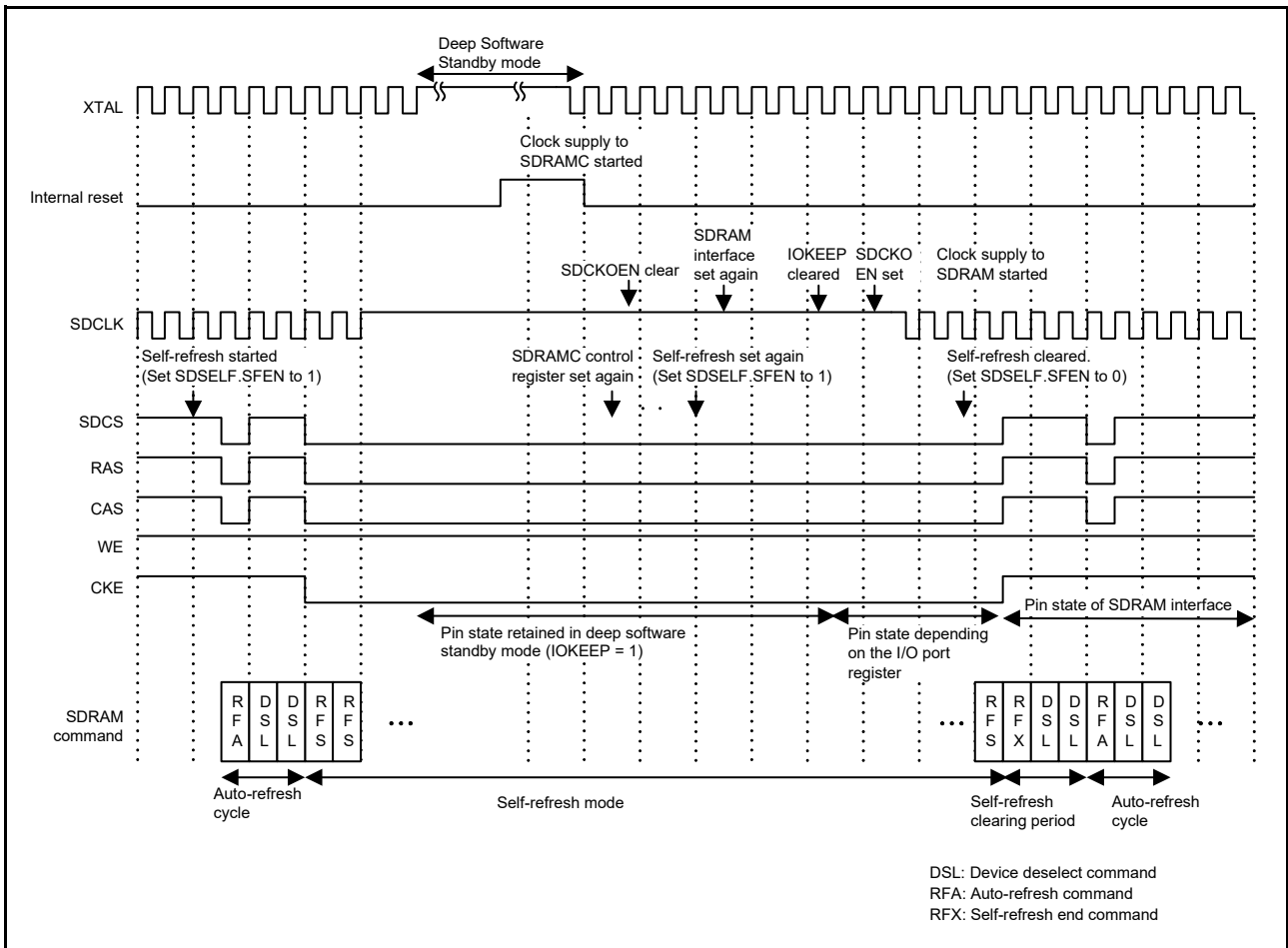


Figure 15.45 Example timing for self-refresh cycle in Deep Software Standby mode

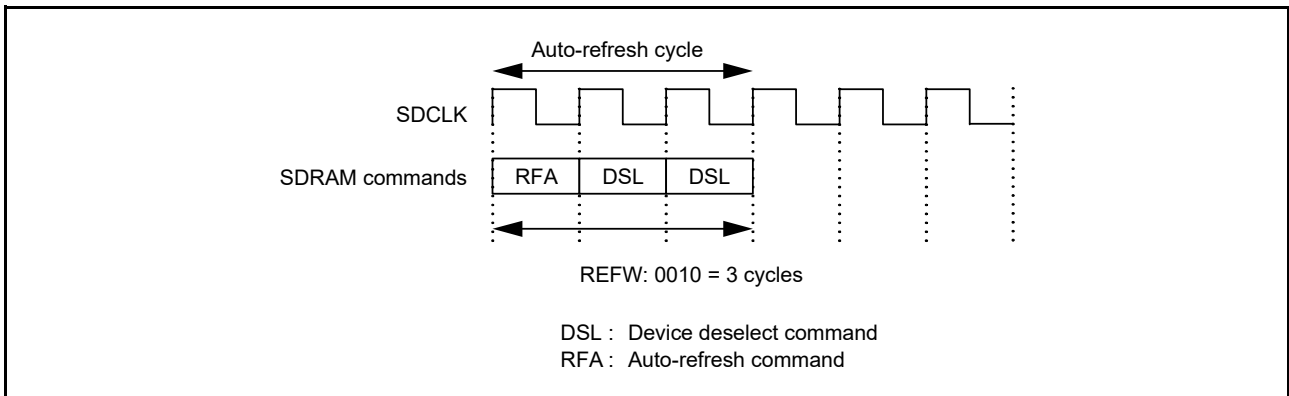
### 15.6.8 Auto-Refresh

The auto-refresh cycle can be started by setting the Auto-Refresh Operation Enable bit (RFEN) in the SDRAM Auto-Refresh Control Register (SDRFEN) to 1. After the cycle starts, refresh requests are generated at fixed intervals determined by the refresh counter. However, because refresh requests are not accepted during read or write access, the auto-refresh cycle might be suspended.

If an SDRAM access and a refresh request are generated at the same time, the refresh request takes precedence. A CS area access and a refresh request can be made at the same if the SDCKOEN, RAS, CAS, WE, and CKE signals, which are required for issuing the refresh command, are exclusively provided for SDRAM access.

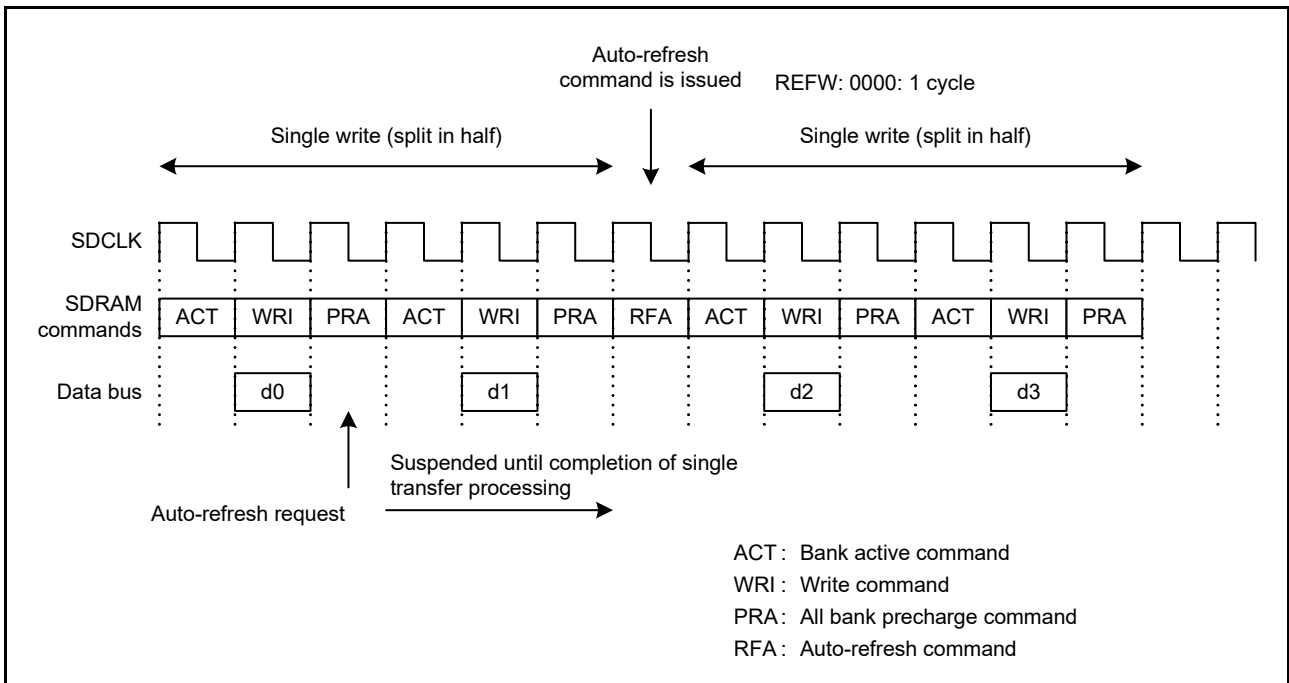
The refresh counter is halted during a self-refresh operation. After recovery from the self-refresh mode, the auto-refresh cycle starts and the counter value is reset, resuming the counter operation.

Figure 15.46 shows a timing example of an auto-refresh cycle.



**Figure 15.46 Example timing for auto-refresh cycle (1)**

Figure 15.47 shows examples of operation when an auto-refresh request is generated during single access.



**Figure 15.47 Example timing for auto-refresh cycle (2), when the auto-refresh request is made during single access**

### 15.6.9 Initialization Sequencer

The SDRAMC has a sequencer to issue SDRAM initialization commands. After a reset, the initialization sequencer must be activated without fail. Operation is not guaranteed if the SDRAM is not initialized.

The SDRAM initialization sequencer issues an all-bank precharge command followed by auto-refresh commands  $n$  times, where  $n = 1$  to 15. The SDRAM initialization sequence timing can be set using the SDRAM Initialization Register (SDIR). The SDRAM initialization sequence can be activated using the SDRAM Initialization Sequence Control Register (SDICR). These registers must be set only when the conditions listed in Table 15.14 are satisfied.

Figure 15.48 shows a timing example of the SDRAM initialization sequence. When the ARFC[3:0] bits in SDIR are set so that auto-refresh operation is performed two or more times, auto-refresh cycles are repeated in the initialization sequence accordingly.

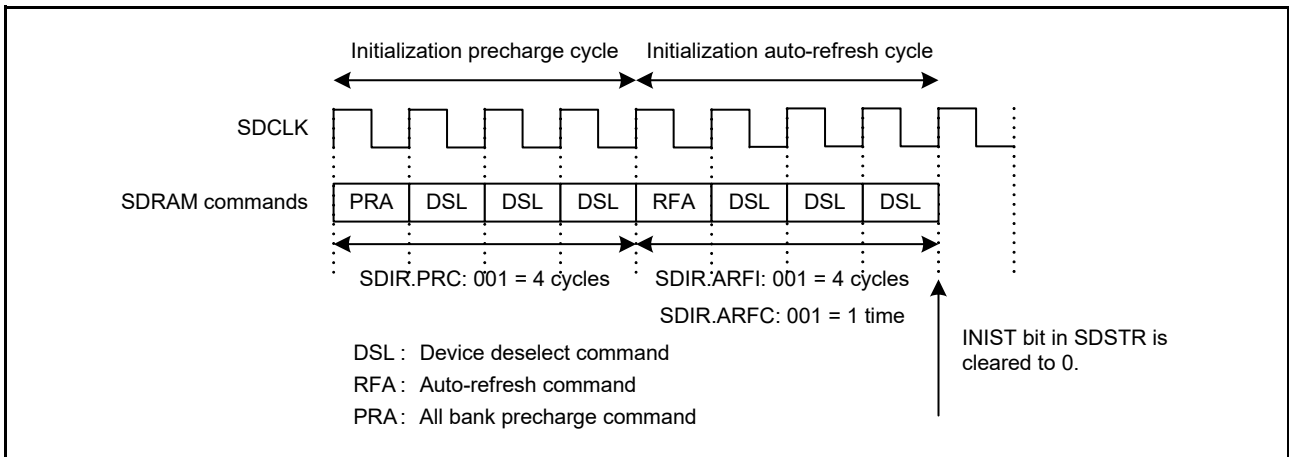


Figure 15.48 Example timing for SDRAM initialization sequence

### 15.6.10 Setting the Mode Register

Setting the SDRAM Mode Register (SDMOD) allows the mode register set command to be issued to the SDRAM and the value set in the MR[14:0] bits in SDMOD to be output to the lower bits of the address, specifically to A14 to A00 for 8-bit bus width or A15 to A01 for 16-bit bus width. Before setting the mode register, set the SDRAM Bus Width Select bits in the SDC Control Register (SDCCR.BSIZE[1:0]) to determine the data bus width of the SDRAM.

Figure 15.49 shows the mode register setting timing.

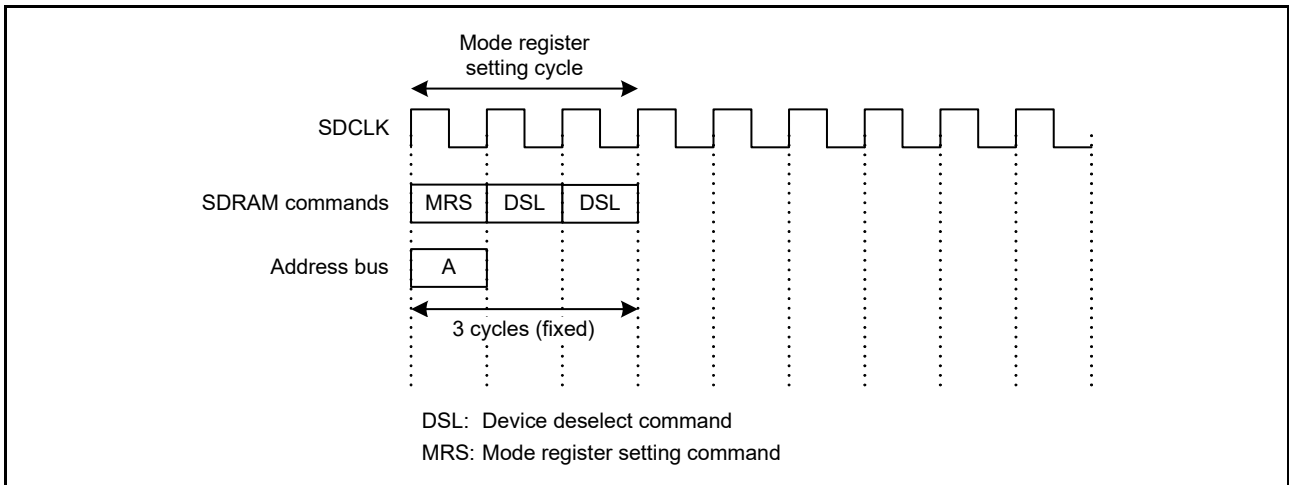


Figure 15.49 Mode register setting timing

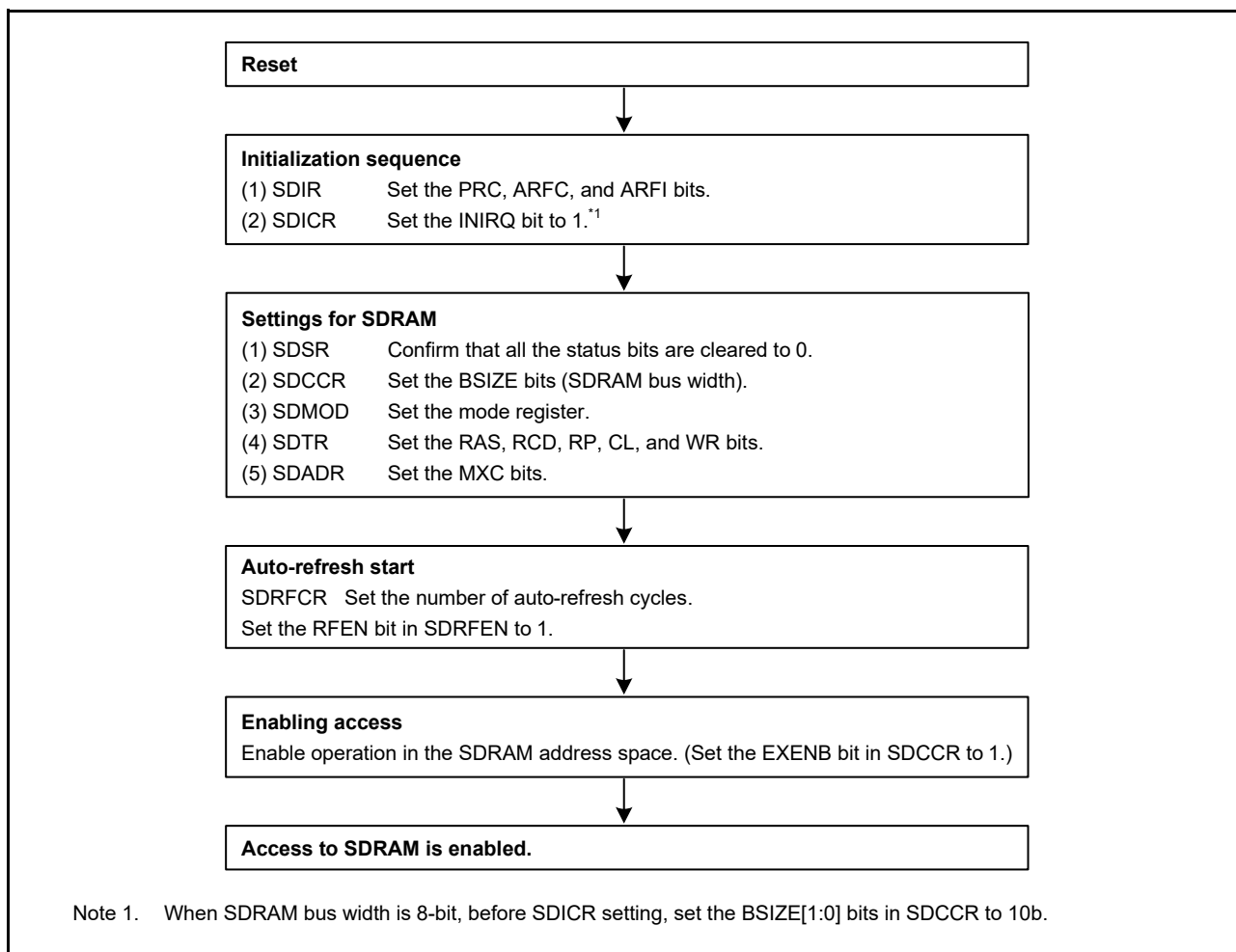
### 15.6.11 SDRAMC Setting Examples

This section describes the following:

- SDRAMC setting procedure
- Timing register setting examples
- Procedure for transitioning to and recovering from self-refresh mode.

#### 15.6.11.1 SDRAMC access procedure

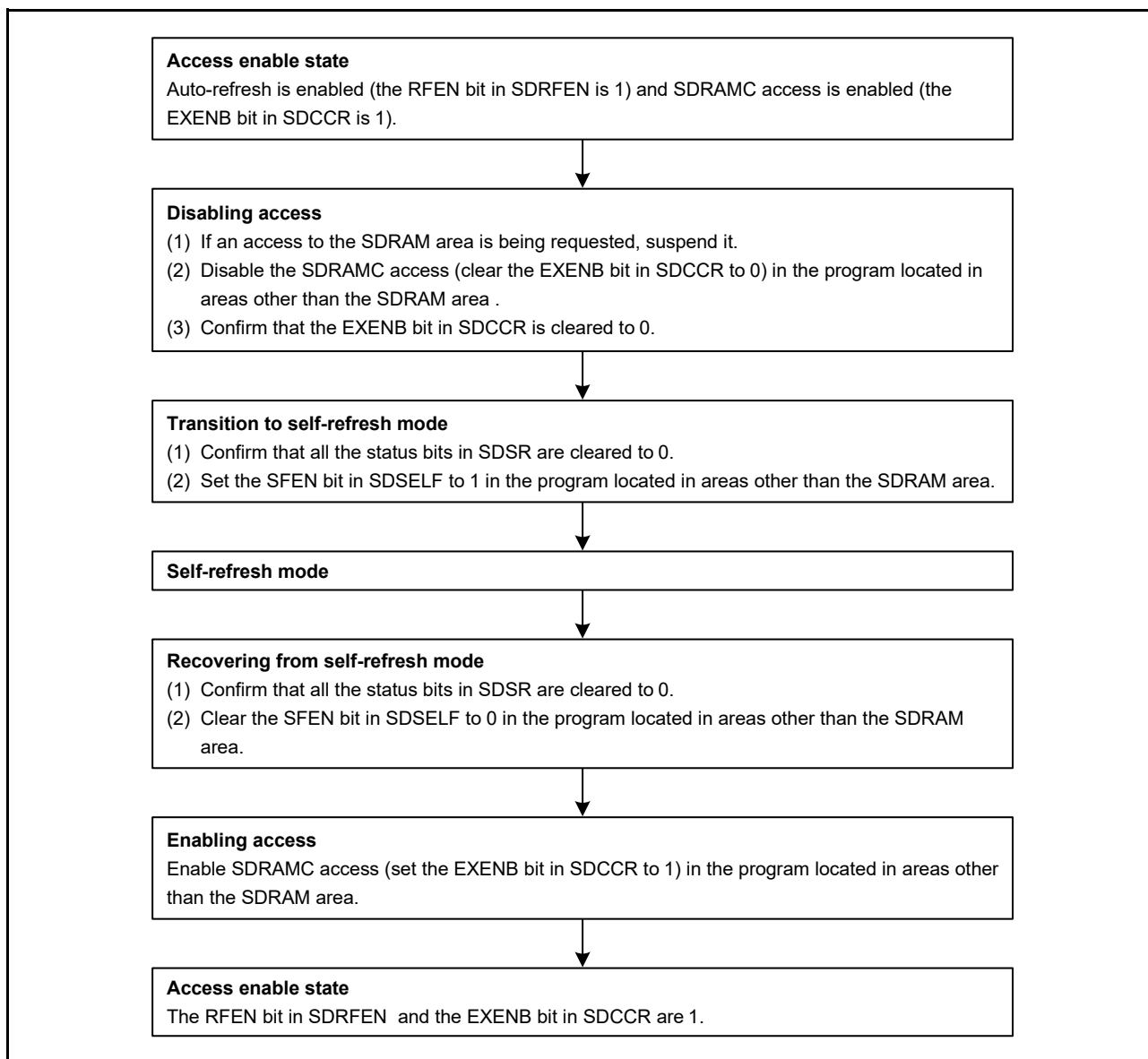
Figure 15.50 shows the SDRAMC setting procedure.



**Figure 15.50 SDRAMC setting procedure**

### 15.6.11.2 Procedure for transitioning to and recovering from self-refresh mode

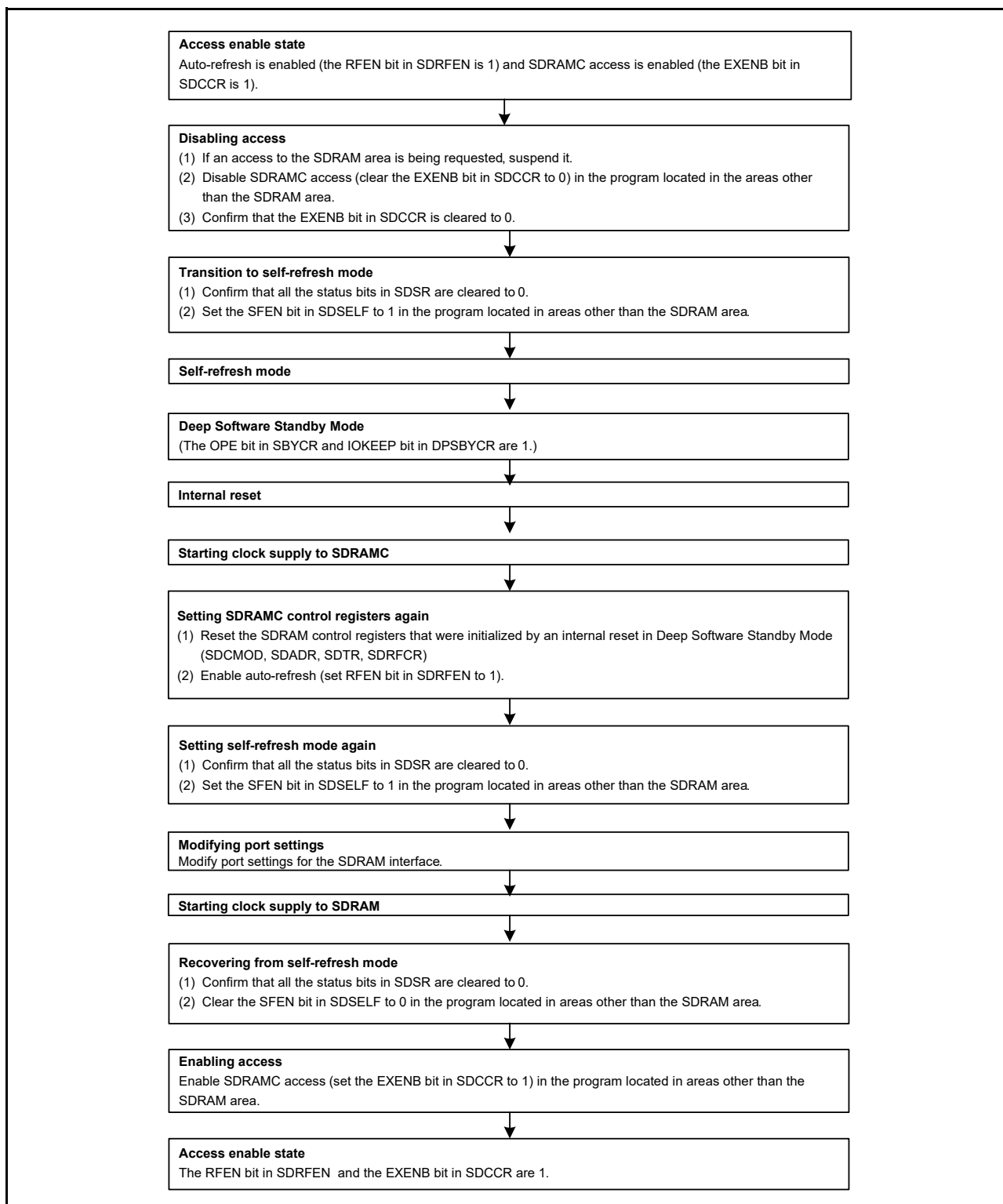
Figure 15.51 shows the procedure for transitioning to and recovering from self-refresh mode.



**Figure 15.51 Procedure for transitioning to and recovering from self-refresh mode**

Note: Self-refresh mode cannot be invoked during SDRAM access. SDRAM access must be disabled during both transition to and recovery from self-refresh mode. Follow the programming instructions shown in [Figure 15.52](#). Before transitioning to self-refresh mode, disable access to the SDRAM area. During transition to self-refresh mode, self-refresh operation, and recovery from self-refresh mode, do not allow any operand access or instruction fetch, including prefetch to the SDRAM area, to be generated.

[Figure 15.52](#) shows the procedure for transitioning to and recovering from self-refresh mode in Deep Software Standby mode.



**Figure 15.52 Procedure for transitioning to and recovering from self-refresh mode in Deep Software Standby mode**

### 15.6.11.3 Timing register settings and access timing

This section describes the relationship between read and write timing and the settings in the SDRAM Timing Register (SDTR).

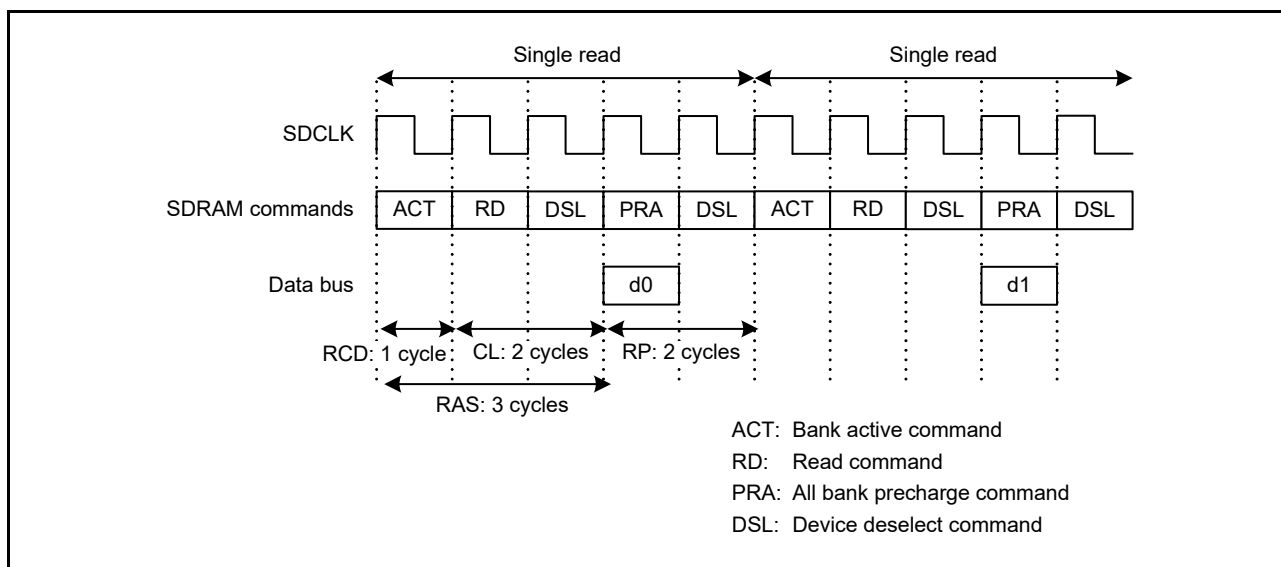
(1) Single read timing examples

Figure 15.53 to Figure 15.57 show the relationship between single read timing and the SDTR register settings. Table 15.15 shows the correspondence between the figures and the SDTR register settings.

During read access, the next bus access is enabled at the earliest 2 cycles after the read data becomes valid. However, if two or more accesses occur for one transfer request, the next bus access is enabled at the earliest 1 cycle after the read data becomes valid, as shown in Figure 15.57.

**Table 15.15 Correspondence between timing figures and STDR register settings for single read timing**

| Figure number              | RAS[2:0] settings | Number of cycles | RCD[1:0] settings | Number of cycles | RP[2:0] settings | Number of cycles | CL[2:0] settings | Number of cycles |
|----------------------------|-------------------|------------------|-------------------|------------------|------------------|------------------|------------------|------------------|
| Figure 15.53               | 010               | 3                | 00                | 1                | 001              | 2                | 010              | 2                |
| Figure 15.54               | 000               | 1                | 01                | 2                | 001              | 2                | 010              | 2                |
| Figure 15.55               | 000               | 1                | 01                | 2                | 001              | 2                | 011              | 3                |
| Figure 15.56, Figure 15.57 | 010               | 3                | 00                | 1                | 000              | 1                | 010              | 2                |



**Figure 15.53 Example timing for single read (1)**

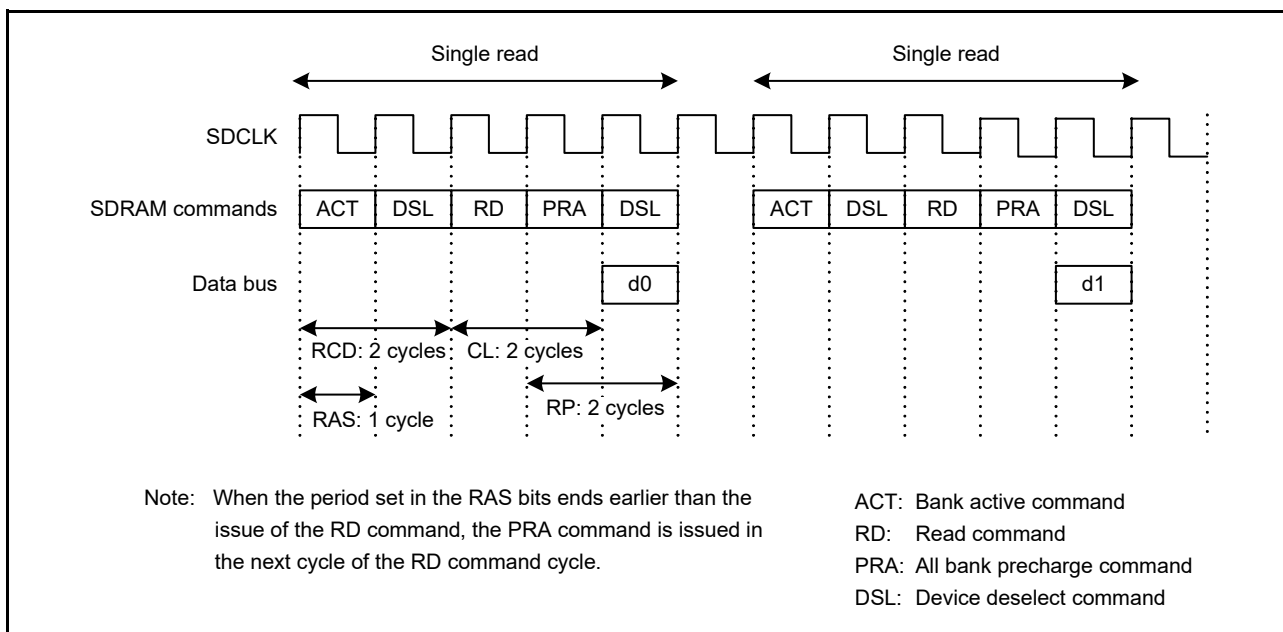


Figure 15.54 Example timing for single read (2)

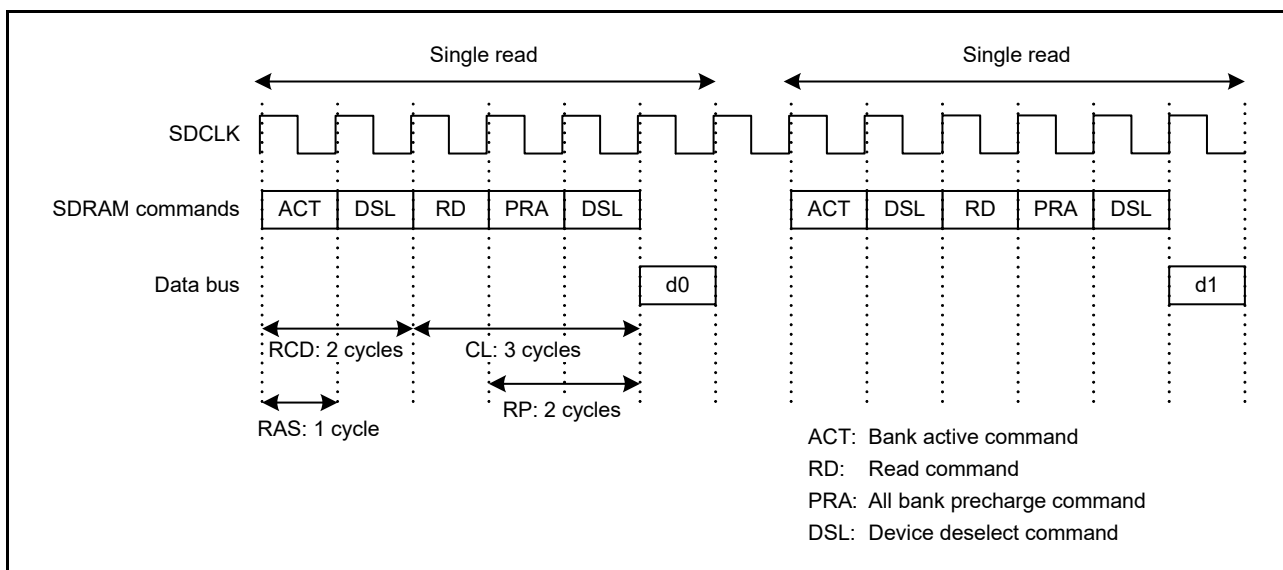


Figure 15.55 Example timing for single read (3)



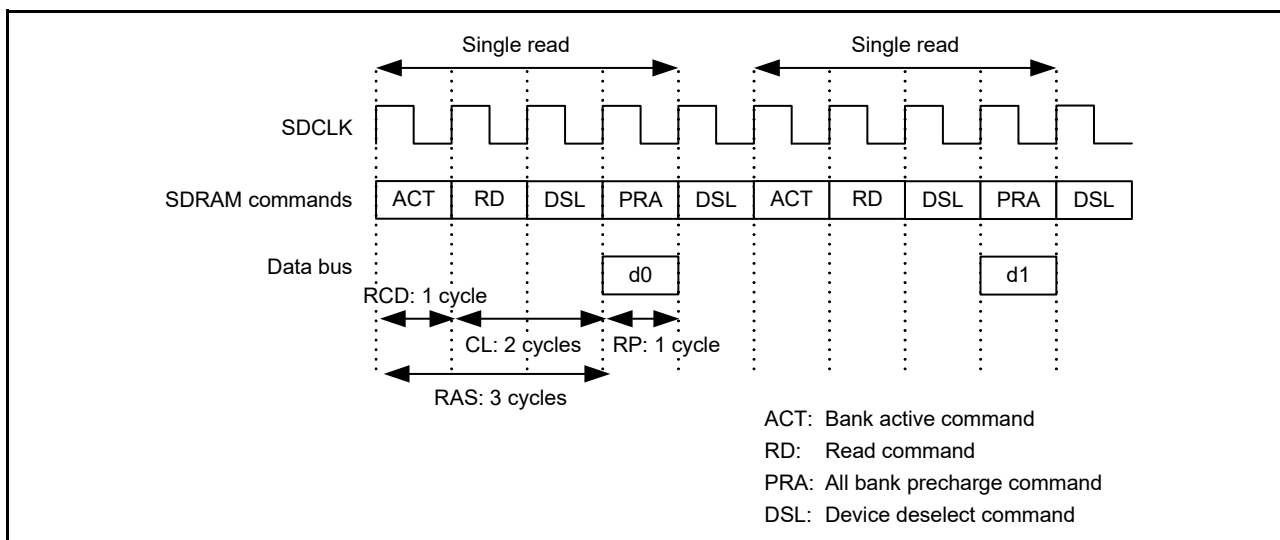


Figure 15.56 Example timing for single read (4)

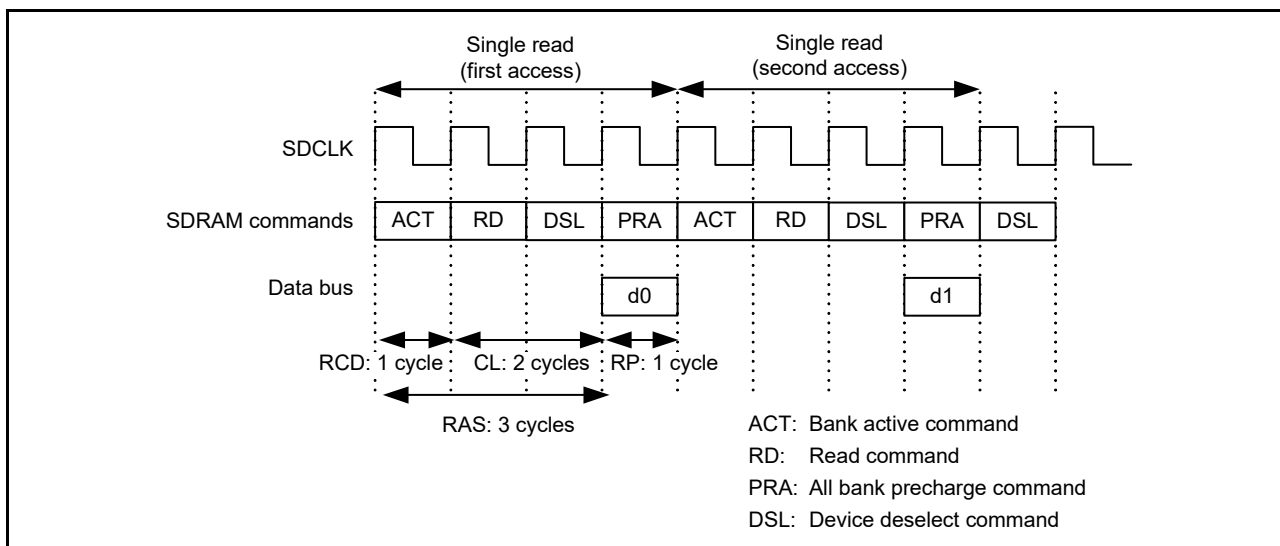


Figure 15.57 Example timing for single read (5), when two bus accesses occur for one transfer request

(2) Single write timing examples

Figure 15.58 to Figure 15.59 show the relationship between the single write timing and the SDTR register settings. Table 15.16 shows the association between the figures and the SDTR register settings. During write access, the next bus access is enabled at the earliest 2 cycles after an all bank precharge command (PRA) is issued. However, if two or more accesses occur for one transfer request, the next bus access is enabled at the earliest 1 cycle after the PRA is issued, as shown in Figure 15.62.

Table 15.16 Association between timing figures and STDR register settings for single write timing

| Figure number              | RAS[2:0] settings | Number of cycles | RCD[1:0] settings | Number of cycles | RP[2:0] settings | Number of cycles | WR settings | Number of cycles |
|----------------------------|-------------------|------------------|-------------------|------------------|------------------|------------------|-------------|------------------|
| Figure 15.58               | 010               | 3                | 00                | 1                | 001              | 2                | 0           | 1                |
| Figure 15.59               | 000               | 1                | 01                | 2                | 001              | 2                | 0           | 1                |
| Figure 15.60               | 000               | 1                | 01                | 2                | 001              | 2                | 1           | 2                |
| Figure 15.61, Figure 15.62 | 010               | 3                | 00                | 0                | 000              | 2                | 0           | 1                |

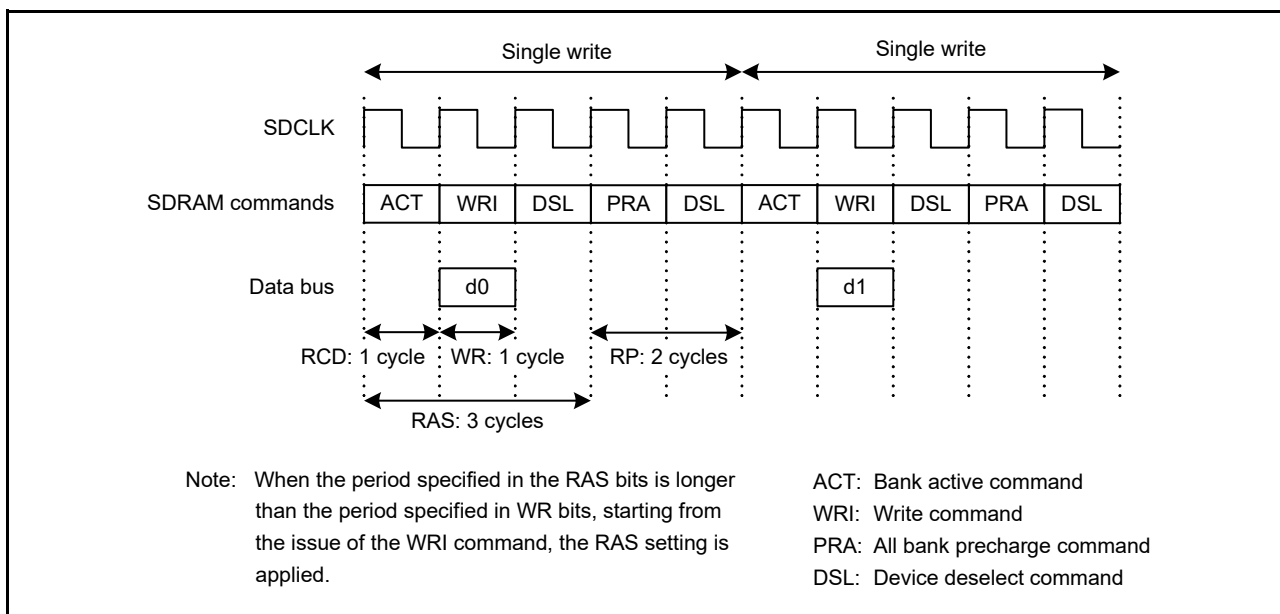


Figure 15.58 Example timing for single write (1)

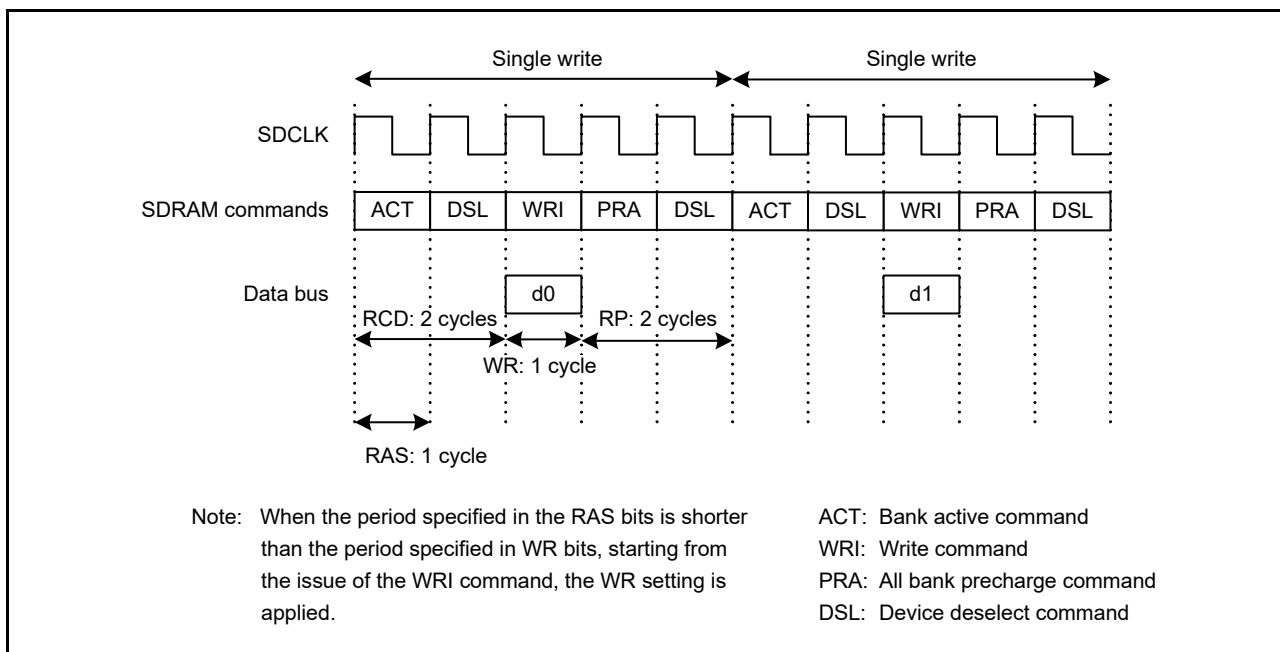


Figure 15.59 Example timing for single write (2)

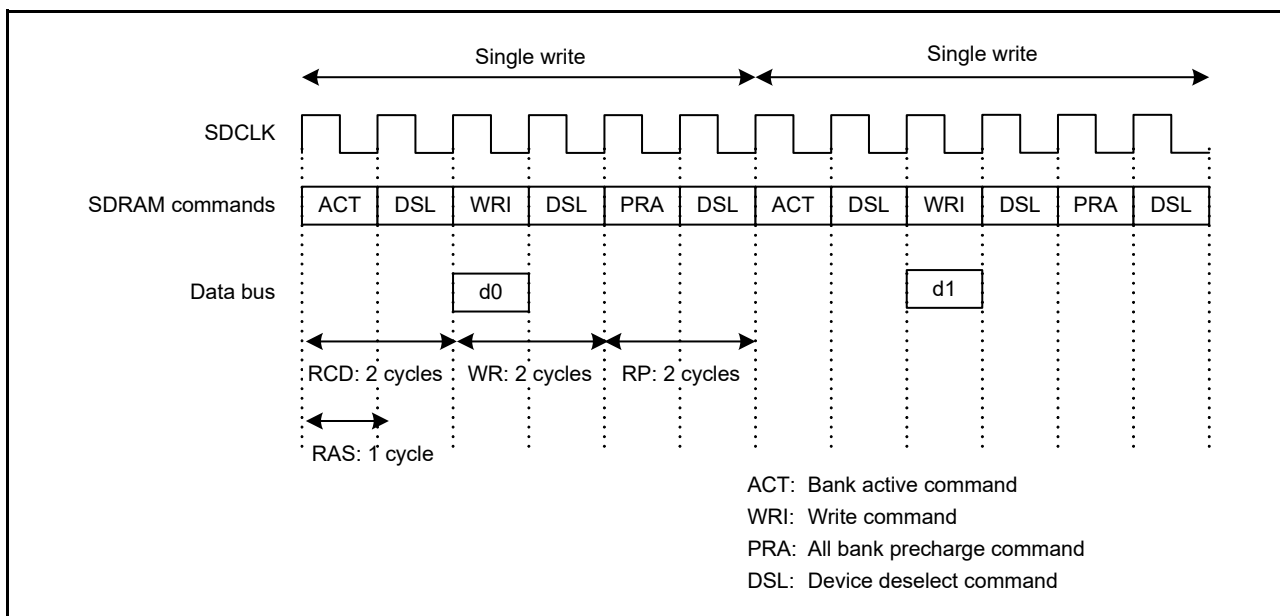


Figure 15.60 Example timing for single write (3)

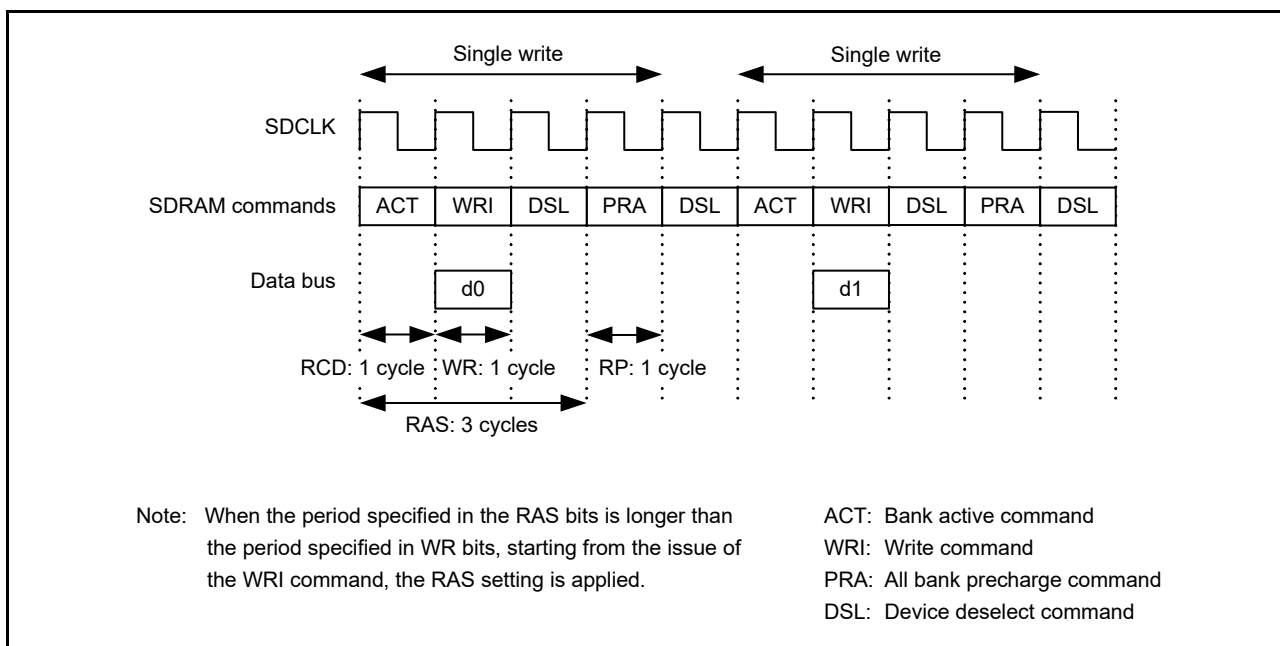


Figure 15.61 Example timing for single write (4)

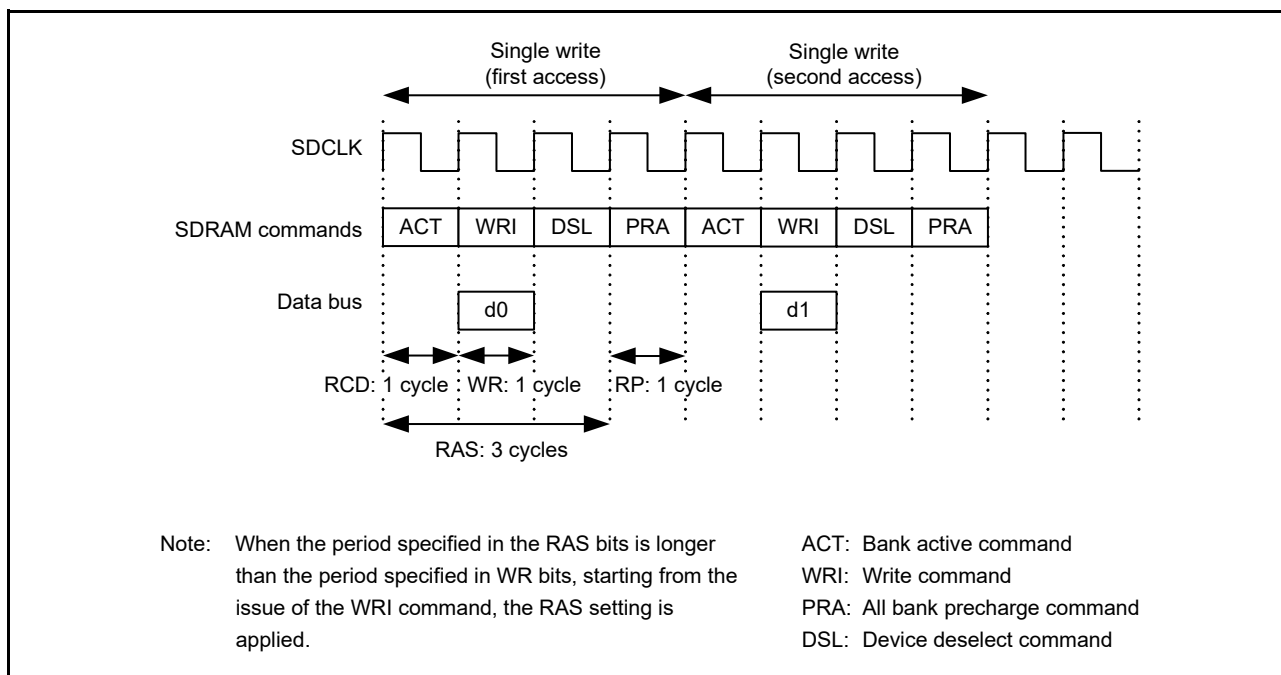


Figure 15.62 Example timing for single write (5), when two bus accesses occur for one transfer request

### 15.6.12 Address Multiplexing

In the SDRAM space, row and column addresses are multiplexed. The size of the shift in a row address must be specified in the Address Multiplex Select bits (SDADR.MXC[1:0]) in the SDRAM Address Register (SDADR). Additionally, in the SDRAM space, the address precharge-select command (Precharge-sel) is output to the upper bits of column addresses. Table 15.17 shows the relationship between the SDADR.MXC[1:0] settings and the shift amount.

Table 15.17 Address multiplexing

| MXC [1:0] | Shift amount | Data bus width | Address | Address pins external to the MCU |     |     |     |      |      |     |     |     |     |     |     |     |     |     |     |
|-----------|--------------|----------------|---------|----------------------------------|-----|-----|-----|------|------|-----|-----|-----|-----|-----|-----|-----|-----|-----|-----|
|           |              |                |         | A15                              | A14 | A13 | A12 | A11  | A10  | A09 | A08 | A07 | A06 | A05 | A04 | A03 | A02 | A01 | A00 |
| 00        | 8 bits       | 8 bits         | Row     | A23                              | A22 | A21 | A20 | A19  | A18* | A17 | A16 | A15 | A14 | A13 | A12 | A11 | A10 | A09 | A08 |
|           |              |                | Column  | A23                              | A22 | A21 | A20 | A19  | P    | A09 | A08 | A07 | A06 | A05 | A04 | A03 | A02 | A01 | A00 |
|           |              | 16 bits        | Row     | A23                              | A22 | A21 | A20 | A19* | A18  | A17 | A16 | A15 | A14 | A13 | A12 | A11 | A10 | A09 | A08 |
|           |              |                | Column  | A23                              | A22 | A21 | A20 | P    | A10  | A09 | A08 | A07 | A06 | A05 | A04 | A03 | A02 | A01 | A00 |
| 01        | 9 bits       | 8 bits         | Row     | A24                              | A23 | A22 | A21 | A20  | A20* | A18 | A17 | A16 | A15 | A14 | A13 | A12 | A11 | A10 | A09 |
|           |              |                | Column  | A24                              | A23 | A22 | A21 | A20  | P    | A09 | A08 | A07 | A06 | A05 | A04 | A03 | A02 | A01 | A00 |
|           |              | 16 bits        | Row     | A24                              | A23 | A22 | A21 | A20* | A19  | A18 | A17 | A16 | A15 | A14 | A13 | A12 | A11 | A10 | A09 |
|           |              |                | Column  | A24                              | A23 | A22 | A21 | P    | A10  | A09 | A08 | A07 | A06 | A05 | A04 | A03 | A02 | A01 | A00 |
| 10        | 10 bits      | 8 bits         | Row     | A25                              | A24 | A23 | A22 | A21  | A20* | A19 | A18 | A17 | A16 | A15 | A14 | A13 | A12 | A11 | A10 |
|           |              |                | Column  | A25                              | A24 | A23 | A22 | A21  | P    | A09 | A08 | A07 | A06 | A05 | A04 | A03 | A02 | A01 | A00 |
|           |              | 16 bits        | Row     | A25                              | A24 | A23 | A22 | A21* | A20  | A19 | A18 | A17 | A16 | A15 | A14 | A13 | A12 | A11 | A10 |
|           |              |                | Column  | A25                              | A24 | A23 | A22 | P    | A10  | A09 | A08 | A07 | A06 | A05 | A04 | A03 | A02 | A01 | A00 |
| 11        | 11 bits      | 8 bits         | Row     | A26                              | A25 | A24 | A23 | A22  | A21* | A20 | A19 | A18 | A17 | A16 | A15 | A14 | A13 | A12 | A11 |
|           |              |                | Column  | A26                              | A25 | A24 | A23 | A10  | P    | A09 | A08 | A07 | A06 | A05 | A04 | A03 | A02 | A01 | A00 |
|           |              | 16 bits        | Row     | A26                              | A25 | A24 | A23 | A22* | A21  | A20 | A19 | A18 | A17 | A16 | A15 | A14 | A13 | A12 | A11 |
|           |              |                | Column  | A26                              | A25 | A24 | A11 | P    | A10  | A09 | A08 | A07 | A06 | A05 | A04 | A03 | A02 | A01 | A00 |

Note: P: Precharge-select command (Precharge-sel) is output.  
 \*: When the PALL command is issued, Precharge-sel = 1 (high) is output. When the Active command is issued, the associated address is output.

## 15.6.13 Example SDRAM Connections

### 15.6.13.1 16-bit bus space

[Figure 15.63](#) shows an example connection to two 512-Mb SDRAMs with a 13-bit row address, 11-bit column address, and 8-bit bus.

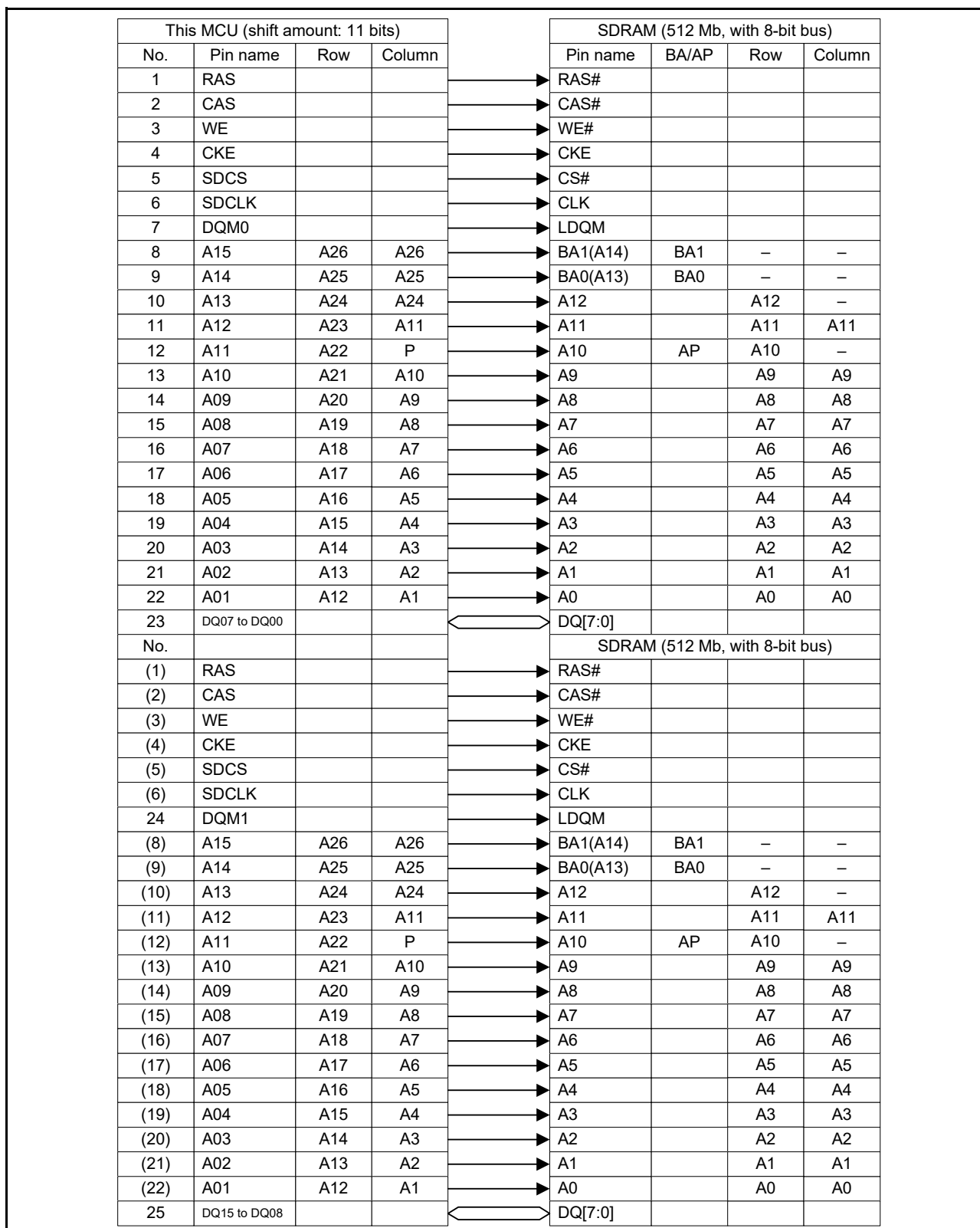
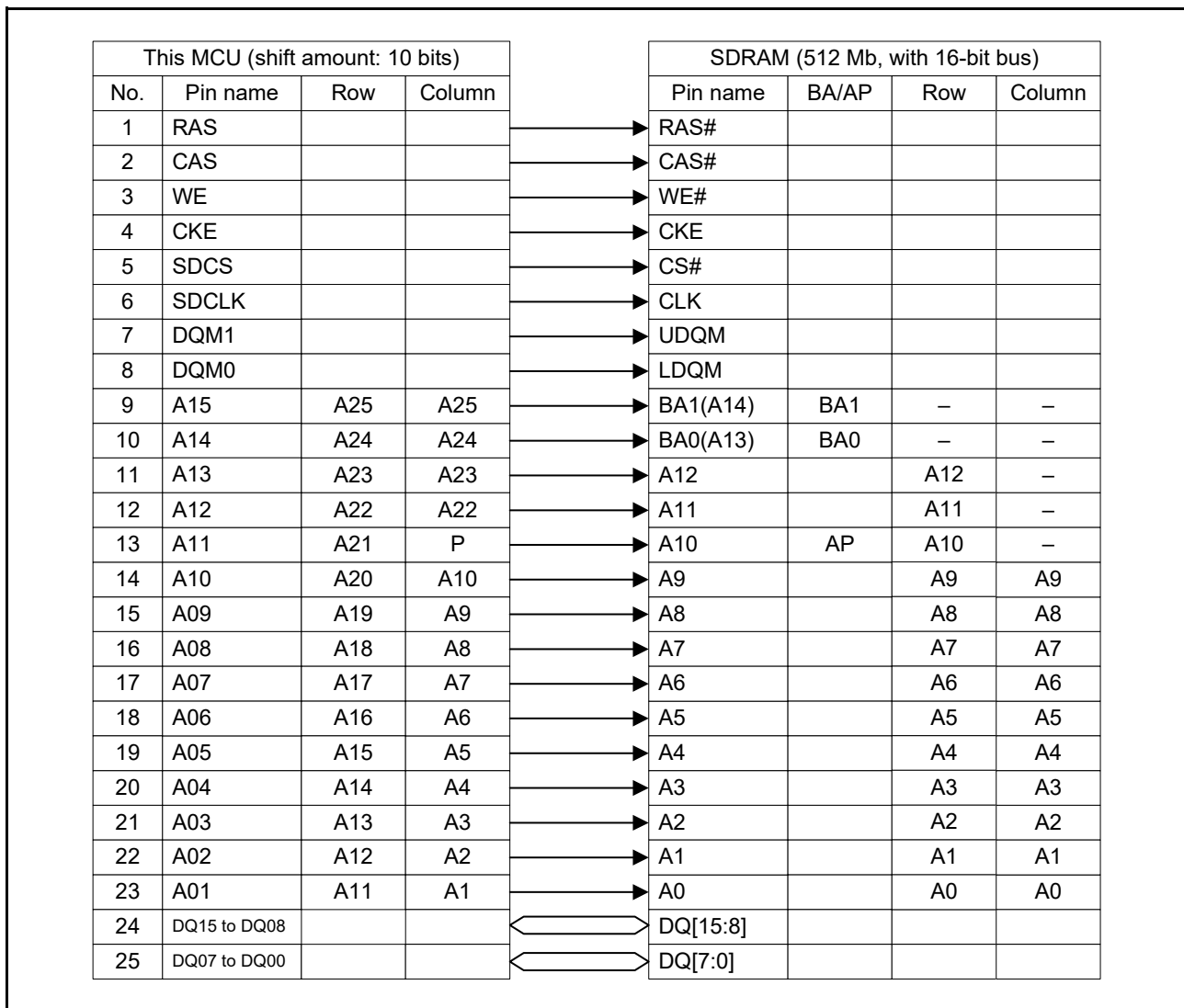


Figure 15.63 SDRAM connection example with 512-Mb x 2 and 8-bit bus

Figure 15.64 shows an example connection to a 512-Mb SDRAMs with a 13-bit row address, 10-bit column address, and 16-bit bus.



**Figure 15.64 SDRAM connection example with 512-Mb × 1 and 16-bit bus**

Figure 15.65 shows an example connection to a 256-Mb SDRAMs with a 13-bit row address, 9-bit column address, and 16-bit bus.

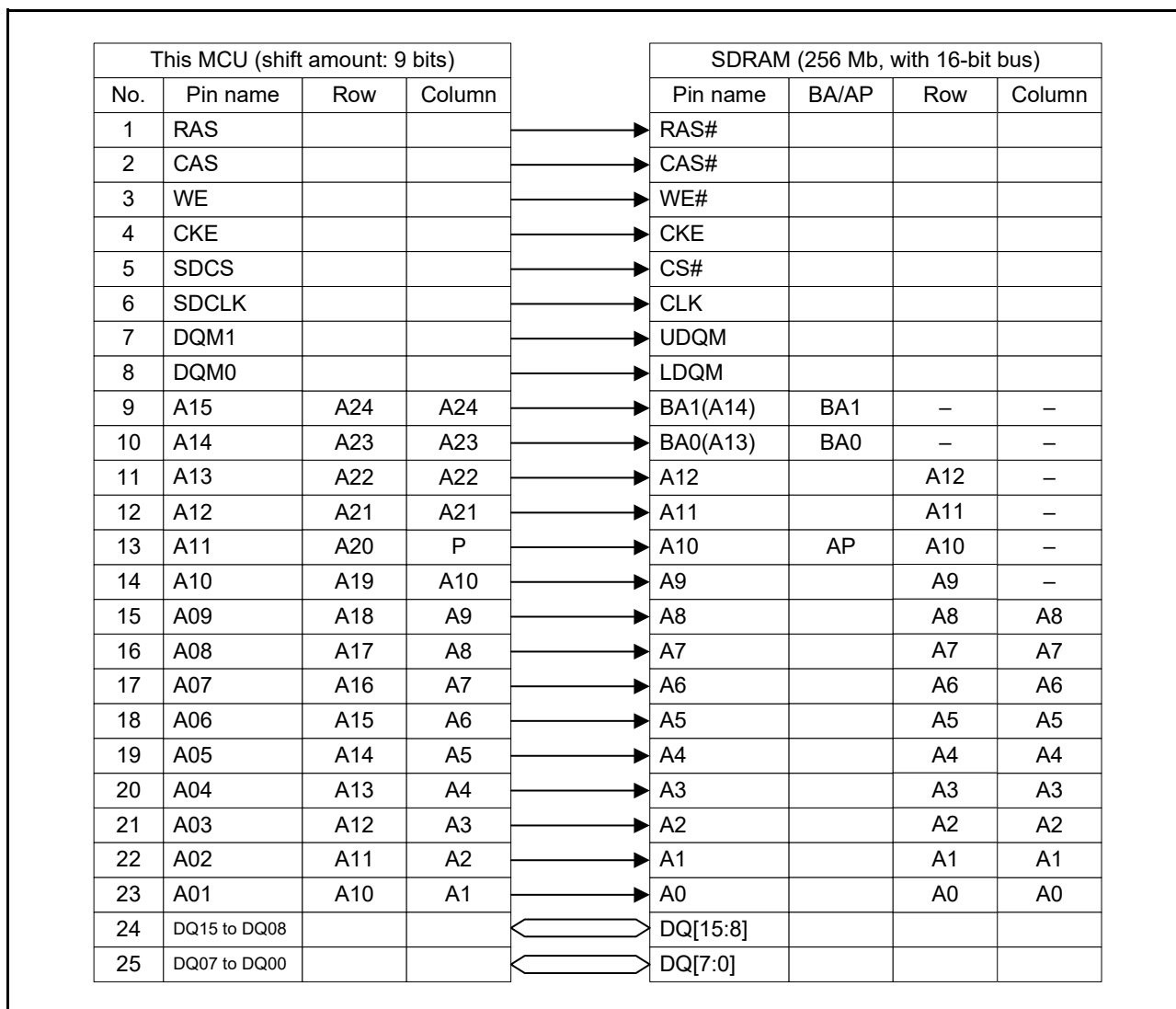


Figure 15.65 SDRAM connection example with 256-Mb × 1 and 16-bit bus

### 15.6.14 Constraints

#### (1) Low-power states

In Software Standby and Deep Software Standby modes, auto-refresh operation is not available because the clock supply to the SDRAMC is stopped. To retain the data in the SDRAM when the SDRAM is externally connected, use the self-refresh function. For the procedure for transitioning to and recovering from self-refresh mode, see [section 15.6.7, Self-Refresh](#).

#### (2) Setting the SDRAM Timing Register

Set the RAS[2:0] bits in the SDRAM Timing Register (SDTR) to a value less than or equal to the sum of the row column latency (SDTR.RCD[1:0]) and column latency (SDTR.CL[2:0]) settings. Operation is not guaranteed if this condition is not satisfied.

#### (3) Instruction code constraint

You must fix the instruction code to little-endian order.

## 15.7 Bus Error Monitoring Section

This monitoring system monitors each individual area, and whenever it detects an error, it returns the error to the requesting master IP using the AHB-Lite error response protocol.



### 15.7.1 Bus Error Types

The following types of errors can occur on each bus:

- Illegal address access
- Bus master MPU error
- Bus slave MPU error
- Timeout.

Table 15.18 lists the address ranges where access leads to illegal address access errors. The reserved area in the slave does not trigger an illegal address access error. For more information on the bus master MPU and bus slave MPU, see section 16, Memory Protection Unit (MPU).

### 15.7.2 Operation When a Bus Error Occurs

When a bus error occurs, operation is not guaranteed and the error is returned to the requesting master IP. The bus errors that occur for each master are stored in the BUSnERRADD and BUSnERRSTAT registers. These registers must only be cleared by a reset. For more information, see section 15.3.20, Bus Error Address Register (BUSnERRADD) (n = 1 to 5) and section 15.3.21, Bus Error Status Register (BUSnERRSTAT) (n = 1 to 5).

Note: The DMAC and DTC do not receive bus errors. If the DMAC or DTC accesses the bus, the transfer continues. For other masters that receive bus errors, see section 30, Ethernet DMA Controller (EDMAC).

### 15.7.3 Conditions Leading to Illegal Address Access Errors

Table 15.18 lists the address spaces for each bus that trigger illegal address access errors.

**Table 15.18 Conditions leading to illegal address access errors (1 of 2)**

| Address                  | Slave bus name               | Master bus                 |     |       |
|--------------------------|------------------------------|----------------------------|-----|-------|
|                          |                              | CPU (ICode, DCode, System) | DMA | ETHER |
| 0000 0000h to 01FF FFFFh | Memory bus 1<br>Memory bus 3 | —                          | —   | —     |
| 0200 0000h to 027F FFFFh | Memory mapping area          | *1                         | E   | E     |
| 0280 0000h to 1FFD FFFFh | Reserved                     | E                          | E   | E     |
| 1FFE 0000h to 1FFF FFFFh | Memory bus 2<br>Memory bus 3 | —                          | —   | —     |
| 2000 0000h to 2003 FFFFh | Memory bus 4                 | —                          | —   | —     |
| 2004 0000h to 200F FFFFh | Memory bus 5                 | —                          | —   | —     |
| 2010 0000h to 3FFF FFFFh | Reserved                     | E                          | E   | E     |
| 4000 0000h to 4001 FFFFh | Peripheral bus 1             | —                          | —   | E     |
| 4002 0000h to 4003 FFFFh | Reserved                     | E                          | E   | E     |
| 4004 0000h to 4005 FFFFh | Peripheral bus 3             | —                          | —   | E     |
| 4006 0000h to 4007 FFFFh | Peripheral bus 4             | —                          | —   | E     |
| 4008 0000h to 4009 FFFFh | Peripheral bus 5             | —                          | —   | E     |
| 400A 0000h to 400B FFFFh | Reserved                     | —                          | —   | E     |
| 400C 0000h to 400D FFFFh | Peripheral bus 7             | —                          | —   | E     |
| 400E 0000h to 400F FFFFh | Reserved                     | E                          | E   | E     |
| 4010 0000h to 407F FFFFh | Peripheral bus 9             | —                          | —   | —     |
| 4080 0000h to 5FFF FFFFh | Reserved                     | E                          | E   | E     |
| 6000 0000h to 67FF FFFFh | QSPI area                    | —                          | —   | —     |
| 6800 0000h to 7FFF FFFFh | Reserved                     | E                          | E   | E     |
| 8000 0000h to 97FF FFFFh | CS/SDRAM area                | —                          | —   | —     |

**Table 15.18 Conditions leading to illegal address access errors (2 of 2)**

| Address                  | Slave bus name        | Master bus                 |     |       |
|--------------------------|-----------------------|----------------------------|-----|-------|
|                          |                       | CPU (ICode, DCode, System) | DMA | ETHER |
| 9800 0000h to DFFF FFFFh | Reserved              | E                          | E   | E     |
| E000 0000h to FFFF FFFFh | System for Cortex®-M4 | —                          | E   | E     |

E: Path where an illegal address access error occurs.

Note 1. The bus module does not detect whether the MMF switched the address. Therefore, if the MMF is enabled and the CPU accesses 0200 0000h, no error occurs. This depends on the switched address.

If the MMF is disabled and the CPU accesses 0200 0000h, the bus module can detect the error.

The bus module detects an access error resulting from access to a reserved area, for example if no area is assigned to the slave.

- 0200 0000h to 1FFD FFFFh: access error detection
- 0000 0000h to 01FF FFFFh: memory bus 1 no access error detection.

#### 15.7.4 Timeout

For some peripheral modules, a timeout error occurs with the module-stop function. When there is no response from the slave for a certain period of time, a timeout error is detected. A timeout error is returned to the requesting master IP using the AHB-Lite error response protocol.

### 15.8 Notes on using Flash Cache

When using flash cache through access from the CPU, the Arm MPU should also be set to cacheable. See references 1. and 2. for more information.

### 15.9 References

1. *ARM®v7-M Architecture Reference Manual* (ARM DDI 0403D)
2. *ARM® Cortex®-M4 Devices Generic User Guide* (ARM DUI 0553A).

## 16. Memory Protection Unit (MPU)

### 16.1 Overview

The MCU provides four Memory Protection Units (MPUs) and a CPU stack pointer monitor function. [Table 16.1](#) lists the MPU specifications and [Table 16.2](#) shows the behavior on detection of each MPU error.

**Table 16.1 MPU specifications**

| Classification        | Module/Function           | Description   |
|-----------------------|---------------------------|---|
| Illegal memory access | Arm® Cortex®-M4 CPU       | <ul style="list-style-type: none"> <li>Arm CPU has a default memory map. If the CPU makes an illegal access, an exception interrupt occurs.</li> <li>MPU can change a default memory map.</li> </ul>      |
|                       | CPU stack pointer monitor | 2 regions: <ul style="list-style-type: none"> <li>Main Stack Pointer (MSP)</li> <li>Process Stack Pointer (PSP).</li> </ul>   |
| Memory protection     | Arm MPU                   | Memory protection function for the CPU: <ul style="list-style-type: none"> <li>8 MPU regions with subregions and background region.</li> </ul>  |
|                       | Bus master MPU            | Memory protection function for each bus master except for the CPU: <ul style="list-style-type: none"> <li>Bus master MPU group A: 32 regions</li> <li>Bus master MPU group B: 8 regions.</li> </ul>       |
|                       | Bus slave MPU             | Memory protection function for each bus slave   |
| Security              | Security MPU              | Protects accesses from non-secure programs to the following secure regions: <ul style="list-style-type: none"> <li>2 regions (PC)</li> <li>4 regions (code flash, SRAM, two secure functions).</li> </ul> |

**Table 16.2 Behavior on MPU error detection**

| MPU type                  | Notification type  | Bus access on error detection  | Storing of error access information |
|---------------------------|--|--|-------------------------------------|
| CPU stack pointer monitor | Reset or non-maskable interrupt  | Don't care   | Not stored                          |
| Arm MPU                   | Hard fault   | <ul style="list-style-type: none"> <li>Does not correctly have write access</li> <li>Does not correctly have read access.</li> </ul> | Stored in the Cortex-M4 processor   |
| Bus master MPU            | Reset or non-maskable interrupt  | <ul style="list-style-type: none"> <li>Write access to the protected region</li> <li>Read access to the protected region.</li> </ul> | Stored                              |
| Bus slave MPU             | <ul style="list-style-type: none"> <li>Reset or non-maskable interrupt</li> <li>Hard fault.</li> </ul> | <ul style="list-style-type: none"> <li>Write access ignored</li> <li>Read access read as 0.</li> </ul>                               | Stored                              |
| Security MPU              | Not notified   | <ul style="list-style-type: none"> <li>Does not correctly have write access</li> <li>Does not correctly have read access.</li> </ul> | Do not hold                         |

For information on error access for the Arm MPU, see [section 16.7](#). For information on error access for other MPUs, see [section 15.3.20, Bus Error Address Register \(BUSnERRADD\) \(n = 1 to 5\)](#) and [section 15.3.21, Bus Error Status Register \(BUSnERRSTAT\) \(n = 1 to 5\)](#) in [section 15, Buses](#).

## 16.2 CPU Stack Pointer Monitor

The CPU stack pointer monitor detects underflows and overflows of the stack pointer. Because the Arm CPU has two stack pointers, a Main Stack Pointer (MSP) and Process Stack Pointer (PSP), it supports two CPU stack pointer monitors. If a stack pointer underflow or overflow is detected, the CPU stack pointer monitor generates a reset or a non-maskable interrupt.

The CPU stack pointer monitor is enabled by setting the Stack Pointer Monitor Enable bit in the Stack Pointer Monitor Access Control Register (MSPMPUCTL, PSPMPUCTL) to 1.

Table 16.3 lists the specifications of the CPU stack pointer monitor, Figure 16.1 shows a block diagram, and Figure 16.2 shows the register setting flow.

**Table 16.3 CPU stack pointer monitor specifications**

| Parameter  | Description   |
|--|---|
| Protected region   | SRAM region   |
| Number of regions  | 2 regions: <ul style="list-style-type: none"> <li>• Main Stack Pointer</li> <li>• Process Stack Pointer.</li> </ul> |
| Address specification for individual regions                           | Region start and end addresses configurable   |
| Stack pointer monitor enable or disable setting for individual regions | Stack pointer monitor for individual regions can be enabled or disabled   |
| Operation on error detection   | Reset or non-maskable interrupts can be generated   |
| Register protection  | Registers can be protected from illegal writes  |

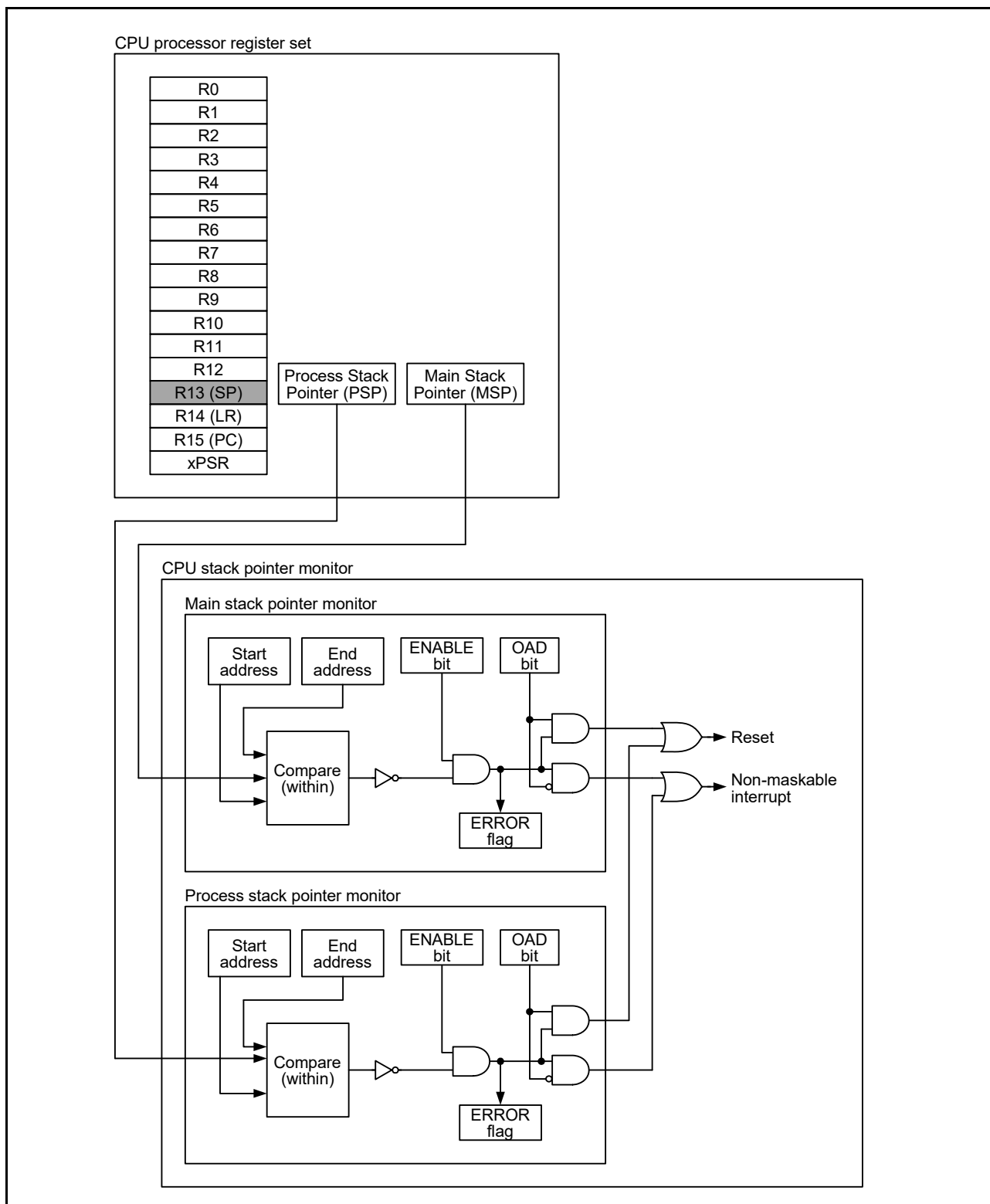


Figure 16.1 CPU stack pointer monitor block diagram

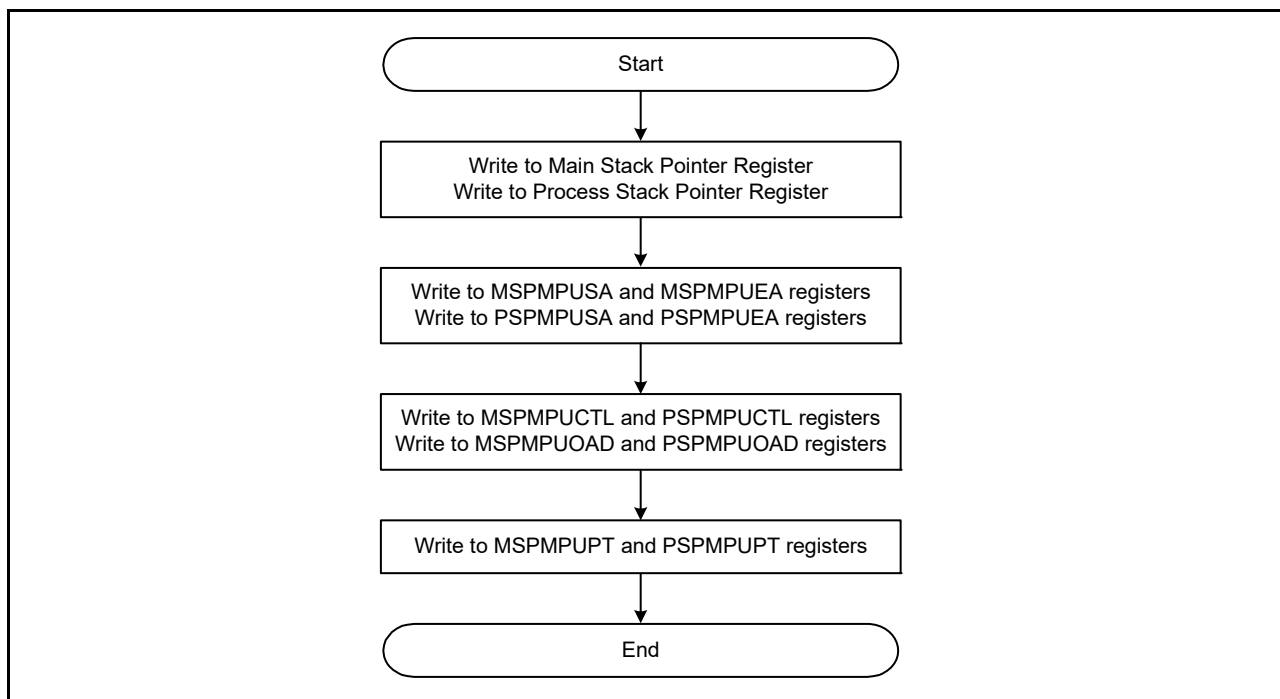


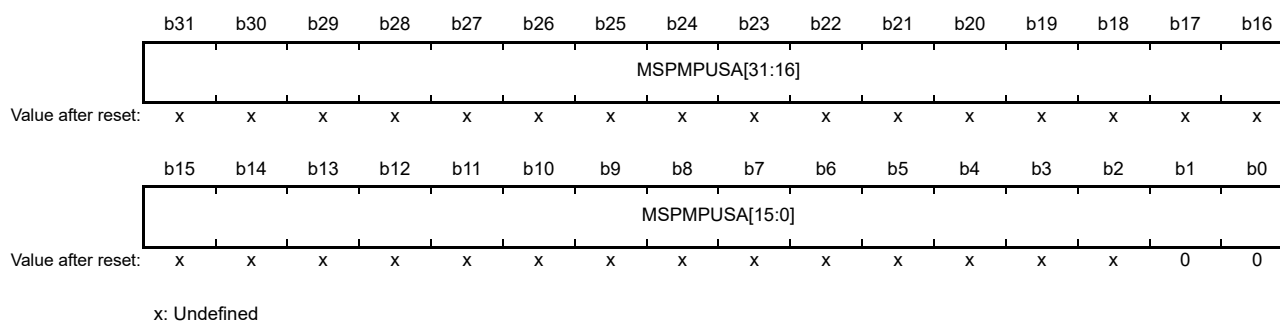
Figure 16.2 Register setting flow

### 16.2.1 Register Descriptions

Note: Bus access must be stopped before writing to MPU registers.

#### 16.2.1.1 Main Stack Pointer Monitor Start Address Register (MSPMPUSA)

Address(es): [SPMON.MSPMPUSA 4000 0D08h](#)

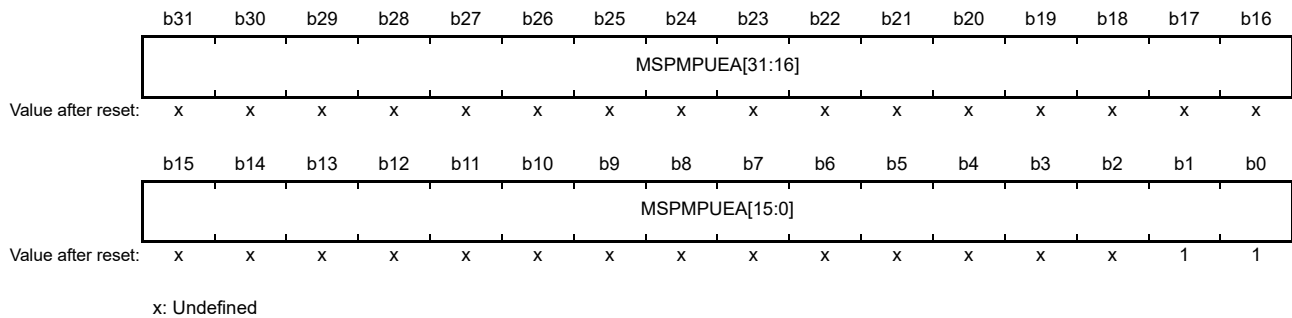


| Bit       | Symbol         | Bit name             | Description   | R/W |
|-----------|----------------|----------------------|---|-----|
| b31 to b0 | MSPMPUSA[31:0] | Region Start Address | Address where the region starts, for use in region determination. The lower 2 bits should be 0. The value range must be 1FF0 0000h to 200F FFFCh, excluding reserved areas. | R/W |

The MSPMPUSA and MSPMPUEA registers specify the CPU stack region in the SRAM (1FF0 0000h to 200F FFFCh, excluding reserved areas). For SRAM area to be covered, see [Figure 4.1, Memory map](#).

### 16.2.1.2 Main Stack Pointer Monitor End Address Register (MSPMPUEA)

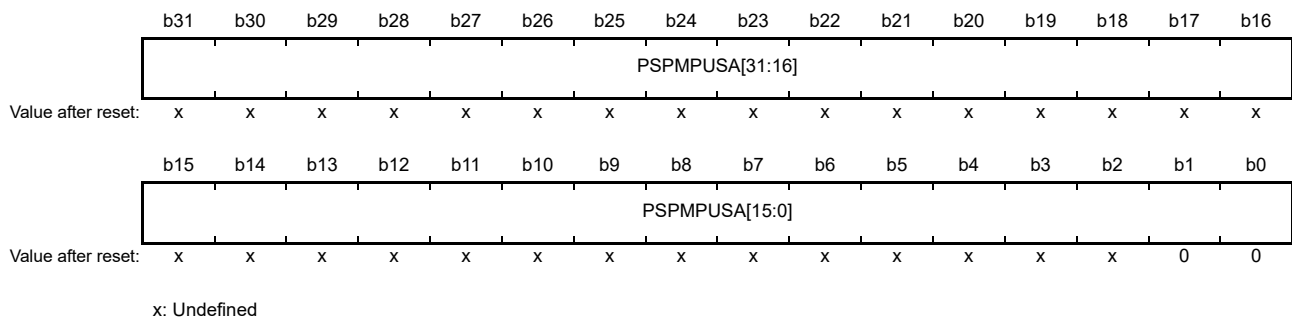
Address(es): [SPMON.MSPMPUEA 4000 0D0Ch](#)



| Bit       | Symbol         | Bit name           | Description   | R/W |
|-----------|----------------|--------------------|---|-----|
| b31 to b0 | MSPMPUEA[31:0] | Region End Address | Address where the region ends, for use in region determination. The lower 2 bits should be 1. The value range must be 1FF0 0003h to 200F FFFFh, excluding reserved areas. | R/W |

### 16.2.1.3 Process Stack Pointer Monitor Start Address Register (PSPMPUSA)

Address(es): [SPMON.PSPMPUSA 4000 0D18h](#)

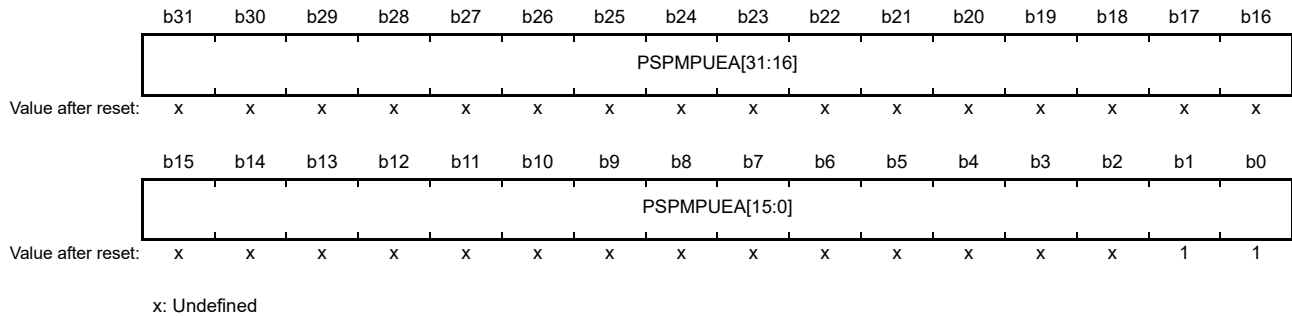


| Bit       | Symbol         | Bit name             | Description   | R/W |
|-----------|----------------|----------------------|---|-----|
| b31 to b0 | PSPMPUSA[31:0] | Region Start Address | Address where the region starts, for use in region determination. The lower 2 bits should be 0. The value range must be 1FF0 0000h to 200F FFFCh, excluding reserved areas. | R/W |

The PSPMPUSA and MSPMPUEA registers specify the CPU stack region in the SRAM (1FF0 0000h to 200F FFFFh, excluding reserved areas). For SRAM area to be covered, see [Figure 4.1, Memory map](#).

### 16.2.1.4 Process Stack Pointer Monitor End Address Register (PSPMPUEA)

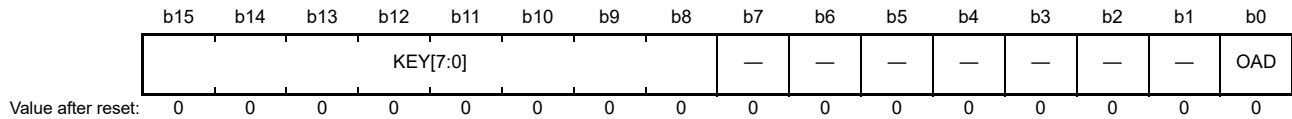
Address(es): [SPMON.PSPMPUEA 4000 0D1Ch](#)



| Bit       | Symbol         | Bit name           | Description   | R/W |
|-----------|----------------|--------------------|---|-----|
| b31 to b0 | PSPMPUEA[31:0] | Region End Address | Address where the region ends, for use in region determination. The lower 2 bits should be 1. The value range must be 1FF0 0003h to 200F FFFFh, excluding reserved areas. | R/W |

### 16.2.1.5 Stack Pointer Monitor Operation After Detection Register (MSPMPUOAD, PSPMPUOAD)

Address(es): [SPMON.MSPMPUOAD 4000 0D00h](#), [SPMON.PSPMPUOAD 4000 0D10h](#)



| Bit       | Symbol                   | Bit name                  | Description  | R/W     |
|-----------|--------------------------|---------------------------|--|---------|
| b0        | <a href="#">OAD</a>      | Operation after Detection | 0: Non-maskable interrupt<br>1: Reset.                 | R/W     |
| b7 to b1  | —                        | Reserved                  | These bits are read as 0. The write value should be 0. | R/W     |
| b15 to b8 | <a href="#">KEY[7:0]</a> | Key Code                  | These bits enable or disable writes to the OAD bit.    | R/(W)*1 |

Note 1. Write data is not saved.

#### [OAD bit \(Operation after Detection\)](#)

The OAD bit selects either a reset or a non-maskable interrupt to occur when a stack pointer underflow or overflow is detected by the CPU stack pointer monitor. The main and the process stack pointer monitors each use an OAD bit to determine which signal is generated when a stack pointer underflow or overflow is detected. When writing to the OAD bit, write A5h simultaneously to the KEY[7:0] bits using halfword access.

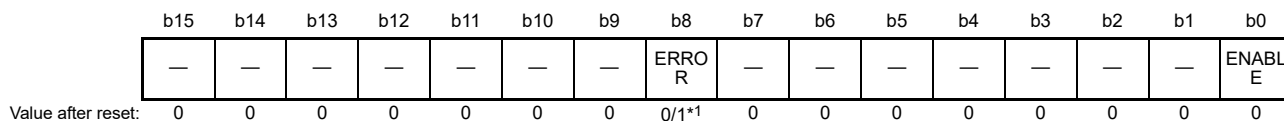
#### [KEY\[7:0\] bits \(Key Code\)](#)

The KEY[7:0] bits enable or disable writes to the OAD bit. When writing to the OAD bit, write A5h simultaneously to the KEY[7:0] bits. When values other than A5h are written to the KEY[7:0] bits, the OAD bit is not updated. The KEY[7:0] bits are always read as 00h.



### 16.2.1.6 Stack Pointer Monitor Access Control Register (MSPMPUCTL, PSPMPUCTL)

Address(es): SPMON.MSPMPUCTL 4000 0D04h, SPMON.PSPMPUCTL 4000 0D14h



| Bit       | Symbol | Bit name                         | Description  | R/W |
|-----------|--------|----------------------------------|--|-----|
| b0        | ENABLE | Stack Pointer Monitor Enable     | 0: Disable stack pointer monitor<br>1: Enable stack pointer monitor.                                   | R/W |
| b7 to b1  | —      | Reserved                         | These bits are read as 0. The write value should be 0.   | R/W |
| b8        | ERROR  | Stack Pointer Monitor Error Flag | 0: No stack pointer overflow or underflow occurred<br>1: Stack pointer overflow or underflow occurred. | R/W |
| b15 to b9 | —      | Reserved                         | These bits are read as 0. The write value should be 0.   | R/W |

Note 1. The initial value depends on the reset generation source.

#### ENABLE bit (Stack Pointer Monitor Enable)

The ENABLE bit enables or disables the stack pointer monitor function, independently set for the main stack pointer monitor and the process stack pointer monitor.

When the MSPMPUCTL.ENABLE bit is set to 1, the following registers are available:

- MSPMPUSA
- MSPMPUEA
- MSPMPUOAD.

When the PSPMPUCTL.ENABLE bit is set to 1, the following registers are available:

- PSPMPUSA
- PSPMPUEA
- PSPMPUOAD.

#### ERROR bit (Stack Pointer Monitor Error Flag)

The ERROR bit indicates the status of the stack pointer monitor. Each stack pointer monitor has an independent ERROR bit.

[Setting condition]

- Overflow or underflow of the stack pointer.

[Clearing condition]

- 0 is written to this bit
- A reset other than the bus master MPU error reset, bus slave MPU error reset, and stack pointer error reset.

Note: Only 0 can be written to the ERROR bit.

### 16.2.1.7 Stack Pointer Monitor Protection Register (MSPMPUPT, PSPMPUPT)

Address(es): SPMON.MSPMPUPT 4000 0D06h, SPMON.PSPMPUPT 4000 0D16h



| Bit       | Symbol   | Bit name               | Description  | R/W     |
|-----------|----------|------------------------|--|---------|
| b0        | PROTECT  | Protection of register | 0: Stack pointer monitor register writes are permitted<br>1: Stack pointer monitor register writes are protected. Reads are permitted. | R/W     |
| b7 to b1  | —        | Reserved               | These bits are read as 0. The write value should be 0.   | R/W     |
| b15 to b8 | KEY[7:0] | Key Code               | These bits enable or disable writes to the PROTECT bit.  | R/(W)*1 |

Note 1. Write data is not saved.

#### PROTECT bit (Protection of register)

The PROTECT bit enables or disables writes to the associated registers to be protected, independently set for the Main Stack Pointer monitor and the Process Stack Pointer monitor.

MSPMPUPT.PROTECT controls the following Main Stack Pointer protection registers:

- MSPMPUCTL
- MSPMPUSA
- MSPMPUEA.

PSPMPUT.PROTECT controls the following Process Stack Pointer protection registers:

- PSPMPUCTL
- PSPMPUSA
- PSPMPUEA.

When writing to the PROTECT bit, write A5h simultaneously to the KEY[7:0] bits, using halfword access.

#### KEY[7:0] bits (Key Code)

The KEY[7:0] bits enable or disable writing to the PROTECT bit. When writing to the PROTECT bit, write A5h simultaneously to the KEY[7:0] bits. When other values are written, the PROTECT bit is not updated. The KEY[7:0] bits are always read as 00h.

## 16.2.2 Operation

### 16.2.2.1 Protecting the registers

To protect registers related to the CPU stack pointer monitor, set the associated PROTECT bit.

### 16.2.2.2 Overflow and underflow errors

The CPU stack pointer monitor generates an error if an overflow or underflow error is detected. Set the OAD bit to select whether the error is reported as a non-maskable interrupt or reset. The non-maskable interrupt status is indicated in ICU.NMISR.SPEST, see [section 14, Interrupt Controller Unit \(ICU\)](#). Reset status is indicated in SYSTEM.RSTSR1.SPERF, see [section 6, Resets](#).

When ICU.NMISR.SPEST indicates that a CPU stack pointer monitor interrupt occurred, confirm it by checking the ERROR bit in MSPMPUCTL and PSPMPUCTL to determine whether the error is a main stack pointer monitor error or process stack pointer monitor error.

A non-maskable interrupt remains set when a stack pointer overflows or underflows. To clear the error, clear the non-maskable interrupt flag by writing 1 to ICU.NMICLR.SPECLR. Write 0 to clear the ERROR bit in MSPMPUCTL and PSPMPUCTL.

### 16.3 Arm MPU

The Arm MPU has eight region MPUs and provides full support for:

- Protected regions
- Overlapping protected regions, with ascending priority:  
7 = highest priority  
0 = lowest priority.
- Access permissions
- Export of memory attributes to the system.

Arm MPU mismatches and permission violations invoke the programmable-priority MemManage fault (HardFault) handler. For details, see [section 16.7](#).

### 16.4 Bus Master MPU

The bus master MPU monitors the addresses accessed by the bus masters in the entire address space (0000 0000h to FFFF FFFFh). The access control information, consisting of read and write permissions, can be independently set for up to 32 regions. The bus master MPU monitors access to each region based on these settings. If access to a protected region is detected, the bus master MPU generates a reset or a non-maskable interrupt. For details on error access, see [section 15.3.20](#) and [section 15.3.21](#) in [section 15, Buses](#).

[Table 16.4](#) lists the specifications of the bus master MPU and [Figure 16.3](#) shows a block diagram. [Figure 16.4](#) shows bus master MPU groups A and B.

**Table 16.4 Bus master MPU specifications**

| Parameter  | Specifications   |
|--|--|
| Protected master groups  | <ul style="list-style-type: none"> <li>• Bus master MPU group A: DMA bus</li> <li>• Bus master MPU group B: ETHER bus.</li> </ul>    |
| Protected region   | 0000 0000h to FFFF FFFFh   |
| Number of regions  | <ul style="list-style-type: none"> <li>• Bus master MPU group A: 32 regions</li> <li>• Bus master MPU group B: 8 regions.</li> </ul> |
| Address specification for individual regions                       | Region start and end addresses configurable  |
| Enable/disable setting for memory protection in individual regions | Settings enabled or disabled for the associated region   |
| Access-control settings for individual regions                     | Permission to read and write   |
| Operation on error detection                                       | Reset or non-maskable interrupt  |
| Register protection  | Register can be protected from illegal writes  |

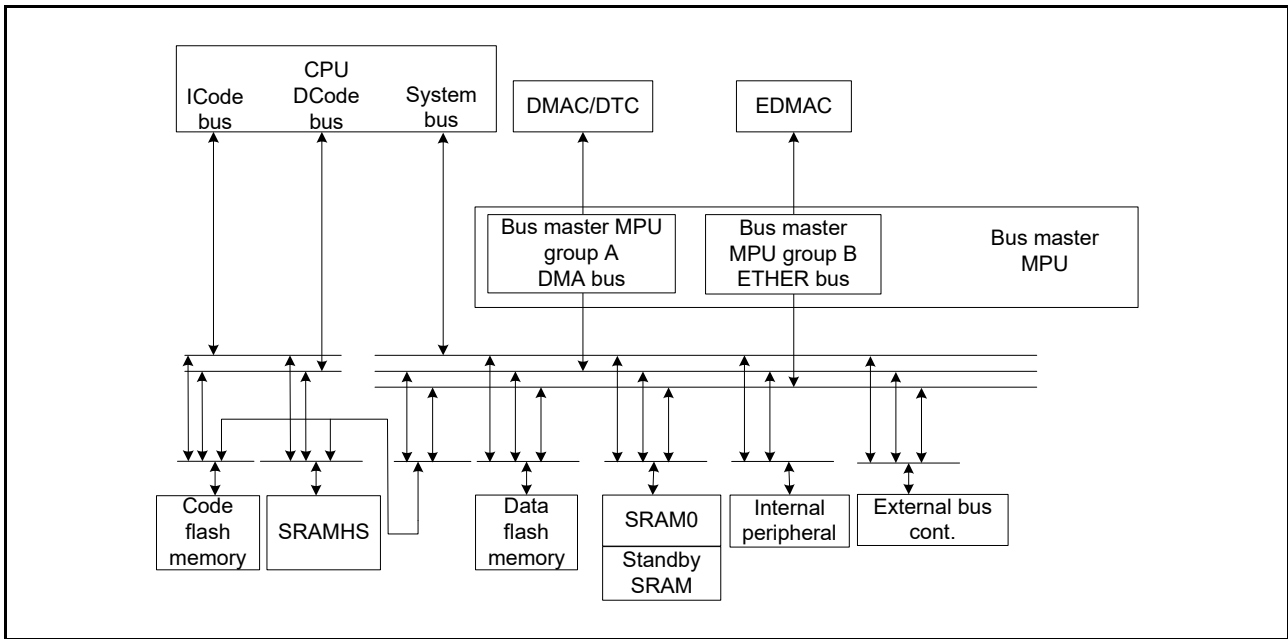


Figure 16.3 Bus master MPU block diagram

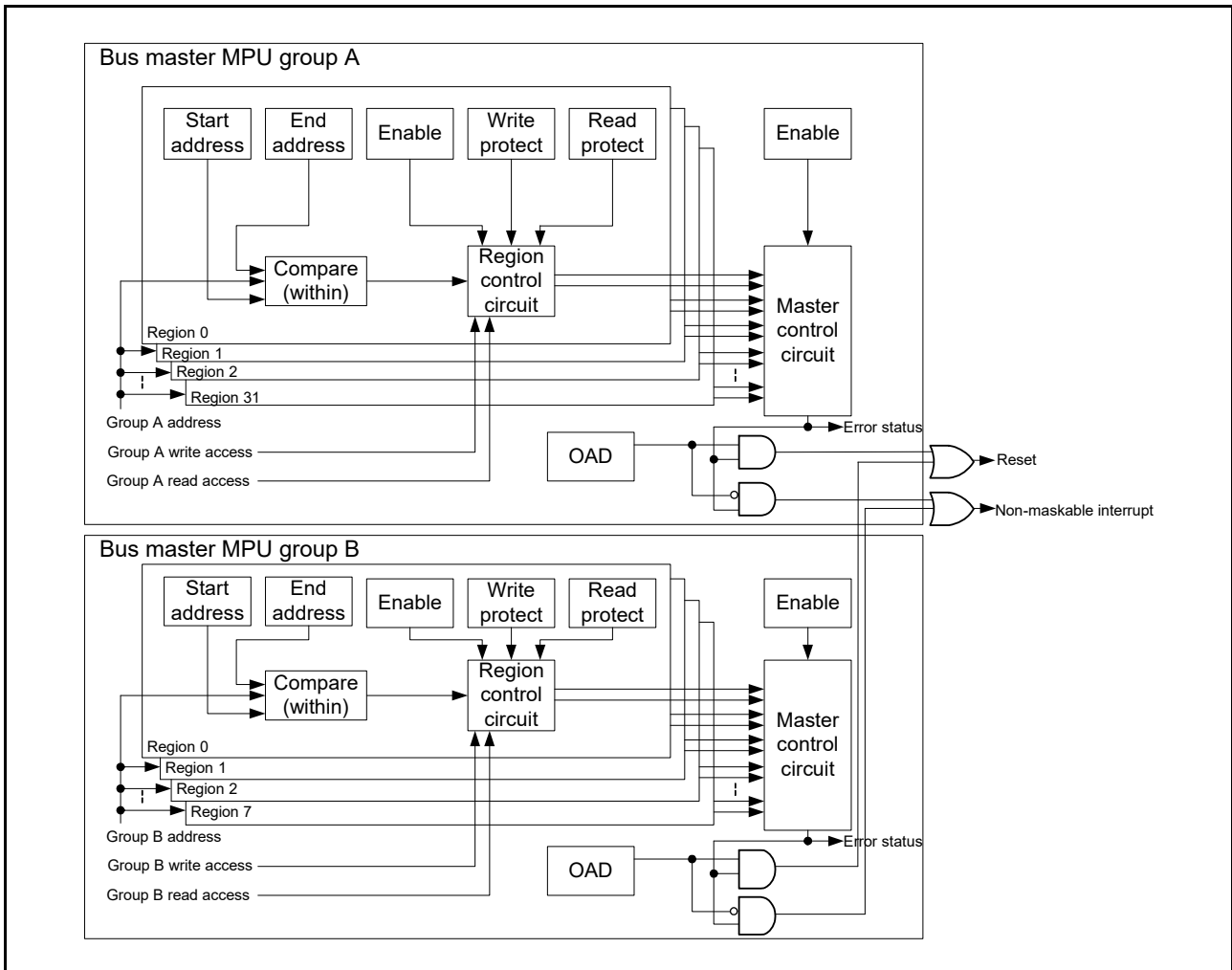


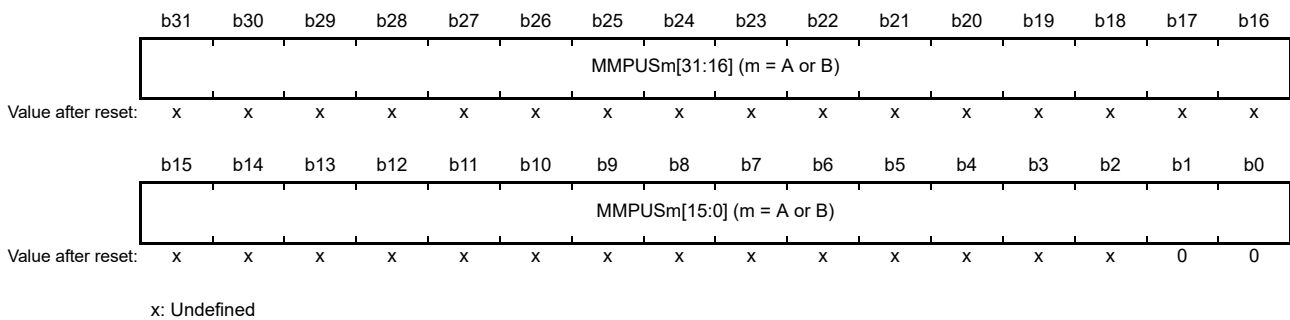
Figure 16.4 Bus master MPU groups A and B

### 16.4.1 Register Descriptions

Note: Bus access must be stopped before writing to MPU registers.

#### 16.4.1.1 Group m Region n Start Address Register (MMPUSmn) (m = A or B; n = 0 to 31)

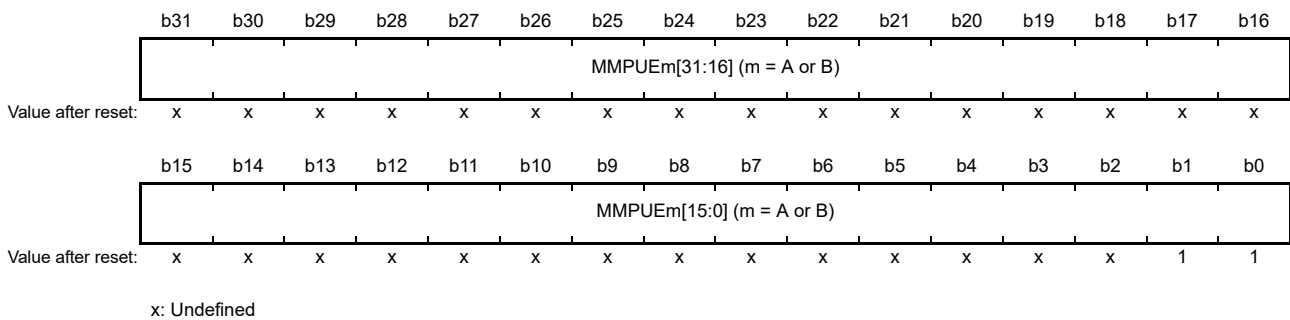
Address(es): MMPU.MMPUSA0 4000 0204h, MMPU.MMPUSA1 4000 0214h, MMPU.MMPUSA2 4000 0224h, MMPU.MMPUSA3 4000 0234h, MMPU.MMPUSA4 4000 0244h, MMPU.MMPUSA5 4000 0254h, MMPU.MMPUSA6 4000 0264h, MMPU.MMPUSA7 4000 0274h, MMPU.MMPUSA8 4000 0284h, MMPU.MMPUSA9 4000 0294h, MMPU.MMPUSA10 4000 02A4h, MMPU.MMPUSA11 4000 02B4h, MMPU.MMPUSA12 4000 02C4h, MMPU.MMPUSA13 4000 02D4h, MMPU.MMPUSA14 4000 02E4h, MMPU.MMPUSA15 4000 02F4h, MMPU.MMPUSA16 4000 0304h, MMPU.MMPUSA17 4000 0314h, MMPU.MMPUSA18 4000 0324h, MMPU.MMPUSA19 4000 0334h, MMPU.MMPUSA20 4000 0344h, MMPU.MMPUSA21 4000 0354h, MMPU.MMPUSA22 4000 0364h, MMPU.MMPUSA23 4000 0374h, MMPU.MMPUSA24 4000 0384h, MMPU.MMPUSA25 4000 0394h, MMPU.MMPUSA26 4000 03A4h, MMPU.MMPUSA27 4000 03B4h, MMPU.MMPUSA28 4000 03C4h, MMPU.MMPUSA29 4000 03D4h, MMPU.MMPUSA30 4000 03E4h, MMPU.MMPUSA31 4000 03F4h, MMPU.MMPUSB0 4000 0604h, MMPU.MMPUSB1 4000 0614h, MMPU.MMPUSB2 4000 0624h, MMPU.MMPUSB3 4000 0634h, MMPU.MMPUSB4 4000 0644h, MMPU.MMPUSB5 4000 0654h, MMPU.MMPUSB6 4000 0664h, MMPU.MMPUSB7 4000 0674h



| Bit       | Symbol                    | Bit name             | Description   | R/W |
|-----------|---------------------------|----------------------|---|-----|
| b31 to b0 | MMPUSm[31:0] (m = A or B) | Region Start Address | Address where the region starts, for use in region determination. The lower 2 bits should be 0. | R/W |

#### 16.4.1.2 Group m Region n End Address Register (MMPUEmn) (m = A or B; n = 0 to 31)

Address(es): MMPU.MMPUEA0 4000 0208h, MMPU.MMPUEA1 4000 0218h, MMPU.MMPUEA2 4000 0228h, MMPU.MMPUEA3 4000 0238h, MMPU.MMPUEA4 4000 0248h, MMPU.MMPUEA5 4000 0258h, MMPU.MMPUEA6 4000 0268h, MMPU.MMPUEA7 4000 0278h, MMPU.MMPUEA8 4000 0288h, MMPU.MMPUEA9 4000 0298h, MMPU.MMPUEA10 4000 02A8h, MMPU.MMPUEA11 4000 02B8h, MMPU.MMPUEA12 4000 02C8h, MMPU.MMPUEA13 4000 02D8h, MMPU.MMPUEA14 4000 02E8h, MMPU.MMPUEA15 4000 02F8h, MMPU.MMPUEA16 4000 0308h, MMPU.MMPUEA17 4000 0318h, MMPU.MMPUEA18 4000 0328h, MMPU.MMPUEA19 4000 0338h, MMPU.MMPUEA20 4000 0348h, MMPU.MMPUEA21 4000 0358h, MMPU.MMPUEA22 4000 0368h, MMPU.MMPUEA23 4000 0378h, MMPU.MMPUEA24 4000 0388h, MMPU.MMPUEA25 4000 0398h, MMPU.MMPUEA26 4000 03A8h, MMPU.MMPUEA27 4000 03B8h, MMPU.MMPUEA28 4000 03C8h, MMPU.MMPUEA29 4000 03D8h, MMPU.MMPUEA30 4000 03E8h, MMPU.MMPUEA31 4000 03F8h, MMPU.MMPUEB0 4000 0608h, MMPU.MMPUEB1 4000 0618h, MMPU.MMPUEB2 4000 0628h, MMPU.MMPUEB3 4000 0638h, MMPU.MMPUEB4 4000 0648h, MMPU.MMPUEB5 4000 0658h, MMPU.MMPUEB6 4000 0668h, MMPU.MMPUEB7 4000 0678h



| Bit       | Symbol                    | Bit name           | Description   | R/W |
|-----------|---------------------------|--------------------|---|-----|
| b31 to b0 | MMPUEm[31:0] (m = A or B) | Region End Address | Address where the region ends, for use in region determination. The lower 2 bits should be 1. | R/W |

### 16.4.1.3 Group m Region n Access Control Register (MMPUACmn) (m = A or B; n = 0 to 31)

Address(es): MMPUACmn.ENABLE 4000 0200h, MMPUACmn.RP 4000 0210h, MMPUACmn.WP 4000 0220h, MMPUACmn.ENABLE 4000 0230h, MMPUACmn.ENABLE 4000 0240h, MMPUACmn.ENABLE 4000 0250h, MMPUACmn.ENABLE 4000 0260h, MMPUACmn.ENABLE 4000 0270h, MMPUACmn.ENABLE 4000 0280h, MMPUACmn.ENABLE 4000 0290h, MMPUACmn.ENABLE 4000 02A0h, MMPUACmn.ENABLE 4000 02B0h, MMPUACmn.ENABLE 4000 02C0h, MMPUACmn.ENABLE 4000 02D0h, MMPUACmn.ENABLE 4000 02E0h, MMPUACmn.ENABLE 4000 02F0h, MMPUACmn.ENABLE 4000 0300h, MMPUACmn.ENABLE 4000 0310h, MMPUACmn.ENABLE 4000 0320h, MMPUACmn.ENABLE 4000 0330h, MMPUACmn.ENABLE 4000 0340h, MMPUACmn.ENABLE 4000 0350h, MMPUACmn.ENABLE 4000 0360h, MMPUACmn.ENABLE 4000 0370h, MMPUACmn.ENABLE 4000 0380h, MMPUACmn.ENABLE 4000 0390h, MMPUACmn.ENABLE 4000 03A0h, MMPUACmn.ENABLE 4000 03B0h, MMPUACmn.ENABLE 4000 03C0h, MMPUACmn.ENABLE 4000 03D0h, MMPUACmn.ENABLE 4000 03E0h, MMPUACmn.ENABLE 4000 03F0h, MMPUACmn.ENABLE 4000 0600h, MMPUACmn.ENABLE 4000 0610h, MMPUACmn.ENABLE 4000 0620h, MMPUACmn.ENABLE 4000 0630h, MMPUACmn.ENABLE 4000 0640h, MMPUACmn.ENABLE 4000 0650h, MMPUACmn.ENABLE 4000 0660h, MMPUACmn.ENABLE 4000 0670h

|     |     |     |     |     |     |    |    |    |    |    |    |    |    |    |        |
|-----|-----|-----|-----|-----|-----|----|----|----|----|----|----|----|----|----|--------|
| b15 | b14 | b13 | b12 | b11 | b10 | b9 | b8 | b7 | b6 | b5 | b4 | b3 | b2 | b1 | b0     |
| —   | —   | —   | —   | —   | —   | —  | —  | —  | —  | —  | —  | —  | WP | RP | ENABLE |
| 0   | 0   | 0   | 0   | 0   | 0   | 0  | 0  | 0  | 0  | 0  | 0  | 0  | 0  | 0  | 0      |

| Bit       | Symbol | Bit name         | Description  | R/W |
|-----------|--------|------------------|--|-----|
| b0        | ENABLE | Region Enable    | 0: Group m region n unit disabled<br>1: Group m region n unit enabled. | R/W |
| b1        | RP     | Read Protection  | 0: Read access permitted<br>1: Read access protected.                  | R/W |
| b2        | WP     | Write Protection | 0: Write access permitted<br>1: Write access protected.                | R/W |
| b15 to b3 | —      | Reserved         | These bits are read as 0. The write value should be 0.                 | R/W |

The ENABLE, RP, and WP bits are individually configurable for each group m region n unit.

#### ENABLE bit (Region Enable)

The ENABLE bit enables or disables the group m region n unit. When the ENABLE bit is set to 1, the RP and WP bits can be set to permit or protect access to the region that is set in MMPUSmn and MMPUEmn. When the ENABLE bit is set to 0, no region is specified for group m region n access.

#### RP bit (Read Protection)

The RP bit enables or disables read protection for group m region n. The RP bit is available when the ENABLE bit is set to 1.

#### WP bit (Write Protection)

The WP bit enables or disables write protection for group m region n. The WP bit is available when the ENABLE bit is set to 1.

**Table 16.5** Function of region control circuit (1 of 2)

| MMPUACmn.ENABLE*1 | MMPUACmn.RP*1 | MMPUACmn.WP*1 | Access | Region | Output of group m region n unit*1 |
|-------------------|---------------|---------------|--------|--------|-----------------------------------|
| 0                 | —             | —             | Read   | —      | Outside of region                 |
|                   |               |               | Write  | —      | Outside of region                 |

**Table 16.5 Function of region control circuit (2 of 2)**

| MMPUACmn.ENABLE*1 | MMPUACmn.RP*1 | MMPUACmn.WP*1 | Access  | Region            | Output of group m region n unit*1 |
|-------------------|---------------|---------------|---------|-------------------|-----------------------------------|
| 1                 | 0             | 0             | Read    | Inside            | Permitted region                  |
|                   |               |               |         | Outside           | Outside of region                 |
|                   |               |               | Write   | Inside            | Permitted region                  |
|                   |               |               |         | Outside           | Outside of region                 |
|                   | 0             | 1             | Read    | Inside            | Permitted region                  |
|                   |               |               |         | Outside           | Outside of region                 |
|                   |               |               | Write   | Inside            | Protected region                  |
|                   |               |               |         | Outside           | Outside of region                 |
|                   | 1             | 0             | Read    | Inside            | Protected region                  |
|                   |               |               |         | Outside           | Outside of region                 |
|                   |               |               | Write   | Inside            | Permitted region                  |
|                   |               |               |         | Outside           | Outside of region                 |
| 1                 | 1             | Read          | Inside  | Protected region  |                                   |
|                   |               |               | Outside | Outside of region |                                   |
|                   |               | Write         | Inside  | Protected region  |                                   |
|                   |               |               | Outside | Outside of region |                                   |

Note 1. m = A or B,  
 In the case of m = A: n = 0 to 31  
 In the case of m = B: n = 0 to 7.

**Table 16.6 Function of master control circuit**

| MMPUCTLm.ENABLE*1 | Output of group m region 0 unit*1 | Output of group m region 1 unit*1 | Output of group A Region 2 to 31 unit, Output of group B Region 2 to 7 unit | Function of group m*1 |
|-------------------|-----------------------------------|-----------------------------------|---|-----------------------|
| 1                 | Protected region                  | Don't care                        | Don't care  | Generate error        |
| 1                 | Don't care                        | Protected region                  | Don't care  | Generate error        |
| 1                 | Don't care                        | Don't care                        | Protected region  | Generate error        |
| 1                 | Outside of region                 | Outside of region                 | Outside of region   | Generate error        |
| Other case        |                                   |                                   |   | No error              |

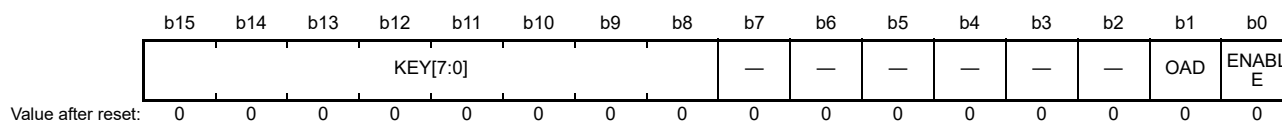
Note 1. m = A or B.  
 A master MPU error occurs on the following conditions:

- MMPUCTLm.ENABLE = 1, and output of one or more region n units is to a protected region
- MMPUCTLm.ENABLE = 1, and output of all region n units is outside of region.

Other cases are handled as permitted regions.

### 16.4.1.4 Bus Master MPU Control Register (MMPUCTLm) (m = A or B)

Address(es): MMPU.MMPUCTLA 4000 0000h, MMPU.MMPUCTLB 4000 0400h



| Bit | Symbol | Bit name            | Description  | R/W |
|-----|--------|---------------------|--|-----|
| b0  | ENABLE | Master Group Enable | 0: Master group m disabled<br>1: Master group m enabled. | R/W |

| Bit       | Symbol   | Bit name                  | Description   | R/W     |
|-----------|----------|---------------------------|---|---------|
| b1        | OAD      | Operation After Detection | 0: Non-maskable interrupt<br>1: Reset.                          | R/W     |
| b7 to b2  | —        | Reserved                  | These bits are read as 0. The write value should be 0.          | R/W     |
| b15 to b8 | KEY[7:0] | Key Code                  | These bits enable or disable writes to the OAD and ENABLE bits. | R/(W)*1 |

Note 1. Write data is not saved.

#### ENABLE bit (Master Group Enable)

The ENABLE bit enables or disables the bus master MPU function for each master group. When this bit is set to 1, MMPUACmn is available. When this bit is set to 0, MMPUACmn is unavailable, including permission for all regions. The bus master MPU function of each master group uses the ENABLE bit. When writing to the ENABLE bit, write A5h to the KEY[7:0] bits simultaneously using halfword access.

#### OAD bit (Operation After Detection)

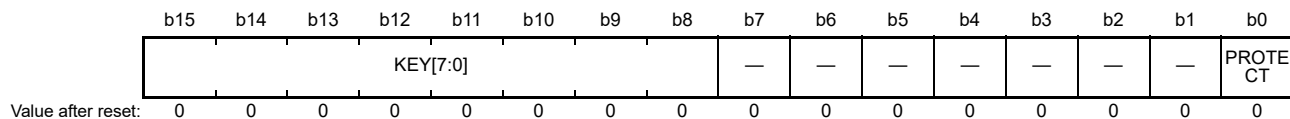
The OAD bit selects either a reset or a non-maskable interrupt to occur when access to the protected region is detected by the bus master MPU. The bus master MPU function for each master group uses its OAD bit independently. When writing to the OAD bit, write A5h to the KEY[7:0] bits simultaneously using halfword access.

#### KEY[7:0] bits (Key Code)

The KEY[7:0] bits enable or disable writing to the ENABLE and OAD bits. When writing to the ENABLE and OAD bits, write A5h to the KEY[7:0] bits simultaneously. When other values are written, the ENABLE and OAD bits are not updated. The KEY[7:0] bits are always read as 00h.

### 16.4.1.5 Group m Protection of Register (MMPUPTm) (m = A or B)

Address(es): MMPU.MMPUPTA 4000 0102h, MMPU.MMPUPTB 4000 0502h



| Bit       | Symbol   | Bit name               | Description   | R/W     |
|-----------|----------|------------------------|---|---------|
| b0        | PROTECT  | Protection of register | 0: All bus master MPU group m register writes are permitted<br>1: All bus master MPU group m register writes are protected. Read is possible. | R/W     |
| b7 to b1  | —        | Reserved               | These bits are read as 0. The write value should be 0.  | R/W     |
| b15 to b8 | KEY[7:0] | Key Code               | These bits enable or disable writes to the PROTECT bit  | R/(W)*1 |

Note 1. Write data is not saved.

#### PROTECT bit (Protection of register)

The PROTECT bit enables or disables writes to the associated registers to be protected. MMPUTm.PROTECT controls the following bus master MPU group m protection registers:

- MMPUSmn
- MMPUEmn
- MMPUACmn
- MMPUCTLm.

When writing to the PROTECT bit, write A5h to the KEY[7:0] bits simultaneously using halfword access.



**KEY[7:0] bits (Key Code)**

The KEY[7:0] bits enable or disable writing to the PROTECT bit. When writing to the PROTECT bit, write A5h to the KEY[7:0] bits simultaneously. When other values are written, the PROTECT bit is not updated. The KEY[7:0] bits are always read as 00h.

**16.4.2 Operation**

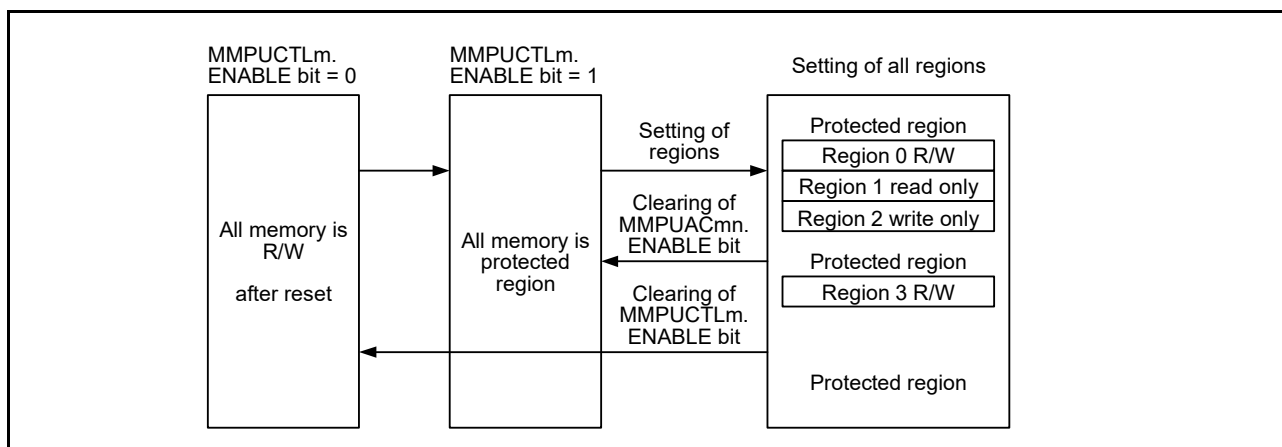
**16.4.2.1 Memory protection**

The bus master MPU monitors memory access using control settings made individually for the access control regions. If access to a protected region is detected, the bus master MPU generates a memory protection error.

The bus master MPU can be configured for up to 32 protection regions. Protected regions include those with overlapping permitted and protected regions, and those with two overlapping permitted regions.

The bus master MPU provides groups A and B. The memory protection function checks the address of the bus for a unified master group, and all accesses by a master group are protected. The bus master MPU sets the permission for all of the regions after reset. Setting MMPUCTLm.ENABLE to 1 protects all of the regions. A permitted region is set up within the protected region for each region. If access to a protected region is detected, the bus master MPU generates an error.

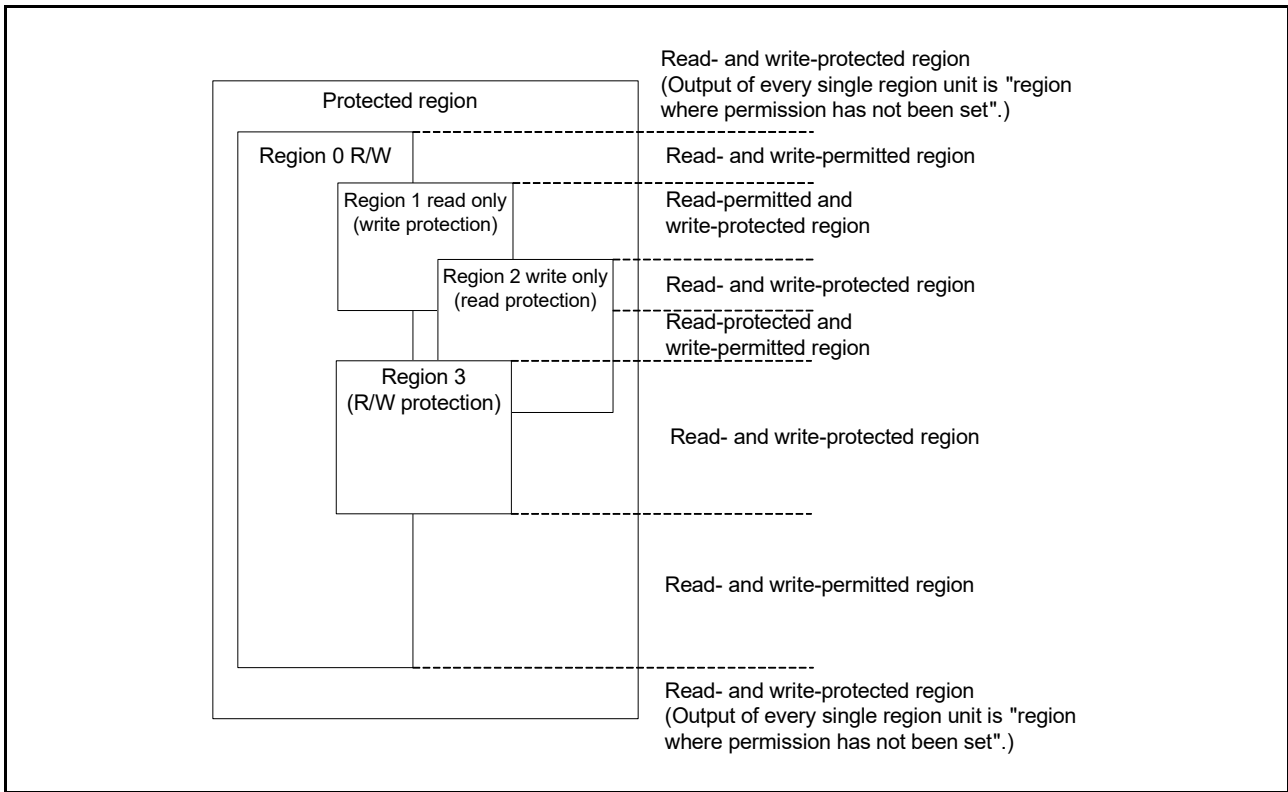
Figure 16.5 shows the use case of a bus master MPU.



**Figure 16.5 Use case of bus master MPU**

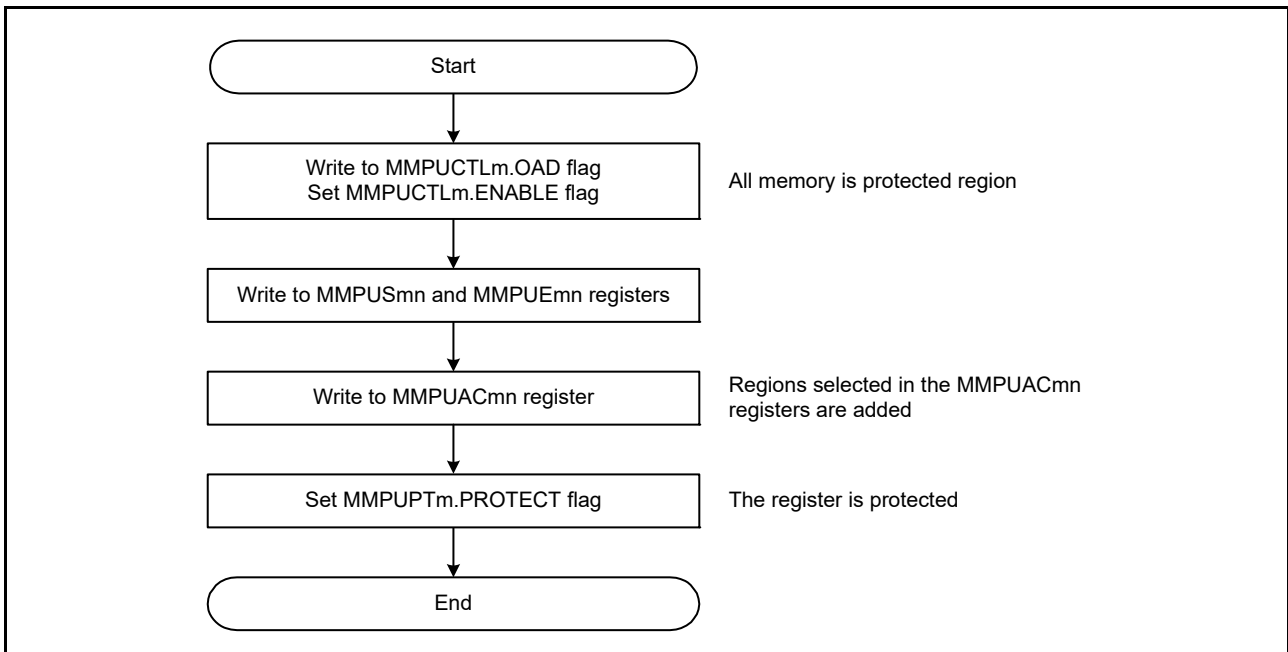
Figure 16.6 shows the access permission or protection for overlapping bus master MPU regions. Access control for overlapping regions is as follows:

- The region is handled as protected when output of one or more region units is a protected region
- The region is handled as protected when output of all region units is outside of the regions
- Other cases are handled as permitted regions.



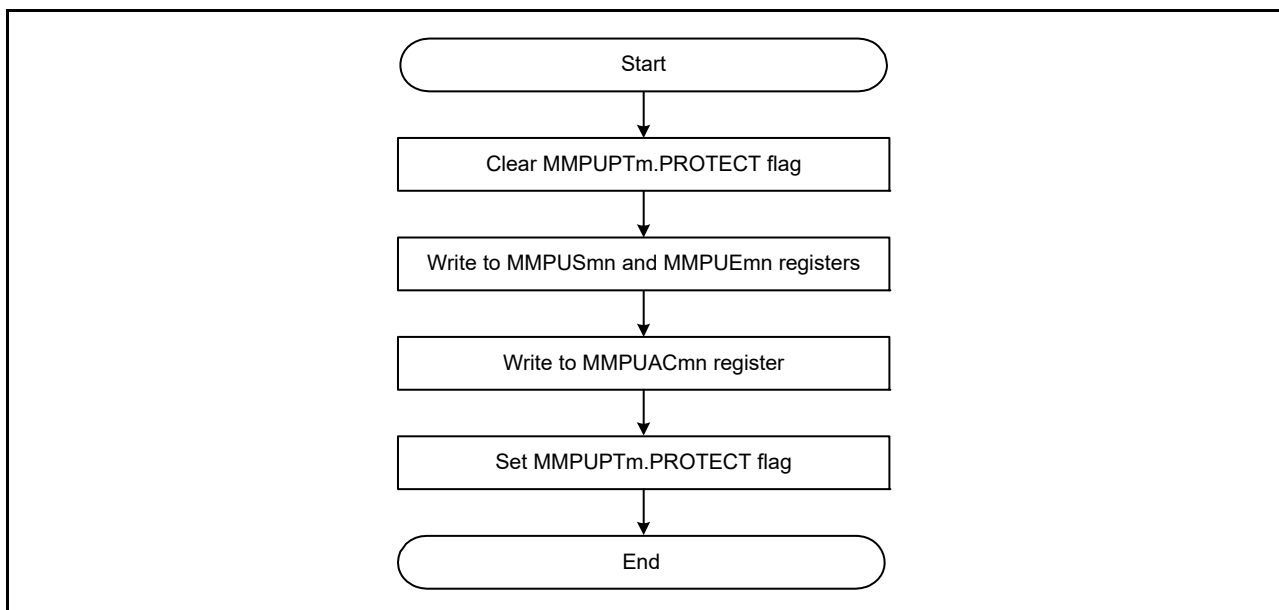
**Figure 16.6 Access permission or protection by overlap of the bus master MPU regions**

Figure 16.7 shows the register setting flow after reset. During this register setting, stop all masters except the CPU.



**Figure 16.7 Register setting flow after reset**

Figure 16.8 shows the register setting flow for adding regions. During this register setting, stop all masters except the CPU.



**Figure 16.8 Register setting flow for region addition**

### 16.4.2.2 Protecting the registers

To protect registers related to the bus master MPU, set the PROTECT bit in the associated MMPUPTm register.

### 16.4.2.3 Memory protection error

The bus master MPU generates an error if access to a protected region is detected. Set the OAD bit to select whether the error is reported as a non-maskable interrupt or reset. The non-maskable interrupt or reset is shared between bus master MPU groups A and B. The non-maskable interrupt status is indicated in ICU.NMISR.BUSMST, see [section 14, Interrupt Controller Unit \(ICU\)](#). Reset status is indicated in SYSTEM.RSTSR1.BUSMRF, see [section 6, Resets](#).

## 16.5 Bus Slave MPU

The bus slave MPU monitors access to the bus slave functions, such as flash or SRAM. The function can be accessed from three bus masters, the CPU, and bus master MPU groups A and B. The bus slave MPU has a separate protection register for each of the three bus masters, with individual access protection control, consisting of read and write permissions. If access to a protected region is detected, the bus slave MPU generates a reset or a non-maskable interrupt, and stores the bus error address, bus error status, and error access status. For details, see [15.3.20](#) and [15.3.21](#) in [section 15, Buses](#).

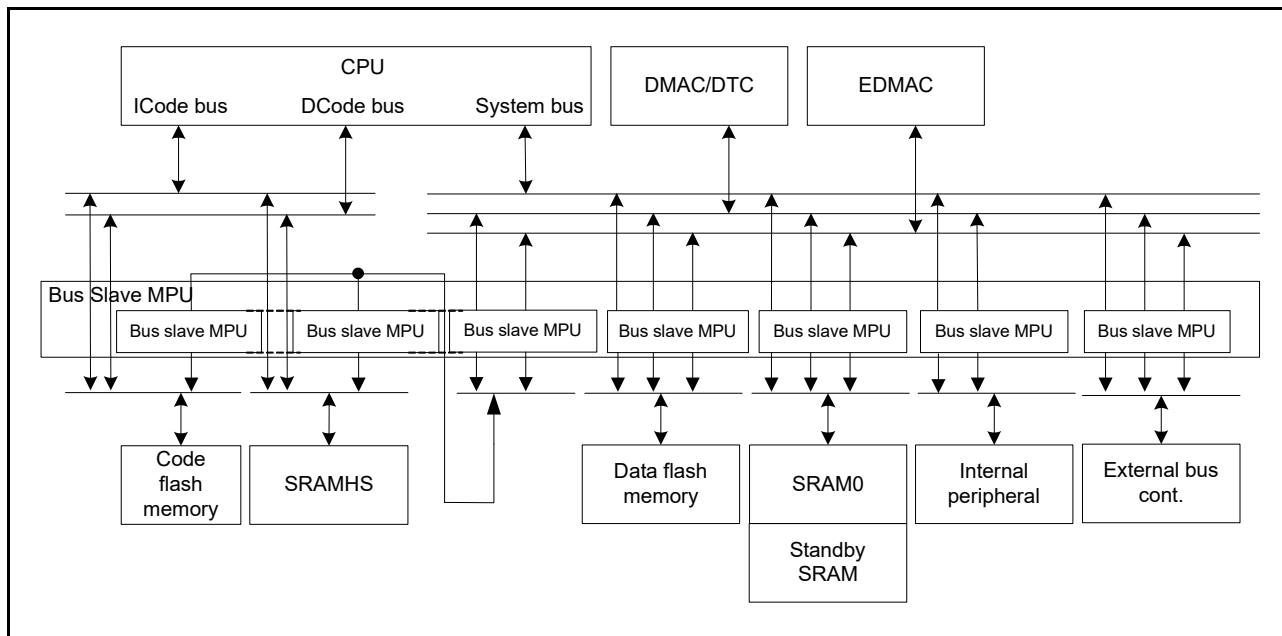
[Table 16.7](#) lists the specifications of the bus slave MPU and [Figure 16.9](#) shows a block diagram.

**Table 16.7 Bus slave MPU specifications (1 of 2)**

| Specifications                                 | Description   |
|--|---|
| Protected bus masters                          | <ul style="list-style-type: none"> <li>• Bus master MPU group A: DMA bus</li> <li>• Bus master MPU group B: ETHER bus.</li> </ul>   |
| Protected slave functions                      | <ul style="list-style-type: none"> <li>• Memory bus 3: Code flash memory, SRAMHS</li> <li>• Internal peripheral bus 9: Flash memory (in P/E), data flash memory, and TSN</li> <li>• Memory bus 4: SRAM0</li> <li>• Memory bus 5: Standby SRAM</li> <li>• Internal peripheral bus 1: DTC, DMAC, interrupt controller, flash registers, MPU, CSC, SDRAMC, SRAM registers, system controller and bus controller</li> <li>• Internal peripheral bus 3, 4, 5: Other peripherals</li> <li>• Internal peripheral bus 7: Secure IPs (SCE7)</li> <li>• EXBIU: External memory interface (SDRAM, CSC)</li> <li>• EXBIU2: External device interface (QSPI).</li> </ul> |
| Access-control settings for individual regions | Permission to read and write  |

**Table 16.7 Bus slave MPU specifications (2 of 2)**

| Specifications               | Description                                   |
|------------------------------|---|
| Operation on error detection | Reset, non-maskable interrupt, or exception   |
| Register protection          | Register can be protected from illegal writes |



**Figure 16.9 Bus slave MPU block diagram**

### 16.5.1 Register Descriptions

Note: Bus access must be stopped before writing to the MPU registers.

#### 16.5.1.1 Access Control Register for Memory Bus 3 (SMPUMBIU)

Address(es): SMPU.SMPUMBIU 4000 0C10h

|                    |              |              |       |       |     |     |    |    |    |    |            |            |            |            |    |    |
|--------------------|--------------|--------------|-------|-------|-----|-----|----|----|----|----|------------|------------|------------|------------|----|----|
|                    | b15          | b14          | b13   | b12   | b11 | b10 | b9 | b8 | b7 | b6 | b5         | b4         | b3         | b2         | b1 | b0 |
|                    | WPSR<br>AMHS | RPSRA<br>MHS | WPFLI | RPFLI | —   | —   | —  | —  | —  | —  | WPGR<br>PB | RPGRP<br>B | WPGR<br>PA | RPGRP<br>A | —  | —  |
| Value after reset: | 0            | 0            | 1     | 0     | 0   | 0   | 0  | 0  | 0  | 0  | 0          | 0          | 0          | 0          | 0  | 0  |

| Bit       | Symbol | Bit name                        | Description  | R/W |
|-----------|--------|---------------------------------|--|-----|
| b1, b0    | —      | Reserved                        | These bits are read as 0. The write value should be 0.   | R/W |
| b2        | RPGRPA | Master Group A Read Protection  | 0: Memory protection for master group A reads disabled<br>1: Memory protection for master group A reads enabled.   | R/W |
| b3        | WPGRPA | Master Group A Write Protection | 0: Memory protection for master group A writes disabled<br>1: Memory protection for master group A writes enabled. | R/W |
| b4        | RPGRPB | Master Group B Read Protection  | 0: Memory protection for master group B reads disabled<br>1: Memory protection for master group B reads enabled.   | R/W |
| b5        | WPGRPB | Master Group B Write Protection | 0: Memory protection for master group B writes disabled<br>1: Memory protection for master group B writes enabled. | R/W |
| b11 to b6 | —      | Reserved                        | These bits are read as 0. The write value should be 0.   | R/W |

| Bit | Symbol   | Bit name                           | Description  | R/W |
|-----|----------|------------------------------------|--|-----|
| b12 | RPFLI    | Code Flash Memory Read Protection  | 0: Memory protection for code flash memory reads from master group A and B disabled<br>1: Memory protection for code flash memory reads from master group A and B enabled. | R/W |
| b13 | WPFLI    | Code Flash Memory Write Protection | 1: Memory protection for code flash memory writes from master group A and B enabled.<br>This bit is read as 1. The write value should be 1.                                | R/W |
| b14 | RPSRAMHS | SRAMHS Read Protection             | 0: Memory protection for SRAMHS reads from master group A and B disabled<br>1: Memory protection for SRAMHS reads from master group A and B enabled.                       | R/W |
| b15 | WPSRAMHS | SRAMHS Write Protection            | 0: Memory protection for SRAMHS writes from master group A and B disabled<br>1: Memory protection for SRAMHS writes from master group A and B enabled.                     | R/W |

The SMPUMBIU register enables memory protection for the specified master and slave for access from master group A or B to code flash memory and SRAMHS.

#### RPGRPA bit (Master Group A Read Protection)

The RPGRPA bit enables or disables memory protection for reads by master group A on memory bus 3.

#### WPGRPA bit (Master Group A Write Protection)

The WPGRPA bit enables or disables memory protection for writes by master group A on memory bus 3.

#### RPGRPB bit (Master Group B Read Protection)

The RPGRPB bit enables or disables memory protection for reads by master group B on memory bus 3.

#### WPGRPB bit (Master Group B Write Protection)

The WPGRPB bit enables or disables memory protection for writes by master group B on memory bus 3.

#### RPFLI bit (Code Flash Memory Read Protection)

The RPFLI bit enables or disables memory protection for reads by master group A or B on the code flash memory.

#### WPFLI bit (Code Flash Memory Write Protection)

The WPFLI bit enables memory protection for writes by master group A or B on the code flash memory.

#### RPSRAMHS bit (SRAMHS Read Protection)

The RPSRAMHS bit enables or disables memory protection for reads by master group A or B on the SRAMHS.

#### WPSRAMHS bit (SRAMHS Write Protection)

The WPSRAMHS bit enables or disables memory protection for writes by master group A or B on the SRAMHS.

### 16.5.1.2 Access Control Register for Internal Peripheral Bus 9 (SMPUFBIU)

Address(es): SMPU.SMPUFBIU 4000 0C14h

|                    | b15 | b14 | b13 | b12 | b11 | b10 | b9 | b8 | b7 | b6 | b5      | b4      | b3      | b2      | b1     | b0    |
|--------------------|-----|-----|-----|-----|-----|-----|----|----|----|----|---------|---------|---------|---------|--------|-------|
|                    | —   | —   | —   | —   | —   | —   | —  | —  | —  | —  | WPGR PB | RPGRP B | WPGR PA | RPGRP A | WPCP U | RPCPU |
| Value after reset: | 0   | 0   | 0   | 0   | 0   | 0   | 0  | 0  | 0  | 0  | 0       | 0       | 0       | 0       | 0      | 0     |

| Bit | Symbol | Bit name            | Description  | R/W |
|-----|--------|---------------------|--|-----|
| b0  | RPCPU  | CPU Read Protection | 0: Memory protection for CPU reads disabled<br>1: Memory protection for CPU reads enabled. | R/W |

| Bit       | Symbol | Bit name                        | Description  | R/W |
|-----------|--------|---------------------------------|--|-----|
| b1        | WPCPU  | CPU Write Protection            | 0: Memory protection for CPU writes disabled<br>1: Memory protection for CPU writes enabled.                       | R/W |
| b2        | RPGRPA | Master Group A Read Protection  | 0: Memory protection for master group A reads disabled<br>1: Memory protection for master group A reads enabled.   | R/W |
| b3        | WPGRPA | Master Group A Write Protection | 0: Memory protection for master group A writes disabled<br>1: Memory protection for master group A writes enabled. | R/W |
| b4        | RPGRPB | Master Group B Read Protection  | 0: Memory protection for master group B reads disabled<br>1: Memory protection for master group B reads enabled.   | R/W |
| b5        | WPGRPB | Master Group B Write Protection | 0: Memory protection for master group B writes disabled<br>1: Memory protection for master group B writes enabled. | R/W |
| b15 to b6 | —      | Reserved                        | These bits are read as 0. The write value should be 0.   | R/W |

#### RPCPU bit (CPU Read Protection)

The RPCPU bit enables or disables memory protection for reads by the CPU on internal peripheral bus 9.

#### WPCPU bit (CPU Write Protection)

The WPCPU bit enables or disables memory protection for writes by the CPU on internal peripheral bus 9.

#### RPGRPA bit (Master Group A Read Protection)

The RPGRPA bit enables or disables memory protection for reads by master group A on internal peripheral bus 9.

#### WPGRPA bit (Master Group A Write Protection)

The WPGRPA bit enables or disables memory protection for writes by master group A on internal peripheral bus 9.

#### RPGRPB bit (Master Group B Read Protection)

The RPGRPB bit enables or disables memory protection for reads by master group B on internal peripheral bus 9.

#### WPGRPB bit (Master Group B Write Protection)

The WPGRPB bit enables or disables memory protection for writes by master group B on internal peripheral bus 9.

### 16.5.1.3 Access Control Register for Memory Bus 4 (SMPUSRAM0)

Address(es): SMPU.SMPUSRAM0 4000 0C18h

|                    | b15 | b14 | b13 | b12 | b11 | b10 | b9 | b8 | b7 | b6 | b5     | b4     | b3     | b2     | b1    | b0    |
|--------------------|-----|-----|-----|-----|-----|-----|----|----|----|----|--------|--------|--------|--------|-------|-------|
| Value after reset: | —   | —   | —   | —   | —   | —   | —  | —  | —  | —  | WPGRPB | RPGRPB | WPGRPA | RPGRPA | WPCPU | RPCPU |
|                    | 0   | 0   | 0   | 0   | 0   | 0   | 0  | 0  | 0  | 0  | 0      | 0      | 0      | 0      | 0     | 0     |

| Bit       | Symbol | Bit name                        | Description  | R/W |
|-----------|--------|---------------------------------|--|-----|
| b0        | RPCPU  | CPU Read protection             | 0: Memory protection for CPU reads disabled<br>1: Memory protection for CPU reads enabled.                         | R/W |
| b1        | WPCPU  | CPU Write protection            | 0: Memory protection for CPU writes disabled<br>1: Memory protection for CPU writes enabled.                       | R/W |
| b2        | RPGRPA | Master Group A Read protection  | 0: Memory protection for master group A reads disabled<br>1: Memory protection for master group A reads enabled.   | R/W |
| b3        | WPGRPA | Master Group A Write protection | 0: Memory protection for master group A writes disabled<br>1: Memory protection for master group A writes enabled. | R/W |
| b4        | RPGRPB | Master Group B Read protection  | 0: Memory protection for master group B reads disabled<br>1: Memory protection for master group B reads enabled.   | R/W |
| b5        | WPGRPB | Master Group B Write protection | 0: Memory protection for master group B writes disabled<br>1: Memory protection for master group B writes enabled. | R/W |
| b15 to b6 | —      | Reserved                        | These bits are read as 0. The write value should be 0.   | R/W |

**RPCPU bit (CPU Read protection)**

The RPCPU bit enables or disables memory protection for reads by the CPU on memory bus 4.

**WPCPU bit (CPU Write protection)**

The WPCPU bit enables or disables memory protection for writes by the CPU on memory bus 4.

**RPGRPA bit (Master Group A Read protection)**

The RPGRPA bit enables or disables memory protection for reads by master group A on memory bus 4.

**WPGRPA bit (Master Group A Write protection)**

The WPGRPA bit enables or disables memory protection for writes by master group A on memory bus 4.

**RPGRPB bit (Master Group B Read protection)**

The RPGRPB bit enables or disables memory protection for reads by master group B on memory bus 4.

**WPGRPB bit (Master Group B Write protection)**

The WPGRPB bit enables or disables memory protection for writes by master group B on memory bus 4.

**16.5.1.4 Access Control Register for Memory Bus 5 (SMPUSRAM1)**

Address(es): SMPU.SMPUSRAM1 4000 0C1Ch

|  |     |     |     |     |     |    |    |    |    |            |            |            |            |           |       |
|--|-----|-----|-----|-----|-----|----|----|----|----|------------|------------|------------|------------|-----------|-------|
| b15  | b14 | b13 | b12 | b11 | b10 | b9 | b8 | b7 | b6 | b5         | b4         | b3         | b2         | b1        | b0    |
| —  | —   | —   | —   | —   | —   | —  | —  | —  | —  | WPGR<br>PB | RPGRP<br>B | WPGR<br>PA | RPGRP<br>A | WPCP<br>U | RPCPU |
| Value after reset: 0 0 0 0 0 0 0 0 0 0 0 0 0 0 0 0 |     |     |     |     |     |    |    |    |    |            |            |            |            |           |       |

| Bit       | Symbol | Bit name                        | Description  | R/W |
|-----------|--------|---------------------------------|--|-----|
| b0        | RPCPU  | CPU Read Protection             | 0: Memory protection for CPU reads disabled<br>1: Memory protection for CPU reads enabled.                         | R/W |
| b1        | WPCPU  | CPU Write Protection            | 0: Memory protection for CPU writes disabled<br>1: Memory protection for CPU writes enabled.                       | R/W |
| b2        | RPGRPA | Master Group A Read Protection  | 0: Memory protection for master group A reads disabled<br>1: Memory protection for master group A reads enabled.   | R/W |
| b3        | WPGRPA | Master Group A Write Protection | 0: Memory protection for master group A writes disabled<br>1: Memory protection for master group A writes enabled. | R/W |
| b4        | RPGRPB | Master Group B Read Protection  | 0: Memory protection for master group B reads disabled<br>1: Memory protection for master group B reads enabled.   | R/W |
| b5        | WPGRPB | Master Group B Write Protection | 0: Memory protection for master group B writes disabled<br>1: Memory protection for master group B writes enabled. | R/W |
| b15 to b6 | —      | Reserved                        | These bits are read as 0. The write value should be 0.   | R/W |

**RPCPU bit (CPU Read Protection)**

The RPCPU bit enables or disables memory protection for reads by the CPU on memory bus 5.

**WPCPU bit (CPU Write Protection)**

The WPCPU bit enables or disables memory protection for writes by the CPU on memory bus 5.

**RPGRPA bit (Master Group A Read Protection)**

The RPGRPA bit enables or disables memory protection for reads by master group A on memory bus 5.

**WPGRPA bit (Master Group A Write Protection)**

The WPGRPA bit enables or disables memory protection for writes by master group A on memory bus 5.

**RPGRPB bit (Master Group B Read Protection)**

The RPGRPB bit enables or disables memory protection for reads by master group B on memory bus 5.

**WPGRPB bit (Master Group B Write Protection)**

The WPGRPB bit enables or disables memory protection for writes by master group B on memory bus 5.

**16.5.1.5 Access Control Register for Internal Peripheral Bus 1 (SMPUP0BIU)**

Address(es): SMPU.SMPUP0BIU 4000 0C20h

|                    |     |     |     |     |     |     |    |    |    |    |        |        |        |        |       |       |
|--------------------|-----|-----|-----|-----|-----|-----|----|----|----|----|--------|--------|--------|--------|-------|-------|
|                    | b15 | b14 | b13 | b12 | b11 | b10 | b9 | b8 | b7 | b6 | b5     | b4     | b3     | b2     | b1    | b0    |
|                    | —   | —   | —   | —   | —   | —   | —  | —  | —  | —  | WPGRPB | RPGRPB | WPGRPA | RPGRPA | WPCPU | RPCPU |
| Value after reset: | 0   | 0   | 0   | 0   | 0   | 0   | 0  | 0  | 0  | 0  | 1      | 1      | 0      | 0      | 0     | 0     |

| Bit       | Symbol | Bit name                        | Description  | R/W |
|-----------|--------|---------------------------------|--|-----|
| b0        | RPCPU  | CPU Read Protection             | 0: Memory protection for CPU reads disabled<br>1: Memory protection for CPU reads enabled.   | R/W |
| b1        | WPCPU  | CPU Write Protection            | 0: Memory protection for CPU writes disabled<br>1: Memory protection for CPU writes enabled.   | R/W |
| b2        | RPGRPA | Master Group A Read Protection  | 0: Memory protection for master group A reads disabled<br>1: Memory protection for master group A reads enabled.   | R/W |
| b3        | WPGRPA | Master Group A Write Protection | 0: Memory protection for master group A writes disabled<br>1: Memory protection for master group A writes enabled.   | R/W |
| b4        | RPGRPB | Master Group B Read Protection  | 1: Memory protection for master group B reads enabled.<br>Master group B is protected, and is not detected. This bit is read as 1. The write value should be 1.  | R/W |
| b5        | WPGRPB | Master Group B Write Protection | 1: Memory protection for master group B writes enabled.<br>Master group B is protected, and is not detected. This bit is read as 1. The write value should be 1. | R/W |
| b15 to b6 | —      | Reserved                        | These bits are read as 0. The write value should be 0.   | R/W |

**RPCPU bit (CPU Read Protection)**

The RPCPU bit enables or disables memory protection for reads by the CPU on internal peripheral bus 1.

**WPCPU bit (CPU Write Protection)**

The WPCPU bit enables or disables memory protection for writes by the CPU on internal peripheral bus 1.

**RPGRPA bit (Master Group A Read Protection)**

The RPGRPA bit enables or disables memory protection for reads by master group A on internal peripheral bus 1.

**WPGRPA bit (Master Group A Write Protection)**

The WPGRPA bit enables or disables memory protection for writes by master group A on internal peripheral bus 1.

**RPGRPB bit (Master Group B Read Protection)**

The RPGRPB bit enables memory protection for reads by master group B on internal peripheral bus 1. There is no connection between master group B and internal peripheral bus 1. This bit is read as 1, and the write value should be 1.

**WPGRPB bit (Master Group B Write Protection)**

The WPGRPB bit enables memory protection for writes by master group B on internal peripheral bus 1. There is no connection between master group B and internal peripheral bus 1. This bit is read as 1, and the write value should be 1.



### 16.5.1.6 Access Control Register for Internal Peripheral Bus 3 (SMPUP2BIU)

Address(es): SMPU.SMPUP2BIU 4000 0C24h

|                    |     |     |     |     |     |     |    |    |    |    |            |            |            |            |           |       |
|--------------------|-----|-----|-----|-----|-----|-----|----|----|----|----|------------|------------|------------|------------|-----------|-------|
|                    | b15 | b14 | b13 | b12 | b11 | b10 | b9 | b8 | b7 | b6 | b5         | b4         | b3         | b2         | b1        | b0    |
|                    | —   | —   | —   | —   | —   | —   | —  | —  | —  | —  | WPGR<br>PB | RPGRP<br>B | WPGR<br>PA | RPGRP<br>A | WPCP<br>U | RPCPU |
| Value after reset: | 0   | 0   | 0   | 0   | 0   | 0   | 0  | 0  | 0  | 0  | 1          | 1          | 0          | 0          | 0         | 0     |

| Bit       | Symbol | Bit name                        | Description  | R/W |
|-----------|--------|---------------------------------|--|-----|
| b0        | RPCPU  | CPU Read Protection             | 0: Memory protection for CPU reads disabled<br>1: Memory protection for CPU reads enabled.   | R/W |
| b1        | WPCPU  | CPU Write Protection            | 0: Memory protection for CPU writes disabled<br>1: Memory protection for CPU writes enabled.   | R/W |
| b2        | RPGRPA | Master Group A Read Protection  | 0: Memory protection for master group A reads disabled<br>1: Memory protection for master group A reads enabled.   | R/W |
| b3        | WPGRPA | Master Group A Write Protection | 0: Memory protection for master group A writes disabled<br>1: Memory protection for master group A writes enabled.   | R/W |
| b4        | RPGRPB | Master Group B Read Protection  | 1: Memory protection for master group B reads enabled.<br>Master group B is protected, and is not detected. This bit is read as 1. The write value should be 1.  | R/W |
| b5        | WPGRPB | Master Group B Write Protection | 1: Memory protection for master group B writes enabled.<br>Master group B is protected, and is not detected. This bit is read as 1. The write value should be 1. | R/W |
| b15 to b6 | —      | Reserved                        | These bits are read as 0. The write value should be 0.   | R/W |

#### RPCPU bit (CPU Read Protection)

The RPCPU bit enables or disables memory protection for reads by the CPU on internal peripheral buses 3, 4, and 5.

#### WPCPU bit (CPU Write Protection)

The WPCPU bit enables or disables memory protection for writes by the CPU on internal peripheral buses 3, 4, and 5.

#### RPGRPA bit (Master Group A Read Protection)

The RPGRPA bit enables or disables memory protection for reads by master group A on internal peripheral buses 3, 4, and 5.

#### WPGRPA bit (Master Group A Write Protection)

The WPGRPA bit enables or disables memory protection for writes by master group A on internal peripheral buses 3, 4, and 5.

#### RPGRPB bit (Master Group B Read Protection)

The RPGRPB bit enables memory protection for reads by master group B on internal peripheral buses 3, 4, and 5. There is no connection between master group B and internal peripheral buses 3, 4, and 5. This bit is read as 1, and the write value should be 1.

#### WPGRPB bit (Master Group B Write Protection)

The WPGRPB bit enables memory protection for writes by master group B on internal peripheral buses 3, 4, and 5. There is no connection between master group B and internal peripheral buses 3, 4, and 5. This bit is read as 1, and the write value should be 1.

### 16.5.1.7 Access Control Register for Internal Peripheral Bus 7 (SMPUP6BIU)

Address(es): SMPU.SMPUP6BIU 4000 0C28h

|                    |     |     |     |     |     |     |    |    |    |    |            |            |            |            |           |       |
|--------------------|-----|-----|-----|-----|-----|-----|----|----|----|----|------------|------------|------------|------------|-----------|-------|
|                    | b15 | b14 | b13 | b12 | b11 | b10 | b9 | b8 | b7 | b6 | b5         | b4         | b3         | b2         | b1        | b0    |
|                    | —   | —   | —   | —   | —   | —   | —  | —  | —  | —  | WPGR<br>PB | RPGRP<br>B | WPGR<br>PA | RPGRP<br>A | WPCP<br>U | RPCPU |
| Value after reset: | 0   | 0   | 0   | 0   | 0   | 0   | 0  | 0  | 0  | 0  | 1          | 1          | 0          | 0          | 0         | 0     |

| Bit       | Symbol | Bit name                        | Description  | R/W |
|-----------|--------|---------------------------------|--|-----|
| b0        | RPCPU  | CPU Read Protection             | 0: Memory protection for CPU reads disabled<br>1: Memory protection for CPU reads enabled.   | R/W |
| b1        | WPCPU  | CPU Write Protection            | 0: Memory protection for CPU writes disabled<br>1: Memory protection for CPU writes enabled.   | R/W |
| b2        | RPGRPA | Master Group A Read Protection  | 0: Memory protection for master group A reads disabled<br>1: Memory protection for master group A reads enabled.   | R/W |
| b3        | WPGRPA | Master Group A Write Protection | 0: Memory protection for master group A writes disabled<br>1: Memory protection for master group A writes enabled.   | R/W |
| b4        | RPGRPB | Master Group B Read Protection  | 1: Memory protection for master group B reads enabled.<br>Master group B is protected, and is not detected. This bit is read as 1. The write value should be 1.  | R/W |
| b5        | WPGRPB | Master Group B Write Protection | 1: Memory protection for master group B writes enabled.<br>Master group B is protected, and is not detected. This bit is read as 1. The write value should be 1. | R/W |
| b15 to b6 | —      | Reserved                        | These bits are read as 0. The write value should be 0.   | R/W |

#### RPCPU bit (CPU Read Protection)

The RPCPU bit enables or disables memory protection for reads by the CPU on internal peripheral bus 7.

#### WPCPU bit (CPU Write Protection)

The WPCPU bit enables or disables memory protection for writes by the CPU on internal peripheral bus 7.

#### RPGRPA bit (Master Group A Read Protection)

The RPGRPA bit enables or disables memory protection for reads by master group A on internal peripheral bus 7.

#### WPGRPA bit (Master Group A Write Protection)

The WPGRPA bit enables or disables memory protection for writes by master group A on internal peripheral bus 7.

#### RPGRPB bit (Master Group B Read Protection)

The RPGRPB bit enables memory protection for reads by master group B on internal peripheral bus 7. There is no connection between master group B and internal peripheral bus 7. This bit is read as 1, and the write value should be 1.

#### WPGRPB bit (Master Group B Write Protection)

The WPGRPB bit enables memory protection for writes by master group B on internal peripheral bus 7. There is no connection between master group B and internal peripheral bus 7. This bit is read as 1, and the write value should be 1.

### 16.5.1.8 Access Control Register for CS Area and SDRAM Area (SMPUEXBIU)

Address(es): SMPU.SMPUEXBIU 4000 0C30h

|                    |     |     |     |     |     |     |    |    |    |    |            |            |            |            |           |       |
|--------------------|-----|-----|-----|-----|-----|-----|----|----|----|----|------------|------------|------------|------------|-----------|-------|
|                    | b15 | b14 | b13 | b12 | b11 | b10 | b9 | b8 | b7 | b6 | b5         | b4         | b3         | b2         | b1        | b0    |
|                    | —   | —   | —   | —   | —   | —   | —  | —  | —  | —  | WPGR<br>PB | RPGRP<br>B | WPGR<br>PA | RPGRP<br>A | WPCP<br>U | RPCPU |
| Value after reset: | 0   | 0   | 0   | 0   | 0   | 0   | 0  | 0  | 0  | 0  | 0          | 0          | 0          | 0          | 0         | 0     |

| Bit       | Symbol | Bit name                        | Description  | R/W |
|-----------|--------|---------------------------------|--|-----|
| b0        | RPCPU  | CPU Read Protection             | 0: Memory protection for CPU reads disabled<br>1: Memory protection for CPU reads enabled.                         | R/W |
| b1        | WPCPU  | CPU Write Protection            | 0: Memory protection for CPU writes disabled<br>1: Memory protection for CPU writes enabled.                       | R/W |
| b2        | RPGRPA | Master Group A Read Protection  | 0: Memory protection for master group A reads disabled<br>1: Memory protection for master group A reads enabled.   | R/W |
| b3        | WPGRPA | Master Group A Write Protection | 0: Memory protection for master group A writes disabled<br>1: Memory protection for master group A writes enabled. | R/W |
| b4        | RPGRPB | Master Group B Read Protection  | 0: Memory protection for master group B reads disabled<br>1: Memory protection for master group B reads enabled.   | R/W |
| b5        | WPGRPB | Master Group B Write Protection | 0: Memory protection for master group B writes disabled<br>1: Memory protection for master group B writes enabled. | R/W |
| b15 to b6 | —      | Reserved                        | These bits are read as 0. The write value should be 0.   | R/W |

#### RPCPU bit (CPU Read Protection)

The RPCPU bit enables or disables memory protection for reads by the CPU in the CS and SDRAM areas.

#### WPCPU bit (CPU Write Protection)

The WPCPU bit enables or disables memory protection for writes by the CPU in the CS and SDRAM areas.

#### RPGRPA bit (Master Group A Read Protection)

The RPGRPA bit enables or disables memory protection for reads by master group A in the CS and SDRAM areas.

#### WPGRPA bit (Master Group A Write Protection)

The WPGRPA bit enables or disables memory protection for writes by master group A in the CS and SDRAM areas.

#### RPGRPB bit (Master Group B Read Protection)

The RPGRPB bit enables or disables memory protection for reads by master group B in the CS and SDRAM areas.

#### WPGRPB bit (Master Group B Write Protection)

The WPGRPB bit enables or disables memory protection for writes by master group B in the CS and SDRAM areas.

### 16.5.1.9 Access Control Register for QSPI Area (SMPUEXBIU2)

Address(es): SMPU.SMPUEXBIU2 4000 0C34h

|                    |     |     |     |     |     |     |    |    |    |    |            |            |            |            |           |       |
|--------------------|-----|-----|-----|-----|-----|-----|----|----|----|----|------------|------------|------------|------------|-----------|-------|
|                    | b15 | b14 | b13 | b12 | b11 | b10 | b9 | b8 | b7 | b6 | b5         | b4         | b3         | b2         | b1        | b0    |
|                    | —   | —   | —   | —   | —   | —   | —  | —  | —  | —  | WPGR<br>PB | RPGRP<br>B | WPGR<br>PA | RPGRP<br>A | WPCP<br>U | RPCPU |
| Value after reset: | 0   | 0   | 0   | 0   | 0   | 0   | 0  | 0  | 0  | 0  | 0          | 0          | 0          | 0          | 0         | 0     |

| Bit       | Symbol | Bit name                        | Description  | R/W |
|-----------|--------|---------------------------------|--|-----|
| b0        | RPCPU  | CPU Read Protection             | 0: Memory protection for CPU reads disabled<br>1: Memory protection for CPU reads enabled.                         | R/W |
| b1        | WPCPU  | CPU Write Protection            | 0: Memory protection for CPU writes disabled<br>1: Memory protection for CPU writes enabled.                       | R/W |
| b2        | RPGRPA | Master Group A Read Protection  | 0: Memory protection for master group A reads disabled<br>1: Memory protection for master group A reads enabled.   | R/W |
| b3        | WPGRPA | Master Group A Write Protection | 0: Memory protection for master group A writes disabled<br>1: Memory protection for master group A writes enabled. | R/W |
| b4        | RPGRPB | Master Group B Read Protection  | 0: Memory protection for master group B reads disabled<br>1: Memory protection for master group B reads enabled.   | R/W |
| b5        | WPGRPB | Master Group B Write Protection | 0: Memory protection for master group B writes disabled<br>1: Memory protection for master group B writes enabled. | R/W |
| b15 to b6 | —      | Reserved                        | These bits are read as 0. The write value should be 0.   | R/W |

#### RPCPU bit (CPU Read Protection)

The RPCPU bit enables or disables memory protection for reads by the CPU in the QSPI area.

#### WPCPU bit (CPU Write Protection)

The WPCPU bit enables or disables memory protection for writes by the CPU in the QSPI area.

#### RPGRPA bit (Master Group A Read Protection)

The RPGRPA bit enables or disables memory protection for reads by master group A in the QSPI area.

#### WPGRPA bit (Master Group A Write Protection)

The WPGRPA bit enables or disables memory protection for writes by master group A in the QSPI area.

#### RPGRPB bit (Master Group B Read Protection)

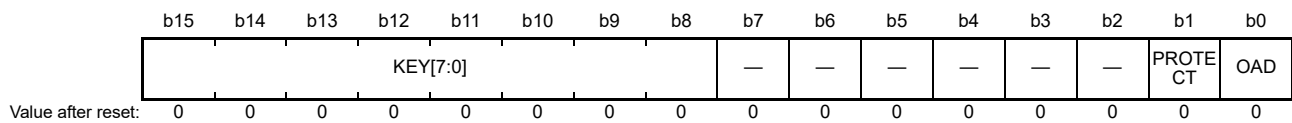
The RPGRPB bit enables or disables memory protection for reads by master group B in the QSPI area.

#### WPGRPB bit (Master Group B Write Protection)

The WPGRPB bit enables or disables memory protection for writes by master group B in the QSPI area.

### 16.5.1.10 Slave MPU Control Register (SMPUCTL)

Address(es): SMPU.SMPUCTL 4000 0C00h



| Bit       | Symbol   | Bit name                  | Description  | R/W     |
|-----------|----------|---------------------------|--|---------|
| b0        | OAD      | Operation After Detection | 0: Non-maskable interrupt<br>1: Reset.   | R/W     |
| b1        | PROTECT  | Protection of Register    | 0: All bus slave MPU register writes are permitted<br>1: All bus slave MPU register writes are protected. Reads are permitted. | R/W     |
| b7 to b2  | —        | Reserved                  | These bits are read as 0. The write value should be 0.   | R/W     |
| b15 to b8 | KEY[7:0] | Key Code                  | These bits enable or disable writes to the OAD and PROTECT bits  | R/(W)*1 |

Note 1. Write data is not saved.

#### OAD bit (Operation After Detection)

The OAD bit selects either a reset or non-maskable interrupt to occur when access to the protected region is detected by the bus slave MPU. When writing to the OAD bit, write A5h to the KEY[7:0] bits simultaneously using halfword access.

#### PROTECT bit (Protection of Register)

The PROTECT bit enables or disables writes to the associated registers to be protected. SMPUCTL.PROTECT controls the following registers:

- SMPUMBIU
- SMPUFBIU
- SMPUSRAM0
- SMPUSRAM1
- SMPUP0BIU
- SMPUP2BIU
- SMPUP6BIU
- SMPUEXBIU
- SMPUEXBIU2.

When writing to the PROTECT bit, write A5h to the KEY[7:0] bits simultaneously using halfword access.

#### KEY[7:0] bits (Key Code)

The KEY[7:0] bits enable or disable writing to the OAD and PROTECT bits. When writing to the OAD and PROTECT bits, write A5h to the KEY[7:0] bits simultaneously. When other values are written, the OAD and PROTECT bits are not updated. The KEY[7:0] bits are always read as 00h.

## 16.5.2 Operation

### 16.5.2.1 Memory protection

The bus slave MPU monitoring functions with access control information that is set for the individual access control registers. If access to a protected region is detected, the bus slave MPU generates a memory protection error.

The bus slave MPU is enabled by writing 1 to the Write Protect (WPCPU or WPGRPA) bit or the Read Protect (RPCPU

or RPGRPA) bit in the access control register (SMPUMBIU, SMPUFBIU, SMPUSRAM0, SMPUSRAM1, SMPUP0BIU, SMPUP2BIU, SMPUP6BIU, SMPUEXBIU and SMPUEXBIU2).

### 16.5.2.2 Protecting the registers

Registers related to the bus slave MPU can be protected with the PROTECT bit in the SMPUCTL register.

### 16.5.2.3 Memory protection error

If access to a protected region is detected, the slave master MPU generates a memory protection error. Set the OAD bit to select whether the error is reported as a non-maskable interrupt or reset.

The non-maskable interrupt status is indicated in ICU.NMISR.BUSSST. For details, see [section 14, Interrupt Controller Unit \(ICU\)](#). The reset status is indicated in SYSTEM.RSTSR1.BUSSRF. For details, see [section 6, Resets](#).

## 16.6 Security MPU

The MCU incorporates a security MPU with four secure regions that include the code flash, the SRAM, and two security functions. The secure regions can be protected from non-secure program accesses. Access to a protected region from a non-secure program is not permitted.

[Table 16.8](#) lists the specifications of the security MPU and [Figure 16.10](#) shows a block diagram of the security MPU.

**Table 16.8 Security MPU specifications**

| Specifications   | Description  |
|--|--|
| Secure regions   | Code flash, SRAM, two security functions               |
| Protected regions  | 0000 0000h to FFFF FFFFh                               |
| Number of regions  | Program Counter: 2 regions<br>Data access: 4 regions   |
| Address specification for individual regions                       | Setting the address where regions start and end        |
| Enable/disable setting for memory protection in individual regions | Settings enabled or disabled for the associated region |

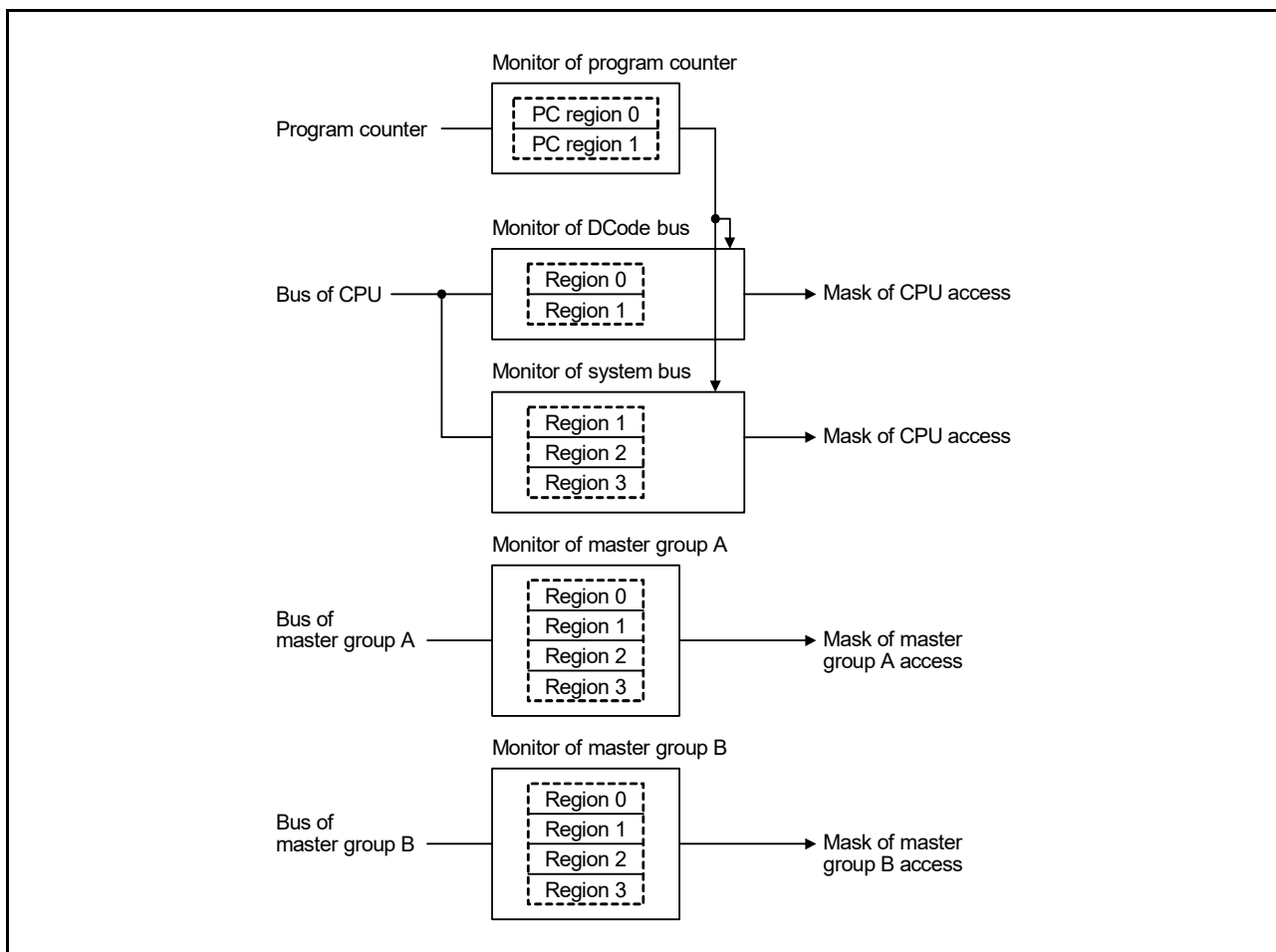


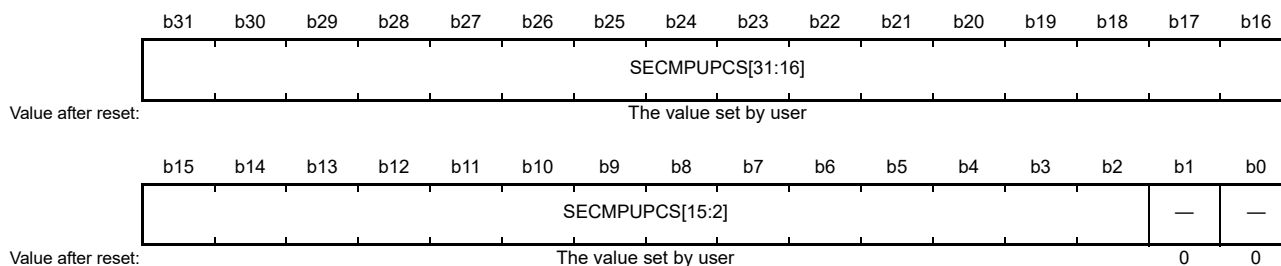
Figure 16.10 Security MPU block diagram

### 16.6.1 Register Descriptions (Option-Setting memory)

All security MPU registers are option-setting memory. Option-setting memory refers to a set of registers that are provided for selecting the state of the microcontroller after a reset. The option-setting memory is allocated in the flash.

#### 16.6.1.1 Security MPU Program Counter Start Address Register (SECMUPCSn) (n = 0, 1)

Address(es): [SECMUPCS0 0000 0408h](#), [SECMUPCS1 0000 0410h](#)



| Bit    | Symbol | Bit name | Description  | R/W |
|--------|--------|----------|--|-----|
| b1, b0 | —      | Reserved | These bits are read as 0. When writing to flash, the write value should always be 0. | R   |

| Bit       | Symbol          | Bit name             | Description  | R/W |
|-----------|-----------------|----------------------|--|-----|
| b31 to b2 | SECMUPPCS[31:2] | Region Start Address | Address where the region starts, for use in region determination | R   |

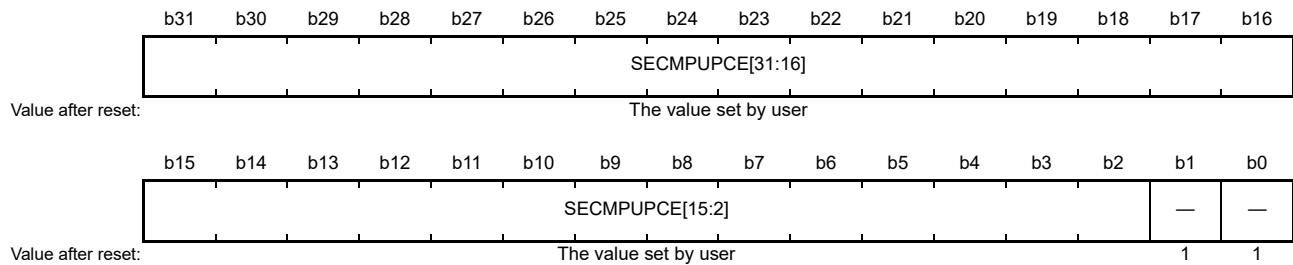
The SECMUPPCSn and SECMUPPCEn registers specify the security fetch region for the code flash or SRAM (0000 0000h to FFFF FFFFh). The secure program is executed in the memory space defined by the SECMUPPCSn and SECMUPPCEn registers and can access the secure data specified in the SECMUPUSm and SECMUPUEm registers (m = 0 to 3).

The SECMUPPCSn register specifies the start address where the region starts. Setting of the memory mirror space (0200 0000h to 027F FFFFh) for MMF is prohibited.

An address space of greater than 12 bytes is required between the last instruction of the non-secure program and the first instruction of the secure program.

### 16.6.1.2 Security MPU Program Counter End Address Register (SECMUPPCEn) (n = 0, 1)

Address(es): [SECMUPPCE0 0000 040Ch](#), [SECMUPPCE1 0000 0414h](#)



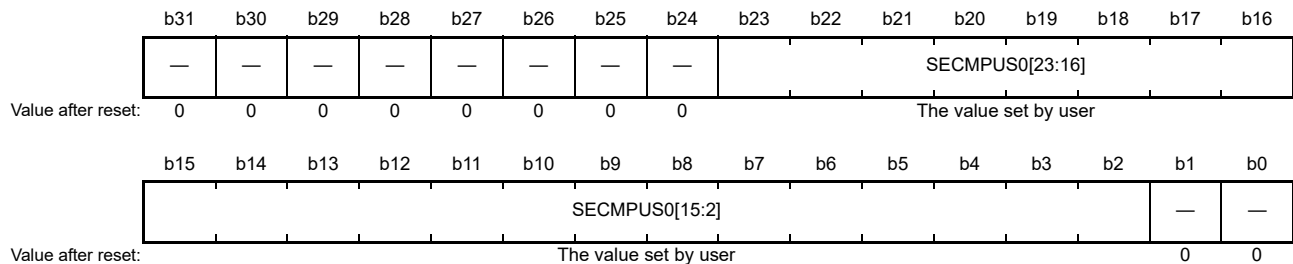
| Bit       | Symbol          | Bit name           | Description  | R/W |
|-----------|-----------------|--------------------|--|-----|
| b1, b0    | —               | Reserved           | These bits are read as 1. When writing to flash, the write value should always be 1. | R   |
| b31 to b2 | SECMUPPCE[31:2] | Region End Address | Address where the region ends, for use in region determination.                      | R   |

The SECMUPPCSn and SECMUPPCEn registers specify the security fetch region of the code flash or SRAM (0000 0000h to FFFF FFFFh).

The SECMUPPCEn register specifies the end address where the region ends.

### 16.6.1.3 Security MPU Region 0 Start Address Register (SECMUPUS0)

Address(es): [SECMUPUS0 0000 0418h](#)



| Bit    | Symbol | Bit name | Description  | R/W |
|--------|--------|----------|--|-----|
| b1, b0 | —      | Reserved | These bits are read as 0. When writing to flash, the write value should always be 0. | R   |



| Bit        | Symbol         | Bit name             | Description  | R/W |
|------------|----------------|----------------------|--|-----|
| b23 to b2  | SECMPUS0[23:2] | Region Start Address | Address where the region starts, for use in region determination.                    | R   |
| b31 to b24 | —              | Reserved             | These bits are read as 0. When writing to flash, the write value should always be 0. | R   |

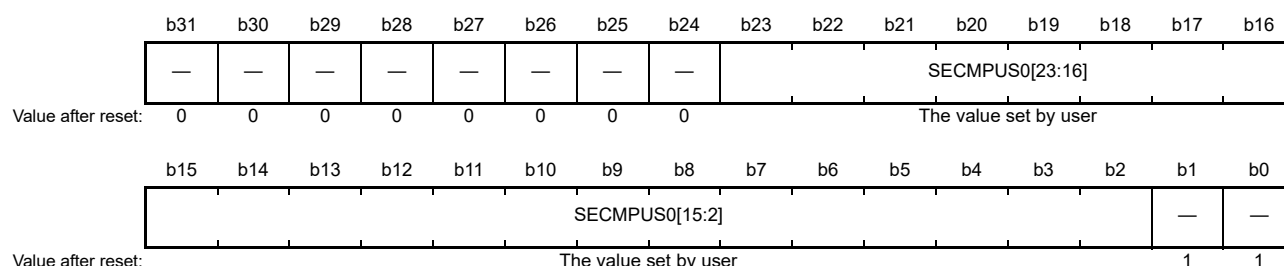
The SECMPUS0 and SECMPUE0 registers specify the secure region of the flash (0000 0000 to 00FF FFFFh). The memory space defined in the SECMPUS0 and SECMPUE0 registers can only be accessed from the secure program set up in the SECMPUPCSn and SECMPUPCEn registers.

The SECMPUS0 register specifies the start address where the region starts.

Setting of the vector table area is prohibited.

### 16.6.1.4 Security MPU Region 0 End Address Register (SECMPUE0)

Address(es): SECMPUE0 0000 041Ch



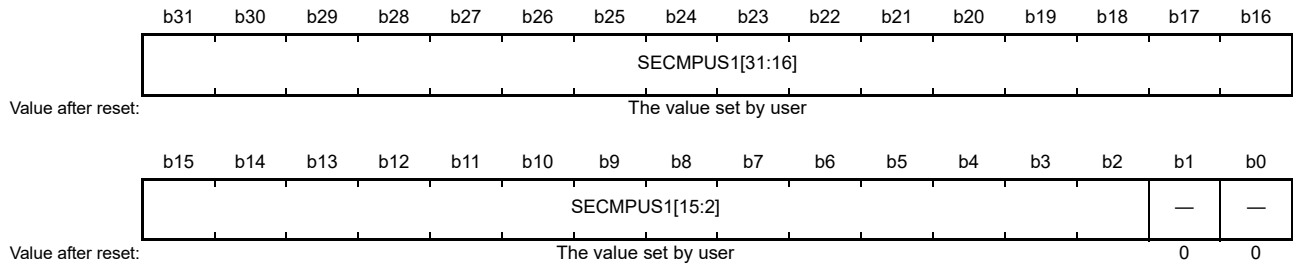
| Bit        | Symbol         | Bit name           | Description  | R/W |
|------------|----------------|--------------------|--|-----|
| b1, b0     | —              | Reserved           | These bits are read as 1. When writing to flash, the write value should always be 1. | R   |
| b23 to b2  | SECMPUE0[23:2] | Region End Address | Address where the region end, for use in region determination.                       | R   |
| b31 to b24 | —              | Reserved           | These bits are read as 0. When writing to flash, the write value should always be 0. | R   |

The SECMPUS0 and SECMPUE0 registers specify the secure region of the flash (0000 0000 to 00FF FFFFh). The memory space defined in the SECMPUS0 and SECMPUE0 registers can only be accessed from the secure program set up in the SECMPUPCSn and SECMPUPCEn registers.

The SECMPUE0 register specifies the end address where the region ends.

### 16.6.1.5 Security MPU Region 1 Start Address Register (SECMPUS1)

Address(es): SECMPUS1 0000 0420h



| Bit        | Symbol          | Bit name             | Description   | R/W |
|------------|-----------------|----------------------|---|-----|
| b1, b0     | —               | Reserved             | These bits are read as 0. When writing to flash, the write value should always be 0.                                | R   |
| b19 to b2  | SECMPUS1[19:2]  | Region Start Address | Address where the region starts, for use in region determination  | R   |
| b31 to b20 | SECMPUS1[31:20] | Region Start Address | Address where the region starts, for use in region determination.<br>The write value should always be 1FFh or 200h. | R   |

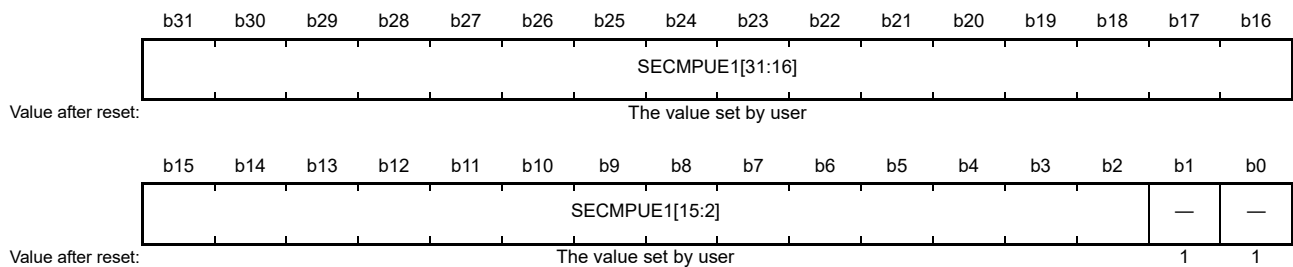
The SECMPUS1 and SECMPUE1 registers specify the secure region of the SRAM (1FF0 0000h to 200F FFFFh). The memory space defined in the SECMPUS1 and SECMPUE1 registers can only be accessed from the secure program set up in the SECMPUPCSn and SECMPUPCEn registers.

The SECMPUS1 register specifies the start address where the region starts.

Setting of the stack area and the vector table are prohibited.

### 16.6.1.6 Security MPU Region 1 End Address Register (SECMPUE1)

Address(es): SECMPUE1 0000 0424h



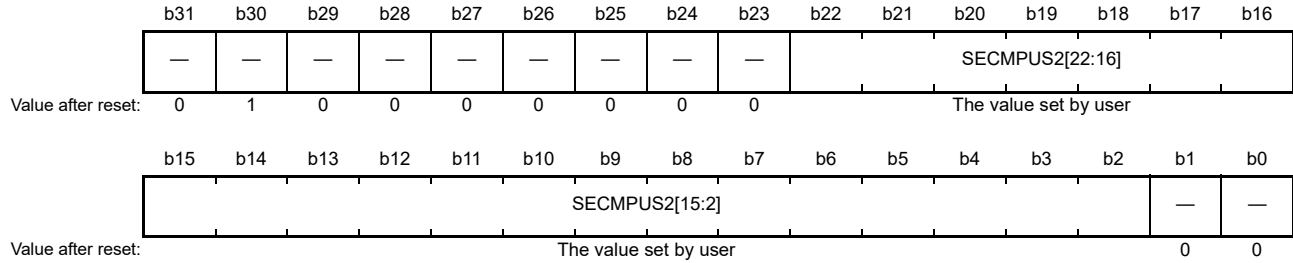
| Bit        | Symbol          | Bit name           | Description  | R/W |
|------------|-----------------|--------------------|--|-----|
| b1, b0     | —               | Reserved           | These bits are read as 1. When writing to flash, the write value should always be 1.                             | R   |
| b19 to b2  | SECMPUE1[19:2]  | Region End Address | Address where the region ends, for use in region determination   | R   |
| b31 to b20 | SECMPUE1[31:20] | Region End Address | Address where the region end, for use in region determination.<br>The write value should always be 1FFh or 200h. | R   |

The SECMPUS1 and SECMPUE1 registers specify the secure region of the SRAM (1FF0 0000h to 200F FFFFh). The memory space defined in the SECMPUS1 and SECMPUE1 registers can only be accessed from the secure program set up the SECMPUPCSn and SECMPUPCEn registers.

The SECMPUE1 register specifies the end address where the region ends.

### 16.6.1.7 Security MPU Region 2 Start Address Register (SECMPUS2)

Address(es): SECMPUS2 0000 0428h



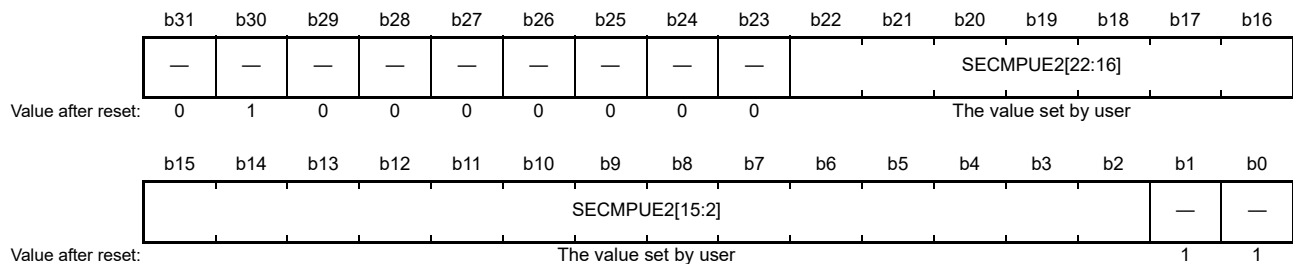
| Bit        | Symbol         | Bit name             | Description  | R/W |
|------------|----------------|----------------------|--|-----|
| b1, b0     | —              | Reserved             | These bits are read as 0. When writing to flash, the write value should always be 0. | R   |
| b22 to b2  | SECMPUS2[22:2] | Region Start Address | Address where the region starts, for use in region determination                     | R   |
| b29 to b23 | —              | Reserved             | These bits are read as 0. When writing to flash, the write value should always be 0. | R   |
| b30        | —              | Reserved             | This bit is read as 1. When writing to flash, the write value should always be 1.    | R   |
| b31        | —              | Reserved             | This bit is read as 0. When writing to flash, the write value should always be 0.    | R   |

The SECMPUS2 and SECMPUE2 registers specify the secure region for security function 1 (400C 0000 to 400D FFFFh and 4010 0000 to 407F FFFFh). The memory space defined in the SECMPUS2 and SECMPUE2 registers can only be accessed from the secure program set up in the SECMPUPCSn and SECMPUPCEn registers.

The SECMPUS2 register specifies the start address where the region starts.

### 16.6.1.8 Security MPU Region 2 End Address Register (SECMPUE2)

Address(es): SECMPUE2 0000 042Ch



| Bit        | Symbol         | Bit name           | Description  | R/W |
|------------|----------------|--------------------|--|-----|
| b1, b0     | —              | Reserved           | These bits are read as 1. When writing to flash, the write value should always be 1. | R   |
| b22 to b2  | SECMPUE2[22:2] | Region End Address | Address where the region ends, for use in region determination                       | R   |
| b29 to b23 | —              | Reserved           | These bits are read as 0. When writing to flash, the write value should always be 0. | R   |

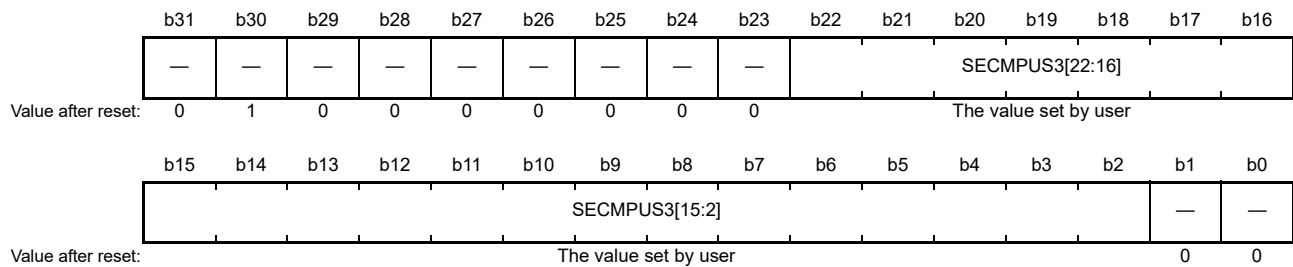
| Bit | Symbol | Bit name | Description   | R/W |
|-----|--------|----------|---|-----|
| b30 | —      | Reserved | This bit is read as 1. When writing to flash, the write value should always be 1. | R   |
| b31 | —      | Reserved | This bit is read as 0. When writing to flash, the write value should always be 0. | R   |

The SECMPUS2 and SECMPUE2 registers specify the secure region for security function 1 (400C 0000 to 400D FFFFh and 4010 0000 to 407F FFFFh). The memory space defined in the SECMPUS2 and SECMPUE2 registers can only be accessed from the secure program set up in the SECMPUPCSn and SECMPUPCEn registers.

The SECMPUE2 register specifies the end address where the region ends.

### 16.6.1.9 Security MPU Region 3 Start Address Register (SECMPUS3)

Address(es): SECMPUS3 0000 0430h



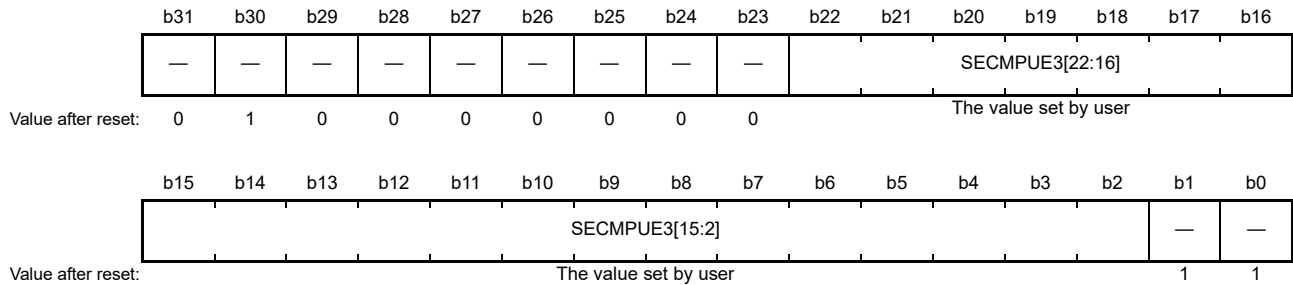
| Bit        | Symbol         | Bit name             | Description  | R/W |
|------------|----------------|----------------------|--|-----|
| b1, b0     | —              | Reserved             | These bits are read as 0. When writing to flash, the write value should always be 0. | R   |
| b22 to b2  | SECMPUS3[22:2] | Region Start Address | Address where the region starts, for use in region determination.                    | R   |
| b29 to b23 | —              | Reserved             | These bits are read as 0. When writing to flash, the write value should always be 0. | R   |
| b30        | —              | Reserved             | This bit is read as 1. When writing to flash, the write value should always be 1.    | R   |
| b31        | —              | Reserved             | This bit is read as 0. When writing to flash, the write value should always be 0.    | R   |

The SECMPUS3 and SECMPUE3 registers specify the secure region for security function 2 (400C 0000h to 400D FFFFh and 4010 0000h to 407F FFFFh). The memory space defined in the SECMPUS3 and SECMPUE3 registers can only be accessed from the secure program set up in the SECMPUPCSn and SECMPUPCEn registers.

The SECMPUS3 register specifies the start address where the region starts.

### 16.6.1.10 Security MPU Region 3 End Address Register (SECMPUE3)

Address(es): SECMPUE3 0000 0434h



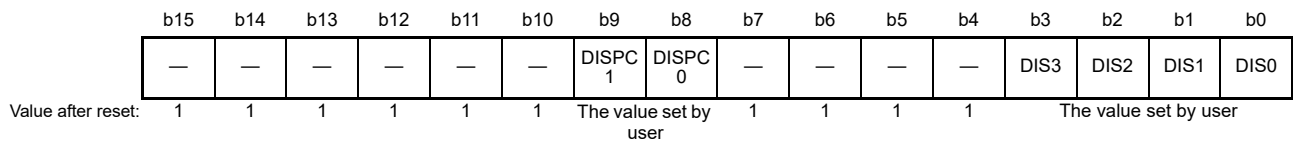
| Bit        | Symbol         | Bit name           | Description  | R/W |
|------------|----------------|--------------------|--|-----|
| b1, b0     | —              | Reserved           | These bits are read as 1. When writing to flash, the write value should always be 1. | R   |
| b22 to b2  | SECMPUE3[22:2] | Region End Address | Address where the region ends, for use in region determination.                      | R   |
| b29 to b23 | —              | Reserved           | These bits are read as 0. When writing to flash, the write value should always be 0. | R   |
| b30        | —              | Reserved           | This bit is read as 1. When writing to flash, the write value should always be 1.    | R   |
| b31        | —              | Reserved           | This bit is read as 0. When writing to flash, the write value should always be 0.    | R   |

The SECMPUS3 and SECMPUE3 registers specify the secure region for security function 2 (400C 0000h to 400D FFFFh and 4010 0000h to 407F FFFFh). The memory space defined in the SECMPUS3 and SECMPUE3 registers can only be accessed from the secure program set up in the SECMPUPCSn and SECMPUPCEn registers.

The SECMPUE3 register specifies the end address where the region ends.

### 16.6.1.11 Security MPU Access Control Register (SECMPUAC)

Address(es): SECMPUAC 0000 0438h



| Bit      | Symbol | Bit name            | Description  | R/W |
|----------|--------|---------------------|--|-----|
| b0       | DIS0   | Region 0 Disable    | 0: Security MPU region 0 is enabled<br>1: Security MPU region 0 is disabled.         | R   |
| b1       | DIS1   | Region 1 Disable    | 0: Security MPU region 1 is enabled<br>1: Security MPU region 1 is disabled.         | R   |
| b2       | DIS2   | Region 2 Disable    | 0: Security MPU region 2 is enabled<br>1: Security MPU region 2 is disabled.         | R   |
| b3       | DIS3   | Region 3 Disable    | 0: Security MPU region 3 is enabled<br>1: Security MPU region 3 is disabled.         | R   |
| b7 to b4 | —      | Reserved            | These bits are read as 1. When writing to flash, the write value should always be 1. | R   |
| b8       | DISPC0 | PC Region 0 Disable | 0: Security MPU PC region 0 is enabled<br>1: Security MPU PC region 0 is disabled.   | R   |

| Bit        | Symbol | Bit name            | Description  | R/W |
|------------|--------|---------------------|--|-----|
| b9         | DISPC1 | PC Region 1 Disable | 0: Security MPU PC region 1 is enabled<br>1: Security MPU PC region 1 is disabled.   | R   |
| b15 to b10 | —      | Reserved            | These bits are read as 1. When writing to flash, the write value should always be 1. | R   |

Note: When flash memory is erased, the security MPU is disabled.

Note: To enable or disable the security MPU, see [section 16.6.2, Memory Protection](#).

#### DIS0 bit (Region 0 Disable)

The DIS0 bit enables or disables the security MPU region 0. If security MPU region 0 is enabled, the code flash region within the limits set up by SECMPUS0 and SECMPUE0 is secure data.

#### DIS1 bit (Region 1 Disable)

The DIS1 bit enables or disables the security MPU region 1. If security MPU region 1 is enabled, the SRAM region within the limits set up by SECMPUS1 and SECMPUE1 is secure data.

#### DIS2 bit (Region 2 Disable)

The DIS2 bit enables or disables the security MPU region 2. If security MPU region 2 is enabled, the region within the limits set up by SECMPUS2 and SECMPUE2 is secure data.

#### DIS3 bit (Region 3 Disable)

The DIS3 bit enables or disables the security MPU region 3. If security MPU region 3 is enabled, the region within the limits set up by SECMPUS3 and SECMPUE3 is secure data.

#### DISPC0 bit (PC Region 0 Disable)

The DISPC0 bit enables or disables the security MPU PC region 0. If security MPU PC region 0 is enabled, the code flash or SRAM region within the limits set up by SECMPUPCS0 and SECMPUPCE0 contains a secure program.

#### DISPC1 bit (PC Region 1 Disable)

The DISPC1 bit enables or disables the security MPU PC region 1. If security MPU PC region 1 is enabled, the code flash or SRAM region within the limits set up by SECMPUPCS1 and SECMPUPCE1 contains a secure program.

### 16.6.2 Memory Protection

The security MPU protects the regions (code flash, SRAM, two security function regions) from non-secure program access. If access to the protected region is detected, access becomes invalid.

When the security MPU is enabled, DISPC0 or DISPC1 in the Security MPU Access Control Register (SECMPUAC) must be cleared to 0 and DIS0, DIS1, DIS2, or DIS3 in the Security MPU Access Control Register (SECMPUAC) must be cleared to 0.

When security MPU is disabled, all of bits DISPC0, DISPC1, DIS0, DIS1, DIS2, and DIS3 in the Security MPU Access Control Register (SECMPUAC) must be set to 1.

Other settings of the Security MPU Access Control Register (SECMPUAC) are prohibited.

The security MPU provides protection of secure regions when:

- Secure data is accessed from a non-secure program
- Secure data is accessed from other than the CPU (DMAC, DTC, EDMAC)
- Secure data is accessed from the debugger.

Secure data is accessible only from a secure program.

Note: Secure program: Code flash or SRAM region within the limits set up by SECMPUPCS0 and SECMPUPCE0.  
Code flash or SRAM region within the limits set up by SECMPUPCS1 and SECMPUPCE1.

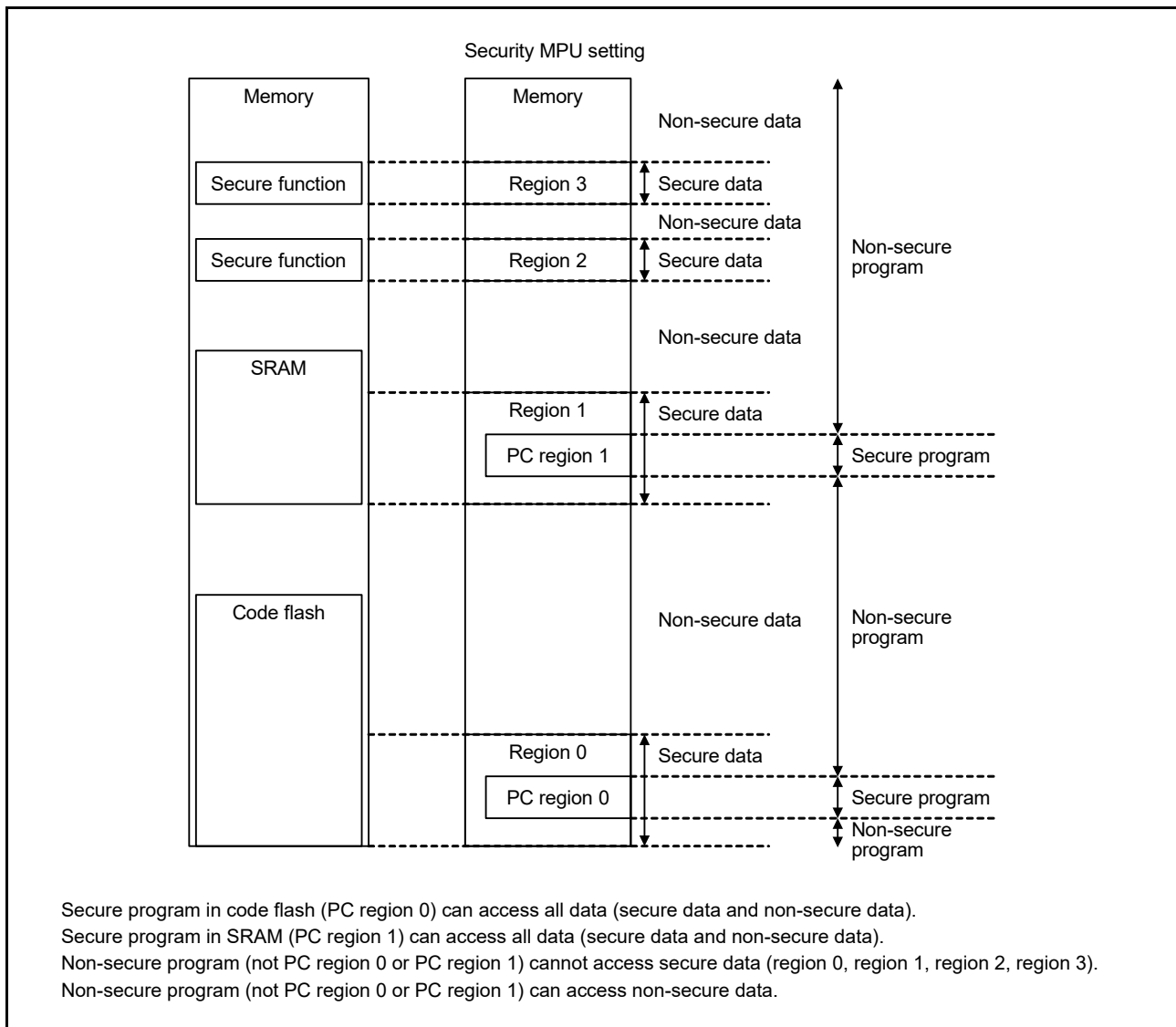
Non-secure program: All regions outside the secure program.

Secure data: Code flash region within the limits set up by SECMPUS0 and SECMPUE0,

SRAM region within the limits set up by SECMPUS1 and SECMPUE1.

Security function region within the limits set up by SECMPUS2 and SECMPUE2.

Security Function region within the limits set up by SECMPUS3 and SECMPUE3.



**Figure 16.11** Use case of security MPU

### 16.6.2.1 Notes on debug

The protected memory cannot be debugged if the security MPU is enabled. Disable the security MPU when debugging a secure program.

## 16.7 References

1. *ARM®v7-M Architecture Reference Manual* (ARM DDI 0403D).
2. *ARM® Cortex®-M4 Processor Technical Reference Manual* (ARM DDI 0439D).
3. *ARM® Cortex®-M4 Devices Generic User Guide* (ARM DUI 0553A).

## 17. DMA Controller (DMAC)

### 17.1 Overview

The MCU includes an 8-channel DMA Controller (DMAC) that can transfer data without intervention from the CPU. When a DMA transfer request is generated, the DMAC transfers data stored at the transfer source address to the transfer destination address.

[Table 17.1](#) lists the DMAC specifications and [Figure 17.1](#) shows a block diagram.

**Table 17.1 DMAC specifications**

| Parameter                                      |                               | Specifications   |
|--|-------------------------------|--|
| Number of channels                             |                               | 8 channels (DMAC <sub>m</sub> , m = 0 to 7)  |
| Transfer space                                 |                               | 4 GB (0000 0000h to FFFF FFFFh, excluding reserved areas)  |
| Maximum transfer volume                        |                               | 64M data units (maximum number of transfers in block transfer mode: 1,024 data units × 65,536 blocks)  |
| DMA activation source                          |                               | Selectable for each channel: <ul style="list-style-type: none"> <li>• Software trigger</li> <li>• Interrupt requests from peripheral modules or trigger from external interrupt input pins.*1</li> </ul>   |
| Channel priority                               |                               | Channel 0 > Channel 1 > Channel 2 > Channel 3... > Channel 7 (Channel 0: highest)  |
| Transfer data                                  | Single data                   | Bit length: 8, 16, 32 bits   |
|  | Block size                    | Number of data: 1 to 1,024   |
| Transfer mode                                  | Normal transfer mode          | <ul style="list-style-type: none"> <li>• One data transfer by one DMA transfer request</li> <li>• Selectable free running mode (total number of data transfers is not specified).</li> </ul>   |
|  | Repeat transfer mode          | <ul style="list-style-type: none"> <li>• One data transfer by one DMA transfer request</li> <li>• Program returns to the transfer start address on completion of the repeat size of data transfer specified for the transfer source or destination</li> <li>• Maximum settable repeat size: 1,024.</li> </ul>                                      |
|  | Block transfer mode           | <ul style="list-style-type: none"> <li>• One data block transfer by one DMA transfer request</li> <li>• Maximum settable block size: 1,024 data.</li> </ul>  |
| Selective functions                            | Extended repeat area function | <ul style="list-style-type: none"> <li>• Allows data to be transferred by repeating the address values in the specified range, with the upper bit values in the transfer address register remaining fixed</li> <li>• Area of 2 bytes to 128 MB individually selectable as the extended repeat area for transfer source and destination.</li> </ul> |
| Interrupt request (DMAC <sub>m</sub> _INT)     | Transfer end interrupt        | Generated on completion of transferring data volume specified in the transfer counter  |
|  | Transfer escape end interrupt | Generated when: <ul style="list-style-type: none"> <li>• The repeat size of data transfer is complete</li> <li>• The source address of the extended repeat area overflows</li> <li>• The destination address of the extended repeat area overflows.</li> </ul>   |
| Event link activation (DMAC <sub>m</sub> _INT) |                               | An event link request is generated after each data transfer (for block transfer, after each block is transferred)  |
| Module-stop function                           |                               | Module-stop state can be set to reduce power consumption   |

Note 1. For details on DMAC activation sources, see [Table 14.3, Interrupt vector table](#), in [section 14, Interrupt Controller Unit \(ICU\)](#).



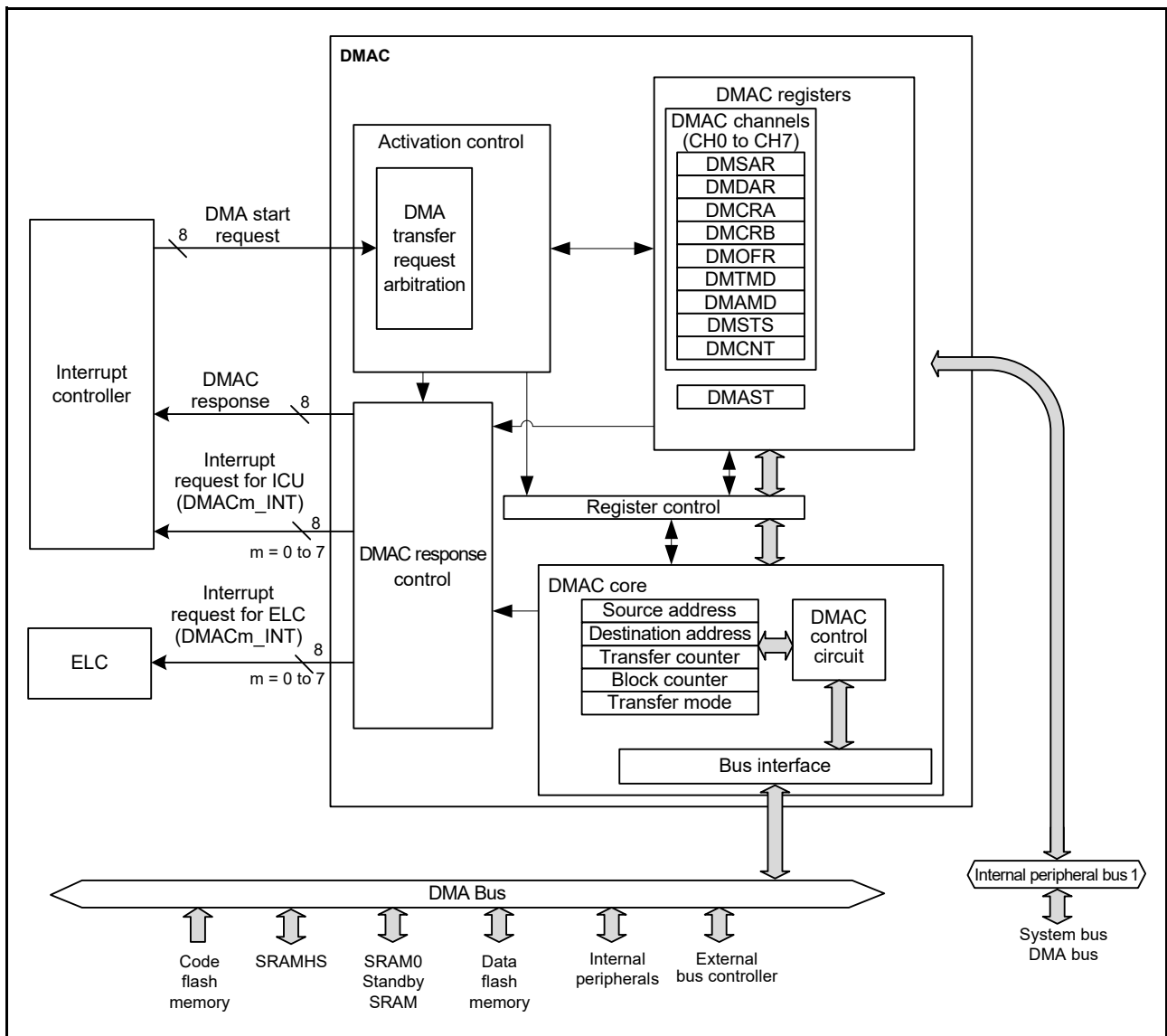
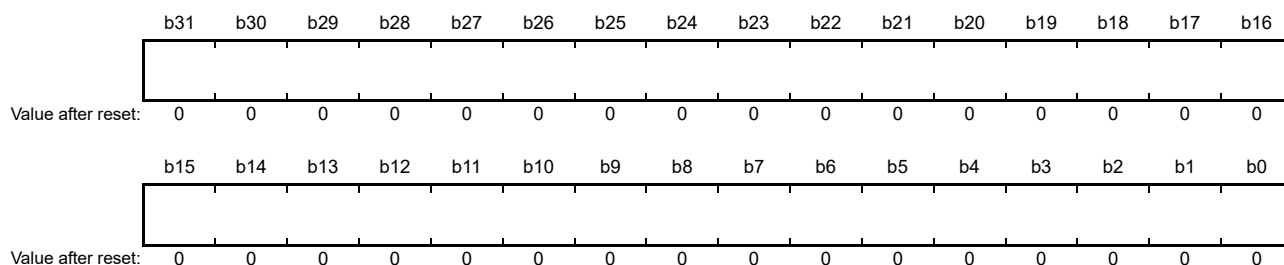


Figure 17.1 DMAC block diagram

## 17.2 Register Descriptions

### 17.2.1 DMA Source Address Register (DMSAR)

Address(es): [DMAC0.DMSAR 4000 5000h](#), [DMAC1.DMSAR 4000 5040h](#), [DMAC2.DMSAR 4000 5080h](#), [DMAC3.DMSAR 4000 50C0h](#), [DMAC4.DMSAR 4000 5100h](#), [DMAC5.DMSAR 4000 5140h](#), [DMAC6.DMSAR 4000 5180h](#), [DMAC7.DMSAR 4000 51C0h](#)



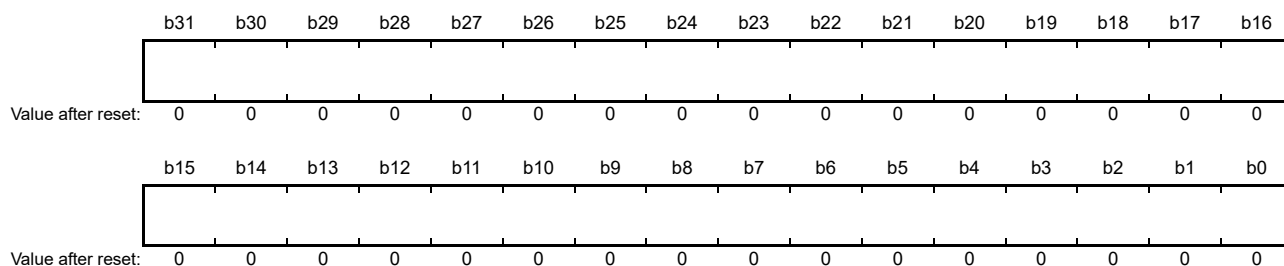
| Bit       | Description                                 | Setting range                   | R/W |
|-----------|---|---------------------------------|-----|
| b31 to b0 | Specifies the transfer source start address | 0000 0000h to FFFF FFFFh (4 GB) | R/W |

Set DMSAR while DMAC activation is disabled (the DMST bit in DMAST = 0) or DMA transfer is disabled (the DTE bit in DMCNT = 0).

Note: Address alignment in this register must match the transfer data size value selected in the SZ bit in DMTMD.

### 17.2.2 DMA Destination Address Register (DMDAR)

Address(es): [DMAC0.DMDAR 4000 5004h](#), [DMAC1.DMDAR 4000 5044h](#), [DMAC2.DMDAR 4000 5084h](#), [DMAC3.DMDAR 4000 50C4h](#), [DMAC4.DMDAR 4000 5104h](#), [DMAC5.DMDAR 4000 5144h](#), [DMAC6.DMDAR 4000 5184h](#), [DMAC7.DMDAR 4000 51C4h](#)



| Bit       | Description                                      | Setting range                   | R/W |
|-----------|--|---------------------------------|-----|
| b31 to b0 | Specifies the transfer destination start address | 0000 0000h to FFFF FFFFh (4 GB) | R/W |

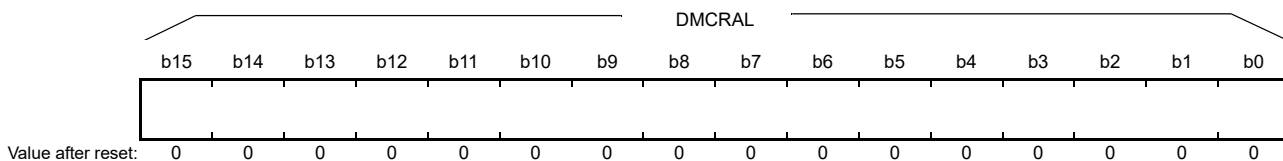
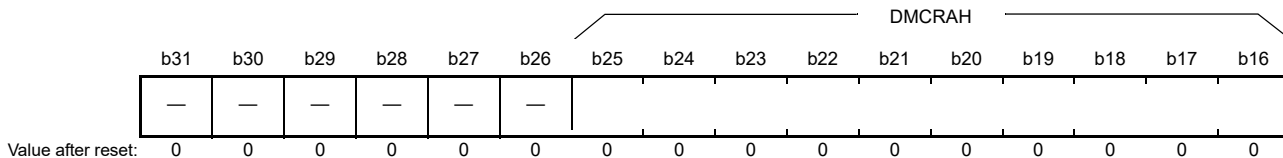
Set DMDAR while DMAC activation is disabled (the DMST bit in DMAST = 0) or DMA transfer is disabled (the DTE bit in DMCNT = 0).

Note: Address alignment in this register must match the transfer data size value selected in the SZ bit in DMTMD.

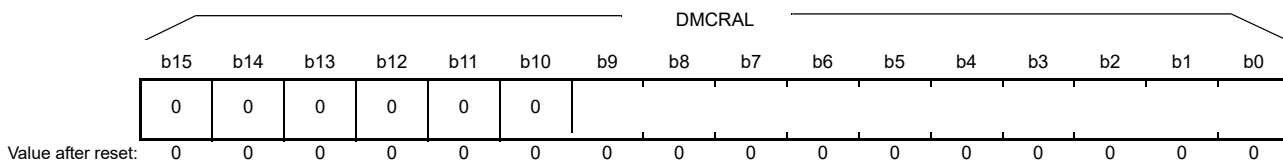
### 17.2.3 DMA Transfer Count Register (DMCRA)

Address(es): [DMAC0.DMCRA 4000 5008h](#), [DMAC1.DMCRA 4000 5048h](#), [DMAC2.DMCRA 4000 5088h](#), [DMAC3.DMCRA 4000 50C8h](#), [DMAC4.DMCRA 4000 5108h](#), [DMAC5.DMCRA 4000 5148h](#), [DMAC6.DMCRA 4000 5188h](#), [DMAC7.DMCRA 4000 51C8h](#)

- Normal transfer mode



- Repeat transfer mode, block transfer mode



| Symbol | Bit name                     | Description                                 | R/W |
|--------|------------------------------|---|-----|
| DMCRAL | Lower bits of transfer count | Specifies the number of transfer operations | R/W |
| DMCRAH | Upper bits of transfer count |   | R/W |

Note: In repeat and block transfer modes, set the same value for DMCRAH and DMCRAL.

#### (1) Normal transfer mode (MD[1:0] bits in DMACm.DMTMD = 00b)

In normal transfer mode, DMCRAL functions as a 16-bit transfer counter. The number of transfer operations is one when the setting is 0001h, and 65,535 when it is FFFFh. The value is decremented by one each time data is transferred. A setting of 0000h indicates an unspecified number of transfer operations. Data transfer is performed with the transfer counter stopped, that is, in free running mode.

Do not use DMCRAH in normal transfer mode. Write 0000h to DMCRAH.

#### (2) Repeat transfer mode (MD[1:0] bits in DMACm.DMTMD = 01b)

In repeat transfer mode, DMCRAH specifies the repeat size and DMCRAL functions as a 10-bit transfer counter. The number of transfer operations is one when the setting is 001h, 1,023 when it is 3FFh, and 1,024 when it is 000h. In this mode, a value in the range of 000h to 3FFh (1 to 1,024) can be set for DMCRAH and DMCRAL.

Setting bits [15:10] in DMCRAL is invalid. Write 0 to these bits. The value in DMCRAL is decremented by 1 each time data is transferred until it reaches 000h, at which time the value in DMCRAH is loaded into DMCRAL.

#### (3) Block transfer mode (MD[1:0] bits in DMACm.DMTMD = 10b)

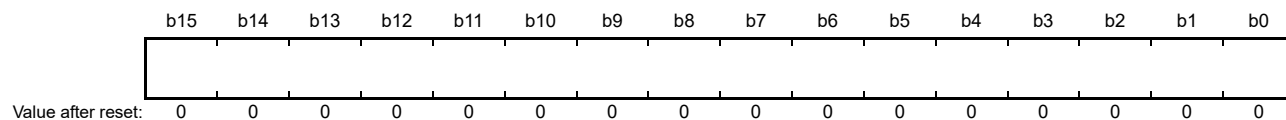
In block transfer mode, DMCRAH specifies the block size and DMCRAL functions as a 10-bit block size counter. The block size is one when the setting is 001h, 1,023 when it is 3FFh, and 1,024 when it is 000h. In this mode, a value in the

range of 000h to 3FFh can be set for DMCRAH and DMCRAL.

Setting bits [15:10] in DMCRAL is invalid. Write 0 to these bits. The value in DMCRAL is decremented by 1 each time data is transferred until it reaches 000h, at which time the value in DMCRAH is loaded into DMCRAL.

### 17.2.4 DMA Block Transfer Count Register (DMCRB)

Address(es): [DMAC0.DMCRB 4000 500Ch](#), [DMAC1.DMCRB 4000 504Ch](#), [DMAC2.DMCRB 4000 508Ch](#), [DMAC3.DMCRB 4000 50CCh](#), [DMAC4.DMCRB 4000 510Ch](#), [DMAC5.DMCRB 4000 514Ch](#), [DMAC6.DMCRB 4000 518Ch](#), [DMAC7.DMCRB 4000 51CCh](#)



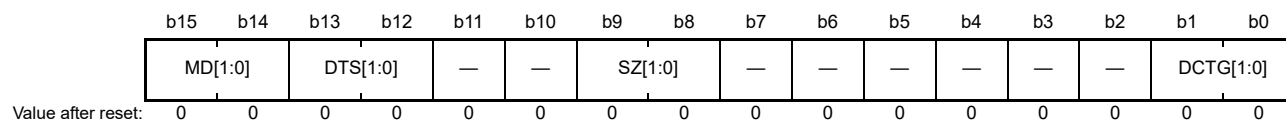
| Bit       | Description   | Setting range                                   | R/W |
|-----------|---|---|-----|
| b15 to b0 | Specifies the number of block or repeat transfer operations | 0001h to FFFFh (1 to 65,535)<br>0000h (65,536). | R/W |

DMCRB specifies the number of operations in block and repeat transfer modes. The number of transfer operations is one when the setting is 0001h, 65,535 when it is FFFFh, and 65,536 when it is 0000h.

In repeat transfer mode, the value is decremented by 1 when the final data of one repeat size is transferred. In block transfer mode, the value is decremented by 1 when the final data of one block size is transferred. Do not use DMCRB in normal transfer mode as the setting is invalid.

### 17.2.5 DMA Transfer Mode Register (DMTMD)

Address(es): [DMAC0.DMTMD 4000 5010h](#), [DMAC1.DMTMD 4000 5050h](#), [DMAC2.DMTMD 4000 5090h](#), [DMAC3.DMTMD 4000 50D0h](#), [DMAC4.DMTMD 4000 5110h](#), [DMAC5.DMTMD 4000 5150h](#), [DMAC6.DMTMD 4000 5190h](#), [DMAC7.DMTMD 4000 51D0h](#)



| Bit      | Symbol                    | Bit name                       | Description   | R/W |
|----------|---------------------------|--------------------------------|---|-----|
| b1, b0   | <a href="#">DCTG[1:0]</a> | Transfer Request Source Select | b1 b0<br>0 0: Software<br>0 1: Interrupts*1 from peripheral modules or external interrupt input pins<br>1 0: Setting prohibited<br>1 1: Setting prohibited.   | R/W |
| b7 to b2 | —                         | Reserved                       | These bits are read as 0. The write value should be 0.  | R/W |
| b9, b8   | <a href="#">SZ[1:0]</a>   | Transfer Data Size Select      | b9 b8<br>0 0: 8 bits<br>0 1: 16 bits<br>1 0: 32 bits<br>1 1: Setting prohibited.  | R/W |
| b11, b10 | —                         | Reserved                       | These bits are read as 0. The write value should be 0.  | R/W |
| b13, b12 | <a href="#">DTS[1:0]</a>  | Repeat Area Select             | b13 b12<br>0 0: Specify destination as the repeat area or block area<br>0 1: Specify source as the repeat area or block area<br>1 0: Do not specify repeat area or block area<br>1 1: Setting prohibited. | R/W |
| b15, b14 | <a href="#">MD[1:0]</a>   | Transfer Mode Select           | b15 b14<br>0 0: Normal transfer<br>0 1: Repeat transfer<br>1 0: Block transfer<br>1 1: Setting prohibited.  | R/W |

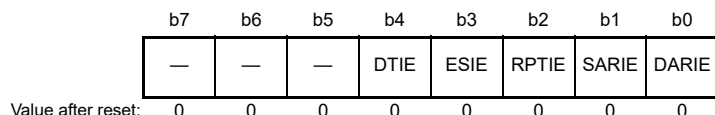
Note 1. To select the DMAC activation source, use the DELSRn registers of the ICU. For details on DMAC activation sources, see Table 14.4, Event table in section 14, Interrupt Controller Unit (ICU).

### DTS[1:0] bits (Repeat Area Select)

The DTS[1:0] bits select either the source or destination as the repeat area in repeat transfer mode and the block area in block transfer mode. In normal transfer mode, these bit settings are invalid.

## 17.2.6 DMA Interrupt Setting Register (DMINT)

Address(es): DMAC0.DMINT 4000 5013h, DMAC1.DMINT 4000 5053h, DMAC2.DMINT 4000 5093h, DMAC3.DMINT 4000 50D3h, DMAC4.DMINT 4000 5113h, DMAC5.DMINT 4000 5153h, DMAC6.DMINT 4000 5193h, DMAC7.DMINT 4000 51D3h



| Bit      | Symbol | Bit name   | Description  | R/W |
|----------|--------|--|--|-----|
| b0       | DARIE  | Destination Address Extended Repeat Area Overflow Interrupt Enable | 0: Disable<br>1: Enable.                               | R/W |
| b1       | SARIE  | Source Address Extended Repeat Area Overflow Interrupt Enable      | 0: Disable<br>1: Enable.                               | R/W |
| b2       | RPTIE  | Repeat Size End Interrupt Enable                                   | 0: Disable<br>1: Enable.                               | R/W |
| b3       | ESIE   | Transfer Escape End Interrupt Enable                               | 0: Disable<br>1: Enable.                               | R/W |
| b4       | DTIE   | Transfer End Interrupt Enable                                      | 0: Disable<br>1: Enable.                               | R/W |
| b7 to b5 | —      | Reserved   | These bits are read as 0. The write value should be 0. | R/W |

### DARIE bit (Destination Address Extended Repeat Area Overflow Interrupt Enable)

When an extended repeat area overflow occurs on the destination address when the DARIE bit is set to 1, the DTE bit in DMCNT is set to 0. At the same time, the ESIF flag in DMSTS is set to 1 to indicate an interrupt request triggered by an extended repeat area overflow on the destination address.

When block transfer mode is used with the extended repeat area function, an interrupt occurs after completion of a 1-block size transfer. When the DTE bit is set to 1 in DMACm.DMCNT of the channel associated with the stopped transfer, the transfer resumes from the state it was in when the transfer stopped. If the extended repeat area is not specified for the destination address, this bit is ignored.

### SARIE bit (Source Address Extended Repeat Area Overflow Interrupt Enable)

When an extended repeat area overflow occurs on the source address when the SARIE bit is set to 1, the DTE bit in DMCNT clears to 0. At the same time, the ESIF flag in DMSTS is set to 1 to indicate an interrupt request triggered by an extended repeat area overflow on the source address.

When block transfer mode is used with the extended repeat area function, an interrupt occurs after completion of a 1-block size transfer. When the DTE bit is set to 1 in DMACm.DMCNT of the channel associated with the stopped transfer, the transfer resumes from the state it was in when the transfer stopped.

When the extended repeat area is not specified for the source address, this bit is ignored.

### RPTIE bit (Repeat Size End Interrupt Enable)

When the RPTIE bit is set to 1 in repeat transfer mode, the DTE bit in DMCNT clears to 0 after completion of a 1-repeat size data transfer. At the same time, the ESIF flag in DMSTS is set to 1 to indicate that the repeat size end interrupt request occurred. The repeat size end interrupt request can be generated even when the DTS[1:0] bits in DMTMD are 10b (repeat area or block area is not specified).

When the RPTIE bit is set to 1 in block transfer mode, the DTE bit in DMCNT clears to 0 after completion of a 1-block

data transfer in the same way as repeat transfer mode. At the same time, the ESIF flag in DMSTS is set to 1 to indicate that the repeat size end interrupt request occurred. The repeat size end interrupt request can be generated even when the DTS[1:0] bits in DMTMD are 10b (repeat area or block area is not specified).

### ESIE bit (Transfer Escape End Interrupt Enable)

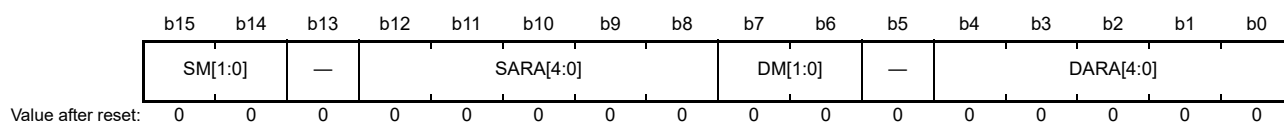
The ESIE bit enables the transfer escape end interrupt requests (repeat size end interrupt request and extended repeat area overflow interrupt request) that occur during DMA transfer. The interrupt occurs when this bit is 1 and the ESIF flag in DMSTS is set to 1. To clear the transfer escape end interrupt, clear this bit or the ESIF flag in DMSTS to 0.

### DTIE bit (Transfer End Interrupt Enable)

The DTIE bit enables the transfer end interrupt request that occurs on completion of a specified number of data transfers. The interrupt occurs when this bit is 1 and the DTIF flag in DMSTS is set to 1. To clear the transfer end interrupt, clear this bit or the DTIF flag in DMSTS to 0.

## 17.2.7 DMA Address Mode Register (DMAMD)

Address(es): DMAC0.DMAMD 4000 5014h, DMAC1.DMAMD 4000 5054h, DMAC2.DMAMD 4000 5094h, DMAC3.DMAMD 4000 50D4h, DMAC4.DMAMD 4000 5114h, DMAC5.DMAMD 4000 5154h, DMAC6.DMAMD 4000 5194h, DMAC7.DMAMD 4000 51D4h



| Bit       | Symbol    | Bit name                                 | Description   | R/W |     |   |   |   |   |   |   |   |   |     |
|-----------|-----------|--|---|-----|-----|---|---|---|---|---|---|---|---|-----|
| b4 to b0  | DARA[4:0] | Destination Address Extended Repeat Area | Specifies the extended repeat area on the destination address. For details on the settings, see <a href="#">Table 17.2</a> .  | R/W |     |   |   |   |   |   |   |   |   |     |
| b5        | —         | Reserved                                 | This bit is read as 0. The write value should be 0.   | R/W |     |   |   |   |   |   |   |   |   |     |
| b7, b6    | DM[1:0]   | Destination Address Update Mode          | <table border="0"> <tr> <td>b7</td><td>b6</td> </tr> <tr> <td>0</td><td>0</td> </tr> <tr> <td>0</td><td>1</td> </tr> <tr> <td>1</td><td>0</td> </tr> <tr> <td>1</td><td>1</td> </tr> </table> 0 0: Fixed address<br>0 1: Offset addition<br>1 0: Incremented address<br>1 1: Decrement address.   | b7  | b6  | 0 | 0 | 0 | 1 | 1 | 0 | 1 | 1 | R/W |
| b7        | b6        |  |   |     |     |   |   |   |   |   |   |   |   |     |
| 0         | 0         |  |   |     |     |   |   |   |   |   |   |   |   |     |
| 0         | 1         |  |   |     |     |   |   |   |   |   |   |   |   |     |
| 1         | 0         |  |   |     |     |   |   |   |   |   |   |   |   |     |
| 1         | 1         |  |   |     |     |   |   |   |   |   |   |   |   |     |
| b12 to b8 | SARA[4:0] | Source Address Extended Repeat Area      | Specifies the extended repeat area on the source address. For details on the settings, see <a href="#">Table 17.2</a> .   | R/W |     |   |   |   |   |   |   |   |   |     |
| b13       | —         | Reserved                                 | This bit is read as 0. The write value should be 0.   | R/W |     |   |   |   |   |   |   |   |   |     |
| b15, b14  | SM[1:0]   | Source Address Update Mode               | <table border="0"> <tr> <td>b15</td><td>b14</td> </tr> <tr> <td>0</td><td>0</td> </tr> <tr> <td>0</td><td>1</td> </tr> <tr> <td>1</td><td>0</td> </tr> <tr> <td>1</td><td>1</td> </tr> </table> 0 0: Fixed address<br>0 1: Offset addition<br>1 0: Incremented address<br>1 1: Decrement address. | b15 | b14 | 0 | 0 | 0 | 1 | 1 | 0 | 1 | 1 | R/W |
| b15       | b14       |  |   |     |     |   |   |   |   |   |   |   |   |     |
| 0         | 0         |  |   |     |     |   |   |   |   |   |   |   |   |     |
| 0         | 1         |  |   |     |     |   |   |   |   |   |   |   |   |     |
| 1         | 0         |  |   |     |     |   |   |   |   |   |   |   |   |     |
| 1         | 1         |  |   |     |     |   |   |   |   |   |   |   |   |     |

### DARA[4:0] bits (Destination Address Extended Repeat Area)

The DARA[4:0] bits specify the extended repeat area on the destination address. The extended repeat area function is realized through an update of the specified lower address bits with the remaining upper address bits fixed. The size of the extended repeat area can be any power of two between 2 bytes and 128 MB. The start address of the extended repeat area is set when the lower address overflows the extended repeat area on an address increment. Similarly, the end address of the extended repeat area is set when the lower address underflows the extended repeat area on an address decrement.

Do not specify the extended repeat area on the destination address when a repeat or block area is specified as the transfer destination. When repeat or block transfer is selected, and when DMACm.DMTMD.DTS[1:0] = 00b (the transfer destination is specified as the repeat or block area), write 00000b in the DARA[4:0] bits.

To request an interrupt when an overflow or underflow occurs in the extended repeat area, set the DARIE bit in DMINT to 1. [Table 17.2](#) lists the extended repeat areas associated with each setting.

### DM[1:0] bits (Destination Address Update Mode)

The DM[1:0] bits select the update mode for the destination address.

- When increment is selected and the SZ[1:0] bits in DMTMD are set to 00b, 01b, and 10b, the destination address is incremented by 1, 2, and 4, respectively
- When decrement is selected and the SZ[1:0] bits in DMTMD are set to 00b, 01b, and 10b, the destination address is decremented by 1, 2, and 4, respectively
- When offset addition is selected, the offset specified in the DMACm.DMOFR register is added to the address.

#### SARA[4:0] bits (Source Address Extended Repeat Area)

The SARA[4:0] bits specify the extended repeat area on the source address. The extended repeat area function is realized through an update of the specified lower address bits with the remaining upper address bits fixed. The size of the extended repeat area can be any power of two between 2 bytes and 128 MB. The start address of the extended repeat area is set when the lower address overflows the extended repeat area on an address increment. Similarly, the end address of the extended repeat area is set when the lower address underflows the extended repeat area on an address decrement.

Do not specify the extended repeat area on the source address when a repeat or block area is specified as the transfer source. When repeat or block transfer is selected, and when DMACm.DMTMD.DTS[1:0] = 01b (the transfer source is specified as the repeat or block area), write 00000b in the SARA[4:0] bits.

To request an interrupt when an overflow or underflow occurs in the extended repeat area, set the SARIE bit in DMINT to 1. Table 17.2 lists the extended repeat areas associated with each setting.

#### SM[1:0] bits (Source Address Update Mode)

The SM[1:0] bits select the update mode for the source address:

- When increment is selected and the SZ[1:0] bits in DMTMD are set to 00b, 01b, and 10b, the source address is incremented by 1, 2, and 4, respectively
- When decrement is selected and the SZ[1:0] bits in DMTMD are set to 00b, 01b, and 10b, the source address is decremented by 1, 2, and 4, respectively
- When offset addition is selected, the offset specified in the DMACm.DMOFR register is added to the address.

**Table 17.2 SARA[4:0] or DARA[4:0] settings and corresponding repeat areas (1 of 2)**

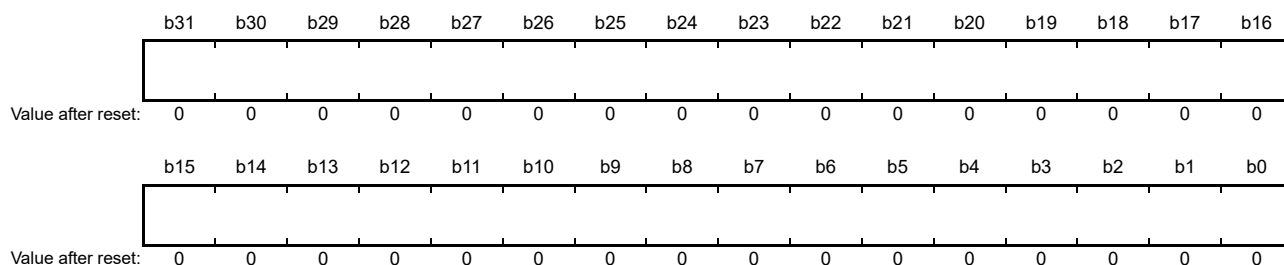
| SARA[4:0] or DARA[4:0] | Extended repeat area   |
|------------------------|--|
| 00000b                 | Not specified  |
| 00001b                 | 2 bytes specified as extended repeat area by the lower 1 bit of the address    |
| 00010b                 | 4 bytes specified as extended repeat area by the lower 2 bits of the address   |
| 00011b                 | 8 bytes specified as extended repeat area by the lower 3 bits of the address   |
| 00100b                 | 16 bytes specified as extended repeat area by the lower 4 bits of the address  |
| 00101b                 | 32 bytes specified as extended repeat area by the lower 5 bits of the address  |
| 00110b                 | 64 bytes specified as extended repeat area by the lower 6 bits of the address  |
| 00111b                 | 128 bytes specified as extended repeat area by the lower 7 bits of the address |
| 01000b                 | 256 bytes specified as extended repeat area by the lower 8 bits of the address |
| 01001b                 | 512 bytes specified as extended repeat area by the lower 9 bits of the address |
| 01010b                 | 1 KB specified as extended repeat area by the lower 10 bits of the address     |
| 01011b                 | 2 KB specified as extended repeat area by the lower 11 bits of the address     |
| 01100b                 | 4 KB specified as extended repeat area by the lower 12 bits of the address     |
| 01101b                 | 8 KB specified as extended repeat area by the lower 13 bits of the address     |
| 01110b                 | 16 KB specified as extended repeat area by the lower 14 bits of the address    |
| 01111b                 | 32 KB specified as extended repeat area by the lower 15 bits of the address    |
| 10000b                 | 64 KB specified as extended repeat area by the lower 16 bits of the address    |
| 10001b                 | 128 KB specified as extended repeat area by the lower 17 bits of the address   |
| 10010b                 | 256 KB specified as extended repeat area by the lower 18 bits of the address   |
| 10011b                 | 512 KB specified as extended repeat area by the lower 19 bits of the address   |

**Table 17.2 SARA[4:0] or DARA[4:0] settings and corresponding repeat areas (2 of 2)**

| SARA[4:0] or DARA[4:0] | Extended repeat area   |
|------------------------|--|
| 10100b                 | 1 MB specified as extended repeat area by the lower 20 bits of the address   |
| 10101b                 | 2 MB specified as extended repeat area by the lower 21 bits of the address   |
| 10110b                 | 4 MB specified as extended repeat area by the lower 22 bits of the address   |
| 10111b                 | 8 MB specified as extended repeat area by the lower 23 bits of the address   |
| 11000b                 | 16 MB specified as extended repeat area by the lower 24 bits of the address  |
| 11001b                 | 32 MB specified as extended repeat area by the lower 25 bits of the address  |
| 11010b                 | 64 MB specified as extended repeat area by the lower 26 bits of the address  |
| 11011b                 | 128 MB specified as extended repeat area by the lower 27 bits of the address |
| 11100b to 11111b       | Setting prohibited   |

### 17.2.8 DMA Offset Register (DMOFR)

Address(es): [DMAC0.DMOFR 4000 5018h](#), [DMAC1.DMOFR 4000 5058h](#), [DMAC2.DMOFR 4000 5098h](#), [DMAC3.DMOFR 4000 50D8h](#), [DMAC4.DMOFR 4000 5118h](#), [DMAC5.DMOFR 4000 5158h](#), [DMAC6.DMOFR 4000 5198h](#), [DMAC7.DMOFR 4000 51D8h](#)

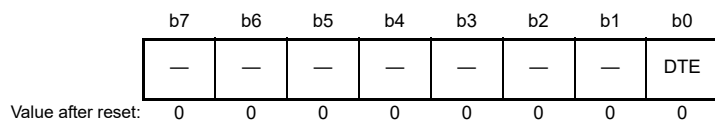


| Bit       | Description   | Setting range   | R/W |
|-----------|---|---|-----|
| b31 to b0 | Specifies the offset when offset addition is selected as the address update mode for transfer source or destination | 0000 0000h to 00FF FFFFh (0 byte to (16 MB - 1 byte))<br>FF00 0000h to FFFF FFFFh (-16 MB to -1 byte) | R/W |

Only write to this register while DMAC operation is stopped or DMA transfer is disabled, not during data transfer. Setting bits [31:25] is invalid. The value in bit [24] is extended to bits [31:25]. Reading DMOFR returns the extended value.

### 17.2.9 DMA Transfer Enable Register (DMCNT)

Address(es): [DMAC0.DMCNT 4000 501Ch](#), [DMAC1.DMCNT 4000 505Ch](#), [DMAC2.DMCNT 4000 509Ch](#), [DMAC3.DMCNT 4000 50DCh](#), [DMAC4.DMCNT 4000 511Ch](#), [DMAC5.DMCNT 4000 515Ch](#), [DMAC6.DMCNT 4000 519Ch](#), [DMAC7.DMCNT 4000 51DCh](#)



| Bit      | Symbol     | Bit name            | Description  | R/W |
|----------|------------|---------------------|--|-----|
| b0       | <b>DTE</b> | DMA Transfer Enable | 0: Disable<br>1: Enable.                               | R/W |
| b7 to b1 | —          | Reserved            | These bits are read as 0. The write value should be 0. | R/W |

#### DTE bit (DMA Transfer Enable)

The DTE bit enables DMA transfer. To enable DMA transfer, set the DMST bit in DMAST to 1 to enable DMAC activation, then set the DTE bit to 1 to enable DMA transfer for the associated channel.



[Setting condition]

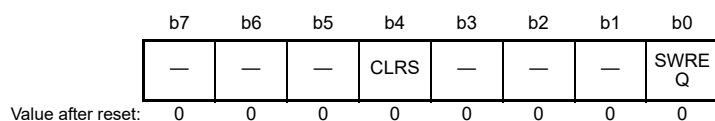
- When 1 is written to this bit.

[Clearing conditions]

- When 0 is written to this bit
- When the specified volume of data transfer is complete
- When DMA transfer is stopped by a repeat size end interrupt
- When DMA transfer is stopped by an extended repeat area overflow interrupt.

### 17.2.10 DMA Software Start Register (DMREQ)

Address(es): DMAC0.DMREQ 4000 501Dh, DMAC1.DMREQ 4000 505Dh, DMAC2.DMREQ 4000 509Dh, DMAC3.DMREQ 4000 50DDh, DMAC4.DMREQ 4000 511Dh, DMAC5.DMREQ 4000 515Dh, DMAC6.DMREQ 4000 519Dh, DMAC7.DMREQ 4000 51DDh



| Bit      | Symbol | Bit name                                 | Description   | R/W |
|----------|--------|--|---|-----|
| b0       | SWREQ  | DMA Software Start                       | 0: DMA transfer is not requested<br>1: DMA transfer is requested.   | R/W |
| b3 to b1 | —      | Reserved                                 | These bits are read as 0. The write value should be 0.  | R/W |
| b4       | CLRS   | DMA Software Start Bit Auto Clear Select | 0: SWREQ bit is cleared after DMA transfer is started by software<br>1: SWREQ bit is not cleared after DMA transfer is started by software. | R/W |
| b7 to b5 | —      | Reserved                                 | These bits are read as 0. The write value should be 0.  | R/W |

#### SWREQ bit (DMA Software Start)

Writing 1 to the SWREQ bit generates a DMA transfer request. After DMA transfer starts, SWREQ clears to 0 if the CLRS bit is 0. SWREQ does not clear if CLRS bit is 1. The DMA transfer request can be issued again after the transfer is complete.

Note: Setting this bit is valid and DMA transfer by software is enabled only when the DCTG[1:0] bits in DMTMD are set to 00b, specifying software as the DMA activation source. Setting this bit is invalid when the DCTG[1:0] bits in DMTMD are set to any value other than 00b.

To start DMA transfer by software with the CLRS bit set to 0, ensure that the SWREQ bit is 0, then write 1 to the SWREQ bit.

[Setting condition]

- When 1 is written to this bit.

[Clearing conditions]

- When a DMA transfer request by software is accepted and DMA transfer is started with the CLRS bit set to 0 (the SWREQ bit is cleared after DMA transfer is started by software)
- When 0 is written to this bit.

#### CLRS bit (DMA Software Start Bit Auto Clear Select)

When an SWREQ setting of 1 triggers a transfer request, the CLRS bit specifies whether to clear the SWREQ bit to 0 after DMA transfer starts. When the CLRS bit is set to 0, SWREQ clears to 0 after DMA transfer starts. When the CLRS bit is set to 1, SWREQ does not clear to 0. A DMA transfer request can be issued again after the transfer is complete.

### 17.2.11 DMA Status Register (DMSTS)

Address(es): [DMAC0.DMSTS 4000 501Eh](#), [DMAC1.DMSTS 4000 505Eh](#), [DMAC2.DMSTS 4000 509Eh](#), [DMAC3.DMSTS 4000 50DEh](#), [DMAC4.DMSTS 4000 511Eh](#), [DMAC5.DMSTS 4000 515Eh](#), [DMAC6.DMSTS 4000 519Eh](#), [DMAC7.DMSTS 4000 51DEh](#)

|     |    |    |      |    |    |    |      |
|-----|----|----|------|----|----|----|------|
| b7  | b6 | b5 | b4   | b3 | b2 | b1 | b0   |
| ACT | —  | —  | DTIF | —  | —  | —  | ESIF |

Value after reset: 0 0 0 0 0 0 0 0

| Bit      | Symbol | Bit name                           | Description  | R/W   |
|----------|--------|------------------------------------|--|-------|
| b0       | ESIF   | Transfer Escape End Interrupt Flag | 0: No interrupt occurred<br>1: Interrupt occurred.             | R/W*1 |
| b3 to b1 | —      | Reserved                           | These bits are read as 0. Writing to these bits has no effect. | R     |
| b4       | DTIF   | Transfer End Interrupt Flag        | 0: No interrupt occurred<br>1: Interrupt occurred.             | R/W*1 |
| b6, b5   | —      | Reserved                           | These bits are read as 0. Writing to these bits has no effect. | R     |
| b7       | ACT    | DMA Active Flag                    | 0: DMAC operation suspended<br>1: DMAC operating.              | R     |

Note 1. Only 0 can be written to clear the flag.

#### ESIF flag (Transfer Escape End Interrupt Flag)

The ESIF flag indicates that a transfer escape end interrupt occurred.

[Setting conditions]

- In repeat transfer mode, when one repeat size data transfer completes with the RPTIE bit in DMINT set to 1
- In block transfer mode, when one block data transfer completes with the RPTIE bit in DMINT set to 1
- When an extended repeat area overflow on the source address occurs with the SARIE bit in DMINT set to 1, and the SARA[4:0] bits in DMAMD set to any value other than 00000b (extended repeat area is specified on the transfer source address)
- When an extended repeat area overflow on the destination address occurs with the DARIE bit in DMINT set to 1, and the DARA[4:0] bits in DMAMD set to any value other than 00000b (extended repeat area is specified on the transfer destination address).

[Clearing conditions]

- When 0 is written to this flag
- When 1 is written to the DTE bit in DMCNT.

#### DTIF flag (Transfer End Interrupt Flag)

The DTIF flag indicates that a transfer end interrupt occurred.

[Setting conditions]

- In normal transfer mode, when the specified number of unit transfers completes (the value of DMCRAL becomes 0 on completion of transfer)
- In repeat transfer mode, when the specified number of repeat transfer operations completes (the value of DMCRB becomes 0 on completion of transfer)
- In block transfer mode, when the specified number of blocks is transferred (the value of DMCRB becomes 0 on completion of transfer).

[Clearing conditions]

- When 0 is written to this flag
- When 1 is written to the DTE bit in DMCNT.

**ACT flag (DMA Active Flag)**

The ACT flag indicates whether the DMAC is in the idle or active state.

[Setting condition]

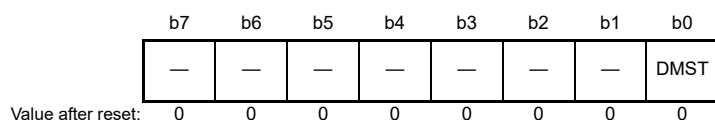
- When the DMAC starts a data transfer.

[Clearing condition]

- When the data transfer in response to one transfer request completes.

**17.2.12 DMAC Module Activation Register (DMAST)**

Address(es): DMA.DMAST 4000 5200h



| Bit      | Symbol | Bit name              | Description  | R/W |
|----------|--------|-----------------------|--|-----|
| b0       | DMST   | DMAC Operation Enable | 0: Disabled<br>1: Enabled.                             | R/W |
| b7 to b1 | —      | Reserved              | These bits are read as 0. The write value should be 0. | R/W |

**DMST bit (DMAC Operation Enable)**

Setting the DMST bit to 1 enables DMAC activation for all channels. When the DMST bit is set to 1 (DMAC activation is enabled), and 1 is written to the DMACm.DMCNT.DTE bit (DMA transfer is enabled) for multiple channels, all of the associated channels can be placed in the transfer request ready state at the same time.

When the DMST bit clears to 0 during DMA transfer, DMA transfer is suspended after the current data transfer associated with a single transfer request completes. To resume DMA transfer, set the DMST bit to 1 again.

[Setting condition]

- When 1 is written to this bit.

[Clearing condition]

- When 0 is written to this bit.

**17.3 Operation****17.3.1 Transfer Mode****(1) Normal transfer mode**

In normal transfer mode, one data unit is transferred for one transfer request. You can specify the number of transfer operations, up a maximum of 65,535, in DMACm.DMCRAL. When these bits are set to 0000h, no number of operations is specified and data transfer is performed with the transfer counter stopped (free running mode). A transfer end interrupt request can be generated after completion of the specified number of transfer operations, except when in free running mode. Setting DMACm.DMCRB is invalid in normal transfer mode.

Table 17.3 summarizes the register update operation in normal transfer mode.

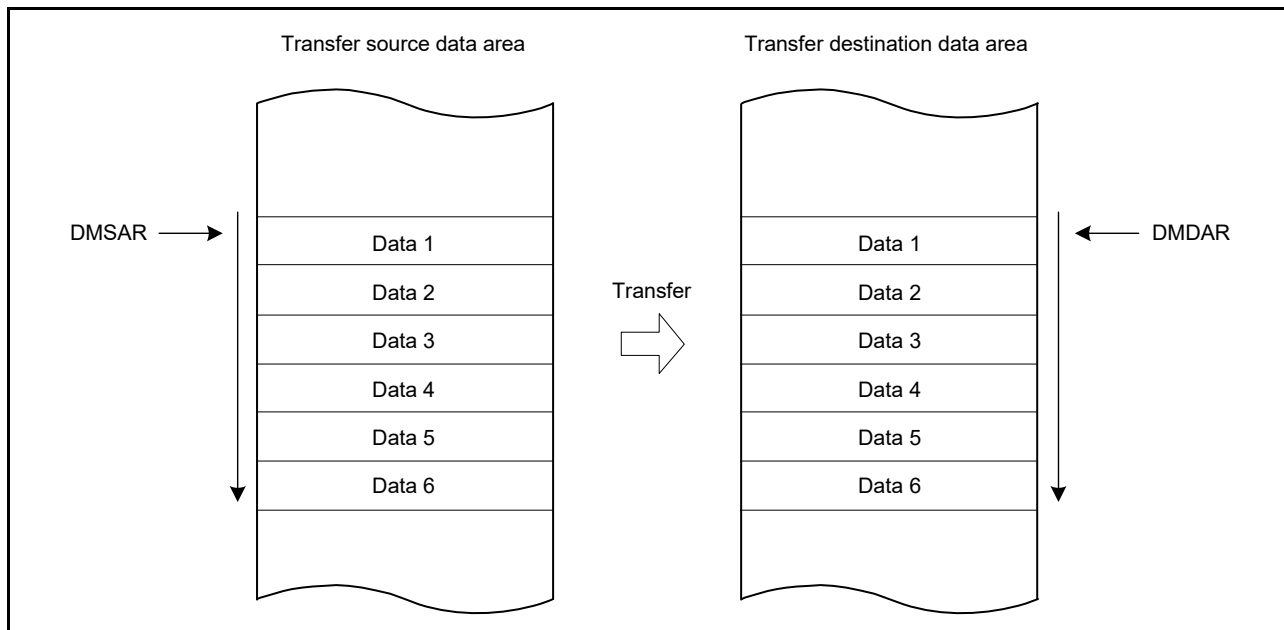
**Table 17.3 Register update operation in normal transfer mode (1 of 2)**

| Register    | Function                     | Update operation after completion of a transfer for one transfer request |
|-------------|------------------------------|--|
| DMACm.DMSAR | Transfer source address      | Increment, decrement, fixed, or offset addition                          |
| DMACm.DMDAR | Transfer destination address | Increment, decrement, fixed, or offset addition                          |

**Table 17.3 Register update operation in normal transfer mode (2 of 2)**

| Register     | Function       | Update operation after completion of a transfer for one transfer request |
|--------------|----------------|--|
| DMACm.DMCRAL | Transfer count | Decremented by 1 or not updated (in free running mode)                   |
| DMACm.DMCRAH | -              | Not updated (not used in normal transfer mode)                           |
| DMACm.DMCRB  | -              | Not updated (not used in normal transfer mode)                           |

Figure 17.2 shows the operation in normal transfer mode.



**Figure 17.2 Operation in normal transfer mode**

**(2) Repeat transfer mode**

In repeat transfer mode, one data unit is transferred for one transfer request. The repeat transfer size, up to a maximum of 1K data units, is set in DMACm.DMCRA. The number of repeat transfers, up to a maximum of 64K, is set in DMACm.DMCRB. The total data transfer size can be set to a maximum of 64M data units (1K data units × 64K repeat transfer operations).

You can specify either the transfer source or destination as a repeat area. When transfer of the repeat size data is complete, the address of the specified repeat area (DMSAR or DMDAR in DMACm) returns to the transfer start address. In this mode, when all data of the specified repeat size is transferred, DMA transfer can be stopped and a repeat size end interrupt can be requested. To resume DMA transfer, write 1 to the DTE bit in DMACm.DMCNT during repeat size end interrupt handling.

A transfer end interrupt request can be generated after completion of the specified number of repeat transfers.

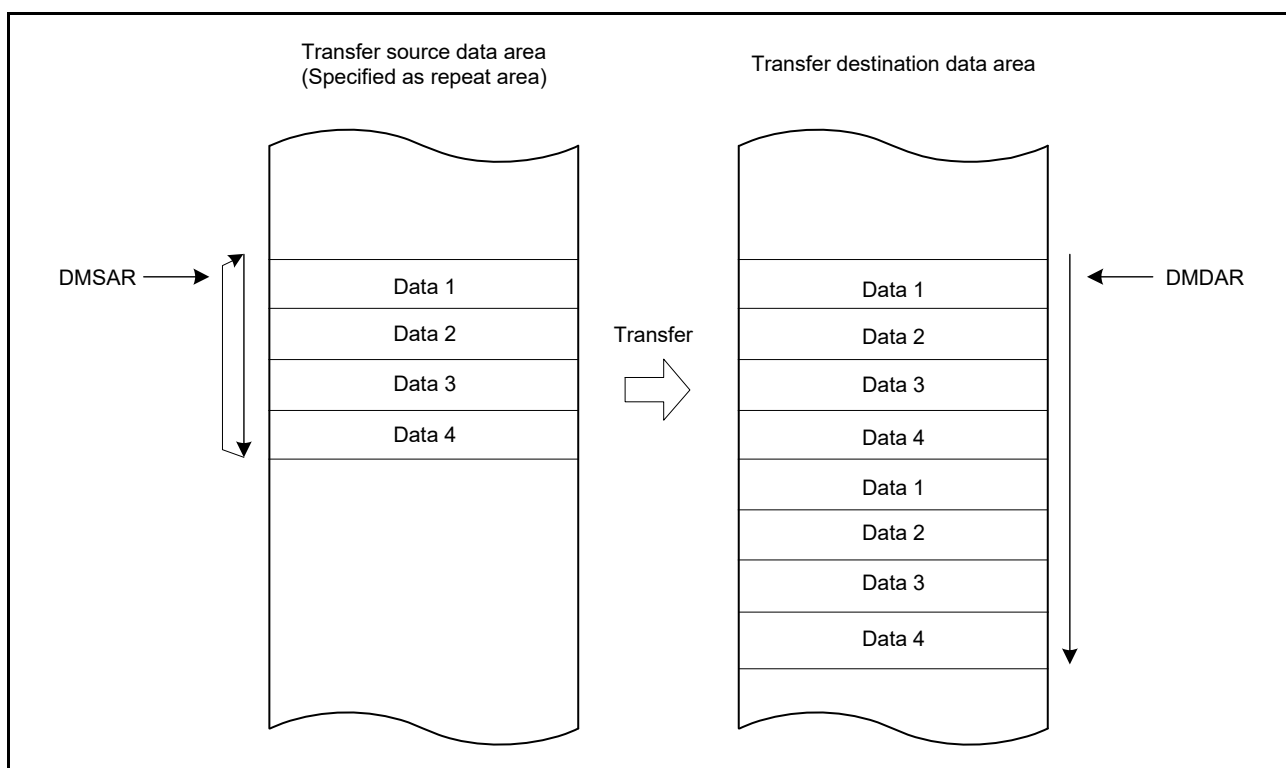
Table 17.4 summarizes the register update operation in repeat transfer mode, and Figure 17.3 shows the operation in repeat transfer mode.

**Table 17.4 Register update operation in repeat transfer mode (1 of 2)**

| Register    | Function                | Update operation after completion of a transfer for one transfer request |  |
|-------------|-------------------------|--|--|
|             |                         | When DMACm.DMCRAL is not 1   | When DMACm.DMCRAL is 1 (transfer of the last repeat size data unit)  |
| DMACm.DMSAR | Transfer source address | Increment, decrement, fixed, or offset addition                          | <ul style="list-style-type: none"> <li>DMACm.DMTMD.DTS[1:0] = 00b<br/>Increment, decrement, fixed, or offset addition</li> <li>DMACm.DMTMD.DTS[1:0] = 01b<br/>Initial value of DMACm.DMSAR</li> <li>DMACm.DMTMD.DTS[1:0] = 10b<br/>Increment, decrement, fixed, or offset addition.</li> </ul> |

**Table 17.4 Register update operation in repeat transfer mode (2 of 2)**

| Register     | Function                            | Update operation after completion of a transfer for one transfer request |  |
|--------------|-------------------------------------|--|--|
|              |                                     | When DMACm.DMCRAL is not 1   | When DMACm.DMCRAL is 1<br>(transfer of the last repeat size data unit)   |
| DMACm.DMDAR  | Transfer destination address        | Increment, decrement, fixed, or offset addition                          | <ul style="list-style-type: none"> <li>DMACm.DMTMD.DTS[1:0] = 00b<br/>Initial value of DMACm.DMDAR</li> <li>DMACm.DMTMD.DTS[1:0] = 01b<br/>Increment, decrement, fixed, or offset addition</li> <li>DMACm.DMTMD.DTS[1:0] = 10b<br/>Increment, decrement, fixed, or offset addition.</li> </ul> |
| DMACm.DMCRAH | Repeat size                         | Not updated  | Not updated  |
| DMACm.DMCRAL | Transfer count                      | Decrement by one   | DMACm.DMCRAH   |
| DMACm.DMCRB  | Count of repeat transfer operations | Not updated  | Decrement by 1   |



**Figure 17.3 Operation in repeat transfer mode**

**(3) Block transfer mode**

In block transfer mode, a single data block is transferred for one transfer request. The block size, up to a maximum of 1K data units, is set in DMACm.DMCRA. The number of block transfers, up to a maximum of 64K, is set in DMACm.DMCRB. A total data transfer size up to a maximum of 64M data units (1K data units × 64K block transfer operations) can be set.

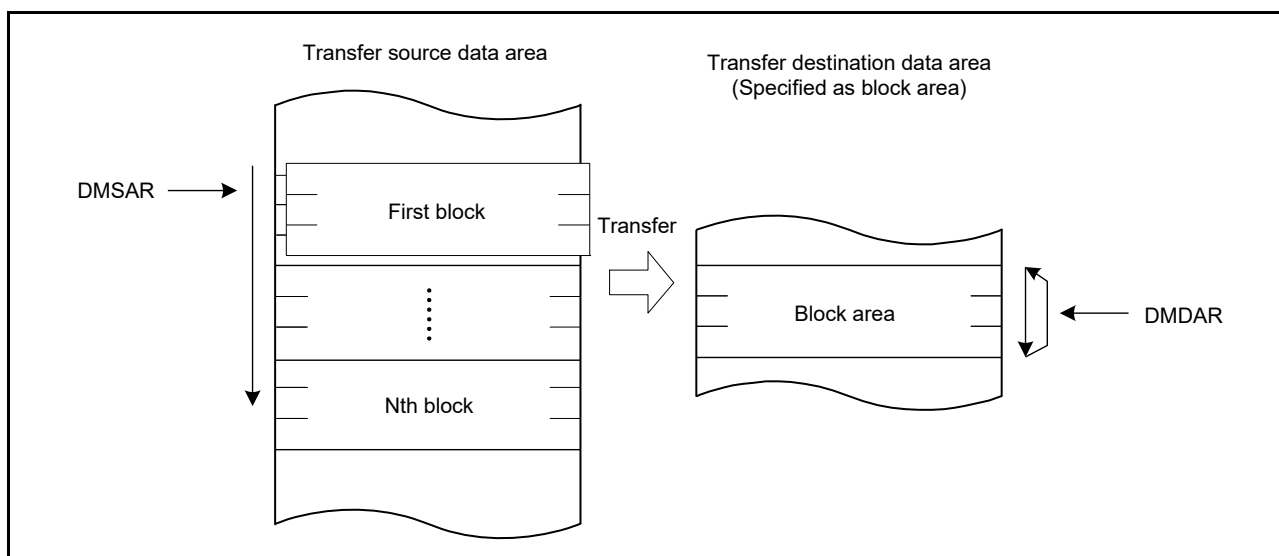
You can specify either the transfer source or destination as a block area. When transfer of a single data block is complete, the address of the specified block area (DMSAR or DMDAR in DMACm) returns to the transfer start address. In this mode, when all data in a single block is transferred, DMA transfer can be stopped and a repeat size end interrupt can be requested. To resume DMA transfer, write 1 to the DTE bit in DMACm.DMCNT during repeat size end interrupt handling.

A transfer end interrupt request can be generated after completion of the specified number of block transfers.

Table 17.5 summarizes the register update operation in block transfer mode, and Figure 17.4 shows the operation in block transfer mode.

**Table 17.5 Register update operation in block transfer mode**

| Register     | Function                           | Update operation after completion of single-block transfer for one transfer request  |
|--------------|------------------------------------|--|
| DMACm.DMSAR  | Transfer source address            | <ul style="list-style-type: none"> <li>• DMACm.DMTMD.DTS[1:0] = 00b<br/>Increment, decrement, fixed, or offset addition</li> <li>• DMACm.DMTMD.DTS[1:0] = 01b<br/>Initial value of DMACm.DMSAR</li> <li>• DMACm.DMTMD.DTS[1:0] = 10b<br/>Increment, decrement, fixed, or offset addition.</li> </ul> |
| DMACm.DMDAR  | Transfer destination address       | <ul style="list-style-type: none"> <li>• DMACm.DMTMD.DTS[1:0] = 00b<br/>Initial value of DMACm.DMDAR</li> <li>• DMACm.DMTMD.DTS[1:0] = 01b<br/>Increment, decrement, fixed, or offset addition</li> <li>• DMACm.DMTMD.DTS[1:0] = 10b<br/>Increment, decrement, fixed, or offset addition.</li> </ul> |
| DMACm.DMCRAH | Block size                         | Not updated  |
| DMACm.DMCRAL | Transfer count                     | DMACm.DMCRAH   |
| DMACm.DMCRB  | Count of block transfer operations | Decrement by 1   |

**Figure 17.4 Operation in block transfer mode**

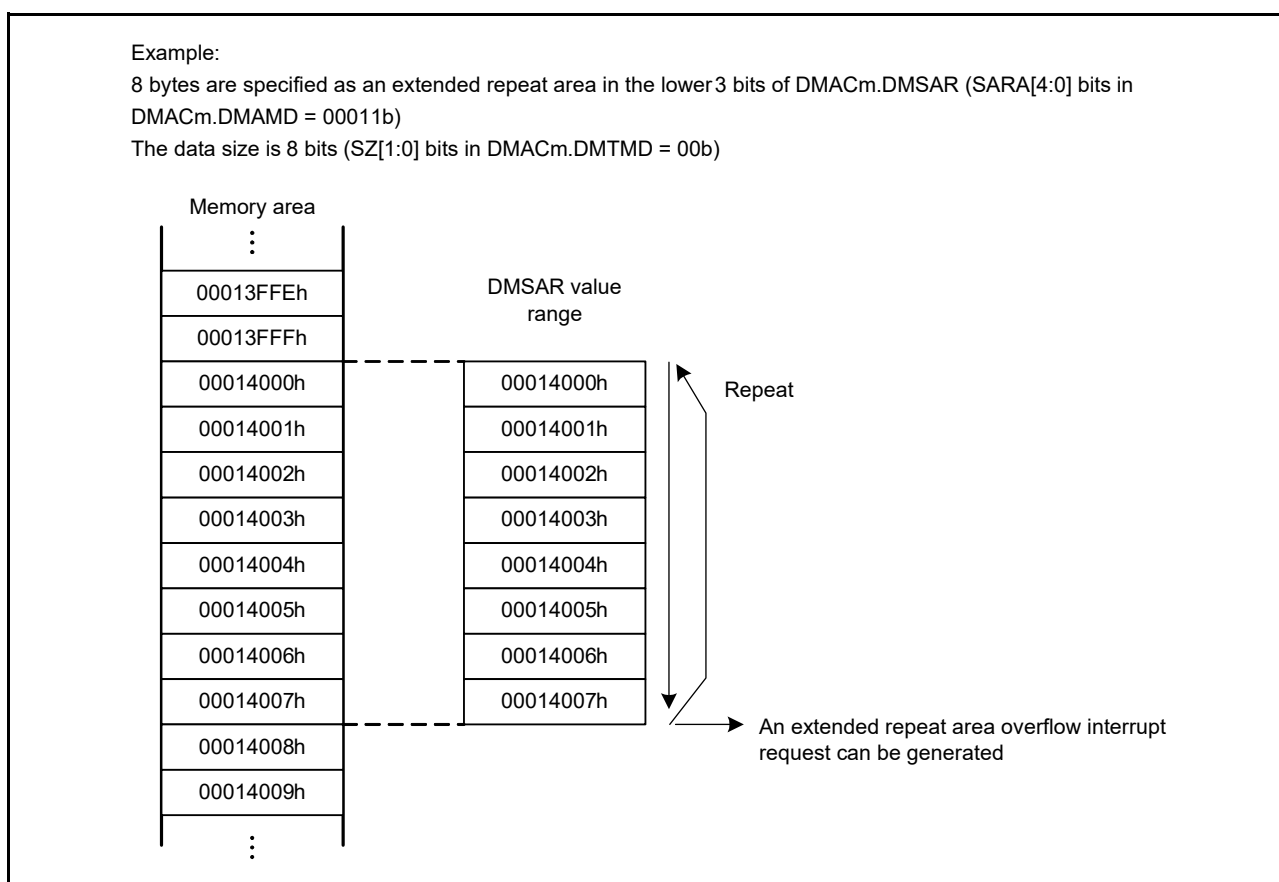
### 17.3.2 Extended Repeat Area Function

The DMAC supports extended repeat areas on the transfer source and destination addresses, specified separately in the transfer source address register (DMSAR) and transfer destination address register (DMDAR) of DMACm. When this function is set, the address registers repeatedly indicate the addresses of the specified extended repeat areas.

The extended repeat area on the source address is specified in the SARA[4:0] bits in DMACm.DMAMD. The extended repeat area on the destination address is specified in the DARA[4:0] bits in DMACm.DMAMD. You can specify different sizes for the source and destination. However, you must not specify a transfer source or destination that is set as the repeat or block area as the extended repeat area.

When the address register value reaches the end address of the extended repeat area and the extended repeat area overflows, DMA transfer is stopped and an extended repeat area overflow interrupt can be requested. When an overflow occurs in the extended repeat area on the transfer source while the SARIE bit in DMACm.DMINT is set to 1, the ESIF flag in DMACm.DMSTS is set to 1 and the DTE bit in DMACm.DMCNT clears to 0 to stop DMA transfer. At this point, if the ESIE bit in DMACm.DMINT is set to 1, an extended repeat area overflow interrupt is requested. When the DARIE bit in DMACm.DMINT is set to 1, the destination address register becomes a target for the function. To resume DMA transfer, write 1 to the DTE bit in DMACm.DMCNT during interrupt handling.

Figure 17.5 shows an example of the extended repeat area operation.



**Figure 17.5 Example of extended repeat area operation**

When using extended repeat area overflow interrupts in block transfer mode, consider the following points:

- When a transfer is stopped by an extended repeat area overflow interrupt, the address register must be set so that the block size is a power of 2 or the block size boundary is aligned with the extended repeat area boundary. When an overflow on the extended repeat area occurs during a transfer of one block, the overflow interrupt is suspended until transfer of the block is complete, and the transfer overruns.

Figure 17.6 shows an example of using the extended repeat area function in block transfer mode.

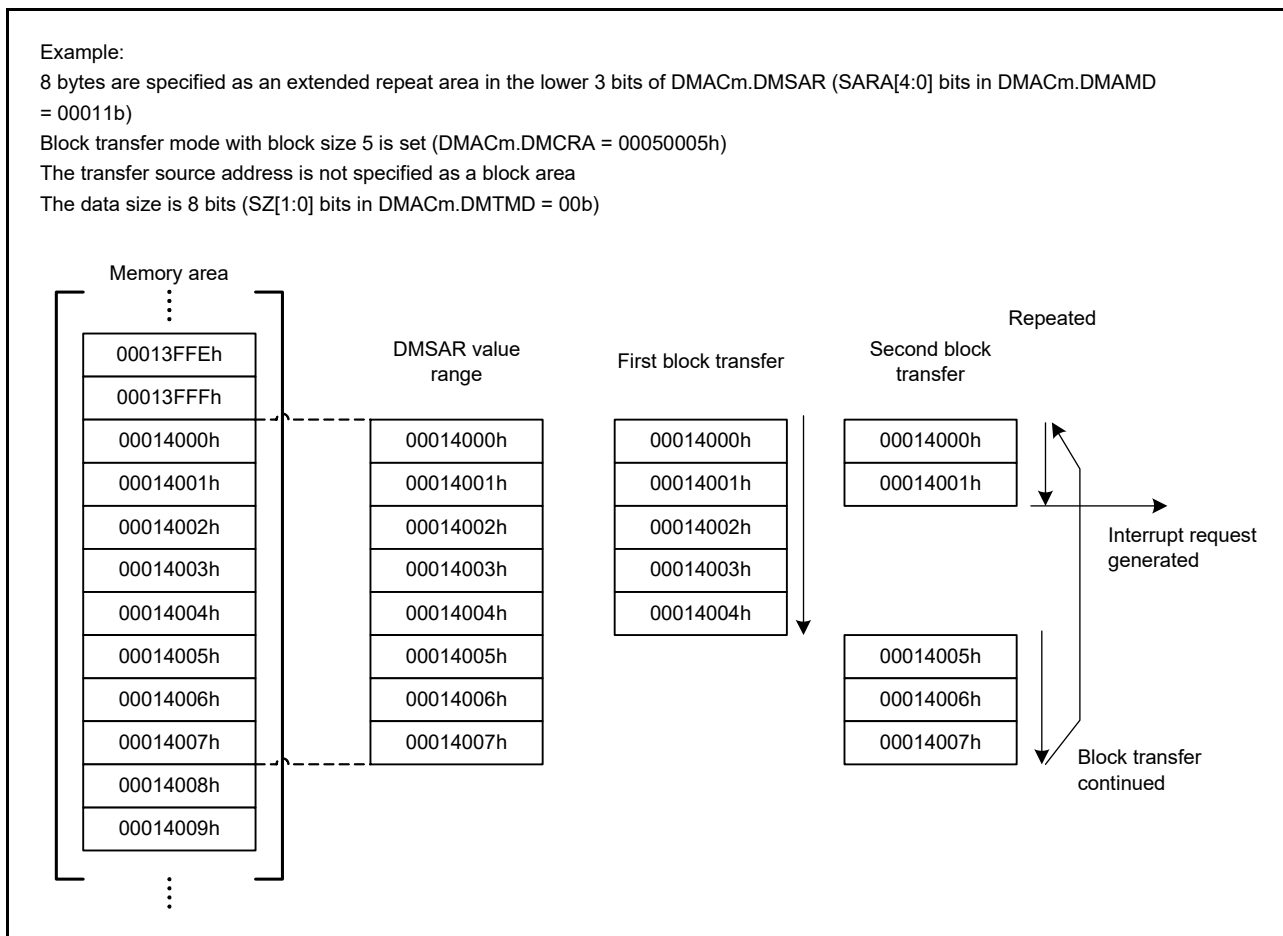


Figure 17.6 Example of extended repeat area function in block transfer mode

### 17.3.3 Address Update Function Using Offset

The source and destination addresses can be updated by fixing, incrementing, decrementing, or adding an offset. When offset addition is selected, the offset specified in the DMA Offset Register (DMACm.DMOFR) is added to the address every time the DMAC performs one data transfer. You can also subtract an offset by setting a negative value in DMACm.DMOFR. The negative value must be in two's complement.

Table 17.6 shows the address update method in each address update mode.

Table 17.6 Address update method in each address update mode

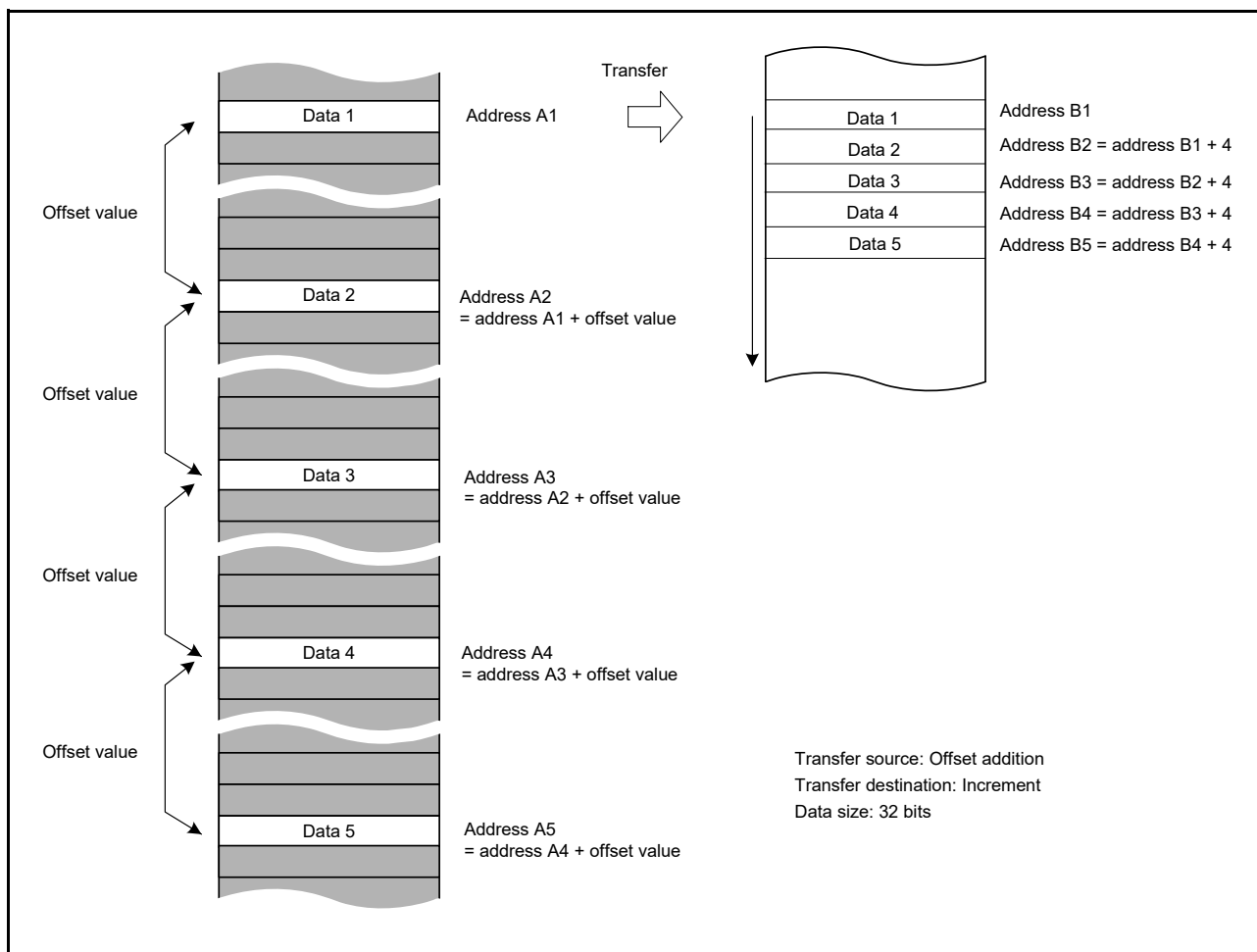
| Address update mode | Settings of DMACm.DMAMD.SM[1:0] and DMACm.DMAMD.DM[1:0] for address update modes | Address update method for different SZ[1:0] settings in DMACm.DMTMD |               |               |
|---------------------|--|---|---------------|---------------|
|                     |  | SZ[1:0] = 00b   | SZ[1:0] = 01b | SZ[1:0] = 10b |
| Address fixed       | 00b  | Fixed   |               |               |
| Offset addition     | 01b  | +DMACm.DMOFR*1  |               |               |
| Increment           | 10b  | +1  | +2            | +4            |
| Decrement           | 11b  | -1  | -2            | -4            |

Note 1. When setting a negative value in the DMA Offset Register, the value must be in two's complement, obtained by the following formula:  
 two's complement of a negative offset value =  $\sim(\text{offset}) + 1$  ( $\sim$  = bit inversion)

#### (1) Basic transfer using offset addition

Figure 17.7 shows an example of address updating using offset addition.





**Figure 17.7 Example of address updating through offset addition**

In [Figure 17.7](#):

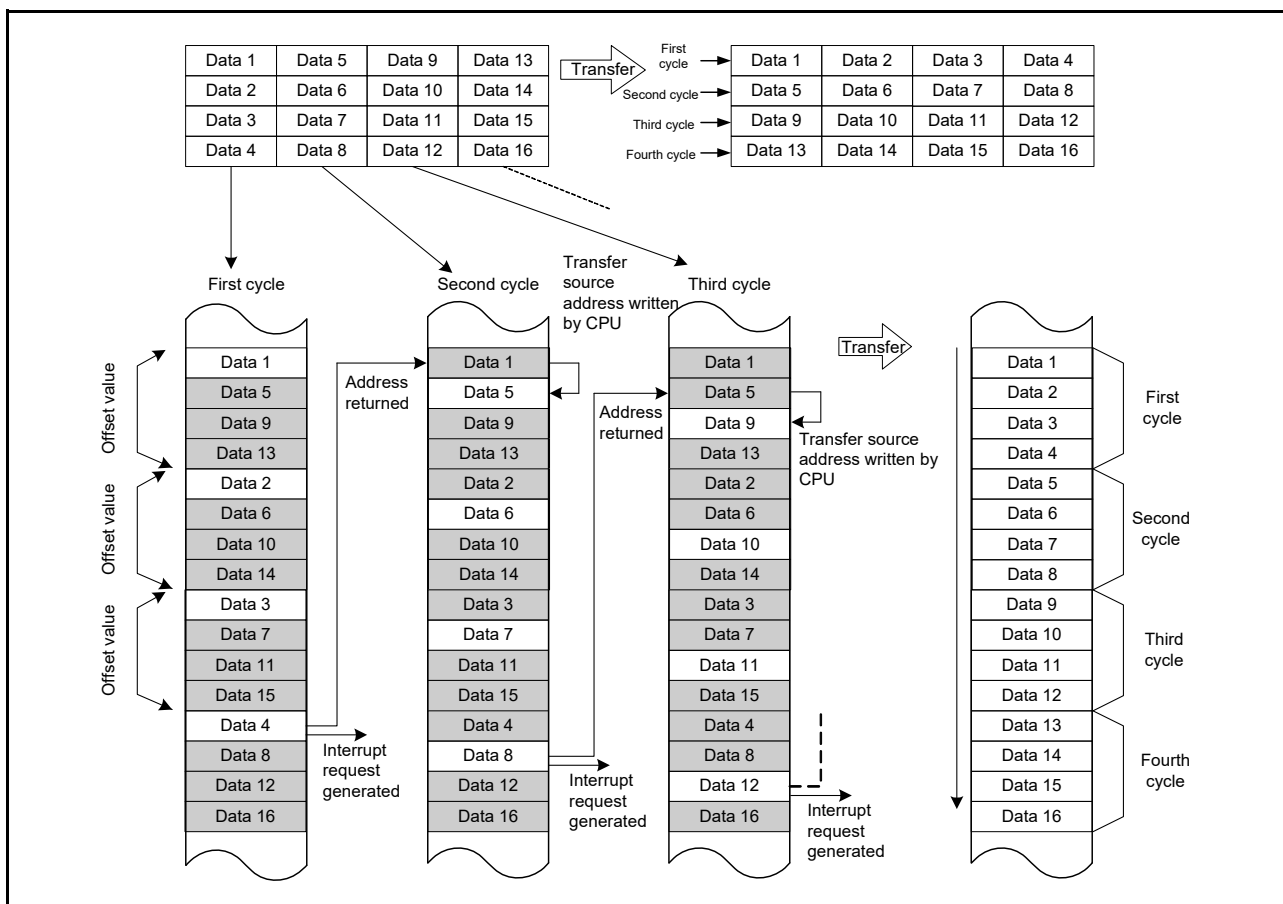
- The transfer data is 32 bits long
- Offset addition is set as the transfer source address update mode
- Increment is set as the transfer destination address update mode.

The second and subsequent data units are each read from the source address obtained by adding the offset value to the previous address. The data read from the addresses at the specified intervals is written to continuous locations on the destination.

## (2) Example of XY conversion using offset addition

[Figure 17.8](#) shows XY conversion using offset addition in repeat transfer mode. The settings are as follows:

- DMAC0.DMAMD — Transfer source address update mode: offset addition
- DMAC0.DMAMD — Transfer destination address update mode: destination address is incremented
- DMAC0.DMTMD — Transfer data size select: 32 bits
- DMAC0.DMTMD — Transfer mode select: repeat transfer
- DMAC0.DMTMD — Repeat area select: the source is specified as the repeat area
- DMAC0.DMOFR — Offset address: 10h
- DMAC0.DMCRA — Repeat size: 4h
- DMAC0.DMINT — The repeat size end interrupt is enabled.



**Figure 17.8 XY conversion operation using offset addition in repeat transfer mode**

When a transfer starts, the offset value is added to the transfer source address every time data is transferred. The transfer data is written to continuous destination addresses. When data 4 is transferred:

- The repeat size of the transfers is complete
- The transfer source address returns to the transfer start address (the address of data 1 on the transfer source)
- A repeat size end interrupt is requested.

During the time this interrupt pauses the transfer, perform the following:

- DMAC0.DMSAR — Rewrite the DMA transfer source address to the address of data 5 (in this example, the data 1 address + 4)
- DMAC0.DMCNT — Set the DTE bit to 1.

The DMA transfer resumes from the state when the DMA transfer was stopped. The same operations are repeated until the transfer source data is transposed to the destination area (XY conversion).

Figure 17.9 shows a flow of the XY conversion.

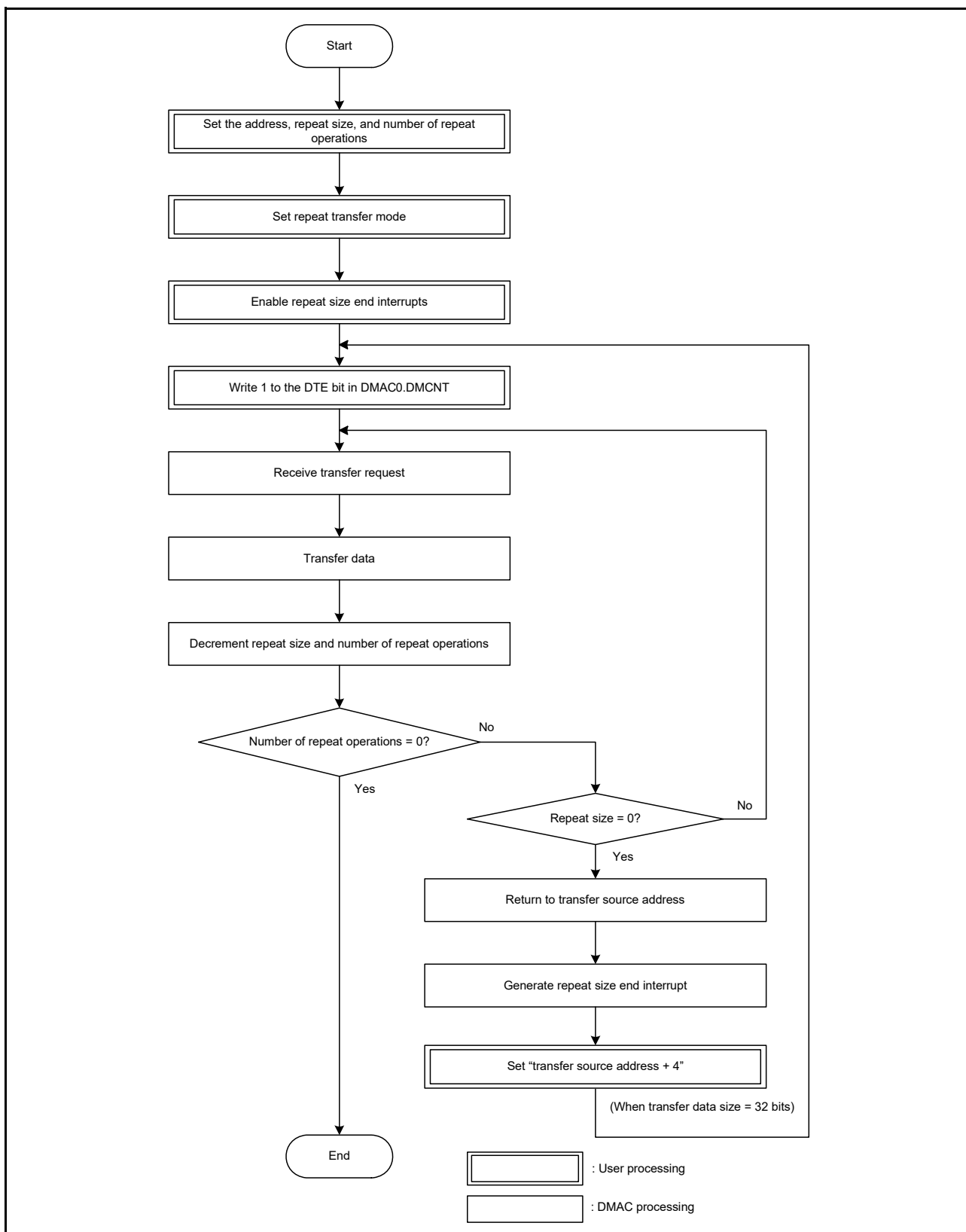


Figure 17.9 XY conversion flow using offset addition in repeat transfer mode

### 17.3.4 Activation Sources

Software, interrupt requests from the peripheral modules, and external interrupt requests can all be specified as DMAC activation sources. Set the DCTG[1:0] bits in DMACm.DMTMD to select the activation source.

### (1) DMAC activation through software

To start DMA transfer through software:

1. Set the DCTG[1:0] bits in DMACm.DMTMD to 00b.
2. Set the DTE bit in DMACm.DMCNT to 1 (enable DMA transfer).
3. Set the DMST bit in DMAST to 1 (enable DMAC activation).
4. Set the SWREQ bit in DMACm.DMREQ to 1 (request DMA).

When the DMAC is activated by software while the CLRS bit in DMACm.DMREQ is 0, the SWREQ bit in DMACm.DMREQ clears to 0 after data transfer starts in response to a DMA transfer request.

When the DMAC is activated by software while the CLRS bit is 1, SWREQ does not clear to 0 after data transfer starts. A DMA transfer request is issued again after completion of a transfer.

### (2) DMAC activation through interrupt requests from on-chip peripheral modules or external interrupt requests

You can specify interrupt requests from on-chip peripheral modules and external interrupt requests as DMAC activation sources. The activation source can be individually selected for each channel in ICU.DELSRn.DELS[8:0] (n = 0 to 7).

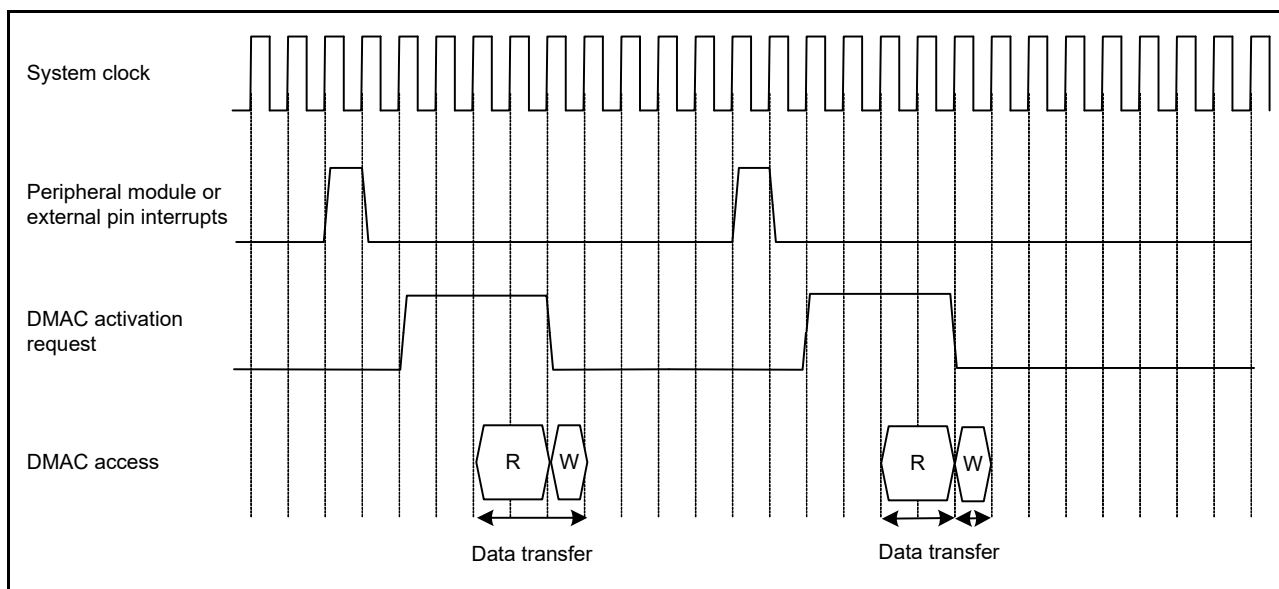
To start DMAC transfer through an interrupt request from an on-chip peripheral module or an external interrupt request:

1. Set the DCTG[1:0] bits in DMACm.DMTMD to 01b (select interrupts from the peripheral modules and the external interrupt pins).
2. Set the DTE bit in DMACm.DMCNT to 1 (enable DMA transfer).
3. Set ICU.DELSRn.DSEL to the event number (select the DMAC event link).
4. Set the DMST bit in DMAST to 1 (enable DMAC activation).

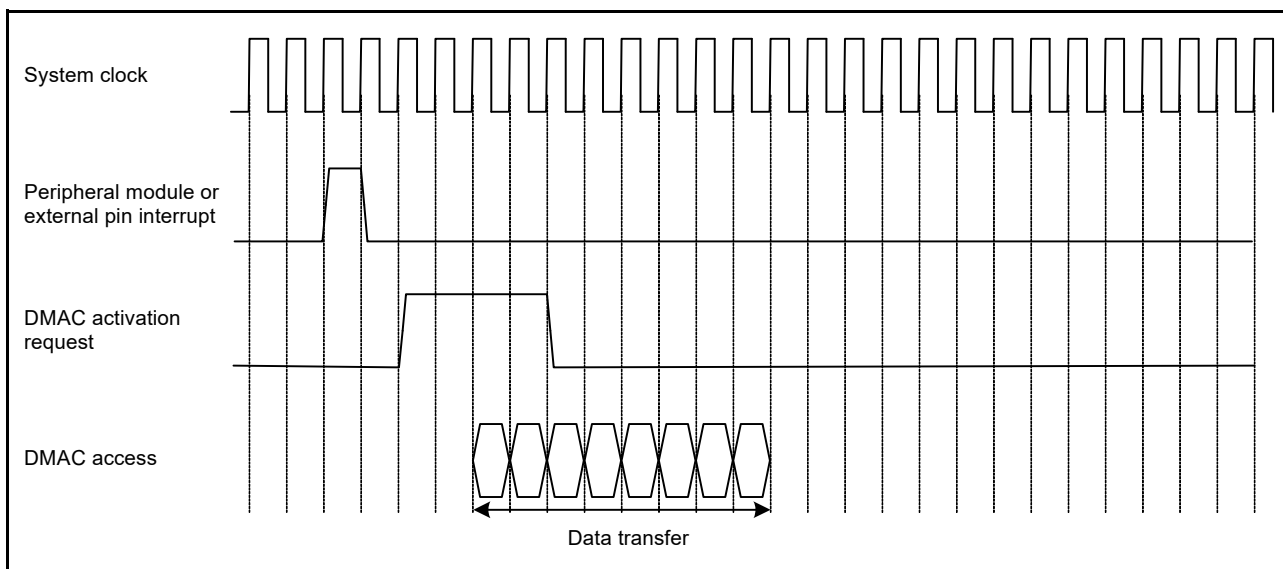
For interrupt requests specified as DMAC activation sources, see [Table 14.3, Interrupt vector table](#) in [section 14, Interrupt Controller Unit \(ICU\)](#).

## 17.3.5 Operation Timing

The following timing diagrams show the minimum number of execution cycles.



**Figure 17.10** DMAC operation timing example 1 with DMA activation by interrupt from peripheral module or external interrupt input pin, in normal transfer mode or repeat transfer mode



**Figure 17.11** DMAC operation timing example 2 with DMA activation by interrupt from peripheral module or external interrupt input pin, in block transfer mode with block size = 4

### 17.3.6 Execution Cycles of DMAC

Table 17.7 lists the execution cycles in one DMAC data transfer operation.

**Table 17.7** DMAC execution cycles

| Transfer mode | Data transfer (read) | Data transfer (write) |
|---------------|----------------------|-----------------------|
| Normal        | $Cr+Cs+1$            | $Cw+Cs$               |
| Repeat        | $Cr+Cs+1$            | $Cw+Cs$               |
| Block*1       | $P \times (Cr+Cs)$   | $P \times (Cw+Cs)$    |

Note: P = Block size (DMCRAH register setting).  
 Cr = Read destination access cycle.  
 Cw = Data write destination access cycle.  
 Cs = When accessing SRAMHS and peripheral modules related to system control: 2 cycles.  
       When accessing elsewhere: 0 cycles.  
       When a slave bus changes by a read/write data transfer, add 1 more cycle.

Note 1. This is the case when the block size is 2 or more. When the block size is 1, normal transfer cycle applies.

Cr and Cw depend on the access destination. For the number of cycles of each access destination, see section 51, SRAM, section 53, Flash Memory, and section 15.2.3, External Bus. The frequency ratio of the system clock and the peripheral clock is also taken into consideration.

The unit for +1 in the data transfer (read) column is 1 system clock cycle, ICLK. For the operation example, see section 17.3.5, Operation Timing.

The DMAC response time is the time from when the DMAC activation source is detected until the DMAC transfer starts.

Table 17.7 does not include the time until the DMAC data transfer starts after the DMAC activation source becomes active.

### 17.3.7 Activating the DMAC

Figure 17.12 shows the register setting procedure.

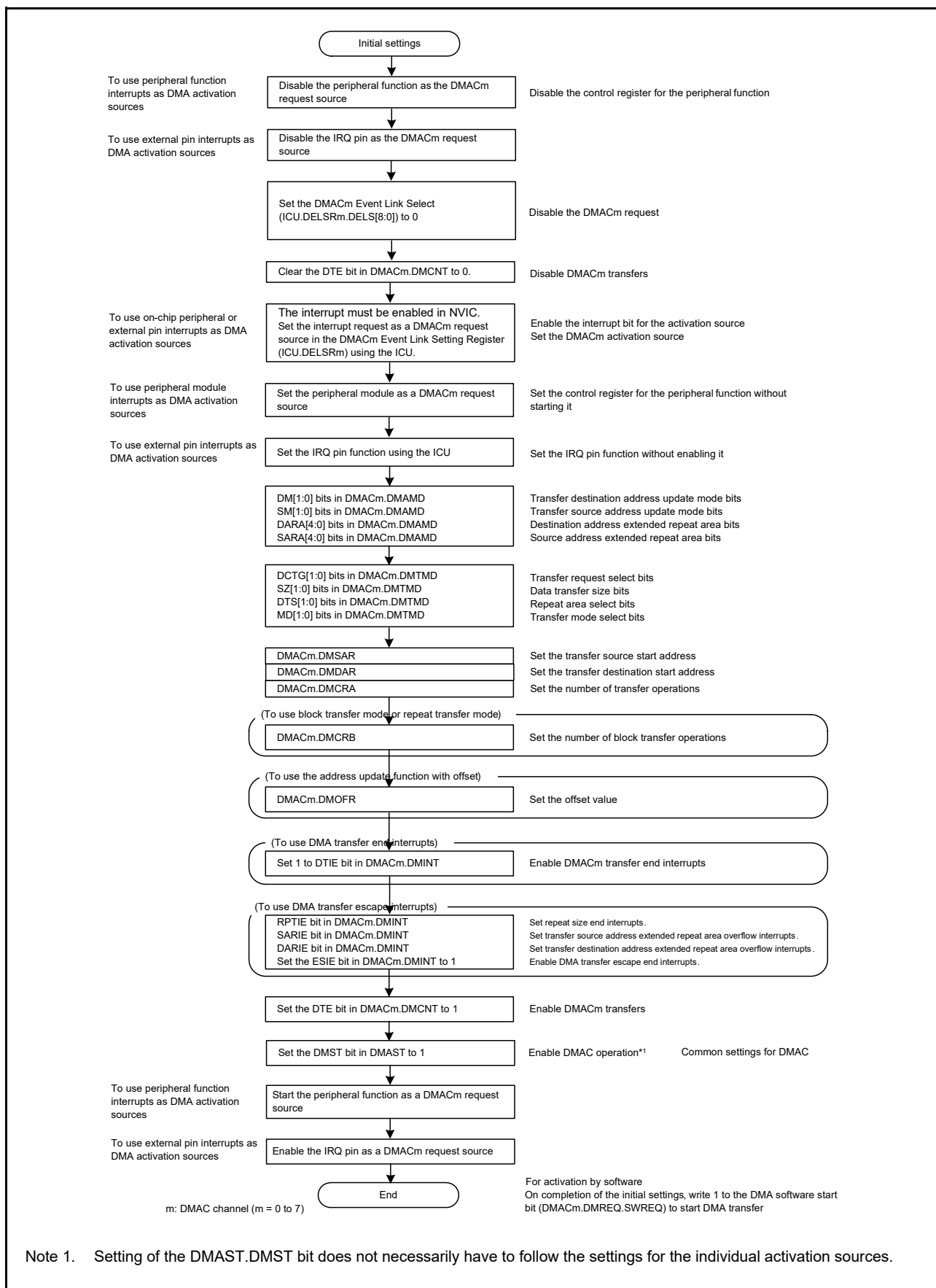


Figure 17.12 Register setting procedure

### 17.3.8 Starting DMA Transfer

To enable a DMA transfer of channel *m*, set the DTE bit in DMACm.DMCNT to 1 (DMA transfer enabled) and set the DMST bit in DMAST to 1 (DMAC activation enabled). New activation requests are not accepted during the transfer of another DMAC channel or DTC. When the proceeding transfer is complete, channel arbitration selects the DMA transfer request of the highest priority channel, and DMA transfer of that channel starts. When DMA transfer starts, the ACT flag in DMACm.DMSTS is set to 1 (the DMAC is in the active state).

### 17.3.9 Registers during DMA Transfer

The DMAC registers are updated by a DMA transfer. The value to be updated differs according to the other settings and the transfer state. The registers that are updated are DMSAR, DMDAR, DMCRA, DMCRB, DMCNT, and DMACm.DMSTS, described in the following sections. For details on register update operations in each transfer mode, see [Table 17.3](#) to [Table 17.5](#).

#### (1) DMA Source Address Register (DMACm.DMSAR)

After the data for one transfer request is transferred, the contents of DMSAR are updated to the address to be accessed by the next transfer request.

#### (2) DMA Destination Address Register (DMACm.DMDAR)

After the data for one transfer request is transferred, the contents of DMDAR are updated to the address to be accessed by the next transfer request.

#### (3) DMA Transfer Count Register (DMACm.DMCRA)

After the data for one transfer request is transferred, the count value is updated. The update operation depends on the transfer mode selected.

#### (4) DMA Block Transfer Count Register (DMACm.DMCRB)

After the data for one transfer request is transferred, the count value is updated. The update operation depends on the transfer mode selected.

#### (5) DMA Transfer Enable bit (DMACm.DMCNT.DTE)

The DMACm.DMCNT.DTE bit enables or disables data transfer through register write access. It is automatically cleared to 0 by the DMAC based on the DMA transfer state.

The conditions for clearing this bit by the DMAC are as follows:

- When the specified total volume of data transfer is complete
- When DMA transfer is stopped by a repeat size end interrupt
- When DMA transfer is stopped by an extended repeat area overflow interrupt.

Writing to the registers for channels whose associated DMACm.DMCNT.DTE bit is set to 1 is prohibited except for DMACm.DMCNT. Writes are only possible after the bit clears to 0.

#### (6) DMA Active flag (DMACm.DMSTS.ACT)

The ACT flag in DMSTS of DMACm indicates whether the DMACm is in the idle or active state. This flag is set to 1 when the DMAC starts data transfer, and clears to 0 when data transfer for one transfer request is complete. Even when DMA transfer is stopped by write of 0 to the DTE bit in DMACm.DMCNT, this flag remains 1 until DMA transfer is complete.

#### (7) Transfer End Interrupt Flag (DMACm.DMSTS.DTIF)

The DTIF flag in DMACm.DMSTS is set to 1 after DMA transfer of the total transfer size is complete. When both this flag and the DTIE bit in DMACm.DMINT are 1, a transfer end interrupt is requested. This flag is set to 1 when the DMA transfer bus cycle is complete and the ACT flag in DMACm.DMSTS clears to 0, indicating the DMA transfer end. The flag automatically clears to 0 when the DTE bit in DMACm.DMCNT is set to 1 during interrupt handling.

#### (8) Transfer Escape End Interrupt Flag (DMACm.DMSTS.ESIF)

The ESIF flag in DMACm.DMSTS is set to 1 when a repeat size end interrupt or extended repeat area overflow interrupt

is requested. When this bit and the ESIE bit in DMACm.DMINT are 1, a transfer escape end interrupt is requested. This flag is set to 1 when the bus cycle of the DMA transfer that caused the interrupt request is complete and the ACT flag in DMACm.DMSTS clears to 0, indicating the DMA transfer end. The flag automatically clears to 0 when the DTE bit in DMACm.DMCNT is set to 1 during interrupt handling.

You must set the interrupt control register before sending an interrupt request from the DMAC to the CPU or the DTC. For more information, see [section 14, Interrupt Controller Unit \(ICU\)](#).

### 17.3.10 Channel Priority

When multiple DMA transfer requests occur, the DMAC determines the priority of channels that have DMA transfer requests.

The priority is fixed as channel 0 > channel 1 > channel 2 > channel 3 > channel 4 > channel 5 > channel 6 > channel 7. (channel 0 is the highest.)

When a DMA transfer request occurs during data transfer, channel arbitration starts after the final data unit is transferred, and DMA transfer of the highest-priority channel starts.

## 17.4 Ending DMA Transfer

The operation for ending a DMA transfer depends on the transfer end conditions. When a DMA transfer ends, the DTE bit in DMCNT and the ACT flag in DMACm.DMSTS change from 1 to 0.

### 17.4.1 Transfer End by Completion of Specified Total Number of Transfer Operations

#### (1) In normal transfer mode (DMACm.DMTMD.MD[1:0] = 00b)

When the value of DMACm.DMCRAL changes from 1 to 0, DMA transfer ends on the associated channel, the DTE bit in DMACm.DMCNT clears to 0, and the DTIF flag in DMACm.DMSTS is set to 1. If the DTIE bit in DMACm.DMINT is 1 at this time, a transfer end interrupt request is sent to the CPU or the DTC.

#### (2) In repeat transfer mode (DMACm.DMTMD.MD[1:0] = 01b)

When the value of DMACm.DMCRB changes from 1 to 0, DMA transfer ends on the associated channel, the DTE bit in DMACm.DMCNT clears to 0, and the DTIF flag in DMACm.DMSTS is set to 1. If the DTIE bit in DMACm.DMINT is 1 at this time, an interrupt request is sent to the CPU or the DTC.

#### (3) In block transfer mode (DMACm.DMTMD.MD[1:0] = 10b)

When the value of DMACm.DMCRB changes from 1 to 0, DMA transfer ends on the associated channel, the DTE bit in DMACm.DMCNT clears to 0, and the DTIF flag in DMACm.DMSTS is set to 1. If the DTIE bit in DMACm.DMINT is 1 at this time, an interrupt request is sent to the CPU or the DTC.

You must set the interrupt control register before sending an interrupt request from the DMAC to the CPU or the DTC. For more information, see [section 14, Interrupt Controller Unit \(ICU\)](#).

### 17.4.2 Transfer End by Repeat Size End Interrupt

In repeat transfer mode, if the RPTIE bit in DMACm.DMINT is 1, a repeat size end interrupt is requested when transfer of a single repeat size of data is complete. The DTE bit in DMACm.DMCNT clears to 0 and the ESIF flag in DMACm.DMSTS is set to 1. If the ESIE bit in DMACm.DMINT is 1 at this time, an interrupt request is sent to the CPU or the DTC. To resume the transfer, write 1 to the DTE bit in DMACm.DMCNT.

A repeat size end interrupt can also be requested in block transfer mode. When transfer of a single block size of data is complete, the interrupt is requested in the same way as in repeat transfer mode.

You must set the interrupt control register before sending an interrupt request from the DMAC to the CPU or the DTC. For more information, see [section 14, Interrupt Controller Unit \(ICU\)](#).

### 17.4.3 Transfer End by Interrupt on Extended Repeat Area Overflow

When an overflow on the extended repeat area occurs while the extended repeat area is specified and the SARIE or DARIE bit in DMACm.DMINT is 1, an extended repeat area overflow interrupt is requested. The DMA transfer is terminated, the DTE bit in DMACm.DMCNT clears to 0, and the ESIF flag in DMACm.DMSTS is set to 1. If the ESIE



bit in DMACm.DMINT is 1 at this time, an interrupt request is sent to the CPU or the DTC.

If this interrupt is requested during a read cycle, the subsequent write cycle is performed. In block transfer mode, if the interrupt is requested during a 1-block transfer, the remaining data in the block is transferred before transfer stops.

Before sending an interrupt request from the DMAC to the CPU or the DTC, the interrupt control register must be set. For more information, see [section 14, Interrupt Controller Unit \(ICU\)](#).

### 17.4.4 Precautions for the End of DMA Transfer

A DMA activation request source might occur in the next request after a DMA transfer completes. If this happens, the DMA transfer starts and the DMA activation request is held in DMAC. To prevent this, stop the DMA activation requests by clearing the DELSRn.DSELS[8:0] bits in the ICU to 0.

When the DMA activation request occurs after the last round of the DMA transfer is generated, clear the DMA activation request by setting ICU.DELSRm.IR bit to 0.

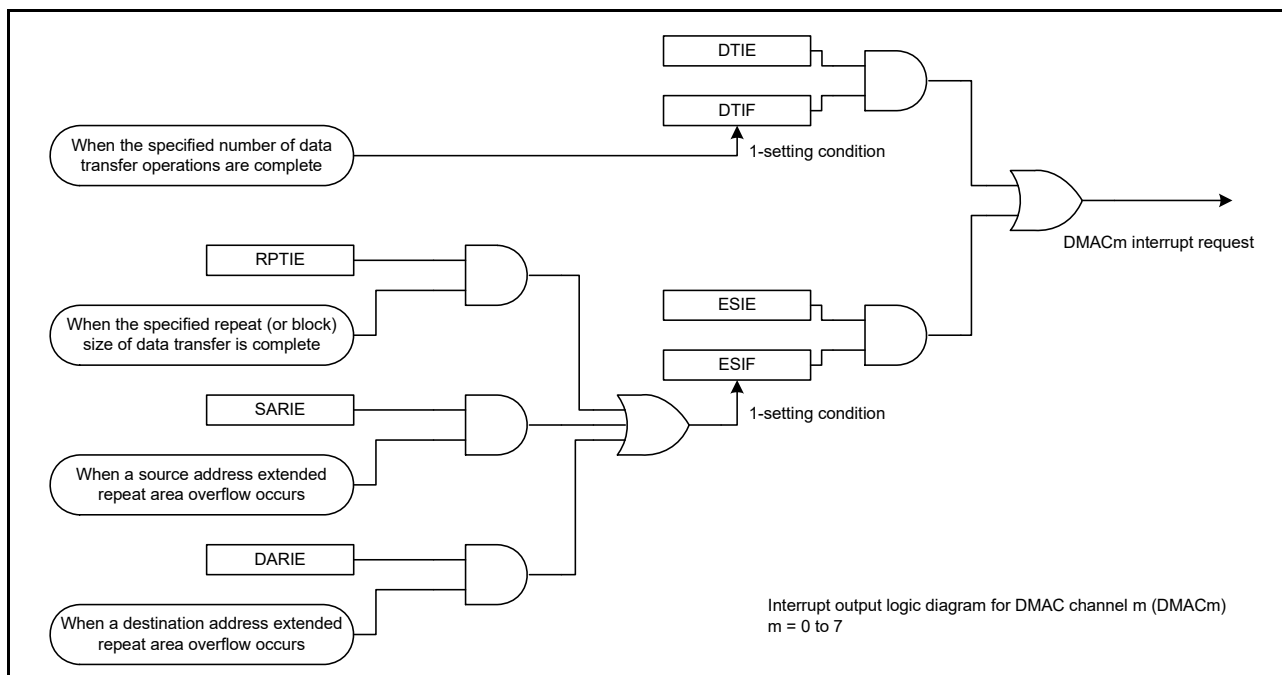
## 17.5 Interrupts

Each DMAC channel can output an interrupt request (DMACm\_INT) to the CPU or DTC after transfer for one request is complete. When the transfer destination is the external bus, an interrupt request is generated after completion of a data write to the write buffer, and not to the actual transfer destination.

[Table 17.8](#) lists the interrupt sources and their associated status flags and enable bits. [Figure 17.13](#) shows the schematic logic diagram of the interrupt outputs (DMAC0 to DMAC7). [Figure 17.14](#) shows the DMAC interrupt handling routine for resuming and terminating DMA transfers.

**Table 17.8 Association between interrupt sources, interrupt status flags, and interrupt enable bits**

| Interrupt sources   |   | Interrupt enable bits | Interrupt status flags | Request output enable bits |
|---------------------|---|-----------------------|------------------------|----------------------------|
| Transfer end        |   | —                     | DMACm.DMSTS.DTIF       | DMACm.DMINT.DTIE           |
| Escape transfer end | Repeat size end                                   | DMACm.DMINT.RPTIE     | DMACm.DMSTS.ESIF       | DMACm.DMINT.ESIE           |
|                     | Source address extended repeat area overflow      | DMACm.DMINT.SARIE     |                        |                            |
|                     | Destination address extended repeat area overflow | DMACm.DMINT.DARIE     |                        |                            |



**Figure 17.13 Schematic logic diagram of interrupt outputs for DMAC0 to DMAC7**

Different procedures are used for canceling an interrupt to restart a DMA transfer in the following cases:

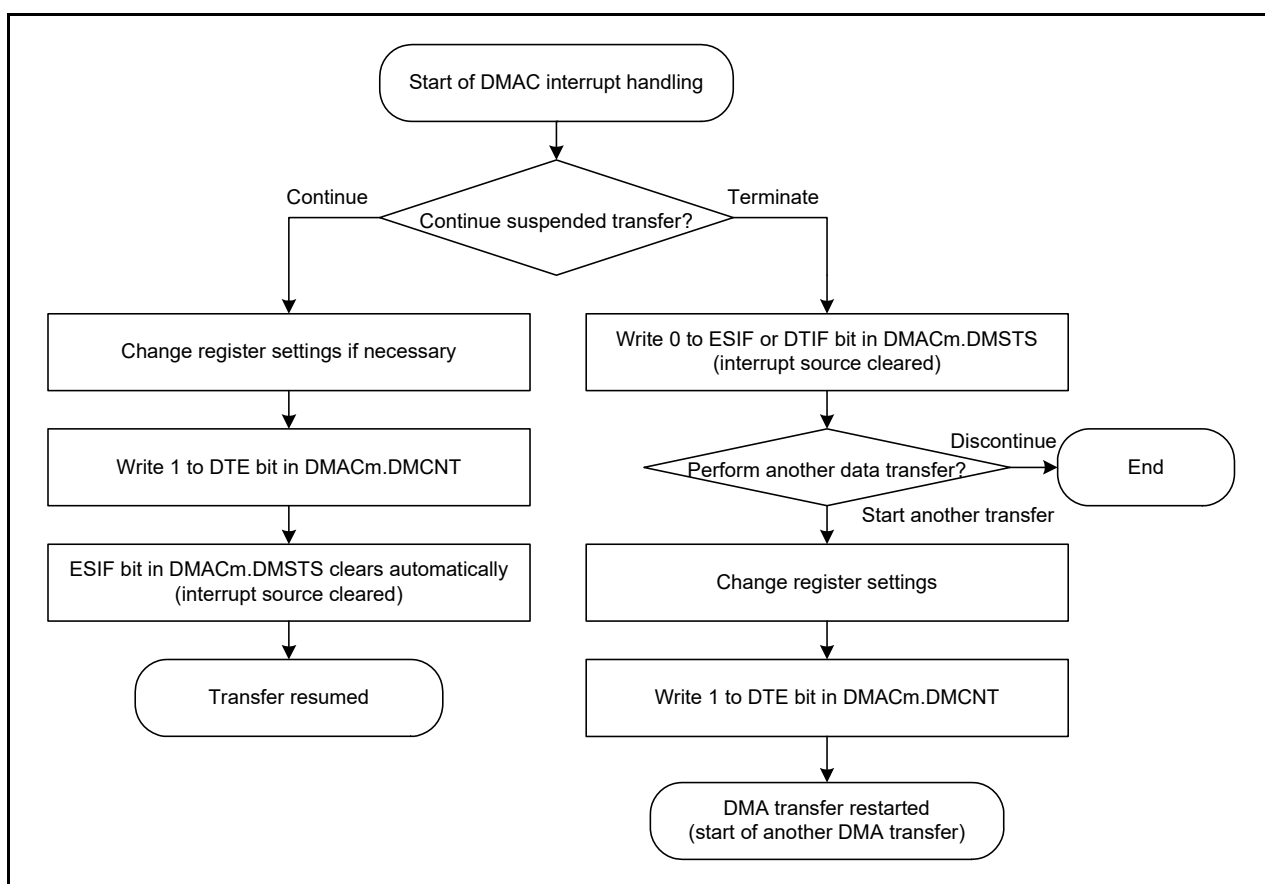
- When terminating a DMA transfer
- When continuing a DMA transfer.

### (1) When terminating a DMA transfer

Write 0 to the DTIF flag in DMACm.DMSTS to clear a transfer end interrupt, and to the ESIF flag in DMACm.DMSTS to clear a repeat size interrupt or an extended repeat area overflow interrupt. DMACm remains in the stopped state. When starting another DMA transfer, set the appropriate registers and set the DTE bit in DMACm.DMCNT to 1 (DMA transfer enabled).

### (2) When continuing a DMA transfer

Write 1 to the DTE bit in DMACm.DMCNT. The ESIF flag in DMSTS of DMACm automatically clears to 0 (interrupt source cleared), and the DMA transfer resumes.



**Figure 17.14** DMAC interrupt handling routine to resume or terminate a DMA transfer

## 17.6 Event Link

Each DMAC channel outputs an event link request signal (DMACm\_INT) every time it completes a data transfer, or a block transfer in block transfer mode. When the transfer destination is the external bus, the signal is generated when writing to the write buffer is accepted. For more information, see [section 19, Event Link Controller \(ELC\)](#).

## 17.7 Low Power Consumption Function

Before entering the module-stop state, Software Standby mode, or Deep Software Standby mode, you must first clear the DMST bit in DMAST to 0 (DMAC suspended) and use the settings in the sections that follow.

### (1) Module-stop function

Writing 1 to the MSTPA22 bit in MSTPCRA enables the module-stop function of the DMAC. If a DMA transfer is in

progress when 1 is written to MSTPA22, the transition to the module-stop state continues after DMA transfer ends. Access to the DMAC registers is prohibited while MSTPA22 is 1. Writing 0 to the MSTPA22 bit releases the DMAC from the module-stop state.

## (2) Software Standby and Deep Software Standby modes

Use the settings described in [section 11.7.1, Transition to Software Standby Mode](#) and [section 11.9.1, Transition to Deep Software Standby Mode](#).

If DMA transfer operations are in progress when the WFI instruction is executed, the DMA transfer completes before the transition to Software Standby mode or Deep Software Standby mode.

## (3) Notes on the low power consumption function

For information on the WFI instruction and register settings, see [section 11.10.7, Timing of WFI Instruction](#).

To perform a DMA transfer after returning from a low power consumption mode, set the DMST bit in DMAST to 1 again. To use a request that is generated in Software Standby mode as an interrupt request to the CPU but not as a DMAC startup request, specify the CPU as the interrupt request destination, as described in [section 14.4.2, Selecting Interrupt Request Destinations](#), then execute the WFI instruction.

## 17.8 Usage Notes

### 17.8.1 DMA Transfer to External Devices

In a DMA transfer to an external device, the ACT flag in DMACm.DMSTS may be set to 0 (DMAC transfer suspended) from the beginning of the final data write to the end of the external bus access.

### 17.8.2 Access to Registers during DMA Transfer

Do not write to the following registers of DMACm while the ACT flag in DMSTS of the associated channel is set to 1 (DMAC active state) or the DTE bit in DMCNT of the associated channel is set to 1 (DMA transfer enabled):

- DMSAR
- DMDAR
- DMCRA
- DMCRB
- DMTMD
- DMINT
- DMAMD
- DMOFR.

### 17.8.3 DMA Transfer to Reserved Areas

DMA transfer to reserved areas is prohibited. If such an access is made, transfer results are not guaranteed. For details on reserved areas, see [section 4, Address Space](#).

### 17.8.4 Setting the DMAC Event Link Setting Register of the Interrupt Controller Unit (ICU.DELSRn)

Before setting the DMAC Event Link Setting Register (ICU.DELSRn), make sure the DMA Transfer Enable bit (DMACm.DMCNT.DTE) is set to 0, disabling DMA transfer. Additionally, ensure that the DTC activation enable register (ICU.IELSRn.DTCE) associated with the event number set in the ICU.DELSRn register is not set to 1. For details on ICU.IELSRn.DTCE and ICU.DELSRn, see [section 14, Interrupt Controller Unit \(ICU\)](#).

### 17.8.5 Suspending or Restarting DMA Activation

To suspend a DMA activation request, write 0 to the DMAC Event Link Select bits (ICU.DELSRn.DELS[8:0]). To restart the DMA transfer, write the event number to the ICU.DELSRn.DELS[8:0] bit with the settings shown in [section 17.3.7, Activating the DMAC](#).

## 18. Data Transfer Controller (DTC)

### 18.1 Overview

The MCU includes a Data Transfer Controller (DTC) that performs data transfers when activated by an interrupt request. [Table 18.1](#) lists the DTC specifications and [Figure 18.1](#) shows a block diagram.

**Table 18.1 DTC specifications**

| Parameter            | Specifications   |
|----------------------|--|
| Transfer modes       | <ul style="list-style-type: none"> <li>• Normal transfer mode<br/>A single activation leads to a single data transfer.</li> <li>• Repeat transfer mode<br/>A single activation leads to a single data transfer.<br/>The transfer address returns to the start address after the number of data transfers reaches the specified repeat size.<br/>The maximum number of repeat transfers is 256 and the maximum data transfer size is 256 × 32 bits (1024 bytes).</li> <li>• Block transfer mode<br/>A single activation leads to a transfer of a single block.<br/>The maximum block size is 256 × 32 bits = 1024 bytes.</li> </ul> |
| Transfer channel     | <ul style="list-style-type: none"> <li>• Channel transfer can be associated with the interrupt source (transferred by a DTC activation request from the ICU)</li> <li>• Multiple data units can be transferred on a single activation source (chain transfer)</li> <li>• Chain transfers can be set to either execute when the counter is 0 or always execute</li> </ul>   |
| Transfer space       | <ul style="list-style-type: none"> <li>• 4 GB (0000 0000h to FFFF FFFFh, excluding reserved areas)</li> </ul>  |
| Data transfer units  | <ul style="list-style-type: none"> <li>• Single data unit: 1 byte (8 bits), 1 halfword (16 bits), or 1 word (32 bits)</li> <li>• Single block size: 1 to 256 data units</li> </ul>   |
| CPU interrupt source | <ul style="list-style-type: none"> <li>• An interrupt request can be generated to the CPU on a DTC activation interrupt</li> <li>• An interrupt request can be generated to the CPU after a single data transfer</li> <li>• An interrupt request can be generated to the CPU after a data transfer of a specified volume.</li> </ul>   |
| Event link function  | An event link request is generated after one data transfer (for block, after one block transfer)   |
| Read skip            | Read of transfer information can be skipped  |
| Write-back skip      | When the transfer source or destination address is specified as fixed, a write-back of transfer information can be skipped   |
| Module-stop function | Module-stop state can be set to reduce power consumption   |

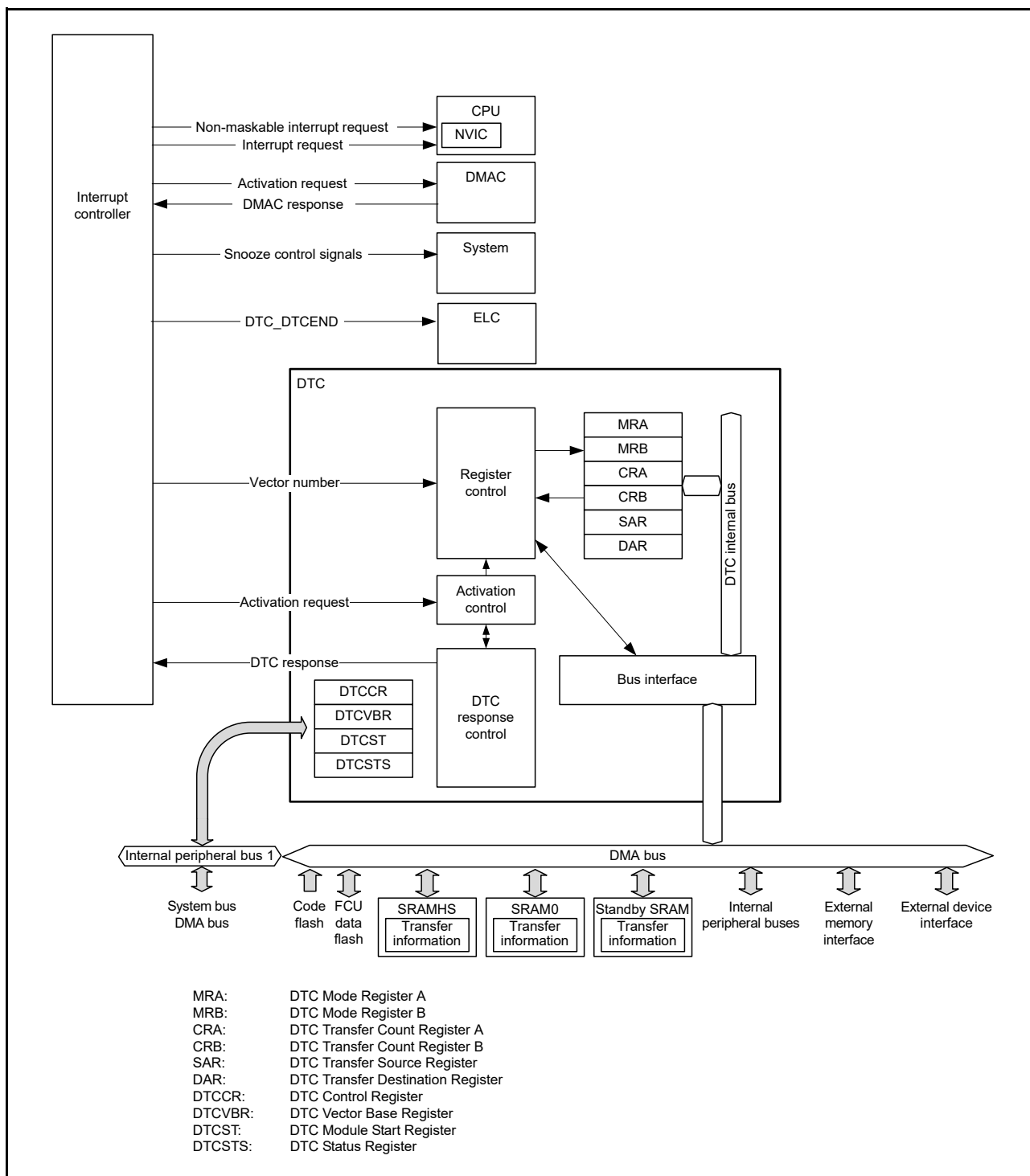


Figure 18.1 DTC block diagram

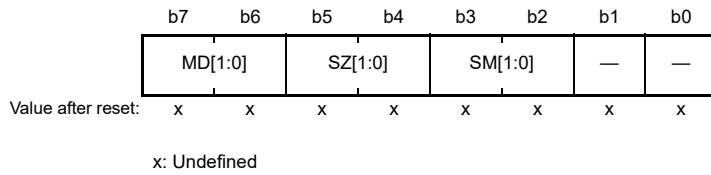
See 14.1 Overview, in section 14, Interrupt Controller Unit (ICU), for the connections between the DTC and NVIC in the CPU.

## 18.2 Register Descriptions

MRA, MRB, SAR, DAR, CRA, and CRB are all DTC internal registers that cannot be directly accessed from the CPU. Values to be set in these DTC internal registers are placed in the SRAM area as transfer information. When an activation request is generated, the DTC reads the transfer information from the SRAM area and sets it in its internal registers. After the data transfer ends, the internal register contents are written back to the SRAM area as transfer information.

### 18.2.1 DTC Mode Register A (MRA)

Address(es): (Inaccessible directly from the CPU. See [section 18.3.1.](#))

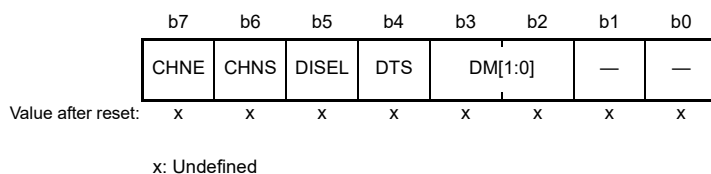


| Bit    | Symbol                  | Bit name                                | Description   | R/W |
|--------|-------------------------|---|---|-----|
| b1, b0 | —                       | Reserved                                | These bits are read as undefined. The write value should be 0.  | —   |
| b3, b2 | <a href="#">SM[1:0]</a> | Transfer Source Address Addressing Mode | b3 b2<br>0 0: Address in the SAR register is fixed (write-back to SAR) is skipped<br>0 1: Address in the SAR register is fixed (write-back to SAR is skipped)<br>1 0: SAR value is incremented after data transfer:<br>+1 when SZ[1:0] = 00b<br>+2 when SZ[1:0] = 01b<br>+4 when SZ[1:0] = 10b.<br>1 1: SAR value is decremented after data transfer:<br>-1 when SZ[1:0] = 00b<br>-2 when SZ[1:0] = 01b<br>-4 when SZ[1:0] = 10b. | —   |
| b5, b4 | <a href="#">SZ[1:0]</a> | DTC Data Transfer Size                  | b5 b4<br>0 0: Byte (8-bit) transfer<br>0 1: Halfword (16-bit) transfer<br>1 0: Word (32-bit) transfer<br>1 1: Setting prohibited.   | —   |
| b7, b6 | <a href="#">MD[1:0]</a> | DTC Transfer Mode Select                | b7 b6<br>0 0: Normal transfer mode<br>0 1: Repeat transfer mode<br>1 0: Block transfer mode<br>1 1: Setting prohibited.   | —   |

The MRA register cannot be accessed directly from the CPU, however the CPU can access the SRAM area (transfer information (n) start address + 03h) and the DTC automatically transfers the MRA transfer information to and from the MRA register. See [section 18.3.1, Allocating Transfer Information and the DTC Vector Table.](#)

### 18.2.2 DTC Mode Register B (MRB)

Address(es): (Inaccessible directly from the CPU. See [section 18.3.1.](#))



| Bit    | Symbol | Bit name | Description  | R/W |
|--------|--------|----------|--|-----|
| b1, b0 | —      | Reserved | These bits are read as undefined. The write value should be 0. | —   |

| Bit    | Symbol  | Bit name                                     | Description   | R/W |
|--------|---------|--|---|-----|
| b3, b2 | DM[1:0] | Transfer Destination Address Addressing Mode | b3 b2<br>0 0: Address in the DAR register is fixed (write-back to DAR is skipped)<br>0 1: Address in the DAR register is fixed (write-back to DAR is skipped)<br>1 0: DAR value is incremented after data transfer:<br>+1 when MRA.SZ[1:0] = 00b<br>+2 when MRA.SZ[1:0] = 01b<br>+4 when MRA.SZ[1:0] = 10b.<br>1 1: DAR value is decremented after data transfer:<br>-1 when MRA.SZ[1:0] = 00b<br>-2 when MRA.SZ[1:0] = 01b<br>-4 when MRA.SZ[1:0] = 10b. | —   |
| b4     | DTS     | DTC Transfer Mode Select                     | 0: Select transfer destination as repeat or block area<br>1: Select transfer source as repeat or block area.  | —   |
| b5     | DISEL   | DTC Interrupt Select                         | 0: Generate an interrupt request to CPU when specified data transfer is complete<br>1: Generate an interrupt request to CPU each time DTC data transfer is performed.   | —   |
| b6     | CHNS    | DTC Chain Transfer Select                    | 0: Select continuous chain transfer<br>1: Select chain transfer to occur only when the transfer counter is changed from 1 to 0 or 1 to CRAH.  | —   |
| b7     | CHNE    | DTC Chain Transfer Enable                    | 0: Chain transfer disabled<br>1: Chain transfer enabled.  | —   |

The MRB register cannot be accessed directly from the CPU, however the CPU can access the SRAM area (transfer information (n) start address + 02h) and the DTC automatically transfers the MRB transfer information to and from the MRB register. See [section 18.3.1, Allocating Transfer Information and the DTC Vector Table](#).

### DTS bit (DTC Transfer Mode Select)

The DTS bit selects either the transfer source or transfer destination as the repeat area or block area in repeat or block transfer mode.

### CHNS bit (DTC Chain Transfer Select)

The CHNS bit selects the chain transfer condition. When CHNE is 0, the CHNS setting is ignored. For details on the conditions for chain transfer, see [Table 18.3, Chain transfer conditions](#).

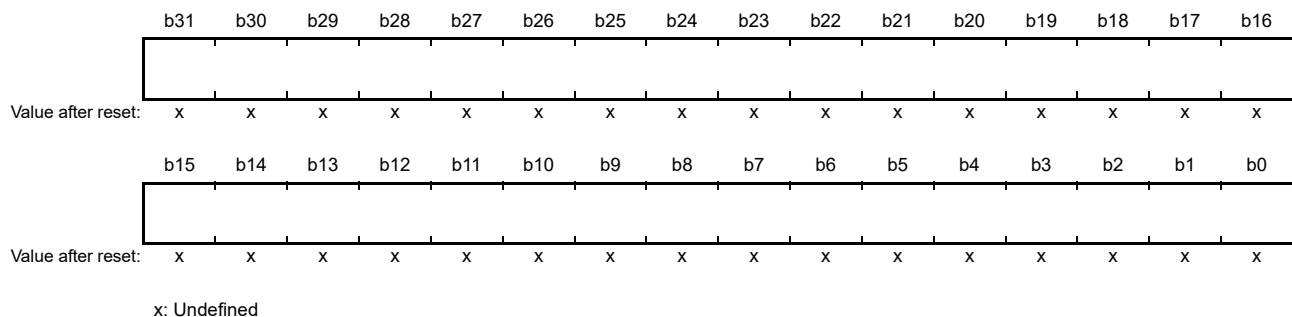
When the next transfer is a chain transfer, completion of the specified number of transfers is not determined, the activation source flag is not cleared, and an interrupt request to the CPU is not generated.

### CHNE bit (DTC Chain Transfer Enable)

The CHNE bit enables chain transfer. The chain transfer condition is selected in the CHNS bit. For details on chain transfer, see [section 18.4.6, Chain Transfer](#).

## 18.2.3 DTC Transfer Source Register (SAR)

Address(es): (Inaccessible directly from the CPU. See [section 18.3.1](#).)



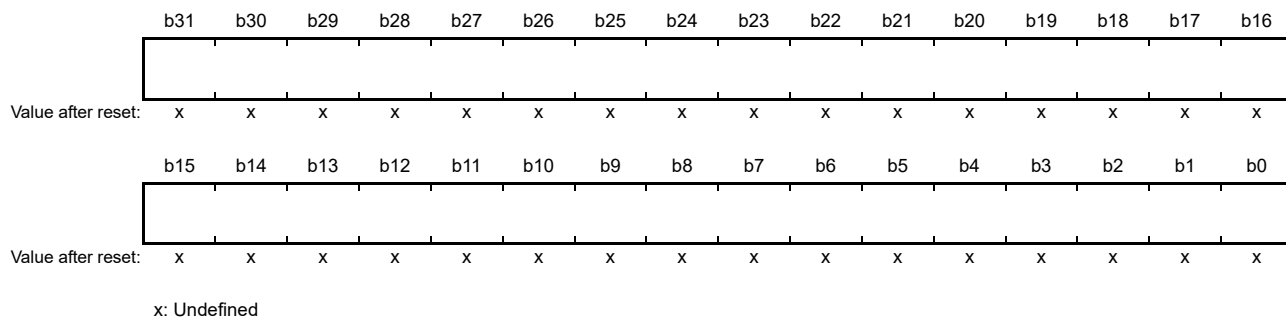
The SAR register sets the transfer source start address and cannot be accessed directly from the CPU. However, the CPU

can access the SRAM area (transfer information (n) start address + 04h) and the DTC automatically transfers the SAR transfer information to and from the SAR register. See [section 18.3.1, Allocating Transfer Information and the DTC Vector Table](#).

Note: Misalignment is prohibited for DTC transfers. Bit [0] must be 0 when MRA.SZ[1:0] = 01b.  
 Bits [1] and [0] must be 0 when MRA.SZ[1:0] = 10b.

### 18.2.4 DTC Transfer Destination Register (DAR)

Address(es): (Inaccessible directly from the CPU. See [section 18.3.1](#).)



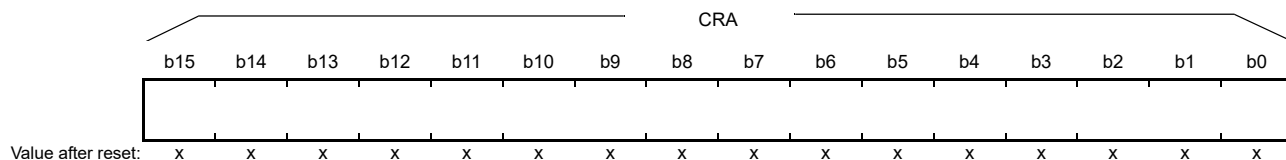
The DAR register sets the transfer destination start address and cannot be accessed directly from the CPU. However, the CPU can access the SRAM area (transfer information (n) start address + 08h) and the DTC automatically transfers the DAR transfer information to and from the DAR register. See [section 18.3.1, Allocating Transfer Information and the DTC Vector Table](#).

Note: Misalignment is prohibited for DTC transfers. Bit [0] must be 0 when MRA.SZ[1:0] = 01b.  
 Bits [1] and [0] must be 0 when MRA.SZ[1:0] = 10b.

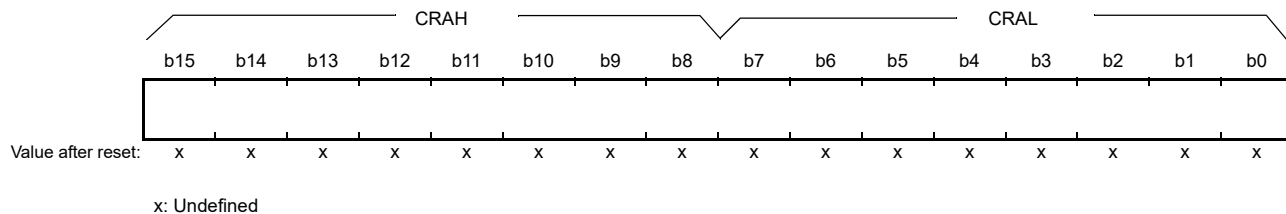
### 18.2.5 DTC Transfer Count Register A (CRA)

Address(es): (Inaccessible directly from the CPU. See [section 18.3.1](#).)

- Normal transfer mode



- Repeat transfer mode/block transfer mode



| Symbol | Register name                     | Description                | R/W |
|--------|-----------------------------------|----------------------------|-----|
| CRAL   | Transfer Counter A Lower Register | Specify the transfer count | —   |
| CRAH   | Transfer Counter A Upper Register |                            | —   |

Note: The function depends on the transfer mode.  
 Note: Set CRAH and CRAL to the same value in repeat transfer mode and block transfer mode.

The CRA register cannot be accessed directly from the CPU, however the CPU can access the SRAM area (transfer



information (n) start address + 0Eh) and the DTC automatically transfers the CRA transfer information to and from the CRA register. See [section 18.3.1, Allocating Transfer Information and the DTC Vector Table](#).

(1) Normal transfer mode (MRA.MD[1:0] = 00b)

In normal transfer mode, CRA functions as a 16-bit transfer counter. The transfer count is 1, 65,535, and 65,536 when the set value is 0001h, FFFFh, and 0000h, respectively. The CRA value is decremented (-1) on each data transfer.

(2) Repeat transfer mode (MRA.MD[1:0] = 01b)

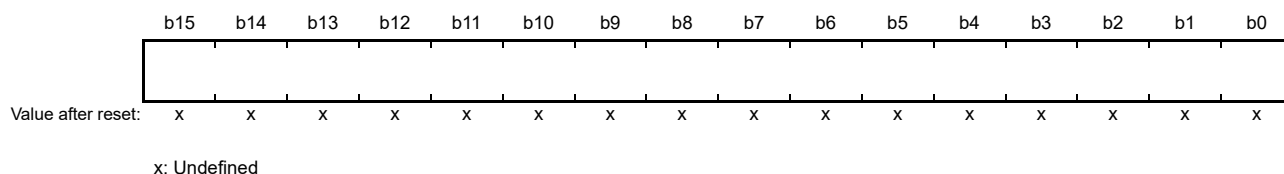
In repeat transfer mode, the CRAH register holds the transfer count and the CRAL register functions as an 8-bit transfer counter. The transfer count is 1, 255, and 256 when the set value is 01h, FFh, and 00h, respectively. The CRAL value is decremented (-1) on each data transfer. When it reaches 00h, the CRAH value is transferred to CRAL.

(3) Block transfer mode (MRA.MD[1:0] = 10b)

In block transfer mode, the CRAH register holds the transfer count and the CRAL register functions as an 8-bit block size counter. The transfer count is 1, 255, and 256 when the set value is 01h, FFh, and 00h, respectively. The CRAL value is decremented (-1) at each data transfer. When it reaches 00h, the CRAH value is transferred to CRAL.

### 18.2.6 DTC Transfer Count Register B (CRB)

Address(es): (Inaccessible directly from the CPU. See [section 18.3.1](#).)

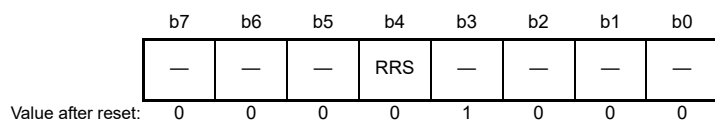


The CRB register sets the block transfer count for block transfer mode. The transfer count is 1, 65,535, and 65,536 when the set value is 0001h, FFFFh, and 0000h, respectively. The CRB value is decremented (-1) when the final data of a single block size is transferred. When normal transfer mode or repeat transfer mode is selected, this register is not used and the set value is ignored.

CRB cannot be accessed directly from the CPU, however the CPU can access the SRAM area (transfer information (n) start address + 0Ch) and the DTC automatically transfers the CRB transfer information to and from the CRB register. See [section 18.3.1, Allocating Transfer Information and the DTC Vector Table](#).

### 18.2.7 DTC Control Register (DTCCR)

Address(es): DTC.DTCCR 4000 5400h



| Bit      | Symbol | Bit name                                  | Description   | R/W |
|----------|--------|---|---|-----|
| b2 to b0 | —      | Reserved                                  | These bits are read as 0. The write value should be 0.  | R/W |
| b3       | —      | Reserved                                  | This bit is read as 1. The write value should be 1.   | R/W |
| b4       | RRS    | DTC Transfer Information Read Skip Enable | 0: Transfer information read is not skipped<br>1: Transfer information read is skipped when vector numbers match. | R/W |
| b7 to b5 | —      | Reserved                                  | These bits are read as 0. The write value should be 0.  | R/W |

#### RRS bit (DTC Transfer Information Read Skip Enable)

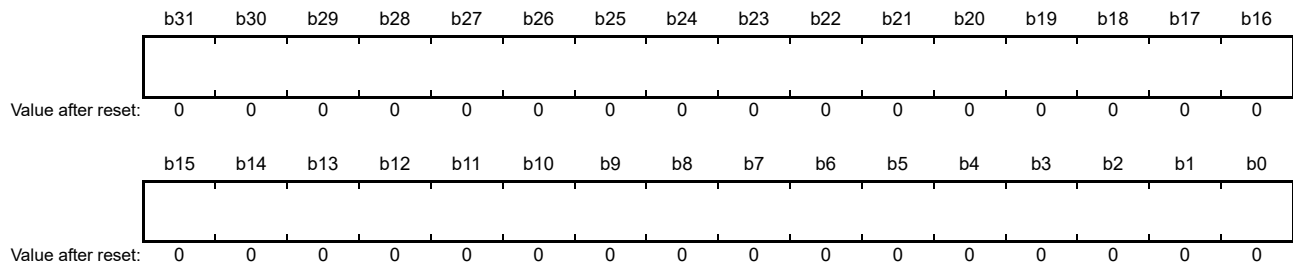
The RRS bit enables skipping of transfer information reads when vector numbers match. The DTC vector number is compared with the vector number in the previous activation process. When these vector numbers match and the RRS bit is set to 1, DTC data transfer is performed without reading the transfer information. However, when the previous transfer

is a chain transfer, the transfer information is read regardless of the value in the RRS bit.

When the transfer counter (CRA register) becomes 0 during the previous normal transfer and when the transfer counter (CRB register) becomes 0 during the previous block transfer, the transfer information is read regardless of the RRS bit value.

### 18.2.8 DTC Vector Base Register (DTCVBR)

Address(es): [DTC.DTCVBR 4000 5404h](#)

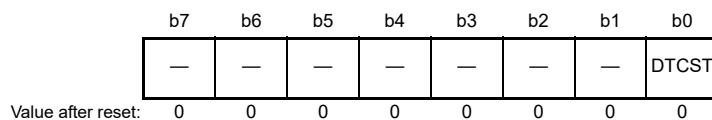


| Bit       | Bit name                | Description   | R/W |
|-----------|-------------------------|---|-----|
| b31 to b0 | DTC Vector Base Address | Set the DTC vector base address. The lower 10 bits should be 0. | R/W |

The DTCVBR register sets the base address for calculating the DTC vector table address, which can be set in the range of 0000 0000h to FFFF FFFFh (4 GB) in 1-KB units.

### 18.2.9 DTC Module Start Register (DTCST)

Address(es): [DTC.DTCST 4000 540Ch](#)



| Bit      | Symbol                | Bit name         | Description  | R/W |
|----------|-----------------------|------------------|--|-----|
| b0       | <a href="#">DTCST</a> | DTC Module Start | 0: DTC module stopped<br>1: DTC module started.        | R/W |
| b7 to b1 | —                     | Reserved         | These bits are read as 0. The write value should be 0. | R/W |

#### DTCST bit (DTC Module Start)

Set the DTCST bit to 1 to enable the DTC to accept transfer requests. When DTCST is set to 0, transfer requests are no longer accepted. If DTCST is set to 0 during a data transfer, the accepted transfer request is active until processing is complete.

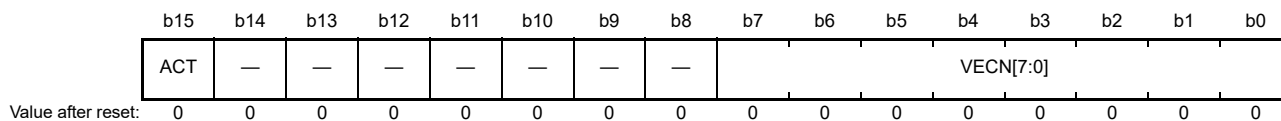
DTCST must be set to 0 before transitioning to any of the following state or mode:

- Module-stop state
- Software Standby mode without Snooze mode transition
- Deep Software Standby mode.

For details on these transitions, see [section 18.10, Module-Stop Function](#), and [section 11, Low Power Modes](#).

### 18.2.10 DTC Status Register (DTCSTS)

Address(es): [DTC.DTCSTS 4000 540Eh](#)



| Bit       | Symbol                    | Bit name                                | Description   | R/W |
|-----------|---------------------------|---|---|-----|
| b7 to b0  | <a href="#">VECN[7:0]</a> | DTC-Activating Vector Number Monitoring | These bits indicate the vector number for the activation source when a DTC transfer is in progress. The value is only valid if a DTC transfer is in progress (ACT flag is 1). | R   |
| b14 to b8 | —                         | Reserved                                | These bits are read as 0. Writing to these bits has no effect.  | R   |
| b15       | <a href="#">ACT</a>       | DTC Active Flag                         | 0: DTC transfer operation is not in progress<br>1: DTC transfer operation is in progress.   | R   |

#### [VECN\[7:0\] bits \(DTC-Activating Vector Number Monitoring\)](#)

While transfer by the DTC is in progress, the VECN[7:0] bits indicate the vector number associated with the activation source for the transfer. The value read from the VECN[7:0] bits is valid if the ACT flag is 1, indicating that a DTC transfer is in progress, and invalid if the ACT flag is 0, indicating that no DTC transfer is in progress.

#### [ACT flag \(DTC Active Flag\)](#)

The ACT flag indicates the state of the DTC transfer operation.

[Setting condition]

- When the DTC is activated by a transfer request.

[Clearing condition]

- When transfer by the DTC, in response to a transfer request, is complete.

## 18.3 Activation Sources

The DTC is activated by an interrupt request. Setting the ICU.IELSRn.DTCE bit to 1 enables activation of the DTC by the associated interrupt. The selector output  $n$  number set in ICU.IELSRn is defined as the interrupt vector number, where  $n = 0$  to 95. For an enabled interrupt, the specific DTC interrupt source associated with each interrupt vector number  $n$  is selected in ICU.IELSRn.IELS[8:0] where  $n = 0$  to 95, as listed in [Table 14.4, Event table](#), in [section 14, Interrupt Controller Unit \(ICU\)](#). For activation by software, see [section 19.2.2, Event Link Software Event Generation Register  \$n\$  \(ELSEGRn\) \( \$n = 0, 1\$ \)](#).

The interrupt vector number is equivalent to the DTC vector table number. After the DTC accepted an activation request, it does not accept another activation request until transfer for that single request is complete, regardless of the priority of the requests. When multiple activation requests are generated during a DMAC or DTC transfer, a highest priority request is accepted on completion of the transfer. When multiple activation requests are generated while the DTC Module Start bit (DTCST.DTCST) is 0, the DTC accepts the highest-priority request when DTCST.DTCST is subsequently set to 1. The smaller interrupt vector number has higher priority.

The DTC performs the following operations at the start of a single data transfer or for a chain transfer, after the last of the consecutive transfers:

- On completion of a specified round of data transfer, the ICU.IELSRn.DTCE bit is set to 0, and an interrupt request is sent to the CPU
- If the MRB.DISEL bit is 1, an interrupt request is sent to the CPU on completion of a data transfer
- For other transfers, the ICU.IELSRn.IR bit of the activation source is set to 0 at the start of the data transfer.

### 18.3.1 Allocating Transfer Information and the DTC Vector Table

The DTC reads the start address of the transfer information associated with each activation source from the vector table and reads the transfer information starting at that address.

The vector table must be located so that the lower 10 bits of the base address (start address) are 0. Use the DTC Vector Base Register (DTCVBR) to set the base address of the DTC vector table. Transfer information is allocated in the SRAM area. In the SRAM area, the start address of the transfer information  $n$  with vector number  $n$  must be  $4n$  added to the base address in the vector table.

Figure 18.2 shows the relationship between the DTC vector table and transfer information. Figure 18.3 shows the allocation of transfer information in the SRAM area.

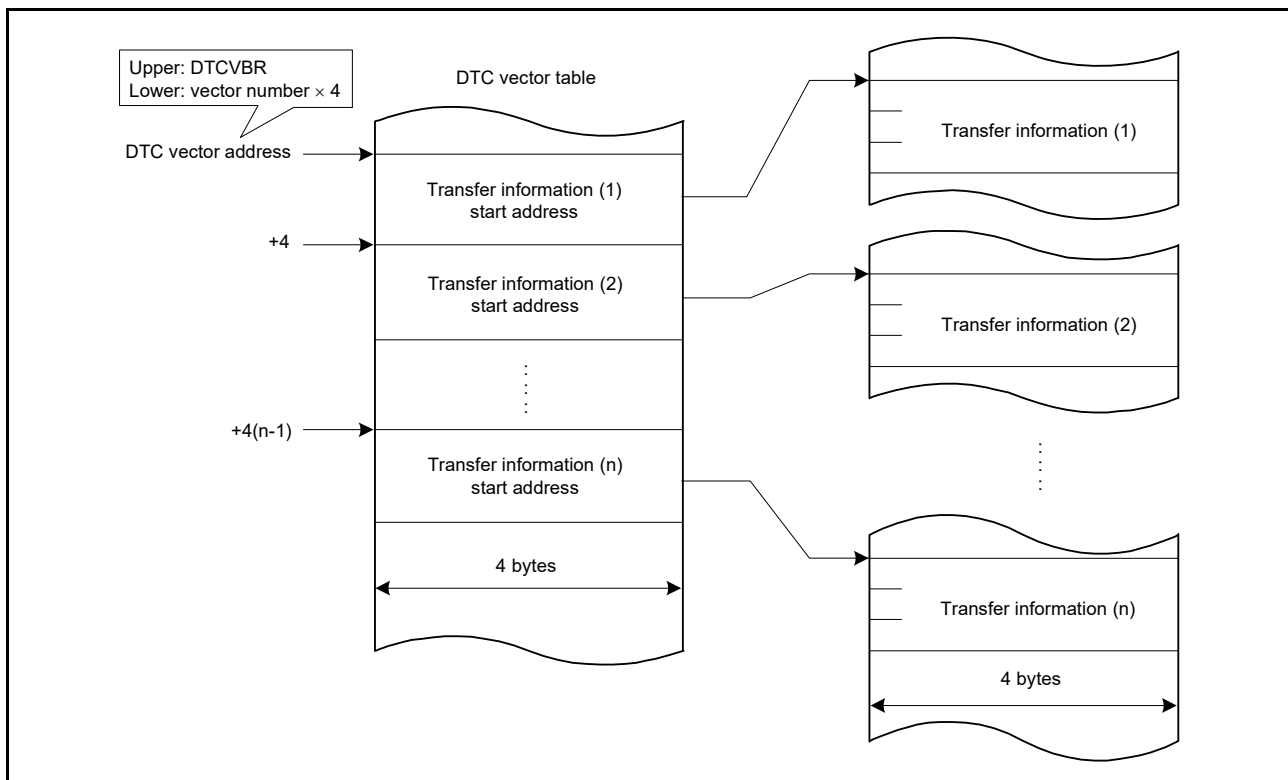


Figure 18.2 DTC vector table and transfer information

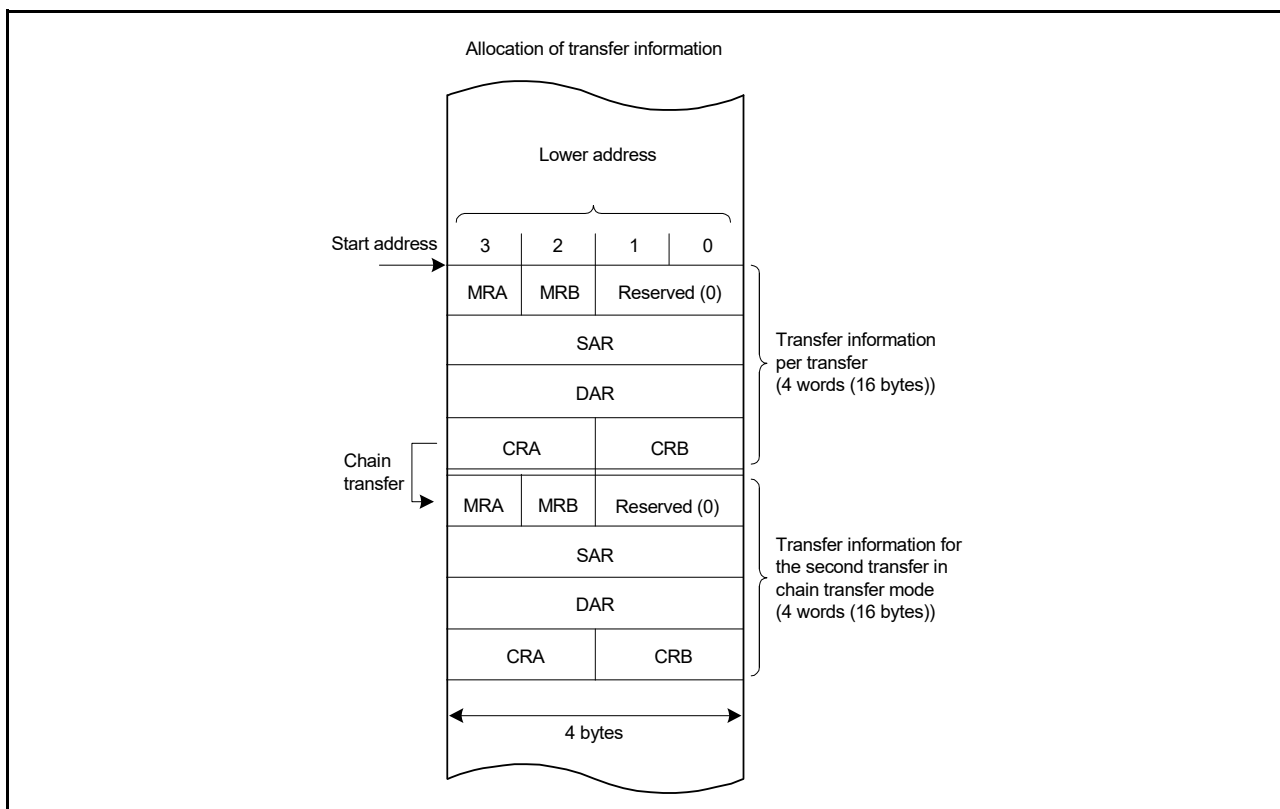


Figure 18.3 Allocation of transfer information in the SRAM area

### 18.4 Operation

The DTC transfers data according to the transfer information. Storage of the transfer information in the SRAM area is required before a DTC operation. When the DTC is activated, it reads the DTC vector associated with the vector number. The DTC then reads the transfer information from the transfer information store address referenced by the DTC vector and transfers the data. After the data transfer, the DTC writes back the transfer information. Storing the transfer information in the SRAM area allows data transfer of any number of channels.

The transfer modes include:

- Normal transfer mode
- Repeat transfer mode
- Block transfer mode.

The DTC specifies a transfer source address in the SAR register and a transfer destination address in the DAR register. The values in these registers are incremented, decremented, or address-fixed independently after the data transfer.

Table 18.2 describes the DTC transfer modes.

Table 18.2 DTC transfer modes

| Transfer mode          | Data size transferred on single transfer request  | Increment or decrement of memory address                  | Settable transfer count |
|------------------------|---|---|-------------------------|
| Normal transfer mode   | 1 byte (8 bits), 1 halfword (16 bits), or 1 word (32 bits)  | Incremented or decremented by 1, 2, or 4 or address fixed | 1 to 65,536             |
| Repeat transfer mode*1 | 1 byte (8 bits), 1 halfword (16 bits), or 1 word (32 bits)  | Incremented or decremented by 1, 2, or 4 or address fixed | 1 to 256*3              |
| Block transfer mode*2  | Block size specified in CRAH (1 to 256 bytes, 1 to 256 halfwords (2 to 512 bytes), or 1 to 256 words (4 to 1024 bytes)) | Incremented or decremented by 1, 2, or 4 or address fixed | 1 to 65,536             |

- Note 1. Set the transfer source or destination as the repeat area.
- Note 2. Set the transfer source or destination as the block area.
- Note 3. After a data transfer of the specified count, the initial state is restored and operation restarts.

Setting the MRB.CHNE bit to 1 allows multiple transfers or a chain transfer on a single activation source. It also enables a chain transfer when the specified data transfer is complete.

[Figure 18.4](#) shows the operation flow of the DTC. [Table 18.3](#) lists the chain transfer conditions. The combination of control information for the second and subsequent transfers are omitted in this table.

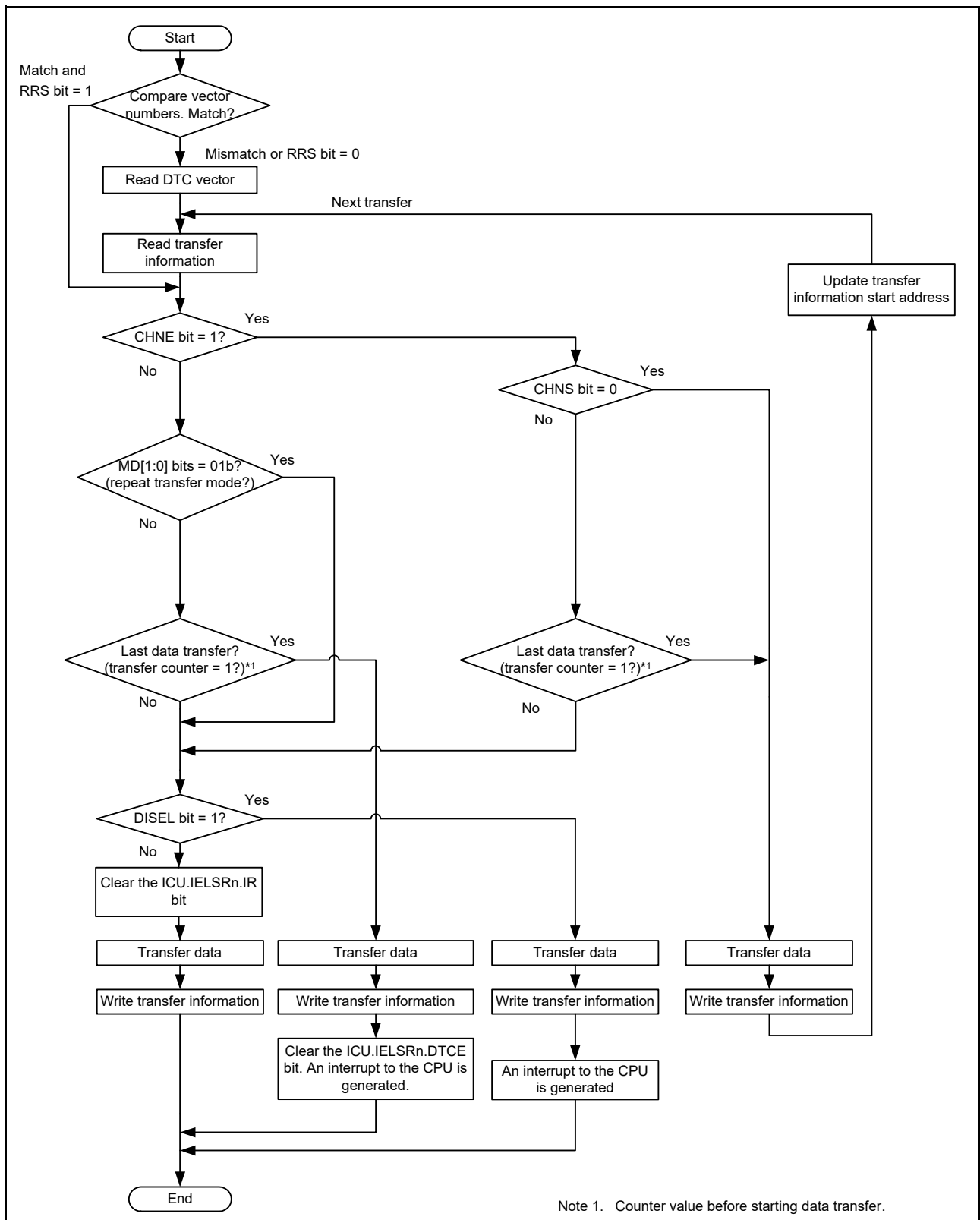


Figure 18.4 DTC operation flow

**Table 18.3 Chain transfer conditions**

| First transfer |          |           |                       | Second transfer*3 |          |           |                       | DTC transfer  |
|----------------|----------|-----------|-----------------------|-------------------|----------|-----------|-----------------------|---|
| CHNE bit       | CHNS bit | DISEL bit | Transfer counter*1,*2 | CHNE bit          | CHNS bit | DISEL bit | Transfer counter*1,*2 |   |
| 0              | —        | 0         | Other than (1 → 0)    | —                 | —        | —         | —                     | Ends after the first transfer                                       |
| 0              | —        | 0         | (1 → 0)               | —                 | —        | —         | —                     | Ends after the first transfer with an interrupt request to the CPU  |
| 0              | —        | 1         | —                     | —                 | —        | —         | —                     |   |
| 1              | 0        | —         | —                     | 0                 | —        | 0         | Other than (1 → 0)    | Ends after the second transfer                                      |
|                |          |           |                       | 0                 | —        | 0         | (1 → 0)               | Ends after the second transfer with an interrupt request to the CPU |
|                |          |           |                       | 0                 | —        | 1         | —                     |   |
| 1              | 1        | 0         | Other than (1 → *)    | —                 | —        | —         | —                     | Ends after the first transfer                                       |
| 1              | 1        | —         | (1 → *)               | 0                 | —        | 0         | Other than (1 → 0)    | Ends after the second transfer                                      |
|                |          |           |                       | 0                 | —        | 0         | (1 → 0)               | Ends after the second transfer with an interrupt request to the CPU |
|                |          |           |                       | 0                 | —        | 1         | —                     |   |
| 1              | 1        | 1         | Other than (1 → *)    | —                 | —        | —         | —                     | Ends after the first transfer with an interrupt request to the CPU  |

Note 1. The transfer counter used depends on the transfer modes as follows:

- Normal transfer mode — CRA register
- Repeat transfer mode — CRAL register
- Block transfer mode — CRB register

Note 2. On completion of a data transfer, the counters operate as follows:

- 1 → 0 in normal and block transfer modes
- 1 → CRAH in repeat transfer mode
- (1 → \*) in the table indicates both of these two operations, depending on the mode.

Note 3. Chain transfer can be selected for the second or subsequent transfers. The conditions for the combination of the second transfer and CHNE bit = 1 is omitted.

#### 18.4.1 Transfer Information Read Skip Function

Reading of vector addresses and transfer information can be skipped by setting the DTCCR.RRS bit. When a DTC activation request is generated, the current DTC vector number is compared to the DTC vector number in the previous activation process. When these vector numbers match and the RRS bit is set to 1, the DTC data transfer is performed without reading the vector address and transfer information. However, when the previous transfer is a chain transfer, the vector address and transfer information are read. Additionally, when the transfer counter (CRA register) becomes 0 during the previous normal transfer, or when the transfer counter (CRB register) becomes 0 during the previous block transfer, transfer information is read regardless of the RRS bit. [Figure 18.12](#) shows an example of a transfer information read skip.

To update the vector table and transfer information, set the RRS bit to 0, update the vector table and transfer information, and then set the RRS bit to 1. The stored vector number is discarded by setting the RRS bit to 0. The updated DTC vector table and transfer information are read in the next activation process.

#### 18.4.2 Transfer Information Write-Back Skip Function

When the MRA.SM[1:0] bits or the MRB.DM[1:0] bits are set to address fixed, a part of the transfer information is not written back. [Table 18.4](#) lists the transfer information write-back skip conditions and the associated registers. The CRA and CRB registers are written back, and the write-back of the MRA and MRB registers is skipped.



**Table 18.4 Transfer information write-back skip conditions and applicable registers**

| MRA.SM[1:0] bits |    | MRB.DM[1:0] bits |    | SAR register | DAR register |
|------------------|----|------------------|----|--------------|--------------|
| b3               | b2 | b3               | b2 |              |              |
| 0                | 0  | 0                | 0  | Skip         | Skip         |
| 0                | 0  | 0                | 1  |              |              |
| 0                | 1  | 0                | 0  |              |              |
| 0                | 1  | 0                | 1  |              |              |
| 0                | 0  | 1                | 0  | Skip         | Write-back   |
| 0                | 0  | 1                | 1  |              |              |
| 0                | 1  | 1                | 0  |              |              |
| 0                | 1  | 1                | 1  |              |              |
| 1                | 0  | 0                | 0  | Write-back   | Skip         |
| 1                | 0  | 0                | 1  |              |              |
| 1                | 1  | 0                | 0  |              |              |
| 1                | 1  | 0                | 1  |              |              |
| 1                | 0  | 1                | 0  | Write-back   | Write-back   |
| 1                | 0  | 1                | 1  |              |              |
| 1                | 1  | 1                | 0  |              |              |
| 1                | 1  | 1                | 1  |              |              |

### 18.4.3 Normal Transfer Mode

Normal transfer mode allows a 1-byte (8-bit), 1-halfword (16-bit), or 1-word (32-bit) data transfer on a single activation source. The transfer count can be set from 1 to 65536. Transfer source and destination addresses can be independently set to increment, decrement, or remain fixed. This mode enables an interrupt request to the CPU to be generated at the end of a specified-count transfer.

[Table 18.5](#) lists register functions in normal transfer mode, and [Figure 18.5](#) shows the memory map of normal transfer mode.

**Table 18.5 Register functions in normal transfer mode**

| Register | Description                  | Value written back by writing transfer information |
|----------|------------------------------|--|
| SAR      | Transfer source address      | Increment, decrement, or fixed*1                   |
| DAR      | Transfer destination address | Increment, decrement, or fixed*1                   |
| CRA      | Transfer counter A           | CRA - 1  |
| CRB      | Transfer counter B           | Not updated  |

Note 1. Write-back operation is skipped in address-fixed mode.

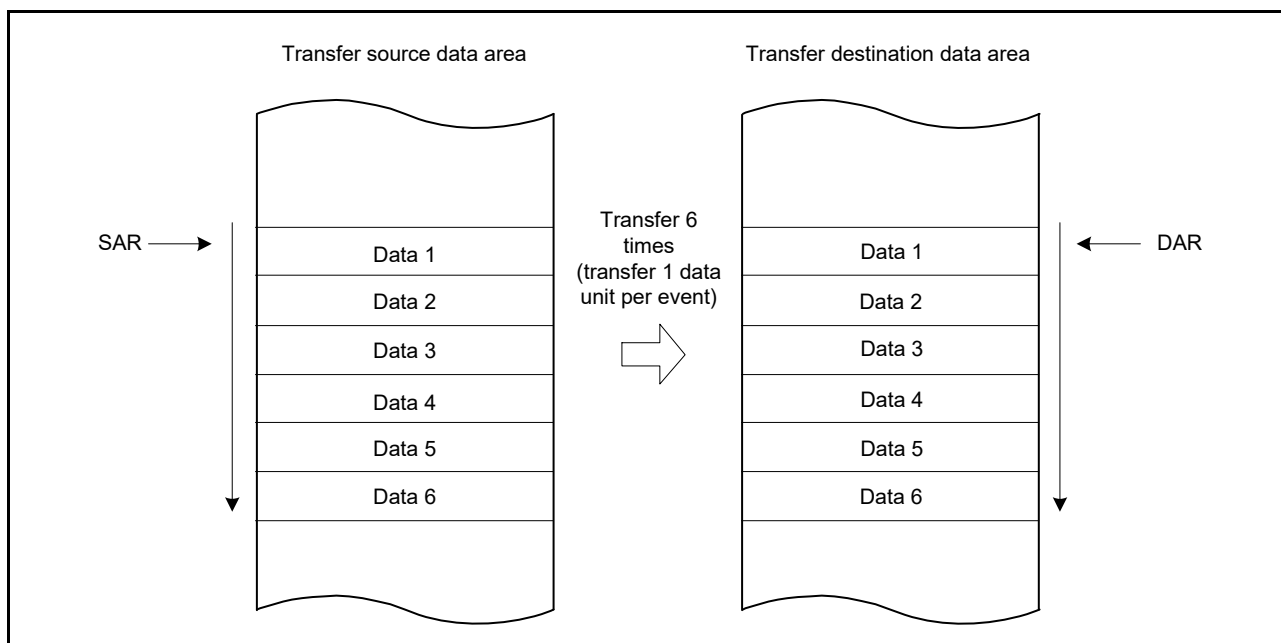


Figure 18.5 Memory map of normal transfer mode (MRA.SM[1:0] = 10b, MRB.DM[1:0] = 10b, CRA = 0006h)

### 18.4.4 Repeat Transfer Mode

Repeat transfer mode allows a 1-byte (8-bit), 1-halfword (16-bit), or 1-word (32-bit) data transfer on a single activation source. Specify either transfer source or transfer destination for the repeat area in the MRB.DTS bit. The transfer count can be set from 1 to 256. When the specified-count transfer is complete, the initial value of the address register specified in the repeat area is restored, the initial value of the transfer counter is restored, and transfer is repeated. The other address register is incremented or decremented continuously or remains unchanged.

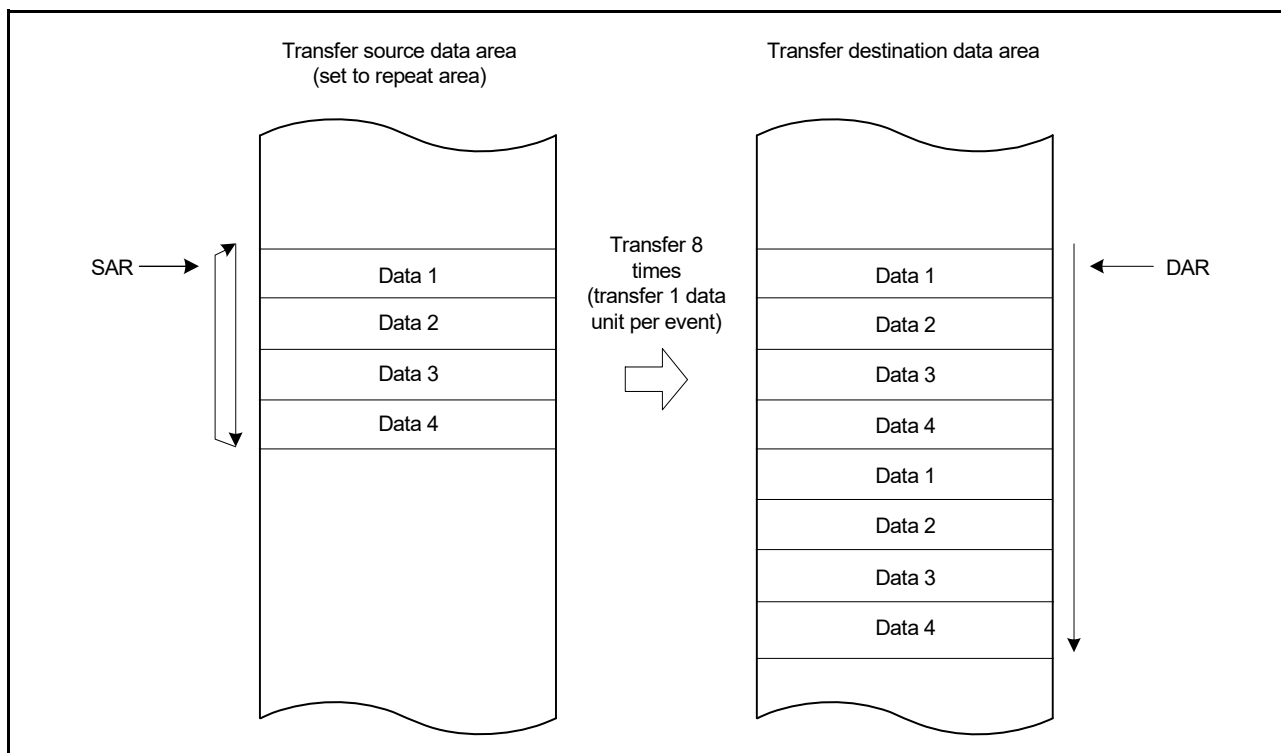
When the transfer counter CRAL decrements to 00h in repeat transfer mode, the CRAL value is updated to the value set in the CRAH register. As a result, the transfer counter does not become 00h, which disables interrupt requests to the CPU when the MRB.DISEL bit is set to 0. An interrupt request to the CPU is generated when the specified data transfer is complete.

Table 18.6 lists the register functions in repeat transfer mode, and Figure 18.6 shows the memory map of repeat transfer mode.

Table 18.6 Register functions in repeat transfer mode

| Register | Description                  | Value written back by writing transfer information |   |
|----------|------------------------------|--|---|
|          |                              | When CRAL is not 1                                 | When CRAL is 1  |
| SAR      | Transfer source address      | Increment, decrement, or fixed*1                   | <ul style="list-style-type: none"> <li>When the MRB.DTS bit is 0<br/>Increment, decrement, or fixed*1</li> <li>When the MRB.DTS bit is 1<br/>SAR register initial value.</li> </ul> |
| DAR      | Transfer destination address | Increment, decrement, or fixed*1                   | <ul style="list-style-type: none"> <li>When the MRB.DTS bit is 0<br/>DAR register initial value</li> <li>When the MRB.DTS bit is 1<br/>Increment, decrement, or fixed.*1</li> </ul> |
| CRAH     | Holds transfer counter       | CRAH   | CRAH  |
| CRAL     | Transfer counter A           | CRAL - 1   | CRAH  |
| CRB      | Transfer counter B           | Not updated  | Not updated   |

Note 1. Write-back is skipped in address-fixed mode.



**Figure 18.6** Memory map of repeat transfer mode when the transfer source is a repeat area (MRA.SM[1:0] = 10b, MRB.DM[1:0] = 10b, CRAH = 04h)

### 18.4.5 Block Transfer Mode

Block transfer mode allows single-block data transfer on a single activation source. Transfer source or transfer destination for the block area must be specified in the MRB.DTS bit. The block size can be set from 1 to 256 bytes, 1 to 256 halfwords (2 to 512 bytes), or 1 to 256 words (4 to 1024 bytes). When transfer of the specified block completes, the initial values of the block size counter CRAL and the address register (the SAR register when the MRB.DTS bit = 1 or the DAR register when the DTS bit = 0) specified in the block area are restored. The other address register is incremented or decremented continuously or remains unchanged.

The transfer count (block count) can be set from 1 to 65,536. This mode enables an interrupt request to the CPU to be generated at the end of the specified-count block transfer.

Table 18.7 lists register functions in block transfer mode, and Figure 18.7 shows the memory map for block transfer mode.

**Table 18.7** Register functions in block transfer mode

| Register | Description                  | Value written back by writing transfer information  |
|----------|------------------------------|---|
| SAR      | Transfer source address      | <ul style="list-style-type: none"> <li>When MRB.DTS bit is 0<br/>Increment, decrement, or fixed*1</li> <li>When MRB.DTS bit is 1<br/>SAR register initial value.</li> </ul> |
| DAR      | Transfer destination address | <ul style="list-style-type: none"> <li>When MRB.DTS bit is 0<br/>DAR register initial value</li> <li>When MRB.DTS bit is 1<br/>Increment, decrement, or fixed.*1</li> </ul> |
| CRAH     | Holds the block size         | CRAH  |
| CRAL     | Block size counter           | CRAH  |
| CRB      | Block transfer counter       | CRB - 1   |

Note 1. Write-back is skipped in address-fixed mode.

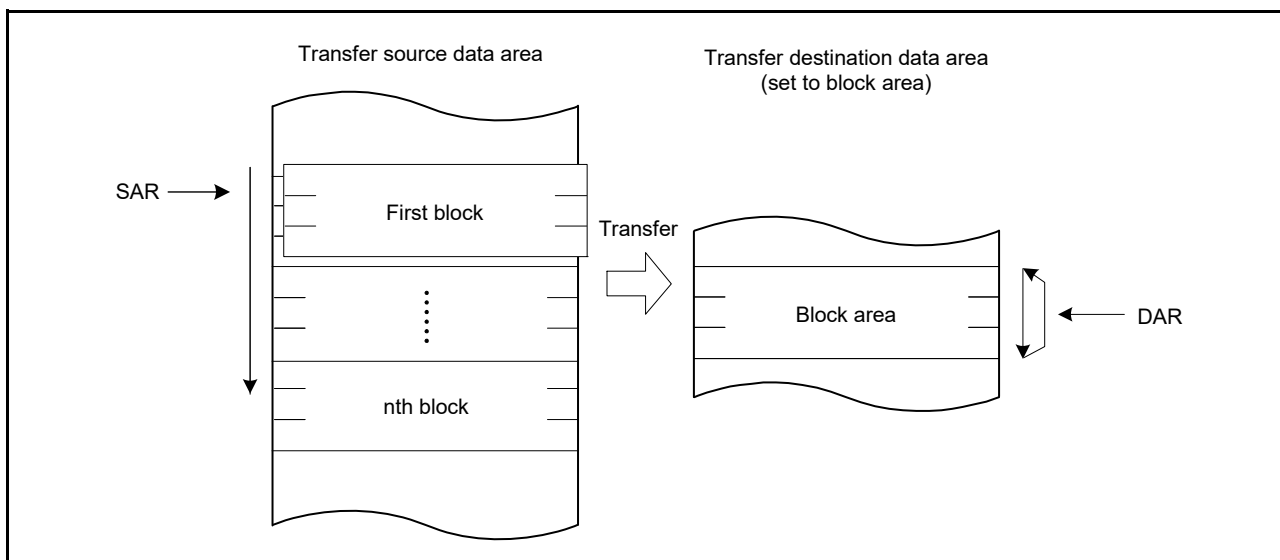


Figure 18.7 Memory map of block transfer mode

### 18.4.6 Chain Transfer

Setting the MRB.CHNE bit to 1 allows chain transfer to be performed continuously on a single activation source. If MRB.CHNE is set to 1 and CHNS to 0, an interrupt request to the CPU is not generated on completion of the specified number of transfer rounds or by setting the MRB.DISEL bit to 1. An interrupt request is sent to the CPU each time DTC data transfer is performed. Data transfer has no effect on the ICU.IELSRn.IR bit of the activation source.

The SAR, DAR, CRA, CRB, MRA, and MRB registers can be set independently of each other to define the data transfer. Figure 18.8 shows a chain transfer operation.

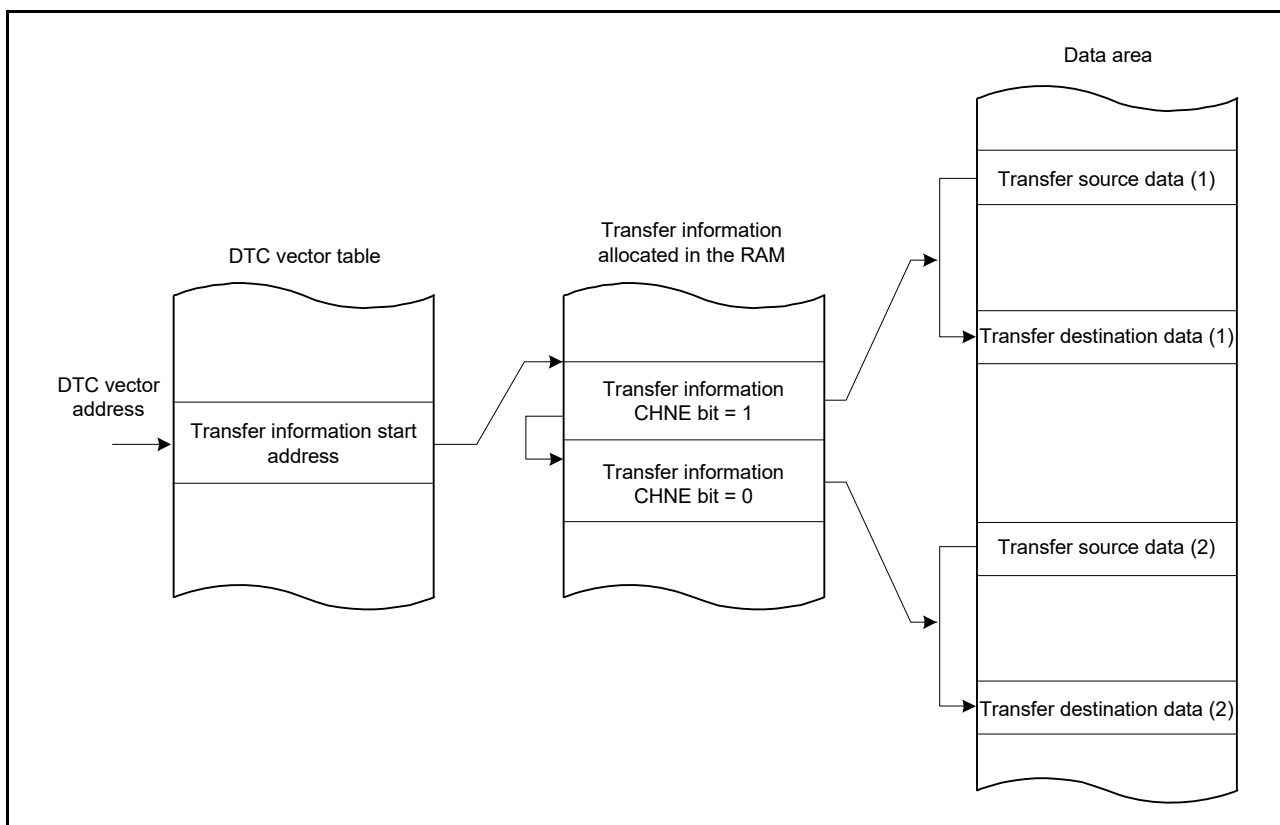


Figure 18.8 Chain transfer operation

Writing 1 to the MRB.CHNE and CHNS bits enables chain transfer to be performed only after completion of the specified data transfer. In repeat transfer mode, chain transfer is performed after completion of the specified data transfer. For details on chain transfer conditions, see [Table 18.3, Chain transfer conditions](#).

### 18.4.7 Operation Timing

Figure 18.9 to Figure 18.12 are timing diagrams that show the minimum number of execution cycles.

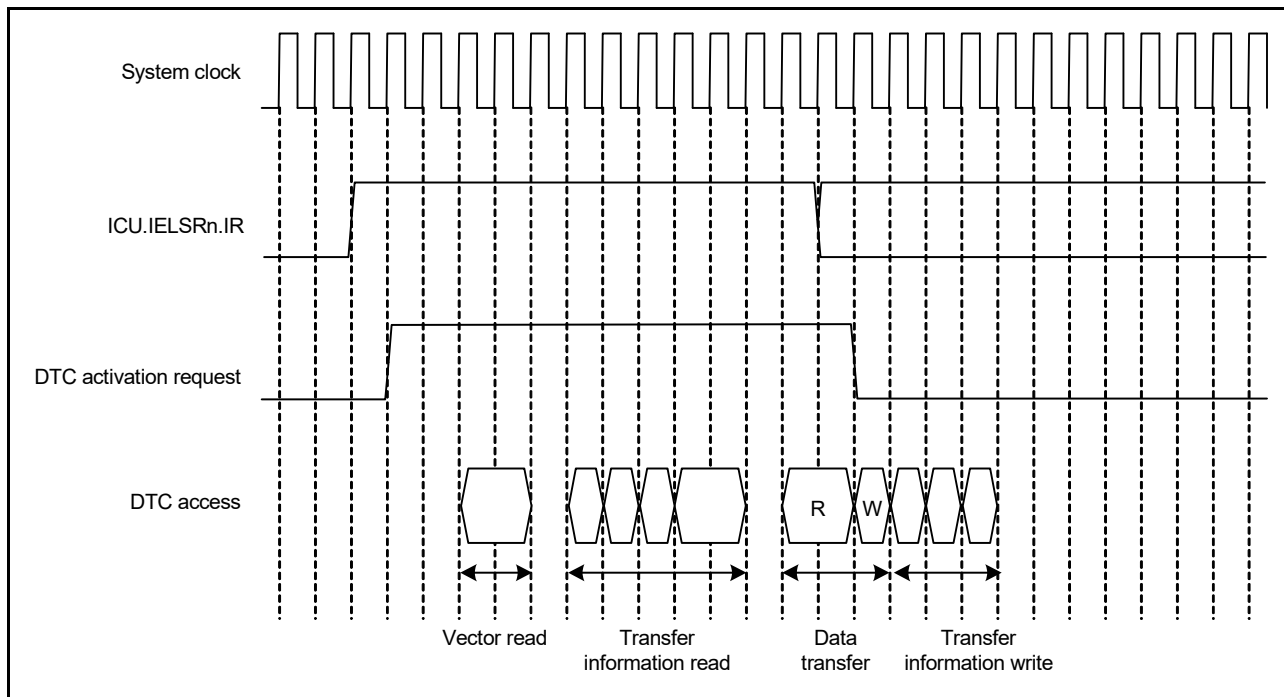


Figure 18.9 Example 1 of DTC operation timing in normal transfer and repeat transfer modes

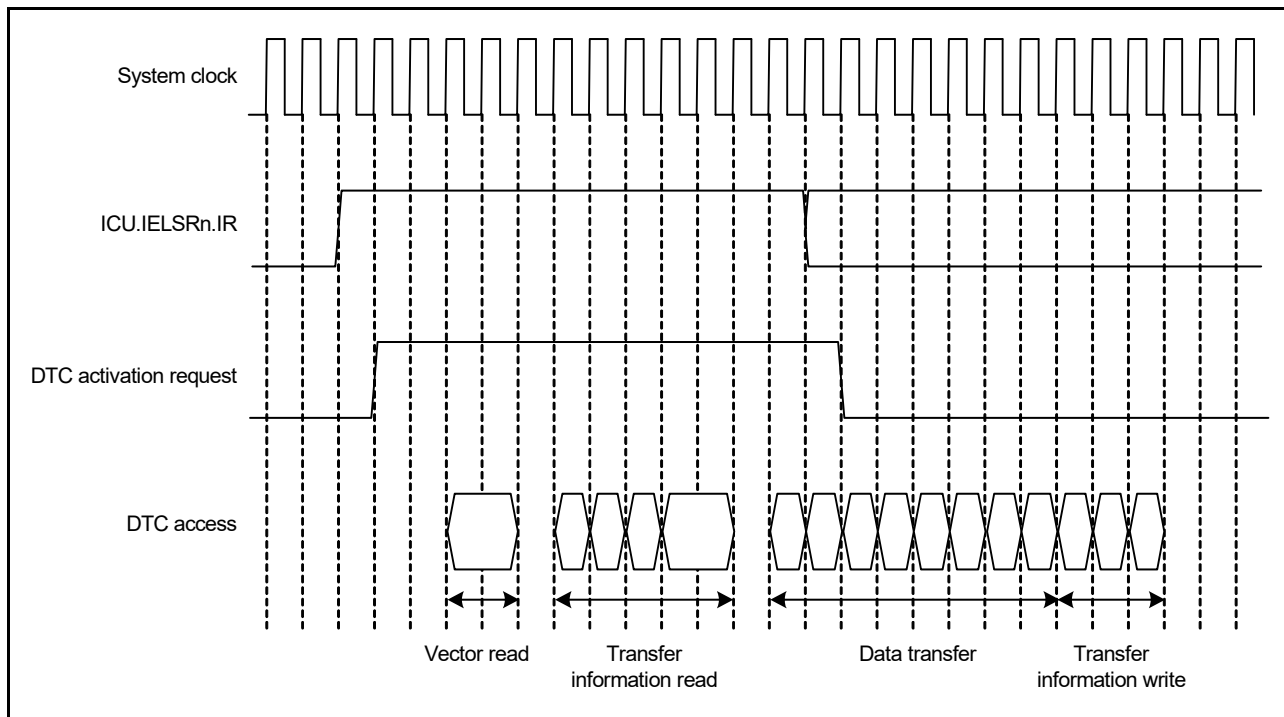


Figure 18.10 Example 2 of DTC operation timing in block transfer mode when the block size = 4

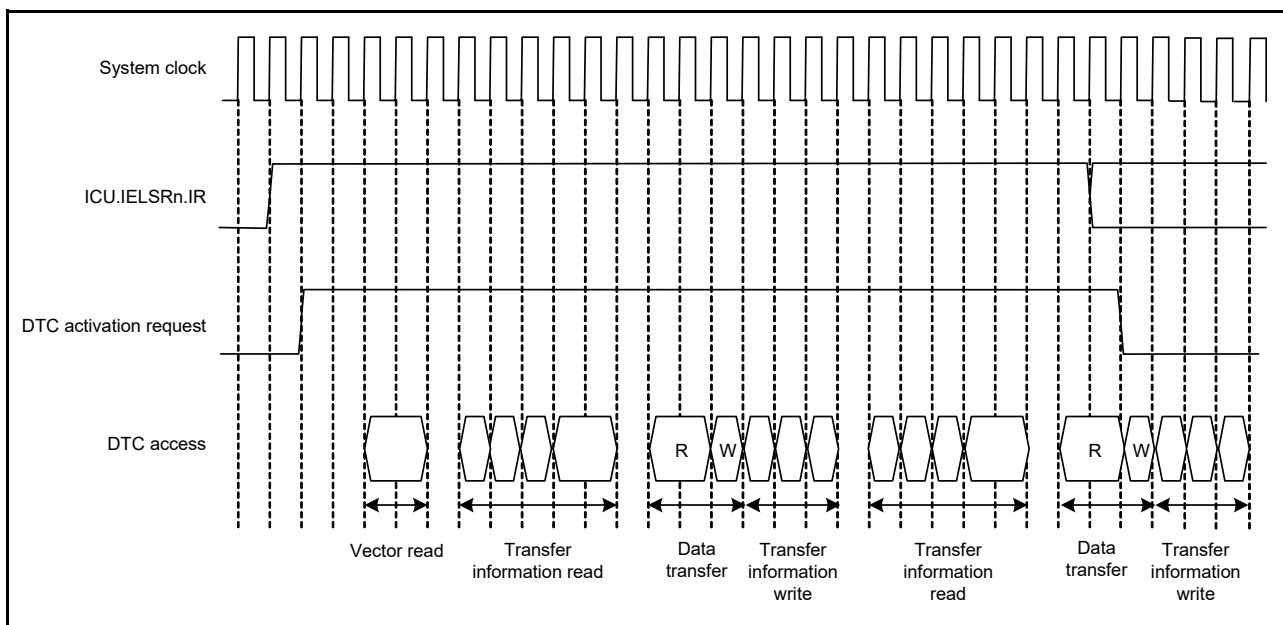


Figure 18.11 Example 3 of DTC operation timing for chain transfer

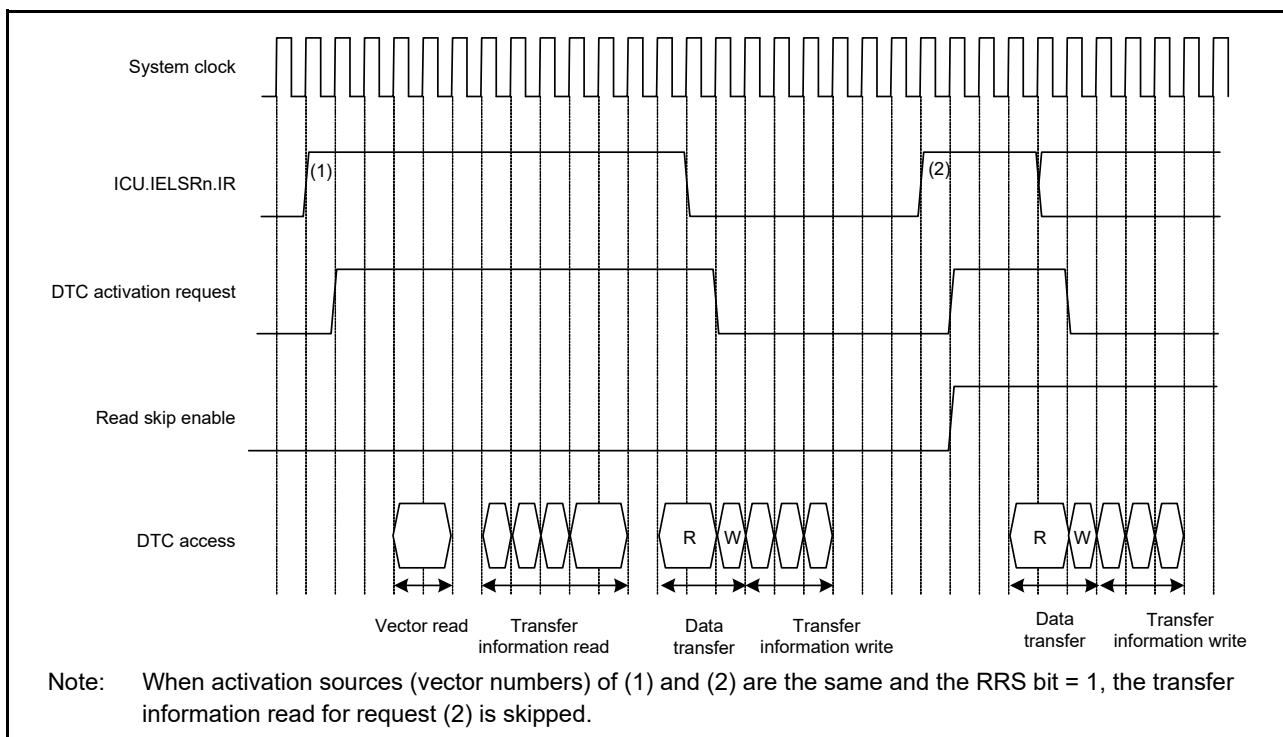


Figure 18.12 Example of operation when a transfer information read is skipped, with the vector, transfer information, and transfer destination data on the SRAM, and the transfer source data on the peripheral module

### 18.4.8 Execution Cycles of DTC

Table 18.8 lists the execution cycles of single data transfer of the DTC.

For the order of the execution states, see section 18.4.7, Operation Timing.

**Table 18.8 Execution cycles of DTC**

| Transfer mode       | Vector read      |          | Transfer information read   |          | Transfer information write       |                                  |                     | Data transfer           |                         | Internal operation |          |
|---------------------|------------------|----------|-----------------------------|----------|----------------------------------|----------------------------------|---------------------|-------------------------|-------------------------|--------------------|----------|
|                     |                  |          |                             |          |                                  |                                  |                     | Read                    | Write                   |                    |          |
| Normal              | $C_v + C_s1 + 1$ | $0^{*1}$ | $4 \times (C_i + C_s1) + 1$ | $0^{*1}$ | $3 \times (C_i + C_s1) + 1^{*2}$ | $2 \times (C_i + C_s1) + 1^{*3}$ | $(C_i + C_s1)^{*4}$ | $C_r + C_s2 + 1$        | $C_w + C_s2 + 1$        | 2                  | $0^{*1}$ |
| Repeat              |                  |          |                             |          |                                  |                                  |                     | $C_r + C_s2 + 1$        | $C_w + C_s2 + 1$        |                    |          |
| Block <sup>*5</sup> |                  |          |                             |          |                                  |                                  |                     | $P \times (C_r + C_s2)$ | $P \times (C_w + C_s2)$ |                    |          |

Note 1. When transfer information read is skipped.

Note 2. When neither SAR nor DAR is set to address-fixed mode.

Note 3. When SAR or DAR is set to address-fixed mode.

Note 4. When SAR and DAR are set to address-fixed mode.

Note 5. When the block size is 2 or more. If the block size is 1, the cycle number for normal transfer is applied.

P: Block size (initial settings of CRAH and CRAL)

Cv: Cycles for access to vector transfer information storage destination

Ci: Cycles for access to transfer information storage destination address

Cr: Cycles for access to data read destination

Cw: Cycles for access to data write destination

Cs1: When accessing SRAMHS: 2 cycles.

When accessing elsewhere: 0 cycles.

When a slave bus changes by a read/write data transfer, add 1 more cycle.

Cs2: When accessing SRAMHS and peripheral modules related to system control: 2 cycles.

When accessing elsewhere: 0 cycle.

When a slave bus change by a read/write data transfer, add 1 more cycle.

The unit is system clocks (ICLK) + 1 in the Vector read, Transfer information read, and Data transfer read columns and 2 in the Internal operation column.

Cv, Ci, Cr, and Cw vary depending on the corresponding access destination. For the number of cycles for respective access destinations, see [section 51, SRAM](#), [section 53, Flash Memory](#), and [section 15.2.3, External Bus](#).

The frequency ratio of the system clock and peripheral clock is also taken into consideration.

The DTC response time is the time from when the DTC activation source is detected until DTC transfer starts.

This table does not include the time until DTC data transfer starts after the DTC activation source becomes active.

#### 18.4.9 DTC Bus Mastership Release Timing

The DTC does not release bus mastership during transfer information reads. Before the transfer information is read or written, the bus is arbitrated according to the priority determined by the bus master arbitrator. For bus arbitration, see [section 15, Buses](#).

### 18.5 DTC Setting Procedure

Before using the DTC, set the DTC Vector Base Register (DTCVBR). [Figure 18.13](#) shows the procedure for setting the DTC.

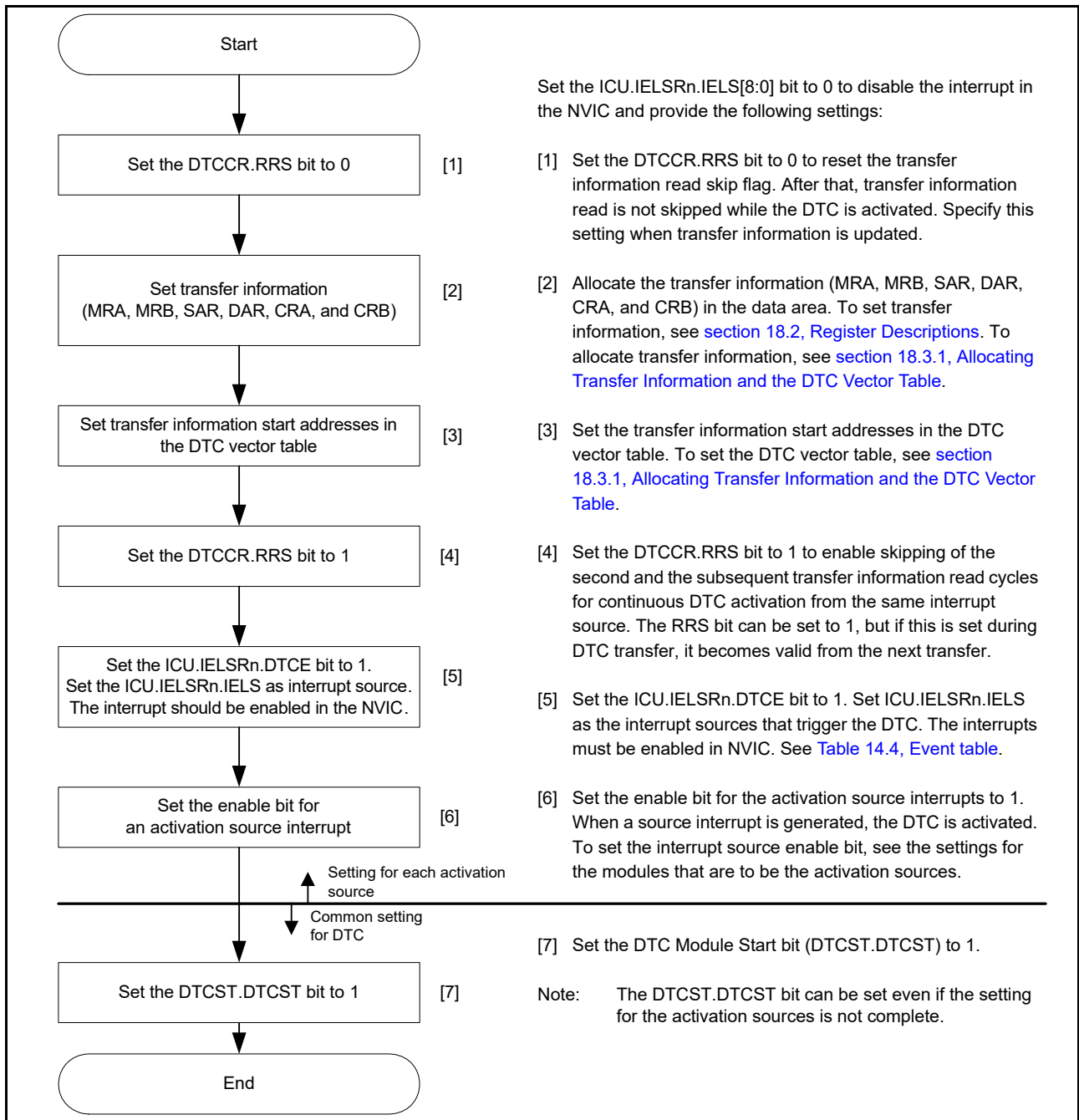


Figure 18.13 DTC setting procedure

## 18.6 Examples of DTC Usage

### 18.6.1 Normal Transfer

This section provides an example of DTC usage and its application when receiving 128 bytes of data from an SCI.

#### (1) Transfer information settings

In the MRA register, select a fixed source address (MRA.SM[1:0] = 00b), normal transfer mode (MRA.MD[1:0] = 00b), and byte-sized transfer (MRA.SZ[1:0] = 00b). In the MRB register, specify incrementation of the destination address (MRB.DM[1:0] = 10b) and single data transfer by a single interrupt (MRB.CHNE = 0 and MRB.DISEL = 0). The MRB.DTS bit can be set to any value. Set the RDR register address of the SCI in the SAR register, the start address of the SRAM area for data storage in the DAR register, and 128 (0080h) in the CRA register. The CRB register can be set to any value.



## (2) DTC vector table settings

The start address of the transfer information for the RXI interrupt is set in the vector table for the DTC.

## (3) ICU settings and DTC module activation

Set the ICU.IELSRn.DTCE bit to 1 and set ICU.IELSRn.IELS as the SCI interrupt. The interrupt must be enabled in the NVIC. Set the DTCST.DTCST bit to 1.

## (4) SCI settings

Enable the RXI interrupt by setting the SCR.RIE bit in the SCI to 1. If a reception error occurs during the SCI receive operation, reception stops. To manage this, use settings that allow the CPU to accept receive error interrupts.

## (5) DTC transfer

Each time a reception of 1 byte by the SCI is complete, an RXI interrupt is generated to activate the DTC. The DTC transfers the received byte from the RDR of the SCI to the SRAM, after which the DAR register is incremented and the CRA register is decremented.

## (6) Interrupt handling

After 128 rounds of data transfer are complete and the value in the CRA register becomes 0, an RXI interrupt request is generated for the CPU. Complete the process in the handling routine for this interrupt.

### 18.6.2 Chain Transfer

This section provides an example of chain transfer by the DTC and describes its use in the output of pulses by the General PWM Timer (GPT). You can use chain transfer to transfer PWM timer compare data and change the period of the PWM timer for GPT.

For the first of the chain transfers, normal transfer mode is specified for transfer to the GPT32m.GTCCRC register (m = EH0 to EH3, E4 to E7, 8 to 13). For the second transfer, normal transfer mode is specified for transfer to the GPT32m.GTCCRE register. For the third transfer, normal transfer mode is specified for transfer to the GPT32m.GTPBR register. This is because clearing of the activation source and generation of an interrupt on completion of the specified number of transfers are restricted to the third of the chain transfers, that is, transfer while MRB.CHNE = 0.

The following example shows how to use the counter overflow interrupt with a GPT32EH0.GTPR register as an activating source for the DTC.

#### (1) First transfer information settings

Set up transfer to the GPT32EH0.GTCCRC register:

1. In the MRA register, select incrementation of the source address (MRA.SM[1:0] = 10b).
2. Set the transfer to normal transfer mode (MRA.MD[1:0] = 00b) and word-sized transfer (MRA.SZ[1:0] = 10b).
3. In the MRB register, select the destination address as fixed (MRB.DM[1:0] = 00b) and set up chain transfer (MRB.CHNE = 1 and MRB.CHNS = 0).
4. Set the SAR register to the first address of the data table.
5. Set the DAR register to the address of the GPT32EH0.GTCCRC register.
6. Set the CRAH and CRAL registers to the size of the data table. The CRB register can be set to any value.

#### (2) Second transfer information settings

Set up transfer to the GPT32EH0.GTCCRE register:

1. In the MRA register, select incrementation of the source address (MRA.SM[1:0] = 10b).
2. Set the transfer to normal transfer mode (MRA.MD[1:0] = 00b) and word-sized transfer (MRA.SZ[1:0] = 10b).
3. In the MRB register, select the destination address as fixed (MRB.DM[1:0] = 00b) and set up chain transfer (MRB.CHNE = 1 and MRB.CHNS = 0).
4. Set the SAR register to the first address of the data table.

5. Set the DAR register to the address of the GPT32EH0.GTCCRE register.
6. Set the CRAH and CRAL registers to the size of the data table. The CRB register can be set to any value.

### (3) Third transfer information settings

Set up transfer to the GPT32EH0.GTPBR registers:

1. In the MRA register, select incrementation of the source address (MRA.SM[1:0] = 10b).
2. Set the transfer to normal transfer mode (MRA.MD[1:0] = 00b) and word-sized transfer (MRA.SZ[1:0] = 10b).
3. In the MRB register, select the destination address as fixed (MRB.DM[1:0] = 00b) and set up single data transfer per interrupt (MRB.CHNE = 0, MRB.DISEL = 0). The MRB.DTS bit can be set to any value.
4. Set the SAR register to the first address of the data table.
5. Set the DAR register to the address of the GPT32EH0.GTPBR register.
6. Set the CRA register to the size of the data table. The CRB register can be set to any value.

### (4) Transfer information assignment

Place the transfer information for use in the transfer to GPT32EH0.GTPBR immediately after the transfer control information for use in the GPT32EH0.GTCCRC and GPT32EH0.GTCCRE registers.

### (5) DTC vector table

In the DTC vector table, set the address where the transfer control information for use in transfer to the GPT32EH0.GTCCRC and GPT32EH0.GTCCRE registers starts.

### (6) ICU settings and DTC module activation

1. Set the ICU.IELSRn.DTCE bit associated with the GPT32EH0 counter overflow interrupt.
2. Set ICU.IELSRn.IELS[8:0] to 182 (B6h) for the GPT32EH0 counter overflow.
3. Set the DTCST.DTCST bit to 1.

### (7) GPT settings

1. Set the GPT32EH0.GTIOR register so that the GTCCRA and GTCCRB registers operate as output compare registers.
2. Set the default PWM timer compare values in the GPT32EH0.GTCCRA and GPT32EH0.GTCCRB registers and the next PWM timer compare values in the GPT32EH0.GTCCRC and GPT32EH0.GTCCRE registers.
3. Set the default PWM timer period values in the GPT32EH0.GTPR register and the next PWM timer period values in the GPT32EH0.GTPBR register.
4. Set 1 to the output bit in PmnPFS.PDR, and set 00011b to the peripheral select bits in PmnPFS.PSEL[4:0].

### (8) GPT activation

Set the GPT32EH0.GTSTR.CSTRT bit to 1 to start the GPT32EH0.GTCNT counter.

### (9) DTC transfer

Each time a GPT32EH0 counter overflow is generated with the GPT32EH0.GTPR register, the next PWM timer compare values are transferred to the GPT32EH0.GTCCRC and GPT32EH0.GTCCRE registers. The setting for the next PWM timer period is transferred to the GPT32EH0.GTPBR register.

### (10) Interrupt handling

After the specified rounds of data transfer are complete, for example when the value in the CRA register for GPT transfer becomes 0, a GPT counter overflow interrupt request is issued for the CPU. Complete the process for this interrupt in the handling routine.

## 18.6.3 Chain Transfer when Counter = 0

The second data transfer is performed only when the transfer counter is set to 0 in the first data transfer, and the first data

transfer information is repeatedly changed in the second transfer. Chain transfer enables transfers to be repeated 256 times or more.

The following procedure shows an example of configuring a 128-KB input buffer, where the input buffer is set so that its lower address starts with 0000h. [Figure 18.14](#) shows a chain transfer when the counter = 0.

1. Set the normal transfer mode to input data for the first data transfer. Set the following:
  - a. Transfer source address = fixed.
  - b. CRA register = 0000h (65,536) times.
  - c. MRB.CHNE bit = 1 (chain transfer is enabled).
  - d. MRB.CHNS bit = 1 (chain transfer is performed only when the transfer counter is 0).
  - e. MRB.DISEL bit = 0 (an interrupt request to the CPU is generated when the specified data transfer completes).
2. Prepare the upper 8-bit address of the start address at every 65,536 times of the transfer destination address for the first data transfer in different area such as the flash. For example, when setting the input buffer to 20 0000h to 21 FFFFh, prepare 21h and 20h.
3. For the second data transfer:
  - a. Set the repeat transfer mode (with the source as the repeat area) to reset the transfer destination address of the first data transfer.
  - b. Specify the upper 8 bits of the DAR register in the first transfer information area for the transfer destination.
  - c. Set the MRB.CHNE bit = 0 (chain transfer is disabled).
  - d. Set the MRB.DISEL bit = 0 (an interrupt request to the CPU is generated when the specified data transfer completes).
  - e. When setting the input buffer to 20 0000h to 21 FFFFh, also set the transfer counter to 2.
4. The first data transfer is performed by an interrupt 65,536 times. When the transfer counter of the first data transfer becomes 0, the second data transfer starts. Set the upper 8 bits of the transfer destination address of the first data transfer to 21h. The lower 16 bits of the transfer destination address and the transfer counter of the first data transfer becomes 0000h.
5. In succession, the first data transfer is performed by an interrupt 65,536 times as specified for the first data transfer. When the transfer counter of the first data transfer becomes 0, the second data transfer starts. Set the upper 8 bits of the transfer destination address of the first data transfer to 20h. The lower 16 bits of the transfer destination address and the transfer counter of the first data transfer becomes 0000h.
6. Steps 4 and 5 are repeated indefinitely. Because the second data transfer is in repeat transfer mode, no interrupt request to the CPU is generated.

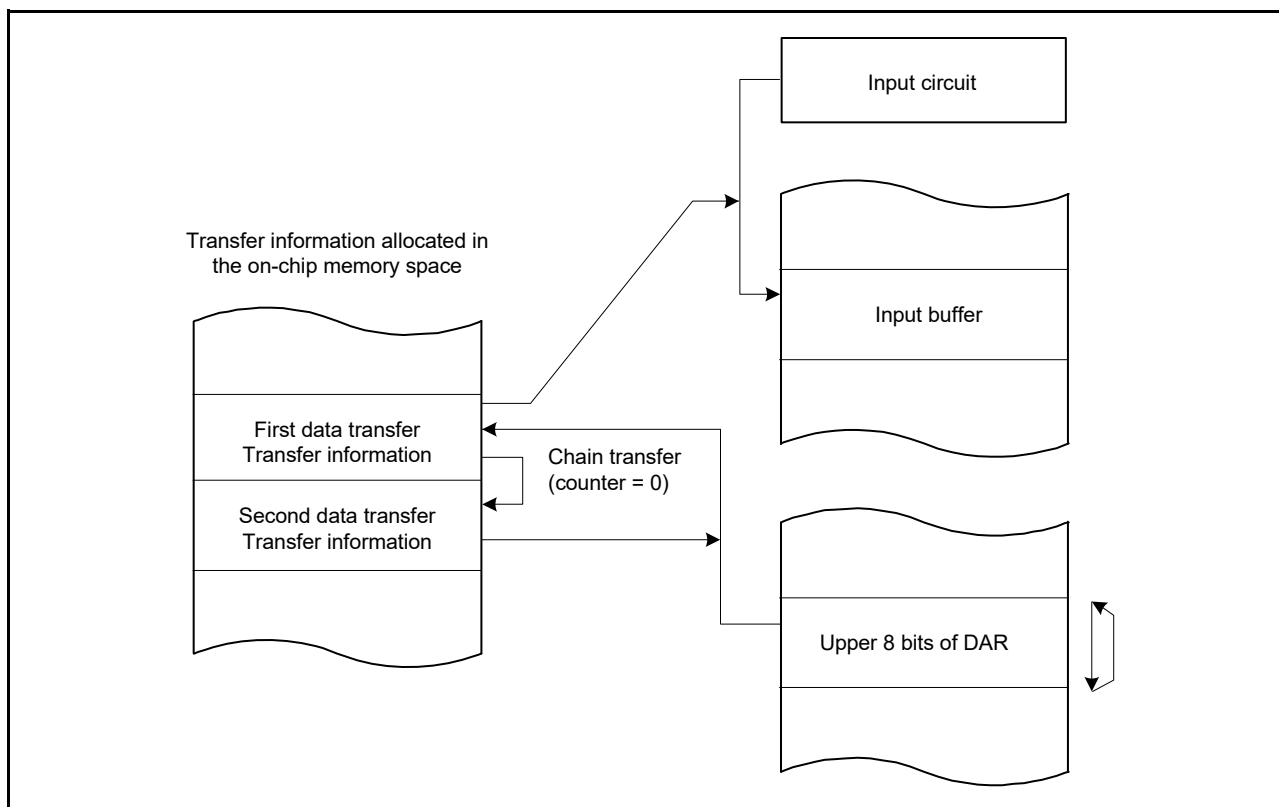


Figure 18.14 Chain transfer when counter = 0

## 18.7 Interrupt Sources

When the DTC completes data transfer of the specified count or when data transfer with MRB.DISEL set to 1 is complete, a DTC activation source generates an interrupt to the CPU. Interrupts to the CPU are controlled according to the settings in the NVIC and ICU.IELSRn.IELS[8:0]. See [section 14, Interrupt Controller Unit \(ICU\)](#).

The DTC prioritizes activation sources by granting the smaller interrupt vector numbers higher priority. The priority of interrupts to the CPU is determined by the NVIC priority.

## 18.8 Event Link

The DTC can produce an event link request on completion of one transfer request. When the destination for the transfer is an external bus, the event link request is issued after completion of writing to the write buffer rather than after completion of writing to the actual transfer destination.

## 18.9 Snooze Control Interface

To return to Software Standby mode from Snooze mode through the DTC, set SYSTEM.SNZEDCR.DTCZRED or SYSTEM.SNZEDCR.DTCNZRED to 1. See [section 11.8.3, Return to Software Standby Mode](#).

SYSTEM.SNZEDCR.DTCZRED enables or disables a Snooze end request on completion of the last DTC transmission, detected on DTC transmission completion when CRA and CRB are 0.

SYSTEM.SNZEDCR.DTCNZRED enables or disables a Snooze end request on a not last DTC transmission completion (CRA and CRB are not 0), detected on DTC transmission completion when CRA and CRB are not 0.

## 18.10 Module-Stop Function

Before transitioning to the module-stop function, Software Standby mode without a Snooze mode transition, or Deep Software Standby mode, set the DTCST.DTCST bit to 0, then perform the operations described in the following sections. The DTC is available in Snooze mode by setting LPW.SNZCR.SNZDTCEN to 1. See [section 11, Low Power Modes](#).

### (1) Module-stop function

Writing 1 to the MSTPCRA.MSTPA22 bit enables the module-stop function of the DTC. If the DTC transfer is in progress at the time 1 is written to the MSTPCRA.MSTPA22 bit, the transition to the module-stop state proceeds after DTC transfer ends. When the MSTPCRA.MSTPA22 bit is 1, accessing the DTC registers is prohibited. Writing 0 to the MSTPCRA.MSTPA22 bit releases the DTC from the module-stop state.

### (2) Software Standby and Deep Software Standby modes

Use the settings described in [section 11.7.1, Transition to Software Standby Mode](#), or [section 11.9.1, Transition to Deep Software Standby Mode](#).

If DTC transfer operations are in progress when the WFI instruction is executed, the transition to Software Standby mode or Deep Software Standby mode follows the completion of the DTC transfer.

When the snooze control circuit receives a snooze request in Software Standby mode, the MCU transfers to Snooze mode. See [section 11.8.1, Transition to Snooze Mode](#). DTC operation in Snooze mode can be selected in the SYSTEM.SNZCR.SNZDTCEN bit. If DTC operation is enabled in Snooze mode, before transitioning to Software Standby mode, set the DTCST.DTCST bit to 1. To return to Software Standby mode through the DTC, set SYSTEM.SNZEDCR.DTCZRED or SYSTEM.SNZEDCR.DTCNZRED to 1. See [section 11.8.3, Return to Software Standby Mode](#). The DTC activation request from the ICU is stopped during Software Standby mode but not during Snooze mode.

### (3) Notes on the module-stop function

For the WFI instruction and the register setting procedure, see [section 11, Low Power Modes](#).

To perform a DTC transfer after returning from a low power mode without Snooze mode transition, set the DTCST.DTCST bit to 1 again.

To use a request that is generated in Software Standby mode as an interrupt request to the CPU but not as a DTC activation request, specify the CPU as the interrupt request destination as described in [section 14.4.2, Selecting Interrupt Request Destinations](#), then execute a WFI instruction. If DTC operation is enabled in Snooze mode, do not use the module-stop function of the DTC.

## 18.11 Usage Notes

### 18.11.1 Transfer information Start Address

You must set multiples of 4 for the transfer information start addresses in the vector table. Otherwise, such addresses are accessed with their lowest 2 bits regarded as 00b.

## 19. Event Link Controller (ELC)

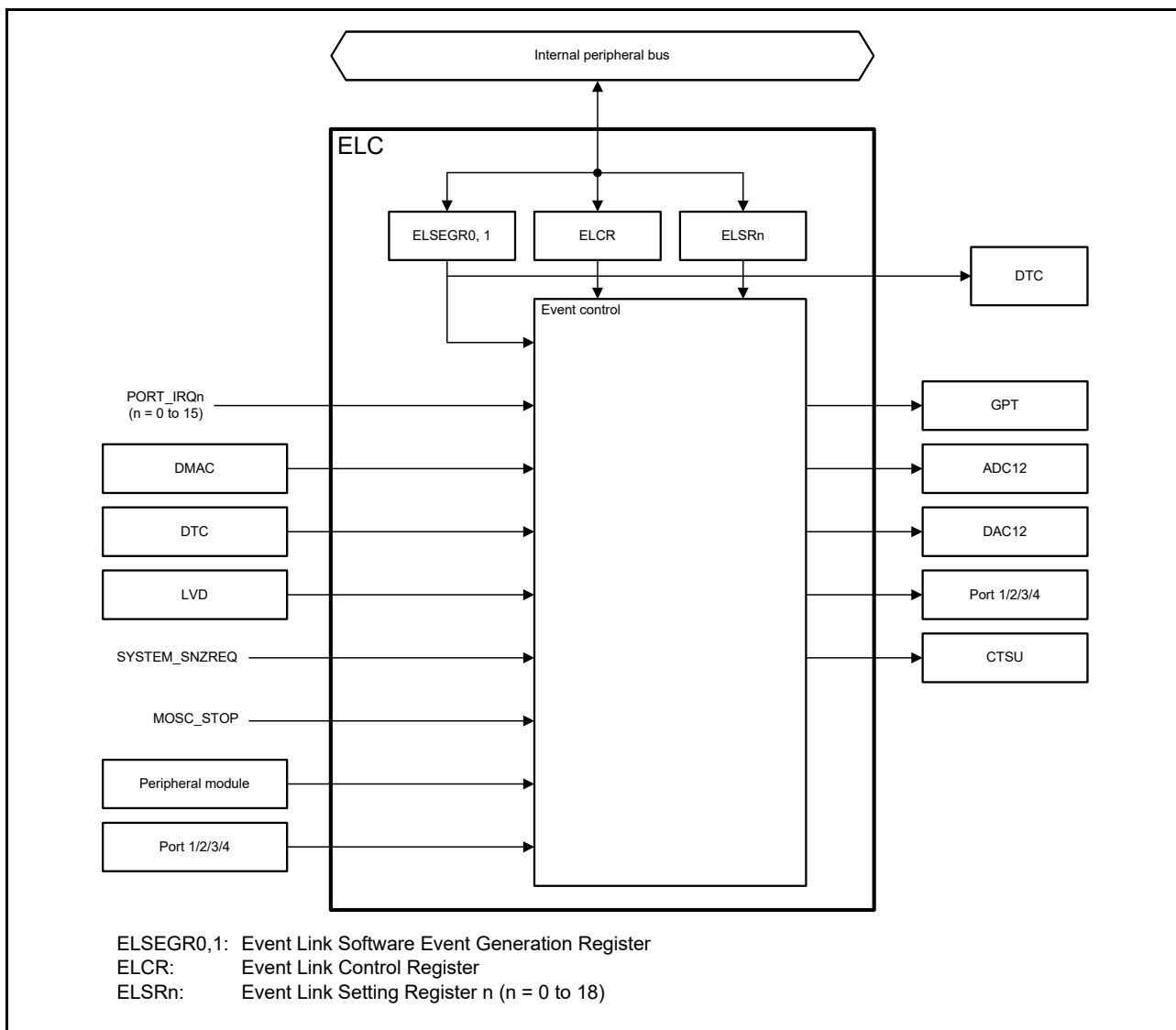
### 19.1 Overview

The Event Link Controller (ELC) uses the event requests generated by various peripheral modules as source signals to connect them to different modules, allowing direct link between the modules without CPU intervention.

Table 19.1 lists the ELC specifications and Figure 19.1 shows a block diagram.

**Table 19.1 ELC specifications**

| Parameter            | Specifications   |
|----------------------|--|
| Event link function  | 258 types of event signals can be directly connected to modules. The ELC can generate an ELC event signal, and events that activate the DTC. |
| Module-stop function | Module-stop state can be set   |



**Figure 19.1 ELC block diagram**

## 19.2 Register Descriptions

### 19.2.1 Event Link Controller Register (ELCR)

Address(es): [ELC.ELCR 4004 1000h](#)

|       |    |    |    |    |    |    |    |
|-------|----|----|----|----|----|----|----|
| b7    | b6 | b5 | b4 | b3 | b2 | b1 | b0 |
| ELCON | —  | —  | —  | —  | —  | —  | —  |

Value after reset: 0 0 0 0 0 0 0 0

| Bit      | Symbol                | Bit name              | Description  | R/W |
|----------|-----------------------|-----------------------|--|-----|
| b6 to b0 | —                     | Reserved              | These bits are read as 0. The write value should be 0. | R/W |
| b7       | <a href="#">ELCON</a> | All Event Link Enable | 0: ELC function disabled<br>1: ELC function enabled.   | R/W |

The ELCR register controls the ELC operation.

### 19.2.2 Event Link Software Event Generation Register n (ELSEGRn) (n = 0, 1)

Address(es): [ELC.ELSEGR0 4004 1002h](#), [ELC.ELSEGR1 4004 1004h](#)

|    |    |    |    |    |    |    |     |
|----|----|----|----|----|----|----|-----|
| b7 | b6 | b5 | b4 | b3 | b2 | b1 | b0  |
| WI | WE | —  | —  | —  | —  | —  | SEG |

Value after reset: 1 0 0 0 0 0 0 0

| Bit      | Symbol              | Bit name                      | Description  | R/W |
|----------|---------------------|-------------------------------|--|-----|
| b0       | <a href="#">SEG</a> | Software Event Generation     | 0: Normal operation<br>1: Software event is generated.                         | W   |
| b5 to b1 | —                   | Reserved                      | These bits are read as 0. The write value should be 0.                         | R/W |
| b6       | <a href="#">WE</a>  | SEG Bit Write Enable          | 0: Writes to SEG bit disabled<br>1: Writes to SEG bit enabled.                 | R/W |
| b7       | <a href="#">WI</a>  | ELSEGR Register Write Disable | 0: Writes to ELSEGR register enabled<br>1: Writes to ELSEGR register disabled. | W   |

#### [SEG bit \(Software Event Generation\)](#)

When 1 is written to the SEG bit while the WE bit is 1, a software event is generated. This bit is read as 0. Even when 1 is written to this bit, data is not stored. The WE bit must be set to 1 before writing to this bit.

A software event can trigger a linked DTC event.

#### [WE bit \(SEG Bit Write Enable\)](#)

The SEG bit can only be written to when the WE bit is 1. Clear the WI bit to 0 before writing to this bit.

[Setting condition]

- If 1 is written to this bit while the WI bit is 0, this bit becomes 1.

[Clearing condition]

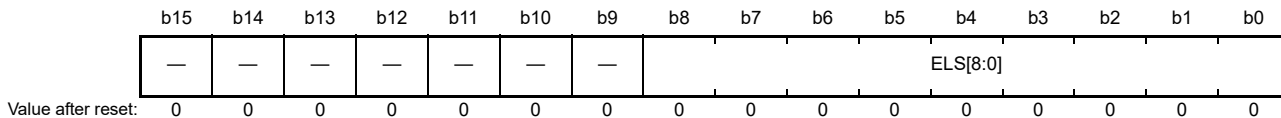
- If 0 is written to this bit while the WI bit is 0, this bit becomes 0.

#### [WI bit \(ELSEGR Register Write Disable\)](#)

The ELSEGR register can only be written to when the write value to the WI bit is 0. This bit is read as 1. Before setting the WE or SEG bit, the WI bit must be set to 0.

### 19.2.3 Event Link Setting Register n (ELSRn) (n = 0 to 18)

Address(es): [ELC.ELSR0 4004 1010h](#), [ELC.ELSR1 4004 1014h](#), [ELC.ELSR2 4004 1018h](#), [ELC.ELSR3 4004 101Ch](#), [ELC.ELSR4 4004 1020h](#), [ELC.ELSR5 4004 1024h](#), [ELC.ELSR6 4004 1028h](#), [ELC.ELSR7 4004 102Ch](#), [ELC.ELSR8 4004 1030h](#), [ELC.ELSR9 4004 1034h](#), [ELC.ELSR10 4004 1038h](#), [ELC.ELSR11 4004 103Ch](#), [ELC.ELSR12 4004 1040h](#), [ELC.ELSR13 4004 1044h](#), [ELC.ELSR14 4004 1048h](#), [ELC.ELSR15 4004 104Ch](#), [ELC.ELSR16 4004 1050h](#), [ELC.ELSR17 4004 1054h](#), [ELC.ELSR18 4004 1058h](#)



| Bit       | Symbol                   | Bit name          | Description  | R/W |
|-----------|--------------------------|-------------------|--|-----|
| b8 to b0  | <a href="#">ELS[8:0]</a> | Event Link Select | b8 b0<br>00000000: Event output disabled for the associated peripheral module<br>00000001 to 111000101b: Number setting for the event signal to be linked.<br>Other settings are prohibited. | R/W |
| b15 to b9 | —                        | Reserved          | These bits are read as 0. The write value should be 0.   | R/W |

The ELSRn register specifies an event signal to be linked to each peripheral module. [Table 19.2](#) shows the association between the ELSRn registers and the peripheral modules. [Table 19.3](#) shows the association between the event signal names set in the ELSRn register and the signal numbers.

**Table 19.2 Association between the ELSRn registers and peripheral functions**

| Register name | Peripheral function (module) | Event name |
|---------------|------------------------------|------------|
| ELSR0         | GPT (A)                      | ELC_GPTA   |
| ELSR1         | GPT (B)                      | ELC_GPTB   |
| ELSR2         | GPT (C)                      | ELC_GPTC   |
| ELSR3         | GPT (D)                      | ELC_GPTD   |
| ELSR4         | GPT (E)                      | ELC_GPTE   |
| ELSR5         | GPT (F)                      | ELC_GPTF   |
| ELSR6         | GPT (G)                      | ELC_GPTG   |
| ELSR7         | GPT (H)                      | ELC_GPTH   |
| ELSR8         | ADC12A0                      | ELC_AD00   |
| ELSR9         | ADC12B0                      | ELC_AD01   |
| ELSR10        | ADC12A1                      | ELC_AD10   |
| ELSR11        | ADC12B1                      | ELC_AD11   |
| ELSR12        | DAC12 channel 0              | ELC_DA0    |
| ELSR13        | DAC12 channel 1              | ELC_DA1    |
| ELSR14        | PORT 1                       | ELC_PORT1  |
| ELSR15        | PORT 2                       | ELC_PORT2  |
| ELSR16        | PORT 3                       | ELC_PORT3  |
| ELSR17        | PORT 4                       | ELC_PORT4  |
| ELSR18        | CTSU                         | ELC_CTSU   |



**Table 19.3 Association between event signal names set in ELSRn.ELS bits and signal numbers (1 of 6)**

| Event number | Interrupt request source | Name                | Description                 |
|--------------|--------------------------|---------------------|-----------------------------|
| 001h         | Port                     | PORT_IRQ0*1         | External pin interrupt 0    |
| 002h         |                          | PORT_IRQ1*1         | External pin interrupt 1    |
| 003h         |                          | PORT_IRQ2*1         | External pin interrupt 2    |
| 004h         |                          | PORT_IRQ3*1         | External pin interrupt 3    |
| 005h         |                          | PORT_IRQ4*1         | External pin interrupt 4    |
| 006h         |                          | PORT_IRQ5*1         | External pin interrupt 5    |
| 007h         |                          | PORT_IRQ6*1         | External pin interrupt 6    |
| 008h         |                          | PORT_IRQ7*1         | External pin interrupt 7    |
| 009h         |                          | PORT_IRQ8*1         | External pin interrupt 8    |
| 00Ah         |                          | PORT_IRQ9*1         | External pin interrupt 9    |
| 00Bh         |                          | PORT_IRQ10*1        | External pin interrupt 10   |
| 00Ch         |                          | PORT_IRQ11*1        | External pin interrupt 11   |
| 00Dh         |                          | PORT_IRQ12*1        | External pin interrupt 12   |
| 00Eh         |                          | PORT_IRQ13*1        | External pin interrupt 13   |
| 00Fh         |                          | PORT_IRQ14*1        | External pin interrupt 14   |
| 010h         |                          | PORT_IRQ15*1        | External pin interrupt 15   |
| 020h         | DMAC0                    | DMAC0_INT           | DMAC transfer end 0         |
| 021h         | DMAC1                    | DMAC1_INT           | DMAC transfer end 1         |
| 022h         | DMAC2                    | DMAC2_INT           | DMAC transfer end 2         |
| 023h         | DMAC3                    | DMAC3_INT           | DMAC transfer end 3         |
| 024h         | DMAC4                    | DMAC4_INT           | DMAC transfer end 4         |
| 025h         | DMAC5                    | DMAC5_INT           | DMAC transfer end 5         |
| 026h         | DMAC6                    | DMAC6_INT           | DMAC transfer end 6         |
| 027h         | DMAC7                    | DMAC7_INT           | DMAC transfer end 7         |
| 02Ah         | DTC                      | DTC_DTCEND*3        | DTC transfer end            |
| 038h         | LVD                      | LVD_LVD1            | Voltage monitor 1 interrupt |
| 039h         |                          | LVD_LVD2            | Voltage monitor 2 interrupt |
| 03Bh         | MOSC                     | MOSC_STOP           | Main clock oscillation stop |
| 03Ch         | Low power mode           | SYSTEM_SNZREQ*2, *3 | Snooze entry                |
| 040h         | AGT0                     | AGT0_AGTI           | AGT interrupt               |
| 041h         |                          | AGT0_AGTCMAI        | Compare match A             |
| 042h         |                          | AGT0_AGTCMBI        | Compare match B             |
| 043h         | AGT1                     | AGT1_AGTI           | AGT interrupt               |
| 044h         |                          | AGT1_AGTCMAI        | Compare match A             |
| 045h         |                          | AGT1_AGTCMBI        | Compare match B             |
| 046h         | IWDT                     | IWDT_NMIUNDF        | IWDT underflow              |
| 047h         | WDT                      | WDT_NMIUNDF         | WDT underflow               |
| 049h         | RTC                      | RTC_PRD             | Periodic interrupt          |
| 04Bh         | ADC120                   | ADC120_ADI          | A/D scan end interrupt      |
| 04Fh         |                          | ADC120_WCMPPM*3     | Compare match               |
| 050h         |                          | ADC120_WCMPUM*3     | Compare mismatch            |
| 051h         | ADC121                   | ADC121_ADI          | A/D scan end interrupt      |
| 055h         |                          | ADC121_WCMPPM*3     | Compare match               |
| 056h         |                          | ADC121_WCMPUM*3     | Compare mismatch            |

**Table 19.3 Association between event signal names set in ELSRn.ELS bits and signal numbers (2 of 6)**

| Event number | Interrupt request source | Name          | Description                              |                 |
|--------------|--------------------------|---------------|--|-----------------|
| 057h         | ACMPHS                   | ACMP_HS0*1    | High-Speed Analog Comparator interrupt 0 |                 |
| 058h         |                          | ACMP_HS1*1    | High-Speed Analog Comparator interrupt 1 |                 |
| 059h         |                          | ACMP_HS2*1    | High-Speed Analog Comparator interrupt 2 |                 |
| 05Ah         |                          | ACMP_HS3*1    | High-Speed Analog Comparator interrupt 3 |                 |
| 05Bh         |                          | ACMP_HS4*1    | High-Speed Analog Comparator interrupt 4 |                 |
| 05Ch         |                          | ACMP_HS5*1    | High-Speed Analog Comparator interrupt 5 |                 |
| 063h         | IIC0                     | IIC0_RXI      | Receive data full                        |                 |
| 064h         |                          | IIC0_TXI      | Transmit data empty                      |                 |
| 065h         |                          | IIC0_TEI      | Transmit end                             |                 |
| 066h         |                          | IIC0_EEI      | Transfer error                           |                 |
| 068h         | IIC1                     | IIC1_RXI      | Receive data full                        |                 |
| 069h         |                          | IIC1_TXI      | Transmit data empty                      |                 |
| 06Ah         |                          | IIC1_TEI      | Transmit end                             |                 |
| 06Bh         |                          | IIC1_EEI      | Transfer error                           |                 |
| 06Dh         | IIC2                     | IIC2_RXI      | Receive data full                        |                 |
| 06Eh         |                          | IIC2_TXI      | Transmit data empty                      |                 |
| 06Fh         |                          | IIC2_TEI      | Transmit end                             |                 |
| 070h         |                          | IIC2_EEI      | Transfer error                           |                 |
| 086h         | DOC                      | DOC_DOPCI*3   | Data Operation Circuit interrupt         |                 |
| 094h         | I/O port                 | IOPORT_GROUP1 | Port 1 event                             |                 |
| 095h         |                          | IOPORT_GROUP2 | Port 2 event                             |                 |
| 096h         |                          | IOPORT_GROUP3 | Port 3 event                             |                 |
| 097h         |                          | IOPORT_GROUP4 | Port 4 event                             |                 |
| 098h         | ELC                      | ELC_SWEVT0    | Software event 0                         |                 |
| 099h         |                          | ELC_SWEVT1    | Software event 1                         |                 |
| 0B0h         | GPT32EH0                 | GPT0_CCMPA    | Compare match A                          |                 |
| 0B1h         |                          | GPT0_CCMPB    | Compare match B                          |                 |
| 0B2h         |                          | GPT0_CMPC     | Compare match C                          |                 |
| 0B3h         |                          | GPT0_CMPD     | Compare match D                          |                 |
| 0B4h         |                          | GPT0_CMPE     | Compare match E                          |                 |
| 0B5h         |                          | GPT0_CMPF     | Compare match F                          |                 |
| 0B6h         |                          | GPT0_OVF      | Overflow                                 |                 |
| 0B7h         |                          | GPT0_UDF      | Underflow                                |                 |
| 0B8h         |                          | GPT0_ADTRGA   | A/D converter start request A            |                 |
| 0B9h         |                          | GPT0_ADTRGB   | A/D converter start request B            |                 |
| 0BAh         |                          | GPT32EH1      | GPT1_CCMPA                               | Compare match A |
| 0BBh         |                          |               | GPT1_CCMPB                               | Compare match B |
| 0BCh         |                          |               | GPT1_CMPC                                | Compare match C |
| 0BDh         |                          |               | GPT1_CMPD                                | Compare match D |
| 0BEh         | GPT1_CMPE                |               | Compare match E                          |                 |
| 0BFh         | GPT1_CMPF                |               | Compare match F                          |                 |
| 0C0h         | GPT1_OVF                 |               | Overflow                                 |                 |
| 0C1h         | GPT1_UDF                 |               | Underflow                                |                 |
| 0C2h         | GPT1_ADTRGA              |               | A/D converter start request A            |                 |
| 0C3h         | GPT1_ADTRGB              |               | A/D converter start request B            |                 |

**Table 19.3 Association between event signal names set in ELSRn.ELS bits and signal numbers (3 of 6)**

| Event number | Interrupt request source | Name        | Description                   |
|--------------|--------------------------|-------------|-------------------------------|
| 0C4h         | GPT32EH2                 | GPT2_CCMPA  | Compare match A               |
| 0C5h         |                          | GPT2_CCMPB  | Compare match B               |
| 0C6h         |                          | GPT2_CMPC   | Compare match C               |
| 0C7h         |                          | GPT2_CMPD   | Compare match D               |
| 0C8h         |                          | GPT2_CMPE   | Compare match E               |
| 0C9h         |                          | GPT2_CMPF   | Compare match F               |
| 0CAh         |                          | GPT2_OVF    | Overflow                      |
| 0CBh         |                          | GPT2_UDF    | Underflow                     |
| 0CCh         |                          | GPT2_ADTRGA | A/D converter start request A |
| 0CDh         |                          | GPT2_ADTRGB | A/D converter start request B |
| 0CEh         |                          | GPT32EH3    | GPT3_CCMPA                    |
| 0CFh         | GPT3_CCMPB               |             | Compare match B               |
| 0D0h         | GPT3_CMPC                |             | Compare match C               |
| 0D1h         | GPT3_CMPD                |             | Compare match D               |
| 0D2h         | GPT3_CMPE                |             | Compare match E               |
| 0D3h         | GPT3_CMPF                |             | Compare match F               |
| 0D4h         | GPT3_OVF                 |             | Overflow                      |
| 0D5h         | GPT3_UDF                 |             | Underflow                     |
| 0D6h         | GPT3_ADTRGA              |             | A/D converter start request A |
| 0D7h         | GPT3_ADTRGB              |             | A/D converter start request B |
| 0D8h         | GPT32E4                  |             | GPT4_CCMPA                    |
| 0D9h         |                          | GPT4_CCMPB  | Compare match B               |
| 0DAh         |                          | GPT4_CMPC   | Compare match C               |
| 0DBh         |                          | GPT4_CMPD   | Compare match D               |
| 0DCh         |                          | GPT4_CMPE   | Compare match E               |
| 0DDh         |                          | GPT4_CMPF   | Compare match F               |
| 0DEh         |                          | GPT4_OVF    | Overflow                      |
| 0DFh         |                          | GPT4_UDF    | Underflow                     |
| 0E0h         |                          | GPT4_ADTRGA | A/D converter start request A |
| 0E1h         |                          | GPT4_ADTRGB | A/D converter start request B |
| 0E2h         |                          | GPT32E5     | GPT5_CCMPA                    |
| 0E3h         | GPT5_CCMPB               |             | Compare match B               |
| 0E4h         | GPT5_CMPC                |             | Compare match C               |
| 0E5h         | GPT5_CMPD                |             | Compare match D               |
| 0E6h         | GPT5_CMPE                |             | Compare match E               |
| 0E7h         | GPT5_CMPF                |             | Compare match F               |
| 0E8h         | GPT5_OVF                 |             | Overflow                      |
| 0E9h         | GPT5_UDF                 |             | Underflow                     |
| 0EAh         | GPT5_ADTRGA              |             | A/D converter start request A |
| 0EBh         | GPT5_ADTRGB              |             | A/D converter start request B |

**Table 19.3 Association between event signal names set in ELSRn.ELS bits and signal numbers (4 of 6)**

| Event number | Interrupt request source | Name        | Description                   |
|--------------|--------------------------|-------------|-------------------------------|
| 0ECh         | GPT32E6                  | GPT6_CCMPA  | Compare match A               |
| 0EDh         |                          | GPT6_CCMPB  | Compare match B               |
| 0EEh         |                          | GPT6_CMPC   | Compare match C               |
| 0EFh         |                          | GPT6_CMPD   | Compare match D               |
| 0F0h         |                          | GPT6_CMPE   | Compare match E               |
| 0F1h         |                          | GPT6_CMPF   | Compare match F               |
| 0F2h         |                          | GPT6_OVF    | Overflow                      |
| 0F3h         |                          | GPT6_UDF    | Underflow                     |
| 0F4h         |                          | GPT6_ADTRGA | A/D converter start request A |
| 0F5h         |                          | GPT6_ADTRGB | A/D converter start request B |
| 0F6h         |                          | GPT32E7     | GPT7_CCMPA                    |
| 0F7h         | GPT7_CCMPB               |             | Compare match B               |
| 0F8h         | GPT7_CMPC                |             | Compare match C               |
| 0F9h         | GPT7_CMPD                |             | Compare match D               |
| 0FAh         | GPT7_CMPE                |             | Compare match E               |
| 0FBh         | GPT7_CMPF                |             | Compare match F               |
| 0FCh         | GPT7_OVF                 |             | Overflow                      |
| 0FDh         | GPT7_UDF                 |             | Underflow                     |
| 0FEh         | GPT7_ADTRGA              |             | A/D converter start request A |
| 0FFh         | GPT7_ADTRGB              |             | A/D converter start request B |
| 100h         | GPT328                   |             | GPT8_CCMPA                    |
| 101h         |                          | GPT8_CCMPB  | Compare match B               |
| 102h         |                          | GPT8_CMPC   | Compare match C               |
| 103h         |                          | GPT8_CMPD   | Compare match D               |
| 104h         |                          | GPT8_CMPE   | Compare match E               |
| 105h         |                          | GPT8_CMPF   | Compare match F               |
| 106h         |                          | GPT8_OVF    | Overflow                      |
| 107h         |                          | GPT8_UDF    | Underflow                     |
| 10Ah         | GPT329                   | GPT9_CCMPA  | Compare match A               |
| 10Bh         |                          | GPT9_CCMPB  | Compare match B               |
| 10Ch         |                          | GPT9_CMPC   | Compare match C               |
| 10Dh         |                          | GPT9_CMPD   | Compare match D               |
| 10Eh         |                          | GPT9_CMPE   | Compare match E               |
| 10Fh         |                          | GPT9_CMPF   | Compare match F               |
| 110h         |                          | GPT9_OVF    | Overflow                      |
| 111h         |                          | GPT9_UDF    | Underflow                     |
| 114h         | GPT3210                  | GPT10_CCMPA | Compare match A               |
| 115h         |                          | GPT10_CCMPB | Compare match B               |
| 116h         |                          | GPT10_CMPC  | Compare match C               |
| 117h         |                          | GPT10_CMPD  | Compare match D               |
| 118h         |                          | GPT10_CMPE  | Compare match E               |
| 119h         |                          | GPT10_CMPF  | Compare match F               |
| 11Ah         |                          | GPT10_OVF   | Overflow                      |
| 11Bh         |                          | GPT10_UDF   | Underflow                     |

**Table 19.3 Association between event signal names set in ELSRn.ELS bits and signal numbers (5 of 6)**

| Event number | Interrupt request source | Name        | Description         |
|--------------|--------------------------|-------------|---------------------|
| 11Eh         | GPT3211                  | GPT11_CCMPA | Compare match A     |
| 11Fh         |                          | GPT11_CCMPB | Compare match B     |
| 120h         |                          | GPT11_CMPC  | Compare match C     |
| 121h         |                          | GPT11_CMPD  | Compare match D     |
| 122h         |                          | GPT11_CMPE  | Compare match E     |
| 123h         |                          | GPT11_CMPF  | Compare match F     |
| 124h         |                          | GPT11_OVF   | Overflow            |
| 125h         |                          | GPT11_UDF   | Underflow           |
| 128h         |                          | GPT3212     | GPT12_CCMPA         |
| 129h         | GPT12_CCMPB              |             | Compare match B     |
| 12Ah         | GPT12_CMPC               |             | Compare match C     |
| 12Bh         | GPT12_CMPD               |             | Compare match D     |
| 12Ch         | GPT12_CMPE               |             | Compare match E     |
| 12Dh         | GPT12_CMPF               |             | Compare match F     |
| 12Eh         | GPT12_OVF                |             | Overflow            |
| 12Fh         | GPT12_UDF                |             | Underflow           |
| 132h         | GPT3213                  |             | GPT13_CCMPA         |
| 133h         |                          | GPT13_CCMPB | Compare match B     |
| 134h         |                          | GPT13_CMPC  | Compare match C     |
| 135h         |                          | GPT13_CMPD  | Compare match D     |
| 136h         |                          | GPT13_CMPE  | Compare match E     |
| 137h         |                          | GPT13_CMPF  | Compare match F     |
| 138h         |                          | GPT13_OVF   | Overflow            |
| 139h         |                          | GPT13_UDF   | Underflow           |
| 150h         |                          | GPT         | GPT_UVWEDGE         |
| 174h         | SCIO                     | SCIO_RXI *4 | Receive data full   |
| 175h         |                          | SCIO_TXI *4 | Transmit data empty |
| 176h         |                          | SCIO_TEI    | Transmit end        |
| 177h         |                          | SCIO_ERI *4 | Receive error       |
| 178h         |                          | SCIO_AM     | Address match event |
| 17Ah         | SCI1                     | SCI1_RXI *4 | Receive data full   |
| 17Bh         |                          | SCI1_TXI *4 | Transmit data empty |
| 17Ch         |                          | SCI1_TEI    | Transmit end        |
| 17Dh         |                          | SCI1_ERI *4 | Receive error       |
| 17Eh         |                          | SCI1_AM     | Address match event |
| 180h         | SCI2                     | SCI2_RXI *4 | Receive data full   |
| 181h         |                          | SCI2_TXI *4 | Transmit data empty |
| 182h         |                          | SCI2_TEI    | Transmit end        |
| 183h         |                          | SCI2_ERI *4 | Receive error       |
| 184h         |                          | SCI2_AM     | Address match event |
| 186h         | SCI3                     | SCI3_RXI *4 | Receive data full   |
| 187h         |                          | SCI3_TXI *4 | Transmit data empty |
| 188h         |                          | SCI3_TEI    | Transmit end        |
| 189h         |                          | SCI3_ERI *4 | Receive error       |
| 18Ah         |                          | SCI3_AM     | Address match event |

**Table 19.3 Association between event signal names set in ELSRn.ELS bits and signal numbers (6 of 6)**

| Event number | Interrupt request source | Name        | Description         |
|--------------|--------------------------|-------------|---------------------|
| 18Ch         | SCI4                     | SCI4_RXI *4 | Receive data full   |
| 18Dh         |                          | SCI4_TXI *4 | Transmit data empty |
| 18Eh         |                          | SCI4_TEI    | Transmit end        |
| 18Fh         |                          | SCI4_ERI *4 | Receive error       |
| 190h         |                          | SCI4_AM     | Address match event |
| 192h         | SCI5                     | SCI5_RXI *4 | Receive data full   |
| 193h         |                          | SCI5_TXI *4 | Transmit data empty |
| 194h         |                          | SCI5_TEI    | Transmit end        |
| 195h         |                          | SCI5_ERI *4 | Receive error       |
| 196h         |                          | SCI5_AM     | Address match event |
| 198h         | SCI6                     | SCI6_RXI *4 | Receive data full   |
| 199h         |                          | SCI6_TXI *4 | Transmit data empty |
| 19Ah         |                          | SCI6_TEI    | Transmit end        |
| 19Bh         |                          | SCI6_ERI *4 | Receive error       |
| 19Ch         |                          | SCI6_AM     | Address match event |
| 19Eh         | SCI7                     | SCI7_RXI *4 | Receive data full   |
| 19Fh         |                          | SCI7_TXI *4 | Transmit data empty |
| 1A0h         |                          | SCI7_TEI    | Transmit end        |
| 1A1h         |                          | SCI7_ERI *4 | Receive error       |
| 1A2h         |                          | SCI7_AM     | Address match event |
| 1A4h         | SCI8                     | SCI8_RXI *4 | Receive data full   |
| 1A5h         |                          | SCI8_TXI *4 | Transmit data empty |
| 1A6h         |                          | SCI8_TEI    | Transmit end        |
| 1A7h         |                          | SCI8_ERI *4 | Receive error       |
| 1A8h         |                          | SCI8_AM     | Address match event |
| 1AAh         | SCI9                     | SCI9_RXI *4 | Receive data full   |
| 1ABh         |                          | SCI9_TXI *4 | Transmit data empty |
| 1ACh         |                          | SCI9_TEI    | Transmit end        |
| 1ADh         |                          | SCI9_ERI *4 | Receive error       |
| 1AEh         |                          | SCI9_AM     | Address match event |
| 1BCh         | SPI0                     | SPI0_SPRI   | Receive data full   |
| 1BDh         |                          | SPI0_SPTI   | Transmit data empty |
| 1BEh         |                          | SPI0_SPII   | Idle                |
| 1BFh         |                          | SPI0_SPEI   | Receive error       |
| 1C0h         |                          | SPI0_SPTEND | Transmit end        |
| 1C1h         | SPI1                     | SPI1_SPRI   | Receive data full   |
| 1C2h         |                          | SPI1_SPTI   | Transmit data empty |
| 1C3h         |                          | SPI1_SPII   | Idle                |
| 1C4h         |                          | SPI1_SPEI   | Receive error       |
| 1C5h         |                          | SPI1_SPTEND | Transmit end        |

Note 1. Only pulse (edge detection) is supported.

Note 2. ELSR8 to ELSR11, ELSR14 to ELSR17, and ELSR18 can select this event.

Note 3. This event can occur in Snooze mode.

Note 4. This event is not supported in FIFO mode.

## 19.3 Operation

### 19.3.1 Relation between Interrupt Handling and Event Linking

Event number for an event link is the same as that for the associated interrupt source. For information on generating event signals, see the explanation in the chapter for each event source module.

### 19.3.2 Linking Events

When an event occurs and that event is already set as a trigger in the Event Link Setting Register (ELSRn), the associated module is activated. The operation of the module must be set up in advance. Table 19.4 lists the operations of modules when an event occurs.

**Table 19.4 Module operations when event occurs**

| Module    | Operations when event occurs  |
|-----------|---|
| GPT       | <ul style="list-style-type: none"> <li>• Start counting</li> <li>• Stop counting</li> <li>• Clear counting</li> <li>• Up counting</li> <li>• Down counting</li> <li>• Input capture.</li> </ul>   |
| ADC12     | Start A/D conversion  |
| DAC12     | Start D/A conversion  |
| I/O ports | <ul style="list-style-type: none"> <li>• Change pin output based on the EORR (reset) or EOSR (set)</li> <li>• Latch pin state to EIDR</li> <li>• The following ports can be used for the ELC:               <ul style="list-style-type: none"> <li>PORT 1</li> <li>PORT 2</li> <li>PORT 3</li> <li>PORT 4.</li> </ul> </li> </ul> |
| CTSU      | Start measurement operation   |
| DTC       | Start DTC data transfer   |

### 19.3.3 Example Procedure for Linking Events

To link events:

1. Set the operation of the module for which an event is to be linked.
2. Set the appropriate ELSRn register for the module to be linked.
3. Set the ELCR.ELCON bit to 1 to enable linkage of all events.
4. Configure the module from which an event is output and activate the module. The link between the two modules is now active.
5. To stop event linkage of modules individually, set 00000000b in the ELSRn.ELS[8:0] bits associated with the modules. To stop linkage of all events, set the ELCR.ELCON bit to 0.

If the event link output from the RTC is to be used, set the ELC after the RTC is set, for example, for initialization and time settings. Unintended events can be generated if the RTC settings are made after the ELC settings.

## 19.4 Usage Notes

### 19.4.1 Linking DMAC or DTC Transfer End Signals as Events

When linking the DMAC or DTC transfer end signals as events, do not set the same peripheral module as the DMAC or DTC transfer destination and event link destination. If set, the peripheral module might be started before DMAC or DTC transfer to the peripheral module is complete.

### 19.4.2 Setting Clocks

To link events, you must enable the ELC and the related modules. The modules cannot operate if the related modules are in the module-stop state or in the specific low power mode in which the module is stopped (Software Standby mode or Deep Software Standby mode). Some modules can perform in Snooze mode. For more information, see [Table 19.3](#) and [section 11, Low Power Modes](#).

### 19.4.3 Settings for the Module-Stop Function

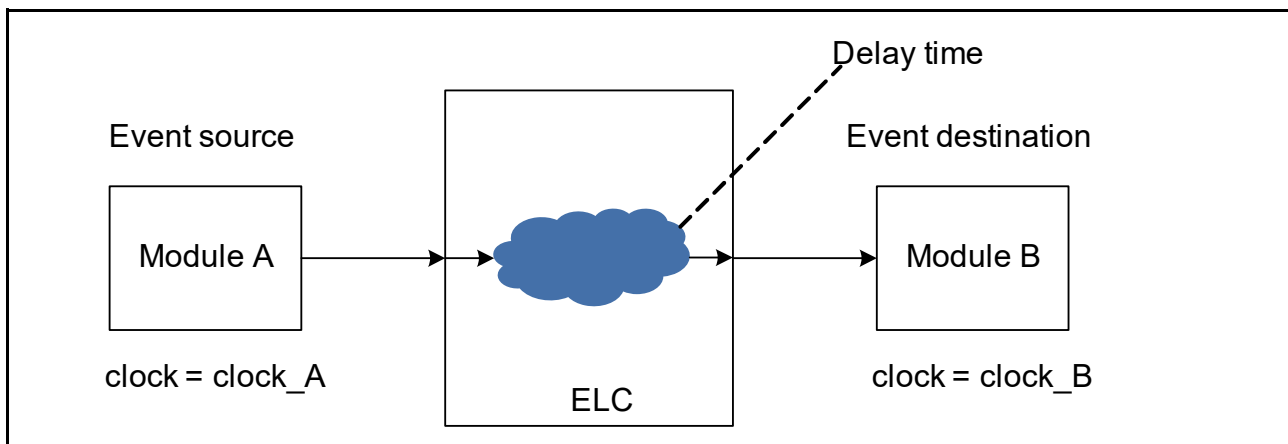
The Module Stop Control Register C (MSTPCRC) can enable or disable ELC operation. The ELC is initially stopped after reset. Releasing the module-stop state enables access to the registers. The ELCON bit must be set to 0 before disabling ELC operation using the Module Stop Control Register. For more information, see [Table 19.3](#) and [section 11, Low Power Modes](#).

### 19.4.4 ELC Delay Time

In [Figure 19.2](#), module A uses ELC and accesses module B through the ELC. There is a delay time in the ELC module between module A and module B. See [Table 19.5](#).

**Table 19.5 ELC delay time**

| Clock domain      | Clock frequency   | ELC delay time           |
|-------------------|-------------------|--------------------------|
| clock_A = clock_B | clock_A = clock_B | 0 cycle                  |
| clock_A ≠ clock_B | clock_A = clock_B | 1 cycle to 2 cycles      |
|                   | clock_A > clock_B | 1 cycle to 2 cycles of B |
|                   | clock_A < clock_B | 1 cycle to 2 cycles of A |



**Figure 19.2 ELC delay time**



## 20. I/O Ports

### 20.1 Overview

The I/O port pins operate as general I/O port pins, I/O pins for peripheral modules, interrupt input pins, analog I/O, port group function for the ELC, or bus control pins. All pins operate as input pins immediately after a reset, and pin functions are switched by register settings. The I/O ports and peripheral modules for each pin are specified in the associated registers.

Figure 20.1 shows a connection diagram for the I/O port registers. The configuration of the I/O ports differs depending on the package. Table 20.1 lists the I/O port specifications by package, and Table 20.2 lists the port functions.

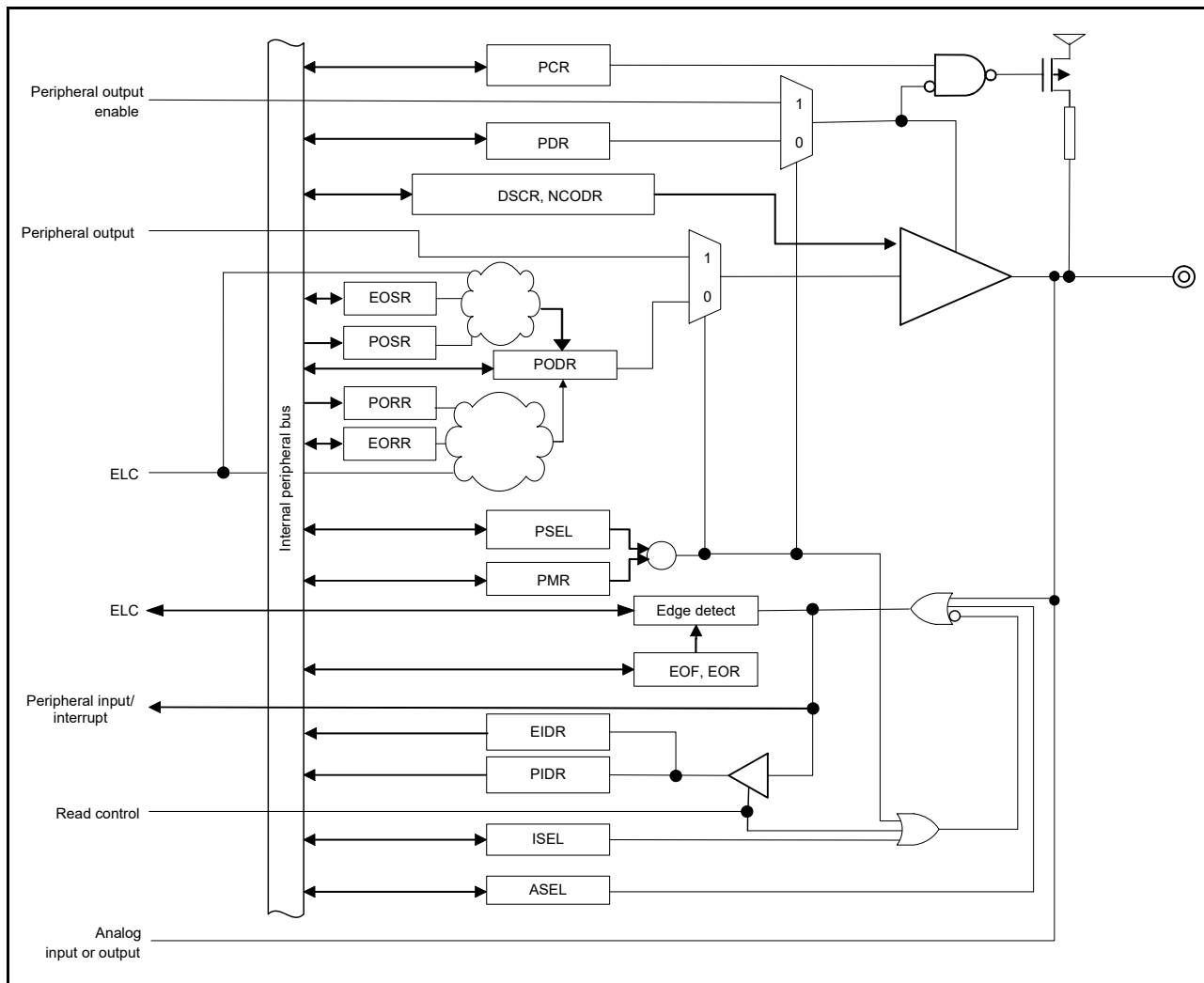


Figure 20.1 Connection diagram for I/O port registers

Note: Figure 20.1 shows a basic port configuration. The configuration differs depending on the ports.

**Table 20.1 I/O port specifications**

| Port  | Package                        |                | Package                    |                |
|-------|--------------------------------|----------------|----------------------------|----------------|
|       | 144 pins, 145 pins             | Number of pins | 100 pins                   | Number of pins |
| PORT0 | P000 to P009, P014, P015       | 12             | P000 to P008, P014, P015   | 11             |
| PORT1 | P100 to P115                   | 16             | P100 to P115               | 16             |
| PORT2 | P200 to P214                   | 15             | P200, P201, P205 to P214   | 12             |
| PORT3 | P300 to P313                   | 14             | P300 to P307               | 8              |
| PORT4 | P400 to P415                   | 16             | P400 to P415               | 16             |
| PORT5 | P500 to P506, P508, P511, P512 | 10             | P500 to P504, P508         | 6              |
| PORT6 | P600 to P605, P608 to P614     | 13             | P600 to P602, P608 to P610 | 6              |
| PORT7 | P700 to P705, P708 to P713     | 12             | P708                       | 1              |
| PORT8 | P800, P801                     | 2              | N/A                        | 0              |
|       | Total pins                     | 110            | Total pins                 | 76             |

**Table 20.2 I/O port functions**

| Port  | Port name                  | Input pull-up | Open-drain output | Drive capacity switching | 5 V tolerant |
|-------|----------------------------|---------------|-------------------|--------------------------|--------------|
| PORT0 | P000 to P009, P014, P015   | ✓             | ✓                 | -                        | -            |
| PORT1 | P100 to P115               | ✓             | ✓                 | Low, middle, high        | -            |
| PORT2 | P200                       | ✓             | -                 | -                        | -            |
|       | P201                       | ✓             | ✓                 | -                        | -            |
|       | P202 to P204, P207 to P214 | ✓             | ✓                 | Low, middle, high        | -            |
|       | P205, P206                 | ✓             | ✓                 | Low, middle, high        | ✓            |
| PORT3 | P300 to P313               | ✓             | ✓                 | Low, middle, high        | -            |
| PORT4 | P400, P401, P407 to P415   | ✓             | ✓                 | Low, middle, high        | ✓            |
|       | P402 to P406               | ✓             | ✓                 | Low, middle, high        | -            |
| PORT5 | P500 to P506, P508         | ✓             | ✓                 | Low, middle, high        | -            |
|       | P511, P512                 | ✓             | ✓                 | Low, middle, high        | ✓            |
| PORT6 | P600 to P605, P608 to P614 | ✓             | ✓                 | Low, middle, high        | -            |
| PORT7 | P700 to P705               | ✓             | ✓                 | Low, middle, high        | -            |
|       | P708 to P713               | ✓             | ✓                 | Low, middle, high        | ✓            |
| PORT8 | P800, P801                 | ✓             | ✓                 | Low, middle, high        | -            |

✓: Available

## 20.2 Register Descriptions

### 20.2.1 Port Control Register 1 (PCNTR1/PODR/PDR)

Address(es): PORT0.PCNTR1 4004 0000h, PORT1.PCNTR1 4004 0020h, PORT2.PCNTR1 4004 0040h, PORT3.PCNTR1 4004 0060h, PORT4.PCNTR1 4004 0080h, PORT5.PCNTR1 4004 00A0h, PORT6.PCNTR1 4004 00C0h, PORT7.PCNTR1 4004 00E0h, PORT8.PCNTR1 4004 0100h

PORT0.PODR 4004 0000h, PORT1.PODR 4004 0020h, PORT2.PODR 4004 0040h, PORT3.PODR 4004 0060h, PORT4.PODR 4004 0080h, PORT5.PODR 4004 00A0h, PORT6.PODR 4004 00C0h, PORT7.PODR 4004 00E0h, PORT8.PODR 4004 0100h

PORT0.PDR 4004 0002h, PORT1.PDR 4004 0022h, PORT2.PDR 4004 0042h, PORT3.PDR 4004 0062h, PORT4.PDR 4004 0082h, PORT5.PDR 4004 00A2h, PORT6.PDR 4004 00C2h, PORT7.PDR 4004 00E2h, PORT8.PDR 4004 0102h

|                    | b31     | b30     | b29     | b28     | b27     | b26     | b25     | b24     | b23     | b22     | b21     | b20     | b19     | b18     | b17     | b16     |
|--------------------|---------|---------|---------|---------|---------|---------|---------|---------|---------|---------|---------|---------|---------|---------|---------|---------|
|                    | PODR 15 | PODR 14 | PODR 13 | PODR 12 | PODR 11 | PODR 10 | PODR 09 | PODR 08 | PODR 07 | PODR 06 | PODR 05 | PODR 04 | PODR 03 | PODR 02 | PODR 01 | PODR 00 |
| Value after reset: | 0       | 0       | 0       | 0       | 0       | 0       | 0       | 0       | 0       | 0       | 0       | 0       | 0       | 0       | 0       | 0       |

|                    | b15   | b14   | b13   | b12   | b11   | b10   | b9    | b8    | b7    | b6    | b5    | b4    | b3    | b2    | b1    | b0    |
|--------------------|-------|-------|-------|-------|-------|-------|-------|-------|-------|-------|-------|-------|-------|-------|-------|-------|
|                    | PDR15 | PDR14 | PDR13 | PDR12 | PDR11 | PDR10 | PDR09 | PDR08 | PDR07 | PDR06 | PDR05 | PDR04 | PDR03 | PDR02 | PDR01 | PDR00 |
| Value after reset: | 0     | 0     | 0     | 0     | 0     | 0     | 0     | 0     | 0     | 0     | 0     | 0     | 0     | 0     | 0     | 0     |

| Bit        | Symbol | Bit name        | Description   | R/W |
|------------|--------|-----------------|---|-----|
| b15 to b0  | PDRn   | Pmn Direction   | 0: Input (functions as an input pin)<br>1: Output (functions as an output pin). | R/W |
| b31 to b16 | PODRn  | Pmn Output Data | 0: Low output<br>1: High output.  | R/W |

m = 0 to 8

n = 00 to 15

The Port Control Register 1 (PCNTR1/PODR/PDR) is a 32-bit and 16-bit read/write register that controls port direction and port output data.

The PCNTR1 specifies the port direction and the output data, and is accessed in 32-bit units. The PDRn (bits [15:0] in PCNTR1) and PODRn (bits [31:16] in PCNTR1) respectively, are accessed in 16-bit units.

The PDRn bits select the input or output direction for individual pins on the associated port when the pins are configured as general I/O pins. Each pin on port m is associated with a PORTm.PCNTR1.PDRn bit. The I/O direction can be specified in 1-bit units. Bits associated with non-existent pins are reserved. The write value should always be 0. P200 is input only, so PORT2.PCNTR1.PDR00 is reserved. The PDRn bit in the PORTm.PCNTR1 register serves the same function as the PDR bit in the PFS.PmnPFS register.

The PODRn bits hold data to be output from the general I/O pins. Bits associated with non-existent pins are reserved. The write value should be 0. P200 is input only, so PORT2.PCNTR1.PODR00 is reserved. Writes to P200 have no effect. The PODRn bit in the PORTm.PCNTR1 register serves the same function as the PODR bit in the PFS.PmnPFS register.

## 20.2.2 Port Control Register 2 (PCNTR2/EIDR/PIDR)

Address(es): PORT0.PCNTR2 4004 0004h, PORT1.PCNTR2 4004 0024h, PORT2.PCNTR2 4004 0044h, PORT3.PCNTR2 4004 0064h, PORT4.PCNTR2 4004 0084h, PORT5.PCNTR2 4004 00A4h, PORT6.PCNTR2 4004 00C4h, PORT7.PCNTR2 4004 00E4h, PORT8.PCNTR2 4004 0104h

PORT0.EIDR 4004 0004h, PORT1.EIDR 4004 0024h, PORT2.EIDR 4004 0044h, PORT3.EIDR 4004 0064h, PORT4.EIDR 4004 0084h, PORT5.EIDR 4004 00A4h, PORT6.EIDR 4004 00C4h, PORT7.EIDR 4004 00E4h, PORT8.EIDR 4004 0104h

PORT0.PIDR 4004 0006h, PORT1.PIDR 4004 0026h, PORT2.PIDR 4004 0046h, PORT3.PIDR 4004 0066h, PORT4.PIDR 4004 0086h, PORT5.PIDR 4004 00A6h, PORT6.PIDR 4004 00C6h, PORT7.PIDR 4004 00E6h, PORT8.PIDR 4004 0106h

|                    |        |        |        |        |        |        |        |        |        |        |        |        |        |        |        |        |
|--------------------|--------|--------|--------|--------|--------|--------|--------|--------|--------|--------|--------|--------|--------|--------|--------|--------|
|                    | b31    | b30    | b29    | b28    | b27    | b26    | b25    | b24    | b23    | b22    | b21    | b20    | b19    | b18    | b17    | b16    |
|                    | EIDR15 | EIDR14 | EIDR13 | EIDR12 | EIDR11 | EIDR10 | EIDR09 | EIDR08 | EIDR07 | EIDR06 | EIDR05 | EIDR04 | EIDR03 | EIDR02 | EIDR01 | EIDR00 |
| Value after reset: | 0      | 0      | 0      | 0      | 0      | 0      | 0      | 0      | 0      | 0      | 0      | 0      | 0      | 0      | 0      | 0      |
|                    | b15    | b14    | b13    | b12    | b11    | b10    | b9     | b8     | b7     | b6     | b5     | b4     | b3     | b2     | b1     | b0     |
|                    | PIDR15 | PIDR14 | PIDR13 | PIDR12 | PIDR11 | PIDR10 | PIDR09 | PIDR08 | PIDR07 | PIDR06 | PIDR05 | PIDR04 | PIDR03 | PIDR02 | PIDR01 | PIDR00 |
| Value after reset: | x      | x      | x      | x      | x      | x      | x      | x      | x      | x      | x      | x      | x      | x      | x      | x      |

x: Undefined

| Bit        | Symbol | Bit name                | Description   | R/W |
|------------|--------|-------------------------|---|-----|
| b15 to b0  | PIDRn  | Pmn State               | 0: Low level<br>1: High level.                              | R   |
| b31 to b16 | EIDRn  | Port Event Input Data*1 | When an ELC_PORTx occurs:<br>0: Low input<br>1: High input. | R   |

m = 0 to 8

n = 00 to 15

x = 1 to 4

Note 1. Supported for PORT1 to PORT4.

The Port Control Register 2 (PCNTR2/EIDR/PIDR) allows read access to the Pmn state and port event input data using 32-bit or 16-bit access.

The PCNTR2 specifies the Pmn state and port event input data, and is accessed in 32-bit units. The PIDRn (bits [15:0] in PCNTR2) and EIDRn (bits [31:16] in PCNTR2) respectively, are accessed in 16-bit units. Bits associated with non-existent pins are reserved. Reserved bits are read as undefined.

The PIDRn bits reflect individual pin states of the port, regardless of the values set in PmnPFS.PMR and PORTm.PCNTR1.PDRn. The PIDRn bit in the PORTm.PCNTR2 register serves the same function as the PIDR bit in the PFS.PmnPFS register.

A pin state cannot be reflected in PIDRn when one of the following functions is enabled:

- Main clock oscillator (MOSC)
- CS area controller (CSC)
- Analog function (ASEL = 1)
- Capacitive Touch Sensing Unit (CTSU)
- USB 2.0 Full-Speed (USBFS) module.

The EIDRn bits latch a pin state when an ELC\_PORTx signal occurs. Pin states can only be input to EIDRn when PmnPFS.PMR and PORTm.PCNTR1.PDRn are 0. When the PmnPFS.ASEL bit is set to 1, the associated pin state is not reflected in EIDRn.

### 20.2.3 Port Control Register 3 (PCNTR3/PORR/POSR)

Address(es): PORT0.PCNTR3 4004 0008h, PORT1.PCNTR3 4004 0028h, PORT2.PCNTR3 4004 0048h, PORT3.PCNTR3 4004 0068h, PORT4.PCNTR3 4004 0088h, PORT5.PCNTR3 4004 00A8h, PORT6.PCNTR3 4004 00C8h, PORT7.PCNTR3 4004 00E8h, PORT8.PCNTR3 4004 0108h  
 PORT0.PORR 4004 0008h, PORT1.PORR 4004 0028h, PORT2.PORR 4004 0048h, PORT3.PORR 4004 0068h, PORT4.PORR 4004 0088h, PORT5.PORR 4004 00A8h, PORT6.PORR 4004 00C8h, PORT7.PORR 4004 00E8h, PORT8.PORR 4004 0108h  
 PORT0.POSR 4004 000Ah, PORT1.POSR 4004 002Ah, PORT2.POSR 4004 004Ah, PORT3.POSR 4004 006Ah, PORT4.POSR 4004 008Ah, PORT5.POSR 4004 00AAh, PORT6.POSR 4004 00CAh, PORT7.POSR 4004 00EAh, PORT8.POSR 4004 010Ah

|                    | b31        | b30        | b29        | b28        | b27        | b26        | b25        | b24        | b23        | b22        | b21        | b20        | b19        | b18        | b17        | b16        |
|--------------------|------------|------------|------------|------------|------------|------------|------------|------------|------------|------------|------------|------------|------------|------------|------------|------------|
|                    | PORR<br>15 | PORR<br>14 | PORR<br>13 | PORR<br>12 | PORR<br>11 | PORR<br>10 | PORR<br>09 | PORR<br>08 | PORR<br>07 | PORR<br>06 | PORR<br>05 | PORR<br>04 | PORR<br>03 | PORR<br>02 | PORR<br>01 | PORR<br>00 |
| Value after reset: | 0          | 0          | 0          | 0          | 0          | 0          | 0          | 0          | 0          | 0          | 0          | 0          | 0          | 0          | 0          | 0          |

|                    | b15        | b14        | b13        | b12        | b11        | b10        | b9         | b8         | b7         | b6         | b5         | b4         | b3         | b2         | b1         | b0         |
|--------------------|------------|------------|------------|------------|------------|------------|------------|------------|------------|------------|------------|------------|------------|------------|------------|------------|
|                    | POSR<br>15 | POSR<br>14 | POSR<br>13 | POSR<br>12 | POSR<br>11 | POSR<br>10 | POSR<br>09 | POSR<br>08 | POSR<br>07 | POSR<br>06 | POSR<br>05 | POSR<br>04 | POSR<br>03 | POSR<br>02 | POSR<br>01 | POSR<br>00 |
| Value after reset: | 0          | 0          | 0          | 0          | 0          | 0          | 0          | 0          | 0          | 0          | 0          | 0          | 0          | 0          | 0          | 0          |

| Bit        | Symbol | Bit name         | Description                               | R/W |
|------------|--------|------------------|---|-----|
| b15 to b0  | POSRn  | Pmn Output Set   | 0: No effect on output<br>1: High output. | W   |
| b31 to b16 | PORRn  | Pmn Output Reset | 0: No effect on output<br>1: Low output.  | W   |

m = 0 to 8

n = 00 to 15

The Port Control Register 3 (PCNTR3/PORR/POSR) is a 32-bit and 16-bit write register that controls the setting or resetting of the port output data.

The PCNTR3 controls the setting or resetting of the port output data, and is accessed in 32-bit units. The POSRn (bits [15:0] in PCNTR3) and PORRn (bits [31:16] in PCNTR3) respectively, are accessed in 16-bit units.

POSR changes PODR when set by a software write. For example, for P100, when PORT1.PCNTR3.POSR00 is 1, PORT1.PCNTR1.PODR00 outputs 1. Bits associated with non-existent pins are reserved. The write value should always be 0. P200 is input only, so PORT2.PCNTR3.POSR00 is reserved.

PORR changes PODR when reset by a software write. For example, for P100, when PORT1.PCNTR3.PORR00 is 1, PORT1.PCNTR1.PODR00 outputs 0. Bits associated with non-existent pins are reserved. The write value should always be 0. P200 is input only, so PORT2.PCNTR3.PORR00 is reserved.

Note: When EORRn or EOSRn is set, writing is prohibited to PODRn, PORRn, and POSRn.

Note: PORRn and POSRn should not be set at the same time.

## 20.2.4 Port Control Register 4 (PCNTR4/EORR/EOSR)

Address(es): PORT1.PCNTR4 4004 002Ch, PORT2.PCNTR4 4004 004Ch, PORT3.PCNTR4 4004 006Ch, PORT4.PCNTR4 4004 008Ch  
 PORT1.EORR 4004 002Ch, PORT2.EORR 4004 004Ch, PORT3.EORR 4004 006Ch, PORT4.EORR 4004 008Ch  
 PORT1.EOSR 4004 002Eh, PORT2.EOSR 4004 004Eh, PORT3.EOSR 4004 006Eh, PORT4.EOSR 4004 008Eh

|                    | b31  | b30  | b29  | b28  | b27  | b26  | b25  | b24  | b23  | b22  | b21  | b20  | b19  | b18  | b17  | b16  |
|--------------------|------|------|------|------|------|------|------|------|------|------|------|------|------|------|------|------|
|                    | EORR | EORR | EORR | EORR | EORR | EORR | EORR | EORR | EORR | EORR | EORR | EORR | EORR | EORR | EORR | EORR |
|                    | 15   | 14   | 13   | 12   | 11   | 10   | 09   | 08   | 07   | 06   | 05   | 04   | 03   | 02   | 01   | 00   |
| Value after reset: | 0    | 0    | 0    | 0    | 0    | 0    | 0    | 0    | 0    | 0    | 0    | 0    | 0    | 0    | 0    | 0    |

|                    | b15  | b14  | b13  | b12  | b11  | b10  | b9   | b8   | b7   | b6   | b5   | b4   | b3   | b2   | b1   | b0   |
|--------------------|------|------|------|------|------|------|------|------|------|------|------|------|------|------|------|------|
|                    | EOSR | EOSR | EOSR | EOSR | EOSR | EOSR | EOSR | EOSR | EOSR | EOSR | EOSR | EOSR | EOSR | EOSR | EOSR | EOSR |
|                    | 15   | 14   | 13   | 12   | 11   | 10   | 09   | 08   | 07   | 06   | 05   | 04   | 03   | 02   | 01   | 00   |
| Value after reset: | 0    | 0    | 0    | 0    | 0    | 0    | 0    | 0    | 0    | 0    | 0    | 0    | 0    | 0    | 0    | 0    |

| Bit        | Symbol | Bit name               | Description  | R/W |
|------------|--------|------------------------|--|-----|
| b15 to b0  | EOSRn  | Pmn Event Output Set   | When an ELC_PORTx occurs:<br>0: No effect on output<br>1: High output. | R/W |
| b31 to b16 | EORRn  | Pmn Event Output Reset | When an ELC_PORTx occurs:<br>0: No effect on output<br>1: Low output.  | R/W |

m = 1 to 4

n = 00 to 15

x = 1 to 4

The Port Control Register 4 (PCNTR4/EORR/EOSR) is a 32-bit and 16-bit read/write register that controls the setting or resetting of the port output data by an event input from the ELC.

The PCNTR4 controls the setting or resetting of the port output data by an event input from the ELC, and is accessed in 32-bit units. The EOSRn (bits [15:0] in PCNTR4) and EORRn (bits [31:16] in PCNTR4) respectively, are accessed in 16-bit units.

EOSR changes PODR when set because an ELC\_PORTx signal occurs. For example, for P100, if PORT1.PCNTR4.EOSR00 is set to 1 when the ELC\_PORTx occurs, PORT1.PCNTR1.PODR00 outputs 1. Bits associated with non-existent pins are reserved. The write value must always be 0. P200 is input only, so PORT2.PCNTR4.EOSR00 is reserved.

EORR changes PODR when reset because an ELC\_PORTx signal occurs. For example, for P100, if PORT1.PCNTR4.EORR00 is set to 1 when the ELC\_PORTx occurs, PORT1.PCNTR1.PODR00 outputs 0. Bits associated with non-existent pins are reserved. The write value must always be 0. P200 is input only, so PORT2.PCNTR4.EORR00 is reserved.

Note: When EORRn or EOSRn is set, writing is prohibited to PODRn, PORRn, and POSRn.

Note: EORRn and EOSRn should not be set at the same time.

## 20.2.5 Port mn Pin Function Select Register (PmnPFS/PmnPFS\_HA/PmnPFS\_BY) (m = 0 to 8; n = 00 to 15)

Address(es): PFS.P000PFS 4004 0800h to PFS.P015PFS 4004 083Ch, PFS.P100PFS 4004 0840h to PFS.P115PFS 4004 087Ch, PFS.P200PFS 4004 0880h to PFS.P214PFS 4004 08B8h, PFS.P300PFS 4004 08C0h to PFS.P313PFS 4004 08F4h, PFS.P400PFS 4004 0900h to PFS.P415PFS 4004 093Ch, PFS.P500PFS 4004 0940h to PFS.P512PFS 4004 0970h, PFS.P600PFS 4004 0980h to PFS.P614PFS 4004 09B8h, PFS.P700PFS 4004 09C0h to PFS.P713PFS 4004 09F4h, PFS.P800PFS 4004 0A00h to PFS.P801PFS 4004 0A04h

PFS.P000PFS\_HA 4004 0802h to PFS.P015PFS\_HA 4004 083Eh, PFS.P100PFS\_HA 4004 0842h to PFS.P115PFS\_HA 4004 087Eh, PFS.P200PFS\_HA 4004 0882h to PFS.P214PFS\_HA 4004 08BAh, PFS.P300PFS\_HA 4004 08C2h to PFS.P313PFS\_HA 4004 08F6h, PFS.P400PFS\_HA 4004 0902h to PFS.P415PFS\_HA 4004 093Eh, PFS.P500PFS\_HA 4004 0942h to PFS.P512PFS\_HA 4004 0972h, PFS.P600PFS\_HA 4004 0982h to PFS.P614PFS\_HA 4004 09BAh, PFS.P700PFS\_HA 4004 09C2h to PFS.P713PFS\_HA 4004 09F6h, PFS.P800PFS\_HA 4004 0A02h to PFS.P801PFS\_HA 4004 0A06h

PFS.P000PFS\_BY 4004 0803h to PFS.P015PFS\_BY 4004 083Fh, PFS.P100PFS\_BY 4004 0843h to PFS.P115PFS\_BY 4004 087Fh, PFS.P200PFS\_BY 4004 0883h to PFS.P214PFS\_BY 4004 08BBh, PFS.P300PFS\_BY 4004 08C3h to PFS.P313PFS\_BY 4004 08F7h, PFS.P400PFS\_BY 4004 0903h to PFS.P415PFS\_BY 4004 093Fh, PFS.P500PFS\_BY 4004 0943h to PFS.P512PFS\_BY 4004 0973h, PFS.P600PFS\_BY 4004 0983h to PFS.P614PFS\_BY 4004 09BBh, PFS.P700PFS\_BY 4004 09C3h to PFS.P713PFS\_BY 4004 09F7h, PFS.P800PFS\_BY 4004 0A03h to PFS.P801PFS\_BY 4004 0A07h

|                    |      |     |           |           |     |     |     |     |       |     |     |     |     |      |      |     |   |   |   |     |   |   |   |   |     |   |   |   |   |
|--------------------|------|-----|-----------|-----------|-----|-----|-----|-----|-------|-----|-----|-----|-----|------|------|-----|---|---|---|-----|---|---|---|---|-----|---|---|---|---|
| b31                | b30  | b29 | b28       | b27       | b26 | b25 | b24 | b23 | b22   | b21 | b20 | b19 | b18 | b17  | b16  |     |   |   |   |     |   |   |   |   |     |   |   |   |   |
| —                  | —    | —   | PSEL[4:0] |           |     |     | —   | —   | —     | —   | —   | —   | —   | —    | —    | PMR |   |   |   |     |   |   |   |   |     |   |   |   |   |
| Value after reset: |      |     |           |           |     |     |     |     |       |     |     |     |     |      | 0*2  |     |   |   |   |     |   |   |   |   |     |   |   |   |   |
| b15                | b14  | b13 | b12       | b11       | b10 | b9  | b8  | b7  | b6    | b5  | b4  | b3  | b2  | b1   | b0   |     |   |   |   |     |   |   |   |   |     |   |   |   |   |
| ASEL               | ISEL | EOF | EOR       | DSCR[1:0] |     | —   | —   | —   | NCODR | —   | PCR | —   | PDR | PIDR | PODR |     |   |   |   |     |   |   |   |   |     |   |   |   |   |
| Value after reset: |      |     |           |           |     |     |     |     |       |     |     |     |     |      | 0*2  | 0   | 0 | 0 | 0 | 0*2 | 0 | 0 | 0 | 0 | 0*2 | 0 | 0 | x | 0 |

x: Undefined

| Bit        | Symbol                    | Bit name                           | Description  | R/W |
|------------|---------------------------|------------------------------------|--|-----|
| b0         | <a href="#">PODR</a>      | Port Output Data                   | 0: Low output<br>1: High output.   | R/W |
| b1         | <a href="#">PIDR</a>      | Pmn State                          | 0: Low level<br>1: High level.   | R   |
| b2         | <a href="#">PDR</a>       | Port Direction                     | 0: Input (functions as an input pin)<br>1: Output (functions as an output pin).                              | R/W |
| b3         | —                         | Reserved                           | This bit is read as 0. The write value should be 0.  | R/W |
| b4         | <a href="#">PCR</a>       | Pull-up Control                    | 0: Disable input pull-up<br>1: Enable input pull-up.   | R/W |
| b5         | —                         | Reserved                           | This bit is read as 0. The write value should be 0.  | R/W |
| b6         | <a href="#">NCODR</a>     | N-Channel Open-Drain Control       | 0: CMOS output<br>1: NMOS open-drain output.   | R/W |
| b9 to b7   | —                         | Reserved                           | These bits are read as 0. The write value should be 0.   | R/W |
| b11, b10   | <a href="#">DSCR[1:0]</a> | Port Drive Capability              | b11 b10<br>0 0: Low drive<br>0 1: Middle drive<br>1 0: Setting prohibited<br>1 1: High drive.                | R/W |
| b13, b12   | <a href="#">EOF/EOR</a>   | Event on Falling/Event on Rising*1 | b13 b12<br>0 0: Don't care<br>0 1: Detect rising edge<br>1 0: Detect falling edge<br>1 1: Detect both edges. | R/W |
| b14        | <a href="#">ISEL</a>      | IRQ Input Enable                   | 0: Not used as an IRQn input pin<br>1: Used as an IRQn input pin.  | R/W |
| b15        | <a href="#">ASEL</a>      | Analog Input Enable                | 0: Not used as analog pin<br>1: Used as analog pin.  | R/W |
| b16        | <a href="#">PMR</a>       | Port Mode Control                  | 0: Used as a general I/O pin<br>1: Used as an I/O port for peripheral functions.                             | R/W |
| b23 to b17 | —                         | Reserved                           | These bits are read as 0. The write value should be 0.   | R/W |

| Bit        | Symbol    | Bit name          | Description   | R/W |
|------------|-----------|-------------------|---|-----|
| b28 to b24 | PSEL[4:0] | Peripheral Select | These bits select the peripheral function. For individual pin functions, see the associated tables in this chapter. | R/W |
| b31 to b29 | —         | Reserved          | These bits are read as 0. The write value should be 0.  | R/W |

Note: P010PFS to P013PFS, P507PFS, P509PFS, P510PFS, P606PFS, P607PFS, P706PFS, and P707PFS for 32-bit, 16-bit, and 8-bit access are not available.

Note 1. Supported for PORT1 to PORT4.

Note 2. The initial value of P000 to P007, P108, P109, P110, P201 and P300 is not 0000\_0000h.

P000 to P007 is 0000\_8000h, P108 is 0001\_0410h, P109 is 0001\_0400h, P110 is 0001\_0010h, P201 is 0000\_0010h, and P300 is 0001\_0010h.

The Port mn Pin Function Select register (PmnPFS/PmnPFS\_HA/PmnPFS\_BY) is a 32-bit, 16-bit, and 8-bit read/write control register that selects the port mn pin function, and is accessed in 32-bit units. PmnPFS\_HA (bits [15:0] in PmnPFS) is accessed in 16-bit units. PmnPFS\_BY (bits [7:0]) is accessed in 8-bit units.

The PDR/PIDR/PODR bits serve the same function as the PCNTR. When these bits are read, the PCNTR value is read.

The PCR bit enables or disables an input pull-up resistor on the individual port pins. When a pin is in the input state with the associated bit in PmnPFS.PCR set to 1, the pull-up resistor connected to the pin is enabled. When a pin is set as an external bus pin, a general port output pin, or a peripheral function output pin, the pull-up resistor for the pin is disabled regardless of the PCR setting. The pull-up resistor is also disabled in the reset state. Bits associated with non-existent pins are reserved. The write value should be 0.

The NCODR bit specifies the output type for the port pins. Bits associated with non-existent pins are reserved. The write value should be 0.

The DSCR bit switches the drive capacity of the port. If the drive capacity of a pin is fixed, the associated bit is a read/write bit, but the drive capacity cannot be changed. Bits associated with non-existent pins are reserved. Reserved bits are read as 0. The write value should be 0.

The EOR and EOF bits select the edge detection method for the port group input signal. These bits support rising, falling, or both edge detections. When the EOR and EOF bits are set to 01b, 10b, or 11b, the input enable of the I/O cell is asserted. Following that, the event pulse is input from the external pin, and the GPIO outputs the event pulse to the ELC. Bits associated with non-existent pins are reserved. The write value should be 0.

The ISEL bit specifies IRQ input pins. This setting can be used in combination with the peripheral functions, although an IRQn (external pin interrupt) of the same number must only be enabled for one pin.

The ASEL bit specifies analog pins. When a pin is set as an analog pin by this bit:

1. Specify it as a general I/O port with the Port Mode Control bit (PmnPFS.PMR).
2. Disable the pull-up resistor with the Pull-up Control bit (PmnPFS.PCR).
3. Specify the input in the Port Direction bit (PmnPFS.PDR). The pin state cannot be read at this point. The PmnPFS register is protected by the Write-Protect Register (PWPR). Release write-protect before modifying the register.

The ISEL bit for an unspecified IRQn is reserved. The ASEL bit for an unspecified analog input/output pin is reserved.

The PMR bit specifies the port pin function. Bits associated with non-existent pins are reserved. The write value should be 0.

The PSEL[4:0] bits assign the peripheral function.

For details on the peripheral settings for each product, see [section 20.6, Peripheral Select Settings for each Product](#).



## 20.2.6 Write-Protect Register (PWPR)

Address(es): [PMISC.PWPR 4004 0D03h](#)

| b7   | b6    | b5 | b4 | b3 | b2 | b1 | b0 |
|------|-------|----|----|----|----|----|----|
| B0WI | PFSWE | —  | —  | —  | —  | —  | —  |

Value after reset: 1 0 0 0 0 0 0 0

| Bit      | Symbol                | Bit name                     | Description  | R/W |
|----------|-----------------------|------------------------------|--|-----|
| b5 to b0 | —                     | Reserved                     | These bits are read as 0. The write value should be 0.   | R/W |
| b6       | <a href="#">PFSWE</a> | PmnPFS Register Write Enable | 0: Writing to the PmnPFS register is disabled<br>1: Writing to the PmnPFS register is enabled. | R/W |
| b7       | <a href="#">B0WI</a>  | PFSWE Bit Write Disable      | 0: Writing to the PFSWE bit is enabled<br>1: Writing to the PFSWE bit is disabled.             | R/W |

### [PFSWE bit \(PmnPFS Register Write Enable\)](#)

Writing to the PmnPFS register is enabled only when the PFSWE bit is set to 1. You must first write 0 to the B0WI bit before setting PFSWE to 1.

### [B0WI bit \(PFSWE Bit Write Disable\)](#)

Writing to the PFSWE bit is enabled only when the B0WI bit is set to 0.

## 20.2.7 Ethernet Control Register (PFENET)

Address(es): [PMISC.PFENET 4004 0D00h](#)

| b7 | b6 | b5 | b4       | b3 | b2 | b1 | b0 |
|----|----|----|----------|----|----|----|----|
| —  | —  | —  | PHYMODE0 | —  | —  | —  | —  |

Value after reset: 0 0 0 0 0 0 0 0

| Bit      | Symbol                   | Bit name                  | Description  | R/W |
|----------|--------------------------|---------------------------|--|-----|
| b3 to b0 | —                        | Reserved                  | These bits are read as 0. The write value should be 0.             | R/W |
| b4       | <a href="#">PHYMODE0</a> | Ethernet Mode Setting ch0 | 0: RMII mode (ETHERC channel 0)<br>1: MII mode (ETHERC channel 0). | R/W |
| b7 to b5 | —                        | Reserved                  | These bits are read as 0. The write value should be 0.             | R/W |

### [PHYMODE0 bit \(Ethernet Mode Setting ch0\)](#)

The PHYMODE0 bit specifies the PHY mode of ETHERC channel 0. Select the same mode as that specified in the pin function select bits (PmnPFS.PSEL[4:0]). When the signals for the RMII mode are specified in the PmnPFS.PSEL[4:0] bits, set the PHYMODE bit to 0 (RMII mode). When the signals for the MII mode are specified in the PmnPFS.PSEL[4:0] bits, set the PHYMODE bit to 1 (MII mode).

## 20.3 Operation

### 20.3.1 General I/O Ports

All pins except P000 to P007, P108 to P110, and P300 operate as general I/O ports after reset. General I/O ports are organized as 16 bits per port and can be accessed by port with the Port Control Registers (PCNTRn, where n = 1 to 4), or by individual pins with the Port mn Pin Function Select register. For details on these registers, see [section 20, Register Descriptions](#).

Each port has the following bits:

- Port Direction bit (PDR<sub>n</sub>), which selects input or output direction
- Port Output Data bit (PODR<sub>n</sub>), which holds data for output
- Port Input Data bit (PIDR<sub>n</sub>), which indicates the pin state
- Event Input Data bit (EIDR<sub>n</sub>), which indicates the pin state when an ELC\_PORT1, 2, 3, or 4 signal occurs
- Port Output Set bit (POSR<sub>n</sub>), which indicates the output value when a software write occurs
- Port Output Reset bit (PORR<sub>n</sub>), which indicates the output value when a software write occurs
- Event Output Set bit (EOSR<sub>n</sub>), which indicates the output value when an ELC\_PORT1, 2, 3 or 4 signal occurs
- Event Output Reset bit (EORR<sub>n</sub>), which indicates the output value when an ELC\_PORT1, 2, 3 or 4 signal occurs.

### 20.3.2 Port Function Select

The following port functions are available for configuring each pin:

- I/O configuration: Complementary or open-drain output, pull-up control, and drive strength
- General I/O port: Port direction, output data setting, and reading input data
- Alternate function: Configured function mapping to the pin.

Each pin is associated with a Port *mn* Pin Function Select register (PmnPFS), which includes the associated PODR, PIDR, and PDR bits. In addition, the PmnPFS register includes:

- PCR: Pull-up resistor control bit that turns the input pull-up MOS on or off
- NCODR: N-channel open-drain control bit that selects the output type for each pin
- DSCR: Drive capacity control bit that selects the drive capacity
- EOR: Event on rising bit used to detect rising edges on the port input
- EOF: Event on falling bit used to detect falling edges on the port input
- ISEL: IRQ input enable bit to specify an IRQ input pin
- ASEL: Analog input enable bit to specify an analog pin
- PMR: Port mode control bit to specify the pin function of each port
- PSEL[4:0]: Port function select bits to select the associated peripheral function.

These configurations can be made by a single-register access to the Port *mn* Pin Function Select register. For details, see [section 20, Port \*mn\* Pin Function Select Register \(PmnPFS/PmnPFS\\_HA/PmnPFS\\_BY\) \(m = 0 to 8; n = 00 to 15\)](#).

### 20.3.3 Port Group Function for the ELC

In the MCU, PORT1 to PORT4 are assigned for the port group function.

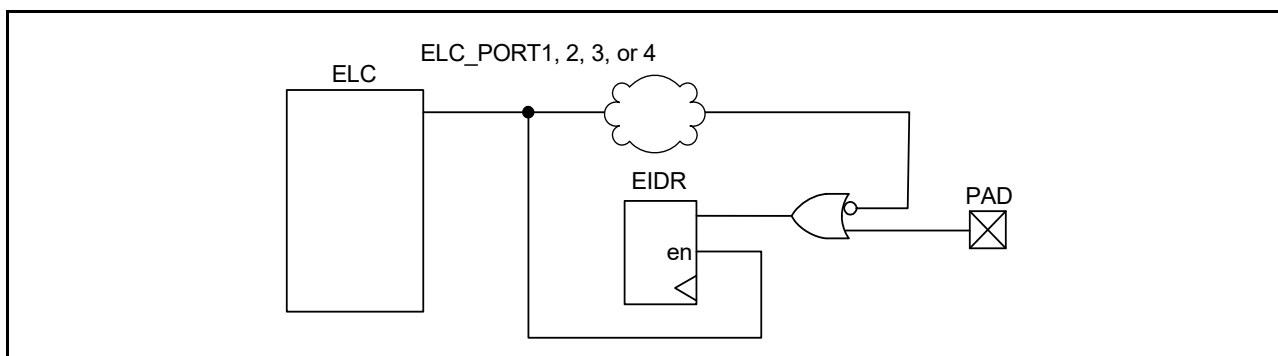
#### 20.3.3.1 Behavior when ELC\_PORT1, 2, 3, or 4 is input from the ELC

The MCU supports the two functions described in this section when an ELC\_PORT1, 2, 3, or 4 signal comes from the ELC.

##### (1) Input to EIDR

For the GPI function (PDR = 0 and PMR = 0 in the PmnPFS register), when an ELC\_PORT1, 2, 3, or 4 signal comes from the ELC, the input enable of the I/O cell is asserted, and data from the external pins are read into the EIDR bit.

For the GPO function (PDR = 1) or the peripheral mode (PMR = 1), 0 is input into the EIDR bit from the external pins.



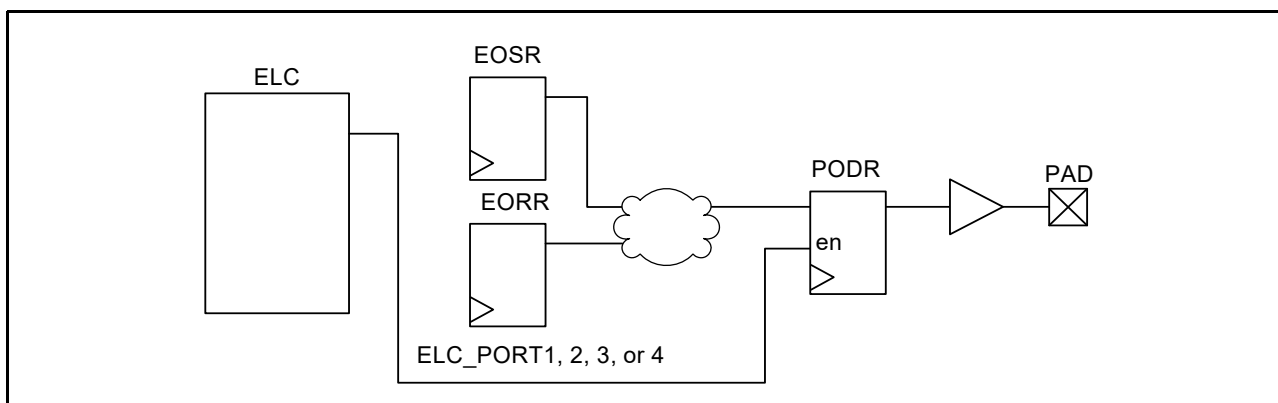
**Figure 20.2** Event ports input data

## (2) Output from PODR by EOSR/EORR

When an ELC\_PORT1, 2, 3, or 4 signal occurs, the data is output from the PODR to the external pin based on the EOSR/EORR bit settings as follows:

- If EOSR is set to 1, when ELC\_PORT1, 2, 3, or 4 signal occurs, the PODR register outputs 1 to the external pin. Otherwise, when EOSR = 0, the PODR value is kept.
- If EORR is set to 1, when ELC\_PORT1, 2, 3, or 4 signal occurs, the PODR register outputs 0 to the external pin. Otherwise, when EORR = 0, the PODR value is kept.

See [Figure 20.3](#).



**Figure 20.3** Event ports output data

### 20.3.3.2 Behavior when an event pulse is output to the ELC

To output the event pulse from the external pins to the ELC, set the EOR/EOF bits in the PmnPFS register. For details, see [section 20.2.5, Port mn Pin Function Select Register \(PmnPFS/PmnPFS\\_HA/PmnPFS\\_BY\) \(m = 0 to 8; n = 00 to 15\)](#). When the EOR/EOF bits are set, the input enable of the I/O cell is asserted.

Data from the external pin is the input. For example, for PORT1, when the data is input from P100 to P115, the data of those 16 pins is organized by OR logic. This data is formed into a one-shot pulse that goes to the ELC. The operation of PORT2 to PORT4 is the same. See [Figure 20.4](#).

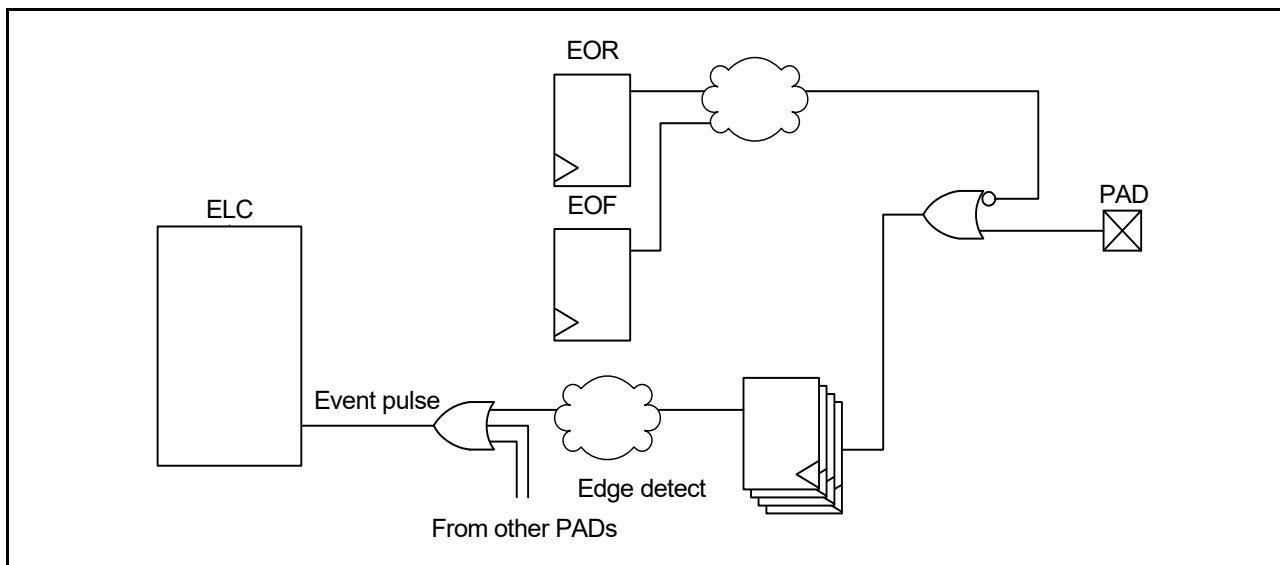


Figure 20.4 Generation of event pulse

### 20.4 Handling of Unused Pins

Table 20.3 shows how to handle unused pins.

Table 20.3 Handling of unused pins

| Pin name      | Handling when unused   |
|---------------|--|
| MD            | Use as a mode pin  |
| RES           | Connect to VCC through a resistor (pulling up)   |
| USB_DP        | Keep pin open  |
| USB_DM        | Keep pin open  |
| P200/NMI      | Connect to VCC through a resistor (pulling up)   |
| EXTAL         | When the main clock oscillator is not used, set the MOSCCR.MOSTP bit to 1 (general port P212).<br>When this pin is not used as port P212, configure it in the same way as ports 1 to 8.  |
| XTAL          | When the main clock oscillator is not used, set the MOSCCR.MOSTP bit to 1 (general port P213).<br>When the external clock is input to the EXTAL pin, the XTAL pin functions as P213.<br>When this pin is not used as port P213, configure it in the same way as ports 1 to 8.                                  |
| XCIN          | Connect to VSS through a resistor (pulling down)   |
| XCOUT         | Keep pin open  |
| P000 to P009  | <ul style="list-style-type: none"> <li>• If the direction is set to input (PCNTR1.PDRn = 0), connect the associated pin to AVCC0 (pulled up) through a resistor or to AVSS0 (pulled down) through a resistor*1</li> <li>• If the direction is set to output (PCNTR1.PDRn = 1), release the pin*1.</li> </ul>   |
| P1x to P8x    | <ul style="list-style-type: none"> <li>• If the direction is set to input (PCNTR1.PDRn = 0), connect the associated pin to VCC (pulled up) through a resistor or to VSS (pulled down) through a resistor*1,*2</li> <li>• If the direction is set to output (PCNTR1.PDRn = 1), release the pin*1,*3.</li> </ul> |
| VREFH0, VREFH | Connect to AVCC0   |
| VREFL0, VREFL | Connect to AVSS0   |
| VBATT         | Connect to VCC or VSS  |

Note 1. Clear the PmnPFS.PMR, PmnPFS.ISEL, PmnPFS.PCR, and PmnPFS.ASEL bits to 0.

Note 2. P108, P110, and P300 are recommended for pull up VCC (pulled up) through a resistor, because these pins are input pull-up enabled from the initial value (PmnPFS.PCR=1).

Note 3. P109 is recommended for setting the direction to output (PCNTR1.PDRn = 1), because this pin is output from the initial value.

## 20.5 Usage Notes

### 20.5.1 Procedure for Specifying the Pin Functions

To specify the I/O pin functions:

1. Clear the B0WI bit in the PWPR register. This enables writing to the PFSWE bit in the PWPR register.
2. Set 1 to the PFSWE bit in the PWPR register. This enables writing to the PmnPFS register.
3. Clear the Port Mode Control bit in the PMR for the target pin to select the general I/O port.
4. Specify the I/O function for the pin through the PSEL[4:0] bit settings in the PmnPFS register.
5. Set the PMR bit to 1 as required to switch to the selected I/O function for the pin.
6. Clear the PFSWE bit in the PWPR register. This disables writing to the PmnPFS register.
7. Set 1 to the B0WI bit in the PWPR register. This disables writing to the PFSWE bit in the PWPR register.

### 20.5.2 Procedure for Using Port Group Input

To use the port group input (PORT1 to PORT4):

1. Set the ELSRx.ELS[8:0] bits to 0000 0000b to ignore unexpected pulses. For more information, see [section 19, Event Link Controller \(ELC\)](#).
2. Set the EOF/EOR bit of the PmnPFS register to specify the rising, falling, or both edge detections.
3. Execute a dummy read or wait for a short time, for example 100 ns. Ignoring of unexpected pulses depends on the initial value of the external pin.
4. Set the ELSRx.ELS[8:0] bits to enable the event signals.

### 20.5.3 Port Output Data Register (PODR) Summary

This register outputs data as follows:

1. Output 0 if PCNTR4.EORRn is set to 1 when an ELC\_PORT1, 2, 3, or 4 signal occurs.
2. Output 1 if PCNTR4.EOSRn is set to 1 when an ELC\_PORT1, 2, 3, or 4 signal occurs.
3. Output 0 if PCNTR3.PORRn is set to 1.
4. Output 1 if PCNTR3.POSRn is set to 1.
5. Output 0 or 1 because PCNTR1.PODRn is set.
6. Output 0 or 1 because PmnPFS.PODRn is set.

Numbers in this list correspond to the priority for writing to the PODR. For example, if **1.** and **3.** from the list occur at the same time, the higher priority event **1.** is executed.

### 20.5.4 Notes on Using Analog Functions

To use an analog function, set the Port Mode Control bit (PMR) and Port Direction bit (PDR) to 0 so that the pin acts as a general input port. Next, set the Analog Input Enable bit (ASEL) in the Port mn Pin Function Select register (PmnPFS.ASEL) to 1.

### 20.5.5 I/O Buffer Specification

P402, P403, and P404 can be used as the RTC input, AGT input, and other peripheral functions.

[Table 20.4](#) lists the P402, P403, P404 specifications.

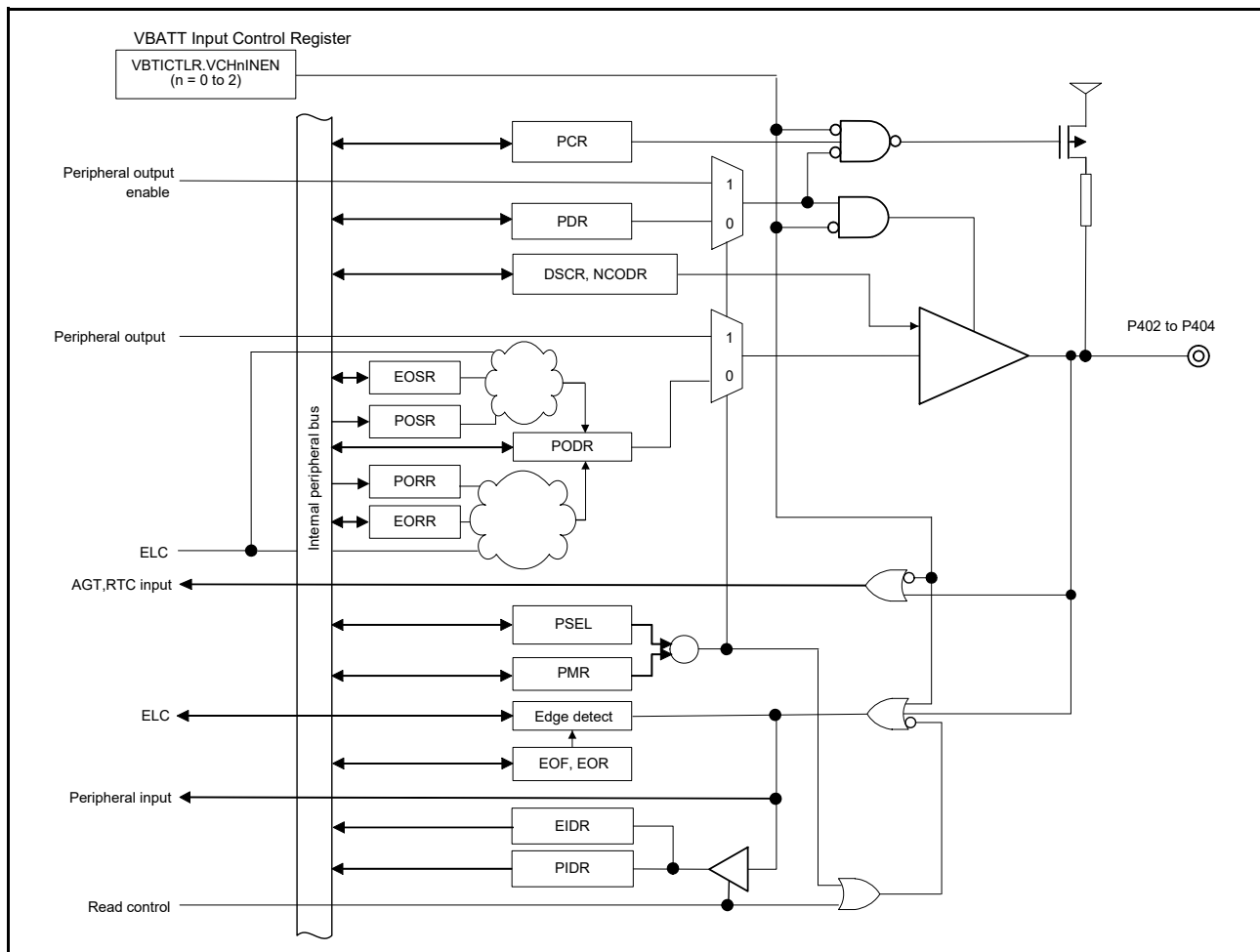
**Table 20.4 P402, P403, P404 specifications**

| I/O port | Functions                         |        |                  |                                  |  |
|----------|-----------------------------------|--------|------------------|----------------------------------|--|
|          | RTC and AGT                       |        |                  | Other peripheral                 |  |
|          | RTC and AGT input enable register | RTC    | AGT              | Other peripheral enable register | CAC, GPT, CAN, SCI, SSIE, ETHERC (MII), ETHERC (RMII), SDHI, Interrupt, and PDC                  |
| P402     | VBTICTLR.VCH0INEN                 | RTCIC0 | AGTIO0<br>AGTIO1 | P402PFS.PSEL and PMR             | For details, see <a href="#">Table 20.13</a><br>Register settings for I/O pin functions on PORT4 |
| P403     | VBTICTLR.VCH1INEN                 | RTCIC1 | AGTIO0<br>AGTIO1 | P403PFS.PSEL and PMR             |  |
| P404     | VBTICTLR.VCH2INEN                 | RTCIC2 | —                | P404PFS.PSEL and PMR             |  |

These RTC and AGT inputs are controlled by the VBTICTLR register, which has the highest priority for selecting the RTC and AGT input functions. See [Figure 20.5](#).

The VBTICTLR register is not initialized on reset. Therefore, when not using the RTC or AGT inputs, the associated bit of the VBTICTLR register must be set to 0 after reset.

For more information on the VBTICTLR register, see [section 12.2.2, VBATT Input Control Register \(VBTICTLR\)](#).



**Figure 20.5 P402, P403, P404 diagram**

## 20.6 Peripheral Select Settings for each Product

This section describes the pin function select configuration by the PmnPFS register. Some pin names have added \_A, \_B, and \_C suffixes. When assigning IIC, SPI, SSIE, ETHERC, and SDHI functionality, select the functional pins having the same suffix. The other pins can be selected regardless of the suffix. Assigning the same function to two or more pins simultaneously is prohibited.

## 20.7 Notes on the PmnPFS Register Setting

(1) In the Port mn Pin Function Select register (PmnPFS), the PSEL bits must be set when the PMR bit of the target pin is 0. If the PSEL bits are set when the PMR bit is 1, unexpected edges might be input for the input function or unexpected pulses might be output to the external pin for the output function.

(2) Only the allowed values (functions) should be specified in the PSEL bits of PmnPFS. If a value that is not allowed for the register is specified, the correct operation is not guaranteed.

(3) A single function should not be assigned to multiple pins by the PmnPFS register.

(4) PORT0 and PORT5 have the analog functions such as A/D converter and D/A converter. When these pins are used as an analog function, to avoid loss of resolution, the PMR and PDR bits should be set to 0. After that, the ASEL bit should be set to 1.

**Table 20.5 Register settings for I/O pin functions (PORT0)**

| PSEL[4:0] settings         | Function               | Pin              |                  |                  |       |                  |                  |                  |       |
|----------------------------|------------------------|------------------|------------------|------------------|-------|------------------|------------------|------------------|-------|
|                            |                        | P000             | P001             | P002             | P003  | P004             | P005             | P006             | P007  |
| 00000b (value after reset) | Hi-z/JTAG/SWD          | Hi-Z             |                  |                  |       |                  |                  |                  |       |
| ASEL bit                   |                        | AN000/<br>IVCMP2 | AN001/<br>IVCMP2 | AN002/<br>IVCMP2 | AN007 | AN100/<br>IVCMP2 | AN101/<br>IVCMP2 | AN102/<br>IVCMP2 | AN107 |
| ISEL bit                   |                        | IRQ6-DS          | IRQ7-DS          | IRQ8-DS          |       | IRQ9-DS          | IRQ10-DS         | IRQ11-DS         |       |
| DSCR[1:0] bits             | Drive capacity control | *1               | *1               | *1               | *1    | *1               | *1               | *1               | *1    |
| NCODR bit                  | N-ch open-drain        | ✓                | ✓                | ✓                | ✓     | ✓                | ✓                | ✓                | ✓     |
| PCR bit                    | Pull-up                | ✓                | ✓                | ✓                | ✓     | ✓                | ✓                | ✓                | ✓     |
| Number of pins             | 144 pins, 145 pins     | ✓                | ✓                | ✓                | ✓     | ✓                | ✓                | ✓                | ✓     |
|                            | 100 pins               | ✓                | ✓                | ✓                | ✓     | ✓                | ✓                | ✓                | ✓     |

✓: Available

Note 1. The drive strength of this port cannot be controlled by PmnPFS.DSCR[1:0] bits.

**Table 20.6 Register settings for I/O pin functions (PORT0)**

| PSEL[4:0] settings         | Function               | Pin      |          |                                    |                                    |
|----------------------------|------------------------|----------|----------|------------------------------------|------------------------------------|
|                            |                        | P008     | P009     | P014                               | P015                               |
| 00000b (value after reset) | Hi-Z/JTAG/SWD          | Hi-Z     |          |                                    |                                    |
| ASEL bit                   |                        | AN003    | AN004    | AN005/<br>AN105/<br>DA0/<br>IVREF3 | AN006/<br>AN106/<br>DA1/<br>IVCMP1 |
| ISEL bit                   |                        | IRQ12-DS | IRQ13-DS |                                    | IRQ13                              |
| DSCR[1:0] bits             | Drive capacity control | *1       | *1       | *1                                 | *1                                 |
| NCODR bit                  | N-ch open-drain        | ✓        | ✓        | ✓                                  | ✓                                  |
| PCR bit                    | Pull-up                | ✓        | ✓        | ✓                                  | ✓                                  |
| Number of pins             | 144 pins, 145 pins     | ✓        | ✓        | ✓                                  | ✓                                  |
|                            | 100 pins               | ✓        |          | ✓                                  | ✓                                  |

✓: Available

Note 1. The drive strength of this port cannot be controlled by PmnPFS.DSCR[1:0] bits.

Table 20.7 Register settings for I/O pin functions (PORT1)

| PSEL[4:0] settings         | Function               | Pin                   |                       |                       |                       |                       |                       |                       |                       |
|----------------------------|------------------------|-----------------------|-----------------------|-----------------------|-----------------------|-----------------------|-----------------------|-----------------------|-----------------------|
|                            |                        | P100                  | P101                  | P102                  | P103                  | P104                  | P105                  | P106                  | P107                  |
| 00000b (value after reset) | Hi-Z/JTAG/SWD          | Hi-Z                  |                       |                       |                       |                       |                       |                       |                       |
| 00001b                     | AGT                    | AGTIO0                | AGTEE0                | AGTO0                 | —                     | —                     | —                     | AGTOB0                | AGTOA0                |
| 00010b                     | GPT                    | GTETRG A              | GTETRG B              | GTOWLO                | GTOWUP                | GTETRG B              | GTETRG A              | —                     | —                     |
| 00011b                     | GPT*2                  | GTIOC5B               | GTIOC5A               | GTIOC2B_A             | GTIOC2A_A             | GTIOC1B               | GTIOC1A               | GTIOC8B               | GTIOC8A               |
| 00100b                     | SCI                    | RXD0/MISO0/<br>SCL0   | TXD0/MOSI0/<br>SDA0   | SCK0                  | CTS0_RTS0/<br>SS0     | RXD8/MISO8/<br>SCL8   | TXD8/MOSI8/<br>SDA8   | SCK8                  | CTS8_RTS8/<br>SS8     |
| 00101b                     | SCI                    | SCK1                  | CTS1_RTS1/<br>SS1     | —                     | —                     | —                     | —                     | —                     | —                     |
| 00110b                     | SPI*1                  | MISOA_A               | MOSIA_A               | RSPCKA_A              | SSLA0_A               | SSLA1_A               | SSLA2_A               | SSLA3_A               | —                     |
| 00111b                     | IIC*1                  | SCL1_B                | SDA1_B                | —                     | —                     | —                     | —                     | —                     | —                     |
| 01000b                     | KINT                   | KR00                  | KR01                  | KR02                  | KR03                  | KR04                  | KR05                  | KR06                  | KR07                  |
| 01010b                     | CAC/ADC12              | —                     | —                     | ADTRG0                | —                     | —                     | —                     | —                     | —                     |
| 01011b                     | BUS                    | D00[A00/D00]/<br>DQ00 | D01[A01/D01]/<br>DQ01 | D02[A02/D02]/<br>DQ02 | D03[A03/D03]/<br>DQ03 | D04[A04/D04]/<br>DQ04 | D05[A05/D05]/<br>DQ05 | D06[A06/D06]/<br>DQ06 | D07[A07/D07]/<br>DQ07 |
| 10000b                     | CAN                    | —                     | —                     | CRX0                  | CTX0                  | —                     | —                     | —                     | —                     |
| ASEL bit                   |                        | -                     | -                     | -                     | -                     | -                     | -                     | -                     | -                     |
| ISEL bit                   |                        | IRQ2                  | IRQ1                  | -                     | -                     | IRQ1                  | IRQ0                  | -                     | -                     |
| DSCR[1:0] bits             | Drive capacity control | L/M/H                 | L/M/H                 | L/M/H                 | L/M/H                 | L/M/H                 | L/M/H                 | L/M/H                 | L/M/H                 |
| NCODR bit                  | N-ch open-drain        | ✓                     | ✓                     | ✓                     | ✓                     | ✓                     | ✓                     | ✓                     | ✓                     |
| PCR bit                    | Pull-up                | ✓                     | ✓                     | ✓                     | ✓                     | ✓                     | ✓                     | ✓                     | ✓                     |
| Number of pins             | 144 pins, 145 pins     | ✓                     | ✓                     | ✓                     | ✓                     | ✓                     | ✓                     | ✓                     | ✓                     |
|                            | 100 pins               | ✓                     | ✓                     | ✓                     | ✓                     | ✓                     | ✓                     | ✓                     | ✓                     |

✓: Available

—: Setting prohibited

Note 1. Renesas recommends using pins that have a letter appended to their names, for instance “\_A” or “\_B”, to indicate group membership. For the interface, the AC portion of the electrical characteristics is measured for each group.

Note 2. There are two types of output buffer, middle drive and high drive. Renesas recommends using the same drive buffer for output skew spec ( $t_{GTISK}$ ).



**Table 20.8 Register settings for I/O pin functions (PORT1)**

| PSEL[4:0] settings         | Function               | Pin           |                 |                 |           |                 |                   |           |           |
|----------------------------|------------------------|---------------|-----------------|-----------------|-----------|-----------------|-------------------|-----------|-----------|
|                            |                        | P108          | P109            | P110            | P111      | P112            | P113              | P114      | P115      |
| 00000b (value after reset) | Hi-Z/JTAG/SWD          | TMS/SWDIO     | TDO/SWO         | TDI             | Hi-Z      |                 |                   |           |           |
| 00010b                     | GPT                    | GTOULO        | GTOVUP          | GTOVLO          | —         | —               | —                 | —         | —         |
| 00011b                     | GPT*2                  | GTIOC0B_A     | GTIOC1A_A       | GTIOC1B_A       | GTIOC3A_A | GTIOC3B_A       | GTIOC2A           | GTIOC2B   | GTIOC4A   |
| 00100b                     | SCI                    | —             | —               | CTS2_RTS2/SS2   | SCK2      | TXD2/MOSI2/SDA2 | RXD2/MISO2/SCL2   | —         | —         |
| 00101b                     | SCI                    | CTS9_RTS9/SS9 | TXD9/MOSI9/SDA9 | RXD9/MISO9/SCL9 | SCK9      | SCK1            | —                 | —         | —         |
| 00110b                     | SPI*1                  | SSLB0_B       | MOSIB_B         | MISOB_B         | RSPCKB_B  | SSLB0_B         | —                 | —         | —         |
| 01001b                     | CLKOUT/ACMPHS/RTC      | —             | CLKOUT          | VCOUT           | —         | —               | —                 | —         | —         |
| 01011b                     | BUS                    | —             | —               | —               | A05       | A04             | A03               | A02       | A01       |
| 10000b                     | CAN                    | —             | CTX1            | CRX1            | —         | —               | —                 | —         | —         |
| 10010b                     | SSIE*1                 | —             | —               | —               | —         | SSIBCK0_B       | SSILRCK0/SSIFS0_B | SSIRXD0_B | SSITXD0_B |
| ASEL bit                   |                        | -             | -               | -               | -         | -               | -                 | -         | -         |
| ISEL bit                   |                        | -             | -               | IRQ3            | IRQ4      | -               | -                 | -         | -         |
| DSCR[1:0] bits             | Drive capacity control | L/M/H         | L/M/H           | L/M/H           | L/M/H     | L/M/H           | L/M/H             | L/M/H     | L/M/H     |
| NCODR bit                  | N-ch open-drain        | ✓             | ✓               | ✓               | ✓         | ✓               | ✓                 | ✓         | ✓         |
| PCR bit                    | Pull-up                | ✓             | ✓               | ✓               | ✓         | ✓               | ✓                 | ✓         | ✓         |
| Number of pins             | 144 pins, 145 pins     | ✓             | ✓               | ✓               | ✓         | ✓               | ✓                 | ✓         | ✓         |
|                            | 100 pins               | ✓             | ✓               | ✓               | ✓         | ✓               | ✓                 | ✓         | ✓         |

✓: Available

—: Setting prohibited

Note 1. Renesas recommends using pins that have a letter appended to their names, for instance “\_A” or “\_B”, to indicate group membership. For the interface, the AC portion of the electrical characteristics is measured for each group.

Note 2. There are two types of output buffer, middle drive and high drive. Renesas recommends using the same drive buffer for output skew spec ( $t_{GTISK}$ ).

Table 20.9 Register settings for I/O pin functions (PORT2)

| PSEL[4:0] settings         | Function               | Pin  |      |                 |                 |                |                   |                 |         |
|----------------------------|------------------------|------|------|-----------------|-----------------|----------------|-------------------|-----------------|---------|
|                            |                        | P200 | P201 | P202            | P203            | P204           | P205              | P206            | P207    |
| 00000b (value after reset) | Hi-Z/JTAG/SWD          | Hi-Z |      |                 |                 |                |                   |                 |         |
| 00001b                     | AGT                    | —    | —    | —               | —               | AGTIO1         | AGTO1             | —               | —       |
| 00010b                     | GPT                    | —    | —    | —               | —               | GTIW           | GTIV              | GTIU            | —       |
| 00011b                     | GPT*2                  | —    | —    | GTIOC5B         | GTIOC5A         | GTIOC4B        | GTIOC4A           | —               | —       |
| 00100b                     | SCI                    | —    | —    | SCK2            | CTS2_RTS2/SS2   | SCK4           | TXD4/MOSI4/SDA4   | RXD4/MISO4/SCL4 | —       |
| 00101b                     | SCI                    | —    | —    | RXD9/MISO9/SCL9 | TXD9/MOSI9/SDA9 | SCK9           | CTS9_RTS9/SS9     | —               | —       |
| 00110b                     | SPI*1                  | —    | —    | MISOB_A         | MOSIB_A         | RSPCKB_A       | SSLB0_A           | SSLB1_A         | SSLB2_A |
| 00111b                     | IIC*1                  | —    | —    | —               | —               | SCL0_B         | SCL1_A            | SDA1_A          | —       |
| 01001b                     | CLKOUT/ACMPHS/RTC      | —    | —    | —               | —               | —              | CLKOUT            | —               | —       |
| 01010b                     | CAC/ADC12              | —    | —    | —               | —               | CACREF         | —                 | —               | —       |
| 01011b                     | BUS                    | —    | —    | WR1/BC1         | A19             | A18            | A16               | WAIT            | A17     |
| 01100b                     | CTSUS                  | —    | —    | —               | TSCAP           | TS00           | TSCAP             | TS01            | TS02    |
| 10000b                     | CAN                    | —    | —    | CRX0            | CTX0            | —              | —                 | —               | —       |
| 10001b                     | QSPI                   | —    | —    | —               | —               | —              | —                 | —               | QSSL    |
| 10010b                     | SSIE*1                 | —    | —    | —               | —               | SSIBCK0_C      | SSILRCK0/SSIFS0_C | SSIDATA0_C      | —       |
| 10011b                     | USBFS                  | —    | —    | —               | —               | USB_OVRCURB-DS | USB_OVRCURA-DS    | USB_VBUSEN      | —       |
| 10101b                     | SDHI*1                 | —    | —    | SD0DAT6_A       | SD0DAT5_A       | SD0DAT4_A      | SD0DAT3_A         | SD0DAT2_A       | —       |
| 10110b                     | ETHERC (MII)           | —    | —    | ET0_ERXD2       | ET0_COL         | ET0_RX_DV      | ET0_WOL           | ET0_LINKSTA     | —       |
| 10111b                     | ETHERC (RMII)          | —    | —    | —               | —               | —              | ET0_WOL           | ET0_LINKSTA     | —       |
| ASEL bit                   |                        | -    | -    | -               | -               | -              | -                 | -               | -       |
| ISEL bit                   |                        | NMI  | -    | IRQ3-DS         | IRQ2-DS         | -              | IRQ1-DS           | IRQ0-DS         | -       |
| DSCR[1:0] bits             | Drive capacity control | -    | *3   | L/M/H           | L/M/H           | L/M/H          | L/M/H             | L/M/H           | L/M/H   |
| NCODR bit                  | N-ch open-drain        | -    | ✓    | ✓               | ✓               | ✓              | ✓                 | ✓               | ✓       |
| PCR bit                    | Pull-up                | ✓    | ✓    | ✓               | ✓               | ✓              | ✓                 | ✓               | ✓       |
| Number of pins             | 144 pins, 145 pins     | ✓    | ✓    | ✓               | ✓               | ✓              | ✓                 | ✓               | ✓       |
|                            | 100 pins               | ✓    | ✓    | -               | -               | -              | ✓                 | ✓               | ✓       |

✓: Available

—: Setting prohibited

- Note 1. Renesas recommends using pins that have a letter appended to their names, for instance “A” or “B”, to indicate group membership. For the interface, the AC portion of the electrical characteristics is measured for each group.
- Note 2. There are two types of output buffer, middle drive and high drive. Renesas recommends using the same drive buffer for output skew spec ( $t_{GTISK}$ ).
- Note 3. The drive strength of this port cannot be controlled by PmnPFS.DSCR[1:0] bits.

Table 20.10 Register settings for I/O pin functions (PORT2)

| PSEL[4:0] settings         | Function               | Pin         |           |         |          |                     |                     |          |
|----------------------------|------------------------|-------------|-----------|---------|----------|---------------------|---------------------|----------|
|                            |                        | P208        | P209      | P210    | P211     | P212                | P213                | P214     |
| 00000b (value after reset) | Hi-Z/JTAG/SWD          | Hi-Z        |           |         |          |                     |                     |          |
| 00001b                     | AGT                    | —           | —         | —       | —        | AGTEE1              | —                   | —        |
| 00010b                     | GPT                    | GTOVL0      | GTOVUP    | GTIW    | GTIV     | GTETRGD             | GTETRGC             | GTIU     |
| 00011b                     | GPT*2                  | —           | —         | —       | —        | GTIOC0B             | GTIOC0A             | —        |
| 00101b                     | SCI                    | —           | —         | —       | —        | RXD1/MISO1/<br>SCL1 | TXD1/MOSI1/<br>SDA1 | —        |
| 01010b                     | CAC/ADC12              | —           | —         | —       | —        | —                   | ADTRG1              | —        |
| 01011b                     | BUS                    | CS4         | CS5       | CS6     | CS7      | —                   | —                   | —        |
| 10001b                     | QSPI                   | QIO3        | QIO2      | QIO1    | QIO0     | —                   | —                   | QSPCLK   |
| 10101b                     | SDHI*1                 | SD0DAT0_B   | SD0WP     | SD0CD   | SD0CMD_B | —                   | —                   | SD0CLK_B |
| 10110b                     | ETHERC (MII)           | ET0_LINKSTA | ET0_EXOUT | ET0_WOL | ET0_MDIO | —                   | —                   | ET0_MDC  |
| 10111b                     | ETHERC (RMII)          | ET0_LINKSTA | ET0_EXOUT | ET0_WOL | ET0_MDIO | —                   | —                   | ET0_MDC  |
| 11010b                     | Trace (Debug)          | TDATA3      | TDATA2    | TDATA1  | TDATA0   | —                   | —                   | TCLK     |
| ASEL bit                   |                        | -           | -         | -       | -        | -                   | -                   | -        |
| ISEL bit                   |                        | -           | -         | -       | -        | IRQ3                | IRQ2                | -        |
| DSCR[1:0] bits             | Drive capacity control | L/M/H       | L/M/H     | L/M/H   | L/M/H    | L/M/H               | L/M/H               | L/M/H    |
| NCODR bit                  | N-ch open-drain        | ✓           | ✓         | ✓       | ✓        | ✓                   | ✓                   | ✓        |
| PCR bit                    | Pull-up                | ✓           | ✓         | ✓       | ✓        | ✓                   | ✓                   | ✓        |
| Number of pins             | 144 pins, 145 pins     | ✓           | ✓         | ✓       | ✓        | ✓                   | ✓                   | ✓        |
|                            | 100 pins               | ✓           | ✓         | ✓       | ✓        | ✓                   | ✓                   | ✓        |

✓: Available

—: Setting prohibited

Note 1. Renesas recommends using pins that have a letter appended to their names, for instance “\_A” or “\_B”, to indicate group membership. For the interface, the AC portion of the electrical characteristics is measured for each group.

Note 2. There are two types of output buffer, middle drive and high drive. Renesas recommends using the same drive buffer for output skew spec ( $t_{GTISK}$ ).

Table 20.11 Register settings for I/O pin functions (PORT3)

| PSEL[4:0] settings         | Function               | Pin       |                 |                 |         |                 |                 |        |               |
|----------------------------|------------------------|-----------|-----------------|-----------------|---------|-----------------|-----------------|--------|---------------|
|                            |                        | P300      | P301            | P302            | P303    | P304            | P305            | P306   | P307          |
| 00000b (value after reset) | Hi-Z/JTAG/SWD          | TCK/SWCLK | Hi-Z            |                 |         |                 |                 |        |               |
| 00001b                     | AGT                    | —         | AGTIO0          | —               | —       | —               | —               | —      | —             |
| 00010b                     | GPT                    | —         | GTOULO          | GTOUUP          | —       | GTOWLO          | GTOWUP          | GTOULO | GTOUUP        |
| 00011b                     | GPT*2                  | GTIOC0A_A | GTIOC4B         | GTIOC4A         | GTIOC7B | GTIOC7A         | —               | —      | —             |
| 00100b                     | SCI                    | —         | RXD2/MISO2/SCL2 | TXD2/MOSI2/SDA2 | —       | RXD6/MISO6/SCL6 | TXD6/MOSI6/SDA6 | SCK6   | CTS6_RTS6/SS6 |
| 00101b                     | SCI                    | —         | CTS9_RTS9/SS9   | —               | —       | —               | —               | —      | —             |
| 00110b                     | SPI*1                  | SSLB1_B   | SSLB2_B         | SSLB3_B         | —       | —               | —               | —      | —             |
| 01011b                     | BUS                    | —         | A06             | A07             | A08     | A09             | A10             | A11    | A12           |
| 10001b                     | QSPI                   | —         | —               | —               | —       | —               | QSPCLK          | QSSL   | QIO0          |
| ASEL bit                   |                        | -         | -               | -               | -       | -               | -               | -      | -             |
| ISEL bit                   |                        | -         | IRQ6            | IRQ5            | -       | IRQ9            | IRQ8            | -      | -             |
| DSCR[1:0] bits             | Drive capacity control | L/M/H     | L/M/H           | L/M/H           | L/M/H   | L/M/H           | L/M/H           | L/M/H  | L/M/H         |
| NCODR bit                  | N-ch open-drain        | ✓         | ✓               | ✓               | ✓       | ✓               | ✓               | ✓      | ✓             |
| PCR bit                    | Pull-up                | ✓         | ✓               | ✓               | ✓       | ✓               | ✓               | ✓      | ✓             |
| Number of pins             | 144 pins, 145 pins     | ✓         | ✓               | ✓               | ✓       | ✓               | ✓               | ✓      | ✓             |
|                            | 100 pins               | ✓         | ✓               | ✓               | ✓       | ✓               | ✓               | ✓      | ✓             |

✓: Available

—: Setting prohibited

Note 1. Renesas recommends using pins that have a letter appended to their names, for instance “\_A” or “\_B”, to indicate group membership. For the interface, the AC portion of the electrical characteristics is measured for each group.

Note 2. There are two types of output buffer, middle drive and high drive. Renesas recommends using the same drive buffer for output skew spec ( $t_{GTISK}$ ).

**Table 20.12 Register settings for I/O pin functions (PORT3)**

| PSEL[4:0] settings         | Function               | Pin   |       |        |         |               |           |
|----------------------------|------------------------|-------|-------|--------|---------|---------------|-----------|
|                            |                        | P308  | P309  | P310   | P311    | P312          | P313      |
| 00000b (value after reset) | Hi-Z/JTAG/SWD          | Hi-Z  |       |        |         |               |           |
| 00001b                     | AGT                    | —     | —     | AGTEE1 | AGTOB1  | AGTOA1        | —         |
| 00100b                     | SCI                    | —     | —     | —      | —       | —             | —         |
| 00101b                     | SCI                    | —     | RXD3  | TXD3   | SCK3    | CTS3_RTS3/SS3 | —         |
| 01010b                     | CAC/ADC12              | —     | —     | —      | —       | —             | —         |
| 01011b                     | BUS                    | A13   | A14   | A15    | CS2/RAS | CS3/CAS       | A20       |
| 10001b                     | QSPI                   | QIO1  | QIO2  | QIO3   | —       | —             | —         |
| 10101b                     | SDHI*1                 | —     | —     | —      | —       | —             | SD0DAT7_A |
| 10110b                     | ETHERC (MII)           | —     | —     | —      | —       | —             | ET0_ERXD3 |
| ASEL bit                   |                        | -     | -     | -      | -       | -             | -         |
| ISEL bit                   |                        | -     | -     | -      | -       | -             | -         |
| DSCR[1:0] bits             | Drive capacity control | L/M/H | L/M/H | L/M/H  | L/M/H   | L/M/H         | L/M/H     |
| NCODR bit                  | N-ch open-drain        | ✓     | ✓     | ✓      | ✓       | ✓             | ✓         |
| PCR bit                    | Pull-up                | ✓     | ✓     | ✓      | ✓       | ✓             | ✓         |
| Number of pins             | 144 pins, 145 pins     | ✓     | ✓     | ✓      | ✓       | ✓             | ✓         |
|                            | 100 pins               | -     | -     | -      | -       | -             | -         |

✓: Available

—: Setting prohibited

Note 1. Renesas recommends using pins that have a letter appended to their names, for instance “\_A” or “\_B”, to indicate group membership. For the interface, the AC portion of the electrical characteristics is measured for each group.

Table 20.13 Register settings for I/O pin functions (PORT4)

| PSEL[4:0] settings         | Function               | Pin       |                 |                                    |                                    |                  |                |              |               |
|----------------------------|------------------------|-----------|-----------------|------------------------------------|------------------------------------|------------------|----------------|--------------|---------------|
|                            |                        | P400      | P401            | P402                               | P403                               | P404             | P405           | P406         | P407          |
| 00000b (value after reset) | Hi-Z/JTAG/SWD          | Hi-Z      |                 |                                    |                                    |                  |                |              |               |
| 00001b                     | AGT                    | AGTIO1    | —               | —                                  | —                                  | —                | —              | —            | AGTIO0        |
| 00010b                     | GPT                    | —         | GTETRGA         | —                                  | —                                  | —                | —              | —            | —             |
| 00011b                     | GPT*3                  | GTIOC6A   | GTIOC6B         | —                                  | GTIOC3A                            | GTIOC3B          | GTIOC1A        | GTIOC1B      | —             |
| 00100b                     | SCI                    | SCK4      | CTS4_RTS4/SS4   | —                                  | —                                  | —                | —              | —            | CTS4_RTS4/SS4 |
| 00101b                     | SCI                    | SCK7      | TXD7/MOSI7/SDA7 | RXD7/MISO7/SCL7                    | CTS7_RTS7/SS7                      | —                | —              | —            | —             |
| 00110b                     | SPI*2                  | —         | —               | —                                  | —                                  | —                | —              | SSLB3_C      | SSLB3_A       |
| 00111b                     | IIC*2                  | SCL0_A    | SDA0_A          | —                                  | —                                  | —                | —              | —            | SDA0_B        |
| 01001b                     | CLKOUT/ACMPHS/RTC      | —         | —               | —                                  | —                                  | —                | —              | —            | RTCOUT        |
| 01010b                     | CAC/ADC12              | ADTRG1    | —               | CACREF                             | —                                  | —                | —              | —            | ADTRG0        |
| 01100b                     | CTS0                   | —         | —               | —                                  | —                                  | —                | —              | —            | TS03          |
| 10000b                     | CAN                    | —         | CTX0            | CRX0                               | —                                  | —                | —              | —            | —             |
| 10010b                     | SSIE*2                 | AUDIO_CLK | —               | AUDIO_CLK                          | SSIBCK0_A                          | SSLRCK0/SSIFS0_A | SSITXD0_A      | SSIRXD0_A    | —             |
| 10011b                     | USBFS                  | —         | —               | —                                  | —                                  | —                | —              | —            | USB_VBUS      |
| 10101b                     | SDHI*2                 | —         | —               | —                                  | SD1DAT7_B                          | SD1DAT6_B        | SD1DAT5_B      | SD1DAT4_B    | —             |
| 10110b                     | ETHERC (MII)           | ET0_WOL   | ET0_MDC         | ET0_MDIO                           | ET0_LINKSTA                        | ET0_EXOUT        | ET0_TX_EN      | ET0_RX_ER    | ET0_EXOUT     |
| 10111b                     | ETHERC (RMII)*2        | ET0_WOL   | ET0_MDC         | ET0_MDIO                           | ET0_LINKSTA                        | ET0_EXOUT        | RMII0_TXD_EN_B | RMII0_TXD1_B | ET0_EXOUT     |
| 11000b                     | PDC                    | —         | —               | VSYNC                              | PIXD7                              | PIXD6            | PIXD5          | PIXD4        | —             |
| Don't-care                 | AGT, RTC               | —         | —               | AGTIO0*1/<br>AGTIO1*1/<br>RTCIC0*1 | AGTIO0*1/<br>AGTIO1*1/<br>RTCIC1*1 | RTCIC2*1         | —              | —            | —             |
| ASEL bit                   |                        | -         | -               | -                                  | -                                  | -                | -              | -            | -             |
| ISEL bit                   |                        | IRQ0      | IRQ5-DS         | IRQ4-DS                            | -                                  | -                | -              | -            | -             |
| DSCR[1:0] bits             | Drive capacity control | L/M/H     | L/M/H           | L/M/H                              | L/M/H                              | L/M/H            | L/M/H          | L/M/H        | L/M/H         |
| NCODR bit                  | N-ch open-drain        | ✓         | ✓               | ✓                                  | ✓                                  | ✓                | ✓              | ✓            | ✓             |
| PCR bit                    | Pull-up                | ✓         | ✓               | ✓                                  | ✓                                  | ✓                | ✓              | ✓            | ✓             |
| Number of pins             | 144 pins, 145 pins     | ✓         | ✓               | ✓                                  | ✓                                  | ✓                | ✓              | ✓            | ✓             |
|                            | 100 pins               | ✓         | ✓               | ✓                                  | ✓                                  | ✓                | ✓              | ✓            | ✓             |

✓: Available

—: Setting prohibited

Note 1. To use this pin function, set the associated pin as a general input (set the PmnPFS.PDR and PmnPFS.PMR bits to 0).

Note 2. Renesas recommends using pins that have a letter appended to their names, for instance “\_A” or “\_B”, to indicate group membership. For the interface, the AC portion of the electrical characteristics is measured for each group.

Note 3. There are two types of output buffer, middle drive and high drive. Renesas recommends using the same drive buffer for output skew spec ( $t_{GTSK}$ ).

Table 20.14 Register settings for I/O pin functions (PORT4)

| PSEL[4:0] settings         | Function               | Pin             |                 |                 |                 |            |               |              |                |
|----------------------------|------------------------|-----------------|-----------------|-----------------|-----------------|------------|---------------|--------------|----------------|
|                            |                        | P408            | P409            | P410            | P411            | P412       | P413          | P414         | P415           |
| 00000b (value after reset) | Hi-Z/JTAG/SWD          | Hi-Z            |                 |                 |                 |            |               |              |                |
| 00001b                     | AGT                    | —               | —               | AGTOB1          | AGTOA1          | AGTEE1     | —             | —            | —              |
| 00010b                     | GPT                    | GTOVLO          | GTOVUP          | GTOVLO          | GTOVUP          | GTOULO     | GTOUUP        | —            | —              |
| 00011b                     | GPT*2                  | GTIOC10B        | GTIOC10A        | GTIOC9B         | GTIOC9A         | —          | —             | GTIOC0B      | GTIOC0A        |
| 00100b                     | SCI                    | —               | —               | RXD0/MISO0/SCL0 | TXD0/MOSI0/SDA0 | SCK0       | CTS0_RTS0/SS0 | —            | —              |
| 00101b                     | SCI                    | RXD3/MISO3/SCL3 | TXD3/MOSI3/SDA3 | SCK3            | CTS3_RTS3/SS3   | —          | —             | —            | —              |
| 00110b                     | SPI*1                  | —               | —               | MISOA_B         | MOSIA_B         | RSPCKA_B   | SSLA0_B       | SSLA1_B      | SSLA2_B        |
| 00111b                     | IIC*1                  | SCL0_B          | —               | —               | —               | —          | —             | —            | —              |
| 01100b                     | CTSUSU                 | TS04            | TS05            | TS06            | TS07            | TS08       | TS09          | TS10         | TS11           |
| 10011b                     | USBFS                  | USB_ID          | USB_EXICEN      | —               | —               | —          | —             | —            | USB_VBUSEN     |
| 10101b                     | SDHI*1                 | —               | —               | SD0DAT1_A       | SD0DAT0_A       | SD0CMD_A   | SD0CLK_A      | SD0WP        | SD0CD          |
| 10110b                     | ETHERC (MII)           | ET0_CRCS        | ET0_RX_CLK      | ET0_ERXD0       | ET0_ERXD1       | ET0_ETXD0  | ET0_ETXD1     | —            | ET0_TX_EN      |
| 10111b                     | ETHERC (RMII)*1        | RMII0_CRCS_DV_A | RMII0_RX_ER_A   | RMII0_RXD1_A    | RMII0_RXD0_A    | REF50CK0_A | RMII0_TXD0_A  | RMII0_TXD1_A | RMII0_TXD_EN_A |
| 11000b                     | PDC                    | PIXCLK          | HSYNC           | PIXD0           | PIXD1           | PIXD2      | PIXD3         | PIXD4        | PIXD5          |
| ASEL bit                   |                        | -               | -               | -               | -               | -          | -             | -            | -              |
| ISEL bit                   |                        | IRQ7            | IRQ6            | IRQ5            | IRQ4            | -          | -             | IRQ9         | IRQ8           |
| DSCR[1:0] bits             | Drive capacity control | L/M/H           | L/M/H           | L/M/H           | L/M/H           | L/M/H      | L/M/H         | L/M/H        | L/M/H          |
| NCODR bit                  | N-ch open-drain        | ✓               | ✓               | ✓               | ✓               | ✓          | ✓             | ✓            | ✓              |
| PCR bit                    | Pull-up                | ✓               | ✓               | ✓               | ✓               | ✓          | ✓             | ✓            | ✓              |
| Number of pins             | 144 pins, 145 pins     | ✓               | ✓               | ✓               | ✓               | ✓          | ✓             | ✓            | ✓              |
|                            | 100 pins               | ✓               | ✓               | ✓               | ✓               | ✓          | ✓             | ✓            | ✓              |

✓: Available

—: Setting prohibited

Note 1. Renesas recommends using pins that have a letter appended to their names, for instance “\_A” or “\_B”, to indicate group membership. For the interface, the AC portion of the electrical characteristics is measured for each group.

Note 2. There are two types of output buffer, middle drive and high drive. Renesas recommends using the same drive buffer for output skew spec ( $t_{GTISK}$ ).

**Table 20.15 Register settings for I/O pin functions (PORT5)**

| PSEL[4:0] settings         | Function               | Pin          |                 |                 |               |               |                 |                 |
|----------------------------|------------------------|--------------|-----------------|-----------------|---------------|---------------|-----------------|-----------------|
|                            |                        | P500         | P501            | P502            | P503          | P504          | P505            | P506            |
| 00000b (value after reset) | Hi-Z/JTAG/SWD          | Hi-Z         |                 |                 |               |               |                 |                 |
| 00001b                     | AGT                    | AGTOA0       | AGTOB0          | —               | —             | —             | —               | —               |
| 00010b                     | GPT                    | GTIU         | GTIV            | GTIW            | GTETRGC       | GTETRGD       | —               | —               |
| 00011b                     | GPT*2                  | GTIOC11A     | GTIOC11B        | GTIOC12A        | GTIOC12B      | GTIOC13A      | GTIOC13B        | —               |
| 00100b                     | SCI                    | —            | —               | —               | CTS6_RTS6/SS6 | SCK6          | RXD6/MISO6/SCL6 | TXD6/MOSI6/SDA6 |
| 00101b                     | SCI                    | —            | TXD5/MOSI5/SDA5 | RXD5/MISO5/SCL5 | SCK5          | CTS5_RTS5/SS5 | —               | —               |
| 01011b                     | BUS                    | —            | —               | —               | —             | ALE           | —               | —               |
| 10001b                     | QSPI                   | QSPCLK       | QSSL            | QIO0            | QIO1          | QIO2          | QIO3            | —               |
| 10011b                     | USBFS                  | USB_VBUSEN   | USB_OVRCURA     | USB_OVRCURB     | USB_EXICEN    | USB_ID        | —               | —               |
| 10101b                     | SDHI*1                 | SD1CLK_A     | SD1CMD_A        | SD1DAT0_A       | SD1DAT1_A     | SD1DAT2_A     | SD1DAT3_A       | SD1CD           |
| ASEL bit                   |                        | AN016/IVREF0 | AN116/IVREF1    | AN017/IVCMP0    | AN117         | AN018         | AN118           | AN019           |
| ISEL bit                   |                        | -            | IRQ11           | IRQ12           | -             | -             | IRQ14           | IRQ15           |
| DSCR[1:0] bits             | Drive capacity control | L/M/H        | L/M/H           | L/M/H           | L/M/H         | L/M/H         | L/M/H           | L/M/H           |
| NCODR bit                  | N-ch open-drain        | ✓            | ✓               | ✓               | ✓             | ✓             | ✓               | ✓               |
| PCR bit                    | Pull-up                | ✓            | ✓               | ✓               | ✓             | ✓             | ✓               | ✓               |
| Number of pins             | 144 pins, 145 pins     | ✓            | ✓               | ✓               | ✓             | ✓             | ✓               | ✓               |
|                            | 100 pins               | ✓            | ✓               | ✓               | ✓             | ✓             | -               | -               |

✓: Available

—: Setting prohibited

Note 1. Renesas recommends using pins that have a letter appended to their names, for instance “\_A” or “\_B”, to indicate group membership. For the interface, the AC portion of the electrical characteristics is measured for each group.

Note 2. There are two types of output buffer, middle drive and high drive. Renesas recommends using the same drive buffer for output skew spec ( $t_{GTISK}$ ).



**Table 20.16 Register settings for I/O pin functions (PORT5)**

| PSEL[4:0] settings         | Function               | Pin       |                     |                     |
|----------------------------|------------------------|-----------|---------------------|---------------------|
|                            |                        | P508      | P511                | P512                |
| 00000b (value after reset) | Hi-Z/JTAG/SWD          | Hi-Z      |                     |                     |
| 00011b                     | GPT*2                  | —         | GTIOC0B             | GTIOC0A             |
| 00100b                     | SCI                    | SCK6      | RXD4/MISO4/<br>SCL4 | TXD4/MOSI4/<br>SDA4 |
| 00101b                     | SCI                    | SCK5      | —                   | —                   |
| 00111b                     | IIC                    | —         | SDA2                | SCL2                |
| 10000b                     | CAN                    | —         | CRX1                | CTX1                |
| 10101b                     | SDHI*1                 | SD1DAT3_A | —                   | —                   |
| 11000b                     | PDC                    | —         | PCKO                | VSYNC               |
| ASEL bit                   |                        | AN020     | -                   | -                   |
| ISEL bit                   |                        | -         | IRQ15               | IRQ14               |
| DSCR[1:0] bits             | Drive capacity control | L/M/H     | L/M/H               | L/M/H               |
| NCODR bit                  | N-ch open-drain        | ✓         | ✓                   | ✓                   |
| PCR bit                    | Pull-up                | ✓         | ✓                   | ✓                   |
| Number of pins             | 144 pins, 145 pins     | ✓         | ✓                   | ✓                   |
|                            | 100 pins               | ✓         |                     | -                   |

✓: Available

—: Setting prohibited

Note 1. Renesas recommends using pins that have a letter appended to their names, for instance “\_A” or “\_B”, to indicate group membership. For the interface, the AC portion of the electrical characteristics is measured for each group.

Note 2. There are two types of output buffer, middle drive and high drive. Renesas recommends using the same drive buffer for output skew spec ( $t_{GTISK}$ ).

**Table 20.17 Register settings for I/O pin functions (PORT6)**

| PSEL[4:0] settings         | Function               | Pin     |              |             |                   |                   |                   |
|----------------------------|------------------------|---------|--------------|-------------|-------------------|-------------------|-------------------|
|                            |                        | P600    | P601         | P602        | P603              | P604              | P605              |
| 00000b (value after reset) | Hi-Z/JTAG/SWD          | Hi-Z    |              |             |                   |                   |                   |
| 00011b                     | GPT*1                  | GTIOC6B | GTIOC6A      | GTIOC7B     | GTIOC7A           | GTIOC8B           | GTIOC8A           |
| 00100b                     | SCI                    | —       | —            | —           | —                 | —                 | —                 |
| 00101b                     | SCI                    | SCK9    | RXD9         | TXD9        | CTS9_RTS9/SS9     | —                 | —                 |
| 01001b                     | CLKOUT/ACMPHS/RTC      | CLKOUT  | —            | —           | —                 | —                 | —                 |
| 01010b                     | CAC/ADC12              | CACREF  | —            | —           | —                 | —                 | —                 |
| 01011b                     | BUS                    | RD      | WR/WRO/DQM00 | EBCLK/SDCLK | D13[A13/D13]/DQ13 | D12[A12/D12]/DQ12 | D11[A11/D11]/DQ11 |
| ASEL bit                   |                        | -       | -            | -           | -                 | -                 | -                 |
| ISEL bit                   |                        | -       | -            | -           | -                 | -                 | -                 |
| DSCR[1:0] bits             | Drive capacity control | L/M/H   | L/M/H        | L/M/H       | L/M/H             | L/M/H             | L/M/H             |
| NCODR bit                  | N-ch open-drain        | ✓       | ✓            | ✓           | ✓                 | ✓                 | ✓                 |
| PCR bit                    | Pull-up                | ✓       | ✓            | ✓           | ✓                 | ✓                 | ✓                 |
| Number of pins             | 144 pins, 145 pins     | ✓       | ✓            | ✓           | ✓                 | ✓                 | ✓                 |
|                            | 100 pins               | ✓       | ✓            | ✓           | -                 | -                 | -                 |

✓: Available

—: Setting prohibited

Note 1. There are two types of output buffer, middle drive and high drive. Renesas recommends using the same drive buffer for output skew spec ( $t_{GTISK}$ ).

**Table 20.18 Register settings for I/O pin functions (PORT6)**

| PSEL[4:0] settings         | Function               | Pin          |         |         |               |                   |                   |                   |
|----------------------------|------------------------|--------------|---------|---------|---------------|-------------------|-------------------|-------------------|
|                            |                        | P608         | P609    | P610    | P611          | P612              | P613              | P614              |
| 00000b (value after reset) | Hi-Z/JTAG/SWD          | Hi-Z         |         |         |               |                   |                   |                   |
| 00011b                     | GPT*1                  | GTIOC4B      | GTIOC5A | GTIOC5B | —             | —                 | —                 | —                 |
| 00101b                     | SCI                    | —            | —       | —       | CTS7_RTS7/SS7 | SCK7              | TXD7              | RXD7              |
| 01001b                     | CLKOUT/ACMPHS/RTC      | —            | —       | —       | CLKOUT        | —                 | —                 | —                 |
| 01010b                     | CAC/ADC12              | —            | —       | —       | CACREF        | —                 | —                 | —                 |
| 01011b                     | BUS                    | A00/BC0/DQM1 | CS1/CKE | CS0/WE  | SDCS          | D08[A08/D08]/DQ08 | D09[A09/D09]/DQ09 | D10[A10/D10]/DQ10 |
| 10000b                     | CAN                    | —            | CTX1    | CRX1    | —             | —                 | —                 | —                 |
| ASEL bit                   |                        | -            | -       | -       | -             | -                 | -                 | -                 |
| ISEL bit                   |                        | -            | -       | -       | -             | -                 | -                 | -                 |
| DSCR[1:0] bits             | Drive capacity control | L/M/H        | L/M/H   | L/M/H   | L/M/H         | L/M/H             | L/M/H             | L/M/H             |
| NCODR bit                  | N-ch open-drain        | ✓            | ✓       | ✓       | ✓             | ✓                 | ✓                 | ✓                 |
| PCR bit                    | Pull-up                | ✓            | ✓       | ✓       | ✓             | ✓                 | ✓                 | ✓                 |
| Number of pins             | 144 pins, 145 pins     | ✓            | ✓       | ✓       | ✓             | ✓                 | ✓                 | ✓                 |
|                            | 100 pins               | ✓            | ✓       | ✓       | -             | -                 | -                 | -                 |

✓: Available

—: Setting prohibited

Note 1. There are two types of output buffer, middle drive and high drive. Renesas recommends using the same drive buffer for output skew spec ( $t_{GTISK}$ ).

**Table 20.19 Register settings for I/O pin functions (PORT7)**

| PSEL[4:0] settings         | Function               | Pin          |            |              |              |               |                |
|----------------------------|------------------------|--------------|------------|--------------|--------------|---------------|----------------|
|                            |                        | P700         | P701       | P702         | P703         | P704          | P705           |
| 00000b (value after reset) | Hi-Z/JTAG/SWD          | Hi-Z         |            |              |              |               |                |
| 00001b                     | AGT                    | —            | —          | —            | —            | AGT00         | AGT100         |
| 00011b                     | GPT*2                  | GTIOC5A      | GTIOC5B    | GTIOC6A      | GTIOC6B      | —             | —              |
| 00101b                     | SCI                    | —            | —          | —            | —            | —             | —              |
| 00110b                     | SPI*1                  | MISOB_C      | MOSIB_C    | RSPCKB_C     | SSLB0_C      | SSLB1_C       | SSLB2_C        |
| 01001b                     | CLKOUT/ACMPHS/RT C     | —            | —          | —            | VCOU         | —             | —              |
| 10000b                     | CAN                    | —            | —          | —            | —            | CTX0          | CRX0           |
| 10101b                     | SDHI*1                 | SD1DAT3_B    | SD1DAT2_B  | SD1DAT1_B    | SD1DAT0_B    | SD1CLK_B      | SD1CMD_B       |
| 10110b                     | ETHERC (MII)           | ET0_ETXD1    | ET0_ETXD0  | ET0_ERXD1    | ET0_ERXD0    | ET0_RX_CLK    | ET0_CRS        |
| 10111b                     | ETHERC (RMII)*1        | RMII0_TXD0_B | REF50CK0_B | RMII0_RXD0_B | RMII0_RXD1_B | RMII0_RX_ER_B | RMII0_CRS_DV_B |
| 11000b                     | PDC                    | PIXD3        | PIXD2      | PIXD1        | PIXD0        | HSYNC         | PIXCLK         |
| ASEL bit                   |                        | -            | -          | -            | -            | -             | -              |
| ISEL bit                   |                        | -            | -          | -            | -            | -             | -              |
| DSCR[1:0] bits             | Drive capacity control | L/M/H        | L/M/H      | L/M/H        | L/M/H        | L/M/H         | L/M/H          |
| NCODR bit                  | N-ch open-drain        | ✓            | ✓          | ✓            | ✓            | ✓             | ✓              |
| PCR bit                    | Pull-up                | ✓            | ✓          | ✓            | ✓            | ✓             | ✓              |
| Number of pins             | 144 pins, 145 pins     | ✓            | ✓          | ✓            | ✓            | ✓             | ✓              |
|                            | 100 pins               | -            | -          | -            | -            | -             | -              |

✓: Available

—: Setting prohibited

Note 1. Renesas recommends using pins that have a letter appended to their names, for instance “\_A” or “\_B”, to indicate group membership. For the interface, the AC portion of the electrical characteristics is measured for each group.

Note 2. There are two types of output buffer, middle drive and high drive. Renesas recommends using the same drive buffer for output skew spec ( $t_{GTISK}$ ).

**Table 20.20 Register settings for I/O pin functions (PORT7)**

| PSEL[4:0] settings         | Function               | Pin                 |                     |           |                   |         |         |
|----------------------------|------------------------|---------------------|---------------------|-----------|-------------------|---------|---------|
|                            |                        | P708                | P709                | P710      | P711              | P712    | P713    |
| 00000b (value after reset) | Hi-Z/JTAG/SWD          | Hi-Z                |                     |           |                   |         |         |
| 00001b                     | AGT                    | —                   | —                   | —         | AGTEE0            | AGTOB0  | AGTOA0  |
| 00011b                     | GPT*2                  | —                   | —                   | —         | —                 | GTIOC2B | GTIOC2A |
| 00101b                     | SCI                    | RXD1/MISO1/<br>SCL1 | TXD1/MOSI1/<br>SDA1 | SCK1      | CTS1_RTS1/<br>SS1 | —       | —       |
| 00110b                     | SPI*1                  | SSLA3_B             | —                   | —         | —                 | —       | —       |
| 01010b                     | CAC/ADC12              | CACREF              | —                   | —         | —                 | —       | —       |
| 01100b                     | CTSU                   | TS12                | TS13                | TS14      | TS15              | TS16    | TS17    |
| 10010b                     | SSIE                   | AUDIO_CLK           | —                   | —         | —                 | —       | —       |
| 10110b                     | ETHERC (MII)           | ET0_ETXD3           | ET0_ETXD2           | ET0_TX_ER | ET0_TX_CLK        | —       | —       |
| 11000b                     | PDC                    | PCKO                | —                   | —         | —                 | —       | —       |
| ASEL bit                   |                        | -                   | -                   | -         | -                 | -       | -       |
| ISEL bit                   |                        | IRQ11               | IRQ10               | -         | -                 | -       | -       |
| DSCR[1:0] bits             | Drive capacity control | L/M/H               | L/M/H               | L/M/H     | L/M/H             | L/M/H   | L/M/H   |
| NCODR bit                  | N-ch open-drain        | ✓                   | ✓                   | ✓         | ✓                 | ✓       | ✓       |
| PCR bit                    | Pull-up                | ✓                   | ✓                   | ✓         | ✓                 | ✓       | ✓       |
| Number of pins             | 144 pins, 145 pins     | ✓                   | ✓                   | ✓         | ✓                 | ✓       | ✓       |
|                            | 100 pins               | ✓                   | -                   | -         | -                 | -       | -       |

✓: Available

—: Setting prohibited

Note 1. Renesas recommends using pins that have a letter appended to their names, for instance “\_A” or “\_B”, to indicate group membership. For the interface, the AC portion of the electrical characteristics is measured for each group.

Note 2. There are two types of output buffer, middle drive and high drive. Renesas recommends using the same drive buffer for output skew spec ( $t_{GTISK}$ ).

**Table 20.21 Register settings for I/O pin functions (PORT8)**

| PSEL[4:0] settings         | Function               | Pin                   |                       |
|----------------------------|------------------------|-----------------------|-----------------------|
|                            |                        | P800                  | P801                  |
| 00000b (value after reset) | Hi-Z/JTAG/SWD          | Hi-Z                  |                       |
| 00101b                     | SCI                    | —                     | —                     |
| 01011b                     | BUS                    | D14[A14/D14]/D<br>Q14 | D15[A15/D15]/D<br>Q15 |
| ASEL bit                   |                        | -                     | -                     |
| ISEL bit                   |                        | -                     | -                     |
| DSCR[1:0] bits             | Drive capacity control | L/M/H                 | L/M/H                 |
| NCODR bit                  | N-ch open-drain        | ✓                     | ✓                     |
| PCR bit                    | Pull-up                | ✓                     | ✓                     |
| Number of pins             | 144 pins, 145 pins     | ✓                     | ✓                     |
|                            | 100 pins               | -                     | -                     |

✓: Available

—: Setting prohibited

## 21. Key Interrupt Function (KINT)

### 21.1 Overview

A key interrupt (KEY\_INTKR) can be generated by setting the Key Return Mode Register (KRM) and inputting a rising or falling edge on the key interrupt input pins, KR00 to KR07.

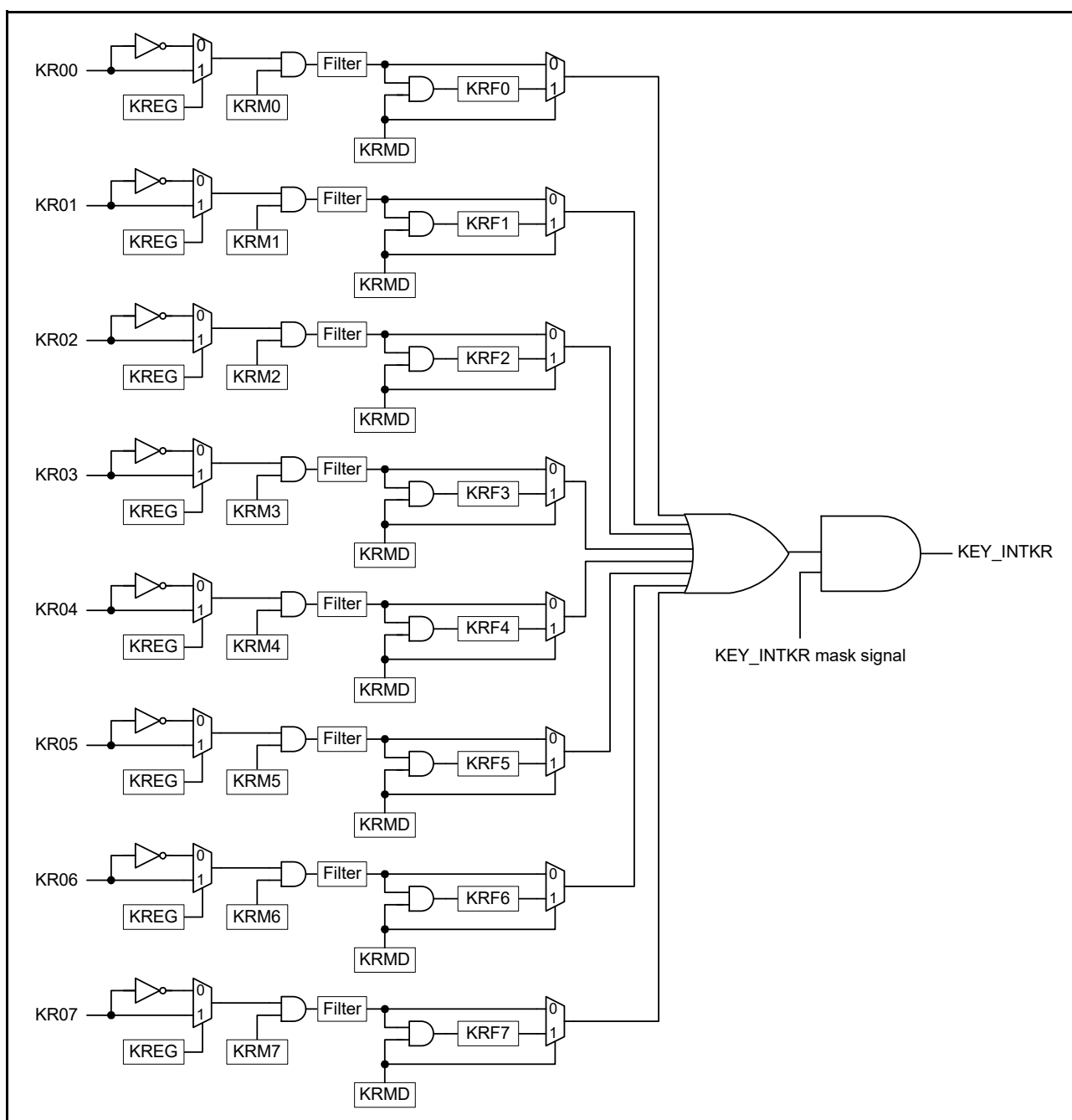
Table 21.1 shows the pin assignment for key interrupt detection, Table 21.2 shows the function configuration, and Figure 21.1 shows a block diagram.

**Table 21.1 Assignment of key interrupt detection pins**

| Key Interrupt Mode Control n (n = 0 to 7) | Description                         |
|---|-------------------------------------|
| KRM0                                      | Controls KR00 signal in 1-bit units |
| KRM1                                      | Controls KR01 signal in 1-bit units |
| KRM2                                      | Controls KR02 signal in 1-bit units |
| KRM3                                      | Controls KR03 signal in 1-bit units |
| KRM4                                      | Controls KR04 signal in 1-bit units |
| KRM5                                      | Controls KR05 signal in 1-bit units |
| KRM6                                      | Controls KR06 signal in 1-bit units |
| KRM7                                      | Controls KR07 signal in 1-bit units |

**Table 21.2 Configuration of key interrupt function**

| Parameter         | Configuration   |
|-------------------|---|
| Input             | KR00 to KR07  |
| Control registers | Key Return Control Register (KRCTL)<br>Key Return Mode Register (KRM)<br>Key Return Flag Register (KRF) |



**Figure 21.1 Key interrupt block diagram**

Note: In Figure 21.1, all key return factors are merged by an OR gate, and the key interrupt (KEY\_INTKR) is the output of the AND gate to mask the merged key return factor by the KEY\_INTKR mask signal. When using KRFn (KRMD = 1), the KEY\_INTKR mask signal is used as the output mask that is asserted by clearing KRFn.

## 21.2 Register Descriptions

### 21.2.1 Key Return Control Register (KRCTL)

Address(es): [KINT.KRCTL 4008 0000h](#)

|      |    |    |    |    |    |    |      |
|------|----|----|----|----|----|----|------|
| b7   | b6 | b5 | b4 | b3 | b2 | b1 | b0   |
| KRMD | —  | —  | —  | —  | —  | —  | KREG |

Value after reset: 0 0 0 0 0 0 0 0

| Bit      | Symbol               | Bit name                                    | Description  | R/W |
|----------|----------------------|---|--|-----|
| b0       | <a href="#">KREG</a> | Detection Edge Selection (KR00 to KR07)     | 0: Falling edge<br>1: Rising edge.                               | R/W |
| b6 to b1 | —                    | Reserved                                    | These bits are read as 0. The write value should be 0.           | R/W |
| b7       | <a href="#">KRMD</a> | Usage of Key Interrupt Flags (KRF0 to KRF7) | 0: Do not use key interrupt flags<br>1: Use key interrupt flags. | R/W |

The KRCTL register controls the usage of the key interrupt flags, KRF0 to KRF7, and sets the detection edge.

### 21.2.2 Key Return Flag Register (KRF)

Address(es): [KINT.KRF 4008 0004h](#)

|      |      |      |      |      |      |      |      |
|------|------|------|------|------|------|------|------|
| b7   | b6   | b5   | b4   | b3   | b2   | b1   | b0   |
| KRF7 | KRF6 | KRF5 | KRF4 | KRF3 | KRF2 | KRF1 | KRF0 |

Value after reset: 0 0 0 0 0 0 0 0

| Bit      | Symbol | Bit name             | Description  | R/W |
|----------|--------|----------------------|--|-----|
| b7 to b0 | KRFn   | Key Interrupt Flag n | 0: No key interrupt detected<br>1: Key interrupt detected. | R/W |

n = 0 to 7

Note: When KRMD = 0, setting the KRFn bit to 1 is prohibited.  
When setting the KRFn bit to 1, the KRFn value does not change. To clear the KRFn bit, confirm the target bit is 1 before writing 0 to the bit, then write 1 to the other bits.

The KRF register controls the key interrupt flags, KRF0 to KRF7.

### 21.2.3 Key Return Mode Register (KRM)

Address(es): [KINT.KRM 4008 0008h](#)

|      |      |      |      |      |      |      |      |
|------|------|------|------|------|------|------|------|
| b7   | b6   | b5   | b4   | b3   | b2   | b1   | b0   |
| KRM7 | KRM6 | KRM5 | KRM4 | KRM3 | KRM2 | KRM1 | KRM0 |

Value after reset: 0 0 0 0 0 0 0 0

| Bit      | Symbol | Bit name                     | Description  | R/W |
|----------|--------|------------------------------|--|-----|
| b7 to b0 | KRMn   | Key Interrupt Mode Control n | 0: No key interrupt signal detected<br>1: Key interrupt signal detected. | R/W |

n = 0 to 7

Note: The on-chip pull-up resistors can be applied by setting the pull-up function for the associated key interrupt input pin. For more information, see [section 20, I/O Ports](#).  
 Key interrupts can be assigned in the PmnPFS.PSEL bits. For more information, see [section 20, I/O Ports](#).  
 An interrupt is generated when the target bit in the KRM register is set while a low level (KREG = 0) or a high level (KREG = 1) is being input to the key interrupt input pin. To ignore this interrupt, set the KRM register after disabling the interrupt handling.

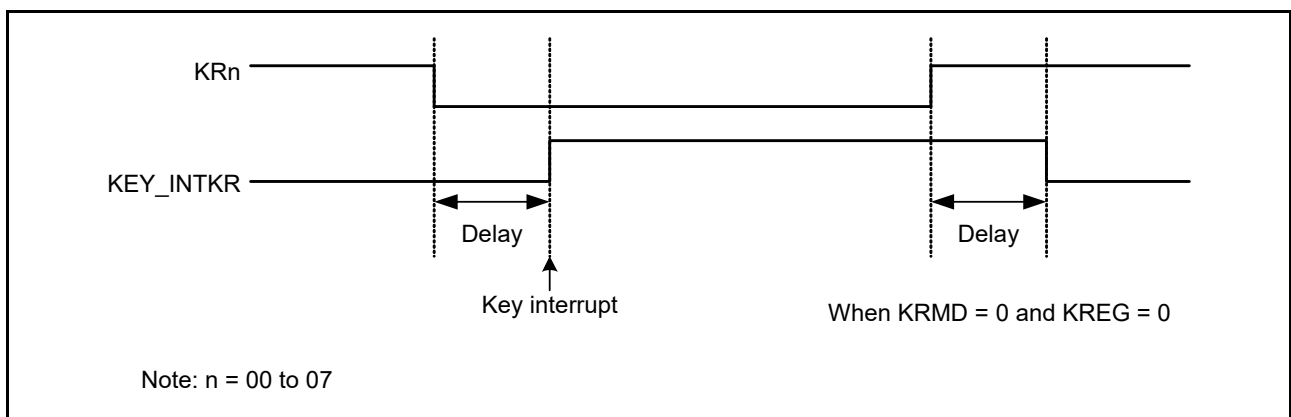
The KRM register sets the key interrupt mode.

### 21.3 Operation

#### 21.3.1 Operation When Not Using Key Interrupt Flag (KRMD = 0)

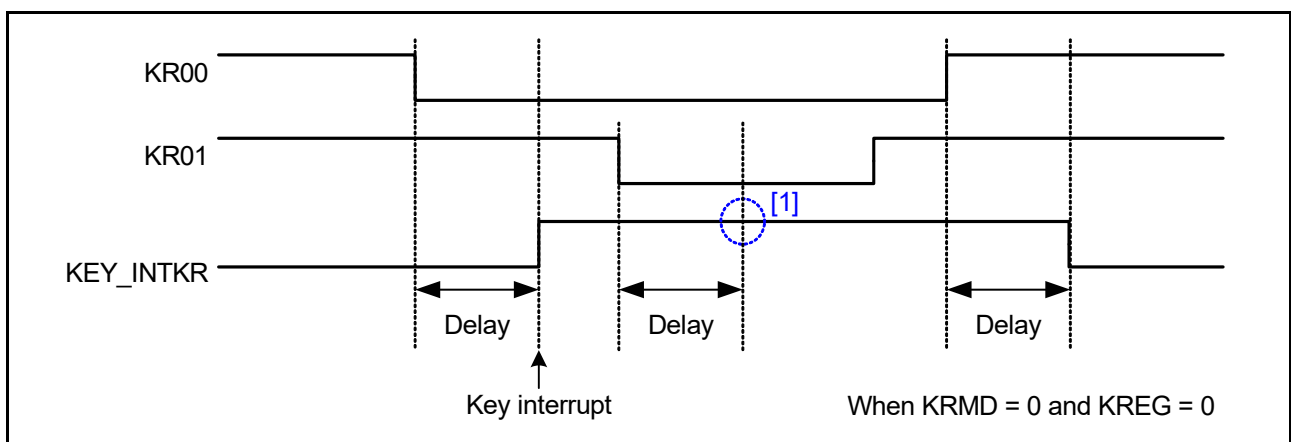
A key interrupt (KEY\_INTKR) is generated when the valid edge specified in the KREG bit is input to a key interrupt pin, KR00 to KR07. To identify the channel to which the valid edge is input, read the port register and check the port level after the key interrupt (KEY\_INTKR) is generated.

The KEY\_INTKR signal changes based on the input level of the key interrupt input pin, KR00 to KR07.



**Figure 21.2** Operation of KEY\_INTKR signal when a key interrupt is input to a single channel

Figure 21.3 shows the operation when a valid edge is input to multiple key interrupt input pins. The KEY\_INTKR signal is set while a low level is being input to one pin (when KREG = 0). Therefore, even if a falling edge is input to another pin in this period, a key interrupt (KEY\_INTKR) is not generated again. See [1] in Figure 21.3.



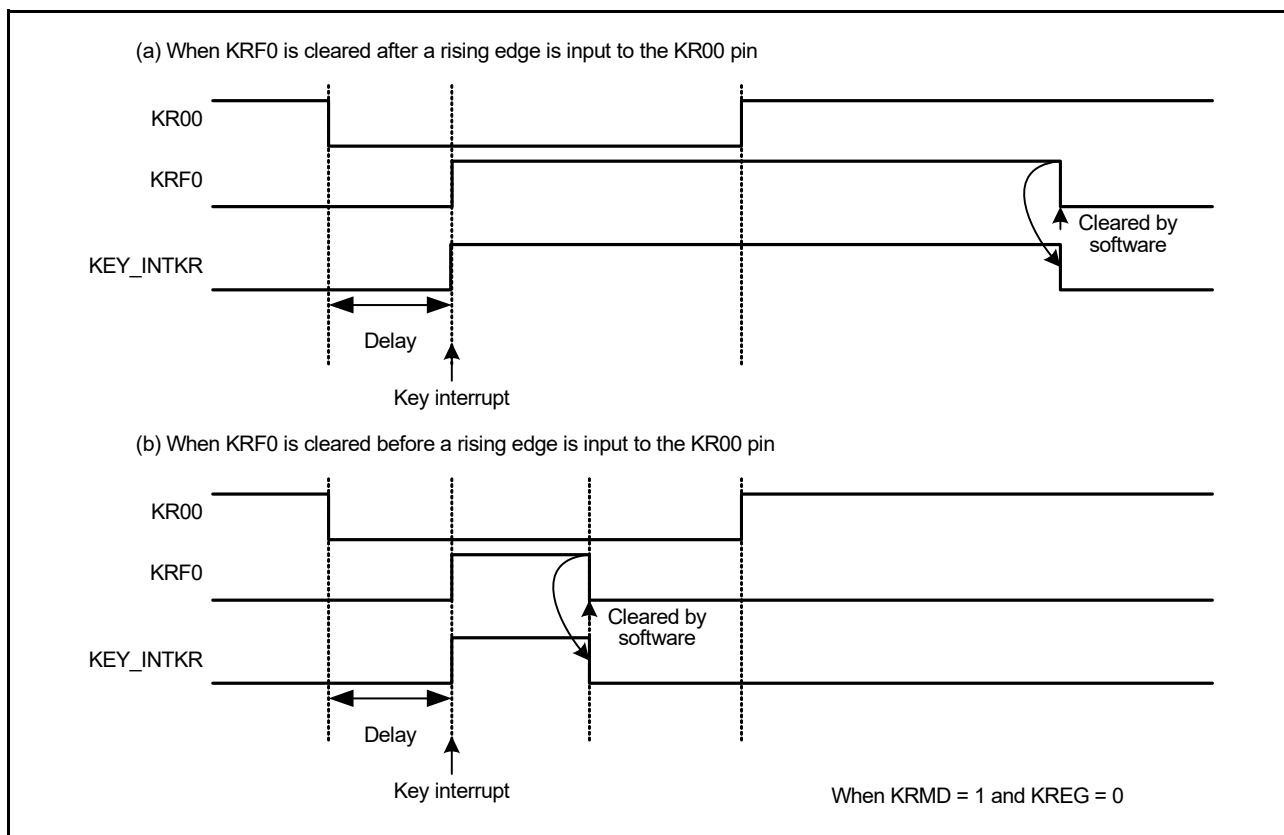
**Figure 21.3** Operation of KEY\_INTKR signal when key interrupts are input to multiple channels

#### 21.3.2 Operation When Using the Key Interrupt Flags (KRMD = 1)

A key interrupt (KEY\_INTKR) is generated when the valid edge specified in the KREG bit is input to a key interrupt pin, KR00 to KR07. To identify the channels to which the valid edge is input, read the Key Return Flag Register (KRF) after the key interrupt (KEY\_INTKR) is generated. If the KRMD bit is set to 1, clear the KEY\_INTKR signal by clearing the associated bit in the KRF register.



As [Figure 21.4](#) shows, only one interrupt is generated each time a falling edge is input to one channel, that is, when  $KREG = 0$ , regardless of whether the  $KRFn$  bit is cleared before or after a rising edge is input.



**Figure 21.4 Basic operation of KEY\_INTKR signal when key interrupt flag is used**

The operation when a valid edge is input to multiple key interrupt input pins is shown in [Figure 21.5](#). A falling edge is also input to the KR01 and KR05 pins after a falling edge is input to the KR00 pin (when  $KREG = 0$ ). The  $KRF1$  bit is set when the  $KRF0$  bit is cleared. A key interrupt is generated 1 PCLKB clock cycle, after the  $KRF0$  bit is cleared. See [1] in [Figure 21.5](#).

Also, after a falling edge is input to the KR05 pin, the  $KRF5$  bit is set. The  $KRF1$  bit is cleared at time [2] in the figure. A key interrupt is generated 1 PCLKB clock cycle, after the  $KRF1$  bit is cleared. See [3] in the figure. It is therefore possible to generate a key interrupt when a valid edge is input to multiple channels.

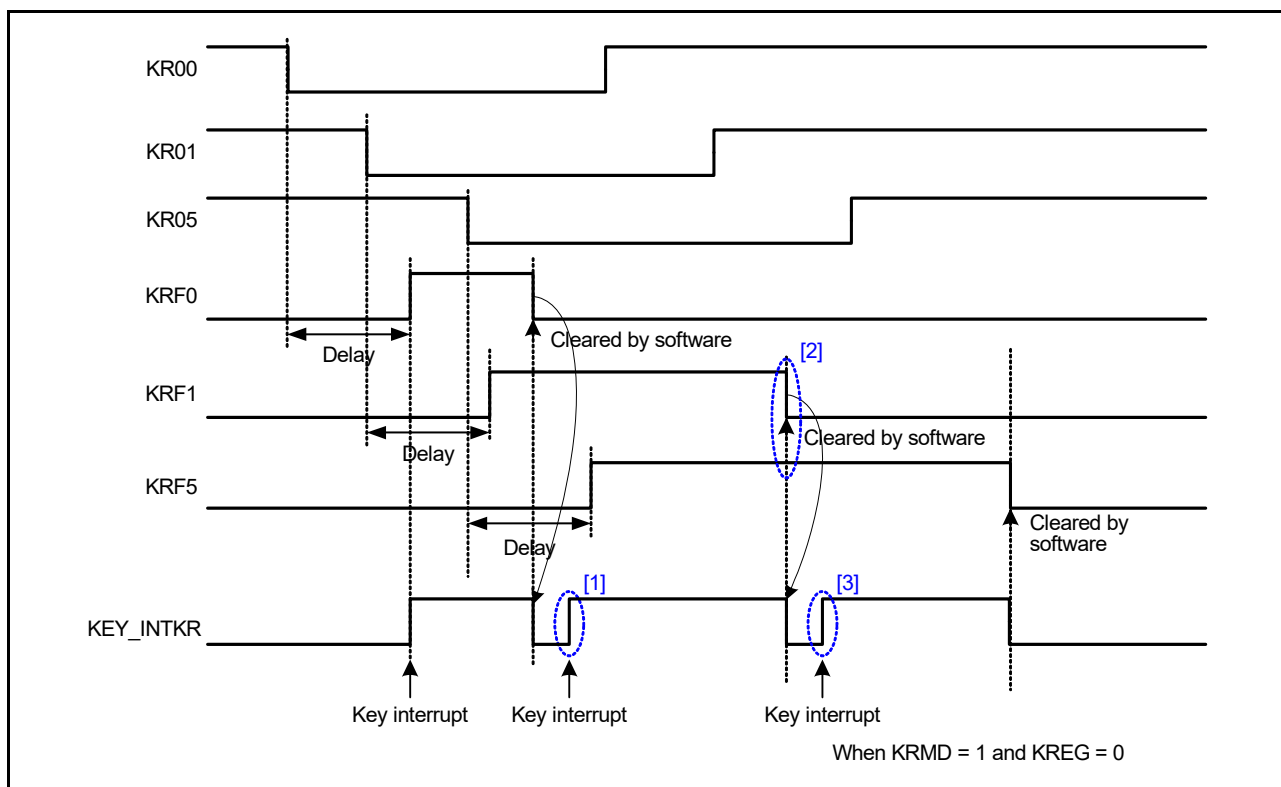


Figure 21.5 Operation of KEY\_INTKR signal when key interrupts are input to multiple channels

### 21.4 Usage Notes

- If KEY\_INTKR is used as the Snooze request, the KRMD bit must be set to 0.
- If KEY\_INTKR is used as the interrupt source for returning to Normal mode from Snooze mode and Software Standby mode, the KRMD bit must be set to 1.
- When the Key Interrupt function (KINT) is assigned to a pin, this pin input is always enabled in Software Standby mode, and if the pin level changes, the associated KRFn flag can be set. Therefore, a key interrupt might occur on canceling Software Standby mode.

To ignore changes to the key interrupt pin during a software standby, clear the associated KRM bit before entering Software Standby mode. After canceling Software Standby mode, you must clear KRFn before the associated KRM bit can be set.

## 22. Port Output Enable for GPT (POEG)

### 22.1 Overview

Use the Port Output Enable for GPT (POEG) function to place the General PWM Timer (GPT) output pins in the output-disable state in one of the following ways:

- Input level detection of the GTETR<sub>Gn</sub> (n = A, B, C, D) pins
- Output-disable request from the GPT
- Comparator interrupt request detection
- Oscillation stop detection of the clock generation circuit
- Register settings.

The GTETR<sub>Gn</sub> (n = A, B, C, D) pins can also be used as GPT external trigger input pins.

Table 22.1 lists the POEG specifications, Figure 22.1 shows a block diagram, and Table 22.2 lists the input pins.

**Table 22.1 POEG specifications**

| Parameter  | Specifications  |
|--|---|
| Output-disable control through input level detection   | The GPT output pins can be disabled when a GTETR <sub>Gn</sub> rising edge or high level is sampled after polarity and filter selection   |
| Output-disable request from the GPT  | <ul style="list-style-type: none"> <li>• When the GTIOCA pin and the GTIOCB pin are driven to an active level simultaneously, the GPT generates an output-disable request to the POEG. Through reception of these requests, the POEG can control whether the GTIOCA and GTIOCB pins are output-disabled.</li> <li>• GPT output pins can be set to be disabled when the GPT output pins detect a dead time error.</li> </ul> |
| Output-disable control through comparator (ACMPHS) interrupt detection   | The GPT output pins can be disabled when an interrupt request is generated by a change in the output results of any of the comparators  |
| Output-disable control through oscillation stop detection  | The GPT output pins can be disabled when oscillation of the clock generation circuit stops  |
| Output-disable control by software (registers)   | The GPT output pins can be disabled by modifying the register settings  |
| Interrupts   | <ul style="list-style-type: none"> <li>• Allows output-disable control by the input level detection</li> <li>• Allows output-disable requests from the GPT or ACMPHS.</li> </ul>  |
| External trigger output to the GPT (count start, count stop, count clear, up-count, down-count, or input capture function) | The GTETR <sub>Gn</sub> signals can be output to the GPT after polarity and filter selection  |
| Noise filtering  | <ul style="list-style-type: none"> <li>• Three times sampling for every PCLKB/1, PCLKB/8, PCLKB/32, or PCLKB/128 can be set for any of the input pins GTETR<sub>Gn</sub></li> <li>• Positive or negative polarity can be selected for any of the input pins, GTETR<sub>Gn</sub></li> <li>• Signal state after polarity and filter selection can be monitored.</li> </ul>  |

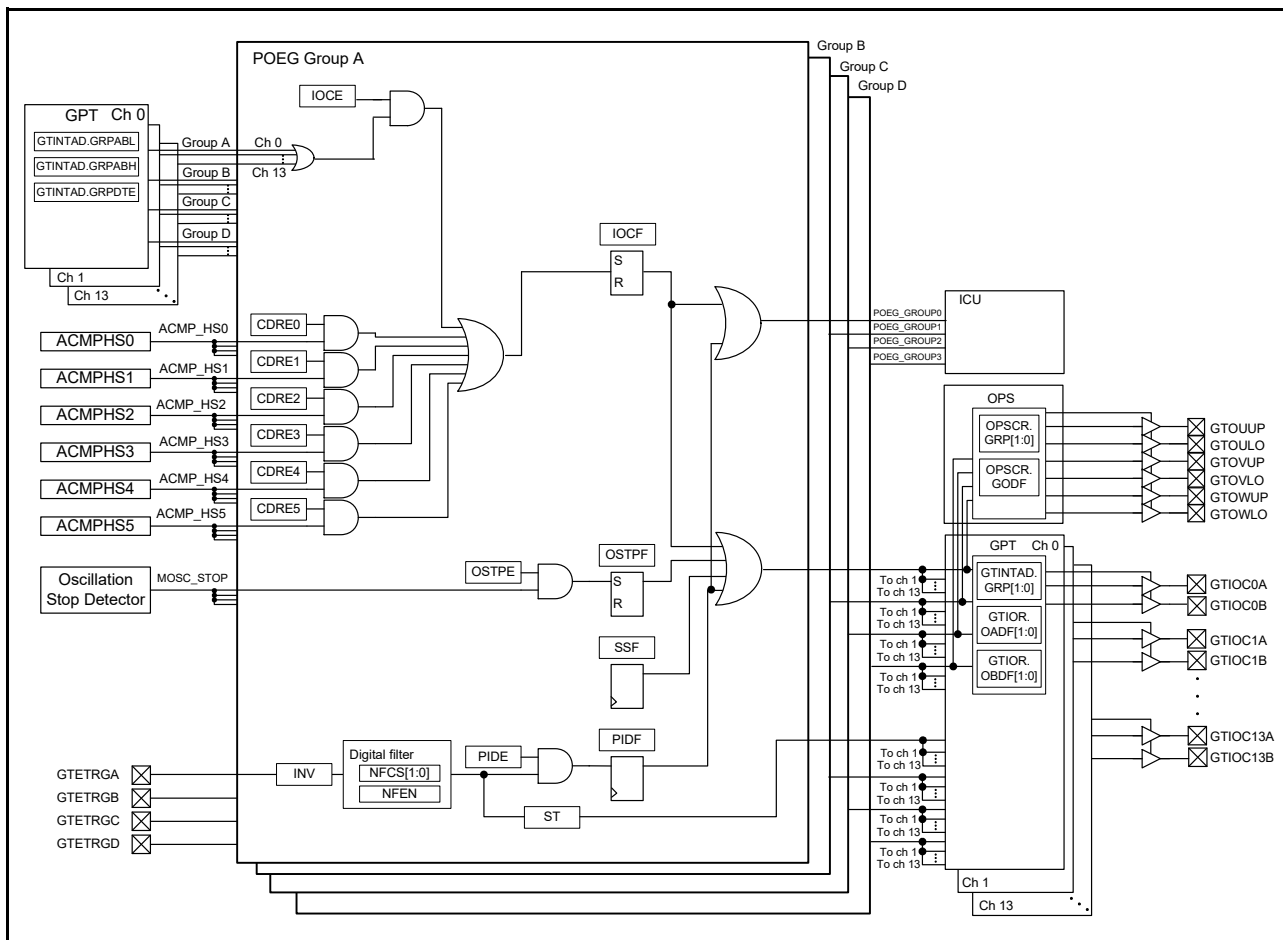


Figure 22.1 POEG block diagram

Table 22.2 POEG input pins

| Pin name | I/O   | Description   |
|----------|-------|---|
| GTETRGA  | Input | GPT output pin output-disable request signal and GPT external trigger input pin A |
| GTETRGB  | Input | GPT output pin output-disable request signal and GPT external trigger input pin B |
| GTETRGC  | Input | GPT output pin output-disable request signal and GPT external trigger input pin C |
| GTETRGD  | Input | GPT output pin output-disable request signal and GPT external trigger input pin D |

## 22.2 Register Descriptions

### 22.2.1 POEG Group n Setting Register (POEGGn) (n = A to D)

Address(es): POEG.POEGGA 4004 2000h, POEG.POEGGB 4004 2100h, POEG.POEGGC 4004 2200h, POEG.POEGGD 4004 2300h

|  |     |       |       |       |       |       |       |     |       |      |      |     |       |      |      |
|--|-----|-------|-------|-------|-------|-------|-------|-----|-------|------|------|-----|-------|------|------|
| b31  | b30 | b29   | b28   | b27   | b26   | b25   | b24   | b23 | b22   | b21  | b20  | b19 | b18   | b17  | b16  |
| NFCS[1:0]  |     | NFEN  | INV   | —     | —     | —     | —     | —   | —     | —    | —    | —   | —     | —    | ST   |
| Value after reset: 0 0 0 0 0 0 0 0 0 0 0 0 0 0 0 0 |     |       |       |       |       |       |       |     |       |      |      |     |       |      |      |
| b15  | b14 | b13   | b12   | b11   | b10   | b9    | b8    | b7  | b6    | b5   | b4   | b3  | b2    | b1   | b0   |
| —  | —   | CDRE5 | CDRE4 | CDRE3 | CDRE2 | CDRE1 | CDRE0 | —   | OSTPE | IOCE | PIDE | SSF | OSTPF | IOCF | PIDF |
| Value after reset: 0 0 0 0 0 0 0 0 0 0 0 0 0 0 0 0 |     |       |       |       |       |       |       |     |       |      |      |     |       |      |      |

| Bit        | Symbol | Bit name  | Description  | R/W    |
|------------|--------|---|--|--------|
| b0         | PIDF   | Port Input Detection Flag                               | 0: No output-disable request from the GTETRn pin occurred<br>1: Output-disable request from the GTETRn pin occurred.   | R(W)*1 |
| b1         | IOCF   | Detection Flag for GPT or ACMPHS Output-Disable Request | 0: No output-disable request from GPT disable request or comparator interrupt occurred<br>1: Output-disable request from GPT disable request or comparator interrupt occurred. | R(W)*1 |
| b2         | OSTPF  | Oscillation Stop Detection Flag                         | 0: No output-disable request from oscillation stop detection occurred<br>1: Output-disable request from oscillation stop detection occurred.                                   | R(W)*1 |
| b3         | SSF    | Software Stop Flag                                      | 0: No output-disable request from software occurred<br>1: Output-disable request from software occurred.   | R/W    |
| b4         | PIDE   | Port Input Detection Enable                             | 0: Output-disable requests from the GTETRn pins disabled<br>1: Output-disable requests from the GTETRn pins enabled.   | R/W*2  |
| b5         | IOCE   | Enable for GPT Output-Disable Request                   | 0: Output-disable requests from GPT disable request disabled<br>1: Output-disable requests from GPT disable request enabled.   | R/W*2  |
| b6         | OSTPE  | Oscillation Stop Detection Enable                       | 0: Output-disable requests from oscillation stop detection disabled<br>1: Output-disable requests from oscillation stop detection enabled.                                     | R/W*2  |
| b7         | —      | Reserved  | This bit is read as 0. The write value should be 0.  | R/W    |
| b8         | CDRE0  | ACMP_HS0 Enable   | 0: Comparator 0 disable requests disabled<br>1: Comparator 0 disable requests enabled.   | R/W*2  |
| b9         | CDRE1  | ACMP_HS1 Enable   | 0: Comparator 1 disable requests disabled<br>1: Comparator 1 disable requests enabled.   | R/W*2  |
| b10        | CDRE2  | ACMP_HS2 Enable   | 0: Comparator 2 disable requests disabled<br>1: Comparator 2 disable requests enabled.   | R/W*2  |
| b11        | CDRE3  | ACMP_HS3 Enable   | 0: Comparator 3 disable requests disabled<br>1: Comparator 3 disable requests enabled.   | R/W*2  |
| b12        | CDRE4  | ACMP_HS4 Enable   | 0: Comparator 4 disable requests disabled<br>1: Comparator 4 disable requests enabled.   | R/W*2  |
| b13        | CDRE5  | ACMP_HS5 Enable   | 0: Comparator 5 disable requests disabled<br>1: Comparator 5 disable requests enabled.   | R/W*2  |
| b15, b14   | —      | Reserved  | These bits are read as 0. The write value should be 0.   | R/W    |
| b16        | ST     | GTETRn Input Status Flag                                | 0: GTETRn input after filtering was 0<br>1: GTETRn input after filtering was 1.  | R      |
| b27 to b17 | —      | Reserved  | These bits are read as 0. The write value should be 0.   | R/W    |
| b28        | INV    | GTETRn Input Reverse                                    | 0: Input GTETRn as-is<br>1: Input GTETRn reversed.   | R/W    |
| b29        | NFEN   | Noise Filter Enable                                     | 0: Noise filtering disabled<br>1: Noise filtering enabled.   | R/W    |

| Bit      | Symbol    | Bit name                  | Description   | R/W |
|----------|-----------|---------------------------|---|-----|
| b31, b30 | NFCS[1:0] | Noise Filter Clock Select | b1 b0<br>0 0: GTETR <sub>Gn</sub> pin input level sampled three times every PCLKB<br>0 1: GTETR <sub>Gn</sub> pin input level sampled three times every PCLKB/8<br>1 0: GTETR <sub>Gn</sub> pin input level sampled three times every PCLKB/32<br>1 1: GTETR <sub>Gn</sub> pin input level sampled three times every PCLKB/128. | R/W |

Note 1. Only 0 can be written to clear the flag.

Note 2. Can be modified only once after a reset.

The POEGGA to POEGGD registers control the output-disable state of the GPT pins, interrupts, and the external trigger input to the GPT. In the descriptions, POEGG<sub>n</sub> represents all of the POEGGA to POEGGD registers.

## 22.3 Output-Disable Control Operation

If any of the following conditions is satisfied, the GTIOC<sub>x</sub>A, GTIOC<sub>x</sub>B, and the 3-phase PWM output for BLDC motor control pins can be set to output-disable:

- Input level or edge detection of the GTETR<sub>Gn</sub> pins  
When POEGG<sub>n</sub>.PIDE is 1, the POEGG<sub>n</sub>.PIDF flag is set to 1.
- Output-disable request from the GPT  
When POEGG<sub>n</sub>.IOCE is 1, the POEGG<sub>n</sub>.IOCF flag is set to 1 if the disable request is enabled in the GTINTAD register. The GTINTAD.GRPDTE, GTINTAD.GRPABH, and GTINTAD.GRPABL settings apply to the group selected in the GPT registers GTINTAD.GRP[1:0] and OPSCR.GRP[1:0].
- Comparator (ACMPHS) interrupt request detection  
Comparator interrupt detection is activated when any of the POEGG<sub>n</sub>.CDRE[5:0] registers is 1. When the associated comparator interrupt is generated, the GPT output pins are disabled. POEGG<sub>n</sub>.IOCF indicates the detection status.
- Oscillation stop detection for the clock generation circuit  
When POEGG<sub>n</sub>.OSTPE is 1, the POEGG<sub>n</sub>.OSTPF flag is set to 1.
- SSF bit setting  
When POEGG<sub>n</sub>.SSF is set to 1, the PWM output is disabled.

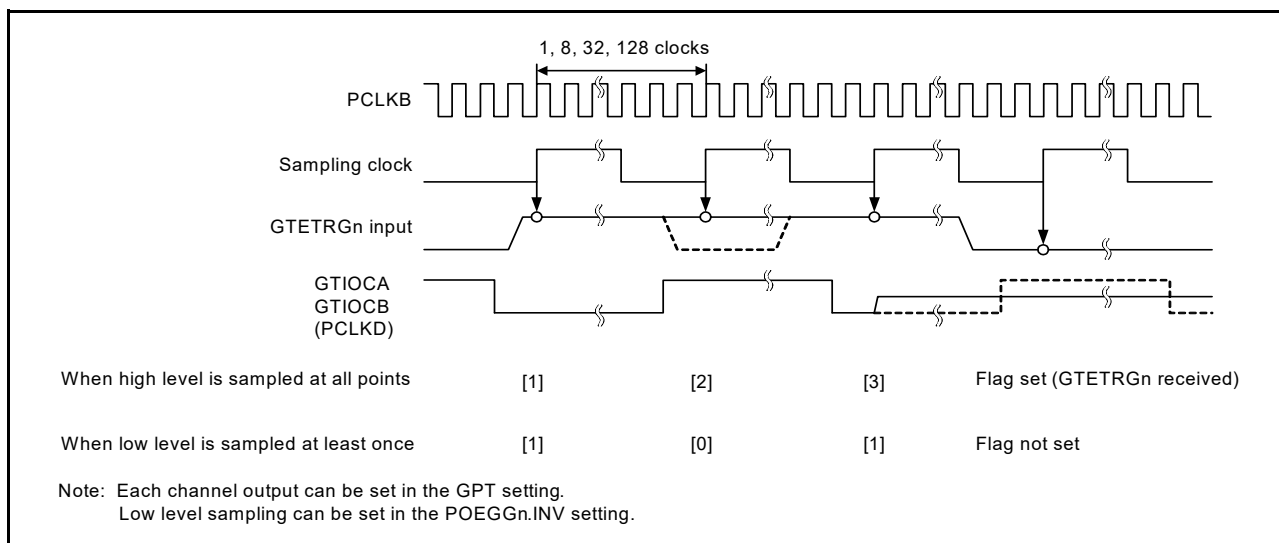
The output-disable state is controlled in the GPT. The output-disable of the GTIOC<sub>x</sub>A and GTIOC<sub>x</sub>B pins is set in the GTINTAD.GRP[1:0], GTIOR.OADF[1:0], and GTIOR.OBDF[1:0] bits in GPT<sub>x</sub>. The output-disable of the 3-phase PWM output for the BLDC motor control pins is set in the OPSCR.GRP[1:0] bits and OPSCR.GODF bit in GPT\_ OPS.

### 22.3.1 Pin Input Level Detection Operation

If the input conditions set in POEGG<sub>n</sub>.PIDE, POEGG<sub>n</sub>.NFCS[1:0], POEGG<sub>n</sub>.NFEN, and POEGG<sub>n</sub>.INV occur on the GTETR<sub>Gn</sub> pins, the GPT output pins are output-disabled.

#### 22.3.1.1 Digital filter

Figure 22.2 shows high level detection by the digital filter. When a high level associated with the POEGG<sub>n</sub>.INV polarity setting is detected three times consecutively with the sampling clock selected in POEGG<sub>n</sub>.NFCS[1:0] and POEGG<sub>n</sub>.NFEN, the detected level is recognized as high, and the GPT output pins are output-disabled. If even one low level is detected during this interval, the detected level is not recognized as high. In addition, in an interval where the sampling clock is not being output, changes of the levels on the GTETR<sub>Gn</sub> pins are ignored.



**Figure 22.2** Example of digital filter operation

### 22.3.2 Output-Disable Requests from the GPT

For details on this operation, see the description of GTIOC Pin Output Negate Control in [section 23, General PWM Timer \(GPT\)](#).

### 22.3.3 Comparator Interrupt Detection

If POEGn.CDRE[5:0] is 1 when the associated comparator interrupt request is generated, the GPT output pins are output-disabled for each group. The status flag is POEGn.IOCF, which is shared with GPT output-disable detection.

### 22.3.4 Output-Disable Control Using Detection of Stopped Oscillation

When the oscillation stop detection function in the clock generation circuit detects stopped oscillation while POEGn.OSTPE is 1, the GPT output pins are output-disabled for each group.

### 22.3.5 Output-Disable Control Using Registers

The GPT output pins can be directly controlled by writing to the Software Stop flag, POEGn.SSF.

### 22.3.6 Release from Output-Disable

To release the GPT output pins placed in the output-disable state, either return them to their initial state with a reset or clear all of the following flags:

- POEGn.PIDF
- POEGn.IOCF
- POEGn.OSTPF
- POEGn.SSF.

Writing 0 to the POEGn.PIDF flag is ignored (the flag is not cleared) if the external input pins, GTETRn, are not disabled and the POEGn.ST bit is not set to 0.

Writing 0 to the POEGn.IOCF flag is valid (the flag is cleared) only if all of the GTST.DTEF, GTST.OABHF, and GTST.OABLF flags in the GPT are set to 0.

Writing 0 to the POEGn.OSTPF flag is ignored (the flag is not cleared) if the OSTDSR.OSTDF flag in the clock generation circuit is not set to 0. In addition, when the flag set and release occur at the same time, the flag set takes precedence.

[Figure 22.3](#) shows the release timing for output-disable. The output-disable is released at the beginning of the next count cycle of the GPT after the flag is cleared.

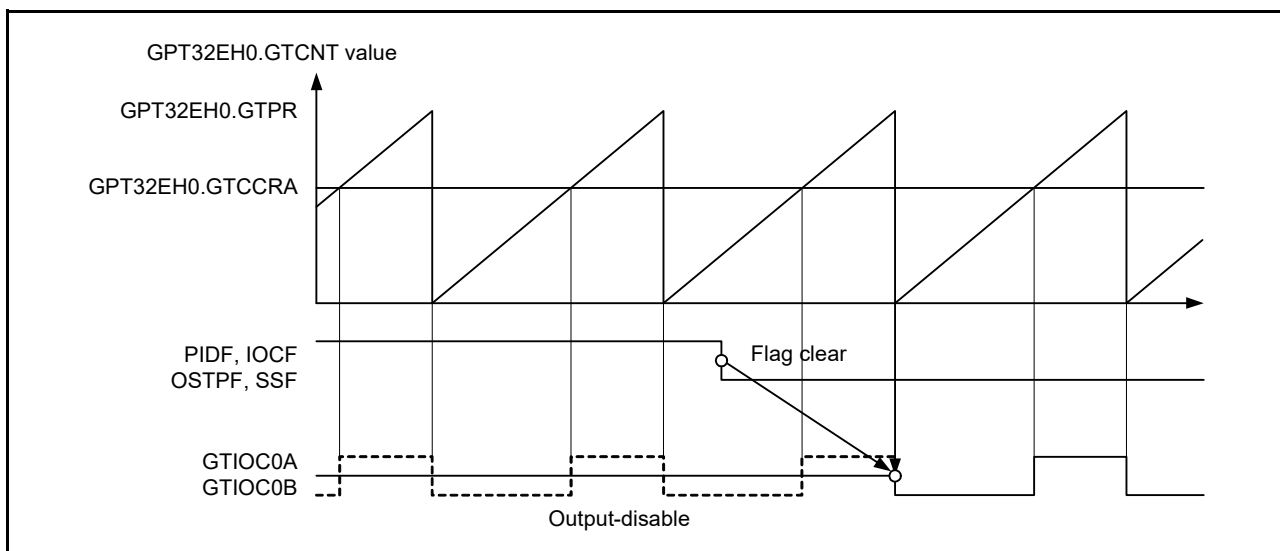


Figure 22.3 Output-disable release timing for the GPT pin outputs

### 22.4 Interrupt Sources

The POEG generates an interrupt request when triggered by these sources:

- Output-disable control by the input level detection
- Output-disable request from the GPT
- Comparator interrupt request detection.

Table 22.3 lists the conditions for interrupt requests.

Table 22.3 Interrupt sources and conditions

| Interrupt source       | Symbol      | Associated flag | Trigger conditions   |
|------------------------|-------------|-----------------|--|
| POEG group A interrupt | POEG_GROUP0 | POEGGA.IOCF     | An output-disable request from a GPT disable request occurred  |
|                        |             |                 | An output-disable request from a comparator interrupt occurred |
|                        |             | POEGGA.PIDF     | An output-disable request from the GTETRGA pin occurred        |
| POEG group B interrupt | POEG_GROUP1 | POEGGB.IOCF     | An output-disable request from a GPT disable request occurred  |
|                        |             |                 | An output-disable request from a comparator interrupt occurred |
|                        |             | POEGGB.PIDF     | An output-disable request from the GTETRGB pin occurred        |
| POEG group C interrupt | POEG_GROUP2 | POEGGC.IOCF     | An output-disable request from a GPT disable request occurred  |
|                        |             |                 | An output-disable request from a comparator interrupt occurred |
|                        |             | POEGGC.PIDF     | An output-disable request from the GTETRGC pin occurred        |
| POEG group D interrupt | POEG_GROUP3 | POEGGD.IOCF     | An output-disable request from a GPT disable request occurred  |
|                        |             |                 | An output-disable request from a comparator interrupt occurred |
|                        |             | POEGGD.PIDF     | An output-disable request from the GTETRGD pin occurred        |



## 22.5 External Trigger Output to the GPT

The POEG outputs the GTETR<sub>Gn</sub> signals as the GPT operation trigger signal for the following:

- Count start
- Count stop
- Count clear
- Up-count
- Down-count
- Input capture.

For the POEG<sub>Gn</sub>.INV polarity setting signal, when the same level is input three times continuously with the sampling clock selected in POEG<sub>Gn</sub>.NFCS[1:0] and POEG<sub>Gn</sub>.NFEN, that value is output. Set the control registers the same as for the input level detection operation described in [section 22.3.1, Pin Input Level Detection Operation](#). The state after filtering can be monitored in POEG<sub>Gn</sub>.ST.

Figure 22.4 shows the output timing of an external trigger to the GPT.

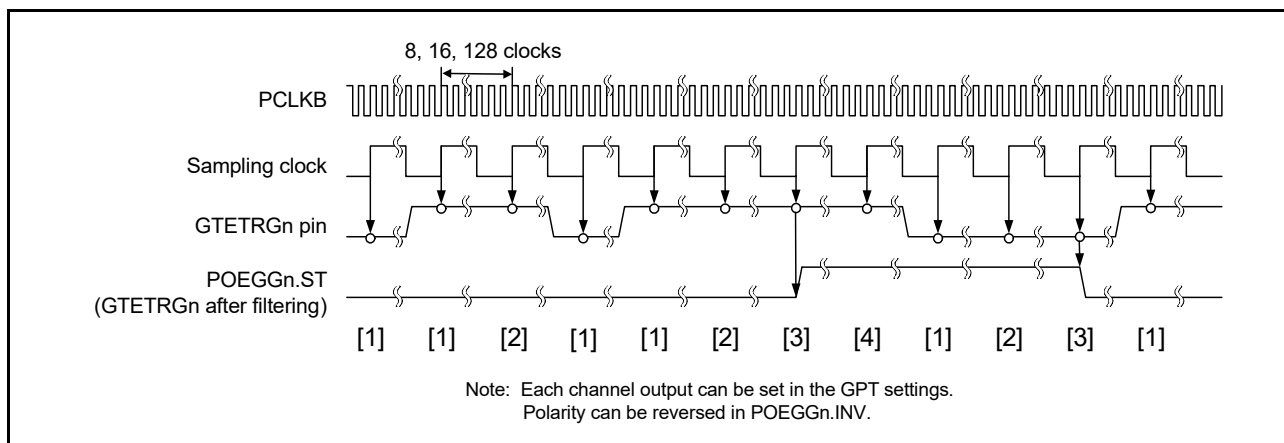


Figure 22.4 Output timing of external trigger to GPT

## 22.6 Usage Notes

### 22.6.1 Transition to Software Standby Mode

When using the POEG, do not invoke Software Standby mode. In this mode, the POEG stops and therefore output-disable of the pins cannot be controlled.

### 22.6.2 Specifying Pins Associated with the GPT

The POEG controls output-disable only when a pin is associated with the GPT in the PmnPFS.PMR and PmnPFS.PSEL settings. When the pin is specified as a general I/O pin, the POEG does not perform output-disable control.

## 23. General PWM Timer (GPT)

### 23.1 Overview

The General PWM Timer (GPT) is a 32-bit timer with four GPT32EH channels, four GPT32E channels, and six GPT32 channels. PWM waveforms can be generated by controlling the up-counter, down-counter, or the up- and down-counter. The GPT can also be used as a general-purpose timer.

Table 23.1 lists the GPT specifications, Table 23.2 shows the GPT functions, Figure 23.1 shows a block diagram, Figure 23.2 shows the correspondence between the GPT channels and module names, and Table 23.3 lists the I/O pins.

**Table 23.1 GPT specifications**

| Parameter | Specifications  |
|-----------|---|
| Functions | <ul style="list-style-type: none"> <li>• 32 bits × 14 channels</li> <li>• Up-counting or down-counting (saw waves) or up/down-counting (triangle waves) for each counter</li> <li>• Clock sources independently selectable for each channel</li> <li>• Two I/O pins per channel</li> <li>• Two output compare/input capture registers per channel</li> <li>• For the two output compare/input capture registers of each channel, four registers are provided as buffer registers and are capable of operating as comparison registers when buffering is not in use</li> <li>• In output compare operation, buffer switching can be at crests or troughs, enabling the generation of laterally asymmetric PWM waveforms</li> <li>• Registers for setting up frame cycles in each channel with capability for generating interrupts at overflow or underflow</li> <li>• Generation of dead times in PWM operation</li> <li>• Synchronous starting, stopping, and clearing counters for arbitrary channels</li> <li>• Starting, stopping, and clearing up/down counters in response to a maximum of eight ELC events</li> <li>• Starting, stopping, and clearing up/down counters in response to input level comparison</li> <li>• Starting, stopping, and clearing up/down counters in response to a maximum of four external triggers</li> <li>• Output pin disable function by dead time error and detected short-circuits between output pins</li> <li>• A/D converter start triggers can be generated</li> <li>• PWM waveform for controlling brushless DC motors can be generated</li> <li>• Compare match A to F event, overflow/underflow event, and input UVW edge event can be output to the ELC</li> <li>• Enables the noise filter for input capture and input UVW</li> <li>• Bus clock: PCLKA</li> <li>• Core clock: PCLKD</li> <li>• Frequency ratio: PCLKA:PCLKD = 1:N (N = 1/2/4/8/16/32/64).</li> </ul> |

**Table 23.2 GPT functions (1 of 2)**

| Parameter                                      | GPT32EH, GPT32E   | GPT32   |
|--|---|---|
| Count clock                                    | PCLKD<br>PCLKD/4<br>PCLKD/16<br>PCLKD/64<br>PCLKD/256<br>PCLKD/1024 | PCLKD<br>PCLKD/4<br>PCLKD/16<br>PCLKD/64<br>PCLKD/256<br>PCLKD/1024 |
| Output compare/input capture registers (GTCCR) | GTCCRA<br>GTCCRB  | GTCCRA<br>GTCCRB  |
| Compare/buffer registers                       | GTCCRC<br>GTCCRD<br>GTCCRE<br>GTCCRF                                | GTCCRC<br>GTCCRD<br>GTCCRE<br>GTCCRF                                |
| Cycle setting register                         | GTPR  | GTPR  |
| Cycle setting buffer registers                 | GTPBR<br>GTPDBR   | GTPBR   |
| I/O pins                                       | GTIOCA<br>GTIOCB  | GTIOCA<br>GTIOCB  |

**Table 23.2 GPT functions (2 of 2)**

| Parameter                           | GPT32EH, GPT32E  | GPT32  |           |
|-------------------------------------|--|--|-----------|
| External trigger input pin*1        | GTETRGA<br>GTETRGB<br>GTETRGC<br>GTETRGD   | GTETRGA<br>GTETRGB<br>GTETRGC<br>GTETRGD   |           |
| Counter clear sources               | GTPR register compare match, input capture, input pin status, ELC event input, and GTETR Gn (n = A, B, C, D) pin input   | GTPR register compare match, input capture, input pin status, ELC event input, and GTETR Gn (n = A, B, C, D) pin input   |           |
| Compare match output                | Low output   | Available  | Available |
|                                     | High output  | Available  | Available |
|                                     | Toggle output  | Available  | Available |
| Input capture function              | Available  | Available  |           |
| Automatic addition of dead time     | Available  | Available<br>(no dead time buffer)   |           |
| PWM mode                            | Available  | Available  |           |
| Phase count function                | Available  | Available  |           |
| Buffer operation                    | Double buffer  | Double buffer  |           |
| One-shot operation                  | Available  | Available  |           |
| DTC activation                      | All the interrupt sources  | All the interrupt sources  |           |
| A/D converter start trigger         | Compare match of GTADTRA or GTADTRB  | -  |           |
| Brushless DC motor control function | Available  | Available  |           |
| Interrupt sources                   | 10 sources <ul style="list-style-type: none"> <li>• GTCCRA compare match/input capture (GPTn_CCMPA)</li> <li>• GTCCRB compare match/input capture (GPTn_CCMPB)</li> <li>• GTCCRC compare match (GPTn_CMPC)</li> <li>• GTCCRD compare match (GPTn_CMPD)</li> <li>• GTCCRE compare match (GPTn_CMPCE)</li> <li>• GTCCRF compare match (GPTn_CMPF)</li> <li>• GTADTRA compare match (GPTn_ADTRGA)</li> <li>• GTADTRB compare match (GPTn_ADTRGB)</li> <li>• GTCNT overflow (GTPR compare match) (GPTn_OVF)</li> <li>• GTCNT underflow (GPTn_UDF)</li> </ul> | 8 sources <ul style="list-style-type: none"> <li>• GTCCRA compare match/input capture (GPTn_CCMPA)</li> <li>• GTCCRB compare match/input capture (GPTn_CCMPB)</li> <li>• GTCCRC compare match (GPTn_CMPC)</li> <li>• GTCCRD compare match (GPTn_CMPD)</li> <li>• GTCCRE compare match (GPTn_CMPE)</li> <li>• GTCCRF compare match (GPTn_CMPF)</li> <li>• GTCNT overflow (GTPR compare match) (GPTn_OVF)</li> <li>• GTCNT underflow (GPTn_UDF)</li> </ul> |           |
| Interrupt skipping function         | Skips GTCNT overflows (GTPR compare match) (GPTn_OVF)/ GTCNT underflow (GPTn_UDF) interrupts (with interlocking function for other interrupts or A/D conversion requests).   | -  |           |
| Event linking (ELC) function        | Available  | Available  |           |
| Noise filtering function            | Available  | Available  |           |

Note 1. GTRETRGn connects to GPT through the POEG module. Therefore, to use the GPT function, supply the POEG clock by clearing the MSTPD14 bit.

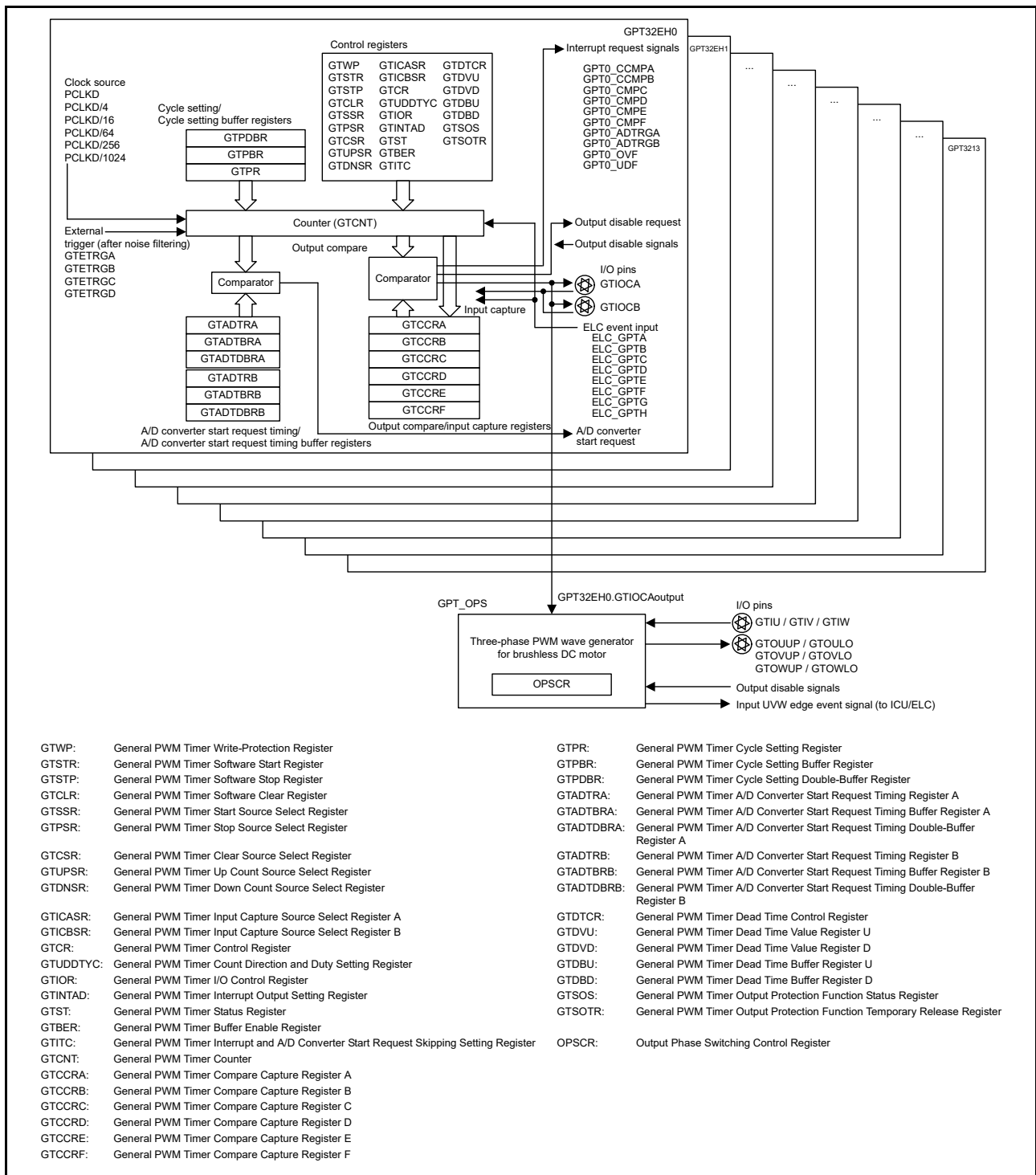


Figure 23.1 GPT block diagram

Figure 23.2 shows an example using multiple GPTs.

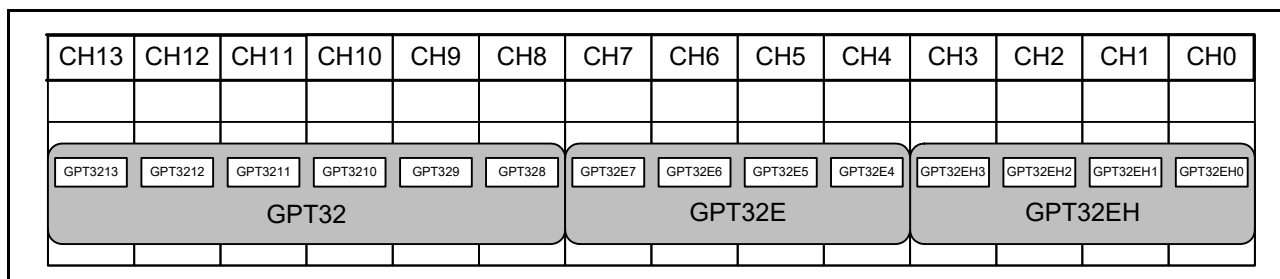


Figure 23.2 Correspondence between GPT channels and module names

Table 23.3 GPT I/O pins (1 of 2)

| Channel  | Pin name | I/O   | Function   |
|----------|----------|-------|--|
| Shared   | GTETRGA  | Input | External trigger input pin A (after noise filtering)                     |
|          | GTETRGB  | Input | External trigger input pin B (after noise filtering)                     |
|          | GTETRGC  | Input | External trigger input pin C (after noise filtering)                     |
|          | GTETRGD  | Input | External trigger input pin D (after noise filtering)                     |
| GPT32EH0 | GTIOC0A  | I/O   | GTCCRA register input capture input/output compare output/PWM output pin |
|          | GTIOC0B  | I/O   | GTCCRB register input capture input/output compare output/PWM output pin |
| GPT32EH1 | GTIOC1A  | I/O   | GTCCRA register input capture input/output compare output/PWM output pin |
|          | GTIOC1B  | I/O   | GTCCRB register input capture input/output compare output/PWM output pin |
| GPT32EH2 | GTIOC2A  | I/O   | GTCCRA register input capture input/output compare output/PWM output pin |
|          | GTIOC2B  | I/O   | GTCCRB register input capture input/output compare output/PWM output pin |
| GPT32EH3 | GTIOC3A  | I/O   | GTCCRA register input capture input/output compare output/PWM output pin |
|          | GTIOC3B  | I/O   | GTCCRB register input capture input/output compare output/PWM output pin |
| GPT32E4  | GTIOC4A  | I/O   | GTCCRA register input capture input/output compare output/PWM output pin |
|          | GTIOC4B  | I/O   | GTCCRB register input capture input/output compare output/PWM output pin |
| GPT32E5  | GTIOC5A  | I/O   | GTCCRA register input capture input/output compare output/PWM output pin |
|          | GTIOC5B  | I/O   | GTCCRB register input capture input/output compare output/PWM output pin |
| GPT32E6  | GTIOC6A  | I/O   | GTCCRA register input capture input/output compare output/PWM output pin |
|          | GTIOC6B  | I/O   | GTCCRB register input capture input/output compare output/PWM output pin |
| GPT32E7  | GTIOC7A  | I/O   | GTCCRA register input capture input/output compare output/PWM output pin |
|          | GTIOC7B  | I/O   | GTCCRB register input capture input/output compare output/PWM output pin |
| GPT328   | GTIOC8A  | I/O   | GTCCRA register input capture input/output compare output/PWM output pin |
|          | GTIOC8B  | I/O   | GTCCRB register input capture input/output compare output/PWM output pin |
| GPT329   | GTIOC9A  | I/O   | GTCCRA register input capture input/output compare output/PWM output pin |
|          | GTIOC9B  | I/O   | GTCCRB register input capture input/output compare output/PWM output pin |
| GPT3210  | GTIOC10A | I/O   | GTCCRA register input capture input/output compare output/PWM output pin |
|          | GTIOC10B | I/O   | GTCCRB register input capture input/output compare output/PWM output pin |
| GPT3211  | GTIOC11A | I/O   | GTCCRA register input capture input/output compare output/PWM output pin |
|          | GTIOC11B | I/O   | GTCCRB register input capture input/output compare output/PWM output pin |
| GPT3212  | GTIOC12A | I/O   | GTCCRA register input capture input/output compare output/PWM output pin |
|          | GTIOC12B | I/O   | GTCCRB register input capture input/output compare output/PWM output pin |
| GPT3213  | GTIOC13A | I/O   | GTCCRA register input capture input/output compare output/PWM output pin |
|          | GTIOC13B | I/O   | GTCCRB register input capture input/output compare output/PWM output pin |

**Table 23.3 GPT I/O pins (2 of 2)**

| Channel | Pin name | I/O    | Function   |
|---------|----------|--------|--|
| GPT_OPS | GTIU     | Input  | Hall sensor input pin U                                      |
|         | GTIV     | Input  | Hall sensor input pin V                                      |
|         | GTIW     | Input  | Hall sensor input pin W                                      |
|         | GTOUUP   | Output | 3-phase PWM output for BLDC motor control (positive U-phase) |
|         | GTOULO   | Output | 3-phase PWM output for BLDC motor control (negative U-phase) |
|         | GTOVUP   | Output | 3-phase PWM output for BLDC motor control (positive V-phase) |
|         | GTOVLO   | Output | 3-phase PWM output for BLDC motor control (negative V-phase) |
|         | GTOWUP   | Output | 3-phase PWM output for BLDC motor control (positive W-phase) |
|         | GTOWLO   | Output | 3-phase PWM output for BLDC motor control (negative W-phase) |

## 23.2 Register Descriptions

Table 23.4 lists the registers in the GPT.

**Table 23.4 GPT registers (1 of 2)**

| Module symbol  | Register name   | Register symbol | Reset value            | Address (m = 0 to 13)  | Access size | GPT32EH/<br>GPT32E | GPT32 |
|--|---|-----------------|------------------------|------------------------|-------------|--------------------|-------|
| GPT32EHm<br>(m = 0 to 3)<br>GPT32Em<br>(m = 4 to 7)<br>GPT32m<br>(m = 8 to 13) | General PWM Timer Write Protection Register   | GTWP            | 0000_0000h             | 4007 8000h + 0100h × m | 32          | ✓                  | ✓     |
|  | General PWM Timer Software Start Register   | GTSTR           | 0000_0000h             | 4007 8004h + 0100h × m | 32          | ✓                  | ✓     |
|  | General PWM Timer Software Stop Register  | GTSTP           | FFFF_FFFFh             | 4007 8008h + 0100h × m | 32          | ✓                  | ✓     |
|  | General PWM Timer Software Clear Register   | GTCLR           | 0000_0000h             | 4007 800Ch + 0100h × m | 32          | ✓                  | ✓     |
|  | General PWM Timer Start Source Select Register  | GTSSR           | 0000_0000h             | 4007 8010h + 0100h × m | 32          | ✓                  | ✓     |
|  | General PWM Timer Stop Source Select Register   | GTPSR           | 0000_0000h             | 4007 8014h + 0100h × m | 32          | ✓                  | ✓     |
|  | General PWM Timer Clear Source Select Register  | GTCSR           | 0000_0000h             | 4007 8018h + 0100h × m | 32          | ✓                  | ✓     |
|  | General PWM Timer Up Count Source Select Register                                     | GTUPSR          | 0000_0000h             | 4007 801Ch + 0100h × m | 32          | ✓                  | ✓     |
|  | General PWM Timer Down Count Source Select Register                                   | GTDNSR          | 0000_0000h             | 4007 8020h + 0100h × m | 32          | ✓                  | ✓     |
|  | General PWM Timer Input Capture Source Select Register A                              | GTICASR         | 0000_0000h             | 4007 8024h + 0100h × m | 32          | ✓                  | ✓     |
|  | General PWM Timer Input Capture Source Select Register B                              | GTICBSR         | 0000_0000h             | 4007 8028h + 0100h × m | 32          | ✓                  | ✓     |
|  | General PWM Timer Control Register  | GTCR            | 0000_0000h             | 4007 802Ch + 0100h × m | 32          | ✓                  | ✓     |
|  | General PWM Timer Count Direction and Duty Setting Register                           | GTUDDTYC        | 0000_0001h             | 4007 8030h + 0100h × m | 32          | ✓                  | ✓     |
|  | General PWM Timer I/O Control Register  | GTIOR           | 0000_0000h             | 4007 8034h + 0100h × m | 32          | ✓                  | ✓     |
|  | General PWM Timer Interrupt Output Setting Register                                   | GTINTAD         | 0000_0000h             | 4007 8038h + 0100h × m | 32          | ✓                  | (✓)*1 |
|  | General PWM Timer Status Register   | GTST            | 0000_8000h             | 4007 803Ch + 0100h × m | 32          | ✓                  | (✓)*1 |
| General PWM Timer Buffer Enable Register                                       | GTBER   | 0000_0000h      | 4007 8040h + 0100h × m | 32                     | ✓           | (✓)*1              |       |
| GPT32EHm<br>(m = 0 to 3)<br>GPT32Em<br>(m = 4 to 7)                            | General PWM Timer Interrupt and A/D Converter Start Request Skipping Setting Register | GTITC           | 0000_0000h             | 4007 8044h + 0100h × m | 32          | ✓                  | -     |

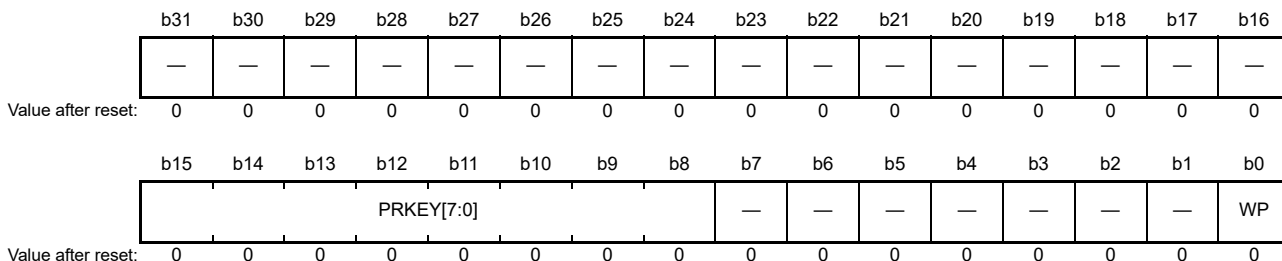
Table 23.4 GPT registers (2 of 2)

| Module symbol  | Register name   | Register symbol | Reset value | Address (m = 0 to 13)  | Access size | GPT32EH/<br>GPT32E | GPT32 |
|--|---|-----------------|-------------|------------------------|-------------|--------------------|-------|
| GPT32EHm<br>(m = 0 to 3)<br>GPT32Em<br>(m = 4 to 7)<br>GPT32m<br>(m = 8 to 13) | General PWM Timer Counter   | GTCNT           | 0000_0000h  | 4007 8048h + 0100h × m | 32          | ✓                  | ✓     |
|  | General PWM Timer Compare Capture Register A                            | GTCCRA          | FFFF_FFFFh  | 4007 804Ch + 0100h × m | 32          | ✓                  | ✓     |
|  | General PWM Timer Compare Capture Register B                            | GTCCRB          | FFFF_FFFFh  | 4007 8050h + 0100h × m | 32          | ✓                  | ✓     |
|  | General PWM Timer Compare Capture Register C                            | GTCCRC          | FFFF_FFFFh  | 4007 8054h + 0100h × m | 32          | ✓                  | ✓     |
|  | General PWM Timer Compare Capture Register E                            | GTCCRE          | FFFF_FFFFh  | 4007 8058h + 0100h × m | 32          | ✓                  | ✓     |
|  | General PWM Timer Compare Capture Register D                            | GTCCRD          | FFFF_FFFFh  | 4007 805Ch + 0100h × m | 32          | ✓                  | ✓     |
|  | General PWM Timer Compare Capture Register F                            | GTCCRF          | FFFF_FFFFh  | 4007 8060h + 0100h × m | 32          | ✓                  | ✓     |
|  | General PWM Timer Cycle Setting Register                                | GTPR            | FFFF_FFFFh  | 4007 8064h + 0100h × m | 32          | ✓                  | ✓     |
|  | General PWM Timer Cycle Setting Buffer Register                         | GTPBR           | FFFF_FFFFh  | 4007 8068h + 0100h × m | 32          | ✓                  | ✓     |
| GPT32EHm<br>(m = 0 to 3)<br>GPT32Em<br>(m = 4 to 7)                            | General PWM Timer Cycle Setting Double-Buffer Register                  | GTPDBR          | FFFF_FFFFh  | 4007 806Ch + 0100h × m | 32          | ✓                  | -     |
|  | A/D Converter Start Request Timing Register A                           | GTADTRA         | FFFF_FFFFh  | 4007 8070h + 0100h × m | 32          | ✓                  | -     |
|  | A/D Converter Start Request Timing Buffer Register A                    | GTADTBRA        | FFFF_FFFFh  | 4007 8074h + 0100h × m | 32          | ✓                  | -     |
|  | A/D Converter Start Request Timing Double-Buffer Register A             | GTADTDBR A      | FFFF_FFFFh  | 4007 8078h + 0100h × m | 32          | ✓                  | -     |
|  | A/D Converter Start Request Timing Register B                           | GTADTRB         | FFFF_FFFFh  | 4007 807Ch + 0100h × m | 32          | ✓                  | -     |
|  | A/D Converter Start Request Timing Buffer Register B                    | GTADTBRB        | FFFF_FFFFh  | 4007 8080h + 0100h × m | 32          | ✓                  | -     |
|  | A/D Converter Start Request Timing Double-Buffer Register B             | GTADTDBR B      | FFFF_FFFFh  | 4007 8084h + 0100h × m | 32          | ✓                  | -     |
| GPT32EHm<br>(m = 0 to 3)<br>GPT32Em<br>(m = 4 to 7)<br>GPT32m<br>(m = 8 to 13) | General PWM Timer Dead Time Control Register                            | GTDTCR          | 0000_0000h  | 4007 8088h + 0100h × m | 32          | ✓                  | (✓)*1 |
|  | General PWM Timer Dead Time Value Register U                            | GTDVU           | FFFF_FFFFh  | 4007 808Ch + 0100h × m | 32          | ✓                  | ✓     |
| GPT32EHm<br>(m = 0 to 3)<br>GPT32Em<br>(m = 4 to 7)                            | General PWM Timer Dead Time Value Register D                            | GTDVD           | FFFF_FFFFh  | 4007 8090h + 0100h × m | 32          | ✓                  | -     |
|  | General PWM Timer Dead Time Buffer Register U                           | GTDBU           | FFFF_FFFFh  | 4007 8094h + 0100h × m | 32          | ✓                  | -     |
|  | General PWM Timer Dead Time Buffer Register D                           | GTDBD           | FFFF_FFFFh  | 4007 8098h + 0100h × m | 32          | ✓                  | -     |
|  | General PWM Timer Output Protection Function Status Register            | GTSOS           | 0000_0000h  | 4007 809Ch + 0100h × m | 32          | ✓                  | -     |
|  | General PWM Timer Output Protection Function Temporary Release Register | GTSOTR          | 0000_0000h  | 4007 80A0h + 0100h × m | 32          | ✓                  | -     |
| GPT_OPS  | Output Phase Switching Control Register                                 | OPSCR           | 0000_0000h  | 4007 8FF0h             | 32          | ✓                  | ✓     |

Note 1. Some functions are reduced from GPT32EH/GPT32E.

### 23.2.1 General PWM Timer Write-Protection Register (GTWP)

Address(es): GPT32EHm.GTWP 4007 8000h + 0100h × m (m = 0 to 3)  
 GPT32Em.GTWP 4007 8000h + 0100h × m (m = 4 to 7)  
 GPT32m.GTWP 4007 8000h + 0100h × m (m = 8 to 13)



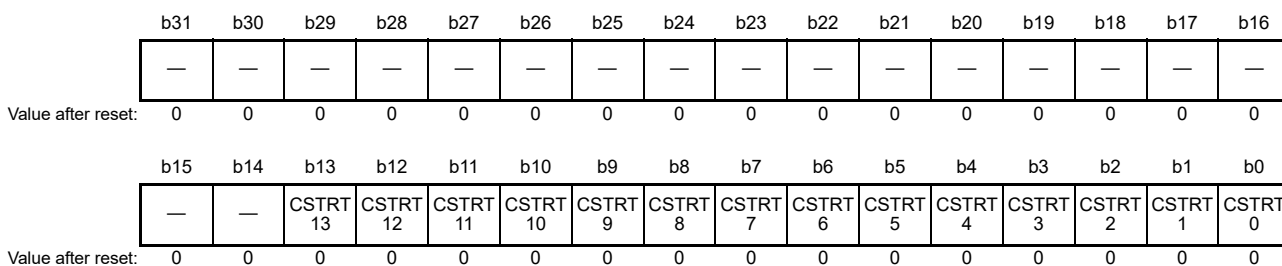
| Bit        | Symbol     | Bit name               | Description  | R/W |
|------------|------------|------------------------|--|-----|
| b0         | WP         | Register Write Disable | 0: Write to the register enabled<br>1: Write to the register disabled.                           | R/W |
| b7 to b1   | —          | Reserved               | These bits are read as 0. The write value should be 0.   | R/W |
| b15 to b8  | PRKEY[7:0] | GTWP Key Code          | When A5h is written to these bits, writing to the WP bit is permitted. These bits are read as 0. | R/W |
| b31 to b16 | —          | Reserved               | These bits are read as 0. The write value should be 0.   | R/W |

To prevent accidental changes, the GTWP register enables or disables writing to following registers:

GTSSR, GTPSR, GTCSSR, GTUPSR, GTDNSR, GTICASSR, GTICBSR, GTCR, GTUDDTYC, GTIOR, GTINTAD, GTST, GTBER, GTITC, GTCNT, GTCORA, GTCORB, GTCORC, GTCORD, GTCORE, GTCORF, GTPR, GTPBR, GTPDBR, GTADTRA, GTADTBRA, GTADTDBRA, GTADTRB, GTADTBRB, GTADTDBRB, GTDTCR, GTDVU, GTDVD, GTDBU, GTDBD, GTSOS, GTSOTR.

### 23.2.2 General PWM Timer Software Start Register (GTSTR)

Address(es): GPT32EHm.GTSTR 4007 8004h + 0100h × m (m = 0 to 3)  
 GPT32Em.GTSTR 4007 8004h + 0100h × m (m = 4 to 7)  
 GPT32m.GTSTR 4007 8004h + 0100h × m (m = 8 to 13)



The GTSTR starts the GTCNT counter operation for each channel n, where n = 0 to 13.

The GTSTR bit number represents the channel number. The GTSTR register is shared by all of the channels. The GTCNT counter starts for the channel associated with the GTSTR bit where 1 is written. Writing 0 has no effect on the status of the GTCNT counter and the value of GTSTR register. For the association between the GTSTR bit number and a channel number, see [Figure 23.2](#).

#### CSTRTn bit (Channel n GTCNT Count Start) (n = 0 to 13)

The CSTRTn bit starts channel n of the GTCNT counter operation. Writing to the GTSTR.CSTRTn bit (n = 0 to 13) has no effect unless the GPTm.GTSSR.CSTRT bit is set to 1 (for GPT32EH, m = EH0 to EH3, for GPT32E, m = E4 to E7, for GPT32, m = 8 to 13).

Read data shows the counter status of each channel (GTCR.CST bit). Zero means the counter is stopped and 1 means the



counter is running.

### 23.2.3 General PWM Timer Software Stop Register (GTSTP)

Address(es): GPT32EHm.GTSTP 4007 8008h + 0100h × m (m = 0 to 3)  
 GPT32Em.GTSTP 4007 8008h + 0100h × m (m = 4 to 7)  
 GPT32m.GTSTP 4007 8008h + 0100h × m (m = 8 to 13)

|                    |     |     |             |             |             |             |            |            |            |            |            |            |            |            |            |            |
|--------------------|-----|-----|-------------|-------------|-------------|-------------|------------|------------|------------|------------|------------|------------|------------|------------|------------|------------|
|                    | b31 | b30 | b29         | b28         | b27         | b26         | b25        | b24        | b23        | b22        | b21        | b20        | b19        | b18        | b17        | b16        |
|                    | —   | —   | —           | —           | —           | —           | —          | —          | —          | —          | —          | —          | —          | —          | —          | —          |
| Value after reset: | 1   | 1   | 1           | 1           | 1           | 1           | 1          | 1          | 1          | 1          | 1          | 1          | 1          | 1          | 1          | 1          |
|                    | b15 | b14 | b13         | b12         | b11         | b10         | b9         | b8         | b7         | b6         | b5         | b4         | b3         | b2         | b1         | b0         |
|                    | —   | —   | CSTOP<br>13 | CSTOP<br>12 | CSTOP<br>11 | CSTOP<br>10 | CSTOP<br>9 | CSTOP<br>8 | CSTOP<br>7 | CSTOP<br>6 | CSTOP<br>5 | CSTOP<br>4 | CSTOP<br>3 | CSTOP<br>2 | CSTOP<br>1 | CSTOP<br>0 |
| Value after reset: | 1   | 1   | 1           | 1           | 1           | 1           | 1          | 1          | 1          | 1          | 1          | 1          | 1          | 1          | 1          | 1          |

The GTSTP register stops the GTCNT counter operation for each channel n, where n = 0 to 13.

The GTSTP bit number represents the channel number. The GTSTP register is shared by all of the channels. The GTCNT counter stops for the channel associated with the GTSTP bit in which 1 is written. Writing 0 has no effect on the status of GTCNT counter and the value of GTSTP register. For the association between the GTSTP bit number and a channel number, see [Figure 23.2](#).

#### CSTOPn bit (channel n GTCNT Count Stop) (n = 0 to 13)

The CSTOPn bit stops channel n of the GTCNT counter operation. Writing to the GTSTP.CSTOPn bit (n = 0 to 13) has no effect unless the GPTm.GTPSR.CSTOP bit is set to 1 (for GPT32EH, m = EH0 to EH3, for GPT32E, m = E4 to E7, for GPT32, m = 8 to 13).

Read data shows the counter status of each channel (invert of the GTCR.CST bit). Zero means the counter is running and 1 means the counter stops.

### 23.2.4 General PWM Timer Software Clear Register (GTCLR)

Address(es): GPT32EHm.GTCLR 4007 800Ch + 0100h × m (m = 0 to 3)  
 GPT32Em.GTCLR 4007 800Ch + 0100h × m (m = 4 to 7)  
 GPT32m.GTCLR 4007 800Ch + 0100h × m (m = 8 to 13)

|                    |     |     |            |            |            |            |           |           |           |           |           |           |           |           |           |           |
|--------------------|-----|-----|------------|------------|------------|------------|-----------|-----------|-----------|-----------|-----------|-----------|-----------|-----------|-----------|-----------|
|                    | b31 | b30 | b29        | b28        | b27        | b26        | b25       | b24       | b23       | b22       | b21       | b20       | b19       | b18       | b17       | b16       |
|                    | —   | —   | —          | —          | —          | —          | —         | —         | —         | —         | —         | —         | —         | —         | —         | —         |
| Value after reset: | 0   | 0   | 0          | 0          | 0          | 0          | 0         | 0         | 0         | 0         | 0         | 0         | 0         | 0         | 0         | 0         |
|                    | b15 | b14 | b13        | b12        | b11        | b10        | b9        | b8        | b7        | b6        | b5        | b4        | b3        | b2        | b1        | b0        |
|                    | —   | —   | CCLR<br>13 | CCLR<br>12 | CCLR<br>11 | CCLR<br>10 | CCLR<br>9 | CCLR<br>8 | CCLR<br>7 | CCLR<br>6 | CCLR<br>5 | CCLR<br>4 | CCLR<br>3 | CCLR<br>2 | CCLR<br>1 | CCLR<br>0 |
| Value after reset: | 0   | 0   | 0          | 0          | 0          | 0          | 0         | 0         | 0         | 0         | 0         | 0         | 0         | 0         | 0         | 0         |

The GTCLR is a write-only register that clears the GTCNT counter operation for each channel n, where n = 0 to 13.

The GTCLR bit number represents the channel number. The GTCLR register is shared by all of the channels. The GTCNT counter is cleared for the channel associated with the GTCLR bit number where 1 is written. Writing 0 has no effect on the status of the GTCNT counter. For the association between the GTCLR bit number and a channel number, see [Figure 23.2](#).

#### CCLRn bit (Channel n GTCNT Count Clear) (n = 0 to 13)

Channel n of the GTCNT counter value is cleared on writing 1 to the CCLRn bit. This bit is read as 0.

### 23.2.5 General PWM Timer Start Source Select Register (GTSSR)

Address(es): GPT32EHm.GTSSR 4007 8010h + 0100h × m (m = 0 to 3)  
 GPT32Em.GTSSR 4007 8010h + 0100h × m (m = 4 to 7)  
 GPT32m.GTSSR 4007 8010h + 0100h × m (m = 8 to 13)

|                    |             |             |             |             |             |             |             |              |              |              |              |              |              |              |              |
|--------------------|-------------|-------------|-------------|-------------|-------------|-------------|-------------|--------------|--------------|--------------|--------------|--------------|--------------|--------------|--------------|
| b31                | b30         | b29         | b28         | b27         | b26         | b25         | b24         | b23          | b22          | b21          | b20          | b19          | b18          | b17          | b16          |
| CSTRT              | —           | —           | —           | —           | —           | —           | —           | SSELC<br>H   | SSELC<br>G   | SSELC<br>F   | SSELC<br>E   | SSELC<br>D   | SSELC<br>C   | SSELC<br>B   | SSELC<br>A   |
| Value after reset: |             |             |             |             |             |             |             |              |              |              |              |              |              |              |              |
| 0                  | 0           | 0           | 0           | 0           | 0           | 0           | 0           | 0            | 0            | 0            | 0            | 0            | 0            | 0            | 0            |
| b15                | b14         | b13         | b12         | b11         | b10         | b9          | b8          | b7           | b6           | b5           | b4           | b3           | b2           | b1           | b0           |
| SSCBF<br>AH        | SSCBF<br>AL | SSCBR<br>AH | SSCBR<br>AL | SSCAF<br>BH | SSCAF<br>BL | SSCAR<br>BH | SSCAR<br>BL | SSGTR<br>GDF | SSGTR<br>GDR | SSGTR<br>GCF | SSGTR<br>GCR | SSGTR<br>GBF | SSGTR<br>GBR | SSGTR<br>GAF | SSGTR<br>GAR |
| Value after reset: |             |             |             |             |             |             |             |              |              |              |              |              |              |              |              |
| 0                  | 0           | 0           | 0           | 0           | 0           | 0           | 0           | 0            | 0            | 0            | 0            | 0            | 0            | 0            | 0            |

| Bit | Symbol   | Bit name   | Description  | R/W |
|-----|----------|--|--|-----|
| b0  | SSGTRGAR | GTETRGA Pin Rising Input Source Counter Start Enable                         | 0: Counter start disabled on the rising edge of GTETRGA input<br>1: Counter start enabled on the rising edge of GTETRGA input.   | R/W |
| b1  | SSGTRGAF | GTETRGA Pin Falling Input Source Counter Start Enable                        | 0: Counter start disabled on the falling edge of GTETRGA input<br>1: Counter start enabled on the falling edge of GTETRGA input.   | R/W |
| b2  | SSGTRGBR | GTETRGB Pin Rising Input Source Counter Start Enable                         | 0: Counter start disabled on the rising edge of GTETRGB input<br>1: Counter start enabled on the rising edge of GTETRGB input.   | R/W |
| b3  | SSGTRGBF | GTETRGB Pin Falling Input Source Counter Start Enable                        | 0: Counter start disabled on the falling edge of GTETRGB input<br>1: Counter start enabled on the falling edge of GTETRGB input.   | R/W |
| b4  | SSGTRGCR | GTETRGC Pin Rising Input Source Counter Start Enable                         | 0: Counter start disabled on the rising edge of GTETRGC input<br>1: Counter start enabled on the rising edge of GTETRGC input.   | R/W |
| b5  | SSGTRGCF | GTETRGC Pin Falling Input Source Counter Start Enable                        | 0: Counter start disabled on the falling edge of GTETRGC input<br>1: Counter start enabled on the falling edge of GTETRGC input.   | R/W |
| b6  | SSGTRGDR | GTETRGD Pin Rising Input Source Counter Start Enable                         | 0: Counter start disabled on the rising edge of GTETRGD input<br>1: Counter start enabled on the rising edge of GTETRGD input.   | R/W |
| b7  | SSGTRGDF | GTETRGD Pin Falling Input Source Counter Start Enable                        | 0: Counter start disabled on the falling edge of GTETRGD input<br>1: Counter start enabled on the falling edge of GTETRGD input.   | R/W |
| b8  | SSCARBL  | GTIOCA Pin Rising Input during GTIOCB Value Low Source Counter Start Enable  | 0: Counter start disabled on the rising edge of GTIOCA input when GTIOCB input is 0<br>1: Counter start enabled on the rising edge of GTIOCA input when GTIOCB input is 0.   | R/W |
| b9  | SSCARBH  | GTIOCA Pin Rising Input during GTIOCB Value High Source Counter Start Enable | 0: Counter start disabled on the rising edge of GTIOCA input when GTIOCB input is 1<br>1: Counter start enabled on the rising edge of GTIOCA input when GTIOCB input is 1.   | R/W |
| b10 | SSCAFBL  | GTIOCA Pin Falling Input during GTIOCB Value Low Source Counter Start Enable | 0: Counter start disabled on the falling edge of GTIOCA input when GTIOCB input is 0<br>1: Counter start enabled on the falling edge of GTIOCA input when GTIOCB input is 0. | R/W |

| Bit        | Symbol  | Bit name  | Description  | R/W |
|------------|---------|---|--|-----|
| b11        | SSCAFBH | GTIOCA Pin Falling Input during GTIOCB Value High Source Counter Start Enable | 0: Counter start disabled on the falling edge of GTIOCA input when GTIOCB input is 1<br>1: Counter start enabled on the falling edge of GTIOCA input when GTIOCB input is 1. | R/W |
| b12        | SSCBRAL | GTIOCB Pin Rising Input during GTIOCA Value Low Source Counter Start Enable   | 0: Counter start disabled on the rising edge of GTIOCB input when GTIOCA input is 0<br>1: Counter start enabled on the rising edge of GTIOCB input when GTIOCA input is 0.   | R/W |
| b13        | SSCBRAH | GTIOCB Pin Rising Input during GTIOCA Value High Source Counter Start Enable  | 0: Counter start disabled on the rising edge of GTIOCB input when GTIOCA input is 1<br>1: Counter start enabled on the rising edge of GTIOCB input when GTIOCA input is 1.   | R/W |
| b14        | SSCBFAL | GTIOCB Pin Falling Input during GTIOCA Value Low Source Counter Start Enable  | 0: Counter start disabled on the falling edge of GTIOCB input when GTIOCA input is 0<br>1: Counter start enabled on the falling edge of GTIOCB input when GTIOCA input is 0. | R/W |
| b15        | SSCBFAH | GTIOCB Pin Falling Input during GTIOCA Value High Source Counter Start Enable | 0: Counter start disabled on the falling edge of GTIOCB input when GTIOCA input is 1<br>1: Counter start enabled on the falling edge of GTIOCB input when GTIOCA input is 1. | R/W |
| b16        | SSELCA  | ELC_GPTA Event Source Counter Start Enable                                    | 0: Counter start disabled on ELC_GPTA event input<br>1: Counter start enabled on ELC_GPTA event input.   | R/W |
| b17        | SSELCB  | ELC_GPTB Event Source Counter Start Enable                                    | 0: Counter start disabled on ELC_GPTB event input<br>1: Counter start enabled on ELC_GPTB event input.   | R/W |
| b18        | SSELCC  | ELC_GPTC Event Source Counter Start Enable                                    | 0: Counter start disabled on ELC_GPTC event input<br>1: Counter start enabled on ELC_GPTC event input.   | R/W |
| b19        | SSELCD  | ELC_GPTD Event Source Counter Start Enable                                    | 0: Counter start disabled on ELC_GPTD event input<br>1: Counter start enabled on ELC_GPTD event input.   | R/W |
| b20        | SSELCE  | ELC_GPTE Event Source Counter Start Enable                                    | 0: Counter start disabled on ELC_GPTE event input<br>1: Counter start enabled on ELC_GPTE event input.   | R/W |
| b21        | SSELCF  | ELC_GPTF Event Source Counter Start Enable                                    | 0: Counter start disabled on ELC_GPTF event input<br>1: Counter start enabled on ELC_GPTF event input.   | R/W |
| b22        | SSELCG  | ELC_GPTG Event Source Counter Start Enable                                    | 0: Counter start disabled on ELC_GPTG event input<br>1: Counter start enabled on ELC_GPTG event input.   | R/W |
| b23        | SSELCH  | ELC_GPTH Event Source Counter Start Enable                                    | 0: Counter start disabled on ELC_GPTH event input<br>1: Counter start enabled on ELC_GPTH event input.   | R/W |
| b30 to b24 | —       | Reserved  | These bits are read as 0. The write value should be 0.   | R/W |
| b31        | CSTRT   | Software Source Counter Start Enable  | 0: Counter start disabled by the GTSTR register<br>1: Counter start enabled by the GTSTR register.   | R/W |

The GTSSR sets the source to start the GTCNT counter.

#### **SSGTRGAR bit (GTETRGA Pin Rising Input Source Counter Start Enable)**

The SSGTRGAR bit enables or disables GTCNT counter start on the rising edge of GTETRGA pin input.

#### **SSGTRGAF bit (GTETRGA Pin Falling Input Source Counter Start Enable)**

The SSGTRGAF bit enables or disables GTCNT counter start on the falling edge of GTETRGA pin input.

#### **SSGTRGBR bit (GTETRGB Pin Rising Input Source Counter Start Enable)**

The SSGTRGBR bit enables or disables GTCNT counter start on the rising edge of GTETRGB pin input.

#### **SSGTRGBF bit (GTETRGB Pin Falling Input Source Counter Start Enable)**

The SSGTRGBF bit enables or disables GTCNT counter start on the falling edge of GTETRGB pin input.

#### **SSGTRGCR bit (GTETRGC Pin Rising Input Source Counter Start Enable)**

The SSGTRGCR bit enables or disables GTCNT counter start on the rising edge of GTETRGC pin input.

**SSGTRGCF bit (GTETRGC Pin Falling Input Source Counter Start Enable)**

The SSGTRGCF bit enables or disables GTCNT counter start on the falling edge of GTETRGC pin input.

**SSGTRGDR bit (GTETRGD Pin Rising Input Source Counter Start Enable)**

The SSGTRGDR bit enables or disables GTCNT counter start on the rising edge of GTETRGD pin input.

**SSGTRGDF bit (GTETRGD Pin Falling Input Source Counter Start Enable)**

The SSGTRGDF bit enables or disables GTCNT counter start on the falling edge of GTETRGD pin input.

**SSCARBL bit (GTIOCA Pin Rising Input during GTIOCB Value Low Source Counter Start Enable)**

The SSCARBL bit enables or disables GTCNT counter start on the rising edge of GTIOCA pin input, when GTIOCB input is 0.

**SSCARBH bit (GTIOCA Pin Rising Input during GTIOCB Value High Source Counter Start Enable)**

The SSCARBH bit enables or disables GTCNT counter start on the rising edge of GTIOCA pin input, when GTIOCB input is 1.

**SSCAFBL bit (GTIOCA Pin Falling Input during GTIOCB Value Low Source Counter Start Enable)**

The SSCAFBL bit enables or disables GTCNT counter start on the falling edge of GTIOCA pin input, when GTIOCB input is 0.

**SSCAFBH bit (GTIOCA Pin Falling Input during GTIOCB Value High Source Counter Start Enable)**

The SSCAFBH bit enables or disables GTCNT counter start on the falling edge of GTIOCA pin input, when GTIOCB input is 1.

**SSCBRAL bit (GTIOCB Pin Rising Input during GTIOCA Value Low Source Counter Start Enable)**

The SSCBRAL bit enables or disables GTCNT counter start on the rising edge of GTIOCB pin input, when GTIOCA input is 0.

**SSCBRAH bit (GTIOCB Pin Rising Input during GTIOCA Value High Source Counter Start Enable)**

The SSCBRAH bit enables or disables GTCNT counter start on the rising edge of GTIOCB pin input, when GTIOCA input is 1.

**SSCBFAL bit (GTIOCB Pin Falling Input during GTIOCA Value Low Source Counter Start Enable)**

The SSCBFAL bit enables or disables GTCNT counter start on the falling edge of GTIOCB pin input, when GTIOCA input is 0.

**SSCBFAH bit (GTIOCB Pin Falling Input during GTIOCA Value High Source Counter Start Enable)**

The SSCBFAH bit enables or disables GTCNT counter start on the falling edge of GTIOCB pin input, when GTIOCA input is 1.

**SSELCm bit (ELC\_GPTm Event Source Counter Start Enable) (m = A to H)**

The SSELCm bit enables or disables GTCNT counter start at the ELC\_GPTm event input.

**CSTRT bit (Software Source Counter Start Enable)**

The CSTRT bit enables or disables GTCNT counter start by the GTSTR register.

## 23.2.6 General PWM Timer Stop Source Select Register (GTPSR)

Address(es): GPT32EHm.GTPSR 4007 8014h + 0100h × m (m = 0 to 3)  
 GPT32Em.GTPSR 4007 8014h + 0100h × m (m = 4 to 7)  
 GPT32m.GTPSR 4007 8014h + 0100h × m (m = 8 to 13)

|                    |             |             |             |             |             |             |             |              |              |              |              |              |              |              |              |
|--------------------|-------------|-------------|-------------|-------------|-------------|-------------|-------------|--------------|--------------|--------------|--------------|--------------|--------------|--------------|--------------|
| b31                | b30         | b29         | b28         | b27         | b26         | b25         | b24         | b23          | b22          | b21          | b20          | b19          | b18          | b17          | b16          |
| CSTOP              | —           | —           | —           | —           | —           | —           | —           | PSELC<br>H   | PSELC<br>G   | PSELC<br>F   | PSELC<br>E   | PSELC<br>D   | PSELC<br>C   | PSELC<br>B   | PSELC<br>A   |
| Value after reset: |             |             |             |             |             |             |             |              |              |              |              |              |              |              |              |
| 0                  | 0           | 0           | 0           | 0           | 0           | 0           | 0           | 0            | 0            | 0            | 0            | 0            | 0            | 0            | 0            |
| b15                | b14         | b13         | b12         | b11         | b10         | b9          | b8          | b7           | b6           | b5           | b4           | b3           | b2           | b1           | b0           |
| PSCBF<br>AH        | PSCBF<br>AL | PSCBR<br>AH | PSCBR<br>AL | PSCAF<br>BH | PSCAF<br>BL | PSCAR<br>BH | PSCAR<br>BL | PSGTR<br>GDF | PSGTR<br>GDR | PSGTR<br>GCF | PSGTR<br>GCR | PSGTR<br>GBF | PSGTR<br>GBR | PSGTR<br>GAF | PSGTR<br>GAR |
| Value after reset: |             |             |             |             |             |             |             |              |              |              |              |              |              |              |              |
| 0                  | 0           | 0           | 0           | 0           | 0           | 0           | 0           | 0            | 0            | 0            | 0            | 0            | 0            | 0            | 0            |

| Bit | Symbol   | Bit name  | Description  | R/W |
|-----|----------|---|--|-----|
| b0  | PSGTRGAR | GTETRGA Pin Rising Input Source Counter Stop Enable                         | 0: Counter stop disabled on the rising edge of GTETRGA input<br>1: Counter stop enabled on the rising edge of GTETRGA input.   | R/W |
| b1  | PSGTRGAF | GTETRGA Pin Falling Input Source Counter Stop Enable                        | 0: Counter stop disabled on the falling edge of GTETRGA input<br>1: Counter stop enabled on the falling edge of GTETRGA input.   | R/W |
| b2  | PSGTRGBR | GTETRGB Pin Rising Input Source Counter Stop Enable                         | 0: Counter stop disabled on the rising edge of GTETRGB input<br>1: Counter stop enabled on the rising edge of GTETRGB input.   | R/W |
| b3  | PSGTRGBF | GTETRGB Pin Falling Input Source Counter Stop Enable                        | 0: Counter stop disabled on the falling edge of GTETRGB input<br>1: Counter stop enabled on the falling edge of GTETRGB input.   | R/W |
| b4  | PSGTRGCR | GTETRGC Pin Rising Input Source Counter Stop Enable                         | 0: Counter stop disabled on the rising edge of GTETRGC input<br>1: Counter stop enabled on the rising edge of GTETRGC input.   | R/W |
| b5  | PSGTRGCF | GTETRGC Pin Falling Input Source Counter Stop Enable                        | 0: Counter stop disabled on the falling edge of GTETRGC input<br>1: Counter stop enabled on the falling edge of GTETRGC input.   | R/W |
| b6  | PSGTRGDR | GTETRGD Pin Rising Input Source Counter Stop Enable                         | 0: Counter stop disabled on the rising edge of GTETRGD input<br>1: Counter stop enabled on the rising edge of GTETRGD input.   | R/W |
| b7  | PSGTRGDF | GTETRGD Pin Falling Input Source Counter Stop Enable                        | 0: Counter stop disabled on the falling edge of GTETRGD input<br>1: Counter stop enabled on the falling edge of GTETRGD input.   | R/W |
| b8  | PSCARBL  | GTIOCA Pin Rising Input during GTIOCB Value Low Source Counter Stop Enable  | 0: Counter stop disabled on the rising edge of GTIOCA input when GTIOCB input is 0<br>1: Counter stop enabled on the rising edge of GTIOCA input when GTIOCB input is 0.   | R/W |
| b9  | PSCARBH  | GTIOCA Pin Rising Input during GTIOCB Value High Source Counter Stop Enable | 0: Counter stop disabled on the rising edge of GTIOCA input when GTIOCB input is 1<br>1: Counter stop enabled on the rising edge of GTIOCA input when GTIOCB input is 1.   | R/W |
| b10 | PSCAFBL  | GTIOCA Pin Falling Input during GTIOCB Value Low Source Counter Stop Enable | 0: Counter stop disabled on the falling edge of GTIOCA input when GTIOCB input is 0<br>1: Counter stop enabled on the falling edge of GTIOCA input when GTIOCB input is 0. | R/W |

| Bit        | Symbol  | Bit name   | Description  | R/W |
|------------|---------|--|--|-----|
| b11        | PSCAFBH | GTIOCA Pin Falling Input during GTIOCB Value High Source Counter Stop Enable | 0: Counter stop disabled on the falling edge of GTIOCA input when GTIOCB input is 1<br>1: Counter stop enabled on the falling edge of GTIOCA input when GTIOCB input is 1. | R/W |
| b12        | PSCBRAL | GTIOCB Pin Rising Input during GTIOCA Value Low Source Counter Stop Enable   | 0: Counter stop disabled on the rising edge of GTIOCB input when GTIOCA input is 0<br>1: Counter stop enabled on the rising edge of GTIOCB input when GTIOCA input is 0.   | R/W |
| b13        | PSCBRAH | GTIOCB Pin Rising Input during GTIOCA Value High Source Counter Stop Enable  | 0: Counter stop disabled on the rising edge of GTIOCB input when GTIOCA input is 1<br>1: Counter stop enabled on the rising edge of GTIOCB input when GTIOCA input is 1.   | R/W |
| b14        | PSCBFAL | GTIOCB Pin Falling Input during GTIOCA Value Low Source Counter Stop Enable  | 0: Counter stop disabled on the falling edge of GTIOCB input when GTIOCA input is 0<br>1: Counter stop enabled on the falling edge of GTIOCB input when GTIOCA input is 0  | R/W |
| b15        | PSCBFAH | GTIOCB Pin Falling Input during GTIOCA Value High Source Counter Stop Enable | 0: Counter stop disabled on the falling edge of GTIOCB input when GTIOCA input is 1<br>1: Counter stop enabled on the falling edge of GTIOCB input when GTIOCA input is 1  | R/W |
| b16        | PSELCA  | ELC_GPTA Event Source Counter Stop Enable                                    | 0: Counter stop disabled at the ELC_GPTA event input<br>1: Counter stop enabled at the ELC_GPTA event input.   | R/W |
| b17        | PSELCB  | ELC_GPTB Event Source Counter Stop Enable                                    | 0: Counter stop disabled at the ELC_GPTB event input<br>1: Counter stop enabled at the ELC_GPTB event input.   | R/W |
| b18        | PSELCC  | ELC_GPTC Event Source Counter Stop Enable                                    | 0: Counter stop disabled at the ELC_GPTC event input<br>1: Counter stop enabled at the ELC_GPTC event input.   | R/W |
| b19        | PSELCD  | ELC_GPTD Event Source Counter Stop Enable                                    | 0: Counter stop disabled at the ELC_GPTD event input<br>1: Counter stop enabled at the ELC_GPTD event input.   | R/W |
| b20        | PSELCE  | ELC_GPTE Event Source Counter Stop Enable                                    | 0: Counter stop disabled at the ELC_GPTE event input<br>1: Counter stop enabled at the ELC_GPTE event input.   | R/W |
| b21        | PSELCF  | ELC_GPTF Event Source Counter Stop Enable                                    | 0: Counter stop disabled at the ELC_GPTF event input<br>1: Counter stop enabled at the ELC_GPTF event input.   | R/W |
| b22        | PSELCG  | ELC_GPTG Event Source Counter Stop Enable                                    | 0: Counter stop disabled at the ELC_GPTG event input<br>1: Counter stop enabled at the ELC_GPTG event input.   | R/W |
| b23        | PSELCH  | ELC_GPTH Event Source Counter Stop Enable                                    | 0: Counter stop disabled at the ELC_GPTH event input<br>1: Counter stop enabled at the ELC_GPTH event input.   | R/W |
| b30 to b24 | —       | Reserved   | These bits are read as 0. The write value should be 0.   | R/W |
| b31        | CSTOP   | Software Source Counter Stop Enable  | 0: Counter stop disabled by the GTSTP register<br>1: Counter stop enabled by the GTSTP register.   | R/W |

The GTPSR sets the source to stop the GTCNT counter.

#### **PSGTRGAR bit (GTETRGA Pin Rising Input Source Counter Stop Enable)**

The PSGTRGAR bit enables or disables GTCNT counter stop on the rising edge of GTETRGA pin input.

#### **PSGTRGAF bit (GTETRGA Pin Falling Input Source Counter Stop Enable)**

The PSGTRGAF bit enables or disables GTCNT counter stop on the falling edge of GTETRGA pin input.

#### **PSGTRGBR bit (GTETRGB Pin Rising Input Source Counter Stop Enable)**

The PSGTRGBR bit enables or disables GTCNT counter stop on the rising edge of GTETRGB pin input.

#### **PSGTRGBF bit (GTETRGB Pin Falling Input Source Counter Stop Enable)**

The PSGTRGBF bit enables or disables GTCNT counter stop on the falling edge of GTETRGB pin input.

#### **PSGTRGCR bit (GTETRGC Pin Rising Input Source Counter Stop Enable)**

The PSGTRGCR bit enables or disables GTCNT counter stop on the rising edge of GTETRGC pin input.

**PSGTRGCF bit (GTETRGC Pin Falling Input Source Counter Stop Enable)**

The PSGTRGCF bit enables or disables GTCNT counter stop on the falling edge of GTETRGC pin input.

**PSGTRGDR bit (GTETRGD Pin Rising Input Source Counter Stop Enable)**

The PSGTRGDR bit enables or disables GTCNT counter stop on the rising edge of GTETRGD pin input.

**PSGTRGDF bit (GTETRGD Pin Falling Input Source Counter Stop Enable)**

The PSGTRGDF bit enables or disables GTCNT counter stop on the falling edge of GTETRGD pin input.

**PSCARBL bit (GTIOCA Pin Rising Input during GTIOCB Value Low Source Counter Stop Enable)**

The PSCARBL bit enables or disables GTCNT counter stop on the rising edge of GTIOCA pin input, when GTIOCB input is 0.

**PSCARBH bit (GTIOCA Pin Rising Input during GTIOCB Value High Source Counter Stop Enable)**

The PSCARBH bit enables or disables GTCNT counter stop on the rising edge of GTIOCA pin input, when GTIOCB input is 1.

**PSCAFBL bit (GTIOCA Pin Falling Input during GTIOCB Value Low Source Counter Stop Enable)**

The PSCAFBL bit enables or disables GTCNT counter stop on the falling edge of GTIOCA pin input, when GTIOCB input is 0.

**PSCAFBH bit (GTIOCA Pin Falling Input during GTIOCB Value High Source Counter Stop Enable)**

The PSCAFBH bit enables or disables GTCNT counter stop on the falling edge of GTIOCA pin input, when GTIOCB input is 1.

**PSCBRAL bit (GTIOCB Pin Rising Input during GTIOCA Value Low Source Counter Stop Enable)**

The PSCBRAL bit enables or disables GTCNT counter stop on the rising edge of GTIOCB pin input, when GTIOCA input is 0.

**PSCBRAH bit (GTIOCB Pin Rising Input during GTIOCA Value High Source Counter Stop Enable)**

The PSCBRAH bit enables or disables GTCNT counter stop on the rising edge of GTIOCB pin input, when GTIOCA input is 1.

**PSCBFAL bit (GTIOCB Pin Falling Input during GTIOCA Value Low Source Counter Stop Enable)**

The PSCBFAL bit enables or disables GTCNT counter stop on the falling edge of GTIOCB pin input, when GTIOCA input is 0.

**PSCBFAH bit (GTIOCB Pin Falling Input during GTIOCA Value High Source Counter Stop Enable)**

The PSCBFAH bit enables or disables GTCNT counter stop on the falling edge of GTIOCB pin input, when GTIOCA input is 1.

**PSELCm bit (ELC\_GPTm Event Source Counter Stop Enable) (m = A to H)**

The PSELCm bit enables or disables GTCNT counter stop at the ELC\_GPTm event input.

**CSTOP bit (Software Source Counter Stop Enable)**

The CSTOP bit enables or disables GTCNT counter stop by the GTSTP register.

## 23.2.7 General PWM Timer Clear Source Select Register (GTCSR)

Address(es): GPT32EHm.GTCSR 4007 8018h + 0100h × m (m = 0 to 3)  
 GPT32Em.GTCSR 4007 8018h + 0100h × m (m = 4 to 7)  
 GPT32m.GTCSR 4007 8018h + 0100h × m (m = 8 to 13)

|                    |             |             |             |             |             |             |             |              |              |              |              |              |              |              |              |
|--------------------|-------------|-------------|-------------|-------------|-------------|-------------|-------------|--------------|--------------|--------------|--------------|--------------|--------------|--------------|--------------|
| b31                | b30         | b29         | b28         | b27         | b26         | b25         | b24         | b23          | b22          | b21          | b20          | b19          | b18          | b17          | b16          |
| CCLR               | —           | —           | —           | —           | —           | —           | —           | CSELC<br>H   | CSELC<br>G   | CSELC<br>F   | CSELC<br>E   | CSELC<br>D   | CSELC<br>C   | CSELC<br>B   | CSELC<br>A   |
| Value after reset: |             |             |             |             |             |             |             |              |              |              |              |              |              |              |              |
| 0                  | 0           | 0           | 0           | 0           | 0           | 0           | 0           | 0            | 0            | 0            | 0            | 0            | 0            | 0            | 0            |
| b15                | b14         | b13         | b12         | b11         | b10         | b9          | b8          | b7           | b6           | b5           | b4           | b3           | b2           | b1           | b0           |
| CSCBF<br>AH        | CSCBF<br>AL | CSCBR<br>AH | CSCBR<br>AL | CSCAF<br>BH | CSCAF<br>BL | CSCAR<br>BH | CSCAR<br>BL | CSGTR<br>GDF | CSGTR<br>GDR | CSGTR<br>GCF | CSGTR<br>GCR | CSGTR<br>GBF | CSGTR<br>GBR | CSGTR<br>GAF | CSGTR<br>GAR |
| Value after reset: |             |             |             |             |             |             |             |              |              |              |              |              |              |              |              |
| 0                  | 0           | 0           | 0           | 0           | 0           | 0           | 0           | 0            | 0            | 0            | 0            | 0            | 0            | 0            | 0            |

| Bit | Symbol   | Bit name   | Description  | R/W |
|-----|----------|--|--|-----|
| b0  | CSGTRGAR | GTETRGA Pin Rising Input Source Counter Clear Enable                         | 0: Counter clear disabled on the rising edge of GTETRGA input<br>1: Counter clear enabled on the rising edge of GTETRGA input.   | R/W |
| b1  | CSGTRGAF | GTETRGA Pin Falling Input Source Counter Clear Enable                        | 0: Counter clear disabled on the falling edge of GTETRGA input<br>1: Counter clear enabled on the falling edge of GTETRGA input.   | R/W |
| b2  | CSGTRGBR | GTETRGB Pin Rising Input Source Counter Clear Enable                         | 0: Counter clear disabled on the rising edge of GTETRGB input<br>1: Counter clear enabled on the rising edge of GTETRGB input.   | R/W |
| b3  | CSGTRGBF | GTETRGB Pin Falling Input Source Counter Clear Enable                        | 0: Counter clear disabled on the falling edge of GTETRGB input<br>1: Counter clear enabled on the falling edge of GTETRGB input.   | R/W |
| b4  | CSGTRGCR | GTETRGC Pin Rising Input Source Counter Clear Enable                         | 0: Counter clear disabled on the rising edge of GTETRGC input<br>1: Counter clear enabled on the rising edge of GTETRGC input.   | R/W |
| b5  | CSGTRGCF | GTETRGC Pin Falling Input Source Counter Clear Enable                        | 0: Counter clear disabled on the falling edge of GTETRGC input<br>1: Counter clear enabled on the falling edge of GTETRGC input.   | R/W |
| b6  | CSGTRGDR | GTETRGD Pin Rising Input Source Counter Clear Enable                         | 0: Counter clear disabled on the rising edge of GTETRGD input<br>1: Counter clear enabled on the rising edge of GTETRGD input.   | R/W |
| b7  | CSGTRGDF | GTETRGD Pin Falling Input Source Counter Clear Enable                        | 0: Counter clear disabled on the falling edge of GTETRGD input<br>1: Counter clear enabled on the falling edge of GTETRGD input.   | R/W |
| b8  | CSCARBL  | GTIOCA Pin Rising Input during GTIOCB Value Low Source Counter Clear Enable  | 0: Counter clear disabled on the rising edge of GTIOCA input when GTIOCB input is 0<br>1: Counter clear enabled on the rising edge of GTIOCA input when GTIOCB input is 0.   | R/W |
| b9  | CSCARBH  | GTIOCA Pin Rising Input during GTIOCB Value High Source Counter Clear Enable | 0: Counter clear disabled on the rising edge of GTIOCA input when GTIOCB input is 1<br>1: Counter clear enabled on the rising edge of GTIOCA input when GTIOCB input is 1.   | R/W |
| b10 | CSCAFBL  | GTIOCA Pin Falling Input during GTIOCB Value Low Source Counter Clear Enable | 0: Counter clear disabled on the falling edge of GTIOCA input when GTIOCB input is 0<br>1: Counter clear enabled on the falling edge of GTIOCA input when GTIOCB input is 0. | R/W |



| Bit        | Symbol  | Bit name  | Description  | R/W |
|------------|---------|---|--|-----|
| b11        | CSCAFBH | GTIOCA Pin Falling Input during GTIOCB Value High Source Counter Clear Enable | 0: Counter clear disabled on the falling edge of GTIOCA input when GTIOCB input is 1<br>1: Counter clear enabled on the falling edge of GTIOCA input when GTIOCB input is 1. | R/W |
| b12        | CSCBRAL | GTIOCB Pin Rising Input during GTIOCA Value Low Source Counter Clear Enable   | 0: Counter clear disabled on the rising edge of GTIOCB input when GTIOCA input is 0<br>1: Counter clear enabled on the rising edge of GTIOCB input when GTIOCA input is 0.   | R/W |
| b13        | CSCBRAH | GTIOCB Pin Rising Input during GTIOCA Value High Source Counter Clear Enable  | 0: Counter clear disabled on the rising edge of GTIOCB input when GTIOCA input is 1<br>1: Counter clear enabled on the rising edge of GTIOCB input when GTIOCA input is 1.   | R/W |
| b14        | CSCBFAL | GTIOCB Pin Falling Input during GTIOCA Value Low Source Counter Clear Enable  | 0: Counter clear disabled on the falling edge of GTIOCB input when GTIOCA input is 0<br>1: Counter clear enabled on the falling edge of GTIOCB input when GTIOCA input is 0. | R/W |
| b15        | CSCBFAH | GTIOCB Pin Falling Input during GTIOCA Value High Source Counter Clear Enable | 0: Counter clear disabled on the falling edge of GTIOCB input when GTIOCA input is 1<br>1: Counter clear enabled on the falling edge of GTIOCB input when GTIOCA input is 1. | R/W |
| b16        | CSELCA  | ELC_GPTA Event Source Counter Clear Enable                                    | 0: Counter clear disabled on ELC_GPTA event input<br>1: Counter clear enabled on ELC_GPTA event input.   | R/W |
| b17        | CSELCB  | ELC_GPTB Event Source Counter Clear Enable                                    | 0: Counter clear disabled on ELC_GPTB event input<br>1: Counter clear enabled on ELC_GPTB event input.   | R/W |
| b18        | CSELCC  | ELC_GPTC Event Source Counter Clear Enable                                    | 0: Counter clear disabled on ELC_GPTC event input<br>1: Counter clear enabled on ELC_GPTC event input.   | R/W |
| b19        | CSELCD  | ELC_GPTD Event Source Counter Clear Enable                                    | 0: Counter clear disabled on ELC_GPTD event input<br>1: Counter clear enabled on ELC_GPTD event input.   | R/W |
| b20        | CSELCE  | ELC_GPTE Event Source Counter Clear Enable                                    | 0: Counter clear disabled on ELC_GPTE event input<br>1: Counter clear enabled on ELC_GPTE event input.   | R/W |
| b21        | CSELCF  | ELC_GPTF Event Source Counter Clear Enable                                    | 0: Counter clear disabled on ELC_GPTF event input<br>1: Counter clear enabled on ELC_GPTF event input.   | R/W |
| b22        | CSELCG  | ELC_GPTG Event Source Counter Clear Enable                                    | 0: Counter clear disabled on ELC_GPTG event input<br>1: Counter clear enabled on ELC_GPTG event input.   | R/W |
| b23        | CSELCH  | ELC_GPTH Event Source Counter Clear Enable                                    | 0: Counter clear disabled on ELC_GPTH event input<br>1: Counter clear enabled on ELC_GPTH event input.   | R/W |
| b30 to b24 | —       | Reserved  | These bits are read as 0. The write value should be 0.   | R/W |
| b31        | CCLR    | Software Source Counter Clear Enable  | 0: Counter clear disabled by the GTCLR register<br>1: Counter clear enabled by the GTCLR register.   | R/W |

The GTCNT sets the source to clear the GTCNT counter.

#### **CSGTRGAR bit (GTETRGA Pin Rising Input Source Counter Clear Enable)**

The CSGTRGAR bit enables or disables GTCNT counter clear on the rising edge of GTETRGA pin input.

#### **CSGTRGAF bit (GTETRGA Pin Falling Input Source Counter Clear Enable)**

The CSGTRGAF bit enables or disables GTCNT counter clear on the falling edge of GTETRGA pin input.

#### **CSGTRGBR bit (GTETRGB Pin Rising Input Source Counter Clear Enable)**

The CSGTRGBR bit enables or disables GTCNT counter clear on the rising edge of GTETRGB pin input.

#### **CSGTRGBF bit (GTETRGB Pin Falling Input Source Counter Clear Enable)**

The CSGTRGBF bit enables or disables GTCNT counter clear on the falling edge of GTETRGB pin input.

#### **CSGTRGCR bit (GTETRGC Pin Rising Input Source Counter Clear Enable)**

The CSGTRGCR bit enables or disables GTCNT counter clear on the rising edge of GTETRGC pin input.

**CSGTRGCF bit (GTETRGC Pin Falling Input Source Counter Clear Enable)**

The CSGTRGCF bit enables or disables GTCNT counter clear on the falling edge of GTETRGC pin input.

**CSGTRGDR bit (GTETRGD Pin Rising Input Source Counter Clear Enable)**

The CSGTRGDR bit enables or disables GTCNT counter clear on the rising edge of GTETRGD pin input.

**CSGTRGDF bit (GTETRGD Pin Falling Input Source Counter Clear Enable)**

The CSGTRGDF bit enables or disables GTCNT counter clear on the falling edge of GTETRGD pin input.

**CSCARBL bit (GTIOCA Pin Rising Input during GTIOCB Value Low Source Counter Clear Enable)**

The CSCARBL bit enables or disables GTCNT counter clear on the rising edge of GTIOCA pin input, when GTIOCB input is 0.

**CSCARBH bit (GTIOCA Pin Rising Input during GTIOCB Value High Source Counter Clear Enable)**

The CSCARBH bit enables or disables GTCNT counter clear on the rising edge of GTIOCA pin input, when GTIOCB input is 1.

**CSCAFBL bit (GTIOCA Pin Falling Input during GTIOCB Value Low Source Counter Clear Enable)**

The CSCAFBL bit enables or disables GTCNT counter clear on the falling edge of GTIOCA pin input, when GTIOCB input is 0.

**CSCAFBH bit (GTIOCA Pin Falling Input during GTIOCB Value High Source Counter Clear Enable)**

The CSCAFBH bit enables or disables GTCNT counter clear on the falling edge of GTIOCA pin input, when GTIOCB input is 1.

**CSCBRAL bit (GTIOCB Pin Rising Input during GTIOCA Value Low Source Counter Clear Enable)**

The CSCBRAL bit enables or disables GTCNT counter clear on the rising edge of GTIOCB pin input, when GTIOCA input is 0.

**CSCBRAH bit (GTIOCB Pin Rising Input during GTIOCA Value High Source Counter Clear Enable)**

The CSCBRAH bit enables or disables GTCNT counter clear on the rising edge of GTIOCB pin input, when GTIOCA input is 1.

**CSCBFAL bit (GTIOCB Pin Falling Input during GTIOCA Value Low Source Counter Clear Enable)**

The CSCBFAL bit enables or disables GTCNT counter clear on the falling edge of GTIOCB pin input, when GTIOCA input is 0.

**CSCBFAH bit (GTIOCB Pin Falling Input during GTIOCA Value High Source Counter Clear Enable)**

The CSCBFAH bit enables or disables GTCNT counter clear on the falling edge of GTIOCB pin input, when GTIOCA input is 1.

**CSELCm bit (ELC\_GPTm Event Source Counter Clear Enable) (m = A to H)**

The CSELCm bit enables or disables GTCNT counter clear at the ELC\_GPTm event input.

**CCLR bit (Software Source Counter Clear Enable)**

The CCLR bit enables or disables GTCNT counter clear by the GTCLR register.

## 23.2.8 General PWM Timer Up Count Source Select Register (GTUPSR)

Address(es): GPT32EHm.GTUPSR 4007 801Ch + 0100h × m (m = 0 to 3)  
 GPT32Em.GTUPSR 4007 801Ch + 0100h × m (m = 4 to 7)  
 GPT32m.GTUPSR 4007 801Ch + 0100h × m (m = 8 to 13)

|  |         |         |         |          |         |          |         |          |          |          |          |          |          |          |          |
|--|---------|---------|---------|----------|---------|----------|---------|----------|----------|----------|----------|----------|----------|----------|----------|
| b31  | b30     | b29     | b28     | b27      | b26     | b25      | b24     | b23      | b22      | b21      | b20      | b19      | b18      | b17      | b16      |
| —  | —       | —       | —       | —        | —       | —        | —       | USELCH   | USELCH   | USELCH   | USELCH   | USELCH   | USELCH   | USELCH   | USELCH   |
| Value after reset: 0 0 0 0 0 0 0 0 0 0 0 0 0 0 0 0 |         |         |         |          |         |          |         |          |          |          |          |          |          |          |          |
| b15  | b14     | b13     | b12     | b11      | b10     | b9       | b8      | b7       | b6       | b5       | b4       | b3       | b2       | b1       | b0       |
| USCBFAH  | USCBFAL | USCBFAH | USCBRAL | USCAF BH | USCAFBL | USCAR BH | USCARBL | USGTRGDF | USGTRGDR | USGTRGCF | USGTRGCR | USGTRGBF | USGTRGBR | USGTRGAF | USGTRGAR |
| Value after reset: 0 0 0 0 0 0 0 0 0 0 0 0 0 0 0 0 |         |         |         |          |         |          |         |          |          |          |          |          |          |          |          |

| Bit | Symbol   | Bit name  | Description  | R/W |
|-----|----------|---|--|-----|
| b0  | USGTRGAR | GTETRGA Pin Rising Input Source Counter Count Up Enable                         | 0: Counter count up disabled on the rising edge of GTETRGA input<br>1: Counter count up enabled on the rising edge of GTETRGA input.   | R/W |
| b1  | USGTRGAF | GTETRGA Pin Falling Input Source Counter Count Up Enable                        | 0: Counter count up disabled on the falling edge of GTETRGA input<br>1: Counter count up enabled on the falling edge of GTETRGA input.   | R/W |
| b2  | USGTRGBR | GTETRGB Pin Rising Input Source Counter Count Up Enable                         | 0: Counter count up disabled on the rising edge of GTETRGB input<br>1: Counter count up enabled on the rising edge of GTETRGB input.   | R/W |
| b3  | USGTRGBF | GTETRGB Pin Falling Input Source Counter Count Up Enable                        | 0: Counter count up disabled on the falling edge of GTETRGB input<br>1: Counter count up enabled on the falling edge of GTETRGB input.   | R/W |
| b4  | USGTRGCR | GTETRGC Pin Rising Input Source Counter Count Up Enable                         | 0: Counter count up disabled on the rising edge of GTETRGC input<br>1: Counter count up enabled on the rising edge of GTETRGC input.   | R/W |
| b5  | USGTRGCF | GTETRGC Pin Falling Input Source Counter Count Up Enable                        | 0: Counter count up disabled on the falling edge of GTETRGC input<br>1: Counter count up enabled on the falling edge of GTETRGC input.   | R/W |
| b6  | USGTRGDR | GTETRGD Pin Rising Input Source Counter Count Up Enable                         | 0: Counter count up disabled on the rising edge of GTETRGD input<br>1: Counter count up enabled on the rising edge of GTETRGD input.   | R/W |
| b7  | USGTRGDF | GTETRGD Pin Falling Input Source Counter Count Up Enable                        | 0: Counter count up disabled on the falling edge of GTETRGD input<br>1: Counter count up enabled on the falling edge of GTETRGD input.   | R/W |
| b8  | USCARBL  | GTIOCA Pin Rising Input during GTIOCB Value Low Source Counter Count Up Enable  | 0: Counter count up disabled on the rising edge of GTIOCA input when GTIOCB input is 0<br>1: Counter count up enabled on the rising edge of GTIOCA input when GTIOCB input is 0.   | R/W |
| b9  | USCARBH  | GTIOCA Pin Rising Input during GTIOCB Value High Source Counter Count Up Enable | 0: Counter count up disabled on the rising edge of GTIOCA input when GTIOCB input is 1<br>1: Counter count up enabled on the rising edge of GTIOCA input when GTIOCB input is 1.   | R/W |
| b10 | USCAFBL  | GTIOCA Pin Falling Input during GTIOCB Value Low Source Counter Count Up Enable | 0: Counter count up disabled on the falling edge of GTIOCA input when GTIOCB input is 0<br>1: Counter count up enabled on the falling edge of GTIOCA input when GTIOCB input is 0. | R/W |

| Bit        | Symbol  | Bit name   | Description  | R/W |
|------------|---------|--|--|-----|
| b11        | USCAFBH | GTIOCA Pin Falling Input during GTIOCB Value High Source Counter Count Up Enable | 0: Counter count up disabled on the falling edge of GTIOCA input when GTIOCB input is 1<br>1: Counter count up enabled on the falling edge of GTIOCA input when GTIOCB input is 1. | R/W |
| b12        | USCBRAL | GTIOCB Pin Rising Input during GTIOCA Value Low Source Counter Count Up Enable   | 0: Counter count up disabled on the rising edge of GTIOCB input when GTIOCA input is 0<br>1: Counter count up enabled on the rising edge of GTIOCB input when GTIOCA input is 0.   | R/W |
| b13        | USCBRAH | GTIOCB Pin Rising Input during GTIOCA Value High Source Counter Count Up Enable  | 0: Counter count up disabled on the rising edge of GTIOCB input when GTIOCA input is 1<br>1: Counter count up enabled on the rising edge of GTIOCB input when GTIOCA input is 1.   | R/W |
| b14        | USCBFAL | GTIOCB Pin Falling Input during GTIOCA Value Low Source Counter Count Up Enable  | 0: Counter count up disabled on the falling edge of GTIOCB input when GTIOCA input is 0<br>1: Counter count up enabled on the falling edge of GTIOCB input when GTIOCA input is 0. | R/W |
| b15        | USCBFAH | GTIOCB Pin Falling Input during GTIOCA Value High Source Counter Count Up Enable | 0: Counter count up disabled on the falling edge of GTIOCB input when GTIOCA input is 1<br>1: Counter count up enabled on the falling edge of GTIOCB input when GTIOCA input is 1. | R/W |
| b16        | USELCA  | ELC_GPTA Event Source Counter Count Up Enable                                    | 0: Counter count up disabled on ELC_GPTA event input<br>1: Counter count up enabled on ELC_GPTA event input.   | R/W |
| b17        | USELCB  | ELC_GPTB Event Source Counter Count Up Enable                                    | 0: Counter count up disabled on ELC_GPTB event input<br>1: Counter count up enabled on ELC_GPTB event input.   | R/W |
| b18        | USELCC  | ELC_GPTC Event Source Counter Count Up Enable                                    | 0: Counter count up disabled on ELC_GPTC event input<br>1: Counter count up enabled on ELC_GPTC event input.   | R/W |
| b19        | USELCD  | ELC_GPTD Event Source Counter Count Up Enable                                    | 0: Counter count up disabled on ELC_GPTD event input<br>1: Counter count up enabled on ELC_GPTD event input.   | R/W |
| b20        | USELCE  | ELC_GPTE Event Source Counter Count Up Enable                                    | 0: Counter count up disabled on ELC_GPTE event input<br>1: Counter count up enabled on ELC_GPTE event input.   | R/W |
| b21        | USELCF  | ELC_GPTF Event Source Counter Count Up Enable                                    | 0: Counter count up disabled on ELC_GPTF event input<br>1: Counter count up enabled on ELC_GPTF event input.   | R/W |
| b22        | USELCG  | ELC_GPTG Event Source Counter Count Up Enable                                    | 0: Counter count up disabled on ELC_GPTG event input<br>1: Counter count up enabled on ELC_GPTG event input.   | R/W |
| b23        | USELCH  | ELC_GPTH Event Source Counter Count Up Enable                                    | 0: Counter count up disabled on ELC_GPTH event input<br>1: Counter count up enabled on ELC_GPTH event input.   | R/W |
| b31 to b24 | —       | Reserved   | These bits are read as 0. The write value should be 0.   | R/W |

The GTUPSR register sets the source to count up the GTCNT counter.

When at least 1 bit in the GTUPSR register is set to 1, the GTCNT counter is counted up by the source that is set to 1 in this register. In this case, GTCR.TPCS has no effect.

#### **USGTRGAR bit (GTETRGA Pin Rising Input Source Counter Count Up Enable)**

The USGTRGAR bit enables or disables GTCNT counter count up on the rising edge of GTETRGA pin input.

#### **USGTRGAF bit (GTETRGA Pin Falling Input Source Counter Count Up Enable)**

The USGTRGAF bit enables or disables GTCNT counter count up on the falling edge of GTETRGA pin input.

#### **USGTRGBR bit (GTETRGB Pin Rising Input Source Counter Count Up Enable)**

The USGTRGBR bit enables or disables GTCNT counter count up on the rising edge of GTETRGB pin input.

#### **USGTRGBF bit (GTETRGB Pin Falling Input Source Counter Count Up Enable)**

The USGTRGBF bit enables or disables GTCNT counter count up on the falling edge of GTETRGB pin input.

#### **USGTRGCR bit (GTETRGC Pin Rising Input Source Counter Count Up Enable)**

The USGTRGCR bit enables or disables GTCNT counter count up on the rising edge of GTETRGC pin input.

**USGTRGCF bit (GTETRGC Pin Falling Input Source Counter Count Up Enable)**

The USGTRGCF bit enables or disables GTCNT counter count up on the falling edge of GTETRGC pin input.

**USGTRGDR bit (GTETRGD Pin Rising Input Source Counter Count Up Enable)**

The USGTRGDR bit enables or disables GTCNT counter count up on the rising edge of GTETRGD pin input.

**USGTRGDF bit (GTETRGD Pin Falling Input Source Counter Count Up Enable)**

The USGTRGDF bit enables or disables GTCNT counter count up on the falling edge of GTETRGD pin input.

**USCARBL bit (GTIOCA Pin Rising Input during GTIOCB Value Low Source Counter Count Up Enable)**

The USCARBL bit enables or disables GTCNT counter count up on the rising edge of GTIOCA pin input, when GTIOCB input is 0.

**USCARBH bit (GTIOCA Pin Rising Input during GTIOCB Value High Source Counter Count Up Enable)**

The USCARBH bit enables or disables GTCNT counter count up on the rising edge of GTIOCA pin input, when GTIOCB input is 1.

**USCAFBL bit (GTIOCA Pin Falling Input during GTIOCB Value Low Source Counter Count Up Enable)**

The USCAFBL bit enables or disables GTCNT counter count up on the falling edge of GTIOCA pin input, when GTIOCB input is 0.

**USCAFBH bit (GTIOCA Pin Falling Input during GTIOCB Value High Source Counter Count Up Enable)**

The USCAFBH bit enables or disables GTCNT counter count up on the falling edge of GTIOCA pin input, when GTIOCB input is 1.

**USCBRAL bit (GTIOCB Pin Rising Input during GTIOCA Value Low Source Counter Count Up Enable)**

The USCBRAL bit enables or disables GTCNT counter count up on the rising edge of GTIOCB pin input, when GTIOCA input is 0.

**USCBRAH bit (GTIOCB Pin Rising Input during GTIOCA Value High Source Counter Count Up Enable)**

The USCBRAH bit enables or disables GTCNT counter count up on the rising edge of GTIOCB pin input, when GTIOCA input is 1.

**USCBFAL bit (GTIOCB Pin Falling Input during GTIOCA Value Low Source Counter Count Up Enable)**

The USCBFAL bit enables or disables GTCNT counter count up on the falling edge of GTIOCB pin input, when GTIOCA input is 0.

**USCBFAH bit (GTIOCB Pin Falling Input during GTIOCA Value High Source Counter Count Up Enable)**

The USCBFAH bit enables or disables GTCNT counter count up on the falling edge of GTIOCB pin input, when GTIOCA input is 1.

**USELCm bit (ELC\_GPTm Event Source Counter Count Up Enable) (m = A to H)**

The USELCm bit enables or disables GTCNT counter count up at the ELC\_GPTm event input.

## 23.2.9 General PWM Timer Down Count Source Select Register (GTDNSR)

Address(es): GPT32EHm.GTDNSR 4007 8020h + 0100h × m (m = 0 to 3)  
 GPT32Em.GTDNSR 4007 8020h + 0100h × m (m = 4 to 7)  
 GPT32m.GTDNSR 4007 8020h + 0100h × m (m = 8 to 13)

|  |             |             |             |             |             |             |             |              |              |              |              |              |              |              |              |
|--|-------------|-------------|-------------|-------------|-------------|-------------|-------------|--------------|--------------|--------------|--------------|--------------|--------------|--------------|--------------|
| b31  | b30         | b29         | b28         | b27         | b26         | b25         | b24         | b23          | b22          | b21          | b20          | b19          | b18          | b17          | b16          |
| —  | —           | —           | —           | —           | —           | —           | —           | DSELC<br>H   | DSELC<br>G   | DSELC<br>F   | DSELC<br>E   | DSELC<br>D   | DSELC<br>C   | DSELC<br>B   | DSELC<br>A   |
| Value after reset: 0 0 0 0 0 0 0 0 0 0 0 0 0 0 0 0 |             |             |             |             |             |             |             |              |              |              |              |              |              |              |              |
| b15  | b14         | b13         | b12         | b11         | b10         | b9          | b8          | b7           | b6           | b5           | b4           | b3           | b2           | b1           | b0           |
| DSCBF<br>AH  | DSCBF<br>AL | DSCBR<br>AH | DSCBR<br>AL | DSCAF<br>BH | DSCAF<br>BL | DSCAR<br>BH | DSCAR<br>BL | DSGTR<br>GDF | DSGTR<br>GDR | DSGTR<br>GCF | DSGTR<br>GCR | DSGTR<br>GBF | DSGTR<br>GBR | DSGTR<br>GAF | DSGTR<br>GAR |
| Value after reset: 0 0 0 0 0 0 0 0 0 0 0 0 0 0 0 0 |             |             |             |             |             |             |             |              |              |              |              |              |              |              |              |

| Bit | Symbol                   | Bit name  | Description  | R/W |
|-----|--------------------------|---|--|-----|
| b0  | <a href="#">DSGTRGAR</a> | GTETRGA Pin Rising Input Source Counter Count Down Enable                         | 0: Counter count down disabled on the rising edge of GTETRGA input<br>1: Counter count down enabled on the rising edge of GTETRGA input.   | R/W |
| b1  | <a href="#">DSGTRGAF</a> | GTETRGA Pin Falling Input Source Counter Count Down Enable                        | 0: Counter count down disabled on the falling edge of GTETRGA input<br>1: Counter count down enabled on the falling edge of GTETRGA input.   | R/W |
| b2  | <a href="#">DSGTRGBR</a> | GTETRGB Pin Rising Input Source Counter Count Down Enable                         | 0: Counter count down disabled on the rising edge of GTETRGB input<br>1: Counter count down enabled on the rising edge of GTETRGB input.   | R/W |
| b3  | <a href="#">DSGTRGBF</a> | GTETRGB Pin Falling Input Source Counter Count Down Enable                        | 0: Counter count down disabled on the falling edge of GTETRGB input<br>1: Counter count down enabled on the falling edge of GTETRGB input.   | R/W |
| b4  | <a href="#">DSGTRGCR</a> | GTETRGC Pin Rising Input Source Counter Count Down Enable                         | 0: Counter count down disabled on the rising edge of GTETRGC input<br>1: Counter count down enabled on the rising edge of GTETRGC input.   | R/W |
| b5  | <a href="#">DSGTRGCF</a> | GTETRGC Pin Falling Input Source Counter Count Down Enable                        | 0: Counter count down disabled on the falling edge of GTETRGC input<br>1: Counter count down enabled on the falling edge of GTETRGC input.   | R/W |
| b6  | <a href="#">DSGTRGDR</a> | GTETRGD Pin Rising Input Source Counter Count Down Enable                         | 0: Counter count down disabled on the rising edge of GTETRGD input<br>1: Counter count down enabled on the rising edge of GTETRGD input.   | R/W |
| b7  | <a href="#">DSGTRGDF</a> | GTETRGD Pin Falling Input Source Counter Count Down Enable                        | 0: Counter count down disabled on the falling edge of GTETRGD input<br>1: Counter count down enabled on the falling edge of GTETRGD input.   | R/W |
| b8  | <a href="#">DSCARBL</a>  | GTIOCA Pin Rising Input during GTIOCB Value Low Source Counter Count Down Enable  | 0: Counter count down disabled on the rising edge of GTIOCA input when GTIOCB input is 0<br>1: Counter count down enabled on the rising edge of GTIOCA input when GTIOCB input is 0.   | R/W |
| b9  | <a href="#">DSCARBH</a>  | GTIOCA Pin Rising Input during GTIOCB Value High Source Counter Count Down Enable | 0: Counter count down disabled on the rising edge of GTIOCA input when GTIOCB input is 1<br>1: Counter count down enabled on the rising edge of GTIOCA input when GTIOCB input is 1.   | R/W |
| b10 | <a href="#">DSCAFBL</a>  | GTIOCA Pin Falling Input during GTIOCB Value Low Source Counter Count Down Enable | 0: Counter count down disabled on the falling edge of GTIOCA input when GTIOCB input is 0<br>1: Counter count down enabled on the falling edge of GTIOCA input when GTIOCB input is 0. | R/W |

| Bit        | Symbol  | Bit name   | Description  | R/W |
|------------|---------|--|--|-----|
| b11        | DSCAFBH | GTIOCA Pin Falling Input during GTIOCB Value High Source Counter Count Down Enable | 0: Counter count down disabled on the falling edge of GTIOCA input when GTIOCB input is 1<br>1: Counter count down enabled on the falling edge of GTIOCA input when GTIOCB input is 1. | R/W |
| b12        | DSCBRAL | GTIOCB Pin Rising Input during GTIOCA Value Low Source Counter Count Down Enable   | 0: Counter count down disabled on the rising edge of GTIOCB input when GTIOCA input is 0<br>1: Counter count down enabled on the rising edge of GTIOCB input when GTIOCA input is 0.   | R/W |
| b13        | DSCBRAH | GTIOCB Pin Rising Input during GTIOCA Value High Source Counter Count Down Enable  | 0: Counter count down disabled on the rising edge of GTIOCB input when GTIOCA input is 1<br>1: Counter count down enabled on the rising edge of GTIOCB input when GTIOCA input is 1.   | R/W |
| b14        | DSCBFAL | GTIOCB Pin Falling Input during GTIOCA Value Low Source Counter Count Down Enable  | 0: Counter count down disabled on the falling edge of GTIOCB input when GTIOCA input is 0<br>1: Counter count down enabled on the falling edge of GTIOCB input when GTIOCA input is 0. | R/W |
| b15        | DSCBFAH | GTIOCB Pin Falling Input during GTIOCA Value High Source Counter Count Down Enable | 0: Counter count down disabled on the falling edge of GTIOCB input when GTIOCA input is 1<br>1: Counter count down enabled on the falling edge of GTIOCB input when GTIOCA input is 1. | R/W |
| b16        | DSELCA  | ELC_GPTA Event Source Counter Count Down Enable                                    | 0: Counter count down disabled at ELC_GPTA event input<br>1: Counter count down enabled at ELC_GPTA event input.   | R/W |
| b17        | DSELCB  | ELC_GPTB Event Source Counter Count Down Enable                                    | 0: Counter count down disabled at ELC_GPTB event input<br>1: Counter count down enabled at ELC_GPTB event input.   | R/W |
| b18        | DSELCC  | ELC_GPTC Event Source Counter Count Down Enable                                    | 0: Counter count down disabled at ELC_GPTC event input<br>1: Counter count down enabled at ELC_GPTC event input.   | R/W |
| b19        | DSELCD  | ELC_GPTD Event Source Counter Count Down Enable                                    | 0: Counter count down disabled at ELC_GPTD event input<br>1: Counter count down enabled at ELC_GPTD event input.   | R/W |
| b20        | DSELCE  | ELC_GPTE Event Source Counter Count Down Enable                                    | 0: Counter count down disabled at ELC_GPTE event input<br>1: Counter count down enabled at ELC_GPTE event input.   | R/W |
| b21        | DSELCF  | ELC_GPTF Event Source Counter Count Down Enable                                    | 0: Counter count down disabled at ELC_GPTF event input<br>1: Counter count down enabled at ELC_GPTF event input.   | R/W |
| b22        | DSELCG  | ELC_GPTG Event Source Counter Count Down Enable                                    | 0: Counter count down disabled at ELC_GPTG event input<br>1: Counter count down enabled at ELC_GPTG event input.   | R/W |
| b23        | DSELCH  | ELC_GPTH Event Source Counter Count Down Enable                                    | 0: Counter count down disabled at ELC_GPTH event input<br>1: Counter count down enabled at ELC_GPTH event input.   | R/W |
| b31 to b24 | —       | Reserved   | These bits are read as 0. The write value should be 0.   | R/W |

The GTDNSR register sets the source to count down the GTCNT counter.

When at least 1 bit in the GTDNSR register is set to 1, the GTCNT counter is counted up by the source that is set to 1 in this register. In this case, GTCR.TPCS has no effect.

#### **DSGTRGAR bit (GTETRGA Pin Rising Input Source Counter Count Down Enable)**

The DSGTRGAR bit enables or disables GTCNT counter count down on the rising edge of GTETRGA pin input.

#### **DSGTRGAF bit (GTETRGA Pin Falling Input Source Counter Count Down Enable)**

The DSGTRGAF bit enables or disables GTCNT counter count down on the falling edge of GTETRGA pin input.

#### **DSGTRGBR bit (GTETRGB Pin Rising Input Source Counter Count Down Enable)**

The DSGTRGBR bit enables or disables GTCNT counter count down on the rising edge of GTETRGB pin input.

#### **DSGTRGBF bit (GTETRGB Pin Falling Input Source Counter Count Down Enable)**

The DSGTRGBF bit enables or disables GTCNT counter count down on the falling edge of GTETRGB pin input.

#### **DSGTRGCR bit (GTETRGC Pin Rising Input Source Counter Count Down Enable)**

The DSGTRGCR bit enables or disables GTCNT counter count down on the rising edge of GTETRGC pin input.

**DSGTRGCF bit (GTETRGC Pin Falling Input Source Counter Count Down Enable)**

The DSGTRGCF bit enables or disables GTCNT counter count down on the falling edge of GTETRGC pin input.

**DSGTRGDR bit (GTETRGD Pin Rising Input Source Counter Count Down Enable)**

The DSGTRGDR bit enables or disables GTCNT counter count down on the rising edge of GTETRGD pin input.

**DSGTRGDF bit (GTETRGD Pin Falling Input Source Counter Count Down Enable)**

The DSGTRGDF bit enables or disables GTCNT counter count down on the falling edge of GTETRGD pin input.

**DSCARBL bit (GTIOCA Pin Rising Input during GTIOCB Value Low Source Counter Count Down Enable)**

The DSCARBL bit enables or disables GTCNT counter count down on the rising edge of GTIOCA pin input, when GTIOCB input is 0.

**DSCARBH bit (GTIOCA Pin Rising Input during GTIOCB Value High Source Counter Count Down Enable)**

The DSCARBH bit enables or disables GTCNT counter count down on the rising edge of GTIOCA pin input, when GTIOCB input is 1.

**DSCAFBL bit (GTIOCA Pin Falling Input during GTIOCB Value Low Source Counter Count Down Enable)**

The DSCAFBL bit enables or disables GTCNT counter count down on the falling edge of GTIOCA pin input, when GTIOCB input is 0.

**DSCAFBH bit (GTIOCA Pin Falling Input during GTIOCB Value High Source Counter Count Down Enable)**

The DSCAFBH bit enables or disables GTCNT counter count down on the falling edge of GTIOCA pin input, when GTIOCB input is 1.

**DSCBRAL bit (GTIOCB Pin Rising Input during GTIOCA Value Low Source Counter Count Down Enable)**

The DSCBRAL bit enables or disables GTCNT counter count down on the rising edge of GTIOCB pin input, when GTIOCA input is 0.

**DSCBRAH bit (GTIOCB Pin Rising Input during GTIOCA Value High Source Counter Count Down Enable)**

The DSCBRAH bit enables or disables GTCNT counter count down on the rising edge of GTIOCB pin input, when GTIOCA input is 1.

**DSCBFAL bit (GTIOCB Pin Falling Input during GTIOCA Value Low Source Counter Count Down Enable)**

The DSCBFAL bit enables or disables GTCNT counter count down on the falling edge of GTIOCB pin input, when GTIOCA input is 0.

**DSCBFAH bit (GTIOCB Pin Falling Input during GTIOCA Value High Source Counter Count Down Enable)**

The DSCBFAH bit enables or disables GTCNT counter count down on the falling edge of GTIOCB pin input, when GTIOCA input is 1.

**DSELCm bit (ELC\_GPTm Event Source Counter Count Down Enable) (m = A to H)**

The DSELCm bit enables or disables GTCNT counter count down at the ELC\_GPTm event input.



## 23.2.10 General PWM Timer Input Capture Source Select Register A (GTICASR)

Address(es): GPT32EHm.GTICASR 4007 8024h + 0100h × m (m = 0 to 3)  
 GPT32Em.GTICASR 4007 8024h + 0100h × m (m = 4 to 7)  
 GPT32m.GTICASR 4007 8024h + 0100h × m (m = 8 to 13)

|  |         |         |         |          |         |          |         |          |          |          |          |          |          |          |          |
|--|---------|---------|---------|----------|---------|----------|---------|----------|----------|----------|----------|----------|----------|----------|----------|
| b31  | b30     | b29     | b28     | b27      | b26     | b25      | b24     | b23      | b22      | b21      | b20      | b19      | b18      | b17      | b16      |
| —  | —       | —       | —       | —        | —       | —        | —       | ASELCH   | ASELCH   | ASELCH   | ASELCH   | ASELCH   | ASELCH   | ASELCH   | ASELCH   |
| Value after reset: 0 0 0 0 0 0 0 0 0 0 0 0 0 0 0 0 |         |         |         |          |         |          |         |          |          |          |          |          |          |          |          |
| b15  | b14     | b13     | b12     | b11      | b10     | b9       | b8      | b7       | b6       | b5       | b4       | b3       | b2       | b1       | b0       |
| ASCBFAH  | ASCBFAL | ASCBFAH | ASCBRAL | ASCAF BH | ASCAFBL | ASCAR BH | ASCARBL | ASGTRGDF | ASGTRGDR | ASGTRGCF | ASGTRGCR | ASGTRGBF | ASGTRGBR | ASGTRGAF | ASGTRGAR |
| Value after reset: 0 0 0 0 0 0 0 0 0 0 0 0 0 0 0 0 |         |         |         |          |         |          |         |          |          |          |          |          |          |          |          |

| Bit | Symbol   | Bit name  | Description  | R/W |
|-----|----------|---|--|-----|
| b0  | ASGTRGAR | GTETRGA Pin Rising Input Source<br>GTCCRA Input Capture Enable                            | 0: GTCCRA input capture disabled on the rising edge of GTETRGA input<br>1: GTCCRA input capture enabled on the rising edge of GTETRGA input.   | R/W |
| b1  | ASGTRGAF | GTETRGA Pin Falling Input Source<br>GTCCRA Input Capture Enable                           | 0: GTCCRA input capture disabled on the falling edge of GTETRGA input<br>1: GTCCRA input capture enabled on the falling edge of GTETRGA input.   | R/W |
| b2  | ASGTRGBR | GTETRGB Pin Rising Input Source<br>GTCCRA Input Capture Enable                            | 0: GTCCRA input capture disabled on the rising edge of GTETRGB input<br>1: GTCCRA input capture enabled on the rising edge of GTETRGB input.   | R/W |
| b3  | ASGTRGBF | GTETRGB Pin Falling Input Source<br>GTCCRA Input Capture Enable                           | 0: GTCCRA input capture disabled on the falling edge of GTETRGB input<br>1: GTCCRA input capture enabled on the falling edge of GTETRGB input.   | R/W |
| b4  | ASGTRGCR | GTETRGC Pin Rising Input Source<br>GTCCRA Input Capture Enable                            | 0: GTCCRA input capture disabled on the rising edge of GTETRGC input<br>1: GTCCRA input capture enabled on the rising edge of GTETRGC input.   | R/W |
| b5  | ASGTRGCF | GTETRGC Pin Falling Input Source<br>GTCCRA Input Capture Enable                           | 0: GTCCRA input capture disabled on the falling edge of GTETRGC input<br>1: GTCCRA input capture enabled on the falling edge of GTETRGC input.   | R/W |
| b6  | ASGTRGDR | GTETRGD Pin Rising Input Source<br>GTCCRA Input Capture Enable                            | 0: GTCCRA input capture disabled on the rising edge of GTETRGD input<br>1: GTCCRA input capture enabled on the rising edge of GTETRGD input.   | R/W |
| b7  | ASGTRGDF | GTETRGD Pin Falling Input Source<br>GTCCRA Input Capture Enable                           | 0: GTCCRA input capture disabled on the falling edge of GTETRGD input<br>1: GTCCRA input capture enabled on the falling edge of GTETRGD input.   | R/W |
| b8  | ASCARBL  | GTIOCA Pin Rising Input during<br>GTIOCB Value Low Source<br>GTCCRA Input Capture Enable  | 0: GTCCRA input capture disabled on the rising edge of GTIOCA input when GTIOCB input is 0<br>1: GTCCRA input capture enabled on the rising edge of GTIOCA input when GTIOCB input is 0.   | R/W |
| b9  | ASCARBH  | GTIOCA Pin Rising Input during<br>GTIOCB Value High Source<br>GTCCRA Input Capture Enable | 0: GTCCRA input capture disabled on the rising edge of GTIOCA input when GTIOCB input is 1<br>1: GTCCRA input capture enabled on the rising edge of GTIOCA input when GTIOCB input is 1.   | R/W |
| b10 | ASCAFBL  | GTIOCA Pin Falling Input during<br>GTIOCB Value Low Source<br>GTCCRA Input Capture Enable | 0: GTCCRA input capture disabled on the falling edge of GTIOCA input when GTIOCB input is 0<br>1: GTCCRA input capture enabled on the falling edge of GTIOCA input when GTIOCB input is 0. | R/W |

| Bit        | Symbol  | Bit name  | Description  | R/W |
|------------|---------|---|--|-----|
| b11        | ASCAFBH | GTIOCA Pin Falling Input during GTIOCB Value High Source<br>GTCCRA Input Capture Enable | 0: GTCCRA input capture disabled on the falling edge of GTIOCA input when GTIOCB input is 1<br>1: GTCCRA input capture enabled on the falling edge of GTIOCA input when GTIOCB input is 1. | R/W |
| b12        | ASCBRAL | GTIOCB Pin Rising Input during GTIOCA Value Low Source<br>GTCCRA Input Capture Enable   | 0: GTCCRA input capture disabled on the rising edge of GTIOCB input when GTIOCA input is 0<br>1: GTCCRA input capture enabled on the rising edge of GTIOCB input when GTIOCA input is 0.   | R/W |
| b13        | ASCBRAH | GTIOCB Pin Rising Input during GTIOCA Value High Source<br>GTCCRA Input Capture Enable  | 0: GTCCRA input capture disabled on the rising edge of GTIOCB input when GTIOCA input is 1<br>1: GTCCRA input capture enabled on the rising edge of GTIOCB input when GTIOCA input is 1.   | R/W |
| b14        | ASCBFAL | GTIOCB Pin Falling Input during GTIOCA Value Low Source<br>GTCCRA Input Capture Enable  | 0: GTCCRA input capture disabled on the falling edge of GTIOCB input when GTIOCA input is 0<br>1: GTCCRA input capture enabled on the falling edge of GTIOCB input when GTIOCA input is 0. | R/W |
| b15        | ASCBFAH | GTIOCB Pin Falling Input during GTIOCA Value High Source<br>GTCCRA Input Capture Enable | 0: GTCCRA input capture disabled on the falling edge of GTIOCB input when GTIOCA input is 1<br>1: GTCCRA input capture enabled on the falling edge of GTIOCB input when GTIOCA input is 1. | R/W |
| b16        | ASELCA  | ELC_GPTA Event Source<br>GTCCRA Input Capture Enable                                    | 0: GTCCRA input capture disabled at ELC_GPTA event input<br>1: GTCCRA input capture enabled at ELC_GPTA event input.   | R/W |
| b17        | ASELCB  | ELC_GPTB Event Source<br>GTCCRA Input Capture Enable                                    | 0: GTCCRA input capture disabled at ELC_GPTB event input<br>1: GTCCRA input capture enabled at ELC_GPTB event input.   | R/W |
| b18        | ASELCC  | ELC_GPTC Event Source<br>GTCCRA Input Capture Enable                                    | 0: GTCCRA input capture disabled at ELC_GPTC event input<br>1: GTCCRA input capture enabled at ELC_GPTC event input.   | R/W |
| b19        | ASELCD  | ELC_GPTD Event Source<br>GTCCRA Input Capture Enable                                    | 0: GTCCRA input capture disabled at ELC_GPTD event input<br>1: GTCCRA input capture enabled at ELC_GPTD event input.   | R/W |
| b20        | ASELCE  | ELC_GPTE Event Source<br>GTCCRA Input Capture Enable                                    | 0: GTCCRA input capture disabled at ELC_GPTE event input<br>1: GTCCRA input capture enabled at ELC_GPTE event input.   | R/W |
| b21        | ASELCF  | ELC_GPTF Event Source<br>GTCCRA Input Capture Enable                                    | 0: GTCCRA input capture disabled at ELC_GPTF event input<br>1: GTCCRA input capture enabled at ELC_GPTF event input.   | R/W |
| b22        | ASELCG  | ELC_GPTG Event Source<br>GTCCRA Input Capture Enable                                    | 0: GTCCRA input capture disabled at ELC_GPTG event input<br>1: GTCCRA input capture enabled at ELC_GPTG event input.   | R/W |
| b23        | ASELCH  | ELC_GPTH Event Source<br>GTCCRA Input Capture Enable                                    | 0: GTCCRA input capture disabled at ELC_GPTH event input<br>1: GTCCRA input capture enabled at ELC_GPTH event input.   | R/W |
| b31 to b24 | —       | Reserved  | These bits are read as 0. The write value should be 0.   | R/W |

The GTICASR register sets the source of input capture for GTCCRA.

#### ASGTRGAR bit (GTETRGA Pin Rising Input Source GTCCRA Input Capture Enable)

The ASGTRGAR bit enables or disables input capture for GTCCRA on the rising edge of GTETRGA pin input.

**ASGTRGAF bit (GTETRGA Pin Falling Input Source GTCCRA Input Capture Enable)**

The ASGTRGAF bit enables or disables input capture for GTCCRA on the falling edge of GTETRGA pin input.

**ASGTRGBR bit (GTETRGB Pin Rising Input Source GTCCRA Input Capture Enable)**

The ASGTRGBR bit enables or disables input capture for GTCCRA on the rising edge of GTETRGB pin input.

**ASGTRGBF bit (GTETRGB Pin Falling Input Source GTCCRA Input Capture Enable)**

The ASGTRGBF bit enables or disables input capture for GTCCRA on the falling edge of GTETRGB pin input.

**ASGTRGCR bit (GTETRGC Pin Rising Input Source GTCCRA Input Capture Enable)**

The ASGTRGCR bit enables or disables input capture for GTCCRA on the rising edge of GTETRGC pin input.

**ASGTRGCF bit (GTETRGC Pin Falling Input Source GTCCRA Input Capture Enable)**

The ASGTRGCF bit enables or disables input capture for GTCCRA on the falling edge of GTETRGC pin input.

**ASGTRGDR bit (GTETRGD Pin Rising Input Source GTCCRA Input Capture Enable)**

The ASGTRGDR bit enables or disables input capture for GTCCRA on the rising edge of GTETRGD pin input.

**ASGTRGDF bit (GTETRGD Pin Falling Input Source GTCCRA Input Capture Enable)**

The ASGTRGDF bit enables or disables input capture for GTCCRA on the falling edge of GTETRGD pin input.

**ASCARBL bit (GTIOCA Pin Rising Input during GTIOCB Value Low Source GTCCRA Input Capture Enable)**

The ASCARBL bit enables or disables input capture for GTCCRA on the rising edge of GTIOCA pin input, when GTIOCB input is 0.

**ASCARBH bit (GTIOCA Pin Rising Input during GTIOCB Value High Source GTCCRA Input Capture Enable)**

The ASCARBH bit enables or disables input capture for GTCCRA on the rising edge of GTIOCA pin input, when GTIOCB input is 1.

**ASCAFBL bit (GTIOCA Pin Falling Input during GTIOCB Value Low Source GTCCRA Input Capture Enable)**

The ASCAFBL bit enables or disables input capture for GTCCRA on the falling edge of GTIOCA pin input, when GTIOCB input is 0.

**ASCAFBH bit (GTIOCA Pin Falling Input during GTIOCB Value High Source GTCCRA Input Capture Enable)**

The ASCAFBH bit enables or disables input capture for GTCCRA on the falling edge of GTIOCA pin input, when GTIOCB input is 1.

**ASCBRAL bit (GTIOCB Pin Rising Input during GTIOCA Value Low Source GTCCRA Input Capture Enable)**

The ASCBRAL bit enables or disables input capture for GTCCRA on the rising edge of GTIOCB pin input, when GTIOCA input is 0.

**ASCBRAH bit (GTIOCB Pin Rising Input during GTIOCA Value High Source GTCCRA Input Capture Enable)**

The ASCBRAH bit enables or disables input capture for GTCCRA on the rising edge of GTIOCB pin input, when GTIOCA input is 1.

**ASCBFAL bit (GTIOCB Pin Falling Input during GTIOCA Value Low Source GTCCRA Input Capture Enable)**

The ASCBFAL bit enables or disables input capture for GTCCRA on the falling edge of GTIOCB pin input, when GTIOCA input is 0.

**ASCBFAH bit (GTIOCB Pin Falling Input during GTIOCA Value High Source GTCCRA Input Capture Enable)**

The ASCBFAH bit enables or disables input capture for GTCCRA on the falling edge of GTIOCB pin input, when GTIOCA input is 1.

**ASELCm bit (ELC\_GPTm Event Source Counter GTCCRA Input Capture Enable) (m = A to H)**

The ASELCm bit enables or disables input capture for GTCCRA at the ELC\_GPTm event input.

**23.2.11 General PWM Timer Input Capture Source Select Register B (GTICBSR)**

Address(es): GPT32EHm.GTICBSR 4007 8028h + 0100h × m (m = 0 to 3)  
 GPT32Em.GTICBSR 4007 8028h + 0100h × m (m = 4 to 7)  
 GPT32m.GTICBSR 4007 8028h + 0100h × m (m = 8 to 13)

|  |             |             |             |             |             |             |             |              |              |              |              |              |              |              |              |
|--|-------------|-------------|-------------|-------------|-------------|-------------|-------------|--------------|--------------|--------------|--------------|--------------|--------------|--------------|--------------|
| b31  | b30         | b29         | b28         | b27         | b26         | b25         | b24         | b23          | b22          | b21          | b20          | b19          | b18          | b17          | b16          |
| —  | —           | —           | —           | —           | —           | —           | —           | BSELC<br>H   | BSELC<br>G   | BSELC<br>F   | BSELC<br>E   | BSELC<br>D   | BSELC<br>C   | BSELC<br>B   | BSELC<br>A   |
| Value after reset: 0 0 0 0 0 0 0 0 0 0 0 0 0 0 0 0 |             |             |             |             |             |             |             |              |              |              |              |              |              |              |              |
| b15  | b14         | b13         | b12         | b11         | b10         | b9          | b8          | b7           | b6           | b5           | b4           | b3           | b2           | b1           | b0           |
| BSCBF<br>AH  | BSCBF<br>AL | BSCBR<br>AH | BSCBR<br>AL | BSCAF<br>BH | BSCAF<br>BL | BSCAR<br>BH | BSCAR<br>BL | BSGTR<br>GDF | BSGTR<br>GDR | BSGTR<br>GCF | BSGTR<br>GCR | BSGTR<br>GBF | BSGTR<br>GBR | BSGTR<br>GAF | BSGTR<br>GAR |
| Value after reset: 0 0 0 0 0 0 0 0 0 0 0 0 0 0 0 0 |             |             |             |             |             |             |             |              |              |              |              |              |              |              |              |

| Bit | Symbol          | Bit name  | Description  | R/W |
|-----|-----------------|---|--|-----|
| b0  | <b>BSGTRGAR</b> | GTETRGA Pin Rising Input Source<br>GTCCRB Input Capture Enable  | 0: GTCCRB input capture disabled on the rising edge of<br>GTETRGA input<br>1: GTCCRB input capture enabled on the rising edge of<br>GTETRGA input.   | R/W |
| b1  | <b>BSGTRGAF</b> | GTETRGA Pin Falling Input Source<br>GTCCRB Input Capture Enable | 0: GTCCRB input capture disabled on the falling edge of<br>GTETRGA input<br>1: GTCCRB input capture enabled on the falling edge of<br>GTETRGA input. | R/W |
| b2  | <b>BSGTRGBR</b> | GTETRGB Pin Rising Input Source<br>GTCCRB Input Capture Enable  | 0: GTCCRB input capture disabled on the rising edge of<br>GTETRGB input<br>1: GTCCRB input capture enabled on the rising edge of<br>GTETRGB input.   | R/W |
| b3  | <b>BSGTRGBF</b> | GTETRGB Pin Falling Input Source<br>GTCCRB Input Capture Enable | 0: GTCCRB input capture disabled on the falling edge of<br>GTETRGB input<br>1: GTCCRB input capture enabled on the falling edge of<br>GTETRGB input. | R/W |
| b4  | <b>BSGTRGCR</b> | GTETRGC Pin Rising Input Source<br>GTCCRB Input Capture Enable  | 0: GTCCRB input capture disabled on the rising edge of<br>GTETRGC input<br>1: GTCCRB input capture enabled on the rising edge of<br>GTETRGC input.   | R/W |
| b5  | <b>BSGTRGCF</b> | GTETRGC Pin Falling Input Source<br>GTCCRB Input Capture Enable | 0: GTCCRB input capture disabled on the falling edge of<br>GTETRGC input<br>1: GTCCRB input capture enabled on the falling edge of<br>GTETRGC input. | R/W |
| b6  | <b>BSGTRGDR</b> | GTETRGD Pin Rising Input Source<br>GTCCRB Input Capture Enable  | 0: GTCCRB input capture disabled on the rising edge of<br>GTETRGD input<br>1: GTCCRB input capture enabled on the rising edge of<br>GTETRGD input.   | R/W |
| b7  | <b>BSGTRGDF</b> | GTETRGD Pin Falling Input Source<br>GTCCRB Input Capture Enable | 0: GTCCRB input capture disabled on the falling edge of<br>GTETRGD input<br>1: GTCCRB input capture enabled on the falling edge of<br>GTETRGD input. | R/W |

| Bit | Symbol  | Bit name  | Description  | R/W |
|-----|---------|---|--|-----|
| b8  | BSCARBL | GTIOCA Pin Rising Input during GTIOCB Value Low Source<br>GTCCRB Input Capture Enable   | 0: GTCCRB input capture disabled on the rising edge of GTIOCA input when GTIOCB input is 0<br>1: GTCCRB input capture enabled on the rising edge of GTIOCA input when GTIOCB input is 0.   | R/W |
| b9  | BSCARBH | GTIOCA Pin Rising Input during GTIOCB Value High Source<br>GTCCRB Input Capture Enable  | 0: GTCCRB input capture disabled on the rising edge of GTIOCA input when GTIOCB input is 1<br>1: GTCCRB input capture enabled on the rising edge of GTIOCA input when GTIOCB input is 1.   | R/W |
| b10 | BSCAFBL | GTIOCA Pin Falling Input during GTIOCB Value Low Source<br>GTCCRB Input Capture Enable  | 0: GTCCRB input capture disabled on the falling edge of GTIOCA input when GTIOCB input is 0<br>1: GTCCRB input capture enabled on the falling edge of GTIOCA input when GTIOCB input is 0. | R/W |
| b11 | BSCAFBH | GTIOCA Pin Falling Input during GTIOCB Value High Source<br>GTCCRB Input Capture Enable | 0: GTCCRB input capture disabled on the falling edge of GTIOCA input when GTIOCB input is 1<br>1: GTCCRB input capture enabled on the falling edge of GTIOCA input when GTIOCB input is 1. | R/W |
| b12 | BSCBRAL | GTIOCB Pin Rising Input during GTIOCA Value Low Source<br>GTCCRB Input Capture Enable   | 0: GTCCRB input capture disabled on the rising edge of GTIOCB input when GTIOCA input is 0<br>1: GTCCRB input capture enabled on the rising edge of GTIOCB input when GTIOCA input is 0.   | R/W |
| b13 | BSCBRAH | GTIOCB Pin Rising Input during GTIOCA Value High Source<br>GTCCRB Input Capture Enable  | 0: GTCCRB input capture disabled on the rising edge of GTIOCB input when GTIOCA input is 1<br>1: GTCCRB input capture enabled on the rising edge of GTIOCB input when GTIOCA input is 1.   | R/W |
| b14 | BSCBFAL | GTIOCB Pin Falling Input during GTIOCA Value Low Source<br>GTCCRB Input Capture Enable  | 0: GTCCRB input capture disabled on the falling edge of GTIOCB input when GTIOCA input is 0<br>1: Enable GTCCRB input capture on the falling edge of GTIOCB input when GTIOCA input is 0.  | R/W |
| b15 | BSCBFAH | GTIOCB Pin Falling Input during GTIOCA Value High Source<br>GTCCRB Input Capture Enable | 0: GTCCRB input capture disabled on the falling edge of GTIOCB input when GTIOCA input is 1<br>1: GTCCRB input capture enabled on the falling edge of GTIOCB input when GTIOCA input is 1. | R/W |
| b16 | BSELCA  | ELC_GPTA Event Source<br>GTCCRB Input Capture Enable                                    | 0: GTCCRB input capture disabled at ELC_GPTA event input<br>1: GTCCRB input capture enabled at ELC_GPTA event input.   | R/W |
| b17 | BSELCB  | ELC_GPTB Event Source<br>GTCCRB Input Capture Enable                                    | 0: GTCCRB input capture disabled at ELC_GPTB event input<br>1: GTCCRB input capture enabled at ELC_GPTB event input.   | R/W |
| b18 | BSELCC  | ELC_GPTC Event Source<br>GTCCRB Input Capture Enable                                    | 0: GTCCRB input capture disabled at ELC_GPTC event input<br>1: GTCCRB input capture enabled at ELC_GPTC event input.   | R/W |
| b19 | BSELCD  | ELC_GPTD Event Source<br>GTCCRB Input Capture Enable                                    | 0: GTCCRB input capture disabled at ELC_GPTD event input<br>1: GTCCRB input capture enabled at ELC_GPTD event input.   | R/W |
| b20 | BSELCE  | ELC_GPTE Event Source<br>GTCCRB Input Capture Enable                                    | 0: GTCCRB input capture disabled at ELC_GPTE event input<br>1: GTCCRB input capture enabled at ELC_GPTE event input.   | R/W |
| b21 | BSELCF  | ELC_GPTF Event Source<br>GTCCRB Input Capture Enable                                    | 0: GTCCRB input capture disabled at ELC_GPTF event input<br>1: GTCCRB input capture enabled at ELC_GPTF event input.   | R/W |
| b22 | BSELCG  | ELC_GPTG Event Source<br>GTCCRB Input Capture Enable                                    | 0: GTCCRB input capture disabled at ELC_GPTG event input<br>1: GTCCRB input capture enabled at ELC_GPTG event input.   | R/W |

| Bit        | Symbol | Bit name   | Description  | R/W |
|------------|--------|--|--|-----|
| b23        | BSELCH | ELC_GPTH Event Source<br>GTCCRB Input Capture Enable | 0: GTCCRB input capture disabled at ELC_GPTH event input<br>1: GTCCRB input capture enabled at ELC_GPTH event input. | R/W |
| b31 to b24 | —      | Reserved   | These bits are read as 0. The write value should be 0.   | R/W |

The GTICBSR register sets the source of input capture for GTCCRB.

#### **BSGTRGAR bit (GTETRGA Pin Rising Input Source GTCCRB Input Capture Enable)**

The BSGTRGAR bit enables or disables input capture for GTCCRB on the rising edge of GTETRGA pin input.

#### **BSGTRGAF bit (GTETRGA Pin Falling Input Source GTCCRB Input Capture Enable)**

The BSGTRGAF bit enables or disables input capture for GTCCRB on the falling edge of GTETRGA pin input.

#### **BSGTRGBR bit (GTETRGB Pin Rising Input Source GTCCRB Input Capture Enable)**

The BSGTRGBR bit enables or disables input capture for GTCCRB on the rising edge of GTETRGB pin input.

#### **BSGTRGBF bit (GTETRGB Pin Falling Input Source GTCCRB Input Capture Enable)**

The BSGTRGBF bit enables or disables input capture for GTCCRB on the falling edge of GTETRGB pin input.

#### **BSGTRGCR bit (GTETRGC Pin Rising Input Source GTCCRB Input Capture Enable)**

The BSGTRGCR bit enables or disables input capture for GTCCRB on the rising edge of GTETRGC pin input.

#### **BSGTRGCF bit (GTETRGC Pin Falling Input Source GTCCRB Input Capture Enable)**

The BSGTRGCF bit enables or disables input capture for GTCCRB on the falling edge of GTETRGC pin input.

#### **BSGTRGDR bit (GTETRGD Pin Rising Input Source GTCCRB Input Capture Enable)**

The BSGTRGDR bit enables or disables input capture for GTCCRB on the rising edge of GTETRGD pin input.

#### **BSGTRGDF bit (GTETRGD Pin Falling Input Source GTCCRB Input Capture Enable)**

The BSGTRGDF bit enables or disables input capture for GTCCRB on the falling edge of GTETRGD pin input.

#### **BSCARBL bit (GTIOCA Pin Rising Input during GTIOCB Value Low Source GTCCRB Input Capture Enable)**

The BSCARBL bit enables or disables input capture for GTCCRB on the rising edge of GTIOCA pin input, when GTIOCB input is 0.

#### **BSCARBH bit (GTIOCA Pin Rising Input during GTIOCB Value High Source GTCCRB Input Capture Enable)**

The BSCARBH bit enables or disables input capture for GTCCRB on the rising edge of GTIOCA pin input, when GTIOCB input is 1.

#### **BSCAFBL bit (GTIOCA Pin Falling Input during GTIOCB Value Low Source GTCCRB Input Capture Enable)**

The BSCAFBL bit enables or disables input capture for GTCCRB on the falling edge of GTIOCA pin input, when GTIOCB input is 0.

#### **BSCAFBH bit (GTIOCA Pin Falling Input during GTIOCB Value High Source GTCCRB Input Capture Enable)**

The BSCAFBH bit enables or disables input capture for GTCCRB on the falling edge of GTIOCA pin input, when GTIOCB input is 1.

#### **BSCBRAL bit (GTIOCB Pin Rising Input during GTIOCA Value Low Source GTCCRB Input Capture Enable)**

The BSCBRAL bit enables or disables input capture for GTCCRB on the rising edge of GTIOCB pin input, when

GTIOCA input is 0.

**BSCBRAH bit (GTIOCB Pin Rising Input during GTIOCA Value High Source GTCCRB Input Capture Enable)**

The BSCBRAH bit enables or disables input capture for GTCCRB on the rising edge of GTIOCB pin input, when GTIOCA input is 1.

**BSCBFAL bit (GTIOCB Pin Falling Input during GTIOCA Value Low Source GTCCRB Input Capture Enable)**

The BSCBFAL bit enables or disables input capture for GTCCRB on the falling edge of GTIOCB pin input, when GTIOCA input is 0.

**BSCBFAH bit (GTIOCB Pin Falling Input during GTIOCA Value High Source GTCCRB Input Capture Enable)**

The BSCBFAH bit enables or disables input capture for GTCCRB on the falling edge of GTIOCB pin input, when GTIOCA input is 1.

**BSELCm bit (ELC\_GPTm Event Source Counter GTCCRB Input Capture Enable) (m = A to H)**

The BSELCm bit enables or disables input capture for GTCCRB at the ELC\_GPTm event input.

**23.2.12 General PWM Timer Control Register (GTCR)**

Address(es): GPT32EHm.GTCR 4007 802Ch + 0100h × m (m = 0 to 3)  
 GPT32Em.GTCR 4007 802Ch + 0100h × m (m = 4 to 7)  
 GPT32m.GTCR 4007 802Ch + 0100h × m (m = 8 to 13)



| Bit        | Symbol  | Bit name    | Description   | R/W |
|------------|---------|-------------|---|-----|
| b0         | CST     | Count Start | 0: Count operation is stopped<br>1: Count operation is performed.   | R/W |
| b15 to b1  | —       | Reserved    | These bits are read as 0. The write value should be 0.  | R/W |
| b18 to b16 | MD[2:0] | Mode Select | b18 b16<br>0 0 0: Saw-wave PWM mode (single buffer or double buffer possible)<br>0 0 1: Saw-wave one-shot pulse mode (fixed buffer operation)<br>0 1 0: Setting prohibited<br>0 1 1: Setting prohibited<br>1 0 0: Triangle-wave PWM mode 1 (32-bit transfer at trough) (single buffer or double buffer possible)<br>1 0 1: Triangle-wave PWM mode 2 (32-bit transfer at crest and trough) (single buffer or double buffer possible)<br>1 1 0: Triangle-wave PWM mode 3 (64-bit transfer at trough) (fixed buffer operation)<br>1 1 1: Setting prohibited. | R/W |
| b23 to b19 | —       | Reserved    | These bits are read as 0. The write value should be 0.  | R/W |

| Bit        | Symbol    | Bit name               | Description   | R/W |
|------------|-----------|------------------------|---|-----|
| b26 to b24 | TPCS[2:0] | Timer Prescaler Select | b26 b24<br>0 0 0: PCLKD/1<br>0 0 1: PCLKD/4<br>0 1 0: PCLKD/16<br>0 1 1: PCLKD/64<br>1 0 0: PCLKD/256<br>1 0 1: PCLKD/1024. | R/W |
| b31 to b27 | —         | Reserved               | These bits are read as 0. The write value should be 0.  | R/W |

The GTCR register controls GTCNT.

**CST bit (Count Start)**

The CST bit controls the GTCNT counter start and stop.

[Setting conditions]

- The GTSTR value in which the channel number associated with the bit number is set to 1 with the GTSSR.CSTRT bit at 1
- The ELC event input or the GTIOCA/GTIOCB/GTETRGN port input event enabled by GTSSR as the counter start source, occurs
- 1 is written by software directly.

[Clearing conditions]

- GTSTP value in which the channel number associated with the bit number is set to 1 with the GTSSR.CSTOP bit at 1.
- The ELC event input or the GTIOCA/GTIOCB/GTETRGN port input event enabled by GTSSR as the counter stop source, occurs
- 0 is written by software directly.

**MD[2:0] bits (Mode Select)**

The MD[2:0] bits select the GPT operating mode. The MD[2:0] bits must be set while the GTCNT operation is stopped.

**TPCS[2:0] bits (Timer Prescaler Select)**

The TPCS[2:0] bits select the clock for GTCNT. A clock prescaler can be selected independently for each channel. The TPCS[2:0] bits must be set while the GTCNT operation is stopped.

**23.2.13 General PWM Timer Count Direction and Duty Setting Register (GTUDDTYC)**

Address(es): GPT32EHm.GTUDDTYC 4007 8030h + 0100h × m (m = 0 to 3)  
 GPT32Em.GTUDDTYC 4007 8030h + 0100h × m (m = 4 to 7)  
 GPT32m.GTUDDTYC 4007 8030h + 0100h × m (m = 8 to 13)

|                    |     |     |     |            |            |            |     |     |     |     |            |            |            |     |     |
|--------------------|-----|-----|-----|------------|------------|------------|-----|-----|-----|-----|------------|------------|------------|-----|-----|
| b31                | b30 | b29 | b28 | b27        | b26        | b25        | b24 | b23 | b22 | b21 | b20        | b19        | b18        | b17 | b16 |
| —                  | —   | —   | —   | OBDTY<br>R | OBDTY<br>F | OBDTY[1:0] | —   | —   | —   | —   | OADTY<br>R | OADTY<br>F | OADTY[1:0] | —   | —   |
| Value after reset: | 0   | 0   | 0   | 0          | 0          | 0          | 0   | 0   | 0   | 0   | 0          | 0          | 0          | 0   | 0   |
| b15                | b14 | b13 | b12 | b11        | b10        | b9         | b8  | b7  | b6  | b5  | b4         | b3         | b2         | b1  | b0  |
| —                  | —   | —   | —   | —          | —          | —          | —   | —   | —   | —   | —          | —          | —          | UDF | UD  |
| Value after reset: | 0   | 0   | 0   | 0          | 0          | 0          | 0   | 0   | 0   | 0   | 0          | 0          | 0          | 0   | 1   |

| Bit | Symbol | Bit name                | Description                                 | R/W |
|-----|--------|-------------------------|---|-----|
| b0  | UD     | Count Direction Setting | 0: GTCNT counts down<br>1: GTCNT counts up. | R/W |



| Bit        | Symbol      | Bit name   | Description  | R/W |
|------------|-------------|--|--|-----|
| b1         | UDF         | Forcible Count Direction Setting                                   | 0: Not forcibly set<br>1: Forcibly set.  | R/W |
| b15 to b2  | —           | Reserved   | These bits are read as 0. The write value should be 0.   | R/W |
| b17, 16    | OADTY[1:0]  | GTIOCA Output Duty Setting   | b17 b16<br>0 x: GTIOCA pin duty depends on compare match<br>1 0: GTIOCA pin duty = 0%<br>1 1: GTIOCA pin duty = 100%.  | R/W |
| b18        | OADTYF      | Forcible GTIOCA Output Duty Setting                                | 0: Not forcibly set<br>1: Forcibly set.  | R/W |
| b19        | OADTYR      | GTIOCA Output Value Selecting after Releasing 0%/100% Duty Setting | 0: Apply output value set in 0%/100% duty to GTIOA[3:2] function after releasing 0%/100% duty setting<br>1: Apply masked compare match output value to GTIOA[3:2] function after releasing 0%/100% duty setting. | R/W |
| b23 to b20 | —           | Reserved   | These bits are read as 0. The write value should be 0.   | R/W |
| b25, b24   | OBDDTY[1:0] | GTIOCB Output Duty Setting   | b25 b24<br>0 x: GTIOCB pin duty depends on compare match<br>1 0: GTIOCB pin duty = 0%<br>1 1: GTIOCB pin duty = 100%.  | R/W |
| b26        | OBDDTYF     | Forcible GTIOCB Output Duty Setting                                | 0: Do not force setting<br>1: Force setting.   | R/W |
| b27        | OBDDTYR     | GTIOCB Output Value Selecting after Releasing 0%/100% Duty Setting | 0: Apply output value set in 0%/100% duty to GTIOB[3:2] function after releasing 0%/100% duty setting<br>1: Apply masked compare match output value to GTIOB[3:2] function after releasing 0%/100% duty setting. | R/W |
| b31 to b28 | —           | Reserved   | These bits are read as 0. The write value should be 0.   | R/W |

x: Don't care

The GTUDDTYC register sets the direction in which GTCNT counts (up-counting or down-counting) and sets the duty of the GTIOCA/GTIOCB pin output.

Count direction:

- In saw-wave mode

When the UD value is set to 0 during up-counting, the count direction changes at an overflow (the timing synchronous with count clock after the GTCNT value becomes the GTPR value). When the UD value is set to 1 during down-counting, the count direction changes at an underflow (the timing synchronous with count clock after the GTCNT value becomes 0).

When the UD value changes from 1 to 0 with the UDF bit being 0 and while counting is stopped, the counter starts up-counting and the count direction changes at an overflow (the timing synchronous with count clock after the GTCNT value becomes GTPR value). When the UD value changes from 0 to 1 with the UDF bit being 0 and while counting stops, the counter starts down-counting and the count direction changes at an underflow (the timing synchronous with count clock after the GTCNT value becomes 0).

When the UDF bit is set to 1 while counting stops, the UD bit value is reflected in the count direction when counting starts.

Count direction:

- In triangle-wave mode

When the UD value changes during counting, the count direction does not change. When the UD value changes while the UDF bit is 0 and counting stops, the change is not reflected in the count direction when counting starts.

When the UDF bit is set to 1 while counting stops, the UD value is reflected in the count direction when counting starts.

### UD bit (Count Direction Setting)

The UD bit sets the count direction (up-counting or down-counting.) for GTCNT.

**UDF bit (Forcible Count Direction Setting)**

The UDF bit forcibly sets the count direction when GTCNT starts operation as the UD value. Only write 0 to this bit during counter operation. When 1 is written to UDF while counting stops, return UDF to 0 before counting starts.

Output duty

- In saw-wave mode

When the OADTY/OBDTY value changes during up-counting, the duty is reflected at an overflow (GTCNT = GTPR). When the OADTY/OBDTY value changes during down-counting, the duty is reflected at an underflow (GTCNT = 0).

When the OADTY/OBDTY value changes to 1 with the OADTYF/OBDTYF bit being 0 and while counting stops, the output duty is not reflected at the starting counter operation. When the count direction is up, the output duty is reflected at an overflow (GTCNT = GTPR). When the count direction is down, the output duty is reflected at an underflow (GTCNT = 0).

When the OADTY/OBDTY value changes to 0 with the OADTYF/OBDTYF bit being 1 and while counting stops, the output duty is reflected at the starting counter operation.

Output duty

- In triangle-wave mode

When the OADTY/OBDTY value changes during counting, the duty is reflected at an underflow. When the OADTY/OBDTY value changes to 1 with the OADTYF/OBDTYF bit being 0 and while counting stops, the output duty is not reflected at the starting counter operation. The output duty is reflected at an underflow.

When the OADTY/OBDTY value changes to 0 with the OADTYF/OBDTYF bit being 1 and while counting stops, the output duty is reflected at the starting counter operation.

**OmDTY[1:0] bits (GTIOCm Output Duty Setting) (m = A, B)**

The OmDTY[1:0] bits set the output duty of the GTIOCm pin to either 0%, 100%, or compare match control.

**OmDTYF bit (Forcible GTIOCm Output Duty Setting) (m = A, B)**

The OmDTYF bit forcibly sets the output duty cycle to the OmDTY setting. Set this bit to 0 during counter operation. When OmDTYF bit is set to 1 while counting stops, return OmDTYF to 0 until the first period ends after the counter starts.

**OmDTYR bit (GTIOCm Output Value Selecting after Releasing 0%/100% Duty Setting) (m = A, B)**

The OmDTYR bits select the value that is the object of output retained or toggled at cycle end, when the control changes from 0%/100% duty setting to compare match for GTIOCm pin and GTIOR.GTIOm[3:2] are set to 00b (output retained at cycle end) or GTIOR.GTIOm[3:2] are set to 11b (output toggled at cycle end).

While the duty 0%/100% setting operation is running, the compare match operation continues inside the GPT32. When the OmDTYR bit is set to 1, the GTIOCm pin is in the output state selected by the GTIOR.GTIOm [3:2] bits at the end of the cycle in this compare match operation.

## 23.2.14 General PWM Timer I/O Control Register (GTIOR)

Address(es): GPT32EHm.GTIOR 4007 8034h + 0100h × m (m = 0 to 3)  
 GPT32Em.GTIOR 4007 8034h + 0100h × m (m = 4 to 7)  
 GPT32m.GTIOR 4007 8034h + 0100h × m (m = 8 to 13)

|  |       |     |     |     |     |     |     |     |     |     |     |     |     |     |     |
|--|-------|-----|-----|-----|-----|-----|-----|-----|-----|-----|-----|-----|-----|-----|-----|
| b31  | b30   | b29 | b28 | b27 | b26 | b25 | b24 | b23 | b22 | b21 | b20 | b19 | b18 | b17 | b16 |
| NFCSB[1:0]   | NFBEN | —   | —   | —   | —   | —   | —   | —   | —   | —   | —   | —   | —   | —   | —   |
| Value after reset: 0 0 0 0 0 0 0 0 0 0 0 0 0 0 0 0 |       |     |     |     |     |     |     |     |     |     |     |     |     |     |     |
| b15  | b14   | b13 | b12 | b11 | b10 | b9  | b8  | b7  | b6  | b5  | b4  | b3  | b2  | b1  | b0  |
| NFCSA[1:0]   | NFAEN | —   | —   | —   | —   | —   | —   | —   | —   | —   | —   | —   | —   | —   | —   |
| Value after reset: 0 0 0 0 0 0 0 0 0 0 0 0 0 0 0 0 |       |     |     |     |     |     |     |     |     |     |     |     |     |     |     |

| Bit        | Symbol     | Bit name  | Description   | R/W |
|------------|------------|---|---|-----|
| b4 to b0   | GTIOA[4:0] | GTIOCA Pin Function Select                        | See <a href="#">Table 23.5</a> .  | R/W |
| b5         | —          | Reserved  | This bit is read as 0. The write value should be 0.   | R/W |
| b6         | OADFLT     | GTIOCA Pin Output Value Setting at the Count Stop | 0: The GTIOCA pin outputs low when counting stops<br>1: The GTIOCA pin outputs high when counting stops.  | R/W |
| b7         | OAHL D     | GTIOCA Pin Output Setting at the Start/Stop Count | 0: The GTIOCA pin output level at the start/stop of counting depends on the register setting<br>1: The GTIOCA pin output level is retained at the start/stop of counting.                           | R/W |
| b8         | OAE        | GTIOCA Pin Output Enable                          | 0: Output is disabled<br>1: Output is enabled.  | R/W |
| b10, b9    | OADF[1:0]  | GTIOCA Pin Disable Value Setting                  | b10 b9<br>0 0: Output disable is prohibited<br>0 1: GTIOCA pin is set to Hi-Z on output disable<br>1 0: Set GTIOCA pin to 0 on output disable<br>1 1: Set GTIOCA pin to 1 on output disable.        | R/W |
| b12, b11   | —          | Reserved  | These bits are read as 0. The write value should be 0.  | R/W |
| b13        | NFAEN      | Noise Filter A Enable                             | 0: The noise filter for the GTIOCA pin is disabled<br>1: The noise filter for the GTIOCA pin is enabled.  | R/W |
| b15, b14   | NFCSA[1:0] | Noise Filter A Sampling Clock Select              | b15 b14<br>0 0: PCLKD/1<br>0 1: PCLKD/4<br>1 0: PCLKD/16<br>1 1: PCLKD/64.  | R/W |
| b20 to b16 | GTIOB[4:0] | GTIOCB Pin Function Select                        | See <a href="#">Table 23.5</a> .  | R/W |
| b21        | —          | Reserved  | This bit is read as 0. The write value should be 0.   | R/W |
| b22        | OBDFLT     | GTIOCB Pin Output Value Setting at the Count Stop | 0: The GTIOCB pin outputs low when counting stops<br>1: The GTIOCB pin outputs high when counting stops.  | R/W |
| b23        | OBHL D     | GTIOCB Pin Output Setting at the Start/Stop Count | 0: The GTIOCB pin output level at the start/stop of counting depends on the register setting<br>1: The GTIOCB pin output level is retained at the start/stop of counting.                           | R/W |
| b24        | OBE        | GTIOCB Pin Output Enable                          | 0: Output is disabled<br>1: Output is enabled.  | R/W |
| b26, b25   | OBDF[1:0]  | GTIOCB Pin Disable Value Setting                  | b26 b25<br>0 0: Output disable is prohibited<br>0 1: GTIOCB pin is set to Hi-Z on output disable<br>1 0: GTIOCB pin is set to 0 on output disable<br>1 1: GTIOCB pin is set to 1 on output disable. | R/W |
| b28, b27   | —          | Reserved  | These bits are read as 0. The write value should be 0.  | R/W |
| b29        | NFBEN      | Noise Filter B Enable                             | 0: Noise filter for GTIOCB pin is disabled<br>1: Noise filter for GTIOCB pin is enabled.  | R/W |

| Bit      | Symbol     | Bit name                             | Description  | R/W |
|----------|------------|--------------------------------------|--|-----|
| b31, b30 | NFCSB[1:0] | Noise Filter B Sampling Clock Select | b31 b30<br>0 0: PCLKD/1<br>0 1: PCLKD/4<br>1 0: PCLKD/16<br>1 1: PCLKD/64. | R/W |

The GTIOR register sets the functions of the GTIOCA and GTIOCB pins.

#### GTIOA[4:0] bits (GTIOCA Pin Function Select)

The GTIOA[4:0] bits select the GTIOCA pin function. For details, see [Table 23.5](#).

#### OADFLT bit (GTIOCA Pin Output Value Setting at the Count Stop)

The OADFLT bit selects whether the GTIOCA pin outputs high or low when counting stops.

#### OAHLD bit (GTIOCA Pin Output Setting at the Start/Stop Count)

The OAHLD bit specifies whether the GTIOCA pin output level is retained or the level at the start/stop of counting depends on the register setting.

When the OAHLD bit is set to 0:

- The value specified in bit [4] of the GTIOA[4:0] bits is output when counting starts
- The value specified in the OADFLT bit is output when counting stops
- If the OADFLT bit is modified while counting stops, the new value is immediately reflected in the output.

When the OAHLD bit is set to 1:

- The output is retained when counting starts or stops.

#### OAE bit (GTIOCA Pin Output Enable)

The OAE bit disables or enables the GTIOCA pin output.

When GTCCRA register is used as the input capture register (at least one bit in the GTICASR register is set to 1), the GTIOCA pin does not output regardless of the OAE bit value.

#### OADF[1:0] bits (GTIOCA Pin Disable Value Setting)

The OADF[1:0] bits select the output value of GTIOCA pin when an output disable request occurs.

#### NFAEN bit (Noise Filter A Enable)

The NFAEN bit disables or enables the noise filter for input from the GTIOCA pin. Because changing the value of the bit might lead to internal generation of an unexpected edge, select the output compare function for the relevant pin in the GTIOR register before doing so.

#### NFCSA[1:0] bits (Noise Filter A Sampling Clock Select)

The NFCSA[1:0] bits set the sampling interval for the noise filter of the GTIOCA pin. When setting these bits, wait for 2 cycles of the selected sampling interval before setting the input capture function.

#### GTIOB[4:0] bits (GTIOCB Pin Function Select)

The GTIOB[4:0] bits select the GTIOCB pin function. For details, see [Table 23.5](#).

#### OBDFLT bit (GTIOCB Pin Output Value Setting at the Count Stop)

The OBDFLT bit sets whether the GTIOCB pin outputs high or low when counting stops.

#### OBHLD bit (GTIOCB Pin Output Setting at the Start/Stop Count)

The OBHLD bit specifies whether the GTIOCB pin output level is retained or the level at the start/stop of counting depends on the register setting.

When the OBHLD bit is set to 0:

- The value specified in bit [4] of the GTIOB[4:0] bits is output when counting starts
- The value specified in the OBDFLT bit is output when counting stops
- If the OBDFLT bit is modified while counting stops, the new value is immediately reflected in the output.

When the OBHLD bit is set to 1:

- The output is retained when counting starts or stops.

#### OBE bit (GTIOCB Pin Output Enable)

The OBE bit disables or enables the GTIOCB pin output.

When GTCCRB register is used as the input capture register (at least one bit in GTICBSR register is set to 1), the GTIOCB pin does not output regardless of the OBE bit value.

#### OBDF[1:0] bits (GTIOCB Pin Disable Value Setting)

The OBDF[1:0] bits select the output value of GTIOCB pin when an output disable request occurs.

#### NFBEN bit (Noise Filter B Enable)

The NFBEN bit disables or enables the noise filter for input from the GTIOCB pin. Because changing the value of the bit might lead to the internal generation of an unexpected edge, select the output compare function for the relevant pin in the GTIOR register before doing so.

#### NFCSB[1:0] bits (Noise Filter B Sampling Clock Select)

The NFCSB[1:0] bits set the sampling interval for the noise filter of the GTIOCB pin. When setting these bits, wait for 2 cycles of the selected sampling interval before setting the input capture function.

**Table 23.5 Settings of GTIOA[4:0] and GTIOB[4:0] bits (1 of 2)**

| GTIOA/GTIOB[4:0] bits |    |    |    |    | Function                    |                              |  |
|-----------------------|----|----|----|----|-----------------------------|------------------------------|--|
| b4                    | b3 | b2 | b1 | b0 | b4                          | b3, b2                       | b1, b0   |
| 0                     | 0  | 0  | 0  | 0  | Initial output is low       | Output retained at cycle end | Output retained at GTCCRA/GTCCRB compare match |
| 0                     | 0  | 0  | 0  | 1  |                             |                              | Low output at GTCCRA/GTCCRB compare match      |
| 0                     | 0  | 0  | 1  | 0  |                             |                              | High output at GTCCRA/GTCCRB compare match     |
| 0                     | 0  | 0  | 1  | 1  |                             |                              | Output toggled at GTCCRA/GTCCRB compare match  |
| 0                     | 0  | 1  | 0  | 0  | Low output at cycle end     | Low output at cycle end      | Output retained at GTCCRA/GTCCRB compare match |
| 0                     | 0  | 1  | 0  | 1  |                             |                              | Low output at GTCCRA/GTCCRB compare match      |
| 0                     | 0  | 1  | 1  | 0  |                             |                              | High output at GTCCRA/GTCCRB compare match     |
| 0                     | 0  | 1  | 1  | 1  |                             |                              | Output toggled at GTCCRA/GTCCRB compare match  |
| 0                     | 1  | 0  | 0  | 0  | High output at cycle end    | High output at cycle end     | Output retained at GTCCRA/GTCCRB compare match |
| 0                     | 1  | 0  | 0  | 1  |                             |                              | Low output at GTCCRA/GTCCRB compare match      |
| 0                     | 1  | 0  | 1  | 0  |                             |                              | High output at GTCCRA/GTCCRB compare match     |
| 0                     | 1  | 0  | 1  | 1  |                             |                              | Output toggled at GTCCRA/GTCCRB compare match  |
| 0                     | 1  | 1  | 0  | 0  | Output toggled at cycle end | Output toggled at cycle end  | Output retained at GTCCRA/GTCCRB compare match |
| 0                     | 1  | 1  | 0  | 1  |                             |                              | Low output at GTCCRA/GTCCRB compare match      |
| 0                     | 1  | 1  | 1  | 0  |                             |                              | High output at GTCCRA/GTCCRB compare match     |
| 0                     | 1  | 1  | 1  | 1  |                             |                              | Output toggled at GTCCRA/GTCCRB compare match  |

**Table 23.5 Settings of GTIOA[4:0] and GTIOB[4:0] bits (2 of 2)**

| GTIOA/GTIOB[4:0] bits |    |    |    |    | Function                   |                            |  |
|-----------------------|----|----|----|----|----------------------------|----------------------------|--|
| b4                    | b3 | b2 | b1 | b0 | b4                         | b3, b2                     | b1, b0   |
| 1                     | 0  | 0  | 0  | 0  | Set initial output high    | Retain output at cycle end | Output retained at GTCCRA/GTCCRB compare match |
| 1                     | 0  | 0  | 0  | 1  |                            |                            | Low output at GTCCRA/GTCCRB compare match      |
| 1                     | 0  | 0  | 1  | 0  |                            |                            | High output at GTCCRA/GTCCRB compare match     |
| 1                     | 0  | 0  | 1  | 1  |                            |                            | Output toggled at GTCCRA/GTCCRB compare match  |
| 1                     | 0  | 1  | 0  | 0  | Output low at cycle end    | Output low at cycle end    | Output retained at GTCCRA/GTCCRB compare match |
| 1                     | 0  | 1  | 0  | 1  |                            |                            | Low output at GTCCRA/GTCCRB compare match      |
| 1                     | 0  | 1  | 1  | 0  |                            |                            | High output at GTCCRA/GTCCRB compare match     |
| 1                     | 0  | 1  | 1  | 1  |                            |                            | Output toggled at GTCCRA/GTCCRB compare match  |
| 1                     | 1  | 0  | 0  | 0  | Output high at cycle end   | Output high at cycle end   | Output retained at GTCCRA/GTCCRB compare match |
| 1                     | 1  | 0  | 0  | 1  |                            |                            | Low output at GTCCRA/GTCCRB compare match      |
| 1                     | 1  | 0  | 1  | 0  |                            |                            | High output at GTCCRA/GTCCRB compare match     |
| 1                     | 1  | 0  | 1  | 1  |                            |                            | Output toggled at GTCCRA/GTCCRB compare match  |
| 1                     | 1  | 1  | 0  | 0  | Toggle output at cycle end | Toggle output at cycle end | Output retained at GTCCRA/GTCCRB compare match |
| 1                     | 1  | 1  | 0  | 1  |                            |                            | Low output at GTCCRA/GTCCRB compare match      |
| 1                     | 1  | 1  | 1  | 0  |                            |                            | High output at GTCCRA/GTCCRB compare match     |
| 1                     | 1  | 1  | 1  | 1  |                            |                            | Output toggled at GTCCRA/GTCCRB compare match  |

- Note 1. The cycle end means an overflow (GTCNT changes from GTPR to 0 in up-counting) or underflow (GTCNT changes from 0 to GTPR in down-counting). The GTCNT counter is cleared for saw waves and for the trough (GTCNT changes from 0 to 1) for triangle waves.
- Note 2. When the timing of a cycle end and the timing of a GTCCRA/GTCCRB compare match are the same in a compare-match operation, the b3 and b2 settings are given priority in saw-wave PWM mode, and the b1 and b0 settings are given priority in any other mode.
- Note 3. In event count operation where at least one bit in GTUPSR or GTDNSR is set to 1, the setting of b3 and b2 is ignored.

## 23.2.15 General PWM Timer Interrupt Output Setting Register (GTINTAD)

Address(es): GPT32EHm.GTINTAD 4007 8038h + 0100h × m (m = 0 to 3)  
 GPT32Em.GTINTAD 4007 8038h + 0100h × m (m = 4 to 7)  
 GPT32m.GTINTAD 4007 8038h + 0100h × m (m = 8 to 13)

## • GPT32EH, GPT32E

|                    |     |        |        |        |     |     |          |     |     |     |     |          |          |          |          |     |
|--------------------|-----|--------|--------|--------|-----|-----|----------|-----|-----|-----|-----|----------|----------|----------|----------|-----|
|                    | b31 | b30    | b29    | b28    | b27 | b26 | b25      | b24 | b23 | b22 | b21 | b20      | b19      | b18      | b17      | b16 |
|                    | —   | GRPABL | GRPABH | GRPDTE | —   | —   | GRP[1:0] | —   | —   | —   | —   | ADTRBDEN | ADTRBUEN | ADTRADEN | ADTRAUEN |     |
| Value after reset: | 0   | 0      | 0      | 0      | 0   | 0   | 0        | 0   | 0   | 0   | 0   | 0        | 0        | 0        | 0        | 0   |
|                    | b15 | b14    | b13    | b12    | b11 | b10 | b9       | b8  | b7  | b6  | b5  | b4       | b3       | b2       | b1       | b0  |
|                    | —   | —      | —      | —      | —   | —   | —        | —   | —   | —   | —   | —        | —        | —        | —        | —   |
| Value after reset: | 0   | 0      | 0      | 0      | 0   | 0   | 0        | 0   | 0   | 0   | 0   | 0        | 0        | 0        | 0        | 0   |

## • GPT32

|                    |     |        |        |     |     |     |          |     |     |     |     |     |     |     |     |     |
|--------------------|-----|--------|--------|-----|-----|-----|----------|-----|-----|-----|-----|-----|-----|-----|-----|-----|
|                    | b31 | b30    | b29    | b28 | b27 | b26 | b25      | b24 | b23 | b22 | b21 | b20 | b19 | b18 | b17 | b16 |
|                    | —   | GRPABL | GRPABH | —   | —   | —   | GRP[1:0] | —   | —   | —   | —   | —   | —   | —   | —   | —   |
| Value after reset: | 0   | 0      | 0      | 0   | 0   | 0   | 0        | 0   | 0   | 0   | 0   | 0   | 0   | 0   | 0   | 0   |
|                    | b15 | b14    | b13    | b12 | b11 | b10 | b9       | b8  | b7  | b6  | b5  | b4  | b3  | b2  | b1  | b0  |
|                    | —   | —      | —      | —   | —   | —   | —        | —   | —   | —   | —   | —   | —   | —   | —   | —   |
| Value after reset: | 0   | 0      | 0      | 0   | 0   | 0   | 0        | 0   | 0   | 0   | 0   | 0   | 0   | 0   | 0   | 0   |

| Bit        | Symbol   | Bit name   | Description  | R/W |
|------------|----------|--|--|-----|
| b15 to b0  | —        | Reserved   | These bits are read as 0. The write value should be 0.   | R/W |
| b16        | ADTRAUEN | GTADTRA Compare Match (Up-Counting) A/D Converter Start Request Enable   | 0: A/D converter start request disabled<br>1: A/D converter start request enabled.   | R/W |
| b17        | ADTRADEN | GTADTRA Compare Match (Down-Counting) A/D Converter Start Request Enable | 0: A/D converter start request disabled<br>1: A/D converter start request enabled.   | R/W |
| b18        | ADTRBUEN | GTADTRB Compare Match (Up-Counting) A/D Converter Start Request Enable   | 0: A/D converter start request disabled<br>1: A/D converter start request enabled.   | R/W |
| b19        | ADTRBDEN | GTADTRB Compare Match (Down-Counting) A/D Converter Start Request Enable | 0: A/D converter start request disabled<br>1: A/D converter start request enabled.   | R/W |
| b23 to b20 | —        | Reserved   | These bits are read as 0. The write value should be 0.   | R/W |
| b25, b24   | GRP[1:0] | Output Disable Source Select   | b25 b24<br>0 0: Group A output disable request<br>0 1: Group B output disable request<br>1 0: Group C output disable request<br>1 1: Group D output disable request. | R/W |
| b27, b26   | —        | Reserved   | These bits are read as 0. The write value should be 0.   | R/W |
| b28        | GRPDTE   | Dead Time Error Output Disable Request Enable                            | 0: Dead time error output disable request disabled<br>1: Dead time error output disable request enabled.   | R/W |
| b29        | GRPABH   | Same Time Output Level High Disable Request Enable                       | 0: Same time output level high disable request disabled<br>1: Same time output level high disable request enabled.   | R/W |
| b30        | GRPABL   | Same Time Output Level Low Disable Request Enable                        | 0: Same time output level low disable request disabled<br>1: Same time output level low disable request enabled.   | R/W |

| Bit | Symbol | Bit name | Description   | R/W |
|-----|--------|----------|---|-----|
| b31 | —      | Reserved | This bit is read as 0. The write value should be 0. | R/W |

The GTINTAD enables or disables interrupt requests, A/D converter start requests, and output disable requests.

#### **ADTRAUEN bit (GTADTRA Compare Match (Up-Counting) A/D Converter Start Request Enable)**

The ADTRAUEN bit enables or disables A/D converter start requests generated by GTADTRA compare matches during GTCNT up-counting. Only GPT32EH and GPT32E have this bit. GPT32 does not have this bit.

#### **ADTRADEN bit (GTADTRA Compare Match (Down-Counting) A/D Converter Start Request Enable)**

The ADTRADEN bit enables or disables A/D converter start requests generated by GTADTRA compare matches during GTCNT down-counting. Only GPT32EH and GPT32E have this bit. GPT32 does not have this bit.

#### **ADTRBUEN bit (GTADTRB Compare Match (Up-Counting) A/D Converter Start Request Enable)**

The ADTRBUEN bit enables or disables A/D converter start requests generated by GTADTRB compare matches during GTCNT up-counting. Only GPT32EH and GPT32E have this bit. GPT32 does not have this bit.

#### **ADTRBDEN bit (GTADTRB Compare Match (Down-Counting) A/D Converter Start Request Enable)**

The ADTRBDEN bit enables or disables A/D converter start requests generated by GTADTRB compare matches during GTCNT down-counting. Only GPT32EH and GPT32E have this bit. GPT32 does not have this bit.

#### **GRP[1:0] bits (Output Disable Source Select)**

The GRP[1:0] bits select GTIOCA pin and GTIOCB pin output disable source. The output disable request to POEG outputs to the group that is selected with GRP[1:0] bits when dead time error, same time output level high, or same time output level low occurs based on the output disable request enable bit.

GTST.ODF shows the request of output disable source group that is selected with the GRP[1:0] bits. Set the GRP[1:0] bits when both GTIOR.OAE and GTIOR.OBE are 0.

#### **GRPDTE bit (Dead Time Error Output Disable Request Enable)**

The GRPDTE bit enables or disables dead time error output disable request. Only GPT32EH and GPT32E have this bit. GPT32 does not have this bit.

#### **GRPABH bit (Same Time Output Level High Disable Request Enable)**

The GRPABH bit enables or disables output disable request when the GTIOCA and GTIOCB pins output 1 at the same time.

#### **GRPABL bit (Same Time Output Level Low Disable Request Enable)**

The GRPABL bit enables or disables output disable request when the GTIOCA and GTIOCB pins output 0 at the same time.



## 23.2.16 General PWM Timer Status Register (GTST)

Address(es): GPT32EHm.GTST 4007 803Ch + 0100h × m (m = 0 to 3)  
 GPT32Em.GTST 4007 803Ch + 0100h × m (m = 4 to 7)  
 GPT32m.GTST 4007 803Ch + 0100h × m (m = 8 to 13)

## • GPT32EH, GPT32E

|                    |       |       |      |     |            |     |       |       |      |      |      |             |             |             |             |
|--------------------|-------|-------|------|-----|------------|-----|-------|-------|------|------|------|-------------|-------------|-------------|-------------|
| b31                | b30   | b29   | b28  | b27 | b26        | b25 | b24   | b23   | b22  | b21  | b20  | b19         | b18         | b17         | b16         |
| —                  | OABLF | OABHF | DTEF | —   | —          | —   | ODF   | —     | —    | —    | —    | ADTRB<br>DF | ADTRB<br>UF | ADTRA<br>DF | ADTRA<br>UF |
| Value after reset: | 0     | 0     | 0    | 0   | 0          | 0   | 0     | 0     | 0    | 0    | 0    | 0           | 0           | 0           | 0           |
| b15                | b14   | b13   | b12  | b11 | b10        | b9  | b8    | b7    | b6   | b5   | b4   | b3          | b2          | b1          | b0          |
| TUCF               | —     | —     | —    | —   | ITCNT[2:0] |     | TCFPU | TCFPO | TCFF | TCFE | TCFD | TCFC        | TCFB        | TCFA        |             |
| Value after reset: | 1     | 0     | 0    | 0   | 0          | 0   | 0     | 0     | 0    | 0    | 0    | 0           | 0           | 0           | 0           |

## • GPT32

|                    |       |       |     |     |     |     |     |       |       |      |      |      |      |      |      |
|--------------------|-------|-------|-----|-----|-----|-----|-----|-------|-------|------|------|------|------|------|------|
| b31                | b30   | b29   | b28 | b27 | b26 | b25 | b24 | b23   | b22   | b21  | b20  | b19  | b18  | b17  | b16  |
| —                  | OABLF | OABHF | —   | —   | —   | —   | ODF | —     | —     | —    | —    | —    | —    | —    | —    |
| Value after reset: | 0     | 0     | 0   | 0   | 0   | 0   | 0   | 0     | 0     | 0    | 0    | 0    | 0    | 0    | 0    |
| b15                | b14   | b13   | b12 | b11 | b10 | b9  | b8  | b7    | b6    | b5   | b4   | b3   | b2   | b1   | b0   |
| TUCF               | —     | —     | —   | —   | —   | —   | —   | TCFPU | TCFPO | TCFF | TCFE | TCFD | TCFC | TCFB | TCFA |
| Value after reset: | 1     | 0     | 0   | 0   | 0   | 0   | 0   | 0     | 0     | 0    | 0    | 0    | 0    | 0    | 0    |

| Bit        | Symbol     | Bit name   | Description   | R/W     |
|------------|------------|--|---|---------|
| b0         | TCFA       | Input Capture/Compare Match Flag A   | 0: No input capture/compare match of GTCCRA is generated<br>1: An input capture/compare match of GTCCRA is generated. | R/(W)*1 |
| b1         | TCFB       | Input Capture/Compare Match Flag B   | 0: No input capture/compare match of GTCCRB is generated<br>1: An input capture/compare match of GTCCRB is generated. | R/(W)*1 |
| b2         | TCFC       | Input Compare Match Flag C   | 0: No compare match of GTCCRC is generated<br>1: A compare match of GTCCRC is generated.                              | R/(W)*1 |
| b3         | TCFD       | Input Compare Match Flag D   | 0: No compare match of GTCCRD is generated<br>1: A compare match of GTCCRD is generated.                              | R/(W)*1 |
| b4         | TCFE       | Input Compare Match Flag E   | 0: No compare match of GTCCRE is generated<br>1: A compare match of GTCCRE is generated.                              | R/(W)*1 |
| b5         | TCFF       | Input Compare Match Flag F   | 0: No compare match of GTCCRF is generated<br>1: A compare match of GTCCRF is generated.                              | R/(W)*1 |
| b6         | TCFPO      | Overflow Flag  | 0: No overflow (crest) occurred<br>1: An overflow (crest) occurred.   | R/(W)*1 |
| b7         | TCFPU      | Underflow Flag   | 0: No underflow (trough) occurred<br>1: An underflow (trough) occurred.   | R/(W)*1 |
| b10 to b8  | ITCNT[2:0] | GPTn_OVF/GPTn_UDF<br>Interrupt Skipping Count<br>Counter                     | Counter for counting the number of times a timer interrupt is<br>skipped  | R       |
| b14 to b11 | —          | Reserved   | These bits are read as 0. The write value should be 0.  | R/W     |
| b15        | TUCF       | Count Direction Flag   | 0: GTCNT counter counts downward<br>1: GTCNT counter counts upward.   | R       |
| b16        | ADTRAUF    | GTADTRA Compare Match<br>(Up-Counting) A/D Converter<br>Start Request Flag   | 0: No compare match of GTADTRA at up-counting occurred<br>1: A compare match of GTADTRA at up-counting occurred.      | R/(W)*1 |
| b17        | ADTRADF    | GTADTRA Compare Match<br>(Down-Counting) A/D<br>Converter Start Request Flag | 0: No compare match of GTADTRA at down-counting occurred<br>1: A compare match of GTADTRA at down-counting occurred.  | R/(W)*1 |

| Bit        | Symbol  | Bit name   | Description  | R/W     |
|------------|---------|--|--|---------|
| b18        | ADTRBUF | GTADTRB Compare Match (Up-Counting) A/D Converter Start Request Flag   | 0: No compare match of GTADTRB at up-counting occurred<br>1: A compare match of GTADTRB at up-counting occurred.     | R/(W)*1 |
| b19        | ADTRBDF | GTADTRB Compare Match (Down-Counting) A/D Converter Start Request Flag | 0: No compare match of GTADTRB at down-counting occurred<br>1: A compare match of GTADTRB at down-counting occurred. | R/(W)*1 |
| b23 to b20 | —       | Reserved   | These bits are read as 0. The write value should be 0.   | R/W     |
| b24        | ODF     | Output Disable Flag  | 0: No output disable request is generated<br>1: An output disable request is generated.                              | R       |
| b27 to b25 | —       | Reserved   | These bits are read as 0. The write value should be 0.   | R/W     |
| b28        | DTEF    | Dead Time Error Flag   | 0: No dead time error occurred<br>1: Dead time error occurred.   | R       |
| b29        | OABHF   | Same Time Output Level High Flag                                       | 0: GTIOCA and GTIOCB pins do not output 1 at the same time<br>1: GTIOCA and GTIOCB pins output 1 at the same time.   | R       |
| b30        | OABLF   | Same Time Output Level Low Flag  | 0: GTIOCA and GTIOCB pins do not output 0 at the same time<br>1: GTIOCA and GTIOCB pins output 0 at the same time.   | R       |
| b31        | —       | Reserved   | This bit is read as 0. The write value should be 0.  | R/W     |

Note 1. Only 0 can be written to this bit. Do not write 1.

The GTST register indicates the status of the GPT.

#### TCFA flag (Input Capture/Compare Match Flag A)

TCFA is the status flag for the input capture or compare match of GTCCRA.

[Setting conditions]

- GTCNT = GTCCRA when the GTCCRA register functions as a compare match register
- GTCNT counter value is transferred to GTCCRA by the input capture signal when the GTCCRA register functions as an input capture register.

[Clearing condition]

- 0 is written to this flag.

#### TCFB flag (Input Capture/Compare Match Flag B)

TCFB is the status flag for the input capture or compare match of GTCCRB.

[Setting conditions]

- GTCNT = GTCCRB when the GTCCRB register functions as a compare match register
- GTCNT counter value is transferred to GTCCRB by the input capture signal when the GTCCRB register function as an input capture register.

[Clearing condition]

- 0 is written to this flag.

#### TCFC flag (Input Compare Match Flag C)

TCFC is the status flag for the compare match of GTCCRC.

[Setting condition]

- GTCNT = GTCCRC

[Clearing condition]

- 0 is written to this flag.

[Not comparing condition]

- GTCR.MD[2:0] = 001b (saw-wave one-shot pulse mode)

- GTCR.MD[2:0] = 110b (triangle-wave PWM mode 3)
- GTBER.CCRA[1:0] = 01b, 10b, 11b (GTCCRC performs buffer operation).

#### TCFD flag (Input Compare Match Flag D)

TCFD is the status flag for the compare match of GTCCRD.

[Setting condition]

- GTCNT = GTCCRD

[Clearing condition]

- 0 is written to this flag.

[Not comparing condition]

- GTCR.MD[2:0] = 001b (saw-wave one-shot pulse mode)
- GTCR.MD[2:0] = 110b (triangle-wave PWM mode 3)
- GTBER.CCRA[1:0] = 10b, 11b (GTCCRD performs buffer operation).

#### TCFE flag (Input Compare Match Flag E)

TCFE is the status flag for the compare match of GTCCRE.

[Setting condition]

- GTCNT = GTCCRE

[Clearing condition]

- 0 is written to this flag.

[Not comparing condition]

- GTCR.MD[2:0] = 001b (saw-wave one-shot pulse mode)
- GTCR.MD[2:0] = 110b (triangle-wave PWM mode 3)
- GTBER.CCRB[1:0] = 01b, 10b, 11b (GTCCRE performs buffer operation).

#### TCFF flag (Input Compare Match Flag F)

TCFF is the status flag for the compare match of GTCCRF.

[Setting condition]

- GTCNT = GTCCRF

[Clearing condition]

- 0 is written to this flag.

[Not comparing condition]

- GTCR.MD[2:0] = 001b (saw-wave one-shot pulse mode)
- GTCR.MD[2:0] = 110b (triangle-wave PWM mode 3)
- GTBER.CCRB[1:0] = 10b, 11b (GTCCRF performs buffer operation).

#### TCFPO flag (Overflow Flag)

The TCFPO flag indicates when an overflow or a crest has occurred.

[Setting conditions]

- In saw-wave mode, an overflow (GTCNT changes from GTPR to 0 in up-counting) has occurred
- In triangle-wave mode, a crest (GTCNT changes from GTPR to GTPR-1) has occurred
- In counting by hardware sources, an overflow (GTCNT changes from GTPR to 0 in up-counting) has occurred.

[Clearing condition]

- 0 is written to this flag.

### TCFPU flag (Underflow Flag)

The TCFPU flag indicates when an underflow or a trough has occurred.

[Setting conditions]

- In saw-wave mode, an underflow (GTCNT changes from 0 to GTPR in down-counting) has occurred
- In triangle-wave mode, a trough (GTCNT changes from 0 to 1) has occurred
- In counting by hardware sources, an underflow (GTCNT changes from 0 to GTPR in down-counting) has occurred.

[Clearing condition]

- 0 is written to this flag.

### ITCNT[2:0] bits (GPTn\_OVF/GPTn\_UDF Interrupt Skipping Count Counter)

When the GPTn\_OVF/GPTn\_UDF (n = 0 to 7) interrupt skipping function is used (the GTITC.IVTC[1:0] bits are set to a value other than 00b), the counter in the ITCNT[2:0] bits increments by 1 every time the GPTn\_OVF/GPTn\_UDF interrupt source that is selected in GTITC.IVTC[1:0] is generated.

Only GPT32EH and GPT32E have these bits. GPT32 does not have these bits.

[Clearing conditions]

- The GPTn\_OVF/GPTn\_UDF interrupt skipping function is not used (GTITC.IVTT[2:0] is 000b when GTITC.IVTC[1:0] is 00b)
- The GPTn\_OVF/GPTn\_UDF interrupt skipping count matches the specified count (ITCNT[2:0] matches the skipping count specified in GTITC.IVTT[2:0]).

### TUCF flag (Count Direction Flag)

The TUCF flag indicates the count direction of GTCNT. In event count operation, this flag is set to 1 in up-counting and to 0 in down-counting.

### ADTRAUF flag (GTADTRA Compare Match (Up-Counting) A/D Converter Start Request Flag)

ADTRAUF is the status flag for the compare match of GTADTRA at up-counting.

[Setting condition]

- GTCNT = GTADTRA at up-counting.

[Clearing condition]

- 0 is written to this flag.

### ADTRADF flag (GTADTRA Compare Match (Down-Counting) A/D Converter Start Request Flag)

ADTRADF is the status flag for the compare match of GTADTRA at down-counting.

[Setting condition]

- GTCNT = GTADTRA at down-counting.

[Clearing condition]

- 0 is written to this flag.

### ADTRBUF flag (GTADTRB Compare Match (Up-Counting) A/D Converter Start Request Flag)

ADTRBUF is the status flag for the compare match of GTADTRB at up-counting.

[Setting condition]

- GTCNT = GTADTRB at up-counting.

[Clearing condition]

- 0 is written to this flag.

#### **ADTRBDF flag (GTADTRB Compare Match (Down-Counting) A/D Converter Start Request Flag)**

ADTRBDF is the status flag for the compare match of GTADTRB at down-counting.

[Setting condition]

- $GTCNT = GTADTRB$  at down-counting.

[Clearing condition]

- 0 is written to this bit.

#### **ODF flag (Output Disable Flag)**

The ODF flag shows the request of the output disable source group that is selected in the GRP[1:0] bits. When output is disabled, an output disable control is not released within the same cycle in which an output disable request is negated. It is released in the next cycle.

#### **DTEF flag (Dead Time Error Flag)**

The DTEF flag indicates that the timer output toggle point after the automatic addition of dead time has exceeded the timer cycle.

DTEF returns to 0 when the timer output toggle point after the automatic addition of dead time is within the timer cycle. DTEF is read-only. Writing 0 to clear the flag is not allowed.

[Setting condition]

- The timer output toggle point after the automatic addition of dead time has exceeded the timer cycle.  
For triangle wave in up-counting:  $GTCCRA - GTDVU \leq 0$   
For triangle wave in down-counting:  $GTCCRA - GTDVD < 0$   
For saw-wave one-shot pulse mode in up-counting:  
 $GTCCRA - GTDVU < 0$  or  $GTCCRA + GTDVD > GTPR$   
For saw-wave one-shot pulse mode in down-counting:  
 $GTCCRA + GTDVU > GTPR$  or  $GTCCRA - GTDVD < 0$

[Clearing condition]

- The timer output toggle point after the automatic addition of dead time is within the timer cycle.  
Only GPT32EH and GPT32E have this flag. GPT32 does not have this flag.  
GPT32 has the automatic dead time setting function but it does not generate dead time error.

#### **OABHF flag (Same Time Output Level High Flag)**

The OABHF flag indicates that the GTIOCA and the GTIOCB pins output 1 at the same time.

When the GTIOCA or GTIOCB pin outputs 0, OABHF returns to 0. OABHF is read-only. Writing 0 to clear the flag is not allowed. When an interrupt by the OABHF flag is enabled ( $GTINTAD.GRPABH = 1$ ), the OABHF flag is output to the POEG as an output disable request.

[Setting condition]

- GTIOCA and GTIOCB pins output 1 at the same time when both the OAE and OBE bits are set to 1.

[Clearing conditions]

- GTIOCA pin output value is different from GTIOCB pin output value when both the OAE and OBE bits are set to 1
- GTIOCA and GTIOCB pins output 0 at the same time when both the OAE and OBE bits are set to 1
- Either the OAE bit or OBE bit is set to 0.

#### **OABLF flag (Same Time Output Level Low Flag)**

The OABLF flag indicates that the GTIOCA and GTIOCB pins output 0 at the same time.

When the GTIOCA pin or GTIOCB pin outputs 1, OABLF returns to 0. OABLF is read-only. Writing 0 to clear the flag is not allowed. When an interrupt by the OABLF flag is enabled ( $GTINTAD.GRPABL = 1$ ), the OABLF flag is output to

the POEG as an output disable request.

[Setting condition]

- The GTIOCA and GTIOCB pins output 0 at the same time when both the OAE and OBE bits are set to 1.

[Clearing conditions]

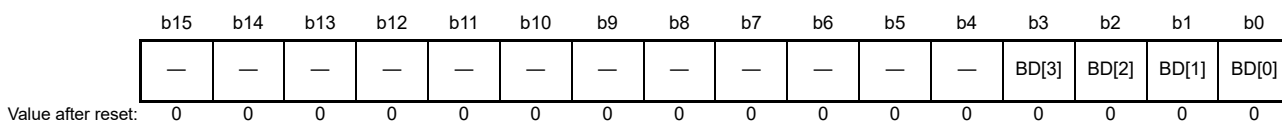
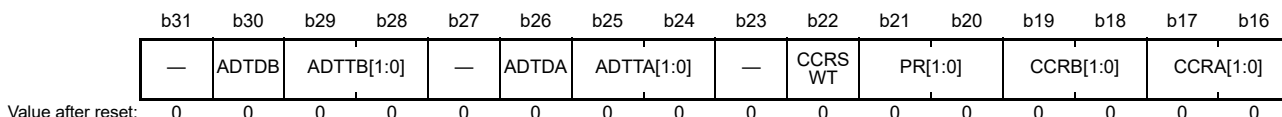
- The GTIOCA pin output value is different from GTIOCB pin output value when both the OAE and OBE bits are set to 1
- The GTIOCA and GTIOCB pins output 1 at the same time when both the OAE and OBE bits are set to 1
- Either the OAE bit or OBE bit is set to 0.

The compare-target signals to generate the OABHF/OABLF flag are the compare match outputs (PWM outputs) signals before they are masked by the output disable function. When the output disable state is active, a compare match is performed continuously in the GPT and the OABHF/OABLF flag is updated in association with the result of the compared value.

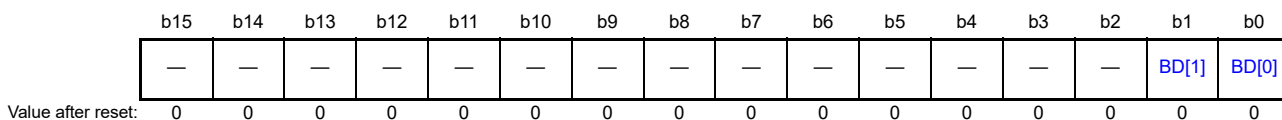
### 23.2.17 General PWM Timer Buffer Enable Register (GTBER)

Address(es): GPT32EHm.GTBER 4007 8040h + 0100h × m (m = 0 to 3)  
 GPT32Em.GTBER 4007 8040h + 0100h × m (m = 4 to 7)  
 GPT32m.GTBER 4007 8040h + 0100h × m (m = 8 to 13)

- GPT32EH, GPT32E



- GPT32



| Bit       | Symbol    | Bit name                        | Description   | R/W |
|-----------|-----------|---------------------------------|---|-----|
| b0        | BD[0]     | GTCCR Buffer Operation Disable  | 0: Buffer operation is enabled<br>1: Buffer operation is disabled.  | R/W |
| b1        | BD[1]     | GTPR Buffer Operation Disable   |   | R/W |
| b2        | BD[2]     | GTADTR Buffer Operation Disable |   | R/W |
| b3        | BD[3]     | GTDV Buffer Operation Disable   |   | R/W |
| b15 to b4 | —         | Reserved                        | These bits are read as 0. The write value should be 0.  | R/W |
| b17, b16  | CCRA[1:0] | GTCCRA Buffer Operation         | b17 b16<br>0 0: No buffer operation<br>0 1: Single buffer operation (GTCCRA ↔ GTCCRC)<br>1 x: Double buffer operation (GTCCRA ↔ GTCCRC ↔ GTCCRD). | R/W |

| Bit      | Symbol     | Bit name                                    | Description   | R/W |
|----------|------------|---|---|-----|
| b19, b18 | CCRB[1:0]  | GTCCRB Buffer Operation                     | b19 b18<br>0 0: No buffer operation<br>0 1: Single buffer operation (GTCCRB ↔ GTCCRE)<br>1 x: Double buffer operation (GTCCRB ↔ GTCCRE ↔ GTCCRF).   | R/W |
| b21, b20 | PR[1:0]    | GTPR Buffer Operation                       | b21 b20<br>0 0: No buffer operation<br>0 1: Single buffer operation (GTPBR → GTPR)<br>1 x: Double buffer operation (GTPDBR → GTPBR → GTPR).   | R/W |
| b22      | CCRSWT     | GTCCRA and GTCCRB Forcible Buffer Operation | Writing 1 to this bit forces a buffer transfer of GTCCRA and GTCCRB. This bit automatically returns to 0 after 1 is written. This bit is read as 0.   | R/W |
| b23      | —          | Reserved                                    | This bit is read as 0. The write value should be 0.   | R/W |
| b25, b24 | ADTTA[1:0] | GTADTRA Buffer Transfer Timing Select       | <ul style="list-style-type: none"> <li>Triangle waves<br/>b25 b24<br/>0 0: No transfer<br/>0 1: Transfer at crest<br/>1 0: Transfer at trough<br/>1 1: Transfer at both crest and trough.</li> <li>Saw waves<br/>b25 b24<br/>0 0: No transfer<br/>Values other than 0 0: Transfer on underflow (during down-counting) or on overflow (during up-counting).</li> </ul> | R/W |
| b26      | ADTDA      | GTADTRA Double Buffer Operation             | 0: Single buffer operation (GTADTBRA → GTADTRA)<br>1: Double buffer operation (GTADTBRA → GTADTBRA → GTADTDA).  | R/W |
| b27      | —          | Reserved                                    | This bit is read as 0. The write value should be 0.   | R/W |
| b29, b28 | ADTTB[1:0] | GTADTRB Buffer Transfer Timing Select       | <ul style="list-style-type: none"> <li>Triangle waves<br/>b29 b28<br/>0 0: No transfer<br/>0 1: Transfer at crest<br/>1 0: Transfer at trough<br/>1 1: Transfer at both crest and trough.</li> <li>Saw waves<br/>b29 b28<br/>0 0: No transfer<br/>Values other than 0 0: Transfer on underflow (in down-counting) or on overflow (in up-counting).</li> </ul>         | R/W |
| b30      | ADTDB      | GTADTRB Double Buffer Operation             | 0: Single buffer operation (GTADTB RB → GTADTRB)<br>1: Double buffer operation (GTADTB RB → GTADTB RB → GTADTDRB).  | R/W |
| b31      | —          | Reserved                                    | This bit is read as 0. The write value should be 0.   | R/W |

The GTBER register provides settings for the buffer operation and must be set while the GTCNT operation is stopped.

#### BD[0] bit (GTCCR Buffer Operation Disable)

The BD[0] bit disables buffer operation using GTCCRA, GTCCRC, and GTCCRD combined and the buffer operation using GTCCRB, GTCCRE, and GTCCRF combined.

When GTDTCR.TDE is 1 and when BD [0] is set to 0, GTCCRB does not perform buffer operation and the GTCCRB register is automatically set to a compare match value for a negative-phase waveform with dead time.

#### BD[1] bit (GTPR Buffer Operation Disable)

The BD[1] bit disables buffer operation using GTPR, GTPBR, and GTPDBR combined.

#### BD[2] bit (GTADTR Buffer Operation Disable)

The BD[2] bit disables buffer operation using GTADTRA, GTADTBRA, and GTADTDBRA combined and buffer operation using GTADTRB, GTADTB RB, and GTADTDB RB combined. In event count operation, this bit is not

available and the GTADTR buffer operation is not performed. Only GPT32EH and GPT32E have this bit. GPT32 does not have this bit.

#### **BD[3] bit (GTDV Buffer Operation Disable)**

The BD[3] bit disables buffer operation using GTDVU and GTDBU combined and buffer operation using GTDVD and GTDBD combined.

When the GTDTCR.TDFER bit is set to 1, even if BD[3] is set to 0, buffer operation is not performed and the GTDVD value is set as a value of GTDVU automatically. In event count operation, this bit is not available and the GTDV buffer operation is not performed. Only GPT32EH and GPT32E have this bit. GPT32 does not have this bit.

#### **CCRA[1:0] bits (GTCCRA Buffer Operation)**

The CCRA[1:0] bits set buffer operation using GTCCRA, GTCCRC, and GTCCRD combined. When buffer operation is restricted by the operating mode set in GTCR, the GTCR setting is given priority.\*1

#### **CCRB[1:0] bits (GTCCRB Buffer Operation)**

The CCRB[1:0] bits set buffer operation using GTCCRB, GTCCRE, and GTCCRF combined. When buffer operation is restricted by the operating mode set in GTCR, the GTCR setting is given priority.\*1

#### **PR[1:0] bits (GTPR Buffer Operation)**

The PR[1:0] bits set buffer operation using GTPR, GTPBR, and GTPDBR combined. GPT32 does not have the PR[1] bit. Only single buffer operation setting by PR[0] bit is available for GPT32.

#### **CCRSWT bit (GTCCRA and GTCCRB Forcible Buffer Operation)**

Writing 1 to the CCRSWT bit forces a buffer transfer of GTCCRA and GTCCRB. This bit automatically returns to 0 after 1 is written. This bit is read as 0 and is only valid when counting is stopped with a specified compare match operation.

#### **ADTTA[1:0] bits (GTADTRA Buffer Transfer Timing Select)**

The ADTTA[1:0] bits set the transfer timing for buffer operation of GTADTRA, GTADTBRA, and GTADTDBRA. These bits are not available in event count operation. Only GPT32EH and GPT32E have these bits. GPT32 does not have these bits.

#### **ADTDA bit (GTADTRA Double Buffer Operation)**

The ADTDA bit sets buffer operation using GTADTRA, GTADTBRA, and GTADTDBRA combined. This bit is not available in event count operation. Only GPT32EH and GPT32E have this bit. GPT32 does not have this bit.

#### **ADTTB[1:0] bits (GTADTRB Buffer Transfer Timing Select)**

The ADTTB[1:0] bits set the transfer timing for buffer operation of GTADTRB, GTADTBRB, and GTADTDBRB. These bits are not available in event count operation. Only GPT32EH and GPT32E have these bits. GPT32 does not have these bits.

#### **ADTDB bit (GTADTRB Double Buffer Operation)**

The ADTDB bit sets buffer operation using GTADTRB, GTADTBRB, and GTADTDBRB combined. This bit is not available in event count operation. Only GPT32EH and GPT32E have this bit. GPT32 does not have this bit.

Note 1. The buffer operation mode is fixed in saw-wave one-shot pulse mode or triangle-wave PWM mode 3 (64-bit transfer at trough).



## 23.2.18 General PWM Timer Interrupt and A/D Converter Start Request Skipping Setting Register (GTITC)

Address(es): GPT32EHm.GTITC 4007 8044h + 0100h × m (m = 0 to 3)  
GPT32Em.GTITC 4007 8044h + 0100h × m (m = 4 to 7)

|  |       |     |       |     |           |     |           |     |      |      |      |      |      |      |     |
|--|-------|-----|-------|-----|-----------|-----|-----------|-----|------|------|------|------|------|------|-----|
| b31  | b30   | b29 | b28   | b27 | b26       | b25 | b24       | b23 | b22  | b21  | b20  | b19  | b18  | b17  | b16 |
| —  | —     | —   | —     | —   | —         | —   | —         | —   | —    | —    | —    | —    | —    | —    | —   |
| Value after reset: 0 0 0 0 0 0 0 0 0 0 0 0 0 0 0 0 |       |     |       |     |           |     |           |     |      |      |      |      |      |      |     |
| b15  | b14   | b13 | b12   | b11 | b10       | b9  | b8        | b7  | b6   | b5   | b4   | b3   | b2   | b1   | b0  |
| —  | ADTBL | —   | ADTAL | —   | IVTT[2:0] |     | IVTC[1:0] |     | ITLF | ITLE | ITLD | ITLC | ITLB | ITLA |     |
| Value after reset: 0 0 0 0 0 0 0 0 0 0 0 0 0 0 0 0 |       |     |       |     |           |     |           |     |      |      |      |      |      |      |     |

| Bit       | Symbol           | Bit name   | Description   | R/W |
|-----------|------------------|--|---|-----|
| b0        | <b>ITLA</b>      | GTCCRA Compare Match/Input Capture Interrupt Link    | 0: GPTn_OVF/GPTn_UDF interrupt skipping function is not linked<br>1: GPTn_OVF/GPTn_UDF interrupt skipping function is linked  | R/W |
| b1        | <b>ITLB</b>      | GTCCRB Compare Match/Input Capture Interrupt Link    | 0: GPTn_OVF/GPTn_UDF interrupt skipping function is not linked<br>1: GPTn_OVF/GPTn_UDF interrupt skipping function is linked.   | R/W |
| b2        | <b>ITLC</b>      | GTCCRC Compare Match Interrupt Link                  | 0: GPTn_OVF/GPTn_UDF interrupt skipping function is not linked<br>1: GPTn_OVF/GPTn_UDF interrupt skipping function is linked.   | R/W |
| b3        | <b>ITLD</b>      | GTCCRD Compare Match Interrupt Link                  | 0: GPTn_OVF/GPTn_UDF interrupt skipping function is not linked<br>1: GPTn_OVF/GPTn_UDF interrupt skipping function is linked.   | R/W |
| b4        | <b>ITLE</b>      | GTCCRE Compare Match Interrupt Link                  | 0: GPTn_OVF/GPTn_UDF interrupt skipping function is not linked<br>1: GPTn_OVF/GPTn_UDF interrupt skipping function is linked.   | R/W |
| b5        | <b>ITLF</b>      | GTCCRF Compare Match Interrupt Link                  | 0: GPTn_OVF/GPTn_UDF interrupt skipping function is not linked<br>1: GPTn_OVF/GPTn_UDF interrupt skipping function is linked.   | R/W |
| b7, b6    | <b>IVTC[1:0]</b> | GPTn_OVF/GPTn_UDF Interrupt Skipping Function Select | b7 b6<br>0 0: Do not perform skipping<br>0 1: Count and skip both overflow and underflow for saw waves and crest for triangle waves<br>1 0: Count and skip both overflow and underflow for saw waves and trough for triangle waves<br>1 1: Count and skip both overflow and underflow for saw waves and both crest and trough for triangle waves. | R/W |
| b10 to b8 | <b>IVTT[2:0]</b> | GPTn_OVF/GPTn_UDF Interrupt Skipping Count Select    | b10 b8<br>0 0 0: No skipping<br>0 0 1: Skipping count of 1<br>0 1 0: Skipping count of 2<br>0 1 1: Skipping count of 3<br>1 0 0: Skipping count of 4<br>1 0 1: Skipping count of 5<br>1 1 0: Skipping count of 6<br>1 1 1: Skipping count of 7.   | R/W |
| b11       | —                | Reserved   | This bit is read as 0. The write value should be 0.   | R/W |

| Bit        | Symbol | Bit name                                 | Description   | R/W |
|------------|--------|--|---|-----|
| b12        | ADTAL  | GTADTRA A/D Converter Start Request Link | 0: GPTn_OVF/GPTn_UDF interrupt skipping function is not linked<br>1: GPTn_OVF/GPTn_UDF interrupt skipping function is linked. | R/W |
| b13        | —      | Reserved                                 | This bit is read as 0. The write value should be 0.   | R/W |
| b14        | ADTBL  | GTADTRB A/D Converter Start Request Link | 0: GPTn_OVF/GPTn_UDF interrupt skipping function is not linked<br>1: GPTn_OVF/GPTn_UDF interrupt skipping function is linked. | R/W |
| b31 to b15 | —      | Reserved                                 | These bits are read as 0. The write value should be 0.  | R/W |

The GTITC register sets the skipping function for the GTCNT counter overflow (GTPR compare match) interrupt (GPTn\_OVF) and underflow interrupt (GPTn\_UDF). It also specifies whether to link other interrupts and A/D converter start requests with the GPTn\_OVF/GPTn\_UDF interrupt skipping function. The output disable request to POEG cannot be linked with the GPTn\_OVF/GPTn\_UDF interrupt skipping function. This register is not available in event count operation. Only GPT32EH and GPT32E have this register. GPT32 does not have this register and it is read as 0.

#### **ITLA bit (GTCCRA Compare Match/Input Capture Interrupt Link)**

The ITLA bit specifies whether to link the GTCCRA compare match/input capture interrupt (GTCIA) with the GPTn\_OVF/GPTn\_UDF interrupt skipping function.

#### **ITLB bit (GTCCRB Compare Match/Input Capture Interrupt Link)**

The ITLB bit specifies whether to link the GTCCRB compare match/input capture interrupt (GTCIB) with the GPTn\_OVF/GPTn\_UDF interrupt skipping function.

#### **ITLC bit (GTCCRC Compare Match Interrupt Link)**

The ITLC bit specifies whether to link the GTCCRC compare match interrupt (GTCIC) with the GPTn\_OVF/GPTn\_UDF interrupt skipping function.

#### **ITLD bit (GTCCRD Compare Match Interrupt Link)**

The ITLD bit specifies whether to link the GTCCRD compare match interrupt (GTCID) with the GPTn\_OVF/GPTn\_UDF interrupt skipping function.

#### **ITLE bit (GTCCRE Compare Match Interrupt Link)**

The ITLE bit specifies whether to link the GTCCRE compare match interrupt (GTCIE) with the GPTn\_OVF/GPTn\_UDF interrupt skipping function.

#### **ITLF bit (GTCCRF Compare Match Interrupt Link)**

The ITLF bit specifies whether to link the GTCCRF compare match interrupt (GTCIF) with the GPTn\_OVF/GPTn\_UDF interrupt skipping function.

#### **IVTC[1:0] bits (GPTn\_OVF/GPTn\_UDF Interrupt Skipping Function Select)**

The IVTC[1:0] bits set the skipping function for the GTPR compare match (GTCNT overflow) interrupt (GPTn\_OVF) and GTCNT counter underflow interrupt (GPTn\_UDF).

#### **IVTT[2:0] bits (GPTn\_OVF/GPTn\_UDF Interrupt Skipping Count Select)**

The IVTT[2:0] bits set the skipping count for the GTPR compare match (GTCNT overflow) interrupt (GPTn\_OVF) and GTCNT counter underflow interrupt (GPTn\_UDF). When modifying the IVTT[2:0] bits, first set the IVTC[1:0] bits to 00b.

#### **ADTAL bit (GTADTRA A/D Converter Start Request Link)**

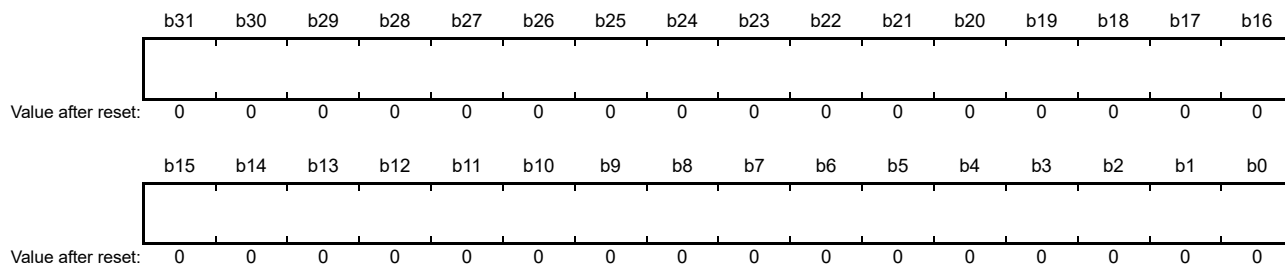
The ADTAL bit specifies whether to link the GTADTRA A/D converter start request with GPTn\_OVF/GPTn\_UDF interrupt skipping function.

**ADTBL bit (GTADTRB A/D Converter Start Request Link)**

The ADTBL bit specifies whether to link the GTADTRB A/D converter start request with GPTn\_OVF/GPTn\_UDF interrupt skipping function.

**23.2.19 General PWM Timer Counter (GTCNT)**

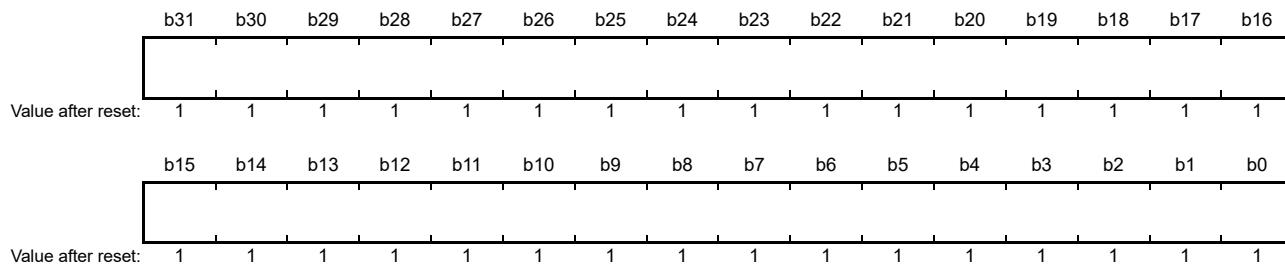
Address(es): GPT32EHm.GTCNT 4007 8048h + 0100h × m (m = 0 to 3)  
 GPT32Em.GTCNT 4007 8048h + 0100h × m (m = 4 to 7)  
 GPT32m.GTCNT 4007 8048h + 0100h × m (m = 8 to 13)



GTCNT is a 32-bit read/write counter and can only be written to after counting stops. GTCNT must be accessed in 32-bit units. Access in 8-bit/16-bit units is prohibited. GTCNT must be set within the range of  $0 \leq \text{GTCNT} \leq \text{GTPR}$ .

**23.2.20 General PWM Timer Compare Capture Register n (GTCCRn) (n = A to F)**

Address(es): GPT32EHm.GTCCRA 4007 804Ch + 0100h × m (m = 0 to 3)  
 GPT32Em.GTCCRA 4007 804Ch + 0100h × m (m = 4 to 7)  
 GPT32m.GTCCRA 4007 804Ch + 0100h × m (m = 8 to 13)  
 GPT32EHm.GTCCRB 4007 8050h + 0100h × m (m = 0 to 3)  
 GPT32Em.GTCCRB 4007 8050h + 0100h × m (m = 4 to 7)  
 GPT32m.GTCCRB 4007 8050h + 0100h × m (m = 8 to 13)  
 GPT32EHm.GTCCRC 4007 8054h + 0100h × m (m = 0 to 3)  
 GPT32Em.GTCCRC 4007 8054h + 0100h × m (m = 4 to 7)  
 GPT32m.GTCCRC 4007 8054h + 0100h × m (m = 8 to 13)  
 GPT32EHm.GTCCRE 4007 8058h + 0100h × m (m = 0 to 3)  
 GPT32Em.GTCCRE 4007 8058h + 0100h × m (m = 4 to 7)  
 GPT32m.GTCCRE 4007 8058h + 0100h × m (m = 8 to 13)  
 GPT32EHm.GTCCRD 4007 805Ch + 0100h × m (m = 0 to 3)  
 GPT32Em.GTCCRD 4007 805Ch + 0100h × m (m = 4 to 7)  
 GPT32EHm.GTCCRF 4007 8060h + 0100h × m (m = 0 to 3)  
 GPT32Em.GTCCRF 4007 8060h + 0100h × m (m = 4 to 7)



GTCCRn registers are read/write registers.

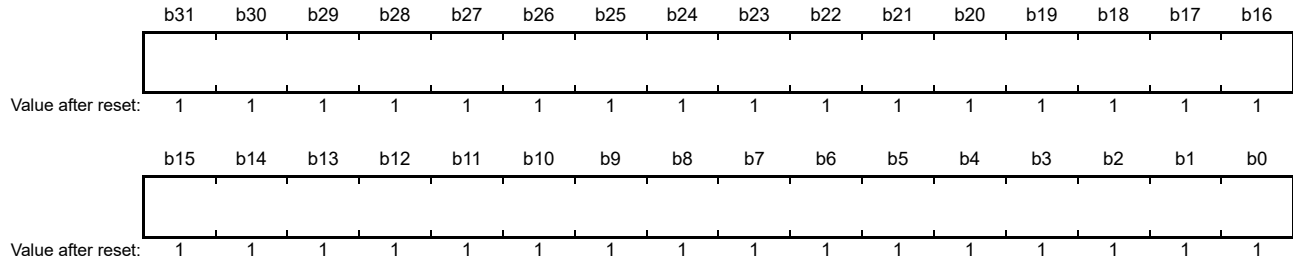
GTCCRA and GTCCRB are registers used for both output compare and input capture.

GTCCRC and GTCCRE are compare match registers that can also function as buffer registers for GTCCRA and GTCCRB.

GTCCRD and GTCCRF are compare match registers that can also function as buffer registers for GTCCRC and GTCCRE (double-buffer registers for GTCCRA and GTCCRB).

### 23.2.21 General PWM Timer Cycle Setting Register (GTPR)

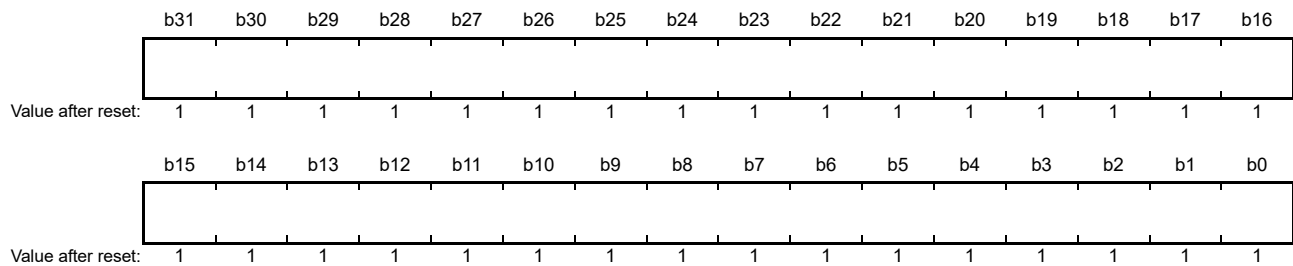
Address(es): GPT32EHm.GTPR 4007 8064h + 0100h × m (m = 0 to 3)  
 GPT32Em.GTPR 4007 8064h + 0100h × m (m = 4 to 7)  
 GPT32m.GTPR 4007 8064h + 0100h × m (m = 8 to 13)



GTPR is a read/write register that sets the maximum count value of GTCNT. For saw waves, the value of (GTPR + 1) is the cycle. For triangle waves, the value of (GTPR value × 2) is the cycle.

### 23.2.22 General PWM Timer Cycle Setting Buffer Register (GTPBR)

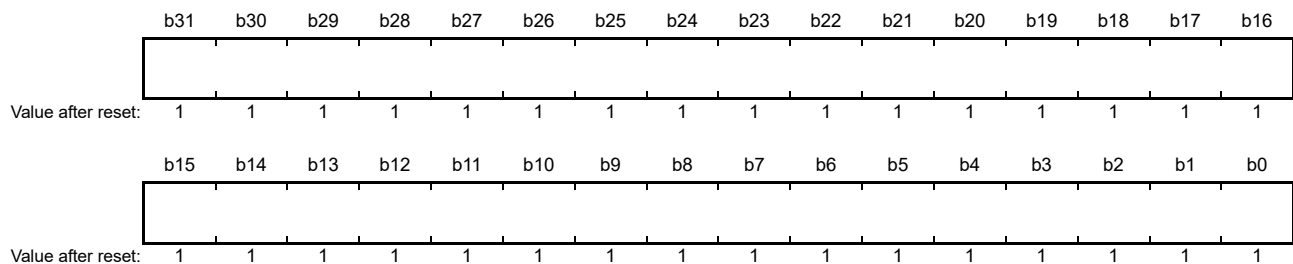
Address(es): GPT32EHm.GTPBR 4007 8068h + 0100h × m (m = 0 to 3)  
 GPT32Em.GTPBR 4007 8068h + 0100h × m (m = 4 to 7)  
 GPT32m.GTPBR 4007 8068h + 0100h × m (m = 8 to 13)



GTPBR is a read/write register that functions as a buffer register for GTPR.

### 23.2.23 General PWM Timer Cycle Setting Double-Buffer Register (GTPDBR)

Address(es): GPT32EHm.GTPDBR 4007 806Ch + 0100h × m (m = 0 to 3)  
 GPT32Em.GTPDBR 4007 806Ch + 0100h × m (m = 4 to 7)

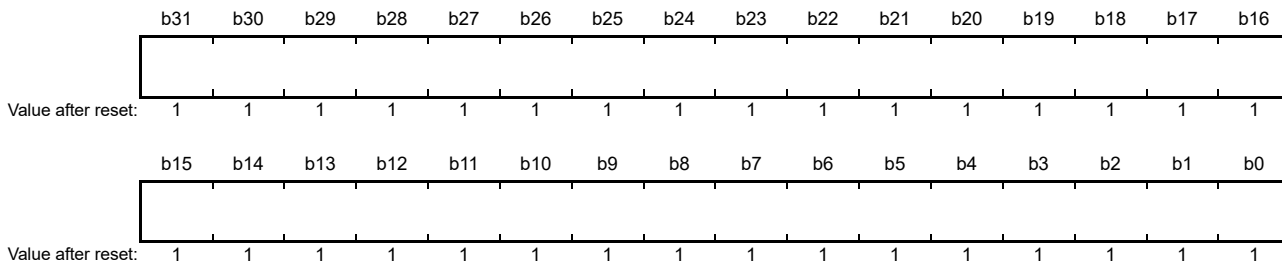


GTPDBR is a 32-bit read/write register that functions as a buffer register for GTPBR (double-buffer register for GTPR). Only GPT32EH and GPT32E have this register. GPT32 does not have this register. This register is read with the value after reset.

### 23.2.24 A/D Converter Start Request Timing Register n (GTADTRn) (n = A, B)

Address(es): GPT32EHm.GTADTRA 4007 8070h + 0100h × m (m = 0 to 3)  
 GPT32Em.GTADTRA 4007 8070h + 0100h × m (m = 4 to 7)

GPT32EHm.GTADTRB 4007 807Ch + 0100h × m (m = 0 to 3)  
 GPT32Em.GTADTRB 4007 807Ch + 0100h × m (m = 4 to 7)

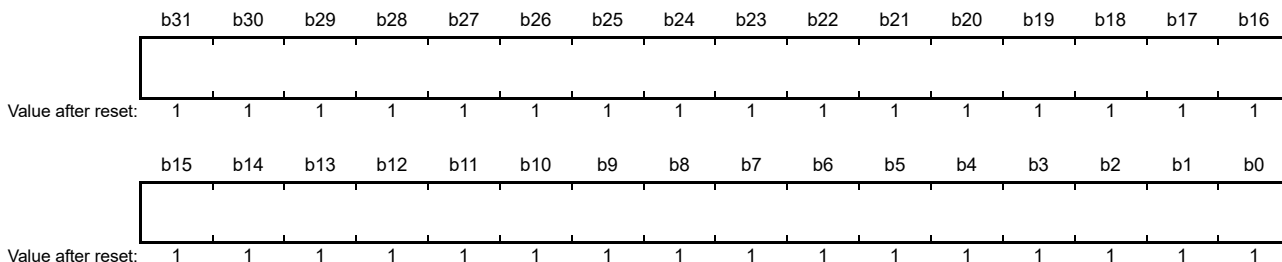


The GTADTRn registers are 32-bit read/write registers that set the timing of A/D converter start request generation. When the GTADTRn value matches the GTCNT counter value, an A/D converter start request is generated. GTADTRn must be accessed in 32-bit units. Access in 8-bit/16-bit units is prohibited. Only GPT32EH and GPT32E have this register. GPT32 does not have this register. This register is read with the value after reset.

### 23.2.25 A/D Converter Start Request Timing Buffer Register n (GTADTBRn) (n = A, B)

Address(es): GPT32EHm.GTADTBRA 4007 8074h + 0100h × m (m = 0 to 3)  
 GPT32Em.GTADTBRA 4007 8074h + 0100h × m (m = 4 to 7)

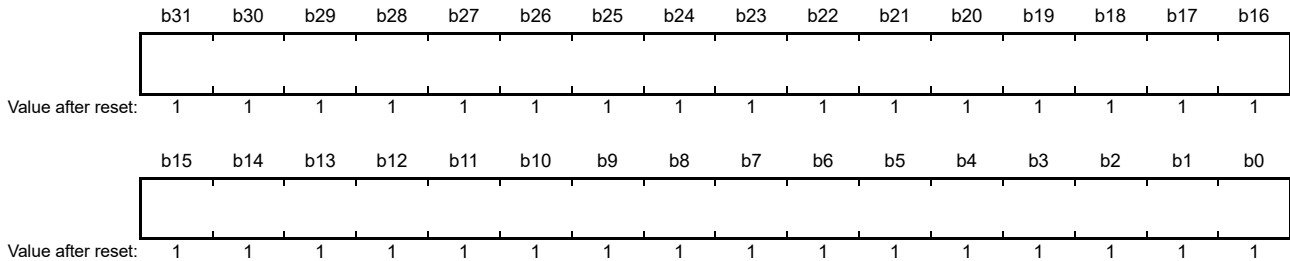
GPT32EHm.GTADTBRB 4007 8080h + 0100h × m (m = 0 to 3)  
 GPT32Em.GTADTBRB 4007 8080h + 0100h × m (m = 4 to 7)



The GTADTBRn registers are 32-bit read/write registers that function as buffer registers for GTADTRn. GTADTBRn must be accessed in 32-bit units. Access in 8-bit/16-bit units is prohibited. Only GPT32EH and GPT32E have this register. GPT32 does not have this register. This register is read with the value after reset.

### 23.2.26 A/D Converter Start Request Timing Double-Buffer Register n (GTADTDBRn) (n = A, B)

Address(es): GPT32EHm.GTADTDBRA 4007 8078h + 0100h × m (m = 0 to 3)  
 GPT32Em.GTADTDBRA 4007 8078h + 0100h × m (m = 4 to 7)  
 GPT32EHm.GTADTDBRB 4007 8084h + 0100h × m (m = 0 to 3)  
 GPT32Em.GTADTDBRB 4007 8084h + 0100h × m (m = 4 to 7)



The GTADTDBRn registers are 32-bit read/write registers that function as buffer registers for GTADTBRn (double-buffer registers for GTADTR). GTADTDBRn must be accessed in 32-bit units. Access in 8-bit/16-bit units is prohibited. Only GPT32EH and GPT32E have this register. GPT32 does not have this register. This register is read with the value after reset.

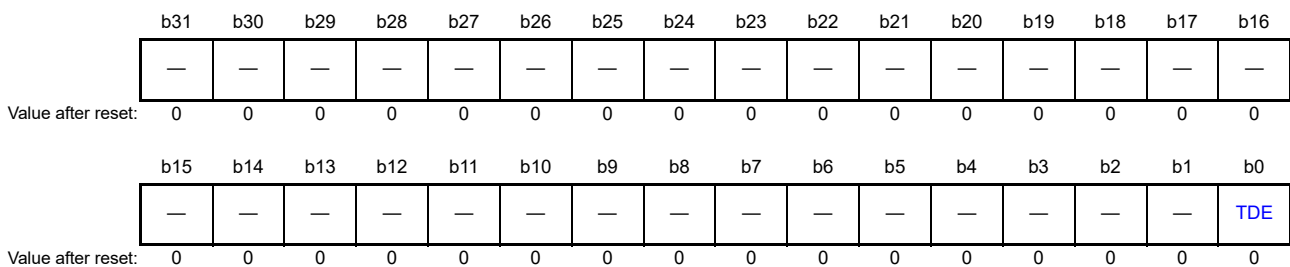
### 23.2.27 General PWM Timer Dead Time Control Register (GTDTCR)

Address(es): GPT32EHm.GTDTCR 4007 8088h + 0100h × m (m = 0 to 3)  
 GPT32Em.GTDTCR 4007 8088h + 0100h × m (m = 4 to 7)  
 GPT32m.GTDTCR 4007 8088h + 0100h × m (m = 8 to 13)

• GPT32EH, GPT32E



• GPT32



| Bit      | Symbol | Bit name                        | Description  | R/W |
|----------|--------|---------------------------------|--|-----|
| b0       | TDE    | Negative-Phase Waveform Setting | 0: GTCCRB is set without using GTDVU and GTDVD<br>1: GTDVU and GTDVD set the compare match value for negative-phase waveform with automatic dead time in GTCCRB. | R/W |
| b3 to b1 | —      | Reserved                        | These bits are read as 0. The write value should be 0.   | R/W |
| b4       | TDBUE  | GTDVU Buffer Operation Enable   | 0: GTDVU buffer operation disabled<br>1: GTDVU buffer operation enabled.   | R/W |

| Bit       | Symbol | Bit name                      | Description   | R/W |
|-----------|--------|-------------------------------|---|-----|
| b5        | TDBDE  | GTDVD Buffer Operation Enable | 0: GTDVD buffer operation disabled<br>1: GTDVD buffer operation enabled.                              | R/W |
| b7, b6    | —      | Reserved                      | These bits are read as 0. The write value should be 0.  | R/W |
| b8        | TDFER  | GTDVD Setting                 | 0: GTDVU and GTDVD are set separately<br>1: The value written to GTDVU to GTDVD is automatically set. | R/W |
| b31 to b9 | —      | Reserved                      | These bits are read as 0. The write value should be 0.  | R/W |

The GTDTCR register enables automatic setting of a compare match value for negative-phase waveform with dead time. GPT32EH, GPT32E and GPT32 have dead time control function. GPT32 does not have the dead time buffer function and only GTDVU register is used for setting dead time value.

#### TDE bit (Negative-Phase Waveform Setting)

The TDE bit specifies whether to use GTDVU and GTDVD. When GTDVU and GTDVD are used, the compare match value for a negative-phase waveform with dead time obtained by the compare match value of a positive-phase waveform (GTCCRA) and the dead time value (GTDVU and GTDVD), is automatically set in GTCCRB. The TDE bit setting is ignored in saw-wave PWM mode, and automatic setting does not take place.

The GTCCRB value is automatically set and has the following upper and lower limit values. If the obtained GTCCRB value is not within the upper or lower limit, the following limit value is set in GTCCRB and the GTST.DTEF flag is set to 1. However, in triangle waves, when the obtained GTCCRB value exceeds the upper limit value, the GTST.DTEF flag is set to 0.

- Triangle waves:  
Upper limit value:  $GTPR - 1$   
Lower limit value: 1 in up-counting, 0 in down-counting
- Saw-wave one-shot pulse mode:  
Upper limit value:  $GTPR$   
Lower limit value: 0.

#### TDBUE bit (GTDVU Buffer Operation Enable)

The TDBUE bit enables buffer operation with GTDVU and GTDBU combined. The buffer transfer timing is the trough for triangle waves, and an overflow or underflow for saw waves.

Only GPT32EH and GPT32E have this bit. GPT32 does not have this bit.

#### TDBDE bit (GTDVD Buffer Operation Enable)

The TDBDE bit enables buffer operation with GTDVD and GTDBD combined. The buffer transfer timing is the trough for triangle waves, and an overflow or underflow for saw waves. When this bit and the TDFER bit are set to 1 simultaneously, the TDFER bit setting is given priority.

Only GPT32EH and GPT32E have this bit. GPT32 does not have this bit.

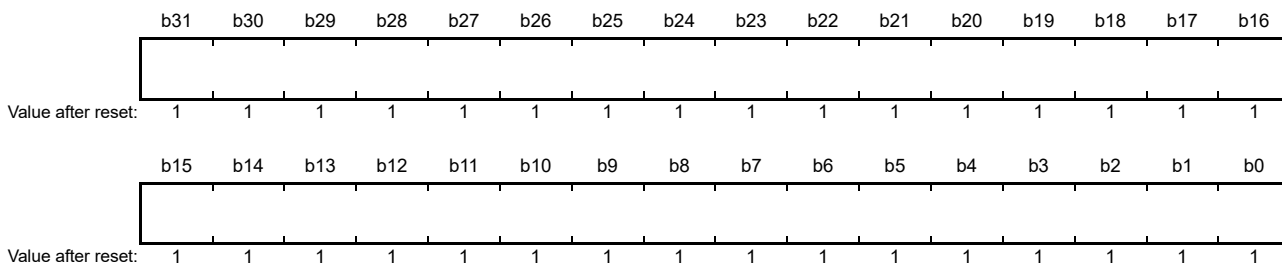
#### TDFER bit (GTDVD Setting)

The TDFER bit selects whether the value written to GTDVU is also set to GTDVD automatically.

Only GPT32EH and GPT32E have this bit. GPT32 does not have this bit.

### 23.2.28 General PWM Timer Dead Time Value Register n (GTDVn) (n = U, D)

Address(es): GPT32EHm.GTDVU 4007 808Ch + 0100h x m (m = 0 to 3)  
 GPT32Em.GTDVU 4007 808Ch + 0100h x m (m = 4 to 7)  
 GPT32m.GTDVU 4007 808Ch + 0100h x m (m = 8 to 13)  
 GPT32EHm.GTDVD 4007 8090h + 0100h x m (m = 0 to 3)  
 GPT32Em.GTDVD 4007 8090h + 0100h x m (m = 4 to 7)



GTDVn is a 32-bit read/write register that sets the dead time for generating PWM waveforms with dead time. GTDVU is used for up-counting and GTDVD is used for down-counting.

Setting a GTDVn value greater than or equal to GTPR is prohibited. Setting a dead time value that exceeds the cycle is prohibited. The compare match value set by the automatic dead time setting function for a negative waveform can be confirmed by reading from GTCCRB.

When GTDVn is used, writing to GTCCRB is not allowed. When this register is set to 0, waveforms without dead time are output. GTDVn must be accessed in 32-bit units. Access in 8-bit/16-bit units is prohibited. The way to rewrite GTDVn differs by GPT channel number.

#### GPT32EH0 to GPT32EH3 and GPT32E4 to GPT32E7

When GTDVn buffer operation is enabled, GTDBn can be written at anytime. GTDBn is transferred to GTDVn at the cycle end. When GTDVn buffer operation is disabled, stop the GPT using the CST bit in the GTCR register before changing GTDVn to a new value.

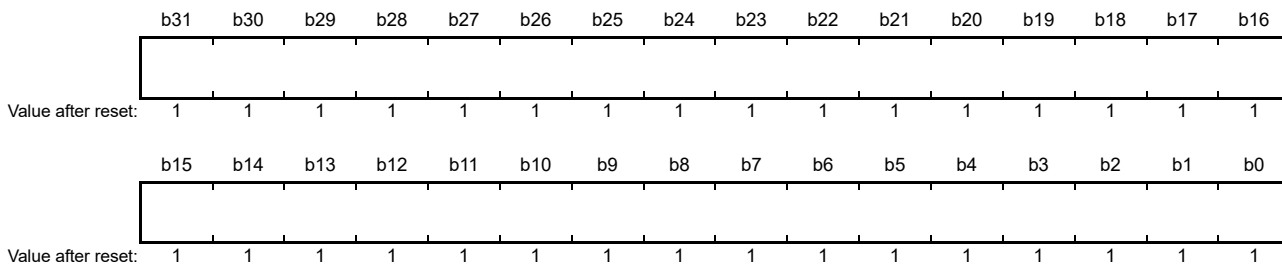
#### GPT328 to GPT3213

While the GPT is running, changing the GTDVU values is prohibited. To change GTDVU to a new value, stop the GPT with the CST bit in the GTCR register.

Only GPT32EH and GPT32E have the GTDVD register. GPT32 does not have the GTDVD register. This register is read with the value after reset.

### 23.2.29 General PWM Timer Dead Time Buffer Register n (GTDBn) (n = U, D)

Address(es): GPT32EHm.GTDBU 4007 8094h + 0100h x m (m = 0 to 3)  
 GPT32Em.GTDBU 4007 8094h + 0100h x m (m = 4 to 7)  
 GPT32EHm.GTDBD 4007 8098h + 0100h x m (m = 0 to 3)  
 GPT32Em.GTDBD 4007 8098h + 0100h x m (m = 4 to 7)



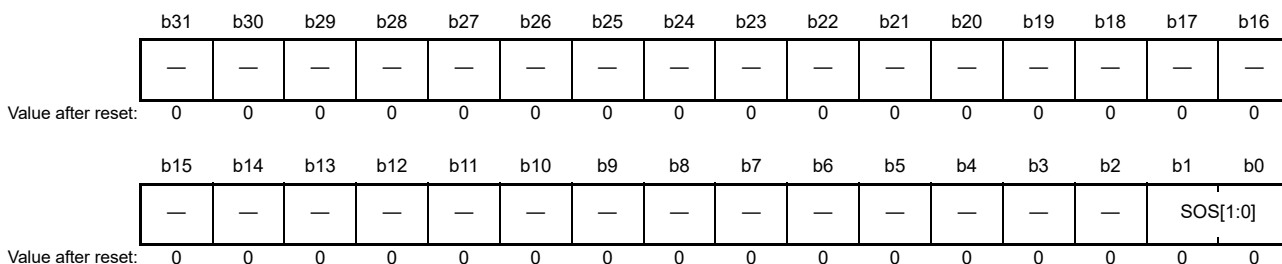
GTDBn is a 32-bit read/write register that functions as a buffer register for GTDVn.

Only GPT32EH and GPT32E have this register. GPT32 does not have this register. This register is read with the value after reset.



### 23.2.30 General PWM Timer Output Protection Function Status Register (GTSOS)

Address(es): GPT32EHm.GTSOS 4007 809Ch + 0100h × m (m = 0 to 3)  
 GPT32Em.GTSOS 4007 809Ch + 0100h × m (m = 4 to 7)



| Bit       | Symbol   | Bit name                          | Description  | R/W |
|-----------|----------|-----------------------------------|--|-----|
| b1, b0    | SOS[1:0] | Output Protection Function Status | b1 b0<br>0 0: Normal operation<br>0 1: Protected state (set GTCCRA = 0 during transfer at trough or crest)<br>1 0: Protected state (set GTCCRA ≥ GTPR during transfer at trough)<br>1 1: Protected state (set GTCCRA ≥ GTPR during transfer at crest). | R   |
| b31 to b2 | —        | Reserved                          | These bits are read as 0. Writing to these bits is ignored.  | R   |

GTSOS is a status register that indicates the status of the output protection function. The output protection function is enabled only when the dead time is automatically set (GTDTCR.TDE bit = 1) in triangle-wave mode.

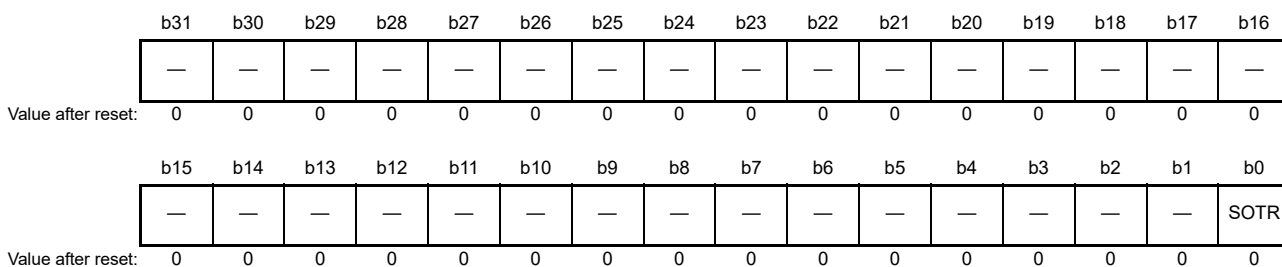
Only GPT32EH and GPT32E have this register. GPT32 does not have this register. This register is read as 0000\_0000h.

#### SOS[1:0] bits (Output Protection Function Status)

The SOS[1:0] bits indicate the status of the output protection function in triangle-wave PWM mode.

### 23.2.31 General PWM Timer Output Protection Function Temporary Release Register (GTSOTR)

Address(es): GPT32EHm.GTSOTR 4007 80A0h + 0100h × m (m = 0 to 3)  
 GPT32Em.GTSOTR 4007 80A0h + 0100h × m (m = 4 to 7)



| Bit       | Symbol | Bit name                                     | Description   | R/W |
|-----------|--------|--|---|-----|
| b0        | SOTR   | Output Protection Function Temporary Release | 0: Protected state is not released<br>1: Protected state is released. | R/W |
| b31 to b1 | —      | Reserved                                     | These bits are read as 0. The write value should be 0.                | R/W |

The GTSOTR register temporarily releases the protected state of GTIOCB pin output when output protection is set. The protected state can be released only when GTSOS.SOS[1:0] bits = 10b (protected state in which GTCCRA ≥ GTPR has occurred during transfer at trough). The protected state cannot be released in any other case.

Only GPT32EH and GPT32E have this register. GPT32 does not have this register. This register is read as 0000\_0000h.

### SOTR bit (Output Protection Function Temporary Release)

The SOTR bit specifies whether to temporarily release the protected state of GTIOCB pin output in an output protected state. When the SOTR bit is set to 1, the output protection function is canceled from the first trough. When the SOTR bit is set to 0, output protection resumes from the first trough.

## 23.2.32 Output Phase Switching Control Register (OPSCR)

Address(es): GPT\_OPS.OPSCR 4007 8FF0h

|  |     |      |     |     |      |          |     |     |     |       |     |     |     |     |     |
|--|-----|------|-----|-----|------|----------|-----|-----|-----|-------|-----|-----|-----|-----|-----|
| b31  | b30 | b29  | b28 | b27 | b26  | b25      | b24 | b23 | b22 | b21   | b20 | b19 | b18 | b17 | b16 |
| NFCS[1:0]  |     | NFEN | —   | —   | GODF | GRP[1:0] |     | —   | —   | ALIGN | —   | INV | N   | P   | FB  |
| Value after reset: 0 0 0 0 0 0 0 0 0 0 0 0 0 0 0 0 |     |      |     |     |      |          |     |     |     |       |     |     |     |     |     |
| b15  | b14 | b13  | b12 | b11 | b10  | b9       | b8  | b7  | b6  | b5    | b4  | b3  | b2  | b1  | b0  |
| —  | —   | —    | —   | —   | —    | —        | EN  | —   | W   | V     | U   | —   | WF  | VF  | UF  |
| Value after reset: 0 0 0 0 0 0 0 0 0 0 0 0 0 0 0 0 |     |      |     |     |      |          |     |     |     |       |     |     |     |     |     |

| Bit       | Symbol   | Bit name                          | Description  | R/W |
|-----------|----------|-----------------------------------|--|-----|
| b0        | UF       | Input Phase Soft Setting          | These bits set the input phase from the software settings.<br>Setting these bits is valid when the OPSCR.FB bit = 1.   | R/W |
| b1        | VF       |                                   |  | R/W |
| b2        | WF       |                                   |  | R/W |
| b3        | —        | Reserved                          | This bit is read as 0. The write value should be 0.  | R/W |
| b4        | U        | Input U-Phase Monitor             | These bits monitor the state of the input phase:<br>OPSCR.FB = 0: External input monitoring by PCLKD<br>OPSCR.FB = 1: Software settings (UF/VF/WF).  | R   |
| b5        | V        | Input V-Phase Monitor             |  | R   |
| b6        | W        | Input W-Phase Monitor             |  | R   |
| b7        | —        | Reserved                          | This bit is read as 0. The write value should be 0.  | R/W |
| b8        | EN       | Enable-Phase Output Control       | 0: Do not output (Hi-Z on external pin)<br>1: Output.*1  | R/W |
| b15 to b9 | —        | Reserved                          | These bits are read as 0. The write value should be 0.   | R/W |
| b16       | FB       | External Feedback Signal Enable   | This bit selects the input phase from the software settings or external input:<br>0: Select the external input<br>1: Select the software settings (OPSCR.UF, VF, WF).                        | R/W |
| b17       | P        | Positive-Phase Output (P) Control | 0: Output level signal<br>1: Output level signal (PWM of GPT32EH0).  | R/W |
| b18       | N        | Negative-Phase Output (N) Control | 0: Output level signal<br>1: Output PWM signal (PWM of GPT32EH0).  | R/W |
| b19       | INV      | Invert-Phase Output Control       | 0: Output positive logic (active-high)<br>1: Output negative logic (active-low).   | R/W |
| b20       | —        | Reserved                          | This bit is read as 0. The write value should be 0.  | R/W |
| b21       | ALIGN    | Input Phase Alignment             | 0: Input phase aligned to PCLKD<br>1: Input phase aligned to PWM.  | R/W |
| b23, b22  | —        | Reserved                          | These bits are read as 0. The write value should be 0.   | R/W |
| b25, b24  | GRP[1:0] | Output Disabled Source Selection  | b25 b24<br>0 0: Select Group A output disable source<br>0 1: Select Group B output disable source<br>1 0: Select Group C output disable source<br>1 1: Select Group D output disable source. | R/W |
| b26       | GODF     | Group Output Disable Function     | 0: This bit function is ignored<br>1: Group disable clears the OPSCR.EN bit.*1   | R/W |
| b28, b27  | —        | Reserved                          | These bits are read as 0. The write value should be 0.   | R/W |

| Bit      | Symbol    | Bit name                                    | Description  | R/W |
|----------|-----------|---|--|-----|
| b29      | NFEN      | External Input Noise Filter Enable          | 0: Do not use a noise filter on the external input<br>1: Use a noise filter on the external input.                                       | R/W |
| b31, b30 | NFCS[1:0] | External Input Noise Filter Clock Selection | Noise filter sampling clock setting of the external input:<br>b31 b30<br>0 0: PCLKD/1<br>0 1: PCLKD/4<br>1 0: PCLKD/16<br>1 1: PCLKD/64. | R/W |

Note 1. When OPSCR.GODF = 1 and the signal value selected by the OPSCR.GRP[1:0] bit is high, the OPSCR.EN bit is set to 0.

The OPSCR register sets the output of the signal waveform required for brushless DC motor control.

#### UF, VF, WF bits (Input Phase Soft Setting)

The UF, VF, and WF bits set the input phase from the software settings. When OPSCR.FB bit is 1, these bits are valid. The set value of the UF/VF/WF bits take the place of the U/V/W external inputs.

#### U, V, W bits (Input Phase Monitor)

When OPSCR.FB bit is 0, external inputs that are synchronized by PCLKD are monitored by these bits. When OPSCR.FB bit is 1, the OPSCR.U, OPSCR.V, and OPSCR.W bits can read the OPSCR.UF, OPSCR.VF, and OPSCR.WF bits.

#### EN bit (Enable-Phase Output Control)

The EN bit controls the output enable signal output phase (positive phase/reverse phase).

When OPSCR.EN bit = 1, the signal waveform is output.

When OPSCR.EN bit = 0, first set OPSCR.FB, OPSCR.UF/VF/WF (software setting is selected), OPSCR.P/N, OPSCR.INV, OPSCR.RV, OPSCR.ALIGN, OPSCR.GRP, OPSCR.GODF, OPSCR.NFEN, and OPSCR.NFCS. Then, set the EN bit to 1. Also, when OPSCR.GODF = 1 and the signal value selected by the OPSCR.GRP bit is high, the OPSCR.EN bit is set to 0.

#### FB bit (External Feedback Signal Enable)

The FB bit selects the input phase from the software settings (OPSCR.UF, VF, WF) and external input such as a Hall element.

#### P bit (Positive-Phase Output (P) Control)

The P bit selects the level signal output or PWM signal output for the positive-phase output (GTOUUP pin, GTOVUP pin, GTOWUP pin).

#### N bit (Negative-Phase Output (N) Control)

The N bit selects the level signal output or PWM signal output for the negative-phase output (GTOULO pin, GTOVLO pin, GTOWLO pin).

#### INV bit (Invert-Phase Output Control)

The INV bit selects either positive logic (active-high) output or negative logic (active-low) output for the output phase.

#### ALIGN bit (Input Phase Alignment)

The ALIGN bit selects the PCLKD or PWM for the sampling of the input phase (input phase is specified in the OPSCR.FB bit).

When OPSCR.ALIGN bit = 0, input phase is aligned to PCLKD.

Note: When PWM output is selected (OPSCR.P/N = 1) and the PCLKD input phase is aligned, the PWM pulse might be short-pulsed.

Note: When OPSCR.ALIGN bit = 1, input phase is aligned with PWM output.

**GRP[1:0] bits (Output Disabled Source Selection)**

The GRP[1:0] bits select the output disable source (A to D).

**GODF bit (Group Output Disable Function)**

When the GODF bit = 1 and the signal value selected by the OPSCR.GRP bit is high, the OPSCR.EN bit is set to 0. When the GODF bit = 0, the bit is ignored.

**NFEN bit (External Input Noise Filter Enable)**

The NFEN bit selects the noise filter for external input.

When OPSCR.NFEN = 0, a noise filter is not used for the external input.

Note: When this bit is switched because of an unintentional internal edge, set the OPSCR.EN bit to 0.

**NFCS[1:0] bits (External Input Noise Filter Clock Selection)**

The NFCS[1:0] bits select the clock for the external input noise filter. When the OPSCR.NFEN bit = 1, noise filter sampling clock setting for external input is enabled.

1. Set the NFCS[1:0].
2. Wait for 2 cycles.
3. Set the OPSCR.EN bit to 1.

## 23.3 Operation

### 23.3.1 Basic Operation

Each channel has a 32-bit timer that performs a periodic count operation using the count clock and hardware sources. The count function provides both up-counting and down-counting. The GTPR controls the count cycle. When the GTCNT counter value matches the value in GTCCRA or GTCCRB, the output from the associated pin GTIOCA or GTIOCB can be changed. GTCCRA or GTCCRB can be used as an input capture register with hardware resources.

GTCCRC and GTCCRD can function as buffer registers for GTCCRA. GTCCRE and GTCCRF can function as buffer registers for GTCCRB.

#### 23.3.1.1 Counter operation

##### (1) Counter start and stop

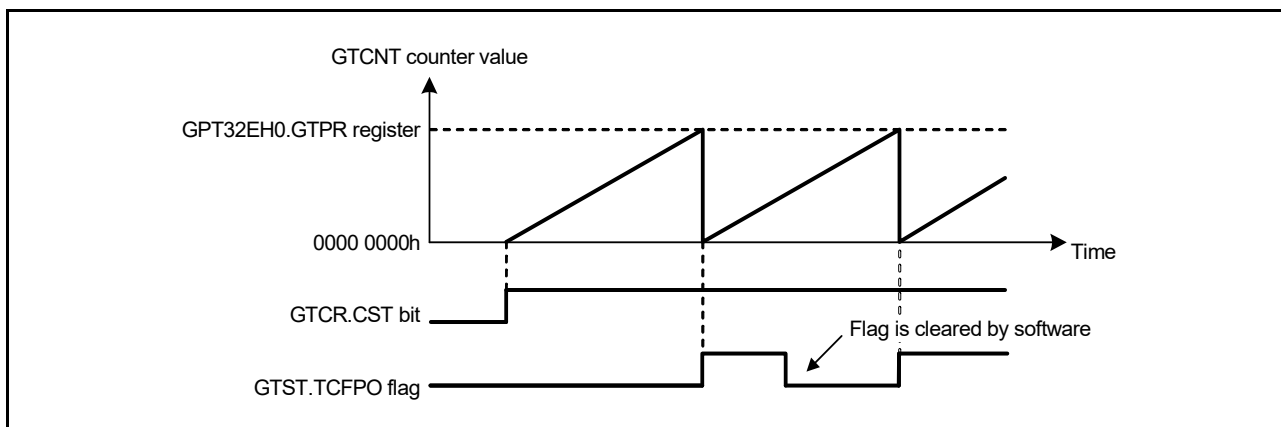
The counter for each channel starts the count operation when GTCR.CST is set to 1. The GTCR.CST bit value is changed by the following sources:

- Writing to GTCR register
- Writing 1 to the bit in GTSTR associated with the GPT channel number when the GTSSR.CSTRT bit is set to 1
- Writing 1 to the bit in GTSTP associated with the GPT channel number when the GTPSR.CSTOP bit is set to 1
- The hardware source selected in the GTSSR register
- The hardware source selected in the GTPSR register.

##### (2) Periodic count operation in up-counting by count clock

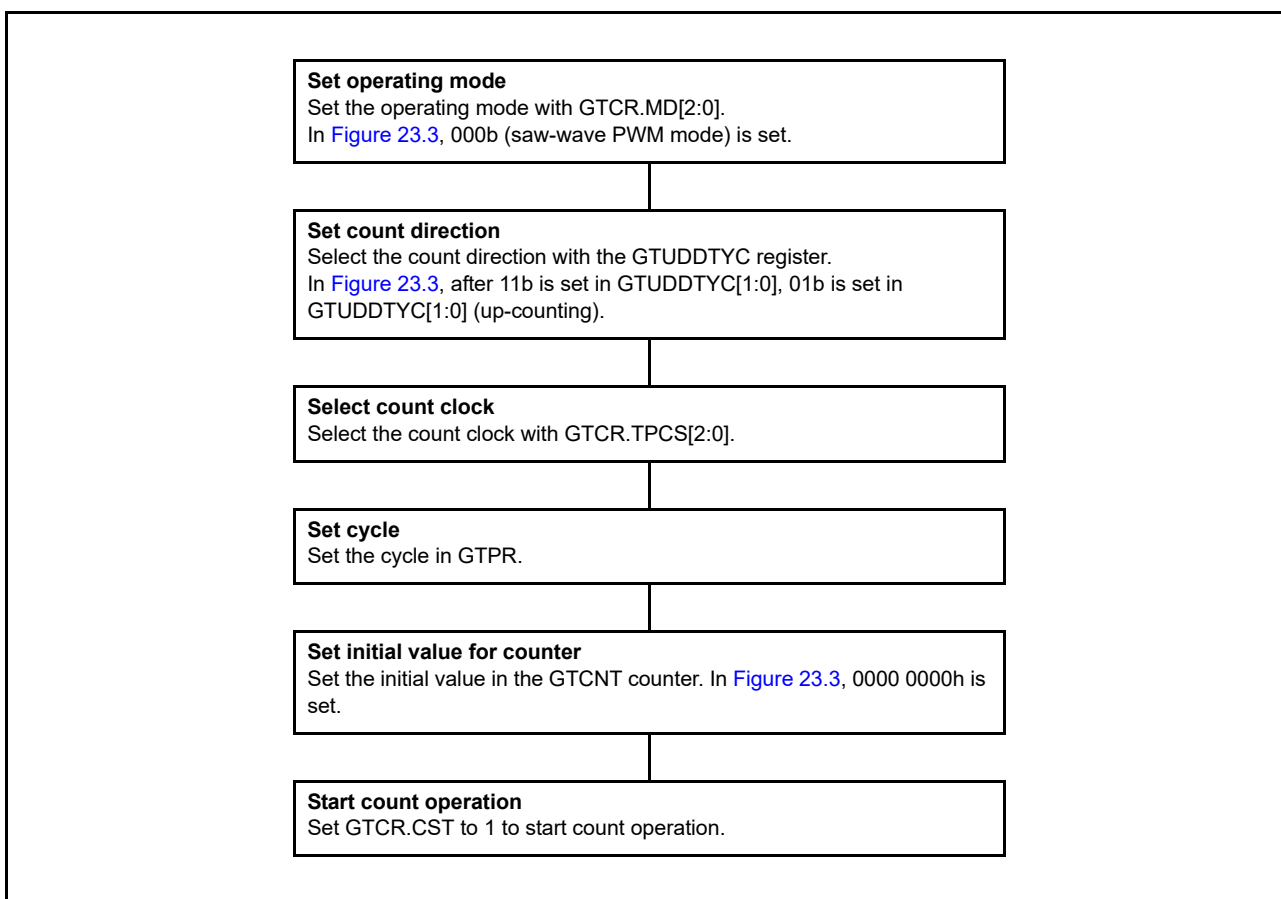
The GTCNT counter in each channel starts up-counting when the associated GTCR.CST bit is set to 1 with the GTUPSR and GTDNSR registers set to 0000 0000h. When the GTCNT value changes from the GTPR value to 0 (overflow), the GTST.TCFPO flag is set to 1. When GTCNT overflows, up-counting resumes from 0000 0000h.

Figure 23.3 shows an example of a periodic count operation in up-counting.



**Figure 23.3** Example of periodic count operation in up-counting by the count clock

Figure 23.4 shows an example for setting periodic count operation in up-counting.

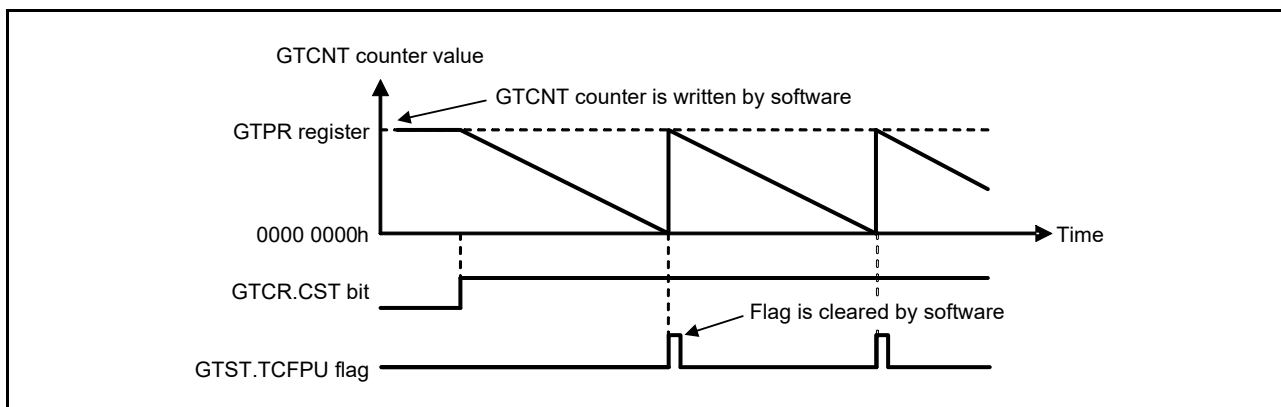


**Figure 23.4** Example setting for a periodic count operation in up-counting by the count clock

(3) Periodic count operation in down-counting by count clock

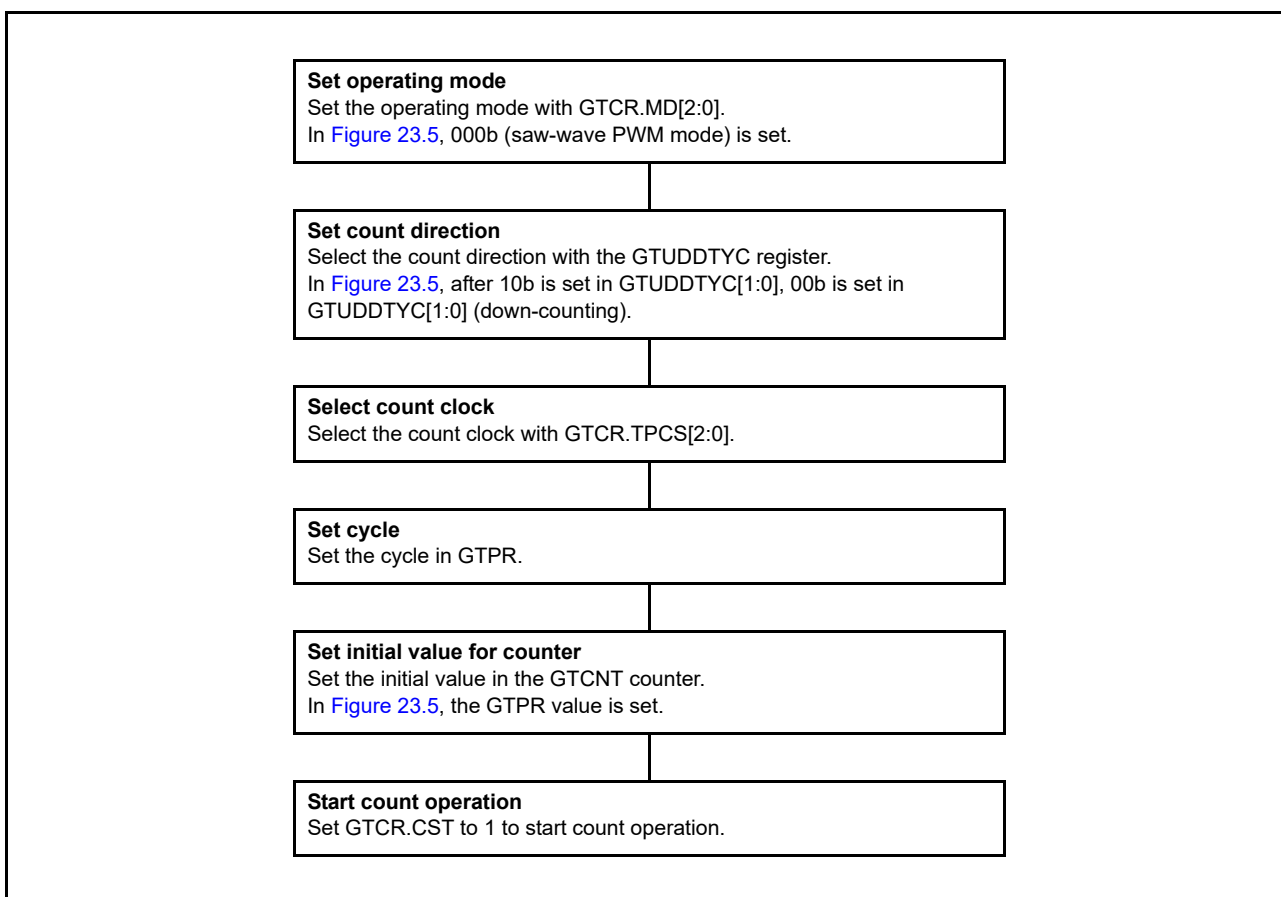
The GTCNT counter in each channel can perform down-counting by setting GTUDDTYC.UD with the GTUPSR and GTDNSR registers set to 0000 0000h. When GTCNT changes from 0 to the GTPR value (underflow), GTST.TCFPU is set to 1. When the GTCNT counter underflows, down-counting resumes from the GTPR value.

Figure 23.5 shows an example of periodic count operation in down-counting by the count clock.



**Figure 23.5** Example of periodic count operation in down-counting by the count clock

Figure 23.6 shows an example setting for periodic count operation in down-counting by the count clock.



**Figure 23.6** Example setting for periodic count operation in down-counting by count clock

**(4) Event count operation in up-counting using hardware sources**

The GTCNT counter in each channel can perform up-counting using hardware sources as set in GTUPSR.

When GTUPSR is set to enable, the count clock selected in GTCR.TPCS[2:0] and the count direction selected in GTUDDTYC.UD are ignored. If up-counting and down-counting using hardware sources occur at the same time, the GTCNT counter value does not change. The overflow behavior for up-counting using hardware sources is the same as for up-counting by the count clock.

When GTCR.CST bit is set to 1 to count up using hardware sources, the count operation is enabled. When GTCR.CST is set to 1, the counter cannot count up for 1 clock cycle as specified in GTCR.TPCS[2:0] because the count operation is

synchronized by the count clock selected in GTCR.TPCS[2:0]. Set GTCR.TPCS[2:0] to 000b to count up with a 1 PCLKD delay after GTCR.CST is set to 1.

Figure 23.7 shows an example of a periodic count operation in up-counting by a hardware source (rising edge of the GTETRGA pin).

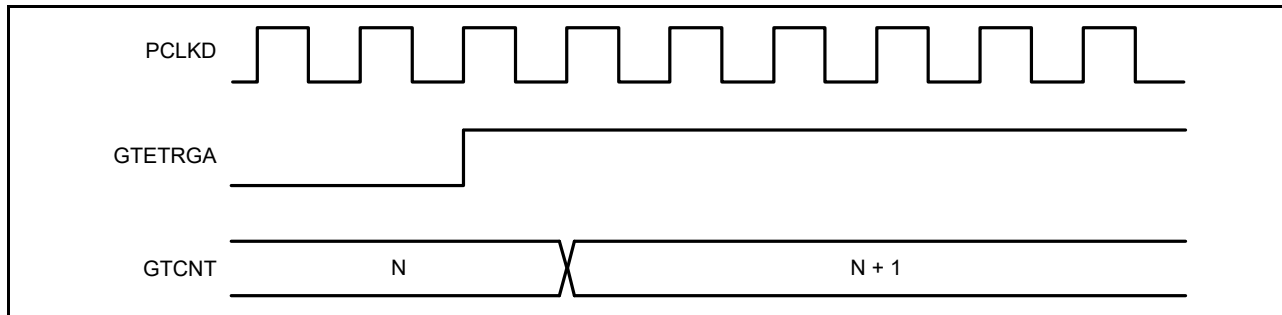


Figure 23.7 Example of periodic count operation in up-counting using hardware sources

Figure 23.8 shows an example setting for periodic count operation in up-counting by a hardware source.

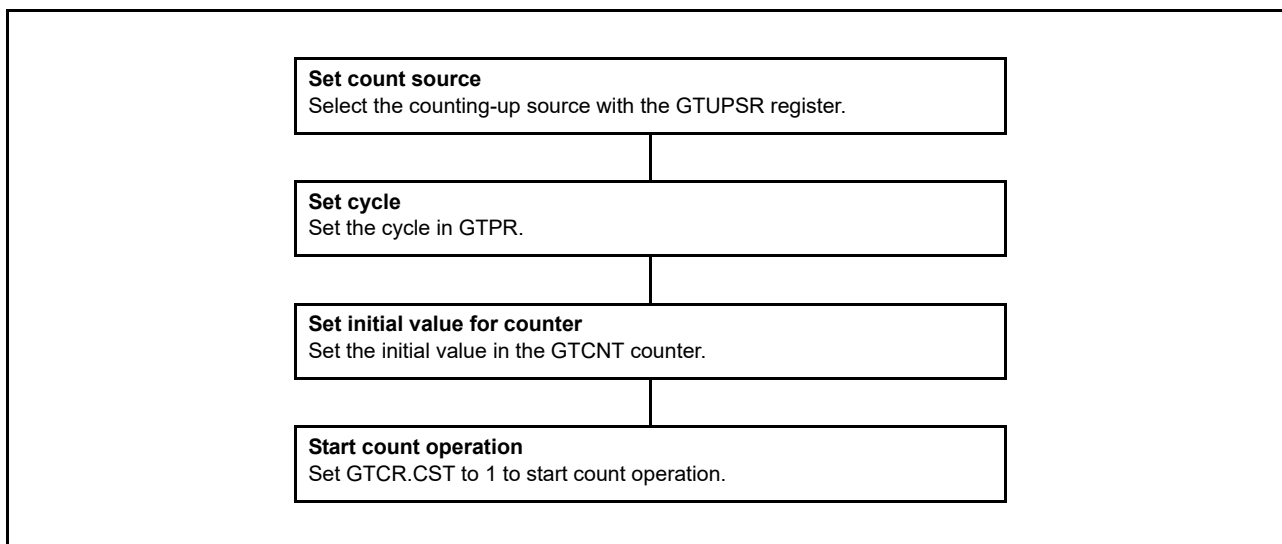


Figure 23.8 Example setting for an event count operation in up-counting using hardware sources

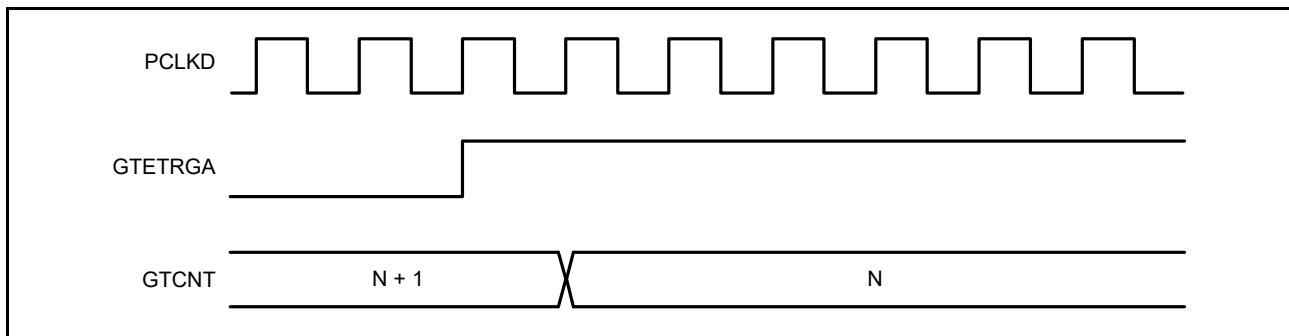
(5) Event count operation in down-counting using hardware sources

The GTCNT counter in each channel can perform down-counting using hardware sources set in the GTDNSR register.

When GTDNSR is set to enable, the count clock selected in GTCR.TPCS[2:0] and the count direction selected in GTUDDTYC.UD are ignored. If up-counting and down-counting using hardware sources occur at the same time, GTCNT counter value does not change. The underflow behavior for down-counting using hardware sources is the same as for down-counting by the count clock.

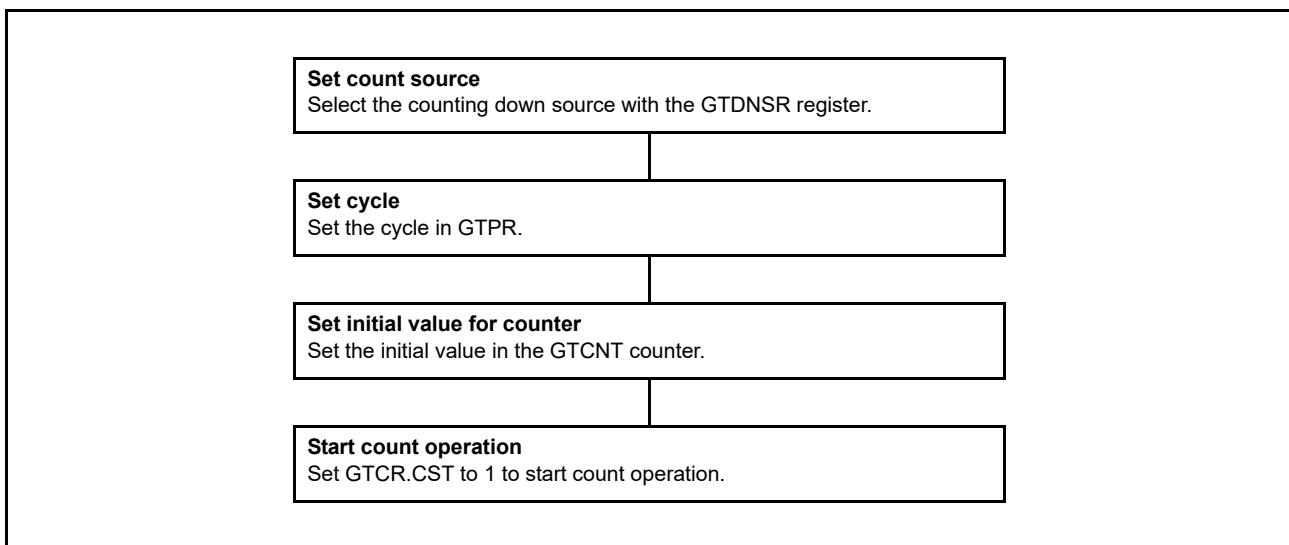
When GTCR.CST bit is set to 1 to count down using hardware sources, the count operation is enabled. When GTCR.CST is set to 1, the counter cannot count down for 1 clock cycle as specified in GTCR.TPCS[2:0] because the count operation is synchronized with the count clock selected by GTCR.TPCS[2:0]. Set GTCR.TPCS[2:0] to 000b to count down with a 1 PCLKD delay after GTCR.CST is set to 1.

Figure 23.9 shows an example of a periodic count operation in down-counting by a hardware source (rising edge of the GTETRGA pin).



**Figure 23.9** Example of event count operation in down-counting using hardware sources

Figure 23.10 shows an example setting for a periodic count operation in down-counting using a hardware source.



**Figure 23.10** Example setting for an event count operation in down-counting using hardware sources

## (6) Counter clear operation

The counter of each channel is cleared by the following sources:

- Writing 0 to GTCNT register
- Writing 1 to the bit in GTCLR associated with the GPT channel number when the GTCSR.CCLR bit is set to 1
- The hardware source selected in GTCSR register.

Writing to the GTCNT register is prohibited during count operation. The GTCNT counter can be cleared both by writing 1 to the GTCLR and by the clear request of hardware sources, whether GTCNT is counting (GTCR.CST = 1) or not (GTCR.CST = 0).

For saw waves selected by setting GTCR.MD[2:0] and the count direction flag showing down-counting (GTST.TUCF = 0), the GTCNT register is set to the value of the GTPR register when writing 1 to the GTCLR register or when clearing by hardware sources is performed. When not in saw wave mode and down-counting, the GTCNT register is set to 0 when writing 1 to the GTCLR register and when clearing by hardware sources is performed.

In event count operation when at least 1 bit in GTUPSR or GTDNSR is set to 1, after clear sources occur, both writing to the GTCLR register and clearing by hardware sources are performed immediately, synchronized with PCLKD. If other settings are used, clear is synchronized with the counter clock selected in GTCR.TPCS[2:0].



### 23.3.1.2 Waveform output by compare match

Compare match means that the GTCNT counter value matches the value of GTCCRA or GTCCRB. When a compare match occurs, the compare match flag is generated synchronously with the count clock, including the event count. At the same time the GPT can output low, high, or toggle output from the associated GTIOCA or GTIOCB output pin. In addition, the GTIOCA or GTIOCB pin output can be low, high, or toggled at the cycle end, which is determined by GTPR.

The cycle end is:

- For saw waves in up-counting — when GTCNT changes from the GTPR value to 0 (overflow)
- For saw waves in down-counting — when GTCNT changes from 0 to the GTPR value (underflow)
- For saw waves — when the GTCNT counter is cleared
- For triangle waves — when the GTCNT changes from 0 to 1 (trough).

#### (1) Low output and high output

Figure 23.11 shows an example of low output and high output operation by a compare match of GTCCRA and GTCCRB.

In this example, the GPT32EH0.GTCNT counter performs up-counting, and settings are made so that high is output from the GTIOC0A pin by a GPT32EH0.GTCCRA compare match, and low is output from the GTIOC0B pin by a GPT32EH0.GTCCRB compare match. The pin level does not change when the specified level and pin level match.

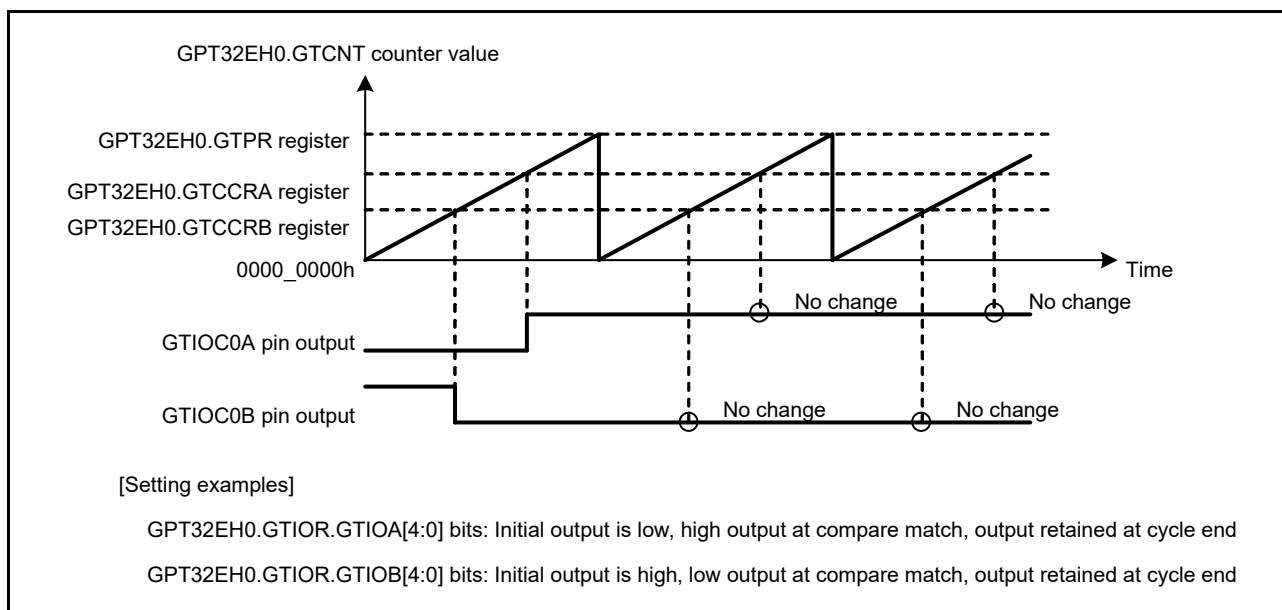
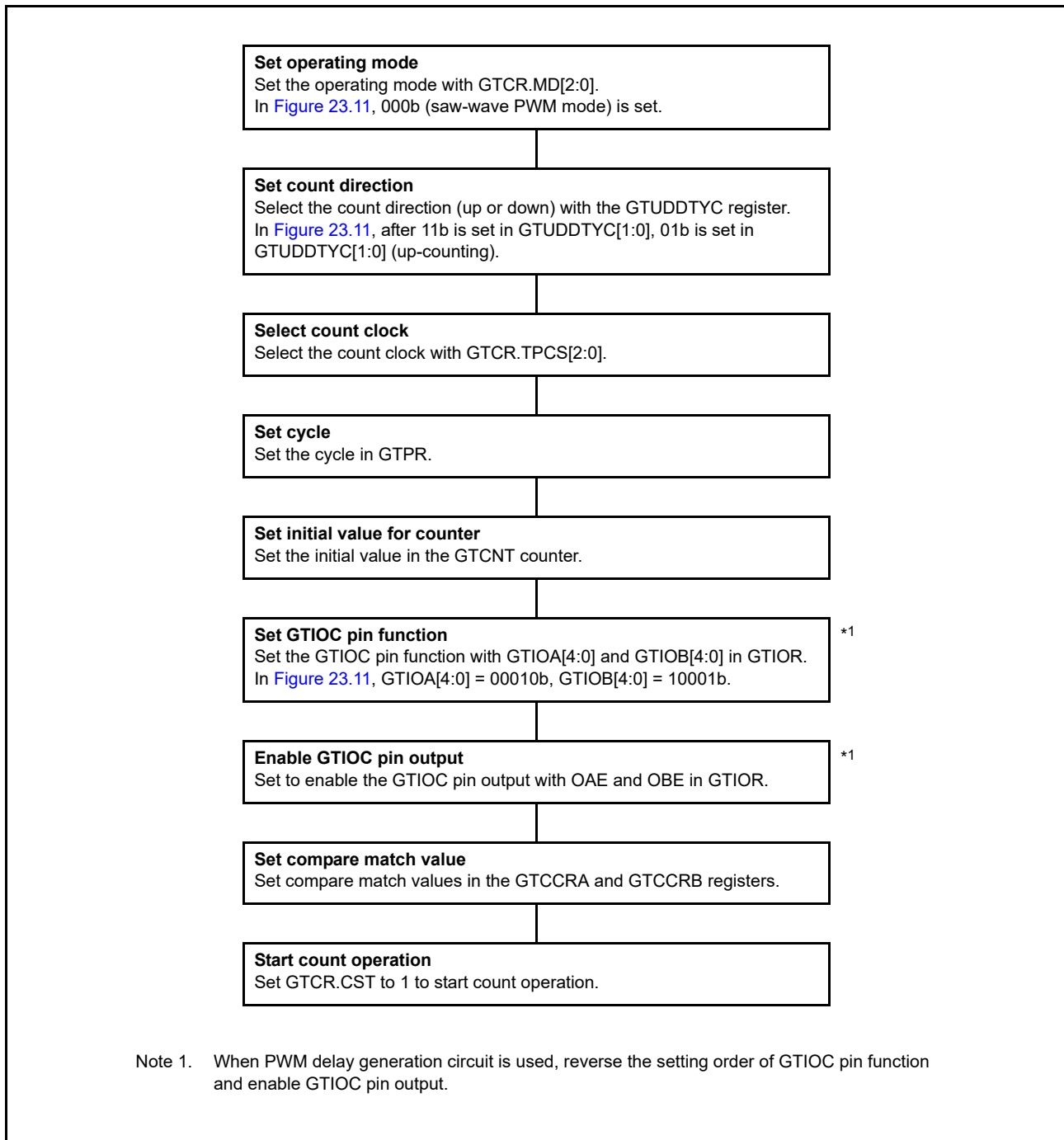


Figure 23.11 Example of low output and high output operation

Figure 23.12 shows an example setting for low output and high output operation.



**Figure 23.12 Example setting for low output and high output operation**

## (2) Toggled output

Figure 23.13 and Figure 23.14 show examples of toggled output operation by compare matches of GTCCRA and GTCCRB. In Figure 23.13, the GPT32EH0.GTCNT counter performs up-counting, and settings are made so that the GTIOC0A pin output by a GPT32EH0.GTCCRA compare match and GTIOC0B pin output by a GPT32EH0.GTCCRB compare match are toggled.

In Figure 23.14, the GPT32EH0.GTCNT counter performs up-counting, and settings are made so that the GTIOC0A output is toggled by a compare match of GPT32EH0.GTCCRA and the GTIOC0B output is toggled at the cycle end.

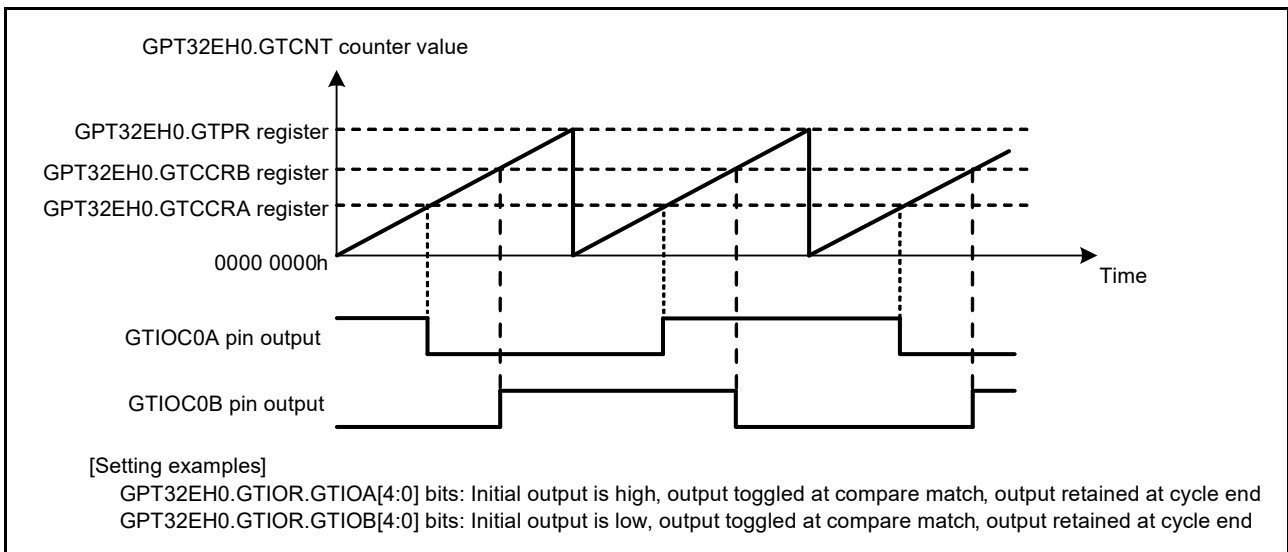


Figure 23.13 Example of toggled output operation (1)

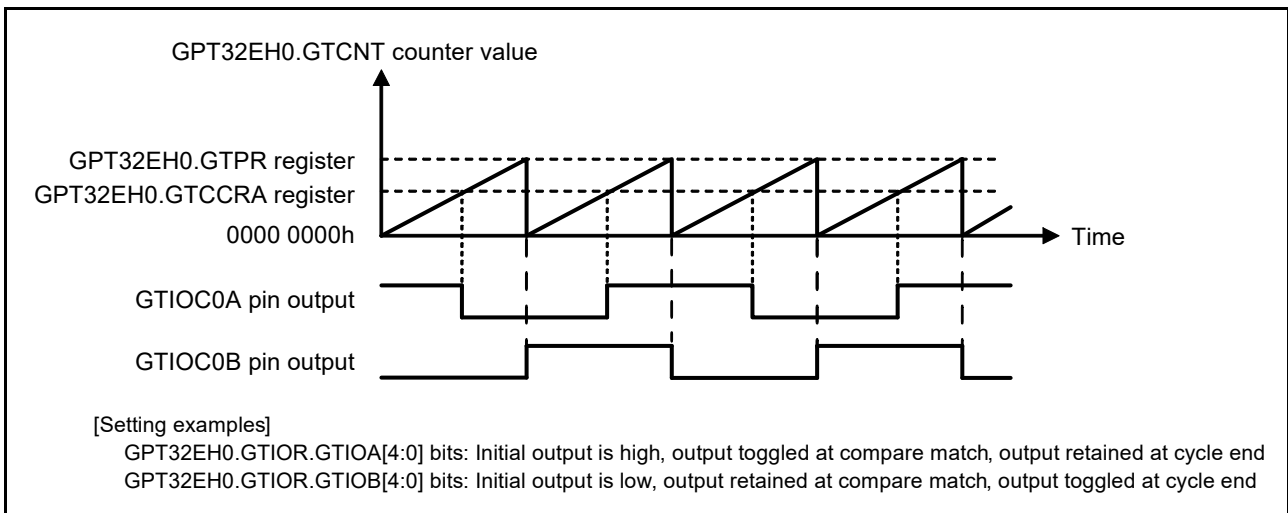
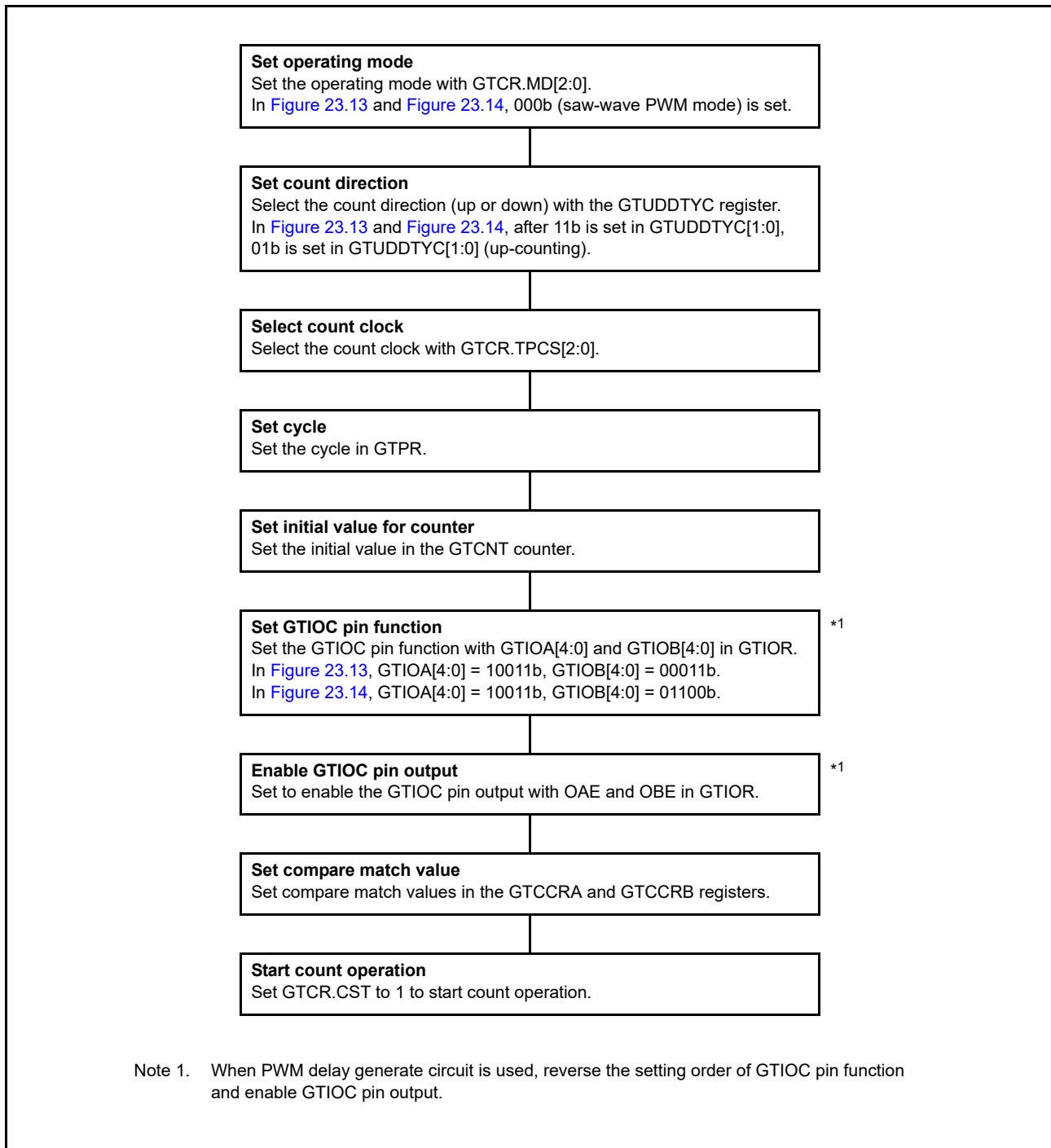


Figure 23.14 Example of toggled output operation (2)

Figure 23.15 shows an example setting for toggled output operation.



**Figure 23.15** Example setting for toggled output operation

### 23.3.1.3 Input capture function

The GTCNT counter value can be transferred to either GTCCRA or GTCCRB on detection of the hardware source that is set in GTICASR and GTICBSR.

Figure 23.16 shows an example of the input capture function.

In this example, the GPT32EH0.GTCNT counter performs up-counting by the count clock, and settings are made so that an input capture is performed to GTICCRA at both edges of the GTIOC0A input pin and to GTICCRB on the rising edge of the GTIOC0B input pin.

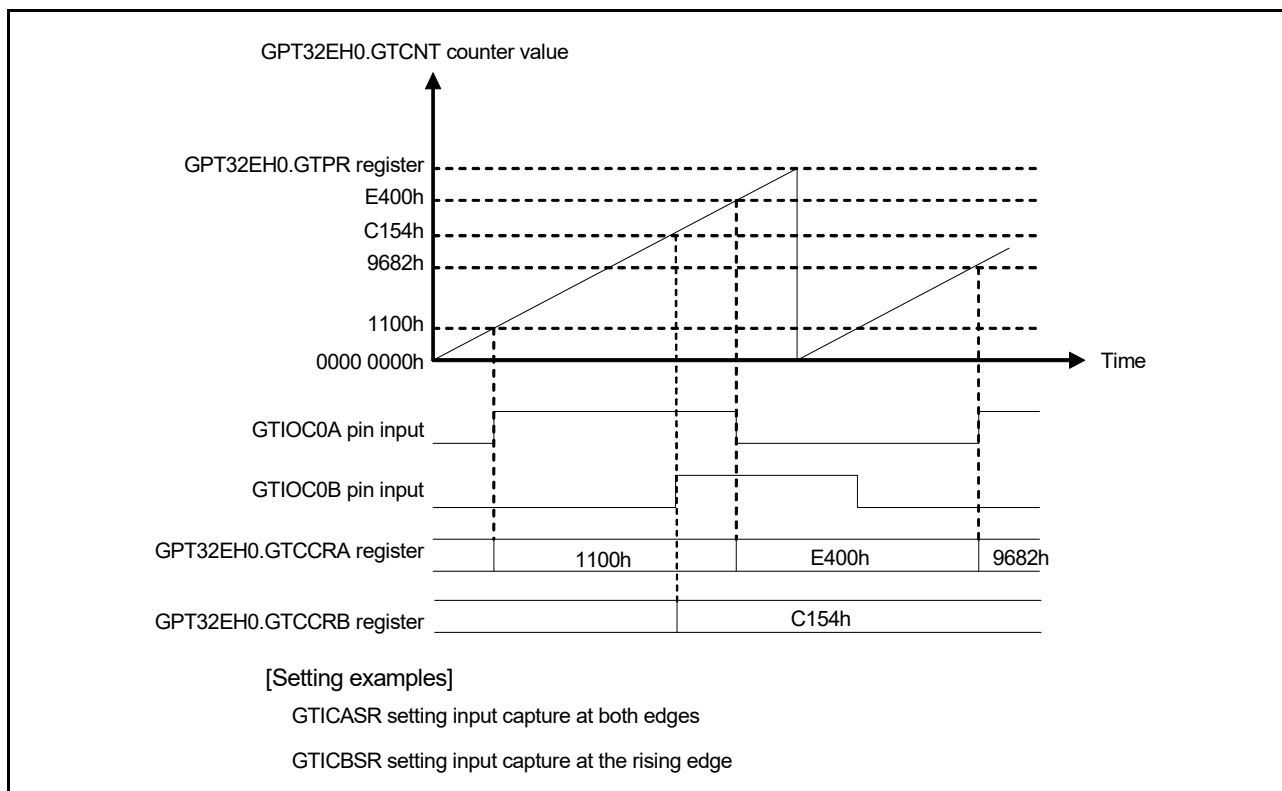
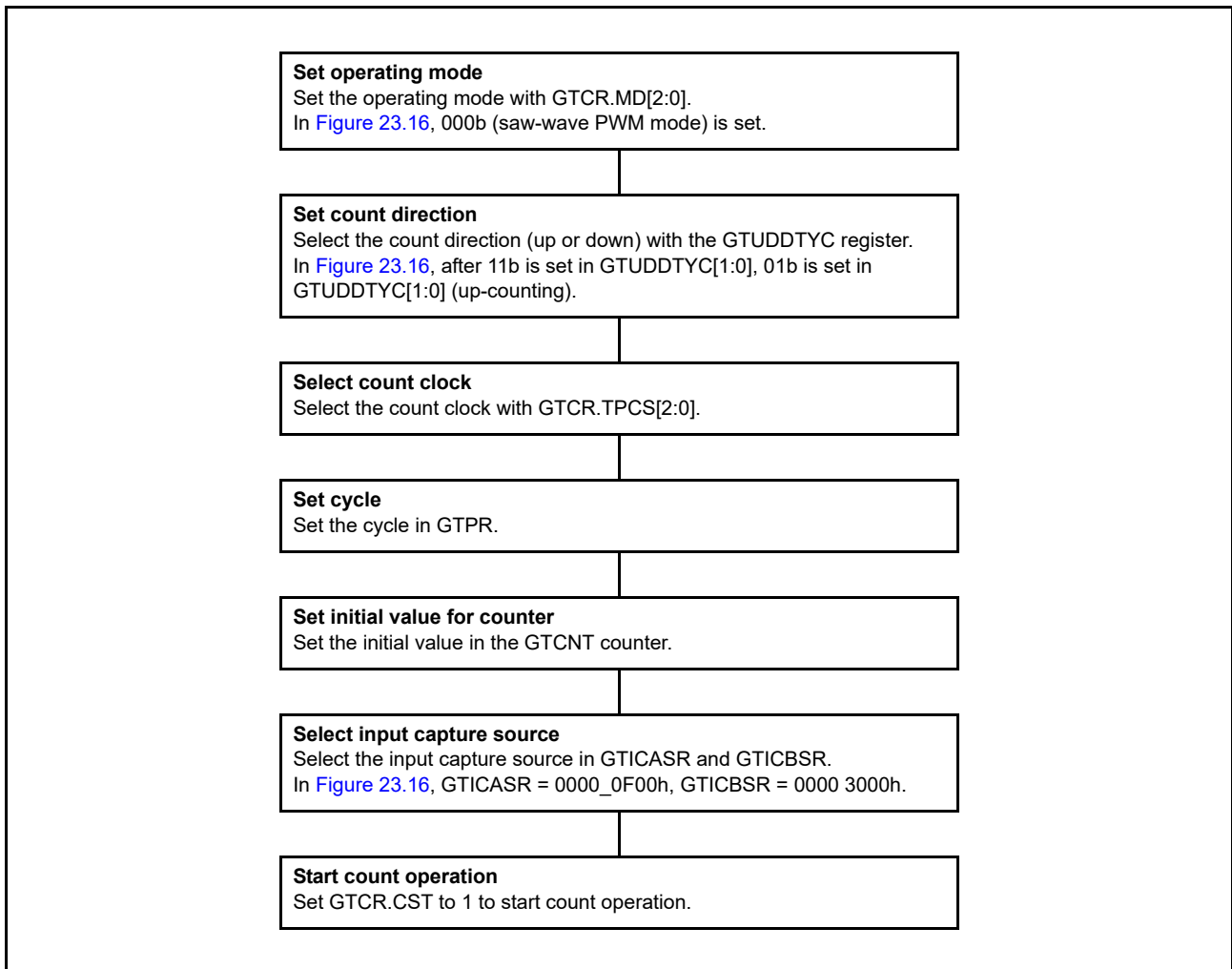


Figure 23.16 Example of input capture operation

Figure 23.17 shows an example setting for an input capture operation with count operation by the count clock.



**Figure 23.17** Example setting for input capture operation

### 23.3.2 Buffer Operation

The following buffer operations can be set with GTBER:

- GTPR, GTPBR, and GTPDBR
- GTCCRA, GTCCRC, and GTCCRD
- GTCCRB, GTCCRE, and GTCCRF
- GTADTRA, GTADTBRA, and GTADTDBRA
- GTADTRB, GTADTBRB, and GTADTDBRB.

The following buffer operations can be set with GTDTCR:

- GTDVU and GTDBU
- GTDVU and GTDBD.

#### 23.3.2.1 GTPR register buffer operation

GTPBR can function as a buffer register for GTPR, and GTPDBR can function as a buffer register for GTPBR (double-buffer register for GTPR). The buffer transfer is performed at an overflow (during up-counting) or an underflow (during down-counting) in saw-wave mode or in event count, and at a trough in triangle-wave mode.

In saw-wave mode or in event count, the buffer transfer is performed when the following counter clear operations occur during counting:

- Clear by hardware sources (the clear source is selected in GTCSR[23:0])
- Clear by software (when GTCSR.CCLR bit is 1 and GTCLRn bit is set to 1, n = channel number).

To set GTPR to function as double buffer, set GTBER.PR[1:0] to 10b or 11b. To set GTPR to not function as a buffer, set GTBER.PR[1:0] to 00b.

Figure 23.18 to Figure 23.20 show examples of GTPR buffer operation, and Figure 23.21 shows an example setting for GTPR buffer operation.

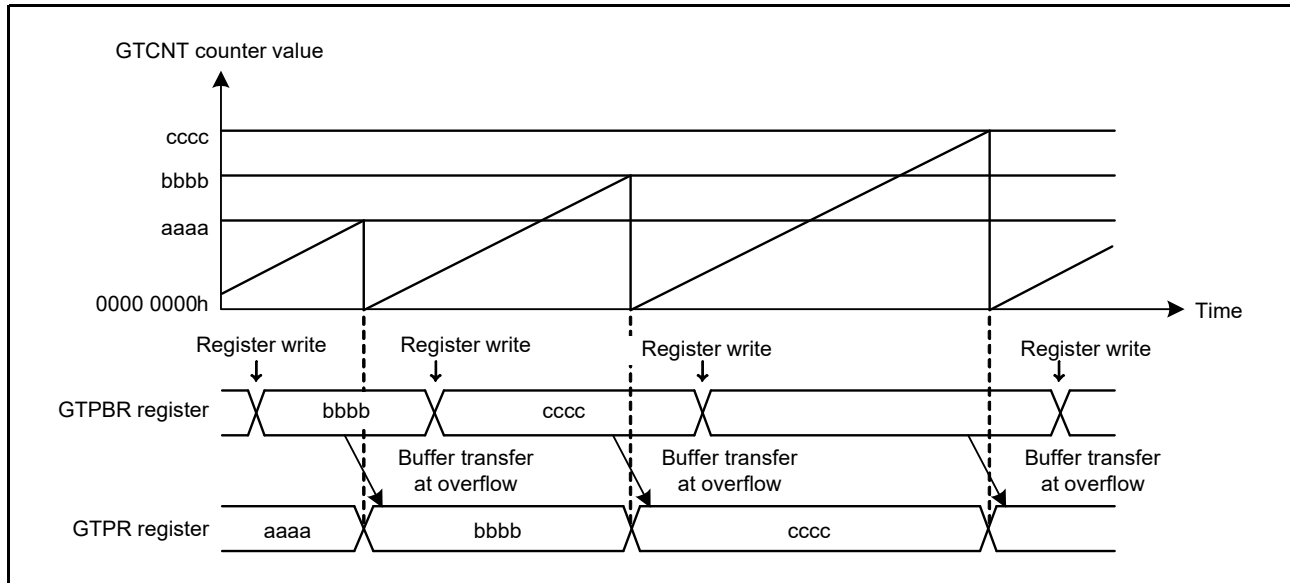


Figure 23.18 Example of GTPR buffer operation with saw waves in up-counting

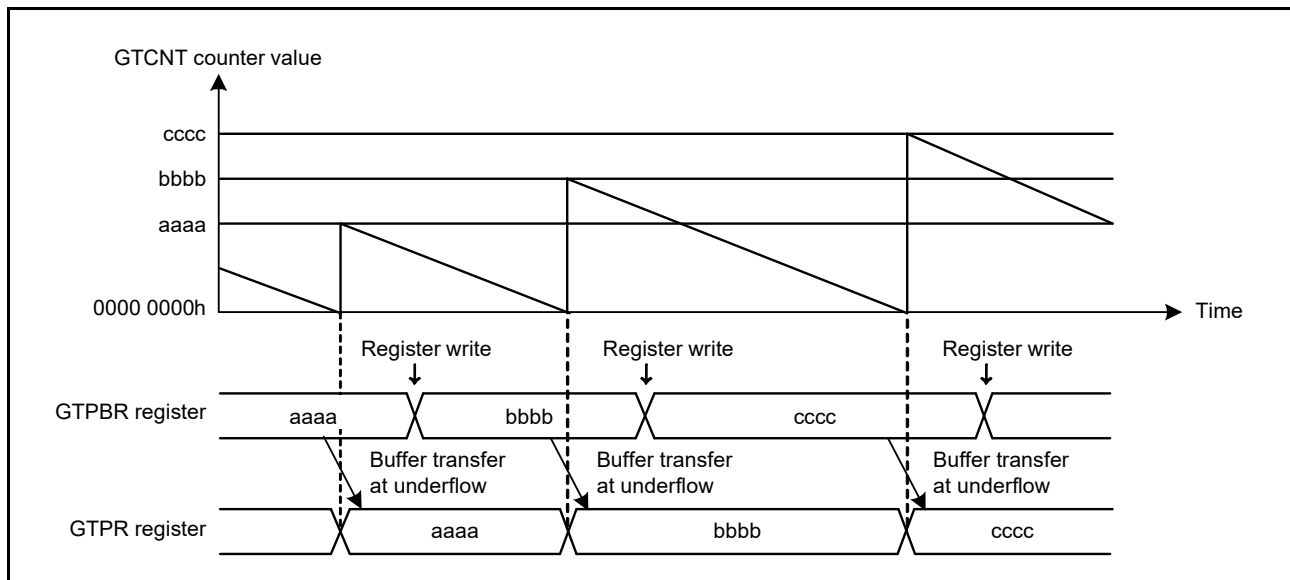


Figure 23.19 Example of GTPR buffer operation with saw waves in down-counting

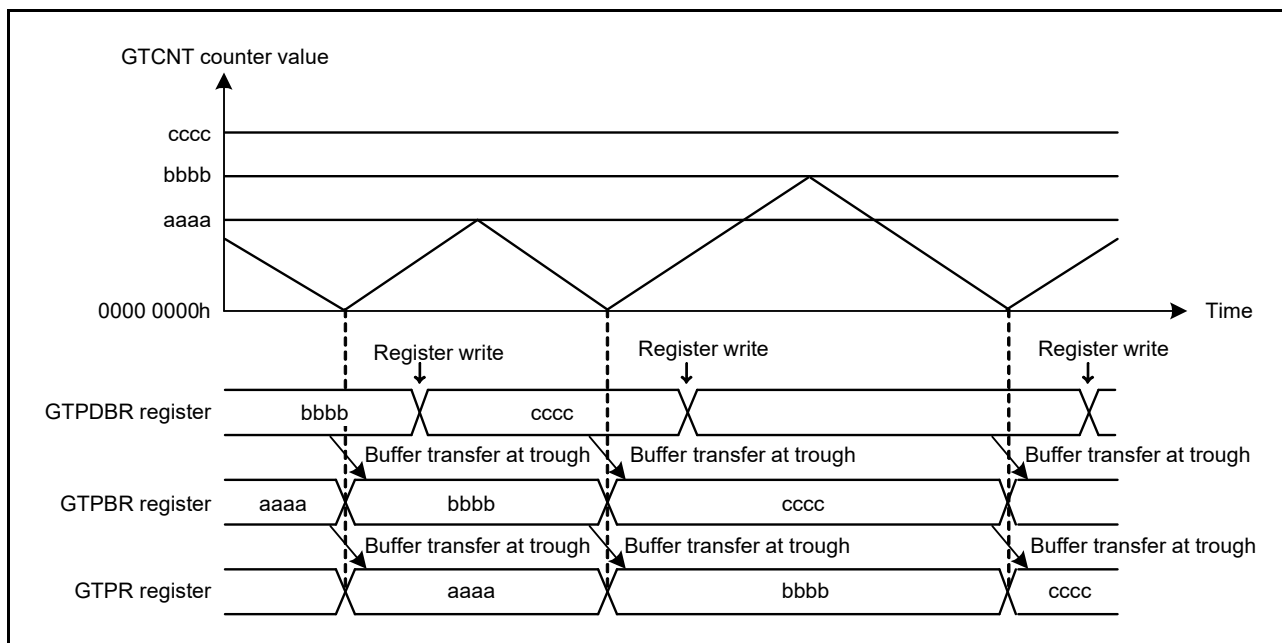
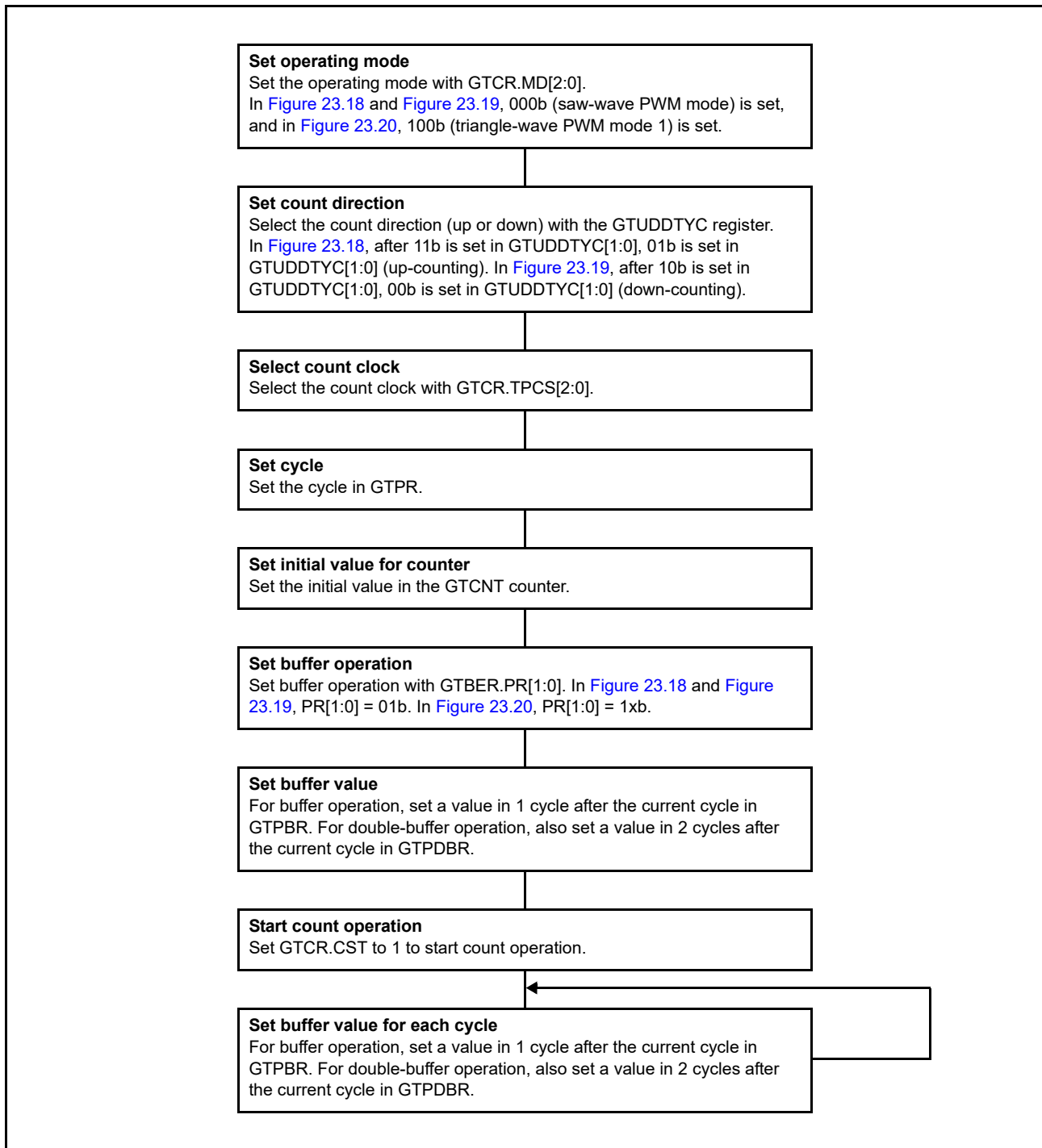


Figure 23.20 Example of GTPR double buffer operation with triangle waves





**Figure 23.21** Example setting for GTPR buffer operation

### 23.3.2.2 Buffer operation for GTCCRA and GTCCRB

GTCCRC can function as the GTCCRA buffer register and GTCCRD can function as the GTCCRC buffer register (double-buffer register for GTCCRA). Similarly, GTCCRE can function as the GTCCRB buffer register and GTCCRF can function as the GTCCRE buffer register (double-buffer register for GTCCRB).

To set GTCCRA or GTCCRB to function as a double buffer, set GTBER.CCRA[1:0] or GTBER.CCRB[1:0] to 10b or 11b. For single-buffer operation, set GTBER.CCRA[1:0] or GTBER.CCRB[1:0] to 01b. To set GTCCRA or GTCCRB to not function as a buffer, set GTBER.CCRA[1:0] or GTBER.CCRB[1:0] to 00b.

(1) When GTCCRA or GTCCRB functions as an output compare register

Buffer transfer occurs in the following situations:

- Buffer transfer by overflow or underflow  
Buffer transfer is performed at an overflow (during up-counting) or an underflow (during down-counting) in saw-wave mode or in event count operation. In triangle-wave mode, buffer transfer is performed at a trough (triangle-wave PWM mode 1) or a crest and trough (triangle-wave PWM mode 2).
- Buffer transfer by counter clear  
In saw-wave mode or in event count operation, during counting, buffer transfer (which is the same as an overflow during up-counting or an underflow during down-counting) is performed by the counter clear sources the same as shown in section 23.3.2.1, GTPR register buffer operation. In triangle-wave mode, buffer transfer is not performed by the counter clear.
- Forcible buffer transfer  
When GTBER.CCRSWT bit is set to 1 while the count operation is stopped, the GTCCRA and the GTCCRB register buffer transfer is performed forcibly in saw-wave mode, in event count operation and in triangle-wave mode. Additionally, buffer transfer from the GTCCRD register to temporary register A and from the GTCCRF register to temporary register B are performed in saw-wave 1 shot pulse mode or triangle-wave PWM mode 3.

Figure 23.22 to Figure 23.24 show examples of GTCCRA and GTCCRB buffer operation and Figure 23.25 shows an example setting for GTCCRA and GTCCRB buffer operation.

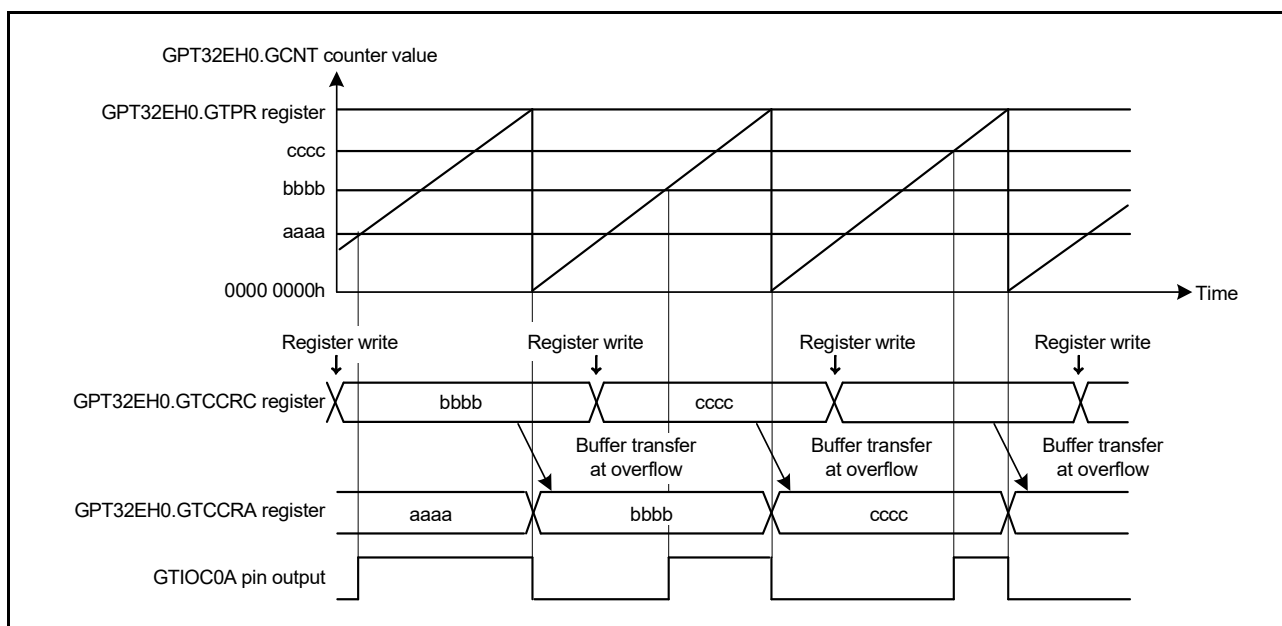
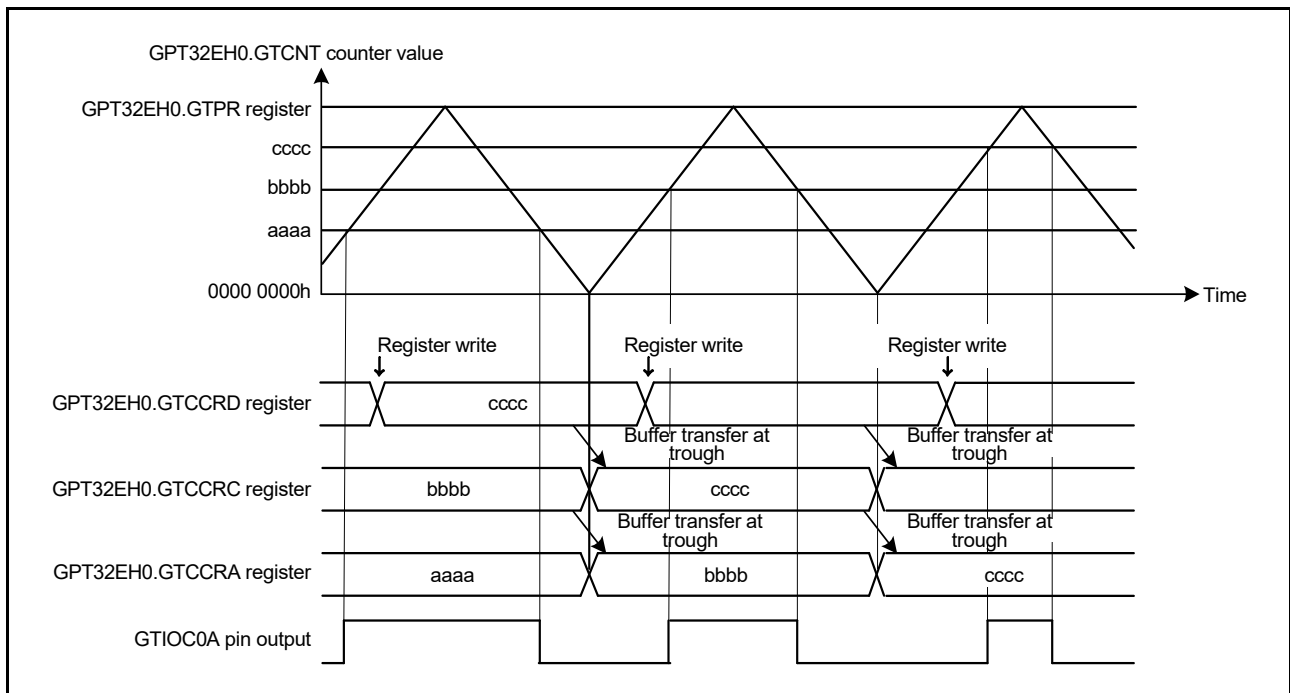
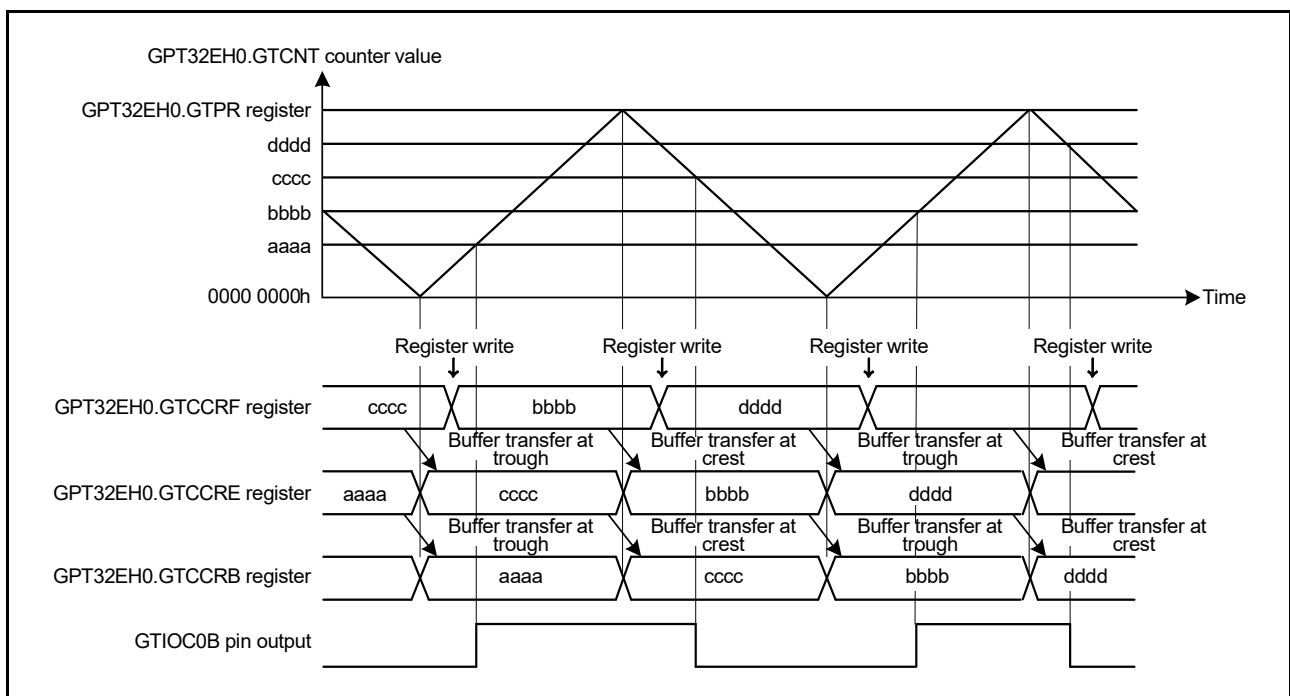


Figure 23.22 Example of GTCCRA and GTCCRB buffer operation with output compare, saw waves in up-counting, high output at GTCCRA compare match, and low output at cycle end



**Figure 23.23** Example of GTCCRA and GTCCRB double buffer operation with output compare, triangle waves, buffer operation at trough, output toggled at GTCCRA compare match, and output retained at cycle end



**Figure 23.24** Example of GTCCRA and GTCCRB double buffer operation with output compare, triangle waves, buffer operation at both troughs and crests, output toggled at GTCCRB compare match, and output retained at cycle end

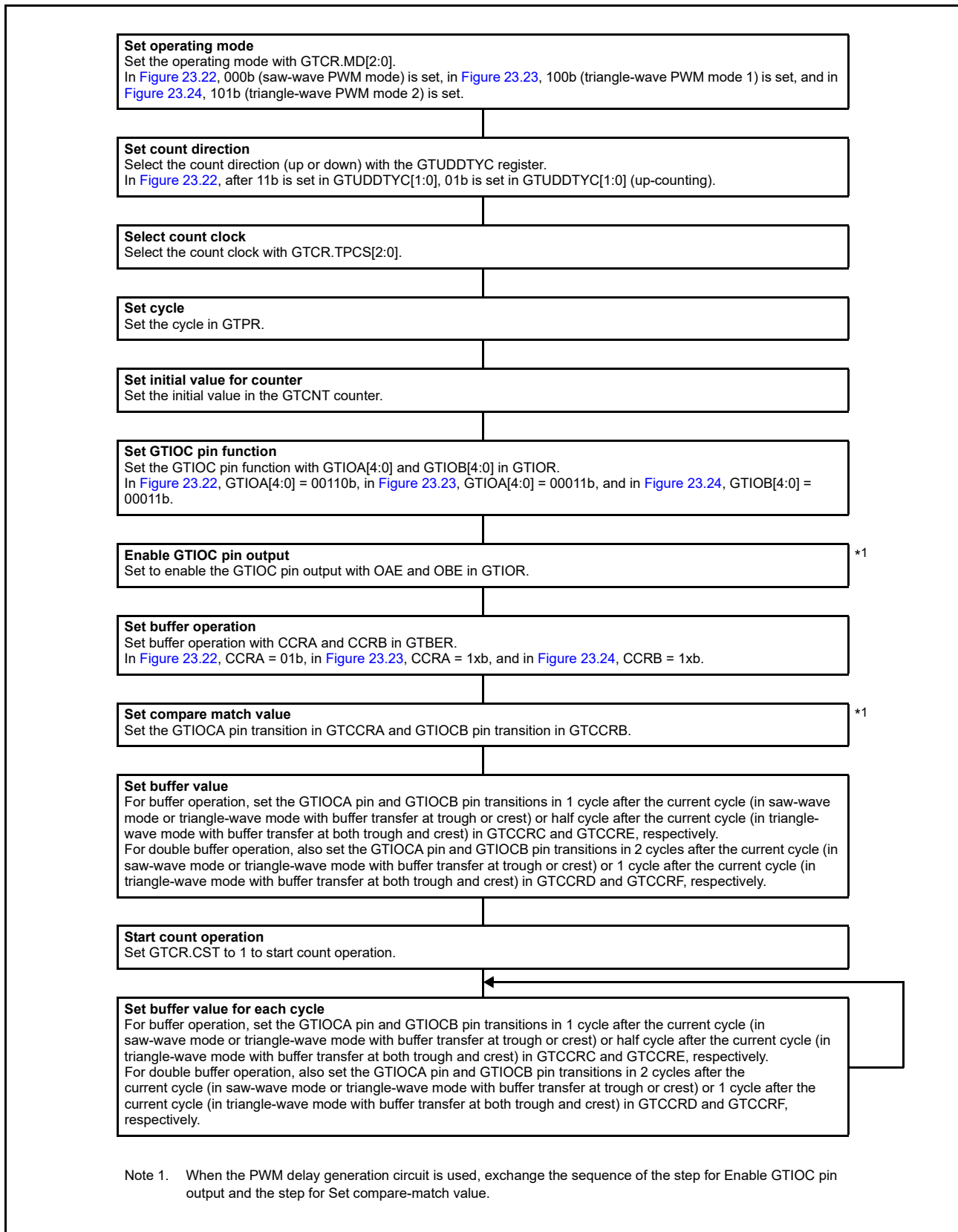


Figure 23.25 Example setting for GTCRA and GTCCRB buffer operation with output compare

(2) When GTCCRA or GTCCRB functions as an Input Capture Register

When an input capture is generated, the GTCNT counter value is transferred to GTCCRA and GTCCRB and the stored GTCCRA and GTCCRB register values are transferred to the buffer registers. In input capture operation, the buffer transfer is not performed by the counter clear.

Figure 23.26 and Figure 23.27 show examples of GTCCRA and GTCCRB buffer operation and Figure 23.28 shows an example setting for GTCCRA and GTCCRB buffer operation.

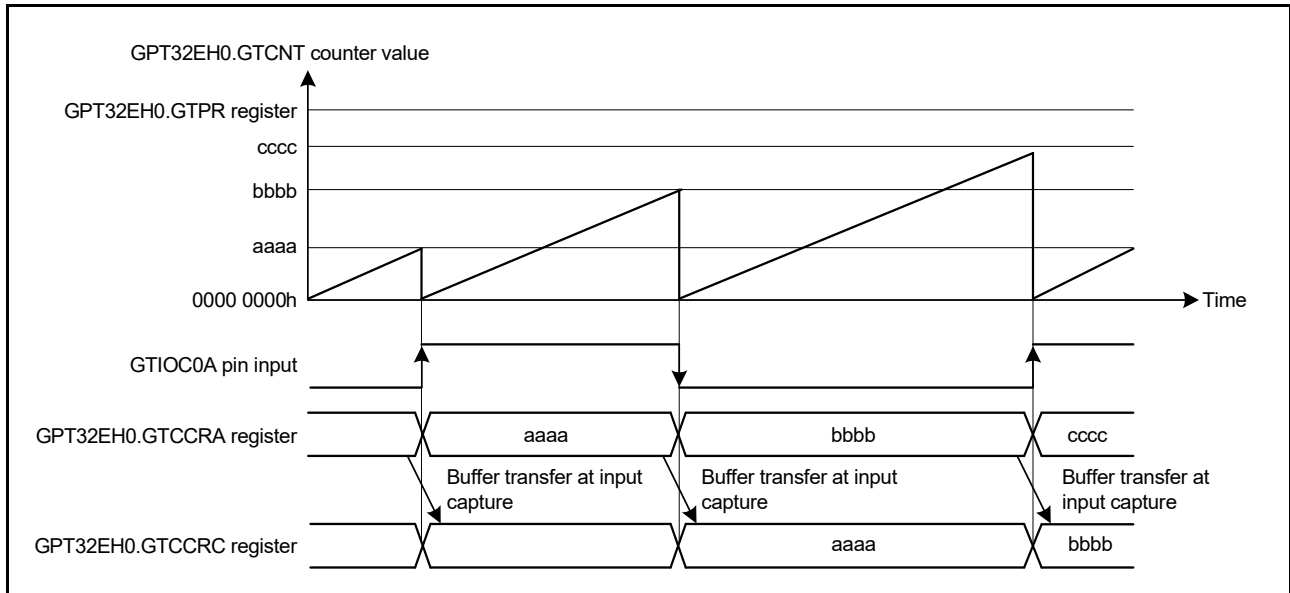


Figure 23.26 Example of GTCCRA and GTCCRB buffer operation with input capture at both edges of GTIOC0A input, saw waves in up-counting, and GTCNT counter cleared at both edges of GTIOC0A input

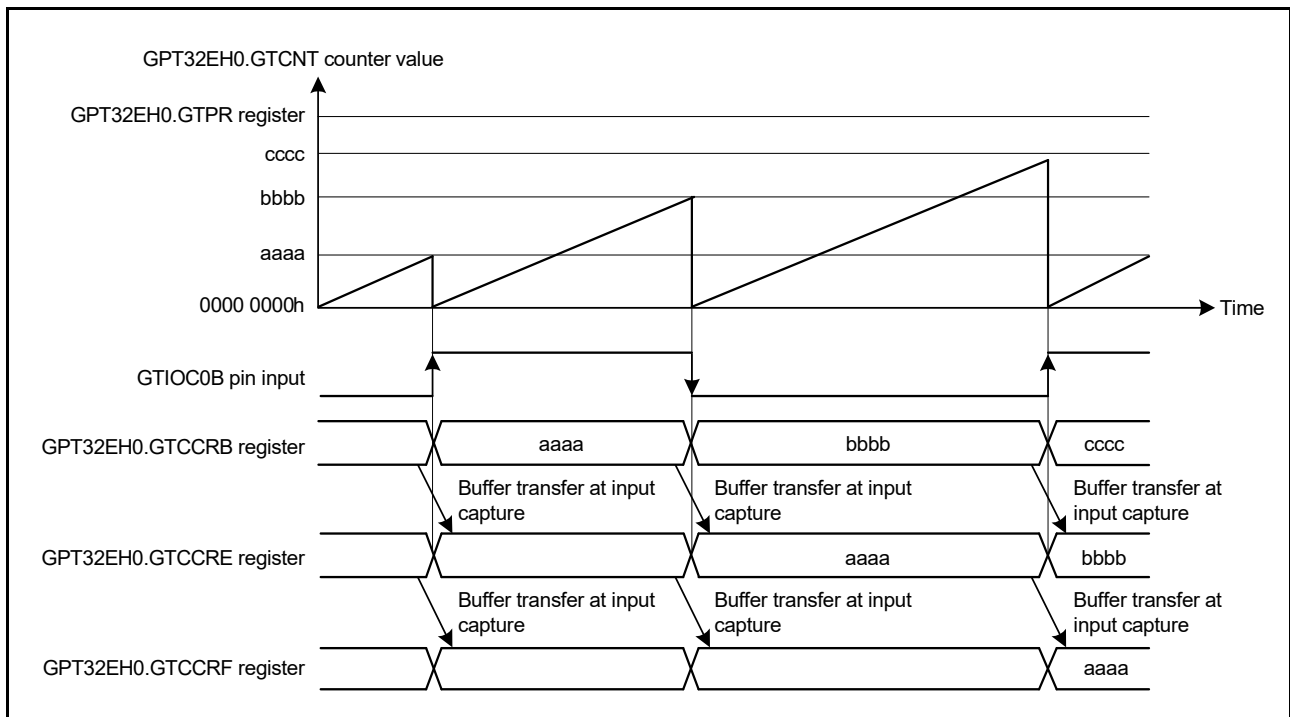
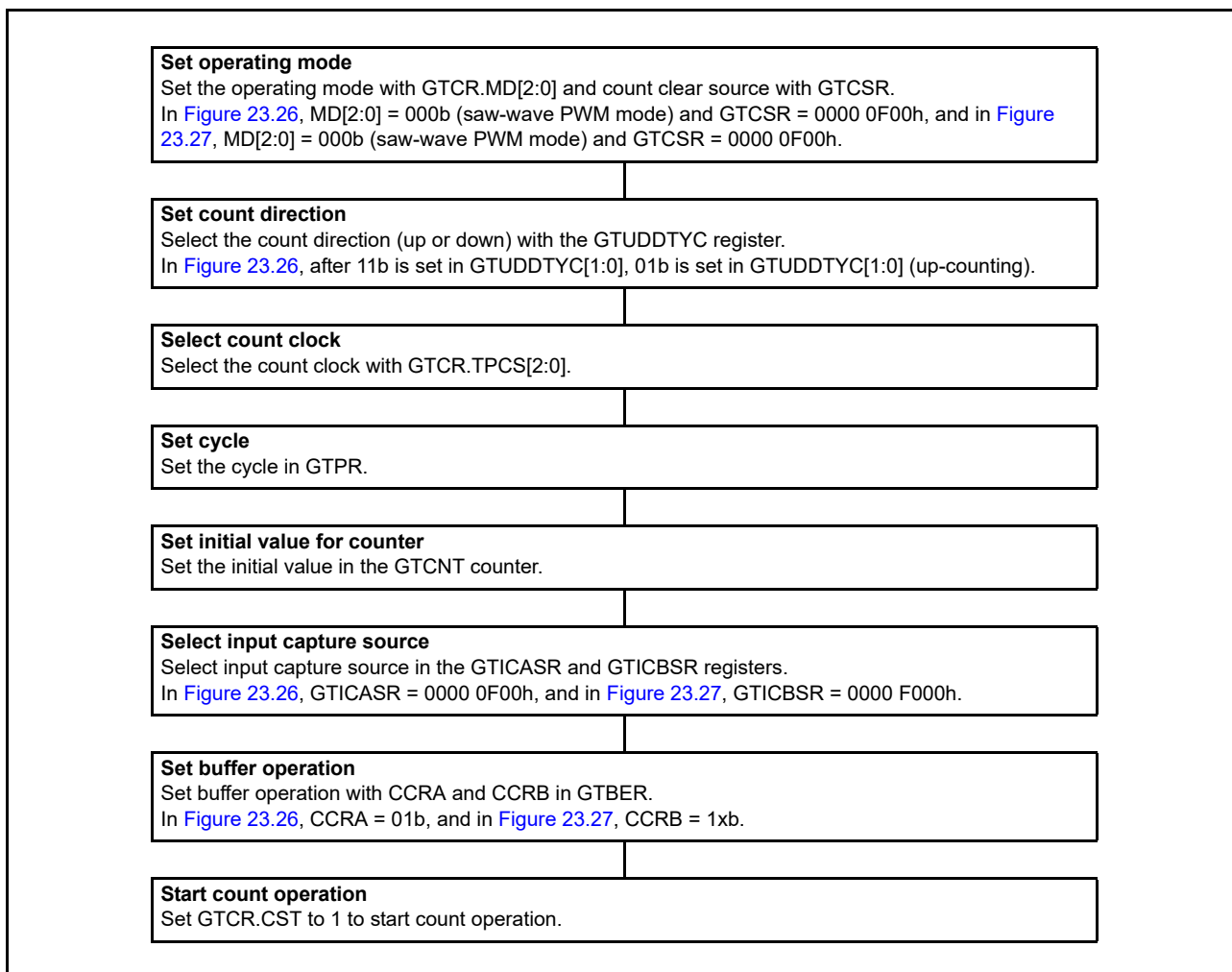


Figure 23.27 Example of GTCCRA and GTCCRB double buffer operation with input capture at both edges of GTIOC0B input, saw waves in up-counting, and GTCNT counter cleared at both edges of GTIOC0B input



**Figure 23.28** Example setting for GTCCRA and GTCCRB buffer operation with input capture

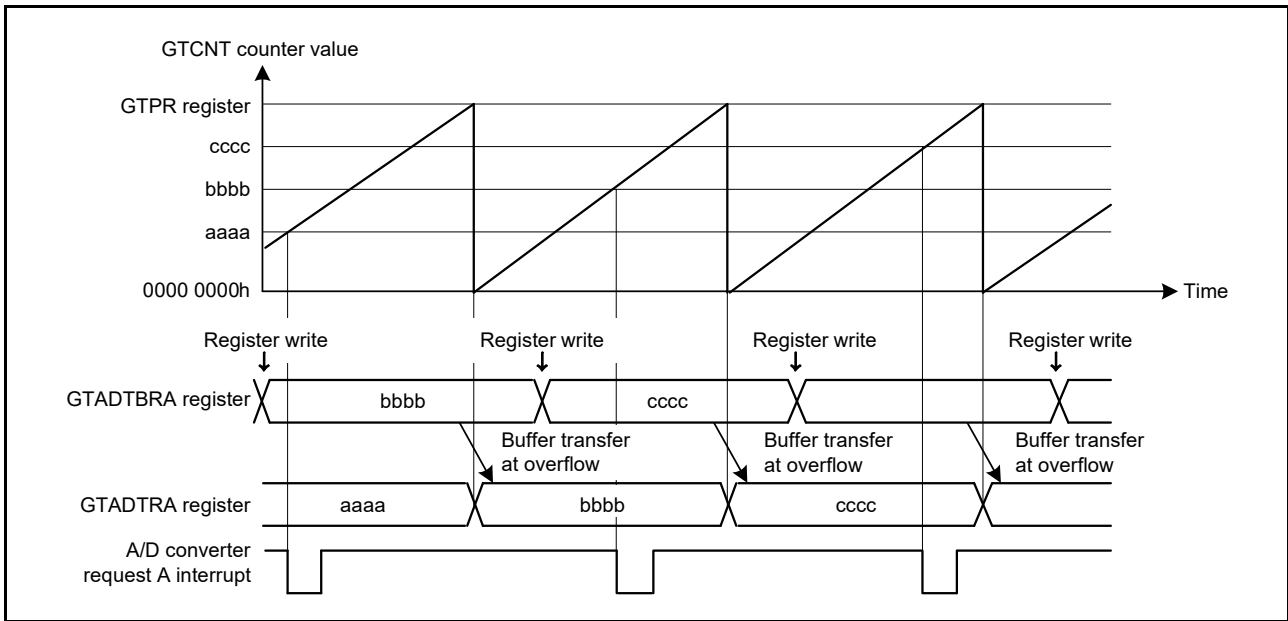
### 23.3.2.3 Buffer operation for GTADTRA and GTADTRB

GTADTBRA can function as the GTADTRA buffer register and GTADTDBRA can function as the GTADTBRA buffer register (double-buffer register for GTADTRA). Similarly, GTADTBRB can function as the GTADTRB buffer register and GTADTDBRB can function as the GTADTBRB buffer register (double-buffer register for GTADTRB).

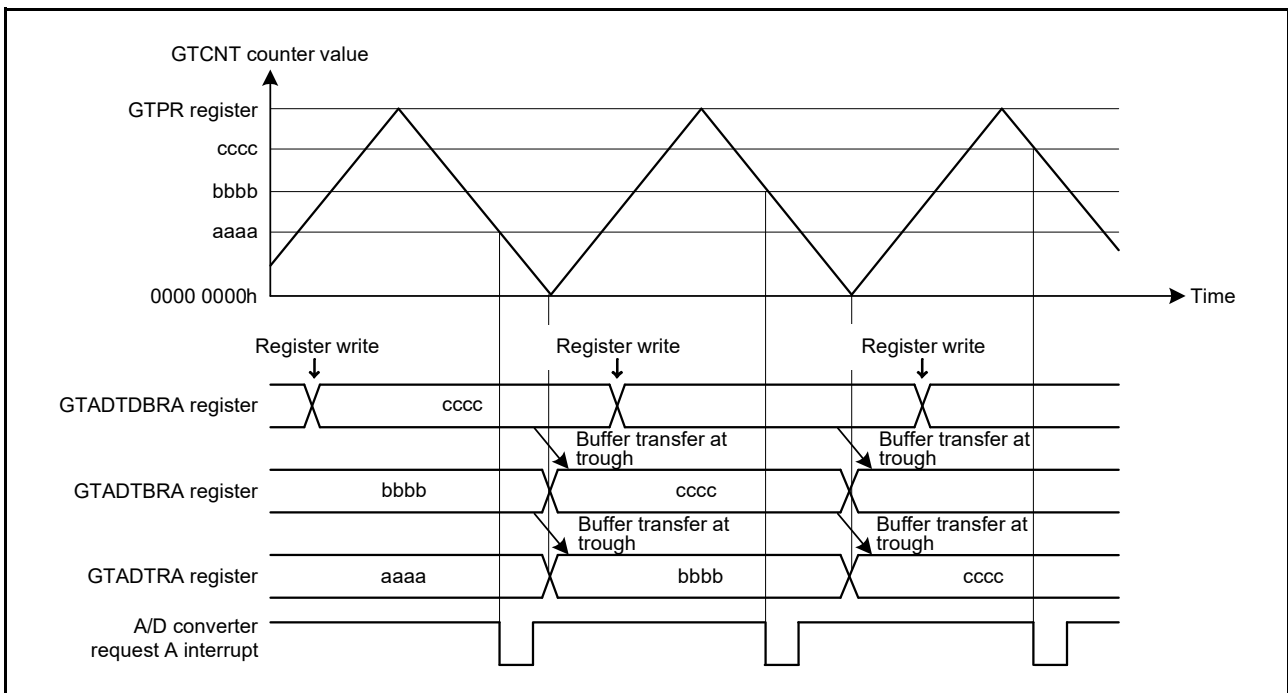
To set GTADTRA or GTADTRB to function as a double buffer, set GTBER.ADTDA or GTBER.ADTDB to 1. For single buffer operation, set GTBER.ADTDA or GTBER.ADTDB to 0. To set GTADTRA or GTADTRB to not function as a buffer, set GTBER.ADTTA[1:0] or GTBER.ADTTB[1:0] to 00b.

The buffer transfer timing can be set with the GTBER.ADTTA[1:0] bits. For saw waves, overflows (during up-counting) or underflows (during down-counting) can be selected. For triangle waves, crests are selected when GTBER.ADTTA[1:0] = 01b, troughs are selected when GTBER.ADTTA[1:0] = 10b, and both crests and troughs are selected when GTBER.ADTTA[1:0] = 11b.

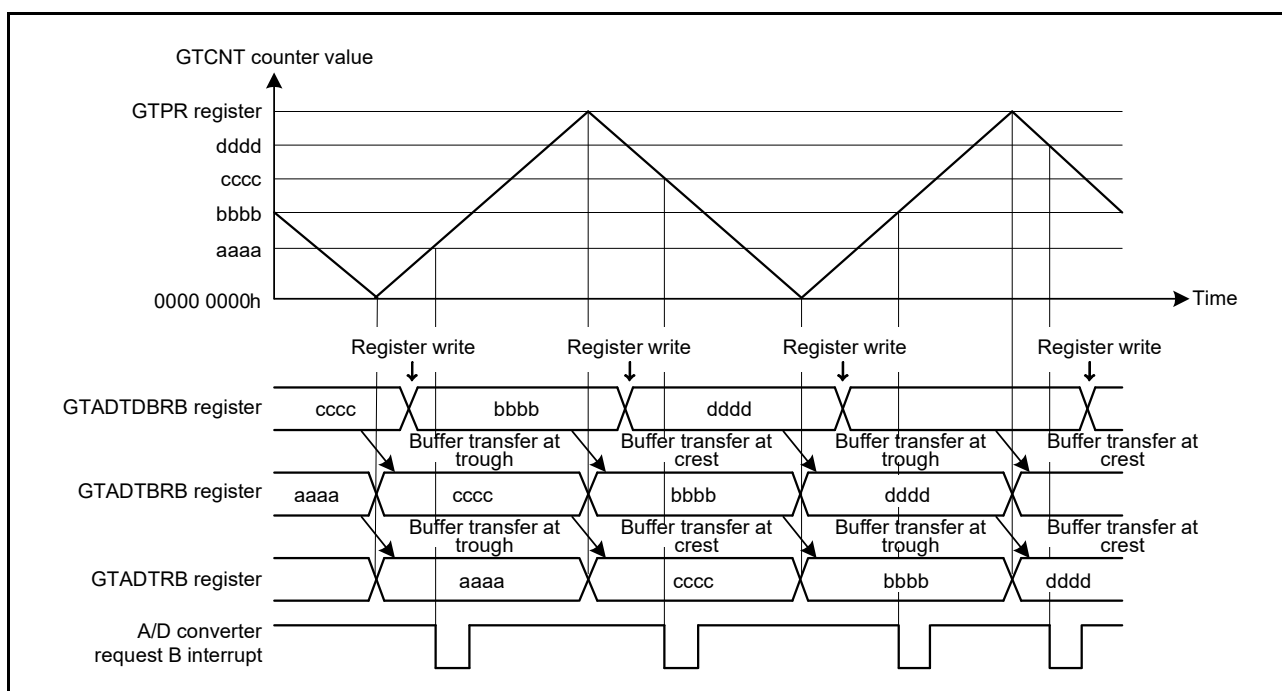
Figure 23.29 to Figure 23.31 show examples of GTADTRA and GTADTRB buffer operation and Figure 23.32 shows an example setting for GTDTRA and GTADTRB buffer operation.



**Figure 23.29** Example of GTADTRA and GTADTRB buffer operation with saw waves in up-counting and A/D converter start request interrupt generated by up-counting



**Figure 23.30** Example of GTADTRA and GTADTRB double buffer operation with triangle waves, buffer transfer at troughs, and A/D converter start request interrupt generated by down-counting



**Figure 23.31** Example of GTADTRA and GTADTRB double buffer operation with triangle waves, buffer transfer at both troughs and crests, and A/D converter start request interrupt generated by both up- and down-counting



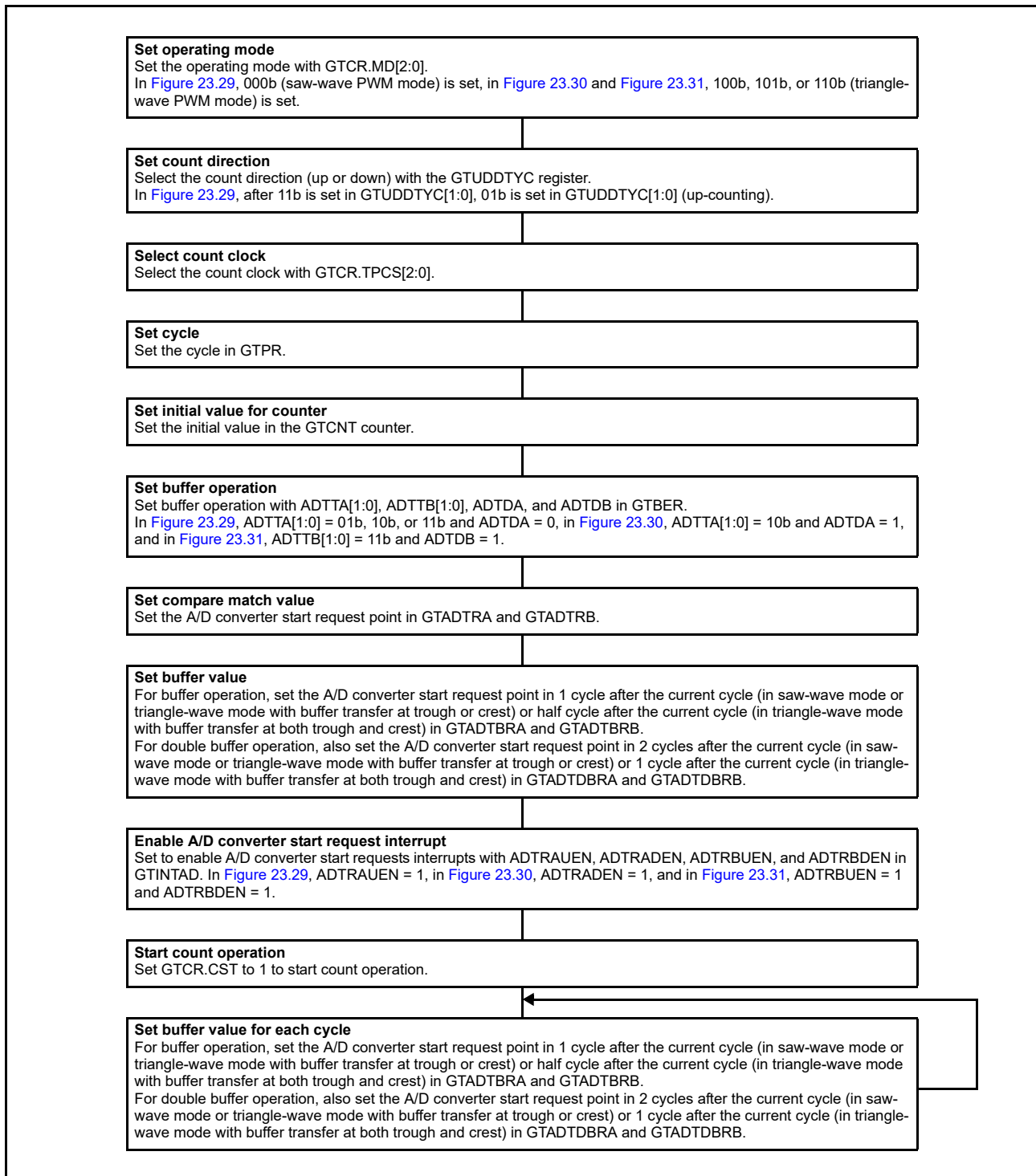


Figure 23.32 Example setting for GTADTRA and GTADTRB buffer operation

### 23.3.3 PWM Output Operating Mode

The GPT can output PWM waveforms to the GTIOCA or GTIOCB pin by a compare match between the GTCNT counter and GTCCRA or GTCCRB. By setting GTDTCR, GTDVU, and GTDVD, the compare match value for a negative-phase waveform with dead time can be automatically set to GTCCRB.

#### 23.3.3.1 Saw-wave PWM mode

In saw-wave PWM mode, GTCNT performs saw-wave (half-wave) operation by setting the cycle in GTPR. A PWM

waveform is output to the GTIOCA or GTIOCB pin when a GTCCRA or GTCCRB compare match occurs. The pin output value can be selected from low output, high output, or toggle output separately for a compare match and for the cycle end according to the GTIOR setting.

Figure 23.33 shows an example of saw-wave PWM mode operation, and Figure 23.34 shows an example setting for saw-wave PWM mode.

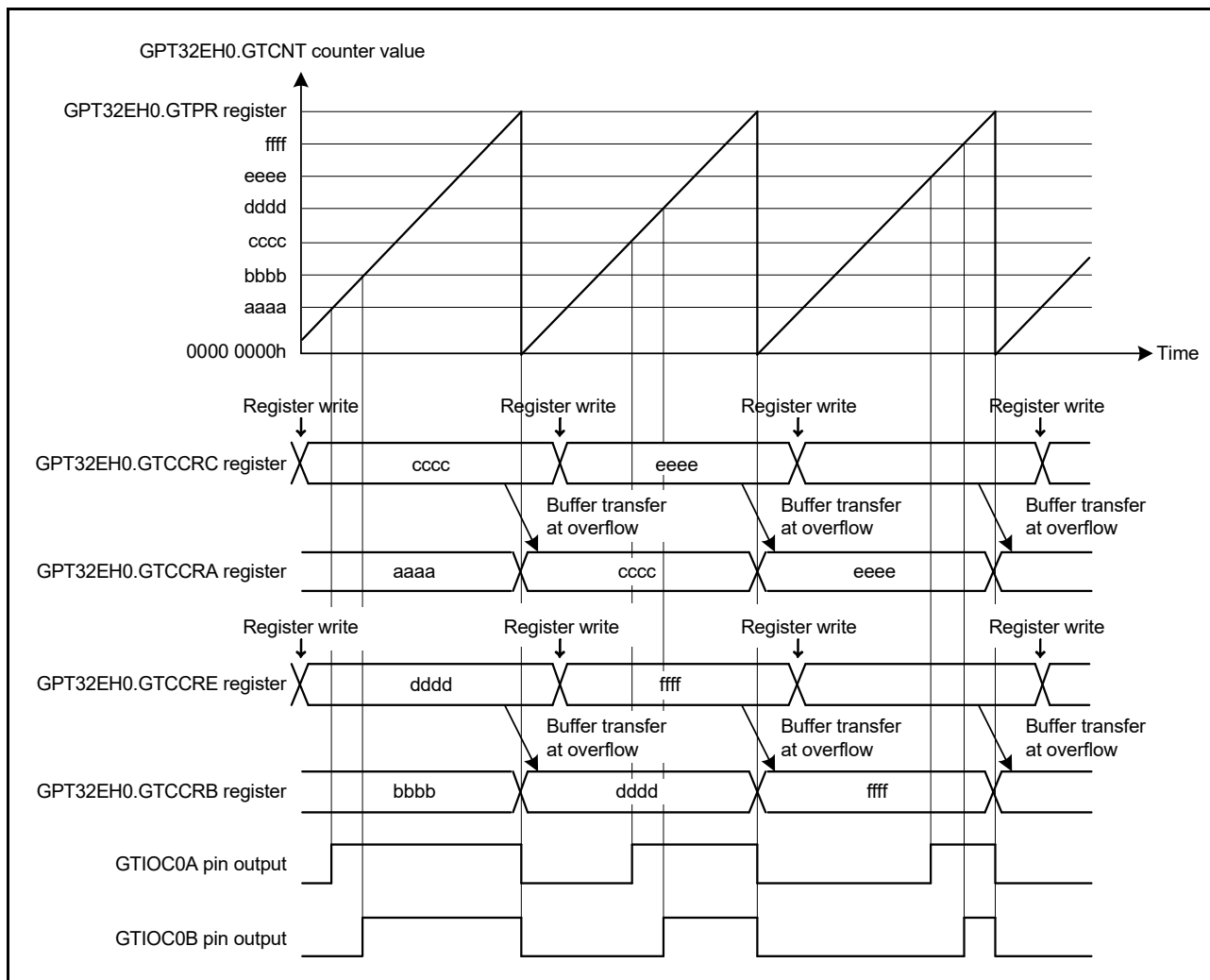


Figure 23.33 Example of saw-wave PWM mode operation with up-counting, buffer operation, high output at GTCCRA/GTCCRB compare match, and low output at cycle end

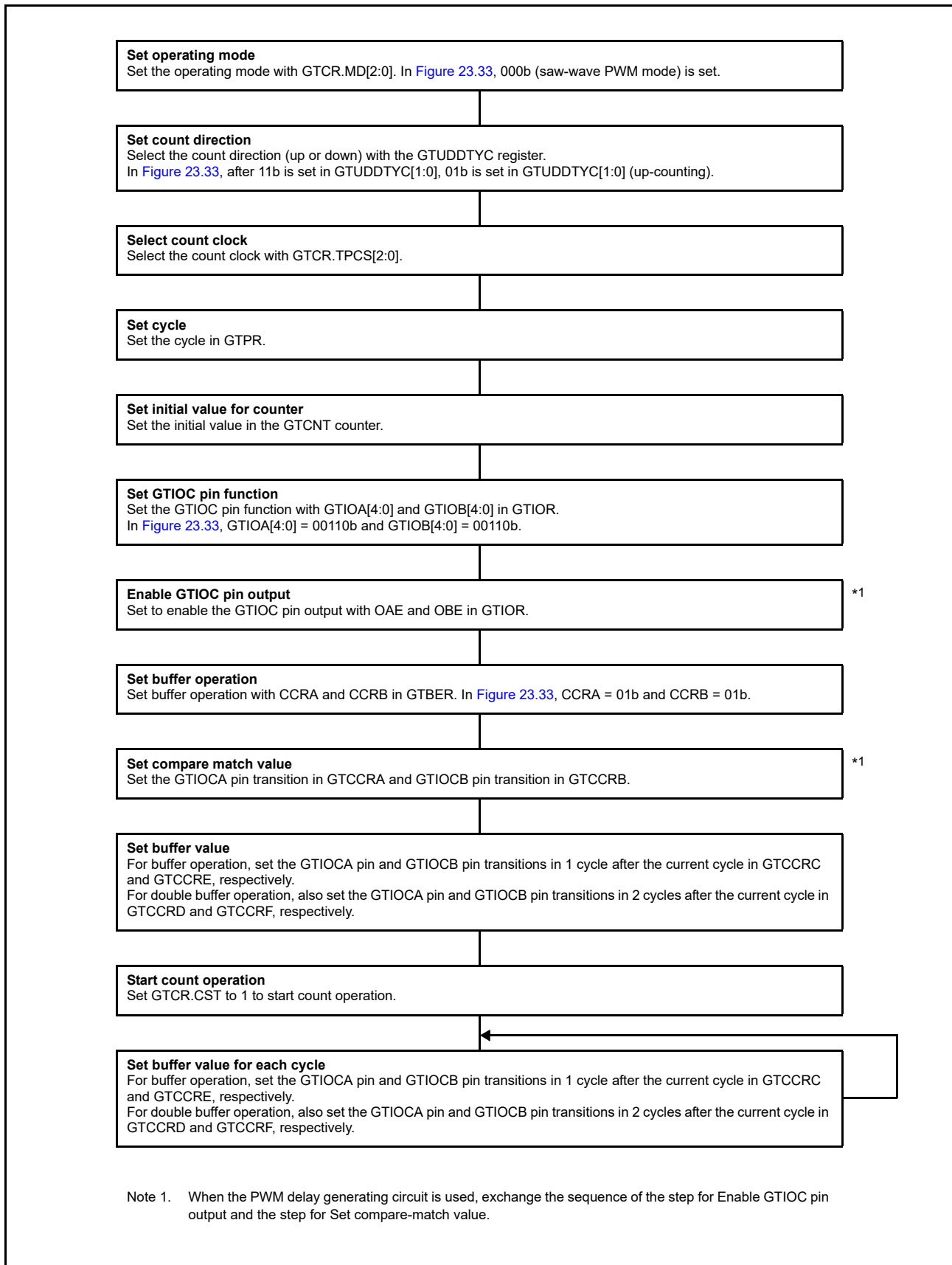


Figure 23.34 Example setting for saw-wave PWM mode

### 23.3.3.2 Saw-wave one-shot pulse mode

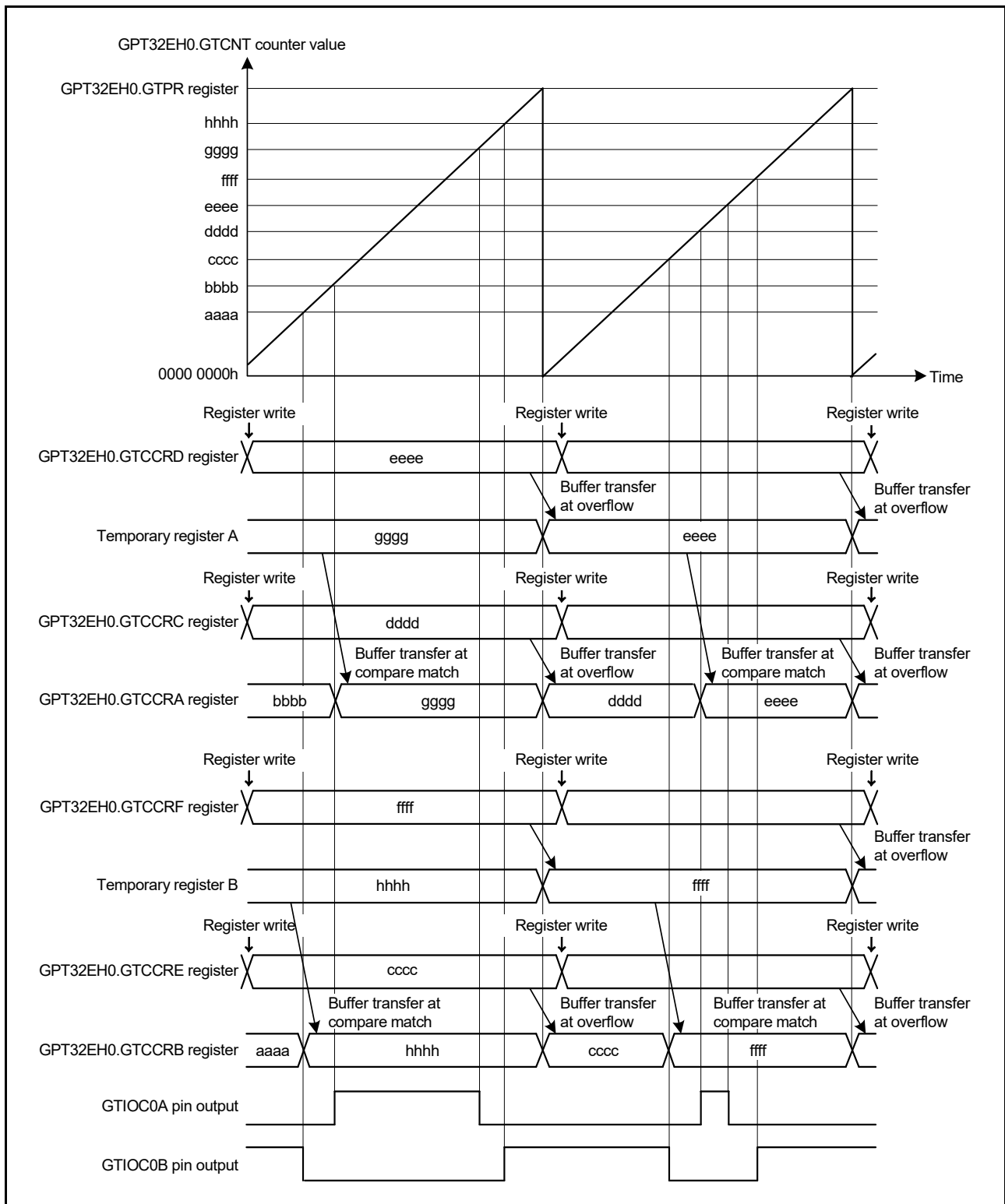
The saw-wave one-shot pulse mode is a mode in which the cycle is set in GTPR. The GTCNT counter performs saw-wave (half-wave) operation and a PWM waveform is output to the GTIOCA or GTIOCB pin at a compare match of GTCCRA or GTCCRB with buffer operation fixed.

Buffer operation in saw-wave one-shot pulse mode is different from the usual buffer operation. Buffer transfer is performed from:

- GTCCRC to GTCCRA at the cycle end
- GTCCRE to GTCCRB at the cycle end
- GTCCRD to temporary register A at the cycle end
- GTCCRF to temporary register B at the cycle end
- Temporary register A to GTCCRA at a GTCCRA compare match
- Temporary register B to GTCCRB at a GTCCRB compare match.

The pin output value can be selected from low output, high output, or toggle output separately for a compare match and the cycle end according to the GTIOR setting. When the GTBER.CCRSWT bit is set to 1 while the count operation is stopped, the buffer is transferred forcibly from the GTCCRD register to temporary register A and from the GTCCRF register to temporary register B. By setting GTDTCR, GTDVU, and GTDVD, a compare match value for a negative-phase waveform with dead time can automatically be set to GTCCRB.

[Figure 23.35](#) shows an example of saw-wave one-shot pulse mode operation, and [Figure 23.36](#) shows an example setting for saw-wave one-shot pulse mode.



**Figure 23.35** Example of saw-wave one-shot pulse mode operation with up-counting, low output from the GTIOC0A pin and high output from the GTIOC0B pin at count start, output toggled at GTCCRA/GTCCRB compare match, and output retained at cycle end

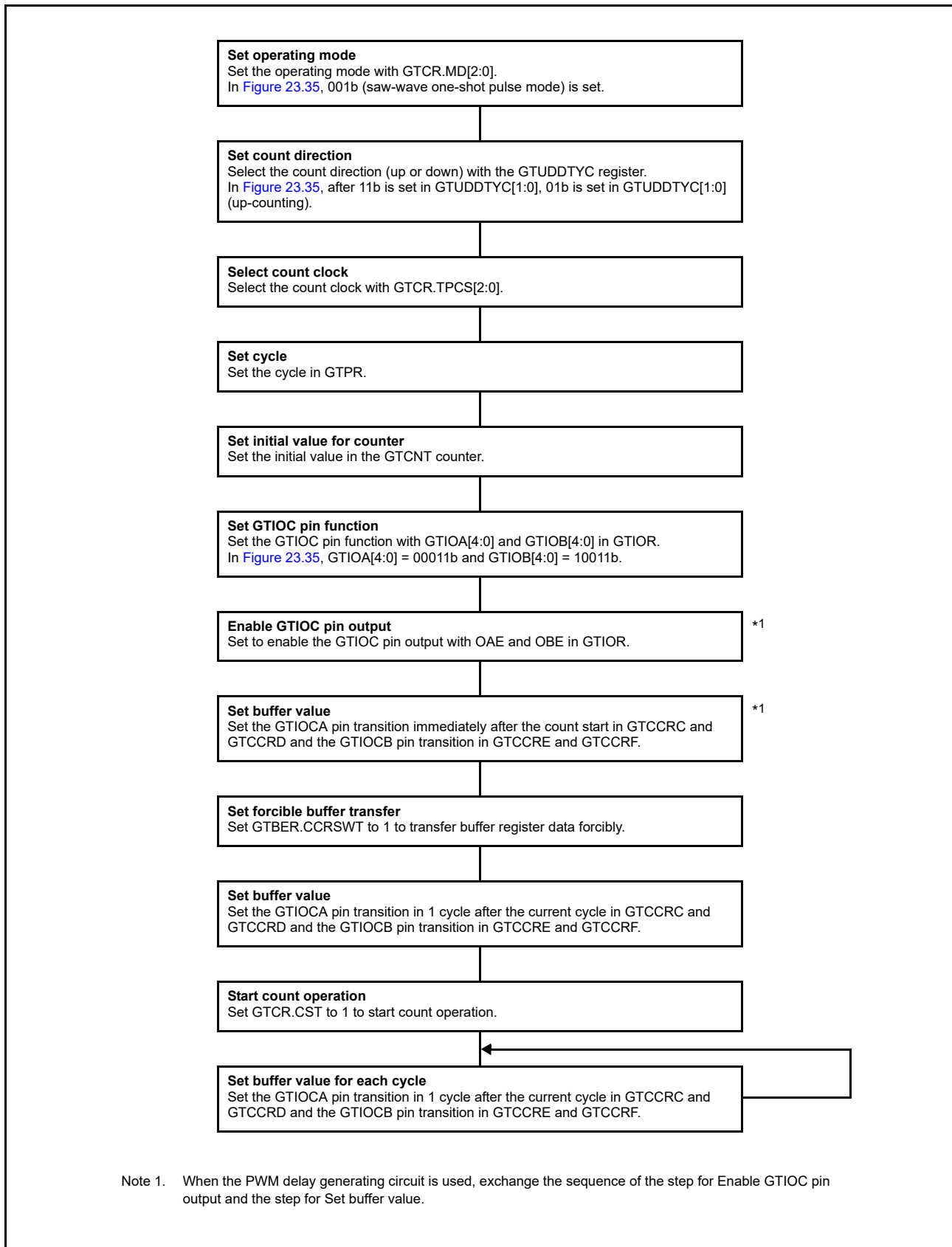


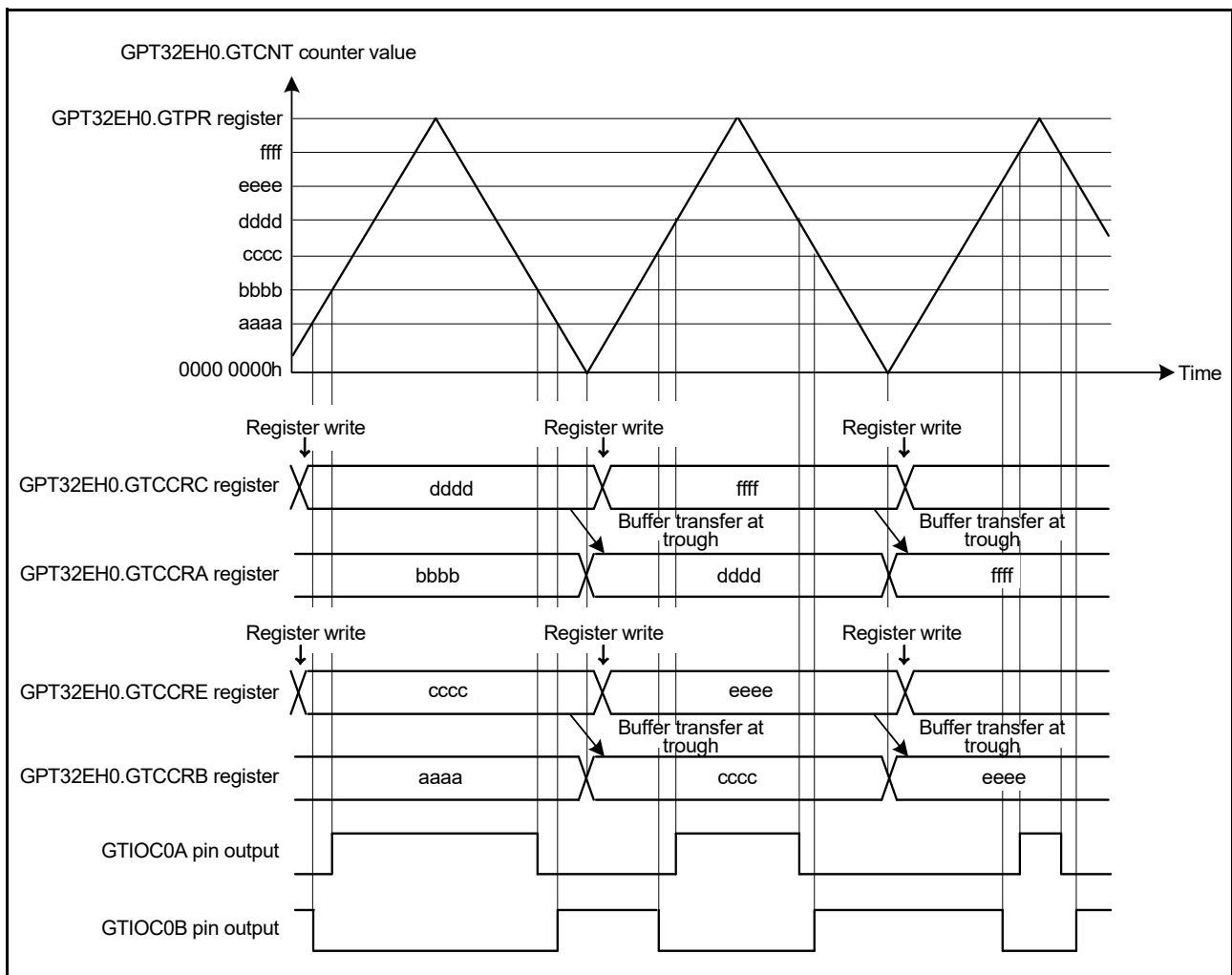
Figure 23.36 Example setting for saw-wave one-shot pulse mode

### 23.3.3.3 Triangle-wave PWM mode 1 (32-bit transfer at trough)

The triangle-wave PWM mode 1 is a mode in which the cycle is set in GTPR. The GTCNT counter performs triangle-wave (full-wave) operation, and a PWM waveform is output to the GTIOC0A or GTIOC0B pin when a GTCCRA or GTCCRB compare match occurs. Buffer transfer is performed at the trough. The pin output value can be selected from low output, high output, or toggle output separately for a compare match and for the cycle end based on the GTIOR setting.

By setting GTDTCR, GTDVU, and GTDVD, a compare match value for a negative-phase waveform with dead time can automatically be set to GTCCRB.

Figure 23.37 shows an example of a triangle-wave PWM mode 1 operation, and Figure 23.38 shows an example setting for a triangle-wave PWM mode 1.



**Figure 23.37** Example of triangle-wave PWM mode 1 operation with buffer operation, low output from the GTIOC0A pin and high output from the GTIOC0B pin at count start, output toggled at GTCCRA/GTCCRB register compare match, and output retained at cycle end

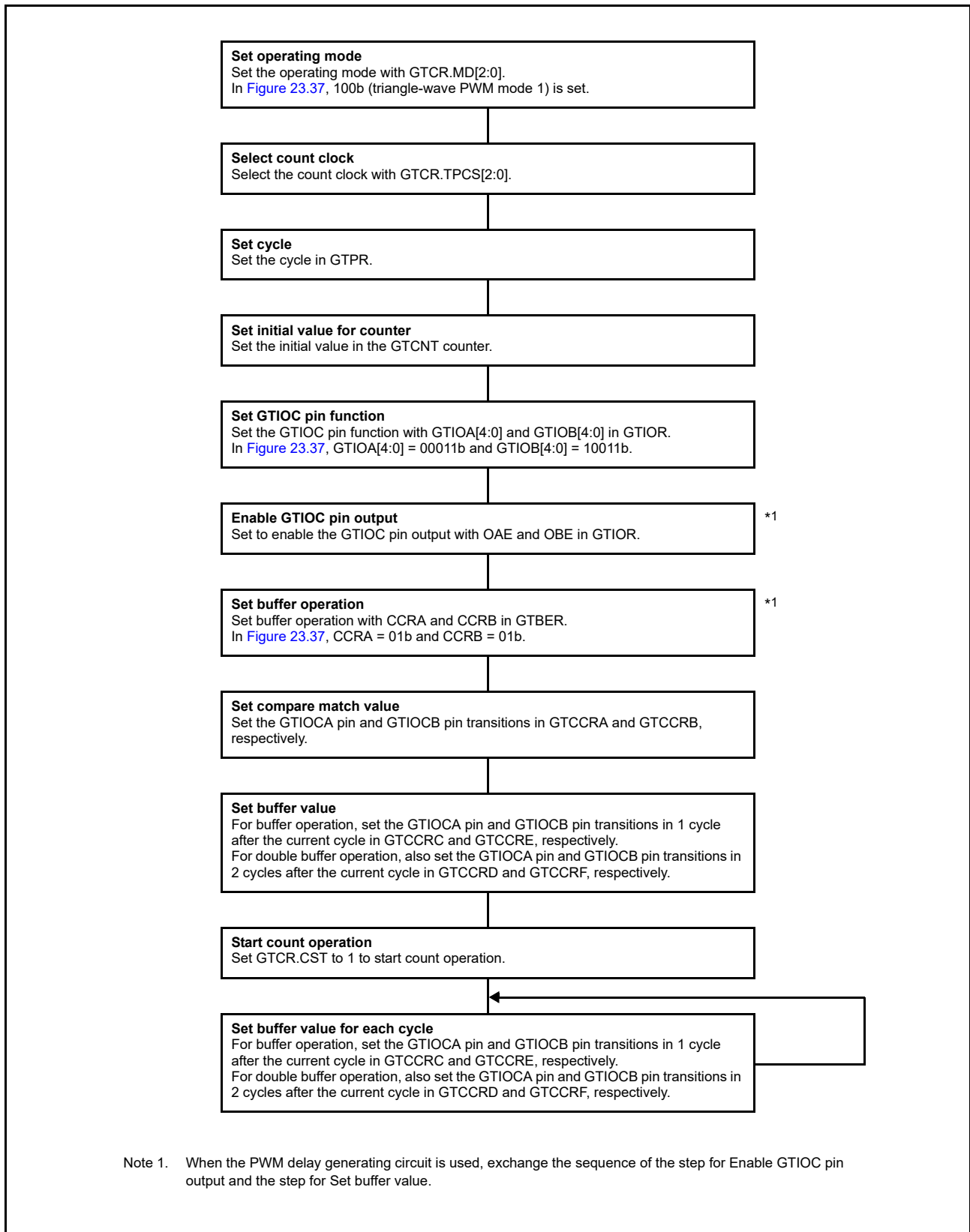


Figure 23.38 Example setting for triangle-wave PWM mode 1

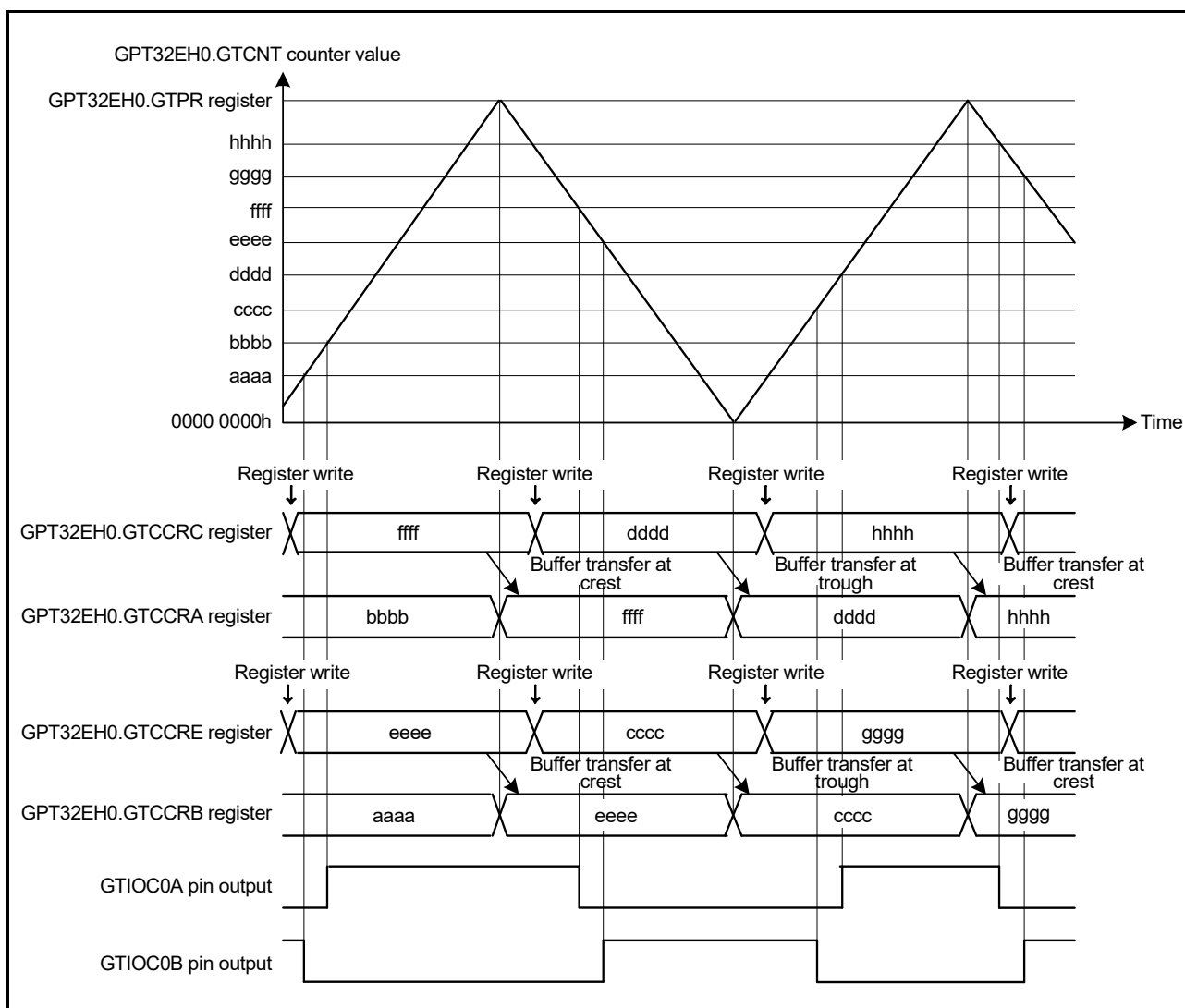


### 23.3.3.4 Triangle-wave PWM mode 2 (32-bit transfer at crest and trough)

Similarly to triangle-wave PWM mode 1, in triangle-wave PWM mode 2 the cycle is set in GTPR. The GTCNT counter performs triangle-wave (full-wave) operation, and a PWM waveform is output to the GTIOCA or GTIOCB pin when a GTCCRA or GTCCRB compare match occurs. The buffer transfer is performed at both crests and troughs. The pin output value can be selected from low output, high output, or toggle output separately for a compare match and for the cycle end based on the GTIOR setting.

By setting GTDTCR, GTDVU, and GTDVD, a compare match value for a negative-phase waveform with dead time can automatically be set to GTCCRB.

Figure 23.39 shows an example of triangle-wave PWM mode 2 operation, and Figure 23.40 shows an example setting for triangle-wave PWM mode 2.



**Figure 23.39** Example of triangle-wave PWM mode 2 operation with buffer operation, low output from the GTIOCA pin and high output from the GTIOCB pin at count start, output toggled at GTCCRA/GTCCRB compare match, and output retained at cycle end

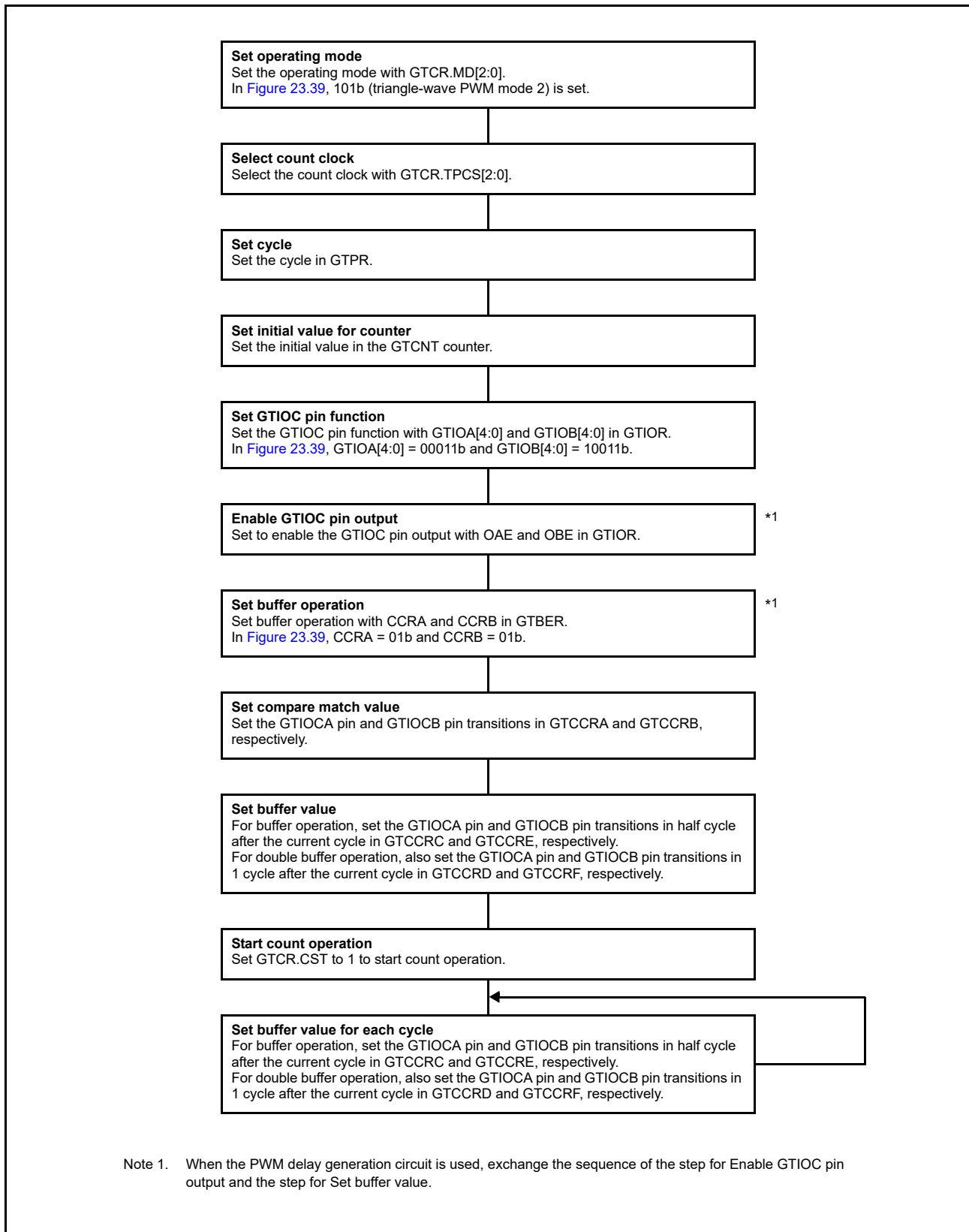


Figure 23.40 Example setting for triangle-wave PWM mode 2

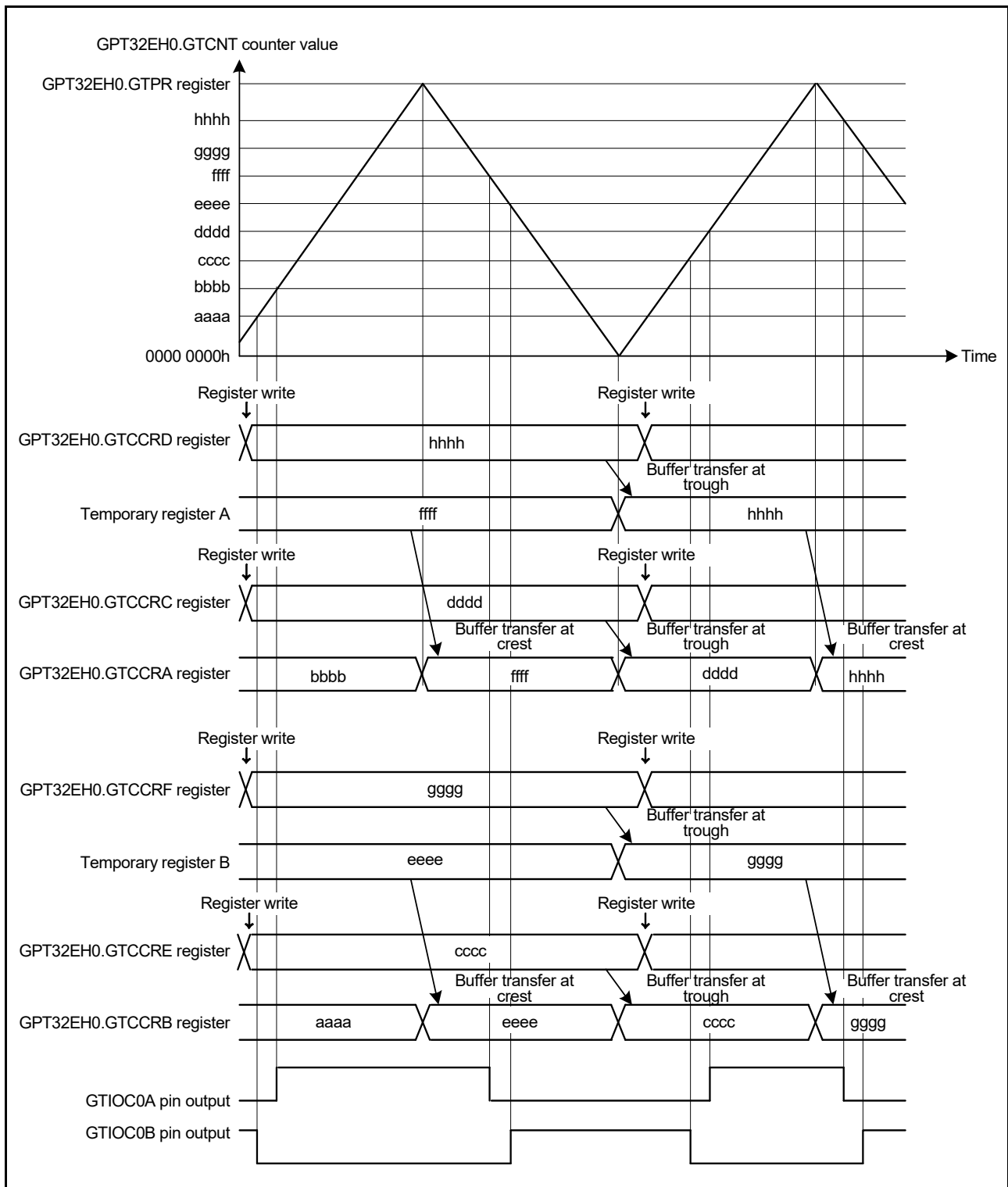
### 23.3.3.5 Triangle-wave PWM mode 3 (64-bit transfer at trough)

The triangle-wave PWM mode 3 is a mode in which the cycle is set in GTPR. The GTCNT counter performs triangle-wave (full-wave) operation and a PWM waveform is output to the GTIOCA or GTIOCB pin at a compare match of GTCCRA or GTCCRB with buffer operation fixed. Buffer operation in triangle-wave PWM mode 3 is different from the usual buffer operation. Buffer transfer is performed from:

- GTCCRC to GTCCRA at the trough
- GTCCRE to GTCCRB at the trough
- GTCCRD to temporary register A at the trough
- GTCCRF to temporary register B at the trough
- Temporary register A to GTCCRA at the crest
- Temporary register B to GTCCRB at the crest.

The pin output value can be selected from low output, high output, or toggle output separately for a compare match and for the cycle end based on the GTIOR setting. By setting GTDTCR, GTDVU, and GTDVD, a compare match value for a negative-phase waveform with dead time can automatically be set to GTCCRB.

[Figure 23.41](#) shows an example of triangle-wave PWM mode 3 operation, and [Figure 23.42](#) shows an example setting for triangle-wave PWM mode 3.



**Figure 23.41** Example of triangle-wave PWM mode 3 operation with low output from the GTIOC0A pin and high output from the GTIOC0B pin at count start, output toggled at GTCCRA/GTCCRB compare match, and output retained at cycle end

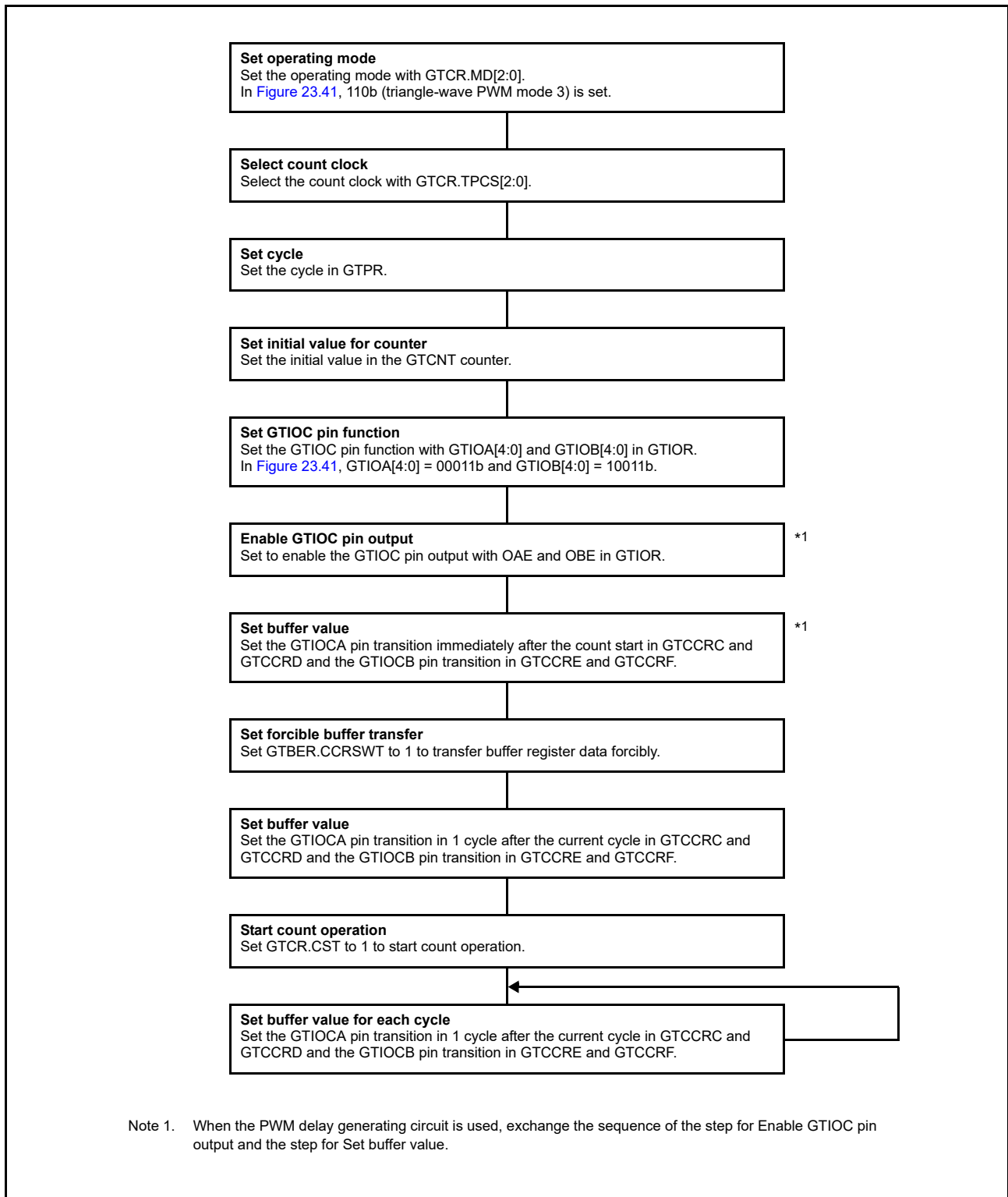


Figure 23.42 Example setting for triangle-wave PWM mode 3

### 23.3.4 Automatic Dead Time Setting Function

By setting GTDTCR, a compare match value for a negative waveform with dead time obtained by a compare match value for a positive waveform (GTCCRA value) and specified dead time values (GTDVU and GTDVD values) can automatically be set to GTCCRB. The automatic dead time setting function can be used in saw-wave one-shot pulse mode and all the triangle PWM modes.

Dead time can be separately set for the first half and second half of a waveform. Dead time for the transition in the first half of a negative waveform is set in GTDVU and that in the second half is set in GTDVD. The same dead time can also be set for the first and second halves by setting the GTDTCR.TDFER bit to 1.

GTDBU can be used as a buffer register of GTDVU, and GTDBD can be used as a buffer register of GTDVD. Buffer transfer is performed at a GTCNT overflow (during up-counting) or an underflow (during down-counting), or at a GTCNT counter clear for saw waves and at the trough for triangle waves.

The compare match value set by automatic dead time setting function can be confirmed by reading from GTCCRB. Writing to GTCCRB is prohibited when the automatic dead time setting function is used.

Dead time setting beyond the cycle is prohibited. When a dead time error occurs, the compare match values for positive and negative waveforms are adjusted to generate the waveforms with the dead time as shown in Table 23.6. The adjusted value for the negative waveform is set for GTCCRB automatically. The adjusted value for the positive waveform is used as internal signal and not set for GTCCRA.

In saw-wave one-shot pulse mode, when the adjusted value is beyond the cycle or the adjusted waveform toggle points are in disorder, the complementarity of the waveforms is not guaranteed.

In triangle-wave mode, when the dead time is beyond the cycle by setting the value  $GTCCR = 0$  or  $GTCCRA \geq GTPR$  for GTCCRA, the output protection function keeps the level of output. For details, see section 23.8.4, [Output Protection Function for GTIOC Pin Output](#). When the GTCCRA is  $GTCCRA \geq GTPR + GTDVm$ ,  $GTPR-1$  is set for GTCCRB as the upper limit value. The automatic dead time value setting to GTCCRB is performed at the next clock cycle count when registers used for calculating the automatic dead time value are updated.

The way to rewrite GTDVm differs by GPT channel number.

**Table 23.6 Compare match value after adjusting for dead time error**

| PWM output operating mode    | Count direction | First half/<br>Second half | Condition of dead time error | Compare match value after adjusting |                   |
|------------------------------|-----------------|----------------------------|------------------------------|-------------------------------------|-------------------|
|                              |                 |                            |                              | Positive waveform                   | Negative waveform |
| Saw-wave one-shot pulse mode | Up              | First half                 | $GTCCRA - GTDVU < 0$         | GTDVU                               | 0                 |
|                              |                 | Second half                | $GTCCRA + GTDVD > GTPR$      | $GTPR - GTDVD$                      | GTPR              |
|                              | Down            | First half                 | $GTCCRA + GTDVU > GTPR$      | $GTPR - GTDVU$                      | GTPR              |
|                              |                 | Second half                | $GTCCRA - GTDVD < 0$         | GTDVD                               | 0                 |
| Triangle-wave PWM mode 1/2/3 | Up              | First half                 | $GTCCRA - GTDVU \leq 0$      | $GTDVU + 1$                         | 1                 |
|                              | Down            | Second half                | $GTCCRA - GTDVD < 0$         | GTDVD                               | 0                 |

#### GPT32EH0 to GPT32EH3 and GPT32E4 to GPT32E7

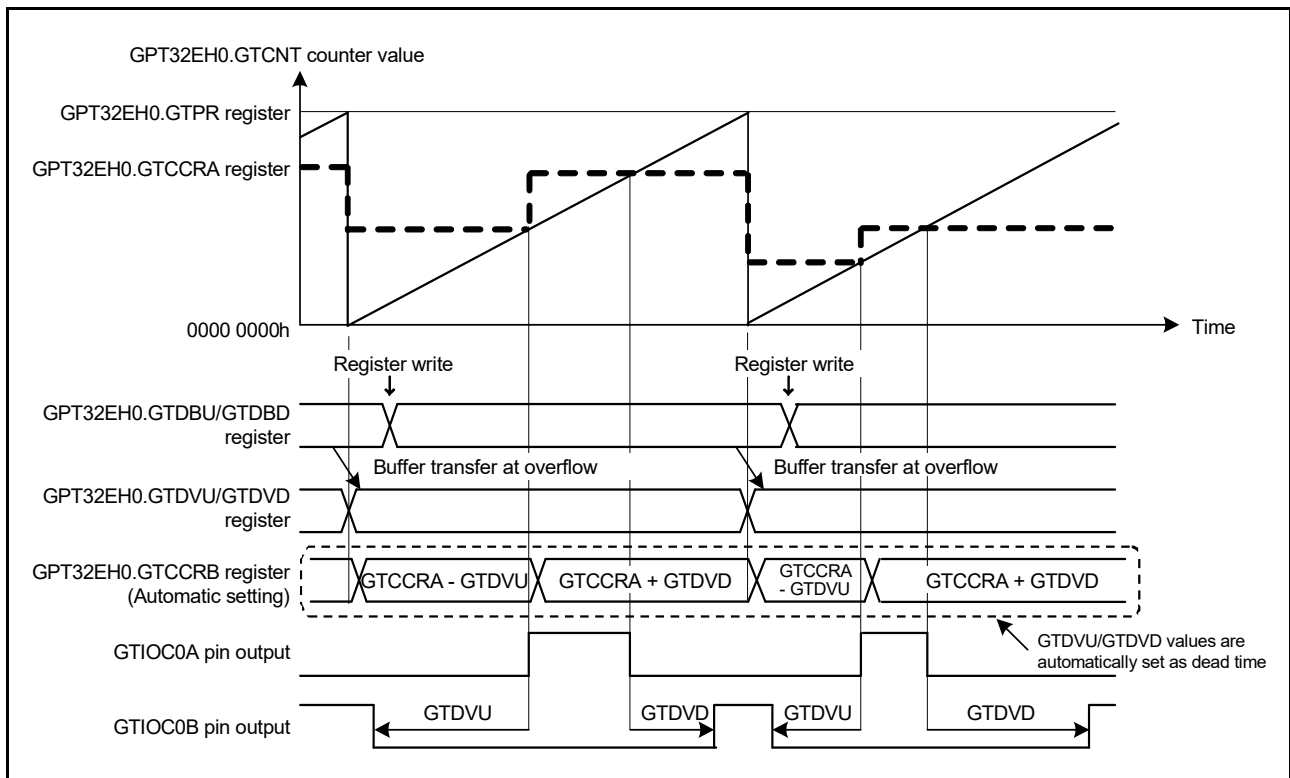
When GTDVn buffer operation is enabled, GTDBn can be written at anytime. GTDBn is transferred to GTDVn at the cycle end.

When GTDVn buffer operation is disabled, stop the GPT using the CST bit in the GTCR register before changing GTDVn to a new value.

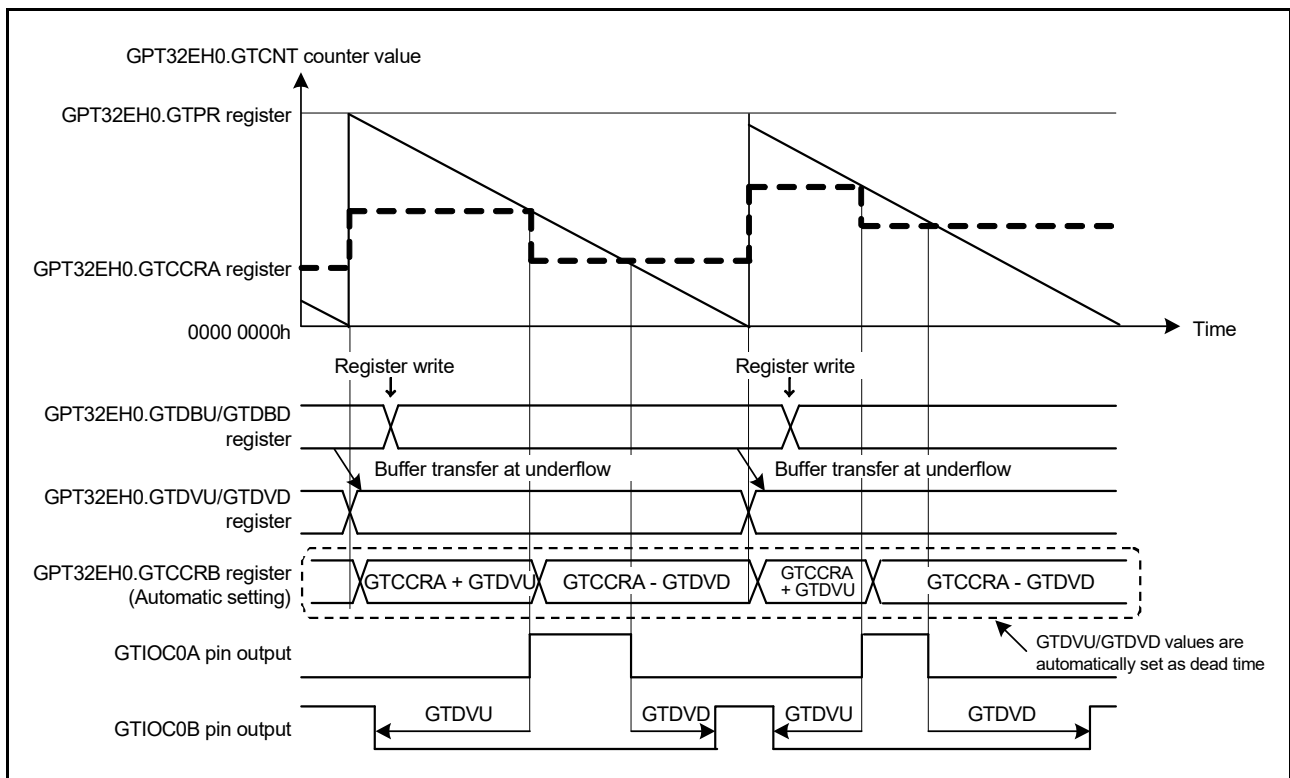
#### GPT328 to GPT3213

While GPT is running, changing the GTDVU values is prohibited. To change GTDVU to a new value, first stop the GPT using the CST bit in the GTCR register.

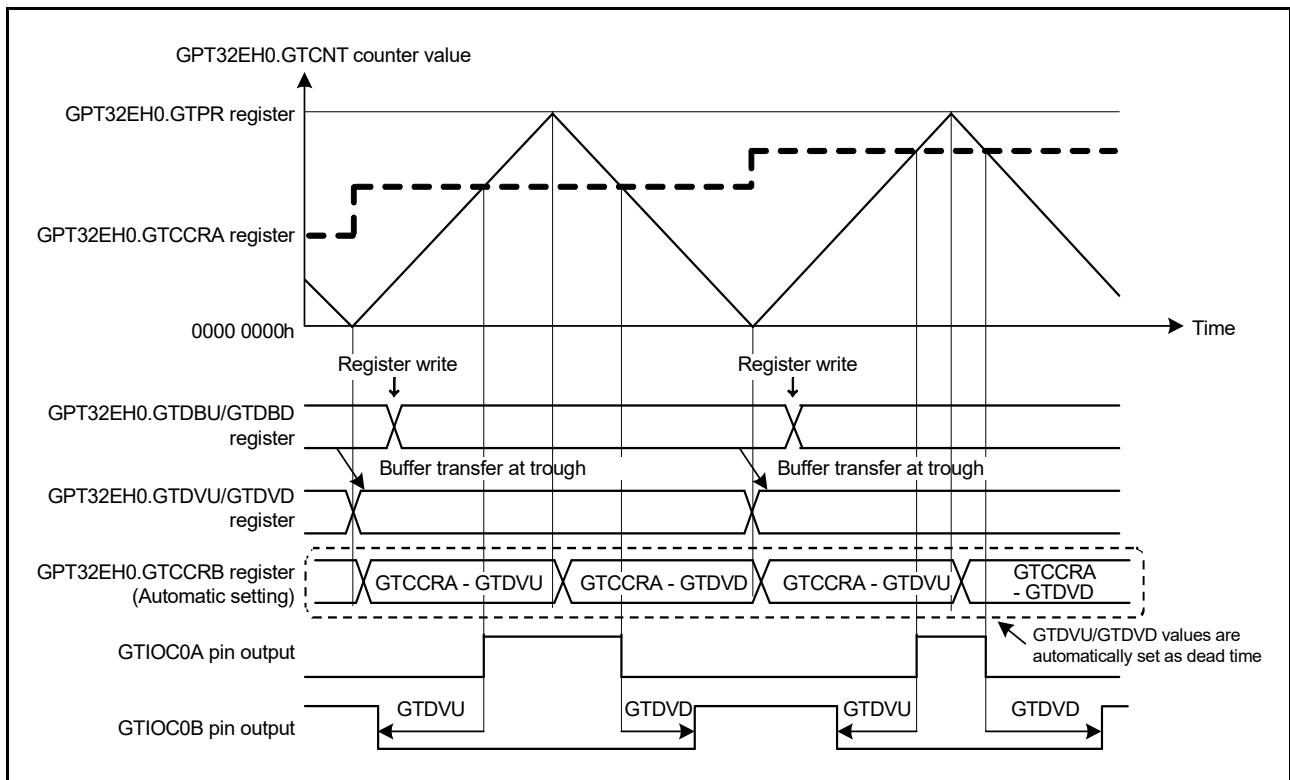
Figure 23.43 to Figure 23.46 show examples of automatic dead time setting function operation for GPT32EH and GPT32E. Figure 23.47 and Figure 23.48 show the setting examples.



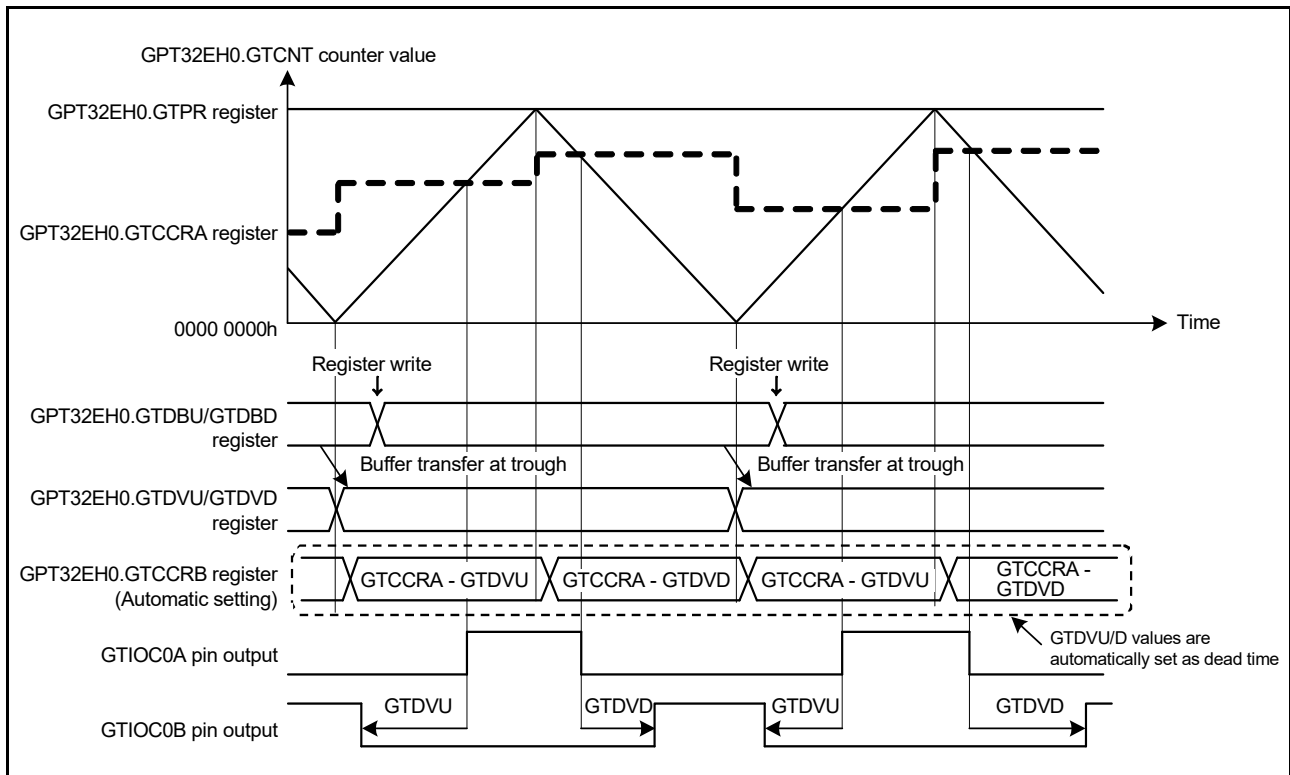
**Figure 23.43** Example of automatic dead time setting function operation with saw-wave one-shot pulse mode, up-counting, GTDVU and GTDVID set to buffer operation, and active-high



**Figure 23.44** Example of automatic dead time setting function operation with saw-wave one-shot pulse mode, down-counting, GTDVU and GTDVID set to buffer operation, and active-high



**Figure 23.45** Example of automatic compare-match value setting function with dead time with triangle-wave PWM mode 1, GTDVU and GTDVD set to buffer operation, active-high



**Figure 23.46** Example of automatic compare-match value setting function with dead time, with triangle-wave PWM mode 2 or 3, GTDVU and GTDVD set to buffer operation, and active-high



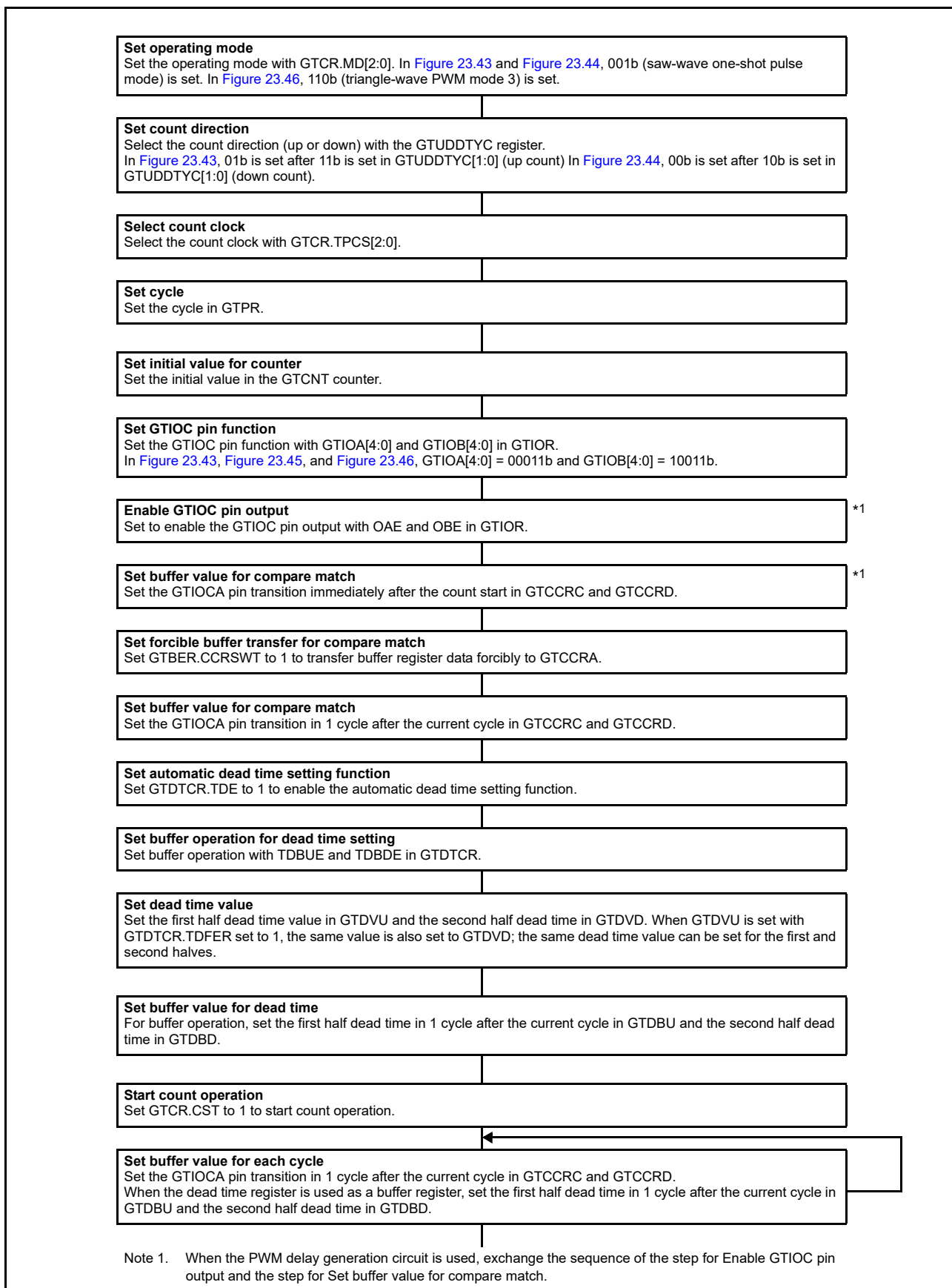
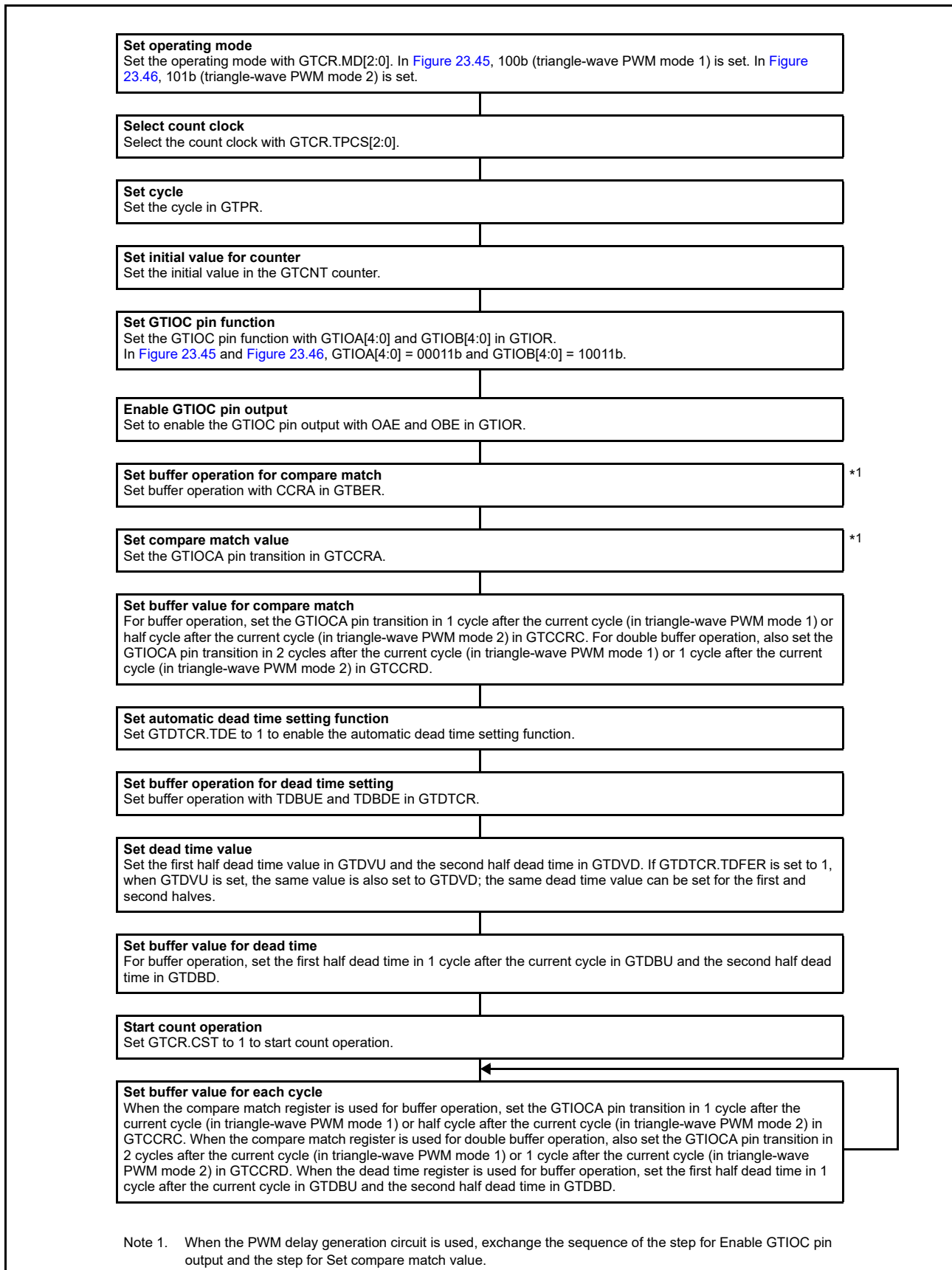


Figure 23.47 Example setting for automatic dead time setting function with saw-wave one-shot pulse mode, and triangle-wave PWM mode 3



**Figure 23.48 Example setting for automatic dead time setting function with triangle-wave PWM mode 1 or 2**

### 23.3.5 Count Direction Changing Function

The count direction of the GTCNT counter can be changed by modifying the UD bit in GTUDDTYC.

In saw-wave mode, if the UD bit in GTUDDTYC is modified during count operation, the count direction is changed at an overflow (when modified during up-counting) or an underflow (when modified during down-counting). If the GTUDDTYC.UD bit is modified while the count operation is stopped and the GTUDDTYC.UDF bit is 0, the GTUDDTYC.UD bit modification is not reflected at the start of counting and the count direction is changed at an overflow or an underflow. If the UDF bit is set to 1 while the count operation is stopped, the GTUDDTYC.UD bit value at that time is reflected at the start of counting.

In triangle-wave mode, the count direction does not change when the UD bit in GTUDDTYC is modified during the count operation. Similarly, when the GTUDDTYC.UD bit is modified while the count operation is stopped and GTUDDTYC.UDF bit is 0, the GTUDDTYC.UD bit value is not reflected to the count operation. If the GTUDDTYC.UDF bit is set to 1 while the count operation is stopped, the GTUDDTYC.UD bit value at that time is reflected at the start of counting.

If the count direction changes during a saw-wave count operation, the GTPR value after the start of up-counting is reflected in the count cycle during up-counting and the GTPR value before the start of down-counting is reflected during down-counting.

Figure 23.49 shows an example of count direction changing function operation.

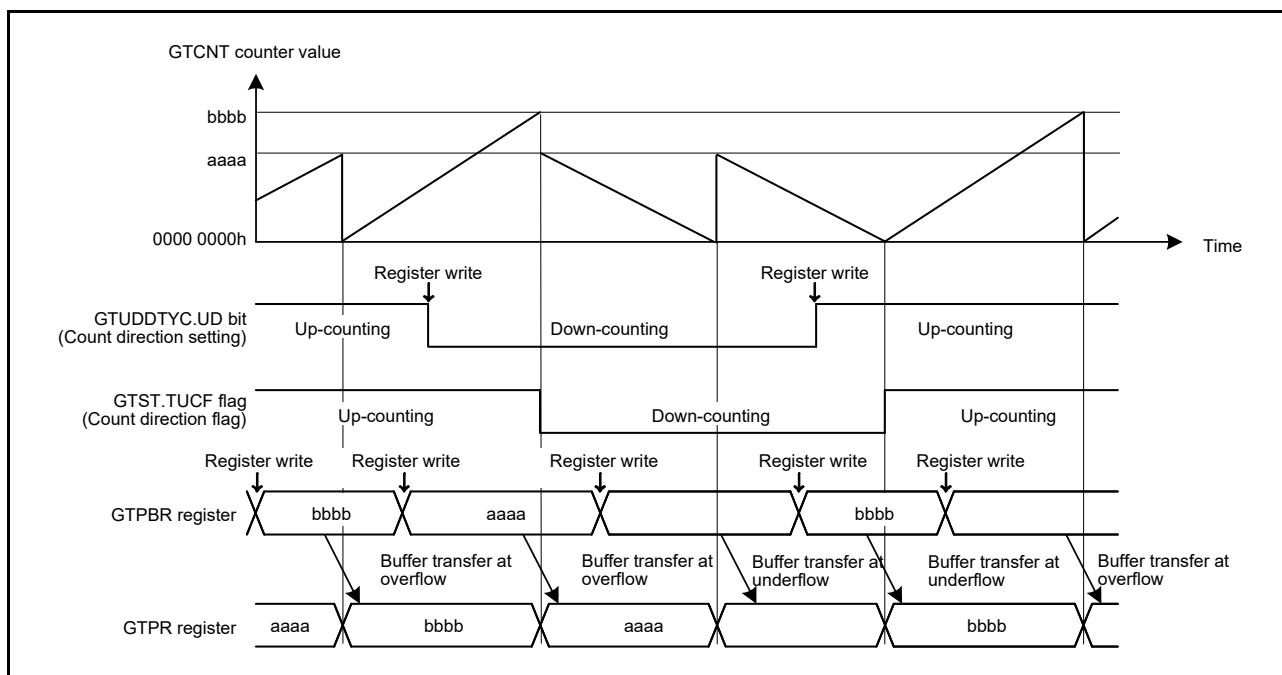


Figure 23.49 Example of count direction changing function operation during buffer operation

### 23.3.6 Function of Output Duty 0% and 100%

The output duty of the GTIOCA pin and the GTIOCB pin are set to 0% or 100% by changing the GTUDDTYC.OADTY bit or GTUDDTYC.OBDTY bit.

In saw-wave mode, if the GTUDDTYC.OADTY bit or the GTUDDTYC.OBDTY bit is modified during the count operation, the output duty setting is reflected at an overflow (when modified during up-counting) or an underflow (when modified during down-counting). If the GTUDDTYC.OADTY bit or the GTUDDTYC.OBDTY bit is modified while the count operation is stopped and the GTUDDTYC.OADTYF or the GTUDDTYC.OBDTYF bit is 0, the output duty modification is not reflected at the start of counting. The output duty changes at an overflow or an underflow. If the GTUDDTYC.OADTYF or the GTUDDTYC.OBDTYF bit is set to 1 while the count operation is stopped, the GTUDDTYC.OADTY bit or the GTUDDTYC.OBDTY bit value at that time is reflected at the start of counting.

In triangle-wave mode, if the GTUDDTYC.OADTY bit or the GTUDDTYC.OBDTY bit is modified during the count operation, the output duty setting is reflected at an underflow.

If the GTUDDTYC.OADTY bit or the GTUDDTYC.OBDTY bit is modified while the count operation is stopped and the GTUDDTYC.OADTYF or the GTUDDTYC.OBDTYF bit is 0, the output duty modification is not reflected at the start of counting. The output duty changes at an underflow. If the GTUDDTYC.OADTY bit or the GTUDDTYC.OBDTY bit is modified while the count operation is stopped and the GTUDDTYC.OADTYF or the GTUDDTYC.OBDTYF bit is 1, the output duty modification is reflected at the start of counting.

In performing 0%/100% duty operation, GPT internally continues to:

- Perform compare match operation
- Set compare match flag
- Output interrupt
- Perform buffer operation.

When the control is changed from 0% or 100% duty setting to compare match, the output value of GTIOCA pin at cycle end is decided by GTIOR.GTIOA[3:2] and GTUDDTYC.OADTYR. The output value of GTIOCB pin at cycle end is decided by GTIOR.GTIOB[3:2] and GTUDDTYC.OBDTYR.

When GTIOR.GTIOA[3:2] and GTIOR.GTIOB[3:2] are set to 01b, the output pins output low at cycle end. When GTIOR.GTIOA[3:2] and GTIOR.GTIOB[3:2] are set to 10b, the output pins output high at cycle end.

GTUDDTYC.OADTYR selects the value that is the object of output retained/toggled at cycle end, when GTIOR.GTIOm[3:2] are set to 00b (output retained at cycle end) or when GTIOR.GTIOm[3:2] are set to 11b (output toggled at cycle end). Table 23.7 shows the values of GTIOCA/GTIOCB pin output at cycle end.

**Table 23.7 Output values after releasing 0% or 100% duty setting (m = A, B)**

| GTIOR.GTIOm[3:2]                     | Compare match value at cycle end masked by 0% or 100% duty setting | GTUDDTYC.OmDTYR in duty 0% setting |   | GTUDDTYC.OmDTYR in duty 100% setting |   |
|--------------------------------------|--|------------------------------------|---|--------------------------------------|---|
|                                      |  | 0                                  | 1 | 0                                    | 1 |
| 00<br>(output retained at cycle end) | 0  | 0                                  | 0 | 1                                    | 0 |
|                                      | 1  | 0                                  | 1 | 1                                    | 1 |
| 01<br>(low output at cycle end)      | -  | 0                                  | 0 | 0                                    | 0 |
| 10<br>(high output at cycle end)     | -  | 1                                  | 1 | 1                                    | 1 |
| 11<br>(output toggled at cycle end)  | 0  | 1                                  | 1 | 0                                    | 1 |
|                                      | 1  | 1                                  | 0 | 0                                    | 0 |

Figure 23.50 shows an example of output duty 0% and 100% functions.

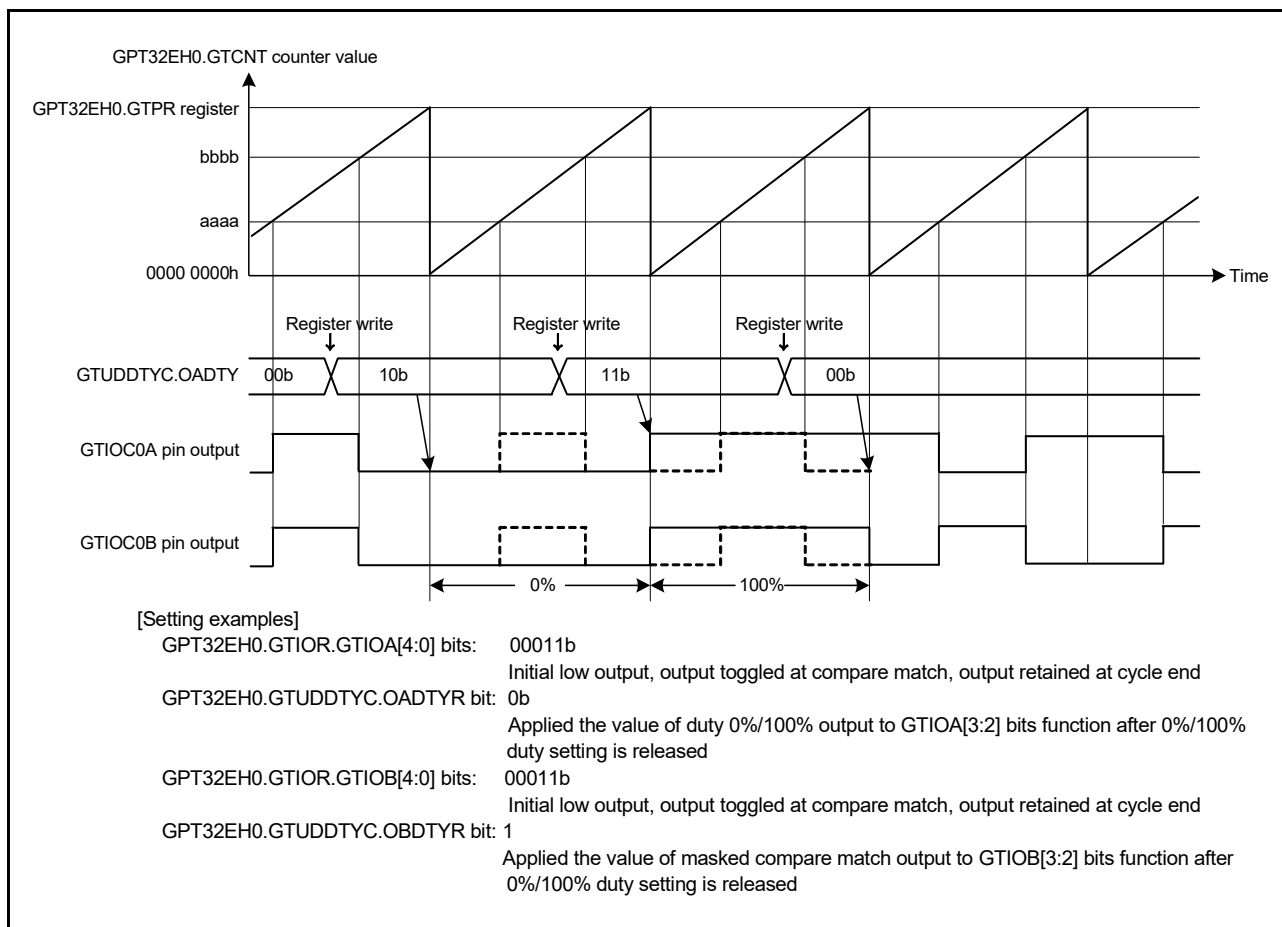


Figure 23.50 Example of output duty 0% and 100% functions

### 23.3.7 Hardware Count Start/Count Stop and Clear Operation

The GTCNT counter can be started, stopped, or cleared by the following hardware sources:

- External trigger input
- ELC event input
- GTIOCA/GTIOCB pin input.

#### 23.3.7.1 Hardware start operation

The GTCNT counter can be started by selecting a hardware source using GTSSR.

Figure 23.51 shows an example of a count start operation by a hardware source. Figure 23.52 shows the setting example.

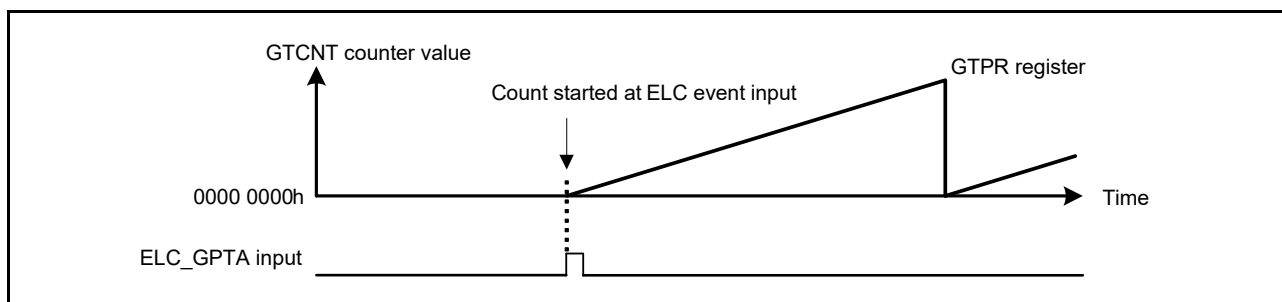
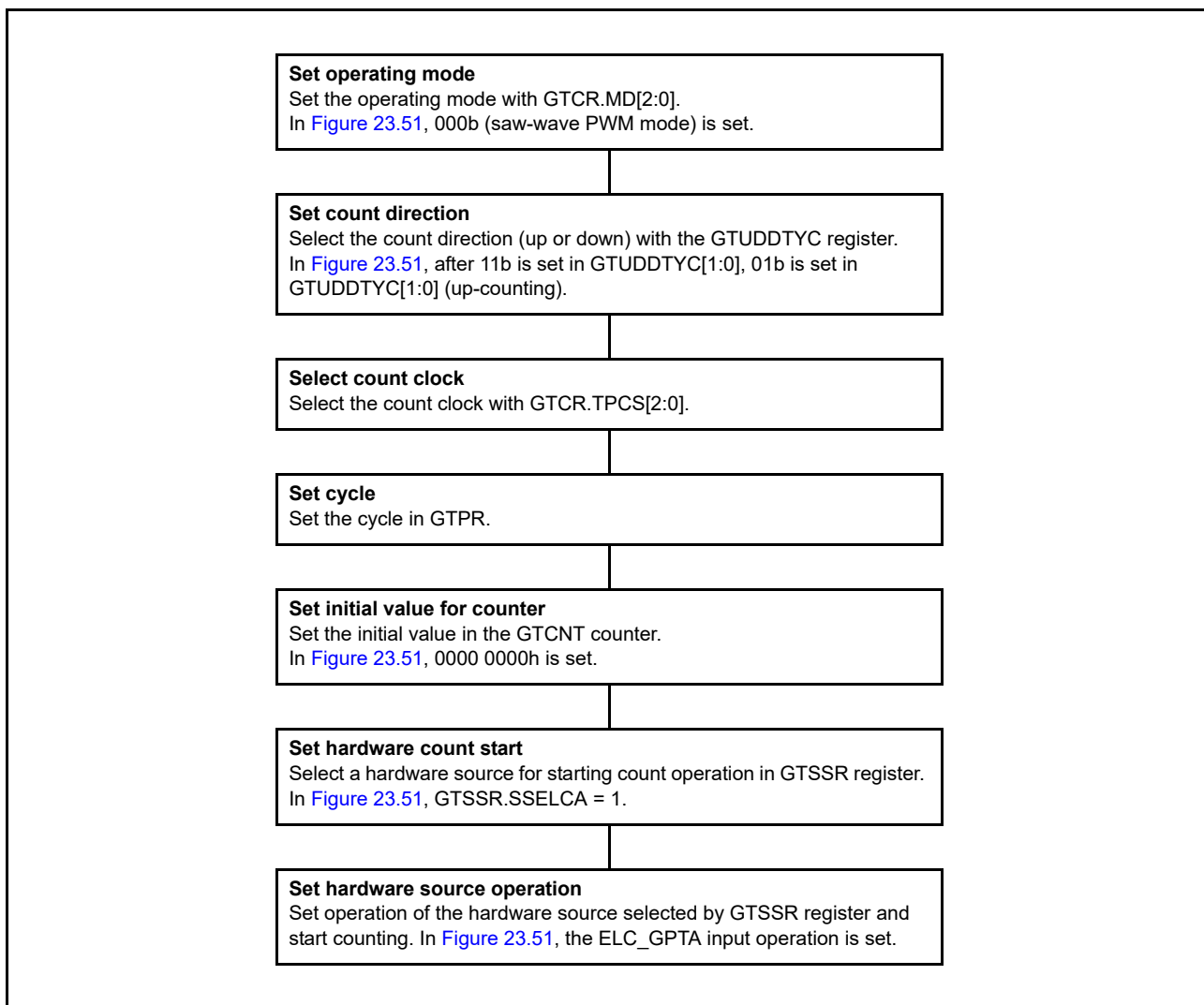


Figure 23.51 Example of count start operation by hardware source, started at the input of the signal from ELC\_GPTA

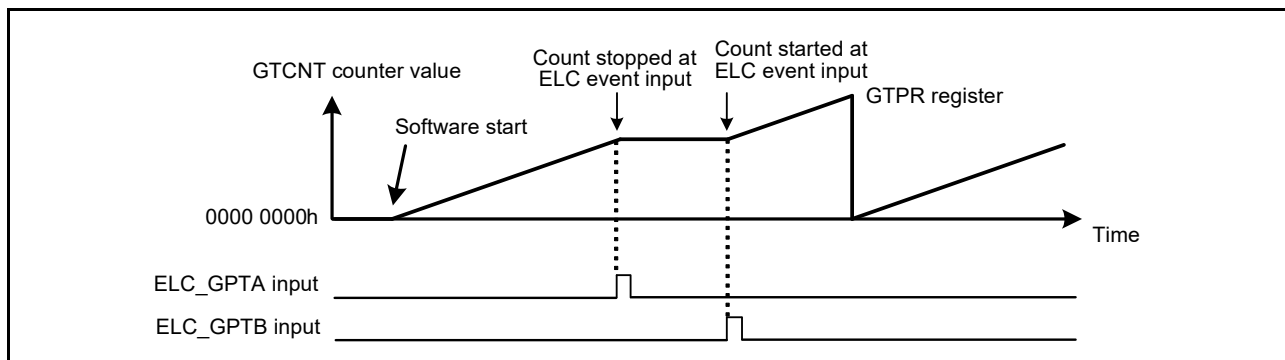


**Figure 23.52** Example setting for count start operation by a hardware source

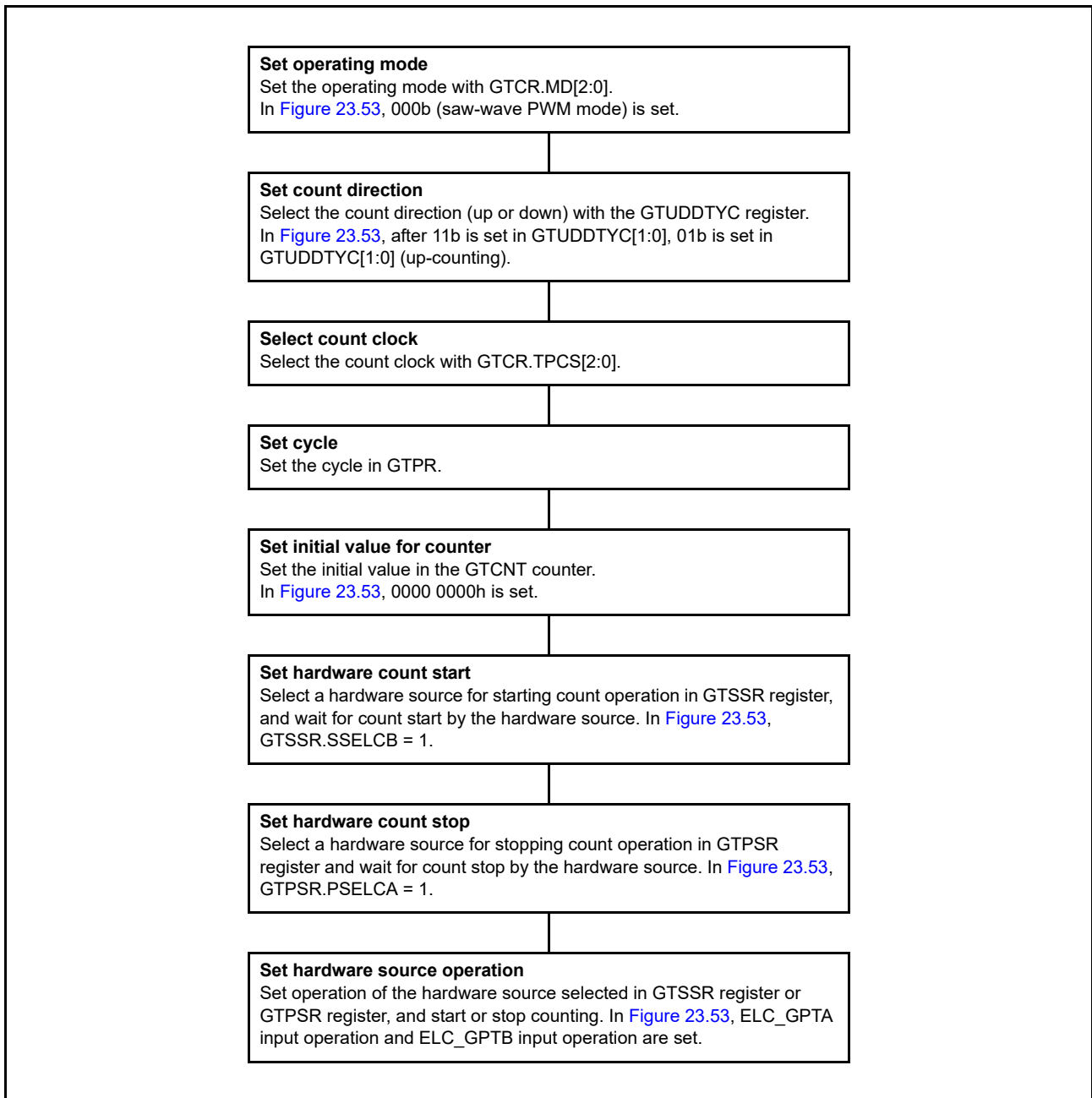
### 23.3.7.2 Hardware stop operation

The GTCNT counter can be stopped by selecting a hardware source using GTPSR.

Figure 23.53 shows an example of a count stop operation by a hardware source. Figure 23.54 shows the setting example. In this example, the count operation stops and restarts at the edge of the ELC event input.

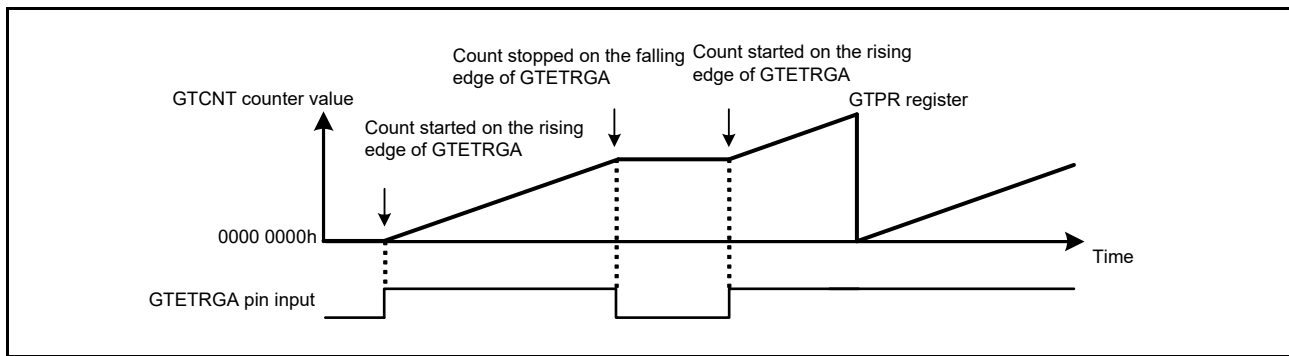


**Figure 23.53** Example of count stop operation by a hardware source started by software, stopped at ELC\_GPTA input, and restarted at ELC\_GPTB input

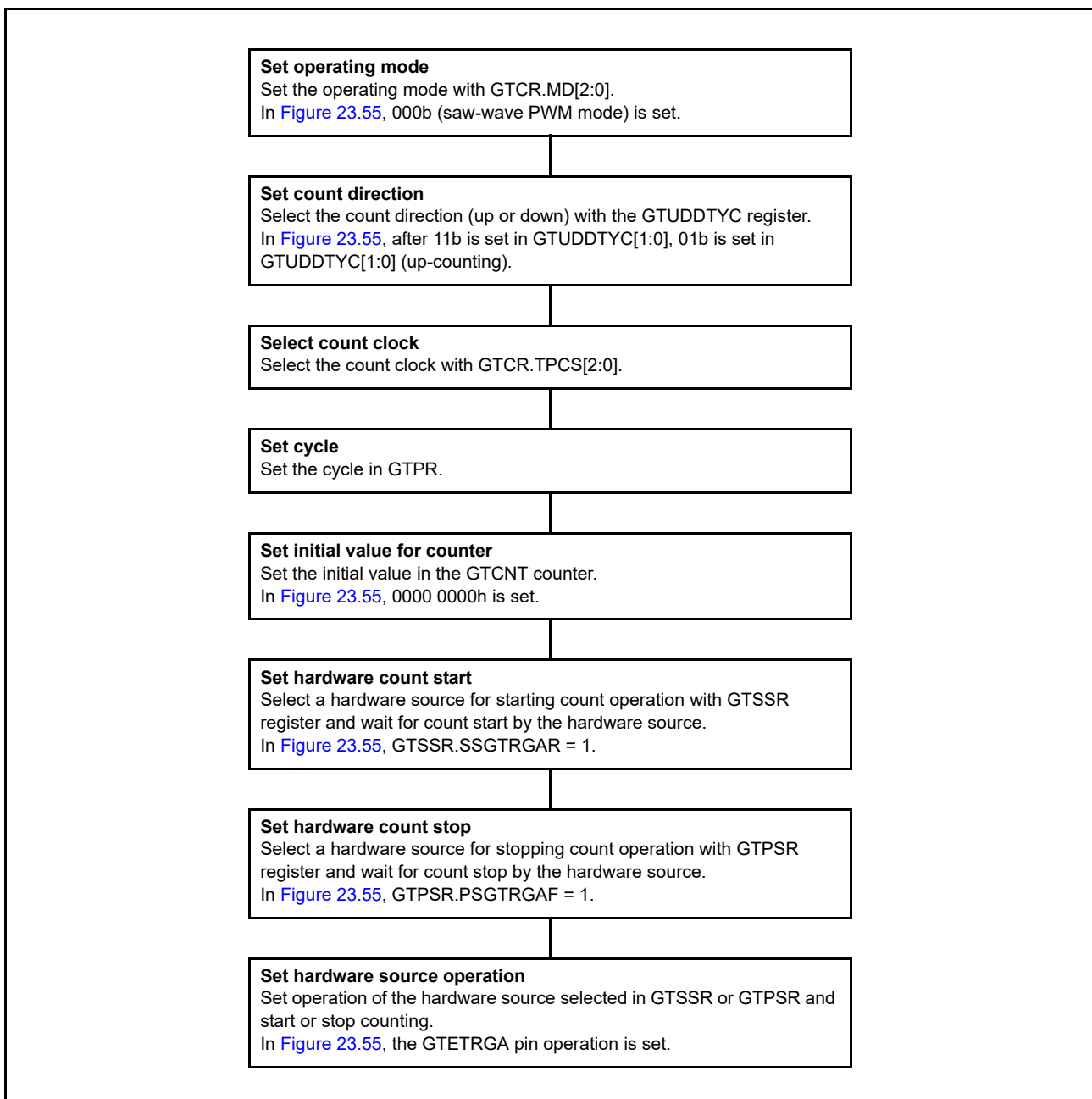


**Figure 23.54 Example setting for count stop operation by a hardware source**

Figure 23.55 shows an example of a count start/stop operation by a hardware source. Figure 23.56 shows the setting example. In this example, the counter operates during the high-level periods of the external trigger input GTETRGA.



**Figure 23.55** Example of count start/stop operation by hardware source, started on the rising edge of GTETRGA pin input and stopped on the falling edge of GTETRGA pin input



**Figure 23.56** Example setting for count start/stop operation by a hardware source



### 23.3.7.3 Hardware clear operation

The GTCNT counter can be cleared by selecting a hardware source using GTCSR. The GPTn\_OVF/GPTn\_UDF (n = 0 to 13) interrupt (overflow/underflow interrupt) is not generated when the GTCNT counter is cleared by a hardware source or by software.

Figure 23.57 and Figure 23.58 show examples of the GTCNT counter clearing operation by a hardware source. Figure 23.59 shows the setting example. In this example, the GTCNT counter starts at the edge of the ELC\_GPTA input, and the counter stops/clears at the edge of the ELC\_GPTB input.

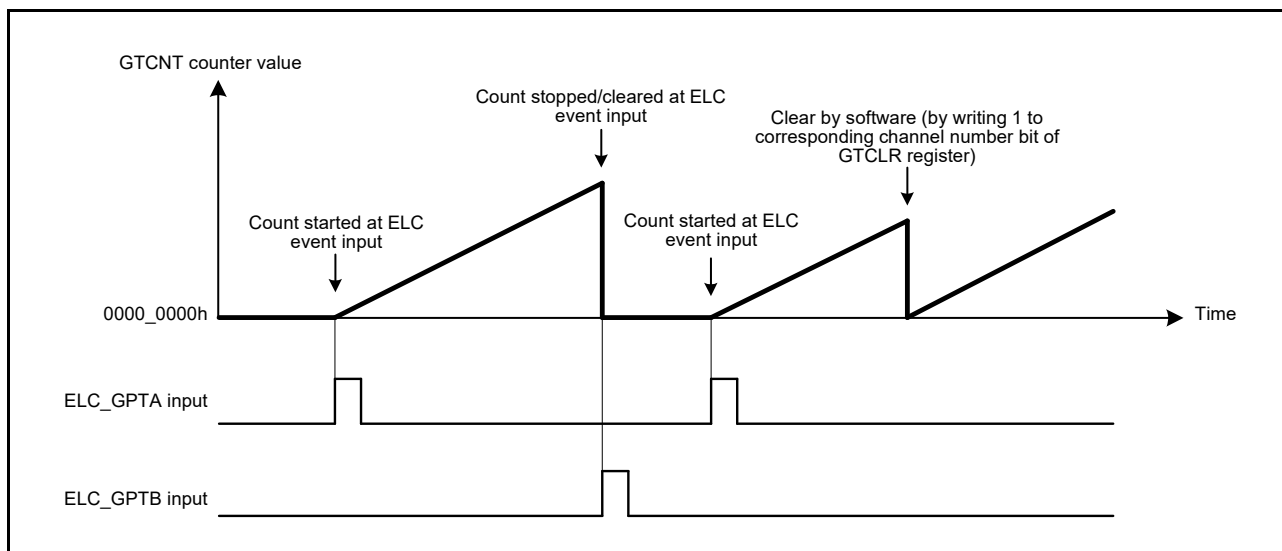


Figure 23.57 Examples of count clearing operation by hardware source with saw wave up-counting, started at ELC\_GPTA input, and stopped/cleared at ELC\_GPTB input

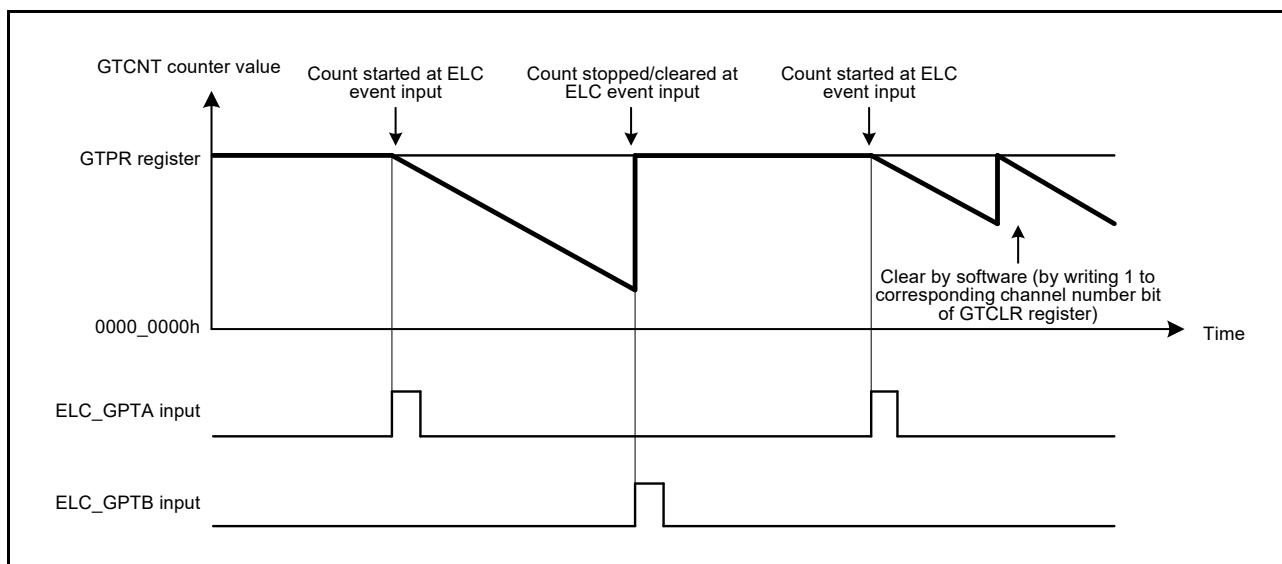
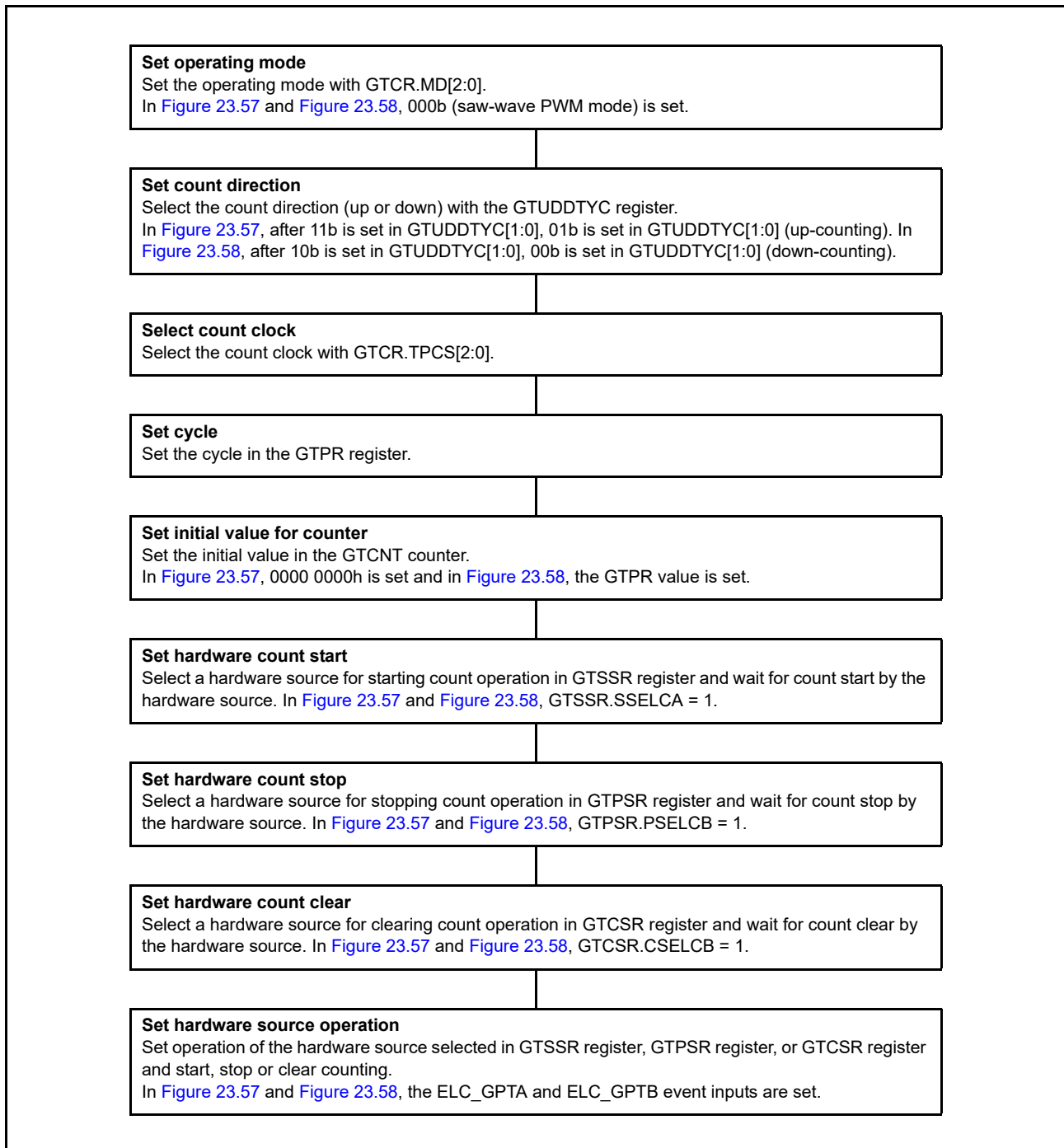


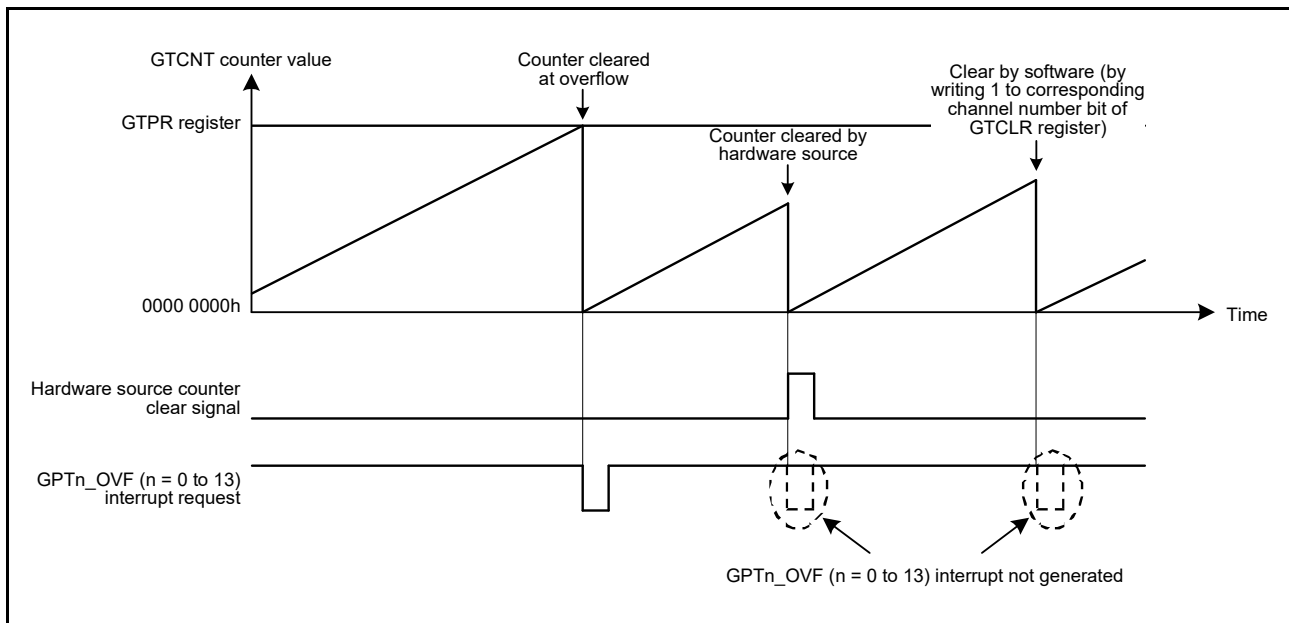
Figure 23.58 Examples of count clearing operation by hardware source with saw wave down-counting, started at ELC\_GPTA input, and stopped/cleared at ELC\_GPTB input



**Figure 23.59 Example setting for count clearing operation by a hardware source**

The GPTn\_OVF/GPTn\_UDF (n = 0 to 13) interrupt (overflow/underflow interrupt) is not generated when the counter is cleared by a hardware source or by software.

[Figure 23.60](#) shows the relationship between the counter clearing by a hardware source and the GPTn\_OVF (n = 0 to 13) interrupt.



**Figure 23.60** Relationship between counter clearing by hardware source and GPTn\_OVF (n = 0 to 13) interrupt

### 23.3.8 Synchronized Operation

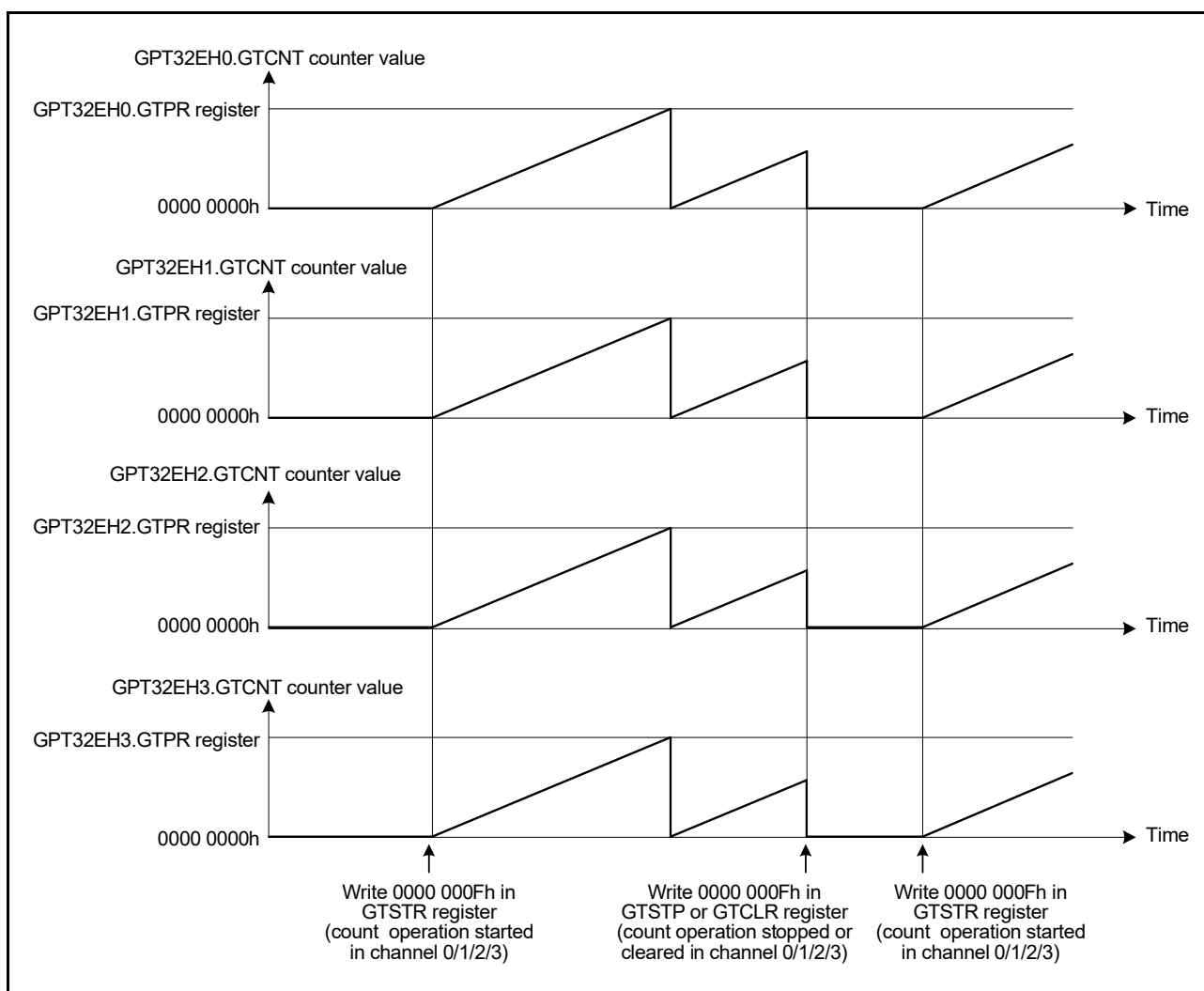
Synchronized operation on channels such as a synchronized start, stop, and clear operation can be performed.

#### 23.3.8.1 Synchronized operation by software

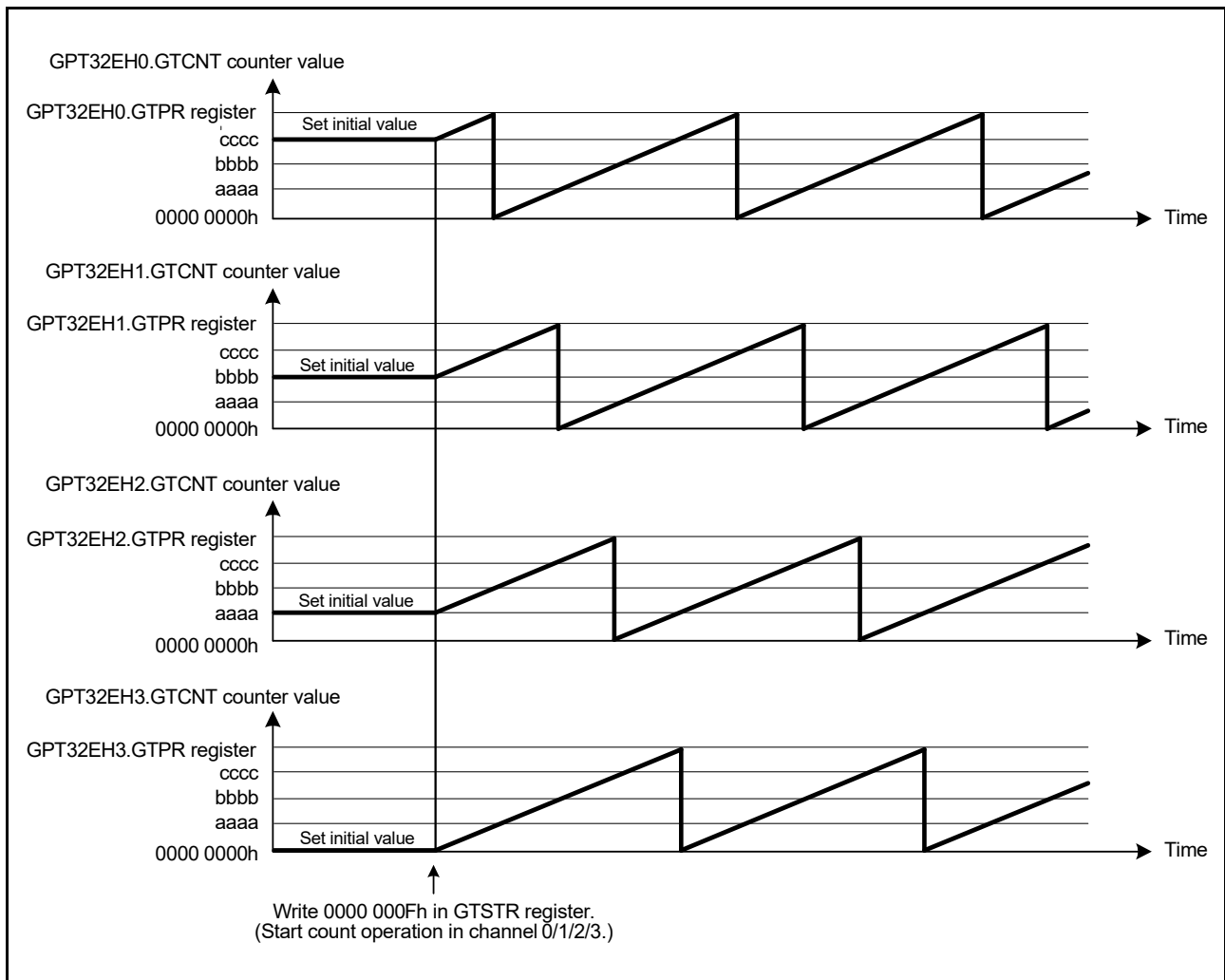
The GTCNT counters can be started, stopped, and cleared on multiple channels by setting the associated GTSTR, GTSTP, or GTCLR bits simultaneously to 1.

Count start with a phase difference is possible by setting the initial value in the GTCNT counter and setting the associated GTSTR bits simultaneously to 1.

[Figure 23.61](#) shows an example of a simultaneous start, stop, and clear by software. [Figure 23.62](#) shows an example of phase start operation by software.



**Figure 23.61** Example of a simultaneous start, stop, and clear by software, with the same count cycle (GTPR register value)



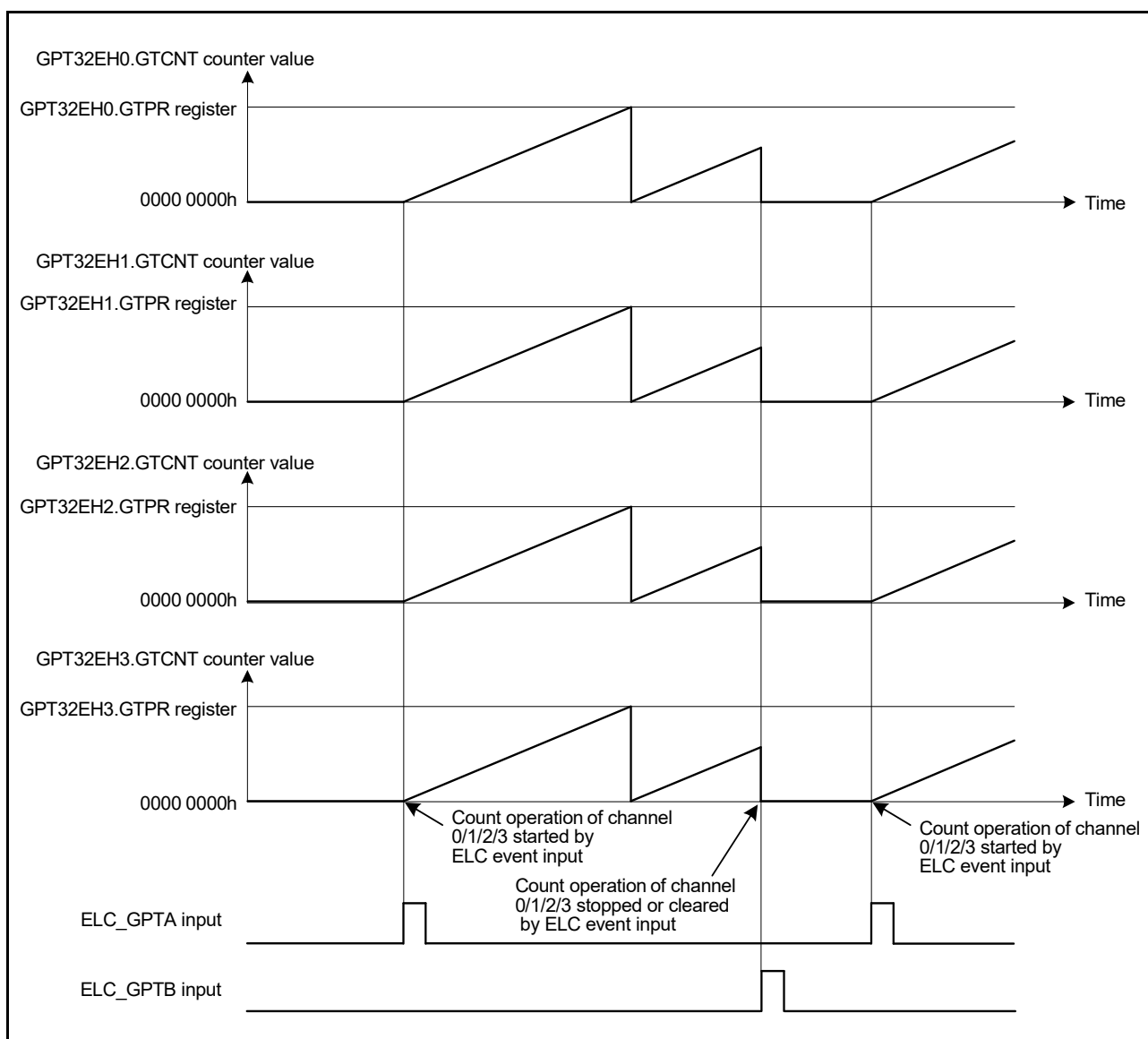
**Figure 23.62** Example of software phase start with the same count cycle (GTPR register value)

### 23.3.8.2 Synchronized operation by hardware

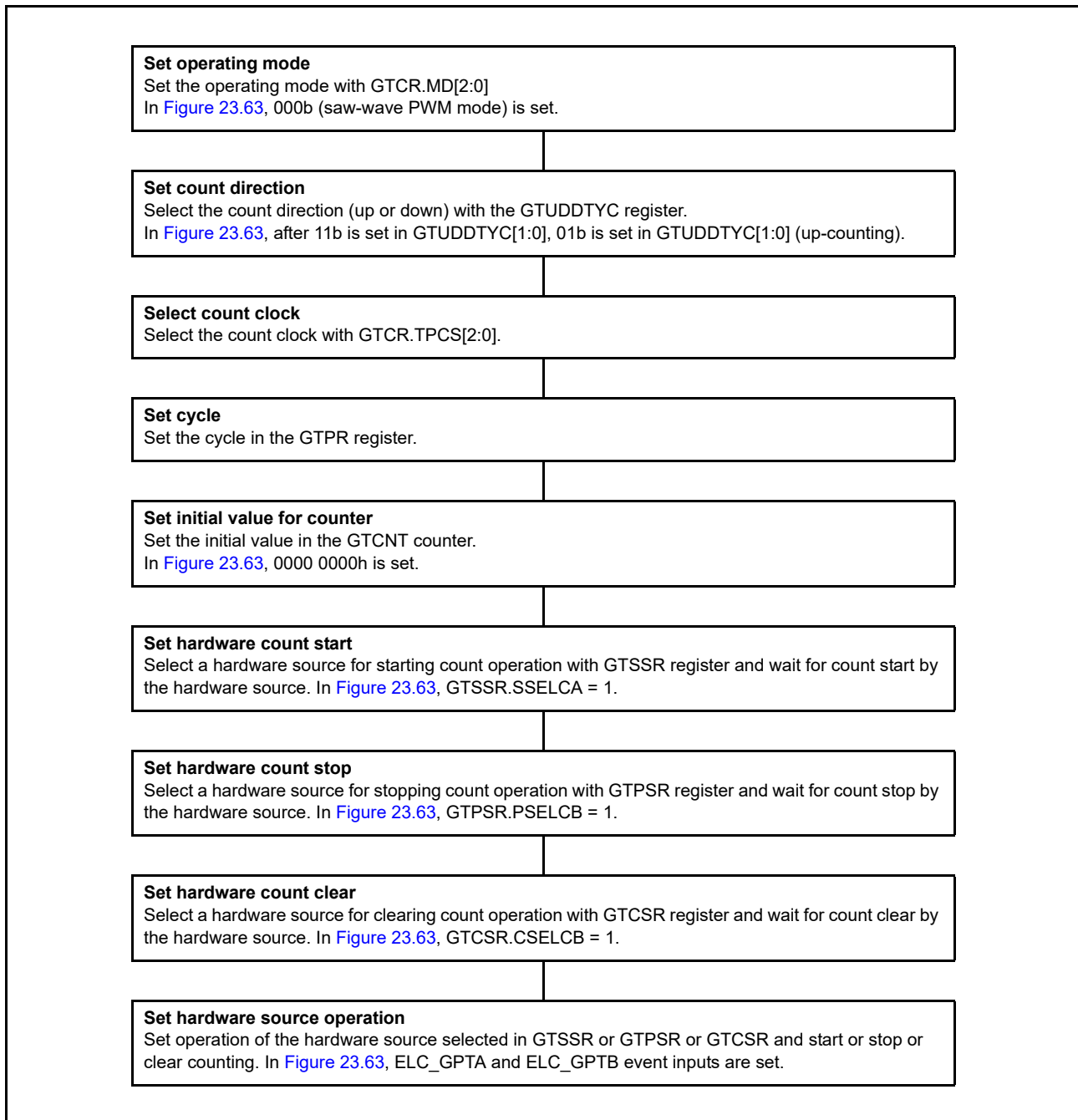
The GTCNT counters can be started simultaneously by the following hardware sources:

- External trigger input
- ELC event input.

Figure 23.63 shows an example of a simultaneous start, stop, and clear operation by a hardware source. Figure 23.64 shows the setting example.



**Figure 23.63** Example of a simultaneous start, stop, and clear by hardware source with the same count cycle (GTPR register value)



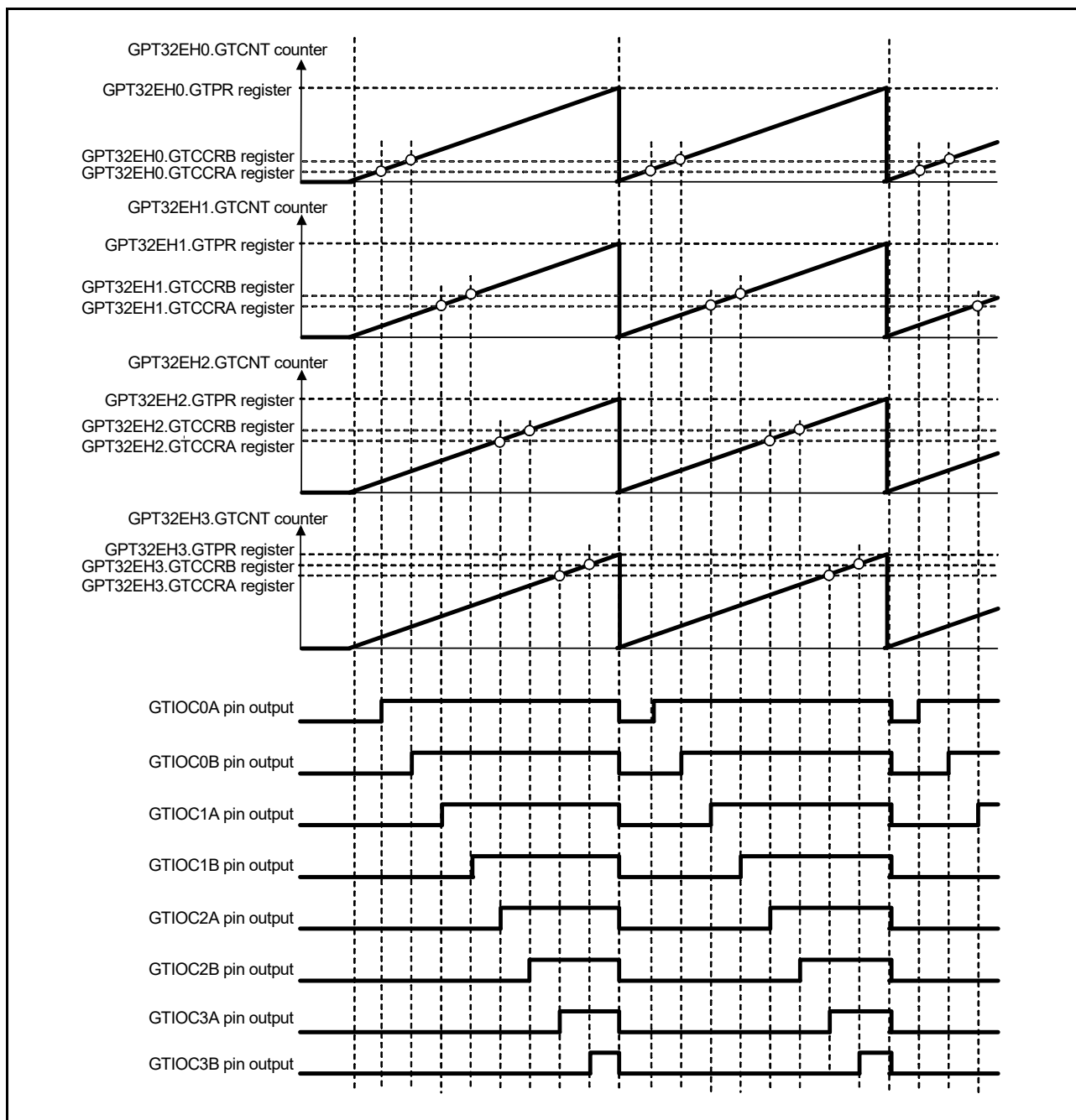
**Figure 23.64** Example setting for simultaneous start by a hardware source

### 23.3.9 PWM Output Operation Examples

#### (1) Synchronized PWM output

The GPT outputs 28 phases of linked PWM waveforms for a maximum of 14 channels by multiple GPTs.

Figure 23.65 shows an example in which four channels perform synchronized operation in saw-wave PWM mode and eight phases of PWM waveforms are output. The GTIOCA is set so that it outputs low as the initial value, high at a GTCCRA compare match, and low at the cycle end. The GTIOCB is set so that it outputs low as the initial value, high at a GTCCRB compare match, and low at the cycle end.

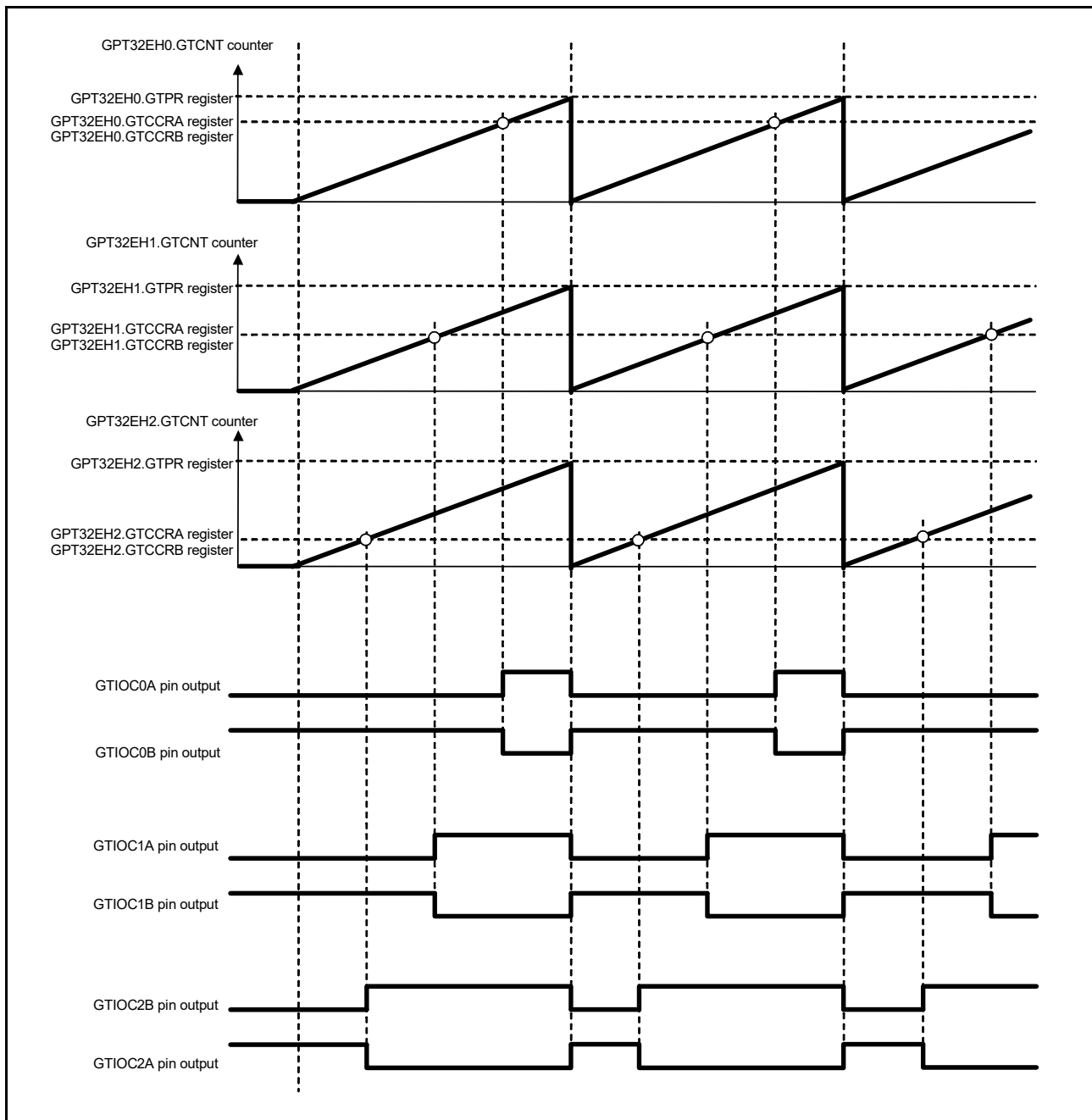


**Figure 23.65 Example of synchronized PWM output**

**(2) 3-phase saw-wave complementary PWM output**

Figure 23.66 shows an example in which three channels perform synchronized operation in saw-wave PWM mode and 3-phase complementary PWM waveforms are output. The GTIOCA pin is set so that it outputs low as the initial value, high at a GTCCRA compare match, and low at the cycle end. The GTIOCB pin is set so that it outputs high as the initial value, low at a GTCCRB compare match, and high at the cycle end.

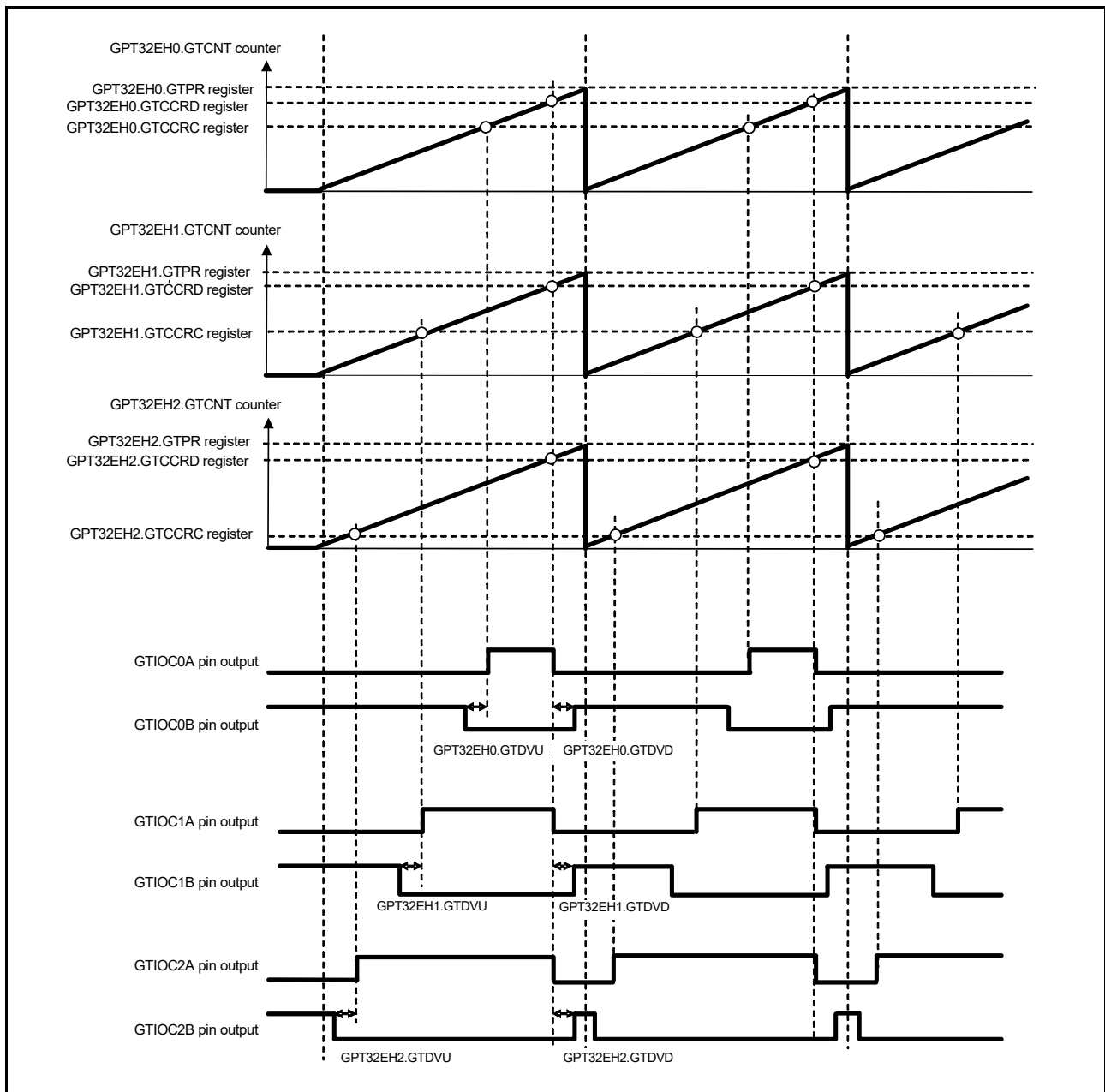




**Figure 23.66** Example of 3-phase saw-wave complementary PWM output

### (3) 3-phase saw-wave complementary PWM output with automatic dead time setting

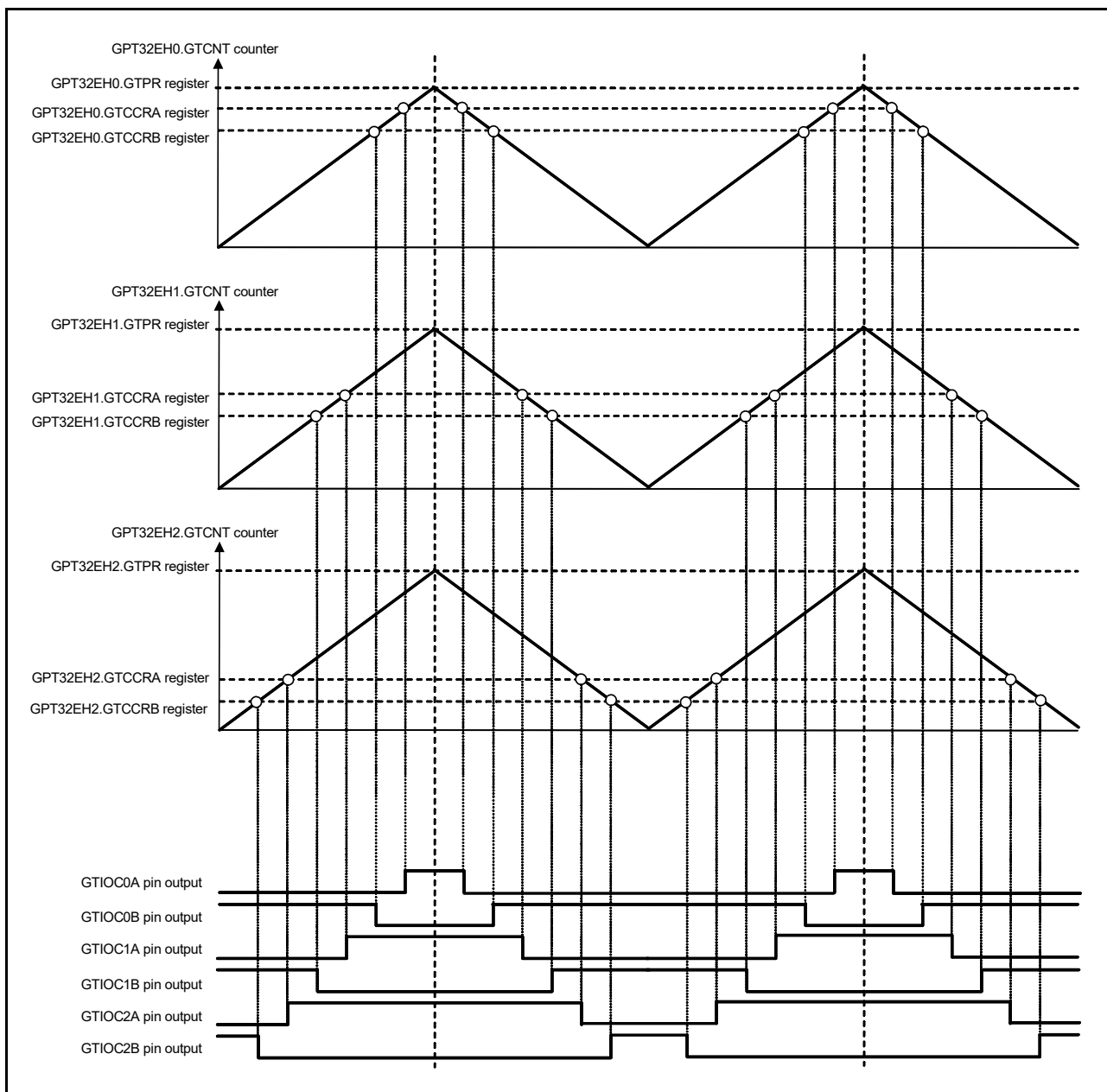
Figure 23.67 shows an example in which three channels perform synchronized operation in saw-wave one-shot pulse mode with automatic dead time setting and 3-phase complementary PWM waveforms are output. The GTIOCA pin is set so that it outputs low as the initial value, toggles the output at a GTCCRA compare match, and retains the output at the cycle end. The GTIOCB pin is set so that it outputs high as the initial value, toggles the output at a GTCCRB compare match, and retains the output at the cycle end.



**Figure 23.67** Example of 3-phase saw-wave complementary PWM output with automatic dead time setting

(4) 3-phase triangle-wave complementary PWM output

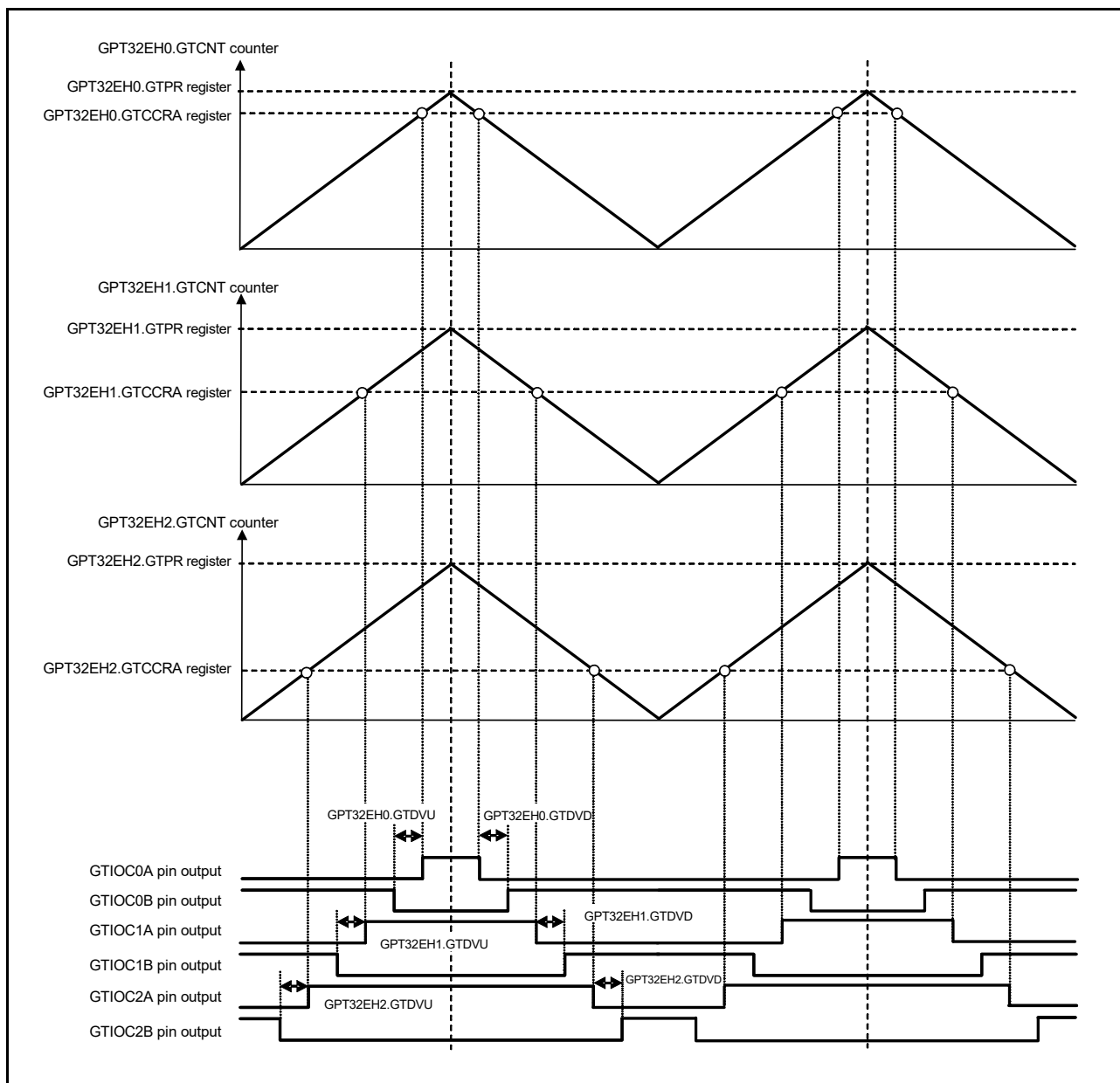
Figure 23.68 shows an example in which three channels perform synchronized operation in triangle-wave PWM mode 1 and 3-phase complementary PWM waveforms are output. The GTIOCA pin is set so that it outputs low as the initial value, toggles the output at a GTCCRA compare match, and retains the output at the cycle end. The GTIOCB pin is set so that it outputs high as the initial value, toggles the output at a GTCCRB compare match, and retains the output at the cycle end.



**Figure 23.68 Example of 3-phase triangle-wave complementary PWM output**

(5) 3-phase triangle-wave complementary PWM output with automatic dead time setting

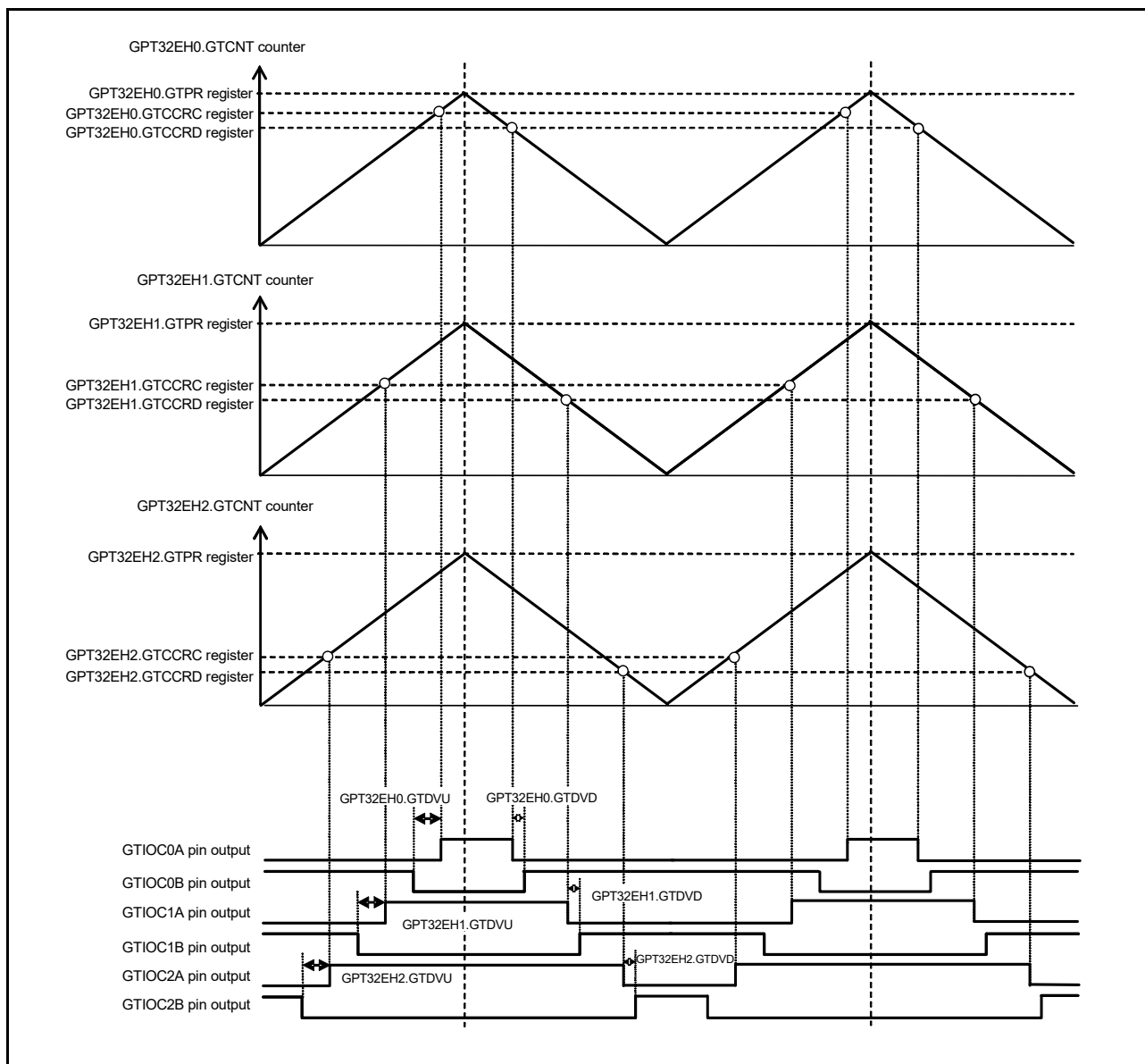
Figure 23.69 shows an example in which three channels perform synchronized operation in triangle-wave PWM mode 1 with automatic dead time setting and 3-phase complementary PWM waveforms are output. The GTIOCA pin is set so that it outputs low as the initial value, toggles the output at a GTCCRA compare match, and retains the output at the cycle end. The GTIOCB pin is set so that it outputs high as the initial value, toggles the output at a GTCCRB compare match, and retains the output at the cycle end.



**Figure 23.69** Example of 3-phase triangle-wave complementary PWM output with automatic dead time setting

(6) 3-phase asymmetric triangle-wave complementary PWM output with automatic dead time setting

Figure 23.70 shows an example in which three channels perform synchronized operation in triangle-wave PWM mode 3 with automatic dead time setting and 3-phase complementary PWM waveforms are output. The GTIOCA is set so that it outputs low as the initial value, toggles the output at a GTCCRA compare match, and retains the output at the cycle end. The GTIOCB is set so that it outputs high as the initial value, toggles the output at a GTCCRB compare match, and retains the output at the cycle end.



**Figure 23.70** Example of 3-phase asymmetric triangle-wave complementary PWM output with automatic dead time setting

### 23.3.10 Phase Counting Function

The phase difference between the GTIOCA and GTIOCB pin inputs is detected and the associated GTCNT counts up or counts down. The detectable phase difference is available in any combination with the relationship between the edge and the level of GTIOCA and GTIOCB pin inputs being set in the GTUPSR and GTDNSR registers. For details on count operation, see [section 23.3.1.1, Counter operation](#).

[Figure 23.71](#) to [Figure 23.80](#) show phase counting modes 1 to 5. [Table 23.8](#) to [Table 23.17](#) show conditions of up-counting or down-counting and lists settings for the GTUPSR and GTDNSR registers.

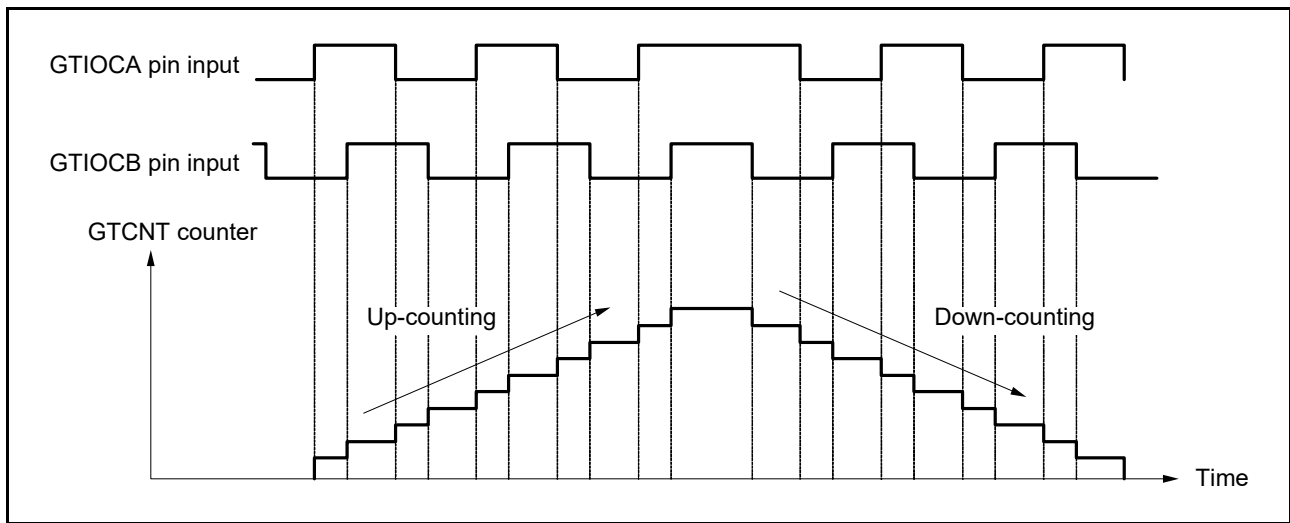


Figure 23.71 Example of phase counting mode 1

Table 23.8 Conditions of up-counting and down-counting in phase counting mode 1

| GTIOCA pin input | GTIOCB pin input | Operation     | Register setting                           |
|------------------|------------------|---------------|--|
| high             |                  | Up-counting   | GTUPSR = 0000 6900h<br>GTDNSR = 0000 9600h |
| low              |                  |               |  |
|                  | low              |               |  |
|                  | high             |               |  |
| high             |                  | Down-counting |  |
| low              |                  |               |  |
|                  | high             |               |  |
|                  | low              |               |  |

: Rising edge  
 : Falling edge

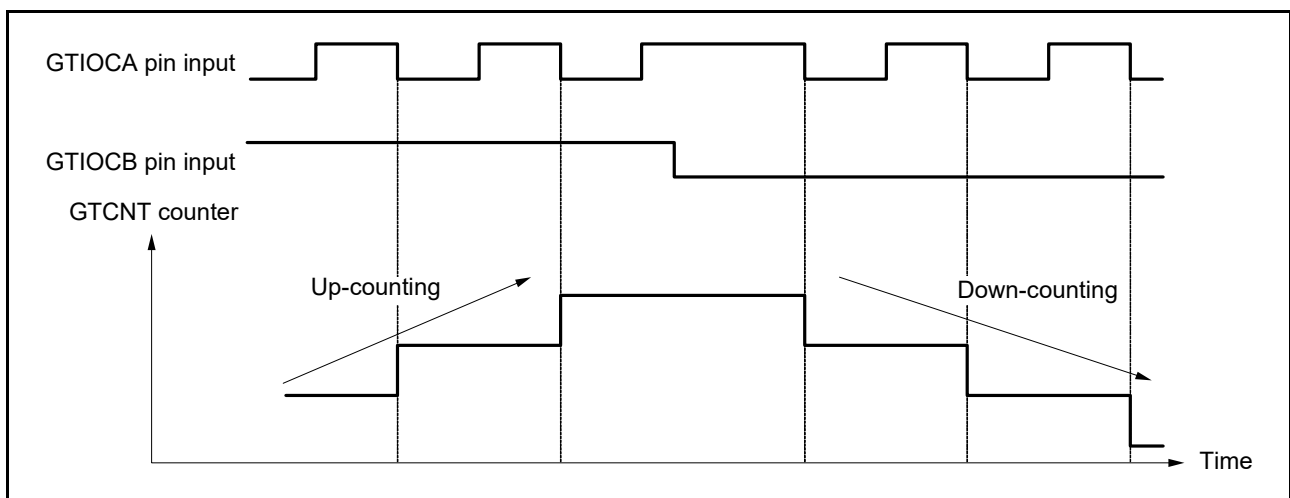









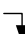
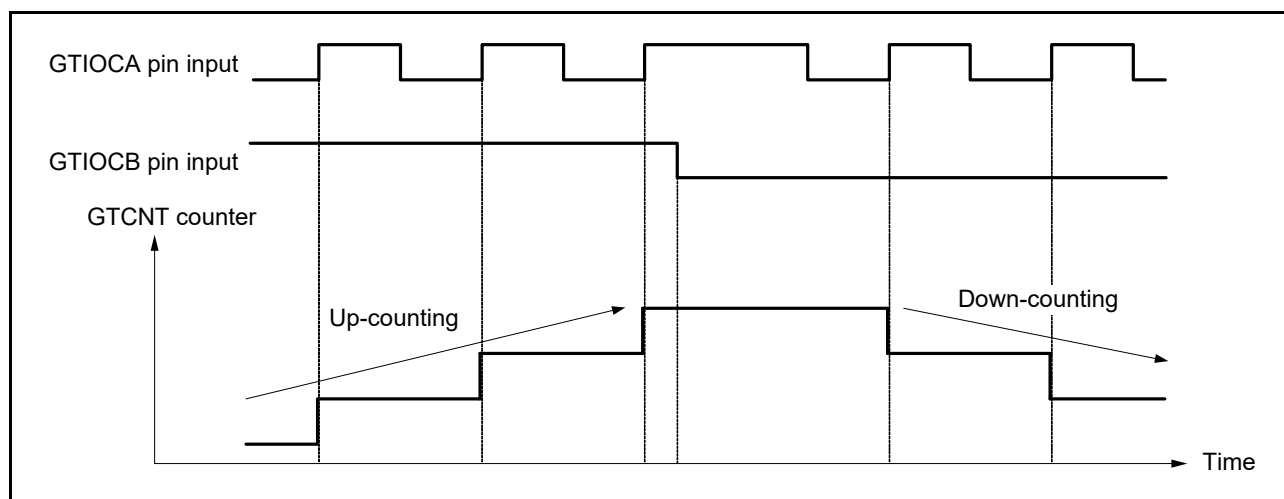


Figure 23.72 Example of phase counting mode 2 (A)

**Table 23.9 Conditions of up-counting and down-counting in phase counting mode 2 (A)**









| GTIOCA pin input  | GTIOCB pin input  | Operation     | Register setting                           |
|---|---|---------------|--|
| high  |  | Don't care    | GTUPSR = 0000 0800h<br>GTDNSR = 0000 0400h |
| low   |  | Don't care    |  |
|  | low   | Up-counting   |  |
|  | high  |               |  |
| high  |  | Don't care    |  |
| low   |  | Don't care    |  |
|  | high  | Down-counting |  |
|  | low   |               |  |



 : Rising edge  
 : Falling edge



**Figure 23.73 Example of phase counting mode 2 (B)**

**Table 23.10 Conditions of up-counting and down-counting in phase counting mode 2 (B)**

| GTIOCA pin input  | GTIOCB pin input  | Operation     | Register setting                           |
|---|---|---------------|--|
| high  |  | Don't care    | GTUPSR = 0000 0200h<br>GTDNSR = 0000 0100h |
| low   |  | Don't care    |  |
|  | low   | Down-counting |  |
|  | high  | Don't care    |  |
| high  |  | Don't care    |  |
| low   |  | Don't care    |  |
|  | high  | Up-counting   |  |
|  | low   | Don't care    |  |

 : Rising edge  
 : Falling edge

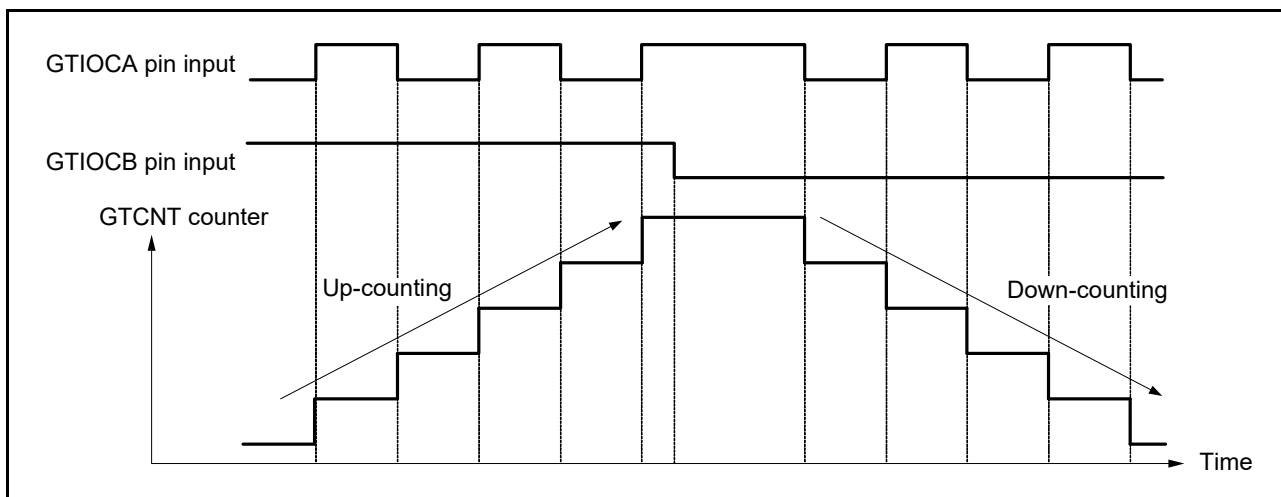


Figure 23.74 Example of phase counting mode 2 (C)

Table 23.11 Conditions of up-counting and down-counting in phase counting mode 2 (C)

| GTIOCA pin input | GTIOCB pin input | Operation     | Register setting                           |
|------------------|------------------|---------------|--|
| high             |                  | Don't care    | GTUPSR = 0000 0A00h<br>GTDNSR = 0000 0500h |
| low              |                  | Don't care    |  |
|                  | low              | Down-counting |  |
|                  | high             | Don't care    |  |
| high             |                  |               |  |
| low              |                  | Up-counting   |  |
|                  | low              | Down-counting |  |

: Rising edge  
 : Falling edge

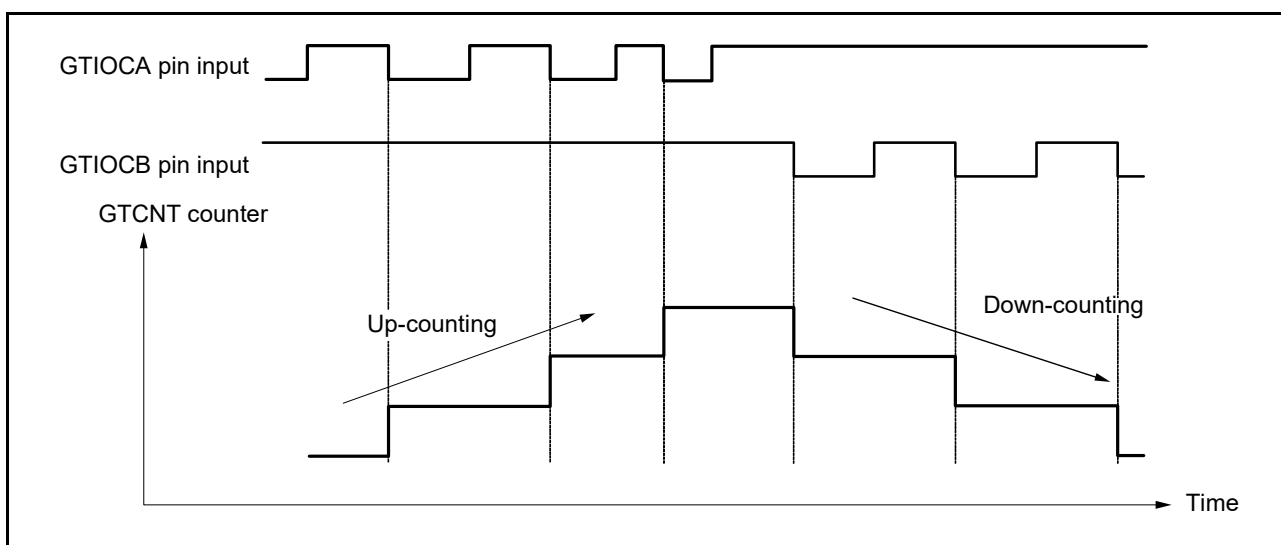


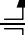
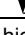








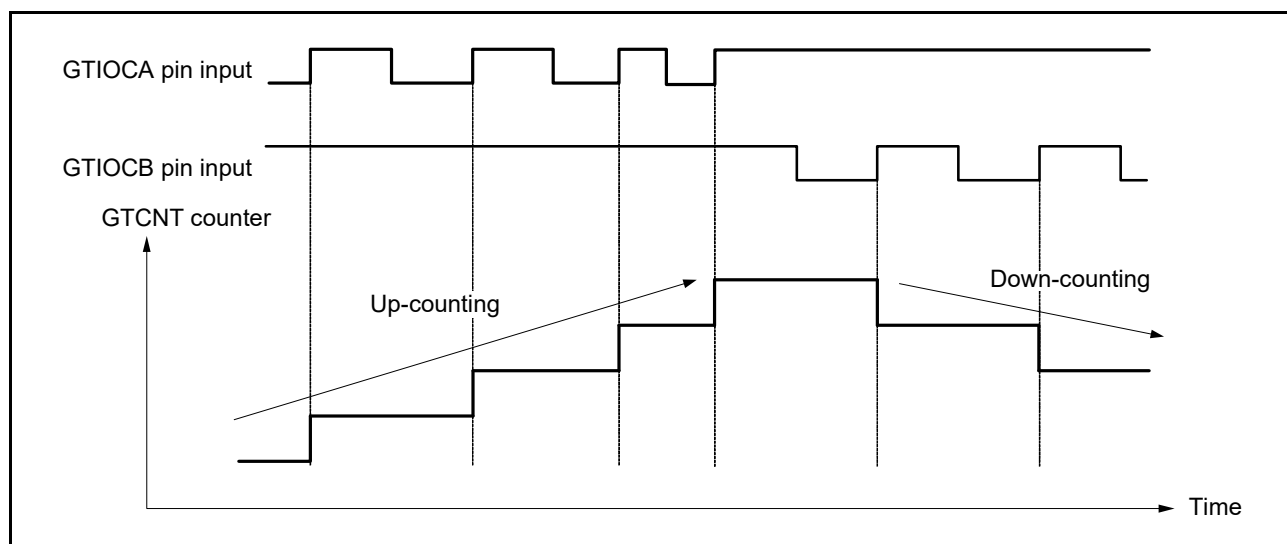
Figure 23.75 Example of phase counting mode 3 (A)



**Table 23.12 Conditions of up-counting and down-counting in phase counting mode 3 (A)**




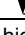

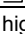


| GTIOCA pin input  | GTIOCB pin input  | Operation     | Register setting                           |
|---|---|---------------|--|
| high  |  | Don't care    | GTUPSR = 0000 0800h<br>GTDNSR = 0000 8000h |
| low   |  | Don't care    |  |
|  | low   | Up-counting   |  |
|  | high  |               |  |
| high  |  | Down-counting |  |
| low   |  | Don't care    |  |
|  | high  | Don't care    |  |
|  | low   |               |  |



 : Rising edge  
 : Falling edge



**Figure 23.76 Example of phase counting mode 3 (B)**

**Table 23.13 Conditions of up-counting and down-counting in phase counting mode 3 (B)**

| GTIOCA pin input  | GTIOCB pin input  | Operation     | Register setting                           |
|---|---|---------------|--|
| high  |  | Down-counting | GTUPSR = 0000 0200h<br>GTDNSR = 0000 2000h |
| low   |  | Don't care    |  |
|  | low   | Up-counting   |  |
|  | high  |               |  |
| high  |  | Down-counting |  |
| low   |  | Don't care    |  |
|  | high  | Up-counting   |  |
|  | low   |               |  |

 : Rising edge  
 : Falling edge

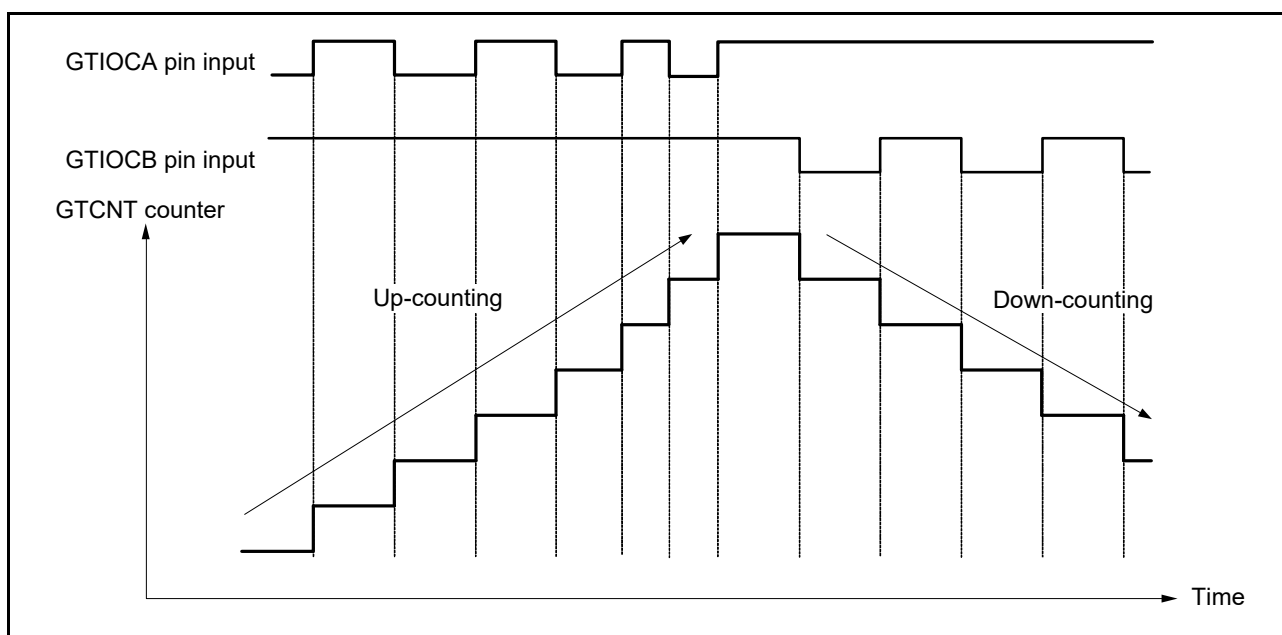


Figure 23.77 Example of phase counting mode 3 (C)

Table 23.14 Conditions of up-counting and down-counting in phase counting mode 3 (C)

| GTIOCA pin input | GTIOCB pin input | Operation     | Register setting                           |
|------------------|------------------|---------------|--|
| high             |                  | Down-counting | GTUPSR = 0000 0A00h<br>GTDNSR = 0000 A000h |
| low              |                  | Don't care    |  |
|                  | low              | Up-counting   |  |
|                  | high             |               |  |
| high             |                  | Down-counting |  |
| low              |                  | Don't care    |  |
|                  | high             | Up-counting   |  |
|                  | low              | Don't care    |  |

: Rising edge  
 : Falling edge

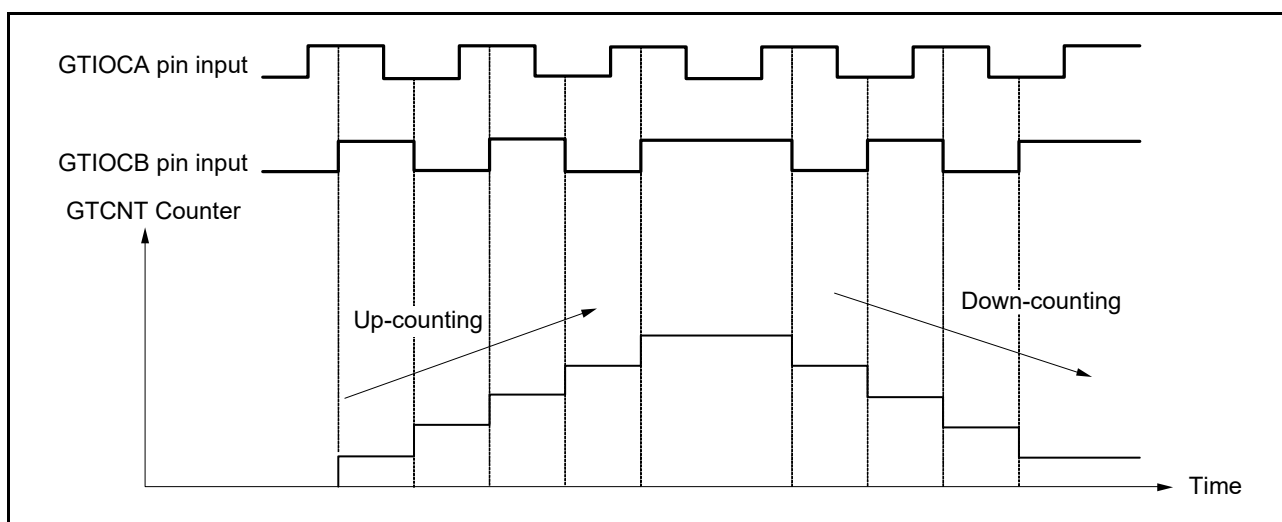










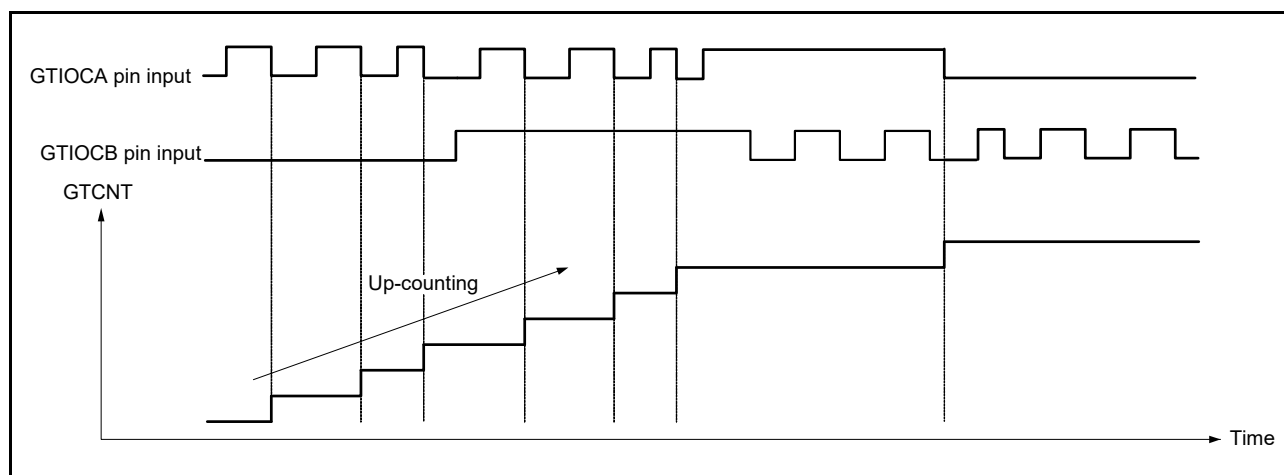


Figure 23.78 Example of phase counting mode 4

**Table 23.15 Conditions of up-counting and down-counting in phase counting mode 4**









| GTIOCA pin input  | GTIOCB pin input  | Operation     | Register setting                           |
|---|---|---------------|--|
| high  |  | Up-counting   | GTUPSR = 0000 6000h<br>GTDNSR = 0000 9000h |
| low   |  |               |  |
|  | low   | Don't care    |  |
|  | high  |               |  |
| high  |  | Down-counting |  |
| low   |  |               |  |
|  | high  | Don't care    |  |
|  | low   |               |  |



 : Rising edge  
 : Falling edge



**Figure 23.79 Example of phase counting mode 5 (A)**

**Table 23.16 Conditions of up-counting and down-counting in phase counting mode 5 (A)**

| GTIOCA pin input  | GTIOCB pin input  | Operation   | Register setting                           |
|---|---|-------------|--|
| high  |  | Don't care  | GTUPSR = 0000 0C00h<br>GTDNSR = 0000 0000h |
| low   |  |             |  |
|  | low   |             |  |
|  | high  | Up-counting |  |
| high  |  | Don't care  |  |
| low   |  |             |  |
|  | high  |             |  |
|  | low   | Up-counting |  |

 : Rising edge  
 : Falling edge

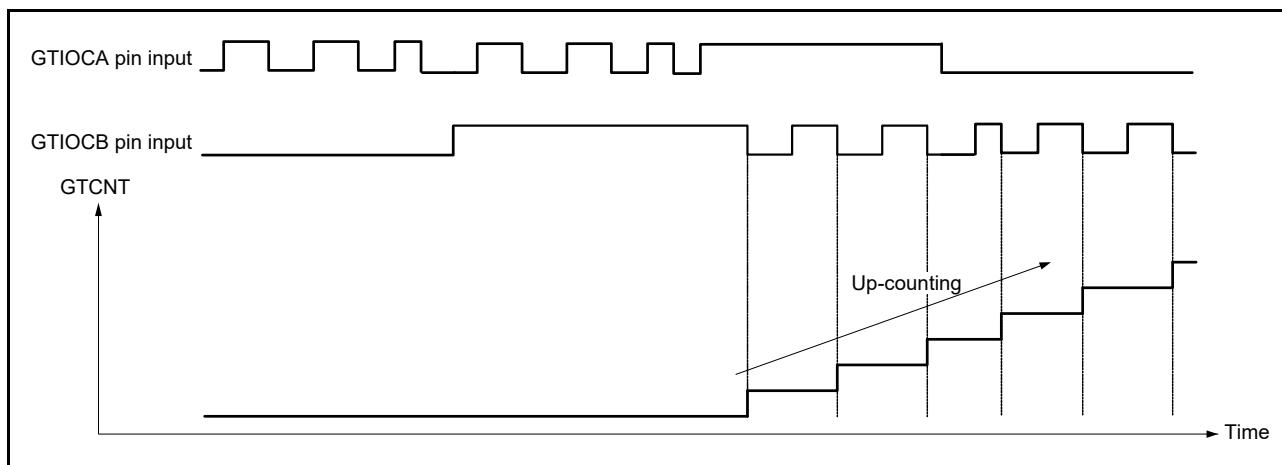


Figure 23.80 Example of phase counting mode 5 (B)

Table 23.17 Conditions of up-counting and down-counting in phase counting mode 5 (B)

| GTIOCA pin input | GTIOCB pin input | Operation   | Register setting                           |
|------------------|------------------|-------------|--|
| high             |                  | Don't care  | GTUPSR = 0000 0C00h<br>GTDNSR = 0000 0000h |
| low              |                  | Up-counting |  |
|                  | low              | Don't care  |  |
|                  | high             | Up-counting |  |
| high             |                  | Up-counting |  |
| low              |                  | Don't care  |  |
|                  | high             | Up-counting |  |
|                  | low              | Up-counting |  |

: Rising edge  
 : Falling edge

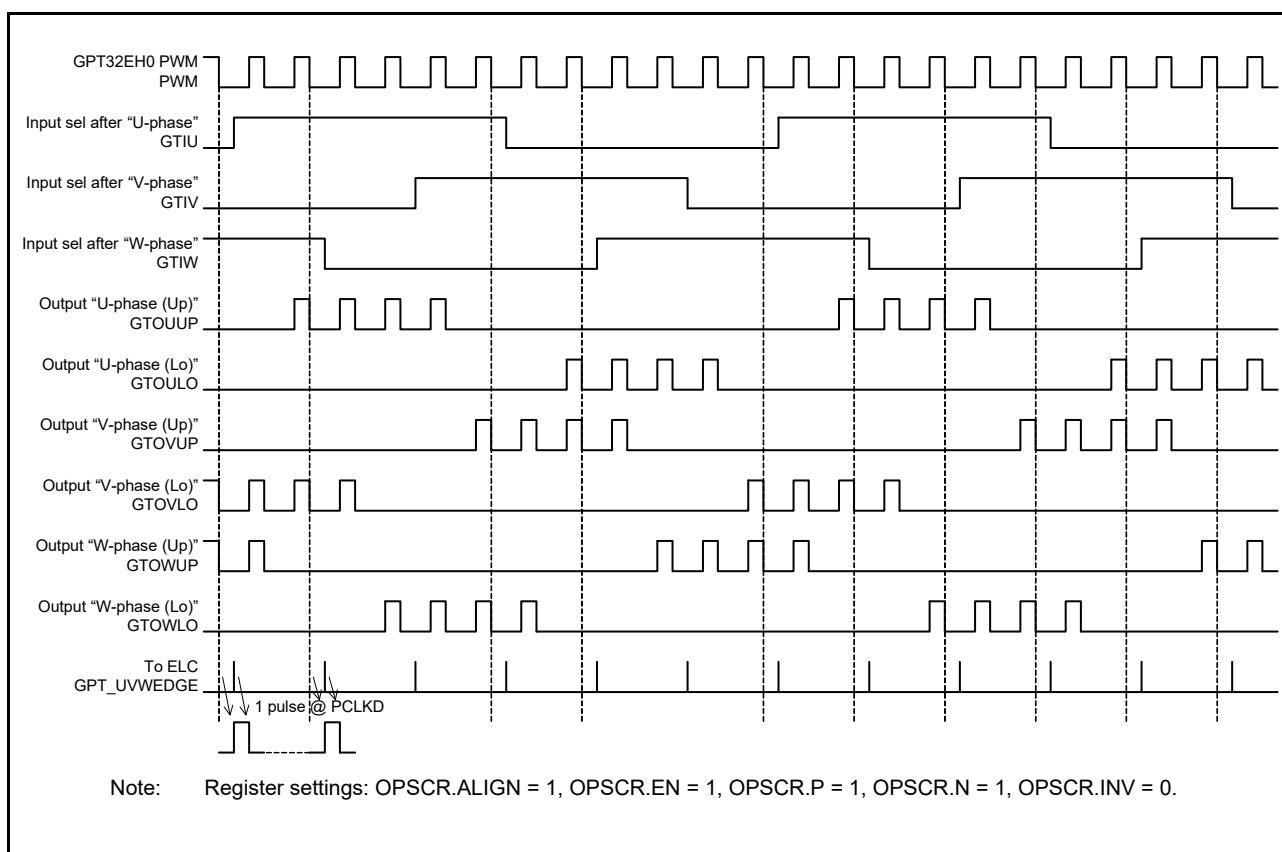
### 23.3.11 Output Phase Switching (GPT\_OPS)

GPT\_OPS provides a function for easy control of brushless DC motor operation using the Output Phase Switching Control Register (OPSCR).

GPT\_OPS outputs a PWM signal to be used for chopper control or level signal for each phase (U-positive phase/negative phase, V-positive phase/negative phase, W-positive phase/negative phase) of the 6-phase motor control. This function uses a soft setting value (OPSCR.UF, VF, WF) set by software or external signals detected by the Hall element, a PWM waveform of GPT32EH0.GTIOCA.

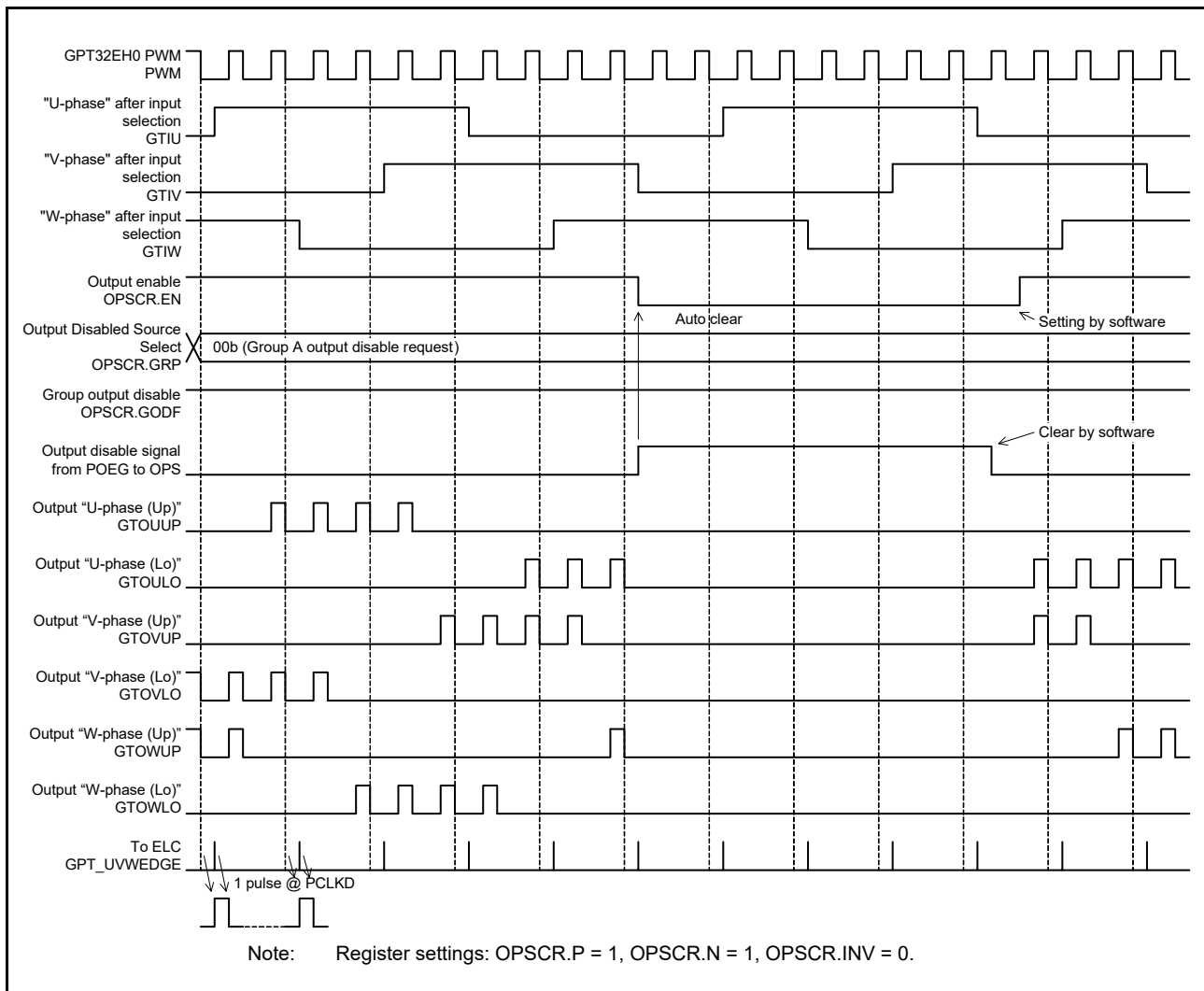
Figure 23.81 shows the GPT\_OPS control flow conceptual diagram.





**Figure 23.83 Example of 6-phase PWM output operation with chopper control**

Figure 23.84 shows an example of output disable control (6-phase PWM output operation).



**Figure 23.84** Example of group output disable control operation

### 23.3.11.1 Input selection and synchronization of external input signal

In the GPT\_ OPS control flow conceptual diagram shown in [Figure 23.81](#), (1) is a selection of input phase from software settings and external input by the OPSCR.FB bit.

When OPSCR.FB bit = 0, select the external input. Enable the input signal after synchronization with the GPT core clock (PCLKD). After carrying out noise filtering (optional), set the external input to the input phase of PWM (PWM of GPT32EH0.GTIOCA) using falling edge sampling with OPSCR.ALIGN bit = 1.

When OPSCR.FB bit = 1, select the soft setting (OPSCR.UF, VF, WF) with the value of the input phase of PWM (PWM of GPT32EH0.GTIOCA) using falling edge sampling with OPSCR.ALIGN bit = 1.

When OPSCR.ALIGN bit = 0, GPT\_ OPS operates with the input phase of PCLKD synchronization with either OPSCR.FB bit = 0 or OPSCR.FB bit = 1. However, in some situations, the PWM pulse width of the output U/V/W phases (PWM output mode) of switch timing (just before or just after) is shortened.

[Table 23.18](#) shows the input selection process and setting of associated OPSCR bits.

**Table 23.18** Input selection processing method

| OPSCR register |           | Selection of input phase sampling method<br>(U/V/W-phase)                                    | Synchronization input/output selection<br>process (GPT_OPS internal node name)                  |
|----------------|-----------|--|---|
| FB bit         | ALIGN bit |  |   |
| 0              | 1         | External Input at PWM Falling Edge Sampling<br>(PCLKD synchronization + falling edge sample) | Input Phase<br>Input U-Phase (gtu_sync)<br>Input V-Phase (gtv_sync)<br>Input W-Phase (gtw_sync) |
|                | 0         | External Input at PCLKD Synchronization Output<br>(PCLKD synchronization + through mode)     |   |
| 1              | 1         | Software Settings at PWM Falling Edge Sampling<br>(OPSCR.UF, VF, WF of falling edge sample)  |   |
|                | 0         | Software Setting Value Selection<br>(= OPSCR.UF/VF/WF value) (= PCLKD<br>synchronization)    |   |

### 23.3.11.2 Input sampling

The OPSCR.U, V, W bits indicate the PCLKD sampling results of the input selected by the OPSCR.FB bit.

When OPSCR.FB bit = 0 and after synchronization with the GPT core clock (PCLKD) and noise filtering (optional), OPSCR.U, V, W bits indicate the sampling results of the external input. When OPSCR.FB bit = 1, OPSCR.U, V, W bits have the value (OPSCR.UF, VF, WF) of the soft setting.

### 23.3.11.3 Input phase decode

In the GPT\_OPS control flow conceptual diagram shown in [Figure 23.81](#), (2) enables the 6-phase signals by decoding the input phase selected by the OPSCR.FB bit. The 6-phase enable signal is used for internal processing of GPT\_OPS.

[Table 23.19](#) shows the decode table of input phase.

**Table 23.19** Decode table of input phase

| Input phase (U/V/W)<br>(GPT_OPS internal node name) |               |               | 6-phase enable {U/V/W (Up/Lo)} by decoding input phase<br>(GPT_OPS internal node name) |              |              |              |              |              |
|---|---------------|---------------|--|--------------|--------------|--------------|--------------|--------------|
| Input U-phase                                       | Input V-phase | Input W-phase | U-phase (Up)   | U-phase (Lo) | V-phase (Up) | V-phase (Lo) | W-phase (Up) | W-phase (Lo) |
| (gtu_sync)  | (gtv_sync)    | (gtw_sync)    | (gtuup_en)   | (gtulo_en)   | (gtvup_en)   | (gtvlo_en)   | (gtwup_en)   | (gtwlo_en)   |
| 1   | 0             | 1             | 1  | 0            | 0            | 1            | 0            | 0            |
| 1   | 0             | 0             | 1  | 0            | 0            | 0            | 0            | 1            |
| 1   | 1             | 0             | 0  | 0            | 1            | 0            | 0            | 1            |
| 0   | 1             | 0             | 0  | 1            | 1            | 0            | 0            | 0            |
| 0   | 1             | 1             | 0  | 1            | 0            | 0            | 1            | 0            |
| 0   | 0             | 1             | 0  | 0            | 0            | 1            | 1            | 0            |
| 0   | 0             | 0             | 0  | 0            | 0            | 0            | 0            | 0            |
| 1   | 1             | 1             | 0  | 0            | 0            | 0            | 0            | 0            |

### 23.3.11.4 Output selection control

In the GPT\_OPS control flow conceptual diagram in [Figure 23.81](#), (3) represents the selection of the output waveform by setting the OPSCR register bit.

For output selection, the following bits are relevant:

- The OPSCR.EN bit controls whether to output the 6-phase output, or to stop
- The OPSCR.P and OPSCR.N bits can select from the level signal or PWM signal (chopper output) for the output phase
- The polarity of the output phase can be set to positive logic or negative logic by the OPSCR.INV bit.

[Table 23.20](#) and [Table 23.21](#) show the output selection control method using the OPSCR register bit.



Table 23.20 Output selection control method (positive phase)

| Enable-phase output control | Positive-phase output (P) control | Invert-phase output control | Output port name (positive phase = up)<br>(output selection internal node allocation) |  |
|-----------------------------|-----------------------------------|-----------------------------|---|--|
| OPSCR.EN bit                | OPSCR.P bit                       | OPSCR.INV bit               | GTOUUP<br>GTOVUP<br>GTOWUP  | Mode   |
| 0                           | x                                 | x                           | 0   | Output Stop<br>(External pin: Hi-Z)<br>GPT_OPS => 0 output |
| 1                           | 0                                 | 0                           | Level signal<br>(gtuup_en)<br>(gtvup_en)<br>(gtwup_en)                                | Level Output Mode<br>(Positive phase)<br>(Positive logic)  |
| 1                           | 0                                 | 1                           | Level signal<br>(~gtuup_en)<br>(~gtvup_en)<br>(~gtwup_en)                             | Level Output Mode<br>(Positive phase)<br>(Negative logic)  |
| 1                           | 1                                 | 0                           | PWM signal<br>(PWM & gtuup_en)<br>(PWM & gtvup_en)<br>(PWM & gtwup_en)                | PWM Output Mode<br>(Positive phase)<br>(Positive logic)    |
| 1                           | 1                                 | 1                           | PWM signal<br>(~(PWM & gtuup_en))<br>(~(PWM & gtvup_en))<br>(~(PWM & gtwup_en))       | PWM Output Mode<br>(Positive phase)<br>(Negative logic)    |

Table 23.21 Output selection control method (negative phase)

| Enable-phase output control | Negative-phase output (N) control | Invert-phase output control | Output port name (negative phase = Lo)<br>(output selection internal node allocation) |  |
|-----------------------------|-----------------------------------|-----------------------------|---|--|
| OPSCR.EN bit                | OPSCR.N bit                       | OPSCR.INV bit               | GTOULO<br>GTOVLO<br>GTOWLO  | Mode   |
| 0                           | x                                 | x                           | 0   | Output Stop<br>(External pin: Hi-Z)<br>GPT_OPS => 0 output |
| 1                           | 0                                 | 0                           | Level signal<br>(gtulo_en)<br>(gtvlo_en)<br>(gtwlo_en)                                | Level Output Mode<br>(Negative phase)<br>(Positive logic)  |
| 1                           | 0                                 | 1                           | Level signal<br>(~gtulo_en)<br>(~gtvlo_en)<br>(~gtwlo_en)                             | Level Output Mode<br>(Negative phase)<br>(Negative logic)  |
| 1                           | 1                                 | 0                           | PWM signal<br>(PWM & gtulo_en)<br>(PWM & gtvlo_en)<br>(PWM & gtwlo_en)                | PWM Output Mode<br>(Negative phase)<br>(Positive logic)    |
| 1                           | 1                                 | 1                           | PWM signal<br>(~(PWM & gtulo_en))<br>(~(PWM & gtvlo_en))<br>(~(PWM & gtwlo_en))       | PWM Output Mode<br>(Negative phase)<br>(Negative logic)    |

### 23.3.11.5 Output selection control (group output disable function)

When OPSCR.GODF = 1 and the signal value selected by the OPSCR.GRP bit is high (output disable request), the GPT\_OPS output pins are changed to Hi-Z asynchronously and the OPSCR.EN bit is set to 0 by the output disable request signal synchronized with PCLKD. For the return, set the OPSCR.EN to 1 after clearing the output disable request with software.

The timing of OPSCR.EN bit cleared to 0 is 3 PCLKD cycles after generating the output disable request. To perform output disable control reliably, allow at least 4 PCLKD cycles after generating the output disable request (by clearing the output disable request flag in POEG) until the output disable request is terminated. For an example of the operation of group output disable control, see [Figure 23.84](#).

#### 23.3.11.6 Event Link Controller (ELC) output

In the GPT\_OPS control flow conceptual diagram shown in [Figure 23.81](#), (5) outputs the Hall sensor input signal edge to the ELC.

The Hall sensor input edge signal is the logical OR of the rising and falling edge signals of each U-phase/V-phase/W-phase input sampled at PCLKD. That is, if the high period of each of the U-phase/V-phase/W-phase input is short in duration, the Hall sensor edge input signal is not output at that time.

When OPSCR.FB bit is 0, the Hall sensor input edge signal is the logical OR of the edge signals of the external input phase sampled at PCLKD.

When OPSCR.FB bit is 1, the Hall sensor input edge signal is the logical OR of the edge of the soft setting (OPSCR.UF, VF, WF) sampled at PCLKD.

See [Figure 23.82](#) to [Figure 23.84](#) for examples of the output signal to the ELC.

## 23.3.11.7 GPT\_OPS start operation setting flow

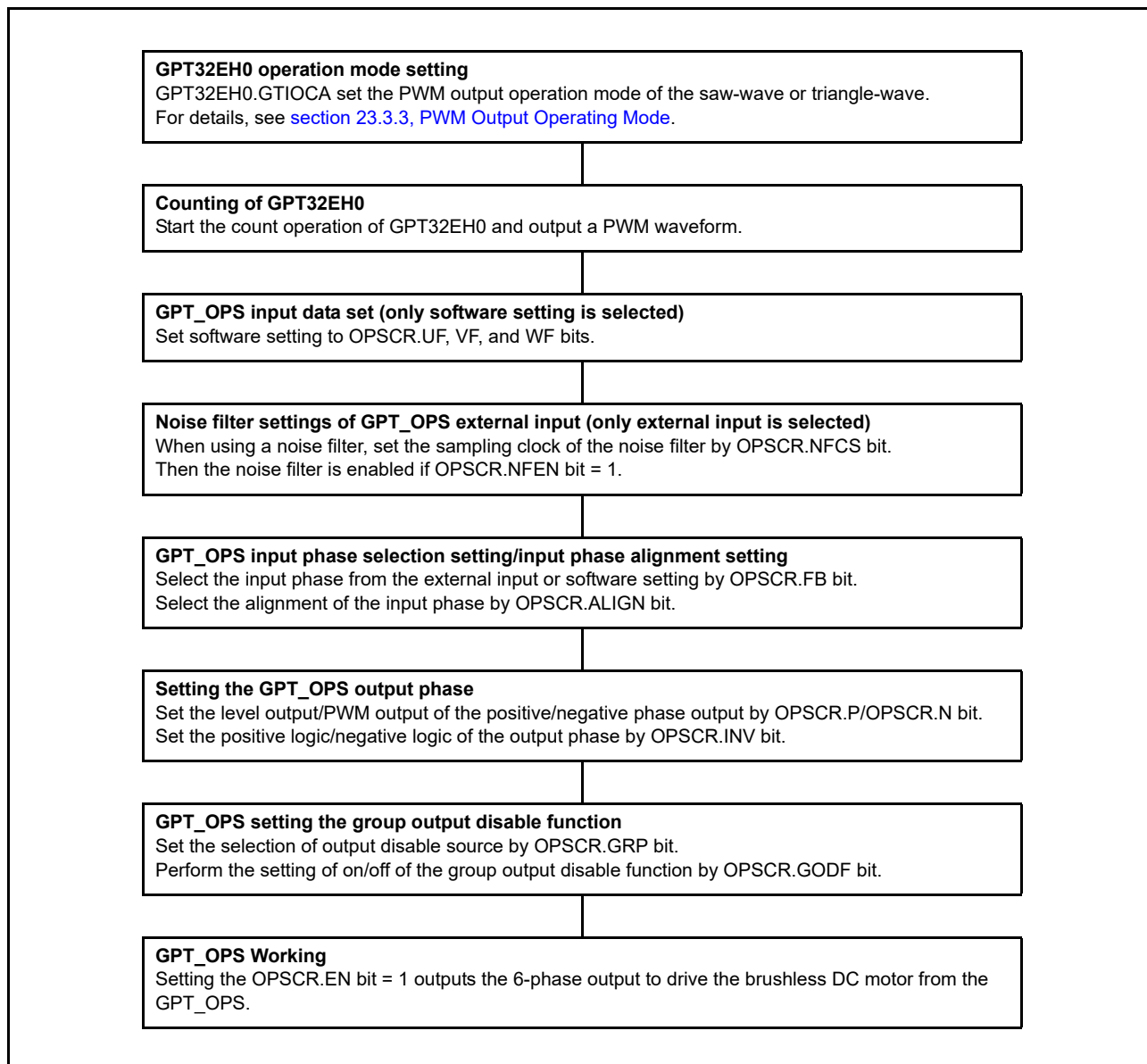


Figure 23.85 Example setting of GPT\_OPS start operation

## 23.4 Interrupt Sources

## 23.4.1 Overview

The GPT provides the following interrupt sources:

- GTCCR input capture/compare match
- GTADTR compare match
- GTCNT counter overflow (GTPR compare match)/underflow.

Each interrupt source has its own status flag. When an interrupt source signal is generated, the associated status flag in GTST is set to 1. The associated status flag in GTST can be cleared by writing 0. If flag set and flag clear occur at the same time, flag clear takes priority over flag set. These flags are automatically updated by the internal state. [Table 23.22](#) lists the GPT interrupt sources.

Table 23.22 Interrupt sources (1 of 4)

| Channel | Name        | Interrupt source                                      | Interrupt flag     | DMAC/DTC activation |
|---------|-------------|---|--------------------|---------------------|
| 0       | GPT0_CCMPA  | GPT32EH0.GTCCRA input capture/compare match           | TCFA               | Possible            |
|         | GPT0_CCMPB  | GPT32EH0.GTCCRB input capture/compare match           | TCFB               | Possible            |
|         | GPT0_CMPC   | GPT32EH0.GTCCRC compare match                         | TCFC               | Possible            |
|         | GPT0_CMPD   | GPT32EH0.GTCCRD compare match                         | TCFD               | Possible            |
|         | GPT0_CMPE   | GPT32EH0.GTCCRE compare match                         | TCFE               | Possible            |
|         | GPT0_CMPF   | GPT32EH0.GTCCRF compare match                         | TCFF               | Possible            |
|         | GPT0_ADTRGA | GPT32EH0.GTADTRA compare match                        | ADTRAUF<br>ADRTADF | Possible            |
|         | GPT0_ADTRGB | GPT32EH0.GTADTRB compare match                        | ADTRBUF<br>ADRTBDF | Possible            |
|         | GPT0_OVF    | GPT32EH0.GTCNT overflow (GPT32EH0.GTPR compare match) | TCFPO              | Possible            |
|         | GPT0_UDF    | GPT32EH0.GTCNT underflow                              | TCFPU              | Possible            |
| 1       | GPT1_CCMPA  | GPT32EH1.GTCCRA input capture/compare match           | TCFA               | Possible            |
|         | GPT1_CCMPB  | GPT32EH1.GTCCRB input capture/compare match           | TCFB               | Possible            |
|         | GPT1_CMPC   | GPT32EH1.GTCCRC compare match                         | TCFC               | Possible            |
|         | GPT1_CMPD   | GPT32EH1.GTCCRD compare match                         | TCFD               | Possible            |
|         | GPT1_CMPE   | GPT32EH1.GTCCRE compare match                         | TCFE               | Possible            |
|         | GPT1_CMPF   | GPT32EH1.GTCCRF compare match                         | TCFF               | Possible            |
|         | GPT1_ADTRGA | GPT32EH1.GTADTRA compare match                        | ADTRAUF<br>ADRTADF | Possible            |
|         | GPT1_ADTRGB | GPT32EH1.GTADTRB compare match                        | ADTRBUF<br>ADRTBDF | Possible            |
|         | GPT1_OVF    | GPT32EH1.GTCNT overflow (GPT32EH1.GTPR compare match) | TCFPO              | Possible            |
|         | GPT1_UDF    | GPT32EH1.GTCNT underflow                              | TCFPU              | Possible            |
| 2       | GPT2_CCMPA  | GPT32EH2.GTCCRA input capture/compare match           | TCFA               | Possible            |
|         | GPT2_CCMPB  | GPT32EH2.GTCCRB input capture/compare match           | TCFB               | Possible            |
|         | GPT2_CMPC   | GPT32EH2.GTCCRC compare match                         | TCFC               | Possible            |
|         | GPT2_CMPD   | GPT32EH2.GTCCRD compare match                         | TCFD               | Possible            |
|         | GPT2_CMPE   | GPT32EH2.GTCCRE compare match                         | TCFE               | Possible            |
|         | GPT2_CMPF   | GPT32EH2.GTCCRF compare match                         | TCFF               | Possible            |
|         | GPT2_ADTRGA | GPT32EH2.GTCCRE compare match                         | ADTRAUF<br>ADRTADF | Possible            |
|         | GPT2_ADTRGB | GPT32EH2.GTCCRF compare match                         | ADTRBUF<br>ADRTBDF | Possible            |
|         | GPT2_OVF    | GPT32EH2.GTCNT overflow (GPT32EH2.GTPR compare match) | TCFPO              | Possible            |
|         | GPT2_UDF    | GPT32EH2.GTCNT underflow                              | TCFPU              | Possible            |

**Table 23.22** Interrupt sources (2 of 4)

| Channel | Name        | Interrupt source                                      | Interrupt flag     | DMAC/DTC activation |
|---------|-------------|---|--------------------|---------------------|
| 3       | GPT3_CCMPA  | GPT32EH3.GTCCRA input capture/compare match           | TCFA               | Possible            |
|         | GPT3_CCMPB  | GPT32EH3.GTCCRB input capture/compare match           | TCFB               | Possible            |
|         | GPT3_CMPC   | GPT32EH3.GTCCRC compare match                         | TCFC               | Possible            |
|         | GPT3_CMPD   | GPT32EH3.GTCCRD compare match                         | TCFD               | Possible            |
|         | GPT3_CMPE   | GPT32EH3.GTCCRE compare match                         | TCFE               | Possible            |
|         | GPT3_CMPF   | GPT32EH3.GTCCRF compare match                         | TCFF               | Possible            |
|         | GPT3_ADTRGA | GPT32EH3.GTADTRA compare match                        | ADTRAUF<br>ADRTADF | Possible            |
|         | GPT3_ADTRGB | GPT32EH3.GTADTRB compare match                        | ADTRBUF<br>ADRTBDF | Possible            |
|         | GPT3_OVF    | GPT32EH3.GTCNT overflow (GPT32EH3.GTPR compare match) | TCFPO              | Possible            |
|         | GPT3_UDF    | GPT32EH3.GTCNT underflow                              | TCFPU              | Possible            |
| 4       | GPT4_CCMPA  | GPT32E4.GTCCRA input capture/compare match            | TCFA               | Possible            |
|         | GPT4_CCMPB  | GPT32E4.GTCCRB input capture/compare match            | TCFB               | Possible            |
|         | GPT4_CMPC   | GPT32E4.GTCCRC compare match                          | TCFC               | Possible            |
|         | GPT4_CMPD   | GPT32E4.GTCCRD compare match                          | TCFD               | Possible            |
|         | GPT4_CMPE   | GPT32E4.GTCCRE compare match                          | TCFE               | Possible            |
|         | GPT4_CMPF   | GPT32E4.GTCCRF compare match                          | TCFF               | Possible            |
|         | GPT4_ADTRGA | GPT32E4.GTADTRA compare match                         | ADTRAUF<br>ADRTADF | Possible            |
|         | GPT4_ADTRGB | GPT32E4.GTADTRB compare match                         | ADTRBUF<br>ADRTBDF | Possible            |
|         | GPT4_OVF    | GPT32E4.GTCNT overflow (GPT32E4.GTPR compare match)   | TCFPO              | Possible            |
|         | GPT4_UDF    | GPT32E4.GTCNT underflow                               | TCFPU              | Possible            |
| 5       | GPT5_CCMPA  | GPT32E5.GTCCRA input capture/compare match            | TCFA               | Possible            |
|         | GPT5_CCMPB  | GPT32E5.GTCCRB input capture/compare match            | TCFB               | Possible            |
|         | GPT5_CMPC   | GPT32E5.GTCCRC compare match                          | TCFC               | Possible            |
|         | GPT5_CMPD   | GPT32E5.GTCCRD compare match                          | TCFD               | Possible            |
|         | GPT5_CMPE   | GPT32E5.GTCCRE compare match                          | TCFE               | Possible            |
|         | GPT5_CMPF   | GPT32E5.GTCCRF compare match                          | TCFF               | Possible            |
|         | GPT5_ADTRGA | GPT32E5.GTADTRA compare match                         | ADTRAUF<br>ADRTADF | Possible            |
|         | GPT5_ADTRGB | GPT32E5.GTADTRB compare match                         | ADTRBUF<br>ADRTBDF | Possible            |
|         | GPT5_OVF    | GPT32E5.GTCNT overflow (GPT32E5.GTPR compare match)   | TCFPO              | Possible            |
|         | GPT5_UDF    | GPT32E5.GTCNT underflow                               | TCFPU              | Possible            |

Table 23.22 Interrupt sources (3 of 4)

| Channel | Name        | Interrupt source                                    | Interrupt flag     | DMAC/DTC activation |
|---------|-------------|---|--------------------|---------------------|
| 6       | GPT6_CCMPA  | GPT32E6.GTCCRA input capture/compare match          | TCFA               | Possible            |
|         | GPT6_CCMPB  | GPT32E6.GTCCRB input capture/compare match          | TCFB               | Possible            |
|         | GPT6_CMPC   | GPT32E6.GTCCRC compare match                        | TCFC               | Possible            |
|         | GPT6_CMPD   | GPT32E6.GTCCRD compare match                        | TCFD               | Possible            |
|         | GPT6_CMPE   | GPT32E6.GTCCRE compare match                        | TCFE               | Possible            |
|         | GPT6_CMPF   | GPT32E6.GTCCRF compare match                        | TCFF               | Possible            |
|         | GPT6_ADTRGA | GPT32E6.GTADTRA compare match                       | ADTRAUF<br>ADRTADF | Possible            |
|         | GPT6_ADTRGB | GPT32E6.GTADTRB compare match                       | ADTRBUF<br>ADRTBDF | Possible            |
|         | GPT6_OVF    | GPT32E6.GTCNT overflow (GPT32E6.GTPR compare match) | TCFPO              | Possible            |
|         | GPT6_UDF    | GPT32E6.GTCNT underflow                             | TCFPU              | Possible            |
| 7       | GPT7_CCMPA  | GPT32E7.GTCCRA input capture/compare match          | TCFA               | Possible            |
|         | GPT7_CCMPB  | GPT32E7.GTCCRB input capture/compare match          | TCFB               | Possible            |
|         | GPT7_CMPC   | GPT32E7.GTCCRC compare match                        | TCFC               | Possible            |
|         | GPT7_CMPD   | GPT32E7.GTCCRD compare match                        | TCFD               | Possible            |
|         | GPT7_CMPE   | GPT32E7.GTCCRE compare match                        | TCFE               | Possible            |
|         | GPT7_CMPF   | GPT32E7.GTCCRF compare match                        | TCFF               | Possible            |
|         | GPT7_ADTRGA | GPT32E7.GTADTRA compare match                       | ADTRAUF<br>ADRTADF | Possible            |
|         | GPT7_ADTRGB | GPT32E7.GTADTRB compare match                       | ADTRBUF<br>ADRTBDF | Possible            |
|         | GPT7_OVF    | GPT32E7.GTCNT overflow (GPT32E7.GTPR compare match) | TCFPO              | Possible            |
|         | GPT7_UDF    | GPT32E7.GTCNT underflow                             | TCFPU              | Possible            |
| 8       | GPT8_CCMPA  | GPT328.GTCCRA input capture/compare match           | TCFA               | Possible            |
|         | GPT8_CCMPB  | GPT328.GTCCRB input capture/compare match           | TCFB               | Possible            |
|         | GPT8_CMPC   | GPT328.GTCCRC compare match                         | TCFC               | Possible            |
|         | GPT8_CMPD   | GPT328.GTCCRD compare match                         | TCFD               | Possible            |
|         | GPT8_CMPE   | GPT328.GTCCRE compare match                         | TCFE               | Possible            |
|         | GPT8_CMPF   | GPT328.GTCCRF compare match                         | TCFF               | Possible            |
|         | GPT8_OVF    | GPT328.GTCNT overflow (GPT328.GTPR compare match)   | TCFPO              | Possible            |
|         | GPT8_UDF    | GPT328.GTCNT underflow                              | TCFPU              | Possible            |
| 9       | GPT9_CCMPA  | GPT329.GTCCRA input capture/compare match           | TCFA               | Possible            |
|         | GPT9_CCMPB  | GPT329.GTCCRB input capture/compare match           | TCFB               | Possible            |
|         | GPT9_CMPC   | GPT329.GTCCRC compare match                         | TCFC               | Possible            |
|         | GPT9_CMPD   | GPT329.GTCCRD compare match                         | TCFD               | Possible            |
|         | GPT9_CMPE   | GPT329.GTCCRE compare match                         | TCFE               | Possible            |
|         | GPT9_CMPF   | GPT329.GTCCRF compare match                         | TCFF               | Possible            |
|         | GPT9_OVF    | GPT329.GTCNT overflow (GPT329.GTPR compare match)   | TCFPO              | Possible            |
|         | GPT9_UDF    | GPT329.GTCNT underflow                              | TCFPU              | Possible            |

**Table 23.22** Interrupt sources (4 of 4)

| Channel | Name        | Interrupt source                                    | Interrupt flag | DMAC/DTC activation |
|---------|-------------|---|----------------|---------------------|
| 10      | GPT10_CCMPA | GPT3210.GTCCRA input capture/compare match          | TCFA           | Possible            |
|         | GPT10_CCMPB | GPT3210.GTCCRB input capture/compare match          | TCFB           | Possible            |
|         | GPT10_CMPC  | GPT3210.GTCCRC compare match                        | TCFC           | Possible            |
|         | GPT10_CMPD  | GPT3210.GTCCRD compare match                        | TCFD           | Possible            |
|         | GPT10_CMPE  | GPT3210.GTCCRE compare match                        | TCFE           | Possible            |
|         | GPT10_CMPF  | GPT3210.GTCCRF compare match                        | TCFF           | Possible            |
|         | GPT10_OVF   | GPT3210.GTCNT overflow (GPT3210.GTPR compare match) | TCFPO          | Possible            |
|         | GPT10_UDF   | GPT3210.GTCNT underflow                             | TCFPU          | Possible            |
| 11      | GPT11_CCMPA | GPT3211.GTCCRA input capture/compare match          | TCFA           | Possible            |
|         | GPT11_CCMPB | GPT3211.GTCCRB input capture/compare match          | TCFB           | Possible            |
|         | GPT11_CMPC  | GPT3211.GTCCRC compare match                        | TCFC           | Possible            |
|         | GPT11_CMPD  | GPT3211.GTCCRD compare match                        | TCFD           | Possible            |
|         | GPT11_CMPE  | GPT3211.GTCCRE compare match                        | TCFE           | Possible            |
|         | GPT11_CMPF  | GPT3211.GTCCRF compare match                        | TCFF           | Possible            |
|         | GPT11_OVF   | GPT3211.GTCNT overflow (GPT3211.GTPR compare match) | TCFPO          | Possible            |
|         | GPT11_UDF   | GPT3211.GTCNT underflow                             | TCFPU          | Possible            |
| 12      | GPT12_CCMPA | GPT3212.GTCCRA input capture/compare match          | TCFA           | Possible            |
|         | GPT12_CCMPB | GPT3212.GTCCRB input capture/compare match          | TCFB           | Possible            |
|         | GPT12_CMPC  | GPT3212.GTCCRC compare match                        | TCFC           | Possible            |
|         | GPT12_CMPD  | GPT3212.GTCCRD compare match                        | TCFD           | Possible            |
|         | GPT12_CMPE  | GPT3212.GTCCRE compare match                        | TCFE           | Possible            |
|         | GPT12_CMPF  | GPT3212.GTCCRF compare match                        | TCFF           | Possible            |
|         | GPT12_OVF   | GPT3212.GTCNT overflow (GPT3212.GTPR compare match) | TCFPO          | Possible            |
|         | GPT12_UDF   | GPT3212.GTCNT underflow                             | TCFPU          | Possible            |
| 13      | GPT13_CCMPA | GPT3213.GTCCRA input capture/compare match          | TCFA           | Possible            |
|         | GPT13_CCMPB | GPT3213.GTCCRB input capture/compare match          | TCFB           | Possible            |
|         | GPT13_CMPC  | GPT3213.GTCCRC compare match                        | TCFC           | Possible            |
|         | GPT13_CMPD  | GPT3213.GTCCRD compare match                        | TCFD           | Possible            |
|         | GPT13_CMPE  | GPT3213.GTCCRE compare match                        | TCFE           | Possible            |
|         | GPT13_CMPF  | GPT3213.GTCCRF compare match                        | TCFF           | Possible            |
|         | GPT13_OVF   | GPT3213.GTCNT overflow (GPT3213.GTPR compare match) | TCFPO          | Possible            |
|         | GPT13_UDF   | GPT3213.GTCNT underflow                             | TCFPU          | Possible            |

**(1) GPTn\_ADTRGA interrupt (n = 0 to 7)**

When the GTCNT counter value matches with the GTADTRA register, an interrupt request is generated under the following conditions:

- In up-counting, the interrupt enable bit (ADTRAUEN) in the GTINTAD register is 1
- In down-counting, the interrupt enable bit (ADTRADEN) in the GTINTAD register is 1.

In event count operation, this interrupt request is not generated.

**(2) GPTn\_ADTRGB interrupt (n = 0 to 7)**

When the GTCNT counter value matches with the GTADTRB register, an interrupt request is generated under the following conditions:

- In up-counting, the interrupt enable bit (ADTRBUEN) in the GTINTAD register is 1
- In down-counting, the interrupt enable bit (ADTRBDEN) in the GTINTAD register is 1.

In event count operation, this interrupt request is not generated.

### (3) GPTn\_CCMPA interrupt (n = 0 to 13)

An interrupt request is generated under the following conditions:

- When the GTCCRA register functions as a compare match register, the GTCNT counter value matches with the GTCCRA register.
- When the GTCCRA register functions as an input capture register, the input-capture signal causes transfer of the GTCNT counter value to the GTCCRA register.

### (4) GPTn\_CCMPB interrupt (n = 0 to 13)

An interrupt request is generated under the following conditions:

- When the GTCCRB register functions as a compare match register, the GTCNT counter value matches with the GTCCRB register
- When the GTCCRB register functions as an input capture register, the input-capture signal causes transfer of the GTCNT counter value to the GTCCRB register.

### (5) GPTn\_CMPC interrupt (n = 0 to 13)

An interrupt request is generated under the following condition:

- When the GTCCRC register functions as a compare match register, the GTCNT counter value matches with the GTCCRC register.

A compare match is not performed and an interrupt is not requested under the following conditions:

- GTCR.MD[2:0] = 001b (saw-wave one-shot pulse mode)
- GTCR.MD[2:0] = 110b (triangle-wave PWM mode 3)
- GTBER.CCRA[1:0] = 01b, 10b, 11b (buffer operation with the GTCCRC register).

### (6) GPTn\_CMPD interrupt (n = 0 to 13)

An interrupt request is generated under the following condition:

- When the GTCCRD register functions as a compare match register, the GTCNT counter value matches with the GTCCRD register.

A compare match is not performed and an interrupt is not requested under the following conditions:

- GTCR.MD[2:0] = 001b (saw-wave one-shot pulse mode)
- GTCR.MD[2:0] = 110b (triangle-wave PWM mode 3)
- GTBER.CCRA[1:0] = 10b, 11b (buffer operation with the GTCCRD register).

### (7) GPTn\_CMPE interrupt (n = 0 to 13)

An interrupt request is generated under the following condition.

- When the GTCCRE register functions as a compare match register, the GTCNT counter value matches with the GTCCRE register.

A compare match is not performed and an interrupt is not requested under the following conditions:

- GTCR.MD[2:0] = 001b (saw-wave one-shot pulse mode)
- GTCR.MD[2:0] = 110b (triangle-wave PWM mode 3)
- GTBER.CCRB[1:0] = 01b, 10b, 11b (buffer operation with the GTCCRE register).

### (8) GPTn\_CMPF interrupt (n = 0 to 13)

An interrupt request is generated under the following condition:

- When the GTCCRF register functions as a compare match register, the GTCNT counter value matches with the GTCCRF register.



A compare match is not performed and an interrupt is not requested under the following conditions:

- GTCR.MD[2:0] = 001b (saw-wave one-shot pulse mode)
- GTCR.MD[2:0] = 110b (triangle-wave PWM mode 3)
- GTBER.CCRB[1:0] = 10b, 11b (buffer operation with the GTCCRF register).

#### (9) GPTn\_OVF interrupt (n = 0 to 13)

An interrupt request is generated under the following conditions:

- In saw-wave mode, interrupt requests are enabled at overflows (when the GTCNT counter value changes from GTPR to 0 during up-counting)
- In triangle-wave mode, interrupt requests are enabled at crests (GTCNT changes from GTPR to GTPR-1)
- In counting by hardware sources, overflow (GTCNT changes from GTPR to 0 in up count) has occurred.

#### (10) GPTn\_UDF interrupt (n = 0 to 13)

An interrupt request is generated under the following conditions:

- In saw-wave mode, interrupt requests are enabled at underflows (when the GTCNT counter value changes from 0 to GTPR during down-counting)
- In triangle-wave mode, interrupt requests are enabled at troughs (GTCNT changes from 0 to 1)
- In counting by hardware sources, underflow (GTCNT changes from 0 to GTPR in down count) has occurred.

**Table 23.23** Interrupt signals, interrupt permission bits, and interrupt status flags

| Interrupt signal | Interrupt permission bit                         | Interrupt status flag                    |
|------------------|--|--|
| GPTn_UDF         | __ *1  | GTST[7] (TCFPU)                          |
| GPTn_OVF         |  | GTST[6] (TCFPO)                          |
| GPTn_ADTRGB      | GTINTAD[19] (ADTRBDEN)<br>GTINTAD[18] (ADTRBUEN) | GTST[19] (ADTRBDF)<br>GTST[18] (ADTRBUF) |
| GPTn_ADTRGA      | GTINTAD[17] (ADTRADEN)<br>GTINTAD[16] (ADTRAUEN) | GTST[17] (ADTRADF)<br>GTST[16] (ADTRAUF) |
| GPTn_CMPF        | __ *1  | GTST[5] (TCFF)                           |
| GPTn_CMPE        |  | GTST[4] (TCFE)                           |
| GPTn_CMPD        |  | GTST[3] (TCFD)                           |
| GPTn_CMPC        |  | GTST[2] (TCFC)                           |
| GPTn_CCMPB       |  | GTST[1] (TCFB)                           |
| GPTn_CCMPA       |  | GTST[0] (TCFA)                           |

Note 1. Interrupt is always permitted.

### 23.4.2 DMAC/DTC Activation

The DMAC and DTC can be activated by the interrupt in each channel. For details, see [section 14, Interrupt Controller Unit \(ICU\)](#), and [section 18, Data Transfer Controller \(DTC\)](#).

### 23.4.3 Interrupt and A/D Conversion Request Skipping Function

By setting the GTITC register, the GTCNT counter overflow (GTPR compare match) interrupt (GPTn\_OVF) and underflow interrupt (GPTn\_UDF) can be skipped. Other interrupts and A/D converter start request signals can be skipped in coordination with the GPTn\_OVF/GPTn\_UDF skipping function.

The interrupt request skipping function only depends on the setting of GTITC register and is independent of the setting of interrupt permission bits in the GTINTAD register.

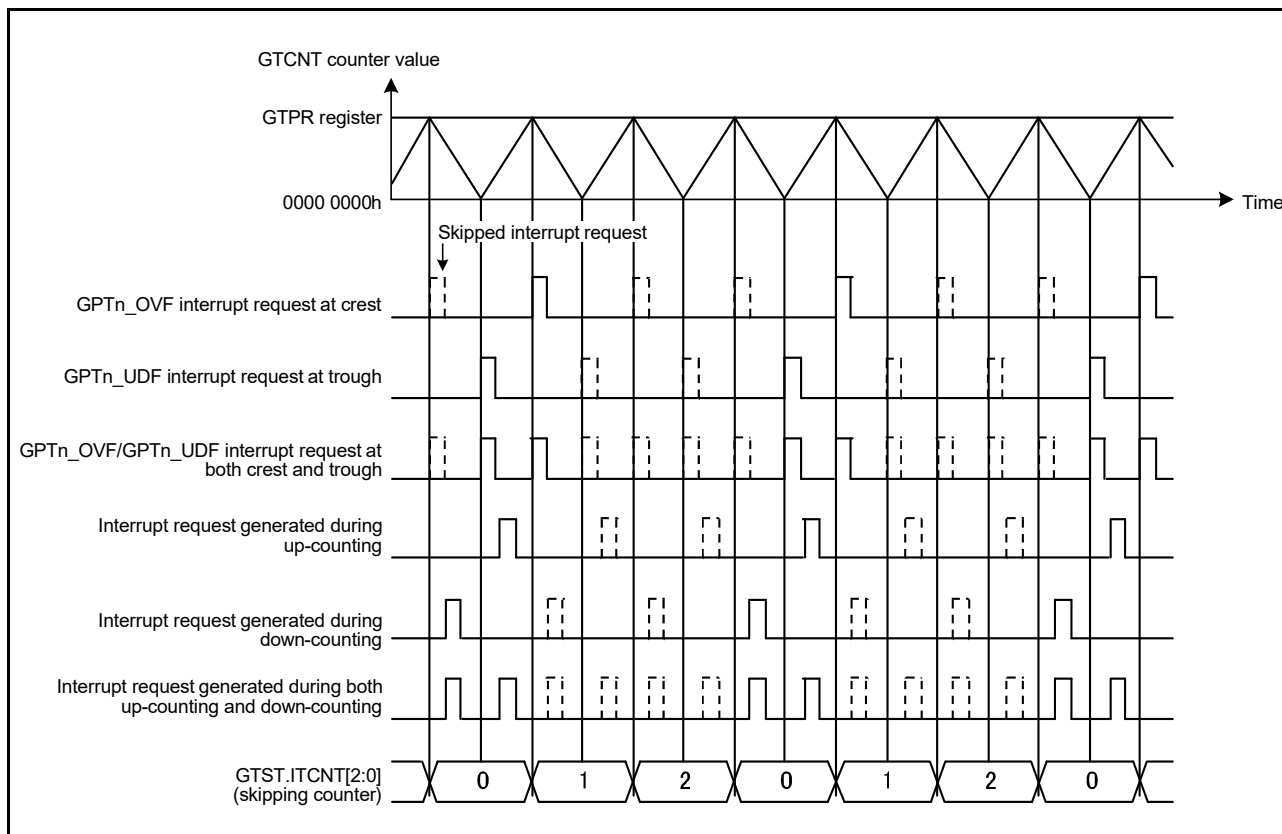
When both troughs and crests are counted and skipped in triangle-wave mode, if the number of times of skipping is odd, GPTn\_OVF/GPTn\_UDF interrupt requests cannot be generated at troughs only or at crests only depending on the

skipping counter start timing. To count both troughs and crests and generate the GPTn\_OVF/GPTn\_UDF interrupts at troughs only or crests only in triangle-wave mode, you must set an even number of skips.

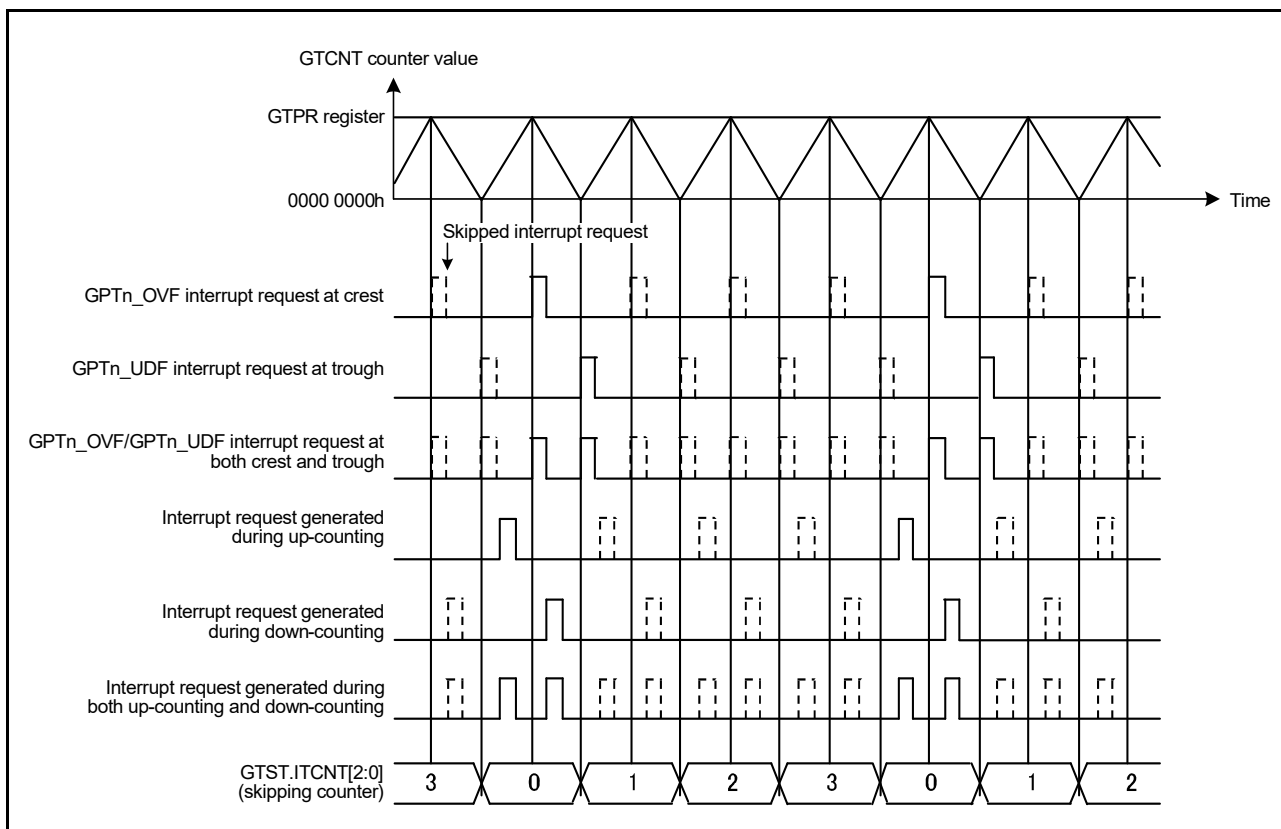
Similarly, in saw-wave mode, when both overflows and underflows are counted and skipped with the count direction changed, GPTn\_OVF interrupt requests cannot be generated on either overflows or underflows only. To count both overflows and underflows with the count direction changed and generate the GPTn\_OVF/GPTn\_UDF interrupts on either overflows or underflows only in saw wave mode, you must first check the skipping state.

Before changing the skipping count, you must release the skipping count setting (GTITC.IVTC[1:0] bits = 00b).

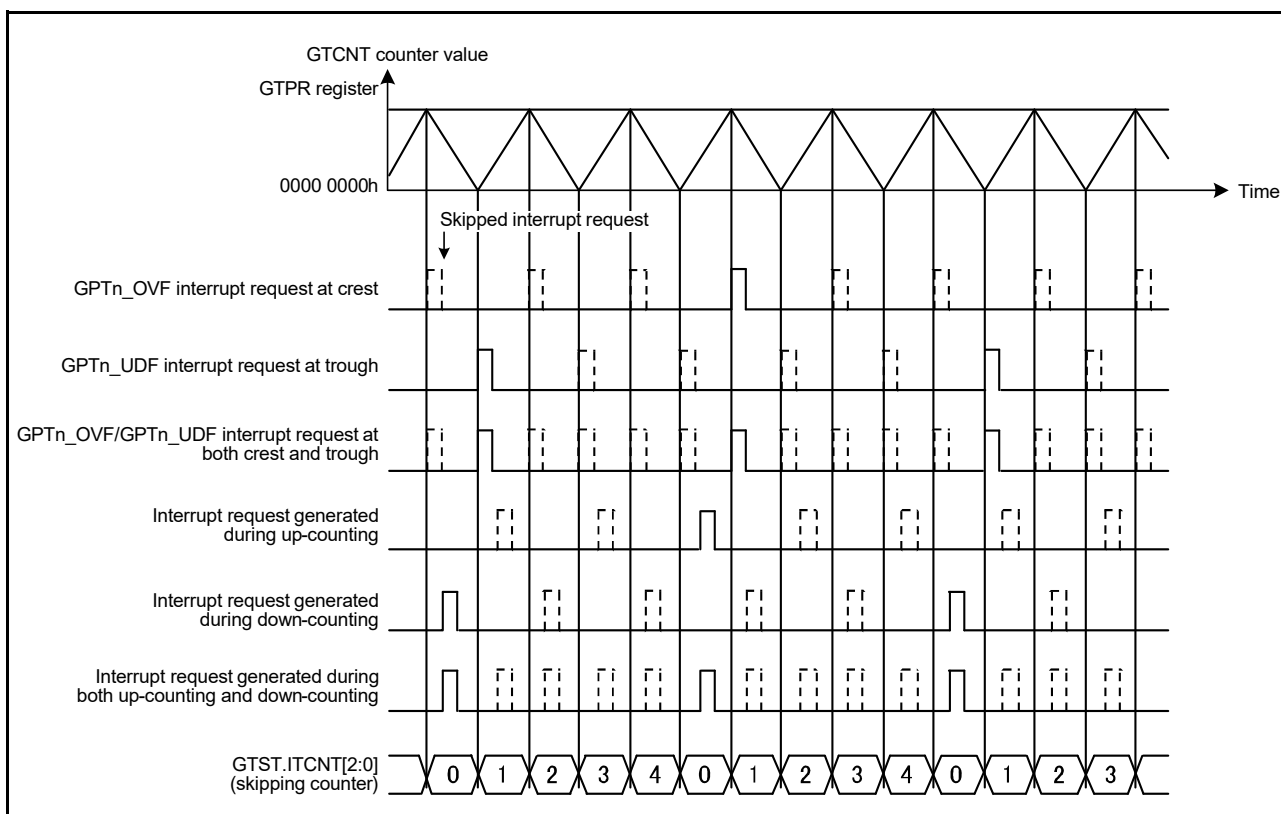
Figure 23.86 to Figure 23.91 show examples of skipping function operation.



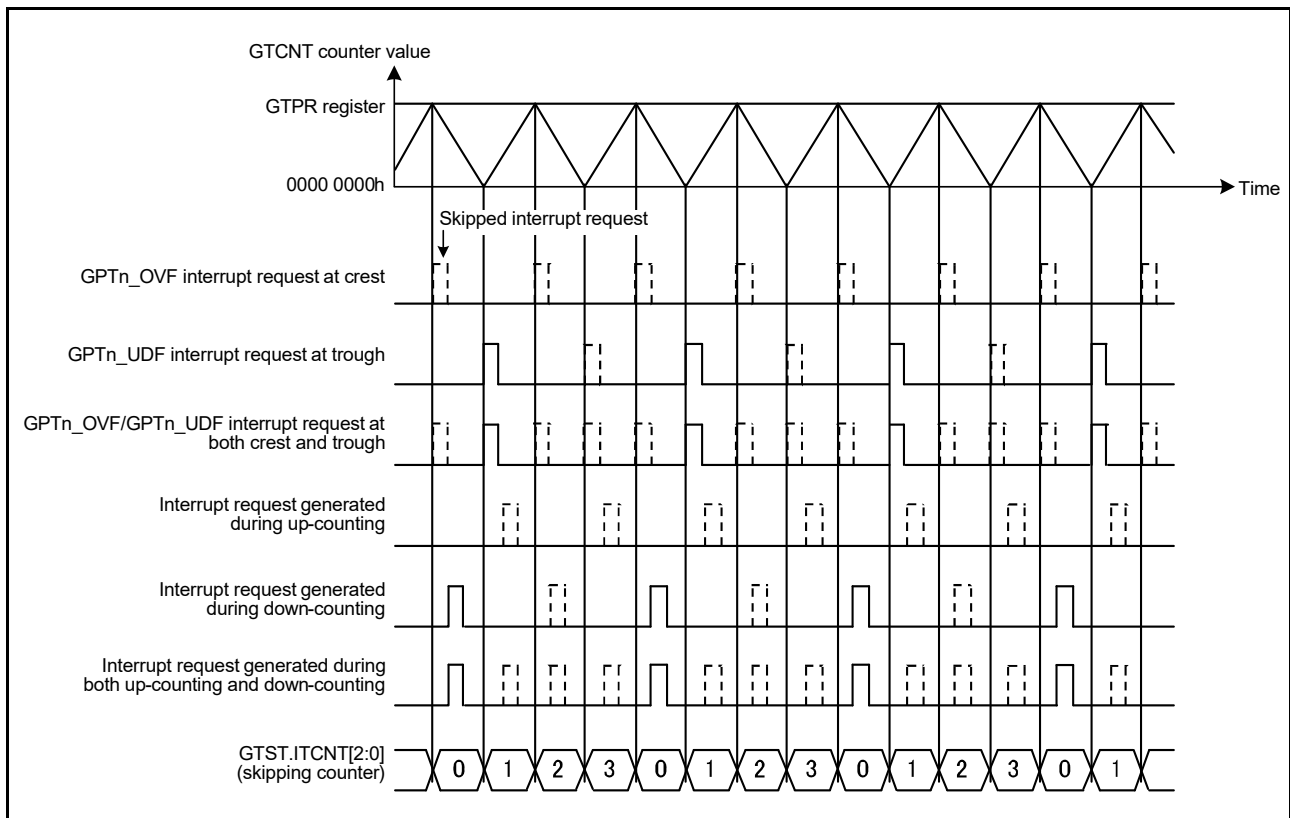
**Figure 23.86 Example of interrupt skipping function operation with triangle waves, counting and skipping crests, and skipping count = 2**



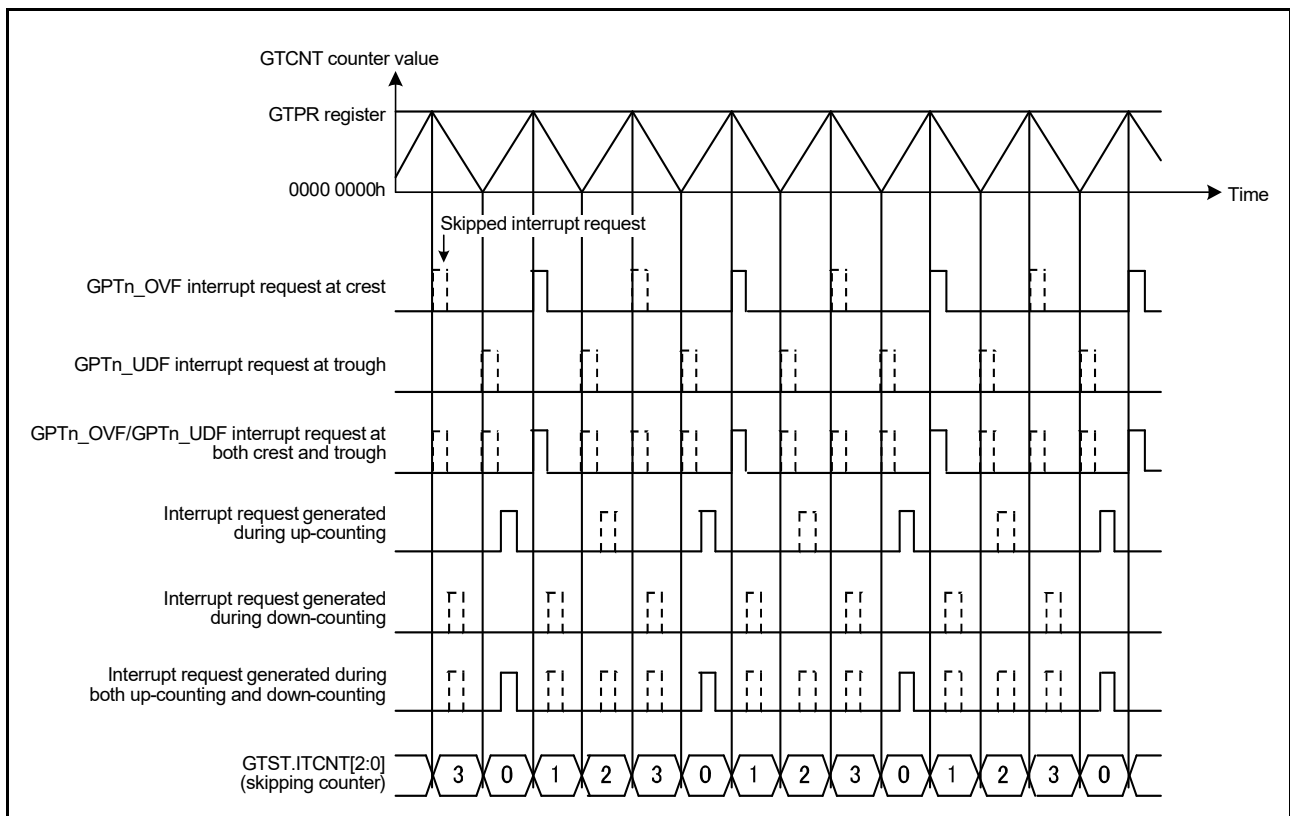
**Figure 23.87** Example of interrupt skipping function operation with triangle waves, counting and skipping troughs, and skipping count = 3



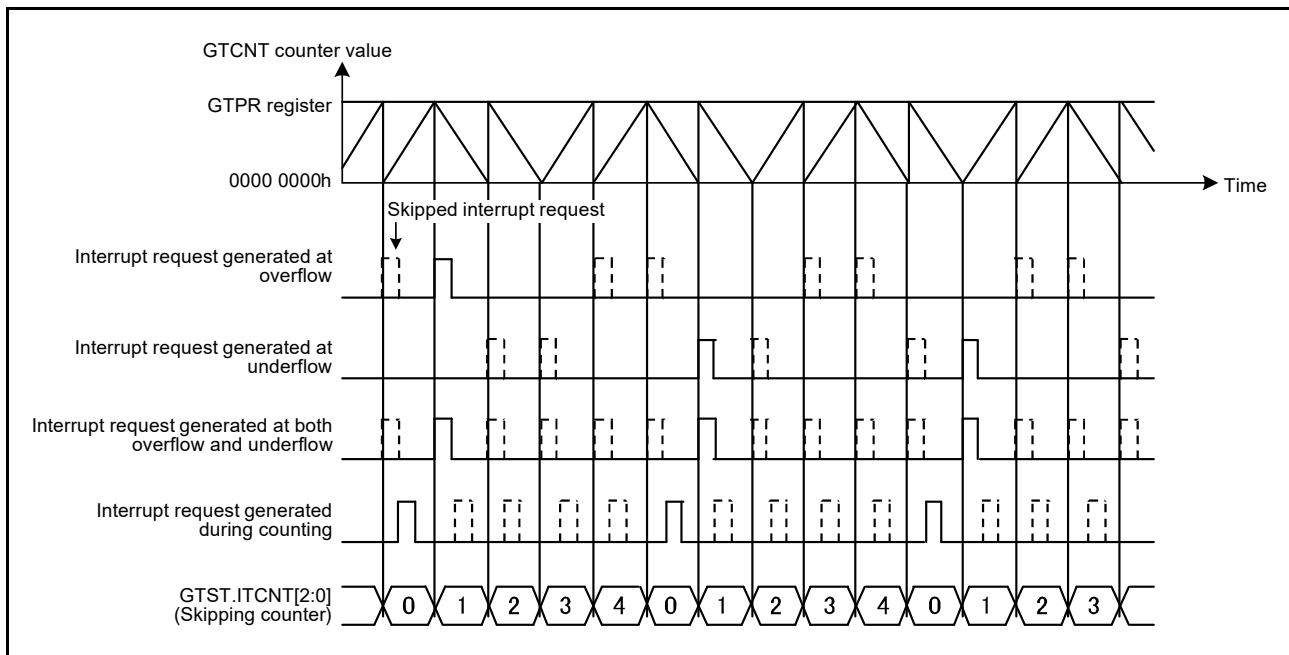
**Figure 23.88** Example of interrupt skipping function operation with triangle waves, counting and skipping both troughs and crests, and skipping count = 4



**Figure 23.89** Example of interrupt skipping function operation with triangle waves, counting and skipping both troughs and crests, skipping count = 3, and skipping started at up-counting



**Figure 23.90** Example of interrupt skipping function operation with triangle waves, counting and skipping both troughs and crests, skipping count = 3, and skipping started at down-counting



**Figure 23.91** Example of interrupt skipping function operation with saw waves, operation with count direction changed, counting and skipping both overflows and underflows, and skipping count = 4

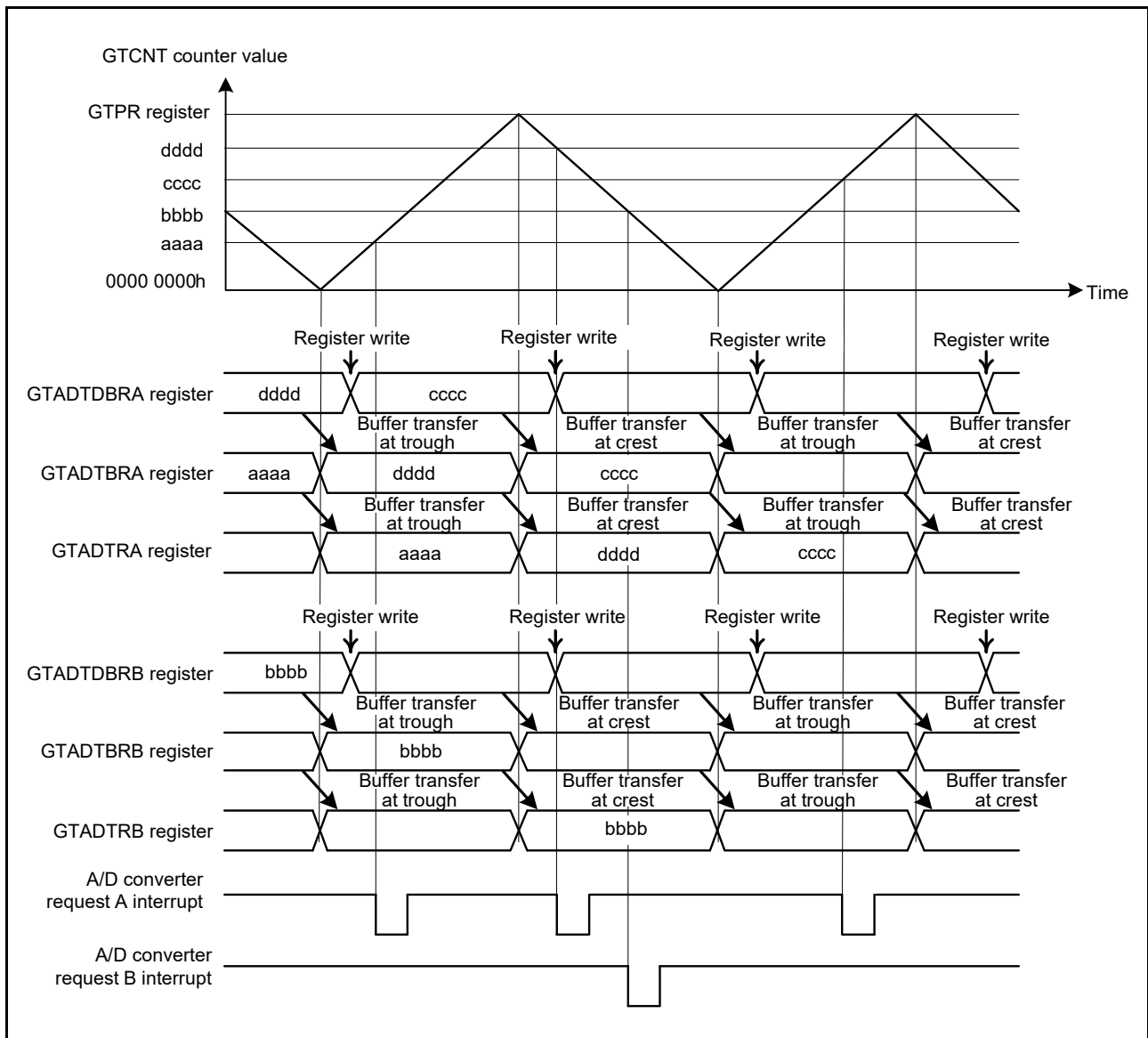
### 23.5 A/D Converter Start Request

An A/D converter start request can be issued at a compare match between the GTCNT counter and GTADTRA or GTADTRB, and up-counting only, down-counting only, or both up-counting and down-counting can be specified.

In event count operation performing, A/D converter start requests interrupt cannot be generated. An A/D converter start request does not direct output to the A/D converter module but results in output to ELC as event signals.

GTADTRA and GTADTRB each have two buffer registers. Buffer operation with GTADTRA combined with GTADTBRA and GTADTDBRA, and buffer operation with GTADTRB combined with GTADTBRB and GTADTDBRB can be performed.

[Figure 23.92](#) shows an example of A/D converter start request operation, and [Figure 23.93](#) shows an example setting for A/D converter start request operation.



**Figure 23.92** Example of A/D converter start request timing operation with triangle waves, double buffer operation, buffer transfer at both troughs and crests, A/D converter start request interrupt by GTADTRA at both up-counting and down-counting, and A/D converter start request interrupt by GTADTRB at down-counting

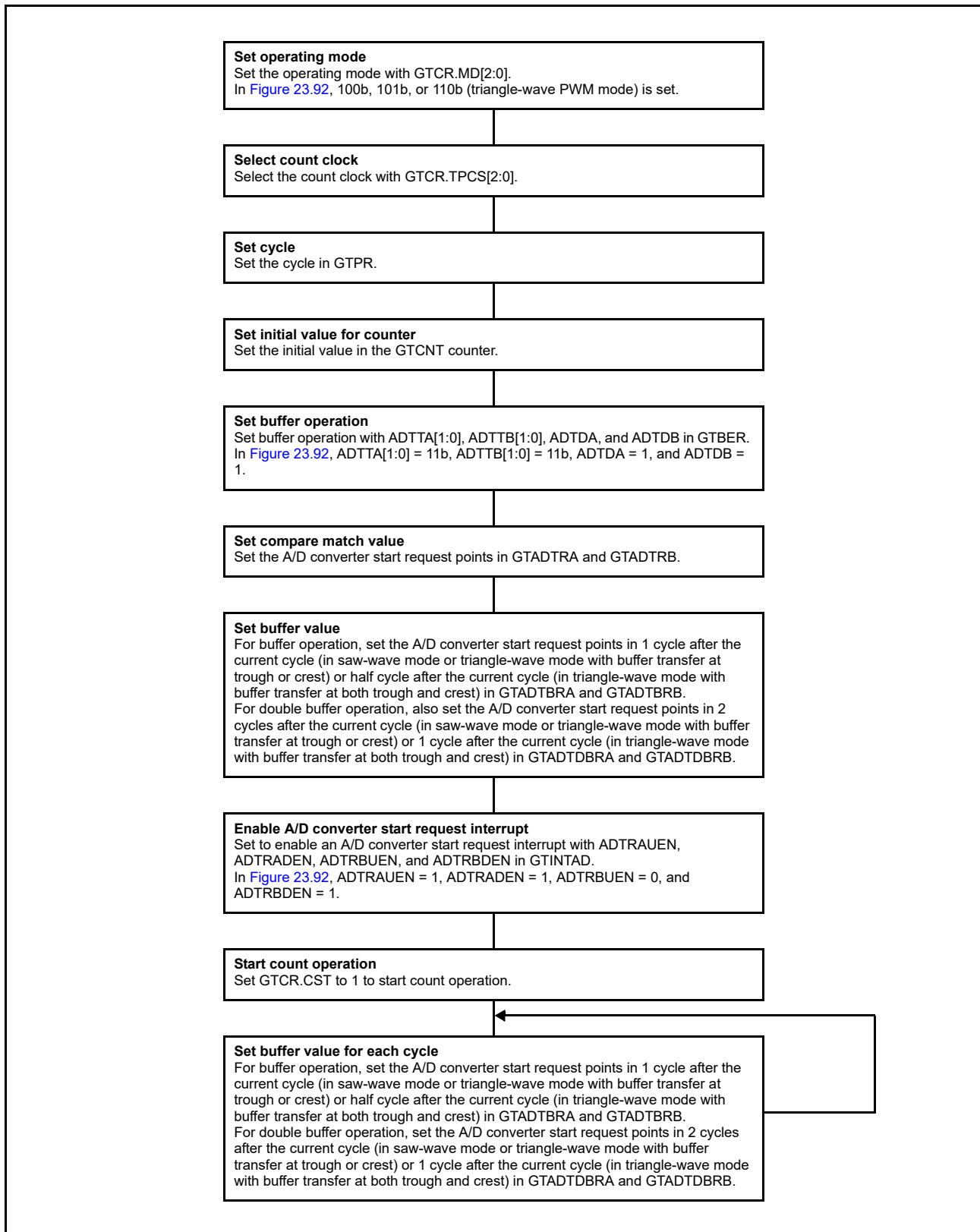


Figure 23.93 Example setting for A/D converter start request timing operation

## 23.6 Operations Linked by the ELC

### 23.6.1 Event Signal Output to the ELC

The GPT can perform operation linked with another module set in advance when its interrupt request signal is used as an event signal by the ELC.

A/D converter start requests can be enabled and disabled individually with each up-counting and down-counting for both interrupts and events output to ELC by enable bits of the interrupt request.

The GPT has the following ELC event signals:

- Generating of compare match A interrupt (GPTn\_CCMPA (n = 0 to 13))
- Generating of compare match B interrupt (GPTn\_CCMPB (n = 0 to 13))
- Generating of compare match C interrupt (GPTn\_CMPC (n = 0 to 13))
- Generating of compare match D interrupt (GPTn\_CMPD (n = 0 to 13))
- Generating of compare match E interrupt (GPTn\_CMPE (n = 0 to 13))
- Generating of compare match F interrupt (GPTn\_CMPF (n = 0 to 13))
- Generating of overflow interrupt (GPTn\_OVF (n = 0 to 13))
- Generating of underflow interrupt (GPTn\_UDF (n = 0 to 13))
- A/D converter start request A interrupt (GPTn\_ADTRGA (n = 0 to 7))
- A/D converter start request B interrupt (GPTn\_ADTRGB (n = 0 to 7)).

### 23.6.2 Event Signal Inputs from the ELC

The GPT can perform the following operations in response to a maximum of eight events from the ELC:

- Start counting, stop counting, clear counting
- Up-counting, down counting
- Input capture.

See [section 23.3, Operation](#) for detail on hardware resources.

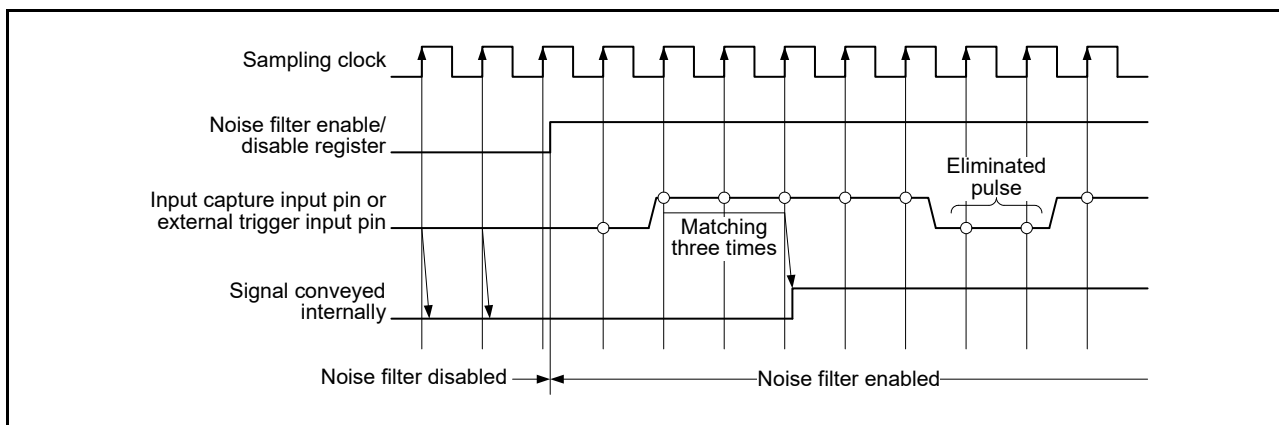
## 23.7 Noise Filter Function

Each pin for use in input capture and Hall sensor input to the GPT is equipped with a noise filter. The noise filter samples input signals at the sampling clock and removes the pulses whose length is less than 3 sampling cycles.

The noise filter functionality includes enabling and disabling the noise filter for each pin and setting of the sampling clock for each channel.

[Figure 23.94](#) shows the timing of noise filtering.





**Figure 23.94** Timing of noise filtering

If noise filtering is enabled, the input capture operation or external trigger operation performs on the edges of the noise filtered signal after a delay of a sampling interval  $\times 3 + \text{PCLKD}$ . This is caused by the noise filtering for the input capture input or external trigger operation.

## 23.8 Protection Function

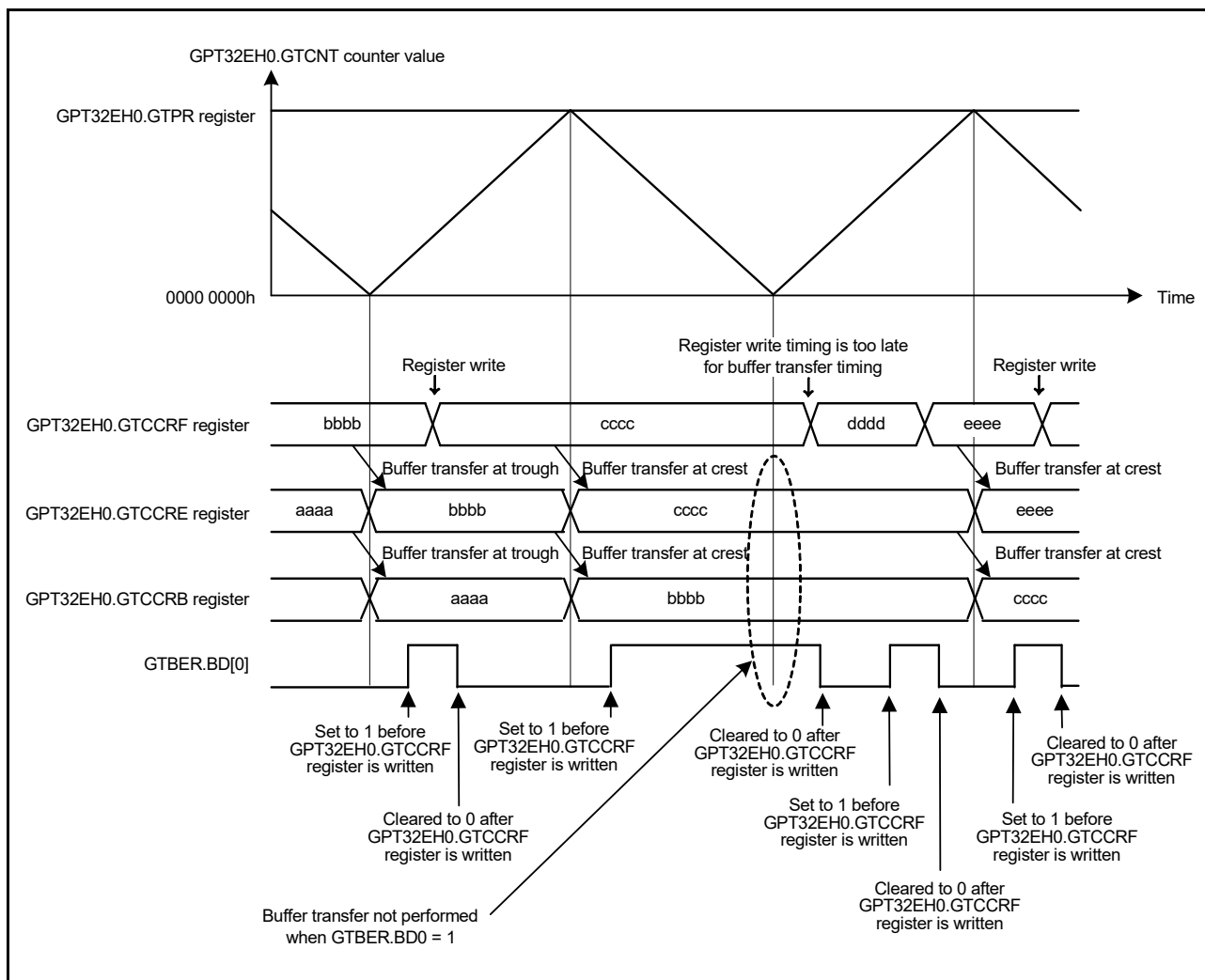
### 23.8.1 Write-Protection for Registers

To prevent registers from being accidentally modified, registers can be write-protected in channel units by setting `GTWP.WP`. Write-protection can be set for the following registers:

`GTSSR`, `GTCSR`, `GTUPSR`, `GTDNSR`, `GTICASR`, `GTICBSR`, `GTCR`, `GTUDDTYC`, `GTIOR`, `GTINTAD`, `GTST`, `GTBER`, `GTITC`, `GTCNT`, `GTCCRA`, `GTCCRB`, `GTCCRC`, `GTCCRD`, `GTCCRE`, `GTCCRF`, `GTPR`, `GTPBR`, `GTPDBR`, `GTADTRA`, `GTADTBRA`, `GTADTDDBRA`, `GTADTRB`, `GTADTDBRB`, `GTADTDBRB`, `GTDTCR`, `GTDVU`, `GTDVD`, `GTDBU`, `GTDBD`, `GTSOS`, `GTSOTR`.

### 23.8.2 Disabling of Buffer Operation

If the timing of buffer register write is delayed relative to the timing for the buffer transfer, buffer operation can be suspended with the `GTBER.BD` setting. Buffer transfer can be temporarily disabled even when a buffer transfer condition is generated during a buffer register write. This can be done by setting the associated `GTBER.BD` bit to 1 (buffer operation disabled) before a buffer register write and clearing the bit to 0 (buffer operation enabled) after completion of writing to all buffer registers. [Figure 23.95](#) shows an example of operation for disabling buffer operation.



**Figure 23.95** Example of operation for disabling buffer operation with triangle waves, double buffer operation, and buffer transfer at both troughs and crests

### 23.8.3 GTIOC Pin Output Negate Control

For protection from system failure, the output disable control that changes the GTIOC pin output value forcibly is provided for GTIOC pin output by the request of output disable from POEG.

When dead time error occurs or the GTIOCA pin output value is the same as the GTIOCB pin output value, output protection is required. The GPT detects this condition and generates output disable requests to POEG based on the settings in the output disable request permission bits, such as GTINTAD.GRPDTE, GTINTAD.GRPABH, and GTINTAD.GRPABL. After the POEG receives output disable requests from each channel and calculates external input using an OR operation, the POEG generates output disable requests to GPT.

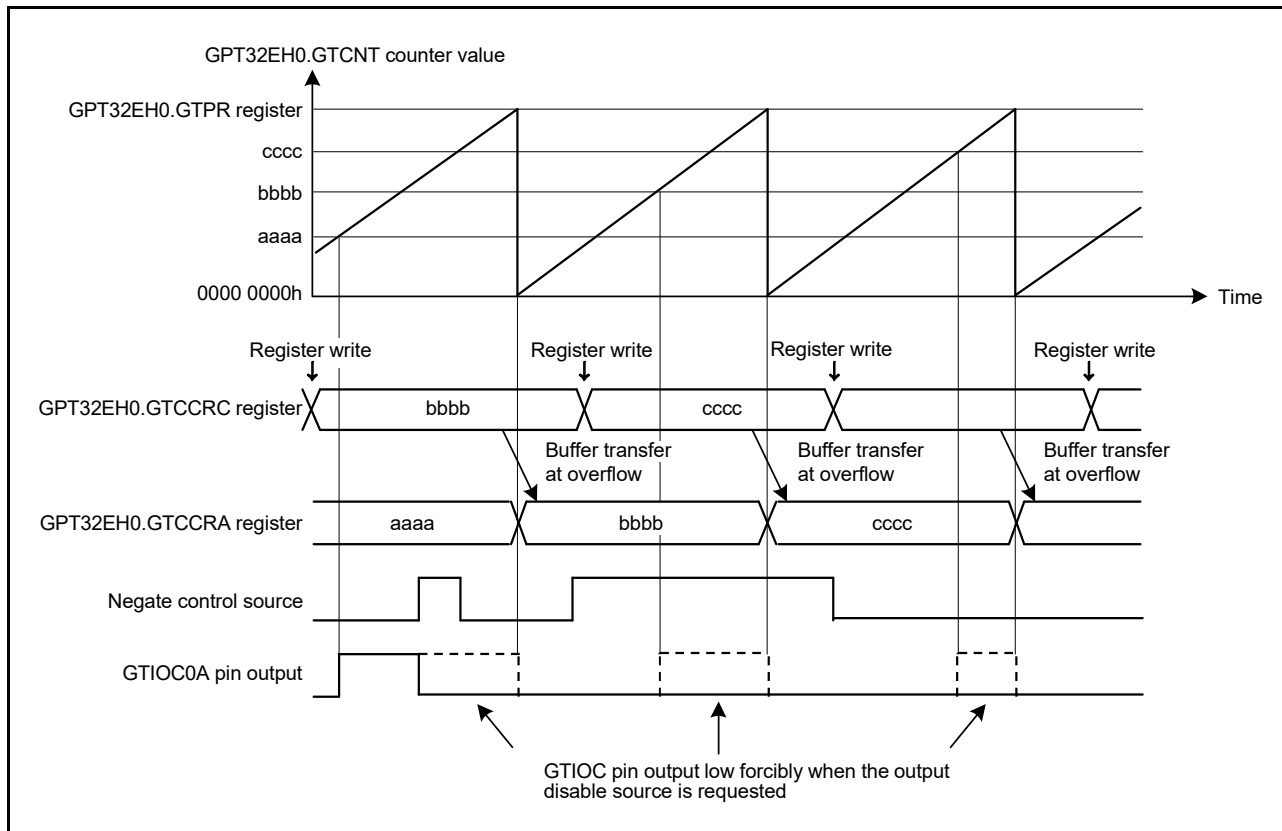
One output disable signal (representing the shared output disable request signal of the GTIOCA pin and the GTIOCB pin) out of four output disable requests generated by the POEG is selected by setting GTINTAD.GRP[1:0]. The status of the selected disable output request is monitored by reading the GTST.ODF bit. The output level during output disable is based on the GTIOR.OADF[1:0] setting for the GTIOCA pin and the GTIOR.OBDF[1:0] setting for the GTIOCB pin.

The change to the output disable state is performed asynchronously by generating the output disable request from the POEG. The release of the output disable state is performed at end of cycle by terminating the output disable request. The timing of release of the output disable state is a minimum of 3 PCLKD cycles after terminating the output disable request. To perform output disable control reliably, allow at least 4 PCLKD cycles after generating the output disable request (by clearing the output disable request flag in POEG) until the output disable request is terminated.

When event count is performed or when the output disable state is to be released immediately without waiting for an end

of cycle, GTIOR.OADF[1:0] must be set to 00b (for GTIOCA pin) or GTIOR.OBDF[1:0] must be set to 00b (for GTIOCB pin).

Figure 23.96 shows an example of the GTIOC pin output disable control operation.

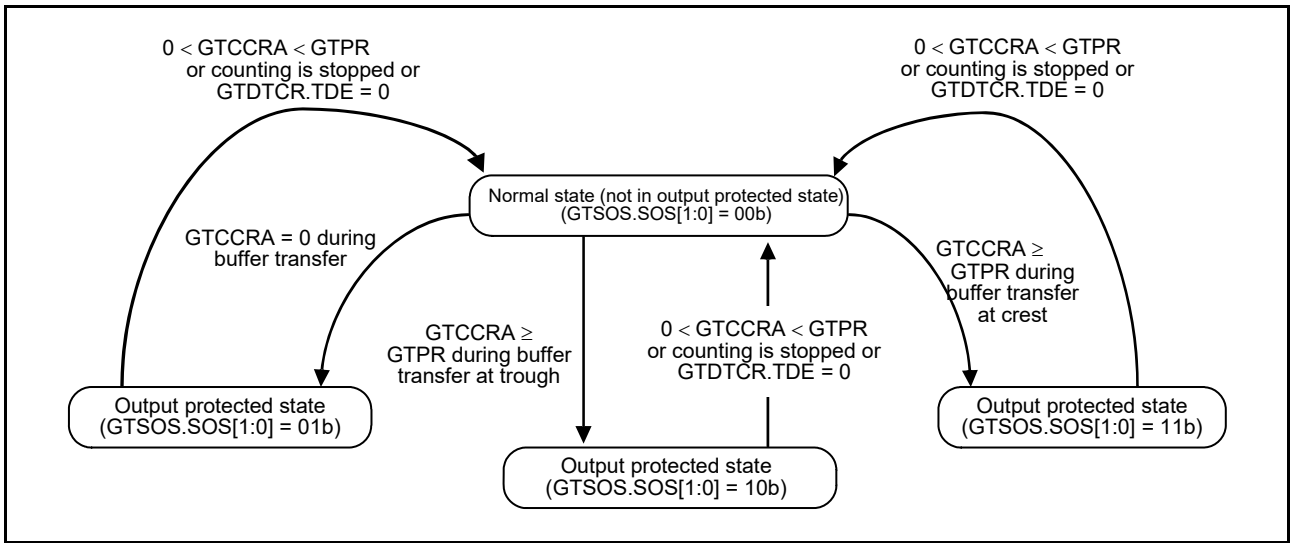


**Figure 23.96** Example of GTIOC pin output disable control operation with saw-wave up-counting, buffer operation, active level 1, high output at GTCCRA compare match, low output at cycle end, and low output at output disable

### 23.8.4 Output Protection Function for GTIOC Pin Output

In preparation for incorrect settings of the GTCCRA register (settings outside the range of  $0 < GTCCRA < GTPR$ ), the output protection function for the GTIOC pin output (disabling function) is activated when the automatic dead time setting ( $GTDTCR.TDE = 1$ ) is made in triangle-wave mode. The status of the output protection function can be read from  $GTSOS.SOS[1:0]$ .

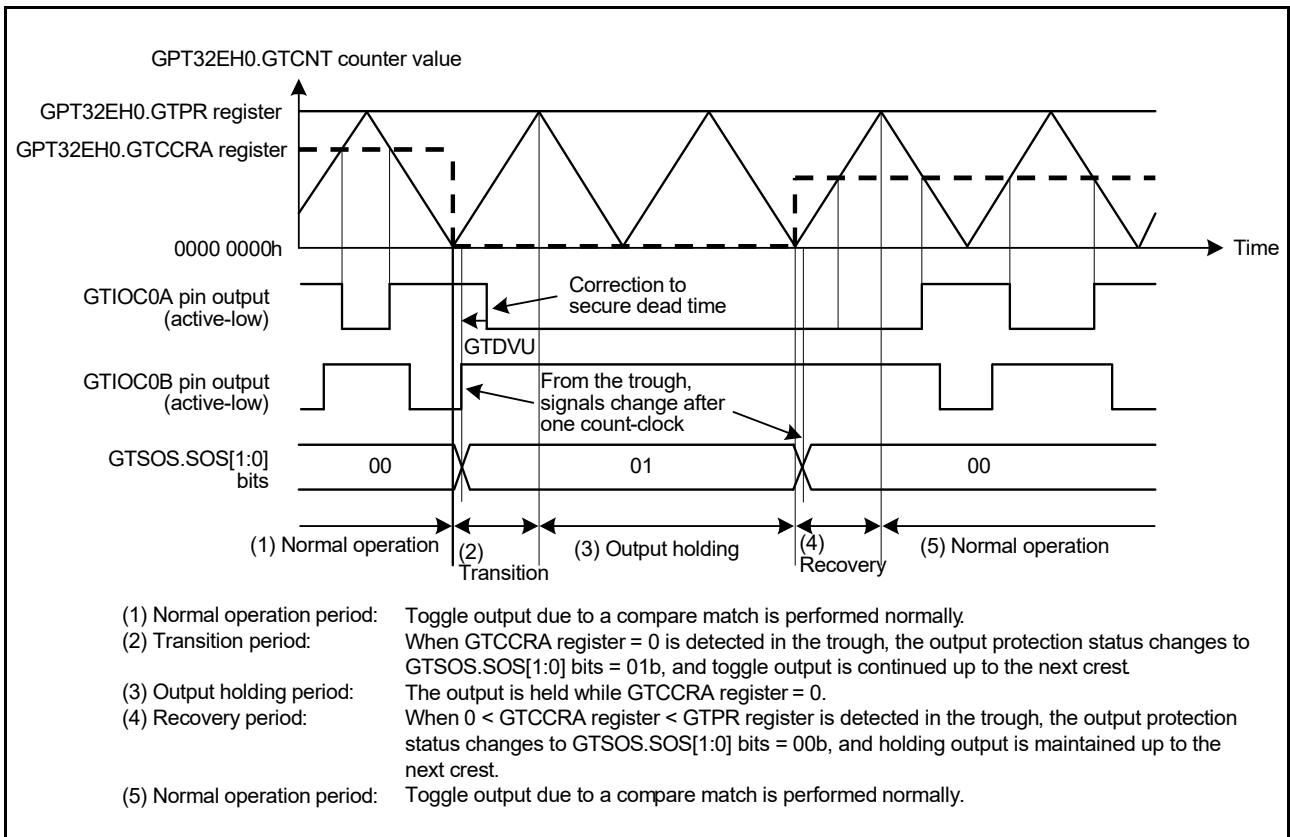
Figure 23.97 shows the output protection function state transition.



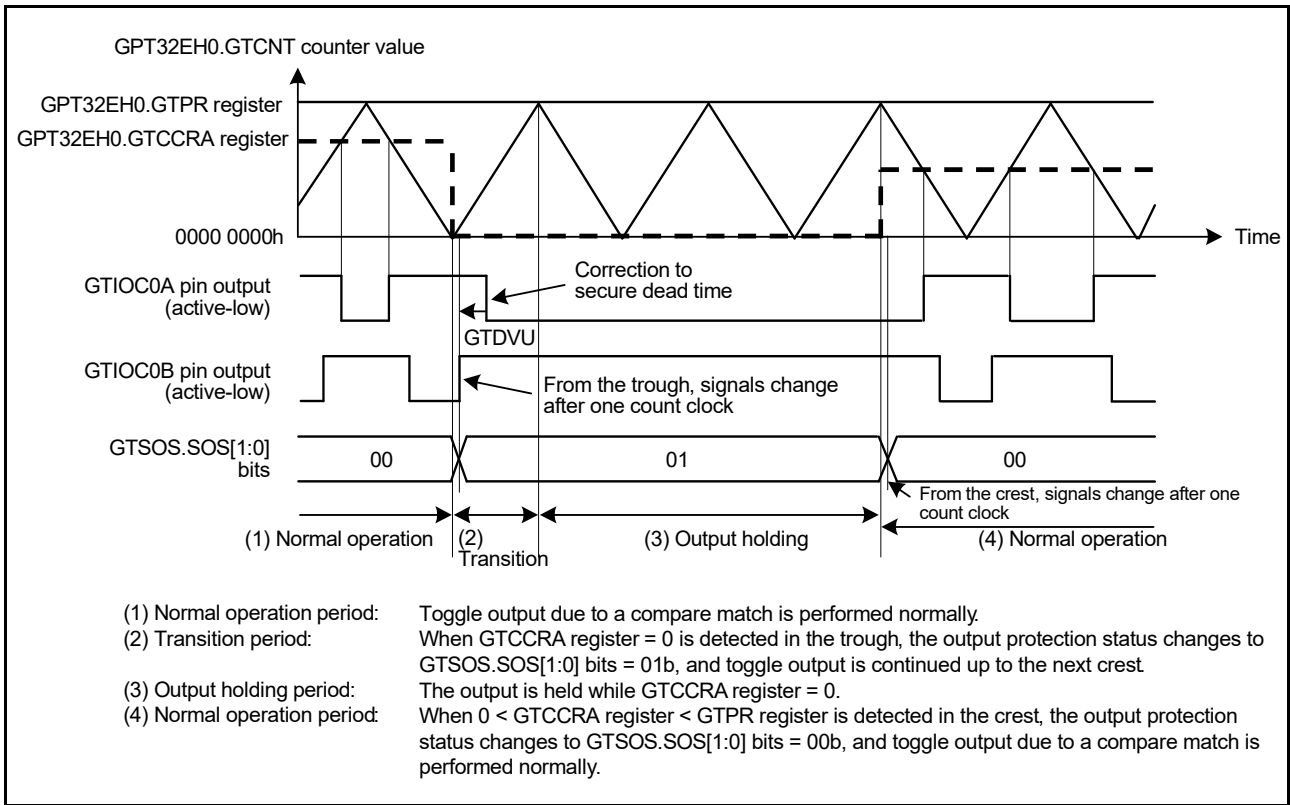
**Figure 23.97** Output protection function

**23.8.4.1** Output protection function when the GTCCRA register is set to 0 during buffer transfer

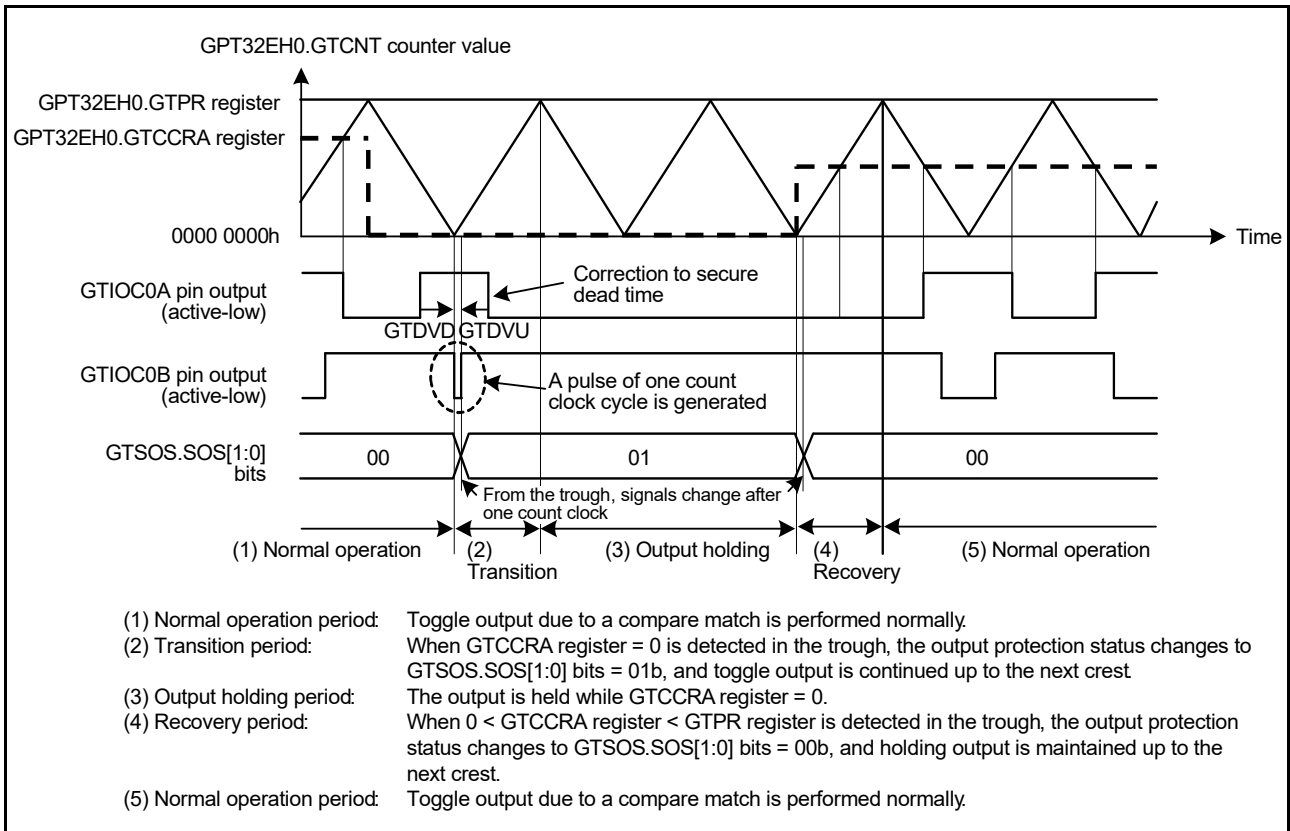
Figure 23.98 and Figure 23.99 show examples of output protection function operation when the GTCCRA register is set to 0 during buffer transfer at troughs, and Figure 23.100 and Figure 23.101 show examples when the GTCCRA register is set to 0 during buffer transfer at crests.



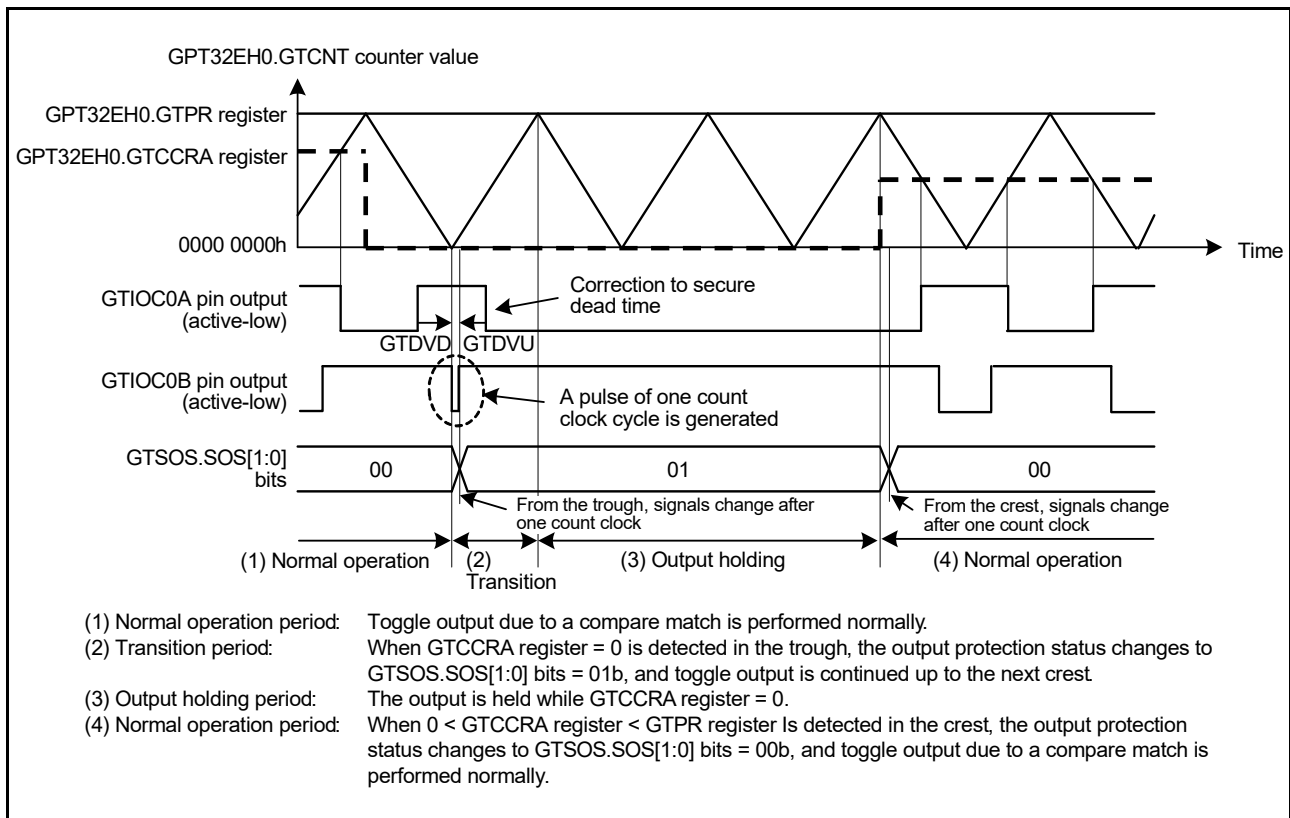
**Figure 23.98** Example of output protection operation when GTCCRA is set to 0 during buffer transfer at troughs, with  $0 < GTCCRA < GTPR$  restored during buffer transfer at troughs, and active-low



**Figure 23.99** Example of output protection operation when GTCCRA is set to 0 during buffer transfer at troughs, with  $0 < \text{GTCCRA} < \text{GTPR}$  restored during buffer transfer at crests, and active-low



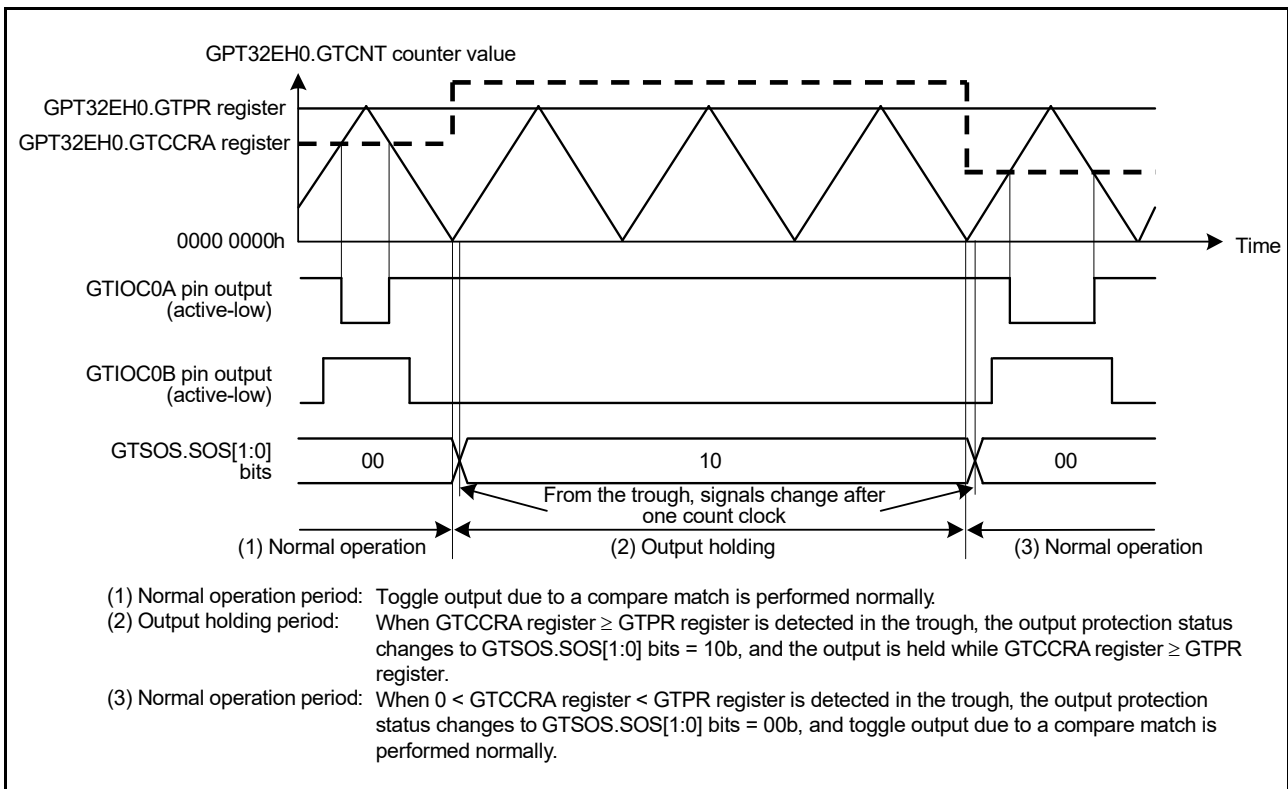
**Figure 23.100** Example of output protection operation when GTCCRA is set to 0 during buffer transfer at crests, with  $0 < \text{GTCCRA} < \text{GTPR}$  restored during buffer transfer at troughs, and active-low



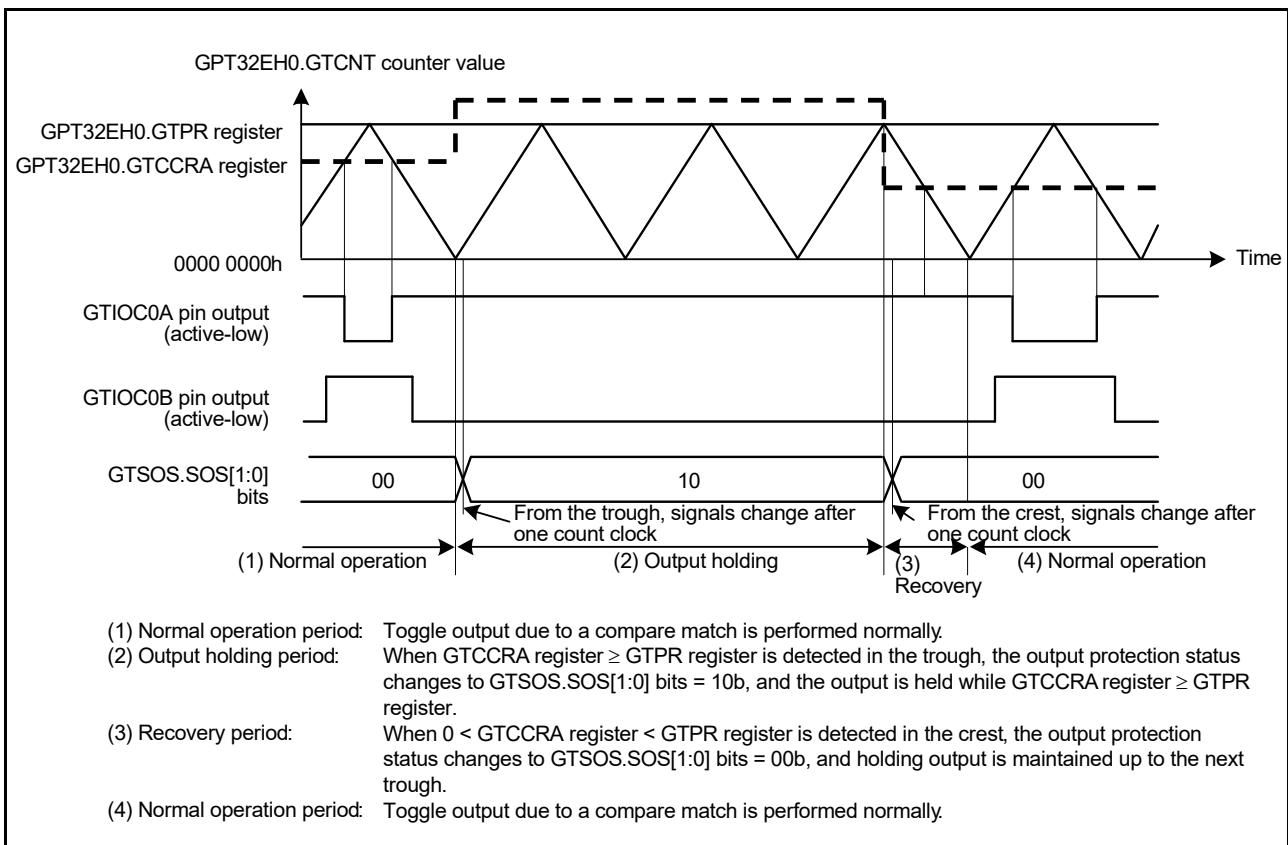
**Figure 23.101** Example of output protection operation when GTCCRA is set to 0 during buffer transfer at crests, with  $0 < \text{GTCCRA} < \text{GTPR}$  restored during buffer transfer at crests, and active-low

#### 23.8.4.2 Output protection function when $\text{GTCCRA} \geq \text{GTPR}$ is set during buffer transfer at troughs

Figure 23.102 and Figure 23.103 show examples of output protection function operation when  $\text{GTCCRA} \geq \text{GTPR}$  is set during buffer transfer at troughs.



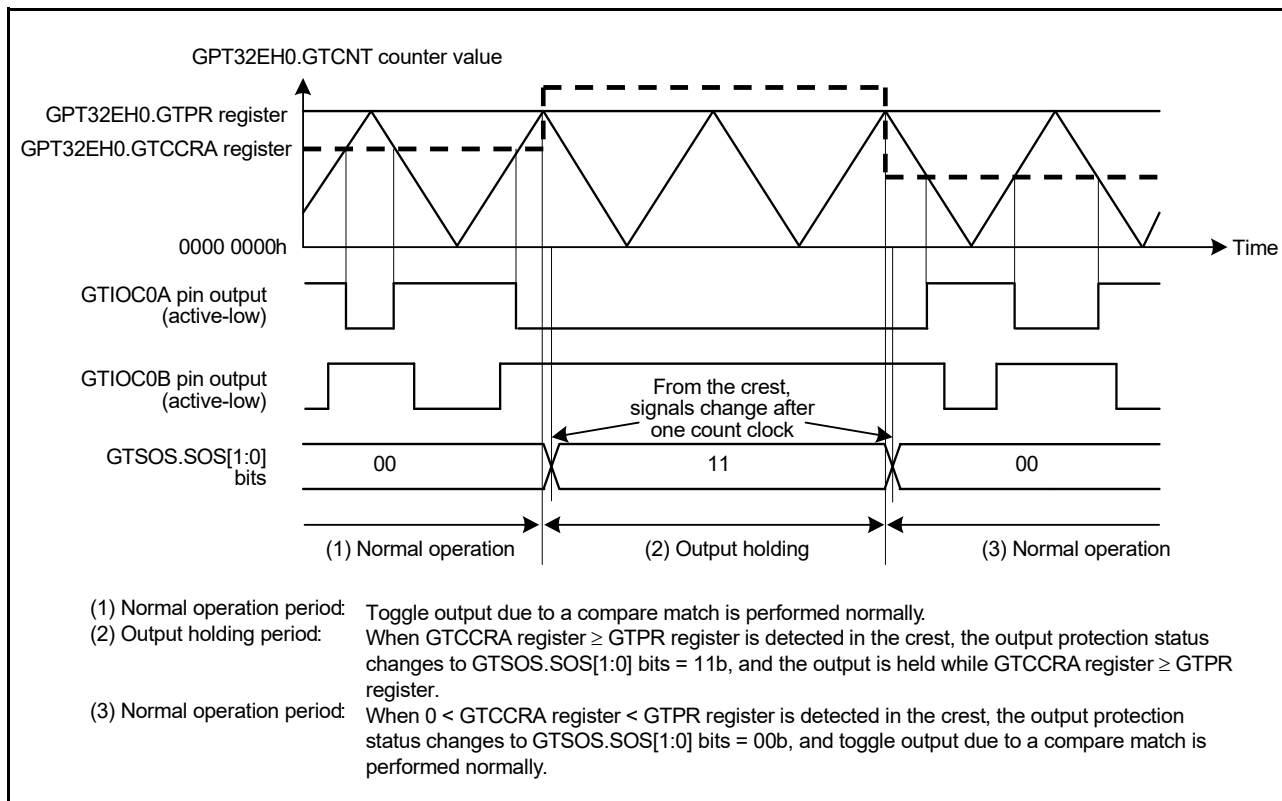
**Figure 23.102 Example of output protection operation when  $GTCCRA \geq GTPR$  is set during buffer transfer at troughs, with  $0 < GTCCRA < GTPR$  restored during buffer transfer at troughs, and active-low**



**Figure 23.103 Example of output protection operation when  $GTCCRA \geq GTPR$  is set during buffer transfer at troughs, with  $0 < GTCCRA < GTPR$  restored during buffer transfer at crests, and active-low**

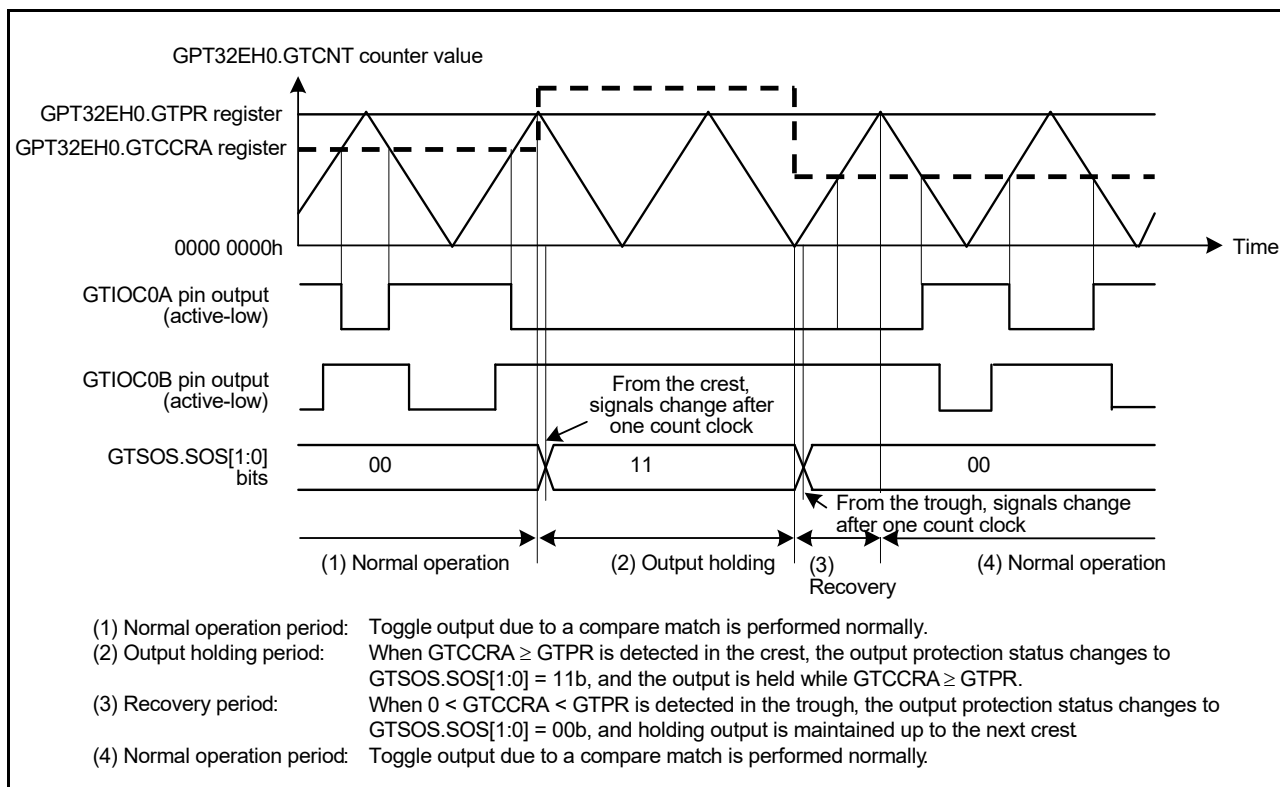
### 23.8.4.3 Output protection function when $GTCCRA \geq GTPR$ is set during buffer transfer at crests

Figure 23.104 and Figure 23.105 show examples of output protection function operation when  $GTCCRA \geq GTPR$  is set during buffer transfer at crests.



**Figure 23.104** Example of output protection operation when  $GTCCRA \geq GTPR$  is set during buffer transfer at crests, with  $0 < GTCCRA < GTPR$  restored during buffer transfer at crests, and active-low





**Figure 23.105 Example of output protection function operation when  $GTCCRA \geq GTPR$  is set during buffer transfer at crests, with  $0 < GTCCRA < GTPR$  restored during buffer transfer at troughs, and active-low**

#### 23.8.4.4 Restricted specification of output protection function

The value of the GTCCRA register must be set within the range of ( $0 < GTCCRA < GTPR$ ) at count start. If an incorrect value is set in the GTCCRA register during counting (a setting outside the range of  $0 < GTCCRA < GTPR$ ), the output protection function deactivates the level of one of the positive and negative outputs.

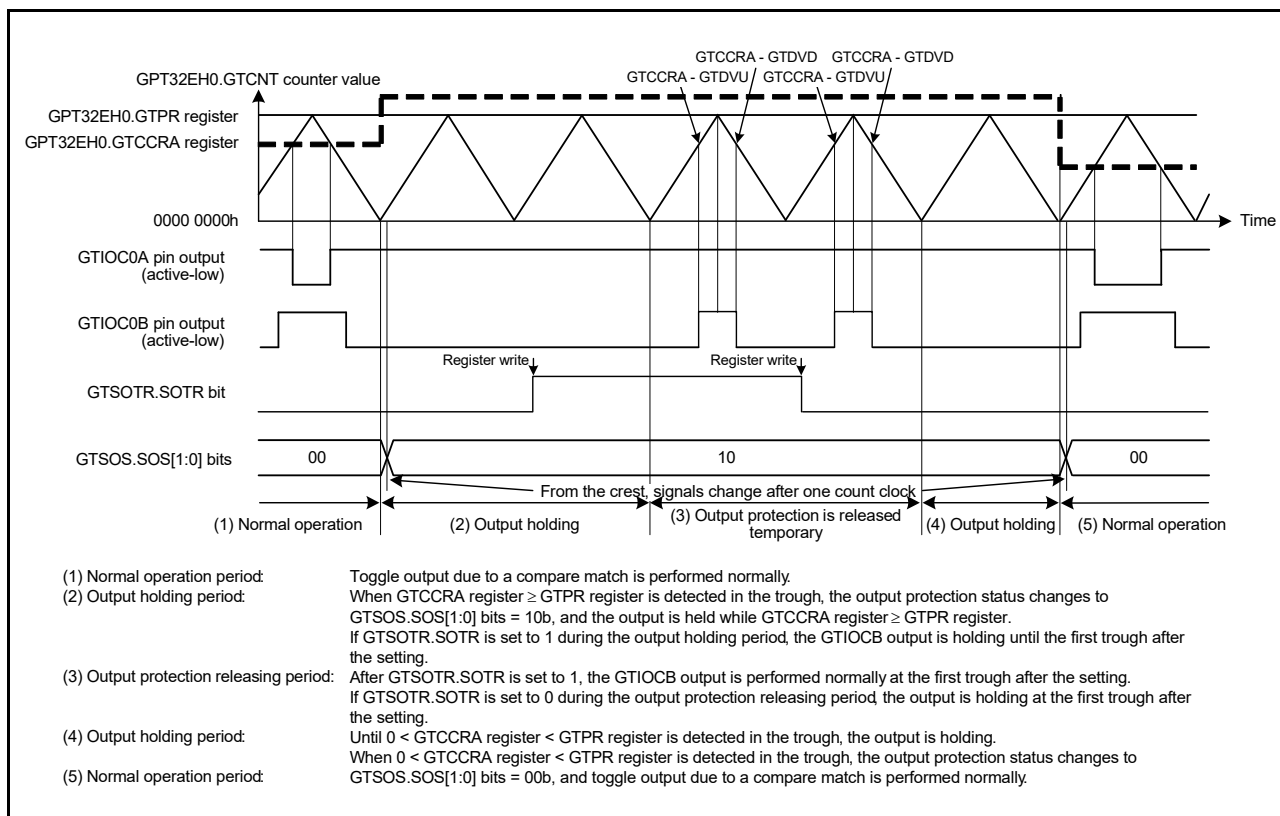
The function does not operate correctly if the following conditions are not satisfied:

- $GTCCRA$  is  $0 < GTCCRA < GTPR$  when counting starts
- The register conditions must be  $GTCCRA < GTPR + GTDVD - 1$  during buffer transfer at crests
- When  $GTCCRA$  is greater than or equal to  $GTPR$  during buffer transfer at troughs, the register conditions must be  $GTCCRA > GTDVU + 1$ .

#### 23.8.4.5 Temporary cancellation of output protection function

When the GTSOTR.SOTR bit is set to 1 with  $GTSOS.SOS[1:0]$  bits equal to 10b (showing output protection state by  $GTCCRA \geq GTPR$  during buffer transfer at troughs), the output protection function for GTIOCB pin is temporarily canceled.  $GTSOS.SOS[1:0]$  bits retain the value of 10b even when the output protection function is canceled. When the SOTR bit is set to 0, the output protection function for GTIOCB pin resumes.

Figure 23.106 shows examples of temporary cancellation of output protection function operation when the  $GTCCRA \geq GTPR$  is set during buffer transfer at troughs.



**Figure 23.106 Example of temporary cancellation of output protection function operation when  $GTCCRA \geq GTPR$  is set during buffer transfer at troughs, with  $0 < GTCCRA < GTPR$  restored during buffer transfer at troughs, and active-low**

## 23.9 Initialization Method of Output Pins

### 23.9.1 Pin Settings after Reset

The GPT registers are initialized at a reset. Start counting after selecting the port pin function with the PmnPFS register, setting GTIOR.OAE and GTIOR.OBE bits, and outputting the GPT function to external pins.

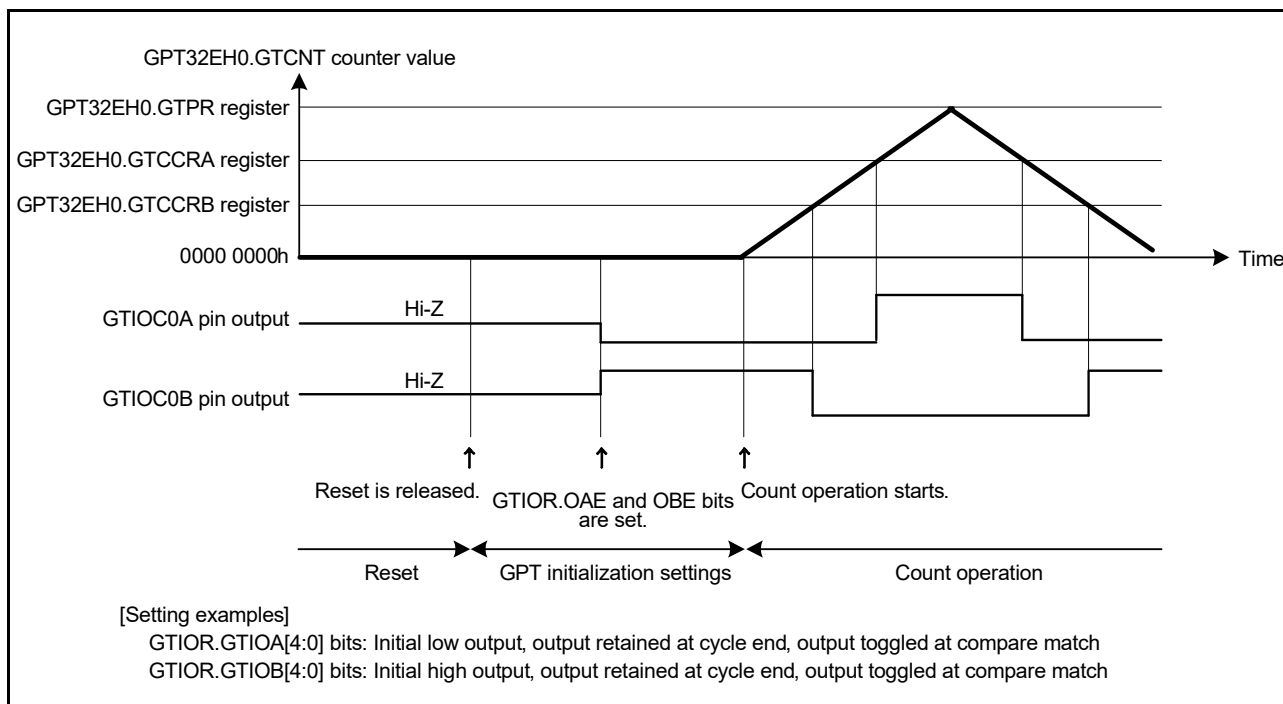


Figure 23.107 Example of pin settings after reset

### 23.9.2 Pin Initialization Caused by Error during Operation

If an error occurs during GPT operation, the following four types of pin processing can be performed before pin initialization:

- Set the OAHLD and OBHLD bits in GTIOR to 1 and retain the outputs at count stop
- Set the OAHLD and OBHLD bits in GTIOR to 0, specify arbitrary output values in OADFLT and OBDFLT in GTIOR, and output the arbitrary values on count stop
- Set the pin to output an arbitrary value as a general output port by setting the PDR, PODR, and PmnPFS registers of the I/O port in advance. Set the OAE and OBE bits in GTIOR to 0 and the control bit associated with the pin in the PmnPFS.PMR to 0 to allow arbitrary values to be output from the pin set as a general output port when an error occurs.
- Drive the output to a high impedance state using the POEG function.

When the automatic dead time setting is made, clear the GTDTCR.TDE bit to 0 after counting stops. When counting stops, only the values of registers that are changed by a GPT external source change. If counting resumes, operation continues from where it stopped. If counting stops, registers must be initialized before counting starts.

## 23.10 Usage Notes

### 23.10.1 Module-Stop Function Setting

The Module Stop Control Register can enable or disable GPT operation. The GPT module is initially stopped after reset. Releasing the module-stop state enables access to the registers. For details, see [section 11, Low Power Modes](#).

### 23.10.2 GTCCRn Settings during Compare Match Operation (n = A to F)

#### (1) When automatic dead time setting is made in triangle-wave PWM mode

The GTCCRA register must satisfy the following conditions:  $GTDVU < GTCCRA$ ,  $GTDVD < GTCCRA$ , and  $GTCCRA < GTPR$ .

When the setting of  $GTCCRA = 0$  or  $GTCCRA \geq GTPR$  is made during count operation, the output protection function is activated.

However, the function does not operate correctly if the following conditions are not satisfied:

- GTCCRA is  $0 < GTCCRA < GTPR$  when counting starts
- The register conditions must be  $GTCCRA < GTPR + GTDVD - 1$  during buffer transfer at crests
- When GTCCRA is greater than or equal to GTPR during buffer transfer at troughs, the register conditions must be  $GTCCRA > GTDVU + 1$ .

For details, see [section 23.8.4, Output Protection Function for GTIOC Pin Output](#).

#### (2) When automatic dead time setting is not made in triangle-wave PWM mode

The GTCCRA register must be set within the range of  $0 < GTCCRA < GTPR$ . If  $GTCCRA = 0$  or  $GTCCRA = GTPR$  is set, a compare match occurs within the cycle only when  $GTCCRA = 0$  or  $GTCCRA = GTPR$  is satisfied. When  $GTCCRA > GTPR$ , no compare match occurs.

Similarly, GTCCRB must be set within the range of  $0 < GTCCRB < GTPR$ . If  $GTCCRB = 0$  or  $GTCCRB = GTPR$  is set, a compare match occurs within the cycle only when  $GTCCRB = 0$  or  $GTCCRB = GTPR$  is satisfied. When  $GTCCRB > GTPR$ , no compare match occurs.

#### (3) When automatic dead time setting is made in saw-wave one-shot pulse mode

The GTCCRC and GTCCRD registers must be set to satisfy the following restrictions. If the restrictions are not satisfied, correct output waveforms with secured dead time might not be obtained:

- In up-counting:  $GTCCRC < GTCCRD$ ,  $GTCCRC > GTDVU$ ,  $GTCCRD < GTPR - GTDVD$
- In down-counting:  $GTCCRC > GTCCRD$ ,  $GTCCRC < GTPR - GTDVU$ ,  $GTCCRD > GTDVD$ .

#### (4) When automatic dead time setting is not made in saw-wave one-shot pulse mode

The GTCCRC and GTCCRD registers must be set to satisfy the following restrictions. If the restrictions are not satisfied, two compare matches do not occur and pulse output cannot be performed:

- In up-counting:  $0 < GTCCRC < GTCCRD < GTPR$
- In down-counting:  $GTPR > GTCCRC > GTCCRD > 0$ .

Similarly, GTCCRE and GTCCRF must be set to satisfy the following restrictions. If the restrictions are not satisfied, two compare matches do not occur and pulse output cannot be performed:

- In up-counting:  $0 < GTCCRE < GTCCRF < GTPR$
- In down-counting:  $GTPR > GTCCRE > GTCCRF > 0$ .

#### (5) In saw-wave PWM mode

The GTCCRA register must be set with the range of  $0 < GTCCRA < GTPR$ . If  $GTCCRA = 0$  or  $GTCCRA = GTPR$  is set, a compare match occurs within the cycle only when  $GTCCRA = 0$  or  $GTCCRA = GTPR$  is satisfied. If  $GTCCRA > GTPR$  is set, no compare match occurs.

Similarly, GTCCRB must be set with the range of  $0 < GTCCRB < GTPR$ . If  $GTCCRB = 0$  or  $GTCCRB = GTPR$  is set, a compare match occurs within the cycle only when  $GTCCRB = 0$  or  $GTCCRB = GTPR$  is satisfied. If  $GTCCRB > GTPR$  is set, no compare match occurs.

### 23.10.3 Setting Range for the GTCNT Counter

The GTCNT counter register must be set with the range of  $0 \leq GTCNT \leq GTPR$ .

### 23.10.4 Starting and Stopping the GTCNT Counter

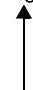
The control timing of starting and stopping the GTCNT counter by the GTCR.CST bit synchronizes the count clock that is selected in GTCR.TPCS[2:0]. When GTCR.CST is updated, the GTCNT counter starts/stops after a count clock that is selected in GTCR.TPCS[2:0]. Therefore, an event generated before the GTCNT counter actually starts is ignored. On the other hand, there might be cases where an event is accepted or an interrupt occurs after GTCR.CST is set to 0.

### 23.10.5 Priority Order of Each Event

#### (1) GTCNT register

Table 23.24 shows a priority order of events updating GTCNT register.

**Table 23.24 Priority order of sources updating GTCNT**

| Source updating GTCNT                                     | Priority order   |
|---|--|
| Writing by CPU (Writing to GTCNT/GTCLR)                   | High<br><br>Low |
| Clear by hardware sources set in GTCSR                    |  |
| Count up or down by hardware sources set in GTUPSR/GTDNSR |  |
| Count operation   |  |

If up-counting and down-counting by hardware sources occur at the same time, the GTCNT counter value does not change. When there is a conflict between updating the GTCNT register and reading by the CPU, pre-update data is read.

#### (2) GTCR.CST bit

When there is a conflict between starting/stopping by hardware sources set in the GTSSR/GTPSR registers and writing by the CPU (writing to GTCR/GTSTR/GTSTP registers), writing by CPU has priority over starting/stopping by hardware sources.

When there is a conflict between starting by hardware sources set in the GTSSR register and stopping by hardware sources set in GTPSR register, the GTCR.CST bit value does not change. Where there is a conflict between updating the GTCR.CST bit and reading by the CPU, pre-update data is read.

#### (3) GTCCRm registers (m = A to F)

When there is a conflict between input capture/buffer transfer operation and writing to GTCCRm registers, writing to GTCCRm registers has priority over input capture/buffer transfer operation. When there is a conflict between input capture and writing to the counter register by the CPU or updating the counter register by hardware sources, the pre-update counter value is captured. Where there is a conflict between updating the GTCCRm registers and reading by the CPU, pre-update data is read.

#### (4) GTPR registers

When there is a conflict between buffer transfer operation and writing to the GTPR register, writing to GTPR register has priority over buffer transfer operation. When there is a conflict between updating GTPR register and reading by the CPU, pre-update data is read.

#### (5) GTADTRm registers (m = A, B)

When there is a conflict between buffer transfer operation and writing to the GTADTRm registers, writing to the GTADTRm registers has priority over buffer transfer operation. When there is a conflict between updating GTADTRm registers and reading by the CPU, pre-update data is read.

#### (6) GTDVM registers (m = U, D)

When there is a conflict between buffer transfer operation and writing to GTDVM registers, writing to GTDVM registers has priority over buffer transfer operation. When there is a conflict between updating GTDVM registers and reading by the CPU, pre-update data is read.

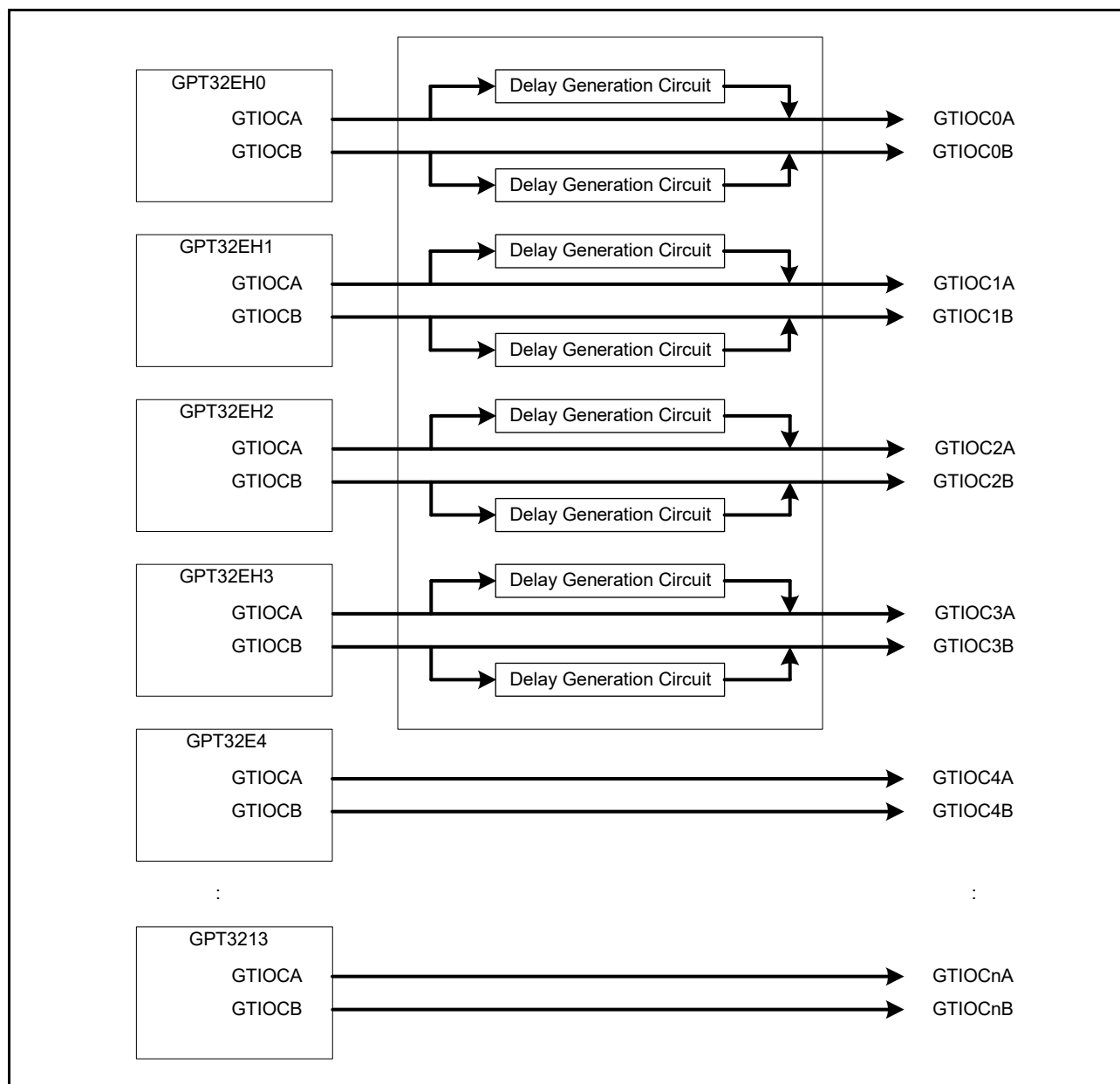
## 24. PWM Delay Generation Circuit

### 24.1 Overview

The MCU has 4 channel delay circuits that can connect to the General PWM Timer (GPT). [Table 24.1](#) lists the specifications for the PWM Delay Generation Circuit, [Figure 24.1](#) shows a block diagram, and [Table 24.2](#) lists the I/O pins.

**Table 24.1 Specifications of the PWM Delay Generation Circuit**

| Parameter | Specifications   |
|-----------|--|
| Function  | The circuit can control the timing with which signals on the two PWM output pins for channel 0/1/2/3 rise and fall to an accuracy of up to 1/32 times the period of the GPT clock (PCLKD). |



**Figure 24.1 PWM delay generation circuit block diagram**

**Table 24.2 PWM delay generation circuit I/O pins**

| I/O pin | I/O    | Function                                      |
|---------|--------|---|
| GTIOC0A | Output | Delayed output of GTIOCA pin of GPT channel 0 |
| GTIOC0B | Output | Delayed output of GTIOCB pin of GPT channel 0 |
| GTIOC1A | Output | Delayed output of GTIOCA pin of GPT channel 1 |
| GTIOC1B | Output | Delayed output of GTIOCB pin of GPT channel 1 |
| GTIOC2A | Output | Delayed output of GTIOCA pin of GPT channel 2 |
| GTIOC2B | Output | Delayed output of GTIOCB pin of GPT channel 2 |
| GTIOC3A | Output | Delayed output of GTIOCA pin of GPT channel 3 |
| GTIOC3B | Output | Delayed output of GTIOCB pin of GPT channel 3 |

## 24.2 Register Descriptions

### 24.2.1 PWM Output Delay Control Register (GTDLYCR)

Address(es): [GPT\\_ODC.GTDLYCR 4007 B000h](#)

|                    | b15 | b14 | b13 | b12 | b11 | b10 | b9 | b8 | b7 | b6 | b5 | b4 | b3 | b2 | b1     | b0   |
|--------------------|-----|-----|-----|-----|-----|-----|----|----|----|----|----|----|----|----|--------|------|
|                    | —   | —   | —   | —   | —   | —   | —  | —  | —  | —  | —  | —  | —  | —  | DLYRST | DLEN |
| Value after reset: | 0   | 0   | 0   | 0   | 0   | 0   | 0  | 0  | 0  | 0  | 0  | 0  | 0  | 0  | 0      | 0    |

| Bit       | Symbol                 | Bit name                           | Description  | R/W |
|-----------|------------------------|------------------------------------|--|-----|
| b0        | <a href="#">DLEN</a>   | DLL Operation Enable               | 0: DLL operation disabled<br>1: DLL operation enabled. | R/W |
| b1        | <a href="#">DLYRST</a> | PWM Delay Generation Circuit Reset | 0: Normal operation<br>1: Reset.                       | R/W |
| b15 to b2 | —                      | Reserved                           | These bits are read as 0. The write value should be 0. | R/W |

The GTDLYCR register controls the PWM delay generation circuit, which applies delays to the PWM outputs. GTDLYCR register can be written when register write protection is disabled (GPT32EH0.GTWP.WP = 0).

#### [DLEN bit \(DLL Operation Enable\)](#)

The DLEN bit selects whether the on-chip DLL in the PWM delay generation circuit is activated or not.

#### [DLYRST bit \(PWM Delay Generation Circuit Reset\)](#)

The DLYRST bit resets the internal state of the PWM delay generation circuit.

### 24.2.2 PWM Output Delay Control Register 2 (GTDLYCR2)

Address(es): [GPT\\_ODC.GTDLYCR2 4007 B002h](#)

|                    | b15 | b14 | b13 | b12 | b11   | b10   | b9    | b8    | b7 | b6 | b5 | b4 | b3    | b2    | b1    | b0    |
|--------------------|-----|-----|-----|-----|-------|-------|-------|-------|----|----|----|----|-------|-------|-------|-------|
|                    | —   | —   | —   | —   | DLYEN | DLYEN | DLYEN | DLYEN | —  | —  | —  | —  | DLYBS | DLYBS | DLYBS | DLYBS |
|                    |     |     |     |     | 3     | 2     | 1     | 0     |    |    |    |    | 3     | 2     | 1     | 0     |
| Value after reset: | 0   | 0   | 0   | 0   | 0     | 0     | 0     | 0     | 0  | 0  | 0  | 0  | 0     | 0     | 0     | 0     |

| Bit | Symbol                 | Bit name  | Description   | R/W |
|-----|------------------------|---|---|-----|
| b0  | <a href="#">DLYBS0</a> | PWM Delay Generation Circuit bypass for channel 0 | 0: Delay generation circuit of channel 0 bypassed<br>1: Delay generation circuit of channel 0 not bypassed. | R/W |

| Bit        | Symbol                 | Bit name  | Description   | R/W |
|------------|------------------------|---|---|-----|
| b1         | <a href="#">DLYBS1</a> | PWM Delay Generation Circuit bypass for channel 1 | 0: Delay generation circuit of channel 1 bypassed<br>1: Delay generation circuit of channel 1 not bypassed. | R/W |
| b2         | <a href="#">DLYBS2</a> | PWM Delay Generation Circuit bypass for channel 2 | 0: Delay generation circuit of channel 2 bypassed<br>1: Delay generation circuit of channel 2 not bypassed. | R/W |
| b3         | <a href="#">DLYBS3</a> | PWM Delay Generation Circuit bypass for channel 3 | 0: Delay generation circuit of channel 3 bypassed<br>1: Delay generation circuit of channel 3 not bypassed. | R/W |
| b7 to b4   | —                      | Reserved  | These bits are read as 0. The write value should be 0.  | R/W |
| b8         | <a href="#">DLYEN0</a> | PWM Delay Generation Circuit enable for channel 0 | 0: Delay generation circuit of channel 0 enabled<br>1: Delay generation circuit of channel 0 disabled.      | R/W |
| b9         | <a href="#">DLYEN1</a> | PWM Delay Generation Circuit enable for channel 1 | 0: Delay generation circuit of channel 1 enabled<br>1: Delay generation circuit of channel 1 disabled.      | R/W |
| b10        | <a href="#">DLYEN2</a> | PWM Delay Generation Circuit enable for channel 2 | 0: Delay generation circuit of channel 2 enabled<br>1: Delay generation circuit of channel 2 disabled.      | R/W |
| b11        | <a href="#">DLYEN3</a> | PWM Delay Generation Circuit enable for channel 3 | 0: Delay generation circuit of channel 3 enabled<br>1: Delay generation circuit of channel 3 disabled.      | R/W |
| b15 to b12 | —                      | Reserved  | These bits are read as 0. The write value should be 0.  | R/W |

The GTDLYCR2 register controls each channel of PWM delay generation circuit. GTDLYCR2 can be written when register write protection is disabled (GPT32EH0.GTWP.WP = 0).

#### **DLYBSn (n = 0 to 3) bit (PWM Delay Generation Circuit Bypass for channel n)**

The DLYBSn bit selects whether delays are applied to PWM output signals from the GTIOCnA and GTIOCnB pins (n = 0 to 3) by the PWM delay generation circuit or whether the circuit is bypassed.

A signal delayed in the PWM delay generation circuit is output 3 cycles of GPT operation clock (PCLKD) later than if it bypasses the PWM delay generation circuit.

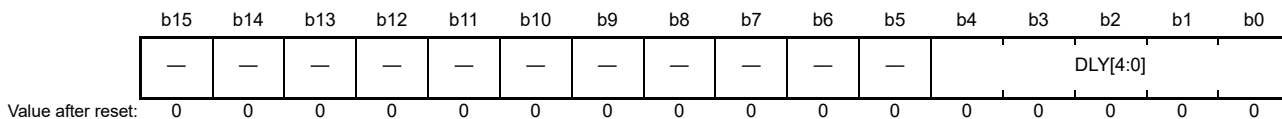
#### **DLYENn (n = 0 to 3) bit (PWM Delay Generation Circuit Enable for channel n)**

The DLYENn bit selects whether channel n (n = 0 to 3) of PWM delay generation circuit is power on or off. If channel n of the PWM delay generation circuit is not used, set to 1.



### 24.2.3 GTIOCnA Rising Output Delay Register (GTDLYRnA) (n = 0 to 3)

Address(es): [GPT\\_ODC.GTDLYR0A 4007 B018h](#), [GPT\\_ODC.GTDLYR1A 4007 B01Ch](#),  
[GPT\\_ODC.GTDLYR2A 4007 B020h](#), [GPT\\_ODC.GTDLYR3A 4007 B024h](#)



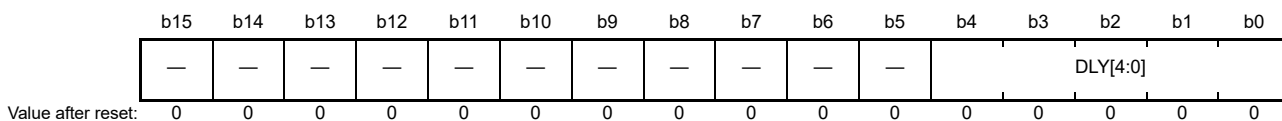
| Bit       | Symbol                   | Bit name                                 | Description   | R/W |
|-----------|--------------------------|--|---|-----|
| b4 to b0  | <a href="#">DLY[4:0]</a> | GTIOCnA Output Rising Edge Delay Setting | b4 b0<br>0 0 0 0: Delay on rising edges is not applied<br>0 0 0 1: Delay of 1/32 times PCLKD period applied<br>0 0 1 0: Delay of 2/32 times PCLKD period applied<br>0 0 1 1: Delay of 3/ 32 times PCLKD period applied<br>0 1 0 0: Delay of 4/ 32 times PCLKD period applied<br>0 1 0 1: Delay of 5/ 32 times PCLKD period applied<br>0 1 1 0: Delay of 6/ 32 times PCLKD period applied<br>0 1 1 1: Delay of 7/ 32 times PCLKD period applied<br>1 0 0 0: Delay of 8/ 32 times PCLKD period applied<br>1 0 0 1: Delay of 9/ 32 times PCLKD period applied<br>1 0 1 0: Delay of 10/ 32 times PCLKD period applied<br>1 0 1 1: Delay of 11/ 32 times PCLKD period applied<br>1 1 0 0: Delay of 12/ 32 times PCLKD period applied<br>1 1 0 1: Delay of 13/ 32 times PCLKD period applied<br>1 1 1 0: Delay of 14/ 32 times PCLKD period applied<br>1 1 1 1: Delay of 15/ 32 times PCLKD period applied<br>1 0 0 0: Delay of 16/ 32 times PCLKD period applied<br>1 0 0 1: Delay of 17/ 32 times PCLKD period applied<br>1 0 1 0: Delay of 18/ 32 times PCLKD period applied<br>1 0 1 1: Delay of 19/ 32 times PCLKD period applied<br>1 1 0 0: Delay of 20/ 32 times PCLKD period applied<br>1 1 0 1: Delay of 21/ 32 times PCLKD period applied<br>1 1 1 0: Delay of 22/ 32 times PCLKD period applied<br>1 1 1 1: Delay of 23/ 32 times PCLKD period applied<br>1 1 0 0: Delay of 24/ 32 times PCLKD period applied<br>1 1 0 1: Delay of 25/ 32 times PCLKD period applied<br>1 1 1 0: Delay of 26/ 32 times PCLKD period applied<br>1 1 1 1: Delay of 27/ 32 times PCLKD period applied<br>1 1 1 0: Delay of 28/ 32 times PCLKD period applied<br>1 1 1 1: Delay of 29/ 32 times PCLKD period applied<br>1 1 1 0: Delay of 30/ 32 times PCLKD period applied<br>1 1 1 1: Delay of 31/ 32 times PCLKD period applied. | R/W |
| b15 to b5 | —                        | Reserved                                 | These bits are read as 0. The write value should be 0.  | R/W |

The GTDLYRnA register sets a delay to be applied to rising edges of output signals on the GTIOCnA pin. On the timing for the transfer of settings, see [section 24.3.2, Timing for Transfer of GTDLYRnA, GTLDYRnB, GTDLYFnA, and GTDLYFnB Register Settings](#).

GTDLYRnA can be written when register write protection is disabled (GPT32EHn.GTWP.WP = 0).

### 24.2.4 GTIOCnA Falling Output Delay Register (GTDLYFnA) (n = 0 to 3)

Address(es): [GPT\\_ODC.GTDLYF0A 4007 B028h](#), [GPT\\_ODC.GTDLYF1A 4007 B02Ch](#),  
[GPT\\_ODC.GTDLYF2A 4007 B030h](#), [GPT\\_ODC.GTDLYF3A 4007 B034h](#)



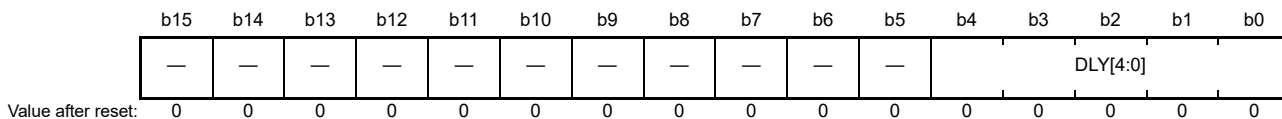
| Bit       | Symbol                   | Bit name                                  | Description  | R/W |
|-----------|--------------------------|---|--|-----|
| b4 to b0  | <a href="#">DLY[4:0]</a> | GTIOCnA Output Falling Edge Delay Setting | b4 b0<br>0 0 0 0: Delay on falling edges is not applied<br>0 0 0 1: Delay of 1/32 times PCLKD period applied<br>0 0 1 0: Delay of 2/32 times PCLKD period applied<br>0 0 1 1: Delay of 3/ 32 times PCLKD period applied<br>0 1 0 0: Delay of 4/ 32 times PCLKD period applied<br>0 1 0 1: Delay of 5/ 32 times PCLKD period applied<br>0 1 1 0: Delay of 6/ 32 times PCLKD period applied<br>0 1 1 1: Delay of 7/ 32 times PCLKD period applied<br>1 0 0 0: Delay of 8/ 32 times PCLKD period applied<br>1 0 0 1: Delay of 9/ 32 times PCLKD period applied<br>1 0 1 0: Delay of 10/ 32 times PCLKD period applied<br>1 0 1 1: Delay of 11/ 32 times PCLKD period applied<br>1 1 0 0: Delay of 12/ 32 times PCLKD period applied<br>1 1 0 1: Delay of 13/ 32 times PCLKD period applied<br>1 1 1 0: Delay of 14/ 32 times PCLKD period applied<br>1 1 1 1: Delay of 15/ 32 times PCLKD period applied<br>1 0 0 0: Delay of 16/ 32 times PCLKD period applied<br>1 0 0 1: Delay of 17/ 32 times PCLKD period applied<br>1 0 1 0: Delay of 18/ 32 times PCLKD period applied<br>1 0 1 1: Delay of 19/ 32 times PCLKD period applied<br>1 1 0 0: Delay of 20/ 32 times PCLKD period applied<br>1 1 0 1: Delay of 21/ 32 times PCLKD period applied<br>1 1 1 0: Delay of 22/ 32 times PCLKD period applied<br>1 1 1 1: Delay of 23/ 32 times PCLKD period applied<br>1 1 0 0: Delay of 24/ 32 times PCLKD period applied<br>1 1 0 1: Delay of 25/ 32 times PCLKD period applied<br>1 1 1 0: Delay of 26/ 32 times PCLKD period applied<br>1 1 0 1: Delay of 27/ 32 times PCLKD period applied<br>1 1 1 0: Delay of 28/ 32 times PCLKD period applied<br>1 1 1 1: Delay of 29/ 32 times PCLKD period applied<br>1 1 1 0: Delay of 30/ 32 times PCLKD period applied<br>1 1 1 1: Delay of 31/ 32 times PCLKD period applied. | R/W |
| b15 to b5 | —                        | Reserved                                  | These bits are read as 0. The write value should be 0.   | R/W |

The GTDLYFnA register sets a delay to be applied to falling edges of output signals on the GTIOCnA pin. On the timing for the transfer of settings, see [section 24.3.2, Timing for Transfer of GTDLYRnA, GTLDYRnB, GTDLYFnA, and GTDLYFnB Register Settings](#).

GTDLYFnA can be written when register write protection is disabled (GPT32EHn.GTWP.WP = 0).

### 24.2.5 GTIOCnB Rising Output Delay Register (GTDLYRnB) (n = 0 to 3)

Address(es): [GPT\\_ODC.GTDLYR0B 4007 B01Ah](#), [GPT\\_ODC.GTDLYR1B 4007 B01Eh](#),  
[GPT\\_ODC.GTDLYR2B 4007 B022h](#), [GPT\\_ODC.GTDLYR3B 4007 B026h](#)



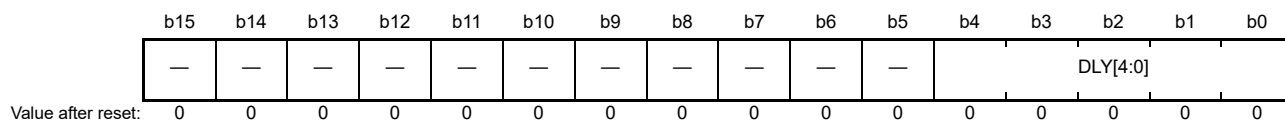
| Bit       | Symbol                   | Bit name                                 | Description   | R/W |
|-----------|--------------------------|--|---|-----|
| b4 to b0  | <a href="#">DLY[4:0]</a> | GTIOCnB Output Rising Edge Delay Setting | b4 b0<br>0 0 0 0: Delay on rising edges is not applied<br>0 0 0 1: Delay of 1/32 times PCLKD period applied<br>0 0 1 0: Delay of 2/32 times PCLKD period applied<br>0 0 1 1: Delay of 3/ 32 times PCLKD period applied<br>0 1 0 0: Delay of 4/ 32 times PCLKD period applied<br>0 1 0 1: Delay of 5/ 32 times PCLKD period applied<br>0 1 1 0: Delay of 6/ 32 times PCLKD period applied<br>0 1 1 1: Delay of 7/ 32 times PCLKD period applied<br>1 0 0 0: Delay of 8/ 32 times PCLKD period applied<br>1 0 0 1: Delay of 9/ 32 times PCLKD period applied<br>1 0 1 0: Delay of 10/ 32 times PCLKD period applied<br>1 0 1 1: Delay of 11/ 32 times PCLKD period applied<br>1 1 0 0: Delay of 12/ 32 times PCLKD period applied<br>1 1 0 1: Delay of 13/ 32 times PCLKD period applied<br>1 1 1 0: Delay of 14/ 32 times PCLKD period applied<br>1 1 1 1: Delay of 15/ 32 times PCLKD period applied<br>1 0 0 0: Delay of 16/ 32 times PCLKD period applied<br>1 0 0 1: Delay of 17/ 32 times PCLKD period applied<br>1 0 1 0: Delay of 18/ 32 times PCLKD period applied<br>1 0 1 1: Delay of 19/ 32 times PCLKD period applied<br>1 1 0 0: Delay of 20/ 32 times PCLKD period applied<br>1 1 0 1: Delay of 21/ 32 times PCLKD period applied<br>1 1 1 0: Delay of 22/ 32 times PCLKD period applied<br>1 1 1 1: Delay of 23/ 32 times PCLKD period applied<br>1 1 0 0: Delay of 24/ 32 times PCLKD period applied<br>1 1 0 1: Delay of 25/ 32 times PCLKD period applied<br>1 1 1 0: Delay of 26/ 32 times PCLKD period applied<br>1 1 1 1: Delay of 27/ 32 times PCLKD period applied<br>1 1 1 0: Delay of 28/ 32 times PCLKD period applied<br>1 1 1 1: Delay of 29/ 32 times PCLKD period applied<br>1 1 1 0: Delay of 30/ 32 times PCLKD period applied<br>1 1 1 1: Delay of 31/ 32 times PCLKD period applied. | R/W |
| b15 to b5 | —                        | Reserved                                 | These bits are read as 0. The write value should be 0.  | R/W |

The GTDLYRnB register sets a delay to be applied to rising edges of output signals on the GTIOCnB pin. On the timing for the transfer of settings, see [section 24.3.2, Timing for Transfer of GTDLYRnA, GTLDYRnB, GTDLYFnA, and GTDLYFnB Register Settings](#).

GTDLYRnB can be written when register write protection is disabled (GPT32EHn.GTWP.WP = 0).

### 24.2.6 GTIOCnB Falling Output Delay Register (GTDLYFnB) (n = 0 to 3)

Address(es): [GPT\\_ODC.GTDLYF0B 4007 B02Ah](#), [GPT\\_ODC.GTDLYF1B 4007 B02Eh](#),  
[GPT\\_ODC.GTDLYF2B 4007 B032h](#), [GPT\\_ODC.GTDLYF3B 4007 B036h](#)



| Bit       | Symbol                   | Bit name                                  | Description  | R/W |
|-----------|--------------------------|---|--|-----|
| b4 to b0  | <a href="#">DLY[4:0]</a> | GTIOCnB Output Falling Edge Delay Setting | b4 b0<br>0 0 0 0: Delay on falling edges is not applied<br>0 0 0 1: Delay of 1/32 times PCLKD period applied<br>0 0 1 0: Delay of 2/32 times PCLKD period applied<br>0 0 1 1: Delay of 3/ 32 times PCLKD period applied<br>0 1 0 0: Delay of 4/ 32 times PCLKD period applied<br>0 1 0 1: Delay of 5/ 32 times PCLKD period applied<br>0 1 1 0: Delay of 6/ 32 times PCLKD period applied<br>0 1 1 1: Delay of 7/ 32 times PCLKD period applied<br>1 0 0 0: Delay of 8/ 32 times PCLKD period applied<br>1 0 0 1: Delay of 9/ 32 times PCLKD period applied<br>1 0 1 0: Delay of 10/ 32 times PCLKD period applied<br>1 0 1 1: Delay of 11/ 32 times PCLKD period applied<br>1 1 0 0: Delay of 12/ 32 times PCLKD period applied<br>1 1 0 1: Delay of 13/ 32 times PCLKD period applied<br>1 1 1 0: Delay of 14/ 32 times PCLKD period applied<br>1 1 1 1: Delay of 15/ 32 times PCLKD period applied<br>1 0 0 0: Delay of 16/ 32 times PCLKD period applied<br>1 0 0 1: Delay of 17/ 32 times PCLKD period applied<br>1 0 1 0: Delay of 18/ 32 times PCLKD period applied<br>1 0 1 1: Delay of 19/ 32 times PCLKD period applied<br>1 1 0 0: Delay of 20/ 32 times PCLKD period applied<br>1 1 0 1: Delay of 21/ 32 times PCLKD period applied<br>1 1 1 0: Delay of 22/ 32 times PCLKD period applied<br>1 1 1 1: Delay of 23/ 32 times PCLKD period applied<br>1 1 0 0: Delay of 24/ 32 times PCLKD period applied<br>1 1 0 1: Delay of 25/ 32 times PCLKD period applied<br>1 1 1 0: Delay of 26/ 32 times PCLKD period applied<br>1 1 1 1: Delay of 27/ 32 times PCLKD period applied<br>1 1 1 0: Delay of 28/ 32 times PCLKD period applied<br>1 1 1 1: Delay of 29/ 32 times PCLKD period applied<br>1 1 1 0: Delay of 30/ 32 times PCLKD period applied<br>1 1 1 1: Delay of 31/ 32 times PCLKD period applied. | R/W |
| b15 to b5 | —                        | Reserved                                  | These bits are read as 0. The write value should be 0.   | R/W |

The GTDLYFnB register sets a delay to be applied to falling edges of output signals on the GTIOCnB pin. On the timing for the transfer of settings, see [section 24.3.2, Timing for Transfer of GTDLYRnA, GTLDYRnB, GTDLYFnA, and GTDLYFnB Register Settings](#).

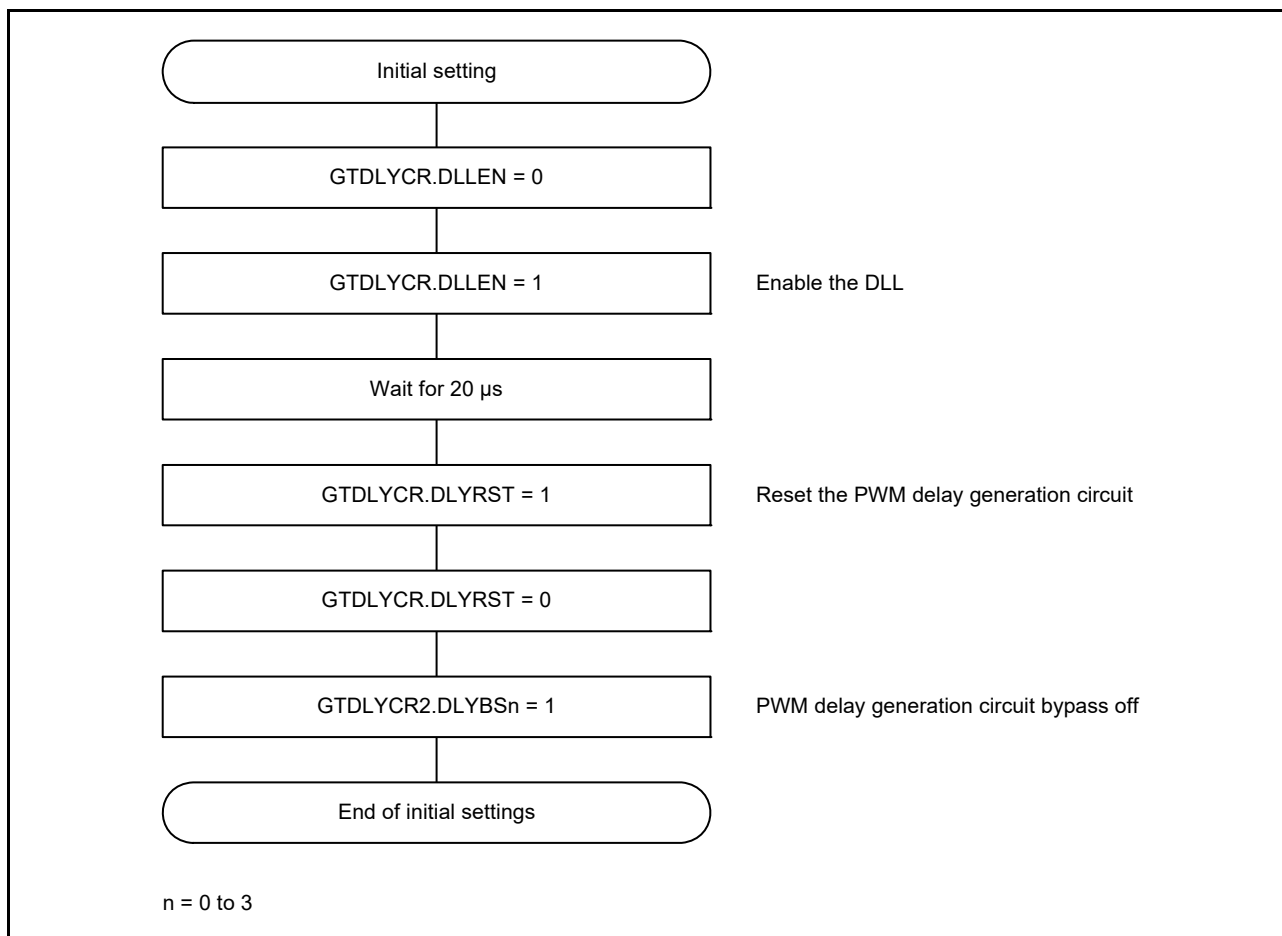
GTDLFyFnB can be written when register write protection is disabled (GPT32EHn.GTWP.WP = 0).

## 24.3 Operation

### 24.3.1 Adjustments to the Timing of Rising and Falling Edges in PWM Waveforms

The timing of rising and falling edges in PWM waveforms which are output from the GTIOCnA and GTIOCnB pins, where n = channel number, can be delayed to an accuracy of 1/32 of the GPT operating clock (PCLKD) period.

If the timing of rising or falling edges in PWM waveforms output from the GTIOCnA and GTIOCnB pins must be adjusted, initialize the PWM generation circuit as shown in the procedure in [Figure 24.2](#).



**Figure 24.2 Example of initialization flow for the PWM delay generation circuit**

In the PWM delay generation circuit, delay can be applied to rising and falling edges of the PWM output to an accuracy of 1/32 of the period of the GPT operation clock (PCLKD). This is described in [section 23.3.3, PWM Output Operating Mode](#). Delays associated with the settings are reflected in the PWM output with the timing described in [section 24.3.2, Timing for Transfer of GTDLYRnA, GTLDYRnB, GTDLYFnA, and GTDLYFnB Register Settings](#). [Table 24.3](#) shows the association between the GTDLYRnA, GTLDYRnB, GTDLYFnA, and GTDLYFnB registers and the PWM outputs.

**Table 24.3 Association between PWM output pins and delay setting registers**

| PWM output pin | Rising-edge delay setting register | Falling-edge delay setting register |
|----------------|------------------------------------|-------------------------------------|
| GTIOC0A        | GTDLYR0A                           | GTDLYF0A                            |
| GTIOC0B        | GTDLYR0B                           | GTDLYF0B                            |
| GTIOC1A        | GTDLYR1A                           | GTDLYF1A                            |
| GTIOC1B        | GTDLYR1B                           | GTDLYF1B                            |
| GTIOC2A        | GTDLYR2A                           | GTDLYF2A                            |
| GTIOC2B        | GTDLYR2B                           | GTDLYF2B                            |
| GTIOC3A        | GTDLYR3A                           | GTDLYF3A                            |
| GTIOC3B        | GTDLYR3B                           | GTDLYF3B                            |

When the PWM delay generation circuit is in use, the timing with which a PWM output signal rises and falls can be controlled to an accuracy of 1/32 of the period of the GPT operation clock (PCLKD). When this option is not in use, the period of the PWM output waveform is controlled to an accuracy of one period of the input clock for the timer counter, which is PCLKD. With the PWM delay generation circuit, the output can be controlled to an accuracy 32 times better. Additionally, the delay settings also control the periods at high and low level for the PWM waveform to the given accuracy. PWM delay generation circuit channels can be individually enabled or disabled.

### 24.3.2 Timing for Transfer of GTDLYRnA, GTLDYRnB, GTDLYFnA, and GTDLYFnB Register Settings

Settings for the GTDLYRnA, GTLDYRnB, GTDLYFnA, and GTDLYFnB registers are initially transferred to temporary registers, and then reflected in the delay on the GTIOCnA and GTIOCnB (n = 0 to 3) outputs. Transfer of the settings takes place on overflows (in up-counting) or underflows (in down-counting) for saw waves, and in the troughs of triangle waves.

Figure 24.3 and Figure 24.4 show examples of the operation of the GTDLYR0A and GTDLYF0A registers.

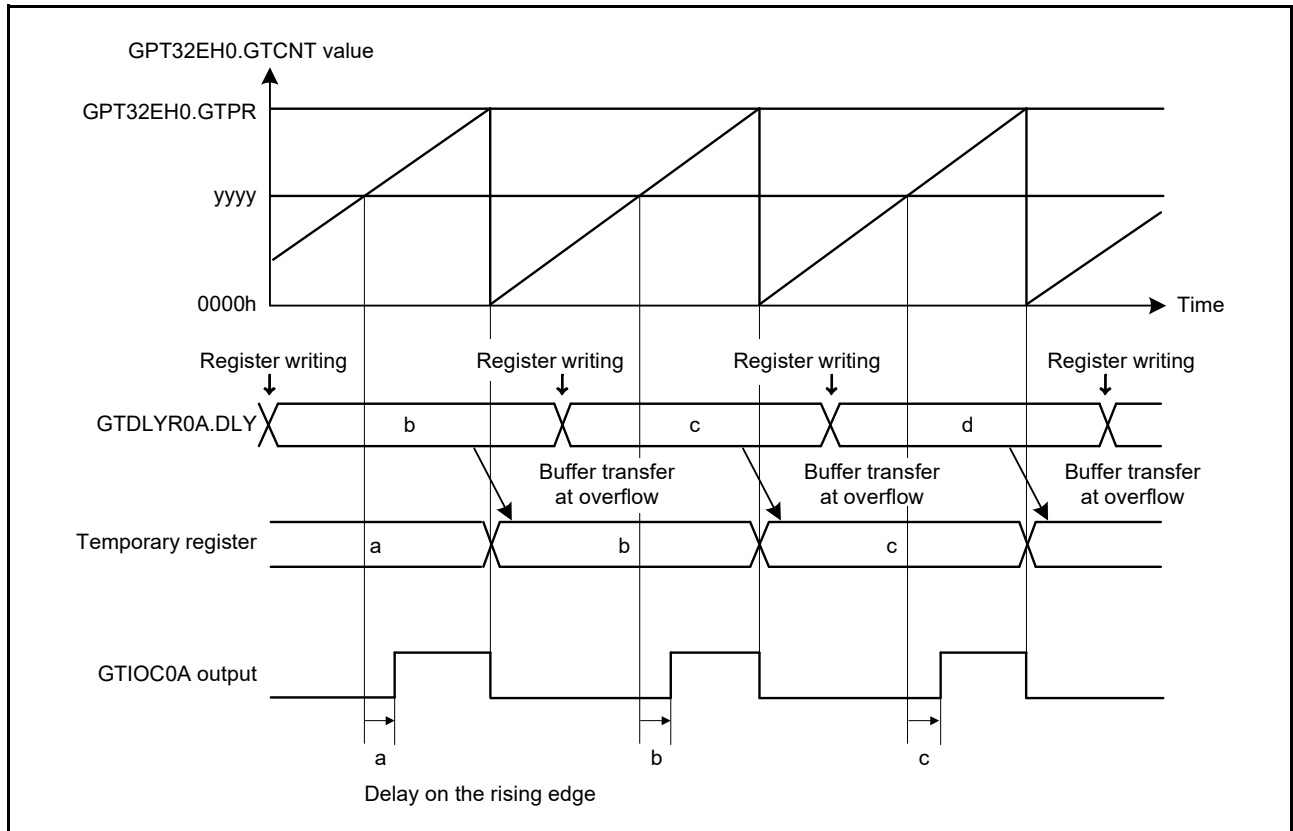


Figure 24.3 Example of GTLDYR0A register operation with PWM saw-wave generation

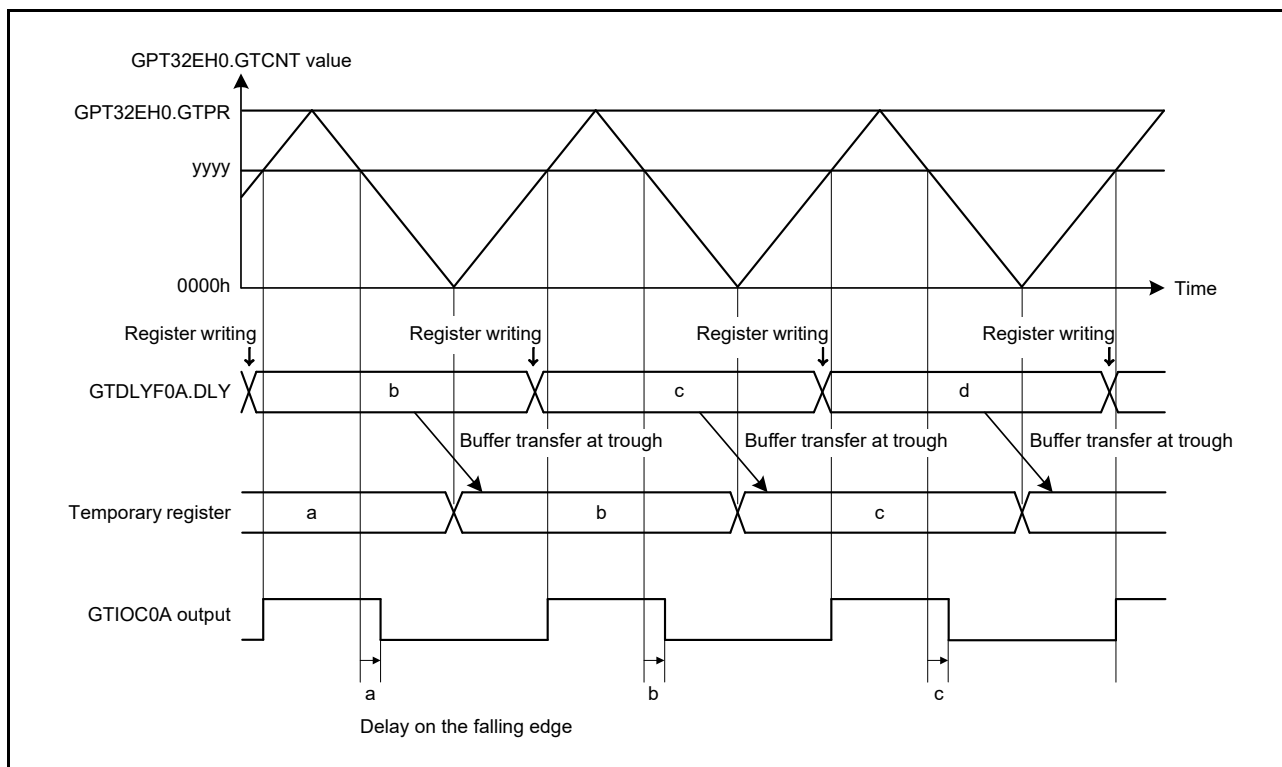


Figure 24.4 Example of GTDLYF0A register operation with PWM triangle-wave generation

## 24.4 Usage Notes

### 24.4.1 Module-Stop Function Settings

The Module Stop Control Register D (MSTPCRD) can enable or disable operation of the PWM delay generation circuit. The PWM delay generation circuit is initially stopped after reset. Releasing the module-stop state enables access to the registers. For details, see [section 11, Low Power Modes](#).

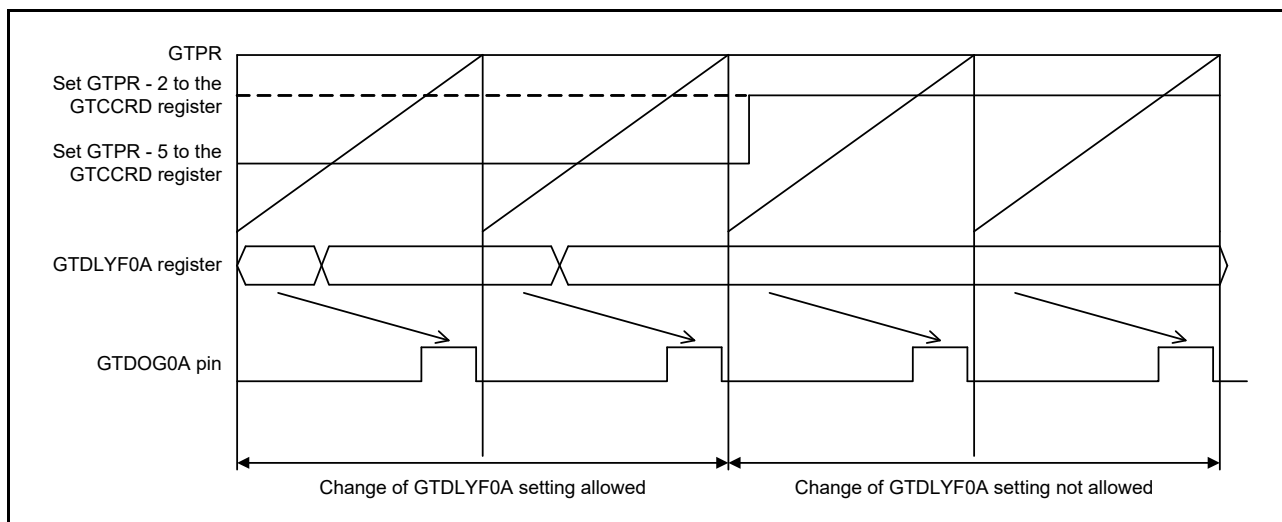
### 24.4.2 Notes on Delay Settings for PWM Delay Generation Circuit

When the PWM delay generation circuit generates delays for a PWM output waveform and the waveform is toggled in response to compare-matches, do not change the settings for delay while the compare-match value is within the ranges listed in [Table 24.4](#). This constraint applies to the GTDLYFnA, GTDLYRnA, GTDLFnB, and GTDLYRnB registers.

Table 24.4 Constraints on delay settings

| Mode               | Direction of counting | Compare-match value |
|--------------------|-----------------------|---------------------|
| Saw-wave mode      | Up                    | GTPR - 2 or above   |
|                    | Down                  | 2 or below          |
| Triangle-wave mode | Down                  | 2 or below          |

[Figure 24.5](#) shows an example of how the constraints apply to the timing of setting GTDLYFnA in saw-wave waveform one-shot pulse mode (counting up). Do not change the value set in GTDLYFnA while  $GTCCR \geq GTPR - 2$ .



**Figure 24.5 Constraints on the timing of GTDLYF0A register settings**

Changing the values in the GTDLYFnA, GTDLYRnA, GTDLYFnB, and GTDLYRnB registers during periods where changes to settings are not allowed, might lead to faulty output waveforms such as shifts in the timing of output waveform transitions from the expected values.



## 25. Asynchronous General-Purpose Timer (AGT)

### 25.1 Overview

The Asynchronous General-Purpose Timer (AGT) is a 16-bit timer that can be used for pulse output, external pulse width or period measurement, and counting external events.

This 16-bit timer consists of a reload register and a down counter. The reload register and the down counter are allocated in the same address, and can be accessed with the AGT register.

Table 25.1 lists the AGT specifications, Figure 25.1 shows a block diagram, and Table 25.2 lists the I/O pins.

**Table 25.1 AGT specifications**

| Parameter                              |                               | Specifications   |
|--|-------------------------------|--|
| Operating modes                        | Timer mode                    | The count source is counted  |
|  | Pulse output mode             | The count source is counted and the output is inverted at each timer underflow   |
|  | Event counter mode            | An external event is counted   |
|  | Pulse width measurement mode  | An external pulse width is measured  |
|  | Pulse period measurement mode | An external pulse period is measured   |
| Count source (Operating clock)*2       |                               | PCLKB, PCLKB/2, PCLKB/8, AGTLCLK, AGTLCLK/2, AGTLCLK/4, AGTLCLK/8, AGTLCLK/16, AGTLCLK/32, AGTLCLK/64, AGTLCLK/128, AGTSCLK, AGTSCLK/2, AGTSCLK/4, AGTSCLK/8, AGTSCLK/16, AGTSCLK/32, AGTSCLK/64, AGTSCLK/128, or underflow signal of AGT0*1 selectable.   |
| Interrupt/Event link function (Output) |                               | <ul style="list-style-type: none"> <li>• Underflow event signal or measurement complete event signal               <ul style="list-style-type: none"> <li>– When the counter underflows</li> <li>– When the measurement of the active width of the external input (AGTIO) is complete in pulse width measurement mode</li> <li>– When the set edge of the external input (AGTIO) is input in pulse period measurement mode</li> </ul> </li> <li>• Compare match A event signal               <ul style="list-style-type: none"> <li>– When the values of AGT and AGTCMA matched (Compare match A function enabled)</li> </ul> </li> <li>• Compare match B event signal               <ul style="list-style-type: none"> <li>– When the values of AGT and AGTCMB matched (Compare match B function enabled).</li> </ul> </li> </ul> |
| Selectable functions                   |                               | <ul style="list-style-type: none"> <li>• Compare match function</li> </ul> One or two of the compare match A and B registers is selectable.  |

Note 1. AGT0 cannot use the AGT0 underflow signal. AGT1 connects directly with the underflow event signal from the AGT0 timer.

Note 2. Satisfy the frequency of the peripheral module clock (PCLKB)  $\geq$  the frequency of the count source clock.

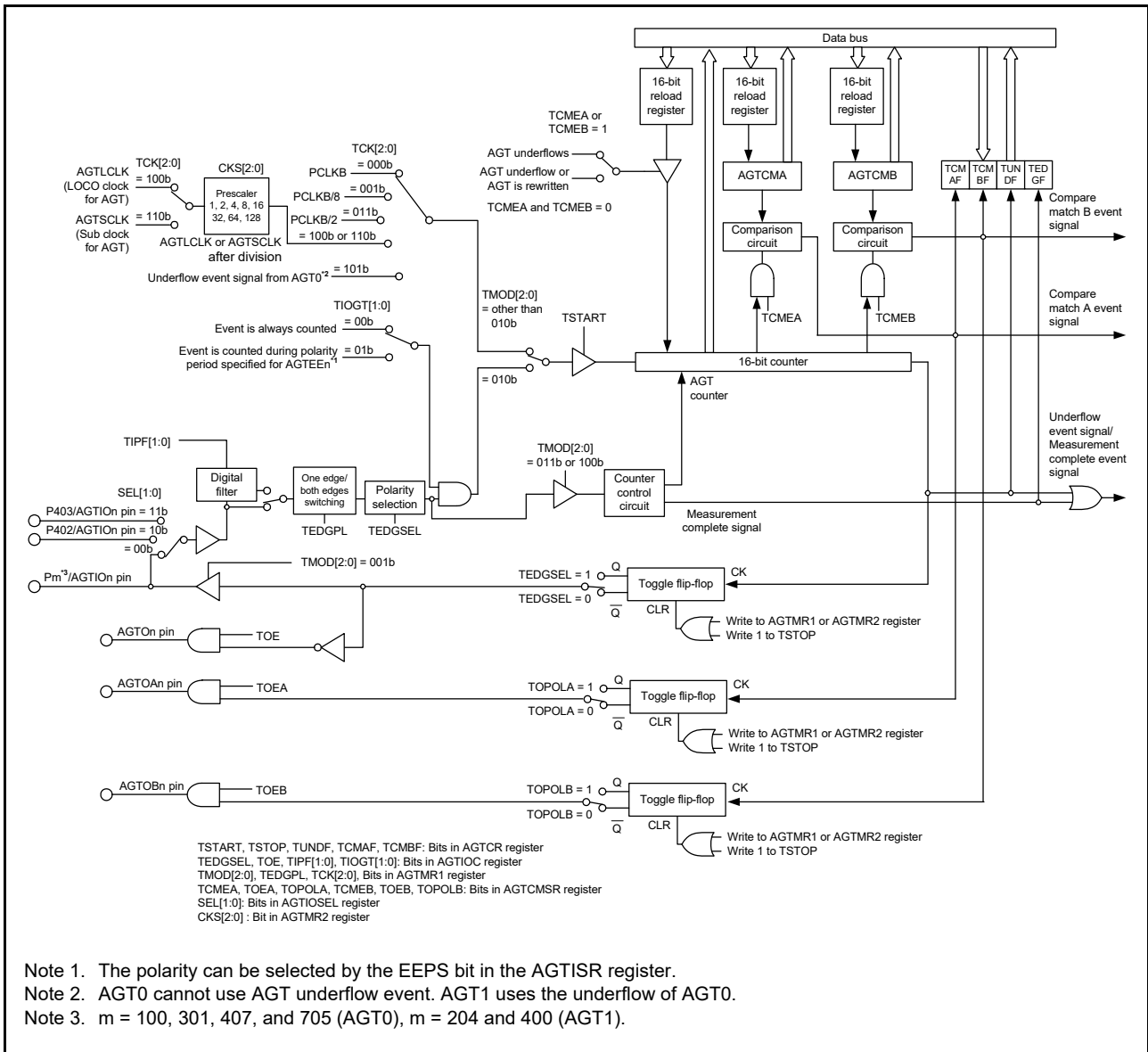


Figure 25.1 AGT block diagram

Table 25.2 AGT I/O pins

| Pin name              | I/O            | Function                                      |
|-----------------------|----------------|---|
| AGTEEn                | Input          | External event input for AGT                  |
| AGTIO <sup>n</sup> *1 | Input*1/output | External event input and pulse output for AGT |
| AGTOn                 | Output         | Pulse output for AGT                          |
| AGTOAn                | Output         | Output compare match A output for AGT         |
| AGTOBn                | Output         | Output compare match B output for AGT         |

Note: Channel number (n = 0, 1).

Note 1. AGTIO can also be used in Deep Software Standby mode.

AGTIO can be controlled by the VBTICTLR register.

For more information, see [section 12.2.2, VBATT Input Control Register \(VBTICTLR\)](#) and [section 20.5.5, I/O Buffer Specification](#).

## 25.2 Register Descriptions

### 25.2.1 AGT Counter Register (AGT)

Address(es): AGT0.AGT 4008 4000h, AGT1.AGT 4008 4100h



| Bit       | Description                               | Setting range  | R/W |
|-----------|---|----------------|-----|
| b15 to b0 | 16-bit counter and reload register *1, *2 | 0000h to FFFFh | R/W |

Note 1. When 1 is written to the TSTOP bit in the AGTCR register, the 16-bit counter is forcibly stopped and set to FFFFh.

Note 2. When the TCK[2:0] bit setting in the AGTMR1 register is other than 001b (PCLKB/8) or 011b (PCLKB/2), if the AGT register is set to 0000h, a request signal to the ICU, the DTC, and the ELC is generated once immediately after the count starts. The AGTOn and AGTIOOn outputs are toggled.

When the AGT register is set to 0000h in event counter mode, regardless of the value of TCK[2:0] bits, a request signal to the ICU, the DTC, and the ELC is generated once immediately after the count starts.

In addition, the AGTOn output toggles even during a period other than the specified count period. When the AGT register is set to 0001h or more, a request signal is generated each time AGT underflows.

AGT is a 16-bit register. The write value is written to the reload register and the read value is read from the counter.

The states of the reload register and the counter change according to the TSTART bit in the AGTCR register and TCMEA/TCMEB bit in the AGTCMSR register. For details, see [section 25.3.1, Reload Register and Counter Rewrite Operation](#). The AGT register can be set with a 16-bit memory manipulation instruction.

### 25.2.2 AGT Compare Match A Register (AGTCMA)

Address(es): AGT0.AGTCMA 4008 4002h, AGT1.AGTCMA 4008 4102h



| Bit       | Description                              | Setting range  | R/W |
|-----------|--|----------------|-----|
| b15 to b0 | 16-bit compare match A data is stored.*1 | 0000h to FFFFh | R/W |

Note 1. Set the AGTCMA register to FFFFh when the compare match A is not used.

The AGTCMA register is a read/write register to set a value for compare match with the AGT counter. The states of the reload register and compare register A change according to the TSTART bit in the AGTCR register. For details, see [section 25.3.2, Reload Register and Compare Register A/B Rewrite Operation](#). The AGTCMA register can be set by a 16-bit memory manipulation instruction.

### 25.2.3 AGT Compare Match B Register (AGTCMB)

Address(es): [AGT0.AGTCMB 4008 4004h](#), [AGT1.AGTCMB 4008 4104h](#)



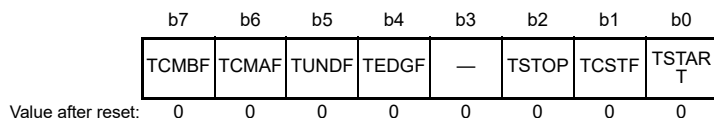
| Bit       | Description                              | Setting range  | R/W |
|-----------|--|----------------|-----|
| b15 to b0 | 16-bit compare match B data is stored.*1 | 0000h to FFFFh | R/W |

Note 1. Set the AGTCMB register to FFFFh when compare match B is not used.

The AGTCMB register is a read/write register to set a value for compare match with the AGT counter. The states of the reload register and compare register B change according to the TSTART bit in the AGTCR register. For details, see [section 25.3.2, Reload Register and Compare Register A/B Rewrite Operation](#). The AGTCMB register can be set by a 16-bit memory manipulation instruction.

### 25.2.4 AGT Control Register (AGTCR)

Address(es): [AGT0.AGTCR 4008 4008h](#), [AGT1.AGTCR 4008 4108h](#)



| Bit | Symbol                 | Bit name                  | Description  | R/W     |
|-----|------------------------|---------------------------|--|---------|
| b0  | <a href="#">TSTART</a> | AGT Count Start*2         | 0: Count stops<br>1: Count starts.                         | R/W     |
| b1  | <a href="#">TCSTF</a>  | AGT Count Status Flag*2   | 0: Count stopped<br>1: Count in progress.                  | R       |
| b2  | <a href="#">TSTOP</a>  | AGT Count Forced Stop*1   | 0: Writing is invalid<br>1: The count is forcibly stopped. | W       |
| b3  | —                      | Reserved                  | The read value is 0. The write value should be 0.          | R/W     |
| b4  | <a href="#">TEDGF</a>  | Active Edge Judgment Flag | 0: No active edge received<br>1: Active edge received.     | R/(W)*3 |
| b5  | <a href="#">TUNDF</a>  | Underflow Flag            | 0: No underflow<br>1: Underflow.                           | R/(W)*3 |
| b6  | <a href="#">TCMAF</a>  | Compare Match A Flag      | 0: No match<br>1: Match.                                   | R/(W)*3 |
| b7  | <a href="#">TCMBF</a>  | Compare Match B Flag      | 0: No match<br>1: Match.                                   | R/(W)*3 |

Note 1. When 1 (count is forcibly stopped) is written to the TSTOP bit, the TSTART and TCSTF bits are initialized at the same time. The pulse output level is also initialized. The read value is 0.

Note 2. For information on using the TSTART and TCSTF bits, see [section 25.4.1, Count Operation Start and Stop Control](#).

Note 3. Only 0 can be written to clear the flag.

#### TSTART bit (AGT Count Start)

The count operation is started by writing 1 to the TSTART bit and stopped by writing 0. When this bit is set to 1, the TCSTF bit is set to 1 (count in progress) in synchronization with the count source. Also, after 0 is written to the TSTART bit, the TCSTF bit is set to 0 (count stopped) in synchronization with the count source. For details, see [section 25.4.1, Count Operation Start and Stop Control](#).

**TCSTF flag (AGT Count Status Flag)**

The TCSTF flag indicates the AGT count status.

[Setting condition]

- When 1 is written to the TSTART bit (the TCSTF flag is set to 1 in synchronization with the count source).

[Clearing conditions]

- When 0 is written to the TSTART bit (the TCSTF flag is set to 0 in synchronization with the count source)
- When 1 is written to the TSTOP bit.

**TSTOP bit (AGT Count Forced Stop)**

When 1 is written to the TSTOP bit, the count is forcibly stopped. The read value is 0.

**TEDGF flag (Active Edge Judgment Flag)**

The TEDGF flag indicates that an active edge was detected.

[Setting condition]

- When the measurement of the active width of the external input (AGTIO) is complete in pulse width measurement mode.
- When the set edge of the external input (AGTIO) is input in pulse period measurement mode

[Clearing condition]

- When 0 is written to this flag by a program.

**TUNDF flag (Underflow Flag)**

The TUNDF flag indicates that the counter underflowed.

[Setting condition]

- When the counter underflows.

[Clearing condition]

- When 0 is written to this flag by software.

**TCMAF flag (Compare Match A Flag)**

The TCMAF flag indicates that compare match A was detected.

[Setting condition]

- When the value in the AGT register matches the value in the AGTCMA register.

[Clearing condition]

- When 0 is written to this flag by software.

**TCMBF flag (Compare Match B Flag)**

The TCMBF flag indicates that compare match B was detected.

[Setting condition]

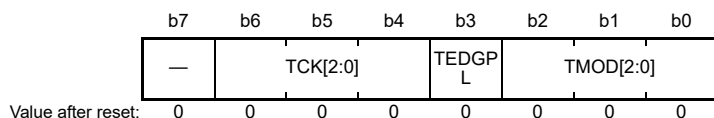
- When the value in the AGT register matches the value in the AGTCMB register.

[Clearing condition]

- When 0 is written to this flag by software.

## 25.2.5 AGT Mode Register 1 (AGTMR1)

Address(es): [AGT0.AGTMR1 4008 4009h](#), [AGT1.AGTMR1 4008 4109h](#)



| Bit      | Symbol                    | Bit name               | Description  | R/W |
|----------|---------------------------|------------------------|--|-----|
| b2 to b0 | <a href="#">TMOD[2:0]</a> | Operating Mode*3       | b2 b0<br>0 0 0: Timer mode<br>0 0 1: Pulse output mode<br>0 1 0: Event counter mode<br>0 1 1: Pulse width measurement mode<br>1 0 0: Pulse period measurement mode.<br>Other settings are prohibited.  | R/W |
| b3       | <a href="#">TEDGPL</a>    | Edge Polarity*4        | 0: Single-edge<br>1: Both-edge.  | R/W |
| b6 to b4 | <a href="#">TCK[2:0]</a>  | Count Source*1, *2, *5 | b6 b4<br>0 0 0: PCLKB<br>0 0 1: PCLKB/8<br>0 1 1: PCLKB/2<br>1 0 0: Divided clock AGTLCLK specified in CKS[2:0] bits in AGTMR2 register<br>1 0 1: Underflow event signal from AGT0*6<br>1 1 0: Divided clock AGTCLK specified in CKS[2:0] bits in AGTMR2 register.<br>Other settings are prohibited. | R/W |
| b7       | —                         | Reserved               | The read value is 0. The write value should be 0.  | R/W |

Note: Write access to the AGTMR1 register initializes the output from the AGTOn, AGTIO<sub>n</sub>, AGTOAn and AGTOB<sub>n</sub> pins of the AGT (n = 0, 1). For details on the output level at initialization, see the description of [section 25.2.7, AGT I/O Control Register \(AGTIOC\)](#).

Note 1. When event counter mode is selected, the external input (AGTIO<sub>n</sub>) is selected as the count source regardless of the setting of TCK[2:0] bits.

Note 2. Do not switch count sources during count operation. Only switch count sources when both the TSTART and TCSTF bits in the AGTCR register are set to 0 (count is stopped).

Note 3. The operating mode can only be changed when the count is stopped while both the TSTART and TCSTF bits in the AGTCR register are set to 0 (count is stopped). Do not change the operating mode during count operation.

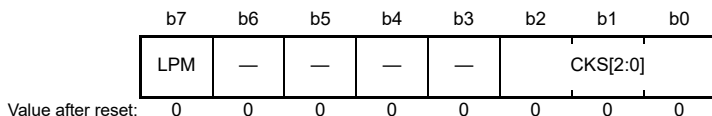
Note 4. The TEDGPL bit is enabled only in event counter mode.

Note 5. When running AGT in Software Standby and Deep Software Standby modes, set AGTCLK or AGTLCLK (TCK[2:0] = 100b or 110b) as the count source.

Note 6. AGT0 cannot use AGT0 underflow (setting prohibited). AGT1 uses the AGT0 underflow.

### 25.2.6 AGT Mode Register 2 (AGTMR2)

Address(es): [AGT0.AGTMR2 4008 400Ah](#), [AGT1.AGTMR2 4008 410Ah](#)



| Bit      | Symbol                   | Bit name   | Description   | R/W |
|----------|--------------------------|--|---|-----|
| b2 to b0 | <a href="#">CKS[2:0]</a> | AGTCLK/AGTLCLK<br>Count Source Clock<br>Frequency Division<br>Ratio *1, *2, *3 | b2 b0<br>0 0 0: 1/1<br>0 0 1: 1/2<br>0 1 0: 1/4<br>0 1 1: 1/8<br>1 0 0: 1/16<br>1 0 1: 1/32<br>1 1 0: 1/64<br>1 1 1: 1/128. | R/W |
| b6 to b3 | —                        | Reserved   | These bits are read as 0. The write value should be 0.  | R/W |
| b7       | <a href="#">LPM</a>      | Low Power Mode   | 0: Normal mode<br>1: Low power mode.  | R/W |

Note 1. Do not rewrite CKS[2:0] during count operation. Only rewrite the CKS[2:0] bits when both the TSTART and TCSTF bits in the AGTCR register are set to 0 (count is stopped).

Note 2. When count source is AGTCLK/AGTLCLK, the switch of CKS[2:0] is valid.

Note 3. Do not switch the TCK[2:0] bits in the AGTMR1 register when CKS[2:0] are not 000b. Switch the TCK[2:0] bits in the AGTMR1 register after CKS[2:0] are set to 000b, and wait for 1 cycle of the count source.

#### LPM bit (Low Power Mode)

The LPM bit sets the low power operation, which impacts access to certain AGT registers. Set 1 to operate in low power. When this bit is 1, access to the following registers is prohibited:

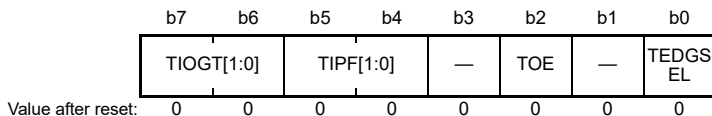
- AGT/AGTCMA/AGTCMB/AGTCR.

After this bit is switched from 1 to 0, the first access to the register is constrained as follows:

- AGT: Read AGT register twice. Only the second reading of data is valid.
- AGT, AGTCMA, AGTCMB, and AGTCR: Allow at least 2 cycles of the count source clock when writing to the register.

### 25.2.7 AGT I/O Control Register (AGTIOC)

Address(es): [AGT0.AGTIOC 4008 400Ch](#), [AGT1.AGTIOC 4008 410Ch](#)



| Bit | Symbol                  | Bit name            | Description  | R/W |
|-----|-------------------------|---------------------|--|-----|
| b0  | <a href="#">TEDGSEL</a> | I/O Polarity Switch | Function varies depending on the operating mode. See <a href="#">Table 25.3</a> and <a href="#">Table 25.4</a> .<br>The TEDGSEL bit switches the AGTO output polarity and the AGTIO input/output edge and polarity. In pulse output mode, it only controls the polarity of AGTO output and AGTIO output. AGTO output and AGTIO output are initialized when the AGTMR1 register is written and the TSTOP bit in the AGTCR register is written with 1. | R/W |

| Bit    | Symbol     | Bit name                 | Description  | R/W |
|--------|------------|--------------------------|--|-----|
| b1     | —          | Reserved                 | This bit is read as 0. The write value should be 0.  | R/W |
| b2     | TOE        | AGTOn Output Enable      | 0: AGTOn output disabled<br>1: AGTOn output enabled.   | R/W |
| b3     | —          | Reserved                 | This bit is read as 0. The write value should be 0.  | R/W |
| b5, b4 | TIPF[1:0]  | Input Filter *3          | b5 b4<br>0 0: No filter<br>0 1: Filter sampled at PCLKB<br>1 0: Filter sampled at PCLKB/8<br>1 1: Filter sampled at PCLKB/32.<br>These bits specify the sampling frequency of the filter for the AGTIOOn input. If the input to the AGTIOOn pin is sampled and the value matches three successive times, that value is taken as the input value. | R/W |
| b7, b6 | TIOGT[1:0] | Count Control *1, *2, *4 | b7 b6<br>0 0: Event is always counted<br>0 1: Event is counted during polarity period specified for AGTEEn.<br>Other settings are prohibited.  | R/W |

Note 1. When AGTEEn pin is used, the polarity to count an event can be selected with the EEPS bit in the AGTISR register.

Note 2. TIOGT[1:0] bits are enabled only in event counter mode.

Note 3. When event counter mode operation is performed during Software Standby and Deep Software Standby modes, the digital filter function cannot be used.

Note 4. When using in Deep Software Standby mode, set TIOGT[1:0] = 00b (event is always counted).

**Table 25.3 AGTIOOn I/O edge and polarity switching**

| Operating mode                | Function  |
|-------------------------------|---|
| Timer mode                    | Not used  |
| Pulse output mode             | 0: Output is started at high (initialization level: high)<br>1: Output is started at low (initialization level: low). |
| Event counter mode            | 0: Count on rising edge<br>1: Count on falling edge.  |
| Pulse width measurement mode  | 0: Low-level width is measured<br>1: High-level width is measured   |
| Pulse period measurement mode | 0: Measure from one rising edge to the next rising edge<br>1: Measure from one falling edge to the next falling edge. |

**Table 25.4 AGTOn output polarity switching**

| Operating mode | Function  |
|----------------|---|
| All modes      | 0: Output is started at low (initialization level: low)<br>1: Output is started at high (initialization level: high). |

### 25.2.8 AGT Event Pin Select Register (AGTISR)

Address(es): AGT0.AGTISR 4008 400Dh, AGT1.AGTISR 4008 410Dh

| b7 | b6 | b5 | b4 | b3 | b2   | b1 | b0 |
|----|----|----|----|----|------|----|----|
| —  | —  | —  | —  | —  | EEPS | —  | —  |

Value after reset: 0 0 0 0 0 0 0 0

| Bit    | Symbol | Bit name                  | Description  | R/W |
|--------|--------|---------------------------|--|-----|
| b1, b0 | —      | Reserved                  | These bits are read as 0. The write value should be 0.   | R/W |
| b2     | EEPS   | AGTEEn Polarity Selection | 0: An event is counted during the low-level period<br>1: An event is counted during the high-level period. | R/W |



| Bit      | Symbol | Bit name | Description  | R/W |
|----------|--------|----------|--|-----|
| b7 to b3 | —      | Reserved | These bits are read as 0. The write value should be 0. | R/W |

### 25.2.9 AGT Compare Match Function Select Register (AGTCMSR)

Address(es): [AGT0.AGTCMSR 4008 400Eh](#), [AGT1.AGTCMSR 4008 410Eh](#)

| b7 | b6         | b5   | b4    | b3 | b2         | b1   | b0    |
|----|------------|------|-------|----|------------|------|-------|
| —  | TOPOL<br>B | TOEB | TCMEB | —  | TOPOL<br>A | TOEA | TCMEA |
| 0  | 0          | 0    | 0     | 0  | 0          | 0    | 0     |

Value after reset:

| Bit | Symbol | Bit name   | Description  | R/W |
|-----|--------|--|--|-----|
| b0  | TCMEA  | Compare Match A Register Enable* <sup>1</sup> , * <sup>2</sup> | 0: Compare match A register disabled<br>1: Compare match A register enabled. | R/W |
| b1  | TOEA   | AGTOAn Output Enable* <sup>1</sup> , * <sup>2</sup>            | 0: AGTOAn output disabled<br>1: AGTOAn output enabled.                       | R/W |
| b2  | TOPOLA | AGTOAn Polarity Select* <sup>1</sup> , * <sup>2</sup>          | 0: AGTOAn output is started on low<br>1: AGTOAn output is started on high.   | R/W |
| b3  | —      | Reserved   | This bit is read as 0. The write value should be 0.                          | R/W |
| b4  | TCMEB  | Compare Match B Register Enable* <sup>1</sup> , * <sup>2</sup> | 0: Compare match B register disabled<br>1: Compare match B register enabled. | R/W |
| b5  | TOEB   | AGTOBn Output Enable* <sup>1</sup> , * <sup>2</sup>            | 0: AGTOBn output disabled<br>1: AGTOBn output enabled.                       | R/W |
| b6  | TOPOLB | AGTOBn Polarity Select* <sup>1</sup> , * <sup>2</sup>          | 0: AGTOBn output is started on low<br>1: AGTOBn output is started on high.   | R/W |
| b7  | —      | Reserved   | This bit is read as 0. The write value should be 0.                          | R/W |

Note 1. Do not rewrite the AGTCMSR register during a count operation. Only rewrite the AGTCMSR register when both the TSTART and TCSTF bits in the AGTCR register are set to 0 (count is stopped).

Note 2. Do not set to 1 when in pulse width measurement mode or pulse period measurement mode.

### 25.2.10 AGT Pin Select Register (AGTIOSEL)

Address(es): [AGT0.AGTIOSEL 4008 400Fh](#), [AGT1.AGTIOSEL 4008 410Fh](#)

| b7 | b6 | b5 | b4   | b3 | b2 | b1       | b0 |
|----|----|----|------|----|----|----------|----|
| —  | —  | —  | TIES | —  | —  | SEL[1:0] |    |
| 0  | 0  | 0  | 0    | 0  | 0  | 0        | 0  |

Value after reset:

| Bit    | Symbol   | Bit name  | Description   | R/W |
|--------|----------|---|---|-----|
| b1, b0 | SEL[1:0] | AGTIO Pin Select* <sup>1</sup> , * <sup>3</sup> | b1 b0<br>0 0: Select Pm* <sup>2</sup> /AGTIO as AGTIO<br>Pm/AGTIO can not be used as AGTIO input pin in Deep Software Standby mode.<br>0 1: Setting prohibited<br>1 0: Select P402/AGTIO as AGTIO<br>P402/AGTIO can be used as AGTIO input pin in Deep Software Standby mode. P402/AGTIO is input only. It cannot be used for output.<br>1 1: Select P403/AGTIO as AGTIO.<br>P403/AGTIO can be used as AGTIO input pin in Deep Software Standby mode. P403/AGTIO is input only. It cannot be used for output. | R/W |
| b3, b2 | —        | Reserved  | These bits are read as 0. The write value should be 0.  | R/W |

| Bit      | Symbol      | Bit name           | Description  | R/W |
|----------|-------------|--------------------|--|-----|
| b4       | <b>TIES</b> | AGTIO Input Enable | 0: External event input is disabled during Software Standby mode<br>1: External event input is enabled during Software Standby mode. | R/W |
| b7 to b5 | —           | Reserved           | These bits are read as 0. The write value should be 0.   | R/W |

- Note 1. P402/AGTIO and P403/AGTIO can be used as external event input pins for the AGT in Deep Software Standby mode. Pm\*2/AGTIO cannot be used as external event input pins for the AGT in Deep Software Standby mode. P402/AGTIO and P403/AGTIO are input only.  
When Pm/AGTIO is selected, you must set the Port mn Pin Function Select register. See [section 20, I/O Ports](#).
- Note 2. m = 100, 301, 407, and 705 (AGT0), m = 204 and 400 (AGT1).
- Note 3. When P402/AGTIO and P403/AGTIO are selected, you must set the VBTICTLR register. See [section 12, Battery Backup Function](#).

The AGTIOSEL register sets the AGTIO pin when using the AGTIO in Deep Software Standby mode and Software Standby mode. The AGTIOSEL register can be set with an 8-bit memory manipulation instruction.

### **SEL[1:0] bits (AGTIO Pin Select\*1,\*3)**

The SEL[1:0] bits select the AGTIO pin function.

### **TIES bit (AGTIO Input Enable)**

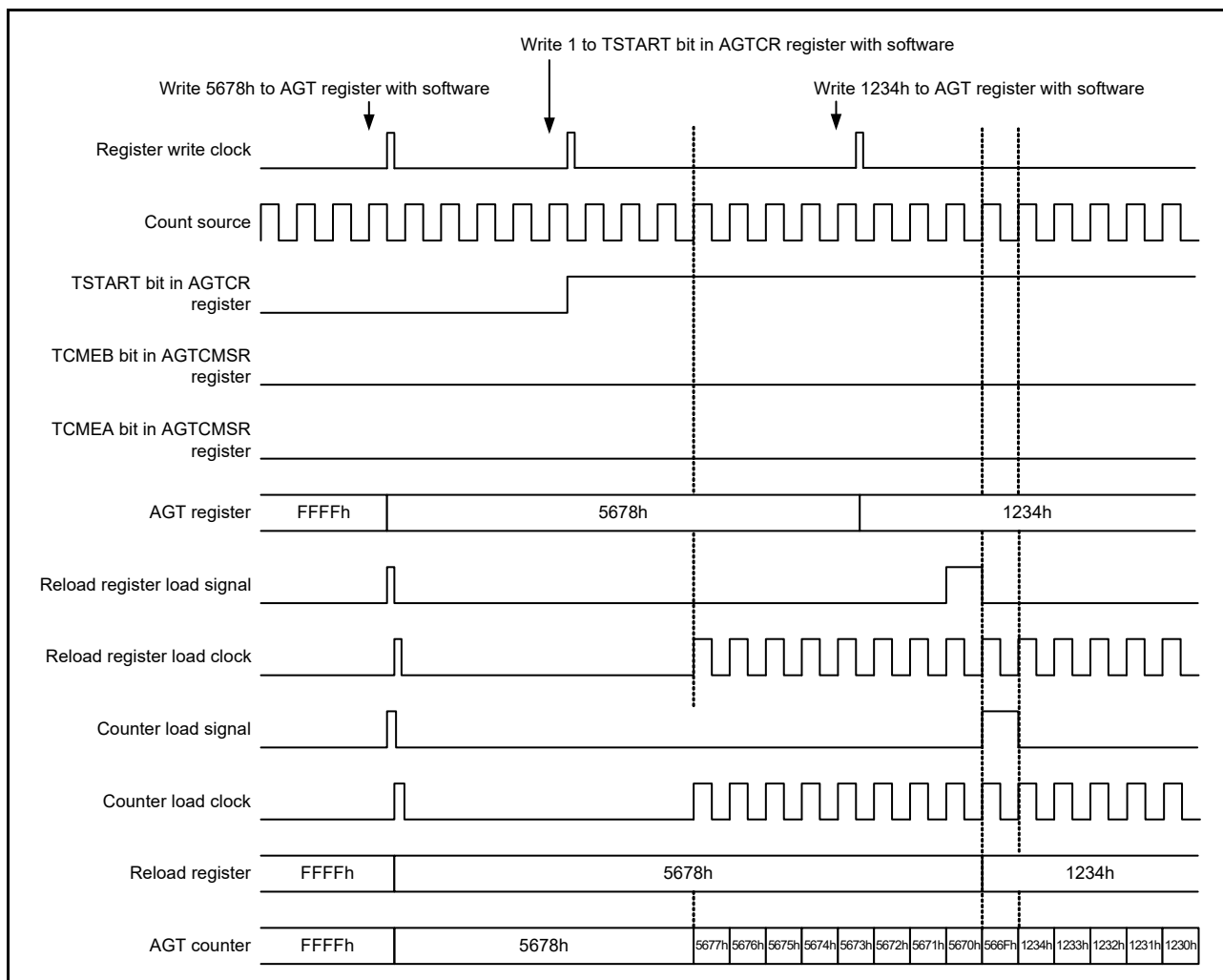
The TIES bit enables or disables an external event input.

## 25.3 Operation

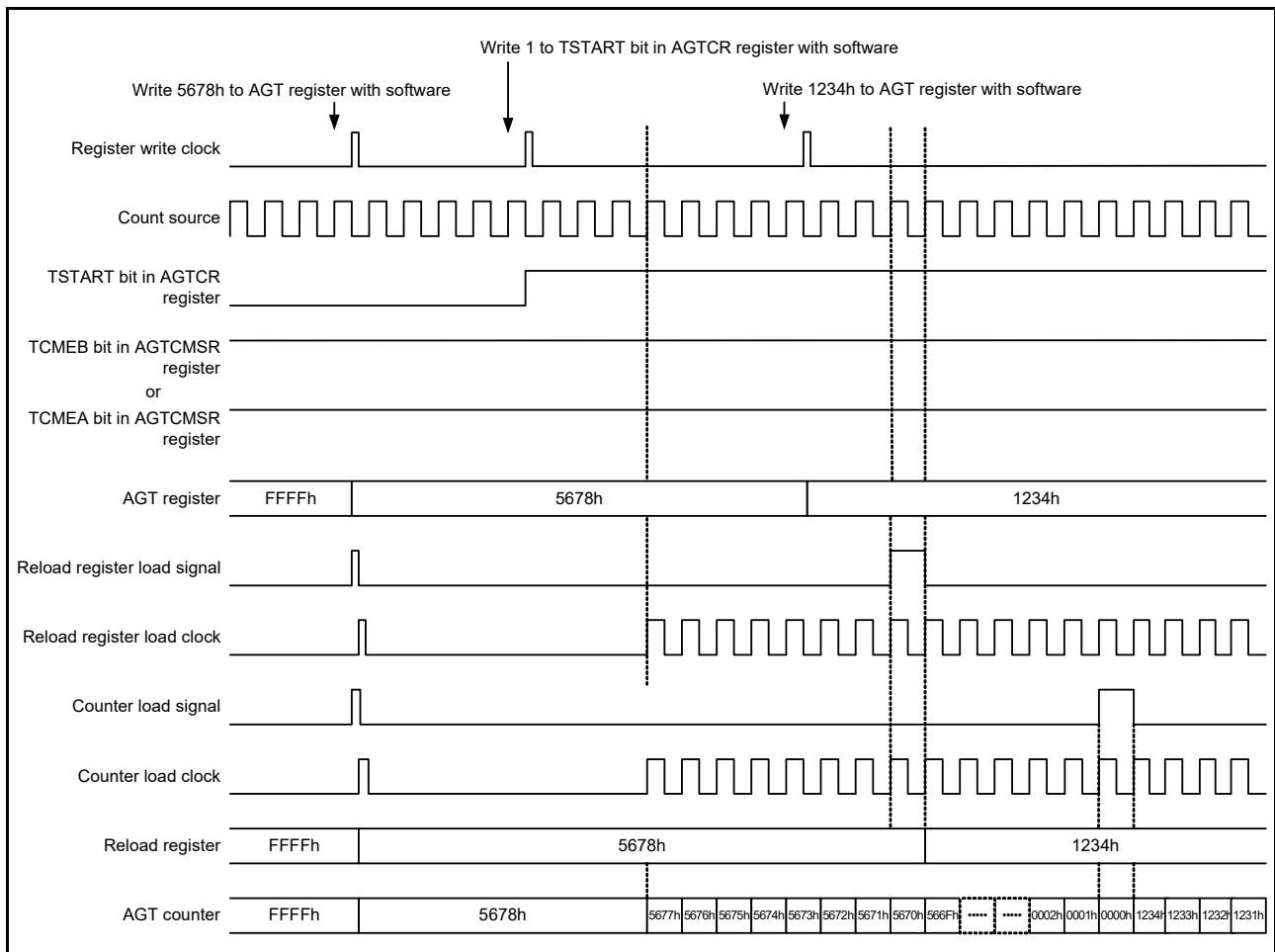
### 25.3.1 Reload Register and Counter Rewrite Operation

Regardless of the operating mode, the timing of the rewrite operation to the reload register and the counter differs depending on the value of the TSTART bit in the AGTCR register and of the TCMEA and TCMEB bit in the AGTCMSR register. When the TSTART bit is 0 (count stops), the count value is directly written to the reload register and the counter. When the TSTART bit is 1 (count starts) and the TCMEA bit and TCMEB bit are 0 (compare match A/B registers are invalid), the value is written to the reload register in synchronization with the count source, and then to the counter in synchronization with the next count source. When the TSTART bit is 1 (count starts) and the TCMEA bit or TCMEB bit is 1 (compare match A register or compare match B register is valid), the value is written to the reload register in synchronization with the count source, and then to the counter in synchronization with the underflow of the counter.

[Figure 25.2](#) and [Figure 25.3](#) show the timing of rewrite operation with TSTART bit value and TCMEA/TCMEB bit value.



**Figure 25.2** Timing of rewrite operation with TSTART bit value and TCMEA/TCMEB bit value when compare match register A or B is invalid



**Figure 25.3** Timing of rewrite operation with TSTART bit value and TCMEA or TCMEB bit value when compare match register A or B is valid

### 25.3.2 Reload Register and Compare Register A/B Rewrite Operation

Regardless of the operating mode, the timing of the rewrite operation to compare register A/B depends on the value of the TSTART bit in the AGTCR register. When the TSTART bit is 0 (count stops), the count value is directly written to the reload register and compare register A/B. When the TSTART bit is 1 (count starts), the value is written to the reload register in synchronization with the count source, and then to the compare register in synchronization with the underflow of the counter.

Figure 25.4 shows the timing of rewrite operation with TSTART bit value for compare register A. Compare register B has the same timing as compare register A.

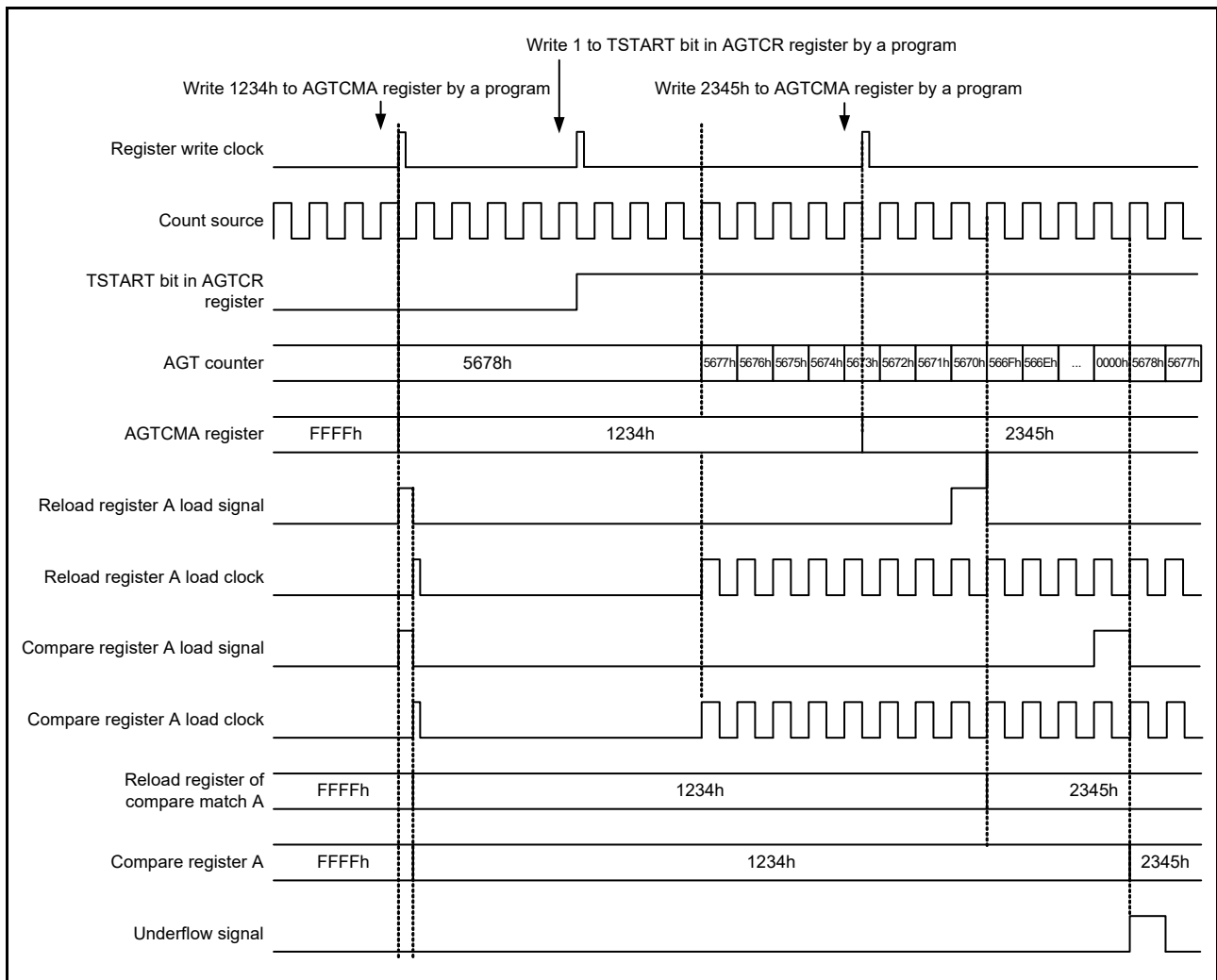
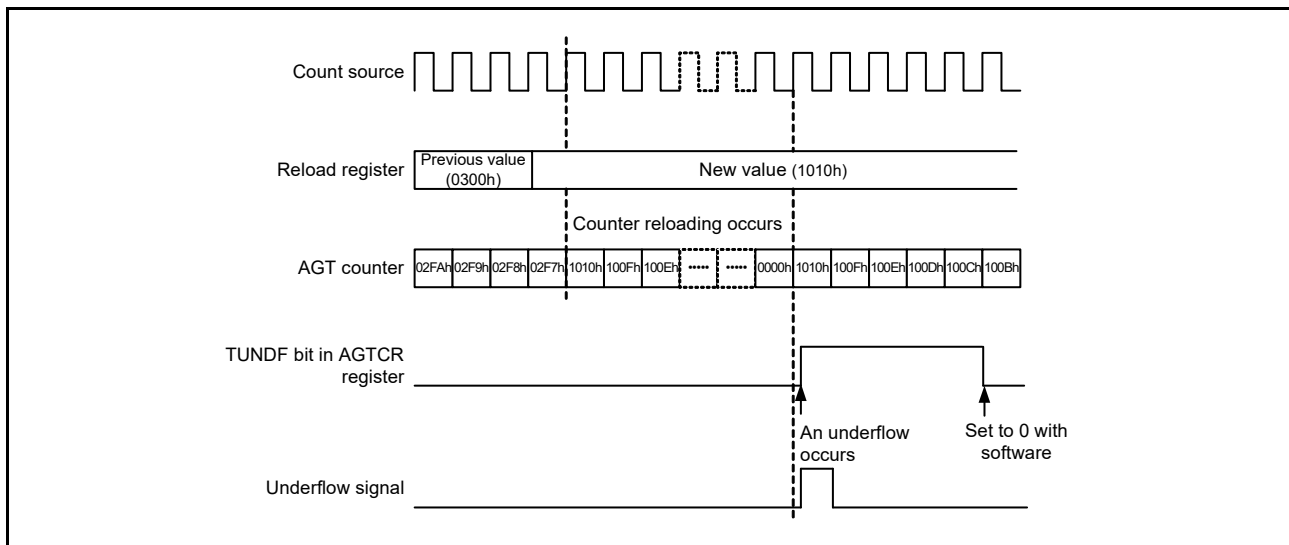


Figure 25.4 Timing of rewrite operation with TSTART bit value for compare register A

### 25.3.3 Timer Mode

In timer mode, the AGT counter is decremented by the count source selected with bits TCK[2:0] in the AGTMR1 register. In timer mode, the count value is decremented by 1 on each rising edge of the count source. When the count value reaches 0000h and the next count source is input, an underflow occurs and an interrupt request is generated.

Figure 25.5 shows the operation example in timer mode.



**Figure 25.5** Operation example in timer mode

### 25.3.4 Pulse Output Mode

In pulse output mode, the counter is decremented by the count source selected with bits TCK[2:0] in the AGTMR1 register, and the output level of pins AGTIO<sub>n</sub> and AGTON<sub>n</sub> pins is inverted each time an underflow occurs.

In pulse output mode, the count value is decremented by 1 on each rising edge of the count source. When the count value reaches 0000h and the next count source is input, an underflow occurs and an interrupt request is generated. In addition, a pulse can be output from the AGTIO<sub>n</sub> and AGTON<sub>n</sub> pins. The output level is inverted each time an underflow occurs. The pulse output from the AGTON<sub>n</sub> pin can be stopped with the TOE bit in the AGTIOC register. The output level can be selected with the TEDGSEL bit in the AGTIOC register.

Figure 25.6 shows the operation example in pulse output mode.

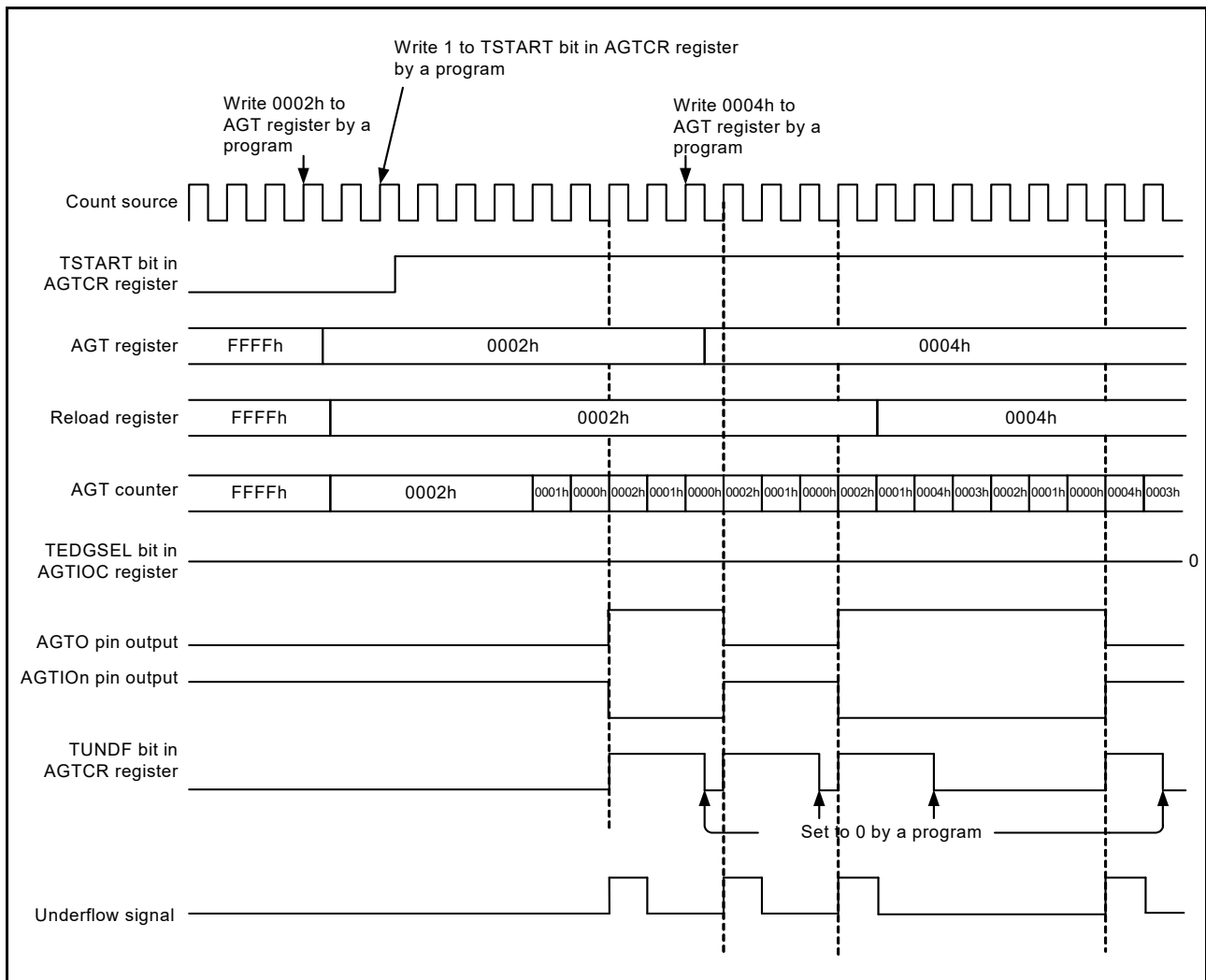


Figure 25.6 Operation example in pulse output mode

### 25.3.5 Event Counter Mode

In event counter mode, the counter is decremented by an external event signal input to the AGTIO pin. Various periods for counting events can be set with the TIOGT[1:0] bits in the AGTIOC and AGTISR registers. In addition, the filter function for the AGTIO input can be specified with bits TIPF[1:0] in the AGTIOC register. The output from the AGTIO pin can be toggled even in event counter mode.

Figure 25.7 shows the operation example in event counter mode.

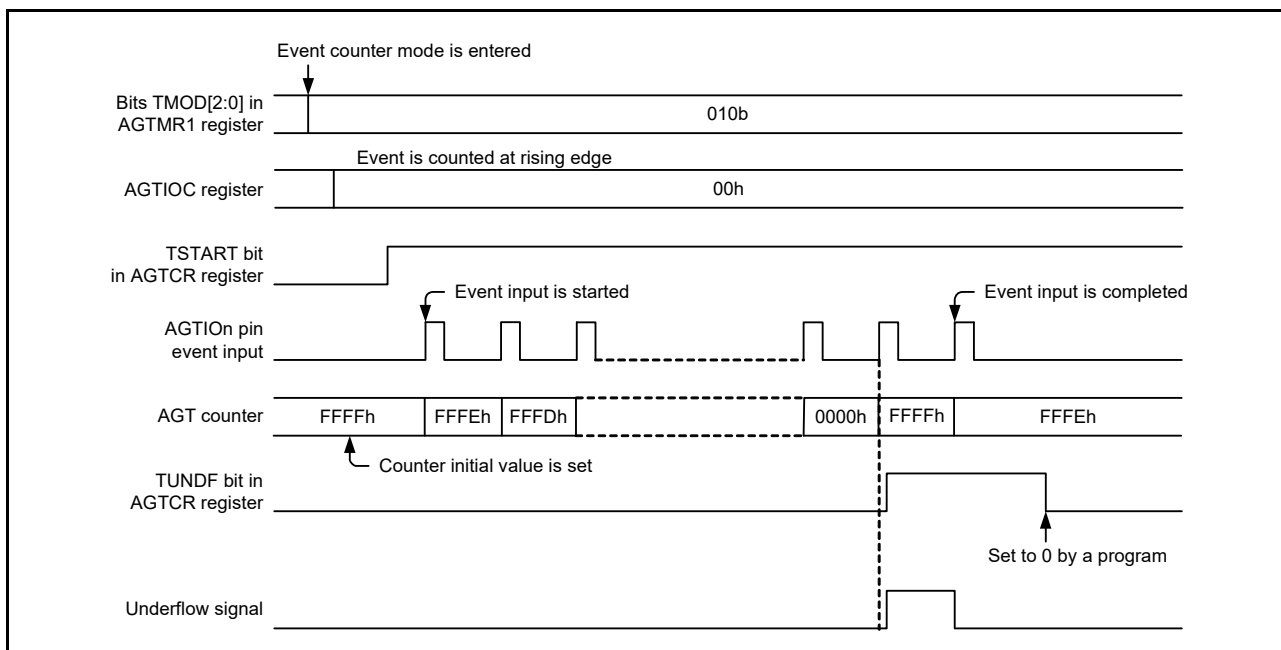


Figure 25.7 Operation example 1 in event counter mode

Figure 25.8 shows an operation example for counting during the specified period in event counter mode (TIOGT[1:0] bits in the AGTIOC register are set to 01b).

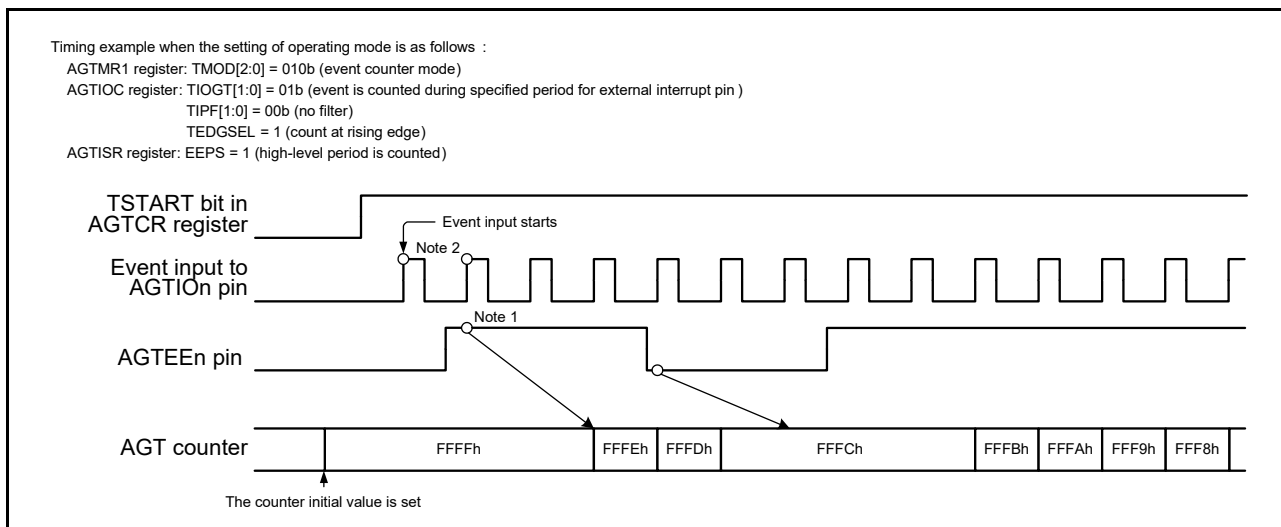


Figure 25.8 Operation example 2 in event counter mode

- Note 1. To control synchronization, there is a delay of 2 cycles of the count source until count operation is affected. It is also possible that the count start timing is shifted by 1 cycle because of the phase difference between the AGTEEn and the sampling clock.
- Note 2. Count operation can be performed for 2 cycles of the count source immediately after the count starts, depending on the previous state before the count stops.  
To disable the count for 2 cycles immediately after the count starts, write 1 to the TSTOP bit in the AGTCR register to initialize the internal circuit, and then complete the operation settings before starting the count operation.

### 25.3.6 Pulse Width Measurement Mode

In pulse width measurement mode, the pulse width of an external signal input to the AGTIO pin is measured. When the level specified in the TEDGSEL bit in the AGTIOC register is input to the AGTIO pin, the counter is decremented by



the count source selected by TCK[2:0] bits in the AGTMR1 register. When the specified level on the AGTIO pin ends, the counter is stopped, the TEDGF bit in the AGTCR register is set to 1 (active edge received), and an interrupt request is generated. The measurement of pulse width data is performed by reading the count value while the counter is stopped. Also, when the counter underflows during measurement, the TUNDF bit in the AGTCR register is set to 1 and an interrupt request is generated.

Figure 25.9 shows the operation example in pulse width measurement mode.

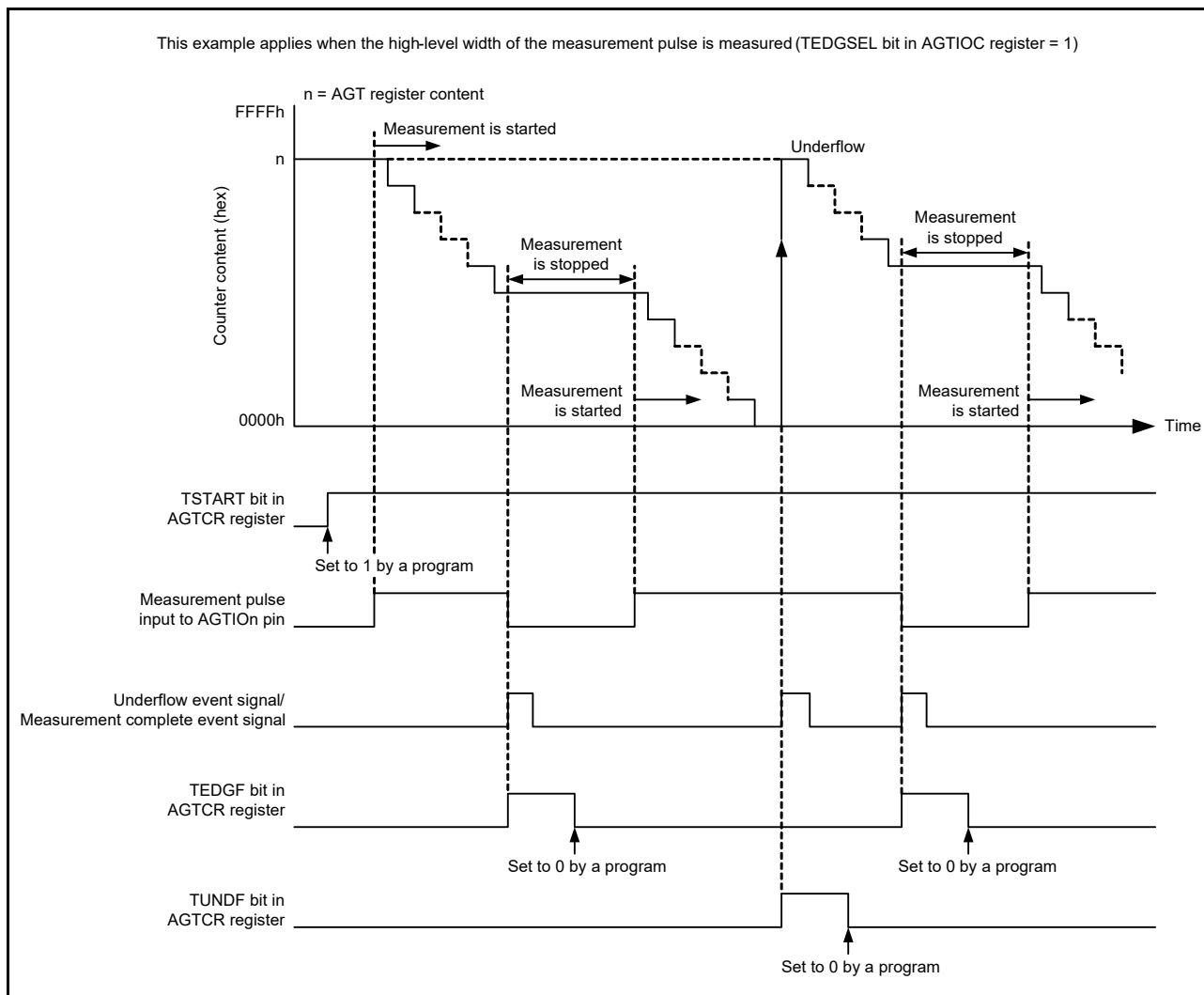


Figure 25.9 Operation example in pulse width measurement mode

### 25.3.7 Pulse Period Measurement Mode

In pulse period measurement mode, the pulse period of an external signal input to the AGTIO pin is measured. The counter is decremented by the count source selected with bits TCK[2:0] in the AGTMR1 register. When a pulse with the level specified in the TEDGSEL bit in the AGTIOC register is input to the AGTIO pin, the count value is transferred to the read-out buffer on the rising edge of the count source. The value in the reload register is loaded to the counter at the next rising edge. Simultaneously, the TEDGF bit in the AGTCR register is set to 1 (active edge received) and an interrupt request is generated. The read-out buffer (AGT register) is read at this time and the difference from the reload value (see section 25.4.5, How to Calculate Event Number, Pulse Width, and Pulse Period) is the period data of the input pulse. The period data is retained until the read-out buffer is read. When the counter underflows, the TUNDF bit in the AGTCR register is set to 1 (underflow) and an interrupt request is generated.

Figure 25.10 shows the operation example in pulse period measurement mode.

Only input pulses with a period longer than twice the period of the count source are measured. Also, the low-level and high-level widths must both be longer than the period of the count source. If a pulse period shorter than these conditions

is input, the input might be ignored.

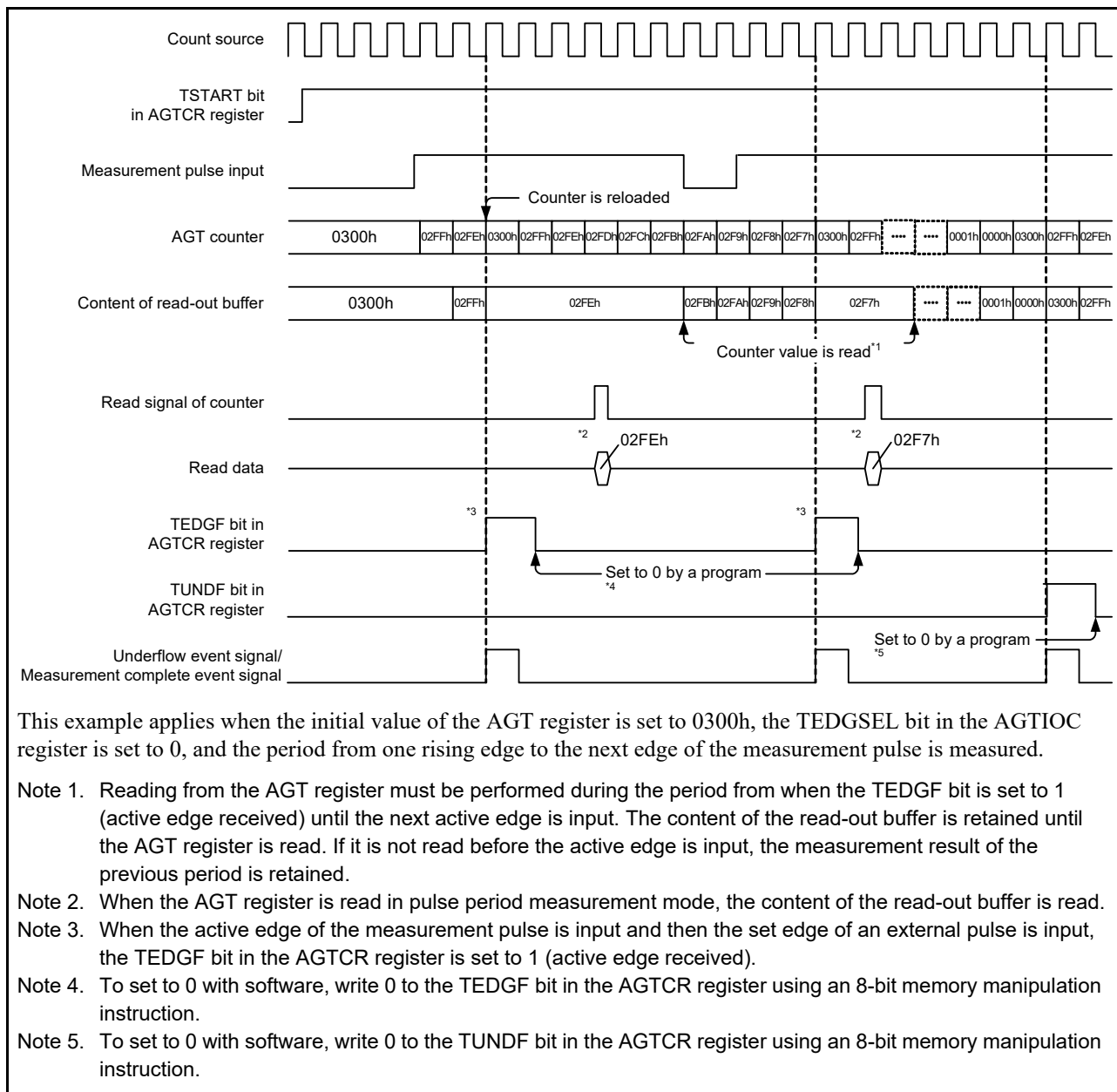


Figure 25.10 Operation example in pulse period measurement mode

### 25.3.8 Compare Match Function

The compare match function detects matches (compare match) between the content of the AGTCMA or AGTCMB register and the content of the AGT register. This function is enabled when the TCMEA bit or the TCMEB bit in the AGTCMSR register is 1 (compare match A register or compare match B register is valid). The counter is decremented by the count source selected with bits TCK[2:0] in the AGTMR1 register, and when the values of AGT and AGTCMA or AGTCMB match, the TCMAF/TCMBF bit in the AGTCR register is set to 1 (match), and an interrupt request is generated.

When compare match function is enabled, the timing of the rewrite operation to the reload register and the counter differs. See [section 25.3.1, Reload Register and Counter Rewrite Operation](#) for details. In addition, the output level of the AGTOAn and AGTOBn pins is inverted by the match and by the underflow. The output level can be selected with the TOPOLA or TOPOLB bit in the AGTCMSR register.

Figure 25.11 shows the operation example in compare match mode.

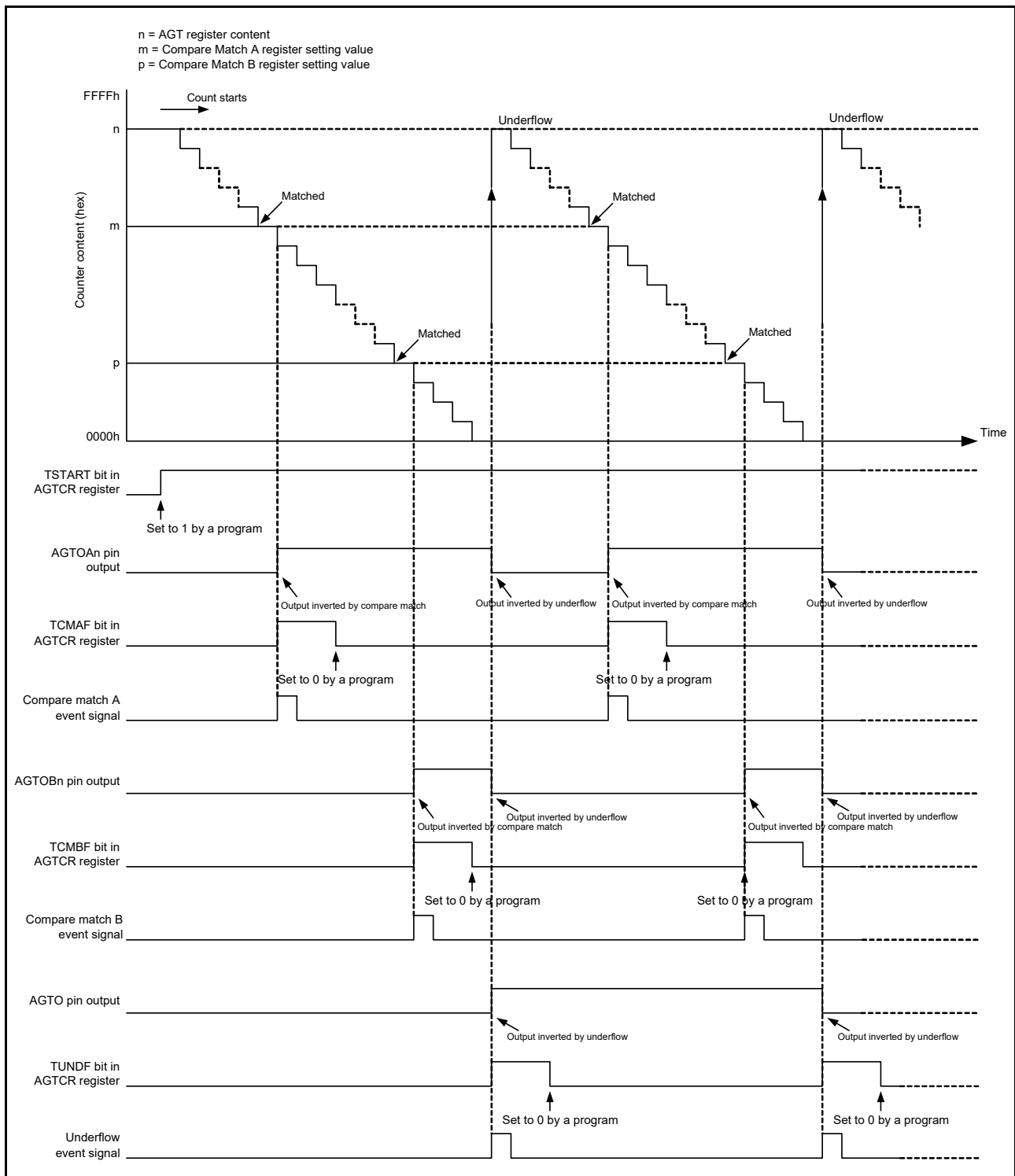


Figure 25.11 Operation example in compare match mode (TOPOLA = 0, TOPOLB = 0)

### 25.3.9 Output Settings for Each Mode

Table 25.5 to Table 25.8 list the states of pins AGTO<sub>n</sub>, AGTIO<sub>n</sub>, AGTOA<sub>n</sub>, and AGTOB<sub>n</sub> in each mode.

**Table 25.5 AGTOn pin setting**

| Operating mode | AGTIOC register |             | AGTOn pin output |
|----------------|-----------------|-------------|------------------|
|                | TOE bit         | TEDGSEL bit |                  |
| All modes      | 1               | 1           | Inverted output  |
|                |                 | 0           | Normal output    |
|                | 0               | 0 or 1      | Output disabled  |

**Table 25.6 AGTIO pin setting**

| Operating mode                | AGTIOC register |   | AGTIO pin I/O       |
|-------------------------------|-----------------|---|---------------------|
|                               | TEDGSEL bit     |   |                     |
| Timer mode                    | 0 or 1          |   | Input<br>(not used) |
| Pulse output mode             | 1               |   | Normal output       |
|                               |                 | 0 | Inverted output     |
| Event counter mode            | 0 or 1          |   | Input               |
| Pulse width measurement mode  |                 |   |                     |
| Pulse period measurement mode |                 |   |                     |

**Table 25.7 AGTOAn pin setting**

| Operating mode                | AGTCMSR register |            | AGTOAn pin output             |
|-------------------------------|------------------|------------|-------------------------------|
|                               | TOEA bit         | TOPOLA bit |                               |
| Timer mode                    | 1                | 1          | Inverted output               |
|                               |                  | 0          | Normal output                 |
|                               | 0                | 0 or 1     | Output disabled<br>(not used) |
| Pulse output mode             | 1                | 1          | Inverted output               |
|                               |                  | 0          | Normal output                 |
|                               | 0                | 0 or 1     | Output disabled<br>(not used) |
| Event counter mode            | 1                | 1          | Inverted output               |
|                               |                  | 0          | Normal output                 |
|                               | 0                | 0 or 1     | Output disabled<br>(not used) |
| Pulse width measurement mode  | 0                | 0          | Prohibited                    |
| Pulse period measurement mode |                  |            |                               |

**Table 25.8 AGTOBn pin setting (1 of 2)**

| Operating mode    | AGTCMSR register |            | AGTOBn pin output             |
|-------------------|------------------|------------|-------------------------------|
|                   | TOEB bit         | TOPOLB bit |                               |
| Timer mode        | 1                | 1          | Inverted output               |
|                   |                  | 0          | Normal output                 |
|                   | 0                | 0 or 1     | Output disabled<br>(not used) |
| Pulse output mode | 1                | 1          | Inverted output               |
|                   |                  | 0          | Normal output                 |
|                   | 0                | 0 or 1     | Output disabled<br>(not used) |

**Table 25.8 AGTOBn pin setting (2 of 2)**

| Operating mode                | AGTCMSR register |            | AGTOBn pin output          |
|-------------------------------|------------------|------------|----------------------------|
|                               | TOEB bit         | TOPOLB bit |                            |
| Event counter mode            | 1                | 1          | Inverted output            |
|                               |                  | 0          | Normal output              |
| Pulse width measurement mode  | 0                | 0 or 1     | Output disabled (not used) |
|                               |                  | 0          | Prohibited                 |
| Pulse period measurement mode | 0                | 0          | Prohibited                 |

### 25.3.10 Standby Mode

The AGT can operate in Software Standby and Deep Software Standby modes. Set it to Software Standby mode or Deep Software Standby mode with count operation start (TSTART = 1, TCSTF = 1).

[Table 25.9](#) and [Table 25.10](#) show the settings that can be used in Software Standby and Deep Software Standby modes.

**Table 25.9 Usable settings for AGT0 in Software Standby and Deep Software Standby modes**

| Operating mode                | TCK[2:0] bits of AGTMR1 register | Operating clock    | Resurgence factor of CPU |
|-------------------------------|----------------------------------|--------------------|--------------------------|
| Timer mode                    | 100b or 110b                     | AGTLCLK or AGTSCLK | —                        |
| Pulse output mode             | 100b or 110b                     | AGTLCLK or AGTSCLK | —                        |
| Event counter mode            | - (Invalid)                      | AGTIO <sub>n</sub> | —                        |
| Pulse width measurement mode  | 100b or 110b                     | AGTLCLK or AGTSCLK | —                        |
| Pulse period measurement mode | 100b or 110b                     | AGTLCLK or AGTSCLK | —                        |

**Table 25.10 Usable settings AGT1 in Software Standby and Deep Software Standby modes**

| Operating mode                | TCK[2:0] bits of AGTMR1 register   | Operating clock                      | Resurgence factor of CPU   |
|-------------------------------|------------------------------------|--------------------------------------|--|
| Timer mode                    | 100b or 110b or 101b <sup>*1</sup> | AGTLCLK or AGTSCLK or AGT0 underflow | <ul style="list-style-type: none"> <li>• Underflow</li> <li>• Compare match A/B</li> </ul> |
| Pulse output mode             | 100b or 110b or 101b <sup>*1</sup> | AGTLCLK or AGTSCLK or AGT0 underflow | <ul style="list-style-type: none"> <li>• Underflow</li> <li>• Compare match A/B</li> </ul> |
| Event counter mode            | - (Invalid)                        | AGTIO <sub>n</sub>                   | <ul style="list-style-type: none"> <li>• Underflow</li> <li>• Compare match A/B</li> </ul> |
| Pulse width measurement mode  | 100b or 110b or 101b <sup>*1</sup> | AGTLCLK or AGTSCLK or AGT0 underflow | <ul style="list-style-type: none"> <li>• Underflow</li> <li>• Active edge</li> </ul>       |
| Pulse period measurement mode | 100b or 110b or 101b <sup>*1</sup> | AGTLCLK or AGTSCLK or AGT0 underflow | <ul style="list-style-type: none"> <li>• Underflow</li> <li>• Active edge</li> </ul>       |

Note: Release of Software Standby mode or Deep Software Standby mode is only AGT1.

Note 1. Only when AGT0 operates in [Table 25.9](#).

### 25.3.11 Interrupt Sources

The AGT has three interrupt sources described in [Table 25.11](#).

**Table 25.11 AGT interrupt sources**

| Name         | Interrupt source  | DMAC/DTC activation |
|--------------|---|---------------------|
| AGTn_AGTI    | <ul style="list-style-type: none"> <li>When the counter underflows</li> <li>When measurement of the active width of the external input (AGTIO) is complete in pulse width measurement mode</li> <li>When the set edge of the external input (AGTIO) is input in pulse period measurement mode.</li> </ul> | Possible            |
| AGTn_AGTCMAI | When the values of AGT and AGTCMA match   | Possible            |
| AGTn_AGTCMBI | When the values of AGT and AGTCMB match   | Possible            |

Note: Channel number (n = 0 or 1).

### 25.3.12 Event Signal Output to ELC

The AGT uses the Event Link Controller (ELC) to perform a link operation to a specified module using the interrupt request signal as the event signal. The AGT outputs compare match A, compare match B, and underflow/measurement complete signals as event signals. For details, see [section 19, Event Link Controller \(ELC\)](#).

## 25.4 Usage Notes

### 25.4.1 Count Operation Start and Stop Control

- When the operating mode (see [Table 25.1](#)) is set to other than the event counter mode, or the count source is set to other than AGT0 underflow (TCK[2:0] = 101b):
  - After 1 (count starts) is written to the TSTART bit in the AGTCR register while the count is stopped, the TCSTF flag in the AGTCR register remains 0 (count stops) for 3 cycles of the count source. Do not access the registers associated with AGT\*<sup>1</sup> other than the TCSTF flag until this bit is set to 1 (count in progress).
  - After 0 (count stops) is written to the TSTART bit during a count operation, the TCSTF flag remains 1 for 3 cycles of the count source. When the TCSTF flag is set to 0, the count stops. Do not access the registers associated with AGT\*<sup>1</sup> other than the TCSTF flag until this bit is set to 0.
  - Clear the interrupt register before changing the TSTART bit from 0 to 1. See [section 14, Interrupt Controller Unit \(ICU\)](#) for details.

Note 1. Registers associated with AGT: AGT, AGTCMA, AGTCMB, AGTCR, AGTMR1, AGTMR2, AGTIOC, AGTISR, and AGTCMSR.

- When the operating mode (see [Table 25.1](#)) is set to event counter mode, or the count source is set to AGT0 underflow (TCK[2:0] = 101b)
  - After 1 (count starts) is written to the TSTART bit in the AGTCR register while the count is stopped, the TCSTF bit in the AGTCR register remains 0 (count stops) for 2 cycles of the PCLKB. Do not access the registers associated with AGT\*<sup>1</sup> other than the TCSTF bit until this bit is set to 1 (count in progress).
  - After 0 (count stops) is written to the TSTART bit during a count operation, the TCSTF bit remains 1 for 2 cycles of the PCLKB. When the TCSTF bit is set to 0, the count is stopped. Do not access the registers associated with AGT\*<sup>1</sup> other than the TCSTF bit until this bit is set to 0.
  - Clear the interrupt register before changing the TSTART bit from 0 to 1. See [section 14, Interrupt Controller Unit \(ICU\)](#) for details.

Note 1. Registers associated with AGT: AGT, AGTCMA, AGTCMB, AGTCR, AGTMR1, AGTMR2, AGTIOC, AGTISR, and AGTCMSR.

### 25.4.2 Access to Counter Register

When the TSTART and TCSTF bits in the AGTCR register are both 1 (count starts), allow at least 3 cycles of the count source clock between writes when writing to the AGT register successively.

### 25.4.3 When Changing Mode

The registers associated with AGT operating mode (AGTMR1, AGTMR2, AGTIOC, AGTISR, AGTCMSR and AGTIOIC) can be changed only when the count is stopped with both the TSTART and TCSTF bits set to 0 (count stops). Do not change these registers during count operation.

When the registers associated with AGT operating mode are changed, the values of bits TEDGF, TUNDF, TCMAF and TCMBF are undefined. Before starting the count, write 0 to the following bits:

- TEDGF (no active edge received)
- TUNDF (no underflow)
- TCMAF (no match)
- TCMBF (no match).

### 25.4.4 Digital Filter

When using the digital filter, do not start the timer operation for 5 cycles of the digital filter clock after setting bits TIPF[1:0] and when the TEDGSEL bit in the AGTIOC register changes.

### 25.4.5 How to Calculate Event Number, Pulse Width, and Pulse Period

- In event counter mode, event number is expressed mathematically as follows:  
Event number = initial value of counter [AGT register] - counter value of active event end
- In pulse width measurement mode, pulse width is expressed mathematically as follows:  
Pulse width = counter value of stopping measurement - counter value of next stopping measurement
- In pulse period measurement mode, input pulse period is expressed mathematically as follows:  
Period of input pulse = (initial value of counter [AGT register] - reading value of the read-out buffer) + 1

### 25.4.6 When Count Is Forcibly Stopped by TSTOP Bit

After the counter is forcibly stopped by the TSTOP bit in the AGTCR register, do not access the following I/O registers for 1 cycle of the count source:

- AGT
- AGTCMA
- AGTCMB
- AGTCR
- AGTMR1
- AGTMR2.

### 25.4.7 When Selecting AGT0 Underflow as the Count Source

Operate the AGT according to the procedures described in this section when selecting the underflow signal of AGT as the count source.

#### (1) Procedure for starting operation

1. Set AGT0 and AGT1.
2. Start the count operation of AGT1.
3. Start the count operation of AGT0.

## (2) Procedure for stopping operation

1. Stop the count operation of AGT0.
2. Stop the count operation of AGT1.
3. Stop the count source clock of AGT1 (write 000b in the AGT1.AGTMR1.TCK[2:0] bits).

### 25.4.8 Reset of I/O Register

The I/O register of AGT is not initialized by different types of resets. For details, see [section 6, Resets](#).

### 25.4.9 When Selecting PCLKB, PCLKB/8, or PCLKB/2 as the Count Source

When a reset is generated, the operation of AGT cannot be guaranteed. Set the registers associated with AGT again.

### 25.4.10 When Selecting AGTSCLK or AGTLCLK as the Count Source

The MSTPD2 bit in the MSTPCRD register must be set to 1 except when accessing the AGT1 registers. The MSTPD3 bit in the MSTPCRD register must be set to 1 except when accessing the AGT0 registers. When a reset occurs while MSTPD2 or MSTPD3 bit is 0, the operation of AGT1 or AGT0 cannot be guaranteed. Set the registers associated with AGT again.

### 25.4.11 When Switching Source Clock

When switching a clock source by changing SCKCR.CKSEL[2:0], the clock output from the selector stops for 4 cycles of the switched clock. Therefore, when using the AGTIO, AGTEE, or both input as external event input, the clock source should not be switched. If switching the clock source while using the external event input, extend the input pulse width by 4 clock cycles of the switched source clock cycles.



## 26. Realtime Clock (RTC)

### 26.1 Overview

The RTC has two counting modes, calendar count mode and binary count mode, these are used by switching register settings. For calendar count mode, the RTC has a 100 year calendar from 2000 to 2099 and automatically adjusts dates for leap years. For binary count mode, the RTC counts seconds and retains the information as a serial value. Binary count mode can be used for calendars other than the Gregorian (Western) calendar.

The sub-clock oscillator or LOCO can be selected as the count source of the time counters. The RTC uses a 128-Hz clock acquired by dividing the count source by a prescaler. Year, month, date, day-of-week, a.m./p.m. (in 12-hour mode), hour, minute, second, or 32-bit binary is counted by 1/128 second.

[Table 26.1](#) lists the RTC specifications, [Figure 26.1](#) shows a block diagram, and [Table 26.2](#) lists the I/O pins.

**Table 26.1** RTC specifications

| Parameter                    | Specifications  |
|------------------------------|---|
| Count mode                   | Calendar count mode/binary count mode   |
| Count source*1               | Sub-clock oscillator (XCIN) or LOCO   |
| Clock and calendar functions | <ul style="list-style-type: none"> <li>• Calendar count mode<br/>Year, month, date, day of week, hour, minute, second are counted, BCD display<br/>12 hours/24 hours mode switching function<br/>30 seconds adjustment function (a number less than 30 is rounded down to 00 seconds, and 30 seconds or more are rounded up to 1 minute)<br/>Automatic adjustment function for leap years</li> <li>• Binary count mode<br/>Count seconds in 32 bits, binary display</li> <li>• Shared by both modes<br/>Start/stop function<br/>The sub-second digit is displayed in binary units (1 Hz, 2 Hz, 4 Hz, 8 Hz, 16 Hz, 32 Hz, or 64 Hz)<br/>Clock error correction function<br/>Clock (1-Hz/64-Hz) output</li> </ul>   |
| Interrupts                   | <ul style="list-style-type: none"> <li>• Alarm interrupt (RTC_ALM)<br/>As an alarm interrupt condition, selectable for comparison with the following:<br/>Calendar count mode: Year, month, date, day-of-week, hour, minute, or second can be selected<br/>Binary count mode: Each bit of the 32-bit binary counter.</li> <li>• Periodic interrupt (RTC_PRD)<br/>2 seconds, 1 second, 1/2 second, 1/4 second, 1/8 second, 1/16 second, 1/32 second, 1/64 second, 1/128 second, or 1/256 second can be selected as an interrupt period</li> <li>• Carry interrupt (RTC_CUP)<br/>An interrupt is generated at either of the following conditions:<br/>- When a carry from the 64-Hz counter to the second counter is generated<br/>- When the 64-Hz counter is changed and the R64CNT register is read at the same time</li> <li>• Return from Software Standby mode or Deep Software Standby mode can be performed by an alarm interrupt or periodic interrupt.</li> </ul> |
| Time capture function        | <ul style="list-style-type: none"> <li>• Times can be captured when the edge of the time capture event input pin is detected.<br/>For every event input, month, date, hour, minute, and second are captured or the 32-bit binary counter value is captured.</li> </ul>  |
| Event link function          | Periodic event output (RTC_PRD)   |

Note 1. The frequency of the peripheral module clock (PCLKB) must be  $\geq$  the frequency of the count source clock.

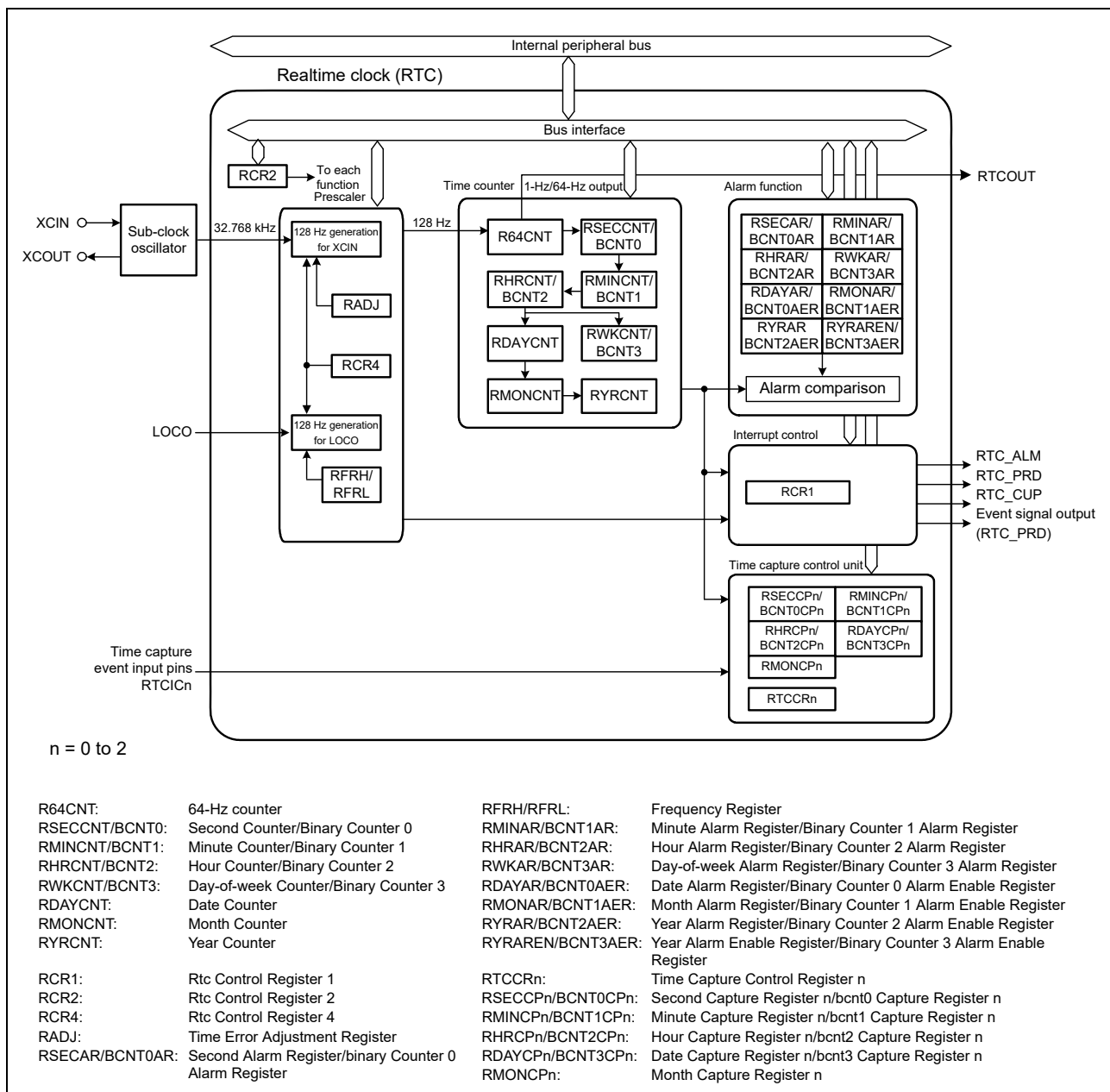


Figure 26.1 RTC block diagram

Table 26.2 RTC pin configuration

| Pin name | I/O    | Function  |
|----------|--------|---|
| XCIN     | Input  | Connect a 32.768-kHz crystal to these pins  |
| XCOU     | Output |   |
| RTCOUT   | Output | This pin is used to output a 1-Hz/64-Hz waveform, but not in Deep Software Standby mode                                   |
| RTCIC0   | Input  | Time capture event input pins.  |
| RTCIC1   | Input  | RTCIC0 to RTCIC2 can be controlled by the VBTICTLR register.  |
| RTCIC2   | Input  | For more information, see <a href="#">section 12, Battery Backup Function</a> and <a href="#">section 20, I/O Ports</a> . |

## 26.2 Register Descriptions

Write or read from the RTC registers as described in [section 26.6.5, Notes on Writing to and Reading from Registers](#).

If the value in an RTC register after a reset is given as x (undefined bits) in the list, it is not initialized by a reset. When RTC enters the reset state or a low power consumption state during counting operations, for example while the RCR2.START bit is 1, the year, month, day of the week, date, hours, minutes, seconds, and 64-Hz counters continue to operate.

Note: A reset generated while writing to a register might destroy the register value. In addition, do not allow the MCU to enter Software Standby mode or Deep Software Standby mode immediately after setting any of these registers. For details, see [section 26.6.4, Transitions to Low Power Modes after Setting Registers](#).

### 26.2.1 64-Hz Counter (R64CNT)

Address(es): RTC.R64CNT 4004 4000h

|                    | b7 | b6   | b5   | b4   | b3   | b2    | b1    | b0    |
|--------------------|----|------|------|------|------|-------|-------|-------|
|                    | —  | F1HZ | F2HZ | F4HZ | F8HZ | F16HZ | F32HZ | F64HZ |
| Value after reset: | 0  | x    | x    | x    | x    | x     | x     | x     |

x: Undefined

| Bit | Symbol | Bit name | Description   | R/W |
|-----|--------|----------|---|-----|
| b0  | F64HZ  | 64 Hz    | Indicate the state between 1 Hz and 64 Hz of the sub-second digit | R   |
| b1  | F32HZ  | 32 Hz    |   | R   |
| b2  | F16HZ  | 16 Hz    |   | R   |
| b3  | F8HZ   | 8 Hz     |   | R   |
| b4  | F4HZ   | 4 Hz     |   | R   |
| b5  | F2HZ   | 2 Hz     |   | R   |
| b6  | F1HZ   | 1 Hz     |   | R   |
| b7  | —      | Reserved | This bit is read as 0   | R   |

The R64CNT counter is used in both calendar count mode and in binary count mode. The 64-Hz counter (R64CNT) generates the period for a second by counting up periods of the 128-Hz clock. The state in the sub-second range can be confirmed by reading this counter.

This counter is cleared to 00h by an RTC software reset or an execution of a 30-second adjustment. To read this counter, follow the procedure in [section 26.3.5, Reading 64-Hz Counter and Time](#).

### 26.2.2 Second Counter (RSECCNT)/Binary Counter 0 (BCNT0)

#### (1) In calendar count mode

Address(es): RTC.RSECCNT 4004 4002h

|                    | b7 | b6         | b5 | b4 | b3        | b2 | b1 | b0 |
|--------------------|----|------------|----|----|-----------|----|----|----|
|                    | —  | SEC10[2:0] |    |    | SEC1[3:0] |    |    |    |
| Value after reset: | x  | x          | x  | x  | x         | x  | x  | x  |

x: Undefined

| Bit      | Symbol    | Bit name       | Description   | R/W |
|----------|-----------|----------------|---|-----|
| b3 to b0 | SEC1[3:0] | 1-Second Count | Counts from 0 to 9 every second. When a carry is generated, 1 is added to the tens place. | R/W |

| Bit      | Symbol                     | Bit name        | Description                                     | R/W |
|----------|----------------------------|-----------------|---|-----|
| b6 to b4 | <a href="#">SEC10[2:0]</a> | 10-Second Count | Counts from 0 to 5 for 60-second counting.      | R/W |
| b7       | —                          | Reserved        | Set this bit to 0. It is read as the set value. | R/W |

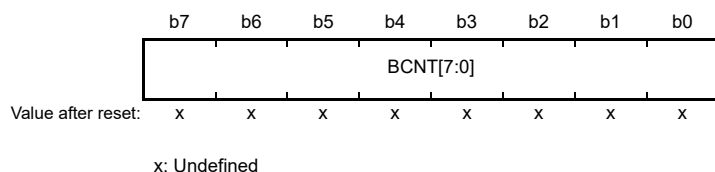
The RSECCNT counter sets and counts the BCD-coded second value. It counts the carries generated once per second in the 64-Hz counter.

The setting range is decimal 00 to 59. The RTC does not operate normally if any other value is set. Before writing to this register, be sure to stop the count operation using the START bit in RCR2.

To read this counter, follow the procedure in [section 26.3.5, Reading 64-Hz Counter and Time](#).

(2) In binary count mode

Address(es): [RTC.BCNT0 4004 4002h](#)

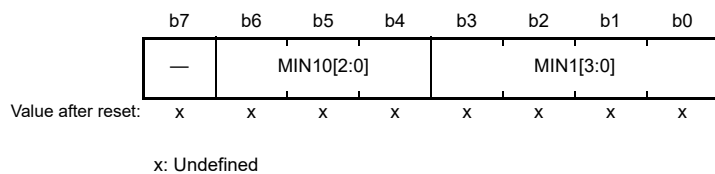


BCNT0 is a read/write 32-bit binary counter b7 to b0 that performs count operation by a carry generated for each second of the 64-Hz counter. Before writing to this register, be sure to stop the count operation using the START bit in RCR2. To read this counter, follow the procedure in [section 26.3.5, Reading 64-Hz Counter and Time](#).

26.2.3 Minute Counter (RMINCNT)/Binary Counter 1 (BCNT1)

(1) In calendar count mode

Address(es): [RTC.RMINCNT 4004 4004h](#)

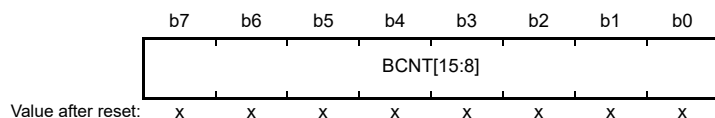


| Bit      | Symbol                     | Bit name        | Description   | R/W |
|----------|----------------------------|-----------------|---|-----|
| b3 to b0 | <a href="#">MIN1[3:0]</a>  | 1-Minute Count  | Counts from 0 to 9 every minute. When a carry is generated, 1 is added to the tens place. | R/W |
| b6 to b4 | <a href="#">MIN10[2:0]</a> | 10-Minute Count | Counts from 0 to 5 for 60-minute counting   | R/W |
| b7       | —                          | Reserved        | Set this bit to 0. It is read as the set value.   | R/W |

The RMINCNT counter sets and counts the BCD-coded minute value. It counts the carries generated once every minute in the second counter.

A value from 00 through 59 (in BCD) can be specified. If a value outside of this range is specified, the RTC does not operate correctly. Before writing to this register, be sure to stop the count operation using the START bit in RCR2. To read this counter, follow the procedure in [section 26.3.5, Reading 64-Hz Counter and Time](#).

## (2) In binary count mode

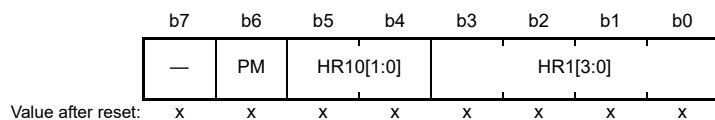
Address(es): [RTC.BCNT1 4004 4004h](#)

x: Undefined

BCNT1 is a read/write 32-bit binary counter b15 to b8 that performs count operation by a carry generated for each second of the 64-Hz counter. Before writing to this register, be sure to stop the count operation using the START bit in RCR2. To read this counter, follow the procedure in [section 26.3.5, Reading 64-Hz Counter and Time](#).

## 26.2.4 Hour Counter (RHRCNT)/Binary Counter 2 (BCNT2)

## (1) In calendar count mode

Address(es): [RTC.RHRCNT 4004 4006h](#)

x: Undefined

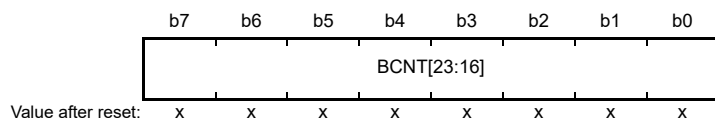
| Bit      | Symbol                    | Bit name      | Description  | R/W |
|----------|---------------------------|---------------|--|-----|
| b3 to b0 | <a href="#">HR1[3:0]</a>  | 1-Hour Count  | Counts from 0 to 9 once per hour. When a carry is generated, 1 is added to the tens place. | R/W |
| b5, b4   | <a href="#">HR10[1:0]</a> | 10-Hour Count | Counts from 0 to 2 once per carry from the ones place.                                     | R/W |
| b6       | <a href="#">PM</a>        | PM            | AM/PM select for time counter setting.<br>0: AM<br>1: PM.                                  | R/W |
| b7       | —                         | Reserved      | Set this bit to 0. It is read as the set value.  | R/W |

The RHRCNT counter sets and counts the BCD-coded hour value. It counts the carries generated once per hour in the minute counter. The specifiable time differs based on the setting in the hours mode bit (RCR2.HR24):

- When the RCR2.HR24 bit is 0 — from 00 to 11 (in BCD)
- When the RCR2.HR24 bit is 1 — from 00 to 23 (in BCD).

If a value outside of this range is specified, the RTC does not operate correctly. Before writing to this register, be sure to stop the count operation using the START bit in RCR2. The PM bit is only enabled when the RCR2.HR24 bit is 0. Otherwise, the setting in the PM bit has no effect. To read this counter, follow the procedure in [section 26.3.5, Reading 64-Hz Counter and Time](#).

## (2) In binary count mode

Address(es): [RTC.BCNT2 4004 4006h](#)

x: Undefined

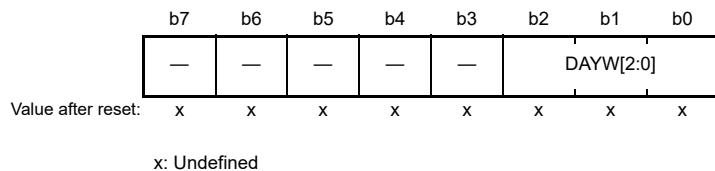
BCNT2 is a read/write 32-bit binary counter b23 to b16 that performs count operation by a carry generated for each second of the 64-Hz counter. Before writing to this register, be sure to stop the count operation using the START bit in

RCR2. To read this counter, follow the procedure in [section 26.3.5, Reading 64-Hz Counter and Time](#).

### 26.2.5 Day-of-Week Counter (RWKCNT)/Binary Counter 3 (BCNT3)

(1) In calendar count mode

Address(es): [RTC.RWKCNT 4004 4008h](#)

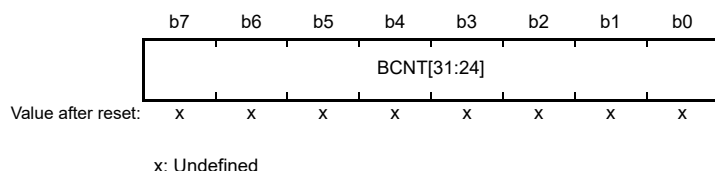


| Bit      | Symbol                    | Bit name             | Description  | R/W |
|----------|---------------------------|----------------------|--|-----|
| b2 to b0 | <a href="#">DAYW[2:0]</a> | Day-of-Week Counting | b2 b0<br>0 0 0: Sunday<br>0 0 1: Monday<br>0 1 0: Tuesday<br>0 1 1: Wednesday<br>1 0 0: Thursday<br>1 0 1: Friday<br>1 1 0: Saturday<br>1 1 1: Setting prohibited. | R/W |
| b7 to b3 | —                         | Reserved             | Set these bits to 0. They are read as the set value.   | R/W |

The RWKCNT counter is used for setting and counting in the coded day-of-week value. It counts the carries generated once per day in the hour counter. A value from 0 through 6 can be specified. If a value outside of this range is specified, the RTC does not operate correctly. Before writing to this register, be sure to stop the count operation using the START bit in RCR2. To read this counter, follow the procedure in [section 26.3.5, Reading 64-Hz Counter and Time](#).

(2) In binary count mode

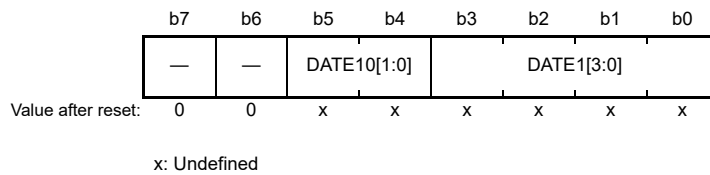
Address(es): [RTC.BCNT3 4004 4008h](#)



BCNT3 is a read/write 32-bit binary counter b31 to b24 that performs count operation by a carry generated for each second of the 64-Hz counter. Before writing to this register, be sure to stop the count operation using the START bit in RCR2. To read this counter, follow the procedure in [section 26.3.5, Reading 64-Hz Counter and Time](#).

### 26.2.6 Day Counter (RDAYCNT)

Address(es): RTC.RDAYCNT 4004 400Ah



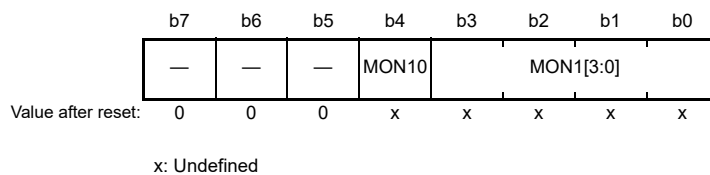
| Bit      | Symbol      | Bit name     | Description   | R/W |
|----------|-------------|--------------|---|-----|
| b3 to b0 | DATE1[3:0]  | 1-Day Count  | Counts from 0 to 9 once per day. When a carry is generated, 1 is added to the tens place. | R/W |
| b5, b4   | DATE10[1:0] | 10-Day Count | Counts from 0 to 3 once per carry from the ones place                                     | R/W |
| b7, b6   | —           | Reserved     | These bits are read as 0. The write value should be 0.                                    | R/W |

The RDAYCNT counter is used in calendar count mode to set and count the BCD-coded date value. It counts the carries generated once per day in the hour counter. The count operation depends on the month and whether the year is a leap year. Leap years are determined according to whether the year counter (RYRCNT) value is divisible by 400, 100, and 4.

A value from 01 through 31 (in BCD) can be specified. If a value outside of this range is specified, the RTC does not operate correctly. When specifying a value, the range of specifiable days depends on the month and whether the year is a leap year. Before writing to this register, be sure to stop the count operation using the START bit in RCR2. To read this counter, follow the procedure in [section 26.3.5, Reading 64-Hz Counter and Time](#).

### 26.2.7 Month Counter (RMONCNT)

Address(es): RTC.RMONCNT 4004 400Ch



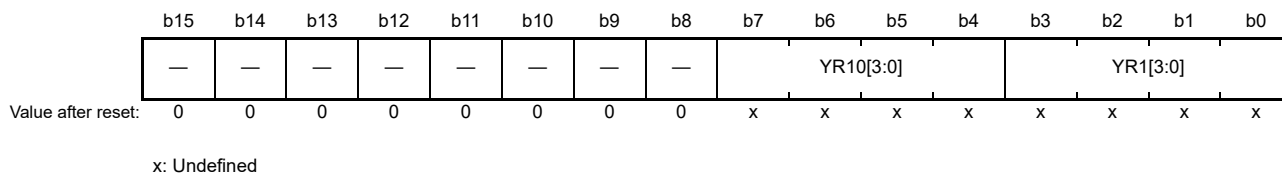
| Bit      | Symbol    | Bit name       | Description   | R/W |
|----------|-----------|----------------|---|-----|
| b3 to b0 | MON1[3:0] | 1-Month Count  | Counts from 0 to 9 once per month. When a carry is generated, 1 is added to the tens place. | R/W |
| b4       | MON10     | 10-Month Count | Counts from 0 to 1 once per carry from the ones place                                       | R/W |
| b7 to b5 | —         | Reserved       | These bits are read as 0. The write value should be 0.                                      | R/W |

The RMONCNT counter is used in calendar count mode to set and count the BCD-coded month value. It counts the carries generated once per month in the date counter.

A value from 01 through 12 (in BCD) can be specified. If a value outside of this range is specified, the RTC does not operate correctly. Before writing to this register, be sure to stop the count operation using the START bit in RCR2. To read this counter, follow the procedure in [section 26.3.5, Reading 64-Hz Counter and Time](#).

## 26.2.8 Year Counter (RYRCNT)

Address(es): [RTC.RYRCNT 4004 400Eh](#)



| Bit       | Symbol                    | Bit name      | Description   | R/W |
|-----------|---------------------------|---------------|---|-----|
| b3 to b0  | <a href="#">YR1[3:0]</a>  | 1-Year Count  | Counts from 0 to 9 once per year. When a carry is generated, 1 is added to the tens place.  | R/W |
| b7 to b4  | <a href="#">YR10[3:0]</a> | 10-Year Count | Counts from 0 to 9 once per carry from ones place. When a carry is generated in the tens place, 1 is added to the hundreds place. | R/W |
| b15 to b8 | —                         | Reserved      | These bits are read as 0. The write value should be 0.  | R/W |

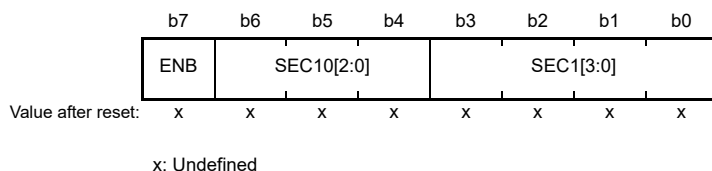
The RYRCNT counter is used in calendar count mode to set and count the BCD-coded year value. It counts the carries generated once per year in the month counter.

A value from 00 through 99 (in BCD) can be specified. If a value outside of this range is specified, the RTC does not operate correctly. Before writing to this register, be sure to stop the count operation using the START bit in RCR2. To read this counter, follow the procedure in [section 26.3.5, Reading 64-Hz Counter and Time](#).

## 26.2.9 Second Alarm Register (RSECAR)/Binary Counter 0 Alarm Register (BCNT0AR)

### (1) In calendar count mode

Address(es): [RTC.RSECAR 4004 4010h](#)



| Bit      | Symbol                     | Bit name   | Description   | R/W |
|----------|----------------------------|------------|---|-----|
| b3 to b0 | <a href="#">SEC1[3:0]</a>  | 1 Second   | Value for the ones place of seconds   | R/W |
| b6 to b4 | <a href="#">SEC10[2:0]</a> | 10 Seconds | Value for the tens place of seconds   | R/W |
| b7       | <a href="#">ENB</a>        | ENB        | 0: The register value is not compared with the RSECCNT counter value<br>1: The register value is compared with the RSECCNT counter value. | R/W |

RSECAR is an alarm register associated with the BCD-coded second counter RSECCNT. When the ENB bit is set to 1, the RSECAR value is compared with the RSECCNT value. From the following alarm registers, only those selected with the ENB bits set to 1 are compared with the associated counters:

- RSECAR
- RMINAR
- RHRAR
- RWKAR
- RDAYAR
- RMONAR

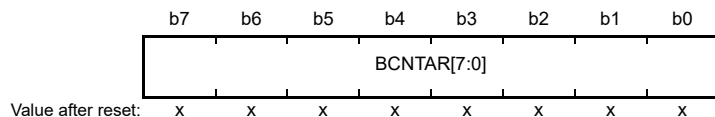


- RYRAREN.

When all the respective values match, the IR flag associated with the RTC\_ALM interrupt is set to 1. RSECAR values from 00 through 59 (in BCD) can be specified. If a value outside of this range is specified, the RTC does not operate correctly. This register is cleared to 00h by an RTC software reset.

(2) In binary count mode

Address(es): [RTC.BCNT0AR 4004 4010h](#)



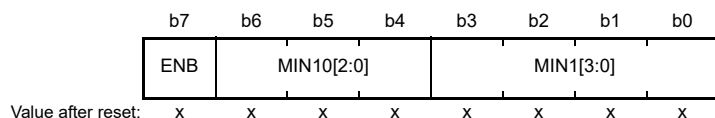
x: Undefined

BCNT0AR is a read/write alarm register associated with the 32-bit binary counter b7 to b0. This register is set to 00h by an RTC software reset.

26.2.10 Minute Alarm Register (RMINAR)/Binary Counter 1 Alarm Register (BCNT1AR)

(1) In calendar count mode

Address(es): [RTC.RMINAR 4004 4012h](#)



x: Undefined

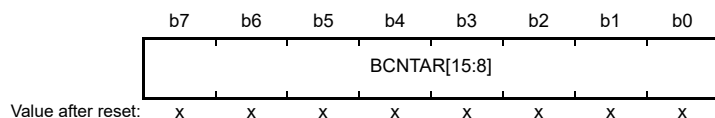
| Bit      | Symbol                     | Bit name   | Description   | R/W |
|----------|----------------------------|------------|---|-----|
| b3 to b0 | <a href="#">MIN1[3:0]</a>  | 1 Minute   | Value for the ones place of minutes   | R/W |
| b6 to b4 | <a href="#">MIN10[2:0]</a> | 10 Minutes | Value for the tens place of minutes   | R/W |
| b7       | <a href="#">ENB</a>        | ENB        | 0: The register value is not compared with the RMINCNT counter value<br>1: The register value is compared with the RMINCNT counter value. | R/W |

RMINAR is an alarm register associated with the BCD-coded minute counter RMINCNT. When the ENB bit is set to 1, the RMINAR value is compared with the RMINCNT value. From the following alarm registers, only those selected with the ENB bits set to 1 are compared with the associated counters:

- RSECAR
- RMINAR
- RHRAR
- RWKAR
- RDAYAR
- RMONAR
- RYRAREN.

When all the respective values match, the IR flag associated with the RTC\_ALM interrupt is set to 1. RMINAR values from 00 through 59 (in BCD) can be specified. If a value outside of this range is specified, the RTC does not operate correctly. This register is cleared to 00h by an RTC software reset.

## (2) In binary count mode

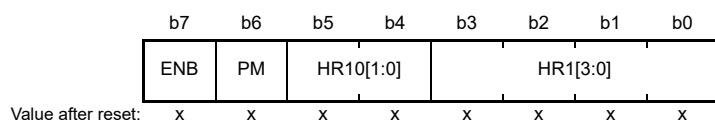
Address(es): [RTC.BCNT1AR 4004 4012h](#)

x: Undefined

BCNT1AR is a read/write alarm register associated with the 32-bit binary counter from b15 to b8. This register is cleared to 00h by an RTC software reset.

26.2.11 [Hour Alarm Register \(RHRAR\)/Binary Counter 2 Alarm Register \(BCNT2AR\)](#)

## (1) In calendar count mode

Address(es): [RTC.RHRAR 4004 4014h](#)

x: Undefined

| Bit      | Symbol                    | Bit name | Description   | R/W |
|----------|---------------------------|----------|---|-----|
| b3 to b0 | <a href="#">HR1[3:0]</a>  | 1 Hour   | Value for the ones place of hours   | R/W |
| b5, b4   | <a href="#">HR10[1:0]</a> | 10 Hours | Value for the tens place of hours   | R/W |
| b6       | <a href="#">PM</a>        | PM       | Time alarm setting:<br>0: AM<br>1: PM.  | R/W |
| b7       | <a href="#">ENB</a>       | ENB      | 0: The register value is not compared with the RHCNT counter value<br>1: The register value is compared with the RHCNT counter value. | R/W |

RHRAR is an alarm register associated with the BCD-coded hour counter RHCNT. When the ENB bit is set to 1, the RHRAR value is compared with the RHCNT value. From the following alarm registers, only those selected with the ENB bits set to 1 are compared with the associated counters:

- RSECAR
- RMINAR
- RHRAR
- RWKAR
- RDAYAR
- RMONAR
- RYRAREN.

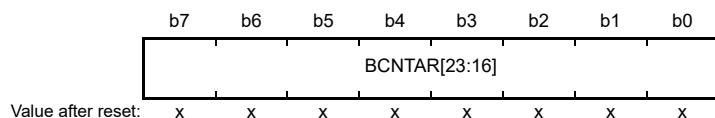
When all the respective values match, the IR flag associated with the RTC\_ALM interrupt is set to 1. The specifiable time differs according to the setting in the hours mode bit (RCR2.HR24):

- When the RCR2.HR24 bit is 0 — From 00 to 11 (in BCD)
- When the RCR2.HR24 bit is 1 — From 00 to 23 (in BCD).

If a value outside of this range is specified, the RTC does not operate correctly. When the RCR2.HR24 bit is 0, be sure to set the PM bit. When the RCR2.HR24 bit is 1, the setting in the PM bit has no effect. This register is cleared to 00h by an RTC software reset.

(2) In binary count mode

Address(es): [RTC.BCNT2AR 4004 4014h](#)



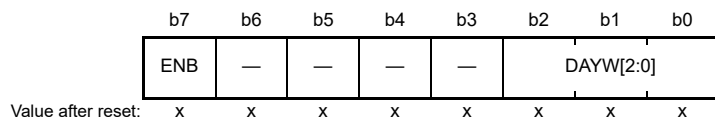
x: Undefined

BCNT2AR is a read/write alarm register associated with the 32-bit binary counter b23 to b16. This register is set to 00h by an RTC software reset.

26.2.12 Day-of-Week Alarm Register (RWKAR)/Binary Counter 3 Alarm Register (BCNT3AR)

(1) In calendar count mode

Address(es): [RTC.RWKAR 4004 4016h](#)



x: Undefined

| Bit      | Symbol                    | Bit name            | Description   | R/W |    |     |           |     |           |     |            |     |              |     |             |     |           |     |             |     |                        |     |
|----------|---------------------------|---------------------|---|-----|----|-----|-----------|-----|-----------|-----|------------|-----|--------------|-----|-------------|-----|-----------|-----|-------------|-----|------------------------|-----|
| b2 to b0 | <a href="#">DAYW[2:0]</a> | Day-of-Week Setting | <table style="font-size: small; border: none;"> <tr> <td>b2</td><td>b0</td> </tr> <tr> <td>0 0</td><td>0: Sunday</td> </tr> <tr> <td>0 0</td><td>1: Monday</td> </tr> <tr> <td>0 1</td><td>0: Tuesday</td> </tr> <tr> <td>0 1</td><td>1: Wednesday</td> </tr> <tr> <td>1 0</td><td>0: Thursday</td> </tr> <tr> <td>1 0</td><td>1: Friday</td> </tr> <tr> <td>1 1</td><td>0: Saturday</td> </tr> <tr> <td>1 1</td><td>1: Setting prohibited.</td> </tr> </table> | b2  | b0 | 0 0 | 0: Sunday | 0 0 | 1: Monday | 0 1 | 0: Tuesday | 0 1 | 1: Wednesday | 1 0 | 0: Thursday | 1 0 | 1: Friday | 1 1 | 0: Saturday | 1 1 | 1: Setting prohibited. | R/W |
| b2       | b0                        |                     |   |     |    |     |           |     |           |     |            |     |              |     |             |     |           |     |             |     |                        |     |
| 0 0      | 0: Sunday                 |                     |   |     |    |     |           |     |           |     |            |     |              |     |             |     |           |     |             |     |                        |     |
| 0 0      | 1: Monday                 |                     |   |     |    |     |           |     |           |     |            |     |              |     |             |     |           |     |             |     |                        |     |
| 0 1      | 0: Tuesday                |                     |   |     |    |     |           |     |           |     |            |     |              |     |             |     |           |     |             |     |                        |     |
| 0 1      | 1: Wednesday              |                     |   |     |    |     |           |     |           |     |            |     |              |     |             |     |           |     |             |     |                        |     |
| 1 0      | 0: Thursday               |                     |   |     |    |     |           |     |           |     |            |     |              |     |             |     |           |     |             |     |                        |     |
| 1 0      | 1: Friday                 |                     |   |     |    |     |           |     |           |     |            |     |              |     |             |     |           |     |             |     |                        |     |
| 1 1      | 0: Saturday               |                     |   |     |    |     |           |     |           |     |            |     |              |     |             |     |           |     |             |     |                        |     |
| 1 1      | 1: Setting prohibited.    |                     |   |     |    |     |           |     |           |     |            |     |              |     |             |     |           |     |             |     |                        |     |
| b6 to b3 | —                         | Reserved            | Set these bits to 0. They are read as the set value.  | R/W |    |     |           |     |           |     |            |     |              |     |             |     |           |     |             |     |                        |     |
| b7       | <a href="#">ENB</a>       | ENB                 | 0: The register value is not compared with the RWKCNT counter value<br>1: The register value is compared with the RWKCNT counter value.   | R/W |    |     |           |     |           |     |            |     |              |     |             |     |           |     |             |     |                        |     |

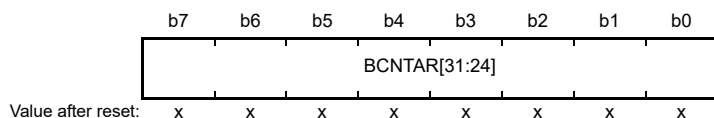
RWKAR is an alarm register associated with the coded day-of-week counter RWKCNT. When the ENB bit is set to 1, the RWKAR value is compared with the RWKCNT value. From the following alarm registers, only those selected with the ENB bits set to 1 are compared with the associated counters:

- RSECAR
- RMINAR
- RHRAR
- RWKAR
- RDAYAR
- RMONAR
- RYRAREN.

When all the respective values all match, the IR flag associated with the RTC\_ALM interrupt is set to 1. RWKAR values from 0 through 6 (in BCD) can be specified. If a value outside of this range is specified, the RTC does not operate correctly. This register is set to 00h by an RTC software reset.

(2) In binary count mode

Address(es): [RTC.BCNT3AR 4004 4016h](#)



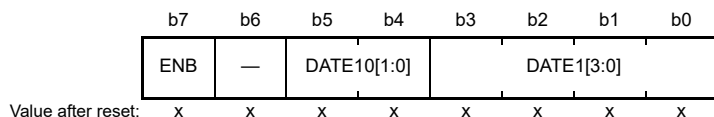
x: Undefined

BCNT3AR is a read/write alarm register associated with the 32-bit binary counter b31 to b24. This register is cleared to 00h by an RTC software reset.

26.2.13 [Date Alarm Register \(RDAYAR\)/Binary Counter 0 Alarm Enable Register \(BCNT0AER\)](#)

(1) In calendar count mode

Address(es): [RTC.RDAYAR 4004 4018h](#)



x: Undefined

| Bit      | Symbol                      | Bit name | Description   | R/W |
|----------|-----------------------------|----------|---|-----|
| b3 to b0 | <a href="#">DATE1[3:0]</a>  | 1 Day    | Value for the ones place of days  | R/W |
| b5, b4   | <a href="#">DATE10[1:0]</a> | 10 Days  | Value for the tens place of days  | R/W |
| b6       | —                           | Reserved | Set this bit to 0. It is read as the set value.   | R/W |
| b7       | <a href="#">ENB</a>         | ENB      | 0: The register value is not compared with the RDAYCNT counter value<br>1: The register value is compared with the RDAYCNT counter value. | R/W |

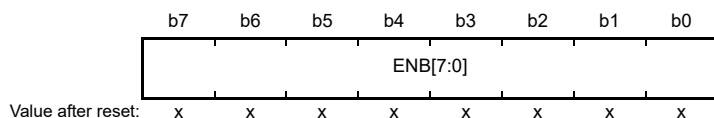
RDAYAR is an alarm register associated with the BCD-coded date counter RDAYCNT. When the ENB bit is set to 1, the RDAYAR value is compared with the RDAYCNT value. From the following alarm registers, only those selected with the ENB bits set to 1 are compared with the associated counters:

- RSECAR
- RMINAR
- RHRAR
- RWKAR
- RDAYAR
- RMONAR
- RYRAREN.

When all the respective values match, the IR flag associated with the RTC\_ALM interrupt is set to 1. RDAYAR values from 01 through 31 (in BCD) can be specified. If a value outside of this range is specified, the RTC does not operate correctly. This register is cleared to 00h by an RTC software reset.

(2) In binary count mode

Address(es): [RTC.BCNT0AER 4004 4018h](#)



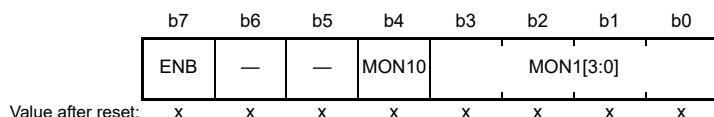
x: Undefined

BCNT0AER is a read/write register to set the alarm enable associated with the 32-bit binary counter b7 to b0. The binary counter (BCNT[31:0]) associated with the ENB[31:0] bits that are set to 1 is compared with the binary alarm register (BCNTAR[31:0]) and, when all match, the IR flag associated with the RTC\_ALM interrupt becomes 1. This register is cleared to 00h by an RTC software reset.

26.2.14 [Month Alarm Register \(RMONAR\)/Binary Counter 1 Alarm Enable Register \(BCNT1AER\)](#)

(1) In calendar count mode

Address(es): [RTC.RMONAR 4004 401Ah](#)



x: Undefined

| Bit      | Symbol                    | Bit name  | Description   | R/W |
|----------|---------------------------|-----------|---|-----|
| b3 to b0 | <a href="#">MON1[3:0]</a> | 1 Month   | Value for the ones place of months  | R/W |
| b4       | <a href="#">MON10</a>     | 10 Months | Value for the tens place of months  | R/W |
| b6, b5   | —                         | Reserved  | Set these bits to 0. They are read as the set value.  | R/W |
| b7       | <a href="#">ENB</a>       | ENB       | 0: The register value is not compared with the RMONCNT counter value<br>1: The register value is compared with the RMONCNT counter value. | R/W |

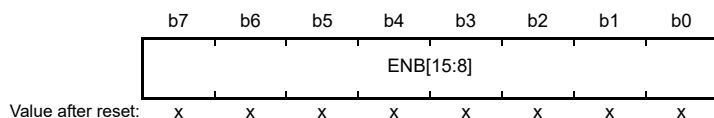
RMONAR is an alarm register associated with the BCD-coded month counter RMONCNT. When the ENB bit is set to 1, the RMONAR value is compared with the RMONCNT value. From the following alarm registers, only those selected with the ENB bits set to 1 are compared with the associated counters:

- RSECAR
- RMINAR
- RHRAR
- RWKAR
- RDAYAR
- RMONAR
- RYRAREN.

When all the respective values match, the IR flag associated with the RTC\_ALM interrupt is set to 1. RMONAR values from 01 through 12 (in BCD) can be specified. If a value outside of this range is specified, the RTC does not operate correctly. This register is cleared to 00h by an RTC software reset.

(2) In binary count mode

Address(es): [RTC.BCNT1AER 4004 401Ah](#)



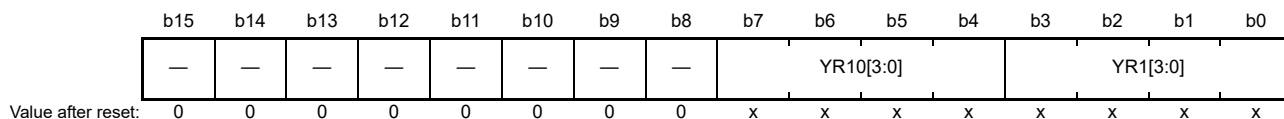
x: Undefined

BCNT1AER is a read/write register for setting the alarm enable associated with the 32-bit binary counter b15 to b8. The binary counter (BCNT[31:0]) associated with the ENB[31:0] bits that are set to 1 is compared with the binary alarm register (BCNTAR[31:0]) and, when all match, the IR flag associated with the RTC\_ALM interrupt is set to 1. This register is cleared to 00h by an RTC software reset.

26.2.15 [Year Alarm Register \(RYRAR\)/Binary Counter 2 Alarm Enable Register \(BCNT2AER\)](#)

(1) In calendar count mode

Address(es): [RTC.RYRAR 4004 401Ch](#)



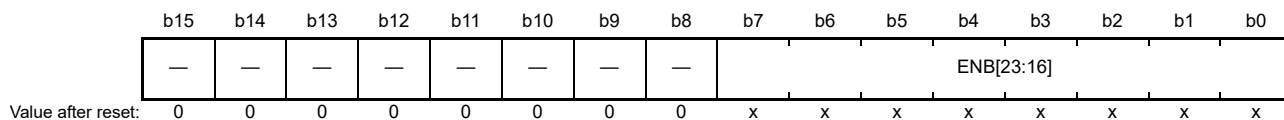
x: Undefined

| Bit       | Symbol                    | Bit name | Description  | R/W |
|-----------|---------------------------|----------|--|-----|
| b3 to b0  | <a href="#">YR1[3:0]</a>  | 1 Year   | Value for the ones place of years                      | R/W |
| b7 to b4  | <a href="#">YR10[3:0]</a> | 10 Years | Value for the tens place of years                      | R/W |
| b15 to b8 | —                         | Reserved | These bits are read as 0. The write value should be 0. | R/W |

RYRAR is an alarm register associated with the BCD-coded year counter RYRCNT. RYRAR values from 00 through 99 (in BCD) can be specified. If a value outside of this range is specified, the RTC does not operate correctly. This register is cleared to 0000h by an RTC software reset.

(2) In binary count mode

Address(es): [RTC.BCNT2AER 4004 401Ch](#)



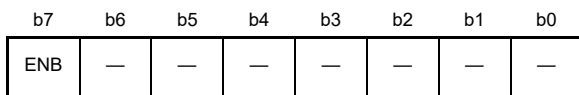
x: Undefined

BCNT2AER is a read/write register for setting the alarm enable associated with the 32-bit binary counter b23 to b16. The binary counter (BCNT[31:0]) associated with the ENB[31:0] bits that are set to 1 is compared with the binary alarm register (BCNTAR[31:0]) and, when all match, the IR flag associated with the RTC\_ALM interrupt is set to 1. This register is cleared to 0000h by an RTC software reset.

### 26.2.16 Year Alarm Enable Register (RYRAREN)/Binary Counter 3 Alarm Enable Register (BCNT3AER)

#### (1) In calendar count mode

Address(es): [RTC.RYRAREN 4004 401Eh](#)



Value after reset: x x x x x x x x

x: Undefined

| Bit      | Symbol              | Bit name | Description   | R/W |
|----------|---------------------|----------|---|-----|
| b6 to b0 | —                   | Reserved | Set these bits to 0. They are read as the set value.  | R/W |
| b7       | <a href="#">ENB</a> | ENB      | 0: The register value is not compared with the RYRCNT counter value<br>1: The register value is compared with the RYRCNT counter value. | R/W |

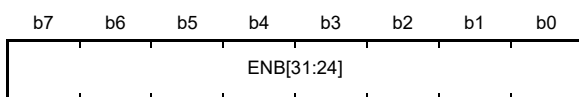
When the ENB bit in RYRAREN is set to 1, the RYRAR value is compared with the RYRCNT value. From the following alarm registers, only those selected with the ENB bits set to 1 are compared with the associated counters:

- RSECAR
- RMINAR
- RHRAR
- RWKAR
- RDAYAR
- RMONAR
- RYRAREN.

When all the respective values match, the IR flag associated with the RTC\_ALM interrupt is set to 1. This register is cleared to 00h by an RTC software reset.

#### (2) In binary count mode

Address(es): [RTC.BCNT3AER 4004 401Eh](#)



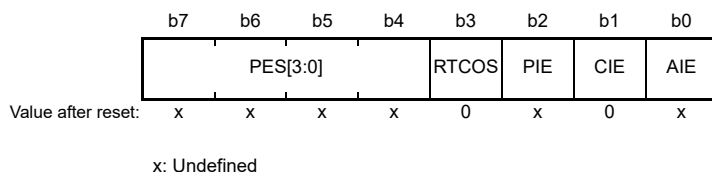
Value after reset: x x x x x x x x

x: Undefined

BCNT3AER is a read/write register for setting the alarm enable associated with the 32-bit binary counter b31 to b24. The binary counter (BCNT[31:0]) associated with the ENB[31:0] bits that are set to 1 is compared with the binary alarm register (BCNTAR[31:0]) and, when all match, the IR flag associated with the RTC\_ALM interrupt is set to 1. This register is cleared to 00h by an RTC software reset.

### 26.2.17 RTC Control Register 1 (RCR1)

Address(es): RTC.RCR1 4004 4022h



| Bit      | Symbol   | Bit name  | Description   | R/W |    |  |   |   |   |   |   |   |   |   |  |   |   |  |   |   |  |   |   |   |   |   |   |   |   |   |   |   |   |   |   |   |     |
|----------|----------|---|---|-----|----|--|---|---|---|---|---|---|---|---|--|---|---|--|---|---|--|---|---|---|---|---|---|---|---|---|---|---|---|---|---|---|-----|
| b0       | AIE      | Alarm Interrupt Enable                              | 0: An alarm interrupt request is disabled<br>1: An alarm interrupt request is enabled.  | R/W |    |  |   |   |   |   |   |   |   |   |  |   |   |  |   |   |  |   |   |   |   |   |   |   |   |   |   |   |   |   |   |   |     |
| b1       | CIE      | Carry Interrupt Enable                              | 0: A carry interrupt request is disabled<br>1: A carry interrupt request is enabled.  | R/W |    |  |   |   |   |   |   |   |   |   |  |   |   |  |   |   |  |   |   |   |   |   |   |   |   |   |   |   |   |   |   |   |     |
| b2       | PIE      | Periodic Interrupt Enable                           | 0: A periodic interrupt request is disabled<br>1: A periodic interrupt request is enabled.  | R/W |    |  |   |   |   |   |   |   |   |   |  |   |   |  |   |   |  |   |   |   |   |   |   |   |   |   |   |   |   |   |   |   |     |
| b3       | RTCOS    | RTCOUT Output Select                                | 0: RTCOUT outputs 1 Hz<br>1: RTCOUT outputs 64 Hz.  | R/W |    |  |   |   |   |   |   |   |   |   |  |   |   |  |   |   |  |   |   |   |   |   |   |   |   |   |   |   |   |   |   |   |     |
| b7 to b4 | PES[3:0] | Periodic Interrupt Select                           | <table style="border: none; margin: 0; padding-left: 20px;"> <tr> <td style="text-align: right;">b7</td> <td style="text-align: right;">b4</td> <td></td> </tr> <tr> <td>0</td> <td>1</td> <td>0: Generate periodic interrupt every 1/256 second*1</td> </tr> <tr> <td>0</td> <td>1</td> <td>1: Generate periodic interrupt every 1/128 second</td> </tr> <tr> <td>1</td> <td>0</td> <td>0: Generate periodic interrupt every 1/64 second</td> </tr> <tr> <td>1</td> <td>0</td> <td>1: Generate periodic interrupt every 1/32 second</td> </tr> <tr> <td>1</td> <td>0</td> <td>0: Generate periodic interrupt every 1/16 second</td> </tr> <tr> <td>1</td> <td>0</td> <td>1: Generate periodic interrupt every 1/8 second</td> </tr> <tr> <td>1</td> <td>1</td> <td>0: Generate periodic interrupt every 1/4 second</td> </tr> <tr> <td>1</td> <td>1</td> <td>0: Generate periodic interrupt every 1/2 second</td> </tr> <tr> <td>1</td> <td>1</td> <td>1: Generate periodic interrupt every 1 second</td> </tr> <tr> <td>1</td> <td>1</td> <td>1: Generate periodic interrupt every 2 seconds.</td> </tr> </table> Other settings: No periodic interrupts are generated. | b7  | b4 |  | 0 | 1 | 0: Generate periodic interrupt every 1/256 second*1 | 0 | 1 | 1: Generate periodic interrupt every 1/128 second | 1 | 0 | 0: Generate periodic interrupt every 1/64 second | 1 | 0 | 1: Generate periodic interrupt every 1/32 second | 1 | 0 | 0: Generate periodic interrupt every 1/16 second | 1 | 0 | 1: Generate periodic interrupt every 1/8 second | 1 | 1 | 0: Generate periodic interrupt every 1/4 second | 1 | 1 | 0: Generate periodic interrupt every 1/2 second | 1 | 1 | 1: Generate periodic interrupt every 1 second | 1 | 1 | 1: Generate periodic interrupt every 2 seconds. | R/W |
| b7       | b4       |   |   |     |    |  |   |   |   |   |   |   |   |   |  |   |   |  |   |   |  |   |   |   |   |   |   |   |   |   |   |   |   |   |   |   |     |
| 0        | 1        | 0: Generate periodic interrupt every 1/256 second*1 |   |     |    |  |   |   |   |   |   |   |   |   |  |   |   |  |   |   |  |   |   |   |   |   |   |   |   |   |   |   |   |   |   |   |     |
| 0        | 1        | 1: Generate periodic interrupt every 1/128 second   |   |     |    |  |   |   |   |   |   |   |   |   |  |   |   |  |   |   |  |   |   |   |   |   |   |   |   |   |   |   |   |   |   |   |     |
| 1        | 0        | 0: Generate periodic interrupt every 1/64 second    |   |     |    |  |   |   |   |   |   |   |   |   |  |   |   |  |   |   |  |   |   |   |   |   |   |   |   |   |   |   |   |   |   |   |     |
| 1        | 0        | 1: Generate periodic interrupt every 1/32 second    |   |     |    |  |   |   |   |   |   |   |   |   |  |   |   |  |   |   |  |   |   |   |   |   |   |   |   |   |   |   |   |   |   |   |     |
| 1        | 0        | 0: Generate periodic interrupt every 1/16 second    |   |     |    |  |   |   |   |   |   |   |   |   |  |   |   |  |   |   |  |   |   |   |   |   |   |   |   |   |   |   |   |   |   |   |     |
| 1        | 0        | 1: Generate periodic interrupt every 1/8 second     |   |     |    |  |   |   |   |   |   |   |   |   |  |   |   |  |   |   |  |   |   |   |   |   |   |   |   |   |   |   |   |   |   |   |     |
| 1        | 1        | 0: Generate periodic interrupt every 1/4 second     |   |     |    |  |   |   |   |   |   |   |   |   |  |   |   |  |   |   |  |   |   |   |   |   |   |   |   |   |   |   |   |   |   |   |     |
| 1        | 1        | 0: Generate periodic interrupt every 1/2 second     |   |     |    |  |   |   |   |   |   |   |   |   |  |   |   |  |   |   |  |   |   |   |   |   |   |   |   |   |   |   |   |   |   |   |     |
| 1        | 1        | 1: Generate periodic interrupt every 1 second       |   |     |    |  |   |   |   |   |   |   |   |   |  |   |   |  |   |   |  |   |   |   |   |   |   |   |   |   |   |   |   |   |   |   |     |
| 1        | 1        | 1: Generate periodic interrupt every 2 seconds.     |   |     |    |  |   |   |   |   |   |   |   |   |  |   |   |  |   |   |  |   |   |   |   |   |   |   |   |   |   |   |   |   |   |   |     |

Note 1. When LOCO is selected (RCR4.RCKSEL = 1) while PES[3:0] = 0110b, a periodic interrupt is generated every 1/128 second.

The RCR1 register is used in both calendar count mode and in binary count mode. Bits AIE, PIE, and PES[3:0] are updated synchronously with the count source. When the RCR1 register is modified, check that all the bits are updated before proceeding.

#### AIE bit (Alarm Interrupt Enable)

The AIE bit enables or disables alarm interrupt requests.

If the times indicated in the counters and alarm settings match in Deep Software Standby mode, the MCU returns from the mode regardless of the AIE bit value.

#### CIE bit (Carry Interrupt Enable)

The CIE bit enables or disables interrupt requests when a carry to the RSECCNT/BCNT0 register occurs, or when a carry to the 64-Hz counter (R64CNT) occurs while reading the 64-Hz counter.

#### PIE bit (Periodic Interrupt Enable)

The PIE bit enables or disabled a periodic interrupt.

If the periods indicated in the counters and PES[3:0] settings match in Deep Software Standby mode, the MCU returns from the mode regardless of the PIE bit value.

#### RTCOS bit (RTCOUT Output Select)

The RTCOS bit selects the RTCOUT output period. The RTCOS bit must be rewritten while the count operation is stopped (the RCR2.START bit is 0) and the RTCOUT output is disabled (the RCR2.RTCOE bit is 0). When RTCOUT is output to an external pin, the RCR2.RTCOE bit must be enabled. For details on controlling the I/O ports, see [section 20.5.1, Procedure for Specifying the Pin Functions](#).



**PES[3:0] bits (Periodic Interrupt Select)**

The PES[3:0] bits specify the period for the periodic interrupt. A periodic interrupt is generated with the period specified in these bits.

**26.2.18 RTC Control Register 2 (RCR2)****(1) In calendar count mode**

Address(es): RTC.RCR2 4004 4024h

|                    | b7    | b6   | b5    | b4    | b3    | b2    | b1    | b0    |
|--------------------|-------|------|-------|-------|-------|-------|-------|-------|
|                    | CNTMD | HR24 | AADJP | AADJE | RTCOE | ADJ30 | RESET | START |
| Value after reset: | x     | x    | x     | x     | 0     | 0     | 0     | x     |

x: Undefined

| Bit | Symbol | Bit name                             | Description  | R/W |
|-----|--------|--------------------------------------|--|-----|
| b0  | START  | Start                                | 0: Prescaler and time counter are stopped<br>1: Prescaler and time counter operate normally.   | R/W |
| b1  | RESET  | RTC Software Reset                   | <ul style="list-style-type: none"> <li>In writing</li> <li>0: Invalid (writing 0 has no effect)</li> <li>1: The prescaler and the target registers for RTC software reset *1 are initialized.</li> <li>In reading</li> <li>0: Normal time operation in progress, or an RTC software reset has completed</li> <li>1: RTC software reset in progress.</li> </ul> | R/W |
| b2  | ADJ30  | 30-Second Adjustment                 | <ul style="list-style-type: none"> <li>In writing</li> <li>0: Invalid (writing 0 has no effect)</li> <li>1: 30-second adjustment is executed.</li> <li>In reading</li> <li>0: Normal time operation in progress, or 30-second adjustment has completed</li> <li>1: 30-second adjustment in progress.</li> </ul>  | R/W |
| b3  | RTCOE  | RTCOUT Output Enable                 | 0: RTCOUT output disabled<br>1: RTCOUT output enabled.   | R/W |
| b4  | AADJE  | Automatic Adjustment Enable*2        | 0: Automatic adjustment is disabled<br>1: Automatic adjustment is enabled.   | R/W |
| b5  | AADJP  | Automatic Adjustment Period Select*2 | 0: The RADJ.ADJ[5:0] setting value is adjusted from the count value of the prescaler every minute<br>1: The RADJ.ADJ[5:0] setting value is adjusted from the count value of the prescaler every 10 seconds.  | R/W |
| b6  | HR24   | Hours Mode                           | 0: RTC operates in 12-hour mode<br>1: RTC operates in 24-hour mode.  | R/W |
| b7  | CNTMD  | Count Mode Select                    | 0: Calendar count mode<br>1: Binary count mode.  | R/W |

Note 1. R64CNT, RSECAR/BCNT0AR, RMINAR/BCNT1AR, RHRAR/BCNT2AR, RWKAR/BCNT3AR, RDAYAR/BCNT0AER, RMONAR/BCNT1AER, RYRAR/BCNT2AER, RYRAREN/BCNT3AER, RADJ, RTCCRY, RSECCPY/BCNT0CPY, RMINCPY/BCNT1CPY, RHRCPPY/BCNT2CPY, RDAYCPY/BCNT3CPY, RMONCPY, RCR2.ADJ30, RCR2.AADJE, RCR2.AADJP.

Note 2. When LOCO is selected, the setting of this bit is disabled.

The RCR2 register is related to hours mode, automatic adjustment function, enabling RTCOUT output, 30-second adjustment, RTC software reset, and controlling count operation.

**START bit (Start)**

The START bit stops or restarts the prescaler or time counter operation. This bit is updated in synchronization with the next cycle of the count source. When the START bit is modified, check that the bit is updated before proceeding.

**RESET bit (RTC Software Reset)**

The RESET bit initializes the prescaler and registers to be reset by RTC software.

When 1 is written to the RESET bit, initialization starts in synchronization with the count source. When the initialization is complete, the RESET bit is automatically set to 0. Check that this bit is 0 before proceeding.

**ADJ30 bit (30-Second Adjustment)**

The ADJ30 bit is for 30-second adjustment.

When 1 is written to the ADJ30 bit, the RSECCNT value of 30 seconds or less is rounded down to 00 second and the value of 30 seconds or more is rounded up to 1 minute.

The 30-second adjustment is performed in synchronization with the count source. When 1 is written to this bit, the ADJ30 bit is automatically set to 0 after the 30-second adjustment is complete. If 1 is written to the ADJ30 bit, check that the bit is 0 before proceeding. When the 30-second adjustment is performed, the prescaler and R64CNT are also reset. The ADJ30 bit is cleared to 0 by an RTC software reset.

**RTCOE bit (RTCOE Output Enable)**

The RTCOE bit enables output of a 1-Hz/64-Hz clock signal from the RTCOUT pin.

Use the START bit to stop counting before changing the value of the RTCOE bit. Do not stop counting (write 0 to the START bit) and change the value of the RTCOE bit at the same time.

When RTCOUT is to be output from an external pin, enable the RTCOE bit and set up the port control for the pin.

**AADJE bit (Automatic Adjustment Enable\*2)**

The AADJE bit controls (enables or disables) automatic adjustment.

Set the plus-minus bits (RADJ.PMADJ[1:0]) to 00b (adjustment is not performed) before changing the value of the AADJE bit.

The AADJE bit is cleared to 0 by an RTC software reset.

**AADJP bit (Automatic Adjustment Period Select\*2)**

The AADJP bit selects the automatic-adjustment period.

Set the plus-minus bits (RADJ.PMADJ[1:0]) to 00b (adjustment is not performed) before changing the value of the AADJP bit.

The AADJP bit is cleared to 0 by an RTC software reset.

**HR24 bit (Hours Mode)**

The HR24 bit specifies whether the RTC operates in 12- or 24-hour mode.

Use the START bit to stop counting before changing the value of the HR24 bit. Do not stop counting (write 0 to the START bit) and change the value of the HR24 bit at the same time.

**CNTMD bit (Count Mode Select)**

The CNTMD bit specifies whether the RTC count mode operates in calendar count mode or in binary count mode.

When setting the count mode, execute an RTC software reset and start again from the initial settings. This bit is updated synchronously with the count source, and its value is fixed before the RTC software reset is complete.

For details on initial settings, see [section 26.3.1, Outline of Initial Settings of Registers after Power On](#).

## (2) In binary count mode

Address(es): RTC.RCR2 4004 4024h

|                    | b7        | b6 | b5    | b4    | b3    | b2 | b1    | b0    |
|--------------------|-----------|----|-------|-------|-------|----|-------|-------|
|                    | CNTM<br>D | —  | AADJP | AADJE | RTCOE | —  | RESET | START |
| Value after reset: | x         | x  | x     | x     | 0     | 0  | 0     | x     |

x: Undefined

| Bit | Symbol | Bit name                             | Description  | R/W |
|-----|--------|--------------------------------------|--|-----|
| b0  | START  | Start                                | 0: The 32-bit binary counter, 64-Hz counter, and prescaler are stopped<br>1: The 32-bit binary counter, 64-Hz counter, and prescaler are in normal operation.  | R/W |
| b1  | RESET  | RTC Software Reset                   | <ul style="list-style-type: none"> <li>In writing</li> <li>0: Invalid (writing 0 has no effect)</li> <li>1: The prescaler and the target registers for RTC software reset*1 are initialized.</li> <li>In reading</li> <li>0: Normal time operation in progress, or RTC software reset has completed</li> <li>1: RTC software reset in progress.</li> </ul> | R/W |
| b2  | —      | Reserved                             | This bit is read as 0. The write value should be 0.  | R/W |
| b3  | RTCOE  | RTCOU Output Enable                  | 0: Disable RTCOUT output<br>1: Enable RTCOUT output.   | R/W |
| b4  | AADJE  | Automatic Adjustment Enable*2        | 0: Disable automatic adjustment<br>1: Enable automatic adjustment.   | R/W |
| b5  | AADJP  | Automatic Adjustment Period Select*2 | 0: Add or subtract RADJ.ADJ [5:0] bits from prescaler count value every 32 seconds<br>1: Add or subtract RADJ.ADJ [5:0] bits from prescaler count value every 8 seconds.   | R/W |
| b6  | —      | Reserved                             | This bit is undefined. The write value should be 0.  | R/W |
| b7  | CNTMD  | Count Mode Select                    | 0: Calendar count mode<br>1: Binary count mode.  | R/W |

Note 1. R64CNT, RSECAR/BCNT0AR, RMINAR/BCNT1AR, RHRAR/BCNT2AR, RWKAR/BCNT3AR, RDAYAR/BCNT0AER, RMONAR/BCNT1AER, RYRAR/BCNT2AER, RYRAREN/BCNT3AER, RADJ, RTCCRY, RSECCPY/BCNT0CPy, RMINCPy/BCNT1CPy, RHRCpy/BCNT2CPy, RDAYCPy/BCNT3CPy, RMONCPy, RCR2.ADJ30, RCR2.AADJE, RCR2.AADJP.

Note 2. When LOCO is selected, the setting of this bit is disabled.

**START bit (Start)**

The START bit stops or restarts the prescaler or counter (clock) operation. This bit is updated in synchronization with the count source. When the START bit is modified, check that the bit is updated before proceeding.

**RESET bit (RTC Software Reset)**

The RESET bit initializes the prescaler and registers to be reset by RTC software.

When 1 is written to the RESET bit, initialization starts in synchronization with the count source. When the initialization is complete, the RESET bit is automatically set to 0. When 1 is written to the RESET bit, check that the bit is 0 before proceeding.

**RTCOE bit (RTCOU Output Enable)**

The RTCOE bit enables output of a 1-Hz/64-Hz clock signal from the RTCOUT pin.

Use the START bit to stop counting before changing the value of the RTCOE bit. Do not stop counting (write 0 to the START bit) and change the value of the RTCOE bit at the same time. When an RTCOUT signal is to be output from an external pin, enable the port control in addition to setting this bit.

**AADJE bit (Automatic Adjustment Enable\*2)**

The AADJE bit controls (enables or disables) automatic adjustment.

Set the plus-minus bits (RADJ.PMADJ[1:0]) to 00b (adjustment is not performed) before changing the value of the AADJE bit. The AADJE bit is cleared to 0 by an RTC software reset.

**AADJP bit (Automatic Adjustment Period Select\*2)**

The AADJP bit selects the automatic-adjustment period.

Correction period can be selected from 32 second units or 8 second units in binary count mode.

Set the plus-minus bits (RADJ.PMADJ[1:0]) to 00b (adjustment is not performed) before changing the value of the AADJP bit. The AADJP bit is cleared to 0 by an RTC software reset.

**CNTMD bit (Count Mode Select)**

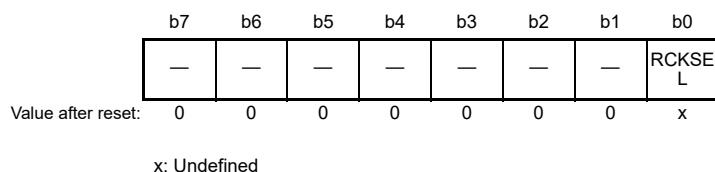
The CNTMD bit specifies whether the RTC count mode operates in calendar count mode or in binary count mode.

When setting the count mode, execute an RTC software reset and start again from the initial settings. This bit is updated synchronously with the count source, and its value is fixed before the RTC software reset is complete.

For details on initial settings, see [section 26.3.1, Outline of Initial Settings of Registers after Power On](#).

**26.2.19 RTC Control Register 4 (RCR4)**

Address(es): [RTC.RCR4 4004 4028h](#)



| Bit      | Symbol                 | Bit name            | Description   | R/W |
|----------|------------------------|---------------------|---|-----|
| b0       | <a href="#">RCKSEL</a> | Count Source Select | 0: Sub-clock oscillator is selected<br>1: LOCO is selected. | R/W |
| b7 to b1 | —                      | Reserved            | These bits are read as 0. The write value should be 0.      | R/W |

The RCR4 register selects the count source and is used in both calendar count mode and binary count mode.

When the RCKSEL bit is set to 0, the time is counted with the sub-clock oscillator. When the bit is set to 1, the time is counted with LOCO.

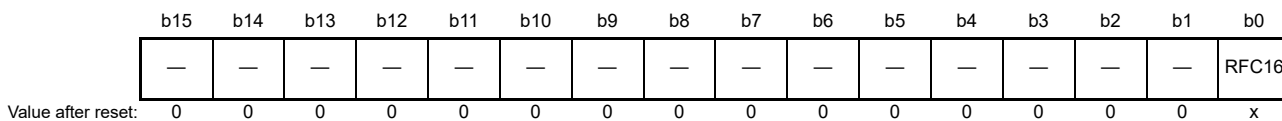
**RCKSEL bit (Count Source Select)**

The RCKSEL bit selects the count source from the sub-clock oscillator and LOCO.

The count source must be selected only once before specifying the initial settings of the RTC registers at power on.

### 26.2.20 Frequency Register (RFRH/RFRL)

Address(es): RTC.RFRH.4004 402Ah



x: Undefined

| Bit       | Symbol | Bit name | Description  | R/W |
|-----------|--------|----------|--|-----|
| b0        | RFC16  | Reserved | Write 0 before writing to the RFRL register after a cold start | R/W |
| b15 to b1 | —      | Reserved | These bits are read as 0. The write value should be 0.         | R/W |

Address(es): RTC.RFRL.4004 402Ch



x: Undefined

| Bit       | Symbol    | Bit name                   | Description                                      | R/W |
|-----------|-----------|----------------------------|--|-----|
| b15 to b0 | RFC[15:0] | Frequency Comparison Value | Write 00FFh to this register when using the LOCO | R/W |

RFRL is a register for controlling the prescaler when LOCO is selected.

The RTC time counter operates on a 128-Hz clock signal as the base clock. Therefore, when LOCO is selected, LOCO is divided by the prescaler to generate a 128-Hz clock signal. Set the frequency comparison value in the RFC[15:0] bits to generate a 128-Hz clock from the LOCO frequency. Before writing to RFC[15:0] after a cold start, write 0000h to the RFRH register.

A value from 0007h through 01FFh can be specified as the frequency comparison value. If a value outside of this range is specified, the RTC does not operate correctly. Before writing to this register, be sure to stop the count operation through the setting of the START bit in RCR2. The operating frequency of the peripheral module clock and the LOCO should be such that the peripheral module clock is ≥ to the LOCO.

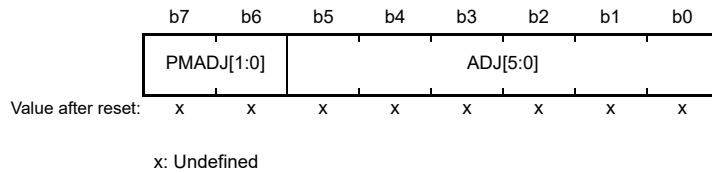
Calculation method of frequency comparison value:

$$RFC[15:0] = (LOCO \text{ clock frequency}) / 128 - 1$$

When the LOCO frequency is 32.768 kHz, the RFRL register should be set to 00FFh.

### 26.2.21 Time Error Adjustment Register (RADJ)

Address(es): RTC.RADJ 4004 402Eh



| Bit      | Symbol     | Bit name         | Description  | R/W |
|----------|------------|------------------|--|-----|
| b5 to b0 | ADJ[5:0]   | Adjustment Value | These bits specify the adjustment value from the prescaler   | R/W |
| b7, b6   | PMADJ[1:0] | Plus-Minus       | b7 b6<br>0 0: Adjustment is not performed<br>0 1: Adjustment is performed by the addition to the prescaler<br>1 0: Adjustment is performed by the subtraction from the prescaler<br>1 1: Setting prohibited. | R/W |

Adjustment is performed by the addition to or subtraction from the prescaler. If the automatic adjustment enable (RCR2.AADJE) bit is 0, adjustment is performed when writing to the RADJ. If the RCR2.AADJE bit is 1, adjustment is performed in the interval specified in the automatic adjustment period select (RCR2.AADJP) bit.

The current adjustment by software (disabling automatic adjustment) might be invalid if the following adjustment value is specified within 320 cycles of the count source after the register setting. To perform adjustment consecutively, wait for 320 cycles or more of the count source after the register setting, then specify the next adjustment value.

RADJ is updated in synchronization with the count source. When RADJ is modified, check that all the bits are updated before continuing with additional processing. This register is cleared to 00h by an RTC software reset. The setting of this register is enabled only when the sub-clock oscillator is selected. When LOCO is selected, adjustment is not performed.

#### ADJ[5:0] bits (Adjustment Value)

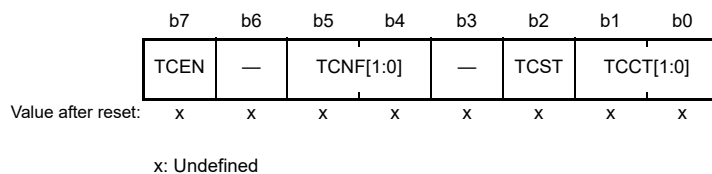
The ADJ[5:0] bits specify the adjustment value (number of sub-clock cycles) from the prescaler.

#### PMADJ[1:0] bits (Plus-Minus)

The PMADJ[1:0] bits select whether the clock is set ahead or back depending on the error-adjustment value set in the ADJ[5:0] bits.

### 26.2.22 Time Capture Control Register y (RTCCRy) (y = 0 to 2)

Address(es): RTC.RTCCR0 4004 4040h, RTC.RTCCR1 4004 4042h, RTC.RTCCR2 4004 4044h



| Bit    | Symbol    | Bit name             | Description  | R/W |
|--------|-----------|----------------------|--|-----|
| b1, b0 | TCCT[1:0] | Time Capture Control | b1 b0<br>0 0: No event is detected<br>0 1: Rising edge is detected<br>1 0: Falling edge is detected<br>1 1: Both edges are detected. | R/W |
| b2     | TCST      | Time Capture Status  | 0: No event is detected<br>1: An event is detected.*1  | R/W |
| b3     | —         | Reserved             | This bit is read as 0. The write value should be 0.  | R/W |

| Bit    | Symbol    | Bit name                            | Description  | R/W |
|--------|-----------|-------------------------------------|--|-----|
| b5, b4 | TCNF[1:0] | Time Capture Noise Filter Control   | b5 b4<br>0 0: Noise filter is off<br>0 1: Setting prohibited<br>1 0: Noise filter is on (count source)<br>1 1: Noise filter is on (count source by divided by 32). | R/W |
| b6     | —         | Reserved                            | This bit is read as 0. The write value should be 0.  | R/W |
| b7     | TCEN      | Time Capture Event Input Pin Enable | 0: The RTCICn pin is disabled as the time capture event input<br>1: The RTCICn pin is enabled as the time capture event input.<br>(n = 0 to 2).                    | R/W |

Note 1. Indicates that an event is detected. Writing 1 to this bit has no effect. Writing 0 sets this bit to 0.

The RTCCRY register is used both in calendar count mode and in binary count mode. RTCCR0, RTCCR1, and RTCCR2 control the RTCIC0, RTCIC1, and RTCIC2 pins, respectively.

RTCCRY is updated in synchronization with the count source. When RTCCRY is modified, check that all the bits except the TCST bit are updated before continuing with more processing. This register is cleared to 00h by an RTC software reset. When RTCICn is used as the time capture pin, VBTICTLR.VCHnIEN (n = 0 to 2) must be set to 1. For more information, see [section 12, Battery Backup Function](#).

### TCCT[1:0] bits (Time Capture Control)

The TCCT[1:0] bits control the edge detection of the time capture event input pins, RTCIC0, RTCIC1, and RTCIC2. The detection edge is selectable. The TCCT[1:0] bits must be set while the VBTICTLR.VCHnIEN bit is 1.

### TCST bit (Time Capture Status)

The TCST bit indicates that an event on the time capture event input pins, RTCIC0, RTCIC1, and RTCIC2, was detected. When the TCST bit is 0, no event is detected. When the TCST bit is 1, this bit indicates that an event was detected on the associated pin and the capture register is valid. When multiple events are detected, the capture time for the first event is retained.

If an event is detected while the count operation is stopped (the RCR2.START bit is 0), the captured value is not guaranteed. In this case, set the TCST bit to 0 to delete the captured value. Writing 0 sets the TCST bit to 0. Writing any value other than 0 has no effect.

Set the TCST bit while the TCCT[1:0] bits are 00b (no event is detected). The TCST bit is set to 0 in synchronization with the count source. When the TCST bit is set to 0, check that the bit is updated before continuing with additional processing.

### TCNF[1:0] bits (Time Capture Noise Filter Control)

The TCNF[1:0] bits control the noise filter of the time capture event input pins (RTCIC0, RTCIC1, and RTCIC2).

When the noise filter is on, the count source divided by 1 or divided by 32 is selectable. In this case, when the input level on the time capture event input pin matches three consecutive times at the set sampling period, the input level is determined.

Set the TCNF[1:0] bits while the TCCT[1:0] bits are 00b (no event is detected). When the noise filter is used, set the TCNF[1:0] bits, wait for 3 cycles of the specified sampling period, then set the TCCT[1:0] bits. Set the TCNF[1:0] bits when the VBTICTLR.VCHnIEN bit is 1.

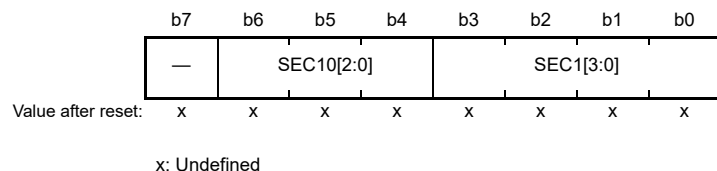
### TCEN bit (Time Capture Event Input Pin Enable)

The TCEN bit enables or disables the time capture event input pins (RTCIC0, RTCIC1, and RTCIC2). When the functions of the time capture event input pins are multiplexed, VBTICTLR should be set first. If the TCEN bit is set to 0, also set the TCCT[1:0] bits to 00b.

### 26.2.23 Second Capture Register y (RSECCPy) (y = 0 to 2)/BCNT0 Capture Register y (BCNT0CPy) (y = 0 to 2)

#### (1) In calendar count mode

Address(es): [RTC.RSECCP0 4004 4052h](#), [RTC.RSECCP1 4004 4062h](#), [RTC.RSECCP2 4004 4072h](#)



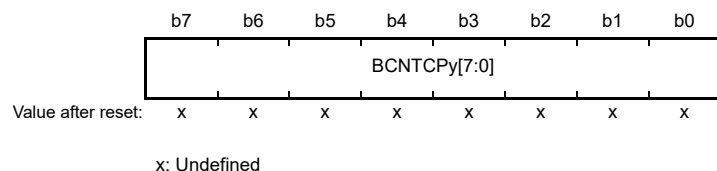
| Bit      | Symbol                     | Bit name          | Description                                       | R/W |
|----------|----------------------------|-------------------|---|-----|
| b3 to b0 | <a href="#">SEC1[3:0]</a>  | 1-Second Capture  | Capture value for the ones place of seconds       | R   |
| b6 to b4 | <a href="#">SEC10[2:0]</a> | 10-Second Capture | Capture value for the tens place of seconds       | R   |
| b7       | —                          | Reserved          | This bit is read as 0 after an RTC software reset | R   |

RSECCPy is a read-only register that captures the RSECCNT value when a time capture event is detected.

The event detection times detected by the RTCIC0, RTCIC1, and RTCIC2 pins are stored in the RSECCP0, RSECCP1, and RSECCP2 registers, respectively. This register is cleared to 00h by an RTC software reset. Before reading from this register, be sure to stop the time capture event detection using the RTCCRy.TCCT[1:0] bits.

#### (2) In binary count mode

Address(es): [RTC.BCNT0CP0 4004 4052h](#), [RTC.BCNT0CP1 4004 4062h](#), [RTC.BCNT0CP2 4004 4072h](#)



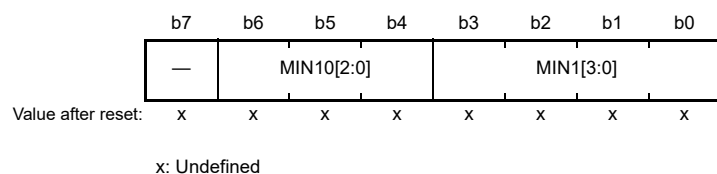
BCNT0CPy is a read-only register that captures the BCNT0 value when a time capture event is detected. The event detection times detected by the RTCIC0, RTCIC1, and RTCIC2 pins are stored in the BCNT0CP0, BCNT0CP1, and BCNT0CP2 registers, respectively.

This register is cleared to 00h by an RTC software reset. Before reading from this register, be sure to stop the time capture event detection using the RTCCRy.TCCT[1:0] bits.

### 26.2.24 Minute Capture Register y (RMINCPy) (y = 0 to 2)/BCNT1 Capture Register y (BCNT1CPy) (y = 0 to 2)

#### (1) In calendar count mode

Address(es): [RTC.RMINCP0 4004 4054h](#), [RTC.RMINCP1 4004 4064h](#), [RTC.RMINCP2 4004 4074h](#)



| Bit      | Symbol                    | Bit name         | Description                                 | R/W |
|----------|---------------------------|------------------|---|-----|
| b3 to b0 | <a href="#">MIN1[3:0]</a> | 1-Minute Capture | Capture value for the ones place of minutes | R   |



| Bit      | Symbol     | Bit name          | Description                                       | R/W |
|----------|------------|-------------------|---|-----|
| b6 to b4 | MIN10[2:0] | 10-Minute Capture | Capture value for the tens place of minutes       | R   |
| b7       | —          | Reserved          | This bit is read as 0 after an RTC software reset | R   |

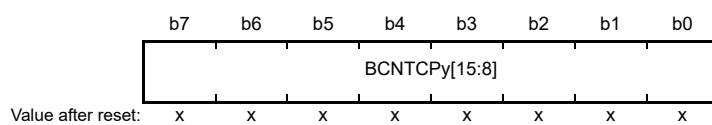
RMINCPy is a read-only register that captures the RMINCNT value when a time capture event is detected.

The event detection times detected by the RTCIC0, RTCIC1, and RTCIC2 pins are stored in the RMINCP0, RMINCP1, and RMINCP2 registers, respectively.

This register is cleared to 00h by an RTC software reset. Before reading from this register, be sure to stop the time capture event detection using the RTCCRY.TCCT[1:0] bits.

## (2) In binary count mode

Address(es): [RTC.BCNT1CP0 4004 4054h](#), [RTC.BCNT1CP1 4004 4064h](#), [RTC.BCNT1CP2 4004 4074h](#)



x: Undefined

BCNT1CPy is a read-only register that captures the BCNT1 value when a time capture event is detected.

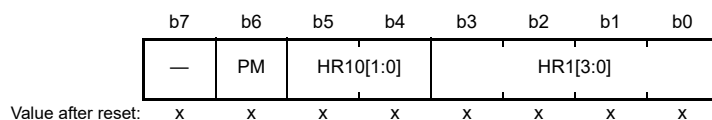
The event detection times detected by the RTCIC0, RTCIC1, and RTCIC2 pins are stored in the BCNT1CP0, BCNT1CP1, and BCNT1CP2 registers, respectively.

This register is cleared to 00h by an RTC software reset. Before reading from this register, be sure to stop the time capture event detection using the RTCCRY.TCCT[1:0] bits.

## 26.2.25 Hour Capture Register y (RHRCPy) (y = 0 to 2)/BCNT2 Capture Register y (BCNT2CPy) (y = 0 to 2)

### (1) In calendar count mode

Address(es): [RTC.RHRCP0 4004 4056h](#), [RTC.RHRCP1 4004 4066h](#), [RTC.RHRCP2 4004 4076h](#)



x: Undefined

| Bit      | Symbol    | Bit name        | Description                                       | R/W |
|----------|-----------|-----------------|---|-----|
| b3 to b0 | HR1[3:0]  | 1-Hour Capture  | Capture value for the ones place of hours         | R   |
| b5, b4   | HR10[1:0] | 10-Hour Capture | Capture value for the tens place of hours         | R   |
| b6       | PM        | PM              | 0: AM<br>1: PM.                                   | R   |
| b7       | —         | Reserved        | This bit is read as 0 after an RTC software reset | R   |

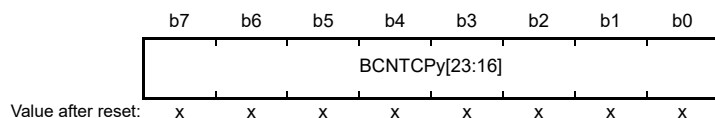
RHRCPy is a read-only register that captures the RHRCNT value when a time capture event is detected.

The event detection times detected by the RTCIC0, RTCIC1, and RTCIC2 pins are stored in the RHRCP0, RHRCP1, and RHRCP2 registers, respectively. The PM bit is only enabled when the RCR2.HR24 bit is 0 (in 12-hour mode).

This register is cleared to 00h by an RTC software reset. Before reading from this register, be sure to stop the time capture event detection using the RTCCRY.TCCT[1:0] bits.

(2) In binary count mode

Address(es): [RTC.BCNT2CP0 4004 4056h](#), [RTC.BCNT2CP1 4004 4066h](#), [RTC.BCNT2CP2 4004 4076h](#)



x: Undefined

BCNT2CPy is a read-only register that captures the BCNT2 value when a time capture event is detected.

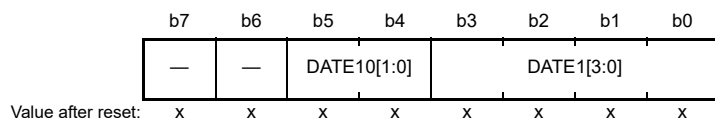
The event detection times detected by the RTCIC0, RTCIC1, and RTCIC2 pins are stored in the BCNT2CP0, BCNT2CP1, and BCNT2CP2 registers, respectively.

This register is cleared to 00h by an RTC software reset. Before reading from this register, you must stop the time capture event detection using the RTCCRy.TCCT[1:0] bits.

26.2.26 Date Capture Register y (RDAYCPy) (y = 0 to 2)/BCNT3 Capture Register y (BCNT3CPy) (y = 0 to 2)

(1) In calendar count mode:

Address(es): [RTC.RDAYCP0 4004 405Ah](#), [RTC.RDAYCP1 4004 406Ah](#), [RTC.RDAYCP2 4004 407Ah](#)



x: Undefined

| Bit      | Symbol      | Bit name       | Description  | R/W |
|----------|-------------|----------------|--|-----|
| b3 to b0 | DATE1[3:0]  | 1-Day Capture  | Capture value for the ones place of days             | R   |
| b5, b4   | DATE10[1:0] | 10-Day Capture | Capture value for the tens place of days             | R   |
| b7, b6   | —           | Reserved       | These bits are read as 0 after an RTC software reset | R   |

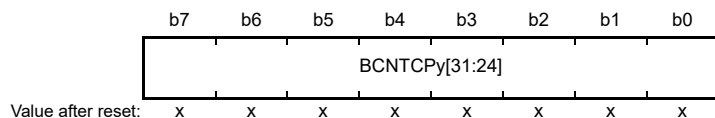
RDAYCPy is a read-only register that captures the RDAYCNT value when a time capture event is detected.

The event detection times detected by the RTCIC0, RTCIC1, and RTCIC2 pins are stored in the RDAYCP0, RDAYCP1, and RDAYCP2 registers, respectively.

This register is cleared to 00h by an RTC software reset. Before reading from this register, be sure to stop the time capture event detection using the RTCCRy.TCCT[1:0] bits.

(2) In binary count mode

Address(es): [RTC.BCNT3CP0 4004 405Ah](#), [RTC.BCNT3CP1 4004 406Ah](#), [RTC.BCNT3CP2 4004 407Ah](#)



x: Undefined

BCNT3CPy is a read-only register that captures the BCNT3 value when a time capture event is detected.

The event detection times detected by the RTCTC0, RTCTC1, and RTCTC2 pins are stored in the BCNT3CP0, BCNT3CP1, and BCNT3CP2 registers, respectively.

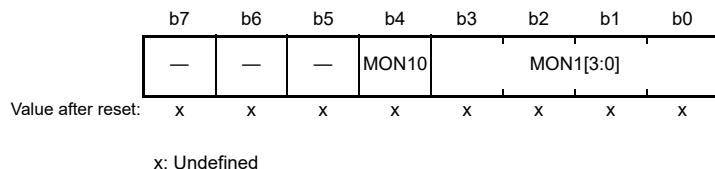
This register is cleared to 00h by an RTC software reset. Before reading from this register, be sure to stop the time

capture event detection using the RTCCRy.TCCT[1:0] bits.

### 26.2.27 Month Capture Register y (RMONCPy) (y = 0 to 2)

(1) In calendar count mode:

Address(es): [RTC.RMONCP0 4004 405Ch](#), [RTC.RMONCP1 4004 406Ch](#), [RTC.RMONCP2 4004 407Ch](#)



| Bit      | Symbol                    | Bit name         | Description                                | R/W |
|----------|---------------------------|------------------|--|-----|
| b3 to b0 | <a href="#">MON1[3:0]</a> | 1-Month Capture  | Capture value for the ones place of months | R   |
| b4       | <a href="#">MON10</a>     | 10-Month Capture | Capture value for the tens place of months | R   |
| b7 to b5 | —                         | Reserved         | These bits are read as 0                   | R   |

RMONCPy is a read-only register that captures the RMONCNT value when a time capture event is detected.

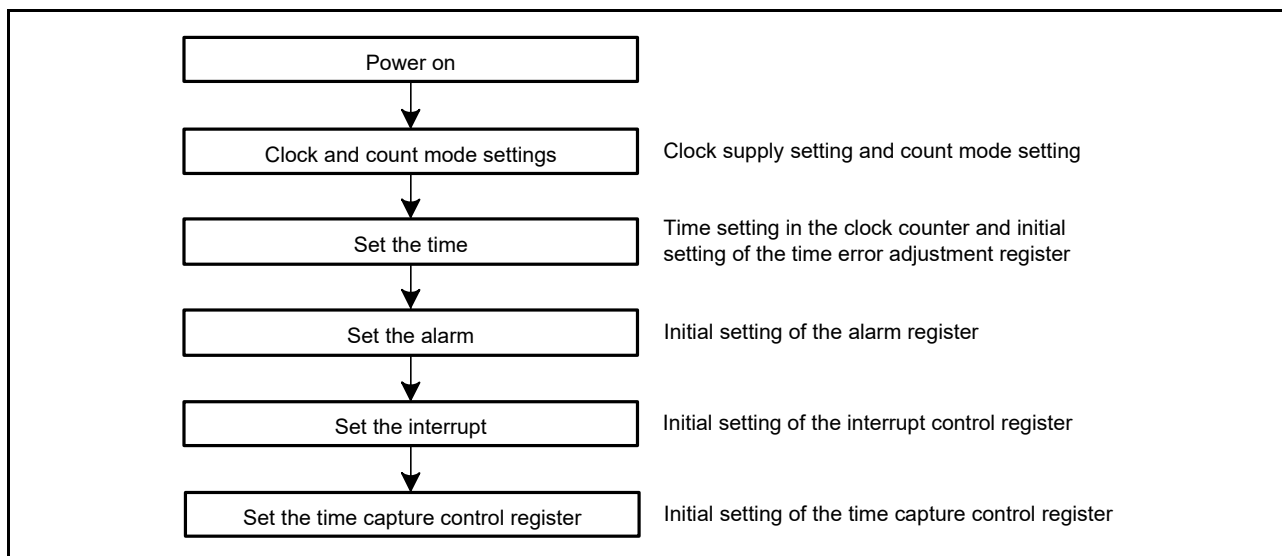
The event detection times detected by the RTCIC0, RTCIC1, and RTCIC2 pins are stored in the RMONCP0, RMONCP1, and RMONCP2 registers, respectively.

This register is cleared to 00h by an RTC software reset. Before reading from this register, be sure to stop the time capture event detection using the RTCCRy.TCCT[1:0] bits.

## 26.3 Operation

### 26.3.1 Outline of Initial Settings of Registers after Power On

After the power is turned on, perform the initial settings for the clock setting, count mode setting, time error adjustment, time setting, alarm, interrupt, and time capture control register.



**Figure 26.2** Outline of initial settings after a power on

### 26.3.2 Clock and Count Mode Setting Procedure

Figure 26.3 shows how to set the clock and the count mode.

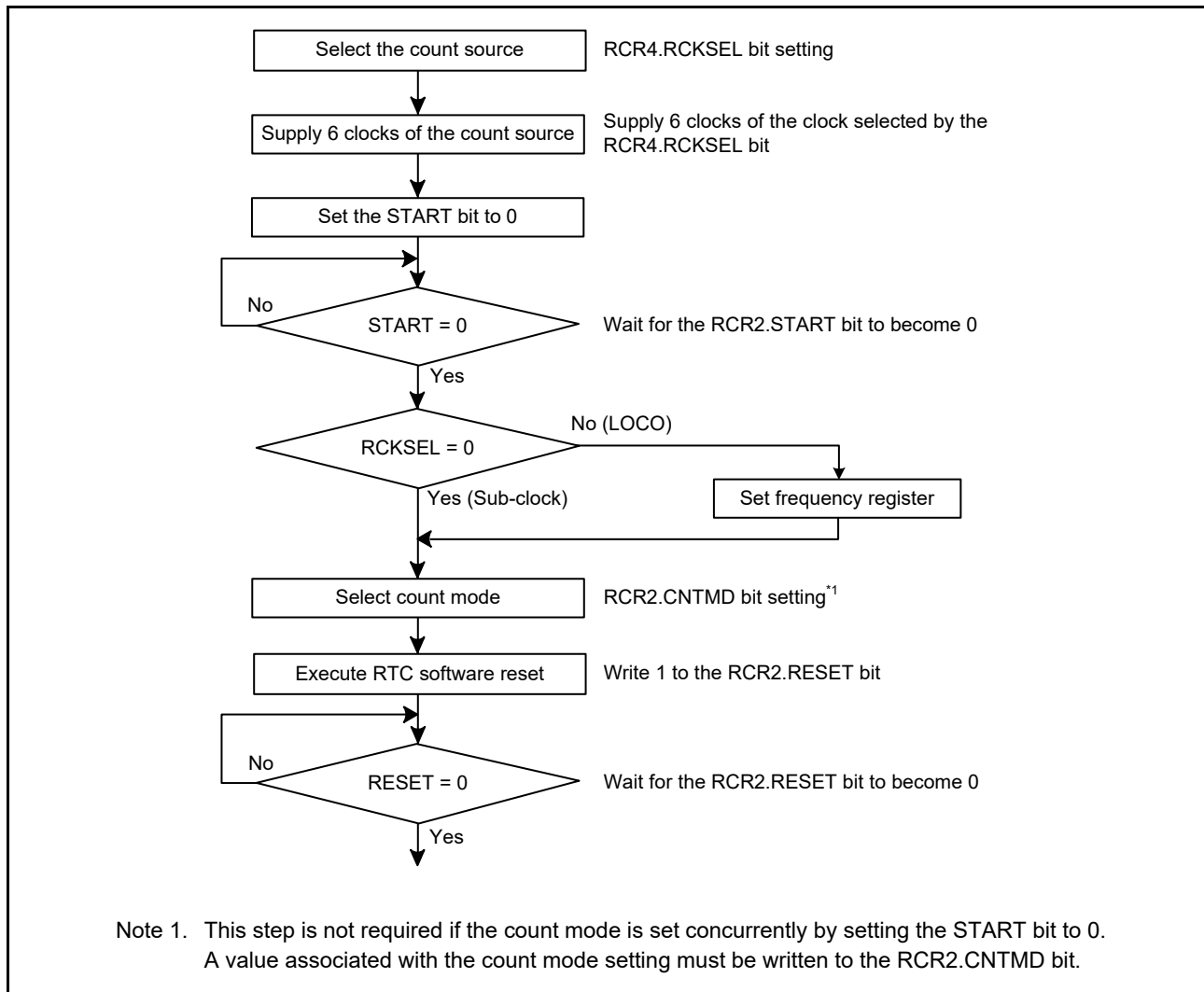


Figure 26.3 Clock and count mode setting procedure

### 26.3.3 Setting the Time

Figure 26.4 shows how to set the time.

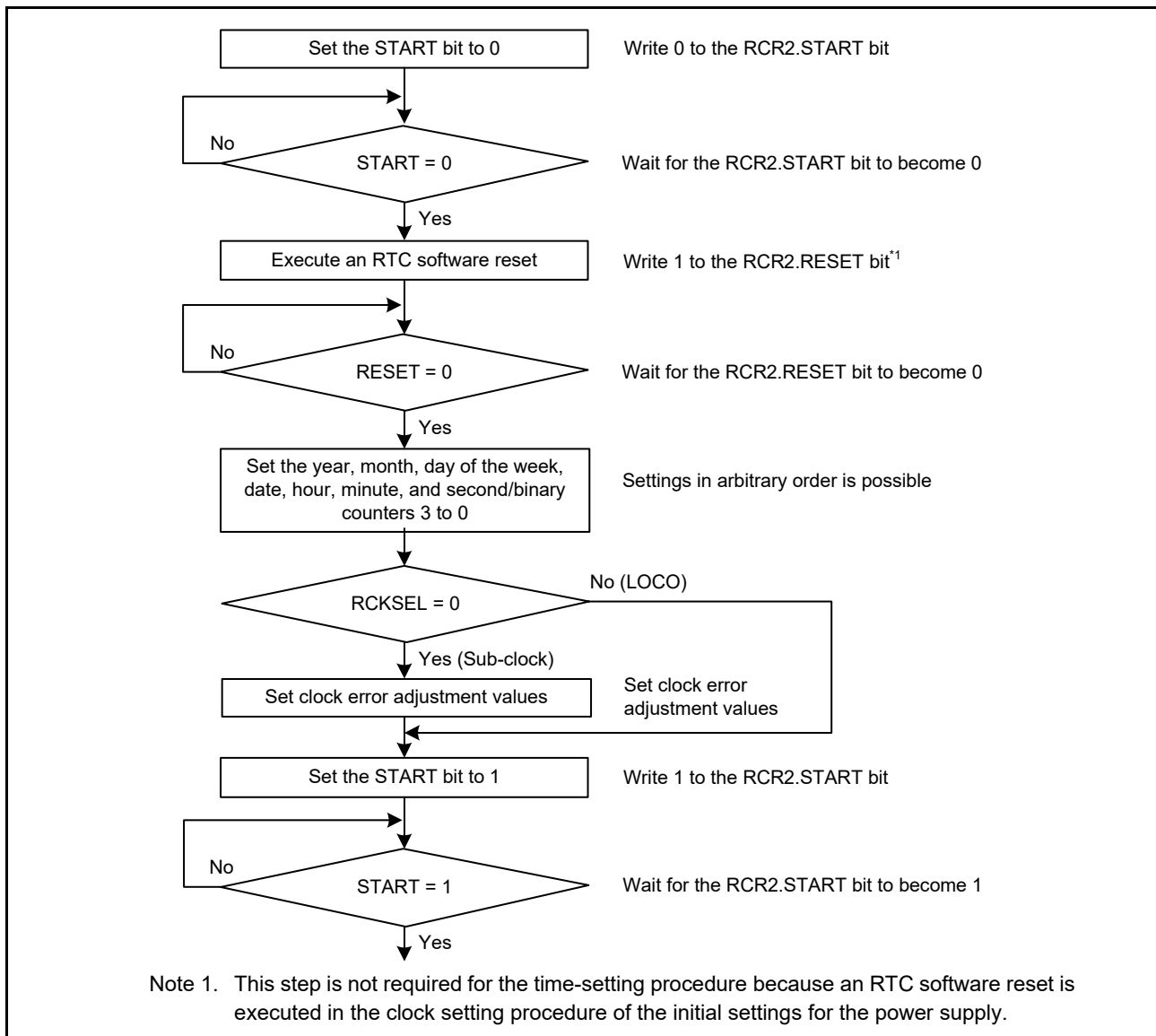


Figure 26.4 Setting the time

### 26.3.4 30-Second Adjustment

Figure 26.5 shows how to execute a 30-second adjustment.

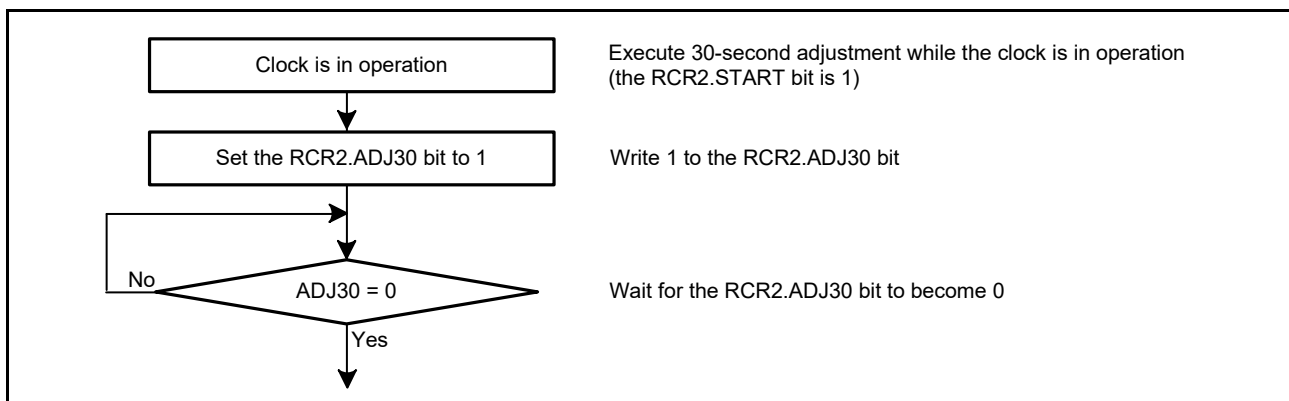
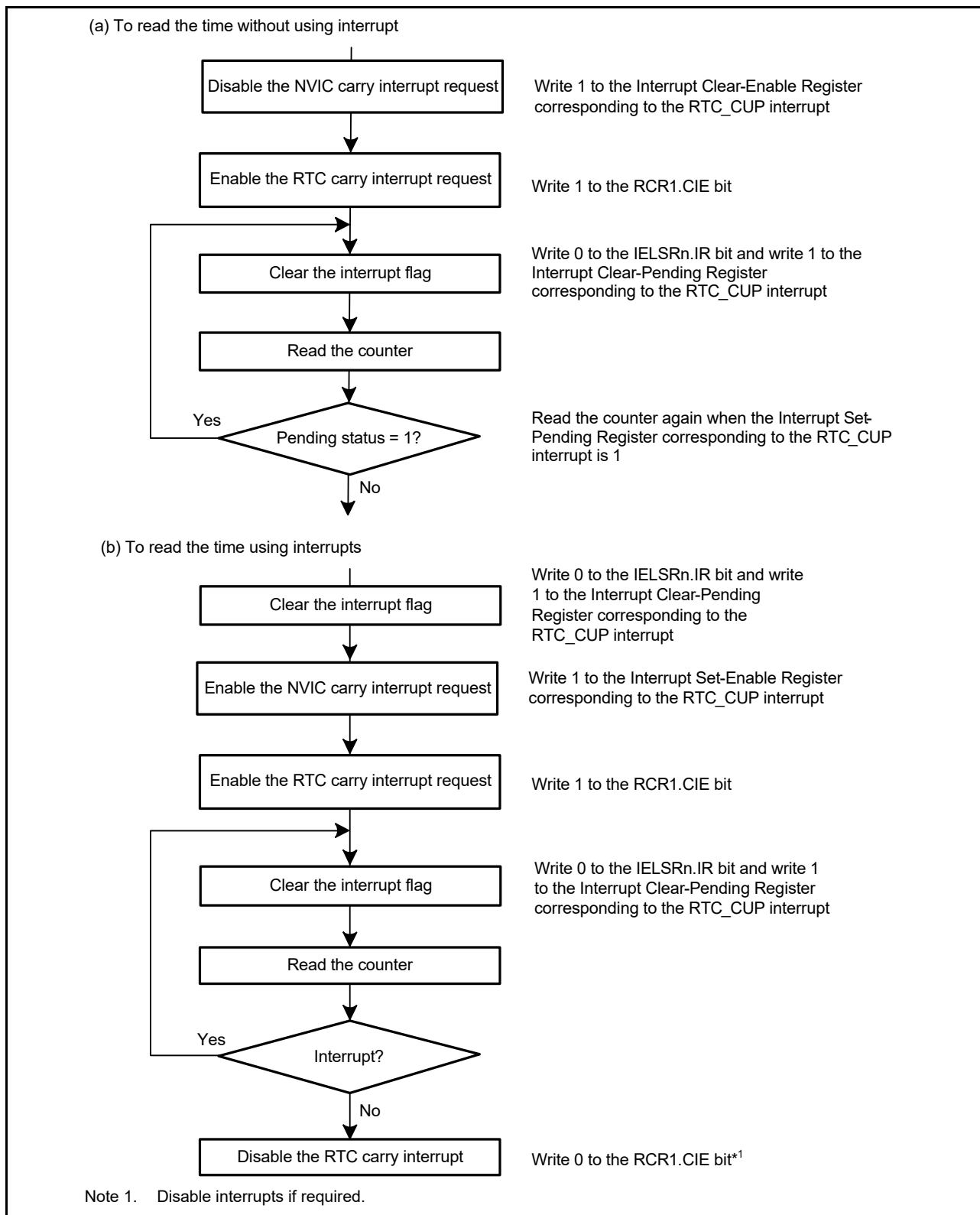


Figure 26.5 30-second adjustment

### 26.3.5 Reading 64-Hz Counter and Time

Figure 26.6 shows how to read a 64-Hz counter and time.



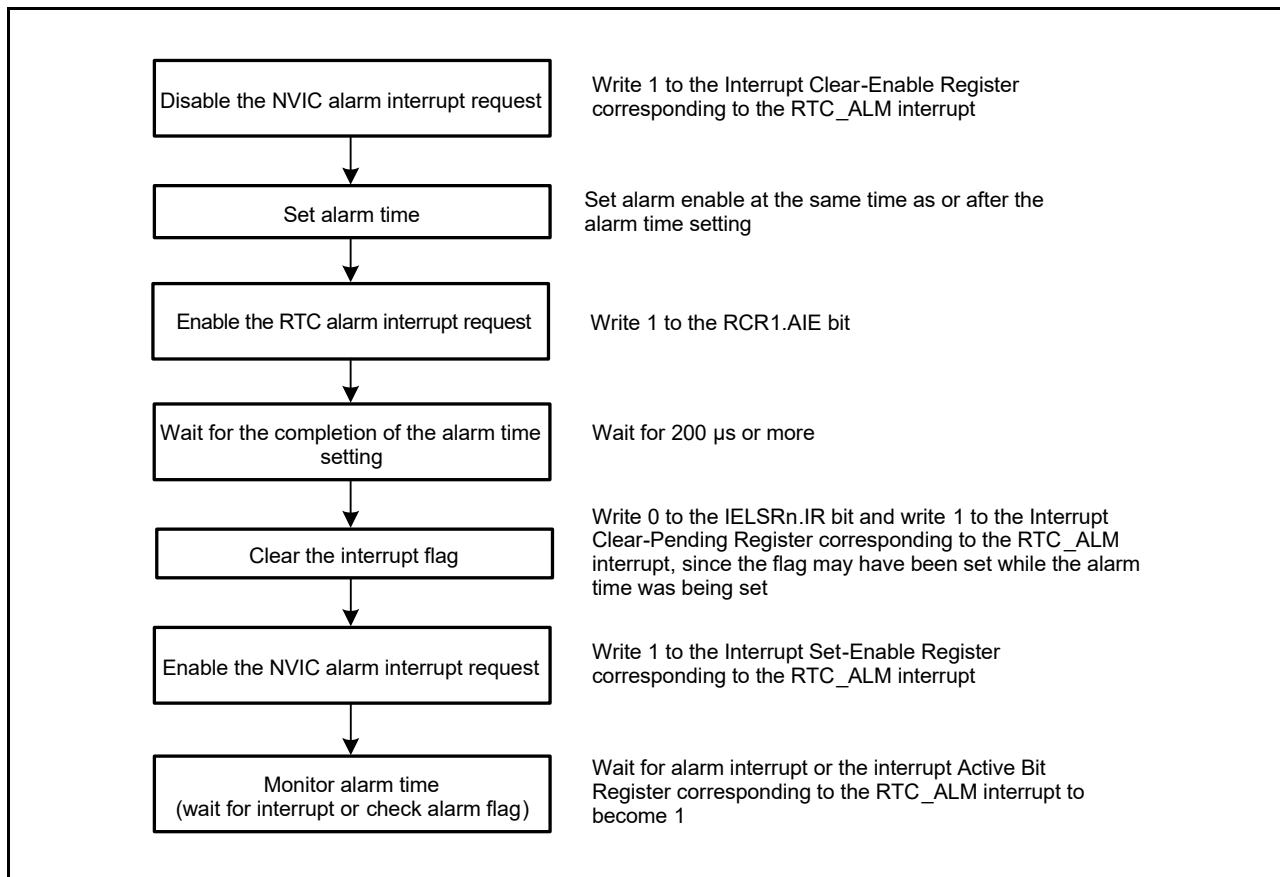
**Figure 26.6 Reading time**

If a carry occurs while the 64-Hz counter and time are being read, the correct time is not obtained, therefore they must be read again. The procedure for reading the time without using interrupts is shown in (a) in Figure 26.6, and the procedure

using carry interrupts is shown in (b). To keep the program simple, Renesas recommends using method (a) in most cases.

### 26.3.6 Alarm Function

Figure 26.7 shows how to use the alarm function.



**Figure 26.7 Using the alarm function**

In calendar count mode, an alarm can be generated by any one of year, month, date, day-of-week, hour, minute or second, or any combination of those. Write 1 to the ENB bit in the alarm registers involved in the alarm setting, and set the alarm time in the lower bits. Write 0 to the ENB bit in registers not involved in the alarm setting.

In binary count mode, an alarm can be generated in any bit combination of 32 bits. Write 1 to the ENB bit of the alarm enable register associated with the target bit of the alarm, and set the alarm time in the alarm register. For bits that are not the target of the alarm, write 0 to the ENB bit of the alarm enable register.

When the counter and the alarm time match, the IELSRn.IR bit and Interrupt Set-Pending/Clear-Pending Register associated with the RTC\_ALM interrupt are set to 1. Alarm detection can be confirmed by reading the interrupt Set-Pending Register associated with the RTC\_ALM interrupt, but an interrupt should be used in most cases. If 1 is set in the Interrupt Set-Enable Register associated with the RTC\_ALM interrupt, an alarm interrupt is generated in the event of the alarm, enabling the alarm to be detected.

Writing 0 sets the IELSRn.IR bit associated with the RTC\_ALM interrupt to 0. If interrupt is enabled, the Interrupt Set-Pending/Clear-Pending Register associated with the RTC\_ALM interrupt is cleared automatically after exiting the interrupt handler. Otherwise, write 1 to the Interrupt Clear-Pending Register associated with the RTC\_ALM interrupt to clear it.

When the counter and the alarm time match in a low power state, the MCU returns from the low power state. In Deep Software Standby mode, the MCU returns from the Deep Software Standby mode even when the alarm interrupt request is disabled.

### 26.3.7 Procedure for Disabling Alarm Interrupt

Figure 26.8 shows the procedure for disabling the enabled alarm interrupt request.

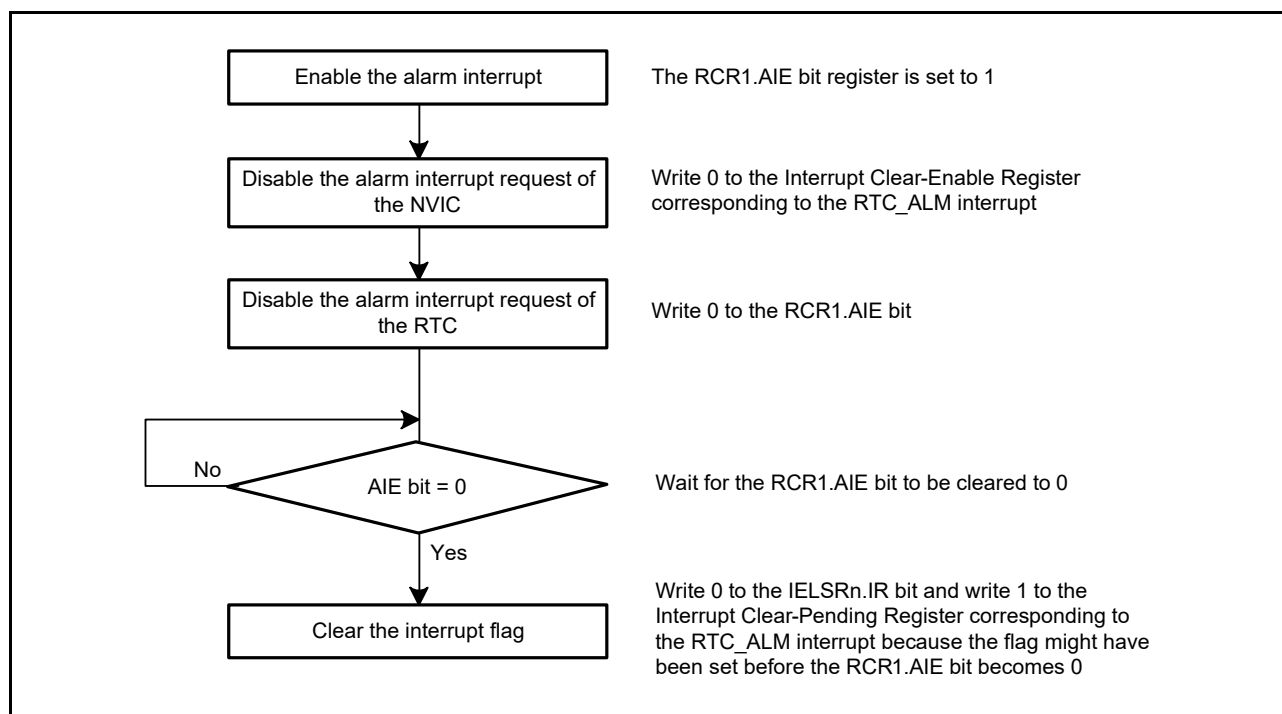


Figure 26.8 Procedure for disabling alarm interrupt request

### 26.3.8 Time Error Adjustment Function

The time error adjustment function is used to correct errors, running fast or slow, in the time caused by variation in the precision of oscillation by the sub-clock oscillator. Because 32,768 cycles of the sub-clock oscillator constitute 1 second of operation when the sub-clock oscillator is selected, the clock runs fast if the sub-clock frequency is high and slow if the sub-clock frequency is low.

The time error adjustment functions include:

- Automatic adjustment
- Adjustment by software.

Use the RCR2.AADJE bit to select automatic adjustment or adjustment by software.

#### 26.3.8.1 Automatic adjustment

Enable automatic adjustment by setting the RCR2.AADJE bit to 1. Automatic adjustment is the addition or subtraction of the value counted by the prescaler to or from the value in the RADJ register every time the adjustment period selected by the RCR2.AADJP bit elapses.

##### (1) Example 1: Sub-clock oscillator running at 32.769 kHz

###### (a) Adjustment procedure

When the sub-clock oscillator is running at 32.769 kHz, 1 second elapses every 32,769 clock cycles. The RTC is meant to run at 32,768 clock cycles, so the clock runs fast by 1 clock cycle every second. The time on the clock is fast by 60 clock cycles per minute, so adjustment can take the form of setting the clock back by 60 cycles every minute.

Register settings (when RCR2.CNTMD = 0):

- RCR2.AADJP = 0 (adjustment every minute)
- RADJ.PMADJ[1:0] = 10b (adjustment is performed by the subtraction from the prescaler)



- $\text{RADJ.ADJ}[5:0] = 60$  (3Ch).

## (2) Example 2: Sub-clock oscillator running at 32.766 kHz

### (a) Adjustment procedure

When the sub-clock oscillator is running at 32.766 kHz, 1 second elapses every 32,766 clock cycles. The RTC is meant to run at 32,768 clock cycles, so the clock runs slow by 2 clock cycles every second. The time on the clock is slow by 20 clock cycles every 10 seconds, so adjustment can take the form of setting the clock forward by 20 cycles every 10 seconds.

Register settings (when  $\text{RCR2.CNTMD} = 0$ ):

- $\text{RCR2.AADJP} = 1$  (adjustment every 10 seconds)
- $\text{RADJ.PMADJ}[1:0] = 01\text{b}$  (adjustment is performed by the addition to the prescaler)
- $\text{RADJ.ADJ}[5:0] = 20$  (14h).

## (3) Example 3: Sub-clock oscillator running at 32.764 kHz

### (a) Adjustment procedure

At 32.764 kHz, 1 second elapses on 32,764 clock cycles. Because the RTC operates for 32,768 clock cycles as 1 second, the clock is delayed for 4 clock cycles per second. In 8 seconds, the delay is 32 clock cycles, therefore correction can be made by advancing the clock 32 clock cycles every 8 seconds.

Register settings when the  $\text{RCR2.CNTMD}$  bit is 1:

- $\text{RCR2.AADJP} = 1$  (adjustment every 8 seconds)
- $\text{RADJ.PMADJ}[1:0] = 01\text{b}$  (adjustment is performed by the addition to the prescaler)
- $\text{RADJ.ADJ}[5:0] = 32$  (20h).

## 26.3.8.2 Adjustment by software

Enable adjustment by software by setting the  $\text{RCR2.AADJE}$  bit to 0. Adjustment by software is the addition or subtraction of the value counted by the prescaler to or from the value in the  $\text{RADJ}$  register on execution of a write instruction to the  $\text{RADJ}$  register.

### (1) Example 1: Sub-clock oscillator running at 32.769 kHz

#### (a) Adjustment procedure

When the sub-clock oscillator is running at 32.769 kHz, 1 second elapses every 32,769 clock cycles. The RTC is meant to run at 32,768 clock cycles, so the clock runs fast by one clock cycle every second. The time on the clock is fast by one clock cycle per second, so adjustment can take the form of setting the clock back by 1 cycle every second.

#### (b) Register settings

- $\text{RADJ.PMADJ}[1:0] = 10\text{b}$  (adjustment is performed by subtraction from the prescaler)
- $\text{RADJ.ADJ}[5:0] = 1$  (01h).  
This is written to the  $\text{RADJ}$  register once per 1-second interrupt.

## 26.3.8.3 Procedure for changing the mode of adjustment

When changing the mode of adjustment, change the value of the  $\text{AADJE}$  bit in  $\text{RCR2}$  after setting the  $\text{RADJ.PMADJ}[1:0]$  bits to 00b (adjustment is not performed).

To change adjustment by software to automatic adjustment:

1. Set the  $\text{RADJ.PMADJ}[1:0]$  bits to 00b (adjustment is not performed).
2. Set the  $\text{RCR2.AADJE}$  bit to 1 (automatic adjustment is enabled).
3. Use the  $\text{RCR2.AADJP}$  bit to select the period of adjustment.

- In RADJ, set the PMADJ[1:0] bits for addition or subtraction and the ADJ[5:0] bits to the value for use in time error adjustment.

To change automatic adjustment to adjustment by software:

- Set the RADJ.PMADJ[1:0] bits to 00b (adjustment is not performed).
- Set the RCR2.AADJE bit to 0 (adjustment by software is enabled).
- Proceed with the adjustment by setting the RADJ.PMADJ[1:0] bits for addition or subtraction and the RADJ.ADJ[5:0] bits to the value for use in time error adjustment at the target time. After that, the time is adjusted every time a value is written to the RADJ register.

#### 26.3.8.4 Procedure for stopping adjustment

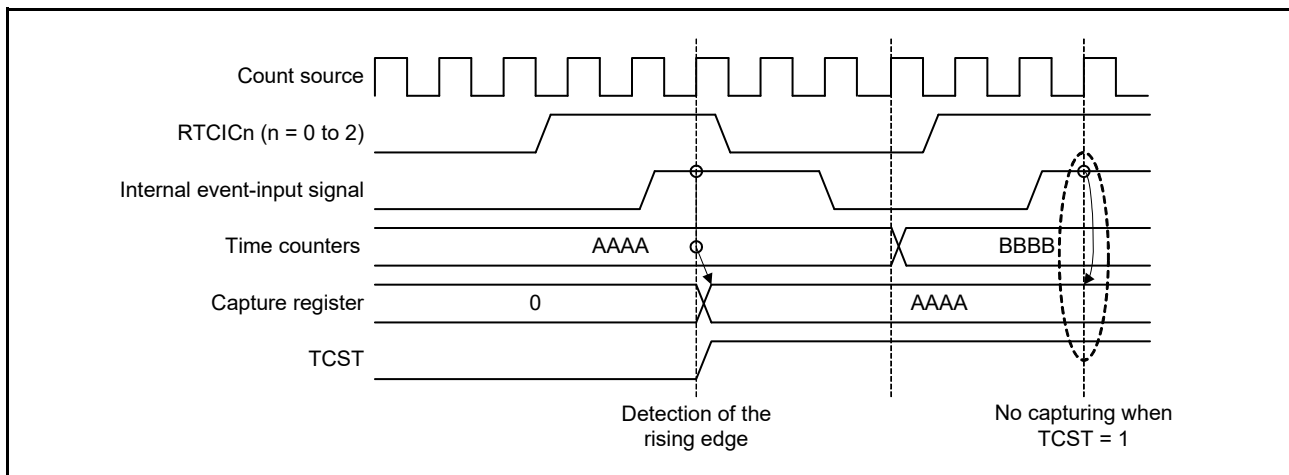
Stop the adjustment by setting the RADJ.PMADJ[1:0] bits to 00b (adjustment is not performed).

#### 26.3.8.5 Capturing the time

The RTC is capable of storing the month, date, hour, minute and second/binary counters 3 to 0 by detecting an edge of a signal on a time capture event input pin.

A noise filter can also be used on a time capture event input pin. If the noise filter is enabled, the TCST bit is set to 1 when the input level on the pin matches three times.

The noise filter can be switched on or off for each of the time capture event input pins. Set VBTICTLR.VCHnIEN (n = 0 to 2) to 1 to enable the RTCICn input. Operation when the noise filter is off is shown in [Figure 26.9](#) and operation when the noise filter is on is shown in [Figure 26.10](#).



**Figure 26.9** Timing of a time capture operation with the filter off

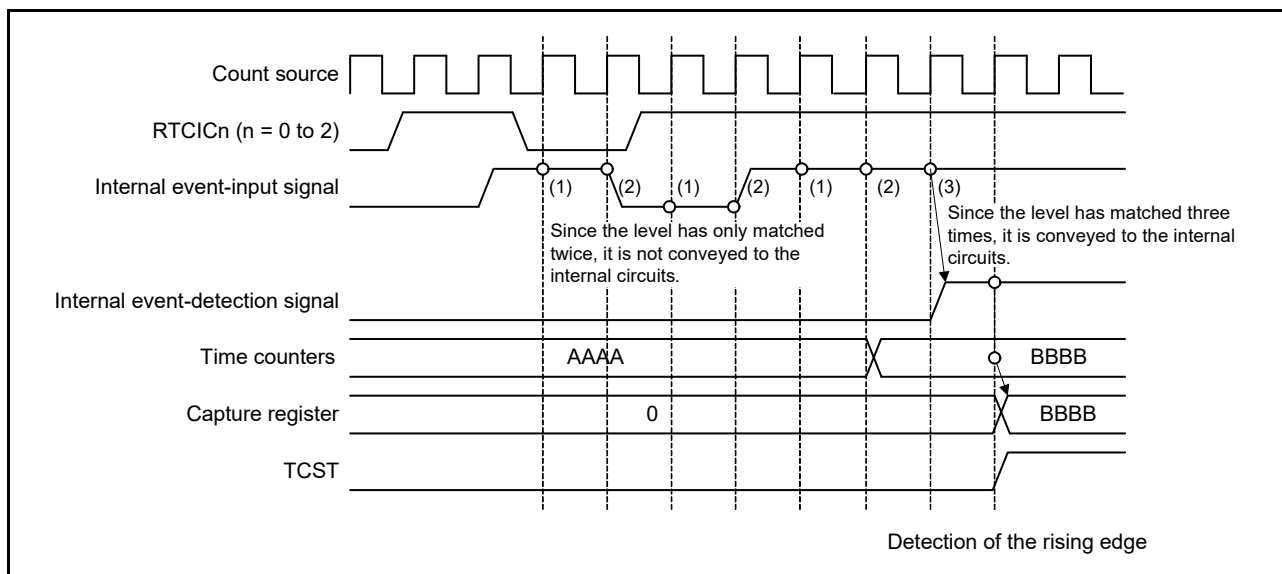


Figure 26.10 Timing of a time capture operation with the filter on

## 26.4 Interrupt Sources

The RTC has three interrupt sources and are listed in [Table 26.3](#).

Table 26.3 RTC interrupt sources

| Name    | Interrupt source   |
|---------|--------------------|
| RTC_ALM | Alarm interrupt    |
| RTC_PRD | Periodic interrupt |
| RTC_CUP | Carry interrupt    |

### (1) Alarm interrupt (RTC\_ALM)

This interrupt is generated based on the result of comparison between the alarm registers and RTC counters. For details, see [section 26.3.6, Alarm Function](#).

Because there is a possibility that the interrupt flag might be set to 1 when the settings of the alarm registers match the clock counters, wait for the alarm time settings to be confirmed and clear the IELSRn.IR bit and the interrupt Set-Pending Register associated with the RTC\_ALM interrupt to 0 again after modifying values of the alarm registers. After the interrupt flag for the alarm interrupt is set to 1 and the state is returned to mismatching of the alarm registers and clock counters, the flag is not set again until there is another match or the values of the alarm registers are modified again.

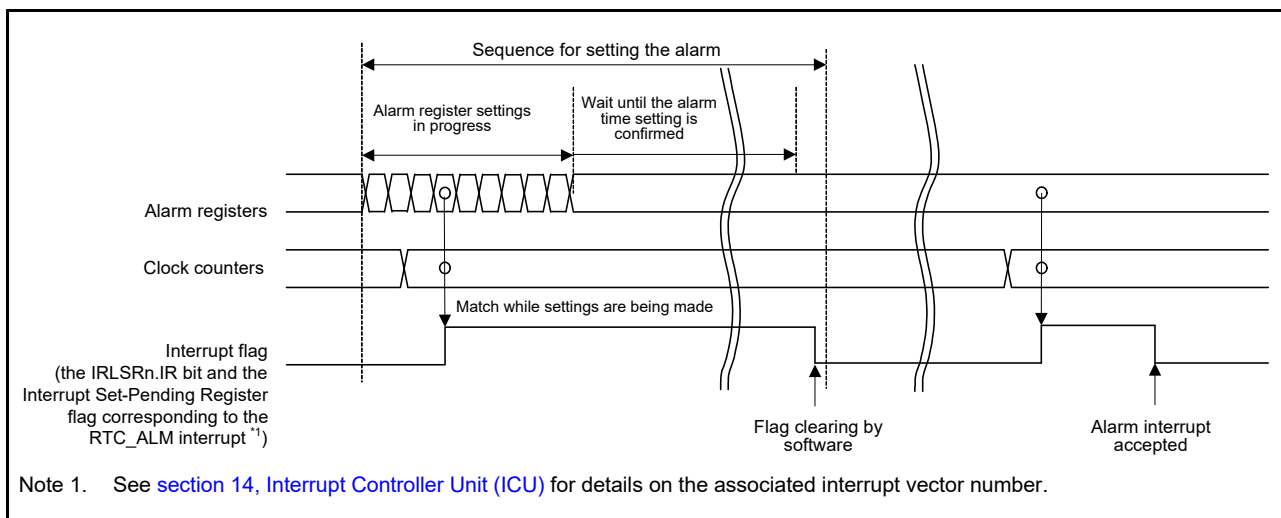


Figure 26.11 Timing diagram for the alarm interrupt (RTC\_ALM)

(2) Periodic interrupt (RTC\_PRD)

This interrupt is generated at intervals of 2 seconds, 1 second, 1/2 second, 1/4 second, 1/8 second, 1/16 second, 1/32 second, 1/64 second, 1/128 second, or 1/256 second. The interrupt interval can be selected through the RCR1.PES[3:0] bits.

(3) Carry interrupt (RTC\_CUP)

This interrupt is generated when a carry to the second counter/binary counter 0 occurred or a carry to the R64CNT counter occurred during read access to the 64-Hz counter.

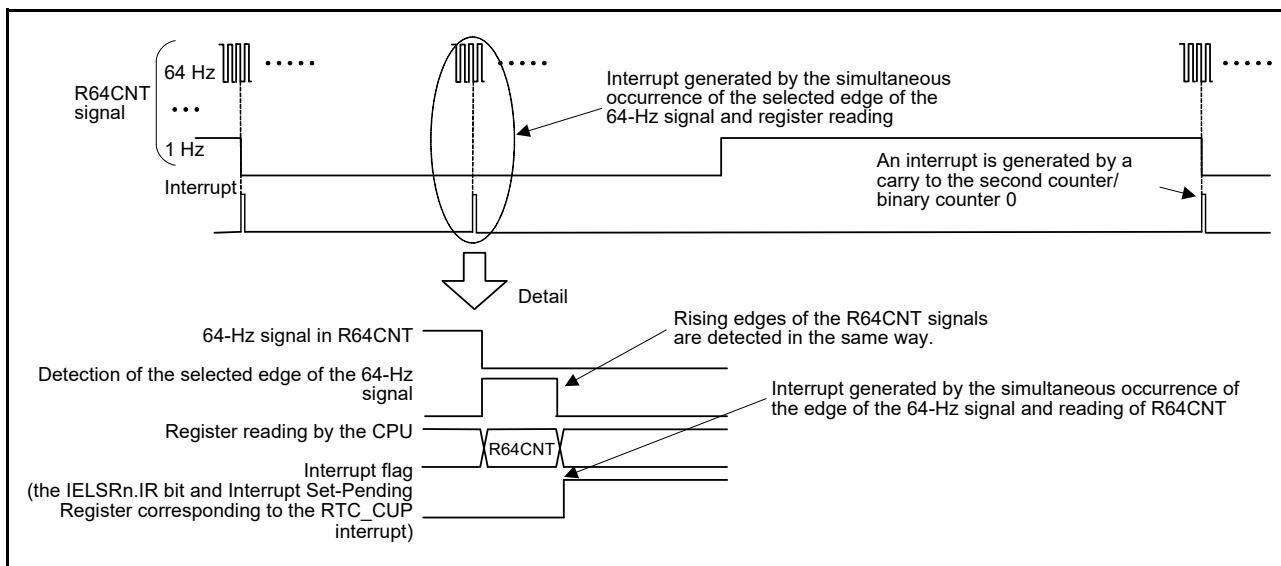


Figure 26.12 Timing diagram for the carry interrupt (RTC\_CUP)

26.5 Event Link Output

The RTC generates periodic event output (RTC\_PRD) event signal for the Event Link Controller (ELC) that can be used to initiate operations by other modules selected in advance.

The periodic event signal is output at the interval selected from 1/256, 1/128, 1/64, 1/32, 1/16, 1/8, 1/4, 1/2, 1, and 2 seconds by setting the RCR1.PES[3:0] bits.

The event generation period immediately after the event generation is selected is not guaranteed.

Note: If event linking from the RTC is used, only set the ELC after setting the RTC, for example initialization and time settings. Setting the RTC after the ELC can lead to output of unexpected event signals.

### 26.5.1 Interrupt Handling and Event Linking

The RTC has a bit to enable or disable periodic interrupts. An interrupt request signal is output for the CPU when an interrupt source is generated while the associated enable bit is enabled.

In contrast, an event link output signal is sent to other modules as an event signal through the ELC when an interrupt source is generated, regardless of the setting of the associated interrupt enable bit.

Note: Although alarm and periodic interrupts can still be output during Software Standby mode or Deep Software Standby mode, the periodic event signals for the ELC are not output.

## 26.6 Usage Notes

### 26.6.1 Register Writing during Counting

The following registers must not be written to during counting, that is, while the RCR2.START bit is 1:

- RSECCNT/BCNT0
- RMINCNT/BCNT1
- RHRCNT/BCNT2
- RDAYCNT
- RWKCNT/BCNT3
- RMONCNT
- RYRCNT
- RCR1.RTCOS
- RCR2.RTCOE
- RCR2.HR24
- RFRL.

The counter must be stopped before writing to any of these registers.

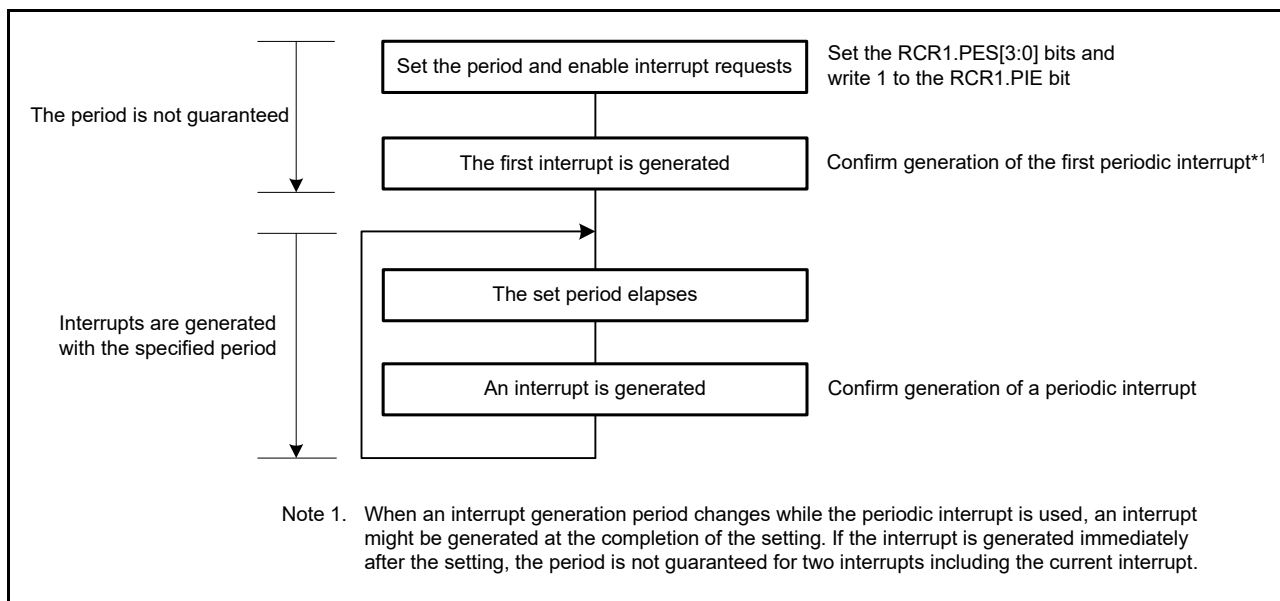
### 26.6.2 Use of Periodic Interrupts

The procedure for using periodic interrupts is shown in [Figure 26.13](#).

The generation and period of the periodic interrupt can be changed by setting the RCR1.PES[3:0] bits. However, because the prescaler R64CNT and RSECCNT/BCNT0 are used to generate interrupts, the interrupt period is not guaranteed immediately after setting the RCR1.PES[3:0] bits. In addition, any of the following operation can affect the interrupt period:

- Stopping/restarting or resetting counter operation
- Reset by RTC software
- 30-second adjustment by changing the RCR2 value.

When the time error adjustment function is used, the interrupt generation period after adjustment is added or subtracted based on the adjustment value.



**Figure 26.13** Using the periodic interrupt function

### 26.6.3 RTCOUT (1-Hz/64-Hz) Clock Output

Stopping/restarting or resetting counter operation, reset by RTC software, and the 30-second adjustment by changing the RCR2 value affects the period of RTCOUT (1-Hz/64-Hz) output. When the time error adjustment function is used, the period of RTCOUT (1-Hz/64-Hz) output after adjustment is added or subtracted based on the adjustment value.

### 26.6.4 Transitions to Low Power Modes after Setting Registers

A transition to a low power state (Software Standby mode, Deep Software Standby mode, or battery backup) during a write to an RTC register might corrupt the value in the register. After setting the register, confirm that the setting is in place before initiating a transition to a low power state.

### 26.6.5 Notes on Writing to and Reading from Registers

- When reading a counter register such as the second counter after writing to the counter register, follow the procedure in [section 26.3.5, Reading 64-Hz Counter and Time](#)
- The value written to the count registers, alarm registers, year alarm enable register, bits RCR2.AADJE, AADJP, and HR24, RCR4 register, or frequency register is reflected when four read operations are performed after writing
- The values written to the RCR1.CIE, RCR1.RTCOS, and RCR2.RTCOE bits can be read immediately after writing
- To read the value from the timer counter after return from a reset, Software Standby mode, Deep Software Standby mode, or the battery backup state, wait for 1/128 second while the clock is operating (RCR2.START bit is 1)
- After a reset is generated, write to the RTC register after 6 cycles of the count source clock elapse.

### 26.6.6 Changing the Count Mode

When changing the count mode (calendar/binary), set the RCR2.START bit to 0, stop the counting operation, then restart it from the initial setting. For details on the initial setting, see [section 26.3.1, Outline of Initial Settings of Registers after Power On](#).

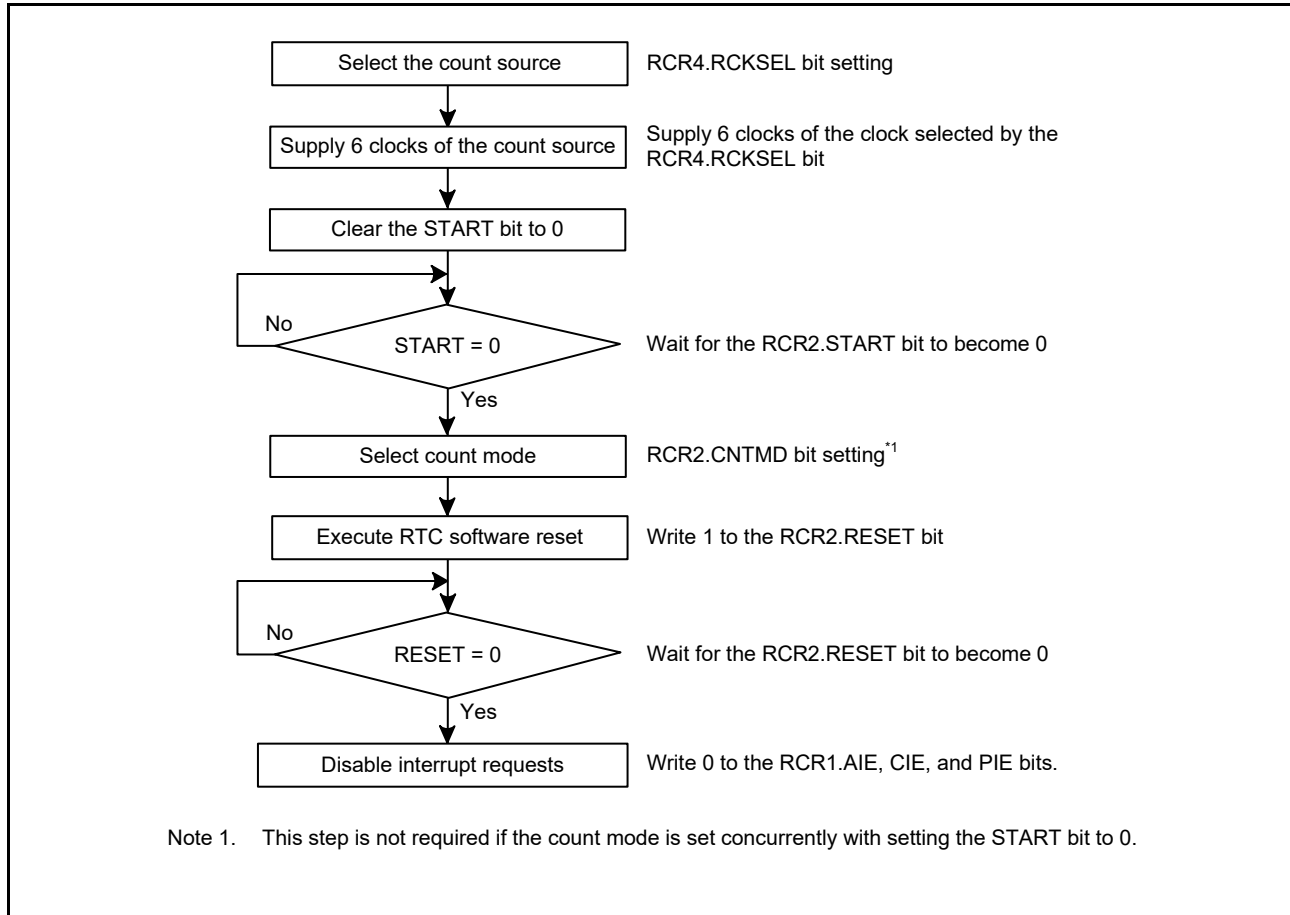
### 26.6.7 Initialization Procedure when the Realtime Clock Is Not To Be Used

Registers in the RTC are not initialized by a reset. Depending on the initial state, the generation of an unintentional interrupt request or operation of the counter might lead to increased power consumption.

For applications that do not require a realtime clock, initialize the registers by following the initialization procedure shown in [Figure 26.14](#).

Alternatively, when the sub-clock oscillator is not used as the system clock or realtime clock, the counter can be stopped by writing 0 (subclock oscillator is selected) to the RCR4.RCKSEL bit and stopping the sub-clock oscillator. To stop the sub-clock oscillator, write 1 to the SOSCCR.SOSTP bit.

For details on the setting of the SOSCCR.SOSTP bit, see [section 9, Clock Generation Circuit](#).



**Figure 26.14 Initialization procedure**

### 26.6.8 When Switching Source Clock

When switching a clock source by changing SCKCR.CKSEL[2:0], the clock output from the selector stops for 4 cycles of the switched clock. If the RTC periodical interrupt or RTC periodical event output was generated at this time, the interrupt or event is invalid.

## 27. Watchdog Timer (WDT)

The Watchdog Timer (WDT) is a 14-bit down-counter and can be used to reset the MCU when the counter underflows because the system has run out of control and become unable to refresh the WDT. In addition, the WDT can be used to generate a non-maskable interrupt or an underflow interrupt. The refresh-permitted period can be set to refresh the counter and to detect when the system runs out of control.

### 27.1 Overview

Table 27.1 lists the WDT specifications and Figure 27.1 shows a block diagram.

**Table 27.1 WDT specifications**

| Parameter                                | Specifications   |
|--|--|
| Count source                             | Peripheral clock (PCLKB)   |
| Clock division ratio                     | Division by 4, 64, 128, 512, 2,048, or 8,192   |
| Counter operation                        | Counting down using a 14-bit down-counter  |
| Conditions for starting the counter      | <ul style="list-style-type: none"> <li>Auto start mode: Counting automatically starts after a reset, or after an underflow or refresh error occurs</li> <li>Register start mode: Counting is started by a refresh by writing to the WDTRR register.</li> </ul> |
| Conditions for stopping the counter      | <ul style="list-style-type: none"> <li>Reset (the down-counter and other registers return to their initial values)</li> <li>A counter underflows or a refresh error is generated.</li> </ul>   |
| Window function                          | Window start and end positions can be specified (refresh-permitted and refresh-prohibited periods)   |
| WDT reset sources                        | <ul style="list-style-type: none"> <li>Down-counter underflows</li> <li>Refreshing outside the refresh-permitted period (refresh error).</li> </ul>  |
| Non-maskable interrupt/interrupt sources | <ul style="list-style-type: none"> <li>Down-counter underflows</li> <li>Refreshing outside the refresh-permitted period (refresh error).</li> </ul>  |
| Reading of the counter value             | The down-counter value can be read by the WDTSR register   |
| Event link function (output)             | <ul style="list-style-type: none"> <li>Down-counter underflow event output</li> <li>Refresh error event output.</li> </ul>   |
| Output signal (internal signal)          | <ul style="list-style-type: none"> <li>Reset output</li> <li>Interrupt request output</li> <li>Sleep mode count stop control output.</li> </ul>  |



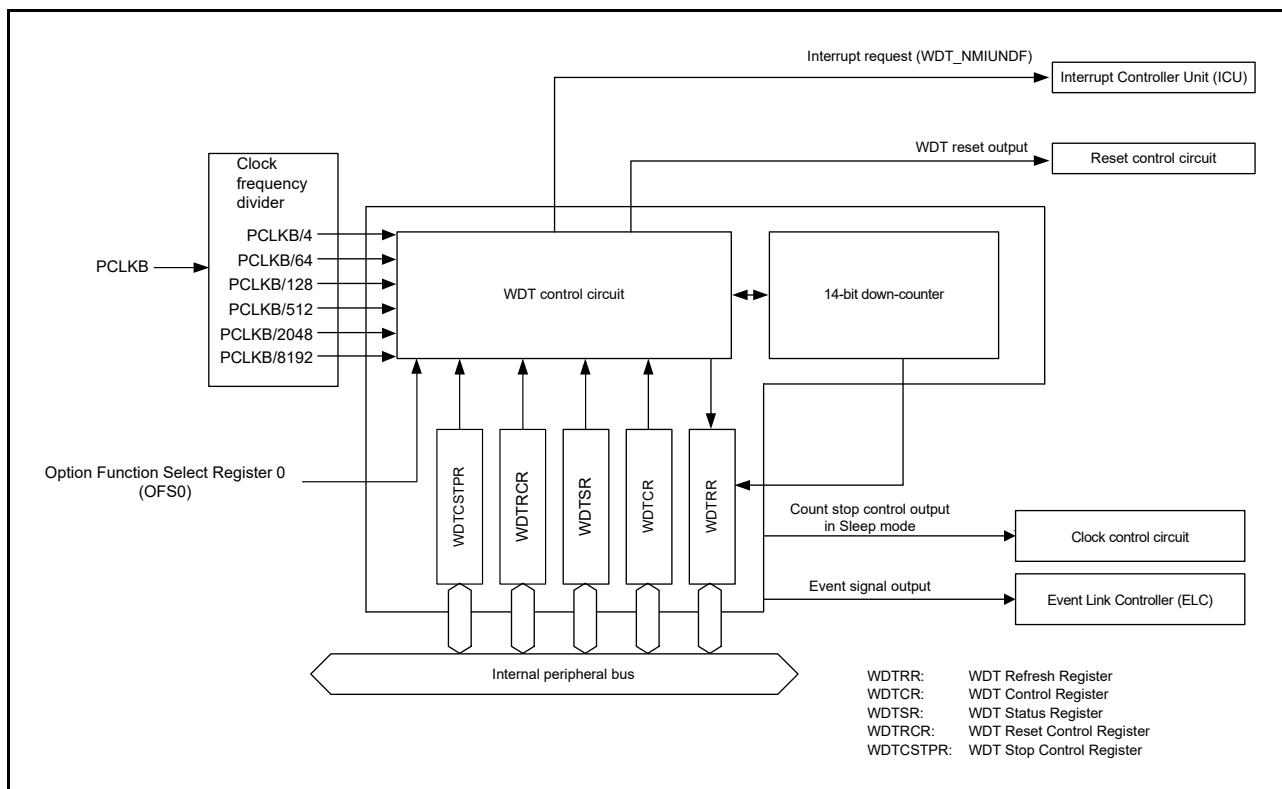
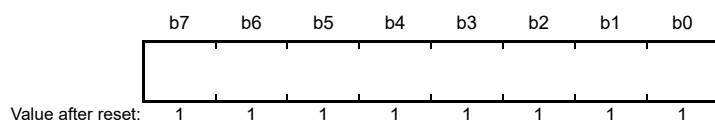


Figure 27.1 WDT block diagram

## 27.2 Register Descriptions

### 27.2.1 WDT Refresh Register (WDTRR)

Address(es): [WDT.WDTRR 4004 4200h](#)



| Bit      | Description  | R/W |
|----------|--|-----|
| b7 to b0 | The down-counter is refreshed by writing 00h and then writing FFh to this register | R/W |

The WDTRR register refreshes the down-counter of the WDT.

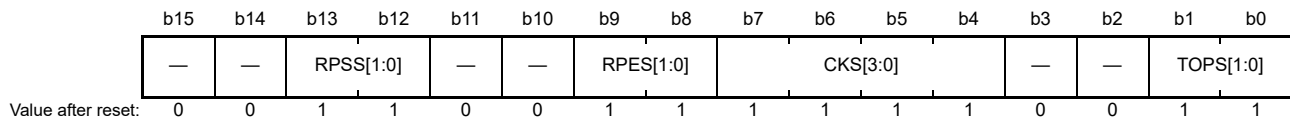
The down-counter of the WDT is refreshed by writing 00h and then writing FFh to WDTRR (refresh operation) within the refresh-permitted period.

After the down-counter is refreshed, it starts counting down from the value selected in the WDT Timeout Period Select bits (OFS0.WDTPS[1:0]) in the Option Function Select Register 0 in auto start mode. In register start mode, counting down starts from the value selected in the Timeout Period Select bits (WDTTCR.TOPS[1:0]) in the WDT Control Register.

When 00h is written, the read value is 00h. When a value other than 00h is written, the read value is FFh. For details on the refresh operation, see [section 27.3.3, Refresh Operation](#).

## 27.2.2 WDT Control Register (WDTCR)

Address(es): [WDT.WDTCR 4004 4202h](#)



| Bit      | Symbol                    | Bit name                     | Description   | R/W |
|----------|---------------------------|------------------------------|---|-----|
| b1, b0   | <a href="#">TOPS[1:0]</a> | Timeout Period Select        | b1 b0<br>0 0: 1,024 cycles (03FFh)<br>0 1: 4,096 cycles (0FFFh)<br>1 0: 8,192 cycles (1FFFh)<br>1 1: 16,384 cycles (3FFFh).   | R/W |
| b3, b2   | —                         | Reserved                     | These bits are read as 0. The write value should be 0.  | R/W |
| b7 to b4 | <a href="#">CKS[3:0]</a>  | Clock Division Ratio Select  | b7 b4<br>0 0 0 1: PCLKB/4<br>0 1 0 0: PCLKB/64<br>1 1 1 1: PCLKB/128<br>0 1 1 0: PCLKB/512<br>0 1 1 1: PCLKB/2048<br>1 0 0 0: PCLKB/8192.<br>Other settings are prohibited. | R/W |
| b9, b8   | <a href="#">RPES[1:0]</a> | Window End Position Select   | b9 b8<br>0 0: 75%<br>0 1: 50%<br>1 0: 25%<br>1 1: 0% (do not specify window end position).  | R/W |
| b11, b10 | —                         | Reserved                     | These bits are read as 0. The write value should be 0.  | R/W |
| b13, b12 | <a href="#">RPSS[1:0]</a> | Window Start Position Select | b13 b12<br>0 0: 25%<br>0 1: 50%<br>1 0: 75%<br>1 1: 100% (do not specify window start position).  | R/W |
| b15, b14 | —                         | Reserved                     | These bits are read as 0. The write value should be 0.  | R/W |

Some constraints apply to writes to the WDTCR register. For details, see [section 27.3.2, Controlling Writes to the WDTCR, WDTRCR, and WDTCSR Registers](#).

In auto start mode, the settings in the WDTCR register are disabled, and the settings in Option Function Select Register 0 (OFS0) are enabled. The settings for the WDTCR register can also be made for the OFS0 register. For details, see [section 27.3.7, Association between Option Function Select Register 0 \(OFS0\) and WDT Registers](#).

### **TOPS[1:0] bits (Timeout Period Select)**

The TOPS[1:0] bits select the timeout period, the period until the down-counter underflows, from 1,024, 4,096, 8,192, and 16,384 cycles, taking the divided clock specified in the CKS[3:0] bits as 1 cycle. After the down-counter is refreshed, the combination of the CKS[3:0] and TOPS[1:0] bits determines the number of PCLKB cycles until the counter underflows.

[Table 27.2](#) lists the relationship between the CKS[3:0] and TOPS[1:0] bit settings, the timeout period, and the number of PCLKB cycles.

**Table 27.2** Timeout period settings

| CKS[3:0] bits |    |    |    | TOPS[1:0] bits |    | Clock division ratio | Timeout period<br>(number of cycles) | PCLKB clock cycles |
|---------------|----|----|----|----------------|----|----------------------|--------------------------------------|--------------------|
| b7            | b6 | b5 | b4 | b1             | b0 |                      |                                      |                    |
| 0             | 0  | 0  | 1  | 0              | 0  | PCLKB/4              | 1,024                                | 4,096              |
|               |    |    |    | 0              | 1  |                      | 4,096                                | 16,384             |
|               |    |    |    | 1              | 0  |                      | 8,192                                | 32,768             |
|               |    |    |    | 1              | 1  |                      | 16,384                               | 65,536             |
| 0             | 1  | 0  | 0  | 0              | 0  | PCLKB/64             | 1,024                                | 65,536             |
|               |    |    |    | 0              | 1  |                      | 4,096                                | 262,144            |
|               |    |    |    | 1              | 0  |                      | 8,192                                | 524,288            |
|               |    |    |    | 1              | 1  |                      | 16,384                               | 1,048,576          |
| 1             | 1  | 1  | 1  | 0              | 0  | PCLKB/128            | 1,024                                | 131,072            |
|               |    |    |    | 0              | 1  |                      | 4,096                                | 524,288            |
|               |    |    |    | 1              | 0  |                      | 8,192                                | 1,048,576          |
|               |    |    |    | 1              | 1  |                      | 16,384                               | 2,097,152          |
| 0             | 1  | 1  | 0  | 0              | 0  | PCLKB/512            | 1,024                                | 524,288            |
|               |    |    |    | 0              | 1  |                      | 4,096                                | 2,097,152          |
|               |    |    |    | 1              | 0  |                      | 8,192                                | 4,194,304          |
|               |    |    |    | 1              | 1  |                      | 16,384                               | 8,388,608          |
| 0             | 1  | 1  | 1  | 0              | 0  | PCLKB/2048           | 1,024                                | 2,097,152          |
|               |    |    |    | 0              | 1  |                      | 4,096                                | 8,388,608          |
|               |    |    |    | 1              | 0  |                      | 8,192                                | 16,777,216         |
|               |    |    |    | 1              | 1  |                      | 16,384                               | 33,554,432         |
| 1             | 0  | 0  | 0  | 0              | 0  | PCLKB/8192           | 1,024                                | 8,388,608          |
|               |    |    |    | 0              | 1  |                      | 4,096                                | 33,554,432         |
|               |    |    |    | 1              | 0  |                      | 8,192                                | 67,108,864         |
|               |    |    |    | 1              | 1  |                      | 16,384                               | 134,217,728        |

**CKS[3:0] bits (Clock Division Ratio Select)**

The CKS[3:0] bits specify the division ratio of the clock used for the down-counter. The division ratio can be selected from the peripheral clock (PCLKB) divided by 4, 64, 128, 512, 2048, and 8192. Combined with the TOPS[1:0] bit setting, this allows the WDT to be configured to a count period between 4,096 and 134,217,728 cycles of the PCLKB clock.

**RPES[1:0] bits (Window End Position Select)**

The RPES[1:0] bits specify the window end position that indicates the refresh-permitted period. 75%, 50%, 25%, or 0% of the timeout period can be selected for the window end position. Set the window end position to a value less than the value for the window start position (window start position > window end position). If the window end position is greater than the window start position, only the window start position setting is enabled.

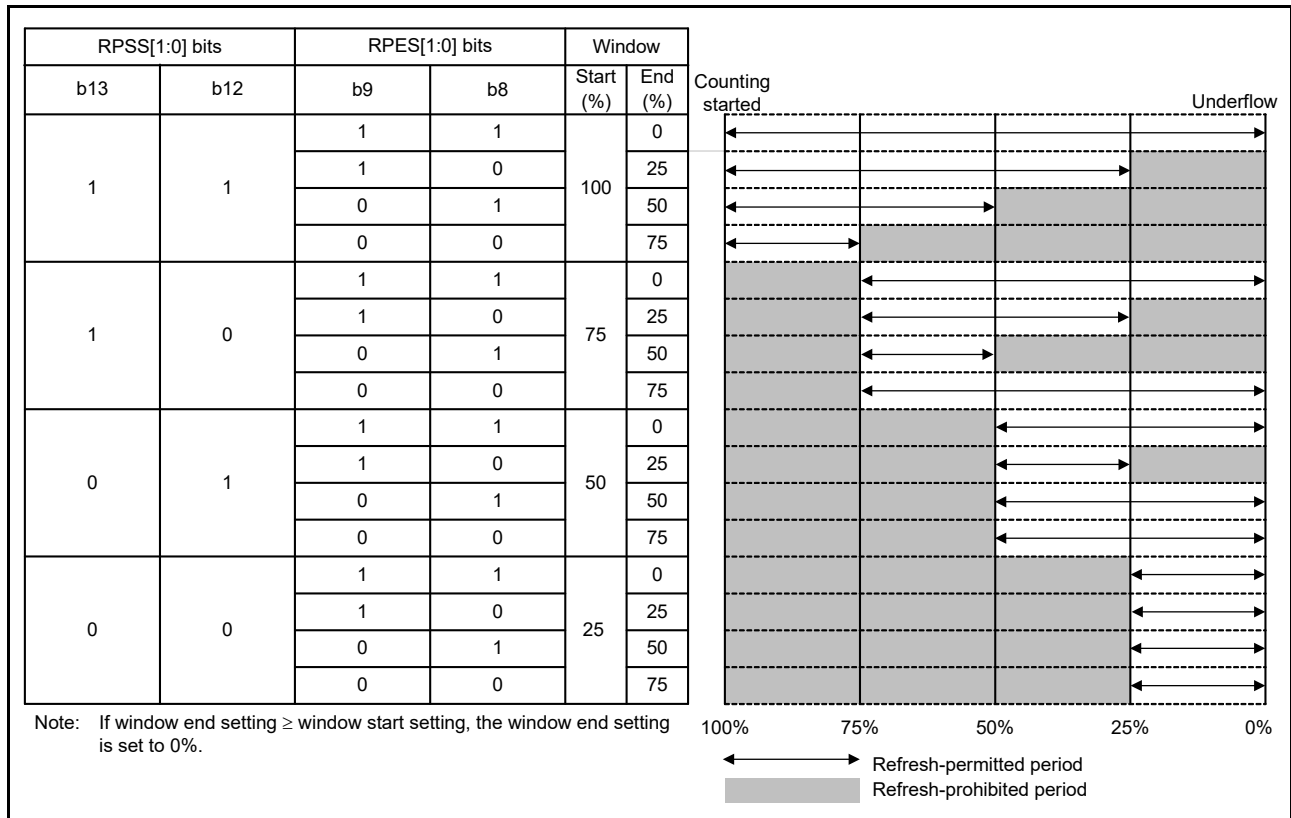
**RPSS[1:0] bits (Window Start Position Select)**

The RPSS[1:0] bits specify the window start position that indicates the refresh-permitted period. 100%, 75%, 50%, or 25% of the timeout period can be selected for the window start position. Set the window start position to a value greater than the value for the window end position. If the window start position is set to a value less than or equal to the window end position, the window end position is set to 0%.

Table 27.3 lists the counter values for the window start and end positions, and Figure 27.2 shows the refresh-permitted period set in the RPSS[1:0], RPES[1:0], and TOPS[1:0] bits.

**Table 27.3 Relationship between the timeout period and window start and end counter values**

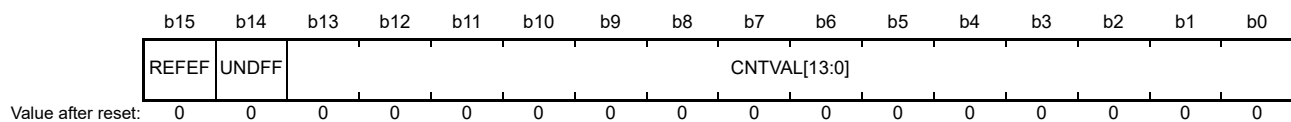
| TOPS[1:0] bits |   | Timeout period |               | Window start and end counter value |       |       |       |
|----------------|---|----------------|---------------|------------------------------------|-------|-------|-------|
|                |   | Cycles         | Counter value | 100%                               | 75%   | 50%   | 25%   |
| 0              | 0 | 1024           | 03FFh         | 03FFh                              | 02FFh | 01FFh | 00FFh |
| 0              | 1 | 4096           | 0FFFh         | 0FFFh                              | 0BFFh | 07FFh | 03FFh |
| 1              | 0 | 8192           | 1FFFh         | 1FFFh                              | 17FFh | 0FFFh | 07FFh |
| 1              | 1 | 16384          | 3FFFh         | 3FFFh                              | 2FFFh | 1FFFh | 0FFFh |



**Figure 27.2 RPSS[1:0] and RPES[1:0] bit settings and refresh-permitted period**

### 27.2.3 WDT Status Register (WDTSR)

Address(es): [WDT.WDTSR 4004 4204h](#)



| Bit       | Symbol                       | Bit name           | Description  | R/W        |
|-----------|------------------------------|--------------------|--|------------|
| b13 to b0 | <a href="#">CNTVAL[13:0]</a> | Down-Counter Value | Value counted by the down-counter                          | R          |
| b14       | <a href="#">UNDFE</a>        | Underflow Flag     | 0: No underflow occurred<br>1: Underflow occurred.         | R(W)<br>*1 |
| b15       | <a href="#">REFEF</a>        | Refresh Error Flag | 0: No refresh error occurred<br>1: Refresh error occurred. | R(W)<br>*1 |

Note 1. Only 0 can be written to clear the flag.

**CNTVAL[13:0] bits (Down-Counter Value)**

Read the CNTVAL[13:0] bits to confirm the value of the down-counter. The read value might differ from the actual count by 1.

**UNDF flag (Underflow Flag)**

Read the UNDF flag to confirm whether an underflow occurred in the down-counter. A value of 1 indicates that the down-counter underflowed. Write 0 to the flag to set the value to 0. Writing 1 has no effect.

Clearing of the UNDF flag takes (N+1) PCLKB cycles. In addition, clearing of the flag is ignored for (N+1) PCLKB cycles after an underflow. N is specified in the WDTCR.CKS[3:0] bits as follows:

- When WDTCR.CKS[3:0] = 0001b, N = 4
- When WDTCR.CKS[3:0] = 0100b, N = 64
- When WDTCR.CKS[3:0] = 1111b, N = 128
- When WDTCR.CKS[3:0] = 0110b, N = 512
- When WDTCR.CKS[3:0] = 0111b, N = 2048
- When WDTCR.CKS[3:0] = 1000b, N = 8192

**REFEF flag (Refresh Error Flag)**

Read the REFEF flag to confirm whether a refresh error occurred, indicating that a refresh operation was performed during a prohibited period. A value of 1 indicates that a refresh error occurred. Write 0 to the flag to set the value to 0. Writing 1 has no effect.

Clearing of the REFEF flag takes (N+1) PCLKB cycles. In addition, clearing of the flag is ignored for (N+1) PCLKB cycles after a refresh error. N is specified in the WDTCR.CKS[3:0] bits as follows:

- When WDTCR.CKS[3:0] = 0001b, N = 4
- When WDTCR.CKS[3:0] = 0100b, N = 64
- When WDTCR.CKS[3:0] = 1111b, N = 128
- When WDTCR.CKS[3:0] = 0110b, N = 512
- When WDTCR.CKS[3:0] = 0111b, N = 2048
- When WDTCR.CKS[3:0] = 1000b, N = 8192.

**27.2.4 WDT Reset Control Register (WDTRCR)**

Address(es): [WDT.WDTRCR 4004 4206h](#)

|             | b7 | b6 | b5 | b4 | b3 | b2 | b1 | b0 |
|-------------|----|----|----|----|----|----|----|----|
| RSTIR<br>QS | —  | —  | —  | —  | —  | —  | —  | —  |

Value after reset: 1 0 0 0 0 0 0 0

| Bit      | Symbol  | Bit name                       | Description   | R/W |
|----------|---------|--------------------------------|---|-----|
| b6 to b0 | —       | Reserved                       | These bits are read as 0. The write value should be 0.  | R/W |
| b7       | RSTIRQS | Reset Interrupt Request Select | 0: Non-maskable interrupt request or interrupt request output is enabled<br>1: Reset output is enabled. | R/W |

Some constraints apply to writes to the WDTRCR register. For details, see [section 27.3.2, Controlling Writes to the WDTCR, WDTRCR, and WDTCTPR Registers](#).

In auto start mode, the WDTRCR register settings are disabled, and the settings in Option Function Select Register 0 (OFS0) are enabled. The settings for the WDTCR register can also be made for the OFS0 register. For details, see [section](#)

27.3.7, Association between Option Function Select Register 0 (OFS0) and WDT Registers.

## 27.2.5 WDT Count Stop Control Register (WDTCSSTPR)

Address(es): WDT.WDTCSSTPR 4004 4208h

|                    |        |    |    |    |    |    |    |    |
|--------------------|--------|----|----|----|----|----|----|----|
|                    | b7     | b6 | b5 | b4 | b3 | b2 | b1 | b0 |
|                    | SLCSTP | —  | —  | —  | —  | —  | —  | —  |
| Value after reset: | 1      | 0  | 0  | 0  | 0  | 0  | 0  | 0  |

| Bit      | Symbol | Bit name                      | Description   | R/W |
|----------|--------|-------------------------------|---|-----|
| b6 to b0 | —      | Reserved                      | These bits are read as 0. The write value should be 0.                          | R/W |
| b7       | SLCSTP | Sleep-Mode Count Stop Control | 0: Count stop is disabled<br>1: Count is stopped when transition to Sleep mode. | R/W |

The WDTCSSTPR register controls whether to stop the WDT counter in a low power mode. Some restrictions apply to writes to the WDTCSSTPR register. For details, see [section 27.3.2, Controlling Writes to the WDTCSR, WDTRCR, and WDTCSSTPR Registers](#).

In auto start mode, the WDTCSSTPR register settings are disabled, and the settings in Option Function Select register 0 (OFS0) are enabled. The settings for the WDTCSSTPR register can also be made for the OFS0 register. For details, see [section 27.3.7, Association between Option Function Select Register 0 \(OFS0\) and WDT Registers](#).

### SLCSTP bit (Sleep-Mode Count Stop Control)

The SLCSTP bit selects whether to stop counting when transition to Sleep mode.

## 27.2.6 Option Function Select Register 0 (OFS0)

For information on the OFS0 register, see [section 27.3.7, Association between Option Function Select Register 0 \(OFS0\) and WDT Registers](#).

## 27.3 Operation

### 27.3.1 Count Operation in Each Start Mode

The WDT has two start modes:

- Auto start mode, in which counting automatically starts after a release from the reset state
- Register start mode, in which counting is started with a refresh by writing to the register.

In auto start mode, counting automatically starts after release from the reset state in accordance with the settings in Option Function Select Register 0 (OFS0) in the flash.

In register start mode, counting starts with a refresh by writing to the register after the respective registers are set after a release from the reset state.

Select auto start mode or register start mode by setting the WDT Start Mode Select bit (OFS0.WDTSTRT) in the OFS0 register. When the auto start mode is selected, the settings in the WDT Control Register (WDTCSR), WDT Reset Control Register (WDTRCR), and WDT Count Stop Control Register (WDTCSSTPR) are disabled, and the settings in the OFS0 register are enabled. When the register start mode is selected, the OFS0 register settings are disabled, and the settings in the WDT Control Register (WDTCSR), WDT Reset Control Register (WDTRCR), and WDT Count Stop Control Register (WDTCSSTPR) are enabled.

#### 27.3.1.1 Register start mode

When the WDT Start Mode Select bit (OFS0.WDTSTRT) is 1, register start mode is selected and the WDT Control Register (WDTCSR), WDT Reset Control Register (WDTRCR), and WDT Count Stop Control Register (WDTCSSTPR) are enabled.

After the reset state is released, set the following to Sleep mode in the WDTCSSTPR register:

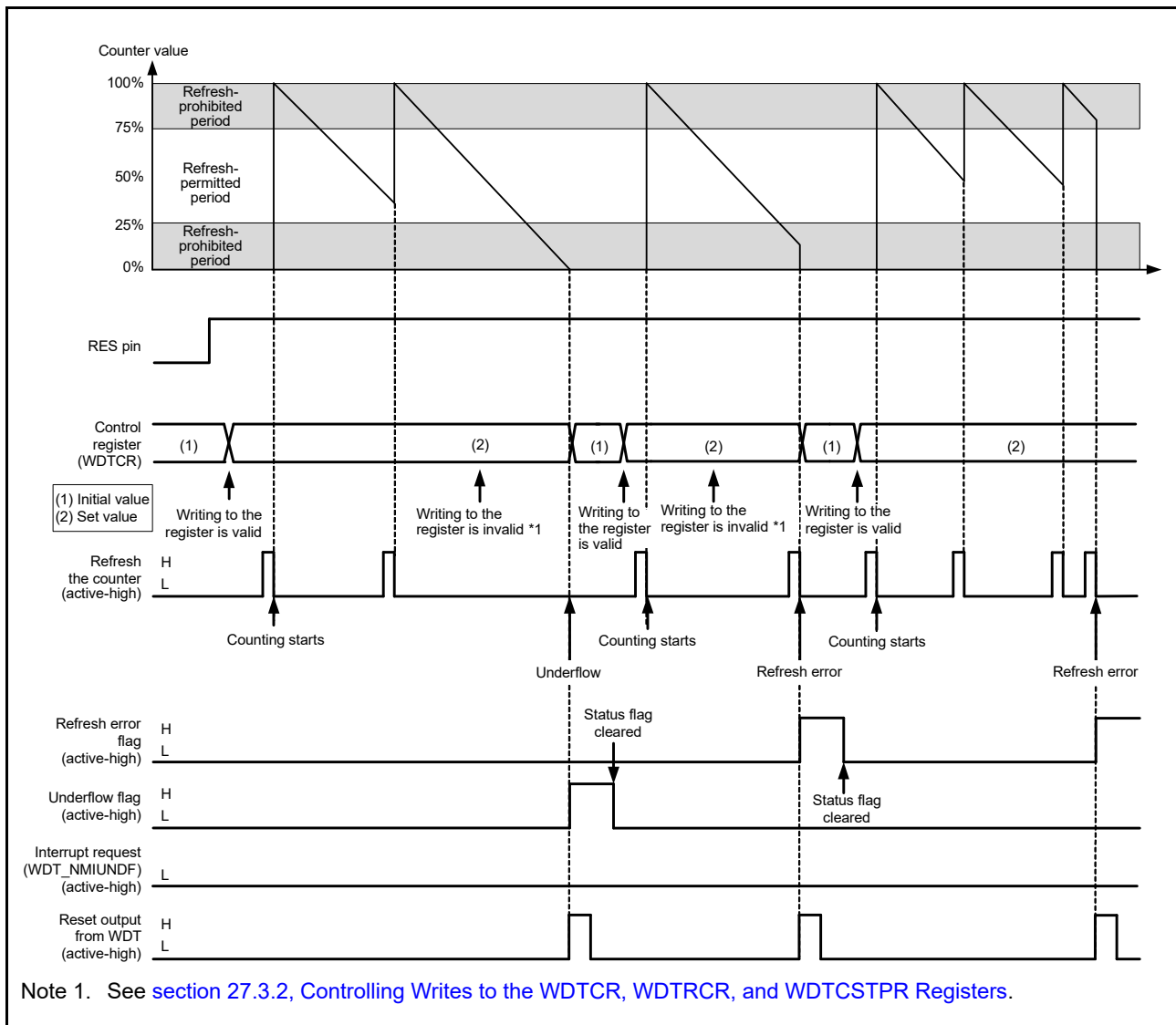
- Clock division ratio
- Window start and end positions
- Timeout period in the WDTCR register
- Reset output or interrupt request output in the WDTRCR register
- Counter stop control during transitions to Sleep mode in the WDTCSSTPR register.

Refresh the down-counter to start counting down from the value set in the Timeout Period Select bits (WDTCR.TOPS[1:0]).

Thereafter, as long as the counter is refreshed in the refresh-permitted period, the value in the counter is reset each time the counter is refreshed and down-counting continues. The WDT does not output the reset signal as long as counting continues. However, if the down-counter underflows because the down-counter cannot be refreshed due to a program runaway, or if a refresh error occurs because the counter was refreshed outside the refresh-permitted period, the WDT outputs a reset signal or a non-maskable interrupt request/interrupt request (WDT\_NMIUNDF). Reset output or interrupt request output can be selected in the WDT Reset Interrupt Request Select bit (WDTRCR.RSTIRQS). Non-maskable interrupt request or interrupt request can be selected in the WDT Underflow/Refresh Error Interrupt Enable bit (NMIER.WDTEN).

Figure 27.3 shows an example of operation under the following conditions:

- Register start mode (OFS0.WDTSTRT = 1)
- Reset output is enabled (WDTRCR.RSTIRQS = 1)
- The window start position is 75% (WDTCR.RPSS[1:0] = 10b)
- The window end position is 25% (WDTCR.RPES[1:0] = 10b).



**Figure 27.3** Operation example in register start mode

### 27.3.1.2 Auto start mode

When the WDT Start Mode Select bit (OFS0.WDTSTRT) in the Option Function Select Register 0 (OFS0) is 0, auto start mode is selected. The WDT Control Register (WDTCR), WDT Reset Control Register (WDTRCR), and WDT Count Stop Control Register (WDTCSSTPR) are disabled while the settings in the OFS0 register are enabled.

Within the reset state, the following values in the Option Function Select register 0 (OFS0) are set in the WDT registers:

- Clock division ratio
- Window start and end positions
- Timeout period
- Reset output or interrupt request
- Counter stop control on transition to Sleep mode.

When the reset state is released, the down-counter automatically starts counting down from the value set in the WDT Timeout Period Select bits (OFS0.WDTPOPS[1:0]).

Thereafter, as long as the counter is refreshed in the refresh-permitted period, the value in the counter is reset each time the counter is refreshed and down-counting continues. The WDT does not output the reset signal as long as the counting continues. However, if the down-counter underflows because refreshing of the down-counter is not possible due to a



runaway program or if a refresh error occurs due to refreshing outside the refresh-permitted period, the WDT asserts the reset signal or non-maskable interrupt request/interrupt request (WDT\_NMIUNDF).

After the reset signal or non-maskable interrupt request/interrupt request is generated, the counter reloads the timeout period after counting for 1 cycle. The value of the timeout period is set in the down-counter and counting restarts.

Reset output or interrupt request output can be selected in the WDT Reset Interrupt Request Select bit (OFS0.WDTRSTIRQS). Non-maskable interrupt request or interrupt request can be selected in the WDT Underflow/Refresh Error Interrupt Enable bit (NMIER.WDTEN).

Figure 27.4 shows an example of operation (non-maskable interrupt) under the following conditions:

- Auto start mode (OFS0.WDTSTRT = 0)
- Non-maskable interrupt request output is enabled (OFS0.WDTRSTIRQS = 0)
- The window start position is 75% (WDTCR.RPSS[1:0] = 10b)
- The window end position is 25% (WDTCR.RPES[1:0] = 10b).

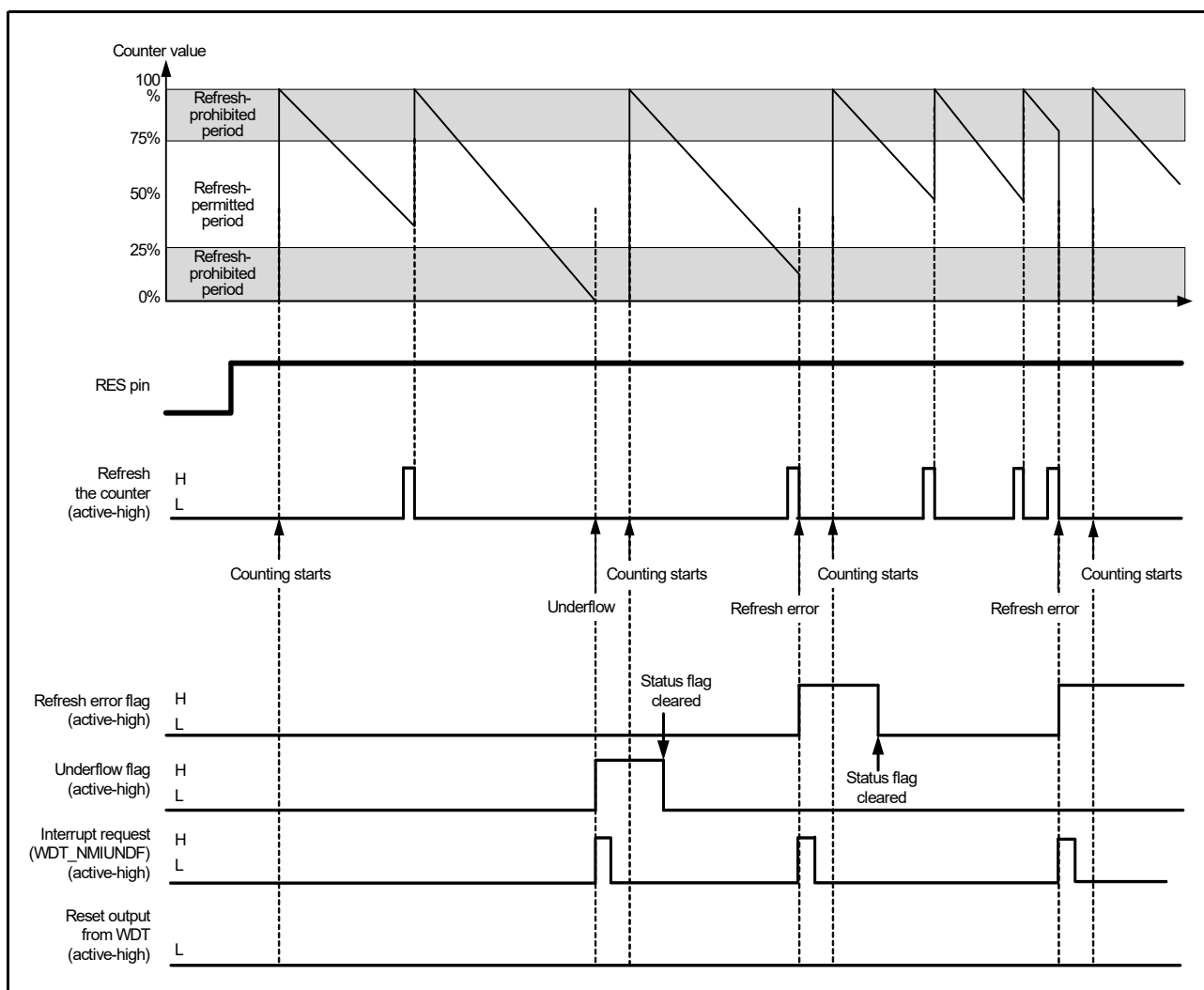


Figure 27.4 Operation example in auto start mode

### 27.3.2 Controlling Writes to the WDTCR, WDTRCR, and WDTCSSTPR Registers

Writing to the WDT Control Register (WDTCR), WDT Reset Control Register (WDTRCR), or WDT Count Stop Control Register (WDTCSSTPR) is possible once between the release from the reset state and the first refresh operation.

After a refresh (counting starts) or a write to WDTCR, WDTRCR or WDTCSSTPR, the protection signal in the WDT becomes 1 to protect WDTCR, WDTRCR and WDTCSSTPR against subsequent write attempts. This protection is

released by a reset source of the WDT. With other reset sources, the protection is not released.

Figure 27.5 shows control waveforms produced in response to writing to the WDTCR.

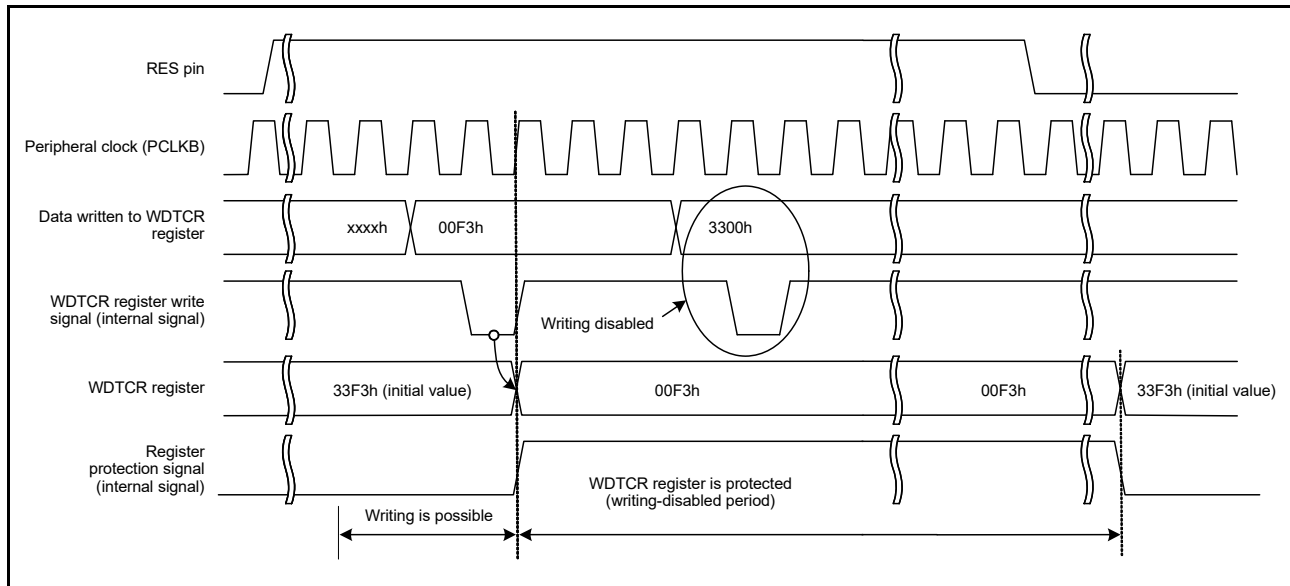


Figure 27.5 Control waveforms produced in response to writes to the WDTCR register

### 27.3.3 Refresh Operation

The down-counter is refreshed by writing the values 00h and FFh to the WDT Refresh Register (WDTRR). If a value other than FFh is written after 00h, the down-counter is not refreshed. After an invalid value is written, correct refreshing resumes by writing 00h and FFh to the WDTRR register.

When a register other than WDTRR is accessed or WDTRR is read between writing 00h and writing FFh to WDTRR, correct refreshing is performed.

Writing to refresh the counter must be performed within the refresh-permitted period and whether this is done is determined by writing FFh. For this reason, correct refreshing is performed even when 00h is written outside the refresh-permitted period.

[Example write sequences that are valid when refreshing the counter]

- 00h → FFh
- 00h ((n-1)th time) → 00h (nth time) → FFh
- 00h → access to another register or read from WDTRR → FFh.

[Example write sequences that are invalid when refreshing the counter]

- 23h (a value other than 00h) → FFh
- 00h → 54h (a value other than FFh)
- 00h → AAh (00h and a value other than FFh) → FFh.

After FFh is written to the WDT Refresh Register (WDTRR), refreshing the down-counter requires up to 4 cycles of the signal for counting. To meet this requirement, complete writing FFh to WDTRR 4 count cycles before the down-counter underflows.

Figure 27.6 shows the WDT refresh-operation waveforms when the clock division ratio = PCLKB/64.

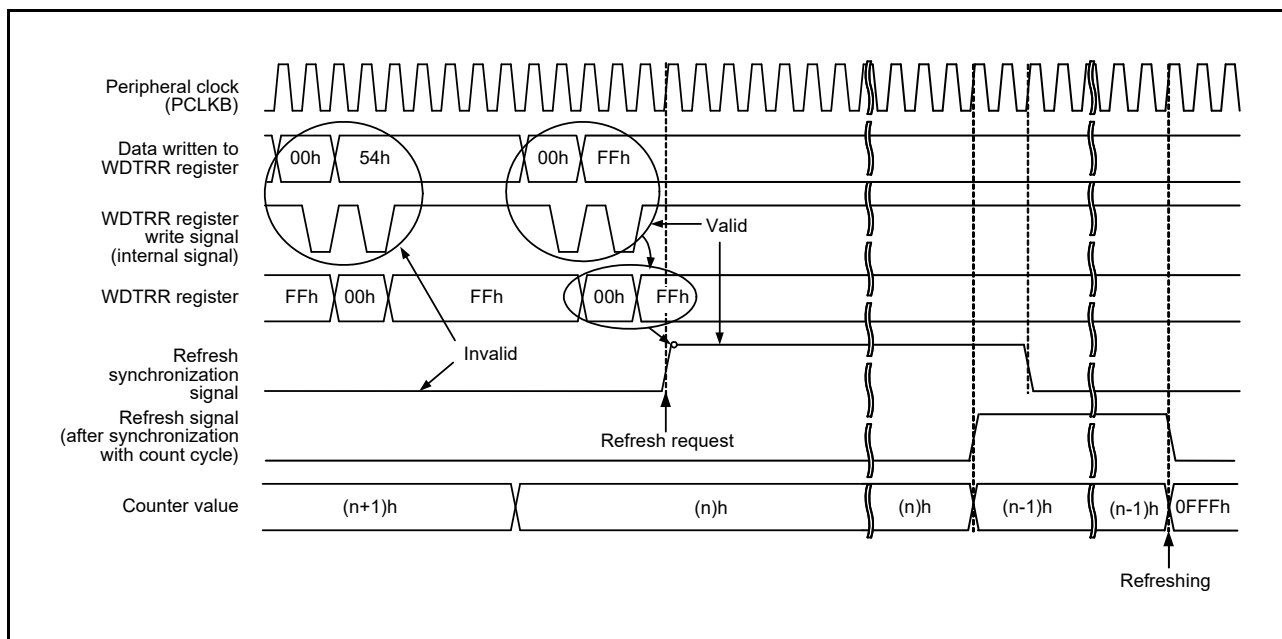


Figure 27.6 WDT refresh operation waveforms when WDTCR.CKS[3:0] = 0100b and WDTCR.TOPS[1:0] = 01b

### 27.3.4 Reset Output

When the Reset Interrupt Request Select bit (WDTRCR.RSTIRQS) is set to 1 in register start mode, or when the WDT Reset Interrupt Request Select bit (OFS0.WDTRSTIRQS) in the Option Function Select Register 0 (OFS0) is set to 1 in auto start mode, a reset signal is output for 1 cycle count when an underflow in the down-counter or a refresh error occurs.

In register start mode, the down-counter is initialized (all bits set to 0) and stopped in that state after output of a reset signal. After the reset state is released and the program is restarted, the counter is set up and counting down starts again with a refresh. In auto start mode, counting down starts automatically after the reset state is released.

### 27.3.5 Interrupt Sources

When the Reset Interrupt Request Select bit (WDTRCR.RSTIRQS) is set to 0 in register start mode or when the WDT Reset Interrupt Request Select bit (OFS0.WDTRSTIRQS) in the Option Function Select Register 0 (OFS0) is set to 0 in auto start mode, an interrupt signal (WDT\_NMIUNDF) is generated when an underflow in the counter or a refresh error occurs. This interrupt can be used as a non-maskable interrupt or an interrupt. For details, see [section 14, Interrupt Controller Unit \(ICU\)](#).

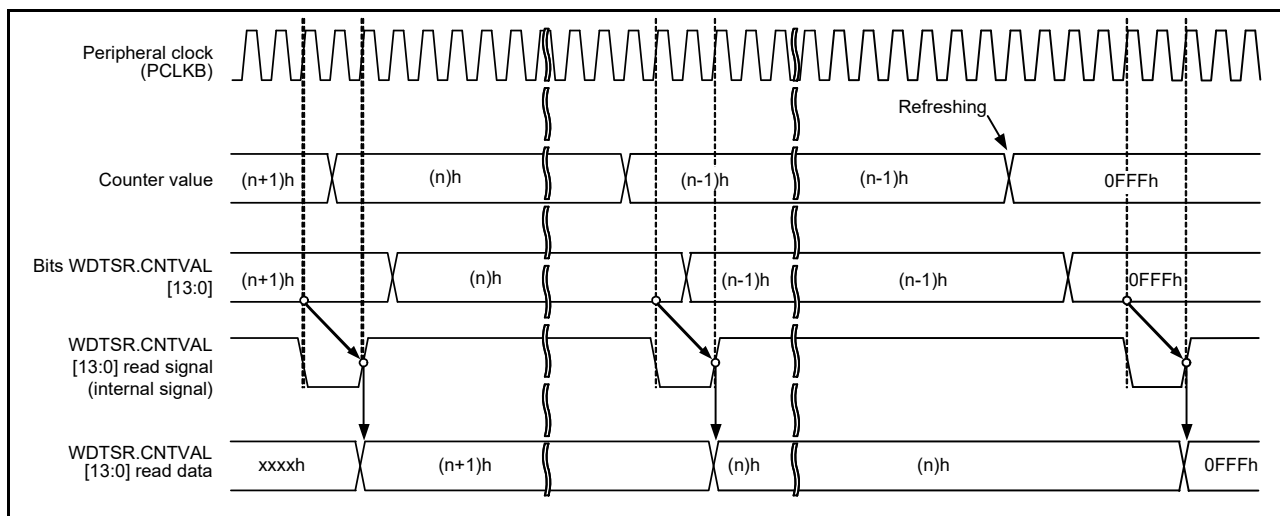
Table 27.4 WDT interrupt sources

| Name        | Interrupt source   | DTC activation | DMAC activation |
|-------------|--|----------------|-----------------|
| WDT_NMIUNDF | <ul style="list-style-type: none"> <li>Down-counter underflow</li> <li>Refresh error.</li> </ul> | Not possible   | Not possible    |

### 27.3.6 Reading the Down-Counter Value

The WDT stores the counter value in the down-counter value bits (WDTSR.CNTVAL[13:0]) in the WDT Status Register. Check these bits to obtain the counter value.

Figure 27.7 shows the processing for reading the WDT down-counter value when the clock division ratio = PCLKB/64.



**Figure 27.7 Processing for reading WDT down-counter value when WDTCR.CKS[3:0] = 0100b and WDTCR.TOPS[1:0] = 01b**

### 27.3.7 Association between Option Function Select Register 0 (OFS0) and WDT Registers

Table 27.5 lists the association between the Option Function Select register 0 (OFS0) used in auto start mode, and the registers used in register start mode. Do not change the OFS0 register settings during WDT operation. For details on the Option Function Select register 0 (OFS0), see section 7, Option Function Select Register 0 (OFS0).

**Table 27.5 Association between Option Function Select register 0 (OFS0) and the WDT registers**

| Control target                           | Function  | OFS0 register<br>(enabled in auto start mode)<br>OFS0.WDTPSS[1:0] | WDT registers<br>(enabled in register start mode)<br>OFS0.WDTPSS[1:0] |
|--|---|---|---|
| Down-counter                             | Timeout period select                           | OFS0.WDTPSS[1:0]  | WDTCR.TOPS[1:0]   |
|  | Clock division ratio select                     | OFS0.WDTPSS[3:0]  | WDTCR.CKS[3:0]  |
|  | Window start position select                    | OFS0.WDTPSS[1:0]  | WDTCR.RPSS[1:0]   |
|  | Window end position select                      | OFS0.WDTPES[1:0]  | WDTCR.RPES[1:0]   |
| Reset output or interrupt request output | Reset output or interrupt request output select | OFS0.WDTRSTIRQS   | WDTCR.RSTIRQS   |
| Count stop                               | Sleep-mode count stop control                   | OFS0.WDTPCTL  | WDTCR.SLCSTP  |

### 27.4 Link Operation by ELC

The WDT is capable of a link operation for the previously specified module when interrupt request signal is used as an event signal by the ELC. The event signal is output by the counter underflow or refresh error.

An event signal is output regardless of the setting in the WDTCR.RSTIRQS bit in register start mode or the OFS0.WDTRSTIRQS bit in auto start mode. An event signal can also be output when the next interrupt source is generated while the Refresh Error Flag (WDTSR.REFEF) or Underflow Flag (WDTSR.UNDF) is 1. For details, see section 19, Event Link Controller (ELC).

### 27.5 Usage Notes

#### 27.5.1 ICU Event Link Setting Register n (IELSRn) Setting

Setting 47h to the ICU Event Link Setting Register n (IELSRn.IELS[8:0] bits) is prohibited when enabling the WDT reset assertion (OFS0.WDTRSTIRQS = 1 or WDTCR.RSTIRQS = 1) or when enabling the event link operation (47h is set to IELSRm.ELS[8:0]).

## 28. Independent Watchdog Timer (IWDT)

### 28.1 Overview

The Independent Watchdog Timer (IWDT) is a 14-bit down counter that must be serviced periodically to prevent counter underflow. The IWDT can be used to reset the MCU or to generate a non-maskable interrupt or an underflow interrupt. Because the timer operates using an independent, dedicated clock source, it is particularly useful in returning the MCU to a known state as a failsafe mechanism when the system runs out of control. The IWDT can be triggered automatically by a reset, underflow, refresh error, or a refresh of the count value in the registers.

The functions of the IWDT are different from those of the WDT in the following ways:

- The divided IWDT-dedicated clock (IWDTCLK) is used as the count source (not affected by PCLKB)
- IWDT does not support the register start mode
- When transitioning to a low power mode (excluding Deep Software Standby mode), the OFS0.IWDTSTPCTL bit can be used to select whether to stop the counter or not.

Table 28.1 lists the IWDT specifications and Figure 28.1 shows a block diagram.

**Table 28.1 IWDT specifications**

| Parameter                                | Specifications  |
|--|---|
| Count source*1                           | IWDT-dedicated clock (IWDTCLK)  |
| Clock division ratio                     | Division by 1, 16, 32, 64, 128, or 256  |
| Counter operation                        | Counting down using a 14-bit down-counter   |
| Condition for starting the counter       | <ul style="list-style-type: none"> <li>• Counting automatically starts after a reset</li> </ul>   |
| Conditions for stopping the counter      | <ul style="list-style-type: none"> <li>• Reset (the down-counter and other registers return to their initial values)</li> <li>• A counter underflows or a refresh error is generated. Counting restarts automatically.</li> </ul>   |
| Window function                          | Window start and end positions can be specified (refresh-permitted and refresh-prohibited periods)  |
| IWDT reset sources                       | <ul style="list-style-type: none"> <li>• Down-counter underflows</li> <li>• Refreshing outside the refresh-permitted period (refresh error).</li> </ul>   |
| Non-maskable interrupt/interrupt sources | <ul style="list-style-type: none"> <li>• Down-counter underflows</li> <li>• Refreshing outside the refresh-permitted period (refresh error).</li> </ul>   |
| Reading of the counter value             | The down-counter value can be read by the IWDTSR register   |
| Event link function (output)             | <ul style="list-style-type: none"> <li>• Down-counter underflow event output</li> <li>• Refresh error event output.</li> </ul>  |
| Output signal (internal signal)          | <ul style="list-style-type: none"> <li>• Reset output</li> <li>• Interrupt request output</li> <li>• Sleep-mode count stop control output.</li> </ul>   |
| Auto start mode                          | Configurable to the following triggers: <ul style="list-style-type: none"> <li>• Clock frequency division ratio after a reset (OFS0.IWDTCKS[3:0] bits)</li> <li>• Timeout period of the IWDT (OFS0.IWDTTOPS[1:0] bits)</li> <li>• Window start position in the IWDT (OFS0.IWDRPSS[1:0] bits)</li> <li>• Window end position in the IWDT (OFS0.IWDRPES[1:0] bits)</li> <li>• Reset output or interrupt request output (OFS0.IWDRSTIRQS bit)</li> <li>• Down-count stop function at transition to Sleep mode, Software Standby mode, or Snooze mode (OFS0.IWDTSTPCTL bit).</li> </ul> |

Note 1. This must satisfy the frequency of the peripheral module clock (PCLKB)  $\geq 4 \times$  (the frequency of the count clock source after division).

To use the IWDT, you must supply the IWDT-dedicated clock (IWDTCLK). The bus interface and registers operate with PCLKB, and the 14-bit counter and control circuits operate with IWDTCLK.

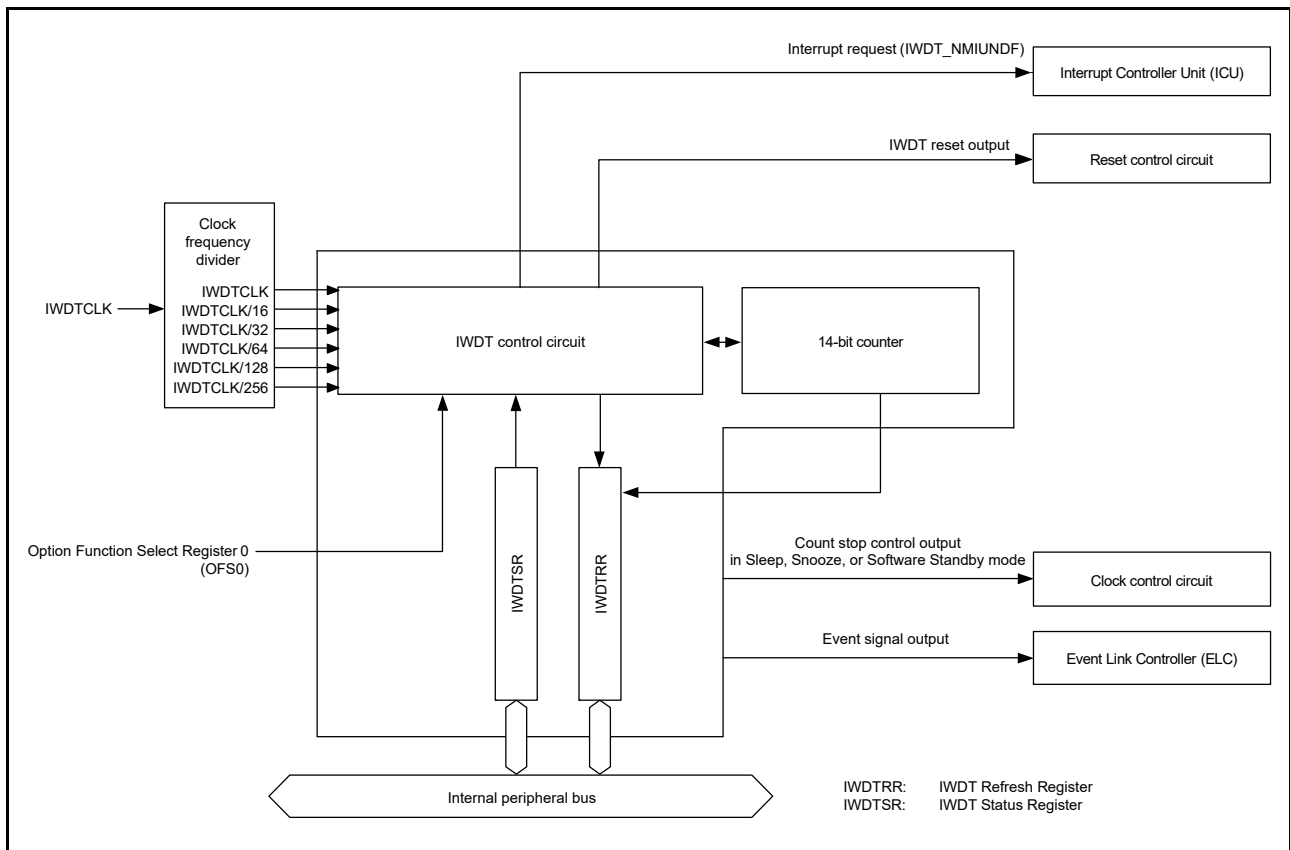


Figure 28.1 IWDT block diagram

## 28.2 Register Descriptions

### 28.2.1 IWDT Refresh Register (IWDTRR)

Address(es): [IWDT.IWDTRR 4004 4400h](#)



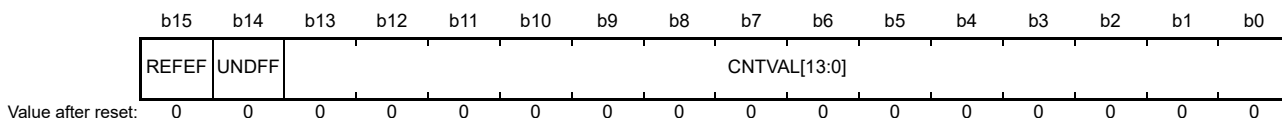
| Bit      | Description  | R/W |
|----------|--|-----|
| b7 to b0 | The down-counter is refreshed by writing 00h and then writing FFh to this register | R/W |

The IWDTRR register refreshes the down-counter of the IWDT. The down-counter of the IWDT is refreshed by writing 00h and then writing FFh to IWDTRR (refresh operation) within the refresh-permitted period. After the down-counter is refreshed, it starts counting down from the value selected in the IWDT Timeout Period Select bits (OFS0.IWDTTOPS[1:0]) in Option Function Select Register 0 (OFS0).

When 00h is written, the read value is 00h. When a value other than 00h is written, the read value is FFh. For details on the refresh operation, see [section 28.3.2, Refresh Operation](#).

## 28.2.2 IWDT Status Register (IWDTSR)

Address(es): IWDT.IWDTSR 4004 4404h



| Bit       | Symbol       | Bit name           | Description  | R/W     |
|-----------|--------------|--------------------|--|---------|
| b13 to b0 | CNTVAL[13:0] | Counter Value      | Value counted by the down-counter                          | R       |
| b14       | UNDF         | Underflow Flag     | 0: No underflow occurred<br>1: Underflow occurred.         | R/(W)*1 |
| b15       | REFEF        | Refresh Error Flag | 0: No refresh error occurred<br>1: Refresh error occurred. | R/(W)*1 |

Note 1. Only 0 can be written to clear the flag.

### CNTVAL[13:0] bits (Counter Value)

Read the CNTVAL[13:0] bits to confirm the value of the down-counter. The read value might differ from the actual count by 1.

### UNDF flag (Underflow Flag)

Read the UNDF flag to confirm whether an underflow occurred in the down-counter. A value of 1 indicates that the down-counter underflowed. Write 0 to the flag to set the value to 0. Writing 1 has no effect.

Clearing of the UNDF flag takes (N+2) IWDTCLK cycles and 2 PCLKB cycles. In addition, clearing of the flag is ignored for (N+2) IWDTCLK cycles after an underflow. N is specified in the IWDTCKS[3:0] bits as follows:

- When IWDTCKS[3:0] = 0000b, N = 1
- When IWDTCKS[3:0] = 0010b, N = 16
- When IWDTCKS[3:0] = 0011b, N = 32
- When IWDTCKS[3:0] = 0100b, N = 64
- When IWDTCKS[3:0] = 1111b, N = 128
- When IWDTCKS[3:0] = 0101b, N = 256.

### REFEF flag (Refresh Error Flag)

Read the REFEF flag to confirm whether a refresh error occurred. This indicates that a refresh operation was performed during a prohibited period. A value of 1 indicates that a refresh error occurred. Write 0 to the flag to set the value to 0. Writing 1 has no effect.

Clearing of the REFEF flag takes (N+2) IWDTCLK cycles and 2 PCLKB cycles. In addition, clearing of the flag is ignored for (N+2) IWDTCLK cycles after a refresh error. N is specified in the IWDTCKS[3:0] bits as follows:

- When IWDTCKS[3:0] = 0000b, N = 1
- When IWDTCKS[3:0] = 0010b, N = 16
- When IWDTCKS[3:0] = 0011b, N = 32
- When IWDTCKS[3:0] = 0100b, N = 64
- When IWDTCKS[3:0] = 1111b, N = 128
- When IWDTCKS[3:0] = 0101b, N = 256.

### 28.2.3 Option Function Select Register 0 (OFS0)

For information on Option Function Select Register 0 (OFS0), see [section 7.2.1, Option Function Select Register 0 \(OFS0\)](#).

#### IWDTTOPS[1:0] bits (IWDT Timeout Period Select)

The IWDTTOPS[1:0] bits select the timeout period, that is, the period until the down-counter underflows, from 128, 512, 1024, or 2048 cycles, taking the divided clock specified in the IWDTCKS[3:0] bits as 1 cycle.

After the down-counter is refreshed, the combination of the IWDTCKS[3:0] and IWDTTOPS[1:0] bits determines the number of IWDTCLK cycles until the counter underflows.

[Table 28.2](#) lists the relationship between the IWDTCKS[3:0] and IWDTTOPS[1:0] bit settings, the timeout period, and the number of IWDTCLK cycles.

**Table 28.2 Timeout period settings**

| IWDTCKS[3:0] bits |    |    |    | IWDTTOPS[1:0] bits |    | Clock division ratio | Timeout period<br>(number of cycles) | IWDTCLK cycles |
|-------------------|----|----|----|--------------------|----|----------------------|--------------------------------------|----------------|
| b7                | b6 | b5 | b4 | b1                 | b0 |                      |                                      |                |
| 0                 | 0  | 0  | 0  | 0                  | 0  | IWDTCLK              | 128                                  | 128            |
|                   |    |    |    | 0                  | 1  |                      | 512                                  | 512            |
|                   |    |    |    | 1                  | 0  |                      | 1,024                                | 1,024          |
|                   |    |    |    | 1                  | 1  |                      | 2,048                                | 2,048          |
| 0                 | 0  | 1  | 0  | 0                  | 0  | IWDTCLK/16           | 128                                  | 2,048          |
|                   |    |    |    | 0                  | 1  |                      | 512                                  | 8,192          |
|                   |    |    |    | 1                  | 0  |                      | 1,024                                | 16,384         |
|                   |    |    |    | 1                  | 1  |                      | 2,048                                | 32,768         |
| 0                 | 0  | 1  | 1  | 0                  | 0  | IWDTCLK/32           | 128                                  | 4,096          |
|                   |    |    |    | 0                  | 1  |                      | 512                                  | 16,384         |
|                   |    |    |    | 1                  | 0  |                      | 1,024                                | 32,768         |
|                   |    |    |    | 1                  | 1  |                      | 2,048                                | 65,536         |
| 0                 | 1  | 0  | 0  | 0                  | 0  | IWDTCLK/64           | 128                                  | 8,192          |
|                   |    |    |    | 0                  | 1  |                      | 512                                  | 32,768         |
|                   |    |    |    | 1                  | 0  |                      | 1,024                                | 65,536         |
|                   |    |    |    | 1                  | 1  |                      | 2,048                                | 131,072        |
| 1                 | 1  | 1  | 1  | 0                  | 0  | IWDTCLK/128          | 128                                  | 16,384         |
|                   |    |    |    | 0                  | 1  |                      | 512                                  | 65,536         |
|                   |    |    |    | 1                  | 0  |                      | 1,024                                | 131,072        |
|                   |    |    |    | 1                  | 1  |                      | 2,048                                | 262,144        |
| 0                 | 1  | 0  | 1  | 0                  | 0  | IWDTCLK/256          | 128                                  | 32,768         |
|                   |    |    |    | 0                  | 1  |                      | 512                                  | 131,072        |
|                   |    |    |    | 1                  | 0  |                      | 1,024                                | 262,144        |
|                   |    |    |    | 1                  | 1  |                      | 2,048                                | 524,288        |

#### IWDTCKS[3:0] bits (IWDT-Dedicated Clock Frequency Division Ratio Select)

The IWDTCKS[3:0] bits specify the division ratio of the clock used for the down-counter. The division ratio can be selected from the IWDT-dedicated clock (IWDTCLK) divided by 1, 16, 32, 64, 128, and 256. Combined with the IWDTTOPS[1:0] bit setting, the IWDT can be configured to a count period between 128 and 524,288 IWDTCLK cycles.

#### IWDTRPES[1:0] bits (IWDT Window End Position Select)

The IWDTRPES[1:0] bits specify the window end position that indicates the refresh-permitted period. 75%, 50%, 25%, or 0% of the timeout period can be selected for the window end position. Set the window end position to a value less than the window start position (window start position > window end position). If the window end position is greater than the window start position, only the window start position setting is enabled.



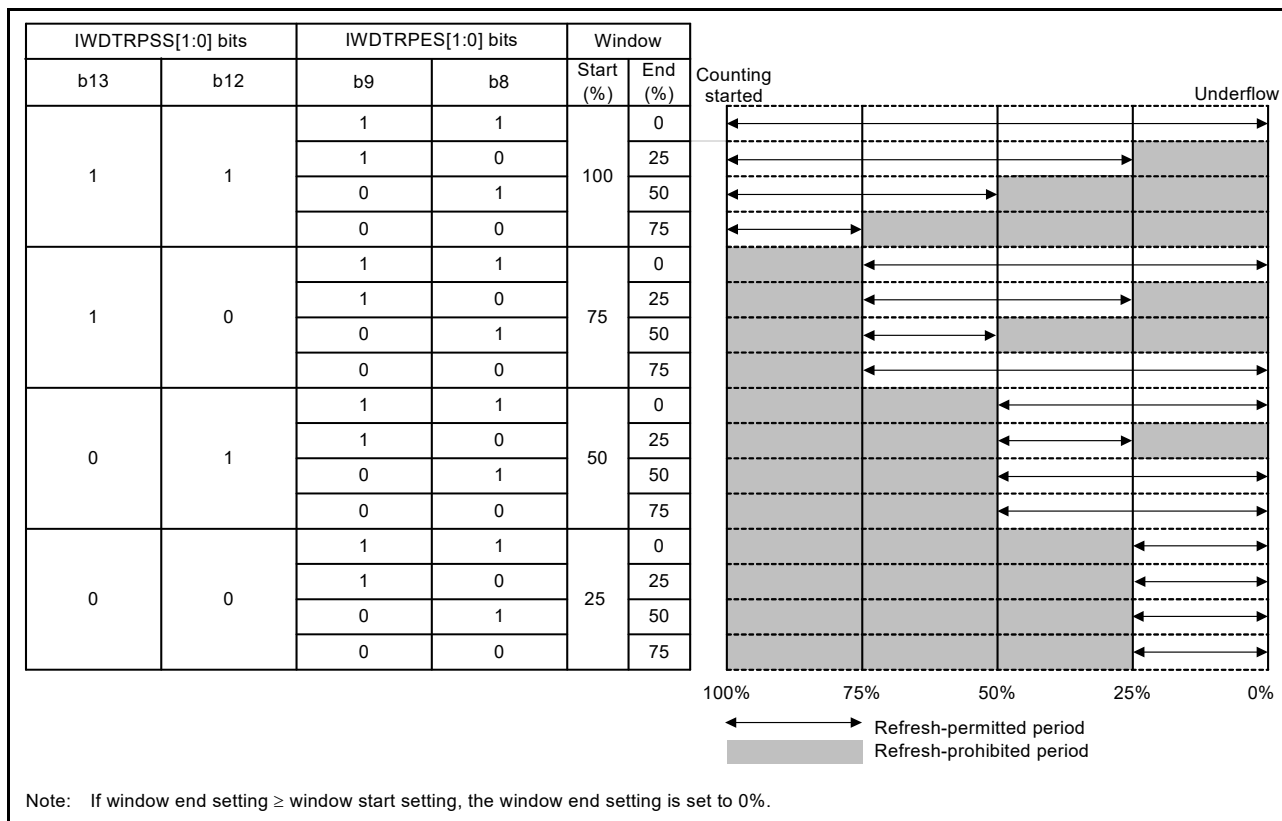
**IWDRPSS[1:0] bits (IWDT Window Start Position Select)**

The IWDRPSS[1:0] bits specify the window start position that indicates the refresh-permitted period. 100%, 75%, 50%, or 25% of the timeout period can be selected for the window start position. Set the window start position to a value greater than the window end position. If the window start position is less than or equal to the window end position, the window end position is set to 0%.

Table 28.3 lists the counter values for the window start and end positions, and Figure 28.2 shows the refresh-permitted period set in the IWDRPSS[1:0], IWDRPES[1:0], and IWDTTOPS[1:0] bits.

**Table 28.3 Relationship between the timeout period and window start and end counter values**

| IWDTTOPS[1:0] bits |    | Timeout period | Window start and end counter value |               |       |       |       |
|--------------------|----|----------------|------------------------------------|---------------|-------|-------|-------|
| b1                 | b0 |                | Cycles                             | Counter value | 100%  | 75%   | 50%   |
| 0                  | 0  | 128            | 007Fh                              | 007Fh         | 005Fh | 003Fh | 001Fh |
| 0                  | 1  | 512            | 01FFh                              | 01FFh         | 017Fh | 00FFh | 007Fh |
| 1                  | 0  | 1,024          | 03FFh                              | 03FFh         | 02FFh | 01FFh | 00FFh |
| 1                  | 1  | 2,048          | 07FFh                              | 07FFh         | 05FFh | 03FFh | 01FFh |



**Figure 28.2 IWDRPSS[1:0] and IWDRPES[1:0] bit settings and refresh-permitted period**

**IWDRSTIRQS bit (IWDT Reset Interrupt Request Select)**

The IWDRSTIRQS bit specifies the behavior when an underflow or a refresh error occurs. Setting 1 selects reset output. Setting 0 selects non-maskable interrupt or interrupt.

**IWDTSTPCTL bit (IWDT Stop Control)**

The IWDTSTPCTL bit selects whether to stop counting on transition to Sleep, Snooze, or Software Standby mode.

## 28.3 Operation

### 28.3.1 Auto Start Mode

When the IWDT Start Mode Select bit (OFS0.IWDTSTRT) is 0, auto start mode is selected. Otherwise, the IWDT is disabled.

Within the reset state, the following values in Option Function Select Register 0 (OFS0) are set in the IWDT registers:

- Clock division ratio
- Window start and end positions
- Timeout period
- Reset output or interrupt request
- Counter stop control on transition to low power modes.

When the reset state is released, the down-counter automatically starts counting down from the value set in the IWDT Timeout Period Select bits (OFS0.IWDTTOPS[1:0]).

After that, as long as the program continues normal operation and the counter is refreshed within the refresh-permitted period, the value in the counter is reset each time the counter is refreshed and down-counting continues. The IWDT does not output the reset signal as long as this procedure continues. However, if the counter underflows because the program crashes, or because a refresh error occurs when an attempt is made to refresh outside the refresh-permitted period, the IWDT asserts the reset signal or a non-maskable interrupt request/interrupt request (IWDT\_NMIUNDF).

After the reset signal or non-maskable interrupt request/interrupt request is generated, the counter reloads the timeout period after counting for 1 cycle, and restarts the count. Reset output or interrupt request output can be selected in the IWDT Reset Interrupt Request Select bit (OFS0.IWDRSTRIRQS). Non-maskable interrupt request or interrupt request can be selected in the IWDT Underflow/Refresh Error Interrupt Enable bit (NMIER.IWDTEN).

Figure 28.3 shows an example of operation under the following conditions:

- Auto start mode (OFS0.IWDTSTRT = 0)
- Non-maskable interrupt request output is enabled (OFS0.IWDRSTRIRQS = 0)
- The window start position is 75% (OFS0.IWDRPSS[1:0] = 10b)
- The window end position is 25% (OFS0.IWDRPES[1:0] = 10b).

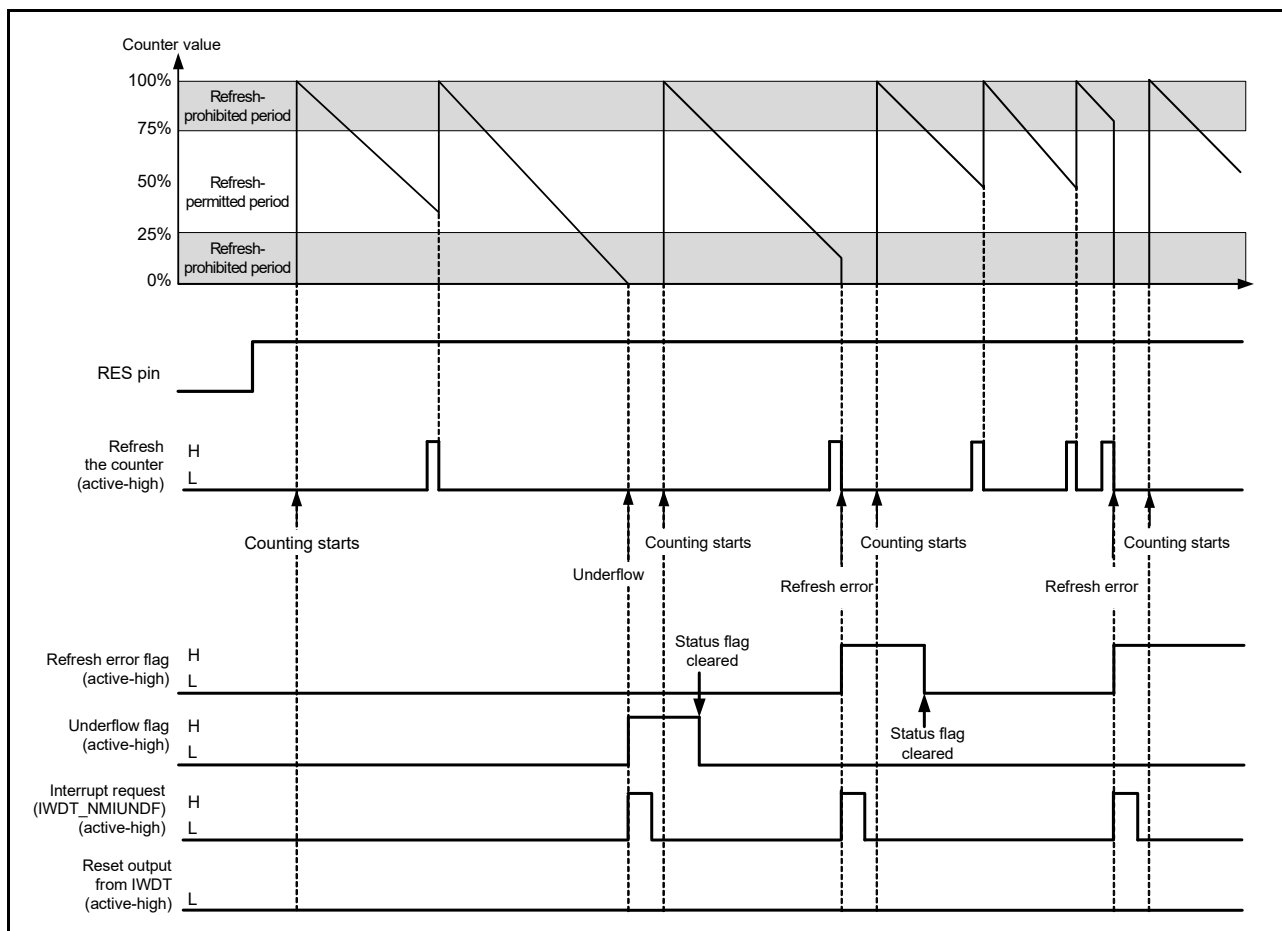


Figure 28.3 Operation example in auto start mode

### 28.3.2 Refresh Operation

The down-counter is refreshed by writing the values 00h and FFh to the IWDT Refresh Register (IWDTRR). If a value other than FFh is written after 00h, the down-counter is not refreshed. If an invalid value is written, correct refreshing resumes on a write of 00h and FFh to the IWDTRR register.

When writing is done in the order of 00h (first time) → 00h (second time), and if FFh is written after that, the writing order 00h → FFh is satisfied. Writing 00h ((n-1)th time) → 00h (nth time) → FFh is valid, and the refresh is performed correctly. When the first value written before 00h is not 00h, correct refreshing is performed as long as the operation contains the write sequence of 00h → FFh.

Additionally, correct refreshing is performed when a register other than IWDTRR is accessed or IWDTRR is read between writing 00h and writing FFh to IWDTRR. Writes to refresh the counter must be made within the refresh-permitted period, and this is determined by the FFh write. For this reason, correct refreshing is performed even when 00h is written outside the refresh-permitted period.

[Example write sequences that are valid for refreshing the counter]

- 00h → FFh
- 00h ((n-1)th time) → 00h (nth time) → FFh
- 00h → access to another register or read from IWDTRR → FFh.

[Example write sequences that are invalid for refreshing the counter]

- 23h (a value other than 00h) → FFh
- 00h → 54h (a value other than FFh)
- 00h → AAh (00h and a value other than FFh) → FFh.

After FFh is written to the IWDT Refresh Register (IWDTRR), refreshing the down-counter requires up to 4 cycles of the signal for counting (the IWDT-Dedicated Clock Frequency Division Ratio Select bits (OFS0.IWDTCKS[3:0]) determine how many cycles of the IWDT-dedicated clock (IWDTCLK) make up 1 counting cycle. To meet this requirement, complete writing FFh to IWDTRR 4 count cycles before the end of the refresh-permitted period or a counter underflow. The value of the counter can be checked in the counter bits (IWDTSR.CNTVAL[13:0]).

[Example refreshing timings]

- When the window start position is set to 1FFFh, even if 00h is written to IWDTRR before 1FFFh is reached (at 2002h, for example), refreshing occurs if FFh is written to IWDTRR after the value of the IWDTSR.CNTVAL[13:0] bits reaches 1FFFh
- When the window end position is set to 1FFFh, refreshing occurs if 2003h (4 count cycles before 1FFFh) or a greater value is read from the IWDTSR.CNTVAL[13:0] bits immediately after a write of 00h → FFh to IWDTRR
- When the refresh-permitted period continues until count 0000h, refreshing can be performed immediately before an underflow. In this case, if 0003h (4 count cycles before an underflow) or a greater value is read from the IWDTSR.CNTVAL[13:0] bits immediately after writing 00h → FFh to IWDTRR, no underflow occurs and refreshing is performed.

Figure 28.4 shows the IWDT refresh-operation waveforms when  $PCLKB > IWDTCLK$  and the clock division ratio is  $IWDTCLK$ .

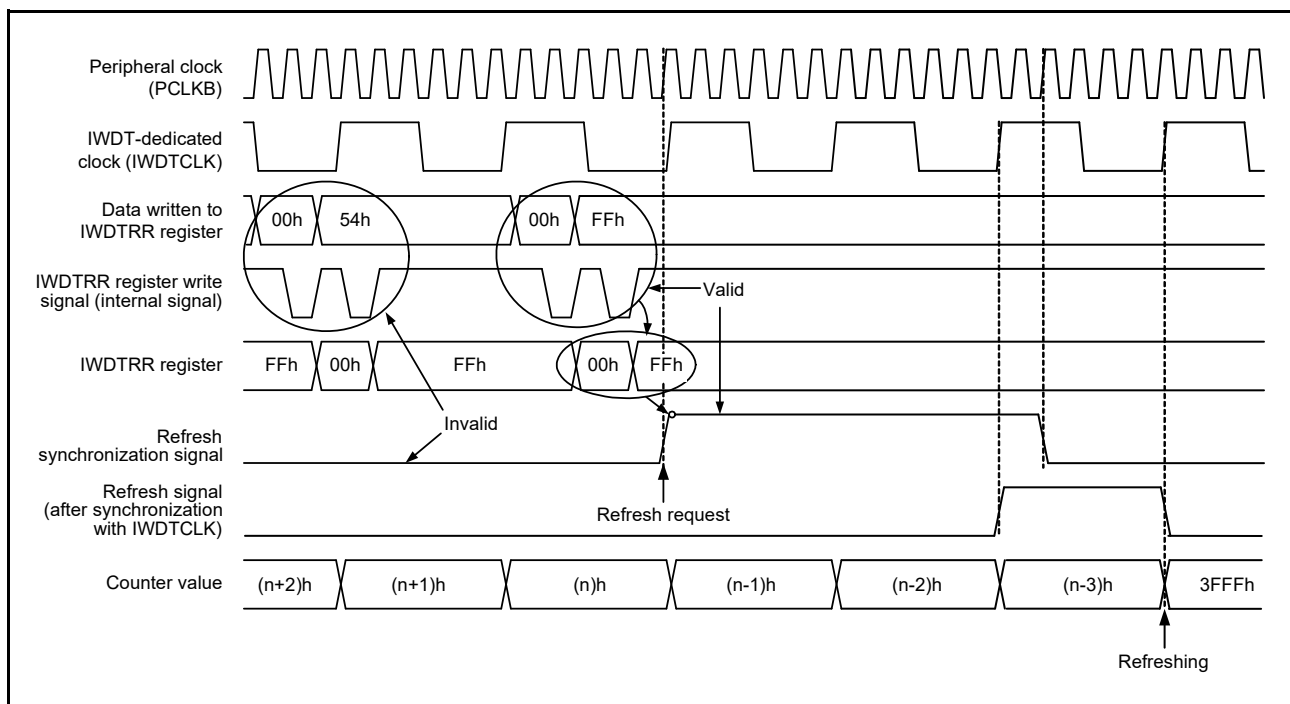


Figure 28.4 IWDT refresh operation waveforms when  $OFS0.IWDTCKS[3:0] = 0000b$ ,  $OFS0.IWDTTOPS[1:0] = 11b$

### 28.3.3 Status Flags

The refresh error (IWDTSR.REFEF) and underflow (IWDTSR.UNDF) flags retain the source of the reset signal output from the IWDT or the source of the interrupt request from the IWDT. After a release from the reset state or interrupt request generation, read the IWDTSR.REFEF and UNDF flags to check for the reset or interrupt source. For each flag, writing 0 clears the bit and writing 1 has no effect.

Leaving the status flags unchanged does not affect operation. If the flags are not cleared on the next reset or interrupt request from the IWDT, the earlier reset or interrupt source is cleared and the new reset or interrupt source is written. After 0 is written to each flag, up to 3 IWDTCLK cycles and 2 PCLKB cycles are required before the value is reflected.

### 28.3.4 Reset Output

When the IWDT Reset Interrupt Request Select bit (OFS0.IWDRSTIRQS) in Option Function Select Register 0 (OFS0) is set to 1, a reset signal is output when an underflow in the down-counter or a refresh error occurs. Counting down starts automatically after the reset output.

### 28.3.5 Interrupt Sources

When the IWDT Reset Interrupt Request Select bit (OFS0.IWDRSTIRQS) in Option Function Select Register 0 (OFS0) is set to 0, an interrupt signal (IWDT\_NMIUNDF) is generated when an underflow in the counter or a refresh error occurs. This interrupt can be used as a non-maskable interrupt or an interrupt. For details, see [section 14, Interrupt Controller Unit \(ICU\)](#).

**Table 28.4 IWDT interrupt source**

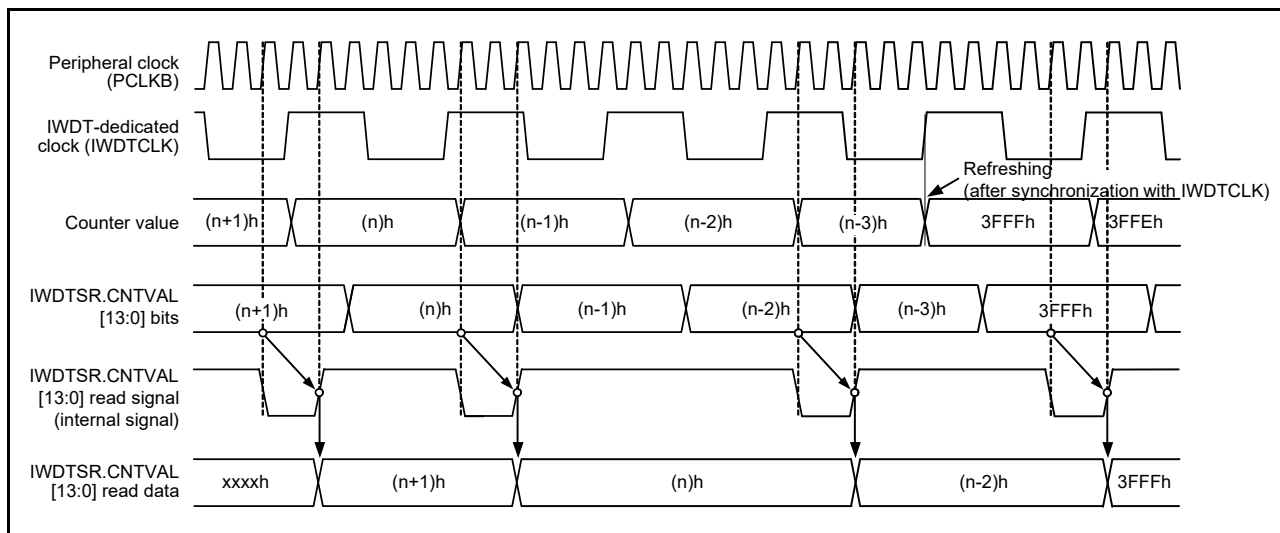
| Name         | Interrupt source   | DTC activation | DMAC activation |
|--------------|--|----------------|-----------------|
| IWDT_NMIUNDF | <ul style="list-style-type: none"> <li>Down-counter underflow</li> <li>Refresh error.</li> </ul> | Not possible   | Not possible    |

### 28.3.6 Reading the Down-Counter Value

Because the counter is a IWDT-dedicated clock (IWDTCLK), the counter value cannot be read directly. The IWDT synchronizes the counter value with the peripheral clock (PCLKB) and stores it in the down-counter value bits (IWDTSR.CNTVAL[13:0]) in the IWDT Status register. Check these bits to obtain the counter value indirectly.

Reading the counter value requires multiple PCLKB clock cycles (up to 4 clock cycles), and the read counter value might differ from the actual counter value by a value of one count.

[Figure 28.5](#) shows the processing for reading the IWDT counter value when  $PCLKB > IWDTCLK$  and the clock division ratio is IWDTCLK.



**Figure 28.5 Processing for reading IWDT counter value when OFS0.IWDTCK[S3:0] = 0000b and OFS0.IWDTTOPS[1:0] = 11b**

### 28.4 Output to the Event Link Controller (ELC)

IWDT is capable of link operation for a specified module when the interrupt request signal is used as an event signal by the ELC. The event signal is output by the counter underflow or refresh error.

An event signal is output regardless of the setting in the OFS0.WDTRSTIRQS bit. An event signal can also be output when the next interrupt source is generated while the Refresh Error Flag (IWDTSR.REFEF) or Underflow Flag (IWDTSR.UNDF) is 1. For details, see [section 19, Event Link Controller \(ELC\)](#).

## 28.5 Usage Notes

### 28.5.1 Refresh Operations

While configuring the refresh time, consider variations in the range of errors because of the accuracy of PCLKB and IWDTCLK. Set values that ensure that refreshing is possible.

### 28.5.2 Constraints on the Clock Division Ratio Setting

Satisfy the following required frequency of the peripheral module clock (PCLKB):

$$\text{PCLKB} \geq 4 \times (\text{the frequency of the count clock source after division}).$$

## 29. Ethernet MAC Controller (ETHERC)

### 29.1 Overview

The MCU provides a one-channel Ethernet Controller (ETHERC) compliant with the Ethernet or IEEE802.3 Media Access Control (MAC) layer protocol. Each ETHERC channel has one channel of the MAC layer interface. Connecting the MCU to the physical layer LSI (PHY-LSI) allows the transmission and reception of frames compliant with the Ethernet/IEEE802.3 standard. The ETHERC is connected to the Ethernet DMA Controller (EDMAC), so data can be transferred without using the CPU.

[Table 29.1](#) lists the ETHERC specifications, [Figure 29.1](#) shows the configuration, and [Table 29.2](#) lists the I/O pins. [Figure 29.2](#) and [Figure 29.3](#) show examples of connections of the MCU to an external PHY-LSI.

**Table 29.1 ETHERC specifications**

| Parameter                   | Specifications   |
|-----------------------------|--|
| Number of channels          | One channel  |
| Protocol                    | Flow control compliant with IEEE802.3x   |
| Data transmission/reception | Frames compliant with the Ethernet/IEEE802.3 standard can be transmitted and received  |
| Bit rate                    | Supports 10 Mbps and 100 Mbps  |
| Operation modes             | Supports full-duplex and half-duplex modes   |
| Interfaces                  | Media Independent Interface (MII), Reduced Media Independent Interface (RMII), compliant with the IEEE802.3u standard  |
| Functions                   | <ul style="list-style-type: none"> <li>• Magic Packet™ detection</li> <li>• Wake-on-LAN (WOL) signal output</li> <li>• Hardware filtering of received multicast packets with a MAC address.</li> </ul> |

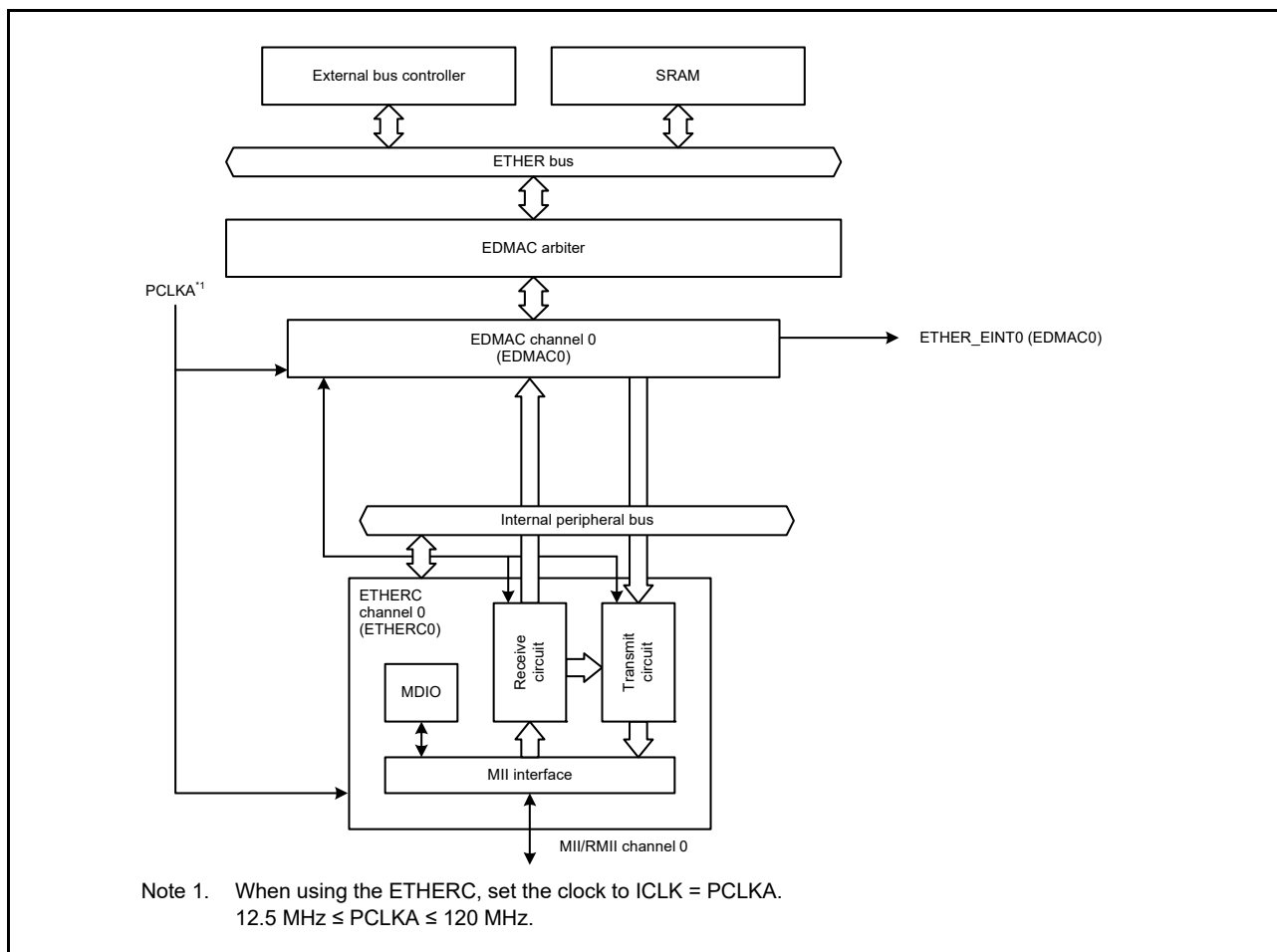


Figure 29.1 ETHERC configuration



**Table 29.2** ETHERC I/O pins

| Operating mode             | Pin name                 | I/O            | Description  |  |
|----------------------------|--------------------------|----------------|--|--|
| MII                        | ET0_TX_CLK*1             | Input          | Transmit clock<br>Timing reference signal for outputting the ET0_TX_EN, ET0_ETXD3 to ET0_ETXD0, and ET0_TX_ER signals.   |  |
|                            | ET0_RX_CLK*1             | Input          | Receive clock<br>Timing reference signal for inputting the ET0_RX_DV, ET0_ERXD3 to ET0_ERXD0, and ET0_RX_ER signals.   |  |
|                            | ET0_TX_EN*1              | Output         | Transmit data valid<br>This signal indicates that valid transmit data was output on pins ET0_ETXD3 to ET0_ETXD0.   |  |
|                            | ET0_ETXD3 to ET0_ETXD0*1 | Output         | 4-bit transmit data  |  |
|                            | ET0_TX_ER*1              | Output         | Transmit error<br>This signal notifies the PHY-LSI that an error occurred during transmission.   |  |
|                            | ET0_RX_DV*1              | Input          | Receive data valid<br>This signal indicates that valid receive data is on pins ET0_ERXD3 to ET0_ERXD0.   |  |
|                            | ET0_ERXD3 to ET0_ERXD0*1 | Input          | 4-bit receive data   |  |
|                            | ET0_RX_ER*1              | Input          | Receive error<br>This signal indicates that there is an error in a frame that is being transferred from the PHY-LSI to the ETHERC.   |  |
|                            | ET0_CRs*1                | Input          | Carrier sense  |  |
|                            | ET0_COL*1                | Input          | Collision detection signal   |  |
|                            | ET0_MDC*1                | Output         | Management data clock<br>Reference clock signal for transfer of information on the ET0_MDIO pin.   |  |
|                            | ET0_MDIO*1               | I/O            | Management data Input/Output<br>Bidirectional data signal for exchanging management data with the PHY-LSI.   |  |
|                            | ET0_LINKSTA              | Input          | Link status input from the PHY-LSI   |  |
|                            | ET0_EXOUT                | Output         | General output pin   |  |
|                            | ET0_WOL                  | Output         | Wake-on-LAN. This signal indicates that a Magic Packet was received.   |  |
|                            | RMII                     | REF50CK0*2     | Input  | Reference clock<br>Timing reference signal for the RMII0_TXD_EN, RMII0_TXD1 to RMII0_TXD0, RMII0_CRs_DV, RMII0_RXD1 to RMII0_RXD0, and RMII0_RX_ER pins. |
|                            |                          | RMII0_TXD_EN*2 | Output   | Transmit data valid<br>This signal indicates that valid transmit data was output on the RMII0_TXD1 and RMII0_TXD0 pins.                                  |
| RMII0_TXD1 to RMII0_TXD0*2 |                          | Output         | 2-bit transmit data  |  |
| RMII0_CRs_DV*2             |                          | Input          | Carrier sense/receive data valid<br>This signal indicates that valid receive data is on the RMII0_RXD1 and RMII0_RXD0 pins.  |  |
| RMII0_RXD1 to RMII0_RXD0*2 |                          | Input          | 2-bit receive data   |  |
| RMII0_RX_ER*2              |                          | Input          | Receive error<br>This signal indicates that there is an error in a frame that is being transferred from the PHY-LSI to the ETHERC. See the note in <a href="#">section 29.5.2, Input to RMII0_RX_ER Pin While RMII Is Selected</a> . |  |
| ET0_MDC*2                  |                          | Output         | Management data clock<br>Reference clock signal for transfer of information on the ET0_MDIO pin.   |  |
| ET0_MDIO*2                 |                          | I/O            | Management data Input/Output<br>Bidirectional data signal for exchanging management data with the PHY-LSI.   |  |
| ET0_LINKSTA                |                          | Input          | Link status input from the PHY-LSI   |  |
| ET0_EXOUT                  |                          | Output         | General output pin   |  |
| ET0_WOL                    |                          | Output         | Wake-on-LAN. This signal indicates that a Magic Packet was received.   |  |

Note 1. MII signal compliant with IEEE802.3u.

Note 2. RMII signal compliant with IEEE802.3u.

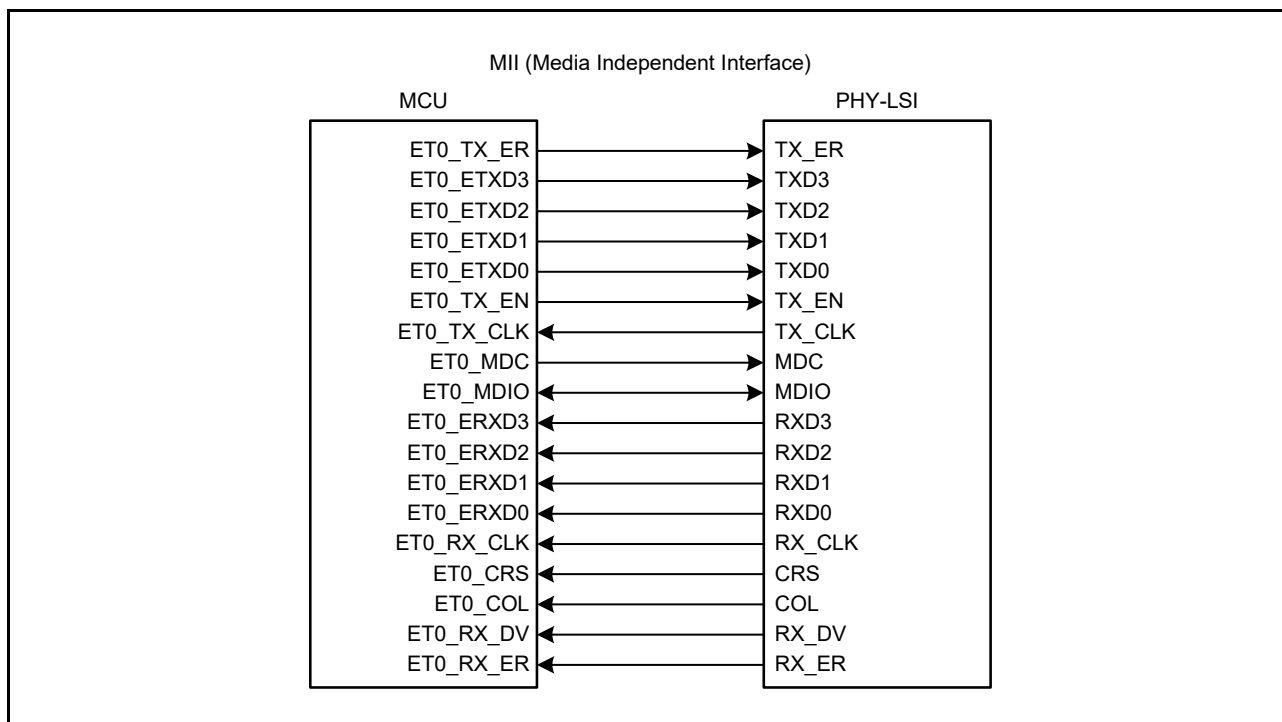


Figure 29.2 Example of connection with PHY-LSI for MII

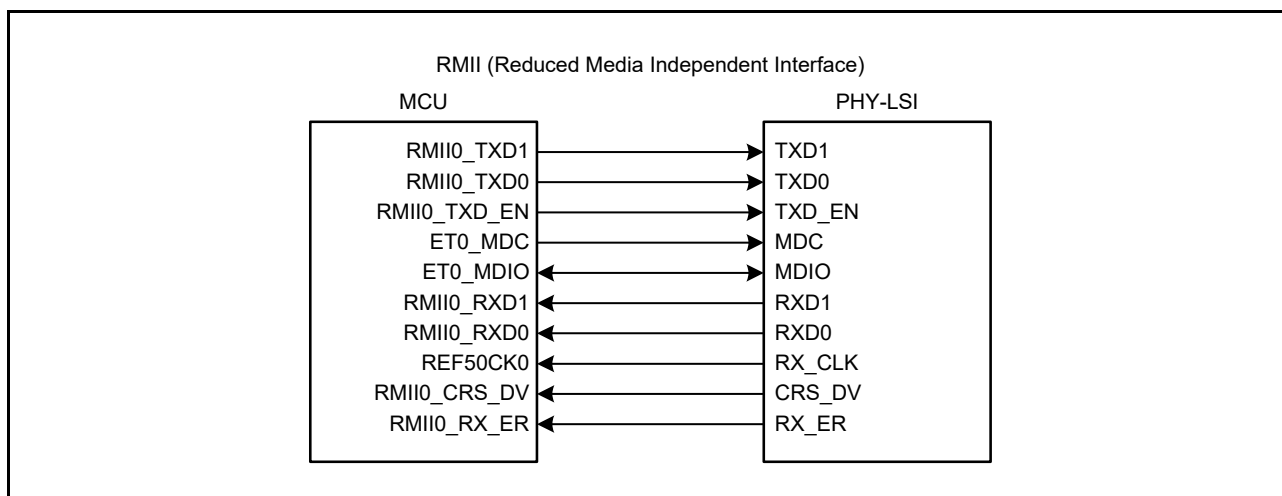


Figure 29.3 Example of connection with PHY-LSI for RMII

## 29.2 Register Descriptions

### 29.2.1 ETHERC Mode Register (ECMR)

Address(es): ETHERC0.ECMR 4006 4100h

|  |     |     |       |     |     |      |     |     |     |     |     |     |     |     |     |
|--|-----|-----|-------|-----|-----|------|-----|-----|-----|-----|-----|-----|-----|-----|-----|
| b31  | b30 | b29 | b28   | b27 | b26 | b25  | b24 | b23 | b22 | b21 | b20 | b19 | b18 | b17 | b16 |
| —  | —   | —   | —     | —   | —   | —    | —   | —   | —   | —   | TPC | ZPF | PFR | RXF | TXF |
| Value after reset: 0 0 0 0 0 0 0 0 0 0 0 0 0 0 0 0 |     |     |       |     |     |      |     |     |     |     |     |     |     |     |     |
| b15  | b14 | b13 | b12   | b11 | b10 | b9   | b8  | b7  | b6  | b5  | b4  | b3  | b2  | b1  | b0  |
| —  | —   | —   | PRCEF | —   | —   | MPDE | —   | —   | RE  | TE  | —   | ILB | RTM | DM  | PRM |
| Value after reset: 0 0 0 0 0 0 0 0 0 0 0 0 0 0 0 0 |     |     |       |     |     |      |     |     |     |     |     |     |     |     |     |

| Bit        | Symbol | Bit name                             | Description  | R/W |
|------------|--------|--------------------------------------|--|-----|
| b0         | PRM    | Promiscuous Mode                     | 0: Disable promiscuous mode<br>1: Enable promiscuous mode.   | R/W |
| b1         | DM     | Duplex Mode                          | 0: Half-duplex mode<br>1: Full-duplex mode.  | R/W |
| b2         | RTM    | Bit Rate                             | 0: 10 Mbps<br>1: 100 Mbps.   | R/W |
| b3         | ILB    | Internal Loopback Mode               | 0: Perform normal data transmission or reception<br>1: Loop data back in the ETHERC when full-duplex mode is selected.   | R/W |
| b4         | —      | Reserved                             | The read value is 0. The write value should be 0.  | R/W |
| b5         | TE     | Transmission Enable                  | 0: Disable transmit function<br>1: Enable transmit function.   | R/W |
| b6         | RE     | Reception Enable                     | 0: Disable receive function<br>1: Enable receive function.   | R/W |
| b8, b7     | —      | Reserved                             | The read value is 0. The write value should be 0.  | R/W |
| b9         | MPDE   | Magic Packet Detection Enable        | 0: Disable Magic Packet detection<br>1: Enable Magic Packet detection.   | R/W |
| b11, b10   | —      | Reserved                             | The read value is 0. The write value should be 0.  | R/W |
| b12        | PRCEF  | CRC Error Frame Receive Mode         | 0: Notify EDMAC of a CRC error<br>1: Do not notify EDMAC of a CRC error.   | R/W |
| b15 to b13 | —      | Reserved                             | The read value is 0. The write value should be 0.  | R/W |
| b16        | TXF    | Transmit Flow Control Operating Mode | 0: Disable automatic PAUSE frame transmission (PAUSE frame is not automatically transmitted)<br>1: Enable automatic PAUSE frame transmission (PAUSE frame is automatically transmitted as required). | R/W |
| b17        | RXF    | Receive Flow Control Operating Mode  | 0: Disable PAUSE frame detection<br>1: Enable PAUSE frame detection.   | R/W |
| b18        | PFR    | PAUSE Frame Receive Mode             | 0: Do not transfer PAUSE frame to the EDMAC<br>1: Transfer PAUSE frame to the EDMAC.   | R/W |
| b19        | ZPF    | 0 Time PAUSE Frame Enable            | 0: Do not use PAUSE frames containing a pause_time parameter of 0<br>1: Use PAUSE frames containing a pause_time parameter of 0.   | R/W |
| b20        | TPC    | PAUSE Frame Transmit                 | 0: Transmit PAUSE frame even during a PAUSE period<br>1: Do not transmit PAUSE frame during a PAUSE period.  | R/W |
| b31 to b21 | —      | Reserved                             | The read value is 0. The write value should be 0.  | R/W |

The ECMR register controls ETHERC operation. Except for the TE and RE bits, set the bits in this register during initialization after a reset. When rewriting this register outside the initialization process, set the EDMAC0.EDMR.SWR bit to 1 to reset the EDMAC and ETHERC, then set this register again.

**PRM bit (Promiscuous Mode)**

When the PRM bit is set to 1, the ETHERC operates in promiscuous mode, where all Ethernet frames are received. In promiscuous mode, the ETHERC receives all valid frames regardless of whether the address matches the destination or the broadcast address, and regardless of the multicast bit setting.

**RTM bit (Bit Rate)**

The RTM bit sets the bit rate when the RMII is selected.

**ILB bit (Internal Loopback Mode)**

When the ILB bit is set to 1, transmit frames can be looped back in the MCU. Set the DM bit to 1 (full-duplex mode) to perform a loopback test.

**TE bit (Transmission Enable)**

When the TE bit is set to 1, the ETHERC transmit function is enabled. When the TE bit is set to 0, the transmit function is disabled after the frame being processed is completely transmitted.

**RE bit (Reception Enable)**

When the RE bit is set to 1, the ETHERC receive function is enabled. When the RE bit is set to 0, the receive function is disabled after the frame being processed is completely received.

**PRCEF bit (CRC Error Frame Receive Mode)**

When the PRCEF bit is set to 1, the EDMAC is not notified that a CRC error has occurred even when the error is detected in a receive frame. Accordingly, the EDMAC0.EESR.CERF flag and RFS0 bit in receive descriptor 0 (RD0) do not set to 1.

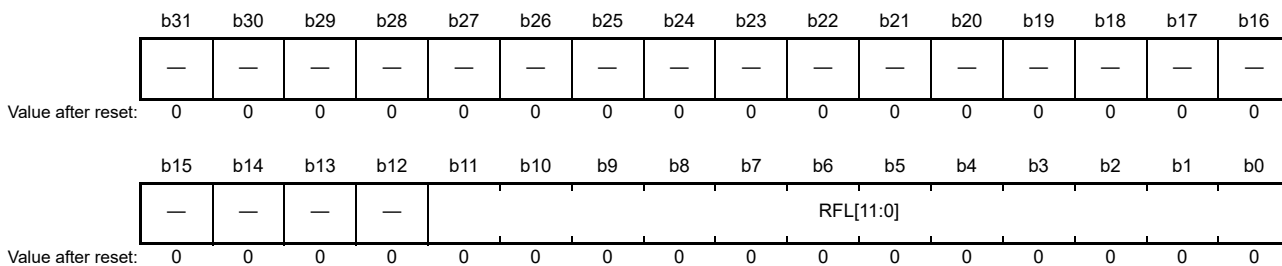
**ZPF bit (0 Time PAUSE Frame Enable)**

When the ZPF bit is 1, a PAUSE frame with a pause\_time parameter of 0 is transmitted when a PAUSE frame transmit request is canceled before the PAUSE time of the previously transmitted PAUSE frame has elapsed. After the PAUSE frame containing the pause\_time parameter of 0 is received, the ETHERC is ready for transmission.

When the ZPF bit is 0, even if the PAUSE frame transmit request from the receive FIFO is canceled, the next PAUSE frame is not transmitted until the PAUSE time of the previously transmitted PAUSE frame has elapsed. When a PAUSE frame containing a pause\_time parameter of 0 is received, it is discarded.

### 29.2.2 Receive Frame Maximum Length Register (RFLR)

Address(es): ETHERC0.RFLR 4006 4108h



| Bit        | Symbol    | Bit name                     | Description   | R/W |
|------------|-----------|------------------------------|---|-----|
| b11 to b0  | RFL[11:0] | Receive Frame Maximum Length | The set value becomes the maximum frame length. The minimum value that can be set is 1,518 bytes, and the maximum value that can be set is 2,048 bytes. Values less than 1,518 bytes are regarded as 1,518 bytes, and values larger than 2,048 bytes are regarded as 2,048 bytes. | R/W |
| b31 to b12 | —         | Reserved                     | The read value is 0. The write value should be 0.   | R/W |

The RFLR register specifies the maximum frame length that can be received by the MCU. Set the length in bytes. Do not rewrite this register while the ECMR.RE bit is 1 (receive function enabled).

#### RFL[11:0] bits (Receive Frame Maximum Length)

The RFL[11:0] bits set the frame length to be checked. The frame length is the number of bytes in a field, extending from the destination address to the frame check sequence [FCS] of the received frame. When this length exceeds the RFL[11:0] bit value, the EDMAC is notified of a frame-too-long error, and the excess data is discarded.

### 29.2.3 ETHERC Status Register (ECSR)

Address(es): ETHERC0.ECSR 4006 4110h

|                    |     |     |     |     |     |     |     |     |     |     |     |       |     |       |     |     |
|--------------------|-----|-----|-----|-----|-----|-----|-----|-----|-----|-----|-----|-------|-----|-------|-----|-----|
|                    | b31 | b30 | b29 | b28 | b27 | b26 | b25 | b24 | b23 | b22 | b21 | b20   | b19 | b18   | b17 | b16 |
|                    | —   | —   | —   | —   | —   | —   | —   | —   | —   | —   | —   | —     | —   | —     | —   | —   |
| Value after reset: | 0   | 0   | 0   | 0   | 0   | 0   | 0   | 0   | 0   | 0   | 0   | 0     | 0   | 0     | 0   | 0   |
|                    | b15 | b14 | b13 | b12 | b11 | b10 | b9  | b8  | b7  | b6  | b5  | b4    | b3  | b2    | b1  | b0  |
|                    | —   | —   | —   | —   | —   | —   | —   | —   | —   | —   | BFR | PSRTO | —   | LCHNG | MPD | ICD |
| Value after reset: | 0   | 0   | 0   | 0   | 0   | 0   | 0   | 0   | 0   | 0   | 0   | 0     | 0   | 0     | 0   | 0   |

| Bit       | Symbol | Bit name                                  | Description   | R/W    |
|-----------|--------|---|---|--------|
| b0        | ICD    | False Carrier Detect Flag                 | 0: PHY-LSI has not detected a false carrier on the line<br>1: PHY-LSI detected a false carrier on the line.                     | R/W *1 |
| b1        | MPD    | Magic Packet Detect Flag                  | 0: Magic Packet not detected<br>1: Magic Packet detected.   | R/W *1 |
| b2        | LCHNG  | Link Signal Change Flag                   | 0: Change in the ET0_LINKSTA signal not detected<br>1: Change in the ET0_LINKSTA signal detected (high to low, or low to high). | R/W *1 |
| b3        | —      | Reserved                                  | The read value is 0. The write value should be 0.   | R/W    |
| b4        | PSRTO  | PAUSE Frame Retransmit Over Flag          | 0: PAUSE frame retransmit count has not reached the upper limit<br>1: PAUSE frame retransmit count reached the upper limit.     | R/W *1 |
| b5        | BFR    | Continuous Broadcast Frame Reception Flag | 0: Continuous reception of broadcast frames not detected<br>1: Continuous reception of broadcast frames detected.               | R/W *1 |
| b31 to b6 | —      | Reserved                                  | The read value is 0. The write value should be 0.   | R/W    |

Note 1. Write 1 to clear the flag.

The ECSR register indicates the status of the ETHERC. When any flag in the ECSR register is set to 1 while the associated bit in the ECSIPR register is 1 (interrupt enabled), the EDMAC0.EESR.ECI flag is set to 1.

#### ICD flag (False Carrier Detect Flag)

The ICD flag indicates that the PHY-LSI has detected a false carrier on the line. The flag is set to 1 when a receive error signal shown in [Figure 29.11](#) is received from the PHY-LSI. The information might not be correct when signals input from the PHY-LSI change faster than software recognizes the change. Check the timing of the PHY-LSI.

#### LCHNG flag (Link Signal Change Flag)

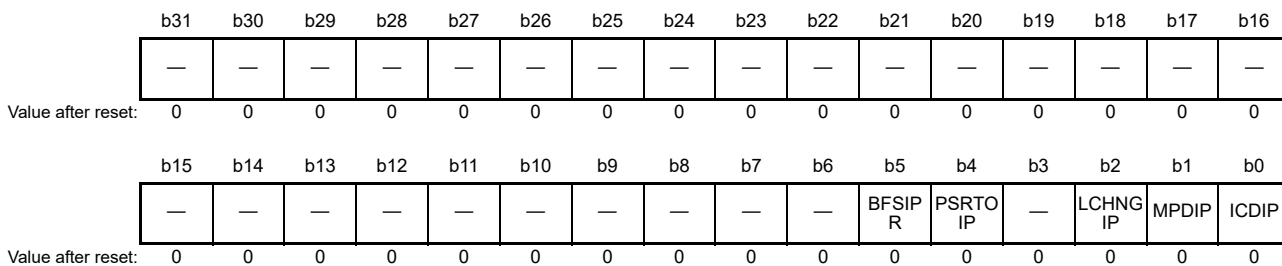
The LCHNG flag indicates that the ET0\_LINKSTA signal input from the PHY-LSI has changed from high to low, or from low to high. Check the PSR.LMON flag for the current link status. See [section 29.5.1, Preventing the LCHNG Flag from Erroneously Setting to 1](#) for more information.

#### PSRTO flag (PAUSE Frame Retransmit Over Flag)

The PSRTO flag indicates that the number of retransmissions reached the value set in the TPAUSER register when retransmitting a PAUSE frame while the automatic PAUSE frame transmission is enabled.

### 29.2.4 ETHERC Interrupt Enable Register (ECSIPR)

Address(es): ETHERC0.ECSIPR 4006 4118h

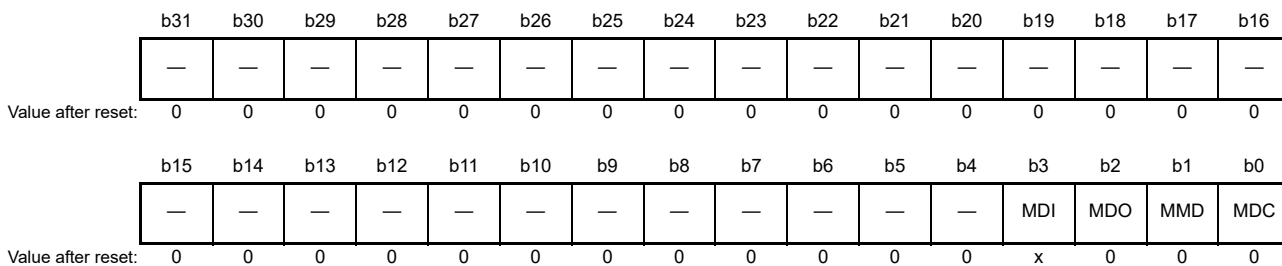


| Bit       | Symbol  | Bit name  | Description  | R/W |
|-----------|---------|---|--|-----|
| b0        | ICDIP   | False Carrier Detect Interrupt Enable                 | 0: Disable interrupt notification<br>1: Enable interrupt notification. | R/W |
| b1        | MPDIP   | Magic Packet Detect Interrupt Enable                  | 0: Disable interrupt notification<br>1: Enable interrupt notification. | R/W |
| b2        | LCHNGIP | LINK Signal Change Interrupt Enable                   | 0: Disable interrupt notification<br>1: Enable interrupt notification. | R/W |
| b3        | —       | Reserved  | The read value is 0. The write value should be 0.                      | R/W |
| b4        | PSRTOIP | PAUSE Frame Retransmit Over Interrupt Enable          | 0: Disable interrupt notification<br>1: Enable interrupt notification. | R/W |
| b5        | BFSIPR  | Continuous Broadcast Frame Reception Interrupt Enable | 0: Disable interrupt notification<br>1: Enable interrupt notification. | R/W |
| b31 to b6 | —       | Reserved  | The read value is 0. The write value should be 0.                      | R/W |

The ECSIPR register selects whether to notify the EDMAC of the status indicated in the ECSR register. Each bit is associated with the flag with the same bit number in the ECSR register.

### 29.2.5 PHY Interface Register (PIR)

Address(es): ETHERC0.PIR 4006 4120h

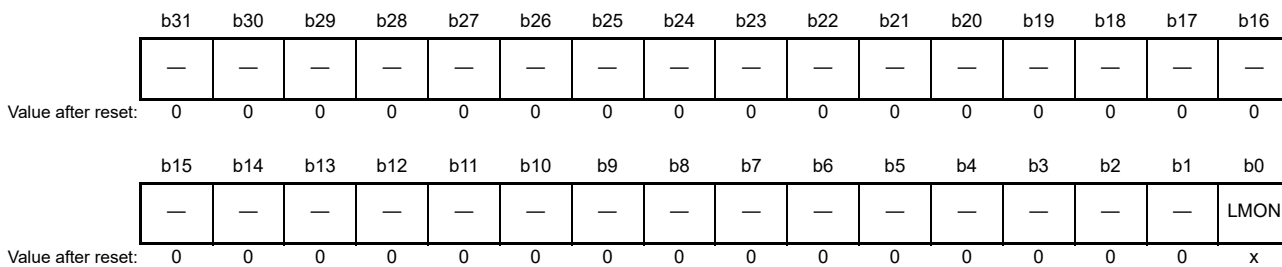


| Bit       | Symbol | Bit name                       | Description  | R/W |
|-----------|--------|--------------------------------|--|-----|
| b0        | MDC    | MII/RMII Management Data Clock | This value is output from the ET0_MDC pin to supply the management data clock to the MII or RMII       | R/W |
| b1        | MMD    | MII/RMII Management Mode       | 0: Read<br>1: Write.   | R/W |
| b2        | MDO    | MII/RMII Management Data-Out   | This value is output from the ET0_MDIO pin when the MMD bit is 1 (write), and not when MMD is 0 (read) | R/W |
| b3        | MDI    | MII/RMII Management Data-In    | This bit indicates the level of the ET0_MDIO pin. The write value should be 0.                         | R   |
| b31 to b4 | —      | Reserved                       | The read value is 0. The write value should be 0.  | R/W |

The PIR register accesses registers in the PHY-LSI through the MII or RMII. The management clock and management data are controlled through software. See [section 29.3.4, Accessing the MII and RMII Registers](#) for details on accessing the MII and RMII registers.

### 29.2.6 PHY Status Register (PSR)

Address(es): ETHERC0.PSR 4006 4128h



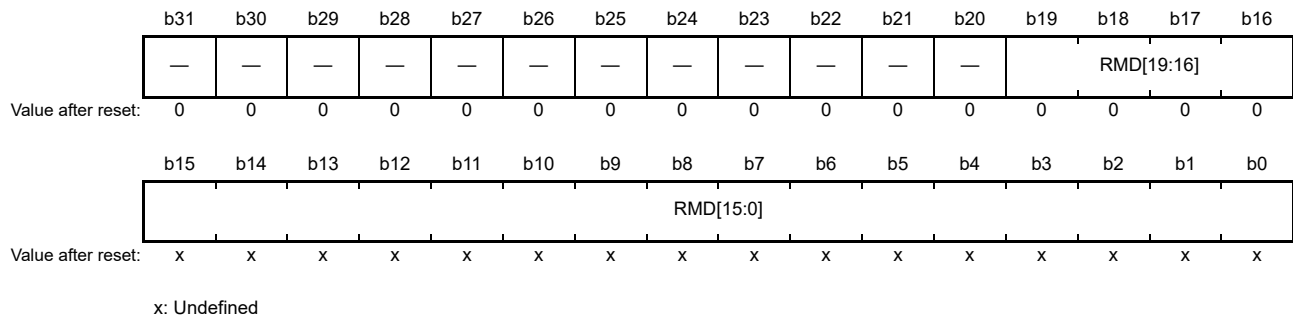
| Bit       | Symbol | Bit name                    | Description   | R/W |
|-----------|--------|-----------------------------|---|-----|
| b0        | LMON   | ET0_LINKSTA Pin Status Flag | The link status can be read by connecting the link signal output from the PHY-LSI to the ET0_LINKSTA pin. For details on the polarity, see the specifications of the connected PHY-LSI. | R   |
| b31 to b1 | —      | Reserved                    | The read value is 0   | R   |

The PSR register monitors the interface signals from PHY-LSI.



### 29.2.7 Random Number Generation Counter Upper Limit Setting Register (RDMLR)

Address(es): [ETHERC0.RDMLR 4006 4140h](#)

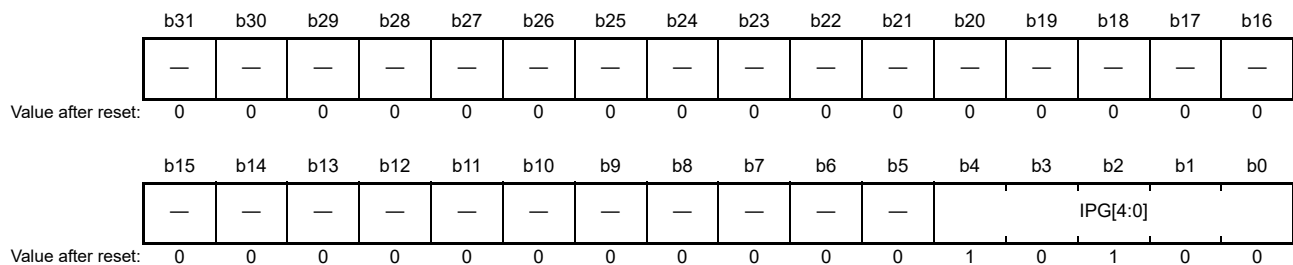


| Bit        | Symbol    | Bit name                         | Description   | R/W |
|------------|-----------|----------------------------------|---|-----|
| b19 to b0  | RMD[19:0] | Random Number Generation Counter | 00000h: Normal operation<br>00001h to FFFFFh: Setting prohibited. | R/W |
| b31 to b20 | —         | Reserved                         | The read value is 0. The write value should be 0.                 | R/W |

The RDMLR register specifies the maximum value for the counter used in the random number generator. Do not rewrite this register while the ECMR.TE bit is 1 (transmit function enabled) or while the ECMR.RE bit is 1 (receive function enabled).

### 29.2.8 Interpacket Gap Register (IPGR)

Address(es): [ETHERC0.IPGR 4006 4150h](#)

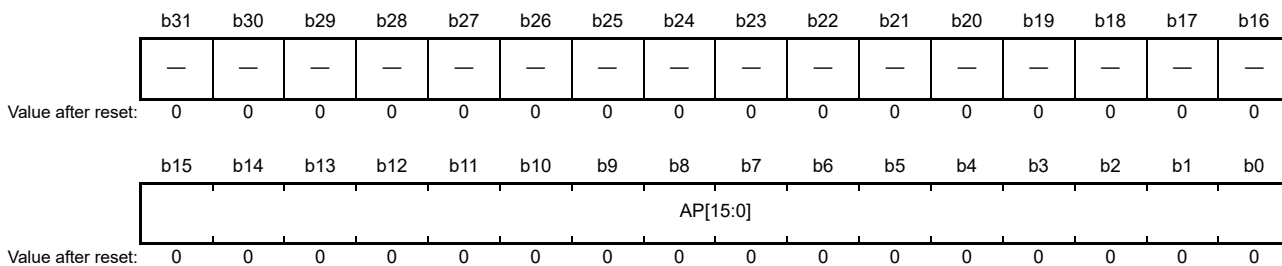


| Bit       | Symbol   | Bit name        | Description  | R/W |
|-----------|----------|-----------------|--|-----|
| b4 to b0  | IPG[4:0] | Interpacket Gap | 00h: 16 bit times<br>01h: 20 bit times<br>:<br>:<br>14h: 96 bit times (initial value)<br>:<br>:<br>1Fh: 140 bit times. | R/W |
| b31 to b5 | —        | Reserved        | The read value is 0. The write value should be 0.  | R/W |

The IPGR register specifies the Interpacket Gap (IPG) value. Do not rewrite this register while the ECMR.TE bit is 1 (transmit function enabled) or while the ECMR.RE bit is 1 (receive function enabled). See [section 29.3.6, Adjusting Transmission Efficiency by Changing the IPG](#) for details on the IPG.

### 29.2.9 Automatic PAUSE Frame Register (APR)

Address(es): ETHERC0.APR 4006 4154h

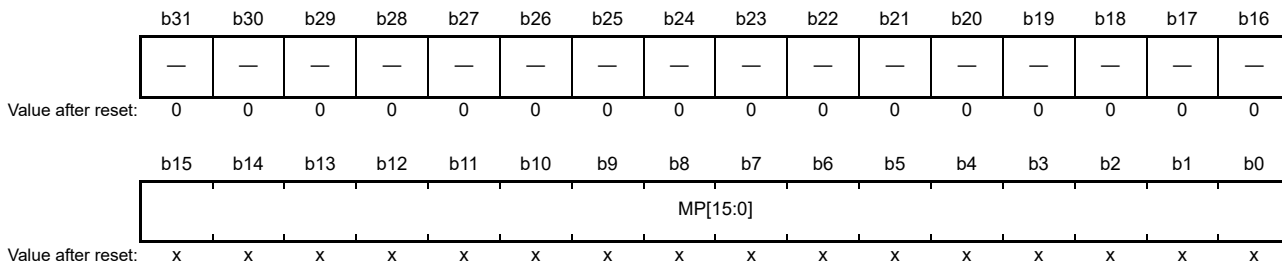


| Bit        | Symbol   | Bit name                     | Description  | R/W |
|------------|----------|------------------------------|--|-----|
| b15 to b0  | AP[15:0] | Automatic PAUSE Time Setting | These bits set the value of the pause_time parameter for PAUSE frames that are automatically transmitted. Transmission is not performed until a period equal to the set value multiplied by 512 bit times has elapsed. | R/W |
| b31 to b16 | —        | Reserved                     | The read value is 0. The write value should be 0.  | R/W |

The APR register specifies the PAUSE time for PAUSE frames that are automatically transmitted. The value set in the APR register is used for the pause\_time parameter of the PAUSE frame. Do not rewrite this register while the ECMR.TE bit is 1 (transmit function enabled) or while the ECMR.RE bit is 1 (receive function enabled).

### 29.2.10 Manual PAUSE Frame Register (MPR)

Address(es): ETHERC0.MPR 4006 4158h



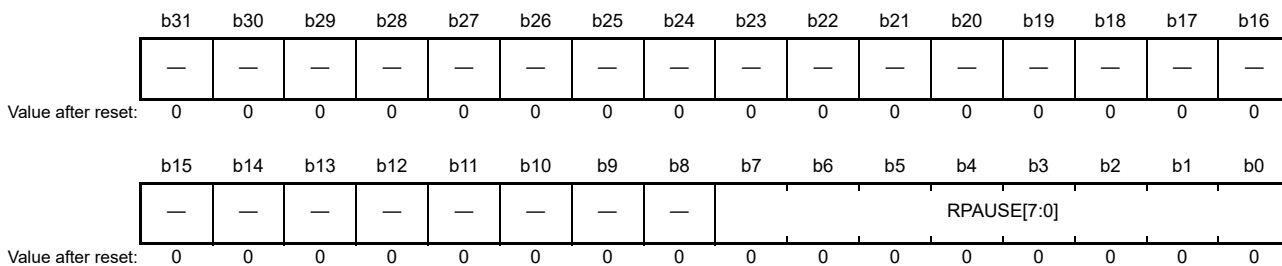
x: Undefined

| Bit        | Symbol   | Bit name                  | Description  | R/W |
|------------|----------|---------------------------|--|-----|
| b15 to b0  | MP[15:0] | Manual PAUSE Time Setting | These bits set the value of the pause_time parameter for PAUSE frames that are manually transmitted. Transmission is not performed until the set value multiplied by 512 bit times has elapsed. The read value is undefined. | W   |
| b31 to b16 | —        | Reserved                  | The read value is 0. The write value should be 0.  | W   |

The MPR register specifies the PAUSE time for PAUSE frames that are manually transmitted. The value set in the MPR register is used for the pause\_time parameter of the PAUSE frame. When a value is set to this register, a PAUSE frame is transmitted. Rewrite this register while the ECMR.TE bit is 1 (transmit function enabled).

### 29.2.11 Received PAUSE Frame Counter (RFCF)

Address(es): ETHERC0.RFCF 4006 4160h

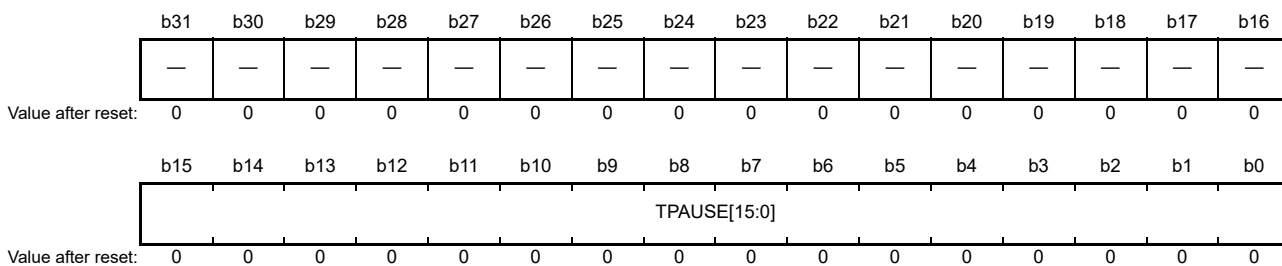


| Bit       | Symbol      | Bit name                   | Description                     | R/W |
|-----------|-------------|----------------------------|---------------------------------|-----|
| b7 to b0  | RPAUSE[7:0] | Received PAUSE Frame Count | Number of received PAUSE frames | R   |
| b31 to b8 | —           | Reserved                   | The read value is 0             | R   |

The RFCF register is a counter that indicates the number of received PAUSE frames. The counter is reset after this register is read.

### 29.2.12 PAUSE Frame Retransmit Count Setting Register (TPAUSER)

Address(es): ETHERC0.TPAUSER 4006 4164h

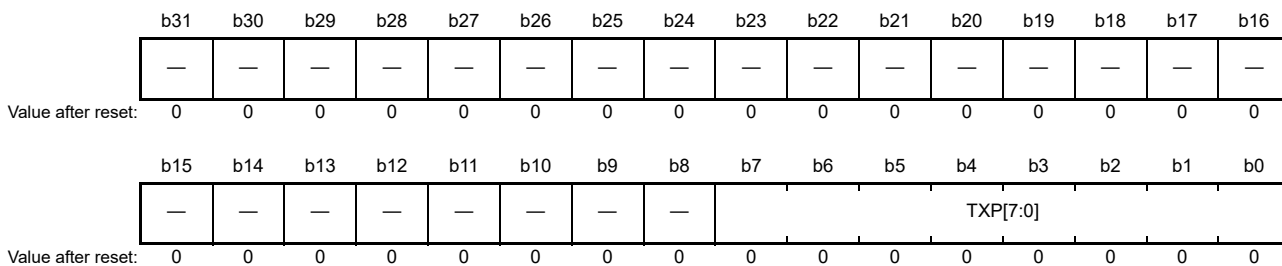


| Bit        | Symbol       | Bit name                                 | Description   | R/W |
|------------|--------------|--|---|-----|
| b15 to b0  | TPAUSE[15:0] | Automatic PAUSE Frame Retransmit Setting | 0000h: Number of retransmissions is unlimited<br>0001h: Maximum number of retransmissions is 1<br>:<br>:<br>FFFFh: Maximum number of retransmissions is 65,535. | R/W |
| b31 to b16 | —            | Reserved                                 | The read value is 0. The write value should be 0.   | R/W |

The TPAUSER register selects the maximum number of times a PAUSE frame is automatically transmitted. Do not rewrite this register while the ECMR.TE bit is 1 (transmit function enabled).

### 29.2.13 PAUSE Frame Retransmit Counter (TPAUSECR)

Address(es): [ETHERC0.TPAUSECR 4006 4168h](#)

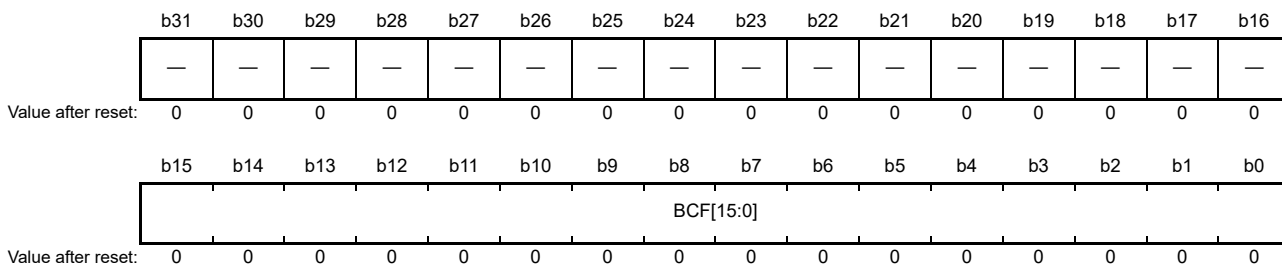


| Bit       | Symbol                   | Bit name                     | Description                                     | R/W |
|-----------|--------------------------|------------------------------|---|-----|
| b7 to b0  | <a href="#">TXP[7:0]</a> | PAUSE Frame Retransmit Count | Number of times a PAUSE frame was retransmitted | R   |
| b31 to b8 | —                        | Reserved                     | The read value is 0                             | R   |

The TPAUSECR register is a counter that indicates the number of times a PAUSE frame was automatically retransmitted. The counter is reset after this register is read.

### 29.2.14 Broadcast Frame Receive Count Setting Register (BCFRR)

Address(es): [ETHERC0.BCFRR 4006 416Ch](#)

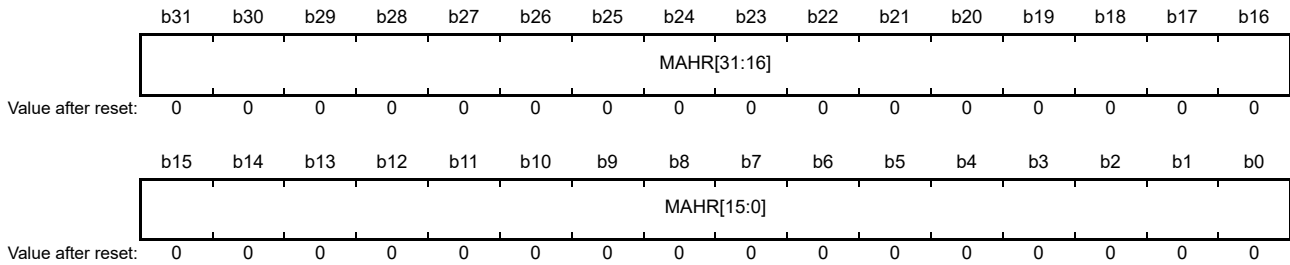


| Bit        | Symbol                    | Bit name   | Description   | R/W |
|------------|---------------------------|--|---|-----|
| b15 to b0  | <a href="#">BCF[15:0]</a> | Broadcast Frame Continuous Receive Count Setting | 0000h: Number of receptions is unlimited<br>0001h: Receive 1 frame<br>:<br>:<br>FFFFh: Receive 65,535 frames. | R/W |
| b31 to b16 | —                         | Reserved   | The read value is 0. The write value should be 0.   | R/W |

The BCFRR register specifies the number of times that broadcast frames can be received continuously. When the number of received frames exceeds the BCF[15:0] bit value, the excess broadcast frames are discarded. Do not rewrite this register while the EMCR.RE bit is 1 (receive function enabled).

### 29.2.15 MAC Address Upper Bit Register (MAHR)

Address(es): [ETHERC0.MAHR 4006 41C0h](#)



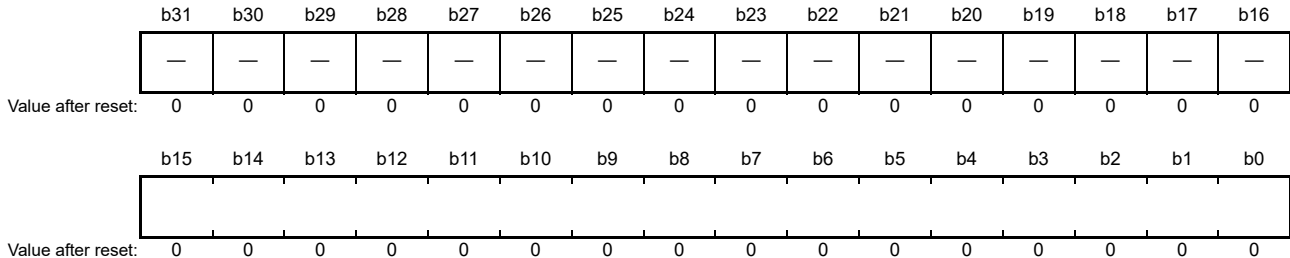
| Bit       | Symbol     | Bit name              | Description       | R/W |
|-----------|------------|-----------------------|-------------------|-----|
| b31 to b0 | MAHR[31:0] | MAC Address Upper Bit | See the following | R/W |

The MAHR register specifies the upper 32 bits ([47:16]) of the 48-bit MAC address. For example, if the MAC address is 01-23-45-67-89-AB, set the register to 0123 4567h.

Set the MAHR register during initialization after a reset. Do not rewrite this register while the ECMR.TE bit is 1 (transmit function enabled) or while the ECMR.RE bit is 1 (receive function enabled). When rewriting this register, set the EDMAC0.EDMR.SWR bit to 1 to reset the EDMAC and ETHERC, then set this register again.

### 29.2.16 MAC Address Lower Bit Register (MALR)

Address(es): [ETHERC0.MALR 4006 41C8h](#)



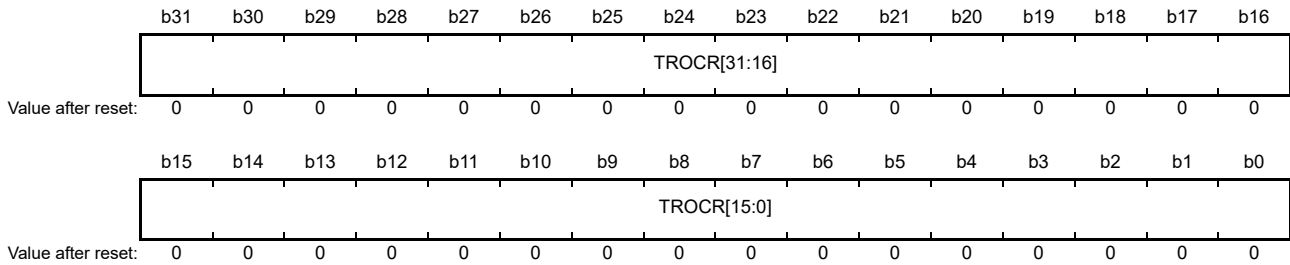
| Bit        | Symbol | Bit name | Description   | R/W |
|------------|--------|----------|---|-----|
| b15 to b0  | —      | —        | These bits set the lower 16 bits of the MAC address | R/W |
| b31 to b16 | —      | Reserved | The read value is 0. The write value should be 0.   | R/W |

The MALR register specifies the lower 16 bits of the 48-bit MAC address. For example, if the MAC address is 01-23-45-67-89-AB, set the register to 0000 89ABh.

Set the MALR register during initialization after a reset. Do not rewrite this register while the ECMR.TE bit is 1 (transmit function enabled) or while the ECMR.RE bit is 1 (receive function enabled). When rewriting this register, set the EDMAC0.EDMR.SWR bit to 1 to reset the EDMAC and ETHERC, then set this register again.

### 29.2.17 Transmit Retry Over Counter Register (TROCR)

Address(es): [ETHERC0.TROCR 4006 41D0h](#)

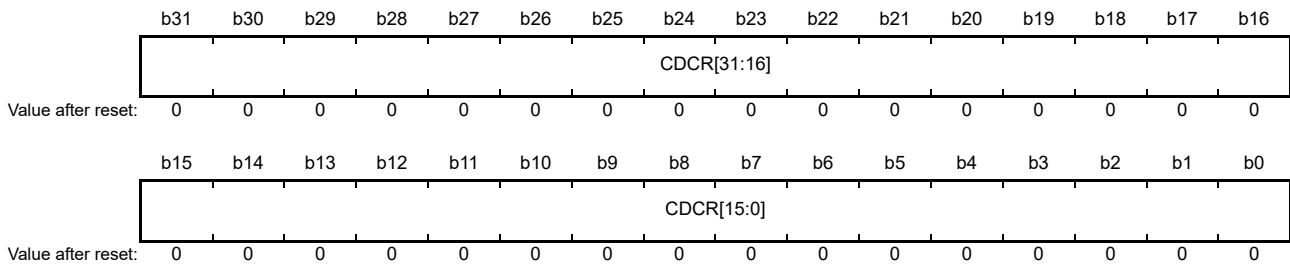


| Bit       | Symbol      | Bit name                    | Description       | R/W |
|-----------|-------------|-----------------------------|-------------------|-----|
| b31 to b0 | TROCR[31:0] | Transmit Retry Over Counter | See the following | R/W |

The TROCR register is a counter that indicates the number of frames that failed to be retransmitted. The register value is incremented by 1 when a frame fails to be retransmitted 15 times. The counter stops when the register value becomes FFFF FFFFh. Writing any value to the TROCR register clears the counter value to 0.

### 29.2.18 Late Collision Detect Counter Register (CDCR)

Address(es): [ETHERC0.CDCR 4006 41D4h](#)

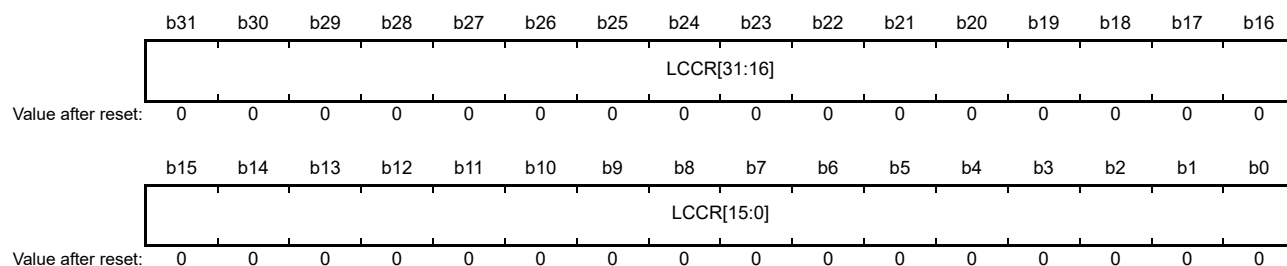


| Bit       | Symbol     | Bit name                      | Description       | R/W |
|-----------|------------|-------------------------------|-------------------|-----|
| b31 to b0 | CDCR[31:0] | Late Collision Detect Counter | See the following | R/W |

The CDCR register is a counter that indicates the number of late collisions that are detected after transmission starts. When the register value becomes FFFF FFFFh, the counter stops. Writing any value to the CDCR register clears the counter value to 0.

### 29.2.19 Lost Carrier Counter Register (LCCR)

Address(es): [ETHERC0.LCCR 4006 41D8h](#)

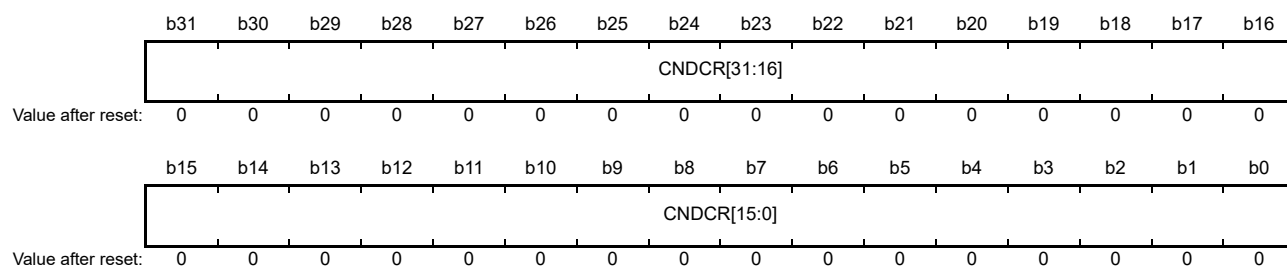


| Bit       | Symbol     | Bit name             | Description       | R/W |
|-----------|------------|----------------------|-------------------|-----|
| b31 to b0 | LCCR[31:0] | Lost Carrier Counter | See the following | R/W |

The LCCR register is a counter that indicates the number of times a loss of carrier is detected during frame transmission. When the register value becomes FFFF FFFFh, the counter stops. Writing any value to the LCCR register clears the counter value to 0.

### 29.2.20 Carrier Not Detect Counter Register (CNDCCR)

Address(es): [ETHERC0.CNDCCR 4006 41DCh](#)

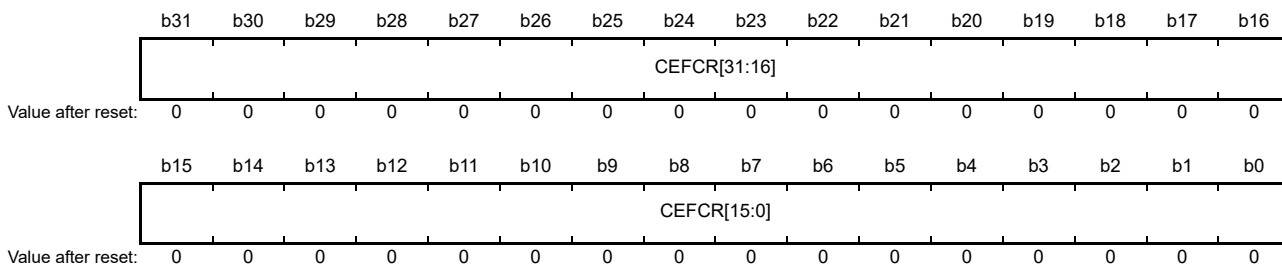


| Bit       | Symbol       | Bit name                   | Description       | R/W |
|-----------|--------------|----------------------------|-------------------|-----|
| b31 to b0 | CNDCCR[31:0] | Carrier Not Detect Counter | See the following | R/W |

The CNDCCR register is a counter that indicates the number of times a carrier is not detected during preamble transmission. When the register value becomes FFFF FFFFh, the counter stops. Writing any value to the CNDCCR register clears the counter value to 0.

### 29.2.21 CRC Error Frame Receive Counter Register (CEFCR)

Address(es): ETHERC0.CEFCR 4006 41E4h

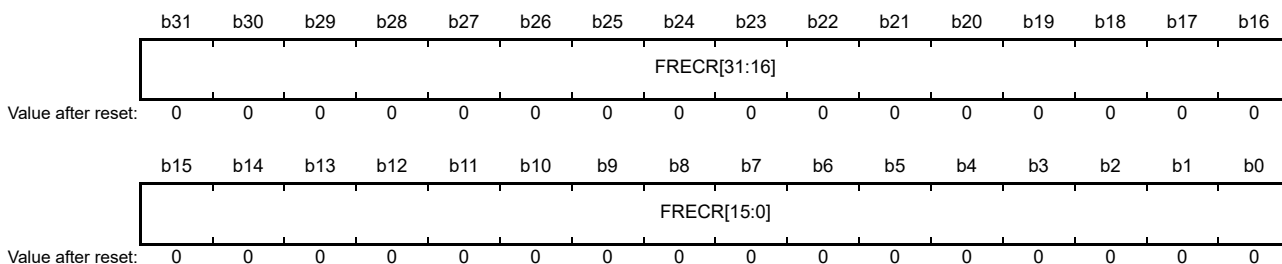


| Bit       | Symbol      | Bit name                        | Description       | R/W |
|-----------|-------------|---------------------------------|-------------------|-----|
| b31 to b0 | CEFCR[31:0] | CRC Error Frame Receive Counter | See the following | R/W |

The CEFCR register is a counter that indicates the number of received frames in which a CRC error was detected. When the register value becomes FFFF FFFFh, the counter stops. Writing any value to the CEFCR register clears the counter value to 0.

### 29.2.22 Frame Receive Error Counter Register (FRECR)

Address(es): ETHERC0.FRECR 4006 41E8h



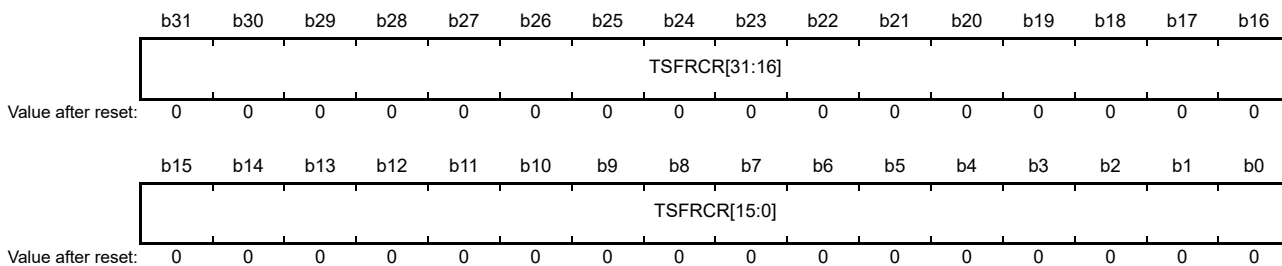
| Bit       | Symbol      | Bit name                    | Description       | R/W |
|-----------|-------------|-----------------------------|-------------------|-----|
| b31 to b0 | FRECR[31:0] | Frame Receive Error Counter | See the following | R/W |

The FRECR register is a counter that indicates the number of times a frame receive error has occurred. The PHY-LSI notifies the ETHERC of the frame receive error using the ET0\_RX\_ER pin. The FRECR register increments each time the ET0\_RX\_ER pin goes high. When the register value becomes FFFF FFFFh, the counter stops. Writing any value to the FRECR register clears the counter value to 0.



### 29.2.23 Too-Short Frame Receive Counter Register (TSFRCR)

Address(es): ETHERC0.TSFRCR 4006 41ECh

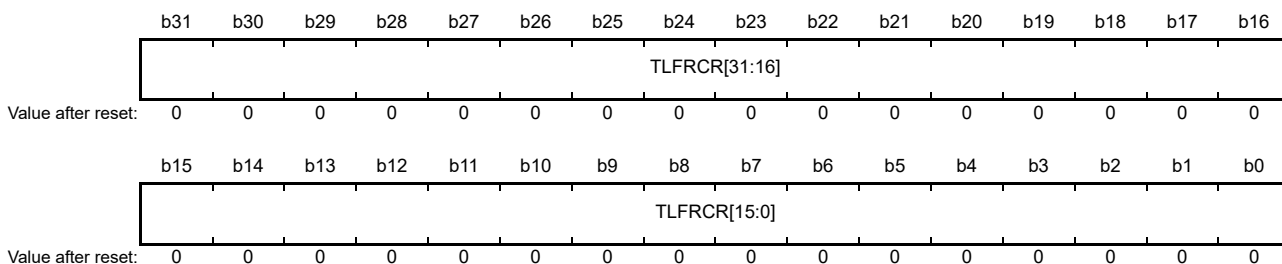


| Bit       | Symbol       | Bit name                        | Description       | R/W |
|-----------|--------------|---------------------------------|-------------------|-----|
| b31 to b0 | TSFRCR[31:0] | Too-Short Frame Receive Counter | See the following | R/W |

The TSFRCR register is a counter that indicates the number of times a short frame that is shorter than 64 bytes was received. When the register value becomes FFFF FFFFh, the counter stops. Writing any value to the TSFRCR register clears the counter value to 0.

### 29.2.24 Too-Long Frame Receive Counter Register (TLFRCR)

Address(es): ETHERC0.TLFRCR 4006 41F0h



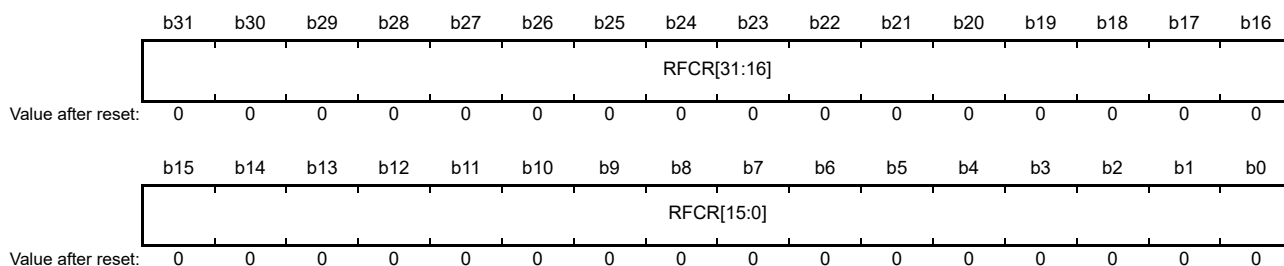
| Bit       | Symbol       | Bit name                       | Description       | R/W |
|-----------|--------------|--------------------------------|-------------------|-----|
| b31 to b0 | TLFRCR[31:0] | Too-Long Frame Receive Counter | See the following | R/W |

The TLFRCR register is a counter that indicates the number of times a long frame that is longer than the RFLR register value was received. When the register value becomes FFFF FFFFh, the counter stops. Writing any value to the TLFRCR register clears the counter value to 0.

Note: The TLFRCR register does not increment when a frame is received with an alignment error. In this case, the RFCR register increments.

### 29.2.25 Received Alignment Error Frame Counter Register (RFCR)

Address(es): [ETHERC0.RFCR 4006 41F4h](#)

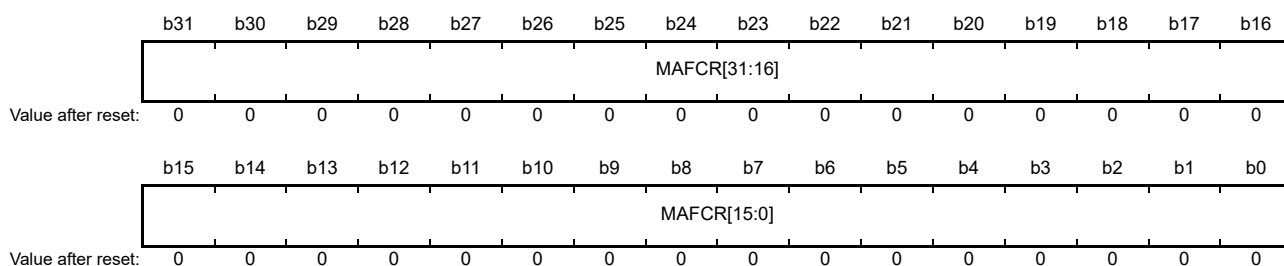


| Bit       | Symbol     | Bit name                               | Description       | R/W |
|-----------|------------|--|-------------------|-----|
| b31 to b0 | RFCR[31:0] | Received Alignment Error Frame Counter | See the following | R/W |

The RFCR register is a counter that indicates the number of times a frame was received with an alignment error, meaning that it is not an integral number of octets. When the register value becomes FFFF FFFFh, the counter stops. Writing any value to the RFCR register clears the counter value to 0.

### 29.2.26 Multicast Address Frame Receive Counter Register (MAFCR)

Address(es): [ETHERC0.MAFCR 4006 41F8h](#)



| Bit       | Symbol      | Bit name                                | Description       | R/W |
|-----------|-------------|---|-------------------|-----|
| b31 to b0 | MAFCR[31:0] | Multicast Address Frame Receive Counter | See the following | R/W |

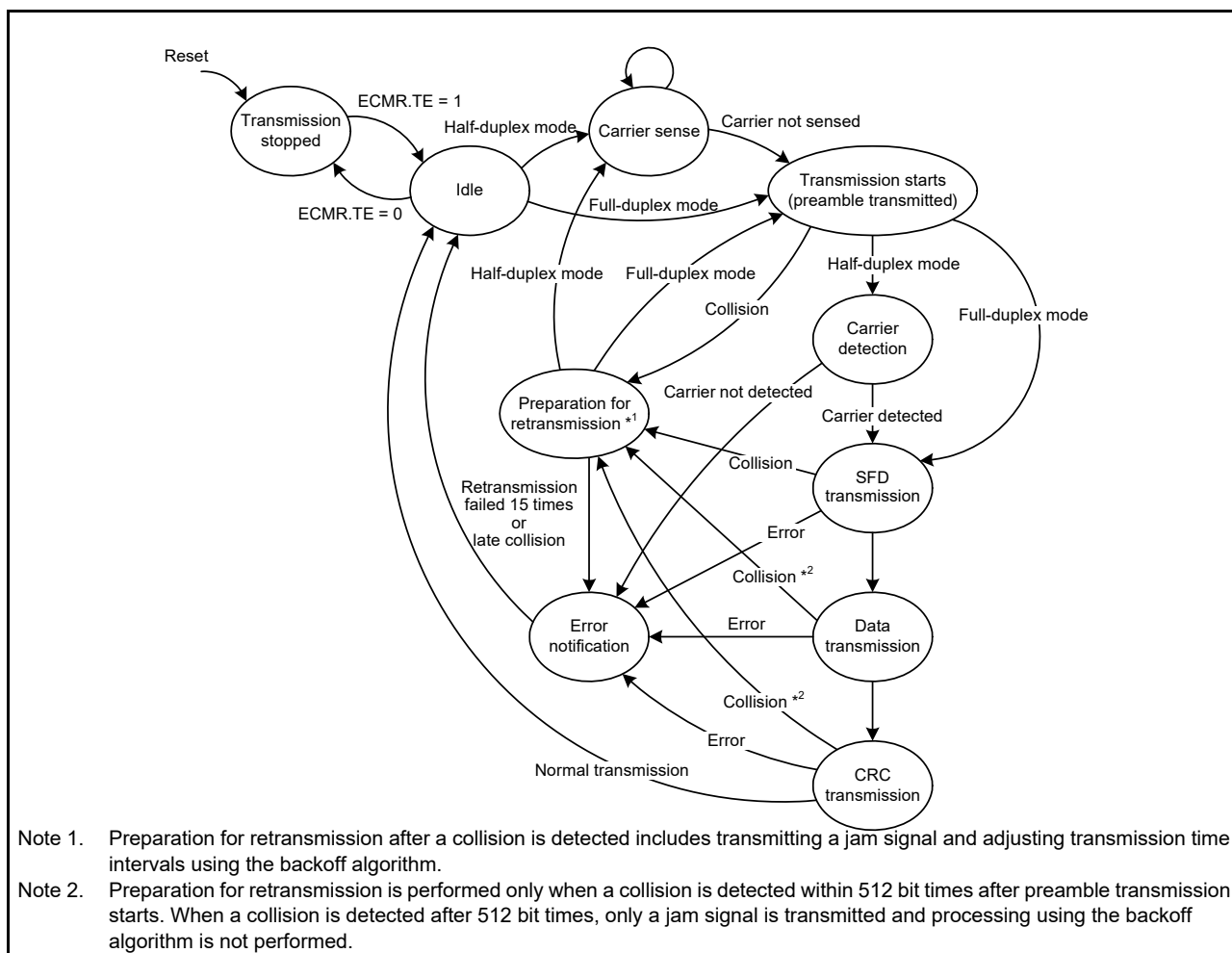
The MAFCR register is a counter that indicates the number of times a frame with the multicast address set was received. When the register value becomes FFFF FFFFh, the counter stops. Writing any value to the MAFCR register clears the counter value to 0.

## 29.3 Operation

This section provides an overview of the ETHERC operations. ETHERC supports the flow control compliant with IEEE802.3x, and can transmit and receive PAUSE frames. When using the ETHERC, set the clock to ICLK = PCLKA beforehand.

### 29.3.1 Transmission

The ETHERC transmitter assembles the transmit data into a frame and outputs it to the MII or RMII when a transmit request is received from the EDMAC. The frame transmitted through the MII or RMII is transmitted on the line by the PHY-LSI. Figure 29.4 shows the state transitions of the ETHERC transmitter.



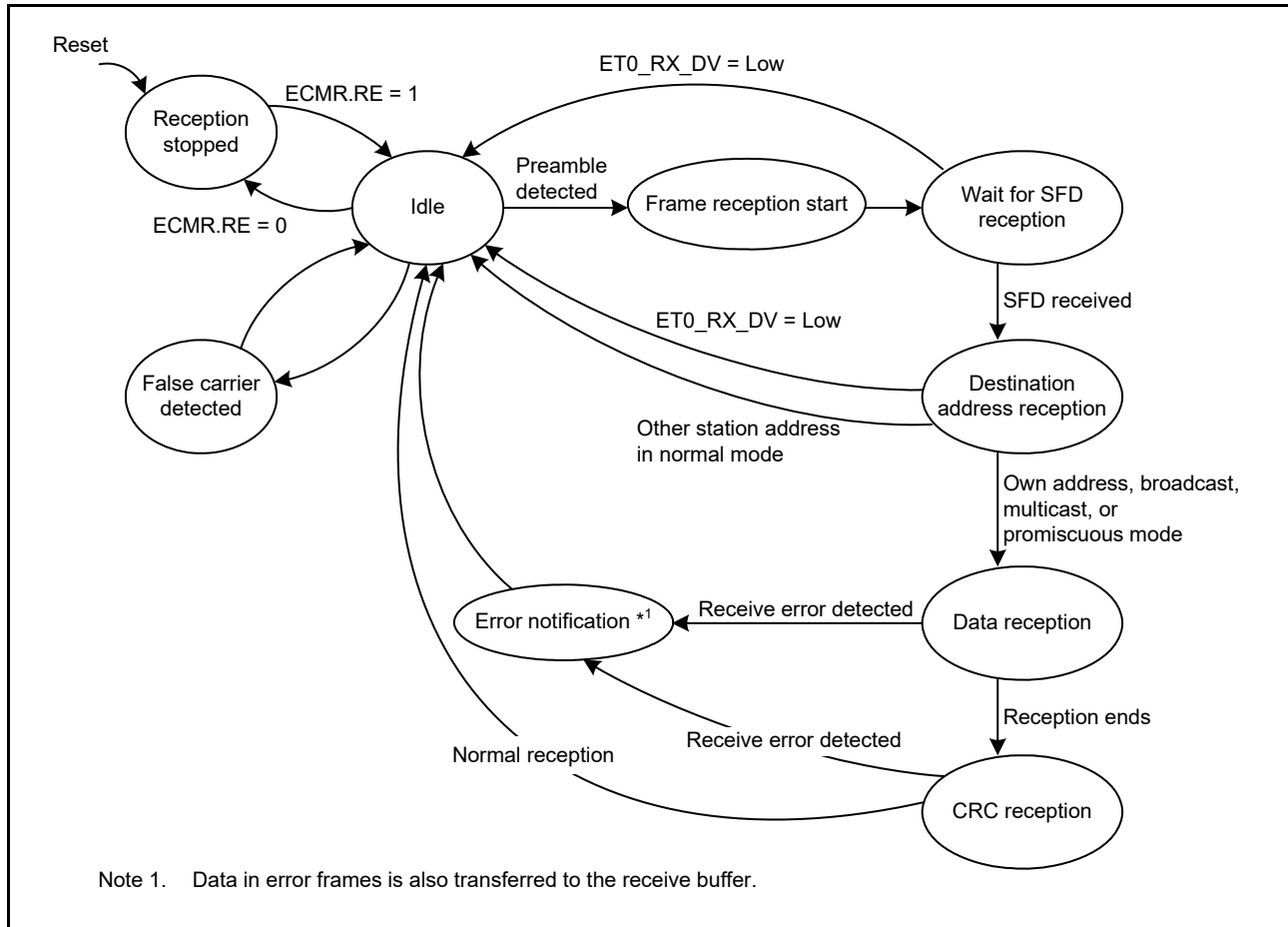
**Figure 29.4 ETHERC transmitter state transitions**

The ETHERC transmitter state transitions are as follows:

1. When the ECMR.TE bit is set to 1, the ETHERC enters the transmit idle state.
2. When a transmit request is received from the EDMAC, the ETHERC enters the carrier sense state. The ETHERC waits for the interpacket gap and then transmits a preamble to the MII or RMII. When full-duplex mode is selected, carrier sensing is not required, and so the ETHERC transmits a preamble immediately after receiving a transmit request from the EDMAC.
3. The ETHERC transmits the Start Frame Delimiter (SFD), transmit data, and CRC sequentially. When the transmission completes successfully, the ETHERC notifies the EDMAC of successful completion, and the EDMAC sets the EDMAC0.EESR.TC flag to 1. When a late collision or loss of carrier is detected during data transmission, the ETHERC stops the transmission and notifies the EDMAC of the error.
4. After the time specified as the interpacket gap has elapsed, the ETHERC enters the idle state and continues the transmission when the transmit data remains.

### 29.3.2 Reception

The ETHERC receiver separates the frame input from the MII or RMII into the preamble, SFD, receive data, and CRC, and transmits only the receive data (destination address, source address, type/length, data/LLC). Figure 29.5 shows the state transitions of the ETHERC receiver.



**Figure 29.5 ETHERC receiver state transitions**

The ETHERC receiver state transitions are as follows:

1. When the ECMR.RE bit is set to 1, the ETHERC enters the receive idle state.
2. When the SFD following the preamble of the receive packet is detected, the ETHERC starts reception. If the received SFD is invalid, the ETHERC discards the frame.
3. In normal mode, the ETHERC starts data reception when the destination address of the receive frame is the address of the MCU or the receive frame is a broadcast or multicast frame. In promiscuous mode, the ETHERC starts data reception regardless of the receive frame type.
4. After receiving data from the MII or RMII, the ETHERC performs a CRC check. The ETHERC notifies the EDMAC of the CRC check result. After the received data is transferred to the receive buffer, the CRC check result is written back to the receive descriptor as status. The result is also reflected in the EDMAC0.EESR.CERF flag.
5. When the ECMR.RE bit is 1 after one frame is received, the ETHERC prepares to receive the next frame.

### 29.3.3 Frame Timing

#### 29.3.3.1 MII frame timing

Figure 29.6 to Figure 29.11 show the MII frame timing.

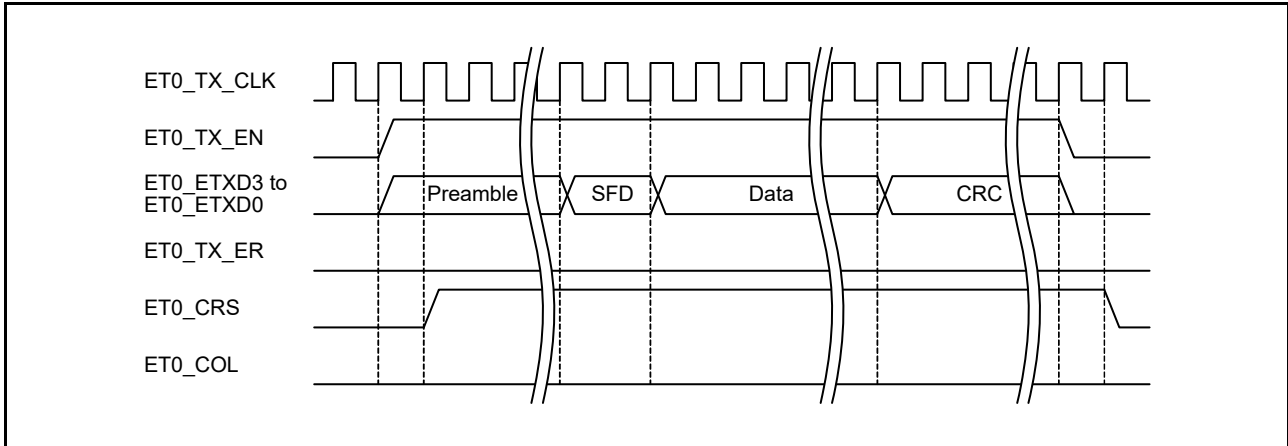


Figure 29.6 MII frame transmit timing during normal transmission

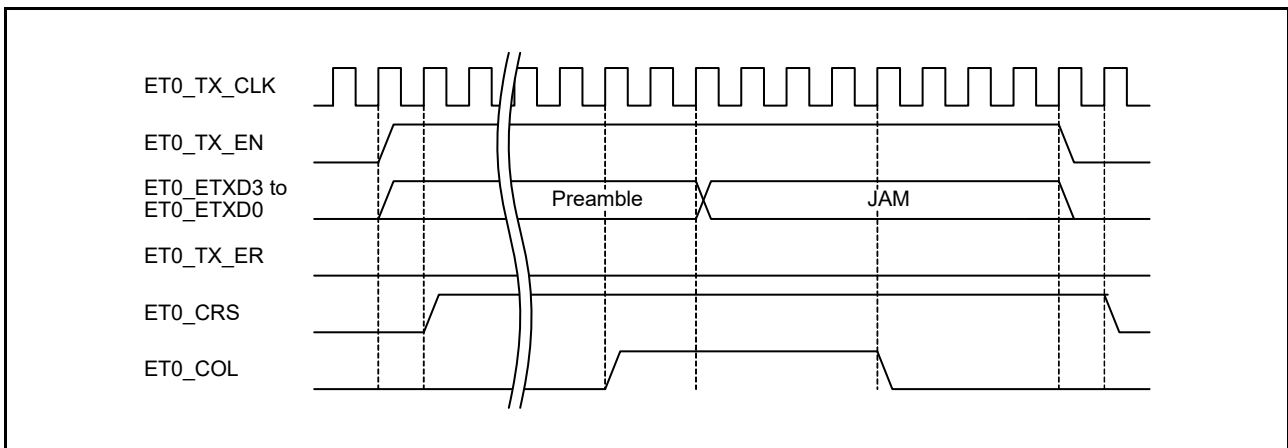


Figure 29.7 MII frame transmit timing when a collision occurs

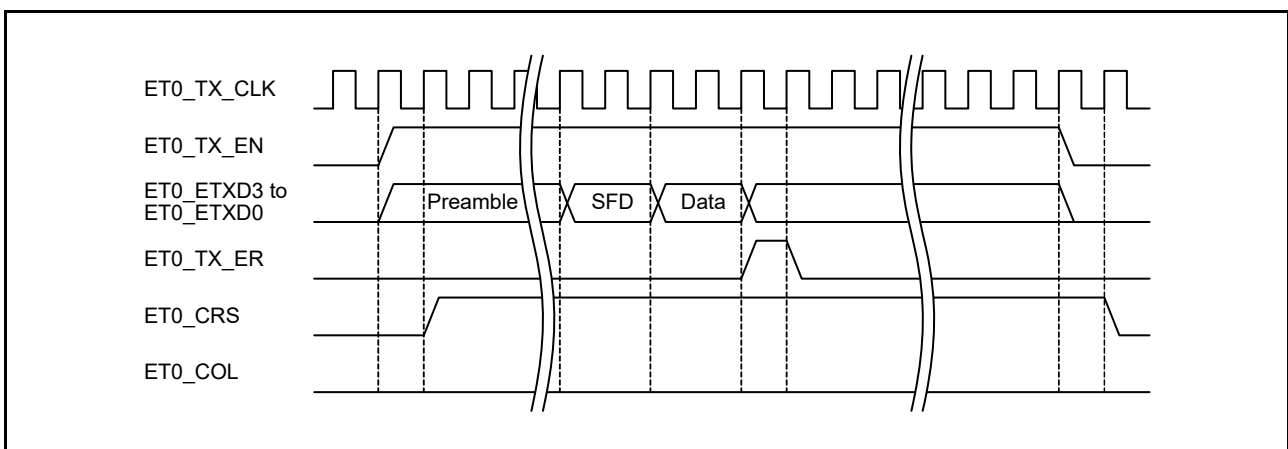


Figure 29.8 MII frame transmit timing when a transmit error occurs

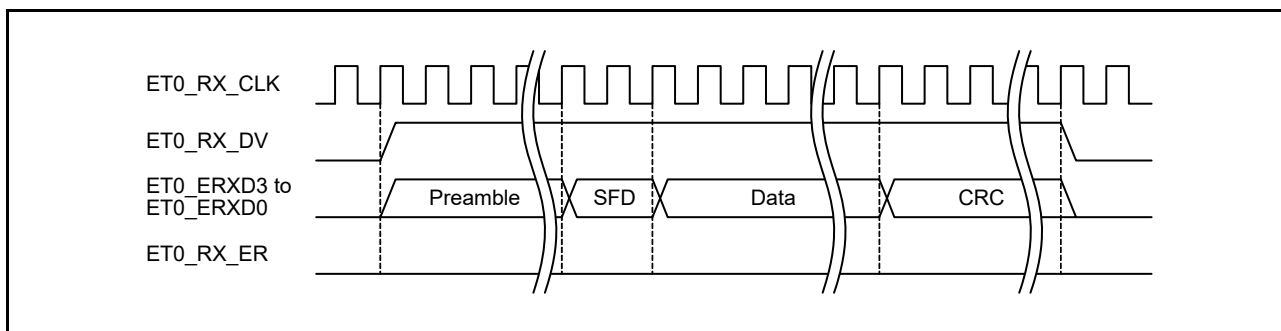


Figure 29.9 MII frame receive timing during normal reception

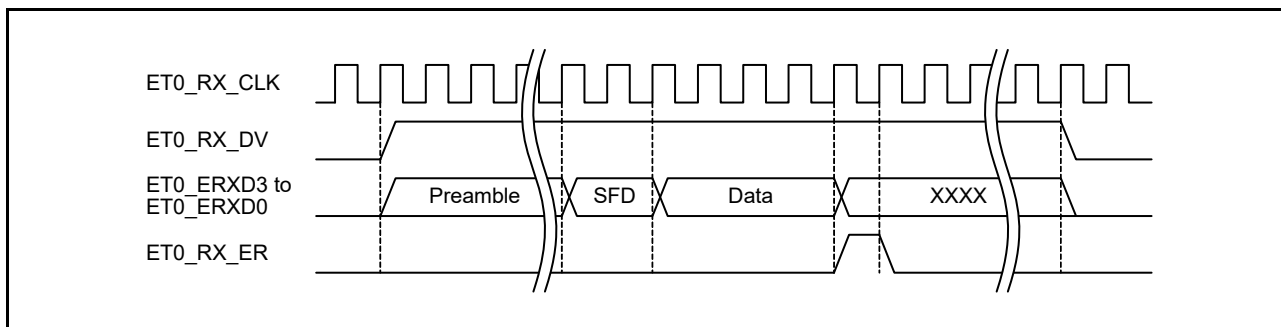


Figure 29.10 MII frame receive timing for receive error notification

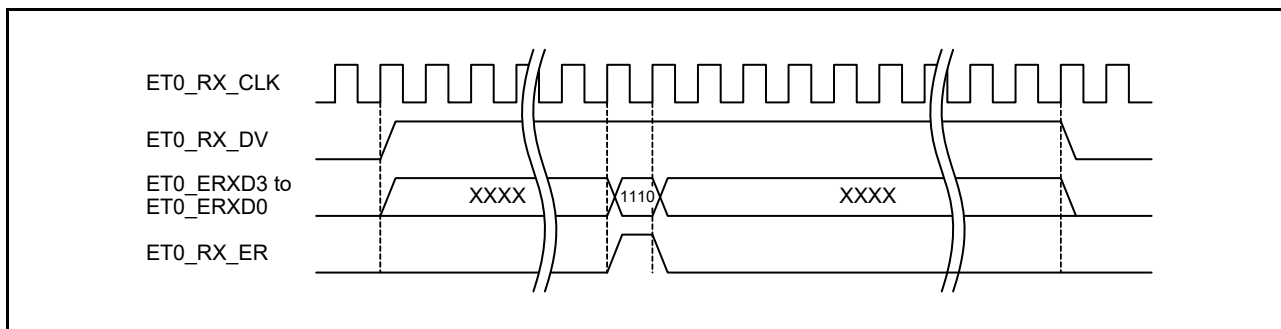


Figure 29.11 MII frame receive timing for false carrier notification

### 29.3.3.2 RMII frame timing

Figure 29.12 to Figure 29.14 show the RMII frame timing.

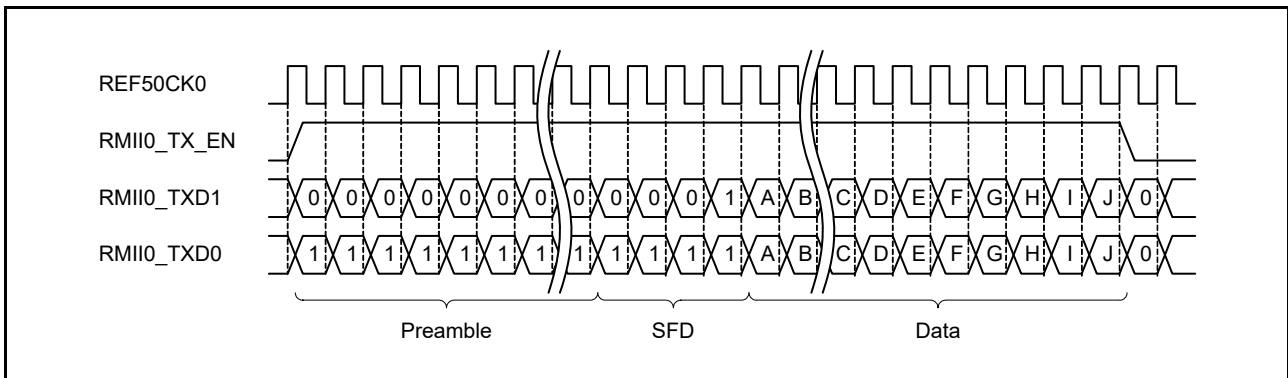


Figure 29.12 RMII frame transmit timing during normal transmission

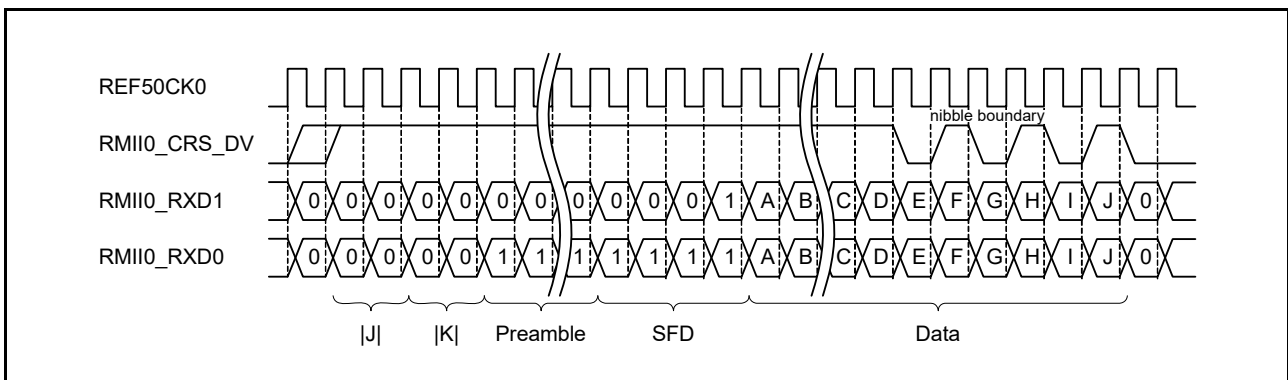


Figure 29.13 RMII frame receive timing during normal reception

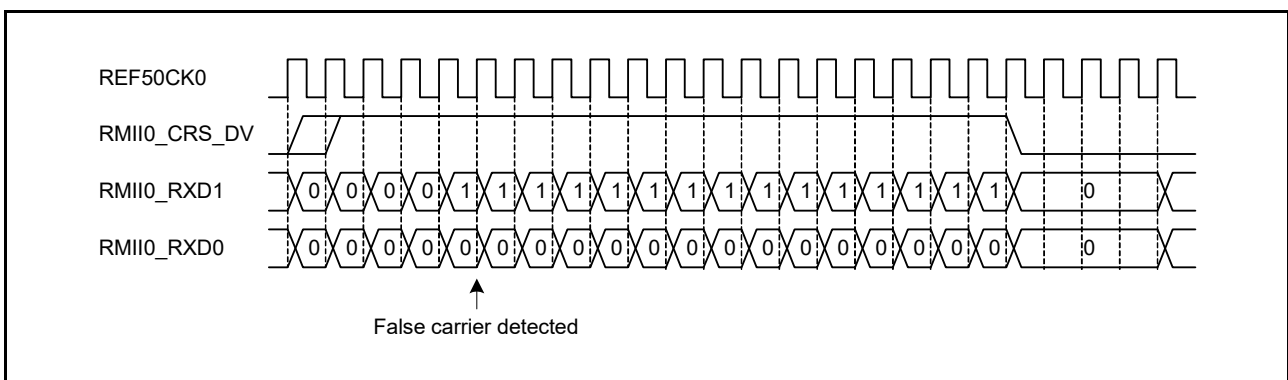


Figure 29.14 RMII frame receive timing when a false carrier is detected

### 29.3.4 Accessing the MII and RMII Registers

Use the PIR register to access the MII and RMII registers in the PHY-LSI. Serial data in the MII and RMII management frame format is transmitted and received through the ET0\_MDC and ET0\_MDIO pins controlled by software.

#### 29.3.4.1 MII and RMII management frame format

Table 29.3 lists the MII and RMII management frame formats.

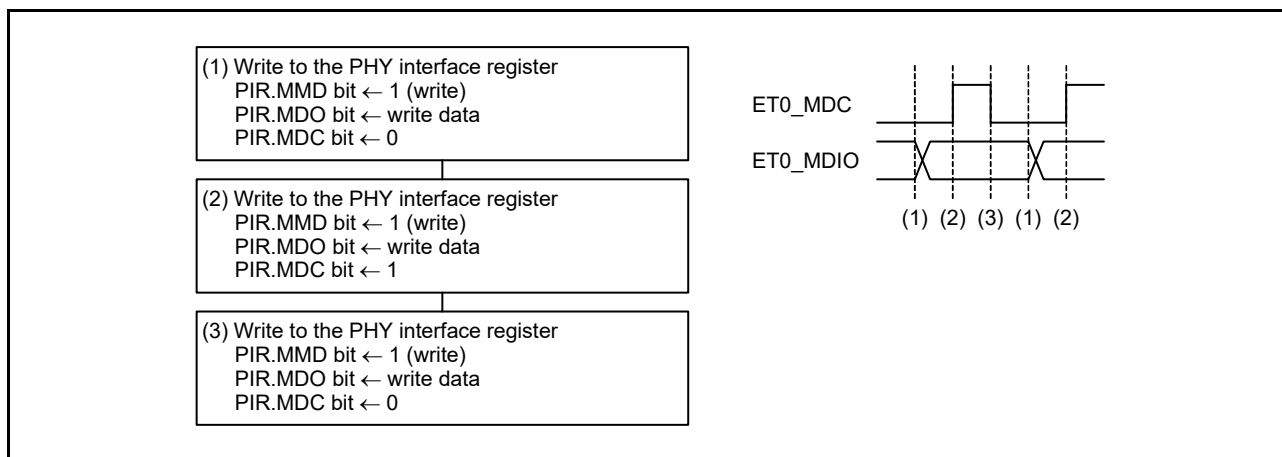
**Table 29.3 MII and RMII management frame formats**

| Access type | MII and RMII management frame |       |    |    |       |       |    |                  |      |
|-------------|-------------------------------|-------|----|----|-------|-------|----|------------------|------|
|             | Parameter                     | PRE   | ST | OP | PHYAD | REGAD | TA | DATA             | IDLE |
|             | Number of bits                | 32    | 2  | 2  | 5     | 5     | 2  | 16               | 1    |
| Read        |                               | 1...1 | 01 | 10 | 00001 | RRRRR | Z0 | DDDDDDDDDDDDDDDD | Z    |
| Write       |                               | 1...1 | 01 | 01 | 00001 | RRRRR | 10 | DDDDDDDDDDDDDDDD | Z    |

Note: PRE (preamble): Send 32 consecutive 1s.  
 ST (start of frame): Send 01b.  
 OP (operation code): Send 10b for read or 01b for write.  
 PHYAD (PHY address): Up to 32 PHY-LSIs can be connected to one MAC. PHY-LSIs are selected with these 5 bits. When the PHY-LSI address is 1, send 00001b.  
 REGAD (register address): One register is selected from up to 32 registers in the PHY-LSI. When the register address is 1, send 00001b.  
 TA (turnaround): Use 2-bit turnaround time to avoid contention between the register address and data during a read operation. Send 10b during a write operation. Release the bus for 1 bit during a read operation (Z is output). (This is indicated as Z0 because 0 is output from the PHY-LSI on the next clock cycle.)  
 DATA (data): 16-bit data. Sequentially send or receive starting from the MSB.  
 IDLE (IDLE condition): Wait time before inputting the next MII or RMII management format. Release the bus during a write operation (Z is output). No control is required, because a bus was already released during a read operation.

#### 29.3.4.2 MII and RMII register access procedure

Access to the MII and RMII registers includes writing data in 1-bit units, reading data in 1-bit units, and releasing the bus. Figure 29.15 to Figure 29.18 show examples of the MII and RMII register access timing. The access timing differs with the PHY-LSI type.



**Figure 29.15 1-bit data write flow**



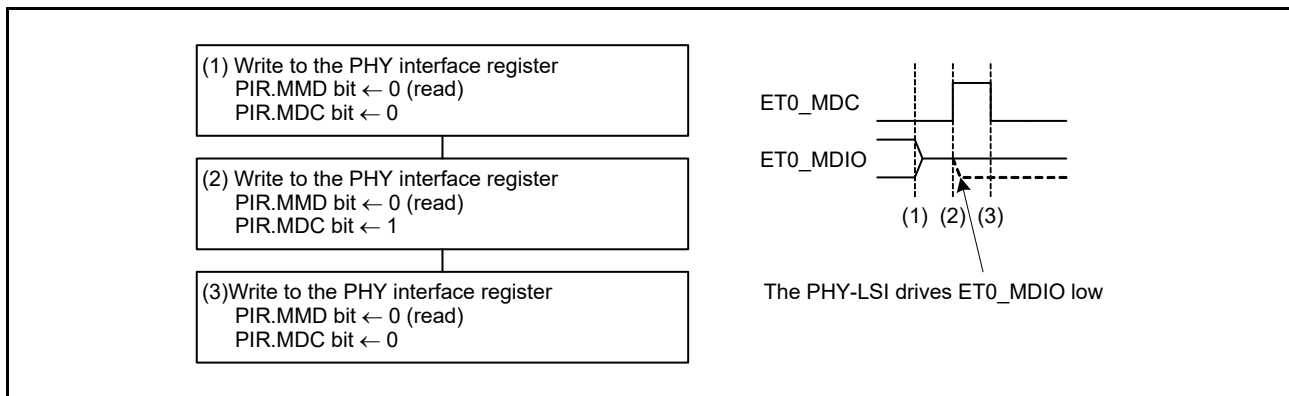


Figure 29.16 Bus release flow, with TA in read operation in Table 29.3

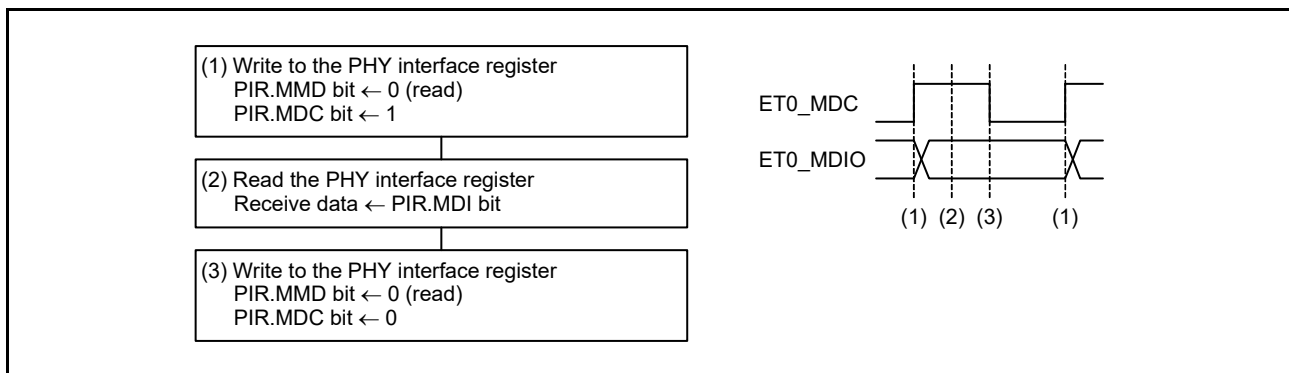


Figure 29.17 1-bit data read flow

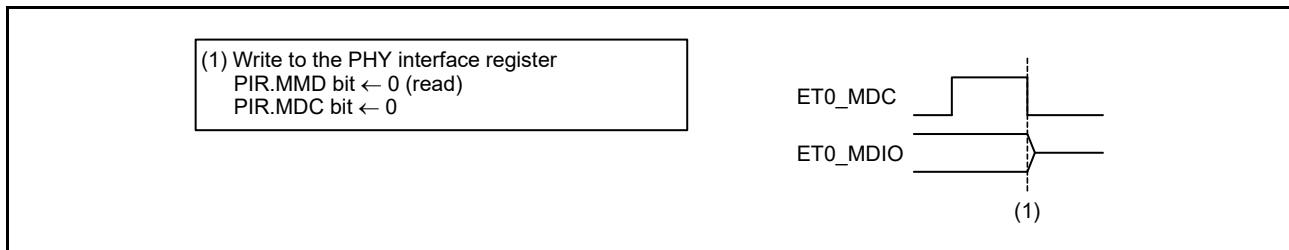


Figure 29.18 Bus release flow, with IDLE in write operation in Table 29.3

### 29.3.5 Magic Packet Detection

The ETHERC supports Wake-on-LAN (WOL). WOL is a function to detect a Magic Packet transmitted from a host device or other device, and to wake the MCU from a low power mode such as Sleep. When the ETHERC detects a Magic Packet, it outputs high on the ET0\_WOL pin. Write 1 to the EDMAC0.EDMR.SWR bit to drive the ET0\_WOL pin low.

Because a Magic Packet is transmitted in broadcast mode, it is received regardless of the destination MAC address selected in the format. The ETHERC outputs high on the ET0\_WOL pin only when the destination MAC address matches its own MAC address. See the technical documentation provided by Advanced Micro Devices, Inc., for details on the Magic Packet.

To use WOL in the MCU, use the procedure in the following example:

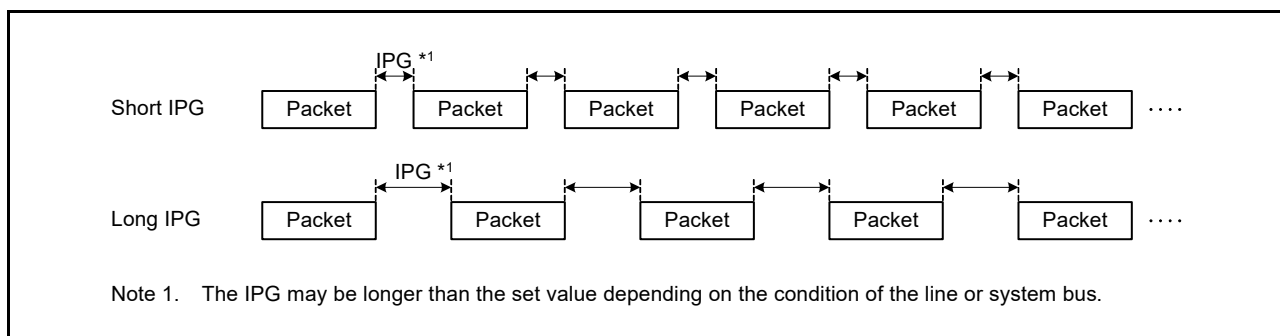
1. Configure the ICU to disable ETHER\_EINT0 interrupt requests.
2. Set the ECMR.MPDE bit to 1 to enable Magic Packet detection, and set the ECMR.RE bit to 1 to enable reception.
3. Set the ECSIPR.MPDIP bit to 1 to enable notification of Magic Packet detection interrupts.
4. Set the EDMAC0.EESIPR.ECIIP bit to 1 to enable ETHERC status register source interrupts.
5. Configure the ICU to enable ETHER\_EINT0 interrupt requests.
6. Change the CPU operating mode to Sleep mode or place unused peripherals in the module-stop state, as required.
7. When a Magic Packet is detected, an interrupt request is sent to the CPU. High is output on the ET0\_WOL pin to notify peripheral devices that the Magic Packet was detected.

#### 29.3.5.1 Constraints on Magic Packet detection

The ETHERC receives packets, including broadcast packets, even when waiting to receive a Magic Packet. This means that the receive data might already be stored in the receive FIFO of the EDMAC when a Magic Packet is detected. Also, flags in the ECSR and EDMAC0.EESR registers might have changed. When returning to normal operation after detecting a Magic Packet, set the EDMAC0.EDMR.SWR bit to 1 to reset the ETHERC and EDMAC.

### 29.3.6 Adjusting Transmission Efficiency by Changing the IPG

The IPG is a non-transmit period between transmit frames. The ETHERC can change the value of the IPG to increase or decrease transmission efficiency based on the value set in the IPGR register. Typical values are specified in the IEEE802.3 standard. When changing the setting, confirm that all devices in the same network operate normally.



**Figure 29.19 Differences in transmission efficiency based on changes in the IPG**

### 29.3.7 Flow Control

The ETHERC can perform flow control compliant with IEEE802.3x in full-duplex mode, and the receiver and transmitter can be set independently. PAUSE frames can be transmitted automatically or manually.

#### 29.3.7.1 Automatic PAUSE frame transmission

When the ECMR.TXF bit is set to 1, automatic PAUSE frame transmission is enabled. A PAUSE frame is automatically transmitted by a PAUSE frame transmit request from the EDMAC. The APR.AP[15:0] bit value is used for the pause\_time parameter of the PAUSE frame.

When a PAUSE frame is transmitted, if the EDMAC is still requesting PAUSE frame transmission after the PAUSE time elapses, a PAUSE frame is transmitted again. The maximum number of PAUSE frame retransmissions can be set in the TPAUSER.TPAUSE[15:0] bits. If the maximum number of retransmissions is reached, subsequent PAUSE frames are not transmitted.

Figure 29.20 shows the procedure for setting up automatic PAUSE frame transmission.

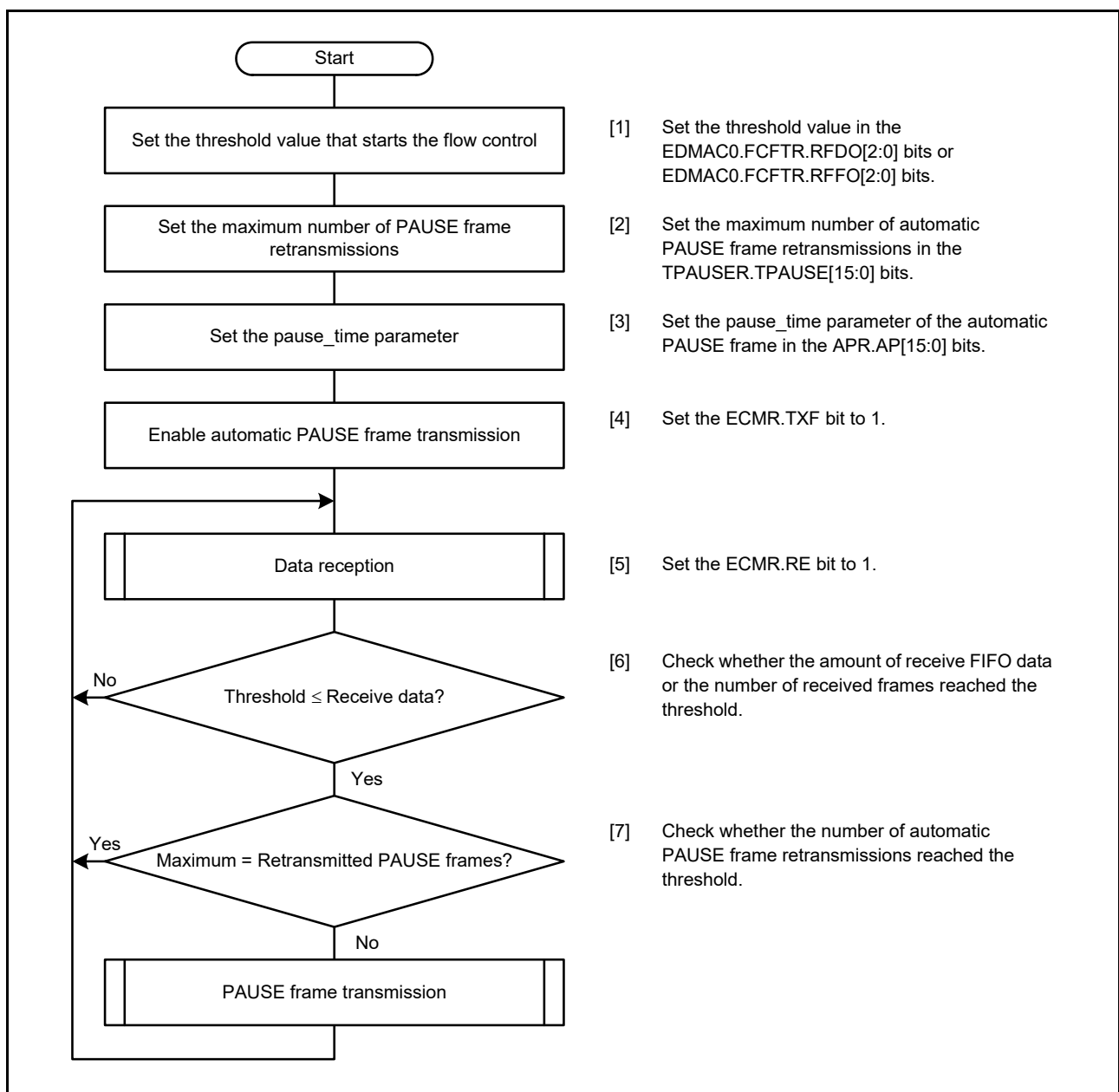


Figure 29.20 Example procedure for setting up automatic PAUSE frame transmission

### 29.3.7.2 Manual PAUSE frame transmission

A PAUSE frame can be manually transmitted at any time. When software writes the `pause_time` parameter of the PAUSE frame to the `MPR.MP[15:0]` bits, the ETHERC transmits a PAUSE frame once. To transmit a PAUSE frame more than once, write to the `MPR.MP[15:0]` bits for each transmission.

### 29.3.7.3 PAUSE frame reception

When the `ECMR.RXF` bit is set to 1, PAUSE frame detection is enabled. After a PAUSE frame is received, the ETHERC completes transmission of the current frame and waits for the PAUSE time of the received PAUSE frame to elapse before it can transmit the next frame. The ETHERC also increments the `RFCF.RPAUSE[7:0]` bit value.

However, while waiting for the PAUSE time to elapse, if a PAUSE frame that contains a `pause_time` parameter of 0 is received and the `ECMR.ZPF` bit is 1, the ETHERC becomes ready to transmit immediately.

### 29.3.8 MAC Filter

The MAC filter operates in extended promiscuous mode when the `FFLTR.EXTPRM` bit setting is 1. In this mode, all frames received by the Ethernet ports are transferred to the EDMAC without filtering. The MAC filter operates in normal mode when the `FFLTR.EXTPRM` bit setting is 0. In this mode, the MAC filter module applies its hardware filtering function to filter frames received by the Ethernet ports.

The MAC filter and EDMAC transfer received unicast frames if they are for the given node. Operation when multicast frames are received can be selected from the following:

- Frames are transferred to the EDMAC
- Frames are not transferred to the EDMAC
- Frames are transferred to the EDMAC only when the address matches the specified MAC address.

The MAC filter transfers received broadcast frames to the EDMAC for the receiving Ethernet port.

## 29.4 Interrupts

When a flag in the `ECSR` register is set to 1 and the associated bit in the `ECSIPR` register is 1, the ETHERC notifies the EDMAC of the interrupt source status. After receiving the notification, the EDMAC sets the `EDMAC0.EESR.ECI` flag to 1. When the `EDMAC0.EESIPR.ECIIP` bit is 1, the EDMAC sends an `ETHER_EINT0` interrupt request to the CPU. For details, see [section 30, Ethernet DMA Controller \(EDMAC\)](#).

## 29.5 Usage Notes

### 29.5.1 Preventing the LCHNG Flag from Erroneously Setting to 1

The `ECSR.LCHNG` flag might set to 1 even when the input level of the `ET0_LINKSTA` pin remains the same. In this case, high level is input to the `ET0_LINKSTA` pin when setting the `PFS.PmnPFS` register to assign the `ET0_LINKSTA` signal to a port, or when releasing the ETHERC and EDMAC software reset using the `EDMAC0.EDMR.SWR` bit. The `ECSR.LCHNG` flag is set to 1 because the `ET0_LINKSTA` signal in the ETHERC is fixed at a low level regardless of the input level to the external pin if the MPC does not assign the `ET0_LINKSTA` signal, or during an ETHERC and EDMAC software reset.

To avoid erroneously generating a link signal change interrupt, clear the `ECSR.LCHNG` flag, and then set the `ECSIPR.LCHNGIP` bit to 1.

### 29.5.2 Input to RMII0\_RX\_ER Pin While RMII Is Selected

When the width of a reception error signal received from the PHY-LSI is only 1 cycle of the `REF50CK0` clock (50 MHz) while the RMII is selected, the signal is not recognized as an error signal.

### 29.5.3 Collision Occurrence in Half-Duplex Mode

Transmission might start and communication might collide within 21 clock cycles (50 MHz) from reception in half-duplex mode.

## 30. Ethernet DMA Controller (EDMAC)

### 30.1 Overview

The MCU provides one channel for the Ethernet DMA Controller (EDMAC), for the Ethernet Controller (ETHERC).

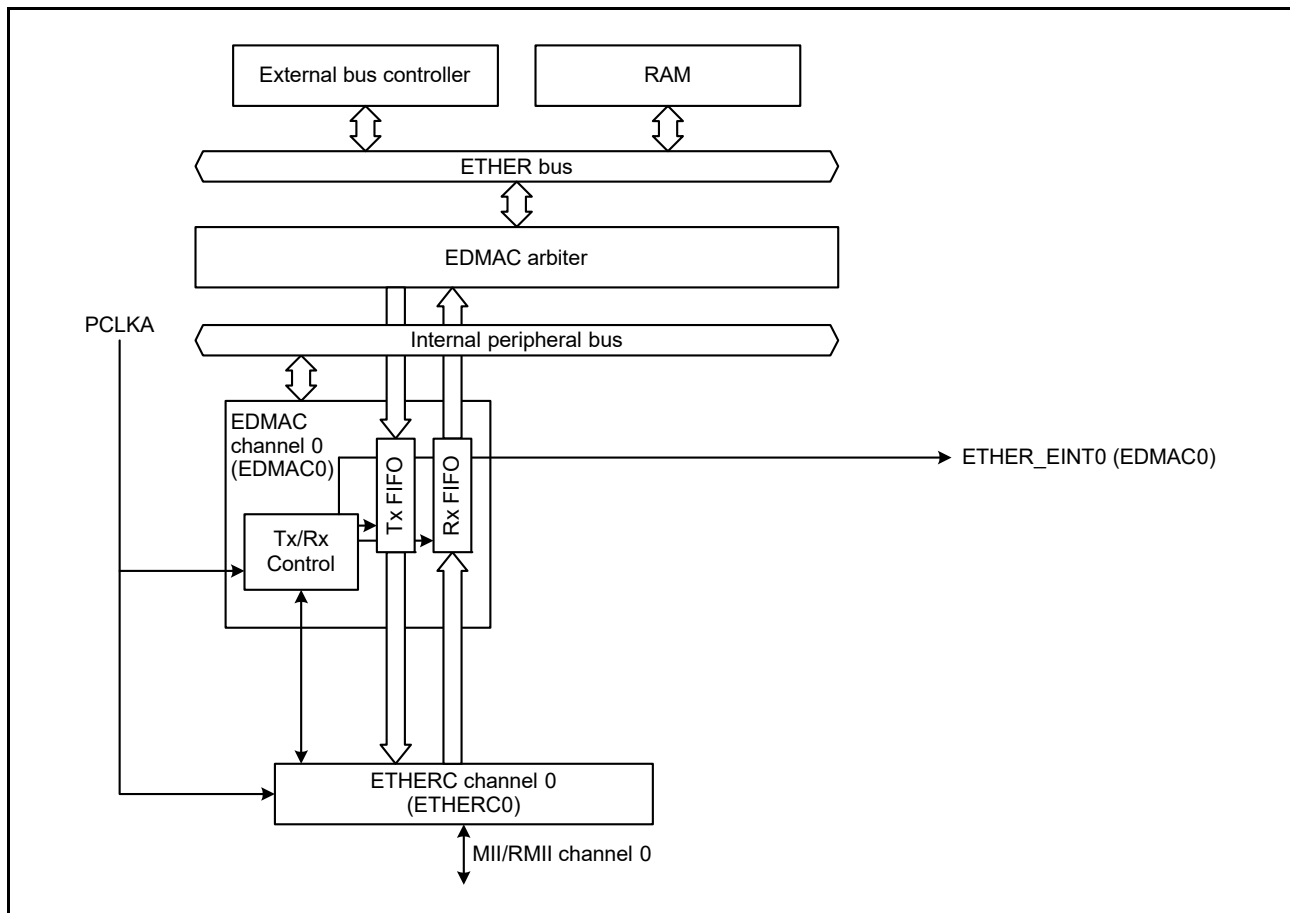
The EDMAC controls most of the transmit and receive buffer management for communications. This reduces the load on the CPU and allows efficient data transmission and reception. The data transfers are controlled according to the information referred to as descriptors, in memory.

EDMAC0 controls data transmission and reception for ETHERC0.

Table 30.1 lists the EDMAC specifications and Figure 30.1 shows the configuration. Figure 30.2 shows the configuration of descriptors and the transmit and receive buffers in memory.

**Table 30.1 EDMAC specifications**

| Parameter                       | Specifications  |
|---------------------------------|---|
| Data transmission and reception | <ul style="list-style-type: none"> <li>Controls data transmission and reception according to descriptors</li> <li>Supports single buffer frame transmission and reception (1 buffer per frame) and multi-buffer frame transmission and reception (multiple buffers per frame).</li> </ul> |
| Functions                       | <ul style="list-style-type: none"> <li>Minimizes system bus occupancy time using block transfer (32-byte units)</li> <li>Writes back the transmit or receive frame state to descriptors</li> <li>Inserts padding in receive data.</li> </ul>  |
| Module-stop function            | Module-stop state can be set to reduce power consumption  |



**Figure 30.1 EDMAC configuration**

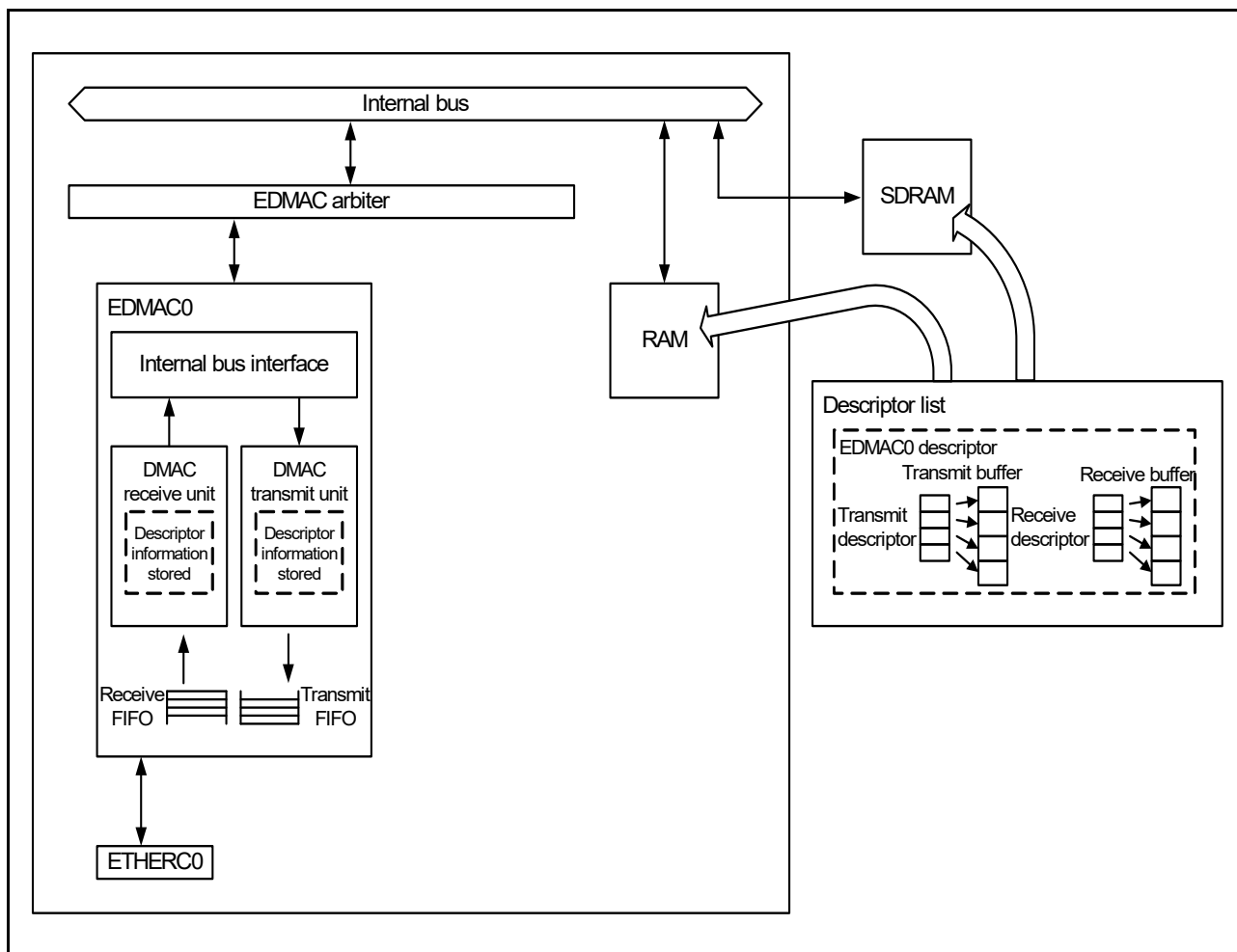


Figure 30.2 Configuration of descriptors and transmit and receive buffers in memory

## 30.2 Register Descriptions

### 30.2.1 EDMAC Mode Register (EDMR)

Address(es): EDMAC0.EDMR 4006 4000h

|                    |     |     |     |     |     |     |     |     |     |     |         |     |     |     |     |     |
|--------------------|-----|-----|-----|-----|-----|-----|-----|-----|-----|-----|---------|-----|-----|-----|-----|-----|
|                    | b31 | b30 | b29 | b28 | b27 | b26 | b25 | b24 | b23 | b22 | b21     | b20 | b19 | b18 | b17 | b16 |
|                    | —   | —   | —   | —   | —   | —   | —   | —   | —   | —   | —       | —   | —   | —   | —   | —   |
| Value after reset: | 0   | 0   | 0   | 0   | 0   | 0   | 0   | 0   | 0   | 0   | 0       | 0   | 0   | 0   | 0   | 0   |
|                    | b15 | b14 | b13 | b12 | b11 | b10 | b9  | b8  | b7  | b6  | b5      | b4  | b3  | b2  | b1  | b0  |
|                    | —   | —   | —   | —   | —   | —   | —   | —   | —   | DE  | DL[1:0] | —   | —   | —   | —   | SWR |
| Value after reset: | 0   | 0   | 0   | 0   | 0   | 0   | 0   | 0   | 0   | 0   | 0       | 0   | 0   | 0   | 0   | 0   |

| Bit       | Symbol  | Bit name                             | Description   | R/W |
|-----------|---------|--------------------------------------|---|-----|
| b0        | SWR     | Software Reset                       | When 1 is written, the associated channels of the EDMAC and ETHERC are reset. The TDLAR, RDLAR, RMFCR, TFUCR, and RFOCR registers are not reset with this bit. The read value is 0. | R/W |
| b3 to b1  | —       | Reserved                             | These bits are read as 0. The write value should be 0.  | R/W |
| b5, b4    | DL[1:0] | Transmit/Receive Descriptor Length   | b5 b4<br>0 0: 16 bytes<br>0 1: 32 bytes<br>1 0: 64 bytes<br>1 1: 16 bytes.  | R/W |
| b6        | DE      | Big Endian Mode/Little Endian Mode*1 | 0: Big endian mode<br>1: Little endian mode.  | R/W |
| b31 to b7 | —       | Reserved                             | These bits are read as 0. The write value should be 0.  | R/W |

Note 1. This setting applies to data for the transmit and receive buffers. It does not apply to transmit and receive descriptors and registers.

The EDMR register controls EDMAC operation. Set the EDMR register during the initialization process after a reset. When rewriting this register outside of the initialization process, set the SWR bit to 1 to reset the EDMAC and ETHERC, then set this register again. If the ETHERC and EDMAC are reset during data transmission or reception, abnormal data might be sent on the line. Do not rewrite this register while the ETHERC transmit or receive function is enabled. It takes 64 cycles of the peripheral module clock (PCLKA) to initialize the ETHERC and EDMAC. Complete the initialization before accessing registers in the ETHERC and EDMAC.

### 30.2.2 EDMAC Transmit Request Register (EDTRR)

Address(es): EDMAC0.EDTRR 4006 4008h

|                    |     |     |     |     |     |     |     |     |     |     |     |     |     |     |     |     |
|--------------------|-----|-----|-----|-----|-----|-----|-----|-----|-----|-----|-----|-----|-----|-----|-----|-----|
|                    | b31 | b30 | b29 | b28 | b27 | b26 | b25 | b24 | b23 | b22 | b21 | b20 | b19 | b18 | b17 | b16 |
|                    | —   | —   | —   | —   | —   | —   | —   | —   | —   | —   | —   | —   | —   | —   | —   | —   |
| Value after reset: | 0   | 0   | 0   | 0   | 0   | 0   | 0   | 0   | 0   | 0   | 0   | 0   | 0   | 0   | 0   | 0   |
|                    | b15 | b14 | b13 | b12 | b11 | b10 | b9  | b8  | b7  | b6  | b5  | b4  | b3  | b2  | b1  | b0  |
|                    | —   | —   | —   | —   | —   | —   | —   | —   | —   | —   | —   | —   | —   | —   | —   | TR  |
| Value after reset: | 0   | 0   | 0   | 0   | 0   | 0   | 0   | 0   | 0   | 0   | 0   | 0   | 0   | 0   | 0   | 0   |

| Bit       | Symbol | Bit name         | Description  | R/W |
|-----------|--------|------------------|--|-----|
| b0        | TR     | Transmit Request | When 1 is written, the EDMAC reads the associated descriptor and transmits frames where the TD0.TACT bit is 1. The TR bit clears to 0 after all the valid frames are transmitted. Writing 0 to this bit has no effect. | R/W |
| b31 to b1 | —      | Reserved         | These bits are read as 0. The write value should be 0.   | R/W |

The EDTRR register controls EDMAC transmission. After the EDMAC transmits one frame, it reads the next descriptor. When the TD0.TACT bit in the descriptor is 1, the EDMAC continues transmission. When the TD0.TACT bit is 0, the EDMAC sets the TR bit to 0 and stops transmission.

### 30.2.3 EDMAC Receive Request Register (EDRRR)

Address(es): EDMAC0.EDRRR 4006 4010h

|                    |     |     |     |     |     |     |     |     |     |     |     |     |     |     |     |     |
|--------------------|-----|-----|-----|-----|-----|-----|-----|-----|-----|-----|-----|-----|-----|-----|-----|-----|
|                    | b31 | b30 | b29 | b28 | b27 | b26 | b25 | b24 | b23 | b22 | b21 | b20 | b19 | b18 | b17 | b16 |
|                    | —   | —   | —   | —   | —   | —   | —   | —   | —   | —   | —   | —   | —   | —   | —   | —   |
| Value after reset: | 0   | 0   | 0   | 0   | 0   | 0   | 0   | 0   | 0   | 0   | 0   | 0   | 0   | 0   | 0   | 0   |
|                    | b15 | b14 | b13 | b12 | b11 | b10 | b9  | b8  | b7  | b6  | b5  | b4  | b3  | b2  | b1  | b0  |
|                    | —   | —   | —   | —   | —   | —   | —   | —   | —   | —   | —   | —   | —   | —   | —   | RR  |
| Value after reset: | 0   | 0   | 0   | 0   | 0   | 0   | 0   | 0   | 0   | 0   | 0   | 0   | 0   | 0   | 0   | 0   |

| Bit       | Symbol | Bit name        | Description  | R/W |
|-----------|--------|-----------------|--|-----|
| b0        | RR     | Receive Request | 0: Disable the receive function*1<br>1: Read receive descriptor and enable the receive function. | R/W |
| b31 to b1 | —      | Reserved        | These bits are read as 0. The write value should be 0.   | R/W |

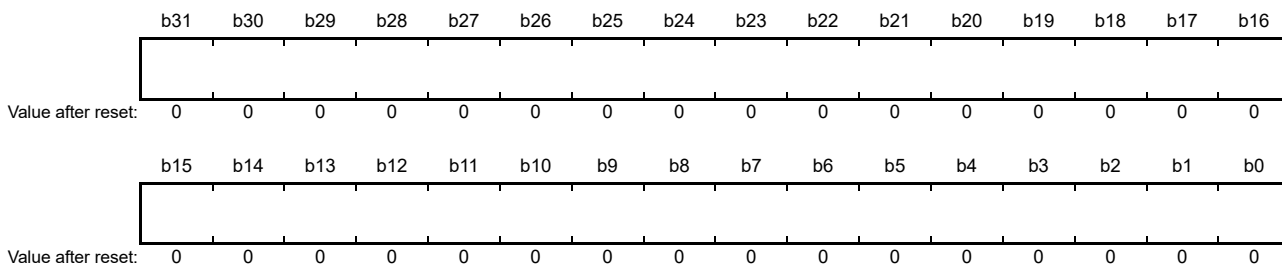
Note 1. If the receive function is disabled during frame reception, write-back to the receive descriptor is not performed successfully. Subsequent pointers for reading a receive descriptor become abnormal and the EDMAC cannot operate normally. In this case, to enable the EDMAC receive function again, execute a software reset by setting the EDMR.SWR bit to 1. To disable the EDMAC receive function without resetting the EDMAC, set the ETHERC0.ECMR.RE bit to 0. After the EDMAC completes reception and write-back to the receive descriptor is confirmed, set the RR bit to 0.

The EDRRR register controls EDMAC reception. When the RR bit is set to 1, the EDMAC reads the receive descriptor. When the RD0.RACT bit is 1, the EDMAC waits for a receive request from the ETHERC. When the EDMAC has received data for the receive buffer size, it reads the next descriptor and waits to receive a frame. If the RD0.RACT bit is 0, the EDMAC sets the RR bit to 0 and stops reception.



### 30.2.4 Transmit Descriptor List Start Address Register (TDLAR)

Address(es): [EDMAC0.TDLAR 4006 4018h](#)

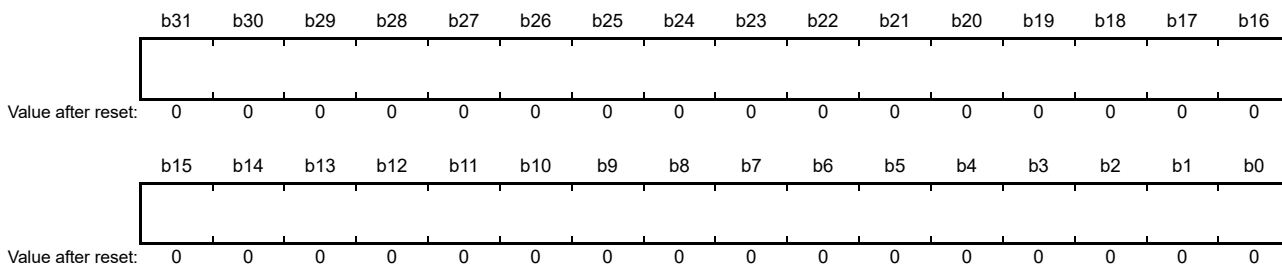


| Bit       | Symbol | Bit name | Description  | R/W |
|-----------|--------|----------|--|-----|
| b31 to b0 | —      | —        | These bits specify the start address of the transmit descriptor list. Set the start address according to the descriptor length selected in the EDMR.DL[1:0] bits. <ul style="list-style-type: none"> <li>• 16-byte boundary: Lower 4 bits = 0000b</li> <li>• 32-byte boundary: Lower 5 bits = 00000b</li> <li>• 64-byte boundary: Lower 6 bits = 000000b.</li> </ul> | R/W |

The TDLAR register specifies the start address of the transmit descriptor list. Align each descriptor on the associated boundary to the descriptor length selected in the EDMR.DL[1:0] bits. Do not rewrite the TDLAR register during transmission. Rewrite the TDLAR register while the EDTRR.TR bit is 0.

### 30.2.5 Receive Descriptor List Start Address Register (RDLAR)

Address(es): [EDMAC0.RDLAR 4006 4020h](#)



| Bit       | Symbol | Bit name | Description   | R/W |
|-----------|--------|----------|---|-----|
| b31 to b0 | —      | —        | The start address of the receive descriptor list is set. Set the start address according to the descriptor length selected in the EDMR.DL[1:0] bits. <ul style="list-style-type: none"> <li>• 16-byte boundary: Lower 4 bits = 0000b</li> <li>• 32-byte boundary: Lower 5 bits = 00000b</li> <li>• 64-byte boundary: Lower 6 bits = 000000b.</li> </ul> | R/W |

The RDLAR register specifies the start address of the receive descriptor list. Allocate each descriptor on the associated boundary to the descriptor length selected in the EDMR.DL[1:0] bits. Do not rewrite the RDLAR register during reception. Rewrite the RDLAR register while the EDRRR.RR bit is 0.

### 30.2.6 ETHERC/EDMAC Status Register (EESR)

Address(es): EDMAC0.EESR 4006 4028h

|                    |     |     |     |     |      |      |       |      |     |     |     |      |      |     |      |
|--------------------|-----|-----|-----|-----|------|------|-------|------|-----|-----|-----|------|------|-----|------|
| b31                | b30 | b29 | b28 | b27 | b26  | b25  | b24   | b23  | b22 | b21 | b20 | b19  | b18  | b17 | b16  |
| —                  | TWB | —   | —   | —   | TABT | RABT | RFCOF | ADE  | ECI | TC  | TDE | TFUF | FR   | RDE | RFOF |
| Value after reset: | 0   | 0   | 0   | 0   | 0    | 0    | 0     | 0    | 0   | 0   | 0   | 0    | 0    | 0   | 0    |
| b15                | b14 | b13 | b12 | b11 | b10  | b9   | b8    | b7   | b6  | b5  | b4  | b3   | b2   | b1  | b0   |
| —                  | —   | —   | —   | CND | DLC  | CD   | TRO   | RMAF | —   | —   | RRF | RTLF | RTSF | PRE | CERF |
| Value after reset: | 0   | 0   | 0   | 0   | 0    | 0    | 0     | 0    | 0   | 0   | 0   | 0    | 0    | 0   | 0    |

| Bit        | Symbol | Bit name                             | Description   | R/W |
|------------|--------|--------------------------------------|---|-----|
| b0         | CERF   | CRC Error Flag                       | 0: CRC error not detected<br>1: CRC error detected.   | R/W |
| b1         | PRE    | PHY-LSI Receive Error Flag           | 0: PHY-LSI receive error not detected<br>1: PHY-LSI receive error detected.   | R/W |
| b2         | RTSF   | Frame-Too-Short Error Flag           | 0: Frame-too-short error not detected<br>1: Frame-too-short error detected.   | R/W |
| b3         | RTLF   | Frame-Too-Long Error Flag            | 0: Frame-too-long error not detected<br>1: Frame-too-long error detected.   | R/W |
| b4         | RRF    | Alignment Error Flag                 | 0: Alignment error not detected<br>1: Alignment error detected.   | R/W |
| b6, b5     | —      | Reserved                             | These bits are read as 0. The write value should be 0.  | R/W |
| b7         | RMAF   | Multicast Address Frame Receive Flag | 0: Multicast address frame not received<br>1: Multicast address frame received.   | R/W |
| b8         | TRO    | Transmit Retry Over Flag             | 0: Transmit retry-over condition not detected<br>1: Transmit retry-over condition detected.   | R/W |
| b9         | CD     | Late Collision Detect Flag           | 0: Late collision not detected<br>1: Late collision detected during frame transmission.   | R/W |
| b10        | DLC    | Loss of Carrier Detect Flag          | 0: Loss of carrier not detected<br>1: Loss of carrier detected during frame transmission.   | R/W |
| b11        | CND    | Carrier Not Detect Flag              | 0: Carrier detected when transmission started<br>1: Carrier not detected during preamble transmission.  | R/W |
| b15 to b12 | —      | Reserved                             | These bits are read as 0. The write value should be 0.  | R/W |
| b16        | RFOF   | Receive FIFO Overflow Flag           | 0: No overflow occurred<br>1: Overflow occurred.  | R/W |
| b17        | RDE    | Receive Descriptor Empty Flag        | 0: EDMAC detected that the receive descriptor valid bit (RD0.RACT) is 1<br>1: EDMAC detected that the receive descriptor valid bit (RD0.RACT) is 0.       | R/W |
| b18        | FR     | Frame Receive Flag                   | 0: Frame not received<br>1: Frame received and update of the receive descriptor is complete.  | R/W |
| b19        | TFUF   | Transmit FIFO Underflow Flag         | 0: No underflow occurred<br>1: Underflow occurred.  | R/W |
| b20        | TDE    | Transmit Descriptor Empty Flag       | 0: EDMAC detected that the transmit descriptor valid bit (TD0.TACT) is 1<br>1: EDMAC detected that the transmit descriptor valid bit (TD0.TACT) is 0.     | R/W |
| b21        | TC     | Frame Transfer Complete Flag         | 0: Transfer not complete or no transfer requested<br>1: All frames indicated in the transmit descriptor were completely transferred to the transmit FIFO. | R/W |

| Bit        | Symbol | Bit name                            | Description  | R/W |
|------------|--------|-------------------------------------|--|-----|
| b22        | ECI    | ETHERC Status Register Source Flag  | 0: ETHERC status interrupt source not detected<br>1: ETHERC status interrupt source detected.                  | R*1 |
| b23        | ADE    | Address Error Flag                  | 0: Invalid memory address not detected (normal operation)<br>1: Invalid memory address detected.*2             | R/W |
| b24        | RFCOF  | Receive Frame Counter Overflow Flag | 0: Receive frame counter did not overflow<br>1: Receive frame counter overflowed.                              | R/W |
| b25        | RABT   | Receive Abort Detect Flag           | 0: Frame reception not aborted or no reception requested<br>1: Frame reception aborted.                        | R/W |
| b26        | TABT   | Transmit Abort Detect Flag          | 0: Frame transmission not aborted or no transmission requested.<br>1: Frame transmission aborted.              | R/W |
| b29 to b27 | —      | Reserved                            | These bits are read as 0. The write value should be 0.   | R/W |
| b30        | TWB    | Write-Back Complete Flag            | 0: Write-back not complete or no transmission requested<br>1: Write-back to the transmit descriptor completed. | R/W |
| b31        | —      | Reserved                            | This bit is read as 0. The write value should be 0.  | R/W |

Note 1. The ECI flag is read-only. When the source in the ECSR register is cleared, the ECI flag is also cleared.

Note 2. When an address error is detected, the EDMAC halts the process. To resume operation, set the EDMR.SWR bit to 1 (resetting the EDMAC and ETHERC), and then reconfigure the EDMAC and ETHERC.

The EESR register indicates the ETHERC and EDMAC communication status. Each flag in the EESR register can be output as an interrupt request signal (ETHER\_EINT0) from the EDMAC. Writing 1 clears all of the flags except ECI to 0. Writing 0 does not affect any of the flag values. The interrupt sources are enabled by setting the associated bits in the EESIPR register.

#### CERF flag (CRC Error Flag)

The CERF flag is set to 1 when an error is detected while checking the frame check sequence (FCS) field of the receive frame.

#### PRE flag (PHY-LSI Receive Error Flag)

The PRE flag indicates that the RX\_ER signal output from the PHY-LSI is high.

#### RTSF flag (Frame-Too-Short Error Flag)

The RTSF flag indicates that a received frame is less than 64 bytes.

#### RTLFL flag (Frame-Too-Long Error Flag)

The RTLFL flag indicates that a received frame is greater than the upper limit of the receive frame length set in the ETHERC0.RFLR register. The excess data is discarded.

#### RRF flag (Alignment Error Flag)

The RRF flag indicates that a frame is not an integral number of octets. The last word that is not an integral number of octets is not transferred.

#### RMAF flag (Multicast Address Frame Receive Flag)

The RMAF flag indicates that a multicast frame was received.

#### TRO flag (Transmit Retry Over Flag)

The TRO flag indicates that a collision occurred again during the 15th retry of frame transmission.

#### CD flag (Late Collision Detect Flag)

The CD flag indicates that a late collision was detected during frame transmission.

#### DLC flag (Loss of Carrier Detect Flag)

The DLC flag indicates that a loss of carrier was detected during frame transmission.

**CND flag (Carrier Not Detect Flag)**

The CND flag is set to 1 when a carrier is not detected during preamble transmission.

**RFOF flag (Receive FIFO Overflow Flag)**

The RFOF flag indicates that the receive FIFO overflowed during frame reception.

**RDE flag (Receive Descriptor Empty Flag)**

The RDE flag indicates that the read receive descriptor is invalid. When this flag is set to 1, set the RD0.RACT bit in the receive descriptor to 1 and set the EDRRR.RR bit to 1 to resume reception.

**FR flag (Frame Receive Flag)**

The FR flag indicates that a frame was received and the receive descriptor was updated. The FR flag is set to 1 every time a frame is received.

**TFUF flag (Transmit FIFO Underflow Flag)**

The TFUF flag indicates that no data remains in the transmit FIFO during frame transmission. Incomplete data is sent to the line.

**TDE flag (Transmit Descriptor Empty Flag)**

The TDE flag indicates that the TD0.TACT bit of the transmit descriptor is 0 while the previous transmit descriptor indicates that the frame is not complete (TD0.TFP[1:0] bits are 10b or 00b) in multi-buffer frame transmission. As a result, an incomplete frame might be sent.

When this flag is set to 1, perform a software reset and then set the EDTRR.TR bit to 1 to resume transmission. Transmission starts from the address stored in the TDLAR register.

**TC flag (Frame Transfer Complete Flag)**

The TC flag indicates that all the data specified in the transmit descriptor was transmitted from the ETHERC. This flag is set to 1 when one frame was transmitted in a single-buffer frame transmission or when the last data of a frame is transmitted in a multi-buffer frame transmission and the TD0.TACT bit in the next transmit descriptor is 0. After frame transmission is complete, the EDMAC writes the transfer status back to the descriptor.

**ECI flag (ETHERC Status Register Source Flag)**

The ECI flag is set to 1 when an interrupt request is generated by the ECSR register.

**ADE flag (Address Error Flag)**

The ADE flag indicates that the memory address that the EDMAC tried to use for transfer is invalid.

**RFCOF flag (Receive Frame Counter Overflow Flag)**

The RFCOF flag indicates that the next frame reception started while the number of frames stored in the receive FIFO reached the maximum number of frames (16 frames). The received frame is discarded while the RFCOF flag is 1.

**RABT flag (Receive Abort Detect Flag)**

The RABT flag indicates that the ETHERC aborted frame reception because of a CRC error, PHY-LSI receive error, frame-too-short error, frame-too-long error, or other errors.

**TABT flag (Transmit Abort Detect Flag)**

The TABT flag indicates that the ETHERC aborted frame transmission because of transmit retry over, loss of carrier, no carrier detection, or other errors.

**TWB flag (Write-Back Complete Flag)**

The TWB flag indicates that the EDMAC completed writing back to the descriptor after frame transmission. This flag is set to 1 after each frame transmission when the TRIMD.TIM bit is 0. It only is set to 1 when the TRIMD.TIS bit is 1.

## 30.2.7 ETHERC/EDMAC Status Interrupt Enable Register (EESIPR)

Address(es): EDMAC0.EESIPR 4006 4030h

|                    |       |     |     |       |        |            |             |            |       |      |       |            |        |       |            |
|--------------------|-------|-----|-----|-------|--------|------------|-------------|------------|-------|------|-------|------------|--------|-------|------------|
| b31                | b30   | b29 | b28 | b27   | b26    | b25        | b24         | b23        | b22   | b21  | b20   | b19        | b18    | b17   | b16        |
| —                  | TWBIP | —   | —   | —     | TABTIP | RABTI<br>P | RFCOF<br>IP | ADEIP      | ECIIP | TCIP | TDEIP | TFUFIP     | FRIP   | RDEIP | RFOFI<br>P |
| Value after reset: | 0     | 0   | 0   | 0     | 0      | 0          | 0           | 0          | 0     | 0    | 0     | 0          | 0      | 0     | 0          |
| b15                | b14   | b13 | b12 | b11   | b10    | b9         | b8          | b7         | b6    | b5   | b4    | b3         | b2     | b1    | b0         |
| —                  | —     | —   | —   | CNDIP | DLCIP  | CDIP       | TROIP       | RMAFI<br>P | —     | —    | RRFIP | RTLFI<br>P | RTSFIP | PREIP | CERFI<br>P |
| Value after reset: | 0     | 0   | 0   | 0     | 0      | 0          | 0           | 0          | 0     | 0    | 0     | 0          | 0      | 0     | 0          |

| Bit        | Symbol | Bit name   | Description  | R/W |
|------------|--------|--|--|-----|
| b0         | CERFIP | CRC Error Interrupt Request Enable                       | 0: Disable CRC error interrupt requests<br>1: Enable CRC error interrupt requests.   | R/W |
| b1         | PREIP  | PHY-LSI Receive Error Interrupt Request Enable           | 0: Disable PHY-LSI receive error interrupt requests<br>1: Enable PHY-LSI receive error interrupt requests.                     | R/W |
| b2         | RTSFIP | Frame-Too-Short Error Interrupt Request Enable           | 0: Disable frame-too-short error interrupt requests<br>1: Enable frame-too-short error interrupt requests.                     | R/W |
| b3         | RTLFI  | Frame-Too-Long Error Interrupt Request Enable            | 0: Disable frame-too-long error interrupt requests<br>1: Enable frame-too-long error interrupt requests.                       | R/W |
| b4         | RRFIP  | Alignment Error Interrupt Request Enable                 | 0: Disable alignment error interrupt requests<br>1: Enable alignment error interrupt requests.                                 | R/W |
| b6, b5     | —      | Reserved   | These bits are read as 0. The write value should be 0.   | R/W |
| b7         | RMAFI  | Multicast Address Frame Receive Interrupt Request Enable | 0: Disable multicast address frame receive interrupt requests<br>1: Enable multicast address frame receive interrupt requests. | R/W |
| b8         | TROIP  | Transmit Retry Over Interrupt Request Enable             | 0: Disable transmit retry over interrupt requests<br>1: Enable transmit retry over interrupt requests.                         | R/W |
| b9         | CDIP   | Late Collision Detect Interrupt Request Enable           | 0: Disable late collision detected interrupt requests<br>1: Enable late collision detected interrupt requests.                 | R/W |
| b10        | DLCIP  | Loss of Carrier Detect Interrupt Request Enable          | 0: Disable loss of carrier detected interrupt requests<br>1: Enable loss of carrier detected interrupt requests.               | R/W |
| b11        | CNDIP  | Carrier Not Detect Interrupt Request Enable              | 0: Disable carrier not detected interrupt requests<br>1: Enable carrier not detected interrupt requests.                       | R/W |
| b15 to b12 | —      | Reserved   | These bits are read as 0. The write value should be 0.   | R/W |
| b16        | RFOFI  | Receive FIFO Overflow Interrupt Request Enable           | 0: Disable overflow interrupt requests<br>1: Enable overflow interrupt requests.   | R/W |
| b17        | RDEIP  | Receive Descriptor Empty Interrupt Request Enable        | 0: Disable receive descriptor empty interrupt requests<br>1: Enable receive descriptor empty interrupt requests.               | R/W |
| b18        | FRIP   | Frame Receive Interrupt Request Enable                   | 0: Disable frame reception interrupt requests<br>1: Enable frame reception interrupt requests.                                 | R/W |
| b19        | TFUFIP | Transmit FIFO Underflow Interrupt Request Enable         | 0: Disable underflow interrupt requests<br>1: Enable underflow interrupt requests.   | R/W |
| b20        | TDEIP  | Transmit Descriptor Empty Interrupt Request Enable       | 0: Disable transmit descriptor empty interrupt requests<br>1: Enable transmit descriptor empty interrupt requests.             | R/W |
| b21        | TCIP   | Frame Transfer Complete Interrupt Request Enable         | 0: Disable frame transmission complete interrupt requests<br>1: Enable frame transmission complete interrupt requests.         | R/W |
| b22        | ECIIP  | ETHERC Status Register Source Interrupt Request Enable   | 0: Disable ETHERC status interrupt requests<br>1: Enable ETHERC status interrupt requests.                                     | R/W |

| Bit        | Symbol  | Bit name  | Description  | R/W |
|------------|---------|---|--|-----|
| b23        | ADEIP   | Address Error Interrupt Request Enable                  | 0: Disable address error interrupt requests<br>1: Enable address error interrupt requests.                                   | R/W |
| b24        | RFCOFIP | Receive Frame Counter Overflow Interrupt Request Enable | 0: Disable receive frame counter overflow interrupt requests<br>1: Enable receive frame counter overflow interrupt requests. | R/W |
| b25        | RABTIP  | Receive Abort Detect Interrupt Request Enable           | 0: Disable receive abort detected interrupt requests<br>1: Enable receive abort detected interrupt requests.                 | R/W |
| b26        | TABTIP  | Transmit Abort Detect Interrupt Request Enable          | 0: Disable transmit abort detected interrupt requests<br>1: Enable transmit abort detected interrupt requests.               | R/W |
| b29 to b27 | —       | Reserved  | These bits are read as 0. The write value should be 0.   | R/W |
| b30        | TWBIP   | Write-Back Complete Interrupt Request Enable            | 0: Disable write-back complete interrupt requests<br>1: Enable write-back complete interrupt requests.                       | R/W |
| b31        | —       | Reserved  | This bit is read as 0. The write value should be 0.  | R/W |

The EESIPR register enables interrupt requests associated with bits in the EESR register. When a bit in this register is 1, the associated interrupt request is enabled.

### 30.2.8 ETHERC/EDMAC Transmit/Receive Status Copy Enable Register (TRSCER)

Address(es): EDMAC0.TRSCER 4006 4038h

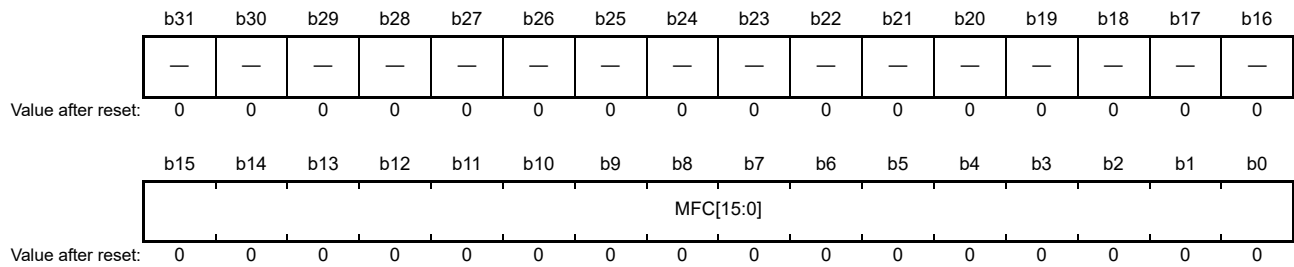
|                    |     |     |     |     |     |     |     |     |        |     |     |       |     |     |     |     |
|--------------------|-----|-----|-----|-----|-----|-----|-----|-----|--------|-----|-----|-------|-----|-----|-----|-----|
|                    | b31 | b30 | b29 | b28 | b27 | b26 | b25 | b24 | b23    | b22 | b21 | b20   | b19 | b18 | b17 | b16 |
|                    | —   | —   | —   | —   | —   | —   | —   | —   | —      | —   | —   | —     | —   | —   | —   | —   |
| Value after reset: | 0   | 0   | 0   | 0   | 0   | 0   | 0   | 0   | 0      | 0   | 0   | 0     | 0   | 0   | 0   | 0   |
|                    | b15 | b14 | b13 | b12 | b11 | b10 | b9  | b8  | b7     | b6  | b5  | b4    | b3  | b2  | b1  | b0  |
|                    | —   | —   | —   | —   | —   | —   | —   | —   | RMAFCE | —   | —   | RRFCE | —   | —   | —   | —   |
| Value after reset: | 0   | 0   | 0   | 0   | 0   | 0   | 0   | 0   | 0      | 0   | 0   | 0     | 0   | 0   | 0   | 0   |

| Bit       | Symbol | Bit name              | Description  | R/W |
|-----------|--------|-----------------------|--|-----|
| b3 to b0  | —      | Reserved              | These bits are read as 0. The write value should be 0.   | R/W |
| b4        | RRFCE  | RRF Flag Copy Enable  | 0: Reflect the EESR.RRF flag status in the RD0.RFE bit of the receive descriptor<br>1: Do not reflect the EESR.RRF flag status in the RD0.RFE bit of the receive descriptor.   | R/W |
| b6, b5    | —      | Reserved              | These bits are read as 0. The write value should be 0.   | R/W |
| b7        | RMAFCE | RMAF Flag Copy Enable | 0: Reflect the EESR.RMAF flag status in the RD0.RFE bit of the receive descriptor<br>1: Do not reflect the EESR.RMAF flag status in the RD0.RFE bit of the receive descriptor. | R/W |
| b31 to b8 | —      | Reserved              | These bits are read as 0. The write value should be 0.   | R/W |

The TRSCER register selects whether the receive status indicated in the EESR.RMAF and RRF flags is reflected in the RFE bit of the receive descriptor as a summary. The bits in this register are associated with bits in the EESR register that have the same number. When the RMAFCE or RRFCE bit is set to 0, the associated receive status is reflected in the RFE bit. When the RMAFCE or RRFCE bit is set to 1, the associated receive status is not reflected.

### 30.2.9 Missed-Frame Counter Register (RMFCR)

Address(es): [EDMAC0.RMFCR 4006 4040h](#)



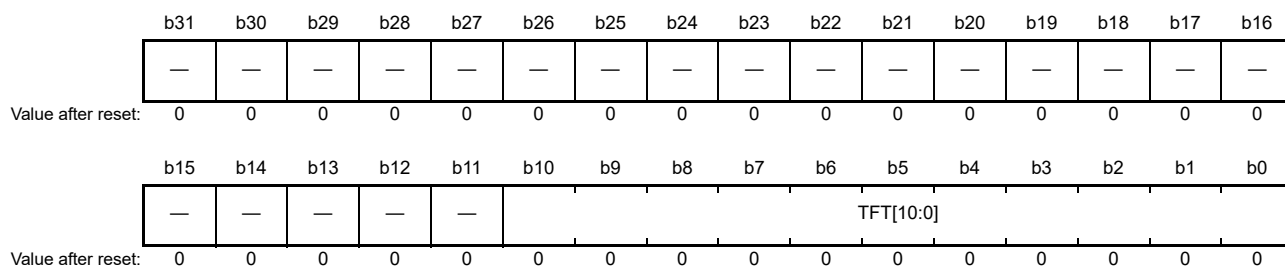
| Bit        | Symbol                    | Bit name             | Description  | R/W |
|------------|---------------------------|----------------------|--|-----|
| b15 to b0  | <a href="#">MFC[15:0]</a> | Missed-Frame Counter | These bits indicate the number of frames that are discarded and not transferred to the receive buffer during reception | R/W |
| b31 to b16 | —                         | Reserved             | These bits are read as 0. The write value should be 0.   | R/W |

The RMFCR register indicates the number of frames that could not be stored in the receive FIFO and so were discarded during reception. When the receive FIFO overflows, it stops receiving data, and the rest of frames are discarded. At the same time, the RMFCR register value is incremented. When the RMFCR register value reaches FFFFh, count-up is halted. Writing any value to the RMFCR register clears the counter value to 0.

For frames that are not completely received, after data in the receive FIFO is transferred to the receive buffer, the RACT bit in the receive descriptor 0 (RD0) clears to 0 (descriptor disabled), the RFS9 bit is set to 1 (receive FIFO overflowed), and the EESR.RFOF flag is set to 1 (overflow detected).

### 30.2.10 Transmit FIFO Threshold Register (TFTR)

Address(es): EDMAC0.TFTR 4006 4048h



| Bit        | Symbol    | Bit name                | Description   | R/W |
|------------|-----------|-------------------------|---|-----|
| b10 to b0  | TFT[10:0] | Transmit FIFO Threshold | 000h: Store-and-forward mode<br>001h to 00Ch: Setting prohibited<br>00Dh to 200h: The threshold is the set value multiplied by 4.<br>Example:<br>00Dh: 52 bytes<br>040h: 256 bytes<br>100h: 1024 bytes<br>200h: 2048 bytes<br>201h to 7FFh: Setting prohibited. | R/W |
| b31 to b11 | —         | Reserved                | These bits are read as 0. The write value should be 0.  | R/W |

Note: When starting transmission before one frame of data is completely written, take care to prevent an underflow. To prevent a transmit underflow, Renesas recommends using the initial value (store-and-forward mode).

The TFTR register specifies the transmit FIFO threshold at which the first transmission starts. The actual threshold is the set value multiplied by 4.

The ETHERC starts transmission when the amount of data in the transmit FIFO exceeds the number of bytes set in this register, when the transmit FIFO is full, or when one frame of data is completely written. Set the TFTR register while the EDTRR.TR bit is 0.



### 30.2.11 FIFO Depth Register (FDR)

Address(es): [EDMAC0.FDR 4006 4050h](#)

|                    |     |     |     |          |     |     |     |     |     |     |          |     |     |     |     |     |
|--------------------|-----|-----|-----|----------|-----|-----|-----|-----|-----|-----|----------|-----|-----|-----|-----|-----|
|                    | b31 | b30 | b29 | b28      | b27 | b26 | b25 | b24 | b23 | b22 | b21      | b20 | b19 | b18 | b17 | b16 |
|                    | —   | —   | —   | —        | —   | —   | —   | —   | —   | —   | —        | —   | —   | —   | —   | —   |
| Value after reset: | 0   | 0   | 0   | 0        | 0   | 0   | 0   | 0   | 0   | 0   | 0        | 0   | 0   | 0   | 0   | 0   |
|                    | b15 | b14 | b13 | b12      | b11 | b10 | b9  | b8  | b7  | b6  | b5       | b4  | b3  | b2  | b1  | b0  |
|                    | —   | —   | —   | TFD[4:0] |     |     |     | —   | —   | —   | RFD[4:0] |     |     |     | —   |     |
| Value after reset: | 0   | 0   | 0   | 0        | 0   | 0   | 0   | 0   | 0   | 0   | 0        | 0   | 0   | 0   | 0   | 0   |

| Bit        | Symbol                   | Bit name            | Description  | R/W |
|------------|--------------------------|---------------------|--|-----|
| b4 to b0   | <a href="#">RFD[4:0]</a> | Receive FIFO Depth  | b4 b0<br>01111: 4096 bytes.<br>Other settings are prohibited.  | R/W |
| b7 to b5   | —                        | Reserved            | These bits are read as 0. The write value should be 0.         | R/W |
| b12 to b8  | <a href="#">TFD[4:0]</a> | Transmit FIFO Depth | b12 b8<br>00111: 2048 bytes.<br>Other settings are prohibited. | R/W |
| b31 to b13 | —                        | Reserved            | These bits are read as 0. The write value should be 0.         | R/W |

The FDR register specifies the transmit and receive FIFO depths. Set this register to 0000 070Fh before starting transmission and reception.

### 30.2.12 Receive Method Control Register (RMCR)

Address(es): [EDMAC0.RMCR 4006 4058h](#)

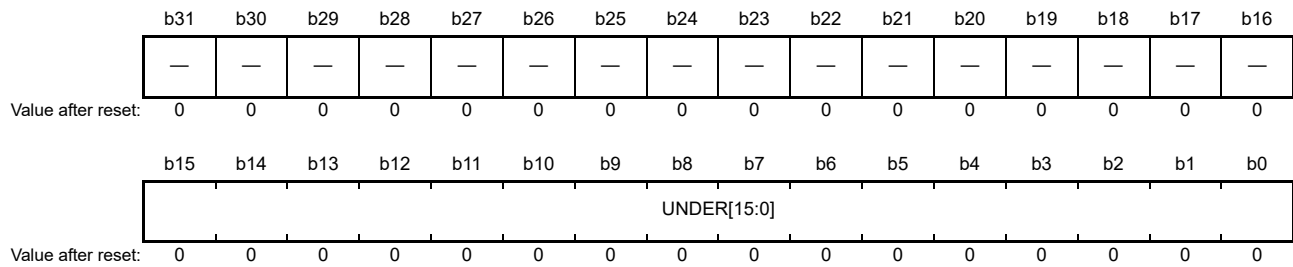
|                    |     |     |     |     |     |     |     |     |     |     |     |     |     |     |     |     |
|--------------------|-----|-----|-----|-----|-----|-----|-----|-----|-----|-----|-----|-----|-----|-----|-----|-----|
|                    | b31 | b30 | b29 | b28 | b27 | b26 | b25 | b24 | b23 | b22 | b21 | b20 | b19 | b18 | b17 | b16 |
|                    | —   | —   | —   | —   | —   | —   | —   | —   | —   | —   | —   | —   | —   | —   | —   | —   |
| Value after reset: | 0   | 0   | 0   | 0   | 0   | 0   | 0   | 0   | 0   | 0   | 0   | 0   | 0   | 0   | 0   | 0   |
|                    | b15 | b14 | b13 | b12 | b11 | b10 | b9  | b8  | b7  | b6  | b5  | b4  | b3  | b2  | b1  | b0  |
|                    | —   | —   | —   | —   | —   | —   | —   | —   | —   | —   | —   | —   | —   | —   | —   | RNR |
| Value after reset: | 0   | 0   | 0   | 0   | 0   | 0   | 0   | 0   | 0   | 0   | 0   | 0   | 0   | 0   | 0   | 0   |

| Bit       | Symbol              | Bit name              | Description   | R/W |
|-----------|---------------------|-----------------------|---|-----|
| b0        | <a href="#">RNR</a> | Receive Request Reset | 0: EDRRR.RR bit (Receive Request bit) is cleared to 0 when one frame is received<br>1: EDRRR.RR bit (Receive Request bit) is not cleared to 0 when one frame is received. | R/W |
| b31 to b1 | —                   | Reserved              | These bits are read as 0. The write value should be 0.  | R/W |

The RMCR register specifies how to control the EDRRR.RR bit when receiving a frame. When the RNR bit is 0, the EDRRR.RR bit clears to 0 when one frame is received, so it must be set to 1 by software to receive the subsequent frame. When the RNR bit is 1, the EDRRR.RR bit does not clear to 0 when one frame is received, and the EDMAC reads the next receive descriptor and continues frame reception. Renesas recommends setting the RNR bit to 1 when receiving data continuously. Set the RMCR register while the EDRRR.RR bit is 0.

### 30.2.13 Transmit FIFO Underflow Counter (TFUCR)

Address(es): [EDMAC0.TFUCR 4006 4064h](#)



| Bit        | Symbol                      | Bit name                      | Description  | R/W |
|------------|-----------------------------|-------------------------------|--|-----|
| b15 to b0  | <a href="#">UNDER[15:0]</a> | Transmit FIFO Underflow Count | These bits indicate how many times the transmit FIFO underflows. The counter stops when the counter value reaches FFFFh. | R/W |
| b31 to b16 | —                           | Reserved                      | These bits are read as 0. The write value should be 0.   | R/W |

The TFUCR register indicates how many times the transmit FIFO underflows. Writing any value to the TFUCR register clears the counter value to 0.

### 30.2.14 Receive FIFO Overflow Counter (RFOCR)

Address(es): [EDMAC0.RFOCR 4006 4068h](#)



| Bit        | Symbol                     | Bit name                    | Description  | R/W |
|------------|----------------------------|-----------------------------|--|-----|
| b15 to b0  | <a href="#">OVER[15:0]</a> | Receive FIFO Overflow Count | These bits indicate how many times the receive FIFO overflows. The counter stops when the counter value reaches FFFFh. | R/W |
| b31 to b16 | —                          | Reserved                    | These bits are read as 0. The write value should be 0.   | R/W |

The RFOCR register indicates how many times the receive FIFO overflows. Writing any value to the RFOCR register clears the counter value to 0.

### 30.2.15 Independent Output Signal Setting Register (IOSR)

Address(es): [EDMAC0.IOSR 4006 406Ch](#)

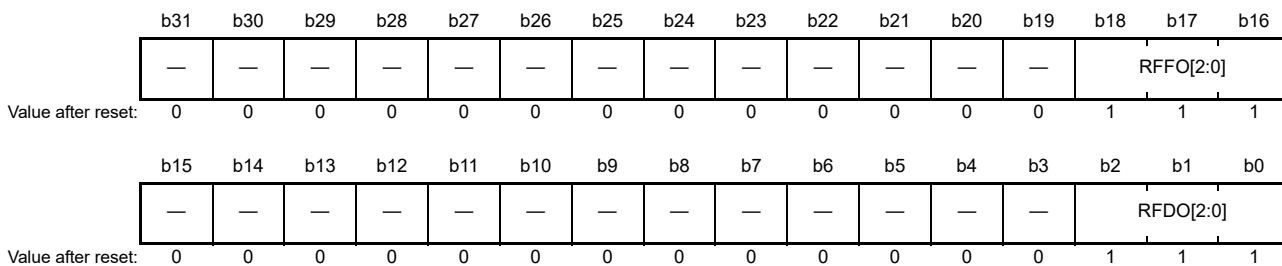
|                    |     |     |     |     |     |     |     |     |     |     |     |     |     |     |     |     |
|--------------------|-----|-----|-----|-----|-----|-----|-----|-----|-----|-----|-----|-----|-----|-----|-----|-----|
|                    | b31 | b30 | b29 | b28 | b27 | b26 | b25 | b24 | b23 | b22 | b21 | b20 | b19 | b18 | b17 | b16 |
|                    | —   | —   | —   | —   | —   | —   | —   | —   | —   | —   | —   | —   | —   | —   | —   | —   |
| Value after reset: | 0   | 0   | 0   | 0   | 0   | 0   | 0   | 0   | 0   | 0   | 0   | 0   | 0   | 0   | 0   | 0   |
|                    | b15 | b14 | b13 | b12 | b11 | b10 | b9  | b8  | b7  | b6  | b5  | b4  | b3  | b2  | b1  | b0  |
|                    | —   | —   | —   | —   | —   | —   | —   | —   | —   | —   | —   | —   | —   | —   | —   | ELB |
| Value after reset: | 0   | 0   | 0   | 0   | 0   | 0   | 0   | 0   | 0   | 0   | 0   | 0   | 0   | 0   | 0   | 0   |

| Bit       | Symbol              | Bit name               | Description  | R/W |
|-----------|---------------------|------------------------|--|-----|
| b0        | <a href="#">ELB</a> | External Loopback Mode | 0: Output low on the ET0_EXOUT pin<br>1: Output high on the ET0_EXOUT pin. | R/W |
| b31 to b1 | —                   | Reserved               | These bits are read as 0. The write value should be 0.                     | R/W |

The IOSR register selects the output level of the ETHERC external output pin (ET0\_EXOUT) in external loopback mode. The ELB bit value is output on the ET0\_EXOUT pin, which can be used to set the loopback mode for the PHY-LSI. To use the loopback function of the PHY-LSI through this register, you must connect the PHY-LSI to the ET0\_EXOUT pin.

### 30.2.16 Flow Control Start FIFO Threshold Setting Register (FCFTR)

Address(es): EDMAC0.FCFTR 4006 4070h

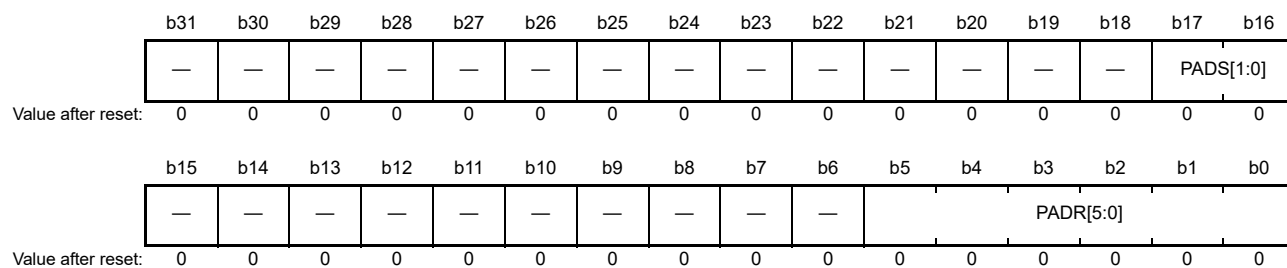


| Bit        | Symbol    | Bit name                                  | Description   | R/W |
|------------|-----------|---|---|-----|
| b2 to b0   | RFFO[2:0] | Receive FIFO Data PAUSE Output Threshold  | b2 b0<br>0 0 0:When 224 (256 to 32) bytes of data is stored in the receive FIFO<br>0 0 1:When 480 (512 to 32) bytes of data is stored in the receive FIFO<br>:<br>1 1 0:When 1760 (1792 to 32) bytes of data is stored in the receive FIFO<br>1 1 1:When 2016 (2048 to 32) bytes of data is stored in the receive FIFO.               | R/W |
| b15 to b3  | —         | Reserved                                  | These bits are read as 0. The write value should be 0.  | R/W |
| b18 to b16 | RFFO[2:0] | Receive FIFO Frame PAUSE Output Threshold | b18 b16<br>0 0 0:When 2 receive frames are stored in the receive FIFO<br>0 0 1:When 4 receive frames are stored in the receive FIFO<br>0 1 0:When 6 receive frames are stored in the receive FIFO<br>:<br>1 1 0:When 14 receive frames are stored in the receive FIFO<br>1 1 1:When 16 receive frames are stored in the receive FIFO. | R/W |
| b31 to b19 | —         | Reserved                                  | These bits are read as 0. The write value should be 0.  | R/W |

The FCFTR register specifies the ETHERC flow control. Set the threshold to automatically transmit a PAUSE frame. The threshold can be set using the data size (RFDO[2:0] bits) and the number of frames (RFFO[2:0] bits) stored in the receive FIFO. Flow control starts when the stored data size or the number of stored frames reaches its threshold.

### 30.2.17 Receive Data Padding Insert Register (RPADIR)

Address(es): [EDMAC0.RPADIR 4006 4078h](#)



| Bit        | Symbol                    | Bit name     | Description  | R/W |
|------------|---------------------------|--------------|--|-----|
| b5 to b0   | <a href="#">PADR[5:0]</a> | Padding Slot | 00h: Insert padding at the head of received data<br>01h: Insert padding between the 1st and 2nd bytes of received data<br>:<br>3Eh: Insert padding between the 62nd and 63rd bytes of received data<br>3Fh: Insert padding between the 63rd and 64th bytes of received data. | R/W |
| b15 to b6  | —                         | Reserved     | These bits are read as 0. The write value should be 0.   | R/W |
| b17, b16   | <a href="#">PADS[1:0]</a> | Padding Size | <sup>b17b16</sup><br>0 0: Do not insert padding<br>Other settings are prohibited.  | R/W |
| b31 to b18 | —                         | Reserved     | These bits are read as 0. The write value should be 0.   | R/W |

The RPADIR register specifies the insertion of padding for received data. The padding value is 00h. Set the EDMR.SWR bit to 1 to reset before rewriting the PRADIR register.

### 30.2.18 Transmit Interrupt Setting Register (TRIMD)

Address(es): [EDMAC0.TRIMD 4006 407Ch](#)

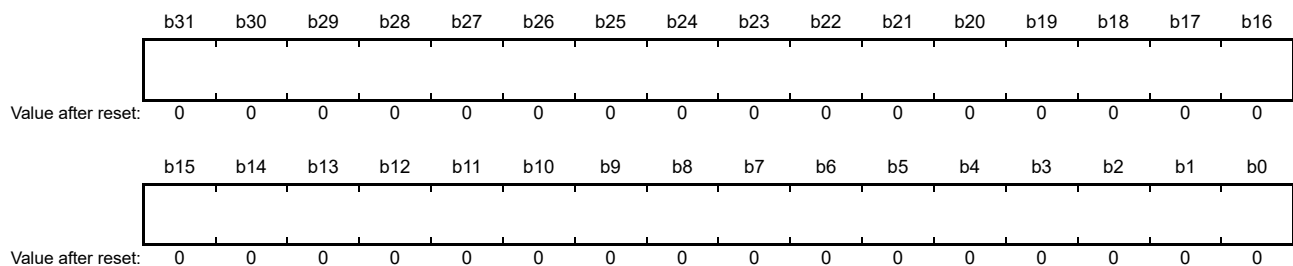


| Bit       | Symbol              | Bit name                  | Description  | R/W |
|-----------|---------------------|---------------------------|--|-----|
| b0        | <a href="#">TIS</a> | Transmit Interrupt Enable | 0: Disable transmit interrupts<br>1: Enable transmit Interrupts.<br>Set the EESR.TWB flag to 1 in the mode selected in the TIM bit to report an interrupt.   | R/W |
| b3 to b1  | —                   | Reserved                  | These bits are read as 0. The write value should be 0.   | R/W |
| b4        | <a href="#">TIM</a> | Transmit Interrupt Mode   | 0: Select transmission complete interrupt mode, where an interrupt occurs when a frame is transmitted<br>1: Select write-back complete interrupt mode, where an interrupt occurs when write-back to the transmit descriptor is complete while the TWBI bit is 1. | R/W |
| b31 to b5 | —                   | Reserved                  | These bits are read as 0. The write value should be 0.   | R/W |

The TRIMD register specifies the transmit interrupt mode and enables or disables transmit interrupts. When the condition selected in this register is satisfied, the EESR.TWB flag is set to 1, and an interrupt request is output when the EESIPR.TWBIP bit is 1.

### 30.2.19 Receive Buffer Write Address Register (RBWAR)

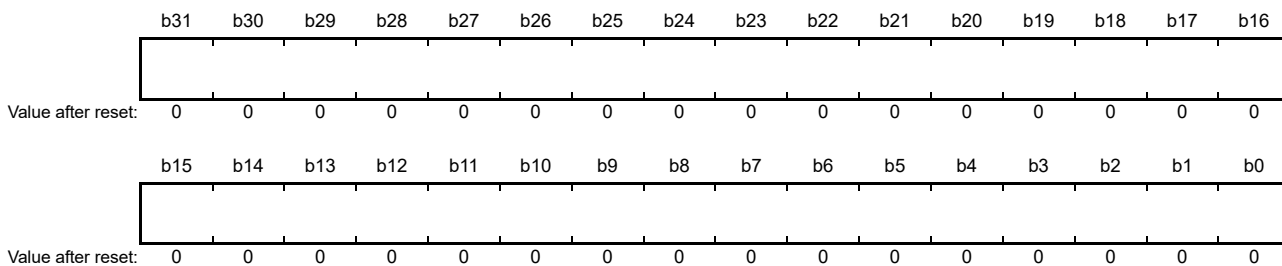
Address(es): [EDMAC0.RBWAR 4006 40C8h](#)



The RBWAR register indicates the last address to which the EDMAC wrote data to, when writing to the receive buffer. Check the contents of this register to identify the address in the receive buffer to which the EDMAC is writing data to. The address that the EDMAC is outputting to the receive buffer might not match the read value of the RBWAR register during data reception. The RBWAR register is read-only. Do not write to this register.

### 30.2.20 Receive Descriptor Fetch Address Register (RDFAR)

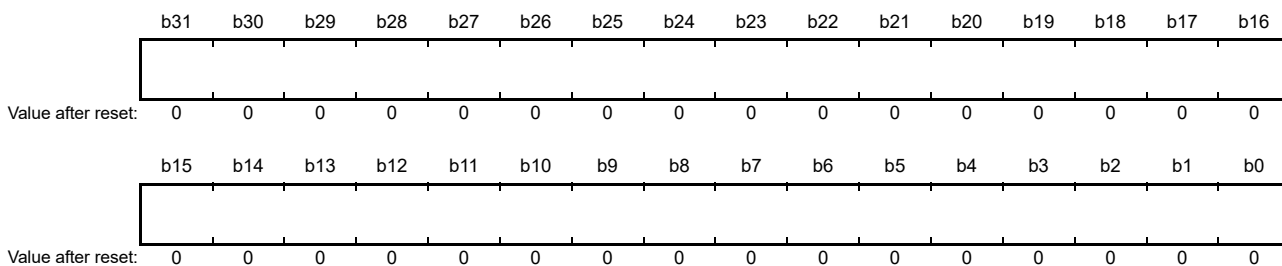
Address(es): [EDMAC0.RDFAR 4006 40CCh](#)



The RDFAR register indicates the start address of the last fetched receive descriptor when the EDMAC is fetching descriptor information from the receive descriptor. Check the contents of this register to identify which receive descriptor information the EDMAC is using for active processing. The address of the receive descriptor that the EDMAC is fetching might not match the read value of the RDFAR register during data reception. The RDFAR register is read-only. Do not write to this register.

### 30.2.21 Transmit Buffer Read Address Register (TBRAR)

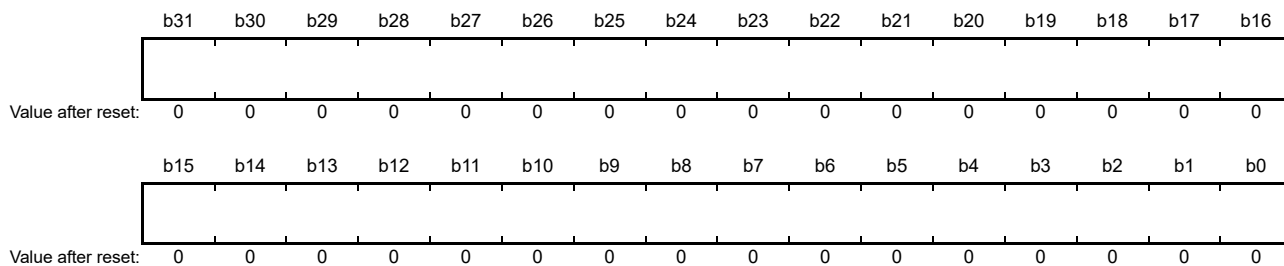
Address(es): [EDMAC0.TBRAR 4006 40D4h](#)



The TBRAR register indicates the last address from which the EDMAC read data, when reading data from the transmit buffer. Check the contents of this register to identify which address in the transmit buffer the EDMAC is reading from. The address that the EDMAC is outputting to the transmit buffer might not match the read value of the TBRAR register. The TBRAR register is read-only. Do not write to this register.

### 30.2.22 Transmit Descriptor Fetch Address Register (TDFAR)

Address(es): EDMAC0.TDFAR 4006 40D8h



The TDFAR register indicates the start address of the last fetched transmit descriptor when the EDMAC is fetching the descriptor information from the transmit descriptor. Check the contents of this register to identify which transmit descriptor information the EDMAC is using for active processing. The address of the transmit descriptor that the EDMAC fetches might not match the read value of the TDFAR register. The TDFAR is read only. Do not write to this register.

### 30.3 Operation

The EDMAC transfers data according to the information written in the descriptor. Two descriptors are provided: transmit and receive. A descriptor includes the buffer size, address, and transmit or receive status. The EDMAC transmits or receives data continuously by using sequentially arranged descriptors.

#### 30.3.1 Descriptor Lists and Data Buffers

To transfer data using the EDMAC, create the transmit and receive descriptor lists in memory, set the start address of the transmit descriptor list in the TDLAR register, and set the start address of the receive descriptor list in the RDLAR register. Also, the transmit and receive buffers associated with each descriptor are required.

Align the descriptor list on the appropriate address boundary according to the descriptor length set in the EDMR.DL[1:0] bits. The transmit buffer can be aligned on a word boundary, halfword boundary, or byte boundary. When the valid transmit buffer size is 16 bytes or less, align it on a 32-byte boundary. Align the receive buffer on a 32-byte boundary. Set different addresses for the transmit and receive descriptors and buffers for EDMAC0.

##### 30.3.1.1 Transmit descriptor

Figure 30.3 shows the relationship between a transmit descriptor and a transmit buffer. A transmit descriptor consists of TD0 to TD2. The transmit frame and transmit buffer configuration can be specified as one buffer per frame (single-buffer frame transmission) or multiple buffers per frame (multi-buffer frame transmission) by setting the transmit descriptor.

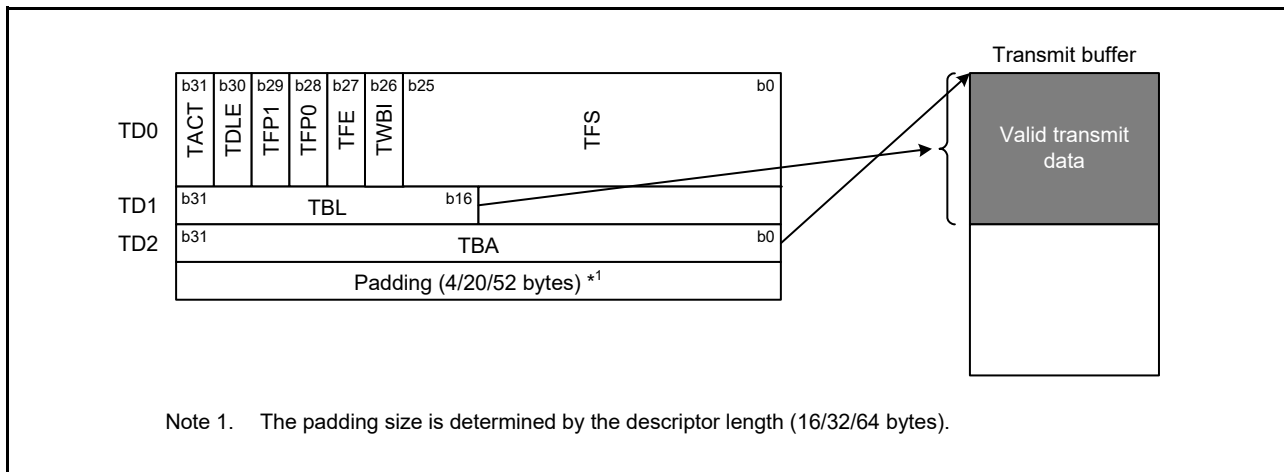


Figure 30.3 Relationship between transmit descriptor and transmit buffer



## (1) Transmit descriptor 0 (TD0)

| Bit              | Symbol      | Bit name                             | Description   | R/W |
|------------------|-------------|--------------------------------------|---|-----|
| <u>b25 to b0</u> | <u>TFS</u>  | Transmit Frame Status                | Set all bits to 0 when creating a descriptor. After write-back, the bits indicate the following:<br>TFS25 to TFS9: Reserved<br>TFS8: Transmit abort was detected (value is equivalent to the EESR.TABT flag)<br>TFS7 to TFS4: Reserved<br>TFS3: No carrier was detected (value is equivalent to the EESR.CND flag)<br>TFS2: Loss of carrier was detected (value is equivalent to the EESR.DLC flag)<br>TFS1: Late collision during transmission was detected (value is equivalent to the EESR.CD flag)<br>TFS0: Transmit retry over (value is equivalent to the EESR.TRO flag).<br>When a bit is set to 1, it indicates that the associated error occurred during frame transmission. When any of the TFS bits is set to 1, the TFE bit is also set to 1. When any of bits TFS3 to TFS0 is set to 1, TFS8 is also set to 1. | R/W |
| b26              | TWBI        | Write-Back Complete Interrupt Enable | 0: Do not generate interrupt when write-back to this descriptor is complete<br>1: Generate interrupt when write-back to this descriptor is complete.  | R/W |
| <u>b27</u>       | <u>TFE</u>  | Transmit Frame Error                 | 0: Frame transmission is successfully complete<br>1: Error occurred during frame transmission (transmission aborted).   | R/W |
| b29, b28         | TFP[1:0]    | Transmit Frame Position              | b29 b28<br>0 0: Transmit buffer indicated in this descriptor is the middle of a transmit frame (frame information is incomplete)<br>0 1: Transmit buffer indicated in this descriptor is the end of a transmit frame (frame information is complete)<br>1 0: Transmit buffer indicated in this descriptor is the head of a transmit frame (frame information is incomplete)<br>1 1: Transmit buffer indicated in this descriptor is all of a transmit frame (one buffer per frame).   | R/W |
| b30              | TDLE        | Transmit Descriptor List End         | When this bit is 1, it indicates that this descriptor is the last in the descriptor list  | R/W |
| <u>b31</u>       | <u>TACT</u> | Transmit Descriptor Valid            | This bit indicates that this descriptor is valid  | R/W |

Note: Bits for write-back are underlined.

TD0 specifies the transmit frame settings and indicates the status after transmission.

**TFE bit (Transmit Frame Error)**

When the TFE bit is 1, it indicates that any of the TFS bits is 1.

**TFP[1:0] bits (Transmit Frame Position)**

The TFP[1:0] bits indicate which part of a transmit frame corresponds to the transmit buffer indicated in this descriptor. The TFP[1:0] and TD1.TBL bit settings must be logically consistent in the previous and next descriptors.

**TACT bit (Transmit Descriptor Valid)**

The TACT bit indicates that this descriptor is valid. The TACT bit is set to 1 by software. This bit sets to 0 when the transmit frame is transferred or when the transmission is aborted.

## (2) Transmit descriptor 1 (TD1)

| Bit       | Symbol | Bit name | Description                                       | R/W |
|-----------|--------|----------|---|-----|
| b15 to b0 | —      | Reserved | The read value is 0. The write value should be 0. | R/W |

| Bit        | Symbol | Bit name               | Description  | R/W |
|------------|--------|------------------------|--|-----|
| b31 to b16 | TBL    | Transmit Buffer Length | Specifies the valid byte length of the associated transmit buffer. Set a value equal to or greater than 1. | R/W |

TD1 specifies the valid byte length of the transmit buffer.

(3) Transmit descriptor 2 (TD2)

| Bit       | Symbol | Bit name                | Description  | R/W |
|-----------|--------|-------------------------|--|-----|
| b31 to b0 | TBA    | Transmit Buffer Address | Specifies the start address of the transmit buffer. When the TD1.TBL bit value is 1 to 16 bytes, align it on a 32-byte boundary. | R/W |

TD2 specifies the start address of the transmit buffer.

### 30.3.1.2 Receive descriptor

Figure 30.4 shows the relationship between a receive descriptor and receive buffer. The receive frame and receive buffer configuration can be specified as one buffer per frame (single-buffer frame transmission) or multiple buffers per frame (multi-buffer frame transmission) by setting the receive descriptor. If the receive buffer length (RBL) is set to 0, the operation indicated in the descriptor is not guaranteed.

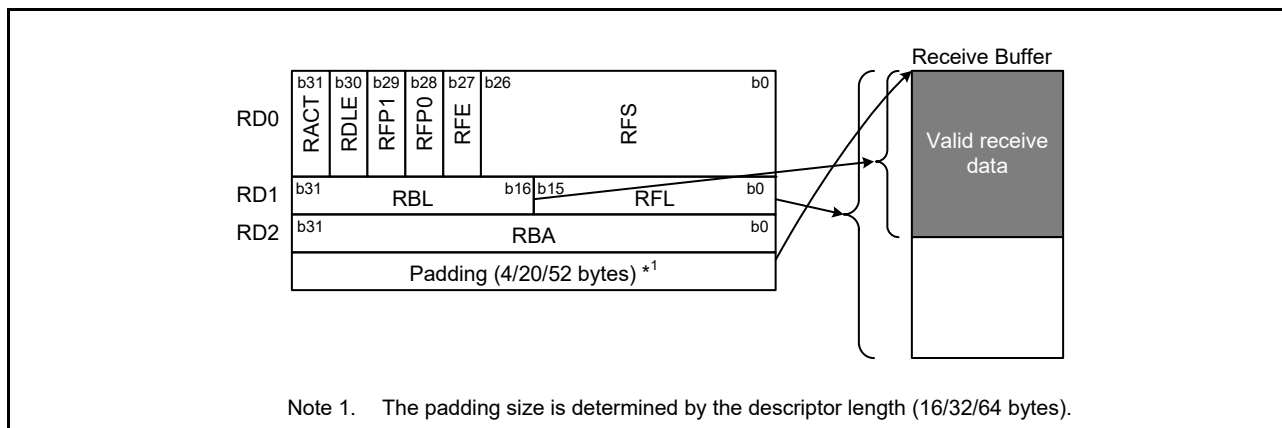


Figure 30.4 Relationship between receive descriptor and receive buffer

(1) Receive descriptor 0 (RD0)

| Bit              | Symbol     | Bit name             | Description  | R/W |
|------------------|------------|----------------------|--|-----|
| <u>b26 to b0</u> | <u>RFS</u> | Receive Frame Status | Set all bits to 0 when creating a descriptor. After write-back, the bits indicate the following:<br>RFS26 to RFS10: Reserved<br>RFS9: Receive FIFO overflow (value is equivalent to the EESR.RFOF flag)<br>RFS8: Receive abort was detected (value is equivalent to the EESR.RABT flag)<br>RFS7: Multicast address frame was received (value is equivalent to the EESR.RMAF flag)<br>RFS6 and RFS5: Reserved<br>RFS4: Alignment error was detected (value is equivalent to the EESR.RRF flag)<br>RFS3: Frame-too-long error (value is equivalent to the EESR.RTLF flag)<br>RFS2: Frame-too-short error (value is equivalent to the EESR.RTSF flag)<br>RFS1: PHY-LSI receive error (value is equivalent to the EESR.PRE flag)<br>RFS0: CRC error (value is equivalent to the EESR.CERF flag).<br>When a bit is set to 1, it indicates that the associated error occurred during frame reception. When any of the RFS bits is set to 1, the RFE bit is also set to 1. Set the TRSCER register to select whether bits RFS7 and RFS4 are reflected in the RFE bit. When any of the RFS3 to RFS0 bits is set to 1, RFS8 is also set to 1. | R/W |
| <u>b27</u>       | <u>RFE</u> | Receive Frame Error  | 0: No error occurred in the received frame<br>1: Error occurred in the received frame.   | R/W |

| Bit             | Symbol          | Bit name                    | Description   | R/W |
|-----------------|-----------------|-----------------------------|---|-----|
| <u>b29, b28</u> | <u>RFP[1:0]</u> | Receive Frame Position      | b29 b28<br>0 0: Receive buffer indicated in this descriptor is the middle of a receive frame (frame information is incomplete)<br>0 1: Receive buffer indicated in this descriptor is the end of a receive frame (frame information is complete)<br>1 0: Receive buffer indicated in this descriptor is the head of a receive frame (frame information is incomplete)<br>1 1: Receive buffer indicated in this descriptor is all of a receive frame (one buffer per frame). | R/W |
| b30             | RDLE            | Receive Descriptor List End | When this bit is 1, it indicates that this descriptor is the last in the descriptor list  | R/W |
| <u>b31</u>      | <u>RACT</u>     | Receive Descriptor Valid    | Indicates that this descriptor is valid   | R/W |

Note: Bits for write-back are underlined.

RD0 indicates the receive frame status.

### RFE bit (Receive Frame Error)

When the RFE bit is 1, it indicates that any of the RFS bits is 1. Set the TRSCER register to select whether the RFS7 and RFS4 bits of EDMAC0 are reflected in the RFE bit.

### RFP[1:0] bits (Receive Frame Position)

The RFP[1:0] bits indicate which part of a receive frame corresponds to the receive buffer indicated in this descriptor.

### RACT bit (Receive Descriptor Valid)

The RACT bit indicates that this descriptor is valid. The RACT bit is set to 1 by software. This bit clears to 0 when all the data is transferred to the receive buffer indicated in RD2 or when the receive buffer becomes full.

## (2) Receive descriptor 1 (RD1)

| Bit              | Symbol     | Bit name              | Description   | R/W |
|------------------|------------|-----------------------|---|-----|
| <u>b15 to b0</u> | <u>RFL</u> | Receive Frame Length  | Specifies the length (number of bytes) of the receive frame stored in the buffer. This does not include the number of bytes for padding set in the RPADIR register. These bits are written back to the descriptor associated with the end of a frame. | R/W |
| b31 to b16       | RBL        | Receive Buffer Length | Specifies the byte length of the associated receive buffer. Set an integral multiple of 32 as the buffer length.  | R/W |

Note: Bits for write-back are underlined.

RD1 specifies the receive buffer length. When reception is complete, the receive frame length is written back.

## (3) Receive descriptor 2 (RD2)

| Bit       | Symbol | Bit name               | Description  | R/W |
|-----------|--------|------------------------|--|-----|
| b31 to b0 | RBA    | Receive Buffer Address | Specifies the start address of the receive buffer. Align the buffer address on a 32-byte boundary. | R/W |

RD2 specifies the start address of the receive buffer.

### 30.3.2 Transmission

When the EDTRR.TR bit is set to 1 while the ETHERC0.ECMR.TE bit is 1, the EDMAC reads the descriptor following the previously used descriptor in the transmit descriptor list (or the descriptor indicated in the TDLAR register after a reset). When the TACT bit is 1 in the transmit descriptor (TD0), the EDMAC sequentially reads transmit data from the start address of the transmit buffer indicated in transmit descriptor 2 (TD2) and transfers it to the ETHERC through the transmit FIFO. The ETHERC creates a transmit frame and starts transmission to the MII or RMII. When all data indicated in the TD1.TBL bit is transferred, write-back is performed according on the TD0.TFP[1:0] bit setting as follows:

- When the TD0.TFP[1:0] bits are 00b or 10b (frame is incomplete), the TD0.TACT bit is written back
- When the TD0.TFP[1:0] bits are 01b or 11b (frame is complete), the TD0.TACT, TD0.TFS, and TD0.TFE bits are written back.

When the TD0.TACT bit in the read descriptor is 1, the EDMAC continues reading descriptors and transmit frames. When the TD0.TACT bit in the read descriptor is 0, the EDMAC sets the EDTRR.TR bit to 0 and stops transmission.

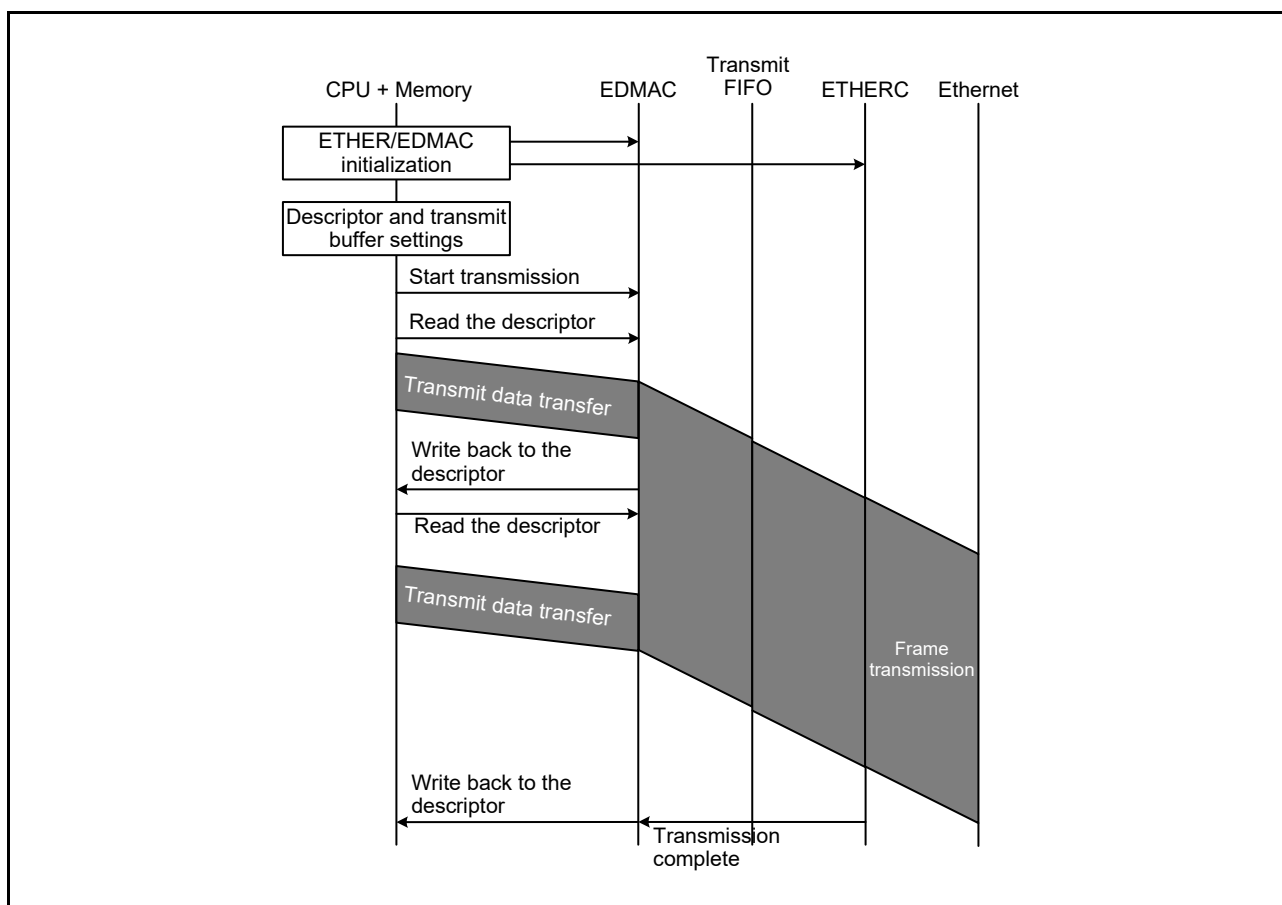


Figure 30.5 Example of transmission flow

### 30.3.3 Reception

When the EDRRR.RR bit is set to 1 while the ETHERC0.ECMR.RE bit is 1, the EDMAC reads the receive descriptor following the previously used descriptor (or the descriptor indicated in the RDLAR register after a reset) and then waits for reception. When the RD0.RACT bit is 1, if the data stored in the receive FIFO is 32 bytes or more, or if the end byte of the frame is stored in the receive buffer, the EDMAC transfers data from the receive FIFO to the receive buffer indicated in Receive Descriptor 2 (RD2).

If the data length of the received frame is longer than the buffer length set in the RBL bit in receive descriptor 1 (RD1), the EDMAC writes back 10b or 00b to the RD0.RFP[1:0] bits and 0 to the RD0.RACT bit when the receive buffer becomes full, and then the EDMAC reads the next data. After that, the EDMAC transfers data to another receive buffer.

When the frame reception is complete or when the frame reception is aborted by an error, the EDMAC writes back 11b or 01b to the RD0.RFP[1:0] bits, 0 to the RD0.RACT bit, and the receive frame length to the RD1.RFL bit. When the RMCR.RNR bit is 1, the EDMAC reads the next descriptor and waits for reception. When the RNR bit is 0, the EDMAC sets the EDRRR.RR bit to 0 and stops reception.

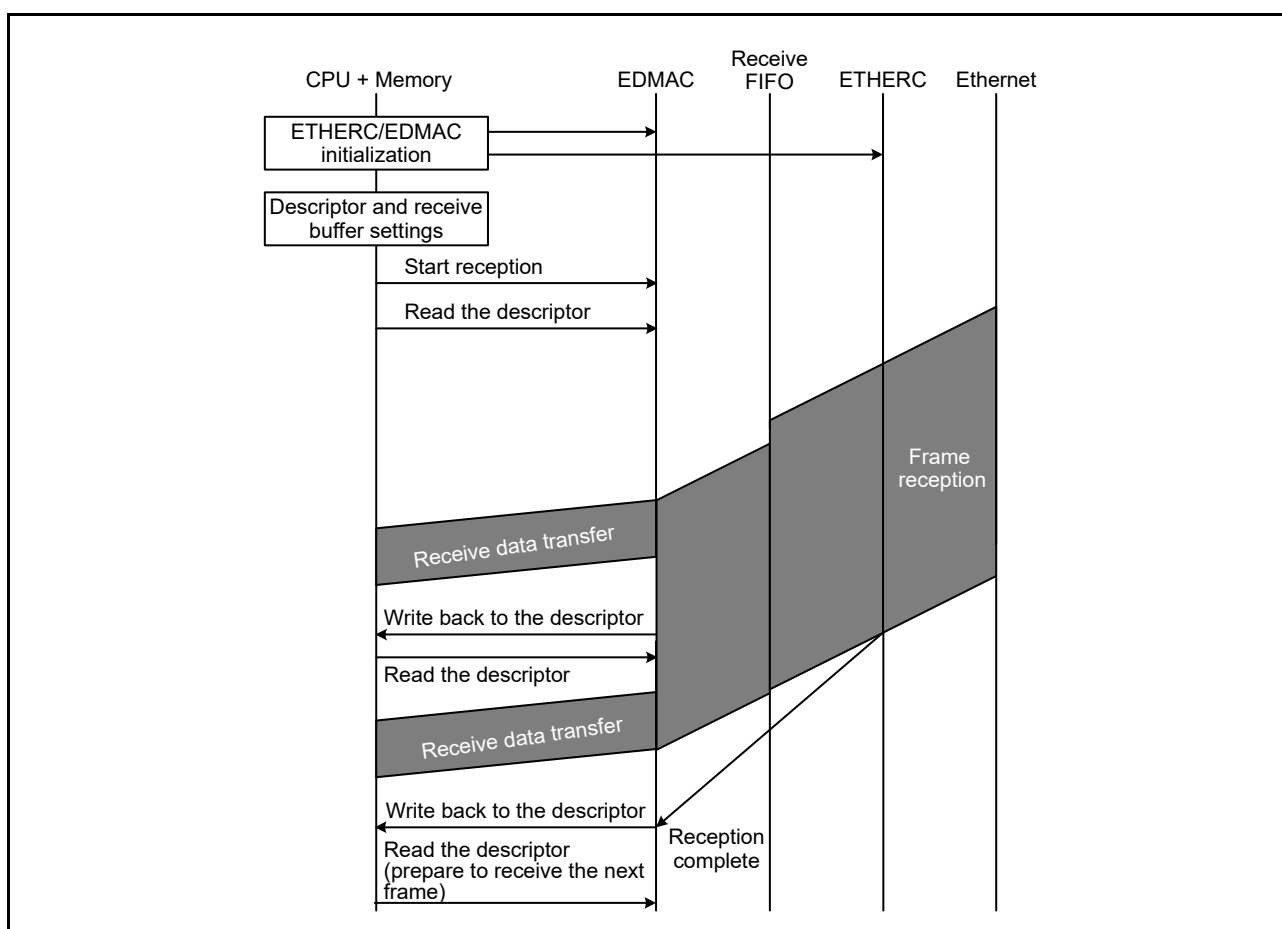


Figure 30.6 Example of reception flow

### 30.3.4 Multi-Buffer Frame Transmission

#### 30.3.4.1 Error processing while transmitting multi-buffer frame

If an error occurs during multi-buffer frame transmission, the EDMAC performs the processing shown in Figure 30.7. In the figure, when the TACT bit of transmit descriptor 0 (TD0) is 0, the descriptor indicates that all data in the buffer is successfully transmitted. When the TACT bit is 1, the descriptor indicates that data in the buffer is not yet transmitted. If a frame transmit error\*<sup>1</sup> occurs in the head or at the middle of the frame while the TD0.TACT bit is 1, the EDMAC stops data transmission from the transmit FIFO and EDMAC data transfer, and sets the TD0.TACT bit to 0.

After that, the EDMAC reads the next descriptor to see if the descriptor indicates the middle of the frame (TD0.TFP[1:0] bits are 00b) or the end of the frame (TD0.TFP[1:0] bits are 01b). When the descriptor indicates the middle of the frame, the EDMAC sets the TD0.TACT bit to 0 and reads the next descriptor. When the descriptor indicates the end of the frame, in addition to setting the TD0.TACT bit to 0, the EDMAC also writes back to the TD0.TFE and TD0.TFS bits.

After an error occurs, data in the buffer is not transmitted until write-back to the descriptor for the end of the frame. When the associated transmit error interrupt is enabled in the EESIPR register, an interrupt request is generated immediately after write-back to the descriptor for the end of the frame.

Note 1. A transmit retry-over condition, late collision, or loss of carrier is detected, or a carrier is not detected.

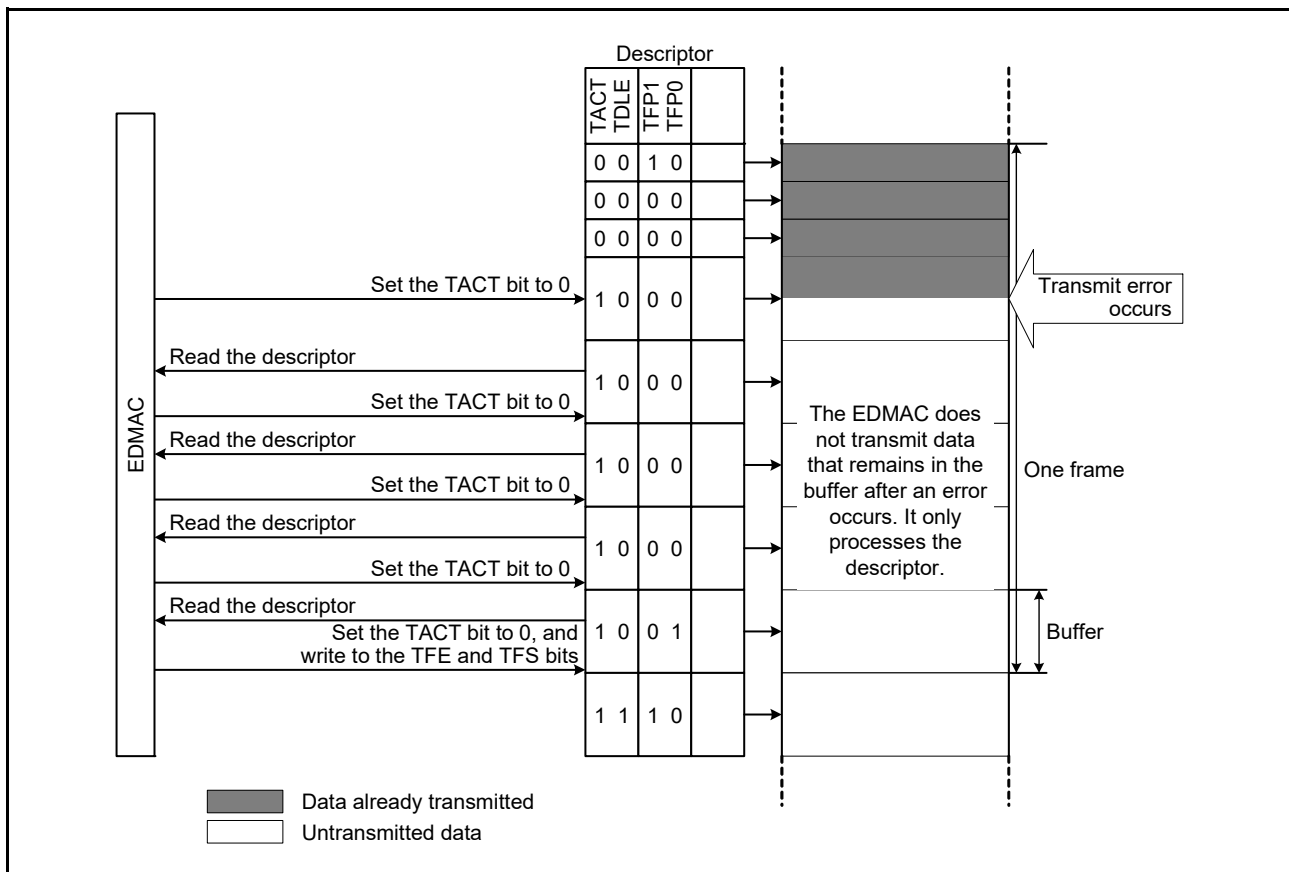


Figure 30.7 EDMAC operation after transmit error occurs

### 30.3.4.2 Error processing while receiving multi-buffer frame

If an error occurs during multi-buffer frame reception, the EDMAC performs the processing shown in Figure 30.8. In the figure, when the RACT bit of the receive descriptor 0 (RD0) is 0, the descriptor indicates that data was successfully received in the buffer. When the RACT bit is 1, the descriptor indicates that data is not yet received in the buffer. If a frame receive error\*<sup>1</sup> occurs, the EDMAC stops receiving new data, but it transfers data that is already stored in the receive FIFO to the receive buffer.

When the receive buffer becomes full during transfer, the EDMAC sets the RACT bit to 0 and the RFP[1:0] bits to 10b or 00b, and reads the next descriptor. After all data in the receive FIFO is transferred, the EDMAC writes back the status to the descriptor.

When the associated receive error interrupt is enabled in the EESIPR register, an interrupt request is generated immediately after write-back to the descriptor. When there is a request to receive a new frame, the EDMAC continues reception using the descriptor following the descriptor where the error occurred.

Note 1. A CRC error, PHY-LSI receive error, frame-too-short error, frame-too-long error, or alignment error is detected.

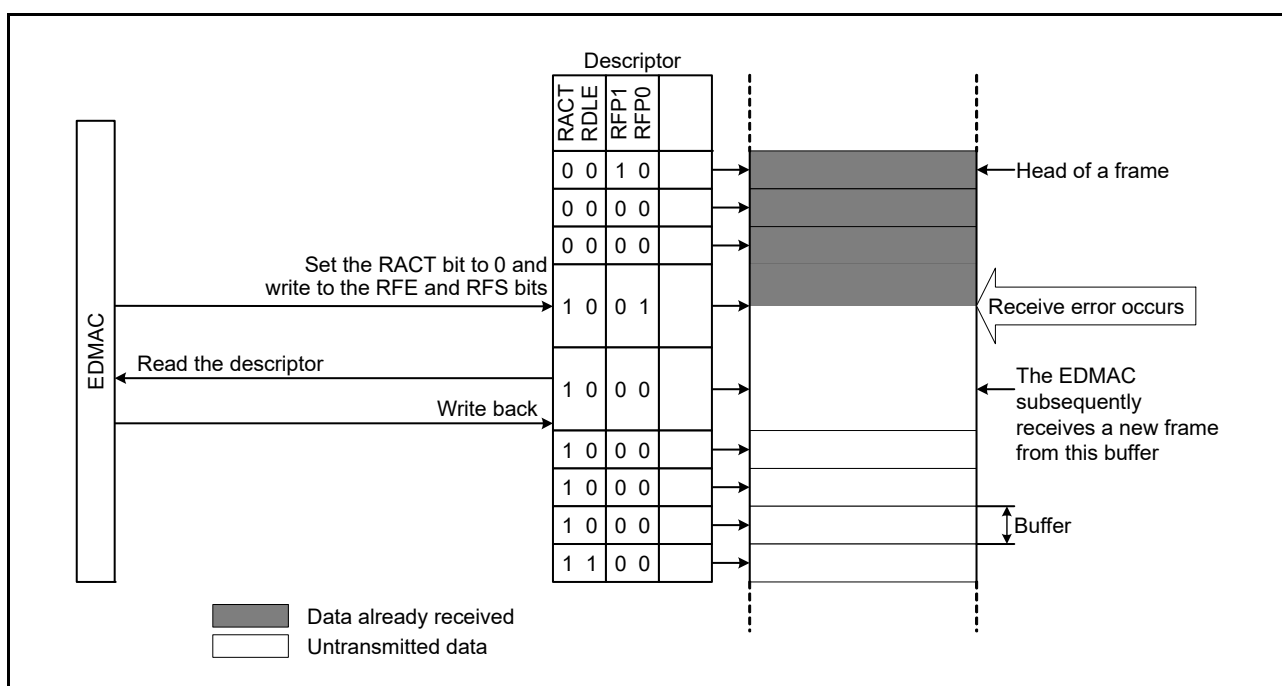


Figure 30.8 EDMAC operation after receive error occurs

## 30.4 Interrupts

When any of the status flags in the EESR register is set to 1 while the associated interrupt request enable bit in the EESIPR register is 1, EDMAC0 issues an ETHER\_EINT0 interrupt request.

## 30.5 Usage Notes

### 30.5.1 Settings for the Module-Stop Function

The following bit in Module Stop Control Register B (MSTPCRB) enables or disables the EDMAC module operation:

- The MSTPB15 bit enables or disables ETHERC0 and EDMAC0 operation

The modules are initially stopped after reset. Releasing the module-stop state enables access to the registers. For details, see [section 11, Low Power Modes](#).

### 30.5.2 Stopping the EDMAC during Operation

When stopping EDMAC operation by using a Sleep instruction or the module-stop function while the EDMAC is running, confirm that the EDTRR.TR and EDRRR.RR bits are 0. If the EDMAC is stopped while the EDTRR.TR or EDRRR.RR bit is 1, data for the frame that is being transmitted or received might not be complete, and the EDMAC operation after exiting Sleep mode or the module-stop state is not guaranteed.



## 31. USB 2.0 Full-Speed Module (USBFS)

### 31.1 Overview

The MCU provides a USB 2.0 Full-Speed module (USBFS) that operates as a host or device controller compliant with the Universal Serial Bus (USB) specification revision 2.0. The host controller supports USB 2.0 full-speed and low-speed transfers, and the device controller supports USB 2.0 full-speed transfers. The USBFS has an internal USB transceiver and supports all of the transfer types defined in the USB 2.0 specification.

The USBFS has a FIFO buffer for data transfers, providing a maximum of 10 pipes. Any endpoint number can be assigned to pipes 1 to 9, based on the peripheral devices or the communication requirements for your system.

[Table 31.1](#) lists the USBFS specifications, [Figure 31.1](#) shows a block diagram, and [Table 31.2](#) lists the I/O pins.

**Table 31.1 USBFS specifications**

| Parameter                | Specifications   |
|--------------------------|--|
| Features                 | <ul style="list-style-type: none"> <li>• USB Device Controller (UDC) and USB 2.0 transceiver supporting host controller, device controller, and On-The-Go (OTG) functions (one channel)</li> <li>• Host and device controller can be switched by software</li> <li>• Self-power or bus power mode selectable.</li> </ul> <hr/> Host controller features: <ul style="list-style-type: none"> <li>• Full-speed transfer (12 Mbps) and low-speed transfer (1.5 Mbps)</li> <li>• Automatic scheduling for SOF and packet transmissions</li> <li>• Programmable intervals for isochronous and interrupt transfers</li> <li>• Communications with multiple peripheral devices connected through a single hub.</li> </ul> <hr/> Device controller features: <ul style="list-style-type: none"> <li>• Full-speed transfer (12 Mbps)*1</li> <li>• Control transfer stage control function</li> <li>• Device state control function</li> <li>• Auto response function for SET_ADDRESS request</li> <li>• SOF interpolation.</li> </ul> |
| Supported transfer types | <ul style="list-style-type: none"> <li>• Control transfer</li> <li>• Bulk transfer</li> <li>• Interrupt transfer</li> <li>• Isochronous transfer.</li> </ul>   |
| Pipe configuration       | <ul style="list-style-type: none"> <li>• FIFO buffer for USB communication</li> <li>• Up to 10 pipes selectable, including the Default Control Pipe (DCP)</li> <li>• Pipes 1 to 9 assignable to any endpoint number.</li> </ul> <hr/> Transfer conditions specifiable for each pipe: <ul style="list-style-type: none"> <li>• Pipe 0: Control transfer with 64-byte single buffer</li> <li>• Pipes 1 and 2: Selectable to bulk transfer with 64-byte double buffer or isochronous transfer with 256-byte double buffer</li> <li>• Pipes 3 to 5: Bulk transfer with 64-byte double buffer</li> <li>• Pipes 6 to 9: Interrupt transfer with 64-byte single buffer.</li> </ul>  |
| Other features           | <ul style="list-style-type: none"> <li>• Reception end function using transaction count</li> <li>• Function that changes the BRDY interrupt event notification timing (BFRE)</li> <li>• Automatic clearing of the FIFO buffer after the data for the pipe specified in the DnFIFO port (n = 0, 1) is read (DCLRM)</li> <li>• NAK setting function for response PID generated on transfer end (SHTNAK)</li> <li>• On-chip pull-up and pull-down resistors for D+ and D-.</li> </ul>   |
| Module-stop function     | Module-stop state can be set to reduce power consumption   |

Note 1. Low-speed transfer (1.5 Mbps) is not supported.

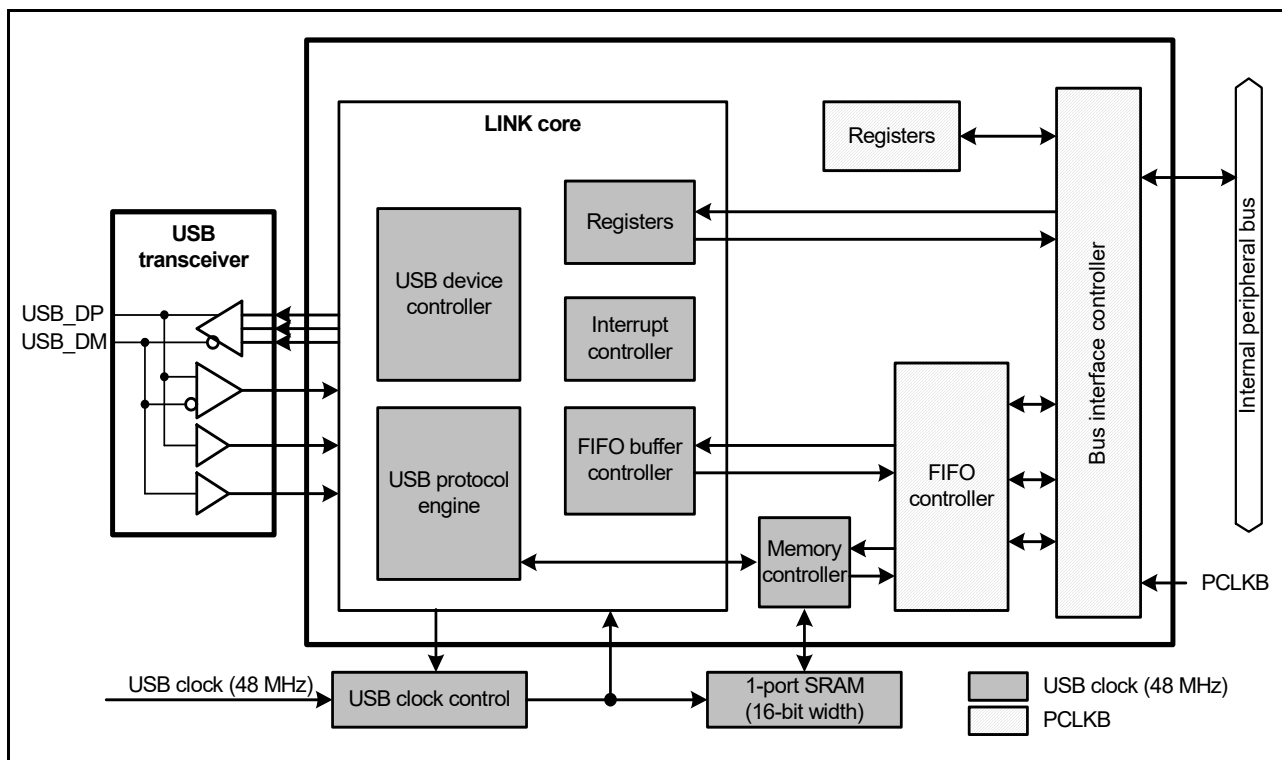


Figure 31.1 USBFS block diagram

Table 31.2 USBFS pin configuration

| Port   | Pin name                   | I/O    | Function  |
|--------|----------------------------|--------|---|
| USBFS  | USB_DP                     | I/O    | D+ I/O for the on-chip USB transceiver. Must be connected to the D+ data line of the USB bus.   |
|        | USB_DM                     | I/O    | D- I/O pin for the on-chip USB transceiver. Must be connected to the D- data line of the USB bus.   |
|        | USB_VBUS                   | Input  | USB cable connection monitor pin. Must be connected to VBUS signal on the USB bus. VBUS pin status (connected or disconnected) can be detected when the USBFS is a device controller.*1 |
|        | USB_EXICEN                 | Output | Low-power control signal for the OTG power supply IC  |
|        | USB_VBUSEN                 | Output | VBUS (5 V) enable signal for the external power supply IC   |
|        | USB_OVRCURA<br>USB_OVRCURB | Input  | Overcurrent pins for USBFS. Must be connected to external overcurrent detection signals. When the OTG power supply chip is connected, must be connected to the VBUS comparator signals. |
|        | USB_ID                     | Input  | Must be connected to MicroAB connector ID input signal in OTG mode  |
| Common | VCC_USB                    | Input  | USB transceiver input supply voltage  |
|        | VSS_USB                    | Input  | USB ground pin  |

Note 1. P407 is 5 V tolerant.

## 31.2 Register Descriptions

### 31.2.1 System Configuration Control Register (SYSCFG)

Address(es): `USBFS.SYSCFG 4009 0000h`

|                    |     |     |     |     |     |      |    |    |    |      |      |       |    |    |    |      |
|--------------------|-----|-----|-----|-----|-----|------|----|----|----|------|------|-------|----|----|----|------|
|                    | b15 | b14 | b13 | b12 | b11 | b10  | b9 | b8 | b7 | b6   | b5   | b4    | b3 | b2 | b1 | b0   |
|                    | —   | —   | —   | —   | —   | SCKE | —  | —  | —  | DCFM | DRPD | DPRPU | —  | —  | —  | USBE |
| Value after reset: | 0   | 0   | 0   | 0   | 0   | 0    | 0  | 0  | 0  | 0    | 0    | 0     | 0  | 0  | 0  | 0    |

| Bit        | Symbol | Bit name                    | Description   | R/W |
|------------|--------|-----------------------------|---|-----|
| b0         | USBE   | USBFS Operation Enable      | 0: Disable<br>1: Enable.  | R/W |
| b3 to b1   | —      | Reserved                    | These bits are read as 0. The write value should be 0.                    | R/W |
| b4         | DPRPU  | D+ Line Resistor Control    | 0: Disable line pull-up<br>1: Enable line pull-up.                        | R/W |
| b5         | DRPD   | D+/D- Line Resistor Control | 0: Disable line pull-down<br>1: Enable line pull-down.                    | R/W |
| b6         | DCFM   | Controller Function Select  | 0: Select device controller<br>1: Select host controller.                 | R/W |
| b9 to b7   | —      | Reserved                    | These bits are read as 0. The write value should be 0.                    | R/W |
| b10        | SCKE   | USB Clock Enable            | 0: Stop clock supply to the USBFS<br>1: Enable clock supply to the USBFS. | R/W |
| b15 to b11 | —      | Reserved                    | These bits are read as 0. The write value should be 0.                    | R/W |

Note: After writing 1 to the SCKE bit, read it to confirm that it is set to 1.

#### USBE bit (USBFS Operation Enable)

The USBE bit enables or disables the operation of the USBFS.

Changing the USBE bit from 1 to 0 initializes the bits listed in [Table 31.3](#). Only change this bit while the SCKE bit is 1. In host controller mode, this bit must be set to 1 after setting the DRPD bit to 1, eliminating `SYSSTS0.LNST[1:0]` bit chattering, and confirming that the USB bus state is stable.

**Table 31.3 Registers initialized by writing 0 to the SYSCFG.USBE bit**

| Selected function | Register | Bit                                  | Remarks                                  |
|-------------------|----------|--------------------------------------|--|
| Device controller | SYSSTS0  | LNST[1:0]                            | Value is saved in host controller mode   |
|                   | DVSTCTR0 | RHST[2:0]                            | -  |
|                   | INTSTS0  | DVSQ[2:0]                            | Value is saved in host controller mode   |
|                   | USBADDR  | USBADDR[6:0]                         | Value is saved in host controller mode   |
|                   | USBREQ   | BREQUEST[7:0],<br>BMREQUESTTYPE[7:0] | Value is saved in host controller mode   |
|                   | USBVAL   | WVALUE[15:0]                         | Value is saved in host controller mode   |
|                   | USBINDX  | WINDEX[15:0]                         | Value is saved in host controller mode   |
|                   | USBLENG  | WLENTUH[15:0]                        | Value is saved in host controller mode   |
| Host controller   | DVSTCTR0 | RHST[2:0]                            | -  |
|                   | FRMNUM   | FRNM[10:0]                           | Value is saved in device controller mode |

**DPRPU bit (D+ Line Resistor Control)**

The DPRPU bit enables or disables pulling up the D+ line in device controller mode.

When the DPRPU bit is set to 1 in device controller mode, the USBFS pulls up the D+ line to notify the USB host that it attached. Changing the DPRPU bit from 1 to 0 releases the pull-up, thereby notifying the USB host that it detached.

Set this bit to 1 in device controller mode and to 0 in host controller mode.

**DRPD bit (D+/D- Line Resistor Control)**

The DRPD bit enables or disables pulling down D+ and D- lines in host controller mode.

Set this bit to 1 in host controller mode and to 0 in device controller mode.

**DCFM bit (Controller Function Select)**

The DCFM bit selects the host or device function of the USBFS.

Only change this bit when the DPRPU and DRPD bits are both 0.

**SCKE bit (USB Clock Enable)**

The SCKE bit stops or enables the 48-MHz clock supply to the USBFS.

When this bit is 0, only SYSCFG is permitted to be read from and written to. The other registers related to the USB should not be read from or written to.

**31.2.2 System Configuration Status Register 0 (SYSSTS0)**

Address(es): USBFS.SYSSTS0 4009 0004h

| Bit      | Symbol      | Bit name  | Description  | R/W |
|----------|-------------|---|--|-----|
| b15, b14 | OVCMON[1:0] | External USB_OVRCURA/<br>USB_OVRCURB Input Pin<br>Monitor | OVCMON[1] indicates the USB_OVRCURA pin status.<br>OVCMON[0] indicates the USB_OVRCURB pin status. | R   |
| b13, b12 | —           | Reserved  | These bits are read as 0 and cannot be modified  | R   |
| b11, b10 | —           | Reserved  | These bits are read as 0 and cannot be modified  | R   |
| b9, b8   | —           | Reserved  | These bits are read as 0 and cannot be modified  | R   |
| b7       | HTACT       | USB Host Sequencer Status<br>Monitor                      | 0: Host sequencer completely stopped<br>1: Host sequencer not completely stopped.                  | R   |
| b6       | SOFEA       | Active Monitor When the Host<br>Controller Is Selected    | 0: SOF output stopped<br>1: SOF output operating.  | R   |
| b4, b3   | —           | Reserved  | These bits are read as 0 and cannot be modified  | R   |
| b2       | IDMON       | External ID0 Input Pin Monitor                            | 0: USB_ID pin is low<br>1: USB_ID pin is high.   | R   |
| b1, b0   | LNST[1:0]   | USB Data Line Status Monitor                              | Indicates the status of the USB data lines. See Table 31.4   | R   |

Value after reset:

0<sup>\*1</sup> 0<sup>\*1</sup> 0 0 0 0 0 0 0 0 0 0 0 0 0<sup>\*1</sup> 0 0

| Bit       | Symbol      | Bit name  | Description  | R/W |
|-----------|-------------|---|--|-----|
| b1, b0    | LNST[1:0]   | USB Data Line Status Monitor                              | Indicates the status of the USB data lines. See Table 31.4   | R   |
| b2        | IDMON       | External ID0 Input Pin Monitor                            | 0: USB_ID pin is low<br>1: USB_ID pin is high.   | R   |
| b4, b3    | —           | Reserved  | These bits are read as 0 and cannot be modified  | R   |
| b5        | SOFEA       | Active Monitor When the Host<br>Controller Is Selected    | 0: SOF output stopped<br>1: SOF output operating.  | R   |
| b6        | HTACT       | USB Host Sequencer Status<br>Monitor                      | 0: Host sequencer completely stopped<br>1: Host sequencer not completely stopped.                  | R   |
| b13 to b7 | —           | Reserved  | These bits are read as 0 and cannot be changed   | R   |
| b15, b14  | OVCMON[1:0] | External USB_OVRCURA/<br>USB_OVRCURB Input Pin<br>Monitor | OVCMON[1] indicates the USB_OVRCURA pin status.<br>OVCMON[0] indicates the USB_OVRCURB pin status. | R   |

Note 1. Depends on the status of the USB\_OVRCURA, USB\_OVRCURB, and USB\_ID pins.

**LNST[1:0] bits (USB Data Line Status Monitor)**

The LNST[1:0] bits indicate the state of the USB data lines, D+ and D-. For details, see Table 31.4.

In device controller mode, read the LNST[1:0] bits after connection processing (SYSCFG.DPRPU bit = 1). In host controller mode, read them after enabling the pull-down of the lines (SYSCFG.DRPD bit = 1).

**Table 31.4 Status of the USB data bus lines (D+ and D-)**

| LNST[1:0] bits | During full-speed operation | During low-speed operation |
|----------------|-----------------------------|----------------------------|
| 00b            | SE0                         | SE0                        |
| 01b            | J-State                     | K-State                    |
| 10b            | K-State                     | J-State                    |
| 11b            | SE1                         | SE1                        |

**SOFEA bit (Active Monitor When the Host Controller Is Selected)**

The SOFEA bit is used in host controller mode to check whether the output of the last SOF is complete when the USBFS is suspended because of a 0 setting in the DVSTCTR0.UACT bit.

In host controller mode, check that both the HTACT and SOFEA bits are 0 before setting the SYSCFG.USBE bit to 0 to stop the USBFS, or before setting the SYSCFG.SCKE bit to 0 to stop the clock signal supply during communication.

**HTACT bit (USB Host Sequencer Status Monitor)**

The HTACT bit is set to 0 when the host sequencer of the USBFS is completely stopped.

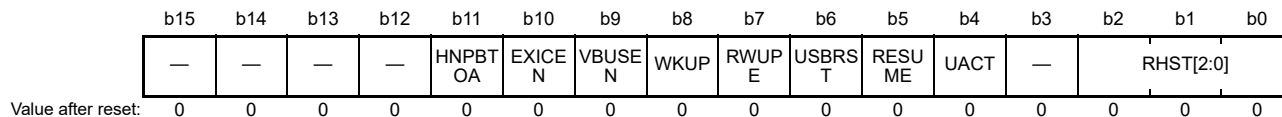
In host controller mode, check that the HTACT bit is 0 before setting the DVSTCTR0.UACT bit to 0 to place the USBFS in a suspended state, or before setting the SCKE bit to 0 to stop the clock signal supply during communication.

**OVCMON[1:0] bits (External USB\_OVRCURA/ USB\_OVRCURB Input Pin Monitor)**

The OVCMON[1:0] bits indicate the status of the overcurrent signals from an external power supply IC.

**31.2.3 Device State Control Register 0 (DVSTCTR0)**

Address(es): USBFS.DVSTCTR0 4009 0008h



| Bit      | Symbol    | Bit name                | Description   | R/W |
|----------|-----------|-------------------------|---|-----|
| b2 to b0 | RHST[2:0] | USB Bus Reset Status    | <ul style="list-style-type: none"> <li>In host controller mode:                             <ul style="list-style-type: none"> <li>b2 b0 0 0 0: Communication speed indeterminate (powered state or no connection)</li> <li>1 x x: USB bus reset in progress</li> <li>0 0 1: Low-speed connection</li> <li>0 1 0: Full-speed connection.</li> </ul> </li> <li>In device controller mode:                             <ul style="list-style-type: none"> <li>b2 b0 0 0 0: Communication speed indeterminate</li> <li>0 0 1: USB bus reset in progress</li> <li>0 1 0: USB bus reset in progress or full-speed connection.</li> </ul> </li> </ul> | R   |
| b3       | —         | Reserved                | This bit is read as 0. The write value should be 0.   | R/W |
| b4       | UACT      | USB Bus Enable          | 0: Disable downstream port (disable SOF transmission)<br>1: Enable downstream port (enable SOF transmission).   | R/W |
| b5       | RESUME    | Resume Output           | 0: Do not output resume signal<br>1: Output resume signal.  | R/W |
| b6       | USBRS     | USB Bus Reset Output    | 0: Do not output USB bus reset signal<br>1: Output USB bus reset signal.  | R/W |
| b7       | RWUPE     | Wakeup Detection Enable | 0: Disable downstream port remote wakeup<br>1: Enable downstream port remote wakeup.  | R/W |

| Bit        | Symbol  | Bit name                                | Description   | R/W |
|------------|---------|---|---|-----|
| b8         | WKUP    | Wakeup Output                           | 0: Do not output remote wakeup signal<br>1: Output remote wakeup signal.  | R/W |
| b9         | VBUSEN  | USB_VBUSEN Output Pin Control           | 0: Output low on external USB_VBUSEN pin<br>1: Output high on external USB_VBUSEN pin.  | R/W |
| b10        | EXICEN  | USB_EXICEN Output Pin Control           | 0: Output low on external USB_EXICEN pin<br>1: Output high on external USB_EXICEN pin.  | R/W |
| b11        | HNPBTOA | Host Negotiation Protocol (HNP) Control | Use this bit when switching from device B to device A in OTG mode. If the HNPBTOA bit is 1, the internal function control remains in the suspended state until the HNP processing ends even if SYSCFG.DPRPU = 0 or SYSCFG.DCFM = 1. | R/W |
| b15 to b12 | —       | Reserved                                | These bits are read as 0. The write value should be 0.  | R/W |

x: Don't care

The USBFS controller does not support low-speed connections in device controller mode. When this value is read, abnormal connection processing must be executed in higher level application software.

### RHST[2:0] bits (USB Bus Reset Status)

The RHST[2:0] bits indicate the status of the USB bus reset.

In host controller mode, writing 1 to the USBRST bit causes the RHST[2:0] bits to set to 100b. When 0 is written to the USBRST bit and the USBFS ends the SE0 state, the RHST[2:0] bits update to a new value.

In device controller mode, if the USBFS detects a USB bus reset, the RHST[2:0] bits indicate 010b if the DPRPU bit is 1, and a DVST interrupt is generated.

### UACT bit (USB Bus Enable)

When set to 1 in host controller mode, the UACT bit enables USB bus operation by controlling SOF packet transmission to the USB bus in addition to data and reception. The USBFS starts SOF packet output within one frame period after the UACT bit is set to 1. When UACT is set to 0, the USBFS enters the idle state after the SOF packet output.

The USBFS sets the UACT bit to 0 on any of the following conditions:

- A DTCH interrupt is detected during communication (when UACT = 1)
- An EOFERR interrupt is detected during communication (when UACT = 1).

Always write 1 to the UACT bit at the end of the USB bus reset processing (writing 0 to the USBRST bit) or at the end of resume processing from the suspended state (writing 0 to the RESUME bit).

In device controller mode, always set this bit to 0.

### RESUME bit (Resume Output)

The RESUME bit controls the resume signal output in host controller mode.

When this bit is set to 1, the USBFS drives the USB port to the K-state and outputs the resume signal. The USBFS sets the bit to 1 on the detection of a remote wakeup signal while the RWUPE bit is 1, and in the USB suspend state.

The USBFS continues outputting the K-state while the RESUME bit is 1, until the bit is set to 0 by software. The RESUME bit must be 1 (resume period) for the time defined in the USB 2.0 specification. Only set this bit to 1 while the interface is in the suspended state. Write 1 to the UACT bit simultaneously with the end of the resume processing (writing 0 to the RESUME bit).

Always set this bit to 0 in device controller mode.

### USBRST bit (USB Bus Reset Output)

The USBRST bit controls the output of the USB bus signal in host controller mode. When this bit is set to 1, the USBFS drives the USB port to the SE0 state to reset the USB bus. The USBFS continues outputting SE0 while the USBRST bit is 1, until the bit is cleared to 0 by software. The USBRST bit must be 1 (USB bus reset period) for the time defined in the USB 2.0 specification. Writing 1 to the USBRST bit during communication (UACT bit = 1) or during resume processing (RESUME bit = 1) prevents the USBFS from starting the USB bus reset processing until both the UACT and

RESUME bits become 0. Write 1 to the UACT bit simultaneously with the end of the USB bus reset processing (writing 0 to the USBRST bit).

Always set this bit to 0 in device controller mode.

**RWUPE bit (Wakeup Detection Enable)**

The RWUPE bit enables or disables remote wakeup signals (resume signals) from downstream peripheral devices in host controller mode. When this bit is set to 1, the USBFS detects a remote wakeup signal (K-state for 2.5 μs) from a downstream peripheral device, and performs resume processing, driving the K-state.

When this bit is set to 0, the USBFS ignores remote wakeup signals (K-states) from peripheral devices connected to the USB port. Do not stop the internal clock when the RWUPE bit is 1, even in the suspended state (SYSCFG.SCKE bit must be set to 1).

Always set this bit to 0 in device controller mode.

**WKUP bit (Wakeup Output)**

The WKUP bit enables or disables remote wakeup signals (resume signals) to the USB bus in device controller mode.

The USBFS controls the output timing of the remote wakeup signals. When this bit is set to 1, the USBFS clears it to 0 after outputting the K-state for 10 ms. The USB 2.0 specification specifies that the USB bus idle state must be kept for 5 ms or longer before a remote wakeup signal is sent. If the USBFS writes 1 to the WKUP bit immediately after detecting the suspended state, the K-state is output after 2 ms.

Only write 1 to the WKUP bit when the device is in the suspended state (INTSTS0.DVSQ[2:0] bits = 1xxb) and the USB host enables the remote wakeup signal (RWUPE = 1). Do not stop the internal clock while this bit is 1, even in the suspended state (SYSCFG.SCKE bit must be set to 1).

Always set this bit to 0 in host controller mode.

**HNPBTOA bit (Host Negotiation Protocol (HNP) Control)**

The HNPBTOA bit is used when switching from device B to device A while in OTG mode.

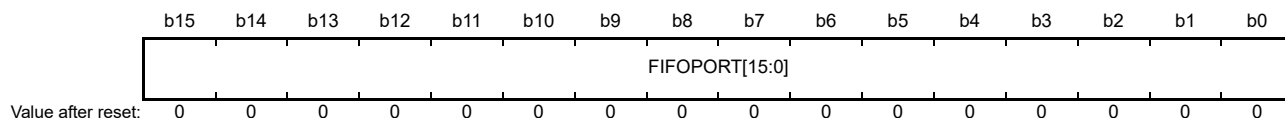
If the HNPBTOA bit is 1, the internal function control maintains the suspended state until HNP processing ends, even if the SYSCFG.DPRPU bit is set to 0 or the SYSCFG.DCFM bit is set to 1. Resume (RESM) interrupts are not generated even if a falling edge of D+ is detected.

The HNP processing ends when a host attach event is detected, because of a pull-up by the initiating party, or the HNPBTOA bit is set to 0 by software because the HNP processing times out.

**31.2.4 CFIFO Port Register (CFIFO/CFIFOL)  
D0FIFO Port Register (D0FIFO/D0FIFOL)  
D1FIFO Port Register (D1FIFO/D1FIFOL)**

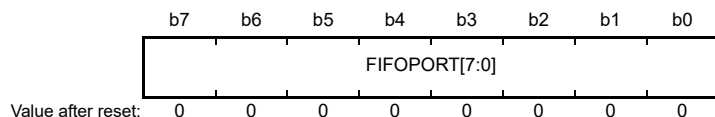
(1) When the MBW bit is 1

Address(es): USBFS.CFIFO 4009 0014h, USBFS.D0FIFO 4009 0018h, USBFS.D1FIFO 4009 001Ch



(2) When the MBW bit is 0

Address(es): USBFS.CFIFOL 4009 0014h, USBFS.D0FIFOL 4009 0018h, USBFS.D1FIFOL 4009 001Ch



| Bit       | Symbol                   | Bit name  | Description  | R/W |
|-----------|--------------------------|-----------|--|-----|
| b15 to b0 | <b>FIFOPORT[15:0]</b> *1 | FIFO Port | Read receive data from the FIFO buffer or write transmit data to the FIFO buffer by accessing these bits | R/W |

Note 1. The valid bits depend on the MBW settings (CFIFOSEL.MBW, D0FIFOSEL.MBW, and D1FIFOSEL.MBW) and BIGEND settings (CFIFOSEL.BIGEND, D0FIFOSEL.BIGEND, and D1FIFOSEL.BIGEND) in the associated port select register. See [Table 31.5](#) and [Table 31.6](#).

Three FIFO ports are available:

- CFIFO
- D0FIFO
- D1FIFO.

Each FIFO port is configured with:

- A port register (CFIFO, D0FIFO, or D1FIFO) that handles reading of data from the FIFO buffer and writing of data to the FIFO buffer
- A port select register (CFIFOSEL, D0FIFOSEL, or D1FIFOSEL) that selects the pipe assigned to the FIFO port
- A port control register (CFIFOCTR, D0FIFOCTR, or D1FIFOCTR).

Each FIFO port has the following constraints:

- Access to the FIFO buffer for DCP control transfers is through the CFIFO port
- Access to the FIFO buffer for DMA or DTC transfers is through the D0FIFO or D1FIFO port
- The D0FIFO and D1FIFO ports can also be accessed by the CPU
- When using functions specific to the FIFO port, such as the DMA or DTC transfer function, you cannot change the pipe number selected in the CURPIPE[3:0] bits of the port select register
- Registers configuring a FIFO port do not affect other FIFO ports
- The same pipe must not be assigned to two or more FIFO ports
- There are two FIFO buffer states, one giving access rights to the CPU and the other to the serial interface engine (SIE). When the SIE has access rights, the FIFO buffer cannot be accessed by the CPU.

### **FIFOPORT[15:0] bits (FIFO Port)**

When the FIFOPORT bit is accessed, the USBFS reads the received data from the FIFO buffer or writes the transmit data to the FIFO buffer. The FIFO port register can be accessed only when the FRDY bit in the associated port control register (CFIFOCTR, D0FIFOCTR, or D1FIFOCTR) is 1.

The valid bits in the FIFO port register depend on the MBW and BIGEND settings in the port select register (CFIFOSEL, D0FIFOSEL, or D1FIFOSEL). See [Table 31.5](#) and [Table 31.6](#).

**Table 31.5 Endian operation in 16-bit access**

| CFIFOSEL.BIGEND bit<br>D0FIFOSEL.BIGEND bit<br>D1FIFOSEL.BIGEND bit | Bits [15:8] | Bits [7:0] |
|---|-------------|------------|
| 0   | N + 1 data  | N + 0 data |
| 1   | N + 0 data  | N + 1 data |



**Table 31.6 Endian operation in 8-bit access**

| CFIFOSEL.BIGEND bit<br>D0FIFOSEL.BIGEND bit<br>D1FIFOSEL.BIGEND bit | Bits [15:8]         | Bits [7:0] |
|---|---------------------|------------|
| 0   | Access prohibited*1 | N + 0 data |
| 1   | Access prohibited*1 | N + 0 data |

Note 1. Writing to or reading from an access-prohibited area is not allowed.

### 31.2.5 CFIFO Port Select Register (CFIFOSEL) D0FIFO Port Select Register (D0FIFOSEL) D1FIFO Port Select Register (D1FIFOSEL)

#### CFIFOSEL

Address(es): USBFS.CFIFOSEL 4009 0020h

|                    | b15  | b14 | b13 | b12 | b11 | b10 | b9 | b8     | b7 | b6 | b5   | b4 | b3           | b2 | b1 | b0 |
|--------------------|------|-----|-----|-----|-----|-----|----|--------|----|----|------|----|--------------|----|----|----|
|                    | RCNT | REW | —   | —   | —   | MBW | —  | BIGEND | —  | —  | ISEL | —  | CURPIPE[3:0] |    |    |    |
| Value after reset: | 0    | 0   | 0   | 0   | 0   | 0   | 0  | 0      | 0  | 0  | 0    | 0  | 0            | 0  | 0  | 0  |

| Bit        | Symbol                        | Bit name   | Description  | R/W |
|------------|-------------------------------|--|--|-----|
| b3 to b0   | <a href="#">CURPIPE [3:0]</a> | CFIFO Port Access Pipe Specification             | b3 b0<br>0 0 0 0: DCP (default control pipe)<br>0 0 0 1: Pipe 1<br>0 0 1 0: Pipe 2<br>0 0 1 1: Pipe 3<br>0 1 0 0: Pipe 4<br>0 1 0 1: Pipe 5<br>0 1 1 0: Pipe 6<br>0 1 1 1: Pipe 7<br>1 0 0 0: Pipe 8<br>1 0 0 1: Pipe 9.<br>Other settings are prohibited.   | R/W |
| b4         | —                             | Reserved   | This bit is read as 0. The write value should be 0.  | R/W |
| b5         | <a href="#">ISEL</a>          | CFIFO Port Access Direction When DCP Is Selected | 0: Select reading from the FIFO buffer<br>1: Select writing to the FIFO buffer.  | R/W |
| b7, b6     | —                             | Reserved   | These bits are read as 0. The write value should be 0.   | R/W |
| b8         | <a href="#">BIGEND</a>        | CFIFO Port Endian Control                        | 0: Little endian<br>1: Big endian.   | R/W |
| b9         | —                             | Reserved   | This bit is read as 0. The write value should be 0.  | R/W |
| b10        | <a href="#">MBW</a>           | CFIFO Port Access Bit Width                      | 0: 8-bit width<br>1: 16-bit width.   | R/W |
| b13 to b11 | —                             | Reserved   | These bits are read as 0. The write value should be 0.   | R/W |
| b14        | <a href="#">REW</a>           | Buffer Pointer Rewind                            | 0: Do not rewind buffer pointer<br>1: Rewind buffer pointer.   | W*1 |
| b15        | <a href="#">RCNT</a>          | Read Count Mode                                  | 0: The DTLN[8:0] bits (CFIFOCTR.DTLN[8:0], D0FIFOCTR.DTLN[8:0], D1FIFOCTR.DTLN[8:0]) are cleared when all receive data is read from the CFIFO. In double buffer mode, the DTLN[8:0] value is cleared when all data is read from only a single plane.<br>1: The DTLN[8:0] bits are decremented each time the receive data is read from the CFIFO. | R/W |

Note 1. Only 0 can be read.

Do not specify the same pipe number that is in the CURPIPE[3:0] bits, also in the CFIFOSEL, D0FIFOSEL, and D1FIFOSEL registers. When the CURPIPE[3:0] bits in the D0FIFOSEL and D1FIFOSEL registers are set to 0000b, no pipe is selected.

Do not change the pipe number while DMA or DTC transfer is enabled.

#### **CURPIPE[3:0] bits (CFIFO Port Access Pipe Specification)**

The CURPIPE[3:0] bits specify the pipe number to use for reading or writing data through the CFIFO port. After writing to these bits, read them to check that the written value agrees with the read value before proceeding to the next process. Do not set the same pipe number to the CURPIPE[3:0] bits in CFIFOSEL, D0FIFOSEL, and D1FIFOSEL.

During FIFO buffer access, the current access setting is maintained until the access is complete, even if software attempts to change the CURPIPE[3:0] setting.

#### **ISEL bit (CFIFO Port Access Direction When DCP Is Selected)**

After writing a new value to the ISEL bit with DCP as the selected pipe, read the ISEL bit to check that the written value agrees with the read value before proceeding to the next process. Set the ISEL and CURPIPE[3:0] bits simultaneously.

#### **MBW bit (CFIFO Port Access Bit Width)**

The MBW bit specifies the bit width for accessing the CFIFO port.

When the selected pipe is receiving, set the CURPIPE[3:0] and MBW bits simultaneously. After a write to these bits starts a data read from the FIFO buffer, do not change the bits until all of the data is read. When reading the FIFO buffer, read with the access size that is set in MBW.

When the selected pipe is transmitting, the bit width cannot be changed from 8-bit to 16-bit while data is being written to the FIFO buffer.

An odd number of bytes can also be written through byte-access control even when 16-bit width is selected.

#### **REW bit (Buffer Pointer Rewind)**

The REW bit specifies whether to rewind the buffer pointer.

When the selected pipe is receiving, setting this bit to 1 while the FIFO buffer is being read allows re-reading of the FIFO buffer from the first data. In double buffering, this setting enables re-reading of the currently-read FIFO buffer plane from the first entry.

Do not set this bit to 1 while simultaneously changing the CURPIPE[3:0] bits. Before setting the REW bit to 1, be sure to check that the FRDY bit is 1.

To rewrite to the FIFO buffer from the first data unit for the transmitting pipe, use the BCLR bit.

**D0FIFOSEL, D1FIFOSEL**

Address(es): USBFS.D0FIFOSEL 4009 0028h, USBFS.D1FIFOSEL 4009 002Ch

|  |     |       |       |     |     |    |        |    |    |    |    |              |    |    |    |
|--|-----|-------|-------|-----|-----|----|--------|----|----|----|----|--------------|----|----|----|
| b15  | b14 | b13   | b12   | b11 | b10 | b9 | b8     | b7 | b6 | b5 | b4 | b3           | b2 | b1 | b0 |
| RCNT   | REW | DCLRM | DREQE | —   | MBW | —  | BIGEND | —  | —  | —  | —  | CURPIPE[3:0] |    |    |    |
| Value after reset: 0 0 0 0 0 0 0 0 0 0 0 0 0 0 0 0 |     |       |       |     |     |    |        |    |    |    |    |              |    |    |    |

| Bit      | Symbol                  | Bit name   | Description  | R/W   |
|----------|-------------------------|--|--|-------|
| b3 to b0 | <b>CURPIPE</b><br>[3:0] | FIFO Port Access Pipe Specification                                      | b3 b0<br>0 0 0 0: No pipe specification<br>0 0 0 1: Pipe 1<br>0 0 1 0: Pipe 2<br>0 0 1 1: Pipe 3<br>0 1 0 0: Pipe 4<br>0 1 0 1: Pipe 5<br>0 1 1 0: Pipe 6<br>0 1 1 1: Pipe 7<br>1 0 0 0: Pipe 8<br>1 0 0 1: Pipe 9.<br>Other settings are prohibited.                                | R/W   |
| b7 to b4 | —                       | Reserved   | These bits are read as 0. The write value should be 0.   | R/W   |
| b8       | <b>BIGEND</b>           | FIFO Port Endian Control   | 0: Little endian<br>1: Big endian.   | R/W   |
| b9       | —                       | Reserved   | This bit is read as 0. The write value should be 0.  | R/W   |
| b10      | <b>MBW</b>              | FIFO Port Access Bit Width   | 0: 8-bit width<br>1: 16-bit width.   | R/W   |
| b11      | —                       | Reserved   | This bit is read as 0. The write value should be 0.  | R/W   |
| b12      | <b>DREQE</b>            | DMA/DTC Transfer Request Enable  | 0: Disable DMA/DTC transfer request<br>1: Enable DMA/DTC transfer request.   | R/W   |
| b13      | <b>DCLRM</b>            | Auto Buffer Memory Clear Mode Accessed after Specified Pipe Data is Read | 0: Disable auto buffer clear mode<br>1: Enable auto buffer clear mode.   | R/W   |
| b14      | <b>REW</b>              | Buffer Pointer Rewind  | 0: Do not rewind buffer pointer<br>1: Rewind buffer pointer.   | R/W*1 |
| b15      | <b>RCNT</b>             | Read Count Mode  | 0: Clear DTLN[8:0] bits in (CFIFOCTR.DTLN[8:0], D0FIFOCTR.DTLN[8:0], D1FIFOCTR.DTLN[8:0]) when all receive data is read from DnFIFO (after the read of a single plane in double buffer mode)<br>1: Decrement DTLN[8:0] bits each time receive data is read from DnFIFO.<br>n = 0, 1. | R/W   |

Note 1. Only 0 can be read.

The same pipe must not be specified in the CURPIPE[3:0] bits in CFIFOSEL, D0FIFOSEL, and D1FIFOSEL registers. When the CURPIPE[3:0] bits in D0FIFOSEL and D1FIFOSEL registers are set to 0000b, no pipe is selected. The pipe number must not be changed while DMA or DTC transfer is enabled.

**CURPIPE[3:0] bits (FIFO Port Access Pipe Specification)**

The CURPIPE[3:0] bits specify the pipe number to use for reading or writing data through the DnFIFO port. After writing to these bits, read them to check that the written value agrees with the read value before proceeding to the next process. Do not set the same pipe number to the CURPIPE[3:0] bits in CFIFOSEL, D0FIFOSEL, and D1FIFOSEL.

During FIFO buffer access, the current access setting is maintained until the access is complete, even if software attempts to change the CURPIPE[3:0] setting.

**MBW bit (FIFO Port Access Bit Width)**

The MBW bit specifies the bit width for accessing the DnFIFO port.

When the selected pipe is receiving, after a write to these bits starts a data read from the FIFO buffer, do not change the bits until all of the data is read. Set the CURPIPE[3:0] and MBW bits simultaneously. When reading the FIFO buffer, read using the access size that is set in MBW.

When the selected pipe is transmitting, the bit width cannot be changed from 8-bit to 16-bit while data is being written to the FIFO buffer.

An odd number of bytes can also be written through byte-access control even when 16-bit width is selected.

**DREQE bit (DMA/DTC Transfer Request Enable)**

The DREQE bit enables or disables the issuing of DMA or DTC transfer requests. To enable DMA or DTC transfer requests, set this bit to 1 after setting the CURPIPE[3:0] bits. To change the CURPIPE[3:0] setting, first set this bit to 0.

**DCLRM bit (Auto Buffer Memory Clear Mode Accessed after Specified Pipe Data is Read)**

The DCLRM bit enables or disables automatic FIFO buffer clearing after the data in the selected pipe is read.

When this bit is set to 1, on receiving a zero-length packet while the FIFO buffer assigned to the selected pipe is empty, or when reading of a received short packet is complete while the PIPECFG.BFRE bit is 1, the USBFS sets the BCLR bit in the FIFO Port Control Register to 1.

When using the USBFS with the SOFCFG.BRDYM bit set to 1, set this bit to 0.

**REW bit (Buffer Pointer Rewind)**

The REW bit specifies whether to rewind the buffer pointer.

When the selected pipe is receiving, setting this bit to 1 while the FIFO buffer is being read allows re-reading of the FIFO buffer from the first data. In double buffering, this setting enables re-reading of the currently-read FIFO buffer plane from the first entry.

Do not set this bit to 1 while simultaneously changing the CURPIPE[3:0] bits. Before setting the bit to 1, be sure to check that the FRDY bit is 1.

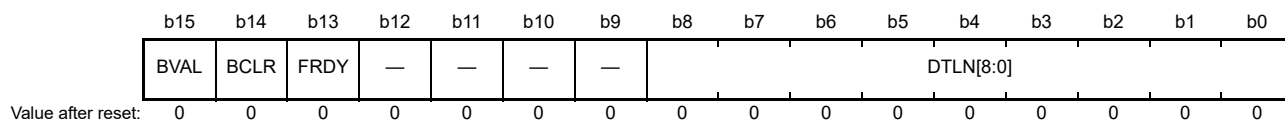
To rewrite to the FIFO buffer from the first data for the transmitting pipe, use the BCLR bit.

**RCNT bit (Read Count Mode)**

The RCNT bit specifies the read mode for the value in the CFIFOCTR.DTLN bit. When accessing DnFIFO with the PIPECFG.BFRE bit set to 1, set the RCNT bit to 0.

### 31.2.6 CFIFO Port Control Register (CFIFOCTR) D0FIFO Port Control Register (D0FIFOCTR) D1FIFO Port Control Register (D1FIFOCTR)

Address(es): USBFS.CFIFOCTR 4009 0022h, USBFS.D0FIFOCTR 4009 002Ah, USBFS.D1FIFOCTR 4009 002Eh



| Bit       | Symbol    | Bit name            | Description  | R/W |
|-----------|-----------|---------------------|--|-----|
| b8 to b0  | DTLN[8:0] | Receive Data Length | Indicates the receive data length.<br>The meaning of the values differs depending on the RCNT bit setting in the port select register. For details, see the description of the DTLN[8:0] bits. | R   |
| b12 to b9 | —         | Reserved            | These bits are read as 0. The write value should be 0.   | R/W |

| Bit | Symbol | Bit name                 | Description  | R/W               |
|-----|--------|--------------------------|--|-------------------|
| b13 | FRDY   | FIFO Port Ready          | 0: FIFO port access disabled<br>1: FIFO port access enabled. | R                 |
| b14 | BCLR   | CPU Buffer Clear         | 0: No operation<br>1: Clear FIFO buffer on the CPU side.     | R/W <sup>*1</sup> |
| b15 | BVAL   | Buffer Memory Valid Flag | 0: Invalid (writing 0 has no effect)<br>1: Writing ended.    | R/W               |

Note 1. Only 0 can be read.

CFIFOCTR, D0FIFOCTR, and D1FIFOCTR registers correspond to the CFIFO, D0FIFO, and D1FIFO buffers.

### DTLN[8:0] bits (Receive Data Length)

The DTLN[8:0] bits indicate the length of the receive data.

While the FIFO buffer is being read, the DTLN[8:0] bits indicate different values depending on the DnFIFOSEL.RCNT bit (n = 0, 1), as follows:

- RCNT = 0  
The USBFS sets the DTLN[8:0] bits to indicate the length of the receive data until the CPU or DMA/DTC has read all of the received data from a single FIFO buffer plane.  
While the PIPECFG.BFRE bit = 1, the USBFS retains the length of the receive data until the BCLR bit is set to 1, even after all the data is read.
- RCNT = 1  
The USBFS decrements the value indicated in the DTLN[8:0] bits each time data is read from the FIFO buffer. The value is decremented by 1 when MBW = 0, and by 2 when MBW = 1.  
The USBFS sets these bits to 0 when all the data is read from one FIFO buffer plane. In double buffer mode, if data is received in one FIFO buffer plane before all of the data is read from the other plane, the USBFS sets these bits to indicate the length of the receive data in the former plane when all of the data is read from the latter plane.

### FRDY bit (FIFO Port Ready)

The FRDY bit indicates whether the FIFO port can be accessed by the CPU or DMA/DTC.

In the following cases, the USBFS sets the FRDY bit to 1 but data cannot be read through the FIFO port because there is no data to be read:

- A zero-length packet is received when the FIFO buffer assigned to the selected pipe is empty
- A short packet is received and the data is completely read while the PIPECFG.BFRE bit = 1.

In these cases, set the BCLR bit to 1 to clear the FIFO buffer, and enable transmission and reception of the next data.

### BCLR bit (CPU Buffer Clear)

Set the BCLR bit to 1 to clear the FIFO buffer on the CPU side for the selected pipe.

When double buffer mode is set for the FIFO buffer assigned to the selected pipe, the USBFS clears only one plane of the FIFO buffer even when both planes are read-enabled.

When the DCP is the selected pipe, setting the BCLR bit to 1 allows the USBFS to clear the FIFO buffer regardless of whether the CPU or SIE has access rights. To clear the buffer when the SIE has access rights, set the DCPCTR.PID[1:0] bits to 00b (NAK response) before setting the BCLR bit to 1.

When the selected pipe is transmitting, if 1 is written to the BVAL flag and the BCLR bit simultaneously, the USBFS clears the data that is already written, enabling the transmission of a zero-length packet.

When the selected pipe is not the DCP, only write 1 to the BCLR bit while the FRDY bit in the FIFO Port Control Register is 1 (set by the USBFS).

### BVAL flag (Buffer Memory Valid Flag)

Set the BVAL flag to 1 when data is completely written to the FIFO buffer on the CPU side for the pipe selected in CURPIPE[3:0].

When the selected pipe is transmitting, set this flag to 1 in the following cases:

- To transmit a short packet, set this flag to 1 after data is written
- To transmit a zero-length packet, set this flag to 1 before data is written to the FIFO buffer.

The USBFS then switches the FIFO buffer from the CPU to the SIE, enabling transmission.

When data of the maximum packet size is written for the pipe in continuous transfer mode, the USBFS sets the BVAL flag to 1 and switches the FIFO buffer from the CPU to the SIE, enabling transmission.

Only write 1 to the BVAL flag while the FRDY bit is 1 (set by the USBFS). When the selected pipe is receiving, do not set the BVAL flag to 1.

### 31.2.7 Interrupt Enable Register 0 (INTENB0)

Address(es): USBFS.INTENB0 4009 0030h

|                    | b15  | b14  | b13  | b12  | b11  | b10   | b9    | b8    | b7 | b6 | b5 | b4 | b3 | b2 | b1 | b0 |
|--------------------|------|------|------|------|------|-------|-------|-------|----|----|----|----|----|----|----|----|
|                    | VBSE | RSME | SOFE | DVSE | CTRE | BEMPE | NRDYE | BRDYE | —  | —  | —  | —  | —  | —  | —  | —  |
| Value after reset: | 0    | 0    | 0    | 0    | 0    | 0     | 0     | 0     | 0  | 0  | 0  | 0  | 0  | 0  | 0  | 0  |

| Bit      | Symbol | Bit name   | Description  | R/W |
|----------|--------|--|--|-----|
| b7 to b0 | —      | Reserved   | These bits are read as 0. The write value should be 0.       | R/W |
| b8       | BRDYE  | Buffer Ready Interrupt Enable                                    | 0: Disable interrupt request<br>1: Enable interrupt request. | R/W |
| b9       | NRDYE  | Buffer Not Ready Response Interrupt Enable                       | 0: Disable interrupt request<br>1: Enable interrupt request. | R/W |
| b10      | BEMPE  | Buffer Empty Interrupt Enable                                    | 0: Disable interrupt request<br>1: Enable interrupt request. | R/W |
| b11      | CTRE   | Control Transfer Stage Transition Interrupt Enable* <sup>1</sup> | 0: Disable interrupt request<br>1: Enable interrupt request. | R/W |
| b12      | DVSE   | Device State Transition Interrupt Enable* <sup>1</sup>           | 0: Disable interrupt request<br>1: Enable interrupt request. | R/W |
| b13      | SOFE   | Frame Number Update Interrupt Enable                             | 0: Disable interrupt request<br>1: Enable interrupt request. | R/W |
| b14      | RSME   | Resume Interrupt Enable* <sup>1</sup>                            | 0: Disable interrupt request<br>1: Enable interrupt request. | R/W |
| b15      | VBSE   | VBUS Interrupt Enable  | 0: Disable interrupt request<br>1: Enable interrupt request. | R/W |

Note 1. The RSME, DVSE, and CTRE bits can only be set to 1 in device controller mode. Do not set these bits to 1 in host controller mode.

When a status flag in the INTSTS0 register is set to 1 and the associated interrupt request enable bit setting in the INTENB0 register is 1, the USBFS issues a USBFS interrupt request.

Regardless of the INTENB0 register setting, the status flag in the INTSTS0 register is set to 1 in response to a state change that satisfies the associated condition.

When an interrupt request enable bit in the INTENB0 register is switched from 0 to 1 while the associated status flag in the INTSTS0 register is set to 1, a USBFS interrupt is requested.

### 31.2.8 Interrupt Enable Register 1 (INTENB1)

Address(es): USBFS.INTENB1 4009 0032h

|  |       |     |       |         |     |    |    |    |         |       |       |    |    |    |    |
|--|-------|-----|-------|---------|-----|----|----|----|---------|-------|-------|----|----|----|----|
| b15  | b14   | b13 | b12   | b11     | b10 | b9 | b8 | b7 | b6      | b5    | b4    | b3 | b2 | b1 | b0 |
| OVRCRE   | BCHGE | —   | DTCHE | ATTCH E | —   | —  | —  | —  | EOFERRE | SIGNE | SACKE | —  | —  | —  | —  |
| Value after reset: 0 0 0 0 0 0 0 0 0 0 0 0 0 0 0 0 |       |     |       |         |     |    |    |    |         |       |       |    |    |    |    |

| Bit       | Symbol  | Bit name   | Description  | R/W |
|-----------|---------|--|--|-----|
| b3 to b0  | —       | Reserved   | These bits are read as 0. The write value should be 0.       | R/W |
| b4        | SACKE   | Setup Transaction Normal Response Interrupt Enable | 0: Disable interrupt request<br>1: Enable interrupt request. | R/W |
| b5        | SIGNE   | Setup Transaction Error Interrupt Enable           | 0: Disable interrupt request<br>1: Enable interrupt request. | R/W |
| b6        | EOFERRE | EOF Error Detection Interrupt Enable               | 0: Disable interrupt request<br>1: Enable interrupt request. | R/W |
| b10 to b7 | —       | Reserved   | These bits are read as 0. The write value should be 0.       | R/W |
| b11       | ATTCH E | Connection Detection Interrupt Enable              | 0: Disable interrupt request<br>1: Enable interrupt request. | R/W |
| b12       | DTCHE   | Disconnection Detection Interrupt Enable           | 0: Disable interrupt request<br>1: Enable interrupt request. | R/W |
| b13       | —       | Reserved   | This bit is read as 0. The write value should be 0.          | R/W |
| b14       | BCHGE   | USB Bus Change Interrupt Enable                    | 0: Disable interrupt request<br>1: Enable interrupt request. | R/W |
| b15       | OVRCRE  | Overcurrent Input Change Interrupt Enable          | 0: Disable interrupt request<br>1: Enable interrupt request. | R/W |

Note: The bits in INTENB1 can only be set to 1 in host controller mode. Do not set these bits to 1 in device controller mode.

INTENB1 specifies the interrupt masks in host controller mode and for the setup transaction.

When a status flag in the INTSTS1 register sets to 1 and the associated interrupt request enable bit setting in the INTENB1 register is 1, the USBFS issues a USBFS interrupt request.

Regardless of the INTENB1 register setting, the status flag in the INTSTS1 register sets to 1 in response to a state change that satisfies the associated condition.

When an interrupt request enable bit in the INTENB1 register is switched from 0 to 1 while the associated status flag in the INTSTS1 register sets to 1, a USBFS interrupt is requested.

Do not enable interrupts in device controller mode.

### 31.2.9 BRDY Interrupt Enable Register (BRDYENB)

Address(es): USBFS.BRDYENB 4009 0036h

|  |     |     |     |     |     |             |             |             |             |             |             |             |             |             |             |
|--|-----|-----|-----|-----|-----|-------------|-------------|-------------|-------------|-------------|-------------|-------------|-------------|-------------|-------------|
| b15  | b14 | b13 | b12 | b11 | b10 | b9          | b8          | b7          | b6          | b5          | b4          | b3          | b2          | b1          | b0          |
| —  | —   | —   | —   | —   | —   | PIPE9B RDYE | PIPE8B RDYE | PIPE7B RDYE | PIPE6B RDYE | PIPE5B RDYE | PIPE4B RDYE | PIPE3B RDYE | PIPE2B RDYE | PIPE1B RDYE | PIPE0B RDYE |
| Value after reset: 0 0 0 0 0 0 0 0 0 0 0 0 0 0 0 0 |     |     |     |     |     |             |             |             |             |             |             |             |             |             |             |

| Bit | Symbol     | Bit name                         | Description  | R/W |
|-----|------------|----------------------------------|--|-----|
| b0  | PIPE0BRDYE | BRDY Interrupt Enable for Pipe 0 | 0: Disable interrupt request<br>1: Enable interrupt request. | R/W |

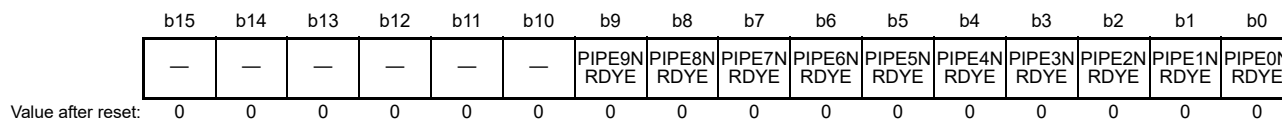
| Bit        | Symbol     | Bit name                         | Description  | R/W |
|------------|------------|----------------------------------|--|-----|
| b1         | PIPE1BRDYE | BRDY Interrupt Enable for Pipe 1 | 0: Disable interrupt request<br>1: Enable interrupt request. | R/W |
| b2         | PIPE2BRDYE | BRDY Interrupt Enable for Pipe 2 | 0: Disable interrupt request<br>1: Enable interrupt request. | R/W |
| b3         | PIPE3BRDYE | BRDY Interrupt Enable for Pipe 3 | 0: Disable interrupt request<br>1: Enable interrupt request. | R/W |
| b4         | PIPE4BRDYE | BRDY Interrupt Enable for Pipe 4 | 0: Disable interrupt request<br>1: Enable interrupt request. | R/W |
| b5         | PIPE5BRDYE | BRDY Interrupt Enable for Pipe 5 | 0: Disable interrupt request<br>1: Enable interrupt request. | R/W |
| b6         | PIPE6BRDYE | BRDY Interrupt Enable for Pipe 6 | 0: Disable interrupt request<br>1: Enable interrupt request. | R/W |
| b7         | PIPE7BRDYE | BRDY Interrupt Enable for Pipe 7 | 0: Disable interrupt request<br>1: Enable interrupt request. | R/W |
| b8         | PIPE8BRDYE | BRDY Interrupt Enable for Pipe 8 | 0: Disable interrupt request<br>1: Enable interrupt request. | R/W |
| b9         | PIPE9BRDYE | BRDY Interrupt Enable for Pipe 9 | 0: Disable interrupt request<br>1: Enable interrupt request. | R/W |
| b15 to b10 | —          | Reserved                         | These bits are read as 0. The write value should be 0.       | R/W |

The BRDYENB register enables or disables the INTSTS0.BRDY bit to be set to 1 when a BRDY interrupt is detected for each pipe.

When a status flag in the BRDYSTS register sets to 1 and the associated PIPE<sub>n</sub>BRDYE bit (n = 0 to 9) setting in the BRDYENB register is 1, the INTSTS0.BRDY flag sets to 1. In this case, if the BRDYE bit in INTENB0 is 1, the USBFS generates a BRDY interrupt request. While at least one PIPE<sub>n</sub>BRDY bit indicates 1, the USB generates the BRDY interrupt request when the associated interrupt request enable bit in the BRDYENB register is changed from 0 to 1 by software.

### 31.2.10 NRDY Interrupt Enable Register (NRDYENB)

Address(es): USBFS.NRDYENB 4009 0038h



| Bit | Symbol     | Bit name                         | Description  | R/W |
|-----|------------|----------------------------------|--|-----|
| b0  | PIPE0NRDYE | NRDY Interrupt Enable for Pipe 0 | 0: Disable interrupt request<br>1: Enable interrupt request. | R/W |
| b1  | PIPE1NRDYE | NRDY Interrupt Enable for Pipe 1 | 0: Disable interrupt request<br>1: Enable interrupt request. | R/W |
| b2  | PIPE2NRDYE | NRDY Interrupt Enable for Pipe 2 | 0: Disable interrupt request<br>1: Enable interrupt request. | R/W |
| b3  | PIPE3NRDYE | NRDY Interrupt Enable for Pipe 3 | 0: Disable interrupt request<br>1: Enable interrupt request. | R/W |
| b4  | PIPE4NRDYE | NRDY Interrupt Enable for Pipe 4 | 0: Disable interrupt request<br>1: Enable interrupt request. | R/W |
| b5  | PIPE5NRDYE | NRDY Interrupt Enable for Pipe 5 | 0: Disable interrupt request<br>1: Enable interrupt request. | R/W |
| b6  | PIPE6NRDYE | NRDY Interrupt Enable for Pipe 6 | 0: Disable interrupt request<br>1: Enable interrupt request. | R/W |
| b7  | PIPE7NRDYE | NRDY Interrupt Enable for Pipe 7 | 0: Disable interrupt request<br>1: Enable interrupt request. | R/W |



| Bit        | Symbol     | Bit name                         | Description  | R/W |
|------------|------------|----------------------------------|--|-----|
| b8         | PIPE8NRDYE | NRDY Interrupt Enable for Pipe 8 | 0: Disable interrupt request<br>1: Enable interrupt request. | R/W |
| b9         | PIPE9NRDYE | NRDY Interrupt Enable for Pipe 9 | 0: Disable interrupt request<br>1: Enable interrupt request. | R/W |
| b15 to b10 | —          | Reserved                         | These bits are read as 0. The write value should be 0.       | R/W |

The NRDYENB register enables or disables the INTSTS0.NRDY bit to be set to 1 when a NRDY interrupt is detected for each pipe.

When a status flag in the NRDYSTS register sets to 1 and the associated PIPE<sub>n</sub>NRDYE (n = 0 to 9) bit setting in the NRDYENB register is 1, the INTSTS0.NRDY flag sets to 1. In this case, if the NRDYE bit in INTENB0 is 1, the USBFS generates a NRDY interrupt request. While at least one PIPE<sub>n</sub>NRDY bit indicates 1, the USBFS generates the NRDY interrupt request when the associated interrupt request enable bit in the NRDYENB register is changed from 0 to 1 by software.

### 31.2.11 BEMP Interrupt Enable Register (BEMPENB)

Address(es): USBFS.BEMPENB 4009 003Ah

|                    | b15 | b14 | b13 | b12 | b11 | b10 | b9         | b8         | b7         | b6         | b5         | b4         | b3         | b2         | b1         | b0         |
|--------------------|-----|-----|-----|-----|-----|-----|------------|------------|------------|------------|------------|------------|------------|------------|------------|------------|
|                    | —   | —   | —   | —   | —   | —   | PIPE9BEMPE | PIPE8BEMPE | PIPE7BEMPE | PIPE6BEMPE | PIPE5BEMPE | PIPE4BEMPE | PIPE3BEMPE | PIPE2BEMPE | PIPE1BEMPE | PIPE0BEMPE |
| Value after reset: | 0   | 0   | 0   | 0   | 0   | 0   | 0          | 0          | 0          | 0          | 0          | 0          | 0          | 0          | 0          | 0          |

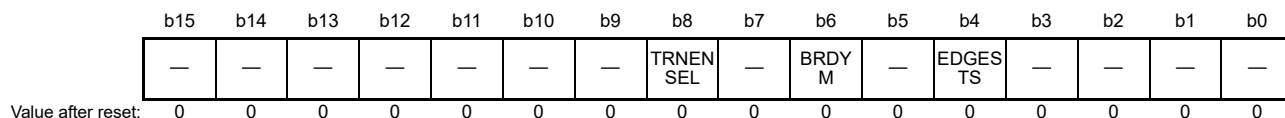
| Bit        | Symbol     | Bit name                         | Description  | R/W |
|------------|------------|----------------------------------|--|-----|
| b0         | PIPE0BEMPE | BEMP Interrupt Enable for Pipe 0 | 0: Disable interrupt request<br>1: Enable interrupt request. | R/W |
| b1         | PIPE1BEMPE | BEMP Interrupt Enable for Pipe 1 | 0: Disable interrupt request<br>1: Enable interrupt request. | R/W |
| b2         | PIPE2BEMPE | BEMP Interrupt Enable for Pipe 2 | 0: Disable interrupt request<br>1: Enable interrupt request. | R/W |
| b3         | PIPE3BEMPE | BEMP Interrupt Enable for Pipe 3 | 0: Disable interrupt request<br>1: Enable interrupt request. | R/W |
| b4         | PIPE4BEMPE | BEMP Interrupt Enable for Pipe 4 | 0: Disable interrupt request<br>1: Enable interrupt request. | R/W |
| b5         | PIPE5BEMPE | BEMP Interrupt Enable for Pipe 5 | 0: Disable interrupt request<br>1: Enable interrupt request. | R/W |
| b6         | PIPE6BEMPE | BEMP Interrupt Enable for Pipe 6 | 0: Disable interrupt request<br>1: Enable interrupt request. | R/W |
| b7         | PIPE7BEMPE | BEMP Interrupt Enable for Pipe 7 | 0: Disable interrupt request<br>1: Enable interrupt request. | R/W |
| b8         | PIPE8BEMPE | BEMP Interrupt Enable for Pipe 8 | 0: Disable interrupt request<br>1: Enable interrupt request. | R/W |
| b9         | PIPE9BEMPE | BEMP Interrupt Enable for Pipe 9 | 0: Disable interrupt request<br>1: Enable interrupt request. | R/W |
| b15 to b10 | —          | Reserved                         | These bits are read as 0. The write value should be 0.       | R/W |

The BEMPENB register enables or disables the INTSTS0.BEMP bit to be set to 1 when a BEMP interrupt is detected for each pipe.

When a status flag in the BEMPSTS register is set to 1 and the associated PIPE<sub>n</sub>BEMPE (n = 0 to 9) bit setting in the BEMPENB register is 1, the INTSTS0.BEMP flag sets to 1. In this case, if the BEMPE bit in INTENB0 is 1, the USBFS generates a BEMP interrupt request. While at least one PIPE<sub>n</sub>BEMP bit indicates 1, the USBFS generates the BEMP interrupt request when the associated interrupt request enable bit in the BEMPENB register is changed from 0 to 1 by software.

### 31.2.12 SOF Output Configuration Register (SOFCFG)

Address(es): [USBFS.SOFCFG 4009 003Ch](#)



| Bit       | Symbol                   | Bit name                               | Description  | R/W |
|-----------|--------------------------|--|--|-----|
| b3 to b0  | —                        | Reserved                               | These bits are read as 0. The write value should be 0.   | R/W |
| b4        | <a href="#">EDGESTS</a>  | Edge Interrupt Output Status Monitor*1 | Indicates 1 during the edge processing of an edge interrupt output signal  | R   |
| b5        | —                        | Reserved                               | This bit is read as 0. The write value should be 0.  | R/W |
| b6        | <a href="#">BRDYM</a>    | BRDY Interrupt Status Clear Timing     | 0: Clear BRDY flag by software<br>1: Clear BRDY flag by the USBFS through a data read from the FIFO buffer or data write to the FIFO buffer. | R/W |
| b7        | —                        | Reserved                               | This bit is read as 0. The write value should be 0.  | R/W |
| b8        | <a href="#">TRNENSEL</a> | Transaction-Enabled Time Select*1      | 0: Not low-speed communication<br>1: Low-speed communication.  | R/W |
| b15 to b9 | —                        | Reserved                               | These bits are read as 0. The write value should be 0.   | R/W |

Note 1. Confirm that these bits are 0 before stopping the clock supply to the USBFS.

#### [EDGESTS bit \(Edge Interrupt Output Status Monitor\)](#)

The EDGESTS bit indicates 1 during the edge processing of an edge interrupt output signal. Confirm that this bit is 0 before stopping the clock supply to the USBFS.

#### [BRDYM bit \(BRDY Interrupt Status Clear Timing\)](#)

The BRDYM bit specifies how the BRDY interrupt status flags for the pipes are cleared.

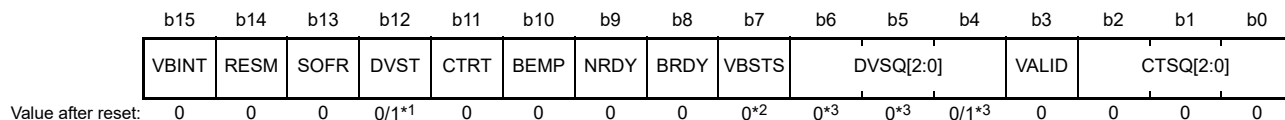
#### [TRNENSEL bit \(Transaction-Enabled Time Select\)](#)

When the USB port is in use for full-speed or low-speed communications, the TRNENSEL bit specifies the timing with which the USBFS issues tokens in a frame (transaction-enabled time).

Set this bit to 1 when a low-speed device is connected. The bit is only valid in host controller mode. Set this bit to 0 in device controller mode.

### 31.2.13 Interrupt Status Register 0 (INTSTS0)

Address(es): [USBFS.INTSTS0 4009 0040h](#)



| Bit      | Symbol                    | Bit name               | Description   | R/W |
|----------|---------------------------|------------------------|---|-----|
| b2 to b0 | <a href="#">CTSQ[2:0]</a> | Control Transfer Stage | b2 b0<br>0 0 0: Idle or setup stage<br>0 0 1: Control read data stage<br>0 1 0: Control read status stage<br>0 1 1: Control write data stage<br>1 0 0: Control write status stage<br>1 0 1: Control write (no data) status stage<br>1 1 0: Control transfer sequence error. | R   |

| Bit      | Symbol    | Bit name   | Description  | R/W   |
|----------|-----------|--|--|-------|
| b3       | VALID     | USB Request Reception                                | 0: Setup packet not received<br>1: Setup packet received.  | R/W*4 |
| b6 to b4 | DVSQ[2:0] | Device State   | Indicates the device state.<br>b6 b4<br>0 0 0: Powered state<br>0 0 1: Default state<br>0 1 0: Address state<br>0 1 1: Configured state<br>1 x x: Suspend state. | R     |
| b7       | VBSTS     | VBUS Input Status                                    | 0: USB_VBUS pin is low<br>1: USB_VBUS pin is high.   | R     |
| b8       | BRDY      | Buffer Ready Interrupt Status                        | 0: No BRDY interrupt occurred<br>1: BRDY interrupt occurred.   | R     |
| b9       | NRDY      | Buffer Not Ready Interrupt Status                    | 0: No NRDY interrupt occurred<br>1: NRDY interrupt occurred.   | R     |
| b10      | BEMP      | Buffer Empty Interrupt Status                        | 0: No BEMP interrupt occurred<br>1: BEMP interrupt occurred.   | R     |
| b11      | CTRT      | Control Transfer Stage Transition Interrupt Status*5 | 0: No control transfer stage transition interrupt occurred<br>1: Control transfer stage transition interrupt occurred.   | R/W*4 |
| b12      | DVST      | Device State Transition Interrupt Status*5           | 0: No device state transition interrupt occurred<br>1: Device state transition interrupt occurred.   | R/W*4 |
| b13      | SOFR      | Frame Number Refresh Interrupt Status                | 0: No SOF interrupt occurred<br>1: SOF interrupt occurred.   | R/W*4 |
| b14      | RESM      | Resume Interrupt Status*5,*6                         | 0: No resume interrupt occurred<br>1: Resume interrupt occurred.   | R/W*4 |
| b15      | VBINT     | VBUS Interrupt Status*6                              | 0: No VBUS interrupt occurred<br>1: VBUS interrupt occurred.   | R/W*4 |

x: Don't care

Note 1. The value is 0 when the MCU is reset and 1 after a USB bus reset.

Note 2. The value is 1 when the USB\_VBUS pin is high and 0 when the USB\_VBUS pin is low.

Note 3. The value is 000b when the MCU is reset and 001b after a USB bus reset.

Note 4. To clear the VBINT, RESM, SOFR, DVST, CTRT, or VALID bits, write 0 only to the bits to be cleared. Write 1 to the other bits. Do not write 0 to the status bits indicating 0.

Note 5. The status of the RESM, DVST, and CTRT bits are changed only in device controller mode. Set the associated interrupt enable bits to 0 (disabled) in host controller mode.

Note 6. The USBFS detects a change in the status indicated in the VBINT and RESM bits even while the clock supply is stopped (SCKE bit = 0), and it requests the interrupt when the associated interrupt request bit is 1. Enable the clock supply before clearing the status by software.

### CTSQ[2:0] bits (Control Transfer Stage)

In host controller mode, the read value of the CTSQ[2:0] bits is invalid.

### VALID bit (USB Request Reception)

In host controller mode, the read value of the VALID bit is invalid.

### DVSQ[2:0] bits (Device State)

The DVSQ[2:0] bits are initialized by a USB bus reset. In host controller mode, the read value is invalid.

### BRDY flag (Buffer Ready Interrupt Status)

The BRDY flag indicates the BRDY interrupt status.

The USBFS sets the BRDY bit to 1 when it detects a BRDY interrupt status (PIPE<sub>n</sub>BRDY = 1, n = 0 to 9) on at least one pipe for which BRDY interrupts are enabled (BRDYENB.PIPE<sub>n</sub>BRDYE = 1).

For the conditions that cause the PIPE<sub>n</sub>BRDY status to be asserted, see [section 31.3.3.1, BRDY interrupt](#).

The USBFS sets the BRDY bit to 0 when software writes 0 to all of the PIPE<sub>n</sub>BRDY bits associated with the PIPE<sub>n</sub>BRDYE bits that are set to 1. Writing 0 to the BRDY flag in software does not clear the flag.

**NRDY flag (Buffer Not Ready Interrupt Status)**

The NRDY flag indicates the NRDY interrupt status.

The USBFS sets the NRDY bit to 1 when it detects a NRDY interrupt status ( $\text{PIPE}n\text{NRDY} = 1, n = 0 \text{ to } 9$ ) on at least one pipe for which NRDY interrupts are enabled ( $\text{NRDYENB.PIPEnNRDYE} = 1$ ).

For the conditions that cause the  $\text{PIPE}n\text{NRDY}$  status to be asserted, see [section 31.3.3.2, NRDY interrupt](#).

The USBFS sets the NRDY bit to 0 when software writes 0 to all of the  $\text{PIPE}n\text{NRDY}$  bits associated with the  $\text{PIPE}n\text{NRDYE}$  bits that are set to 1. Writing 0 to the NRDY flag in software does not clear the flag.

**BEMP flag (Buffer Empty Interrupt Status)**

The BEMP flag indicates the BEMP interrupt status.

The USBFS sets the BEMP bit to 1 when it detects a BEMP interrupt status ( $\text{PIPE}n\text{BEMP} = 1, n = 0 \text{ to } 9$ ) on at least one pipe for which the BEMP interrupts are enabled ( $\text{BEMPENB.PIPEnBEMPE} = 1$ ).

For the conditions that cause the  $\text{PIPE}n\text{BEMP}$  status to be asserted, see [section 31.3.3.3, BEMP interrupt](#).

The USBFS sets the BEMP bit to 0 when software writes 0 to all of the  $\text{PIPE}n\text{BEMP}$  bits associated with the  $\text{PIPE}n\text{BEMPE}$  bits that are set to 1. Writing 0 to the BEMP flag in software does not clear the flag.

**CTRT flag (Control Transfer Stage Transition Interrupt Status)**

In device controller mode, the USBFS updates the value of the  $\text{CTSQ}[2:0]$  bits and sets the CTRT flag to 1 on detecting a transition in the control transfer stage. When a control transfer stage transition interrupt occurs, clear the CTRT flag before the USBFS detects the next control transfer stage transition.

Values read from the CTRT flag in host controller mode are invalid.

**DVST flag (Device State Transition Interrupt Status)**

In device controller mode, the USBFS updates the value of the  $\text{DVSQ}[2:0]$  bits and sets the DVST flag to 1 on detecting a change in the device state. When a device state transition interrupt occurs, clear the DVST flag before the USBFS detects the next device state transition.

Values read from the DVST flag in host controller mode are invalid.

**SOFR flag (Frame Number Refresh Interrupt Status)**

In host controller mode, the USBFS sets the SOFR flag to 1 on updating the frame number when the  $\text{DVSTCTR0.UACT}$  bit is set to 1 by software. A SOFR interrupt is detected every 1 ms.

In device controller mode, the USBFS sets the SOFR flag to 1 on updating the frame number. A frame number refresh interrupt is detected every 1 ms.

The USBFS can detect an SOFR interrupt through the internal interpolation function even when a corrupted SOF packet is received from the USB host.

**RESM flag (Resume Interrupt Status)**

In device controller mode, the USBFS sets the RESM flag to 1 on detecting the falling edge of the signal on the  $\text{USB\_DP}$  pin in the suspended state ( $\text{DVSQ}[2:0] = 1\text{xxb}$ ). Values read from the RESM flag in host controller mode are invalid.

**VBINT flag (VBUS Interrupt Status)**

The USBFS sets the VBINT flag to 1 on detecting a level change (high to low or low to high) in the  $\text{USB\_VBUS}$  pin input value. The USBFS sets the VBSTS flag to indicate the  $\text{USB\_VBUS}$  pin input value. When a VBUS interrupt occurs, eliminate transient elements by reading the VBSTS flag at least three times through software processing and check that the values read are the same.

### 31.2.14 Interrupt Status Register 1 (INTSTS1)

Address(es): USBFS.INTSTS1 4009 0042h

|                    |       |      |     |      |       |     |    |    |    |        |      |      |    |    |    |    |
|--------------------|-------|------|-----|------|-------|-----|----|----|----|--------|------|------|----|----|----|----|
|                    | b15   | b14  | b13 | b12  | b11   | b10 | b9 | b8 | b7 | b6     | b5   | b4   | b3 | b2 | b1 | b0 |
|                    | OVRCR | BCHG | —   | DTCH | ATTCH | —   | —  | —  | —  | EOFERR | SIGN | SACK | —  | —  | —  | —  |
| Value after reset: | 0     | 0    | 0   | 0    | 0     | 0   | 0  | 0  | 0  | 0      | 0    | 0    | 0  | 0  | 0  | 0  |

| Bit       | Symbol | Bit name   | Description  | R/W       |
|-----------|--------|--|--|-----------|
| b3 to b0  | —      | Reserved   | These bits are read as 0. The write value should be 0.           | R/W       |
| b4        | SACK   | Setup Transaction Normal Response Interrupt Status | 0: No SACK interrupt occurred<br>1: SACK interrupt occurred.     | R/W<br>*1 |
| b5        | SIGN   | Setup Transaction Error Interrupt Status           | 0: No SIGN interrupt occurred<br>1: SIGN interrupt occurred.     | R/W<br>*1 |
| b6        | EOFERR | EOF Error Detection Interrupt Status               | 0: No EOFERR interrupt occurred<br>1: EOFERR interrupt occurred. | R/W<br>*1 |
| b10 to b7 | —      | Reserved   | These bits are read as 0. The write value should be 0.           | R/W       |
| b11       | ATTCH  | ATTCH Interrupt Status                             | 0: No ATTCH interrupt occurred<br>1: ATTCH interrupt occurred.   | R/W<br>*1 |
| b12       | DTCH   | USB Disconnection Detection Interrupt Status       | 0: No DTCH interrupt occurred<br>1: DTCH interrupt occurred.     | R/W<br>*1 |
| b13       | —      | Reserved   | This bit is read as 0. The write value should be 0.              | R/W       |
| b14       | BCHG   | USB Bus Change Interrupt Status*2                  | 0: No BCHG interrupt occurred<br>1: BCHG interrupt occurred.     | R/W<br>*1 |
| b15       | OVRRCR | Overcurrent Input Change Interrupt Status*2        | 0: No OVRRCR interrupt occurred<br>1: OVRRCR interrupt occurred. | R/W<br>*1 |

Note 1. To clear the bits in INTSTS1, write 0 only to the bits to be cleared. Write 1 to the other bits.

Note 2. The USBFS detects a change in the status in the OVRRCR or BCHG bit even when the clock supply is stopped (SYSCFG.SCKE = 0), and it requests the interrupt when the associated interrupt request bit is 1. Enable the clock supply (SYSCFG.SCKE = 1) before clearing the status through software. No other interrupts can be detected while the clock supply is stopped (SYSCFG.SCKE bit = 0).

INTSTS1 is used to confirm the status of each interrupt in host controller mode. Only enable the status change interrupts indicated in the bits in INTSTS1 in host controller mode.

#### SACK flag (Setup Transaction Normal Response Interrupt Status)

The SACK flag indicates the status of the setup transaction normal response interrupt in host controller mode.

The USBFS detects the SACK interrupt and sets this flag to 1 when an ACK response is returned from a peripheral device during the setup transactions issued by the USBFS. If the associated interrupt enable bit is set to 1 by software, the USBFS generates the interrupt.

Values read from the SACK flag in device controller mode are invalid.

#### SIGN flag (Setup Transaction Error Interrupt Status)

The SIGN flag indicates the status of setup transaction error interrupts in host controller mode.

The USBFS detects the SIGN interrupt and sets this flag to 1 when an ACK response is not returned from a peripheral device three consecutive times during the setup transactions issued by the USBFS. If the associated interrupt enable bit is set to 1 by software, the USBFS generates the interrupt.

The USBFS detects the SIGN interrupt when any of the following response conditions occur for three consecutive setup transactions:

- Timeout is detected by the USBFS when the peripheral device has returned no response

- A corrupted ACK packet is received
- A handshake other than ACK (NAK, NYET, or STALL) is received.

Values read from the SIGN flag in device controller mode are invalid.

#### **EOFERR flag (EOF Error Detection Interrupt Status)**

The EOFERR flag indicates the status of the EOF error detection interrupts in host controller mode.

The USBFS detects the EOFERR interrupt and sets this flag to 1 on detecting that communication did not complete at the EOF2 timing defined in the USB 2.0 specification. If the associated interrupt enable bit is set to 1 by software, the USBFS generates the interrupt.

After detecting the EOFERR interrupt, the USBFS controls the hardware as follows, regardless of the associated interrupt enable bit setting:

- Sets the DVSTCTR0.UACT bit for the port in which the EOFERR interrupt was detected to 0
- Puts the port in which the EOFERR interrupt occurred into the idle state.

Software must terminate all pipes in which communications are currently being carried out and re-enumerate the USB port.

Values read from the EOFERR flag in device controller mode are invalid.

#### **ATTCH flag (ATTCH Interrupt Status)**

The ATTCH flag indicates the status of USB attach detection interrupts in host controller mode.

The USBFS detects the ATTCH interrupt and sets this flag to 1 on detecting a J- or K-state on the full- or low-speed signal level for 2.5  $\mu$ s. If the associated interrupt enable bit is set to 1 by software, the USBFS generates the interrupt.

The USBFS detects the ATTCH interrupt on any of the following conditions:

- K-state, SE0, or SE1 changes to J-state, and J-state continues for 2.5  $\mu$ s
- J-state, SE0, or SE1 changes to K-state, and K-state continues for 2.5  $\mu$ s.

Values read from the ATTCH flag in device controller mode are invalid.

#### **DTCH flag (USB Disconnection Detection Interrupt Status)**

The DTCH flag indicates the status of USB disconnection detection interrupts in host controller mode.

The USBFS detects the DTCH interrupt and sets this flag to 1 on detecting a USB bus detach event. If the associated interrupt enable bit is set to 1 by software, the USBFS generates the interrupt.

The USBFS detects bus detach events based on the USB 2.0 specification.

After detecting the DTCH interrupt, the USBFS controls hardware as follows, regardless of the associated interrupt enable bit setting:

- Sets the DVSTCTR0.UACT bit for the port in which the DTCH interrupt was detected to 0
- Puts the port in which the DTCH interrupt occurred into the idle state.

Software must terminate all pipes in which communications are being carried out and invoke the wait state for attaching to the USB port (waiting for ATTCH interrupt generation).

Values read from the DTCH flag in device controller mode are invalid.

#### **BCHG flag (USB Bus Change Interrupt Status)**

The BCHG flag indicates the status of the USB bus change interrupts in host controller mode.

The USBFS detects the BCHG interrupt and sets this flag to 1 when a change in the full- or low-speed signal level occurs on the USB port. This includes any change from J-state, K-state, or SE0 to J-state, K-state, or SE0. If the associated interrupt enable bit is set to 1 by software, the USBFS generates the interrupt.

The USBFS sets the LNST[1:0] bits to indicate the input state of the USB port. When a BCHG interrupt occurs, eliminate transient elements by repeat reading the LNST[1:0] bits through software until the same value is read at least

three times.

A change in the USB bus state can be detected while the internal clock is stopped.

Values read from the BCHG flag in device controller mode are invalid.

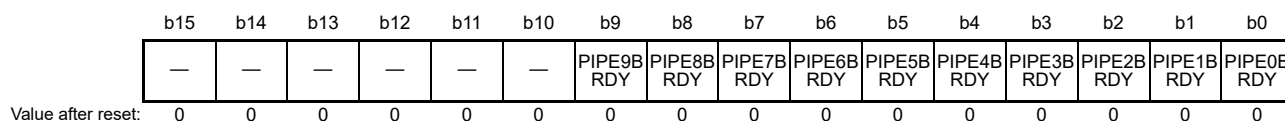
**OVRCCR flag (Overcurrent Input Change Interrupt Status)**

The OVRCCR flag indicates the status of USB\_OVRCURA and USB\_OVRCURB input pin change interrupts.

The USBFS detects the OVRCCR interrupt and sets this flag to 1 when a change (high to low or low to high) occurs in at least one of the input values to the USB\_OVRCURA and USB\_OVRCURB pins. If the associated interrupt enable bit is set to 1 by software, the USBFS generates the interrupt.

**31.2.15 BRDY Interrupt Status Register (BRDYSTS)**

Address(es): USBFS.BRDYSTS 4009 0046h



| Bit        | Symbol    | Bit name                           | Description  | R/W   |
|------------|-----------|------------------------------------|--|-------|
| b0         | PIPE0BRDY | BRDY Interrupt Status for Pipe 0*2 | 0: No BRDY interrupt occurred<br>1: BRDY interrupt occurred. | R/W*1 |
| b1         | PIPE1BRDY | BRDY Interrupt Status for Pipe 1*2 | 0: No BRDY interrupt occurred<br>1: BRDY interrupt occurred. | R/W*1 |
| b2         | PIPE2BRDY | BRDY Interrupt Status for Pipe 2*2 | 0: No BRDY interrupt occurred<br>1: BRDY interrupt occurred. | R/W*1 |
| b3         | PIPE3BRDY | BRDY Interrupt Status for Pipe 3*2 | 0: No BRDY interrupt occurred<br>1: BRDY interrupt occurred. | R/W*1 |
| b4         | PIPE4BRDY | BRDY Interrupt Status for Pipe 4*2 | 0: No BRDY interrupt occurred<br>1: BRDY interrupt occurred. | R/W*1 |
| b5         | PIPE5BRDY | BRDY Interrupt Status for Pipe 5*2 | 0: No BRDY interrupt occurred<br>1: BRDY interrupt occurred. | R/W*1 |
| b6         | PIPE6BRDY | BRDY Interrupt Status for Pipe 6*2 | 0: No BRDY interrupt occurred<br>1: BRDY interrupt occurred. | R/W*1 |
| b7         | PIPE7BRDY | BRDY Interrupt Status for Pipe 7*2 | 0: No BRDY interrupt occurred<br>1: BRDY interrupt occurred. | R/W*1 |
| b8         | PIPE8BRDY | BRDY Interrupt Status for Pipe 8*2 | 0: No BRDY interrupt occurred<br>1: BRDY interrupt occurred. | R/W*1 |
| b9         | PIPE9BRDY | BRDY Interrupt Status for Pipe 9*2 | 0: No BRDY interrupt occurred<br>1: BRDY interrupt occurred. | R/W*1 |
| b15 to b10 | —         | Reserved                           | These bits are read as 0. The write value should be 0.       | R/W   |

Note 1. When the SOFCFG.BRDYM bit is set to 0, to clear the status indicated in the bits in BRDYSTS, write 0 only to the bits to be cleared. Write 1 to the other bits.

Note 2. When the SOFCFG.BRDYM bit is set to 0, clear BRDY interrupts before accessing the FIFO.

### 31.2.16 NRDY Interrupt Status Register (NRDYSTS)

Address(es): USBFS.NRDYSTS 4009 0048h

|                    |     |     |     |     |     |     |               |               |               |               |               |               |               |               |               |               |
|--------------------|-----|-----|-----|-----|-----|-----|---------------|---------------|---------------|---------------|---------------|---------------|---------------|---------------|---------------|---------------|
|                    | b15 | b14 | b13 | b12 | b11 | b10 | b9            | b8            | b7            | b6            | b5            | b4            | b3            | b2            | b1            | b0            |
|                    | —   | —   | —   | —   | —   | —   | PIPE9N<br>RDY | PIPE8N<br>RDY | PIPE7N<br>RDY | PIPE6N<br>RDY | PIPE5N<br>RDY | PIPE4N<br>RDY | PIPE3N<br>RDY | PIPE2N<br>RDY | PIPE1N<br>RDY | PIPE0N<br>RDY |
| Value after reset: | 0   | 0   | 0   | 0   | 0   | 0   | 0             | 0             | 0             | 0             | 0             | 0             | 0             | 0             | 0             | 0             |

| Bit        | Symbol    | Bit name                         | Description  | R/W       |
|------------|-----------|----------------------------------|--|-----------|
| b0         | PIPE0NRDY | NRDY Interrupt Status for Pipe 0 | 0: No NRDY interrupt occurred<br>1: NRDY interrupt occurred. | R/W<br>*1 |
| b1         | PIPE1NRDY | NRDY Interrupt Status for Pipe 1 | 0: No NRDY interrupt occurred<br>1: NRDY interrupt occurred. | R/W<br>*1 |
| b2         | PIPE2NRDY | NRDY Interrupt Status for Pipe 2 | 0: No NRDY interrupt occurred<br>1: NRDY interrupt occurred. | R/W<br>*1 |
| b3         | PIPE3NRDY | NRDY Interrupt Status for Pipe 3 | 0: No NRDY interrupt occurred<br>1: NRDY interrupt occurred. | R/W<br>*1 |
| b4         | PIPE4NRDY | NRDY Interrupt Status for Pipe 4 | 0: No NRDY interrupt occurred<br>1: NRDY interrupt occurred. | R/W<br>*1 |
| b5         | PIPE5NRDY | NRDY Interrupt Status for Pipe 5 | 0: No NRDY interrupt occurred<br>1: NRDY interrupt occurred. | R/W<br>*1 |
| b6         | PIPE6NRDY | NRDY Interrupt Status for Pipe 6 | 0: No NRDY interrupt occurred<br>1: NRDY interrupt occurred. | R/W<br>*1 |
| b7         | PIPE7NRDY | NRDY Interrupt Status for Pipe 7 | 0: No NRDY interrupt occurred<br>1: NRDY interrupt occurred. | R/W<br>*1 |
| b8         | PIPE8NRDY | NRDY Interrupt Status for Pipe 8 | 0: No NRDY interrupt occurred<br>1: NRDY interrupt occurred. | R/W<br>*1 |
| b9         | PIPE9NRDY | NRDY Interrupt Status for Pipe 9 | 0: No NRDY interrupt occurred<br>1: NRDY interrupt occurred. | R/W<br>*1 |
| b15 to b10 | —         | Reserved                         | These bits are read as 0. The write value should be 0.       | R/W       |

Note 1. To clear the status indicated in the bits in NRDYSTS, write 0 only to the bits to be cleared. Write 1 to the other bits.

### 31.2.17 BEMP Interrupt Status Register (BEMPSTS)

Address(es): USBFS.BEMPSTS 4009 004Ah

|                    |     |     |     |     |     |     |               |               |               |               |               |               |               |               |               |               |
|--------------------|-----|-----|-----|-----|-----|-----|---------------|---------------|---------------|---------------|---------------|---------------|---------------|---------------|---------------|---------------|
|                    | b15 | b14 | b13 | b12 | b11 | b10 | b9            | b8            | b7            | b6            | b5            | b4            | b3            | b2            | b1            | b0            |
|                    | —   | —   | —   | —   | —   | —   | PIPE9B<br>EMP | PIPE8B<br>EMP | PIPE7B<br>EMP | PIPE6B<br>EMP | PIPE5B<br>EMP | PIPE4B<br>EMP | PIPE3B<br>EMP | PIPE2B<br>EMP | PIPE1B<br>EMP | PIPE0B<br>EMP |
| Value after reset: | 0   | 0   | 0   | 0   | 0   | 0   | 0             | 0             | 0             | 0             | 0             | 0             | 0             | 0             | 0             | 0             |

| Bit | Symbol    | Bit name                         | Description  | R/W       |
|-----|-----------|----------------------------------|--|-----------|
| b0  | PIPE0BEMP | BEMP Interrupt Status for Pipe 0 | 0: No BEMP interrupt occurred<br>1: BEMP interrupt occurred. | R/W<br>*1 |
| b1  | PIPE1BEMP | BEMP Interrupt Status for Pipe 1 | 0: No BEMP interrupt occurred<br>1: BEMP interrupt occurred. | R/W<br>*1 |
| b2  | PIPE2BEMP | BEMP Interrupt Status for Pipe 2 | 0: No BEMP interrupt occurred<br>1: BEMP interrupt occurred. | R/W<br>*1 |
| b3  | PIPE3BEMP | BEMP Interrupt Status for Pipe 3 | 0: No BEMP interrupt occurred<br>1: BEMP interrupt occurred. | R/W<br>*1 |
| b4  | PIPE4BEMP | BEMP Interrupt Status for Pipe 4 | 0: No BEMP interrupt occurred<br>1: BEMP interrupt occurred. | R/W<br>*1 |

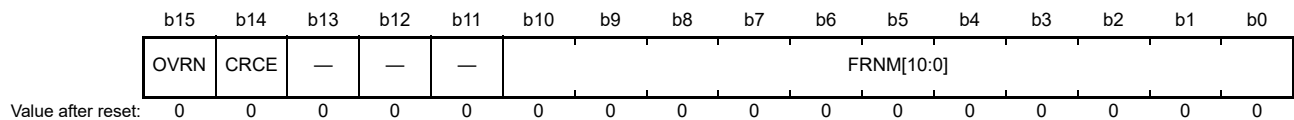


| Bit        | Symbol    | Bit name                         | Description  | R/W              |
|------------|-----------|----------------------------------|--|------------------|
| b5         | PIPE5BEMP | BEMP Interrupt Status for Pipe 5 | 0: No BEMP interrupt occurred<br>1: BEMP interrupt occurred. | R/W <sup>1</sup> |
| b6         | PIPE6BEMP | BEMP Interrupt Status for Pipe 6 | 0: No BEMP interrupt occurred<br>1: BEMP interrupt occurred. | R/W <sup>1</sup> |
| b7         | PIPE7BEMP | BEMP Interrupt Status for Pipe 7 | 0: No BEMP interrupt occurred<br>1: BEMP interrupt occurred. | R/W <sup>1</sup> |
| b8         | PIPE8BEMP | BEMP Interrupt Status for Pipe 8 | 0: No BEMP interrupt occurred<br>1: BEMP interrupt occurred. | R/W <sup>1</sup> |
| b9         | PIPE9BEMP | BEMP Interrupt Status for Pipe 9 | 0: No BEMP interrupt occurred<br>1: BEMP interrupt occurred. | R/W <sup>1</sup> |
| b15 to b10 | —         | Reserved                         | These bits are read as 0. The write value should be 0.       | R/W              |

Note 1. To clear the status indicated in the bits in BEMPSTS, write 0 only to the bits to be cleared. Write 1 to the other bits.

### 31.2.18 Frame Number Register (FRMNUM)

Address(es): USBFS.FRNUM 4009 004Ch



| Bit        | Symbol     | Bit name                          | Description  | R/W              |
|------------|------------|-----------------------------------|--|------------------|
| b10 to b0  | FRNM[10:0] | Frame Number                      | Latest frame number                                    | R                |
| b13 to b11 | —          | Reserved                          | These bits are read as 0. The write value should be 0. | R/W              |
| b14        | CRCE       | Receive Data Error                | 0: No error occurred<br>1: Error occurred.             | R/W <sup>1</sup> |
| b15        | OVRN       | Overrun/Underrun Detection Status | 0: No error occurred<br>1: Error occurred.             | R/W <sup>1</sup> |

Note 1. To clear the status, write 0 only to the bits to be cleared. Write 1 to the other bits.

#### FRNM[10:0] flags (Frame Number)

The USBFS sets the FRNM[10:0] flags to indicate the latest frame number, which is updated every 1 ms, when an SOF packet is issued or received.

#### CRCE flag (Receive Data Error)

The CRCE flag is set to 1 when a CRC error or bit stuffing error occurs during isochronous transfer. On detecting a CRC error in host controller mode, the USBFS generates an internal NRDY interrupt.

To clear the CRCE flag, write 0 to it while writing 1 to the other bits in the FRMNUM register.

#### OVRN flag (Overrun/Underrun Detection Status)

The OVRN flag is set to 1 when an overrun or underrun error occurs during isochronous transfer. To clear the flag, write 0 to it while writing 1 to the other bits in the FRMNUM register.

In host controller mode, the OVRN flag is set to 1 on any of the following conditions:

- For a transmitting isochronous pipe, the time to issue an OUT token comes before all of the transmit data is written to the FIFO buffer
- For a receiving isochronous pipe, the time to issue an IN token comes when no FIFO buffer planes are empty.

In device controller mode, the OVRN flag is set to 1 on any of the following conditions:

- For a transmitting isochronous pipe, the IN token is received before all of the transmit data is written to the FIFO buffer

- For a receiving isochronous pipe, the OUT token is received when no FIFO buffer planes are empty.

### 31.2.19 Device State Change Register (DVCHGR)

Address(es): [USBFS.DVCHGR 4009 004Eh](#)

|                    |       |     |     |     |     |     |    |    |    |    |    |    |    |    |    |    |
|--------------------|-------|-----|-----|-----|-----|-----|----|----|----|----|----|----|----|----|----|----|
|                    | b15   | b14 | b13 | b12 | b11 | b10 | b9 | b8 | b7 | b6 | b5 | b4 | b3 | b2 | b1 | b0 |
|                    | DVCHG | —   | —   | —   | —   | —   | —  | —  | —  | —  | —  | —  | —  | —  | —  | —  |
| Value after reset: | 0     | 0   | 0   | 0   | 0   | 0   | 0  | 0  | 0  | 0  | 0  | 0  | 0  | 0  | 0  | 0  |

| Bit       | Symbol                | Bit name            | Description  | R/W |
|-----------|-----------------------|---------------------|--|-----|
| b14 to b0 | —                     | Reserved            | These bits are read as 0. The write value should be 0.   | R/W |
| b15       | <a href="#">DVCHG</a> | Device State Change | 0: Disable writes to USBADDR.STSRECOV[3:0] and USBADDR.USBADDR[6:0] bits<br>1: Enable writes to USBADDR.STSRECOV[3:0] and USBADDR.USBADDR[6:0] bits. | R/W |

For details, see [section 31.3.1.5, Release from deep software standby mode because of USB suspend/resume interrupts](#).

### 31.2.20 USB Address Register (USBADDR)

Address(es): [USBFS.USBADDR 4009 0050h](#)

|                    |     |     |     |     |               |     |    |    |              |    |    |    |    |    |    |    |   |   |
|--------------------|-----|-----|-----|-----|---------------|-----|----|----|--------------|----|----|----|----|----|----|----|---|---|
|                    | b15 | b14 | b13 | b12 | b11           | b10 | b9 | b8 | b7           | b6 | b5 | b4 | b3 | b2 | b1 | b0 |   |   |
|                    | —   | —   | —   | —   | STSRECOV[3:0] |     |    | —  | USBADDR[6:0] |    |    |    |    |    | —  | —  | — | — |
| Value after reset: | 0   | 0   | 0   | 0   | 0             | 0   | 0  | 0  | 0            | 0  | 0  | 0  | 0  | 0  | 0  | 0  |   |   |

| Bit        | Symbol   | Bit name        | Description   | R/W |    |  |          |  |          |  |          |  |     |    |  |          |  |          |  |     |
|------------|--|-----------------|---|-----|----|--|----------|--|----------|--|----------|--|-----|----|--|----------|--|----------|--|-----|
| b6 to b0   | <a href="#">USBADDR[6:0]</a>   | USB Address     | In device controller mode, these bits indicate the USB address assigned by the host when the USBFS processed the SET_ADDRESS request successfully   | R/W |    |  |          |  |          |  |          |  |     |    |  |          |  |          |  |     |
| b7         | —  | Reserved        | This bit is read as 0. The write value should be 0.   | R/W |    |  |          |  |          |  |          |  |     |    |  |          |  |          |  |     |
| b11 to b8  | <a href="#">STSRECOV[3:0]</a>  | Status Recovery | <ul style="list-style-type: none"> <li>Recovery in device controller mode           <table border="0"> <tr> <td>b11</td><td>b8</td><td></td></tr> <tr> <td>1 0 0 1:</td><td>Return to the full-speed state (bits DVSTCTR0.RHST[2:0] = 010b), bits INTSTS0.DVSQ[2:0] = 001b (default state)</td></tr> <tr> <td>1 0 1 0:</td><td>Return to the full-speed state (bits DVSTCTR0.RHST[2:0] = 010b), bits INTSTS0.DVSQ[2:0] = 010b (address state)</td></tr> <tr> <td>1 0 1 1:</td><td>Return to the full-speed state (bits DVSTCTR0.RHST[2:0] = 010b), bits INTSTS0.DVSQ[2:0] = 011b (configured state).</td></tr> </table>           Other settings are prohibited.         </li> <li>Recovery in host controller mode           <table border="0"> <tr> <td>b11</td><td>b8</td><td></td></tr> <tr> <td>0 1 0 0:</td><td>Return to the low-speed state (bits DVSTCTR0.RHST[2:0] = 001b)</td></tr> <tr> <td>1 0 0 0:</td><td>Return to the full-speed state (bits DVSTCTR0.RHST[2:0] = 010b).</td></tr> </table>           Other settings are prohibited.         </li> </ul> | b11 | b8 |  | 1 0 0 1: | Return to the full-speed state (bits DVSTCTR0.RHST[2:0] = 010b), bits INTSTS0.DVSQ[2:0] = 001b (default state) | 1 0 1 0: | Return to the full-speed state (bits DVSTCTR0.RHST[2:0] = 010b), bits INTSTS0.DVSQ[2:0] = 010b (address state) | 1 0 1 1: | Return to the full-speed state (bits DVSTCTR0.RHST[2:0] = 010b), bits INTSTS0.DVSQ[2:0] = 011b (configured state). | b11 | b8 |  | 0 1 0 0: | Return to the low-speed state (bits DVSTCTR0.RHST[2:0] = 001b) | 1 0 0 0: | Return to the full-speed state (bits DVSTCTR0.RHST[2:0] = 010b). | R/W |
| b11        | b8   |                 |   |     |    |  |          |  |          |  |          |  |     |    |  |          |  |          |  |     |
| 1 0 0 1:   | Return to the full-speed state (bits DVSTCTR0.RHST[2:0] = 010b), bits INTSTS0.DVSQ[2:0] = 001b (default state)     |                 |   |     |    |  |          |  |          |  |          |  |     |    |  |          |  |          |  |     |
| 1 0 1 0:   | Return to the full-speed state (bits DVSTCTR0.RHST[2:0] = 010b), bits INTSTS0.DVSQ[2:0] = 010b (address state)     |                 |   |     |    |  |          |  |          |  |          |  |     |    |  |          |  |          |  |     |
| 1 0 1 1:   | Return to the full-speed state (bits DVSTCTR0.RHST[2:0] = 010b), bits INTSTS0.DVSQ[2:0] = 011b (configured state). |                 |   |     |    |  |          |  |          |  |          |  |     |    |  |          |  |          |  |     |
| b11        | b8   |                 |   |     |    |  |          |  |          |  |          |  |     |    |  |          |  |          |  |     |
| 0 1 0 0:   | Return to the low-speed state (bits DVSTCTR0.RHST[2:0] = 001b)   |                 |   |     |    |  |          |  |          |  |          |  |     |    |  |          |  |          |  |     |
| 1 0 0 0:   | Return to the full-speed state (bits DVSTCTR0.RHST[2:0] = 010b).   |                 |   |     |    |  |          |  |          |  |          |  |     |    |  |          |  |          |  |     |
| b15 to b12 | —  | Reserved        | These bits are read as 0. The write value should be 0.  | R/W |    |  |          |  |          |  |          |  |     |    |  |          |  |          |  |     |

#### USBADDR[6:0] bits (USB Address)

In device controller mode, the USBADDR[6:0] flags indicate the USB address received when the USBFS processed a SetAddress request successfully. The USBFS sets the USBADDR[6:0] bits to 00h on detecting a USB bus reset.

Writing to these bits is enabled while the DVCHGR.DVCHG bit is set to 1. On recovering from a USB power shut-off,

operation can resume from the USB address set before software shut-off.

In host controller mode, the USBADDR[6:0] bits are invalid.

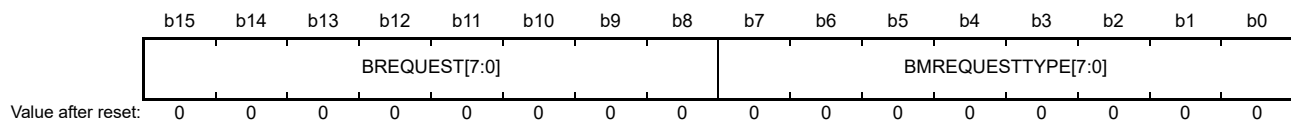
### STSRECOV[3:0] bits (Status Recovery)

Use the STSRECOV[3:0] bits to resume the state of the internal sequencer on recovering from USB power shut-off. For details, see [section 31.3.1.5, Release from deep software standby mode because of USB suspend/resume interrupts](#).

Writing to these bits is enabled while the DVCHGR.DVCHG bit is set to 1.

## 31.2.21 USB Request Type Register (USBREQ)

Address(es): USBFS.USBREQ 4009 0054h



| Bit       | Symbol                             | Bit name     | Description                     | R/W       |
|-----------|------------------------------------|--------------|---------------------------------|-----------|
| b7 to b0  | <a href="#">BMREQUESTTYPE[7:0]</a> | Request Type | USB request bmRequestType value | R/W<br>*1 |
| b15 to b8 | <a href="#">BREQUEST[7:0]</a>      | Request      | USB request bRequest value      | R/W<br>*1 |

Note 1. In device controller mode, these bits can be read, but writing to them has no effect. In host controller mode, these bits are both read/write bits.

USBREQ stores setup requests for control transfers.

In device controller mode, the USBREQ stores the received bRequest and bmRequestType values. In host controller mode, it is set to the bRequest and bmRequestType values to be transmitted.

USBREQ is initialized by a USB bus reset.

### BMREQUESTTYPE[7:0] bits (Request Type)

The BMREQUESTTYPE[7:0] bits hold the bmRequestType value of USB requests.

- In host controller mode:  
Set these bits to the value of the USB request data in transmission setup transactions. Do not change the value of the bits while the DCPCTR.SUREQ bit is 1.
- In device controller mode:  
These bits indicate the value of the USB request data in reception setup transactions. Writing to these bits has no effect.

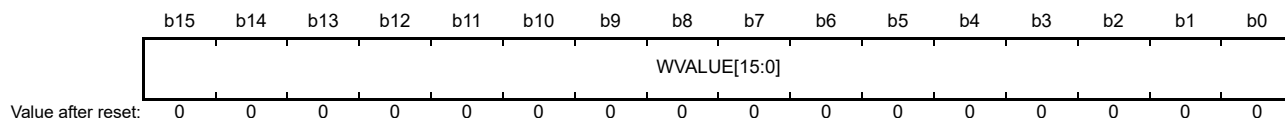
### BREQUEST[7:0] bits (Request)

The BREQUEST[7:0] bits store bRequest value of the USB request.

- In host controller mode:  
Set these bits to the value of the USB request data in setup transmission transactions. Do not change the value of the bits while the DCPCTR.SUREQ bit is 1.
- In device controller mode:  
These bits indicate the value of the USB request data in reception setup transactions. Writing to these bits has no effect.

### 31.2.22 USB Request Value Register (USBVAL)

Address(es): USBFS.USBVAL 4009 0056h



| Bit       | Symbol       | Bit name | Description                                   | R/W   |
|-----------|--------------|----------|---|-------|
| b15 to b0 | WVALUE[15:0] | Value    | These bits store the USB request wValue value | R/W*1 |

Note 1. In device controller mode, these bits can be read, but writing to them has no effect. In host controller mode, these bits are both read/write bits.

In device controller mode, USBVAL stores the received wValue value. In host controller mode, it is set to the wValue value to be transmitted.

USBVAL is initialized by a USB bus reset.

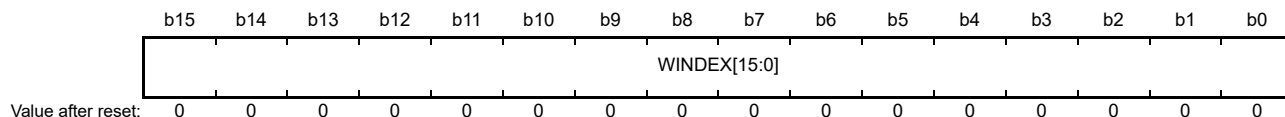
#### WVALUE[15:0] bits (Value)

The WVALUE[15:0] bits store wValue value of the USB request.

- In host controller mode:  
Set these bits to the value of the wValue field in USB requests of transmission setup transactions. Do not change the value of the bits while the DCPCTR.SUREQ bit is 1.
- In device controller mode:  
These bits indicate the wValue value of USB requests in reception setup transactions. Writing to the bits has no effect.

### 31.2.23 USB Request Index Register (USBINDEX)

Address(es): USBFS.USBINDEX 4009 0058h



| Bit       | Symbol       | Bit name | Description                                   | R/W   |
|-----------|--------------|----------|---|-------|
| b15 to b0 | WINDEX[15:0] | Index    | These bits store the USB request wIndex value | R/W*1 |

Note 1. In device controller mode, these bits can be read, but writing to them has no effect. In host controller mode, these bits are both read/write bits.

USBINDEX stores setup requests for control transfers.

In device controller mode, it stores the received wIndex value. In host controller mode, it is set to the wIndex value to be transmitted.

USBINDEX is initialized by a USB bus reset.

#### WINDEX[15:0] bits (Index)

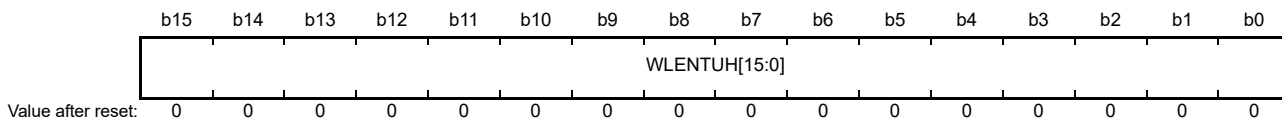
The WINDEX[15:0] bits hold the wIndex value of a USB request.

- In host controller mode:  
Set these bits to the wIndex value in USB requests in transmission setup transactions. Do not change the value of the bits while the DCPCTR.SUREQ bit is 1.

- In device controller mode:  
These bits indicate the wIndex value in USB requests received in reception setup transactions. Writing to these bits has no effect.

### 31.2.24 USB Request Length Register (USBLENG)

Address(es): USBFS.USBLENG 4009 005Ah



| Bit       | Symbol        | Bit name | Description                                    | R/W   |
|-----------|---------------|----------|--|-------|
| b15 to b0 | WLENTUH[15:0] | Length   | These bits store the USB request wLength value | R/W*1 |

Note 1. In device controller mode, these bits can be read, but writing to them has no effect. In host controller mode, these bits are both read/write bits.

USBLENG stores setup requests for control transfers.

In device controller mode, the value of wLength that is received is stored. In host controller mode, the value of wLength to be transmitted is set.

USBLENG is initialized by a USB bus reset.

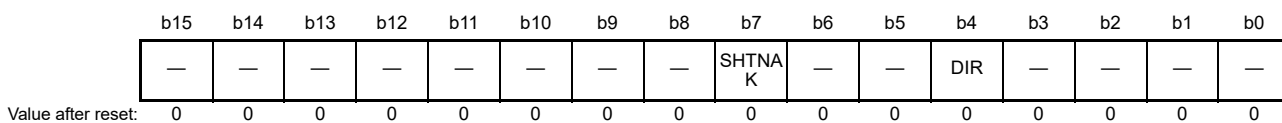
#### WLENTUH[15:0] bits (Length)

The WLENTUH[15:0] bits hold the wLength value of a USB request.

- In host controller mode:  
Set these bits to the wLength value in USB requests in transmission setup transactions. Do not change the value of the bits while the DCPCTR.SUREQ bit is 1.
- In device controller mode:  
These bits indicate the wLength value in USB requests received in reception setup transactions. Writing to these bits has no effect.

### 31.2.25 DCP Configuration Register (DCPCFG)

Address(es): USBFS.DCPCFG 4009 005Ch



| Bit       | Symbol | Bit name                           | Description   | R/W |
|-----------|--------|------------------------------------|---|-----|
| b3 to b0  | —      | Reserved                           | These bits are read as 0. The write value should be 0.                        | R/W |
| b4        | DIR    | Transfer Direction*1               | 0: Data receiving direction<br>1: Data transmitting direction.                | R/W |
| b6, b5    | —      | Reserved                           | These bits are read as 0. The write value should be 0.                        | R/W |
| b7        | SHTNAK | Pipe Disabled at End of Transfer*1 | 0: Keep pipe open after transfer ends<br>1: Disable pipe after transfer ends. | R/W |
| b15 to b8 | —      | Reserved                           | These bits are read as 0. The write value should be 0.                        | R/W |

Note 1. Only set this bit while the PID is NAK. Before setting this bit, check that the DCPCTR.PBUSY bit is 0, and then change the DCPCTR.PID[1:0] bits for the DCP from BUF to NAK. If the PID[1:0] bits are changed to NAK by the USBFS, checking the PBUSY bit through software is not required.

**DIR bit (Transfer Direction)**

In host controller mode, the DIR bit sets the transfer direction of the data stage and status stage for control transfers. In device controller mode, set the DIR bit to 0.

**SHTNAK bit (Pipe Disabled at End of Transfer)**

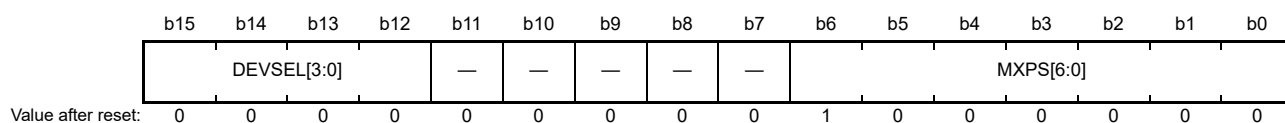
The SHTNAK bit specifies whether to change PID to NAK on transfer end when the selected pipe is receiving. It is only valid when the selected pipe is receiving.

When the SHTNAK bit is 1, the USBFS changes the DCPCTR.PID[1:0] bits for the DCP to NAK on determining that a transfer has ended. The USBFS determines transfer end on the following condition:

- A short packet, including a zero-length packet, is successfully received.

**31.2.26 DCP Maximum Packet Size Register (DCPMAXP)**

Address(es): USBFS.DCPMAXP 4009 005Eh



| Bit                     | Symbol      | Bit name               | Description  | R/W |     |                        |                        |  |                        |  |                        |  |                        |  |                         |  |     |
|-------------------------|-------------|------------------------|--|-----|-----|------------------------|------------------------|--|------------------------|--|------------------------|--|------------------------|--|-------------------------|--|-----|
| b6 to b0                | MXPS[6:0]   | Maximum Packet Size*1  | These bits set the maximum data payload specification (maximum packet size) for the DCP  | R/W |     |                        |                        |  |                        |  |                        |  |                        |  |                         |  |     |
| b11 to b7               | —           | Reserved               | These bits are read as 0. The write value should be 0.   | R/W |     |                        |                        |  |                        |  |                        |  |                        |  |                         |  |     |
| b15 to b12              | DEVSEL[3:0] | Device Select*2        | <table border="0"> <tr> <td>b15</td><td>b12</td> <td>0 0 0 0: Address 0000b</td> </tr> <tr> <td>0 0 0 1: Address 0001b</td> <td></td> </tr> <tr> <td>0 0 1 0: Address 0010b</td> <td></td> </tr> <tr> <td>0 0 1 1: Address 0011b</td> <td></td> </tr> <tr> <td>0 1 0 0: Address 0100b</td> <td></td> </tr> <tr> <td>0 1 0 1: Address 0101b.</td> <td></td> </tr> </table> Other settings are prohibited. | b15 | b12 | 0 0 0 0: Address 0000b | 0 0 0 1: Address 0001b |  | 0 0 1 0: Address 0010b |  | 0 0 1 1: Address 0011b |  | 0 1 0 0: Address 0100b |  | 0 1 0 1: Address 0101b. |  | R/W |
| b15                     | b12         | 0 0 0 0: Address 0000b |  |     |     |                        |                        |  |                        |  |                        |  |                        |  |                         |  |     |
| 0 0 0 1: Address 0001b  |             |                        |  |     |     |                        |                        |  |                        |  |                        |  |                        |  |                         |  |     |
| 0 0 1 0: Address 0010b  |             |                        |  |     |     |                        |                        |  |                        |  |                        |  |                        |  |                         |  |     |
| 0 0 1 1: Address 0011b  |             |                        |  |     |     |                        |                        |  |                        |  |                        |  |                        |  |                         |  |     |
| 0 1 0 0: Address 0100b  |             |                        |  |     |     |                        |                        |  |                        |  |                        |  |                        |  |                         |  |     |
| 0 1 0 1: Address 0101b. |             |                        |  |     |     |                        |                        |  |                        |  |                        |  |                        |  |                         |  |     |

Note 1. Only set the MXPS[6:0] bits while PID is NAK. Before setting these bits, check that the DCPCTR.PBUSY bit is 0, and then change the DCPCTR.PID[1:0] bits for the DCP from BUF to NAK. If the PID[1:0] bits are changed to NAK by the USBFS, checking the PBUSY bit through software is not required. After the MXPS[6:0] bits are set and the DCP is set to the CURPIPE[3:0] bits in a port select register, clear the buffer by setting the BCLR bit in the port control register to 1.

Note 2. Only set the DEVSEL[3:0] bits while PID is NAK and the DCPCTR.SUREQ bit is 0. Before setting these bits, check that the DCPCTR.PBUSY bit is 0, and then change the DCPCTR.PID[1:0] bits for the DCP from BUF to NAK. If the PID[1:0] bits are changed to NAK by the USBFS, checking the PBUSY bit through software is not required.

**MXPS[6:0] bits (Maximum Packet Size)**

The MXPS[6:0] bits specify the maximum data payload (maximum packet size) for the DCP. The initial value is 40h (64 bytes). Set the bits to a USB 2.0-compliant value. Do not write to the FIFO buffer or set PID = BUF while MXPS[6:0] is set to 0.

**DEVSEL[3:0] bits (Device Select)**

In host controller mode, the DEVSEL[3:0] bits specify the address of the target peripheral device for a control transfer. Set up the device address in the associated DEVADDn (n = 0 to 5) register first, and then set these bits to the corresponding value. To set the DEVSEL[3:0] bits to 0010b, for example, first set the address in the DEVADD2 register.

In device controller mode, set these bits to 0000b.

### 31.2.27 DCP Control Register (DCPCTR)

Address(es): USBFS.DCPCTR 4009 0060h

|                    |       |     |     |           |     |    |       |       |       |       |    |    |      |          |    |
|--------------------|-------|-----|-----|-----------|-----|----|-------|-------|-------|-------|----|----|------|----------|----|
| b15                | b14   | b13 | b12 | b11       | b10 | b9 | b8    | b7    | b6    | b5    | b4 | b3 | b2   | b1       | b0 |
| BSTS               | SUREQ | —   | —   | SUREQ CLR | —   | —  | SQCLR | SQSET | SQMON | PBUSY | —  | —  | CCPL | PID[1:0] |    |
| Value after reset: |       |     |     |           |     |    |       |       |       |       |    |    |      |          |    |
| 0                  | 0     | 0   | 0   | 0         | 0   | 0  | 0     | 0     | 1     | 0     | 0  | 0  | 0    | 0        | 0  |

| Bit      | Symbol   | Bit name                                | Description  | R/W               |
|----------|----------|---|--|-------------------|
| b1, b0   | PID[1:0] | Response PID                            | b1 b0<br>0 0: NAK response<br>0 1: BUF response (depends on the buffer state)<br>1 0: STALL response<br>1 1: STALL response.   | R/W               |
| b2       | CCPL     | Control Transfer End Enable             | 0: Disable control transfer completion<br>1: Enable control transfer completion.   | R/W               |
| b4, b3   | —        | Reserved                                | These bits are read as 0. The write value should be 0.   | R/W               |
| b5       | PBUSY    | Pipe Busy                               | 0: DCP not used for the USB bus<br>1: DCP in use for the USB bus.  | R                 |
| b6       | SQMON    | Sequence Toggle Bit Monitor             | 0: DATA0<br>1: DATA1.  | R                 |
| b7       | SQSET    | Sequence Toggle Bit Set* <sup>2</sup>   | Sets the sequence toggle bit in DCP transfers.<br>0: Invalid (writing 0 has no effect)<br>1: Set the expected value for the next transaction to DATA1.<br>This bit is read as 0.     | R/W* <sup>1</sup> |
| b8       | SQCLR    | Sequence Toggle Bit Clear* <sup>2</sup> | Clears the sequence toggle bit in DCP transfers.<br>0: Invalid (writing 0 has no effect)<br>1: Clear the expected value for the next transaction to DATA0.<br>This bit is read as 0. | R/W* <sup>1</sup> |
| b10, b9  | —        | Reserved                                | These bits are read as 0. The write value should be 0.   | R/W               |
| b11      | SUREQCLR | SUREQ Bit Clear                         | Clears the SUREQ bit in host controller mode.<br>0: Invalid (writing 0 has no effect)<br>1: Clear SUREQ to 0.<br>This bit is read as 0.  | R/W               |
| b13, b12 | —        | Reserved                                | These bits are read as 0. The write value should be 0.   | R/W               |
| b14      | SUREQ    | Setup Token Transmission                | Sets up token transmission in host controller mode.<br>0: Invalid (writing 0 has no effect)<br>1: Transmit setup packet.   | R/W               |
| b15      | BSTS     | Buffer Status                           | 0: Buffer access disabled<br>1: Buffer access enabled.   | R                 |

Note 1. This bit is read as 0.

Note 2. Only set the SQSET and SQCLR bits to 1 while PID is NAK. Before setting these bits, check that the PBUSY bit is 0, and then change the PID[1:0] bits for the DCP from BUF to NAK. If the PID[1:0] bits are changed to NAK by the USBFS, checking the PBUSY bit through software is not required.

#### PID[1:0] bits (Response PID)

The PID[1:0] bits control the USB response type during control transfers.

In host controller mode, to change the PID[1:0] setting from NAK to BUF:

- When the transmitting direction is set:

- a. Write all of the transmit data to the FIFO buffer while the DVSTCTR0.UACT bit is 1 and PID is NAK.
  - b. Set PID[1:0] bits to 01b (BUF).  
The USBFS then executes the OUT transaction.
- When the receiving direction is set:
    - a. Check that the FIFO buffer is empty (or empty the buffer) while the DVSTCTR0.UACT bit is 1 and PID is NAK.
    - b. Set PID[1:0] bits to 01b (BUF).  
The USBFS then executes the IN transaction.

The USBFS changes the PID[1:0] setting as follows:

- When the PID[1:0] bits are set to BUF (01b) by software and the USBFS has received data exceeding MaxPacketSize, the USBFS sets the PID[1:0] to STALL (11b)
- When a reception error, such as a CRC error, is detected three times consecutively, the USBFS sets the PID[1:0] bits to NAK (00b)
- On receiving the STALL handshake, the USBFS sets PID[1:0] to STALL (11b).

In device controller mode, the USBFS changes the PID[1:0] setting as follows:

- On receiving a setup packet, the USBFS sets PID[1:0] to NAK (00b). The USBFS then sets the INTSTS0.VALID flag to 1, and the PID[1:0] setting cannot be changed until software clears the VALID flag to 0.
- When the PID[1:0] bits are set to BUF (01b) by software and the USBFS has received data exceeding MaxPacketSize, the USBFS sets PID[1:0] to STALL (11b)
- On detecting a control transfer sequence error, the USBFS sets PID[1:0] to STALL (1xb)
- On detecting a USB bus reset, the USBFS sets PID[1:0] to NAK.

The USBFS does not check the PID[1:0] setting while processing a SET\_ADDRESS request.

The PID[1:0] bits are initialized by a USB bus reset.

#### CCPL bit (Control Transfer End Enable)

In device controller mode, setting the CCPL bit to 1 enables the status stage of the control transfer to be completed. When the bit is set to 1 by software while the associated PID[1:0] bits are set to BUF, the USBFS completes the control transfer status stage.

During control read transfers, the USBFS transmits the ACK handshake in response to the OUT transaction from the USB host. During control write or no-data control transfers, it transmits the zero-length packet in response to the IN transaction from the USB host. On detecting a SET\_ADDRESS request, the USBFS operates in auto response mode from the setup stage up to the status stage completion regardless of the CCPL bit setting.

The USBFS changes the CCPL bit from 1 to 0 on receiving a new setup packet. Software cannot write 1 to the bit while the INTSTS0.VALID bit is 1. The bit is initialized by a USB bus reset.

In host controller mode, always write 0 to the CCPL bit.

#### PBUSY bit (Pipe Busy)

The PBUSY bit indicates whether DCP is used for the transaction when USBFS changes the PID[1:0] bits from BUF to NAK. The USBFS changes the PBUSY bit from 0 to 1 at the start of a USB transaction for the selected pipe. It changes the PBUSY bit from 1 to 0 on completion of one transaction.

After PID is set to NAK by software, the value in the PBUSY bit indicates whether changes to pipe settings can proceed.

For details, see [section 31.3.4.1, Pipe control register switching procedures](#).

#### SQMON bit (Sequence Toggle Bit Monitor)

The SQMON bit indicates the expected value of the sequence toggle bit for the next transaction during a DCP transfer.

The USBFS toggles the bit on normal completion of the transaction. It does not toggle the bit, however, when a DATA-PID mismatch occurs during a transfer in the receiving direction.



In device controller mode, the USBFS sets the SQMON bit to 1 (specifies DATA1 as the expected value) on successful reception of the setup packet.

In device controller mode, the USBFS does not reference this bit during IN or OUT transactions at the status stage, and it does not toggle the bit on normal completion.

#### **SQSET bit (Sequence Toggle Bit Set)**

The SQSET bit specifies DATA1 as the expected value of the sequence toggle bit for the next transaction during a DCP transfer.

Do not set the SQCLR and SQSET bits to 1 simultaneously.

#### **SQCLR bit (Sequence Toggle Bit Clear)**

The SQCLR bit specifies DATA0 as the expected value of the sequence toggle bit for the next transaction during a DCP transfer. It is read as 0.

Do not set the SQCLR and SQSET bits to 1 simultaneously.

#### **SUREQCLR bit (SUREQ Bit Clear)**

In host controller mode, setting the SUREQCLR bit to 1 clears the SUREQ bit to 0. The bit is read as 0.

If transfer stops while the SUREQ bit is set to 1 in a setup transaction, set the SUREQCLR bit to 1 by software. This is not necessary at the end of a normal setup transaction, because the USBFS automatically clears the SUREQ bit to 0.

Only control the SUREQ bit through the SUREQCLR bit while the DVSTCTR0.UACT bit is 0. When UACT is 0, communication is halted or no transfer is occurring because a bus disconnection was detected.

In device controller mode, always write 0 to this bit.

#### **SUREQ bit (Setup Token Transmission)**

In host controller mode, setting the SUREQ bit to 1 triggers the USBFS to transmit the setup packet. After completing the setup transaction process, the USBFS generates either the SACK or SIGN interrupt and clears the SUREQ bit to 0. The USBFS also clears the SUREQ bit to 0 when software sets the SUREQCLR bit to 1.

Before setting the SUREQ bit to 1, set the DCPMAXP.DEVSEL[3:0] bits, USBREQ, USBVAL, USBINDX, and USBLENG appropriately to transmit the target USB request in the setup transaction. Also check that the PID[1:0] bits for the DCP are set to NAK. After setting the SUREQ bit to 1, do not change the DCPMAXP.DEVSEL[3:0] bits, USBREQ, USBVAL, USBINDX, or USBLENG until the setup transaction is complete (SUREQ bit = 1). Write 1 to the SUREQ bit only when transmitting the setup token. Otherwise, write 0.

In device controller mode, always write 0 to this bit.

#### **BSTS flag (Buffer Status)**

The BSTS flag indicates the status of access to the DCP FIFO buffer. The meaning of this flag varies as follows depending on the CFIFOSEL.ISEL setting:

- When ISEL = 0, this flag indicates whether receive data can be read from the buffer
- When ISEL = 1, this flag indicates whether transmit data can be written to the buffer.

### 31.2.28 Pipe Window Select Register (PIPESEL)

Address(es): USBFS.PIPESEL 4009 0064h



| Bit       | Symbol       | Bit name           | Description  | R/W |
|-----------|--------------|--------------------|--|-----|
| b3 to b0  | PIPESEL[3:0] | Pipe Window Select | b3 b0<br>0 0 0 0: No pipe selected<br>0 0 0 1: Pipe 1<br>0 0 1 0: Pipe 2<br>0 0 1 1: Pipe 3<br>0 1 0 0: Pipe 4<br>0 1 0 1: Pipe 5<br>0 1 1 0: Pipe 6<br>0 1 1 1: Pipe 7<br>1 0 0 0: Pipe 8<br>1 0 0 1: Pipe 9.<br>Other settings are prohibited. | R/W |
| b15 to b4 | —            | Reserved           | These bits are read as 0. The write value should be 0.   | R/W |

Set pipes 1 to 9 using the PIPESEL, PIPECFG, PIPEMAXP, PIPEPERI, PIPEnCTR, PIPEnTRE, and PIPEnTRN registers (n = 0 to 9).

After selecting the pipe in the PIPESEL register, pipe functions must be set in the associated PIPECFG, PIPEMAXP, and PIPEPERI registers. PIPEnCTR, PIPEnTRE, and PIPEnTRN can be set independently of the pipe selection in this register.

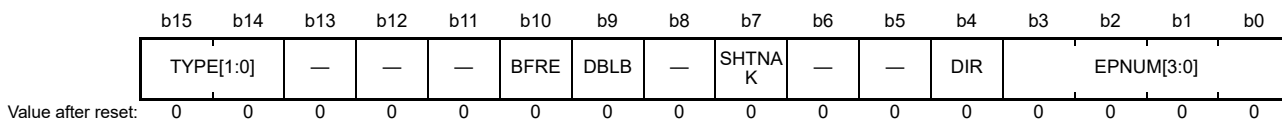
#### PIPESEL[3:0] bits (Pipe Window Select)

The PIPESEL[3:0] bits select the pipe number associated with the PIPECFG, PIPEMAXP, and PIPEPERI registers used for data writing and reading. Selecting a pipe number in the PIPESEL[3:0] bits allows writing to and reading from PIPECFG, PIPEMAXP, and PIPEPERI associated with the selected pipe number.

When PIPESEL[3:0] = 0000b, 0 is read from all of the bits in PIPECFG, PIPEMAXP, and PIPEPERI. Writing to these bits has no effect.

### 31.2.29 Pipe Configuration Register (PIPECFG)

Address(es): USBFS.PIPECFG 4009 0068h



| Bit      | Symbol     | Bit name                           | Description   | R/W |
|----------|------------|------------------------------------|---|-----|
| b3 to b0 | EPNUM[3:0] | Endpoint Number*1                  | Specifies the endpoint number for the selected pipe. Setting 0000b indicates that the pipe is not used. | R/W |
| b4       | DIR        | Transfer Direction*2,*3            | 0: Receiving direction<br>1: Transmitting direction.  | R/W |
| b6, b5   | —          | Reserved                           | These bits are read as 0. The write value should be 0.  | R/W |
| b7       | SHTNAK     | Pipe Disabled at End of Transfer*1 | 0: Continue pipe operation after transfer ends<br>1: Disable pipe after transfer ends.                  | R/W |
| b8       | —          | Reserved                           | This bit is read as 0. The write value should be 0.   | R/W |

| Bit        | Symbol    | Bit name                                    | Description   | R/W |
|------------|-----------|---|---|-----|
| b9         | DBLB      | Double Buffer Mode*2,*3                     | 0: Single buffer<br>1: Double buffer.   | R/W |
| b10        | BFRE      | BRDY Interrupt Operation Specification*2,*3 | 0: Generate BRDY interrupt on transmitting or receiving data<br>1: Generate BRDY interrupt on completion of reading data.   | R/W |
| b13 to b11 | —         | Reserved                                    | These bits are read as 0. The write value should be 0.  | R/W |
| b15, b14   | TYPE[1:0] | Transfer Type*1                             | <ul style="list-style-type: none"> <li>• Pipes 1 and 2<br/>b15 b14<br/>0 0: Pipe not used<br/>0 1: Bulk transfer<br/>1 0: Setting prohibited<br/>1 1: Isochronous transfer.</li> <li>• Pipes 3 to 5<br/>b15 b14<br/>0 0: Pipe not used<br/>0 1: Bulk transfer<br/>1 0: Setting prohibited<br/>1 1: Setting prohibited.</li> <li>• Pipes 6 to 9<br/>b15 b14<br/>0 0: Pipe not used<br/>0 1: Setting prohibited<br/>1 0: Interrupt transfer<br/>1 1: Setting prohibited.</li> </ul> | R/W |

- Note 1. Only set the TYPE[1:0], SHTNAK, and EPNUM[3:0] bits while PID is NAK. Before setting these bits, check that the PIPEnCTR.PBUSY bit is 0, and then change the PIPEnCTR.PID[1:0] bits from 01b (BUF) to 00b (NAK). If the PID[1:0] bits are changed to 00 (NAK) by the USBFS, checking the PBUSY bit through software is not required.
- Note 2. Only set the BFRE, DBLB, and DIR bits while PID is NAK and before the pipe is selected in the CURPIPE[3:0] bits in the port select register. Before setting these bits, check that the PIPEnCTR.PBUSY bit is 0, and then change the PIPEnCTR.PID[1:0] bits from 01b (BUF) to 00b (NAK). If the PID[1:0] bits are changed to 00 (NAK) by the USBFS, checking the PBUSY bit through software is not necessary.
- Note 3. To modify the BFRE, DBLB, or DIR bits after completing USB communication on the selected pipe, in addition to the constraints described in Note 2, write 1 and 0 to the PIPEnCTR.ACLRM bit continuously through software and clear the FIFO buffer assigned to the pipe.

PIPECFG specifies the transfer type, FIFO buffer access direction, and endpoint numbers for pipes 1 to 9. It also selects single or double buffer mode, and whether to continue or disable pipe operation at the end of transfer.

### EPNUM[3:0] bits (Endpoint Number)

The EPNUM[3:0] bits specify the endpoint number for the selected pipe. Setting 0000b indicates the pipe not used.

Set these bits so that the combination of the DIR and EPNUM[3:0] settings is different from those for other pipes. The EPNUM[3:0] bits can be set to 0000b for all pipes.

### DIR bit (Transfer Direction)

The DIR bit specifies the transfer direction for the selected pipe.

When software sets this bit to 0, the USBFS uses the selected pipe for receiving. When software sets this bit to 1, the USBFS uses the selected pipe for transmitting.

### SHTNAK bit (Pipe Disabled at End of Transfer)

The SHTNAK bit specifies whether to change the PIPEnCTR.PID[1:0] bits to 00b (NAK) at the end of transfer when the selected pipe is set in the receiving direction. The bit is valid for pipes 1 to 5 in the receiving direction.

When software sets this bit to 1 for a receiving pipe, the USBFS changes the associated PIPEnCTR.PID[1:0] bits to 00b (NAK) on determining the transfer end. The USBFS determines that the transfer has ended on the following conditions:

- A short packet data (including a zero-length packet) was successfully received
- The transaction counter is used and the number of packets specified for the transaction counter are successfully received.

**DBLB bit (Double Buffer Mode)**

The DBLB bit selects either single or double buffer mode for the FIFO buffer used by the selected pipe. The bit is valid for pipes 1 to 5.

**BFRE bit (BRDY Interrupt Operation Specification)**

The BFRE bit specifies the BRDY interrupt generation timing from the USBFS to the CPU for the selected pipe.

When software sets the BFRE bit to 1 and the selected pipe is in the receiving direction, the USBFS detects the transfer completion and generates the BRDY interrupt on reading the packet.

When a BRDY interrupt is generated with this setting, software must write 1 to the BCLR bit in the port control register. The FIFO buffer assigned to the selected pipe is not enabled for reception until 1 is written to the BCLR bit.

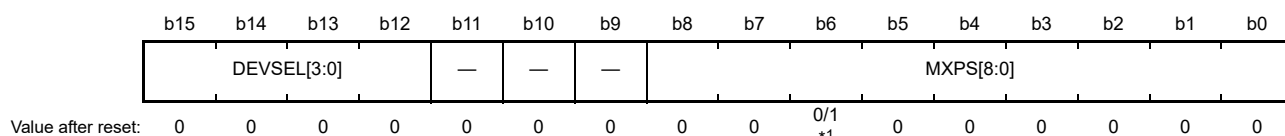
When the BFRE bit is set to 1 by software and the selected pipe is in the transmitting direction, the USBFS does not generate the BRDY interrupt. For details, see [section 31.3.3.1, BRDY interrupt](#).

**TYPE[1:0] bits (Transfer Type)**

The TYPE[1:0] bits specify the transfer type for the pipe selected in the PIPESEL.PIPSEL[3:0] bits. Before setting PID to BUF and starting USB communication on the selected pipe, set the TYPE[1:0] bits to a value other than 00b.

**31.2.30 Pipe Maximum Packet Size Register (PIPEMAXP)**

Address(es): [USBFS.PIPEMAXP 4009 006Ch](#)



| Bit        | Symbol                      | Bit name              | Description  | R/W |    |          |               |          |               |          |               |          |               |          |               |          |                |     |
|------------|-----------------------------|-----------------------|--|-----|----|----------|---------------|----------|---------------|----------|---------------|----------|---------------|----------|---------------|----------|----------------|-----|
| b8 to b0   | <a href="#">MXPS[8:0]</a>   | Maximum Packet Size*2 | <ul style="list-style-type: none"> <li>Pipes 1 and 2<br/>1 byte (001h) to 256 bytes (100h)</li> <li>Pipes 3 to 5<br/>8 bytes (008h), 16 bytes (010h), 32 bytes (020h), 64 bytes (040h)<br/>Bits [8:7] and [2:0] not supported.</li> <li>Pipes 6 to 9<br/>1 byte (001h) to 64 bytes (040h)<br/>Bits [8:7] not supported.</li> </ul>   | R/W |    |          |               |          |               |          |               |          |               |          |               |          |                |     |
| b11 to b9  | —                           | Reserved              | These bits are read as 0. The write value should be 0.   | R/W |    |          |               |          |               |          |               |          |               |          |               |          |                |     |
| b15 to b12 | <a href="#">DEVSEL[3:0]</a> | Device Select*3       | <table border="0"> <tr> <td>b3</td> <td>b0</td> </tr> <tr> <td>0 0 0 0:</td> <td>Address 0000b</td> </tr> <tr> <td>0 0 0 1:</td> <td>Address 0001b</td> </tr> <tr> <td>0 0 1 0:</td> <td>Address 0010b</td> </tr> <tr> <td>0 0 1 1:</td> <td>Address 0011b</td> </tr> <tr> <td>0 1 0 0:</td> <td>Address 0100b</td> </tr> <tr> <td>0 1 0 1:</td> <td>Address 0101b.</td> </tr> </table> Other settings are prohibited. | b3  | b0 | 0 0 0 0: | Address 0000b | 0 0 0 1: | Address 0001b | 0 0 1 0: | Address 0010b | 0 0 1 1: | Address 0011b | 0 1 0 0: | Address 0100b | 0 1 0 1: | Address 0101b. | R/W |
| b3         | b0                          |                       |  |     |    |          |               |          |               |          |               |          |               |          |               |          |                |     |
| 0 0 0 0:   | Address 0000b               |                       |  |     |    |          |               |          |               |          |               |          |               |          |               |          |                |     |
| 0 0 0 1:   | Address 0001b               |                       |  |     |    |          |               |          |               |          |               |          |               |          |               |          |                |     |
| 0 0 1 0:   | Address 0010b               |                       |  |     |    |          |               |          |               |          |               |          |               |          |               |          |                |     |
| 0 0 1 1:   | Address 0011b               |                       |  |     |    |          |               |          |               |          |               |          |               |          |               |          |                |     |
| 0 1 0 0:   | Address 0100b               |                       |  |     |    |          |               |          |               |          |               |          |               |          |               |          |                |     |
| 0 1 0 1:   | Address 0101b.              |                       |  |     |    |          |               |          |               |          |               |          |               |          |               |          |                |     |

- Note 1. The value of the MXPS[8:0] bits is 000h when no pipe is selected in the PIPESEL.PIPSEL[3:0] bits and 040h when a pipe is selected.
- Note 2. Only set the MXPS[8:0] bits while PID is NAK and before the pipe is selected in the CURPIPE[3:0] bits in the port select register. Before setting these bits, check that the PIPEnCTR.PBUSY bit is 0, and then change the PIPEnCTR.PID[1:0] bits from 01b (BUF) to 00b (NAK). If the PID[1:0] bits are changed to 00 (NAK) by the USBFS, checking the PBUSY bit through software is not necessary.
- Note 3. Only set the DEVSEL[3:0] bits while PID is NAK. Before setting these bits, check that the PIPEnCTR.PBUSY bit is 0, and then change the PIPEnCTR.PID[1:0] bits from 01b (BUF) to 00b (NAK). If the PID[1:0] bits are changed to 00 (NAK) by the USBFS, checking the PBUSY bit through software is not required.

PIPEMAXP specifies the maximum packet size for pipes 1 to 9.

**MXPS[8:0] bits (Maximum Packet Size)**

The MXPS[8:0] bits specify the maximum data payload (maximum packet size) for the selected pipe.

Set these bits to the appropriate value for each transfer type based on the USB 2.0 specification. When MXPS[8:0] = 0, do not write to the FIFO buffer or set PID to BUF. These writes have no effect.

**DEVSEL[3:0] bits (Device Select)**

In host controller mode, the DEVSEL[3:0] bits specify the address of the target device for USB communication. Set up the device address in the associated DEVADD<sub>n</sub> (n = 0 to 5) register first, and then set these bits to the corresponding value. To set the DEVSEL[3:0] bits to 0010b, for example, first set the address in the DEVADD2 register.

In device controller mode, set these bits to 0000b.

**31.2.31 Pipe Cycle Control Register (PIPEPERI)**

Address(es): USBFS.PIPEPERI 4009 006Eh

|                    |     |     |     |      |     |     |    |    |    |    |    |    |    |           |    |    |
|--------------------|-----|-----|-----|------|-----|-----|----|----|----|----|----|----|----|-----------|----|----|
|                    | b15 | b14 | b13 | b12  | b11 | b10 | b9 | b8 | b7 | b6 | b5 | b4 | b3 | b2        | b1 | b0 |
|                    | —   | —   | —   | IFIS | —   | —   | —  | —  | —  | —  | —  | —  | —  | IITV[2:0] |    | 0  |
| Value after reset: | 0   | 0   | 0   | 0    | 0   | 0   | 0  | 0  | 0  | 0  | 0  | 0  | 0  | 0         | 0  | 0  |

| Bit        | Symbol          | Bit name                          | Description   | R/W |
|------------|-----------------|-----------------------------------|---|-----|
| b2 to b0   | IITV[2:0]<br>*1 | Interval Error Detection Interval | Specifies the interval error detection timing for the selected pipe as the nth power of 2 of the frame timing | R/W |
| b11 to b3  | —               | Reserved                          | These bits are read as 0. The write value should be 0.  | R/W |
| b12        | IFIS            | Isochronous IN Buffer Flush       | 0: Do not flush buffer<br>1: Flush buffer.  | R/W |
| b15 to b13 | —               | Reserved                          | These bits are read as 0. The write value should be 0.  | R/W |

Note 1. Only set the IITV[2:0] bits while PID is NAK. Before setting these bits, check that the PBUSY bit is 0, and then change the PID[1:0] bits from 01b (BUF) to 00b (NAK). If the PID[1:0] bits are changed to 00 (NAK) by the USBFS, checking the PBUSY bit through software is not required.

PIPEPERI selects whether the buffer is flushed or not when an interval error occurred during isochronous IN transfers, and sets the interval error detection interval for pipes 1 to 9.

**IITV[2:0] bits (Interval Error Detection Interval)**

To change the IITV[2:0] bits to another value after they are set and USB communication is performed, set the PIPEnCTR.PID[1:0] bits to 00b (NAK) and then set the PIPEnCTR.ACLRM bit to 1 to initialize the interval timer.

The IITV[2:0] bits are not provided for pipes 3 to 5. Write 000b to the bit positions of the IITV[2:0] bits associated with pipes 3 to 5.

**IFIS bit (Isochronous IN Buffer Flush)**

The IFIS bit specifies whether to flush the buffer when the pipe selected in the PIPESEL. PIPESEL[3:0] bits are used for isochronous IN transfers.

In device controller mode when the selected pipe is for isochronous IN transfers, the USBFS automatically clears the FIFO buffer if the USBFS fails to receive the IN token from the USB host within the interval set in the IITV[2:0] bits in terms of frames.

When double buffering is specified (PIPECFG.DBLB = 1), the USBFS only clears the data in the previously used plane.

The USBFS clears the FIFO buffer on receiving the SOF packet immediately after the frame in which the USBFS expected to receive the IN token. Even if the SOF packet is corrupted, the FIFO buffer is cleared at the time the SOF packet is expected to be received by using the internal interpolation function.

When the host controller function is selected, set this bit to 0. Additionally, set this bit to 0 when the selected pipe is not for isochronous transfer.

### 31.2.32 PIPEn Control Registers (PIPEnCTR) (n = 1 to 9)

#### PIPEnCTR (n = 1 to 5)

Address(es): [USBFS.PIPE1CTR 4009 0070h](#), [USBFS.PIPE2CTR 4009 0072h](#), [USBFS.PIPE3CTR 4009 0074h](#),  
[USBFS.PIPE4CTR 4009 0076h](#), [USBFS.PIPE5CTR 4009 0078h](#)

|                    |        |     |     |     |        |       |       |       |       |       |    |    |    |          |    |
|--------------------|--------|-----|-----|-----|--------|-------|-------|-------|-------|-------|----|----|----|----------|----|
| b15                | b14    | b13 | b12 | b11 | b10    | b9    | b8    | b7    | b6    | b5    | b4 | b3 | b2 | b1       | b0 |
| BSTS               | INBUFM | —   | —   | —   | ATREPM | ACLRM | SQCLR | SQSET | SQMON | PBUSY | —  | —  | —  | PID[1:0] |    |
| Value after reset: |        |     |     |     |        |       |       |       |       |       |    |    |    |          |    |
| 0                  | 0      | 0   | 0   | 0   | 0      | 0     | 0     | 0     | 0     | 0     | 0  | 0  | 0  | 0        | 0  |

| Bit        | Symbol                   | Bit name                                | Description  | R/W               |
|------------|--------------------------|---|--|-------------------|
| b1, b0     | <a href="#">PID[1:0]</a> | Response PID                            | b1 b0<br>0 0: NAK response<br>0 1: BUF response (depends buffer state)<br>1 0: STALL response<br>1 1: STALL response.  | R/W               |
| b4 to b2   | —                        | Reserved                                | These bits are read as 0. The write value should be 0.   | R/W               |
| b5         | <a href="#">PBUSY</a>    | Pipe Busy                               | 0: Pipe n not in use for the transaction<br>1: Pipe n in use for the transaction.  | R                 |
| b6         | <a href="#">SQMON</a>    | Sequence Toggle Bit Confirmation        | 0: DATA0<br>1: DATA1.  | R                 |
| b7         | <a href="#">SQSET</a>    | Sequence Toggle Bit Set* <sup>2</sup>   | Sets the sequence toggle bit for pipe n.<br>0: Invalid (writing 0 has no effect)<br>1: Set the expected value for the next transaction to DATA1.<br>This bit is read as 0.     | R/W* <sup>1</sup> |
| b8         | <a href="#">SQCLR</a>    | Sequence Toggle Bit Clear* <sup>2</sup> | Clears the sequence toggle bit for pipe n.<br>0: Invalid (writing 0 has no effect)<br>1: Clear the expected value for the next transaction to DATA0.<br>This bit is read as 0. | R/W* <sup>1</sup> |
| b9         | <a href="#">ACLRM</a>    | Auto Buffer Clear Mode* <sup>3</sup>    | 0: Disable<br>1: Enable (initialize all buffers).  | R/W               |
| b10        | <a href="#">ATREPM</a>   | Auto Response Mode* <sup>2</sup>        | 0: Disable auto response mode<br>1: Enable auto response mode.   | R/W               |
| b13 to b11 | —                        | Reserved                                | These bits are read as 0. The write value should be 0.   | R/W               |
| b14        | <a href="#">INBUFM</a>   | Transmit Buffer Monitor                 | 0: No data to be transmitted is in the FIFO buffer<br>1: Data to be transmitted is in the FIFO buffer.   | R                 |
| b15        | <a href="#">BSTS</a>     | Buffer Status                           | 0: Buffer access by the CPU disabled<br>1: Buffer access by the CPU enabled.   | R                 |

Note 1. Only 0 can be read.

Note 2. Only set the ATREPM bit or write 1 to the SQCLR or SQSET bit while PID is NAK. Before setting these bits, check that the PBUSY bit is 0, and then change the PID[1:0] bits from 01b (BUF) to 00b (NAK). If the PID[1:0] bits are changed to 00 (NAK) by the USBFS, checking the PBUSY bit through software is not necessary.

Note 3. Only set the ACLRM bit while PID is NAK and before the pipe is selected in the CURPIPE[3:0] bits in the port select register. Before setting this bit, check that the PBUSY bit is 0, then change the PID[1:0] bits from 01b (BUF) to 00b (NAK). If the PID[1:0] bits are changed to 00 (NAK) by the USBFS, checking the PBUSY bit through software is not necessary.

PIPEnCTR can be set for any pipe selection in the PIPESEL register.

#### [PID\[1:0\] bits \(Response PID\)](#)

The PID[1:0] bits specify the response type for the next transaction on the selected pipe.

The default PID[1:0] setting is NAK. Change the PID[1:0] setting to BUF to use the associated pipe for USB transfer. [Table 31.7](#) and [Table 31.8](#) show the basic operations of the USBFS (when there are no errors in the communication packets) based on the PID[1:0] bit setting.

After changing the PID[1:0] setting from BUF to NAK through software during USB communication on the selected pipe, check that the PBUSY bit is 1 to determine if USB transfer on the pipe has actually entered the NAK state. If the

USBFS changes the PID[1:0] bits to NAK, checking the PBUSY bit through software is not required.

The USBFS changes the PIPEnCTR.PID[1:0] setting in the following cases:

- The USBFS sets PID to NAK on recognizing the completion of the transfer when the selected pipe is in the receiving direction and the PIPECFG.SHTNAK bit for the selected pipe is set to 1 by software
- The USBFS sets PID to STALL (11b) on receiving a data packet with a payload exceeding the maximum packet size of the selected pipe
- The USBFS sets PID to NAK on detecting a USB bus reset in device controller mode
- The USBFS sets PID to NAK on detecting a reception error, such as a CRC error, three consecutive times in host controller mode
- The USBFS sets PID to STALL (11b) on receiving the STALL handshake in host controller mode.

To specify the response type, set the PID[1:0] bits as follows:

- To transition from NAK (00b) to STALL, set 10b
- To transition from BUF (01b) to STALL, set 11b
- To transition from STALL (11b) to NAK, set 10b and then 00b
- To transition from STALL to BUF, transition to NAK and then BUF.

**Table 31.7 Operation of the USBFS based on the PID[1:0] setting in host controller mode**

| PID[1:0] value             | Transfer type                  | Transfer direction (DIR bit)   | USBFS operation  |
|----------------------------|--------------------------------|--------------------------------|--|
| 00b (NAK)                  | Does not depend on the setting | Does not depend on the setting | Does not issue tokens  |
| 01b (BUF)                  | Bulk or interrupt              | Does not depend on the setting | Issues tokens when the DVSTCTR0.UACT bit is 1 and the FIFO buffer associated with the selected pipe is ready for transmission and reception.<br>Does not issue tokens when the DVSTCTR0.UACT bit is 0 or the FIFO buffer associated with the selected pipe is not ready for transmission or reception. |
|                            | Isochronous                    | Does not depend on the setting | Issues tokens regardless of the status of the FIFO buffer associated with the selected pipe  |
| 10b (STALL) or 11b (STALL) | Does not depend on the setting | Does not depend on the setting | Does not issue tokens  |

**Table 31.8 Operation of the USBFS based on the PID[1:0] setting in device controller mode (1 of 2)**

| PID[1:0] value | Transfer type     | Transfer direction (DIR bit)   | USBFS operation  |
|----------------|-------------------|--------------------------------|--|
| 00b (NAK)      | Bulk or interrupt | Does not depend on the setting | Returns NAK in response to the token from the USB host     |
|                | Isochronous       | Does not depend on the setting | Returns nothing in response to the token from the USB host |

**Table 31.8 Operation of the USBFS based on the PID[1:0] setting in device controller mode (2 of 2)**

| PID[1:0] value             | Transfer type     | Transfer direction (DIR bit)     | USBFS operation   |
|----------------------------|-------------------|----------------------------------|---|
| 01b (BUF)                  | Bulk              | Receiving direction (DIR = 0)    | Receives data and returns ACK in response to the OUT token from the USB host if the FIFO buffer associated with the selected pipe is ready for reception                |
|                            | Interrupt         | Receiving direction (DIR = 0)    | Receives data and returns ACK in response to the OUT token from the USB host if the FIFO buffer associated with the selected pipe is ready for reception                |
|                            | Bulk or interrupt | Transmitting direction (DIR = 1) | Transmits data in response to the token from the USB host if the FIFO buffer associated with the selected pipe is ready for transmission. Otherwise, returns NAK.       |
|                            | Isochronous       | Receiving direction (DIR = 0)    | Receives data in response to the OUT token from the USB host if the FIFO buffer associated with the selected pipe is ready for reception. Otherwise, discards the data. |
|                            | Isochronous       | Transmitting direction (DIR = 1) | Transmits data in response to the token from the USB host if the associated FIFO buffer is ready for transmission. Otherwise, transmits a zero-length packet.           |
| 10b (STALL) or 11b (STALL) | Bulk or interrupt | Does not depend on the setting   | Returns STALL in response to the token from the USB host  |
|                            | Isochronous       | Does not depend on the setting   | Returns nothing in response to the token from the USB host  |

**PBUSY bit (Pipe Busy)**

The PBUSY bit indicates whether the selected pipe is being used for the current transaction.

The USBFS changes the PBUSY bit from 0 to 1 at the start of the USB transaction for the selected pipe, and changes the PBUSY bit from 1 to 0 on the completion of one transaction.

Reading the PBUSY bit by software after PID is set to NAK allows you to check whether changing the pipe setting is possible. For details, see [section 31.3.4.1, Pipe control register switching procedures](#).

**SQMON bit (Sequence Toggle Bit Confirmation)**

The SQMON bit indicates the expected value of the sequence toggle bit for the next transaction of the selected pipe.

When the selected pipe is not the isochronous transfer type, the USBFS toggles the SQMON flag on successful completion of the transaction. However, the USBFS does not toggle the SQMON flag when a DATA-PID mismatch occurs during transfer in the receiving direction.

**SQSET bit (Sequence Toggle Bit Set)**

Setting the SQSET bit to 1 through software causes the USBFS to set DATA1 as the expected value of the sequence toggle bit for the next transaction on the selected pipe. The USBFS clears the SQSET bit to 0.

**SQCLR bit (Sequence Toggle Bit Clear)**

Setting the SQCLR bit to 1 through software causes the USBFS to clear the expected value of the sequence toggle bit for the next transaction on the selected pipe to DATA0. The USBFS clears the SQCLR bit to 0.

**ACLRM bit (Auto Buffer Clear Mode)**

The ACLRM bit enables or disables auto buffer clear mode for the selected pipe. To completely clear the data in the FIFO buffer allocated to the selected pipe, write 1 and then 0 to the ACLRM bit continuously.

[Table 31.9](#) shows the data cleared by writing 1 and 0 to the ACLRM bit continuously and the cases in which this processing is required.



**Table 31.9 Data cleared by the USBFS when ACLRM = 1**

| Number | Data cleared by setting the ACLRM bit   | Situations requiring data clear                          |
|--------|---|--|
| 1      | All data in the FIFO buffer allocated to the selected pipe (two FIFO buffers in double buffer mode) | When initializing the selected pipe                      |
| 2      | Interval count value when the selected pipe is the isochronous transfer type                        | When resetting the interval count value                  |
| 3      | Internal flags related to the PIPECFG.BFRE bit  | When changing the PIPECFG.BFRE setting                   |
| 4      | FIFO buffer toggle control  | When changing the PIPECFG.DBLB setting                   |
| 5      | Internal flags related to the transaction count   | When forcing the transaction count function to terminate |

**ATREPM bit (Auto Response Mode)**

The ATREPM bit enables or disables auto response mode for the selected pipe.

This bit can be set to 1 in device controller mode when the selected pipe is the bulk transfer type. When the bit is set to 1, the USBFS responds to the token from the USB host as follows:

- When the selected pipe is set for bulk IN transfers (PIPECFG.TYPE[1:0] = 01b and PIPECFG.DIR = 1):
  - a. When the ATREPM bit = 1 and PID = BUF, the USBFS transmits a zero-length packet in response to the IN token.
  - b. The USBFS updates (allows toggling of) the sequence toggle bit (DATA-PID) each time the USBFS receives ACK from the USB host. In a single transaction, the IN token is received, a zero-length packet is transmitted, and then ACK is received. The USBFS does not generate the BRDY or BEMP interrupt.
- When the selected pipe is set for bulk OUT transfers (PIPECFG.TYPE[1:0] = 01b and PIPECFG.DIR = 0):
 

When the ATREPM bit = 1 and PID = BUF, the USBFS returns NAK in response to the OUT token and generates an NRDY interrupt.

For USB communication in auto response mode, set the ATREPM bit to 1 while the FIFO buffer is empty. Do not write to the FIFO buffer during USB communication in auto response mode. When the selected pipe uses isochronous transfer, always set this bit to 0.

In host controller mode, always set the ATREPM bit to 0.

**INBUFM bit (Transmit Buffer Monitor)**

The INBUFM bit indicates the FIFO buffer status for the selected pipe in the transmitting direction.

When the selected pipe is set in the transmitting direction (PIPECFG.DIR = 1), the USBFS sets this bit to 1 when the CPU or DMA/DTC completes writing data to at least one FIFO buffer plane.

The USBFS sets this bit to 0 when the USBFS completes transmission of the data from the FIFO buffer plane to which all the data is written. In double buffer mode (PIPECFG.DBLB = 1), the USBFS sets the INBUFM bit to 0 when the USBFS completes transmission of the data from the two FIFO buffer planes before the CPU or DMA/DTC completes writing data to one FIFO buffer plane.

The INBUFM bit indicates the same value as the BSTS bit when the selected pipe is in the receiving direction (PIPECFG.DIR = 0).

**BSTS bit (Buffer Status)**

The BSTS bit indicates the FIFO buffer status for the selected pipe.

The function of the BSTS bit depends on the PIPECFG.DIR, PIPECFG.BFRE, and DnFIFOSEL.DCLRM settings, as shown in [Table 31.10](#).

**Table 31.10** BSTS bit operation

| DIR value | BFRE value | DCLRM value | BSTS bit function   |
|-----------|------------|-------------|---|
| 0         | 0          | 0           | Sets to 1 when receive data can be read from the FIFO buffer, and sets to 0 on completion of data read  |
|           |            | 1           | Setting prohibited  |
|           | 1          | 0           | Sets to 1 when receive data can be read from the FIFO buffer, and sets to 0 when software sets the BCLR bit in the port control register to 1 after the data read is complete |
|           |            | 1           | Sets to 1 when receive data can be read from the FIFO buffer, and sets to 0 on completion of data read  |
| 1         | 0          | 0           | Sets to 1 when transmit data can be written to the FIFO buffer, and sets to 0 on completion of data write   |
|           |            | 1           | Setting prohibited  |
|           | 1          | 0           | Setting prohibited  |
|           |            | 1           | Setting prohibited  |

**PIPEnCTR (n = 6 to 9)**

Address(es): USBFS.PIPE6CTR 4009 007Ah, USBFS.PIPE7CTR 4009 007Ch, USBFS.PIPE8CTR 4009 007Eh, USBFS.PIPE9CTR 4009 0080h

|                    | b15  | b14 | b13 | b12 | b11 | b10 | b9    | b8    | b7    | b6    | b5    | b4 | b3 | b2 | b1       | b0 |
|--------------------|------|-----|-----|-----|-----|-----|-------|-------|-------|-------|-------|----|----|----|----------|----|
|                    | BSTS | —   | —   | —   | —   | —   | ACLRM | SQCLR | SQSET | SQMON | PBUSY | —  | —  | —  | PID[1:0] |    |
| Value after reset: | 0    | 0   | 0   | 0   | 0   | 0   | 0     | 0     | 0     | 0     | 0     | 0  | 0  | 0  | 0        | 0  |

| Bit        | Symbol   | Bit name                         | Description  | R/W       |
|------------|----------|----------------------------------|--|-----------|
| b1, b0     | PID[1:0] | Response PID                     | b1 b0<br>0 0: NAK response<br>0 1: BUF response (depends on the buffer state)<br>1 0: STALL response<br>1 1: STALL response.   | R/W       |
| b4 to b2   | —        | Reserved                         | These bits are read as 0. The write value should be 0.   | R/W       |
| b5         | PBUSY    | Pipe Busy                        | 0: Pipe n not in use for the transaction<br>1: Pipe n in use for the transaction.  | R         |
| b6         | SQMON    | Sequence Toggle Bit Confirmation | 0: DATA0<br>1: DATA1.  | R         |
| b7         | SQSET    | Sequence Toggle Bit Set*2        | Sets the sequence toggle bit for pipe n:<br>0: Invalid (writing 0 has no effect)<br>1: Set the expected value for the next transaction to DATA1.<br>This bit is read as 0.     | R/W<br>*1 |
| b8         | SQCLR    | Sequence Toggle Bit Clear*2      | Clears the sequence toggle bit for pipe n:<br>0: Invalid (writing 0 has no effect)<br>1: Clear the expected value for the next transaction to DATA0.<br>This bit is read as 0. | R/W<br>*1 |
| b9         | ACLRM    | Auto Buffer Clear Mode*3         | 0: Disable<br>1: Enable (all buffers initialized).   | R/W       |
| b14 to b10 | —        | Reserved                         | These bits are read as 0. The write value should be 0.   | R/W       |
| b15        | BSTS     | Buffer Status                    | 0: Buffer access disabled<br>1: Buffer access enabled.   | R         |

Note 1. Only 0 can be read. Only 1 can be written.

Note 2. Only write 1 to the SQCLR or SQSET bit while PID is NAK. Before setting these bits, check that the PBUSY bit is 0, and then change the PID[1:0] bits from 01b (BUF) to 00b (NAK). If the PID[1:0] bits are changed to 00 (NAK) by the USBFS, checking the PBUSY bit through software is not required.

Note 3. Only set the ACLRM bit while PID is NAK and before the pipe is selected in the CURPIPE[3:0] bits in the port select register. Before setting this bits, check that the PIPEnCTR.PBUSY bit is 0, and then change the PIPEnCTR.PID[1:0] bits from 01b (BUF)

to 00b (NAK). If the PID[1:0] bits are changed to 00 (NAK) by the USBFS, checking the PBUSY bit through software is not required.

### PID[1:0] bits (Response PID)

The PID[1:0] bits specify the response type for the next transaction of the selected pipe.

The default PID[1:0] setting is NAK. Change the PID[1:0] setting to BUF to use the associated pipe for USB transfer. Table 31.7 and Table 31.8 show the basic operation (when there are no errors in the transmitted and received packets) of the USBFS depending on the PID[1:0] setting.

After changing the PID[1:0] setting from BUF to NAK through software during USB communication on the selected pipe, check that the PBUSY bit is 1 to see if USB transfer on the selected pipe has actually entered the NAK state. If the USBFS changes the PID[1:0] bits to NAK, checking the PBUSY bit through software is not required.

The USBFS changes the PIPEnCTR.PID[1:0] setting in the following cases:

- The USBFS sets PID to STALL (11b) on receiving a data packet with a payload exceeding the maximum packet size of the selected pipe
- The USBFS sets PID to NAK on detecting a USB bus reset in device controller mode
- The USBFS sets PID to NAK on detecting a reception error, such as a CRC error, three consecutive times in host controller mode
- The USBFS sets PID to STALL (11b) on receiving the STALL handshake in host controller mode.

To specify each response type, set the PID[1:0] bits as follows:

- To transition from NAK (00b) to STALL, set 10b
- To transition from BUF (01b) to STALL, set 11b
- To transition from STALL (11b) to NAK, set 10b and then 00b
- To transition from STALL to BUF, set 00b (NAK) and then 01b (BUF).

### PBUSY bit (Pipe Busy)

The PBUSY bit indicates whether the selected pipe is being used for the current transaction.

The USBFS changes the PBUSY bit from 0 to 1 at the start of the USB transaction for the selected pipe, and changes the PBUSY bit from 1 to 0 on completion of one transaction.

Reading the PBUSY bit through software after PID is set to NAK allows you to check whether changing the pipe setting is possible.

### SQMON bit (Sequence Toggle Bit Confirmation)

The SQMON bit indicates the expected value of the sequence toggle bit for the next transaction of the selected pipe.

The USBFS toggles the SQMON bit on successful completion of the transaction. However, the USBFS does not toggle the SQMON bit when a DATA-PID mismatch occurs during transfer in the receiving direction.

### SQSET bit (Sequence Toggle Bit Set)

Setting the SQSET bit to 1 through software causes the USBFS to set DATA1 as the expected value of the sequence toggle bit for the next transaction on the selected pipe. The USBFS sets the SQSET bit to 0.

### SQCLR bit (Sequence Toggle Bit Clear)

Setting the SQCLR bit to 1 through software causes the USBFS to clear the expected value of the sequence toggle bit for the next transaction on the selected pipe to DATA0. The USBFS sets the SQCLR bit to 0.

### ACLRM bit (Auto Buffer Clear Mode)

The ACLRM bit enables or disables auto buffer clear mode for the selected pipe. To completely clear the data in the FIFO buffer allocated to the selected pipe, write 1 and then 0 to the ACLRM bit continuously.

Table 31.11 shows the data cleared by writing 1 and 0 continuously to the ACLRM bit and the cases in which this processing is required.

**Table 31.11 Data cleared by the USBFS when ACLRM = 1**

| Number | Data cleared by setting the ACLRM bit  | Situations requiring data clear                          |
|--------|--|--|
| 1      | All data in the FIFO buffer allocated to the selected pipe                   | When initializing the selected pipe                      |
| 2      | Interval count value when the selected pipe is the isochronous transfer type | When resetting the interval count value                  |
| 3      | Internal flags related to the PIPECFG.BFRE bit                               | When changing the PIPECFG.BFRE setting                   |
| 4      | Internal flags related to the transaction count                              | When forcing the transaction count function to terminate |

### BSTS bit (Buffer Status)

The BSTS bit indicates the FIFO buffer status for the selected pipe.

The function of the BSTS bit depends on the PIPECFG.DIR, PIPECFG.BFRE, and DnFIFOSEL.DCLRM settings, as shown in Table 31.10.

### 31.2.33 PIPE<sub>n</sub> Transaction Counter Enable Register (PIPE<sub>n</sub>TRE) (n = 1 to 5)

Address(es): USBFS.PIPE1TRE 4009 0090h, USBFS.PIPE2TRE 4009 0094h, USBFS.PIPE3TRE 4009 0098h, USBFS.PIPE4TRE 4009 009Ch, USBFS.PIPE5TRE 4009 00A0h

|                    | b15 | b14 | b13 | b12 | b11 | b10 | b9    | b8    | b7 | b6 | b5 | b4 | b3 | b2 | b1 | b0 |
|--------------------|-----|-----|-----|-----|-----|-----|-------|-------|----|----|----|----|----|----|----|----|
|                    | —   | —   | —   | —   | —   | —   | TRENB | TRCLR | —  | —  | —  | —  | —  | —  | —  | —  |
| Value after reset: | 0   | 0   | 0   | 0   | 0   | 0   | 0     | 0     | 0  | 0  | 0  | 0  | 0  | 0  | 0  | 0  |

| Bit        | Symbol | Bit name                   | Description  | R/W |
|------------|--------|----------------------------|--|-----|
| b7 to b0   | —      | Reserved                   | These bits are read as 0. The write value should be 0.           | R/W |
| b8         | TRCLR  | Transaction Counter Clear  | 0: Invalid (writing 0 has no effect)<br>1: Clear counter value.  | R/W |
| b9         | TRENB  | Transaction Counter Enable | 0: Disable transaction counter<br>1: Enable transaction counter. | R/W |
| b15 to b10 | —      | Reserved                   | These bits are read as 0. The write value should be 0.           | R/W |

Note: Set each bit in PIPE<sub>n</sub>TRE while PID is NAK. Before setting these bits after changing the PIPE<sub>n</sub>CTR.PID[1:0] bits for the selected pipe from BUF to NAK, check that the PIPE<sub>n</sub>CTR.PBUSY bit is 0. However, if the PID[1:0] bits are changed to NAK by the USBFS, checking the PBUSY bit through software is not necessary.

#### TRCLR bit (Transaction Counter Clear)

When the TRCLR bit is set to 1, the USBFS clears the value of the transaction counter associated with the selected pipe and then sets the TRCLR bit to 0.

#### TRENB bit (Transaction Counter Enable)

The TRENB bit enables or disables the transaction counter.

For receiving pipes, setting the TRENB bit to 1 after setting the total number of the packets to be received in the PIPE<sub>n</sub>TRN.TRNCNT[15:0] bits through software allows the USBFS to control hardware on having received the number of packets equal to the TRNCNT[15:0] setting, as follows:

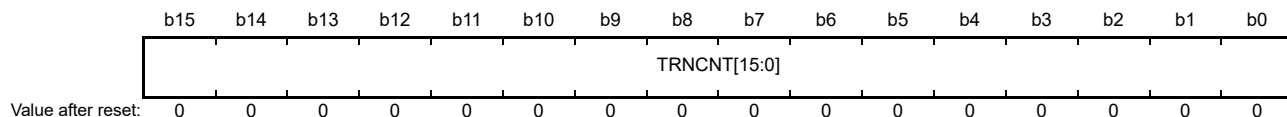
- When the PIPECFG.SHTNAK bit is 1, the USBFS changes the PID bits to NAK for the associated pipe on having received the number of packets equal to the TRNCNT[15:0] setting
- When the PIPECFG.BFRE bit is 1, the USBFS asserts the BRDY interrupt on having received the number of packets equal to the TRNCNT[15:0] setting and then reading the last received data.

For transmitting pipes, set the TRENB bit to 0.

When the transaction counter is not used, set this bit to 0. When the transaction counter is used, set the TRNCNT[15:0] bits before setting this bit to 1. Set this bit to 1 before receiving the first packet to be counted by the transaction counter.

### 31.2.34 PIPE<sub>n</sub> Transaction Counter Register (PIPE<sub>n</sub>TRN) (n = 1 to 5)

Address(es): USBFS.PIPE1TRN 4009 0092h, USBFS.PIPE2TRN 4009 0096h, USBFS.PIPE3TRN 4009 009Ah, USBFS.PIPE4TRN 4009 009Eh, USBFS.PIPE5TRN 4009 00A2h



| Bit       | Symbol       | Bit name            | Description  | R/W |
|-----------|--------------|---------------------|--|-----|
| b15 to b0 | TRNCNT[15:0] | Transaction Counter | When written to, this bit specifies the total packets (number of transactions) to be received by the selected pipe.<br>When read from, when PIPE <sub>n</sub> TRE.TRENB is 0, this bit indicates the specified number of transactions.<br>When PIPE <sub>n</sub> TRE.TRENB is 1, this bit indicates the current transaction count. | R/W |

The PIPE<sub>n</sub>TRN registers retain their settings during a USB bus reset.

#### TRNCNT[15:0] bits (Transaction Counter)

The USBFS increments the value of the TRNCNT[15:0] bits by 1 when all of the following conditions are satisfied on receiving the packet:

- The PIPE<sub>n</sub>TRE.TRENB bit = 1
- (TRNCNT[15:0] set value ≠ current counter value + 1) on receiving the packet
- The payload of the received packet agrees with the PIPEMAXP.MXPS[8:0] setting.

The USBFS clears the value of the TRNCNT[15:0] bits to 0 when any of the following conditions are satisfied:

All of the following conditions are satisfied:

- The PIPE<sub>n</sub>TRE.TRENB bit = 1
- (TRNCNT[15:0] set value = current counter value + 1) on receiving the packet
- The payload of the received packet agrees with the PIPEMAXP.MXPS[8:0] setting.

Both of the following conditions are satisfied:

- The PIPE<sub>n</sub>TRE.TRENB bit = 1
- The USBFS received a short packet.

Both of the following conditions are satisfied:

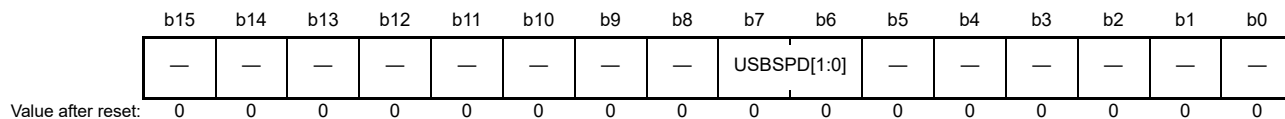
- The PIPE<sub>n</sub>TRE.TRENB bit = 1
- The PIPE<sub>n</sub>TRE.TRCLR bit was set to 1 by software.

For transmitting pipes, set the TRNCNT[15:0] bits to 0. When the transaction counter is not used, set the TRNCNT[15:0] bits to 0.

Setting the number of transactions to be transferred to the TRNCNT[15:0] bits is only enabled when the PIPE<sub>n</sub>TRE.TRENB bit is 0. To set the number of transactions to be transferred, set the TRCLR bit to 1 to clear the current counter value before setting the PIPE<sub>n</sub>TRE.TRENB bit to 1.

### 31.2.35 Device Address n Configuration Register (DEVADDn) (n = 0 to 5)

Address(es): [USBFS.DEVADD0 4009 00D0h](#), [USBFS.DEVADD1 4009 00D2h](#), [USBFS.DEVADD2 4009 00D4h](#), [USBFS.DEVADD3 4009 00D6h](#), [USBFS.DEVADD4 4009 00D8h](#), [USBFS.DEVADD5 4009 00DAh](#)



| Bit       | Symbol                      | Bit name                                      | Description   | R/W |
|-----------|-----------------------------|---|---|-----|
| b5 to b0  | —                           | Reserved                                      | These bits are read as 0. The write value should be 0.  | R/W |
| b7, b6    | <a href="#">USBSPD[1:0]</a> | Transfer Speed of Communication Target Device | b7 b6<br>0 0: Do not use DEVADDn<br>0 1: Low-speed<br>1 0: Full-speed<br>1 1: Setting prohibited. | R/W |
| b15 to b8 | —                           | Reserved                                      | These bits are read as 0. The write value should be 0.  | R/W |

The DEVADDn register specifies the transfer speed of the peripheral device that is the communication target for pipes 0 to 9.

In host controller mode, set all the DEVADDn bits before starting communication with any pipes. Only change the bits in DEVADDn when no valid pipes are using the bit settings. A valid pipe is defined as one that satisfies both of the following conditions:

- DEVADDn is selected in the DEVSEL[3:0] bits
- The PID[1:0] bits are set to BUF for the selected pipe, or the selected pipe is the DCP with the DCPCTR.SUREQ bit set to 1.

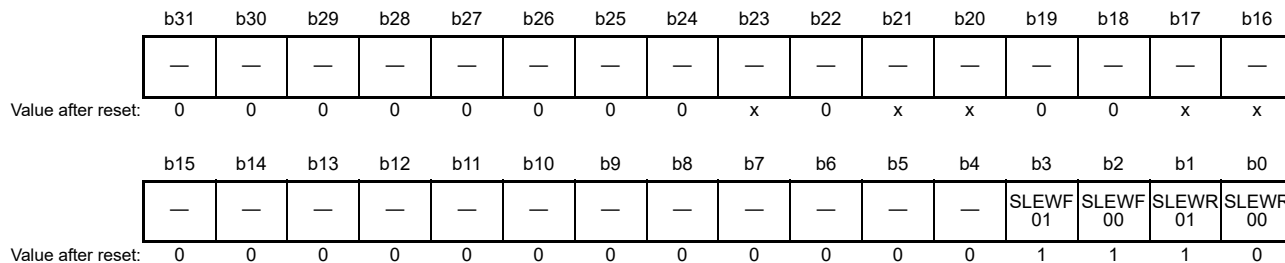
In device controller mode, set all bits in this register to 0.

#### **USBSPD[1:0] bits (Transfer Speed of Communication Target Device)**

The USBSPD[1:0] bits specify the USB transfer speed of the target peripheral device. Set these bits to 10b when a full-speed device is connected through the hub. In host controller mode, the USBFS generates packets based on the USBSPD[1:0] setting. In device controller mode, set these bits to 00b.

### 31.2.36 PHY Cross Point Adjustment Register (PHYSLEW)

Address(es): [USBFS.PHYSLEW 4009 00F0h](#)



x: Undefined

| Bit | Symbol                  | Bit name                         | Description                                       | R/W |
|-----|-------------------------|----------------------------------|---|-----|
| b0  | <a href="#">SLEWR00</a> | Driver Cross Point Adjustment 00 | 0: Reserved<br>1: Host or device controller mode. | R/W |
| b1  | <a href="#">SLEWR01</a> | Driver Cross Point Adjustment 01 | 0: Host or device controller mode<br>1: Reserved. | R/W |

| Bit        | Symbol  | Bit name                         | Description   | R/W |
|------------|---------|----------------------------------|---|-----|
| b2         | SLEWF00 | Driver Cross Point Adjustment 00 | 0: Reserved<br>1: Host or device controller mode.         | R/W |
| b3         | SLEWF01 | Driver Cross Point Adjustment 01 | 0: Host or device controller mode<br>1: Reserved.         | R/W |
| b15 to b4  | —       | Reserved                         | These bits are read as 0. The write value should be 0.    | R/W |
| b17, b16   | —       | Reserved                         | The read value is undefined. The write value should be 0. | R/W |
| b19, b18   | —       | Reserved                         | These bits are read as 0. The write value should be 0.    | R/W |
| b21, b20   | —       | Reserved                         | The read value is undefined. The write value should be 0. | R/W |
| b22        | —       | Reserved                         | This bit is read as 0. The write value should be 0.       | R/W |
| b23        | —       | Reserved                         | The read value is undefined. The write value should be 0. | R/W |
| b31 to b24 | —       | Reserved                         | These bits are read as 0. The write value should be 0.    | R/W |

The PHYSLEW register adjusts the cross point of the driver. In both host and device controller modes, set this register before operating the controller.

### 31.2.37 Deep Software Standby USB Transceiver Control/Pin Monitor Register (DPUSR0R)

Address(es): USBFS.DPUSR0R 4009 0400h

|                    |     |     |     |     |     |     |     |     |             |     |            |             |       |     |       |       |
|--------------------|-----|-----|-----|-----|-----|-----|-----|-----|-------------|-----|------------|-------------|-------|-----|-------|-------|
|                    | b31 | b30 | b29 | b28 | b27 | b26 | b25 | b24 | b23         | b22 | b21        | b20         | b19   | b18 | b17   | b16   |
|                    | —   | —   | —   | —   | —   | —   | —   | —   | DVBST<br>S0 | —   | DOVCB<br>0 | DOVCA<br>0  | —     | —   | DM0   | DP0   |
| Value after reset: | 0   | 0   | 0   | 0   | 0   | 0   | 0   | 0   | x           | 0   | x          | x           | 0     | 0   | x     | x     |
|                    | b15 | b14 | b13 | b12 | b11 | b10 | b9  | b8  | b7          | b6  | b5         | b4          | b3    | b2  | b1    | b0    |
|                    | —   | —   | —   | —   | —   | —   | —   | —   | —           | —   | —          | FIXPH<br>Y0 | DRPD0 | —   | RPUE0 | SRPC0 |
| Value after reset: | 0   | 0   | 0   | 0   | 0   | 0   | 0   | 0   | 0           | 0   | 0          | 0           | 0     | 0   | 0     | 0     |

x: Undefined

| Bit        | Symbol  | Bit name                          | Description  | R/W |
|------------|---------|-----------------------------------|--|-----|
| b0         | SRPC0   | USB Single-ended Receiver Control | 0: Disable input through DP and DM inputs<br>1: Enable input through DP and DM inputs.   | R/W |
| b1         | RPUE0*1 | DP Pull-Up Resistor Control       | 0: Disable DP pull-up resistor<br>1: Enable DP pull-up resistor.   | R/W |
| b2         | —       | Reserved                          | This bit is read as 0. The write value should be 0.  | R/W |
| b3         | DRPD0*1 | D+/D- Pull-Down Resistor Control  | 0: Disable DP/DM pull-down resistor<br>1: Enable DP/DM pull-down resistor.   | R/W |
| b4         | FIXPHY0 | USB Transceiver Output Fix        | 0: Fix outputs in Normal mode and on return from Deep Software Standby mode<br>1: Fix outputs on transition to Deep Software Standby mode. | R/W |
| b15 to b5  | —       | Reserved                          | These bits are read as 0. The write value should be 0.   | R/W |
| b16        | DP0     | USB D+ Input                      | Indicates D+ input signal on the USBFS side  | R   |
| b17        | DM0     | USB D- Input                      | Indicates D- input signal on the USBFS side  | R   |
| b19, b18   | —       | Reserved                          | These bits are read as 0. The write value should be 0.   | R/W |
| b20        | DOVCA0  | USB OVRCURA Input                 | Indicates OVRCURA input signal on the USBFS side   | R   |
| b21        | DOVCB0  | USB OVRCURB Input                 | Indicates OVRCURB input signal on the USBFS side   | R   |
| b22        | —       | Reserved                          | This bit is read as 0. The write value should be 0.  | R/W |
| b23        | DVBST0  | USB VBUS Input                    | Indicates VBUS input signal on the USBFS side  | R   |
| b31 to b24 | —       | Reserved                          | These bits are read as 0. The write value should be 0.   | R/W |

Note 1. Use this bit during operation in Deep Software Standby mode. For details, see [section 31.3.1.5, Release from deep software](#)

standby mode because of USB suspend/resume interrupts.

### SRPC0 bit (USB Single-ended Receiver Control)

The SRPC0 bit controls the D+ and D- inputs of the USB transceiver. This bit is only valid when the FIXPHY0 bit is 1.

### FIXPHY0 bit (USB Transceiver Output Fix)

The FIXPHY0 bit keeps the outputs of the USB transceiver disabled.

## 31.2.38 Deep Software Standby USB Suspend/Resume Interrupt Register (DPUSR1R)

Address(es): USBFS.DPUSR1R 4009 0404h

|                    |     |     |     |     |     |     |     |     |             |     |               |               |     |     |             |             |
|--------------------|-----|-----|-----|-----|-----|-----|-----|-----|-------------|-----|---------------|---------------|-----|-----|-------------|-------------|
|                    | b31 | b30 | b29 | b28 | b27 | b26 | b25 | b24 | b23         | b22 | b21           | b20           | b19 | b18 | b17         | b16         |
|                    | —   | —   | —   | —   | —   | —   | —   | —   | DVBIN<br>T0 | —   | DOVR<br>CRB0  | DOVR<br>CRA0  | —   | —   | DMINT<br>0  | DPINT0      |
| Value after reset: | 0   | 0   | 0   | 0   | 0   | 0   | 0   | 0   | 0           | 0   | 0             | 0             | 0   | 0   | 0           | 0           |
|                    | b15 | b14 | b13 | b12 | b11 | b10 | b9  | b8  | b7          | b6  | b5            | b4            | b3  | b2  | b1          | b0          |
|                    | —   | —   | —   | —   | —   | —   | —   | —   | DVBSE<br>0  | —   | DOVR<br>CRBE0 | DOVR<br>CRAE0 | —   | —   | DMINT<br>E0 | DPINT<br>E0 |
| Value after reset: | 0   | 0   | 0   | 0   | 0   | 0   | 0   | 0   | 0           | 0   | 0             | 0             | 0   | 0   | 0           | 0           |

| Bit       | Symbol    | Bit name                              | Description  | R/W |
|-----------|-----------|---------------------------------------|--|-----|
| b0        | DPINTE0   | USB DP Interrupt Enable/Clear         | 0: Disable recovery from Deep Software Standby mode by DP input<br>1: Enable recovery from Deep Software Standby mode by DP input.           | R/W |
| b1        | DMINTE0   | USB DM Interrupt Enable/Clear         | 0: Disable recovery from Deep Software Standby mode by DM input<br>1: Enable recovery from Deep Software Standby mode by DM input.           | R/W |
| b3, b2    | —         | Reserved                              | These bits are read as 0. The write value should be 0.   | R/W |
| b4        | DOVRCRAE0 | USB OVRCURA Interrupt Enable/Clear    | 0: Disable recovery from Deep Software Standby mode by OVRCURA input<br>1: Enable recovery from Deep Software Standby mode by OVRCURA input. | R/W |
| b5        | DOVRCRBE0 | USB OVRCURB Interrupt Enable/Clear    | 0: Disable recovery from Deep Software Standby mode by OVRCURB input<br>1: Enable recovery from Deep Software Standby mode by OVRCURB input. | R/W |
| b6        | —         | Reserved                              | This bit is read as 0. The write value should be 0.  | R/W |
| b7        | DVBSE0    | USB VBUS Interrupt Enable/Clear       | 0: Disable recovery from Deep Software Standby mode by VBUS input<br>1: Enable recovery from Deep Software Standby mode by VBUS input.       | R/W |
| b15 to b8 | —         | Reserved                              | These bits are read as 0. The write value should be 0.   | R/W |
| b16       | DPINT0    | USB DP Interrupt Source Recovery      | 0: System has not recovered from Deep Software Standby mode<br>1: System recovered from Deep Software Standby mode because of DP.            | R   |
| b17       | DMINT0    | USB DM Interrupt Source Recovery      | 0: System has not recovered from Deep Software Standby mode<br>1: System recovered from Deep Software Standby mode because of DM input.      | R   |
| b19, b18  | —         | Reserved                              | These bits are read as 0. The write value should be 0.   | R/W |
| b20       | DOVRCRA0  | USB OVRCURA Interrupt Source Recovery | 0: System has not recovered from Deep Software Standby mode<br>1: System recovered from Deep Software Standby mode because of OVRCURA input. | R   |



| Bit        | Symbol   | Bit name                              | Description  | R/W |
|------------|----------|---------------------------------------|--|-----|
| b21        | DOVRCRB0 | USB OVRCURB Interrupt Source Recovery | 0: System has not recovered from Deep Software Standby mode<br>1: System recovered from Deep Software Standby mode because of OVRCURB input. | R   |
| b22        | —        | Reserved                              | This bit is read as 0. The write value should be 0.  | R/W |
| b23        | DVBINT0  | USB VBUS Interrupt Source Recovery    | 0: System has not recovered from Deep Software Standby mode<br>1: System recovered from Deep Software Standby mode because of VBUS input.    | R   |
| b31 to b24 | —        | Reserved                              | These bits are read as 0. The write value should be 0.   | R/W |

#### DPINTE0 bit (USB DP Interrupt Enable/Clear)

The DPINTE0 bit enables or disables triggering of recovery from Deep Software Standby mode by the DP input of the USBFS. Writing 0 to this bit while the DPINT0 bit is 1 sets the DPINT0 bit to 0.

#### DMINTE0 bit (USB DM Interrupt Enable/Clear)

The DMINTE0 bit enables or disables triggering of recovery from Deep Software Standby mode by the DM input of the USBFS. Writing 0 to this bit while the DMINT0 bit is 1 clears the DMINTE0 bit to 0.

#### DOVRCRAE0 bit (USB OVRCURA Interrupt Enable/Clear)

The DOVRCRAE0 bit enables or disables triggering of recovery from Deep Software Standby mode by the OVRCURA input of the USBFS. Writing 0 to this bit while the DOVRCRA0 bit is 1 clears the DOVRCRAE0 bit to 0.

#### DOVRCRBE0 bit (USB OVRCURB Interrupt Enable/Clear)

The DOVRCRBE0 bit enables or disables triggering of recovery from Deep Software Standby mode by the OVRCURB input of the USBFS. Writing 0 to this bit while the DOVRCRB0 bit is 1 clears the DOVRCRBE0 bit to 0.

#### DVBSE0 bit (USB VBUS Interrupt Enable/Clear)

The DVBSE0 bit enables or disables triggering of recovery from Deep Software Standby mode by the VBUS input of the USBFS. Writing 0 to this bit while the DVBINT0 bit is 1 clears the DVBINT0 bit to 0.

#### DPINT0 bit (USB DP Interrupt Source Recovery)

The DPINT0 bit indicates that the system has returned from Deep Software Standby mode because of the DP input of the USBFS. This recovery is only enabled when the DPINTE0 bit is 1. Writing 0 to the DPINTE0 bit while this bit is 1 clears this bit to 0.

#### DMINT0 bit (USB DM Interrupt Source Recovery)

The DMINT0 bit indicates that the system has returned from Deep Software Standby mode because of the DM input of the USBFS. This recovery is only enabled when the DMINTE0 bit is 1. Writing 0 to the DPINTE0 bit while this bit is 1 clears this bit to 0.

#### DOVRCRA0 bit (USB OVRCURA Interrupt Source Recovery)

The DOVRCRA0 bit indicates that the system has returned from Deep Software Standby mode because of the OVRCURA input of the USBFS. This recovery is only enabled when the DOVRCRAE0 bit is 1. Writing 0 to the DOVRCRAE0 bit while this bit is 1 clears this bit to 0.

#### DOVRCRB0 bit (USB OVRCURB Interrupt Source Recovery)

The DOVRCRB0 bit indicates that the system has returned from Deep Software Standby mode because of the OVRCURB input of the USBFS. This recovery is only enabled when the DOVRCRBE0 bit is 1. Writing 0 to the DOVRCRBE0 bit while this bit is 1 clears this bit to 0.

#### DVBINT0 bit (USB VBUS Interrupt Source Recovery)

The DVBINT0 bit indicates that the system has returned from Deep Software Standby mode because of the VBUS input of the USBFS. This recovery is only enabled when the DVBSE0 bit is 1. Writing 0 to the DVBSE0 bit while this bit is 1 clears this bit to 0.

## 31.3 Operation

### 31.3.1 System Control

This section describes register settings required for initializing the USBFS and controlling power consumption.

#### 31.3.1.1 Setting data to the USBFS registers

Setting the SYSCFG.USBE bit to 1 after starting the clock supply (SYSCFG.SCKE bit = 1) enables and starts USBFS operation.

#### 31.3.1.2 Selecting the controller function

The USBFS can operate as either a host or device controller.

Use the SYSCFG.DCFM bit to select one of these USBFS functions. The DCFM bit must be changed in the initial settings immediately after a reset or in the D+ pull-up-disabled state (SYSCFG.DPRPU bit = 0) and D+ and D- pull-down-disabled state (SYSCFG.DRPD bit = 0).

#### 31.3.1.3 Controlling the USB data bus using resistors

The USBFS provides pull-up and pull-down resistors for the D+ and D- lines. Pull these lines up or down by setting the SYSCFG.DPRPU and DRPD bits.

In device controller mode, confirm that connection to the USB host is made, and then set the SYSCFG.DPRPU bit to 1 and pull up the D+ line (in full-speed communication).

When the SYSCFG.DPRPU bit is set to 0 during communication with a PC, the USBFS disables the pull-up resistor of the USB data line, thereby notifying the USB host of disconnection.

In host controller mode, set the SYSCFG.DRPD bit to 1 to pull down the D+ and D- lines.

**Table 31.12 USB data bus resistor control**

| SYSCFG register settings |           | USB data bus control |           |   |
|--------------------------|-----------|----------------------|-----------|---|
| DRPD bit                 | DPRPU bit | D-                   | D+        | Function  |
| 0                        | 0         | Open                 | Open      | When resistors not used                             |
| 0                        | 1         | Open                 | Pull-up   | When operating as a device controller at full-speed |
| 1                        | 0         | Pull-down            | Pull-down | When operating as a host controller                 |
| 1                        | 1         | —                    | —         | Setting prohibited                                  |

#### 31.3.1.4 Example external connection circuits

Figure 31.2 shows an example OTG connection in the self-powered system. The USBFS controls the pull-up resistor of the D+ line and the pull-down resistor of D+ and D- lines. Select pull-up and pull-down for the lines in the SYSCFG.DPRPU and SYSCFG.DRPD bits. In device controller mode, the pull-up resistor of USB data line is disabled if SYSCFG.DPRPU bit is set to 0 while communicating with the USB host. The USBFS can use this to notify the USB host of a device disconnect.

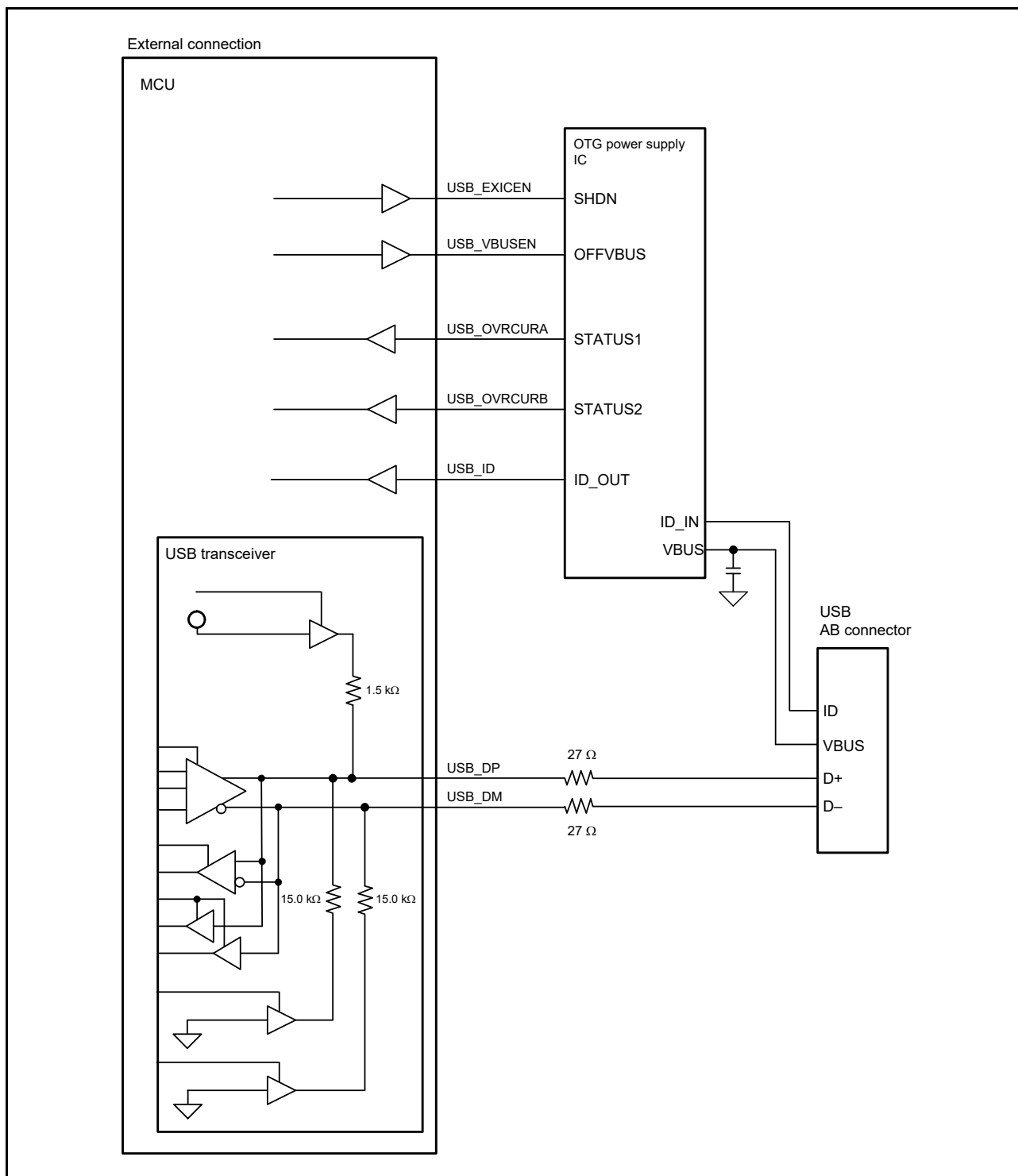


Figure 31.2 Example OTG connection in a self-powered system

Figure 31.3 shows an example device connection in a self-powered system.

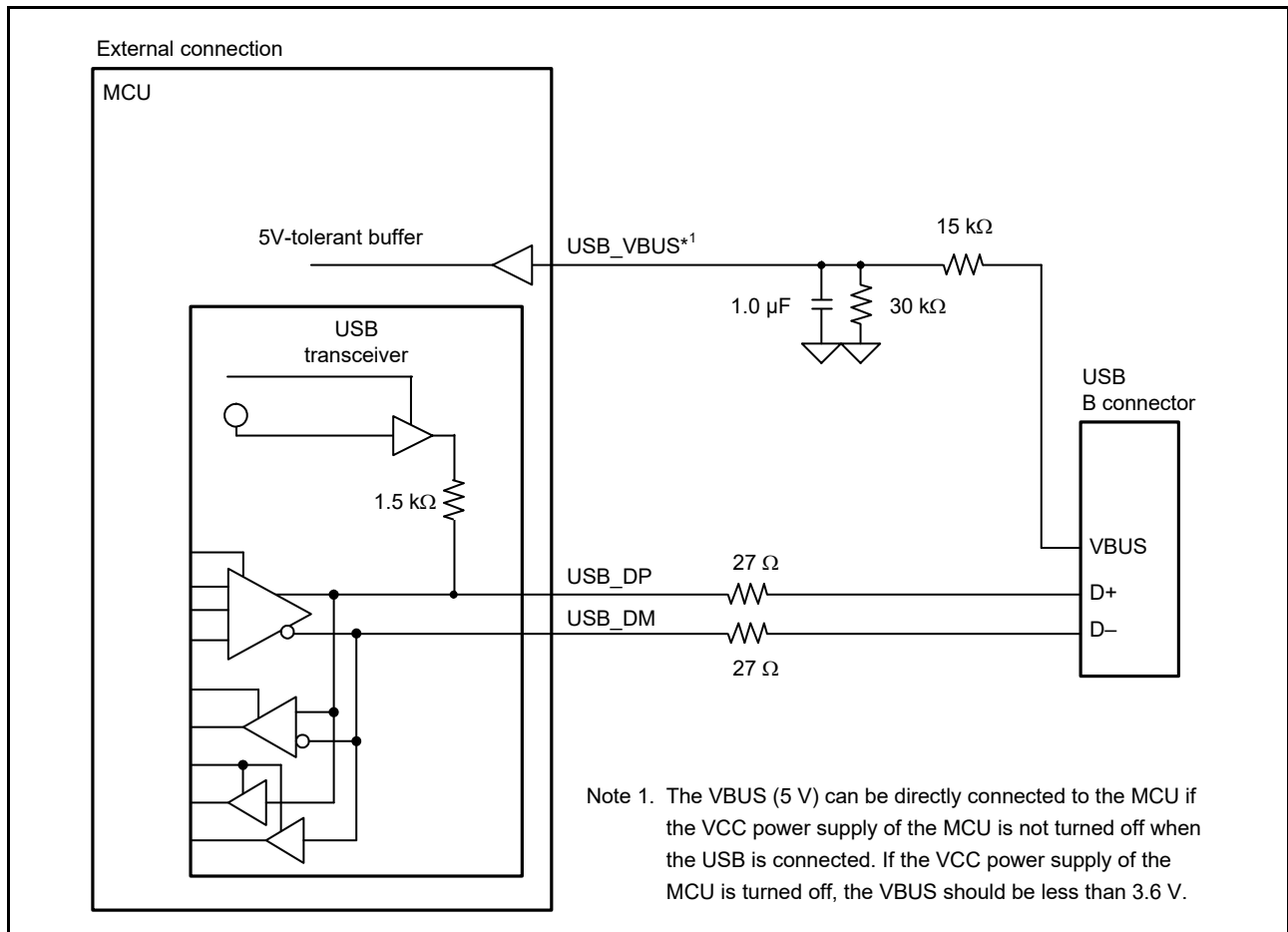


Figure 31.3 Example device connection in a self-powered system

Figure 31.4 shows an example host connection.

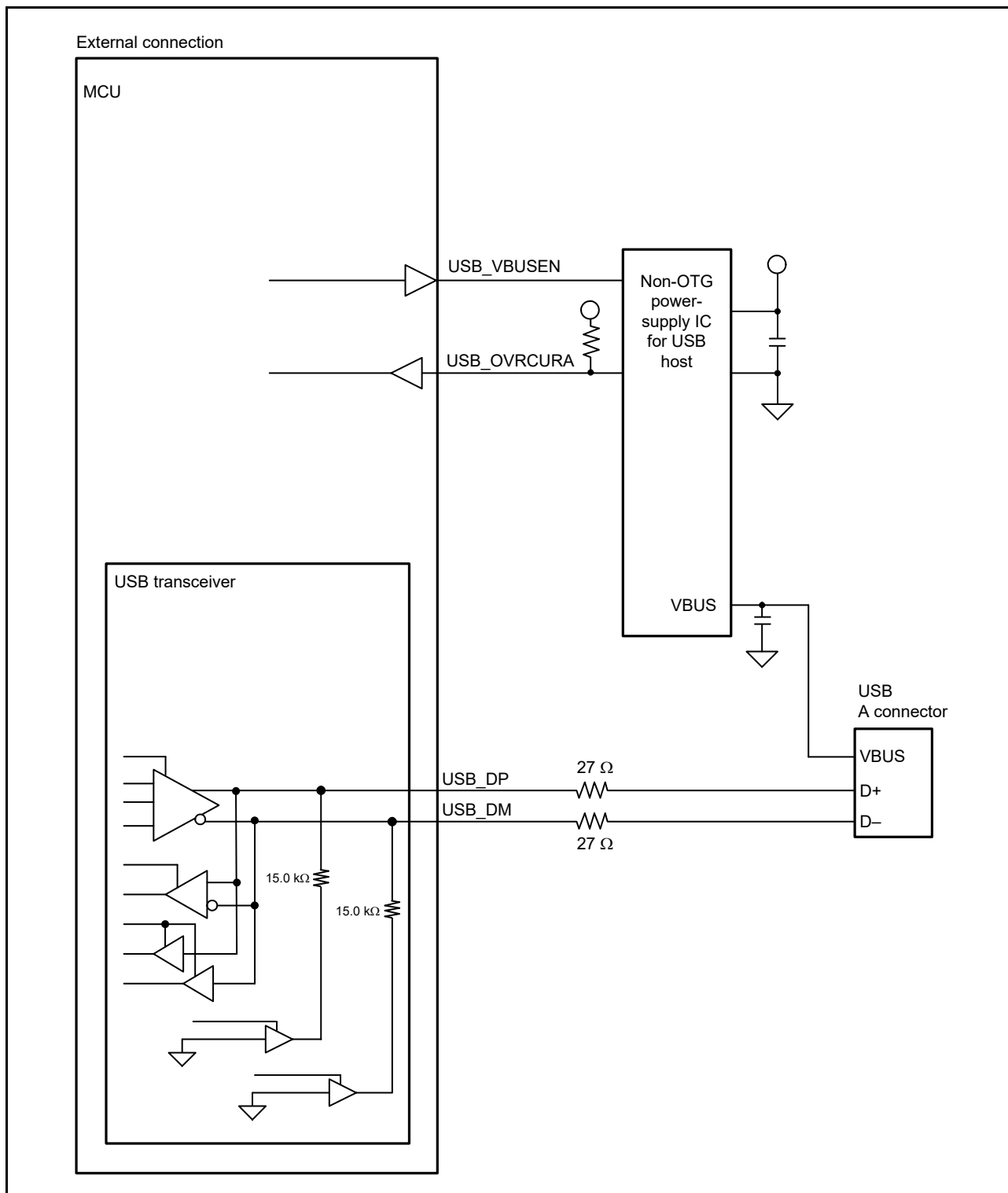
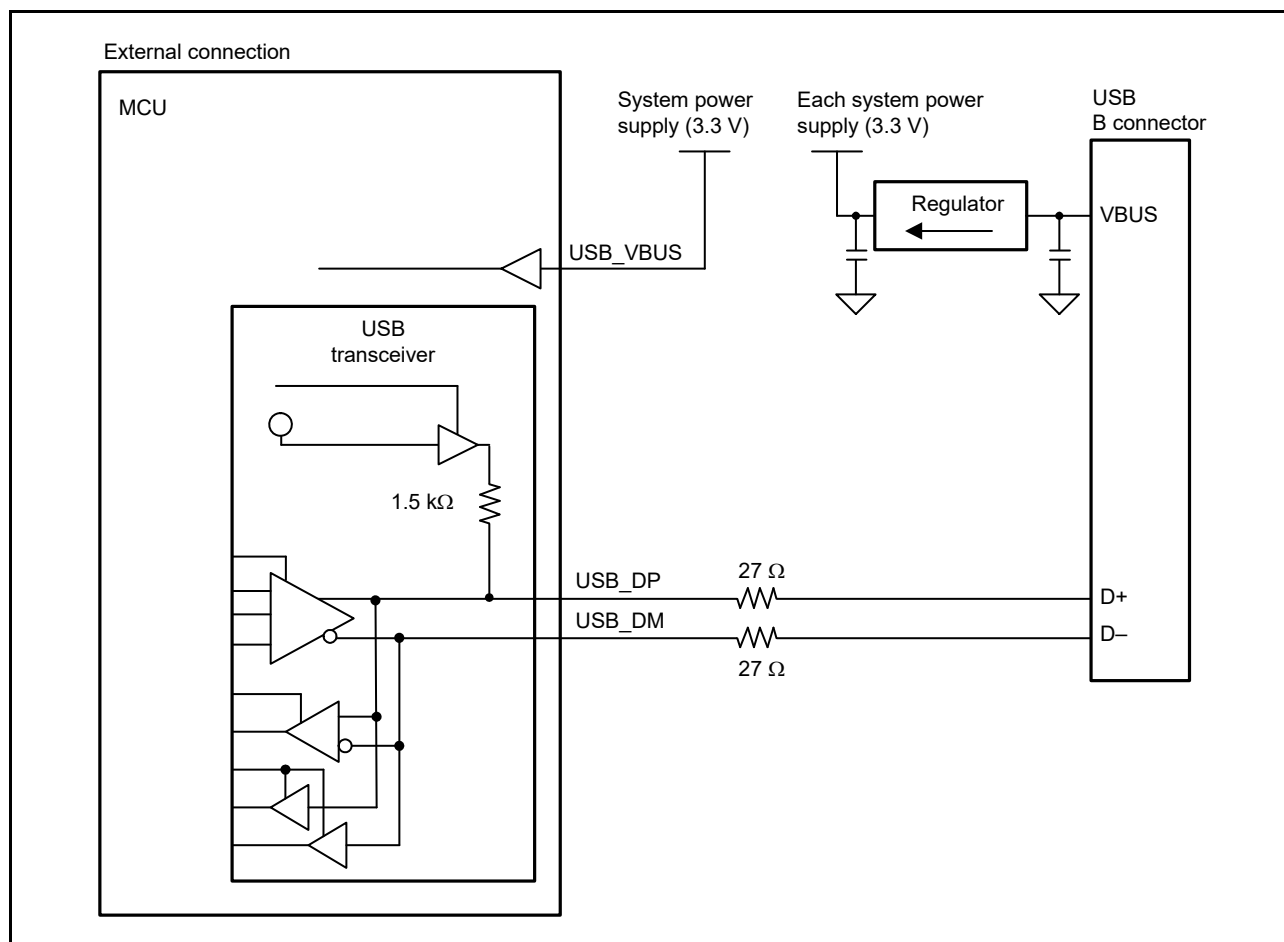


Figure 31.4 Example host connection

Figure 31.5 shows an example device connection in a bus-powered system.



**Figure 31.5 Example device connection in a bus-powered state**

The examples of external circuits given in this section are simplified circuits, and their operation in every system is not guaranteed.

### 31.3.1.5 Release from deep software standby mode because of USB suspend/resume interrupts

Deep Software Standby mode can be canceled by a USB suspend/resume interrupt. USB suspend/resume interrupts are detected by the USB resume detecting unit, which controls and monitors the USB I/O pins to detect the interrupts.

Figure 31.6 shows a schematic diagram of the connection between the USB resume detecting unit and the USB I/O pins.

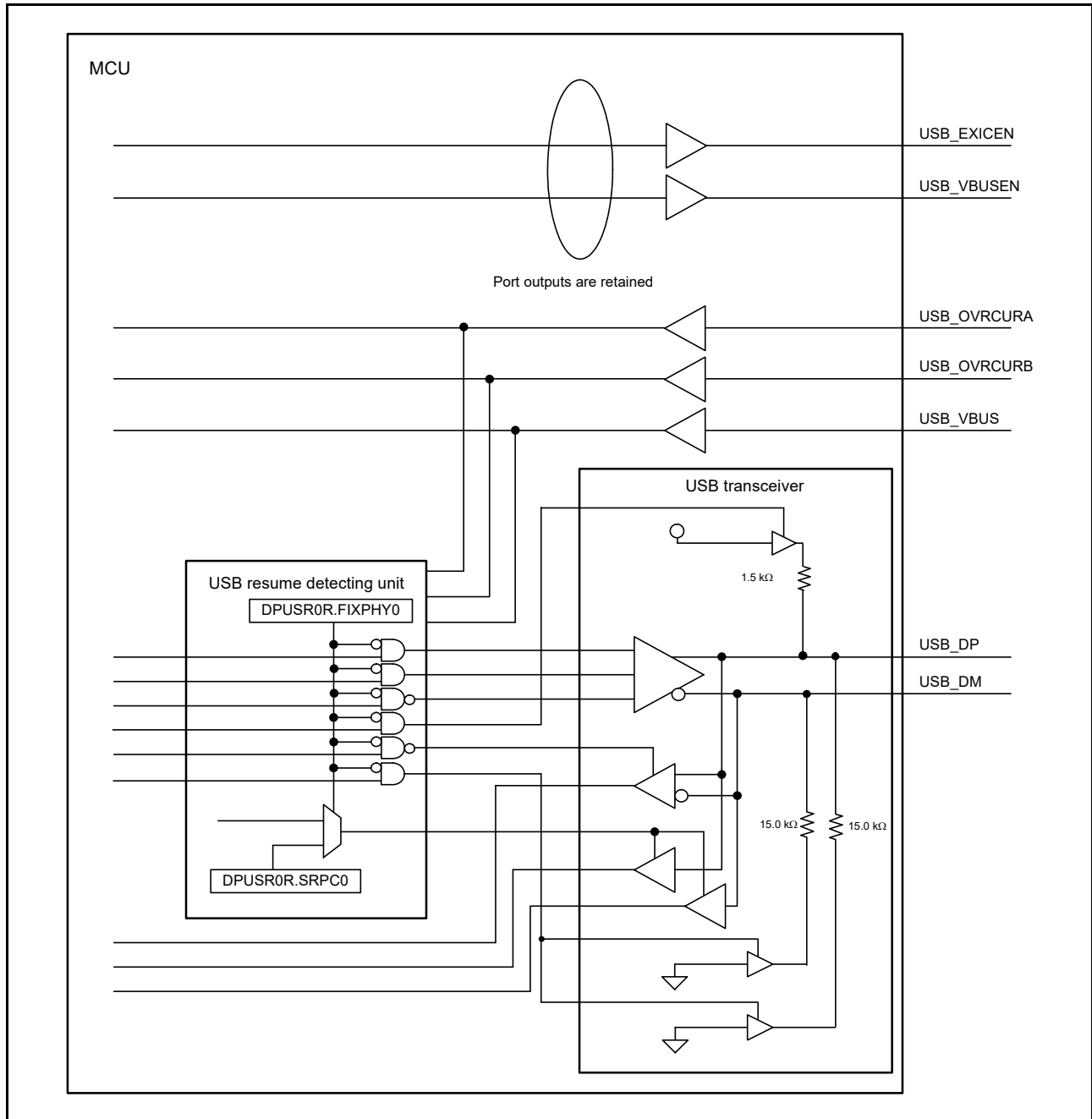


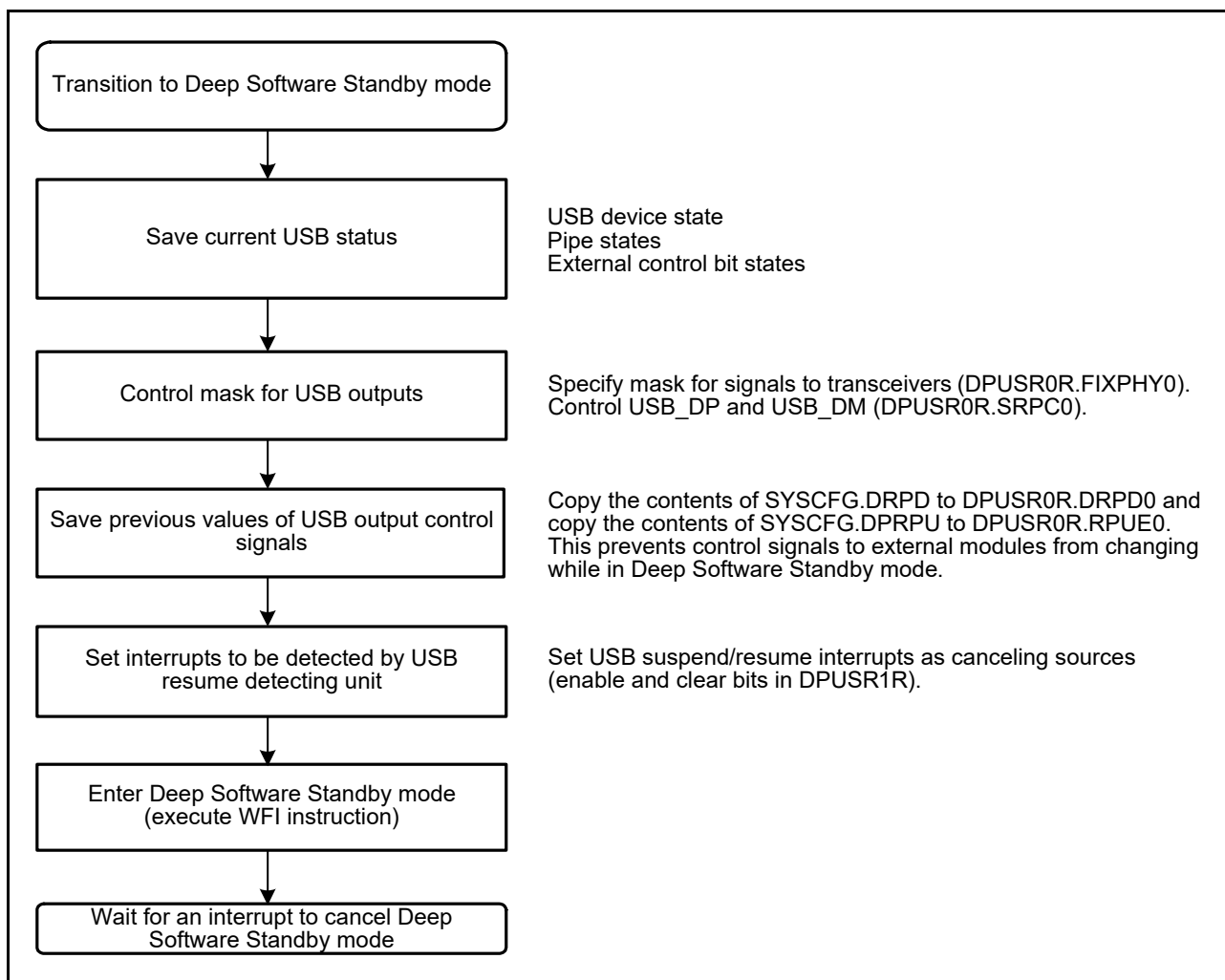
Figure 31.6 Connection between the USB resume detecting unit and the USB I/O pins

Table 31.13 shows the USB suspend and resume interrupt sources and their associated I/O pins.

**Table 31.13 USB suspend and resume interrupt sources and their associated I/O pins**

| USB operating mode | Source                | Pin name                 |
|--------------------|-----------------------|--------------------------|
| Device, OTG        | Resume                | USB_DP                   |
| Host, OTG          | Attach or detach      | USB_DP, USB_DM           |
| Device             | Attach or detach      | USB_VBUS                 |
| Host               | Overcurrent detection | USB_OVRCURA              |
| OTG                | Overcurrent detection | USB_OVRCURA, USB_OVRCURB |

Figure 31.7 shows the flow for setting the USBFS when entering Deep Software Standby mode from either host or device controller mode. Figure 31.8 shows the flow for setting the USBFS when canceling Deep Software Standby mode from host controller mode. Figure 31.9 shows the flow for setting the USBFS when canceling Deep Software Standby mode from device controller mode.



**Figure 31.7 USBFS setup flow for transition to Deep Software Standby mode as host or device controller**



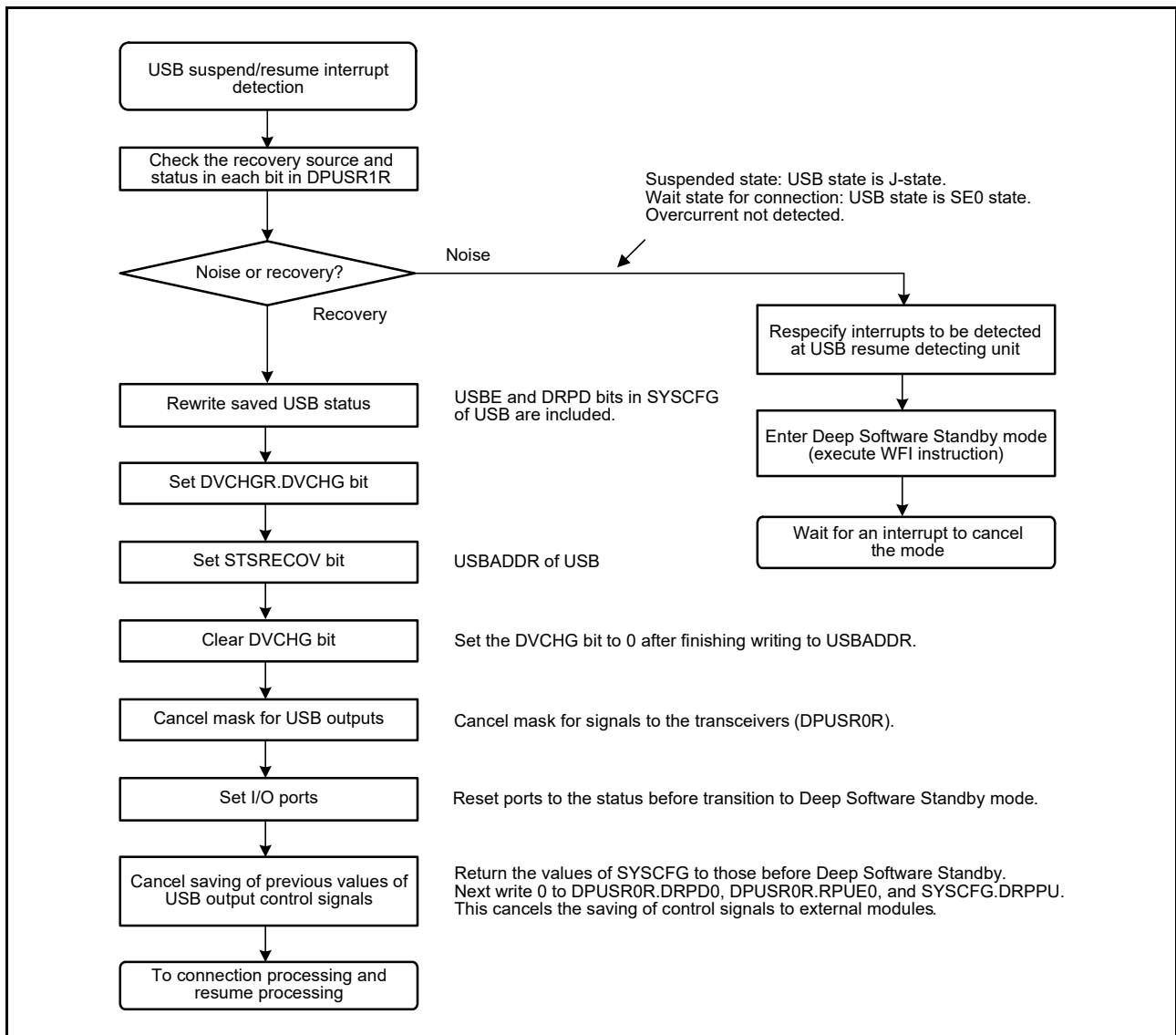


Figure 31.8 USBFS setup flow for canceling Deep Software Standby mode as host controller

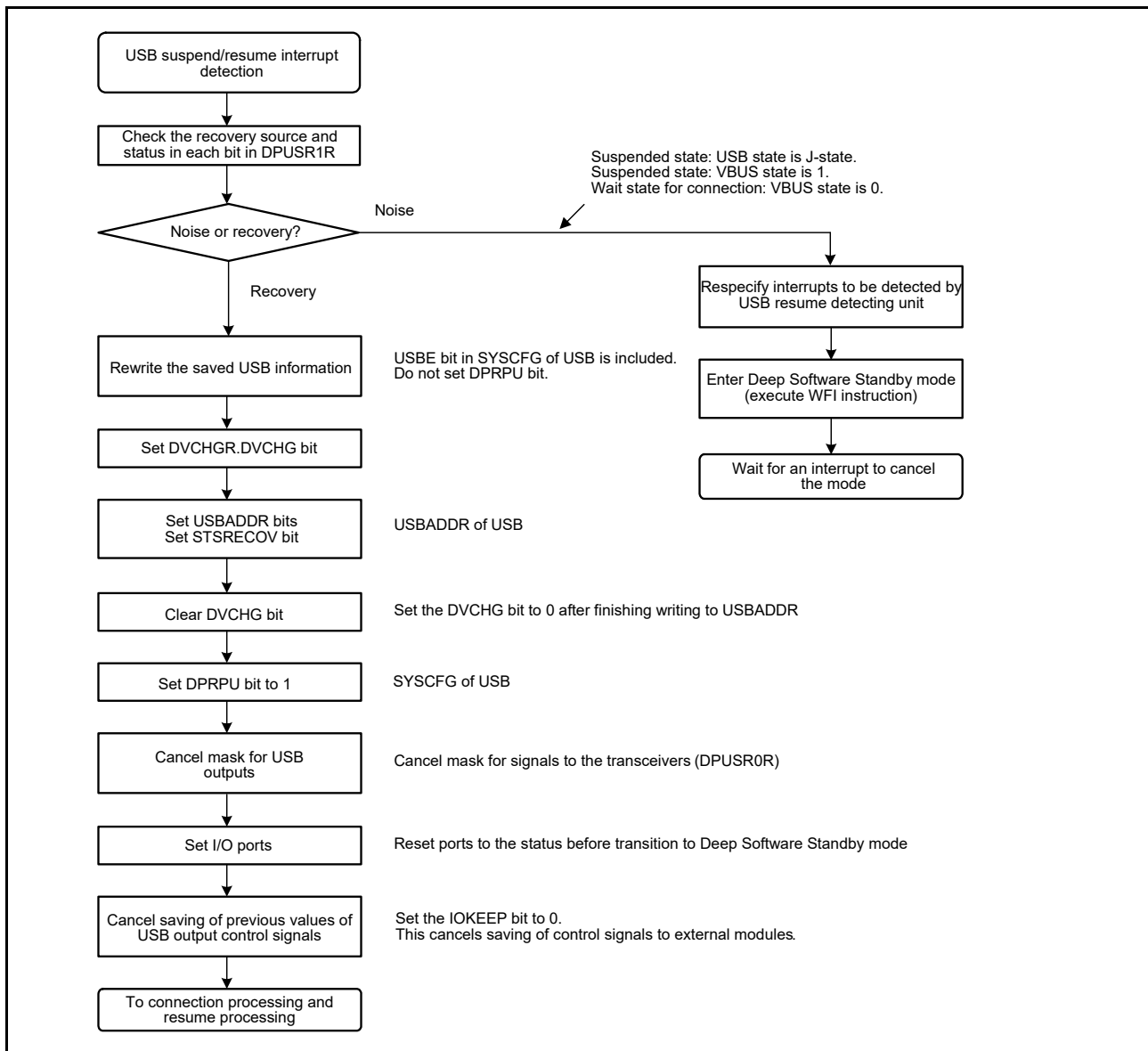


Figure 31.9 USBFS setup flow for canceling Deep Software Standby mode as device controller

### 31.3.2 Interrupts

Table 31.14 lists the interrupt sources in the USBFS. When an interrupt generation condition is satisfied and the interrupt output is enabled using the associated interrupt enable register, a USBFS interrupt request is issued to the Interrupt Controller Unit (ICU) and an USBFS interrupt is generated.

Table 31.14 Interrupt sources (1 of 2)

| Bit to be set to 1 | Name             | Interrupt source  | Applicable controller function | Status flag   |
|--------------------|------------------|---|--------------------------------|---------------|
| VBINT              | VBUS interrupt   | <ul style="list-style-type: none"> <li>A change in the state of the USB_VBUS input pin was detected (low to high or high to low)</li> </ul>                       | Host or device <sup>1</sup>    | INTSTS0.VBSTS |
| RESM               | Resume interrupt | <ul style="list-style-type: none"> <li>A change in the state of the USB bus was detected in the suspended state (J-state to K-state or J-state to SE0)</li> </ul> | Device                         | —             |

Table 31.14 Interrupt sources (2 of 2)

| Bit to be set to 1 | Name   | Interrupt source  | Applicable controller function | Status flag        |
|--------------------|--|---|--------------------------------|--------------------|
| SOFR               | Frame number update interrupt                    | In host controller mode:<br><ul style="list-style-type: none"> <li>An SOF packet with a different frame number was transmitted</li> </ul> In device controller mode:<br><ul style="list-style-type: none"> <li>An SOF packet with a different frame number was received.</li> </ul>   | Host or device                 | —                  |
| DVST               | Device state transition interrupt                | <ul style="list-style-type: none"> <li>One of the following device state transitions was detected: <ul style="list-style-type: none"> <li>USB bus reset was detected</li> <li>Suspended state was detected</li> <li>SET_ADDRESS request was received</li> <li>SET_CONFIGURATION request was received</li> </ul> </li> </ul>   | Device                         | INTSTS0.DVSQ[2:0]  |
| CTRT               | Control transfer stage transition interrupt      | <ul style="list-style-type: none"> <li>A control transfer stage transition was detected because of one of the following: <ul style="list-style-type: none"> <li>Setup stage completed</li> <li>Control write transfer status stage transition occurred</li> <li>Control read transfer status stage transition occurred</li> <li>Control transfer completed</li> <li>Control transfer sequence error occurred.</li> </ul> </li> </ul>  | Device                         | INTSTS0.CTSQ[2:0]  |
| BEMP               | Buffer empty interrupt                           | <ul style="list-style-type: none"> <li>The buffer is empty after all FIFO buffer data was transmitted</li> <li>A packet larger than the maximum packet size was received.</li> </ul>  | Host or device                 | BEMPSTS.PIPEnBEMP  |
| NRDY               | Buffer not ready interrupt                       | In host controller mode:<br><ul style="list-style-type: none"> <li>A STALL response was received from the peripheral device in response to the issued token</li> <li>The response from the peripheral device in response to the issued token was not received successfully (no response three times consecutively or packet reception error three times consecutively)</li> <li>An overrun or underrun error occurred during isochronous transfer.</li> </ul> In device controller mode:<br><ul style="list-style-type: none"> <li>NAK was returned for an IN or OUT token while the PID[1:0] bits were set to 01b (BUF)</li> <li>A CRC error or bit stuffing error occurred during data reception in isochronous transfer</li> <li>An overrun or underrun occurred during data reception in isochronous transfer.</li> </ul> | Host or device                 | NRDYSTS.PIPEnNRDY  |
| BRDY               | Buffer ready interrupt                           | <ul style="list-style-type: none"> <li>The buffer is ready (read/write state)</li> </ul>  | Host or device                 | BRDYSTS.PIPEnBRDY  |
| OVRCCR             | Overcurrent input change interrupt               | <ul style="list-style-type: none"> <li>USB_OVRCURA or USB_OVRCURB input pin state change was detected (low to high or high to low)</li> </ul>   | Host                           | INTSTS1.OVRCCR     |
| BCHG               | Bus change interrupt                             | <ul style="list-style-type: none"> <li>USB bus state change was detected</li> </ul>   | Host or device                 | SYSSTS0.LNST[1:0]  |
| DTCH               | Disconnect detection during full-speed operation | <ul style="list-style-type: none"> <li>Peripheral device disconnect was detected in full-speed operation</li> </ul>   | Host                           | DVSTCTR0.RHST[2:0] |
| ATTCH              | Device connect detection interrupt               | <ul style="list-style-type: none"> <li>J-state or K-state was detected on the USB bus for 2.5 <math>\mu</math>s continuously</li> </ul> This interrupt can be used to check whether peripheral devices are connected.   | Host                           | —                  |
| EOFERR             | EOF error detection interrupt                    | <ul style="list-style-type: none"> <li>An EOF error was detected for a peripheral device</li> </ul>   | Host                           | —                  |
| SACK               | Setup normal interrupt                           | <ul style="list-style-type: none"> <li>A setup transaction normal response (ACK) was received</li> </ul>  | Host                           | —                  |
| SIGN               | Setup error interrupt                            | <ul style="list-style-type: none"> <li>A setup transaction error (no response or ACK packet corruption) was detected three consecutive times</li> </ul>   | Host                           | —                  |

Note 1. Although this interrupt can be generated in host controller mode, it is not usually used in this mode.  
 Figure 31.10 shows the circuits related to the USBFS interrupts.

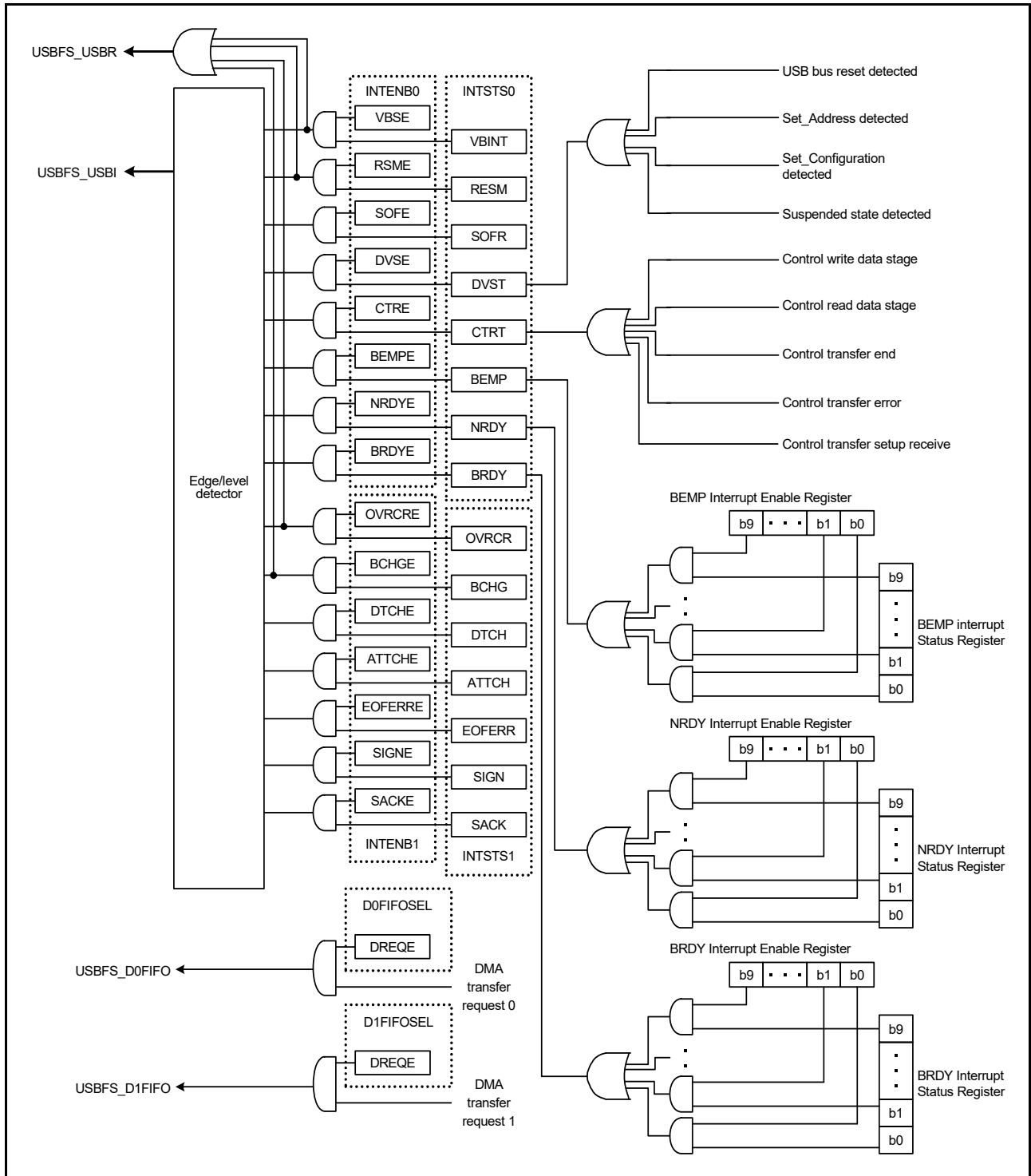


Figure 31.10 USBFS interrupt-related circuits

Table 31.15 shows the interrupts generated by the USBFS.

**Table 31.15 USBFS interrupts**

| Interrupt name | Interrupt status flag   | DTC activation | DMAC activation | Priority |
|----------------|---|----------------|-----------------|----------|
| USBFS_D0FIFO   | DMA transfer request 0  | Possible       | Possible        | High     |
| USBFS_D1FIFO   | DMA transfer request 1  | Possible       | Possible        | ↑<br>Low |
| USBFS_USBI     | VBUS interrupt, resume interrupt, frame number update interrupt, device state transition interrupt, control transfer stage transition interrupt, buffer empty interrupt, buffer not ready interrupt, buffer ready interrupt, overcurrent input change interrupt, bus change interrupt, disconnect detection interrupt during full-speed operation, device connect detection interrupt, EOF error detection interrupt, normal setup operation interrupt, and setup error interrupt | Not possible   | Not possible    |          |
| USBFS_USBR     | VBUS interrupt, resume interrupt, overcurrent input change interrupt, and bus change interrupt  | Not possible   | Not possible    | —        |

### 31.3.3 Interrupt Descriptions

#### 31.3.3.1 BRDY interrupt

The BRDY interrupt is generated in both host and device controller modes. This section describes the conditions in which the USBFS sets the associated bit in BRDYSTS to 1. Under these conditions, the USBFS generates a BRDY interrupt if software has set the bit in BRDYENB associated with the given pipe to 1 and the INTENB0.BRDYE bit to 1.

The conditions for generating and clearing the BRDY interrupt depend on the SOFCFG.BRDYM and PIPECFG.BFRE settings for each pipe as follows:

##### (1) When SOFCFG.BRDYM = 0 and PIPECFG.BFRE = 0

With these settings, the BRDY interrupt indicates that the FIFO port is accessible.

On any of the following conditions, the USBFS generates an internal BRDY interrupt request trigger and sets the BRDYSTS.PIPEnBRDY bit associated with the selected pipe to 1.

##### (a) For transmitting pipes

- When the DIR bit is changed from 0 to 1 by software
- When packet transmission is complete for a pipe while write-access from the CPU to the FIFO buffer for the pipe is disabled (when the BSTS bit is read as 0)
- When one FIFO buffer is empty on completion of writing data to the other FIFO buffer in double buffer mode
- No request trigger is generated until the completion of writing data to the currently-written FIFO buffer even if transmission to the other FIFO buffer is complete
- When the hardware flushes the buffer of the pipe for isochronous transfers
- When 1 is written to the PIPEnCTR.ACLRM bit, which causes the FIFO buffer to transition from the write-disabled to write-enabled state.

No request trigger is generated for the DCP, that is, during data transmission for control transfers.

##### (b) For receiving pipes

- When packet reception is successfully complete, enabling the FIFO buffer to be read while read-access from the CPU to the FIFO buffer for the given pipe is disabled (when the BSTS bit is read as 0). No request trigger is generated for transactions in which a DATA-PID mismatch has occurred.
- When one FIFO buffer is read-enabled on completion of reading data from the other FIFO buffer in double buffer mode. No request trigger is generated until the completion of reading data from the currently-read FIFO buffer, even if reception by the other FIFO buffer is complete.

In device controller mode, the BRDY interrupt is not generated in the status stage of control transfers. The PIPEnBRDY

interrupt status of the selected pipe can be set to 0 by writing 0 to the associated PIPEnBRDY bit through software. In this case, the other PIPEnBRDY bit should be set to 1.

Clear the BRDY status before accessing the FIFO buffer.

### (2) When SOFCFG.BRDYM = 0 and PIPECFG.BFRE = 1

With these settings, the USBFS generates a BRDY interrupt on the completion of reading all the data for a single transfer using the receiving pipe, and sets the bit in BRDYSTS associated with the pipe to 1.

On any of the following conditions, the USBFS determines that the last data for a single transfer was received:

- When a short packet including a zero-length packet is received
- When the PIPEn Transaction Counter Register (PIPEnTRN) is used and the number of packets specified in the PIPEnTRN.TRNCNT[15:0] bits are completely received.

When the data is completely read after any of the specified conditions is satisfied, the USBFS determines that all data for a single transfer is completely read.

When a zero-length packet is received while the FIFO buffer is empty, the USBFS determines that all data for a single transfer is completely read when the FRDY bit in the FIFO port control register is 1 and the DTLN[8:0] bits are 0. In this case, to start the next transfer, write 1 to the BCLR bit in the associated port control register through software. With these settings, the USBFS does not detect a BRDY interrupt for the transmitting pipe.

The PIPEnBRDY interrupt status of a pipe can be set to 0 by writing 0 to the associated BRDYSTS.PIPEnBRDY bit through software. In this case, the other PIPEnBRDY bit should be set to 1.

In this mode, do not change the PIPECFG.BFRE bit setting until all data for a single transfer is processed. When it is necessary to change the PIPECFG.BFRE bit before completion of processing, all FIFO buffers for the pipe must be cleared using the PIPEnCTR.ACLRM bit.

### (3) When SOFCFG.BRDYM = 1 and PIPECFG.BFRE = 0

With these settings, the BRDYSTS.PIPEnBRDY values are linked to the BSTS bit setting for each pipe. In other words, the BRDY interrupt status bits (PIPEnBRDY) are set to 1 or 0 by the USB depending on the FIFO buffer status.

#### (a) For transmitting pipes

The BRDY interrupt status bits are set to 1 when the FIFO buffer is ready for write access, and are set to 0 when it is not ready. The BRDY interrupt is not generated for the DCP in the transmitting direction even when it is ready for write access.

#### (b) For receiving pipes

The BRDY interrupt status bits set to 1 when the FIFO buffer is ready for read access, and set to 0 when all data is read (not ready for read access).

When a zero-length packet is received while the FIFO buffer is empty, the associated bit is set to 1 and the BRDY interrupt is continuously generated until software writes 1 to BCLR. With this setting, the PIPEnBRDY bit cannot be set to 0 by software.

When the SOFCFG.BRDYM bit is set to 1, set the PIPECFG.BFRE bit for all pipes to 0.

Figure 31.11 shows the timing of BRDY interrupt generation.

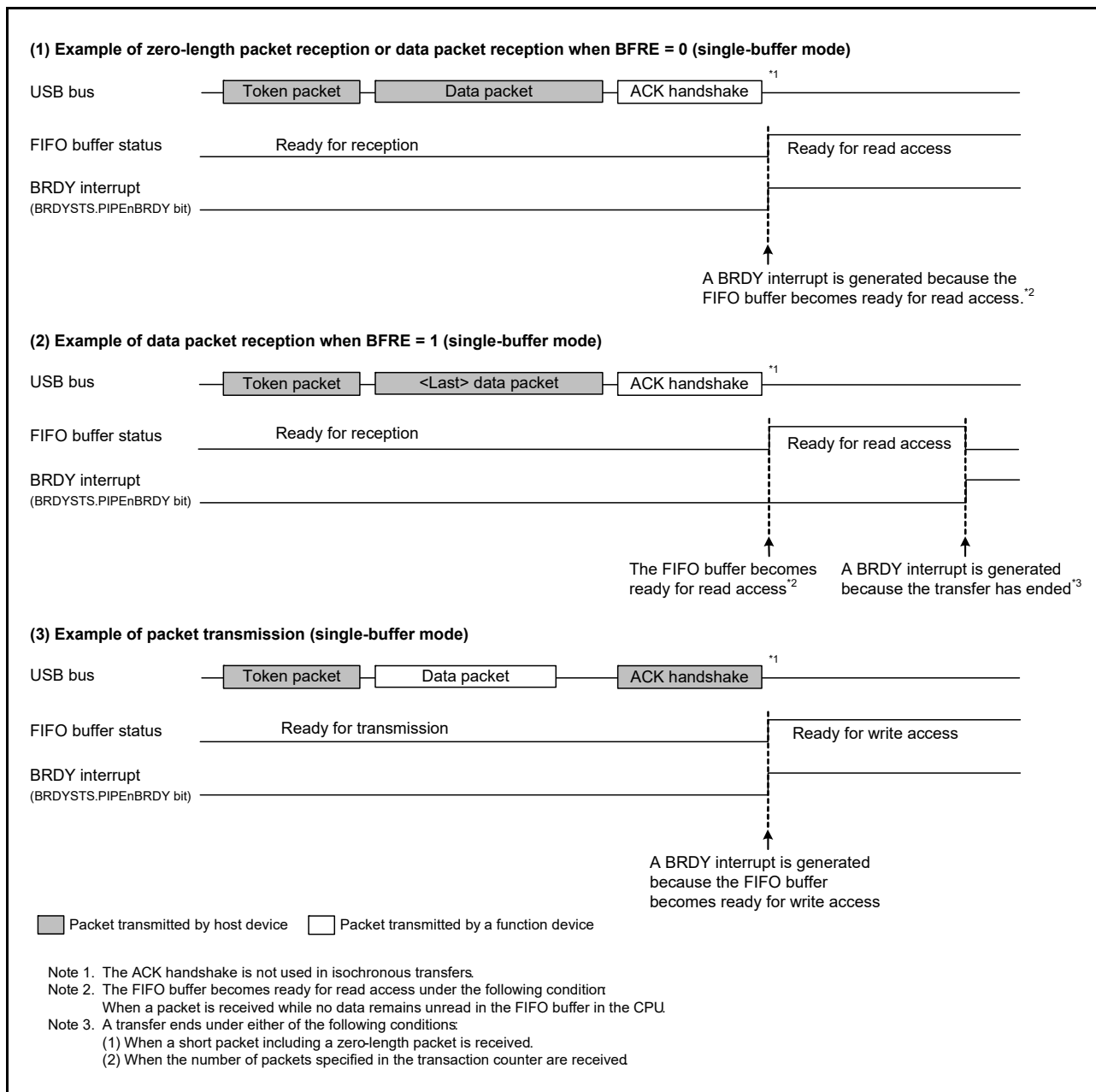


Figure 31.11 Timing of BRDY interrupt generation

The condition for clearing the INTSTS0.BRDY bit depends on the SOFCFG.BRDYM bit setting, as shown in Table 31.16.

Table 31.16 Conditions for clearing the BRDY bit

| BRDYM bit | Condition for clearing BRDY bit                   |
|-----------|---|
| 0         | When all bits in BRDYSTS are set to 0 by software |
| 1         | When the BSTS bits for all pipes become 0         |

### 31.3.3.2 NRDY interrupt

On generating an internal NRDY interrupt request for the pipe whose PID bits are set to BUF by software, the USBFS sets the associated PIPE<sub>n</sub>NRDY bit in NRDYSTS to 1. If the associated bit in NRDYENB is set to 1 by software, the USBFS sets the INTSTS0.NRDY bit to 1 and generates a USBFS interrupt.

This section describes the conditions in which the USBFS generates the internal NRDY interrupt request for a given pipe.

The internal NRDY interrupt request is not generated during setup transaction execution in host controller mode. During setup transactions in host controller mode, the SACK or SIGN interrupt is detected.

The internal NRDY interrupt request is not generated during status stage execution of the control transfer in device controller mode.

#### (1) In host controller mode

##### (a) For transmitting pipes

On any of the following conditions, the USBFS detects an NRDY interrupt:

- For isochronous transfer pipes, when the time to issue an OUT token comes while there is no data to be transmitted in the FIFO buffer. In this case, the USBFS transmits a zero-length packet following the OUT token and sets the associated NRDYSTS.PIPE<sub>n</sub>NRDY bit and the FRMNUM.OVRN bit to 1.
- During communications other than setup transactions on pipes not used for isochronous transfers, when any combination of the following two cases occur three consecutive times:
  - No response is returned from the peripheral device (when timeout is detected before detection of the handshake packet from the peripheral device)
  - An error is detected in the packet from the peripheral device. In this case, the USBFS sets the associated PIPE<sub>n</sub>NRDY bit to 1 and changes the associated PID[1:0] setting for the pipe to NAK.
- During communications other than setup transactions, when the STALL handshake is received from the peripheral device. In this case, the USBFS sets the associated PIPE<sub>n</sub>NRDY bit to 1 and changes the PID[1:0] setting for the associated pipe to STALL (11b).

##### (b) For receiving pipes

- For isochronous transfer pipes, when the time to issue an IN token comes but there is no space available in the FIFO buffer. In this case, the USBFS discards the received data for the IN token and sets the PIPE<sub>n</sub>NRDY bit associated with the pipe and the OVRN bit to 1. When a packet error is detected in the received data for the IN token, the USBFS also sets the FRMNUM.CRCE bit to 1.
- For non-isochronous transfer pipes, when any combination of the following two cases occur three consecutive times:
  - No response is returned from the peripheral device for the IN token issued by the USBFS (when timeout is detected before detection of the DATA packet from the peripheral device)
  - An error is detected in the packet from the peripheral device. In this case, the USBFS sets the associated PIPE<sub>n</sub>NRDY bit to 1 and changes the associated PID[1:0] setting for the pipe to NAK.
- For isochronous transfer pipes, when no response is returned from the peripheral device for the IN token (when timeout is detected before detection of the DATA packet from the peripheral device) or an error is detected in the packet from the peripheral device. In this case, the USBFS sets the PIPE<sub>n</sub>NRDY bit associated with the pipe to 1. The PID[1:0] setting for the pipe is not changed.
- For isochronous transfer pipes, when a CRC error or a bit stuffing error is detected in the received data packet. In this case, the USBFS sets the PIPE<sub>n</sub>NRDY bit associated with the pipe and the CRCE bit to 1.
- When the STALL handshake is received. In this case, the USBFS sets the PIPE<sub>n</sub>NRDY bit associated with the pipe to 1 and changes the PID[1:0] setting for the associated pipe to STALL.



(2) In device controller mode

(a) For transmitting pipes

- When an IN token is received while there is no data to be transmitted in the FIFO buffer. In this case, the USBFS generates a NRDY interrupt request on reception of the IN token and sets the NRDYSTS.PIPE<sub>n</sub>NRDY bit to 1. For an isochronous transfer pipe in which an interrupt is generated, the USBFS transmits a zero-length packet and sets the FRMNUM.OVRN bit to 1.

(b) For receiving pipes

- When an OUT token is received but there is no space available in the FIFO buffer. For an isochronous transfer pipe in which an interrupt is generated, the USBFS generates a NRDY interrupt request on reception of the OUT token and sets the PIPE<sub>n</sub>NRDY bit to 1 and OVRN bit to 1. For a non-isochronous transfer pipe in which an interrupt is generated, the USBFS generates a NRDY interrupt request when a NAK handshake is transferred after the data following the OUT token is received, and sets the PIPE<sub>n</sub>NRDY bit to 1. The NRDY interrupt request is not generated during retransmission because of a DATA-PID mismatch. In addition, the NRDY interrupt request is not generated if an error occurs in the DATA packet.
- For isochronous transfer pipes, when a token is not received successfully within an interval frame. In this case, the USBFS generates an NRDY interrupt request when the SOF is received, and sets the PIPE<sub>n</sub>NRDY bit to 1.

Figure 31.12 shows the timing of NRDY interrupt generation in device controller mode.

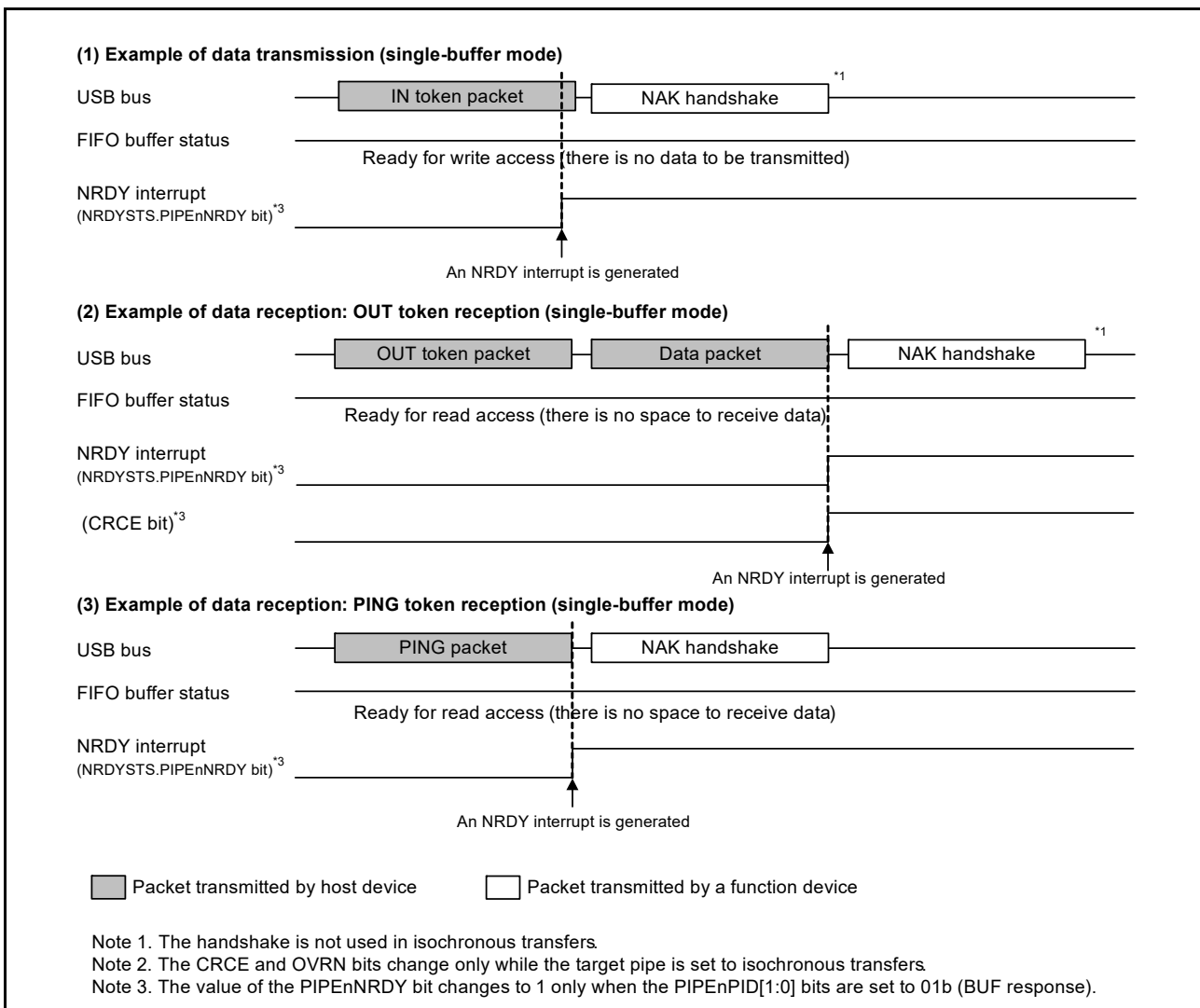


Figure 31.12 Timing of NRDY interrupt generation in device controller mode

### 31.3.3.3 BEMP interrupt

On detecting a BEMP interrupt for the pipe whose PID bits are set to BUF by software, the USBFS sets the associated BEMPSTS.PIPEnBEMP bit to 1. If the associated bit in BEMPENB is set to 1 by software, the USBFS sets the INTSTS0.BEMP bit to 1 and generates a USBFS interrupt. This section describes the conditions in which the USBFS generates an internal BEMP interrupt request.

#### (1) For transmitting pipes

When the FIFO buffer of the associated pipe is empty on completion of transmission, including zero-length packet transmission, and in single buffer mode, an internal BEMP interrupt request is generated simultaneously with the BRDY interrupt for a non-DCP pipe. The internal BEMP interrupt request is not generated in any of the following conditions:

- When the CPU or DMA/DTC has already started writing data to the FIFO buffer of the CPU on completion of transmitting data from one FIFO buffer in double buffer mode
- When the buffer is cleared (emptied) by setting the PIPEnCTR.ACLRM or the BCLR bit to 1 in the port control register
- When an IN transfer (zero-length packet transmission) is performed during the control transfer status stage in device controller mode.

#### (2) For receiving pipes

When a successfully-received data packet size exceeds the specified maximum packet size. In this case, the USBFS generates a BEMP interrupt request, sets the associated BEMPSTS.PIPEnBEMP bit to 1, discards the received data, and changes the associated PID[1:0] setting for the pipe to STALL (11b). The USBFS returns no response in host controller mode, and returns STALL response in device controller mode.

The internal BEMP interrupt request is not generated in any of the following conditions:

- When a CRC error or a bit stuffing error is detected in the received data
- When a setup transaction is being performed:
  - Writing 0 to the BEMPSTS.PIPEnBEMP bit clears the status
  - Writing 1 to the BEMPSTS.PIPEnBEMP bit has no effect.

Figure 31.13 shows the timing of the BEMP interrupt generation in device controller mode.

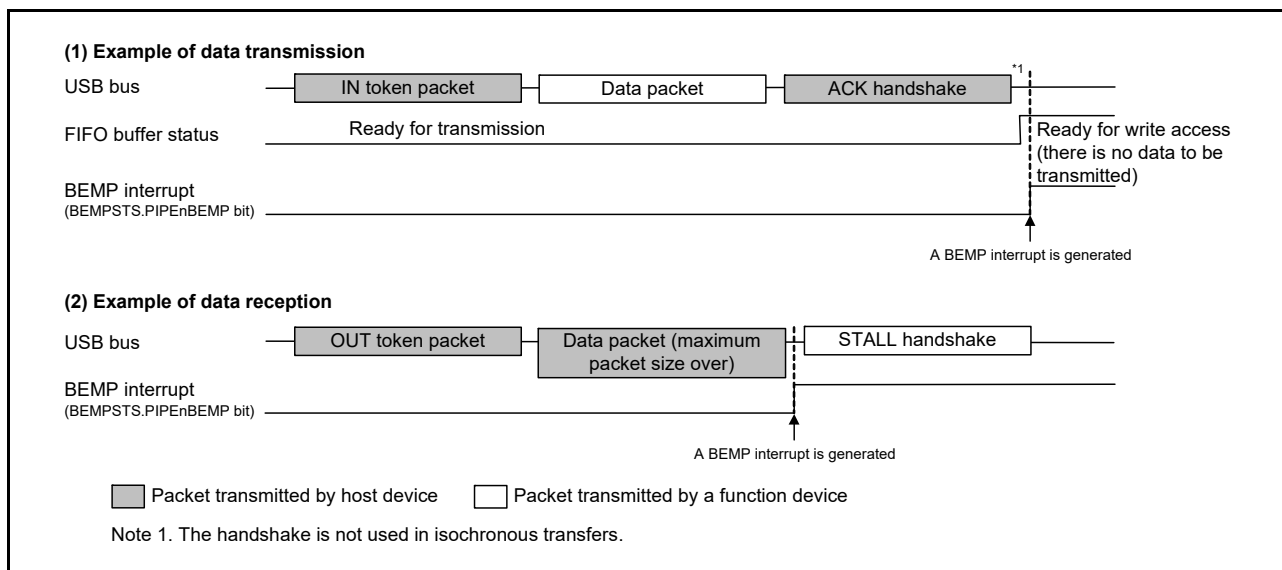


Figure 31.13 Timing of BEMP interrupt generation in device controller mode

### 31.3.3.4 Device state transition interrupt (device controller mode)

Figure 31.14 shows a diagram of the USBFS device state transitions. The USBFS controls device states and generates device state transition interrupts. However, recovery from the suspended state (resume signal detection) is detected by means of the resume interrupt. Device state transition interrupts can be enabled or disabled independently in INTENB0. Devices whose states have changed can be checked in the INTSTS0.DVSQ[2:0] bits.

When a transition is made to the default state, a device state transition interrupt is generated after a USB bus reset is detected.

The USBFS controls device states, and device state transition interrupts can be generated, only in device controller mode.

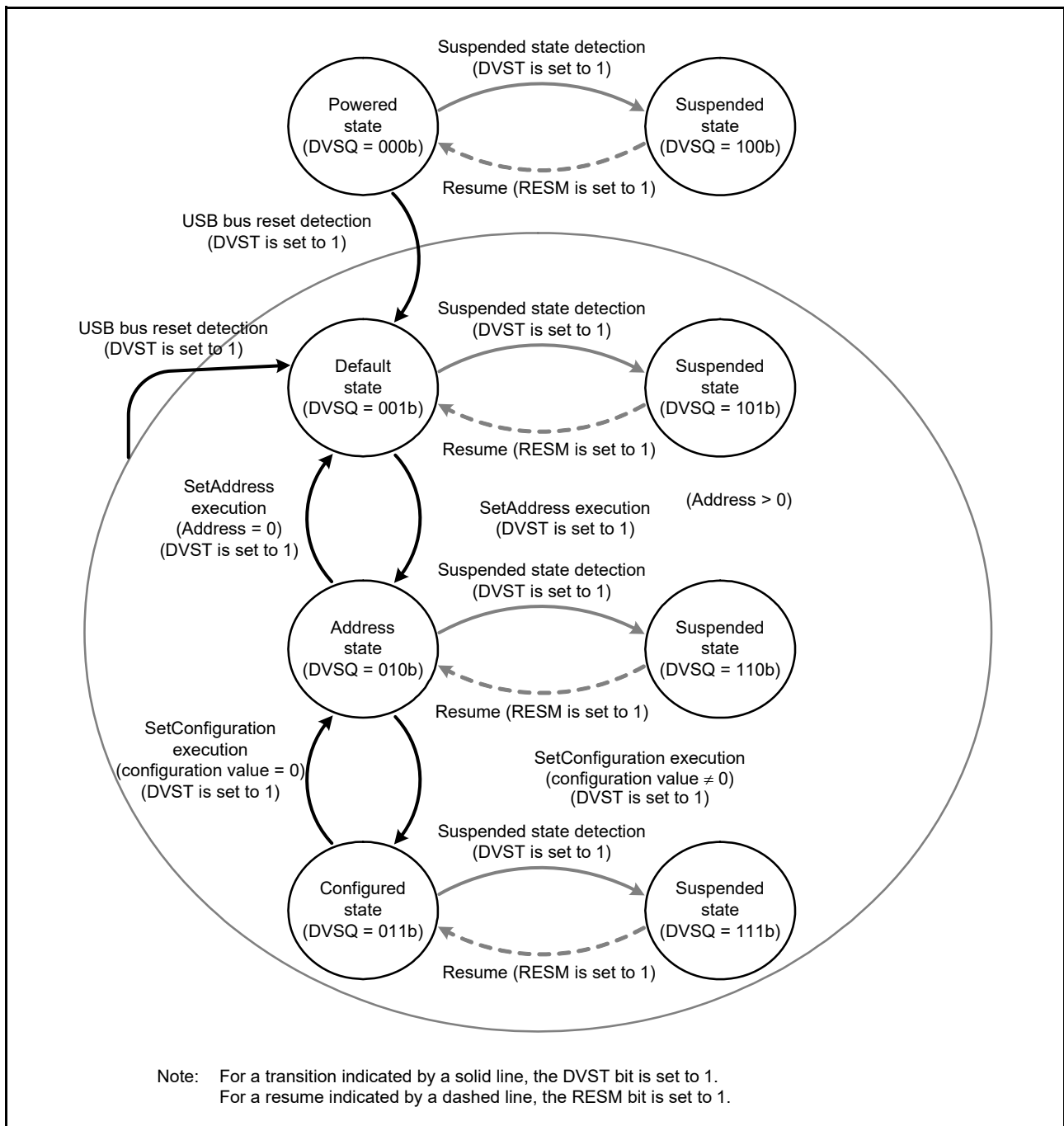


Figure 31.14 Device state transitions

### 31.3.3.5 Control transfer stage transition interrupt (device controller mode)

Figure 31.15 shows a diagram of the control transfer stage transitions of the USBFS. The USBFS controls the control transfer sequence and generates control transfer stage transition interrupts. Control transfer stage transition interrupts can be enabled or disabled independently in INTENB0. Transfer stages that have transitioned can be checked in the INTSTS0.CTSQ[2:0] bits.

Control transfer stage transition interrupts are generated only in device controller mode. This section describes control transfer sequence errors. If an error occurs, the DCPCTR.PID[1:0] bits are set to 1xb (STALL response).

#### (1) Control read transfer errors

- An OUT token is received but no data is transferred in response to the IN token at the data stage
- An IN token is received at the status stage
- A data packet with DATAPID = DATA0 is received at the status stage.

#### (2) Control write transfer errors

- An IN token is received but no ACK is returned in response to the OUT token at the data stage
- A data packet with DATAPID = DATA0 is received as the first data packet at the data stage
- An OUT token is received at the status stage.

#### (3) Control write no data transfer errors

- An OUT token is received at the status stage.

At the control write transfer data stage, if the receive data length exceeds the wLength value of the USB request, it is not recognized as a control transfer sequence error. At the control read transfer status stage, packets other than zero-length packets are received by an ACK response and the transfer ends normally.

When a CTRT interrupt occurs in response to a sequence error (INTSTS0.CTRT = 1), the CTSQ[2:0] = 110b value is saved until the CTRT bit is set to 0, clearing the interrupt status. While CTSQ[2:0] = 110b is being saved, no CTRT interrupt for ending the setup stage is generated, even if a new USB request is received. The USBFS saves the setup stage completion status, and it generates a CTRT interrupt after the interrupt status is cleared by software.

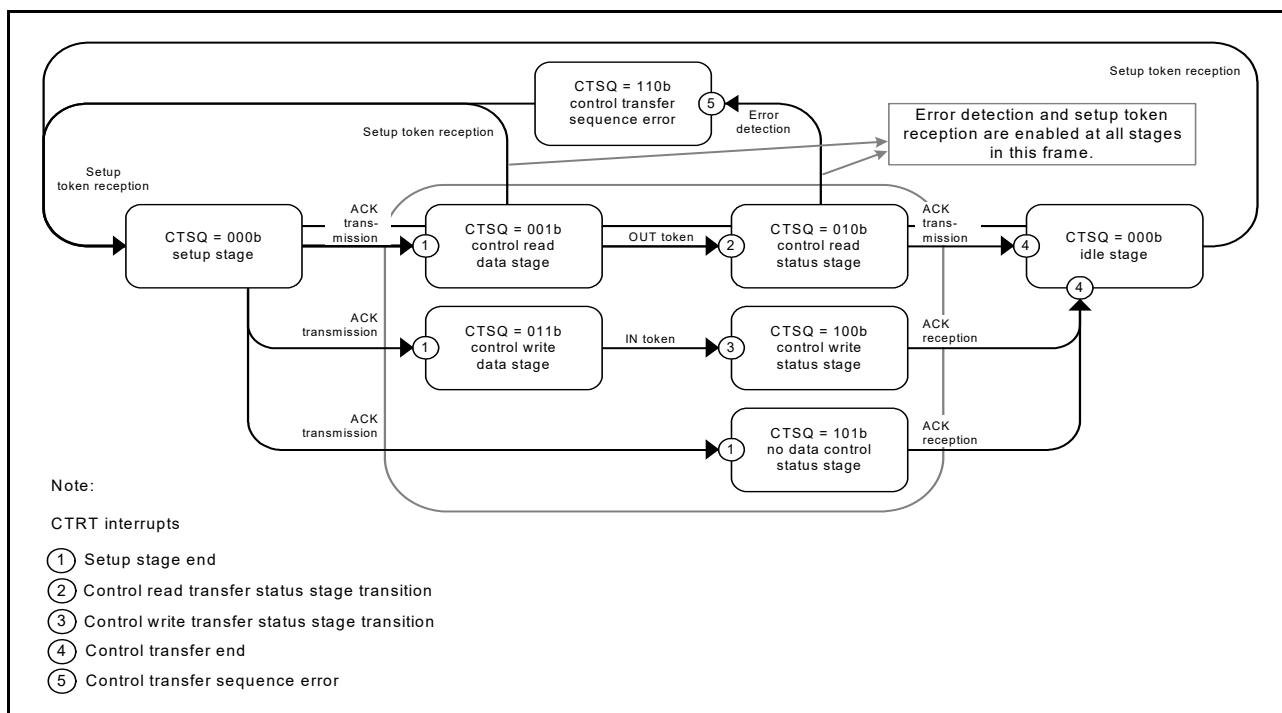


Figure 31.15 Control transfer stage transitions

### 31.3.3.6 Frame update interrupt

In host controller mode, an interrupt is generated when the frame number is updated.

In device controller mode, an SOFR interrupt is generated when the frame number is updated. The USBFS updates the frame number and generates an SOFR interrupt if it detects a new SOF packet during full-speed operation.

### 31.3.3.7 VBUS interrupt

When the USB\_VBUS pin level changes, a VBUS interrupt is generated. The level of the USB\_VBUS pin can be checked with the INTSTS0.VBSTS bit. Whether the host controller is connected or disconnected can be confirmed using the VBUS interrupt. If the system is activated with the host controller connected, the first VBUS interrupt is not generated, because there is no change in the USB\_VBUS pin level.

### 31.3.3.8 Resume interrupt

In device controller mode, a resume interrupt is generated when the device state is the Suspend state, and the USB bus state has changed (from J-state to K-state, or from J-state to SE0). Recovery from the Suspend state is detected by means of the resume interrupt.

In host controller mode, no resume interrupt is generated. Use the BCHG interrupt to detect a change in the USB bus state.

### 31.3.3.9 OVRCCR interrupt

An OVRCCR interrupt is generated when the USB\_OVRCURA or USB\_OVRCURB pin level has changed. The levels of the USB\_OVRCURA and USB\_OVRCURB pins can be checked in the SYSSTS0.OVCMON[1:0] bits. The external power supply IC can check whether overcurrent is detected using the OVRCCR interrupt.

For OTG connections, the OVRCCR interrupt allows you to check whether a change is detected in the VBUS comparator.

### 31.3.3.10 BCHG interrupt

A BCHG interrupt is generated when the USB bus state has changed. The BCHG interrupt can be used to detect whether a peripheral device is connected and can also be used to detect a remote wakeup in host controller mode. The BCHG interrupt is generated in both host and device controller modes.

### 31.3.3.11 DTCH interrupt

A DTCH interrupt occurs when a USB bus disconnect is detected in host controller mode. The USBFS detects bus disconnects in compliance with the USB 2.0 specification.

On interrupt detection, all pipes in which communications are being carried out for the relevant port must be terminated by software. The pipes enter the wait state for a bus connection to the port, waiting for an ATTCH interrupt to occur. Regardless of the value set in the associated interrupt enable bit, the USBFS hardware:

- Sets the DVSTCTR0.UACT bit for the port in which the DTCH interrupt is detected, to 0
- Puts the port in which the DTCH interrupt occurred into an idle state.

### 31.3.3.12 SACK interrupt

A SACK interrupt is generated when an ACK response for the transmitted setup packet is received from the peripheral device in host controller mode. The SACK interrupt can be used to confirm that the setup transaction is successfully complete.

### 31.3.3.13 SIGN interrupt

A SIGN interrupt is generated when an ACK response for the transmitted setup packet is not correctly received from the peripheral device three consecutive times in host controller mode. The SIGN interrupt can be used to detect that no ACK response was transmitted from the peripheral device or that corruption of an ACK packet occurred.

### 31.3.3.14 ATTCH interrupt

An ATTCH interrupt is generated when J-state or K-state of the full-speed signal level is detected on the USB port for 2.5  $\mu$ s in host controller mode. To be more specific, an ATTCH interrupt is detected on any of the following conditions:

- When K-state, SE0, or SE1 changes to J-state, and J-state continues at 2.5  $\mu$ s
- When J-state, SE0, or SE1 changes to K-state, and K-state continues at 2.5  $\mu$ s.

### 31.3.3.15 EOFERR interrupt

An EOFERR interrupt occurs when the USBFS detects that communication is not complete at the EOF2 timing defined in the USB 2.0 specification.

On interrupt detection, all pipes in which communications are being carried out for the relevant port must be terminated by software, and the port must be re-enumerated. Regardless of the value set in the associated interrupt enable bit, the USBFS hardware:

- Sets the DVSTCTR0.UACT bit for the port in which the EOFERR interrupt is detected to 0
- Puts the port in which the EOFERR interrupt is generated into the idle state.

## 31.3.4 Pipe Control

Table 31.17 lists the pipe settings for the USBFS. USB data transfer is performed through logical pipes that software associates with endpoints. The USBFS provides 10 pipes that are used for data transfer. Set up the pipes based on your system specifications.

**Table 31.17 Pipe settings (1 of 2)**

| Register name       | Bit name | Setting  | Notes   |
|---------------------|----------|--|---|
| DCPCFG<br>PIPECFG   | TYPE     | Transfer type                                      | Pipes 1 to 9: Settable  |
|                     | BFRE     | BRDY interrupt mode                                | Pipes 1 to 5: Settable  |
|                     | DBLB     | Double buffer select                               | Pipes 1 to 5: Settable  |
|                     | DIR      | Transfer direction select                          | IN or OUT settable  |
|                     | EPNUM    | Endpoint number                                    | Pipes 1 to 9: Settable<br>A value other than 0000b must be set when the pipe is used.   |
|                     | SHTNAK   | Selects disabled state for pipe when transfer ends | Pipes 1 and 2: Settable only for bulk transfers<br>Pipes 3 to 5: Settable   |
| DCPMAXP<br>PIPEMAXP | DEVSEL   | Device select                                      | Referenced only in host controller mode   |
|                     | MXPS     | Maximum packet size                                | Compliant with the USB 2.0 specification  |
| PIPEPERI            | IFIS     | Buffer flush                                       | Pipes 1 and 2: Settable only for isochronous transfers<br>Pipes 3 to 9: Setting disabled  |
|                     | IITV     | Interval counter                                   | Pipes 1 and 2: Settable only for isochronous transfers<br>Pipes 3 to 5: Setting disabled<br>Pipes 6 to 9: Settable only in host controller mode |

**Table 31.17 Pipe settings (2 of 2)**

| Register name      | Bit name | Setting                           | Notes  |
|--------------------|----------|-----------------------------------|--|
| DCPCTR<br>PIPEnCTR | BSTS     | Buffer status                     | For the DCP, receive buffer status and transmit buffer status are switched with the ISEL bit |
|                    | INBUFM   | IN buffer monitor                 | Available only for pipes 1 to 5  |
|                    | SUREQ    | Setup request                     | Settable only for the DCP and controlled in host controller mode                             |
|                    | SUREQCLR | SUREQ clear                       | Settable only for the DCP and controlled in host controller mode                             |
|                    | ATREPM   | Auto response mode                | Pipes 1 to 5: Settable only in device controller mode  |
|                    | ACLRM    | Auto buffer clear                 | Pipes 1 to 9: Settable   |
|                    | SQCLR    | Sequence clear                    | Clears the data toggle bit   |
|                    | SQSET    | Sequence set                      | Sets the data toggle bit   |
|                    | SQMON    | Sequence monitor                  | Monitors the data toggle bit   |
|                    | PBUSY    | Pipe busy status                  | -  |
|                    | PID      | Response PID                      | See <a href="#">section 31.3.4.6, Response PID</a>   |
| PIPEnTRE           | TRENB    | Transaction counter enable        | Pipes 1 to 5: Settable   |
|                    | TRCLR    | Current transaction counter clear | Pipes 1 to 5: Settable   |
| PIPEnTRN           | TRNCNT   | Transaction counter               | Pipes 1 to 5: Settable   |

### 31.3.4.1 Pipe control register switching procedures

The following bits in the pipe control registers can be changed only when USB communication is prohibited (PID = NAK).

Do not change the following registers and bits when USB communication is enabled (PID = BUF):

- Bits in DCPCFG and DCPMAXP
- SQCLR and SQSET bits in DCPCTR
- Bits in PIPECFG, PIPEMAXP, and PIPEPERI
- ATREPM, ACLRM, SQCLR, and SQSET bits in PIPEnCTR
- Bits in PIPEnTRE and PIPEnTRN.

To set these bits when USB communication is enabled (PID = BUF):

1. A request to change the bits in the pipe control register occurs.
2. Set the PID[1:0] bits associated with the pipe to NAK.
3. Wait until the associated PBUSY bit clears to 0.
4. Set the bits in the pipe control register.

The following bits in the pipe control registers can be changed only when the selected pipe information is not set in the CURPIPE[3:0] bits in CFIFOSEL, D0FIFOSEL, and D1FIFOSEL.

Do not set the following registers when the CURPIPE[3:0] bits are set:

- Bits in DCPCFG and DCPMAXP
- Bits in PIPECFG, PIPEMAXP and PIPEPERI.

To change pipe information, you must set the CURPIPE[3:0] bits in the port select registers to a pipe other than the one to be changed. For the DCP, the buffer must be cleared using the BCLR bit in the port control register after the pipe information is changed.

### 31.3.4.2 Transfer types

The PIPECFG.TYPE[1:0] bits specify the following transfer types for each pipe:

- DCP: No setting is necessary (fixed at control transfer)
- Pipes 1 and 2: Set to bulk or isochronous transfer
- Pipes 3 to 5: Set to bulk transfer
- Pipes 6 to 9: Set to interrupt transfer.

### 31.3.4.3 Endpoint number

The PIPECFG.EPNUM[3:0] bits are used to set the endpoint number for each pipe. The DCP is fixed at endpoint 0. The other pipes can be set from endpoint 1 to 15.

- DCP: No setting is required (fixed at endpoint 0)
- Pipes 1 to 9: Select and set the endpoint numbers from 1 to 15 so that the combination of the PIPECFG.DIR and EPNUM[3:0] bits is unique.



### 31.3.4.4 Maximum packet size setting

Specify the maximum packet size for each pipe in the DCPMAXP.MXPS[6:0] and PIPEMAXP.MXPS[8:0] bits. The DCP and pipes 1 to 5 can be set to any of the maximum pipe sizes defined in the USB 2.0 specification. For pipes 6 to 9, the maximum packet size is 64 bytes. Set the maximum packet size as follows before starting a transfer (PID = BUF):

- DCP: Set to 8, 16, 32, or 64
- Pipes 1 to 5: Set to 8, 16, 32, or 64 for bulk transfers
- Pipes 1 and 2: Set between 1 and 256 for isochronous transfers
- Pipes 6 to 9: Set between 1 and 64.

### 31.3.4.5 Transaction counter for pipes 1 to 5 in the receiving direction

When the specified number of transactions is complete in the data packet receiving direction, the USBFS recognizes that the transfer ended. Two transaction counters are provided: one is the PIPEnTRN register, which specifies the number of transactions to be executed, and the other is the current counter, which internally counts the number of executed transactions. If the PIPECFG.SHTNAK bit is set to 1, when the current counter value matches the specified number of transactions, the associated PIPEnCTR.PID[1:0] bits are set to NAK and the subsequent transfer is disabled. The transactions can be counted again from the beginning by initializing the current counter of the transaction counter function through the PIPEnTRE.TRCLR bit. The data read from PIPEnTRN differs depending on the PIPEnTRE.TRENB setting as follows:

- The TRENB bit = 0: Specified transaction counter value can be read
- The TRENB bit = 1: Current counter value indicating the internally counted number of executed transactions can be read.

The following constraints apply when working with the TRCLR bit:

- If the transactions are being counted and PID = BUF, the current counter cannot be cleared
- If there is any data left in the buffer, the current counter cannot be cleared.

### 31.3.4.6 Response PID

Specify the response PID for each pipe in the PID[1:0] bits in DCPCTR and PIPEnCTR. This section describes the USBFS operation with different response PID settings.

#### (1) Software response PID settings in host controller mode

Select the response PID to specify the execution of transactions as follows:

- NAK setting: Using pipes is disabled and no transactions are executed
- BUF setting: Transactions are executed based on the FIFO buffer state:
  - OUT direction: An OUT token is issued if the FIFO buffer contains transmit data
  - IN direction: An IN token is issued if the FIFO buffer is not full and can receive data.
- STALL setting: Using pipes is disabled and no transactions are executed.

Note: Use the DCPCTR.SUREQ bit to execute setup transactions for the DCP.

#### (2) Software response PID settings in device controller mode

Select the response PID to respond to transactions from the host as follows:

- NAK setting: A NAK response is returned to all generated transactions
- BUF setting: A response is returned to transactions based on the FIFO buffer
- STALL setting: A STALL response is returned to all generated transactions.

Note: For setup transactions, an ACK response is always returned, regardless of the PID[1:0] bits setting, and the USB request is stored in the register.

Sections (3) and (4) describe situations in which the USBFS writes to the PID[1:0] bits because of specific transaction results.

### (3) Hardware response PID settings in host controller mode

- NAK setting: PID = NAK is set in the following cases, and issuing of tokens is automatically stopped:
  - When a non-isochronous transfer is performed and an NRDY interrupt is generated (for details, see [section 31.3.3.2, NRDY interrupt](#).)
  - If a short packet is received when the PIPECFG.SHTNAK bit is set to 1 for bulk transfers
  - If transaction counting ends when the SHTNAK bit is set to 1 for bulk transfers.
- BUF setting: The USBFS does not write this setting.
- STALL setting: PID = STALL is set in the following cases, and issuing of tokens is automatically stopped:
  - When STALL is received in response to a transmitted token
  - When a received data packet exceeds the maximum packet size.

### (4) Hardware response PID settings in device controller mode

- NAK setting: PID = NAK is set in the following cases, and a NAK response is returned to transactions:
  - When the setup token is received normally (DCP only)
  - If transaction counting ends or a short packet is received when the PIPECFG.SHTNAK bit is set to 1 for bulk transfers.
- BUF setting: There is no BUF writing by the USBFS.
- STALL setting: PID = STALL is set in the following cases, and a STALL response is returned to transactions:
  - When a received data packet exceeds the maximum packet size
  - When a control transfer sequence error is detected (DCP only).

#### 31.3.4.7 Data PID sequence bit

The USBFS automatically toggles the sequence bit in the data PID when data is transferred successfully in the control transfer data stage, bulk transfer, and interrupt transfer. The sequence bit of the next data PID to be transmitted can be confirmed with the SQMON bit in DCPCTR and PIPEnCTR. When data is transmitted, the sequence bit toggles on ACK handshake reception. When data is received, the sequence bit toggles on ACK handshake transmission. The SQCLR and SQSET bits in DCPCTR and PIPEnCTR registers can be used to change the data PID sequence bit.

In device controller mode when control transfers are used, the USBFS automatically sets the sequence bit for stage transitions. DATA1 is returned when the setup stage ends. The sequence bit is not referenced and PID = DATA1 is returned in the status stage. Therefore, no software settings are required. However, in host controller mode when control transfers are used, the sequence bit must be set by software for the stage transitions.

For ClearFeature requests for transmission or reception, the data PID sequence bit must be set by software in both host and device controller modes.

#### 31.3.4.8 Response PID = NAK function

The USBFS provides a function for disabling pipe operation (PID response = NAK) when the final data packet of a transaction is received. The USBFS automatically distinguishes this based on reception of a short packet or the transaction counter. Enable this function by setting the PIPECFG.SHTNAK bit to 1.

When the double buffer mode is being used for the FIFO buffer, using this function enables the reception of data packets in transfer units. If pipe operation is disabled, software must enable the pipe again (PID response = BUF).

The response PID = NAK function can be used only for bulk transfers.

### 31.3.4.9 Auto response mode

For bulk transfer pipes (1 to 5), when the PIPEnCTR.ATREPM bit is set to 1, a transition is made to auto response mode. During an OUT transfer (PIPECFG.DIR = 0), OUT-NAK mode is invoked, and during an IN transfer (DIR = 1), null auto response mode is invoked.

#### 31.3.4.10 OUT-NAK mode

For bulk OUT transfer pipes, NAK is returned in response to an OUT token, and an NRDY interrupt is output when the PIPEnCTR.ATREPM bit is set to 1. To transition from normal mode to OUT-NAK mode, specify OUT-NAK mode while pipe operation is disabled (PID[1:0] = 00b for NAK response). Next, enable pipe operation (PID[1:0] = 01b for BUF response), on which OUT-NAK mode becomes valid. If an OUT token is received immediately before pipe operation is disabled, the token data is normally received, and an ACK is returned to the host.

To transition from OUT-NAK mode to normal mode, cancel OUT-NAK mode while pipe operation is disabled (NAK). Next, enable pipe operation (BUF). In normal mode, reception of OUT data is enabled.

#### 31.3.4.11 Null auto response mode

For bulk IN transfer pipes, zero-length packets are continuously transmitted when the PIPEnCTR.ATREPM bit is set to 1.

To transition from normal mode to null auto response mode, specify null auto response mode while pipe operation is disabled (response PID = NAK). Next, enable pipe operation (response PID = BUF) on which null auto response mode becomes valid. Before setting null auto response mode, check that PIPEnCTR.INBUFM = 0, because the mode can be set only when the buffer is empty. If the INBUFM bit is 1, empty the buffer using the PIPEnCTR.ACLRM bit. Do not write data from the FIFO port while a transition to null auto response mode is being made.

To transition from null auto response mode to normal mode, keep the pipe operation disabled (response PID = NAK) for the period of the zero-length packet transmission (about 10  $\mu$ s) before canceling the null auto response mode. In normal mode, data can be written from the FIFO port, so packet transmission to the host is enabled by enabling pipe operation (response PID = BUF).

## 31.3.5 FIFO Buffer

The USBFS provides a FIFO buffer for data transfers, and it manages the memory area used for each pipe. The FIFO buffer has two states depending on whether the access right is assigned to the system (CPU side) or the USBFS (SIE side).

### (1) Buffer status

Table 31.18 and Table 31.19 show the buffer status in the USBFS. The FIFO buffer status can be confirmed using the DCPCTR.BSTS and PIPEnCTR.INBUFM bits. The transfer direction for the FIFO buffer can be specified in either the PIPECFG.DIR or CFIFOSEL.ISEL bit (when DCP is selected).

The INBUFM bit is valid for pipes 0 to 5 in the transmitting direction.

When a transmitting pipe uses double buffering, software can read the BSTS bit to monitor the FIFO buffer status on the CPU side and the INBUFM bit to monitor the FIFO buffer status on the SIE side. When write access to the FIFO port by the CPU or DMA/DTC is slow and the buffer empty status cannot be determined using the BEMP interrupt, software can use the INBUFM bit to confirm the end of transmission.

**Table 31.18 Buffer status indicated in the BSTS bit (1 of 2)**

| ISEL or DIR                | BSTS | FIFO buffer status   |
|----------------------------|------|--|
| 0 (receiving direction)    | 0    | There is no received data, or data is being received.<br>Reading from the FIFO port is disabled.   |
| 0 (receiving direction)    | 1    | There is received data, or a zero-length packet is received.<br>Reading from the FIFO port is allowed.<br>When a zero-length packet is received, reading is not possible and the buffer must be cleared. |
| 1 (transmitting direction) | 0    | Transmission has not completed.<br>Writing to the FIFO port is disabled.   |

**Table 31.18 Buffer status indicated in the BSTS bit (2 of 2)**

| ISEL or DIR                | BSTS | FIFO buffer status                                 |
|----------------------------|------|--|
| 1 (transmitting direction) | 1    | Transmission is complete.<br>CPU write is allowed. |

**Table 31.19 Buffer status indicated in the INBUFM bit**

| DIR                        | INBUFM  | FIFO buffer status  |
|----------------------------|---------|---|
| 0 (receiving direction)    | Invalid | Invalid   |
| 1 (transmitting direction) | 0       | Transmission is complete.<br>There is no data waiting to be transmitted.          |
| 1 (transmitting direction) | 1       | The FIFO port has written data to the buffer.<br>There is data to be transmitted. |

### 31.3.6 FIFO Buffer Clearing

Table 31.20 shows the methods for clearing the FIFO buffer. The FIFO buffer can be cleared using BCLR bit in the port control register, DnFIFOSEL.DCLRM, or the PIPEnCTR.ACLRM bit.

Single or double buffering can be selected for pipes 1 to 5 in the PIPECFG.DBLB bit.

**Table 31.20 Buffer clearing methods**

| FIFO buffer clearing mode | Clearing FIFO buffer on the CPU side | Mode for automatically clearing the FIFO buffer after reading the specified pipe data | Auto buffer clear mode for discarding all received packets |
|---------------------------|--------------------------------------|---|--|
| Register used             | CFIFOCTR<br>DnFIFOCTR                | DnFIFOSEL   | PIPEnCTR   |
| Bit used                  | BCLR                                 | DCLRM   | ACLRM  |
| Clearing condition        | Cleared by writing 1                 | 1: Mode valid<br>0: Mode invalid  | 1: Mode valid<br>0: Mode invalid.                          |

#### (1) Auto buffer clear mode function

The USBFS discards all received data packets if the PIPEnCTR.ACLRM bit is set to 1. If a correct data packet is received, the ACK response is returned to the host controller. The auto buffer clear mode function can only be set in the FIFO buffer reading direction.

Setting the ACLRM bit to 1 and then to 0 clears the FIFO buffer of the selected pipe regardless of the access direction. An access cycle of at least 100 ns is required for the internal hardware sequence processing between ACLRM = 1 and ACLRM = 0.

### 31.3.7 FIFO Port Functions

Table 31.21 shows the settings for the FIFO port functions. In write access, writing data until the maximum packet size is reached automatically enables transmission of the data. To enable transmission before the maximum packet size is reached, set the BVAL flag in the port control register to end writing. To send a zero-length packet, use the BCLR bit to clear the buffer, and then set the BVAL flag to end writing.

In reading, reception of new packets is automatically enabled when all data is read. Data cannot be read when a zero-length packet is received (DTLN[8:0] = 0), so the buffer must be cleared with the BCLR bit. The length of the receive data can be confirmed in the DTLN[8:0] bits in the port control register.

**Table 31.21 FIFO port function settings**

| Register name                        | Bit name | Description   |
|--------------------------------------|----------|---|
| CFIFOSEL,<br>DnFIFOSEL<br>(n = 0, 1) | RCNT     | Selects DTLN[8:0] read mode   |
|                                      | REW      | FIFO buffer rewind (re-read, rewrite)   |
|                                      | DCLRM    | Automatically clears receive data for a specified pipe after the data is read (only for DnFIFO) |
|                                      | DREQE    | Enables DMA/DTC transfers (only for DnFIFO)   |
|                                      | MBW      | FIFO port access bit width  |
|                                      | BIGEND   | Selects FIFO port endian  |
|                                      | ISEL     | FIFO port access direction (only for DCP)   |
| CFIFOCTR,<br>DnFIFOCTR<br>(n = 0, 1) | CURPIPE  | Selects the current pipe  |
|                                      | BVAL     | Ends writing to the FIFO buffer   |
|                                      | BCLR     | Clears the FIFO buffer on the CPU side  |
|                                      | DTLN     | Checks the length of receive data   |

### (1) FIFO port selection

Table 31.22 shows the pipes that can be selected with the different FIFO ports. The pipe to be accessed must be selected in the CURPIPE[3:0] bits in the port select register. After the pipe is selected, software must check whether the written value can be read correctly from the CURPIPE[3:0] bits. If the previous pipe number is read, it indicates that the USBFS is modifying the pipe. Next, software checks that the FRDY bit in the port control register is 1.

In addition, software must specify the bus width to be accessed in the MBW bit in the port select register. The FIFO buffer access direction conforms to the PIPECFG.DIR setting. For the DCP only, the ISEL bit in the port select register determines the direction.

**Table 31.22 FIFO port access by pipe**

| Pipe         | Access method  | Ports that can be used  |
|--------------|----------------|---|
| DCP          | CPU access     | CFIFO port register   |
| Pipes 1 to 9 | CPU access     | <ul style="list-style-type: none"> <li>• CFIFO port register</li> <li>• D0FIFO/D1FIFO port register.</li> </ul> |
|              | DMA/DTC access | D0FIFO/D1FIFO port register   |

### (2) REW bit

It is possible to temporarily stop access to a pipe currently being accessed, access a different pipe, and then continue processing for the first pipe again. The REW bit in the port select register is used for this processing.

If a pipe is selected in the CURPIPE[3:0] bits in the port select register with the REW bit set to 1, the pointer used for reading from and writing to the FIFO buffer is reset, and reading or writing can be carried out from the first byte. If a pipe is selected with 0 set for the REW bit, data can be read and written in continuation from the previous selection, without the pointer being reset.

To access the FIFO port, software must check that the FRDY bit in the port control register is 1 after selecting a pipe.

## 31.3.8 DMA Transfers (D0FIFO and D1FIFO Ports)

### (1) Overview of DMA transfers

For pipes 1 to 9, the FIFO port can be accessed using the DMAC. When buffer access for a pipe targeted for DMA transfer is enabled, a DMA transfer request is issued.

Select the unit of transfer to the FIFO port in the DnFIFOSEL.MBW bit, and select the pipe targeted for the DMA transfer in the DnFIFOSEL.CURPIPE[3:0] bits. Do not change the selected pipe during the DMA transfer.

### (2) DnFIFO auto clear mode (D0FIFO and D1FIFO port reading direction)

If 1 is set in the DnFIFOSEL.DCLRM bit, the USBFS automatically clears the FIFO buffer of the selected pipe when

reading of data from the FIFO buffer is complete.

Table 31.23 shows the packet reception and FIFO buffer clearing processing by software for each of the settings. As shown in the table, the buffer clearing conditions depend on the value set in the PIPECFG.BFRE bit. Using the DnFIFOSEL.DCLRM bit eliminates the need for the buffer to be cleared by software in any situation that requires buffer clearing. This enables the DMA transfers without involving software.

The DnFIFO auto clear mode can only be set in the FIFO buffer reading direction.

**Table 31.23 Packet reception and FIFO buffer clearing processing by software**

| Buffer status<br>when packet is received | Register setting     |                      |                      |                      |
|--|----------------------|----------------------|----------------------|----------------------|
|  | DCLRM = 0            |                      | DCLRM = 1            |                      |
|  | BFRE = 0             | BFRE = 1             | BFRE = 0             | BFRE = 1             |
| Buffer full                              | No clearing required | No clearing required | No clearing required | No clearing required |
| Zero-length packet reception             | Clearing required    | Clearing required    | No clearing required | No clearing required |
| Normal short packet reception            | No clearing required | Clearing required    | No clearing required | No clearing required |
| Transaction count end                    | No clearing required | Clearing required    | No clearing required | No clearing required |

### 31.3.9 Control Transfers Using the DCP

The DCP is used for data transfers in the control transfer data stage. The FIFO buffer of the DCP is a 64-byte single buffer with a fixed area for both control reads and control writes. The FIFO buffer can be accessed only through the CFIFO port.

#### 31.3.9.1 Control transfers in host controller mode

##### (1) Setup stage

The USQREQ, USBVAL, USBINDX, and USBLENG registers are used to transmit USB requests for setup transactions. Writing the setup packet data to the registers and then writing 1 to the DCPCTR.SUREQ bit transmits the specified data for the setup transaction. On completion of the transaction, the SUREQ bit clears to 0. Do not change these USB request registers while SUREQ = 1.

When an attached function device is detected, software must issue the first setup transaction for the device using this sequence with the DCPMAXP.DEVSEL[3:0] bits set to 0 and the DEVADD0.USBSPD[1:0] bits set appropriately.

When an attached function device is shifted to the Address state, software must issue setup transactions using this sequence with the assigned USB address set in the DEVSEL[3:0] bits and the bits in DEVADDn associated with the specified USB address set appropriately. For example, when PIPEMAXP.DEVSEL[3:0] = 0010b, make appropriate settings in DEVADD2. When PIPEMAXP.DEVSEL[3:0] = 0101b, make appropriate settings in DEVADD5.

When the setup transaction data is sent, an interrupt request is generated based on the response from the peripheral device (SIGN or SACK bit in INTSTS1). This interrupt request allows software to check the setup transaction result.

A DATA0 data packet (USB request) for the setup transaction is always transmitted regardless of the status of the DCPCTR.SQMON bit.

##### (2) Data stage

The data stage is used to transfer data using the DCP FIFO buffer.

Before accessing the DCP FIFO buffer, specify the access direction in the CFIFOSEL.ISEL bit. Specify the transfer direction in the DCPCFG.DIR bit.

For the first data packet of the data stage, the data PID must be transferred as DATA1. Set data PID = DATA1 in the DCPCTR.SQSET bit and set the PID bits = BUF. Completion of data transfer is detected using the BRDY or BEMP interrupt.

For control write transfers, when the number of data bytes to be sent is an integer multiple of the maximum packet size, software must send a zero-length packet at the end.

### (3) Status stage

The status stage is used for zero-length packet data transfers in the reverse direction of the data stage. As in the data stage, data is transferred using the DCP FIFO buffer. Transactions are executed using the same procedure as the data stage.

Data packets in the status stage must be transmitted and received with the data PID set to DATA1 using the DCPCTR.SQSET bit.

When a zero-length packet is received, check the receive-data length in the CFIFOCTR.DTLN[8:0] bits after a BRDY interrupt is generated, and then clear the FIFO buffer using the BCLR bit.

## 31.3.9.2 Control transfers in device controller mode

### (1) Setup stage

The USBFS sends an ACK response to a normal setup packet for the USBFS. The USBFS operates in the setup stage as follows:

On receiving a new setup packet, the USBFS sets the following bits:

- Sets the INTSTS0.VALID bit to 1
- Sets the DCPCTR.PID[1:0] bits to NAK
- Sets the DCPCTR.CCPL bit to 0.

When the USBFS receives a data packet following a setup packet, it stores the USB request parameters in USBREQ, USBVAL, USBINDEX, and USBLENG.

Before performing the response processing for a control transfer, set the VALID flag to 0. When the VALID bit = 1, PID = BUF cannot be set, and the data stage cannot be terminated.

Using the VALID bit function, the USBFS can suspend a request being processed when it receives a new USB request during a control transfer and return a response to the latest request.

In addition, the USBFS automatically detects the direction bit (bmRequestType bit [8]) and the request data length (wLength) in the received USB request. It distinguishes between control read transfers, control write transfers, and no-data control transfers, and it controls stage transitions. For an incorrect sequence, a sequence error occurs in the control transfer stage transition interrupt, and the interrupt is reported to software. For a diagram of the stage control by the USBFS, see [Figure 31.15](#).

### (2) Data stage

The DCP must be used to execute data transfers for received USB requests. Before accessing the DCP FIFO buffer, specify the access direction in the CFIFOSEL.ISEL bit.

If the transfer data is larger than the size of the DCP FIFO buffer, execute the data transfer using the BRDY interrupt for control write transfers and the BEMP interrupt for control read transfers.

### (3) Status stage

Control transfers are terminated by setting the DCPCTR.CCPL bit to 1 while the DCPCTR.PID[1:0] bits are set to BUF.

After this setting is made, the USBFS automatically executes the status stage based on the data transfer direction determined at the setup stage. The procedure is as follows:

- For control read transfers  
The USBFS receives a zero-length packet from the USB host and transmits an ACK response.
- For control write transfers and no-data control transfers  
The USBFS transmits a zero-length packet and receives an ACK response from the USB host.

### (4) Control transfer auto response function

The USBFS automatically responds to a correct SET\_ADDRESS request. If any of the following errors occurs in the SET\_ADDRESS request, a response from software is required:

- bmRequestType is not 00h: Any transfer other than a control write transfer

- wIndex is not 00h: Request error
- wLength is not 00h: Any transfer other than a no-data control transfer
- wValue is larger than 7Fh: Request error
- INTSTS0.DVSQ[2:0] are 011b (Configured state): Control transfer of a device state error.

For all requests other than the SET\_ADDRESS request, a response is required from the associated software.

### 31.3.10 Bulk Transfers (Pipes 1 to 5)

The FIFO buffer usage (single/double buffer setting) is configurable for bulk transfers. The USBFS provides the following functions for bulk transfers:

- BRDY interrupt function (PIPECFG.BFRE bit), see [section 31.3.3.1, \(2\) When SOFCFG.BRDYM = 0 and PIPECFG.BFRE = 1](#)
- Transaction count function (PIPEnTRE.TRENB, TRCLR, and PIPEnTRN.TRNCNT[15:0] bits), see [section 31.3.4.5, Transaction counter for pipes 1 to 5 in the receiving direction](#)
- Response PID = NAK function (PIPECFG.SHTNAK bit), see [section 31.3.4.8, Response PID = NAK function](#)
- Auto response mode (PIPEnCTR.ATREPM bit), see [section 31.3.4.9, Auto response mode](#).

### 31.3.11 Interrupt Transfers (Pipes 6 to 9)

In device controller mode, the USBFS performs interrupt transfers based on the timing dictated by the host controller. In host controller mode, software can set the timing for issuing tokens using the interval counter.

#### 31.3.11.1 Interval counter for interrupt transfers in host controller mode

Specify the transaction interval for interrupt transfers in the PIPEPERI.IITV[2:0] bits. The USBFS issues interrupt transfer tokens based on this interval.

##### (1) Counter initialization

The USBFS initializes the interval counter under the following conditions:

- Power-on reset  
This initializes the IITV[2:0] bits.
- FIFO buffer initialization using the PIPEnCTR.ACLRM bit:  
This does not initialize the IITV[2:0] bits, but does initialize the count value. Setting the PIPEnCTR.ACLRM bit to 0 starts counting from the value set in IITV[2:0].

The interval counter is not initialized in the following case:

- USB bus reset or USB suspended  
The IITV[2:0] bits are not initialized. Setting 1 to the DVSTCTR0.UACT bit starts counting from the value saved before entering the USB bus reset state or USB Suspend state.

##### (2) Operation when tokens cannot be transmitted or received even on token generation

No token is generated in the following cases even at token generation time. In these cases, the USBFS tries to execute the transaction in the next interval:

- When the PID is set to NAK or STALL
- When the FIFO buffer is full at token transmit time in the receiving (IN) direction
- When there is no data to be transmitted in the FIFO buffer at token transmit time in the transmitting (OUT) direction.

### 31.3.12 Isochronous Transfers (Pipes 1 and 2)

The USBFS provides the following functions for isochronous transfers:

- Notification of isochronous transfer error



- Interval counter specified in the PIPEPERI.IITV[2:0] bits
- Isochronous IN transfer data setup control (IDLY function)
- Isochronous IN transfer buffer flush function specified in the PIPEPERI.IFIS bit.

### 31.3.12.1 Error detection in isochronous transfers

The USBFS provides a function for detecting the errors described in this section, so that when errors occur in isochronous transfers, they can be controlled by software. [Table 31.24](#) and [Table 31.25](#) show the priority order for errors detected by the USBFS and the associated interrupts.

#### (a) PID errors

- The PID value of the received packet is invalid.

#### (b) CRC errors and bit stuffing errors

- A CRC error is found in a received packet or the bit stuffing is invalid.

#### (c) Maximum packet size exceeded

- The data size of the received packet exceeds the specified maximum packet size.

#### (d) Overrun and underrun errors

In host controller mode:

- The FIFO buffer is full at token transmit time in the IN (receiving) direction
- There is no data to be sent in the FIFO buffer at token transmit time in the OUT (transmitting) direction.

In device controller mode:

- There is no data to be sent in the FIFO buffer at token receive time in the IN (transmitting) direction
- The FIFO buffer is full at token receive time in the OUT (receiving) direction.

#### (e) Interval errors

In device controller mode, the following cases are treated as an interval error:

- Failure to receive an IN token in the interval frame during an isochronous IN transfer
- Failure to receive an OUT token in the interval frame during an isochronous OUT transfer.

**Table 31.24 Error detection for token transmission and reception**

| Detection priority | Error                     | Generated interrupt and status  |
|--------------------|---------------------------|---|
| 1                  | PID error                 | No interrupts are generated in either host or device controller mode (ignored as a corrupted packet)  |
| 2                  | CRC or bit stuffing error | No interrupts are generated in either host or device controller mode (ignored as a corrupted packet)  |
| 3                  | Overrun or underrun error | An NRDY interrupt is generated to set the FRMNUM.OVRN bit to 1 in both host and device controller modes.<br>In device controller mode, a zero-length packet is transmitted in response to an IN token. No data packets are received in response to OUT token. |
| 4                  | Interval error            | An NRDY interrupt is generated in device controller mode. No interrupt is generated in host controller mode.  |

**Table 31.25 Error detection for data packet reception (1 of 2)**

| Detection priority | Error     | Generated interrupt and status                               |
|--------------------|-----------|--|
| 1                  | PID error | No interrupts are generated (ignored as a corrupted packet.) |

**Table 31.25 Error detection for data packet reception (2 of 2)**

| Detection priority | Error                              | Generated interrupt and status  |
|--------------------|------------------------------------|---|
| 2                  | CRC or bit stuffing error          | An NRDY interrupt is generated and the FRMNUM.CRCE bit is set to 1 in both host and device controller modes   |
| 3                  | Maximum packet size exceeded error | A BEMP interrupt is generated and the PID[1:0] bits are set to STALL in both host and device controller modes |

### 31.3.12.2 DATA-PID

In device controller mode, the USBFS responds to a received PID as follows:

#### (1) IN direction

- DATA0: Transmitted as data packet PID
- DATA1: Not transmitted
- DATA2: Not transmitted
- mData: Not transmitted.

#### (2) OUT direction

- DATA0: Received normally as data packet PID
- DATA1: Received normally as data packet PID
- DATA2: Packets ignored
- mData: Packets ignored.

### 31.3.12.3 Interval counter

The isochronous transfer interval can be set in the PIPEPERI.IITV[2:0] bits. In device controller mode, the interval counter enables the functions as shown in Table 31.26. In host controller mode, the USBFS generates the token issuance timing, and the interval counter operation is the same as that for interrupt transfers.

**Table 31.26 Interval counter functions in device controller mode**

| Transfer direction | Function                              | Conditions for detection  |
|--------------------|---------------------------------------|---|
| IN                 | Transmit buffer flush                 | Failure to receive an IN token successfully in the interval frame during an isochronous IN transfer   |
| OUT                | Notification of no reception of token | Failure to receive an OUT token successfully in the interval frame during an isochronous OUT transfer |

The interval count is performed when an SOF is received or for interpolated SOFs, so the isochronism can be maintained even if an SOF is corrupt. The frame interval can be set to  $2^{\text{IITV}}$  frames.

#### (1) Counter initialization in device controller mode

The USBFS initializes the interval counter under the following conditions:

- Power-on reset  
This initializes the PIPEPERI.IITV[2:0] bits.
- FIFO buffer initialization using the ACLRM bit  
This does not initialize the IITV[2:0] bits, but does initialize the count value.

After the interval counter is initialized, the interval count starts under one of the following conditions when a packet is transferred successfully:

- An SOF is received after data is transmitted in response to an IN token when PID = BUF
- An SOF is received after data is received in response to an OUT token when PID = BUF.

The interval counter is not initialized in the following conditions:

- When the PID[1:0] bits are set to NAK or STALL  
This does not stop the interval timer. The USBFS attempts the transaction in the next interval.
- When the USB bus is reset or USBFS is suspended  
This does not initialize the IITV[2:0] bits. When an SOF is received, the interval counter starts counting from the value set before SOF was received.

(2) Interval counting and transfer control in host controller mode

The USBFS controls the interval between token issuance operations based on the PIPEPERI.IITV[2:0] bit settings. Specifically, the USBFS issues a token for a selected pipe once every 2<sup>IITV</sup> frames.

The USBFS starts counting the token issuance interval at the frame following the frame in which the PID[1:0] bits are set to BUF by software.

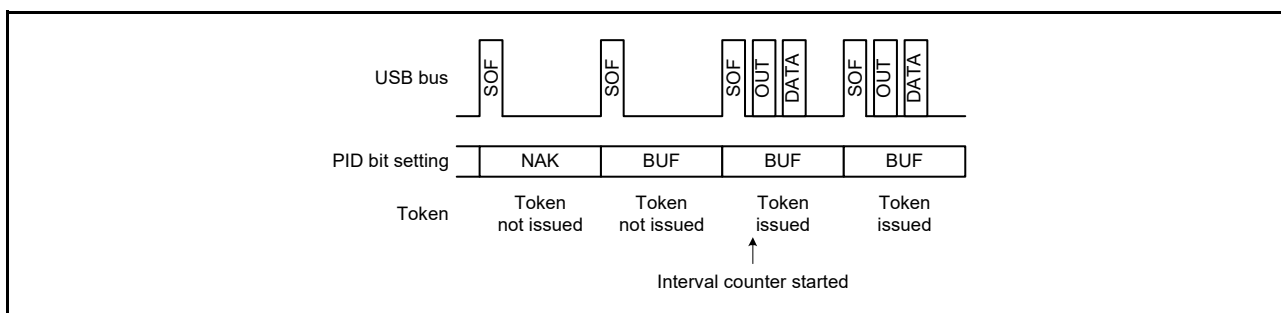


Figure 31.16 Token issuance when IITV = 0

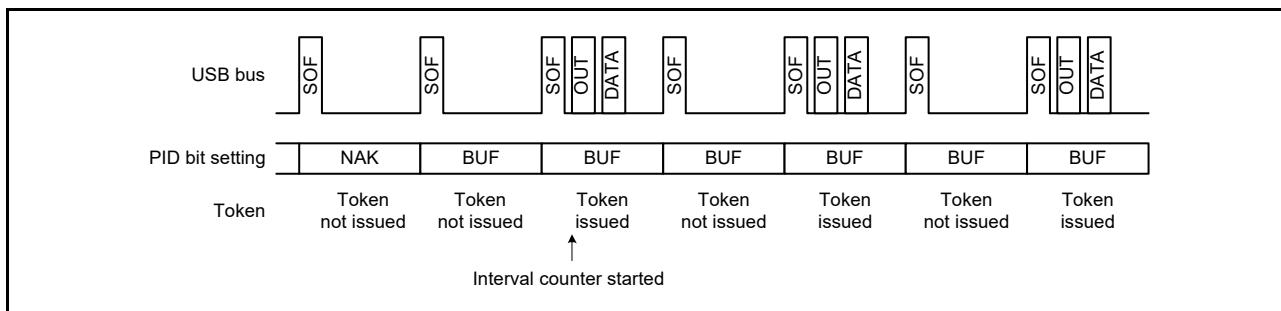


Figure 31.17 Token issuance when IITV = 1

When the selected pipe is set for isochronous transfers, the USBFS performs the following operation in addition to controlling the token issuance interval. The USBFS issues a token even when the NRDY interrupt generation condition is satisfied.

(a) When the selected pipe is for isochronous IN transfers

The USBFS generates an NRDY interrupt when the USBFS issues an IN token but does not successfully receive a packet from a peripheral device (no response or packet error).

The USBFS sets the FRMNUM.OVRN bit to 1, generating an NRDY interrupt, when the time to issue an IN token occurs while the USBFS cannot receive data because the FIFO buffer is full, because the CPU or DMAC/DTC is too slow in reading data from the FIFO buffer.

(b) When the selected pipe is for isochronous OUT transfers

The USBFS sets the OVRN bit to 1, generating an NRDY interrupt and transmitting a zero-length packet, when the time to issue an OUT token comes while there is no data to be transmitted in the FIFO buffer, or because the CPU or DMAC/DTC is too slow in writing data to the FIFO buffer.

The token issuance interval is reset on any of the following conditions:

- When the USBFS is reset through a reset pin  
This initializes the IITV[2:0] bits.

- When the PIPEnCTR.ACLRM bit is set to 1 by software.

(3) Interval counting and transfer control in device controller mode

(a) When the selected pipe is for isochronous OUT transfers

The USBFS generates an NRDY interrupt when it fails to receive a data packet within the interval set in the PIPEPERL.IITV[2:0] bits.

The USBFS also generates an NRDY interrupt when it fails to receive data because of a CRC error or other errors contained in the data packet or because the FIFO buffer is full.

The NRDY interrupt is generated on SOF packet reception. Even if the SOF packet is corrupted, internal interpolation allows the interrupt to be generated when the SOF packet is received. However, when the IITV bits are set to a value other than 0, the USBFS generates an NRDY interrupt on receiving an SOF packet for every interval after interval counting starts.

When the PID[1:0] bits are set to NAK by software after starting the interval timer, the USBFS does not generate an NRDY interrupt on receiving an SOF packet.

The timing for starting interval counting depends on the IITV[2:0] setting as follows:

- When the IITV[2:0] bits = 0:  
Interval counting starts at the next frame after software changes the PID[1:0] bits of the selected pipe to BUF.
- When the IITV[2:0] bits ≠ 0:  
Interval counting starts on completion of successful reception of the first data packet after the PID[1:0] bits for the selected pipe are changed to BUF.

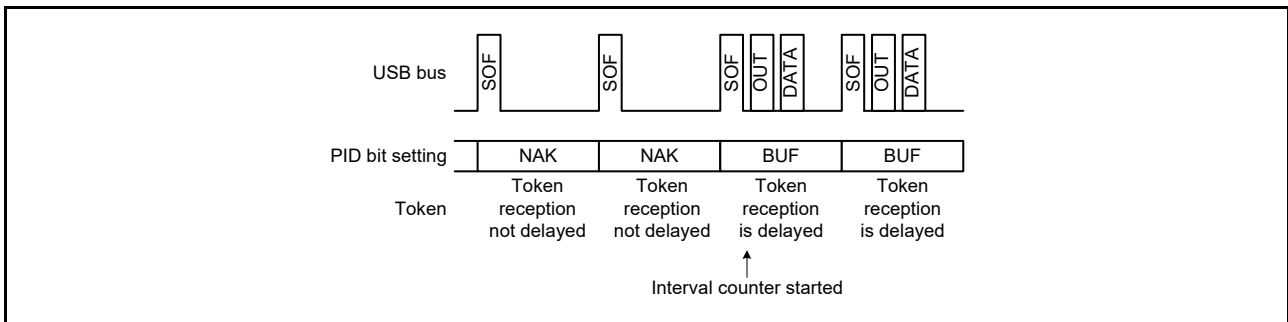


Figure 31.18 Relationship between frames and expected token reception when IITV[2:0] = 0

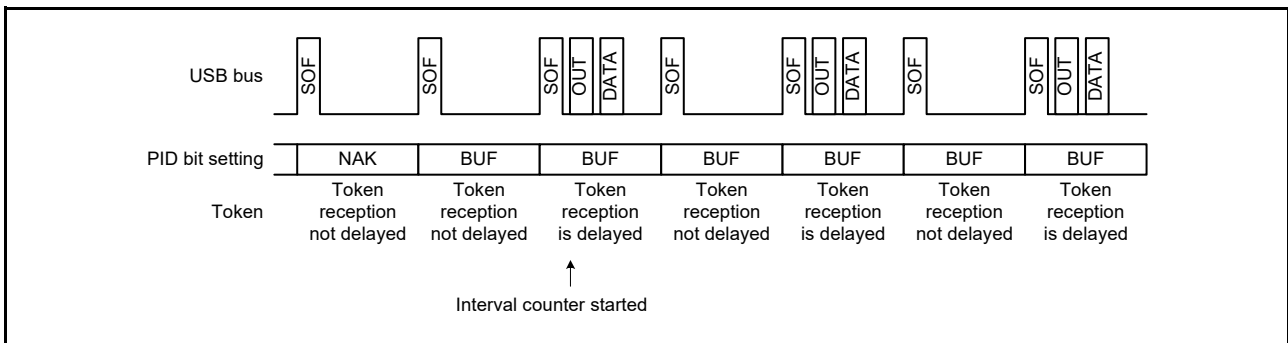


Figure 31.19 Relationship between frames and expected token reception when IITV[2:0] ≠ 0

(b) When the selected pipe is for isochronous IN transfers

The PIPEPERL.IFIS bit must be 1 for this use case. When IFIS = 0, the USBFS transmits a data packet in response to a received IN token regardless of the PIPEPERL.IITV[2:0] setting.

When IFIS is 1 and there is data to be transmitted in the FIFO buffer, the USBFS clears the FIFO buffer when it fails to receive an IN token in the frame at the interval set in the IITV[2:0] bits.

The USBFS also clears the FIFO buffer when it fails to receive an IN token successfully because of a bus error, such as a CRC error, contained in the IN token.

The FIFO buffer is cleared on SOF packet reception. Even if the SOF packet is corrupted, the internal interpolation allows the FIFO buffer to be cleared when the SOF packet is received.

The timing to start interval counting depends on the IITV[2:0] setting, as with OUT transfers.

The interval is counted on any of the following conditions in device controller mode:

- When a hardware reset is applied to the USBFS (which also sets the IITV[2:0] bits to 000b)
- When the PIPEnCTR.ACLRM bit is set to 1 by software
- When the USBFS detects a USB bus reset.

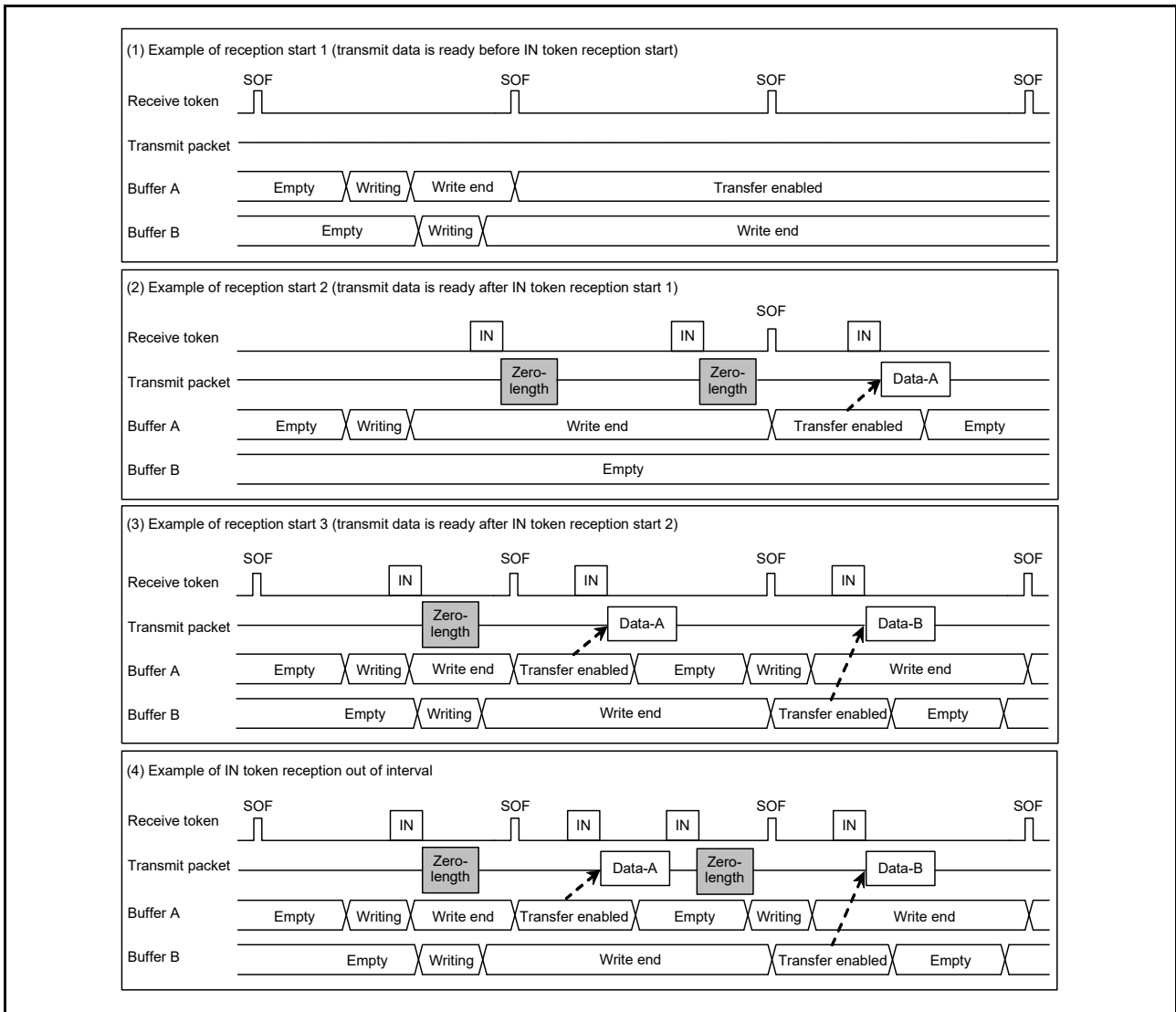
#### (4) Transmit data setup for isochronous transfers in device controller mode

With isochronous data transmission using the USBFS in device controller mode, after data is written to the FIFO buffer, a data packet can be transmitted in the first frame after the SOF packet is detected. This isochronous transfer transmit data setup function can identify the frame that started transmission.

When double buffering is used, transmission is only enabled for the buffer to which data writing was completed first, even after the data write to both buffers is complete. Accordingly, even if multiple IN tokens are received, only one packet of FIFO buffer data is transmitted.

When the FIFO buffer is ready to transmit data when an IN token is received, data is transferred and a normal response is returned. However, if the FIFO buffer cannot transmit data, a zero-length packet is transmitted and an underrun error occurs.

Figure 31.20 shows an example transmission using the isochronous transfer transmission data setup function when IITV = 0 (every frame) is set.



**Figure 31.20 Example data setup operation**

**(5) Transmit buffer flush for isochronous transfers in device controller mode**

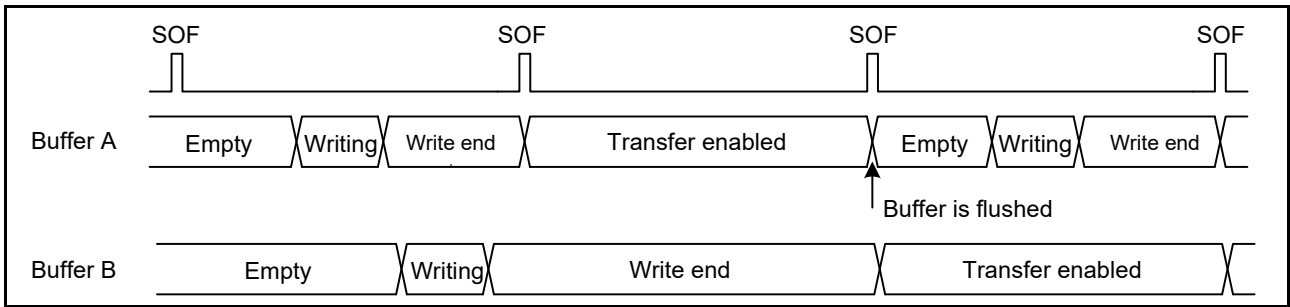
In device controller mode during isochronous data transmission, if the USBFS receives an SOF packet for the next frame without receiving an IN token in the interval frame, it operates as if the IN token is corrupt and clears the buffer that is enabled for transmission, putting that buffer in the writing enabled state.

When double buffering is used and writing to both buffers is complete, the cleared FIFO buffer is assumed to be the one where the data was transmitted in the interval frame, and transmission is enabled for the FIFO buffer that was not cleared on SOF packet reception.

The timing of the buffer flush function depends on the PIPEPERL.IITV[2:0] setting as follows:

- When IITV = 0:  
The buffer flush operation starts from the first frame after the pipe is enabled
- When IITV ≠ 0:  
The buffer flush operation starts after the first normal transaction.

Figure 31.21 shows an example buffer flush. When an unanticipated token is received before the interval frame, the USBFS sends the write data or a zero-length packet as an underrun error, depending on the data setup status.



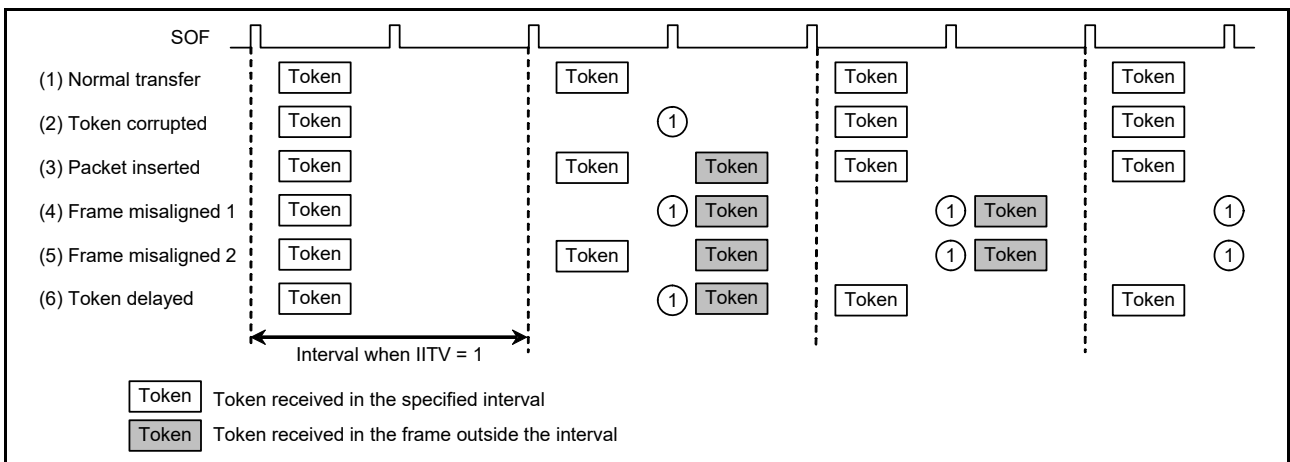
**Figure 31.21 Example buffer flush operation**

Figure 31.22 shows an example interval error occurrence. There are five types of interval errors, as shown in the figure. An interval error occurs at timing ①, and the buffer flush function is activated.

If an interval error occurs during an IN transfer, the buffer flush function is activated. If it occurs during an OUT transfer, an NRDY interrupt is generated. Use the FRMNUM.OVRN bit to distinguish between this and NRDY interrupts triggered by received packet errors and overrun errors.

For tokens that are shaded in the figure, responses are returned based on the FIFO buffer status.

- IN direction:
  - If the buffer is ready to transfer data, the data is transferred and a normal response is returned
  - If the buffer is not ready to transfer data, a zero-length packet is transmitted and an underrun error occurs.
- OUT direction:
  - If the buffer is ready to receive data, the data is received and a normal response is returned
  - If the buffer is not ready to receive data, the received data is discarded and an overrun error occurs.



**Figure 31.22 Example interval error occurrence when IITV = 1**

### 31.3.13 SOF Interpolation Function

In device controller mode, if packet reception is disabled at intervals of 1 ms because the SOF packet is corrupted or missing, the USBFS interpolates the SOF. SOF interpolation begins when the USBE and SCKE bits in SYSCFG are set to 1 and an SOF packet is received.

The interpolation function is initialized under the following conditions:

- MCU reset
- USB bus reset
- Suspend state detection.

The SOF interpolation operates as follows:

- The interpolation function is not activated until an SOF packet is received
- When the first SOF packet is received, interpolation is performed by counting 1 ms on the 48-MHz internal clock
- When the second and subsequent SOF packets are received, interpolation is performed at the previous reception interval
- Interpolation is not performed in the Suspend state or on reception of a USB bus reset.

The USBFS supports the following functions controlled by SOF packet reception. These functions operate normally with SOF interpolation if the SOF packet is missing:

- Updating of the frame number
- SOFR interrupt timing
- Isochronous transfer interval count.

If an SOF packet is missing during full-speed operation, the FRMNUM.FRNM[10:0] bits are not updated.

### 31.3.14 Pipe Schedule

#### 31.3.14.1 Conditions for generating transactions

In host controller mode, when the DVSTCTR0.UACT bit is set to 1, the USBFS generates transactions under the conditions shown in [Table 31.27](#).

**Table 31.27 Conditions for generating transactions**

| Transaction  | Conditions for generation |     |         |                      |           |
|--|---------------------------|-----|---------|----------------------|-----------|
|  | DIR                       | PID | IITV0   | Buffer state         | SUREQ     |
| Setup  | —*1                       | —*1 | —*1     | —*1                  | 1 setting |
| Control transfer data stage, status stage, bulk transfer | IN                        | BUF | Invalid | Receive area exists  | —*1       |
|  | OUT                       | BUF | Invalid | Transmit data exists | —*1       |
| Interrupt transfer                                       | IN                        | BUF | Valid   | Receive area exists  | —*1       |
|  | OUT                       | BUF | Valid   | Transmit data exists | —*1       |
| Isochronous transfer                                     | IN                        | BUF | Valid   | *2                   | —*1       |
|  | OUT                       | BUF | Valid   | *3                   | —*1       |

Note 1. An em dash (—) in the table indicates that the condition is unrelated to the generating of tokens. “Valid” indicates that, for interrupt transfers and isochronous transfers, a transaction is generated only in transfer frames that are based on the interval counter. “Invalid” indicates that a transaction is generated regardless of the interval counter.

Note 2. This indicates that a transaction is generated regardless of whether there is a receive area. If there is no receive area, however, the received data is discarded.

Note 3. This indicates that a transaction is generated regardless of whether there is any data to be transmitted. If there is no data to be transmitted, however, a zero-length packet is transmitted.

#### 31.3.14.2 Transfer schedule

This section describes the transfer scheduling within a frame of the USBFS. After the USBFS sends an SOF, the transfer is carried out in the following sequence:

1. Execution of periodic transfers:  
A pipe is searched for in the order pipe 1 → pipe 2 → pipe 6 → pipe 7 → pipe 8 → pipe 9, and then if there is a pipe for which an isochronous or interrupt transfer transaction can be generated, the transaction is generated.
2. Setup transactions for control transfers:  
The DCP is checked, and if a setup transaction is possible, it is sent.
3. Execution of bulk transfers, control transfer data stages, and control transfer status stages:



A pipe is searched for in the order DCP → pipe 1 → pipe 2 → pipe 3 → pipe 4 → pipe 5, and then if there is a pipe for which a transaction for a bulk transfer, a control transfer data stage, or a control transfer status stage can be generated, the transaction is generated.

When a transaction is generated, processing moves to the next pipe transaction regardless of whether the response from the peripheral device is ACK or NAK. If there is time for transfer within the frame, step 3 is repeated.

### 31.3.14.3 Enabling USB communication

Setting the DVSTCTR0.UACT bit to 1 initiates an SOF transmission, and transaction generation is enabled. Setting the UACT bit to 0 stops SOF transmission and the Suspend state is invoked. If the UACT setting is changed from 1 to 0, processing stops after the next SOF is sent.

## 31.4 Usage Notes

### 31.4.1 Settings for the Module-Stop State

USBFS operation can be disabled or enabled using Module Stop Control Register B (MSTPCRB). The USBFS is initially stopped after reset. Releasing the module-stop state enables access to the registers. For details, see [section 11, Low Power Modes](#).

### 31.4.2 Clearing the Interrupt Status Register on Exiting Software Standby Mode

Because the input buffer is always enabled in Software Standby mode, an unexpected interrupt might occur under the following conditions:

- When the interrupt is enabled in Normal mode
- When the interrupt is disabled in Software Standby mode
- When the input level of the pin that cancels software standby is changed in Software Standby mode.

These conditions might cause the associated interrupt flag in the Interrupt Status Register to set unexpectedly. After the MCU exits Software Standby mode, the unexpected interrupt might be sent to the interrupt controller. To avoid this, always clear the INTSTS0 and INTSTS1 registers in the canceling sequence.

### 31.4.3 Clearing the Interrupt Status Register after Setting Up the Port Function

The input buffer is disabled before the PmnPFS.PSEL and PmnPFS.PMR ports are set up, so the internal signal is fixed high or low. The input buffer is enabled after the port is set so that the external pin state is propagated to the MCU. An unexpected interrupt might occur at this time, causing the VBINT and OVRCR bits in INTSTS0 and INTSTS1, or other interrupt status flags to set to 1. To avoid a malfunction, always clear the INTSTS0 and INTSTS1 registers after setting up the port.

## 32. Serial Communications Interface (SCI)

### 32.1 Overview

The Serial Communications Interface (SCI) is configurable to five asynchronous and synchronous serial interfaces:

- Asynchronous interfaces (UART and Asynchronous Communications Interface Adapter (ACIA))
- 8-bit clock synchronous interface
- Simple IIC (master-only)
- Simple SPI
- Smart card interface.

The smart card interface complies with the ISO/IEC 7816-3 standard for electronic signals and transmission protocol. Each SCI has FIFO buffers to enable continuous and full-duplex communication, and the data transfer speed can be configured independently using an on-chip baud rate generator.

[Table 32.1](#) lists the SCI specifications, [Figure 32.1](#) shows a block diagram of SCI channel n, and [Table 32.2](#) lists the I/O pins by mode.

**Table 32.1 SCI specifications (1 of 2)**

| Parameter                  | Specifications   |   |
|----------------------------|--|---|
| Serial communication modes | <ul style="list-style-type: none"> <li>• Asynchronous</li> <li>• Clock synchronous</li> <li>• Smart card interface</li> <li>• Simple IIC</li> <li>• Simple SPI.</li> </ul>   |   |
| Transfer speed             | Bit rate specifiable with the on-chip baud rate generator  |   |
| Full-duplex communications | <ul style="list-style-type: none"> <li>• Transmitter: Continuous transmission possible using double-buffering</li> <li>• Receiver: Continuous reception possible using double-buffering.</li> </ul>  |   |
| I/O pins                   | See <a href="#">Table 32.2</a>   |   |
| Data transfer              | Selectable as LSB-first or MSB-first transfer  |   |
| Interrupt sources          | <ul style="list-style-type: none"> <li>• Transmit end, transmit data empty, receive data full, receive error, receive data ready, and address match</li> <li>• Completion of generation of a start condition, restart condition, or stop condition (for simple IIC mode).</li> </ul> |   |
| Module-stop function       | Module-stop state can be set for each channel  |   |
| Snooze end request         | SCI0 address mismatch (SCI0_DCUF)  |   |
| Asynchronous mode          | Data length  | 7, 8, or 9 bits   |
|                            | Transmission stop bit  | 1 or 2 bits   |
|                            | Parity   | Even parity, odd parity, or no parity   |
|                            | Receive error detection  | Parity, overrun, and framing errors   |
|                            | Hardware flow control  | Transmission and reception controllable with CTSn_RTSn pins   |
|                            | Transmission/reception   | Selectable to 1-stage register or 16-stage FIFO   |
|                            | Address match  | Interrupt request/event output can be issued upon detecting a match between received data and the value in the compare match register |
|                            | Address mismatch (SCI0 only) receive data  | Snooze end request can be issued on detecting a mismatch between the received data and the value in the compare match register        |
|                            | Start-bit detection  | Selectable to low level or falling edge detection   |
|                            | Break detection  | Breaks from framing errors detectable by reading from SPTR register   |
|                            | Clock source   | Selectable to internal or external clock  |
|                            | Double-speed mode  | Baud rate generator double-speed mode is selectable   |
|                            | Multi-processor communications function  | Serial communication enabled between multiple processors  |
|                            | Noise cancellation   | Digital noise filters included on signal paths from RXDn pin inputs   |

**Table 32.1 SCI specifications (2 of 2)**

| Parameter                    | Specifications   |  |
|------------------------------|--|--|
| Clock synchronous mode       | Data length  | 8 bits   |
|                              | Receive error detection  | Overrun error  |
|                              | Clock source   | Selectable to internal clock (master mode) or external clock (slave mode)  |
|                              | Hardware flow control  | Transmission and reception controllable with CTS <sub>n</sub> _RTS <sub>n</sub> pins   |
|                              | Transmission/ reception  | Selectable to 1-stage register or 16-stage FIFO  |
| Smart card interface mode    | Error processing   | Error signal can be automatically transmitted on detecting a parity error during reception   |
|                              |  | Data can be automatically retransmitted on receiving an error signal during transmission   |
|                              | Data type  | Both direct and inverse convention supported   |
| Simple IIC mode              | Transfer format  | I <sup>2</sup> C bus format (MSB-first only)   |
|                              | Operating mode   | Master (single-master operation only)  |
|                              | Transfer rate  | Up to 400 kbps   |
|                              | Noise cancellation   | The signal paths from input on the SCL <sub>n</sub> and SDAn pins incorporate digital noise filters, and provide an adjustable interval for noise cancellation |
| Simple SPI mode              | Data length  | 8 bits   |
|                              | Error detection  | Overrun error  |
|                              | Clock source   | Selectable to internal clock (master mode) or external clock (slave mode)  |
|                              | SS input pin function  | High impedance state can be invoked on the output pins by driving the SS <sub>n</sub> pin high   |
|                              | Clock settings   | Configurable between four clock phase and clock polarity settings  |
| Bit rate modulation function | Error reduction through correction of outputs from the on-chip baud rate generator                   |  |
| Event link function          | Error event output for receive error or error signal detection (SCI <sub>n</sub> _ERI)* <sup>1</sup> |  |
|                              | Receive data full event output (SCI <sub>n</sub> _RXI)* <sup>1,*2</sup>                              |  |
|                              | Transmit data empty event output (SCI <sub>n</sub> _TXI)* <sup>1,*2</sup>                            |  |
|                              | Transmit end event output (SCI <sub>n</sub> _TEI)* <sup>1,*2</sup>                                   |  |
|                              | Address match event output (SCI <sub>n</sub> _AM)* <sup>1</sup>                                      |  |

Note 1. Channel number, n = 0 to 9.

Note 2. Using this event link function is prohibited when FIFO operation is selected in asynchronous mode.

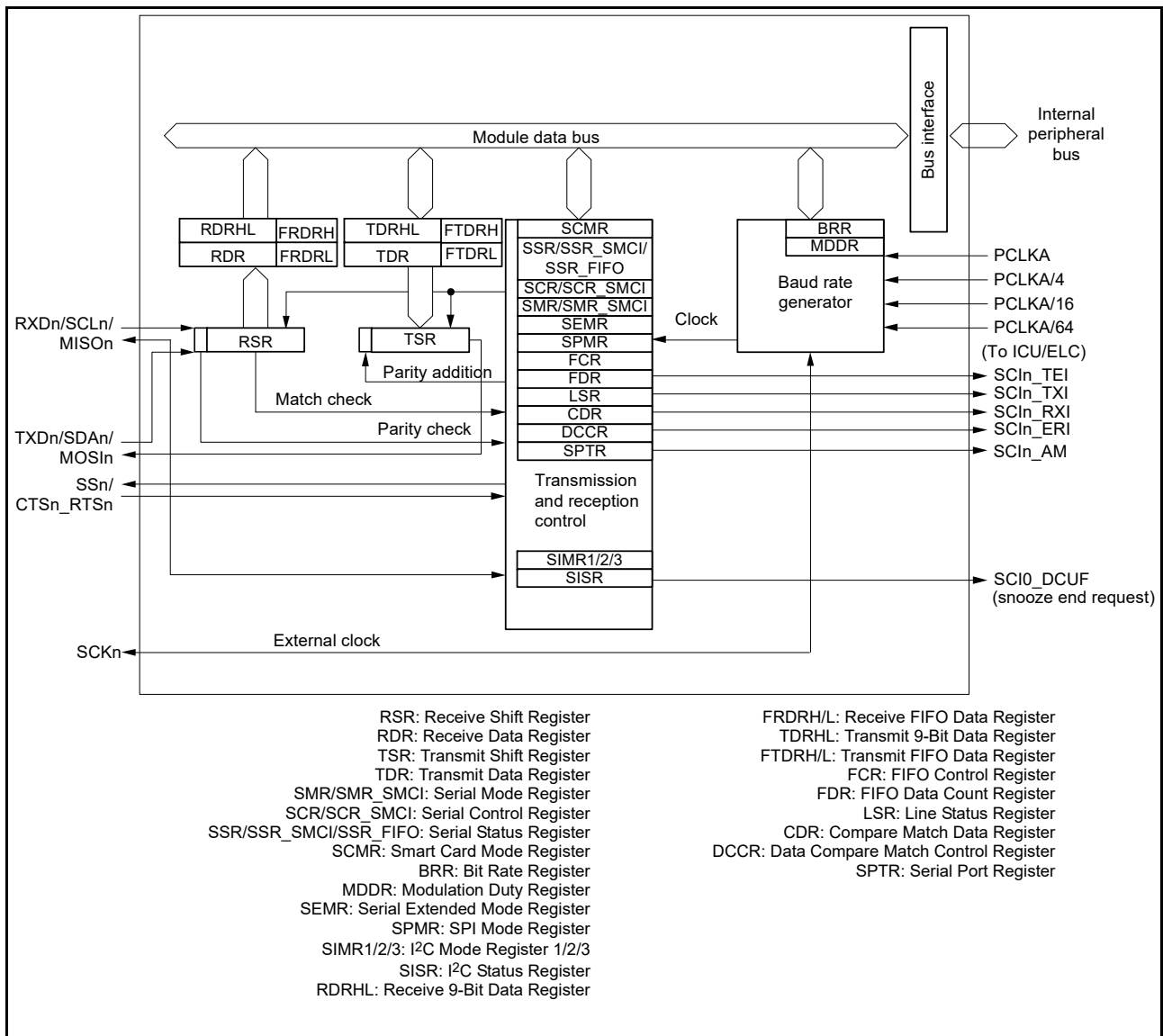


Figure 32.1 SCI channel n block diagram

**Table 32.2 SCI input/output pins (1 of 2)**

| Channel | Pin name            | Input/Output | Function   |
|---------|---------------------|--------------|--|
| SCI0    | SCK0                | Input/Output | SCI0 clock input/output  |
|         | RXD0/SCL0/<br>MISO0 | Input/Output | SCI0 receive data input<br>SCI0 I <sup>2</sup> C clock input/output<br>SCI0 slave transmit data input/output   |
|         | TXD0/SDA0/<br>MOSI0 | Input/Output | SCI0 transmit data output<br>SCI0 I <sup>2</sup> C data input/output<br>SCI0 master transmit data input/output |
|         | SS0/CTS0_RTS0       | Input/Output | SCI0 chip select input, active-low<br>SCI0 transfer start control input/output, active-low                     |
| SCI1    | SCK1                | Input/Output | SCI1 clock input/output  |
|         | RXD1/SCL1/<br>MISO1 | Input/Output | SCI1 receive data input<br>SCI1 I <sup>2</sup> C clock input/output<br>SCI1 slave transmit data input/output   |
|         | TXD1/SDA1/<br>MOSI1 | Input/Output | SCI1 transmit data output<br>SCI1 I <sup>2</sup> C data input/output<br>SCI1 master transmit data input/output |
|         | SS1/CTS1_RTS1       | Input/Output | SCI1 chip select input, active-low<br>SCI1 transfer start control input/output, active-low                     |
| SCI2    | SCK2                | Input/Output | SCI2 clock input/output  |
|         | RXD2/SCL2/<br>MISO2 | Input/Output | SCI2 receive data input<br>SCI2 I <sup>2</sup> C clock input/output<br>SCI2 slave transmit data input/output   |
|         | TXD2/SDA2/<br>MOSI2 | Input/Output | SCI2 transmit data output<br>SCI2 I <sup>2</sup> C data input/output<br>SCI2 master transmit data input/output |
|         | SS2/CTS2_RTS2       | Input/Output | SCI2 chip select input, active-low<br>SCI2 transfer start control input/output, active-low                     |
| SCI3    | SCK3                | Input/Output | SCI3 clock input/output  |
|         | RXD3/SCL3/<br>MISO3 | Input/Output | SCI3 receive data input<br>SCI3 I <sup>2</sup> C clock input/output<br>SCI3 slave transmit data input/output   |
|         | TXD3/SDA3/<br>MOSI3 | Input/Output | SCI3 transmit data output<br>SCI3 I <sup>2</sup> C data input/output<br>SCI3 master transmit data input/output |
|         | SS3/CTS3_RTS3       | Input/Output | SCI3 chip select input, active-low<br>SCI3 transfer start control input/output, active-low                     |
| SCI4    | SCK4                | Input/Output | SCI4 clock input/output  |
|         | RXD4/SCL4/<br>MISO4 | Input/Output | SCI4 receive data input<br>SCI4 I <sup>2</sup> C clock input/output<br>SCI4 slave transmit data input/output   |
|         | TXD4/SDA4/<br>MOSI4 | Input/Output | SCI4 transmit data output<br>SCI4 I <sup>2</sup> C data input/output<br>SCI4 master transmit data input/output |
|         | SS4/CTS4_RTS4       | Input/Output | SCI4 chip select input, active-low<br>SCI4 transfer start control input/output, active-low                     |
| SCI5    | SCK5                | Input/Output | SCI5 clock input/output  |
|         | RXD5/SCL5/<br>MISO5 | Input/Output | SCI5 receive data input<br>SCI5 I <sup>2</sup> C clock input/output<br>SCI5 slave transmit data input/output   |
|         | TXD5/SDA5/<br>MOSI5 | Input/Output | SCI5 transmit data output<br>SCI5 I <sup>2</sup> C data input/output<br>SCI5 master transmit data input/output |
|         | SS5/CTS5_RTS5       | Input/Output | SCI5 chip select input, active-low<br>SCI5 transfer start control input/output, active-low                     |

**Table 32.2 SCI input/output pins (2 of 2)**

| Channel | Pin name            | Input/Output | Function   |
|---------|---------------------|--------------|--|
| SCI6    | SCK6                | Input/Output | SCI6 clock input/output  |
|         | RXD6/SCL6/<br>MISO6 | Input/Output | SCI6 receive data input<br>SCI6 I <sup>2</sup> C clock input/output<br>SCI6 slave transmit data input/output   |
|         | TXD6/SDA6/<br>MOSI6 | Input/Output | SCI6 transmit data output<br>SCI6 I <sup>2</sup> C data input/output<br>SCI6 master transmit data input/output |
|         | SS6/CTS6_RTS6       | Input/Output | SCI6 chip select input, active-low<br>SCI6 transfer start control input/output, active-low                     |
| SCI7    | SCK7                | Input/Output | SCI7 clock input/output  |
|         | RXD7/SCL7/<br>MISO7 | Input/Output | SCI7 receive data input<br>SCI7 I <sup>2</sup> C clock input/output<br>SCI7 slave transmit data input/output   |
|         | TXD7/SDA7/<br>MOSI7 | Input/Output | SCI7 transmit data output<br>SCI7 I <sup>2</sup> C data input/output<br>SCI7 master transmit data input/output |
|         | SS7/CTS7_RTS7       | Input/Output | SCI7 chip select input, active-low<br>SCI7 transfer start control input/output, active-low                     |
| SCI8    | SCK8                | Input/Output | SCI8 clock input/output  |
|         | RXD8/SCL8/<br>MISO8 | Input/Output | SCI8 receive data input<br>SCI8 I <sup>2</sup> C clock input/output<br>SCI8 slave transmit data input/output   |
|         | TXD8/SDA8/<br>MOSI8 | Input/Output | SCI8 transmit data output<br>SCI8 I <sup>2</sup> C data input/output<br>SCI8 master transmit data input/output |
|         | SS8/CTS8_RTS8       | Input/Output | SCI8 chip select input, active-low<br>SCI8 transfer start control input/output, active-low                     |
| SCI9    | SCK9                | Input/Output | SCI9 clock input/output  |
|         | RXD9/SCL9/<br>MISO9 | Input/Output | SCI9 receive data input<br>SCI9 I <sup>2</sup> C clock input/output<br>SCI9 slave transmit data input/output   |
|         | TXD9/SDA9/<br>MOSI9 | Input/Output | SCI9 transmit data output<br>SCI9 I <sup>2</sup> C data input/output<br>SCI9 master transmit data input/output |
|         | SS9/CTS9_RTS9       | Input/Output | SCI9 chip select input, active-low<br>SCI9 transfer start control input/output, active-low                     |

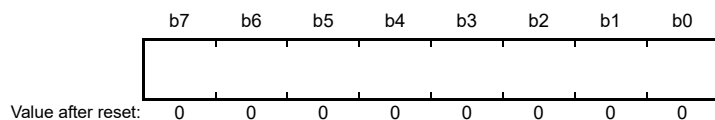
## 32.2 Register Descriptions

### 32.2.1 Receive Shift Register (RSR)

RSR is a shift register that receives serial data input from the RXDn pin and converts it into parallel data. When one frame of data is received, the data is automatically transferred to the RDR register, RDRHL register, or the receive FIFO. The RSR register cannot be directly accessed by the CPU.

### 32.2.2 Receive Data Register (RDR)

Address(es): SCI0.RDR 4007 0005h, SCI1.RDR 4007 0025h, SCI2.RDR 4007 0045h, SCI3.RDR 4007 0065h, SCI4.RDR 4007 0085h, SCI5.RDR 4007 00A5h, SCI6.RDR 4007 00C5h, SCI7.RDR 4007 00E5h, SCI8.RDR 4007 0105h, SCI9.RDR 4007 0125h



RDR is an 8-bit register that stores receive data. When one frame of serial data is received, the received serial data is

transferred from the RSR register to the RDR register, and the RSR register can receive more data. Because RSR and RDR function as a double buffer, continuous receive operations can be performed.

Read the RDR register only once after a receive data full interrupt (SCIn\_RXI) occurs.

**Note:** If the next frame of data is received before the receive data is read from the RDR register, an overrun error occurs. The RDR register cannot be written to by the CPU.

### 32.2.3 Receive 9-Bit Data Register (RDRHL)

Address(es): SCI0.RDRHL 4007 0010h, SCI1.RDRHL 4007 0030h, SCI2.RDRHL 4007 0050h, SCI3.RDRHL 4007 0070h, SCI4.RDRHL 4007 0090h, SCI5.RDRHL 4007 00B0h, SCI6.RDRHL 4007 00D0h, SCI7.RDRHL 4007 00F0h, SCI8.RDRHL 4007 0110h, SCI9.RDRHL 4007 0130h



RDRHL is a 16-bit register that stores receive data. Use this register when asynchronous mode and 9-bit data length are selected.

The lower 8 bits of RDRHL are a shadow register of RDR, so access to the RDRHL register affects the RDR register. Access to the RDRHL register is prohibited if 7-bit or 8-bit data length is selected.

After one frame of data is received, the received data is transferred from the RSR register to the RDRHL register, allowing the RSR register to receive more data.

The RSR and RDRHL registers have a double-buffered structure to enable continuous reception. The RDRHL register should be read only when a receive data full interrupt (SCIn\_RXI) request is issued. An overrun error occurs when the next frame of data is received before the received data is read from the RDRHL register.

The CPU cannot write to the RDRHL register. Bits [15:9] are fixed to 0. These bits are read as 0. The write value should be 0.

### 32.2.4 Receive FIFO Data Register H, L, HL (FRDRH, FRDRL, FRDRHL)

#### Receive FIFO Data Register H (FRDRH)

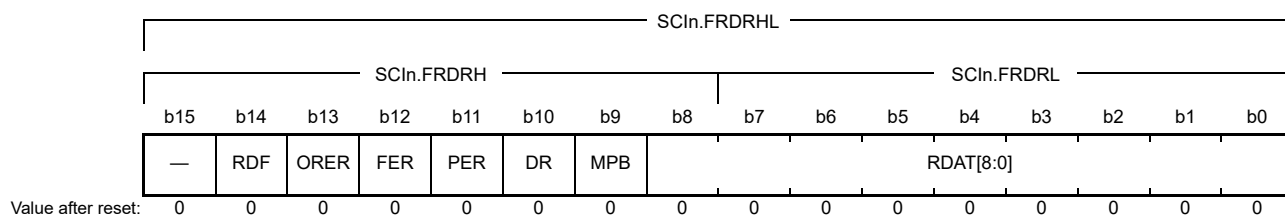
Address(es): SCI0.FRDRH 4007 0010h, SCI1.FRDRH 4007 0030h, SCI2.FRDRH 4007 0050h, SCI3.FRDRH 4007 0070h, SCI4.FRDRH 4007 0090h, SCI5.FRDRH 4007 00B0h, SCI6.FRDRH 4007 00D0h, SCI7.FRDRH 4007 00F0h, SCI8.FRDRH 4007 0110h, SCI9.FRDRH 4007 0130h

#### Receive FIFO Data Register L (FRDRL)

Address(es): SCI0.FRDRL 4007 0011h, SCI1.FRDRL 4007 0031h, SCI2.FRDRL 4007 0051h, SCI3.FRDRL 4007 0071h, SCI4.FRDRL 4007 0091h, SCI5.FRDRL 4007 00B1h, SCI6.FRDRL 4007 00D1h, SCI7.FRDRL 4007 00F1h, SCI8.FRDRL 4007 0111h, SCI9.FRDRL 4007 0131h

#### Receive FIFO Data Register HL (FRDRHL)

Address(es): SCI0.FRDRHL 4007 0010h, SCI1.FRDRHL 4007 0030h, SCI2.FRDRHL 4007 0050h, SCI3.FRDRHL 4007 0070h, SCI4.FRDRHL 4007 0090h, SCI5.FRDRHL 4007 00B0h, SCI6.FRDRHL 4007 00D0h, SCI7.FRDRHL 4007 00F0h, SCI8.FRDRHL 4007 0110h, SCI9.FRDRHL 4007 0130h



| Bit      | Symbol    | Bit name                    | Description  | R/W |
|----------|-----------|-----------------------------|--|-----|
| b8 to b0 | RDAT[8:0] | Serial Receive Data         | Valid only in asynchronous mode, including multi-processor mode, and clock synchronous mode, and with FIFO selected. Stores the serial receive data.   | R   |
| b9       | MPB       | Multi-Processor Bit Flag    | Stores the value of the multi-processor bit in the serial receive data (RDAT[8:0]):<br>0: Data transmission cycle<br>1: ID transmission cycle.<br>Valid only in asynchronous mode with SMR.MP = 1, and with FIFO selected.   | R   |
| b10      | DR        | Receive Data Ready Flag     | This flag is the same as SSR_FIFO.DR:<br>0: Receiving is in progress, or no received data remains in the FRDRH and FRDRL registers after reception is successfully completed<br>1: Next receive data is not received for a period after reception is successfully completed.             | R*1 |
| b11      | PER       | Parity Error Flag           | 0: No parity error occurred in the first data of FRDRH and FRDRL<br>1: Parity error occurred in the first data of FRDRH and FRDRL.   | R   |
| b12      | FER       | Framing Error Flag          | 0: No framing error occurred in the first data of FRDRH and FRDRL<br>1: Framing error occurred in the first data of FRDRH and FRDRL.   | R   |
| b13      | ORER      | Overrun Error Flag          | This flag is the same as SSR_FIFO.ORER:<br>0: No overrun error occurred<br>1: Overrun error occurred.  | R*1 |
| b14      | RDF       | Receive FIFO Data Full Flag | This flag is the same as SSR_FIFO.RDF:<br>0: The amount of receive data written in FRDRH and FRDRL is less than the specified receive triggering number<br>1: The amount of receive data written in FRDRH and FRDRL is equal to or greater than the specified receive triggering number. | R*1 |
| b15      | —         | Reserved                    | This bit is read as 0  | R   |

Note 1. If this flag is read, it indicates the same value as that read from the SSR\_FIFO register. Write 0 to the SSR\_FIFO register to clear the flag.



FRDRHL is a 16-bit register that consists of the 8-bit FRDRH and FRDRL registers.

FRDRH and FRDRL constitute a 16-stage FIFO register that stores serial receive data and related status information readable by software. This register is only valid in asynchronous mode, including multi-processor mode, or clock synchronous mode.

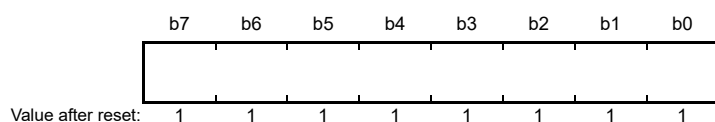
The SCI completes reception of one frame of serial data by transferring the received data from the Receive Shift Register (RSR) into FRDRH and FRDRL for storage. Continuous reception is executed until 16 stages are stored. If data is read when there is no received data in FRDRH and FRDRL, the value is undefined. When FRDRH and FRDRL are full, subsequent serial receive data is lost. The CPU can read from the FRDRH and FRDRL registers but cannot write to them.

Reading 1 from the RDF, ORER, or DR flags of the FRDRH register is the same as reading from those bits in the SSR\_FIFO register. When writing 0 to clear a flag in the SSR\_FIFO register after reading the FRDRH register, write 0 only to the flag that is to be cleared and write 1 to the other flags.

When reading both the FRDRH and FRDRL registers, read in the order from FRDRH to FRDRL. FDRHL register can be accessed in 16-bit units.

### 32.2.5 Transmit Data Register (TDR)

Address(es): SCI0.TDR 4007 0003h, SCI1.TDR 4007 0023h, SCI2.TDR 4007 0043h, SCI3.TDR 4007 0063h, SCI4.TDR 4007 0083h, SCI5.TDR 4007 00A3h, SCI6.TDR 4007 00C3h, SCI7.TDR 4007 00E3h, SCI8.TDR 4007 0103h, SCI9.TDR 4007 0123h



TDR is an 8-bit register that stores transmit data.

When the SCI detects that the TSR register is empty, it transfers the transmit data written in the TDR register to the TSR register and starts transmission.

The double-buffered structure of the TDR and TSR registers enables continuous serial transmission. If the next transmit data is already written to TDR when one frame of data is transmitted, the SCI transfers the written data to the TSR register to continue transmission.

The CPU can read from or write to TDR at any time. Only write transmit data to TDR once after each instance of the transmit data empty interrupt (SCIn\_TXI).

### 32.2.6 Transmit 9-Bit Data Register (TDRHL)

Address(es): SCI0.TDRHL 4007 000Eh, SCI1.TDRHL 4007 002Eh, SCI2.TDRHL 4007 004Eh, SCI3.TDRHL 4007 006Eh, SCI4.TDRHL 4007 008Eh, SCI5.TDRHL 4007 00AEh, SCI6.TDRHL 4007 00CEh, SCI7.TDRHL 4007 00EEh, SCI8.TDRHL 4007 010Eh, SCI9.TDRHL 4007 012Eh



TDRHL is a 16-bit register that stores transmit data. Use the TDRHL register when asynchronous mode and 9-bit data length are selected.

The lower 8 bits of TDRHL are a shadow register of TDR, so access to TDRHL affects the TDR register. Access to the TDRHL register is prohibited if 7-bit or 8-bit data length is selected.

When empty space is detected in the TSR register, the transmit data stored in the TDRHL register is transferred to the TSR register and transmission starts.

The TSR and TDRHL registers have a double-buffered structure to support continuous transmission. When the next data to be transmitted is stored in TDRHL after one frame of data is transmitted, the transmitting operation is continued by transferring the data from the TDRHL register to the TSR register.

The CPU can read from and write to the TDRHL register. Bits [15:9] in the TDRHL register are fixed to 1. These bits are read as 1. The write value should be 1.

Write transmit data to the TDRHL register only once a transmit data empty interrupt (SCIn\_TXI) request is issued.

### 32.2.7 Transmit FIFO Data Register H, L, HL (FTDRH, FTDL, FTDRHL)

#### Transmit FIFO Data Register H (FTDRH)

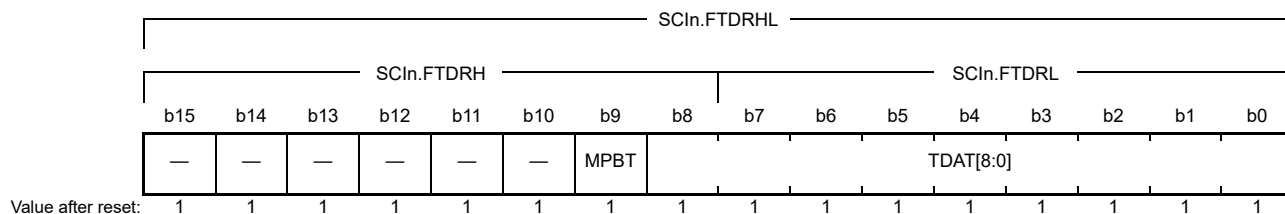
Address(es): SCI0.FTDRH 4007 000Eh, SCI1.FTDRH 4007 002Eh, SCI2.FTDRH 4007 004Eh, SCI3.FTDRH 4007 006Eh, SCI4.FTDRH 4007 008Eh, SCI5.FTDRH 4007 00AEh, SCI6.FTDRH 4007 00CEh, SCI7.FTDRH 4007 00EEh, SCI8.FTDRH 4007 010Eh, SCI9.FTDRH 4007 012Eh

#### Transmit FIFO Data Register L (FTDL)

Address(es): SCI0.FTDL 4007 000Fh, SCI1.FTDL 4007 002Fh, SCI2.FTDL 4007 004Fh, SCI3.FTDL 4007 006Fh, SCI4.FTDL 4007 008Fh, SCI5.FTDL 4007 00AFh, SCI6.FTDL 4007 00CFh, SCI7.FTDL 4007 00EFh, SCI8.FTDL 4007 010Fh, SCI9.FTDL 4007 012Fh

#### Transmit FIFO Data Register HL (FTDRHL)

Address(es): SCI0.FTDRHL 4007 000Eh, SCI1.FTDRHL 4007 002Eh, SCI2.FTDRHL 4007 004Eh, SCI3.FTDRHL 4007 006Eh, SCI4.FTDRHL 4007 008Eh, SCI5.FTDRHL 4007 00AEh, SCI6.FTDRHL 4007 00CEh, SCI7.FTDRHL 4007 00EEh, SCI8.FTDRHL 4007 010Eh, SCI9.FTDRHL 4007 012Eh



| Bit        | Symbol    | Bit name                          | Description   | R/W |
|------------|-----------|-----------------------------------|---|-----|
| b8 to b0   | TDAT[8:0] | Serial Transmit Data              | Specifies the serial transmit data.<br>Valid only in asynchronous mode, including multi-processor mode, and clock synchronous mode, and with FIFO selected.   | W   |
| b9         | MPBT      | Multi-Processor Transfer Bit Flag | Specifies the multi-processor bit in the transmission frame:<br>0: Data transmission cycle<br>1: ID transmission cycle.<br>Valid only in asynchronous mode with SMR.MP = 1, and with FIFO selected. | W   |
| b15 to b10 | —         | Reserved                          | The write value should be 1   | W   |

FTDRHL is a 16-bit register that consists of 8-bit registers, FTDRH and FTDL.

FTDRH and FTDL constitute a 16-stage FIFO register that stores data for serial transmission and a multi-processor transfer bit. This register is only valid in asynchronous mode, including multi-processor mode, or clock synchronous mode.

When the SCI detects that the Transmit Shift Register (TSR) is empty, it transfers data written in the FTDRH and FTDL registers to the TSR register and starts serial transmission. Continuous serial transmission is executed until no transmit data is left in FTDRH and FTDL. When FTDRHL is full of transmit data, no more data can be written. If writing new data is attempted, the data is ignored. The CPU can write to the FTDRH and FTDL registers but cannot read them.

When writing to both the FTDRH and FTDL registers, write in the order from FTDRH to FTDL.

#### MPBT flag (Multi-Processor Transfer Bit Flag)

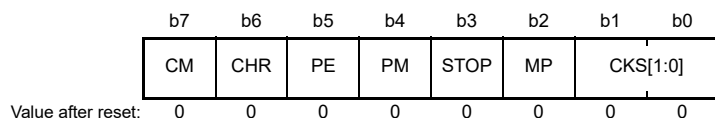
The MPBT flag specifies the value of the multi-processor bit of the transmit frame. When FCR.FM = 1, SSR.MPBT is invalid.

### 32.2.8 Transmit Shift Register (TSR)

TSR is a shift register that transmits serial data. To perform serial data transmission, the SCI first automatically transfers transmit data from TDR, TDRHL, or transmit FIFO to the TSR register, and then sends the data to the TXDn pin. The CPU cannot directly access the TSR register.

### 32.2.9 Serial Mode Register (SMR) for Non-Smart Card Interface Mode (SCMR.SMIF = 0)

Address(es): [SCI0.SMR 4007 0000h](#), [SCI1.SMR 4007 0020h](#), [SCI2.SMR 4007 0040h](#), [SCI3.SMR 4007 0060h](#), [SCI4.SMR 4007 0080h](#), [SCI5.SMR 4007 00A0h](#), [SCI6.SMR 4007 00C0h](#), [SCI7.SMR 4007 00E0h](#), [SCI8.SMR 4007 0100h](#), [SCI9.SMR 4007 0120h](#)



| Bit    | Symbol                   | Bit name             | Description   | R/W   |
|--------|--------------------------|----------------------|---|-------|
| b1, b0 | <a href="#">CKS[1:0]</a> | Clock Select         | b1 b0<br>0 0: PCLKA clock (n = 0)*1<br>0 1: PCLKA/4 clock (n = 1)*1<br>1 0: PCLKA/16 clock (n = 2)*1<br>1 1: PCLKA/64 clock (n = 3)*1   | R/W*4 |
| b2     | <a href="#">MP</a>       | Multi-Processor Mode | Valid only in asynchronous mode:<br>0: Disable multi-processor communications function<br>1: Enable multi-processor communications function.  | R/W*4 |
| b3     | <a href="#">STOP</a>     | Stop Bit Length      | Valid only in asynchronous mode:<br>0: 1 stop bit<br>1: 2 stop bits.  | R/W*4 |
| b4     | <a href="#">PM</a>       | Parity Mode          | Valid only when the PE bit is 1:<br>0: Selects even parity<br>1: Selects odd parity.  | R/W*4 |
| b5     | <a href="#">PE</a>       | Parity Enable        | Valid only in asynchronous mode:<br><ul style="list-style-type: none"> <li>• When transmitting:</li> <li>0: Do not add parity bit</li> <li>1: Add parity bit.</li> <li>• When receiving:</li> <li>0: Do not check parity bit</li> <li>1: Check parity bit.</li> </ul>   | R/W*4 |
| b6     | <a href="#">CHR</a>      | Character Length     | Selects the transmit/receive character length in combination with the SCMR.CHR1 bit:<br>CHR1 CHR<br>0 0: Transmit/receive in 9-bit data length<br>0 1: Transmit/receive in 9-bit data length<br>1 0: Transmit/receive in 8-bit data length (initial value)<br>1 1: Transmit/receive in 7-bit data length.*3<br>Valid only in asynchronous mode.*2 | R/W*4 |
| b7     | <a href="#">CM</a>       | Communication Mode   | 0: Asynchronous mode or simple IIC mode<br>1: Clock synchronous mode or simple SPI mode.  | R/W*4 |

Note 1. n is the decimal notation of the value of n in the BRR register. See [section 32.2.17, Bit Rate Register \(BRR\)](#).

Note 2. In any mode other than asynchronous mode, this bit setting is invalid and a fixed data length of 8 bits is used.

Note 3. LSB-first is fixed and the MSB (bit [7]) in the TDR register is not transmitted in transmit mode.

Note 4. Writable only when SCR.TE = 0 and SCR.RE = 0 (both serial transmission and reception are disabled).

The SMR register sets the communication format and the clock source for the on-chip baud rate generator.

**CKS[1:0] bits (Clock Select)**

The CKS[1:0] bits select the clock source for the on-chip baud rate generator. For the relationship between the settings of these bits and the baud rate, see [section 32.2.17, Bit Rate Register \(BRR\)](#).

**MP bit (Multi-Processor Mode)**

The MP bit disables or enables the multi-processor communications function. The PE and PM bit settings are invalid in multi-processor mode.

**STOP bit (Stop Bit Length)**

The STOP bit selects the stop bit length in transmission.

In reception, only the first stop bit is checked regardless of this bit setting. If the second stop bit is 0, it is treated as the start bit of the next transmit frame.

**PM bit (Parity Mode)**

The PM bit selects the parity mode (even or odd) for transmission and reception. The PM bit setting is invalid in multi-processor mode.

**PE bit (Parity Enable)**

When the PE bit is set to 1, the parity bit is added to the transmit data, and the parity bit is checked at reception. Regardless of the PE bit setting, the parity bit is not added or checked in multi-processor format.

**CHR bit (Character Length)**

The CHR bit selects the data length for transmission and reception in combination with the SCMR.CHR1 bit. In modes other than asynchronous, a fixed data length of 8 bits is used.

**CM bit (Communication Mode)**

The CM bit selects the communication mode:

- Asynchronous mode or simple IIC mode
- Clock synchronous mode or simple SPI mode.

### 32.2.10 Serial Mode Register for Smart Card Interface Mode (SMR\_SMCI) (SCMR.SMIF = 1)

Address(es): [SCI0.SMR\\_SMCI 4007 0000h](#), [SCI1.SMR\\_SMCI 4007 0020h](#), [SCI2.SMR\\_SMCI 4007 0040h](#), [SCI3.SMR\\_SMCI 4007 0060h](#),  
[SCI4.SMR\\_SMCI 4007 0080h](#), [SCI5.SMR\\_SMCI 4007 00A0h](#), [SCI6.SMR\\_SMCI 4007 00C0h](#), [SCI7.SMR\\_SMCI 4007 00E0h](#),  
[SCI8.SMR\\_SMCI 4007 0100h](#), [SCI9.SMR\\_SMCI 4007 0120h](#)

|    |     |    |    |          |    |          |    |
|----|-----|----|----|----------|----|----------|----|
| b7 | b6  | b5 | b4 | b3       | b2 | b1       | b0 |
| GM | BLK | PE | PM | BCP[1:0] |    | CKS[1:0] |    |

Value after reset: 0 0 0 0 0 0 0 0

| Bit    | Symbol                   | Bit name         | Description  | R/W   |
|--------|--------------------------|------------------|--|-------|
| b1, b0 | <a href="#">CKS[1:0]</a> | Clock Select     | b1 b0<br>0 0: PCLKA clock (n = 0)*1<br>0 1: PCLKA/4 clock (n = 1)*1<br>1 0: PCLKA/16 clock (n = 2)*1<br>1 1: PCLKA/64 clock (n = 3).*1                                   | R/W*2 |
| b3, b2 | <a href="#">BCP[1:0]</a> | Base Clock Pulse | Selects the number of base clock cycles in combination with the SCMR.BCP2 bit. <a href="#">Table 32.3</a> lists the combinations of the SCMR.BCP2 and SMR.BCP[1:0] bits. | R/W*2 |
| b4     | <a href="#">PM</a>       | Parity Mode      | Valid only when the PE bit is 1:<br>0: Selects even parity<br>1: Selects odd parity.   | R/W*2 |

| Bit | Symbol | Bit name            | Description  | R/W   |
|-----|--------|---------------------|--|-------|
| b5  | PE     | Parity Enable       | When this bit is set to 1, a parity bit is added to transmit data, and the parity of received data is checked. Set this bit to 1 in smart card interface mode. | R/W*2 |
| b6  | BLK    | Block Transfer Mode | 0: Non-block transfer mode operation<br>1: Block transfer mode operation.  | R/W*2 |
| b7  | GM     | GSM Mode            | 0: Non-GSM mode operation<br>1: GSM mode operation.  | R/W*2 |

Note 1. n is the decimal notation of the value of n in the BRR register. See [section 32.2.17, Bit Rate Register \(BRR\)](#).

Note 2. Writable only when SCR\_SMCI.TE = 0 and SCR\_SMCI.RE = 0 (both serial transmission and reception are disabled).

The SMR\_SMCI register sets the communication format and clock source for the on-chip baud rate generator.

### CKS[1:0] bit (Clock Select)

The CKS[1:0] bits select the clock source for the on-chip baud rate generator. For the relationship between the settings of these bits and the baud rate, see [section 32.2.17, Bit Rate Register \(BRR\)](#).

### BCP[1:0] bits (Base Clock Pulse)

The BCP[1:0] bits select the number of base clock cycles in a 1-bit data transfer time in smart card interface mode. Set these bits in combination with the SCMR.BCP2 bit.

For details, see [section 32.6.4, Receive Data Sampling Timing and Reception Margin](#).

**Table 32.3 Combinations of SCMR.BCP2 and SMR\_SMCI.BCP[1:0] bits**

| SCMR.BCP2 bit | SMR_SMCI.BCP[1:0] bits | Number of base clock cycles for 1-bit transfer period |
|---------------|------------------------|---|
| 0             | 00                     | 93 clock cycles (S = 93)*1                            |
| 0             | 01                     | 128 clock cycles (S = 128)*1                          |
| 0             | 10                     | 186 clock cycles (S = 186)*1                          |
| 0             | 11                     | 512 clock cycles (S = 512)*1                          |
| 1             | 00                     | 32 clock cycles (S = 32)*1 (initial value)            |
| 1             | 01                     | 64 clock cycles (S = 64)*1                            |
| 1             | 10                     | 372 clock cycles (S = 372)*1                          |
| 1             | 11                     | 256 clock cycles (S = 256)*1                          |

Note 1. S is the value of S in the BRR register. See [section 32.2.17, Bit Rate Register \(BRR\)](#).

### PM bit (Parity Mode)

The PM bit selects the parity mode for transmission and reception (even or odd). For details on the usage of this bit in smart card interface mode, see [section 32.6.2, Data Format \(Except in Block Transfer Mode\)](#).

### PE bit (Parity Enable)

Set the PE bit to 1. The parity bit is added to the transmit data before transmission, and the parity bit is checked at reception.

### BLK bit (Block Transfer Mode)

Setting the BLK bit to 1 enables the block transfer mode operation. For details, see [section 32.6.3, Block Transfer Mode](#).

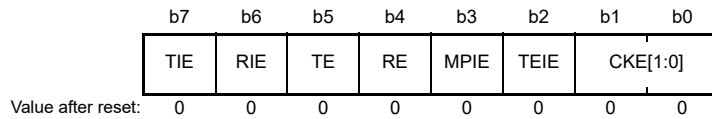
### GM bit (GSM Mode)

Setting the GM bit to 1 enables GSM mode operation.

In GSM mode, the SSR\_SMCI.TEND flag set timing is moved forward to 11.0 ETUs (elementary time unit = 1-bit transfer time) from the start bit, and the clock output control function is enabled. For details, see [section 32.6.6, Serial Data Transmission \(Except in Block Transfer Mode\)](#) and [section 32.6.8, Clock Output Control](#).

### 32.2.11 Serial Control Register (SCR) for Non-Smart Card Interface Mode (SCMR.SMIF = 0)

Address(es): SCI0.SCR 4007 0002h, SCI1.SCR 4007 0022h, SCI2.SCR 4007 0042h, SCI3.SCR 4007 0062h, SCI4.SCR 4007 0082h, SCI5.SCR 4007 00A2h, SCI6.SCR 4007 00C2h, SCI7.SCR 4007 00E2h, SCI8.SCR 4007 0102h, SCI9.SCR 4007 0122h



| Bit    | Symbol   | Bit name                         | Description   | R/W   |
|--------|----------|----------------------------------|---|-------|
| b1, b0 | CKE[1:0] | Clock Enable                     | <ul style="list-style-type: none"> <li>• Asynchronous mode:               <ul style="list-style-type: none"> <li>b1 b0</li> <li>0 0: On-chip baud rate generator.<br/>The SCKn pin is available for use as an I/O port based on the I/O port settings</li> <li>0 1: On-chip baud rate generator.<br/>A clock with the same frequency as the bit rate is output from the SCKn pin</li> <li>1 x: External clock.<br/>Input a clock with a frequency 16 times the bit rate from the SCKn pin when the SEMR.ABCS bit is 0.<br/>Input a clock signal with a frequency eight times the bit rate when the SEMR.ABCS bit is 1.</li> </ul> </li> <li>• Clock synchronous mode:               <ul style="list-style-type: none"> <li>b1 b0</li> <li>0 x: Internal clock<br/>The SCKn pin functions as the clock output pin</li> <li>1 x: External clock<br/>The SCKn pin functions as the clock input pin.</li> </ul> </li> </ul> | R/W*1 |
| b2     | TEIE     | Transmit End Interrupt Enable    | 0: Disable SCIn_TEI interrupt requests<br>1: Enable SCIn_TEI interrupt requests.  | R/W   |
| b3     | MPIE     | Multi-Processor Interrupt Enable | Valid in asynchronous mode when SMR.MP = 1:<br>0: Non-multiprocessor reception<br>1: When data with the multi-processor bit set to 0 is received, the data is not read, and setting the status flags RDRF, ORER, and FER in SSR to 1 is disabled.<br>When data with the multi-processor bit set to 1 is received, the MPIE bit is automatically set to 0, and non-multiprocessor reception is resumed.  | R/W*3 |
| b4     | RE       | Receive Enable                   | 0: Disable serial reception<br>1: Enable serial reception.  | R/W*2 |
| b5     | TE       | Transmit Enable                  | 0: Disable serial transmission<br>1: Enable serial transmission.  | R/W*2 |
| b6     | RIE      | Receive Interrupt Enable         | 0: Disable SCIn_RXI and SCIn_ERI interrupt requests<br>1: Enable SCIn_RXI and SCIn_ERI interrupt requests.  | R/W   |
| b7     | TIE      | Transmit Interrupt Enable        | 0: Disable SCIn_TXI interrupt requests<br>1: Enable SCIn_TXI interrupt requests.  | R/W   |

x: Don't care

Note 1. Writable only when TE = 0 and RE = 0.

Note 2. 1 can be written only when TE = 0 and RE = 0, when the SMR.CM bit is 1. After setting TE or RE to 1, only 0 can be written to TE and RE. When the SMR.CM bit is 0 and the SIMR1.IICM bit is 0, writing is enabled under any condition.

Note 3. When writing a new value to a bit other than the MPIE bit of this register in multi-processor mode (SMR.MP bit = 1), write 0 to the MPIE bit using the store instruction to avoid accidentally setting the MPIE bit to 1 by a read-modify-write operation when using a bit manipulation instruction.

The SCR register controls operation and clock source selection for transmission and reception.

**CKE[1:0] bits (Clock Enable)**

The CKE[1:0] bits select the clock source and the SCKn pin function.

**TEIE bit (Transmit End Interrupt Enable)**

The TEIE bit enables or disables SCIn\_TEI interrupt requests. Set TEIE to 0 to disable an SCIn\_TEI interrupt request.

In simple IIC mode, SCIn\_TEI is allocated to the interrupt on completion of issuing a start, restart, or stop condition (STIn). In this case, the TEIE bit can be used to enable or disable the STI.

**MPIE bit (Multi-Processor Interrupt Enable)**

When the MPIE bit is set to 1 and data with the multi-processor bit set to 0 is received, the data is not read, and setting the status flags RDRF, RDF, ORER, and FER in SSR/SSR\_FIFO to 1 is disabled. When data with the multi-processor bit set to 1 is received, the MPIE bit is automatically cleared to 0, and non-multiprocessor reception resumes. For details, see [section 32.4, Multi-Processor Communication Function](#).

When the MPB bit in the SSR register is 0, the receive data is not transferred from the RSR register to the RDR register, a receive error is not detected, and setting the flags ORER and FER to 1 is disabled.

When the MPB bit is set to 1, the MPIE bit is automatically set to 0, SCIn\_RXI and SCIn\_ERI interrupt requests are enabled (if the RIE bit in SCR is set to 1), and setting of the ORER and FER flags to 1 is enabled.

Set MPIE to 0 if the multi-processor communications function is not used.

**RE bit (Receive Enable)**

The RE bit enables or disables serial reception. When the RE bit is set to 1, serial reception starts by detecting the start bit in asynchronous mode or the synchronous clock input in clock synchronous mode. Set the reception format in the SMR register before setting the RE bit to 1.

When non-FIFO operation is selected and reception is halted by setting the RE bit to 0, the RDRF, ORER, FER, and PER flags in the SSR register are not affected, and the previous values are saved.

When FIFO operation is selected and reception is halted by setting the RE bit to 0, the RDF, ORER, FER, PER, and DR flags in SSR\_FIFO are not affected and the previous values are saved.

**TE bit (Transmit Enable)**

The TE bit enables or disables serial transmission.

When the TE bit is set to 1, serial transmission starts by writing transmit data to the TDR register. Set the transmission format in the SMR register before setting the TE bit to 1.

**RIE bit (Receive Interrupt Enable)**

The RIE bit enables or disables SCIn\_RXI and SCIn\_ERI interrupt requests.

Setting the RIE bit to 0 disables SCIn\_RXI and SCIn\_ERI interrupt requests.

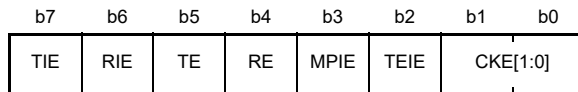
To cancel an SCIn\_ERI interrupt request, read 1 from the ORER, FER, or PER flag in SSR/SSR\_FIFO, then set the flag to 0, or set the RIE bit to 0.

**TIE bit (Transmit Interrupt Enable)**

The TIE bit enables or disables SCIn\_TXI interrupt requests. Set TIE to 0 to disable the SCIn\_TXI interrupt requests. Set the TIE bit to 1 while the TE bit is 1. Set TE and TIE simultaneously to 1 before the transfer starts, for the SCIn\_TXI interrupt to occur.

### 32.2.12 Serial Control Register for Smart Card Interface Mode (SCR\_SMCI) (SCMR.SMIF = 1)

Address(es): SCI0.SCR\_SMCI 4007 0002h, SCI1.SCR\_SMCI 4007 0022h, SCI2.SCR\_SMCI 4007 0042h, SCI3.SCR\_SMCI 4007 0062h,  
SCI4.SCR\_SMCI 4007 0082h, SCI5.SCR\_SMCI 4007 00A2h, SCI6.SCR\_SMCI 4007 00C2h, SCI7.SCR\_SMCI 4007 00E2h,  
SCI8.SCR\_SMCI 4007 0102h, SCI9.SCR\_SMCI 4007 0122h



Value after reset: 0 0 0 0 0 0 0 0

| Bit    | Symbol                   | Bit name                         | Description   | R/W   |
|--------|--------------------------|----------------------------------|---|-------|
| b1, b0 | <a href="#">CKE[1:0]</a> | Clock Enable                     | <ul style="list-style-type: none"> <li>When SMR_SMCI.GM = 0:               <ul style="list-style-type: none"> <li>b1 b0</li> <li>0 0: Disable output<br/>The SCKn pin is available for use as an I/O port if set up in the I/O port settings</li> <li>0 1: Output clock</li> <li>1 x: Setting prohibited.</li> </ul> </li> <li>When SMR_SMCI.GM = 1:               <ul style="list-style-type: none"> <li>b1 b0</li> <li>0 0: Fix output low</li> <li>x 1: Output clock</li> <li>1 0: Fix output high.</li> </ul> </li> </ul> | R/W*1 |
| b2     | <a href="#">TEIE</a>     | Transmit End Interrupt Enable    | Set this bit to 0 in smart card interface mode  | R/W   |
| b3     | <a href="#">MPIE</a>     | Multi-Processor Interrupt Enable | Set this bit to 0 in smart card interface mode  | R/W   |
| b4     | <a href="#">RE</a>       | Receive Enable                   | 0: Disable serial reception<br>1: Enable serial reception.  | R/W*2 |
| b5     | <a href="#">TE</a>       | Transmit Enable                  | 0: Disable serial transmission<br>1: Enable serial transmission.  | R/W*2 |
| b6     | <a href="#">RIE</a>      | Receive Interrupt Enable         | 0: Disable SCIn_RXI and SCIn_ERI interrupt requests<br>1: Enable SCIn_RXI and SCIn_ERI interrupt requests.  | R/W   |
| b7     | <a href="#">TIE</a>      | Transmit Interrupt Enable        | 0: Disable SCIn_TXI interrupt requests<br>1: Enable SCIn_TXI interrupt requests.  | R/W   |

x: Don't care

Note 1. Writable only when TE = 0 and RE = 0.

Note 2. 1 can be written only when TE = 0 and RE = 0. After setting TE or RE to 1, only 0 can be written to TE and RE.

The SCR\_SMCI register sets the transmission and reception control, interrupt control, and clock source selection for transmission and reception.

For details on interrupt requests, see [section 32.10, Interrupt Sources](#).

#### **CKE[1:0] bits (Clock Enable)**

The CKE[1:0] bits control the clock output from the SCKn pin.

In GSM mode, clock output can be dynamically switched. For details, see [section 32.6.8, Clock Output Control](#).

#### **TEIE bit (Transmit End Interrupt Enable)**

Set the TEIE bit to 0 in smart card interface mode.

#### **MPIE bit (Multi-Processor Interrupt Enable)**

Set the MPIE bit to 0 in smart card interface mode.



**RE bit (Receive Enable)**

The RE bit enables or disables serial reception.

When the RE bit is set to 1, serial reception starts by detecting the start bit. Set the reception format in the SMR\_SMCI register before setting the RE bit to 1.

If reception is halted by setting the RE bit to 0, the ORER, FER, and PER flags in SSR\_SMCI are not affected and the previous values are saved.

**TE bit (Transmit Enable)**

The TE bit enables or disables serial transmission. When the TE bit is set to 1, serial transmission is started by writing transmit data to TDR. Set the transmission format in the SMR\_SMCI register before setting the TE bit to 1.

**RIE bit (Receive Interrupt Enable)**

The RIE bit enables or disables SCIn\_RXI and SCIn\_ERI interrupt requests. Setting the RIE bit to 0 disables SCIn\_RXI and SCIn\_ERI interrupt requests.

To cancel an SCIn\_ERI interrupt request, read 1 from the ORER, FER, or PER flag in the SSR\_SMCI register, then set the flag to 0, or set the RIE bit to 0.

**TIE bit (Transmit Interrupt Enable)**

The TIE bit enables or disables SCIn\_TXI interrupt requests.

Set the TIE bit to 0 to disable the SCIn\_TXI interrupt requests. Set the TIE bit to 1 while the TE bit is 1. Set the TE and TIE bits to 1 simultaneously before transfer starts, for the SCIn\_TXI interrupt to occur.

### 32.2.13 Serial Status Register (SSR) for Non-Smart Card Interface and Non-FIFO Mode (SCMR.SMIF = 0 and FCR.FM = 0)

Address(es): SCI0.SSR 4007 0004h, SCI1.SSR 4007 0024h, SCI2.SSR 4007 0044h, SCI3.SSR 4007 0064h, SCI4.SSR 4007 0084h, SCI5.SSR 4007 00A4h, SCI6.SSR 4007 00C4h, SCI7.SSR 4007 00E4h, SCI8.SSR 4007 0104h, SCI9.SSR 4007 0124h

| b7   | b6   | b5   | b4  | b3  | b2   | b1  | b0   |
|------|------|------|-----|-----|------|-----|------|
| TDRE | RDRF | ORER | FER | PER | TEND | MPB | MPBT |

Value after reset: 1 0 0 0 0 1 0 0

| Bit | Symbol | Bit name                     | Description   | R/W     |
|-----|--------|------------------------------|---|---------|
| b0  | MPBT   | Multi-Processor Bit Transfer | Sets the value of the multi-processor bit in the transmission frame:<br>0: Data transmission cycle<br>1: ID transmission cycle. | R/W     |
| b1  | MPB    | Multi-Processor              | Value of the multi-processor bit in the reception frame:<br>0: Data transmission cycle<br>1: ID transmission cycle.             | R       |
| b2  | TEND   | Transmit End Flag            | 0: A character is being transmitted<br>1: Character transfer is complete.   | R       |
| b3  | PER    | Parity Error Flag            | 0: No parity error occurred<br>1: Parity error occurred.  | R/(W)*1 |
| b4  | FER    | Framing Error Flag           | 0: No framing error occurred<br>1: Framing error occurred.  | R/(W)*1 |
| b5  | ORER   | Overrun Error Flag           | 0: No overrun error occurred<br>1: Overrun error occurred.  | R/(W)*1 |
| b6  | RDRF   | Receive Data Full Flag       | 0: No received data in RDR register<br>1: Received data in RDR register.  | R/(W)*1 |
| b7  | TDRE   | Transmit Data Empty Flag     | 0: Transmit data in TDR register<br>1: No transmit data in TDR register.  | R/(W)*1 |

Note 1. Only 0 can be written to clear the flag after reading 1.

The SSR register provides the SCI status flags and transmission and reception multi-processor bits.

#### **MPBT bit (Multi-Processor Bit Transfer)**

The MPBT bit sets the value of the multi-processor bit in the transmit frame.

#### **MPB bit (Multi-Processor)**

The MPB bit holds the value of the multi-processor bit in the reception frame. This bit does not change when the SCR.RE bit is 0.

#### **TEND flag (Transmit End Flag)**

The TEND flag indicates the completion of transmission.

[Setting conditions]

- When the SCR.TE bit is set to 0 to disable serial transmission and the FCR.FM bit is set to 0 (non-FIFO selected). When the SCR.TE bit is set to 1, the TEND flag is not affected and keeps the value 1.
- When the TDR register is not updated on transmission of the tail-end bit of a character being transmitted.

[Clearing conditions]

- When transmit data is written to the TDR register while the SCR.TE bit is 1
- When 0 is written to TDRE after reading TDRE = 1 while the SCR.TE bit is 1.

#### **PER flag (Parity Error Flag)**

The PER flag indicates that a parity error occurred during reception in asynchronous mode and the reception ended abnormally.

[Setting condition]

- When a parity error is detected during reception in asynchronous mode, when the address match function is disabled (DCCR.DCME = 0).

Although receive data is transferred to the RDR register when the parity error occurs, no SCIn\_RXI interrupt request occurs. When the PER flag is set to 1, the subsequent receive data is not transferred to the RDR register.

[Clearing condition]

- When 0 is written to PER after reading PER = 1. After writing 0 to the PER bit, read the PER bit to check that it is actually set to 0.

When the SCR.RE bit is set to 0 to disable serial reception, the PER flag is not affected and retains its previous value.

#### **FER flag (Framing Error Flag)**

The FER flag indicates that a framing error occurred during reception in asynchronous mode and the reception ended abnormally.

[Setting condition]

- When 0 is sampled as the stop bit during reception in asynchronous mode when the address match function is disabled (DCCR.DCME = 0).

In 2-stop-bit mode, only the first stop bit is checked, but the second stop bit is not checked. Although receive data is transferred to the RDR register when the framing error occurs, no SCIn\_RXI interrupt request occurs. Also, when the FER flag is to 1, the subsequent receive data is not transferred to the RDR register.

[Clearing condition]

- When 0 is written to FER after reading FER = 1. After writing 0 to the FER bit, read the FER bit to check that it is actually set to 0.

When the SCR.RE bit is set to 0 (serial reception is disabled), the FER flag is not affected and keeps its previous value.

**ORER flag (Overrun Error Flag)**

The ORER flag indicates that an overrun error occurred during reception and the reception ended abnormally.

[Setting condition]

- When the next data is received before receive data that does not have a parity error and a framing error is read from the RDR register.

The data received before an overrun error occurred is saved in the RDR register, but data received after the error is lost. When the ORER flag is set to 1, receive data is not forwarded to the RDR register. In clock synchronous mode, serial transmission and reception are stopped.

[Clearing condition]

- When 0 is written to ORER flag after 1 is read. After writing 0 to the ORER bit, read the ORER bit to check that it is actually set to 0.

When the SCR.RE bit is set to 0 to disable serial reception, the ORER flag is not affected and keeps its previous value.

**RDRF flag (Receive Data Full Flag)**

The RDRF flag indicates the presence of receive data in the RDR register.

[Setting condition]

- When the reception ends normally, and receive data is forwarded from the RSR register to the RDR register.

[Clearing conditions]

- When 0 is written to RDRF flag after 1 is read
- When data is read from the RDR register.

Note: Do not clear the RDRF flag by accessing RDRF bit in SSR register unless communication is aborted.

**TDRE flag (Transmit Data Empty Flag)**

The TDRE flag indicates the presence of transmit data in the TDR register.

[Setting conditions]

- When the SCR.TE bit is 0
- When data is transmitted from the TDR register to the TSR register.

[Clearing conditions]

- When 0 is written to TDRE flag after 1 is read
- When the SCR.TE bit is 1 and data is written to the TDR register.

Note: Do not clear the RDRF flag by accessing RDRF bit in SSR register unless communication is aborted.

### 32.2.14 Serial Status Register for Non-Smart Card Interface and FIFO Mode (SSR\_FIFO) (SCMR.SMIF = 0 and FCR.FM = 1)

Address(es): SCI0.SSR\_FIFO 4007 0004h, SCI1.SSR\_FIFO 4007 0024h, SCI2.SSR\_FIFO 4007 0044h, SCI3.SSR\_FIFO 4007 0064h, SCI4.SSR\_FIFO 4007 0084h, SCI5.SSR\_FIFO 4007 00A4h, SCI6.SSR\_FIFO 4007 00C4h, SCI7.SSR\_FIFO 4007 00E4h, SCI8.SSR\_FIFO 4007 0104h, SCI9.SSR\_FIFO 4007 0124h

|                    | b7   | b6  | b5   | b4  | b3  | b2   | b1 | b0 |
|--------------------|------|-----|------|-----|-----|------|----|----|
|                    | TDFE | RDF | ORER | FER | PER | TEND | —  | DR |
| Value after reset: | 1    | 0   | 0    | 0   | 0   | 0    | x  | 0  |

x: Undefined

| Bit | Symbol | Bit name                      | Description   | R/W     |
|-----|--------|-------------------------------|---|---------|
| b0  | DR     | Receive Data Ready Flag       | 0: Receiving is in progress, or no received data remains in FRDRHL after reception is successfully completed (receive FIFO empty)<br>1: Next receive data is not received for a period after normal reception is complete, when the amount of data stored in the FIFO is equal to or less than the receive triggering number. | R/(W)*1 |
| b1  | —      | Reserved                      | The read value is undefined. The write value should be 1.   | R/W     |
| b2  | TEND   | Transmit End Flag             | 0: A character is being transmitted<br>1: Character transfer is complete.   | R/(W)*1 |
| b3  | PER    | Parity Error Flag             | 0: No parity error occurred<br>1: Parity error occurred.  | R/(W)*1 |
| b4  | FER    | Framing Error Flag            | 0: No framing error occurred<br>1: Framing error occurred.  | R/(W)*1 |
| b5  | ORER   | Overrun Error Flag            | 0: No overrun error occurred<br>1: Overrun error occurred.  | R/(W)*1 |
| b6  | RDF    | Receive FIFO Data Full Flag   | 0: The amount of receive data written in FRDRHL is less than the specified receive triggering number<br>1: The amount of receive data written in FRDRHL is equal to or greater than the specified receive triggering number.  | R/(W)*1 |
| b7  | TDFE   | Transmit FIFO Data Empty Flag | 0: The amount of transmit data written in FTDRHL exceeds the specified transmit triggering number<br>1: The amount of transmit data written in FTDRHL is equal to or less than the specified transmit triggering number.  | R/(W)*1 |

Note 1. Only 0 can be written, to clear the flag after reading 1.

The SSR\_FIFO register provides the SCI with FIFO mode status flags.

#### DR flag (Receive Data Ready Flag)

The DR flag indicates that the amount of data stored in the Receive FIFO Data Register (FRDRHL) falls below the specified receive triggering number, and that no next data is received after 15 ETUs (elementary time units) from the last stop bit in asynchronous mode. This flag is valid only in asynchronous mode, including multi-processor mode, when FIFO operation is selected.

In clock synchronous mode, the DR flag is not set to 1.

[Setting condition]

- When FRDRHL contains less data than the specified receive triggering number, and no next data is received after 15 ETUs\*1 from the last stop bit, and the SSR\_FIFO.FER and SSR\_FIFO.PER flags are 0.

[Clearing conditions]

- When 1 is read from DR, after all received data is read
- When the FCR.FM bit is changed from 0 to 1.

Note 1. This is equivalent to 1.5 frames in the 8-bit format with one stop bit.

The DR flag is only set to 1 when FIFO is selected in asynchronous mode, including multi-processor mode. It is not set to 1 in other operation modes.

### **TEND flag (Transmit End Flag)**

The TEND flag indicates that FTDRHL does not contain valid data when transmitting the last bit of a serial character, so the transmission is halted.

[Setting condition]

- When FTDRHL does not contain transmit data when the last bit of a 1-byte serial character is transmitted.

[Clearing conditions]

- When transmit data is written to FTDRHL while the SCR.TE bit is 1
- When 0 is written to TEND after 1 is read from TEND, when the SCR.TE bit is 1
- When the FCR.FM bit is changed from 0 to 1.

### **PER flag (Parity Error Flag)**

The PER flag indicates whether there is a parity error in the data read from the FRDRHL register in asynchronous mode when the address match function is disabled (DCCR.DCME = 0).

[Setting condition]

- When data is received and a parity error is detected, when the address match function is disabled (DCCR.DCME = 0).

[Clearing condition]

- When 0 is written to PER after reading PER = 1.

The reception operation is continuous, and the receive data is stored in the FRDRHL register even when a parity error occurs during reception.

When the SCR.RE bit is set to 0 (serial reception is disabled), the PER flag is not affected and keeps its previous value.

### **FER flag (Framing Error Flag)**

The FER flag indicates whether there is a framing error in the data read from the FRDRHL register in asynchronous mode when the address match function is disabled (DCCR.DCME = 0).

[Setting condition]

- When 0 is sampled as the stop bit during reception when the address match function is disabled (DCCR.DCME = 0).

[Clearing condition]

- When 0 is written to FER after reading FER = 1.

The reception operation is continuous, and the receive data is stored in the FRDRHL register, even when a framing error occurs during reception.

When the SCR.RE bit is set to 0 (serial reception is disabled), the FER flag is not affected and keeps its previous value.

### **ORER flag (Overrun Error Flag)**

The ORER flag indicates that the receive operation stopped abnormally because an overrun error occurred.

[Setting condition]

- When the next serial reception completes while the receive FIFO is full with 16-byte receive data.

[Clearing condition]

- When 0 is written to ORER after reading ORER = 1.

When the SCR.RE bit is set to 0 disabling serial reception, the ORER flag is not affected and keeps its previous value.

### RDF flag (Receive FIFO Data Full Flag)

The RDF flag indicates that receive data is transferred to the FRDRHL register, and the amount of data in FRDRHL is equal to or exceeds the specified receive triggering number. When RTRG is set to 0, the RDF flag is not set even when the amount of data in the receive FIFO is equal to 0.

[Setting condition]

- When the amount of receive data equal to or greater than the specified receive triggering number is stored in FRDRHL,\*1 and the FIFO is not empty.

[Clearing conditions]

- When 0 is written to RDF after reading RDF = 1
- When FRDRHL is read by the DMAC or DTC, but only when the block transfer is the last transmission
- When the setting and clearing conditions occur at the same time, the RDF bit is set to 0. After that, when the amount of data stored in the FRDRHL register is the same as or greater than the RTRG value, RDF is set to 1 after 1 PCLKA.

Note: Do not clear the RDF flag by accessing RDF bit in the SSR register before reading receive data unless communication is aborted.

Note 1. Because FRDRHL is a 16-stage FIFO register, the maximum amount of data that can be read when RDF is 1 is equivalent to the specified receive triggering number. If an attempt is made to read after all the data in FRDRHL is read, the data is undefined.

### TDFE flag (Transmit FIFO Data Empty Flag)

The TDFE flag indicates that when data is transferred from the FTDRHL register into the TSR register, that the amount of data in FTDRHL is below the specified transmit triggering number, and writing of transmit data to FTDRHL is enabled.

[Setting conditions]

- When the TE bit in SCR is 0
- When the amount of transmit data written in FTDRHL is equal to or less than the specified transmit triggering number.\*1

[Clearing conditions]

- When writing to FTDRHL is executed on the last transmission while the DMAC or DTC is activated
- When 0 is written to the TDFE bit after reading TDFE = 1.  
The setting conditions are given priority when TE = 0. When the setting condition and clearing condition occur at the same time, the TDFE flag is set to 0. After that, when the amount of data stored in the FTDRHL register is equal to or less than the TTRG value, TDFE is set to 1 after 1 PCLKA.

Note: Do not clear the TDFE flag by accessing TDFE bit in the SSR register before writing transmit data unless communication is aborted.

Note 1. Because the FTDRHL register is a 16-stage FIFO register, when the TDFE flag is 1, the maximum amount of data that can be written to the FTDRHL register is 16 minus FDR.T[4:0] bytes. If more data is written, data is discarded.

### 32.2.15 Serial Status Register for Smart Card Interface Mode (SSR\_SMCI) (SCMR.SMIF = 1)

Address(es): SCI0.SSR\_SMCI 4007 0004h, SCI1.SSR\_SMCI 4007 0024h, SCI2.SSR\_SMCI 4007 0044h, SCI3.SSR\_SMCI 4007 0064h,  
SCI4.SSR\_SMCI 4007 0084h, SCI5.SSR\_SMCI 4007 00A4h, SCI6.SSR\_SMCI 4007 00C4h, SCI7.SSR\_SMCI 4007 00E4h,  
SCI8.SSR\_SMCI 4007 0104h, SCI9.SSR\_SMCI 4007 0124h

|                    | b7   | b6   | b5   | b4  | b3  | b2   | b1  | b0   |
|--------------------|------|------|------|-----|-----|------|-----|------|
|                    | TDRE | RDRF | ORER | ERS | PER | TEND | MPB | MPBT |
| Value after reset: | 1    | 0    | 0    | 0   | 0   | 1    | 0   | 0    |

| Bit | Symbol | Bit name                     | Description   | R/W     |
|-----|--------|------------------------------|---|---------|
| b0  | MPBT   | Multi-Processor Bit Transfer | Set this bit to 0 in smart card interface mode                            | R/W     |
| b1  | MPB    | Multi-Processor              | Set this bit to 0 in smart card interface mode                            | R       |
| b2  | TEND   | Transmit End Flag            | 0: A character is being transmitted<br>1: Character transfer is complete. | R       |
| b3  | PER    | Parity Error Flag            | 0: No parity error occurred<br>1: Parity error occurred.                  | R/(W)*1 |
| b4  | ERS    | Error Signal Status Flag     | 0: No low error signal response<br>1: Low error signal response occurred. | R/(W)*1 |
| b5  | ORER   | Overrun Error Flag           | 0: No overrun error occurred<br>1: Overrun error occurred.                | R/(W)*1 |
| b6  | RDRF   | Receive Data Full Flag       | 0: No received data in RDR register<br>1: Received data in RDR register.  | R/(W)*1 |
| b7  | TDRE   | Transmit Data Empty Flag     | 0: Transmit data in TDR register<br>1: No transmit data in TDR register.  | R/(W)*1 |

Note 1. Only 0 can be written to clear the flag after reading 1.

The SSR\_SMCI register provides SCI with smart card interface mode status flags.

#### TEND flag (Transmit End Flag)

When there is no error signal from the receiving side, the TEND flag is set to 1 when more data for transfer is ready to be transferred to the TDR register.

[Setting conditions]

- When the SCR\_SMCI.TE bit = 0 to disable serial transmission. When the SCR\_SMCI.TE bit is changed from 0 to 1, the TEND flag is not affected and keeps the value 1.
- When a specified period elapses after the latest transmission of 1 byte, the ERS flag is 0, and the TDR register is not updated.

The set timing is determined by the following register settings:

- When SMR\_SMCI.GM = 0 and SMR\_SMCI.BLK = 0, 12.5 ETUs after the start of transmission
- When SMR\_SMCI.GM = 0 and SMR\_SMCI.BLK = 1, 11.5 ETUs after the start of transmission
- When SMR\_SMCI.GM = 1 and SMR\_SMCI.BLK = 0, 11.0 ETUs after the start of transmission
- When SMR\_SMCI.GM = 1 and SMR\_SMCI.BLK = 1, 11.0 ETUs after the start of transmission.

[Clearing conditions]

- When transmit data is written to the TDR register while the SCR\_SMCI.TE bit is 1
- When 0 is written to TDRE after reading 1 is read while the SCR\_SMCI.TE bit is 1.

#### PER flag (Parity Error Flag)

The PER flag indicates that a parity error occurred during reception in asynchronous mode and the reception ended abnormally.

[Setting condition]

- When a parity error is detected during reception. Although receive data is transferred to RDR when a parity error occurs, no SCIn\_RXI interrupt request occurs. After the PER flag is set to 1, the subsequent receive data is not transferred to RDR.

[Clearing condition]

- When 0 is written to PER after reading PER = 1. After writing 0 to the PER bit, read the bit to check that it is actually set to 0.

When the RE bit in SCR\_SMCI is set to 0 (serial reception is disabled), the PER flag is not affected and keeps its previous value.

### **ERS flag (Error Signal Status Flag)**

[Setting condition]

- When a low error signal is sampled.

[Clearing condition]

- When 0 is written to the ERS flag after 1 is read.

### **ORER flag (Overrun Error Flag)**

The ORER flag indicates that an overrun error occurred during reception and the reception ended abnormally.

[Setting condition]

- When the next data is received before receive data that does not have a parity error is read from the RDR register. The data received before an overrun error occurred is saved in the RDR, but data received after the error is lost. When the ORER flag is set to 1, receive data is not forwarded to the RDR register.

[Clearing condition]

- When 0 is written to the ORER flag after 1 is read. After writing 0 to the ORER flag, read it to verify that it is actually set to 0.

When the RE bit in SCR\_SMCI is set to 0, the ORER flag is not affected and keeps its previous value.

### **RDRF flag (Receive Data Full Flag)**

The RDRF flag indicates the presence of receive data in the RDR register.

[Setting condition]

- When the reception ends normally, and receive data is forwarded from the RSR register to the RDR register.

[Clearing conditions]

- When 0 is written to the RDRF flag after 1 is read
- When data is read from the RDR register.

Note: Do not clear the RDRF flag by accessing RDRF bit in the SSR register unless communication is aborted.

### **TDRE flag (Transmit Data Empty Flag)**

The TDRE flag indicates the presence of transmit data in the TDR register.

[Setting conditions]

- When the SCR\_SMCI.TE bit is 0
- When data is transmitted from the TDR register to the TSR register.

[Clearing conditions]

- When 0 is written to the TDRE flag after 1 is read
- When the SCR\_SMCI.TE bit is 1 and data is written to the TDR register.

Note: Do not clear the TDRE flag by accessing TDRE bit in the SSR register unless communication is aborted.



## 32.2.16 Smart Card Mode Register (SCMR)

Address(es): SCI0.SCMR 4007 0006h, SCI1.SCMR 4007 0026h, SCI2.SCMR 4007 0046h, SCI3.SCMR 4007 0066h, SCI4.SCMR 4007 0086h, SCI5.SCMR 4007 00A6h, SCI6.SCMR 4007 00C6h, SCI7.SCMR 4007 00E6h, SCI8.SCMR 4007 0106h, SCI9.SCMR 4007 0126h

|      |    |    |      |      |      |    |      |
|------|----|----|------|------|------|----|------|
| b7   | b6 | b5 | b4   | b3   | b2   | b1 | b0   |
| BCP2 | —  | —  | CHR1 | SDIR | SINV | —  | SMIF |

Value after reset: 1 1 1 1 0 0 1 0

| Bit    | Symbol | Bit name  | Description   | R/W   |     |  |   |   |                                       |   |   |                                       |   |   |   |   |   |  |       |
|--------|--------|---|---|-------|-----|--|---|---|---------------------------------------|---|---|---------------------------------------|---|---|---|---|---|--|-------|
| b0     | SMIF   | Smart Card Interface Mode Select                      | 0: Non-smart card interface mode (asynchronous mode, clock synchronous mode, simple SPI mode, or simple IIC mode)<br>1: Smart card interface mode.  | R/W*1 |     |  |   |   |                                       |   |   |                                       |   |   |   |   |   |  |       |
| b1     | —      | Reserved  | This bit is read as 1. The write value should be 1.   | R/W   |     |  |   |   |                                       |   |   |                                       |   |   |   |   |   |  |       |
| b2     | SINV   | Transmitted/Received Data Invert                      | 0: TDR register contents are transmitted as they are. Receive data is stored as received in the RDR register.<br>1: TDR register contents are inverted before being transmitted. Receive data is stored in inverted form in the RDR register.<br><br>The SINV bit can be used in the following modes: <ul style="list-style-type: none"> <li>• Smart card interface mode</li> <li>• Asynchronous mode including multi-processor mode</li> <li>• Clock synchronous mode</li> <li>• Simple SPI mode.</li> </ul> Set the SINV bit to 0 for operation in simple IIC mode. | R/W*1 |     |  |   |   |                                       |   |   |                                       |   |   |   |   |   |  |       |
| b3     | SDIR   | Transmitted/Received Data Transfer Direction          | 0: Transfer LSB-first<br>1: Transfer MSB-first.<br><br>The SDIR bit can be used in the following modes: <ul style="list-style-type: none"> <li>• Smart card interface mode</li> <li>• Asynchronous mode including multi-processor mode</li> <li>• Clock synchronous mode</li> <li>• Simple SPI mode.</li> </ul> Set the SDIR bit to 1 for operation in simple IIC mode.   | R/W*1 |     |  |   |   |                                       |   |   |                                       |   |   |   |   |   |  |       |
| b4     | CHR1   | Character Length 1                                    | Valid only in asynchronous mode.*2<br>Selects the transmit/receive character length in combination with the SMR.CHR bit:<br><table border="0"> <tr> <td>CHR1</td> <td>CHR</td> <td></td> </tr> <tr> <td>0</td> <td>0</td> <td>Transmit/receive in 9-bit data length</td> </tr> <tr> <td>0</td> <td>1</td> <td>Transmit/receive in 9-bit data length</td> </tr> <tr> <td>1</td> <td>0</td> <td>Transmit/receive in 8-bit data length (initial value)</td> </tr> <tr> <td>1</td> <td>1</td> <td>Transmit/receive in 7-bit data length.*3</td> </tr> </table>            | CHR1  | CHR |  | 0 | 0 | Transmit/receive in 9-bit data length | 0 | 1 | Transmit/receive in 9-bit data length | 1 | 0 | Transmit/receive in 8-bit data length (initial value) | 1 | 1 | Transmit/receive in 7-bit data length.*3 | R/W*1 |
| CHR1   | CHR    |   |   |       |     |  |   |   |                                       |   |   |                                       |   |   |   |   |   |  |       |
| 0      | 0      | Transmit/receive in 9-bit data length                 |   |       |     |  |   |   |                                       |   |   |                                       |   |   |   |   |   |  |       |
| 0      | 1      | Transmit/receive in 9-bit data length                 |   |       |     |  |   |   |                                       |   |   |                                       |   |   |   |   |   |  |       |
| 1      | 0      | Transmit/receive in 8-bit data length (initial value) |   |       |     |  |   |   |                                       |   |   |                                       |   |   |   |   |   |  |       |
| 1      | 1      | Transmit/receive in 7-bit data length.*3              |   |       |     |  |   |   |                                       |   |   |                                       |   |   |   |   |   |  |       |
| b6, b5 | —      | Reserved  | These bits are read as 1. The write value should be 1.  | R/W   |     |  |   |   |                                       |   |   |                                       |   |   |   |   |   |  |       |
| b7     | BCP2   | Base Clock Pulse 2                                    | Selects the number of base clock cycles in combination with the SMR_SMCI.BCP[1:0] bits.<br>Table 32.4 lists the combinations of the SCMR.BCP2 and SMR_SMCI.BCP[1:0] bits.   | R/W*1 |     |  |   |   |                                       |   |   |                                       |   |   |   |   |   |  |       |

Note 1. Writable only when the TE and RE bits in SCR/SCR\_SMCI are 0 (both serial transmission and reception are disabled).

Note 2. The setting is invalid and a fixed data length of 8 bits is used in modes other than asynchronous mode.

Note 3. LSB-first must be selected and the value of the MSB (bit [7]) in TDR cannot be transmitted.

The SCMR register selects the smart card interface and communication format.

**SMIF bit (Smart Card Interface Mode Select)**

Setting the SMIF bit to 1 selects the smart card interface mode.

Setting SMIF to 0 selects all other modes as follows:

- Asynchronous mode, including multi-processor mode
- Clock synchronous mode
- Simple SPI mode
- Simple IIC mode.

**SINV bit (Transmitted/Received Data Invert)**

The SINV bit inverts the transmit/receive data logic level. This bit does not affect the logic level of the parity bit.

To invert the parity bit, invert the PM bit in SMR or SMR\_SMCI.

**CHR1 bit (Character Length 1)**

The CHR1 bit selects the data length of transmit/receive data in combination with the CHR bit in the SMR register.

A fixed data length of 8 bits is used in modes other than asynchronous mode.

**BCP2 bit (Base Clock Pulse 2)**

The BCP2 bit selects the number of base clock cycles in a 1-bit data transfer time in smart card interface mode.

Set this bit in combination with the SMR\_SMCI.BCP[1:0] bits.

**Table 32.4 Combinations of the SCMR.BCP2 and SMR\_SMCI.BCP[1:0] bits**

| SCMR.BCP2 bit | SMR_SMCI.BCP[1:0] bits | Number of base clock cycles for 1-bit transfer period |
|---------------|------------------------|---|
| 0             | 00                     | 93 clock cycles (S = 93)*1                            |
| 0             | 01                     | 128 clock cycles (S = 128)*1                          |
| 0             | 10                     | 186 clock cycles (S = 186)*1                          |
| 0             | 11                     | 512 clock cycles (S = 512)*1                          |
| 1             | 00                     | 32 clock cycles (S = 32)*1 (initial value)            |
| 1             | 01                     | 64 clock cycles (S = 64)*1                            |
| 1             | 10                     | 372 clock cycles (S = 372)*1                          |
| 1             | 11                     | 256 clock cycles (S = 256)*1                          |

Note 1. See [section 32.2.17, Bit Rate Register \(BRR\)](#).

**32.2.17 Bit Rate Register (BRR)**

Address(es): [SCI0.BRR 4007 0001h](#), [SCI1.BRR 4007 0021h](#), [SCI2.BRR 4007 0041h](#), [SCI3.BRR 4007 0061h](#),  
[SCI4.BRR 4007 0081h](#), [SCI5.BRR 4007 00A1h](#), [SCI6.BRR 4007 00C1h](#), [SCI7.BRR 4007 00E1h](#),  
[SCI8.BRR 4007 0101h](#), [SCI9.BRR 4007 0121h](#)



BRR is an 8-bit register that adjusts the bit rate.

As each SCI channel has independent baud rate generator control, different bit rates can be set for each channel. [Table 32.5](#) shows the relationship between the setting (N) and the bit rate (B) in the BRR for asynchronous mode, multi-processor transfer, clock synchronous mode, smart card interface mode, simple SPI mode, and simple IIC mode.

The initial value of the BRR register is FFh. The BRR register can be read by the CPU, but it can be written to only when the TE and RE bits in SCR/SCR\_SMCI are 0.

**Table 32.5 Relationship between N setting in BRR and bit rate B**

| Mode                                   | SEMR settings |            |           | BRR setting   | Error  |
|--|---------------|------------|-----------|---|--|
|  | BGDM bit      | ABCS bit   | ABCSE bit |   |  |
| Asynchronous, multi-processor transfer | 0             | 0          | 0         | $N = \frac{PCLKA \times 10^6}{64 \times 2^{2n-1} \times B} - 1$ | Error (%) = $\left\{ \frac{PCLKA \times 10^6}{B \times 64 \times 2^{2n-1} \times (N + 1)} - 1 \right\} \times 100$ |
|  | 1             | 0          | 0         | $N = \frac{PCLKA \times 10^6}{32 \times 2^{2n-1} \times B} - 1$ | Error (%) = $\left\{ \frac{PCLKA \times 10^6}{B \times 32 \times 2^{2n-1} \times (N + 1)} - 1 \right\} \times 100$ |
|  | 0             | 1          | 0         |   |  |
|  | 1             | 1          | 0         | $N = \frac{PCLKA \times 10^6}{16 \times 2^{2n-1} \times B} - 1$ | Error (%) = $\left\{ \frac{PCLKA \times 10^6}{B \times 16 \times 2^{2n-1} \times (N + 1)} - 1 \right\} \times 100$ |
|  | Don't care    | Don't care | 1         | $N = \frac{PCLKA \times 10^6}{12 \times 2^{2n-1} \times B} - 1$ | Error (%) = $\left\{ \frac{PCLKA \times 10^6}{B \times 12 \times 2^{2n-1} \times (N + 1)} - 1 \right\} \times 100$ |
| Clock synchronous, simple SPI          |               |            |           | $N = \frac{PCLKA \times 10^6}{8 \times 2^{2n-1} \times B} - 1$  | -  |
| Smart card interface                   |               |            |           | $N = \frac{PCLKA \times 10^6}{S \times 2^{2n+1} \times B} - 1$  | Error (%) = $\left\{ \frac{PCLKA \times 10^6}{B \times S \times 2^{2n+1} \times (N + 1)} - 1 \right\} \times 100$  |
| Simple IIC*1                           |               |            |           | $N = \frac{PCLKA \times 10^6}{64 \times 2^{2n-1} \times B} - 1$ | -  |

B: Bit rate (bps)

N: BRR setting for on-chip baud rate generator ( $0 \leq N \leq 255$ )

PCLKA: Operating frequency (MHz)

n and S: Determined by the SMR/SMR\_SMCI and SCMR register settings as listed in [Table 32.7](#) and [Table 32.8](#).

Note 1. Adjust the bit rate so that the high and low level widths of the SCL output in simple IIC mode satisfy the I<sup>2</sup>C bus standard.

**Table 32.6 Calculating widths at high and low levels for SCL**

| Mode | SCL                                 | Formula (result in seconds)  |
|------|-------------------------------------|--|
| IIC  | Width at high level (minimum value) | $(N+1) \times 4 \times 2^{2n-1} \times 7 \times \frac{1}{PCLKA \times 10^6}$ |
|      | Width at low level (minimum value)  | $(N+1) \times 4 \times 2^{2n-1} \times 8 \times \frac{1}{PCLKA \times 10^6}$ |

**Table 32.7 Clock source settings**

| SMR or SMR_SMCI.CKS[1:0] bit setting |                |   |  |
|--------------------------------------|----------------|---|--|
| CKS[1:0] bits                        | Clock source   | n |  |
| 0 0                                  | PCLKA clock    | 0 |  |
| 0 1                                  | PCLKA/4 clock  | 1 |  |
| 1 0                                  | PCLKA/16 clock | 2 |  |
| 1 1                                  | PCLKA/64 clock | 3 |  |

**Table 32.8 Base clock settings in smart card interface mode**

| SCMR.BCP2 bit setting | SMR_SMCI.BCP[1:0] bit setting | Base clock cycles for 1-bit period | S   |
|-----------------------|-------------------------------|------------------------------------|-----|
| 0                     | 0 0                           | 93 clock cycles                    | 93  |
| 0                     | 0 1                           | 128 clock cycles                   | 128 |
| 0                     | 1 0                           | 186 clock cycles                   | 186 |
| 0                     | 1 1                           | 512 clock cycles                   | 512 |
| 1                     | 0 0                           | 32 clock cycles                    | 32  |
| 1                     | 0 1                           | 64 clock cycles                    | 64  |
| 1                     | 1 0                           | 372 clock cycles                   | 372 |
| 1                     | 1 1                           | 256 clock cycles                   | 256 |

[Table 32.9](#) and [Table 32.10](#) list examples of BRR (N) settings in asynchronous mode. [Table 32.11](#) lists the maximum bit rate selectable for each operating frequency. [Table 32.15](#) lists examples of BRR (N) settings in smart card interface mode.

In smart card interface mode, the number of base clock cycles S in a 1-bit data transfer time can be selected. For details, see [section 32.6.4, Receive Data Sampling Timing and Reception Margin](#). [Table 32.12](#) and [Table 32.14](#) list the maximum bit rates with the external clock input.

When either the Asynchronous Mode Base Clock Select bit (ABCS) or the Baud Rate Generator Double-speed Mode Select bit (BGDM) in the Serial Extended Mode Register (SEMR) is set to 1 in asynchronous mode, the bit rate becomes twice the value listed in [Table 32.16](#). When both of those registers are set to 1, the bit rate becomes four times the listed value.

Table 32.9 Examples of BRR settings for different bit rates in asynchronous mode (1)

| Bit rate<br>(bps) | Operating frequency PCLKA (MHz) |     |           |        |     |           |    |     |           |    |     |           |        |     |           |
|-------------------|---------------------------------|-----|-----------|--------|-----|-----------|----|-----|-----------|----|-----|-----------|--------|-----|-----------|
|                   | 8                               |     |           | 9.8304 |     |           | 10 |     |           | 12 |     |           | 12.288 |     |           |
|                   | n                               | N   | Error (%) | n      | N   | Error (%) | n  | N   | Error (%) | n  | N   | Error (%) | n      | N   | Error (%) |
| 110               | 2                               | 141 | 0.03      | 2      | 174 | -0.26     | 2  | 177 | -0.25     | 2  | 212 | 0.03      | 2      | 217 | 0.08      |
| 150               | 2                               | 103 | 0.16      | 2      | 127 | 0.00      | 2  | 129 | 0.16      | 2  | 155 | 0.16      | 2      | 159 | 0.00      |
| 300               | 1                               | 207 | 0.16      | 1      | 255 | 0.00      | 2  | 64  | 0.16      | 2  | 77  | 0.16      | 2      | 79  | 0.00      |
| 600               | 1                               | 103 | 0.16      | 1      | 127 | 0.00      | 1  | 129 | 0.16      | 1  | 155 | 0.16      | 1      | 159 | 0.00      |
| 1200              | 0                               | 207 | 0.16      | 0      | 255 | 0.00      | 1  | 64  | 0.16      | 1  | 77  | 0.16      | 1      | 79  | 0.00      |
| 2400              | 0                               | 103 | 0.16      | 0      | 127 | 0.00      | 0  | 129 | 0.16      | 0  | 155 | 0.16      | 0      | 159 | 0.00      |
| 4800              | 0                               | 51  | 0.16      | 0      | 63  | 0.00      | 0  | 64  | 0.16      | 0  | 77  | 0.16      | 0      | 79  | 0.00      |
| 9600              | 0                               | 25  | 0.16      | 0      | 31  | 0.00      | 0  | 32  | -1.36     | 0  | 38  | 0.16      | 0      | 39  | 0.00      |
| 19200             | 0                               | 12  | 0.16      | 0      | 15  | 0.00      | 0  | 15  | 1.73      | 0  | 19  | -2.34     | 0      | 19  | 0.00      |
| 31250             | 0                               | 7   | 0.00      | 0      | 9   | -1.70     | 0  | 9   | 0.00      | 0  | 11  | 0.00      | 0      | 11  | 2.40      |
| 38400             | —                               | —   | —         | 0      | 7   | 0.00      | 0  | 7   | 1.73      | 0  | 9   | -2.34     | 0      | 9   | 0.00      |

| Bit rate<br>(bps) | Operating frequency PCLKA (MHz) |     |           |    |     |           |         |     |           |    |     |           |         |     |           |
|-------------------|---------------------------------|-----|-----------|----|-----|-----------|---------|-----|-----------|----|-----|-----------|---------|-----|-----------|
|                   | 14                              |     |           | 16 |     |           | 17.2032 |     |           | 18 |     |           | 19.6608 |     |           |
|                   | n                               | N   | Error (%) | n  | N   | Error (%) | n       | N   | Error (%) | n  | N   | Error (%) | n       | N   | Error (%) |
| 110               | 2                               | 248 | -0.17     | 3  | 70  | 0.03      | 3       | 75  | 0.48      | 3  | 79  | -0.12     | 3       | 86  | 0.31      |
| 150               | 2                               | 181 | 0.16      | 2  | 207 | 0.16      | 2       | 223 | 0.00      | 2  | 233 | 0.16      | 2       | 255 | 0.00      |
| 300               | 2                               | 90  | 0.16      | 2  | 103 | 0.16      | 2       | 111 | 0.00      | 2  | 116 | 0.16      | 2       | 127 | 0.00      |
| 600               | 1                               | 181 | 0.16      | 1  | 207 | 0.16      | 1       | 223 | 0.00      | 1  | 233 | 0.16      | 1       | 255 | 0.00      |
| 1200              | 1                               | 90  | 0.16      | 1  | 103 | 0.16      | 1       | 111 | 0.00      | 1  | 116 | 0.16      | 1       | 127 | 0.00      |
| 2400              | 0                               | 181 | 0.16      | 0  | 207 | 0.16      | 0       | 223 | 0.00      | 0  | 233 | 0.16      | 0       | 255 | 0.00      |
| 4800              | 0                               | 90  | 0.16      | 0  | 103 | 0.16      | 0       | 111 | 0.00      | 0  | 116 | 0.16      | 0       | 127 | 0.00      |
| 9600              | 0                               | 45  | -0.93     | 0  | 51  | 0.16      | 0       | 55  | 0.00      | 0  | 58  | -0.69     | 0       | 63  | 0.00      |
| 19200             | 0                               | 22  | -0.93     | 0  | 25  | 0.16      | 0       | 27  | 0.00      | 0  | 28  | 1.02      | 0       | 31  | 0.00      |
| 31250             | 0                               | 13  | 0.00      | 0  | 15  | 0.00      | 0       | 16  | 1.20      | 0  | 17  | 0.00      | 0       | 19  | -1.70     |
| 38400             | —                               | —   | —         | 0  | 12  | 0.16      | 0       | 13  | 0.00      | 0  | 14  | -2.34     | 0       | 15  | 0.00      |

Note: In this example, SEMR.ABCS = 0, SEMR.ABCSE = 0, and SEMR.BGDM = 0.  
When either the ABCS or BGDM bit is set to 1, the bit rate doubles.  
When both ABCS and BGDM are set to 1, the bit rate quadruples.

Table 32.10 Examples of BRR settings for different bit rates in asynchronous mode (2)

| Bit rate (bps) | Operating frequency PCLKA (MHz) |     |           |    |     |           |    |     |           |    |     |           |    |     |           |
|----------------|---------------------------------|-----|-----------|----|-----|-----------|----|-----|-----------|----|-----|-----------|----|-----|-----------|
|                | 20                              |     |           | 25 |     |           | 30 |     |           | 33 |     |           | 40 |     |           |
|                | n                               | N   | Error (%) | n  | N   | Error (%) | n  | N   | Error (%) | n  | N   | Error (%) | n  | N   | Error (%) |
| 110            | 3                               | 88  | -0.25     | 3  | 110 | -0.02     | 3  | 132 | 0.13      | 3  | 145 | 0.33      | 3  | 177 | -0.25     |
| 150            | 3                               | 64  | 0.16      | 3  | 80  | 0.47      | 3  | 97  | -0.35     | 3  | 106 | 0.39      | 3  | 129 | 0.16      |
| 300            | 2                               | 129 | 0.16      | 2  | 162 | -0.15     | 2  | 194 | 0.16      | 2  | 214 | -0.07     | 3  | 64  | 0.16      |
| 600            | 2                               | 64  | 0.16      | 2  | 80  | 0.47      | 2  | 97  | -0.35     | 2  | 106 | 0.39      | 2  | 129 | 0.16      |
| 1200           | 1                               | 129 | 0.16      | 1  | 162 | -0.15     | 1  | 194 | 0.16      | 1  | 214 | -0.07     | 2  | 64  | 0.16      |
| 2400           | 1                               | 64  | 0.16      | 1  | 80  | 0.47      | 1  | 97  | -0.35     | 1  | 106 | 0.39      | 1  | 129 | 0.16      |
| 4800           | 0                               | 129 | 0.16      | 0  | 162 | -0.15     | 0  | 194 | 0.16      | 0  | 214 | -0.07     | 1  | 64  | 0.16      |
| 9600           | 0                               | 64  | 0.16      | 0  | 80  | 0.47      | 0  | 97  | -0.35     | 0  | 106 | 0.39      | 0  | 129 | 0.16      |
| 19200          | 0                               | 32  | -1.36     | 0  | 40  | -0.76     | 0  | 48  | -0.35     | 0  | 53  | -0.54     | 0  | 64  | 0.16      |
| 31250          | 0                               | 19  | 0.00      | 0  | 24  | 0.00      | 0  | 29  | 0.00      | 0  | 32  | 0.00      | 0  | 39  | 0.00      |
| 38400          | 0                               | 15  | 1.73      | 0  | 19  | 1.73      | 0  | 23  | 1.73      | 0  | 26  | -0.54     | 0  | 32  | -1.36     |

| Bit rate (bps) | Operating frequency PCLKA (MHz) |     |           |    |     |           |     |     |           |
|----------------|---------------------------------|-----|-----------|----|-----|-----------|-----|-----|-----------|
|                | 50                              |     |           | 60 |     |           | 120 |     |           |
|                | n                               | N   | Error (%) | n  | N   | Error (%) | n   | N   | Error (%) |
| 110            | 3                               | 221 | -0.02     | —  | —   | —         | —   | —   | —         |
| 150            | 3                               | 162 | -0.15     | 3  | 194 | 0.16      | —   | —   | —         |
| 300            | 3                               | 80  | 0.47      | 3  | 97  | -0.35     | 3   | 194 | 0.16      |
| 600            | 2                               | 162 | -0.15     | 3  | 48  | -0.35     | 3   | 97  | -0.35     |
| 1200           | 2                               | 80  | 0.47      | 2  | 97  | -0.35     | 3   | 48  | -0.35     |
| 2400           | 1                               | 162 | -0.15     | 2  | 48  | -0.35     | 2   | 97  | -0.35     |
| 4800           | 1                               | 80  | 0.47      | 1  | 97  | -0.35     | 2   | 48  | -0.35     |
| 9600           | 0                               | 162 | -0.15     | 1  | 48  | -0.35     | 1   | 97  | -0.35     |
| 19200          | 0                               | 80  | 0.47      | 0  | 97  | -0.35     | 1   | 48  | -0.35     |
| 31250          | 0                               | 49  | 0.00      | 0  | 59  | 0.00      | 0   | 119 | 0         |
| 38400          | 0                               | 40  | -0.76     | 0  | 48  | -0.35     | 0   | 97  | -0.35     |

Note: In this example, SEMR.ABCS = 0, SEMR.ABCSE = 0, and SEMR.BGDM = 0.  
When either the ABCS or BGDM bit is set to 1, the bit rate doubles.  
When both ABCS = 1 and BGDM = 1, the bit rate quadruples.

Table 32.11 Maximum bit rate for each operating frequency in asynchronous mode (1 of 2)

| PCLKA (MHz) | SEMR settings |            |           |   |     | Maximum bit rate (bps) | PCLKA (MHz) | SEMR settings |          |           |     |           | Maximum bit rate (bps) |
|-------------|---------------|------------|-----------|---|-----|------------------------|-------------|---------------|----------|-----------|-----|-----------|------------------------|
|             | BGDM bit      | ABCS bit   | ABCSE bit | n | N   |                        |             | BGDMbit       | ABCS bit | ABCSE bit | n   | N         |                        |
| 8           | 0             | 0          | 0         | 0 | 0 0 | 250,000                | 16          | 0             | 0        | 0         | 0   | 0 0       | 500,000                |
|             |               | 1          | 0         | 0 | 0 0 |                        |             |               | 500,000  | 1         | 0   | 0         |                        |
|             | 1             | 0          | 0         | 0 | 0 0 | 1,000,000              | 1           | 0             | 0        | 0         | 0 0 | 2,000,000 |                        |
|             |               | 1          | 0         | 0 | 0 0 |                        |             | 1,000,000     | 1        | 0         | 0   |           | 0 0                    |
|             | Don't care    | Don't care | 1         | 0 | 0   | 1,333,333              | Don't care  | Don't care    | 1        | 0         | 0   | 2,666,666 |                        |
| 9.8304      | 0             | 0          | 0         | 0 | 0 0 | 307,200                | 17.2032     | 0             | 0        | 0         | 0   | 0 0       | 537,600                |
|             |               | 1          | 0         | 0 | 0 0 |                        |             |               | 614,400  | 1         | 0   | 0         |                        |
|             | 1             | 0          | 0         | 0 | 0 0 | 1,228,800              | 1           | 0             | 0        | 0         | 0 0 | 2,150,400 |                        |
|             |               | 1          | 0         | 0 | 0 0 |                        |             | 1,228,800     | 1        | 0         | 0   |           | 0 0                    |
|             | Don't care    | Don't care | 1         | 0 | 0   | 1,638,400              | Don't care  | Don't care    | 1        | 0         | 0   | 2,867,200 |                        |

**Table 32.11 Maximum bit rate for each operating frequency in asynchronous mode (2 of 2)**

| PCLKA<br>(MHz) | SEMR settings |            |           |   |   | Maximum<br>bit rate<br>(bps) | PCLKA<br>(MHz) | SEMR settings |            |           |   |   | Maximum<br>bit rate<br>(bps) |            |
|----------------|---------------|------------|-----------|---|---|------------------------------|----------------|---------------|------------|-----------|---|---|------------------------------|------------|
|                | BGDM bit      | ABCS bit   | ABCSE bit | n | N |                              |                | BGDMbit       | ABCS bit   | ABCSE bit | n | N |                              |            |
| 10             | 0             | 0          | 0         | 0 | 0 | 0                            | 18             | 0             | 0          | 0         | 0 | 0 | 0                            | 562,500    |
|                |               | 1          | 0         | 0 | 0 | 0                            |                |               | 1          | 0         | 0 | 0 | 0                            | 1,125,000  |
|                | 1             | 0          | 0         | 0 | 0 | 0                            |                | 1             | 0          | 0         | 0 | 0 | 0                            |            |
|                |               | 1          | 0         | 0 | 0 | 0                            |                |               | 1          | 0         | 0 | 0 | 0                            | 2,250,000  |
|                | Don't care    | Don't care | 1         | 0 | 0 | 0                            |                | Don't care    | Don't care | 1         | 0 | 0 | 0                            | 0          |
| 12             | 0             | 0          | 0         | 0 | 0 | 0                            | 19.6608        | 0             | 0          | 0         | 0 | 0 | 0                            | 614,400    |
|                |               | 1          | 0         | 0 | 0 | 0                            |                |               | 1          | 0         | 0 | 0 | 0                            | 0          |
|                | 1             | 0          | 0         | 0 | 0 | 0                            |                | 1             |            | 0         | 0 | 0 | 0                            | 0          |
|                |               | 1          | 0         | 0 | 0 | 0                            |                |               | 1          | 0         | 0 | 0 | 0                            | 2,457,600  |
|                | Don't care    | Don't care | 1         | 0 | 0 | 0                            |                | Don't care    | Don't care | 1         | 0 | 0 | 0                            | 0          |
| 12.288         | 0             | 0          | 0         | 0 | 0 | 0                            | 20             | 0             | 0          | 0         | 0 | 0 | 0                            | 625,000    |
|                |               | 1          | 0         | 0 | 0 | 0                            |                |               | 1          | 0         | 0 | 0 | 0                            | 0          |
|                | 1             | 0          | 0         | 0 | 0 | 0                            |                | 1             |            | 0         | 0 | 0 | 0                            | 0          |
|                |               | 1          | 0         | 0 | 0 | 0                            |                |               | 1          | 0         | 0 | 0 | 0                            | 2,500,000  |
|                | Don't care    | Don't care | 1         | 0 | 0 | 0                            |                | Don't care    | Don't care | 1         | 0 | 0 | 0                            | 0          |
| 14             | 0             | 0          | 0         | 0 | 0 | 0                            | 25             | 0             | 0          | 0         | 0 | 0 | 0                            | 781,250    |
|                |               | 1          | 0         | 0 | 0 | 0                            |                |               | 1          | 0         | 0 | 0 | 0                            | 0          |
|                | 1             | 0          | 0         | 0 | 0 | 0                            |                | 1             |            | 0         | 0 | 0 | 0                            | 0          |
|                |               | 1          | 0         | 0 | 0 | 0                            |                |               | 1          | 0         | 0 | 0 | 0                            | 3,125,000  |
|                | Don't care    | Don't care | 1         | 0 | 0 | 0                            |                | Don't care    | Don't care | 1         | 0 | 0 | 0                            | 0          |
| 30             | 0             | 0          | 0         | 0 | 0 | 0                            | 50             | 0             | 0          | 0         | 0 | 0 | 0                            | 1,562,500  |
|                |               | 1          | 0         | 0 | 0 | 0                            |                |               | 1          | 0         | 0 | 0 | 0                            | 0          |
|                | 1             | 0          | 0         | 0 | 0 | 0                            |                | 1             |            | 0         | 0 | 0 | 0                            | 0          |
|                |               | 1          | 0         | 0 | 0 | 0                            |                |               | 1          | 0         | 0 | 0 | 0                            | 6,250,000  |
|                | Don't care    | Don't care | 1         | 0 | 0 | 0                            |                | Don't care    | Don't care | 1         | 0 | 0 | 0                            | 0          |
| 33             | 0             | 0          | 0         | 0 | 0 | 0                            | 60             | 0             | 0          | 0         | 0 | 0 | 0                            | 1,875,000  |
|                |               | 1          | 0         | 0 | 0 | 0                            |                |               | 1          | 0         | 0 | 0 | 0                            | 0          |
|                | 1             | 0          | 0         | 0 | 0 | 0                            |                | 1             |            | 0         | 0 | 0 | 0                            | 0          |
|                |               | 1          | 0         | 0 | 0 | 0                            |                |               | 1          | 0         | 0 | 0 | 0                            | 7,500,000  |
|                | Don't care    | Don't care | 1         | 0 | 0 | 0                            |                | Don't care    | Don't care | 1         | 0 | 0 | 0                            | 0          |
| 40             | 0             | 0          | 0         | 0 | 0 | 0                            | 120            | 0             | 0          | 0         | 0 | 0 | 0                            | 3,750,000  |
|                |               | 1          | 0         | 0 | 0 | 0                            |                |               | 1          | 0         | 0 | 0 | 0                            | 0          |
|                | 1             | 0          | 0         | 0 | 0 | 0                            |                | 1             |            | 0         | 0 | 0 | 0                            | 0          |
|                |               | 1          | 0         | 0 | 0 | 0                            |                |               | 1          | 0         | 0 | 0 | 0                            | 15,000,000 |
|                | Don't care    | Don't care | 1         | 0 | 0 | 0                            |                | Don't care    | Don't care | 1         | 0 | 0 | 0                            | 0          |

**Table 32.12 Maximum bit rate with external clock input in asynchronous mode (1 of 2)**

| PCLKA<br>(MHz) | External input<br>clock (MHz) | Maximum bit rate (bps) |                   |
|----------------|-------------------------------|------------------------|-------------------|
|                |                               | SEMR.ABCS bit = 0      | SEMR.ABCS bit = 1 |
| 8              | 2.0000                        | 125,000                | 250,000           |
| 9.8304         | 2.4576                        | 153,600                | 307,200           |
| 10             | 2.5000                        | 156,250                | 312,500           |
| 12             | 3.0000                        | 187,500                | 375,000           |
| 12.288         | 3.0720                        | 192,000                | 384,000           |

**Table 32.12 Maximum bit rate with external clock input in asynchronous mode (2 of 2)**

| PCLKA (MHz) | External input clock (MHz) | Maximum bit rate (bps) |                   |
|-------------|----------------------------|------------------------|-------------------|
|             |                            | SEMR.ABCS bit = 0      | SEMR.ABCS bit = 1 |
| 14          | 3.5000                     | 218,750                | 437,500           |
| 16          | 4.0000                     | 250,000                | 500,000           |
| 17.2032     | 4.3008                     | 268,800                | 537,600           |
| 18          | 4.5000                     | 281,250                | 562,500           |
| 19.6608     | 4.9152                     | 307,200                | 614,400           |
| 20          | 5.0000                     | 312,500                | 625,000           |
| 25          | 6.2500                     | 390,625                | 781,250           |
| 30          | 7.5000                     | 468,750                | 937,500           |
| 33          | 8.2500                     | 515,625                | 1,031,250         |
| 40          | 10.0000                    | 625,000                | 1,250,000         |
| 50          | 12.5000                    | 781,250                | 1,562,500         |
| 60          | 15.0000                    | 937,500                | 1,875,000         |
| 120         | 30.0000                    | 1,875,000              | 3,750,000         |

**Table 32.13 BRR settings for different bit rates in clock synchronous and simple SPI modes**

| Bit rate (bps) | Operating frequency PCLKA (MHz) |     |    |     |    |     |    |     |    |     |    |     |    |     |    |     |    |     |    |     |     |     |
|----------------|---------------------------------|-----|----|-----|----|-----|----|-----|----|-----|----|-----|----|-----|----|-----|----|-----|----|-----|-----|-----|
|                | 8                               |     | 10 |     | 16 |     | 20 |     | 25 |     | 30 |     | 33 |     | 40 |     | 50 |     | 60 |     | 120 |     |
|                | n                               | N   | n  | N   | n  | N   | n  | N   | n  | N   | n  | N   | n  | N   | n  | N   | n  | N   | n  | N   | n   | N   |
| 110            |                                 |     |    |     |    |     |    |     |    |     |    |     |    |     |    |     |    |     |    |     |     |     |
| 250            | 3                               | 124 | —  | —   | 3  | 249 |    |     |    |     |    |     |    |     |    |     |    |     |    |     |     |     |
| 500            | 2                               | 249 | —  | —   | 3  | 124 | —  | —   |    |     | 3  | 233 |    |     |    |     |    |     |    |     |     |     |
| 1 k            | 2                               | 124 | —  | —   | 2  | 249 | —  | —   | 3  | 97  | 3  | 116 | 3  | 128 | 3  | 155 | 3  | 194 | 3  | 233 |     |     |
| 2.5 k          | 1                               | 199 | 1  | 249 | 2  | 99  | 2  | 124 | 2  | 155 | 2  | 187 | 2  | 205 | 2  | 249 | 3  | 77  | 3  | 93  | 3   | 186 |
| 5 k            | 1                               | 99  | 1  | 124 | 1  | 199 | 1  | 249 | 2  | 77  | 2  | 93  | 2  | 102 | 2  | 124 | 2  | 155 | 3  | 46  | 3   | 93  |
| 10 k           | 0                               | 199 | 0  | 249 | 1  | 99  | 1  | 124 | 1  | 155 | 1  | 187 | 1  | 205 | 1  | 249 | 2  | 77  | 2  | 93  | 3   | 46  |
| 25 k           | 0                               | 79  | 0  | 99  | 0  | 159 | 0  | 199 | 0  | 249 | 1  | 74  | 1  | 82  | 1  | 99  | 1  | 124 | 1  | 149 | 2   | 74  |
| 50 k           | 0                               | 39  | 0  | 49  | 0  | 79  | 0  | 99  | 0  | 124 | 0  | 149 | 0  | 164 | 1  | 49  | 1  | 61  | 1  | 74  | 1   | 149 |
| 100 k          | 0                               | 19  | 0  | 24  | 0  | 39  | 0  | 49  | 0  | 62  | 0  | 74  | 0  | 82  | 0  | 99  | 0  | 124 | 0  | 149 | 1   | 74  |
| 250 k          | 0                               | 7   | 0  | 9   | 0  | 15  | 0  | 19  | 0  | 24  | 0  | 29  | 0  | 32  | 0  | 39  | 0  | 49  | 0  | 59  | 1   | 29  |
| 500 k          | 0                               | 3   | 0  | 4   | 0  | 7   | 0  | 9   | —  | —   | 0  | 14  | —  | —   | 0  | 19  | 0  | 24  | 0  | 29  | 1   | 14  |
| 1 M            | 0                               | 1   |    |     | 0  | 3   | 0  | 4   | —  | —   | —  | —   | —  | —   | 0  | 9   | —  | —   | 0  | 14  | 0   | 29  |
| 2.5 M          |                                 |     | 0  | 0*1 |    |     | 0  | 1   | —  | —   | 0  | 2   | —  | —   | 0  | 3   | 0  | 4   | 0  | 5   | 0   | 11  |
| 5 M            |                                 |     |    |     |    |     | 0  | 0*1 | —  | —   | —  | —   | —  | —   | 0  | 1   | —  | —   | 0  | 2   | 0   | 5   |
| 7.5 M          |                                 |     |    |     |    |     |    |     |    |     | 0  | 0*1 |    |     |    |     |    |     | 0  | 1   | 0   | 3   |
| 10 M           |                                 |     |    |     |    |     |    |     |    |     |    |     |    |     | 0  | 0*1 |    |     |    |     | 0   | 2   |

Space: Setting prohibited.

—: Can be set, but an error occurs.

Note 1. Continuous transmission or reception is not possible. After transmitting or receiving one frame of data, a 1-bit period elapses before starting to transmit or receive the next frame of data. The output of the synchronization clock is stopped for a 1-bit period. Therefore, it takes 9 bits worth of time to transfer one frame (8 bits) of data, and the average transfer rate is 8/9 times the bit rate. When the FIFO is selected, this setting (BRR = 00h and SMR.CKS[1:0] = 00b) is not available.



**Table 32.14 Maximum bit rate with external clock input in clock synchronous and simple SPI modes**

| PCLKA (MHz) | External input clock (MHz)       | Maximum bit rate (Mbps) |
|-------------|----------------------------------|-------------------------|
| 8           | 1.3333                           | 1.3333333               |
| 10          | 1.6667                           | 1.6666667               |
| 12          | 2.0000                           | 2.0000000               |
| 14          | 2.3333                           | 2.3333333               |
| 16          | 2.6667                           | 2.6666667               |
| 18          | 3.0000                           | 3.0000000               |
| 20          | 3.3333                           | 3.3333333               |
| 25          | 4.1667                           | 4.1666667               |
| 30          | 5.0000                           | 5.0000000               |
| 33          | 5.5000                           | 5.5000000               |
| 40          | 6.6667                           | 6.6666667               |
| 50          | 8.3333                           | 8.3333333               |
| 60          | 10.0000                          | 10.0000000              |
| 120         | 20.0000 (clock synchronous mode) | 20.0000000              |
|             | 10.0000 (simple SPI mode)        | 10.0000000              |

**Table 32.15 BRR settings for different bit rates in smart card interface mode, n = 0, S = 372**

| Bit rate (bps) | Operating frequency PCLKA (MHz) |   |           |       |   |           |         |    |           |       |   |           |
|----------------|---------------------------------|---|-----------|-------|---|-----------|---------|----|-----------|-------|---|-----------|
|                | 7.1424                          |   |           | 10.00 |   |           | 10.7136 |    |           | 13.00 |   |           |
|                | n                               | N | Error (%) | n     | N | Error (%) | n       | N  | Error (%) | n     | N | Error (%) |
| 9600           | 0                               | 0 | 0.00      | 0     | 1 | -30       | 0       | 1  | -25       | 0     | 1 | -8.99     |
| Bit rate (bps) | Operating frequency PCLKA (MHz) |   |           |       |   |           |         |    |           |       |   |           |
|                | 14.2848                         |   |           | 16.00 |   |           | 18.00   |    |           | 20.00 |   |           |
|                | n                               | N | Error (%) | n     | N | Error (%) | n       | N  | Error (%) | n     | N | Error (%) |
| 9600           | 0                               | 1 | 0.00      | 0     | 1 | 12.01     | 0       | 2  | -15.99    | 0     | 2 | -6.66     |
| Bit rate (bps) | Operating frequency PCLKA (MHz) |   |           |       |   |           |         |    |           |       |   |           |
|                | 25.00                           |   |           | 30.00 |   |           | 33.00   |    |           | 40.00 |   |           |
|                | n                               | N | Error (%) | n     | N | Error (%) | n       | N  | Error (%) | n     | N | Error (%) |
| 9600           | 0                               | 3 | -12.49    | 0     | 3 | 5.01      | 0       | 4  | -7.59     | 0     | 5 | -6.66     |
| Bit rate (bps) | Operating frequency PCLKA (MHz) |   |           |       |   |           |         |    |           |       |   |           |
|                | 50.00                           |   |           | 60.00 |   |           | 120.00  |    |           |       |   |           |
|                | n                               | N | Error (%) | n     | N | Error (%) | n       | N  | Error (%) |       |   |           |
| 9600           | 0                               | 6 | 0.01      | 0     | 7 | 5.01      | 0       | 16 | -1.17     |       |   |           |

**Table 32.16 Maximum bit rate for each operating frequency in smart card interface mode (S = 32) (1 of 2)**

| PCLKA (MHz) | Maximum bit rate (bps) | n | N |
|-------------|------------------------|---|---|
| 10.00       | 156,250                | 0 | 0 |
| 10.7136     | 167,400                | 0 | 0 |
| 13.00       | 203,125                | 0 | 0 |
| 16.00       | 250,000                | 0 | 0 |
| 18.00       | 281,250                | 0 | 0 |

**Table 32.16** Maximum bit rate for each operating frequency in smart card interface mode (S = 32) (2 of 2)

| PCLKA (MHz) | Maximum bit rate (bps) | n |   |
|-------------|------------------------|---|---|
|             |                        | n | N |
| 20.00       | 312,500                | 0 | 0 |
| 25.00       | 390,625                | 0 | 0 |
| 30.00       | 468,750                | 0 | 0 |
| 33.00       | 515,625                | 0 | 0 |
| 40.00       | 625,000                | 0 | 0 |
| 50.00       | 781,250                | 0 | 0 |
| 60.00       | 937,500                | 0 | 0 |
| 120.00      | 1,875,000              | 0 | 0 |

**Table 32.17** BRR settings for different bit rates in simple IIC mode

| Bit rate (bps) | Operating frequency PCLKA (MHz) |    |           |    |    |           |    |    |           |    |    |           |    |    |           |
|----------------|---------------------------------|----|-----------|----|----|-----------|----|----|-----------|----|----|-----------|----|----|-----------|
|                | 8                               |    |           | 10 |    |           | 16 |    |           | 20 |    |           | 25 |    |           |
|                | n                               | N  | Error (%) | n  | N  | Error (%) | n  | N  | Error (%) | n  | N  | Error (%) | n  | N  | Error (%) |
| 10 k           | 0                               | 24 | 0.0       | 0  | 30 | 0.8       | 1  | 12 | -3.8      | 1  | 15 | -2.3      | 1  | 19 | -2.3      |
| 25 k           | 0                               | 9  | 0.0       | 0  | 12 | -3.8      | 1  | 4  | 0.0       | 1  | 5  | 4.2       | 1  | 7  | -2.3      |
| 50 k           | 0                               | 4  | 0.0       | 0  | 5  | 4.2       | 1  | 2  | -16.7     | 1  | 2  | 4.2       | 1  | 3  | -2.3      |
| 100 k*1        | 0                               | 2  | -16.7     | 0  | 3  | -21.9     | 0  | 4  | 0.0       | 0  | 6  | -10.7     | 1  | 1  | -2.3      |
| 250 k          | 0                               | 0  | 0.0       | 0  | 0  | 25        | 0  | 1  | 0.0       | 0  | 2  | -16.7     | 0  | 2  | 4.2       |
| 350 k          |                                 |    |           |    |    |           |    |    |           | 0  | 1  | -10.7     | 0  | 1  | 11.6*2    |
| 400 k*1        |                                 |    |           |    |    |           |    |    |           | 0  | 1  | -21.9     | 0  | 1  | -2.3*2    |

| Bit rate (bps) | Operating frequency PCLKA (MHz) |    |           |    |    |           |    |     |           |    |   |           |    |    |           |
|----------------|---------------------------------|----|-----------|----|----|-----------|----|-----|-----------|----|---|-----------|----|----|-----------|
|                | 30                              |    |           | 33 |    |           | 40 |     |           | 50 |   |           | 60 |    |           |
|                | n                               | N  | Error (%) | n  | N  | Error (%) | n  | N   | Error (%) | n  | N | Error (%) | n  | N  | Error (%) |
| 10 k           | 1                               | 22 | 1.9       | 1  | 25 | -0.8      | 0  | 124 | 0.0       | 2  | 9 | -2.3      | 1  | 46 | -0.3      |
| 25 k           | 1                               | 8  | 4.2       | 1  | 9  | 3.1       | 0  | 49  | 0.0       | 2  | 3 | -2.3      | 0  | 74 | 0.0       |
| 50 k           | 1                               | 4  | -6.3      | 1  | 4  | 3.1       | 0  | 24  | 0.0       | 2  | 1 | -2.3      | 0  | 37 | -1.3      |
| 100 k*1        | 1                               | 2  | -21.9     | 1  | 2  | -14.1     | 0  | 12  | -3.9      | 1  | 3 | -2.3      | 0  | 18 | -1.3      |
| 250 k          | 0                               | 3  | -6.3      | 0  | 3  | 3.1       | 0  | 4   | 0.0       | 0  | 5 | 4.2       | 0  | 7  | -6.3      |
| 350 k          | 0                               | 2  | -10.7     | 0  | 2  | -1.8      | 0  | 3   | -10.7     | 0  | 4 | -10.7     | 0  | 4  | 7.1       |
| 400 k*1        | 0                               | 1  | 17.2      | 0  | 2  | -14.1     | 0  | 3   | -21.9     | 0  | 3 | -2.3*2    | 0  | 4  | -6.3      |

| Bit rate (bps) | Operating frequency PCLKA (MHz) |     |           |
|----------------|---------------------------------|-----|-----------|
|                | 120                             |     |           |
|                | n                               | N   | Error (%) |
| 10 k           | 1                               | 93  | -0.3      |
| 25 k           | 0                               | 149 | 0.0       |
| 50 k           | 0                               | 74  | 0.0       |
| 100 k*1        | 0                               | 37  | -1.3      |
| 250 k          | 0                               | 14  | 0.0       |
| 350 k          | 0                               | 10  | -2.6      |
| 400 k*1        | 0                               | 9   | -6.3      |

Note 1. The bit rate of 100 kbps and 400 kbps indicates the set value at which the error is on the minus side.

Note 2. The minimum value of low width is smaller than 1.3  $\mu$ s which is the standard value of the fast mode.

Table 32.18 Minimum widths at SCL high and low levels at multiple bit rates in simple IIC mode

| Bit rate (bps) | Operating frequency PCLKA (MHz) |    |   |    |    |   |    |    |   |    |    |   |
|----------------|---------------------------------|----|---|----|----|---|----|----|---|----|----|---|
|                | 8                               |    |   | 10 |    |   | 16 |    |   | 20 |    |   |
|                | n                               | N  | Min. widths at SCL high/low levels (μs) | n  | N  | Min. widths at SCL high/low levels (μs) | n  | N  | Min. widths at SCL high/low levels (μs) | n  | N  | Min. widths at SCL high/low levels (μs) |
| 10 k           | 0                               | 24 | 43.75/50.00                             | 0  | 30 | 43.40/49.60                             | 1  | 12 | 45.5/52.00                              | 1  | 15 | 44.80/51.20                             |
| 25 k           | 0                               | 9  | 17.50/20.00                             | 0  | 12 | 18.2/20.80                              | 1  | 4  | 17.50/20.00                             | 1  | 5  | 16.80/19.20                             |
| 50 k           | 0                               | 4  | 8.75/10.00                              | 0  | 5  | 8.40/9.60                               | 1  | 2  | 10.50/12.00                             | 1  | 2  | 8.40/9.60                               |
| 100 k          | 0                               | 2  | 5.25/6.00                               | 0  | 3  | 5.60/6.40                               | 0  | 4  | 4.38/5.00                               | 0  | 6  | 4.90/5.60                               |
| 250 k          | 0                               | 0  | 1.75/2.00                               | 0  | 0  | 1.40/1.60                               | 0  | 1  | 1.75/2.00                               | 0  | 2  | 2.10/2.40                               |
| 350 k          |                                 |    |   |    |    |   |    |    |   | 0  | 1  | 1.40/1.60                               |
| 400 k          |                                 |    |   |    |    |   |    |    |   | 0  | 1  | 1.40/1.60                               |

| Bit rate (bps) | Operating frequency PCLKA (MHz) |    |   |    |    |   |    |    |   |    |     |   |
|----------------|---------------------------------|----|---|----|----|---|----|----|---|----|-----|---|
|                | 25                              |    |   | 30 |    |   | 33 |    |   | 40 |     |   |
|                | n                               | N  | Min. widths at SCL high/low levels (μs) | n  | N  | Min. widths at SCL high/low levels (μs) | n  | N  | Min. widths at SCL high/low levels (μs) | n  | N   | Min. widths at SCL high/low levels (μs) |
| 10 k           | 1                               | 19 | 44.80/51.20                             | 1  | 22 | 42.93/49.60                             | 1  | 25 | 44.12/50.42                             | 0  | 124 | 43.75/50.00                             |
| 25 k           | 1                               | 7  | 17.92/20.48                             | 1  | 8  | 16.80/19.20                             | 1  | 9  | 16.97/19.39                             | 0  | 49  | 17.50/20.00                             |
| 50 k           | 1                               | 3  | 8.96/10.24                              | 1  | 4  | 9.33/10.66                              | 1  | 4  | 8.48/9.70                               | 0  | 24  | 8.75/10.00                              |
| 100 k          | 1                               | 1  | 4.48/5.12                               | 1  | 2  | 5.60/6.40                               | 1  | 2  | 5.09/5.82                               | 0  | 12  | 4.55/5.20                               |
| 250 k          | 0                               | 2  | 1.68/1.92                               | 0  | 3  | 1.86/2.13                               | 0  | 3  | 1.70/1.94                               | 0  | 4   | 1.75/2.00                               |
| 350 k          | 0                               | 1  | 1.12/1.28*1                             | 0  | 2  | 1.40/1.60                               | 0  | 2  | 1.27/1.45                               | 0  | 3   | 1.40/1.60                               |
| 400 k          | 0                               | 1  | 1.12/1.28*1                             | 0  | 2  | 1.40/1.60                               | 0  | 2  | 1.27 /1.45                              | 0  | 3   | 1.40/1.60                               |

| Bit rate (bps) | Operating frequency PCLKA (MHz) |   |   |    |    |   |     |     |   |  |  |  |
|----------------|---------------------------------|---|---|----|----|---|-----|-----|---|--|--|--|
|                | 50                              |   |   | 60 |    |   | 120 |     |   |  |  |  |
|                | n                               | N | Min. widths at SCL high/low levels (μs) | n  | N  | Min. widths at SCL high/low levels (μs) | n   | N   | Min. widths at SCL high/low levels (μs) |  |  |  |
| 10 k           | 2                               | 9 | 44.80/51.20                             | 1  | 46 | 43.87/50.13                             | 1   | 93  | 43.87/50.13                             |  |  |  |
| 25 k           | 2                               | 3 | 17.92/20.48                             | 0  | 74 | 17.50/20.00                             | 0   | 149 | 17.50/20.00                             |  |  |  |
| 50 k           | 2                               | 1 | 8.96/10.24                              | 0  | 37 | 8.87/10.13                              | 0   | 74  | 8.75/10.00                              |  |  |  |
| 100 k          | 1                               | 3 | 4.48/5.12                               | 0  | 18 | 4.43/5.07                               | 0   | 37  | 4.43/5.07                               |  |  |  |
| 250 k          | 0                               | 5 | 1.68/1.92                               | 0  | 7  | 1.87/2.13                               | 0   | 14  | 1.75/2.00                               |  |  |  |
| 350 k          | 0                               | 4 | 1.40/1.60                               | 0  | 4  | 1.17/1.33                               | 0   | 10  | 1.28/1.47                               |  |  |  |
| 400 k          | 0                               | 3 | 1.12/1.28                               | 0  | 4  | 1.17/1.33                               | 0   | 8   | 1.05/1.20                               |  |  |  |

Note 1. The minimum value of low width is smaller than 1.3 μs which is the standard value of the fast mode. The setting values are the same as in Table 32.17.

### 32.2.18 Modulation Duty Register (MDDR)

Address(es): SCI0.MDDR 4007 0012h, SCI1.MDDR 4007 0032h, SCI2.MDDR 4007 0052h, SCI3.MDDR 4007 0072h, SCI4.MDDR 4007 0092h, SCI5.MDDR 4007 00B2h, SCI6.MDDR 4007 00D2h, SCI7.MDDR 4007 00F2h, SCI8.MDDR 4007 0112h, SCI9.MDDR 4007 0132h



The MDDR register corrects the bit rate adjusted by the BRR register.

When the SEMR.BRME bit is set to 1, the bit rate generated by the on-chip baud rate generator is evenly corrected using the settings in the MDDR register (M/256). Table 32.19 shows the relationship between the MDDR setting (M) and the bit rate (B).

The initial value of the MDDR register is FFh. Bit [7] in this register is fixed to 1. The CPU can read the MDDR register, but the MDDR register is only writable when the TE and RE bits in SCR/SCR\_SMCI are 0.

**Table 32.19 Relationship between MDDR setting (M) and bit rate (B) when bit rate modulation function is used**

| Mode                                   | SEMR settings |            |           | BRR setting  | Error  |
|--|---------------|------------|-----------|--|--|
|  | BGDM bit      | ABCS bit   | ABCSE bit |  |  |
| Asynchronous, multi-processor transfer | 0             | 0          | 0         | $N = \frac{PCLKA \times 10^6}{64 \times 2^{2n-1} \times (256/M) \times B} - 1$ | $Error (\%) = \left\{ \frac{PCLKA \times 10^6}{B \times 64 \times 2^{2n-1} \times (256/M) \times (N + 1)} - 1 \right\} \times 100$ |
|  | 1             | 0          | 0         | $N = \frac{PCLKA \times 10^6}{32 \times 2^{2n-1} \times (256/M) \times B} - 1$ | $Error (\%) = \left\{ \frac{PCLKA \times 10^6}{B \times 32 \times 2^{2n-1} \times (256/M) \times (N + 1)} - 1 \right\} \times 100$ |
|  | 0             | 1          | 0         | $N = \frac{PCLKA \times 10^6}{16 \times 2^{2n-1} \times (256/M) \times B} - 1$ | $Error (\%) = \left\{ \frac{PCLKA \times 10^6}{B \times 16 \times 2^{2n-1} \times (256/M) \times (N + 1)} - 1 \right\} \times 100$ |
|  | 1             | 1          | 0         | $N = \frac{PCLKA \times 10^6}{12 \times 2^{2n-1} \times (256/M) \times B} - 1$ | $Error (\%) = \left\{ \frac{PCLKA \times 10^6}{B \times 12 \times 2^{2n-1} \times (256/M) \times (N + 1)} - 1 \right\} \times 100$ |
|  | Don't care    | Don't care | 1         | $N = \frac{PCLKA \times 10^6}{8 \times 2^{2n-1} \times (256/M) \times B} - 1$  | $Error (\%) = \left\{ \frac{PCLKA \times 10^6}{B \times 8 \times 2^{2n-1} \times (256/M) \times (N + 1)} - 1 \right\} \times 100$  |
| Clock synchronous, simple SPI*1        |               |            |           | $N = \frac{PCLKA \times 10^6}{8 \times 2^{2n-1} \times (256/M) \times B} - 1$  | —  |
| Smart card interface                   |               |            |           | $N = \frac{PCLKA \times 10^6}{S \times 2^{2n+1} \times (256/M) \times B} - 1$  | $Error (\%) = \left\{ \frac{PCLKA \times 10^6}{B \times S \times 2^{2n+1} \times (256/M) \times (N + 1)} - 1 \right\} \times 100$  |
| Simple IIC*2                           |               |            |           | $N = \frac{PCLKA \times 10^6}{64 \times 2^{2n-1} \times (256/M) \times B} - 1$ | —  |

B: Bit rate (bps)

M: MDDR setting (128 ≤ MDDR ≤ 255)

N: BRR setting for baud rate generator (0 ≤ N ≤ 255)

PCLKA: Operating frequency (MHz)

n and S: Determined by the SMR/SMR\_SMCI and SCMR register settings as listed in Table 32.7 and Table 32.8 in section 32, Bit Rate Register (BRR).

Note 1. Do not use this function in clock synchronous mode or in the highest speed settings in simple SPI mode (SMR.CKS[1:0] = 00b, SCR.CKE[1] = 0, and BRR = 0).

Note 2. Adjust the bit rate so that the high and low level widths of the SCL output in simple IIC mode satisfy the I<sup>2</sup>C standard.

Table 32.20 and Table 32.21 list examples of N settings in BRR and M settings in MDDR in asynchronous mode.

**Table 32.20 Examples of BRR and MDDR settings for different bit rates in asynchronous mode (1)**

|                |   | Operating frequency PCLKA (MHz) |     |          |           |   |        |     |          |           |   |    |     |          |           |        |
|----------------|---|---------------------------------|-----|----------|-----------|---|--------|-----|----------|-----------|---|----|-----|----------|-----------|--------|
|                |   | 8                               |     |          |           |   | 9.8304 |     |          |           |   | 16 |     |          |           |        |
| Bit rate (bps) | n | N                               | M   | BGDM bit | Error (%) | n | N      | M   | BGDM bit | Error (%) | n | N  | M   | BGDM bit | Error (%) |        |
|                |   |                                 |     |          |           |   |        |     |          |           |   |    |     |          |           | 38,400 |
| 57,600         | 0 | 3                               | 236 | 0        | 0.03      | 0 | 4      | 240 | 0        | 0.00      | 0 | 4  | 236 | 0        | 0.03      |        |
| 115,200        | 0 | 1                               | 236 | 0        | 0.03      | 0 | 1      | 192 | 0        | 0.00      | 0 | 4  | 236 | 1        | 0.03      |        |
| 230,400        | 0 | 0                               | 236 | 0        | 0.03      | 0 | 0      | 192 | 0        | 0.00      | 0 | 1  | 189 | 1        | 0.14      |        |
| 460,800        | 0 | 0                               | 236 | 1        | 0.03      | 0 | 0      | 192 | 1        | 0.00      | 0 | 0  | 189 | 1        | 0.14      |        |

|                |   | Operating frequency PCLKA (MHz) |     |          |           |   |        |     |          |           |   |    |     |          |           |        |
|----------------|---|---------------------------------|-----|----------|-----------|---|--------|-----|----------|-----------|---|----|-----|----------|-----------|--------|
|                |   | 12                              |     |          |           |   | 12.288 |     |          |           |   | 14 |     |          |           |        |
| Bit rate (bps) | n | N                               | M   | BGDM bit | Error (%) | n | N      | M   | BGDM bit | Error (%) | n | N  | M   | BGDM bit | Error (%) |        |
|                |   |                                 |     |          |           |   |        |     |          |           |   |    |     |          |           | 38,400 |
| 57,600         | 0 | 5                               | 236 | 0        | 0.03      | 0 | 4      | 192 | 0        | 0.00      | 0 | 13 | 236 | 1        | 0.03      |        |
| 115,200        | 0 | 2                               | 236 | 0        | 0.03      | 0 | 4      | 192 | 1        | 0.00      | 0 | 6  | 236 | 1        | 0.03      |        |
| 230,400        | 0 | 2                               | 236 | 1        | 0.03      | 0 | 2      | 230 | 1        | -0.17     | 0 | 2  | 202 | 1        | -0.11     |        |
| 460,800        | 0 | 0                               | 157 | 1        | -0.18     | 0 | 0      | 154 | 1        | -0.26     | 0 | 0  | 135 | 1        | 0.14      |        |

|                |   | Operating frequency PCLKA (MHz) |     |          |           |   |         |     |          |           |   |    |     |          |           |        |
|----------------|---|---------------------------------|-----|----------|-----------|---|---------|-----|----------|-----------|---|----|-----|----------|-----------|--------|
|                |   | 16                              |     |          |           |   | 17.2032 |     |          |           |   | 18 |     |          |           |        |
| Bit rate (bps) | n | N                               | M   | BGDM bit | Error (%) | n | N       | M   | BGDM bit | Error (%) | n | N  | M   | BGDM bit | Error (%) |        |
|                |   |                                 |     |          |           |   |         |     |          |           |   |    |     |          |           | 38,400 |
| 57,600         | 0 | 7                               | 236 | 0        | 0.03      | 0 | 6       | 192 | 0        | 0.00      | 0 | 18 | 249 | 1        | -0.01     |        |
| 115,200        | 0 | 3                               | 236 | 0        | 0.03      | 0 | 6       | 192 | 1        | 0.00      | 0 | 8  | 236 | 1        | 0.03      |        |
| 230,400        | 0 | 1                               | 236 | 0        | 0.03      | 0 | 3       | 219 | 1        | -0.20     | 0 | 1  | 210 | 0        | 0.14      |        |
| 460,800        | 0 | 1                               | 236 | 1        | 0.03      | 0 | 1       | 219 | 1        | -0.20     | 0 | 0  | 210 | 0        | 0.14      |        |

Note 1. In this example, the ABCS and ABCSE bits in the SEMR register are 0. SEMR.BRME = 0 (M = 256) disables the bit rate modulation function.

**Table 32.21 Examples of BRR and MDDR settings for different bit rates in asynchronous mode (2)**

|                |   | Operating frequency PCLKA (MHz) |     |          |           |   |    |     |          |           |   |    |     |          |           |        |
|----------------|---|---------------------------------|-----|----------|-----------|---|----|-----|----------|-----------|---|----|-----|----------|-----------|--------|
|                |   | 19.6608                         |     |          |           |   | 20 |     |          |           |   | 25 |     |          |           |        |
| Bit rate (bps) | n | N                               | M   | BGDM bit | Error (%) | n | N  | M   | BGDM bit | Error (%) | n | N  | M   | BGDM bit | Error (%) |        |
|                |   |                                 |     |          |           |   |    |     |          |           |   |    |     |          |           | 38,400 |
| 57,600         | 0 | 9                               | 240 | 0        | 0.00      | 0 | 9  | 236 | 0        | 0.03      | 0 | 7  | 151 | 0        | 0.00      |        |
| 115,200        | 0 | 4                               | 240 | 0        | 0.00      | 0 | 4  | 236 | 0        | 0.03      | 0 | 3  | 151 | 0        | 0.00      |        |
| 230,400        | 0 | 1                               | 192 | 0        | 0.00      | 0 | 4  | 236 | 1        | 0.03      | 0 | 1  | 151 | 0        | 0.00      |        |
| 460,800        | 0 | 0                               | 192 | 0        | 0.00      | 0 | 0  | 189 | 0        | 0.14      | 0 | 0  | 151 | 0        | 0.00      |        |

|                |   | Operating frequency PCLKA (MHz) |     |          |           |   |    |     |          |           |   |    |     |          |           |        |
|----------------|---|---------------------------------|-----|----------|-----------|---|----|-----|----------|-----------|---|----|-----|----------|-----------|--------|
|                |   | 30                              |     |          |           |   | 33 |     |          |           |   | 40 |     |          |           |        |
| Bit rate (bps) | n | N                               | M   | BGDM bit | Error (%) | n | N  | M   | BGDM bit | Error (%) | n | N  | M   | BGDM bit | Error (%) |        |
|                |   |                                 |     |          |           |   |    |     |          |           |   |    |     |          |           | 38,400 |
| 57,600         | 0 | 10                              | 173 | 0        | -0.01     | 0 | 9  | 143 | 0        | 0.01      | 0 | 38 | 230 | 1        | -0.01     |        |
| 115,200        | 0 | 10                              | 173 | 1        | -0.01     | 0 | 4  | 143 | 0        | 0.01      | 0 | 9  | 236 | 0        | 0.03      |        |

| Bit rate (bps) | Operating frequency PCLKA (MHz) |   |     |          |           |    |   |     |          |           |    |   |     |          |           |
|----------------|---------------------------------|---|-----|----------|-----------|----|---|-----|----------|-----------|----|---|-----|----------|-----------|
|                | 30                              |   |     |          |           | 33 |   |     |          |           | 40 |   |     |          |           |
|                | n                               | N | M   | BGDM bit | Error (%) | n  | N | M   | BGDM bit | Error (%) | n  | N | M   | BGDM bit | Error (%) |
| 230,400        | 0                               | 6 | 220 | 1        | -0.09     | 0  | 4 | 143 | 1        | 0.01      | 0  | 4 | 236 | 0        | 0.03      |
| 460,800        | 0                               | 3 | 252 | 1        | 0.14      | 0  | 1 | 229 | 0        | 0.10      | 0  | 4 | 236 | 1        | 0.03      |

| Bit rate (bps) | Operating frequency PCLKA (MHz) |    |     |          |           |    |    |     |          |           |     |    |     |          |           |
|----------------|---------------------------------|----|-----|----------|-----------|----|----|-----|----------|-----------|-----|----|-----|----------|-----------|
|                | 50                              |    |     |          |           | 60 |    |     |          |           | 120 |    |     |          |           |
|                | n                               | N  | M   | BGDM bit | Error (%) | n  | N  | M   | BGDM bit | Error (%) | n   | N  | M   | BGDM bit | Error (%) |
| 38,400         | 0                               | 23 | 151 | 0        | 0.00      | 0  | 36 | 194 | 0        | 0.01      | 0   | 73 | 194 | 0        | 0.01      |
| 57,600         | 0                               | 15 | 151 | 0        | 0.00      | 0  | 21 | 173 | 0        | -0.01     | 0   | 58 | 232 | 0        | 0.00      |
| 115,200        | 0                               | 7  | 151 | 0        | 0.00      | 0  | 10 | 173 | 0        | -0.01     | 0   | 21 | 173 | 0        | -0.01     |
| 230,400        | 0                               | 3  | 151 | 0        | 0.00      | 0  | 10 | 173 | 1        | -0.01     | 0   | 10 | 173 | 0        | -0.01     |
| 460,800        | 0                               | 1  | 151 | 0        | 0.00      | 0  | 6  | 220 | 1        | -0.09     | 0   | 10 | 173 | 1        | -0.09     |

Note 2. In this example, the ABCS and ABCSE bits in the SEMR register are 0.  
SEMR.BRME = 0 (M = 256) disables the bit rate modulation function.

### 32.2.19 Serial Extended Mode Register (SEMR)

Address(es): [SCI0.SEMR 4007 0007h](#), [SCI1.SEMR 4007 0027h](#), [SCI2.SEMR 4007 0047h](#), [SCI3.SEMR 4007 0067h](#),  
[SCI4.SEMR 4007 0087h](#), [SCI5.SEMR 4007 00A7h](#), [SCI6.SEMR 4007 00C7h](#), [SCI7.SEMR 4007 00E7h](#),  
[SCI8.SEMR 4007 0107h](#), [SCI9.SEMR 4007 0127h](#)

| b7      | b6   | b5   | b4   | b3    | b2   | b1 | b0 |
|---------|------|------|------|-------|------|----|----|
| RXDESEL | BGDM | NFEN | ABCS | ABCSE | BRME | —  | —  |

Value after reset: 0 0 0 0 0 0 0 0

| Bit    | Symbol         | Bit name                                       | Description  | R/W   |
|--------|----------------|--|--|-------|
| b0, b1 | —              | Reserved                                       | These bits are read as 0. The write value should be 0.   | R/W   |
| b2     | <b>BRME</b>    | Bit Rate Modulation Enable                     | 0: Disable bit rate modulation function<br>1: Enable bit rate modulation function.   | R/W*1 |
| b3     | <b>ABCSE</b>   | Asynchronous Mode Extended Base Clock Select 1 | Valid only in asynchronous mode with SCR.CKE[1] = 0:<br>0: Clock cycles for 1-bit period determined by combination of the BGDM and ABCS bits in the SEMR register<br>1: Baud rate is 6 base clock cycles for 1-bit period.   | R/W*1 |
| b4     | <b>ABCS</b>    | Asynchronous Mode Base Clock Select            | Valid only in asynchronous mode:<br>0: Selects 16 base clock cycles for 1-bit period<br>1: Selects 8 base clock cycles for 1-bit period.   | R/W*1 |
| b5     | <b>NFEN</b>    | Digital Noise Filter Function Enable           | In asynchronous mode:<br>0: Disable noise cancellation function for RXDn input signal<br>1: Enable noise cancellation function for RXDn input signal.<br>In simple IIC mode:<br>0: Disable noise cancellation function for SCLn and SDAn input signals<br>1: Enable noise cancellation function for SCLn and SDAn input signals.<br>The NFEN bit must be 0 in all other modes. | R/W*1 |
| b6     | <b>BGDM</b>    | Baud Rate Generator Double-Speed Mode Select   | Valid only in asynchronous mode with SCR.CKE[1] = 0:<br>0: Output the clock with single frequency<br>1: Output the clock with double frequency.  | R/W*1 |
| b7     | <b>RXDESEL</b> | Asynchronous Start Bit Edge Detection Select   | Valid only in asynchronous mode:<br>0: Detect low level on RXDn pin as start bit<br>1: Detect falling edge of RXDn pin as start bit.   | R/W*1 |

Note 1. Writable only when the TE and RE bits in SCR/SCR\_SMCI are 0 (both serial transmission and reception are disabled).

The SEMR register selects the clock source for the 1-bit period in asynchronous mode.

**BRME bit (Bit Rate Modulation Enable)**

The BRME bit enables or disables the bit rate modulation function. The bit rate generated by the on-chip baud rate generator is evenly corrected when this function is enabled.

**ABCSE bit (Asynchronous Mode Extended Base Clock Select 1)**

The ABCSE bit sets the pulse number for the base clock in a 1-bit period to 6, and the double-frequency clock is output from the baud rate generator. When the bit rate is set to 6 while dividing the bus clock frequency, use the ABCSE bit to set  $SMR.CKS[1:0] = 00b$  and  $BRR = 0$ . Set this bit to 0 except in asynchronous mode.

**ABCS bit (Asynchronous Mode Base Clock Select)**

The ABCS bit selects the number of clock cycles for a 1-bit period. Set this bit to 0 except in asynchronous mode.

**NFEN bit (Digital Noise Filter Function Enable)**

The NFEN bit enables or disables the digital noise filter function.

When the digital noise filter function is enabled:

- Noise cancellation is applied to the RXDn input signal in asynchronous mode
- Noise cancellation is applied to the SDAn and SCLn input signals in simple IIC mode.

In all other modes, set the NFEN bit to 0 to disable the digital noise filter function. When the function is disabled, input signals are transferred as received.

**BGDM bit (Baud Rate Generator Double-Speed Mode Select)**

The BGDM bit selects whether or not to double the base clock frequency output from the baud rate generator.

The BGDM bit is valid when the on-chip baud rate generator is selected as the clock source ( $SCR.CKE[1] = 0$ ) in asynchronous mode ( $SMR.CM = 0$ ). The base clock is generated by the clock output from the baud rate generator. When the BGDM bit is set to 1, the base clock cycle is halved and the bit rate is doubled.

Set this bit to 0 in modes other than asynchronous mode.

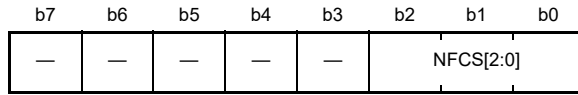
**RXDESEL bit (Asynchronous Start Bit Edge Detection Select)**

The RXDESEL bit selects the detection method of the start bit for reception in asynchronous mode. When a break occurs, data reception operation depends on the setting of this bit. Set this bit to 1 when reception must be stopped while a break occurs or when reception must be started without keeping the RXDn pin input at a high level for the period of one data frame or longer after the completion of the break.

Set this bit to 0 in modes other than asynchronous mode.

### 32.2.20 Noise Filter Setting Register (SNFR)

Address(es): SCI0.SNFR 4007 0008h, SCI1.SNFR 4007 0028h, SCI2.SNFR 4007 0048h, SCI3.SNFR 4007 0068h, SCI4.SNFR 4007 0088h, SCI5.SNFR 4007 00A8h, SCI6.SNFR 4007 00C8h, SCI7.SNFR 4007 00E8h, SCI8.SNFR 4007 0108h, SCI9.SNFR 4007 0128h



Value after reset: 0 0 0 0 0 0 0 0

| Bit      | Symbol    | Bit name                  | Description   | R/W   |
|----------|-----------|---------------------------|---|-------|
| b2 to b0 | NFCS[2:0] | Noise Filter Clock Select | In asynchronous mode, selects the standard setting for the base clock as follows:<br>b2 b0<br>0 0 0: Use clock signal divided by 1 with noise filter.<br><br>In simple IIC mode, selects the standard settings for the clock source of the on-chip baud rate generator selected in the SMR.CKS[1:0] bits:<br>b2 b0<br>0 0 1: Use clock signal divided by 1 with noise filter<br>0 1 0: Use clock signal divided by 2 with noise filter<br>0 1 1: Use clock signal divided by 4 with noise filter<br>1 0 0: Use clock signal divided by 8 with noise filter.<br>Other settings are prohibited. | R/W*1 |
| b7 to b3 | —         | Reserved                  | These bits are read as 0. The write value should be 0.  | R/W   |

Note 1. Writing to these bits is only possible when the RE and TE bits in SCR/SCR\_SMCI are 0 (serial reception and transmission disabled).

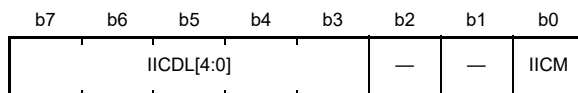
The SNFR register sets the digital noise filter clock.

#### NFCS[2:0] bits (Noise Filter Clock Select)

The NFCS[2:0] bits select the sampling clock for the digital noise filter. To use the noise filter in asynchronous mode, set these bits to 000b. In simple IIC mode, set the bits to a value in the range from 001b to 100b.

### 32.2.21 IIC Mode Register 1 (SIMR1)

Address(es): SCI0.SIMR1 4007 0009h, SCI1.SIMR1 4007 0029h, SCI2.SIMR1 4007 0049h, SCI3.SIMR1 4007 0069h, SCI4.SIMR1 4007 0089h, SCI5.SIMR1 4007 00A9h, SCI6.SIMR1 4007 00C9h, SCI7.SIMR1 4007 00E9h, SCI8.SIMR1 4007 0109h, SCI9.SIMR1 4007 0129h



Value after reset: 0 0 0 0 0 0 0 0

| Bit    | Symbol | Bit name               | Description  | R/W   |
|--------|--------|------------------------|--|-------|
| b0     | IICM   | Simple IIC Mode Select | SMIF IICM<br>0 0: Asynchronous mode including multi-processor mode, clock synchronous mode, or simple SPI mode<br>0 1: Simple IIC mode<br>1 0: Smart card interface mode<br>1 1: Setting prohibited. | R/W*1 |
| b2, b1 | —      | Reserved               | These bits are read as 0. The write value should be 0.   | R/W   |



| Bit      | Symbol     | Bit name                | Description  | R/W   |
|----------|------------|-------------------------|--|-------|
| b7 to b3 | IICDL[4:0] | SDA Delay Output Select | SDA signal output delay in cycles of the clock signal from the on-chip baud rate generator:<br><br>b7      b3<br>0 0 0 0 0: No output delay<br>0 0 0 0 1: 0 to 1 cycle<br>0 0 0 1 0: 1 to 2 cycles<br>0 0 0 1 1: 2 to 3 cycles<br>0 0 1 0 0: 3 to 4 cycles<br>0 0 1 0 1: 4 to 5 cycles<br>:<br>1 1 1 1 0: 29 to 30 cycles<br>1 1 1 1 1: 30 to 31 cycles. | R/W*1 |

Note 1. Writing to these bits is only possible when the RE and TE bits in the SCR register are 0 (both serial transmission and reception are disabled).

SIMR1 selects simple IIC mode and the number of delay stages for the SDAn output.

### IICM bit (Simple IIC Mode Select)

In combination with the SCMR.SMIF bit, the IICM bit selects the operating mode.

### IICDL[4:0] bits (SDA Delay Output Select)

The IICDL[4:0] bits specify an output delay on the SDAn pin relative to the falling edge of the output on the SCLn pin.

The available delay settings range from no delay to 31 cycles, with the clock signal from the on-chip baud rate generator as the base. The signal obtained by frequency-dividing PCLKA by the divisor set in SMR.CKS[1:0] is supplied as the clock signal from the on-chip baud rate generator. Set these bits to 00000b unless the operation is in simple IIC mode. In simple IIC mode, set the bits to a value in the range from 00001b to 11111b.

## 32.2.22 IIC Mode Register 2 (SIMR2)

Address(es): SCI0.SIMR2 4007 000Ah, SCI1.SIMR2 4007 002Ah, SCI2.SIMR2 4007 004Ah, SCI3.SIMR2 4007 006Ah, SCI4.SIMR2 4007 008Ah, SCI5.SIMR2 4007 00AAh, SCI6.SIMR2 4007 00CAh, SCI7.SIMR2 4007 00EAh, SCI8.SIMR2 4007 010Ah, SCI9.SIMR2 4007 012Ah

| b7 | b6 | b5          | b4 | b3 | b2 | b1      | b0          |
|----|----|-------------|----|----|----|---------|-------------|
| —  | —  | IICACK<br>T | —  | —  | —  | IICCCSC | IICINT<br>M |
| 0  | 0  | 0           | 0  | 0  | 0  | 0       | 0           |

Value after reset:

| Bit      | Symbol  | Bit name                  | Description  | R/W   |
|----------|---------|---------------------------|--|-------|
| b0       | IICINTM | IIC Interrupt Mode Select | 0: Use ACK/NACK interrupts<br>1: Use reception and transmission interrupts.  | R/W*1 |
| b1       | IICCCSC | Clock Synchronization     | 0: Do not synchronize with clock signal<br>1: Synchronize with clock signal. | R/W*1 |
| b4 to b2 | —       | Reserved                  | These bits are read as 0. The write value should be 0.                       | R/W   |
| b5       | IICACKT | ACK Transmission Data     | 0: ACK transmission<br>1: NACK transmission and ACK/NACK reception.          | R/W   |
| b7, b6   | —       | Reserved                  | These bits are read as 0. The write value should be 0.                       | R/W   |

Note 1. Writing to these bits is only possible when the RE and TE bits in the SCR register are 0 (serial reception and transmission disabled).

SIMR2 selects how reception and transmission are controlled in simple IIC mode.

### IICINTM bit (IIC Interrupt Mode Select)

The IICINTM bit selects the sources of interrupt requests in simple IIC mode.

### IICCCSC bit (Clock Synchronization)

Set the IICCCSC bit to 1 to synchronize the internally generated SCL clock signal when the SCLn pin is driven low

because of a wait inserted by another device, for example.

The SCL clock signal is not synchronized if this bit is 0. The SCL clock signal is generated according to the rate selected in the BRR register regardless of the level being input on the SCLn pin.

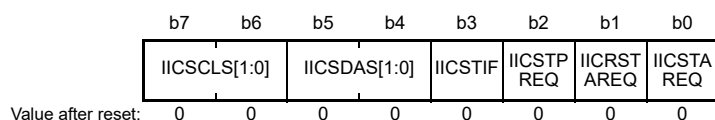
Set this bit to 1 except during debugging.

### IICACKT bit (ACK Transmission Data)

Transmitted data contains ACK bits. Set the IICACKT bit to 1 when ACK and NACK bits are received.

## 32.2.23 IIC Mode Register 3 (SIMR3)

Address(es): SCI0.SIMR3 4007 000Bh, SCI1.SIMR3 4007 002Bh, SCI2.SIMR3 4007 004Bh, SCI3.SIMR3 4007 006Bh, SCI4.SIMR3 4007 008Bh, SCI5.SIMR3 4007 00ABh, SCI6.SIMR3 4007 00CBh, SCI7.SIMR3 4007 00EBh, SCI8.SIMR3 4007 010Bh, SCI9.SIMR3 4007 012Bh



| Bit    | Symbol       | Bit name  | Description  | R/W   |
|--------|--------------|---|--|-------|
| b0     | IICSTAREQ    | Start Condition Generation                                  | 0: Do not generate start condition<br>1: Generate start condition.*1, *3, *5, *6   | R/W   |
| b1     | IICRSTAREQ   | Restart Condition Generation                                | 0: Do not generate restart condition<br>1: Generate restart condition.*2, *3, *5, *6   | R/W   |
| b2     | IICSTPREQ    | Stop Condition Generation                                   | 0: Do not generate stop condition<br>1: Generate stop condition.*2, *3, *5, *6   | R/W   |
| b3     | IICSTIF      | Issuing of Start, Restart, or Stop Condition Completed Flag | 0: No requests are being made for generating conditions, or a condition is being generated<br>1: Generation of start, restart, or stop condition is complete.<br>When 0 is written to IICSTIF, it is set to 0.*4 | R/W*4 |
| b5, b4 | IICSDAS[1:0] | SDA Output Select   | b5 b4<br>0 0: Output serial data<br>0 1: Generate start, restart, or stop condition<br>1 0: Output low on SDAn pin<br>1 1: Drive SDAn pin to high-impedance state.   | R/W   |
| b7, b6 | IICSCLS[1:0] | SCL Output Select   | b7 b6<br>0 0: Output serial clock<br>0 1: Generate start, restart, or stop condition<br>1 0: Output low on SCLn pin<br>1 1: Drive SCLn pin to high-impedance state.  | R/W   |

Note 1. Only generate a start condition after checking the bus state and confirming that the bus is free.

Note 2. Generate a restart or stop condition after checking the bus state and confirming that the bus is busy.

Note 3. Do not set more than one of the IICSTAREQ, IICRSTAREQ, and IICSTPREQ bits to 1 at a given time.

Note 4. Write only 0. When 1 is written, the value is ignored.

Note 5. Execute the generation of a condition after the value of the IICSTIF flag is 0.

Note 6. Do not write 0 to this bit while it is 1. Generation of a condition is suspended by writing 0 to this bit while it is 1.

### IICSTAREQ bit (Start Condition Generation)

When a start condition is to be generated, set both IICSDAS[1:0] and IICSCLS[1:0] to 01b in addition to setting the IICSTAREQ bit to 1.

[Setting condition]

- On writing 1 to the bit.

[Clearing condition]

- On completion of start condition generation.

**IICRSTAREQ bit (Restart Condition Generation)**

When a restart condition is to be generated, set both IICSDAS[1:0] and IICSCLS[1:0] to 01b in addition to setting the IICRSTAREQ bit to 1.

[Setting condition]

- On writing 1 to the bit.

[Clearing condition]

- On completion of restart condition generation.

**IICSTPREQ bit (Stop Condition Generation)**

When a stop condition is to be generated, set both IICSDAS[1:0] and IICSCLS[1:0] to 01b in addition to setting the IICSTPREQ bit to 1.

[Setting condition]

- On writing 1 to the bit.

[Clearing condition]

- On completion of stop condition generation.

**IICSTIF flag (Issuing of Start, Restart, or Stop Condition Completed Flag)**

After generating a condition, the IICSTIF flag indicates that the condition generation is complete. When using the IICSTAREQ, IICRSTAREQ, or IICSTPREQ bit to cause generation of a condition, do so after setting the IICSTIF flag to 0.

When the IICSTIF flag is 1 when an interrupt request is enabled by setting the SCR.TEIE bit, an STI request is output.

[Setting condition]

- On completion of a start, restart, or stop condition generation.

If the setting condition conflicts with any of the clearing conditions for the flag, the clearing condition takes precedence.

[Clearing conditions]

- On writing 0 to the bit. After writing 0 to the IICSTIF bit, read the bit to check that it is actually set to 0.
- On writing 0 to the SIMR1.IICM bit when operation is not in simple IIC mode
- On writing 0 to the SCR.TE bit.

**IICSDAS[1:0] bits (SDA Output Select)**

The IICSDAS[1:0] bits control output from the SDA<sub>n</sub> pin. Set IICSDAS[1:0] and IICSCLS[1:0] to the same value.

**IICSCLS[1:0] bits (SCL Output Select)**

The IICSCLS[1:0] bits control output from the SCL<sub>n</sub> pin. Set IICSCLS[1:0] and IICSDAS[1:0] to the same value.

### 32.2.24 IIC Status Register (SISR)

Address(es): SCI0.SISR 4007 000Ch, SCI1.SISR 4007 002Ch, SCI2.SISR 4007 004Ch, SCI3.SISR 4007 006Ch, SCI4.SISR 4007 008Ch, SCI5.SISR 4007 00ACh, SCI6.SISR 4007 00CCh, SCI7.SISR 4007 00ECh, SCI8.SISR 4007 010Ch, SCI9.SISR 4007 012Ch

|    |    |    |    |    |    |    |         |
|----|----|----|----|----|----|----|---------|
| b7 | b6 | b5 | b4 | b3 | b2 | b1 | b0      |
| —  | —  | —  | —  | —  | —  | —  | IICACKR |

Value after reset:

x: Undefined

| Bit    | Symbol  | Bit name                | Description                          | R/W |
|--------|---------|-------------------------|--------------------------------------|-----|
| b0     | IICACKR | ACK Reception Data Flag | 0: ACK received<br>1: NACK received. | R   |
| b1     | —       | Reserved                | This bit is read as 0                | R   |
| b2     | —       | Reserved                | The read value is undefined          | R   |
| b3     | —       | Reserved                | This bit is read as 0                | R   |
| b5, b4 | —       | Reserved                | The read value is undefined          | R   |
| b7, b6 | —       | Reserved                | These bits are read as 0             | R   |

SISR monitors the state in simple IIC mode.

#### IICACKR flag (ACK Reception Data Flag)

Received ACK and NACK bits can be read from the IICACKR flag. The IICACKR flag is updated on the rising edge of the SCLn clock for the received ACK/NACK bit.

### 32.2.25 SPI Mode Register (SPMR)

Address(es): SCI0.SPMR 4007 000Dh, SCI1.SPMR 4007 002Dh, SCI2.SPMR 4007 004Dh, SCI3.SCI3 4007 006Dh, SCI4.SPMR 4007 008Dh, SCI5.SPMR 4007 00ADh, SCI6.SPMR 4007 00CDh, SCI7.SCI7 4007 00EDh, SCI8.SPMR 4007 010Dh, SCI9.SPMR 4007 012Dh

|      |       |    |     |    |     |      |     |
|------|-------|----|-----|----|-----|------|-----|
| b7   | b6    | b5 | b4  | b3 | b2  | b1   | b0  |
| CKPH | CKPOL | —  | MFF | —  | MSS | CTSE | SSE |

Value after reset:

0 0 0 0 0 0 0 0

| Bit | Symbol | Bit name                | Description  | R/W   |
|-----|--------|-------------------------|--|-------|
| b0  | SSE    | SSn Pin Function Enable | 0: Disable SSn pin function<br>1: Enable SSn pin function.   | R/W*1 |
| b1  | CTSE   | CTS Enable              | 0: Disable CTS function (enable RTS output function)<br>1: Enable CTS function.  | R/W*1 |
| b2  | MSS    | Master Slave Select     | 0: Transmit through TXDn pin and receive through RXDn pin (master mode)<br>1: Receive through TXDn pin and transmit through RXDn pin (slave mode). | R/W*1 |
| b3  | —      | Reserved                | This bit is read as 0. The write value should be 0.  | R/W   |
| b4  | MFF    | Mode Fault Flag         | 0: No mode fault error<br>1: Mode fault error.   | R/W*2 |
| b5  | —      | Reserved                | This bit is read as 0. The write value should be 0.  | R/W   |
| b6  | CKPOL  | Clock Polarity Select   | 0: Do not invert clock polarity<br>1: Invert clock polarity.   | R/W*1 |
| b7  | CKPH   | Clock Phase Select      | 0: Do not delay clock<br>1: Delay clock.   | R/W*1 |

- Note 1. Writing to these bits is only possible when the RE and TE bits in the SCR register are 0 (both serial transmission and reception are disabled).
- Note 2. Only 0 can be written to this bit, to clear the flag.

The SPMR register selects settings for simple SPI mode.

#### **SSE bit (SSn Pin Function Enable)**

Set the SSE bit to 1 to use the SSn pin to control transmission and reception in simple SPI mode. Set this bit to 0 in all other modes. In simple SPI mode, when master mode is selected (SCR.CKE[1:0] = 00b and SPMR.MSS = 0) and there is a single master, the SSn pin on the master side is not required to control reception and transmission. In such a case, set the SSE bit to 0. Do not set both the SSE and CTSE bits to 1 as the operation is the same as when these bits are set to 0.

#### **CTSE bit (CTS Enable)**

Set the CTSE bit to 1 if the SSn pin is to be used for inputting the CTS control signal to control transmission and reception. The RTS signal is output when this bit is set to 0. Set this bit to 0 in smart card interface mode, simple SPI mode, and simple IIC mode. Do not set both the CTSE and SSE bits to 1 as the operation is the same as when these bits are set to 0.

#### **MSS bit (Master Slave Select)**

The MSS bit selects between master or slave operation in simple SPI mode. The functions of the TXDn and RXDn pins are reversed when this bit is set to 1, so that data is received through the TXDn pin and transmitted through the RXDn pin. Set this bit to 0 in modes other than simple SPI mode.

#### **MFF flag (Mode Fault Flag)**

The MFF flag indicates mode fault errors. In a multi-master configuration, determine the mode fault error occurrence by reading this flag.

[Setting condition]

- When input on the SSn pin is low during master operation in simple SPI mode (SSE bit = 1 and MSS bit = 0).

[Clearing condition]

- On writing 0 to the bit after it is read as 1.

#### **CKPOL bit (Clock Polarity Select)**

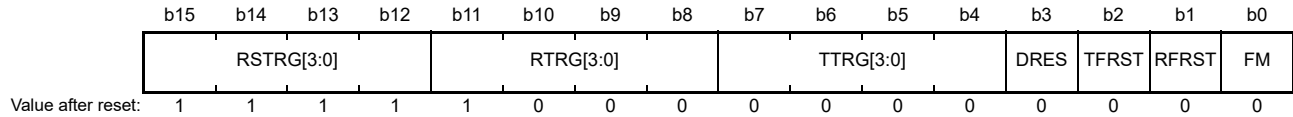
The CKPOL bit selects the polarity of the clock signal output through the SCKn pin. See [Figure 32.70](#) for details. Set the CKPOL bit to 0 in all modes other than simple SPI mode and clock synchronous mode.

#### **CKPH bit (Clock Phase Select)**

The CKPH bit selects the phase of the clock signal output through the SCKn pin. See [Figure 32.70](#) for details. Set the CKPH bit to 0 in all modes other than simple SPI mode and clock synchronous mode.

### 32.2.26 FIFO Control Register (FCR)

Address(es): SCI0.FCR 4007 0014h, SCI1.FCR 4007 0034h, SCI2.FCR 4007 0054h, SCI3.FCR 4007 0074h, SCI4.FCR 4007 0094h, SCI5.FCR 4007 00B4h, SCI6.FCR 4007 00D4h, SCI7.FCR 4007 00F4h, SCI8.FCR 4007 0114h, SCI9.FCR 4007 0134h



| Bit        | Symbol     | Bit name                                | Description  | R/W   |
|------------|------------|---|--|-------|
| b0         | FM         | FIFO Mode Select                        | Valid only in asynchronous mode, including multi-processor mode, or clock synchronous mode:<br>0: Non-FIFO mode.<br>Selects TDR/RDR or TDRHL/RDRHL for communication.<br>1: FIFO mode.<br>Selects FTDRHL/FRDRHL for communication. | R/W*1 |
| b1         | RFRST      | Receive FIFO Data Register Reset        | Valid only when FCR.FM = 1:<br>0: Do not reset FRDRHL<br>1: Reset FRDRHL.  | R/W   |
| b2         | TFRST      | Transmit FIFO Data Register Reset       | Valid only when FCR.FM = 1:<br>0: Do not reset FTDRHL<br>1: Reset FTDRHL.  | R/W   |
| b3         | DRES       | Receive Data Ready Error Select Bit     | Selects the interrupt requested when detecting receive data ready:<br>0: Receive data full interrupt (SCIn_RXI)<br>1: Receive error interrupt (SCIn_ERI).  | R/W   |
| b7 to b4   | TTRG[3:0]  | Transmit FIFO Data Trigger Number       | Valid only in asynchronous mode, including multi-processor mode, or clock synchronous mode:<br>0000: Trigger number 0<br>:<br>1111: Trigger number 15.   | R/W   |
| b11 to b8  | RTRG[3:0]  | Receive FIFO Data Trigger Number        | Valid only in asynchronous mode, including multi-processor mode, or clock synchronous mode:<br>0000: Trigger number 0<br>:<br>1111: Trigger number 15.   | R/W   |
| b15 to b12 | RSTRG[3:0] | RTS Output Active Trigger Number Select | Valid only in asynchronous mode, including multi-processor mode, or clock synchronous mode, while FCR.FM = 1, SPMR.CTSE = 0, and SPMR.SSE = 0:<br>0000: Trigger number 0<br>:<br>1111: Trigger number 15.                          | R/W   |

Note 1. Writable only when TE = 0 and RE = 0.

FCR selects FIFO mode, resets FTDRHL and FRDRHL, selects the FIFO data trigger number for transmission or reception, and selects the RTS output active trigger number.

#### FM bit (FIFO Mode Select)

When the FM bit is set to 1, FTDRHL and FRDRHL are selected for communication. When the FM bit is set to 0, TDR and RDR, or TDRHL and RDRHL are selected for communication.

#### RFRST bit (Receive FIFO Data Register Reset)

When the RFRST bit is set to 1, the FRDRHL register is reset and the received data count resets to 0. When 1 is written to the RFRST bit, it is set to 0 after 1 PCLKA.

#### TFRST bit (Transmit FIFO Data Register Reset)

When the TFRST bit is set to 1, the FTDRHL register is reset and the transmit data count resets to 0. When 1 is written to the TFRST bit, it is set to 0 after 1 PCLKA.

**DRES bit (Receive Data Ready Error Select Bit)**

On detecting a receive data ready error, the DRES bit selects between an SCIn\_RXI interrupt request or an SCIn\_ERI interrupt request. Set the DRES bit to 1 when starting the DMAC or DTC and reading from the FRDRH and FRDRL registers.

**TTRG[3:0] bits (Transmit FIFO Data Trigger Number)**

The TDFE flag is set to 1 when the amount of transmit data in FTDRHL is equal to or less than the transmit triggering number specified in the TTRG[3:0] bits, and software can write data to FTDRHL. If SCR.TIE = 1, an SCIn\_TXI interrupt request occurs.

**RTRG[3:0] bits (Receive FIFO Data Trigger Number)**

The RDF flag is set to 1 when the amount of receive data in FRDRHL is equal to or greater than the specified receive triggering number specified in the RTRG[3:0] bits, and software can read data from FRDRHL. If SCR.RIE = 1, an SCIn\_RXI interrupt request occurs.

When RTRG[3:0] is 0, the RDF flag is not set even when the amount of data in the receive FIFO is equal to 0. Additionally, an SCIn\_RXI interrupt does not occur.

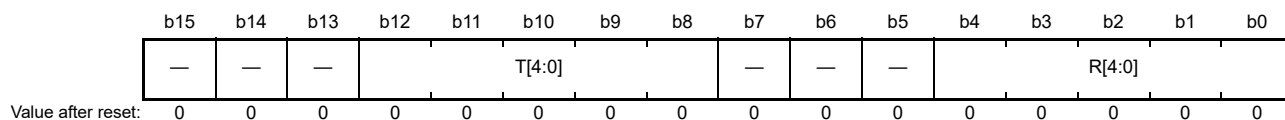
**RSTRG[3:0] bits (RTS Output Active Trigger Number Select)**

When the amount of receive data stored in FRDRHL is equal to or greater than the receive triggering number specified in the RSTRG[3:0] bits, the RTS signal goes high.

When RSTRG[3:0] is 0, the RTS signal does not go high even when the amount of data in FRDRHL is equal to 0.

**32.2.27 FIFO Data Count Register (FDR)**

Address(es): SCI0.FDR 4007 0016h, SCI1.FDR 4007 0036h, SCI2.FDR 4007 0056h, SCI3.FDR 4007 0076h, SCI4.FDR 4007 0096h, SCI5.FDR 4007 00B6h, SCI6.FDR 4007 00D6h, SCI7.FDR 4007 00F6h, SCI8.FDR 4007 0116h, SCI9.FDR 4007 0136h



| Bit        | Symbol | Bit name                 | Description  | R/W |
|------------|--------|--------------------------|--|-----|
| b4 to b0   | R[4:0] | Receive FIFO Data Count  | Indicates the amount of receive data stored in FRDRHL.<br>Valid only in asynchronous mode, including multi-processor mode, or clock synchronous mode, when FCR.FM = 1.         | R   |
| b7 to b5   | —      | Reserved                 | These bits are read as 0.  | R   |
| b12 to b8  | T[4:0] | Transmit FIFO Data Count | Indicates the amount of non-transmitted data stored in FTDRHL.<br>Valid only in asynchronous mode, including multi-processor mode, or clock synchronous mode, when FCR.FM = 1. | R   |
| b15 to b13 | —      | Reserved                 | These bits are read as 0   | R   |

The FDR register indicates the amount of data stored in FRDRHL and FTDRHL.

**R[4:0] bits (Receive FIFO Data Count)**

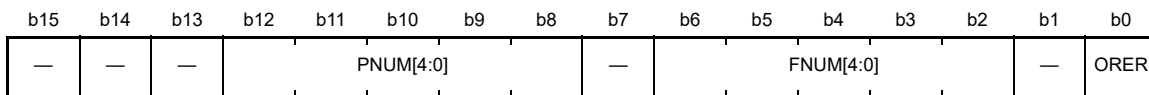
The R[4:0] bits indicate the amount of receive data stored in FRDRHL. 00h indicates no receive data, and 10h indicates that the maximum received data is stored in FRDRHL.

**T[4:0] bits (Transmit FIFO Data Count)**

The T[4:0] bits indicate the amount of non-transmitted data stored in FTDRHL. 00h indicates no transmit data, and 10h indicates that all (maximum amount) of the data to be transmitted is stored in FTDRHL.

### 32.2.28 Line Status Register (LSR)

Address(es): SCI0.LSR 4007 0018h, SCI1.LSR 4007 0038h, SCI2.LSR 4007 0058h, SCI3.LSR 4007 0078h, SCI4.LSR 4007 0098h, SCI5.LSR 4007 00B8h, SCI6.LSR 4007 00D8h, SCI7.LSR 4007 00F8h, SCI8.LSR 4007 0118h, SCI9.LSR 4007 0138h



Value after reset: 0 0 0 0 0 0 0 0 0 0 0 0 0 0 0 0

| Bit        | Symbol    | Bit name            | Description   | R/W |
|------------|-----------|---------------------|---|-----|
| b0         | ORER      | Overrun Error Flag  | Valid only in asynchronous mode, including multi-processor mode, or clock synchronous mode, with FIFO operation selected:<br>0: No overrun error occurred<br>1: Overrun error occurred. | R*1 |
| b1         | —         | Reserved            | This bit is read as 0   | R   |
| b6 to b2   | FNUM[4:0] | Framing Error Count | Indicates the amount of data with a framing error in the receive data stored in the Receive FIFO Data Register (FRDRHL)   | R   |
| b7         | —         | Reserved            | This bit is read as 0   | R   |
| b12 to b8  | PNUM[4:0] | Parity Error Count  | Indicates the amount of data with a parity error in the receive data stored in the Receive FIFO Data Register (FRDRHL)  | R   |
| b15 to b13 | —         | Reserved            | These bits are read as 0  | R   |

Note 1. Write 0 to SSR\_FIFO.ORER to clear the flag.

The LSR register indicates the receive error status.

#### ORER bit (Overrun Error Flag)

The ORER bit reflects the value in SSR\_FIFO.ORER.

#### FNUM[4:0] bits (Framing Error Count)

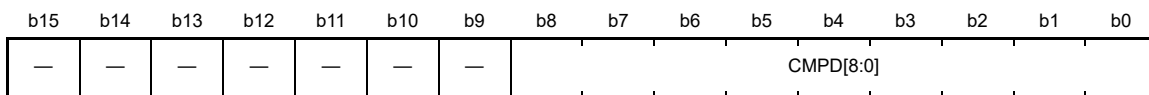
The FNUM[4:0] value indicates the amount of data stored in the FRDRHL register with a framing error.

#### PNUM[4:0] bits (Parity Error Count)

The PNUM[4:0] value indicates the amount of data stored in the FRDRHL register with a parity error.

### 32.2.29 Compare Match Data Register (CDR)

Address(es): SCI0.CDR 4007 001Ah, SCI1.CDR 4007 003Ah, SCI2.CDR 4007 005Ah, SCI3.CDR 4007 007Ah, SCI4.CDR 4007 009Ah, SCI5.CDR 4007 00BAh, SCI6.CDR 4007 00DAh, SCI7.CDR 4007 00FAh, SCI8.CDR 4007 011Ah, SCI9.CDR 4007 013Ah



Value after reset: 0 0 0 0 0 0 0 0 0 0 0 0 0 0 0 0

| Bit       | Symbol    | Bit name           | Description  | R/W |
|-----------|-----------|--------------------|--|-----|
| b8 to b0  | CMPD[8:0] | Compare Match Data | Holds compare data pattern for address match wakeup function | R/W |
| b15 to b9 | —         | Reserved           | These bits are read as 0. The write value should be 0.       | R/W |

The CDR register sets the compare data for the address match function.

#### CMPD[8:0] bits (Compare Match Data)

The CMPD[8:0] bits set the data to be compared to receive data for the address match function, when the address match



function is enabled (DCCR.DCME = 1).

Three bit lengths are available:

- CMPD[6:0] with 7-bit length
- CMPD[7:0] with 8-bit length
- CMPD[8:0] with 9-bit length.

### 32.2.30 Data Compare Match Control Register (DCCR)

Address(es): SCI0.DCCR 4007 0013h, SCI1.DCCR 4007 0033h, SCI2.DCCR 4007 0053h, SCI3.DCCR 4007 0073h, SCI4.DCCR 4007 0093h, SCI5.DCCR 4007 00B3h, SCI6.DCCR 4007 00D3h, SCI7.DCCR 4007 00F3h, SCI8.DCCR 4007 0113h, SCI9.DCCR 4007 0133h

|                    |       |    |      |      |    |    |      |
|--------------------|-------|----|------|------|----|----|------|
| b7                 | b6    | b5 | b4   | b3   | b2 | b1 | b0   |
| DCME               | IDSEL | —  | DFER | DPER | —  | —  | DCMF |
| Value after reset: | 0     | 1  | 0    | 0    | 0  | 0  | 0    |

| Bit    | Symbol | Bit name                              | Description  | R/W     |
|--------|--------|---------------------------------------|--|---------|
| b0     | DCMF   | Data Compare Match Flag               | 0: Not matched<br>1: Matched.  | R/(W)*1 |
| b2, b1 | —      | Reserved                              | These bits are read as 0. The write value should be 0.   | R       |
| b3     | DPER   | Data Compare Match Parity Error Flag  | 0: No parity error occurred<br>1: Parity error occurred.   | R/(W)*1 |
| b4     | DFER   | Data Compare Match Framing Error Flag | 0: No framing error occurred<br>1: Framing error occurred.   | R/(W)*1 |
| b5     | —      | Reserved                              | This bit is read as 0. The write value should be 0.  | R/W     |
| b6     | IDSEL  | ID Frame Select                       | Valid only in asynchronous mode, including multi-processor mode:<br>0: Always compare data regardless of the MPB bit value<br>1: Only compare data when MPB bit is 1 (ID frame). | R/W     |
| b7     | DCME   | Data Compare Match Enable             | Valid only in asynchronous mode, including multi-processor mode:<br>0: Disable address match function<br>1: Enable address match function.                                       | R/W     |

Note 1. Only 0 can be written to clear the flag after reading 1.

The DCCR register controls the address match function.

#### DCMF flag (Data Compare Match Flag)

The DCMF flag indicates that the SCI detected a match of the comparison data (CDR.CMPD) with the receive data.

[Setting condition]

- When comparison data (CDR.CMPD) matches the receive data, when DCCR.DCME = 1.

[Clearing condition]

- When 0 is written after 1 is read from DCMF.

Clearing the SCR.RE bit to 0 does not affect the DCMF flag, which keeps its previous value.

#### DPER flag (Data Compare Match Parity Error Flag)

The DPER flag indicates that a parity error occurred on address match detection (receive data match detection).

[Setting condition]

- When a parity error is detected in the frame in which an address match is detected.

[Clearing conditions]

- When 0 is written after 1 is read from DPER.

Clearing the SCR.RE bit to 0 (serial reception is disabled) does not affect the DPER flag, which keeps its previous value.

### DFER flag (Data Compare Match Framing Error Flag)

The DFER flag indicates that a framing error occurred on address match detection (receive data match detection).

[Setting conditions]

- When a stop bit of the frame in which an address match is detected is 0.

When in 2-stop-bit mode, only the first stop bit is checked for a value of 1, while the second stop bit is not checked.

[Clearing conditions]

- When 0 is written after 1 is read from DFER.

When the SCR.RE bit is set to 0 (serial reception is disabled), the DFER flag is not affected and keeps its previous value.

### IDSEL bit (ID Frame Select)

The IDSEL bit selects whether to compare data regardless of the MPB bit value or to compare data only when MPB = 1 (ID frame), when the address match function is enabled.

### DCME bit (Data Compare Match Enable)

The DCME bit enables or disables the address match function (data compare match function).

If the SCI detects a match between comparison data (CDR.CMPD) and receive data, the DCME bit clears automatically and the SCI operates in receive mode without the data compare match function. See [section 32.3.6, Address Match \(Receive Data Match Detection\) Function](#).

The write value must be 0 for all modes other than asynchronous mode.

## 32.2.31 Serial Port Register (SPTR)

Address(es): [SCI0.SPTR 4007 001Ch](#), [SCI1.SPTR 4007 003Ch](#), [SCI2.SPTR 4007 005Ch](#), [SCI3.SPTR 4007 007Ch](#), [SCI4.SPTR 4007 009Ch](#), [SCI5.SPTR 4007 00BCh](#), [SCI6.SPTR 4007 00DCh](#), [SCI7.SPTR 4007 00FCh](#), [SCI8.SPTR 4007 011Ch](#), [SCI9.SPTR 4007 013Ch](#)

| b7 | b6 | b5 | b4 | b3 | b2         | b1         | b0             |
|----|----|----|----|----|------------|------------|----------------|
| —  | —  | —  | —  | —  | SPB2I<br>O | SPB2D<br>T | RXD<br>M<br>ON |

Value after reset: 0 0 0 0 0 0 1 1

| Bit      | Symbol                 | Bit name                      | Description  | R/W |
|----------|------------------------|-------------------------------|--|-----|
| b0       | <a href="#">RXDMON</a> | Serial Input Data Monitor     | Indicates the state of the RXDn pin:<br>0: RXDn pin is low<br>1: RXDn pin is high.   | R   |
| b1       | <a href="#">SPB2DT</a> | Serial Port Break Data Select | Selects the output level of the TXDn pin when SCR.TE = 0:<br>0: Output low level on TXDn pin<br>1: Output high level on TXDn pin.                            | R/W |
| b2       | <a href="#">SPB2IO</a> | Serial Port Break I/O         | Selects whether the value of SPB2DT is output to TXDn pin:<br>0: Do not output value of SPB2DT bit on TXDn pin<br>1: Output value of SPB2DT bit on TXDn pin. | R/W |
| b7 to b3 | —                      | Reserved                      | These bits are read as 0. The write value should be 0.   | R/W |

The SPTR register provides confirmation of the serial reception pin (RXDn pin) status and sets the transmission pin (TXDn pin) status.

This register can only be used in asynchronous mode.

The TXDn pin status is determined by the combination of SCR.TE, SPTR.SPB2IO, and SPTR.SPB2DT bit settings, as shown in [Table 32.22](#).

**Table 32.22 TXDn pin status**

| Value of SCR.TE | Value of SPTR.SPB2IO | Value of SPTR.SPB2DT | TXDn pin status                |
|-----------------|----------------------|----------------------|--------------------------------|
| 0               | 0                    | x                    | Hi-Z (initial value)           |
| 0               | 1                    | 0                    | Low level output               |
| 0               | 1                    | 1                    | High level output              |
| 1               | x                    | x                    | Serial transmit data is output |

x: Don't care.

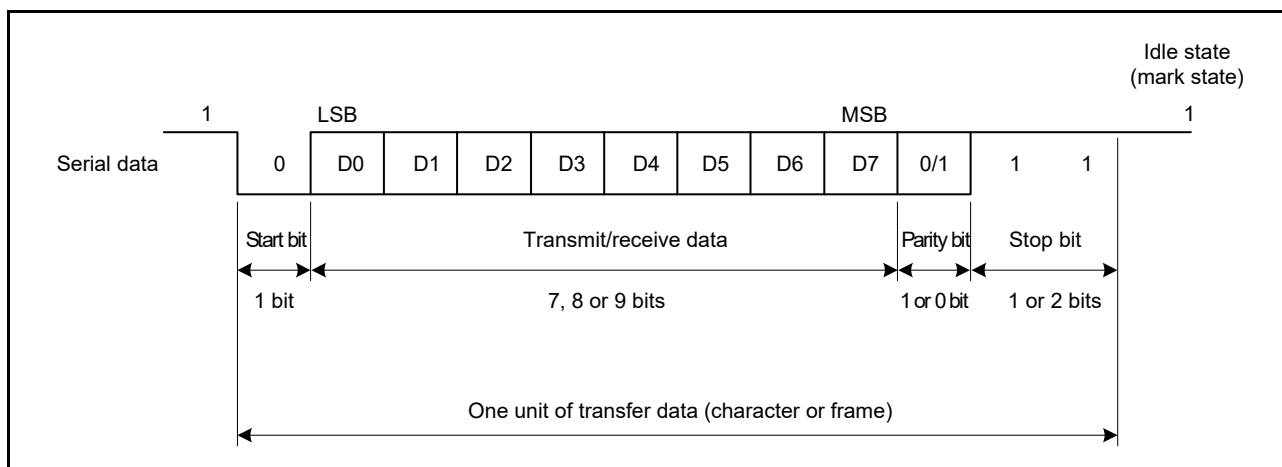
Note: Use the SPTR register in asynchronous mode only. Using this register in any other mode is not guaranteed.

### 32.3 Operation in Asynchronous Mode

Figure 32.2 shows the general format for asynchronous serial communications. One frame consists of a start bit (low level), transmit or receive data, a parity bit, and stop bits (high level). In asynchronous serial communications, the communications line is held in the mark state (high level) when not communicating.

The SCI monitors the communications line. When the SCI detects a low, it regards that as a start bit and starts serial communication.

Inside the SCI, the transmitter and receiver are independent units, enabling full-duplex communications. Both the transmitter and receiver have a double-buffered structure in addition to FIFO mode, so that data can be read or written during transmission or reception, enabling continuous data transmission and reception.



**Figure 32.2 Data format in asynchronous serial communications with 8-bit data, parity bit, and 2 stop bits**

#### 32.3.1 Serial Data Transfer Format

Table 32.23 lists the serial data transfer formats that can be used in asynchronous mode. Any of the 18 transfer formats can be selected in the SMR and SCMR register settings. For details on the multi-processor function, see section 32.4, Multi-Processor Communication Function.

**Table 32.23 Serial transfer formats in asynchronous mode (1 of 3)**

| SCMR setting | SMR setting |     |    |    | Serial transfer format and frame length |   |            |   |   |   |   |   |   |   |    |      |    |    |  |  |  |
|--------------|-------------|-----|----|----|---|---|------------|---|---|---|---|---|---|---|----|------|----|----|--|--|--|
|              | CHR1        | CHR | PE | MP | STOP                                    | 1 | 2          | 3 | 4 | 5 | 6 | 7 | 8 | 9 | 10 | 11   | 12 | 13 |  |  |  |
| 0            | 0           | 0   | 0  | 0  | 0                                       | S | 9-bit data |   |   |   |   |   |   |   |    | STOP |    |    |  |  |  |

**Table 32.23 Serial transfer formats in asynchronous mode (2 of 3)**

| SCMR setting | SMR setting |     |    |    | Serial transfer format and frame length |                                |   |   |   |   |   |   |   |   |    |    |    |    |
|--------------|-------------|-----|----|----|---|--------------------------------|---|---|---|---|---|---|---|---|----|----|----|----|
|              | CHR1        | CHR | PE | MP | STOP                                    | 1                              | 2 | 3 | 4 | 5 | 6 | 7 | 8 | 9 | 10 | 11 | 12 | 13 |
| 0            | 0           | 0   | 0  | 0  | 1                                       | S [ 9-bit data ] STOP STOP     |   |   |   |   |   |   |   |   |    |    |    |    |
| 0            | 0           | 1   | 0  | 0  | 0                                       | S [ 9-bit data ] P STOP        |   |   |   |   |   |   |   |   |    |    |    |    |
| 0            | 0           | 1   | 0  | 1  | 1                                       | S [ 9-bit data ] P STOP STOP   |   |   |   |   |   |   |   |   |    |    |    |    |
| 1            | 0           | 0   | 0  | 0  | 0                                       | S [ 8-bit data ] STOP          |   |   |   |   |   |   |   |   |    |    |    |    |
| 1            | 0           | 0   | 0  | 1  | 1                                       | S [ 8-bit data ] STOP STOP     |   |   |   |   |   |   |   |   |    |    |    |    |
| 1            | 0           | 1   | 0  | 0  | 0                                       | S [ 8-bit data ] P STOP        |   |   |   |   |   |   |   |   |    |    |    |    |
| 1            | 0           | 1   | 0  | 1  | 1                                       | S [ 8-bit data ] P STOP STOP   |   |   |   |   |   |   |   |   |    |    |    |    |
| 1            | 1           | 0   | 0  | 0  | 0                                       | S [ 7-bit data ] STOP          |   |   |   |   |   |   |   |   |    |    |    |    |
| 1            | 1           | 0   | 0  | 1  | 1                                       | S [ 7-bit data ] STOP STOP     |   |   |   |   |   |   |   |   |    |    |    |    |
| 1            | 1           | 1   | 0  | 0  | 0                                       | S [ 7-bit data ] P STOP        |   |   |   |   |   |   |   |   |    |    |    |    |
| 1            | 1           | 1   | 0  | 1  | 1                                       | S [ 7-bit data ] P STOP STOP   |   |   |   |   |   |   |   |   |    |    |    |    |
| 0            | 0           | —   | 1  | 0  | 0                                       | S [ 9-bit data ] MPB STOP      |   |   |   |   |   |   |   |   |    |    |    |    |
| 0            | 0           | —   | 1  | 1  | 1                                       | S [ 9-bit data ] MPB STOP STOP |   |   |   |   |   |   |   |   |    |    |    |    |

**Table 32.23 Serial transfer formats in asynchronous mode (3 of 3)**

| SCMR setting |     | SMR setting |    |      | Serial transfer format and frame length |   |   |   |   |   |   |   |   |    |    |    |    |
|--------------|-----|-------------|----|------|---|---|---|---|---|---|---|---|---|----|----|----|----|
| CHR1         | CHR | PE          | MP | STOP | 1                                       | 2 | 3 | 4 | 5 | 6 | 7 | 8 | 9 | 10 | 11 | 12 | 13 |
| 1            | 0   | —           | 1  | 0    |   |   |   |   |   |   |   |   |   |    |    |    |    |
| 1            | 0   | —           | 1  | 1    |   |   |   |   |   |   |   |   |   |    |    |    |    |
| 1            | 1   | —           | 1  | 0    |   |   |   |   |   |   |   |   |   |    |    |    |    |
| 1            | 1   | —           | 1  | 1    |   |   |   |   |   |   |   |   |   |    |    |    |    |

S: Start bit  
 STOP: Stop bit  
 P: Parity bit  
 MPB: Multi-processor bit

### 32.3.2 Receive Data Sampling Timing and Reception Margin in Asynchronous Mode

In asynchronous mode, the SCI operates on a base clock with a frequency of 16 times\*1 the bit rate.

In reception, the SCI samples the falling edge of the start bit using the base clock, and performs internal synchronization.

Because receive data is sampled on the rising edge of the 8th pulse\*1 of the base clock, data is latched at the middle of each bit, as shown in Figure 32.3. The reception margin in asynchronous mode is determined by the following formula (1):

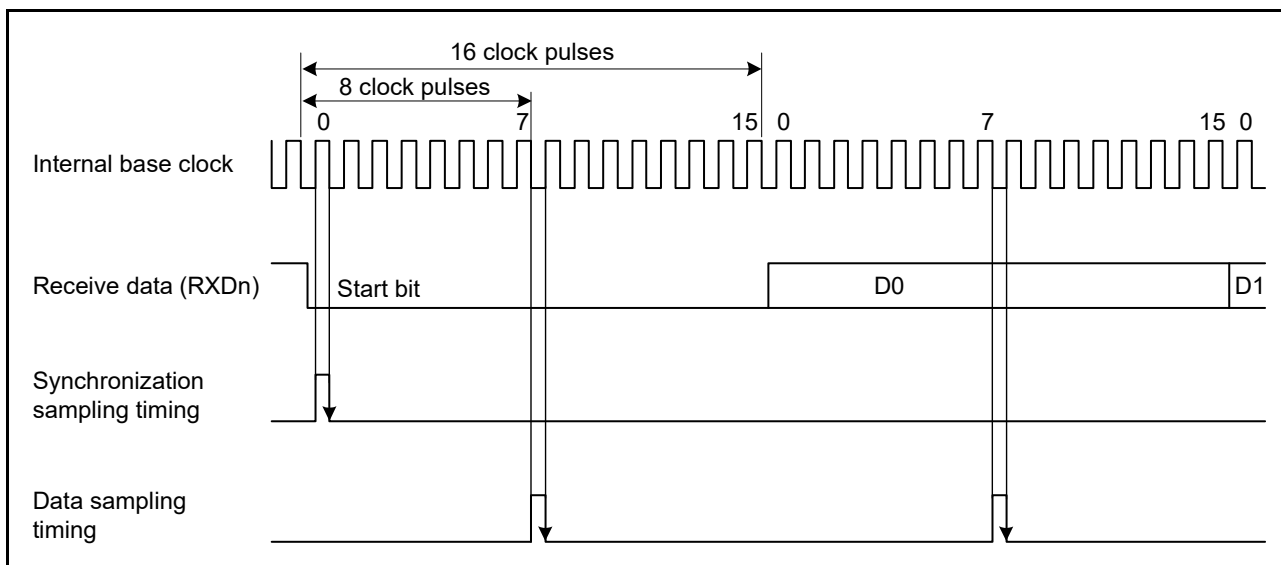
$$M = \left| \left( 0.5 - \frac{1}{2N} \right) - (L - 0.5) F - \frac{|D - 0.5|}{N} (1 + F) \right| \times 100 [\%] \dots \text{Formula (1)}$$

M: Reception margin  
 N: Ratio of bit rate to clock  
 (N = 16 when SEMR.ABCSE = 0 and SEMR.ABCS = 0. N = 8 when SEMR.ABCS = 1. N = 6 when SEMR.ABCSE = 1.)  
 D: Duty cycle of clock (D = 0.5 to 1.0)  
 L: Frame length (L = 9 to 13)  
 F: Absolute value of clock frequency deviation

Assuming values of F = 0 and D = 0.5 in formula (1), the reception margin is determined using the following formula:  
 $M = \{0.5 - 1/(2 \times 16)\} \times 100 (\%) = 46.875\%$

This represents the computed value. Renesas recommends a margin of 20% to 30% in system design.

Note 1. In this example, the SEMR.ABCS bit is 0 and the SEMR.ABCSE is 0. When the ABCS bit is 1 and the ABCSE bit is 0, a frequency of 8 times the bit rate is used as a base clock, and receive data is sampled on the rising edge of the 4th pulse of the base clock.  
 When the ABCSE bit is 1, a frequency of 6 times the bit rate is used as a base clock, and the receive data is sampled on the rising edge of the 3rd pulse of the base clock.



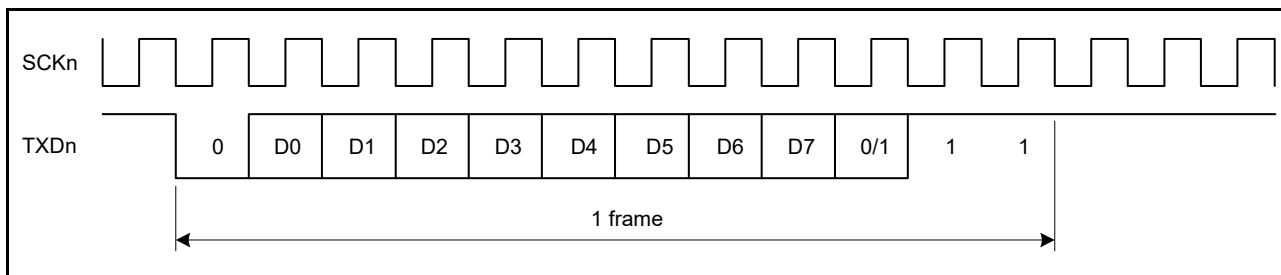
**Figure 32.3** Receive data sampling timing in asynchronous mode

### 32.3.3 Clock

Either an internal clock generated by the on-chip baud rate generator or an external clock input to the SCKn pin can be selected as the SCI transfer clock, based on the SMR.CM and SCR.CKE[1:0] settings.

When an external clock is input to the SCKn pin, the clock frequency must be 16 times the bit rate (when SEMR.ABCS = 0) or 8 times the bit rate (when SEMR.ABCS = 1).

When the SCI uses its internal clock, the clock can be output from the SCKn pin. The frequency of the clock output in this case is equal to the bit rate, and the phase is configured so that the rising edge of the clock is in the middle of the transmit data, as shown in [Figure 32.4](#).



**Figure 32.4** Phase relationship between output clock and transmit data in asynchronous mode when SMR.CHR = 0, PE = 1, MP = 0, and STOP = 1

### 32.3.4 Double-Speed Operation and Frequency of 6 Times the Bit Rate

When the SEMR.ABCS bit is set to 1 and 8 pulses of the base clock for a 1-bit period is selected, the SCI operates on the bit rate that is equal to twice the value when ABCS is set to 0. When the SEMR.BGDM bit is set to 1, the cycle of the base clock is half and the bit rate is double the value when BGDM is set to 0. When the SCR.CKE[1] bit is set to 0 and the on-chip baud rate generator is selected, setting the ABCS and BGDM bits to 1 allows the SCI to operate at a bit rate equal to four times the value when the ABCS and BGDM bits are set to 0. When the SEMR.ABCSE bit is set to 1, the number of basic clock pulses is 6 during a period of 1 bit, and the SCI operates at a bit rate that is equal to 16/3 times the value when SEMR.ABCS = 0, SEMR.BGDM = 0, and SMER.ABCSE = 0.

As shown by formula (1) in [section 32.3.2, Receive Data Sampling Timing and Reception Margin in Asynchronous Mode](#), the reception margin decreases when the SEMR.ABCS or SEMR.ABCSE bit in SEMR is set to 1. Therefore, if the target bit rate can be obtained with ABCS or ABCSE set to 0, it is recommended that you use the SCI with ABCS and ABCSE set to 0.

### 32.3.5 CTS and RTS Functions

The CTS function uses the input on the CTSn\_RTSn pin in transmission control. Setting the SPMR.CTSE bit to 1 enables the CTS function. When the CTS function is enabled, placing a low level on the CTSn\_RTSn pin causes transmission to start.

Driving the CTSn\_RTSn pin high while transmission is in progress does not affect transmission of the current frame.

In the RTS function, which uses the output on the CTSn\_RTSn pin, a low level is output when reception becomes possible. Conditions for the output of low and high levels are shown in this section.

[Conditions for low-level output]

(a) Non-FIFO selected when all of the following conditions are satisfied

- The value of the SCR.RE bit is 1
- Reception is not in progress
- There is no received data yet to be read
- The ORER, FER, and PER flags in the SSR register are all 0.

(b) FIFO selected when all of the following conditions are satisfied

- The value of the SCR.RE bit is 1
- The amount of receive data written in FRDRHL is equal to or less than the specified receive triggering number
- The ORER bit in the SSR\_FIFO register (ORER in FRDRH) is 0.

[Condition for high-level output]

(a) Non-FIFO selected

- The conditions for low-level output are not satisfied
- When reception is terminated with SCR.RE = 0 without reading the RDR register after reception is complete, RTS remains high. At this time, read the SCR register for dummy values after writing 0 to SCR.RE.

(b) FIFO selected

- The conditions for low-level output are not satisfied.

### 32.3.6 Address Match (Receive Data Match Detection) Function

The address match function can be used only in asynchronous mode.

If the DCCR.DCME bit is set to 1\*4, when one frame of data is received, the SCI compares that received data with the data set in CDR.CMPD. If the SCI detects a match to the comparison data (CDR.CMPD\*3) with the received data, the SCI can issue the SCIn\_RXI interrupt request.

If the SMR.MP bit is set to 0, comparison occurs only for valid data in receive format. In multi-processor mode (SMR.MP bit = 1), if the DCCR.IDSEL bit is set to 1, receive data where the MPB bit is 1 is subject to comparison for address match. Receive data where the MPB bit is 0 is always treated as a mismatch.

If the DCCR.IDSEL bit is set to 0, SCI performs address match detection regardless of the MPB bit value of the received data. Until SCI detects a match between the comparison data (CDR.CMPD\*3) and the receive data, received data is skipped (discarded), and the SCI cannot detect a parity error or framing error.

When SCI detects a match, the DCCR.DCME bit is automatically cleared, and the DCCR.DCMF flag is set to 1. If the DCCR.IDSEL bit is set to 1, the SCR.MPIE bit is automatically cleared. If DCCR.IDSEL is set to 0, the value of the SCR.MPIE bit is retained. If the SCR.RIE bit is set to 1, the SCI issues an SCIn\_RXI interrupt request.

If the SCI detects a framing error in the receive data for which a match is detected, the DCCR.DFER bit is set to 1, and if the SCI detects a parity error in that frame, the DCCR.DPER bit is set to 1. The compared receive data is not stored in the RDR register\*1, and SSR.RDRF remains 0.\*2

After the SCI detects a match, and DCCR.DCME is automatically cleared, the SCI receives the next data continuously based on the current register setting.

When the DCCR.DFER or DCCR.DPER flag is set, the address match is not performed. Before enabling the address match function, set the DCCR.DFER and DCCR.DPER flags to 0.

Examples of the address match function are shown in [Figure 32.5](#) and [Figure 32.6](#).

Note 1. When FCR.FM = 1, this refers to the FRDRHL register.

Note 2. When FCR.FM = 1, this refers to the SSR\_FIFO.RDF flag.

Note 3. This comparative target can select one length of 3 types: CMPD[6:0] with 7-bit length, CMPD[7:0] with 8-bit length, and CMPD[8:0] with 9-bit length.

Note 4. Set the DCCR.DCME bit to 1 before receiving the start bit of the received frame that performs address matching.



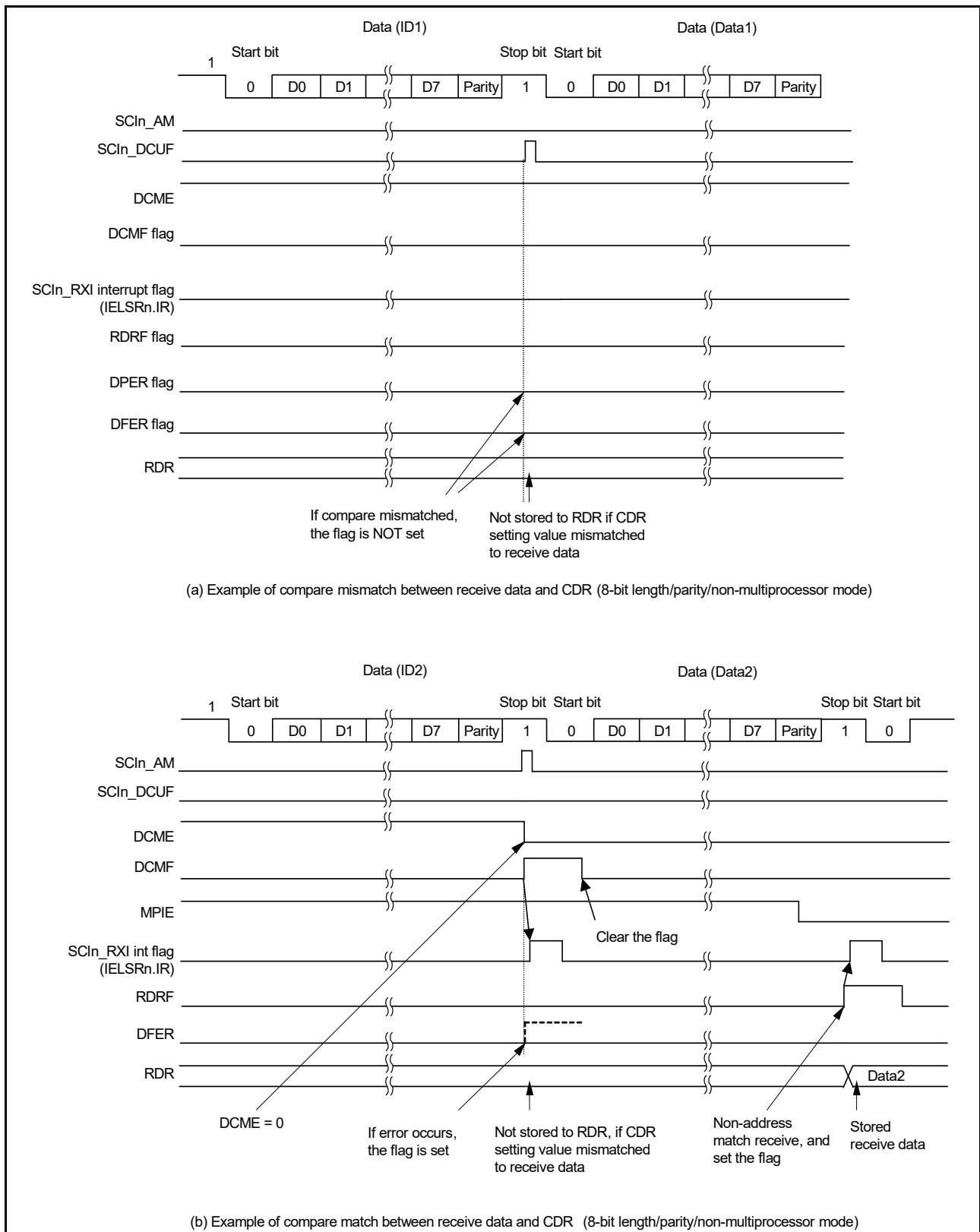


Figure 32.5 Example of address match (1) non-multiprocessor mode

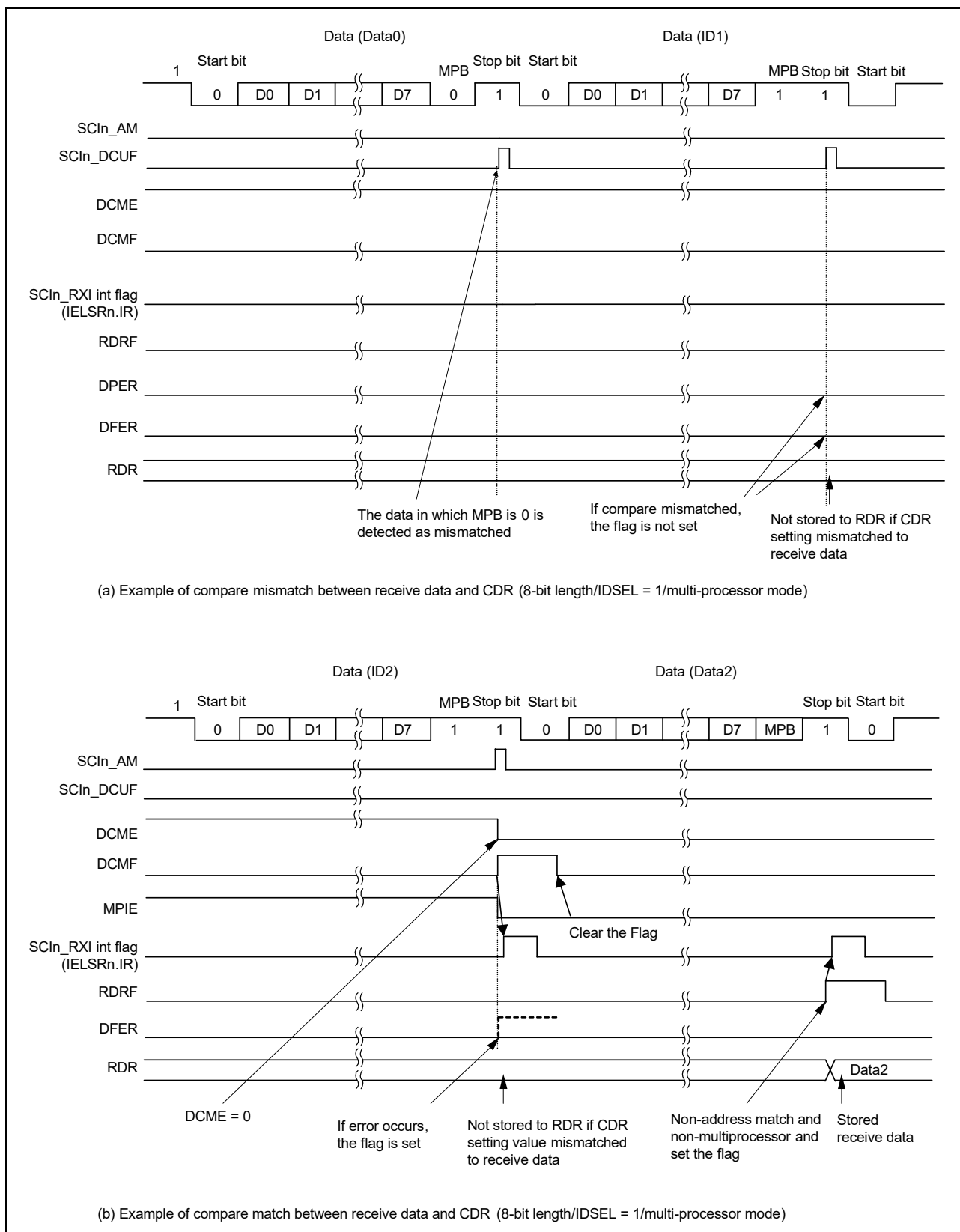


Figure 32.6 Example of address match (2) multi-processor mode

### 32.3.7 SCI Initialization in Asynchronous Mode

Before transmitting and receiving data, start by writing the initial value 00h to the SCR register, then continue through the SCI initialization procedure (select non-FIFO or FIFO) shown in Figure 32.7 and Figure 32.8. Whenever the operating mode or transfer format is to be changed, the SCR register must be initialized before the change is made.

When the external clock is used in asynchronous mode, ensure that the clock signal is supplied during initialization.

Note: When the SCR.RE bit is set to 0, the ORER, FER, RDRF, RDF, PER, and DR flags in SSR/SSR\_FIFO, and the RDR and RDRHL registers are not initialized. When the TE bit is set to 0, the TEND flag for the selected FIFO buffer is not initialized.

Note: Switching the value of the SCR.TE bit from 1 to 0 or 0 to 1 while the SCR.TIE bit is 1 leads to the generation of an SCIn\_TXI interrupt request.

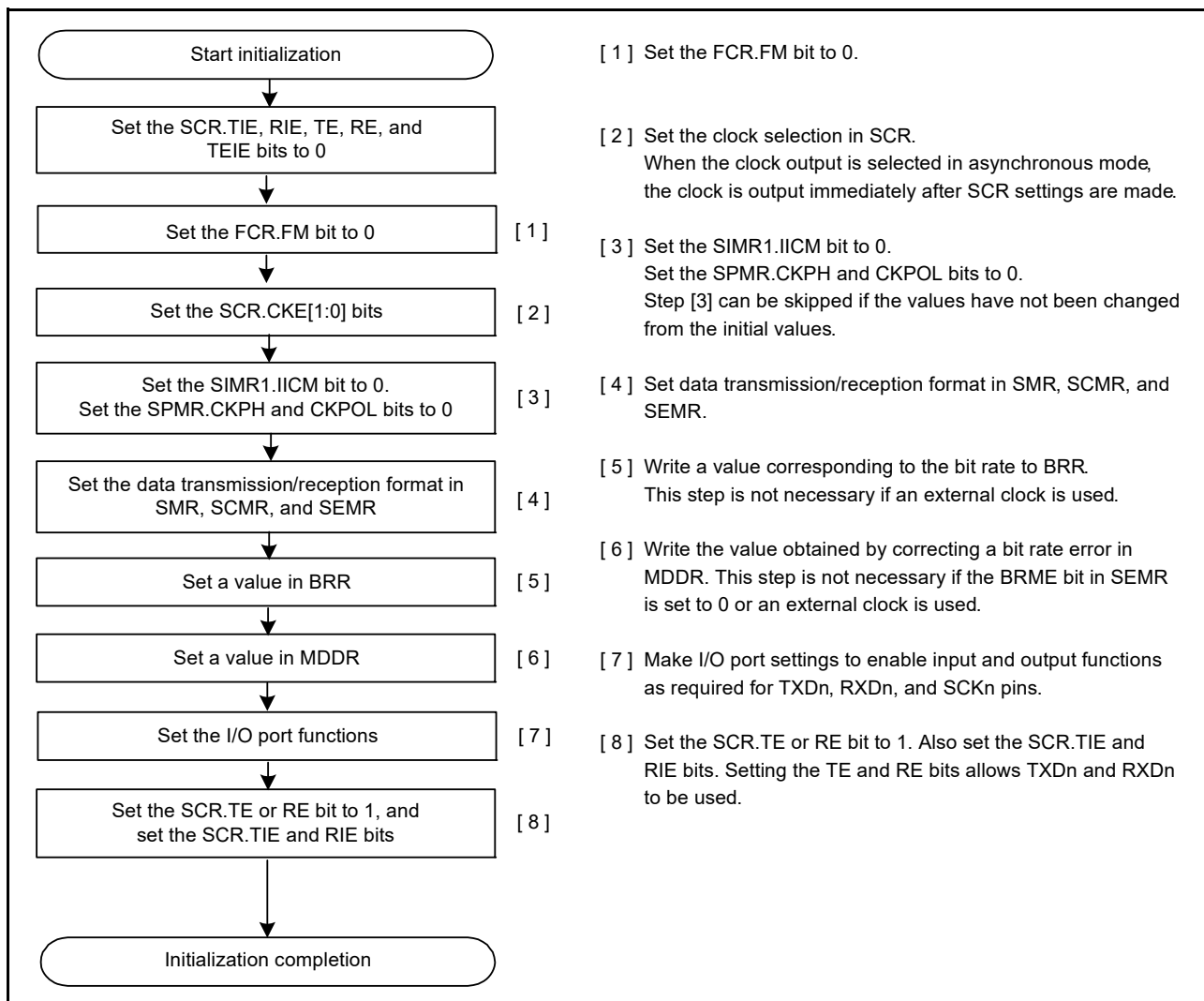
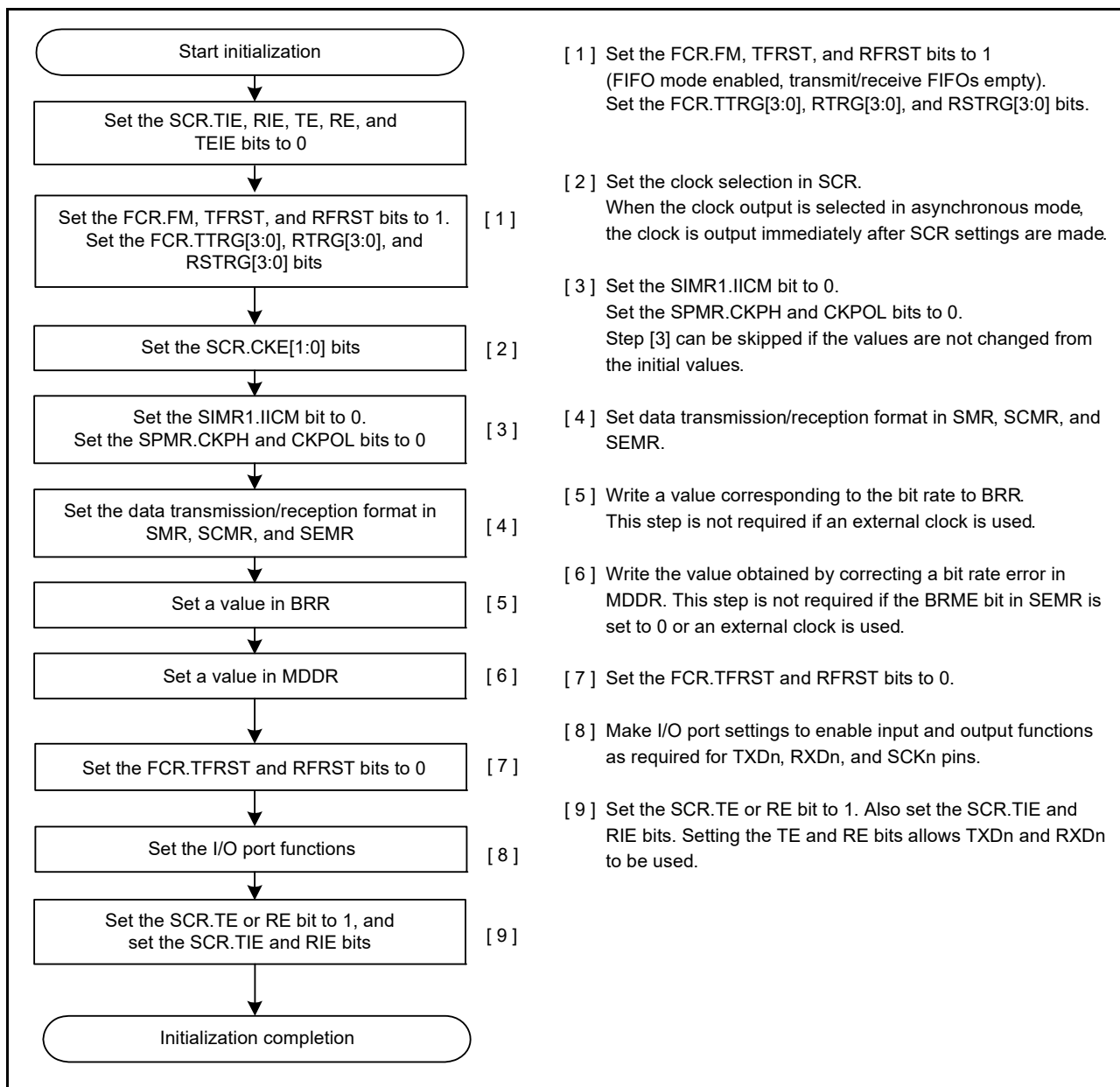


Figure 32.7 Example flow of SCI initialization in asynchronous mode with non-FIFO selected



**Figure 32.8 Example SCI initialization flow in synchronous mode with FIFO selected**

### 32.3.8 Serial Data Transmission in Asynchronous Mode

#### (1) Non-FIFO selected

Figure 32.9, Figure 32.10, and Figure 32.11 show examples of serial transmission in asynchronous mode.

In serial transmission, the SCI operates as described in this section. When the SCR.TE bit is set to 1, the high level for one frame (preamble) is output to TXD.

1. The SCI transfers data from the TDR\*<sup>1</sup> register to the TSR register when data is written to TDR\*<sup>1</sup> in the SCIn\_TXI interrupt handling routine. The SCIn\_TXI interrupt request at the beginning of transmission is generated when the SCR.TE and SCR.TIE bits are set to 1 simultaneously by a single instruction.
2. Transmission starts after the SPMR.CTSE bit is set to 0 (CTS function is disabled) or a low level on the CTSn\_RTsn pin causes data transfer from the TDR\*<sup>1</sup> register to the TSR register. If the SCR.TIE bit is 1, an SCIn\_TXI interrupt request is generated. Continuous transmission is possible by writing the next transmit data to the TDR\*<sup>1</sup> register in the SCIn\_TXI interrupt handling routine before transmission of the current transmit data is

complete. When SCIn\_TEI interrupt requests are in use, set the SCR.TIE bit to 0 (SCIn\_TXI interrupt requests are disabled) and the SCR.TEIE bit to 1 (an SCIn\_TEI interrupt request is enabled) after the last of the data to be transmitted is written to the TDR\*1 register from the handling routine for SCIn\_TXI requests.

3. Data is sent from the TXDn pin in the following order:
  - Start bit
  - Transmit data
  - Parity bit or multi-processor bit (can be omitted depending on the format)
  - Stop bit.
4. The SCI checks for an update of the TDR register on the output of the stop bit.
5. When the TDR register is updated, setting the SPMR.CTSE bit to 0 (CTS function is disabled) or a low level input on the CTSn\_RTSn pin, causes the transfer of the next transmit data from the TDR\*1 register to the TSR register and the transmission of the stop bit, after which serial transmission of the next frame starts.
6. If the TDR register is not updated, the SSR.TEND flag is set to 1, the stop bit is sent, and the mark state is entered, where 1 is output. If the SCR.TEIE bit is 1, the SSR.TEND flag is set to 1 and an SCIn\_TEI interrupt request is generated.

Note 1. Only write data to the TDRHL register when 9-bit data length is selected.

Figure 32.9, Figure 32.10, and Figure 32.11 show examples of serial transmission in asynchronous mode.

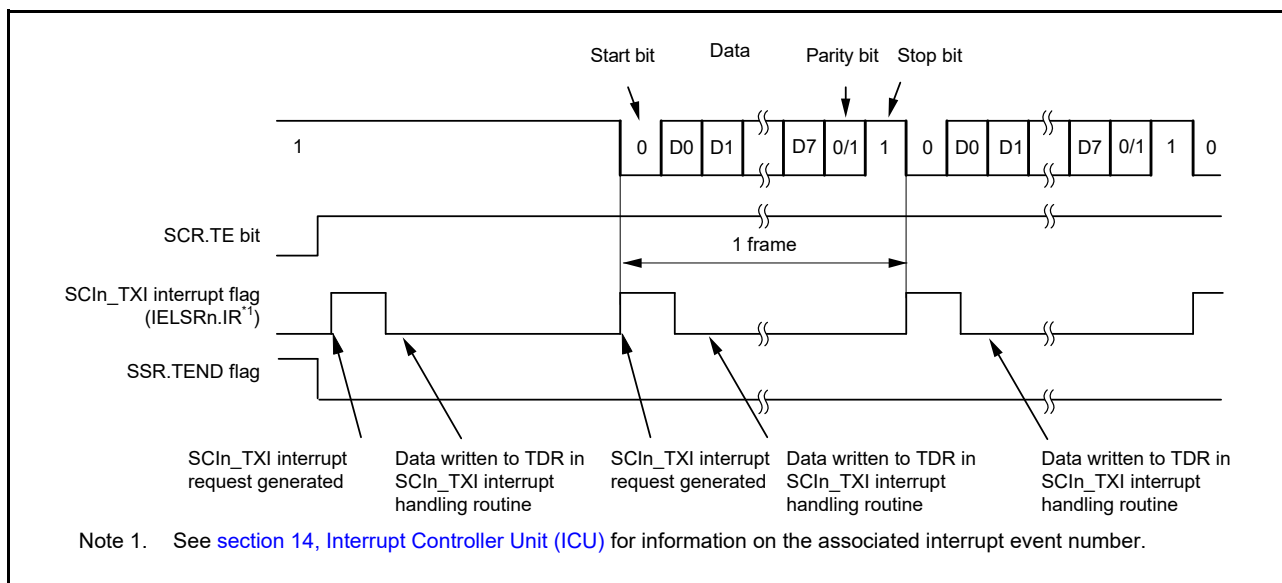


Figure 32.9 Example operation for serial transmission in asynchronous mode (1) with 8-bit data, parity bit, 1 stop bit, CTS function not used, and at the beginning of transmission

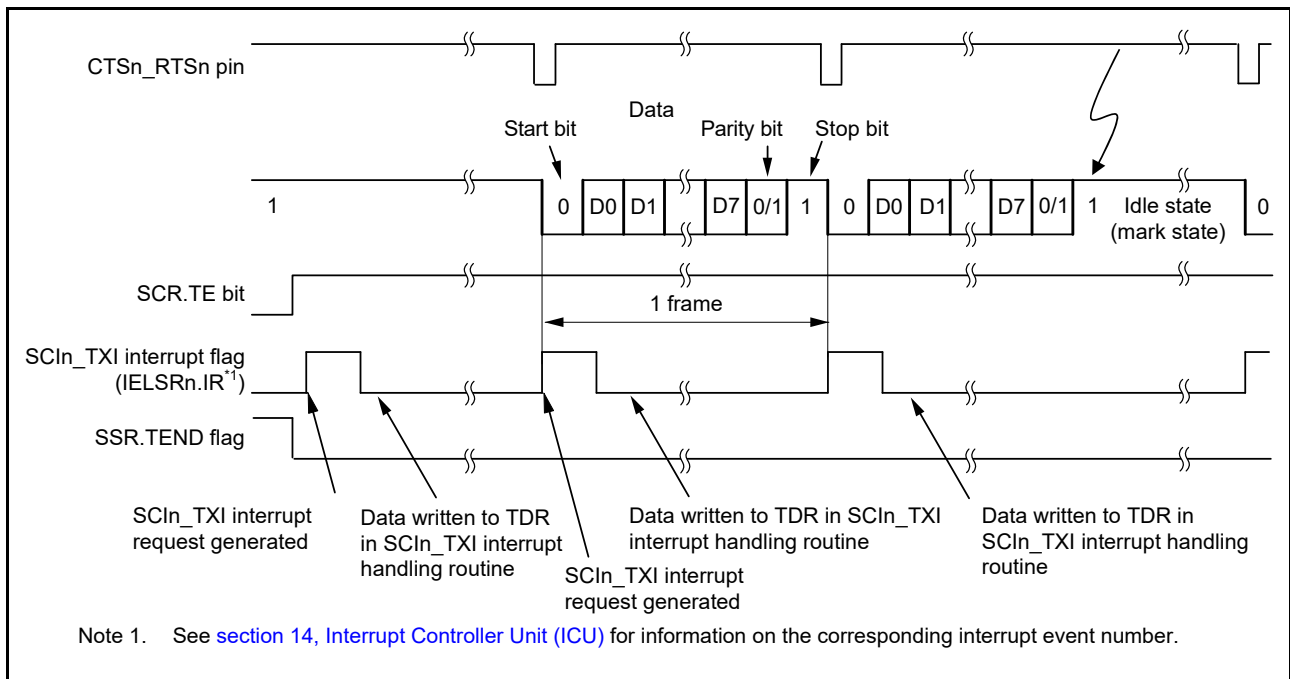


Figure 32.10 Example operation for serial transmission in asynchronous mode (2) with 8-bit data, parity bit, one stop bit, CTS function used, and at the beginning of transmission

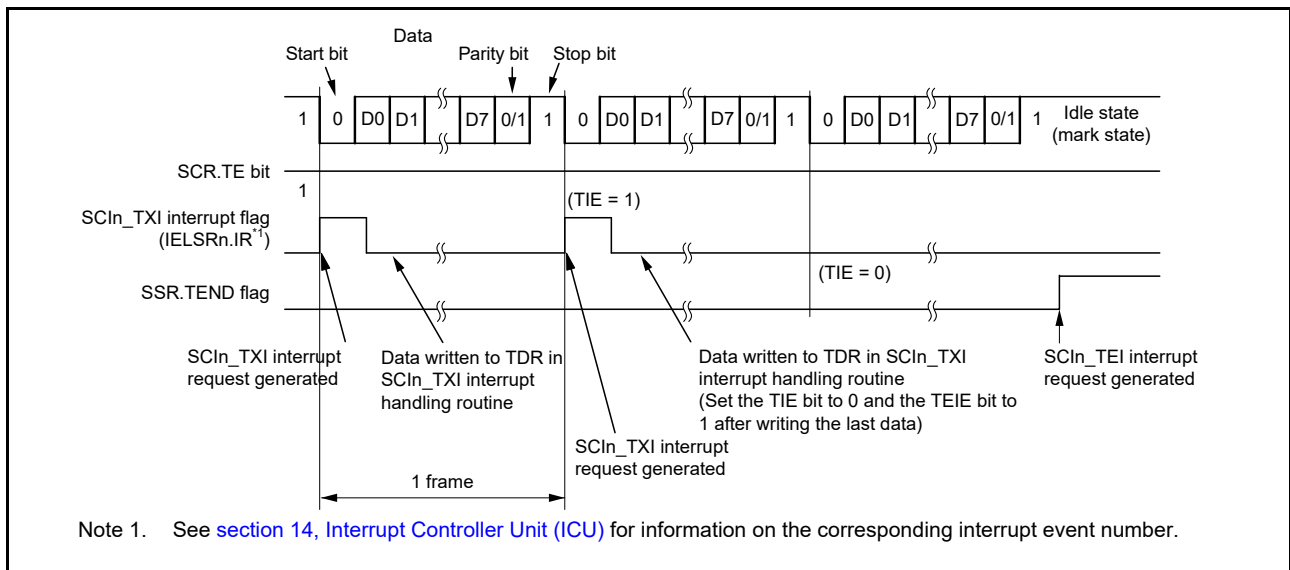


Figure 32.11 Example operation for serial transmission in asynchronous mode (3) with 8-bit data, parity bit, one stop bit, CTS function not used, and from the middle of transmission until transmission completion

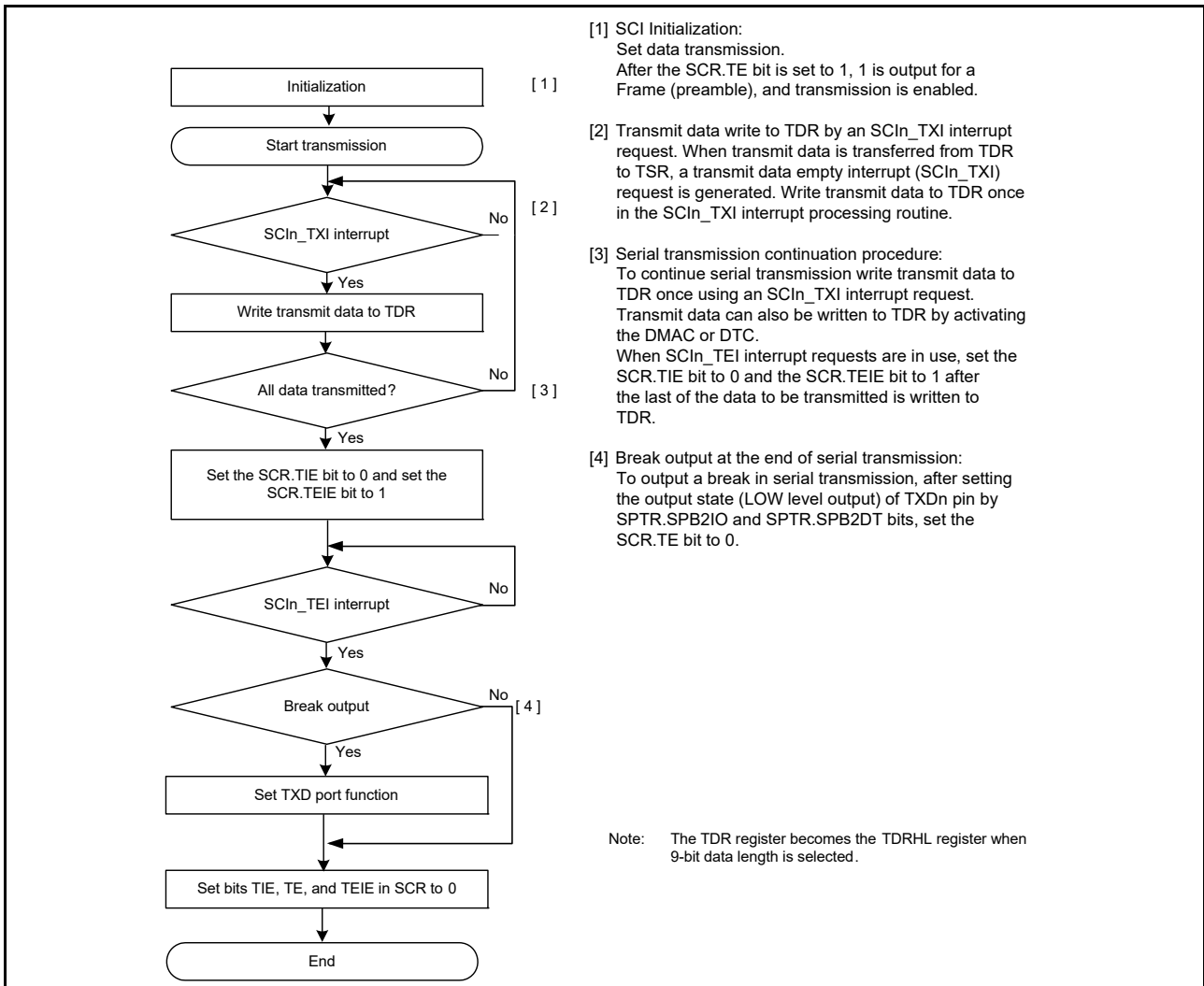


Figure 32.12 Example flow of serial transmission in asynchronous mode with non-FIFO selected

(2) FIFO selected

Figure 32.13 shows an example of a data format that is written to FTDRH and FTDRHL in asynchronous mode.

Data corresponding to the data length is set to FTDRH and FTDRHL. Write 0 for unused bits. Write in order from FTDRH to FTDRHL.

| Data Length | Register Setting |            | Transmit data in FTDRH, FTDRHL |    |    |    |    |    |    |                     |                     |    |                     |    |    |    |    |
|-------------|------------------|------------|--------------------------------|----|----|----|----|----|----|---------------------|---------------------|----|---------------------|----|----|----|----|
|             |                  |            | FTDRH                          |    |    |    |    |    |    | FTDRHL              |                     |    |                     |    |    |    |    |
|             | SCMR. CHR1       | SMR. CHR   | b7                             | b6 | b5 | b4 | b3 | b2 | b1 | b0                  | b7                  | b6 | b5                  | b4 | b3 | b2 | b1 |
| 7 bits      | 1                | 0          | —                              | —  | —  | —  | —  | —  | —  | —                   | —                   | —  | 7-bit transmit data |    |    |    |    |
| 8 bits      | 1                | 1          | —                              | —  | —  | —  | —  | —  | —  | —                   | 8-bit transmit data |    |                     |    |    |    |    |
| 9 bits      | 0                | Don't care | —                              | —  | —  | —  | —  | —  | —  | 9-bit transmit data |                     |    |                     |    |    |    |    |

—: Invalid. The write value should be 0.

Figure 32.13 Data format written to FTDRH and FTDRHL with FIFO selected

In serial transmission, the SCI operates as described in this section. When the TE bit is set to 1, the high level is output to TXD for one frame (preamble).

1. The SCI transfers data from the FTDRL\*<sup>1</sup> register to the TSR register when data is written to FTDRL\*<sup>1</sup> in the SCIn\_TXI interrupt handling routine. The amount of data that can be written to FTDRL is 16 minus FDR.T[4:0] bytes. The SCIn\_TXI interrupt request at the beginning of the transmission is generated when the SCR.TE and SCR.TIE bits are set to 1 simultaneously by a single instruction.
2. Transmission starts after the SPMR.CTSE bit is set to 0 (CTS function is disabled) or a low level on the CTSn\_RTsn pin causes data transfer from the FTDRL\*<sup>1</sup> register to the TSR register. When the amount of transmit data written in FTDRL is equal to or less than the specified transmit triggering number, SSR\_FIFO.TDFE is set to 1. If the SCR.TIE bit is 1, an SCIn\_TXI interrupt request is generated. Continuous transmission is possible by writing the next transmit data to FTDRL\*<sup>1</sup> in the SCIn\_TXI interrupt handling routine before transmission of the current transmit data is complete. When SCIn\_TEI interrupt requests are in use, set the SCR.TIE bit to 0 (SCIn\_TXI interrupt requests are disabled) and the SCR.TEIE bit to 1 (an SCIn\_TEI interrupt request is enabled) after the last of the data to be transmitted is written to the FTDRL\*<sup>1</sup>\*<sup>2</sup> register from the handling routine for SCIn\_TXI requests.
3. Data is sent from the TXDn pin in the following order:
  - Start bit
  - Transmit data
  - Parity bit or multi-processor bit (can be omitted depending on the format)
  - Stop bit.
4. On output of the stop bit, the SCI checks whether non-transmitted data remains in the FTDRL\*<sup>3</sup> register.
5. When data is set to FTDRL\*<sup>3</sup>, setting the SPMR.CTSE bit to 0 (CTS function is disabled) or a low level input on the CTSn\_RTsn pin causes transfer of the next transmit data from FTDRL\*<sup>1</sup> to TSR and transmission of the stop bit, after which serial transmission of the next frame starts.
6. If data is not set in FTDRL\*<sup>3</sup>, the TEND flag in SSR\_FIFO is set to 1, the stop bit is sent, and the mark state is entered in which 1 is output. If the SCR.TEIE bit is 1, the SSR\_FIFO.TEND flag is set to 1 and an SCIn\_TEI interrupt request is generated.

Note 1. Write data not to FTDRL but to the FTDRH and FTDRL registers.

Note 2. Write data in the order from FTDRH to FTDRL when 9-bit data length is selected.

Note 3. The SCI only checks for an update to the FTDRL register and not the FTDRH register when 9-bit data length is selected.



Figure 32.14 shows an example flow of serial transmission in asynchronous mode with FIFO selected.

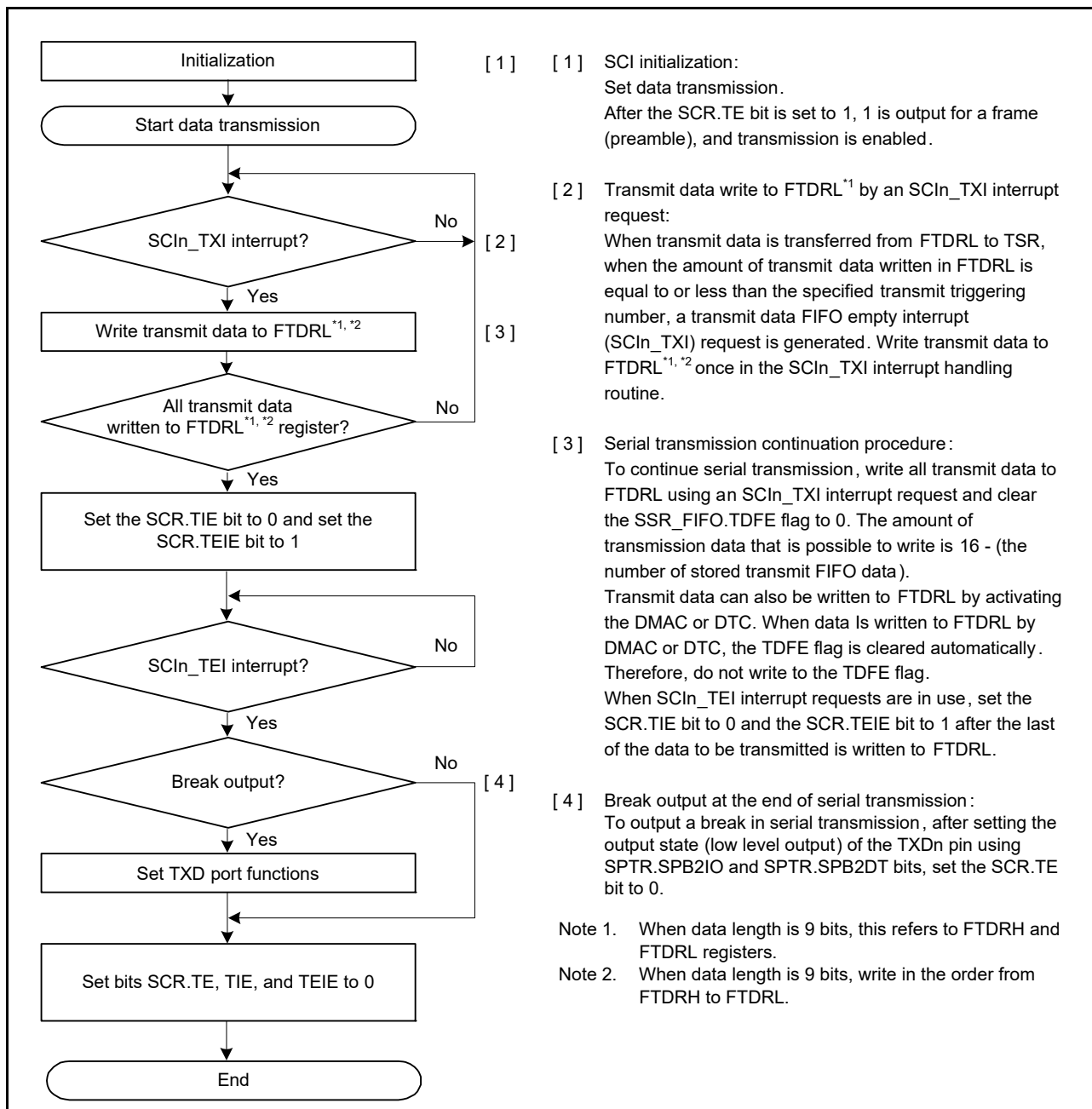


Figure 32.14 Example flow of serial transmission in asynchronous mode with FIFO selected

### 32.3.9 Serial Data Reception in Asynchronous Mode

#### (1) Non-FIFO selected

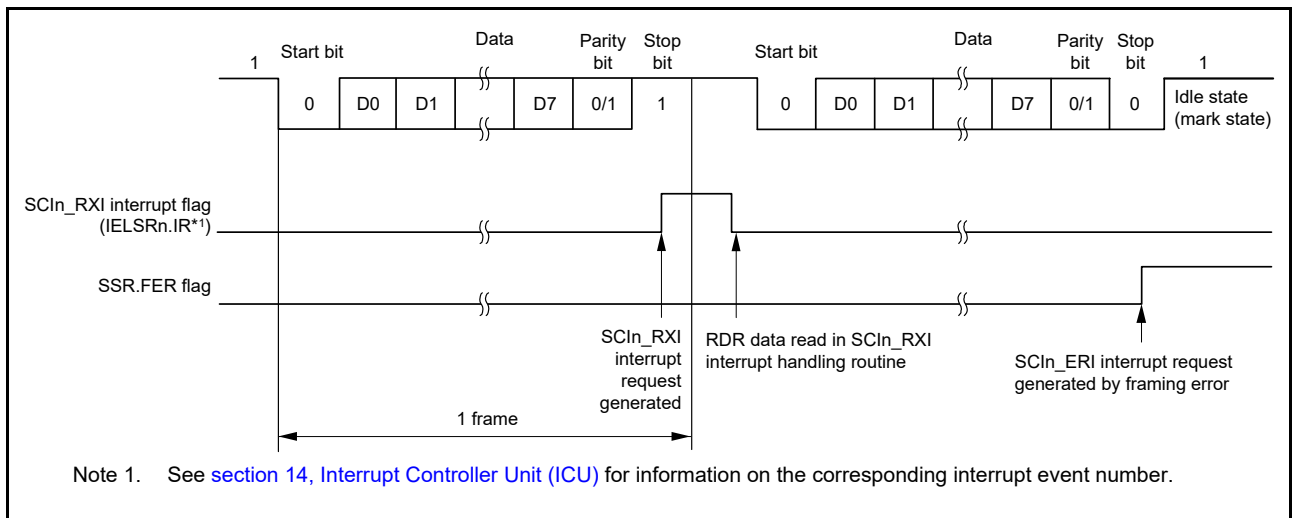
Figure 32.15 and Figure 32.16 show an example of the operation for serial data reception in asynchronous mode.

In serial data reception, the SCI operates as follows:

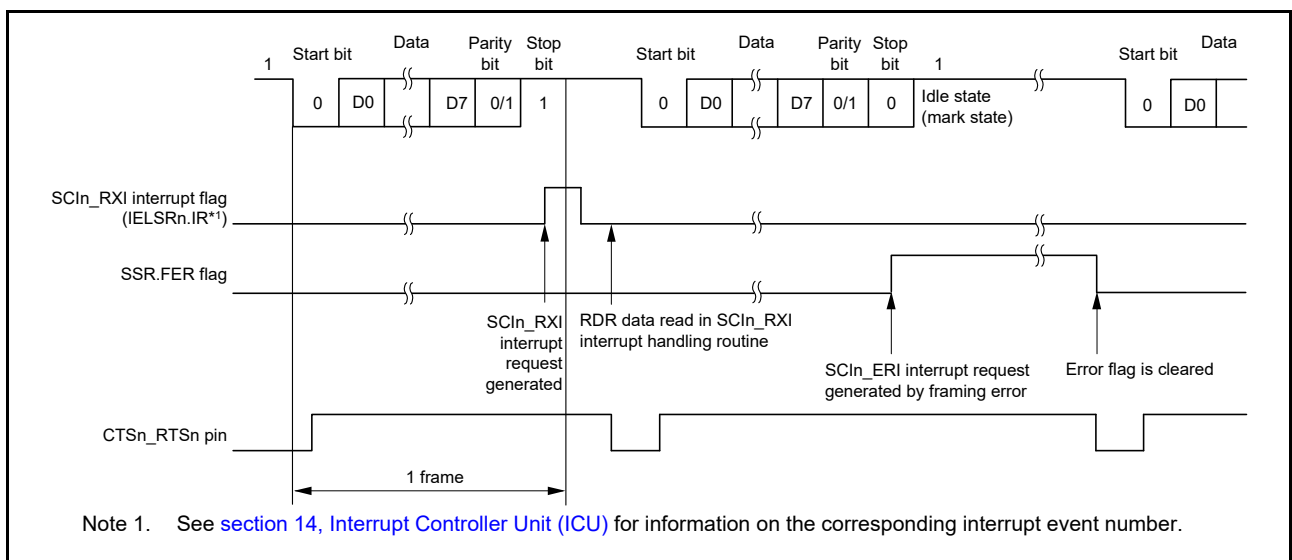
1. When the value of the SCR.RE bit becomes 1, the output signal on the CTSn\_RTSn pin goes low.
2. The SCI monitors the communications line and when it detects a start bit, the SCI performs internal synchronization, stores receive data in RSR, and checks the parity bit and stop bit.
3. If an overrun error occurs, the SSR.ORER flag is set to 1. If the SCR.RIE bit is 1, an SCIn\_ERI interrupt request is generated. Receive data is not transferred to the RDR\*1 register.

4. If a parity error is detected, the SSR.PER flag is set to 1 and receive data is transferred to the RDR\*1 register. If the SCR.RIE bit is 1, an SCIn\_ERI interrupt request is generated.
5. If a frame error is detected, the SSR.FER flag is set to 1 and receive data is transferred to the RDR\*1 register. If the SCR.RIE bit is 1, an SCIn\_ERI interrupt request is generated.
6. When reception finishes successfully, receive data is transferred to the RDR\*1 register. If the SCR.RIE bit is 1, an SCIn\_RXI interrupt request is generated. Continuous reception is enabled by reading the receive data transferred to the RDR register in the SCIn\_RXI interrupt handling routine before reception of the next receive data completes. Reading the received data that was transferred to the RDR register causes the CTSn\_RTSn pin to output low.

Note 1. Only read data in the RDRHL register when 9-bit data length is selected.



**Figure 32.15** Example of SCI operation for serial reception in asynchronous mode (1) when the RTS function is not used, and with 8-bit data, parity bit, and 1 stop bit



**Figure 32.16** Example of SCI operation for serial reception in asynchronous mode (2) when RTS function is used, and with 8-bit data, parity bit, and 1 stop bit

Table 32.24 lists the states of the flags in the SSR register and receive data handling when a receive error is detected.

If a receive error is detected, an SCIn\_ERI interrupt request is generated but an SCIn\_RXI interrupt request is not generated. Data reception cannot be resumed while the receive error flag is 1. Also, set the ORER, FER, and PER bits to 0 before resuming reception. In addition, be sure to read the RDR or RDRHL register during overrun error processing.

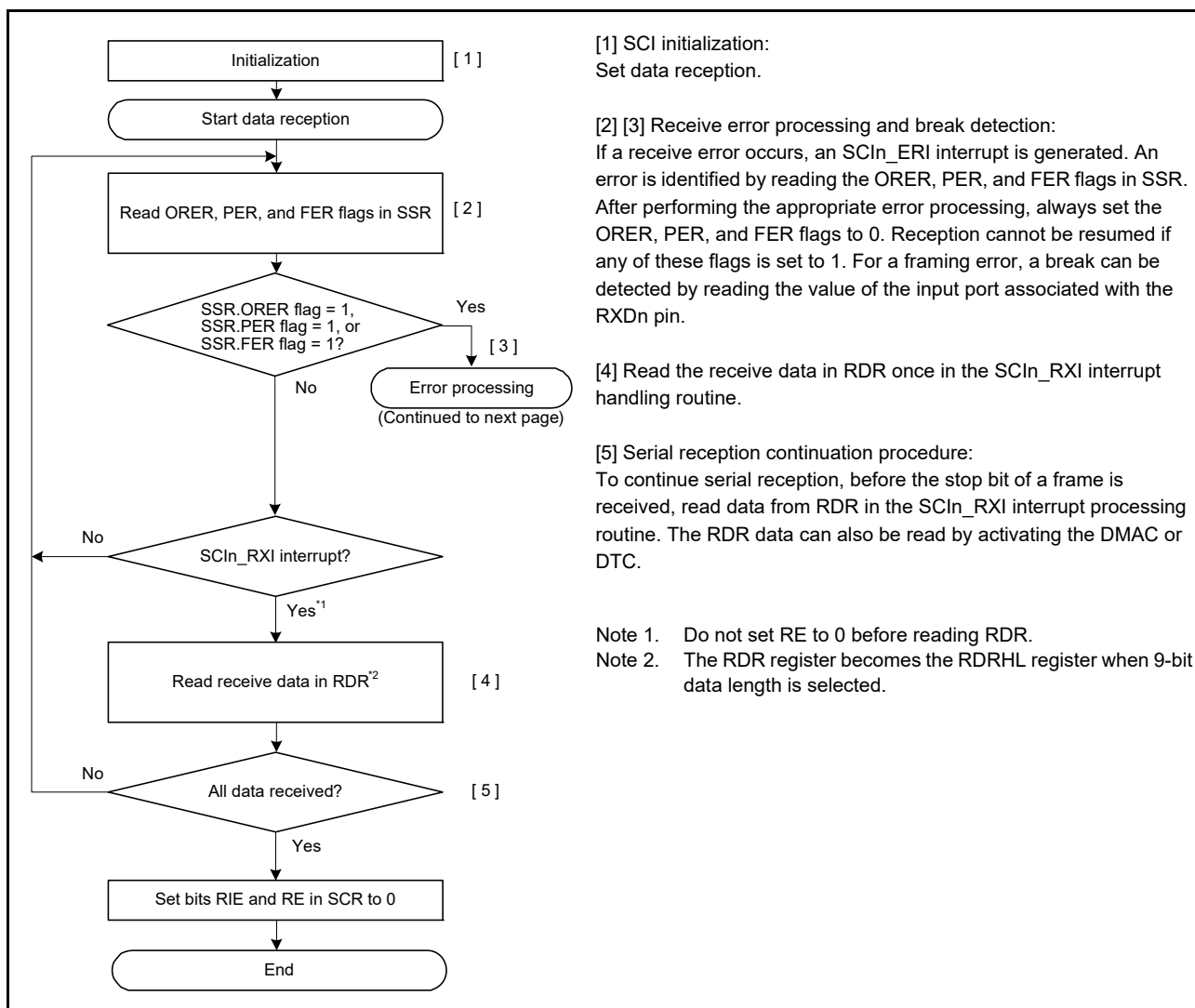
When a reception is forcibly terminated by setting the SCR.RE bit to 0 during operation, read the RDR or RDRHL register because received data that is not yet read might be left in the RDR or RDRHL.

Figure 32.17 and Figure 32.18 show example flows of serial data reception.

**Table 32.24** Flags in SSR Status Register and receive data handling

| Flags in the SSR Status Register |     |     | Receive data       | Receive error type                           |
|----------------------------------|-----|-----|--------------------|--|
| ORER                             | FER | PER |                    |  |
| 1                                | 0   | 0   | Lost               | Overrun error                                |
| 0                                | 1   | 0   | Transferred to RDR | Framing error                                |
| 0                                | 0   | 1   | Transferred to RDR | Parity error                                 |
| 1                                | 1   | 0   | Lost               | Overrun error + framing error                |
| 1                                | 0   | 1   | Lost               | Overrun error + parity error                 |
| 0                                | 1   | 1   | Transferred to RDR | Framing error + parity error                 |
| 1                                | 1   | 1   | Lost               | Overrun error + framing error + parity error |

Note 1. Only read data in the RDRHL register when 9-bit data length is selected.



**Figure 32.17** Example flow of serial reception in asynchronous mode with non-FIFO selected (1)

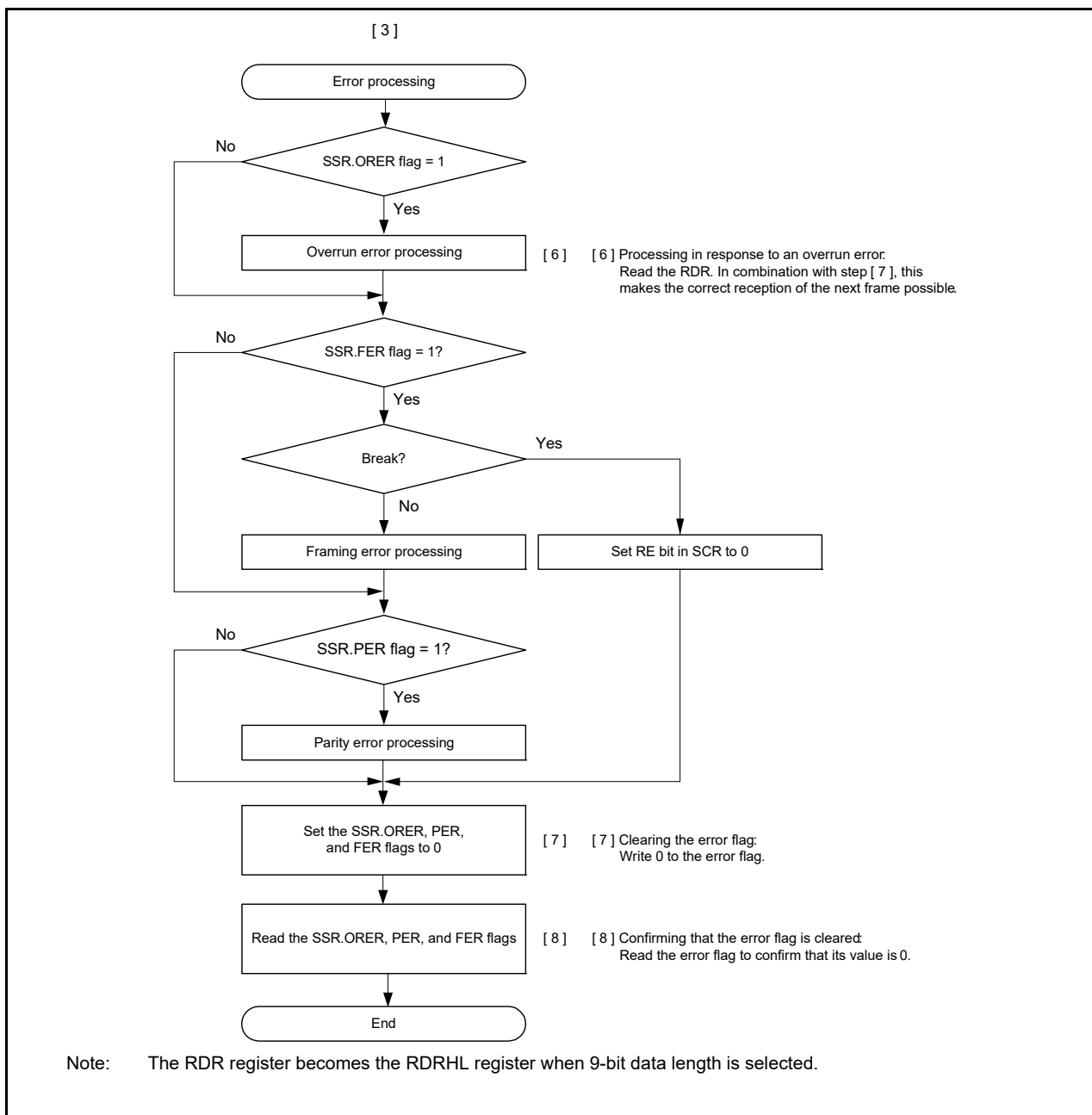


Figure 32.18 Example flow of serial reception in asynchronous mode with non-FIFO selected (2)

(2) FIFO selected

Figure 32.19 shows the example of a data format that is written to FRDRH and FRDRL in asynchronous mode.

In asynchronous mode, 0 is written to the MPB flag in the FRDRH register. Data that corresponds to the data length is written to FRDRH and FRDRL. Unused bits are written as 0. Read in the order from FRDRH to FRDRL. If software reads FRDRL, the SCI updates FER, PER, and receive data (RDAT[8:0]) in the FRDRL register with the next data. The flags RDF, ORER, and DR in the FRDRH register always reflect the associated flags in the SSR\_FIFO register.

| Data Length | Register Setting |            | Receive data in FRDRH, FRDRL |     |      |     |     |    |    |                    |                    |                    |    |    |    |    |    |
|-------------|------------------|------------|------------------------------|-----|------|-----|-----|----|----|--------------------|--------------------|--------------------|----|----|----|----|----|
|             | SCMR. CHR1       | SMR. CHR   | FRDRH                        |     |      |     |     |    |    |                    | FRDRL              |                    |    |    |    |    |    |
|             |                  |            | b7                           | b6  | b5   | b4  | b3  | b2 | b1 | b0                 | b7                 | b6                 | b5 | b4 | b3 | b2 | b1 |
| 7 bits      | 1                | 0          | —                            | RDF | ORER | FER | PER | DR | 0  | 0                  | 0                  | 7-bit receive data |    |    |    |    |    |
| 8 bits      | 1                | 1          | —                            | RDF | ORER | FER | PER | DR | 0  | 0                  | 8-bit receive data |                    |    |    |    |    |    |
| 9 bits      | 0                | Don't care | —                            | RDF | ORER | FER | PER | DR | 0  | 9-bit receive data |                    |                    |    |    |    |    |    |

Note: 0 is always read for MPB flag (FRDRH[1]).  
 When data length is 7 bits, 0 is always read for FRDRH[0] and FRDRL[7].  
 When data length is 8 bits, 0 is always read for FRDRH[0].  
 FRDRH[7] bit is read as an indefinite value.

Figure 32.19 Data format stored in FRDRH and FRDRL with FIFO selected

In serial data reception, the SCI operates as follows:

1. When the value of the SCR.RE bit becomes 1, the output signal on the CTSn\_RTSn pin goes low.
2. When the SCI monitors the communications line and detects a start bit, it performs internal synchronization, stores receive data in the RSR register, and checks the parity bit and stop bit.
3. If an overrun error occurs, the SSR\_FIFO.ORER flag is set to 1. If the SCR.RIE bit in SCR is 1, an SCIn\_ERI interrupt request is generated. Receive data is not transferred to the FRDRL\*1 register.
4. If a parity error is detected, the PER flag and receive data are transferred to the FRDRL\*1 register. If the RIE bit is set to 1, an SCIn\_ERI interrupt request is generated.
5. If a framing error is detected, the FER flag and receive data are transferred to the FRDRL\*1 register. If the RIE bit is set to 1, an SCIn\_ERI interrupt request is generated.
6. After a framing error is detected and when SCI detects that the continuous receive data is for one frame, reception stops.
7. When the amount of data stored in the FRDRL register falls below the specified receive triggering number, and the next data is not received after 15 ETUs from the last stop bit in asynchronous mode, the SSR\_FIFO.DR bit is set to 1. When the RIE bit is 1 and the FCR.DRES bit is 0, the SCI generates an SCIn\_RXI interrupt request. When the FCR.DRES bit is 1, SCI generates an SCIn\_ERI interrupt request.
8. When reception finishes successfully, receive data is transferred to the FRDRL\*1 register. The RDF bit is set to 1 when the amount of receive data written to FRDRHL is equal to or greater than the specified receive triggering number. When the SCR.RIE bit in SCR is 1, an SCIn\_RXI interrupt request is generated. Continuous reception is enabled by reading the receive data transferred to the FRDRL\*2 register in the SCIn\_RXI interrupt handling routine, before an overrun error occurs. If the received data that is transferred to FRDRL\*3 is less than the RTS trigger number, the CTSn\_RTSn pin outputs low.

Note 1. Only read data in the FRDRH and FRDRL registers when 9-bit data length is selected.

Note 2. Read data in the order from FRDRH to FRDRL when 9-bit data length is selected.

Note 3. The SCI only checks for an update to the FRDRL register and not to the FRDRH register when 9-bit data length is selected.

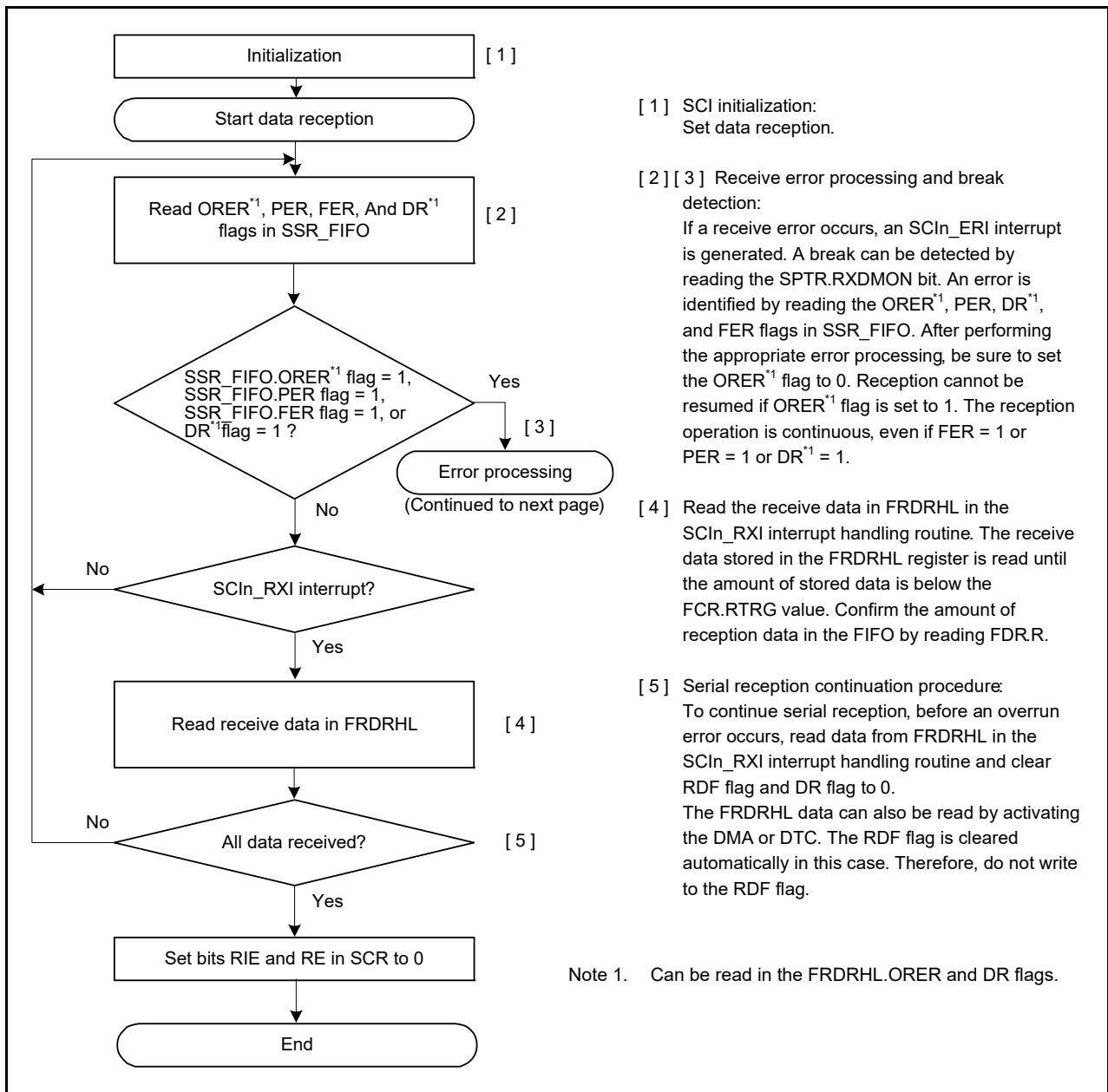


Figure 32.20 Example flow of serial reception in asynchronous mode with FIFO selected (1)

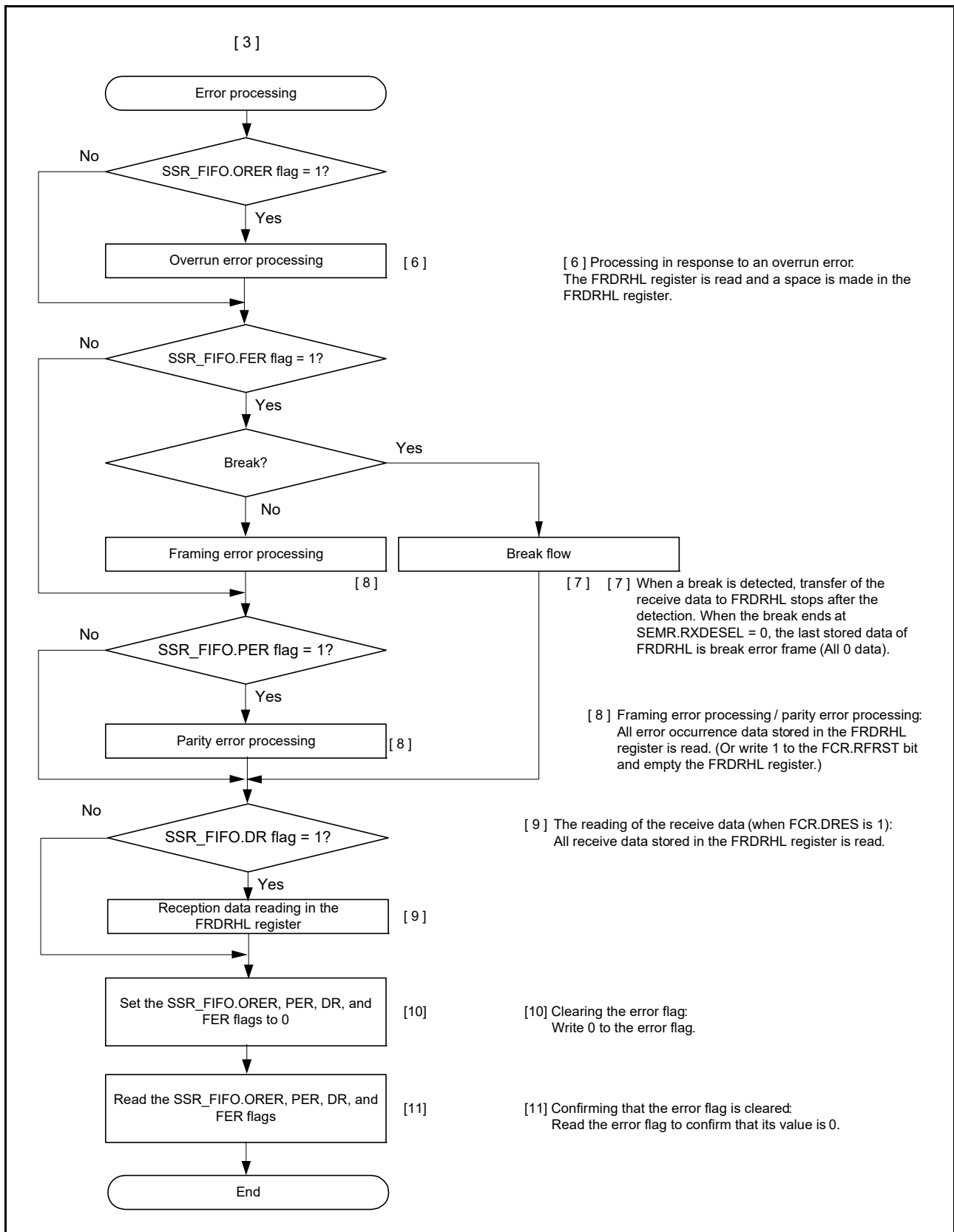


Figure 32.21 Example flow of serial reception in asynchronous mode with FIFO selected (2)

## 32.4 Multi-Processor Communication Function

The multi-processor communication function enables the SCI to transmit and receive data by sharing a communication line between multiple processors, using asynchronous serial communication in which the multi-processor bit is added. In multi-processor communication, a unique ID code is allocated to each receiving station. Serial communication cycles consist of an ID transmission cycle to specify the receiving station and a data transmission cycle to transmit data to the specified receiving station.

The multi-processor bit is used to distinguish between the ID transmission cycle and the data transmission cycle:

- When the multi-processor bit is set to 1, the transmission cycle is the ID transmission cycle
- When the multi-processor bit is set to 0, the transmission cycle is the data transmission cycle.

Figure 32.22 shows an example of communication between processors using a multi-processor format. First, a transmitting station transmits communication data in which the multi-processor bit set to 1 is added to the ID code of the receiving station. Next, the transmitting station transmits communication data in which the multi-processor bit set to 0 is added to the transmit data. After receiving communication data with the multi-processor bit set to 1, the receiving station compares the received ID with the ID of the receiving station itself. If the two match, the receiving station receives communication data that is subsequently transmitted. If the received ID does not match with the ID of the receiving station, the receiving station skips the communication data until it receives data in which the multi-processor bit is set to 1.

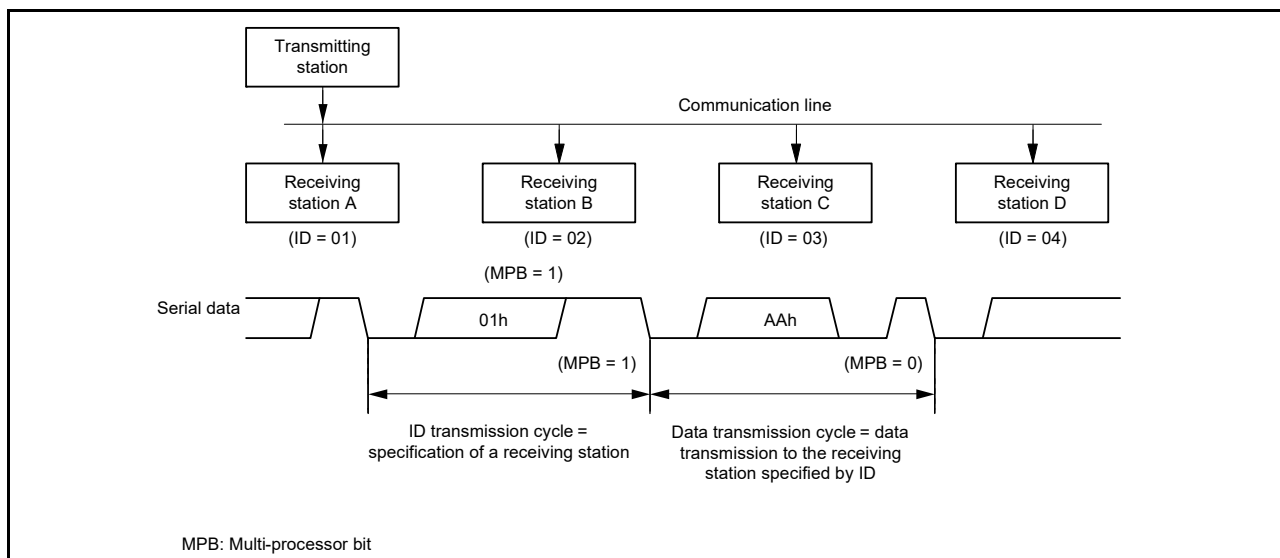
### (1) Non-FIFO selected

To support this function, SCI provides the SCR.MPIE bit. When the MPIE bit is set to 1, the following operations are disabled until the reception of data in which the multi-processor bit is set to 1:

- Transfer of receive data from the RSR register to the RDR register (the RDRHL register when 9-bit data length is selected)
- Detection of a receive error
- Setting of the respective RDRF, ORER, and FER status flags in the SSR register.

When the SCI receives a character in which the multi-processor bit is set to 1, the SSR.MPBT bit is set to 1 and the SCR.MPIE bit is automatically cleared, returning the SCI to non-multiprocessor reception operation. If the SCR.RIE bit is set to 1, an SCIn\_RXI interrupt is generated.

When the multi-processor format is specified, the parity bit function is disabled. Apart from this, there is no difference from the operation in non-multiprocessor asynchronous mode. The clock used for multi-processor communication is the same as the clock used in non-multiprocessor asynchronous mode.



**Figure 32.22** Example of communication using multi-processor format with transmission of data AAh to receiving station A



## (2) FIFO selected

For data transmission, software must write data to FTDRHL.MPBT that corresponds to transmit data in FTDRHL.TDAT. For data reception, the multi-processor bit that is part of the receive data is written to FRDRHL.MPB, and receive data is written to FRDRL.

When the MPIE bit is set to 1, the following operations are disabled until reception of data in which the multi-processor bit is set to 1:

- Transfer of receive data from the RSR register to the FRDRHL register
- Detection of a receive error
- Break
- Setting of the respective RDF, ORER, and FER status flags in the SSR\_FIFO register.

When SCI receives an 8-bit character in which the multi-processor bit is set to 1, the FRDRHL.MPB bit is set to 1 and receive data is written to FRDRHL.RDAT. The SCR.MPIE bit is automatically cleared, returning the SCI to non-multiprocessor reception operation. If the SCR.RIE bit is set to 1, an SCIn\_RXI interrupt is generated.

When the multi-processor format is specified, the parity bit function is disabled. Apart from this, there is no difference from operation in non-multiprocessor asynchronous mode with non-FIFO selected.

### 32.4.1 Multi-Processor Serial Data Transmission

#### (1) Non-FIFO selected

[Figure 32.23](#) shows an example flow of multi-processor data transmission. In the ID transmission cycle, the ID must be transmitted with the SSR.MPBT bit set to 1. In the data transmission cycle, the data must be transmitted with the MPBT bit set to 0. The rest of the operations are the same as operations in asynchronous mode.

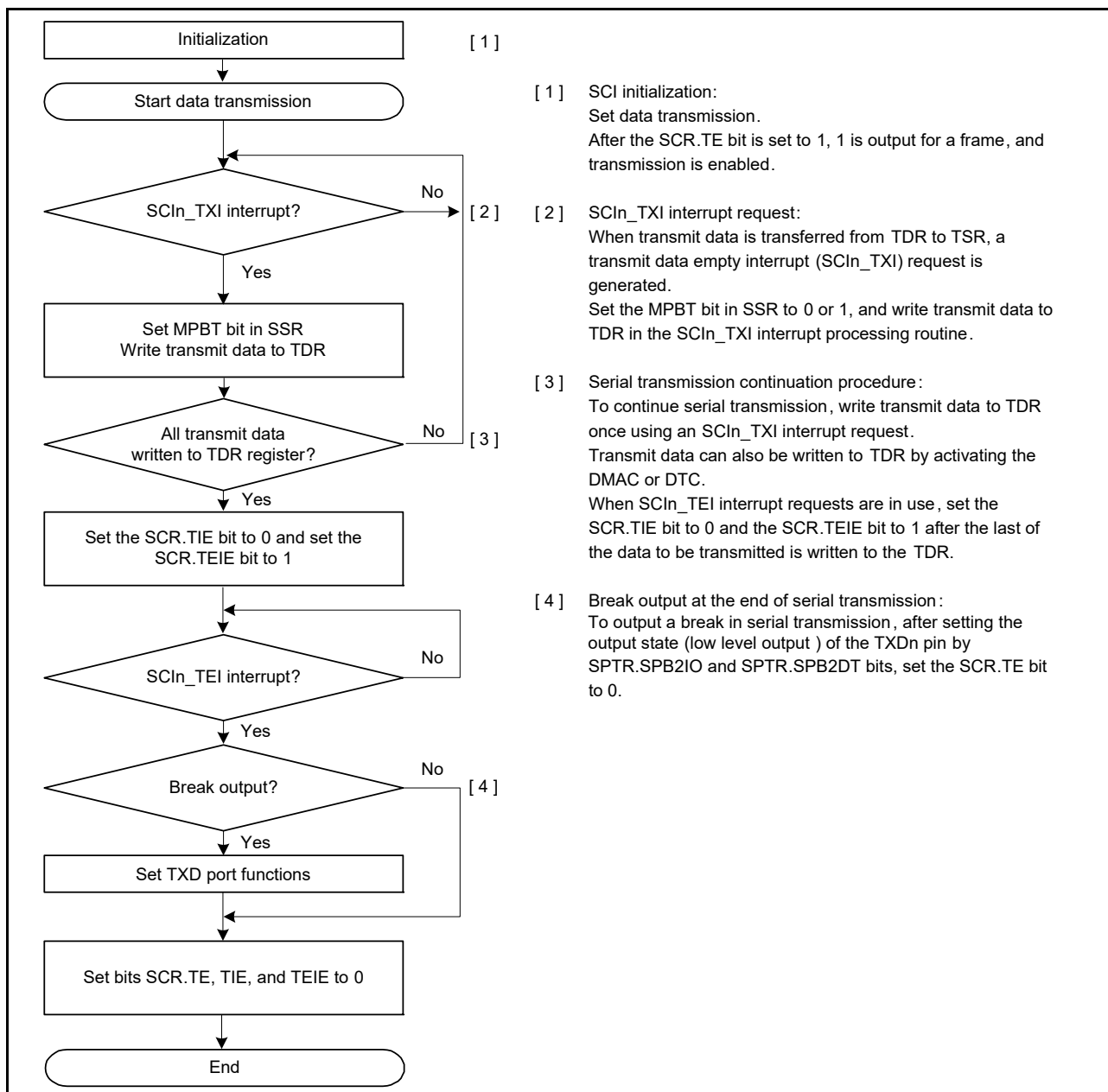


Figure 32.23 Example flow of multi-processor serial transmission with non-FIFO selected

(2) FIFO selected

Figure 32.24 shows an example of the data format that is written to FTDRH and FTDRL in multi-processor mode. The FTDRH.MPBT bit is set to 1. Data is set to FTDRH and FTDRL with the correct data length. Write 0 for unused bits. Write in the order from FTDRH to FTDRL.

| Data Length | Register Setting |            | Transmit data in FTDRH, FTDRHL |    |    |    |    |    |      |                     |                     |                     |    |    |    |    |    |    |
|-------------|------------------|------------|--------------------------------|----|----|----|----|----|------|---------------------|---------------------|---------------------|----|----|----|----|----|----|
|             | SCMR. CHR1       | SMR. CHR   | FTDRH                          |    |    |    |    |    |      |                     | FTDRHL              |                     |    |    |    |    |    |    |
|             |                  |            | b7                             | b6 | b5 | b4 | b3 | b2 | b1   | b0                  | b7                  | b6                  | b5 | b4 | b3 | b2 | b1 | b0 |
| 7 bits      | 1                | 0          | —                              | —  | —  | —  | —  | —  | MPBT | —                   | —                   | 7-bit transmit data |    |    |    |    |    |    |
| 8 bits      | 1                | 1          | —                              | —  | —  | —  | —  | —  | MPBT | —                   | 8-bit transmit data |                     |    |    |    |    |    |    |
| 9 bits      | 0                | Don't care | —                              | —  | —  | —  | —  | —  | MPBT | 9-bit transmit data |                     |                     |    |    |    |    |    |    |

—: Invalid. The write value should be 0.

Figure 32.24 Data format written to FTDRH and FTDRHL in multi-processor mode with FIFO selected

Figure 32.25 shows an example flow of multi-processor data transmission with FIFO selected. In the ID transmission cycle, the ID must be transmitted with the FTDRH.MPBT bit set to 1. In the data transmission cycle, data must be transmitted with the MPBT bit set to 0. Rest of the operations are the same as operations in asynchronous mode with non-FIFO selected.

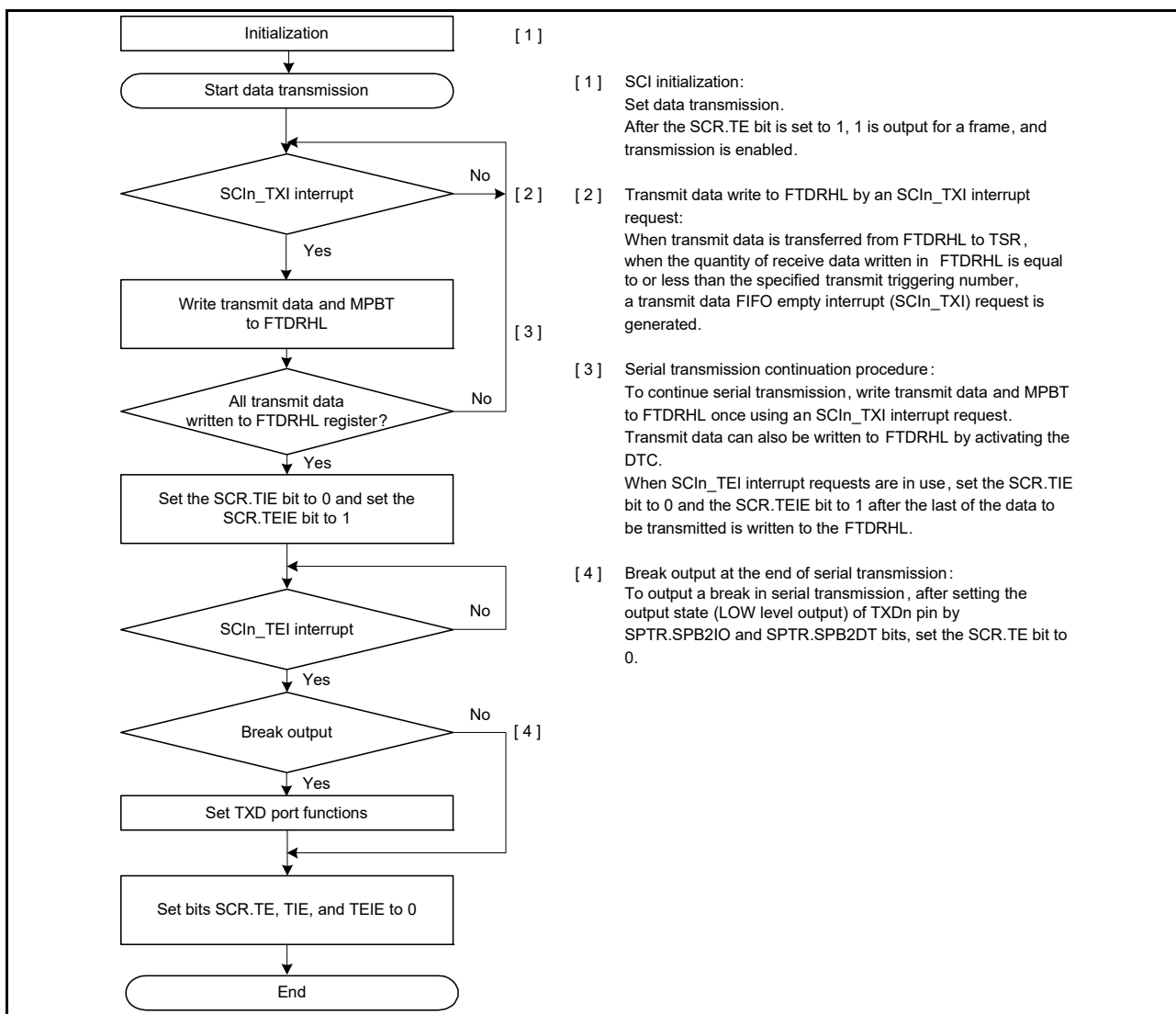


Figure 32.25 Example flow of serial transmission in multi-processor mode with FIFO selected

### 32.4.2 Multi-Processor Serial Data Reception

#### (1) Non-FIFO selected

Figure 32.27 and Figure 32.28 are example flows of multi-processor data reception. When the SCR.MPIE bit is set to 1, reading communication data is skipped until the reception of communication data in which the multi-processor bit is set to 1. When communication data in which the multi-processor bit is set to 1 is received, the received data is transferred to the RDR register, or the RDRHL register when 9-bit data length is selected, and the SCIn\_RXI interrupt request is generated. The rest of the operations are the same as in asynchronous mode.

Figure 32.26 shows an example operation for data reception.

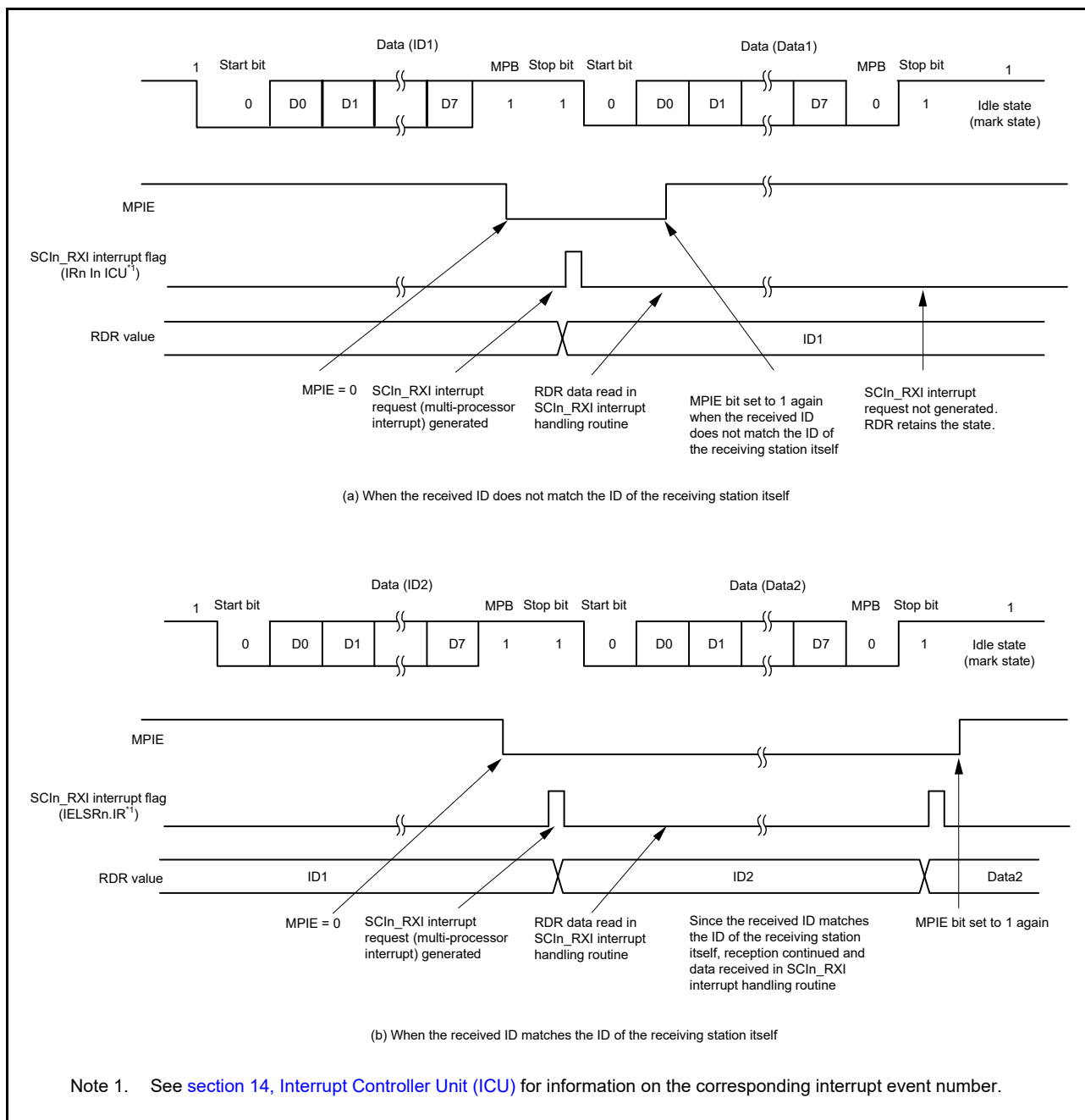


Figure 32.26 Example of SCI reception with 8-bit data, multi-processor bit, and 1 stop bit

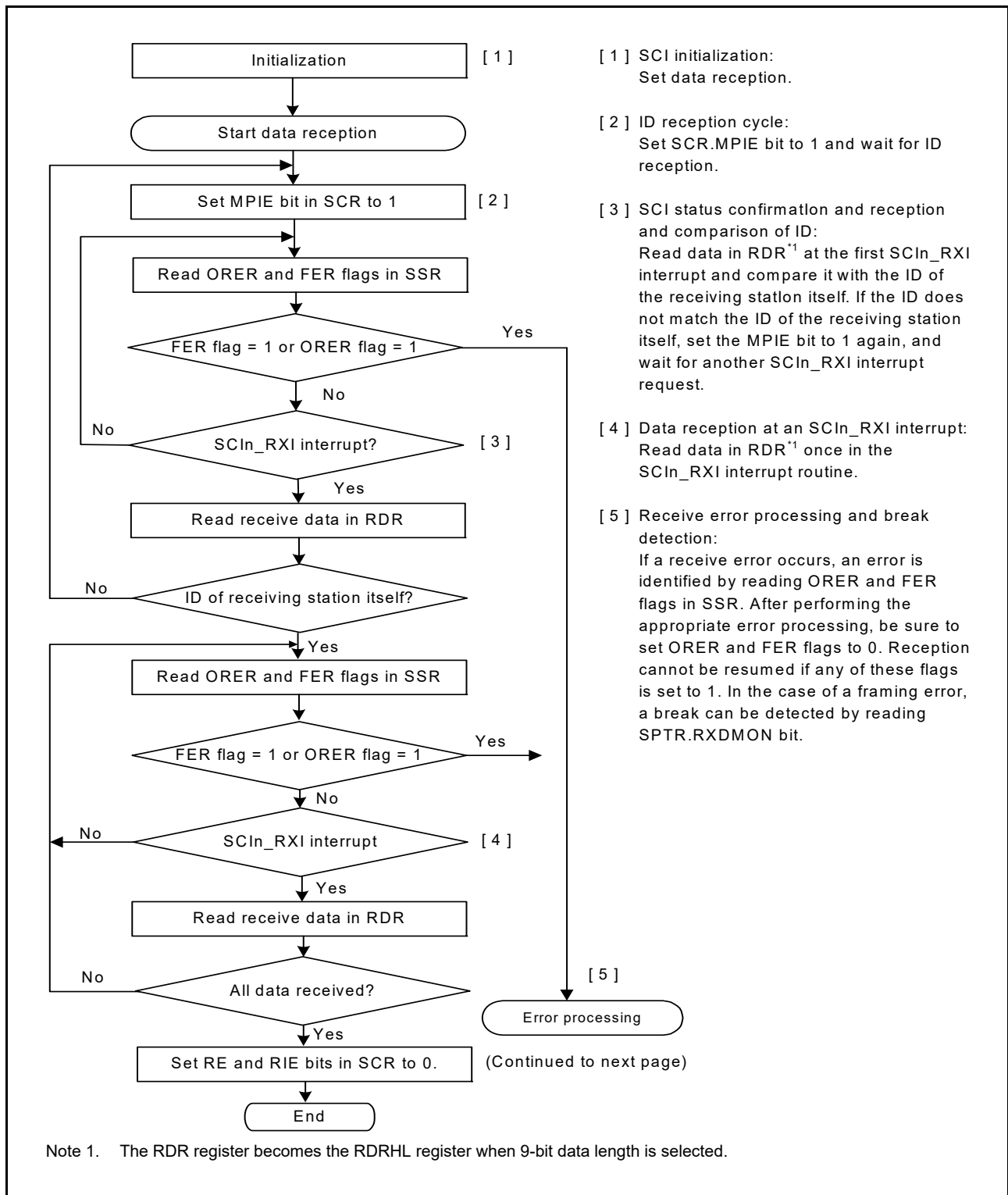


Figure 32.27 Example flow of multi-processor serial reception with non-FIFO selected (1)

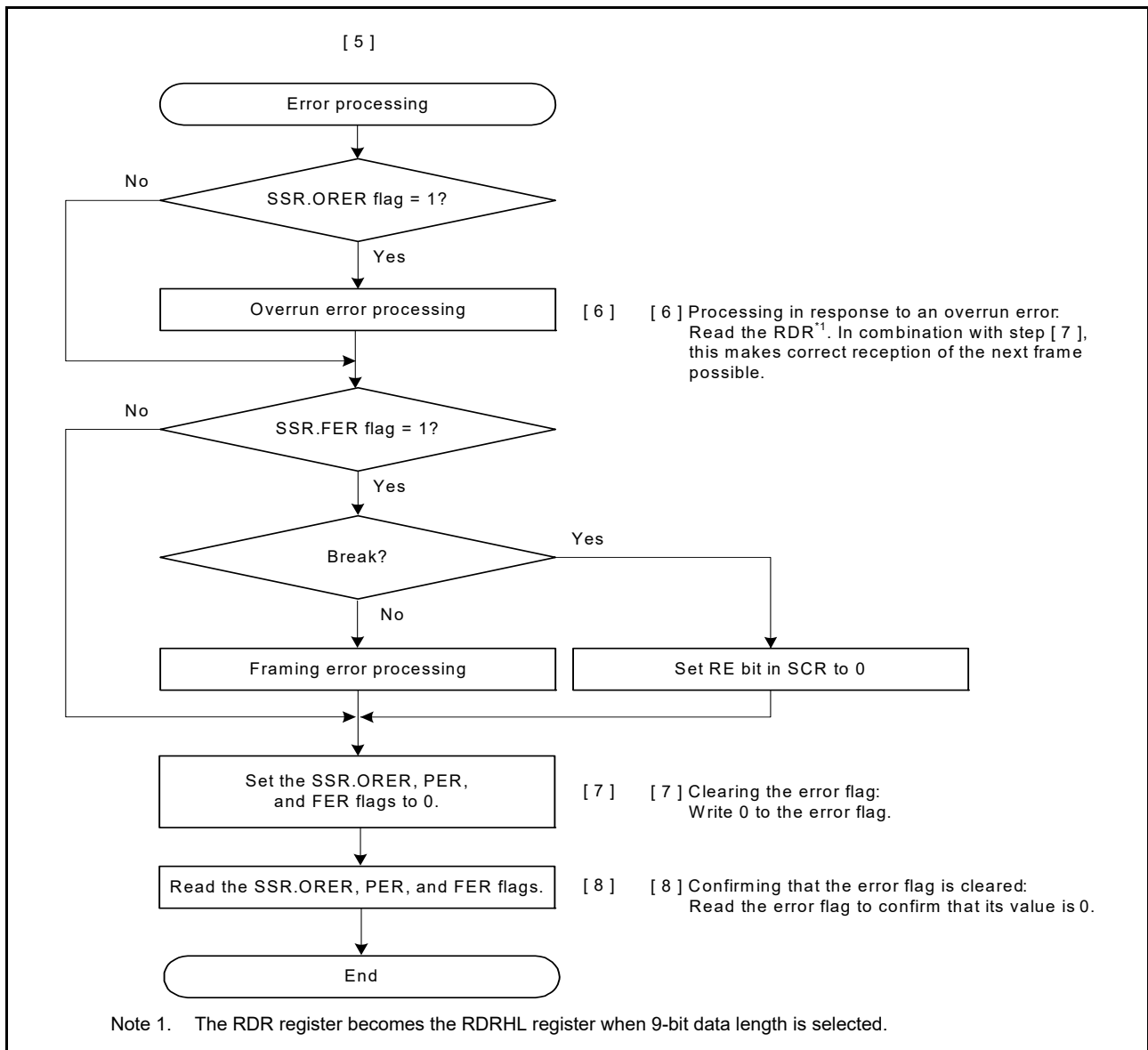


Figure 32.28 Example flow of multi-processor serial reception with non-FIFO selected (2)

(2) FIFO selected

Figure 32.29 shows an example of a data format that is written to FRDRH and FRDRL in multi-processor mode.

In multi-processor mode, the MPB value that is a part of the receive data is written to the FRDRH.MPB flag. A value of 0 is written to the FRDRH.PER flag. Data is written to FRDRH and FRDRL with the correct data length. Unused bits are written with 0.

Read in the order from FRDRH to FRDRL. When software reads the FRDRL register, the SCI updates FER, MPB, and receive data (RDAT[8:0]) in FRDRL with the next data. The RDF, ORER and DR flags in the FRDRH register always reflect the associated flags in the SSR\_FIFO register.

| Data Length | Register Setting |            | Receive data in FRDRH, FRDRL |     |      |     |    |    |     |    |       |    |    |    |    |    |    |    |                    |
|-------------|------------------|------------|------------------------------|-----|------|-----|----|----|-----|----|-------|----|----|----|----|----|----|----|--------------------|
|             | SCMR. CHR1       | SMR. CHR   | FRDRHL                       |     |      |     |    |    |     |    |       |    |    |    |    |    |    |    |                    |
|             |                  |            | FRDRH                        |     |      |     |    |    |     |    | FRDRL |    |    |    |    |    |    |    |                    |
|             |                  |            | b7                           | b6  | b5   | b4  | b3 | b2 | b1  | b0 | b7    | b6 | b5 | b4 | b3 | b2 | b1 | b0 |                    |
| 7 bits      | 1                | 0          | —                            | RDF | ORER | FER | 0  | DR | MPB | 0  | 0     |    |    |    |    |    |    |    | 7-bit receive data |
| 8 bits      | 1                | 1          | —                            | RDF | ORER | FER | 0  | DR | MPB | 0  |       |    |    |    |    |    |    |    | 8-bit receive data |
| 9 bits      | 0                | Don't care | —                            | RDF | ORER | FER | 0  | DR | MPB |    |       |    |    |    |    |    |    |    | 9-bit receive data |

Note: When data length is 7 bits, 0 is always read for FRDRH[0] and FRDRL[7]  
 When data length is 8 bits, 0 is always read for FRDRH[0]  
 FRDRH[7] bit is read as an indefinite value.

Figure 32.29 Data format stored in FRDRH and FRDRL in multi-processor mode with FIFO selected

Figure 32.30 shows an example flow of multi-processor data reception with FIFO selected.

When the SCR.MPIE is set to 1, reading communication data is skipped until the reception of communication data in which the multi-processor bit is set to 1. When communication data in which the multi-processor bit is set to 1 is received, the received data, MPB and the associated errors are transferred to the FRDRHL register. The SCR.MPIE bit is automatically cleared and non-multiprocessor reception continues.

If a framing error occurs and the SSR\_FIFO.FER flag is set to 1, the SCI continues data reception. The rest of the operations are the same as operations in asynchronous mode with non-FIFO selected.

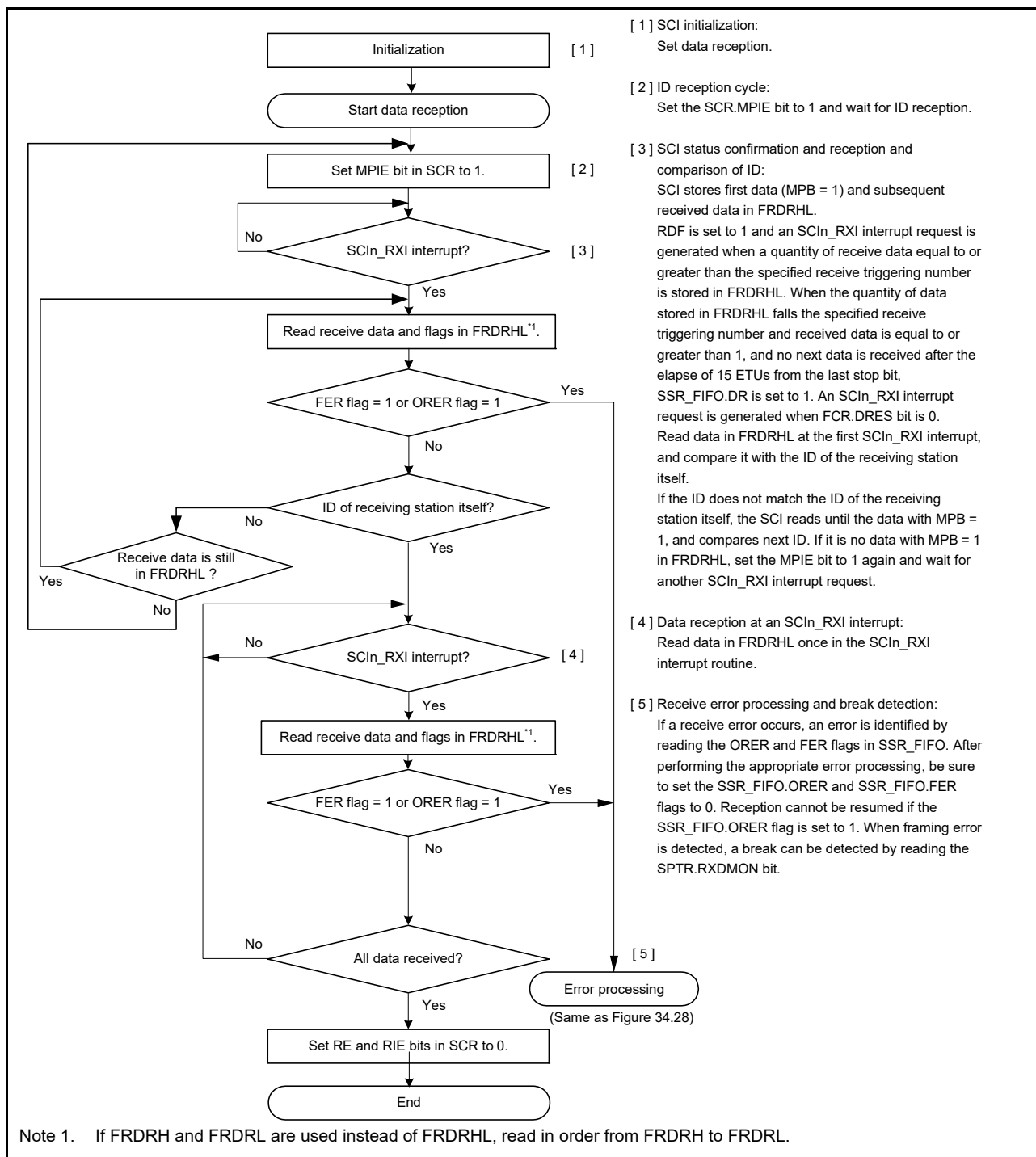


Figure 32.30 Example flow of serial reception in multi-processor mode with FIFO selected

### 32.5 Operation in Clock Synchronous Mode

Figure 32.31 shows the data format for clock synchronous serial data communications.

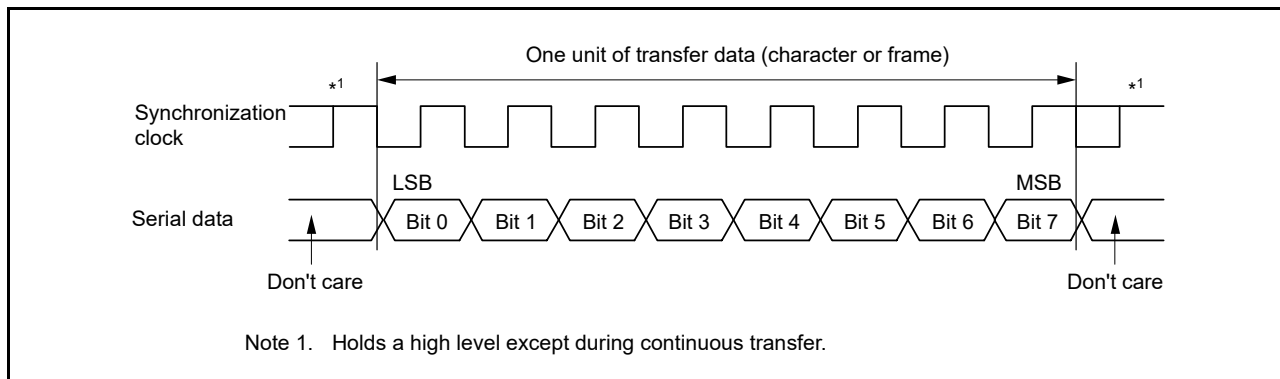
In clock synchronous mode, data is transmitted or received in synchronization with clock pulses. One character in transfer data consists of 8-bit data. In clock synchronous mode, no parity bit can be added.

In data transmission, the SCI outputs data from one falling edge of the synchronization clock to the next. In data reception, the SCI receives data in synchronization with the rising edge of the synchronization clock. After 8-bit data is output, the transmission line holds the last bit as output state. When the SPMR.CKPH bit is 1 in slave mode, the transmission line holds the first bit output state.



Within the SCI, the transmitter and receiver are independent units, enabling full-duplex communications by using a common clock. Both the transmitter and the receiver also have a double-buffered structure, so that the next transmit data can be written during transmission or the previous receive data can be read during reception, enabling continuous data transfer.

However, it is not possible to perform continuous transfer in the fastest bit rate setting (BRR[7:0] = 00h and SMR.CKS[1:0] = 00b). Therefore, when the FIFO is selected, this setting (BRR[7:0] = 00h and SMR.CKS[1:0] = 00b) is not available.



**Figure 32.31 Data format in clock synchronous serial communications with LSB-first order**

### 32.5.1 Clock

Either an internal clock generated by the on-chip baud rate generator or an external synchronization clock input at the SCKn pin can be selected based on the SCR.CKE[1:0] setting.

When the SCI operates on an internal clock, the synchronization clock is output from the SCKn pin. 8 synchronization clock pulses are output in the transfer of one character. When no transfer is performed, the clock is held high. However, when only data reception is performed while the CTS function is disabled, the synchronization clock output starts when the SCR.RE bit set to 1. The synchronization clock stops when it goes high\*1 and an overrun error occurs, or the SCR.RE bit is set to 0.

When only data reception occurs and the CTS function is enabled, the clock output does not start when the SCR.RE bit set to 1 and the CTSn\_RTSn pin input is high. The synchronization clock output starts when the SCR.RE bit is set to 1 and the CTSn\_RTSn pin input is low. Following that, when the CTSn\_RTSn pin input is high on completion of the frame reception, the synchronization clock output stops when it goes high. If the CTSn\_RTSn pin input continues to be low, the synchronization clock stops when it goes high\*1 and an overrun error occurs, or when the SCR.RE bit is set to 0.

Note 1. The signal is held high when SPMR.CKPH is 0 and SPMR.CKPOL is 0, or when SPMR.CKPH = 1 and SPMR.CKPOL = 1.

It is held low when SPMR.CKPH is 0 and SPMR.CKPOL is 1, or when SPMR.CKPH is 1 and SPMR.CKPOL is 0.

### 32.5.2 CTS and RTS Functions

In the CTS function, the CTSn\_RTSn pin input controls the start of data reception or transmission when the clock source is the internal clock. Setting the SPMR.CTSE bit to 1 enables the CTS function. When the CTS function is enabled, setting the CTSn\_RTSn pin low causes data reception or transmission to start.

Setting the CTSn\_RTSn pin high while the data transmission or reception is in progress does not affect transmission or reception of the current frame.

In the RTS function, the CTSn\_RTSn pin output is used to request the start of data reception or transmission when the clock source is an external synchronizing clock. The CTSn\_RTSn output goes low when serial communication becomes possible. Conditions for output of the CTSn\_RTSn low and high are as follows:

[Conditions for low-level output]

(a) Non-FIFO selected when all of the following conditions are satisfied

- The value of the SCR.RE bit or the SCR.TE bit is 1

- When serial communication is enabled
- There is no received data available to be read when the SCR.RE bit is 1
- Transmit data is written when the SCR.TE bit is 1 and SCR.CKE[1] bit is 0
- Data is available for transmission in the TSR register when SCR.TE bit is 1 and SCR.CKE[1] bit is 1
- The SSR.ORER flag is 0.

(b) FIFO selected when all of the following conditions are satisfied

- The value of the SCR.RE bit or the SCR.TE bit is 1
- When serial communication is enabled
- The amount of receive data written in FRDRHL is less than the specified CTSn\_RTSn output triggering number when SCR.RE = 1
- Data that has not been transmitted is available in FTDRHL when the SCR.TE bit is 1 and the SCR.CKE[1] bit is 0
- Data is available for transmission in the TSR register when the SCR.TE bit is 1 and the SCR.CKE[1] bit is 1
- The SSR\_FIFO.ORER flag is 0.

[Condition for high-level output]

(a) Non-FIFO selected

- The conditions for low-level output are not satisfied
- When reception is terminated with SCR.RE = 0 without reading the RDR register after reception is complete, RTS remains high. At this time, read the SCR register for dummy values after writing 0 to SCR.RE.

(b) FIFO selected

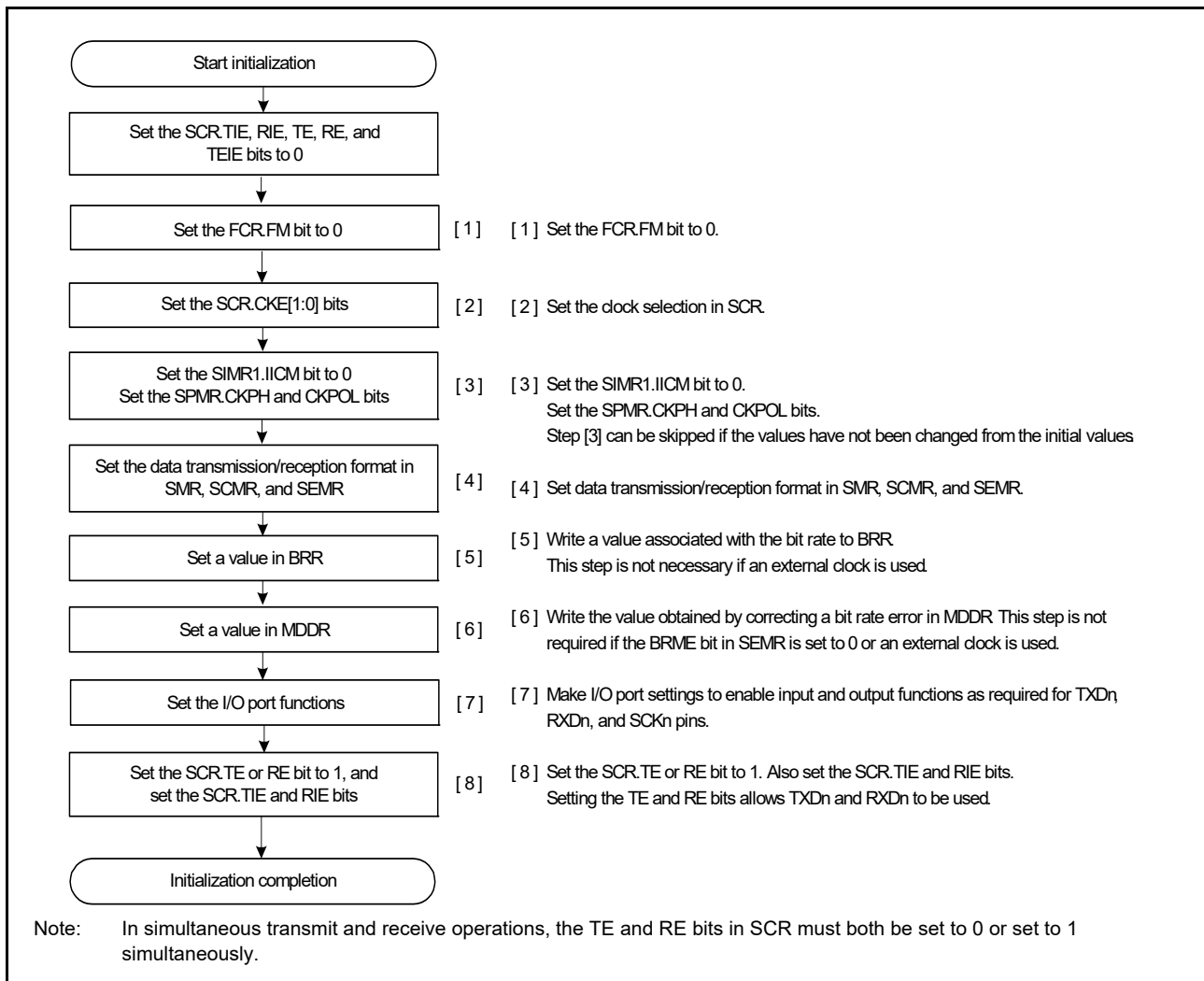
- The conditions for low-level output are not satisfied.

### 32.5.3 SCI Initialization in Clock Synchronous Mode

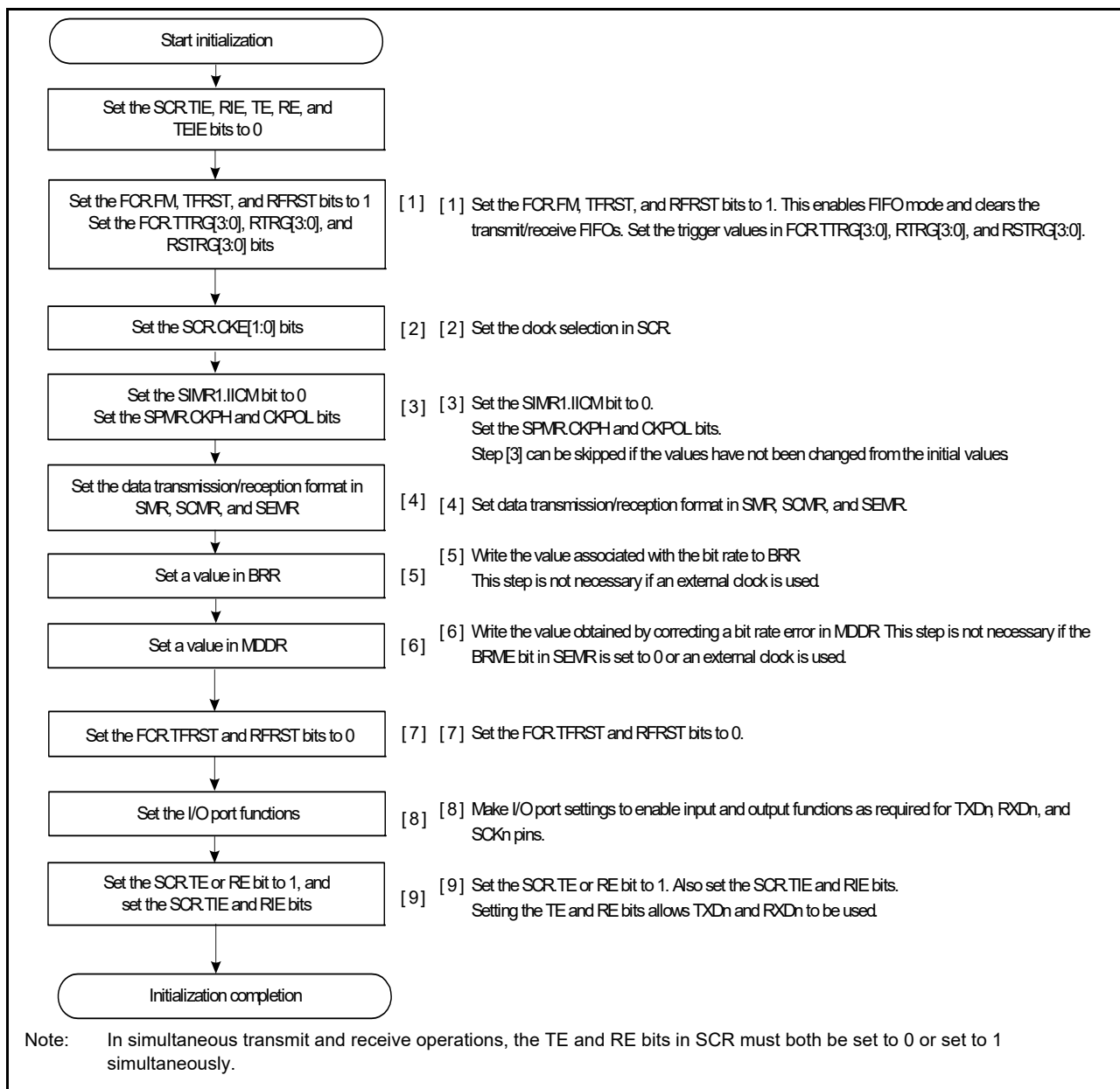
Before transmitting and receiving data, start by writing the initial value 00h to the SCR register, then continue through the SCI initialization procedure in [32.5.2 CTS and RTS Functions](#). Anytime that the operating mode or transfer format is to be changed, the SCR register must be initialized before the change can be made.

**Note:** Setting the SCR.RE bit to 0 does not initialize the ORER, FER, RDRF, RDF, PER and DR flags in SSR/SSR\_FIFO or the RDR and the RDRHL registers. When the TE bit is set to 0, the TEND flag for the selected FIFO buffer is not initialized.

**Note:** Switching the value of the SCR.TE bit from 1 to 0 or 0 to 1 when the SCR.TIE bit is 1 generates an SCIn\_TXI interrupt request.



**Figure 32.32** Example flow of SCI initialization in clock synchronous mode with non-FIFO selected



**Figure 32.33** Example flow of SCI initialization in clock synchronous mode with FIFO selected

### 32.5.4 Serial Data Transmission in Clock Synchronous Mode

#### (1) Non-FIFO selected

Figure 32.34, Figure 32.35, and Figure 32.36 show examples of serial transmission in clock synchronous mode.

In serial data transmission, the SCI operates as follows:

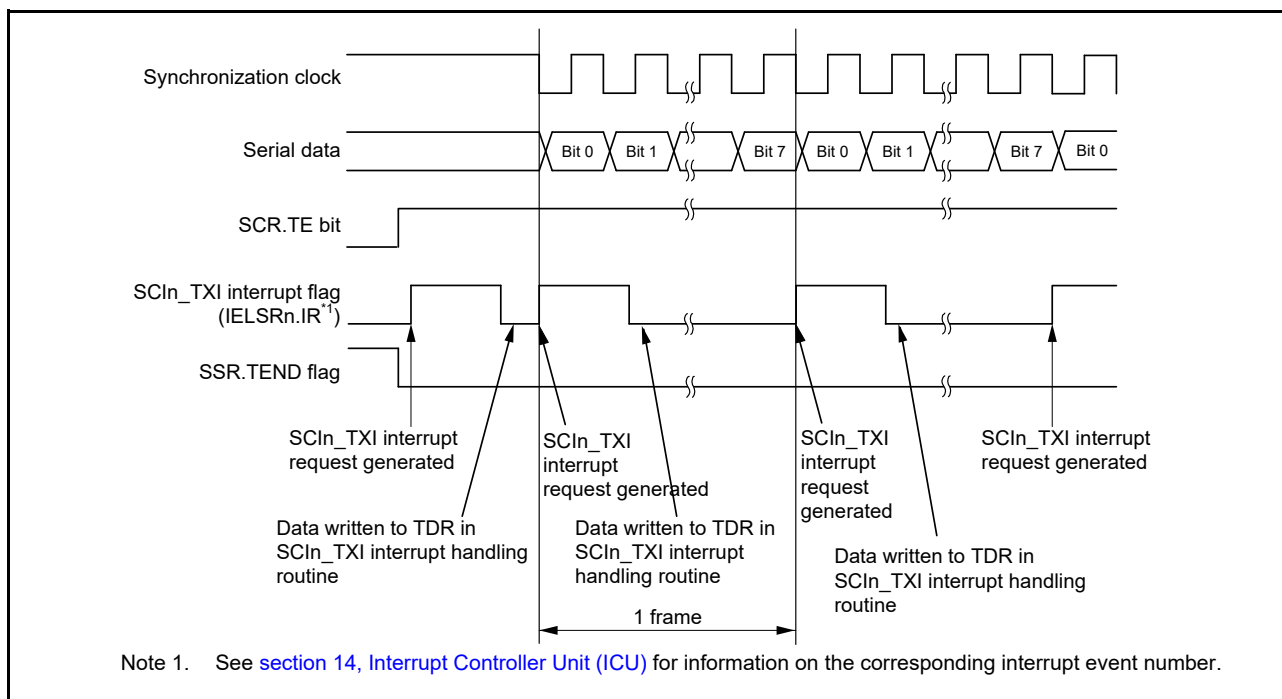
1. The SCI transfers data from the TDR register to the TSR register when data is written to TDR in the SCIn\_TXI interrupt handling routine. The SCIn\_TXI interrupt request at the beginning of transmission is generated when the TE bit is set to 1, but only after the TIE bit in the SCR is also set to 1, or SCR.TE and SCR.TIE are both set to 1 simultaneously using a single instruction.
2. After transferring data from TDR to TSR, SCI starts transmission. When the SCR.TIE bit is set to 1, an SCIn\_TXI interrupt request is generated. Continuous transmission is enabled by writing the next transmit data to TDR in the SCIn\_TXI interrupt handling routine before the transmission of the current transmit data finishes. When SCIn\_TEI interrupt requests are in use, set the SCR.TIE bit to 0 and the SCR.TEIE bit to 1 after the last of the data to be transmitted is written to the TDR register from the handling routine for SCIn\_TXI requests.

3. 8-bit data is sent from the TXDn pin in synchronization with the output clock when the clock output mode is specified and in synchronization with the input clock, when the use of an external clock is specified. Output of the clock signal is suspended until the input CTS signal is low when the SPMR.CTSE bit is 1.
4. The SCI checks for updates to the TDR register on the output of the last bit.
5. When the TDR register is updated, the next transmit data is transferred from TDR to TSR, and serial transmission of the next frame starts.
6. If TDR is not updated, the SSR.TEND flag is set to 1. The TXDn pin retains the output state of the last bit. If the SCR.TEIE bit is 1, an SCIn\_TEI interrupt request is generated and the SCKn pin is held high.

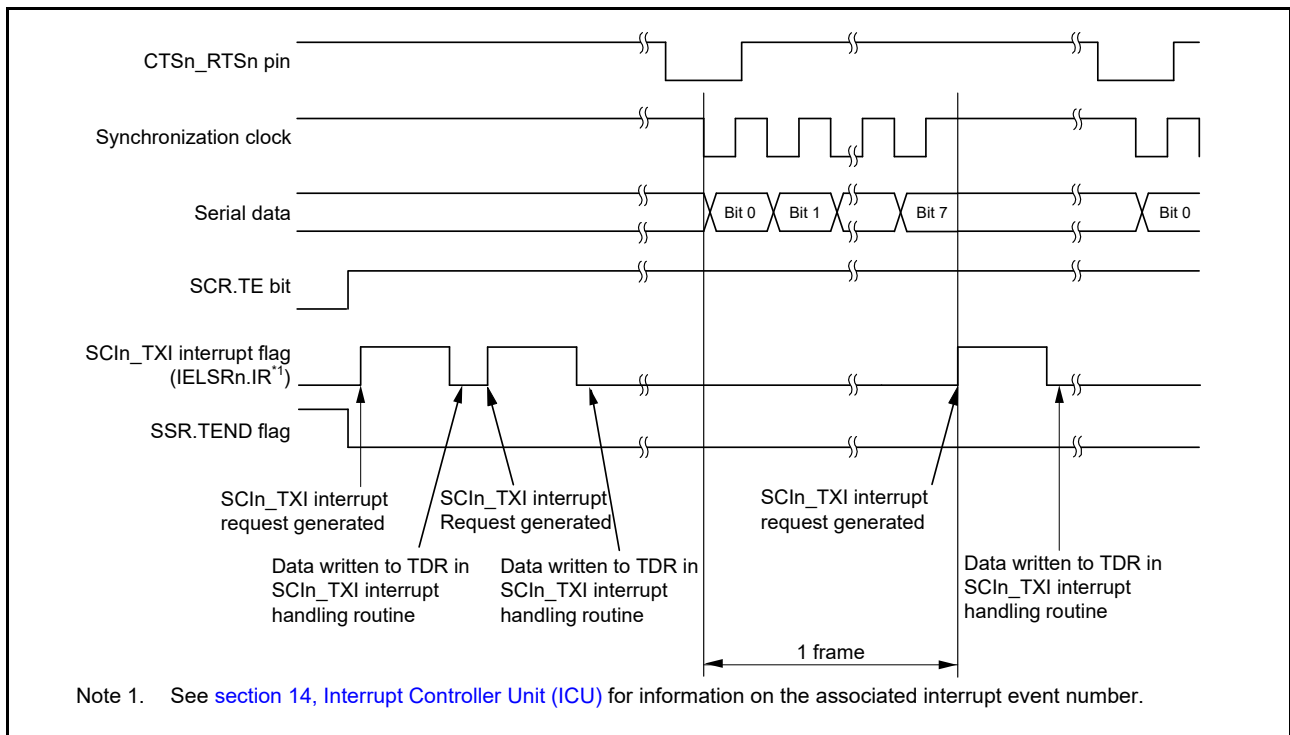
Figure 32.34, Figure 32.35, and Figure 32.36 show examples of serial data transmission.

Transmission does not start while a receive error flag (ORER, FER, or PER in SSR) is set to 1. Always set the receive error flags to 0 before starting transmission.

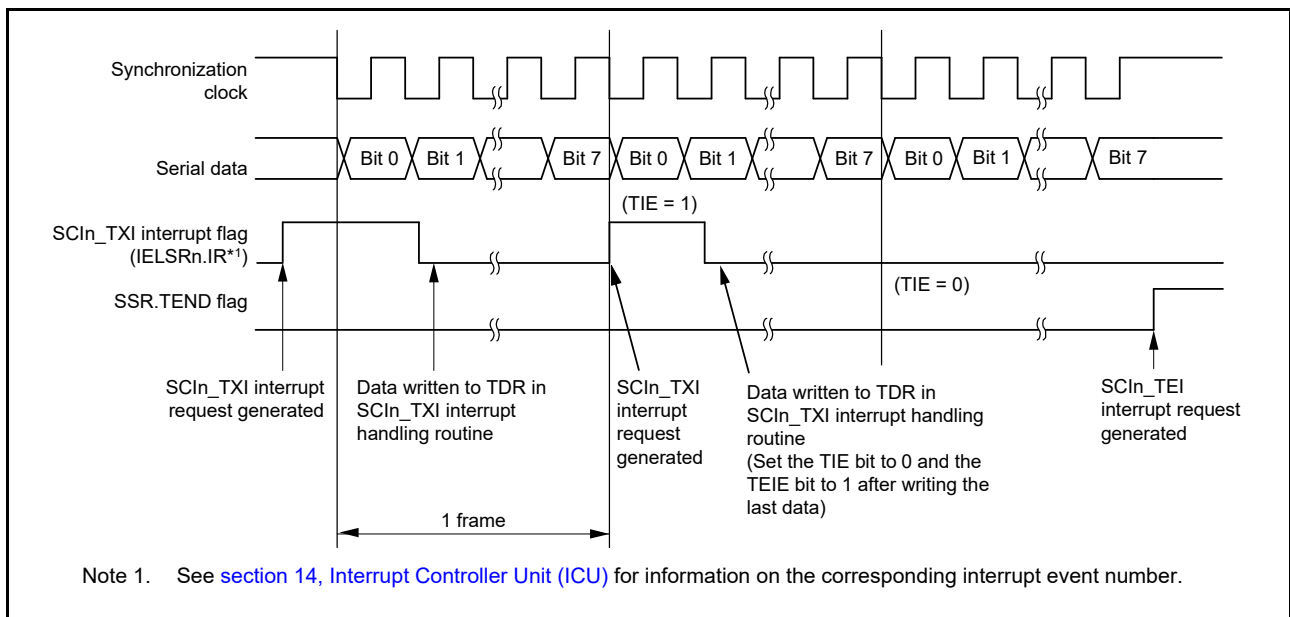
Note: Setting the SCR.RE bit to 0 does not clear the receive error flags.



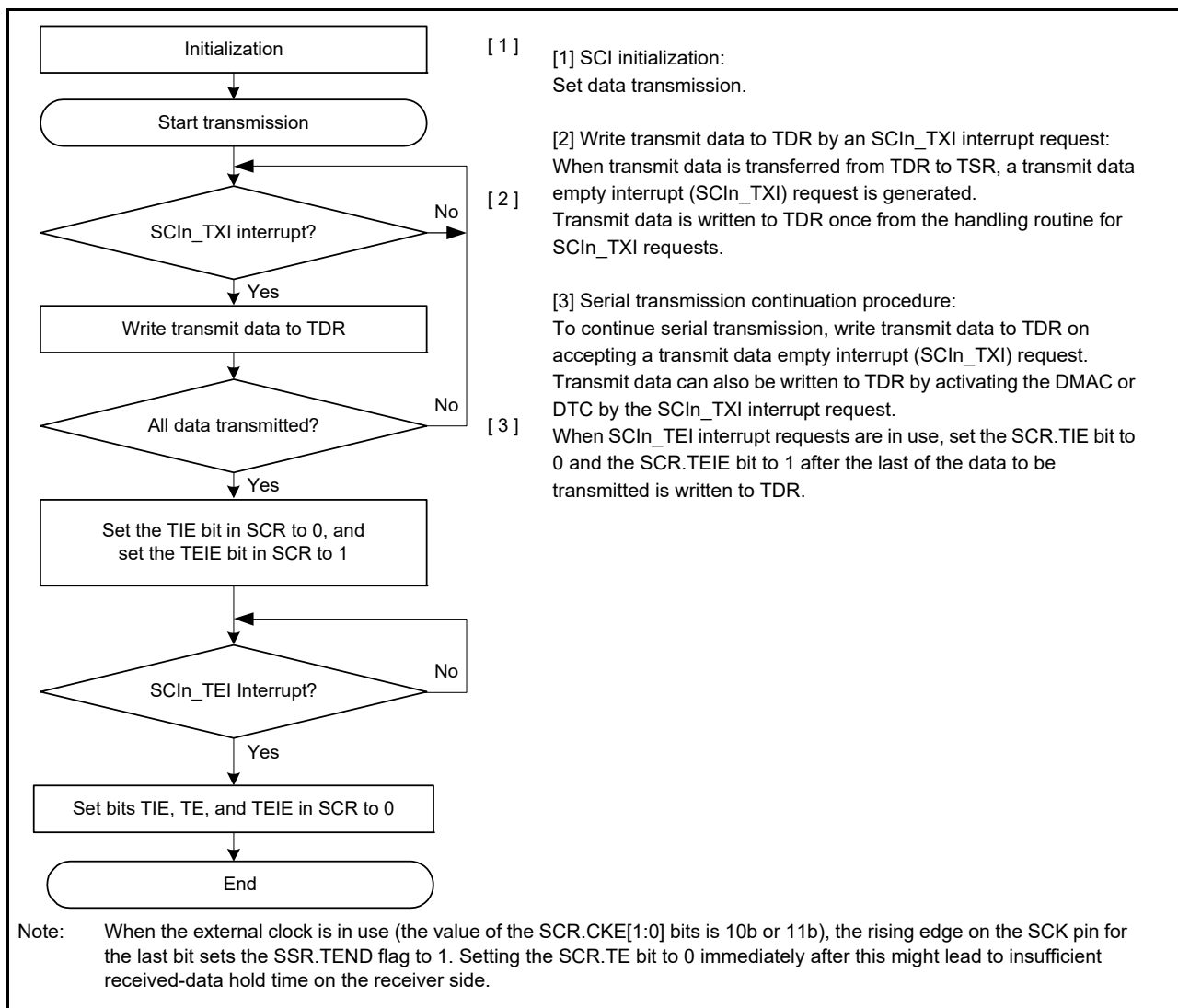
**Figure 32.34** Example of serial data transmission in clock synchronous mode when the CTS function is not used at the beginning of transmission



**Figure 32.35** Example of serial data transmission in clock synchronous mode when the CTS function is used at the beginning of transmission



**Figure 32.36** Example of serial data transmission in clock synchronous mode from the middle of transmission until transmission completion



**Figure 32.37 Example flow of serial transmission in clock synchronous mode with non-FIFO selected**

## (2) FIFO selected

Figure 32.38 shows an example of serial transmission in clock synchronous mode with FIFO selected.

In serial data transmission, the SCI operates as follows:

1. The SCI transfers data from the FTDRL\*<sup>1</sup> register to the TSR register when data is written to FTDRL\*<sup>1</sup> in the SCIn\_TXI interrupt handling routine. The amount of data that can be written to FTDRL is 16 minus FDR.T[4:0] bytes. The SCIn\_TXI interrupt request at the beginning of transmission is generated when the SCR.TE bit is set to 1, but only after the SCR.TIE bit is also set to 1, or when SCR.TE and SCR.TIE are set to 1 simultaneously using a single instruction.
2. After transferring data from FTDRL to TSR, the SCI starts transmission. When the amount of transmit data written in FTDRL is equal to or less than the specified transmit triggering number, the SSR\_FIFO.TDFE is set to 1. When the SCR.TIE bit is set to 1, an SCIn\_TXI interrupt request is generated. Continuous transmission is enabled by writing the next transmit data to FTDRL in the SCIn\_TXI interrupt handling routine before transmission of the current transmit data has finished. When SCIn\_TEI interrupt requests are in use, set the SCR.TIE bit to 0 and the SCR.TEIE bit to 1 after the last of the data to be transmitted is written to the FTDRL from the handling routine for SCIn\_TXI requests.
3. 8-bit data is sent from the TXDn pin in synchronization with the output clock when the clock output mode is specified and in synchronization with the input clock when the use of an external clock is specified. Output of the clock signal is suspended until the input CTS signal is low, when the SPMR.CTSE bit is 1.

4. The SCI checks whether non-transmitted data remains in FTDRL on output of the stop bit.
5. When FTDRL is updated, the next transmit data is transferred from FTDRL to TSR and serial transmission of the next frame starts.
6. If FTDRL is not updated, the SSR\_FIFO.TEND flag is set to 1. The TXDn pin keeps the output state of the last bit. If the SCR.TEIE bit is 1, an SCIn\_TEI interrupt request is generated and the SCKn pin is held high.

Note 1. In clock synchronous mode, FTDRH is not used.

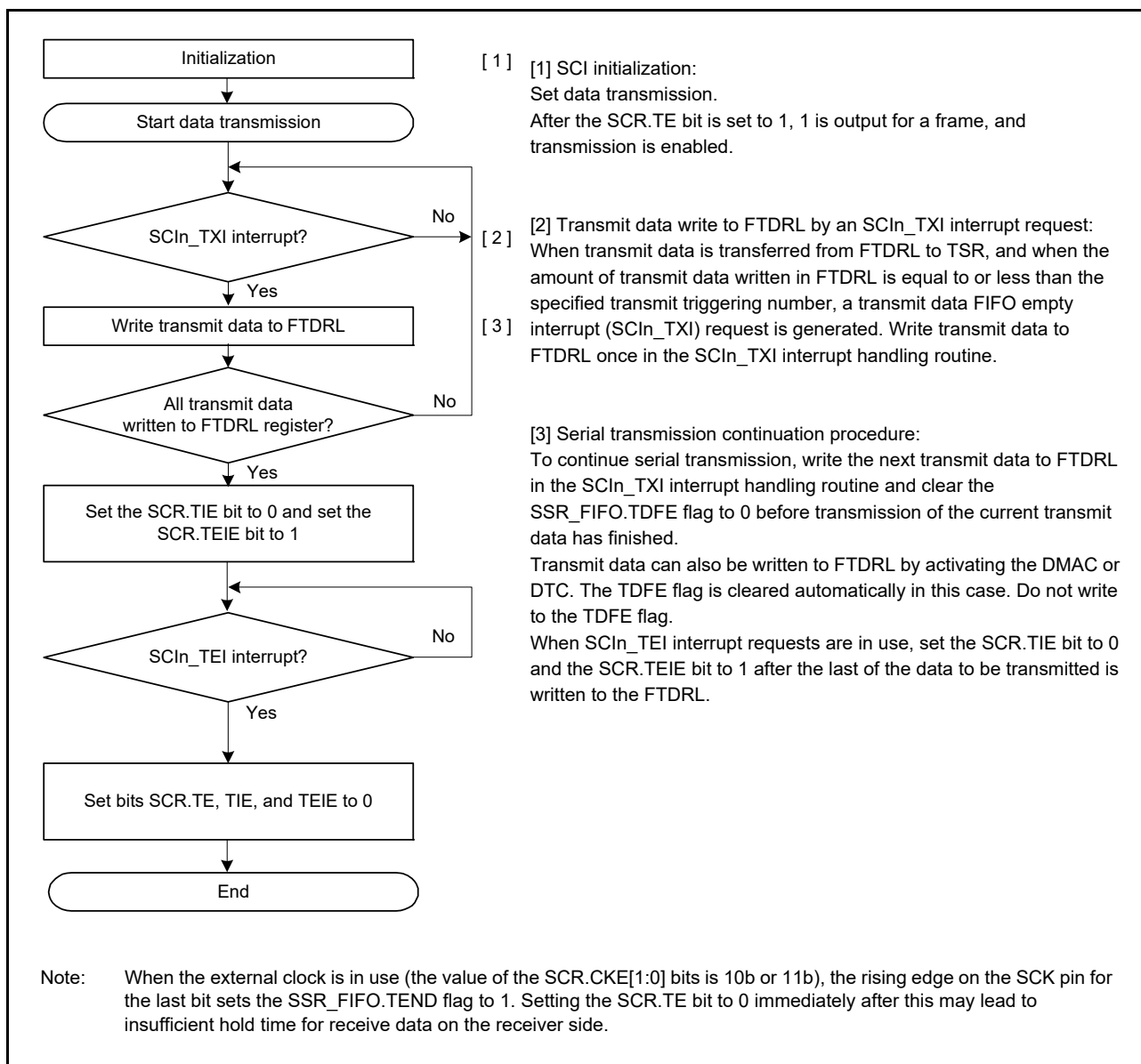


Figure 32.38 Example flow of serial transmission in clock synchronous mode with FIFO selected

### 32.5.5 Serial Data Reception in Clock Synchronous Mode

#### (1) Non-FIFO selected

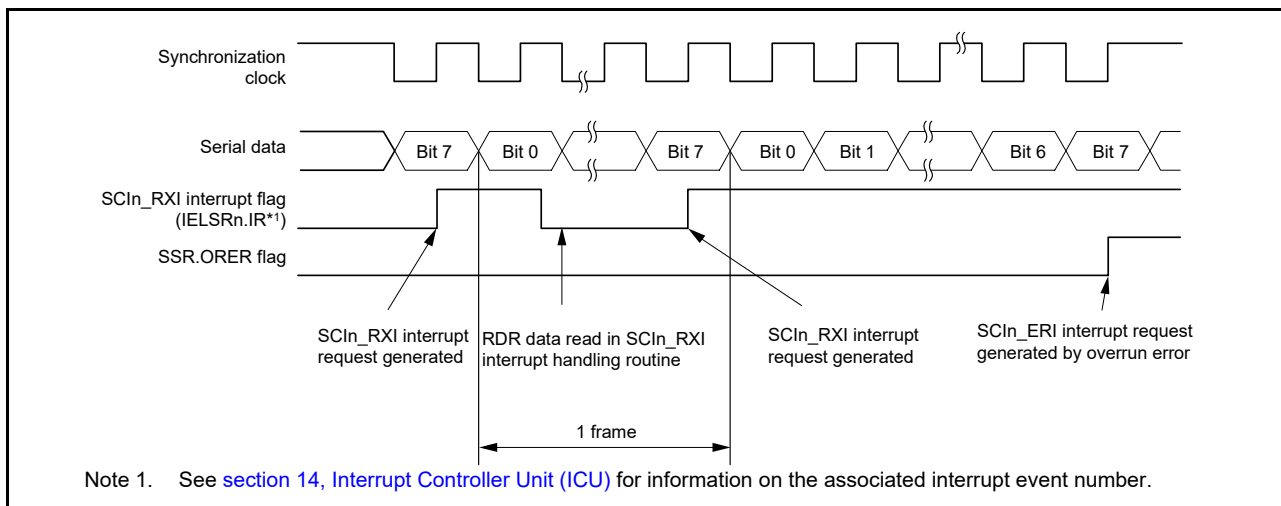
Figure 32.39 and Figure 32.40 show examples of SCI operation for serial reception in clock synchronous mode.

In serial data reception, the SCI operates as follows:

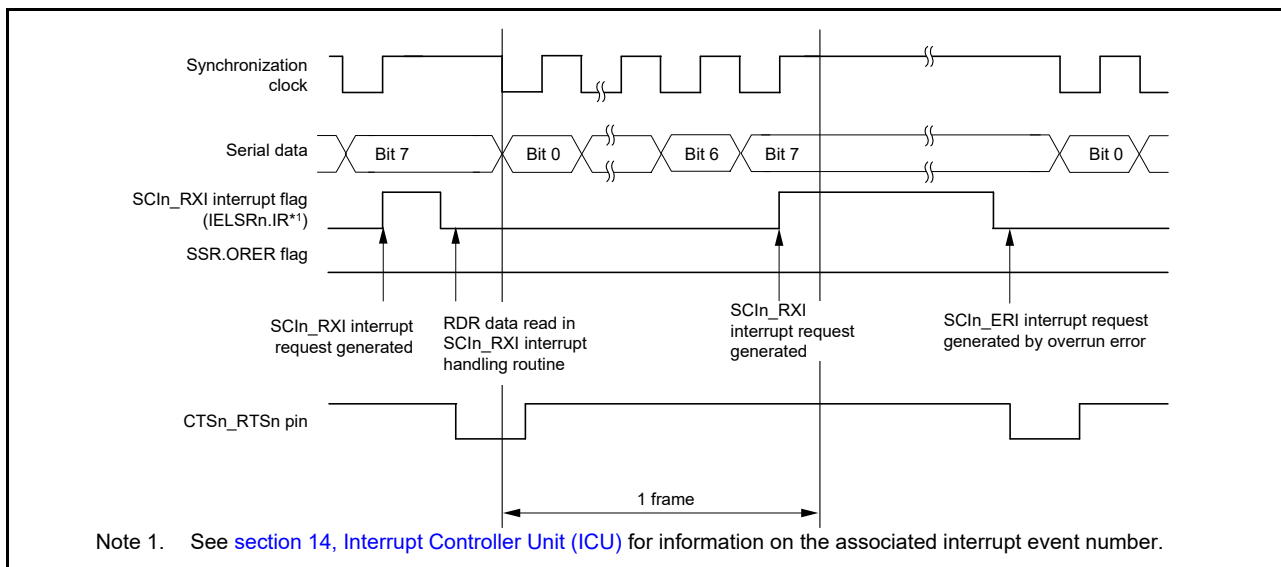
1. When the value of the SCR.RE bit becomes 1, the CTSn\_RTSn pin goes low.



2. The SCI performs internal initialization and starts receiving data in synchronization with a synchronization clock input or output, and stores the receive data in the RSR register.
3. If an overrun error occurs, the SSR.ORER bit is set to 1. If the SCR.RIE bit is 1, an SCIn\_ERI interrupt request is generated. Receive data is not transferred to the RDR register.
4. When reception completes successfully, receive data is transferred to the RDR register. If the SCR.RIE bit is 1, an SCIn\_RXI interrupt request is generated. Continuous reception is enabled by reading the received data transferred to the RDR register in the SCIn\_RXI interrupt handling routine before the reception of the next receive data completes. Reading the received data from RDR causes the CTSn\_RTSn pin to output low.



**Figure 32.39** Example operation of serial reception in clock synchronous mode (1) when the RTS function is not used



**Figure 32.40** Example operation of serial reception in clock synchronous mode (2) when RTS function is used

Data transfer cannot resume while the receive error flag is 1. Therefore, clear the ORER, FER, and PER bits in the SSR register to 0 before resuming data reception. Additionally, be sure to read the RDR register during overrun error processing. When a data reception is forcibly terminated by setting the SCR.RE bit to 0 during operation, read the RDR register because the received data that is not yet read might be left in the RDR register.

Figure 32.41 shows an example flow of serial data reception.

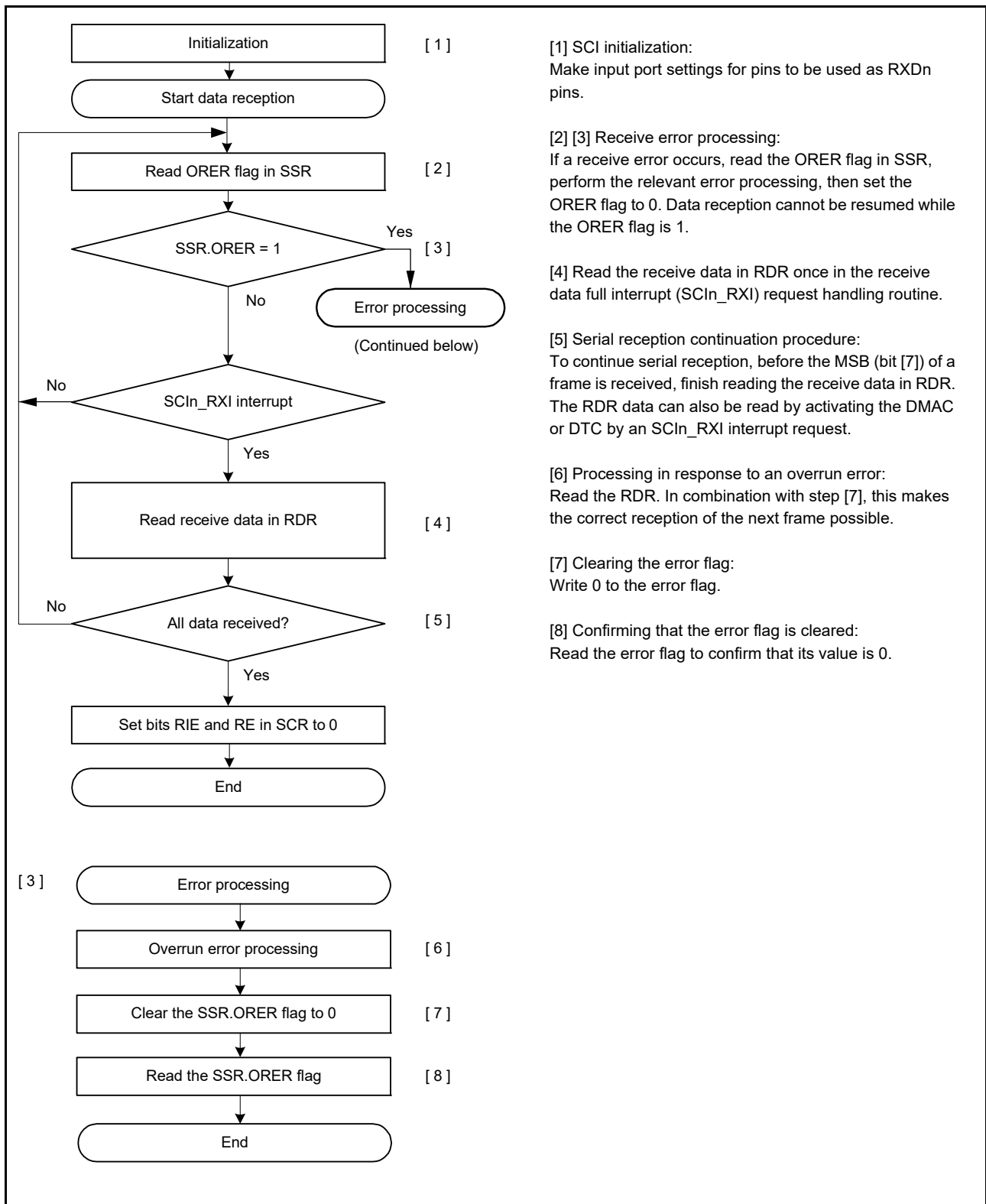


Figure 32.41 Example flow of serial reception in clock synchronous mode with non-FIFO selected

(2) FIFO selected

Figure 32.42 shows an example of serial reception in clock synchronous mode with FIFO selected.

In serial data reception, the SCI operates as follows:

1. When the value of the SCR.RE bit becomes 1, the CTSn\_RTSn pin goes low.

2. The SCI performs internal initialization and starts receiving data in synchronization with a synchronization clock input or output, and stores the receive data in the RSR register.
3. If an overrun error occurs, the SSR\_FIFO.ORER bit is set to 1. If the SCR.RIE bit is 1, an SCIn\_ERI interrupt request is generated. Received data is not transferred to the FRDRL\*<sup>1</sup> register.
4. When data reception completes successfully, the receive data is transferred to the FRDRL\*<sup>1</sup> register. The RDF bit is set to 1 when the amount of the receive data stored in FRDRL is equal to or greater than the specified receive triggering number. If the SCR.RIE bit is 1, an SCIn\_RXI interrupt request is generated. Continuous data reception is enabled by reading the receive data transferred to FRDRL\*<sup>2</sup> in the SCIn\_RXI interrupt handling routine before an overrun error occurs. If the amount of received data that is transferred to FRDRL is less than the RTS trigger number, the CTSn\_RTSn pin goes low.

Note 1. In clock synchronous mode, FRDRH is not used.

Note 2. Read data in the order from FRDRH to FRDRL, when RDF and ORER are read with receive data.

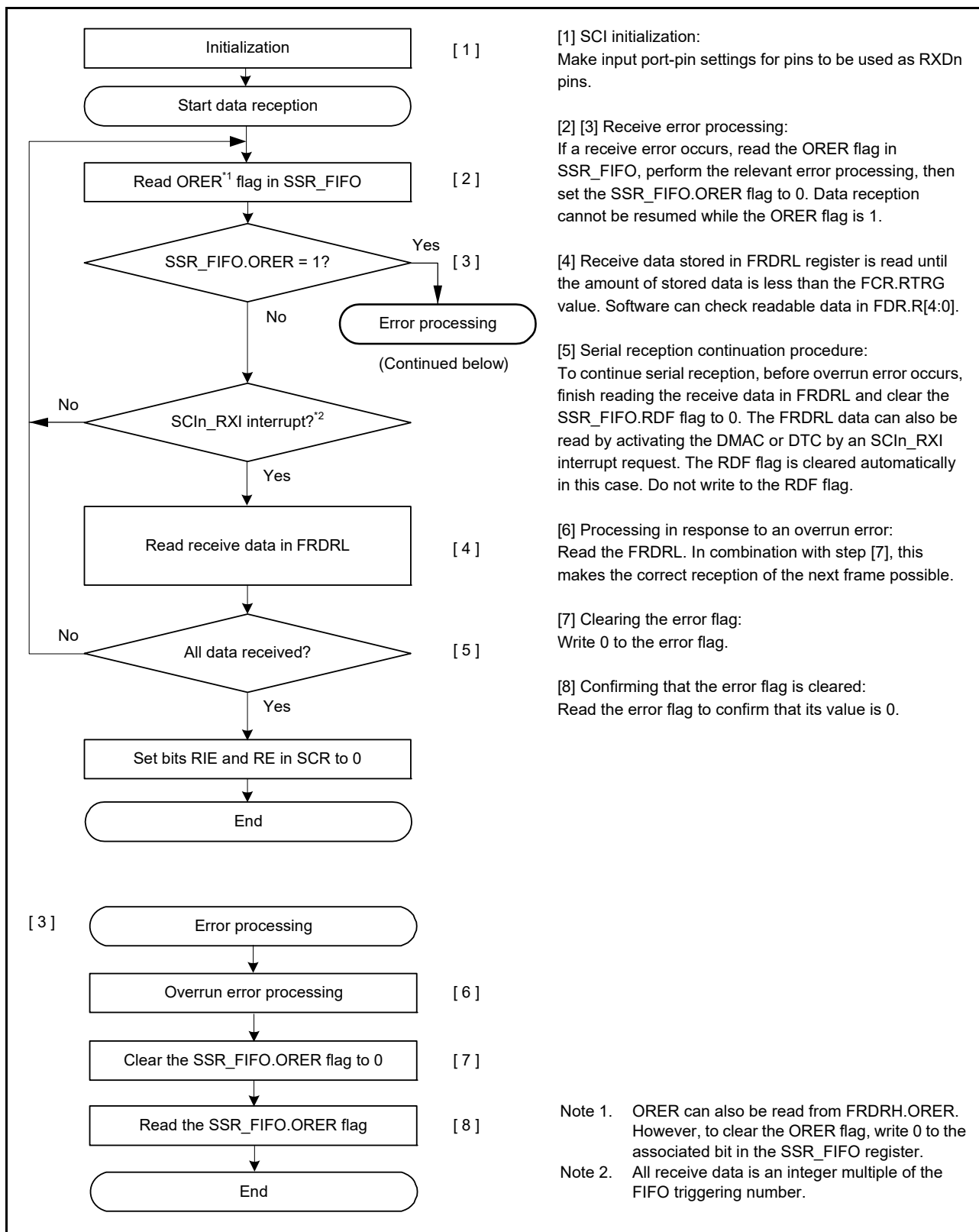


Figure 32.42 Example flow of serial reception in clock synchronous mode with FIFO selected

### 32.5.6 Simultaneous Serial Data Transmission and Reception in Clock Synchronous Mode

#### (1) Non-FIFO selected

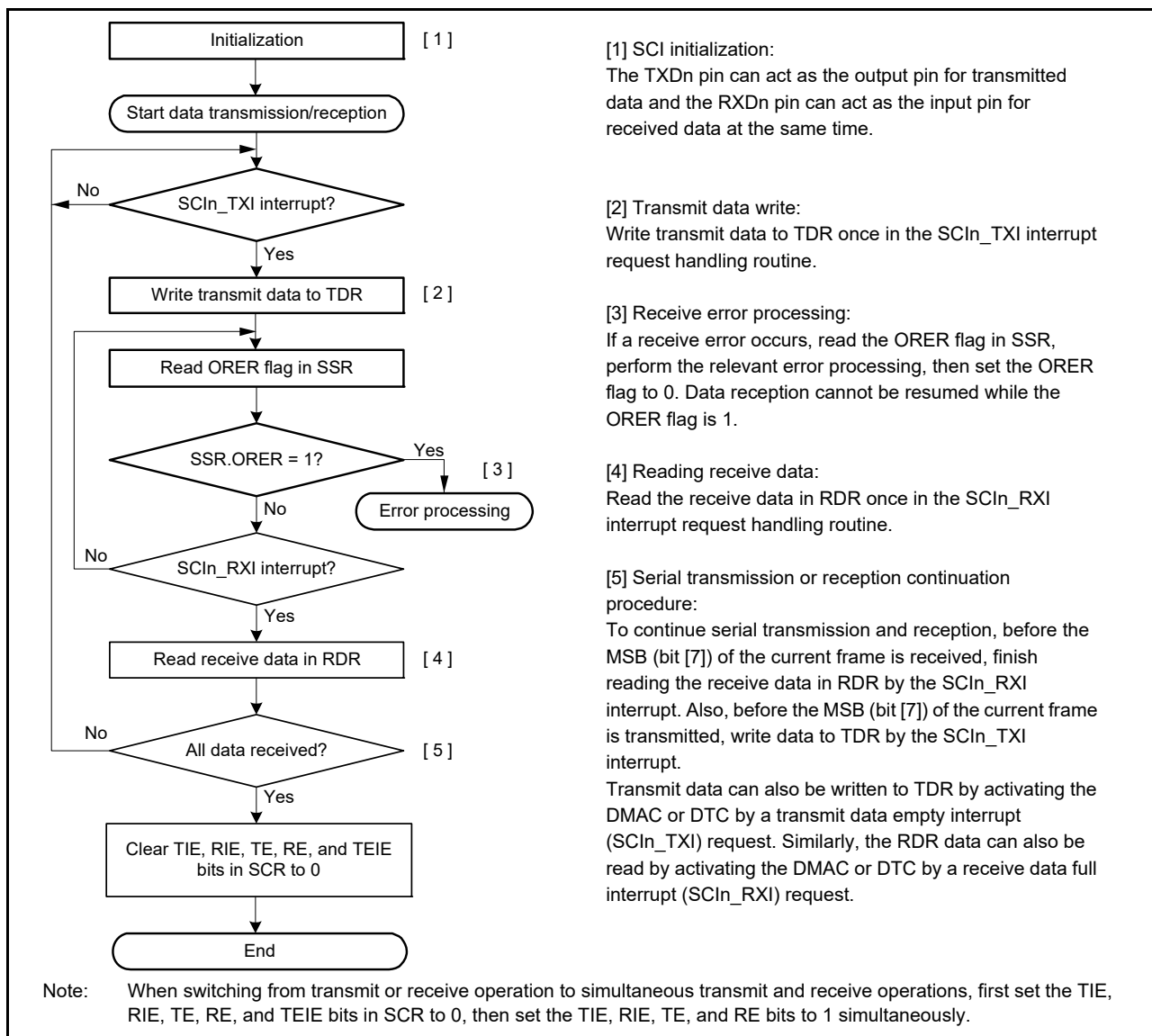
Figure 32.43 shows an example flow of simultaneous serial transmission and reception operations in clock synchronous mode. After initializing the SCI, use the following procedure for simultaneous serial data transmission and reception operations.

To switch from transmit mode to simultaneous transmit and receive mode:

1. Check that the SCI completes the data transmission by verifying that the SSR.TEND flag is set to 1.
2. Initialize the SCR register, and then set the TIE, RIE, TE, and RE bits in the SCR register to 1 simultaneously with a single instruction.

To switch from receive mode to simultaneous transmit and receive mode:

1. Check that SCI completes the data reception.
2. Set the RIE and RE bits to 0 in the SCR register, and then check that the receive error flag ORER in the SSR register is 0.
3. Set the TIE, RIE, TE, and RE bits in the SCR register to 1 simultaneously using a single instruction.



**Figure 32.43 Example flow of simultaneous serial transmission and reception in clock synchronous mode with non-FIFO selected**

## (2) FIFO selected

Figure 32.44 shows an example flow of simultaneous serial transmit and receive operations in clock synchronous mode with FIFO selected.

After initializing the SCI, use the following procedure for simultaneous serial data transmit and receive operations.

To switch from transmit mode to simultaneous transmit and receive mode:

1. Check that the SCI completes the transmission by verifying that the SSR\_FIFO.TEND flag is set to 1.
2. Initialize the SCR register, then set the TIE, RIE, TE, and RE bits in the SCR register to 1 simultaneously using a single instruction.

To switch from receive mode to simultaneous transmit and receive mode:

1. Check that the SCI completes the reception.
2. Set the RIE and RE bits to 0, then check that the receive error flag ORER in SSR\_FIFO is 0.
3. Set the TIE, RIE, TE, and RE bits in SCR to 1 simultaneously using a single instruction.

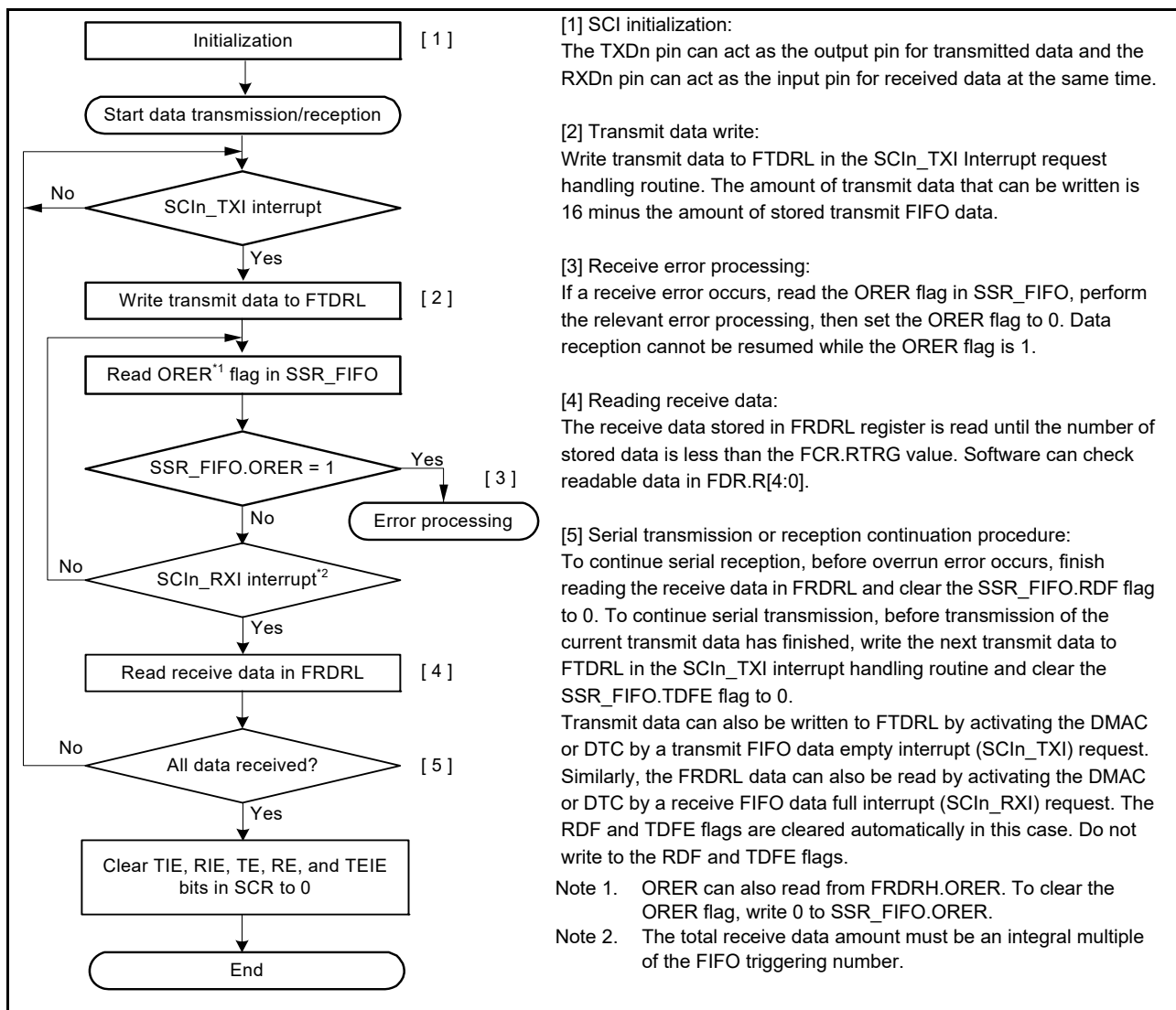


Figure 32.44 Example flow of simultaneous serial transmission and reception in clock synchronous mode with FIFO selected

### 32.6 Operation in Smart Card Interface Mode

The SCI supports smart card (IC card) interfaces conforming to ISO/IEC 7816-3 (standard for Identification Cards), as an extended function of the SCI.

Smart card interface mode can be selected using the appropriate register.

#### 32.6.1 Example Connection

Figure 32.45 shows an example connection between a smart card (IC card) and the MCU. Because the MCU communicates with an IC card using a single transmission line, interconnect the TXDn and RXDn pins and pull up the data transmission line to VCC using a resistor, as shown in Figure 32.45.

Setting the SCR\_SMCI.TE and SCR\_SMCI.RE bits to 1 with an IC card disconnected, enables closed-loop transmission or reception, allowing self-diagnosis. To supply an IC card with the clock pulses generated by the SCI, input the SCKn pin output to the CLK pin of an IC card.

An output port of the MCU can be used to output a reset signal.

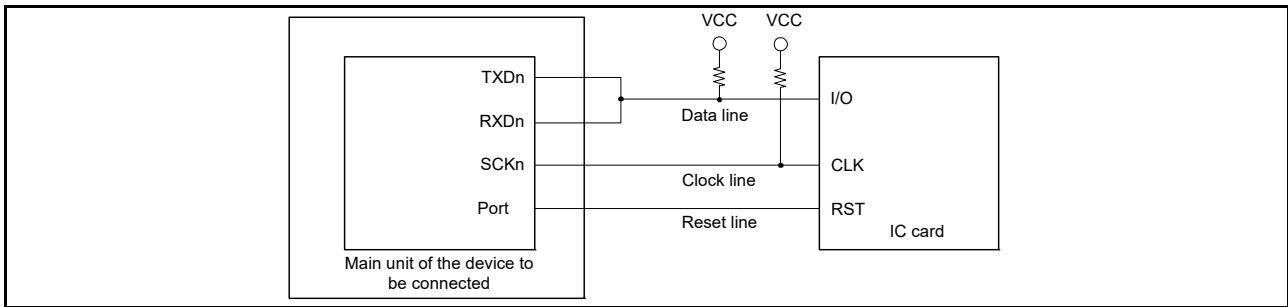


Figure 32.45 Example connection with a smart card (IC card)

### 32.6.2 Data Format (Except in Block Transfer Mode)

Figure 32.46 shows the data transfer formats in smart card interface mode:

- One frame consists of 8-bit data and a parity bit in asynchronous mode
- During transmission, a value of at least 2 ETUs (elementary time unit — the time required for transferring 1 bit) is set as a guard time from the end of the parity bit until the start of the next frame
- If a parity error is detected during reception, a low error signal is output for 1 ETU after a period of 10.5 ETUs elapses from the start bit
- If an error signal is sampled during transmission, the same data is automatically retransmitted after at least 2 ETUs.

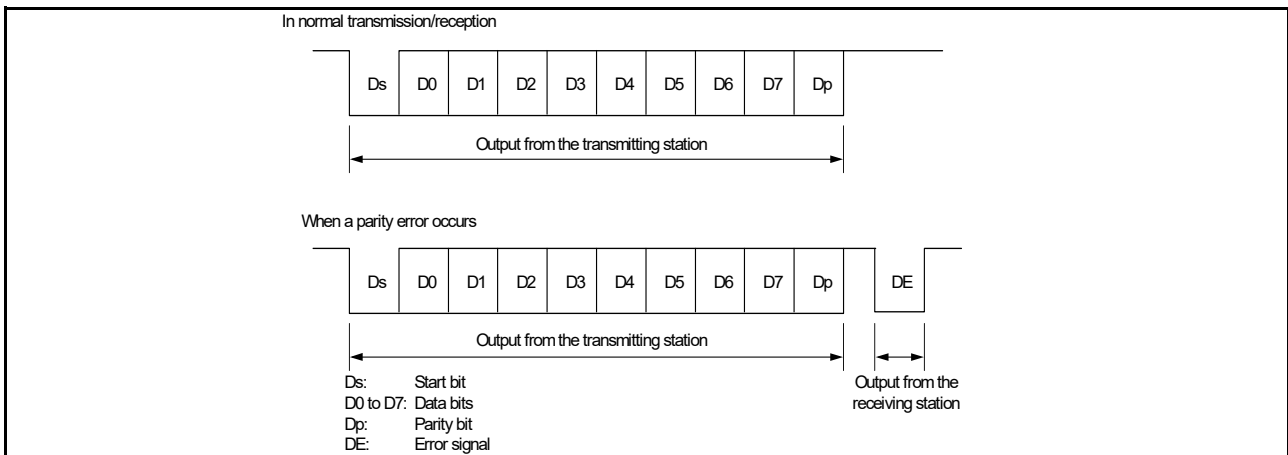


Figure 32.46 Data formats in smart card interface mode

For communications with IC cards of the direct convention type and inverse convention type, follow the procedures in this section.

#### (1) Direct Convention Type

For the direct convention type, logic levels 1 and 0 indicate the Z and A states, respectively, and data is transferred with LSB-first for the start character, as shown in Figure 32.47. Therefore, data in the start character in the figure is 3Bh.

When using the direct convention type, write 0 to both the SCMR.SDIR and SCMR.SINV bits. Write 0 to the SMR\_SMCI.PM bit to use even parity, which is prescribed by the smart card standard.

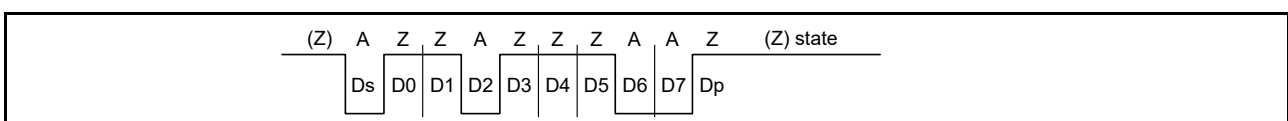


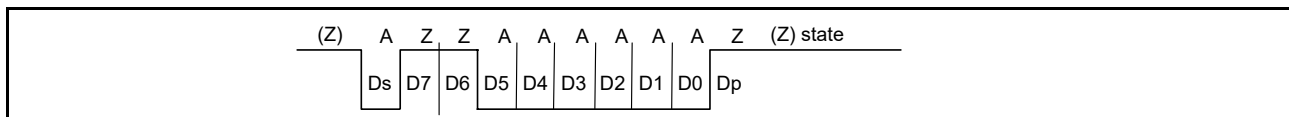
Figure 32.47 Direct convention with SDIR in SCMR = 0, SINV in SCMR = 0, and PM in SMR\_SMCI = 0



## (2) Inverse Convention Type

For the inverse convention type, logic levels 1 and 0 indicate the A and Z states, respectively, and data is transferred with MSB-first for the start character, as shown in Figure 32.48. Therefore, data in the start character in the figure is 3Fh.

When using the inverse convention type, write 1 to both the SCMR.SDIR and SCMR.SINV bits. The parity bit is logic level 0 to produce even parity, which is required by the smart card standard, and corresponds to the Z state. Because the SINV bit of the MCU only inverts data bits D7 to D0, write 1 to the PM bit in SMR\_SMCI to invert the parity bit for both transmission and reception.



**Figure 32.48** Inverse convention with SDIR in SCMR = 1, SINV in SCMR = 1, and PM in SMR\_SMCI = 1

### 32.6.3 Block Transfer Mode

Block transfer mode differs from non-block transfer mode of the smart card interface mode as follows:

- If a parity error is detected during reception, no error signal is output. Because the PER bit in SSR\_SMCI is set by error detection, clear the PER bit before receiving the parity bit of the next frame.
- During transmission, at least 1 ETU is set as a guard time from the end of the parity bit until the start of the next frame
- Because the same data is not retransmitted, the TEND flag in SSR\_SMCI is set to 11.5 ETUs after transmission starts
- In block transfer mode, the ERS flag in SSR\_SMCI indicates the error signal status as in non-block transfer mode of smart card interface mode, but the flag is read as 0 because no error signal is transferred.

### 32.6.4 Receive Data Sampling Timing and Reception Margin

Only the clock generated by the on-chip baud rate generator can be used as a transfer clock in smart card interface mode.

In this mode, the SCI can operate on a base clock with a frequency of 32, 64, 372, 256, 93, 128, 186, or 512 times the bit rate set up in the SCMR.BCP2 and SMR\_SMCI.BCP[1:0] bits.

For data reception, the SCI samples the falling edge of the start bit using the base clock to perform synchronization.

Receive data is sampled on the 16th, 32nd, 186th, 128th, 46th, 64th, 93rd, and 256th rising edges of the base clock so that it can be latched at the middle of each bit as shown in Figure 32.49. The reception margin is determined by the following formula:

$$M = \left| \left( 0.5 - \frac{1}{2N} \right) - (L - 0.5)F - \frac{|D - 0.5|}{N} (1 + F) \right| \times 100 [\%]$$

M: Reception margin (%)

N: Ratio of bit rate to clock (N = 32, 64, 372, 256)

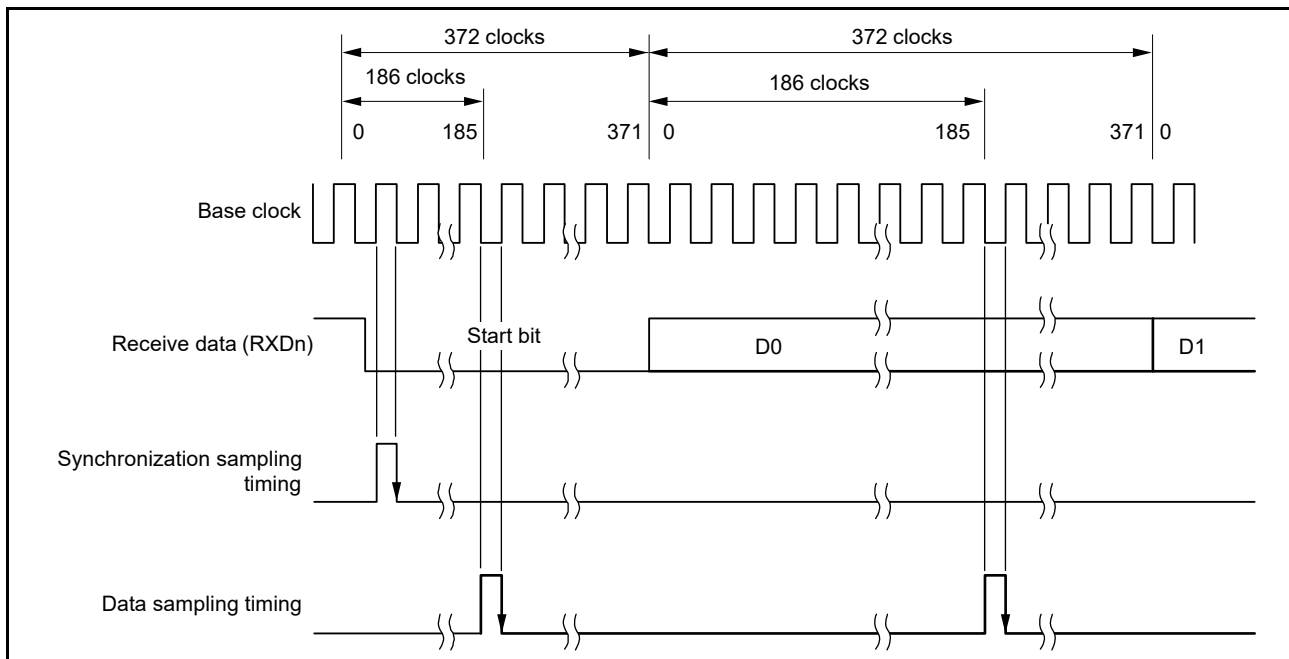
D: Duty cycle of clock (D = 0 to 1.0)

L: Frame length (L = 10)

F: Absolute value of clock frequency deviation

Assuming values of F = 0, D = 0.5, and N = 372 in the specified formula, the reception margin is determined using the following formula:

$$M = \{0.5 - 1/(2 \times 372)\} \times 100 [\%] = 49.866\%$$



**Figure 32.49** Receive data sampling timing in smart card interface mode when clock frequency is 372 times the bit rate

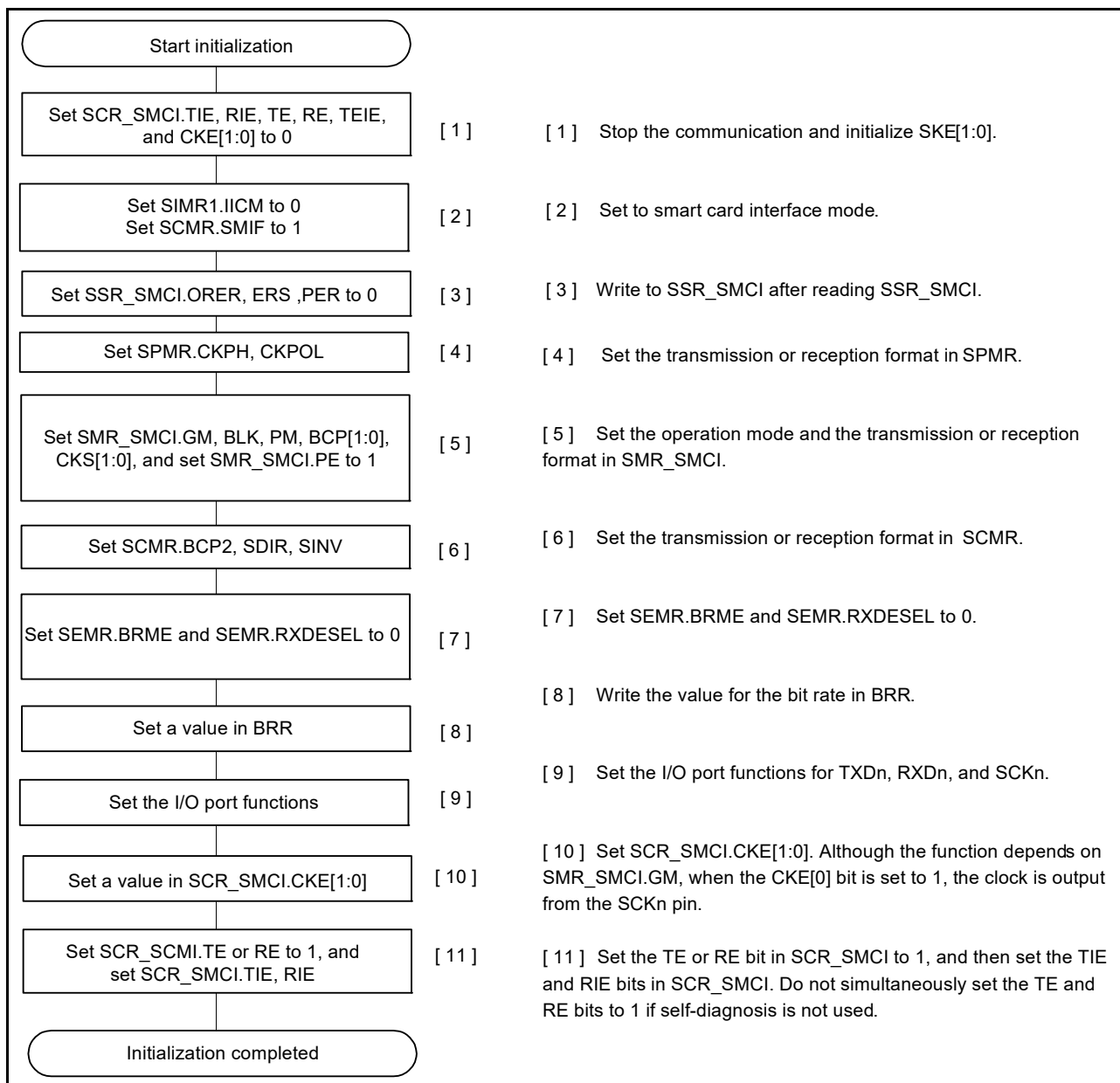
### 32.6.5 Initialization of the SCI

Before transmitting and receiving data, write the initial value of 00h in the SCR\_SMCI register and initialize the SCI using the example flow shown in [Figure 32.50](#).

Be sure to set the initial value in the TIE, RIE, TE, RE, and TEIE bits in the SCR\_SMCI register before switching from transmission to reception mode or from reception to transmission mode. When SCR\_SMCI.RE is set to 0, the RDR register is not initialized.

To change from reception mode to transmission mode, first check that the reception is complete, then initialize the SCI. At the end of initialization, set SSR\_SMCI.TE = 1 and SSR\_SMCI.RE = 0. Reception completion can be verified by reading the SCIn\_RXI request, ORER, or PER flag in SSR\_SMCI.

To change transmission mode to reception mode, first check that the transmission is complete, then initialize the SCI. At the end of the initialization, set SSR\_SMCI.TE = 0 and SSR\_SMCI.RE = 1. Transmission completion can be verified by reading the TEND flag in SSR\_SMCI.

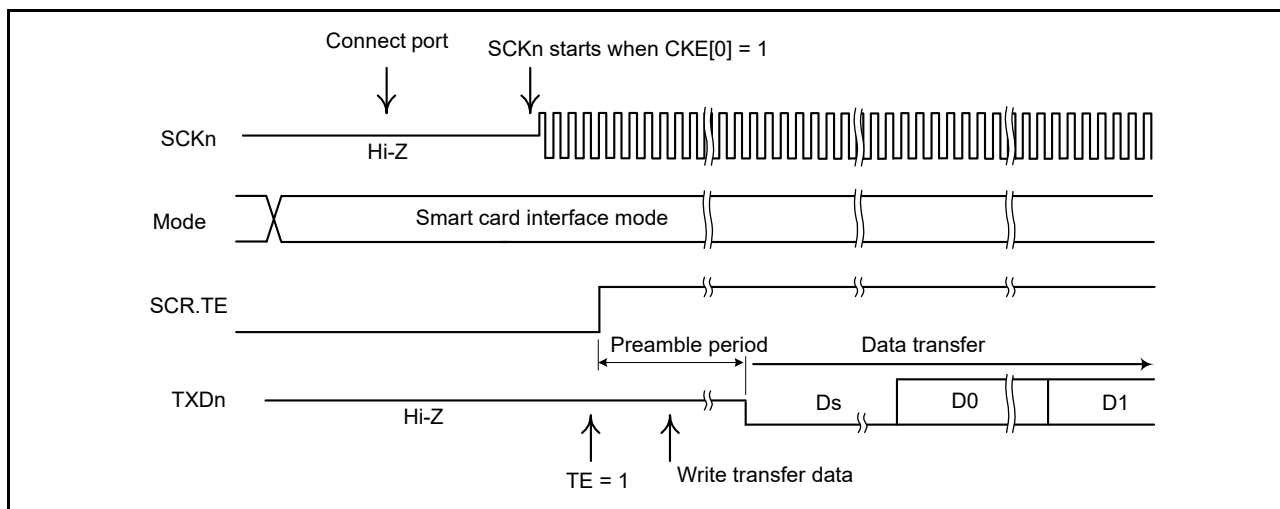


**Figure 32.50 Example flow of SCI initialization in smart card interface mode**

Figure 32.51 shows a timing diagram when data transmission is performed by transitioning to smart card interface mode according to the flow in Figure 32.50. Figure 32.51 shows when the GM bit in SMR\_SMCI is set to 0. The timing in Figure 32.51 shows when the port is connected as SCKn and TXDn, the pins are Hi-Z because CKE[0] bit in SCR\_SMCI is 0.

Start the clock output to the SCK pin by setting the CKE[0] bit in SCR\_SMCI to 1, then start data transmission by writing the transmit data after setting the TE bit in SCR\_SMCI to 1. When the TE bit in SCR\_SMCI changes from 0 to 1, there is a preamble period for one frame before data transmission starts. In smart card interface mode, the TXDn pin is Hi-Z when there is a preamble period. Pull-up or pull-down for the SCKn and TXDn pins is required outside the MCU.

In smart card interface mode, even when the TE and RE bits in SCR\_SMCI are 0, the clock is continuously output if the clock output setting is used.



**Figure 32.51** Example timing of data transmission in smart card interface mode

### 32.6.6 Serial Data Transmission (Except in Block Transfer Mode)

Serial data transmission in smart card interface mode (except in block transfer mode) is different from that in non-smart card interface mode, in that an error signal is sampled and data can be retransmitted in smart card mode. [Figure 32.52](#) shows the data retransfer operation during transmission.

In [Figure 32.52](#):

- [1] indicates that when an error signal from the receiver end is sampled after 1-frame data is transmitted, the SSR\_SMCI.ERS flag is set to 1. If the SCR\_SMCI.RIE bit is 1, an SCIn\_ERI interrupt request is generated. Clear the ERS flag to 0 before the next parity bit is sampled.
- [2] indicates that for a frame in which an error signal is received, the SSR\_SMCI.TEND flag is not set. Data is retransferred from TDR to TSR, allowing automatic data retransmission.
- [3] indicates that if no error signal is returned from the receiver, the ERS flag is not set to 1.
- [4] indicates that SCI determines that the transmission of 1-frame data, including the retransfer, is complete, and the TEND flag is set. If the SCR\_SMCI.TIE bit is 1, an SCIn\_TXI interrupt request is generated. Write transmit data to the TDR to start transmission of the next data.

[Figure 32.54](#) shows an example flow of serial transmission. All the processing steps are automatically performed using an SCIn\_TXI interrupt request to activate the DMAC or DTC.

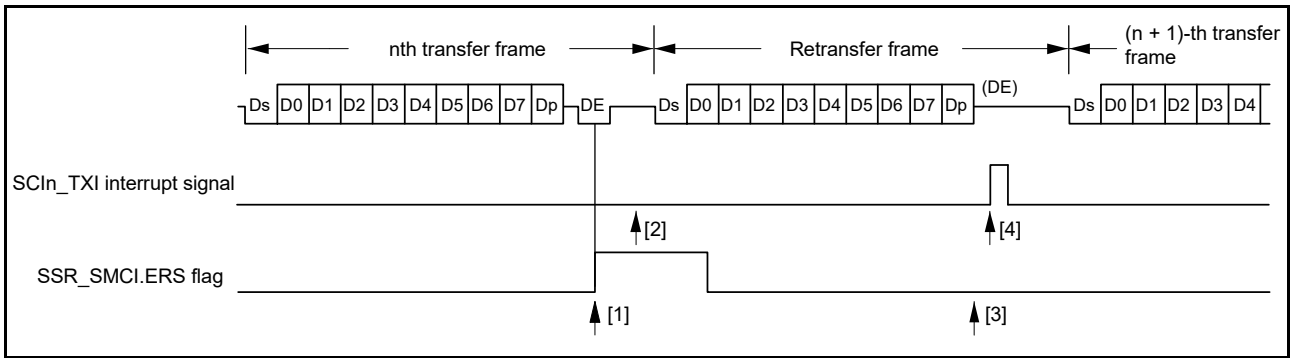
When the SSR\_SMCI.TEND flag is set to 1 in transmission and when the SCR\_SMCI.TIE bit is 1, an SCIn\_TXI interrupt request is generated.

The DMAC or DTC is activated by an SCIn\_TXI interrupt request if the SCIn\_TXI interrupt request is previously specified as a source of DMAC or DTC activation, allowing the transfer of transmit data. The TEND flag is automatically set to 0 when the DMAC or DTC transfers data.

If an error occurs, the SCI automatically retransmits the same data. During this retransmission, the TEND flag is kept at 0 and the DMAC or DTC is not activated. Therefore, the SCI and DMAC or DTC automatically transmit the specified number of bytes, including retransmission when an error occurs. Because the ERS flag is not automatically cleared, set the RIE bit to 1 to enable an SCIn\_ERI interrupt request to be generated if an error occurs, and clear the ERS flag to 0.

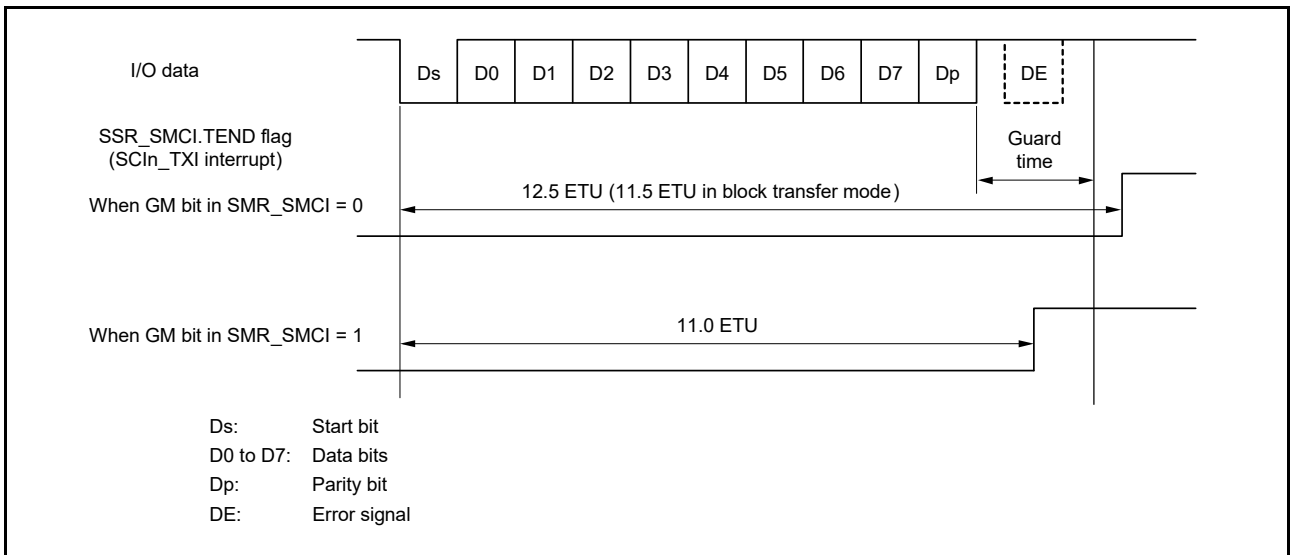
When transmitting or receiving data using the DMAC or DTC, always enable the DMAC or DTC before making the SCI settings.

For DMAC or DTC settings, see [section 17, DMA Controller \(DMAC\)](#) and [section 18, Data Transfer Controller \(DTC\)](#).

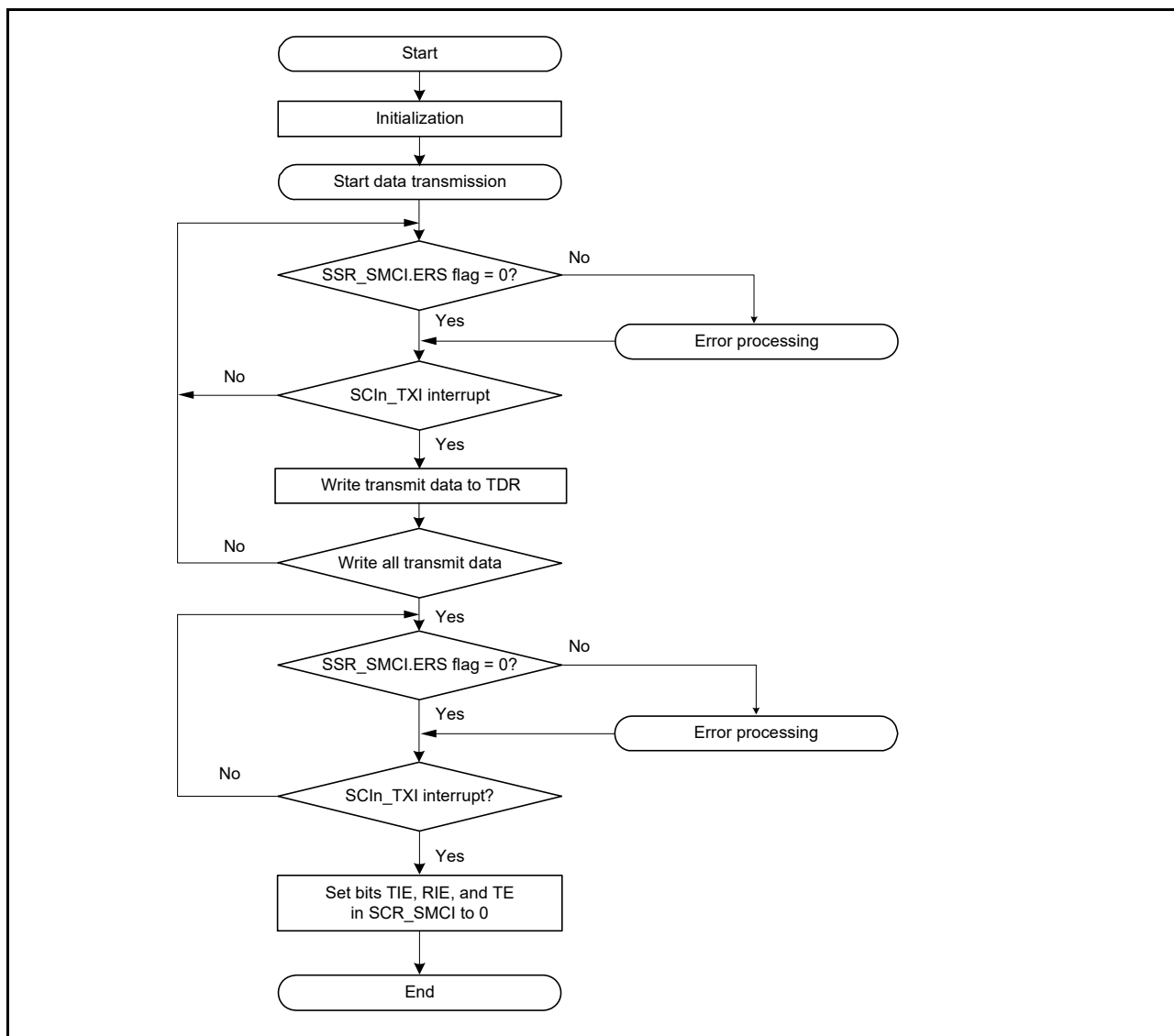


**Figure 32.52 Data retransfer operation in SCI transmission mode**

The SSR\_SMCI.TEND flag is set at different timings depending on the SMR\_SMCI.GM bit setting. Figure 32.53 shows the TEND flag generation timing.



**Figure 32.53 SSR.TEND flag generation timing during transmission**



**Figure 32.54** Example flow of smart card interface transmission

### 32.6.7 Serial Data Reception (Except in Block Transfer Mode)

Serial data reception in smart card interface mode is similar to that in non-smart card interface mode. [Figure 32.55](#) shows the data retransfer operation in reception mode.

- [1] indicates that if a parity error is detected in the receive data, the SSR\_SMCI.PER flag is set to 1. When the SCR\_SMCI.RIE bit is 1, an SCIn\_ERI interrupt request is generated. Clear the PER flag to 0 before the next parity bit is sampled.
- [2] indicates that for a frame in which a parity error is detected, no SCIn\_RXI interrupt is generated.
- [3] indicates that when no parity error is detected, the SCR\_SMCI.PER flag is not set to 1.
- [4] indicates that data is determined to be received successfully. When the SCR\_SMCI.RIE bit is 1, an SCIn\_RXI interrupt request is generated.

[Figure 32.56](#) shows an example flow of serial data reception. All the processing steps are automatically performed using an SCIn\_RXI interrupt request to activate the DMAC or DTC.

In reception, setting the RIE bit to 1 allows an SCIn\_RXI interrupt request to be generated. The DMAC or DTC is activated by an SCIn\_RXI interrupt request if the SCIn\_RXI interrupt request is previously specified as a source of DMAC or DTC activation, allowing the transfer of receive data.

If an error occurs during reception and either the ORER or PER flag in SSR\_SMCI is set to 1, a receive error interrupt (SCIn\_ERI) request is generated. Clear the error flag after the error occurrence. If an error occurs, the DMAC or DTC is not activated and receive data is skipped. Therefore, the number of bytes of receive data specified in the DMAC or DTC is transferred.

If a parity error occurs and the PER flag is set to 1 during reception, the receive data is transferred to RDR, therefore allowing the data to be read.

When a reception is forced to terminate by setting SCR\_SMCI.RE to 0 during operation, read the RDR register because the received data that is not yet read might be left in the RDR.

Note: For operations in block transfer mode, see [section 32.3.9, Serial Data Reception in Asynchronous Mode](#).

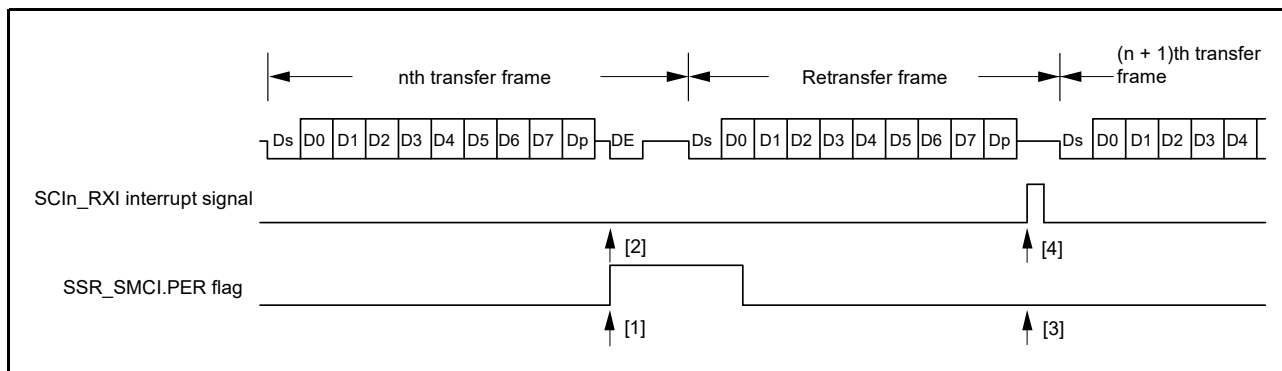


Figure 32.55 Data retransfer operation in SCI reception mode

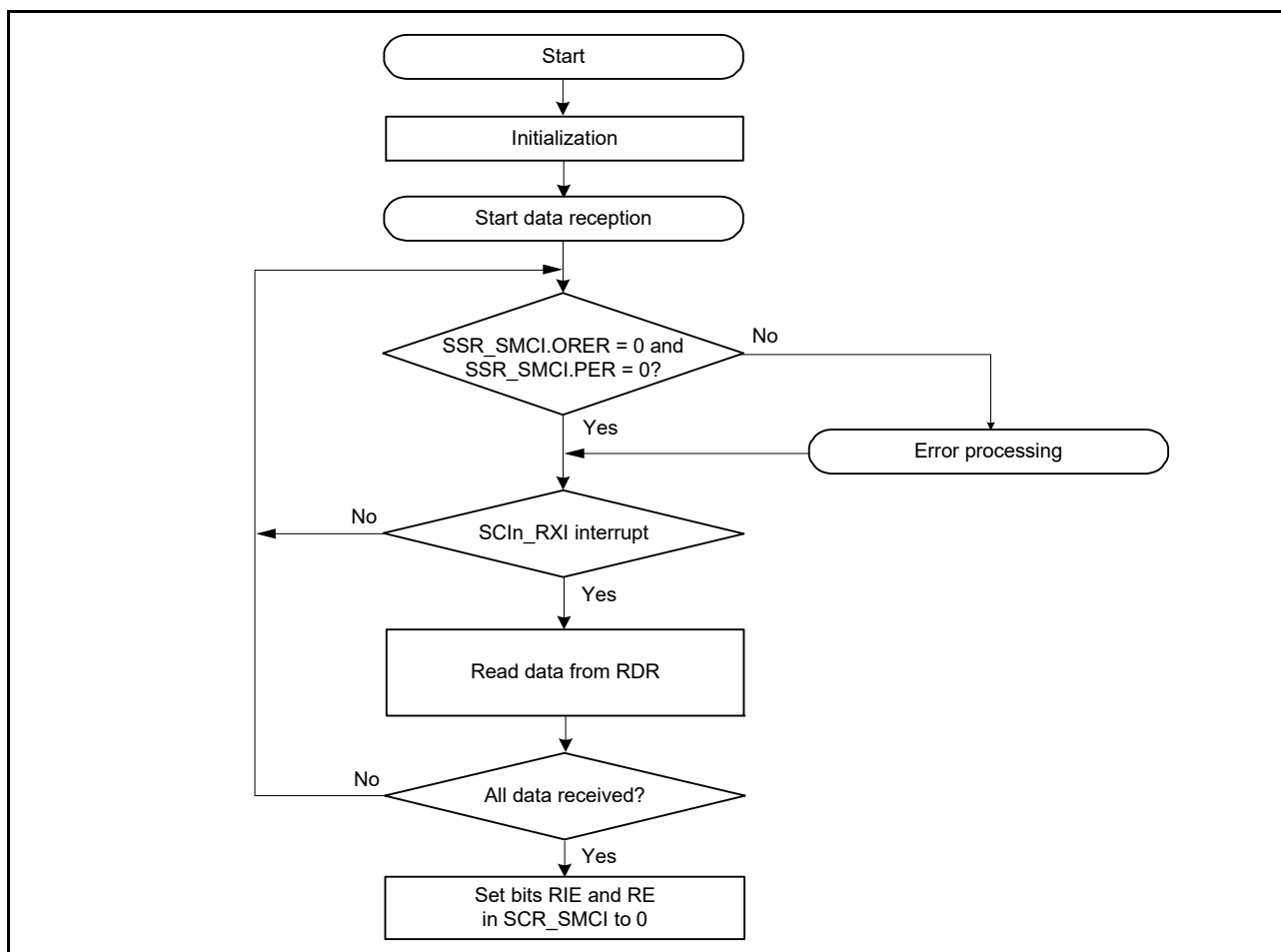


Figure 32.56 Example flow of smart card interface reception

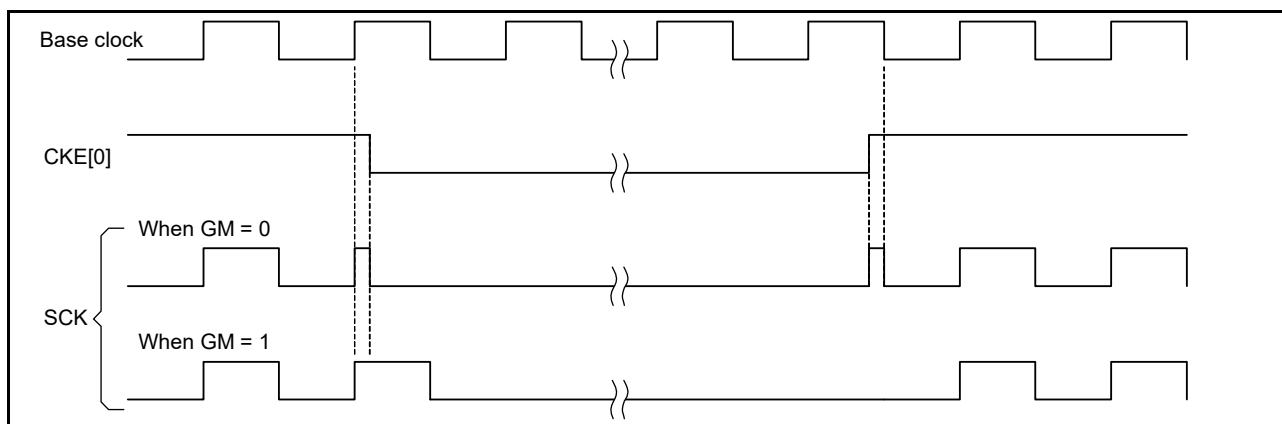
### 32.6.8 Clock Output Control

When the GM bit in SMR\_SMCI is set to 1, the clock output can be controlled by the CKE[1: 0] bits in SCR\_SMCI. For details on the CKE[1:0] bits, see [section 32.2.12, Serial Control Register for Smart Card Interface Mode \(SCR\\_SMCI\) \(SCMR.SMIF = 1\)](#). When setting the clock output, the base clock described in [section 32.6.4, Receive Data Sampling Timing and Reception Margin](#) is output.

[Figure 32.57](#) shows an example timing for the clock output control when the CKE[1] bit in SCR\_SMCI is set to 0 and the CKE[0] bit in SCR\_SMCI is controlled.

When the GM bit in SMR\_SMCI is 0, output control by the CKE[0] bit in SCR\_SMCI is immediately reflected on the SCK pin, so there is a possibility that pulses with an unintended width might be output from the SCK pin.

When the GM bit in SMR\_SMCI is 1, the clock with the same pulse width as the base clock is output even if the CKE[0] bit in SCR\_SMCI is changed.



**Figure 32.57** Clock output control

### 32.7 Operation in Simple IIC Mode

Simple IIC mode format is composed of 8 data bits and an acknowledge bit. By continuing into a slave-address frame after a start condition or restart condition, a master device can specify a slave device as the partner for communications. The currently specified slave device remains valid until a new slave device is specified or a stop condition is satisfied. The 8 data bits in all frames are transmitted in the order starting from the MSB.

The I<sup>2</sup>C bus format and timing of the I<sup>2</sup>C bus are shown in [Figure 32.58](#) and [Figure 32.59](#).



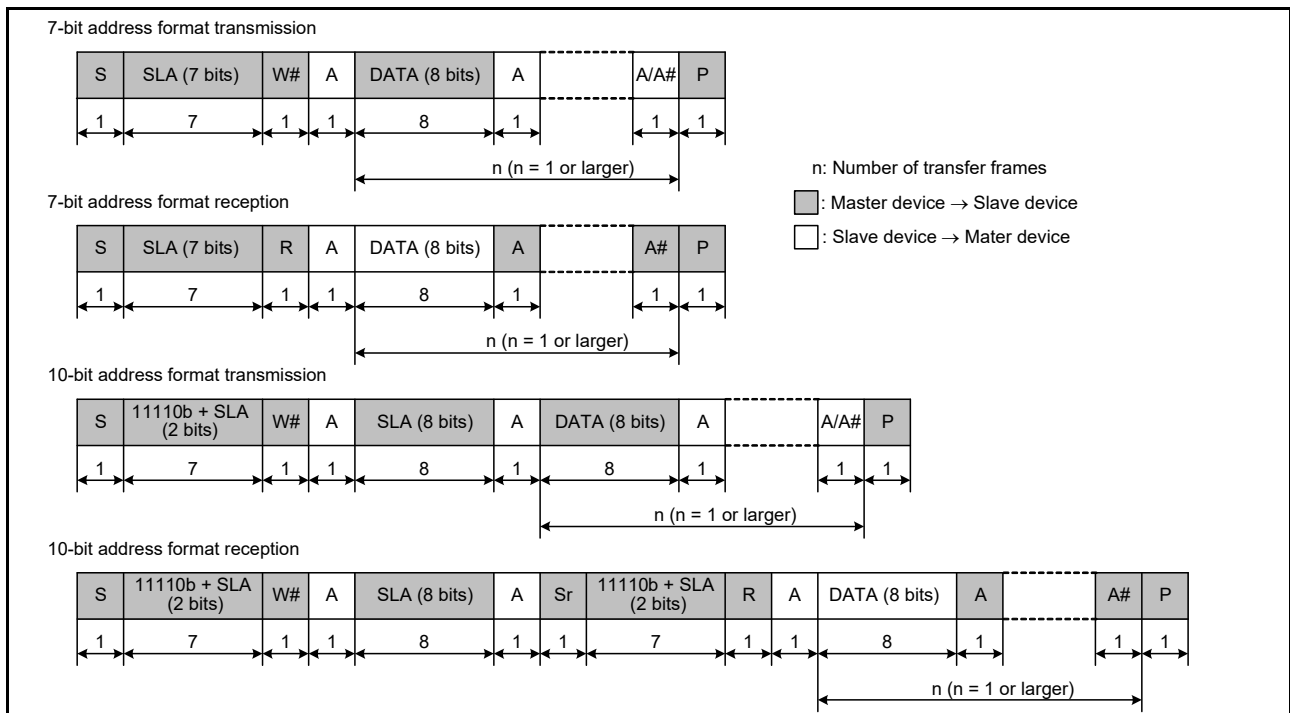


Figure 32.58 I2C bus format

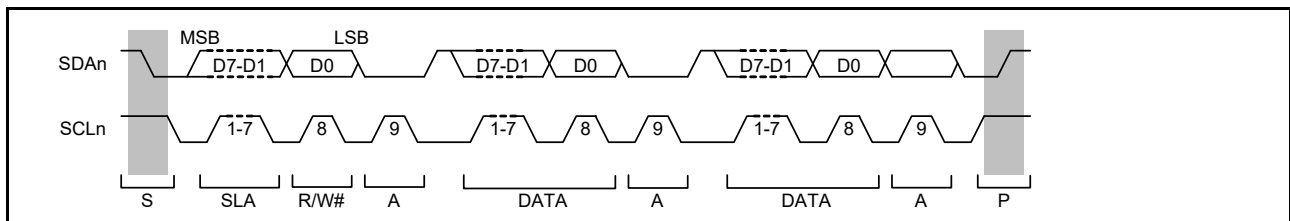


Figure 32.59 I2C bus timing when SLA is 7 bits

- S: Indicates a start condition, when the master device changes the level on the SDAn line from high to low while the SCLn line is high
- SLA: Indicates a slave address, by which the master device selects a slave device
- R/W#: Indicates the direction of transfer (reception or transmission). The value 1 indicates transfer from the slave device to the master device and 0 indicates transfer from the master device to the slave device
- A/A#: Indicates an acknowledge bit. This is returned by the slave device for master transmission and by the master device for master reception. Return low indicates ACK and return high indicates NACK
- Sr: Indicates a restart condition, when the master device changes the level on the SDAn line from high to low while the SCLn line is high and after the setup time elapses
- DATA: Indicates the data being received or transmitted
- P: Indicates a stop condition, when the master device changes the level on the SDAn line from low to high while the SCLn line is high.

### 32.7.1 Generation of Start, Restart, and Stop Conditions

Writing 1 to the SIMR3.IICSTAREQ bit causes the generation of a start condition. The generation of a start condition proceeds through the following operations:

- The level on the SDAn line falls (from the high level to the low level) and the SCLn line is kept in the released state
- The hold time for the start condition is set as half of a bit period at the bit rate determined by the BRR setting

- The level on the SCLn line falls (from the high level to the low level), the IICSTAREQ bit in SIMR3 is set to 0, and a start-condition generated interrupt is output.

Writing 1 to the IICRSTAREQ bit in SIMR3 causes the generation of a restart condition. The generation of a restart condition proceeds through the following operations:

- The SDA<sub>n</sub> line is released and the SCLn line is kept at a low level
- The period at low level for the SCLn line is set as half of a bit period at the bit rate determined by the BRR setting
- The SCLn line is released (transition from the low to the high level)
- When a high level is detected on the SCLn line, the setup time for the restart condition is set as half of a bit period at the bit rate determined by the BRR setting
- The level on the SDA<sub>n</sub> line falls (from the high level to the low level)
- The hold time for the restart condition is set as half of a bit period at the bit rate determined by the BRR setting
- The level on the SCLn line falls (from the high level to the low level), the SIMR3.IICRSTAREQ bit is set to 0, and a restart-condition generated interrupt is output.

Writing 1 to the SIMR3.IICSTPREQ bit causes the generation of a stop condition. The generation of a stop condition proceeds through the following operations:

- The level on the SDA<sub>n</sub> line falls (from the high level to the low level) and the SCLn line is kept at the low level
- The period at low level for the SCLn line is set as half of a bit period at the bit rate determined by the BRR setting
- The SCLn line is released (transition from the low to the high level)
- When a high level is detected on the SCLn line, the setup time for the stop condition is set as half of a bit period at the bit rate determined by the BRR setting
- The SDA<sub>n</sub> line is released (transition from the low to the high level), the SIMR3.IICSTPREQ bit is set to 0, and a stop-condition generated interrupt is output.

Figure 32.60 shows the timing of operations in the generation of start, restart, and stop conditions.

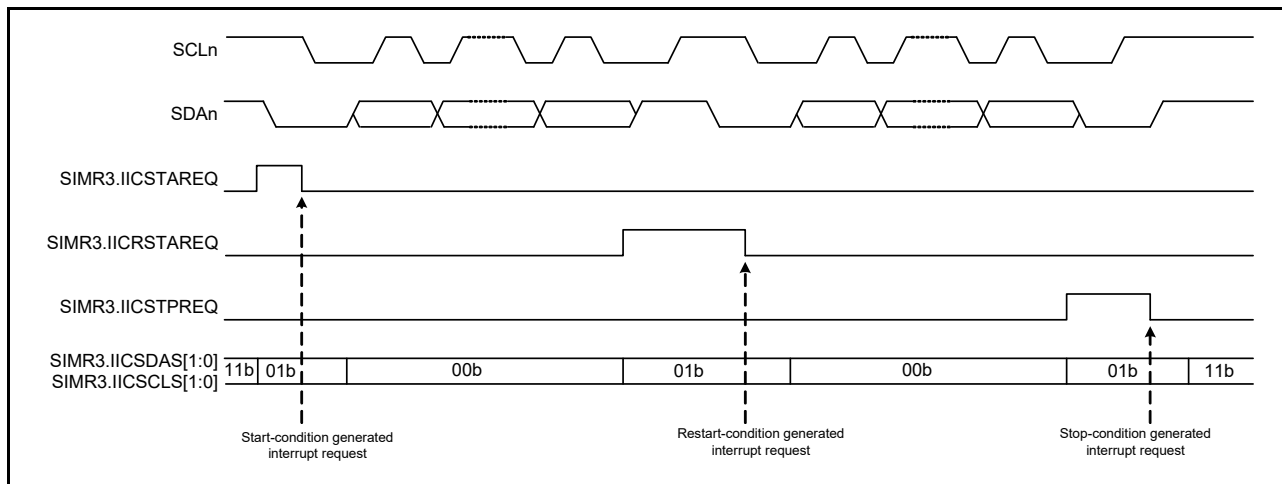


Figure 32.60 Timing of operations in generation of start, restart, and stop conditions

### 32.7.2 Clock Synchronization

The SCLn line can be driven low if a wait is inserted by a slave device at the other side of the transfer. Setting the SIMR2.IICCS bit to 1 applies control to obtain synchronization when a difference arises between the levels of the internal SCLn clock signal and the level being input on the SCLn pin.

When the SIMR2.IICCS bit is set to 1, the level of the internal SCLn clock signal changes from low to high. Counting to determine the period at a high level stops while the low level is being input on the SCLn pin. Counting to determine the period at a high level starts after the transition of the input on the SCLn pin to the high level.

The interval from this time until counting, to determine the period at high level that starts on the transition of the SCLn pin to the high level, is the total of the delay of SCLn output, delay for noise filtering of the input on the SCLn pin (2 or 3 cycles of sampling clock for the noise filter), and delay for internal processing (1 or 2 cycles of PCLKA). The period at high level of the internal SCLn clock is extended even when other devices do not place the low level on the SCLn line.

If the SIMR2.IICCSC bit is 1, synchronization is obtained for the transmission and reception of data by taking the logical AND of the input on the SCLn pin and the internal SCLn clock. If the SIMR2.IICCSC bit is 0, synchronization with the internal SCLn clock is obtained for the transmission and reception of data.

If a slave device inserts a wait period into the interval until the transition of the internal SCLn clock signal from the low to the high level after a request for the generation of a start, restart, or stop condition is issued, the time until generation is prolonged by that period.

If a slave device inserts a wait period after a transition of the internal SCLn clock signal from the low to the high level, although the generation-completed interrupt is issued without stopping the waiting period, generation of the condition itself is not guaranteed. Figure 32.61 shows an example operation for synchronizing the clocks.

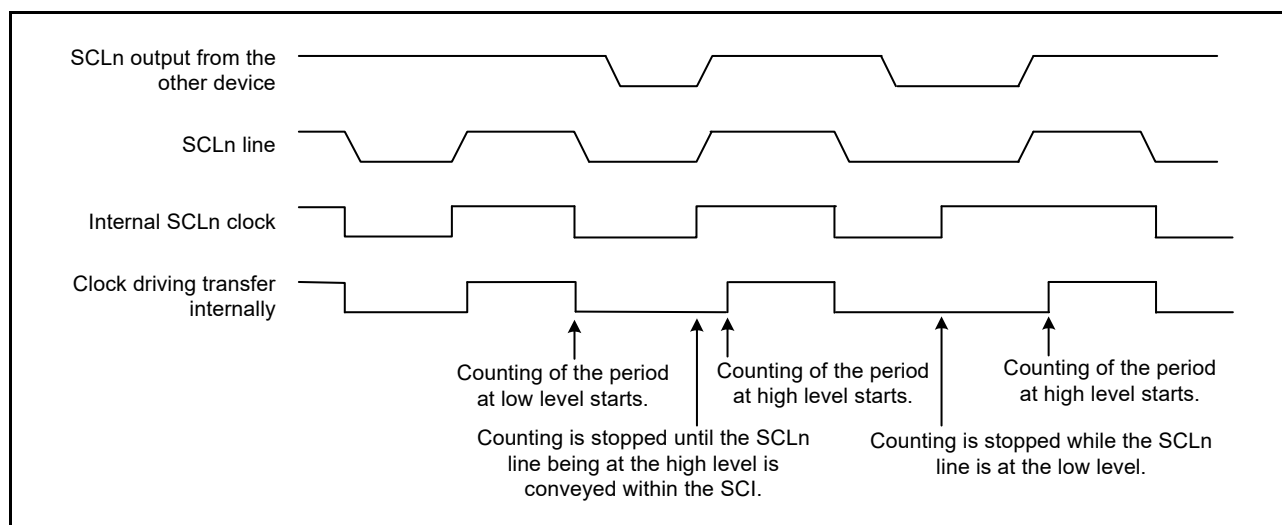


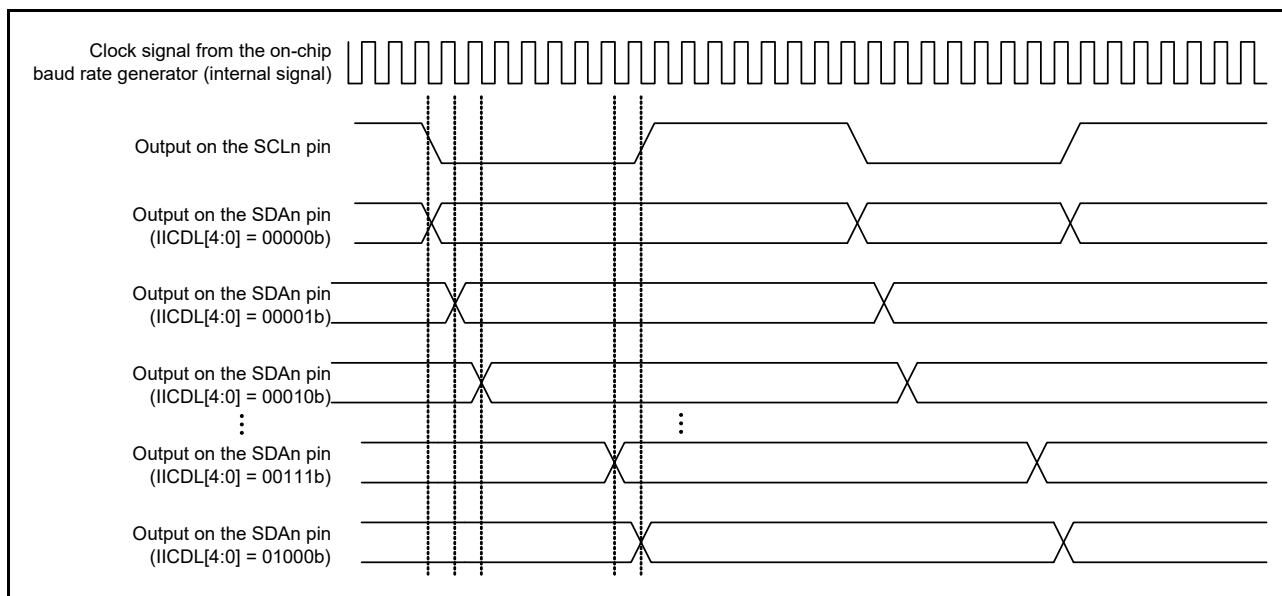
Figure 32.61 Example operations for clock synchronization

### 32.7.3 SDA Output Delay

The SIMR1.IICDL[4:0] bits can be used to set a delay for the output on the SDAn pin relative to the falling edges of output on the SCLn pin. Delay settings from 0 to 31 are selectable. The delay settings represent periods of the associated numbers of cycles of the clock signal from the on-chip baud rate generator (derived by frequency-dividing the base clock, PCLKA, by the divisor selected in the SMR.CKS[1:0] bits). A delay for output on the SDAn pin applies to the start condition/restart condition/stop condition signal, 8-bit transmit data, and an acknowledge bit.

If the SDA output delay is shorter than the time required for the level on the SCLn pin to fall, the change of the output on the SDAn pin starts while the output level on the SCLn pin is falling, creating a possibility of erroneous operation of slave devices. Ensure that the settings for output delay on the SDAn pin specify a time period greater than the time that the output on the SCLn pin takes to fall (300 ns for IIC in standard mode and fast mode).

Figure 32.62 shows the timing of delays in SDA output.



**Figure 32.62** Timing of delays in SDA output

### 32.7.4 SCI Initialization in Simple IIC Mode

Before transferring data, write the initial value of 00h to SCR and initialize the interface as shown in the example in [Figure 32.63](#). Always set SCR to its initial value before making any changes to the operating mode or transfer format.

In simple IIC mode, the open-drain setting for the communication ports should be made on the port side.

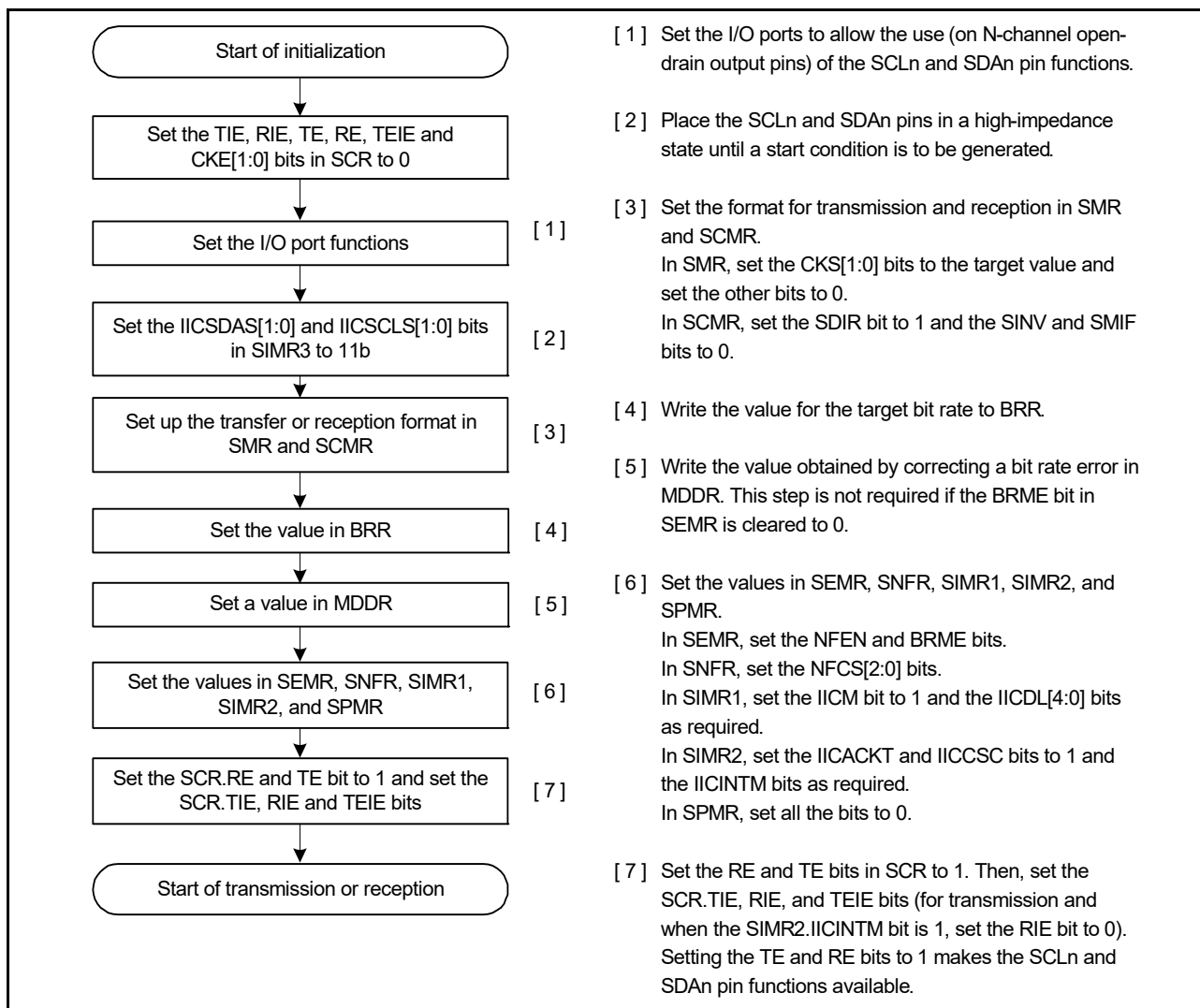


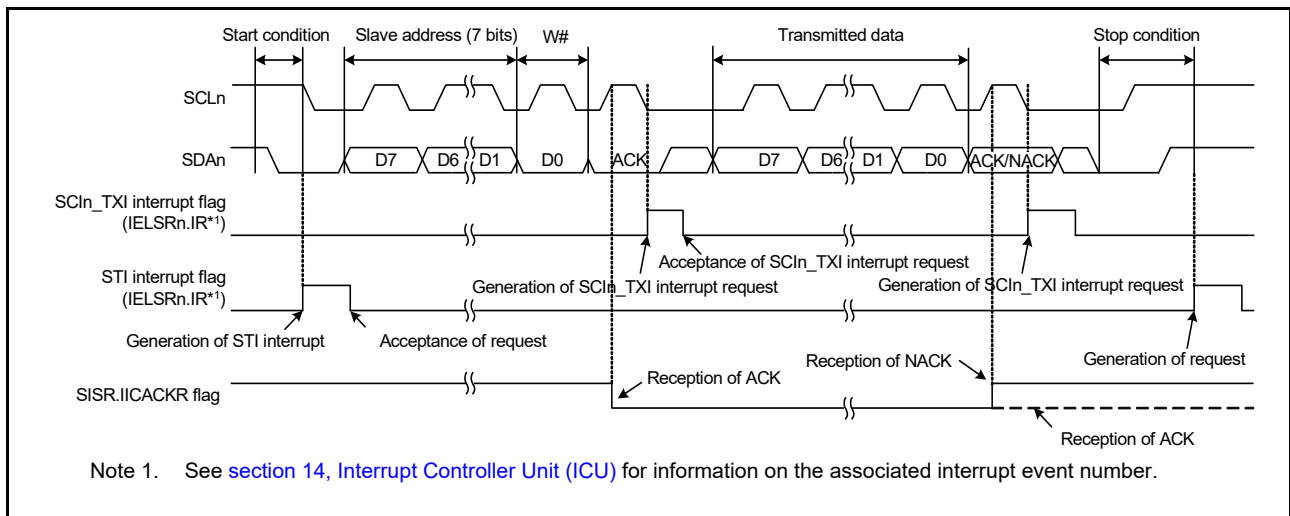
Figure 32.63 Example flow of SCI initialization in simple IIC mode

### 32.7.5 Operation in Master Transmission in Simple IIC Mode

Figure 32.64 and Figure 32.65 show examples of master transmission and Figure 32.66 shows an example flow of data transmission. The value of the SIMR2.IICINTM bit is assumed to be 1 (use reception and transmission interrupts) and the value of the SCR.RIE bit is assumed to be 0 (SCIn\_RXI and SCIn\_ERI interrupt requests are disabled). See Table 32.29 for more information on the STI interrupt.

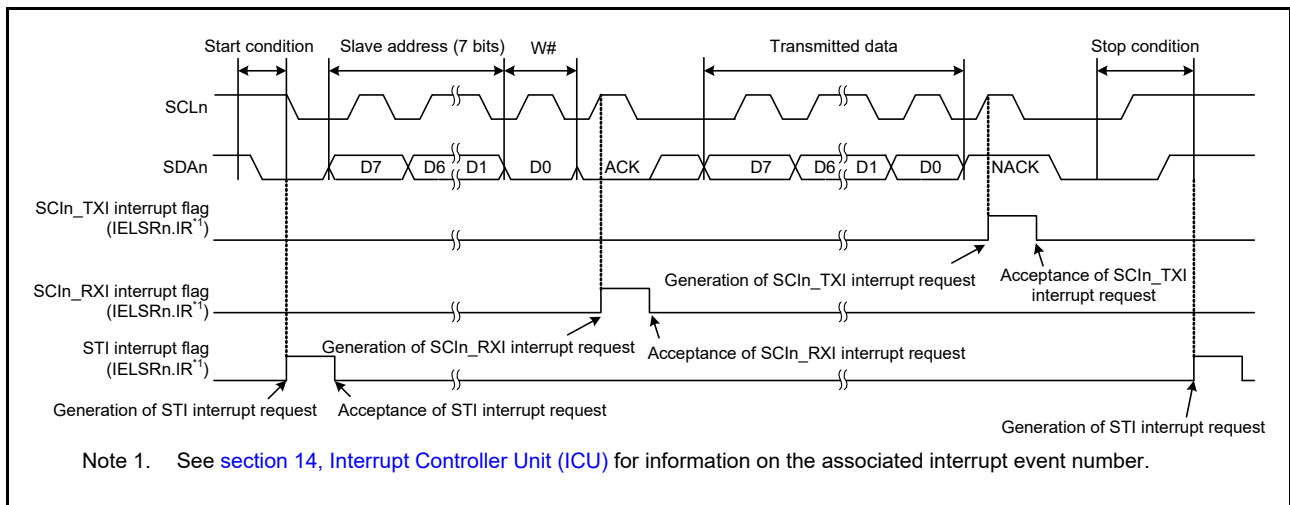
When 10-bit slave addresses are in use, steps [3] and [4] in Figure 32.66 are repeated twice.

In simple IIC mode, the transmit data empty interrupt (SCIn\_TXI) is generated when communication of one frame is complete, unlike the SCIn\_TXI interrupt request generation timing during clock synchronous transmission.



**Figure 32.64** Example 1 of operations for master transmission in simple IIC mode with 7-bit slave addresses, transmission interrupts, and reception interrupts

When the SIMR2.IICINTM bit is set to 0, using ACK/NACK interrupts during master transmission, the DMAC or DTC is activated by the ACK interrupt as the trigger and required number of data bytes are transmitted. When the NACK is received, error processing such as transmission stop and retransmission is performed using the NACK interrupt as the trigger.



**Figure 32.65** Example 2 of operations for master transmission in simple IIC mode with 7-bit slave addresses, ACK interrupts, and NACK interrupts

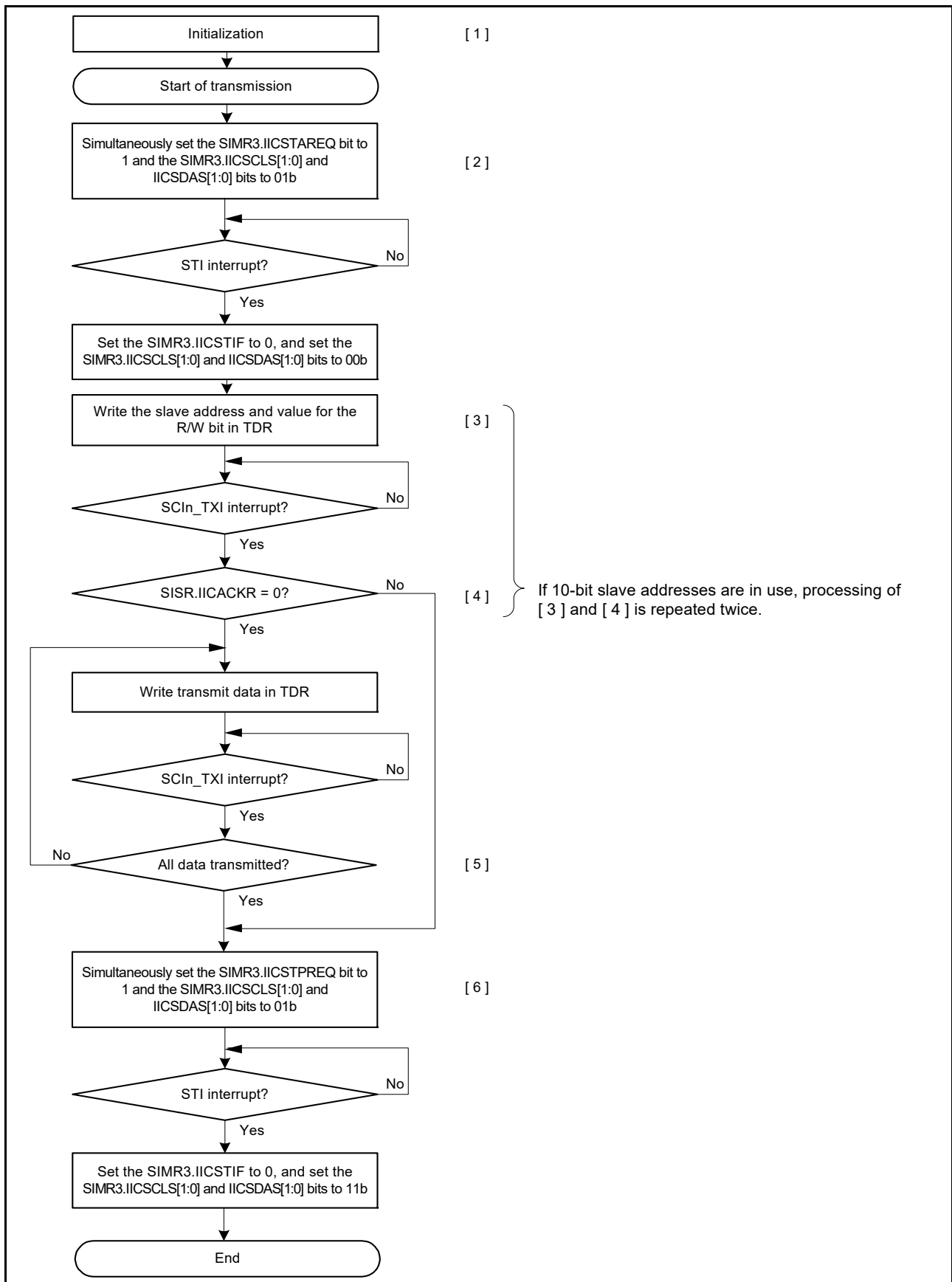


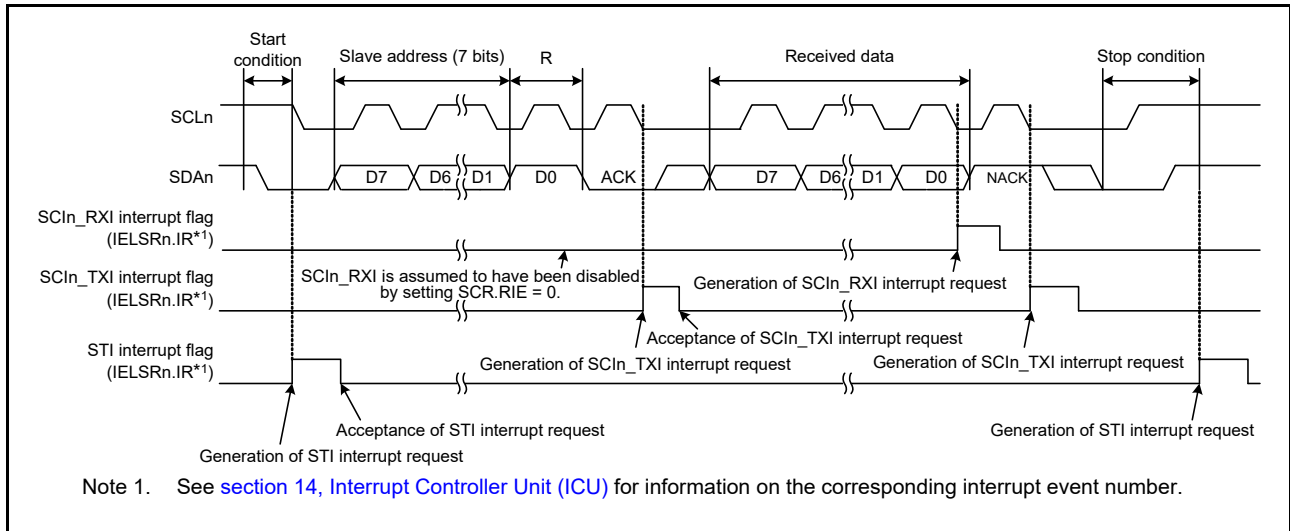
Figure 32.66 Example flow of master transmission in simple IIC mode with transmission interrupts and reception interrupts

### 32.7.6 Master Reception in Simple IIC Mode

Figure 32.67 shows an example operation in simple IIC mode master reception and Figure 32.68 shows an example flow of master reception.

The value of the SIMR2.IICINTM bit is assumed to be 1 (use reception and transmission interrupts).

In simple IIC mode, the transmit data empty interrupt (SCIn\_TXI) is generated when the communication of one frame is complete, unlike the SCIn\_TXI interrupt request generation timing during clock synchronous transmission.



**Figure 32.67** Example operations for master reception in simple IIC mode with 7-bit slave addresses, transmission interrupts, and reception interrupts



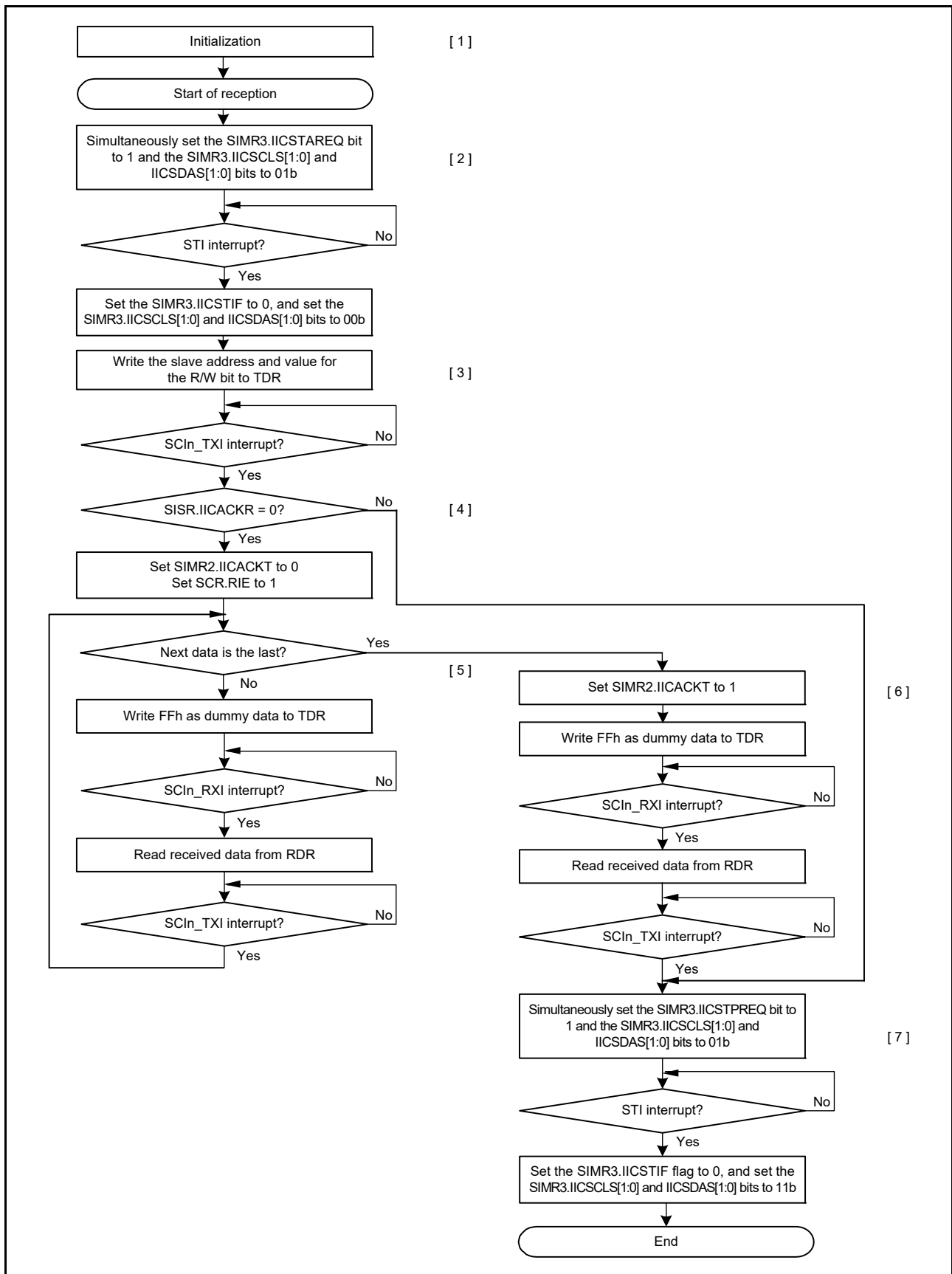


Figure 32.68 Example flow of master reception in simple IIC mode with transmission interrupts and reception interrupts

### 32.8 Operation in Simple SPI Mode

As an extended function, SCI supports a simple SPI mode that handles transfer between one or multiple master devices and multiple slave devices.

To place the SCI in simple SPI mode, use the settings for clock synchronous mode (SCMR.SMIF = 0, SIMR1.IICM = 0, SMR.CM = 1) and set the SPMR.SSE bit to 1. When the configuration only has a single master, the SSn pin function on the master side is not required to connect the device used as the master in simple SPI mode. Therefore, in such a case, set the SPMR.SSE bit to 0.

Figure 32.69 shows an example of connections for simple SPI mode. Use a general port pin to produce the SSn output signal from the master.

In simple SPI mode, data is transferred in synchronization with clock pulses in the same way as in clock synchronous mode. One character of data for transfer consists of 8 bits of data, and parity bits cannot be appended. The data can be inverted by setting the SCMR.SINV bit to 1.

Because the receiver and transmitter are independent of each other within the SCI module, full-duplex communications are possible, with a common clock signal. Additionally, because both the transmitter and receiver have a buffered structure, it is possible to write the next transmit data while transmission is in progress and also read previously received data while reception is in progress. This enables continuous transfer.

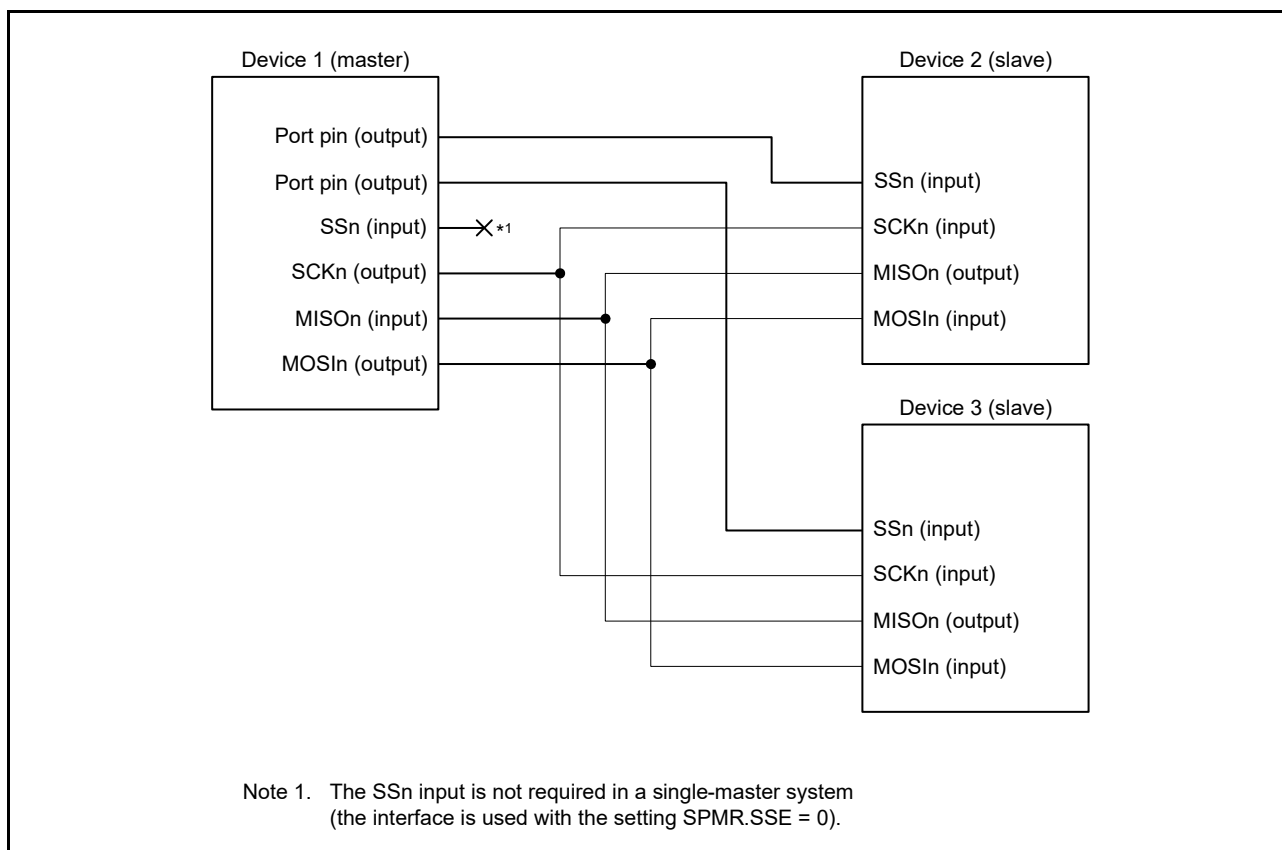


Figure 32.69 Example connections using simple SPI mode in single master mode with SPMR.SSE bit = 0

#### 32.8.1 States of Pins in Master and Slave Modes

The direction (input or output) of pins for the simple SPI mode interface differs according to whether the device is a master (SCR.CKE[1:0] = 00b or 01b and SPMR.MSS = 0) or slave (SCR.CKE[1:0] = 10b or 11b and SPMR.MSS = 1).

Table 32.25 lists the relationship between the pin states, mode, and level on the SSn pin.

**Table 32.25 States of pins by mode and input level on SSn pin**

| Mode          | Input on SSn pin                        | State of TXDn pin                         | State of RXDn pin                         | State of SCKn pin             |
|---------------|---|---|---|-------------------------------|
| Master mode*1 | High level<br>(transfer can proceed)    | Output for data<br>transmission*2         | Input for received data                   | Clock output*3                |
|               | Low level<br>(transfer cannot proceed)  | High-impedance                            | Input for received data<br>(but disabled) | High-impedance                |
| Slave mode    | High level<br>(transfer cannot proceed) | Input for received data<br>(but disabled) | High-impedance                            | Clock input<br>(but disabled) |
|               | Low level<br>(transfer can proceed)     | Input for received data                   | Output for data<br>transmission           | Clock input                   |

Note 1. When there is only a single master (SPMR.SSE = 0), transfer is possible regardless of the input level on the SSn pin. This is equivalent to the input of a high level on the SSn pin. Because the SSn pin function is not required, the pin is available for other purposes.

Note 2. The MOSIn pin output is in a high-impedance state when serial transmission is disabled (SCR.TE bit = 0).

Note 3. The SCKn pin output is in a high-impedance state when serial transmission is disabled (SCR.TE and RE bits = 00b) in a multi-master configuration (SPMR.SSE = 1).

### 32.8.2 SS Function in Master Mode

Setting the SCR.CKE[1:0] bits to 00b and the SPMR.MSS bit to 0 selects master operation.

In single-master configurations (SPMR.SSE = 0), the SSn pin is not used, and so the transmission or reception can proceed regardless of the value of the SSn pin.

When the level on the SSn pin is high in a multi-master configuration (SPMR.SSE = 1), a master device outputs clock signals from the SCKn pin before starting the transmission or reception to indicate that there are no other masters or another master is performing reception or transmission.

When the level on the SSn pin is low in a multi-master configuration (SPMR.SSE = 1), there are other masters, and this indicates that transmission or reception is in progress. The MOSIn output and SCKn pins are placed in a high-impedance state and starting transmission or reception is not possible. In addition, the value of the SPMR.MFF bit is 1, indicating a mode fault error. In a multi-master configuration, start the error processing by reading the SPMR.MFF flag. Even if a mode fault error occurs while transmission or reception is in progress, the transmission or reception does not stop, but the MOSIn and SCKn pin outputs are placed in the high-impedance state after completion of the transfer. Use a general port pin to produce the SS output signal from the master.

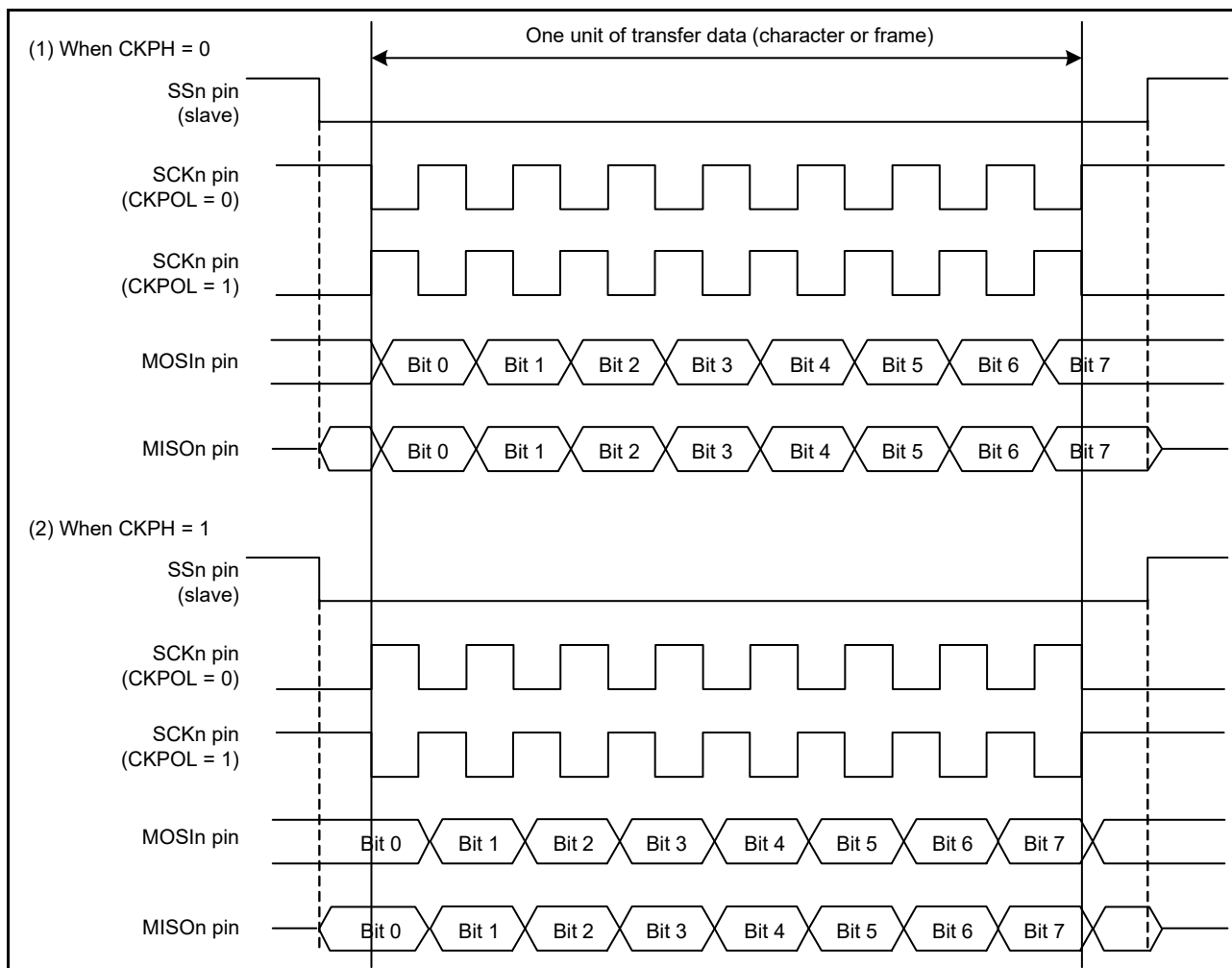
### 32.8.3 SS Function in Slave Mode

Setting the SCR.CKE[1:0] bits to 10b and the SPMR.MSS bit to 1 selects slave operation. When the SSn pin is high, the MISO output pin is in a high-impedance state and the clock input through the SCKn pin is ignored. When the SSn pin is low, the clock input through the SCKn pin is valid and transmission or reception can proceed.

If the input on the SSn pin changes from low to high during transmission or reception, the MISO output pin is placed in a high-impedance state. Meanwhile, the internal processing for transmission or reception continues at the rate of the clock input through the SCKn pin until processing for the character being transmitted or received is complete, after which it stops, and the appropriate interrupt (SCIn\_TXI, SCIn\_RXI, or SCIn\_TEI) is generated.

### 32.8.4 Relationship between Clock and Transmit/Receive Data

The CKPOL and CKPH bits in the SPMR register can be used to set up the clock for use in transmission and reception in four different ways. The relation between the clock signal and the transmission and reception of data is shown in [Figure 32.70](#). The relation is the same for both master and slave operation. This is the same as when the level on the SSn pin is high.



**Figure 32.70** Relation between clock signal and transmit or receive data in simple SPI mode

### 32.8.5 SCI Initialization in Simple SPI Mode

Initialization in simple SPI mode is the same as in clock synchronous mode. See [Figure 32.32](#) for an example initialization flow. The CKPOL and CKPH bits in the SPMR register must be set to ensure that the clock signal is suitable for both master and slave devices.

Always initialize the SCR register before making any changes to the operating mode or transfer format.

**Note:** Only the RE bit is set to 0. The SSR.ORER, FER, PER, and RDR flags are not initialized.

**Note:** Changing the value of the TE bit from 1 to 0 or from 0 to 1 leads to the generation of a transmit data empty interrupt (SCIn\_TXI), if the value of the SCR.TIE bit is 1.

### 32.8.6 Transmission and Reception of Serial Data in Simple SPI Mode

In master operation, ensure that the SSn pin of the slave device on the other side of the transfer is at a low level before starting the transfer and at the high level on completion of the transfer. Otherwise, the procedures are the same as in clock synchronous mode.

### 32.9 Bit Rate Modulation Function

Using the bit rate modulation function, the bit rate can be evenly corrected using the number specified in the MDDR register when the PCLKA is selected in the CKS[1:0] bits in SMR/SMR\_SMCI.

[Figure 32.71](#) shows an example where PCLKA is selected in the CKS[1:0] bits in SMR/SMR\_SMCI, the BRR bit is set to 0, and the MDDR is set to 160 in asynchronous mode. In this example, the cycle of the base clock is evenly corrected (256/160) and the bit rate is also corrected (160/256).

Note: Enabling an internal clock causes bias, and expansion and contraction are generated in the pulse width of the internal base clock.

Do not use this function in clock synchronous mode and in the highest speed settings in simple SPI mode (SMR.CKS[1:0] = 00b, SCR.CKE[1] = 0, and BRR = 0).

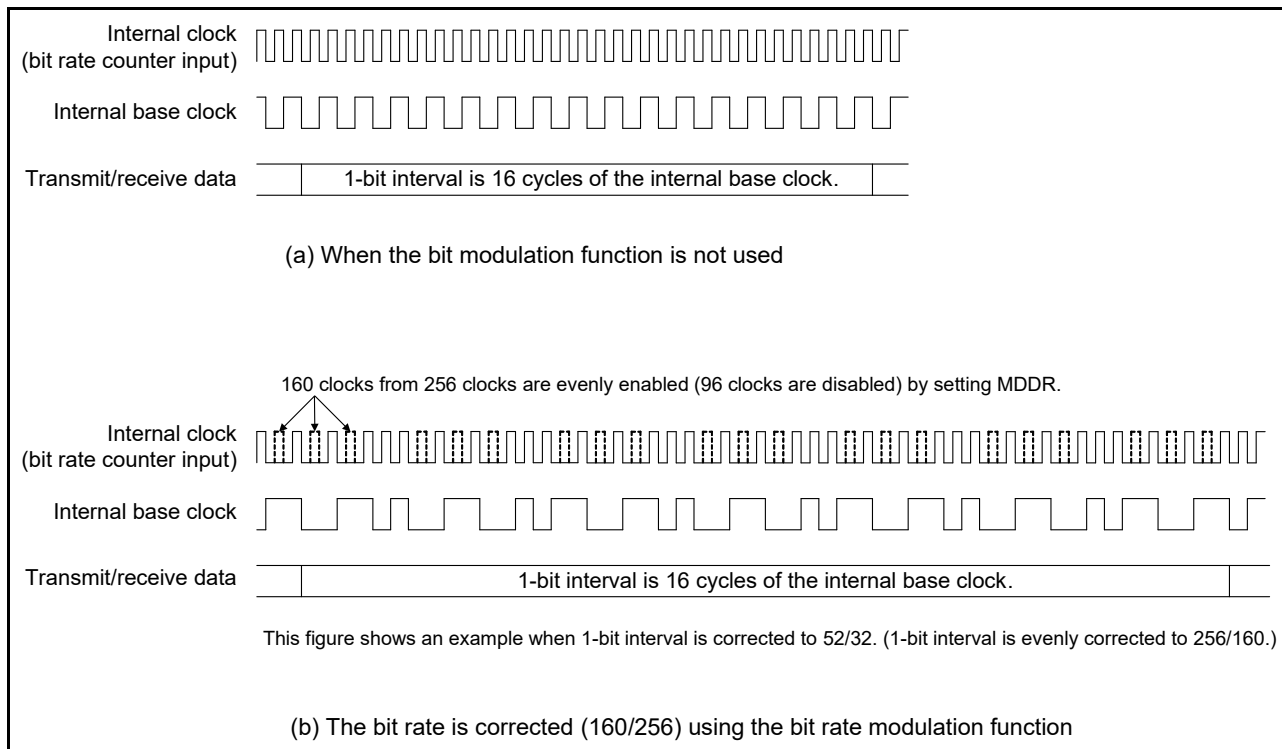


Figure 32.71 Example internal base clock when bit rate modulation function is used

### 32.10 Interrupt Sources

#### 32.10.1 Buffer Operation for SCIn\_TXI and SCIn\_RXI Interrupts (non-FIFO selected)

If the conditions for an SCIn\_TXI and SCIn\_RXI interrupt are satisfied while the interrupt status flag in the Interrupt Controller Unit (ICU) is 1, the ICU does not output the interrupt request but saves it internally, with a capacity for saving of one request per source.

When the interrupt status flag in the ICU becomes 0, the interrupt request saved within the ICU is output. The internally saved interrupt request is automatically discarded when the actual interrupt is output. Clearing of the associated interrupt enable bit (the TIE or RIE bit in the SCR/SCR\_SMCI) can also be used to discard an internally saved interrupt request.

#### 32.10.2 Buffer Operation for SCIn\_TXI and SCIn\_RXI Interrupts (FIFO selected)

Even when an interrupt status flag in the ICU is set to 1, the SCIn\_TXI and SCIn\_RXI interrupts do not output interrupt requests to the ICU. When an interrupt status flag of the ICU is cleared to 0, and if the conditions for SCIn\_TXI and SCIn\_RXI interrupts are satisfied, an interrupt request is generated.

#### 32.10.3 Interrupts in Asynchronous, Clock Synchronous, and Simple SPI Modes

##### (1) Non-FIFO selected

Table 32.26 lists the interrupt sources in asynchronous mode, clock synchronous mode, and simple SPI mode. A different interrupt vector can be assigned to each interrupt source. Individual interrupt sources can be enabled or disabled with the enable bits in the SCR register.

If the SCR.TIE bit is 1, an SCIn\_TXI interrupt request is generated when transmit data is transferred from the TDR or TDRHL register\*1 to the TSR register. An SCIn\_TXI interrupt request can also be generated by using a single instruction

to set the SCR.TE and SCR.TIE bits to 1 simultaneously. An SCIn\_TXI interrupt request can activate the DMAC or DTC to handle data transfer.

An SCIn\_TXI interrupt request is not generated by setting the SCR.TE bit to 1 when SCR.TIE is 0 or by setting the SCR.TIE bit to 1 when the SCR.TE is 1.\*2

When new data is not written by the time of transmission of the last bit of the current transmit data and SCR.TEIE is 1, the SSR.TEND flag is set to 1 and an SCIn\_TEI interrupt request is generated. Additionally, when SCR.TE is 1, the SSR.TEND flag retains the value of 1 until more transmit data is written to the TDR or TDRHL register\*1, and setting SCR.TEIE to 1 leads to the generation of an SCIn\_TEI interrupt request.

Writing data to the TDR or TDRHL register\*1 leads to the clearing of the SSR.TEND flag and, after a certain time, discarding of the SCIn\_TEI interrupt request.

If the SCR.RIE bit is 1, an SCIn\_RXI interrupt request is generated when received data is stored in the RDR register. An SCIn\_RXI interrupt request can activate the DMAC or DTC to handle data transfer.

Setting any of the ORER, FER, and PER flags in the SSR register to 1 while the SCR.RIE bit is 1 leads to the generation of an SCIn\_ERI interrupt request. An SCIn\_RXI interrupt request is not generated at this time. Clearing all three flags (ORER, FER, and PER) leads to discarding of the SCIn\_ERI interrupt request.

## (2) FIFO selected

Table 32.27 lists interrupt sources in FIFO selected mode.

If the SCR.TIE bit is 1, an SCIn\_TXI interrupt request is generated when the amount of stored data in the FTDRL register becomes the threshold value indicated in FCR.TTRG or below. An SCIn\_TXI interrupt request can also be generated by using a single instruction to set the SCR.TE and SCR.TIE bits to 1 at the same time.

An SCIn\_TXI interrupt request is not generated by setting SCR.TE to 1 when SCR.TIE is 0 or by setting SCR.TIE to 1 when SCR.TE is 1.

If SCR.TEIE is 1 and if the next data is not written to the FTDRL register by the time the last bit of the transmit data is sent, the SSR\_FIFO.TEND flag is set to 1 and the SCIn\_TEI interrupt request is generated.

If SCR.RIE is 1, the SCIn\_RXI interrupt request is generated when the stored amount of data in the FRDRL register is equal to or greater than the threshold value indicated in FCR.RTRG. When RTRG is 0, an SCIn\_RXI interrupt does not occur even when the amount of data in the receive FIFO is equal to 0.

If the SCR.RIE bit is 1, when the SSR\_FIFO.ORER flag is set to 1 or data with a framing error or a parity error is stored in the FRDRL register, the SCIn\_ERI interrupt request is generated. When the amount of data stored in the FRDRL register is at or above the threshold value, the SCIn\_RXI interrupt request is also generated. The SCIn\_ERI interrupt request can be canceled, in which case the SSR\_FIFO.ORER, FER, and PER flags are all cleared.

Note 1. When asynchronous mode and 9-bit data length are selected.

Note 2. To temporarily prohibit the SCIn\_TXI interrupts on transmission of the last of the data when a new round of transmission is to be started, after handling the transmission-completed interrupt, control the activation of the interrupt by using the interrupt request enable bit in the ICU rather than using the SCR.TIE bit. This approach can prevent the suppression of the SCIn\_TXI interrupt requests in the transfer of new data.

**Table 32.26 SCI interrupt sources with non-FIFO selected**

| Name     | Interrupt source    | Interrupt flag             | Interrupt enable | DTC activation | DMAC activation |
|----------|---------------------|----------------------------|------------------|----------------|-----------------|
| SCIn_ERI | Receive error*1     | ORER, FER, PER, DFER, DPER | RIE              | Not possible   | Not possible    |
| SCIn_RXI | Receive data full   | RDRF                       | RIE              | Possible       | Possible        |
|          | Address match       | DCMF                       | RIE              | Possible       | Possible        |
| SCIn_AM  | Address match       | DCMF                       | —                | Possible       | Possible        |
| SCIn_TXI | Transmit data empty | TDRE                       | TIE              | Possible       | Possible        |
| SCIn_TEI | Transmit end        | TEND                       | TEIE             | Not possible   | Not possible    |

Note 1. The interrupt flag is only ORER when in clock synchronous and simple SPI mode.

**Table 32.27 SCI interrupt sources with FIFO selected**

| Name     | Interrupt source    | Interrupt flag             | Interrupt enable | DTC activation | DMAC activation |
|----------|---------------------|----------------------------|------------------|----------------|-----------------|
| SCIn_ERI | Receive error*1     | ORER, FER, PER, DFER, DPER | RIE              | Not possible   | Not possible    |
|          |                     | DR (when FCR.DRES = 1)     | RIE              | Not possible   | Not possible    |
| SCIn_RXI | Receive data full   | RDF                        | RIE              | Possible       | Possible        |
|          | Receive data ready  | DR (when FCR.DRES = 0)     | RIE              | Possible       | Possible        |
|          | Address match       | DCMF                       | RIE              | Possible       | Possible        |
| SCIn_AM  | Address match       | DCMF                       | —                | Possible       | Possible        |
| SCIn_TXI | Transmit data empty | TDFE                       | TIE              | Possible       | Possible        |
| SCIn_TEI | Transmit end        | TEND                       | TEIE             | Not possible   | Not possible    |

Note 1. The interrupt flag is only ORER when in clock synchronous and simple SPI mode.

### 32.10.4 Interrupts in Smart Card Interface Mode

Table 32.28 lists the interrupt sources in smart card interface mode. A transmit end interrupt (SCIn\_TEI) request and an address match (SCIn\_AM) request cannot be used in this mode.

**Table 32.28 SCI Interrupt sources**

| Name     | Interrupt source                        | Interrupt flag | Interrupt enable | DTC activation | DMAC activation |
|----------|---|----------------|------------------|----------------|-----------------|
| SCIn_ERI | Receive error or error signal detection | ORER, FER, ERS | RIE              | Not possible   | Not possible    |
| SCIn_RXI | Receive data full                       | RDRF           | RIE              | Possible       | Possible        |
| SCIn_TXI | Transmit end                            | TEND           | TIE              | Possible       | Possible        |

Data transmission or reception using the DMAC or DTC is also possible in smart card interface mode. In transmission, when the SSR\_SMCI.TEND flag is set to 1, an SCIn\_TXI interrupt request is generated. The SCIn\_TXI interrupt request activates the DMAC or DTC, allowing the transfer of transmit data if the SCIn\_TXI request is previously specified as a source for DMAC or DTC activation. The TEND flag is automatically set to 0 when the DMAC or DTC transfers data.

If an error occurs, the SCI automatically retransmits the same data. During the retransmission, the TEND flag is kept at 0 and the DMAC or DTC is not activated. Therefore, SCI and DMAC or DTC automatically transmit the specified number of bytes, including retransmission after an error occurrence. However, the SSR\_SMCI.ERS flag is not automatically cleared to 0 at error occurrence. Therefore, the ERS flag must be cleared by previously setting the SCR\_SMCI.RIE bit to 1 to enable an SCIn\_ERI interrupt request to be generated at error occurrence.

When transmitting or receiving data using the DMAC or DTC, always enable the DMAC or DTC before setting the SCI. For DMAC or DTC settings, see [section 17, DMA Controller \(DMAC\)](#) and [section 18, Data Transfer Controller \(DTC\)](#).

In reception, an SCIn\_RXI interrupt request is generated when receive data is set to RDR. This SCIn\_RXI interrupt request activates the DMAC or DTC, allowing transfer of the receive data if the SCIn\_RXI request is previously specified as a source of DMAC or DTC activation. If an error occurs, the error flag is set. Therefore, the DMAC or DTC is not activated and an SCIn\_ERI interrupt request is issued to the CPU instead. The error flag must be cleared.

### 32.10.5 Interrupts in Simple IIC Mode

Table 32.29 lists the interrupt sources in simple IIC mode. The STI interrupt is allocated to the transmit end interrupt (SCIn\_TEI) request. The receive error interrupt (SCIn\_ERI) and the address match (SCIn\_AM) request cannot be used.

The DMAC or DTC can also be used to handle transfer in simple IIC mode.

When the SIMR2.IICINTM bit is 1:

- An SCIn\_RXI request is generated on the falling edge of the SCLn signal for the 8<sup>th</sup> bit. If SCIn\_RXI is previously set up as an activation source for the DMAC or DTC, the SCIn\_RXI request activates the DMAC or DTC to handle transfer of the received data.
- An SCIn\_TXI request is generated on the falling edge of the SCLn signal for the 9<sup>th</sup> bit (acknowledge bit). If

SCIn\_TXI is previously set up as an activation source for the DMAC or DTC, the SCIn\_TXI request activates the DMAC or DTC to handle the transfer of the transmit data.

When the SIMR2.IICINTM bit is 0:

- An SCIn\_RXI request (ACK detection) is generated if the input on the SDAn pin is low on the rising edge of the SCLn signal for the 9<sup>th</sup> bit (acknowledge bit)
- An SCIn\_TXI request (NACK detection) is generated if the input on the SDAn pin is high on the rising edge of the SCLn signal for the 9<sup>th</sup> bit (acknowledge bit)
- If SCIn\_RXI is previously set up as an activation source for the DMAC or DTC, the SCIn\_RXI request activates the DMAC or DTC to handle the transfer of the received data.

If the DMAC or DTC is used for data transfer in reception or transmission, always set up and enable the DMAC or DTC before setting up the SCI.

When the IICSTAREQ, IICRSTAREQ, and IICSTPREQ bits in SIMR3 are used to generate a start condition, restart condition, or stop condition, the STI request is issued when generation is complete.

**Table 32.29 SCI interrupt sources**

| Name     | Interrupt source  | Interrupt flag | Interrupt enable | DTC activation | DMAC activation |
|----------|---|----------------|------------------|----------------|-----------------|
| SCIn_RXI | Reception, ACK detection  | —              | RIE              | Possible       | Possible        |
| SCIn_TXI | Transmission, NACK detection                                    | —              | TIE              | Possible       | Possible        |
| STIn     | Completion of generation of a start, restart, or stop condition | IICSTIF        | TEIE             | Not possible   | Not possible    |

Note 1. Activation of the DTC is only possible when the SIMR2.IICINTM bit is 1 (use reception and transmission interrupts).

### 32.11 Event Linking

By using interrupt request signals as event signals, the SCI can provide linked operation through the ELC for modules selected in advance. Event signals can be output regardless of the values of the associated interrupt request enable bits.

#### (1) Error event output (receive error or error signal detected)

- Indicates abnormal termination because of a parity error during reception in asynchronous mode
- Indicates abnormal termination because of a framing error during reception in asynchronous mode
- Indicates abnormal termination because of an overrun error during reception
- Indicates detection of the error signal during transmission in smart card interface mode
- Indicates that when the SSR\_FIFO.FER and PER flags are 0, and receive data less than the receive FIFO data trigger number is in the receive FIFO buffer, 15 ETUs elapse when FIFO is selected and the FCR.DRES bit is 1.

#### (2) Receive data full event output

- Indicates that ACK is detected if the SIMR2.IICINTM bit is 0 in simple IIC mode
- Indicates that the 8<sup>th</sup>-bit SCLn falling edge is detected if the SIMR2.IICINTM bit is 1 in simple IIC mode
- When the SIMR2.IICINTM bit is 1 during master transmission in simple IIC mode, set the ELC so that receive data full events are not used.

##### (a) Non-FIFO selected

- Indicates that received data is set in the Receive Data Register (RDR or RDRHL).

##### (b) FIFO selected

- Using this event output is prohibited.



**(3) Transmit data empty event output**

- Indicates that the SCR/SCR\_SMCI.TE bit is changed from 0 to 1
- Indicates that transmission is complete in smart card interface mode
- Indicates that NACK is detected if the SIMR2.IICINTM bit is 0 in simple IIC mode
- Indicates that the 9<sup>th</sup>-bit SCLn falling edge is detected if the SIMR2.IICINTM bit is 1 in simple IIC mode.

**(a) Non-FIFO selected**

- Indicates that transmit data is transferred from the Transmit Data Register (TDR or TDRHL) to the Transmit Shift Register (TSR).

**(b) FIFO selected**

- Using this event output is prohibited.

**(4) Transmit end event output**

- Indicates the completion of transmission
- Indicates that the starting condition, restart condition, or stop condition is generated in simple IIC mode
- When FIFO is selected, using this event output is prohibited.

**(5) Address match event output**

- Indicates a match of the comparison data (CDR.CMPD) with one frame of receive data when DCCR.DCME is set to 1 in asynchronous mode, including multiprocessor mode.

**32.12 Address mismatch event output (SCI0\_DCUF)**

The address mismatch event output, SCI0\_DCUF, indicates a mismatch of the comparison data (CDR.CMPD) with one frame of receive data when DCCR.DCME is set to 1 in asynchronous mode, including multi-processor mode. This event can be used for snooze end request only.

**32.13 Noise Cancellation Function**

Figure 32.72 shows the configuration of the noise filter used for noise cancellation. The noise filter consists of a 2-stage flip-flop circuit and a match detection circuit. When the input signals of the noise filter and the output signals of the 2-stage flip-flop circuits completely match, the matched level is conveyed as an internal signal. Unless a match occurs, the previous value is retained. When the same level is retained for 3 cycles or longer on the sampling clock of the noise filter, it is considered as a valid receive signal. A change in pulse for 3 cycles or shorter is considered as noise, not as a receive signal.

When SEMR.ABCS = 0 and SEMR.ABCSE = 0, the cycle is 1/16 the period of 1 transfer bit.

When SEMR.ABCS = 1 and SEMR.ABCSE = 0, the cycle is 1/8 the period of 1 transfer bit.

When SEMR.ABCSE = 1, the cycle is 1/6 the period of 1 transfer bit.

In asynchronous mode, the noise cancellation function can be applied to the receive signal input on the RXDn pin. The receive level of the RXDn is sampled in the flip-flop circuit of the noise filter on the base clock of asynchronous mode.

In simple IIC mode, this function can be used for each input on SDAn and SCLn. The sampling clock for the noise cancellation function is selected in the SNFR.NFCS[2:0] bit by dividing the baud rate generator source clock by 1,2,4, or 8.

If the base clock is stopped with the noise filter enabled and the base clock input is restarted again, the noise filter operation resumes from the state where the clock was stopped. When SCR.TE and SCR.RE are set to 0 during base clock input, all of the noise filter flip-flop values are initialized to 1. Accordingly, if the input data is 1 when reception operation resumes, the function determines that a level match is detected and the result is conveyed as an internal signal. When the level being input corresponds to 0, the initial output of the noise filter is retained until the level matches in 3 consecutive sampling cycles.

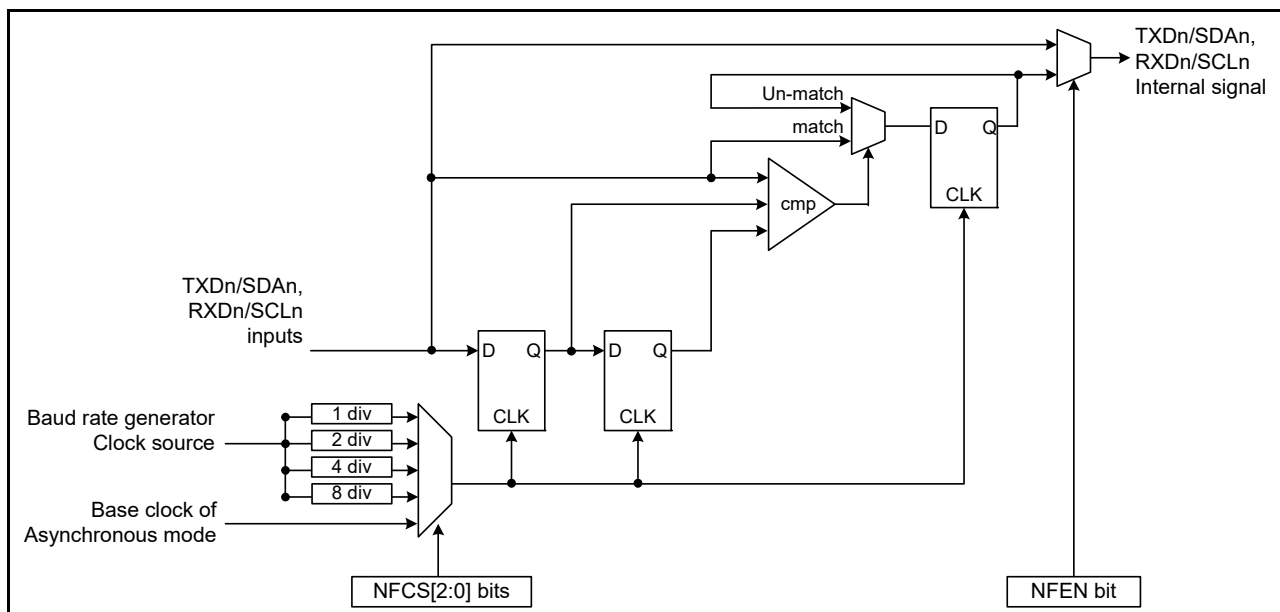


Figure 32.72 Digital noise filter circuit block diagram

## 32.14 Usage Notes

### 32.14.1 Settings for the Module-Stop Function

The Module Stop Control Register B (MSTPCRB) can enable or disable SCI operation. The SCI is initially stopped after reset. Releasing the module-stop state enables access to the registers. For details, see [section 11, Low Power Modes](#).

### 32.14.2 SCI Operation during Low Power State

#### (1) Transmission

When setting the module to the stopped state or in transitions to Software Standby, stop operation (by setting the TIE, TE, and TEIE bits in the SCR/SCR\_SMCI to 0) after switching the TXDn pin to the general I/O port pin function. When setting the I/O port as an SCI connection, the SPTR register can control the state of the TXDn pin. Setting the TE bit to 0 initializes the TSR register and the TEND bit in the SSR/SSR\_SMCI is initialized to 1 with non-FIFO selected. The value is kept, with FIFO selected. Depending on the port settings and SPTR register settings, output pins might output the level before a transition to the low power state is made after release from the module-stopped state or Software Standby mode. When transitions to these states are made during transmission, the transmitted data becomes indeterminate.

To transmit data in the same transmission mode after cancellation of the low power state:

1. Set the TE bit to 1.
2. Read SSR/SSR\_FIFO/SSR\_SMCI.
3. Write data to TDR sequentially to start data transmission.

To transmit data with a different transmission mode, initialize the SCI first.

[Figure 32.73](#) shows an example flow of transition to Software Standby mode during transmission. [Figure 32.74](#) and [Figure 32.75](#) show the port pin states during transition to Software Standby mode.

Before specifying the module-stop state or making a transition to Software Standby mode from the transmission mode using DTC transfer, stop the transmit operations (TE = 0). To start transmission after cancellation using the DTC, set the TE bit to 1. The SCI<sub>n</sub>\_TXI interrupt flag is set to 1 and transmission starts using the DTC.

## (2) Reception

### (a) When address match function is not used as wakeup condition

Before specifying the module-stop state or making a transition to Software Standby mode, stop the receive operations (RE = 0 in SCR/SCR\_SMCI). If transition is made during data reception, the received data is invalid.

[Figure 32.76](#) shows an example flow of transition to Software Standby mode during reception.

### (b) When address match function is used as wakeup condition

Before specifying the module-stop state or making a transition to Software Standby mode:

1. Set the operations after cancellation of the low power state.
2. Set CDR.CMPD and DCCR.DCME to 1.
3. Set the receive operations (RE = 1 in SCR/SCR\_SMCI).
4. Set the module-stop state or Software Standby mode.

When SCI transfers to low power mode, if the receive data pin (RXD) is at the low level, set SEMR.RXDESEL = 0.

When setting SEMR.RXDESEL = 1, there is a possibility that a start bit (falling edge of RXDn pin) cannot be detected on release of the low power mode.

[Figure 32.77](#) shows an example flow of transition to Software Standby mode during reception with address match.

### (c) When using SCI0 in Snooze mode

When using SCI0 in Snooze mode, some restrictions apply, including maximum bit rates. For details, see [section 11, Low Power Modes](#).

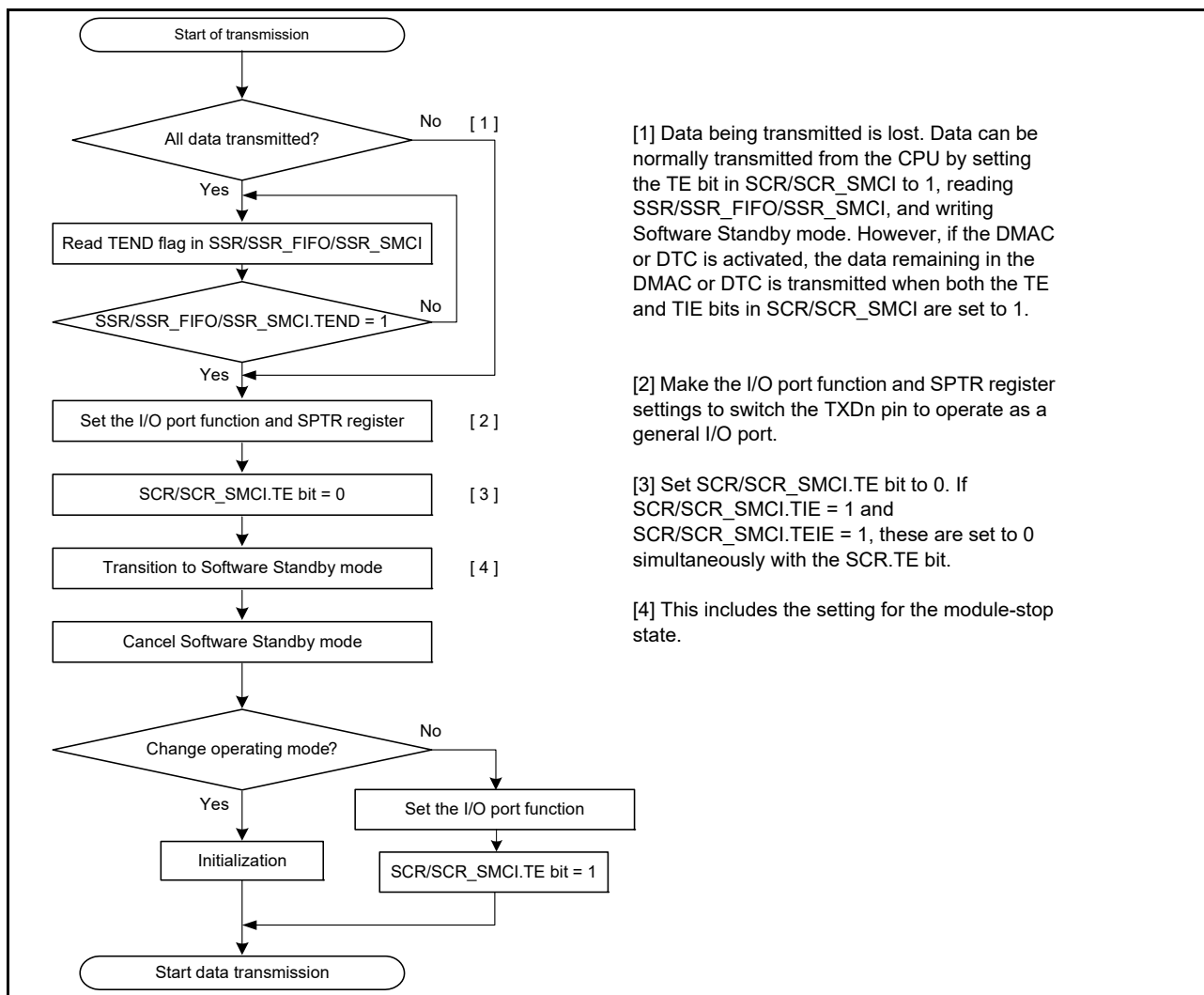


Figure 32.73 Example flow of transition to Software Standby mode during transmission

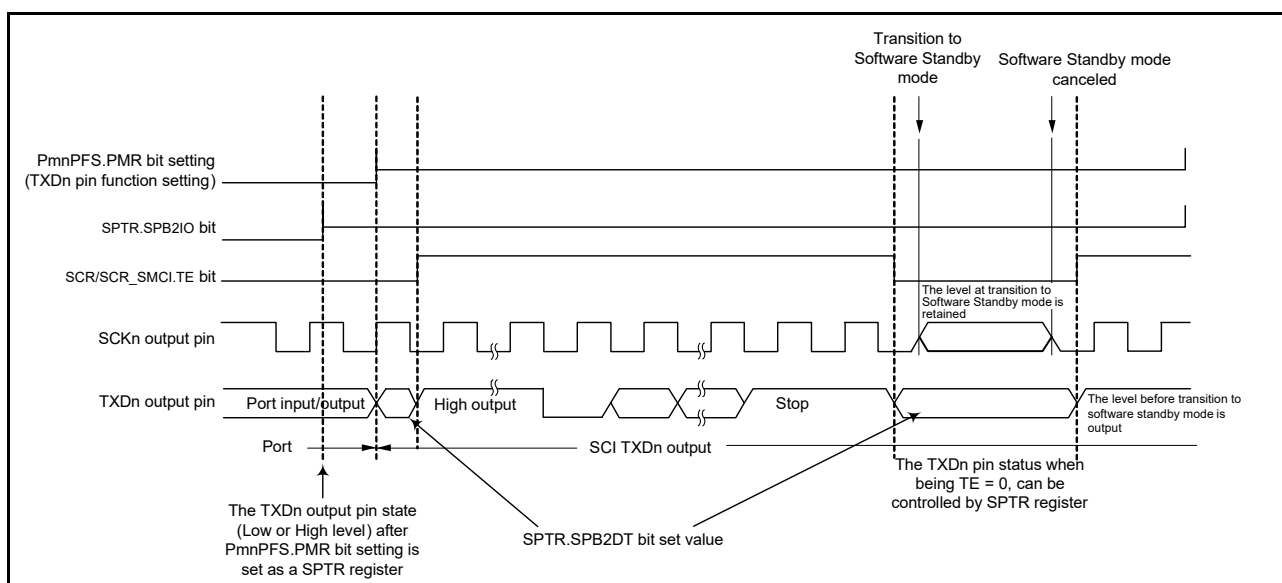
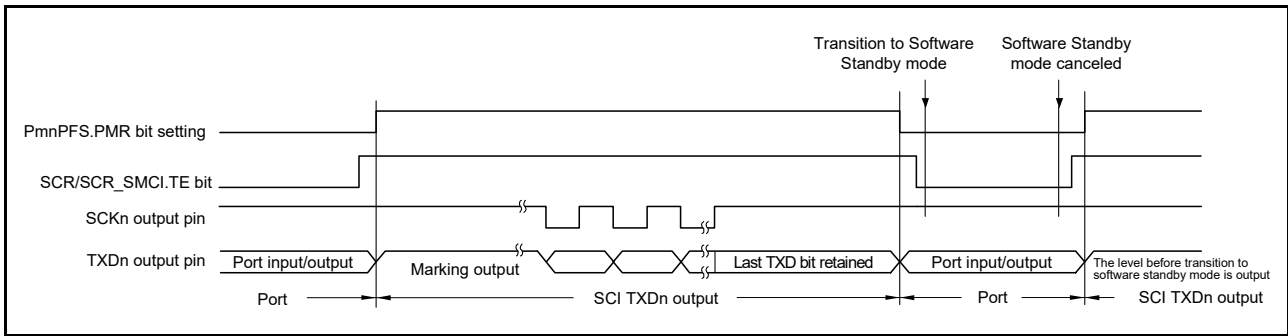
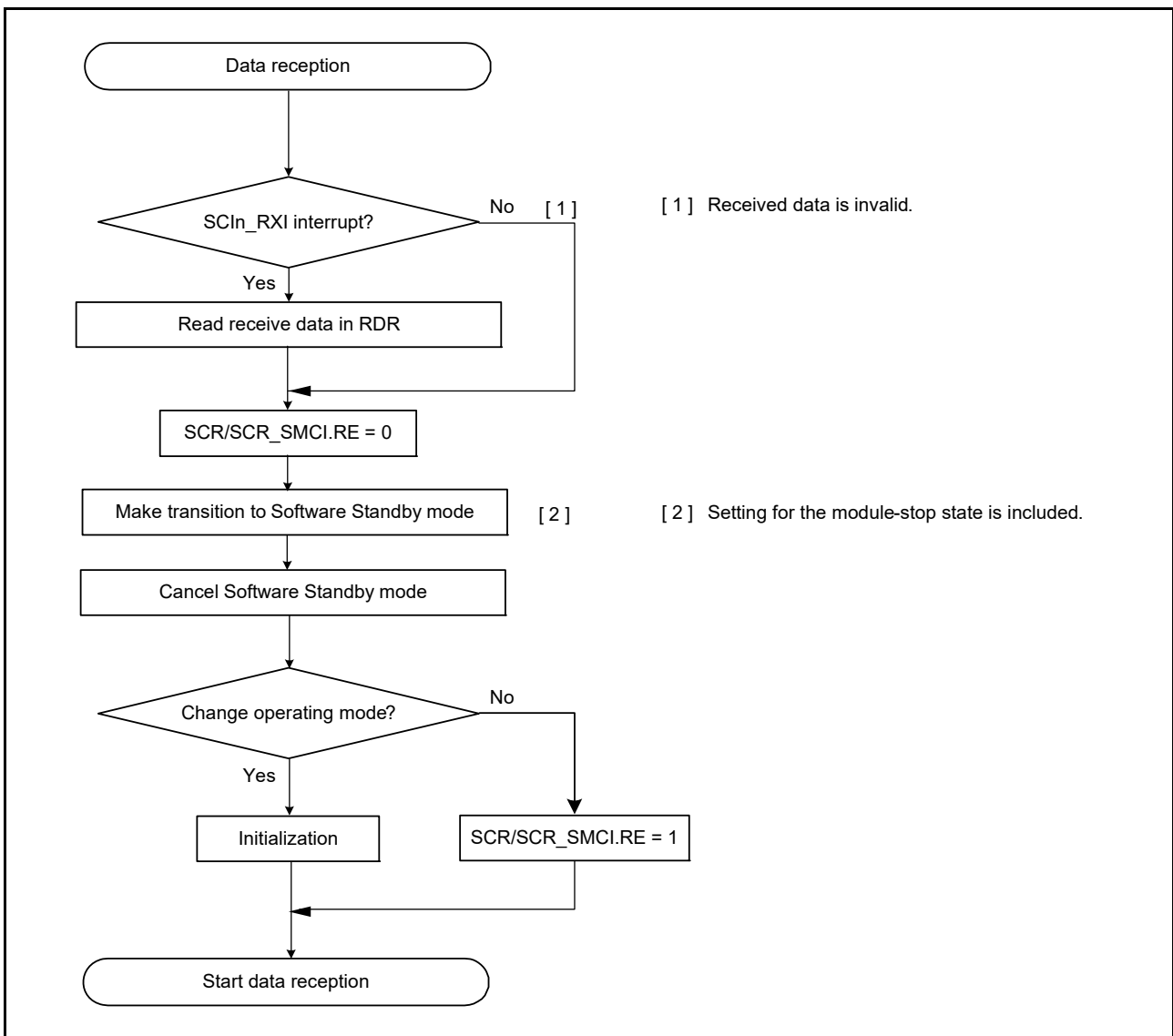


Figure 32.74 Port pin states during transition to Software Standby mode with internal clock and asynchronous transmission



**Figure 32.75** Port pin states during transition to Software Standby mode with internal clock and clock synchronous transmission



**Figure 32.76** Example flow of transition to Software Standby mode during reception

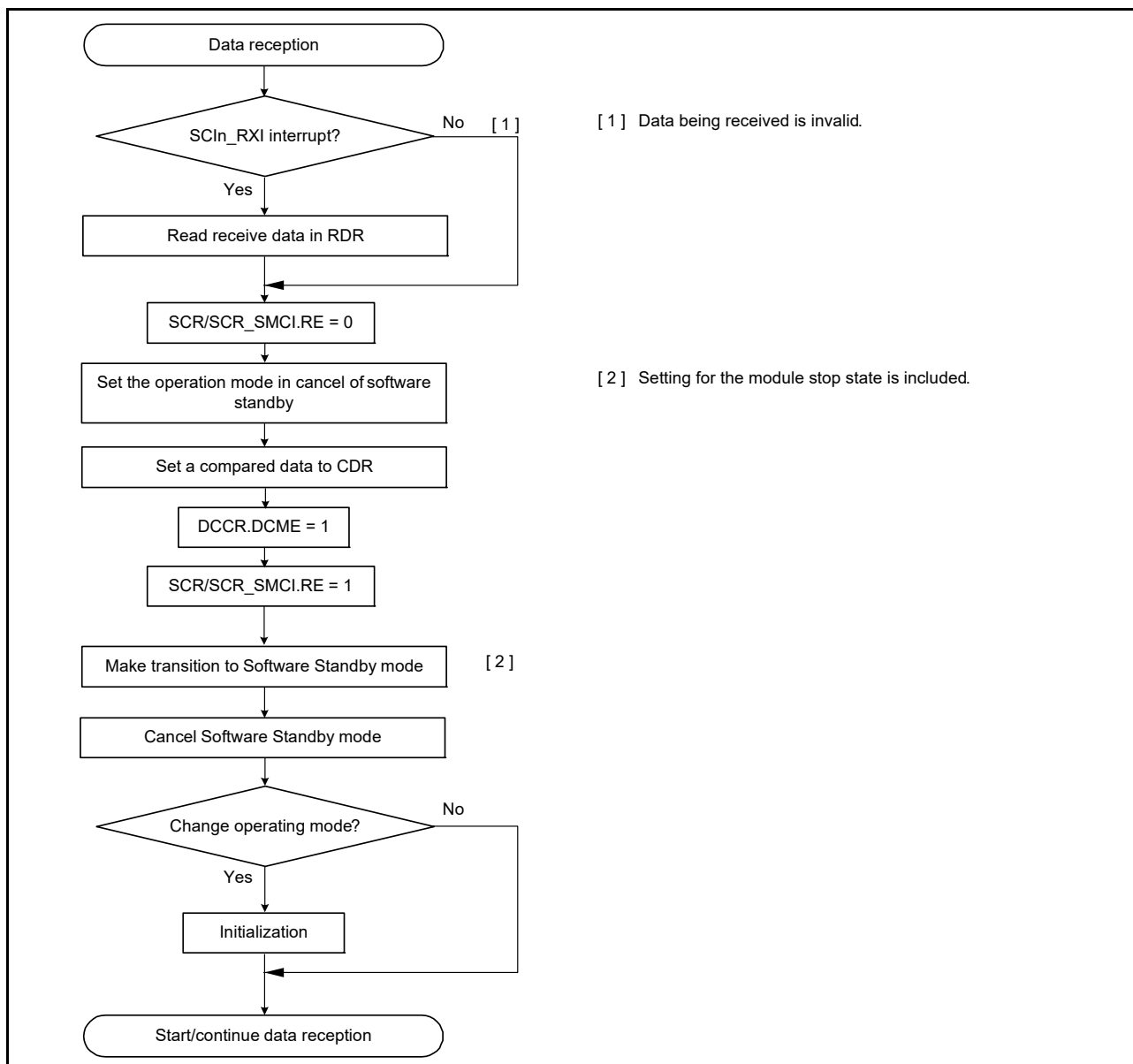


Figure 32.77 Example flow of transition to Software Standby mode during reception with address match

### 32.14.3 Break Detection and Processing

#### (1) Non-FIFO selected

When a framing error is detected, a break can be detected by reading the RXDn pin value directly. In a break, the input from the RXDn pin becomes all 0s, and the SSR.FER flag is set to 1 to indicate a framing error. The SSR.PER flag might also be set to 1 to indicate a parity error. The SCI continues the receive operation even after a break is received.

Therefore, even if the FER flag is 0, indicating that no framing error occurred, it is set to 1 again. When the SEMR.RXDESEL bit is 1, the SCI sets the SSR.FER flag to 1 and stops the receiving operations until a start bit of the next data frame is detected. If the SSR.FER flag is set to 0, the SSR.FER flag retains 0 during the break.

When the RXDn pin is set to 1 and the break ends, detecting the beginning of the start bit on the first falling edge of the RXDn pin allows the SCI to start the receiving operation.

#### (2) FIFO selected

After a framing error is detected and when the SCI detects that continuous receive data is 0 for 1 frame, reception stops. When a framing error is detected, a break can be detected by reading the SPTR.RXDMON bit value. After the RXD signal is in the mark state and the break is finished, data reception to the FRDRHL register resumes.

### 32.14.4 Mark State and Production of Breaks

When the SCR/SCR\_SMCI.TE bit is 0, disabling serial transmission, the state of the TXDn pin can be set using the SPTR.SPB2IO and SPTR.SPB2DT bits. With this approach, a TXDn pin can be placed in the mark state to transmit a break.

Before setting the SCR/SCR\_SMCI.TE bit to 1, enabling serial transmission, set the SPB2IO and SPB2DT bits to put the communication line in the mark state (the state of 1), and change the TxDn pin using the I/O port function. To output a break on data transmission, after setting the TXDn pin to output 0 by setting the SPB2IO and SPB2DT bits, change the TXDn pin using the I/O port function and set the SCR/SCR\_SMCI.TE bit to 0. When the SCR/SCR\_SMCI.TE bit is set to 0, the transmitter is initialized regardless of the current state of transmission.

### 32.14.5 Receive Error Flags and Transmit Operation in Clock Synchronous and Simple SPI Modes

Transmission cannot start when a receive error flag (ORER) in SSR/SSR\_FIFO is set to 1, even if data is written to TDR or FTDR\*2. Be sure to set the receive error flags to 0 before starting transmission.

Note 1. The receive error flags cannot be set to 0 when serial reception is disabled by setting the RE bit in SCR/SCR\_SMCI to 0.

Note 2. Do not use the FTDRH register in simple SPI mode.

### 32.14.6 Restrictions on Clock Synchronous Transmission in Clock Synchronous and Simple SPI Modes

When the external clock source is used as a synchronization clock, the following restrictions apply.

#### (1) Start of transmission

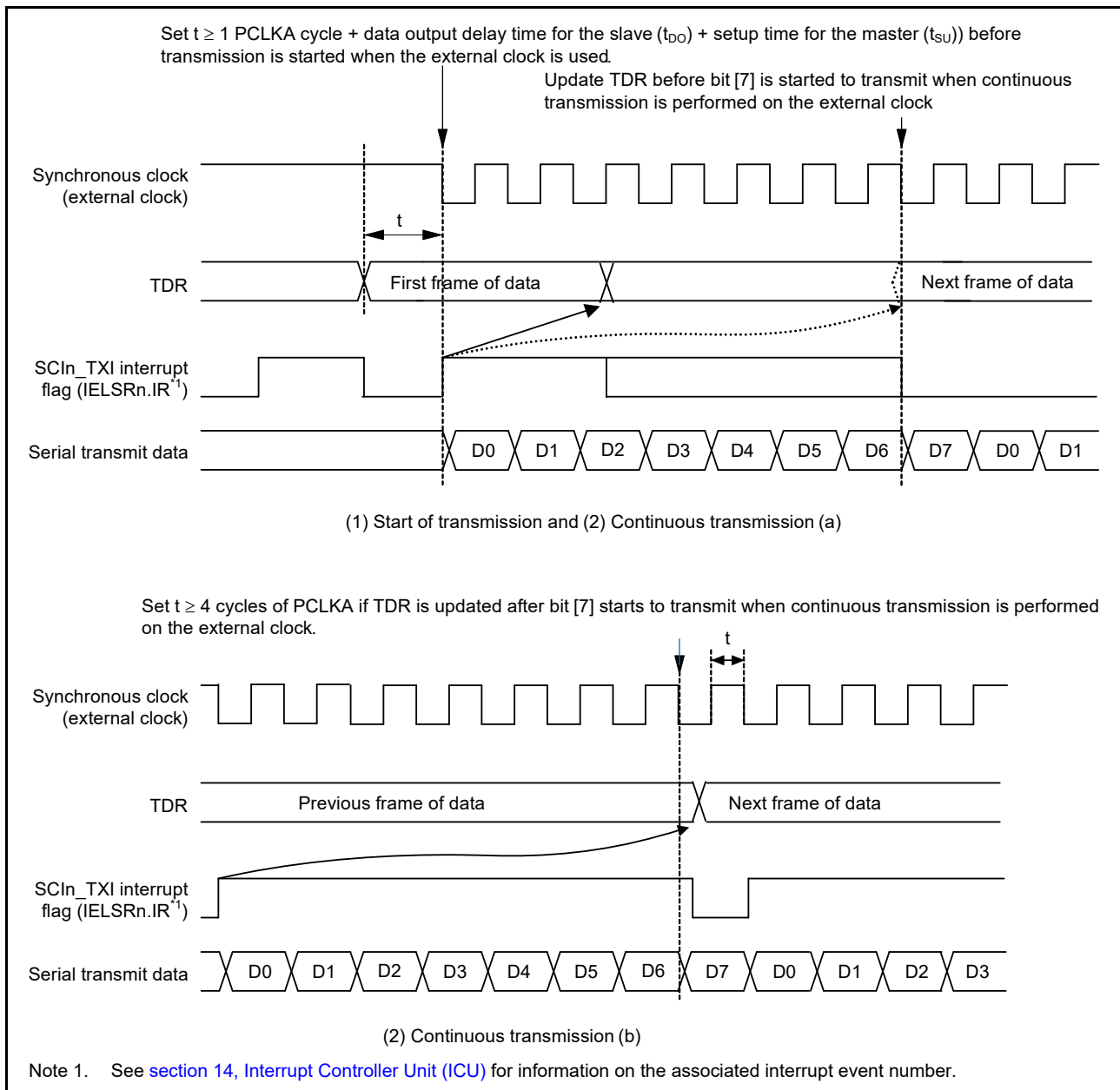
Wait at least the following time from writing transmit data to TDR to the start of the external clock input:

1 PCLKA cycle + data output delay time for the slave ( $t_{DO}$ ) + setup time for the master ( $t_{SU}$ ). See [Figure 32.78](#).

#### (2) Continuous transmission

Write the next transmit data to TDR or TDRHL before the falling edge of the transmit clock for bit [7] (see [Figure 32.78](#)).

When updating TDR after bit [7] has started to transmit, update TDR while the synchronization clock is in the low-level period, and set the high-level width of the transmit clock (bit [7]) to 4 PCLKA cycles or longer (see [Figure 32.78](#)).



**Figure 32.78 Restrictions on use of external clock in clock synchronous transmission**

### 32.14.7 Restrictions on Using DMAC or DTC

During transmission or reception operations using the DMAC or DTC, do not set transfer data for the DMAC/DTC.

#### (1) Writing data to TDR (FTDRHL)

##### (a) Non-FIFO selected

Data can be written to TDR and TDRHL. However, if new data is written to TDR or TDRHL when transmit data remains in TDR or TDRHL, the previous data in TDR and TDRHL is lost because it was not transferred to TSR yet. When using DMAC or DTC, be sure to write transmit data to TDR or TDRHL in the SCIn\_TXI interrupt request handling routine.

##### (b) FIFO selected

It is possible to write data to the FTDRH and FTDRL registers when SCR.TE is 1. Confirm the amount of writable data using the FDR.T[4:0] bits.



## (2) Reading data from RDR (FRDRHL)

When using the DMAC or DTC to read RDR and RDRHL, be sure to set the receive data full interrupt (SCIn\_RXI) as the activation source of the relevant SCI.

### 32.14.8 Notes on Starting Transfer

When transfer starts while the Interrupt Status flag (IELSRn.IR) in the ICU is 1, follow the procedure in this section to clear interrupt requests before permitting operations (by setting the SCR/SCR\_SMCI.TE or SCR/SCR\_SMCI.RE bit to 1). For details on the Interrupt Status flag, see [section 14, Interrupt Controller Unit \(ICU\)](#).

1. Confirm that the transfer has stopped (the SCR/SCR\_SMCI.TE or SCR/SCR\_SMCI.RE bit is 0).
2. Set the associated interrupt enable bit (SCR/SCR\_SMCI.TIE or SCR/SCR\_SMCI.RIE) to 0.
3. Read the associated interrupt enable bit (SCR/SCR\_SMCI.TIE or SCR/SCR\_SMCI.RIE bit) to check that it actually becomes 0.
4. Set the Interrupt Status flag, IELSRn.IR, in the ICU to 0.

### 32.14.9 External Clock Input in Clock Synchronous and Simple SPI Modes

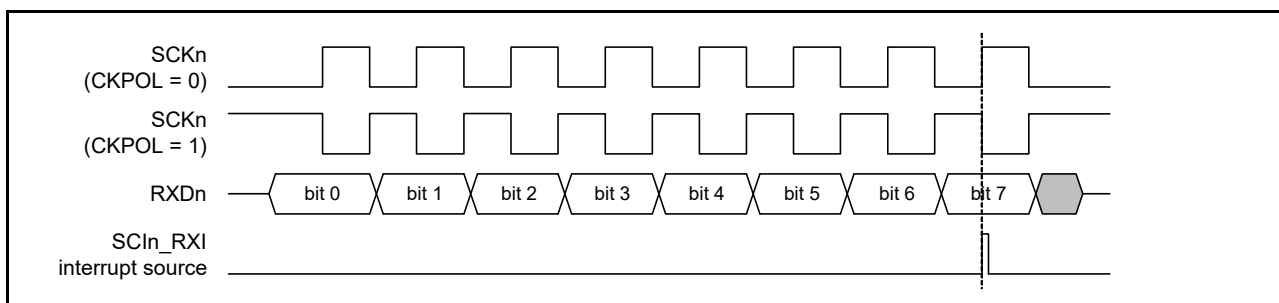
In clock synchronous mode and simple SPI mode, the external clock (SCKn) must be input as follows:

High-pulse period, low-pulse period = 2 PCLKA cycles or more, period = 6 PCLKA cycles or more.

### 32.14.10 Limitations on Simple SPI Mode

#### (1) Master mode

- Use a resistor to pull up or pull down the clock line matching the initial settings for the transfer clock set in the SPMR.CKPH and CKPOL bits when the SPMR.SSE bit is 1. This prevents the clock line from being placed in the high-impedance state when the SCR.TE bit is set to 0 or unexpected edges from being generated on the clock line when the SCR.TE bit changes from 0 to 1. When the SPMR.SSE bit is 0 in single master mode, pulling up or pulling down the clock line is not required because the clock line is not placed in the high-impedance state even when the SCR.TE bit is set to 0.
- For the clock delay setting (SPMR.CKPH bit is 1), the receive data full interrupt (SCIn\_RXI) is generated before the final clock edge on the SCKn pin, as indicated in [Figure 32.79](#). If the TE and RE bits in the SCR register become 0 before the final edge of the clock signal on the SCKn pin, the SCKn pin is placed in the high-impedance state, so the width of the last clock pulse of the transfer clock is shortened. Additionally, an SCIn\_RXI interrupt might lead to the input signal on the SSn pin of a connected slave going to the high level before the final edge of the clock signal on the SCKn pin, leading to incorrect operation of the slave.
- In a multi-master configuration, the SCKn pin output goes to high-impedance while the input on the SSn pin is at the low level if a mode fault error occurs while a character is being transferred, stopping supply of the clock signal to the connected slave. Reset the connected slave to avoid misaligned bits when transfer is restarted.



**Figure 32.79** Timing of SCIn\_RXI interrupt in simple SPI mode with clock delay

#### (2) Slave mode

- Wait at least the following time from writing transmit data in the TDR register to the start of the external clock input:

1 PCLKA cycle + data output delay for the slave (tDO) + setup time for the master (tSU).

Also, wait at least 5 PCLKA cycles from the input of the low level on the SSn pin to the start of the external clock input.

- Provide an external clock signal to the master for the data length for transfer
- Control the input on the SSn pin before the start and after the end of data transfer
- When the input level on the SSn pin changes from low to high while a character is being transferred, set the TE and RE bits in the SCR register to 0 and, after restoring the settings, restart transfer of the first byte.

### 33. IrDA Interface

#### 33.1 Overview

The IrDA interface sends and receives IrDA data communication waveforms in cooperation with SCI1, according to the IrDA (Infrared Data Association) standard 1.0.

Enabling the IrDA function using the IRE bit in the IRCR register allows the encoding and decoding of the TXD1 and RXD1 signals of the SCI1 to waveforms conforming to the IrDA standard 1.0 (IRTXD1 and IRRXD1 pins).

Connecting the waveforms to an infrared transmitter/receiver implements infrared data communication conforming to the IrDA standard 1.0 system.

With the IrDA standard 1.0 system, data transfer can be started at 9,600 bps and the transfer rate can be changed whenever necessary. Because the IrDA interface cannot change the transfer rate automatically, the transfer rate must be changed through software.

Figure 33.1 shows the interaction between the IrDA interface and SCI1.

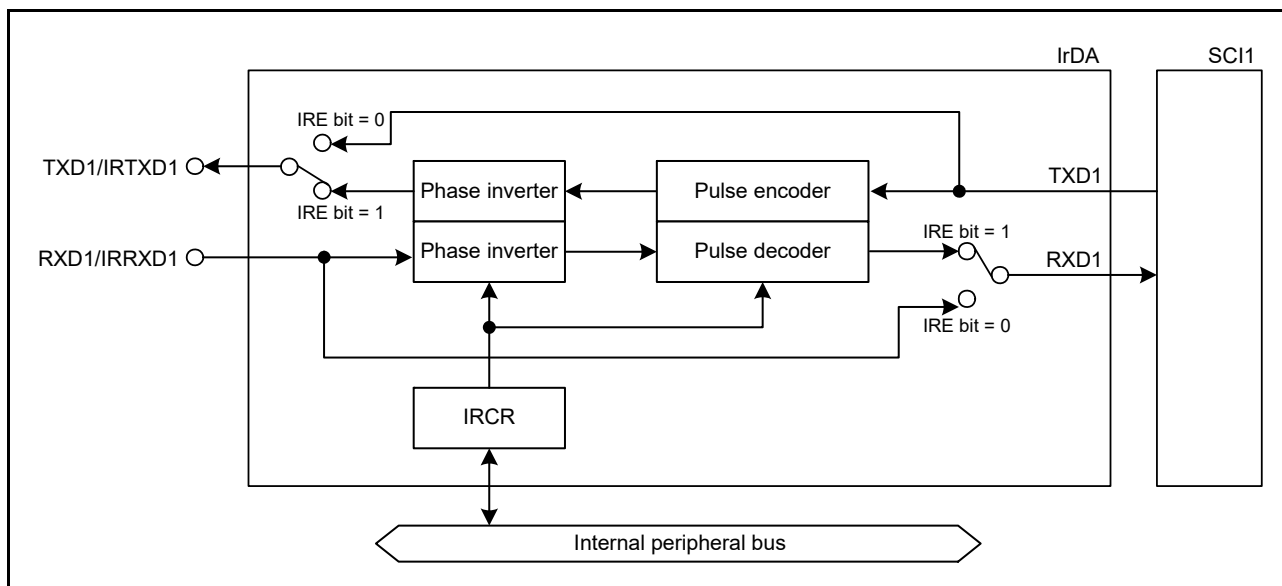


Figure 33.1 Interaction between the IrDA interface and SCI1

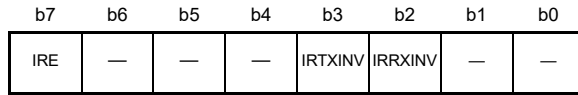
Table 33.1 IrDA interface I/O pins

| Pin name | I/O    | Function               |
|----------|--------|------------------------|
| IRTXD1   | Output | Data to be transmitted |
| IRRXD1   | Input  | Received data          |

## 33.2 Register Descriptions

### 33.2.1 IrDA Control Register (IRCR)

Address(es): IRDA.IRCR 4007 0F00h



Value after reset: 0 0 0 0 0 0 0 0

| Bit      | Symbol  | Bit name                 | Description   | R/W |
|----------|---------|--------------------------|---|-----|
| b1, b0   | —       | Reserved                 | These bits are read as 0. The write value should be 0.  | R/W |
| b2       | IRRXINV | IRRXD Polarity Switching | 0: Use IRRXD input as received data as-is<br>1: Use IRRXD input as received data after the polarity is inverted.                | R/W |
| b3       | IRTXINV | IRTXD Polarity Switching | 0: Output data to be transmitted to IRTXD as-is<br>1: Output data to be transmitted IRTXD after the polarity is inverted.       | R/W |
| b6 to b4 | —       | Reserved                 | These bits are read as 0. The write value should be 0.  | R/W |
| b7       | IRE     | IrDA Enable              | 0: Use serial input/output pins for normal serial communication<br>1: Use serial input/output pins for IrDA data communication. | R/W |

Note: The IRCR register values are retained in Sleep, Software Standby, and Deep Software Standby modes.

#### IRRXINV bit (IRRXD Polarity Switching)

The IRRXINV bit inverts the logic level of the IRRXD input. When inverted, the high-level pulse width is applied to the low-level pulse width.

#### IRTXINV bit (IRTXD Polarity Switching)

The IRTXINV bit inverts the logic level of the IRTXD output. When inverted, the high-level pulse width is applied to the low-level pulse width.

#### IRE bit (IrDA Enable)

The IRE bit configures the I/O pins for normal communication mode or IrDA data communication mode.

### 33.3 Operation

#### 33.3.1 IrDA Interface Setup Procedure

To set up IrDA interface operation:

1. Set the associated pins to IRTXD1 and IRRXD1 in the Pin Function Control Register (PmnPFS.PSEL = 00101b) of the I/O ports function.
2. Specify the peripheral function in the Pin Function Control Register (PmnPFS.PMR = 1) of the I/O ports function.
3. Specify the IrDA function in the IRCR register.
4. Set the SCI1-related registers of the Serial Communications Interface (SCI).

#### 33.3.2 Transmission

During transmission, the signals output from SCI1 (UART frames) are converted to IR frame data through the IrDA interface (see Figure 33.2). When the IRCR.IRTXINV bit is 0 and serial data is 0, high-level pulses with 3/16 the width of the bit rate (1-bit width period) are output (initial setting). The standard prescribes that the minimum high-level pulse width must be 1.41  $\mu$ s and the maximum high-level pulse width must be  $(3/16 + 2.5\%) \times$  bit rate or  $(3/16 \times$  bit rate) + 1.08  $\mu$ s. When the serial data is 1, no pulses are output.

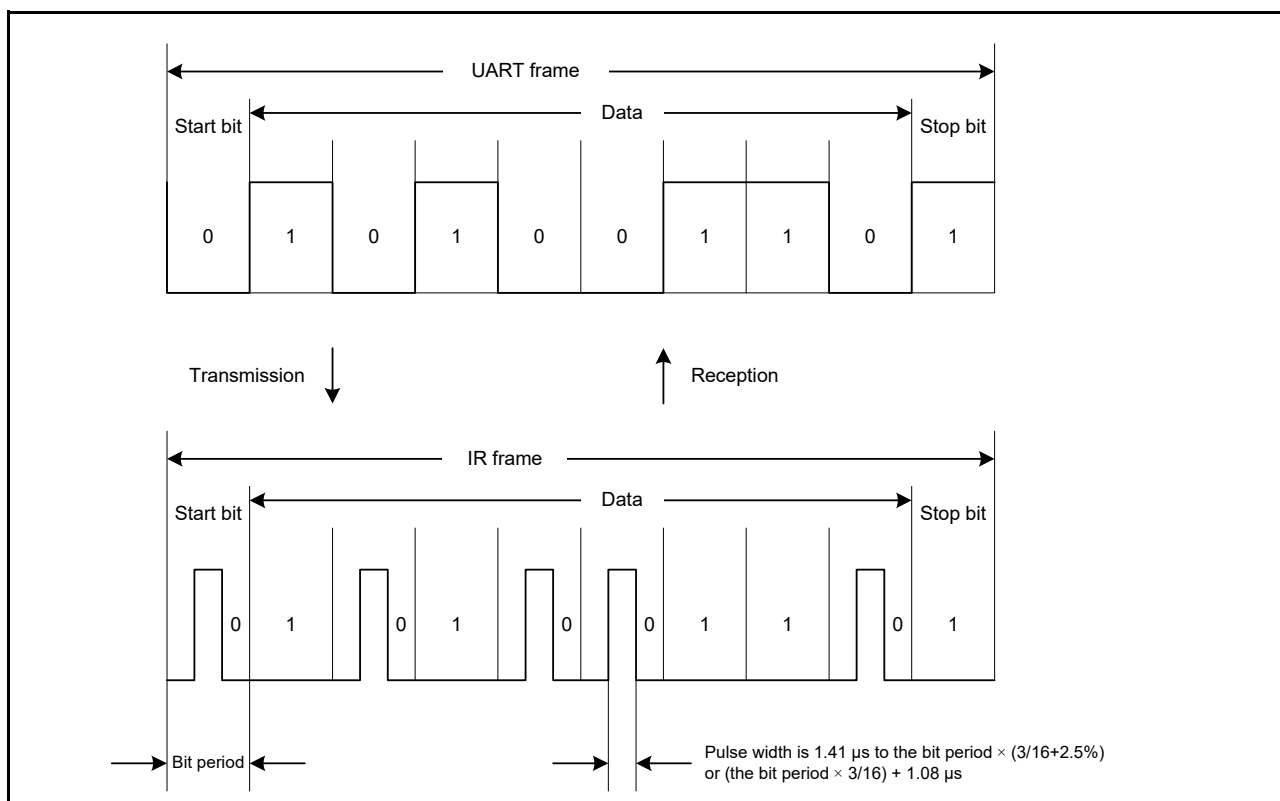


Figure 33.2 IrDA transmission and reception

#### 33.3.3 Reception

During reception, IR frame data is converted to UART frame data through the IrDA interface and is input to SCI1.

Low-level data is input to SCI1 when the IRCR.IRRXINV bit is 0 and a high-level pulse is detected. High-level data is input to SCI1 when no pulse is detected for a 1-bit period.

## 33.4 Usage Notes

### 33.4.1 Settings for the Module-Stop Function

IrDA operation can be disabled or enabled using the Module Stop Control Register. IrDA is initially stopped after reset. Releasing the module-stop state enables access to the registers. For details, see [section 11, Low Power Modes](#).

### 33.4.2 Asynchronous Reference Clock for SCI1

The IrDA receives a clock with frequency 16 times the bit rate from SCI1 and operates in conjunction with SCI1.

When using the IrDA, set the SCI1.SEMR.ABCS bit to 0.

## 34. I<sup>2</sup>C Bus Interface (IIC)

### 34.1 Overview

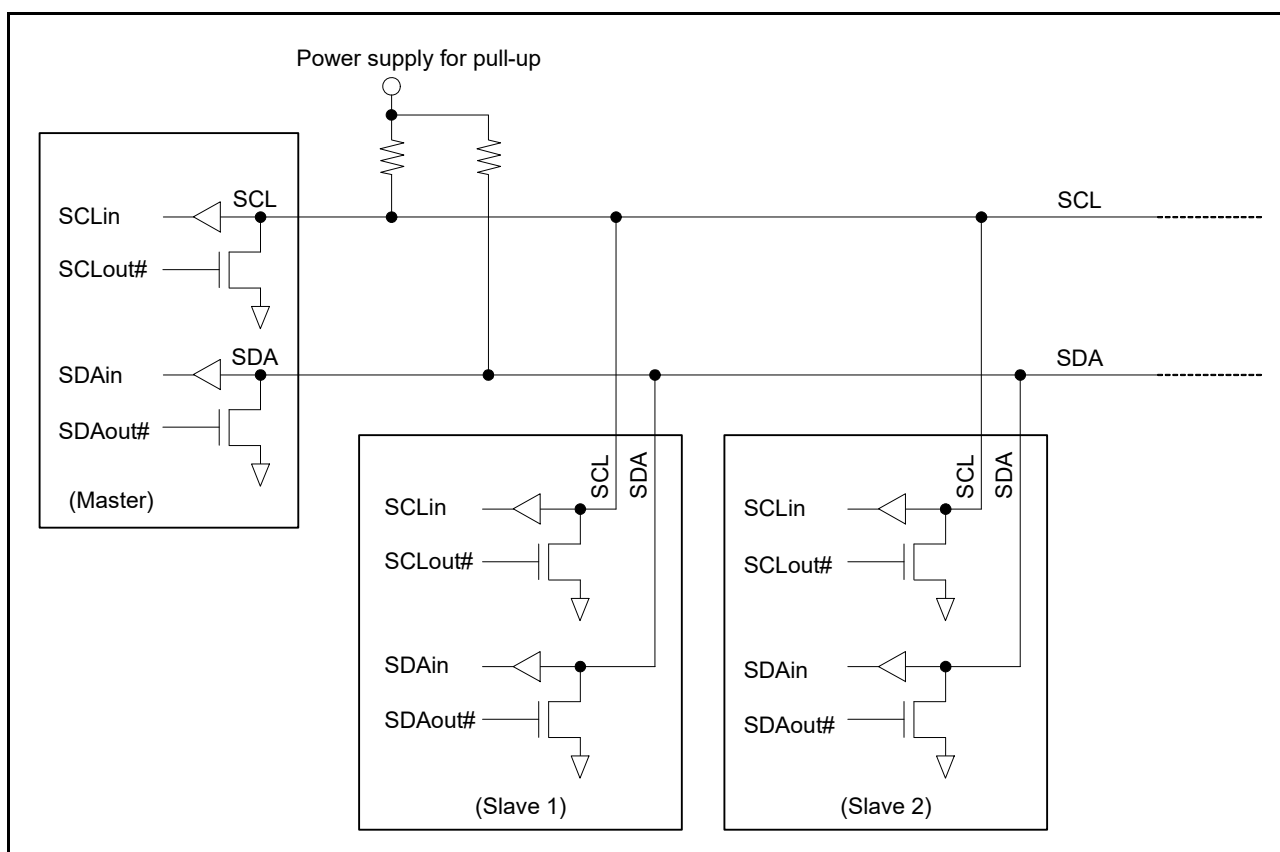
The MCU has a 3-channel I<sup>2</sup>C Bus Interface (IIC) module that conforms with and provides a subset of the NXP I<sup>2</sup>C bus (inter-integrated circuit bus) interface functions. [Table 34.1](#) lists the IIC specifications, [Figure 34.1](#) shows a block diagram, and [Figure 34.2](#) shows an example of I/O pin connections to external circuits, with an I<sup>2</sup>C bus configuration. [Table 34.2](#) lists the I/O pins.

**Table 34.1 IIC specifications (1 of 2)**

| Parameter                        | Specifications   |
|----------------------------------|--|
| Communications format            | <ul style="list-style-type: none"> <li>• I<sup>2</sup>C bus format or SMBus format</li> <li>• Master or slave mode selectable</li> <li>• Automatic securing of the setup times, hold times, and bus-free times for the transfer rate.</li> </ul>   |
| Transfer rate                    | Fast-mode Plus supported, up to 1 Mbps   |
| SCL clock                        | For master operation, the duty cycle of the SCL clock is selectable in the range from 4% to 96%  |
| Issuing and detecting conditions | <ul style="list-style-type: none"> <li>• Start, restart, and stop conditions are automatically generated</li> <li>• Start conditions (including restart conditions) and stop conditions are detectable.</li> </ul>   |
| Slave address                    | <ul style="list-style-type: none"> <li>• Configurable for up to three different slave addresses</li> <li>• 7-bit and 10-bit address formats supported, including simultaneous use</li> <li>• General call addresses, device ID addresses, and SMBus host addresses detectable.</li> </ul>  |
| Acknowledgment                   | <ul style="list-style-type: none"> <li>• For transmission, automatic loading of the acknowledge bit.<br/>Transfer of the next transmit data can be automatically suspended on detection of a not-acknowledge bit.</li> <li>• For reception, automatic transmission of the acknowledge bit.<br/>If a wait between the 8<sup>th</sup> and 9<sup>th</sup> clock cycles is selected, software can control the value in the acknowledge field in response to the received value.</li> </ul>   |
| Wait function                    | During reception, the following wait periods are available by holding the SCL clock low: <ul style="list-style-type: none"> <li>• Waiting between the 8<sup>th</sup> and 9<sup>th</sup> clock cycles</li> <li>• Waiting between the 9<sup>th</sup> clock cycle and the 1<sup>st</sup> clock cycle of the next transfer.</li> </ul>   |
| SDA output delay function        | Output timing of transmitted data, including the acknowledge bit, can be delayed   |
| Arbitration                      | <ul style="list-style-type: none"> <li>• For multi-master operation:               <ul style="list-style-type: none"> <li>- SCL clock synchronization is possible when conflict occurs with the SCL signal from another master</li> <li>- When issuing the start condition creates conflict on the bus, loss of arbitration is detected by testing for mismatching between the internal signal for the SDA line and the level on the SDA line</li> <li>- In master operation, loss of arbitration is detected by testing for mismatching between the signal on the SDA line and the internal signal for the SDA line</li> </ul> </li> <li>• Loss of arbitration because the start condition occurs while the bus is busy is detectable, to prevent the issuing of double start conditions</li> <li>• Loss of arbitration is detectable on transfer of a not-acknowledge bit because the internal signal for the SDA line and the level on the SDA line do not match</li> <li>• Loss of arbitration because mismatching of internal and line levels for data is detectable in slave transmission</li> </ul> |
| Timeout function                 | Internal detection of long-interval stops of the SCL clock   |
| Noise cancellation               | <ul style="list-style-type: none"> <li>• Digital noise filters for both the SCL and SDA signals</li> <li>• Programmable window for noise cancellation by the filters.</li> </ul>   |
| Interrupt sources                | <ul style="list-style-type: none"> <li>• Transfer error or occurrence of events: arbitration detection, NACK, timeout, start or restart condition, or stop condition)</li> <li>• Receive data full, including matching with a slave address</li> <li>• Transmit data empty, including matching with a slave address</li> <li>• Transmit end.</li> </ul>  |
| Module-stop function             | Module-stop state can be set to reduce power consumption   |
| IIC operating modes              | <ul style="list-style-type: none"> <li>• Master transmit</li> <li>• Master receive</li> <li>• Slave transmit</li> <li>• Slave receive.</li> </ul>  |







**Figure 34.2 I/O pin connection to an external circuit (I<sup>2</sup>C bus configuration example)**

The input level of the signals for IIC is CMOS when I<sup>2</sup>C bus is selected (ICMR3.SMBS = 0), or TTL when SMBus is selected (ICMR3.SMBS = 1).

**Table 34.2 IIC I/O pins**

| Channel | Pin name | I/O | Function                  |
|---------|----------|-----|---------------------------|
| IIC0    | SCL0     | I/O | IIC0 serial clock I/O pin |
|         | SDA0     | I/O | IIC0 serial data I/O pin  |
| IIC1    | SCL1     | I/O | IIC1 serial clock I/O pin |
|         | SDA1     | I/O | IIC1 serial data I/O pin  |
| IIC2    | SCL2     | I/O | IIC2 serial clock I/O pin |
|         | SDA2     | I/O | IIC2 serial data I/O pin  |

## 34.2 Register Descriptions

### 34.2.1 I<sup>2</sup>C Bus Control Register 1 (ICCR1)

Address(es): IIC0.ICCR1 4005 3000h, IIC1.ICCR1 4005 3100h, IIC2.ICCR1 4005 3200h

| b7                 | b6     | b5  | b4   | b3   | b2   | b1   | b0   |
|--------------------|--------|-----|------|------|------|------|------|
| ICE                | IICRST | CLO | SOWP | SCLO | SDAO | SCLI | SDAI |
| Value after reset: | 0      | 0   | 0    | 1    | 1    | 1    | 1    |

| Bit | Symbol | Bit name                         | Description   | R/W |
|-----|--------|----------------------------------|---|-----|
| b0  | SDAI   | SDA Line Monitor                 | 0: SDA <sub>n</sub> line is low<br>1: SDA <sub>n</sub> line is high.  | R   |
| b1  | SCLI   | SCL Line Monitor                 | 0: SCL <sub>n</sub> line is low<br>1: SCL <sub>n</sub> line is high.  | R   |
| b2  | SDAO   | SDA Output Control/Monitor       | <ul style="list-style-type: none"> <li>Read:               <ul style="list-style-type: none"> <li>0: IIC drove SDA<sub>n</sub> pin low</li> <li>1: IIC released SDA<sub>n</sub> pin.</li> </ul> </li> <li>Write:               <ul style="list-style-type: none"> <li>0: Drive SDA<sub>n</sub> pin low through IIC</li> <li>1: Release SDA<sub>n</sub> pin through IIC.</li> </ul> </li> </ul>  | R/W |
| b3  | SCLO   | SCL Output Control/Monitor       | <ul style="list-style-type: none"> <li>Read:               <ul style="list-style-type: none"> <li>0: IIC drove SCL<sub>n</sub> pin low</li> <li>1: IIC released SCL<sub>n</sub> pin.</li> </ul> </li> <li>Write:               <ul style="list-style-type: none"> <li>0: Drive SCL<sub>n</sub> pin low through IIC</li> <li>1: Release SCL<sub>n</sub> pin through IIC.</li> </ul> </li> </ul> Use an external pull-up resistor to drive the signal high. | R/W |
| b4  | SOWP   | SCLO/SDAO Write Protect          | 0: Write enable SCLO and SDAO bits<br>1: Write protect SCLO and SDAO bits.<br>This bit is read as 1.  | R/W |
| b5  | CLO    | Extra SCL Clock Cycle Output     | 0: Do not output extra SCL clock cycle (default)<br>1: Output extra SCL clock cycle.<br>This bit clears automatically after one clock cycle is output.  | R/W |
| b6  | IICRST | IIC-Bus Interface Internal Reset | 0: Release IIC reset or internal reset<br>1: Initiate IIC reset or internal reset.<br>This setting clears the bit counter and the SCL <sub>n</sub> /SDA <sub>n</sub> output latch.  | R/W |
| b7  | ICE    | IIC-Bus Interface Enable         | 0: Disable (SCL <sub>n</sub> and SDA <sub>n</sub> pins in inactive state)<br>1: Enable (SCL <sub>n</sub> and SDA <sub>n</sub> pins in active state).<br>Used in combination with the IICRST bit to select either IIC or internal reset.   | R/W |

#### SDAO bit (SDA Output Control/Monitor) and SCLO bit (SCL Output Control/Monitor)

The SDAO and SCLO bits directly control the SDA<sub>n</sub> and SCL<sub>n</sub> signals output from the IIC.

When writing to these bits, also write 0 to the SOWP bit. Setting these bits results in input to the IIC by the input buffer. When slave mode is selected, a start condition might be detected and the bus might be released, depending on the bit settings.

Do not rewrite these bits during a start condition, stop condition, restart condition, or during transmission, or reception. Operation after rewriting under the specified conditions is not guaranteed. When reading these bits, the state of signals output from the IIC can be read.

#### CLO bit (Extra SCL Clock Cycle Output)

The CLO bit allows the output of an extra SCL clock cycle for debugging or error processing. Normally, set this bit to 0. Setting this bit to 1 in a normal communication state causes a communication error. For details on this function, see [section 34.12.2, Extra SCL Clock Cycle Output Function](#).

**IICRST bit (IIC-Bus Interface Internal Reset)**

The IICRST bit initiates an internal state reset of the IIC. Setting this bit to 1 initiates an IIC reset or internal reset. Whether an IIC reset or internal reset is initiated is determined by setting this bit in combination with the ICE bit.

Table 34.3 lists the IIC resets.

The IIC reset initializes all registers except ICCR1.ICE and ICCR1.IICRST bits, and internal states of the IIC. In addition to the internal states of the IIC, the internal reset initializes the following:

- Bit counter (ICMR1.BC[2:0] bits)
- I<sup>2</sup>C Bus Shift Register (ICDRS)
- I<sup>2</sup>C Bus Status Registers (ICSR1 and ICSR2)
- SDAO and SCLO Output Control/Monitor (ICCR1.SCLO and ICCR1.SDAO bits)
- I<sup>2</sup>C Bus Control Register 2 (except ICCR2.BBSY bit).

For the reset conditions of each register, see section 34.15, *State of Registers when Issuing each Condition*.

An internal reset initiated with the IICRST bit set to 1 during operation (with the ICE bit set to 1) resets the internal states of the IIC without initializing the port settings and the control and setting registers of the IIC when the bus or IIC hangs up because of a communication error. If the IIC hangs up in a low level output state, resetting the internal states cancels the low level output state and releases the bus with the SCLn pin and SDAn pin at high impedance.

**Note:** If an internal reset is initiated using the IICRST bit for a bus hang-up that occurs during communication with the master device in slave mode, the slave and master devices might enter different states, because the bit counter information differs. For this reason, do not initiate an internal reset in slave mode. Initiate recovery processing from the master device. If an internal reset is necessary because the IIC hangs with the SCLn line in a low level output state in slave mode, initiate an internal reset, and then issue a restart condition from the master device, or issue a stop condition and resume communication from the start condition. If communication is restarted by initiating a reset solely in the slave device without issuing a start or restart condition from the master device, synchronization is lost because the master and slave devices operate asynchronously.

**Table 34.3 IIC resets**

| IICRST | ICE | State          | Specifications   |
|--------|-----|----------------|--|
| 1      | 0   | IIC reset      | Resets all registers except ICCR1.ICE and ICCR1.IICRST bits, and the internal states of the IIC  |
|        | 1   | Internal reset | Resets the following: <ul style="list-style-type: none"> <li>• ICMR1.BC[2:0] bits</li> <li>• ICSR1, ICSR2, ICDRS registers</li> <li>• SDAO and SCLO Output Control/Monitor (ICCR1.SCLO and ICCR1.SDAO bits)</li> <li>• I<sup>2</sup>C Bus Control Register 2 (except ICCR2.BBSY bit)</li> <li>• Internal states of the IIC.</li> </ul> |

**ICE bit (IIC-Bus Interface Enable)**

The ICE bit selects the active or inactive state of the SCLn and SDAn pins. It can also be combined with the IICRST bit to initiate two types of resets. See Table 34.3 for the reset types.

Set the ICE bit to 1 when using the IIC. The SCLn and SDAn pins are placed in the active state when the ICE bit is set to 1. Set the ICE bit to 0 when the IIC is not used. The SCLn and SDAn pins are placed in the inactive state when the ICE bit is set to 0. Do not assign the SCLn or SDAn pin to the IIC when setting up the pin function control. Slave address comparison is performed if the pins are assigned to the IIC.

### 34.2.2 I<sup>2</sup>C Bus Control Register 2 (ICCR2)

Address(es): IIC0.ICCR2 4005 3001h, IIC1.ICCR2 4005 3101h, IIC2.ICCR2 4005 3201h

|      |     |     |    |    |    |    |    |
|------|-----|-----|----|----|----|----|----|
| b7   | b6  | b5  | b4 | b3 | b2 | b1 | b0 |
| BBSY | MST | TRS | —  | SP | RS | ST | —  |
| 0    | 0   | 0   | 0  | 0  | 0  | 0  | 0  |

Value after reset:

| Bit | Symbol | Bit name                           | Description   | R/W   |
|-----|--------|------------------------------------|---|-------|
| b0  | —      | Reserved                           | This bit is read as 0. The write value should be 0.   | R/W   |
| b1  | ST     | Start Condition Issuance Request   | 0: Do not issue a start condition request<br>1: Issue a start condition request.                        | R/W   |
| b2  | RS     | Restart Condition Issuance Request | 0: Do not issue a restart condition request<br>1: Issue a restart condition request.                    | R/W   |
| b3  | SP     | Stop Condition Issuance Request    | 0: Do not issue a stop condition request<br>1: Issue a stop condition request.                          | R/W   |
| b4  | —      | Reserved                           | This bit is read as 0. The write value should be 0.   | R/W   |
| b5  | TRS    | Transmit/Receive Mode              | 0: Receive mode<br>1: Transmit mode.  | R/W*1 |
| b6  | MST    | Master/Slave Mode                  | 0: Slave mode<br>1: Master mode.  | R/W*1 |
| b7  | BBSY   | Bus Busy Detection Flag            | 0: I <sup>2</sup> C bus released (bus free state)<br>1: I <sup>2</sup> C bus occupied (bus busy state). | R     |

Note 1. The MST and TRS bits can be written to when the ICMR1.MTWP bit is set to 1.

#### ST bit (Start Condition Issuance Request)

The ST bit requests transition to master mode and triggers a start condition.

When this bit is set to 1, a start condition is issued when the BBSY flag is set to 0 (bus free state). For details on issuing a start condition, see [section 34.11, Start, Restart, and Stop Condition Issuing Function](#).

[Setting condition]

- When 1 is written to the ST bit.

[Clearing conditions]

- When 0 is written to the ST bit
- When a start condition is issued (a start condition is detected)
- When the AL (arbitration-lost) flag in ICSR2 is set to 1
- When 1 is written to the IICRST bit in ICCR1 to apply an IIC reset or an internal reset.

Note: Set the ST bit to 1 (start condition issuance request) when the BBSY flag is set to 0 (bus free state). Arbitration might be lost if the ST bit is set to 1 (start condition request) when the BBSY flag is 1 (bus busy state).

#### RS bit (Restart Condition Issuance Request)

The RS bit requests that a restart condition be issued in master mode.

When this bit is set to 1 to request a restart condition, a restart condition is issued when the BBSY flag is set to 1 (bus busy state) and the MST bit is set to 1 (master mode). For details on issuing a restart condition, see [section 34.11, Start, Restart, and Stop Condition Issuing Function](#).

[Setting condition]

- When 1 is written to the RS bit with the BBSY flag in ICCR2 set to 1.

[Clearing conditions]

- When 0 is written to the RS bit
- When a restart condition is issued (a start condition is detected)
- When the AL (arbitration-lost) flag in ICSR2 is set to 1
- When 1 is written to the IICRST bit in ICCR1 to apply an IIC reset or an internal reset.

Note: Do not set the RS bit to 1 while issuing a stop condition.

Note: If 1 (restart condition request) is written to the RS bit in slave mode, the restart condition is not issued, but the RS bit remains set to 1. If the operating mode changes to master mode without the bit being cleared, a restart condition might be issued.

### SP bit (Stop Condition Issuance Request)

The SP bit requests that a stop condition be issued in master mode.

When this bit is set to 1, a stop condition is issued when the BBSY flag is set to 1 (bus busy state) and the MST bit is set to 1 (master mode). For details on this function, see [section 34.11, Start, Restart, and Stop Condition Issuing Function](#).

[Setting condition]

- When 1 is written to the SP bit with both the BBSY flag and the MST bit in ICCR2 set to 1.

[Clearing conditions]

- When 0 is written to the SP bit
- When a stop condition is issued (a stop condition is detected)
- When the AL (arbitration-lost) flag in ICSR2 is set to 1
- When a start condition and a restart condition are detected
- When 1 is written to the IICRST bit in ICCR1 to apply an IIC reset or an internal reset.

Note: Writing to the SP bit is not possible while the BBSY flag is 0 (bus free state).

Note: Do not set the SP bit to 1 while a restart condition is being issued.

### TRS bit (Transmit/Receive Mode)

The TRS bit indicates transmit or receive mode.

The IIC is in receive mode when the TRS bit is 0 and in transmit mode when the bit is 1. The combination of the TRS bit and the MST bit indicates the operating mode of the IIC.

The value of the TRS bit automatically changes to 1 for transmit mode or 0 for receive mode when a start condition is issued or detected and the R/W# bit is set. Although writing to the TRS bit is possible when the MTWP bit in ICMR1 is set to 1, writing to this bit is not required during normal usage.

[Setting conditions]

- When a start condition is issued normally because of a start condition request (when a start condition is detected with the ST bit set to 1)
- When a restart condition is issued normally because of a restart condition request (when a restart condition is detected with the RS bit set to 1)
- When the R/W# bit appended to the slave address is set to 0 in master mode
- When the address received in slave mode matches the address enabled in ICSE, with the R/W# bit set to 1
- When 1 is written to the TRS bit with the MTWP bit in ICMR1 set to 1.

[Clearing conditions]

- When a stop condition is detected
- When the AL (arbitration-lost) flag in ICSR2 is set to 1

- When the R/W# bit appended to the slave address is set to 1 in master mode
- In slave mode, on a match between the received address and the address enabled in IC SER when the value of the received R/W# bit is 0, including when the received address is the general call address
- In slave mode, when a restart condition is detected (a start condition is detected with ICCR2.BBSY = 1 and ICCR2.MST = 0)
- When 0 is written to the TRS bit with the MTWP bit in ICMR1 set to 1
- When 1 is written to the IICRST bit in ICCR1 to apply an IIC reset or an internal reset.

#### **MST bit (Master/Slave Mode)**

The MST bit indicates master or slave mode. The IIC is in slave mode when the MST bit is set to 0 and is in master mode when the bit is set to 1. The combination of the MST bit and the TRS bit indicates the operating mode of the IIC.

The value of the MST bit automatically changes to 1 for master mode or 0 for slave mode when a start condition is issued, or when a stop condition is issued or detected. Although writing to the MST bit is possible when the MTWP bit in ICMR1 is set to 1, writing to this bit is not necessary during normal usage.

[Setting conditions]

- When a start condition is issued normally because of a start condition request (when a start condition is detected with the ST bit set to 1)
- When 1 is written to the MST bit with the MTWP bit in ICMR1 set to 1.

[Clearing conditions]

- When a stop condition is detected
- When the AL (arbitration-lost) flag in ICSR2 is set to 1
- When 0 is written to the MST bit with the MTWP bit in ICMR1 set to 1
- When 1 is written to the IICRST bit in ICCR1 to apply an IIC reset or an internal reset.

#### **BBSY flag (Bus Busy Detection Flag)**

The BBSY flag indicates whether the I<sup>2</sup>C bus is occupied (bus busy state) or released (bus free state).

The flag is set to 1 when the SDA<sub>n</sub> line changes from high to low when the SCL<sub>n</sub> line is high, assuming that a start condition was issued.

The flag is set to 0 when the SDA<sub>n</sub> line changes from low to high with the SCL<sub>n</sub> line high, if the bus free time (ICBRL setting) start condition is not detected, assuming that a stop condition was issued.

[Setting condition]

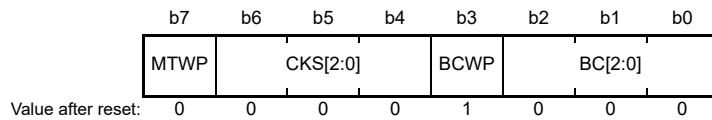
- When a start condition is detected.

[Clearing conditions]

- When the bus free time (ICBRL setting) start condition is not detected after detecting a stop condition
- When 1 is written to the IICRST bit in ICCR1 with the ICE bit in ICCR1 set to 0 (IIC reset).

### 34.2.3 I<sup>2</sup>C Bus Mode Register 1 (ICMR1)

Address(es): IIC0.ICMR1 4005 3002h, IIC1.ICMR1 4005 3102h, IIC2.ICMR1 4005 3202h



| Bit      | Symbol                   | Bit name                        | Description  | R/W   |
|----------|--------------------------|---------------------------------|--|-------|
| b2 to b0 | <a href="#">BC[2:0]</a>  | Bit Counter                     | b2 b0<br>0 0 0: 9 bits<br>0 0 1: 2 bits<br>0 1 0: 3 bits<br>0 1 1: 4 bits<br>1 0 0: 5 bits<br>1 0 1: 6 bits<br>1 1 0: 7 bits<br>1 1 1: 8 bits.   | R/W*1 |
| b3       | <a href="#">BCWP</a>     | BC Write Protect                | 0: Write enable BC[2:0] bits<br>1: Write protect BC[2:0] bits.<br>This bit is read as 1.   | R/W*1 |
| b6 to b4 | <a href="#">CKS[2:0]</a> | Internal Reference Clock Select | Select the internal reference clock source (IIC $\phi$ ) for the IIC.<br>b6 b4<br>0 0 0: PCLKB clock<br>0 0 1: PCLKB/2 clock<br>0 1 0: PCLKB/4 clock<br>0 1 1: PCLKB/8 clock<br>1 0 0: PCLKB/16 clock<br>1 0 1: PCLKB/32 clock<br>1 1 0: PCLKB/64 clock<br>1 1 1: PCLKB/128 clock. | R/W   |
| b7       | <a href="#">MTWP</a>     | MST/TRS Write Protect           | 0: Write protect MST and TRS bits in ICCR2<br>1: Write enable MST and TRS bits in ICCR2.   | R/W   |

Note 1. Rewrite the BC[2:0] bits and set the BCWP bit to 0 at the same time.

#### **BC[2:0] bits (Bit Counter)**

The BC[2:0] bits function as a counter that indicates the number of bits remaining to be transferred on detection of a rising edge on the SCLn line. Although BC[2:0] are read/write bits, it is not required to access these bits under normal conditions.

To write to these bits, specify the number of bits to be transferred plus one, for an additional acknowledge bit, between transferred frames when the SCLn line is at a low level.

The value in the BC[2:0] bits returns to 000b at the end of a data transfer, including the acknowledge bit, or when a start or restart condition is detected.

### 34.2.4 I<sup>2</sup>C Bus Mode Register 2 (ICMR2)

Address(es): IIC0.ICMR2 4005 3003h, IIC1.ICMR2 4005 3103h, IIC2.ICMR2 4005 3203h



| Bit      | Symbol           | Bit name                             | Description   | R/W |    |  |   |   |                    |   |   |                       |   |   |                        |   |   |                        |   |   |                        |   |   |                        |   |   |                        |   |   |                         |    |    |  |   |   |                    |   |   |                             |   |   |                             |   |   |                             |   |   |                             |   |   |                              |   |   |                               |   |   |                                |     |
|----------|------------------|--------------------------------------|---|-----|----|--|---|---|--------------------|---|---|-----------------------|---|---|------------------------|---|---|------------------------|---|---|------------------------|---|---|------------------------|---|---|------------------------|---|---|-------------------------|----|----|--|---|---|--------------------|---|---|-----------------------------|---|---|-----------------------------|---|---|-----------------------------|---|---|-----------------------------|---|---|------------------------------|---|---|-------------------------------|---|---|--------------------------------|-----|
| b0       | <b>TMOS</b>      | Timeout Detection Time Select        | 0: Select long mode<br>1: Select short mode.  | R/W |    |  |   |   |                    |   |   |                       |   |   |                        |   |   |                        |   |   |                        |   |   |                        |   |   |                        |   |   |                         |    |    |  |   |   |                    |   |   |                             |   |   |                             |   |   |                             |   |   |                             |   |   |                              |   |   |                               |   |   |                                |     |
| b1       | <b>TMOL</b>      | Timeout L Count Control              | 0: Disable count while SCLn line is low<br>1: Enable count while SCLn line is low.  | R/W |    |  |   |   |                    |   |   |                       |   |   |                        |   |   |                        |   |   |                        |   |   |                        |   |   |                        |   |   |                         |    |    |  |   |   |                    |   |   |                             |   |   |                             |   |   |                             |   |   |                             |   |   |                              |   |   |                               |   |   |                                |     |
| b2       | <b>TMOH</b>      | Timeout H Count Control              | 0: Disable count while SCLn line is high<br>1: Enable count while SCLn line is high.  | R/W |    |  |   |   |                    |   |   |                       |   |   |                        |   |   |                        |   |   |                        |   |   |                        |   |   |                        |   |   |                         |    |    |  |   |   |                    |   |   |                             |   |   |                             |   |   |                             |   |   |                             |   |   |                              |   |   |                               |   |   |                                |     |
| b3       | —                | Reserved                             | This bit is read as 0. The write value should be 0.   | R/W |    |  |   |   |                    |   |   |                       |   |   |                        |   |   |                        |   |   |                        |   |   |                        |   |   |                        |   |   |                         |    |    |  |   |   |                    |   |   |                             |   |   |                             |   |   |                             |   |   |                             |   |   |                              |   |   |                               |   |   |                                |     |
| b6 to b4 | <b>SDDL[2:0]</b> | SDA Output Delay Counter             | <ul style="list-style-type: none"> <li>• When ICMR2.DLCS = 0 (IIC<math>\phi</math>)               <table border="0" style="margin-left: 20px;"> <tr><td>b6</td><td>b4</td><td></td></tr> <tr><td>0</td><td>0</td><td>0: No output delay</td></tr> <tr><td>0</td><td>0</td><td>1: 1 IIC<math>\phi</math> cycle</td></tr> <tr><td>0</td><td>1</td><td>0: 2 IIC<math>\phi</math> cycles</td></tr> <tr><td>0</td><td>1</td><td>1: 3 IIC<math>\phi</math> cycles</td></tr> <tr><td>1</td><td>0</td><td>0: 4 IIC<math>\phi</math> cycles</td></tr> <tr><td>1</td><td>0</td><td>1: 5 IIC<math>\phi</math> cycles</td></tr> <tr><td>1</td><td>1</td><td>0: 6 IIC<math>\phi</math> cycles</td></tr> <tr><td>1</td><td>1</td><td>1: 7 IIC<math>\phi</math> cycles.</td></tr> </table> </li> <li>• When ICMR2.DLCS = 1 (IIC<math>\phi</math>/2)               <table border="0" style="margin-left: 20px;"> <tr><td>b6</td><td>b4</td><td></td></tr> <tr><td>0</td><td>0</td><td>0: No output delay</td></tr> <tr><td>0</td><td>0</td><td>1: 1 or 2 IIC<math>\phi</math> cycles</td></tr> <tr><td>0</td><td>1</td><td>0: 3 or 4 IIC<math>\phi</math> cycles</td></tr> <tr><td>0</td><td>1</td><td>1: 5 or 6 IIC<math>\phi</math> cycles</td></tr> <tr><td>1</td><td>0</td><td>0: 7 or 8 IIC<math>\phi</math> cycles</td></tr> <tr><td>1</td><td>0</td><td>1: 9 or 10 IIC<math>\phi</math> cycles</td></tr> <tr><td>1</td><td>1</td><td>0: 11 or 12 IIC<math>\phi</math> cycles</td></tr> <tr><td>1</td><td>1</td><td>1: 13 or 14 IIC<math>\phi</math> cycles.</td></tr> </table> </li> </ul> | b6  | b4 |  | 0 | 0 | 0: No output delay | 0 | 0 | 1: 1 IIC $\phi$ cycle | 0 | 1 | 0: 2 IIC $\phi$ cycles | 0 | 1 | 1: 3 IIC $\phi$ cycles | 1 | 0 | 0: 4 IIC $\phi$ cycles | 1 | 0 | 1: 5 IIC $\phi$ cycles | 1 | 1 | 0: 6 IIC $\phi$ cycles | 1 | 1 | 1: 7 IIC $\phi$ cycles. | b6 | b4 |  | 0 | 0 | 0: No output delay | 0 | 0 | 1: 1 or 2 IIC $\phi$ cycles | 0 | 1 | 0: 3 or 4 IIC $\phi$ cycles | 0 | 1 | 1: 5 or 6 IIC $\phi$ cycles | 1 | 0 | 0: 7 or 8 IIC $\phi$ cycles | 1 | 0 | 1: 9 or 10 IIC $\phi$ cycles | 1 | 1 | 0: 11 or 12 IIC $\phi$ cycles | 1 | 1 | 1: 13 or 14 IIC $\phi$ cycles. | R/W |
| b6       | b4               |                                      |   |     |    |  |   |   |                    |   |   |                       |   |   |                        |   |   |                        |   |   |                        |   |   |                        |   |   |                        |   |   |                         |    |    |  |   |   |                    |   |   |                             |   |   |                             |   |   |                             |   |   |                             |   |   |                              |   |   |                               |   |   |                                |     |
| 0        | 0                | 0: No output delay                   |   |     |    |  |   |   |                    |   |   |                       |   |   |                        |   |   |                        |   |   |                        |   |   |                        |   |   |                        |   |   |                         |    |    |  |   |   |                    |   |   |                             |   |   |                             |   |   |                             |   |   |                             |   |   |                              |   |   |                               |   |   |                                |     |
| 0        | 0                | 1: 1 IIC $\phi$ cycle                |   |     |    |  |   |   |                    |   |   |                       |   |   |                        |   |   |                        |   |   |                        |   |   |                        |   |   |                        |   |   |                         |    |    |  |   |   |                    |   |   |                             |   |   |                             |   |   |                             |   |   |                             |   |   |                              |   |   |                               |   |   |                                |     |
| 0        | 1                | 0: 2 IIC $\phi$ cycles               |   |     |    |  |   |   |                    |   |   |                       |   |   |                        |   |   |                        |   |   |                        |   |   |                        |   |   |                        |   |   |                         |    |    |  |   |   |                    |   |   |                             |   |   |                             |   |   |                             |   |   |                             |   |   |                              |   |   |                               |   |   |                                |     |
| 0        | 1                | 1: 3 IIC $\phi$ cycles               |   |     |    |  |   |   |                    |   |   |                       |   |   |                        |   |   |                        |   |   |                        |   |   |                        |   |   |                        |   |   |                         |    |    |  |   |   |                    |   |   |                             |   |   |                             |   |   |                             |   |   |                             |   |   |                              |   |   |                               |   |   |                                |     |
| 1        | 0                | 0: 4 IIC $\phi$ cycles               |   |     |    |  |   |   |                    |   |   |                       |   |   |                        |   |   |                        |   |   |                        |   |   |                        |   |   |                        |   |   |                         |    |    |  |   |   |                    |   |   |                             |   |   |                             |   |   |                             |   |   |                             |   |   |                              |   |   |                               |   |   |                                |     |
| 1        | 0                | 1: 5 IIC $\phi$ cycles               |   |     |    |  |   |   |                    |   |   |                       |   |   |                        |   |   |                        |   |   |                        |   |   |                        |   |   |                        |   |   |                         |    |    |  |   |   |                    |   |   |                             |   |   |                             |   |   |                             |   |   |                             |   |   |                              |   |   |                               |   |   |                                |     |
| 1        | 1                | 0: 6 IIC $\phi$ cycles               |   |     |    |  |   |   |                    |   |   |                       |   |   |                        |   |   |                        |   |   |                        |   |   |                        |   |   |                        |   |   |                         |    |    |  |   |   |                    |   |   |                             |   |   |                             |   |   |                             |   |   |                             |   |   |                              |   |   |                               |   |   |                                |     |
| 1        | 1                | 1: 7 IIC $\phi$ cycles.              |   |     |    |  |   |   |                    |   |   |                       |   |   |                        |   |   |                        |   |   |                        |   |   |                        |   |   |                        |   |   |                         |    |    |  |   |   |                    |   |   |                             |   |   |                             |   |   |                             |   |   |                             |   |   |                              |   |   |                               |   |   |                                |     |
| b6       | b4               |                                      |   |     |    |  |   |   |                    |   |   |                       |   |   |                        |   |   |                        |   |   |                        |   |   |                        |   |   |                        |   |   |                         |    |    |  |   |   |                    |   |   |                             |   |   |                             |   |   |                             |   |   |                             |   |   |                              |   |   |                               |   |   |                                |     |
| 0        | 0                | 0: No output delay                   |   |     |    |  |   |   |                    |   |   |                       |   |   |                        |   |   |                        |   |   |                        |   |   |                        |   |   |                        |   |   |                         |    |    |  |   |   |                    |   |   |                             |   |   |                             |   |   |                             |   |   |                             |   |   |                              |   |   |                               |   |   |                                |     |
| 0        | 0                | 1: 1 or 2 IIC $\phi$ cycles          |   |     |    |  |   |   |                    |   |   |                       |   |   |                        |   |   |                        |   |   |                        |   |   |                        |   |   |                        |   |   |                         |    |    |  |   |   |                    |   |   |                             |   |   |                             |   |   |                             |   |   |                             |   |   |                              |   |   |                               |   |   |                                |     |
| 0        | 1                | 0: 3 or 4 IIC $\phi$ cycles          |   |     |    |  |   |   |                    |   |   |                       |   |   |                        |   |   |                        |   |   |                        |   |   |                        |   |   |                        |   |   |                         |    |    |  |   |   |                    |   |   |                             |   |   |                             |   |   |                             |   |   |                             |   |   |                              |   |   |                               |   |   |                                |     |
| 0        | 1                | 1: 5 or 6 IIC $\phi$ cycles          |   |     |    |  |   |   |                    |   |   |                       |   |   |                        |   |   |                        |   |   |                        |   |   |                        |   |   |                        |   |   |                         |    |    |  |   |   |                    |   |   |                             |   |   |                             |   |   |                             |   |   |                             |   |   |                              |   |   |                               |   |   |                                |     |
| 1        | 0                | 0: 7 or 8 IIC $\phi$ cycles          |   |     |    |  |   |   |                    |   |   |                       |   |   |                        |   |   |                        |   |   |                        |   |   |                        |   |   |                        |   |   |                         |    |    |  |   |   |                    |   |   |                             |   |   |                             |   |   |                             |   |   |                             |   |   |                              |   |   |                               |   |   |                                |     |
| 1        | 0                | 1: 9 or 10 IIC $\phi$ cycles         |   |     |    |  |   |   |                    |   |   |                       |   |   |                        |   |   |                        |   |   |                        |   |   |                        |   |   |                        |   |   |                         |    |    |  |   |   |                    |   |   |                             |   |   |                             |   |   |                             |   |   |                             |   |   |                              |   |   |                               |   |   |                                |     |
| 1        | 1                | 0: 11 or 12 IIC $\phi$ cycles        |   |     |    |  |   |   |                    |   |   |                       |   |   |                        |   |   |                        |   |   |                        |   |   |                        |   |   |                        |   |   |                         |    |    |  |   |   |                    |   |   |                             |   |   |                             |   |   |                             |   |   |                             |   |   |                              |   |   |                               |   |   |                                |     |
| 1        | 1                | 1: 13 or 14 IIC $\phi$ cycles.       |   |     |    |  |   |   |                    |   |   |                       |   |   |                        |   |   |                        |   |   |                        |   |   |                        |   |   |                        |   |   |                         |    |    |  |   |   |                    |   |   |                             |   |   |                             |   |   |                             |   |   |                             |   |   |                              |   |   |                               |   |   |                                |     |
| b7       | <b>DLCS</b>      | SDA Output Delay Clock Source Select | 0: Select internal reference clock (IIC $\phi$ ) as clock source for SDA output delay counter<br>1: Select internal reference clock divided by 2 (IIC $\phi$ /2) as clock source for SDA output delay counter.*1  | R/W |    |  |   |   |                    |   |   |                       |   |   |                        |   |   |                        |   |   |                        |   |   |                        |   |   |                        |   |   |                         |    |    |  |   |   |                    |   |   |                             |   |   |                             |   |   |                             |   |   |                             |   |   |                              |   |   |                               |   |   |                                |     |

Note 1. The setting DLCS = 1 (IIC $\phi$ /2) is only valid when SCL is low. When SCL is high, the DLCS = 1 setting becomes invalid and the clock source becomes the internal reference clock (IIC $\phi$ ).

#### TMOS bit (Timeout Detection Time Select)

The TMOS bit selects long or short mode for the timeout detection time when the timeout function is enabled (ICFER.TMOE = 1).

When this bit is set to 0, long mode is selected. When it is set to 1, short mode is selected.

In long mode, the timeout detection internal counter functions as a 16 bit-counter. In short mode, the counter functions as a 14-bit counter. While the SCLn line is in the state that enables this counter as specified in the TMOH and TMOL bits, the counter counts up in synchronization with the internal reference clock (IIC $\phi$ ) as a count source.

For details on this function, see [section 34.12.1, Timeout Function](#).

#### TMOL bit (Timeout L Count Control)

The TMOL bit enables or disables up-counting on the internal counter of the timeout function while the SCLn line is held low and the timeout function is enabled (ICFER.TMOE = 1).



**TMOH bit (Timeout H Count Control)**

The TMOH bit enables or disables up-counting on the internal counter of the timeout function while the SCLn line is held high and the timeout function is enabled (ICFER.TMOE = 1).

**SDDL[2:0] bits (SDA Output Delay Counter)**

The SDDL[2:0] bits can be used to delay the SDA output. This counter works with the clock source selected in the DLCS bit. This setting can be used for all types of SDA output, including the transmission of the acknowledge bit.

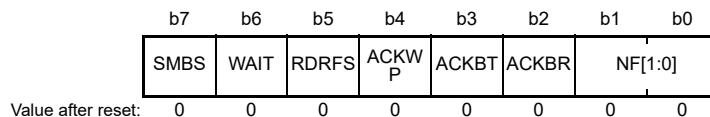
Set the SDA output delay to meet the I<sup>2</sup>C bus standard for the data enable time/acknowledge enable time,\*<sup>1</sup> or the SMBus standard, within [data hold time (300 ns or more + the SCL-clock low-level period) - the data setup time (250 ns)]. If a value outside the standard is set, communication between the devices might malfunction or falsely indicate a start or stop condition, depending on the bus state.

For details on this function, see [section 34.5, SDA Output Delay Function](#).

Note 1. Data enable time/acknowledge enable time  
 3,450 ns for up to 100 kbps: Standard-mode (Sm)  
 900 ns for up to 400 kbps: Fast-mode (Fm)  
 450 ns for up to 1 Mbps: Fast-mode Plus (Fm+).

**34.2.5 I<sup>2</sup>C Bus Mode Register 3 (ICMR3)**

Address(es): IIC0.ICMR3 4005 3004h, IIC1.ICMR3 4005 3104h, IIC2.ICMR3 4005 3204h



| Bit    | Symbol  | Bit name                    | Description  | R/W   |
|--------|---------|-----------------------------|--|-------|
| b1, b0 | NF[1:0] | Noise Filter Stage Select   | b1 b0<br>0 0: Filter out noise of up to 1 IIC $\phi$ cycle (single-stage filter)<br>0 1: Filter out noise of up to 2 IIC $\phi$ cycles (2-stage filter)<br>1 0: Filter out noise of up to 3 IIC $\phi$ cycles (3-stage filter)<br>1 1: Filter out noise of up to 4 IIC $\phi$ cycles (4-stage filter).   | R/W   |
| b2     | ACKBR   | Receive Acknowledge         | 0: 0 received as the acknowledge bit (ACK reception)<br>1: 1 received as the acknowledge bit (NACK reception).   | R     |
| b3     | ACKBT   | Transmit Acknowledge        | 0: Send 0 as the acknowledge bit (ACK transmission)<br>1: Send 1 as the acknowledge bit (NACK transmission).   | R/W*1 |
| b4     | ACKWP   | ACKBT Write Protect         | 0: Write protect ACKBT bit<br>1: Write enable ACKBT bit.   | R/W*1 |
| b5     | RDRFS   | RDRF Flag Set Timing Select | 0: Set the RDRF flag on the rising edge of the 9 <sup>th</sup> SCL clock cycle. The SCLn line is not held low on the falling edge of the 8 <sup>th</sup> clock cycle<br>1: Set the RDRF flag on the rising edge of the 8 <sup>th</sup> SCL clock cycle. The SCLn line is held low on the falling edge of the 8 <sup>th</sup> clock cycle.<br>Low-hold is released by writing to ACKBT. | R/W*2 |
| b6     | WAIT    | WAIT                        | 0: No wait. SCLn us not helps low during the period between 9 <sup>th</sup> clock cycle and 1 <sup>st</sup> clock cycle<br>1: Wait. SCLn is held low during the period between 9 <sup>th</sup> clock cycle and 1 <sup>st</sup> clock cycle.<br>Low-hold is released by reading ICDRR.  | R/W*2 |
| b7     | SMBS    | SMBus/IIC-Bus Select        | 0: Select I <sup>2</sup> C bus<br>1: Select SMBus.   | R/W   |

Note 1. Write to the ACKBT bit only while the ACKWP bit is already 1. If the application writes 1 to both the ACKWP and ACKBT bits at the same time, the ACKBT bit is not set to 1.

Note 2. The WAIT and RDRFS bits are only valid in receive mode (invalid in transmit mode).

**NF[1:0] bits (Noise Filter Stage Select)**

The NF[1:0] bits select the number of stages in the digital noise filter.

For details on this function, see [section 34.6, Digital Noise Filter Circuits](#).

**Note:** Set the noise range to be filtered out by the noise filter within a range less than the SCLn line high-level period or low-level period. If the noise range is set to a value of [SCL clock width: high-level period or low-level period, whichever is shorter] - [1.5 internal reference clock (IIC $\phi$ ) cycles + analog noise filter: 120 ns (reference values)] or more, the SCL clock is regarded as noise by the noise filter function of the IIC, which might prevent the IIC from operating normally.

**ACKBR bit (Receive Acknowledge)**

The ACKBR bit stores the acknowledge bit information received from the receive device in transmit mode.

[Setting condition]

- When 1 is received as the acknowledge bit with the TRS bit in ICCR2 set to 1.

[Clearing conditions]

- When 0 is received as the acknowledge bit with the TRS bit in ICCR2 set to 1
- When 1 is written to the IICRST bit in ICCR1 while the ICE bit in ICCR1 is 0 (IIC reset).

**ACKBT bit (Transmit Acknowledge)**

The ACKBT bit sets the acknowledge bit to be sent in receive mode.

[Setting condition]

- When 1 is written to this bit with the ACKWP bit set to 1.

[Clearing conditions]

- When 0 is written to this bit with the ACKWP bit set to 1
- When stop condition issuance is detected with the SP bit in ICCR2 set to 1
- When 1 is written to the IICRST bit in ICCR1 while the ICE bit in ICCR1 is 0 (IIC reset).

**ACKWP bit (ACKBT Write Protect)**

The ACKWP bit controls write enabling of the ACKBT bit.

**RDRFS bit (RDRF Flag Set Timing Select)**

The RDRFS bit selects the RDRF flag set timing in receive mode and also selects whether to hold the SCLn line low on the falling edge of the 8<sup>th</sup> SCL clock cycle.

When the RDRFS bit is 0, the SCLn line is not held low on the falling edge of the 8<sup>th</sup> SCL clock cycle, and the RDRF flag is set to 1 on the rising edge of the 9<sup>th</sup> SCL clock cycle.

When the RDRFS bit is 1, the RDRF flag is set to 1 on the rising edge of the 8<sup>th</sup> SCL clock cycle, and the SCLn line is held low on the falling edge of the 8<sup>th</sup> SCL clock cycle. The low-hold of the SCLn line is released by a write to the ACKBT bit.

After data is received with this setting, the SCLn line is automatically held low before the acknowledge bit is sent. This enables processing to send ACK (ACKBT = 0) or NACK (ACKBT = 1), based on the receive data.

**WAIT bit (WAIT)**

The WAIT bit controls whether to forcefully hold the period between the 9<sup>th</sup> SCL clock cycle and the 1<sup>st</sup> SCL clock cycle low until the receive data buffer (ICDRR) is completely read each time a single-byte data is received in receive mode.

When the WAIT bit is 0, the receive operation is continued without holding the period between the 9<sup>th</sup> and the 1<sup>st</sup> SCL clock cycle low. When both the RDRFS and WAIT bits are 0, continuous receive operation is enabled with the double buffer.

When the WAIT bit is 1, the SCLn line is held low from the falling edge of the 9<sup>th</sup> clock cycle until the ICDRR value is

read each time a single-byte data is received. This enables the receive operation in byte units.

Note: When the value of the WAIT bit is to be read, be sure to first read the ICDRR.

### SMBS bit (SMBus/IIC-Bus Select)

Setting the SMBS bit to 1 selects the SMBus and enables the HOAE bit in ICSER.

## 34.2.6 I<sup>2</sup>C Bus Function Enable Register (ICFER)

Address(es): IIC0.ICFER 4005 3005h, IIC1.ICFER 4005 3105h, IIC2.ICFER 4005 3205h

|                    | b7   | b6   | b5  | b4    | b3   | b2   | b1   | b0   |
|--------------------|------|------|-----|-------|------|------|------|------|
|                    | FMPE | SCLE | NFE | NACKE | SALE | NALE | MALE | TMOE |
| Value after reset: | 0    | 1    | 1   | 1     | 0    | 0    | 1    | 0    |

| Bit | Symbol | Bit name  | Description   | R/W |
|-----|--------|---|---|-----|
| b0  | TMOE   | Timeout Function Enable                             | 0: Disable<br>1: Enable.  | R/W |
| b1  | MALE   | Master Arbitration-Lost Detection Enable            | 0: Disable the arbitration-lost detection function and disable automatic clearing of the MST and TRS bits in ICCR2 when arbitration is lost<br>1: Enable the arbitration-lost detection function and enable automatic clearing of the MST and TRS bits in ICCR2 when arbitration is lost. | R/W |
| b2  | NALE   | NACK Transmission Arbitration-Lost Detection Enable | 0: Disable<br>1: Enable.  | R/W |
| b3  | SALE   | Slave Arbitration-Lost Detection Enable             | 0: Disable<br>1: Enable.  | R/W |
| b4  | NACKE  | NACK Reception Transfer Suspension Enable           | 0: Do not suspend transfer operation during NACK reception (disable transfer suspension)<br>1: Suspend transfer operation during NACK reception (enable transfer suspension).   | R/W |
| b5  | NFE    | Digital Noise Filter Circuit Enable                 | 0: Do not use the digital noise filter circuit<br>1: Use the digital noise filter circuit.  | R/W |
| b6  | SCLE   | SCL Synchronous Circuit Enable                      | 0: Do not use the SCL synchronous circuit<br>1: Use the SCL synchronous circuit.  | R/W |
| b7  | FMPE*1 | Fast-Mode Plus Enable                               | 0: Do not use the Fm+ slope control circuit for the SCLn and SDAn pins<br>1: Use the Fm+ slope control circuit for the SCLn and SDAn pins.  | R/W |

Note 1. The Fast-mode Plus enable bit (FMPE) is supported only by IIC0 (SCL0-A, SDA0-A). Bit [7] is reserved in IIC1 and IIC2.

### TMOE bit (Timeout Function Enable)

The TMOE bit enables or disables the timeout function.

For details on this function, see [section 34.12.1, Timeout Function](#).

### MALE bit (Master Arbitration-Lost Detection Enable)

The MALE bit specifies whether to use the arbitration-lost detection function in master mode. For normal operation, set this bit to 1.

### NALE bit (NACK Transmission Arbitration-Lost Detection Enable)

The NALE bit specifies whether to cause loss of arbitration when ACK is detected during the transmission of NACK in receive mode, for example, when slaves with the same address exist on the bus, or when two or more masters select the same slave device simultaneously with a different number of receive bytes.

### SALE bit (Slave Arbitration-Lost Detection Enable)

The SALE bit specifies whether to cause loss of arbitration when a value different from the value being transmitted is

detected on the bus in slave transmit mode, for example, when slaves with the same address exist on the bus, or when a mismatch with the transmit data occurs because of noise.

#### NACKE bit (NACK Reception Transfer Suspension Enable)

The NACKE bit specifies whether to continue or discontinue the transfer operation when NACK is received from the slave device in transmit mode. For normal operation, set this bit to 1.

When NACK is received with the NACKE bit set to 1, the next transfer operation is suspended. When the NACKE bit is 0, the next transfer operation is continued regardless of the received acknowledge content.

For details, see [section 34.9.2, NACK Reception Transfer Suspension Function](#).

#### SCLE bit (SCL Synchronous Circuit Enable)

The SCLE bit specifies whether to synchronize the SCL clock with the SCL input clock. For normal operation, set this bit to 1.

When the SCLE bit is set to 0 (no SCL synchronous circuit used), the IIC does not synchronize the SCL clock with the SCL input clock. With this setting, the IIC outputs the SCL clock with the transfer rate set in ICBRH and ICBRL, regardless of the SCLn line state. For this reason, if the bus load of the I<sup>2</sup>C bus line is much larger than the specification value, or if the SCL clock output overlaps in multiple masters, a short-cycle SCL clock that does not meet the specification might be output. When no SCL synchronous circuit is used, it also affects the issuance of the start, restart, and stop conditions, and the continuous output of extra SCL clock cycles.

Do not set this bit to 0 except when checking the output of the set transfer rate.

#### FMPE bit (Fast-Mode Plus Enable)

The FMPE bit specifies whether to use a slope control circuit for Fast-mode Plus (Fm+).

When this bit is set to 1, a slope control circuit conforming to the I<sup>2</sup>C bus Fast-mode Plus (Fm+) standard (tof) is selected. When this bit is set to 0, a slope control circuit conforming to the I<sup>2</sup>C bus Standard-mode (Sm) and Fast-mode (Fm) standards (tof) is selected.

Set this bit to 1 when using transmission rates up to 1 Mbps (Fast-mode Plus (Fm+) standard). Set it to 0 when using other transmission rates (up to 100 kbps (Sm) or up to 400 kbps (Fm)) or for SMBus (10 to 100 kbps).

### 34.2.7 I<sup>2</sup>C Bus Status Enable Register (ICSER)

Address(es): IIC0.ICSER 4005 3006h, IIC1.ICSER 4005 3106h, IIC2.ICSER 4005 3206h

| b7   | b6 | b5   | b4 | b3   | b2    | b1    | b0    |
|------|----|------|----|------|-------|-------|-------|
| HOAE | —  | DIDE | —  | GCAE | SAR2E | SAR1E | SAR0E |

Value after reset: 0 0 0 0 1 0 0 1

| Bit | Symbol | Bit name                           | Description  | R/W |
|-----|--------|------------------------------------|--|-----|
| b0  | SAR0E  | Slave Address Register 0 Enable    | 0: Disable slave address in SARL0 and SARU0<br>1: Enable slave address in SARL0 and SARU0. | R/W |
| b1  | SAR1E  | Slave Address Register 1 Enable    | 0: Disable slave address in SARL1 and SARU1<br>1: Enable slave address in SARL1 and SARU1. | R/W |
| b2  | SAR2E  | Slave Address Register 2 Enable    | 0: Disable slave address in SARL2 and SARU2<br>1: Enable slave address in SARL2 and SARU2. | R/W |
| b3  | GCAE   | General Call Address Enable        | 0: Disable general call address detection<br>1: Enable general call address detection.     | R/W |
| b4  | —      | Reserved                           | This bit is read as 0. The write value should be 0.  | R/W |
| b5  | DIDE   | Device ID Address Detection Enable | 0: Disable device ID address detection<br>1: Enable device ID address detection.           | R/W |
| b6  | —      | Reserved                           | This bit is read as 0. The write value should be 0.  | R/W |

| Bit | Symbol | Bit name            | Description  | R/W |
|-----|--------|---------------------|--|-----|
| b7  | HOAE   | Host Address Enable | 0: Disable host address detection<br>1: Enable host address detection. | R/W |

### SARyE bit (Slave Address Register y Enable) (y = 0 to 2)

The SARyE bit enables or disables the received slave address and the slave address set in SARLy and SARUy.

When this bit is set to 1, the slave address set in SARLy and SARUy is enabled and is compared with the received slave address. When this bit is set to 0, the slave address set in SARLy and SARUy is disabled and is ignored even if it matches the received slave address.

### GCAE bit (General Call Address Enable)

The GCAE bit specifies whether to ignore the general call address (0000 000b + 0 [W]: All 0) when it is received.

When this bit is set to 1, if the received slave address matches the general call address, the IIC recognizes the received slave address as the general call address independently of the slave addresses set in SARLy and SARUy (y = 0 to 2), and performs the data receive operation. When this bit is set to 0, the received slave address is ignored even if it matches the general call address.

### DIDE bit (Device ID Address Detection Enable)

The DIDE bit specifies whether to recognize and execute the device ID address when a device ID (1111 100b) is received in the first frame after a start or restart condition is detected.

When this bit is set to 1, if the received first frame matches the device ID, the IIC recognizes that the device ID address was received. When the next R/W# bit is 0 (W), the IIC recognizes the second and the subsequent frames as slave addresses and continues the receive operation. When this bit is set to 0, the IIC ignores the received first frame even if it matches the device ID address, and recognizes the first frame as a normal slave address.

For details on the device ID function, see [section 34.7.3, Device ID Address Detection](#).

### HOAE bit (Host Address Enable)

The HOAE bit specifies whether to ignore the received host address (0001 000b) when the SMBS bit in ICMR3 is 1.

When this bit is set to 1 while the SMBS bit in ICMR3 is 1, if the received slave address matches the host address, the IIC recognizes the received slave address as the host address independently of the slave addresses set in SARLy and SARUy (y = 0 to 2), and performs the receive operation.

When the SMBS bit in ICMR3 or the HOAE bit is set to 0, the received slave address is ignored even if it matches the host address.

## 34.2.8 I<sup>2</sup>C Bus Interrupt Enable Register (ICIER)

Address(es): IIC0.ICIER 4005 3007h, IIC1.ICIER 4005 3107h, IIC2.ICIER 4005 3207h

|                    | b7  | b6   | b5  | b4    | b3   | b2   | b1   | b0    |
|--------------------|-----|------|-----|-------|------|------|------|-------|
|                    | TIE | TEIE | RIE | NAKIE | SPIE | STIE | ALIE | TMOIE |
| Value after reset: | 0   | 0    | 0   | 0     | 0    | 0    | 0    | 0     |

| Bit | Symbol | Bit name   | Description  | R/W |
|-----|--------|--|--|-----|
| b0  | TMOIE  | Timeout Interrupt Request Enable                   | 0: Disable timeout interrupt (TMOI) request<br>1: Enable timeout interrupt (TMOI) request.                                   | R/W |
| b1  | ALIE   | Arbitration-Lost Interrupt Request Enable          | 0: Disable arbitration-lost interrupt (ALI) request<br>1: Enable arbitration-lost interrupt (ALI) request.                   | R/W |
| b2  | STIE   | Start Condition Detection Interrupt Request Enable | 0: Disable start condition detection interrupt (STI) request<br>1: Enable start condition detection interrupt (STI) request. | R/W |
| b3  | SPIE   | Stop Condition Detection Interrupt Request Enable  | 0: Disable stop condition detection interrupt (SPI) request<br>1: Enable stop condition detection interrupt (SPI) request.   | R/W |

| Bit | Symbol | Bit name                                     | Description  | R/W |
|-----|--------|--|--|-----|
| b4  | NAKIE  | NACK Reception Interrupt Request Enable      | 0: Disable NACK reception interrupt (NAKI) request<br>1: Enable NACK reception interrupt (NAKI) request.                   | R/W |
| b5  | RIE    | Receive Data Full Interrupt Request Enable   | 0: Disable receive data full interrupt (IICn_RXI) request<br>1: Enable receive data full interrupt (IICn_RXI) request.     | R/W |
| b6  | TEIE   | Transmit End Interrupt Request Enable        | 0: Disable transmit end interrupt (IICn_TEI) request<br>1: Enable transmit end interrupt (IICn_TEI) request.               | R/W |
| b7  | TIE    | Transmit Data Empty Interrupt Request Enable | 0: Disable transmit data empty interrupt (IICn_TXI) request<br>1: Enable transmit data empty interrupt (IICn_TXI) request. | R/W |

#### TMOIE bit (Timeout Interrupt Request Enable)

The TMOIE bit enables or disables timeout interrupt (TMOI) requests when the TMOF flag in ICSR2 is 1. To cancel a TMOI interrupt request, set the TMOF flag or the TMOIE bit to 0.

#### ALIE bit (Arbitration-Lost Interrupt Request Enable)

The ALIE bit enables or disables arbitration-lost interrupt (ALI) requests when the AL flag in ICSR2 is 1. To cancel an ALI interrupt request, set the AL flag or the ALIE bit to 0.

#### STIE bit (Start Condition Detection Interrupt Request Enable)

The STIE bit enables or disables start condition detection interrupt (STI) requests when the START flag in ICSR2 is 1. To cancel an STI interrupt request, set the START flag or the STIE bit to 0.

#### SPIE bit (Stop Condition Detection Interrupt Request Enable)

The SPIE bit enables or disables stop condition detection interrupt (SPI) requests when the STOP flag in ICSR2 is 1. To cancel an SPI interrupt request, set the STOP flag or the SPIE bit to 0.

#### NAKIE bit (NACK Reception Interrupt Request Enable)

The NAKIE bit enables or disables NACK reception interrupt (NAKI) requests when the NACKF flag in ICSR2 is 1. To cancel an NAKI interrupt request, set the NACKF flag or the NAKIE bit to 0.

#### RIE bit (Receive Data Full Interrupt Request Enable)

The RIE bit enables or disables receive data full interrupt (IICn\_RXI) requests when the RDRF flag in ICSR2 is 1.

#### TEIE bit (Transmit End Interrupt Request Enable)

The TEIE bit enables or disables transmit end interrupt (IICn\_TEI) requests when the TEND flag in ICSR2 is 1. To cancel an IICn\_TEI interrupt request, set the TEND flag or the TEIE bit to 0.

#### TIE bit (Transmit Data Empty Interrupt Request Enable)

The TIE bit enables or disables transmit data empty interrupt (IICn\_TXI) requests when the TDRE flag in ICSR2 is 1.

### 34.2.9 I<sup>2</sup>C Bus Status Register 1 (ICSR1)

Address(es): IIC0.ICSR1 4005 3008h, IIC1.ICSR1 4005 3108h, IIC2.ICSR1 4005 3208h

| b7  | b6 | b5  | b4 | b3  | b2   | b1   | b0   |
|-----|----|-----|----|-----|------|------|------|
| HOA | —  | DID | —  | GCA | AAS2 | AAS1 | AAS0 |

Value after reset: 0 0 0 0 0 0 0 0

| Bit | Symbol | Bit name                       | Description   | R/W         |
|-----|--------|--------------------------------|---|-------------|
| b0  | AAS0   | Slave Address 0 Detection Flag | 0: Slave address 0 not detected<br>1: Slave address 0 detected. | R/(W)<br>*1 |
| b1  | AAS1   | Slave Address 1 Detection Flag | 0: Slave address 1 not detected<br>1: Slave address 1 detected. | R/(W)<br>*1 |

| Bit | Symbol | Bit name                            | Description   | R/W         |
|-----|--------|-------------------------------------|---|-------------|
| b2  | AAS2   | Slave Address 2 Detection Flag      | 0: Slave address 2 not detected<br>1: Slave address 2 detected.   | R/(W)<br>*1 |
| b3  | GCA    | General Call Address Detection Flag | 0: General call address not detected<br>1: General call address detected.   | R/(W)<br>*1 |
| b4  | —      | Reserved                            | This bit is read as 0. The write value should be 0.   | R/W         |
| b5  | DID    | Device ID Address Detection Flag    | 0: Device ID command not detected<br>1: Device ID command detected.<br>This bit is set to 1 when the first frame received immediately after a start condition is detected, matches a value of (device ID (1111 100b) + 0[W]). | R/(W)<br>*1 |
| b6  | —      | Reserved                            | This bit is read as 0. The write value should be 0.   | R/W         |
| b7  | HOA    | Host Address Detection Flag         | 0: Host address not detected<br>1: Host address detected.<br>This bit is set to 1 when the received slave address matches the host address (0001 000b).   | R/(W)<br>*1 |

Note 1. Only 0 can be written to clear the flag.

### AASy flag (Slave Address y Detection Flag) (y = 0 to 2)

The AASy flag indicates whether slave address y was detected.

[Setting conditions]

For 7-bit address format (SARUy.FS = 0):

- When the received slave address matches the SVA[6:0] value in SARLy, with the SARyE bit in ICSEr set to 1 (slave address y detection enabled).  
The AASy flag is set to 1 on the rising edge of the 9<sup>th</sup> SCL clock cycle in the frame.

For 10-bit address format: (SARUy.FS = 1):

- When the received slave address matches a value of (11110b + SVA[1:0] in SARUy), and the subsequent address matches the SARLy value, with the SARyE bit in ICSEr set to 1 (slave address y detection enabled).  
The AASy flag is set to 1 on the rising edge of the 9<sup>th</sup> SCL clock cycle in the frame.

[Clearing conditions]

- When 0 is written to the AASy flag after reading AASy = 1
- When a stop condition is detected
- When 1 is written to the IICRST bit in ICCR1 to apply an IIC reset or an internal reset.

For 7-bit address format (SARUy.FS = 0):

- When the received slave address does not match the SVA[6:0] value in SARLy, with the SARyE bit in ICSEr set to 1 (slave address y detection enabled).  
The AASy flag is set to 0 on the rising edge of the 9<sup>th</sup> SCL clock cycle in the frame.

For 10-bit address format (SARUy.FS = 1):

- When the received slave address does not match a value of 11110b + SVA[1:0] in SARUy, with the SARyE bit in ICSEr set to 1 (slave address y detection enabled).  
The AASy flag is set to 0 on the rising edge of the 9<sup>th</sup> SCL clock cycle in the frame.
- When the received slave address matches a value of 11110b + SVA[1:0] in SARUy, and the subsequent address does not match the SARLy value, with the SARyE bit in ICSEr set to 1 (slave address y detection enabled).  
The AASy flag is set to 0 on the rising edge of the 9<sup>th</sup> SCL clock cycle in the frame.

### GCA flag (General Call Address Detection Flag)

The GCA flag indicates whether the general call address was detected.

## [Setting condition]

- When the received slave address matches the general call address (0000 000b + 0 [W]), with the GCAE bit in IC SER set to 1 (general call address detection enabled).  
The GCA flag is set to 1 on the rising edge of the 9<sup>th</sup> SCL clock cycle in the frame.

## [Clearing conditions]

- When 0 is written to the GCA flag after reading GCA = 1
- When a stop condition is detected
- When the received slave address does not match the general call address (0000 000b + 0 [W]), with the GCAE bit in IC SER set to 1 (general call address detection enabled).  
The GCA flag is set to 0 on the rising edge of the 9<sup>th</sup> SCL clock cycle in the frame.
- When 1 is written to the IICRST bit in ICCR1 to apply an IIC reset or an internal reset.

**DID flag (Device ID Address Detection Flag)**

The DID flag indicates whether the device ID address was detected.

## [Setting condition]

- When the first frame received immediately after a start or restart condition is detected matches a value of (device ID (1111 100b) + 0 [W]), with the DIDE bit in IC SER set to 1 (device ID address detection enabled).  
The DID flag is set to 1 on the rising edge of the 9<sup>th</sup> SCL clock cycle in the frame.

## [Clearing conditions]

- When 0 is written to the DID flag after reading DID = 1
- When a stop condition is detected
- When the first frame received immediately after a start or restart condition is detected does not match a value of the device ID (1111 100b), with the DIDE bit in IC SER set to 1 (device ID address detection enabled).  
The DID flag is set to 0 on the rising edge of the 9<sup>th</sup> SCL clock cycle in the frame.
- When the first frame received immediately after a start or restart condition is detected matches a value of (device ID (1111 100b) + 0 [W]), and the second frame does not match any slave address from 0 to 2, with the DIDE bit in IC SER set to 1 (device ID address detection enabled).  
The DID flag is set to 0 on the rising edge of the 9<sup>th</sup> SCL clock cycle in the frame.
- When 1 is written to the IICRST bit in ICCR1 to initiate an IIC reset or an internal reset.

**HOA flag (Host Address Detection Flag)**

The HOA flag indicates whether the host address was detected.

## [Setting condition]

- When the received slave address matches the host address (0001 000b), with the HOAE bit in IC SER set to 1 (host address detection enabled).  
The HOA flag is set to 1 on the rising edge of the 9<sup>th</sup> SCL clock cycle in the frame.

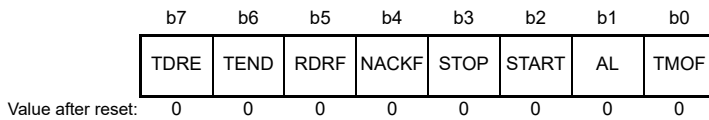
## [Clearing conditions]

- When 0 is written to the HOA flag after reading HOA = 1
- When a stop condition is detected
- When the received slave address does not match the host address (0001 000b), with the HOAE bit in IC SER set to 1 (host address detection enabled).  
The HOA flag is set to 0 on the rising edge of the 9<sup>th</sup> SCL clock cycle in the frame.
- When 1 is written to the IICRST bit in ICCR1 to initiate an IIC reset or an internal reset.



### 34.2.10 I<sup>2</sup>C Bus Status Register 2 (ICSR2)

Address(es): IIC0.ICSR2 4005 3009h, IIC1.ICSR2 4005 3109h, IIC2.ICSR2 4005 3209h



| Bit | Symbol       | Bit name                       | Description  | R/W     |
|-----|--------------|--------------------------------|--|---------|
| b0  | <b>TMOF</b>  | Timeout Detection Flag         | 0: Timeout not detected<br>1: Timeout detected.                        | R/(W)*1 |
| b1  | <b>AL</b>    | Arbitration-Lost Flag          | 0: Arbitration not lost<br>1: Arbitration lost.                        | R/(W)*1 |
| b2  | <b>START</b> | Start Condition Detection Flag | 0: Start condition not detected<br>1: Start condition detected.        | R/(W)*1 |
| b3  | <b>STOP</b>  | Stop Condition Detection Flag  | 0: Stop condition not detected<br>1: Stop condition detected.          | R/(W)*1 |
| b4  | <b>NACKF</b> | NACK Detection Flag            | 0: NACK not detected<br>1: NACK detected.                              | R/(W)*1 |
| b5  | <b>RDRF</b>  | Receive Data Full Flag         | 0: ICDRR contains no receive data<br>1: ICDRR contains receive data.   | R/(W)*1 |
| b6  | <b>TEND</b>  | Transmit End Flag              | 0: Data being transmitted<br>1: Data transmit complete.                | R/(W)*1 |
| b7  | <b>TDRE</b>  | Transmit Data Empty Flag       | 0: ICDRT contains transmit data<br>1: ICDRT contains no transmit data. | R       |

Note 1. Only 0 can be written, to clear the flag.

#### TMOF flag (Timeout Detection Flag)

The TMOF flag is set to 1 when IIC detects a timeout because the SCLn line state remains unchanged for the set period.

[Setting condition]

- When the SCLn line state remains unchanged for the period specified in the ICMR2.TMOH, TMOL, and TMOS bits while the ICFER.TMOE bit is 1 (timeout function enabled) in master or in slave mode and the received slave address matches.

[Clearing conditions]

- When 0 is written to the TMOF flag after reading TMOF = 1
- When 1 is written to the IICRST bit in ICCR1 to initiate an IIC reset or an internal reset.

#### AL flag (Arbitration-Lost Flag)

The AL flag indicates that the bus mastership is lost in arbitration because of a bus conflict or because of some other reason, when a start condition was issued, or an address and data was transmitted.

The IIC monitors the level on the SDAn line during transmission. If the level on the line does not match the value of the bit being output, the IIC sets the AL flag to 1 to indicate that the bus is occupied by another device. The IIC can also set the flag to indicate the detection of arbitration loss during NACK transmission in master mode or during data transmission in slave mode.

[Setting conditions]

When master arbitration-lost detection is enabled (ICFER.MALE = 1):

- When the internal SDA output state does not match the SDAn line level on the rising edge of the SCL clock except for the ACK period during data transmission in master transmit mode

- When a start condition is detected while the ST bit in ICCR2 is 1 (start condition requested) or the internal SDA output state does not match the SDA<sub>n</sub> line level
- When the ST bit in ICCR2 is 1 (start condition requested), with the BBSY flag in ICCR2 set to 1.

When NACK arbitration-lost detection is enabled (ICFER.NALE = 1):

- When the internal SDA output state does not match the SDA<sub>n</sub> line level on the rising edge of the SCL clock in the ACK period during NACK transmission in receive mode.

When slave arbitration-lost detection is enabled (ICFER.SALE = 1):

- When the internal SDA output state does not match the SDA<sub>n</sub> line level on the rising edge of the SCL clock, except for the ACK period during data transmission in slave transmit mode.

[Clearing conditions]

- When 0 is written to the AL flag after reading AL = 1
- When 1 is written to the IICRST bit in ICCR1 to apply an IIC reset or an internal reset.

**Table 34.4 Relationship between arbitration-lost generation sources and arbitration-lost enable functions**

| ICFER |      |      | ICSR2 | Error                          | Arbitration-lost generation source   |
|-------|------|------|-------|--------------------------------|--|
| MALE  | NALE | SALE | AL    |                                |  |
| 1     | x    | x    | 1     | Start condition issuance error | When internal SDA output state does not match SDA <sub>n</sub> line level when a start condition is detected, while the ST bit in ICCR2 is 1 |
|       |      |      |       |                                | When ST in ICCR2 is set to 1 while BBSY in ICCR2 is 1  |
|       |      |      | 1     | Transmit data mismatch         | When transmit data (including slave address) does not match the bus state in master transmit mode  |
| x     | 1    | x    | 1     | NACK transmission mismatch     | When ACK is detected during transmission of NACK in master or slave receive mode   |
| x     | x    | 1    | 1     | Transmit data mismatch         | When transmit data does not match the bus state in slave transmit mode   |

x: Don't care

### START flag (Start Condition Detection Flag)

The START flag indicates whether a start or restart condition is detected.

[Setting condition]

- When a start or restart condition is detected.

[Clearing conditions]

- When 0 is written to the START flag after reading START = 1
- When a stop condition is detected
- When 1 is written to the IICRST bit in ICCR1 to apply an IIC reset or an internal reset.

### STOP flag (Stop Condition Detection Flag)

The STOP flag indicates whether a stop condition is detected.

[Setting condition]

- When a stop condition is detected.

[Clearing conditions]

- When 0 is written to the STOP flag after reading STOP = 1
- When 1 is written to the IICRST bit in ICCR1 to apply an IIC reset or an internal reset.

**NACKF flag (NACK Detection Flag)**

The NACKF flag indicates whether a NACK was detected.

[Setting condition]

- When acknowledge is not received (NACK received) from the receive device in transmit mode, with the NACKEN bit in ICFER set to 1 (transfer suspension enabled).

[Clearing conditions]

- When 0 is written to the NACKF flag after reading NACKF = 1
- When 1 is written to the IICRST bit in ICCR1 to apply an IIC reset or an internal reset.

Note: When the NACKF flag is set to 1, the IIC suspends data transmission and reception. Writing to ICDRT in transmit mode or reading from ICDRR in receive mode with the NACKF flag set to 1 does not enable data transmit or receive operation. To restart data transmission or reception, set the NACKF flag to 0.

**RDRF flag (Receive Data Full Flag)**

The RDRF flag indicates whether the ICDRR contains receive data.

[Setting conditions]

- When receive data is transferred from ICDRS to ICDRR  
The RDRF flag is set to 1 on the rising edge of the 8<sup>th</sup> or 9<sup>th</sup> SCL clock cycle (selected in the RDRFS bit in ICMR3).
- When the received slave address matches after a start (or restart) condition is detected with the TRS bit in ICCR2 set to 0.

[Clearing conditions]

- When 0 is written to the RDRF flag after reading RDRF = 1
- When data is read from ICDRR
- When 1 is written to the IICRST bit in ICCR1 to initiate an IIC reset or an internal reset.

**TEND flag (Transmit End Flag)**

The TEND flag indicates whether data transmission is still being transmitted or is complete.

[Setting condition]

- On the rising edge of the 9<sup>th</sup> SCL clock cycle while the TDRE flag is 1.

[Clearing conditions]

- When 0 is written to the TEND flag after reading TEND = 1
- When data is written to ICDRT
- When a stop condition is detected
- When 1 is written to the IICRST bit in ICCR1 to initiate an IIC reset or an internal reset.

**TDRE flag (Transmit Data Empty Flag)**

The TDRE flag indicates whether the ICDRT contains transmit data.

[Setting conditions]

- When data is transferred from ICDRT to ICDRS and ICDRT becomes empty
- When the TRS bit in ICCR2 is set to 1
- When the received slave address matches while the TRS bit is 1.

[Clearing conditions]

- When data is written to ICDRT

- When the TRS bit in ICCR2 is set to 0
- When 1 is written to the IICRST bit in ICCR1 to apply an IIC reset or an internal reset.

Note: When the NACKF flag is set to 1 while the NACKIE bit in ICFER is 1, the IIC suspends data transmission and reception. In this case, if the TDRE flag is 0 (next transmit data written), data is transferred to the ICDRS register and the ICDRT register becomes empty on the rising edge of the 9<sup>th</sup> clock cycle, but the TDRE flag is not set to 1.

### 34.2.11 I<sup>2</sup>C Bus Wakeup Unit Register (ICWUR)

Address(es): IIC0.ICWUR 4005 3016h

|     |      |     |       |    |    |    |       |
|-----|------|-----|-------|----|----|----|-------|
| b7  | b6   | b5  | b4    | b3 | b2 | b1 | b0    |
| WUE | WUIE | WUF | WUACK | —  | —  | —  | WUAFA |

Value after reset: 0 0 0 1 0 0 0 0

| Bit      | Symbol | Bit name                                  | Description  | R/W |
|----------|--------|---|--|-----|
| b0       | WUAFA  | Wakeup Analog Filter Additional Selection | 0: Do not add the wakeup analog filter<br>1: Add the wakeup analog filter.                                 | R/W |
| b3 to b1 | —      | Reserved                                  | These bit are read as 0. The write value should be 0.  | R/W |
| b4       | WUACK  | ACK Bit for Wakeup Mode                   | Choice of four response modes in combination with ICCR1.IICRST and WUACK. See <a href="#">Table 34.5</a> . | R/W |
| b5       | WUF    | Wakeup Event Occurrence Flag              | 0: Slave address not matching during wakeup<br>1: Slave address matching during wakeup.                    | R/W |
| b6       | WUIE   | Wakeup Interrupt Request Enable           | 0: Disable wakeup interrupt request (IIC0_WUI)<br>1: Enable wakeup interrupt request (IIC0_WUI).           | R/W |
| b7       | WUE    | Wakeup Function Enable                    | 0: Disable wakeup function<br>1: Enable wakeup function.   | R/W |

**Table 34.5** Wakeup mode

| IICRST | WUACK | Operation mode        | Description   |
|--------|-------|-----------------------|---|
| 0      | 0     | Normal wakeup mode 1  | ACK response on 9 <sup>th</sup> SCL, and SCL low hold after 9 <sup>th</sup> SCL   |
| 0      | 1     | Normal wakeup mode 2  | No ACK response immediately and SCL low hold between 8 <sup>th</sup> and 9 <sup>th</sup> SCL. SCL low-hold release and ACK response on 9 <sup>th</sup> SCL. |
| 1      | 0     | Command recovery mode | ACK response on 9 <sup>th</sup> SCL and no SCL low hold   |
| 1      | 1     | EOP response mode     | NACK response on 9 <sup>th</sup> SCL and no SCL low hold  |

#### WUF flag (Wakeup Event Occurrence Flag)

The WUF flag indicates whether the slave address is matching during wakeup.

[Setting condition]

- When PCLKB is supplied after a slave-address match in the first 8<sup>th</sup> SCL low during wakeup mode.

[Clearing conditions]

- When 0 is written to the WUF flag after reading WUF = 1
- When ICE = 0 and IICRST = 1.

### 34.2.12 I<sup>2</sup>C-Bus Wakeup Unit Register 2 (ICWUR2)

Address(es): IIC0.ICWUR2 4005 3017h

|                    |    |    |    |    |           |            |           |
|--------------------|----|----|----|----|-----------|------------|-----------|
| b7                 | b6 | b5 | b4 | b3 | b2        | b1         | b0        |
| —                  | —  | —  | —  | —  | WUSY<br>F | WUAS<br>YF | WUSE<br>N |
| Value after reset: | 1  | 1  | 1  | 1  | 1         | 0          | 1         |

| Bit      | Symbol | Bit name   | Description  | R/W |
|----------|--------|--|--|-----|
| b0       | WUSEN  | Wakeup Function Synchronous Enable                 | 0: IIC asynchronous operation enable<br>1: IIC synchronous operation enable.                       | R/W |
| b1       | WUASYF | Wakeup Function Asynchronous Operation Status Flag | 0: IIC synchronous circuit operation condition<br>1: IIC asynchronous circuit operation condition. | R   |
| b2       | WUSYF  | Wakeup Function Synchronous Operation Status Flag  | 0: IIC asynchronous circuit operation condition<br>1: IIC synchronous circuit operation condition. | R   |
| b7 to b3 | —      | Reserved   | These bits are read as 1. The write value should be 1.   | R/W |

#### WUSEN bit (Wakeup Function Synchronous Enable)

The WUSEN bit is used in combination with the WUASYF flag (or WUSYF flag) to switch between the PCLKB synchronous and asynchronous operation, when a wakeup effective function is enabled (ICWUR.WUE = 1).

The PCLKB operation switches from synchronous to asynchronous operation:

- When the ICCR2.BBSY flag is 0, if the WUASYF flag at 0 writes 0 to the WUSEN bit. The reception occurs independently of the operation of PCLKB (with PCLKB stopped) after it switches to the PCLKB asynchronous operation, on wakeup event detection.

The PCLKB operation switches from asynchronous to synchronous operation:

- When 1 is written to the WUSEN bit, with the WUASYF flag at 1, when a wakeup event is detected. After writing 1, the WUASYF flag immediately becomes 0.
- When the stop condition is detected with the wakeup event undetected.

#### WUASYF flag (Wakeup Function Asynchronous Operation Status Flag)

The WUASYF flag can place the IIC in PCLKB asynchronous operation when wakeup effective function is enabled (ICWUR.WUE = 1).

[Setting condition]

- When the ICCR2.BBSY flag is 0, and WUSEN bit is set to 0 with the ICWUR.WUE bit set to 1.

[Clearing conditions]

- When 1 is written to the WUSEN bit after detecting the wakeup event with ICWUR.WUE bit set to 1
- When a stop condition is detected with WUSEN bit set to 1 before detecting the wakeup event with WUASYF flag set to 1 with ICWUR.WUE bit set to 1
- When 1 is written to the WUSEN bit with the WUASYF flag set to 1, and a wakeup event is detected with ICWUR.WUE set to 1
- ICCR1.ICE = 0 and ICCRST = 1 (ICC reset)
- ICWUR.WUE = 0.

#### WUSYF flag (Wakeup Function Synchronous Operation Status Flag)

WUSYF flag can place the IIC in PCLKB synchronous operation when wakeup effective function is enabled (ICWUR.WUE = 1). When this flag is used, the WUASYF flag is always reserved.

## [Setting conditions]

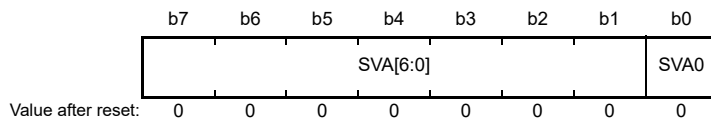
- When 1 is written to the WUSEN bit after detecting the wakeup event with ICWUR.WUE bit set to 1 and WUSYF flag set to 0, with ICWUR.WUE bit set to 1
- When a stop condition is detected with WUSEN bit set to 1, before detecting the wakeup event with WUSYF flag set to 0, with ICWUR.WUE bit set to 1
- ICCR1.ICE = 0 and ICCRST = 1 (ICC reset)
- ICWUR.WUE = 0.

## [Clearing condition]

- When the ICCR2.BBSY flag is 0 with the ICWUR.WUE bit set to 1 after writing 0 to the WUSEN bit.

34.2.13 Slave Address Register L<sub>y</sub> (SARL<sub>y</sub>) (y = 0 to 2)

Address(es): IIC0.SARL0 4005 300Ah, IIC1.SARL0 4005 310Ah, IIC2.SARL0 4005 320Ah,  
IIC0.SARL1 4005 300Ch, IIC1.SARL1 4005 310Ch, IIC2.SARL1 4005 320Ch,  
IIC0.SARL2 4005 300Eh, IIC1.SARL2 4005 310Eh, IIC2.SARL2 4005 320Eh



| Bit      | Symbol   | Bit name                                | Description           | R/W |
|----------|----------|---|-----------------------|-----|
| b0       | SVA0     | 10-Bit Address LSB                      | Slave address setting | R/W |
| b7 to b1 | SVA[6:0] | 7-Bit Address/10-Bit Address Lower Bits | Slave address setting | R/W |

**SVA0 bit (10-Bit Address LSB)**

When the 10-bit address format is selected (SARU<sub>y</sub>.FS = 1), the SVA0 bit functions as the LSB of a 10-bit address and is combined with the SVA[6:0] bits to form the lower 8 bits of a 10-bit address.

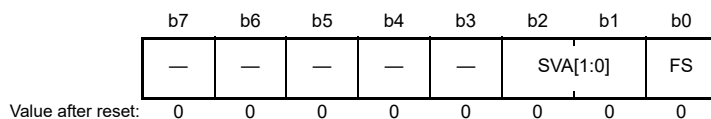
This bit is valid when the SAR<sub>y</sub>E bit in ICSE<sub>R</sub> is set to 1 (SARL<sub>y</sub> and SARU<sub>y</sub> enabled) and the SARU<sub>y</sub>.FS bit is 1. When the SARU<sub>y</sub>.FS or SAR<sub>y</sub>E bit is 0, the setting in this bit is ignored.

**SVA[6:0] bits (7-Bit Address/10-Bit Address Lower Bits)**

When the 7-bit address format is selected (SARU<sub>y</sub>.FS = 0), the SVA[6:0] bits function as a 7-bit address. When the 10-bit address format is selected (SARU<sub>y</sub>.FS = 1), these bits combined with the SVA0 bit to form the lower 8 bits of a 10-bit address. When the SAR<sub>y</sub>E bit in ICSE<sub>R</sub> is 0, the setting in these bits is ignored.

34.2.14 Slave Address Register U<sub>y</sub> (SARU<sub>y</sub>) (y = 0 to 2)

Address(es): IIC0.SARU0 4005 300Bh, IIC1.SARU0 4005 310Bh, IIC2.SARU0 4005 320Bh,  
IIC0.SARU1 4005 300Dh, IIC1.SARU1 4005 310Dh, IIC2.SARU1 4005 320Dh,  
IIC0.SARU2 4005 300Fh, IIC1.SARU2 4005 310Fh, IIC2.SARU2 4005 320Fh



| Bit      | Symbol   | Bit name                           | Description  | R/W |
|----------|----------|------------------------------------|--|-----|
| b0       | FS       | 7-Bit/10-Bit Address Format Select | 0: Select 7-bit address format<br>1: Select 10-bit address format. | R/W |
| b2, b1   | SVA[1:0] | 10-Bit Address Upper Bits          | Slave address setting  | R/W |
| b7 to b3 | —        | Reserved                           | These bits are read as 0. The write value should be 0.             | R/W |

**FS bit (7-Bit/10-Bit Address Format Select)**

The FS bit selects a 7-bit or 10-bit address format for slave address y (in SARLy and SARUy).

When the SARyE bit in ICSEr is set to 1 (SARLy and SARUy enabled) and the SARUy.FS bit is 0, the 7-bit address format is selected for slave address y, the SVA[6:0] setting in SARLy is valid, and the SVA[1:0] and SVA0 settings in SARLy are ignored.

When the SARyE bit in ICSEr is set to 1 (SARLy and SARUy enabled) and the SARUy.FS bit is 1, the 10-bit address format is selected for slave address y and the SVA[1:0] and SARLy settings are valid.

When the SARyE bit in ICSEr is 0 (SARLy and SARUy disabled), the SARUy.FS setting is invalid.

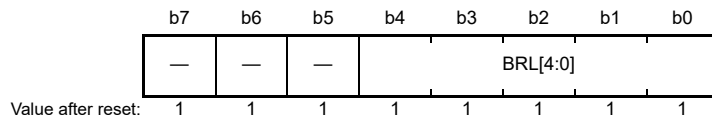
**SVA[1:0] bits (10-Bit Address Upper Bits)**

When the 10-bit address format is selected (FS = 1), the SVA[1:0] bits function as the upper 2 bits of a 10-bit address.

These bits are valid when the SARyE bit in ICSEr is set to 1 (SARLy and SARUy enabled) and the SARUy.FS bit is 1. When the SARUy.FS or SARyE bit is 0, the setting in these bits is ignored.

**34.2.15 I<sup>2</sup>C Bus Bit Rate Low-Level Register (ICBRL)**

Address(es): IIC0.ICBRL 4005 3010h, IIC1.ICBRL 4005 3110h, IIC2.ICBRL 4005 3210h



| Bit      | Symbol   | Bit name                  | Description  | R/W |
|----------|----------|---------------------------|--|-----|
| b4 to b0 | BRL[4:0] | Bit Rate Low-Level Period | Low-level period of SCL clock                          | R/W |
| b7 to b5 | —        | Reserved                  | These bits are read as 1. The write value should be 1. | R/W |

ICBRL is a 5-bit register that sets the low-level period of the SCL clock. ICBRL also works to generate the data setup time for the automatic SCL low-hold operation (see [section 34.9, Automatic Low-Hold Function for SCL](#)). When the IIC is used only in slave mode, this register must be set to a value longer than the data setup time.\*1

ICBRL counts the low-level period with the internal reference clock source (IIC $\phi$ ) specified in the CKS[2:0] bits in ICMR1.

If the digital noise filter is enabled (the NFE bit in ICFER is 1), set the ICBRL register to a value at least one greater than the number of stages in the noise filter. For this number, see the description of the ICMR3.NF[1:0] bits.

Note 1. Data setup time (t<sub>SU</sub>: DAT)

250 ns for up to 100 kbps: Standard-mode (Sm)

100 ns for up to 400 kbps: Fast-mode (Fm)

50 ns for up to 1 Mbps: Fast-mode Plus (Fm+)

**34.2.16 I<sup>2</sup>C Bus Bit Rate High-Level Register (ICBRH)**

Address(es): IIC0.ICBRH 4005 3011h, IIC1.ICBRH 4005 3111h, IIC2.ICBRH 4005 3211h



| Bit      | Symbol   | Bit name                   | Description                    | R/W |
|----------|----------|----------------------------|--------------------------------|-----|
| b4 to b0 | BRH[4:0] | Bit Rate High-Level Period | High-level period of SCL clock | R/W |

| Bit      | Symbol | Bit name | Description  | R/W |
|----------|--------|----------|--|-----|
| b7 to b5 | —      | Reserved | These bits are read as 1. The write value should be 1. | R/W |

ICBRH is a 5-bit register that sets the high-level period of the SCL clock. ICBRH is valid in master mode. If the IIC is used only in slave mode, no setting is required in this register.

ICBRH counts the high-level period with the internal reference clock source (IIC $\phi$ ) specified in the CKS[2:0] bits in ICMR1.

If the digital noise filter is enabled (the NFE bit in ICFER is 1), set the ICBRH register to a value at least one greater than the number of stages in the noise filter. For this number, see the description of the ICMR3.NF[1:0] bits.

The IIC transfer rate and the SCL clock duty are calculated using the following expressions (1) to (5):

- ICFER.SCLE = 0  
 Transfer rate =  $1/\{[(BRH + 1) + (BRL + 1)]/IIC\phi + tr^2 + tf^2\}$   
 Duty cycle =  $\{tr + [(BRH + 1)/IIC\phi]\}/\{tr + tf + [(BRH + 1) + (BRL + 1)]/IIC\phi\}$
- ICFER.SCLE = 1 and ICFER.NFE = 0 and CKS[2:0] = 000b (IIC $\phi$  = PCLKB)  
 Transfer rate =  $1/\{[(BRH + 3) + (BRL + 3)]/IIC\phi + tr + tf\}$   
 Duty cycle =  $\{tr + [(BRH + 3)/IIC\phi]\}/\{tr + tf + [(BRH + 3) + (BRL + 3)]/IIC\phi\}$
- ICFER.SCLE = 1 and ICFER.NFE = 1 and CKS[2:0] = 000b (IIC $\phi$  = PCLKB)  
 Transfer rate =  $1/\{[(BRH + 3 + nf^3) + (BRL + 3 + nf)]/IIC\phi + tr + tf\}$   
 Duty cycle =  $\{tr + [(BRH + 3 + nf)/IIC\phi]\}/\{tr + tf + [(BRH + 3 + nf) + (BRL + 3 + nf)]/IIC\phi\}$
- ICFER.SCLE = 1 and ICFER.NFE = 0 and CKS[2:0]  $\neq$  000b  
 Transfer rate =  $1/\{[(BRH + 2) + (BRL + 2)]/IIC\phi + tr + tf\}$   
 Duty cycle =  $\{tr + [(BRH + 2)/IIC\phi]\}/\{tr + tf + [(BRH + 2) + (BRL + 2)]/IIC\phi\}$
- ICFER.SCLE = 1 and ICFER.NFE = 1 and CKS[2:0]  $\neq$  000b  
 Transfer rate =  $1/\{[(BRH + 2 + nf) + (BRL + 2 + nf)]/IIC\phi + tr + tf\}$   
 Duty cycle =  $\{tr + [(BRH + 2 + nf)/IIC\phi]\}/\{tr + tf + [(BRH + 2 + nf) + (BRL + 2 + nf)]/IIC\phi\}$

Note 1. IIC $\phi$  = PCLKB  $\times$  Division ratio.

Note 2. The SCLn line rise time (tr) and SCLn line fall time (tf) depend on the total bus line capacitance (Cb) and the pull-up resistor (Rp). For details, see the I<sup>2</sup>C bus standard from NXP Semiconductors.

Note 3. nf = Number of digital noise filter stages selected in the ICMR3.NF bit.

**Table 34.6 Example of ICBRH/ICBRL settings for transfer rate when SCLE = 0**

| Transfer rate (kbps) | CKS[2:0] | BRH[4:0](ICBRH) | BRL[4:0](ICBRL) | PCLKB (MHz) | NF[1:0] | Computation expression |
|----------------------|----------|-----------------|-----------------|-------------|---------|------------------------|
| 100                  | 100b     | 14 (EEh)        | 17 (F1h)        | 60          | —       | (1)                    |
| 400                  | 010b     | 8 (E8h)         | 19 (F3h)        | 60          | —       | (1)                    |
| 1000                 | 000b     | 15 (EFh)        | 29 (FDh)        | 60          | —       | (1)                    |

**Table 34.7 Example of ICBRH/ICBRL settings for transfer rate when SCLE = 1 and NFE = 0**

| Transfer rate (kbps) | CKS[2:0] | BRH[4:0](ICBRH) | BRL[4:0](ICBRL) | PCLKB (MHz) | NF[1:0] | Computation expression |
|----------------------|----------|-----------------|-----------------|-------------|---------|------------------------|
| 100                  | 100b     | 13 (EDh)        | 16 (F0h)        | 60          | —       | (4)                    |
| 400                  | 010b     | 7 (E7h)         | 18 (F2h)        | 60          | —       | (4)                    |
| 1000                 | 000b     | 13 (EDh)        | 27 (FBh)        | 60          | —       | (2)                    |

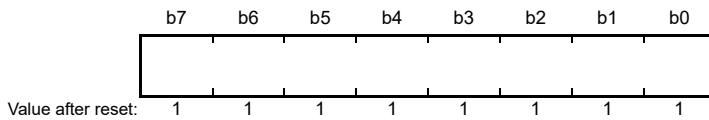
**Table 34.8 Example of ICBRH/ICBRL settings for transfer rate when SCLE = 1 and NFE = 1**

| Transfer rate (kbps) | CKS[2:0] | BRH[4:0](ICBRH) | BRL[4:0](ICBRL) | PCLKB (MHz) | NF[1:0] | Computation expression |
|----------------------|----------|-----------------|-----------------|-------------|---------|------------------------|
| 100                  | 100b     | 11 (EBh)        | 14 (EEh)        | 60          | 01b     | (5)                    |
| 400                  | 010b     | 5 (E5h)         | 16 (F0h)        | 60          | 01b     | (5)                    |
| 1000                 | 000b     | 11 (EBh)        | 25 (F9h)        | 60          | 01b     | (3)                    |



### 34.2.17 I<sup>2</sup>C Bus Transmit Data Register (ICDRT)

Address(es): IIC0.ICDRT 4005 3012h, IIC1.ICDRT 4005 3112h, IIC2.ICDRT 4005 3212h



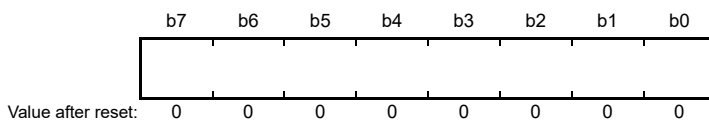
When ICDRT detects a space in the I<sup>2</sup>C Bus Shift Register (ICDRS), it transfers the transmit data that is written to ICDRT to ICDRS and starts transmitting data in transmit mode.

The double-buffer structure of ICDRT and ICDRS allows continuous transmit operation if the next transmit data is written to ICDRT while the ICDRS data is being transmitted.

ICDRT can always be read from and written to. Write transmit data to ICDRT when a transmit data empty interrupt (IICn\_TXI) request is generated.

### 34.2.18 I<sup>2</sup>C Bus Receive Data Register (ICDRR)

Address(es): IIC0.ICDRR 4005 3013h, IIC1.ICDRR 4005 3113h, IIC2.ICDRR 4005 3213h

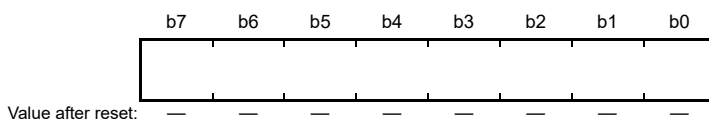


When 1 byte of data is received, the received data is transferred from the I<sup>2</sup>C Bus Shift Register (ICDRS) to ICDRR to enable the next data to be received.

The double-buffer structure of ICDRS and ICDRR allows continuous receive operation if the received data is read from ICDRR while ICDRS is receiving data. ICDRR cannot be written to. Read data from ICDRR when a receive data full interrupt (IICn\_RXI) request is generated.

If ICDRR receives the next receive data before the current data is read from ICDRR while the RDRF flag in ICSR2 is 1, the IIC automatically holds the SCL clock low for 1 cycle before the RDRF flag is set to 1 again.

### 34.2.19 I<sup>2</sup>C Bus Shift Register (ICDRS)



ICDRS is an 8-bit shift register to transmit and receive data.

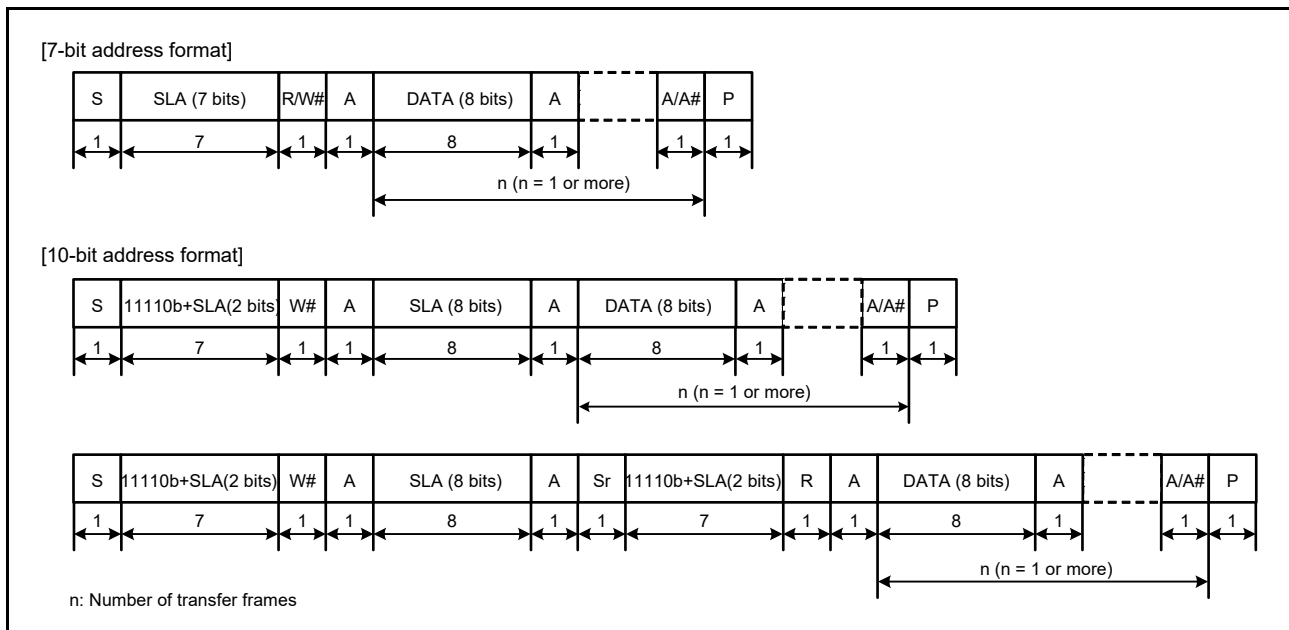
During transmission, transmit data is transferred from ICDRT to ICDRS and is sent from the SDA<sub>n</sub> pin. During reception, data is transferred from ICDRS to ICDRR after 1 byte of data is received. ICDRS cannot be accessed directly.

## 34.3 Operation

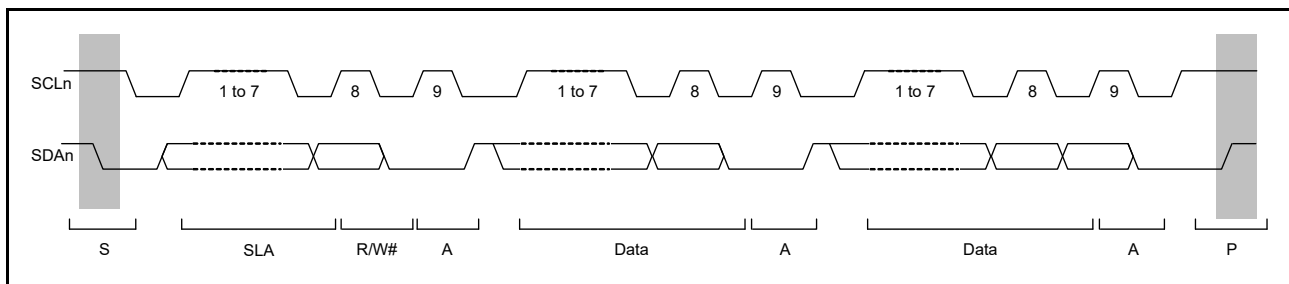
### 34.3.1 Communication Data Format

The I<sup>2</sup>C bus format consists of 8-bit data and 1-bit acknowledge. The frame following a start or restart condition is an address frame that specifies a slave device with which the master device communicates. The specified slave is valid until a new slave is specified or a stop condition is issued.

Figure 34.3 shows the I<sup>2</sup>C bus format, and Figure 34.4 shows the I<sup>2</sup>C bus timing.



**Figure 34.3 I<sup>2</sup>C bus format**



**Figure 34.4 I<sup>2</sup>C bus timing when the SLA setting = 7 bits**

- S: Start condition. The master device drives the SDAn line low from high while the SCLn line is high.
- SLA: Slave address, by which the master device selects a slave device
- R/W#: Indicates the direction of data transfer: from the slave device to the master device when R/W# is 1, or from the master device to the slave device when R/W# is 0
- A: Acknowledge. The receive device drives the SDAn line low. In master transmit mode, the slave device returns acknowledge. In master receive mode, the master device returns acknowledge.
- A#: Not Acknowledge. The receive device drives the SDAn line high.
- Sr: Restart condition. The master device drives the SDAn line low from the high level after the setup time has elapsed with the SCLn line high.
- DATA: Transmitted or received data
- P: Stop condition. The master device drives the SDAn line high from low while the SCLn line is high.

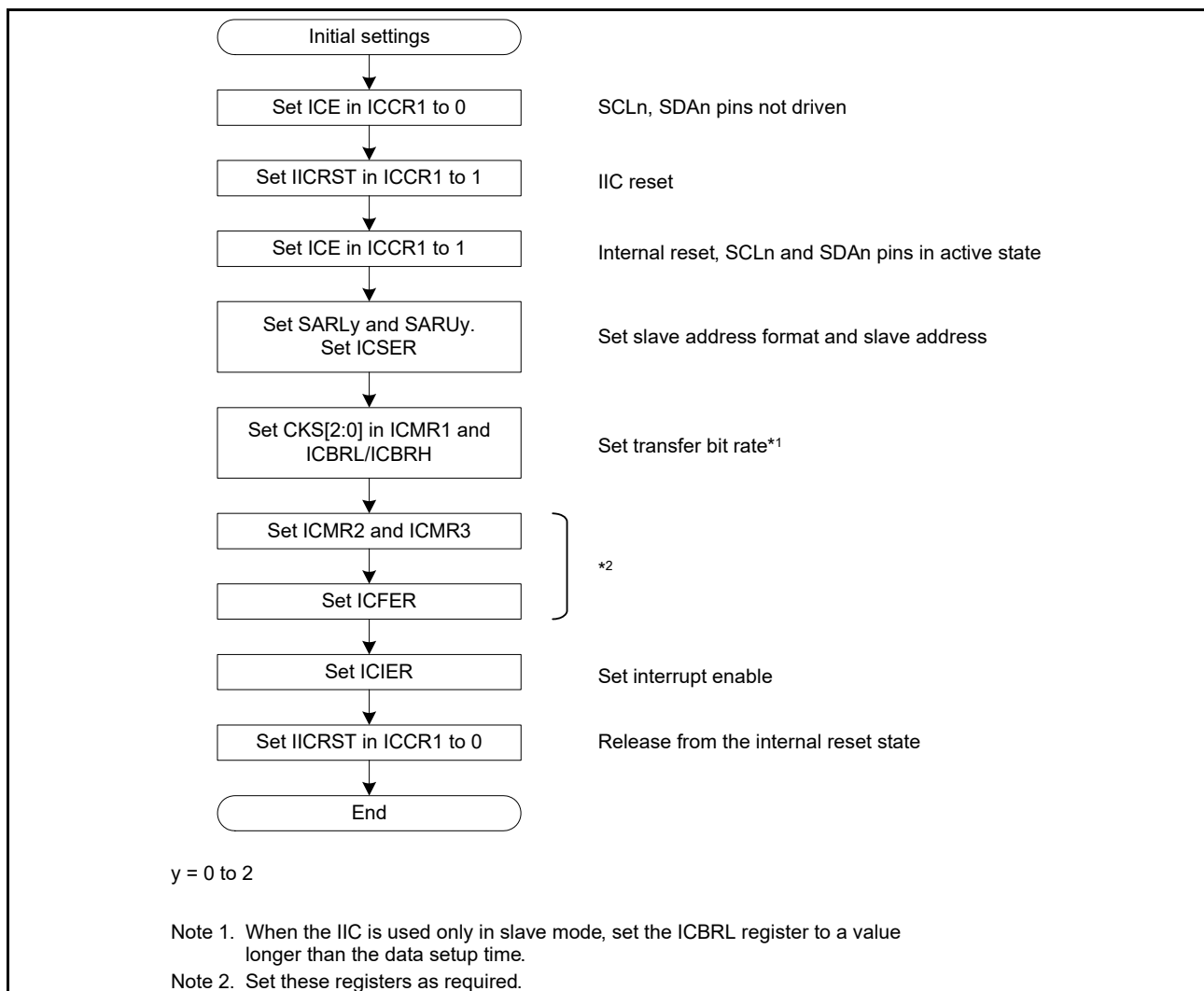
### 34.3.2 Initial Settings

Before starting data transmission and reception, initialize the IIC using the procedure shown in [Figure 34.5](#).

1. Set the ICCR1.ICE bit set to 0 to set the SCLn and SDAn pins to the inactive state.
2. Set the ICCR1.IICRST bit to 1 to initiate IIC reset.
3. Set the ICCR1.ICE bit to 1 to initiate internal reset, which initializes the flags and the internal state of the ICSR1 register.
4. Set the SARLy, SARUy, ICSEr, ICMR1, ICBRH, and ICBRL registers (y = 0 to 2), and set the other registers as required. For the initial IIC settings, see [Figure 34.5](#).

5. When the required register settings are complete, set the ICCR1.IICRST bit to 0, to release the IIC reset.

Note: This procedure is not necessary if the IIC initialization is already complete.



**Figure 34.5** Example IIC initialization flow

### 34.3.3 Master Transmit Operation

In master transmit operation, the IIC outputs the SCL clock and transmit data signals as the master device, and the slave device returns the acknowledgments. Figure 34.6 shows an example of master transmission, and Figure 34.7 to Figure 34.9 show the operation timing in master transmission.

To set up and perform master transmission:

- To initialize the IIC, follow the procedure in section 34.3.2, Initial Settings.
- Read the BBSY flag in ICCR2 to check that the bus is free, and then set the ST bit in ICCR2 to 1 (start condition request). On receiving the request, the IIC issues a start condition. At the same time, the BBSY and START flags in ICSR2 automatically set to 1 and the ST bit is automatically set to 0. If the start condition is detected and the internal levels for the SDA output state and the levels on the SDA n line match while the ST bit is 1, the IIC recognizes that the start condition requested by the ST bit is successfully complete, and the MST and TRS bits in ICCR2 automatically set to 1, placing the IIC in master transmit mode. The TDRE flag in ICSR2 also automatically sets to 1 in response to the setting of the TRS bit to 1.
- Check that the TDRE flag in ICSR2 is 1, and then write the value for transmission (the slave address and the R/W# bit) to ICDRT. When the transmit data is written to ICDRT, the TDRE flag is automatically set to 0, the data is transferred from ICDRT to ICDRS, and the TDRE flag again sets to 1. After the byte containing the slave address

and R/W# bit is transmitted, the value of the TRS bit automatically updates to select master transmit or master receive mode based on the value of the transmitted R/W# bit. If the value of the R/W# bit is 0, the IIC continues in master transmit mode.

If the ICSR2.NACKF flag is 1, indicating that no slave device recognized the address or that there was an error in communications, write 1 to the ICCR2.SP bit to issue a stop condition.

To transmit data with an address in the 10-bit format, start by writing 1111 0b, the 2 upper bits of the slave address, and W to ICDRT as the first address transmission. For the second address transmission, write the 8 lower bits of the slave address to ICDRT.

4. After confirming that the TDRE flag in ICSR2 is 1, write the transmit data to the ICDRT register. The IIC automatically holds the SCLn line low until the transmit data is ready or a stop condition is issued.
5. After all bytes of transmit data are written to the ICDRT register, wait until the value in the TEND flag in ICSR2 returns to 1, and then set the SP bit in ICCR2 to 1 (stop condition requested). On receiving a stop condition request, the IIC issues the stop condition. For details, see [section 34.11.3, Issuing a Stop Condition](#).
6. On detecting the stop condition, the IIC automatically sets the MST and TRS bits in ICCR2 to 00b and enters slave receive mode. In addition, the IIC automatically sets the TDRE and TEND flags to 0, and sets the STOP flag in ICSR2 to 1.
7. After checking that the ICSR2.STOP flag is 1, set the ICSR2.NACKF and STOP flags to 0 for the next transfer operation.

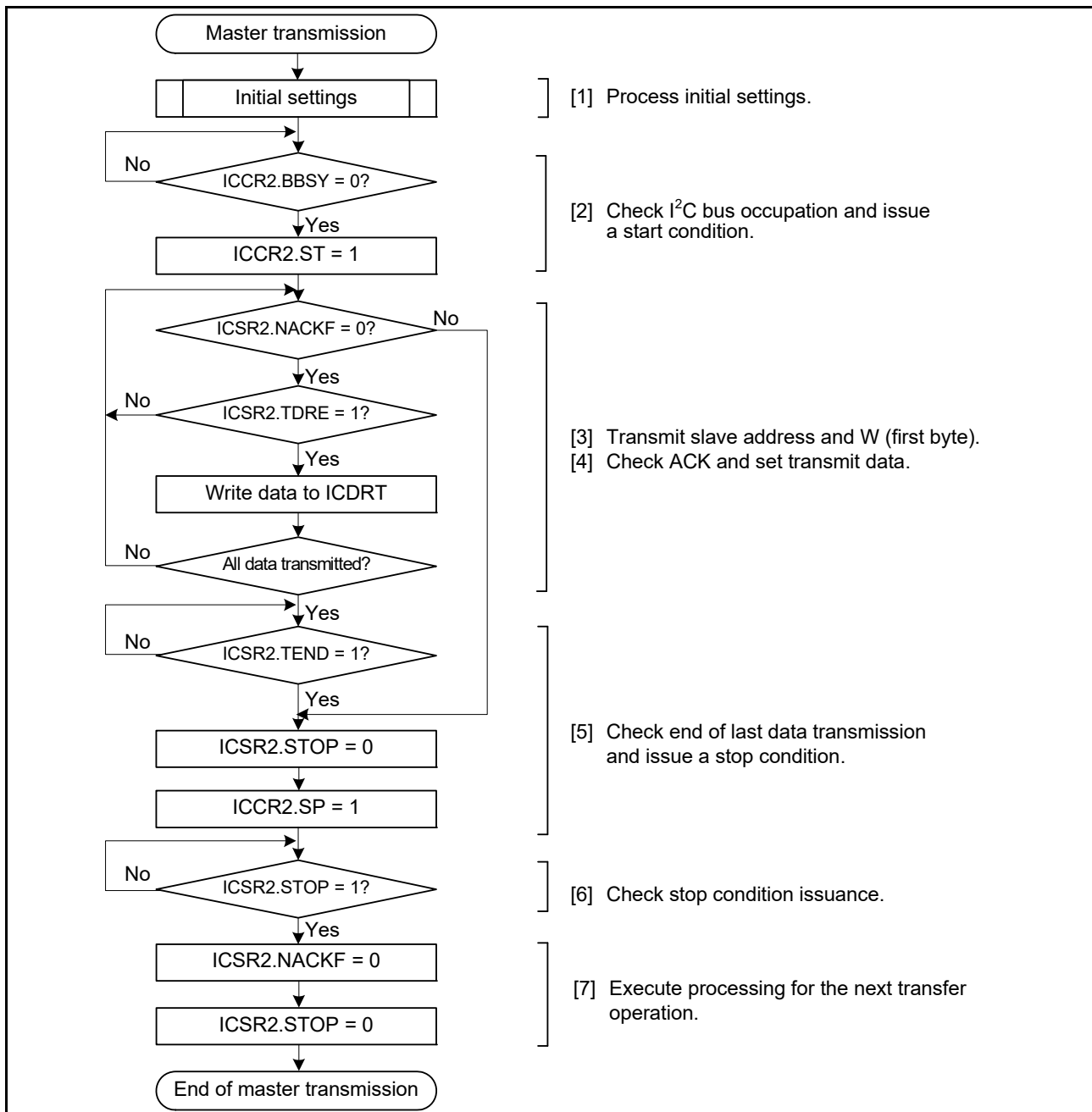


Figure 34.6 Example master transmission flow

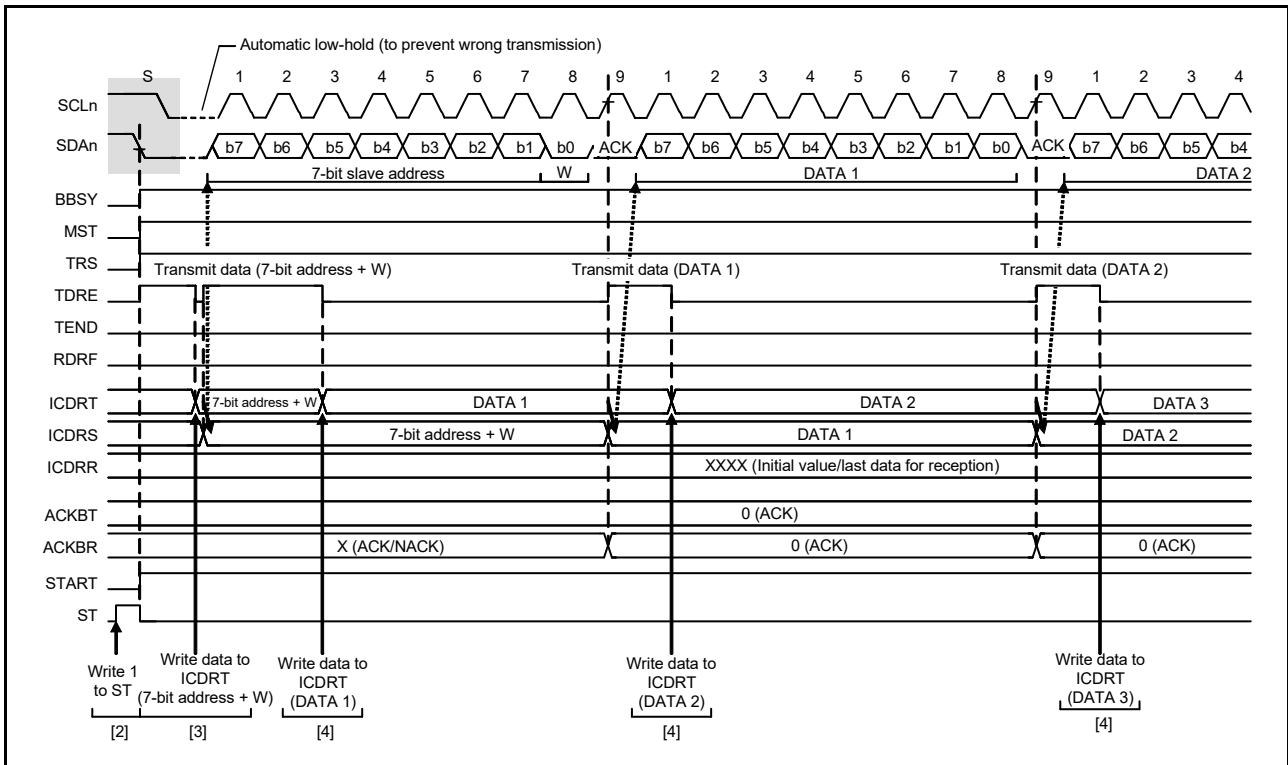


Figure 34.7 Master transmit operation timing (1) with 7-bit address format

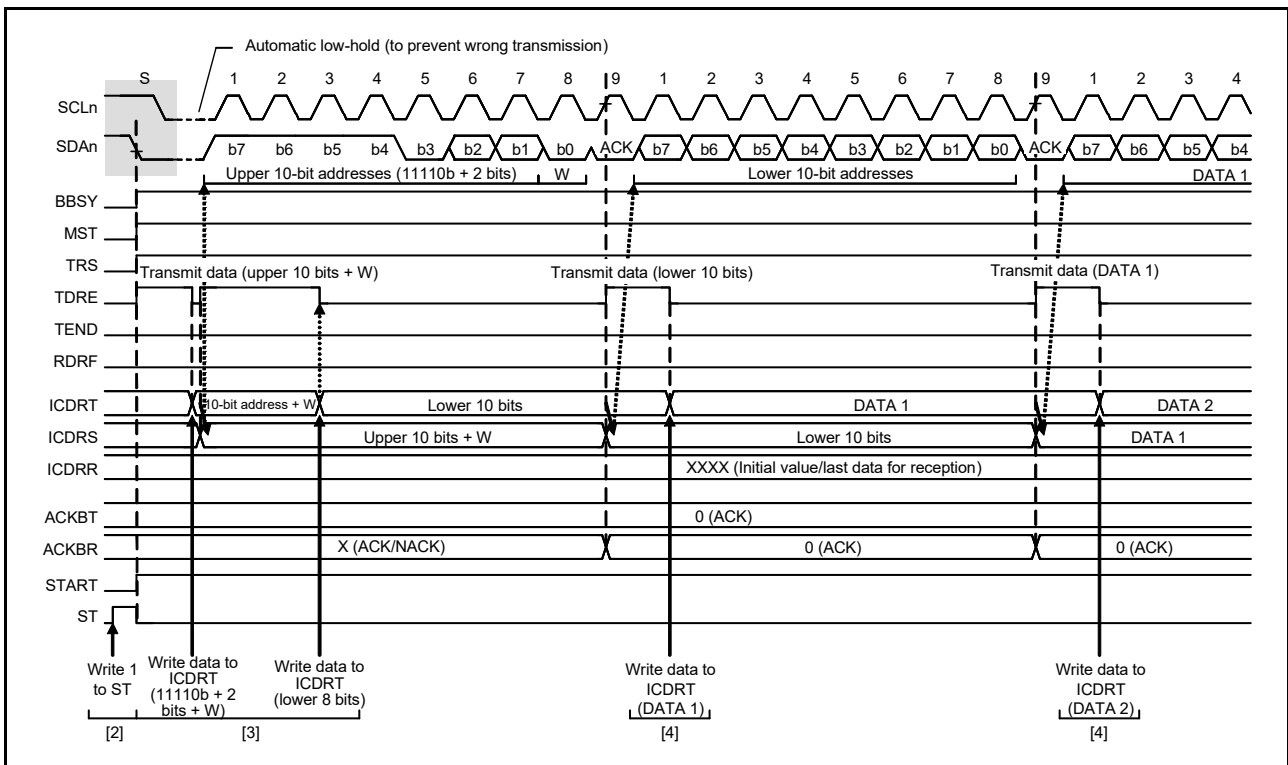
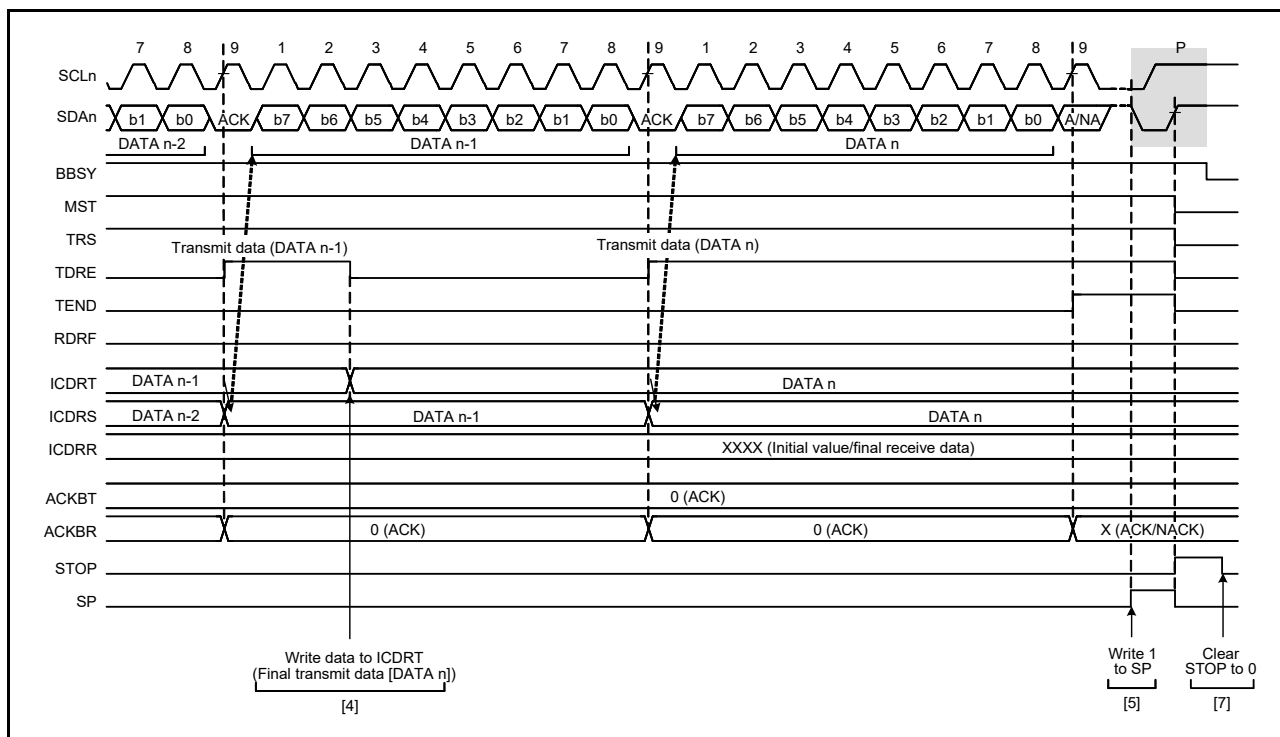


Figure 34.8 Master transmit operation timing (2) with 10-bit address format



**Figure 34.9 Master transmit operation timing (3)**

### 34.3.4 Master Receive Operation

In master receive operation, the IIC as a master device outputs the SCL clock, receives data from the slave device, and returns acknowledgments. Because the IIC must start by sending a slave address to the associated slave device, the slave address part of the procedure is performed in master transmit mode, but the subsequent steps are in master receive mode.

Figure 34.10 and Figure 34.11 show examples of master reception (7-bit address format), and Figure 34.12 to Figure 34.14 show the operation timing in master reception.

To set up and perform master reception:

1. To initialize the IIC, follow the procedure in [section 34.3.2, Initial Settings](#).
2. Read the BBSY flag in ICCR2 to check that the bus is free, and then set the ST bit in ICCR2 to 1 to request the issue of a start condition. On receiving the request, the IIC issues a start condition. When the IIC detects the start condition, the BBSY and START flags in ICSR2 automatically set to 1, and the ST bit automatically sets to 0. If the start condition is detected and the levels for the SDA output and the levels on the SDA<sub>n</sub> line match while the ST bit is 1, the IIC recognizes that issuance of the start condition as requested by the ST bit is successfully complete, and the MST and TRS bits in ICCR2 automatically set to 1, placing the IIC in master transmit mode. The TDRE flag in ICSR2 also is automatically set to 1 in response to the setting of the TRS bit to 1.
3. Check that the TDRE flag in ICSR2 is 1, and then write the value for transmission (the first byte indicates the slave address and value of the R/W# bit) to ICDRT. When the transmit data is written to ICDRT, the TDRE flag is automatically set to 0, the data is transferred from ICDRT to ICDRS, and the TDRE flag again is set to 1. When the byte containing the slave address and R/W# bit is transmitted, the value of the ICCR2.TRS bit automatically updates to select transmit or receive mode based on the value of the transmitted R/W# bit. If the value of the R/W# bit is 1, the TRS bit is set to 0 on the rising edge of the 9<sup>th</sup> cycle of the SCL clock, placing the IIC in master receive mode. At this time, the TDRE flag is set to 0 and the ICSR2.RDRF flag is automatically set to 1. If the ICSR2.NACKF flag is 1, indicating that no slave device recognized the address or that there is an error in communications, write 1 to the ICCR2.SP bit to issue a stop condition. For master reception from a device with a 10-bit address, start by using master transmission to issue the 10-bit address, and then issue a restart condition. After that, transmit 1111 0b, the two upper bits of the slave address, and the R bit to place the IIC in master receive mode.
4. Dummy read ICDRR after confirming that the RDRF flag in ICSR2 is 1. Doing so causes the IIC to start output of

the SCL clock and start data reception.

5. After 1 byte of data is received, the RDRF flag in ICSR2 is set to 1 on the rising edge of the 8<sup>th</sup> or 9<sup>th</sup> cycle of the SCL clock, as selected in the RDRFS bit in ICMR3. Reading ICDRR produces the received data, and automatically sets the RDRF flag to 0. The value of the acknowledgment field received during the 9<sup>th</sup> cycle of the SCL clock is returned as the value set in the ICMR3.ACKBT bit. If the next byte to be received is the second-to-last byte, set the ICMR3.WAIT bit to 1 for wait insertion before reading ICDRR, containing the second-to-last byte. In addition to enabling NACK output, even when interrupts or other operations result in delays in setting the ICMR3.ACKBT bit to 1 (NACK) in step (6), this fixes the SCLn line to the low level on the rising edge of the 9<sup>th</sup> clock cycle in reception of the last byte, which enables the issuing of a stop condition.
6. When the ICMR3.RDRFS bit is 0, and the slave device must be notified that it is to end transfer for data reception after transfer of the next and final byte, set the ICMR3.ACKBT bit to 1 (NACK).
7. After reading the second-to-last byte from the ICDRR register, if the value of the ICSR2.RDRF flag is 1, write 1 to the SP bit in ICCR2 (stop condition requested), and then read the last byte from ICDRR. When ICDRR is read, the IIC is released from the wait state and issues the stop condition after low-level output in the 9<sup>th</sup> clock cycle is complete or the SCLn line is released from the low-hold state.
8. On detecting the stop condition, the IIC automatically sets the MST and TRS bits in ICCR2 to 00b and enters slave receive mode. Additionally, detection of the stop condition sets the ICSR2.STOP flag to 1.
9. Check that the ICSR2.STOP flag is 1, and then set the ICSR2.NACKF and ICSR2.STOP flags to 0 for the next transfer operation.



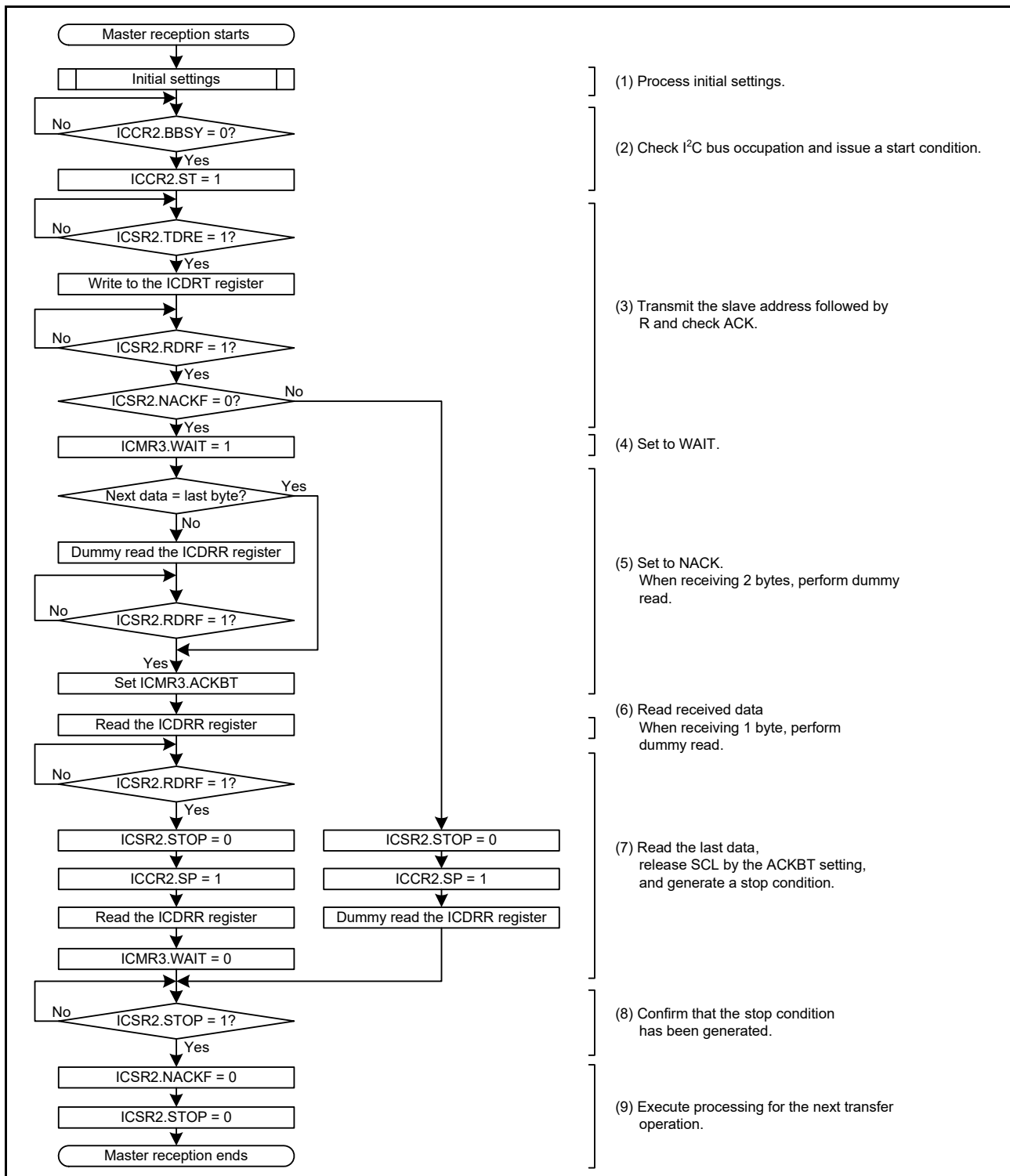


Figure 34.10 Example master reception flow with 7-bit address format and 1 or 2 bytes

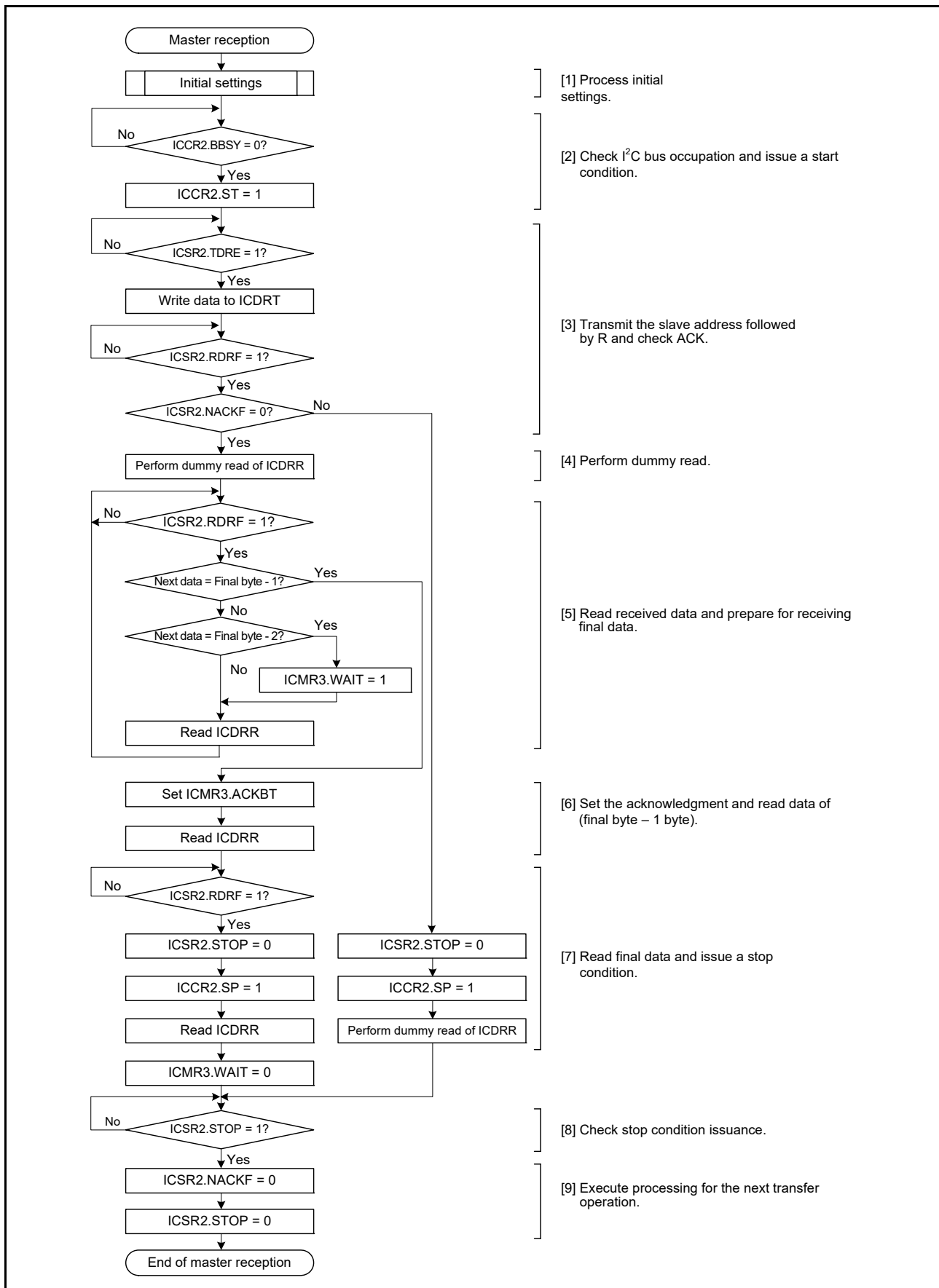


Figure 34.11 Example master reception flow with 7-bit address format and 3 or more bytes

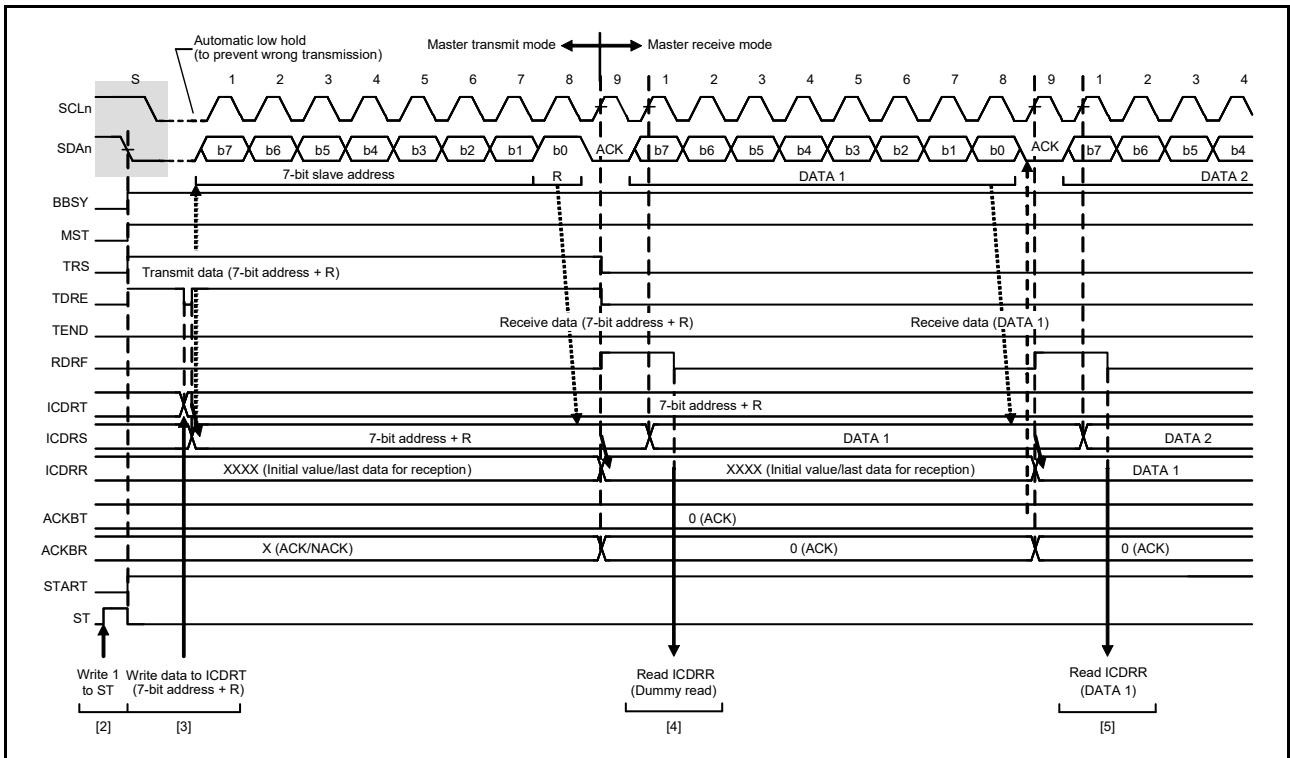


Figure 34.12 Master receive operation timing (1) with 7-bit address format, when RDRFS = 0

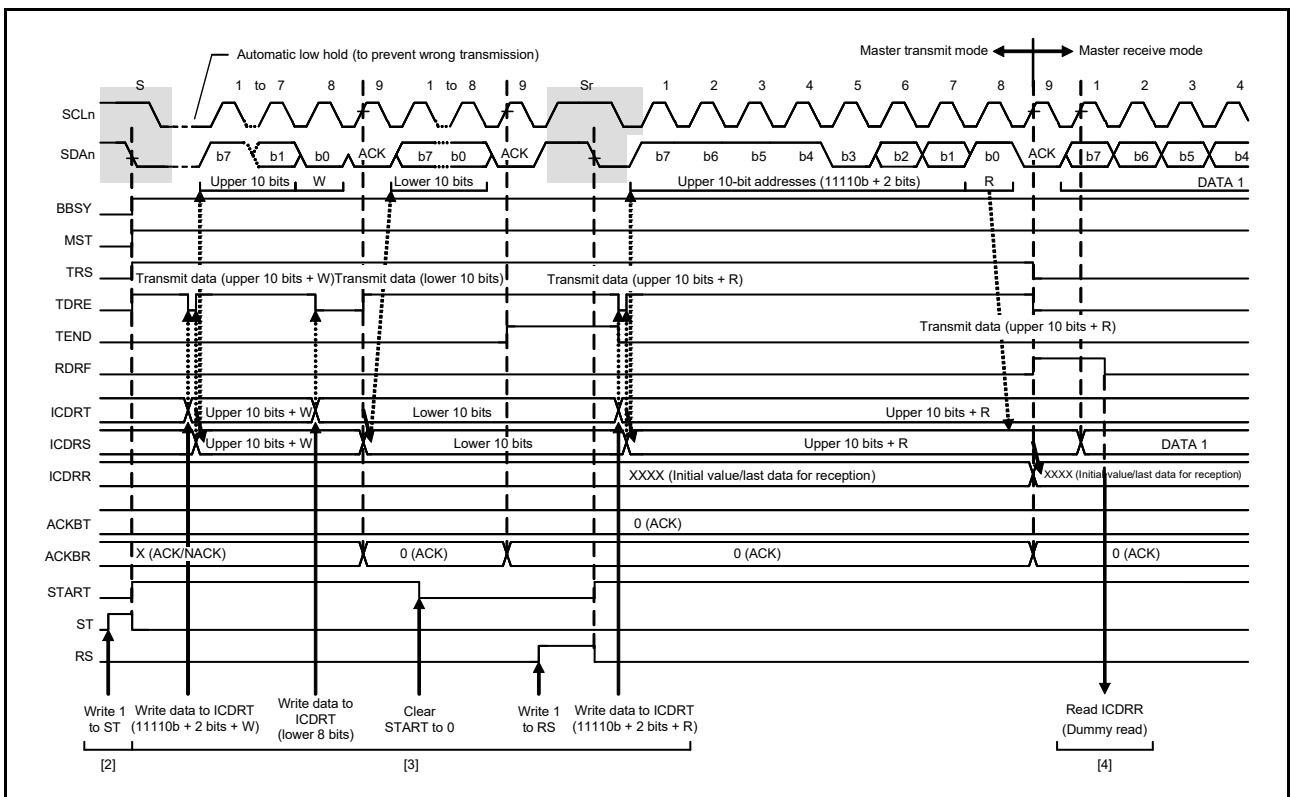
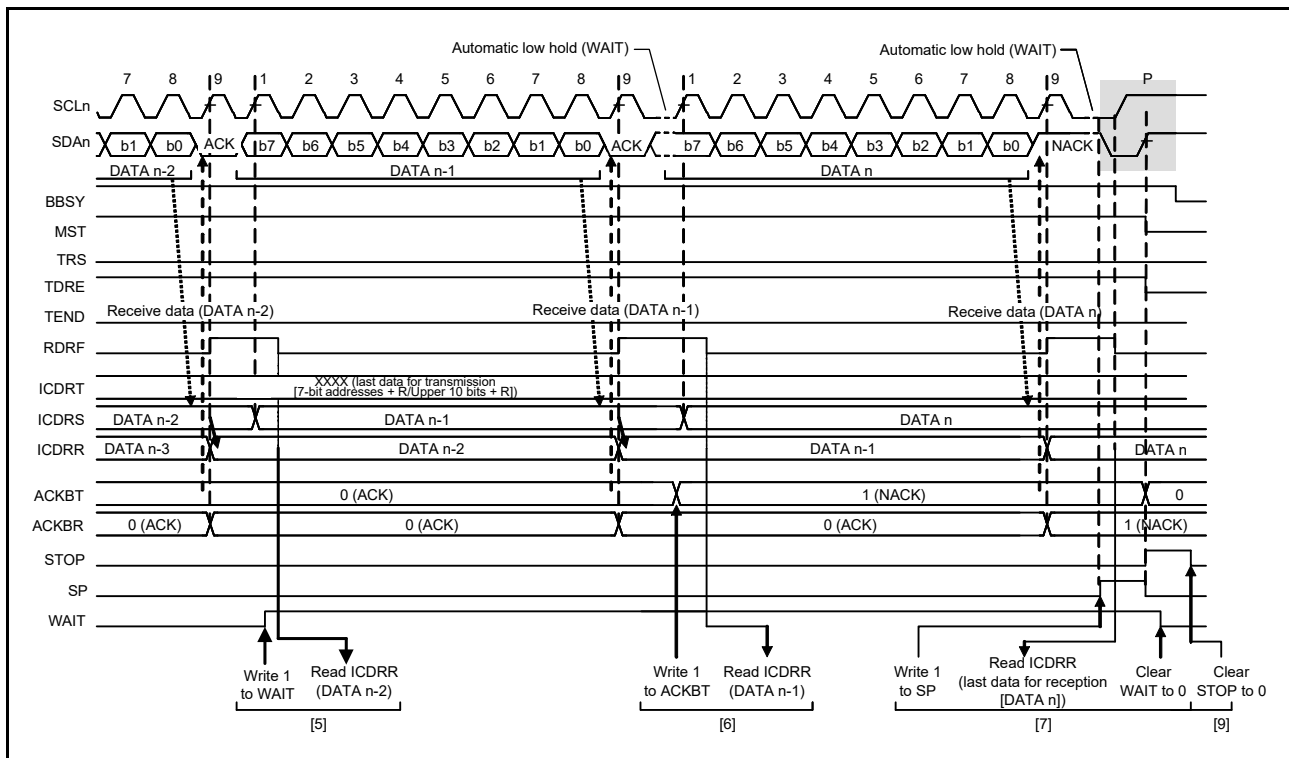


Figure 34.13 Master receive operation timing (2) with 10-bit address format, when RDRFS = 0



**Figure 34.14** Master receive operation timing (3) when RDRFS = 0

### 34.3.5 Slave Transmit Operation

In slave transmit operation, the master device outputs the SCL clock, the IIC transmits data as a slave device, and the master device returns the acknowledgments.

Figure 34.15 shows an example of slave transmission, and Figure 34.16 and Figure 34.17 show the operation timing in slave transmission.

To set up and perform slave transmission:

- To initialize the IIC, follow the procedure in [section 34.3.2, Initial Settings](#). After the initialization, the IIC stays in the standby state until it receives a slave address that matches.
- After receiving a matching slave address, the IIC sets one of the associated bits ICSR1.HOA, GCA, and AASy (y = 0 to 2) flags to 1 on the rising edge of the 9<sup>th</sup> cycle of the SCL clock and outputs the value set in the ICMR3.ACKBT bit to the acknowledge bit on the 9<sup>th</sup> cycle of the SCL clock. If the value of the received R/W# bit is 1, the IIC automatically places itself in slave transmit mode by setting both the ICCR2.TRS bit and the ICSR2.TDRE flag to 1.
- Check that the ICSR2.TEND flag is 1, and write the transmit data to the ICDRT register. If the IIC receives no acknowledge from the master device (receives an NACK signal) while the ICFER.NACKF bit is 1, the IIC suspends transfer of the next data.
- Wait until the ICSR2.TEND flag is set to 1 while the ICSR2.TDRE flag is 1, after the ICSR2.NACKF flag is set to 1 or the last byte for transmission is written to the ICDRT register. When the ICSR2.NACKF flag or the TEND flag is 1, the IIC drives the SCLn line low on the 9<sup>th</sup> falling edge of the SCL clock.
- When the ICSR2.NACKF flag or the ICSR2.TEND flag is 1, dummy read ICDRR to complete the processing. This releases the SCLn line.
- On detecting the stop condition, the IIC automatically sets the ICSR1.HOA, GCA, and AASy (y = 0 to 2) flags, the ICSR2.TDRE and TEND flags, and the ICCR2.TRS bit to 0, and enters slave receive mode.
- Check that the ICSR2.STOP flag is 1, and then set the ICSR2.NACKF and STOP flags to 0 for the next transfer operation.

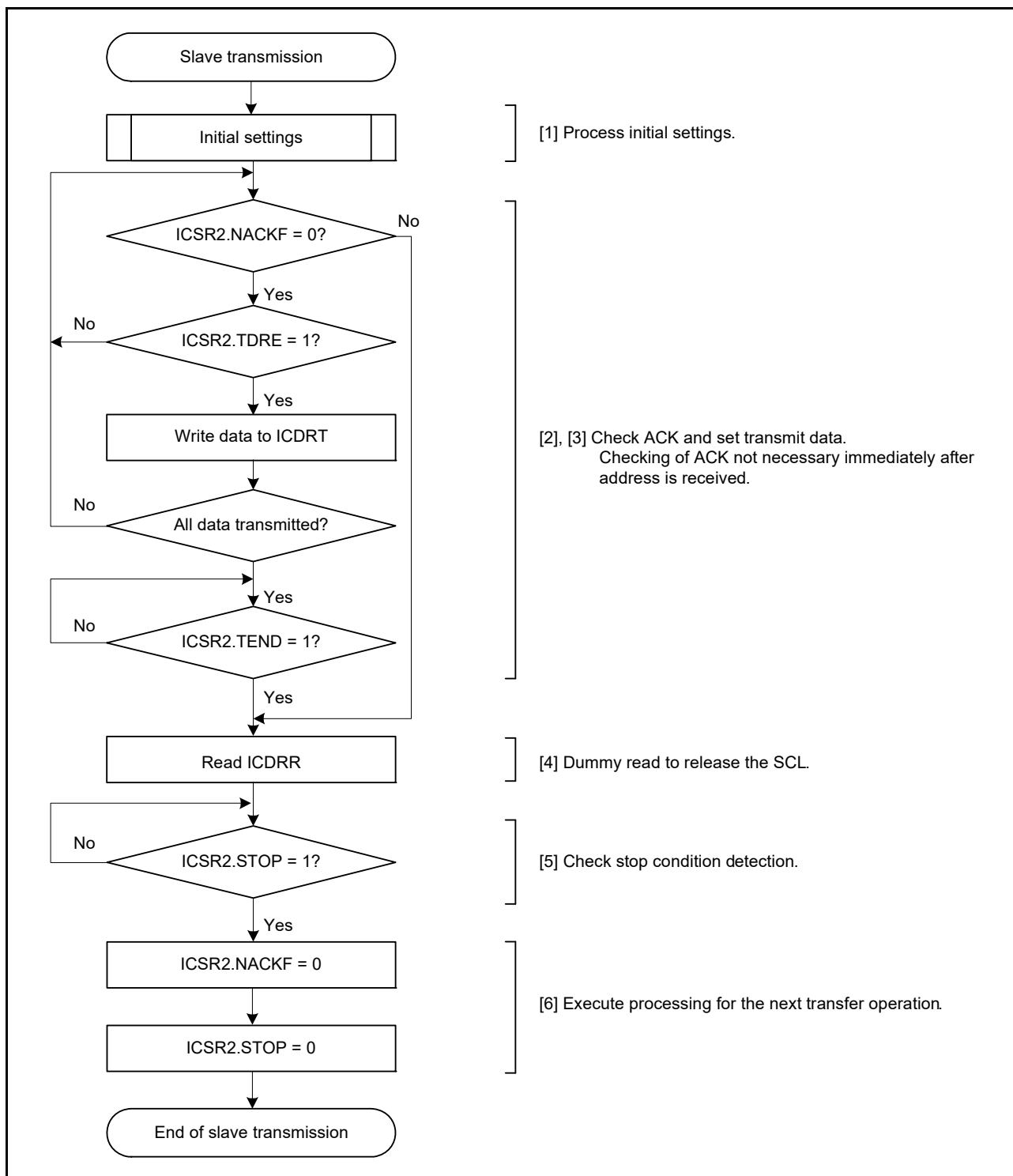


Figure 34.15 Example slave transmission flow

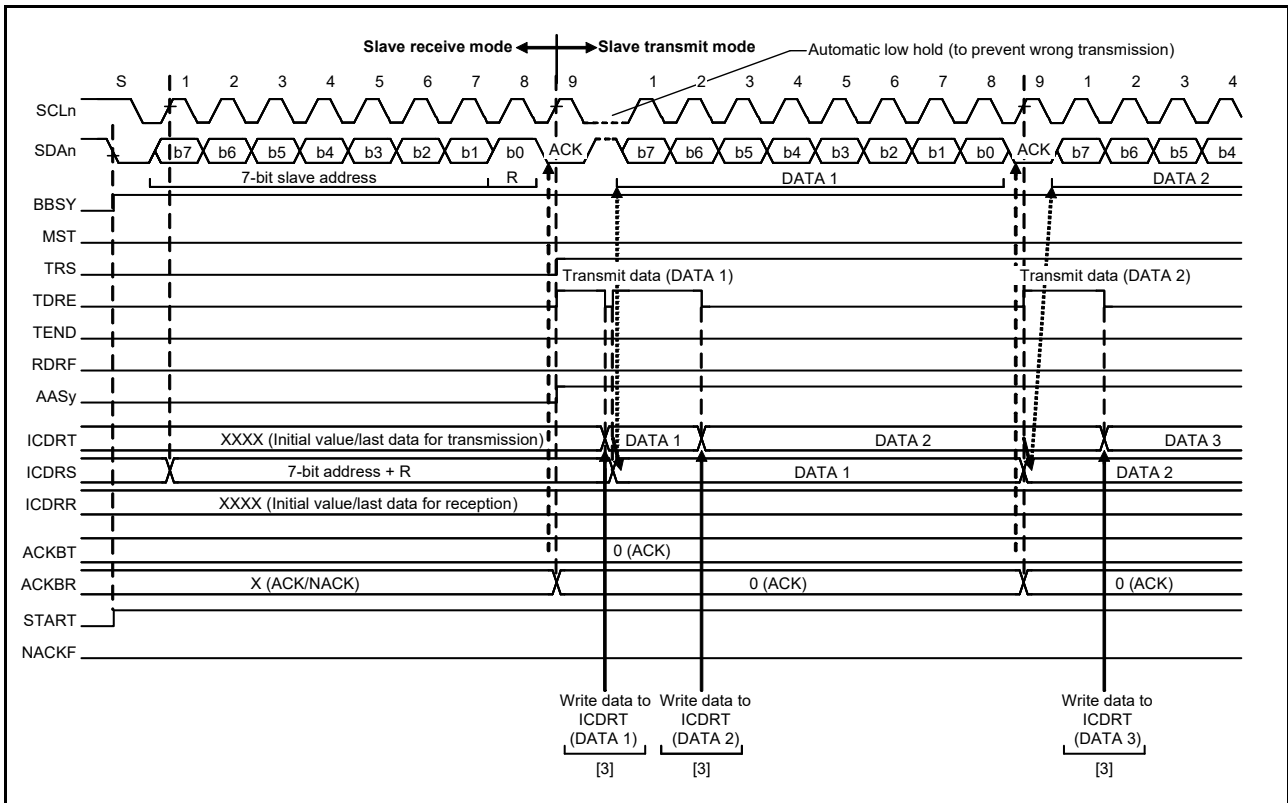


Figure 34.16 Slave transmit operation timing (1) with 7-bit address format

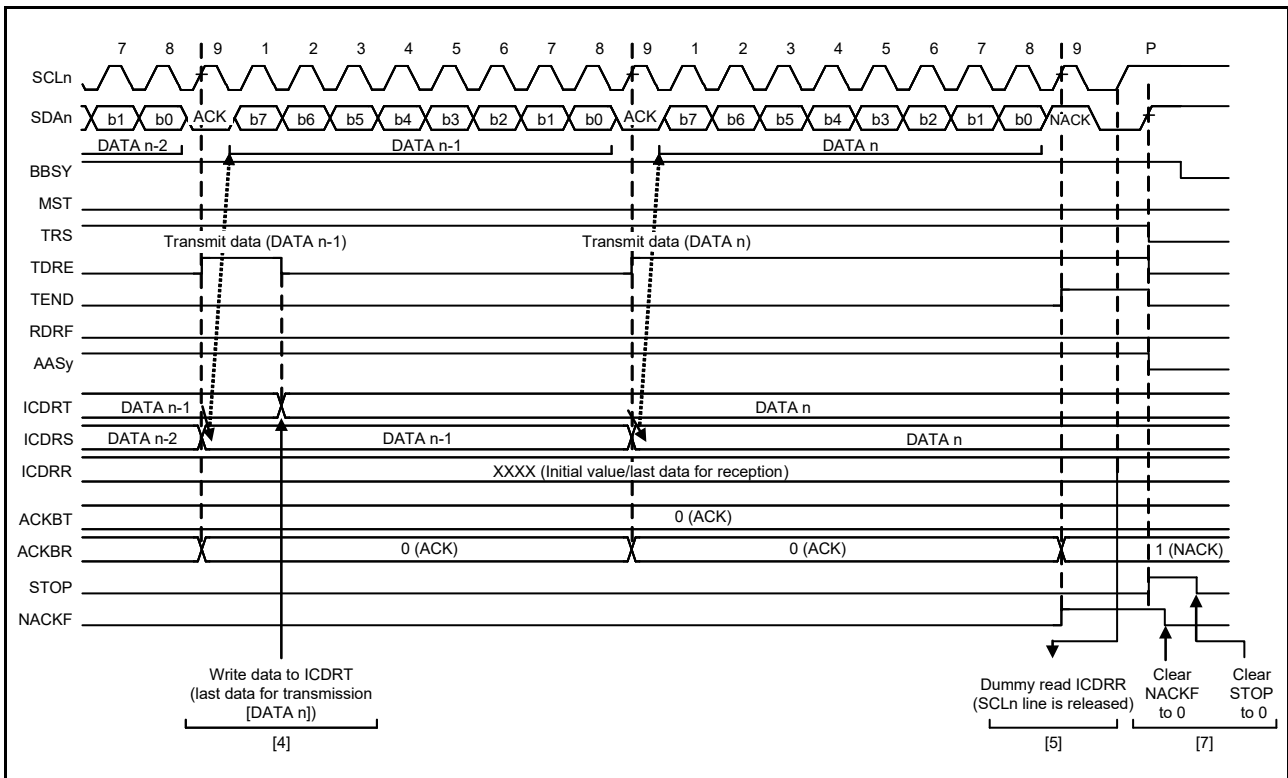


Figure 34.17 Slave transmit operation timing (2)

### 34.3.6 Slave Receive Operation

In slave receive operation, the master device outputs the SCL clock and transmit data, and the IIC returns acknowledgments as a slave device.

Figure 34.18 shows an example of slave reception, and Figure 34.19 and Figure 34.20 show the operation timing in slave reception.

To set up and perform slave reception:

- To initialize the IIC, follow the procedure in [section 34.3.2, Initial Settings](#).  
After initialization, the IIC stays in the standby state until it receives a slave address that matches.
- After receiving a matching slave address, the IIC sets one of the associated ICSR1.HOA, GCA, and AASy (y = 0 to 2) flags to 1 on the rising edge of the 9<sup>th</sup> cycle of the SCL clock and outputs the value set in the ICMR3.ACKBT bit to the acknowledge bit on the 9<sup>th</sup> cycle of the SCL clock. If the value of the received R/W# bit is 0, the IIC continues to place itself in slave receive mode and sets the RDRF flag in ICSR2 to 1.
- Check that the ICSR2.STOP flag is 0 and the ICSR2.RDRF flag is 1, and then dummy read the ICDRR register. The dummy value consists of the slave address and R/W# bit when the 7-bit address format is selected, or the lower 8 bits when the 10-bit address format is selected.
- When ICDRR is read, the IIC automatically sets the ICSR2.RDRF flag to 0. If reading of ICDRR is delayed and the next byte is received while the RDRF flag is still set to 1, the IIC holds the SCLn line low until 1 SCL cycle before the point where RDRF must be set. In this case, reading ICDRR releases the SCLn line from being held at the low level.  
When the ICSR2.STOP flag is 1 and the ICSR2.RDRF flag is also 1, read ICDRR until all the data is completely received.
- On detecting the stop condition, the IIC automatically clears the ICSR1.HOA, GCA, and AASy (y = 0 to 2) flags to 0.
- Check that the ICSR2.STOP flag is 1, then set the ICSR2.STOP flag to 0 for the next transfer operation.

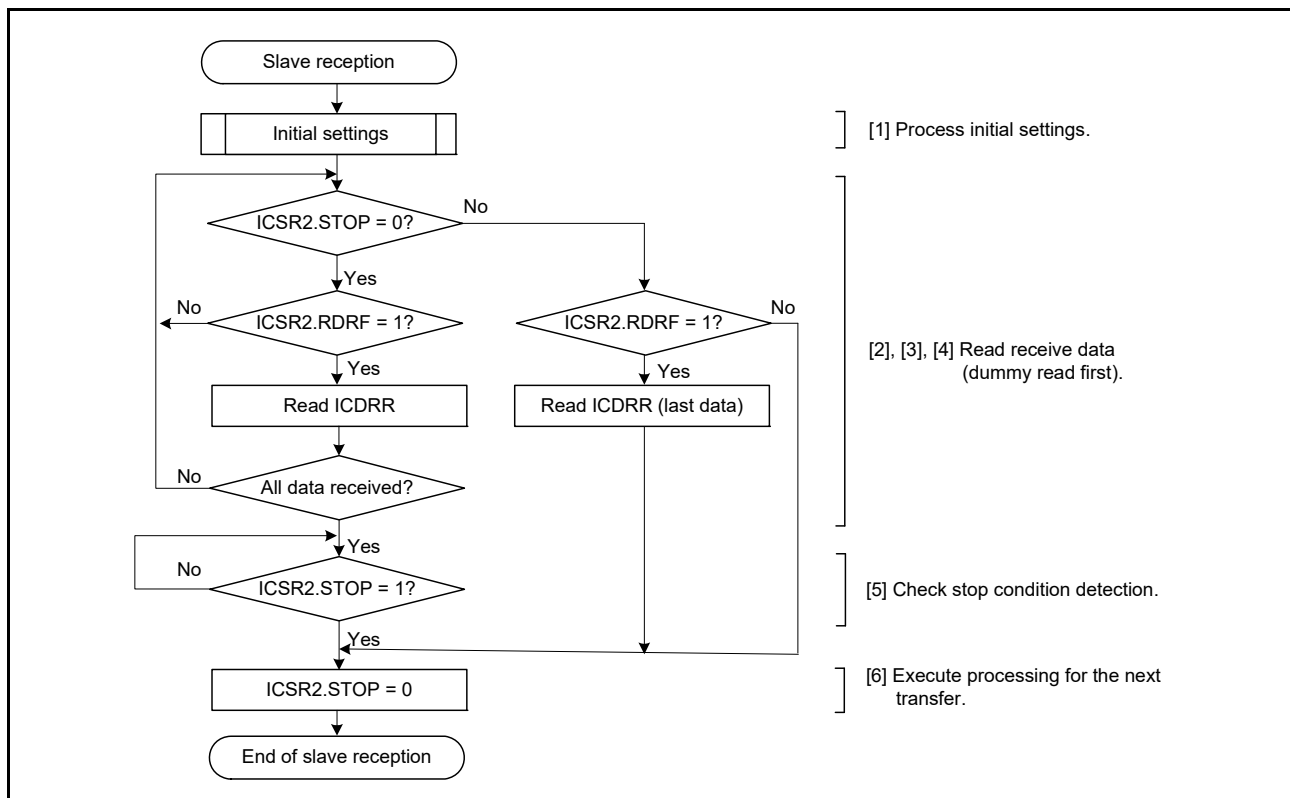


Figure 34.18 Example slave reception flow

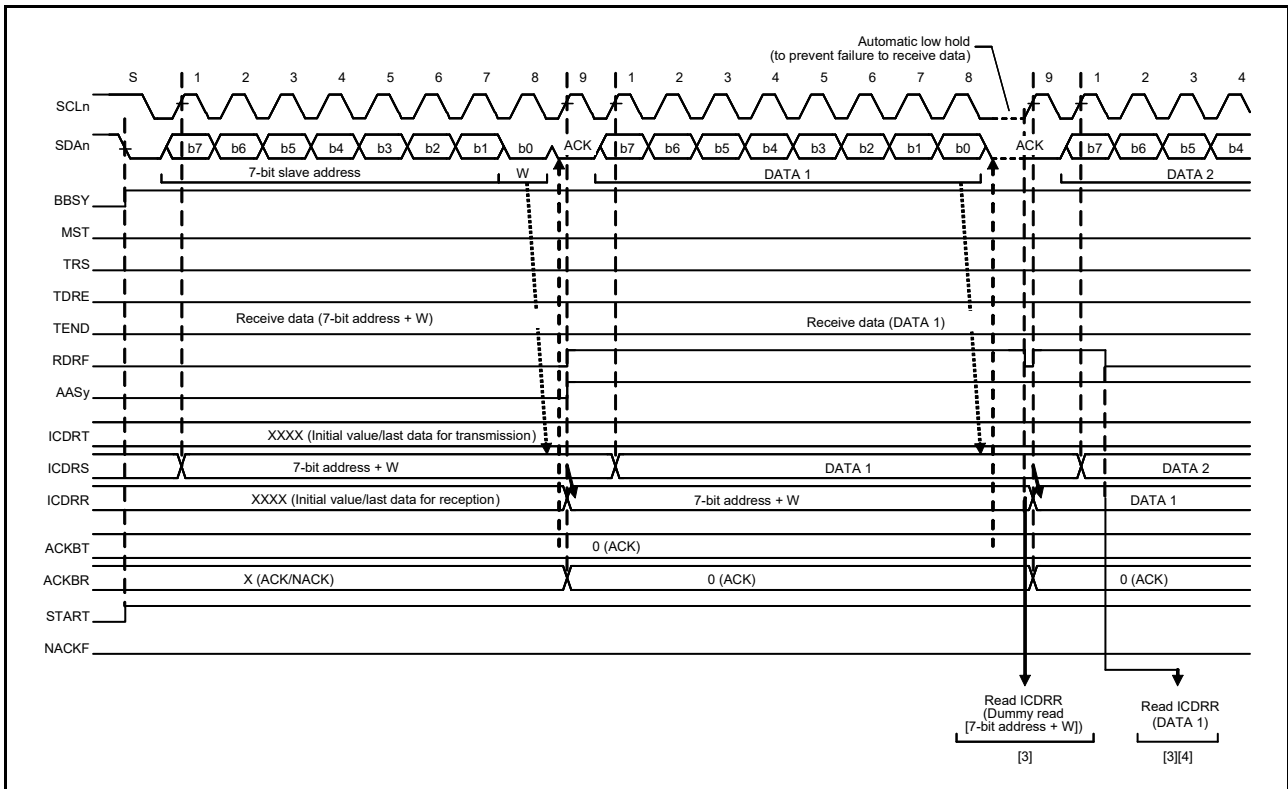


Figure 34.19 Slave receive operation timing (1) with 7-bit address format, when RDRFS = 0

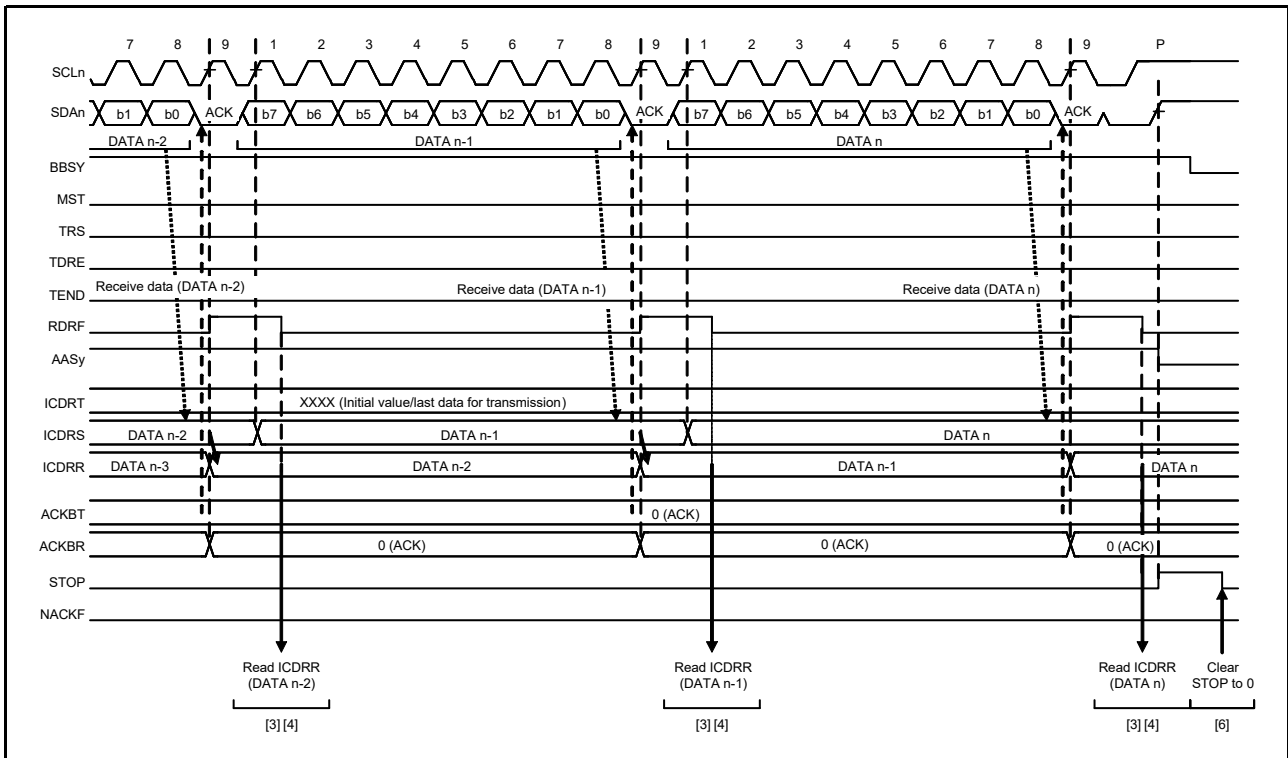


Figure 34.20 Slave receive operation timing (2) when RDRFS = 0



### 34.4 SCL Synchronization Circuit

For generation of the SCL clock, IIC starts counting the value for the high-level period specified in ICBRH when it detects a rising edge on the SCLn line, and drives the SCLn line low when it completes counting. When IIC detects the falling edge of the SCLn line, it starts counting the value for the low-level period specified in ICBRL, and then stops driving the SCLn line, releasing the line when it completes counting. The IIC repeats this process to generate the SCL clock.

If multiple master devices are connected to the I<sup>2</sup>C bus, a collision of SCL signals might arise because of contention with another master device. In such cases, the master devices must synchronize their SCL signals. Because this synchronization of SCL signals must be bit by bit, IIC is equipped with an SCL synchronization circuit to obtain bit-by-bit synchronization of the SCL clock signals by monitoring the SCLn line while in master mode.

When IIC detects a rising edge on the SCLn line and starts counting the high-level period specified in ICBRH, and the level on the SCLn line falls because an SCL signal is being generated by another master device, IIC performs the following:

1. Stops counting when it detects the falling edge.
2. Drives the level on the SCLn line low.
3. Starts counting the low-level period specified in ICBRL.

When the IIC finishes counting the low-level period, it stops driving the SCLn line low to release the line. If the low-level period of the SCL clock signal from the other master device is longer than the low-level period set in the IIC, the low-level period of the SCL signal is extended. When the low-level period for the other master device ends, the SCL signal rises because the SCLn line is released. When the IIC finishes outputting the low-level period of the SCL clock, the SCLn line is released and the SCL clock rises. That is, when SCL signals from more than one master are contending, the high-level period of the SCL signal is synchronized with that of the clock with the narrower period, and the low-level period of the SCL signal is synchronized with that of the clock with the broader period. However, such synchronization of the SCL signal is only enabled when the SCLE bit in ICFER is set to 1.

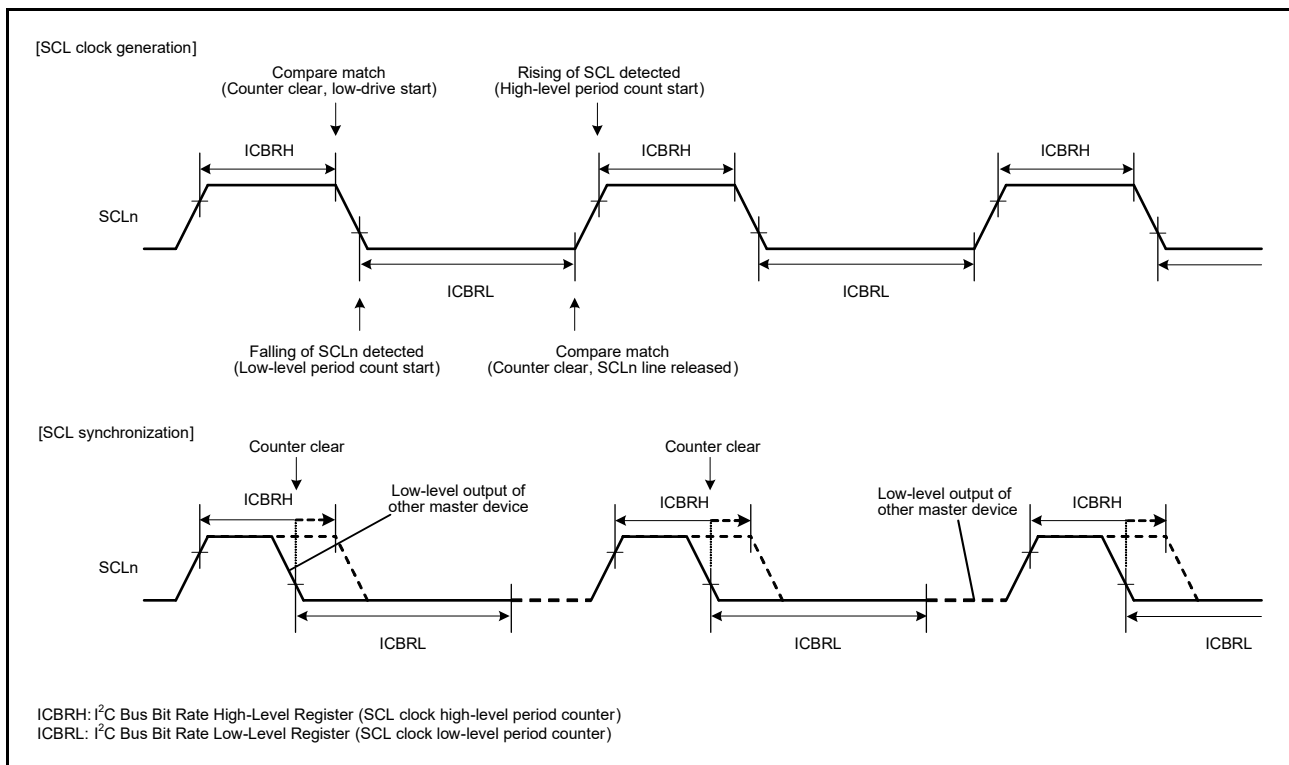


Figure 34.21 Generation and synchronization of SCL signal from IIC

### 34.5 SDA Output Delay Function

The IIC module provides a function for delaying the output on the SDA line. The delay can be applied to all outputs on the SDA line, including the issuing of start, restart, and stop conditions, data, and the ACK and NACK signals.

With this function, SDA output is delayed from the detection of a falling edge of the SCL signal to ensure that the SDA signal is output within the interval during which the SCL clock is low. This approach helps prevent erroneous operation of communications devices, with the aim of satisfying the 300-ns minimum data-hold time requirement of the SMBus specification. The output delay function is enabled by setting the SDDL[2:0] bits in ICMR2 to a value other than 000b, and disabled by setting the same bits to 000b.

When the SDA output delay function is enabled, for example, the DLCS bit in ICMR2 selects the clock source for the SDA output delay counter, either as the internal base clock (IIC $\phi$ ) for the IIC module or as the internal base clock divided by two (IIC $\phi$ /2). The counter counts the number of cycles set in the SDDL[2:0] bits in ICMR2. When the delay count is reached, the IIC module places the required output (start, restart, or stop condition, data, or an ACK or NACK signal) on the SDA line.

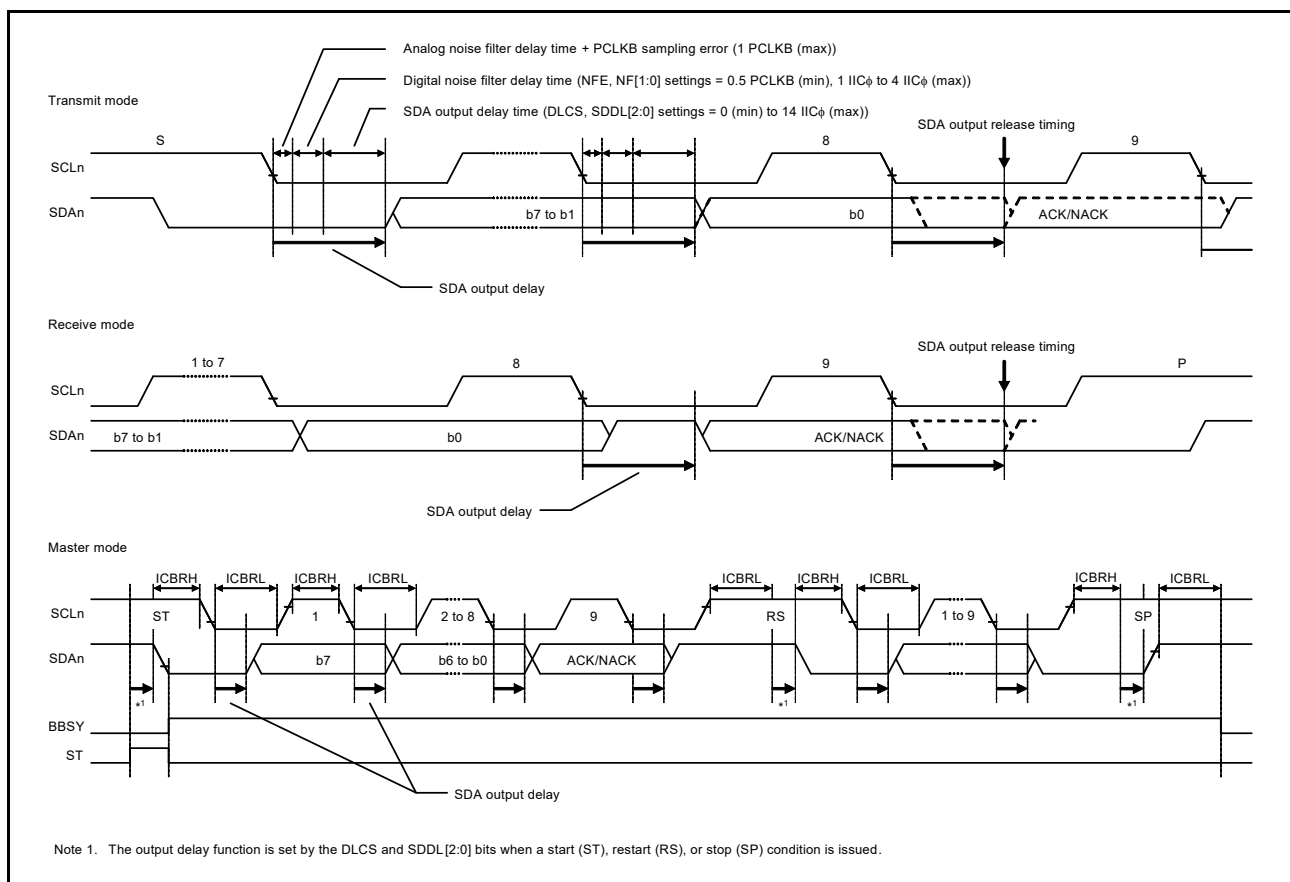


Figure 34.22 SDA output delay function

## 34.6 Digital Noise Filter Circuits

The internal circuitry sees the states of the SCLn and SDAn pins through analog and digital noise-filter circuits. Figure 34.23 shows a block diagram of the digital noise-filter circuit.

The on-chip digital noise-filter circuit of the IIC consists of four flip-flop circuit stages connected in series, and a match-detection circuit.

The number of valid stages in the digital noise filter is selected in the NF[1:0] bits in ICMR3. The selected number of valid stages determines the noise-filtering capability as a period from 1 to 4 IIC $\phi$  cycles.

The input signal to the SCLn pin (or SDAn pin) is sampled on falling edges of the IIC $\phi$  signal. When the input signal level matches the output level of the number of valid flip-flop circuit stages as selected in the NF[1:0] bits in ICMR3, the signal level is conveyed to the subsequent stage. If the signal levels do not match, the previous value is saved.

If the ratio between the frequency of the internal operating clock (PCLKB) and the transfer rate is small, for example, for a data transfer at 400 kbps with PCLKB = 4 MHz, the digital noise filter might lead to the elimination of the required signals as noise. In such cases, it is possible to disable the digital noise-filter circuit by setting the ICFER.NFE bit to 0, and use only the analog noise filter circuit.

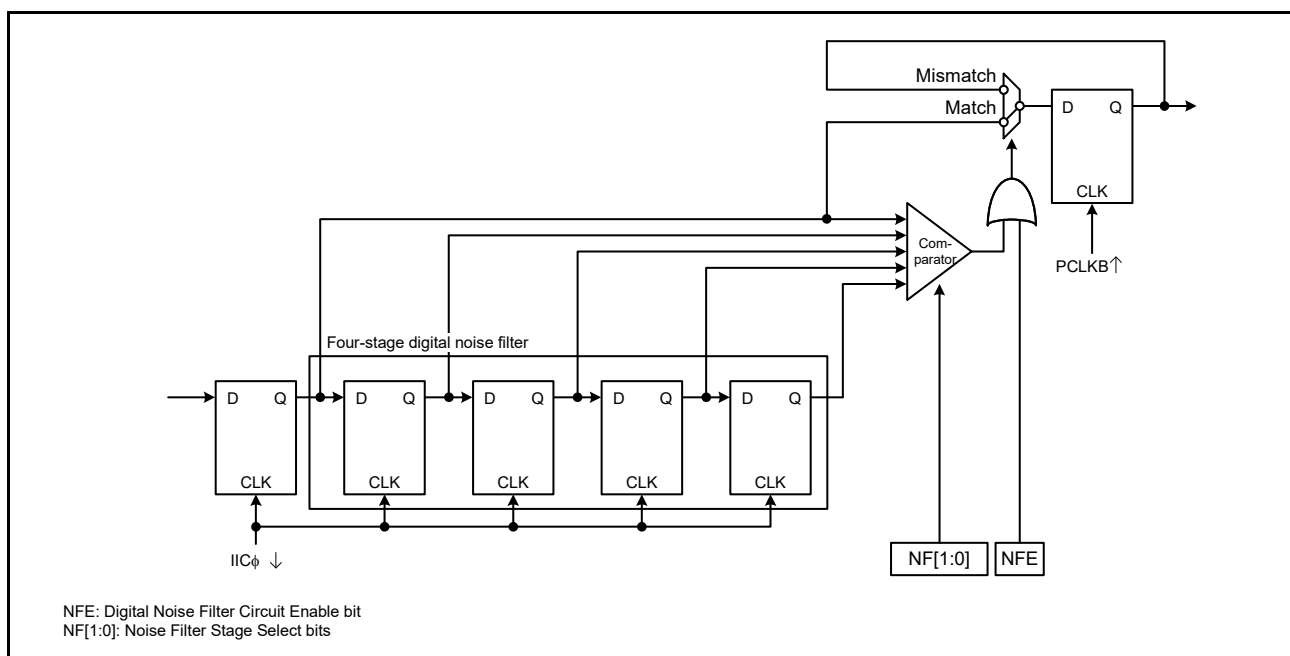


Figure 34.23 Digital noise filter circuit block diagram

## 34.7 Address Match Detection

IIC can set three unique slave addresses in addition to the general call address and host address. The slave addresses can be 7-bit or 10-bit slave addresses.

### 34.7.1 Slave-Address Match Detection

IIC can set three unique slave addresses and has a slave address detection function for each unique slave address. When the SARyE bit ( $y = 0$  to 2) in ICSER is set to 1, the slave addresses set in SARUy and SARLy ( $y = 0$  to 2) can be detected.

When the IIC detects a match of the set slave address, the associated AASy ( $y = 0$  to 2) flag in ICSR1 is set to 1 on the rising edge of the 9<sup>th</sup> SCL clock cycle, and the RDRF flag in ICSR2 or the TDRE flag in ICSR2 is set to 1 by the subsequent R/W# bit. This causes a receive data full interrupt (IICn\_RXI) or transmit data empty interrupt (IICn\_TXI) to be generated. The AASy flag identifies which slave address is specified.

Figure 34.24 to Figure 34.26 show the AASy flag set timing in three cases.

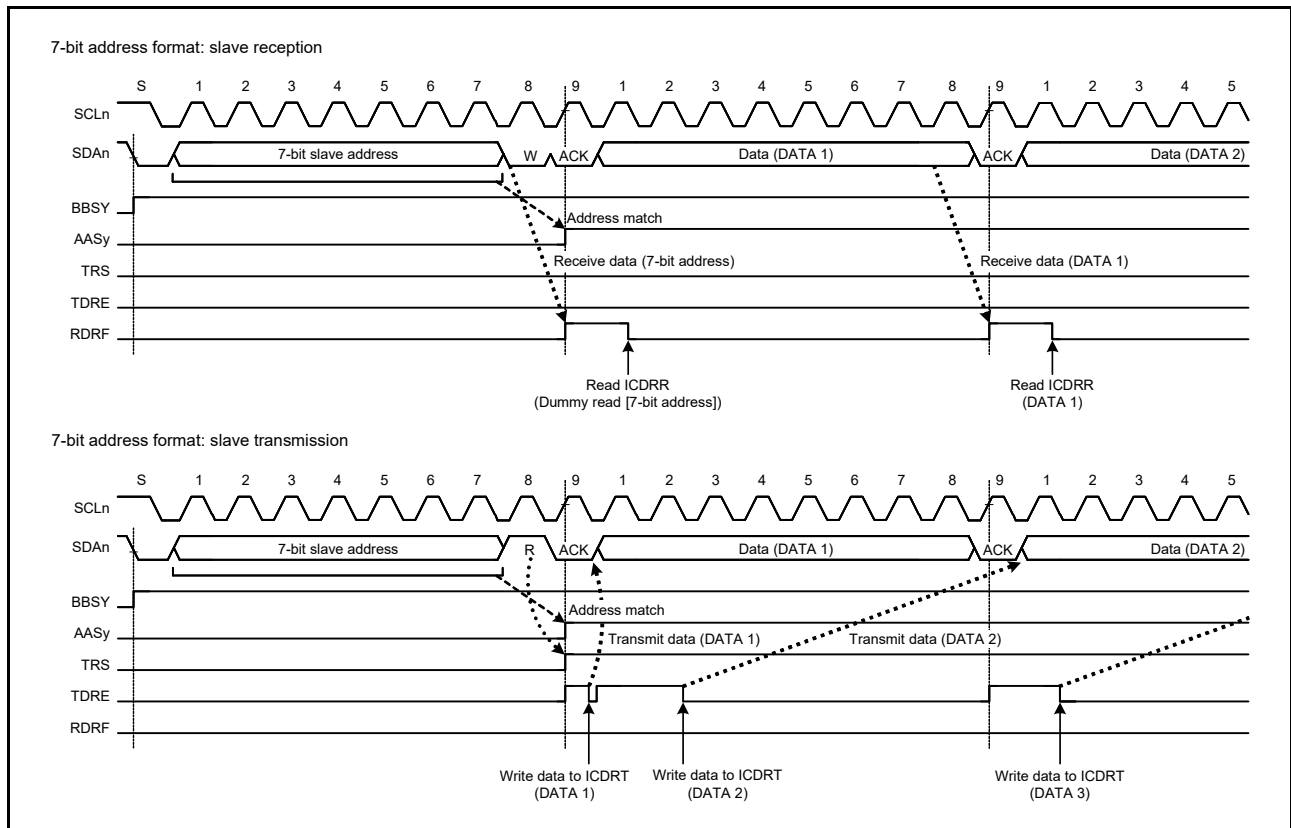


Figure 34.24 AASy flag set timing with 7-bit address format

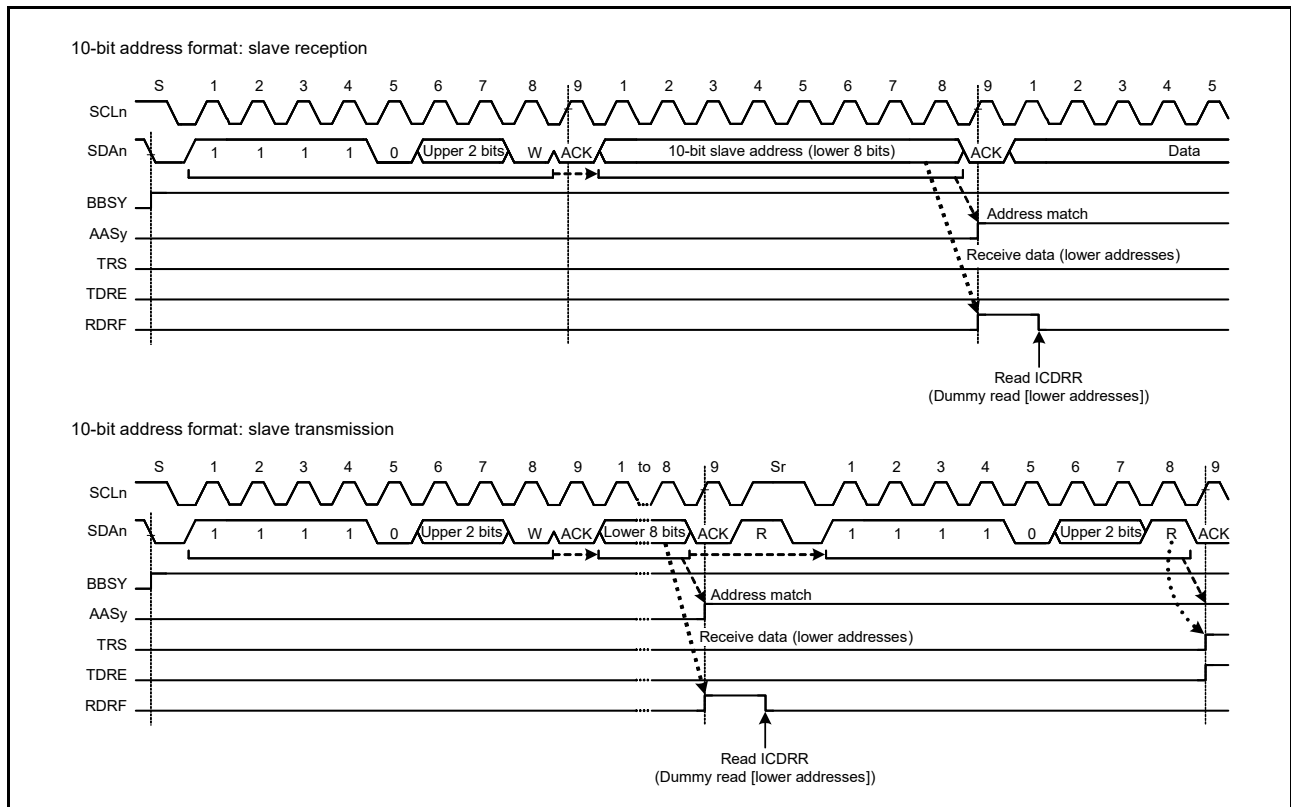


Figure 34.25 AASy flag set timing with 10-bit address format

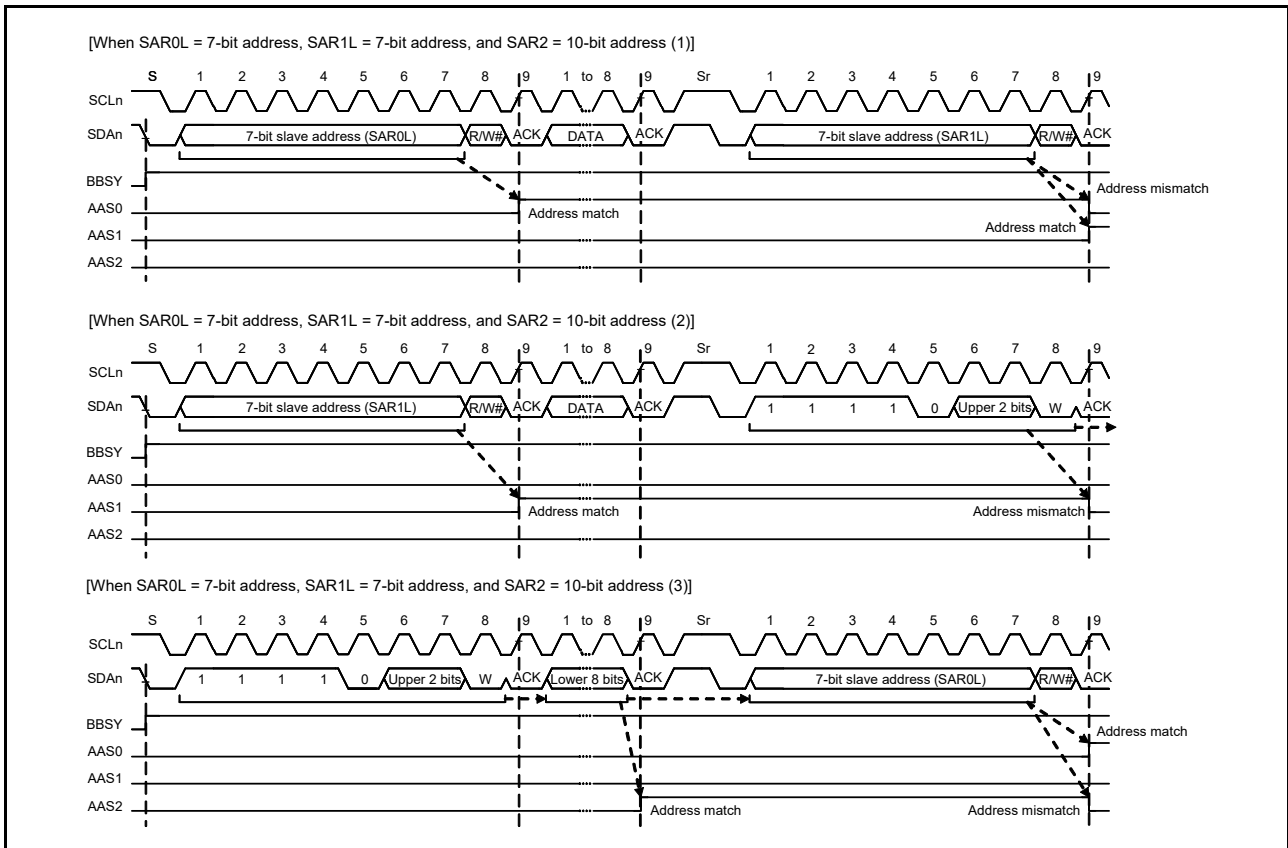


Figure 34.26 AASy flag set and clear timing with 7- and 10-bit address formats mixed

### 34.7.2 Detection of General Call Address

The IIC provides detection of the general call address (0000 000b + 0 [W]). General call address detection is enabled by setting the GCAE bit in ICSER to 1.

If the address received after a start or restart condition is issued is 0000 000b + 1[R] (start byte), the IIC recognizes this as the address of a slave device with an all-zero address, but not as the general call address.

When the IIC detects the general call address, both the GCA flag in ICSR1 and the RDRF flag in ICSR2 set to 1 on the rising edge of the 9<sup>th</sup> cycle of the SCL clock. This leads to the generation of a receive data full interrupt (IICn\_RXI). The value of the GCA flag can be checked to confirm that the general call address is transmitted.

Operation after detection of the general call address is the same as normal slave receive operation.

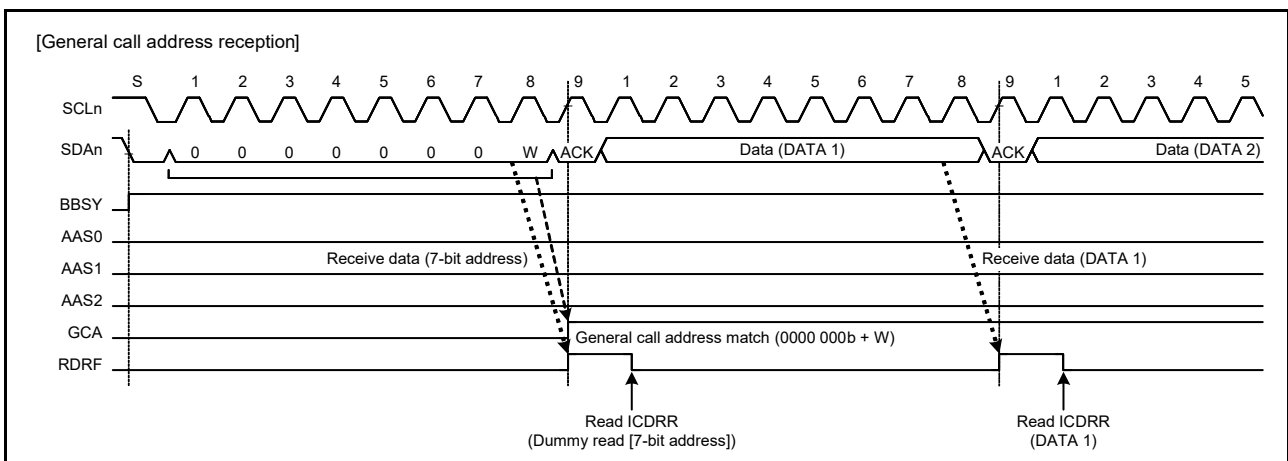


Figure 34.27 Timing of GCA flag setting during reception of general call address

### 34.7.3 Device ID Address Detection

The IIC module provides detection of the device ID address in compliance with the I<sup>2</sup>C bus specification, revision 03. When IIC receives 1111 100b as the first byte after a start or restart condition is issued with the DIDE bit in IC SER set to 1, it recognizes the address as a device ID, sets the DID flag in ICSR1 to 1 on the rising edge of the 8<sup>th</sup> SCL clock cycle when the subsequent R/W# bit is 0, and then compares the second and subsequent bytes with its own slave address. If the address matches the value in the slave address register, the IIC sets the associated AAS<sub>y</sub> (y = 0 to 2) flag in ICSR1 to 1.

When the first byte received after the issue of a start or restart condition matches the device ID address (1111 100b) again and the subsequent R/W# bit is 1, IIC does not compare the second and subsequent bytes, and sets the ICSR2.TDRE flag to 1.

In the device ID address detection function, IIC sets the DID flag to 0 if a match with the IIC slave address is not obtained, or a match with the device ID address is not obtained after a match with the IIC slave address, and a restart condition is detected. If the first byte after the detection of a start or restart condition matches the device ID address (1111 100b) and the R/W# bit is 0, IIC sets the DID flag to 1 and compares the second and subsequent bytes with the slave address of IIC. If the R/W# bit is 1, the DID flag holds the previous value and IIC does not compare the second and subsequent bytes. In this way, reception of a device ID address can be checked by reading the DID flag after confirming that TDRE = 1.

Additionally, prepare the device ID fields (3 bytes: 12 bits indicating the manufacturer + 9 bits identifying the part + 3 bits indicating the revision) that must be sent to the host after reception of a continuous device ID field as normal transmit data. For details on the information that must be included in device ID fields, contact NXP Semiconductors.

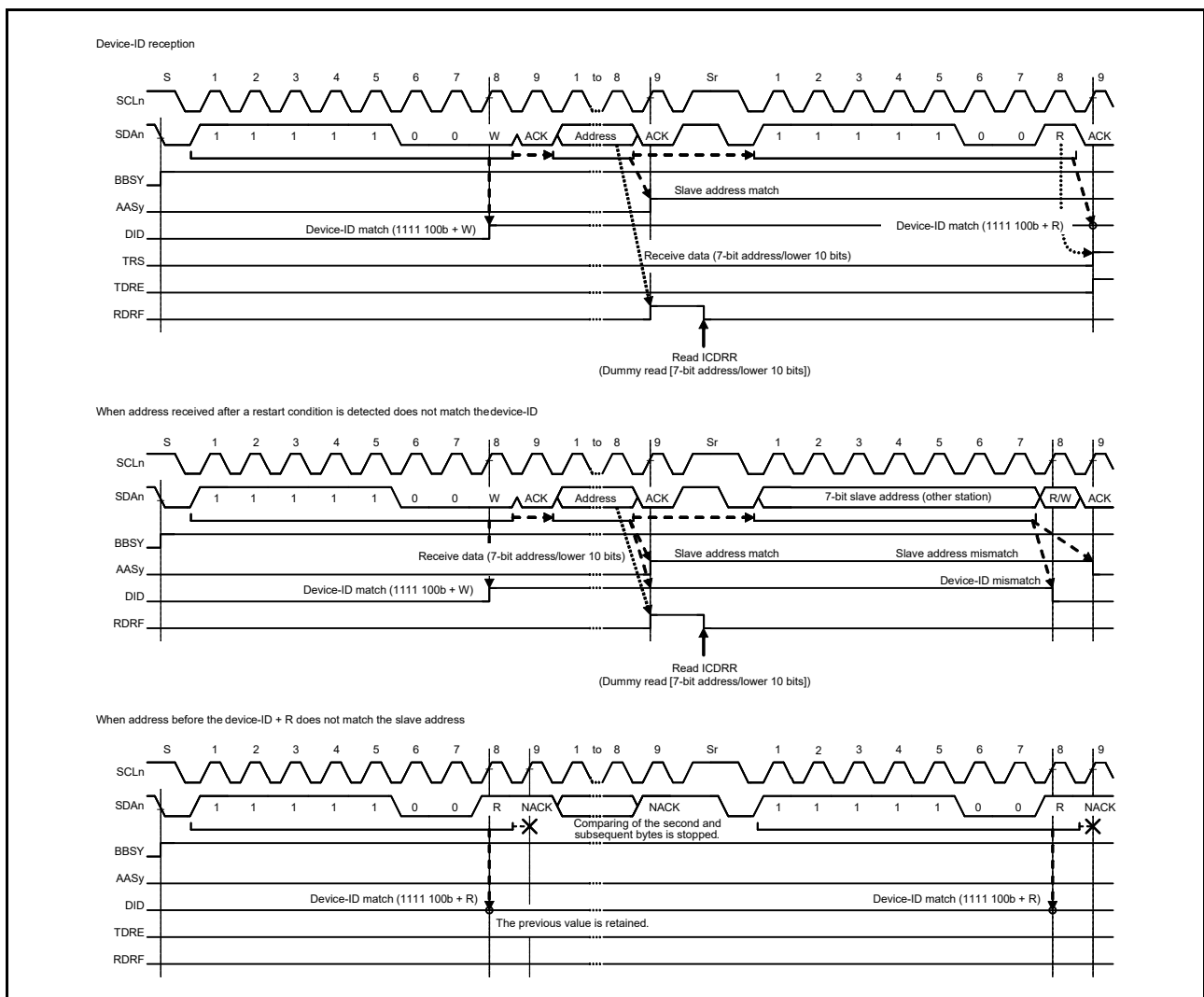


Figure 34.28 AAS<sub>y</sub> and DID flag set and clear timing during reception of device ID

### 34.7.4 Host Address Detection

The IIC provides host address detection while the SMBus is operating. When the HOAE bit in ICSEr is set to 1 while the SMBS bit in ICMR3 is 1, the IIC can detect the host address (0001 000b) in slave receive mode (MST and TRS bits = 00b in ICCR2).

When the IIC detects the host address, the HOA flag in ICSR1 is set to 1 on the rising edge of the 9<sup>th</sup> SCL clock cycle. At the same time, the RDRF flag in ICSR2 is set to 1 when the R/W# bit is 0 (Wr bit). This causes a receive data full interrupt (IICn\_RXI) to be generated. The HOA flag indicates that the host address was sent from another device.

If the bit following the host address (0001 000b) is a read bit (R/W# bit = 1), the IIC can also detect the host address. After the host address is detected, the IIC operates in the same manner as in normal slave operation.

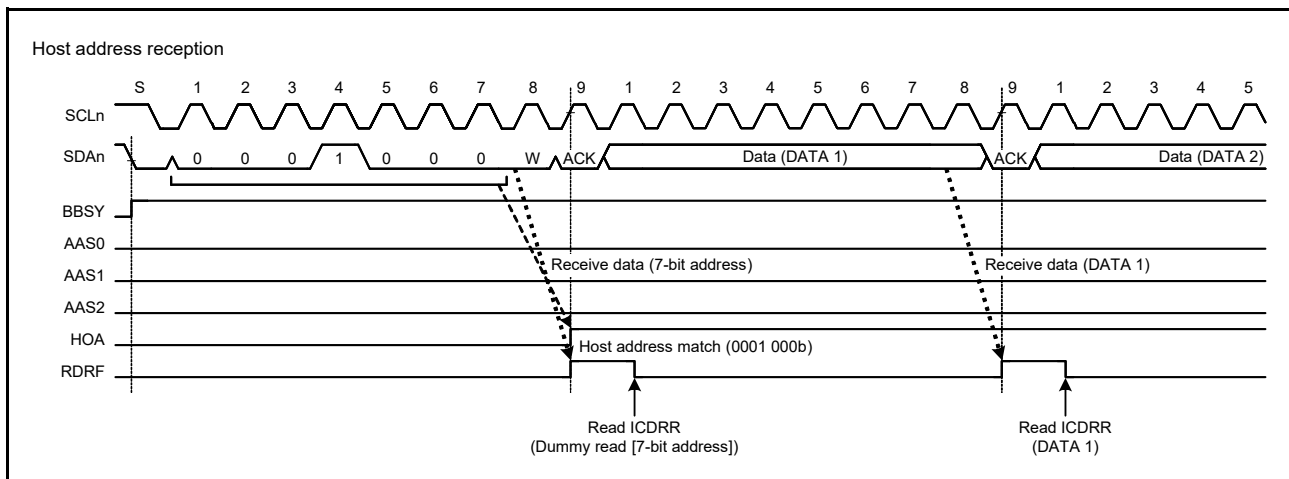


Figure 34.29 HOA flag set timing during reception of host address

## 34.8 Wakeup Function

The IIC provides a wakeup function that causes the MCU to transition from Software Standby mode to normal operation. The wakeup function enables the reception of data when the system clock is stopped, and generates a wakeup interrupt signal on a match of the slave address of the received data. This wakeup interrupt signal triggers the return to normal operation.

The wakeup function has four operation modes:

- Normal wakeup mode 1
- Normal wakeup mode 2
- Command recovery mode
- EEP response mode.

Table 34.9 describes the behavior in these modes.

Table 34.9 Wakeup operation modes

| Operation mode        | ACK response timing | ACK response before wakeup                               | SCL state during wakeup |
|-----------------------|---------------------|--|-------------------------|
| Normal wakeup mode 1  | Before wakeup       | ACK  | Fixed low               |
| Normal wakeup mode 2  | After wakeup        | Before wakeup: no response<br>After wakeup: ACK response | Fixed low               |
| Command recovery mode | Before wakeup       | ACK  | Open                    |
| EEP response mode     | Before wakeup       | NACK   | Open                    |

### Precautions on the use of the wakeup function

1. Disable the wakeup function (WUE = 0) after a wakeup interrupt triggers the transition from Software Standby mode to normal operation.

2. Do not change the content of the IIC registers while WUF = 0, even if the wakeup interrupt recovers the system clock. Specify the register settings after confirming that WUF = 1.
3. Set WUE = WUIE = 1 and MST = TRS = 0 (slave reception mode) before entering Software Standby mode.
4. Do not transition to Software Standby mode while BBSY = 1.
5. The wakeup function supports the 7-bit slave address of the slave address register SARL0, the general call address, and the host address. 10-bit slave addresses, SARL1 and SARL2, are not supported.
6. When the wakeup function is enabled, disable the interrupts selectable in the TIE, TEIE, RIE, NAKIE, SPIE, STIE, ALIE, and TMOIE bits in the ICIER register.
7. When the wakeup function is enabled, do not use the timeout function.
8. If the transition from Software Standby mode is triggered by an interrupt other than a wakeup interrupt, for example, the IRQn, the WUF flag is not set to 1. Follow the procedures shown in [Figure 34.31](#) and [Figure 34.36](#).

### 34.8.1 Normal Wakeup Mode 1

This section describes the behavior, timing, and an example operation of the normal wakeup mode 1.

In normal wakeup mode, a wakeup interrupt triggered by the match of the slave address initiates the transition to normal operation as follows:

- Before wakeup: ACK is sent in response to the data received with the own slave address of the IIC.
- During wakeup: ACK response is made on the 9<sup>th</sup> clock cycle of SCL, after which SCL is held low.\*1
- After wakeup: Normal operation continues.

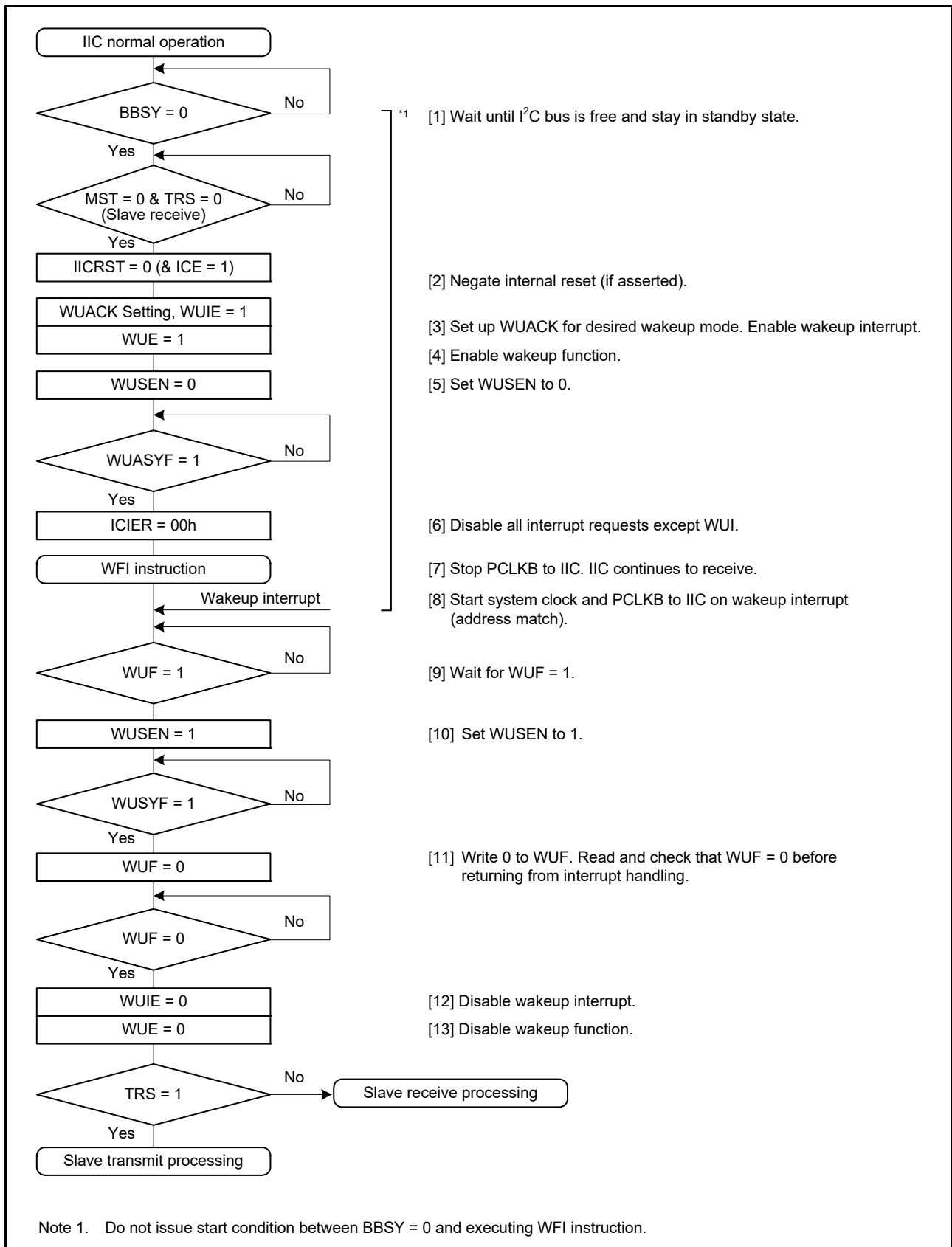
If the slave address does not match, the SCL line is not held low after the 9<sup>th</sup> clock cycle of SCL, and the slave operation continues.

[Figure 34.30](#) shows an operation example, and [Figure 34.32](#) shows the detailed timing.

Note 1. Between the 9<sup>th</sup> clock cycle and the 1<sup>st</sup> clock cycle during wakeup, WAIT = 1 is invalid.

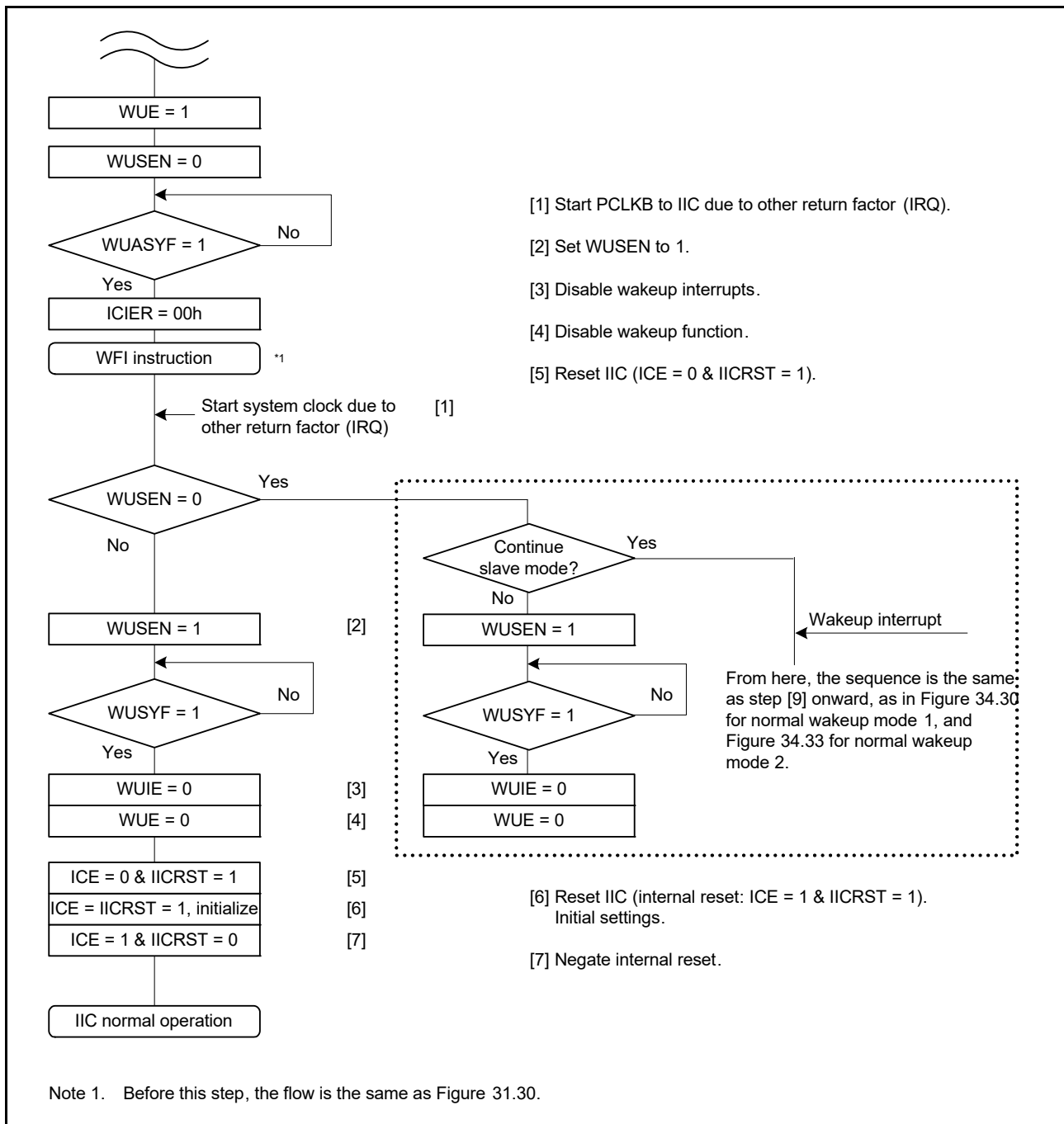
If the transition from Software Standby mode is triggered by an interrupt (such as IRQn) other than a wakeup interrupt, such as the IRQn for example, the WUF flag is not set to 1. [Figure 34.31](#) shows an operation example.





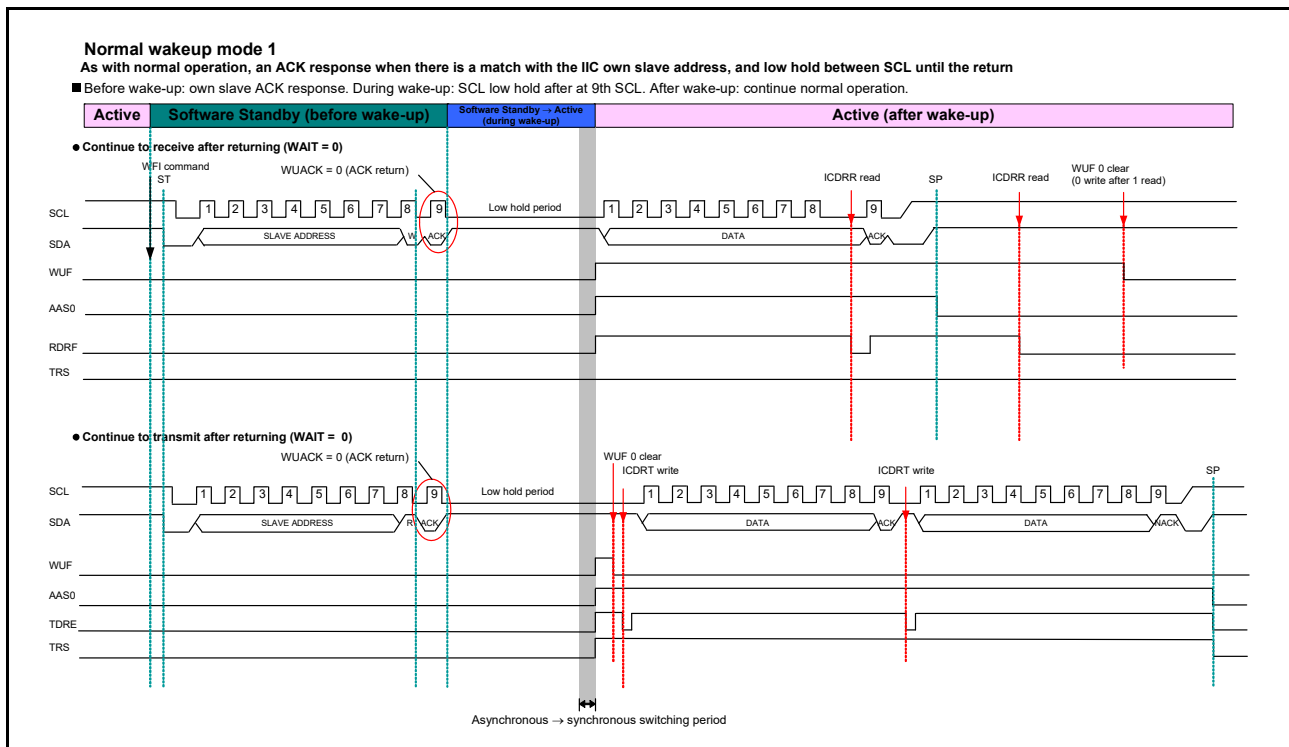
**Figure 34.30** Example operation of normal wakeup mode 1 when wakeup is triggered by a wakeup interrupt on a match of the slave address

Note: See [Precautions on the use of the wakeup function](#).



**Figure 34.31** Example operation of normal wakeup modes 1 and 2 when wakeup by the interrupt other than IIC wakeup interrupt, for example, IRQn

Note: For details on the IIC initial settings, see [section 34.3.2, Initial Settings](#).



**Figure 34.32** Timing of normal wakeup mode 1

### 34.8.2 Normal Wakeup Mode 2

This section describes the behavior, timing, and an example operation of normal wakeup mode 2.

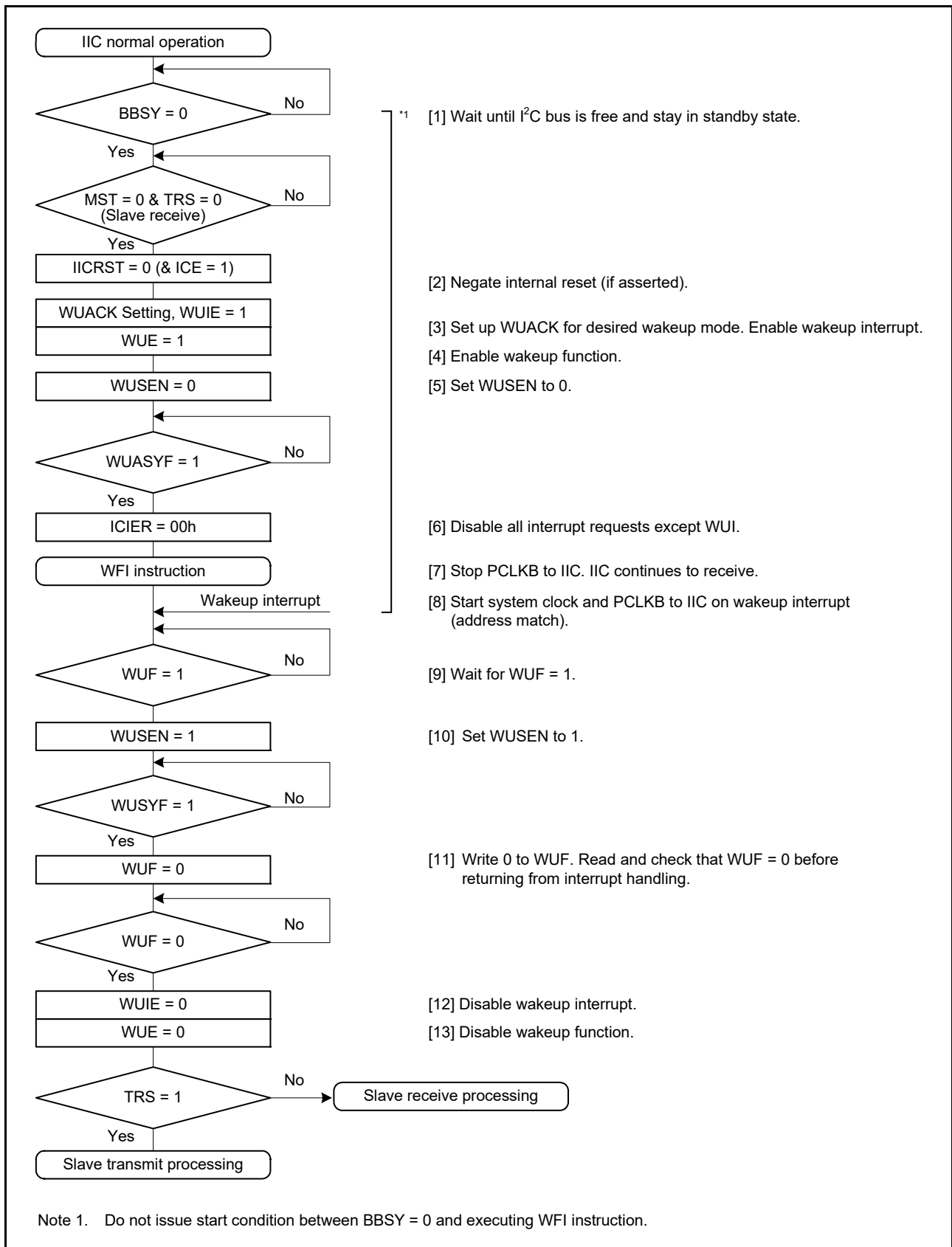
A wakeup interrupt triggered by a match of the slave address initiates the transition to normal operation as follows:

- Before wakeup: No response to data received with its own slave address until the end of the 8<sup>th</sup> SCL cycle.
- During wakeup: SCL line held low during the 8<sup>th</sup> and 9<sup>th</sup> clock cycles.
- After wakeup: ACK returns on the 9<sup>th</sup> clock cycle of SCL, and normal operation continues.

If the slave address does not match, the SCL line is not held low after the 8<sup>th</sup> SCL clock cycle, and the slave operation continues.

Figure 34.34 provides detailed timing and Figure 34.33 shows an example operation.

If the transition from Software Standby mode is triggered by an interrupt other than a wakeup interrupt, such as the IRQn for example, the WUF flag is not set to 1. Follow the operation shown in Figure 34.31.



**Figure 34.33** Example operation of normal wakeup mode 2 when wakeup is triggered by a wakeup interrupt on match of the slave address

Note: See [Precautions on the use of the wakeup function](#).

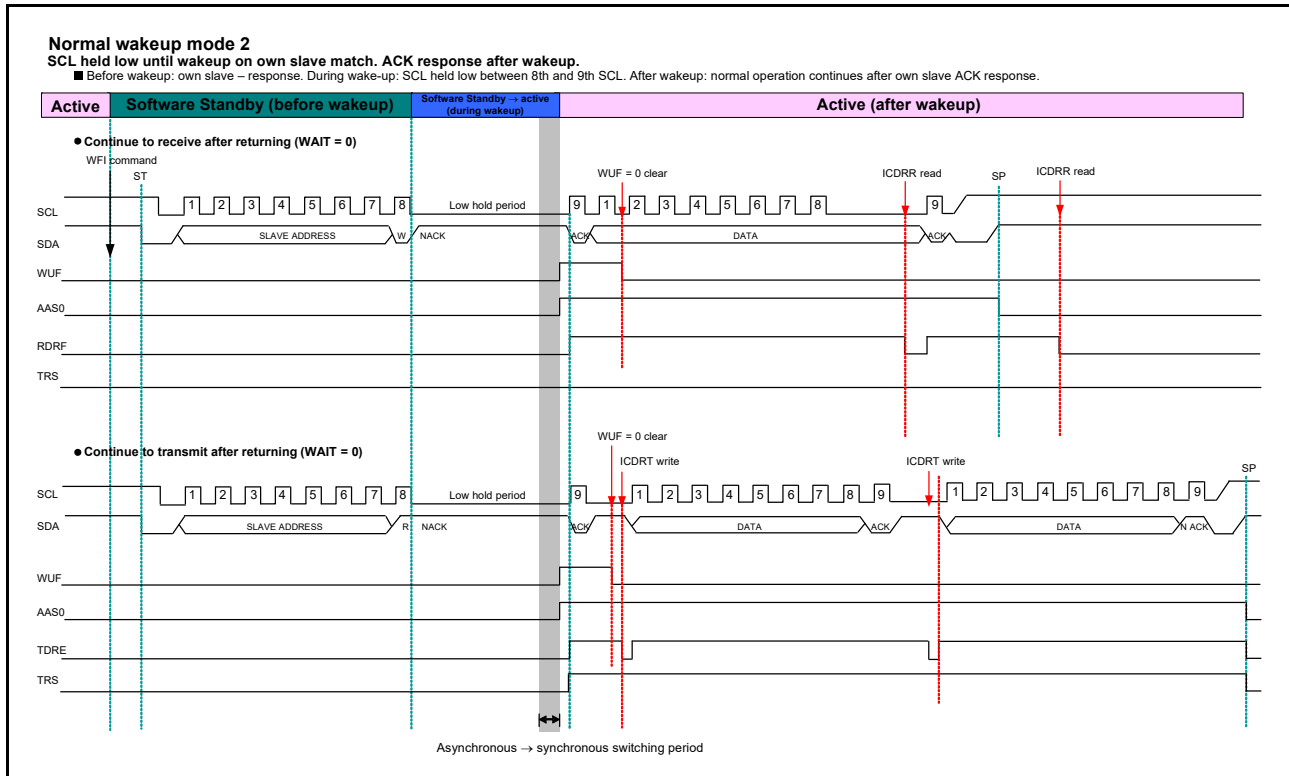


Figure 34.34 Timing of normal wakeup mode 2

### 34.8.3 Command Recovery Mode and EEP Response Mode (Special Wakeup Modes)

This section describes the behavior, timing, and example operations of the command recovery and EEP response modes. In the command recovery and EEP response modes, the SCL line is not held low during the wakeup period (after the rise of the 9<sup>th</sup> clock cycle of SCL). Therefore, other IIC devices can use the I<sup>2</sup>C bus during this period.

A wakeup interrupt triggered by a match of the slave address initiates the transition to normal operation as follows:

Before wakeup: In response to data received with its own slave address, IIC returns ACK (command recovery mode) or NACK (EEP response mode).

During wakeup: The SCL line is not held low.

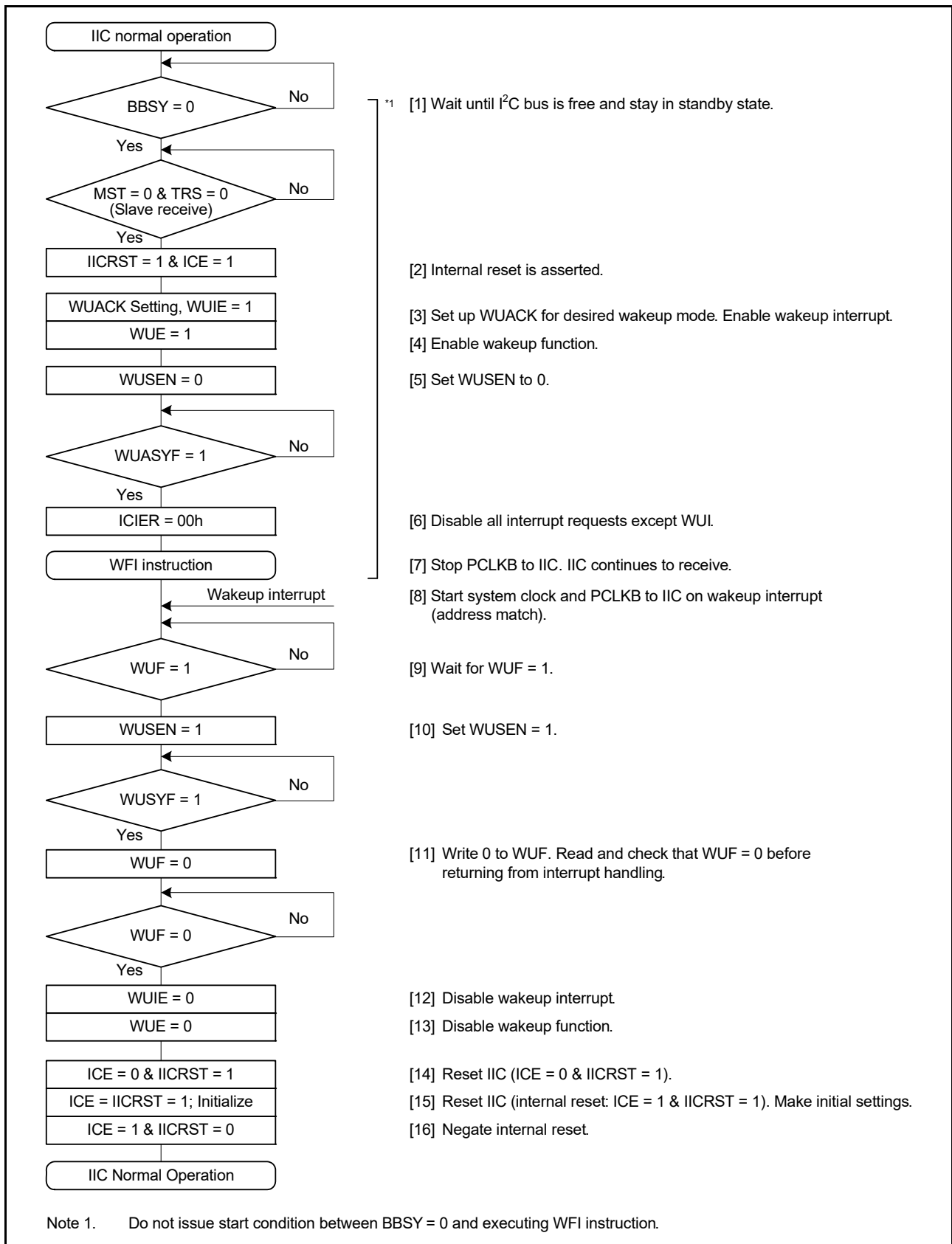
After wakeup: Normal operation continues after IIC initialization.

If the slave address does not match, the slave operation continues.

Note: Because the SCL line is not held low during wakeup, transmission or reception of the data that follows the slave address is not possible.

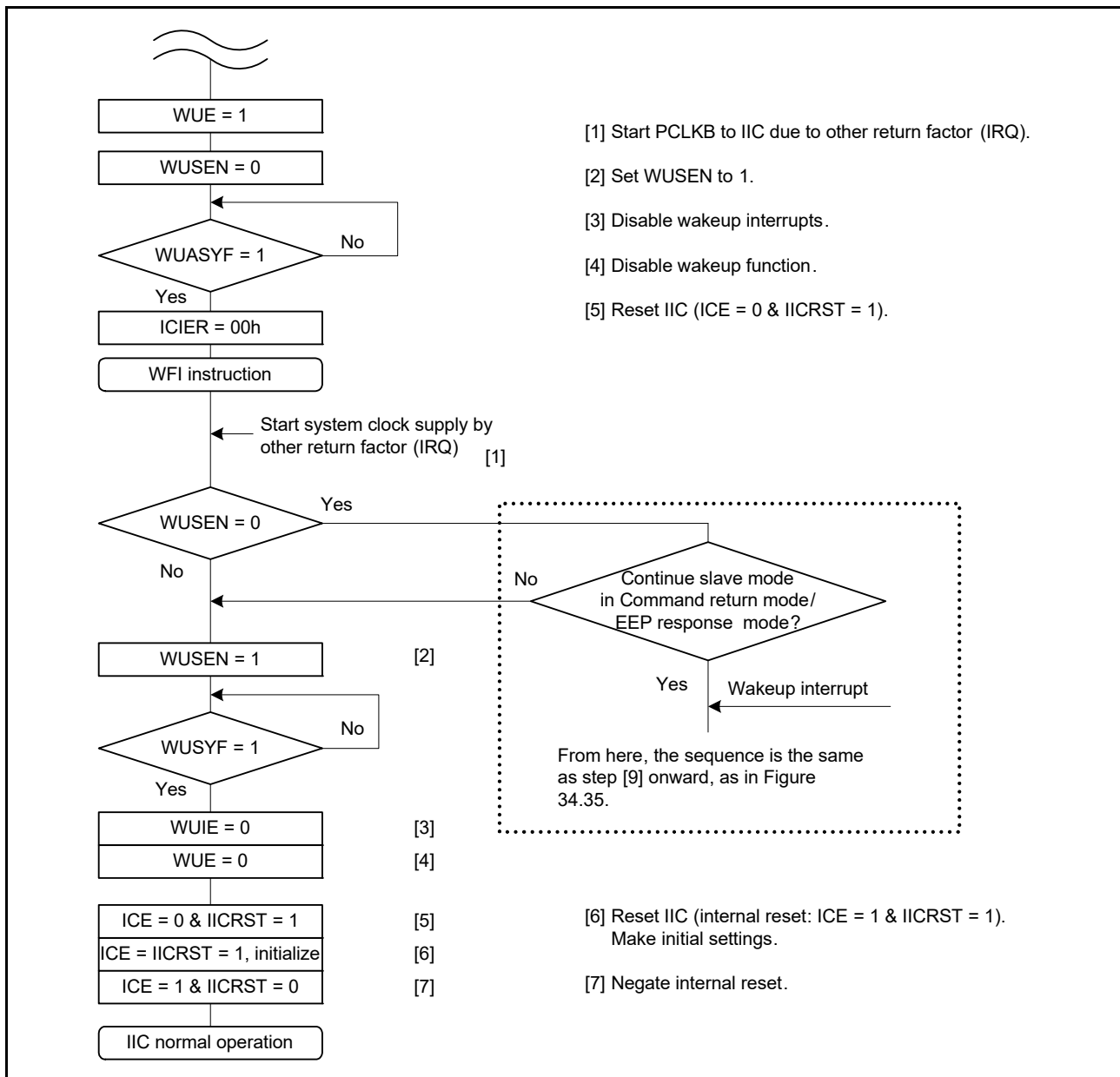
Note: The command recovery and EEP response modes are internal reset states (ICE = IICRST = 1). Therefore, the match of the slave address does not set the flags HOA, GCA, ASS0, ASS1, and ASS2 in the ICSR1 register.

If the transition from Software Standby mode is triggered by an interrupt other than a wakeup interrupt, such as the IRQn for example, the WUF flag is not set to 1. Follow the operation shown in [Figure 34.36](#).



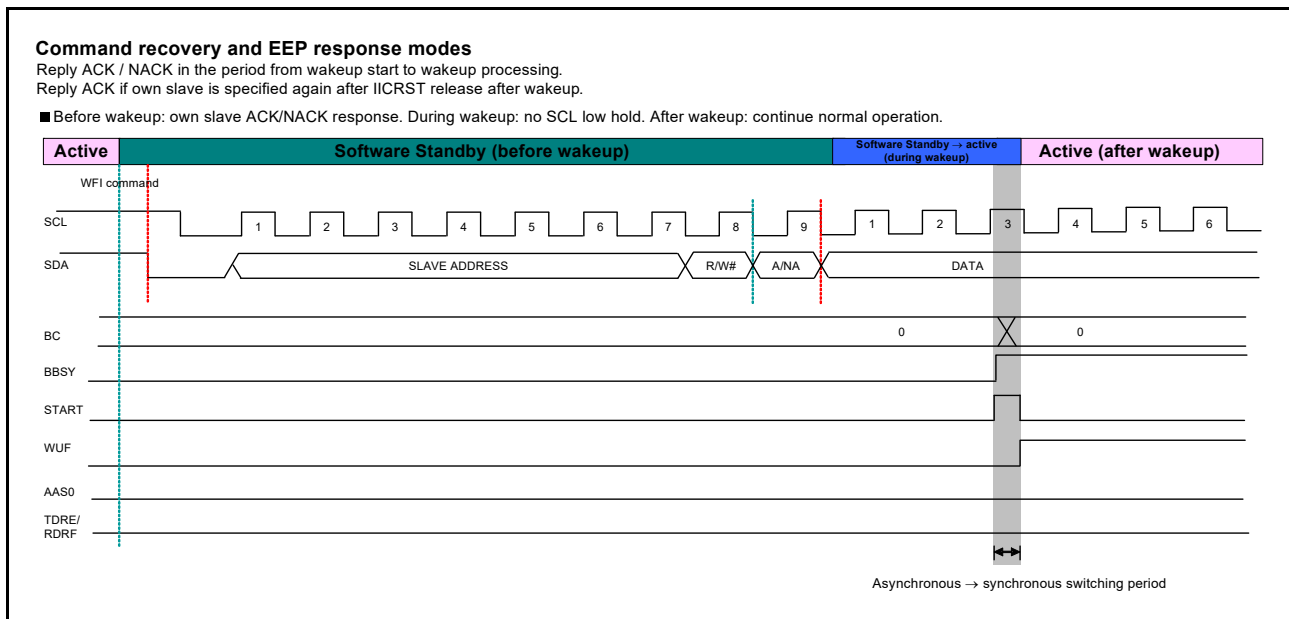
**Figure 34.35 Example operation of command recovery mode and EEP response mode when wakeup is triggered by a wakeup interrupt on match of the slave address**

Note: See [Precautions on the use of the wakeup function](#).



**Figure 34.36** Example operation of command recovery mode and EEP response mode when wakeup is triggered by the interrupt other than IIC wakeup interrupt, for example, the IRQn

Note: For details on the IIC initial settings, see [section 34.3.2, Initial Settings](#).



**Figure 34.37** Timing of command recovery and EEP response modes

### 34.8.4 Precautions for WFI Instruction Execution

In the wakeup function examples shown in [Figure 34.30](#), [Figure 34.33](#), and [Figure 34.35](#), make sure that the start condition is not issued during the period from the setting of BBSY = 0 to the execution of the WFI instruction.

When a start condition is issued during this period, NACK is returned after the reception of the first byte of the first data block. Detection of the start or restart condition then enables the wakeup function.

## 34.9 Automatic Low-Hold Function for SCL

### 34.9.1 Function to Prevent Wrong Transmission of Transmit Data

If the I<sup>2</sup>C Bus Shift Register (ICDRS) is empty when data has not been written to the I<sup>2</sup>C Bus Transmit Data Register (ICDRT) with the IIC in transmission mode (TRS bit = 1 in ICCR2), the SCL<sub>n</sub> line is automatically held at the low level over subsequent intervals. This low-hold period is extended until the transmit data is written, which prevents the unintended transmission of erroneous data.

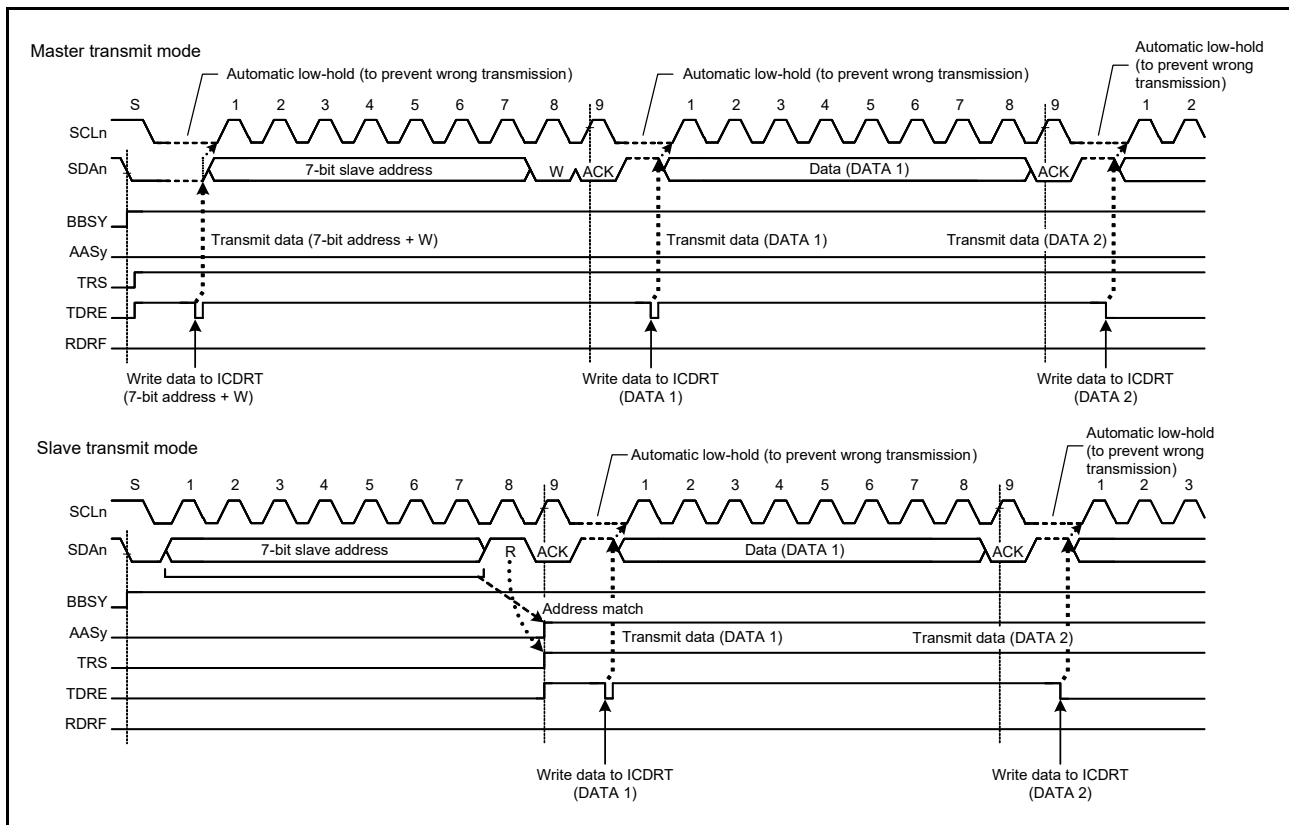
#### Master transmit mode

- Low-level interval after a start or restart condition is issued
- Low-level interval between the 9<sup>th</sup> clock cycle of one transfer and the 1<sup>st</sup> clock cycle of the next.

#### Slave transmit mode

- Low-level interval between the 9<sup>th</sup> clock cycle of one transfer and the 1<sup>st</sup> clock cycle of the next.



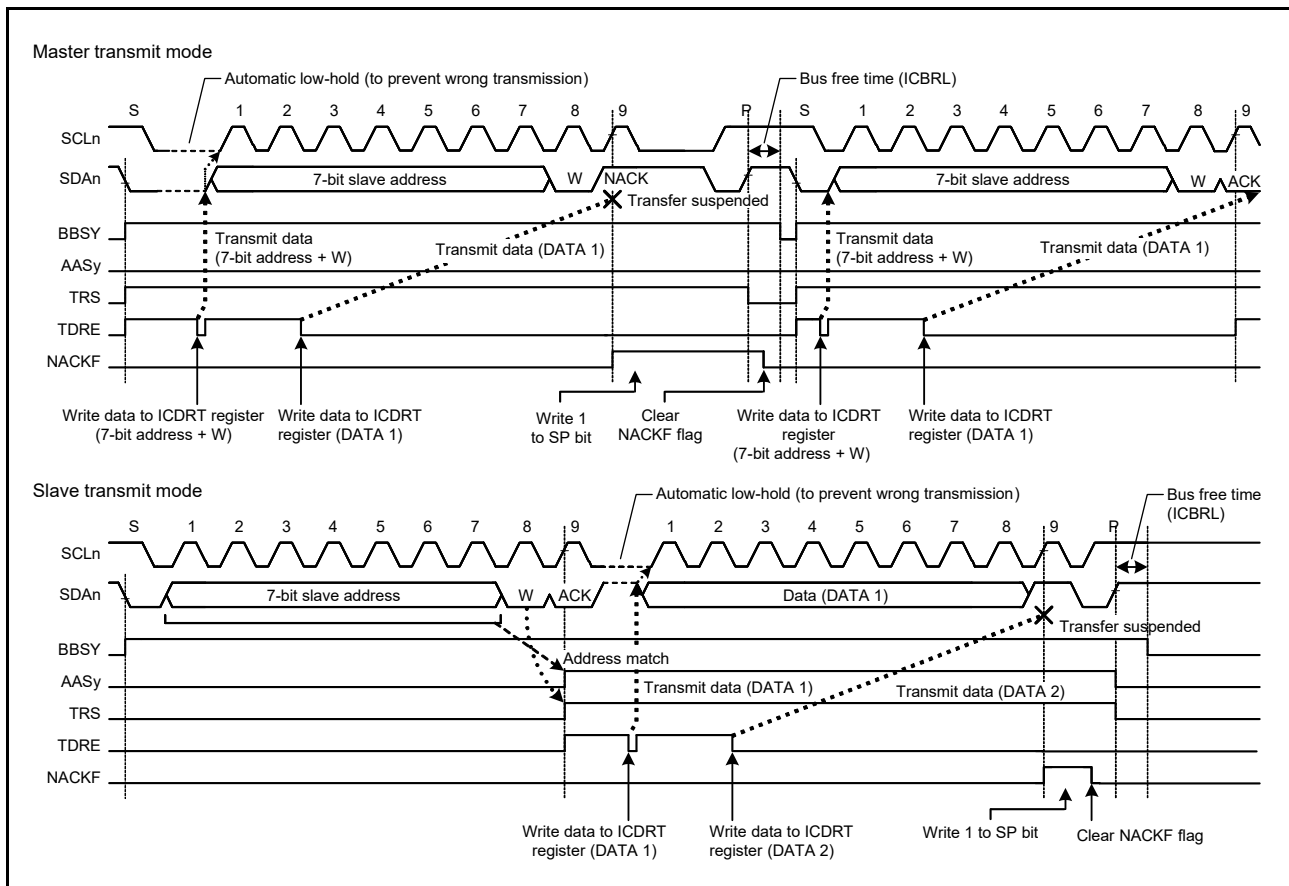


**Figure 34.38** Automatic low-hold operation in transmit mode

### 34.9.2 NACK Reception Transfer Suspension Function

This function suspends transfer operation when NACK is received in transmit mode (TRS bit = 1 in ICCR2). This function is enabled when the NACKIE bit in ICFER is set to 1. If the next transmit data is already written (TDRE flag = 0 in ICSR2) when NACK is received, the next data transmission on the falling edge of the 9<sup>th</sup> SCL clock cycle is automatically suspended. This prevents the SDA line output level from being held low when the MSB of the next transmit data is 0.

If the transfer operation is suspended by this function (NACKF flag = 1 in ICSR2), transmit and receive operations are discontinued. To restore transmit or receive operations, set the NACKF flag to 0. In master transmit mode, after a restart or stop condition is issued, set the NACKF flag to 0, and then issue a start condition again.



**Figure 34.39** Suspension of data transfer when NACK is received, when NACK = 1

### 34.9.3 Function to Prevent Failure to Receive Data

If response processing is delayed when receive data (ICDRT) read is delayed for a period of one transfer frame or more with receive data full (RDRF flag = 1 in ICSR2) in receive mode (TRS = 0 in ICCR2), the IIC holds the SCLn line low automatically immediately before the next data is received to prevent failure to receive data.

This function is also enabled even if the read processing of the final receive data is delayed and, in the meantime, the IIC slave address is designated after a stop condition is issued. This function does not interfere with other communication because the IIC does not hold the SCLn line low when a mismatch with its own slave address occurs after a stop condition is issued.

Periods in which the SCLn line is held low can be selected with a combination of the WAIT and RDRFS bits in ICMR3.

#### (1) 1-byte receive operation and automatic low-hold function using the WAIT bit

When the WAIT bit in ICMR3 is set to 1, IIC performs a 1-byte receive operation using the WAIT bit function. Additionally, when the ICMR3.RDRFS bit is 0, IIC automatically sends the ACKBT bit value in ICMR3 for the acknowledge bit in the period from the falling edge of the 8<sup>th</sup> SCL clock cycle to the falling edge of the 9<sup>th</sup> SCL clock cycle, and automatically holds the SCLn line low on the falling edge of the 9<sup>th</sup> SCL clock cycle using the WAIT bit function. This low-hold is released by reading data from ICDRT, which enables byte-wise receive operation.

The WAIT bit function is enabled for receive frames after a match with the IIC slave address, including the general call address and host address, is obtained in master or slave receive mode.

(2) 1-byte receive operation (ACK/NACK transmission control) and automatic low-hold function using the RDRFS bit

When the RDRFS bit in ICMR3 is set to 1, the IIC performs a 1-byte receive operation using the RDRFS bit function. When the RDRFS bit is set to 1, the RDRF (receive data full) flag in ICSR2 is set to 1 on the rising edge of the 8<sup>th</sup> SCL clock cycle, and the SCLn line is automatically held low on the falling edge of the 8<sup>th</sup> SCL clock cycle. This low-hold is released by writing a value to the ACKBT bit in ICMR3, but cannot be released by reading data from ICDRR, which enables receive operation through the ACK or NACK transmission control based on the data received in byte units.

The RDRFS bit function is enabled for receive frames after a match with the IIC slave address, including the general call address and host address, is obtained in master or slave receive mode.

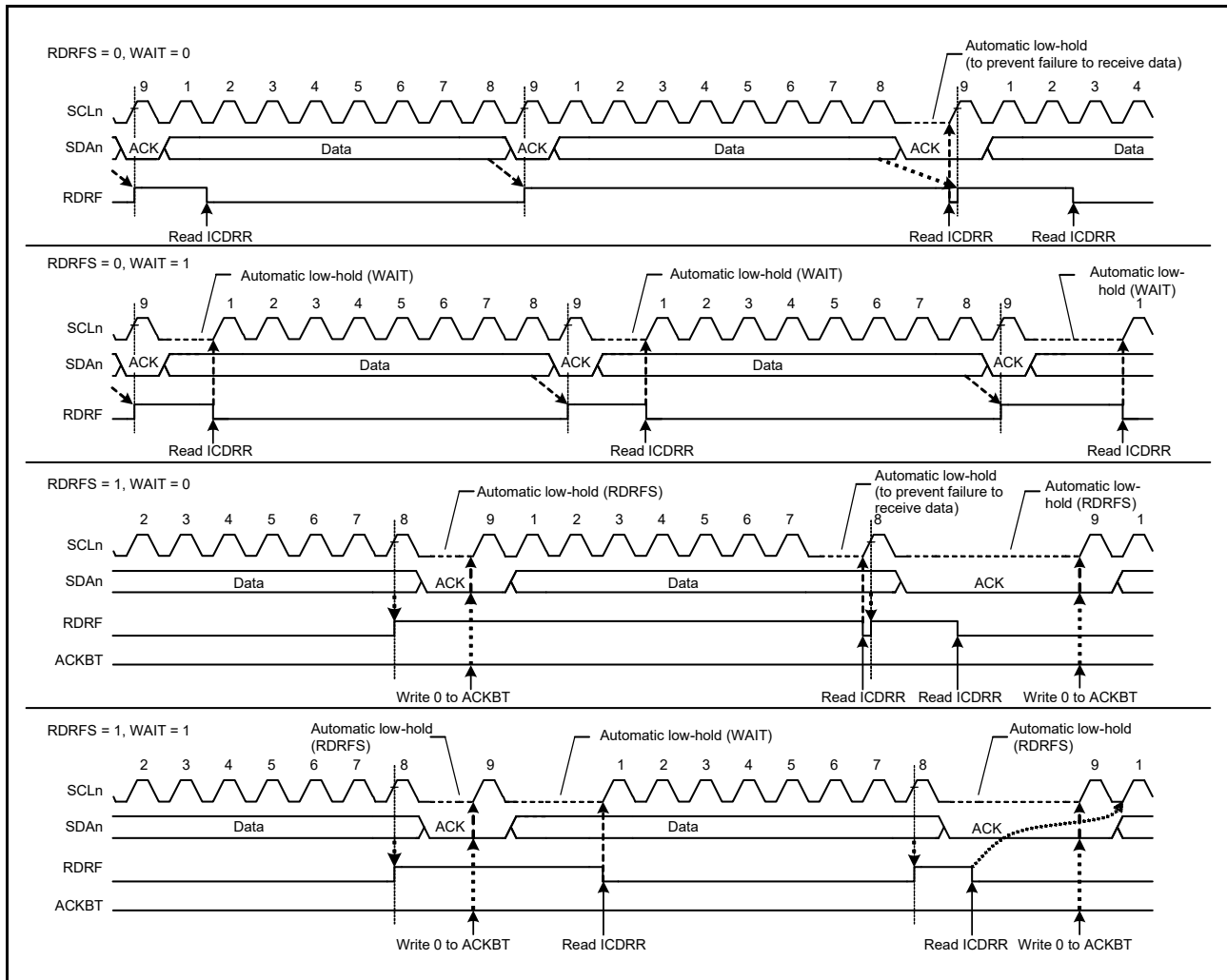


Figure 34.40 Automatic low-hold operation in receive mode using the RDRFS and WAIT bits

## 34.10 Arbitration-Lost Detection Functions

In addition to the normal arbitration-lost detection function defined by the I<sup>2</sup>C bus standard, IIC provides functions to prevent double-issue of a start condition, detect arbitration-lost during the transmission of NACK, and detect arbitration-lost in slave transmit mode.

### 34.10.1 Master Arbitration-Lost Detection (MALE Bit)

IIC drives the SDA<sub>n</sub> line low to issue a start condition. However, if the SDA<sub>n</sub> line was already driven low by another master device issuing a start condition, IIC regards its own start condition as an error and considers this a loss in arbitration. Priority is given to transfer by the other master device. Similarly, if a request to issue a start condition is made by setting the ST bit in ICCR2 to 1 while the bus is busy (BBSY flag = 1 in ICCR2), IIC regards this as a double-issuing-of-start-condition error and considers itself to have lost the arbitration. This prevents a failure of transfer resulting from a start condition issued while transfer is in progress.

When a start condition is issued successfully, if the transmit data including the address bits (internal SDA output level) and the level on the SDA<sub>n</sub> line do not match (high output as the internal SDA output, meaning the SDA<sub>n</sub> pin is in the high-impedance state) and a low level is detected on the SDA<sub>n</sub> line, IIC loses the arbitration.

After a loss in arbitration of mastership, the IIC immediately enters slave receive mode. If a slave address, including the general call address, matches its own address at this time, the IIC continues in slave operation.

A loss in arbitration of mastership is detected when the following conditions are met while the MALE bit in ICFER is 1 (master arbitration-lost detection enabled).

[Master arbitration-lost conditions]

- Mismatching of the internal level for output on SDA and the level on the SDA<sub>n</sub> line after a start condition was issued by setting the ST bit in ICCR2 to 1 while the BBSY flag in ICCR2 is set to 0 (erroneous issuing of a start condition)
- Setting of the ST bit in ICCR2 to 1 (start condition double-issue error) while the BBSY flag is 1
- When the transmit data excluding acknowledge (internal SDA output level) does not match the level on the SDA<sub>n</sub> line in master transmit mode (MST and TRS bits = 11b in ICCR2).

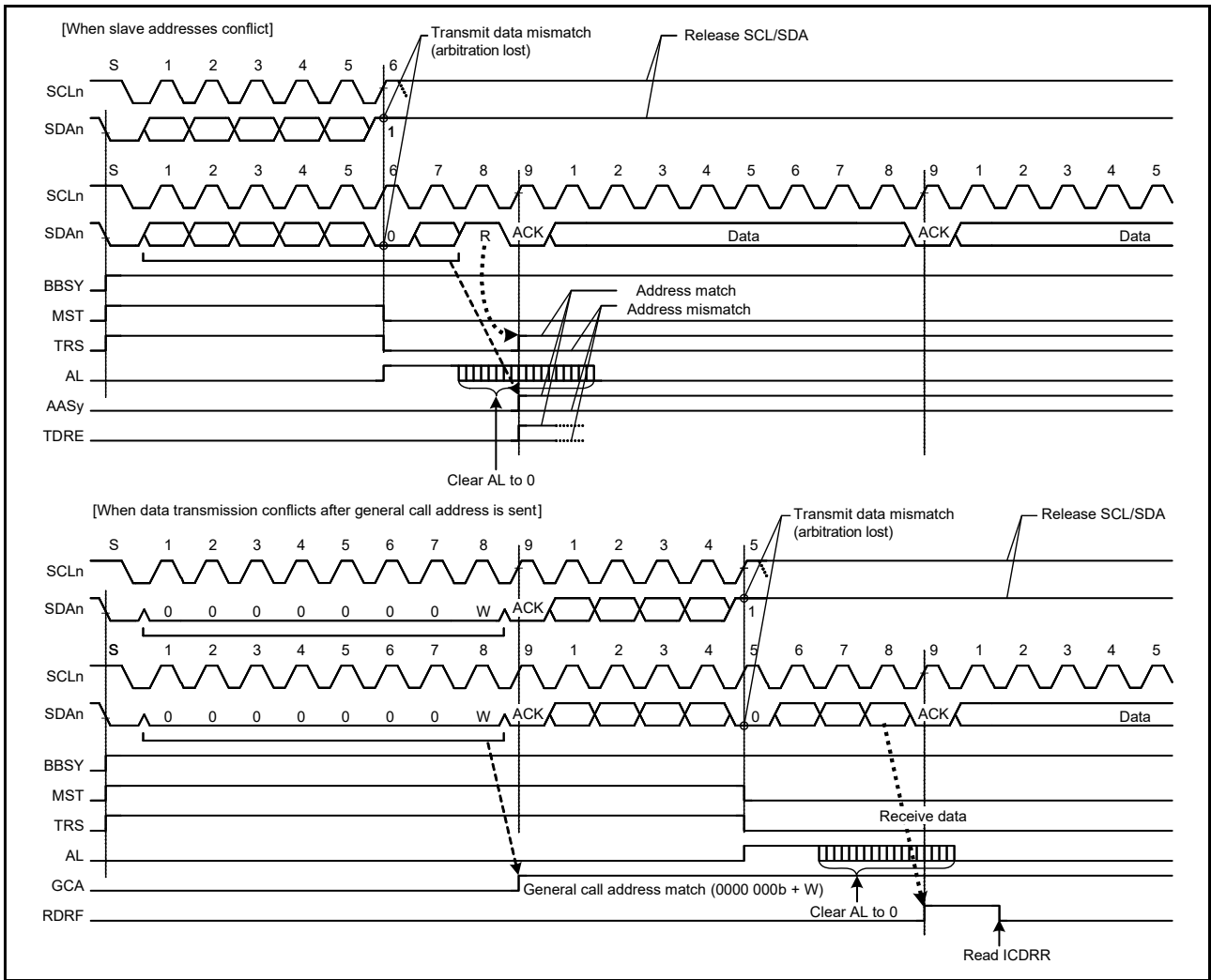


Figure 34.41 Examples of master arbitration-lost detection when MALE = 1

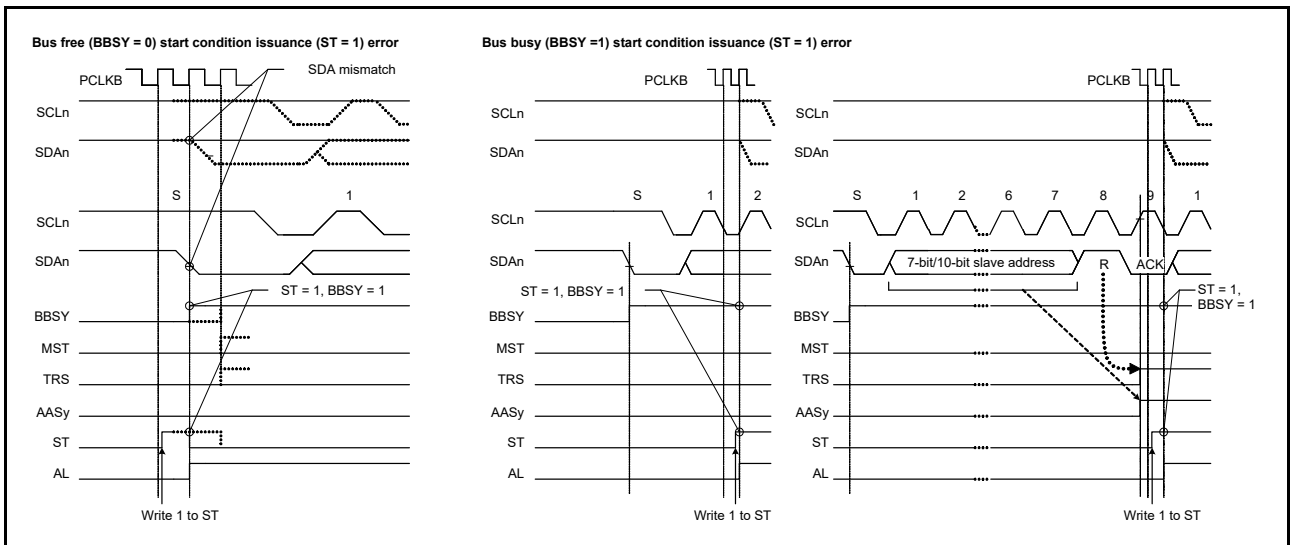
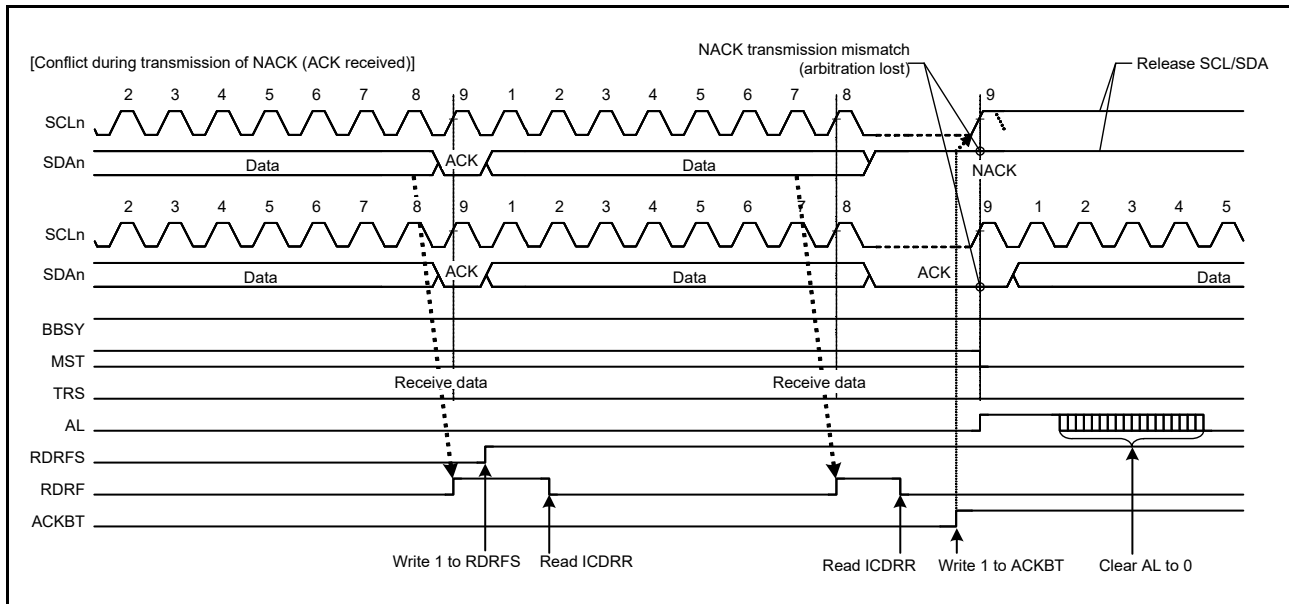


Figure 34.42 Arbitration-lost when start condition is issued when MALE = 1

### 34.10.2 Function to Detect Loss of Arbitration during NACK Transmission (NALE Bit)

This function causes arbitration to be lost if the internal SDA output level does not match the level on the SDA<sub>n</sub> line during transmission of NACK in receive mode. Arbitration is lost because of a conflict between NACK and ACK transmissions when two or more master devices receive data from the same slave device simultaneously in a multi-master system. Such conflict occurs when multiple master devices send or receive the same information through a single slave device. Figure 34.43 shows an example of arbitration-lost detection during the transmission of NACK.



**Figure 34.43 Example of arbitration-lost detection during transmission of NACK when NALE = 1**

The following description explains arbitration-lost detection using an example in which two master devices (master A and master B) and a single slave device are connected through the bus. In this example, master A receives 2 bytes of data from the slave device, and master B receives 4 bytes of data from the slave device.

If master A and master B access the slave device simultaneously, because the slave address is identical, arbitration is not lost in either master A or B during access to the slave device. Therefore, both master A and master B recognize that they have obtained the bus mastership and operate as such. Master A sends NACK when it has received the 2 final bytes of data from the slave device. Meanwhile, master B sends ACK because it has not received the required 4 bytes of data.

The NACK transmission from master A and the ACK transmission from master B conflict. In general, if a conflict like this occurs, master A cannot detect the ACK transmitted by master B and issues a stop condition. The stop condition issue conflicts with the SCL clock output of master B, which disrupts communication.

When IIC receives ACK during transmission of NACK, it detects a defeat in conflict with other master devices and causes arbitration to be lost. If arbitration is lost during transmission of NACK, IIC immediately cancels the slave match condition and enters slave receive mode. This prevents a stop condition from being issued, preventing a communication failure on the bus.

Similarly, in the ARP command processing of SMBus, the function to detect loss of arbitration during transmission of NACK is also available for eliminating the extra clock cycle processing, such as FFh transmission processing, which is required if the UDID (Unique Device Identifier) of the assigned address does not match in the Get UDID general processing after the Assign Address command.

The IIC detects arbitration-lost during transmission of NACK when the following condition is met with the NALE bit in ICFER set to 1 (arbitration-lost detection during NACK transmission enabled).

[Condition for arbitration-lost during NACK transmission]

- When the internal SDA output level does not match the SDA<sub>n</sub> line (ACK is received) during transmission of NACK (ACKBT bit = 1 in ICMR3).

### 34.10.3 Slave Arbitration-Lost Detection (SALE Bit)

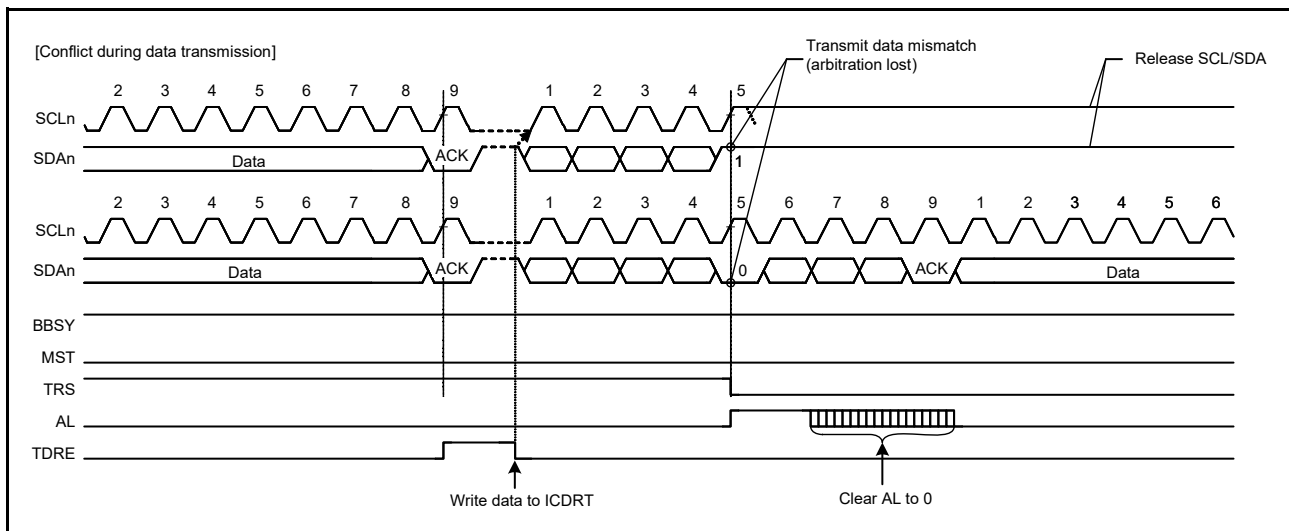
This function causes arbitration to be lost if the transmit data (internal SDA output level) and the level on the SDA<sub>n</sub> line do not match (high output as the internal SDA output, meaning the SDA<sub>n</sub> pin is in the high-impedance state), and the low level is detected on the SDA<sub>n</sub> line in slave transmit mode. This arbitration-lost detection function is mainly used when transmitting a UDID (Unique Device Identifier) over an SMBus.

When IIC loses slave arbitration, IIC is immediately released from the slave-matched state and enters slave receive mode. This function can detect conflicts of data during transmission of UDIDs over an SMBus and eliminates subsequent redundant processing for the transmission of FFh.

IIC detects slave arbitration-lost when the following condition is met with the SALE bit in ICFER set to 1 (slave arbitration-lost detection enabled).

[Condition for slave arbitration-lost]

- When transmit data excluding acknowledge (internal SDA output level) does not match the SDA<sub>n</sub> line in slave transmit mode (MST and TRS bits = 01b in ICCR2).



**Figure 34.44** Example of slave arbitration-lost detection when SALE = 1

## 34.11 Start, Restart, and Stop Condition Issuing Function

### 34.11.1 Issuing a Start Condition

IIC issues a start condition when the ST bit in ICCR2 is set to 1. When the ST bit is set to 1, a start condition request is made, and IIC issues a start condition when the BBSY flag in ICCR2 is 0 (bus free state). When a start condition is issued normally, IIC automatically shifts to the master transmit mode.

To issue a start condition:

1. Drive the SDA<sub>n</sub> line low (high level to low level).
2. Ensure that the time set in ICBRH and the start condition hold time elapse.
3. Drive the SCL<sub>n</sub> line low (high level to low level).
4. Detect low level on the SCL<sub>n</sub> line and ensure the low-level period of the SCL<sub>n</sub> line set in ICBRL elapses.

### 34.11.2 Issuing a Restart Condition

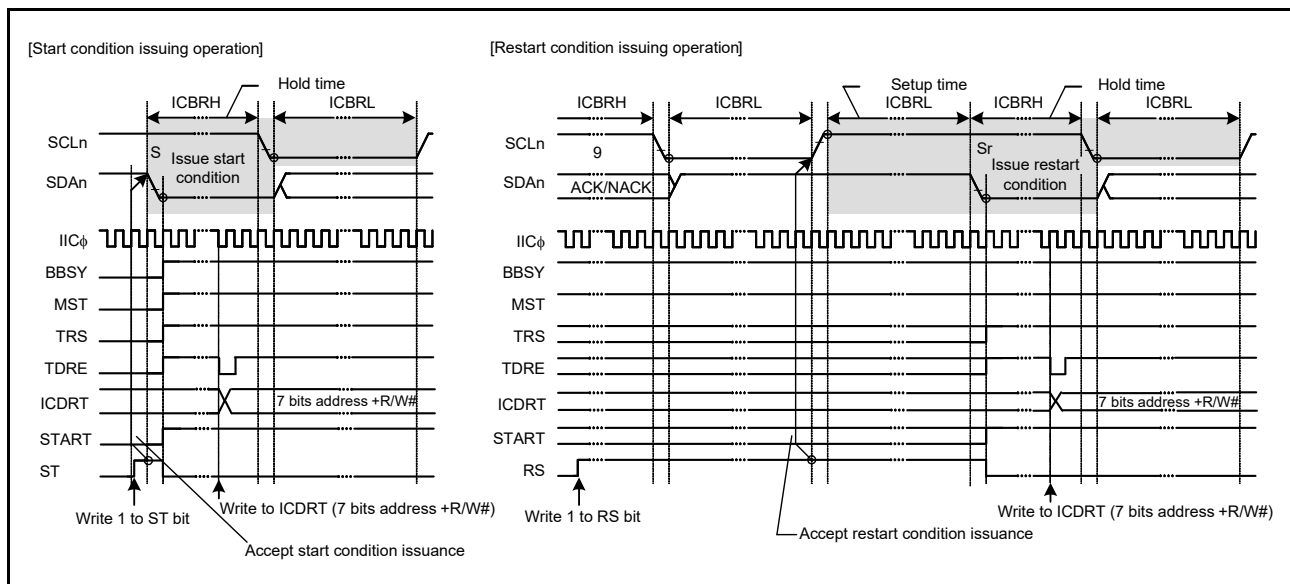
IIC issues a restart condition when the RS bit in ICCR2 is set to 1.

When the RS bit is set to 1, a restart condition request is made, and IIC issues a restart condition when the BBSY flag in ICCR2 is 1 (bus busy state) and the MST bit in ICCR2 is 1 (master mode).

To issue a restart condition:

1. Release the SDA<sub>n</sub> line.
2. Ensure that the low-level period of the SCL<sub>n</sub> line set in ICBRL elapses.
3. Release the SCL<sub>n</sub> line (low level to high level).
4. Detect a high level on the SCL<sub>n</sub> line and ensure the time set in ICBRL and the restart condition setup time elapse.
5. Drive the SDA<sub>n</sub> line low (high level to low level).
6. Ensure the time set in ICBRH and the restart condition hold time elapse.
7. Drive the SCL<sub>n</sub> line low (high level to low level).
8. Detect a low level on the SCL<sub>n</sub> line and ensure the low-level period of the SCL<sub>n</sub> line set in ICBRL elapses.

**Note:** When issuing restart condition requests, write the slave address to ICDRT after confirming that ICCR2.RS = 0. Data written while ICCR2.RS = 1 is not forwarded because of the retransmission condition before the occurrence.



**Figure 34.45 Start and restart condition issue timing using the ST and RS bits**

Figure 34.46 shows the operation timing when a restart condition is issued after the master transmission.

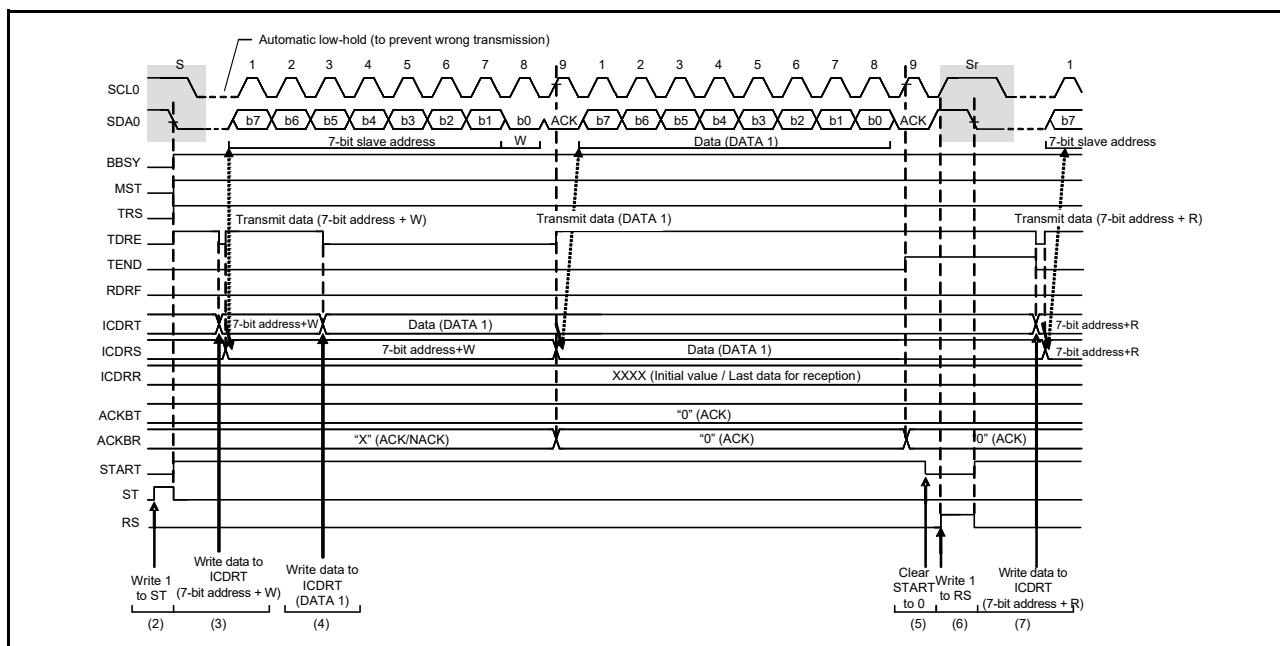
To issue a restart condition after the master transmission:

1. Initialize the IIC using the details provided in [section 34.3.2, Initial Settings](#).
2. Read the BBSY flag in IICR2 to check that the bus is free, and then set the ST bit in ICCR2 to 1 (start condition issuance request). On receiving the request, IIC issues a start condition. At the same time, the BBSY flag and the START flag in ICSR2 are automatically set to 1 and the ST bit automatically sets to 0. If the start condition is detected and the internal levels for the SDA output state and the levels on the SDA<sub>n</sub> line match while the ST bit is 1, IIC recognizes that a start condition is successfully issued as requested by the ST bit. The MST and TRS bits in ICCR2 automatically set to 1, placing IIC in master transmit mode. The TDRE flag in ICSR2 also automatically sets to 1 when the TRS bit is set to 1.
3. Check that the TDRE flag in ICSR2 is 1, and then write the value for transmission (the slave address and the R/W# bit) to ICDRT. After the transmit data is written to ICDRT, the TDRE flag automatically sets to 0, the data is



transferred from ICDRT to ICDRS, and the TDRE flag again sets to 1. After the byte containing the slave address and R/W# bit has been transmitted, the value of the TRS bit is automatically updated to select master transmit or master receive mode according to the value of the transmitted R/W# bit. If the value of the R/W# bit is 0, IIC continues in master transmit mode. If the ICSR2.NACKF flag is 1 at this time, indicating that no slave device recognized the address or that there was an error in communications, write 1 to ICCR2.SP bit to issue a stop condition. To transmit data with an address in the 10-bit format, start by writing 1111 0b, the 2 upper bits of the slave address, and W to ICDRT as the first address transmission. Then, as the second address transmission, write the 8 lower bits of the slave address to ICDRT.

- After confirming that the TDRE flag in ICSR2 is 1, write the data for transmission to the ICDRT register. IIC automatically holds the SCLn line low until the data for transmission is ready, and a restart or stop condition is issued.
- After all bytes of data for transmission are written to the ICDRT register, wait until the value of the TEND flag in ICSR2 returns to 1. Then, after checking that the START flag in ICSR2 is 1, set the START flag in ICSR2 to 0.
- Set the RS bit in ICCR2 to 1 (restart condition issuance request). Upon receiving the request, IIC issues a restart condition.
- After checking that the START flag in ICSR2 is 1, write the value for transmission (the slave address and the R/W# bit) to ICDRT.



**Figure 34.46** Restart condition issue timing after master transmission.

### 34.11.3 Issuing a Stop Condition

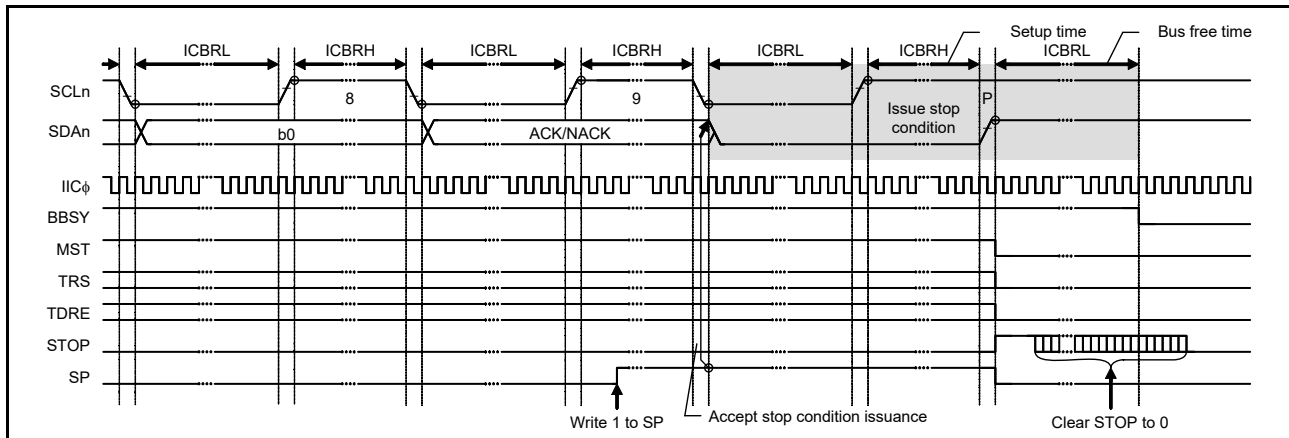
IIC issues a stop condition when the SP bit in ICCR2 is set to 1.

When the SP bit is set to 1, a stop condition request is made, and the IIC issues a stop condition when the BBSY flag in ICCR2 is 1 (bus busy state) and the MST bit in ICCR2 is 1 (master mode).

To issue a stop condition:

- Drive the SDA<sub>n</sub> line low (high level to low level).
- Ensure that the low-level period of the SCL<sub>n</sub> line set in ICBRL elapses.
- Release the SCL<sub>n</sub> line (low level to high level).
- Detect a high level on the SCL<sub>n</sub> line and ensure that the time set in ICBRH and the stop condition setup time elapse.
- Release the SDA<sub>n</sub> line (low level to high level).

6. Ensure the time set in ICBRL and the bus free time elapse.
7. Clear the BBSY flag to 0 to release the bus mastership.



**Figure 34.47 Stop condition issue timing using the SP bit**

## 34.12 Bus Hanging

If the clock signals from the master and slave devices are out of synchronization because of noise or other factors, the I<sup>2</sup>C bus might hang with a fixed level on the SCLn line or SDA\_n line.

To manage bus hanging, the IIC has the following:

- A timeout function to detect hanging by monitoring the SCLn line
- A function for the output of an extra SCL clock cycle to release the bus from a hung state because of clock signals being out of synchronization
- An IIC reset function
- An internal reset function.

By checking the SCLO, SDAO, SCLI, and SDAI bits in ICCR1, it is possible to see whether the IIC or its communicating partner is placing the low level on the SCLn or SDA\_n lines.

### 34.12.1 Timeout Function

The timeout function can detect when the SCLn line is stuck longer than the predetermined time. IIC can detect an abnormal bus state by monitoring that the SCLn line is stuck low or high for a predetermined time.

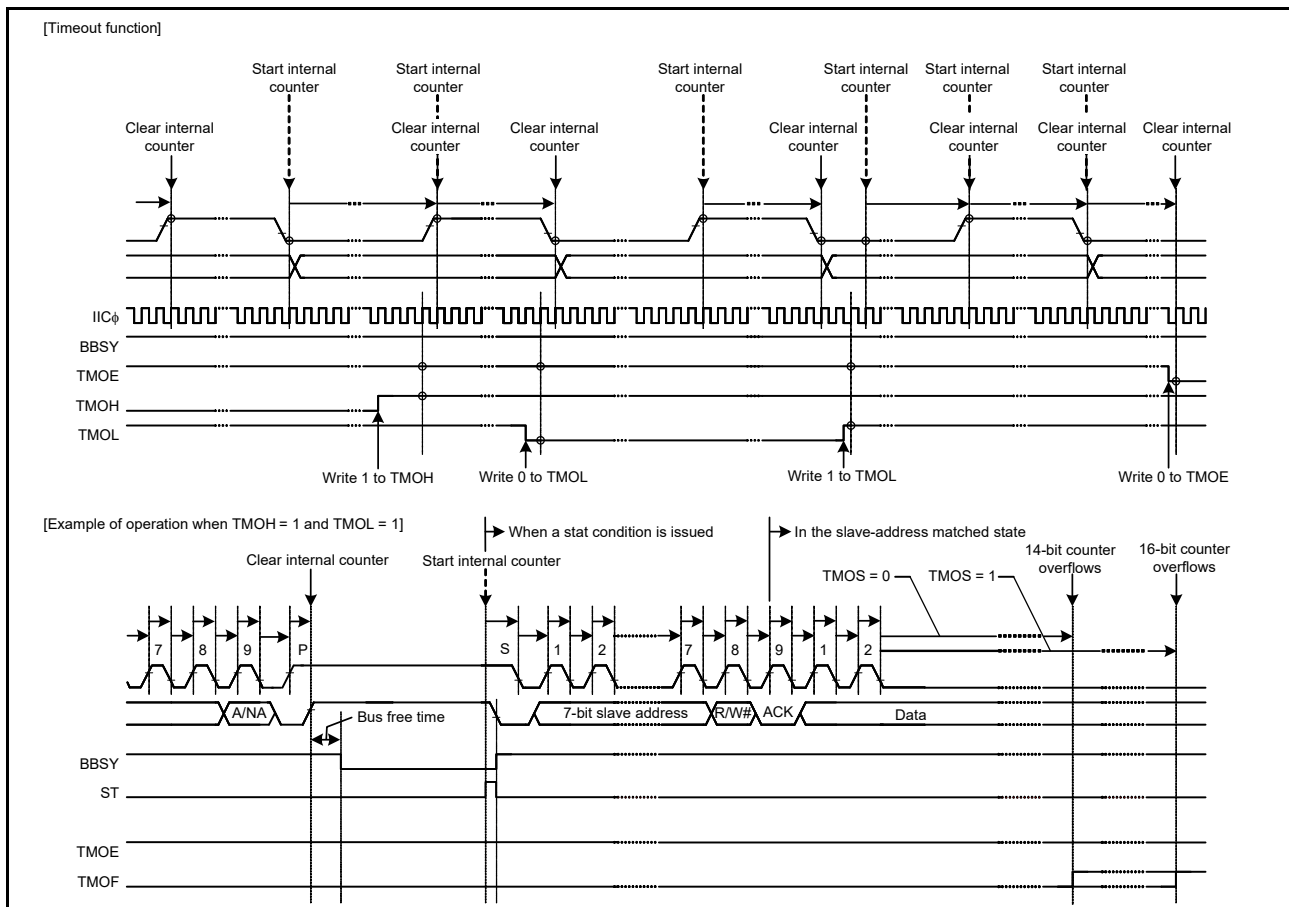
The timeout function monitors the SCLn line state and counts the low-level or high-level period using the internal counter. The timeout function resets the internal counter each time the SCLn line changes (rises or falls), but continues to count unless the SCLn line changes. If the internal counter overflows because no SCLn line changes, IIC can detect the timeout and report the bus hung state.

This timeout function is enabled when the ICFER.TMOE bit is 1. It detects a hung state when the SCLn line is stuck low or high during the following conditions:

- The bus is busy (ICCR2.BBSY flag is 1) in master mode (ICCR2.MST bit is 1)
- IIC slave address is detected (ICSR1 register is not 00h) and the bus is busy (ICCR2.BBSY flag is 1) in slave mode (ICCR2.MST bit is 0)
- The bus is free (ICCR2.BBSY flag is 0) while a start condition is requested (ICCR2.ST bit is 1).

The internal counter of the timeout function uses the internal reference clock (IICφ) set in the CKS[2:0] bits in ICMR1 as a count source. It functions as a 16-bit counter when long mode is selected (TMOS bit = 0 in ICMR2) or a 14-bit counter when short mode is selected (TMOS bit = 1).

The SCLn line level (low, high, or both levels) during which this counter is activated can be selected in the TMOH and TMOL bits in ICMR2. If both TMOL and TMOH bits are set to 0, the internal counter is disabled.



**Figure 34.48** Timeout function using the TMOE, TMOS, TMOH, and TMOL bits

### 34.12.2 Extra SCL Clock Cycle Output Function

In master mode, this function outputs extra SCL clock cycles to release the SDAn line of the slave device from being held at the low level because the master is out of synchronization with the slave device.

This function is mainly used in master mode to release the SDAn line of the slave device from being fixed low by including extra cycles of SCL output from IIC. It uses single cycles of the SCL clock for a bus error where IIC cannot issue a stop condition because the slave device is holding the SDAn line at the low level. Do not use this function in normal situations. Using it when communications are proceeding correctly leads to malfunctioning.

When the CLO bit in ICCR1 is set to 1 in master mode, a single cycle of the SCL clock at the transfer rate specified in the CKS[2:0] bits in ICMR1, and in the ICBRH and ICBRL registers, is output as an extra clock cycle. After output of this single cycle of the SCL clock, the CLO bit is automatically set to 0. More extra clock cycles can be output consecutively by writing 1 to the CLO bit through software after having read CLO = 0.

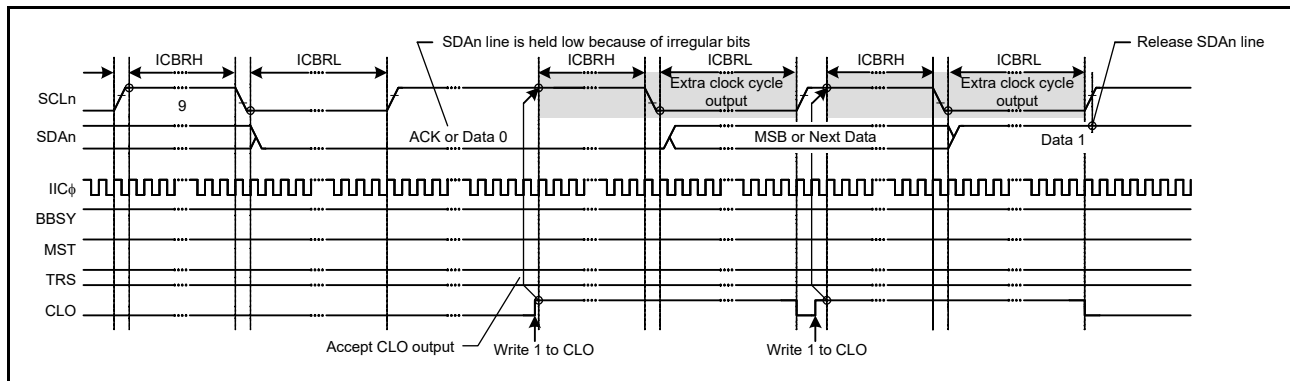
When the IIC module is in master mode and the slave device is holding the SDAn line at the low level because synchronization with the slave device is lost because of effects like noise, the output of a stop condition is not possible. This function can be used to output extra cycles of SCL one by one to make the slave device release the SDAn line from being held at the low level, and recover the bus from an unusable state. Release of the SDAn line by the slave device can be monitored by reading the SDAI bit in ICCR1. After confirming the release of the SDAn line by the slave device, complete the communication by reissuing the stop condition.

Use this function with the MALE bit in ICFER set to 0 (master arbitration-lost detection disabled). If the MALE bit is set to 1 (enabled), arbitration is lost when the value of the SDAO bit in ICCR1 does not match the state of the SDAn line.

[Output conditions for using the CLO bit in ICCR1]

- When the bus is free (BBSY flag in ICCR2 = 0) or in master mode (MST bit = 1 and BBSY flag = 1 in ICCR2)
- When the communication device does not hold the SCLn line low.

Figure 34.49 shows the operation timing of the extra SCL clock cycle output function (CLO bit).



**Figure 34.49** Extra SCL clock cycle output function using the CLO bit

### 34.12.3 IIC Reset and Internal Reset

The IIC module has two types of resets:

- IIC reset, which initializes all registers, including the BBSY flag in ICCR2
- Internal reset, which releases the IIC from the slave-address matched state and initializes the internal counter while saving other settings.

After issuing a reset, always set the IICRST bit in ICCR1 to 0.

Both types of resets are valid for release from bus-hung states, because both restore the output state of the SCLn and SDAn pins to the high-impedance state.

Issuing a reset during slave operation might lead to a loss of synchronization between the master device clock and the slave device clock, therefore, avoid this when possible. In addition, monitoring of the bus state, such as for the presence of a start condition, is not possible during an IIC reset (ICE and IICRST bits = 01b in ICCR1).

For a detailed description of the IIC and internal resets, see [section 34.15, State of Registers when Issuing each Condition](#).

### 34.13 SMBus Operation

IIC supports data communication conforming to the SMBus Specification, version 2.0. To perform SMBus communication, set the SMBS bit in ICMR3 to 1. To use the transfer rate within a range of 10 kbps to 100 kbps of the SMBus standard, set the CKS[2:0] bits in ICMR1, ICBRH, and ICBRL. In addition, specify the values in the DLCS bit in ICMR2 and the SDDL[2:0] bits in ICMR2 to meet the data hold time specification of 300 ns or more. When the IIC is used only as a slave device, the transfer rate setting is not required, but ICBRL must be set to a value longer than the data setup time (250 ns).

For the SMBus device default address (1100 001b), use one of the slave address registers L0 to L2 (SARL0, SARL1, and SARL2), and set the associated FS bit (7- or 10-bit address format select) in SARUy (y = 0 to 2) to 0 (7-bit address format).

When transmitting the UDID (Unique Device Identifier), set the SALE bit in ICFER to 1 to enable the slave arbitration-lost detection function.

### 34.13.1 SMBus Timeout Measurement

#### (1) Measuring slave device timeout

The following period (timeout interval:  $T_{\text{LOW: SEXT}}$ ) must be measured for slave devices in SMBus communication:

- From start condition to stop condition.

To measure timeout for slave devices, measure the period from start condition detection to stop condition detection with the GPT using the IIC start condition detection interrupt (STIn) and stop condition detection interrupt (SPIn). The measured timeout period must be within the total clock low-level period [slave device]  $T_{\text{LOW: SEXT}}$ : 25 ms (maximum) of the SMBus standard.

If the time measured with the GPT exceeds the clock low-level detection timeout  $T_{\text{TIMEOUT}}$ : 25 ms (minimum) of the SMBus standard, the slave device must release the bus by writing 1 to the IICRST bit in ICCR1 to issue an internal reset of the IIC. When an internal reset is issued, the IIC stops driving the bus for the SCLn and SDA n pins and makes the SCLn/SDA n pin output high-impedance, which releases the bus.

#### (2) Measuring master device timeout

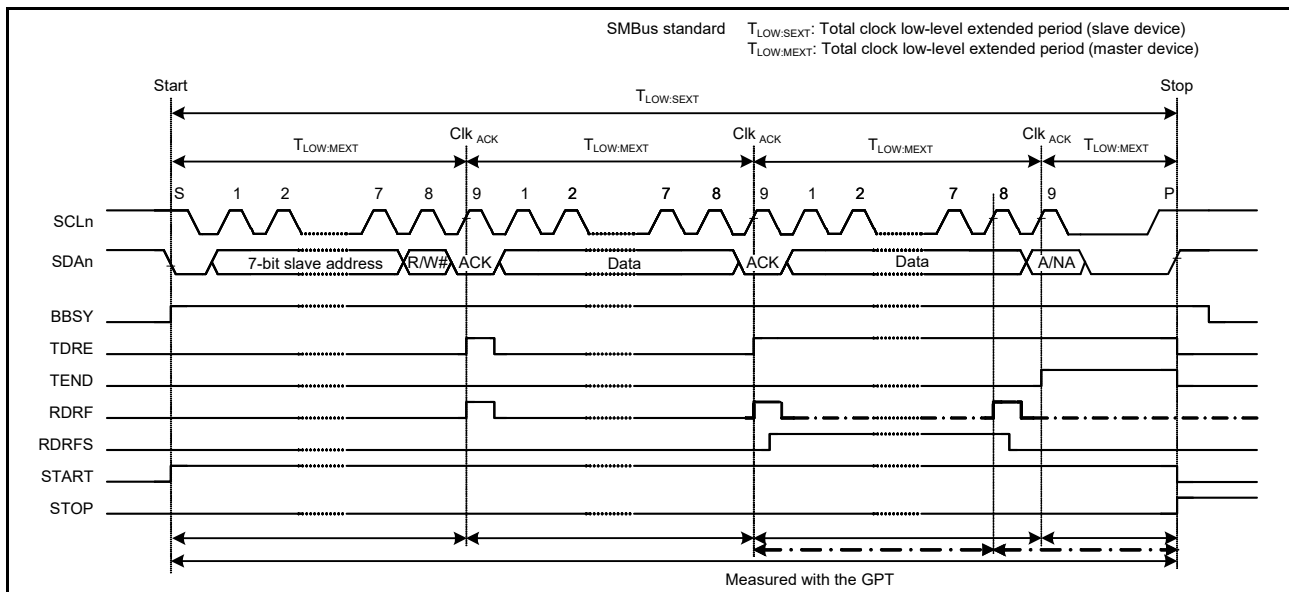
The following periods (timeout interval:  $T_{\text{LOW: MEXT}}$ ) must be measured for master devices in SMBus communication:

- From start condition to acknowledge bit
- Between acknowledge bits
- From acknowledge bit to stop condition.

To measure timeout for master devices, measure these periods with the GPT using the IIC start condition detection interrupt (STIn), stop condition detection interrupt (SPIn), transmit end interrupt (IICn\_TEI), or receive data full interrupt (IICn\_RXI). The measured timeout period must be within the total clock low-level extended period (master device)  $T_{\text{LOW: MEXT}}$ : 10 ms (maximum) of the SMBus standard, and the total of all  $T_{\text{LOW: MEXT}}$  values from the start condition to stop condition must be within  $T_{\text{LOW: SEXT}}$ : 25 ms (maximum).

For the ACK receive timing (rising edge of the 9<sup>th</sup> SCL clock cycle), monitor the TEND flag in ICSR2 in master transmit mode (master transmitter) and the RDRF flag in ICSR2 in master receive mode (master receiver). Perform byte-wise transmit operations in master transmit mode, and hold the RDRFS bit in ICMR3 at 0 until the byte immediately before the reception of the final byte in master receive mode. While the RDRFS bit is 0, the RDRF flag is set to 1 on the rising edge of the 9<sup>th</sup> SCL clock cycle.

If the period measured with GPT exceeds the total clock low-level extended period (master device),  $T_{\text{LOW: MEXT}}$ : 10 ms (maximum) of the SMBus standard or the total of measured periods exceeds the clock low-level detection timeout,  $T_{\text{TIMEOUT}}$ : 25 ms (minimum) of the SMBus standard, the master device must stop the transaction by issuing a stop condition. In master transmit mode, immediately stop the transmit operation (stop writing data to ICDRT).



**Figure 34.50** SMBus timeout measurement

### 34.13.2 Packet Error Code (PEC)

The MCU provides a CRC calculator, which enables transmission of a packet error code (PEC) or allows checking the received data in SMBus data communication for the IIC. For the CRC-generating polynomials of the CRC calculator, see [section 38, Cyclic Redundancy Check \(CRC\) Calculator](#).

In master transmit mode, the PEC data can be generated by writing all transmit data to the CRC Data Input register (CRCDIR) in the CRC calculator.

In master receive mode, the PEC data can be checked by writing all receive data to CRCDIR in the CRC calculator and comparing the obtained value in the CRC Data Output Register (CRCDOR) with the received PEC data.

To send ACK or NACK based on the match or mismatch result when the final byte is received as a result of the PEC code check, set the RDRFS bit in ICMR3 to 1 before the rising edge of the 8<sup>th</sup> SCL clock cycle during reception of the final byte, and hold the SCLn line low on the falling edge of the 8<sup>th</sup> clock cycle.

### 34.13.3 SMBus Host Notification Protocol (Notify ARP Master Command)

In communications over an SMBus, a slave device can temporarily act as a master device to notify the SMBus host (or ARP master) of its own slave address or to request its own slave address from the SMBus host.

For a product using the MCU to operate as an SMBus host or ARP master, the host address (0001 000b) sent from the slave device must be detected as a slave address, and so the IIC has a function for detecting the host address. To detect the host address as a slave address, set the SMBS bit in ICMR3 and the HOAE bit in ICSE to 1. Operation after the host address is detected is the same as normal slave operation.

## 34.14 Interrupt Sources

The IIC issues four types of interrupt requests:

- Transfer error or event occurrence (detection of arbitration-lost, NACK, timeout, start or restart condition, or stop condition)
- Receive data full
- Transmit data empty
- Transmit end.

[Table 34.10](#) lists details about the interrupt requests. The receive data full and transmit data empty interrupts can activate data transfer by the DTC or DMAC.

**Table 34.10** Interrupt sources

| Symbol                                  | Interrupt source                           | Interrupt flag | DMAC/DTC activation | Interrupt condition  |
|---|--|----------------|---------------------|--|
| IICn_EEI* <sup>5</sup>                  | Transfer error or event generation         | AL             | Not possible        | AL = 1, ALIE = 1   |
|   |  | NACKF          |                     | NACKF = 1, NAKIE = 1   |
|   |  | TMOF           |                     | TMOF = 1, TMOIE = 1  |
|   |  | START          |                     | START = 1, STIE = 1  |
|   |  | STOP           |                     | STOP = 1, SPIE = 1   |
| IICn_RXI* <sup>2</sup> , * <sup>5</sup> | Receive data full                          | RDRF           | Possible            | RDRF = 1, RIE = 1  |
| IICn_TXI* <sup>1</sup> , * <sup>5</sup> | Transmit data empty                        | TDRE           | Possible            | TDRE = 1, TIE = 1  |
| IICn_TEI* <sup>3</sup> , * <sup>5</sup> | Transmit end                               | TEND           | Not possible        | TEND = 1, TEIE = 1   |
| IIC0_WUI* <sup>4</sup>                  | Slave address match during wakeup function | WUF            | Not possible        | Slave address match<br>Slave receive complete<br>RWAK operation ASY0 = 1<br>WUIE = 1 |

Note: There is a delay between the execution of a write instruction for a peripheral module by the CPU and actual writing to the module. When an interrupt flag is cleared or masked, read the relevant flag again to check whether clearing or masking is complete, and then return from interrupt handling. Not doing so creates the possibility of repeated processing of the same interrupt.

Note 1. Because IICn\_TXI is an edge-detected interrupt, it does not require clearing. Additionally, the TDRE flag in ICSR2 (condition for IICn\_TXI) is automatically set to 0 when transmit data is written to ICDRT or a stop condition is detected (STOP flag = 1 in ICSR2).

Note 2. Because IICn\_RXI is an edge-detected interrupt, it does not require clearing. Additionally, the RDRF flag in ICSR2 (condition for IICn\_RXI) automatically is set to 0 when data is read from ICDRR.

Note 3. When using the IICn\_TEI interrupt, clear the TEND flag in ICSR2 in the IICn\_TEI interrupt handling. The TEND flag in ICSR2 automatically is set to 0 when transmit data is written to ICDRT or a stop condition is detected (STOP flag = 1 in ICSR2).

Note 4. Only channel 0 has a wakeup function, therefore IIC0\_WUI is for channel 0 only.

Note 5. Channel number (n = 0 to 2).

Clear or mask each flag during interrupt handling.

### 34.14.1 Buffer Operation for IICn\_TXI and IICn\_RXI Interrupts

If the conditions for generating an IICn\_TXI or IICn\_RXI interrupt are satisfied while the associated IR flag is 1, the interrupt request is not output for the ICU but is saved internally. One request per source can be saved internally.

An interrupt request that is saved within the ICU is output when the ICU.IELSRn.IR flag becomes 0. Internally saved interrupt requests are automatically cleared under normal conditions. They can also be cleared by writing 0 to the interrupt enable bit within the associated peripheral module.

### 34.15 State of Registers when Issuing each Condition

The IIC has two dedicated resets, IIC reset and internal reset. [Table 34.11](#) lists the registers state when issuing each condition.

**Table 34.11** Register states when issuing each condition (1 of 2)

| Registers |             | Reset | IIC reset<br>(ICE = 0, IICRST = 1) | Internal reset<br>(ICE = 1, IICRST = 1) | Start or restart<br>condition detection | Stop condition detection |
|-----------|-------------|-------|------------------------------------|---|---|--------------------------|
| ICCR1     | ICE, IICRST | Reset | Saved                              | Saved                                   | Saved                                   | Saved                    |
|           | SCLO, SDAO  |       | Reset                              | Reset                                   |   |                          |
|           | Others      |       | Saved                              | Saved                                   |   |                          |
| ICCR2     | BBSY        | Reset | Reset                              | Saved                                   | Set                                     | Saved                    |
|           | ST          |       |                                    | Reset                                   | Saved                                   | Saved                    |
|           | TRS,MST     |       |                                    | Set or saved                            | Reset                                   |                          |
|           | Others      |       |                                    | Reset                                   | Reset or Saved                          |                          |

**Table 34.11 Register states when issuing each condition (2 of 2)**

| Registers                                  |            | Reset | IIC reset<br>(ICE = 0, IICRST = 1) | Internal reset<br>(ICE = 1, IICRST = 1) | Start or restart<br>condition detection | Stop condition detection |
|--|------------|-------|------------------------------------|---|---|--------------------------|
| ICMR1                                      | BC[2:0]    | Reset | Reset                              | Reset                                   | Reset                                   | Saved                    |
|  | Others     |       |                                    | Saved                                   | Saved                                   |                          |
| ICMR2                                      |            | Reset | Reset                              | Saved                                   | Saved                                   | Saved                    |
| ICMR3                                      |            | Reset | Reset                              | Saved                                   | Saved                                   | Saved                    |
| ICFER                                      |            | Reset | Reset                              | Saved                                   | Saved                                   | Saved                    |
| ICSER                                      |            | Reset | Reset                              | Saved                                   | Saved                                   | Saved                    |
| ICIER                                      |            | Reset | Reset                              | Saved                                   | Saved                                   | Saved                    |
| ICSR1                                      |            | Reset | Reset                              | Reset                                   | Saved                                   | Reset                    |
| ICSR2                                      | TDRE, TEND | Reset | Reset                              | Reset                                   | Saved                                   | Reset                    |
|  | START      |       |                                    |   | Set                                     |                          |
|  | STOP       |       |                                    |   | Saved                                   | Set                      |
|  | Others     |       |                                    |   | Saved                                   | Saved                    |
| ICWUR                                      |            | Reset | Reset                              | Saved                                   | Saved                                   | Saved                    |
| SARL0, SARL1, SARL2<br>SARU0, SARU1, SARU2 |            | Reset | Reset                              | Saved                                   | Saved                                   | Saved                    |
| ICBRH, ICBRL                               |            | Reset | Reset                              | Saved                                   | Saved                                   | Saved                    |
| ICDRT                                      |            | Reset | Reset                              | Saved                                   | Saved                                   | Saved                    |
| ICDRR                                      |            | Reset | Reset                              | Saved                                   | Saved                                   | Saved                    |
| ICDRS                                      |            | Reset | Reset                              | Reset                                   | Saved                                   | Saved                    |
| Timeout function                           |            | Reset | Reset                              | Operating                               | Operating                               | Operating                |
| Bus free time<br>measurement               |            | Reset | Reset                              | Operating                               | Operating                               | Operating                |
| ICWUR2                                     | WUSEN      | Reset | Reset                              | Saved                                   | Saved                                   | Saved                    |
|  | Others     |       |                                    |   |   | Saved or Set or Reset    |



## 34.16 Output to the Event Link Controller (ELC)

IIC0 to IIC2 modules handle the event output for the ELC for the following sources:

### (1) Transfer error event

When a transfer error event occurs, the associated event signal can be output to another module by the ELC.

### (2) Receive data full

When a receive data register becomes full, the associated event signal can be output to another module by the ELC.

### (3) Transmit data empty

When a transmit data register becomes empty, the associated event signal can be output to another module by the ELC.

### (4) Transmit end

On completion of the transfer, the associated event signal can be output to another module by the ELC.

## 34.16.1 Interrupt Handling and Event Linking

Each of the IIC interrupt types (see [Table 34.10](#)) has an enable bit to control enabling and disabling of the associated interrupt signal. An interrupt request signal is output to the CPU when an interrupt source condition is satisfied while the associated enable bit is set.

The associated event link output signals are sent to other modules as event signals by the ELC when the interrupt source conditions are satisfied, regardless of the interrupt enable bit settings. For details on interrupt sources, see [Table 34.10](#).

## 34.17 Usage Notes

### 34.17.1 Settings for the Module-Stop Function

IIC operation can be disabled or enabled using Module Stop Control Register B (MSTPCR<sub>B</sub>). IIC is initially stopped after reset. Releasing the module-stop state enables access to the registers.

For details, see [section 11, Low Power Modes](#).

### 34.17.2 Starting Transfer after an Interrupt Occurrence

If the IR flag associated with the IIC interrupt is 1 when the transfer is started (ICCR1.ICE bit = 1), follow the procedure shown here to clear the interrupts before enabling operations. Starting transfer with the IR flag set to 1 while the ICCR1.ICE bit is 1 leads to an interrupt request being internally saved after transfer starts, and this can lead to unanticipated behavior of the IR flag.

To clear interrupts before starting transfer:

1. Confirm that the ICCR1.ICE bit is 0.
2. Set the relevant interrupt enable bits, such as ICIER.TIE, in the peripheral function, to 0.
3. Read the relevant interrupt enable bits, such as ICIER.TIE, in the peripheral function, and confirm that their value is 0.
4. Set the IR flag to 0.

## 35. Controller Area Network (CAN) Module

### 35.1 Overview

The Controller Area Network (CAN) module uses a message-based protocol to receive and transmit data between multiple slaves and masters in electromagnetically noisy applications. The module complies with the ISO 11898-1 (CAN 2.0A/CAN 2.0B) standard and supports up to 32 mailboxes, which can be configured for transmission or reception in normal mailbox and FIFO modes. Both standard (11-bit) and extended (29-bit) messaging formats are supported.

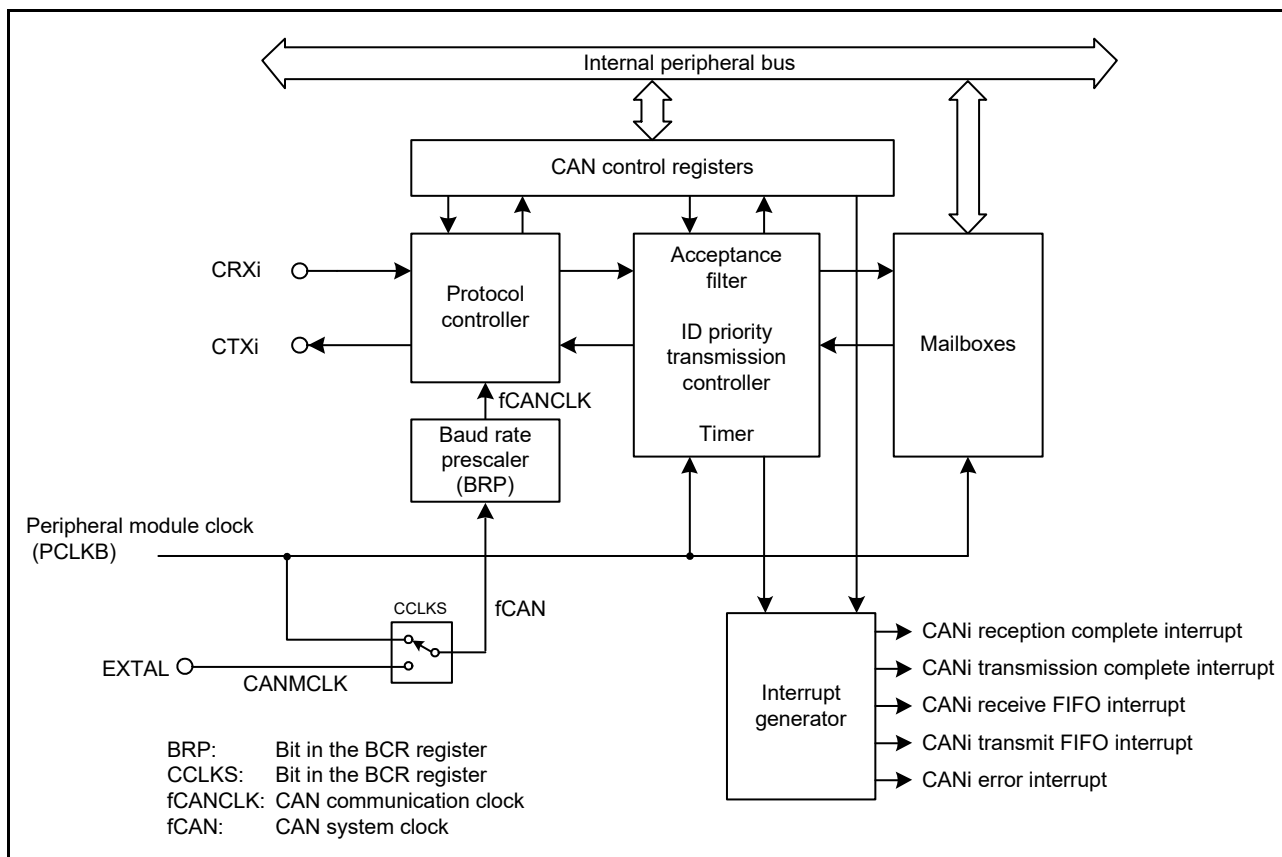
[Table 35.1](#) lists the CAN module specifications and [Figure 35.1](#) shows a block diagram. The CAN module requires an additional external CAN transceiver.

**Table 35.1 CAN module specifications (1 of 2)**

| Parameter                            | Specifications   |
|--------------------------------------|--|
| Data transfer rate                   | ISO11898-1-compliant for standard and extended frames  |
| Bit rate                             | Data transfer rate programmable up to 1 Mbps (fCAN ≥ 8 MHz)<br>fCAN: CAN clock source  |
| Message box                          | 32 mailboxes, with two selectable mailbox modes <ul style="list-style-type: none"> <li>• Normal mode: 32 mailboxes independently configurable for either transmission or reception</li> <li>• FIFO mode: 24 mailboxes independently configurable for either transmission or reception, with remaining mailboxes used for receive and transmit 4-stage FIFOs.</li> </ul>  |
| Reception                            | <ul style="list-style-type: none"> <li>• Support for data frame and remote frame reception</li> <li>• Reception ID format selectable to only standard ID, only extended ID, or mixed IDs</li> <li>• Programmable one-shot reception function</li> <li>• Selectable between overwrite mode (unread message overwritten) and overrun mode (unread message saved)</li> <li>• Reception complete interrupt independently enabled or disabled for each mailbox.</li> </ul>  |
| Acceptance filter                    | <ul style="list-style-type: none"> <li>• Eight acceptance masks (one for every four mailboxes)</li> <li>• Masks independently enabled or disabled for each mailbox.</li> </ul>   |
| Transmission                         | <ul style="list-style-type: none"> <li>• Support for data frame and remote frame transmission</li> <li>• Transmission ID format selectable to only standard ID, only extended ID, or mixed IDs)</li> <li>• Programmable one-shot transmission function</li> <li>• Broadcast messaging function</li> <li>• Priority mode selectable based on message ID or mailbox number</li> <li>• Support for transmission request abort, with abort completion confirmed in status flag</li> <li>• Transmission complete interrupt independently enabled or disabled for each mailbox.</li> </ul> |
| Mode transition for bus-off recovery | Mode transition for the recovery from the bus-off state selectable to: <ul style="list-style-type: none"> <li>• ISO11898-1 specification-compliant</li> <li>• Automatic invoking of CAN halt mode on bus-off entry</li> <li>• Automatic invoking of CAN halt mode on bus-off end</li> <li>• Invoking of CAN halt mode through software</li> <li>• Transition to error-active state through software.</li> </ul>  |
| Error status monitoring              | <ul style="list-style-type: none"> <li>• Monitoring of CAN bus errors, including stuff error, form error, ACK error, 15-bit CRC error, bit error, and ACK delimiter error</li> <li>• Detection of transition to error states, including error-warning, error-passive, bus-off entry, and bus-off recovery</li> <li>• Support for reading of error counters.</li> </ul>   |
| Time stamping                        | <ul style="list-style-type: none"> <li>• Time stamp function using a 16-bit counter</li> <li>• Reference clock selectable to 1-bit, 2-bit, 4-bit, and 8-bit time periods.</li> </ul>   |
| Interrupt function                   | Support for five interrupt sources: reception complete, transmission complete, receive FIFO, transmit FIFO, and error interrupts   |
| CAN sleep mode                       | CAN clock stopped to reduce power consumption  |
| Software support unit                | Three software support units: <ul style="list-style-type: none"> <li>• Acceptance filter support</li> <li>• Mailbox search support, including receive mailbox search, transmit mailbox search, and message lost search</li> <li>• Channel search support.</li> </ul>   |
| CAN clock source                     | PCLKB or CANMCLK   |

**Table 35.1 CAN module specifications (2 of 2)**

| Parameter            | Specifications  |
|----------------------|---|
| Test mode            | Three test modes available for evaluation purposes: <ul style="list-style-type: none"> <li>• Listen-only mode</li> <li>• Self-test mode 0 (external loopback)</li> <li>• Self-test mode 1 (internal loopback).</li> </ul> |
| Module-stop function | Module-stop state can be set to reduce power consumption  |



**Figure 35.1 CAN module block diagram (i = 0, 1)**

The CAN module includes the following blocks:

- CAN input and output pins  
CRXi and CTXi, where i = 0, 1
- Protocol controller  
Handles CAN protocol processing such as bus arbitration, bit timing during transmission and reception, stuffing, and error handling.
- Mailboxes  
Consists of 32 mailboxes, which can be configured as either transmit or receive. Each mailbox has an individual ID, data length code (DLC), data field (8 bytes), and time stamp.
- Acceptance filter  
Performs filtering of received messages. MKR0 to MKR7 are used for the filtering process.
- Timer  
Used for the time stamp function. The timer value when a message is stored in the mailbox is written as the time stamp value.
- Interrupt generator  
Generates five types of interrupts:
  - CANi reception complete interrupt

- CANi transmission complete interrupt
- CANi receive FIFO interrupt
- CANi transmit FIFO interrupt
- CANi error interrupt.

The CAN module communicates using the pins listed in [Table 35.2](#). These pins are multiplexed with other signals on the MCU. For details, see [section 20, I/O Ports](#).

**Table 35.2 CAN module I/O pins**

| Pin name | I/O    | Function          |
|----------|--------|-------------------|
| CRX0     | Input  | Data receive pin  |
| CTX0     | Output | Data transmit pin |
| CRX1     | Input  | Data receive pin  |
| CTX1     | Output | Data transmit pin |

## 35.2 Register Descriptions

### 35.2.1 Control Register (CTLR)

Address(es): [CAN0.CTLR 4005 0840h](#), [CAN1.CTLR 4005 1840h](#)

|  |     |      |          |      |           |           |      |     |     |           |     |    |    |    |    |
|--|-----|------|----------|------|-----------|-----------|------|-----|-----|-----------|-----|----|----|----|----|
| b15  | b14 | b13  | b12      | b11  | b10       | b9        | b8   | b7  | b6  | b5        | b4  | b3 | b2 | b1 | b0 |
| —  | —   | RBOC | BOM[1:0] | SLPM | CANM[1:0] | TSPS[1:0] | TSRC | TPM | MLM | IDFM[1:0] | MBM |    |    |    |    |
| Value after reset: 0 0 0 0 0 1 0 1 0 0 0 0 0 0 0 0 |     |      |          |      |           |           |      |     |     |           |     |    |    |    |    |

| Bit    | Symbol                    | Bit name                            | Description  | R/W |
|--------|---------------------------|-------------------------------------|--|-----|
| b0     | <a href="#">MBM</a>       | CAN Mailbox Mode Select*1           | 0: Normal mailbox mode<br>1: FIFO mailbox mode.  | R/W |
| b2, b1 | <a href="#">IDFM[1:0]</a> | ID Format Mode Select *1            | b2 b1<br>0 0: Standard ID mode<br>All mailboxes, including FIFO mailboxes, handle only standard IDs<br>0 1: Extended ID mode<br>All mailboxes, including FIFO mailboxes, handle only extended IDs<br>1 0: Mixed ID mode<br>All mailboxes, including FIFO mailboxes, handle both standard and extended IDs. In normal mailbox mode, use the associated IDE bit to differentiate standard and extended IDs. In FIFO mailbox mode, the associated IDE bits are used for mailboxes 0 to 23, the IDE bits in FIDCR0 and FIDCR1 are used for the receive FIFO, and the IDE bit associated with mailbox 24 is used for the transmit FIFO.<br>1 1: Setting prohibited. | R/W |
| b3     | <a href="#">MLM</a>       | Message Lost Mode Select*1          | 0: Overwrite mode<br>1: Overrun mode.  | R/W |
| b4     | <a href="#">TPM</a>       | Transmission Priority Mode Select*1 | 0: ID priority transmit mode<br>1: Mailbox number priority transmit mode.  | R/W |
| b5     | <a href="#">TSRC</a>      | Time Stamp Counter Reset Command*4  | 0: Nothing occurred<br>1: Reset.*3   | R/W |
| b7, b6 | <a href="#">TSPS[1:0]</a> | Time Stamp Prescaler Select*1       | b7 b6<br>0 0: Every bit time<br>0 1: Every 2-bit time<br>1 0: Every 4-bit time<br>1 1: Every 8-bit time.   | R/W |

| Bit      | Symbol           | Bit name                       | Description   | R/W |
|----------|------------------|--------------------------------|---|-----|
| b9, b8   | <b>CANM[1:0]</b> | CAN Operating Mode Select*5    | b9 b8<br>0 0: CAN operation mode<br>0 1: CAN reset mode<br>1 0: CAN halt mode<br>1 1: CAN reset mode (forced transition).   | R/W |
| b10      | <b>SLPM</b>      | CAN Sleep Mode*5,*6            | 0: All other modes<br>1: CAN sleep mode.  | R/W |
| b12, b11 | <b>BOM[1:0]</b>  | Bus-Off Recovery Mode*1        | b12 b11<br>0 0: Normal mode (ISO11898-1-compliant)<br>0 1: Enter CAN halt mode automatically on entering bus-off state<br>1 0: Enter CAN halt mode automatically on end of bus-off state<br>1 1: Enter CAN halt mode during bus-off recovery period through a software request. | R/W |
| b13      | <b>RBOC</b>      | Forcible Return from Bus-Off*2 | 0: Nothing occurred<br>1: Forced return from bus-off state.*3   | R/W |
| b15, b14 | —                | Reserved                       | These bits are read as 0. The write value should be 0.  | R/W |

Note 1. Write to the BOM[1:0], TSPS[1:0], TPM, MLM, IDFM[1:0], and MBM bits in CAN reset mode.

Note 2. Set the RBOC bit to 1 in the bus-off state.

Note 3. This bit automatically is set to 0 after being set to 1. It should read as 0.

Note 4. Set the TSRC bit to 1 in CAN operation mode.

Note 5. When the CANM[1:0] and SLPM bits are changed, check STR to ensure that the mode is switched. Do not change the CANM[1:0] bits or SLPM bit until the mode is switched.

Note 6. Write to the SLPM bit in CAN reset mode or CAN halt mode. When changing the SLPM bit, write 0 or 1 to only the SLPM bit.

### **MBM bit (CAN Mailbox Mode Select)**

When the MBM bit is 0 (normal mailbox mode), mailboxes 0 to 31 are configured as transmit or receive mailboxes.

When the MBM bit is 1 (FIFO mailbox mode), mailboxes 0 to 23 are configured as transmit or receive mailboxes.

Mailboxes 24 to 27 are configured as a transmit FIFO, and mailboxes 28 to 31 are configured as a receive FIFO.

Transmit data is written into mailbox 24, the window mailbox for the transmit FIFO. Receive data is read from mailbox 28, the window mailbox for the receive FIFO.

Table 35.3 lists the mailbox configuration.

### **IDFM[1:0] bits (ID Format Mode Select)**

The IDFM[1:0] bits specify the ID format.

### **MLM bit (Message Lost Mode Select)**

The MLM bit specifies the operation when a new message is captured in the unread mailbox. Overwrite mode or overrun mode can be selected. In both cases, the mode applies to all mailboxes, including the receive FIFO.

When the MLM bit is 0, all mailboxes are set to overwrite mode. Any new message received overwrites the pre-existing message.

When the MLM bit is 1, all mailboxes are set to overrun mode. Any new message received does not overwrite the pre-existing message, and it is discarded.

### **TPM bit (Transmission Priority Mode Select)**

The TPM bit specifies the priority when transmitting messages. ID priority transmit mode or mailbox number transmit mode can be selected. All mailboxes are set for either ID priority transmission or mailbox number priority transmission.

When TPM is 0, ID priority transmit mode is selected and transmission priority is arbitrated as defined in the ISO11898-1 CAN specification. In ID priority transmit mode, mailboxes 0 to 31 (in normal mailbox mode), and mailboxes 0 to 23 (in FIFO mailbox mode), and the transmit FIFO are compared for the IDs of mailboxes configured for transmission. If two or more mailbox IDs are the same, the mailbox with the smaller number has higher priority.

Only the next message to be transmitted from the transmit FIFO is included in the transmission arbitration. If a FIFO message is being transmitted, the next pending message within the transmit FIFO is included in the transmission arbitration.

When TPM is 1, mailbox number transmit mode is selected and the transmit mailbox with the smallest mailbox number has the highest priority. In FIFO mailbox mode, the transmit FIFO has lower priority than normal mailboxes (0 to 23).

**TSRC bit (Time Stamp Counter Reset Command)**

The TSRC bit resets the time stamp counter. When it is set to 1, TSR is set to 0000h. TSRC is set to 0 automatically.

**TSPS[1:0] bits (Time Stamp Prescaler Select)**

The TSPS[1:0] bits select the prescaler for the time stamp. The reference clock for the time stamp can be selected to 1-bit, 2-bit, 4-bit, or 8-bit time periods.

**CANM[1:0] bits (CAN Operating Mode Select)**

The CANM[1:0] bits select one of the following modes for the CAN module: CAN operation mode, CAN reset mode, or CAN halt mode. CAN sleep mode is set in the SLPM bit. For details, see [section 35.3, Operation Modes](#).

When the CAN module enters CAN halt mode based on the BOM[1:0] setting, the CANM[1:0] bits are automatically set to 10b.

**SLPM bit (CAN Sleep Mode)**

When the SLPM bit is set to 1, the CAN module enters CAN sleep mode. When the SLPM bit is set to 0, the CAN module exits CAN sleep mode. For details, see [section 35.3, Operation Modes](#).

**BOM[1:0] bits (Bus-Off Recovery Mode)**

The BOM[1:0] bits select bus-off recovery mode for the CAN module.

When the BOM[1:0] bits are 00b, the recovery from bus-off is compliant with the ISO11898-1 specification. The CAN module recovers CAN communication (error-active state) after detecting 11 consecutive recessive bits 128 times. A bus-off recovery interrupt request occurs when recovering from bus-off.

When the BOM[1:0] bits are 01b and the CAN module reaches the bus-off state, the CANM[1:0] bits in CTLR set 10b to enter CAN halt mode. No bus-off recovery interrupt request occurs when recovering from bus-off, and TECR and RECR are set to 00h.

When the BOM[1:0] bits are 10b, the CANM[1:0] bits are set to 10b as soon as the CAN module reaches the bus-off state. The CAN module enters CAN halt mode after recovery from the bus-off state, and after detecting 11 consecutive recessive bits 128 times. A bus-off recovery interrupt request occurs when recovering from bus-off, and TECR and RECR are set to 00h.

When the BOM[1:0] bits are 11b, the CAN module enters CAN halt mode by setting the CANM[1:0] bits to 10b while the CAN module is still in the bus-off state. No bus-off recovery interrupt request occurs when recovering from bus-off, and TECR and RECR are set to 00h. However, the interrupt does occur if the CAN module recovers from bus-off after detecting 11 consecutive recessive bits 128 times before the CANM[1:0] bits are set to 10b.

If the CPU requests an entry to CAN reset mode at the same time as the CAN module attempts to enter CAN halt mode (at bus-off entry when the BOM[1:0] bits are 01b, or at bus-off end when the BOM[1:0] bits are 10b), then the CPU request has higher priority.

**RBOC bit (Forcible Return from Bus-Off)**

When the RBOC bit is set to 1 in the bus-off state, the CAN module forcibly exits bus-off. It is set to 0 automatically, and the error state changes from bus-off to error-active. When the RBOC bit is set to 1, RECR and TECR clear to 00h and the BOST bit in STR is set to 0, indicating no bus-off state. The other registers remain unchanged when RBOC is set to 1. No bus-off recovery interrupt request occurs. Use the RBOC bit only when the BOM[1:0] bits are 00b (normal mode).

**Table 35.3 Mailbox configuration**

| Mailbox            | MBM bit = 0 (normal mailbox mode) | MBM bit = 1 (FIFO mailbox mode)*1 to *5 |
|--------------------|-----------------------------------|---|
| Mailboxes 0 to 23  | Normal mailbox                    | Normal mailbox                          |
| Mailboxes 24 to 27 |                                   | Transmit FIFO                           |
| Mailboxes 28 to 31 |                                   | Receive FIFO                            |

Note 1. The transmit FIFO is controlled by TFCR. The MCTL\_TXj registers associated with mailboxes 24 to 27 are disabled. MCTL\_TX24 to MCTL\_TX27 cannot be used by the transmit FIFO.

Note 2. The receive FIFO is controlled by RFCR. The MCTL\_RXj registers associated with mailboxes 28 to 31 are disabled. MCTL\_RX28 to MCTL\_RX31 cannot be used by the receive FIFO.

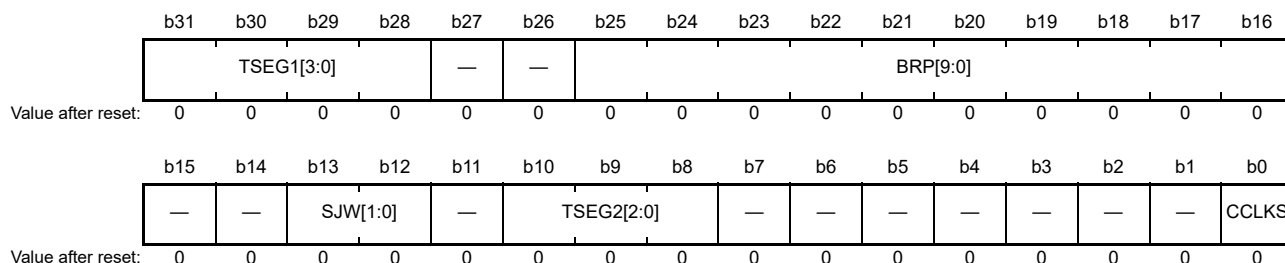
Note 3. See the MIER\_FIFO description for information on the FIFO interrupts.

Note 4. The bits in MKIVLR associated with mailboxes 24 to 31 are disabled. Set 0 to these bits.

Note 5. The transmit and receive FIFOs can be used for both data frames and remote frames.

### 35.2.2 Bit Configuration Register (BCR)

Address(es): CAN0.BCR 4005 0844h, CAN1.BCR 4005 1844h



| Bit        | Symbol     | Bit name                           | Description   | R/W |
|------------|------------|------------------------------------|---|-----|
| b0         | CCLKS      | CAN Clock Source Selection         | 0: PCLKB (generated by the PLL clock)<br>1: CANMCLK (generated by the main clock oscillator).   | R/W |
| b7 to b1   | —          | Reserved                           | These bits are read as 0. The write value should be 0.  | R/W |
| b10 to b8  | TSEG2[2:0] | Time Segment 2 Control             | b10 b8<br>0 0 0: Setting prohibited<br>0 0 1: 2 Tq<br>0 1 0: 3 Tq<br>0 1 1: 4 Tq<br>1 0 0: 5 Tq<br>1 0 1: 6 Tq<br>1 1 0: 7 Tq<br>1 1 1: 8 Tq.   | R/W |
| b11        | —          | Reserved                           | This bit is read as 0. The write value should be 0.   | R/W |
| b13, b12   | SJW[1:0]   | Synchronization Jump Width Control | b13 b12<br>0 0: 1 Tq<br>0 1: 2 Tq<br>1 0: 3 Tq<br>1 1: 4 Tq.  | R/W |
| b15, b14   | —          | Reserved                           | These bits are read as 0. The write value should be 0.  | R/W |
| b25 to b16 | BRP[9:0]   | Baud Rate Prescaler Select *1      | These bits set the frequency of the CAN communication clock (fCANCLK)   | R/W |
| b27, b26   | —          | Reserved                           | These bits are read as 0. The write value should be 0.  | R/W |
| b31 to b28 | TSEG1[3:0] | Time Segment 1 Control             | b31 b28<br>0 0 0 0: Setting prohibited<br>0 0 0 1: Setting prohibited<br>0 0 1 0: Setting prohibited<br>0 0 1 1: 4 Tq<br>0 1 0 0: 5 Tq<br>0 1 0 1: 6 Tq<br>0 1 1 0: 7 Tq<br>0 1 1 1: 8 Tq<br>1 0 0 0: 9 Tq<br>1 0 0 1: 10 Tq<br>1 0 1 0: 11 Tq<br>1 0 1 1: 12 Tq<br>1 1 0 0: 13 Tq<br>1 1 0 1: 14 Tq<br>1 1 1 0: 15 Tq<br>1 1 1 1: 16 Tq. | R/W |

Tq: Time Quantum

Note 1. Do not select a value less than or equal to 1 while the SCKSCR.CKSEL[2:0] bits are 011b (selecting the main clock oscillator). For setting the bit timing, see [section 35.4, Data Transfer Rate Configuration](#). Set BCR before entering CAN halt or

operation mode from reset mode. After the setting is made once, this register can be written to in CAN reset or CAN halt mode. 32-bit read/write accesses must be performed carefully so as not to change bits [7:0].

**CCLKS bit (CAN Clock Source Selection)**

When the CCLKS bit is 0, the peripheral module clock (PCLKB) produced by the PLL frequency synthesizer is used as the CAN clock source (fCAN). When the CCLKS bit is 1, CANMCLK produced externally by the EXTAL pins is used as the CAN clock source (fCAN).

**TSEG2[2:0] bits (Time Segment 2 Control)**

The TSEG2[2:0] bits specify the length of the phase buffer segment 2 (PHASE\_SEG2) with a Tq value. A value from 2 to 8 Tq can be set. Set a value smaller than that in the TSEG1[3:0] bits.

**SJW[1:0] bits (Synchronization Jump Width Control)**

The SJW[1:0] bits specify the synchronization jump width with a Tq value. A value from 1 to 4 Tq can be set. Set a value smaller than or equal to that in the TSEG2[2:0] bits.

**BRP[9:0] bits (Baud Rate Prescaler Select)**

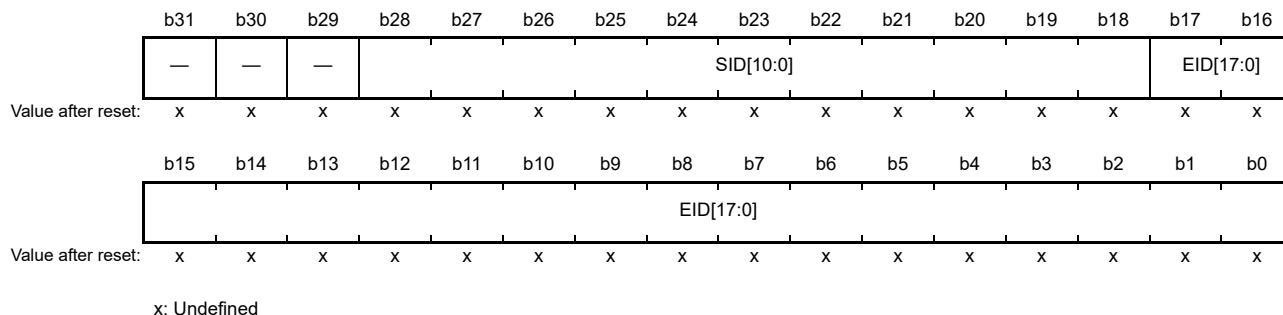
The BRP[9:0] bits set the frequency of the CAN communication clock (fCANCLK). The fCANCLK cycle is 1 Tq. If the setting is P (0 to 1023), the baud rate prescaler divides fCAN by P + 1.

**TSEG1[3:0] bits (Time Segment 1 Control)**

The TSEG1[3:0] bits specify the total length of the propagation time segment (PROP\_SEG) and phase buffer segment 1 (PHASE\_SEG1) with a time quantum (Tq) value. A value from 4 to 16 Tq can be set.

**35.2.3 Mask Register k (MKRk) (k = 0 to 7)**

Address(es): CAN0.MKR[0] 4005 0400h to CAN0.MKR[7] 4005 041Ch, CAN1.MKR[0] 4005 1400h to CAN1.MKR[7] 4005 141Ch



| Bit        | Symbol    | Bit name    | Description  | R/W |
|------------|-----------|-------------|--|-----|
| b17 to b0  | EID[17:0] | Extended ID | 0: Do not compare associated EID[17:0] bits<br>1: Compare associated EID[17:0] bits. | R/W |
| b28 to b18 | SID[10:0] | Standard ID | 0: Do not compare associated SID[10:0] bits<br>1: Compare associated SID[10:0] bits. | R/W |
| b31 to b29 | —         | Reserved    | The read value is undefined. The write value should be 0.                            | R/W |

For the mask function in FIFO mailbox mode, see section 35.6, Acceptance Filtering and Masking Functions.

Write to MKR0 to MKR7 in CAN reset mode or CAN halt mode.

**EID[17:0] bits (Extended ID)**

The EID[17:0] bits are the filter mask bits associated with the CAN extended ID bits. They are used to receive extended ID messages. When an EID[17:0] bit is set to 0, the received ID is not compared with the associated mailbox ID. When an EID[17:0] bit is set to 1, the received ID is compared with the associated mailbox ID.

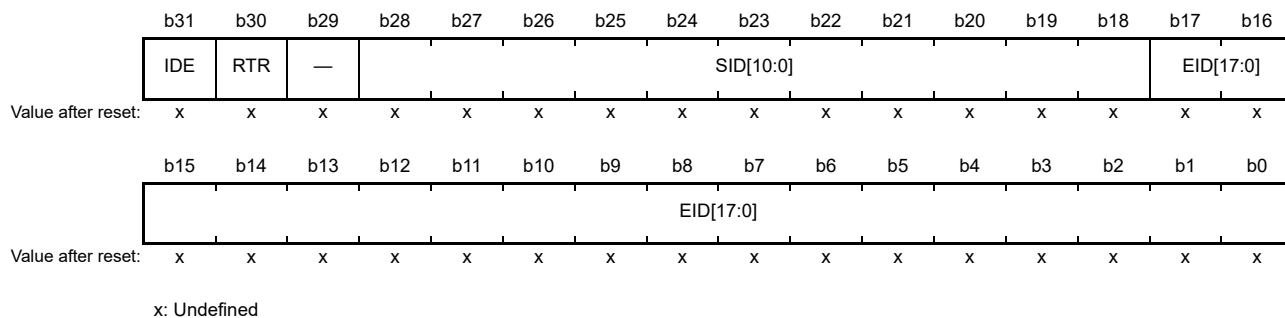


### SID[10:0] bits (Standard ID)

The SID[10:0] bits are the filter mask bits associated with the CAN standard ID bits. They are used to receive both standard ID and extended ID messages. When an SID[10:0] bit is set to 0, the received ID is not compared with the associated mailbox ID. When an SID[10:0] bit is set to 1, the received ID is compared with the associated mailbox ID.

### 35.2.4 FIFO Received ID Compare Registers 0 and 1 (FIDCR0 and FIDCR1)

Address(es): CAN0.FIDCR0 4005 0420h, CAN0.FIDCR1 4005 0424h, CAN1.FIDCR0 4005 1420h, CAN1.FIDCR1 4005 1424h



| Bit        | Symbol    | Bit name                    | Description   | R/W |
|------------|-----------|-----------------------------|---|-----|
| b17 to b0  | EID[17:0] | Extended ID                 | Extended ID of the data and remote frames                 | R/W |
| b28 to b18 | SID[10:0] | Standard ID                 | Standard ID of the data and remote frames                 | R/W |
| b29        | —         | Reserved                    | The read value is undefined. The write value should be 0. | R/W |
| b30        | RTR       | Remote Transmission Request | 0: Data frame<br>1: Remote frame.                         | R/W |
| b31        | IDE       | ID Extension*1              | 0: Standard ID<br>1: Extended ID.                         | R/W |

Note 1. The IDE bit is enabled when the CTLR.IDFM[1:0] bits are 10b (mixed ID mode). When the IDFM[1:0] bits are not 10b, only write 0 to IDE. It reads as 0.

FIDCR0 and FIDCR1 are enabled when the MBM bit in CTLR is set to 1 (FIFO mailbox mode). In this mode, the EID[17:0], SID[10:0], RTR, and IDE bits in mailbox 28 to mailbox 31 are disabled. Write to FIDCR0 and FIDCR1 in CAN reset mode or CAN halt mode. For information on using FIDCR0 and FIDCR1, see [section 35.6](#).

### EID[17:0] bits (Extended ID)

The EID[17:0] bits set the extended ID of data frames and remote frames. They are used to receive extended ID messages.

### SID[10:0] bits (Standard ID)

The SID[10:0] bits set the standard ID of data frames and remote frames. They are used to receive both standard ID and extended ID messages.

### RTR bit (Remote Transmission Request)

The RTR bit sets the frame format to data frames or remote frames:

- When both RTR bits in FIDCR0 and FIDCR1 are set to 0, only data frames are received
- When both RTR bits in FIDCR0 and FIDCR1 are set to 1, only remote frames are received
- When the RTR bits in FIDCR0 and FIDCR1 are set to different values, both data frames and remote frames are received.

### IDE bit (ID Extension\*1)

The IDE bit sets the ID format to standard ID or extended ID. The IDE bit is enabled when the IDFM[1:0] bits in CTLR are 10b (mixed ID mode):

- When both IDE bits in FIDCR0 and FIDCR1 are set to 0, only standard ID frames are received

- When both IDE bits in FIDCR0 and FIDCR1 are set to 1, only extended ID frames are received
- When IDE bits in FIDCR0 and FIDCR1 are set to different values, both standard and extended ID frames are received.

### 35.2.5 Mask Invalid Register (MKIVLR)

Address(es): CAN0.MKIVLR 4005 0428h, CAN1.MKIVLR 4005 1428h

|                    |      |      |      |      |      |      |      |      |      |      |      |      |      |      |      |      |
|--------------------|------|------|------|------|------|------|------|------|------|------|------|------|------|------|------|------|
|                    | b31  | b30  | b29  | b28  | b27  | b26  | b25  | b24  | b23  | b22  | b21  | b20  | b19  | b18  | b17  | b16  |
|                    | MB31 | MB30 | MB29 | MB28 | MB27 | MB26 | MB25 | MB24 | MB23 | MB22 | MB21 | MB20 | MB19 | MB18 | MB17 | MB16 |
| Value after reset: | x    | x    | x    | x    | x    | x    | x    | x    | x    | x    | x    | x    | x    | x    | x    | x    |
|                    | b15  | b14  | b13  | b12  | b11  | b10  | b9   | b8   | b7   | b6   | b5   | b4   | b3   | b2   | b1   | b0   |
|                    | MB15 | MB14 | MB13 | MB12 | MB11 | MB10 | MB9  | MB8  | MB7  | MB6  | MB5  | MB4  | MB3  | MB2  | MB1  | MB0  |
| Value after reset: | x    | x    | x    | x    | x    | x    | x    | x    | x    | x    | x    | x    | x    | x    | x    | x    |

x: Undefined

| Bit       | Symbol      | Bit name     | Description                       | R/W |
|-----------|-------------|--------------|-----------------------------------|-----|
| b31 to b0 | MB31 to MB0 | Mask Invalid | 0: Mask valid<br>1: Mask invalid. | R/W |

Each bit in MKIVLR is associated with a mailbox of the same number. Bit [0] in MKIVLR corresponds to mailbox 0 (MB0), and bit [31] corresponds to mailbox 31 (MB31).\*1

When a bit is set to 1, the associated acceptance mask register becomes invalid for the associated mailbox. When a mask invalid bit is set to 1, a message is received by the associated mailbox only if the receive message ID matches the mailbox ID exactly.

Write to MKIVLR in CAN reset or halt mode.

Note 1. Set bits [31:24] to 0 in FIFO mailbox mode.

### 35.2.6 Mailbox Register j (MBj\_ID, MBj\_DL, MBj\_Dm, MBj\_TS) (j = 0 to 31; m = 0 to 7)

Table 35.4 lists the CANi mailbox memory mapping, and Table 35.5 lists the CAN data frame configuration.

The value after reset of the CANi mailbox is undefined.

Write to MBj\_ID, MBj\_DL, MBj\_Dm, and MBj\_TS only when the related MCTL\_TXj or MCTL\_RXj register (j = 0 to 31) is 00h and the associated mailbox is not processing an abort request.

See Table 35.4 for detailed register addresses.

Table 35.4 CANi mailbox memory mapping (1 of 2)

| Address                 |                         | Message content             |
|-------------------------|-------------------------|-----------------------------|
| CAN0                    | CAN1                    | Memory mapping              |
| 4005 0200h + 16 × j + 0 | 4005 1200h + 16 × j + 0 | IDE, RTR, SID10 to SID6     |
| 4005 0200h + 16 × j + 1 | 4005 1200h + 16 × j + 1 | SID5 to SID0, EID17, EID16  |
| 4005 0200h + 16 × j + 2 | 4005 1200h + 16 × j + 2 | EID15 to EID8               |
| 4005 0200h + 16 × j + 3 | 4005 1200h + 16 × j + 3 | EID7 to EID0                |
| 4005 0200h + 16 × j + 4 | 4005 1200h + 16 × j + 4 | —                           |
| 4005 0200h + 16 × j + 5 | 4005 1200h + 16 × j + 5 | Data length code (DLC[3:0]) |
| 4005 0200h + 16 × j + 6 | 4005 1200h + 16 × j + 6 | Data byte 0                 |

**Table 35.4 CANi mailbox memory mapping (2 of 2)**

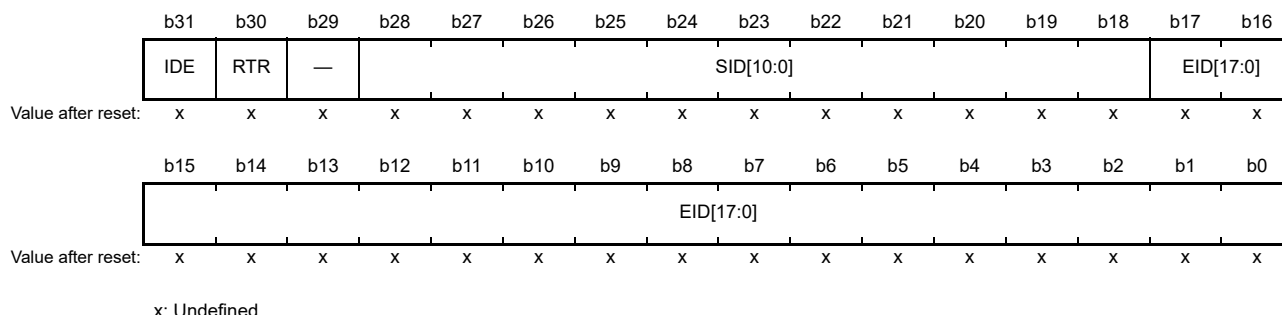
| Address                  |                          | Message content       |
|--------------------------|--------------------------|-----------------------|
| CAN0                     | CAN1                     | Memory mapping        |
| 4005 0200h + 16 × j + 7  | 4005 1200h + 16 × j + 7  | Data byte 1           |
| 4005 0200h + 16 × j + 8  | 4005 1200h + 16 × j + 8  | Data byte 2           |
| 4005 0200h + 16 × j + 9  | 4005 1200h + 16 × j + 9  | Data byte 3           |
| 4005 0200h + 16 × j + 10 | 4005 1200h + 16 × j + 10 | Data byte 4           |
| 4005 0200h + 16 × j + 11 | 4005 1200h + 16 × j + 11 | Data byte 5           |
| 4005 0200h + 16 × j + 12 | 4005 1200h + 16 × j + 12 | Data byte 6           |
| 4005 0200h + 16 × j + 13 | 4005 1200h + 16 × j + 13 | Data byte 7           |
| 4005 0200h + 16 × j + 14 | 4005 1200h + 16 × j + 14 | Time stamp upper byte |
| 4005 0200h + 16 × j + 15 | 4005 1200h + 16 × j + 15 | Time stamp lower byte |

**Table 35.5 CAN data frame configuration**

|               |              |                |               |              |              |       |       |     |       |
|---------------|--------------|----------------|---------------|--------------|--------------|-------|-------|-----|-------|
| SID10 to SID6 | SID5 to SID0 | EID17 to EID16 | EID15 to EID8 | EID7 to EID0 | DLC3 to DLC1 | DATA0 | DATA1 | ... | DATA7 |
|---------------|--------------|----------------|---------------|--------------|--------------|-------|-------|-----|-------|

The previous value of each mailbox is retained unless a new message is received.

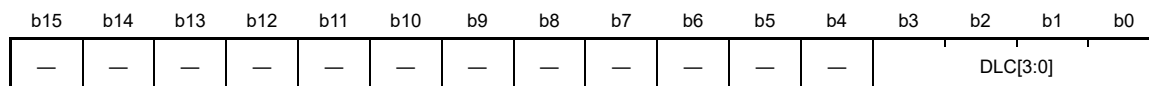
Address(es): CAN0.MB0\_ID 4005 0200h to CAN0.MB31\_ID 4005 03F0h, CAN1.MB0\_ID 4005 1200h to CAN1.MB31\_ID 4005 13F0h

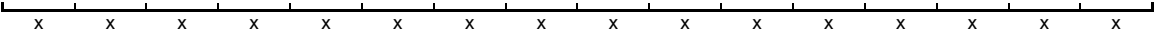


| Bit        | Symbol    | Bit name                    | Description   | R/W |
|------------|-----------|-----------------------------|---|-----|
| b17 to b0  | EID[17:0] | Extended ID*1               | Extended ID of the data and remote frames                 | R/W |
| b28 to b18 | SID[10:0] | Standard ID                 | Standard ID of the data and remote frames                 | R/W |
| b29        | —         | Reserved                    | The read value is undefined. The write value should be 0. | R/W |
| b30        | RTR       | Remote Transmission Request | 0: Data frame<br>1: Remote frame.                         | R/W |
| b31        | IDE       | ID Extension*2              | 0: Standard ID<br>1: Extended ID.                         | R/W |

- Note 1. If the mailbox receives a message with data length (set in DLC[3:0]) of n bytes, where n is less than 8, the data in the DATA<sub>n</sub> to DATA7 registers in the mailbox is undefined. DATA0 to DATA7 are data registers for this mailbox. For example, if data length is 6 bytes (DLC[3:0] = 6h), the data in DATA6 and DATA7 registers is undefined.
- Note 2. The IDE bit is enabled when the CTLR.IDFM[1:0] bits are 10b (mixed ID mode). When the IDFM[1:0] bits are not 10b, only write 0 to IDE. It reads as 0.

Address(es): CAN0.MB0\_DL 4005 0204h to CAN0.MB31\_DL 4005 03F4h, CAN1.MB0\_DL 4005 1204h to CAN1.MB31\_DL 4005 13F4h



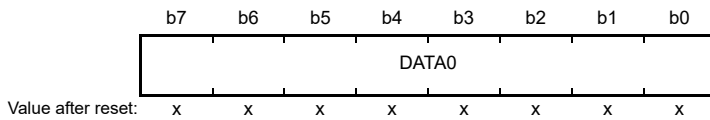
Value after reset:   
 x: Undefined

| Bit       | Symbol                   | Bit name           | Description  | R/W |
|-----------|--------------------------|--------------------|--|-----|
| b3 to b0  | <a href="#">DLC[3:0]</a> | Data Length Code*1 | b3 b0<br>0 0 0 0: Data length = 0 byte<br>0 0 0 1: Data length = 1 byte<br>0 0 1 0: Data length = 2 bytes<br>0 0 1 1: Data length = 3 bytes<br>0 1 0 0: Data length = 4 bytes<br>0 1 0 1: Data length = 5 bytes<br>0 1 1 0: Data length = 6 bytes<br>0 1 1 1: Data length = 7 bytes<br>1 x x x: Data length = 8 bytes. | R/W |
| b15 to b4 | —                        | Reserved           | The read value is undefined. The write value should be 0.  | R/W |

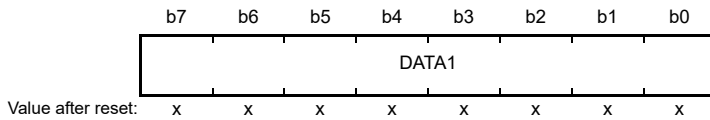
x: Don't care

Note 1. If the mailbox receives a message with data length (set in DLC[3:0]) of n bytes, where n is less than 8, the data in the DATA<sub>n</sub> to DATA<sub>7</sub> registers in the mailbox is undefined. DATA<sub>0</sub> to DATA<sub>7</sub> are data registers for this mailbox. For example, if data length is 6 bytes (DLC[3:0] = 6h), the data in DATA<sub>6</sub> and DATA<sub>7</sub> registers is undefined.

Address(es): [CAN0.MB0\\_D0 4005 0206h](#) to [CAN0.MB31\\_D0 4005 03F6h](#), [CAN1.MB0\\_D0 4005 1206h](#) to [CAN1.MB31\\_D0 4005 13F6h](#)



Address(es): [CAN0.MB0\\_D1 4005 0207h](#) to [CAN0.MB31\\_D1 4005 03F7h](#), [CAN1.MB0\\_D1 4005 1207h](#) to [CAN1.MB31\\_D1 4005 13F7h](#)



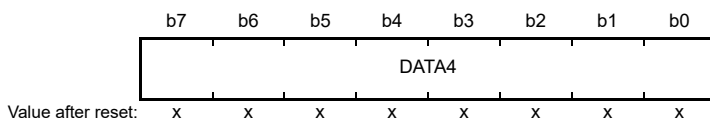
Address(es): [CAN0.MB0\\_D2 4005 0208h](#) to [CAN0.MB31\\_D2 4005 03F8h](#), [CAN1.MB0\\_D2 4005 1208h](#) to [CAN1.MB31\\_D2 4005 13F8h](#)



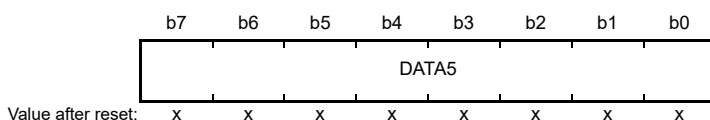
Address(es): [CAN0.MB0\\_D3 4005 0209h](#) to [CAN0.MB31\\_D3 4005 03F9h](#), [CAN1.MB0\\_D3 4005 1209h](#) to [CAN1.MB31\\_D3 4005 13F9h](#)



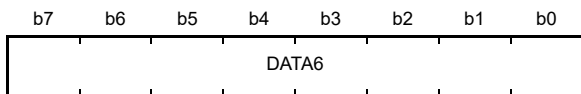
Address(es): [CAN0.MB0\\_D4 4005 020Ah](#) to [CAN0.MB31\\_D4 4005 03FAh](#), [CAN1.MB0\\_D4 4005 120Ah](#) to [CAN1.MB31\\_D4 4005 13FAh](#)



Address(es): [CAN0.MB0\\_D5 4005 020Bh](#) to [CAN0.MB31\\_D5 4005 03FBh](#), [CAN1.MB0\\_D5 4005 120Bh](#) to [CAN1.MB31\\_D5 4005 13FBh](#)

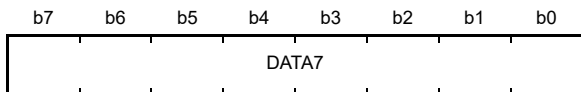


Address(es): CAN0.MB0\_D6 4005 020Ch to CAN0.MB31\_D6 4005 03FCh, CAN1.MB0\_D6 4005 120Ch to CAN1.MB31\_D6 4005 13FCh



Value after reset: x x x x x x x x

Address(es): CAN0.MB0\_D7 4005 020Dh to CAN0.MB31\_D7 4005 03FDh, CAN1.MB0\_D7 4005 120Dh to CAN1.MB31\_D7 4005 13FDh



Value after reset: x x x x x x x x

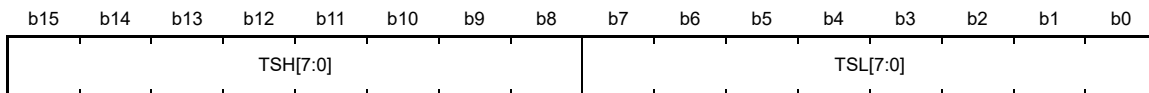
x: Undefined

| Bit      | Symbol         | Bit name               | Description   | R/W |
|----------|----------------|------------------------|---|-----|
| b7 to b0 | DATA0 to DATA7 | Data Bytes 0 to 7*1,*2 | DATA0 to DATA7 store the transmitted or received CAN message data. Transmission or reception starts from DATA0. The bit order on the CAN bus is MSB-first, and transmission or reception starts from bit [7]. | R/W |

Note 1. If the mailbox receives a message with data length (set in DLC[3:0]) of n bytes, where n is less than 8, the data in the DATAn to DATA7 registers in the mailbox is undefined. DATA0 to DATA7 are data registers for this mailbox. For example, if data length is 6 bytes (DLC[3:0] = 6h), the data in DATA6 and DATA7 registers is undefined.

Note 2. If the mailbox receives a remote frame, the previous values of DATA0 to DATA7 in the mailbox are saved.

Address(es): CAN0.MB0\_TS 4005 020Eh to CAN0.MB31\_TS 4005 03FEh, CAN1.MB0\_TS 4005 120Eh to CAN1.MB31\_TS 4005 13FEh



Value after reset: x x x x x x x x x x x x x x x x

x: Undefined

| Bit       | Symbol   | Bit name               | Description  | R/W |
|-----------|----------|------------------------|--|-----|
| b7 to b0  | TSL[7:0] | Time Stamp Lower Byte  | The TSH[7:0] and TSL[7:0] bits store the counter value of the time stamp when received messages are stored in the mailbox. | R/W |
| b15 to b8 | TSH[7:0] | Time Stamp Higher Byte |  | R/W |

### EID[17:0] bits (Extended ID)

The EID[17:0] bits set the extended ID for data frames and remote frames. They are used to transmit or receive extended ID messages.

### SID[10:0] bits (Standard ID)

The SID[10:0] bits set the standard ID for data frames and remote frames. They are used to transmit or receive both standard ID and extended ID messages.

### RTR bit (Remote Transmission Request)

The RTR bit sets the frame format for data frames or remote frames.

- The receive mailbox only receives frames with the format specified in the RTR bit
- The transmit mailbox transmits with the frame format specified in the RTR bit
- The receive FIFO mailbox receives the data frame, remote frame, or both frames specified in the RTR bit in FIDCR0 and FIDCR1

- The transmit FIFO mailbox transmits the data frame or remote frame specified in the RTR bit in the transmit message.

**IDE bit (ID Extension)**

The IDE bit sets the ID format to standard IDs or extended IDs. The IDE bit is enabled when the IDFM[1:0] bits in CTLR are 10b (mixed ID mode).

- The receive mailbox only receives the ID format specified in the IDE bit
- The transmit mailbox transmits with the ID format specified in the IDE bit
- The receive FIFO mailbox receives messages with the standard ID and extended ID settings specified in the IDE bit in FIDCR0 and FIDCR1
- The transmit FIFO mailbox transmits messages with the standard ID or extended ID settings specified in the IDE bit in the transmit message.

**DLC[3:0] bits (Data Length Code)**

The DLC[3:0] bits specify the data length to be transmitted in data frames. When a remote frame is used to request data, this field specifies the requested data length.

When a data frame is received, the received data length is stored in this field. When a remote frame is received, this field stores the requested data length.

**35.2.7 Mailbox Interrupt Enable Register (MIER)**

Address(es): CAN0.MIER 4005 042Ch, CAN1.MIER 4005 142Ch

|                    |      |      |      |      |      |      |      |      |      |      |      |      |      |      |      |      |
|--------------------|------|------|------|------|------|------|------|------|------|------|------|------|------|------|------|------|
|                    | b31  | b30  | b29  | b28  | b27  | b26  | b25  | b24  | b23  | b22  | b21  | b20  | b19  | b18  | b17  | b16  |
|                    | MB31 | MB30 | MB29 | MB28 | MB27 | MB26 | MB25 | MB24 | MB23 | MB22 | MB21 | MB20 | MB19 | MB18 | MB17 | MB16 |
| Value after reset: | x    | x    | x    | x    | x    | x    | x    | x    | x    | x    | x    | x    | x    | x    | x    | x    |
|                    | b15  | b14  | b13  | b12  | b11  | b10  | b9   | b8   | b7   | b6   | b5   | b4   | b3   | b2   | b1   | b0   |
|                    | MB15 | MB14 | MB13 | MB12 | MB11 | MB10 | MB9  | MB8  | MB7  | MB6  | MB5  | MB4  | MB3  | MB2  | MB1  | MB0  |
| Value after reset: | x    | x    | x    | x    | x    | x    | x    | x    | x    | x    | x    | x    | x    | x    | x    | x    |

x: Undefined

| Bit       | Symbol      | Bit name         | Description  | R/W |
|-----------|-------------|------------------|--|-----|
| b31 to b0 | MB31 to MB0 | Interrupt Enable | 0: Disable interrupt<br>1: Enable interrupt.<br>Bit [31] is associated with mailbox 31 (MB31), and bit [0] with mailbox 0 (MB0). | R/W |

MIER can enable interrupts for each mailbox independently. This register is available in normal mailbox mode. Do not access this register in FIFO mailbox mode.

Each bit is associated with the mailbox having the same number. These bits enable or disable transmission and reception complete interrupts for the associated mailboxes:

- Bit [0] in MIER corresponds to mailbox 0 (MB0)
- Bit [31] in MIER corresponds to mailbox 31 (MB31).

Write to MIER only when the associated MCTL\_TXj or MCTL\_RXj register (j = 0 to 31) is 00h and the associated mailbox is not processing a transmission or reception abort request.

### 35.2.8 Mailbox Interrupt Enable Register for FIFO Mailbox Mode (MIER\_FIFO)

Address(es): CAN0.MIER\_FIFO 4005 042Ch, CAN1.MIER\_FIFO 4005 142Ch

|                    |      |      |      |      |      |      |      |      |      |      |      |      |      |      |      |      |
|--------------------|------|------|------|------|------|------|------|------|------|------|------|------|------|------|------|------|
|                    | b31  | b30  | b29  | b28  | b27  | b26  | b25  | b24  | b23  | b22  | b21  | b20  | b19  | b18  | b17  | b16  |
|                    | —    | —    | MB29 | MB28 | —    | —    | MB25 | MB24 | MB23 | MB22 | MB21 | MB20 | MB19 | MB18 | MB17 | MB16 |
| Value after reset: | x    | x    | x    | x    | x    | x    | x    | x    | x    | x    | x    | x    | x    | x    | x    | x    |
|                    | b15  | b14  | b13  | b12  | b11  | b10  | b9   | b8   | b7   | b6   | b5   | b4   | b3   | b2   | b1   | b0   |
|                    | MB15 | MB14 | MB13 | MB12 | MB11 | MB10 | MB9  | MB8  | MB7  | MB6  | MB5  | MB4  | MB3  | MB2  | MB1  | MB0  |
| Value after reset: | x    | x    | x    | x    | x    | x    | x    | x    | x    | x    | x    | x    | x    | x    | x    | x    |

x: Undefined

| Bit       | Symbol      | Bit name   | Description   | R/W |
|-----------|-------------|--|---|-----|
| b23 to b0 | MB23 to MB0 | Interrupt Enable                                   | 0: Disable interrupt<br>1: Enable interrupt.<br>Bit [23] is associated with mailbox 23 (MB23), and bit [0] with mailbox 0 (MB0).    | R/W |
| b24       | MB24        | Transmit FIFO Interrupt Enable                     | 0: Disable interrupt<br>1: Enable interrupt.  | R/W |
| b25       | MB25        | Transmit FIFO Interrupt Generation Timing Control  | 0: Generate every time transmission completes<br>1: Generate when the transmit FIFO empties on transmission completion.             | R/W |
| b27, b26  | —           | Reserved   | The read value is undefined. The write value should be 0.   | R/W |
| b28       | MB28        | Receive FIFO Interrupt Enable                      | 0: Disable interrupt<br>1: Enable interrupt.  | R/W |
| b29       | MB29        | Receive FIFO Interrupt Generation Timing Control*1 | 0: Generate every time reception completes<br>1: Generate when the receive FIFO becomes a buffer warning*2 on reception completion. | R/W |
| b31, b30  | —           | Reserved   | The read value is undefined. The write value should be 0.   | R/W |

Note 1. No interrupt request occurs when the receive FIFO becomes buffer warning because it is full.

Note 2. Buffer warning indicates a state in which the third message is stored in the receive FIFO.

The MIER\_FIFO register can independently enable interrupts for each mailbox and FIFO. This register is available in normal mailbox mode and FIFO mailbox mode. Do not access it in normal mailbox mode.

The MB0 to MB23 bits are associated with the mailbox having the same number. These bits enable or disable the transmission and reception complete interrupts for the associated mailboxes:

- Bit [0] in MIER\_FIFO is associated with mailbox 0 (MB0)
- Bit [23] in MIER\_FIFO is associated with mailbox 23 (MB23).

MB24, MB25, MB28, and MB29 specify whether the transmit and receive FIFO interrupts are enabled or disabled, and the timing of interrupt requests.

Write to MIER\_FIFO only when the associated MCTL\_TXj or MCTL\_RXj register (j = 0 to 31) is 00h and the associated mailbox is not processing a transmission or reception abort request. In addition, change the bits in MIER\_FIFO for the associated FIFO only when the TFE bit in TFCR is 0 and the TFEST bit is 1, and the RFE bit in RFCR is 0 and the RFEST bit in RFCR is 1.

### 35.2.9 Message Control Register for Transmit (MCTL\_TXj) (j = 0 to 31)

- Transmit mode (when the TRMREQ bit is 1 and the RECREQ bit is 0)

Address(es): CAN0.MCTL\_TX[0] 4005 0820h to CAN0.MCTL\_TX[31] 4005 083Fh,  
CAN1.MCTL\_TX[0] 4005 1820h to CAN1.MCTL\_TX[31] 4005 183Fh

|                    | b7     | b6     | b5 | b4      | b3 | b2     | b1        | b0       |
|--------------------|--------|--------|----|---------|----|--------|-----------|----------|
|                    | TRMREQ | RECREQ | —  | ONESHOT | —  | TRMABT | TRMACTIVE | SENTDATA |
| Value after reset: | 0      | 0      | 0  | 0       | 0  | 0      | 0         | 0        |

| Bit | Symbol    | Bit name                              | Description   | R/W |
|-----|-----------|---------------------------------------|---|-----|
| b0  | SENTDATA  | Transmission Complete Flag*1,*2       | 0: Transmission not complete<br>1: Transmission complete.   | R/W |
| b1  | TRMACTIVE | Transmission-in-Progress Status Flag  | 0: Transmission pending or not requested<br>1: Transmission in progress.  | R   |
| b2  | TRMABT    | Transmission Abort Complete Flag*1,*2 | 0: Transmission started, transmission abort failed because transmission completed, or transmission abort not requested<br>1: Transmission abort complete. | R/W |
| b3  | —         | Reserved                              | This bit is read as 0. The write value should be 0.   | R/W |
| b4  | ONESHOT   | One-Shot Enable*2,*3                  | 0: Disable one-shot transmission<br>1: Enable one-shot transmission.  | R/W |
| b5  | —         | Reserved                              | This bit is read as 0. The write value should be 0.   | R/W |
| b6  | RECREQ    | Receive Mailbox Request*2,*3,*4,*5    | 0: Do not configure for reception<br>1: Configure for reception.  | R/W |
| b7  | TRMREQ    | Transmit Mailbox Request*2,*4         | 0: Do not configure for transmission<br>1: Configure for transmission.  | R/W |

Note 1. Write 0 only. Writing 1 has no effect.

Note 2. When writing to bits of this register, write 1 to SENTDATA and TRMABT if these bits are not the write target.

Note 3. To enter one-shot transmit mode, write 1 to the ONESHOT bit at the same time as setting the TRMREQ bit to 1. To exit one-shot transmit mode, write 0 to the ONESHOT bit after the message is transmitted or aborted.

Note 4. Do not set both the RECREQ and TRMREQ bits to 1.

Note 5. When setting the RECREQ bit to 0, set the SENTDATA, TRMACTIVE, and TRMABT flags to 0 simultaneously.

MCTL\_TXj sets mailbox j to transmit mode or receive mode. In transmit mode, MCTL\_TXj also controls and indicates the transmission status. Do not access MCTL\_TXj if mailbox j is in receive mode. Only write to MCTL\_TXj in CAN operation or halt mode. Do not use MCTL\_TX24 to MCTL\_TX31 in FIFO mailbox mode.

#### SENTDATA flag (Transmission Complete Flag)

The SENTDATA flag is set to 1 when data transmission from the associated mailbox is complete. The SENTDATA flag is set to 0 through a software write. To set it to 0, first set the TRMREQ bit to 0. The SENTDATA and TRMREQ flags cannot be set to 0 simultaneously. To transmit a new message from the associated mailbox, set the SENTDATA flag to 0.

#### TRMACTIVE flag (Transmission-in-Progress Status Flag)

The TRMACTIVE flag is set to 1 when the associated mailbox of the CAN module begins transmitting a message. It is set to 0 when the CAN module loses CAN bus arbitration, a CAN bus error occurs, or data transmission completes.

#### TRMABT flag (Transmission Abort Complete Flag)

The TRMABT flag is set to 1 in the following cases:

- Following a transmission abort request, when the transmission abort is complete before starting transmission
- Following a transmission abort request, when the CAN module detects CAN bus arbitration-lost or a CAN bus error
- In one-shot transmission mode (RECREQ = 0, TRMREQ = 1, and ONESHOT = 1), when the CAN module detects a CAN bus arbitration-lost or a CAN bus error.



The TRMABT flag does not set to 1 when data transmission is complete. The SENTDATA flag is set to 1. The TRMABT flag is set to 0 through a software write.

#### **ONESHOT bit (One-Shot Enable)**

When the ONESHOT bit is set to 1 in transmit mode (RECREQ = 0 and TRMREQ = 1), the CAN module transmits a message only one time. The CAN module does not transmit the message again if a CAN bus error or CAN bus arbitration-lost occurs. When transmission is complete, the SENTDATA flag is set to 1. If transmission does not complete because of a CAN bus error or CAN bus arbitration-lost error, the TRMABT flag is set to 1. Set the ONESHOT bit to 0 after the SENTDATA or TRMABT flag is set to 1.

#### **RECREQ bit (Receive Mailbox Request)**

The RECREQ bit selects the receive modes listed in [Table 35.10](#).

When the RECREQ bit is set to 1, the associated mailbox is configured for reception of a data or remote frame.

When the RECREQ bit is set to 0, the associated mailbox is not configured for reception of a data or remote frame.

Due to hardware protection, the RECREQ bit cannot be set to 0 through a software write during the following period:

- Hardware protection is started from the acceptance filter processing (the beginning of the CRC field)
- Hardware protection is released:
  - For the mailbox that is specified to receive the incoming message, after the received data is stored in the mailbox or a CAN bus error occurs. This means that the maximum period of hardware protection is from the beginning of CRC field to the end of the 7th bit of EOF.
  - For the other mailboxes, after acceptance filter processing
  - If no mailbox is specified to receive the message, after acceptance filter processing.

When setting the RECREQ bit to 1, do not set the TRMREQ bit to 1. To change the configuration of a mailbox from transmission to reception, first abort the transmission and then set the SENTDATA and TRMABT flags to 0 before changing to reception.

Note: MCTL\_TXj.RECREQ is the mirror bit of MCTL\_RXj.RECREQ.

#### **TRMREQ bit (Transmit Mailbox Request)**

The TRMREQ bit selects the transmit modes listed in [Table 35.10](#).

When the TRMREQ bit is set to 1, the associated mailbox is configured for transmission of a data or remote frame.

When the TRMREQ bit is set to 0, the associated mailbox is not configured for transmission of a data or remote frame.

If the TRMREQ bit is changed from 1 to 0 to cancel the associated transmission request, either the TRMABT or SENTDATA flag is set to 1. When setting the TRMREQ bit to 1, do not set the RECREQ bit to 1. To change the configuration of a mailbox from reception to transmission, first abort the reception, and then set the NEWDATA and MSGLOST bits to 0 before changing to transmission.

Note: MCTL\_TXj.TRMREQ is the mirror bit of MCTL\_RXj.TRMREQ.

### 35.2.10 Message Control Register for Receive (MCTL\_RXj) (j = 0 to 31)

- Receive mode (when the TRMREQ bit is 0 and the RECREQ bit is 1)

Address(es): CAN0.MCTL\_RX[0] 4005 0820h to CAN0.MCTL\_RX[31] 4005 083Fh,  
CAN1.MCTL\_RX[0] 4005 1820h to CAN1.MCTL\_RX[31] 4005 183Fh

|                    | b7     | b6     | b5 | b4      | b3 | b2      | b1         | b0      |
|--------------------|--------|--------|----|---------|----|---------|------------|---------|
|                    | TRMREQ | RECREQ | —  | ONESHOT | —  | MSGLOST | INVALIDATA | NEWDATA |
| Value after reset: | 0      | 0      | 0  | 0       | 0  | 0       | 0          | 0       |

| Bit | Symbol     | Bit name                           | Description   | R/W |
|-----|------------|------------------------------------|---|-----|
| b0  | NEWDATA    | Reception Complete Flag*1,*2       | 0: No data received, or 0 was written to the bit<br>1: New message being stored or was stored in the mailbox. | R/W |
| b1  | INVALIDATA | Reception-in-Progress Status Flag  | 0: Message valid<br>1: Message being updated.   | R   |
| b2  | MSGLOST    | Message Lost Flag*1,*2             | 0: Message not overwritten or overrun<br>1: Message overwritten or overrun.                                   | R/W |
| b3  | —          | Reserved                           | This bit is read as 0. The write value should be 0.   | R/W |
| b4  | ONESHOT    | One-Shot Enable*2,*3               | 0: Disable one-shot reception<br>1: Enable one-shot reception.  | R/W |
| b5  | —          | Reserved                           | This bit is read as 0. The write value should be 0.   | R/W |
| b6  | RECREQ     | Receive Mailbox Request*2,*3,*4,*5 | 0: Do not configure for reception<br>1: Configure for reception.  | R/W |
| b7  | TRMREQ     | Transmit Mailbox Request*2,*4      | 0: Do not configure for transmission<br>1: Configure for transmission.  | R/W |

Note 1. Write 0 only. Writing 1 has no effect.

Note 2. When writing to the bits in this register, write 1 to the NEWDATA and MSGLOST bits if they are not the write target.

Note 3. To enter one-shot receive mode, write 1 to the ONESHOT bit at the same time as setting the RECREQ bit to 1. To exit one-shot receive mode, write 0 to the ONESHOT bit after writing 0 to the RECREQ bit and confirming that it is 0.

Note 4. Do not set both the RECREQ and TRMREQ bits to 1.

Note 5. When setting the RECREQ bit to 0, set the MSGLOST, NEWDATA, and RECREQ bits to 0 simultaneously.

MCTL\_RXj sets mailbox j to transmit or receive mode. In receive mode, MCTL\_RXj also controls and indicates the reception status. Do not access MCTL\_RXj if mailbox j is in transmit mode. Only write to the MCTL\_RXj in CAN operation or halt mode. Do not use MCTL\_RX24 to MCTL\_RX31 in FIFO mailbox mode.

#### NEWDATA flag (Reception Complete Flag)

The NEWDATA flag is set to 1 when a new message is being stored or was stored in the mailbox. Always set this bit to 1 simultaneously with the INVALIDATA flag. The NEWDATA flag is cleared to 0 through a software write. The NEWDATA flag cannot be set to 0 through a software write while the associated INVALIDATA flag is 1.

#### INVALIDATA flag (Reception-in-Progress Status Flag)

After the completion of a message reception, the INVALIDATA flag is set to 1 while the received message is being updated into the associated mailbox. The INVALIDATA flag is set to 0 immediately after the message is stored. If the mailbox is read while the INVALIDATA flag is 1, the data is undefined.

#### MSGLOST flag (Message Lost Flag)

The MSGLOST flag is set to 1 when the mailbox is overwritten or overrun by a new received message while the NEWDATA flag is 1. The MSGLOST flag is set to 1 at the end of the 6th bit of EOF. The MSGLOST flag is set to 0 through a software write.

In both overwrite and overrun modes, the MSGLOST flag cannot be set to 0 through a software write during the 5 PCLKB cycles following the 6th bit of EOF.

**ONESHOT bit (One-Shot Enable)**

When the ONESHOT bit is set to 1 in receive mode (RECREQ = 1 and TRMREQ = 0), the mailbox receives a message only one time. The mailbox does not behave as a receive mailbox after having received the message one time. The behavior of the NEWDATA and INVALIDDATA flags is the same as in normal receive mode. In one-shot receive mode, the MSGLOST flag does not set to 1. To set the ONESHOT bit to 0, first write 0 to the RECREQ bit and ensure that it is 0.

**RECREQ bit (Receive Mailbox Request)**

The RECREQ bit selects receive modes listed in [Table 35.10](#).

When the RECREQ bit is set to 1, the associated mailbox is configured for reception of a data frame or remote frame.

When the RECREQ bit is set to 0, the associated mailbox is not configured for reception of a data frame or remote frame.

Due to hardware protection, the RECREQ bit cannot be set to 0 through a software write during the following period:

- Hardware protection is started from the acceptance filter processing (the beginning of the CRC field)
- Hardware protection is released:
  - For the mailbox that is specified to receive the incoming message, after the received data is stored in the mailbox or a CAN bus error occurs. This means that the maximum period of hardware protection is from the beginning of the CRC field to the end of the 7th bit of EOF.
  - For the other mailboxes, after acceptance filter processing
  - If no mailbox is specified to receive the message, after acceptance filter processing.

When setting the RECREQ bit to 1, do not set the TRMREQ bit to 1. To change the configuration of a mailbox from transmission to reception, first abort the transmission and then set the SENTDATA and TRMABT flags to 0 before changing to reception.

Note: MCTL\_RXj.RECREQ is the mirror bit of MCTL\_TXj.RECREQ.

**TRMREQ bit (Transmit Mailbox Request)**

The TRMREQ bit selects the transmit modes listed in [Table 35.10](#).

When the TRMREQ bit is set to 1, the associated mailbox is configured for transmission of a data or remote frame.

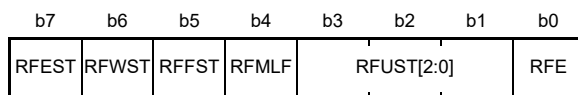
When the TRMREQ bit is set to 0, the associated mailbox is not configured for transmission of a data or remote frame.

If the TRMREQ bit is changed from 1 to 0 to cancel the associated transmission request, either the TRMABT or SENTDATA flag is set to 1. When setting the TRMREQ bit to 1, do not set the RECREQ bit to 1. To change the configuration of a mailbox from reception to transmission, first abort the reception and then set the NEWDATA and MSGLOST bits to 0 before changing to transmission.

Note: MCTL\_RXj.TRMREQ is the mirror bit of MCTL\_TXj.TRMREQ.

**35.2.11 Receive FIFO Control Register (RFCR)**

Address(es): CAN0.RFCR 4005 0848h, CAN1.RFCR 4005 1848h



Value after reset: 1 0 0 0 0 0 0 0

| Bit | Symbol | Bit name            | Description  | R/W |
|-----|--------|---------------------|--|-----|
| b0  | RFE    | Receive FIFO Enable | 0: Disable receive FIFO<br>1: Enable receive FIFO. | R/W |

| Bit      | Symbol     | Bit name                                  | Description  | R/W |
|----------|------------|---|--|-----|
| b3 to b1 | RFUST[2:0] | Receive FIFO Unread Message Number Status | b3 b1<br>0 0 0: No unread message<br>0 0 1: 1 unread message<br>0 1 0: 2 unread messages<br>0 1 1: 3 unread messages<br>1 0 0: 4 unread messages<br>1 0 1: Reserved<br>1 1 0: Reserved<br>1 1 1: Reserved. | R   |
| b4       | RFMLF      | Receive FIFO Message Lost Flag            | 0: Receive FIFO message not lost<br>1: Receive FIFO message lost.  | R/W |
| b5       | RFFST      | Receive FIFO Full Status Flag             | 0: Receive FIFO not full<br>1: Receive FIFO full (4 unread messages).  | R   |
| b6       | RFWST      | Receive FIFO Buffer Warning Status Flag   | 0: Receive FIFO has no buffer warning<br>1: Receive FIFO has buffer warning (3 unread messages).   | R   |
| b7       | RFEST      | Receive FIFO Empty Status Flag            | 0: Unread message in receive FIFO<br>1: No unread message in receive FIFO.   | R   |

Write to RFCR in CAN operation or halt mode.

### RFE bit (Receive FIFO Enable)

When the RFE bit is set to 1, the receive FIFO is enabled.

When the RFE bit is set to 0, the receive FIFO is disabled for reception and becomes empty (RFEST bit = 1). Write 0 to the RFE bit simultaneously with setting the RFMLF flag.

Do not set this bit to 1 in normal mailbox mode (MBM bit in CTRLR = 0). Due to hardware protection, the RFE bit cannot be set to 0 through a software write during the following period:

- Hardware protection is started from acceptance filter processing (the beginning of the CRC field)
- When hardware protection is released:
  - If the receive FIFO is specified to receive the incoming message, after the received data is stored in the receive FIFO or a CAN bus error occurs. This means that the maximum period of hardware protection is from the beginning of the CRC field to the end of the 7th bit of EOF.
  - If the receive FIFO is not specified to receive the message, after acceptance filter processing.

### RFUST[2:0] bits (Receive FIFO Unread Message Number Status)

The RFUST[2:0] bits indicate the number of unread messages in the receive FIFO. The value of the RFUST[2:0] bits initializes to 000b when the RFE bit is set to 0.

### RFMLF flag (Receive FIFO Message Lost Flag)

The RFMLF flag is set to 1 (receive FIFO message lost) when the receive FIFO receives a new message and is full. It is set to 1 at the end of the 6th bit of EOF.

The RFMLF flag is set to 0 through a software write. Writing 1 has no effect. In both overwrite and overrun modes, if the receive FIFO is full and determined to have received a message, the RFMLF flag cannot be set to 0 (receive FIFO message was not lost) through a software write because of hardware protection during the 5 PCLKB cycles following the 6th bit of EOF.

### RFFST flag (Receive FIFO Full Status Flag)

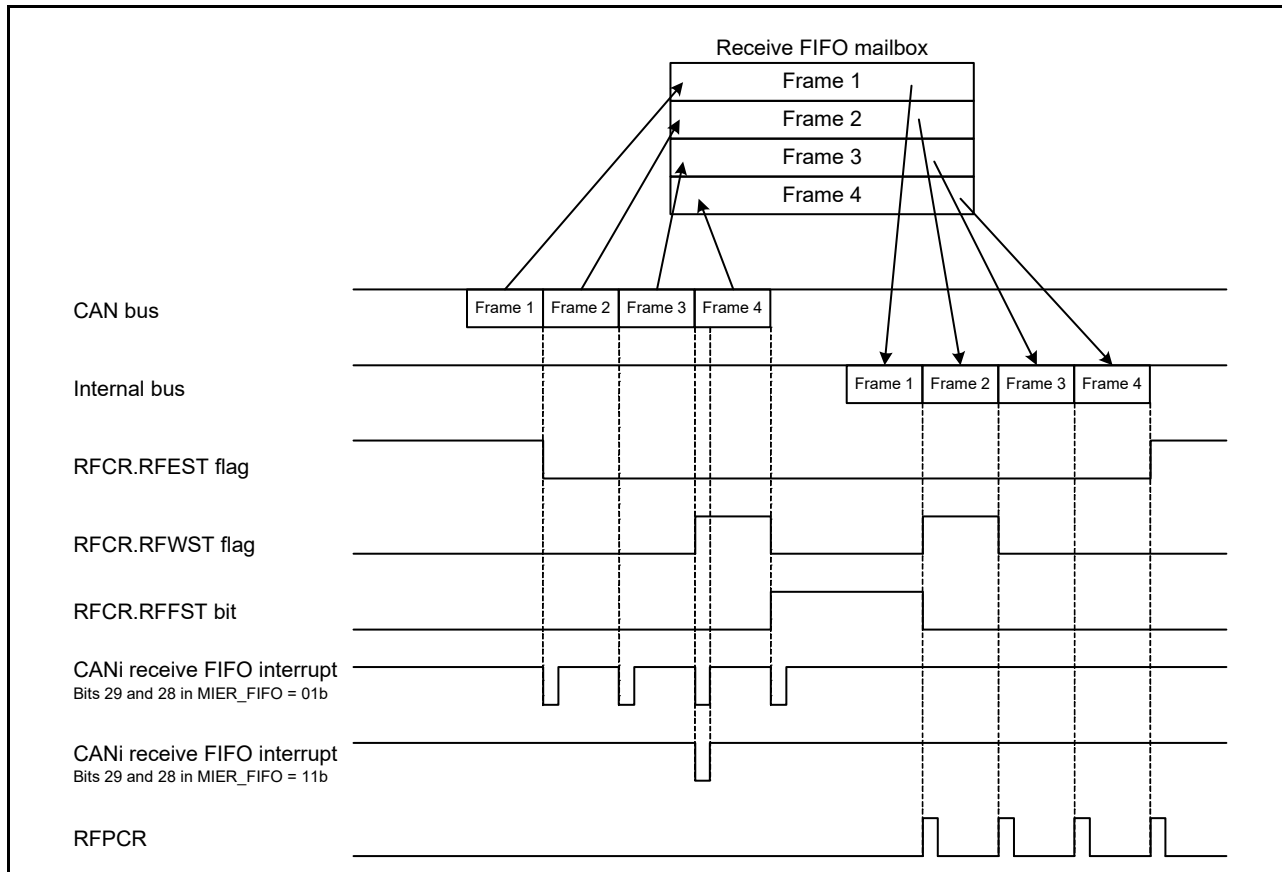
The RFFST flag is set to 1 (receive FIFO is full) when the number of unread messages in the receive FIFO is 4. It is 0 (receive FIFO is not full) when the number of unread messages in the receive FIFO is less than 4. The flag is set to 0 when the RFE bit is 0.

### RFWST flag (Receive FIFO Buffer Warning Status Flag)

The RFWST flag is set to 1 (receive FIFO is a buffer warning) when the number of unread messages in the receive FIFO is 3. It is 0 (receive FIFO is not a buffer warning) when the number of unread messages in the receive FIFO is less than 3 or equal to 4. The RFWST flag is set to 0 when the RFE bit is 0.

**RFEST flag (Receive FIFO Empty Status Flag)**

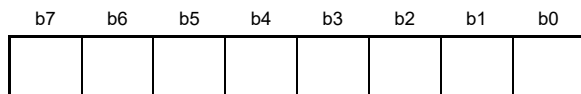
The RFEST flag is set to 1 (no unread message in receive FIFO) when the number of unread messages in the receive FIFO is 0. It is set to 1 when the RFE bit is set to 0. The flag is set to 0 (unread message in receive FIFO) when the number of unread messages in the receive FIFO is one or more. Figure 35.2 shows the receive FIFO mailbox operation.



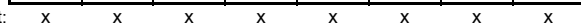
**Figure 35.2** Receive FIFO mailbox operation when bits [29] and [28] in MIER\_FIFO = 01b or 11b

**35.2.12 Receive FIFO Pointer Control Register (RFPCR)**

Address(es): CAN0.RFPCR 4005 0849h, CAN1.RFPCR 4005 1849h



Value after reset:



x: Undefined

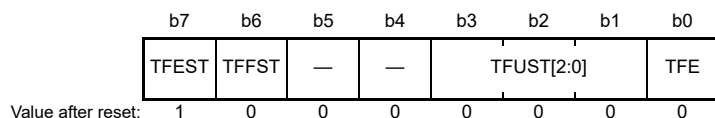
| Bit      | Description  | R/W |
|----------|--|-----|
| b7 to b0 | The CPU-side pointer for the receive FIFO is incremented by writing FFh to RFPCR | W   |

When the receive FIFO is not empty, write FFh to RFPCR through software to increment the CPU pointer to the next mailbox location. Do not write to RFPCR when the RFE bit in RFCR is 0 (receive FIFO disabled).

Both the CAN and CPU pointers increment when a new message is received and the RFFST flag is 1 (receive FIFO is full) in overwrite mode. When the RFMLF flag is 1 in this state, the CPU pointer does not increment on a software write to RFPCR.

### 35.2.13 Transmit FIFO Control Register (TFCR)

Address(es): CAN0.TFCR 4005 084Ah, CAN1.TFCR 4005 184Ah



| Bit      | Symbol     | Bit name                                   | Description   | R/W |    |    |  |   |   |   |                      |   |   |   |                     |   |   |   |                      |   |   |   |                      |   |   |   |                      |   |   |   |          |   |   |   |          |   |   |   |           |   |
|----------|------------|--|---|-----|----|----|--|---|---|---|----------------------|---|---|---|---------------------|---|---|---|----------------------|---|---|---|----------------------|---|---|---|----------------------|---|---|---|----------|---|---|---|----------|---|---|---|-----------|---|
| b0       | TFE        | Transmit FIFO Enable                       | 0: Disable transmit FIFO<br>1: Enable transmit FIFO.  | R/W |    |    |  |   |   |   |                      |   |   |   |                     |   |   |   |                      |   |   |   |                      |   |   |   |                      |   |   |   |          |   |   |   |          |   |   |   |           |   |
| b3 to b1 | TFUST[2:0] | Transmit FIFO Unsent Message Number Status | <table style="font-size: small; border: none;"> <tr> <td>b3</td> <td>b2</td> <td>b1</td> <td></td> </tr> <tr> <td>0</td> <td>0</td> <td>0</td> <td>0: 0 unsent messages</td> </tr> <tr> <td>0</td> <td>0</td> <td>1</td> <td>1: 1 unsent message</td> </tr> <tr> <td>0</td> <td>1</td> <td>0</td> <td>2: 2 unsent messages</td> </tr> <tr> <td>0</td> <td>1</td> <td>1</td> <td>3: 3 unsent messages</td> </tr> <tr> <td>1</td> <td>0</td> <td>0</td> <td>4: 4 unsent messages</td> </tr> <tr> <td>1</td> <td>0</td> <td>1</td> <td>Reserved</td> </tr> <tr> <td>1</td> <td>1</td> <td>0</td> <td>Reserved</td> </tr> <tr> <td>1</td> <td>1</td> <td>1</td> <td>Reserved.</td> </tr> </table> | b3  | b2 | b1 |  | 0 | 0 | 0 | 0: 0 unsent messages | 0 | 0 | 1 | 1: 1 unsent message | 0 | 1 | 0 | 2: 2 unsent messages | 0 | 1 | 1 | 3: 3 unsent messages | 1 | 0 | 0 | 4: 4 unsent messages | 1 | 0 | 1 | Reserved | 1 | 1 | 0 | Reserved | 1 | 1 | 1 | Reserved. | R |
| b3       | b2         | b1   |   |     |    |    |  |   |   |   |                      |   |   |   |                     |   |   |   |                      |   |   |   |                      |   |   |   |                      |   |   |   |          |   |   |   |          |   |   |   |           |   |
| 0        | 0          | 0  | 0: 0 unsent messages  |     |    |    |  |   |   |   |                      |   |   |   |                     |   |   |   |                      |   |   |   |                      |   |   |   |                      |   |   |   |          |   |   |   |          |   |   |   |           |   |
| 0        | 0          | 1  | 1: 1 unsent message   |     |    |    |  |   |   |   |                      |   |   |   |                     |   |   |   |                      |   |   |   |                      |   |   |   |                      |   |   |   |          |   |   |   |          |   |   |   |           |   |
| 0        | 1          | 0  | 2: 2 unsent messages  |     |    |    |  |   |   |   |                      |   |   |   |                     |   |   |   |                      |   |   |   |                      |   |   |   |                      |   |   |   |          |   |   |   |          |   |   |   |           |   |
| 0        | 1          | 1  | 3: 3 unsent messages  |     |    |    |  |   |   |   |                      |   |   |   |                     |   |   |   |                      |   |   |   |                      |   |   |   |                      |   |   |   |          |   |   |   |          |   |   |   |           |   |
| 1        | 0          | 0  | 4: 4 unsent messages  |     |    |    |  |   |   |   |                      |   |   |   |                     |   |   |   |                      |   |   |   |                      |   |   |   |                      |   |   |   |          |   |   |   |          |   |   |   |           |   |
| 1        | 0          | 1  | Reserved  |     |    |    |  |   |   |   |                      |   |   |   |                     |   |   |   |                      |   |   |   |                      |   |   |   |                      |   |   |   |          |   |   |   |          |   |   |   |           |   |
| 1        | 1          | 0  | Reserved  |     |    |    |  |   |   |   |                      |   |   |   |                     |   |   |   |                      |   |   |   |                      |   |   |   |                      |   |   |   |          |   |   |   |          |   |   |   |           |   |
| 1        | 1          | 1  | Reserved.   |     |    |    |  |   |   |   |                      |   |   |   |                     |   |   |   |                      |   |   |   |                      |   |   |   |                      |   |   |   |          |   |   |   |          |   |   |   |           |   |
| b5, b4   | —          | Reserved                                   | These bits are read as 0. The write value should be 0.  | R/W |    |    |  |   |   |   |                      |   |   |   |                     |   |   |   |                      |   |   |   |                      |   |   |   |                      |   |   |   |          |   |   |   |          |   |   |   |           |   |
| b6       | TFFST      | Transmit FIFO Full Status                  | 0: Transmit FIFO not full<br>1: Transmit FIFO full (4 unsent messages).   | R   |    |    |  |   |   |   |                      |   |   |   |                     |   |   |   |                      |   |   |   |                      |   |   |   |                      |   |   |   |          |   |   |   |          |   |   |   |           |   |
| b7       | TFEST      | Transmit FIFO Empty Status                 | 0: Unsent message in transmit FIFO<br>1: No unsent message in transmit FIFO.  | R   |    |    |  |   |   |   |                      |   |   |   |                     |   |   |   |                      |   |   |   |                      |   |   |   |                      |   |   |   |          |   |   |   |          |   |   |   |           |   |

Write to TFCR in CAN operation or halt mode.

#### TFE bit (Transmit FIFO Enable)

Setting the TFE bit set to 1 enables the transmit FIFO. Setting the TFE bit to 0 empties the transmit FIFO (TFEST bit = 1), and unsent messages in the transmit FIFO are lost in the following ways:

- Immediately if a message from the transmit FIFO is not scheduled for the next transmission or already in transmission
- On completion of transmission, on a CAN bus error, a CAN bus arbitration-lost, or an entry to CAN halt mode, if a message from the transmit FIFO is scheduled for the next transmission or is already in transmission.

Before setting the TFE bit to 1 again, ensure that the TFEST bit is set to 1. After setting the TFE bit to 1, write transmit data to mailbox 24.

Do not set the TFE bit to 1 in normal mailbox mode (MBM bit in CTLR = 0).

#### TFUST[2:0] bits (Transmit FIFO Unsent Message Number Status)

The TFUST[2:0] bits indicate the number of unsent messages in the transmit FIFO. They are set to 000b after TFE bit is set to 0 and transmission is aborted or completed.

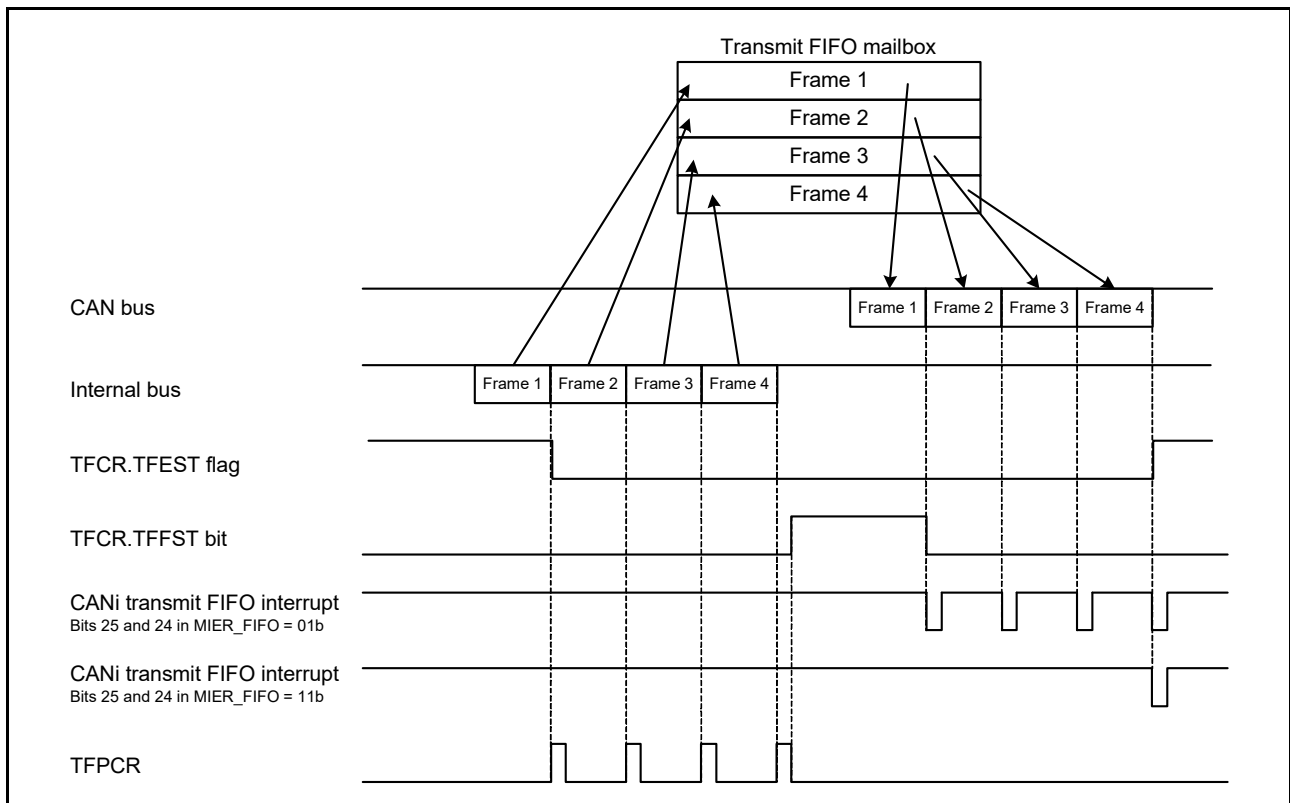
#### TFFST bit (Transmit FIFO Full Status)

The TFFST bit is set to 1 (transmit FIFO is full) when the number of unsent messages in the transmit FIFO is 4. The TFFST bit is set to 0 (transmit FIFO is not full) when the number of unsent messages in the transmit FIFO is less than 4. The TFFST bit is set to 0 when transmission from the transmit FIFO is aborted.

#### TFEST bit (Transmit FIFO Empty Status)

The TFEST bit is set to 1 (no message in transmit FIFO) when the number of unsent messages in the transmit FIFO is 0. The TFEST bit is set to 1 when transmission from the transmit FIFO is aborted. The TFEST bit is set to 0 (message in transmit FIFO) when the number of unsent messages in the transmit FIFO is not 0.

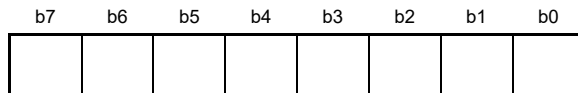
Figure 35.3 shows the transmit FIFO mailbox operation.



**Figure 35.3** Transmit FIFO mailbox operation when bits [25] and [24] in MIER\_FIFO = 01b or 11b

### 35.2.14 Transmit FIFO Pointer Control Register (TFPCR)

Address(es): CAN0.TFPCR 4005 084Bh, CAN1.TFPCR 4005 184Bh



Value after reset: x x x x x x x x

x: Undefined

| Bit      | Description  | R/W |
|----------|--|-----|
| b7 to b0 | The CPU pointer for the transmit FIFO is incremented by writing FFh to TFPCR | W   |

When the transmit FIFO is not full, write FFh to TFPCR through software to increment the CPU pointer for the transmit FIFO to the next mailbox location.

Do not write to TFPCR when the TFE bit in TFCR is 0 (transmit FIFO disabled).

### 35.2.15 Status Register (STR)

Address(es): CAN0.STR 4005 0842h, CAN1.STR 4005 1842h

|                    | b15 | b14   | b13   | b12  | b11  | b10   | b9    | b8    | b7  | b6    | b5    | b4    | b3   | b2   | b1   | b0   |
|--------------------|-----|-------|-------|------|------|-------|-------|-------|-----|-------|-------|-------|------|------|------|------|
|                    | —   | RECST | TRMST | BOST | EPST | SLPST | HLTST | RSTST | EST | TABST | FMLST | NMLST | TFST | RFST | SDST | NDST |
| Value after reset: | 0   | 0     | 0     | 0    | 0    | 1     | 0     | 1     | 0   | 0     | 0     | 0     | 0    | 0    | 0    | 0    |

| Bit | Symbol | Bit name                                | Description   | R/W |
|-----|--------|---|---|-----|
| b0  | NDST   | NEWDATA Status Flag                     | 0: No mailbox with NEWDATA = 1<br>1: 1 or more mailboxes with NEWDATA = 1.                      | R   |
| b1  | SDST   | SENTDATA Status Flag                    | 0: No mailbox with SENTDATA = 1<br>1: 1 or more mailboxes with SENTDATA = 1.                    | R   |
| b2  | RFST   | Receive FIFO Status Flag                | 0: Empty receive FIFO<br>1: Message in receive FIFO.  | R   |
| b3  | TFST   | Transmit FIFO Status Flag               | 0: Transmit FIFO is full<br>1: Transmit FIFO is not full.                                       | R   |
| b4  | NMLST  | Normal Mailbox Message Lost Status Flag | 0: No mailbox with MSGLOST = 1<br>1: 1 or more mailboxes with MSGLOST = 1.                      | R   |
| b5  | FMLST  | FIFO Mailbox Message Lost Status Flag   | 0: RFMLF = 0<br>1: RFMLF = 1.   | R   |
| b6  | TABST  | Transmission Abort Status Flag          | 0: No mailbox with TRMABT = 1<br>1: 1 or more mailboxes with TRMABT = 1.                        | R   |
| b7  | EST    | Error Status Flag                       | 0: No error occurred<br>1: Error occurred.  | R   |
| b8  | RSTST  | CAN Reset Status Flag                   | 0: Not in CAN reset mode<br>1: In CAN reset mode.   | R   |
| b9  | HLTST  | CAN Halt Status Flag                    | 0: Not in CAN halt mode<br>1: In CAN halt mode.   | R   |
| b10 | SLPST  | CAN Sleep Status Flag                   | 0: Not in CAN sleep mode<br>1: In CAN sleep mode.   | R   |
| b11 | EPST   | Error-Passive Status Flag               | 0: Not in error-passive state<br>1: In error-passive state.                                     | R   |
| b12 | BOST   | Bus-Off Status Flag                     | 0: Not in bus-off state<br>1: In bus-off state.   | R   |
| b13 | TRMST  | Transmit Status Flag                    | 0: Bus idle or reception in progress<br>1: Transmission in progress or module in bus-off state. | R   |
| b14 | RECST  | Receive Status Flag                     | 0: Bus idle or transmission in progress<br>1: Reception in progress.                            | R   |
| b15 | —      | Reserved                                | This bit is read as 0.  | R   |

#### NDST flag (NEWDATA Status Flag)

The NDST flag is set to 1 when at least one NEWDATA flag in MCTL\_RXj (j = 0 to 31) is 1, regardless of the value of MIER or MIER\_FIFO. It is set to 0 when all NEWDATA flags are 0.

#### SDST flag (SENTDATA Status Flag)

The SDST flag is set to 1 when at least one SENTDATA flag in MCTL\_TXj (j = 0 to 31) is 1, regardless of the value of MIER or MIER\_FIFO. It is set to 0 when all SENTDATA flags are 0.

#### RFST flag (Receive FIFO Status Flag)

The RFST flag is set to 1 when the receive FIFO is not empty. It is set to 0 when the receive FIFO is empty or normal mailbox mode is selected.



**TFST flag (Transmit FIFO Status Flag)**

The TFST flag is set to 1 when the transmit FIFO is not full. It is set to 0 when the transmit FIFO is full or normal mailbox mode is selected.

**NMLST flag (Normal Mailbox Message Lost Status Flag)**

The NMLST flag is set to 1 when at least one MSGLOST flag in MCTL\_RXj (j = 0 to 31) is 1, regardless of the value of MIER or MIER\_FIFO. It is set to 0 when all MSGLOST flags are 0.

**FMLST flag (FIFO Mailbox Message Lost Status Flag)**

The FMLST flag is set to 1 when the RFMLF flag in RFCR is 1, regardless of the value of MIER\_FIFO. It is set to 0 when the RFMLF flag is 0.

**TABST flag (Transmission Abort Status Flag)**

The TABST flag is set to 1 when at least one TRMABT flag in MCTL\_TXj (j = 0 to 31) is 1, regardless of the value of MIER or MIER\_FIFO. It is set to 0 when all TRMABT flags are 0.

**EST flag (Error Status Flag)**

The EST flag is set to 1 when at least one error is detected by EIFR, regardless of the value of EIER. It is set to 0 when no error is detected by EIFR.

**RSTST flag (CAN Reset Status Flag)**

The RSTST flag is set to 1 when the CAN module is in CAN reset mode. It is 0 when the CAN module is not in CAN reset mode. It remains 1, even when the state changes from CAN reset to sleep mode.

**HLTST flag (CAN Halt Status Flag)**

The HLTST flag is set to 1 when the CAN module is in CAN halt mode. It is set to 0 when the CAN module is not in CAN halt mode. It remains 1, even when the state changes from CAN halt to sleep mode.

**SLPST flag (CAN Sleep Status Flag)**

The SLPST flag is set to 1 when the CAN module is in CAN sleep mode. It is set to 0 when the CAN module is not in CAN sleep mode.

**EPST flag (Error-Passive Status Flag)**

The EPST flag is set to 1 when the value of TECR or RECR exceeds 127 and the CAN module is in an error-passive state ( $128 \leq \text{TEC} < 256$  or  $128 \leq \text{REC} < 256$ ). It is set to 0 when the CAN module is not in the error-passive state.

**BOST flag (Bus-Off Status Flag)**

The BOST flag is set to 1 when the value of TECR exceeds 255 and the CAN module is in the bus-off state ( $\text{TEC} \geq 256$ ). It is set to 0 when the CAN module is not in the bus-off state.

**TRMST flag (Transmit Status Flag)**

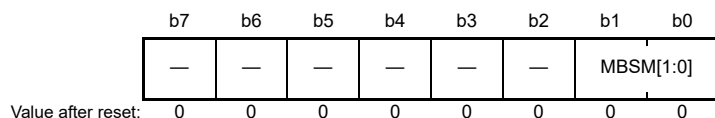
The TRMST flag is set to 1 when the CAN module performs as a transmitter node or is in the bus-off state. It is set to 0 when the CAN module performs as a receiver node or is in the bus-idle state.

**RECST flag (Receive Status Flag)**

The RECST flag is set to 1 when the CAN module performs as a receiver node. It is set to 0 when the CAN module performs as a transmitter node or is in the bus-idle state.

### 35.2.16 Mailbox Search Mode Register (MSMR)

Address(es): CAN0.MSMR 4005 0853h, CAN1.MSMR 4005 1853h



| Bit      | Symbol           | Bit name                   | Description  | R/W |
|----------|------------------|----------------------------|--|-----|
| b1, b0   | <b>MBSM[1:0]</b> | Mailbox Search Mode Select | b1 b0<br>0 0: Receive mailbox search mode<br>0 1: Transmit mailbox search mode<br>1 0: Message lost search mode<br>1 1: Channel search mode. | R/W |
| b7 to b2 | —                | Reserved                   | These bits are read as 0. The write value should be 0.   | R/W |

Write to MSMR in CAN operation or halt mode.

#### **MBSM[1:0] bits (Mailbox Search Mode Select)**

The MBSM[1:0] bits select the search mode for the mailbox search function.

When the MBSM[1:0] bits are 00b, receive mailbox search mode is selected. In this mode, the search targets are the NEWDATA flag in MCTL\_RXj (j = 0 to 31) for the normal mailbox, and the RFEST bit in RFCR.

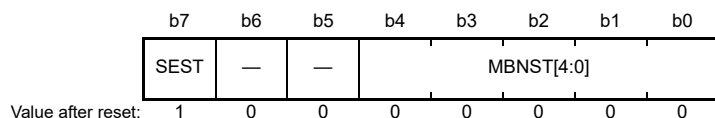
When the MBSM[1:0] bits are 01b, transmit mailbox search mode is selected. In this mode, the search target is the SENTDATA flag in MCTL\_TXj.

When the MBSM[1:0] bits are 10b, message lost search mode is selected. In this mode, the search targets are the MSGLOST flag in MCTL\_RXj for the normal mailbox and the RFMLF flag in RFCR.

When the MBSM[1:0] bits are 11b, channel search mode is selected. In this mode, the search target is CSSR. See [section 35.2.18, Channel Search Support Register \(CSSR\)](#).

### 35.2.17 Mailbox Search Status Register (MSSR)

Address(es): CAN0.MSSR 4005 0852h, CAN1.MSSR 4005 1852h



| Bit      | Symbol            | Bit name                            | Description  | R/W |
|----------|-------------------|-------------------------------------|--|-----|
| b4 to b0 | <b>MBNST[4:0]</b> | Search Result Mailbox Number Status | These bits output the smallest mailbox number that is found in each mode of MSMR | R   |
| b6, b5   | —                 | Reserved                            | These bits are read as 0   | R   |
| b7       | <b>SEST</b>       | Search Result Status                | 0: Search result found<br>1: No search result.                                   | R   |

#### **MBNST[4:0] bits (Search Result Mailbox Number Status)**

In all MSMR modes, the MBNST[4:0] bits output the smallest found mailbox number. In receive mailbox search mode, transmit mailbox search mode, and message lost search mode, the value of the mailbox (the search result to be output) is updated under the following conditions:

- When the NEWDATA, SENTDATA, or MSGLOST flag for a mailbox output by MBNST is set to 0
- When the NEWDATA, SENTDATA, or MSGLOST flag for a mailbox with a smaller number than of MBNST is

set to 1.

If the MBSM[1:0] bits are set to 00b (receive mailbox search mode) or 10b (message lost search mode), the receive FIFO (mailbox 28) is output when it is not empty and there are no unread received messages and no lost messages in any of the normal mailboxes (0 to 23). If the MBSM[1:0] bits are set to 01b (transmit mailbox search mode), the transmit FIFO (mailbox 24) is not output. Table 35.6 lists the behavior of the MBNST[4:0] bits in FIFO mailbox mode.

In channel search mode, the MBNST[4:0] bits output the associated channel number. After MSSR is read by software, the next target channel number is output.

**SEST bit (Search Result Status)**

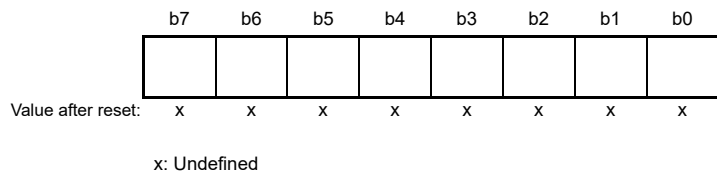
The SEST bit is set to 1 (no search result) when no associated mailbox is found after searching all mailboxes. For example, in transmit mailbox search mode, the SEST bit is set to 1, when no SENTDATA flag for the mailboxes is 1. The SEST bit is set to 0 when at least one SENTDATA flag is 1. When the SEST bit is 1, the value of the MBNST[4:0] bits is undefined.

**Table 35.6 Behavior of MBNST[4:0] bits in FIFO mailbox mode**

| MBSM[1:0] bits | Mailbox 24 (transmit FIFO) | Mailbox 28 (receive FIFO)   |
|----------------|----------------------------|---|
| 00b            | Mailbox 24 is not output   | Mailbox 28 is output when no MCTL_RXj.NEWDATA flag for the normal mailboxes is set to 1 (new message is being stored or was stored in the mailbox) and the receive FIFO is not empty                            |
| 01b            |                            | Mailbox 28 is not output  |
| 10b            |                            | Mailbox 28 is output when no MCTL_RXj.MSGLOST flag for the normal mailboxes is set to 1 (message is overwritten or overrun) and the RFCR.RFMLF flag is set to 1 (receive FIFO message lost) in the receive FIFO |
| 11b            |                            | Mailbox 28 is not output  |

**35.2.18 Channel Search Support Register (CSSR)**

Address(es): CAN0.CSSR 4005 0851h, CAN1.CSSR 4005 1851h

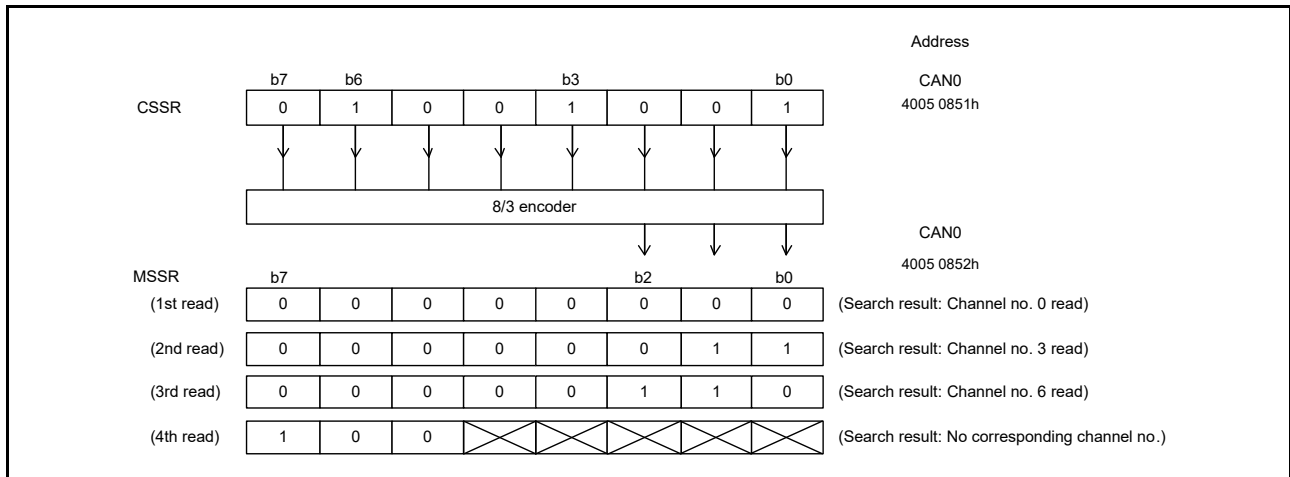


| Bit      | Description  | R/W |
|----------|--|-----|
| b7 to b0 | When the value for the channel search is input, the channel number is output to MSSR | R/W |

The bits in CSSR, which are set to 1, are encoded by an 8/3 encoder (the LSB position has the higher priority) and output to the MBNST[4:0] bits in MSSR. MSSR outputs the updated value whenever MSSR is read by software.

Write to CSSR only when the MSMR.MBSM[1:0] bits are 11b (channel search mode). Write to CSSR in CAN operation mode or CAN halt mode.

Figure 35.4 shows writes to and reads from CSSR and MSSR.

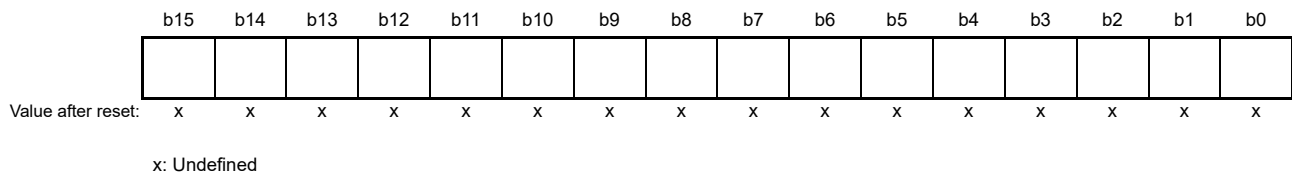


**Figure 35.4** Writes to and reads from CSSR and MSSR

The value of CSSR is also updated whenever MSSR is read. On this read, the value prior to conversion by the 8/3 encoder can be read.

### 35.2.19 Acceptance Filter Support Register (AFSR)

Address(es): CAN0.AFSR 4005 0856h, CAN1.AFSR 4005 1856h



| Bit       | Description   | R/W |
|-----------|---|-----|
| b15 to b0 | After the standard ID of a received message is written, the value converted for data table search can be read | R/W |

Note: Write to AFSR in CAN operation mode or CAN halt mode.

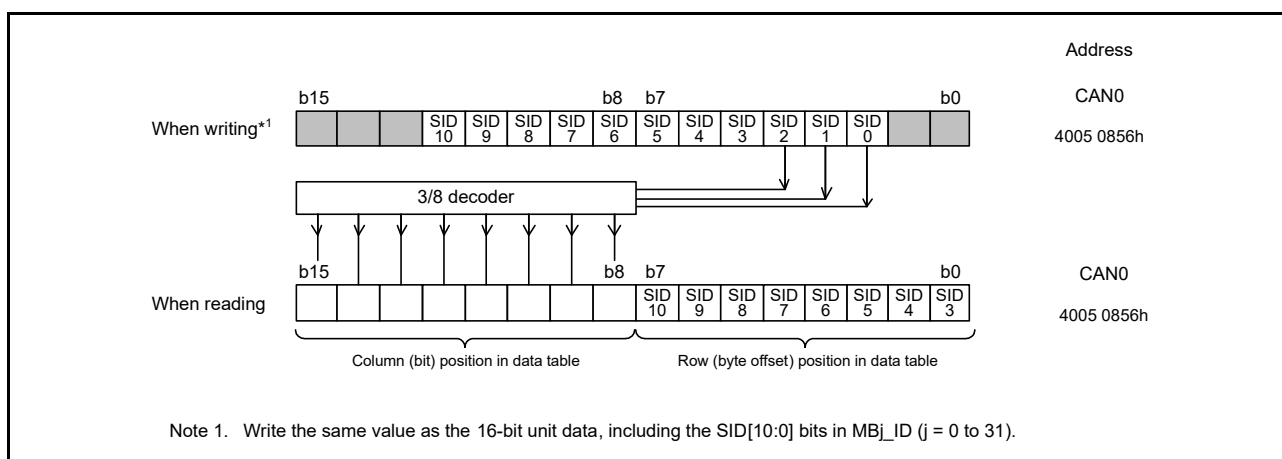
The acceptance filter support unit (ASU) can be used for data table (8 bits × 256) searches. In the data table, all standard IDs that you create are set as valid or invalid in bit units. When AFSR is written with data in 16-bit units including the SID[10:0] bits in MBj\_ID (j = 0 to 31), in which a received standard ID is stored, a decoded row (byte offset) position and column (bit) position for data table search can be read. The ASU can be used for standard (11-bit) IDs only.

The ASU is enabled in the following cases:

- When the ID to be received cannot be masked by the acceptance filter. For example, if IDs to be received are 078h, 087h, and 111h.
- When there are too many IDs to receive, and the software filtering time is expected to be shortened.

Note: AFSR cannot be set in CAN reset mode.

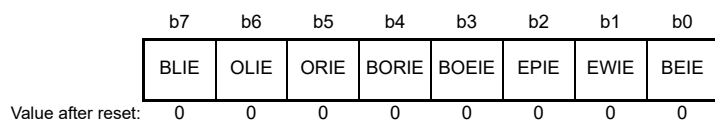
Figure 35.5 shows the writes to and reads from AFSR.



**Figure 35.5** Writes to and reads from AFSA

### 35.2.20 Error Interrupt Enable Register (EIER)

Address(es): CAN0.EIER 4005 084Ch, CAN1.EIER 4005 184Ch



| Bit | Symbol | Bit name                                 | Description                                  | R/W |
|-----|--------|--|--|-----|
| b0  | BEIE   | Bus Error Interrupt Enable               | 0: Disable interrupt<br>1: Enable interrupt. | R/W |
| b1  | EWIE   | Error-Warning Interrupt Enable           | 0: Disable interrupt<br>1: Enable interrupt. | R/W |
| b2  | EPIE   | Error-Passive Interrupt Enable           | 0: Disable interrupt<br>1: Enable interrupt. | R/W |
| b3  | BOEIE  | Bus-Off Entry Interrupt Enable           | 0: Disable interrupt<br>1: Enable interrupt. | R/W |
| b4  | BORIE  | Bus-Off Recovery Interrupt Enable        | 0: Disable interrupt<br>1: Enable interrupt. | R/W |
| b5  | ORIE   | Overrun Interrupt Enable                 | 0: Disable interrupt<br>1: Enable interrupt. | R/W |
| b6  | OLIE   | Overload Frame Transmit Interrupt Enable | 0: Disable interrupt<br>1: Enable interrupt. | R/W |
| b7  | BLIE   | Bus Lock Interrupt Enable                | 0: Disable interrupt<br>1: Enable interrupt. | R/W |

EIER enables or disables each error interrupt source independently in EIFR. Write to EIER in CAN reset mode.

#### BEIE bit (Bus Error Interrupt Enable)

When the BEIE bit is 0, no error interrupt request occurs even if the BEIF bit in EIFR is 1. When the BEIE bit is 1, an error interrupt request occurs if the BEIF bit is set to 1.

#### EWIE bit (Error-Warning Interrupt Enable)

When the EWIE bit is 0, no error interrupt request occurs even if the EWIF bit in EIFR is 1. When the EWIE bit is 1, an error interrupt request is generated if the EWIF bit is set to 1.

**EPIE bit (Error-Passive Interrupt Enable)**

When the EPIE bit is 0, no error interrupt request occurs even if the EPIF bit in EIFR is 1. When the EPIE bit is 1, an error interrupt request occurs if the EPIF bit is set to 1.

**BOEIE bit (Bus-Off Entry Interrupt Enable)**

When the BOEIE bit is 0, no error interrupt request occurs even if the BOEIF bit in EIFR is 1. When the BOEIE bit is 1, an error interrupt request occurs if the BOEIF bit is set to 1.

**BORIE bit (Bus-Off Recovery Interrupt Enable)**

When the BORIE bit is 0, no error interrupt request occurs even if the BORIF bit in EIFR is 1. When the BORIE bit is 1, an error interrupt request occurs if the BORIF bit is set to 1.

**ORIE bit (Overrun Interrupt Enable)**

When the ORIE bit is 0, no error interrupt request occurs even if the ORIF bit in EIFR is 1. When the ORIE bit is 1, an error interrupt request occurs if the ORIF bit is set to 1.

**OLIE bit (Overload Frame Transmit Interrupt Enable)**

When the OLIE bit is 0, no error interrupt request occurs even if the OLIF bit in EIFR is 1. When the OLIE bit is 1, an error interrupt request occurs if the OLIF bit is set to 1.

**BLIE bit (Bus Lock Interrupt Enable)**

When the BLIE bit is 0, no error interrupt request occurs even if the BLIF bit in EIFR is 1. When the BLIE bit is 1, an error interrupt request occurs if the BLIF bit is set to 1.

**35.2.21 Error Interrupt Factor Judge Register (EIFR)**

Address(es): CAN0.EIFR 4005 084Dh, CAN1.EIFR 4005 184Dh

| b7   | b6   | b5   | b4    | b3    | b2   | b1   | b0   |
|------|------|------|-------|-------|------|------|------|
| BLIF | OLIF | ORIF | BORIF | BOEIF | EPIF | EWIF | BEIF |
| 0    | 0    | 0    | 0     | 0     | 0    | 0    | 0    |

Value after reset:

| Bit | Symbol | Bit name                                | Description  | R/W |
|-----|--------|---|--|-----|
| b0  | BEIF   | Bus Error Detect Flag                   | 0: No bus error detected<br>1: Bus error detected.                                     | R/W |
| b1  | EWIF   | Error-Warning Detect Flag               | 0: No error-warning detected<br>1: Error-warning detected.                             | R/W |
| b2  | EPIF   | Error-Passive Detect Flag               | 0: No error-passive detected<br>1: Error-passive detected.                             | R/W |
| b3  | BOEIF  | Bus-Off Entry Detect Flag               | 0: No bus-off entry detected<br>1: Bus-off entry detected.                             | R/W |
| b4  | BORIF  | Bus-Off Recovery Detect Flag            | 0: No bus-off recovery detected<br>1: Bus-off recovery detected.                       | R/W |
| b5  | ORIF   | Receive Overrun Detect Flag             | 0: No receive overrun detected<br>1: Receive overrun detected.                         | R/W |
| b6  | OLIF   | Overload Frame Transmission Detect Flag | 0: No overload frame transmission detected<br>1: Overload frame transmission detected. | R/W |
| b7  | BLIF   | Bus Lock Detect Flag                    | 0: No bus lock detected<br>1: Bus lock detected.                                       | R/W |

If an event associated with one of these bits occurs, the associated bit in EIFR is set to 1, regardless of the setting of EIER.

Clear the bits to 0 through a software write. If a bit is set to 1 at the same time that software clears it, it becomes 1. When setting a single bit to 0 in software, use the transfer instruction (MOV) to ensure that only the specified bit is set to 0 and

the other bits are set to 1. Writing 1 has no effect to these bit values.

#### BEIF flag (Bus Error Detect Flag)

The BEIF flag is set to 1 when a bus error is detected.

#### EWIF flag (Error-Warning Detect Flag)

The EWIF flag is set to 1 when the value of the receive error counter (REC) or transmit error counter (TEC) exceeds 95. It is set to 1 only when REC or TEC initially exceeds 95. If 0 is written to the EWIF flag by software while REC or TEC remains greater than 95, the EWIF flag does not set to 1 until REC or TEC goes below 95 and then exceeds 95 again.

#### EPIF flag (Error-Passive Detect Flag)

The EPIF flag is set to 1 when the CAN error state becomes error-passive, when the receive error counter (REC) or transmit error counter (TEC) value exceeds 127. It is set to 1 only when REC or TEC initially exceeds 127. If 0 is written to the EPIF flag by software while REC or TEC remains greater than 127, the flag does not set to 1 until REC or TEC goes below 127 and then exceeds 127 again.

#### BOEIF flag (Bus-Off Entry Detect Flag)

The BOEIF flag is set to 1 when the CAN error state becomes bus-off, when the transmit error counter (TEC) value exceeds 255. It also is set to 1 when the BOM[1:0] bits in CTLR are 01b (automatic entry to CAN halt mode on bus-off entry) and the CAN module becomes the bus-off state.

#### BORIF flag (Bus-Off Recovery Detect Flag)

The BORIF flag is set to 1 when the CAN module recovers from the bus-off state normally by detecting 11 consecutive recessive bits 128 times in the following conditions:

- When the BOM[1:0] bits in CTLR are 00b
- When the BOM[1:0] bits in CTLR are 10b
- When the BOM[1:0] bits in CTLR are 11b.

However, the BORIF flag does not set to 1 if the CAN module recovers from the bus-off state in the following conditions:

- When the CANM[1:0] bits in CTLR are set to 01b or 11b (CAN reset mode)
- When the RBOC bit in CTLR is set to 1 (forced return from bus-off)
- When the BOM[1:0] bits in CTLR are set to 01b
- When the BOM[1:0] bits in CTLR are set to 11b and the CANM[1:0] bits in CTLR are set to 10b (CAN halt mode) before normal recovery occurs.

Table 35.7 lists the behavior of the BOEIF and BORIF bits for each CTLR.BOM[1:0] bit setting.

**Table 35.7 Behavior of BOEIF and BORIF flags for each CTLR.BOM[1:0] setting**

| BOM[1:0] bits | BOEIF bit                              | BORIF bit  |
|---------------|--|--|
| 00b           | Set to 1 on entry to the bus-off state | Sets to 1 on exit from the bus-off state   |
| 01b           |  | Does not set to 1  |
| 10b           |  | Sets to 1 on exit from the bus-off state   |
| 11b           |  | Sets to 1 if normal bus-off recovery occurs before the CANM[1:0] bits are set to 10b (CAN halt mode) |

#### ORIF flag (Receive Overrun Detect Flag)

The ORIF flag is set to 1 when a receive overrun occurs. It does not set to 1 in overwrite mode.

In overwrite mode, a reception complete interrupt request occurs if an overwrite condition occurs and the ORIF bit is not set to 1.

In overrun mode with normal mailbox mode, if an overrun occurs in any of mailboxes 0 to 31, this flag is set to 1. In overrun mode with FIFO mailbox mode, if an overrun occurs in any of mailboxes 0 to 23 or the receive FIFO, this bit is set to 1.

### OLIF flag (Overload Frame Transmission Detect Flag)

The OLIF flag is set to 1 if the transmitting condition of an overload frame is detected when the CAN module is transmitting or receiving.

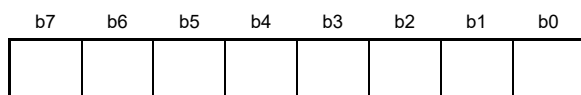
### BLIF flag (Bus Lock Detect Flag)

The BLIF flag is set to 1 if 32 consecutive dominant bits are detected on the CAN bus while the CAN module is in CAN operation mode. After the BLIF flag is set to 1, 32 consecutive dominant bits are detected again under either of the following conditions:

- Recessive bits are detected after this flag changes to 0 from 1
- The CAN module enters CAN reset or halt mode and then enters CAN operation mode again after this flag changes to 0 from 1.

## 35.2.22 Receive Error Count Register (RECR)

Address(es): CAN0.RECR 4005 084Eh, CAN1.RECR 4005 184Eh



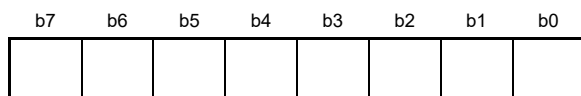
Value after reset: 0 0 0 0 0 0 0 0

| Bit      | Description   | R/W |
|----------|---|-----|
| b7 to b0 | Receive error count function<br>RECR increments or decrements the counter value based on the error status of the CAN module during reception. | R   |

RECR indicates the value of the receive error counter. See the CAN specification (ISO11898-1) for the increment and decrement conditions of the receive error counter. The value of RECR in the bus-off state is undefined.

## 35.2.23 Transmit Error Count Register (TECR)

Address(es): CAN0.TECR 4005 084Fh, CAN1.TECR 4005 184Fh



Value after reset: 0 0 0 0 0 0 0 0

| Bit      | Description   | R/W |
|----------|---|-----|
| b7 to b0 | Transmit error count function<br>TECR increments or decrements the counter value based on the error status of the CAN module during transmission. | R   |

TECR indicates the value of the transmit error counter. See the CAN specification (ISO11898-1) for information about the increment and decrement conditions of the transmit error counter. The value of TECR in the bus-off state is undefined.



### 35.2.24 Error Code Store Register (ECSR)

Address(es): CAN0.ECSR 4005 0850h, CAN1.ECSR 4005 1850h

|                    |      |      |      |     |     |     |     |
|--------------------|------|------|------|-----|-----|-----|-----|
| b7                 | b6   | b5   | b4   | b3  | b2  | b1  | b0  |
| EDPM               | ADEF | BE0F | BE1F | CEF | AEF | FEF | SEF |
| Value after reset: | 0    | 0    | 0    | 0   | 0   | 0   | 0   |

| Bit | Symbol | Bit name                        | Description  | R/W |
|-----|--------|---------------------------------|--|-----|
| b0  | SEF    | Stuff Error Flag*1,*2           | 0: No stuff error detected<br>1: Stuff error detected.                     | R/W |
| b1  | FEF    | Form Error Flag*1,*2            | 0: No form error detected<br>1: Form error detected.                       | R/W |
| b2  | AEF    | ACK Error Flag*1,*2             | 0: No ACK error detected<br>1: ACK error detected.                         | R/W |
| b3  | CEF    | CRC Error Flag*1,*2             | 0: No CRC error detected<br>1: CRC error detected.                         | R/W |
| b4  | BE1F   | Bit Error (recessive) Flag*1,*2 | 0: No bit error (recessive) detected<br>1: Bit error (recessive) detected. | R/W |
| b5  | BE0F   | Bit Error (dominant) Flag*1,*2  | 0: No bit error (dominant) detected<br>1: Bit error (dominant) detected.   | R/W |
| b6  | ADEF   | ACK Delimiter Error Flag*1,*2   | 0: No ACK delimiter error detected<br>1: ACK delimiter error detected.     | R/W |
| b7  | EDPM   | Error Display Mode Select*3,*4  | 0: Output first detected error code<br>1: Output accumulated error code.   | R/W |

Note 1. Writing 1 has no effect on these bit values.

Note 2. To write 0 to the SEF, FEF, AEF, CEF, BE1F, BE0F, and ADEF bits, use the transfer (MOV) instruction to ensure that only the specified bit is set to 0 and the other bits are set to 1.

Note 3. Write to the EDPM bit in CAN reset or halt mode.

Note 4. If more than one error condition is detected simultaneously, all related bits are set to 1.

ECSR indicates whether an error occurs on the CAN bus. See the CAN specification (ISO11898-1) for the conditions when each error occurs.

Clear all of the bits except the EDPM bit to 0 through a software write. If a bit is set to 1 at the same time that software clears it, it becomes 1.

#### SEF flag (Stuff Error Flag)

The SEF flag is set to 1 when a stuff error is detected.

#### FEF flag (Form Error Flag)

The FEF flag is set to 1 when a form error is detected.

#### AEF flag (ACK Error Flag)

The AEF flag is set to 1 when an ACK error is detected.

#### CEF flag (CRC Error Flag)

The CEF flag is set to 1 when a CRC error is detected.

#### BE1F flag (Bit Error (recessive) Flag)

The BE1F flag is set to 1 when a recessive bit error is detected.

#### BE0F flag (Bit Error (dominant) Flag)

The BE0F flag is set to 1 when a dominant bit error is detected.

**ADEF flag (ACK Delimiter Error Flag)**

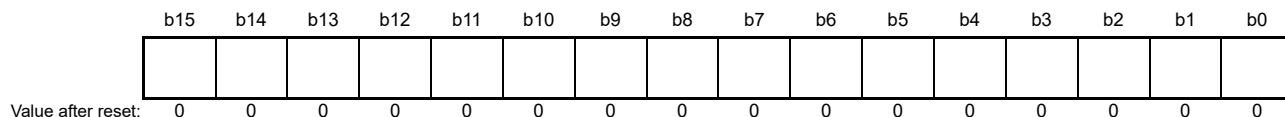
The ADEF flag is set to 1 when a form error is detected with the ACK delimiter during transmission.

**EDPM bit (Error Display Mode Select)**

The EDPM bit selects the output mode of ECSR. When the EDPM bit is set to 0, ECSR outputs the first error code. When the EDPM bit is set to 1, ECSR outputs the accumulated error code.

**35.2.25 Time Stamp Register (TSR)**

Address(es): CAN0.TSR 4005 0854h, CAN1.TSR 4005 1854h

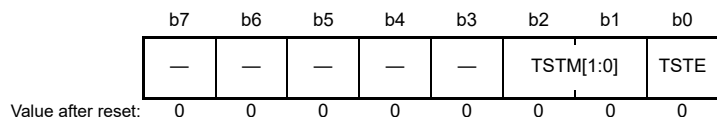


| Bit       | Description  | R/W |
|-----------|--|-----|
| b15 to b0 | Free-running counter value for the time stamp function | R   |

Note: Read TSR in 16-bit units.  
 When TSR is read, the value of the time stamp counter (16-bit free-running counter) at that moment, is read. The time stamp counter reference clock is configured in the TSPS[1:0] bits in CTLR. The counter stops in CAN sleep and halt modes, and is initialized in CAN reset mode. Its value is stored in the TSL[7:0] and TSH[7:0] bits in MBj\_TS when a received message is stored in a receive mailbox.

**35.2.26 Test Control Register (TCR)**

Address(es): CAN0.TCR 4005 0858h, CAN1.TCR 4005 1858h



| Bit      | Symbol    | Bit name             | Description   | R/W |
|----------|-----------|----------------------|---|-----|
| b0       | TSTE      | CAN Test Mode Enable | 0: Disable CAN test mode<br>1: Enable CAN test mode.  | R/W |
| b2, b1   | TSTM[1:0] | CAN Test Mode Select | b2 b1<br>0 0: Not CAN test mode<br>0 1: Listen-only mode<br>1 0: Self-test mode 0 (external loopback)<br>1 1: Self-test mode 1 (internal loopback). | R/W |
| b7 to b3 | —         | Reserved             | These bits are read as 0. The write value should be 0.  | R/W |

TCR controls the CAN test mode. Write to TCR in CAN halt mode only.

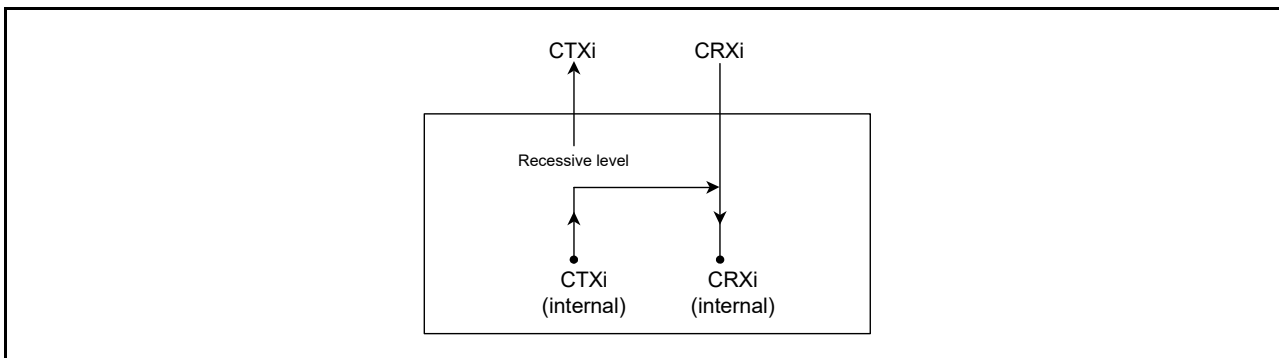
**(1) Listen-only mode**

The CAN specification (ISO11898-1) recommends an optional bus monitoring mode. In listen-only mode, valid data frames and valid remote frames can be received. However, only recessive bits can be sent on the CAN bus. The ACK bit, overload flag, and active error flag cannot be sent.

Listen-only mode can be used for baud rate detection.

Do not request transmission from any mailboxes in listen-only mode.

Figure 35.6 shows the connection when listen-only mode is selected.



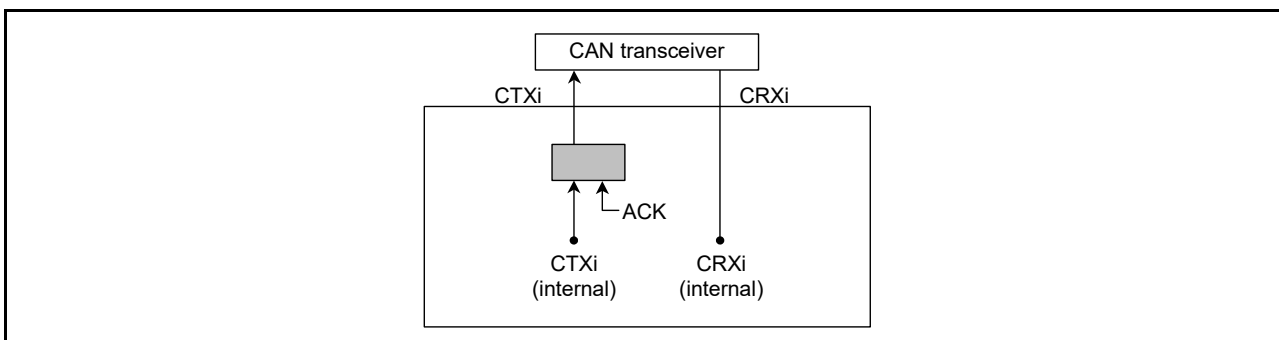
**Figure 35.6** Connection when listen-only mode is selected ( $i = 0, 1$ )

**(2) Self-test mode 0 (external loopback)**

Self-test mode 0 is provided for CAN transceiver tests. In this mode, the protocol module treats its own transmitted messages as those received by the CAN transceiver and stores them into the receive mailbox. To be independent from external stimulation, the protocol module generates the ACK bit.

Connect the CTXi and CRXi pins to the transceiver.

Figure 35.7 shows the connection when self-test mode 0 is selected.



**Figure 35.7** Connection when self-test mode 0 is selected ( $i = 0, 1$ )

**(3) Self-test mode 1 (internal loopback)**

Self-test mode 1 is provided for self-test functions.

In self-test mode 1, the protocol controller treats its transmitted messages as received messages and stores them into the receive mailbox. To be independent from external stimulation, the protocol controller generates the ACK bit.

In self-test mode 1, the protocol controller performs an internal feedback from the internal CTXi pin to the internal CRXi pin. The input value of the external CRXi pin is ignored. The external CTXi pin outputs only recessive bits. The CTXi and CRXi pins are not required to be connected to the CAN bus or any external device.

Figure 35.8 shows the connection when self-test mode 1 is selected.

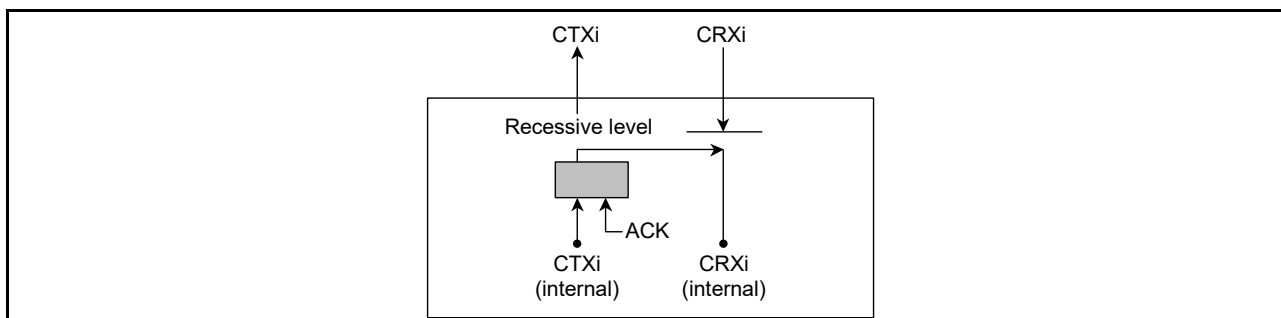


Figure 35.8 Connection when self-test mode 1 is selected (i = 0, 1)

### 35.3 Operation Modes

The CAN module operation modes include:

- CAN reset mode
- CAN halt mode
- CAN operation mode
- CAN sleep mode.

Figure 35.9 shows the transitions between the operation modes.

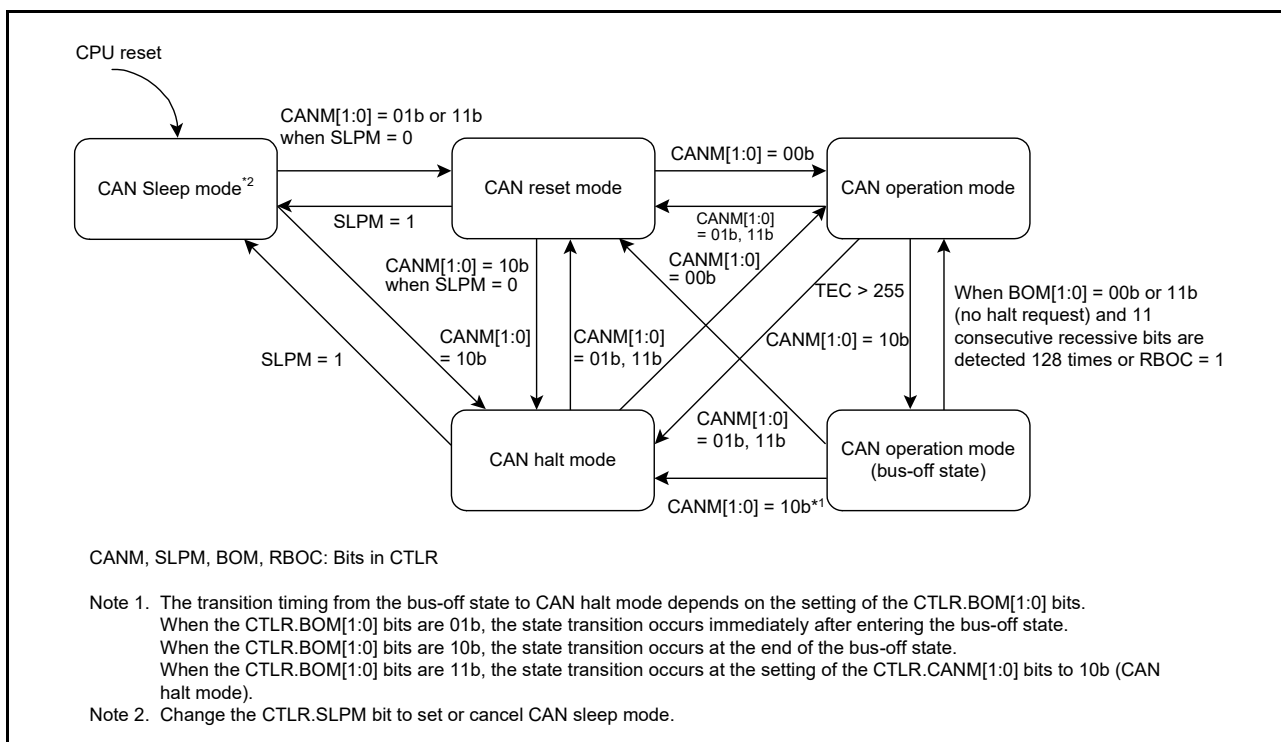


Figure 35.9 Transition between different operation modes

#### 35.3.1 CAN Reset Mode

CAN reset mode is provided for CAN communication configuration. When the CTLR.CANM[1:0] bits are set to 01b or 11b, the CAN module enters CAN reset mode. The STR.RSTST bit then is set to 1. Do not change the CTLR.CANM[1:0] bits until the RSTST bit is 1. Set BCR before exiting CAN reset mode to any other modes.

The following registers are initialized to their reset values after entering CAN reset mode, and their initial values are saved during CAN reset mode:

- MCTL\_TXj and MCTL\_RXj
- STR (except for the SLPST and TFST bits)
- EIFR
- RECR
- TECR
- TSR
- MSSR
- MSMR
- RFCR
- TFCR
- TCR
- ECSR (except for the EDPM bit).

The following registers retain their previous values even after entering CAN reset mode:

- CTLR
- STR (only the SLPST and TFST bits)
- MIER and MIER\_FIFO
- EIER
- BCR
- CSSR
- ECSR (only the EDPM bit)
- MBj\_ID, MBj\_DL, MBj\_Dm and MBj\_TS
- MKRk
- FIDCR0 and FIDCR1
- MKIVLR
- AFSR
- RFPCR
- TFPCR.

### 35.3.2 CAN Halt Mode

CAN halt mode is used for mailbox configuration and test mode setting.

When the CTLR.CANM[1:0] bits are set to 10b, CAN halt mode is selected. Then the STR.HLTST bit is set to 1. Do not change the CTLR.CANM[1:0] bits until the HLTST bit is 1.

See [Table 35.8](#) for the state transition conditions when transmitting or receiving.

All registers except for the RSTST, HLTST, and SLPST bits in STR remain unchanged when the CAN enters CAN halt mode.

Do not change CTLR (except for the CANM[1:0] and SLPM bits) and EIER in CAN halt mode. BCR can be changed in CAN halt mode only when listen-only mode is selected for automatic baud rate detection.

**Table 35.8 Operation in CAN reset and halt modes**

| Operation mode  | Receiver  | Transmitter   | Bus-off  |
|---|---|---|--|
| CAN reset mode (forced transition)<br>CANM[1:0] = 11b | CAN module enters CAN reset mode without waiting for the end of message reception   | CAN module enters CAN reset mode without waiting for the end of message transmission    | CAN module enters CAN reset mode without waiting for the end of bus-off recovery   |
| CAN reset mode<br>CANM[1:0] = 01b                     | CAN module enters CAN reset mode without waiting for the end of message reception   | CAN module enters CAN reset mode after waiting for the end of message transmission*1,*4 | CAN module enters CAN reset mode without waiting for the end of bus-off recovery   |
| CAN halt mode   | CAN module enters CAN halt mode after waiting for the end of message reception*2,*3 | CAN module enters CAN halt mode after waiting for the end of message transmission*1,*4  | When the BOM[1:0] bits are 00b:<br>A halt request from software is accepted only after bus-off recovery.<br><br>When the BOM[1:0] bits are 01b:<br>CAN module automatically enters CAN halt mode without waiting for the end of bus-off recovery, regardless of a halt request from software.<br><br>When the BOM[1:0] bits are 10b:<br>CAN module automatically enters CAN halt mode after waiting for the end of bus-off recovery, regardless of a halt request from software.<br><br>When the BOM[1:0] bits are 11b:<br>CAN module enters CAN halt mode without waiting for the end of bus-off recovery, if a halt is requested by software during bus-off. |

BOM[1:0] bits: Bits in CTRL

Note 1. If transmission of multiple messages is requested, a mode transition occurs on completion of the first transmission. If the CAN reset mode is being requested during suspend transmission, mode transition occurs when the bus is idle, the next transmission ends, or the CAN module becomes a receiver.

Note 2. If the CAN bus is locked at the dominant level, the program can detect this state by monitoring the BLIF bit in EIFR.

Note 3. If a CAN bus error occurs during reception after CAN halt mode is requested, the CAN module transitions to CAN halt mode.

Note 4. If a CAN bus error or arbitration-lost occurs during transmission after CAN reset mode or CAN halt mode is requested, the CAN module transits to the requested CAN mode.

### 35.3.3 CAN Sleep Mode

CAN sleep mode reduces power consumption by stopping the clock supply to the CAN module. After a reset from an MCU pin or a software reset, the CAN module starts from CAN sleep mode.

When the SLPM bit in CTRL is set to 1, the CAN module enters CAN sleep mode. Then the SLPST bit in STR is set to 1. Do not change the value of the SLPM bit until the SLPST bit is 1. The other registers remain unchanged when the CAN module enters CAN sleep mode.

Write to the SLPM bit in CAN reset mode and CAN halt mode. Do not change any registers (except for the SLPM bit) during CAN sleep mode. Read operation is still allowed.

When the SLPM bit is set to 0, the CAN module is released from CAN sleep mode. When the CAN module exits CAN sleep mode, the other registers remain unchanged.

### 35.3.4 CAN Operation Mode (Excluding Bus-Off State)

CAN operation mode is used for CAN communication.

When the CANM[1:0] bits in CTRL are set to 00b, the CAN module enters CAN operation mode. Then, the RSTST and HLTST bits in STR set to 0. Do not change the value of the CANM[1:0] bits until the RSTST and HLTST bits are 0.

If 11 consecutive recessive bits are detected after entering CAN operation mode, the following occurs:

- The CAN module becomes an active node on the network, which enables transmission and reception of CAN messages

- Error monitoring of the CAN bus, such as receive and transmit error counters, is performed.

During CAN operation mode, the CAN module might be in one of the following three sub-modes, depending on the status of the CAN bus.

- Idle mode: No transmission or reception occurs
- Receive mode: A CAN message sent by another node is being received
- Transmit mode: A CAN message is being transmitted. The CAN module receives a message transmitted by the local node simultaneously when self-test mode 0 (TSTM[1:0] bits in TCR = 10b) or self-test mode 1 (TSTM[1:0] bits = 11b) is selected.

Figure 35.10 demonstrates the sub-modes in CAN operation mode.

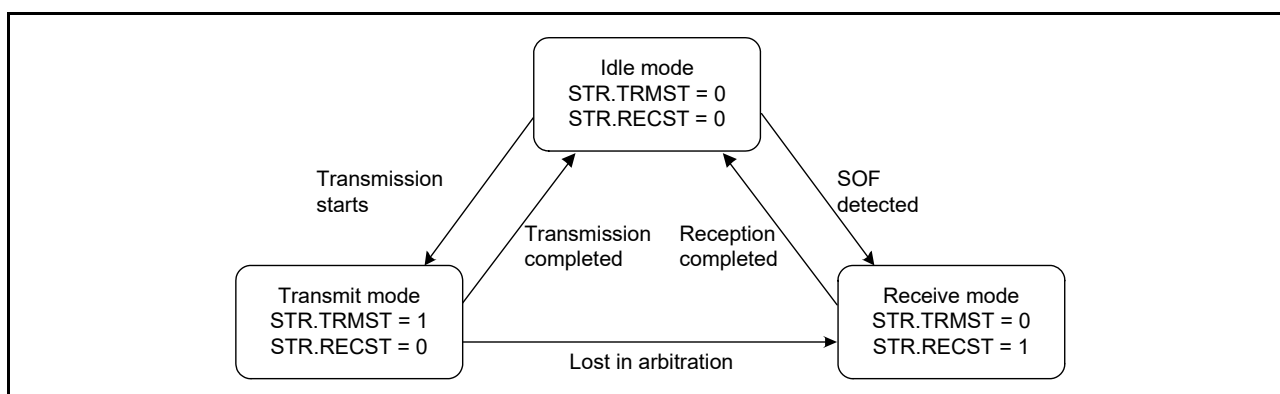


Figure 35.10 Sub-modes of CAN operation mode

### 35.3.5 CAN Operation Mode (Bus-Off State)

The CAN module enters the bus-off state based on the incrementing/decrementing rules for the transmit and error counters defined in the CAN specifications. The following cases apply when the CAN module is recovering from the bus-off state. When the CAN module is in the bus-off state, the values of the CAN-related registers remain unchanged, except for those in STR, EIFR, RECR, TECR, and TSR.

#### (1) When CTLR.BOM[1:0] = 00b (normal mode)

The CAN module enters the error-active state after it completes recovery from the bus-off state and CAN communication is enabled. The BORIF flag in EIFR is set to 1 (bus-off recovery detected) at this time.

#### (2) When CTLR.RBOC = 1 (forced return from bus-off)

The CAN module enters the error-active state when it is in the bus-off state and the RBOC bit is 1. CAN communication is enabled again after 11b consecutive recessive bits are detected. The BORIF bit does not set to 1 at this time.

#### (3) When CTLR.BOM[1:0] = 01b (automatic transition to CAN halt mode on bus-off)

The CAN module enters CAN halt mode when it reaches the bus-off state. The BORIF flag does not set to 1 at this time.

#### (4) When CTLR.BOM[1:0] = 10b (automatic transition to CAN halt mode on bus-off end)

The CAN module enters CAN halt mode when it completes recovery from bus-off. The BORIF flag is set to 1 at this time.

#### (5) When CTLR.BOM[1:0] = 11b (automatic transition to CAN halt mode through software) and CTLR.CANM[1:0] = 10b (CAN halt mode) during bus-off state

The CAN module enters CAN halt mode when it is in the bus-off state and the CANM[1:0] bits are set to 10b (CAN halt mode). The BORIF flag does not set to 1 at this time.

If the CANM[1:0] bits are not set to 10b during bus-off, the same behavior as (1) applies.

### 35.4 Data Transfer Rate Configuration

This section describes how to configure the data transfer rate.

#### 35.4.1 Clock Setting

The CAN module has a CAN clock generator that can be set by the CCLKS and BRP[9:0] bits in the BCR register.

Figure 35.11 shows a block diagram of the CAN clock generator.

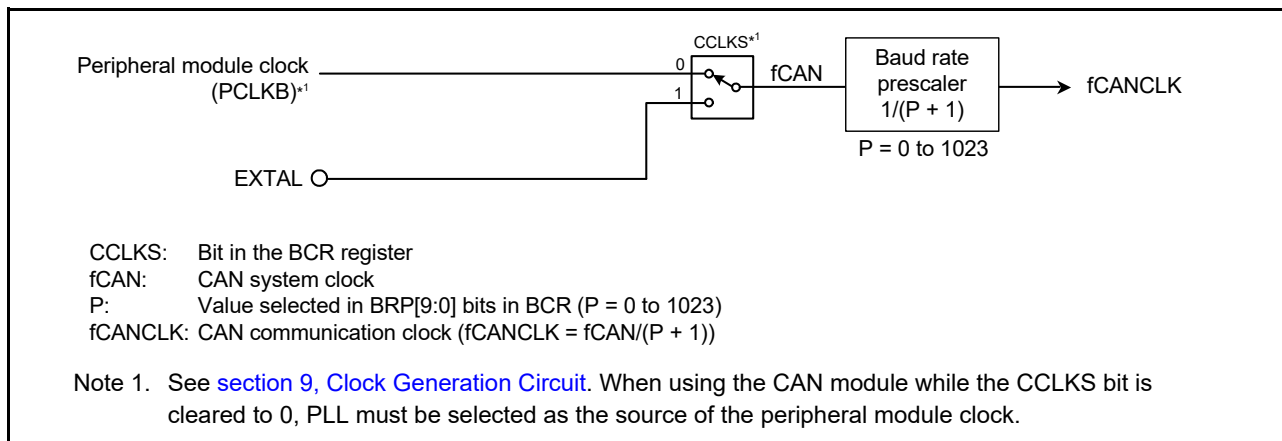


Figure 35.11 Block diagram of CAN clock generator

#### 35.4.2 Bit Timing Setting

The bit time consists of the following three segments shown in Figure 35.12.

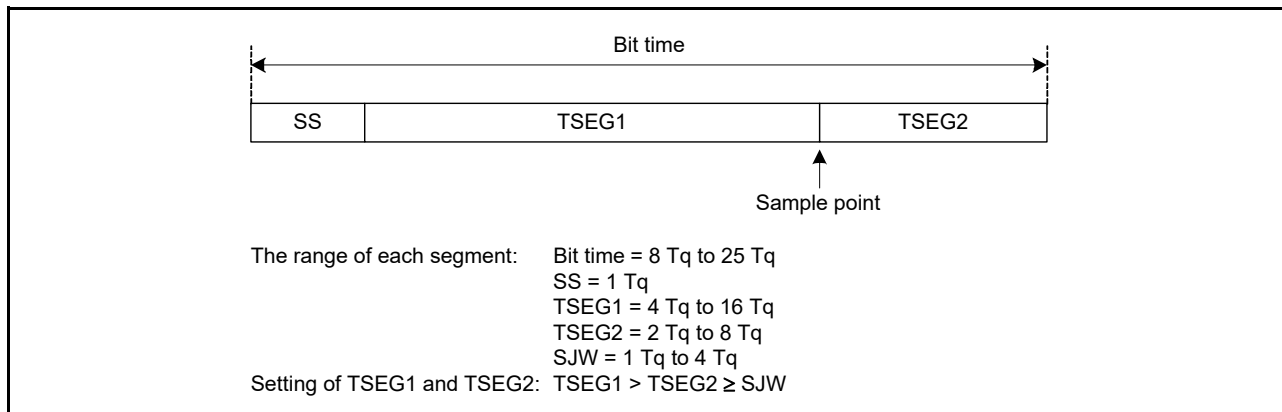


Figure 35.12 Bit timing

#### 35.4.3 Data Transfer Rate

The data transfer rate depends on the division value of fCAN (CAN system clock), the division value of the baud rate prescaler, and the Tq count for 1 bit time.

$$\text{Data transfer rate (bps)} = \frac{f\text{CAN}}{\text{Baud rate prescaler division value}^*1 \times \text{number of Tq of 1 bit time}} = \frac{f\text{CANCLK}}{\text{Tq count for 1 bit time}}$$

Note 1. Division value of baud rate prescaler = P + 1 (P: 0 to 1023), where P is the BRP[9:0] setting in BCR.

Table 35.9 lists data transfer rate examples.

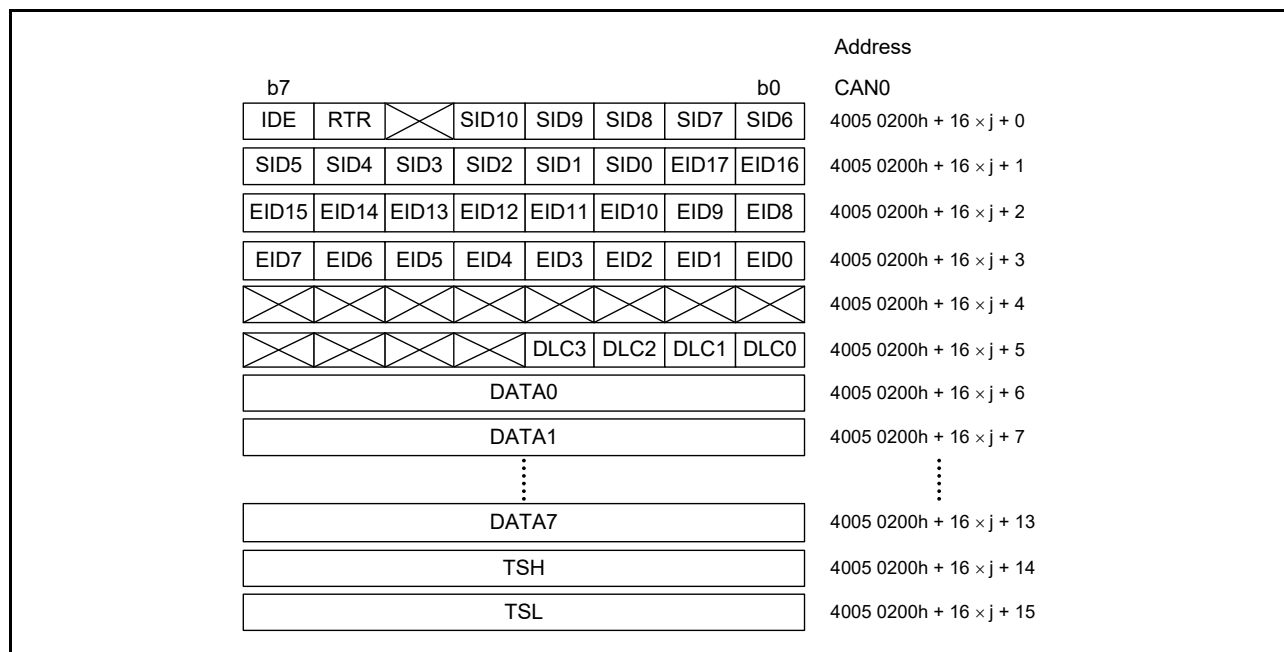


**Table 35.9 Data transfer rate examples**

| fCAN      | 50 MHz   |       | 48 MHz   |       | 40 MHz   |       | 32 MHz   |       |
|-----------|----------|-------|----------|-------|----------|-------|----------|-------|
|           | Tq count | P + 1 | Tq count | P + 1 | Tq count | P + 1 | Tq count | P + 1 |
| 1 Mbps    | 10Tq     | 5     | 8Tq      | 6     | 10Tq     | 4     | 8Tq      | 4     |
|           | 25Tq     | 2     | 12Tq     | 4     | 20Tq     | 2     | 16Tq     | 2     |
| 500 kbps  | 10Tq     | 10    | 8Tq      | 12    | 10Tq     | 8     | 8Tq      | 8     |
|           | 25Tq     | 4     | 12Tq     | 8     | 20Tq     | 4     | 16Tq     | 4     |
| 250 kbps  | 10Tq     | 20    | 8Tq      | 24    | 10Tq     | 16    | 8Tq      | 16    |
|           | 25Tq     | 8     | 12Tq     | 16    | 20Tq     | 8     | 16Tq     | 8     |
| 125 kbps  | 10Tq     | 40    | 8Tq      | 48    | 10Tq     | 32    | 8Tq      | 32    |
|           | 25Tq     | 16    | 12Tq     | 32    | 20Tq     | 16    | 16Tq     | 16    |
| 83.3 kbps | 10Tq     | 60    | 8Tq      | 72    | 8Tq      | 60    | 8Tq      | 48    |
|           | 25Tq     | 24    | 12Tq     | 48    | 10Tq     | 48    | 16Tq     | 24    |
| 33.3 kbps | 10Tq     | 150   | 8Tq      | 180   | 8Tq      | 150   | 8Tq      | 120   |
|           | 25Tq     | 60    | 12Tq     | 120   | 10Tq     | 120   | 10Tq     | 96    |
|           |          |       | 16Tq     | 90    | 20Tq     | 60    | 16Tq     | 60    |
|           |          |       |          |       |          |       | 20Tq     | 48    |

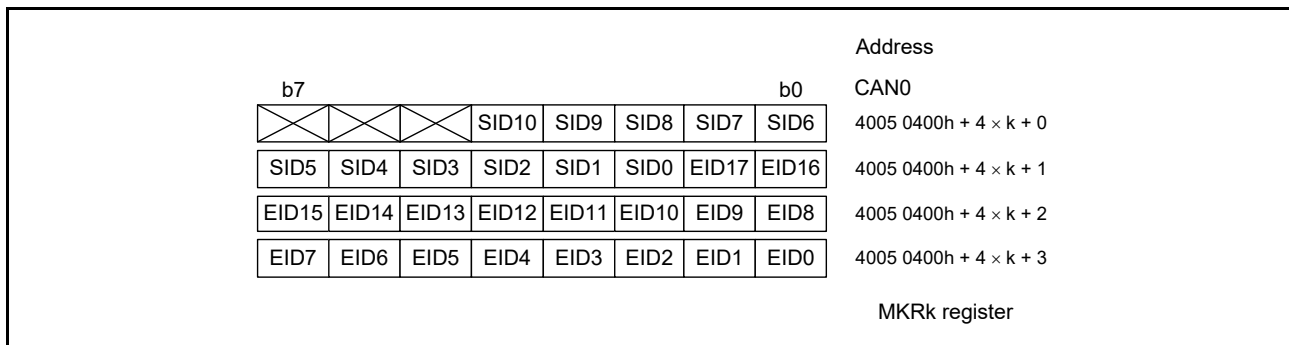
### 35.5 Mailbox and Mask Register Structure

Figure 35.13 shows the structure of the 32 mailbox registers: MBj\_ID, MBj\_DL, MBj\_Dm, and MBj\_TS.



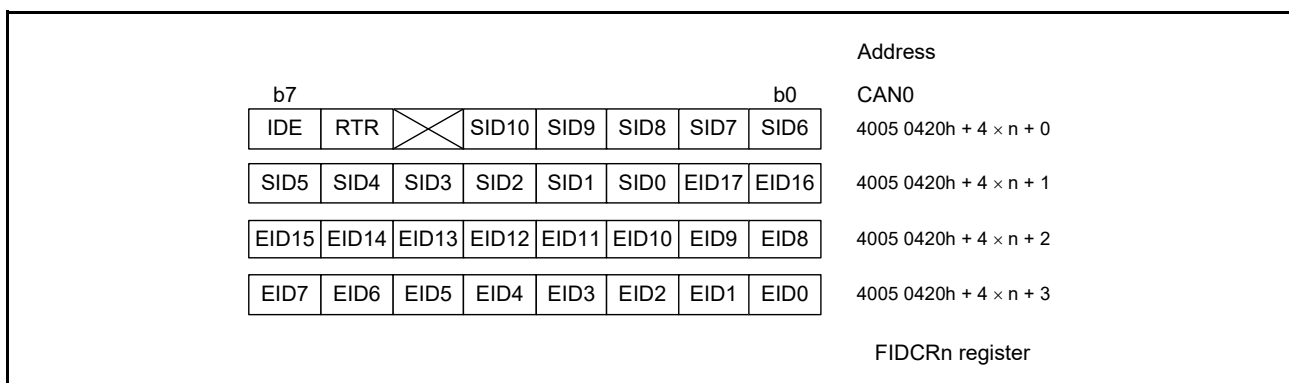
**Figure 35.13 Structure of the mailbox registers (j = 0 to 31)**

Figure 35.14 shows the structure of the eight mask registers: MKRk.



**Figure 35.14** Structure of the MKRk registers (k = 0 to 7)

Figure 35.15 shows the structure of the two FIFO receive ID compare registers: FIDCR0 and FIDCR1.



**Figure 35.15** Structure of the FIDCRn registers (n = 0, 1)

## 35.6 Acceptance Filtering and Masking Functions

The acceptance filtering and masking functions allow you to select and receive messages with multiple IDs for mailboxes within a specified range.

The MKRk registers can mask the standard ID and the extended ID for 29 bits.

- MKR0 controls mailboxes 0 to 3
- MKR1 controls mailboxes 4 to 7
- MKR2 controls mailboxes 8 to 11
- MKR3 controls mailboxes 12 to 15
- MKR4 controls mailboxes 16 to 19
- MKR5 controls mailboxes 20 to 23
- MKR6 controls mailboxes 24 to 27 in normal mailbox mode and the receive FIFO mailboxes 28 to 31 in FIFO mailbox mode
- MKR7 controls mailboxes 28 to 31 in normal mailbox mode and the receive FIFO mailboxes 28 to 31 in FIFO mailbox mode.

MKIVLR disables acceptance filtering independently for each mailbox.

The IDE bit in MBj\_ID is valid when the IDFM[1:0] bits in CTRLR are 10b (mixed ID mode).

The RTR bit in MBj\_ID selects a data or remote frame.

In FIFO mailbox mode, the normal mailboxes (0 to 23) use one associated register from MKR0 to MKR5 for acceptance filtering. The receive FIFO mailboxes (28 to 31) use two registers, MKR6 and MKR7, for acceptance filtering.

The receive FIFO also uses two registers, FIDCR0 and FIDCR1, for ID comparison. The EID[17:0], SID[10:0], RTR,

and IDE bits in mailbox 28 to mailbox 31 for the receive FIFO are disabled. As acceptance filtering depends on the result of two logic OR operations, two ranges of IDs can be received into the receive FIFO.

MKIVLR is disabled for the receive FIFO.

If different standard ID and extended ID values are set in the IDE bits in FIDCR0 and FIDCR1, both ID formats are received.

If different data frame and remote frame values are set in the RTR bits in FIDCR0 and FIDCR1, both data and remote frames are received.

When a combination of two ranges of IDs is not necessary, set the same mask value and the same ID in both the FIFO ID and mask registers.

Figure 35.16 shows the associations between the mask registers and mailboxes. Figure 35.17 shows the acceptance filtering.

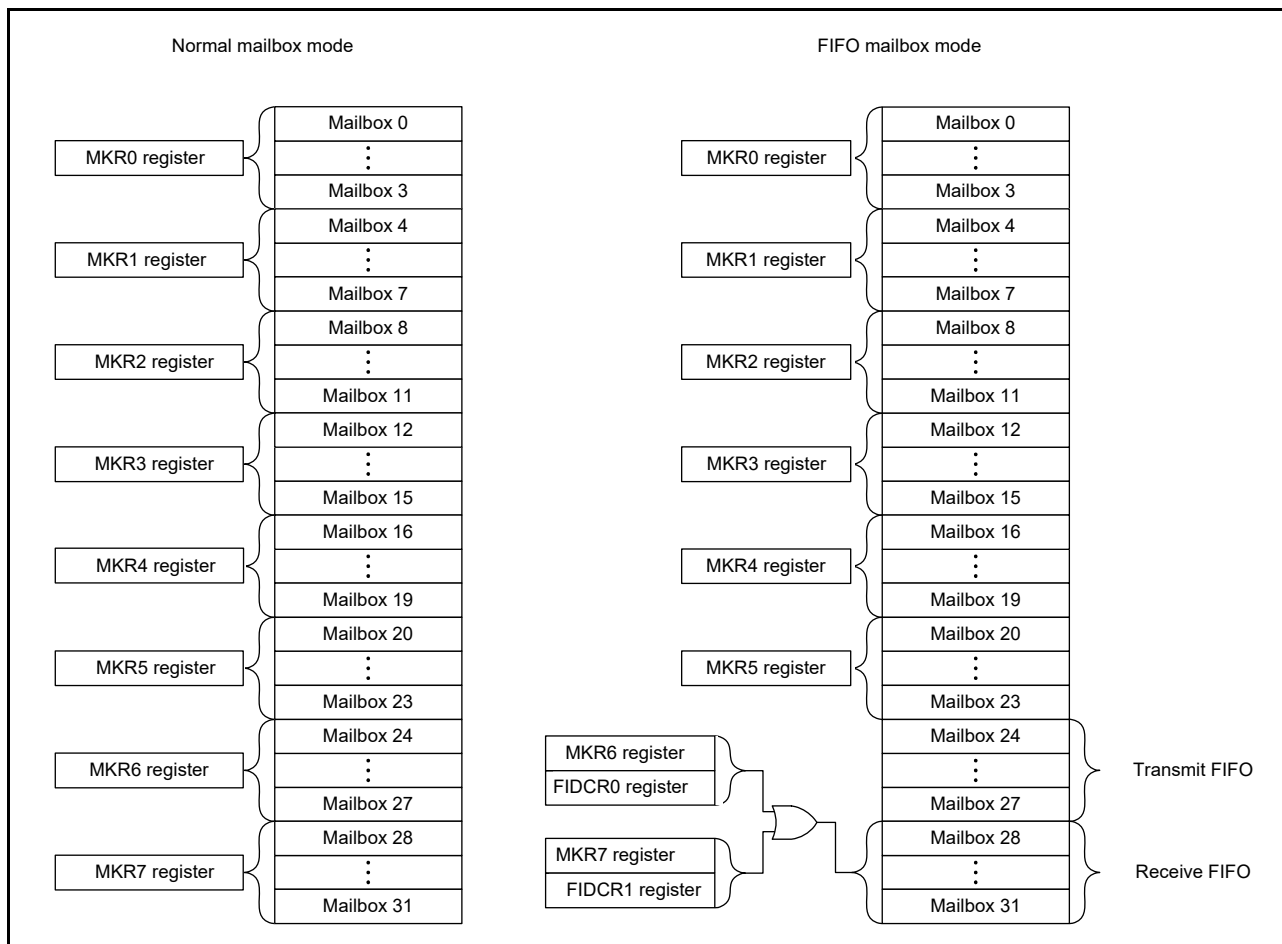


Figure 35.16 Associations between mask registers and mailboxes

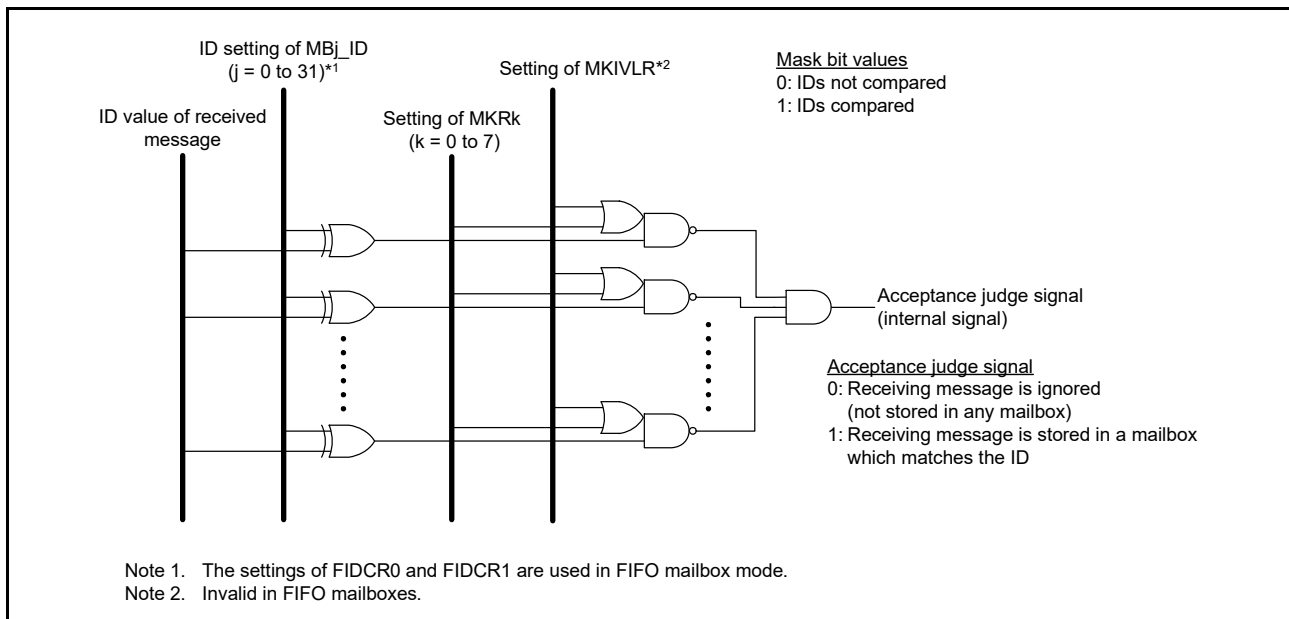


Figure 35.17 Acceptance filtering

## 35.7 Reception and Transmission

Table 35.10 lists the CAN communication mode settings.

Table 35.10 Settings for CAN receive and transmit modes

| MCTL_TXj.TRMREQ<br>and<br>MCTL_RXj.TRMREQ | MCTL_TXj.RECREQ<br>and<br>MCTL_RXj.RECREQ | MCTL_TXj.ONESHOT<br>and<br>MCTL_RXj.ONESHOT | Mailbox communication mode  |
|---|---|---|---|
| 0   | 0   | 0   | Mailbox disabled or transmission being aborted  |
| 0   | 0   | 1   | Can be configured only when transmission or reception from a mailbox programmed in one-shot mode is aborted |
| 0   | 1   | 0   | Configured as a receive mailbox for a data or remote frame  |
| 0   | 1   | 1   | Configured as a one-shot receive mailbox for a data or remote frame   |
| 1   | 0   | 0   | Configured as a transmit mailbox for a data or remote frame   |
| 1   | 0   | 1   | Configured as a one-shot transmit mailbox for a data or remote frame  |
| 1   | 1   | 0   | Do not set  |
| 1   | 1   | 1   | Do not set  |

$j = 0$  to  $31$

When a mailbox is configured as a receive mailbox or a one-shot receive mailbox, the following restrictions apply:

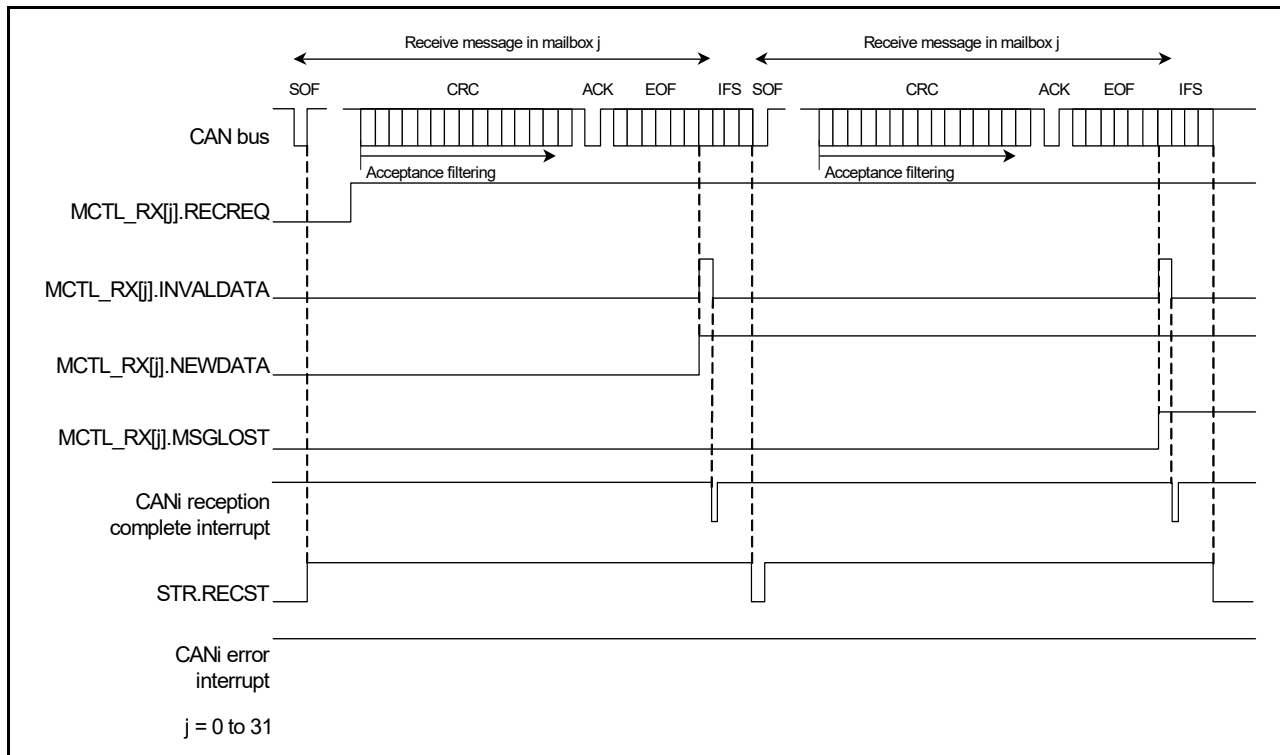
- Before configuring the mailbox, set MCTL\_RXj to 00h
- A received message is stored in the first mailbox that matches the condition resulting from the receive mode settings and acceptance filtering. The matching mailbox with the smallest number takes priority for storing the received message.
- In CAN operation mode, the CAN module does not receive its own transmitted data even if the ID is a match. In self-test mode, however, the CAN module receives its own transmitted data and returns ACK.

When configuring a mailbox as a transmit mailbox or a one-shot transmit mailbox, the following constraint applies:

- Before configuring a mailbox, ensure that MCTL\_TXj is 00h and that there is no pending abort process.

### 35.7.1 Reception

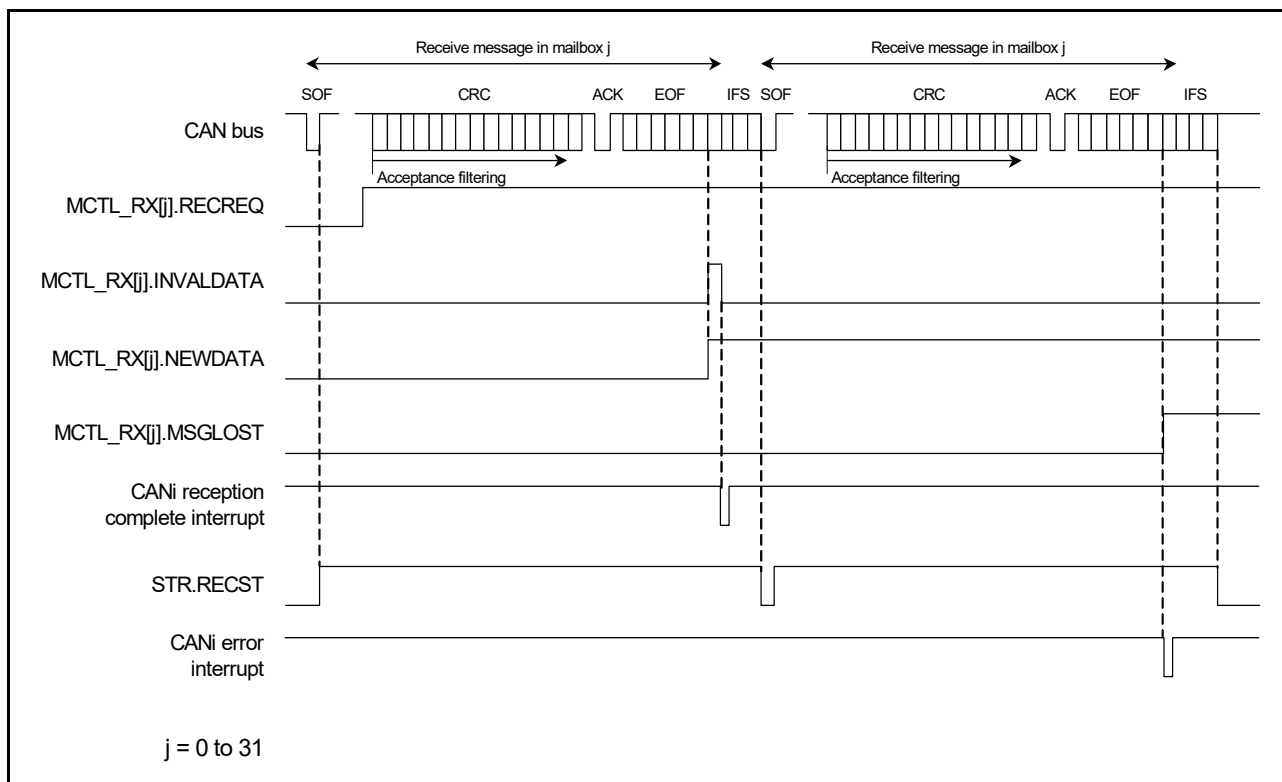
Figure 35.18 shows an operation example of data frame reception in overwrite mode. The example shows the overwriting of the first message when the CAN module receives two consecutive CAN messages that match the receiving conditions in MCTL\_RXj (j = 0 to 31).



**Figure 35.18 Operation example of data frame reception in overwrite mode**

1. When an SOF is detected on the CAN bus, the RECST bit in STR is set to 1 (reception in progress) if the CAN module has no message ready to start transmission.
2. Acceptance filtering starts at the beginning of the CRC field to select the receive mailbox.
3. After a message is received, the NEWDATA flag in MCTL\_RXj for the receive mailbox is set to 1 (new message is being stored or was stored in the mailbox). The INVALIDDATA flag in MCTL\_RXj is set to 1 (message is being updated) at the same time, and then the INVALIDDATA flag is set to 0 (message valid) again after the complete message is transferred to the mailbox.
4. When the interrupt enable bit in MIER for the receive mailbox is 1 (interrupt enabled), the INVALIDDATA flag is set to 0, which triggers a CAN0 reception complete interrupt request.
5. After reading the message from the mailbox, the NEWDATA flag must be set to 0 by software.
6. In overwrite mode, if the next CAN message is received while the NEWDATA flag in MCTL\_RXj is set to 1, the MSGLOST flag in MCTL\_RXj is set to 1 (message was overwritten). The new received message is transferred to the mailbox. The CAN0 reception complete interrupt request occurs the same as in step 4.

Figure 35.19 shows an operation example of data frame reception in overrun mode. The example shows the overrunning of the second message when the CAN module receives two consecutive CAN messages that match the receiving conditions in MCTL\_RXj (j = 0 to 31).



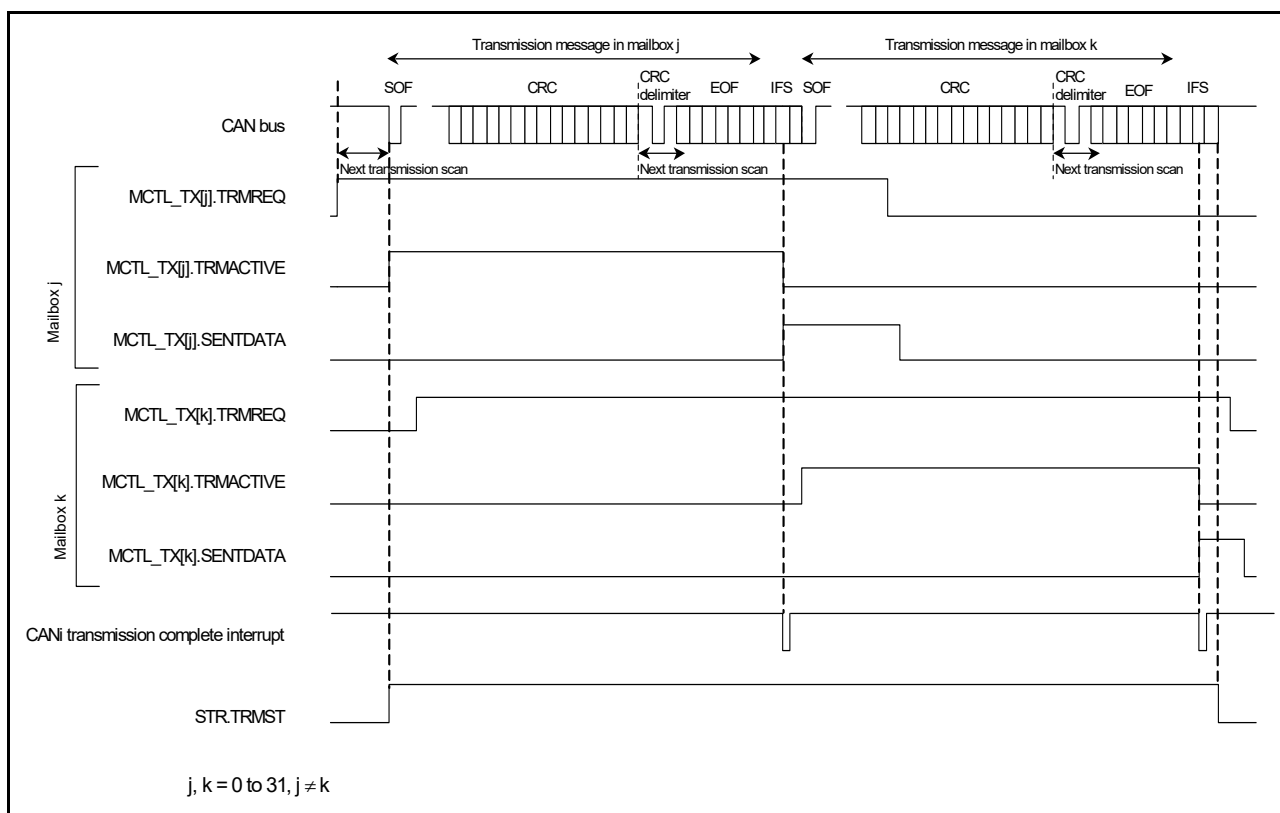
**Figure 35.19** Operation example of data frame reception in overrun mode

Steps 1 to 5 are the same as in overwrite mode.

6. In overrun mode, if the next CAN message is received before the NEWDATA flag in MCTL\_RXj is set to 0, the MSGLOST flag in MCTL\_RXj is set to 1 (message overrun). The new received message is discarded and a CANi error interrupt request occurs if the associated interrupt enable bit in EIER is set to 1 (interrupt enabled).

### 35.7.2 Transmission

Figure 35.20 shows an operation example of data frame transmission.



**Figure 35.20 Operation example of data frame transmission**

1. When a TRMREQ bit in MCTL\_TX<sub>j</sub> ( $j = 0$  to 31) is set to 1 (transmit mailbox) in the bus-idle state, mailbox scanning starts to decide the highest-priority mailbox for transmission. When the transmit mailbox is decided, the TRMACTIVE flag in MCTL\_TX<sub>j</sub> is set to 1 (from acceptance of transmission request to completion of transmission, or error or arbitration-lost), the TRMST bit in STR is set to 1 (transmission in progress), and the CAN module starts transmission.\*1
2. If other TRMREQ bits are set, the transmission scanning starts with the CRC delimiter for the next transmission.
3. If transmission is complete without losing arbitration, the SENTDATA flag in MCTL\_TX<sub>j</sub> is set to 1 (transmission complete) and the TRMACTIVE flag is set to 0 (transmission is pending or transmission is not requested). If the interrupt enable bit in MIER is 1 (interrupt enabled), the CANi transmission complete interrupt request is generated.
4. When requesting the next transmission from the same mailbox, set the SENTDATA flag and TRMREQ bit to 0, and then set the TRMREQ bit to 1 after checking that the SENTDATA flag and TRMREQ bit are set to 0.

Note 1. If arbitration is lost after the CAN module starts transmission, the TRMACTIVE flag is set to 0. Transmission scanning is performed again to search for the highest-priority transmit mailbox from the beginning of the CRC delimiter. If an error occurs either during transmission or following arbitration-lost, transmission scanning is performed again to search for the highest-priority transmit mailbox from the start of the error delimiter.

## 35.8 Interrupts

The CAN module provides the following interrupts for each channel. Table 35.11 lists the CAN interrupts.

- CANi reception complete interrupt for mailboxes 0 to 31 (CANi\_RXM)
- CANi transmission complete interrupt for mailboxes 0 to 31 (CANi\_TXM)
- CANi receive FIFO interrupt (CANi\_RXF)

- CANi transmit FIFO interrupt (CANi\_TXF)
- CANi error interrupt (CANi\_ERS).

Eight interrupt sources are available for CANi error interrupts. Check EIFR to determine whether these sources were triggered:

- Bus error
- Error-warning
- Error-passive
- Bus-off entry
- Bus-off recovery
- Receive overrun
- Overload frame transmission
- Bus lock.

**Table 35.11 CAN interrupts**

| Module           | Interrupt name | Interrupt source  | Source flag                                |
|------------------|----------------|---|--|
| CANi<br>i = 0, 1 | CANi_ERS       | Bus lock detected   | EIFR.BLIF                                  |
|                  |                | Overload frame transmission detected                              | EIFR.OLIF                                  |
|                  |                | Overrun detected  | EIFR.ORIF                                  |
|                  |                | Bus-off recovery detected   | EIFR.BORIF                                 |
|                  |                | Bus-off entry detected  | EIFR.BOEIF                                 |
|                  |                | Error-passive detected  | EIFR.EPIF                                  |
|                  |                | Error-warning detected  | EIFR.EWIF                                  |
|                  |                | Bus error detected  | EIFR.BEIF                                  |
| CANi_RXF         | CANi_RXF       | Receive FIFO message received (MIER_FIFO.MB29 = 0)                | RFCR.RFUST[2:0]                            |
|                  |                | Receive FIFO warning (MIER_FIFO.MB29 = 1)                         |  |
| CANi_TXF         | CANi_TXF       | Transmit FIFO message transmission completed (MIER_FIFO.MB25 = 0) | TFCR.TFUST[2:0]                            |
|                  |                | FIFO last message transmission completed (MIER_FIFO.MB25 = 1)     |  |
| CANi_RXM         | CANi_RXM       | Mailbox 0 to 31 message received                                  | MCTL_RX0.NEWDATA to<br>MCTL_RX31.NEWDATA   |
| CANi_TXM         | CANi_TXM       | Mailbox 0 to 31 message transmission completed                    | MCTL_TX0.SENTDATA to<br>MCTL_TX31.SENTDATA |

## 35.9 Usage Notes

### 35.9.1 Settings for the Module-Stop Function

CAN operation can be disabled or enabled using Module Stop Control Register B (MSTPCRB). The CAN module is initially stopped after reset. Releasing the module-stop state enables access to the registers. For details, see [section 11, Low Power Modes](#).

### 35.9.2 Settings for the Operating Clock

The settings for the operating clock can be made as follows:

- The following clock constraint must be satisfied for the CAN module when the CCLKS bit is 1:  
 $fPCLKB \geq fCANMCLK$
- The source of the peripheral module clock must be PLL for the CAN module when the CCLKS bit is 0.



## 36. Serial Peripheral Interface (SPI)

### 36.1 Overview

The MCU provides two independent channels for the Serial Peripheral Interface (SPI). The SPI channels are capable of high-speed, full-duplex, synchronous serial communications with multiple processors and peripheral devices. [Table 36.1](#) lists the SPI specifications, [Figure 36.1](#) shows a block diagram, and [Table 36.2](#) lists the I/O pins.

In this section, *n* indicates A or B, and *i* indicates 0 or 1. A lower-case letter *i* in pin and signal names indicates a value from 0 to 3, and a lower-case letter *m* in SPI Command Register *m* (SPCMD*m*) indicates a value from 0 to 7.

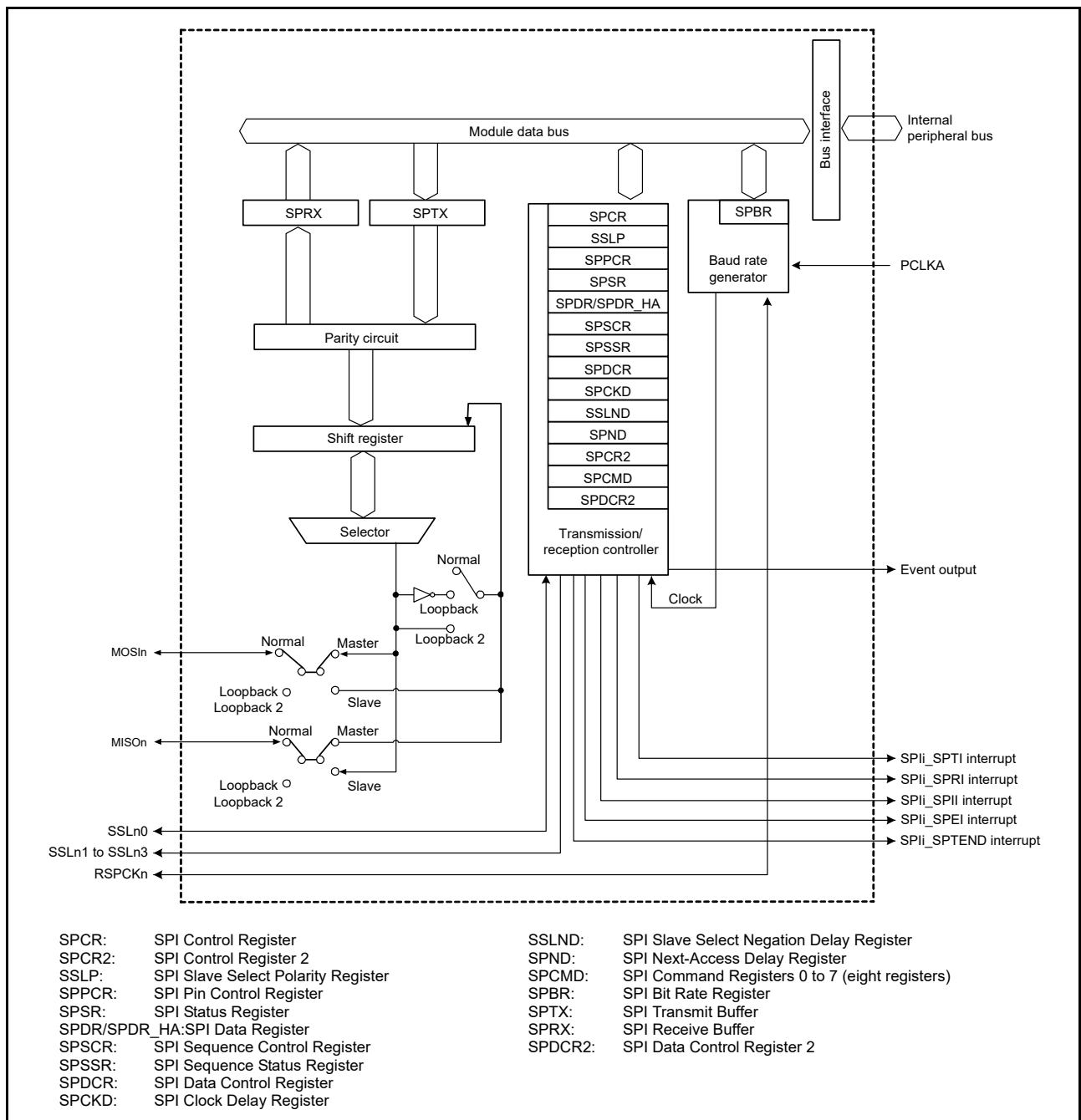
**Table 36.1 SPI specifications (1 of 2)**

| Parameter                  | Specifications   |
|----------------------------|--|
| Number of channels         | Two channels   |
| SPI transfer functions     | <ul style="list-style-type: none"> <li>• Use of MOSI (master out/slave in), MISO (master in/slave out), SSL (slave select), and RSPCK (SPI clock) signals allows serial communications through SPI operation (4-wire method) or clock synchronous operation (3-wire method)</li> <li>• Transmit-only operation available</li> <li>• Communication mode selectable to full-duplex or transmit-only</li> <li>• RSPCK polarity switching</li> <li>• RSPCK phase switching.</li> </ul>   |
| Data format                | <ul style="list-style-type: none"> <li>• MSB-first or LSB-first selectable</li> <li>• Transfer bit length selectable to 8, 9, 10, 11, 12, 13, 14, 15, 16, 20, 24, or 32 bits</li> <li>• 128-bit transmit and receive buffers</li> <li>• Up to four frames transferrable in one round of transmission or reception (each frame consisting of up to 32 bits)</li> <li>• Byte swap operating function.</li> </ul>   |
| Bit rate                   | <ul style="list-style-type: none"> <li>• In master mode, the on-chip baud rate generator generates RSPCK by frequency-dividing PCLKA (the division ratio ranges from divided by 2 to divided by 4096)</li> <li>• In slave mode, the minimum PCLKA clock divided by 4 can be input as RSPCK (PCLKA divided by 4 is the maximum RSPCK frequency)<br/>Width at high level: 2 PCLKA cycles; width at low level: 2 PCLKA cycles.</li> </ul>   |
| Buffer configuration       | <ul style="list-style-type: none"> <li>• Double buffer configuration for the transmit and receive buffers</li> <li>• 128 bits for the transmit and receive buffers.</li> </ul>   |
| Error detection            | <ul style="list-style-type: none"> <li>• Mode fault error detection</li> <li>• Underrun error detection</li> <li>• Overrun error detection*1</li> <li>• Parity error detection.</li> </ul>   |
| SSL control function       | <ul style="list-style-type: none"> <li>• Four SSL pins (SSLn0 to SSLn3) for each channel</li> <li>• In single master mode, SSLn0 to SSLn3 pins are output</li> <li>• In multi-master mode, SSLn0 pin for input, and SSLn1 to SSLn3 pins either for output or unused</li> <li>• In slave mode, SSLn0 pin for input, and SSLn1 to SSLn3 pins unused</li> <li>• Controllable delay from SSL output assertion to RSPCK operation (RSPCK delay)<br/>Range: 1 to 8 RSPCK cycles (set in RSPCK-cycle units)</li> <li>• Controllable delay from RSPCK stop to SSL output negation (SSL negation delay)<br/>Range: 1 to 8 RSPCK cycles (set in RSPCK-cycle units)</li> <li>• Controllable wait for next-access SSL output assertion (next-access delay)<br/>Range: 1 to 8 RSPCK cycles (set in RSPCK-cycle units)</li> <li>• Function for changing SSL polarity.</li> </ul> |
| Control in master transfer | <ul style="list-style-type: none"> <li>• Transfers of up to eight commands each can be executed sequentially in looped execution</li> <li>• For each command, the following can be set:<br/>SSL signal value, bit rate, RSPCK polarity and phase, transfer data length, MSB- or LSB-first, burst, RSPCK delay, SSL negation delay, and next-access delay</li> <li>• Transfers can be initiated by writing to the transmit buffer</li> <li>• MOSI signal value specifiable in SSL negation</li> <li>• RSPCK auto-stop function.</li> </ul>  |
| Interrupt sources          | <p>Interrupt sources:</p> <ul style="list-style-type: none"> <li>• Receive buffer full interrupt</li> <li>• Transmit buffer empty interrupt</li> <li>• SPI error interrupt (mode fault, overrun, parity error)</li> <li>• SPI idle interrupt (SPI idle)</li> <li>• Transmission-complete interrupt.</li> </ul>   |

**Table 36.1 SPI specifications (2 of 2)**

| Parameter                    | Specifications   |
|------------------------------|--|
| Event link function (output) | The following events can be output to the Event Link Controller (ELC): <ul style="list-style-type: none"> <li>• Receive buffer full signal</li> <li>• Transmit buffer empty signal</li> <li>• Mode fault, underrun, overrun, or parity error signal</li> <li>• SPI idle signal</li> <li>• Transmission-complete signal.</li> </ul> |
| Other functions              | <ul style="list-style-type: none"> <li>• Switching between CMOS output and open-drain output</li> <li>• SPI initialization function</li> <li>• Loopback mode.</li> </ul>   |
| Module-stop function         | Module-stop state can be set to reduce power consumption   |

Note 1. In master reception, when the RSPCK auto-stop function is enabled, an overrun error does not occur because the transfer clock is stopped on overrun error detection.



**Figure 36.1 SPI block diagram**

Table 36.2 lists the I/O pins used in the SPI. The SPI automatically switches the I/O direction of the SSLn0 pin. SSLn0 is set as an output when SPI is a single master and as an input when SPI is a multi-master or a slave. The RSPCKn, MOSIn, and MISOn pins are automatically set as inputs or outputs based on the master or slave setting and the level input on the SSLn0 pin. For details, see section 36.3.2, [Controlling the SPI Pins](#).

**Table 36.2 SPI I/O pins**

| Channel | Pin name | I/O    | Function                          |
|---------|----------|--------|-----------------------------------|
| SPI0    | RSPCKA   | I/O    | Clock input/output                |
|         | MOSIA    | I/O    | Master transmit data input/output |
|         | MISOA    | I/O    | Slave transmit data input/output  |
|         | SSLA0    | I/O    | Slave selection input/output      |
|         | SSLA1    | Output | Slave selection output            |
|         | SSLA2    | Output | Slave selection output            |
|         | SSLA3    | Output | Slave selection output            |
| SPI1    | RSPCKB   | I/O    | Clock input/output                |
|         | MOSIB    | I/O    | Master transmit data input/output |
|         | MISOB    | I/O    | Slave transmit data input/output  |
|         | SSLB0    | I/O    | Slave selection input/output      |
|         | SSLB1    | Output | Slave selection output            |
|         | SSLB2    | Output | Slave selection output            |
|         | SSLB3    | Output | Slave selection output            |

## 36.2 Register Descriptions

### 36.2.1 SPI Control Register (SPCR)

Address(es): SPI0.SPCR 4007 2000h, SPI1.SPCR 4007 2100h

| b7    | b6  | b5    | b4    | b3   | b2     | b1   | b0   |
|-------|-----|-------|-------|------|--------|------|------|
| SPRIE | SPE | SPTIE | SPEIE | MSTR | MODFEN | TXMD | SPMS |

Value after reset: 0 0 0 0 0 0 0 0

| Bit | Symbol | Bit name                                 | Description  | R/W |
|-----|--------|--|--|-----|
| b0  | SPMS   | SPI Mode Select                          | 0: Select SPI operation (4-wire method)<br>1: Select clock synchronous operation (3-wire method).              | R/W |
| b1  | TXMD   | Communications Operating Mode Select     | 0: Select full-duplex synchronous serial communications<br>1: Select serial communications with transmit-only. | R/W |
| b2  | MODFEN | Mode Fault Error Detection Enable        | 0: Disable detection of mode fault errors<br>1: Enable detection of mode fault errors.                         | R/W |
| b3  | MSTR   | SPI Master/Slave Mode Select             | 0: Select slave mode<br>1: Select master mode.   | R/W |
| b4  | SPEIE  | SPI Error Interrupt Enable               | 0: Disable SPI error interrupt requests<br>1: Enable SPI error interrupt requests.                             | R/W |
| b5  | SPTIE  | Transmit Buffer Empty Interrupt Enable   | 0: Disable transmit buffer empty interrupt requests<br>1: Enable transmit buffer empty interrupt requests.     | R/W |
| b6  | SPE    | SPI Function Enable                      | 0: Disable SPI function<br>1: Enable SPI function.   | R/W |
| b7  | SPRIE  | SPI Receive Buffer Full Interrupt Enable | 0: Disable SPI receive buffer full interrupt requests<br>1: Enable SPI receive buffer full interrupt requests. | R/W |

If the SPCR.MSTR, SPCR.MODFEN, or SPCR.TXMD bit is changed while the SPCR.SPE bit is 1, do not perform

subsequent operations.

#### **SPMS bit (SPI Mode Select)**

The SPMS bit selects the SPI operation (4-wire method) or clock synchronous operation (3-wire method).

The SSLn0 to SSLn3 pins are not used in clock synchronous operation. The RSPCKn, MOSIn, and MISO<sub>n</sub> pins handle the communication. For clock synchronous operation in master mode (SPCR.MSTR = 1), the SPCMDm.CPHA bit can be set to either 0 or 1. For clock synchronous operation in slave mode (SPCR.MSTR = 0), always set the CPHA bit to 1. Do not perform the operations if the CPHA bit is set to 0 for the clock synchronous operation in slave mode (SPCR.MSTR = 0).

#### **TXMD bit (Communications Operating Mode Select)**

The TXMD bit selects full-duplex synchronous serial communications or transmit-only operations. When this bit is set to 1, SPI only performs transmit operations but not receive operations (see [section 36.3.6, Data Transfer Modes](#)), and the receive buffer full interrupt requests cannot be used.

#### **MODFEN bit (Mode Fault Error Detection Enable)**

The MODFEN bit enables or disables the detection of mode fault errors (see [section 36.3.8, Error Detection](#)). In addition, the SPI determines the I/O direction of the SSLn0 to SSLn3 pins based on a combination of the MODFEN and MSTR bits (see [section 36.3.2, Controlling the SPI Pins](#)).

#### **MSTR bit (SPI Master/Slave Mode Select)**

The MSTR bit selects master or slave mode for SPI. Based on the MSTR bit settings, SPI determines the direction of the RSPCKn, MOSIn, MISO<sub>n</sub>, and SSLn0 to SSLn3 pins.

#### **SPEIE bit (SPI Error Interrupt Enable)**

The SPEIE bit enables or disables the generation of SPI error interrupt requests when one of the following occurs:

- The SPI detects a mode fault error or underrun error and sets the SPSR.MODF flag to 1
- The SPI detects an overrun error and sets the SPSR.OVRF flag to 1
- The SPI detects a parity error and sets the SPSR.PERF flag to 1.

For details, see [section 36.3.8, Error Detection](#).

#### **SPTIE bit (Transmit Buffer Empty Interrupt Enable)**

The SPTIE bit enables or disables the generation of transmit buffer empty interrupt requests when the SPI detects that the transmit buffer is empty. To generate a transmit buffer empty interrupt request when transmission starts, set the SPE and SPTIE bits to 1 at the same time or set the SPE bit to 1 after setting the SPTIE bit to 1.

When the SPTIE bit is 1, transmit buffer interrupts are generated even when the SPI function is disabled (when the SPE bit is changed to 0).

#### **SPE bit (SPI Function Enable)**

The SPE bit enables or disables the SPI function. The SPE bit cannot be set to 1 when the SPSR.MODF flag is 1. For details, see [section 36.3.8, Error Detection](#).

Setting the SPE bit to 0 disables the SPI function and initializes a part of the module function. For details, see [section 36.3.9, Initializing the SPI](#). In addition, a transmit buffer empty interrupt request is generated when the SPE bit is changed from 0 to 1 or from 1 to 0.

#### **SPRIE bit (SPI Receive Buffer Full Interrupt Enable)**

The SPRIE bit enables or disables the generation of an SPI receive buffer full interrupt request when the SPI detects a receive buffer full write after completion of a serial transfer.

### 36.2.2 SPI Slave Select Polarity Register (SSLP)

Address(es): SPI0.SSLP 4007 2001h, SPI1.SSLP 4007 2101h

|    |    |    |    |       |       |       |       |
|----|----|----|----|-------|-------|-------|-------|
| b7 | b6 | b5 | b4 | b3    | b2    | b1    | b0    |
| —  | —  | —  | —  | SSL3P | SSL2P | SSL1P | SSL0P |
| 0  | 0  | 0  | 0  | 0     | 0     | 0     | 0     |

Value after reset:

| Bit      | Symbol | Bit name                     | Description  | R/W |
|----------|--------|------------------------------|--|-----|
| b0       | SSL0P  | SSL0 Signal Polarity Setting | 0: Set SSL0 signal to active-low<br>1: Set SSL0 signal to active-high. | R/W |
| b1       | SSL1P  | SSL1 Signal Polarity Setting | 0: Set SSL1 signal to active-low<br>1: Set SSL1 signal to active-high. | R/W |
| b2       | SSL2P  | SSL2 Signal Polarity Setting | 0: Set SSL2 signal to active-low<br>1: Set SSL2 signal to active-high. | R/W |
| b3       | SSL3P  | SSL3 Signal Polarity Setting | 0: Set SSL3 signal to active-low<br>1: Set SSL3 signal to active-high. | R/W |
| b7 to b4 | —      | Reserved                     | These bits are read as 0. The write value should be 0.                 | R/W |

If the contents of SSLP are changed while the SPCR.SPE bit is 1, do not perform subsequent operations.

### 36.2.3 SPI Pin Control Register (SPPCR)

Address(es): SPI0.SPPCR 4007 2002h, SPI1.SPPCR 4007 2102h

|    |    |       |       |    |    |       |      |
|----|----|-------|-------|----|----|-------|------|
| b7 | b6 | b5    | b4    | b3 | b2 | b1    | b0   |
| —  | —  | MOIFE | MOIFV | —  | —  | SPLP2 | SPLP |
| 0  | 0  | 0     | 0     | 0  | 0  | 0     | 0    |

Value after reset:

| Bit    | Symbol | Bit name                      | Description  | R/W |
|--------|--------|-------------------------------|--|-----|
| b0     | SPLP   | SPI Loopback                  | 0: Normal mode<br>1: Loopback mode (data is inverted for transmission).  | R/W |
| b1     | SPLP2  | SPI Loopback 2                | 0: Normal mode<br>1: Loopback mode (data is not inverted for transmission).  | R/W |
| b3, b2 | —      | Reserved                      | These bits are read as 0. The write value should be 0.   | R/W |
| b4     | MOIFV  | MOSI Idle Fixed Value         | 0: Set level output on MOSIn pin during MOSI idling to correspond to low<br>1: Set level output on MOSIn pin during MOSI idling to correspond to high. | R/W |
| b5     | MOIFE  | MOSI Idle Value Fixing Enable | 0: Set MOSI output value to equal final data from previous transfer<br>1: Set MOSI output value to equal value set in the MOIFV bit.                   | R/W |
| b7, b6 | —      | Reserved                      | These bits are read as 0. The write value should be 0.   | R/W |

If the contents of SPPCR are changed while the SPCR.SPE bit is 1, do not perform subsequent operations.

#### SPLP bit (SPI Loopback)

The SPLP bit selects the mode of the SPI pins. When this bit is set to 1, SPI shuts off the path between the MISO pin and the shift register if the SPCR.MSTR bit is 1, and between the MOSIn pin and the shift register if the SPCR.MSTR bit is 0. SPI then connects the input path and output path for the shift register (loopback mode).

#### SPLP2 bit (SPI Loopback 2)

The SPLP2 bit selects the mode of the SPI pins. When this bit is set to 1, SPI shuts off the path between the MISO pin and the shift register if the SPCR.MSTR bit is 1, and between the MOSIn pin and the shift register if the SPCR.MSTR bit is 0.

is 0. SPI then connects the input path and the output path for the shift register (loopback mode).

#### MOIFV bit (MOSI Idle Fixed Value)

If the MOIFE bit is 1 in master mode, the MOIFV bit determines the MOSIn pin output value during the SSL negation period, including the SSL retention period during a burst transfer.

#### MOIFE bit (MOSI Idle Value Fixing Enable)

The MOIFE bit fixes the MOSIn output value when SPI is in master mode and in an SSL negation period, including the SSL retention period during a burst transfer. When the MOIFE bit is 0, the SPI outputs the last data from the previous serial transfer during the SSL negation period to the MOSIn pin. When the MOIFE bit is 1, the SPI outputs the fixed value set in the MOIFV bit to the MOSIn pin.

### 36.2.4 SPI Status Register (SPSR)

Address(es): SPI0.SPSR 4007 2003h, SPI1.SPSR 4007 2103h

| b7                 | b6 | b5    | b4   | b3   | b2   | b1    | b0   |
|--------------------|----|-------|------|------|------|-------|------|
| SPRF               | —  | SPTEF | UDRF | PERF | MODF | IDLNF | OVRF |
| Value after reset: | 0  | 0     | 1    | 0    | 0    | 0     | 0    |

| Bit | Symbol | Bit name                       | Description   | R/W      |
|-----|--------|--------------------------------|---|----------|
| b0  | OVRF   | Overrun Error Flag             | 0: No overrun error occurred<br>1: Overrun error occurred.  | R/(W)*1  |
| b1  | IDLNF  | SPI Idle Flag                  | 0: SPI is in the idle state<br>1: SPI is in the transfer state.   | R        |
| b2  | MODF   | Mode Fault Error Flag          | 0: No mode fault or underrun error occurred<br>1: Mode fault error or underrun error occurred.                                | R/(W)*1  |
| b3  | PERF   | Parity Error Flag              | 0: No parity error occurred<br>1: Parity error occurred.  | R/(W)*1  |
| b4  | UDRF   | Underrun Error Flag            | 0: Mode fault error occurred (MODF = 1)<br>1: Underrun error occurred (MODF = 1).<br>This bit is invalid when MODF flag is 0. | R/W*1,*2 |
| b5  | SPTEF  | SPI Transmit Buffer Empty Flag | 0: Data is in the transmit buffer<br>1: No data is in the transmit buffer.  | R/(W)*3  |
| b6  | —      | Reserved                       | This bit is read as 0. The write value should be 0.   | R/W      |
| b7  | SPRF   | SPI Receive Buffer Full Flag   | 0: No valid data is in SPDR/SPDR_HA<br>1: Valid data is in SPDR/SPDR_HA.  | R/(W)*3  |

Note 1. Only 0 can be written to clear the flag after reading 1.

Note 2. The UDRF flag clears at the same time that software clears the MODF flag.

Note 3. The write value should be 1.

#### OVRF flag (Overrun Error Flag)

The OVRF flag indicates the occurrence of an overrun error. In master mode (SPCR.MSTR bit = 1), when the RSPCK clock auto-stop function is enabled (SPCR2.SCKASE bit = 1), overrun errors do not occur. This flag does not set to 1. For details, see section 36.3.8.1, [Overrun errors](#).

[Setting condition]

- When the next serial transfer ends while the SPCR.TXMD bit is 0 and the receive buffer is full.

[Clearing condition]

- When 0 is written to the OVRF flag after the OVRF flag is confirmed to be 1 by a read of SPSR.

#### IDLNF flag (SPI Idle Flag)

The IDLNF flag indicates the transfer status of the SPI.

[Setting conditions]

Master mode

- When conditions 1. and 2. in the master mode, in the clearing conditions, are not satisfied.

Slave mode

- When the SPCR.SPE bit is 1, enabling the SPI function.

[Clearing conditions]

Master mode

- When condition 1. OR conditions 2., 3., and 4. are satisfied.
1. The SPCR.SPE bit is 0, indicating that the SPI is initialized.
  2. The transmit buffer (SPTX) is empty, indicating that data for the next transfer is not set.
  3. The SPSSR.SPCP[2:0] bits are 000b, indicating the beginning of sequence control.
  4. The SPI internal sequencer enters the idle state, indicating that the operations up to the next-access delay are complete.

Slave mode

- When condition 1. is satisfied.

#### **MODF flag (Mode Fault Error Flag)**

The MODF flag indicates the occurrence of a mode fault error or an underrun error. Use the UDRF flag to identify which error occurred.

[Setting conditions]

Multi-master mode

- When the input level of the SSLni pin changes to an active level while the SPCR.MSTR bit is 1 (master mode) and the SPCR.MODFEN bit is 1 (mode fault error detection is enabled). The SPI detects a mode fault error.

Slave mode

- When condition 1. OR 2. is satisfied.
1. The SSLni pin is negated before the RSPCK cycle necessary for data transfer ends while the SPCR.MSTR bit is 0 (slave mode) and the SPCR.MODFEN bit is 1 (mode fault error detection is enabled). The SPI detects a mode fault error.
  2. The serial transfer begins while the SPCR.MSTR bit is 0 (slave mode), the SPCR.SPE bit is 1, and the transmission data is not prepared. The SPI detects an underrun error.

The active level of the SSLni signal is determined by the SSLP.SSLiP bit (SSLi signal polarity setting bit).

[Clearing condition]

- When 0 is written to the MODF flag after the MODF flag is confirmed to be 1 by a read of SPSR.

#### **PERF flag (Parity Error Flag)**

The PERF flag indicates the occurrence of a parity error.

[Setting condition]

- When a serial transfer ends while the SPCR.TXMD bit is 0 and the SPCR2.SPPE bit is 1. The SPI detects a parity error.

[Clearing condition]

- When 0 is written to the PERF flag after the PERF flag is confirmed to be 1 by a read of SPSR.

#### **UDRF flag (Underrun Error Flag)**

The UDRF flag indicates the occurrence of an underrun error.

[Setting condition]

- When the serial transfer begins while the SPCR.MSTR bit is 0 (slave mode), the SPCR.SPE bit is 1, and the transmission data is not prepared. The SPI detects an underrun error.

[Clearing condition]

- When 0 is written to the UDRF flag after the UDRF flag is confirmed to be 1 by a read of SPSR.

**SPTEF flag (SPI Transmit Buffer Empty Flag)**

The SPTEF flag indicates the status of the transmit buffer for the SPI Data Register (SPDR/SPDR\_HA).

[Setting conditions]

- When condition 1. OR 2. is satisfied.
  1. The SPCR.SPE bit is 0 (the SPI is initialized).
  2. Transmit data was transferred from the transmit buffer to the shift register.

[Clearing condition]

- When data written to SPDR/SPDR\_HA equals the number of frames set in the SPFC[1:0] bits in the SPI Data Control Register (SPDCR).

Data can only be written to SPDR/SPDR\_HA when the SPTEF flag is 1. If data is written to the transmit buffer of SPDR/SPDR\_HA when the SPTEF flag is 0, the data in the transmit buffer is not updated.

**SPRF flag (SPI Receive Buffer Full Flag)**

The SPRF flag indicates the status of the receive buffer for the SPI Data Register (SPDR/SPDR\_HA).

[Setting condition]

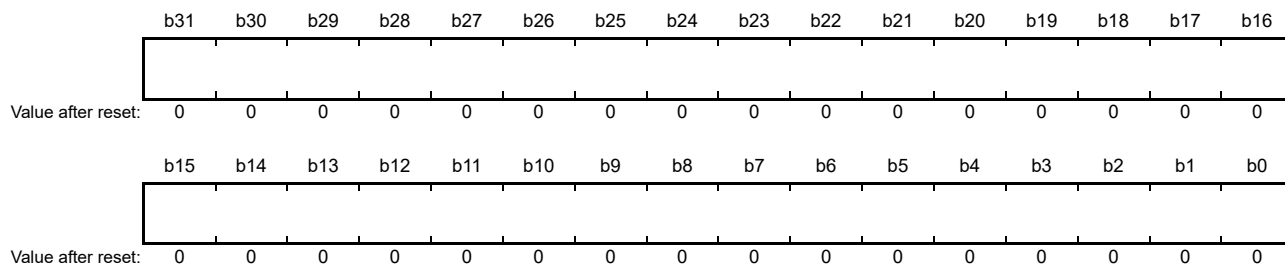
- When a serial transfer ends while the Communication Operating Mode Select bit (TXMD) in the SPI Control Register (SPCR) is 0, the SPRF flag is 0, and the SPI transfers the receive data from the shift register to SPDR/SPDR\_HA. However, when the OVRF flag is 1, the SPRF flag does not change from 0 into 1.

[Clearing condition]

- When received data is read from the SPDR/SPDR\_HA.

**36.2.5 SPI Data Register (SPDR/SPDR\_HA)**

Address(es): SPI0.SPDR 4007 2004h, SPI1.SPDR 4007 2104h



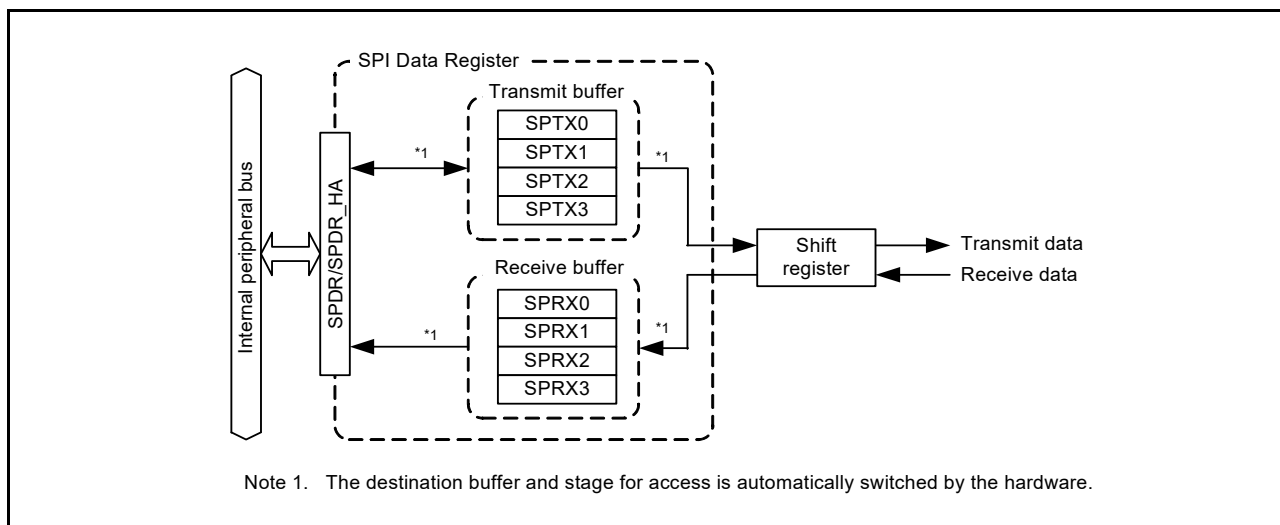
Address(es): SPI0.SPDR\_HA 4007 2004h, SPI1.SPDR\_HA 4007 2104h



SPDR/SPDR\_HA is the interface with the buffers that hold data for transmission and reception by the SPI. When accessing this register in words (the SPLW bit is 1), access SPDR. When accessing it in halfwords (the SPLW bit is 0), access SPDR\_HA.



The transmit buffer (SPTX) and receive buffer (SPRX) are independent but are both mapped to SPDR/SPDR\_HA. [Figure 36.2](#) shows the configuration.



**Figure 36.2 Configuration of SPDR/SPDR\_HA**

The transmit and receive buffers each have four stages. The number of stages to be used is selectable in the number of frames specification bits in the SPI Data Control Register (SPDCR.SPFC[1:0]). The eight stages of the buffer are all mapped to the single address of SPDR/SPDR\_HA.

Data written to SPDR/SPDR\_HA is written to a transmit-buffer stage (SPTX<sub>n</sub>) ( $n = 0$  to 3) and then transmitted from the buffer. The receive buffer holds the received data on the completion of reception. The receive buffer is not updated if an overrun is generated.

Additionally, if the data length is other than 32 bits, bits not referred to in SPTX<sub>n</sub> ( $n = 0$  to 3) are stored in the associated bits in SPRX<sub>n</sub> ( $n = 0$  to 3). For example, if the data length is 9 bits, the received data is stored in the SPRX<sub>n</sub>[8:0] bits, and the SPTX<sub>n</sub>[31:9] bits are stored in the SPRX<sub>n</sub>[31:9] bits.

### (1) Bus interface

SPDR/SPDR\_HA is an interface with 32-bit wide transmit and receive buffers, each of which has four stages, for a total of 32 bytes. The 32 bytes are mapped to the 4-byte address space for SPDR/SPDR\_HA. The unit of access for SPDR/SPDR\_HA is selected by the SPI Word Access/Halfword Access Specification bit in the SPI Data Control Register (SPDCR.SPLW). SPDR can also be accessed with the access size specified by the SPI Byte Access bit in the SPI Data Control Register (SPDCR.SPBYT).

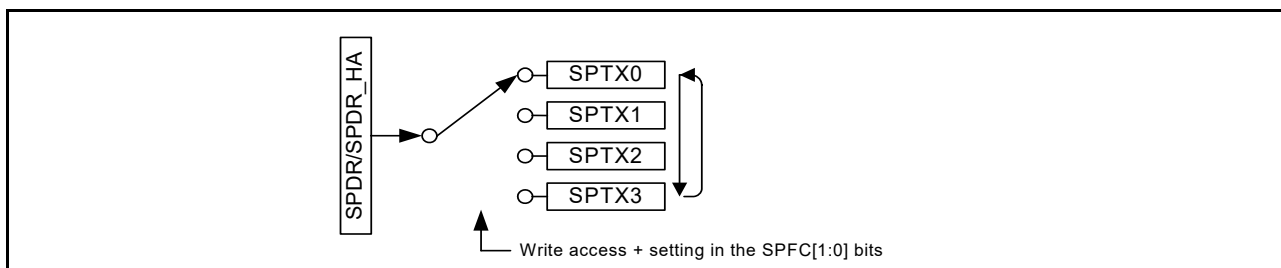
Flush the transmission data at the LSB end of the register, and store the received data at the LSB end.

This section describes the operations involved in writing to and reading from SPDR/SPDR\_HA.

#### (a) Writing

Data written to SPDR/SPDR\_HA is written to a transmit buffer (SPTX<sub>n</sub>). This is not affected by the value of the SPDCR.SPRDTD bit, unlike when reading from SPDR/SPDR\_HA. The transmit buffer includes a transmit buffer write pointer that is automatically updated to reference the next stage each time data is written to SPDR/SPDR\_HA.

[Figure 36.3](#) shows the configuration of the bus interface with the transmit buffer when writing to SPDR.



**Figure 36.3 Configuration of SPDR/SPDR\_HA for write access**

The sequence for switching the transmit buffer write pointer differs with the setting of the number of frames specification bits in the SPI Data Control Register (SPDCR.SPFC[1:0]). The relationship of the SPFC[1:0] setting and the sequence of pointer switching among SPTX0 to SPTX3 is as follows:

- When SPFC[1:0] = 00b: SPTX0 → SPTX0 → SPTX0 → ...
- When SPFC[1:0] = 01b: SPTX0 → SPTX1 → SPTX0 → SPTX1 → ...
- When SPFC[1:0] = 10b: SPTX0 → SPTX1 → SPTX2 → SPTX0 → SPTX1 → ...
- When SPFC[1:0] = 11b: SPTX0 → SPTX1 → SPTX2 → SPTX3 → SPTX0 → SPTX1 → ...

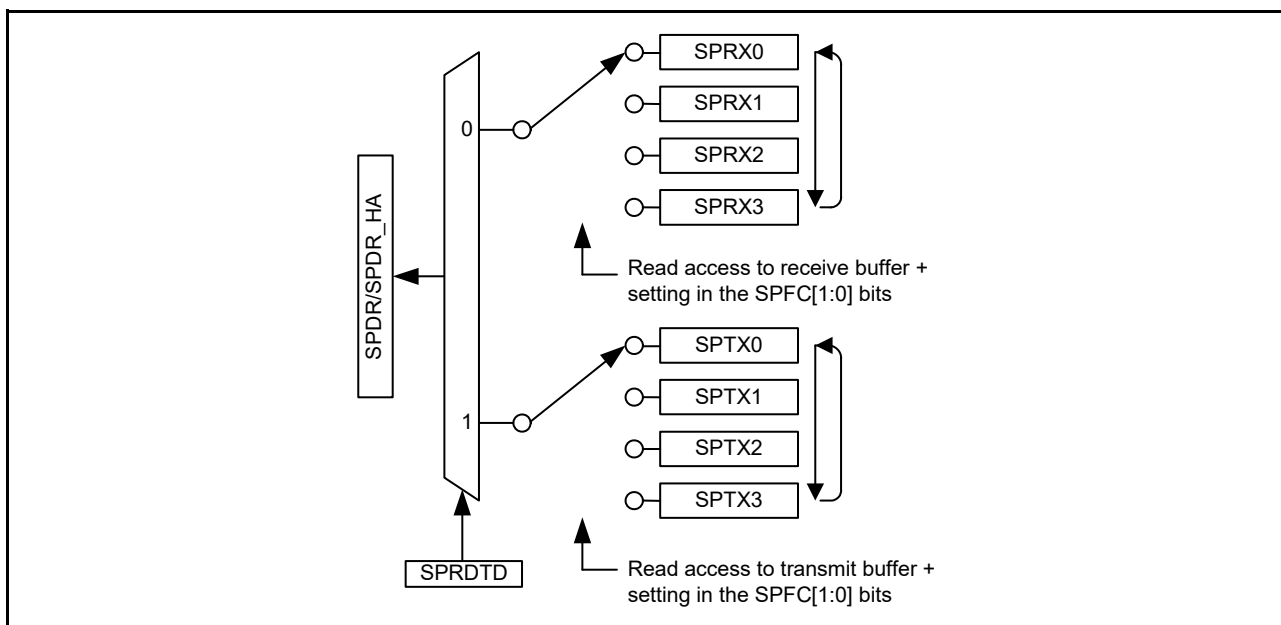
When 1 is written to the SPI Function Enable bit in the SPI Control Register (SPCR.SPE) while the value of the bit is 0, SPTX0 is the destination the next time writing proceeds.

When writing to the transmit buffer (SPTXn) after generating the transmit buffer empty interrupt (when SPSR.SPTEF is 1), write the number of frames set in SPFC[1:0] in the SPI Data Control Register (SPDCR). Even when the specified number of frames is written to the transmit buffer (SPTXn), the value of the buffer is not updated after completion of the writing and before the next transmit buffer empty interrupt is generated (when SPTEF is 0).

**(b) Reading**

SPDR/SPDR\_HA can be accessed to read the value of a receive buffer (SPRXn) or a transmit buffer (SPTXn). The setting in the SPI Receive/Transmit Data Select bit in the SPI Data Control Register (SPDCR.SPRDTD) selects whether the reading is of the receive or transmit buffer. The sequence of reading the SPDR/SPDR\_HA register is controlled by the independent receive buffer and transmit buffer read pointers.

Figure 36.4 shows the configuration of the bus interface with the receive and transmit buffers for a read from SPDR/SPDR\_HA.



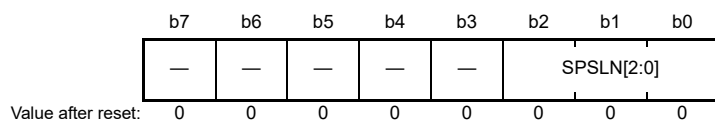
**Figure 36.4 Configuration of SPDR/SPDR\_HA for read access**

Reading the receive buffer switches the receive buffer read pointer to the next buffer automatically. The switching sequence for the receive buffer read pointer is the same as that for the transmit buffer write pointer. However, when 1 is written to the SPI function enable bit in the SPI Control Register (SPCR.SPE) while the value of the bit is 1, SPRX0 is referenced by the buffer read pointer the next time that the reading proceeds.

The transmit buffer read pointer is updated when writing to SPDR/SPDR\_HA, and is not updated when reading from the transmit buffer. When reading from the transmit buffer, the value most recently written to SPDR/SPDR\_HA is read. However, after generation of the transmit buffer empty interrupt, the values read from the transmit buffer are all 0s in the interval after the completion of writing the number of frames of data specified in the SPDCR.SPFC[1:0] bits and before the generation of the next buffer empty interrupt (when SPTEF is 0).

### 36.2.6 SPI Sequence Control Register (SPSCR)

Address(es): SPI0.SPSCR 4007 2008h, SPI1.SPSCR 4007 2108h



| Bit      | Symbol     | Bit name                          | Description   | R/W |    |                 |                                   |        |   |  |         |        |   |  |           |        |   |  |             |        |   |  |               |        |   |  |                 |        |   |  |                   |        |   |  |                     |        |   |  |                       |     |
|----------|------------|-----------------------------------|---|-----|----|-----------------|-----------------------------------|--------|---|--|---------|--------|---|--|-----------|--------|---|--|-------------|--------|---|--|---------------|--------|---|--|-----------------|--------|---|--|-------------------|--------|---|--|---------------------|--------|---|--|-----------------------|-----|
| b2 to b0 | SPSLN[2:0] | SPI Sequence Length Specification | <table border="0"> <tr> <td>b2</td> <td>b0</td> <td>Sequence Length</td> <td>Referenced SPCMD0 to SPCMD7 (No.)</td> </tr> <tr> <td>0 0 0:</td> <td>1</td> <td></td> <td>0→0→...</td> </tr> <tr> <td>0 0 1:</td> <td>2</td> <td></td> <td>0→1→0→...</td> </tr> <tr> <td>0 1 0:</td> <td>3</td> <td></td> <td>0→1→2→0→...</td> </tr> <tr> <td>0 1 1:</td> <td>4</td> <td></td> <td>0→1→2→3→0→...</td> </tr> <tr> <td>1 0 0:</td> <td>5</td> <td></td> <td>0→1→2→3→4→0→...</td> </tr> <tr> <td>1 0 1:</td> <td>6</td> <td></td> <td>0→1→2→3→4→5→0→...</td> </tr> <tr> <td>1 1 0:</td> <td>7</td> <td></td> <td>0→1→2→3→4→5→6→0→...</td> </tr> <tr> <td>1 1 1:</td> <td>8</td> <td></td> <td>0→1→2→3→4→5→6→7→0→...</td> </tr> </table> <p>The sequence length that is set in these bits determines the order in which the SPCMD0 to SPCMD7 registers are referenced. The setting defines the relationship between the sequence length and the SPCMD0 to SPCMD7 registers referenced by the SPI. In slave mode, the SPI references SPCMD0.</p> | b2  | b0 | Sequence Length | Referenced SPCMD0 to SPCMD7 (No.) | 0 0 0: | 1 |  | 0→0→... | 0 0 1: | 2 |  | 0→1→0→... | 0 1 0: | 3 |  | 0→1→2→0→... | 0 1 1: | 4 |  | 0→1→2→3→0→... | 1 0 0: | 5 |  | 0→1→2→3→4→0→... | 1 0 1: | 6 |  | 0→1→2→3→4→5→0→... | 1 1 0: | 7 |  | 0→1→2→3→4→5→6→0→... | 1 1 1: | 8 |  | 0→1→2→3→4→5→6→7→0→... | R/W |
| b2       | b0         | Sequence Length                   | Referenced SPCMD0 to SPCMD7 (No.)   |     |    |                 |                                   |        |   |  |         |        |   |  |           |        |   |  |             |        |   |  |               |        |   |  |                 |        |   |  |                   |        |   |  |                     |        |   |  |                       |     |
| 0 0 0:   | 1          |                                   | 0→0→...   |     |    |                 |                                   |        |   |  |         |        |   |  |           |        |   |  |             |        |   |  |               |        |   |  |                 |        |   |  |                   |        |   |  |                     |        |   |  |                       |     |
| 0 0 1:   | 2          |                                   | 0→1→0→...   |     |    |                 |                                   |        |   |  |         |        |   |  |           |        |   |  |             |        |   |  |               |        |   |  |                 |        |   |  |                   |        |   |  |                     |        |   |  |                       |     |
| 0 1 0:   | 3          |                                   | 0→1→2→0→...   |     |    |                 |                                   |        |   |  |         |        |   |  |           |        |   |  |             |        |   |  |               |        |   |  |                 |        |   |  |                   |        |   |  |                     |        |   |  |                       |     |
| 0 1 1:   | 4          |                                   | 0→1→2→3→0→...   |     |    |                 |                                   |        |   |  |         |        |   |  |           |        |   |  |             |        |   |  |               |        |   |  |                 |        |   |  |                   |        |   |  |                     |        |   |  |                       |     |
| 1 0 0:   | 5          |                                   | 0→1→2→3→4→0→...   |     |    |                 |                                   |        |   |  |         |        |   |  |           |        |   |  |             |        |   |  |               |        |   |  |                 |        |   |  |                   |        |   |  |                     |        |   |  |                       |     |
| 1 0 1:   | 6          |                                   | 0→1→2→3→4→5→0→...   |     |    |                 |                                   |        |   |  |         |        |   |  |           |        |   |  |             |        |   |  |               |        |   |  |                 |        |   |  |                   |        |   |  |                     |        |   |  |                       |     |
| 1 1 0:   | 7          |                                   | 0→1→2→3→4→5→6→0→...   |     |    |                 |                                   |        |   |  |         |        |   |  |           |        |   |  |             |        |   |  |               |        |   |  |                 |        |   |  |                   |        |   |  |                     |        |   |  |                       |     |
| 1 1 1:   | 8          |                                   | 0→1→2→3→4→5→6→7→0→...   |     |    |                 |                                   |        |   |  |         |        |   |  |           |        |   |  |             |        |   |  |               |        |   |  |                 |        |   |  |                   |        |   |  |                     |        |   |  |                       |     |
| b7 to b3 | —          | Reserved                          | These bits are read as 0. The write value should be 0.  | R/W |    |                 |                                   |        |   |  |         |        |   |  |           |        |   |  |             |        |   |  |               |        |   |  |                 |        |   |  |                   |        |   |  |                     |        |   |  |                       |     |

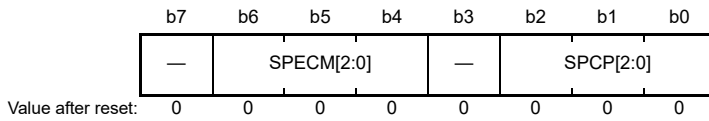
SPSCR specifies the sequence length when the SPI operates in master mode. Before changing the SPSCR.SPSLN[2:0] bits while both the SPCR.MSTR and SPCR.SPE bits are 1, always check that the SPSR.IDLNF flag is 0.

#### SPSLN[2:0] bits (SPI Sequence Length Specification)

The SPSLN[2:0] bits specify the sequence length when SPI in master mode performs sequential operations. SPI in master mode changes the SPCMD0 to SPCMD7 registers to be referenced, and the order in which they are referenced is based on this sequence length setting. In slave mode, SPCMD0 is referenced.

### 36.2.7 SPI Sequence Status Register (SPSSR)

Address(es): SPI0.SPSSR 4007 2009h, SPI1.SPSSR 4007 2109h



| Bit      | Symbol            | Bit name            | Description  | R/W |
|----------|-------------------|---------------------|--|-----|
| b2 to b0 | <b>SPCP[2:0]</b>  | SPI Command Pointer | b2 b0<br>0 0 0: SPCMD0<br>0 0 1: SPCMD1<br>0 1 0: SPCMD2<br>0 1 1: SPCMD3<br>1 0 0: SPCMD4<br>1 0 1: SPCMD5<br>1 1 0: SPCMD6<br>1 1 1: SPCMD7. | R   |
| b3       | —                 | Reserved            | This bit is read as 0.   | R   |
| b6 to b4 | <b>SPECM[2:0]</b> | SPI Error Command   | b6 b4<br>0 0 0: SPCMD0<br>0 0 1: SPCMD1<br>0 1 0: SPCMD2<br>0 1 1: SPCMD3<br>1 0 0: SPCMD4<br>1 0 1: SPCMD5<br>1 1 0: SPCMD6<br>1 1 1: SPCMD7. | R   |
| b7       | —                 | Reserved            | This bit is read as 0.   | R   |

SPSSR indicates the sequence control status when the SPI operates in master mode. Any writes to SPSSR are ignored.

#### **SPCP[2:0] bits (SPI Command Pointer)**

The SPCP[2:0] bits indicate the SPCMDm register that is referenced to by the pointer during sequence control by the SPI. For the SPI sequence control, see [section 36.3.10.1, Master mode operation](#).

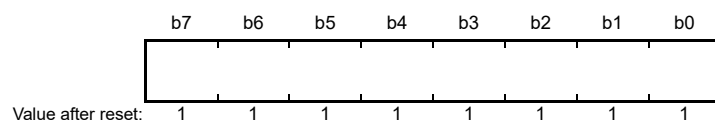
#### **SPECM[2:0] bits (SPI Error Command)**

The SPECM[2:0] bits indicate the SPCMDm register that is specified in the SPCP[2:0] bits when an error is detected during sequence control by the SPI. The SPI updates the SPECM[2:0] bits only when an error is detected. If both the SPSR.OVRF and SPSR.MODF flags are 0 and there is no error, the values of the SPECM[2:0] bits have no meaning.

For the SPI error detection function, see [section 36.3.8, Error Detection](#). For the SPI sequence control, see [section 36.3.10.1, Master mode operation](#).

### 36.2.8 SPI Bit Rate Register (SPBR)

Address(es): SPI0.SPBR 4007 200Ah, SPI1.SPBR 4007 210Ah



SPBR sets the bit rate in master mode. If the contents of SPBR are changed while both the SPCR.MSTR and SPCR.SPE bits are 1, do not perform subsequent operations.

When the SPI is used in slave mode, the bit rate depends on the bit rate of the input clock regardless of the settings in SPBR and the SPCMDm.BRDV[1:0] bits (bit rate division setting). Use bit rates that satisfy the electrical characteristics.

The bit rate is determined by combinations of the SPBR and SPCMDm.BRDV[1:0] settings. The equation for calculating the bit rate is as follows:

$$\text{Bit rate} = \frac{f(\text{PCLKA})}{2 \times (n + 1) \times 2^N}$$

In the equation, n denotes an SPBR setting (0, 1, 2, ..., 255), and N denotes a BRDV[1:0] setting (0, 1, 2, 3).

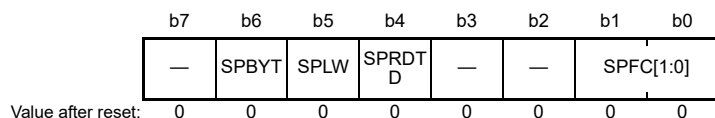
Table 36.3 lists examples of the relationship among the SPBR settings, the BRDV[1:0] settings, and bit rates.

**Table 36.3 Relationship among SPBR settings, BRDV[1:0] settings, and bit rates**

| SPBR (n) | BRDV[1:0] bits (N) | Division ratio | Bit rate       |                |                |                |                |                |                 |                 |  |
|----------|--------------------|----------------|----------------|----------------|----------------|----------------|----------------|----------------|-----------------|-----------------|--|
|          |                    |                | PCLKA = 32 MHz | PCLKA = 36 MHz | PCLKA = 40 MHz | PCLKA = 50 MHz | PCLKA = 60 MHz | PCLKA = 80 MHz | PCLKA = 100 MHz | PCLKA = 120 MHz |  |
| 0        | 0                  | 2              | 16.0 Mbps      | 18.0 Mbps      | 20.0 Mbps      | 25.0 Mbps      | 30.0 Mbps      | Not supported  |                 |                 |  |
| 1        | 0                  | 4              | 8.00 Mbps      | 9.00 Mbps      | 10.0 Mbps      | 12.5 Mbps      | 15.0 Mbps      | 20.0 Mbps      | 25.0 Mbps       | 30.0 Mbps       |  |
| 2        | 0                  | 6              | 5.33 Mbps      | 6.00 Mbps      | 6.67 Mbps      | 8.33 Mbps      | 10.0 Mbps      | 13.3 Mbps      | 16.7 Mbps       | 20.0 Mbps       |  |
| 3        | 0                  | 8              | 4.00 Mbps      | 4.50 Mbps      | 5.00 Mbps      | 6.25 Mbps      | 7.50 Mbps      | 10.0 Mbps      | 12.5 Mbps       | 15.0 Mbps       |  |
| 4        | 0                  | 10             | 3.20 Mbps      | 3.60 Mbps      | 4.00 Mbps      | 5.00 Mbps      | 6.00 Mbps      | 8.00 Mbps      | 10.0 Mbps       | 12.0 Mbps       |  |
| 5        | 0                  | 12             | 2.67 Mbps      | 3.00 Mbps      | 3.33 Mbps      | 4.16 Mbps      | 5.00 Mbps      | 6.67 Mbps      | 8.33 Mbps       | 10.0 Mbps       |  |
| 5        | 1                  | 24             | 1.33 Mbps      | 1.50 Mbps      | 1.67 Mbps      | 2.08 Mbps      | 2.50 Mbps      | 3.33 Mbps      | 4.17 Mbps       | 5.00 Mbps       |  |
| 5        | 2                  | 48             | 667 kbps       | 750 kbps       | 833 kbps       | 1.04 Mbps      | 1.25 Mbps      | 1.67 Mbps      | 2.08 Mbps       | 2.50 Mbps       |  |
| 5        | 3                  | 96             | 333 kbps       | 375 kbps       | 417 kbps       | 521 kbps       | 625 kbps       | 833 kbps       | 1.04 Mbps       | 1.25 Mbps       |  |
| 255      | 3                  | 4096           | 7.81 kbps      | 8.80 kbps      | 9.78 kbps      | 12.2 kbps      | 14.6 kbps      | 19.5 kbps      | 24.4 kbps       | 29.3 kbps       |  |

### 36.2.9 SPI Data Control Register (SPDCR)

Address(es): SPI0.SPDCR 4007 200Bh, SPI1.SPDCR 4007 210Bh



| Bit    | Symbol    | Bit name                                      | Description  | R/W |
|--------|-----------|---|--|-----|
| b1, b0 | SPFC[1:0] | Number of Frames Specification                | b1 b0<br>0 0: 1 frame<br>0 1: 2 frames<br>1 0: 3 frames<br>1 1: 4 frames.  | R/W |
| b3, b2 | —         | Reserved                                      | These bits are read as 0. The write value should be 0.   | R/W |
| b4     | SPRDTD    | SPI Receive/Transmit Data Select              | 0: Read SPDR/SPDR_HA values from receive buffer<br>1: Read SPDR/SPDR_HA values from transmit buffer, but only if the transmit buffer is empty. | R/W |
| b5     | SPLW      | SPI Word Access/Halfword Access Specification | 0: Set SPDR_HA to valid for halfword access<br>1: Set SPDR to valid for word access.   | R/W |
| b6     | SPBYT     | SPI Byte Access Specification                 | 0: SPDR is accessed in halfword or word (SPLW is valid)<br>1: SPDR is accessed in byte (SPLW is invalid).                                      | R/W |
| b7     | —         | Reserved                                      | This bit is read as 0. The write value should be 0.  | R/W |

Up to four frames can be transmitted or received in one round of transmission or reception. The amount of data in each transfer is controlled by the combination of the SPCMDm.SPB[3:0] bits, the SPCR.SPSSLN[2:0] bits, and the SPDCR.SPFC[1:0] bits.

When changing the SPDCR.SPFC[1:0] bits while the SPCR.SPE bit is 1, always check that the SPSR.IDLNF flag is 0.

#### SPFC[1:0] bits (Number of Frames Specification)

The SPFC[1:0] bits specify the number of frames that can be stored in SPDR/SPDR\_HA per transfer activation. Up to four frames can be transmitted or received in one round of transmission or reception.

When the number of transmission data frames specified in the SPFC[1:0] bits is written to the SPDR/SPDR\_HA register, SPI clears the SPSR.SPTEF flag to 0 and begins transmitting. After that, when the number of transmission data frames specified in the SPFC[1:0] bits is transmitted to the shift register, the SPI generates the transmit buffer empty interrupt (SPSR.SPTEF is set to 1).

When the number of data frames specified in the SPFC[1:0] bits is received, the SPI generates the receive buffer full interrupt (SPSR.SPRF is set to 1).

**Table 36.4** Settable combinations of the SPSSLN[2:0] and SPFC[1:0] bits (1 of 2)

| Setting | SPSSLN[2:0] | SPFC[1:0] | Number of frames in a single sequence | Number of frames at which transmission or receive buffer is filled |
|---------|-------------|-----------|---------------------------------------|--|
| 1-1     | 000b        | 00b       | 1                                     | 1  |
| 1-2     | 000b        | 01b       | 2                                     | 2  |
| 1-3     | 000b        | 10b       | 3                                     | 3  |
| 1-4     | 000b        | 11b       | 4                                     | 4  |
| 2-1     | 001b        | 01b       | 2                                     | 2  |
| 2-2     | 001b        | 11b       | 4                                     | 4  |
| 3       | 010b        | 10b       | 3                                     | 3  |
| 4       | 011b        | 11b       | 4                                     | 4  |
| 5       | 100b        | 00b       | 5                                     | 1  |

**Table 36.4** Settable combinations of the SPSLN[2:0] and SPFC[1:0] bits (2 of 2)

| Setting | SPSLN[2:0] | SPFC[1:0] | Number of frames in a single sequence | Number of frames at which transmission or receive buffer is filled |
|---------|------------|-----------|---------------------------------------|--|
| 6       | 101b       | 00b       | 6                                     | 1  |
| 7       | 110b       | 00b       | 7                                     | 1  |
| 8       | 111b       | 00b       | 8                                     | 1  |

**SPRDTD bit (SPI Receive/Transmit Data Select)**

The SPRDTD bit selects whether the SPDR/SPDR\_HA reads values from the receive buffer or from the transmit buffer. If reading the transmit buffer, the value written to SPDR/SPDR\_HA register immediately beforehand is read. Read the transmit buffer before the writing of the number of frames set in the SPFC[1:0] bits is finished and after the generation of the transmit buffer empty interrupt (when SPSR.SPTEF is 1).

For details, see [section 36.2.5, SPI Data Register \(SPDR/SPDR\\_HA\)](#).

**SPLW bit (SPI Word Access/Halfword Access Specification)**

The SPLW bit specifies the access width for SPDR. Access to SPDR\_HA in halfwords is valid when the SPLW bit is 0 and access to SPDR in words is valid when the SPLW bit is 1. Also, when this bit is 0, set the SPCMDm.SPB[3:0] bits (SPI data length setting) from 8 to 16 bits. Do not perform any operations when 20, 24, or 32 bits is specified.

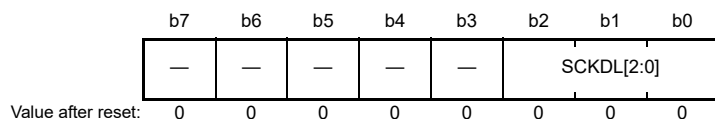
**SPBYT bit (SPI Byte Access Specification)**

This bit is used to set the data width of access to the SPI Data Register (SPDR). When SPBYT = 0, use word or half word access to SPDR. When SPBYT = 1 (in that case, SPLW is invalid), use byte access to SPDR.

When SPBYT = 1, set the SPI Data Length bits (SPB[3:0]) in the SPI Command Register n (SPCMDn) to 0 bits. If SPB[3:0] are set to 9 to 16, 20, 24, or 32 bits, subsequent operation is not guaranteed.

**36.2.10 SPI Clock Delay Register (SPCKD)**

Address(es): SPI0.SPCKD 4007 200Ch, SPI1.SPCKD 4007 210Ch



| Bit      | Symbol     | Bit name            | Description  | R/W |
|----------|------------|---------------------|--|-----|
| b2 to b0 | SCKDL[2:0] | RSPCK Delay Setting | b2 b0<br>0 0 0: 1 RSPCK<br>0 0 1: 2 RSPCK<br>0 1 0: 3 RSPCK<br>0 1 1: 4 RSPCK<br>1 0 0: 5 RSPCK<br>1 0 1: 6 RSPCK<br>1 1 0: 7 RSPCK<br>1 1 1: 8 RSPCK. | R/W |
| b7 to b3 | —          | Reserved            | These bits are read as 0. The write value should be 0.   | R/W |

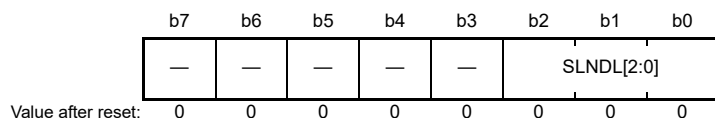
SPCKD specifies the RSPCK delay, the period from the beginning of SSLni signal assertion to RSPCK oscillation, when the SPCMDm.SCKDEN bit is 1. If the contents of SPCKD are changed while both the SPCR.MSTR and SPCR.SPE bits are 1, do not perform subsequent operations.

**SCKDL[2:0] bits (RSPCK Delay Setting)**

The SCKDL[2:0] bits specify an RSPCK delay value when the SPCMDm.SCKDEN bit is 1. When using the SPI in slave mode, set the SCKDL[2:0] bits to 000b.

### 36.2.11 SPI Slave Select Negation Delay Register (SSLND)

Address(es): SPI0.SSLND 4007 200Dh, SPI1.SSLND 4007 210Dh



| Bit      | Symbol     | Bit name                   | Description  | R/W |
|----------|------------|----------------------------|--|-----|
| b2 to b0 | SLNDL[2:0] | SSL Negation Delay Setting | b2 b0<br>0 0 0: 1 RSPCK<br>0 0 1: 2 RSPCK<br>0 1 0: 3 RSPCK<br>0 1 1: 4 RSPCK<br>1 0 0: 5 RSPCK<br>1 0 1: 6 RSPCK<br>1 1 0: 7 RSPCK<br>1 1 1: 8 RSPCK. | R/W |
| b7 to b3 | —          | Reserved                   | These bits are read as 0. The write value should be 0.   | R/W |

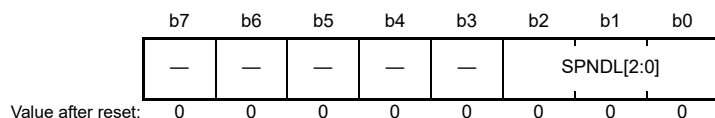
SSLND specifies the SSL negation delay, the period from the transmission of a final RSPCK edge to the negation of the SSLni signal during a serial transfer by the SPI in master mode. If the contents of SSLND are changed while both the SPCR.MSTR and SPCR.SPE bits are 1, do not perform subsequent operations.

#### SLNDL[2:0] bits (SSL Negation Delay Setting)

The SLNDL[2:0] bits specify an SSL negation delay value when the SPI is in master mode. When using the SPI in slave mode, set the SLNDL[2:0] bits to 000b.

### 36.2.12 SPI Next-Access Delay Register (SPND)

Address(es): SPI0.SPND 4007 200Eh, SPI1.SPND 4007 210Eh



| Bit      | Symbol     | Bit name                      | Description  | R/W |
|----------|------------|-------------------------------|--|-----|
| b2 to b0 | SPNDL[2:0] | SPI Next-Access Delay Setting | b2 b0<br>0 0 0: 1 RSPCK + 2 PCLKA<br>0 0 1: 2 RSPCK + 2 PCLKA<br>0 1 0: 3 RSPCK + 2 PCLKA<br>0 1 1: 4 RSPCK + 2 PCLKA<br>1 0 0: 5 RSPCK + 2 PCLKA<br>1 0 1: 6 RSPCK + 2 PCLKA<br>1 1 0: 7 RSPCK + 2 PCLKA<br>1 1 1: 8 RSPCK + 2 PCLKA. | R/W |
| b7 to b3 | —          | Reserved                      | These bits are read as 0. The write value should be 0.   | R/W |

SPND specifies the next-access delay, the non-active period of the SSLni signal after termination of a serial transfer, when the SPCMDm.SPNDEN bit is 1. If the contents of SPND are changed while both the SPCR.MSTR and SPCR.SPE bits are 1, do not perform subsequent operations.

#### SPNDL[2:0] bits (SPI Next-Access Delay Setting)

The SPNDL[2:0] bits specify a next-access delay when the SPCMDm.SPNDEN bit is 1. When using the SPI in slave mode, set the SPNDL[2:0] bits to 000b.



### 36.2.13 SPI Control Register 2 (SPCR2)

Address(es): SPI0.SPCR2 4007 200Fh, SPI1.SPCR2 4007 210Fh

|    |    |    |            |     |       |      |      |
|----|----|----|------------|-----|-------|------|------|
| b7 | b6 | b5 | b4         | b3  | b2    | b1   | b0   |
| —  | —  | —  | SCKAS<br>E | PTE | SPIIE | SPOE | SPPE |
| 0  | 0  | 0  | 0          | 0   | 0     | 0    | 0    |

Value after reset:

| Bit      | Symbol | Bit name                        | Description  | R/W |
|----------|--------|---------------------------------|--|-----|
| b0       | SPPE   | Parity Enable                   | 0: Do not add parity bit to transmit data and do not check parity bit of receive data<br>1: When SPCR.TXMD = 0: Add parity bit to transmit data and check parity bit of receive data<br>When SPCR.TXMD = 1: Add parity bit to transmit data but do not check parity bit of receive data. | R/W |
| b1       | SPOE   | Parity Mode                     | 0: Select even parity for transmission and reception<br>1: Select odd parity for transmission and reception.   | R/W |
| b2       | SPIIE  | SPI Idle Interrupt Enable       | 0: Disable idle interrupt requests<br>1: Enable idle interrupt requests.   | R/W |
| b3       | PTE    | Parity Self-Testing             | 0: Disable self-diagnosis function of the parity circuit<br>1: Enable self-diagnosis function of the parity circuit.   | R/W |
| b4       | SCKASE | RSPCK Auto-Stop Function Enable | 0: Disable RSPCK auto-stop function<br>1: Enable RSPCK auto-stop function.   | R/W |
| b7 to b5 | —      | Reserved                        | These bits are read as 0. The write value should be 0.   | R/W |

If the SPPE, SPOE, or SCKASE bit in SPCR2 is changed while the SPCR.SPE bit is 1, do not perform subsequent operations.

#### SPPE bit (Parity Enable)

The SPPE bit enables or disables the parity function.

When the SPCR.TXMD bit is 0 and this bit is 1, the parity bit is added to transmit data and parity checking is performed for receive data.

When the SPCR.TXMD bit is 1 and this bit is 1, the parity bit is added to transmit data but parity checking is not performed for receive data.

#### SPOE bit (Parity Mode)

The SPOE bit specifies odd or even parity.

When even parity is set, parity bit addition is performed so that the total number of 1-bits in the transmit or receive character plus the parity bit is even. Similarly, when odd parity is set, parity bit addition is performed so that the total number of 1-bits in the transmit or receive character plus the parity bit is odd.

The SPOE bit is only valid when the SPPE bit is 1.

#### SPIIE bit (SPI Idle Interrupt Enable)

The SPIIE bit enables or disables the generation of SPI idle interrupt requests when an idle state is detected in the SPI and the SPSR.IDLNF flag clears to 0.

#### PTE bit (Parity Self-Testing)

The PTE bit enables self-diagnosis of the parity circuit to check whether the parity function is operating correctly.

#### SCKASE bit (RSPCK Auto-Stop Function Enable)

The SCKASE bit enables or disables the RSPCK auto-stop function. When this function is enabled, the RSPCK clock is stopped before an overrun error occurs when data is received in master mode. For details, see [section 36.3.8.1, Overrun errors](#).

## 36.2.14 SPI Command Registers 0 to 7 (SPCMD0 to SPCMD7)

Address(es): SPI0.SPCMD0 4007 2010h, SPI0.SPCMD1 4007 2012h, SPI0.SPCMD2 4007 2014h, SPI0.SPCMD3 4007 2016h, SPI0.SPCMD4 4007 2018h, SPI0.SPCMD5 4007 201Ah, SPI0.SPCMD6 4007 201Ch, SPI0.SPCMD7 4007 201Eh, SPI1.SPCMD0 4007 2110h, SPI1.SPCMD1 4007 2112h, SPI1.SPCMD2 4007 2114h, SPI1.SPCMD3 4007 2116h, SPI1.SPCMD4 4007 2118h, SPI1.SPCMD5 4007 211Ah, SPI1.SPCMD6 4007 211Ch, SPI1.SPCMD7 4007 211Eh

|        |        |        |      |     |          |    |    |       |           |    |    |           |    |      |      |
|--------|--------|--------|------|-----|----------|----|----|-------|-----------|----|----|-----------|----|------|------|
| b15    | b14    | b13    | b12  | b11 | b10      | b9 | b8 | b7    | b6        | b5 | b4 | b3        | b2 | b1   | b0   |
| SCKDEN | SLNDEN | SPNDEN | LSBF |     | SPB[3:0] |    |    | SSLKP | SSLA[2:0] |    |    | BRDV[1:0] |    | CPOL | CPHA |
| 0      | 0      | 0      | 0    | 0   | 1        | 1  | 1  | 0     | 0         | 0  | 0  | 1         | 1  | 0    | 1    |

Value after reset:

| Bit       | Symbol    | Bit name                          | Description   | R/W |
|-----------|-----------|-----------------------------------|---|-----|
| b0        | CPHA      | RSPCK Phase Setting               | 0: Select data sampling on leading edge, data change on trailing edge<br>1: Select data change on leading edge, data sampling on trailing edge.   | R/W |
| b1        | CPOL      | RSPCK Polarity Setting            | 0: Set RSPCK low during idle<br>1: Set RSPCK high during idle.  | R/W |
| b3, b2    | BRDV[1:0] | Bit Rate Division Setting         | b3 b2<br>0 0: Base bit rate<br>0 1: Base bit rate divided by 2<br>1 0: Base bit rate divided by 4<br>1 1: Base bit rate divided by 8.   | R/W |
| b6 to b4  | SSLA[2:0] | SSL Signal Assertion Setting      | b6 b4<br>0 0 0: SSL0<br>0 0 1: SSL1<br>0 1 0: SSL2<br>0 1 1: SSL3<br>1 x x: Setting prohibited.<br>x: Don't care.   | R/W |
| b7        | SSLKP     | SSL Signal Level Keeping          | 0: Negate all SSL signals on completion of transfer<br>1: Keep SSL signal level from the end of transfer until the beginning of the next access.  | R/W |
| b11 to b8 | SPB[3:0]  | SPI Data Length Setting           | b11 b8<br>0100 to 0111: 8 bits<br>1 0 0 0: 9 bits<br>1 0 0 1: 10 bits<br>1 0 1 0: 11 bits<br>1 0 1 1: 12 bits<br>1 1 0 0: 13 bits<br>1 1 0 1: 14 bits<br>1 1 1 0: 15 bits<br>1 1 1 1: 16 bits<br>0 0 0 0: 20 bits<br>0 0 0 1: 24 bits<br>0010, 0011: 32 bits. | R/W |
| b12       | LSBF      | SPI LSB First                     | 0: MSB first<br>1: LSB first.   | R/W |
| b13       | SPNDEN    | SPI Next-Access Delay Enable      | 0: Select next-access delay of 1 RSPCK + 2 PCLKA<br>1: Select next-access delay equal to the setting in the SPI Next-Access Delay Register (SPND).  | R/W |
| b14       | SLNDEN    | SSL Negation Delay Setting Enable | 0: Select SSL negation delay of 1 RSPCK<br>1: Select SSL negation delay equal to the setting in the SPI Slave Select Negation Delay Register (SSLND).   | R/W |
| b15       | SCKDEN    | RSPCK Delay Setting Enable        | 0: Select RSPCK delay of 1 RSPCK<br>1: Select RSPCK delay equal to the setting in the SPI Clock Delay Register (SPCKD).   | R/W |

The SPCMDm registers specify the transfer format for SPI in master mode. Each channel has eight SPI Command Registers (SPCMD0 to SPCMD7). Some of the bits in the SPCMD0 register are used to set the transfer mode for the SPI in slave mode. The SPI in master mode sequentially references the SPCMDm registers based on the settings in the

SPSCR.SPSSLN[2:0] bits and executes the serial transfer that is set in the referenced SPCMDm register.

Set the SPCMDm registers while the transmit buffer is empty (SPSR.SPTEF is 1 and data for the next transfer is not set) and before the setting of the data to be transmitted when that SPCMDm register is referenced.

The SPCMDm register referenced by the SPI in master mode can be checked with the SPSSR.SPCP[2:0] bits. If the contents of SPCMDm are changed while the SPCR.MSTR bit is 0 and the SPCR.SPE bit is 1, do not perform subsequent operations.

#### **CPHA bit (RSPCK Phase Setting)**

The CPHA bit selects the RSPCK phase of the SPI in master or slave mode. Data communications between SPI modules require the same RSPCK phase setting between the modules.

#### **CPOL bit (RSPCK Polarity Setting)**

The CPOL bit selects the RSPCK polarity of the SPI in master or slave mode. Data communications between SPI modules require the same RSPCK polarity setting between the modules.

#### **BRDV[1:0] bits (Bit Rate Division Setting)**

The BRDV[1:0] bits determine the bit rate. The bit rate is determined by the combination of the settings in the BRDV[1:0] bits and SPBR (see [section 36.2.8, SPI Bit Rate Register \(SPBR\)](#)). The SPBR settings determine the base bit rate. The BRDV[1:0] setting selects the bit rate obtained by dividing the base bit rate by 1, 2, 4, or 8. Different BRDV[1:0] bit settings can be specified in the SPCMDm registers. This enables execution of serial transfers at different bit rates for each command.

#### **SSLA[2:0] bits (SSL Signal Assertion Setting)**

The SSLA[2:0] bits control the SSLni signal assertion when the SPI performs serial transfers in master mode. When an SSLni signal is asserted, its polarity is determined by the value set in the associated SSLP. When the SSLA[2:0] bits are set to 000b in multi-master mode, serial transfers are performed with all the SSL signals in the negated state (as the SSLn0 pin acts as input).

When using the SPI in slave mode, set the SSLA[2:0] bits to 000b.

#### **SSLKP bit (SSL Signal Level Keeping)**

When the SPI in master mode performs a serial transfer, the SSLKP bit specifies whether the SSLni signal level for the current command is to be kept or negated between the SSL negation associated with the current command and the SSL assertion associated with the next command. Setting the SSLKP bit to 1 enables a burst transfer. For details, see [\(4\) Burst transfers](#) in [36.3.10.1 Master mode operation](#). When using the SPI in slave mode, set the SSLKP bit to 0.

#### **SPB[3:0] bits (SPI Data Length Setting)**

The SPB[3:0] bits specify the transfer data length for the SPI in master or slave mode. When the SPLW bit is 0, set these bits from 8 to 16 bits.

#### **LSBF bit (SPI LSB First)**

The LSBF bit specifies the data format of the SPI in master or slave mode to MSB-first or LSB-first.

#### **SPNDEN bit (SPI Next-Access Delay Enable)**

The SPNDEN bit specifies the next-access delay, the period from the time the SPI in master mode terminates a serial transfer and sets the SSLni signal inactive until the SPI enables the SSLni signal assertion for the next access. If the SPNDEN bit is 0, the SPI sets the next-access delay to 1 RSPCK + 2 PCLKA. If the SPNDEN bit is 1, the SPI inserts a next-access delay in accordance with the SPND setting.

When using the SPI in slave mode, set the SPNDEN bit to 0.

#### **SLNDEN bit (SSL Negation Delay Setting Enable)**

The SLNDEN bit specifies the SSL negation delay, the period from the time the SPI in master mode stops RSPCK oscillation until the SPI sets the SSLni signal to inactive. If the SLNDEN bit is 0, the SPI sets the SSL negation delay to 1 RSPCK. If the SLNDEN bit is 1, the SPI negates the SSL signal at the SSL negation delay determined by the SSLND setting.

When using the SPI in slave mode, set the SLNDEN bit to 0.

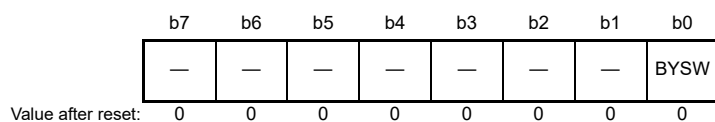
### SCKDEN bit (RSPCK Delay Setting Enable)

The SCKDEN bit specifies the SPI clock delay, the period between when the SPI in master mode asserts the SSLni signal until the RSPCK starts oscillation. If the SCKDEN bit is 0, the SPI sets the RSPCK delay to 1 RSPCK. If the SCKDEN bit is 1, the SPI starts the oscillation of RSPCK at the RSPCK delay determined by the SPCKD setting.

When using the SPI in slave mode, set the SCKDEN bit to 0.

## 36.2.15 SPI Data Control Register 2 (SPDCR2)

Address(es): SPI0.SPDCR2 4007 2020h, SPI1.SPDCR2 4007 2120h



| Bit      | Symbol | Bit name                        | Description  | R/W |
|----------|--------|---------------------------------|--|-----|
| b0       | BYSW   | Byte Swap Operating Mode Select | 0: Byte Swap OFF<br>1: Byte Swap ON.                   | R/W |
| b7 to b1 | —      | Reserved                        | These bits are read as 0. The write value should be 0. | R/W |

SPI Data Control Register2 (SPDCR2) is the setting register, that is to swap a transmit/receive data in byte units. When a data of transmit buffers copies to a shift register, it is to swap in byte units. When a data of shift register copies to a receive buffers, it is to swap in byte units.

### BYSW bit (Byte Swap Operating Mode Select)

It is a setting bit, that is to swap a transmit/receive data in byte units. When byte access is valid (SPDCR.SPBYT = 1), byte swap is invalid. When byte swap is valid, parity function must be invalid (SPCR2.SPPE bit = 0). Setting change of BYSW bit must be SPCR.SPE bit = 0.

A data after byte swap is different by a data length (setting of SPCMD.SPB[3:0]).

When byte swap, A data length (setting of SPB[3:0]) must be set to 32 bit or 16 bit. Other case of data length (that is 8 to 15, 20, 24 bit length), byte swap is not guaranteed. Before swap and after swap (length data (32 bit/16 bit)) are as shown:

- Length data 32 bit (SPB[3:0] = 0010 or 0011)
  - Before swap: [31:24] [23:16] [15:8] [7:0]
  - After swap: [7:0] [15:8] [23:16] [31:24]
- Length data 16 bit (SPB[3:0] = 1111)
  - Before swap: [31:24] [23:16]
  - After swap: [23:16] [31:24].

When byte access mode (SPDCR.SPBT = 1), byte swap setting is invalid.

When byte swap is valid, set parity function to invalid (SPCR2.SPPE = 0). When the parity function set to valid, the behavior is not guaranteed.

## 36.3 Operation

In this section, the serial transfer period refers to the period from the beginning of driving valid data to the fetching of the final valid data.

### 36.3.1 Overview of SPI Operation

SPI is capable of synchronous serial transfers in the following modes:

- Slave mode (SPI operation)
- Single master mode (SPI operation)
- Multi-master mode (SPI operation)
- Slave mode (clock synchronous operation)
- Master mode (clock synchronous operation).

The SPI mode can be selected by using the MSTR, MODFEN, and SPMS bits in SPCR. [Table 36.5](#) lists the relationship between the SPI modes and SPCR settings, and provides a description for each mode.

**Table 36.5 Relationship between SPCR settings and SPI modes (1 of 2)**

| Mode                            | Slave (SPI operation)                 | Single master (SPI operation)   | Multi-master (SPI operation)  | Slave (clock synchronous operation) | Master (clock synchronous operation)  |
|---------------------------------|---------------------------------------|---|---|-------------------------------------|---|
| MSTR bit setting                | 0                                     | 1   | 1   | 0                                   | 1   |
| MODFEN bit setting              | 0 or 1                                | 0   | 1   | 0                                   | 0   |
| SPMS bit setting                | 0                                     | 0   | 0   | 1                                   | 1   |
| RSPCKn signal                   | Input                                 | Output  | Output/Hi-Z   | Input                               | Output  |
| MOSIn signal                    | Input                                 | Output  | Output/Hi-Z   | Input                               | Output  |
| MISOIn signal                   | Output/Hi-Z                           | Input   | Input   | Output                              | Input   |
| SSLn0 signal                    | Input                                 | Output  | Input   | Hi-Z*1                              | Hi-Z*1  |
| SSLn1 to SSLn3 signals          | Hi-Z*1                                | Output  | Output/Hi-Z   | Hi-Z*1                              | Hi-Z*1  |
| SSL polarity change function    | Supported                             | Supported   | Supported   | -                                   | -   |
| Max transfer rate               | PCLKA/4                               | PCLKA/2   | PCLKA/2   | PCLKA/4                             | PCLKA/2   |
| Clock source                    | RSPCKn input                          | On-chip baud rate generator   | On-chip baud rate generator   | RSPCKn input                        | On-chip baud rate generator   |
| Clock polarity                  | Two                                   |   |   |                                     |   |
| Clock phase                     | Two                                   | Two   | Two   | One (CPHA = 1)                      | Two   |
| First transfer bit              | MSB/LSB                               |   |   |                                     |   |
| Transfer data length            | 8 to 16, 20, 24, 32 bits              |   |   |                                     |   |
| Burst transfer                  | Possible (CPHA = 1)                   | Possible (CPHA = 0,1)   | Possible (CPHA = 0,1)   | -                                   | -   |
| RSPCK delay control             | Not supported                         | Supported   | Supported   | Not supported                       | Supported   |
| SSL negation delay control      | Not supported                         | Supported   | Supported   | Not supported                       | Supported   |
| Next-access delay control       | Not supported                         | Supported   | Supported   | Not supported                       | Supported   |
| Transfer trigger                | SSL input active or RSPCK oscillation | Write to transmit buffer on generation of transmit buffer empty interrupt request (SPTEF = 1) | Write to transmit buffer on generation of transmit buffer empty interrupt request (SPTEF = 1) | RSPCK oscillation                   | Write to transmit buffer on generation of transmit buffer empty interrupt request (SPTEF = 1) |
| Sequence control                | Not supported                         | Supported   | Supported   | Not supported                       | Supported   |
| Transmit buffer empty detection | Supported                             |   |   |                                     |   |

**Table 36.5 Relationship between SPCR settings and SPI modes (2 of 2)**

| Mode                          | Slave (SPI operation)  | Single master (SPI operation) | Multi-master (SPI operation) | Slave (clock synchronous operation) | Master (clock synchronous operation) |
|-------------------------------|------------------------|-------------------------------|------------------------------|-------------------------------------|--------------------------------------|
| Receive buffer full detection | Supported*2            |                               |                              |                                     |                                      |
| Overrun error detection       | Supported*2            | Supported*2, *4               | Supported*2, *4              | Supported*2                         | Supported*2                          |
| Parity error detection        | Supported*2,*3         |                               |                              |                                     |                                      |
| Mode fault error detection    | Supported (MODFEN = 1) | Not supported                 | Supported                    | Not supported                       | Not supported                        |
| Underrun error detection      | Supported              | Not supported                 | Not supported                | Supported                           | Not supported                        |

Note 1. This function is not supported in this mode.

Note 2. When the SPCR.TXMD bit is 1, receiver buffer full detection, overrun error detection, and parity error detection are not performed.

Note 3. When the SPCR2.SPPE bit is 0, parity error detection is not performed.

Note 4. When the SPCR2.SCKASE bit is 1, overrun error detection is not performed.

### 36.3.2 Controlling the SPI Pins

The SPI can switch pin states based on the settings in the MSTR, MODFEN, and SPMS bits in SPCR and the PmnPFS.NCODR bit for the I/O ports. Table 36.6 lists the relationship between the pin states and bit settings. Setting the PmnPFS.NCODR bit for an I/O port to 0 selects the CMOS output. Setting it to 1 selects the open-drain output. The I/O port settings must follow this relationship.

**Table 36.6 Relationship between pin states and bit settings**

| Mode   | Pin              | Pin state*2                        |                                    |
|--|------------------|------------------------------------|------------------------------------|
|  |                  | PmnPFS.NCODR bit for I/O ports = 0 | PmnPFS.NCODR bit for I/O ports = 1 |
| Single master mode (SPI operation)<br>(MSTR = 1, MODFEN = 0, SPMS = 0)           | RSPCKn           | CMOS output                        | Open-drain output                  |
|  | SSLn0 to SSLn3   | CMOS output                        | Open-drain output                  |
|  | MOSIn            | CMOS output                        | Open-drain output                  |
|  | MISON            | Input                              | Input                              |
| Multi-master mode (SPI operation)<br>(MSTR = 1, MODFEN = 1, SPMS = 0)            | RSPCKn*3         | CMOS output/Hi-Z                   | Open-drain output/Hi-Z             |
|  | SSLn0            | Input                              | Input                              |
|  | SSLn1 to SSLn3*3 | CMOS output/Hi-Z                   | Open-drain output/Hi-Z             |
|  | MOSIn*3          | CMOS output/Hi-Z                   | Open-drain output/Hi-Z             |
|  | MISON            | Input                              | Input                              |
| Slave mode (SPI operation)<br>(MSTR = 0, SPMS = 0)                               | RSPCKn           | Input                              | Input                              |
|  | SSLn0            | Input                              | Input                              |
|  | SSLn1 to SSLn3*5 | Hi-Z*1                             | Hi-Z*1                             |
|  | MOSIn            | Input                              | Input                              |
|  | MISON*4          | CMOS output/Hi-Z                   | Open-drain output/Hi-Z             |
| Master mode<br>(clock synchronous operation)<br>(MSTR = 1, MODFEN = 0, SPMS = 1) | RSPCKn           | CMOS output                        | Open-drain output                  |
|  | SSLn0 to SSLn3*5 | Hi-Z*1                             | Hi-Z*1                             |
|  | MOSIn            | CMOS output                        | Open-drain output                  |
|  | MISON            | Input                              | Input                              |
| Slave mode<br>(clock synchronous operation)<br>(MSTR = 0, SPMS = 1)              | RSPCKn           | Input                              | Input                              |
|  | SSLn0 to SSLn3*5 | Hi-Z*1                             | Hi-Z*1                             |
|  | MOSIn            | Input                              | Input                              |
|  | MISON            | CMOS output                        | Open-drain output                  |

Note 1. This function is not supported in this mode.

- Note 2. SPI settings are not reflected in multiplexed pins for which the SPI function is not selected.
- Note 3. When SSLn0 is at the active level, the pin state is Hi-Z.
- Note 4. When SSLn0 is at the non-active level or the SPCR.SPE bit is 0, the pin state is Hi-Z.
- Note 5. These pins are available for use as I/O port pins.

The SPI in single master mode (SPI operation) or multi-master mode (SPI operation) determines the MOSI signal values during the SSL negation period (including the SSL retention period during a burst transfer) based on the MOIFE and MOIFV bit settings in SPPCR, as listed in [Table 36.7](#).

**Table 36.7 MOSI signal value determination during SSL negation**

| MOIFE bit | MOIFV bit | MOSIn signal value during SSL negation |
|-----------|-----------|--|
| 0         | 0, 1      | Final data from previous transfer      |
| 1         | 0         | Low                                    |
| 1         | 1         | High                                   |

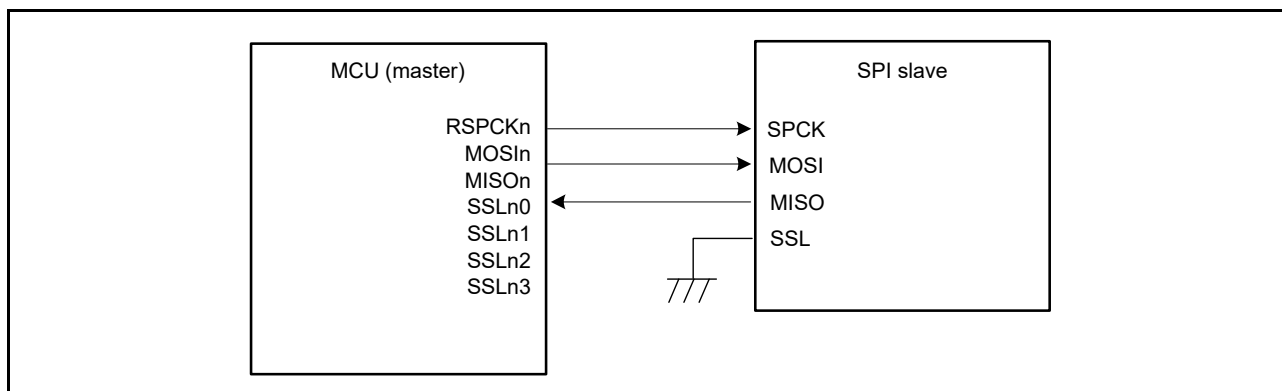
### 36.3.3 SPI System Configuration Examples

#### 36.3.3.1 Single master and single slave with the MCU as a master

[Figure 36.5](#) shows a single-master and single-slave SPI system configuration example where the MCU is a master. In the single-master/single-slave configuration, the SSLn0 to SSLn3 outputs of the MCU (master) are not used. The SSL input of the SPI slave is fixed to the low level, and the SPI slave is maintained in the selected state.\*<sup>1</sup>

The MCU (master) drives the RSPCKn and MOSIn signals. The SPI slave drives the MISO signal.

Note 1. In the transfer format configured when the SPCMDm.CPHA bit is 0, the SSL signal cannot be fixed to the active level for some slave devices. In situations where the SSL signal cannot be fixed, the SSLni output of the MCU must be connected to the SSL input of the slave device.



**Figure 36.5 Single-master/single-slave configuration example with the MCU as a master**

### 36.3.3.2 Single master and single slave with the MCU as a slave

Figure 36.6 shows a single-master and single-slave SPI system configuration example where the MCU is a slave. When the MCU operates as a slave, the SSLn0 pin is used as SSL input. The SPI master drives the RSPCK and MOSI signals. The MCU (slave) drives the MISO signal.\*1

In the single-slave configuration when the SPCMDm.CPHA bit is set to 1, the SSLn0 input of the MCU (slave) is fixed to the low level and the MCU (slave) stays selected. This enables serial transfer execution (Figure 36.7).

Note 1. When SSLn0 is at the non-active level, the pin state is Hi-Z.

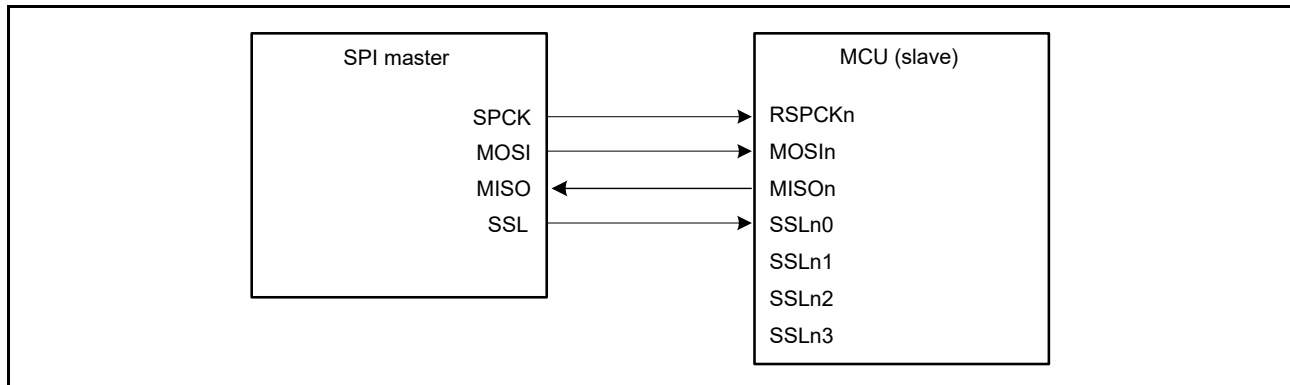


Figure 36.6 Single-master/single-slave configuration example with the MCU as a slave and CPHA = 0

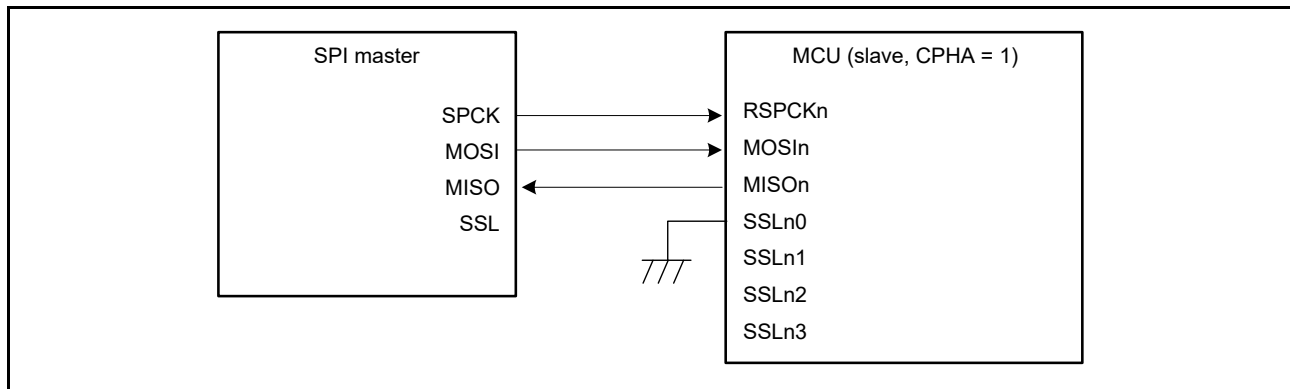


Figure 36.7 Single-master/single-slave configuration example with the MCU as a slave and CPHA = 1



### 36.3.3.3 Single master and multi slave with the MCU as a master

Figure 36.8 shows a single-master/multi-slave SPI system configuration example where the MCU is a master. In this example, the SPI system includes the MCU (master) and four slaves (SPI slave 0 to SPI slave 3).

The RSPCKn and MOSIn outputs of the MCU (master) are connected to the RSPCK and MOSI inputs of SPI slaves 0 to 3. The MISO outputs of SPI slaves 0 to 3 are all connected to the MISO<sub>n</sub> input of the MCU (master). The SSLn0 to SSLn3 outputs of the MCU (master) are connected to the SSL inputs of SPI slaves 0 to 3, respectively.

The MCU (master) drives the RSPCK<sub>n</sub>, MOSIn, and SSLn0 to SSLn3 signals. Of the SPI slaves 0 to 3, the slave that receives low-level input into the SSL input drives the MISO signal.

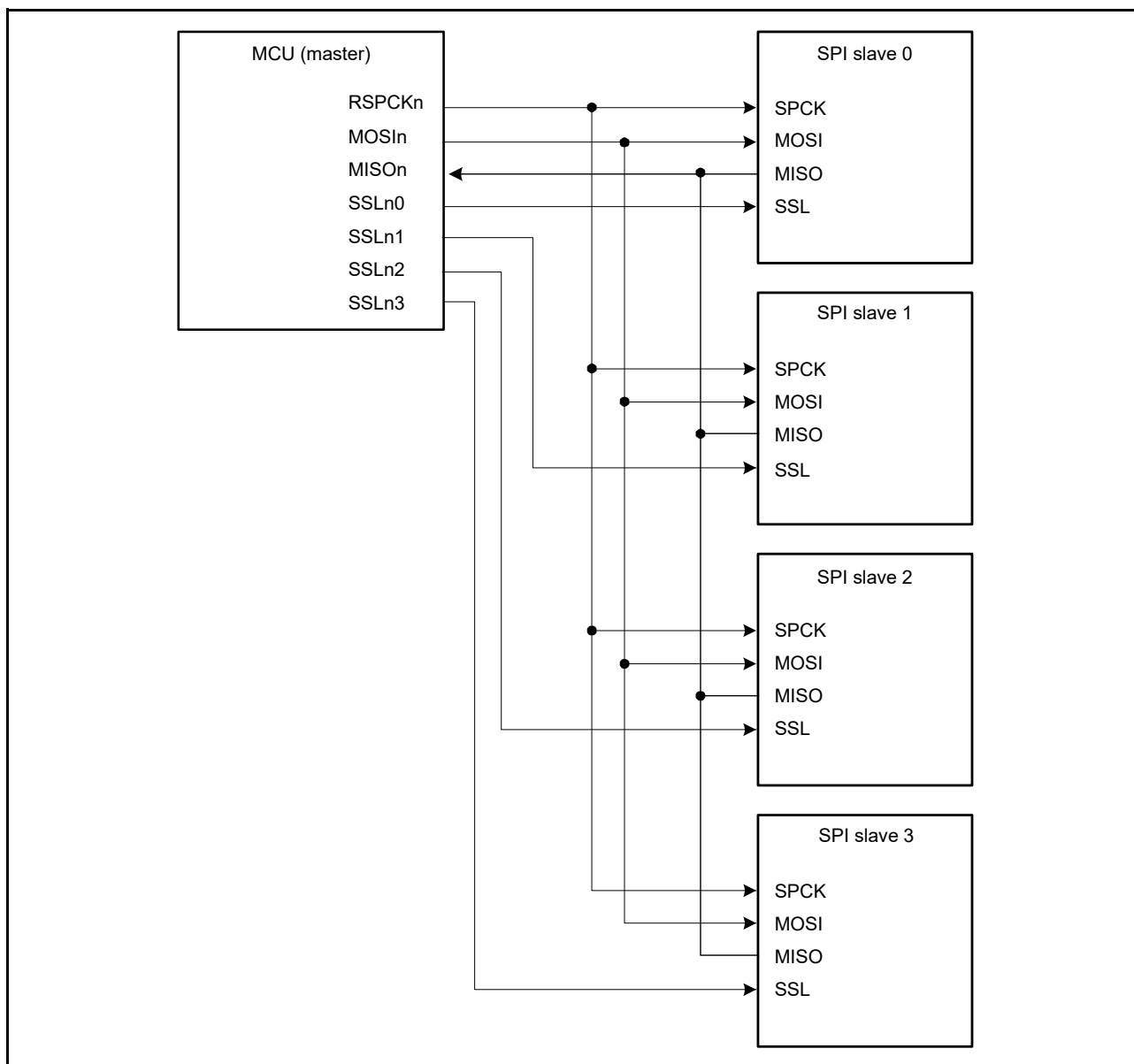


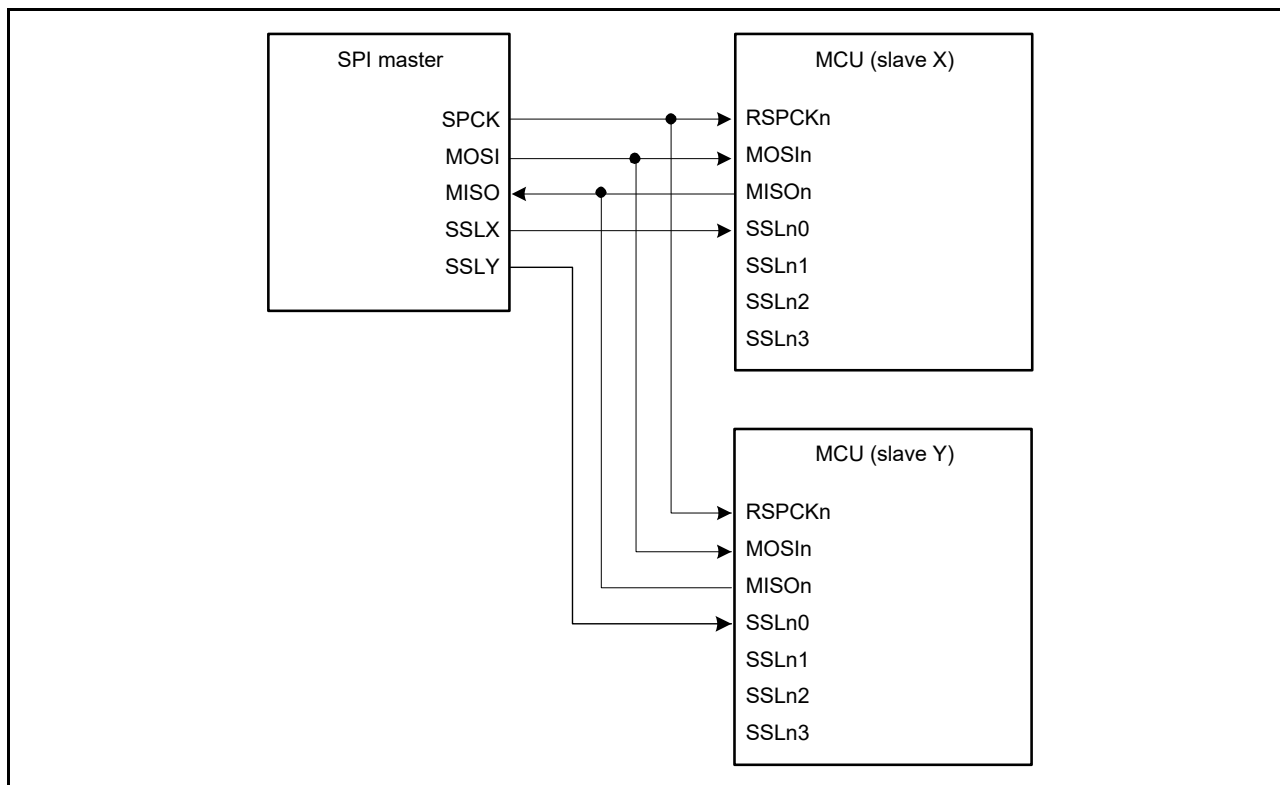
Figure 36.8 Single master/multi-slave configuration example with the MCU as a master

### 36.3.3.4 Single master and multi-slave with the MCU as a slave

Figure 36.9 shows a single master/multi-slave SPI system configuration example where the MCU is used as a slave. In this example, the SPI system includes an SPI master and two MCUs (slaves X and Y).

The SPCK and MOSI outputs of the SPI master are connected to the RSPCKn and MOSIn inputs of the MCUs (slaves X and Y). The MISO outputs of the MCUs (slaves X and Y) are all connected to the MISO input of the SPI master. The SSLX and SSLY outputs of the SPI master are connected to the SSLn0 inputs of the MCUs (slaves X and Y, respectively).

The SPI master drives the SPCK, MOSI, SSLX, and SSLY signals. Of the MCUs (slaves X and Y), the slave that receives low-level input into the SSLn0 input drives the MISO signal.



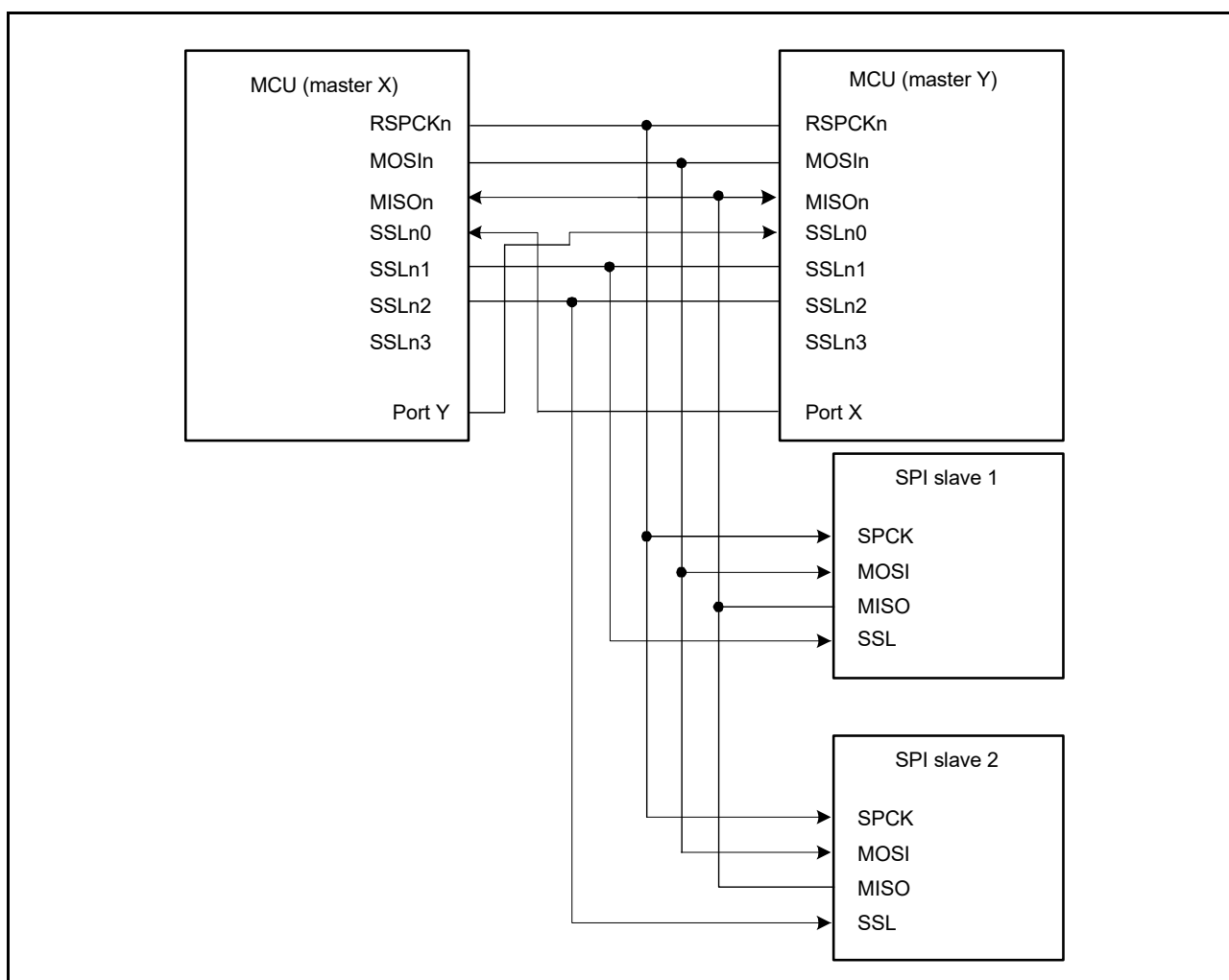
**Figure 36.9** Single master/multi-slave configuration example with the MCU as a slave

### 36.3.3.5 Multi master and multi slave with the MCU as a master

Figure 36.10 shows a multi-master/multi-slave SPI system configuration example where the MCU is a master. In this example, the SPI system includes two MCUs (masters X and Y) and two SPI slaves (SPI slaves 1 and 2).

The RSPCKn and MOSIn outputs of the MCUs (masters X and Y) are connected to the RSPCK and MOSI inputs of SPI slaves 1 and 2. The MISO outputs of SPI slaves 1 and 2 are connected to the MISOin inputs of the MCUs (masters X and Y). Any generic port Y output from the MCU (master X) is connected to the SSLn0 input of the MCU (master Y). Any generic port X output of the MCU (master Y) is connected to the SSLn0 input of the MCU (master X). The SSLn1 and SSLn2 outputs of the MCUs (masters X and Y) are connected to the SSL inputs of the SPI slaves 1 and 2. In this configuration example, because the system can be comprised solely of SSLn0 input, and SSLn1, SSLn2 outputs for slave connections, the SSLn3 output of the MCU is not required.

The MCU drives the RSPCKn, MOSIn, SSLn1, and SSLn2 signals when the SSLn0 input level is high. When the SSLn0 input level is low, the MCU detects a mode fault error, sets RSPCKn, MOSIn, SSLn1, and SSLn2 to Hi-Z, and releases the SPI bus directly to the other master. Of the SPI slaves 1 and 2, the slave that receives low-level input into the SSL input drives the MISO signal.

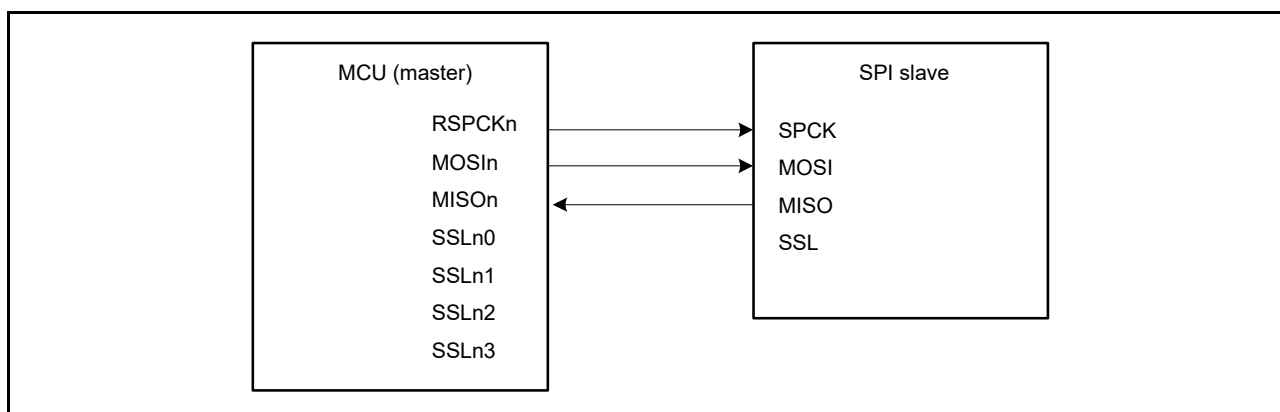


**Figure 36.10** Multi-master/multi-slave configuration example with the MCU as a master

### 36.3.3.6 Master and slave in clock synchronous mode with the MCU as a master

Figure 36.11 shows a master and slave in clock synchronous mode where the MCU is a master. In this configuration, SSLn0 to SSLn3 of the MCU (master) are not used.

The MCU (master) drives the RSPCKn and MOSIn signals. The SPI slave drives the MISO signal.



**Figure 36.11** Configuration example of master/slave in clock synchronous mode with the MCU as a master

### 36.3.3.7 Master and slave in clock synchronous mode with the MCU as a slave

Figure 36.12 shows a master and slave in clock synchronous mode where the MCU is used as a slave. When the MCU operates as a slave in clock synchronous mode, the MCU (slave) drives the MISO<sub>n</sub> signal and the SPI master drives the SPCK and MOSI signals. In addition, SSL<sub>n0</sub> to SSL<sub>n3</sub> of the MCU (slave) are not used.

The MCU (slave) can only execute serial transfers in the single slave configuration when the SPCMD<sub>m</sub>.CPHA bit is set to 1.

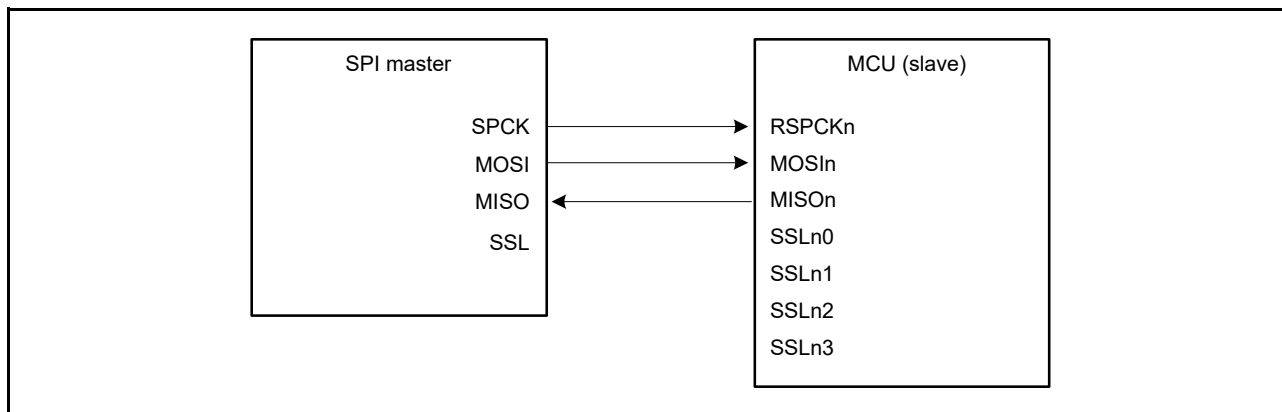


Figure 36.12 Configuration example of master and slave in clock synchronous mode with the MCU as a slave and CPHA = 1

### 36.3.4 Data Formats

The data format of the SPI depends on the settings in SPI Command Register *m* (SPCMD<sub>m</sub>) (*m* = 0 to 7) and the parity enable bit in SPI Control Register 2 (SPCR2.SPPE). Regardless of whether the MSB or LSB is first, the SPI treats the range from the LSB bit in the SPI Data Register (SPDR/SPDR\_HA) to the bit corresponding to the selected data length, as transfer data.

This section shows the format of one frame of data before or after transfer.

#### (a) Data format with parity disabled

When parity is disabled, transmission or reception of data proceeds with the length in bits selected in the SPI data length setting in SPI Command Register *m* (SPCMD<sub>m</sub>.SPB[3:0]).

#### (b) Data format with parity enabled

When parity is enabled, transmission or reception of data proceeds with the length in bits selected in the SPI data length setting in SPI Command Register *m* (SPCMD<sub>m</sub>.SPB[3:0]). In this case, however, the last bit is a parity bit.

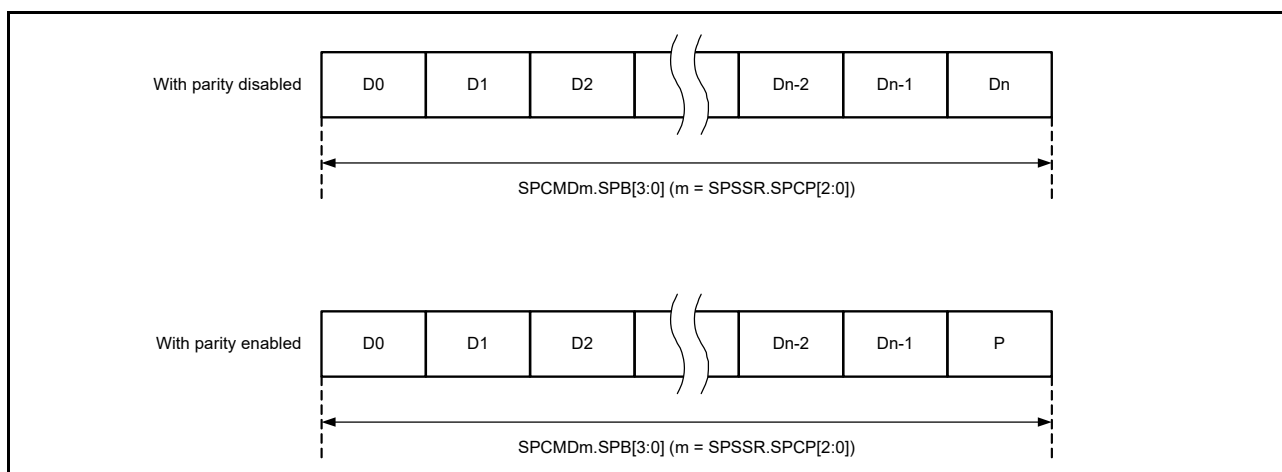


Figure 36.13 Data format with parity disabled and enabled

### 36.3.4.1 Operation when parity is disabled (SPCR2.SPPE = 0)

When parity is disabled, data for transmission is copied to the shift register with no pre-processing. This section describes the connection between the SPI Data Register (SPDR/SPDR\_HA) and the shift register in terms of the combination of MSB- or LSB-first order and data length.

#### (1) MSB-first transfer with 32-bit data

Figure 36.14 shows the transfer operations of the SPI Data Register (SPDR) and the shift register with parity disabled, an SPI data length of 32 bits, and MSB-first selected.

In transmission, bits T31 to T00 from the current stage of the transmit buffer are copied to the shift register. Data for transmission is shifted out from the shift register from T31 to T30, and continuing to T00, in that order.

In reception, received data is shifted in bit by bit through bit 0 of the shift register. When R31 to R00 bits are collected after input of the required number of RSPCK cycles, the value in the shift register is copied to the receive buffer.

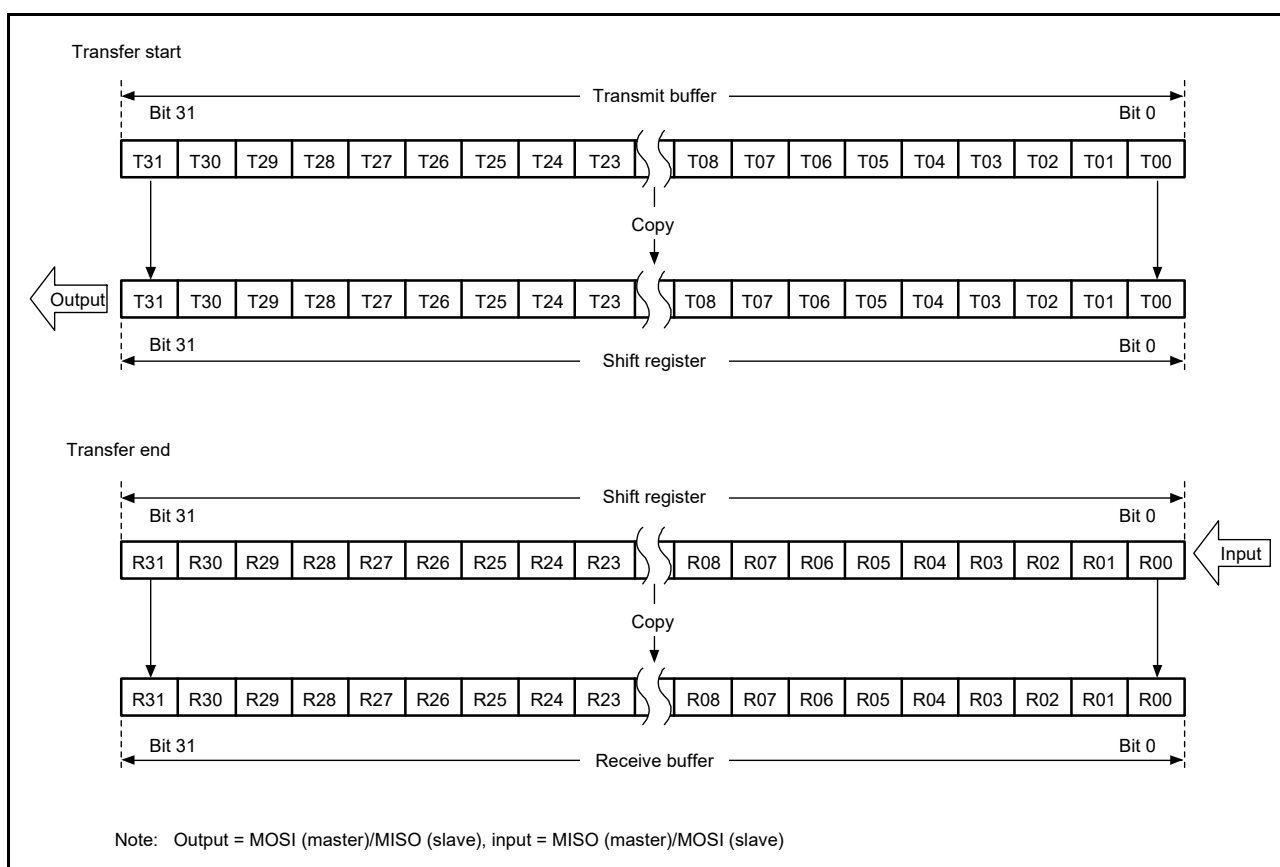


Figure 36.14 MSB-first transfer with 32-bit data and parity disabled

#### (2) MSB-first transfer with 24-bit data

Figure 36.15 shows the transfer operations of the SPI Data Register (SPDR) and the shift register with parity disabled, an SPI data length of 24 bits, and MSB-first selected.

In transmission, the lower-order 24 bits (T23 to T00) from the current stage of the transmit buffer are copied to the shift register. Data for transmission is shifted out from the shift register from T23 to T22, and continuing to T00, in that order.

In reception, received data is shifted in bit-by-bit through bit [0] of the shift register. When the R23 to R00 bits are collected after input of the required number of RSPCK cycles, the value in the shift register is copied to the receive buffer. At this time, the upper 8 bits of the transmit buffer are stored in the upper 8 bits of the receive buffer. Writing 0 to bits T31 to T24 at the time of transmission leads to 0 being inserted in the upper 8 bits of the receive buffer.

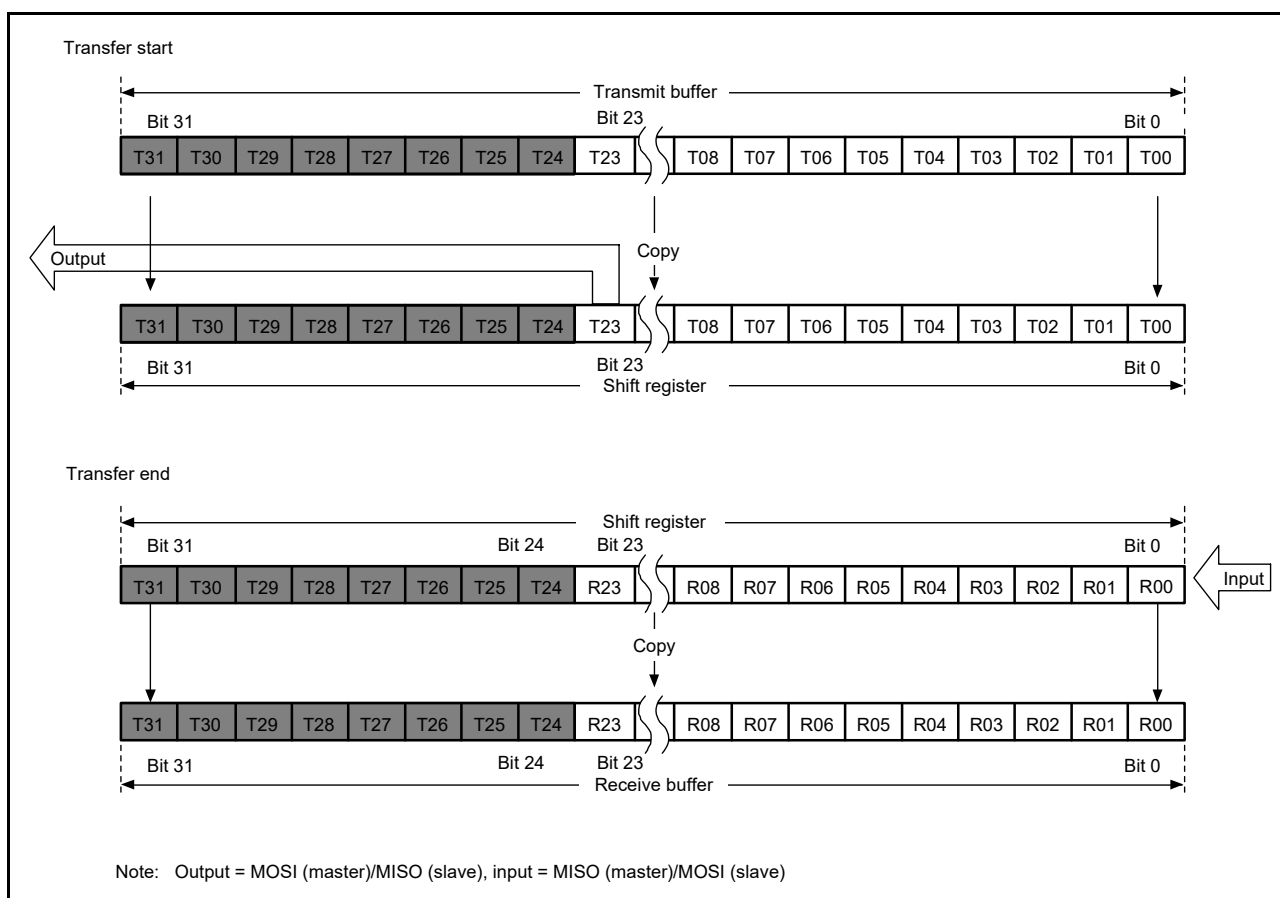


Figure 36.15 MSB-first transfer with 24-bit data and parity disabled

(3) LSB-first transfer with 32-bit data

Figure 36.16 shows the transfer operations of the SPI Data Register (SPDR) and the shift register with parity disabled, an SPI data length of 32 bits, and LSB-first selected.

In transmission, bits T31 to T00 from the current stage of the transmit buffer are reordered bit-by-bit to obtain the order T00 to T31 for copying to the shift register. Data for transmission is shifted out from the shift register in order from T00, to T01, and continuing to T31, in that order.

In reception, received data is shifted in bit-by-bit through bit [0] of the shift register. When the R00 to R31 bits are collected after the input of the required number of RSPCK cycles, the value in the shift register is copied to the receive buffer.

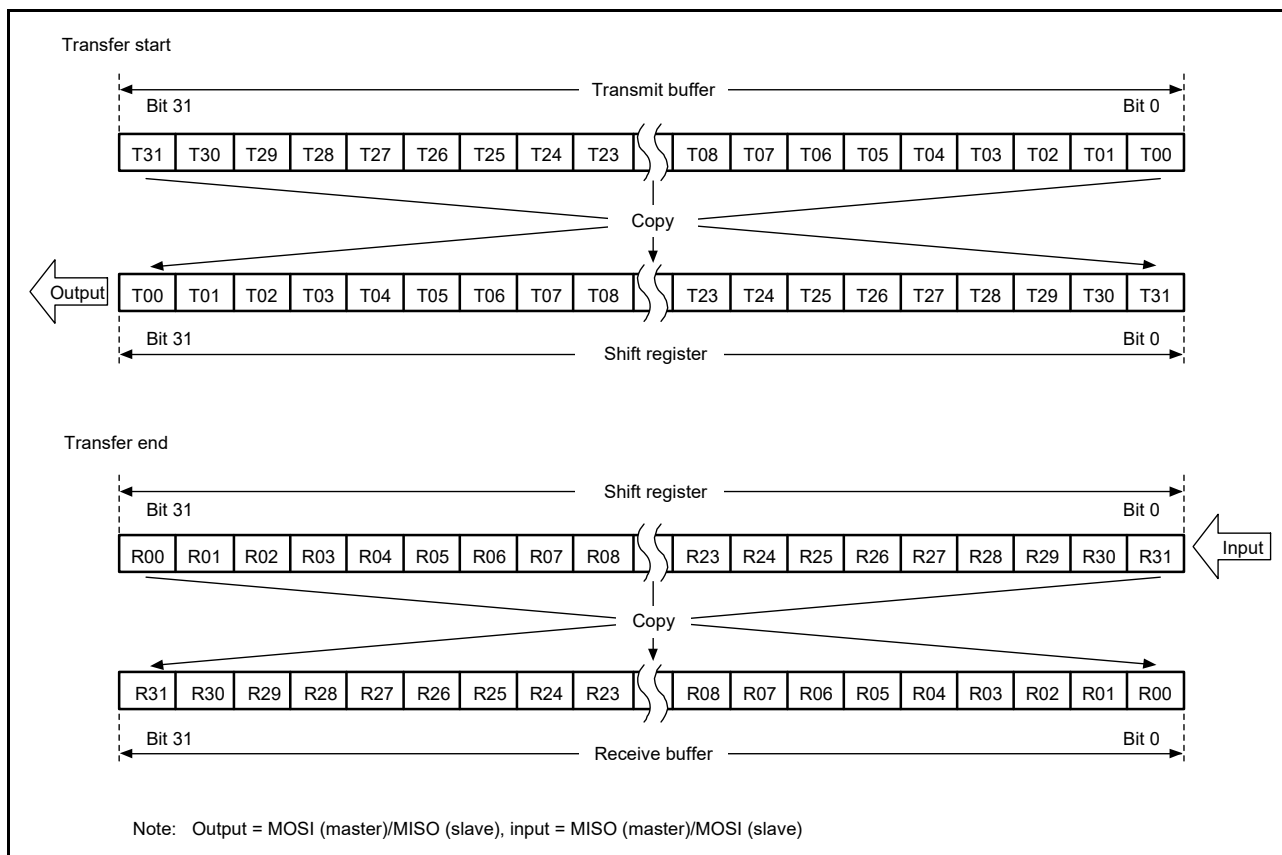


Figure 36.16 LSB-first transfer with 32-bit data and parity disabled

(4) LSB-first transfer with 24-bit data

Figure 36.17 shows the transfer operations of the SPI Data Register (SPDR) and the shift register with parity disabled, an SPI data length of 24 bits, and LSB-first selected.

In transmission, the lower-order 24 bits (T23 to T00) from the current stage of the transmit buffer are reordered bit-by-bit to obtain the order T00 to T23 for copying to the shift register. Data for transmission is shifted out from the shift register in order from T00 to T01, and continuing to T23, in that order.

In reception, received data is shifted in bit-by-bit through bit [8] of the shift register. When the R00 to R23 bits are collected after the input of the required number of RSPCK cycles, the value in the shift register is copied to the receive buffer.

At this time, the upper 8 bits of the transmit buffer are stored in the upper 8 bits of the receive buffer. Writing 0 to the T31 to T24 bits at the time of transmission leads to 0 being inserted in the upper 8 bits of the receive buffer.

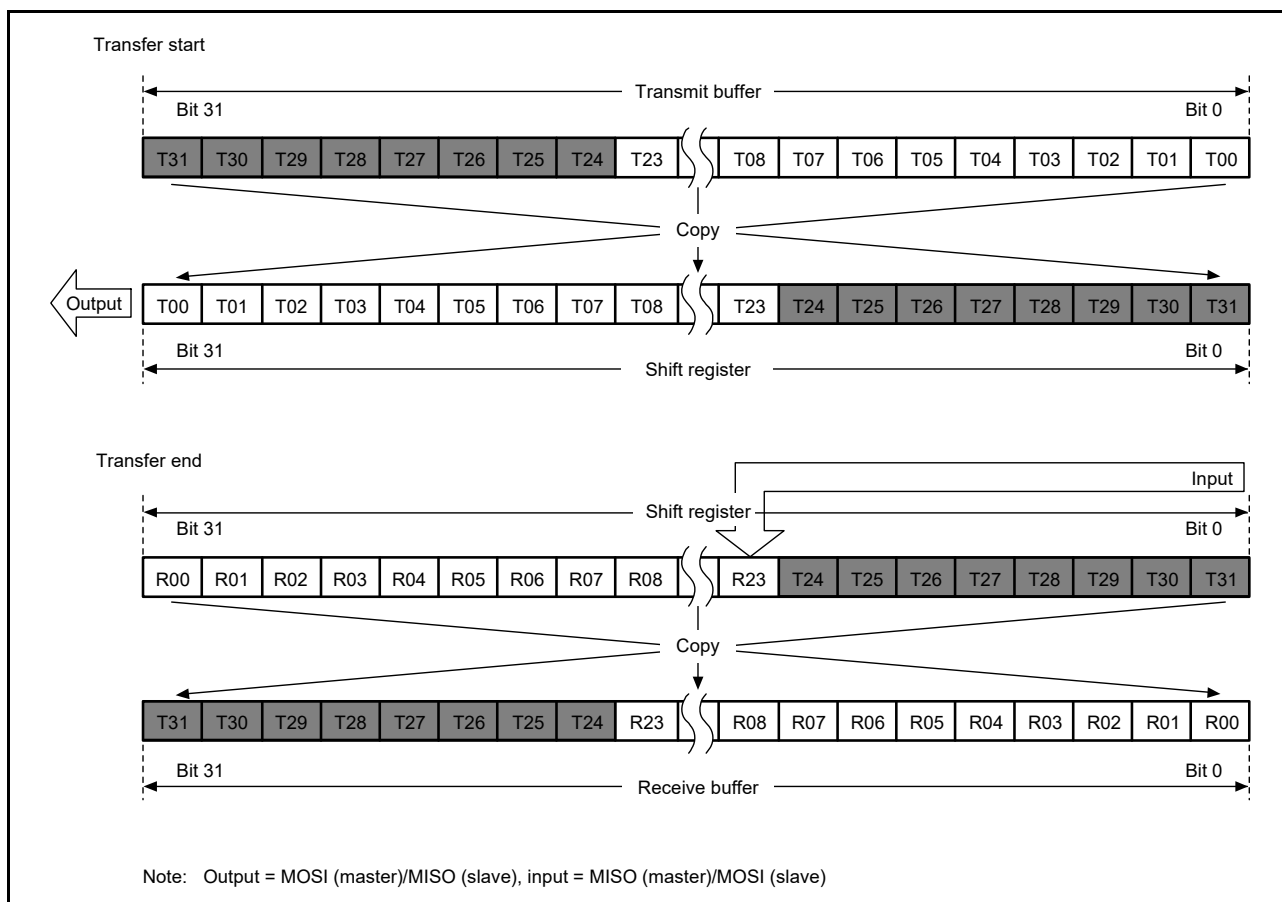


Figure 36.17 LSB-first transfer with 24-bit data and parity disabled



### 36.3.4.2 Operation when parity is enabled (SPCR2.SPPE = 1)

When parity is enabled, the lowest-order bit of the data for transmission becomes a parity bit. Hardware calculates the value of the parity bit.

#### (1) MSB-first transfer with 32-bit data

Figure 36.18 shows the transfer operations of the SPI Data Register (SPDR) and the shift register with parity enabled, an SPI data length of 32 bits, and MSB-first selected.

In transmission, the value of the parity bit (P) is calculated from bits T31 to T01. This replaces the final bit, T00, and the whole value is copied to the shift register. Data is transmitted in the order T31, T30, ..., T01, and P.

In reception, received data is shifted in bit-by-bit through bit [0] of the shift register. When the R31 to P bits are collected after input of the required number of RSPCK cycles, the value in the shift register is copied to the receive buffer. On copying of data to the shift register, the data from R31 to P is checked for parity.

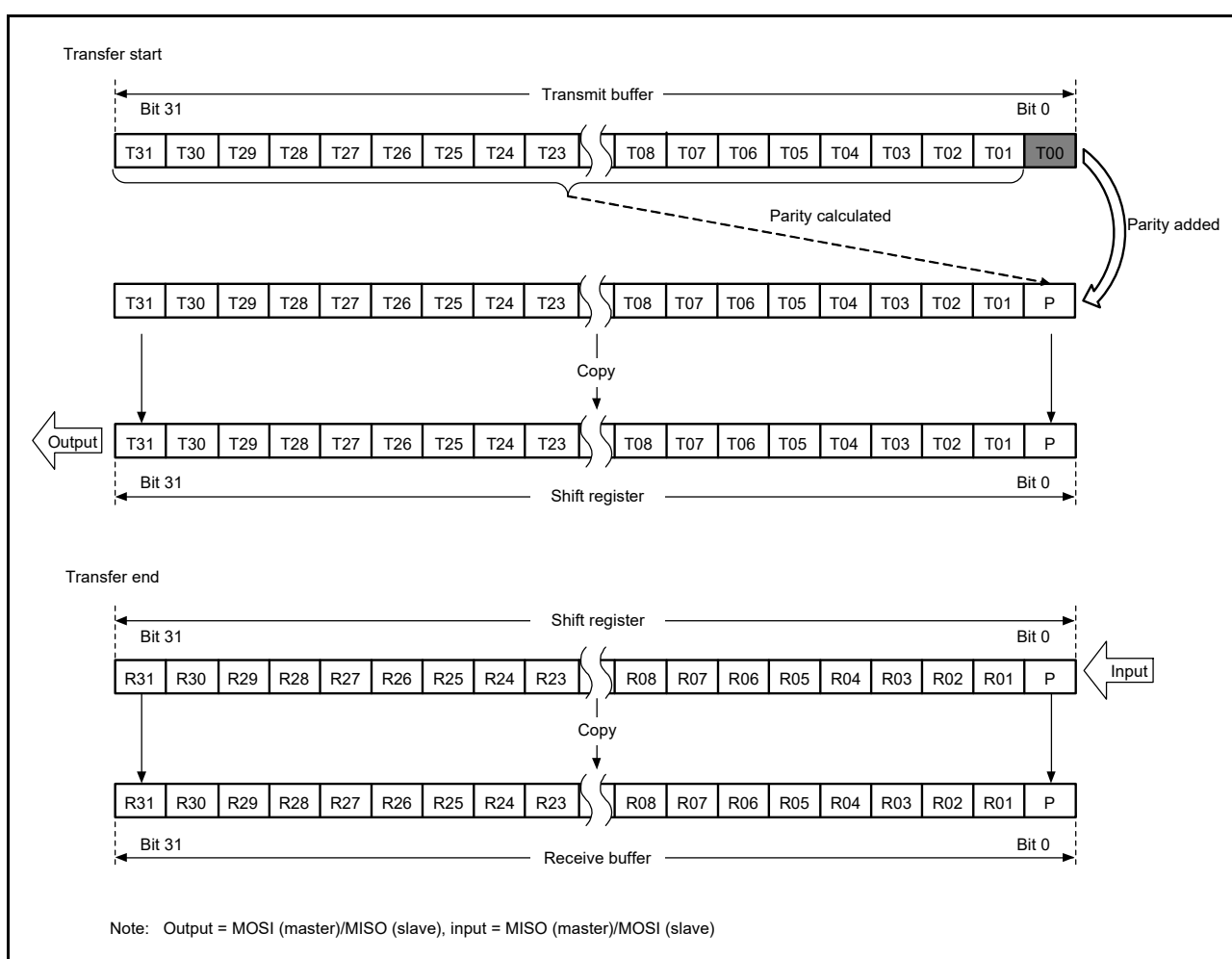


Figure 36.18 MSB-first transfer with 32-bit data and parity enabled

#### (2) MSB-first transfer with 24-bit data

Figure 36.19 shows the transfer operations of the SPI Data Register (SPDR) and the shift register with parity enabled, an SPI data length of 24 bits, and MSB-first selected.

In transmission, the value of the parity bit (P) is calculated from bits T23 to T01. This replaces the final bit, T00, and the whole is copied to the shift register. Data is transmitted in the order T23, T22, ..., T01, and P.

In reception, received data is shifted in bit-by-bit through bit [0] of the shift register. When the R23 to P bits are collected after the input of the required number of RSPCK cycles, the value in the shift register is copied to the receive buffer. On copying of data to the shift register, the data from R23 to P is checked for parity. At this time, the upper 8 bits of the

transmit buffer are stored in the upper 8 bits of the receive buffer. Writing 0 to bits T31 to T24 at the time of transmission leads to 0 being inserted in the upper 8 bits of the receive buffer.



Figure 36.19 MSB-first transfer with 24-bit data and parity enabled

(3) LSB-first transfer with 32-bit data

Figure 36.20 shows the transfer operations of the SPI Data Register (SPDR) and the shift register with parity enabled, an SPI data length of 32 bits, and LSB-first selected.

In transmission, the value of the parity bit (P) is calculated from bits T30 to T00. This replaces the final bit, T31, and the whole is copied to the shift register. Data is transmitted in the order T00, T01, ..., T30, and P.

In reception, received data is shifted in bit-by-bit through bit [0] of the shift register. When the R00 to P bits are collected after input of the required number of RSPCK cycles, the value in the shift register is copied to the receive buffer. On copying of data to the shift register, the data from R00 to P is checked for parity.

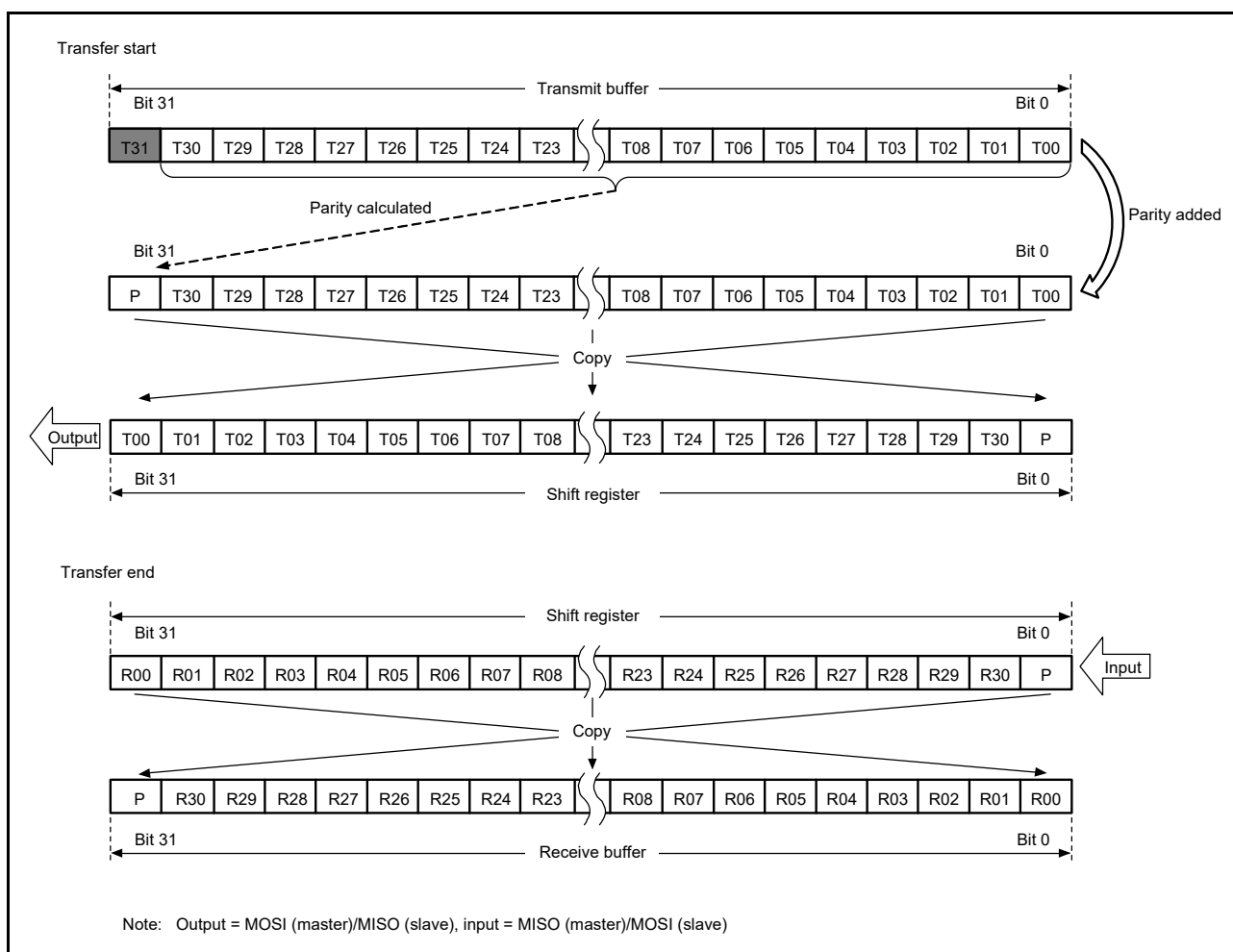


Figure 36.20 LSB-first transfer with 32-bit data and parity enabled

(4) LSB-first transfer with 24-bit data

Figure 36.21 shows the transfer operations of the SPI Data Register (SPDR) and the shift register with parity enabled, an SPI data length of 24 bits, and LSB-first selected.

In transmission, the value of the parity bit (P) is calculated from bits T22 to T00. This replaces the final bit, T23, and the whole is copied to the shift register. Data is transmitted in the order T00, T01, ..., T22, and P.

In reception, received data is shifted in bit-by-bit through bit [8] of the shift register. When the R00 to P bits are collected after input of the required number of RSPCK cycles, the value in the shift register is copied to the receive buffer. On copying of data to the shift register, the data from R00 to P is checked for parity. At this time, the upper 8 bits of the transmit buffer are stored in the upper 8 bits of the receive buffer. Writing 0 to bits T31 to T24 at the time of transmission leads to 0 being inserted in the upper 8 bits of the receive buffer.

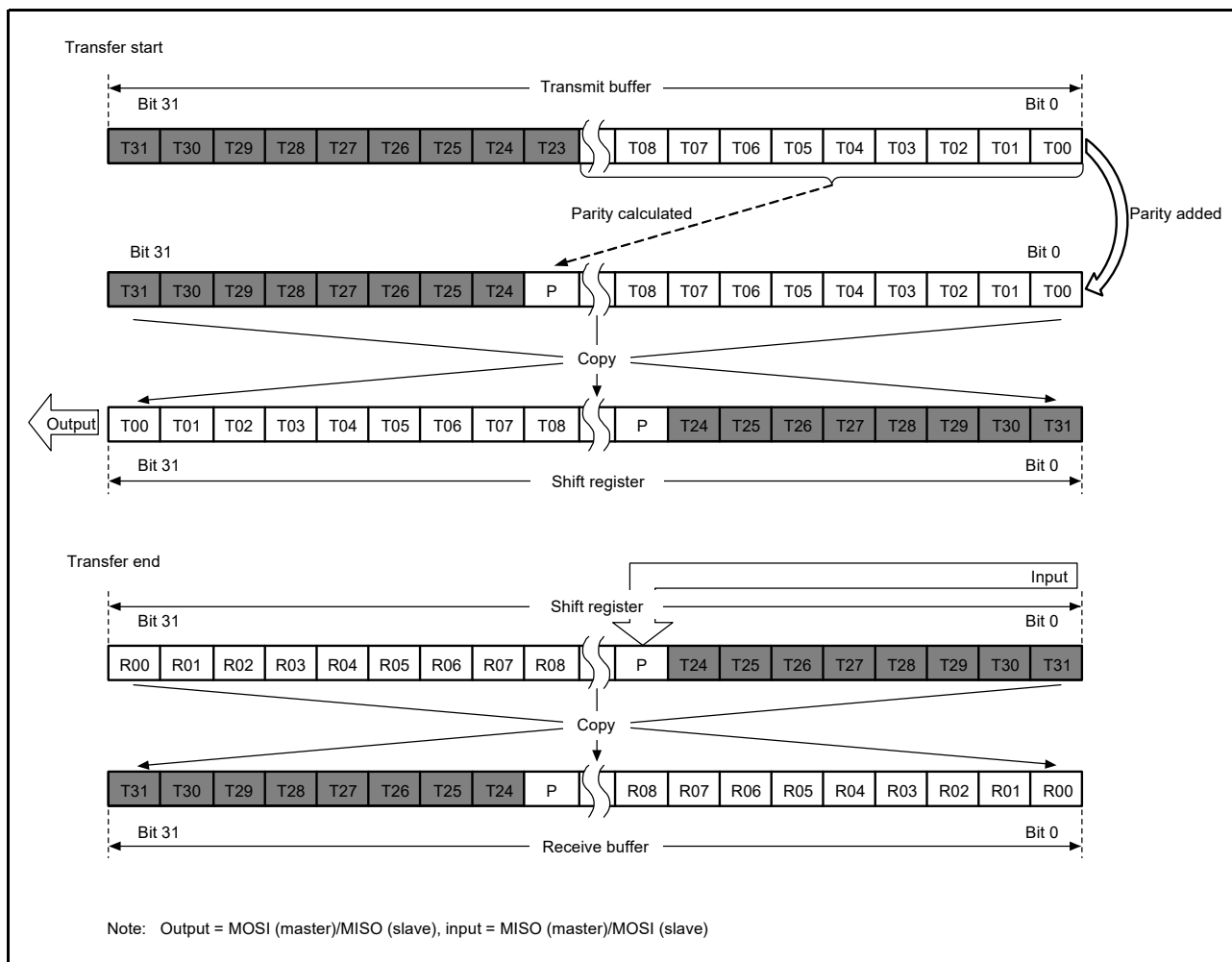


Figure 36.21 LSB-first transfer with 24-bit data and parity enabled

### 36.3.5 Transfer Formats

#### 36.3.5.1 Transfer format when CPHA = 0

Figure 36.22 shows an example transfer format for the serial transfer of 8-bit data when the SPCMDm.CPHA bit is 0. Do not perform clock synchronous operation (SPCR.SPMS = 1) when the SPI operates in slave mode (SPCR.MSTR = 0) and the CPHA bit is 0. In the figure, RSPCKn (CPOL = 0) indicates the RSPCKn signal waveform when the SPCMDm.CPOL bit is 0, and RSPCKn (CPOL = 1) indicates the RSPCKn signal waveform when the CPOL bit is 1. The sampling timing represents the timing at which the SPI fetches serial transfer data into the shift register. The I/O directions of the signals depend on the SPI settings. For details, see section 36.3.2, Controlling the SPI Pins.

When the SPCMDm.CPHA bit is 0, the driving of valid data to the MOSIn and MISO<sub>n</sub> signals commences on an SSLni signal assertion. The first RSPCKn signal change that occurs after the SSLni signal assertion becomes the first transfer data fetch. After this, data is sampled every 1 RSPCK cycle. The change timing for MOSIn and MISO<sub>n</sub> signals is 1/2 RSPCK cycles after the transfer data fetch timing. The CPOL bit setting does not affect the RSPCK signal operation timing as it only affects the signal polarity.

t1 denotes the period from an SSLni signal assertion to RSPCKn oscillation (RSPCK delay). t2 denotes the period from the termination of RSPCKn oscillation to an SSLni signal negation (SSL negation delay). t3 denotes the period in which SSLni signal assertion is suppressed for the next transfer after the end of the serial transfer (next-access delay). t1, t2, and t3 are controlled by a master device running on the SPI system. For a description of t1, t2, and t3 when the SPI is in master mode, see section 36.3.10.1, Master mode operation.

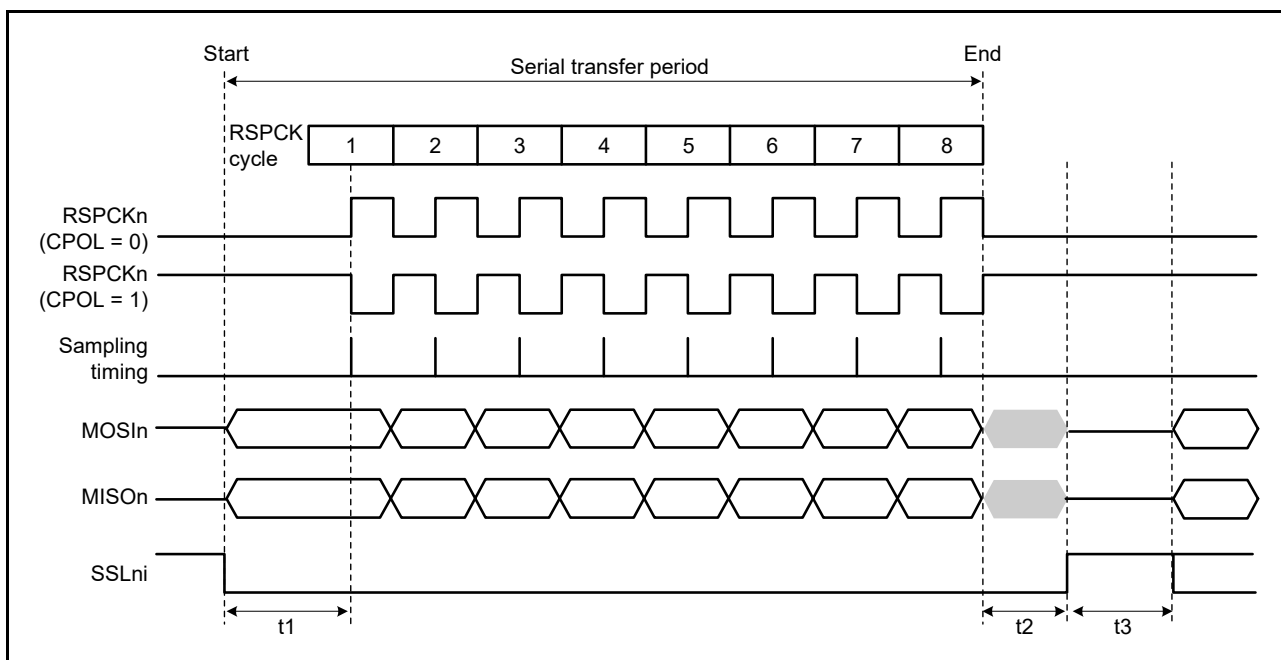


Figure 36.22 SPI transfer format when CPHA = 0

### 36.3.5.2 When CPHA = 1

Figure 36.23 shows an example transfer format for the serial transfer of 8-bit data when the SPCMDm.CPHA bit is 1. However, when the SPCR.SPMS bit is 1, the SSLni signals are not used, and only the three signals RSPCKn, MOSIn, and MISOOn handle the communication. In Figure 36.23, RSPCK (CPOL = 0) indicates the RSPCKn signal waveform when the SPCMDm.CPOL bit is 0, and RSPCK (CPOL = 1) indicates the RSPCKn signal waveform when the CPOL bit is 1. The sampling timing represents the timing at which the SPI fetches serial transfer data into the shift register. The I/O directions of the signals depend on the SPI mode (master or slave). For details, see section 36.3.2, Controlling the SPI Pins.

When the SPCMDm.CPHA bit is 1, the driving of invalid data to the MISOOn signal commences on an SSLni signal assertion. The output of valid data to the MOSIn and MISOOn signals commences at the first RSPCKn signal change that occurs after the SSLni signal assertion. After this, data is updated every 1 RSPCK cycle. The transfer data fetch timing is 1/2 RSPCK cycles after the data update timing. The SPCMDm.CPOL bit setting does not affect the RSPCKn signal operation timing; it only affects the signal polarity.

t1, t2, and t3 are the same as when CPHA = 0. For a description of t1, t2, and t3 when the MCU SPI is in master mode, see section 36.3.10.1, Master mode operation.

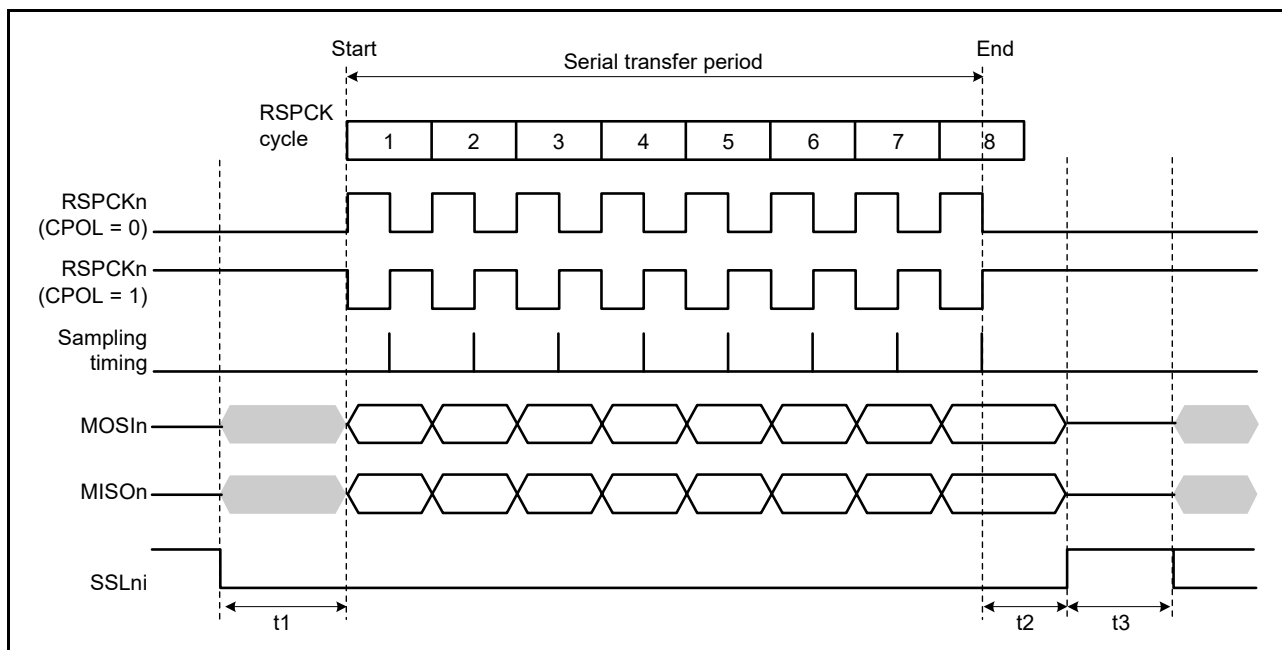


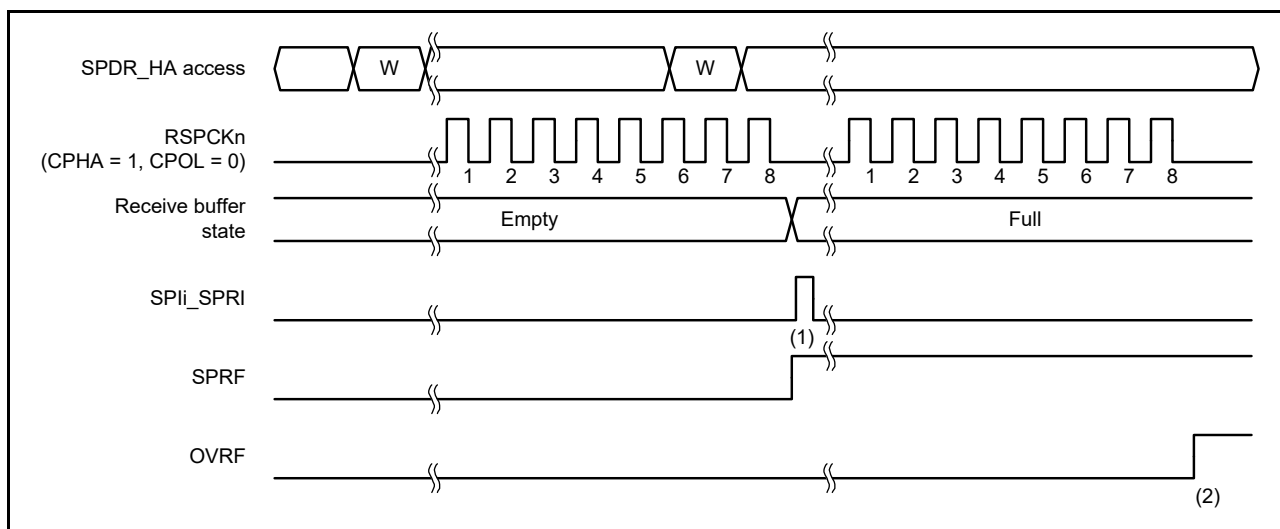
Figure 36.23 SPI transfer format when CPHA = 1

### 36.3.6 Data Transfer Modes

Full-duplex synchronous serial communications or transmit operations can only be selected in the Communications Operating Mode Select bit (SPCR.TXMD). The SPDR/SPDR\_HA access shown in [Figure 36.24](#) and [Figure 36.25](#) indicate the condition of access to the register, where W denotes a write cycle.

#### 36.3.6.1 Full-duplex synchronous serial communications (SPCR.TXMD = 0)

[Figure 36.24](#) shows an example of operation where the Communications Operating Mode Select bit (SPCR.TXMD) is set to 0. In this example, the SPI performs an 8-bit serial transfer when SPDCR.SPFC[1:0] bits are 00b, the SPCMDm.CPHA bit is 1, and the SPCMDm.CPOL bit is 0. The numbers given for RSPCKn in the waveform represent the number of RSPCK cycles, indicating the number of transferred bits.



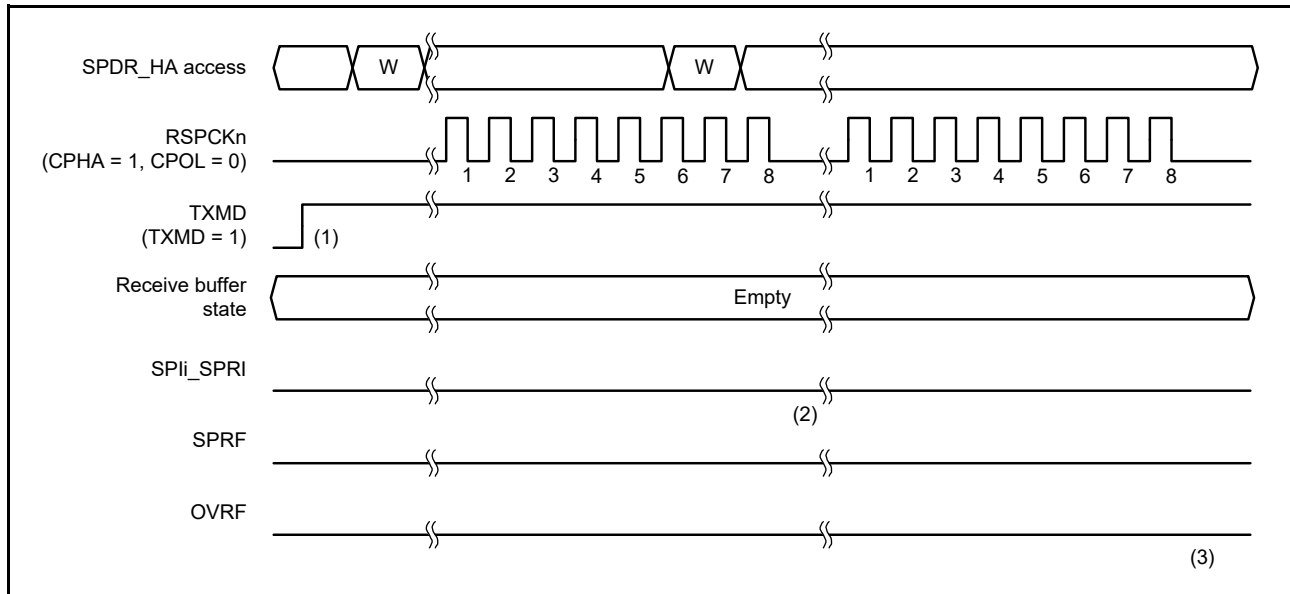
**Figure 36.24** Operation example when SPCR.TXMD = 0

The operation of the flags at timings (1) and (2) in [Figure 36.24](#) is as follows:

1. When a serial transfer ends with the receive buffer of SPDR\_HA empty, the SPI generates a receive buffer full interrupt request (SPIi\_SPRI) (the SPI sets the SPSR.SPRF flag to 1) and copies the received data from the shift register to the receive buffer.
2. When a serial transfer ends with the receive buffer of SPDR\_HA holding data that was received in the previous serial transfer, the SPI sets the SPSR.OVRF flag to 1 and discards the received data in the shift register.

### 36.3.6.2 Transmit operations only (SPCR.TXMD = 1)

Figure 36.25 shows an example of operation where the Communications Operating Mode Select bit (SPCR.TXMD) is set to 1. In this example, the SPI performs an 8-bit serial transfer when SPDCR.SPFC[1:0] bits are 00b, the SPCMDm.CPHA bit is 1, and the SPCMDm.CPOL bit is 0. The numbers given for RSPCKn in the waveform represent the number of RSPCK cycles, indicating the number of transferred bits.



**Figure 36.25** Operation example when SPCR.TXMD = 1

The operation of the flags at timings (1) to (3) in Figure 36.25 is as follows:

1. Make sure there is no data left in the receive buffer (the SPSR.SPRF flag is 0) and the SPSR.OVRF flag is 0 before entering transmit-only mode (SPCR.TXMD = 1).
2. When a serial transfer ends with the receive buffer of SPDR\_HA empty, if the transmit-only mode is selected (SPCR.TXMD = 1), the SPSR.SPRF flag retains the value of 0, and SPI does not copy the data in the shift register to the receive buffer.
3. Because the receive buffer of SPDR\_HA does not hold data that was received in the previous serial transfer, even when a serial transfer ends, the SPSR.OVRF flag retains the value of 0, and the data in the shift register is not copied to the receive buffer.

In transmit-only mode (SPCR.TXMD = 1), the SPI transmits data but does not receive data. Therefore, the SPSR.SPRF and SPSR.OVRF flags remain 0 at timings (1) to (3).



### 36.3.7 Transmit Buffer Empty and Receive Buffer Full Interrupts

Figure 36.26 and Figure 36.27 show examples of operation of the transmit buffer empty interrupt (SPI<sub>i</sub>\_SPTI) and the receive buffer full interrupt (SPI<sub>i</sub>\_SPRI). The SPDR\_HA register accesses shown in these figures indicate the condition of access to the register, where W denotes a write cycle and R denotes a read cycle. In the example in Figure 36.26, the SPI performs an 8-bit serial transfer when SPCR.TXMD bit is 0, the SPDCR.SPFC[1:0] bits are 00b, the SPCMDm.CPHA bit is 0, and the SPCMDm.CPOL bit is 0. In the example in Figure 36.27, the SPI performs an 8-bit serial transfer when SPCR.TXMD bit is 0, the SPDCR.SPFC[1:0] bits are 00b, the SPCMDm.CPHA bit is 1, and the SPCMDm.CPOL bit is 0. The numbers given for RSPCKn in the waveform represent the number of RSPCK cycles, indicating the number of transferred bits.

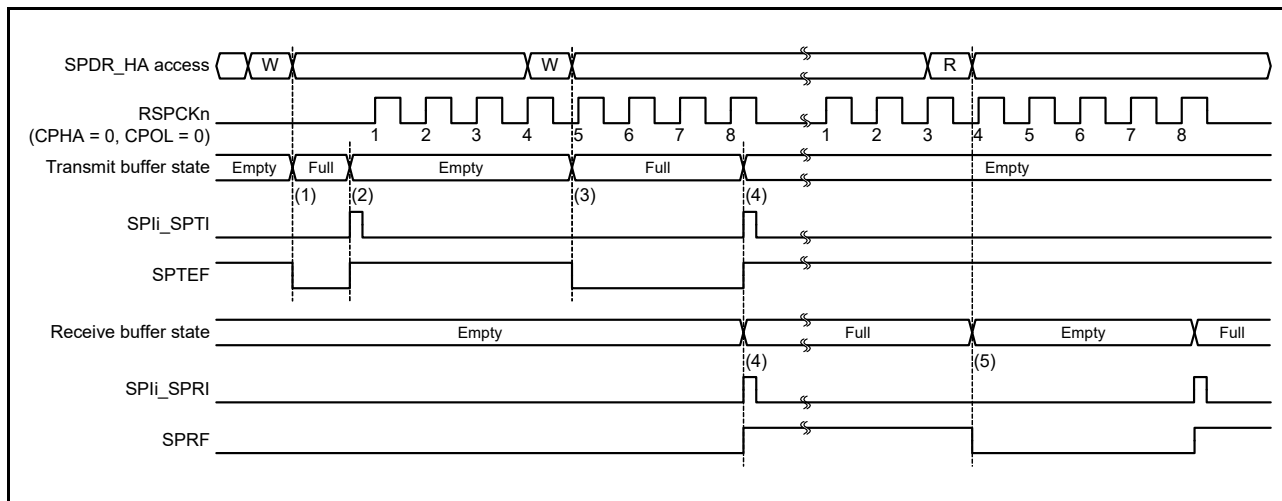


Figure 36.26 Operation example of the SPI<sub>i</sub>\_SPTI and SPI<sub>i</sub>\_SPRI interrupts when CPHA = 0 and CPOL = 0

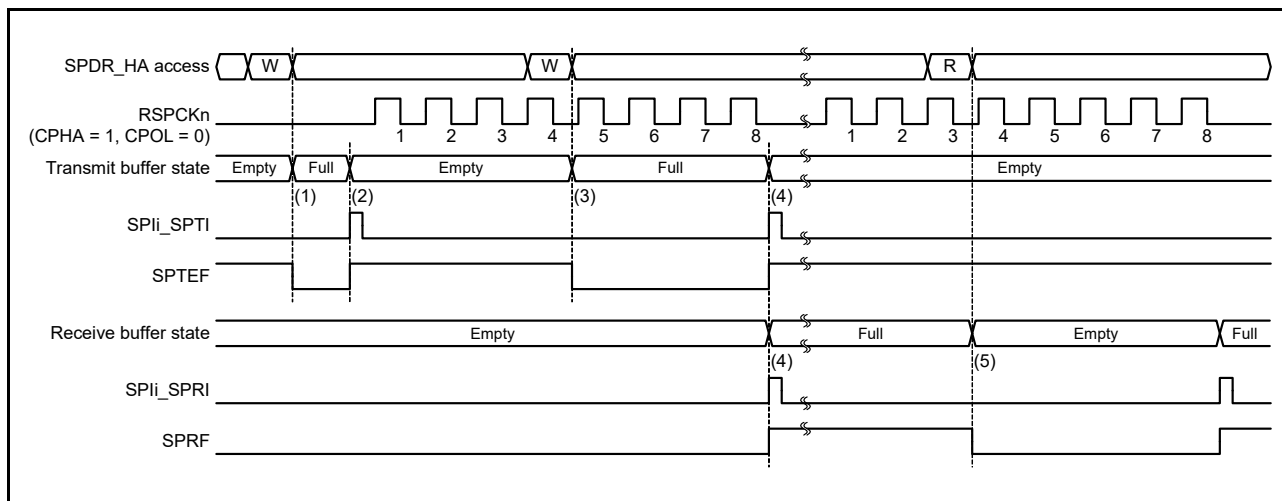


Figure 36.27 Operation example of the SPI<sub>i</sub>\_SPTI and SPI<sub>i</sub>\_SPRI interrupts when CPHA = 1 and CPOL = 0

The operation of the SPI at timings (1) to (5) in Figure 36.27 is as follows:

1. When transmit data is written to SPDR\_HA and when the transmit buffer of SPDR\_HA is empty (data for the next transfer is not set), the SPI writes data to the transmit buffer and clears the SPSR.SPTEF flag to 0.
2. If the shift register is empty, the SPI copies the data in the transmit buffer to the shift register, generates a transmit buffer empty interrupt request (SPI<sub>i</sub>\_SPTI), and sets the SPSR.SPTEF flag to 1. How a serial transfer is started depends on the mode of the SPI. For details, see section 36.3.10, SPI Operation, and section 36.3.11, Clock Synchronous Operation.
3. When transmit data is written to SPDR\_HA either by the transmit buffer empty interrupt routine, or by the processing of the transmit buffer empty state using the SPTEF flag, the SPI writes data to the transmit buffer and

clears the SPTEF flag to 0. Because the data being transferred serially is stored in the shift register, the SPI does not copy the data in the transmit buffer to the shift register.

4. When the serial transfer ends and the receive buffer of SPDR\_HA is empty, SPI copies the receive data in the shift register to the receive buffer, generates a receive buffer full interrupt request (SPIi\_SPRI), and sets the SPRF flag to 1. Because the shift register becomes empty on completion of the serial transfer, when the transmit buffer is full before the serial transfer ended, the SPI sets the SPTEF flag to 1 and copies data in the transmit buffer to the shift register. Even when the received data is not copied from the shift register to the receive buffer in an overrun error status, on completion of the serial transfer, the SPI determines that the shift register is empty, so the data transfer from the transmit buffer to the shift register is enabled.
5. When SPDR\_HA is read either by the receive buffer full interrupt routine or processing of the receive buffer full state using the SPRF flag, the receive data can be read.

If SPDR\_HA is written to when the transmit buffer holds data that is not yet transmitted (the SPTEF flag is 0), the SPI does not update data in the transmit buffer. When writing to SPDR\_HA, always use either a transmit buffer empty interrupt request or the processing of the transmit buffer empty interrupt using the SPTEF flag. To use a transmit buffer empty interrupt, set the SPTIE bit in SPCR to 1. If the SPI function is disabled (the SPCR.SPE bit is 0), set the SPTIE bit to 0.

When the serial transfer ends and the receive buffer is full (the SPRF flag is 1), SPI does not copy data from the shift register to the receive buffer, and it detects an overrun error (see [section 36.3.8, Error Detection](#)). To prevent a receive data overrun error, read the received data using a receive buffer full interrupt request before the next serial transfer ends. To use an SPI receive buffer full interrupt, set the SPCR.SPRIE bit to 1.

Transmission and reception interrupts or the associated IELSRn.IR flags (where n is the interrupt vector number) in the ICU can be used to confirm the states of the transmit and receive buffers.

Similarly, the SPTEF and SPRF flags can be used to confirm the states of the transmit and receive buffers. See [section 14, Interrupt Controller Unit \(ICU\)](#) for the interrupt vector numbers.

### 36.3.8 Error Detection

In normal SPI serial transfers, data written to the transmit buffer of SPDR/SPDR\_HA is transmitted, and the received data can be read from the receive buffer of SPDR/SPDR\_HA. In some cases, non-normal transfers can be executed when SPDR/SPDR\_HA is accessed, depending on the status of the transmit or receive buffer or the status of the SPI at the beginning or end of the serial transfer.

If a non-normal transfer operation occurs, the SPI detects the event as an underrun error, overrun error, parity error, or mode fault error. [Table 36.8](#) lists the relationship between non-normal transfer operations and the SPI error detection function.

**Table 36.8 Relationship between non-normal transfer operations and SPI error detection (1 of 2)**

| Operation | Occurrence condition   | SPI operation   | Error detection  |
|-----------|--|---|------------------|
| 1         | SPDR/SPDR_HA is written when the transmit buffer is full   | <ul style="list-style-type: none"> <li>• Keeps the contents of the transmit buffer</li> <li>• Missing write data.</li> </ul>  | None             |
| 2         | SPDR/SPDR_HA is read when the receive buffer is empty  | Outputs the contents of the receive buffer and previously received data   | None             |
| 3         | Serial transfer is started in slave mode when the SPI is not able to transmit data   | <ul style="list-style-type: none"> <li>• Suspends serial transfer</li> <li>• Missing transmit and receive data</li> <li>• Stops driving of the MISOA output signal</li> <li>• Disables the SPI function.</li> </ul> | Underrun error   |
| 4         | Serial transfer terminates when the receive buffer is full   | <ul style="list-style-type: none"> <li>• Keeps the contents of the receive buffer</li> <li>• Missing receive data.</li> </ul>   | Overrun error    |
| 5         | An incorrect parity bit is received when performing full-duplex synchronous serial communications with the parity function enabled | Asserts the parity error flag.  | Parity error     |
| 6         | The SSLn0 input signal is asserted when the serial transfer is idle in multi-master mode   | <ul style="list-style-type: none"> <li>• Stops driving of the RSPCKn, MOSIn, SSLn1 to SSLn3 output signals</li> <li>• Disables the SPI function.</li> </ul>   | Mode fault error |

**Table 36.8 Relationship between non-normal transfer operations and SPI error detection (2 of 2)**

| Operation | Occurrence condition   | SPI operation  | Error detection  |
|-----------|--|--|------------------|
| 7         | The SSLn0 input signal is asserted during serial transfer in multi-master mode | <ul style="list-style-type: none"> <li>• Suspends serial transfer</li> <li>• Missing transmit and receive data</li> <li>• Stops driving of the RSPCKn, MOSIn, SSLn1 to SSLn3 output signals</li> <li>• Disables the SPI function.</li> </ul> | Mode fault error |
| 8         | The SSLn0 input signal is negated during serial transfer in slave mode         | <ul style="list-style-type: none"> <li>• Suspends serial transfer</li> <li>• Missing transmit and receive data</li> <li>• Stops driving of the MISO<sub>n</sub> output signal</li> <li>• Disables the SPI function.</li> </ul>               | Mode fault error |

In operation 1 described in [Table 36.8](#), the SPI does not detect an error. To prevent data omission during the writing to SPDR/SPDR\_HA, write operations to SPDR/SPDR\_HA must be executed using a transmit buffer empty interrupt request (when the SPSR.SPTEF flag is 1).

Similarly, the SPI does not detect an error in operation 2. To prevent extraneous data from being read, SPDR/SPDR\_HA read operations must be executed with an SPI receive buffer full interrupt request (when the SPSR.SPRF flag is 1).

For the other errors in the figure, see the following sections:

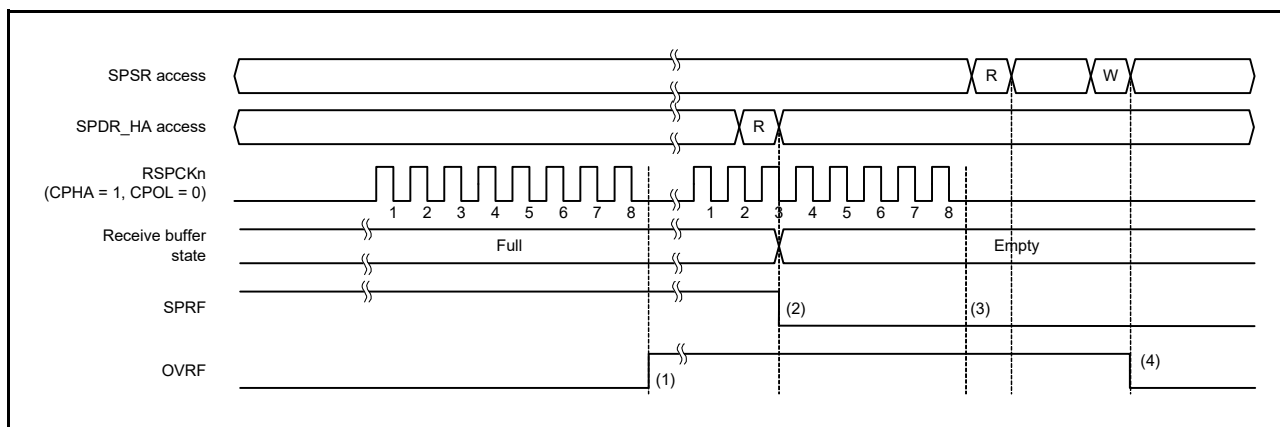
- Underrun error (operation 3): [section 36.3.8.4, Underrun errors](#)
- Overrun error (operation 4): [section 36.3.8.1, Overrun errors](#)
- Parity error (operation 5): [section 36.3.8.2, Parity errors](#)
- Mode fault error (operations 6 to 8): [section 36.3.8.3, Mode fault errors](#).

For the transmit and receive interrupts, see [section 36.3.7, Transmit Buffer Empty and Receive Buffer Full Interrupts](#).

### 36.3.8.1 Overrun errors

If a serial transfer ends when the receive buffer of SPDR/SPDR\_HA is full, the SPI detects an overrun error and sets the SPSR.OVRF flag to 1. When the OVRF flag is 1, the SPI does not copy data from the shift register to the receive buffer, so the data prior to the error occurrence is retained in the receive buffer. To set the OVRF flag to 0, write 0 to the OVRF flag after the CPU reads SPSR with the OVRF flag set to 1.

Figure 36.28 shows an example of operation of the OVRF and SPRF flags. The SPSR and SPDR\_HA accesses shown in the figure indicate the condition of access to the register, where W denotes a write cycle and R a read cycle. In this example, the SPI performs an 8-bit serial transfer when SPCMDm.CPHA bit is 1 and the SPCMDm.CPOL bit is 0. The numbers given for RSPCKn in the waveform represent the number of RSPCK cycles, indicating the number of transferred bits.



**Figure 36.28 Operation example of the OVRF and SPRF flags**

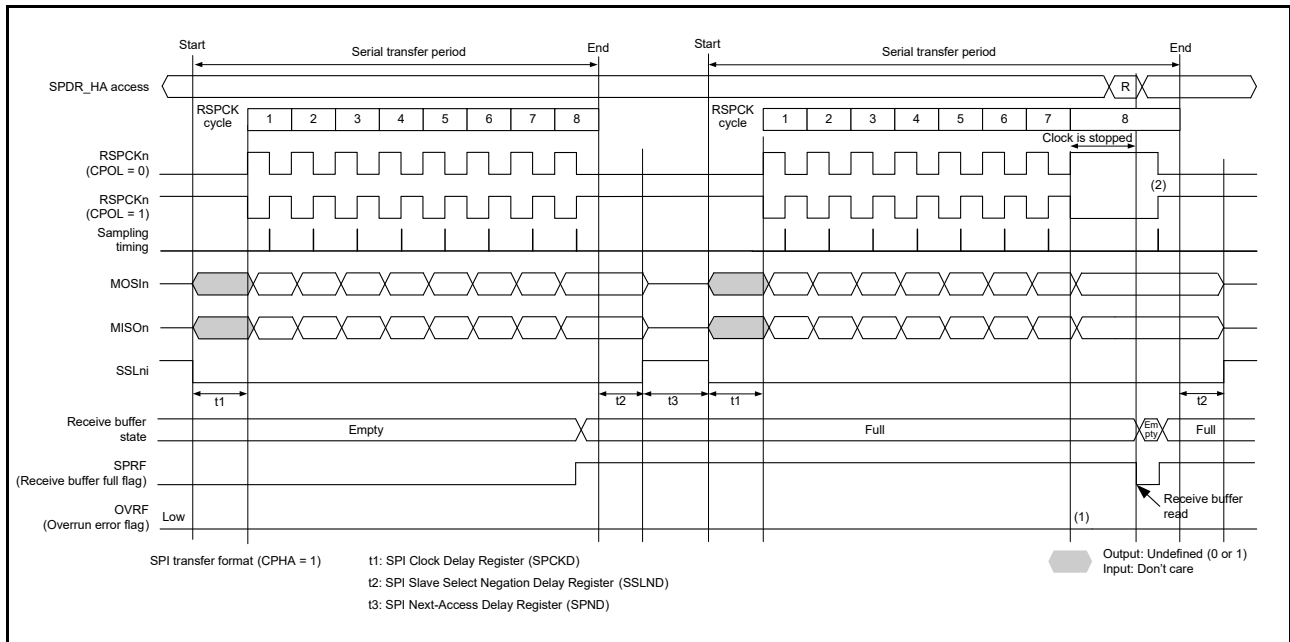
The operation of the flags at times (1) to (4) in the figure is as follows:

1. If a serial transfer terminates with the SPRF flag set to 1 (receive buffer full), the SPI detects an overrun error, and sets the OVRF flag to 1. The SPI does not copy the data in the shift register to the receive buffer. Even when the SPPE bit is 1, parity errors are not detected. In master mode, the SPI copies the value of the pointer to the SPCMDm register using the SPSSR.SPECM[2:0] bits.
2. When SPDR\_HA is read, the SPI outputs the data in the receive buffer. The SPRF flag is then set to 0. The receive buffer becoming empty does not set the OVRF flag to 0.
3. If the serial transfer ends with the OVRF flag set to 1 (overrun error occurred), the SPI does not copy data in the shift register to the receive buffer (the SPRF flag does not set to 1). A receive buffer full interrupt is not generated. Even when the SPPE bit is 1, parity errors are not detected. In master mode, the SPI does not update the SPSSR.SPECM[2:0] bits. In an overrun error state when the SPI does not copy the received data from the shift register to the receive buffer, on termination of the serial transfer, the SPI determines that the shift register is empty. This enables data transfer from the transmit buffer to the shift register.
4. If 0 is written to the OVRF flag after SPSR is read when the OVRF flag is 1, the OVRF flag clears to 0.

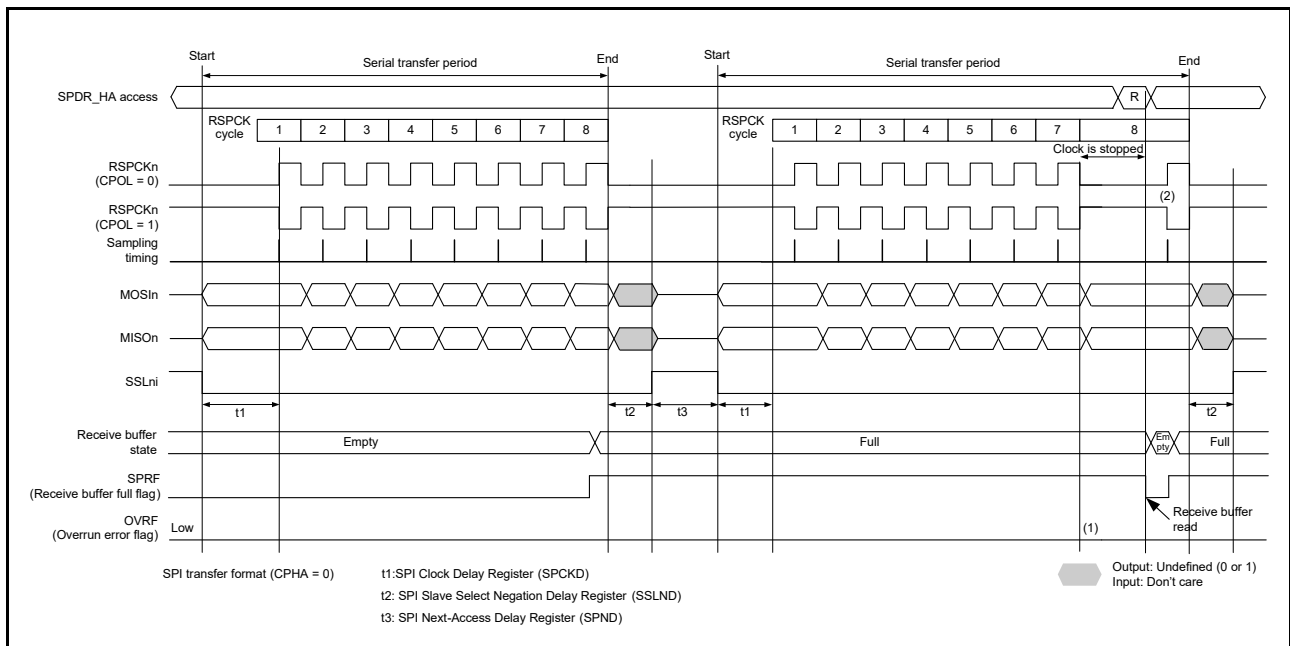
The occurrence of an overrun can be checked either by reading SPSR or by using an SPI error interrupt and reading SPSR. When executing a serial transfer, you must ensure that overrun errors are detected early, for example, by reading SPSR immediately after SPDR\_HA is read. In master mode, the value of the pointer to the SPCMDm register on the error occurrence can be checked by reading the SPSSR.SPECM[2:0] bits.

If an overrun error occurs and the OVRF flag is set to 1, normal reception operations cannot be performed until the OVRF flag is cleared to 0.

When the RSPCK auto-stop function is enabled in master mode, an overrun error does not occur. Figure 36.29 and Figure 36.30 show the clock stop waveform when a serial transfer continues while the receive buffer is full in master mode.



**Figure 36.29** Clock stop waveform when serial transfer continues while receive buffer is full in master mode (CPHA = 1)



**Figure 36.30** Clock stop waveform when serial transfer continues while receive buffer is full in master mode (CPHA = 0)

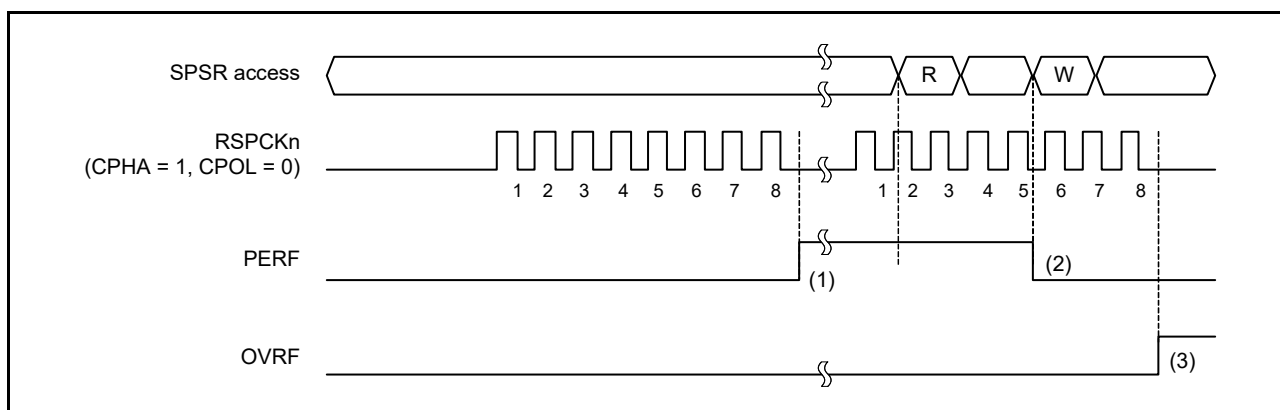
The operation of the flags at times (1) and (2) in the figure is as follows:

1. When the receive buffer is full, an overrun error does not occur because the RSPCK clock is stopped.
2. If SPDR\_HA is read while the clock is stopped, data in the receive buffer can be read. The RSPCK clock restarts after reading the receive buffer (after the SPSR.SPRF flag clears to 0).

### 36.3.8.2 Parity errors

When a full-duplex synchronous serial communication is performed with the SPCR.TXMD bit set to 0 and the SPCR2.SPPE bit set to 1, the SPI checks for parity errors when serial transfer ends. On detecting a parity error in the received data, the SPI sets the SPSR.PERF flag to 1. Because the SPI does not copy data in the shift register to the receive buffer when the SPSR.OVRF flag is set to 1, parity error detection is not performed for the received data. To set the PERF flag to 0, write 0 to the PERF flag after the SPSR register is read with the PERF flag set to 1.

Figure 36.31 shows an example of operation of the OVRF and PERF flags. The SPSR access shown in Figure 36.31 indicates the condition of access to the register, where W denotes a write cycle and R a read cycle. In this example, full-duplex synchronous serial communication is performed while the SPCR.TXMD bit is 0 and the SPCR2.SPPE bit is 1. The SPI performs an 8-bit serial transfer when SPCMDm.CPHA bit is 1 and the SPCMDm.CPOL bit is 0. The numbers given for RSPCKn in the waveform represent the number of RSPCK cycles, meaning the number of transferred bits.



**Figure 36.31 Operation example of the PERF flag**

The operation of the flags at times (1) to (3) in the figure is as follows:

1. If a serial transfer terminates with the SPI not detecting an overrun error, the SPI copies the data in the shift register to the receive buffer. The SPI checks the received data at this time and sets the PERF flag to 1 if a parity error is detected. In master mode, the SPI copies the value of the SPCMDm pointer to the SPSSR.SPECM[2:0] bits.
2. If 0 is written to the PERF flag after the SPSR register is read when the PERF flag is 1, the PERF flag clears to 0.
3. When the SPI detects an overrun error and the serial transfer is terminated, the data in the shift register is not copied to the receive buffer. The SPI does not perform parity error detection at this time.

Parity errors can be checked for either by reading the SPSR register or using an SPI error interrupt and reading the SPSR register. When executing a serial transfer, such checks are required to ensure the early detection of parity errors. When the SPI is used in master mode, the value of the SPCMDm pointer at the error occurrence can be checked by reading the SPSSR.SPECM[2:0] bits.

### 36.3.8.3 Mode fault errors

The SPI operates in multi-master mode when the SPCR.MSTR bit is 1, the SPCR.SPMS bit is 0, and the SPCR.MODFEN bit is 1. If the active level is input for the SSLn0 input signal of the SPI in multi-master mode, the SPI detects a mode fault error regardless of the status of the serial transfer, and sets the SPSR.MODF flag to 1. On detecting the mode fault error, the SPI copies the value of the SPCMDm pointer to the SPSSR.SPECM[2:0] bits. The active level of the SSLn0 signal is determined by the SSLP.SSL0P bit.

When the MSTR bit is 0, the SPI operates in slave mode. The SPI detects a mode fault error if the MODFEN bit of the SPI in slave mode is 1, and the SPMS bit is 0, and if the SSLn0 input signal is negated during the serial transfer period (from the time the driving of valid data is started to the time the final valid data is fetched).

On detecting a mode fault error, the SPI stops the driving of output signals and clears the SPCR.SPE bit to 0 (see [section 36.3.9, Initializing the SPI](#)). For multi-master configuration, detection of a mode fault error is used to stop the driving of output signals and the SPI function, which allows the master to be released.

The occurrence of a mode fault error can be checked either by reading SPSR or by using an SPI error interrupt and reading SPSR. SPSR polling is required for detecting mode fault errors if the SPI error interrupt is not used. When using

the SPI in master mode, the value of the SPCMDm pointer at the error occurrence can be checked by reading the SPSSR.SPECM[2:0] bits.

When the MODF flag is 1, writing 1 to the SPE bit is ignored by the SPI. To enable the SPI function after the detection of a mode fault error, the MODF flag must be set to 0.

#### 36.3.8.4 Underrun errors

When the serial transfer begins while the SPCR.MSTR bit is 0 (slave mode), the SPCR.SPE bit is 1 and the transmission data not prepared, the SPI detects an underrun error. Then, SPI sets the SPSR.MODF and SPSR.UDRF flags to 1.

On detecting an underrun error, the SPI stops the driving of output signals and clears the SPCR.SPE bit to 0 (see [section 36.3.9, Initializing the SPI](#)).

The occurrence of an underrun error can be checked either by reading SPSR or by using an SPI error interrupt and reading SPSR. SPSR polling is required for detecting underrun errors if the SPI error interrupt is not used.

When the MODF flag is 1, writing 1 to the SPE bit is ignored by the SPI. To enable the SPI function after the detection of an underrun error, the MODF flag must be cleared to 0.

### 36.3.9 Initializing the SPI

If 0 is written to the SPCR.SPE bit or the SPI sets the SPE bit to 0 because of the detection of a mode fault error or an underrun error, the SPI disables the SPI function and initializes some of the module functions. When a system reset is generated, the SPI initializes all of the module functions. This section describes initialization by clearing of the SPCR.SPE bit and by a system reset.

#### 36.3.9.1 Initialization by clearing of the SPE bit

When the SPCR.SPE bit is set to 0, the SPI performs the following initialization:

- Suspends any serial transfer that is being executed
- Stops the driving of output signals (Hi-Z) in slave mode
- Initializes the internal state of the SPI
- Initializes the transmit buffer of the SPI (the SPSR.SPTEF flag is set to 1).

Initialization by clearing of the SPE bit does not initialize the control bits of the SPI. For this reason, the SPI can be started in the same transfer mode that is in use prior to initialization when the SPE bit is set to 1 again.

The SPSR.SPRF, SPSR.OVRF, SPSR.MODF, SPSR.PERF, and SPSR.UDRF flags are not initialized, and the value of the SPI Sequence Status Register (SPSSR) is not initialized. Therefore, even after the SPI is initialized, data from the receive buffer can be read to check the status of error occurrence during an SPI transfer.

The transmit buffer is initialized to an empty state (the SPSR.SPTEF flag is set to 1). Therefore, if the SPCR.SPTIE bit is set to 1 after SPI initialization, a transmit buffer empty interrupt is generated. To disable any transmit buffer empty interrupts when the SPI is initialized, write 0 to the SPTIE bit at the same time as writing 0 to the SPE bit.

#### 36.3.9.2 System reset

An initialization by a system reset completely initializes the SPI by initializing all the SPI control bits, status bits, and data registers, in addition to meeting the requirements described in [section 36.3.9.1, Initialization by clearing of the SPE bit](#).

### 36.3.10 SPI Operation

#### 36.3.10.1 Master mode operation

The only difference between single- and multi-master mode operation lies in mode fault error detection (see [section 36.3.8, Error Detection](#)). The SPI does not detect mode fault errors in single master mode and does so in multi-master mode. This section explains the operations that are the same for single- and multi-master modes.

##### (1) Starting a serial transfer

The SPI updates the data in the transmit buffer (SPTX) when data is written to the SPI Data Register (SPDR/SPDR\_HA)

and the SPI transmit buffer is empty (data for the next transfer is not set and the SPSR.SPTEF flag is 1). When the shift register is empty after the number of frames set in the SPDCR.SPFC[1:0] bits are written to the SPDR/SPDR\_HA, the SPI copies data from the transmit buffer to the shift register and starts serial transfer. On copying transmit data to the shift register, the SPI changes the status of the shift register to full. On termination of the serial transfer, it changes the status of the shift register to empty. The status of the shift register cannot be referenced.

The polarity of the SSLn output pins depends on the SSLP register settings. For details on the SPI transfer format, see [section 36.3.5, Transfer Formats](#).

### (2) Terminating a serial transfer

Regardless of the SPCMDm.CPHA bit setting, the SPI terminates the serial transfer after transmitting an RSPCKn edge corresponding to the final sampling timing. If free space is available in the receive buffer (SPRX) (the SPSR.SPRF flag is 0), on termination of the serial transfer, the SPI copies data from the shift register to the receive buffer of the SPDR/SPDR\_HA register.

The final sampling timing varies depending on the bit length of transfer data. In master mode, the SPI data length depends on the SPCMDm.SPB[3:0] bit setting. The polarity of the SSLn output pin depends on the SSLP register settings. For details on the SPI transfer format, see [section 36.3.5, Transfer Formats](#).

### (3) Sequence control

The transfer format used in master mode is determined by the SPSCR, SPCMDm, SPBR, SPCKD, SSLND, and SPND registers.

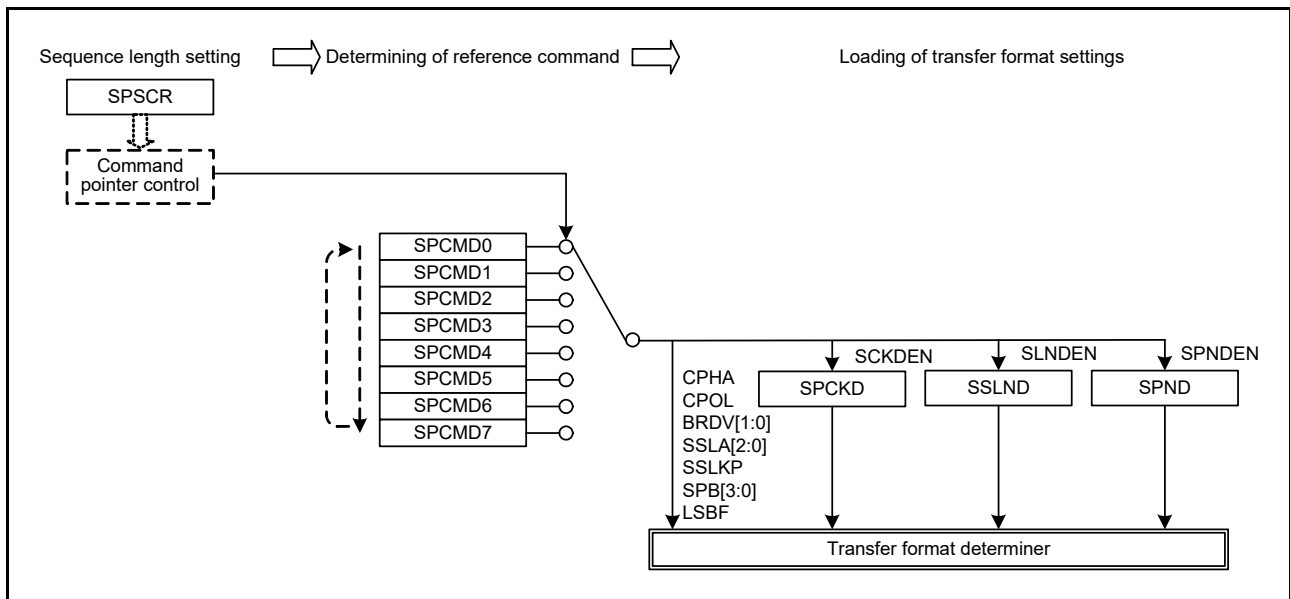
The SPSCR register determines the sequence configuration for serial transfers that are executed by the SPI in master mode. The following items are set in the SPCMDm register:

- SSLn pin output signal value
- MSB- or LSB-first
- Data length
- Some of the bit rate settings
- RSPCK polarity and phase
- Whether SPCKD is to be referenced
- Whether SSLND is to be referenced
- Whether SPND is to be referenced.

SPBR holds some of the bit rate settings, including SPCKD (SPI clock delay), SSLND (SSL negation delay), and SPND (next-access delay).

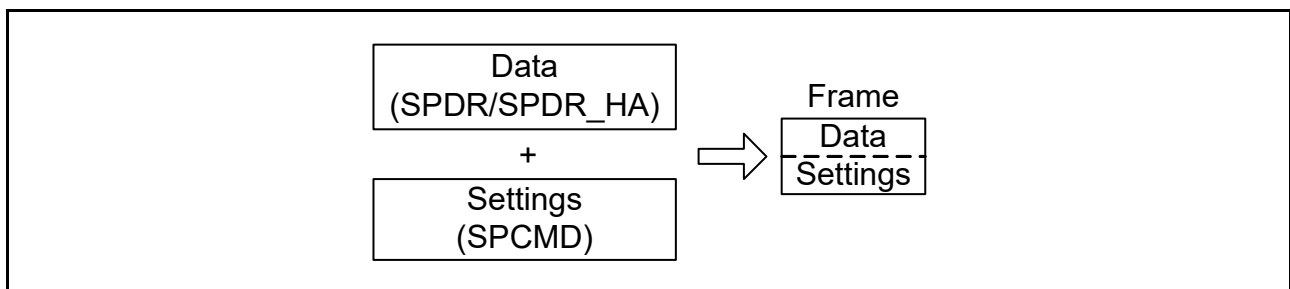
Based on the sequence length assigned in SPSCR, the SPI makes up a sequence comprised of a part or all of the SPCMDm register. The SPI contains a pointer to the SPCMDm register that makes up the sequence. The value of this pointer can be checked by reading the SPSR.SPCP[2:0] bits. When the SPCR.SPE bit is set to 1 and the SPI function is enabled, the SPI loads the pointer to the commands in SPCMD0, and incorporates the SPCMD0 settings into the transfer format at the beginning of serial transfer. The SPI increments the pointer each time the next-access delay period for a data transfer ends. On completion of the serial transfer that corresponds to the final command in the sequence, the SPI sets the pointer to SPCMD0, and in this way the sequence is executed repeatedly.





**Figure 36.32 Procedure for determining the form of a serial transfer in master mode**

In this section, a frame is the combination of the data in SPDR/SPDR\_HA and the settings in SPCMDm.



**Figure 36.33 Conceptual diagram of frames**

Figure 36.34 shows the correspondence between the commands and the transmit and receive buffers in the sequence of operations specified by the settings in Table 36.4.

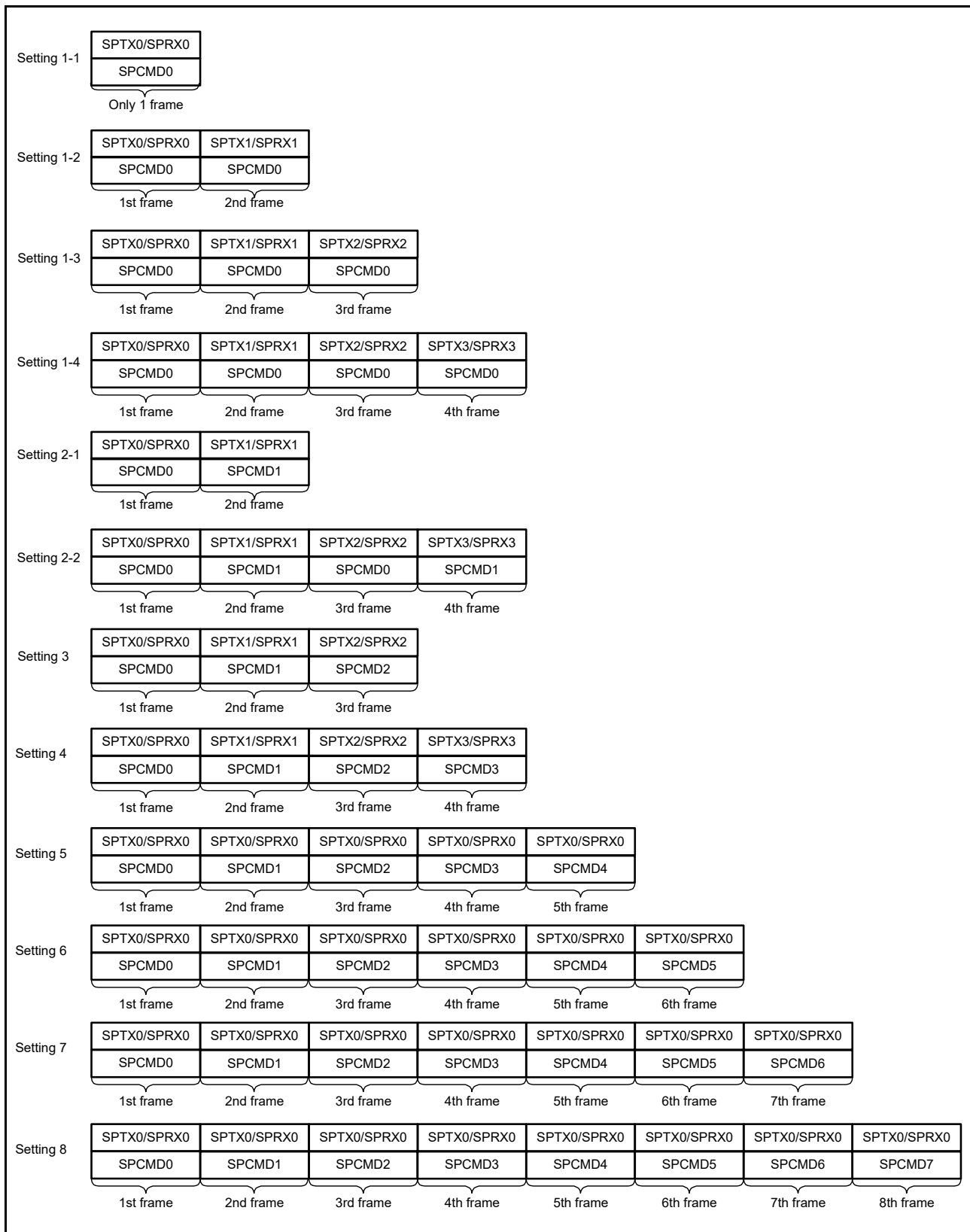


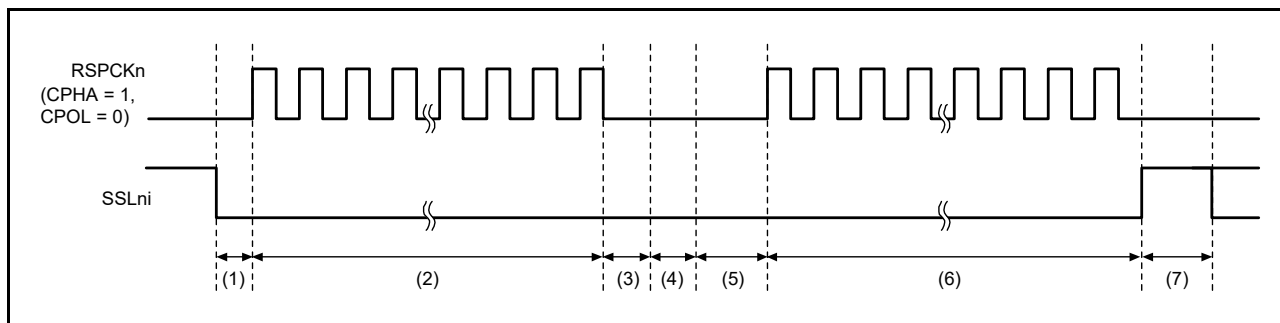
Figure 36.34 Correspondence between SPI Command register and transmit and receive buffers in sequence operations

#### (4) Burst transfers

If the SPCMDm.SSLKP bit that the SPI references during the current serial transfer is 1, the SPI maintains the SSLni signal level during the serial transfer until the beginning of the SSLni signal assertion for the next serial transfer. If the SSLni signal level for the next serial transfer is the same as the SSLni signal level for the current serial transfer, the SPI can execute continuous serial transfers while keeping the SSLni signal assertion status (burst transfer).

Figure 36.35 shows an example of an SSLni signal operation for a burst transfer that is implemented using the SPCMD0 and SPCMD1 register settings. This section describes SPI operations (1) to (7) shown in Figure 36.35.

Note: The polarity of the SSLni output signal depends on the SSLP register settings.



**Figure 36.35 Example of burst transfer operation using the SSLKP bit**

The SPI operation at times (1) to (7) in the figure is as follows:

1. Based on the SPCMD0 settings, the SPI asserts the SSLni signal and inserts RSPCK delays.
2. The SPI executes serial transfers in accordance with the SPCMD0 settings.
3. The SPI inserts an SSL negation delay.
4. Because the SPCMD0.SSLKP bit is 1, the SPI keeps the SSLni signal value specified in SPCMD0. This period is sustained at a minimum for a period equal to the next-access delay in SPCMD0. If the shift register is empty after the passage of the minimum period, this period is sustained until the transmit data is stored in the shift register for the next transfer.
5. Based on the SPCMD1 settings, the SPI asserts the SSLni signal and inserts RSPCK delays.
6. The SPI executes serial transfers in accordance with the SPCMD1 settings.
7. Because the SPCMD1.SSLKP bit is 0, the SPI negates the SSLni signal. In addition, a next-access delay is inserted in accordance with SPCMD1.

If the SSLni signal output settings in the SPCMDm register where 1 is assigned to the SSLKP bit are different from the SSLni signal output settings in the SPCMDm register to be used in the next transfer, the SPI switches the SSLni signal status to SSLni signal assertion as shown in (5) in Figure 36.35. This corresponds to the command for the next transfer.

Note: If such an SSLni signal switching occurs, the slaves that drive the MISO<sub>n</sub> signal compete, and the collision of signal levels might occur.

The SPI in master mode references the SSLni signal operation within the module when the SSLKP bit is not used. When the SPCMDm.CPHA bit is 0, the SPI can accurately start serial transfers by using the SSLni signal assertion for the next transfer that is detected internally.

**(5) RSPCK delay (t1)**

The RSPCK delay value of the SPI in master mode depends on the SPCMDm.SCKDEN bit setting and the SPCKD register setting. The SPI determines the SPCMDm register to be referenced during a serial transfer by pointer control, and determines the RSPCK delay value by using the SPCMDm.SCKDEN bit and SPCKD, as listed in [Table 36.9](#). For a definition of the RSPCK delay, see [section 36.3.5, Transfer Formats](#).

**Table 36.9 Relationship among the SCKDEN bit, SPCKD register, and RSPCK delay**

| SPCMDm.SCKDEN bit | SPCKD.SCKDL[2:0] bits | RSPCK delay |
|-------------------|-----------------------|-------------|
| 0                 | 000b to 111b          | 1 RSPCK     |
| 1                 | 000b                  | 1 RSPCK     |
|                   | 001b                  | 2 RSPCK     |
|                   | 010b                  | 3 RSPCK     |
|                   | 011b                  | 4 RSPCK     |
|                   | 100b                  | 5 RSPCK     |
|                   | 101b                  | 6 RSPCK     |
|                   | 110b                  | 7 RSPCK     |
|                   | 111b                  | 8 RSPCK     |

**(6) SSL negation delay (t2)**

The SSL negation delay value of the SPI in master mode depends on the SPCMDm.SLNLEN bit setting and the SSLND register setting. The SPI determines the SPCMDm register to be referenced by pointer control during a serial transfer, and determines the SSL negation delay by using the SPCMDm.SLNLEN bit and SSLND, as listed in [Table 36.10](#). For a definition of the SSL negation delay, see [section 36.3.5, Transfer Formats](#).

**Table 36.10 Relationship among the SLNLEN bit, SSLND, and SSL negation delay**

| SPCMDm.SLNLEN bit | SSLND.SLNDL[2:0] bits | SSL negation delay |
|-------------------|-----------------------|--------------------|
| 0                 | 000b to 111b          | 1 RSPCK            |
| 1                 | 000b                  | 1 RSPCK            |
|                   | 001b                  | 2 RSPCK            |
|                   | 010b                  | 3 RSPCK            |
|                   | 011b                  | 4 RSPCK            |
|                   | 100b                  | 5 RSPCK            |
|                   | 101b                  | 6 RSPCK            |
|                   | 110b                  | 7 RSPCK            |
|                   | 111b                  | 8 RSPCK            |

**(7) Next-access delay (t3)**

The next-access delay value of the SPI in master mode depends on the SPCMDm.SPNDEN bit setting and the SPND register setting. The SPI determines the SPCMDm register to be referenced during serial transfer by pointer control, and determines the next-access delay during serial transfer by using the SPCMDm.SPNDEN bit and SPND, as listed in [Table 36.11](#). For a definition of the next-access delay, see [section 36.3.5, Transfer Formats](#).

**Table 36.11 Relationship among the SPNDEN bit, SPND, and next-access delay (1 of 2)**

| SPCMDm.SPNDEN bit | SPND.SPNDL[2:0] bits | Next-access delay |
|-------------------|----------------------|-------------------|
| 0                 | 000b to 111b         | 1 RSPCK + 2 PCLKA |

**Table 36.11 Relationship among the SPNDEN bit, SPND, and next-access delay (2 of 2)**

| SPCMDm.SPNDEN bit | SPND.SPNDL[2:0] bits | Next-access delay |
|-------------------|----------------------|-------------------|
| 1                 | 000b                 | 1 RSPCK + 2 PCLKA |
|                   | 001b                 | 2 RSPCK + 2 PCLKA |
|                   | 010b                 | 3 RSPCK + 2 PCLKA |
|                   | 011b                 | 4 RSPCK + 2 PCLKA |
|                   | 100b                 | 5 RSPCK + 2 PCLKA |
|                   | 101b                 | 6 RSPCK + 2 PCLKA |
|                   | 110b                 | 7 RSPCK + 2 PCLKA |
|                   | 111b                 | 8 RSPCK + 2 PCLKA |

**(8) Initialization flow**

Figure 36.36 shows an example of initialization flow for the SPI operation when the SPI is used in master mode. For a description of how to set up the Interrupt Controller Unit (ICU), DMAC, and I/O ports, see the descriptions given in the individual blocks.

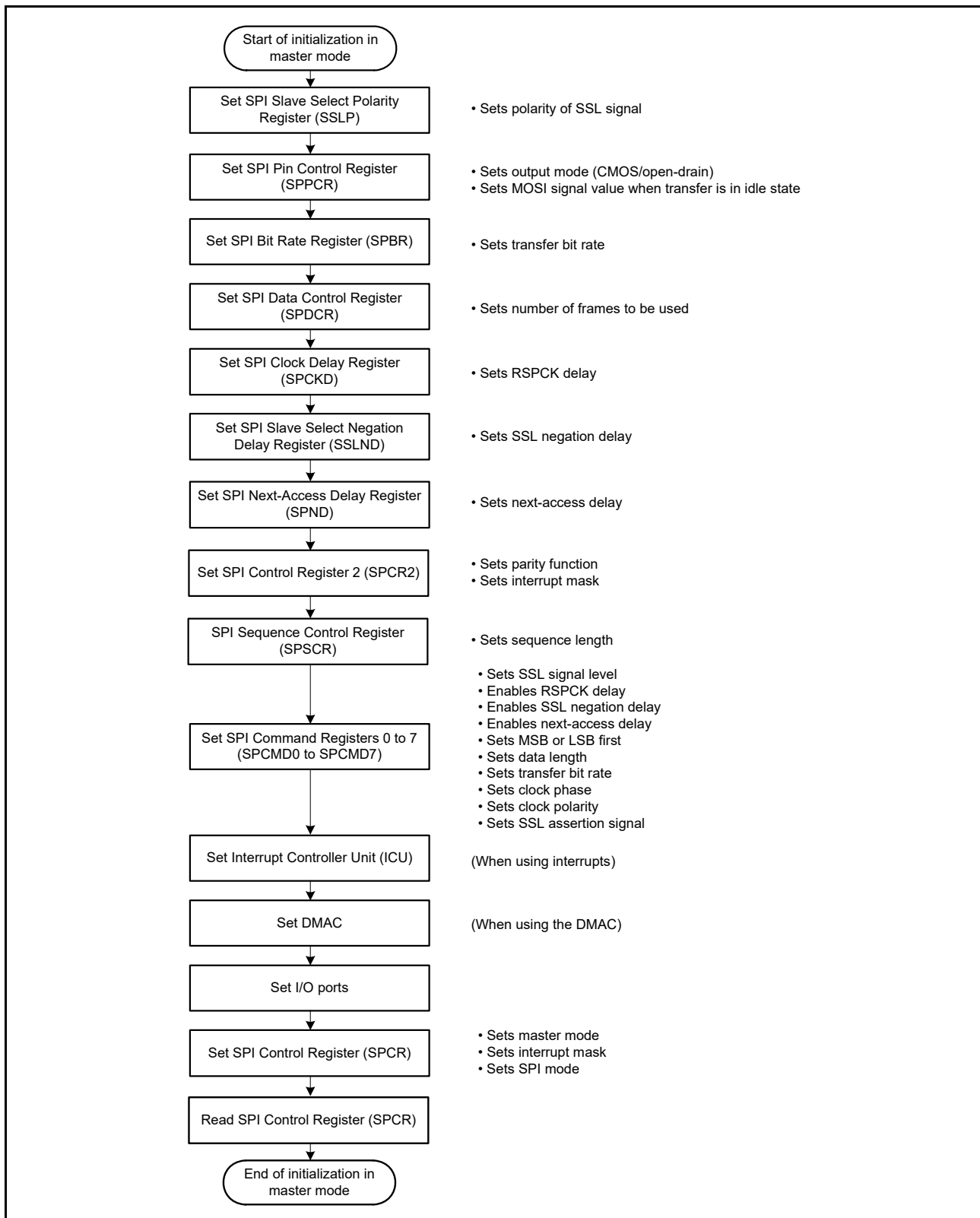


Figure 36.36 Example of initialization flow in master mode for SPI operation

(9) Software processing flow

Figure 36.37 to Figure 36.39 show examples of the software processing flow.

(a) Transmit processing flow

When transmitting data and when the SPI<sub>i</sub>\_SPII interrupt is enabled, the CPU is notified of the completion of data transmission after the last writing of data for transmission.

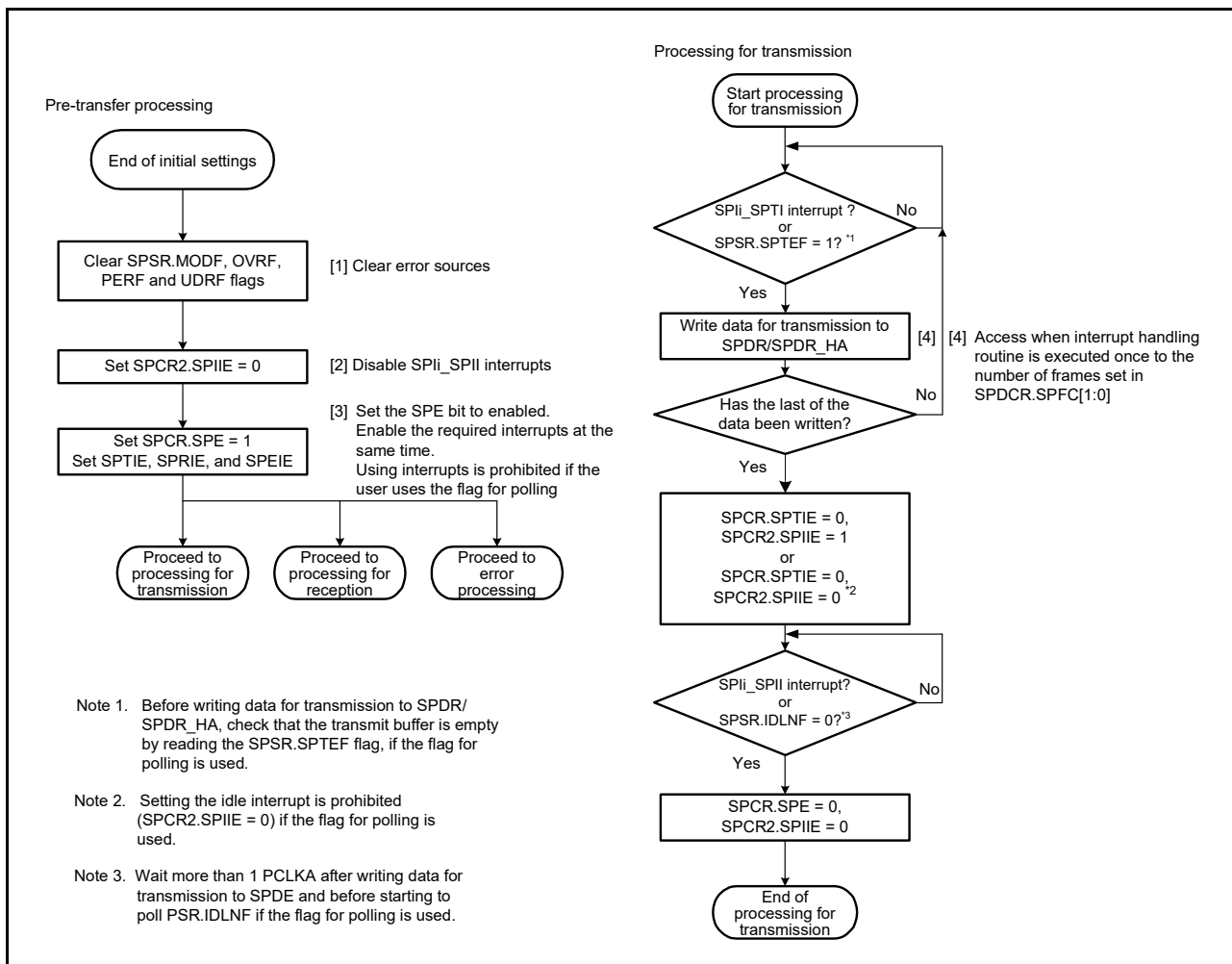


Figure 36.37 Transmission flow in master mode

(b) Receive processing flow

The SPI does not handle receive-only operation, so processing for transmission is required.

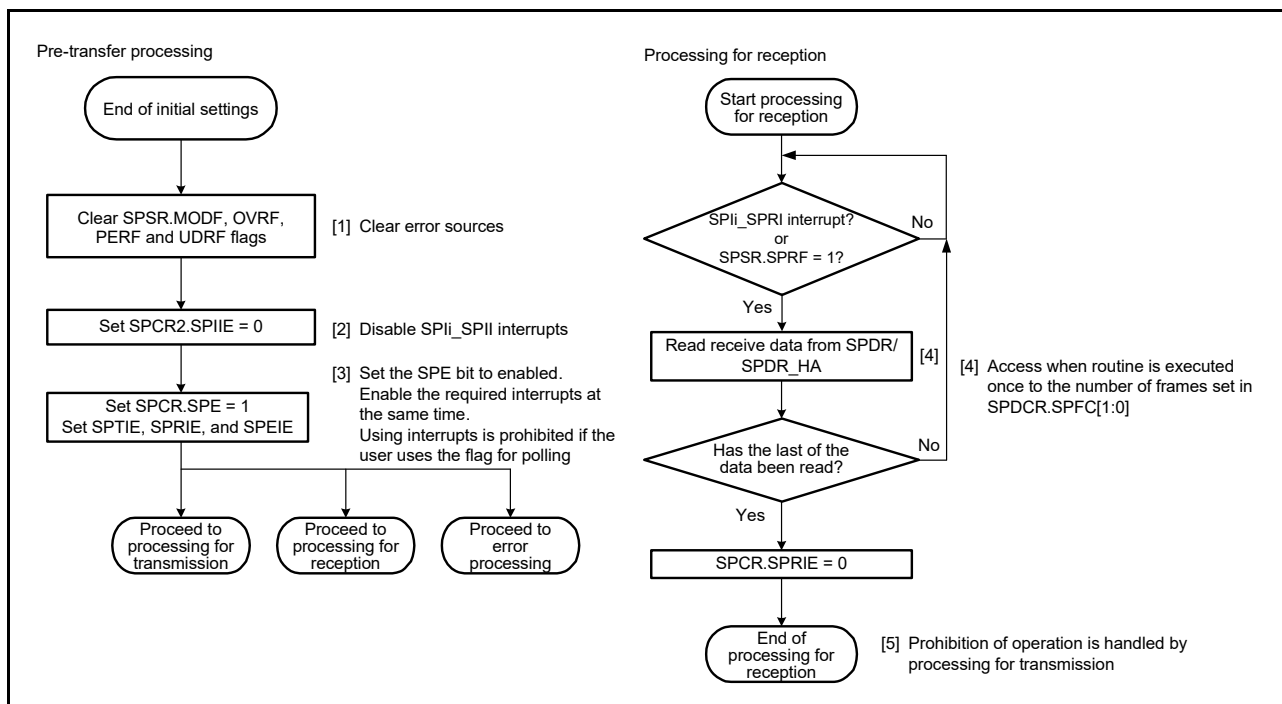


Figure 36.38 Reception flow in master mode

(c) Error processing flow

The SPI detects mode fault errors, underrun errors, overrun errors, and parity errors. When a mode fault error is generated, the SPCR.SPE bit is automatically cleared, stopping operations for transmission and reception. For errors from other sources, the SPCR.SPE bit is not cleared and operations for transmission and reception continue. Therefore, Renesas recommends clearing the SPCR.SPE bit to stop operations for errors other than mode fault errors. Not doing so leads to the updating of the SPSR.SPECM[2:0] bits.

When an error is detected by using an interrupt, clear the ICU.IELSRn.IR flag in the error processing routine. If this is not done, the ICU.IELSRn.IR flag might continue to indicate the SPIi\_SPTI or SPIi\_SPRI interrupt request. If the SPIi\_SPRI interrupt request is indicated, read the receive buffer and initialize the sequencer in the SPI.



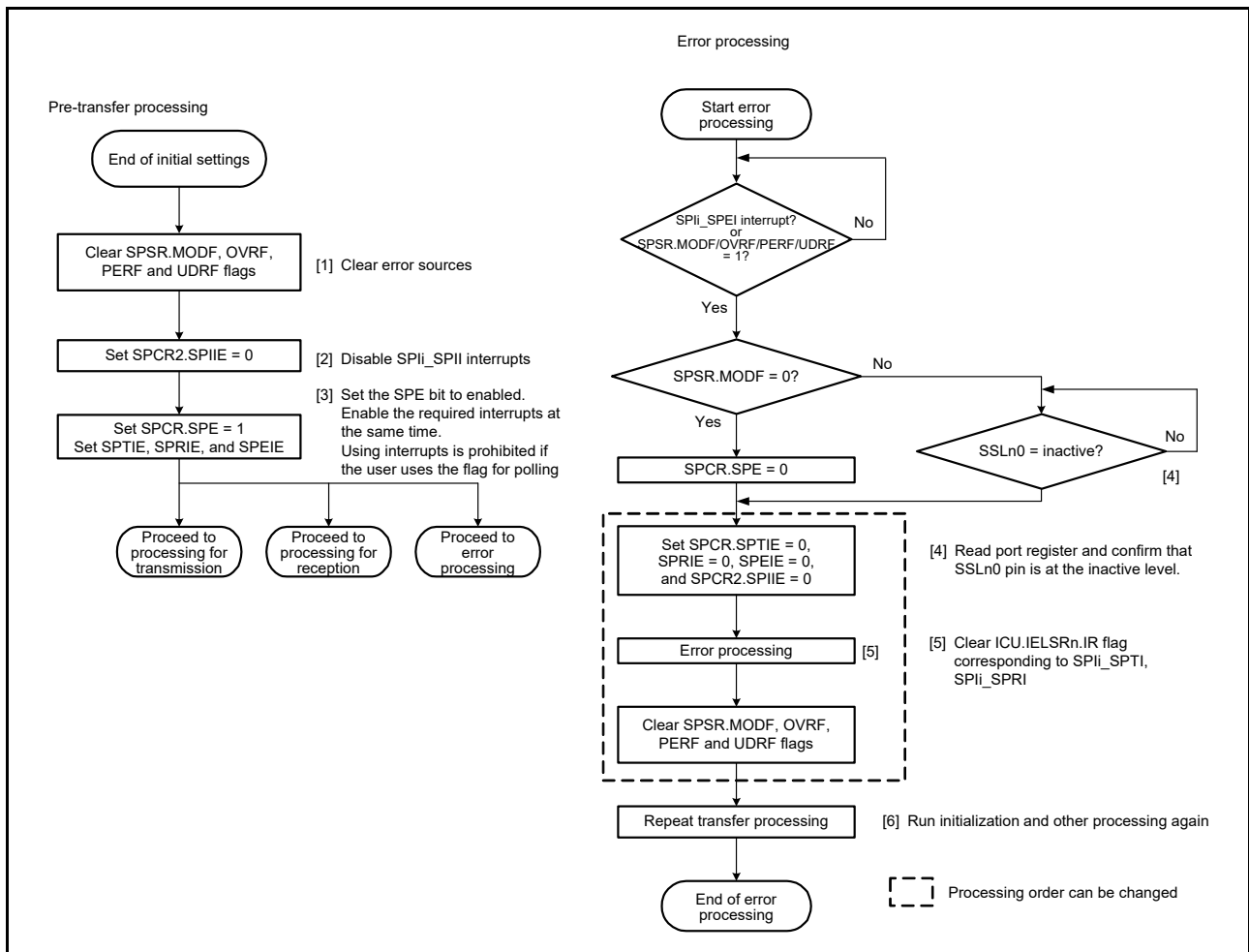


Figure 36.39 Error processing flow in master mode

### 36.3.10.2 Slave mode operation

#### (1) Starting a serial transfer

When the SPCMD0.CPHA bit is 0, if the SPI detects an SSLn0 input signal assertion, it must drive valid data to the MISOn output signal. For this reason, when the CPHA bit is 0, the assertion of the SSLn0 input signal triggers the start of a serial transfer.

When the CPHA bit is 1, if the SPI detects the first RSPCKn edge in an SSLn0 signal asserted condition, it must drive valid data to the MISOn output signal. For this reason, when the CPHA bit is 1, the first RSPCKn edge in an SSLn0 signal asserted condition triggers the start of a serial transfer.

Regardless of the CPHA bit setting, the SPI drives the MISOn output signal on SSLn0 signal assertion. The data that is output by the SPI is either valid or invalid, depending on the CPHA bit setting.

For details on the SPI transfer format, see [section 36.3.5, Transfer Formats](#). The polarity of the SSLn0 input signal depends on the SSLP.SSL0P setting.

#### (2) Terminating a serial transfer

Regardless of the SPCMD0.CPHA bit setting, the SPI terminates the serial transfer after detecting an RSPCKn edge corresponding to the final sampling timing. When free space is available in the receive buffer (the SPSR.SPRF flag is 0), on the termination of serial transfer, the SPI copies the received data from the shift register to the receive buffer of the SPDR/SPDR\_HA register. On termination of a serial transfer, the SPI changes the status of the shift register to empty, regardless of the receive buffer state. A mode fault error occurs if the SPI detects an SSLn0 input signal negation from the beginning of the serial transfer to the end of the serial transfer (see [section 36.3.8, Error Detection](#)).

The final sampling timing changes depending on the bit length of the transfer data. In slave mode, the SPI data length is determined by the SPCMD0.SPB[3:0] bit setting. The polarity of the SSLn0 input signal is determined by the SSLP.SSL0P bit setting. For details on the SPI transfer format, see [section 36.3.5, Transfer Formats](#).

#### (3) Notes on single slave operations

If the SPCMD0.CPHA bit is 0, the SPI starts serial transfers when it detects the assertion edge for an SSLn0 input signal. In the type of configuration shown in [Figure 36.7](#), for example, if the SPI is used in single slave mode, the SSLn0 signal is fixed at the active state. Therefore, when the CPHA bit is set to 0, the SPI cannot correctly start a serial transfer. To correctly execute transmit and receive operations by the SPI in slave mode when the SSLn0 input signal is fixed at the active state, the CPHA bit must be set to 1. Do not fix the SSLn0 input signal if there is a requirement for setting the CPHA bit to 0.

#### (4) Burst transfer

If the SPCMD0.CPHA bit is 1, continuous serial transfer (burst transfer) can be executed while retaining the assertion state for the SSLn0 input signal. When the CPHA bit is 1, the serial transfer period is the period from the first RSPCKn edge to the sampling timing for the reception of the final bit in an SSLn0 signal active state. Even when the SSLn0 input signal remains at the active level, the SPI can accommodate burst transfers because it can detect the start of an access.

When the CPHA bit is 0, the second and subsequent serial transfers during burst transfer cannot be executed correctly.

#### (5) Initialization flow

[Figure 36.40](#) shows an example of initialization flow for SPI operation when the SPI is used in slave mode. For a description of how to set up the ICU, DMAC, and I/O ports, see the descriptions given in the individual blocks.

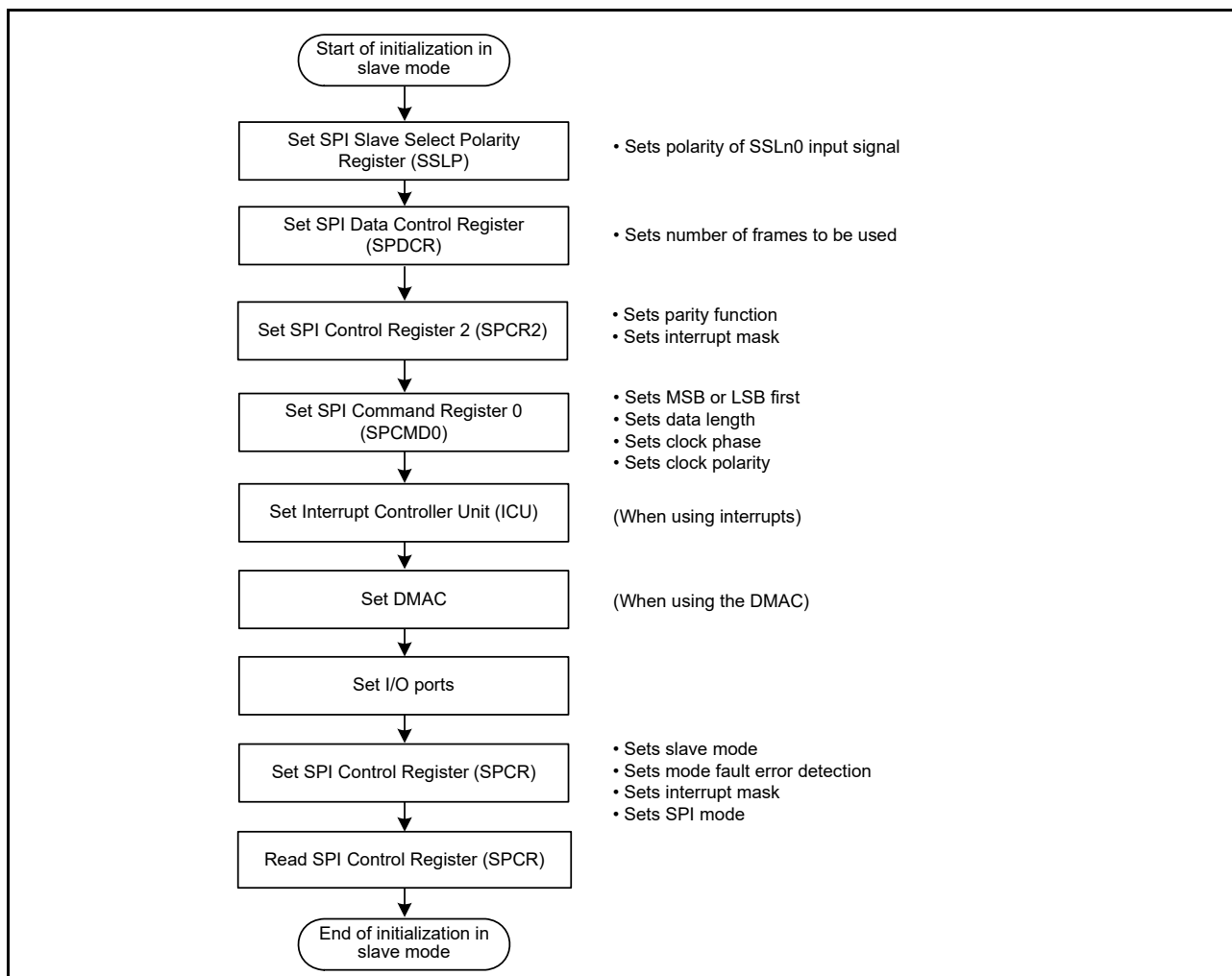


Figure 36.40 Example initialization flow in slave mode for SPI operation

(6) Software processing flow

Figure 36.41 to Figure 36.43 show examples of the flow of software processing.

(a) Transmit processing flow

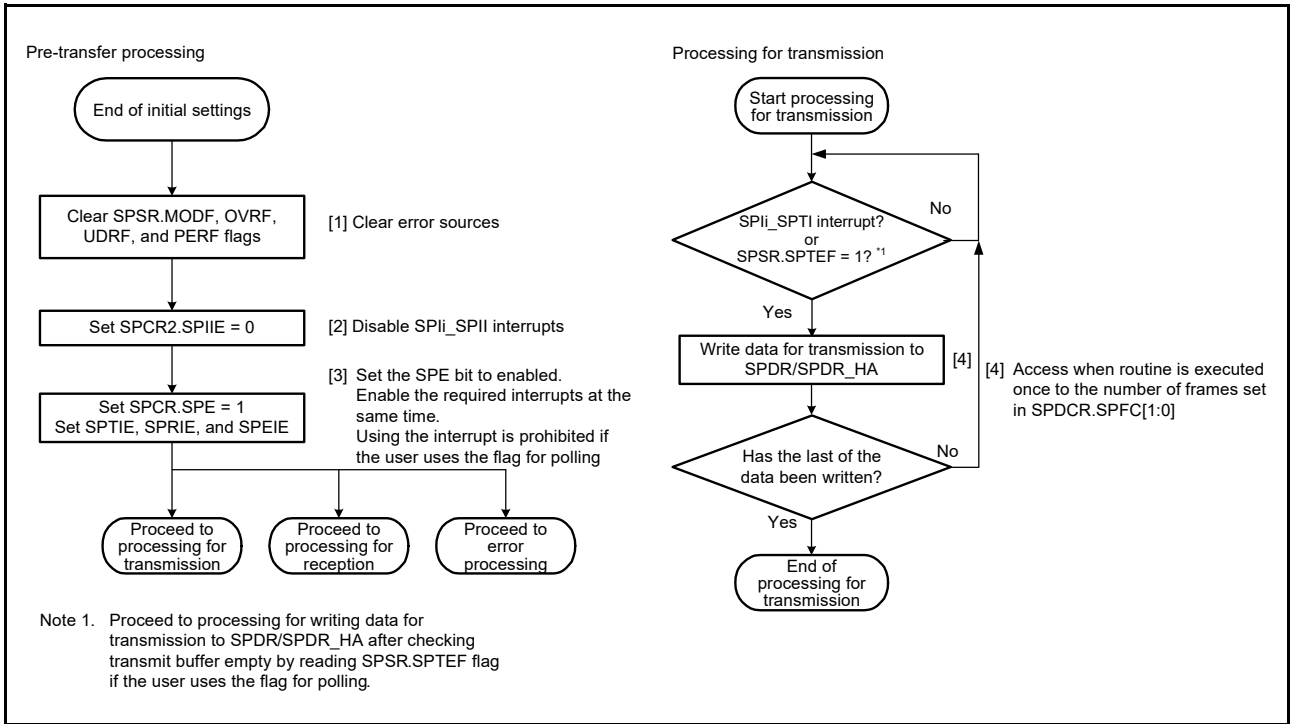


Figure 36.41 Transmission flow in slave mode

(b) Receive processing flow

The SPI does not handle receive-only operation, so processing for transmission is required.

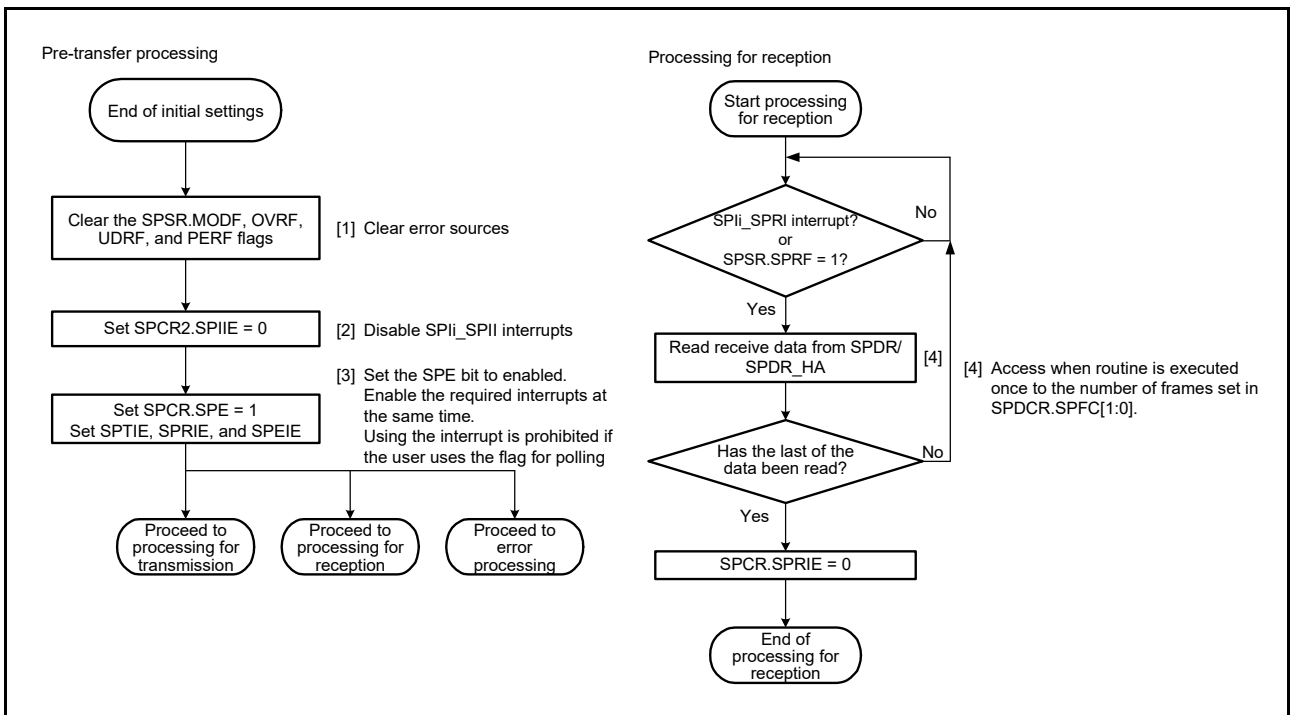
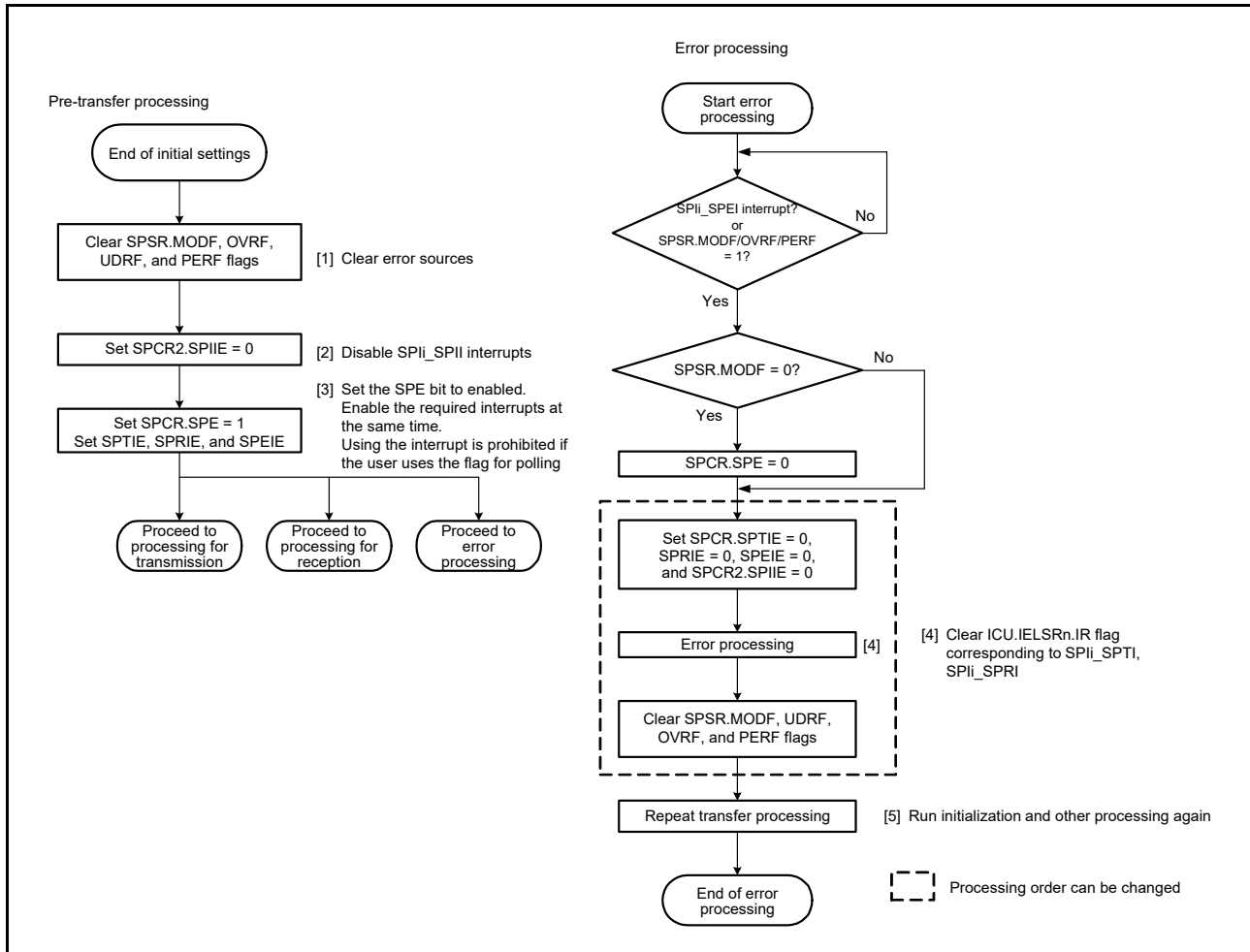


Figure 36.42 Reception flow in slave mode

### (c) Error processing flow

In slave operation, even when a mode fault error is generated, the SPSR.MODF flag can be cleared regardless of the state of the SSLn0 pin.

When an error is detected by using an interrupt, clear the ICU.IELSRn.IR flag in the error processing routine. If this is not done, the ICU.IELSRn.IR flag might continue to indicate the SPIi\_SPTI or SPIi\_SPRI interrupt request. If the SPIi\_SPRI interrupt request is indicated, read the receive buffer and initialize the sequencer in the SPI.



**Figure 36.43 Error processing flow for slave mode**

#### 36.3.11 Clock Synchronous Operation

Setting the SPCR.SPMS bit to 1 selects clock synchronous operation of the SPI. In clock synchronous operation, the SSLni pin is not used, and the RSPCKn, MOSIn, and MISON pins handle the communication. All SSLni pins are available as I/O port pins.

Although clock synchronous operation does not require the use of the SSLni pin, operation of the module is the same as in SPI operation. In both master and slave operations, communications can be performed with the same flow as in SPI operation. However, mode fault errors are not detected because the SSLni pin is not used.

Additionally, do not perform operation if the clock synchronous operation is enabled when the SPCMDm.CPHA bit is set to 0 in slave mode (SPCR.MSTR = 0).

### 36.3.11.1 Master mode operation

#### (1) Starting serial transfer

The SPI updates the data in the transmit buffer (SPTX) of SPDR/SPDR\_HA when data is written to the SPDR/SPDR\_HA register and the transmit buffer is empty (data for the next transfer is not set and the SPSR.SPTEF flag is 1). When the shift register is empty after the number of frames set in the SPDCR.SPFC[1:0] bits are written to the SPDR/SPDR\_HA, the SPI copies data from the transmit buffer to the shift register and starts serial transmission. On copying transmit data to the shift register, the SPI changes the status of the shift register to full, and on termination of serial transfer, it changes the status of the shift register to empty. The status of the shift register cannot be referenced.

Transfer in clock synchronous operation is conducted without the SSLn0 output signal. For details on the SPI transfer format, see [section 36.3.5, Transfer Formats](#).

#### (2) Terminating serial transfer

The SPI terminates the serial transfer after transmitting an RSPCKn edge corresponding to the sampling timing. If free space is available in the receive buffer (the SPSR.SPRF flag is 0), on termination of serial transfer, the SPI copies data from the shift register to the receive buffer of the SPI Data Register (SPDR/SPDR\_HA).

The final sampling timing varies depending on the bit length of transfer data. In master mode, the SPI data length depends on the SPCMDm.SPB[3:0] bit setting. Transfer in clock synchronous operation is conducted without the SSLn0 output signal. For details on the SPI transfer format, see [section 36.3.5, Transfer Formats](#).

#### (3) Sequence control

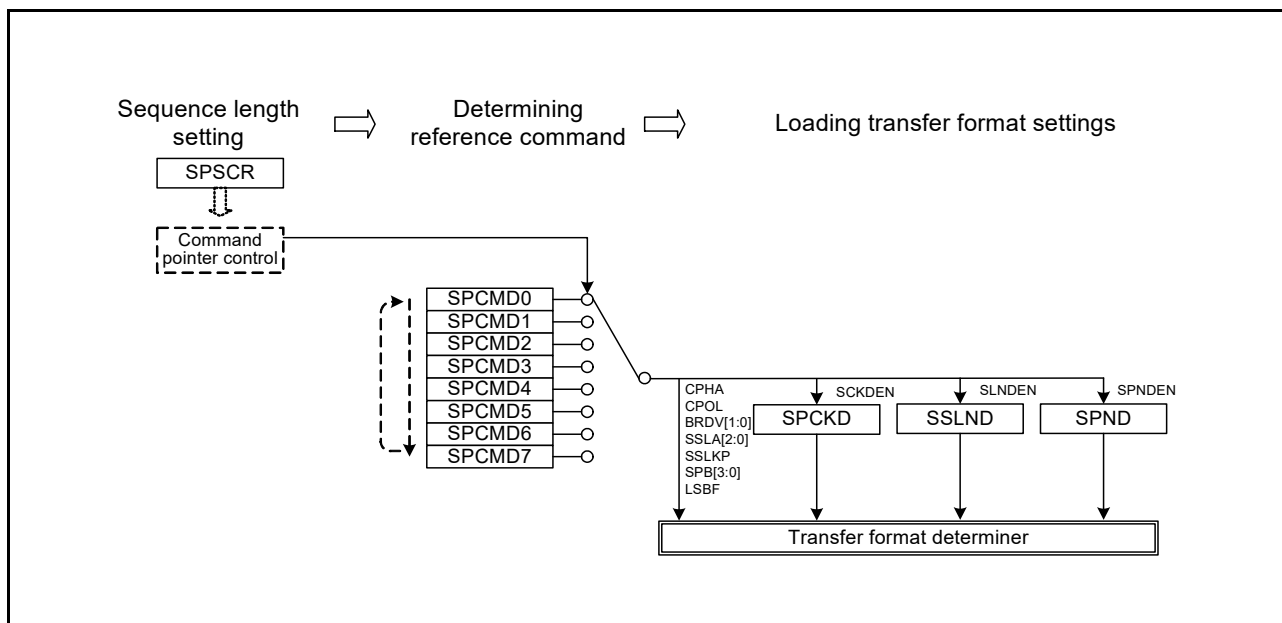
The transfer format used in master mode is determined by the SPSCR, SPCMDm, SPBR, SPCKD, SSLND, and SPND registers. Although the SSLni signals are not output in clock synchronous operation, these settings are valid.

The SPSCR register determines the sequence configuration for serial transfers that are executed by the SPI in master mode. The following parameters are specified in the SPCMDm register:

- SSLni output signal value
- MSB or LSB first
- Data length
- Some of the bit rate settings
- RSPCKn polarity and phase
- Whether SPCKD is to be referenced
- Whether SSLND is to be referenced
- Whether SPND is to be referenced.

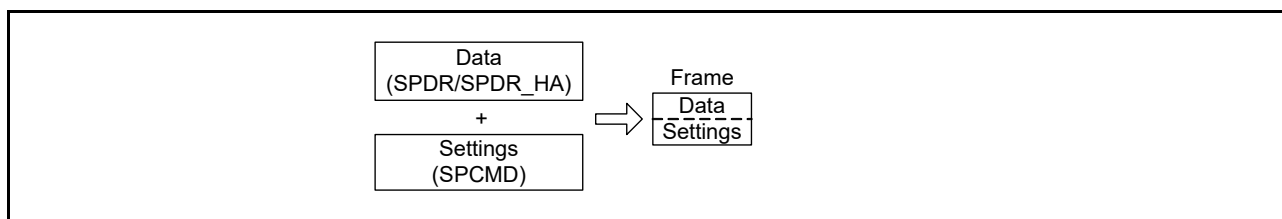
SPBR holds some of the bit rate settings such as SPCKD, an SPI clock delay value, SSLND, an SSL negation delay, and SPND, a next-access delay value.

Based on the sequence length that is assigned to SPSCR, the SPI makes up a sequence comprised of a part or all of SPCMDm register. The SPI contains a pointer to the SPCMDm register that makes up the sequence. The value of this pointer can be checked by reading the SPSSR.SPCP[2:0] bits. When the SPCR.SPE bit is set to 1 and the SPI function is enabled, the SPI loads the pointer to the commands in SPCMD0 register, and incorporates the SPCMD0 register setting into the transfer format at the beginning of serial transfer. The SPI increments the pointer each time the next-access delay period for a data transfer ends. On completion of the serial transfer that corresponds to the final command comprising the sequence, the SPI sets the pointer to the SPCMD0 register, and in this manner the sequence is executed repeatedly.



**Figure 36.44 Procedure for determining the form of serial transmission in master mode**

In this section, a frame is the combination of the data (SPDR/SPDR\_HA) and the settings (SPCMDm).



**Figure 36.45 Conceptual diagram of frames**

Figure 36.46 shows the relationship between the command and the transmit and receive buffers in the sequence of operations specified by the settings in Table 36.4.

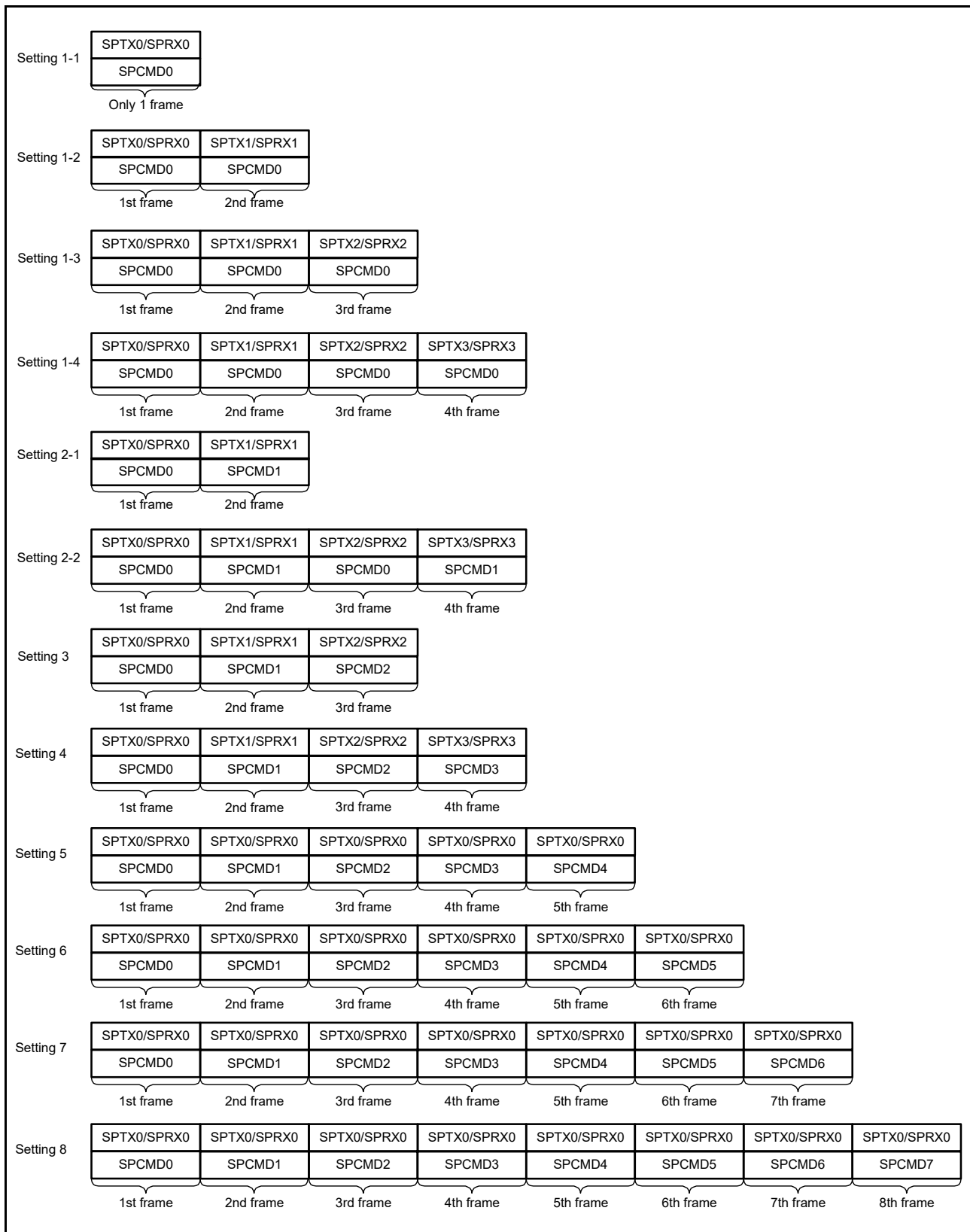


Figure 36.46 Correspondence between SPI Command register and transmit and receive buffers in sequence operations



(4) Initialization flow

Figure 36.47 shows an example of initialization flow for clock synchronous operation when the SPI is used in master mode. For a description of how to set up the ICU, DMAC, and I/O ports, see the descriptions given in the individual blocks.

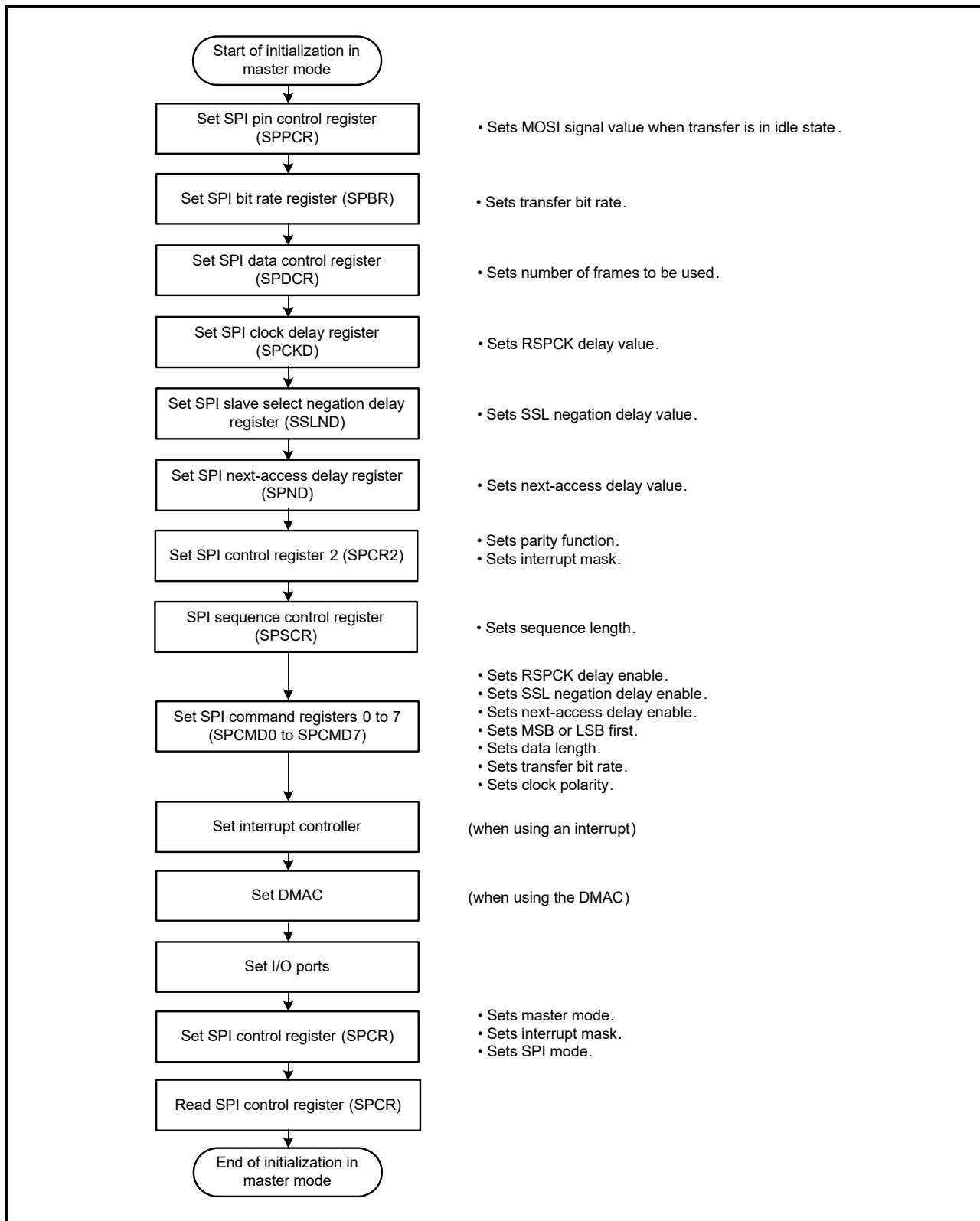


Figure 36.47 Example of initialization flow in master mode for clock synchronous operation

### (5) Software processing flow

Software processing during clock synchronous master operation is the same as that for SPI master operation. For details, see [section 36.3.10.1, \(9\) Software processing flow](#). Mode fault errors do not occur in clock synchronous operation.

## 36.3.11.2 Slave mode operation

### (1) Starting serial transfer

When the SPCR.SPMS bit is 1, the first RSPCKn edge triggers the start of a serial transfer in the SPI, and the SPI drives the MISO<sub>n</sub> output signal. The SSL<sub>n0</sub> input signal is not used in clock synchronous operation. For details on the SPI transfer format, see [section 36.3.5, Transfer Formats](#).

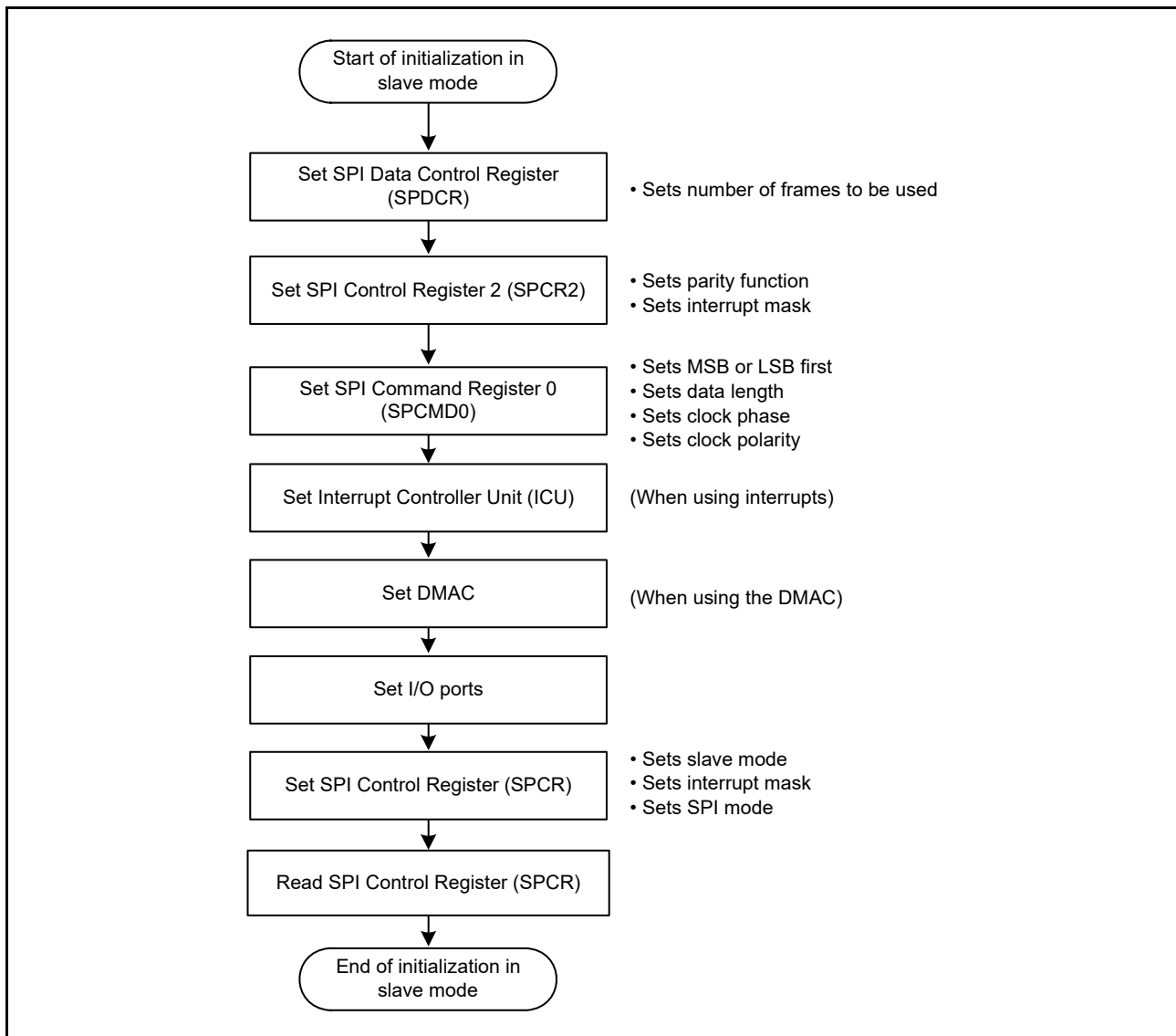
### (2) Terminating serial transfer

The SPI terminates the serial transfer after detecting an RSPCKn edge corresponding to the final sampling timing. When free space is available in the receive buffer (the SPSR.SPRF flag is 0), on termination of serial transfer the SPI copies received data from the shift register to the receive buffer of the SPDR/SPDR\_HA register. On termination of a serial transfer the SPI changes the status of the shift register to empty regardless of the receive buffer.

The final sampling timing changes depending on the bit length of transfer data. In slave mode, the SPI data length depends on the SPCMD0.SPB[3:0] bit setting. For details on the SPI transfer format, see [section 36.3.5, Transfer Formats](#).

### (3) Initialization flow

[Figure 36.48](#) shows an example of initialization flow for clock synchronous operation when the SPI is used in slave mode. For a description of how to set up the ICU, DMAC, and I/O ports, see the descriptions given in the individual blocks.



**Figure 36.48** Example of initialization flow in slave mode for clock synchronous operation

#### (4) Software processing flow

Software processing during clock synchronous slave operation is the same as that for SPI slave operation. For details, see [section 36.3.10.2, \(6\) Software processing flow](#). Mode fault errors do not occur in clock synchronous mode.

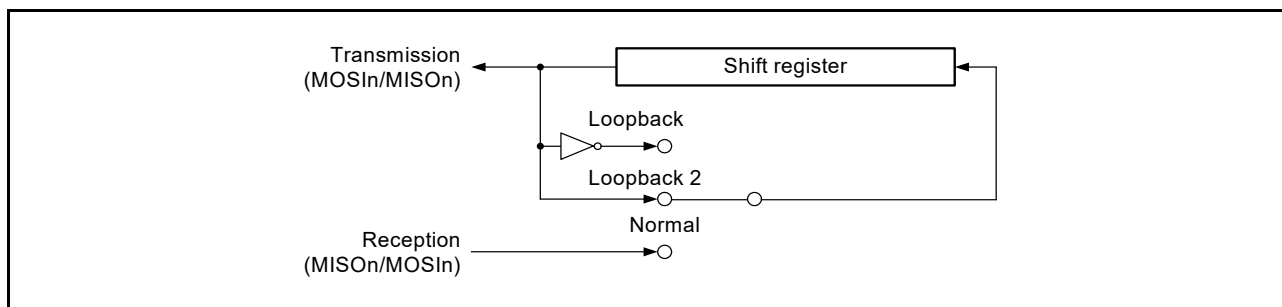
### 36.3.12 Loopback Mode

When 1 is written to the SPPCR.SPLP2 bit or SPPCR.SPLP bit, the SPI shuts off the path between the MISOn pin and the shift register if the SPCR.MSTR bit is 1, or between the MOSIn pin and the shift register if the SPCR.MSTR bit is 0, and connects the input and output paths of the shift register. The SPI does not shut off the path between the MOSIn pin and the shift register if the SPCR.MSTR bit is 1, or between the MISOn pin and the shift register if the SPCR.MSTR bit is 0. This is called loopback mode. When a serial transfer is executed in loopback mode, the transmit data for the SPI or the reversed transmit data becomes the received data for the SPI.

Table 36.12 lists the relationship among the SPLP2 and SPLP bits and the received data. Figure 36.49 shows the configuration of the shift register I/O paths when the SPI in master mode is set to loopback mode (SPPCR.SPLP2 = 1, SPPCR.SPLP = 0 or 1).

**Table 36.12 SPLP2 and SPLP bit settings and received data**

| SPPCR.SPLP2 bit | SPPCR.SPLP bit | Received data                              |
|-----------------|----------------|--|
| 0               | 0              | Input data from the MOSIn pin or MISOn pin |
| 0               | 1              | Inverted transmit data                     |
| 1               | 0              | Transmit data                              |
| 1               | 1              | Transmit data                              |



**Figure 36.49 Configuration of Shift register I/O paths in loopback mode for master mode**

### 36.3.13 Self-Diagnosis of Parity Bit Function

The parity circuit consists of a parity bit adding unit used for transmit data and an error detecting unit used for received data. To detect defects in the parity bit adding unit and error detecting unit of the parity circuit, self-diagnosis is executed for the parity circuit following the flow shown in Figure 36.50.

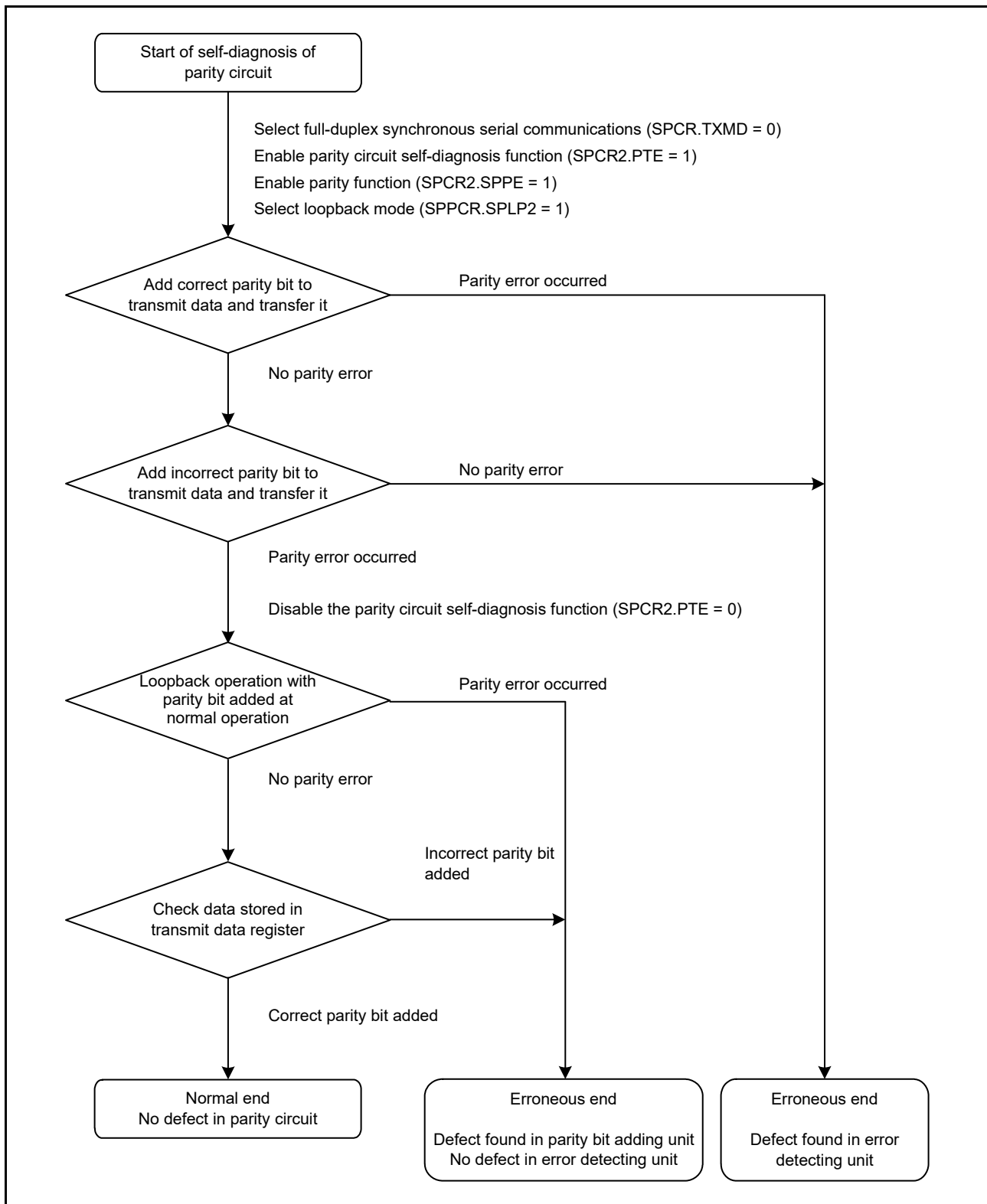


Figure 36.50 Self-diagnosis flow for parity circuit

### 36.3.14 Interrupt Sources

The SPI interrupt sources include:

- Receive buffer full
- Transmit buffer empty
- SPI error (mode fault, underrun, overrun, or parity error)
- SPI idle
- Transmission-complete

The DTC or DMAC can be activated by the receive buffer full or transmit buffer empty interrupt to perform data transfer.

Because the vector address for the SPI<sub>i</sub>\_SPEI (SPI error interrupt) is allocated to interrupt requests on mode fault, underrun, overrun, and parity errors, the actual interrupt source must be determined from the flags. Interrupt sources for the SPI are listed in [Table 36.13](#). An interrupt is generated on satisfaction of one of the interrupt conditions in [Table 36.13](#). Clear the receive buffer full and transmit buffer empty sources through a data transfer.

When using the DTC or DMAC to perform data transmission and reception, the DTC or DMAC must be set up first to a transfer-enabled status before making the SPI settings. For information on setting up the DTC or DMAC, see [section 17, DMA Controller \(DMAC\)](#), or [section 18, Data Transfer Controller \(DTC\)](#).

If the conditions for generating a transmit buffer empty or receive buffer full interrupt occur while the ICU.IELSRn.IR flag is 1, the interrupt is not output as a request for the ICU but is retained internally (the capacity for retention is one request per source). A retained interrupt request is output when the ICU.IELSRn.IR flag clears to 0. A retained interrupt request is automatically discarded when it is output as an actual interrupt request. The interrupt enable bit (the SPCR.SPTIE or SPCR.SPRIE bit) for an internally retained interrupt request can also be cleared to 0.

**Table 36.13 SPI interrupt sources**

| Interrupt source   | Symbol                   | Interrupt condition  | DMAC or DTC activation |
|--|--------------------------|--|------------------------|
| Receive buffer full  | SPI <sub>i</sub> _SPRI   | Receive buffer becomes full (SPSR.SPRF flag is 1) while the SPCR.SPRIE bit is 1  | Possible               |
| Transmit buffer empty                                      | SPI <sub>i</sub> _SPTI   | Transmit buffer becomes empty (SPSR.SPTEF flag is 1) while the SPCR.SPTIE bit is 1   | Possible               |
| SPI error (mode fault, underrun, overrun, or parity error) | SPI <sub>i</sub> _SPEI   | SPSR.MODF, OVRF, PERF, or UDRF flag is set to 1 while the SPCR.SPEIE bit is 1  | Impossible             |
| SPI idle   | SPI <sub>i</sub> _SPII   | SPSR.IDLNF flag clears to 0 while the SPCR2.SPIIE bit is 1   | Impossible             |
| Transmission-complete                                      | SPI <sub>i</sub> _SPTEND | <ul style="list-style-type: none"> <li>• Master mode: Interrupt is generated when the IDLNF flag (SPI idle flag) changes from 1 to 0</li> <li>• Slave mode: interrupt occurs on conditions shown in <a href="#">Table 36.15</a></li> </ul> | Impossible             |

### 36.4 Output to the Event Link Controller (ELC)

The ELC can produce the following event output signals:

- Receive buffer full event output
- Transmit buffer empty event output
- Mode-fault, underrun, overrun, or parity error event output
- SPI idle event output
- Transmission-completed event output.

The event link output signal is output regardless of the interrupt enable bit setting.

### 36.4.1 Receive Buffer Full Event Output

This event signal is output when received data is transferred from the shift register to the SPDR/SPDR\_HA on completion of serial transfer.

### 36.4.2 Transmit Buffer Empty Event Output

This event signal is output when data for transmission is transferred from the transmit buffer to the shift register and when the value of the SPE bit changes from 0 to 1.

### 36.4.3 Mode-Fault, Underrun, Overrun, or Parity Error Event Output

This event signal is output when mode fault, underrun, overrun, or parity error is detected. See [section 36.5.4, Constraints on Mode-Fault, Underrun, Overrun, or Parity Error Event Output](#) if using this event signal.

#### (1) Mode-fault

[Table 36.14](#) lists the conditions for occurrence of a mode-fault event.

**Table 36.14 Conditions for mode fault occurrence**

| SPI mode  | SPCR.MODFEN bit | SSLn0 pin  | Remarks  |
|---|-----------------|------------|--|
| SPI operation (SPMS = 0)<br>Slave (SPCR.MSTR bit = 0) | 1               | Not active | Event is output only when the pin is deactivated during transmission |

#### (2) Underrun

This event signal is output in response to an underrun when a serial transfer starts while the transmission data is not ready, and the value of the SPCR.MSTR bit is 0 and the SPCR.SPE bit is 1. Under these conditions, the MODF and UDRF flags set to 1.

#### (3) Overrun

This event signal is output in response to an overrun when a serial transfer completes while the receive buffer contains unread data and the value of the SPCR.TXMD bit is 0. Under these conditions, the OVRF flag is set to 1.

#### (4) Parity error

This event signal is output in response to a parity error detected on the completion of a serial transfer while the value of the TXMD bit in SPCR is 0 and the value of the SPPE bit in SPCR2 is 1.

### 36.4.4 SPI Idle Event Output

#### (1) In master mode

In master mode, an event is output when the condition for setting the IDLNF flag (SPI idle flag) to 0 is satisfied.

#### (2) In slave mode

In slave mode, an event is output when the SPCR.SPE bit is set to 0 (SPI is initialized).

### 36.4.5 Transmission-Completed Event Output

During both SPI operation and clock synchronous operation in master mode, an event is output when the IDLNF flag (SPI idle flag) changes from 1 to 0. [Table 36.15](#) lists the conditions for occurrence of a transmission-completed event in slave mode.

**Table 36.15 Conditions for generation of transmission-complete event in slave mode**

| SPI mode                               | Transmit buffer state | Shift register state | Other                             |
|--|-----------------------|----------------------|-----------------------------------|
| SPI operation (SPMS = 0)               | Empty                 | Empty                | Negation of SSLn0 input           |
| Clock synchronous operation (SPMS = 1) | Empty                 | Empty                | Edge detection of the last RSPCKn |

Whether the operation is in master mode or slave mode, an event is not output if 0 is written to the SPCR.SPE bit in transmission or the SPCR.SPE bit is cleared by the mode-fault error or the underrun error.

## 36.5 Usage Notes

### 36.5.1 Settings for the Module-Stop Function

SPI operation can be disabled or enabled using Module Stop Control Register B (MSTPCRB). The SPI is initially stopped after reset. Releasing the module-stop state enables access to the registers. For details, see [section 11, Low Power Modes](#).

### 36.5.2 Constraint on Low Power Functions

When using the module-stop function and entering a low power mode other than Sleep, set the SPCR.SPE bit to 0 before completing communication.

### 36.5.3 Constraints on Starting Transfer

If the ICU.IELSRn.IR flag is 1 when transfer starts, the interrupt request is internally saved, which can lead to unanticipated behavior of the ICU.IELSRn.IR flag.

To prevent this, use the following procedure to clear interrupt requests before enabling operations (by setting the SPCR.SPE bit to 1):

1. Confirm that the transfer stopped (the SPCR.SPE bit is 0).
2. Set the associated interrupt enable bit (SPCR.SPTIE or SPCR.SPRIE) to 0.
3. Read the associated interrupt enable bit (SPCR.SPTIE or SPCR.SPRIE) and confirm that its value is 0.
4. Set the ICU.IELSRn.IR flag to 0.

### 36.5.4 Constraints on Mode-Fault, Underrun, Overrun, or Parity Error Event Output

Using the mode-fault, underrun, overrun, or parity error event is prohibited if the SPI is in multi-master mode (when the SPCR.SPMS bit is 0, the SPCR.MSTR bit is 1, and the SPCR.MODFEN bit is 1).

### 36.5.5 Constraints on the SPRF and SPTEF Flags

If the polling flags, SPRF and SPTEF, are used, interrupt usage is prohibited, and you must set the SPCR.SPRIE and SPCR.SPTIE bits to 0. Either the interrupts or flags can be used, but not both.



## 37. Quad Serial Peripheral Interface (QSPI)

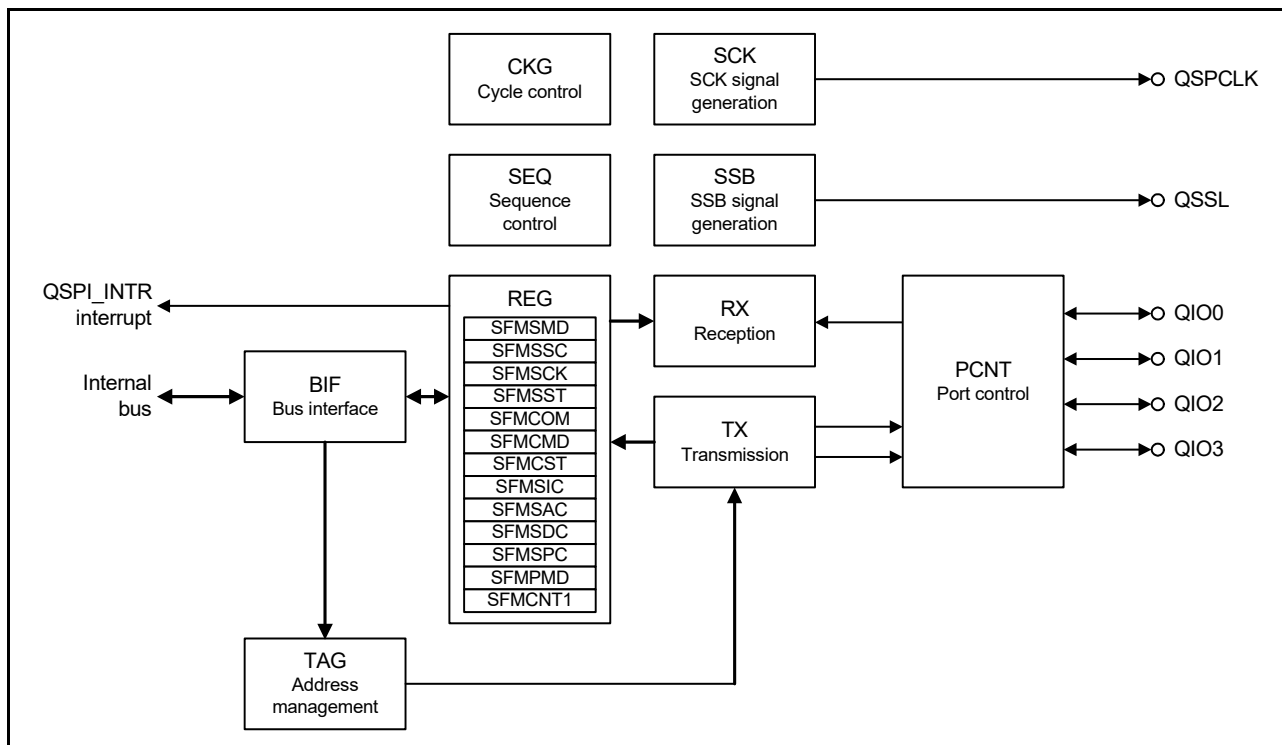
### 37.1 Overview

The Quad Serial Peripheral Interface (QSPI) module is a memory controller for connecting a serial ROM (nonvolatile memory, such as a serial flash memory, serial EEPROM, or serial FeRAM) that has an SPI-compatible interface.

Table 37.1 lists the QSPI specifications, Figure 37.1 shows a block diagram, and Table 37.2 lists the I/O pins.

**Table 37.1 QSPI specifications**

| Parameter                     | Specifications  |
|-------------------------------|---|
| Number of channels            | 1 channel   |
| SPI                           | <ul style="list-style-type: none"> <li>• Support for Extended SPI, Dual SPI, and Quad SPI protocols</li> <li>• Configurable to SPI mode 0 and SPI mode 3</li> <li>• Address width selectable to 8, 16, 24, or 32 bits.</li> </ul>   |
| Timing adjustment function    | Configurable to support a wide range of serial flash  |
| Flash read function           | <ul style="list-style-type: none"> <li>• Support for Read, Fast Read, Fast Read Dual Output, Fast Read Dual I/O, Fast Read Quad Output, and Fast Read Quad I/O instructions</li> <li>• Substitutable instruction code</li> <li>• Adjustable number of dummy cycles</li> <li>• Prefetch function</li> <li>• Polling processing</li> <li>• SPI bus cycle extension function.</li> </ul> |
| Direct communication function | Flexible support for a wide variety of serial flash instructions and functions through software control, including erase, write, ID read, and power-down control  |
| Interrupt source              | Error interrupts  |
| Module-stop function          | Module-stop state can be set to reduce power consumption  |



**Figure 37.1 QSPI block diagram**

**Table 37.2 QSPI I/O pins**

| Pin name | I/O    | Function              |
|----------|--------|-----------------------|
| QSPCLK   | Output | QSPI clock output pin |
| QSSL     | Output | QSPI slave select pin |
| QIO0     | I/O    | Data 0 input/output   |
| QIO1     | I/O    | Data 1 input/output   |
| QIO2     | I/O    | Data 2 input/output   |
| QIO3     | I/O    | Data 3 input/output   |

## 37.2 Register Descriptions

### 37.2.1 Transfer Mode Control Register (SFMSMD)

Address(es): QSPI.SFMSMD 6400 0000h

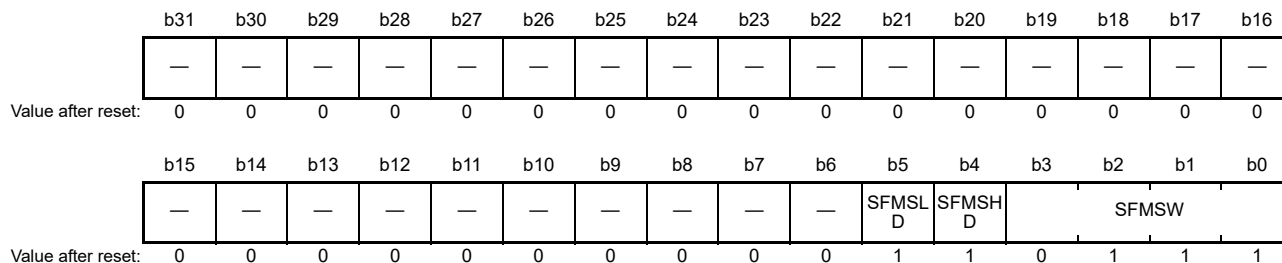
|                    |        |     |     |     |        |        |        |        |        |        |            |     |     |     |            |     |
|--------------------|--------|-----|-----|-----|--------|--------|--------|--------|--------|--------|------------|-----|-----|-----|------------|-----|
|                    | b31    | b30 | b29 | b28 | b27    | b26    | b25    | b24    | b23    | b22    | b21        | b20 | b19 | b18 | b17        | b16 |
|                    | —      | —   | —   | —   | —      | —      | —      | —      | —      | —      | —          | —   | —   | —   | —          | —   |
| Value after reset: | 0      | 0   | 0   | 0   | 0      | 0      | 0      | 0      | 0      | 0      | 0          | 0   | 0   | 0   | 0          | 0   |
|                    | b15    | b14 | b13 | b12 | b11    | b10    | b9     | b8     | b7     | b6     | b5         | b4  | b3  | b2  | b1         | b0  |
|                    | SFMCCE | —   | —   | —   | SFMOSW | SFMOHW | SFMOEX | SFMMD3 | SFMPAE | SFMPFE | SFMSE[1:0] | —   | —   | —   | SFMRM[2:0] | —   |
| Value after reset: | 0      | 0   | 0   | 0   | 0      | 0      | 0      | 0      | 0      | 0      | 0          | 0   | 0   | 0   | 0          | 0   |

| Bits     | Symbol     | Bit name  | Description  | R/W |
|----------|------------|---|--|-----|
| b2 to b0 | SFMRM[2:0] | Serial interface read mode select   | b2 b0<br>0 0 0: Standard Read<br>0 0 1: Fast Read<br>0 1 0: Fast Read Dual Output<br>0 1 1: Fast Read Dual I/O<br>1 0 0: Fast Read Quad Output<br>1 0 1: Fast Read Quad I/O<br>1 1 0: Setting prohibited (unpredictable operation can result)<br>1 1 1: Setting prohibited (unpredictable operation can result). | R/W |
| b3       | —          | Reserved  | This bit is read as 0. The write value should be 0.  | R/W |
| b5, b4   | SFMSE[1:0] | QSSL extension function select after SPI bus access                               | b5 b4<br>0 0: Do not extend QSSL<br>0 1: Extend QSSL by 33 QSPCLK<br>1 0: Extend QSSL by 129 QSPCLK<br>1 1: Extend QSSL infinitely.  | R/W |
| b6       | SFMPFE     | Prefetch function select  | 0: Disable function<br>1: Enable function.   | R/W |
| b7       | SFMPAE     | Function select for stopping prefetch at locations other than on byte boundaries  | 0: Disable function<br>1: Enable function.   | R/W |
| b8       | SFMMD3     | SPI mode select.  | Initial value determined by input to CFGMD3.<br>0: SPI mode 0<br>1: SPI mode 3.  | R/W |
| b9       | SFMOEX     | Extension select for the I/O buffer output enable signal for the serial interface | 0: Do not extend<br>1: Extend by 1 QSPCLK.   | R/W |

| Bits       | Symbol | Bit name                                      | Description   | R/W |
|------------|--------|---|---|-----|
| b10        | SFMOHW | Hold time adjustment for serial transmission  | 0: Do not extend high-level width of QSPCLK during transmission<br>1: Extend high-level width of QSPCLK by 1 PCLKA during transmission. | R/W |
| b11        | SFMOSW | Setup time adjustment for serial transmission | 0: Do not extend low-level width of QSPCLK during transmission<br>1: Extend low-level width of QSPCLK by 1 PCLKA during transmission.   | R/W |
| b14 to b12 | —      | Reserved                                      | These bits are read as 0. The write value should be 0.  | R/W |
| b15        | SFMCCE | Read instruction code select                  | 0: Set default instruction code for each instruction<br>1: Write instruction code in the SFMSIC register.                               | R/W |
| b31 to b16 | —      | Reserved                                      | These bits are read as 0. The write value should be 0.  | R/W |

### 37.2.2 Chip Selection Control Register (SFMSSC)

Address(es): QSPI.SFMSSC 6400 0004h



| Bits      | Symbol | Bit name  | Description   | R/W        |    |    |    |  |   |   |   |   |           |   |   |   |   |           |   |   |   |   |           |   |   |   |   |           |   |   |   |   |           |   |   |   |   |           |   |   |   |   |           |   |   |   |   |           |   |   |   |   |           |   |   |   |   |            |   |   |   |   |            |   |   |   |   |            |   |   |   |   |            |   |   |   |   |            |   |   |   |   |            |   |   |   |   |            |     |
|-----------|--------|---|---|------------|----|----|----|--|---|---|---|---|-----------|---|---|---|---|-----------|---|---|---|---|-----------|---|---|---|---|-----------|---|---|---|---|-----------|---|---|---|---|-----------|---|---|---|---|-----------|---|---|---|---|-----------|---|---|---|---|-----------|---|---|---|---|------------|---|---|---|---|------------|---|---|---|---|------------|---|---|---|---|------------|---|---|---|---|------------|---|---|---|---|------------|---|---|---|---|------------|-----|
| b3 to b0  | SFMSW  | Minimum high-level width select for QSSL signal | <table border="0"> <tr> <td>b3</td> <td>b2</td> <td>b1</td> <td>b0</td> <td></td> </tr> <tr> <td>0</td> <td>0</td> <td>0</td> <td>0</td> <td>1: QSPCLK</td> </tr> <tr> <td>0</td> <td>0</td> <td>0</td> <td>1</td> <td>2: QSPCLK</td> </tr> <tr> <td>0</td> <td>0</td> <td>1</td> <td>0</td> <td>3: QSPCLK</td> </tr> <tr> <td>0</td> <td>0</td> <td>1</td> <td>1</td> <td>4: QSPCLK</td> </tr> <tr> <td>0</td> <td>1</td> <td>0</td> <td>0</td> <td>5: QSPCLK</td> </tr> <tr> <td>0</td> <td>1</td> <td>0</td> <td>1</td> <td>6: QSPCLK</td> </tr> <tr> <td>0</td> <td>1</td> <td>1</td> <td>0</td> <td>7: QSPCLK</td> </tr> <tr> <td>0</td> <td>1</td> <td>1</td> <td>1</td> <td>8: QSPCLK</td> </tr> <tr> <td>1</td> <td>0</td> <td>0</td> <td>0</td> <td>9: QSPCLK</td> </tr> <tr> <td>1</td> <td>0</td> <td>0</td> <td>1</td> <td>10: QSPCLK</td> </tr> <tr> <td>1</td> <td>0</td> <td>1</td> <td>0</td> <td>11: QSPCLK</td> </tr> <tr> <td>1</td> <td>0</td> <td>1</td> <td>1</td> <td>12: QSPCLK</td> </tr> <tr> <td>1</td> <td>1</td> <td>0</td> <td>0</td> <td>13: QSPCLK</td> </tr> <tr> <td>1</td> <td>1</td> <td>0</td> <td>1</td> <td>14: QSPCLK</td> </tr> <tr> <td>1</td> <td>1</td> <td>1</td> <td>0</td> <td>15: QSPCLK</td> </tr> <tr> <td>1</td> <td>1</td> <td>1</td> <td>1</td> <td>16: QSPCLK</td> </tr> </table> | b3         | b2 | b1 | b0 |  | 0 | 0 | 0 | 0 | 1: QSPCLK | 0 | 0 | 0 | 1 | 2: QSPCLK | 0 | 0 | 1 | 0 | 3: QSPCLK | 0 | 0 | 1 | 1 | 4: QSPCLK | 0 | 1 | 0 | 0 | 5: QSPCLK | 0 | 1 | 0 | 1 | 6: QSPCLK | 0 | 1 | 1 | 0 | 7: QSPCLK | 0 | 1 | 1 | 1 | 8: QSPCLK | 1 | 0 | 0 | 0 | 9: QSPCLK | 1 | 0 | 0 | 1 | 10: QSPCLK | 1 | 0 | 1 | 0 | 11: QSPCLK | 1 | 0 | 1 | 1 | 12: QSPCLK | 1 | 1 | 0 | 0 | 13: QSPCLK | 1 | 1 | 0 | 1 | 14: QSPCLK | 1 | 1 | 1 | 0 | 15: QSPCLK | 1 | 1 | 1 | 1 | 16: QSPCLK | R/W |
| b3        | b2     | b1  | b0  |            |    |    |    |  |   |   |   |   |           |   |   |   |   |           |   |   |   |   |           |   |   |   |   |           |   |   |   |   |           |   |   |   |   |           |   |   |   |   |           |   |   |   |   |           |   |   |   |   |           |   |   |   |   |            |   |   |   |   |            |   |   |   |   |            |   |   |   |   |            |   |   |   |   |            |   |   |   |   |            |   |   |   |   |            |     |
| 0         | 0      | 0   | 0   | 1: QSPCLK  |    |    |    |  |   |   |   |   |           |   |   |   |   |           |   |   |   |   |           |   |   |   |   |           |   |   |   |   |           |   |   |   |   |           |   |   |   |   |           |   |   |   |   |           |   |   |   |   |           |   |   |   |   |            |   |   |   |   |            |   |   |   |   |            |   |   |   |   |            |   |   |   |   |            |   |   |   |   |            |   |   |   |   |            |     |
| 0         | 0      | 0   | 1   | 2: QSPCLK  |    |    |    |  |   |   |   |   |           |   |   |   |   |           |   |   |   |   |           |   |   |   |   |           |   |   |   |   |           |   |   |   |   |           |   |   |   |   |           |   |   |   |   |           |   |   |   |   |           |   |   |   |   |            |   |   |   |   |            |   |   |   |   |            |   |   |   |   |            |   |   |   |   |            |   |   |   |   |            |   |   |   |   |            |     |
| 0         | 0      | 1   | 0   | 3: QSPCLK  |    |    |    |  |   |   |   |   |           |   |   |   |   |           |   |   |   |   |           |   |   |   |   |           |   |   |   |   |           |   |   |   |   |           |   |   |   |   |           |   |   |   |   |           |   |   |   |   |           |   |   |   |   |            |   |   |   |   |            |   |   |   |   |            |   |   |   |   |            |   |   |   |   |            |   |   |   |   |            |   |   |   |   |            |     |
| 0         | 0      | 1   | 1   | 4: QSPCLK  |    |    |    |  |   |   |   |   |           |   |   |   |   |           |   |   |   |   |           |   |   |   |   |           |   |   |   |   |           |   |   |   |   |           |   |   |   |   |           |   |   |   |   |           |   |   |   |   |           |   |   |   |   |            |   |   |   |   |            |   |   |   |   |            |   |   |   |   |            |   |   |   |   |            |   |   |   |   |            |   |   |   |   |            |     |
| 0         | 1      | 0   | 0   | 5: QSPCLK  |    |    |    |  |   |   |   |   |           |   |   |   |   |           |   |   |   |   |           |   |   |   |   |           |   |   |   |   |           |   |   |   |   |           |   |   |   |   |           |   |   |   |   |           |   |   |   |   |           |   |   |   |   |            |   |   |   |   |            |   |   |   |   |            |   |   |   |   |            |   |   |   |   |            |   |   |   |   |            |   |   |   |   |            |     |
| 0         | 1      | 0   | 1   | 6: QSPCLK  |    |    |    |  |   |   |   |   |           |   |   |   |   |           |   |   |   |   |           |   |   |   |   |           |   |   |   |   |           |   |   |   |   |           |   |   |   |   |           |   |   |   |   |           |   |   |   |   |           |   |   |   |   |            |   |   |   |   |            |   |   |   |   |            |   |   |   |   |            |   |   |   |   |            |   |   |   |   |            |   |   |   |   |            |     |
| 0         | 1      | 1   | 0   | 7: QSPCLK  |    |    |    |  |   |   |   |   |           |   |   |   |   |           |   |   |   |   |           |   |   |   |   |           |   |   |   |   |           |   |   |   |   |           |   |   |   |   |           |   |   |   |   |           |   |   |   |   |           |   |   |   |   |            |   |   |   |   |            |   |   |   |   |            |   |   |   |   |            |   |   |   |   |            |   |   |   |   |            |   |   |   |   |            |     |
| 0         | 1      | 1   | 1   | 8: QSPCLK  |    |    |    |  |   |   |   |   |           |   |   |   |   |           |   |   |   |   |           |   |   |   |   |           |   |   |   |   |           |   |   |   |   |           |   |   |   |   |           |   |   |   |   |           |   |   |   |   |           |   |   |   |   |            |   |   |   |   |            |   |   |   |   |            |   |   |   |   |            |   |   |   |   |            |   |   |   |   |            |   |   |   |   |            |     |
| 1         | 0      | 0   | 0   | 9: QSPCLK  |    |    |    |  |   |   |   |   |           |   |   |   |   |           |   |   |   |   |           |   |   |   |   |           |   |   |   |   |           |   |   |   |   |           |   |   |   |   |           |   |   |   |   |           |   |   |   |   |           |   |   |   |   |            |   |   |   |   |            |   |   |   |   |            |   |   |   |   |            |   |   |   |   |            |   |   |   |   |            |   |   |   |   |            |     |
| 1         | 0      | 0   | 1   | 10: QSPCLK |    |    |    |  |   |   |   |   |           |   |   |   |   |           |   |   |   |   |           |   |   |   |   |           |   |   |   |   |           |   |   |   |   |           |   |   |   |   |           |   |   |   |   |           |   |   |   |   |           |   |   |   |   |            |   |   |   |   |            |   |   |   |   |            |   |   |   |   |            |   |   |   |   |            |   |   |   |   |            |   |   |   |   |            |     |
| 1         | 0      | 1   | 0   | 11: QSPCLK |    |    |    |  |   |   |   |   |           |   |   |   |   |           |   |   |   |   |           |   |   |   |   |           |   |   |   |   |           |   |   |   |   |           |   |   |   |   |           |   |   |   |   |           |   |   |   |   |           |   |   |   |   |            |   |   |   |   |            |   |   |   |   |            |   |   |   |   |            |   |   |   |   |            |   |   |   |   |            |   |   |   |   |            |     |
| 1         | 0      | 1   | 1   | 12: QSPCLK |    |    |    |  |   |   |   |   |           |   |   |   |   |           |   |   |   |   |           |   |   |   |   |           |   |   |   |   |           |   |   |   |   |           |   |   |   |   |           |   |   |   |   |           |   |   |   |   |           |   |   |   |   |            |   |   |   |   |            |   |   |   |   |            |   |   |   |   |            |   |   |   |   |            |   |   |   |   |            |   |   |   |   |            |     |
| 1         | 1      | 0   | 0   | 13: QSPCLK |    |    |    |  |   |   |   |   |           |   |   |   |   |           |   |   |   |   |           |   |   |   |   |           |   |   |   |   |           |   |   |   |   |           |   |   |   |   |           |   |   |   |   |           |   |   |   |   |           |   |   |   |   |            |   |   |   |   |            |   |   |   |   |            |   |   |   |   |            |   |   |   |   |            |   |   |   |   |            |   |   |   |   |            |     |
| 1         | 1      | 0   | 1   | 14: QSPCLK |    |    |    |  |   |   |   |   |           |   |   |   |   |           |   |   |   |   |           |   |   |   |   |           |   |   |   |   |           |   |   |   |   |           |   |   |   |   |           |   |   |   |   |           |   |   |   |   |           |   |   |   |   |            |   |   |   |   |            |   |   |   |   |            |   |   |   |   |            |   |   |   |   |            |   |   |   |   |            |   |   |   |   |            |     |
| 1         | 1      | 1   | 0   | 15: QSPCLK |    |    |    |  |   |   |   |   |           |   |   |   |   |           |   |   |   |   |           |   |   |   |   |           |   |   |   |   |           |   |   |   |   |           |   |   |   |   |           |   |   |   |   |           |   |   |   |   |           |   |   |   |   |            |   |   |   |   |            |   |   |   |   |            |   |   |   |   |            |   |   |   |   |            |   |   |   |   |            |   |   |   |   |            |     |
| 1         | 1      | 1   | 1   | 16: QSPCLK |    |    |    |  |   |   |   |   |           |   |   |   |   |           |   |   |   |   |           |   |   |   |   |           |   |   |   |   |           |   |   |   |   |           |   |   |   |   |           |   |   |   |   |           |   |   |   |   |           |   |   |   |   |            |   |   |   |   |            |   |   |   |   |            |   |   |   |   |            |   |   |   |   |            |   |   |   |   |            |   |   |   |   |            |     |
| b4        | SFMSHD | QSSL signal release timing select               | 0: Release QSSL 0.5 QSPCLK cycles after the last rising edge of QSPCLK<br>1: Release QSSL 1.5 QSPCLK cycles after the last rising edge of QSPCLK.   | R/W        |    |    |    |  |   |   |   |   |           |   |   |   |   |           |   |   |   |   |           |   |   |   |   |           |   |   |   |   |           |   |   |   |   |           |   |   |   |   |           |   |   |   |   |           |   |   |   |   |           |   |   |   |   |            |   |   |   |   |            |   |   |   |   |            |   |   |   |   |            |   |   |   |   |            |   |   |   |   |            |   |   |   |   |            |     |
| b5        | SFMSLD | QSSL signal output timing select                | 0: Output QSSL 0.5 QSPCLK cycles before the first rising edge of QSPCLK<br>1: Output QSSL 1.5 QSPCLK cycles before the first rising edge of QSPCLK.   | R/W        |    |    |    |  |   |   |   |   |           |   |   |   |   |           |   |   |   |   |           |   |   |   |   |           |   |   |   |   |           |   |   |   |   |           |   |   |   |   |           |   |   |   |   |           |   |   |   |   |           |   |   |   |   |            |   |   |   |   |            |   |   |   |   |            |   |   |   |   |            |   |   |   |   |            |   |   |   |   |            |   |   |   |   |            |     |
| b31 to b6 | —      | Reserved  | These bits are read as 0. The write value should be 0.  | R/W        |    |    |    |  |   |   |   |   |           |   |   |   |   |           |   |   |   |   |           |   |   |   |   |           |   |   |   |   |           |   |   |   |   |           |   |   |   |   |           |   |   |   |   |           |   |   |   |   |           |   |   |   |   |            |   |   |   |   |            |   |   |   |   |            |   |   |   |   |            |   |   |   |   |            |   |   |   |   |            |   |   |   |   |            |     |

### 37.2.3 Clock Control Register (SFMSKC)

Address(es): QSPI.SFMSKC 6400 0008h

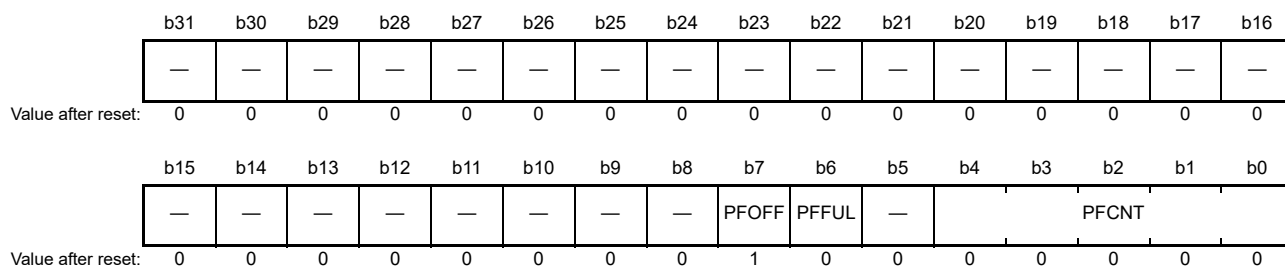
|                    |     |     |     |     |     |     |     |     |     |     |        |       |     |     |     |     |
|--------------------|-----|-----|-----|-----|-----|-----|-----|-----|-----|-----|--------|-------|-----|-----|-----|-----|
|                    | b31 | b30 | b29 | b28 | b27 | b26 | b25 | b24 | b23 | b22 | b21    | b20   | b19 | b18 | b17 | b16 |
|                    | —   | —   | —   | —   | —   | —   | —   | —   | —   | —   | —      | —     | —   | —   | —   | —   |
| Value after reset: | 0   | 0   | 0   | 0   | 0   | 0   | 0   | 0   | 0   | 0   | 0      | 0     | 0   | 0   | 0   | 0   |
|                    | b15 | b14 | b13 | b12 | b11 | b10 | b9  | b8  | b7  | b6  | b5     | b4    | b3  | b2  | b1  | b0  |
|                    | —   | —   | —   | —   | —   | —   | —   | —   | —   | —   | SFMDTY | SFMDV |     |     |     |     |
| Value after reset: | 0   | 0   | 0   | 0   | 0   | 0   | 0   | 0   | 0   | 0   | 0      | 0     | 1   | 0   | 0   | 0   |

| Bits      | Symbol | Bit name  | Description   | R/W |
|-----------|--------|---|---|-----|
| b4 to b0  | SFMDV  | Serial interface reference cycle select. (Pay attention to irregularities.) | b4 b3 b2 b1 b0<br>0 0 0 0 0: 2 PCLKA<br>0 0 0 0 1: 3 PCLKA (multiplied by an odd number)*1<br>0 0 0 1 0: 4 PCLKA<br>0 0 0 1 1: 5 PCLKA (multiplied by an odd number)*1<br>0 0 1 0 0: 6 PCLKA<br>0 0 1 0 1: 7 PCLKA (multiplied by an odd number)*1<br>0 0 1 1 0: 8 PCLKA<br>0 0 1 1 1: 9 PCLKA (multiplied by an odd number)*1<br>0 1 0 0 0: 10 PCLKA<br>0 1 0 0 1: 11 PCLKA (multiplied by an odd number)*1<br>0 1 0 1 0: 12 PCLKA<br>0 1 0 1 1: 13 PCLKA (multiplied by an odd number)*1<br>0 1 1 0 0: 14 PCLKA<br>0 1 1 0 1: 15 PCLKA (multiplied by an odd number)*1<br>0 1 1 1 0: 16 PCLKA<br>0 1 1 1 1: 17 PCLKA (multiplied by an odd number)*1<br>1 0 0 0 0: 18 PCLKA<br>1 0 0 0 1: 20 PCLKA<br>1 0 0 1 0: 22 PCLKA<br>1 0 0 1 1: 24 PCLKA<br>1 0 1 0 0: 26 PCLKA<br>1 0 1 0 1: 28 PCLKA<br>1 0 1 1 0: 30 PCLKA<br>1 0 1 1 1: 32 PCLKA<br>1 1 0 0 0: 34 PCLKA<br>1 1 0 0 1: 36 PCLKA<br>1 1 0 1 0: 38 PCLKA<br>1 1 0 1 1: 40 PCLKA<br>1 1 1 0 0: 42 PCLKA<br>1 1 1 0 1: 44 PCLKA<br>1 1 1 1 0: 46 PCLKA<br>1 1 1 1 1: 48 PCLKA. | R/W |
| b5        | SFMDTY | Duty ratio correction function select for the QSPCLK signal                 | 0: Make no correction<br>1: Delay the rising of the QSPCLK signal by 0.5 PCLKA cycles. Valid when PCLKA is multiplied by an odd number.   | R/W |
| b31 to b6 | —      | Reserved  | These bits are read as 0. The write value should be 0.  | R/W |

Note 1. When PCLKA multiplied by an odd number is selected, the high-level width of the QSPCLK signal is longer than the low-level width by 1 PCLKA before duty ratio correction.

### 37.2.4 Status Register (SFMSST)

Address(es): QSPI.SFMSST 6400 000Ch



| Bits      | Symbol | Bit name                           | Description  | R/W |
|-----------|--------|------------------------------------|--|-----|
| b4 to b0  | PFCNT  | Number of bytes of prefetched data | b4 b3 b2 b1 b0<br>0 0 0 0 0: 0 byte<br>0 0 0 0 1: 1 byte<br>0 0 0 1 0: 2 bytes<br>0 0 0 1 1: 3 bytes<br>0 0 1 0 0: 4 bytes<br>0 0 1 0 1: 5 bytes<br>0 0 1 1 0: 6 bytes<br>0 0 1 1 1: 7 bytes<br>0 1 0 0 0: 8 bytes<br>0 1 0 0 1: 9 bytes<br>0 1 0 1 0: 10 bytes<br>0 1 0 1 1: 11 bytes<br>0 1 1 0 0: 12 bytes<br>0 1 1 0 1: 13 bytes<br>0 1 1 1 0: 14 bytes<br>0 1 1 1 1: 15 bytes<br>1 0 0 0 0: 16 bytes<br>1 0 0 0 1: 17 bytes<br>1 0 0 1 0: 18 bytes.<br>Other settings are reserved. | R   |
| b5        | —      | Reserved                           | This bit is read as 0  | R   |
| b6        | PFFUL  | Prefetch buffer state              | 0: Prefetch buffer has free space<br>1: Prefetch buffer is full.   | R   |
| b7        | PFOFF  | Prefetch function operating state  | 0: Prefetch function operating<br>1: Prefetch function not enabled or not operating.   | R   |
| b31 to b8 | —      | Reserved                           | These bits are read as 0   | R   |

### 37.2.5 Communication Port Register (SFMCOM)

Address(es): QSPI.SFMCOM 6400 0010h

|                    |     |     |     |     |     |     |     |     |      |     |     |     |     |     |     |     |   |   |
|--------------------|-----|-----|-----|-----|-----|-----|-----|-----|------|-----|-----|-----|-----|-----|-----|-----|---|---|
|                    | b31 | b30 | b29 | b28 | b27 | b26 | b25 | b24 | b23  | b22 | b21 | b20 | b19 | b18 | b17 | b16 |   |   |
|                    | —   | —   | —   | —   | —   | —   | —   | —   | —    | —   | —   | —   | —   | —   | —   | —   |   |   |
| Value after reset: | 0   | 0   | 0   | 0   | 0   | 0   | 0   | 0   | 0    | 0   | 0   | 0   | 0   | 0   | 0   | 0   |   |   |
|                    | b15 | b14 | b13 | b12 | b11 | b10 | b9  | b8  | b7   | b6  | b5  | b4  | b3  | b2  | b1  | b0  |   |   |
|                    | —   | —   | —   | —   | —   | —   | —   | —   | SFMD |     |     |     |     |     |     |     | — | — |
| Value after reset: | 0   | 0   | 0   | 0   | 0   | 0   | 0   | 0   | x    | x   | x   | x   | x   | x   | x   | x   |   |   |

x: Undefined

| Bits       | Symbol | Bit name  | Description   | R/W |
|------------|--------|---|---|-----|
| b7 to b0   | SFMD   | Port select for direct communication with the SPI bus | Input to and output from this port is converted to an SPI bus cycle. This port is only accessible in direct communication mode, when DCOM = 1. Access to this port is ignored in the ROM access mode. | R/W |
| b 31 to b8 | —      | Reserved  | These bits are read as 0. The write value should be 0.  | R/W |

### 37.2.6 Communication Mode Control Register (SFMCMD)

Address(es): QSPI.SFMCMD 6400 0014h

|                    |     |     |     |     |     |     |     |     |     |     |     |     |     |     |     |      |
|--------------------|-----|-----|-----|-----|-----|-----|-----|-----|-----|-----|-----|-----|-----|-----|-----|------|
|                    | b31 | b30 | b29 | b28 | b27 | b26 | b25 | b24 | b23 | b22 | b21 | b20 | b19 | b18 | b17 | b16  |
|                    | —   | —   | —   | —   | —   | —   | —   | —   | —   | —   | —   | —   | —   | —   | —   | —    |
| Value after reset: | 0   | 0   | 0   | 0   | 0   | 0   | 0   | 0   | 0   | 0   | 0   | 0   | 0   | 0   | 0   | 0    |
|                    | b15 | b14 | b13 | b12 | b11 | b10 | b9  | b8  | b7  | b6  | b5  | b4  | b3  | b2  | b1  | b0   |
|                    | —   | —   | —   | —   | —   | —   | —   | —   | —   | —   | —   | —   | —   | —   | —   | DCOM |
| Value after reset: | 0   | 0   | 0   | 0   | 0   | 0   | 0   | 0   | 0   | 0   | 0   | 0   | 0   | 0   | 0   | 0    |

| Bits       | Symbol | Bit name                                       | Description  | R/W |
|------------|--------|--|--|-----|
| b0         | DCOM   | Mode select for communication with the SPI bus | 0: ROM access mode<br>1: Direct communication mode.    | R/W |
| b 31 to b1 | —      | Reserved                                       | These bits are read as 0. The write value should be 0. | R/W |

### 37.2.7 Communication Status Register (SFM CST)

Address(es): QSPI.SFM CST 6400 0018h

|                    |     |     |     |     |     |     |     |     |           |     |     |     |     |     |     |            |
|--------------------|-----|-----|-----|-----|-----|-----|-----|-----|-----------|-----|-----|-----|-----|-----|-----|------------|
|                    | b31 | b30 | b29 | b28 | b27 | b26 | b25 | b24 | b23       | b22 | b21 | b20 | b19 | b18 | b17 | b16        |
|                    | —   | —   | —   | —   | —   | —   | —   | —   | —         | —   | —   | —   | —   | —   | —   | —          |
| Value after reset: | 0   | 0   | 0   | 0   | 0   | 0   | 0   | 0   | 0         | 0   | 0   | 0   | 0   | 0   | 0   | 0          |
|                    | b15 | b14 | b13 | b12 | b11 | b10 | b9  | b8  | b7        | b6  | b5  | b4  | b3  | b2  | b1  | b0         |
|                    | —   | —   | —   | —   | —   | —   | —   | —   | EROM<br>R | —   | —   | —   | —   | —   | —   | COMB<br>SY |
| Value after reset: | 0   | 0   | 0   | 0   | 0   | 0   | 0   | 0   | 0         | 0   | 0   | 0   | 0   | 0   | 0   | 0          |

| Bits      | Symbol | Bit name   | Description  | R/W     |
|-----------|--------|--|--|---------|
| b0        | COMBSY | SPI bus cycle completion state in direct communication   | 0: No serial transfer being processed<br>1: Serial transfer being processed. | R       |
| b6 to b1  | —      | Reserved   | These bits are read as 0. The write value should be 0.                       | R/W     |
| b7        | EROMR  | ROM access detection status in direct communication mode | 0: ROM access not detected<br>1: ROM access detected.                        | R/(W)*1 |
| b31 to b8 | —      | Reserved   | These bits are read as 0. The write value should be 0.                       | R/W     |

Note 1. Only 0 can be written to this bit.

### 37.2.8 Instruction Code Register (SFMSIC)

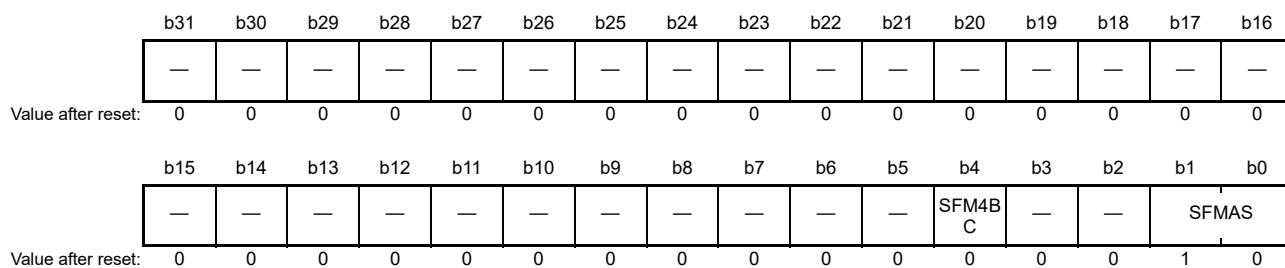
Address(es): QSPI.SFMSIC 6400 0020h

|                    |     |     |     |     |     |     |     |     |        |     |     |     |     |     |     |     |   |
|--------------------|-----|-----|-----|-----|-----|-----|-----|-----|--------|-----|-----|-----|-----|-----|-----|-----|---|
|                    | b31 | b30 | b29 | b28 | b27 | b26 | b25 | b24 | b23    | b22 | b21 | b20 | b19 | b18 | b17 | b16 |   |
|                    | —   | —   | —   | —   | —   | —   | —   | —   | —      | —   | —   | —   | —   | —   | —   | —   |   |
| Value after reset: | 0   | 0   | 0   | 0   | 0   | 0   | 0   | 0   | 0      | 0   | 0   | 0   | 0   | 0   | 0   | 0   |   |
|                    | b15 | b14 | b13 | b12 | b11 | b10 | b9  | b8  | b7     | b6  | b5  | b4  | b3  | b2  | b1  | b0  |   |
|                    | —   | —   | —   | —   | —   | —   | —   | —   | SFMSIC |     |     |     |     |     |     |     | — |
| Value after reset: | 0   | 0   | 0   | 0   | 0   | 0   | 0   | 0   | 0      | 0   | 0   | 0   | 0   | 0   | 0   | 0   |   |

| Bits      | Symbol | Bit name                                    | Description  | R/W |
|-----------|--------|---|--|-----|
| b7 to b0  | SFMSIC | Serial flash instruction code to substitute |  | R/W |
| b31 to b8 | —      | Reserved                                    | These bits are read as 0. The write value should be 0. | R/W |

### 37.2.9 Address Mode Control Register (SFMSAC)

Address(es): QSPI.SFMSAC 6400 0024h

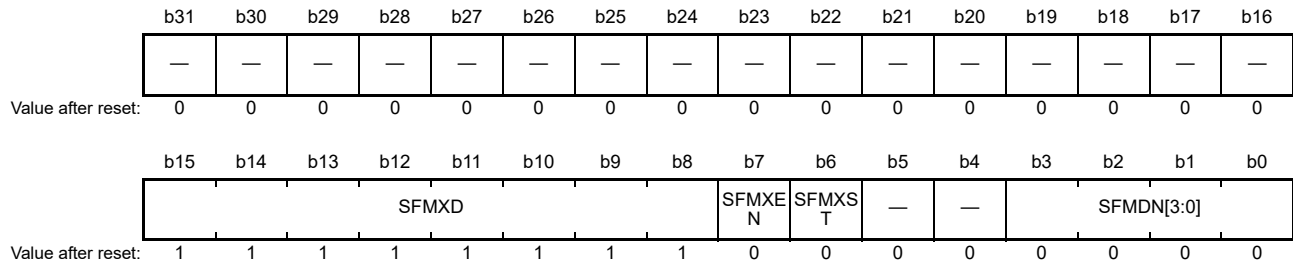


| Bits      | Symbol | Bit name  | Description  | R/W |
|-----------|--------|---|--|-----|
| b1, b0    | SFMAS  | Number of address bytes select for the serial interface                             | b1 b0<br>0 0: 1 byte<br>0 1: 2 bytes<br>1 0: 3 bytes<br>1 1: 4 bytes.                              | R/W |
| b3, b2    | —      | Reserved  | These bits are read as 0. The write value should be 0.   | R/W |
| b4        | SFM4BC | Default instruction code select, when the serial interface address width is 4 bytes | 0: Do not use 4-byte address read instruction code<br>1: Use 4-byte address read instruction code. | R/W |
| b31 to b5 | —      | Reserved  | These bits are read as 0. The write value should be 0.   | R/W |



## 37.2.10 Dummy Cycle Control Register (SFMSDC)

Address(es): QSPI.SFMSDC 6400 0028h

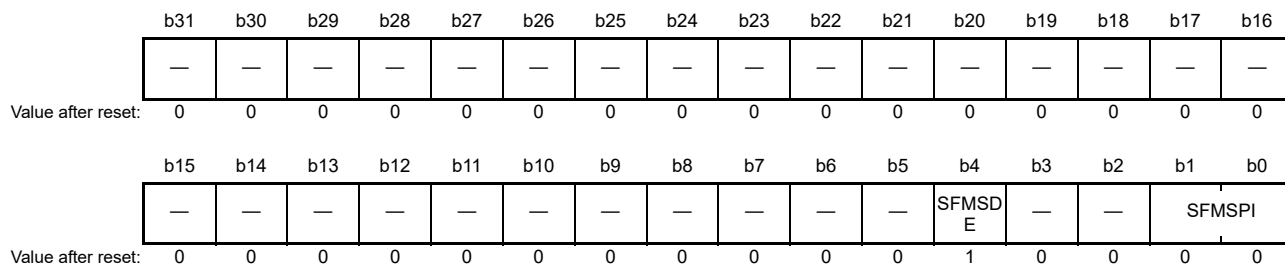


| Bits       | Symbol     | Bit name   | Description  | R/W   |    |    |    |  |   |   |   |   |   |   |   |   |   |               |   |   |   |   |             |   |   |   |   |             |   |   |   |   |             |   |   |   |   |             |   |   |   |   |             |   |   |   |   |             |   |   |   |   |              |   |   |   |   |              |   |   |   |   |              |   |   |   |   |              |   |   |   |   |              |   |   |   |   |              |   |   |   |   |              |   |   |   |   |               |     |
|------------|------------|--|--|---|----|----|----|--|---|---|---|---|---|---|---|---|---|---------------|---|---|---|---|-------------|---|---|---|---|-------------|---|---|---|---|-------------|---|---|---|---|-------------|---|---|---|---|-------------|---|---|---|---|-------------|---|---|---|---|--------------|---|---|---|---|--------------|---|---|---|---|--------------|---|---|---|---|--------------|---|---|---|---|--------------|---|---|---|---|--------------|---|---|---|---|--------------|---|---|---|---|---------------|-----|
| b3 to b0   | SFMDN[3:0] | Number of dummy cycles select for Fast Read instructions | <table border="0"> <tr> <td>b3</td><td>b2</td><td>b1</td><td>b0</td><td></td> </tr> <tr> <td>0</td><td>0</td><td>0</td><td>0</td><td>0: Default dummy cycles for each instruction:<br/>- Fast Read Quad I/O: 6 QSPCLK<br/>- Fast Read Quad Output: 8 QSPCLK<br/>- Fast Read Dual I/O: 4 QSPCLK<br/>- Fast Read Dual Output: 8 QSPCLK<br/>- Fast Read: 8 QSPCLK.</td> </tr> <tr> <td>0</td><td>0</td><td>0</td><td>1</td><td>1: 3 QSPCLK*1</td> </tr> <tr> <td>0</td><td>0</td><td>1</td><td>0</td><td>0: 4 QSPCLK</td> </tr> <tr> <td>0</td><td>0</td><td>1</td><td>1</td><td>1: 5 QSPCLK</td> </tr> <tr> <td>0</td><td>1</td><td>0</td><td>0</td><td>0: 6 QSPCLK</td> </tr> <tr> <td>0</td><td>1</td><td>0</td><td>1</td><td>1: 7 QSPCLK</td> </tr> <tr> <td>0</td><td>1</td><td>1</td><td>0</td><td>0: 8 QSPCLK</td> </tr> <tr> <td>0</td><td>1</td><td>1</td><td>1</td><td>1: 9 QSPCLK</td> </tr> <tr> <td>1</td><td>0</td><td>0</td><td>0</td><td>0: 10 QSPCLK</td> </tr> <tr> <td>1</td><td>0</td><td>0</td><td>1</td><td>1: 11 QSPCLK</td> </tr> <tr> <td>1</td><td>0</td><td>1</td><td>0</td><td>0: 12 QSPCLK</td> </tr> <tr> <td>1</td><td>0</td><td>1</td><td>1</td><td>1: 13 QSPCLK</td> </tr> <tr> <td>1</td><td>1</td><td>0</td><td>0</td><td>0: 14 QSPCLK</td> </tr> <tr> <td>1</td><td>1</td><td>0</td><td>1</td><td>1: 15 QSPCLK</td> </tr> <tr> <td>1</td><td>1</td><td>1</td><td>0</td><td>0: 16 QSPCLK</td> </tr> <tr> <td>1</td><td>1</td><td>1</td><td>1</td><td>1: 17 QSPCLK.</td> </tr> </table> | b3  | b2 | b1 | b0 |  | 0 | 0 | 0 | 0 | 0: Default dummy cycles for each instruction:<br>- Fast Read Quad I/O: 6 QSPCLK<br>- Fast Read Quad Output: 8 QSPCLK<br>- Fast Read Dual I/O: 4 QSPCLK<br>- Fast Read Dual Output: 8 QSPCLK<br>- Fast Read: 8 QSPCLK. | 0 | 0 | 0 | 1 | 1: 3 QSPCLK*1 | 0 | 0 | 1 | 0 | 0: 4 QSPCLK | 0 | 0 | 1 | 1 | 1: 5 QSPCLK | 0 | 1 | 0 | 0 | 0: 6 QSPCLK | 0 | 1 | 0 | 1 | 1: 7 QSPCLK | 0 | 1 | 1 | 0 | 0: 8 QSPCLK | 0 | 1 | 1 | 1 | 1: 9 QSPCLK | 1 | 0 | 0 | 0 | 0: 10 QSPCLK | 1 | 0 | 0 | 1 | 1: 11 QSPCLK | 1 | 0 | 1 | 0 | 0: 12 QSPCLK | 1 | 0 | 1 | 1 | 1: 13 QSPCLK | 1 | 1 | 0 | 0 | 0: 14 QSPCLK | 1 | 1 | 0 | 1 | 1: 15 QSPCLK | 1 | 1 | 1 | 0 | 0: 16 QSPCLK | 1 | 1 | 1 | 1 | 1: 17 QSPCLK. | R/W |
| b3         | b2         | b1   | b0   |   |    |    |    |  |   |   |   |   |   |   |   |   |   |               |   |   |   |   |             |   |   |   |   |             |   |   |   |   |             |   |   |   |   |             |   |   |   |   |             |   |   |   |   |             |   |   |   |   |              |   |   |   |   |              |   |   |   |   |              |   |   |   |   |              |   |   |   |   |              |   |   |   |   |              |   |   |   |   |              |   |   |   |   |               |     |
| 0          | 0          | 0  | 0  | 0: Default dummy cycles for each instruction:<br>- Fast Read Quad I/O: 6 QSPCLK<br>- Fast Read Quad Output: 8 QSPCLK<br>- Fast Read Dual I/O: 4 QSPCLK<br>- Fast Read Dual Output: 8 QSPCLK<br>- Fast Read: 8 QSPCLK. |    |    |    |  |   |   |   |   |   |   |   |   |   |               |   |   |   |   |             |   |   |   |   |             |   |   |   |   |             |   |   |   |   |             |   |   |   |   |             |   |   |   |   |             |   |   |   |   |              |   |   |   |   |              |   |   |   |   |              |   |   |   |   |              |   |   |   |   |              |   |   |   |   |              |   |   |   |   |              |   |   |   |   |               |     |
| 0          | 0          | 0  | 1  | 1: 3 QSPCLK*1   |    |    |    |  |   |   |   |   |   |   |   |   |   |               |   |   |   |   |             |   |   |   |   |             |   |   |   |   |             |   |   |   |   |             |   |   |   |   |             |   |   |   |   |             |   |   |   |   |              |   |   |   |   |              |   |   |   |   |              |   |   |   |   |              |   |   |   |   |              |   |   |   |   |              |   |   |   |   |              |   |   |   |   |               |     |
| 0          | 0          | 1  | 0  | 0: 4 QSPCLK   |    |    |    |  |   |   |   |   |   |   |   |   |   |               |   |   |   |   |             |   |   |   |   |             |   |   |   |   |             |   |   |   |   |             |   |   |   |   |             |   |   |   |   |             |   |   |   |   |              |   |   |   |   |              |   |   |   |   |              |   |   |   |   |              |   |   |   |   |              |   |   |   |   |              |   |   |   |   |              |   |   |   |   |               |     |
| 0          | 0          | 1  | 1  | 1: 5 QSPCLK   |    |    |    |  |   |   |   |   |   |   |   |   |   |               |   |   |   |   |             |   |   |   |   |             |   |   |   |   |             |   |   |   |   |             |   |   |   |   |             |   |   |   |   |             |   |   |   |   |              |   |   |   |   |              |   |   |   |   |              |   |   |   |   |              |   |   |   |   |              |   |   |   |   |              |   |   |   |   |              |   |   |   |   |               |     |
| 0          | 1          | 0  | 0  | 0: 6 QSPCLK   |    |    |    |  |   |   |   |   |   |   |   |   |   |               |   |   |   |   |             |   |   |   |   |             |   |   |   |   |             |   |   |   |   |             |   |   |   |   |             |   |   |   |   |             |   |   |   |   |              |   |   |   |   |              |   |   |   |   |              |   |   |   |   |              |   |   |   |   |              |   |   |   |   |              |   |   |   |   |              |   |   |   |   |               |     |
| 0          | 1          | 0  | 1  | 1: 7 QSPCLK   |    |    |    |  |   |   |   |   |   |   |   |   |   |               |   |   |   |   |             |   |   |   |   |             |   |   |   |   |             |   |   |   |   |             |   |   |   |   |             |   |   |   |   |             |   |   |   |   |              |   |   |   |   |              |   |   |   |   |              |   |   |   |   |              |   |   |   |   |              |   |   |   |   |              |   |   |   |   |              |   |   |   |   |               |     |
| 0          | 1          | 1  | 0  | 0: 8 QSPCLK   |    |    |    |  |   |   |   |   |   |   |   |   |   |               |   |   |   |   |             |   |   |   |   |             |   |   |   |   |             |   |   |   |   |             |   |   |   |   |             |   |   |   |   |             |   |   |   |   |              |   |   |   |   |              |   |   |   |   |              |   |   |   |   |              |   |   |   |   |              |   |   |   |   |              |   |   |   |   |              |   |   |   |   |               |     |
| 0          | 1          | 1  | 1  | 1: 9 QSPCLK   |    |    |    |  |   |   |   |   |   |   |   |   |   |               |   |   |   |   |             |   |   |   |   |             |   |   |   |   |             |   |   |   |   |             |   |   |   |   |             |   |   |   |   |             |   |   |   |   |              |   |   |   |   |              |   |   |   |   |              |   |   |   |   |              |   |   |   |   |              |   |   |   |   |              |   |   |   |   |              |   |   |   |   |               |     |
| 1          | 0          | 0  | 0  | 0: 10 QSPCLK  |    |    |    |  |   |   |   |   |   |   |   |   |   |               |   |   |   |   |             |   |   |   |   |             |   |   |   |   |             |   |   |   |   |             |   |   |   |   |             |   |   |   |   |             |   |   |   |   |              |   |   |   |   |              |   |   |   |   |              |   |   |   |   |              |   |   |   |   |              |   |   |   |   |              |   |   |   |   |              |   |   |   |   |               |     |
| 1          | 0          | 0  | 1  | 1: 11 QSPCLK  |    |    |    |  |   |   |   |   |   |   |   |   |   |               |   |   |   |   |             |   |   |   |   |             |   |   |   |   |             |   |   |   |   |             |   |   |   |   |             |   |   |   |   |             |   |   |   |   |              |   |   |   |   |              |   |   |   |   |              |   |   |   |   |              |   |   |   |   |              |   |   |   |   |              |   |   |   |   |              |   |   |   |   |               |     |
| 1          | 0          | 1  | 0  | 0: 12 QSPCLK  |    |    |    |  |   |   |   |   |   |   |   |   |   |               |   |   |   |   |             |   |   |   |   |             |   |   |   |   |             |   |   |   |   |             |   |   |   |   |             |   |   |   |   |             |   |   |   |   |              |   |   |   |   |              |   |   |   |   |              |   |   |   |   |              |   |   |   |   |              |   |   |   |   |              |   |   |   |   |              |   |   |   |   |               |     |
| 1          | 0          | 1  | 1  | 1: 13 QSPCLK  |    |    |    |  |   |   |   |   |   |   |   |   |   |               |   |   |   |   |             |   |   |   |   |             |   |   |   |   |             |   |   |   |   |             |   |   |   |   |             |   |   |   |   |             |   |   |   |   |              |   |   |   |   |              |   |   |   |   |              |   |   |   |   |              |   |   |   |   |              |   |   |   |   |              |   |   |   |   |              |   |   |   |   |               |     |
| 1          | 1          | 0  | 0  | 0: 14 QSPCLK  |    |    |    |  |   |   |   |   |   |   |   |   |   |               |   |   |   |   |             |   |   |   |   |             |   |   |   |   |             |   |   |   |   |             |   |   |   |   |             |   |   |   |   |             |   |   |   |   |              |   |   |   |   |              |   |   |   |   |              |   |   |   |   |              |   |   |   |   |              |   |   |   |   |              |   |   |   |   |              |   |   |   |   |               |     |
| 1          | 1          | 0  | 1  | 1: 15 QSPCLK  |    |    |    |  |   |   |   |   |   |   |   |   |   |               |   |   |   |   |             |   |   |   |   |             |   |   |   |   |             |   |   |   |   |             |   |   |   |   |             |   |   |   |   |             |   |   |   |   |              |   |   |   |   |              |   |   |   |   |              |   |   |   |   |              |   |   |   |   |              |   |   |   |   |              |   |   |   |   |              |   |   |   |   |               |     |
| 1          | 1          | 1  | 0  | 0: 16 QSPCLK  |    |    |    |  |   |   |   |   |   |   |   |   |   |               |   |   |   |   |             |   |   |   |   |             |   |   |   |   |             |   |   |   |   |             |   |   |   |   |             |   |   |   |   |             |   |   |   |   |              |   |   |   |   |              |   |   |   |   |              |   |   |   |   |              |   |   |   |   |              |   |   |   |   |              |   |   |   |   |              |   |   |   |   |               |     |
| 1          | 1          | 1  | 1  | 1: 17 QSPCLK.   |    |    |    |  |   |   |   |   |   |   |   |   |   |               |   |   |   |   |             |   |   |   |   |             |   |   |   |   |             |   |   |   |   |             |   |   |   |   |             |   |   |   |   |             |   |   |   |   |              |   |   |   |   |              |   |   |   |   |              |   |   |   |   |              |   |   |   |   |              |   |   |   |   |              |   |   |   |   |              |   |   |   |   |               |     |
| b5, b4     | —          | Reserved   | These bits are read as 0. The write value should be 0.   | R/W   |    |    |    |  |   |   |   |   |   |   |   |   |   |               |   |   |   |   |             |   |   |   |   |             |   |   |   |   |             |   |   |   |   |             |   |   |   |   |             |   |   |   |   |             |   |   |   |   |              |   |   |   |   |              |   |   |   |   |              |   |   |   |   |              |   |   |   |   |              |   |   |   |   |              |   |   |   |   |              |   |   |   |   |               |     |
| b6         | SFMXST     | XIP mode status  | 0: Normal (non-XIP) mode<br>1: XIP mode.   | R   |    |    |    |  |   |   |   |   |   |   |   |   |   |               |   |   |   |   |             |   |   |   |   |             |   |   |   |   |             |   |   |   |   |             |   |   |   |   |             |   |   |   |   |             |   |   |   |   |              |   |   |   |   |              |   |   |   |   |              |   |   |   |   |              |   |   |   |   |              |   |   |   |   |              |   |   |   |   |              |   |   |   |   |               |     |
| b7         | SFMXEN     | XIP mode permission in the QSPI                          | 0: Prohibit XIP mode<br>1: Permit XIP mode.  | R/W   |    |    |    |  |   |   |   |   |   |   |   |   |   |               |   |   |   |   |             |   |   |   |   |             |   |   |   |   |             |   |   |   |   |             |   |   |   |   |             |   |   |   |   |             |   |   |   |   |              |   |   |   |   |              |   |   |   |   |              |   |   |   |   |              |   |   |   |   |              |   |   |   |   |              |   |   |   |   |              |   |   |   |   |               |     |
| b15 to b8  | SFMDN      | Mode data for serial flash.                              | Controls XIP mode  | R/W   |    |    |    |  |   |   |   |   |   |   |   |   |   |               |   |   |   |   |             |   |   |   |   |             |   |   |   |   |             |   |   |   |   |             |   |   |   |   |             |   |   |   |   |             |   |   |   |   |              |   |   |   |   |              |   |   |   |   |              |   |   |   |   |              |   |   |   |   |              |   |   |   |   |              |   |   |   |   |              |   |   |   |   |               |     |
| b31 to b16 | —          | Reserved   | These bits are read as 0. The write value should be 0.   | R/W   |    |    |    |  |   |   |   |   |   |   |   |   |   |               |   |   |   |   |             |   |   |   |   |             |   |   |   |   |             |   |   |   |   |             |   |   |   |   |             |   |   |   |   |             |   |   |   |   |              |   |   |   |   |              |   |   |   |   |              |   |   |   |   |              |   |   |   |   |              |   |   |   |   |              |   |   |   |   |              |   |   |   |   |               |     |

Note 1. To avoid a conflict with the input/output switch of the serial flash pin connected to QIO0 pin, select more than 4 QSPCLK dummy cycles when the output enable signal is extended by setting the SFMOEX bit in the SFMSMD register to 1.

### 37.2.11 SPI Protocol Control Register (SFMSPC)

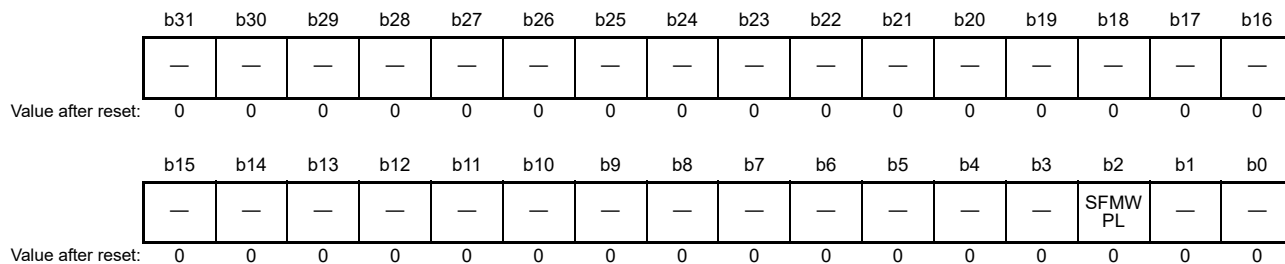
Address(es): QSPI.SFMSPC 6400 0030h



| Bits      | Symbol | Bit name  | Description   | R/W |
|-----------|--------|---|---|-----|
| b1, b0    | SFMSPI | SPI protocol select   | b1 b0<br>0 0: Extended SPI protocol<br>0 1: Dual SPI protocol<br>1 0: Quad SPI protocol<br>1 1: Setting prohibited. | R/W |
| b3, b2    | —      | Reserved  | These bits are read as 0. The write value should be 0.  | R/W |
| b4        | SFMSDE | Minimum time select for input/output switch, when Dual SPI or Quad SPI protocol is selected and in standard read mode | 0: Do not allocate minimum switch time<br>1: Allocate minimum switch time equivalent to 1 QSPCLK.                   | R/W |
| b31 to b5 | —      | Reserved  | These bits are read as 0. The write value should be 0.  | R/W |

### 37.2.12 Port Control Register (SFMPMD)

Address(es): QSPI.SFMPMD 6400 0034h



| Bits      | Symbol | Bit name                   | Description  | R/W |
|-----------|--------|----------------------------|--|-----|
| b1, b0    | —      | Reserved                   | These bits are read as 0. The write value should be 0. | R/W |
| b2        | SFMWPL | WP pin level specification | 0: Low level<br>1: High level.                         | R/W |
| b31 to b3 | —      | Reserved                   | These bits are read as 0. The write value should be 0. | R/W |

### 37.2.13 External QSPI Address Register (SFMCNT1)

Address(es): QSPI.SFMCNT1 6400 0804h



| Bits       | Symbol        | Bit name               | Description   | R/W |
|------------|---------------|------------------------|---|-----|
| b25 to b0  | —             | Reserved               | These bits are read as 0. The write value should be 0.  | R/W |
| b31 to b26 | QSPI_EXT[5:0] | Bank switching address | When accessing from 6000 0000h to 63FF FFFFh, the address bus is set from QSPI_EXT[5:0] to the upper 6 bits of the internal bus address | R/W |

## 37.3 Memory Map

### 37.3.1 Internal Bus Space

The locations of the serial flash and control registers in the AHB space are determined by the address range of the configured area.

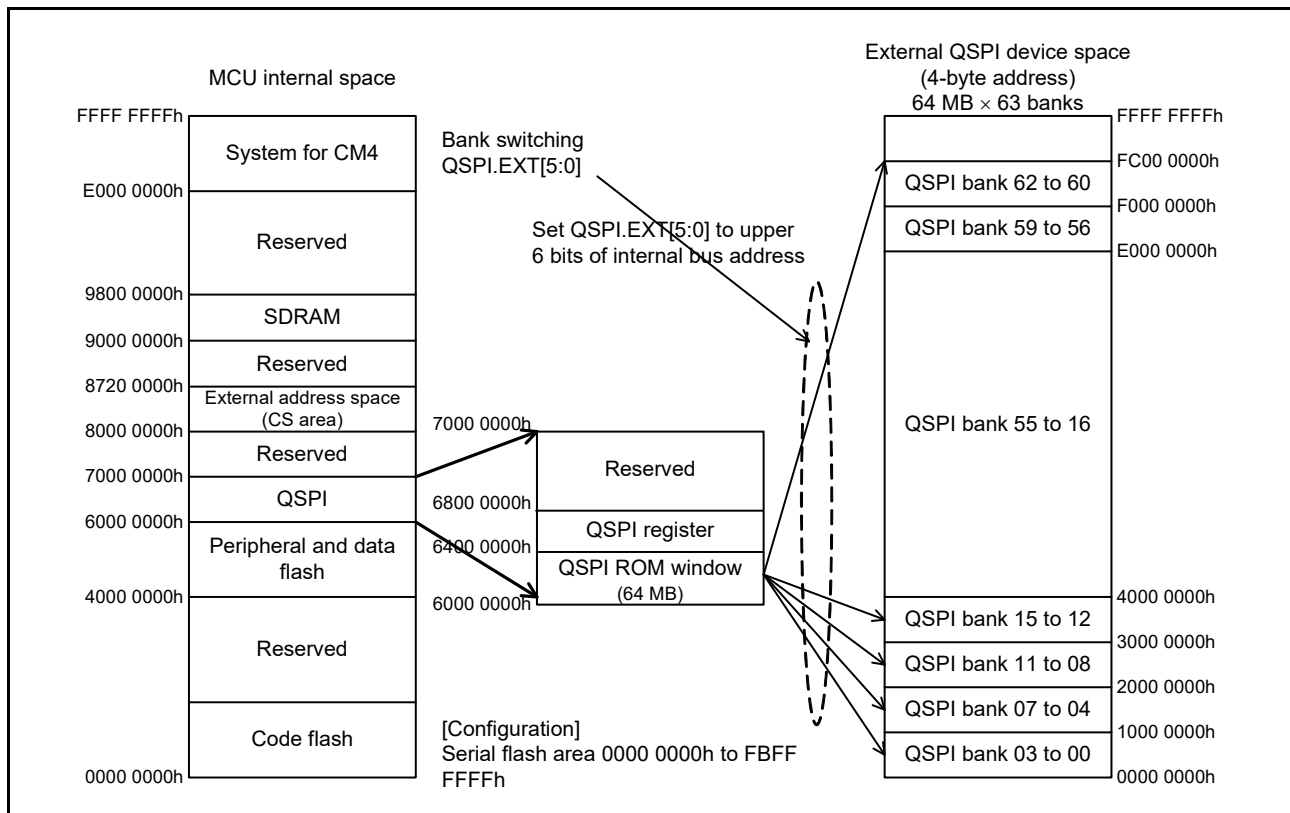


Figure 37.2 Default area setting and AHB space memory map

### 37.3.2 Address Width of the SPI Space and SPI Bus

The SPI space has a 32-bit address width for referencing the serial flash. When the SPI space is accessed for a read, an SPI bus cycle starts automatically, and data read from the serial flash is returned.

The address width of the SPI space is fixed at 32 bits. However, the address width of the SPI bus is selectable to 8, 16, 24, or 32 bits in the SFMAS[1:0] bits in the SFMSAC register. If the address width of the SPI bus is selected as 8, 16, or 24 bits, only the lower part of the address used to access the SPI space is posted to the serial flash through the SPI bus. As a result, the mirror image of the serial flash corresponding to the address width of the SPI bus repeatedly appears in the SPI space.

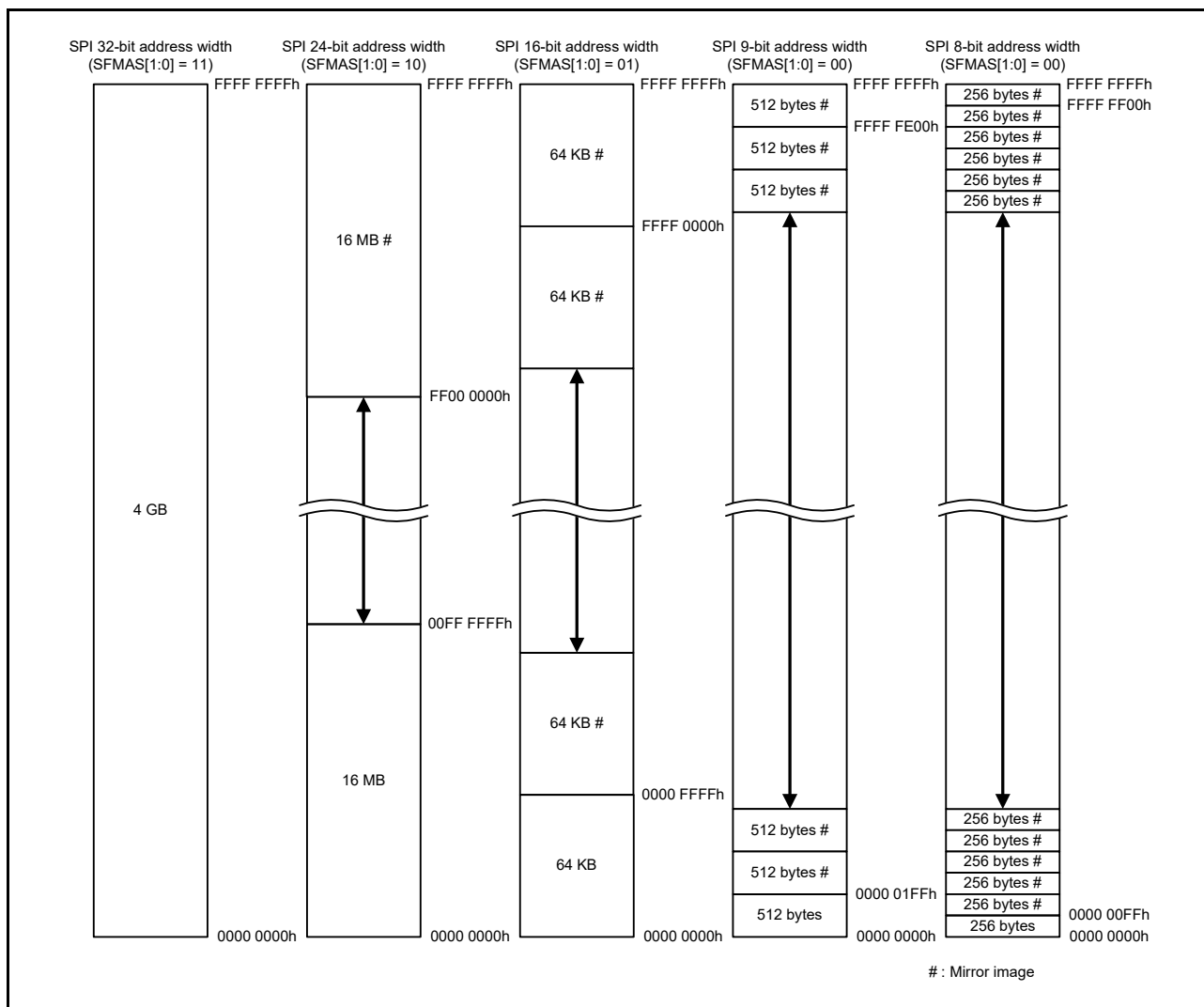


Figure 37.3 Memory map of SPI space

Note: The SPI bus address width is selectable to 8, 16, 24, or 32 bits in the SFMAS[1:0] bits in the SFMSAC register. When an 8-bit address width is selected, the address information of the ninth bit can be embedded in the Read instruction code. The address map in the figures is for the SPI 9-bit address width. For details on the Read instruction, see [section 37.6.2, Standard Read Instruction](#).

### 37.4 SPI Bus

#### 37.4.1 SPI Protocol

The QSPI supports Extended SPI, Dual SPI, and Quad SPI, in addition to the SPI protocol used for serial flash connection. The initial state is Extended SPI. To change the protocol, set the SFMSPI bit in the SFMSPC register. The Extended SPI protocol always outputs instruction codes from a single QIO0 pin. It performs subsequent address and data I/O operations using one to four pins, depending on the instruction code format.

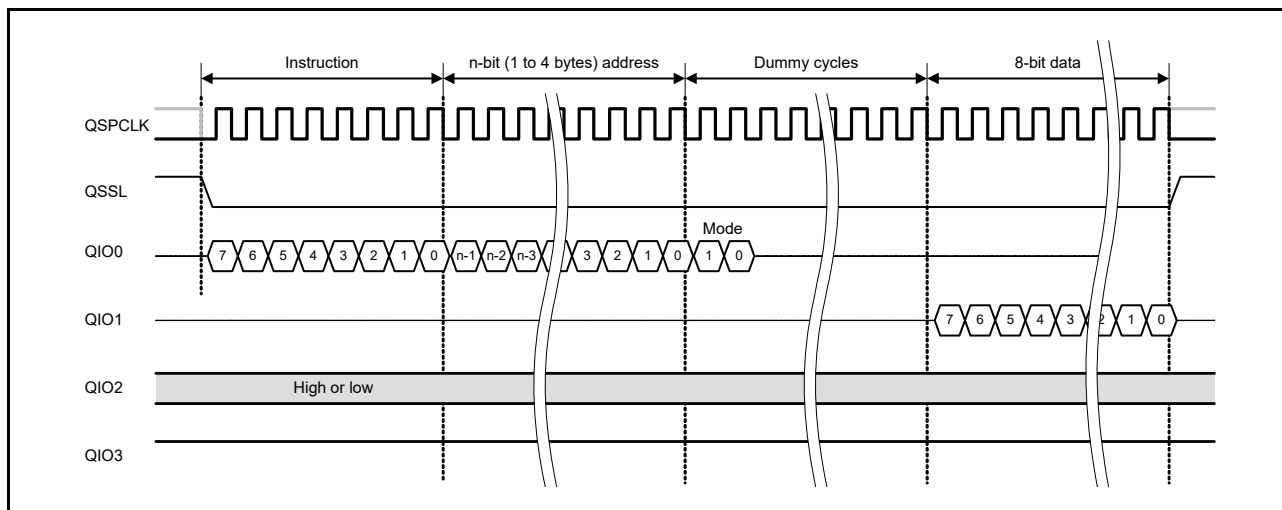


Figure 37.4 Extended SPI protocol example 1 for Fast Read

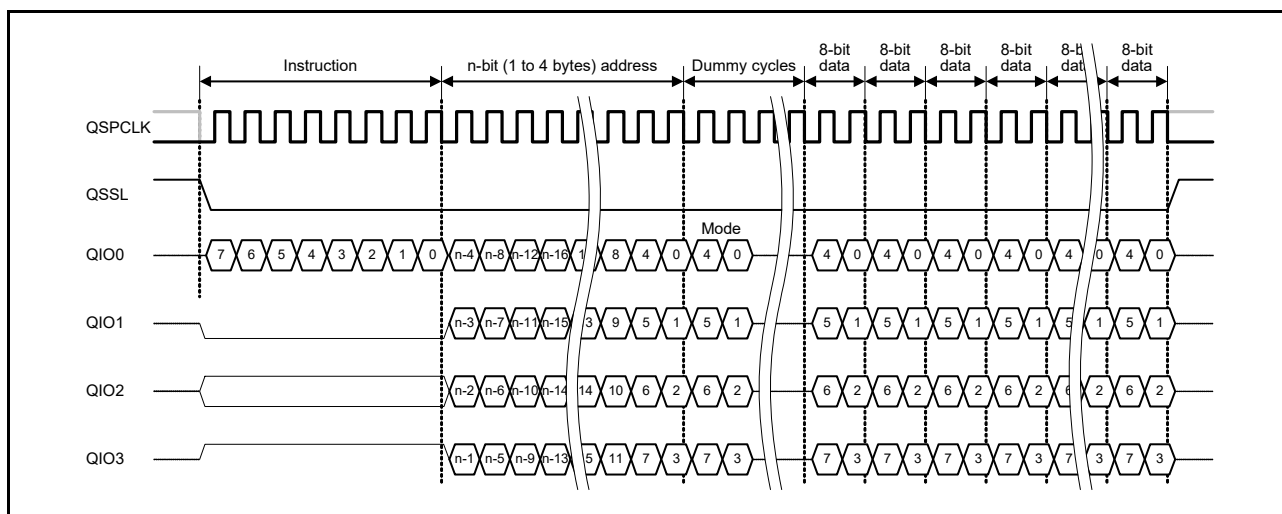
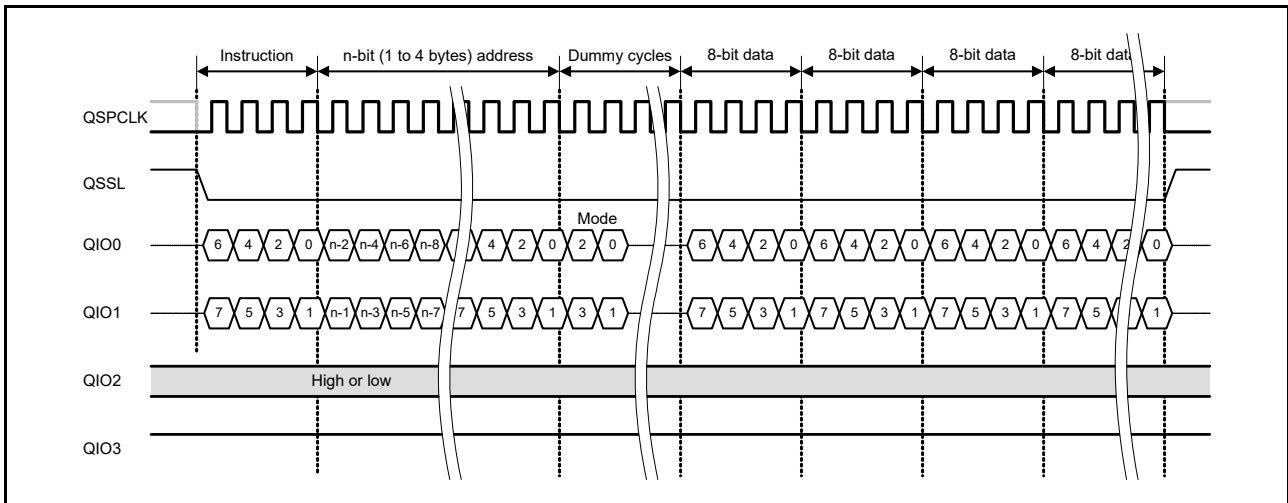


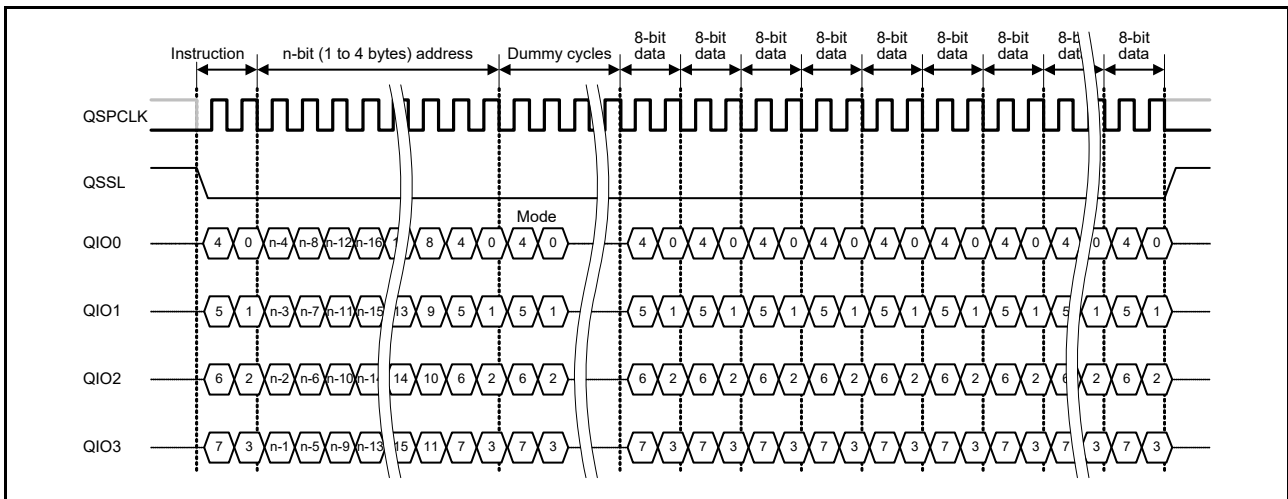
Figure 37.5 Extended SPI protocol example 2 for Fast Read Quad I/O

The Dual SPI protocol performs the I/O operation of all signals such as instruction codes, addresses, and data using two pins, QIO0 and QIO1.



**Figure 37.6 Dual SPI protocol example for Fast Read**

The Quad SPI protocol performs the I/O operation of all signals such as instruction codes, addresses, and data using four pins, QIO0, QIO1, QIO2, and QIO3.



**Figure 37.7 Quad SPI protocol example for Fast Read**

### 37.4.2 SPI Mode

The initial SPI mode is set to SPI mode 0 or 3 by the CFGMD3 pin. This can be switched by changing the register setting during operation. The difference between SPI modes 0 and 3 is the standby level of the QSPCLK signal. The standby level of the QSPCLK signal is low in SPI mode 0, and is high in SPI mode 3.

Serial data is output from the QSPI on a falling edge of the serial clock and is read into the external flash on a rising edge of the serial clock. Serial data is output from the external flash on a falling edge of the serial clock and is read into the QSPI on the next falling edge of the serial clock.

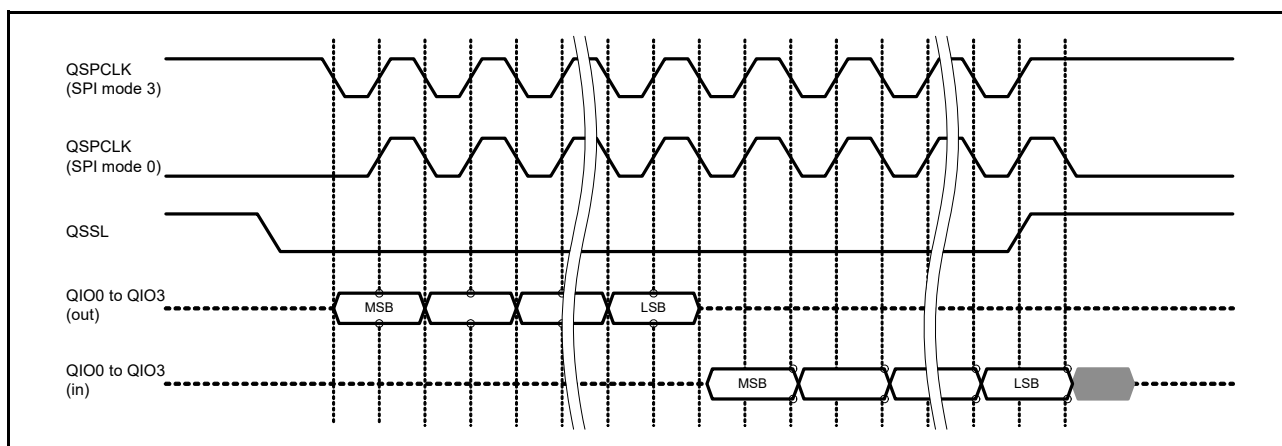


Figure 37.8 Basic serial interface timing

### 37.5 SPI Bus Timing Adjustment

The timing of the SPI bus signal can be adjusted in the registers. The configured timing is applied to all SPI bus accesses, for both ROM access and direct communication.

#### 37.5.1 SPI Bus Reference Cycles

The SPI bus operates on reference cycles obtained by multiplying PCLKA by an integer. The reference cycles are selectable within the range of PCLKA multiplied by 2 to 48 in the SFMDV[4:0] bits in the SFMSKC register.

Table 37.3 Relationship among SFMDV[4:0] bits, cycle multiplier, and serial clock frequencies (1 of 2)

| SFMDV[4:0] | Cycle multiplier | PCLKA frequency (MHz) |  |
|------------|------------------|-----------------------|--|
|            |                  | 120                   |  |
| 11111      | 48               | 2.50                  |  |
| 11110      | 46               | 2.61                  |  |
| 11101      | 44               | 2.73                  |  |
| 11100      | 42               | 2.86                  |  |
| 11011      | 40               | 3.00                  |  |
| 11010      | 38               | 3.16                  |  |
| 11001      | 36               | 3.33                  |  |
| 11000      | 34               | 3.53                  |  |
| 10111      | 32               | 3.75                  |  |
| 10110      | 30               | 4.00                  |  |
| 10101      | 28               | 4.29                  |  |
| 10100      | 26               | 4.62                  |  |
| 10011      | 24               | 5.00                  |  |
| 10010      | 22               | 5.45                  |  |
| 10001      | 20               | 6.00                  |  |

**Table 37.3 Relationship among SFMDV[4:0] bits, cycle multiplier, and serial clock frequencies (2 of 2)**

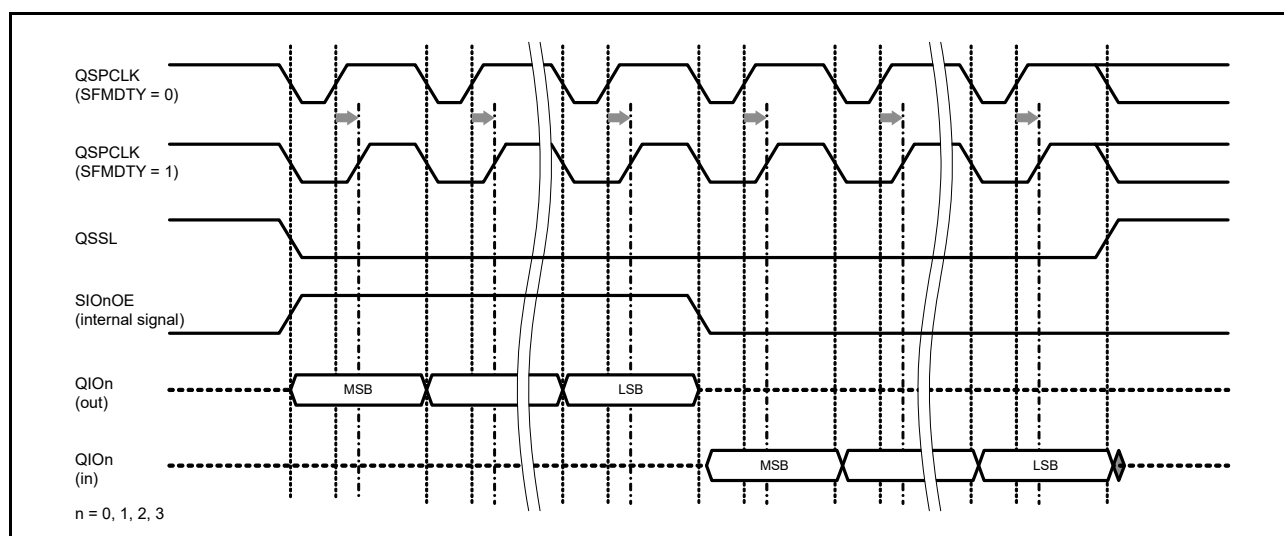
| SFMDV[4:0] | Cycle multiplier | PCLKA frequency (MHz) |
|------------|------------------|-----------------------|
|            |                  | 120                   |
| 10000      | 18               | 6.67                  |
| 01111      | 17               | 7.06                  |
| 01110      | 16               | 7.50                  |
| 01101      | 15               | 8.00                  |
| 01100      | 14               | 8.57                  |
| 01011      | 13               | 9.23                  |
| 01010      | 12               | 10.00                 |
| 01001      | 11               | 10.91                 |
| 01000      | 10               | 12.00                 |
| 00111      | 9                | 13.33                 |
| 00110      | 8                | 15.00                 |
| 00101      | 7                | 17.14                 |
| 00100      | 6                | 20.00                 |
| 00011      | 5                | 24.00                 |
| 00010      | 4                | 30.00                 |
| 00001      | 3                | 40.00                 |
| 00000      | 2                | 60.00                 |

### 37.5.2 QSPCLK Signal Duty Ratio

When the reference clock is configured as PCLKA multiplied by an even number, the high- and low-level widths of the QSPCLK signal match each other. When PCLKA is multiplied by an odd number, however, the high-level width is longer than the low-level width by 1 PCLKA.

To make the duty ratio of the QSPCLK signal close to 50% when the reference clock is PCLKA multiplied by an odd number, set the SFMDTY bit in the SFMSKC register to 1. With this setting, the rising edge of the QSPCLK output signal is delayed by one-half PCLKA cycle to perform an interface operation equivalent to a duty ratio of 50%.

When the reference clock is PCLKA multiplied by an even number, the SFMDTY setting in the SFMSKC register is ignored.



**Figure 37.9 Example correction of the QSPCLK signal duty ratio using the SFMDTY bit, when PCLKA is multiplied by 3**



### 37.5.3 Minimum High-Level Width for the QSSL Signal

Between adjacent SPI bus cycles, the QSSL signal must be held high (inactive) for a sufficient time to satisfy the deselect time required by the serial flash. The minimum high-level width of the QSSL output signal is selectable as the reference cycle multiplied by an integer from 1 to 16 in the SFMSW[3:0] bits in the SFMSSC register.

### 37.5.4 QSSL Signal Setup Time

When the QSPCLK signal first rises after the QSSL signal is driven low, the QSSL signal setup time can be configured to satisfy the serial flash requirements. The setup time can be selectable as 0.5 QSPCLK or 1.5 QSPCLK in the SFMSLD bit in the SFMSSC register.

The SFMSLD setting in the SFMSSC register is also used to allocate a setup time from the output of the serial data output enable signal (QIO0OE, QIO1OE, QIO2OE, or QIO3OE) until the first rising edge of the QSPCLK signal. Set a value that meets the most constrained timing condition for your application.

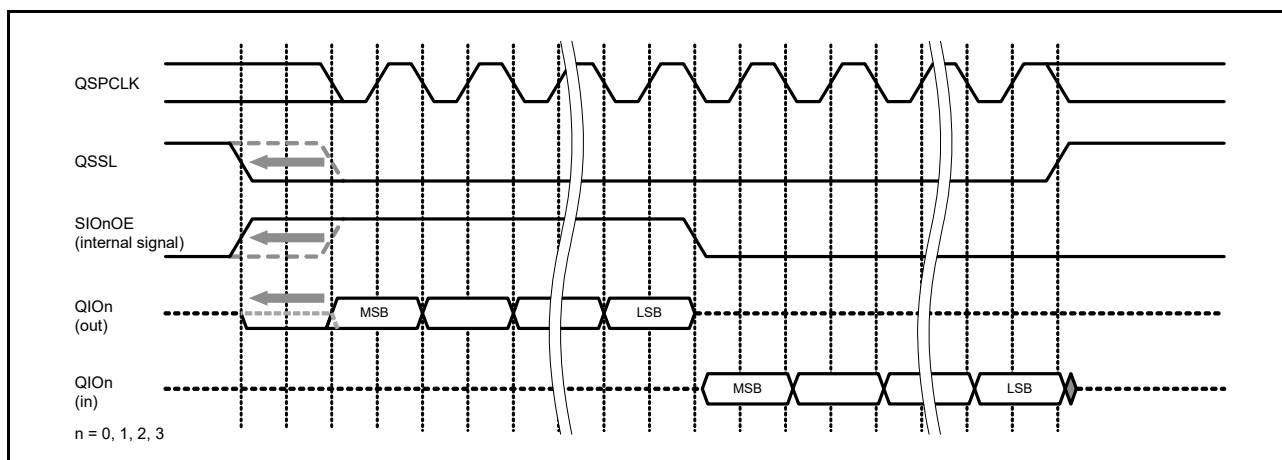


Figure 37.10 Setup time adjustment for the QSSL signal using the SFMSLD bit

### 37.5.5 QSSL Signal Hold Time

When the QSSL signal is driven high after the last rising edge of the QSPCLK signal, the QSSL signal hold time can be configured to satisfy the device requirements. The hold time is selectable as 0.5 QSPCLK or 1.5 QSPCLK in the SFMSHD bit in the SFMSSC register.

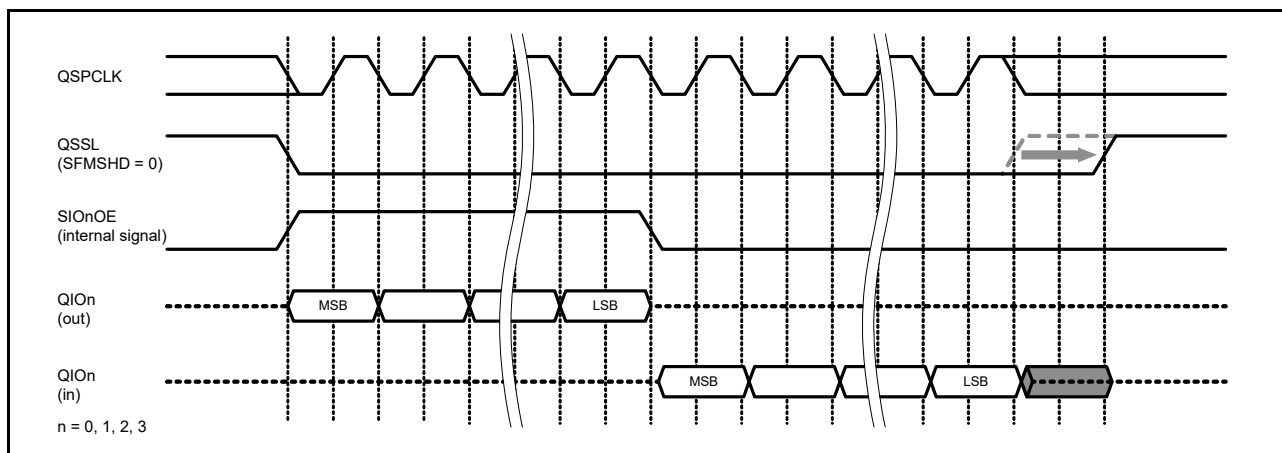


Figure 37.11 Hold time adjustment for the QSSL signal using the SFMSHD bit

### 37.5.6 Hold Time of the Serial Data Output Enable

The buffer output enable of the QIO0, QIO1, QIO2, or QIO3 pin can be extended by 1 QSPCLK using the SFMOEX bit in the SFMSMD register. The target extension signals include only the output enable signals QIO0E, QIO1OE, QIO2OE, and QIO3OE. They do not include the output data signals QIO0O, QIO1O, QIO2O, or QIO3O.

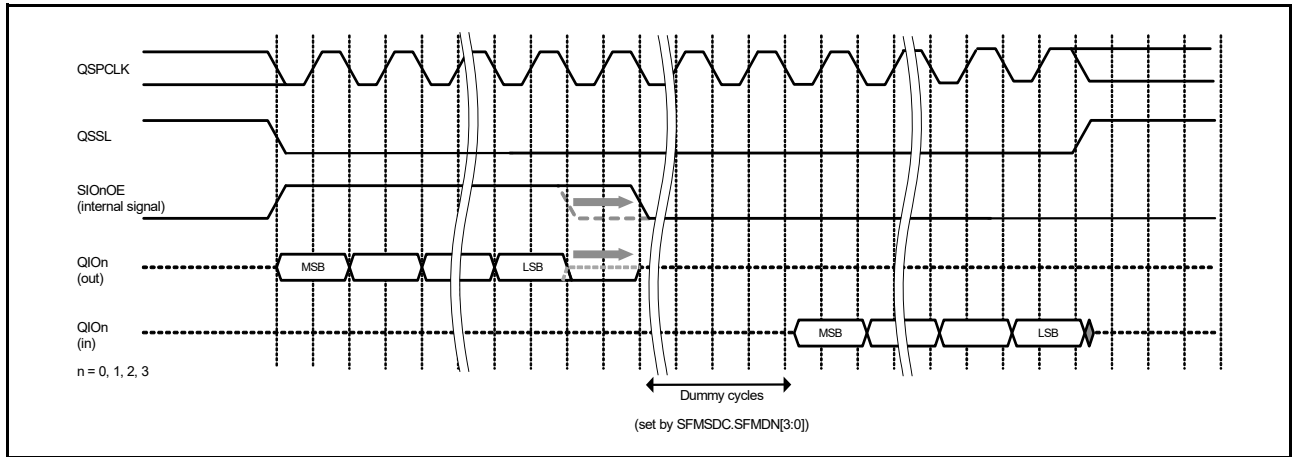


Figure 37.12 Hold time adjustment for output enable using the SFMOEX bit

### 37.5.7 Setup Time for Serial Data Output

When a command or address is transmitted to the serial flash, the setup time begins on serial data output and ends when the QSPCLK signal rises. If this setup time is insufficient, it can be extended by 1 PCLKA using the SFMOSW bit in the SFMSMD register. When SFMOSW is 1, the low-level width of QSPCLK during serial data transmission is extended by 1 PCLKA while data is being output from the QSPI. This function has no effect on serial data reception.

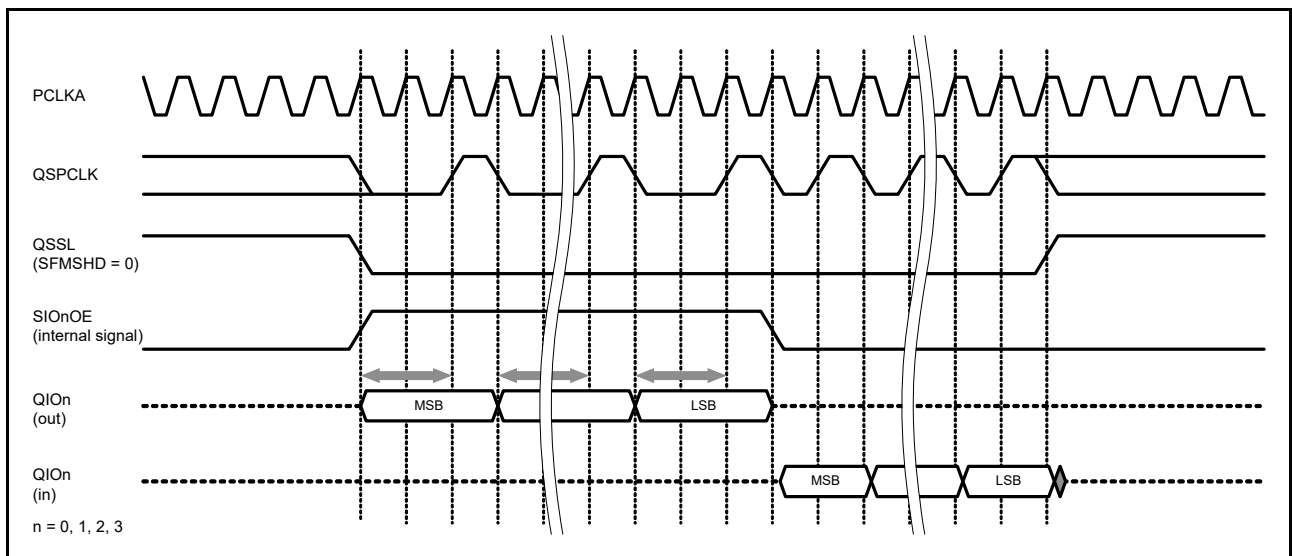


Figure 37.13 Setup time adjustment for serial data output using the SFMOSW bit

### 37.5.8 Hold Time for Serial Data Output

When a command or address is transmitted to the serial flash, the hold time begins on the rising edge of QSPCLK and ends when the serial data makes another transmission. If this hold time is insufficient, it can be extended by 1 PCLKA using the SFMOHW bit in the SFMSMD register. When SFMOSW is 1, the high-level width of QSPCLK during serial data transmission is extended by 1 PCLKA while data is being output from the QSPI. This function has no effect on serial data reception.

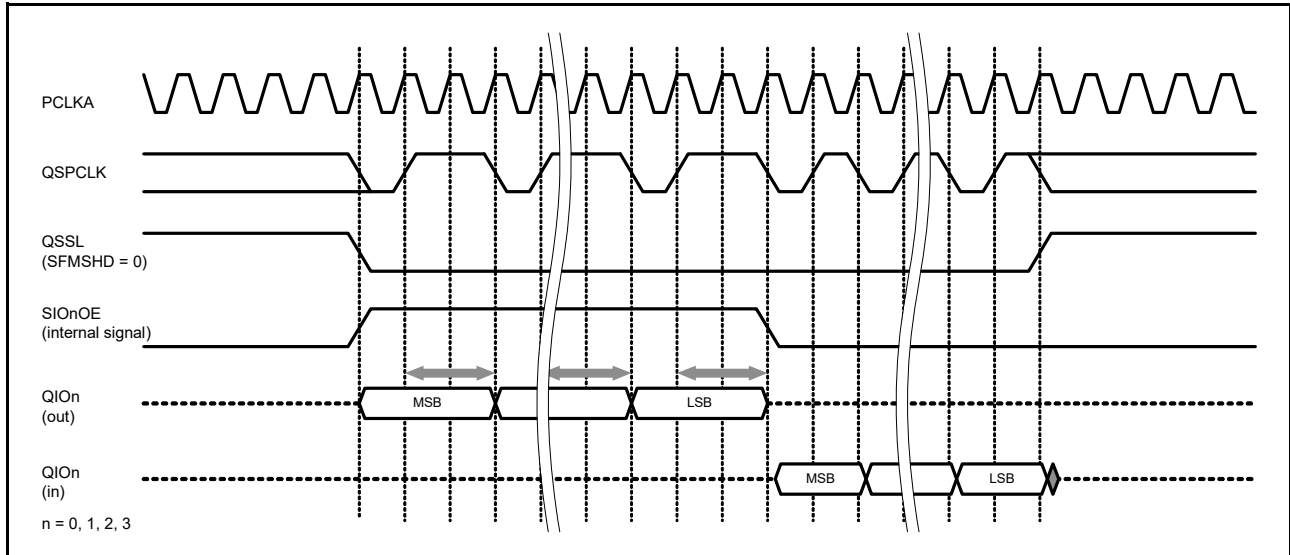


Figure 37.14 Hold time adjustment for serial data output using the SFMOHW bit

### 37.5.9 Serial Data Receiving Latency

The serial flash outputs data in synchronization with the falling edge of the QSPCLK signal. The QSPI receives that data in synchronization with the falling edge of the subsequent QSPCLK signal. The delay from when the serial flash starts outputting data until the QSPI receives that data is called the receiving latency. The QSPI adds a latency adjustment cycle immediately before the first data reception cycle in the SPI bus cycle. From the serial flash side, this is seen as an increase in the number of data reception cycles. This added latency adjustment cycle is not generated in the SPI bus cycle without the accompanying data reception.

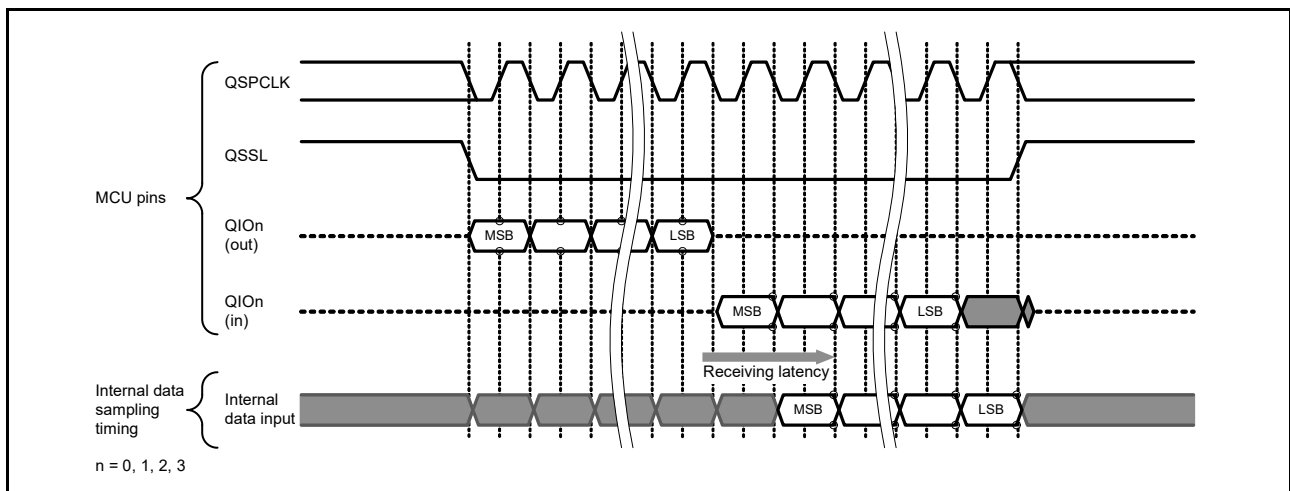


Figure 37.15 Receiving latency

## 37.6 SPI Instruction Set Used for Flash Access

### 37.6.1 SPI Instructions That Are Automatically Generated

When the serial flash is accessed, an SPI bus cycle using one of the instructions described in [Table 37.4](#) to [Table 37.8](#) is automatically generated based on the settings in the SFMAS[1:0] bits in the SFMSAC register and in the SFMSMD register.

**Table 37.4 SPI instructions automatically generated when SFMAS[1:0] = 00b**

| Instruction format | Instruction code  | Address bytes | Dummy cycles | Data bytes | Remarks                            |
|--------------------|-------------------|---------------|--------------|------------|------------------------------------|
| Read               | 03h <sup>*1</sup> | 1             | —            | 1 to ∞     | Required: SFMRM[2:0] = 000, A8 = 0 |
|                    | 0Bh <sup>*1</sup> | 1             | —            | 1 to ∞     | Required: SFMRM[2:0] = 000, A8 = 1 |

Note 1. If the SFMSMD.SFMCCE bit is set to 1, the SFMSIC.SFMCIC[7:0] setting is used as an instruction code.

**Table 37.5 SPI instructions automatically generated when SFMAS[1:0] = 01b**

| Instruction format | Instruction code  | Address bytes | Dummy cycles | Data bytes | Remarks                    |
|--------------------|-------------------|---------------|--------------|------------|----------------------------|
| Read               | 03h <sup>*1</sup> | 2             | —            | 1 to ∞     | Required: SFMRM[2:0] = 000 |

Note 1. If the SFMSMD.SFMCCE bit is set to 1, the SFMSIC.SFMCIC[7:0] setting is used as an instruction code.

**Table 37.6 SPI instructions automatically generated when SFMAS[1:0] = 10b**

| Instruction format    | Instruction code  | Address bytes | Dummy cycles    | Data bytes | Remarks                         |
|-----------------------|-------------------|---------------|-----------------|------------|---------------------------------|
| Read                  | 03h <sup>*1</sup> | 3             | —               | 1 to ∞     | Required: SFMRM[2:0] = 000      |
| Fast Read             | 0Bh <sup>*1</sup> | 3             | 8 <sup>*2</sup> | 1 to ∞     | Selectable: SFMRM[2:0] = 001    |
| Fast Read Dual Output | 3Bh <sup>*1</sup> | 3             | 8 <sup>*2</sup> | 1 to ∞     | Selectable: SFMRM[2:0] = 010    |
| Fast Read Dual I/O    | BBh <sup>*1</sup> | 3             | 4 <sup>*2</sup> | 1 to ∞     | Selectable: SFMRM[2:0] = 011    |
| Fast Read Quad Output | 6Bh <sup>*1</sup> | 3             | 8 <sup>*2</sup> | 1 to ∞     | Selectable: SFMRM[2:0] = 100    |
| Fast Read Quad I/O    | EBh <sup>*1</sup> | 3             | 6 <sup>*2</sup> | 1 to ∞     | Selectable: SFMRM[2:0] = 101    |
| Write Enable          | 06h               | —             | —               | —          | Selectable: ENEX4B[1:0] = 10    |
| Exit 4-Byte Mode      | E9h               | —             | —               | —          | Selectable: ENEX4B[1:0] = 01,10 |

Note 1. If the SFMSMD.SFMCCE bit is set to 1, the SFMSIC.SFMCIC[7:0] setting is used as an instruction code.

Note 2. The number of dummy cycles is configurable in the SFMSDC.SFMDN[3:0].

**Table 37.7 SPI instructions automatically generated when SFMAS[1:0] = 11b and SFM4BC = 0**

| Instruction format    | Instruction code  | Address bytes | Dummy cycles    | Data bytes | Remarks                         |
|-----------------------|-------------------|---------------|-----------------|------------|---------------------------------|
| Read                  | 03h <sup>*1</sup> | 4             | —               | 1 to ∞     | Required: SFMRM[2:0] = 000      |
| Fast Read             | 0Bh <sup>*1</sup> | 4             | 8 <sup>*2</sup> | 1 to ∞     | Selectable: SFMRM[2:0] = 001    |
| Fast Read Dual Output | 3Bh <sup>*1</sup> | 4             | 8 <sup>*2</sup> | 1 to ∞     | Selectable: SFMRM[2:0] = 010    |
| Fast Read Dual I/O    | BBh <sup>*1</sup> | 4             | 4 <sup>*2</sup> | 1 to ∞     | Selectable: SFMRM[2:0] = 011    |
| Fast Read Quad Output | 6Bh <sup>*1</sup> | 4             | 8 <sup>*2</sup> | 1 to ∞     | Selectable: SFMRM[2:0] = 100    |
| Fast Read Quad I/O    | EBh <sup>*1</sup> | 4             | 6 <sup>*2</sup> | 1 to ∞     | Selectable: SFMRM[2:0] = 101    |
| Write Enable          | 06h               | —             | —               | —          | Selectable: ENEX4B[1:0] = 10    |
| Enter 4-Byte Mode     | B7h               | —             | —               | —          | Selectable: ENEX4B[1:0] = 01,10 |

Note 1. If the SFMSMD.SFMCCE bit is set to 1, the SFMSIC.SFMCIC[7:0] setting is used as an instruction code.

Note 2. The number of dummy cycles is configurable in the SFMSDC.SFMDN[3:0].

**Table 37.8 SPI instructions automatically generated when SFMAS[1:0] = 11b and SFM4BC = 1**

| Instruction format    | Instruction code  | Address bytes | Dummy cycles    | Data bytes | Remarks                         |
|-----------------------|-------------------|---------------|-----------------|------------|---------------------------------|
| Read                  | 13h <sup>*1</sup> | 4             | —               | 1 to ∞     | Required: SFMRM[2:0] = 000      |
| Fast Read             | 0Ch <sup>*1</sup> | 4             | 8 <sup>*2</sup> | 1 to ∞     | Selectable: SFMRM[2:0] = 001    |
| Fast Read Dual Output | 3Ch <sup>*1</sup> | 4             | 8 <sup>*2</sup> | 1 to ∞     | Selectable: SFMRM[2:0] = 010    |
| Fast Read Dual I/O    | BCh <sup>*1</sup> | 4             | 4 <sup>*2</sup> | 1 to ∞     | Selectable: SFMRM[2:0] = 011    |
| Fast Read Quad Output | 6Ch <sup>*1</sup> | 4             | 8 <sup>*2</sup> | 1 to ∞     | Selectable: SFMRM[2:0] = 100    |
| Fast Read Quad I/O    | ECh <sup>*1</sup> | 4             | 6 <sup>*2</sup> | 1 to ∞     | Selectable: SFMRM[2:0] = 101    |
| Write Enable          | 06h               | —             | —               | —          | Selectable: ENEX4B[1:0] = 10    |
| Enter 4-Byte Mode     | B7h               | —             | —               | —          | Selectable: ENEX4B[1:0] = 01,10 |

Note 1. If the SFMSMD.SFMCCE bit is set to 1, the SFMSIC.SFMCIC[7:0] setting is used as an instruction code.

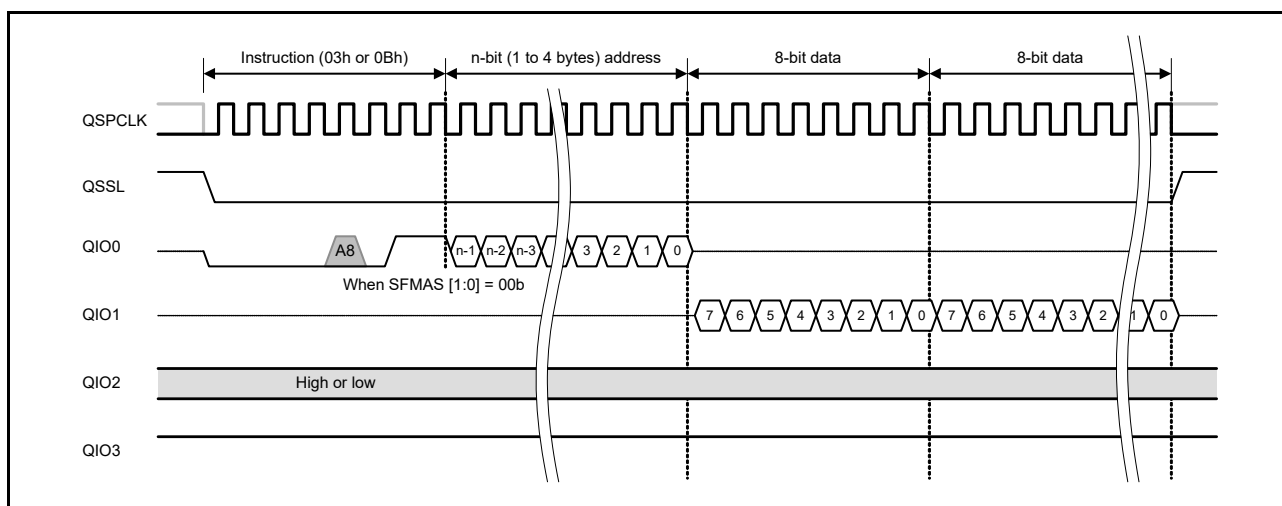
Note 2. The number of dummy cycles is configurable in the SFMSDC.SFMDN[3:0].

### 37.6.2 Standard Read Instruction

The standard Read instruction is a common read instruction supported by most serial flash devices. When an SPI bus cycle starts, the serial flash select signal is asserted, and the instruction code (03h/13h)<sup>\*1</sup> is output. Next, an address with a width of 1 to 4 bytes, specified in the SFMAS[1:0] bits in the SFMSAC register, is transmitted. Data is then received.

This standard Read instruction is selected in the initial QSPI settings.

Note 1. Many 4-Kb serial flash devices have an address field not larger than 1 byte (A7-A0) to minimize the overhead, and to receive A8 information from bit [3] of the Read instruction code. To support these devices, the QSPI only outputs A8 (address bit 8) to bit [3] of the standard Read instruction code when an address width of 1 byte is specified (SFMAS[1:0] = 00). This means that 0Bh might be output instead of 03h as the standard Read instruction code. This code duplicates the Fast Read instruction code. However, for most of the 2-Kb or smaller serial flash devices with an address width of 1 byte, bit [3] of a command is designed to be excluded from decoding as a *don't care* bit, so such a Read instruction code is recognized correctly as the standard Read instruction code. In rare cases, some serial flash devices allow bit [3] to be decoded. When such a serial flash is connected, configure your application to avoid access resulting in A8 = 1.



**Figure 37.16 Standard Read bus cycle**

### 37.6.3 Fast Read Instruction

The Fast Read instruction is a read instruction that supports a higher communication clock speed than the standard Read instruction. When an SPI bus cycle starts, the serial flash select signal is asserted, and the instruction code (0Bh/0Ch) is output. Next, an address with a width of 1 to 4 bytes, specified in the SFMAS[1:0] bits in SFMSAC, and a certain number of dummy cycles, specified in the SFMSDC register, are transmitted. Data is then received.

The first 2 dummy cycles are used to select or deselect the XIP mode. When the XIP mode is selected, the same instruction is applied to the next SPI bus cycle, and the instruction code transmission of the next SPI bus cycle is skipped. For details on the XIP mode, see [section 37.8, XIP Control](#).

Switching to the Fast Read instruction is controlled in the SFMSMD register.

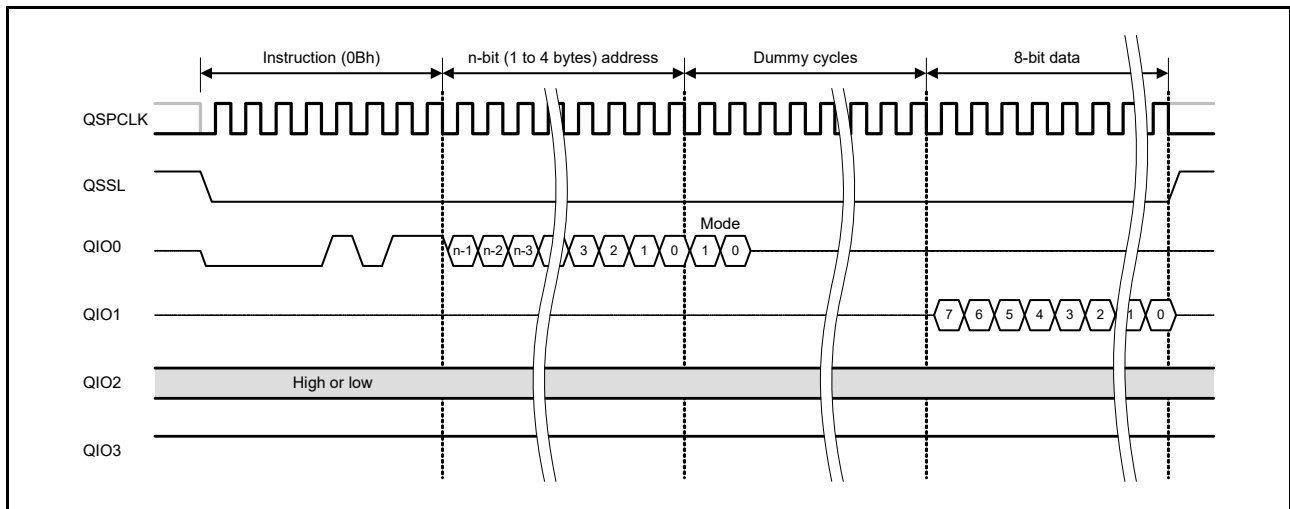


Figure 37.17 Fast Read bus cycle

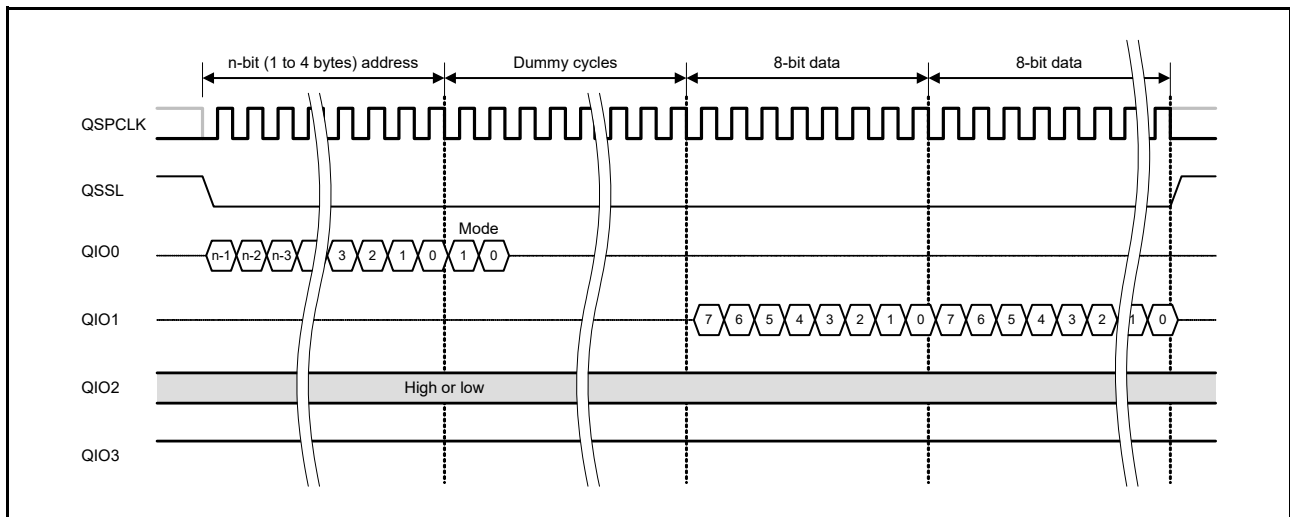


Figure 37.18 Fast Read bus cycle in XIP mode

Note: To use the Fast Read instruction, a serial flash device that supports Fast Read transfers is required.

### 37.6.4 Fast Read Dual Output Instruction

The Fast Read Dual Output instruction is a read instruction that uses two signal lines to receive data. When the SPI bus cycle starts, the serial flash select signal is asserted. The instruction code (3Bh/3Ch) and an address with a width of 1 to 4 bytes, specified in the SFMAS[1:0] bits in the SFMSAC register, are transmitted from the QIO0 pin. Next, a certain number of dummy cycles, specified in the SFMSDC register, is generated. Data is then received through the QIO0 and QIO1 pins. Even bit data is received from the QIO0 pin and odd bit data is received from the QIO1 pin.

The first 2 dummy cycles are used to select or deselect the XIP mode. When the XIP mode is selected, the same instruction used this time is applied to the next SPI bus cycle, and the instruction code transmission of the next SPI bus cycle is skipped. For details on the XIP mode, see [section 37.8, XIP Control](#).

Switching to Fast Read Dual Output is controlled in the SFMSMD register.

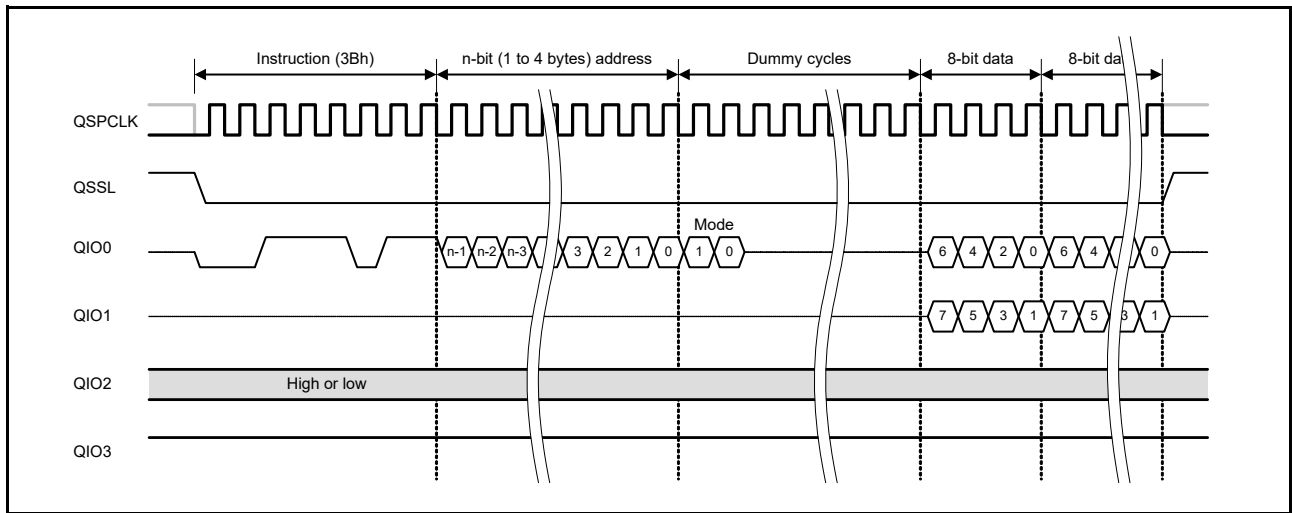


Figure 37.19 Fast Read Dual Output bus cycle

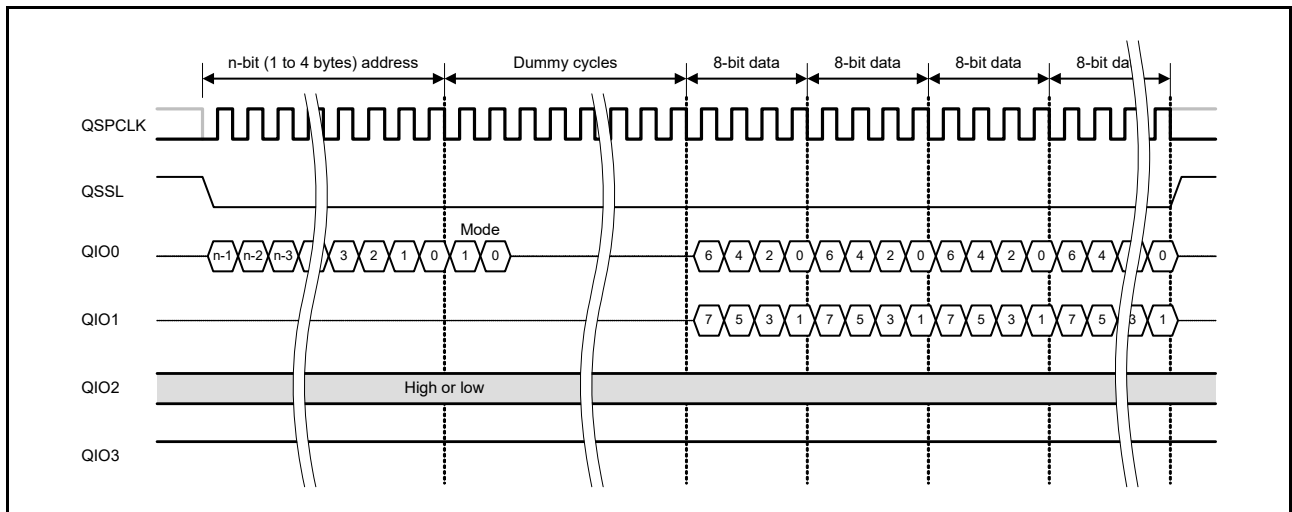


Figure 37.20 Fast Read Dual Output bus cycle in XIP mode

Note: To use the Fast Read Dual Output instruction, a serial flash device that supports Fast Read Dual Output transfers is required.

### 37.6.5 Fast Read Dual I/O Instruction

The Fast Read Dual I/O instruction is a read instruction that uses two signal lines to transmit an address and receive data. When the SPI bus cycle starts, the serial flash select signal is asserted, and the instruction code (BBh/BCh) is output from the QIO0 pin. Next, an address with a width of 1 to 4 bytes, specified in the SFMAS[1:0] bits in the SFMSAC register, is transmitted through the QIO0 and QIO1 pins, and a certain number of dummy cycles, specified in the SFMSDC register, is generated. Data is then received through the QIO0 and QIO1 pins. Address and dummy cycle transmission and data reception are performed through the QIO0 pin for even bits and through the QIO1 pin for odd bits.

The first 2 dummy cycles are used to select or deselect the XIP mode. When the XIP mode is selected, the same instruction used this time is applied to the next SPI bus cycle, and the instruction code transmission is skipped for the next SPI bus cycle. For details on the XIP mode, see [section 37.8, XIP Control](#).

Switching to Fast Read Dual I/O is controlled in the SFMSMD register.

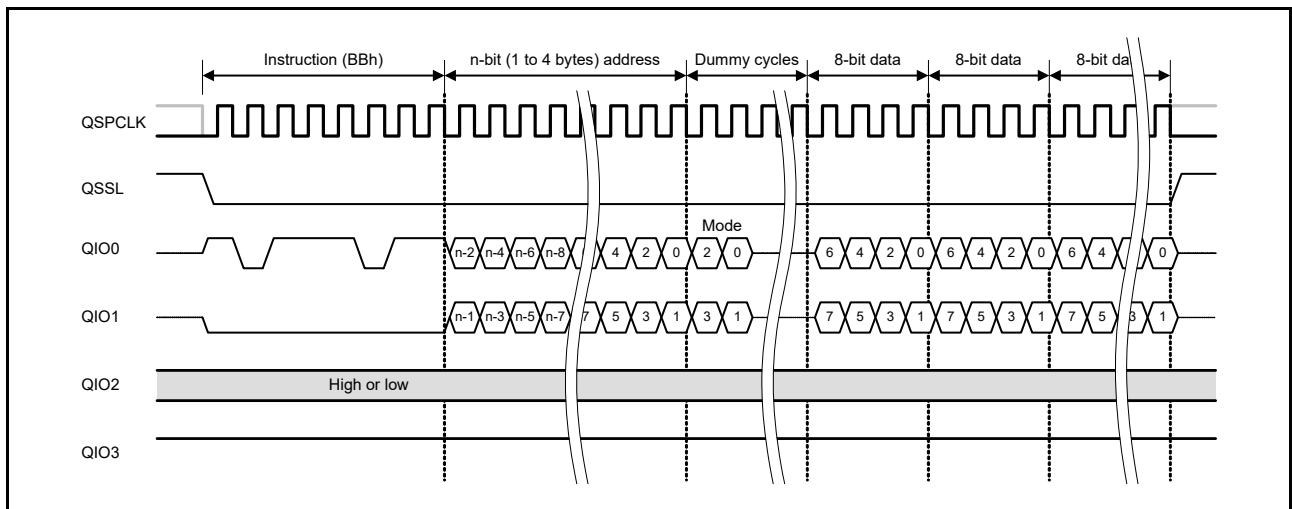


Figure 37.21 Fast Read Dual I/O bus cycle

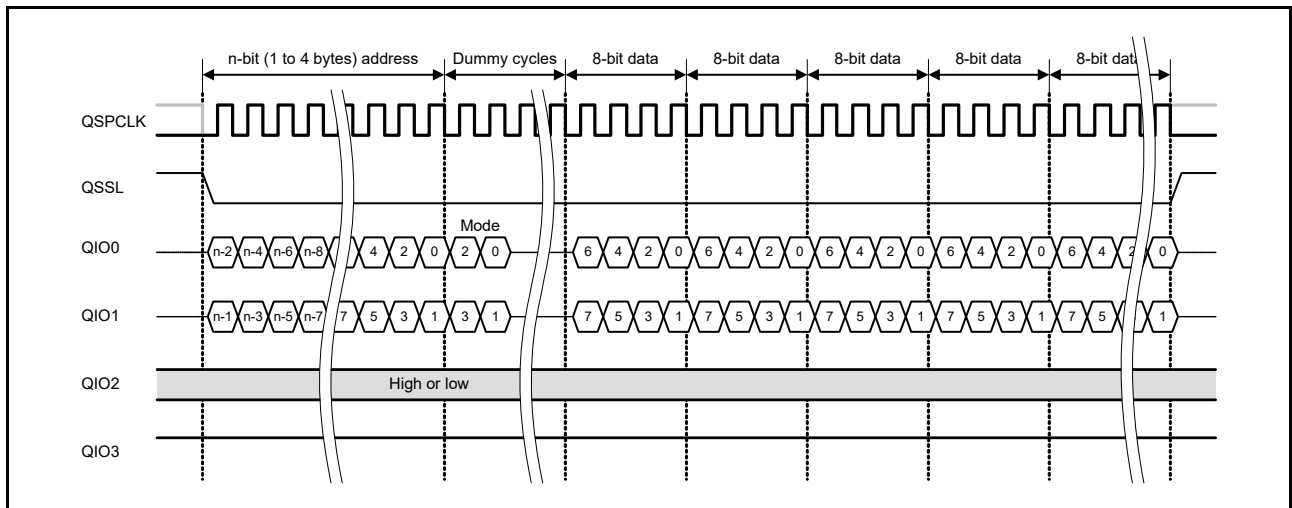


Figure 37.22 Fast Read Dual I/O bus cycle in XIP mode

Note: To use the Fast Read Dual I/O instruction, a serial flash device that supports Fast Read Dual I/O transfers is required.



### 37.6.6 Fast Read Quad Output Instruction

The Fast Read Quad Output instruction is a read instruction that uses four signal lines to receive data. When the SPI bus cycle starts, the serial flash select signal is asserted. The instruction code (6Bh/6Ch) and an address with a width of 1 to 4 bytes, specified in the SFMAS[1:0] bits in the SFMSAC register, are output from the QIO0 pin. Next, a certain number of dummy cycles, specified in the SFMDN[3:0] bits in the SFMSMD register, are generated. Data is then received through the QIO0, QIO1, QIO2, and QIO3 pins.

The first 2 dummy cycles are used to select or deselect the XIP mode. When the XIP mode is selected, the same instruction used this time is applied to the next SPI bus cycle, and the instruction code transmission of the next SPI bus cycle is skipped. For details on the XIP mode, see [section 37.8, XIP Control](#).

Switching to Fast Read Quad Output is controlled in the SFMSMD register.

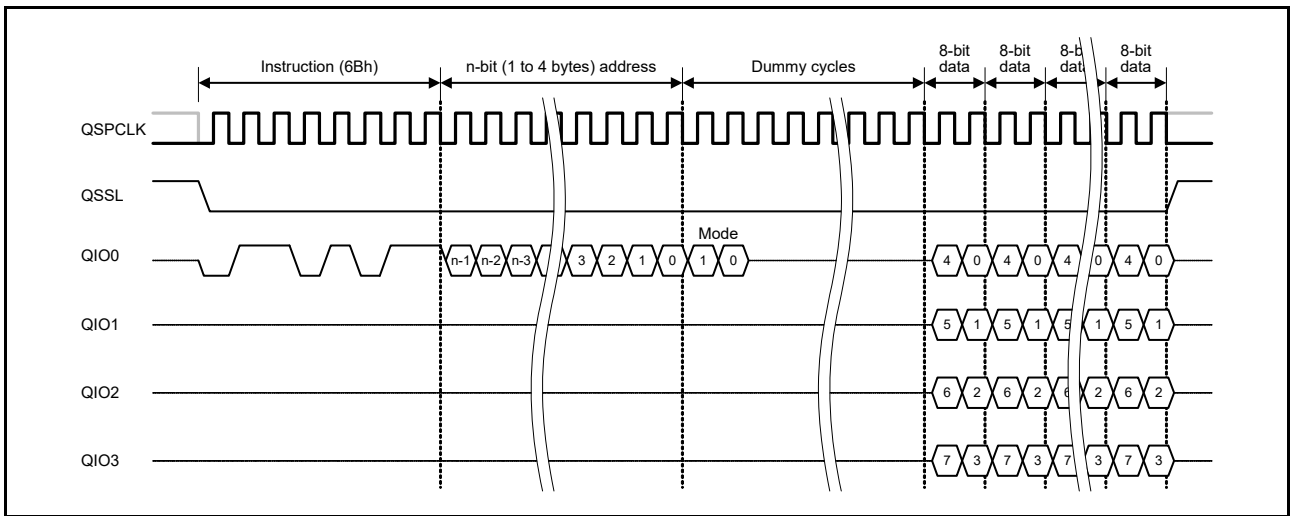


Figure 37.23 Fast Read Quad Output bus cycle

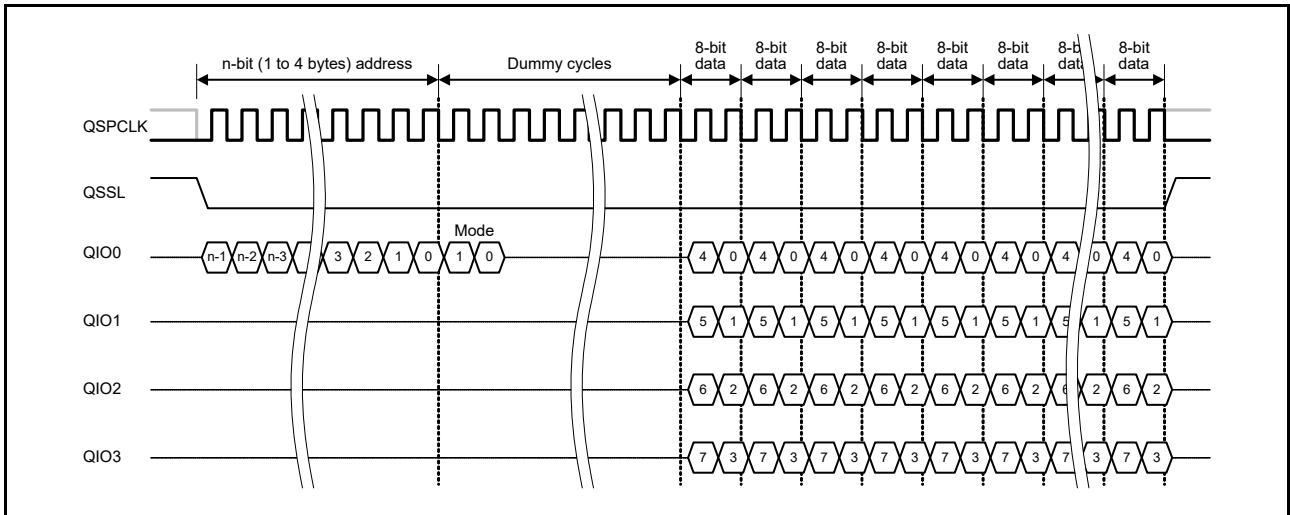


Figure 37.24 Fast Read Quad Output bus cycle in XIP mode

Note: To use Fast Read Quad Output, a serial flash that supports Fast Read Quad Output transfer is required.

### 37.6.7 Fast Read Quad I/O Instruction

The Fast Read Quad I/O instruction is a read instruction that uses four signal lines to transmit an address and receive data. When the SPI bus cycle starts, the serial flash select signal is asserted, and the instruction code (EBh/ECh) is output. Next, an address with a width of 1 to 4 bytes, specified in the SFMAS[1:0] bits in the SFMSAC register, is transmitted through the QIO0, QIO1, QIO2, and QIO3 pins, and a certain number of dummy cycles, specified in the

SFMDN[3:0] bits in the SFMSMD register, is generated. Data is then received through the QIO0, QIO1, QIO2, and QIO3 pins.

The first 2 dummy cycles are used to select or deselect the XIP mode. When the XIP mode is selected, the same instruction used this time is applied to the next SPI bus cycle, and the instruction code transmission of the next SPI bus cycle is skipped. For details on the XIP mode, see [section 37.8, XIP Control](#).

Switching to Fast Read Quad I/O is controlled in the SFMSMD register.

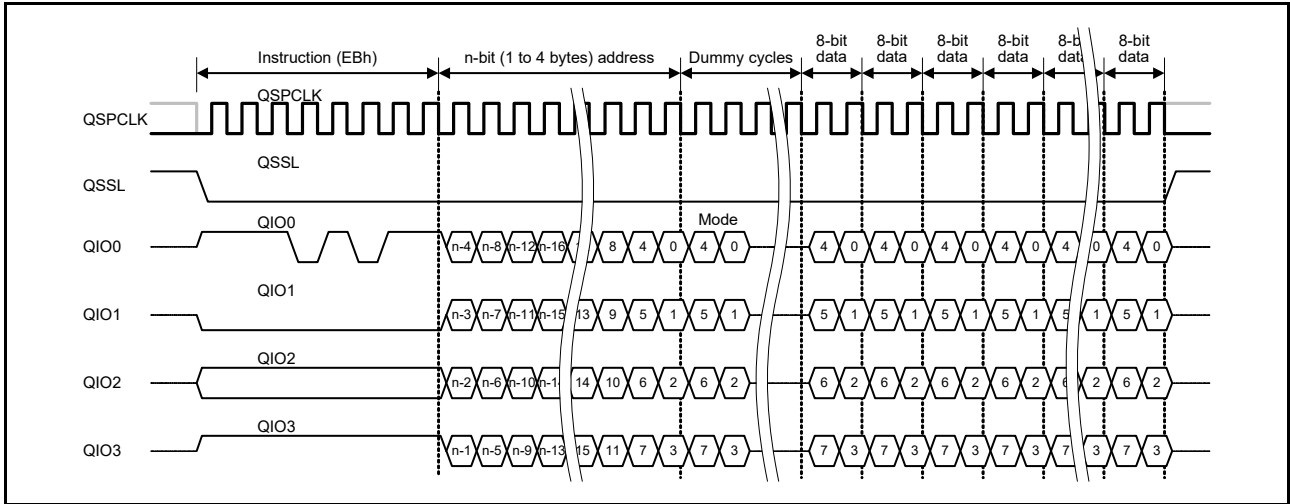


Figure 37.25 Fast Read Quad I/O bus cycle

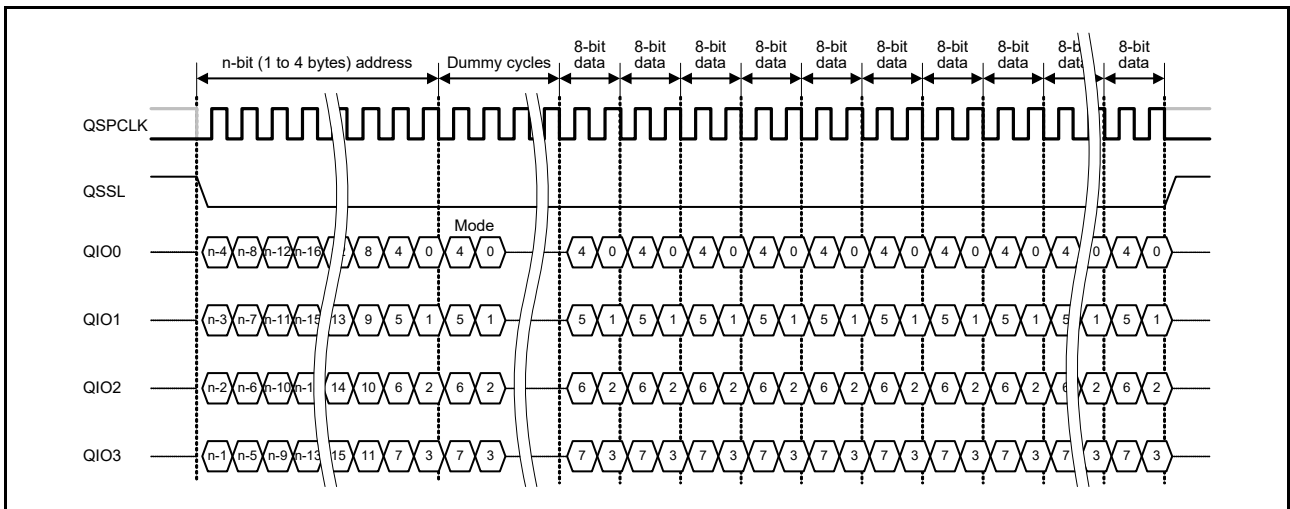
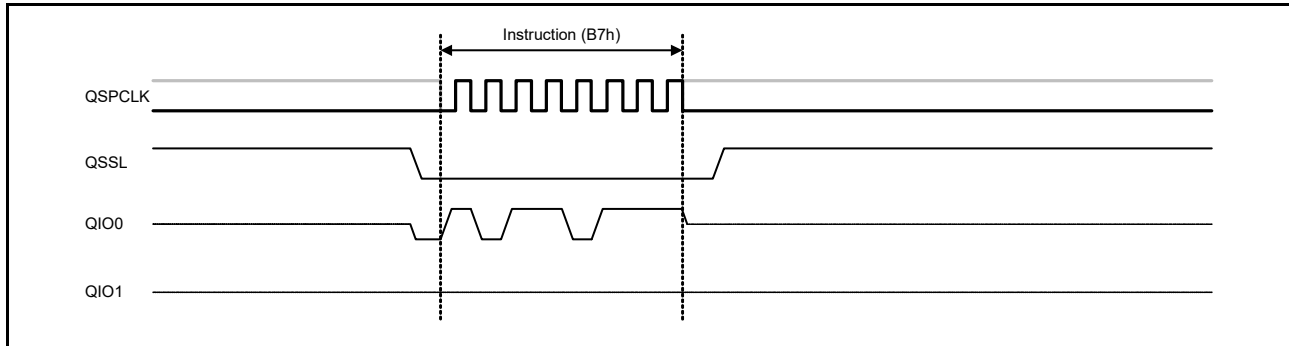


Figure 37.26 Fast Read Quad I/O bus cycle in XIP mode

Note: To use the Fast Read Quad I/O instruction, a serial flash device that supports Fast Read Quad I/O transfers is required.

### 37.6.8 Enter 4-Byte Mode Instruction

The Enter 4-Byte Mode instruction sets the serial flash address width to 4 bytes. When the SPI bus cycle starts, the serial flash select signal is asserted, and the instruction code (B7h) is output.

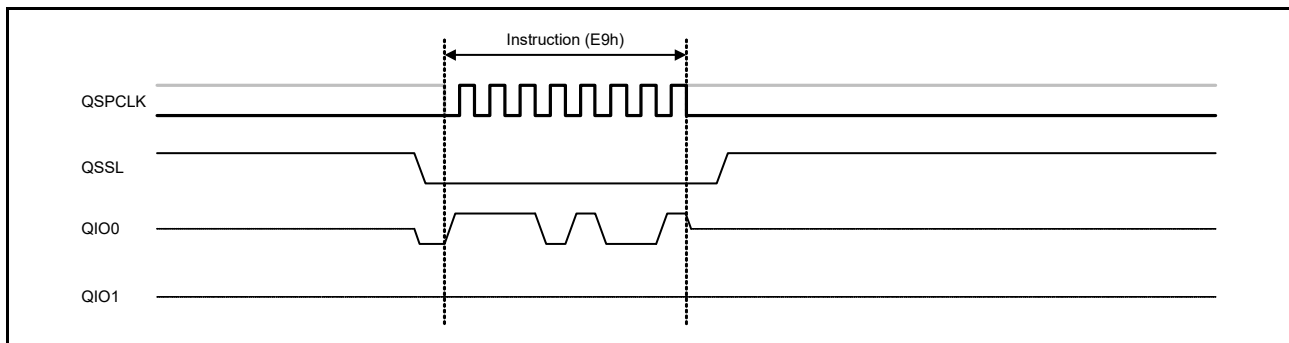


**Figure 37.27** Enter 4-Byte Mode bus cycle

Note: The Enter 4-Byte Mode instruction is issued regardless of whether the serial flash is in 3- or 4-byte mode.

### 37.6.9 Exit 4-Byte Mode Instruction

The Exit 4-Byte Mode instruction sets the serial flash address width to 3 bytes. When the SPI bus cycle starts, the serial flash select signal is asserted, and the instruction code (E9h) is output.



**Figure 37.28** Exit 4-Byte Mode bus cycle

Note: The Exit 4-Byte Mode instruction is issued regardless of whether the serial flash is in 3- or 4-byte mode.

### 37.6.10 Write Enable Instruction

The Write Enable instruction enables changing of the serial flash address width. When the SPI bus cycle starts, the serial flash select signal is asserted, and the instruction code (06h) is output.

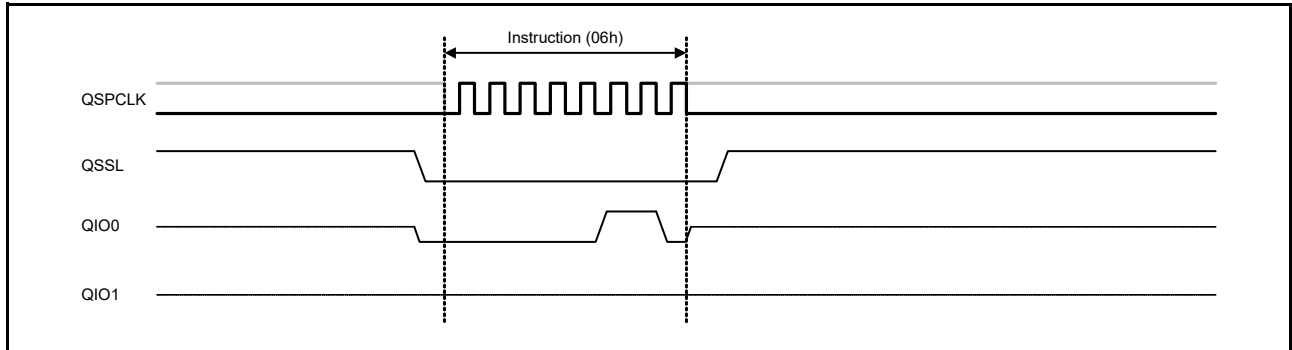


Figure 37.29 Write Enable bus cycle

## 37.7 SPI Bus Cycle Arrangement

### 37.7.1 Flash Read Based on Individual Conversion

ROM read internal bus cycles are individually converted to SPI bus cycles on a one-to-one basis. When a ROM read bus cycle is detected, the QSSL signal is asserted, and an SPI bus cycle starts. When data is received from the serial flash, the QSSL signal is deasserted, and the SPI bus cycle is complete.

When another ROM read bus cycle is detected, the QSSL signal is reasserted after ensuring the minimum high-level width of the QSSL signal is reached. Then another SPI bus cycle starts.

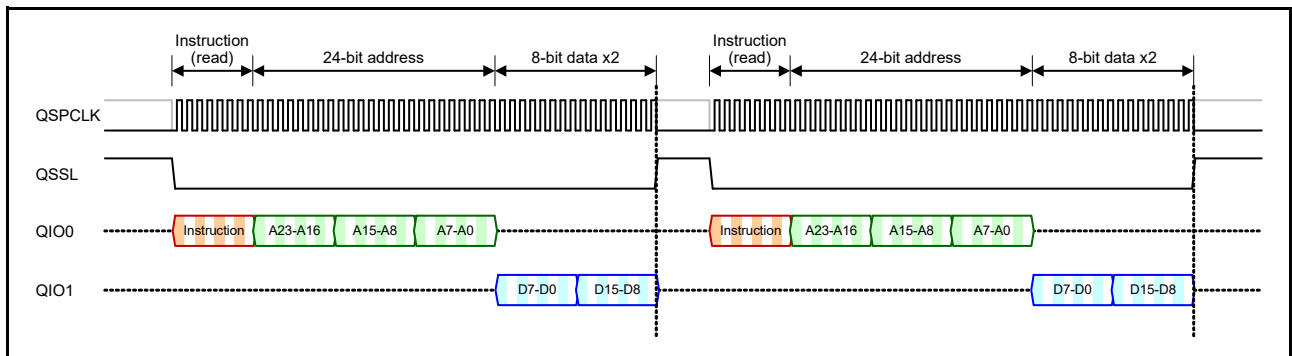


Figure 37.30 Successive data read operations based on individual conversion

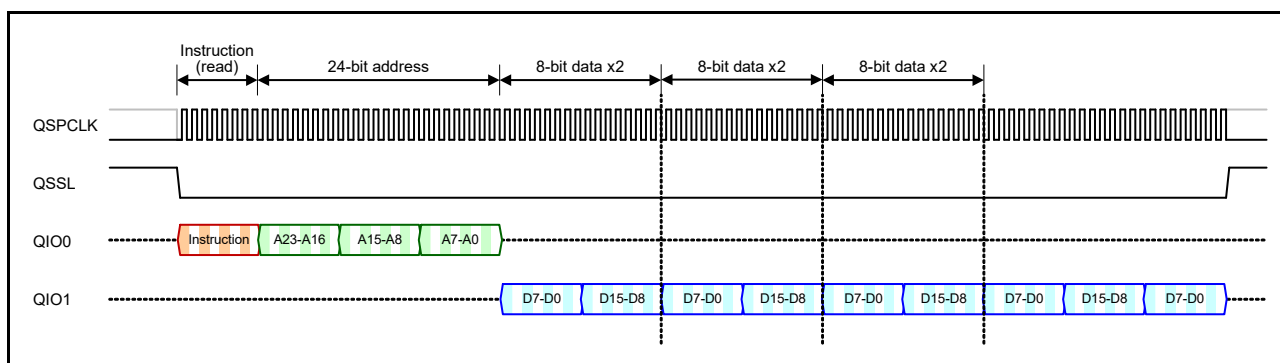
### 37.7.2 Flash Read Using the Prefetch Function

In operations such as the CPU instruction execution and block data transfer, data is often read in ascending order from contiguous flash addresses. Serial flash provides the ability to repeat data reception without reissuing an instruction code and address. However, if bus cycles issued by the MCU are individually converted, the SPI bus cycles are separated from each other, resulting in a failure to take advantage of this feature of the serial flash. The QSPI contains a prefetch function to ensure the use of this capability.

To enable the prefetch function, set the SFMPFE bit in the SFMSMD register to 1. When the prefetch function is enabled, data is received continuously and stored in the buffer, without waiting for another flash read request. When the MCU performs a flash read operation, an address check is made. If an address match is confirmed, the data in the buffer is passed to the MCU. If an address mismatch is found, the data in the buffer is discarded, and a new SPI bus cycle is issued.

The buffer for prefetching is 18 bytes long. When this buffer is full, the SPI bus cycle is ended. When the buffer data is read to create free space, a new SPI bus cycle is automatically started to resume prefetching.

The prefetch function allows for efficient transfer operations when data is read in ascending order from contiguous addresses, as in instruction fetch and block data transfer.



**Figure 37.31** Successive data read operations using the prefetch function

### 37.7.3 Halt of Prefetching

If a ROM read bus cycle for reading from another address occurs during a serial transfer for prefetching, the unnecessary serial transfer being made is halted and a new SPI bus cycle is started. Usually, such a halt of serial transfer occurs on data reception byte boundaries. However, if the SFMPAE bit in the SFMSMD register is set to 1, the halt can occur on locations other than byte boundaries. To use this function, the serial flash device must support halts that are not on byte boundaries.

### 37.7.4 Direct Specification of Prefetch Destination

When the SFMPFE bit is set and the QSPI receives internal bus write access to the QSPI window area, the system obtains it as a prefetch address and starts to prefetch. Internal bus write access to the QSPI window area can only be used to obtain prefetch address data. Writes to serial flash cannot be performed.

Combining this function with the prefetch state polling function described in [section 37, Prefetch State Polling](#), can reduce the load on the internal bus when data is read from a low-speed serial flash.

**Note:** When writing to the QSPI window area to indicate a prefetch destination, write to the first byte of the address where prefetching is to be started. Writes to the QSPI window area with a data size of 2 bytes or more return an ERROR response.

### 37.7.5 Prefetch State Polling

Reading data from a low-speed serial flash increases system load, because the internal bus enters a wait state until the SPI reception bus cycle is complete. The prefetch state polling function is provided to reduce this load.

The PFOFF bit in the SFMSST register indicates the state of the prefetch function, and the PFCNT[4:0] bits in the SFMSST register indicate the number of data bytes already prefetched. This allows the prefetch status to be determined with a single CPU operation.

```
//
// copy 1K byte (32bit x 256 word) data from serial flash to SDRAM
//
unsigned long *sptr;           // pointer for the serial flash
unsigned long *dptr;          // pointer for the SDRAM
int i;

SFMSMD |= 0x0040;             // set SFMPFE bit to enable prefetch
*( (volatile unsigned char *) sptr ) = 0; // make the TAG valid to start prefetch

for ( i = 0 ; i < 256 ; i++ ){
while ( ( SFMSST & 0x00FF ) < 0x04 ); // waiting for 4-byte data to be received
*(dptr++) = *(sptr++);
}
}
```

**Note:** When executing a polling program, place the program outside of the serial flash or enable the instruction cache. If the polling program is executed when the program is on the serial flash or is executed without using the instruction cache, the prefetch target frequently switches to an instruction code. This eliminates the effect of polling, and an infinite loop can result because the prefetch buffer is not filled.

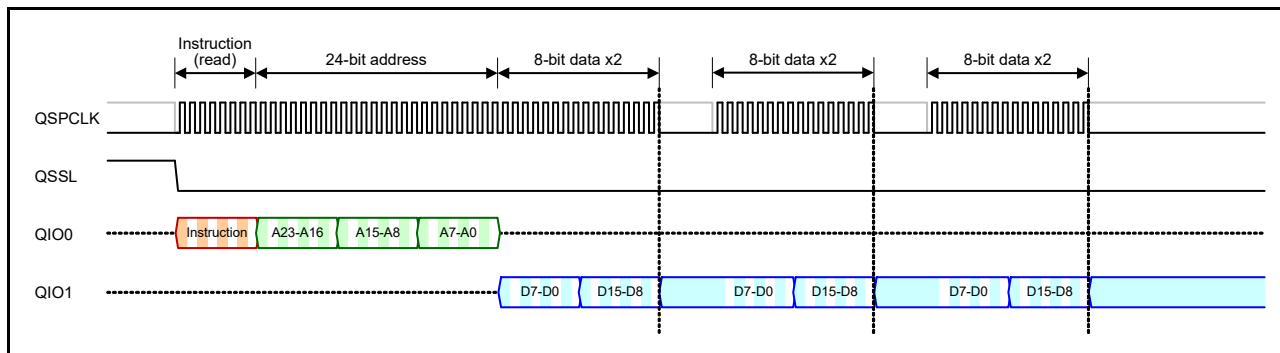
### 37.7.6 Flash Read Using the SPI Bus Cycle Extension Function

If the SFMSE[1:0] bits in the SFMSMD register are set to a value other than 00b, the QSPI waits for the next flash read, suspending the SPI bus cycle, while stopping the QSPCLK signal and holding the QSSL signal low even after data is obtained from the serial flash.

If the address of the next flash read is contiguous in ascending order, the toggling of the QSPCLK signal is restarted to continue reception of subsequent data. If the address of the next flash read is not contiguous in ascending order, the QSSL signal is driven high once to end the SPI bus cycle being suspended. A new SPI bus cycle is then started.

When data is read intermittently from ascending order contiguous addresses, this function enables an efficient transfer operation to be performed by reducing the overhead for instruction code and address transmission.

The SPI bus cycle extension time is selectable in the SFMSE[1:0] bits in the SFMSMD register. When the specified extension time elapses, the QSSL signal returns to the high level to automatically end the SPI bus cycle being suspended. If the SFMSE[1:0] bits are set to 11b, QSSL is extended infinitely. This increases the power consumption of the serial flash, so the system must be designed accordingly.



**Figure 37.32** Successive data read operations using the SPI bus cycle extension

### 37.8 XIP Control

Some serial flash devices allow latencies to be reduced by skipping instruction code reception for flash reads. This instruction code skip function is selected in mode data received during the dummy cycle period of the previous serial bus cycle.

In the dummy cycle of the Fast Read instructions, the QSPI controls the XIP mode of the serial flash by using the serial data signal to send the mode data set in the SFMXD[7:0] bits in the SFMSDC register during the first 2 cycles, as shown in Figure 37.33.

The mode data to enable the XIP mode differs for each serial flash. Accordingly, set the appropriate mode data in the SFMXD[7:0] bits.

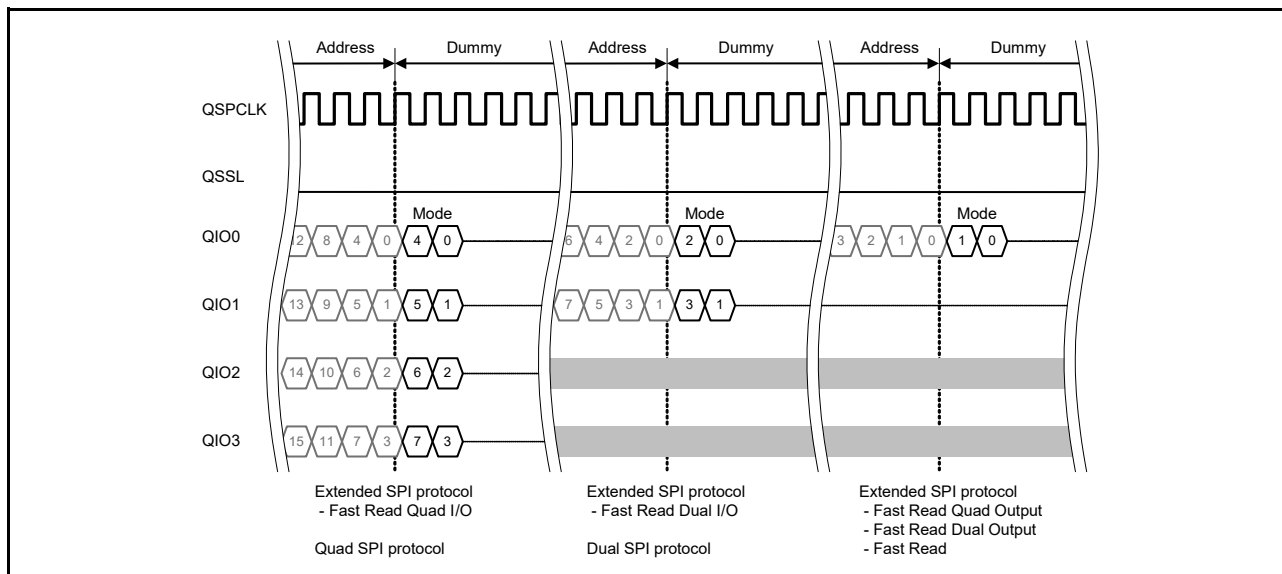


Figure 37.33 XIP mode control data

#### 37.8.1 Selecting the XIP Mode

To select the XIP mode, specify the XIP mode configuration for the serial flash device in the SFMXD[7:0] bits in the SFMSDC register, and set the SFMXEN bit to 1. In the dummy cycle of the next Fast Read instruction, the mode data specified in the SFMXD[7:0] bits is transferred to the serial flash device. From that point, the XIP mode is enabled in both the serial flash controller and the serial flash device. To confirm completion of the XIP mode select procedure, read 1 from the SFMXST bit in the SFMSDC register.

**Note:** Set the SFMXD[7:0] bits in the SFMSDC register to the XIP mode setting data specified for the actual serial flash device. The XIP mode of the serial flash controller is only enabled in the SFMXEN bit, regardless of the SFMXD[7:0] setting in the SFMSDC register.

#### 37.8.2 Releasing the XIP Mode

To release the XIP mode, specify the release configuration for the serial flash in the SFMXD[7:0] bits in the SFMSDC register, and clear the SFMXEN bit to 0. In the dummy cycle of the next Fast Read instruction, the mode data specified in the SFMXD[7:0] bits is transferred to the serial flash during the first two-cycle period. From that point, the XIP mode is disabled in both the QSPI and the serial flash device. To confirm completion of the XIP mode release procedure, read 0 from the SFMXST bit in the SFMSDC register.

**Note:** Set the SFMXD[7:0] bits in the SFMSDC register to the XIP mode setting data specified for the actual serial flash device. The XIP mode of the serial flash controller is only disabled in the SFMXEN bit, regardless of the SFMXD[7:0] setting in the SFMSDC register.

## 37.9 QIO2 and QIO3 Pin States

The QIO2 and QIO3 pin states depend on the serial interface read mode specified in the SFMRM[2:0] bits in the SFMSMD register.

**Table 37.9 QIO2 and QIO3 pin states**

| SFMSMD.SFMRM[2:0] bits | QIO2 pin state*1   | QIO3 pin state*2  | Remarks               |
|------------------------|--|---|-----------------------|
| 111                    | Setting prohibited   |   |                       |
| 110                    |  |   |                       |
| 101                    | Input or output as a serial data signal (standby level is Hi-Z)                      | Input or output as serial data signal (standby level is Hi-Z) | Fast Read Quad I/O    |
| 100                    |  |   | Fast Read Quad Output |
| 011                    | Output SFMWPL bit variable of SFMPMD register (initial output variable is low level) | Output high level   | Fast Read Dual I/O    |
| 010                    |  |   | Fast Read Dual Output |
| 001                    |  |   | Fast Read             |
| 000                    |  |   | Read (Initial State)  |

Note 1. The serial flash can also use the QIO2 pin for the WP function.

Note 2. The serial flash can also use the QIO3 pin for the HOLD or RESET function.

## 37.10 Direct Communication Mode

### 37.10.1 About Direct Communication

The QSPI can read the serial flash contents by automatically converting a ROM read bus cycle to an SPI bus cycle. However, serial flash devices have many different functions in addition to memory data read, including ID information read, erase, programming, and status information read. There is no standardized instruction set for using these functions, and more functions are being added rapidly by different vendors to different devices. It is difficult to support these functions by hardware control.

The QSPI flexibly supports these serial flash devices by providing a means for software to directly communicate with the serial flash, so that software can create any SPI bus cycle required.

### 37.10.2 Using Direct Communication Mode

To communicate directly with serial flash, transition to direct communication mode by setting the DCOM bit in the SFMCMD register to 1. While direct communication mode is selected, ordinary flash read operation is disabled. For ordinary flash access after direct communication, terminate direct communication mode by setting the DCOM bit in the SFMCMD register to 0.

Note: If the QSPI is set to the XIP mode, you must terminate the XIP mode before starting direct communication mode.



### 37.10.3 Generating the SPI Bus Cycle during Direct Communication

The SPI bus cycle in direct communication starts on the first access to the SFMCOM port and ends with a write to the SFMCMDC register, after a series of I/O operations is performed through the SFMCOM port. At that point, a write to the SFMCOM port is converted to a one-byte transmission to the SPI bus, and a read from the SFMCOM port is converted to a one-byte reception from the SPI bus.

During the period from the first access to the SFMCOM port to the last write operation to the SFMCMDC register, the serial flash select signal is held active to notify the serial flash that a series of SPI bus cycles is in progress.

**Note:** In direct communication mode, all writes to registers other than SFMCMDC (including SFMSMD, SFMSSC, SFMSKC, SFMSST, SFMCST, SFMSIC, SFMSAC, SFMSDC, SFMSPC, and SFMPMD) are disabled. With this circuit configuration, writing to a register area other than the SFMCOM port terminates the SPI bus cycle. However, do not write to a register area other than SFMCMDC as a way to terminate the SPI bus cycle. This operation is not guaranteed as a normal function.

The following is an example program for direct communication.

```

##### CAUTION! ##### This code must be outside the serial flash that is going to be controlled.

// Define specific instruction codes of the target serial flash device.
#define Instruction_FREAD 0x0B // Fast Read
#define Instruction_RDSR 0x05 // Read Status register
#define Instruction_RDID 0x9F // Read Identification
#define Instruction_WREN 0x06 // Write Enable
#define Instruction_CERA 0xC7 // Chip Erase

unsigned char mfid, mtype, mcap, data, temp;

SFMCMDC = 0x01; // Enable direct operation

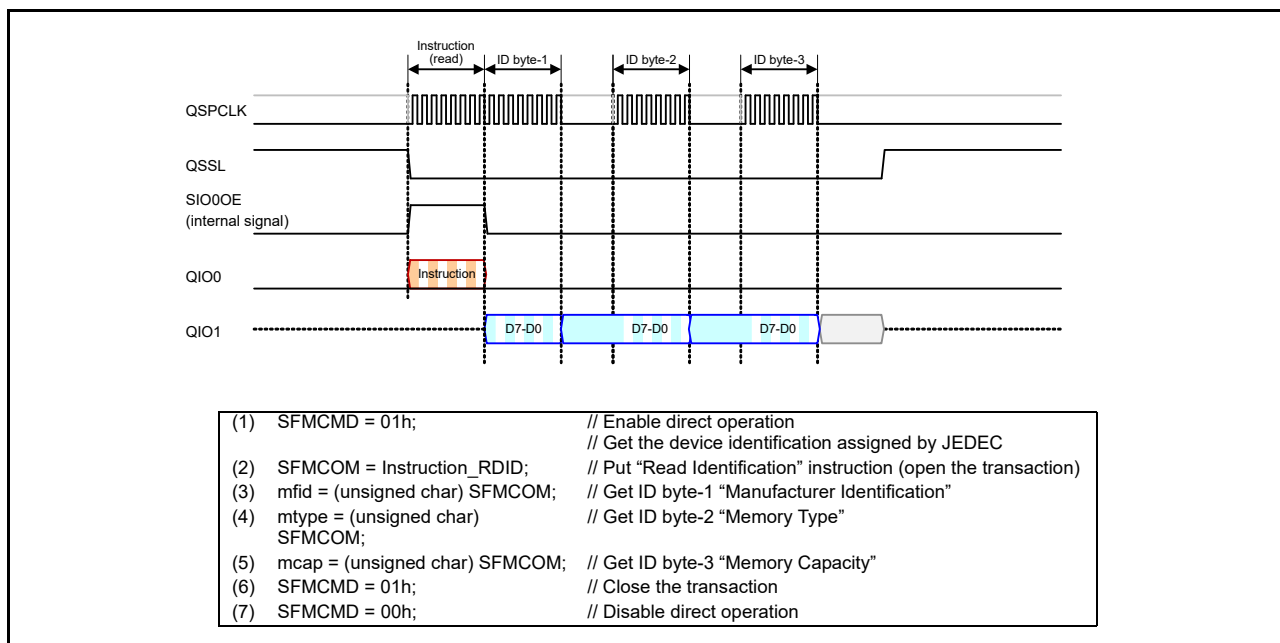
// Get the device identification assigned by JEDEC.
SFMCOM = Instruction_RDID; // put "Read Identification" instruction (open SPI bus cycle)
mfid = (unsigned char) SFMCOM; // get "Manufacturer Identification"
mtype = (unsigned char) SFMCOM; // get "Memory Type"
mcap = (unsigned char) SFMCOM; // get "Memory Capacity"
SFMCMDC = 0x01h; // close SPI bus cycle

// Get one byte from the address 0x012345h.
SFMCOM = Instruction_FREAD; // put "Fast Read" instruction (open SPI bus cycle)
SFMCOM = 0x01; // put upper byte of the address 0x012345
SFMCOM = 0x23; // put middle byte of the target address 0x012345
SFMCOM = 0x45; // put lower byte of the target address 0x012345
temp = (unsigned char) SFMCOM; // get one byte dummy code for FAST READ transaction
data = (unsigned char) SFMCOM; // get the data
SFMCMDC = 0x01; // close SPI bus cycle

// Erase All contents.
SFMCOM = Instruction_WREN; // put "Write Enable" instruction (open SPI bus cycle)
SFMCMDC = 0x01; // close SPI bus cycle
SFMCOM = Instruction_CERA; // put "Chip Erase" instruction (open SPI bus cycle)
SFMCMDC = 0x01; // close SPI bus cycle
SFMCOM = Instruction_RDSR; // put "Read Status Register" instruction (open SPI bus cycle)
while (SFMCOM & 0x01){}; // Polling "Write Progress Bit" until completion
SFMCMDC = 0x01; // close SPI bus cycle

SFMCMDC = 0x00; // Disable direct operation

```



**Figure 37.34 Example of direct communication timing for ID read**

**Note:** When Extended SPI protocol is used in direct communication mode, the standard Read or Fast Read instruction must be used to reference the contents of the serial flash. The QSPI does not support Fast Read Dual Output, Fast Read Dual I/O, Fast Read Quad Output, or Fast Read Quad I/O transfers in this configuration. When these high-speed read operations are required, use ordinary flash access.

## 37.11 Operation

### 37.11.1 Procedure for Changing Settings in Multiple Control Registers

The settings of the QSPI control registers can be changed dynamically during system operation. However, when the settings of multiple control registers are changed sequentially, an SPI bus cycle might occur before all of the registers are updated. The register setting sequence must be carefully designed so that the SPI bus timing specification is satisfied at all stages of register setting changes.

```
//
// Making QSPCLK faster
//
SFMSMD = 0x0041; // SFMPAE: 0 SFMPFE: 1 SFMSE:00 SFMRM:01 (prefetch enable fast read)
SFMSSC = 0x04; // SFMSLD: 0 SFMSHD: 0 SFMSW:4 (minimum QSSL high width = 5 sck)
SFMSKC = 0x00; // SFMDTY: 0 SFMDV: 0 (1/2 mode) ### switch clock speed last ###

//
// Making QSPCLK slower
//
SFMSKC = 0x06; // SFMDTY: 0 SFMDV:6 (1/8 mode) ### switch clock speed first ###
SFMSSC = 0x01; // SFMSLD: 0 SFMSHD:0 SFMSW: 1 (minimum QSSL high width = 2 sck)
SFMSMD = 0x0040; // SFMPAE: 0 SFMPFE:1 SFMSE: 00 SFMRM:00 (prefetch enable, standard read)
```

## 37.12 Interrupts

When the EROMR bit in the SFMCST register is set to 1, the QSPI requests an interrupt. The EROMR bit is set to 1 when a ROM read access is detected in direct communication mode. Interrupt requests are retained until the EROMR bit is cleared by a 0 write. For details, see [section 14, Interrupt Controller Unit \(ICU\)](#).

## 37.13 Usage Notes

### 37.13.1 Settings for the Module-Stop Function

QSPI operation can be disabled or enabled using Module Stop Control Register B (MSTPCRB). The QSPI is initially stopped after reset. Releasing the module-stop state enables access to the registers. For details, see [section 11, Low Power Modes](#).

## 38. Cyclic Redundancy Check (CRC) Calculator

### 38.1 Overview

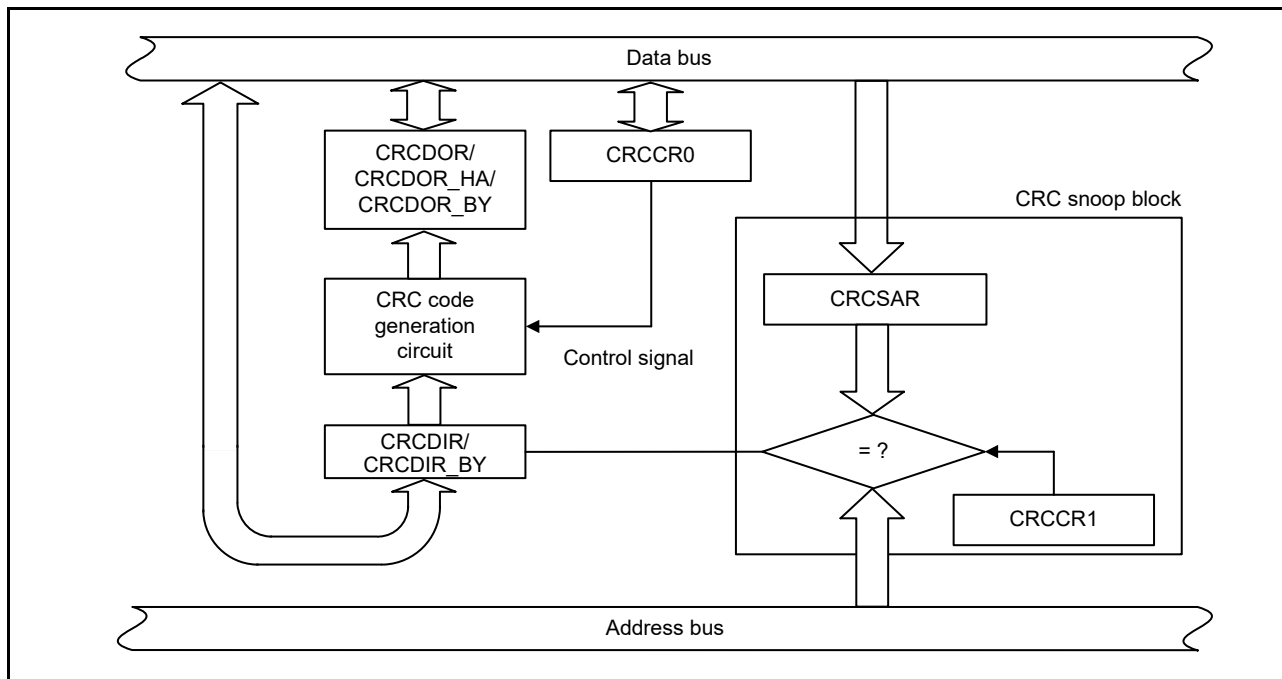
The Cyclic Redundancy Check (CRC) calculator generates CRC codes to detect errors in the data. The bit order of the CRC calculation results can be switched for LSB- or MSB-first communication. Additionally, various CRC generation polynomials are available for your application. The snoop function allows monitoring of reads from and writes to specific addresses. This function is useful in applications that require the CRC code to be generated automatically in certain events, such as monitoring writes to the serial transmit buffer and reads from the serial receive buffer.

Table 38.1 lists the CRC calculator specifications and Figure 38.1 shows a block diagram.

**Table 38.1 CRC calculator specifications**

| Parameter                  | Specifications for 8-bit data  | Specifications for 32-bit data   |
|----------------------------|--|--|
| Data size                  | 8-bit  | 32-bit   |
| Data for CRC calculation*1 | CRC code generated for data in 8n-bit units (where n is a whole number)  | CRC code generated for data in 32n-bit units (where n is a whole number)   |
| CRC processor unit         | Operation executed on 8 bits in parallel   | Operation executed on 32 bits in parallel  |
| CRC generating polynomial  | One of three generating polynomials selectable<br>[8-bit CRC]<br><ul style="list-style-type: none"> <li><math>X^8 + X^2 + X + 1</math> (CRC-8)</li> </ul> [16-bit CRC]<br><ul style="list-style-type: none"> <li><math>X^{16} + X^{15} + X^2 + 1</math> (CRC-16)</li> <li><math>X^{16} + X^{12} + X^5 + 1</math> (CRC-CCITT).</li> </ul> | One of two generating polynomials selectable<br>[32-bit CRC]<br><ul style="list-style-type: none"> <li><math>X^{32} + X^{26} + X^{23} + X^{22} + X^{16} + X^{12} + X^{11} + X^{10} + X^8 + X^7 + X^5 + X^4 + X^2 + X + 1</math> (CRC-32)</li> <li><math>X^{32} + X^{28} + X^{27} + X^{26} + X^{25} + X^{23} + X^{22} + X^{20} + X^{19} + X^{18} + X^{14} + X^{13} + X^{11} + X^{10} + X^9 + X^8 + X^6 + 1</math> (CRC-32C).</li> </ul> |
| CRC calculation switching  | The bit order of CRC calculation results can be switched for LSB- or MSB-first communication   |  |
| Module-stop function       | Module-stop state can be set to reduce power consumption   |  |
| CRC snoop                  | Monitor reads from and writes to a certain register address  | —  |

Note 1. The circuit cannot divide data used in CRC calculations. Write data in 8-bit or 32-bit units.

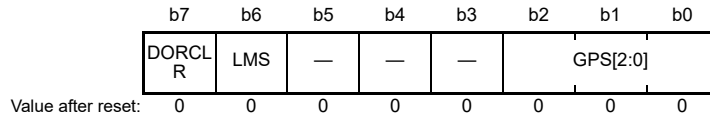


**Figure 38.1 CRC calculator block diagram**

## 38.2 Register Descriptions

### 38.2.1 CRC Control Register 0 (CRCCR0)

Address(es): [CRC.CRCCR0 4007 4000h](#)



| Bit      | Symbol                   | Bit name                                  | Description  | R/W |
|----------|--------------------------|---|--|-----|
| b2 to b0 | <a href="#">GPS[2:0]</a> | CRC Generating Polynomial Switching       | b2 b0<br>0 0 0: Do not calculate<br>0 0 1: 8-bit CRC-8 ( $X^8 + X^2 + X + 1$ )<br>0 1 0: 16-bit CRC-16 ( $X^{16} + X^{15} + X^2 + 1$ )<br>0 1 1: 16-bit CRC-CCITT ( $X^{16} + X^{12} + X^5 + 1$ )<br>1 0 0: 32-bit CRC-32 ( $X^{32} + X^{26} + X^{23} + X^{22} + X^{16} + X^{12} + X^{11} + X^{10} + X^8 + X^7 + X^5 + X^4 + X^2 + X + 1$ )<br>1 0 1: 32-bit CRC-32C ( $X^{32} + X^{28} + X^{27} + X^{26} + X^{25} + X^{23} + X^{22} + X^{20} + X^{19} + X^{18} + X^{14} + X^{13} + X^{11} + X^{10} + X^9 + X^8 + X^6 + 1$ )<br>Other: Do not calculate. | R/W |
| b5 to b3 | —                        | Reserved                                  | These bits are read as 0. The write value should be 0.   | R/W |
| b6       | <a href="#">LMS</a>      | CRC Calculation Switching                 | 0: Generate CRC for LSB-first communication<br>1: Generate CRC for MSB-first communication.  | R/W |
| b7       | <a href="#">DORCLR</a>   | CRCDOR/CRCDOR_HA/CRCDOR_BY Register Clear | 1: Clear the CRCDOR/CRCDOR_HA/CRCDOR_BY register.<br>This bit is read as 0.  | W*1 |

Note 1. This bit must always be set to 1 when writing to this register.

#### [DORCLR bit \(CRCDOR/CRCDOR\\_HA/CRCDOR\\_BY\)](#)

Write 1 to the DORCLR bit to clear the CRCDOR/CRCDOR\_HA/CRCDOR\_BY register to 0000\_0000h. This bit is read as 0. Only 1 can be written.

#### [LMS bit \(CRC Calculation Switching\)](#)

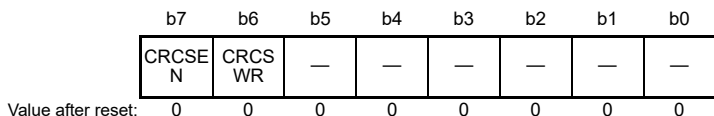
The LMS bit selects the bit order of generated CRC code. Transmit the lower-order byte of the CRC code first for LSB-first communication and the higher-order byte first for MSB-first communication. For details on transmitting and receiving the CRC code, see [section 38.3, Operation](#).

#### [GPS\[2:0\] bits \(CRC Generating Polynomial Switching\)](#)

The GPS[2:0] bits select the CRC generating polynomial.

### 38.2.2 CRC Control Register 1 (CRCCR1)

Address(es): CRC.CRCCR1 4007 4001h



| Bit      | Symbol | Bit name                   | Description  | R/W |
|----------|--------|----------------------------|--|-----|
| b5 to b0 | —      | Reserved                   | These bits are read as 0. The write value should be 0. | R/W |
| b6       | CRCSWR | Snoop-On-Write/Read Switch | 0: Snoop-on-read<br>1: Snoop-on-write.                 | R/W |
| b7       | CRCSN  | Snoop Enable               | 0: Disabled<br>1: Enabled.                             | R/W |

#### CRCSWR bit (Snoop-On-Write/Read Switch)

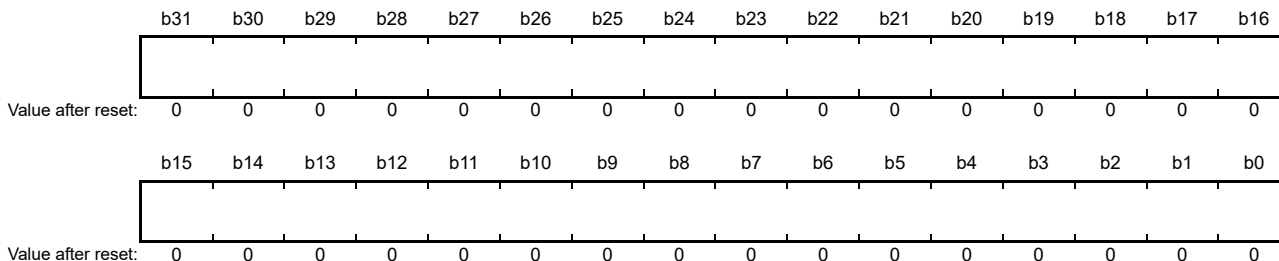
The CRCSWR bit selects the direction of the access in the address monitoring function. When the bit is set to 0 (initial value), the CRC snoop operation to read a specific register address is enabled. When the bit is set to 1, the CRC snoop operation to write to a specific register address is enabled.

#### CRCSN bit (Snoop Enable)

When the CRCSN bit is set to 1, CRC snoop operation is enabled. When the bit is set to 0, CRC snoop operation is disabled.

### 38.2.3 CRC Data Input Register (CRCDIR/CRCDIR\_BY)

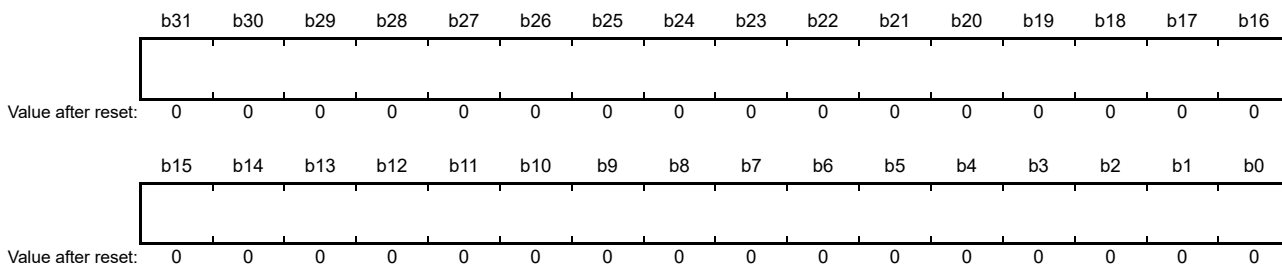
Address(es): CRC.CRCDIR/CRCDIR\_BY 4007 4004h



CRCDIR is a 32-bit read/write register to write data to, for CRC-32 or CRC-32C calculation. CRCDIR\_BY is an 8-bit read/write register to write data to, for CRC-8, CRC-16, or CRC-CCITT calculation.

### 38.2.4 CRC Data Output Register (CRCDOR/CRCDOR\_HA/CRCDOR\_BY)

Address(es): CRC.CRCDOR/CRCDOR\_HA/CRCDOR\_BY 4007 4008h



CRCDOR is a 32-bit read/write register for CRC-32 or CRC-32C. CRCDOR\_HA is a 16-bit read/write register for CRC-16 or CRC-CCITT. CRCDOR\_BY is an 8-bit read/write register for CRC-8. Because its initial value is 0000 0000h, rewrite the CRCDOR/CRCDOR\_HA/CRCDOR\_BY register to perform the calculations using a value other than the initial value.

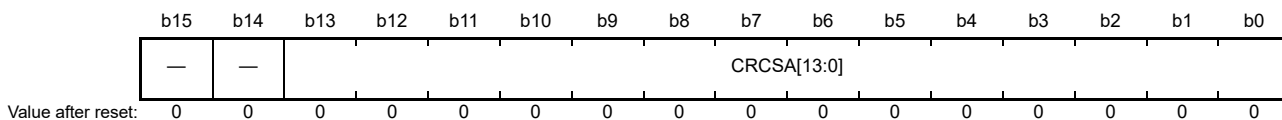
Data written to the CRCDOR/CRCDOR\_BY register is CRC-calculated, and the result is stored in the CRCDOR/CRCDOR\_HA/CRCDOR\_BY register. If the CRC code is calculated following the transferred data and the result is 0000 0000h, there is no CRC error.

When an 8-bit CRC ( $X^8 + X^2 + X + 1$  polynomial) is in use, the valid CRC code is obtained in CRCDOR\_BY.

When a 16-bit CRC ( $X^{16} + X^{15} + X^2 + 1$  or  $X^{16} + X^{12} + X^5 + 1$  polynomial) is in use, the valid CRC code is obtained in CRCDOR\_HA.

### 38.2.5 Snoop Address Register (CRCSAR)

Address(es): CRC.CRCSAR 4007 400Ch



| Bit       | Symbol      | Bit name               | Description  | R/W |
|-----------|-------------|------------------------|--|-----|
| b13 to b0 | CRCSA[13:0] | Register Snoop Address | These bits store the TDR or RDR address in the SCI module to snoop | R/W |
| b15, b14  | —           | Reserved               | These bits are read as 0. The write value should be 0.             | R/W |

#### CRCSA[13:0] bits (Register Snoop Address)

The CRCSA[13:0] bits specify the lower 14 bits of the register address monitored by the CRC snoop operation. Only the following addresses can be used for the CRCSA[13:0] bits:

- 4007 0003h: SCI0.TDR, 4007 0005h: SCI0.RDR
- 4007 0023h: SCI1.TDR, 4007 0025h: SCI1.RDR
- 4007 0043h: SCI2.TDR, 4007 0045h: SCI2.RDR
- 4007 0063h: SCI3.TDR, 4007 0065h: SCI3.RDR
- 4007 0083h: SCI4.TDR, 4007 0085h: SCI4.RDR
- 4007 00A3h: SCI5.TDR, 4007 00A5h: SCI5.RDR
- 4007 00C3h: SCI6.TDR, 4007 00C5h: SCI6.RDR
- 4007 00E3h: SCI7.TDR, 4007 00E5h: SCI7.RDR

- 4007 0103h: SCI8.TDR, 4007 0105h: SCI8.RDR
- 4007 0123h: SCI9.TDR, 4007 0125h: SCI9.RDR
- 4007 000Fh: SCI0.FTDRL, 4007 0011h: SCI0.FRDL
- 4007 002Fh: SCI1.FTDRL, 4007 0031h: SCI1.FRDL
- 4007 004Fh: SCI2.FTDRL, 4007 0051h: SCI2.FRDL
- 4007 006Fh: SCI3.FTDRL, 4007 0071h: SCI3.FRDL
- 4007 008Fh: SCI4.FTDRL, 4007 0091h: SCI4.FRDL
- 4007 00AFh: SCI5.FTDRL, 4007 00B1h: SCI5.FRDL
- 4007 00CFh: SCI6.FTDRL, 4007 00D1h: SCI6.FRDL
- 4007 00EFh: SCI7.FTDRL, 4007 00F1h: SCI7.FRDL
- 4007 010Fh: SCI8.FTDRL, 4007 0111h: SCI8.FRDL
- 4007 012Fh: SCI9.FTDRL, 4007 0131h: SCI9.FRDL.



### 38.3 Operation

#### 38.3.1 Basic Operation

The CRC calculator generates CRC codes for use in LSB- or MSB-first transfers.

The following examples illustrate the CRC code generation for input data (F0h) using the 16-bit CRC-CCITT-generating polynomial ( $X^{16} + X^{12} + X^5 + 1$ ). In these examples, the value of the CRC Data Output Register (CRCDOR\_HA) is cleared before CRC calculation.

When an 8-bit CRC (with the polynomial  $X^8 + X^2 + X + 1$ ) is in use, the valid bits of the CRC code are obtained in CRCDOR\_BY. When a 32-bit CRC is in use, the valid bits of the CRC code are obtained in CRCDOR.

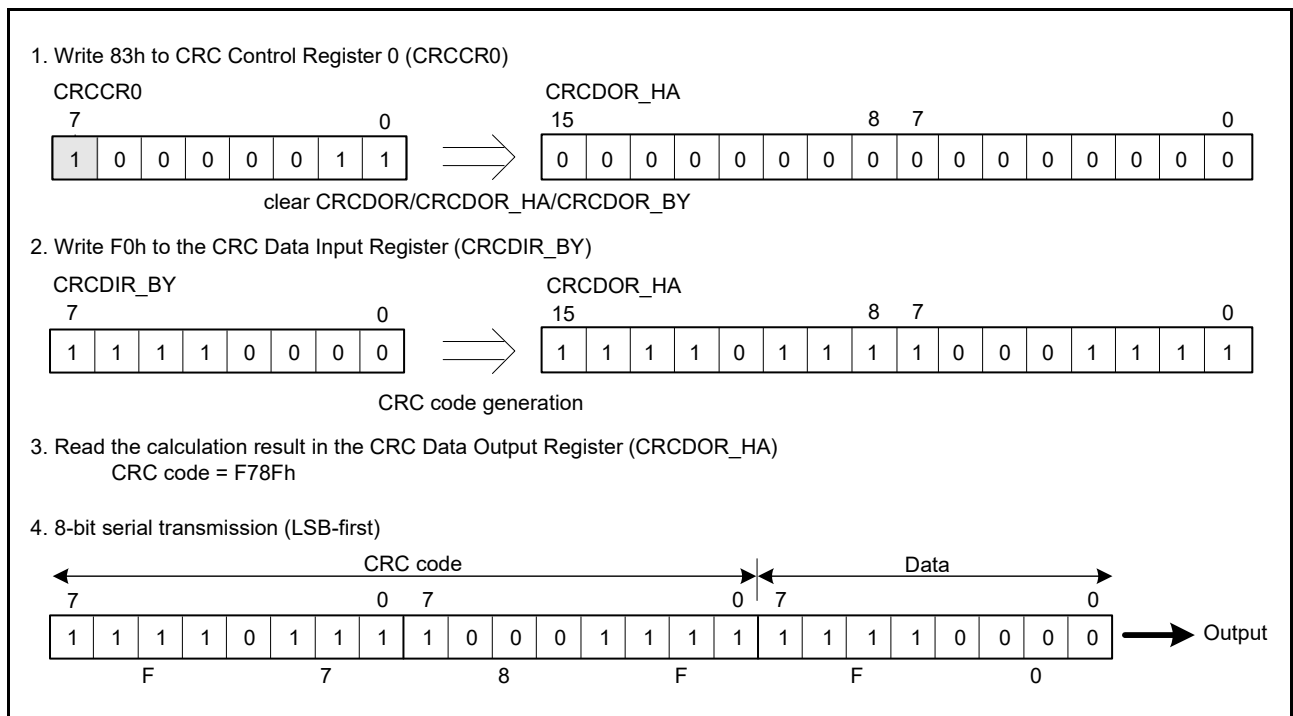


Figure 38.2 LSB-first data transmission

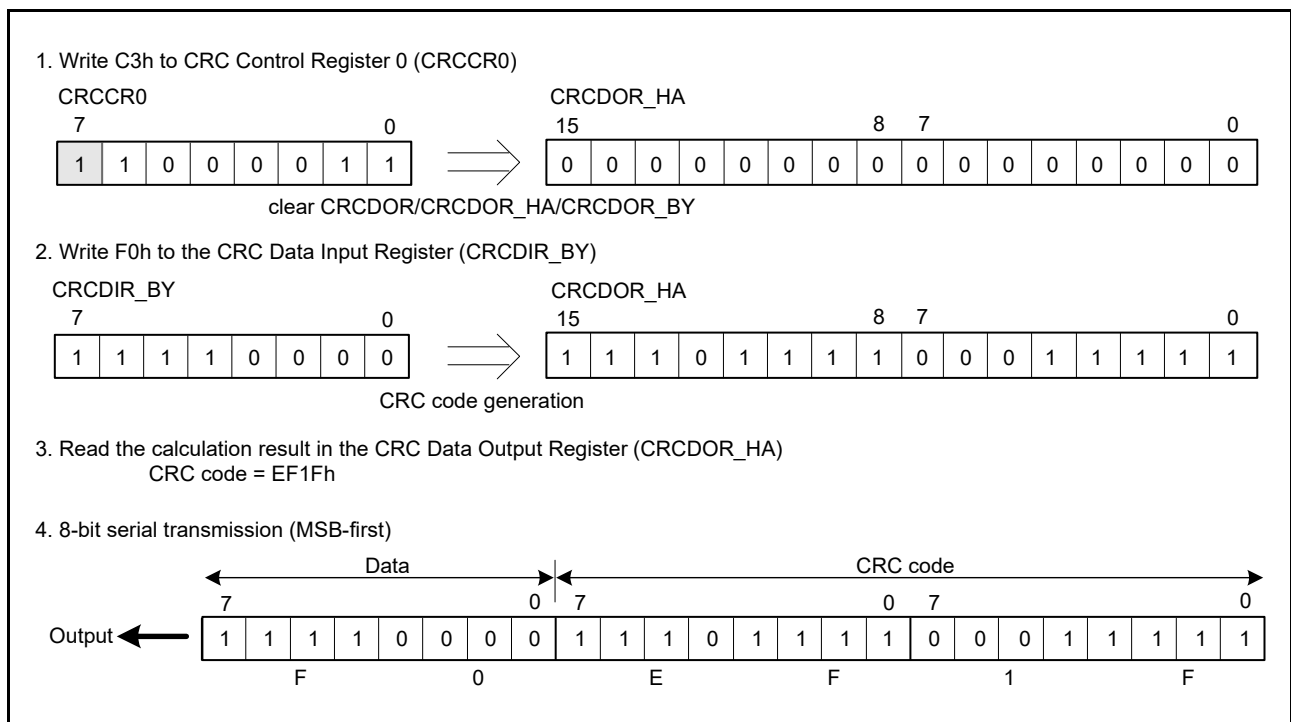


Figure 38.3 MSB-first data transmission

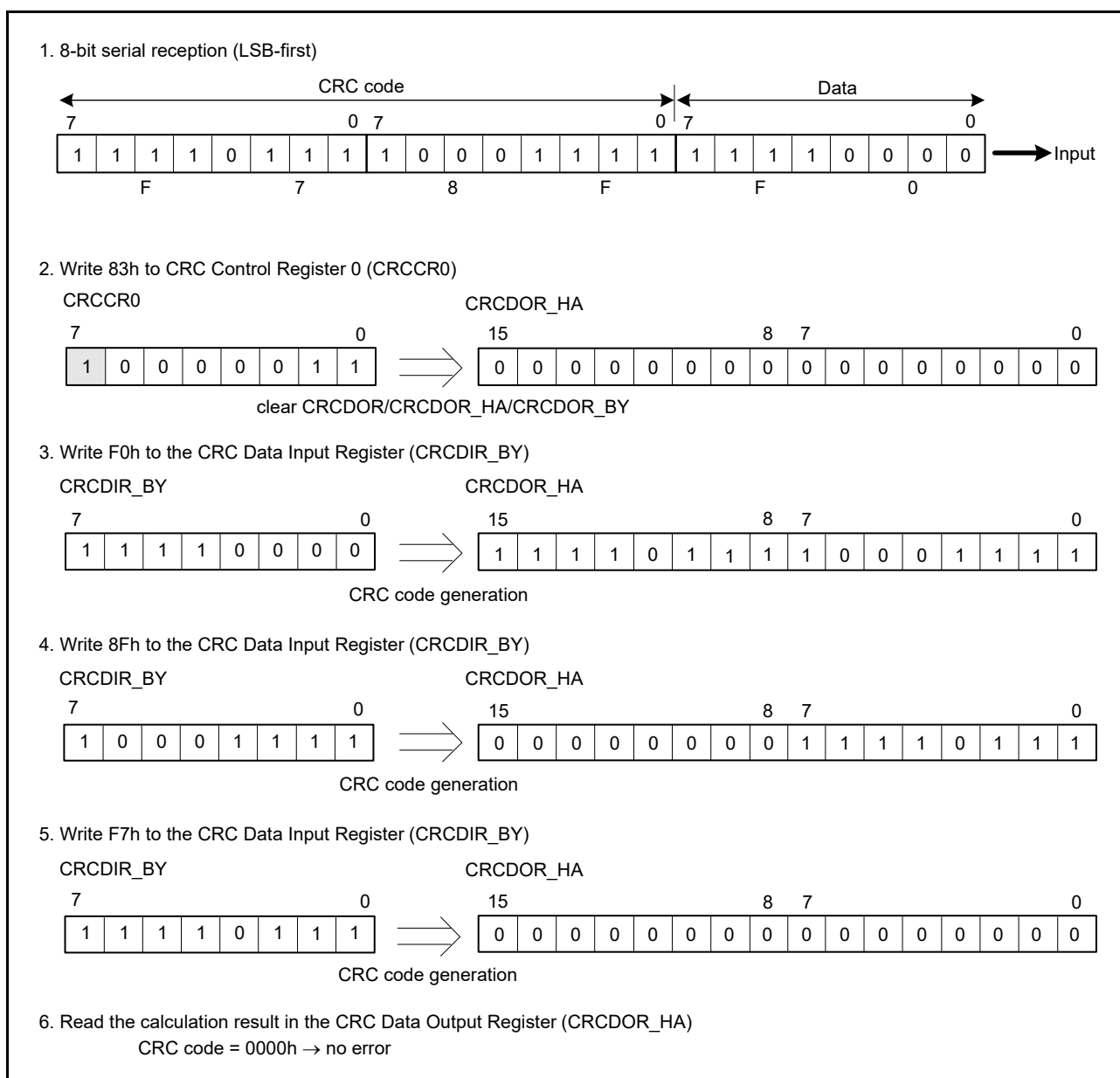


Figure 38.4 LSB-first data reception

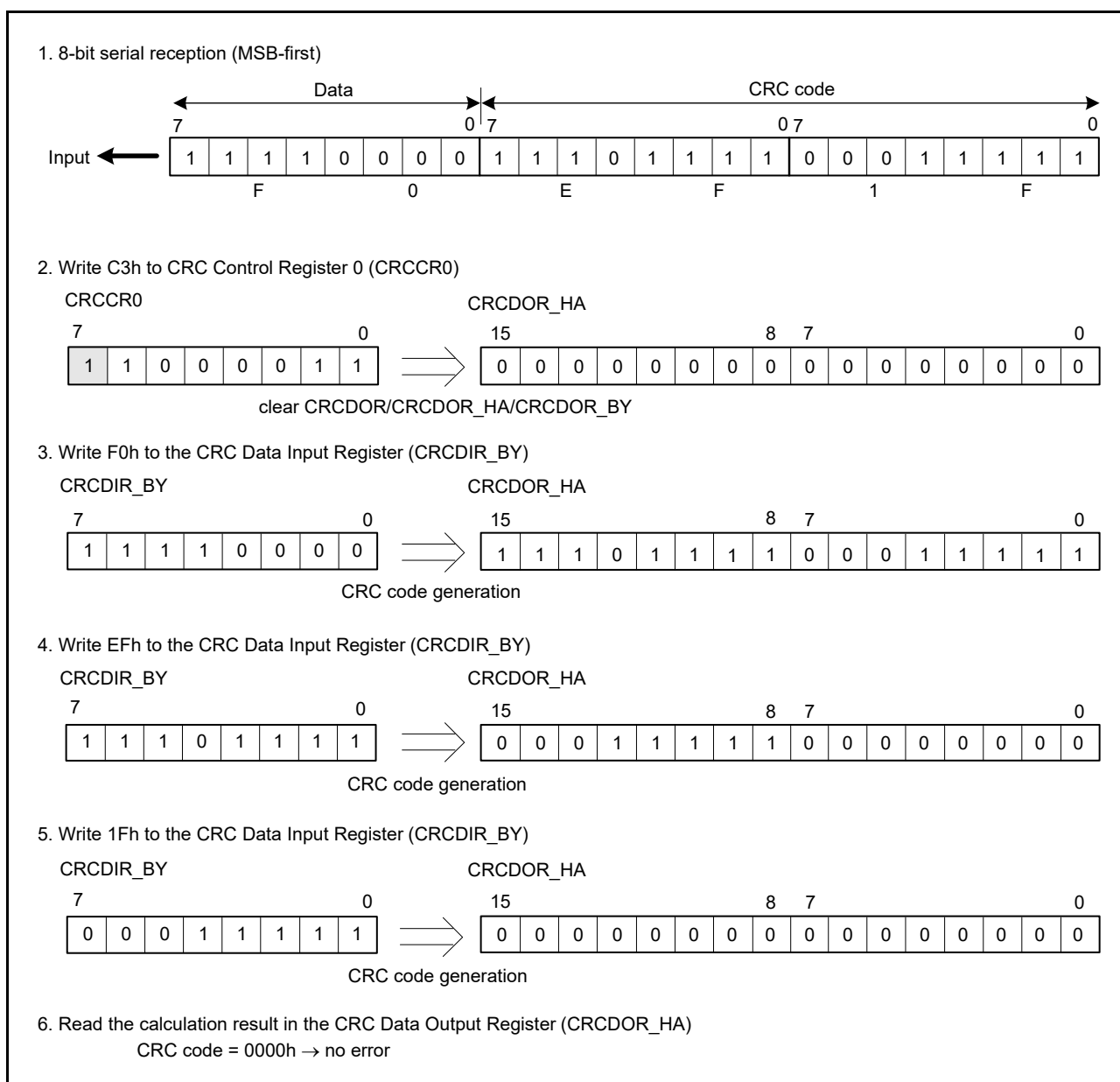


Figure 38.5 MSB-first data reception

### 38.3.2 CRC Snoop

The CRC snoop function monitors the reads from and writes to a specified I/O register address and performs a CRC calculation on the data read from and written to the register address automatically. Because the CRC snoop recognizes the writes to and reads from a specific register address as a trigger to automatically perform a CRC calculation, writing data to the CRCDIR\_BY register is not required. All I/O register addresses specified in [section 38.2.5, Snoop Address Register \(CRCSAR\)](#) are subject to the CRC snoop. The CRC snoop is useful in monitoring the writes to the serial transmit buffer, and the reads from the serial receive buffer.

To use this function, write a target I/O register address to the CRCSA13 to CRCSA0 bits in the CRCSAR register, and set the CRCSEN bit in the CRCCR1 register to 1. Then, set the CRCSWR bit in the CRCCR1 register to 1 to enable snooping on the writes to the target address, or set the CRCSWR bit in the CRCCR1 register to 0 to enable snooping on the reads from the target address.

When both the CRCSEN and CRCSWR bits are set to 1 and data is written to a target I/O register address in a bus master module (including the CPU, DMAC, and DTC), the CRC calculator stores the data in the CRCDIR\_BY register and performs CRC calculation. Similarly, when the CRCSEN bit is set to 1 and the CRCSWR bit to 0, and data is read from a target I/O register address in a bus master module (including the CPU, DMAC, and DTC), the CRC calculator stores the data in the CRCDIR\_BY register and performs a CRC calculation.

CRC calculation is performed 1 byte at a time. When the target I/O register address is accessed in words (16 bits) or long words (32 bits), a CRC code is generated on the lower byte (1 byte) of data.

## 38.4 Usage Notes

### 38.4.1 Settings for the Module-Stop Function

CRC calculator operation can be disabled or enabled using Module Stop Control Register C (MSTPCRC). The CRC calculator is initially stopped after reset. Releasing the module-stop state enables access to the registers. For details, see [section 11, Low Power Modes](#).

### 38.4.2 Note on Transmission

The transmission sequence for the CRC code differs depending on whether transmission is LSB-first or MSB-first.

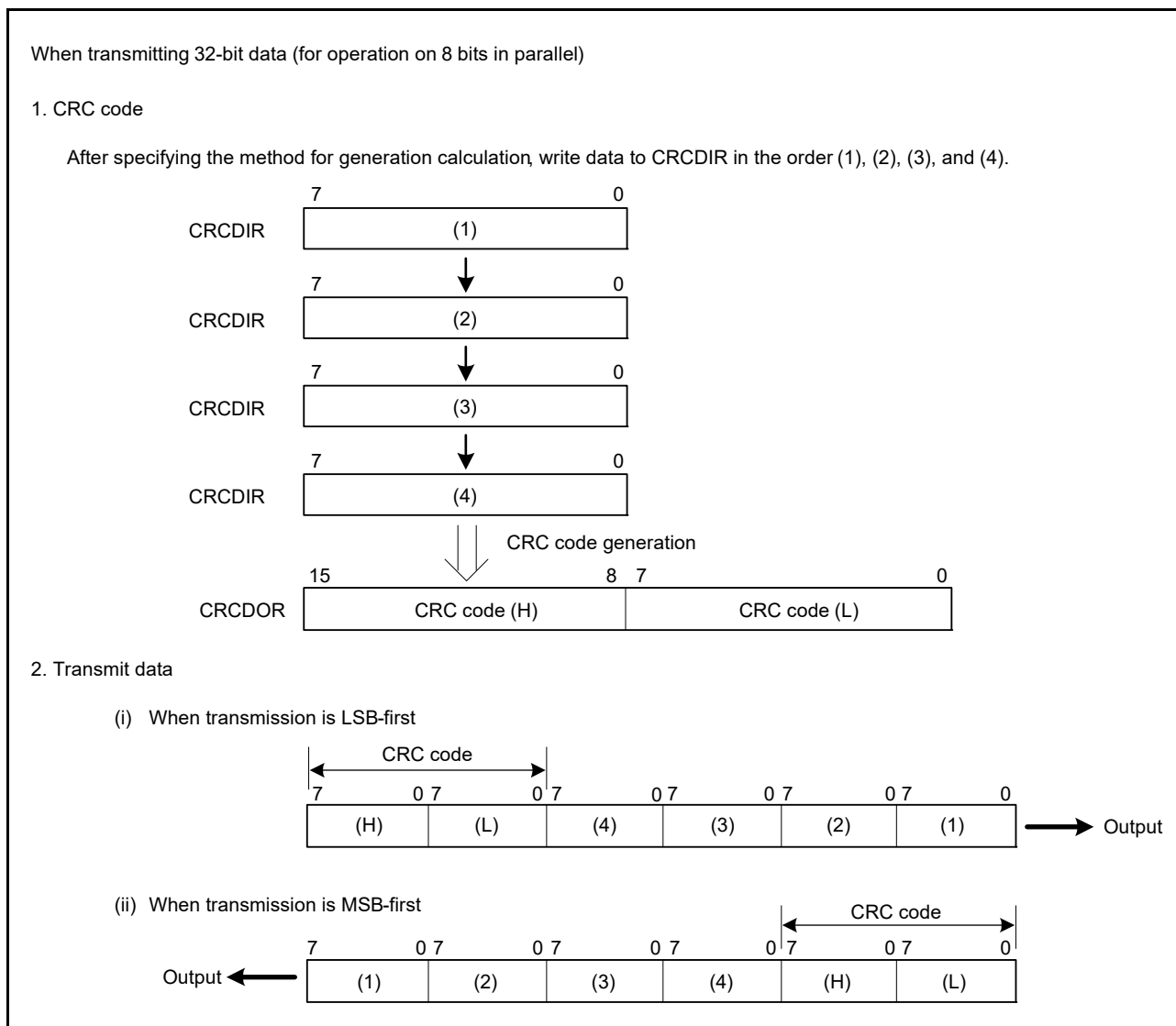


Figure 38.6 LSB-first and MSB-first data transmission

## 39. Serial Sound Interface Enhanced (SSIE)

### 39.1 Overview

The Serial Sound Interface Enhanced (SSIE) can transmit and receive audio data to and from various devices that support different audio data formats, such as I<sup>2</sup>S, monaural, and TDM.

### 39.2 Features

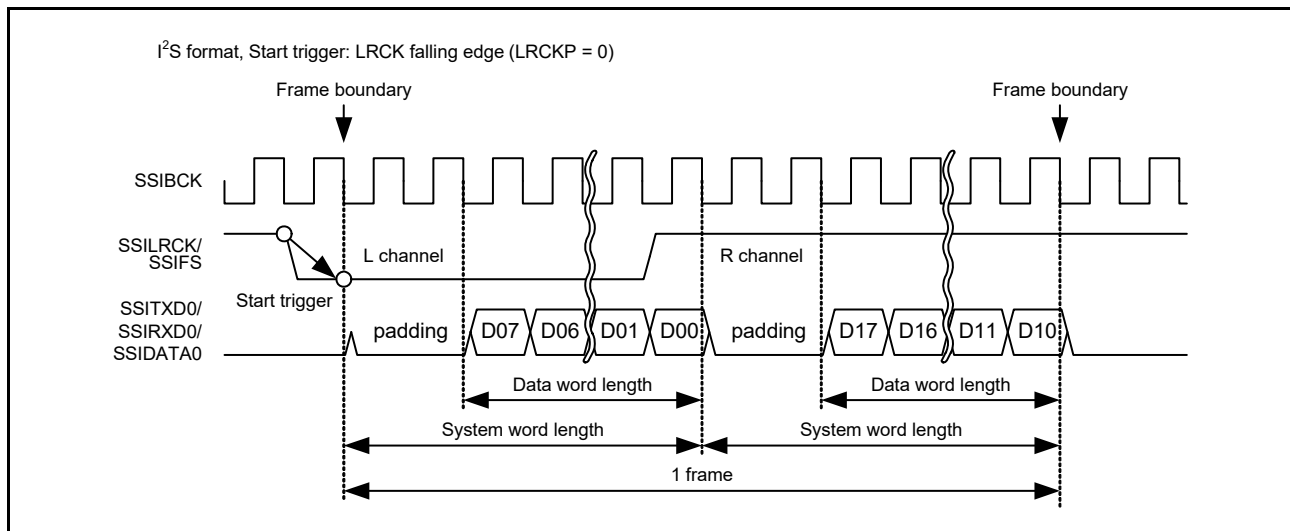
**Table 39.1 SSIE specifications**

| Parameter  |                      | Description  |
|--|----------------------|--|
| Number of channels   |                      | One channel, SSIE0   |
| Communication mode   |                      | <ul style="list-style-type: none"> <li>• Master/slave</li> <li>• Transmission/reception (SSIE0 full-duplex communication or half-duplex communication).</li> </ul>   |
| Communication format   |                      | <ul style="list-style-type: none"> <li>• I<sup>2</sup>S format</li> <li>• Monaural format</li> <li>• TDM format.</li> </ul>  |
| Serial data  |                      | <ul style="list-style-type: none"> <li>• MSB first</li> <li>• Data can be left-justified or right-justified.</li> <li>• Data delay (1 clock cycle) or no delay selectable for the period from SSILRCK/SSIFS to SSITXD0/SSIRXD0/SSIDATA0</li> <li>• System word length: 8, 16, 24, 32, 48, 64, 128, or 256 bits</li> <li>• Data word length: 8, 16, 18, 20, 22, 24, or 32 bits</li> <li>• Padding polarity: Low or high.</li> </ul> |
| Bit clock (SSIBCK)   | In master mode       | <ul style="list-style-type: none"> <li>• Two clock sources available (AUDIO_CLK/GPT output (GTIOC1A))</li> <li>• Clock source division ratio: 1/1, 1/2, 1/4, 1/6, 1/8, 1/12, 1/16, 1/24, 1/32, 1/48, 1/64, 1/96, and 1/128.</li> <li>• Supply/stop is selectable while communication is halted.</li> </ul>   |
|  | In master/slave mode | <ul style="list-style-type: none"> <li>• Polarity (rising edge or falling edge) selectable</li> </ul>  |
| LR clock/frame synchronization (SSILRCK/SSIFS)                       | In master mode       | <ul style="list-style-type: none"> <li>• Polarity (low level or high level) selectable</li> <li>• Supply/stop is selectable while communication is halted.</li> </ul>  |
| Transmit data (SSITXD0/SSIDATA0) and receive data (SSIRXD0/SSIDATA0) | Transmission         | <ul style="list-style-type: none"> <li>• Muting method (transmission of transmit FIFO data or transmission of data fixed to 0) selectable.</li> </ul>  |
| FIFO   | Capacity             | <ul style="list-style-type: none"> <li>• Transmit FIFO/receive FIFO: 4 bytes × 32 stages.</li> </ul>   |
|  | Data alignment       | <ul style="list-style-type: none"> <li>• Data alignment method (left-justification or right-justification) selectable for the data transfer between FIFO and shift register.</li> </ul>  |
| Interrupt  | Interrupt output     | <ul style="list-style-type: none"> <li>• Communication error/idle mode</li> <li>• Receive data full</li> <li>• Transmit data empty.</li> </ul>   |
| Low power consumption function                                       |                      | <ul style="list-style-type: none"> <li>• Whether to supply the audio clock selectable in master mode.</li> </ul>   |
| Module stop function   |                      | <ul style="list-style-type: none"> <li>• Module stop state can be set to reduce power consumption.</li> </ul>  |

The following table lists and defines the terms used for the communication formats that SSIE can use.

**Table 39.2** Definition of terms

| Term                                   | Definition  |
|--|---|
| Start trigger                          | First edge of the signal on the SSILRCK/SSIFS pin when the signal is set to the value specified in LRCKP to enable communication  |
| Frame boundary                         | Point where SSIE starts transferring the first data of a frame or the point where SSIE ends transferring the last data of the frame   |
| Frame word number                      | Number of sound channels per frame  |
| System word length                     | Number of bits per channel  |
| Data word length                       | Number of significant bits per channel  |
| Control bits for communication formats | <ul style="list-style-type: none"> <li>• SSICR register: FRM, DWL, SWL, LRCKP, SPDP, SDTA, PDTA, and DEL bits</li> <li>• SSIFCR register: BSW bit</li> <li>• SSIOFR register: OMOD bit</li> <li>• SSISCR register: TDES[4:0] and RDFS[4:0] bits.</li> </ul> |



**Figure 39.1** Definition of communication format



### 39.3 Block Diagram

Figure 39.2 and Figure 39.3 show a block diagram of SSIE.

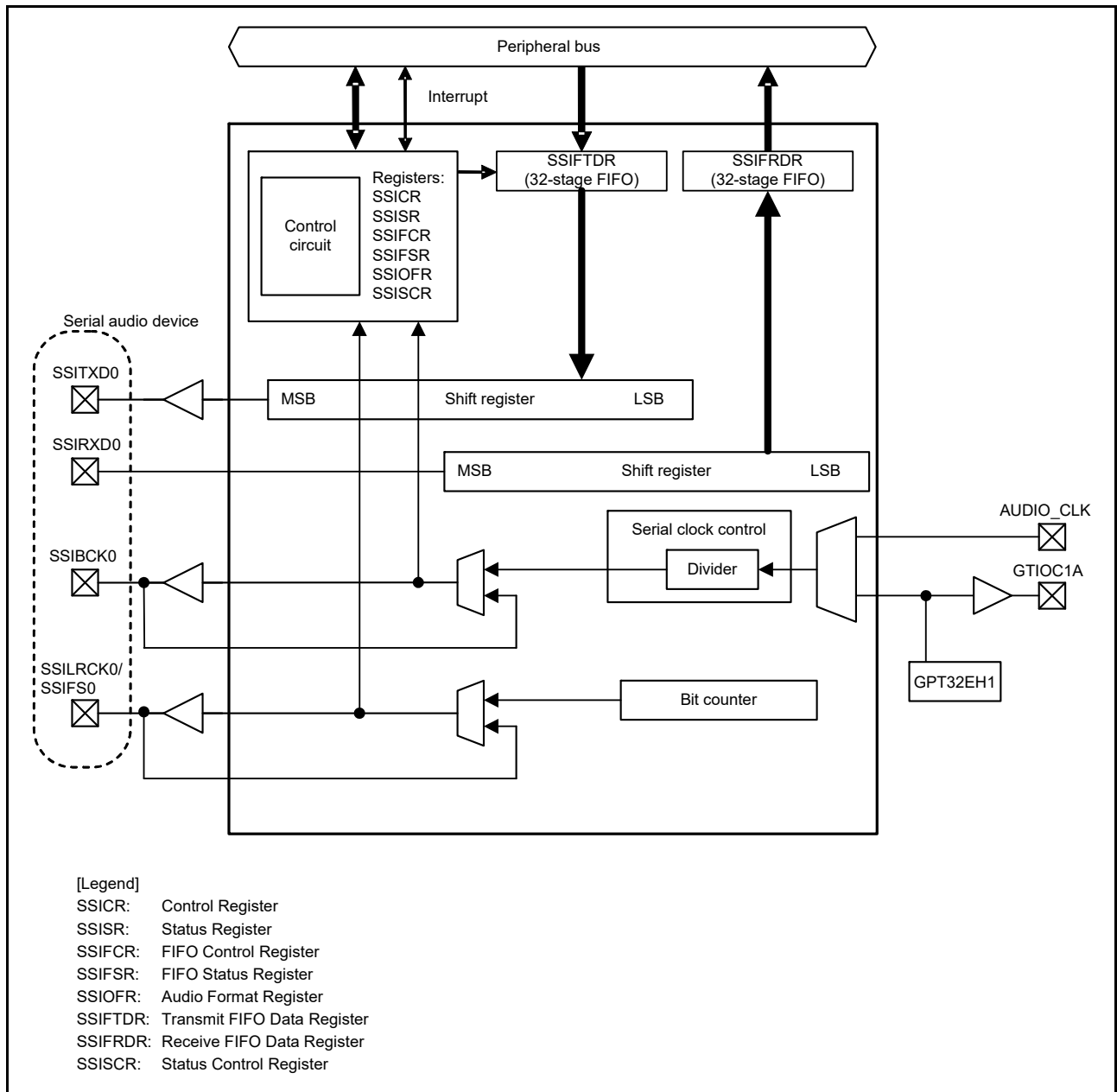


Figure 39.2 SSIE block diagram (SSIE0) for full-duplex communication

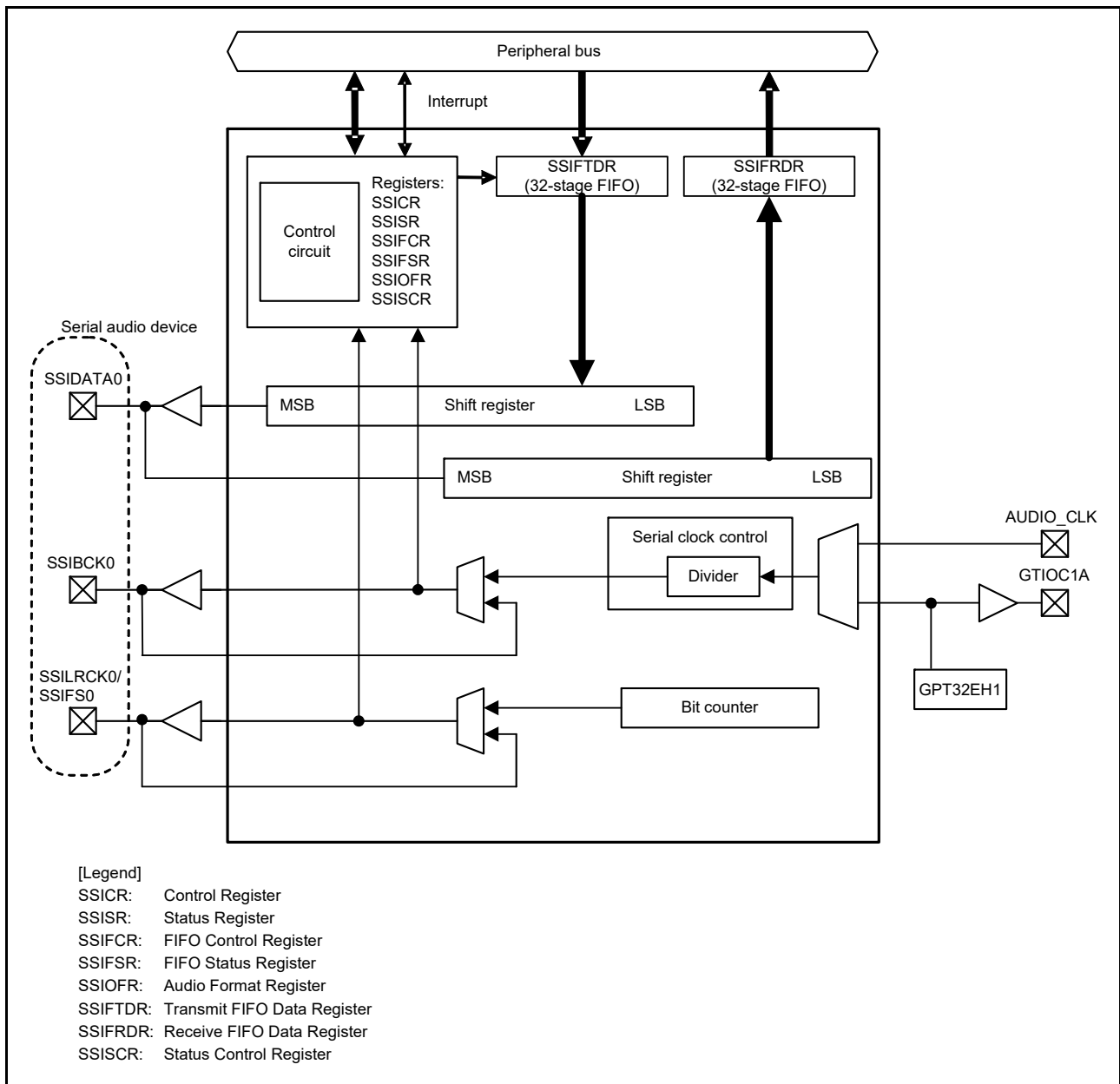


Figure 39.3 SSIE block diagram (SSIE0) for half-duplex communication

Figure 39.4 shows the clock configuration of SSIE.

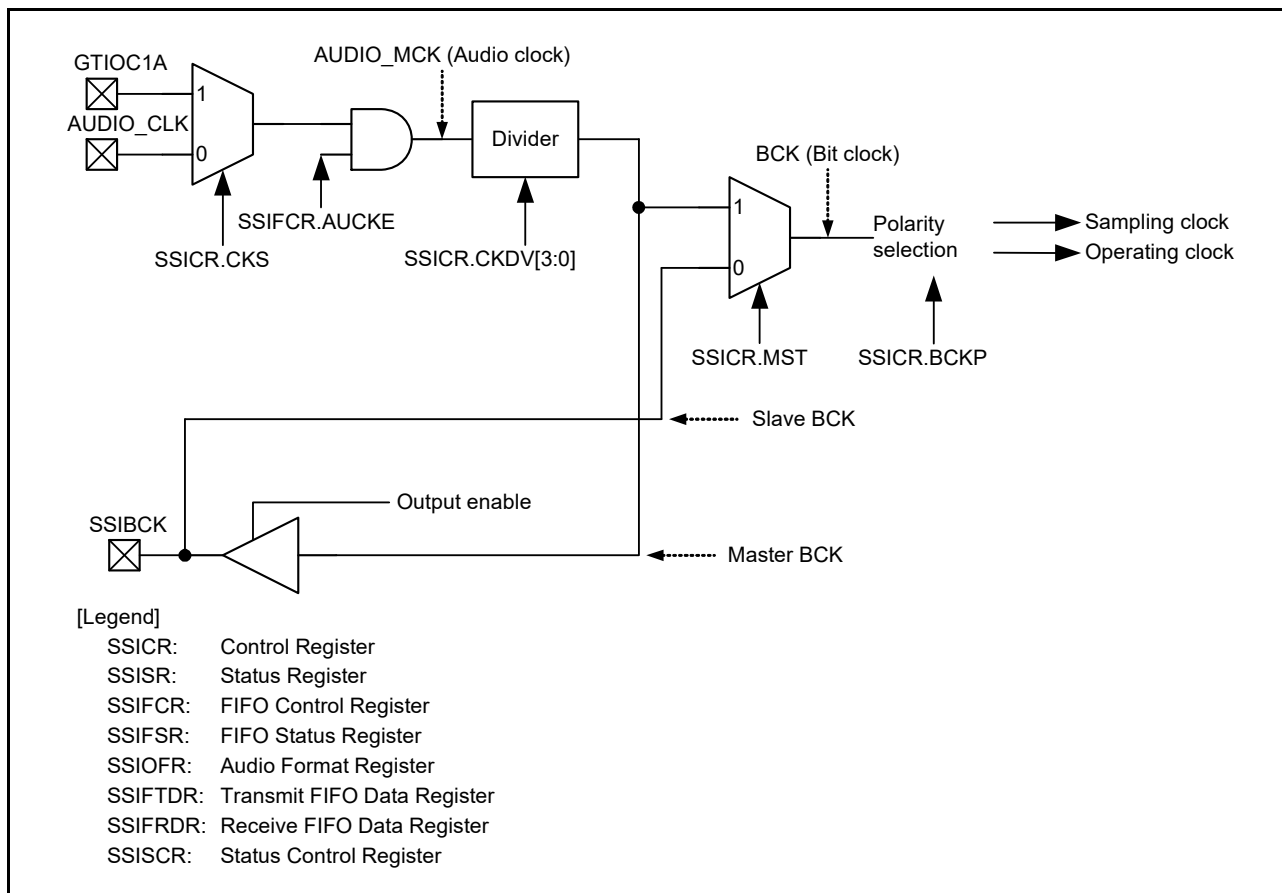


Figure 39.4 SSIE clock configuration

### 39.4 Register Descriptions

#### 39.4.1 Control Register (SSICR)

Address(es): SSIE0.SSICR 4004 E000h

|  |     |       |       |       |       |      |     |          |           |          |     |      |     |          |     |
|--|-----|-------|-------|-------|-------|------|-----|----------|-----------|----------|-----|------|-----|----------|-----|
| b31  | b30 | b29   | b28   | b27   | b26   | b25  | b24 | b23      | b22       | b21      | b20 | b19  | b18 | b17      | b16 |
| —  | CKS | TUIEN | TOIEN | RUIEN | ROIEN | IEN  | —   | FRM[1:0] |           | DWL[2:0] |     |      |     | SWL[2:0] |     |
| Value after reset: 0 0 0 0 0 0 0 0 0 0 0 0 0 0 0 0 |     |       |       |       |       |      |     |          |           |          |     |      |     |          |     |
| b15  | b14 | b13   | b12   | b11   | b10   | b9   | b8  | b7       | b6        | b5       | b4  | b3   | b2  | b1       | b0  |
| —  | MST | BCKP  | LRCKP | SPDP  | SDTA  | PDTA | DEL |          | CKDV[3:0] |          |     | MUEN | —   | TEN      | REN |
| Value after reset: 0 0 0 0 0 0 0 0 0 0 0 0 0 0 0 0 |     |       |       |       |       |      |     |          |           |          |     |      |     |          |     |

| Bit | Symbol | Bit name                            | Description  | R/W |
|-----|--------|-------------------------------------|--|-----|
| b0  | REN    | Transmission and Reception Enable*2 | 00: Disables transmission and reception<br>01: Enables reception (starts reception)<br>10: Enables transmission (starts transmission)<br>11: Enables transmission and reception (starts transmission and reception). | R/W |
| b1  | TEN    |                                     |  |     |
| b2  | —      | Reserved                            | This bit is read as 0. The write value should be 0.  | R/W |

| Bit        | Symbol                    | Bit name  | Description   | R/W |
|------------|---------------------------|---|---|-----|
| b3         | <a href="#">MUEN</a>      | Mute Enable   | 0: Disables muting on the next frame boundary<br>1: Enables muting on the next frame boundary.  | R/W |
| b7 to b4   | <a href="#">CKDV[3:0]</a> | Selects Bit Clock Division Ratio*1  | b7    b4<br>0 0 0 0: AUDIO_MCK<br>0 0 0 1: AUDIO_MCK/2<br>0 0 1 0: AUDIO_MCK/4<br>0 0 1 1: AUDIO_MCK/8<br>0 1 0 0: AUDIO_MCK/16<br>0 1 0 1: AUDIO_MCK/32<br>0 1 1 0: AUDIO_MCK/64<br>0 1 1 1: AUDIO_MCK/128<br>1 0 0 0: AUDIO_MCK/6<br>1 0 0 1: AUDIO_MCK/12<br>1 0 1 0: AUDIO_MCK/24<br>1 0 1 1: AUDIO_MCK/48<br>1 1 0 0: AUDIO_MCK/96<br>1 1 0 1: Setting prohibited<br>1 1 1 0: Setting prohibited<br>1 1 1 1: Setting prohibited. | R/W |
| b8         | <a href="#">DEL</a>       | Selects Serial Data Delay*1   | 0: Delay of 1 cycle of SSIBCK between SSILRCK/SSIFS and SSITXD0/SSIRXD0/SSIDATA0<br>1: No delay between SSILRCK/SSIFS and SSITXD0/SSIRXD0/SSIDATA0<br>In the monaural format, this bit controls the waveform of SSILRCK/SSIFS.<br>For details, see <a href="#">section 39.5.2, Monaural Format</a> .  | R/W |
| b9         | <a href="#">PDTA</a>      | Selects Placement Data Alignment*1  | 0: Left-justifies placement data (SSIFTDR, SSIFRDR)<br>1: Right-justifies placement data (SSIFTDR, SSIFRDR).  | R/W |
| b10        | <a href="#">SDTA</a>      | Selects Serial Data Alignment*1   | 0: Transmits and receives serial data first and then padding bits<br>1: Transmit and receives padding bits first and then serial data.  | R/W |
| b11        | <a href="#">SPDP</a>      | Selects Serial Padding Polarity*1   | 0: Padding data is at a low level<br>1: Padding data is at a high level.  | R/W |
| b12        | <a href="#">LRCKP</a>     | Selects the Initial Value and Polarity of LR Clock/Frame Synchronization Signal*1 | 0: The initial value is at a high level<br>The start trigger for a frame is synchronized with a falling edge of SSILRCK/SSIFS<br>1: The initial value is at a low level<br>The start trigger for a frame is synchronized with a rising edge of SSILRCK/SSIFS.   | R/W |
| b13        | <a href="#">BCKP</a>      | Selects Bit Clock Polarity*1  | 0: SSILRCK/SSIFS and SSITXD0/SSIRXD0/SSIDATA0 change at a falling edge (SSILRCK/SSIFS and SSIRXD0/SSIDATA0 are sampled at a rising edge of SSIBCK)<br>1: SSILRCK/SSIFS and SSITXD0/SSIRXD0/SSIDATA0 change at a rising edge (SSILRCK/SSIFS and SSIRXD0/SSIDATA0 are sampled at a falling edge of SSIBCK).   | R/W |
| b14        | <a href="#">MST</a>       | Master Enable*1   | 0: Slave-mode communication<br>1: Master-mode communication.  | R/W |
| b15        | —                         | Reserved  | This bit is read as 0. The write value should be 0.   | R/W |
| b18 to b16 | <a href="#">SWL[2:0]</a>  | Selects System Word Length*1  | b18   b16<br>0 0 0: 8 bits<br>0 0 1: 16 bits<br>0 1 0: 24 bits<br>0 1 1: 32 bits<br>1 0 0: 48 bits<br>1 0 1: 64 bits<br>1 1 0: 128 bits<br>1 1 1: 256 bits.   | R/W |

| Bit                                     | Symbol                 | Bit name   | Description  | R/W                                     |  |  |  |          |                        |                |           |     |   |   |                    |     |                    |                    |   |     |   |     |   |     |
|---|------------------------|--|--|---|--|--|--|----------|------------------------|----------------|-----------|-----|---|---|--------------------|-----|--------------------|--------------------|---|-----|---|-----|---|-----|
| b21 to b19                              | DWL[2:0]               | Selects Data Word Length*1                                 | b21 b19<br>0 0 0: 8 bits<br>0 0 1: 16 bits<br>0 1 0: 18 bits<br>0 1 1: 20 bits<br>1 0 0: 22 bits<br>1 0 1: 24 bits<br>1 1 0: 32 bits<br>1 1 1: Setting prohibited.   | R/W                                     |  |  |  |          |                        |                |           |     |   |   |                    |     |                    |                    |   |     |   |     |   |     |
| b23, b22                                | FRM[1:0]               | Selects Frame Word Number<br>*1                            | <table border="1"> <thead> <tr> <th colspan="4">Communication format (SSIOFR.OMOD[1:0])</th> </tr> <tr> <th>FRM[1:0]</th> <th>I<sup>2</sup>S (00b)</th> <th>Monaural (10b)</th> <th>TDM (01b)</th> </tr> </thead> <tbody> <tr> <td>00b</td> <td>2</td> <td>1</td> <td>Setting prohibited</td> </tr> <tr> <td>01b</td> <td rowspan="3">Setting prohibited</td> <td rowspan="3">Setting prohibited</td> <td>4</td> </tr> <tr> <td>10b</td> <td>6</td> </tr> <tr> <td>11B</td> <td>8</td> </tr> </tbody> </table> | Communication format (SSIOFR.OMOD[1:0]) |  |  |  | FRM[1:0] | I <sup>2</sup> S (00b) | Monaural (10b) | TDM (01b) | 00b | 2 | 1 | Setting prohibited | 01b | Setting prohibited | Setting prohibited | 4 | 10b | 6 | 11B | 8 | R/W |
| Communication format (SSIOFR.OMOD[1:0]) |                        |  |  |   |  |  |  |          |                        |                |           |     |   |   |                    |     |                    |                    |   |     |   |     |   |     |
| FRM[1:0]                                | I <sup>2</sup> S (00b) | Monaural (10b)   | TDM (01b)  |   |  |  |  |          |                        |                |           |     |   |   |                    |     |                    |                    |   |     |   |     |   |     |
| 00b                                     | 2                      | 1  | Setting prohibited   |   |  |  |  |          |                        |                |           |     |   |   |                    |     |                    |                    |   |     |   |     |   |     |
| 01b                                     | Setting prohibited     | Setting prohibited   | 4  |   |  |  |  |          |                        |                |           |     |   |   |                    |     |                    |                    |   |     |   |     |   |     |
| 10b                                     |                        |  | 6  |   |  |  |  |          |                        |                |           |     |   |   |                    |     |                    |                    |   |     |   |     |   |     |
| 11B                                     |                        |  | 8  |   |  |  |  |          |                        |                |           |     |   |   |                    |     |                    |                    |   |     |   |     |   |     |
| b24                                     | —                      | Reserved   | This bit is read as 0. The write value should be 0.  | R/W                                     |  |  |  |          |                        |                |           |     |   |   |                    |     |                    |                    |   |     |   |     |   |     |
| b25                                     | I IEN                  | Idle Mode Interrupt Output Enable                          | 0: Disables idle mode interrupt output<br>1: Enables idle mode interrupt output.   | R/W                                     |  |  |  |          |                        |                |           |     |   |   |                    |     |                    |                    |   |     |   |     |   |     |
| b26                                     | R O IEN                | Receive Overflow Interrupt Output Enable                   | 0: Disables receive overflow interrupt output<br>1: Enables receive overflow interrupt output.   | R/W                                     |  |  |  |          |                        |                |           |     |   |   |                    |     |                    |                    |   |     |   |     |   |     |
| b27                                     | R U IEN                | Receive Underflow Interrupt Output Enable                  | 0: Disables receive underflow interrupt output<br>1: Enables receive underflow interrupt output.   | R/W                                     |  |  |  |          |                        |                |           |     |   |   |                    |     |                    |                    |   |     |   |     |   |     |
| b28                                     | T O IEN                | Transmit Overflow Interrupt Output Enable                  | 0: Disables transmit overflow interrupt output<br>1: Enables transmit overflow interrupt output.   | R/W                                     |  |  |  |          |                        |                |           |     |   |   |                    |     |                    |                    |   |     |   |     |   |     |
| b29                                     | T U IEN                | Transmit Underflow Interrupt Output Enable                 | 0: Disables transmit underflow interrupt output<br>1: Enables transmit underflow interrupt output.   | R/W                                     |  |  |  |          |                        |                |           |     |   |   |                    |     |                    |                    |   |     |   |     |   |     |
| b30                                     | C K S                  | Selects an Audio Clock for Master-mode Communication<br>*1 | 0: Selects the AUDIO_CLK input<br>1: Selects the GTIOC1A (GPT output).   | R/W                                     |  |  |  |          |                        |                |           |     |   |   |                    |     |                    |                    |   |     |   |     |   |     |
| b31                                     | —                      | Reserved   | This bit is read as 0. The write value should be 0.  | R/W                                     |  |  |  |          |                        |                |           |     |   |   |                    |     |                    |                    |   |     |   |     |   |     |

Note 1. Writing to these bits while SSIE is in a communication state (SSISR.IIRQ = 0) is prohibited. If the value of these bits is changed by rewriting, subsequent operation is unpredictable.

Note 2. If the TEN bit or REN bit is rewritten, make sure that the SSISR.IIRQ bit is in the desired status. If the value of the TEN or REN bit is changed by rewriting, subsequent operation is unpredictable. For example, when transmission or reception is enabled, check that SSISR.IIRQ is 0. When transmission or reception is disabled, check that SSISR.IIRQ is 1.

With this register, select an audio clock, control interrupt requests, select data formats, and set an operation mode.

### TEN and REN bits (Transmission and Reception Enable)

The TEN and REN bits enable/disable transmission and reception. When 1 is written to one of these bits, the corresponding communication operation starts in synchronization with a start trigger by the SSILRCK/SSIFS signal. For details, see [section 39.8.2](#) to [section 39.8.4](#). When 0 is written to this bit, the current communication operation stops at the next frame boundary. To use SSIE for both transmission and reception, always write 1 to these bits together. When stopping the communication using SSIE, always disable both transmission and reception (write 0 to the TEN and REN bits).

If you want to stop SSIE before a frame boundary is reached, perform a software reset procedure.

### MUEN bit (Mute Enable)

The MUEN bit sets/clears the mute function for the data output from the SSITXD0/SSIDATA0 pin. When this bit is set to 1 in the middle of a frame, the SSITXD0/SSIDATA0 output changes to 0 at the next frame boundary. When this bit is set to 0 in the middle of a frame, the SSITXD0/SSIDATA0 output changes to the data of transmit FIFO data register at the next frame boundary. Note that this bit controls data only. Status flags and interrupt signals are normally generated.

Changing the value of this bit must be performed only after setting the communication format to be used.

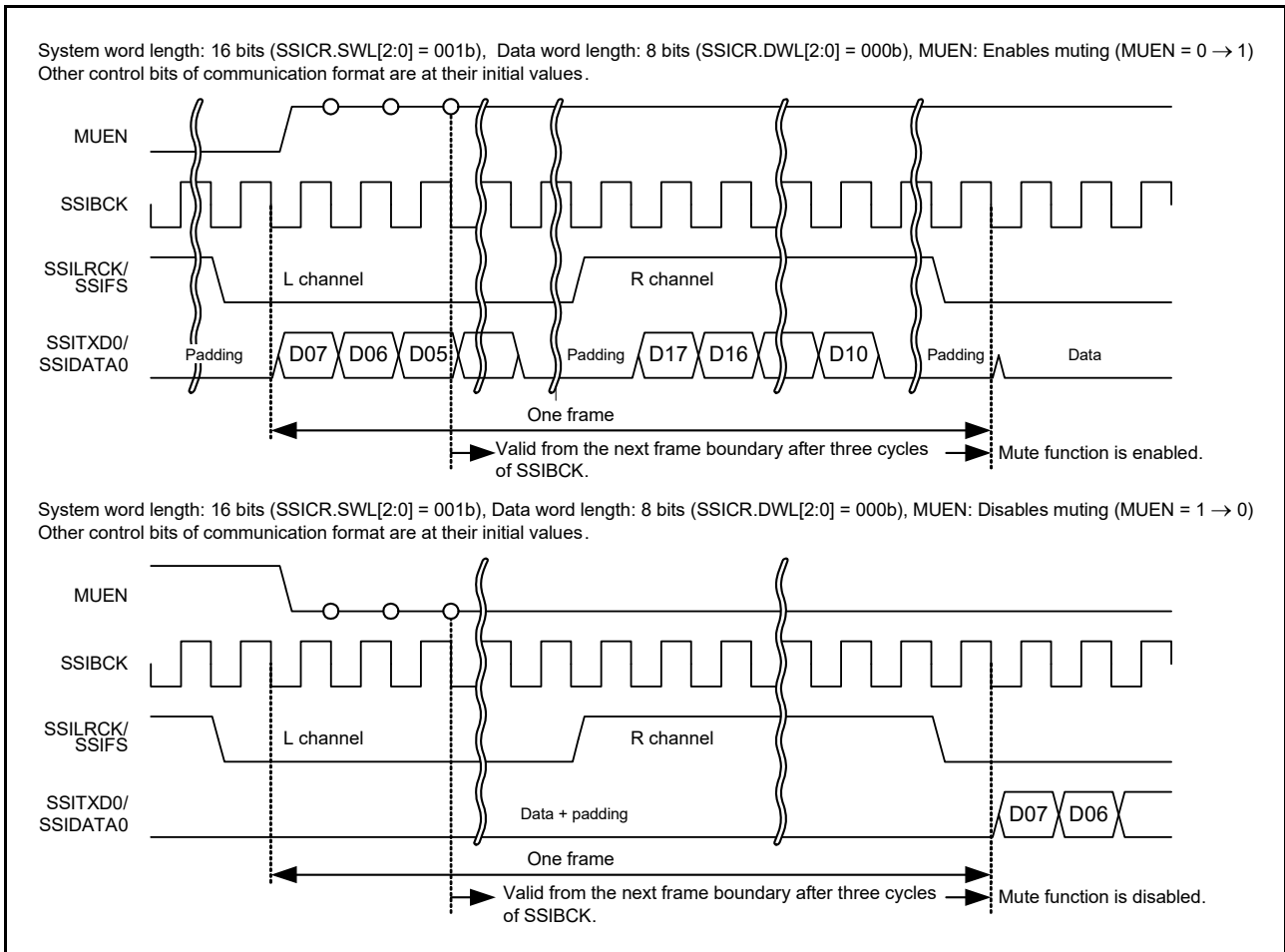


Figure 39.5 Transmit data with the mute function set

**CKDV[3:0] bits (Selects Bit Clock Division Ratio)**

The CKDV[3:0] bits set the division ratio of the bit clock based on AUDIO\_MCK in master-mode communication (MST = 1). In slave-mode communication (MST = 0), setting of these bits is invalid.

Writing to this bit must be performed when the supply of AUDIO\_MCK is stopped. For details about the timing, see the detailed description of the AUCKE bit in SSIFCR.

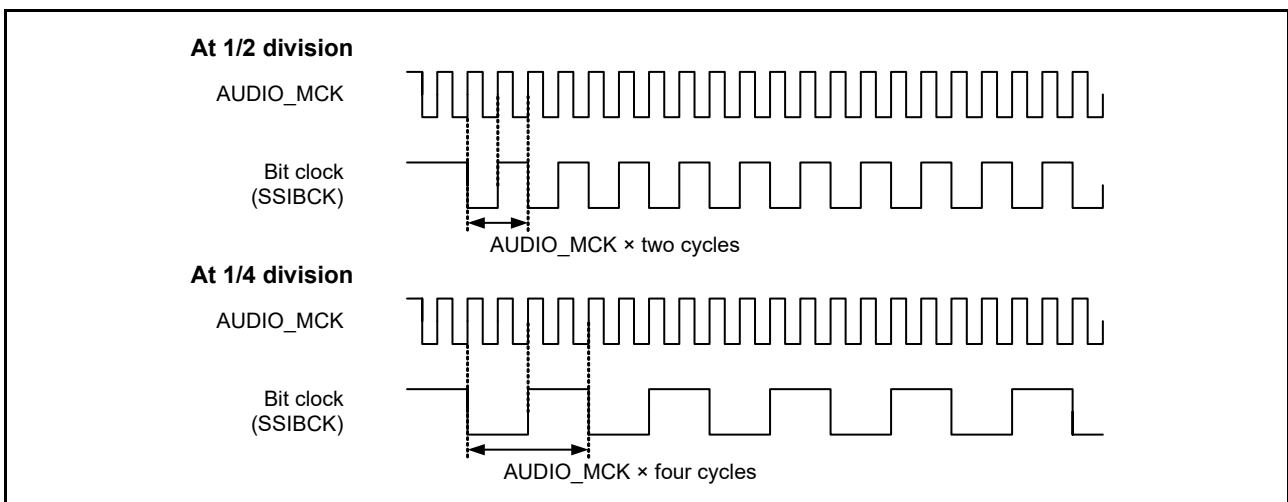
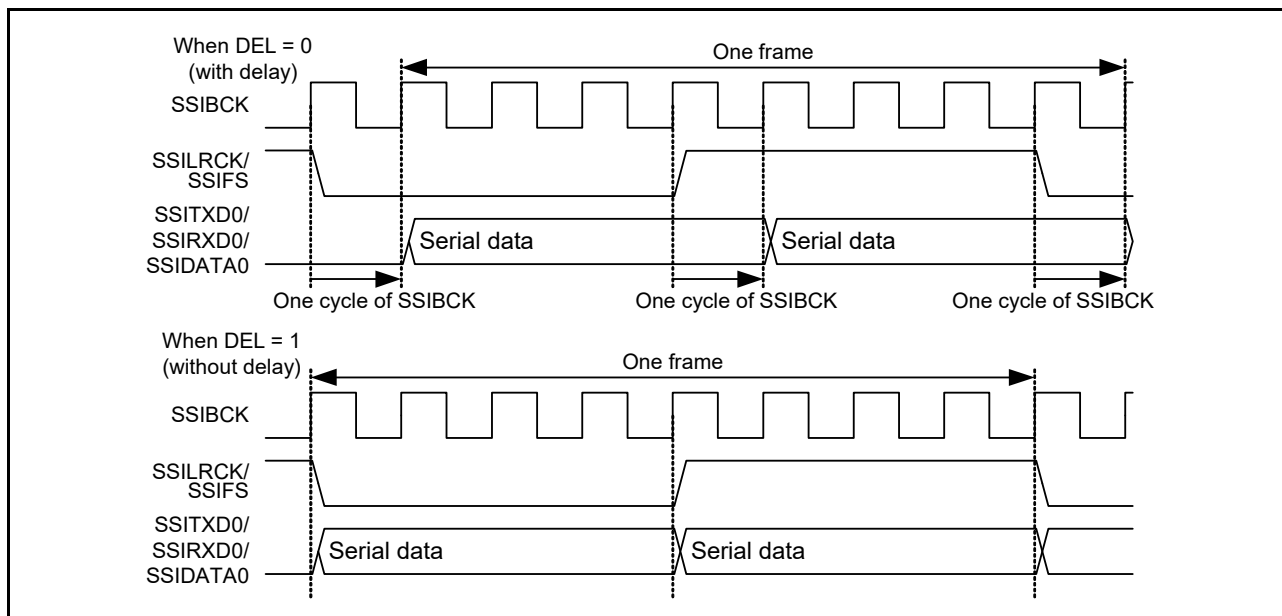


Figure 39.6 Sampling frequencies in master-mode communication

**DEL bit (Selects Serial Data Delay)**

The DEL bit sets whether or not there will be a delay between SSILRCK/SSIFS and SSITXD0/SSIRXD0/SSIDATA0.

For the I<sup>2</sup>S or TDM format, set the DEL bit to 0. When the monaural format is used, setting of this bit changes the high period width of SSILRCK/SSIFS. For details, see [section 39.5.2, Monaural Format](#). When using a compatible communication format, specify a setting of this bit that enables communication.



**Figure 39.7** Setting of delay in serial data

**PDTA bit (Selects Placement Data Alignment)**

The PDTA bit sets how to align the placement data. With the setting of data word length as 32 bits (SSICR.DWL[2:0] = 110b), this bit is invalid.

At transmission, see [Figure 39.8](#).

|  | First transmission data                                      | Second transmission data                                 | Third transmission data                                  | Fourth transmission data                                     |
|--|--|--|--|--|
|  | SSIFTDR  |  |  |  |
| DWL[2:0]   | PDTA = 0 (left-justify)                                      |  | PDTA = 1 (right-justify)                                 | Transmission shift register                                  |
| 000 (8 bits)   | 7 0 Invalid<br>7 0 Invalid<br>7 0 Invalid<br>7 0 Invalid     | Setting prohibited                                       |  | 7 0 Invalid<br>7 0 Invalid<br>7 0 Invalid<br>7 0 Invalid     |
| 001 (16 bits)  | 15 0 Invalid<br>15 0 Invalid<br>15 0 Invalid<br>15 0 Invalid | Setting prohibited                                       |  | 15 0 Invalid<br>15 0 Invalid<br>15 0 Invalid<br>15 0 Invalid |
| 010 to 100<br>18bit : X = 17<br>20bit : X = 19<br>22bit : X = 21<br>24bit : X = 23 | X 0 Invalid<br>X 0 Invalid<br>X 0 Invalid<br>X 0 Invalid     | Invalid X 0<br>Invalid X 0<br>Invalid X 0<br>Invalid X 0 | X 0 Invalid<br>X 0 Invalid<br>X 0 Invalid<br>X 0 Invalid |  |
| 110 (32 bits)  | 31 0<br>31 0<br>31 0<br>31 0                                 | Setting prohibited                                       |  | 31 0<br>31 0<br>31 0<br>31 0                                 |
| 111<br>(Setting prohibited)  | /  |  |  |  |

Figure 39.8 Alignment of placement data at transmission

At reception, see Figure 39.9.

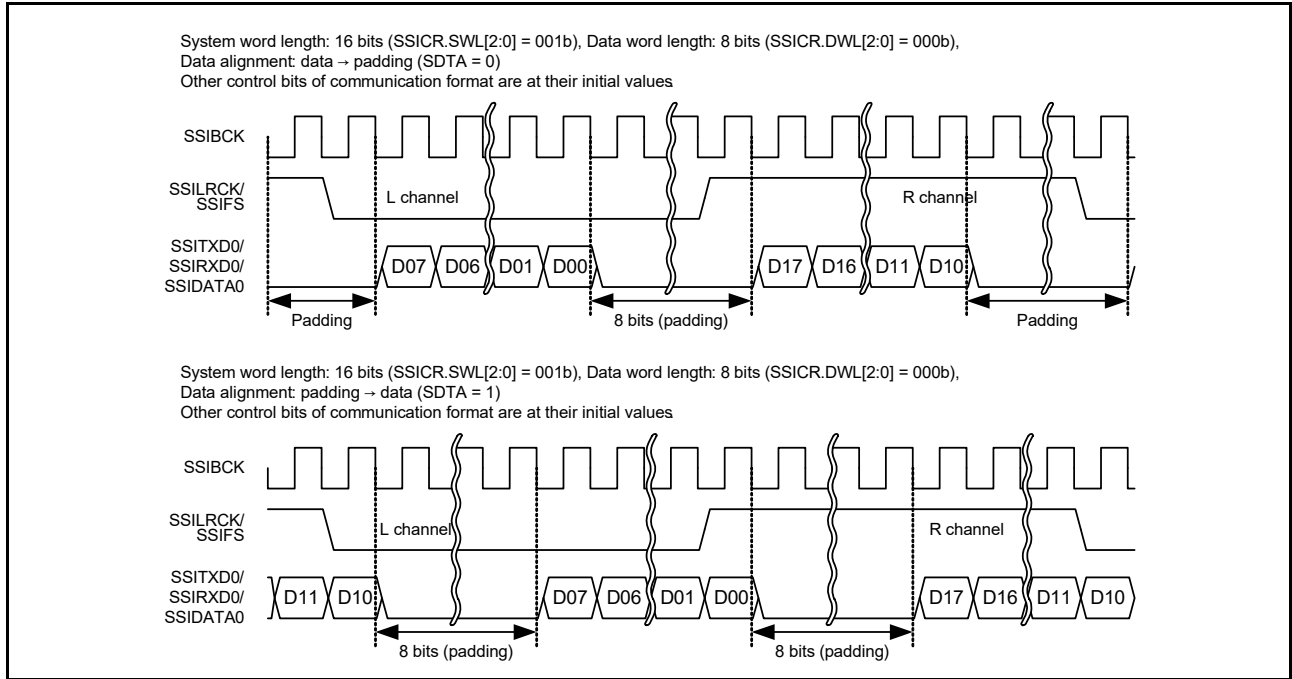
|  | First transmission data                                      | Second transmission data                                 | Third transmission data                                      | Fourth transmission data |
|--|--|--|--|--------------------------|
|  | SSIFRDR  |  |  |                          |
| DWL[2:0]   | Receive shift register                                       |  | PDTA = 0 (left-justify)                                      | PDTA = 1 (right-justify) |
| 000 (8 bits)   | Invalid 7 0<br>Invalid 7 0<br>Invalid 7 0<br>Invalid 7 0     |  | 7 0 Invalid<br>7 0 Invalid<br>7 0 Invalid<br>7 0 Invalid     | Setting prohibited       |
| 001 (16 bits)  | Invalid 15 0<br>Invalid 15 0<br>Invalid 15 0<br>Invalid 15 0 |  | 15 0 Invalid<br>15 0 Invalid<br>15 0 Invalid<br>15 0 Invalid | Setting prohibited       |
| 010 to 100<br>18bit : X = 17<br>20bit : X = 19<br>22bit : X = 21<br>24bit : X = 23 | Invalid X 0<br>Invalid X 0<br>Invalid X 0<br>Invalid X 0     | X 0 Invalid<br>X 0 Invalid<br>X 0 Invalid<br>X 0 Invalid | Invalid X 0<br>Invalid X 0<br>Invalid X 0<br>Invalid X 0     |                          |
| 110 (32 bits)  | 31 0<br>31 0<br>31 0<br>31 0                                 |  | 31 0<br>31 0<br>31 0<br>31 0                                 |                          |
| 111<br>(Setting prohibited)  | /  |  |  |                          |

Figure 39.9 Alignment of placement data at reception



**SDTA bit (Selects Serial Data Delay)**

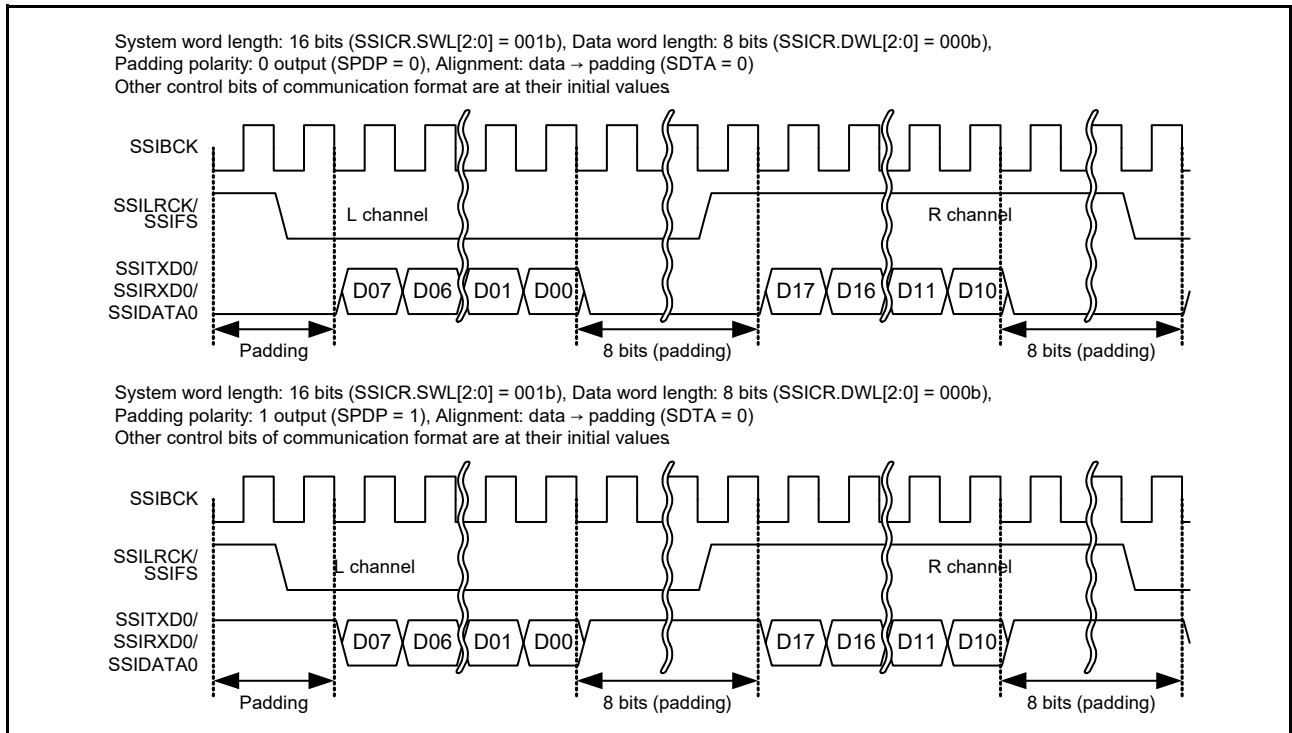
The SDTA bit sets how to align the serial data and padding bits. For communication without padding bits, this bit is invalid.



**Figure 39.10 Alignment setting of serial data with padding bits**

**SPDP bit (Selects Serial Padding Polarity)**

The SPDP bit sets the polarity of padding bits.



**Figure 39.11 Padding bit polarity**

**LRCKP bit (Selects the Initial Value and Polarity of LR Clock/Frame Synchronization Signal)**

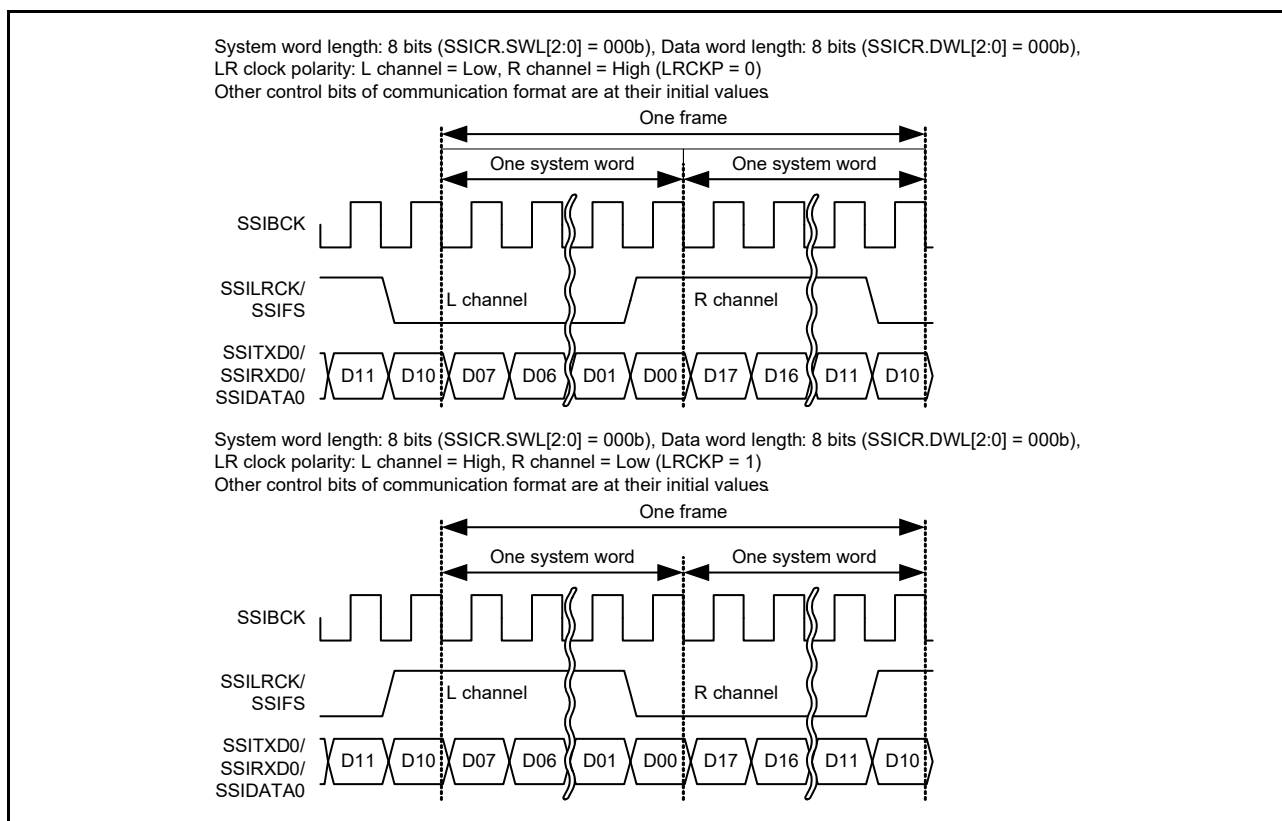
The LRCKP bit sets the initial value and polarity of SSILRCK/SSIFS. Set this bit according to the communication format to be used in SSIE. See section Table 39.3, Initial output value and polarity of SSILRCK/SSIFS pin. For the slave-mode communication (MST = 0), only the start trigger is used.

Writing to these bits must be performed when the LR clock supply to the SSILRCK/SSIFS pin is stopped. For details about the output of LR clock, see the detailed description of the LRCONT bit in SSIOFR.

**Table 39.3 Initial output value and polarity of SSILRCK/SSIFS pin**

| Communication Format | Expected Initial State | Setting Value of LRCKP |
|----------------------|------------------------|------------------------|
| I <sup>2</sup> S     | High                   | 0                      |
| Monaural             | Low                    | 1                      |
| TDM                  | Low                    | 1                      |

Note: When the format to be used is compatible with the I<sup>2</sup>S, monaural, or TDM format, specify the settings to enable communication with the respective formats.



**Figure 39.12 LR clock/frame synchronization polarity setting**

**BCKP bit (Selects Bit Clock Polarity)**

The BCKP bit sets the bit clock polarity.

Writing to this bit must be performed when the supply of AUDIO\_MCK is stopped. For details about the timing, see the detailed description of the AUCKE bit in section 39.4.3, FIFO Control Register (SSIFCR).

**Table 39.4 Bit clock polarity (1 of 2)**

| Communication | Master/Slave | Timing                       | BCKP = 0           | BCKP = 1            |
|---------------|--------------|------------------------------|--------------------|---------------------|
| Reception     | Slave        | At SSILRCK/SSIFS sampling    | SSIBCK rising edge | SSIBCK falling edge |
|               | Master/slave | At SSIRXD0/SSIDATA0 sampling | SSIBCK rising edge | SSIBCK falling edge |

**Table 39.4 Bit clock polarity (2 of 2)**

| Communication | Master/Slave | Timing                               | BCKP = 0            | BCKP = 1           |
|---------------|--------------|--------------------------------------|---------------------|--------------------|
| Transmission  | Master       | At change of SSILRCK/SSIFS output    | SSIBCK falling edge | SSIBCK rising edge |
|               | Master/slave | At change of SSITXD0/SSIDATA0 output | SSIBCK falling edge | SSIBCK rising edge |

**MST bit (Master Enable)**

The MST bit sets the master-/slave-mode communication.

Writing to this bit must be performed when the supply of AUDIO\_MCK is stopped. For details about the timing, see the detailed description of the AUCKE bit in [section 39.4.3, FIFO Control Register \(SSIFCR\)](#).

**SWL[2:0] bits (Selects System Word Length)**

The SWL[2:0] bits set the number of bits in one system word. Padding bits are sent and received in relation with one data word set in DWL[2:0]. See [Table 39.11](#) for details.

Writing to these bits must be performed when the LR clock supply to the SSILRCK/SSIFS pin is stopped. For details about the output of LR clock, see the detailed description of the LRCONT bit in [section 39.4.7, Audio Format Register \(SSIOFR\)](#).

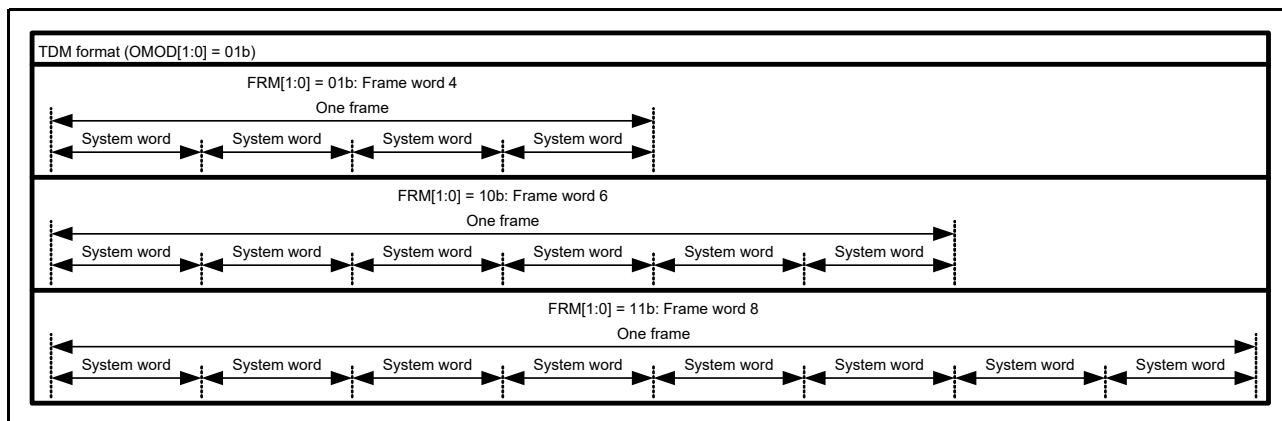
**DWL[2:0] bits (Selects Data Word Length)**

The DWL[2:0] bits set the number of bits in one data word. The data word length (number of bits per data word) must not exceed the system word length (number of bits per system word). For details, see [Table 39.11](#).

**FRM[1:0] bits (Selects Frame Word Number)**

The FRM[1:0] bits set the frame word number in individual communication formats.

Writing to these bits must be performed when the LR clock supply to the SSILRCK/SSIFS pin is stopped. For details about the output of LR clock, see the detailed description of the LRCONT bit in SSIOFR.



**Figure 39.13 Frame word number**

**IEN bit (Idle Mode Interrupt Output Enable)**

The IEN bit enables/disables the output of idle mode interrupts. By enabling this bit (set it to 1), an interrupt is output at a rising edge of SSISR.IIRQ = 1. An interrupt is also output when this bit is changed from 0 to 1 while SSISR.IIRQ = 1.

**ROEN bit (Receive Overflow Interrupt Output Enable)**

The ROEN bit enables/disables the output of receive overflow interrupts. By enabling this bit (set it to 1), an interrupt is output at a rising edge of SSISR.ROIRQ = 1. An interrupt is also output when this bit is changed from 0 to 1 while SSISR.ROIRQ = 1.

**RUIEN bit (Receive Underflow Interrupt Output Enable)**

The RUIEN bit enables/disables the output of receive underflow interrupts. By enabling this bit (set it to 1), an interrupt is output at a rising edge of SSISR.RUIRQ = 1. An interrupt is also output when this bit is changed from 0 to 1 while

SSISR.RUIRQ = 1.

**TOIEN bit (Transmit Overflow Interrupt Output Enable)**

The TOIEN bit enables/disables the output of transmit overflow interrupts. By enabling this bit (set it to 1), an interrupt is output at a rising edge of SSISR.TOIRQ = 1. An interrupt is also output when this bit is changed from 0 to 1 while SSISR.TOIRQ = 1.

**TUIEN bit (Transmit Underflow Interrupt Output Enable)**

The TUIEN bit enables/disables the output of transmit underflow interrupts. By enabling this bit (set it to 1), an interrupt is output at a rising edge of SSISR.TUIRQ = 1. An interrupt is also output when this bit is changed from 0 to 1 while SSISR.TUIRQ = 1.

**CKS bit (Selects an Audio Clock for Master-mode Communication)**

The CKS bit sets the audio clock in master-mode communication (MST = 1). In slave-mode communication (MST = 0), setting of this bit is invalid.

Writing to this bit must be performed when the supply of AUDIO\_MCK is stopped. For details about the timing, see the detailed description of the AUCKE bit in SSIFCR.

**39.4.2 Status Register (SSISR)**

Address(es): SSIE0.SSISR 4004 E004h

|                    |     |     |       |       |       |       |      |     |     |     |     |     |     |     |     |     |
|--------------------|-----|-----|-------|-------|-------|-------|------|-----|-----|-----|-----|-----|-----|-----|-----|-----|
|                    | b31 | b30 | b29   | b28   | b27   | b26   | b25  | b24 | b23 | b22 | b21 | b20 | b19 | b18 | b17 | b16 |
|                    | —   | —   | TUIRQ | TOIRQ | RUIRQ | ROIRQ | IIRQ | —   | —   | —   | —   | —   | —   | —   | —   | —   |
| Value after reset: | 0   | 0   | 0     | 0     | 0     | 0     | 1    | 0   | 0   | 0   | 0   | 0   | 0   | 0   | 0   | 0   |
|                    | b15 | b14 | b13   | b12   | b11   | b10   | b9   | b8  | b7  | b6  | b5  | b4  | b3  | b2  | b1  | b0  |
|                    | —   | —   | —     | —     | —     | —     | —    | —   | —   | —   | —   | —   | —   | —   | —   | —   |
| Value after reset: | 0   | 0   | 0     | 0     | 0     | 0     | 0    | 0   | 0   | 0   | 0   | 0   | 0   | 0   | 0   | 0   |

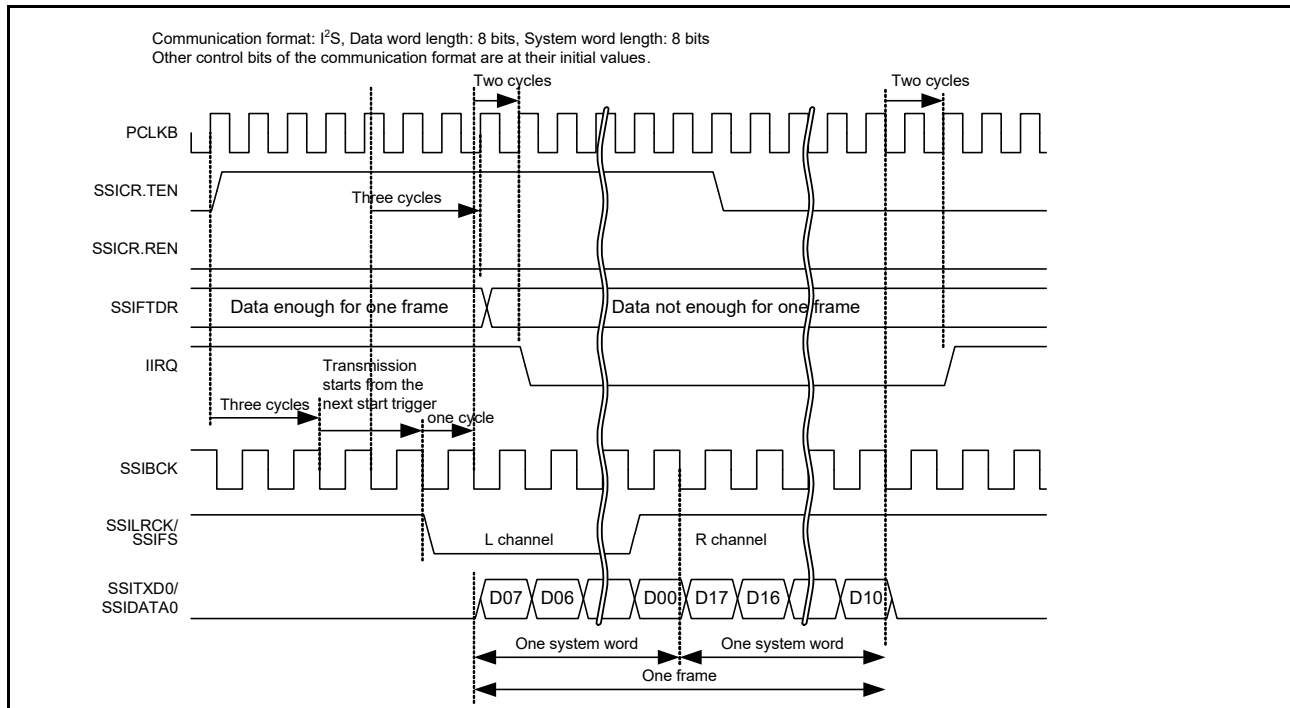
| Bit       | Symbol | Bit name                             | Description  | R/W |
|-----------|--------|--------------------------------------|--|-----|
| b24 to b0 | —      | Reserved                             | These bits are read as 0. The write value should be 0.                                     | R/W |
| b25       | IIRQ   | Idle Mode Status Flag                | 0: In the communication state<br>1: In the idle state.                                     | R   |
| b26       | ROIRQ  | Receive Overflow Error Status Flag   | 0: No receive overflow error is generated<br>1: A receive overflow error is generated.     | R/W |
| b27       | RUIRQ  | Receive Underflow Error Status Flag  | 0: No receive underflow error is generated<br>1: A receive underflow error is generated.   | R/W |
| b28       | TOIRQ  | Transmit Overflow Error Status Flag  | 0: No transmit overflow error is generated<br>1: A transmit overflow error is generated.   | R/W |
| b29       | TUIRQ  | Transmit Underflow Error Status flag | 0: No transmit underflow error is generated<br>1: A transmit underflow error is generated. | R/W |
| b31, b30  | —      | Reserved                             | These bits are read as 0. The write value should be 0.                                     | R/W |

This register is configured with status flags that indicate SSIE operational state.

### IIRQ bit (Idle Mode Status Flag)

The IIRQ is a status flag that indicates the idle state. It indicates whether SSIE is in an idle state or a communication state.

For details, see [Figure 39.14](#) and [Figure 39.15](#).



**Figure 39.14 IIRQ setting timing (transmission)**

- Transmitter (dedicated to transmission)

[Clearing condition]

While transmission was enabled (SSICR.TEN = 1 and SSICR.REN = 0), the transmit data for a transmission frame was written to the SSIFTDR register, and a start trigger was generated by the SSILRCK/SSIFS signal.

[Clearing timing]

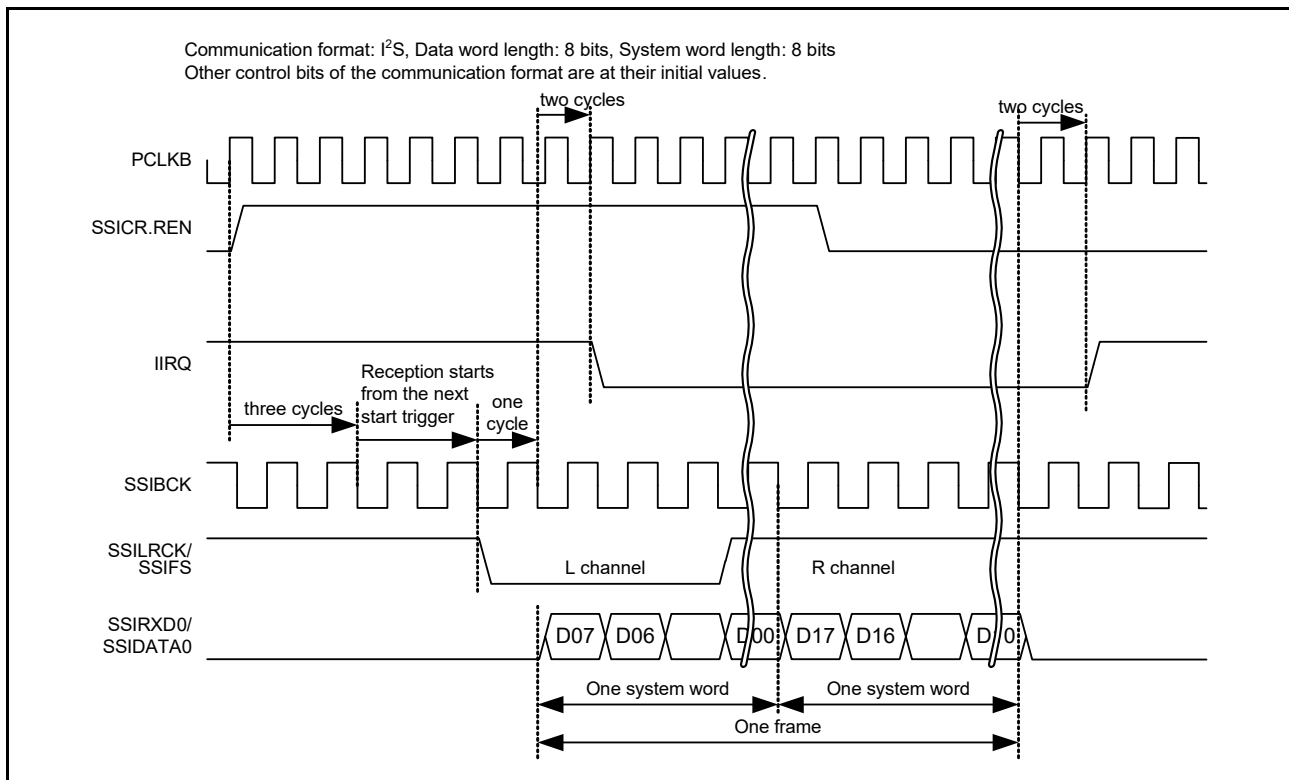
1 SSIBCK cycle + 2 PCLKB cycles after generation of the start trigger that is the clearing condition.

[Setting condition]

While transmission and reception were disabled (SSICR.TEN = 0 and SSICR.REN = 0), transmission of one frame was complete.

[Setting timing]

2 PCLKB cycles after the end of transmission (at a frame boundary) that is the setting condition.



**Figure 39.15 IIRQ setting timing (reception)**

- Receiver (dedicated to reception)

[Clearing condition]

While reception was enabled (SSICR.TEN = 0 and SSICR.REN = 01, a start trigger was generated by the SSILRCK/SSIFS signal.

[Clearing timing]

1 SSIBCK cycle + 2 PCLKB cycles after generation of the start trigger that is the clearing condition.

[Setting condition]

While transmission and reception were disabled (SSICR.TEN = 0 and SSICR.REN = 0), reception of one frame was complete.

[Setting timing]

2 PCLKB cycles after the end of reception (at a frame boundary) that is the setting condition.

- Transceiver (transmission and reception)

[Clearing condition]

While transmission and reception were enabled (SSICR.TEN = 1 and SSICR.REN = 1), the transmit data for a transmission frame was written to the SSIFTDR register, and a start trigger is generated by the SSILRCK/SSIFS signal.

[Clearing timing]

1 SSIBCK cycle + 2 PCLKB cycles after generation of the start trigger that is the clearing condition.

[Setting condition]

While transmission and reception were disabled (SSICR.TEN = 0 and SSICR.REN = 0), transmission of one frame was complete.

[Setting timing]

2 PCLKB cycles after the end of transmission (at a frame boundary) that is the setting condition.

**ROIRQ bit (Receive Overflow Error Status Flag)**

The ROIRQ is a status flag that indicates a receive overflow error. This flag is set by automatic determination but it must be cleared by register access. This flag indicates that received data is supplied at a higher rate than requested. Data is not transferred from the Receive Shift Register to SSIFRDR where a receive overflow error is generated. For the procedure to recover from the overflow error, see [section 39.8.6, Error Handling](#). This flag is not cleared by a Receive FIFO Data Register Reset (SSIFCR.RFRST).

[Priority order for setting and clearing]

Setting is prioritized.\*<sup>1</sup>

[Clearing condition]

When either of the following operations is done:

1. Writing 0 to this bit after reading 1 from this bit.\*<sup>2</sup>
2. Enabling communication (changing SSICR.REN from 0 to 1).

[Clearing timing]

Clearing timing corresponding to the specified clearing condition:

1. When 0 is written to this bit after reading 1 from this bit (same as the timing in [Figure 39.19](#)).
2. 1 PCLKB cycle after writing 1 to SSICR.REN.\*<sup>3</sup>

Note 1. This bit is cleared by a software reset (SSIFCR.SSIRST = 1). Software reset has priority over all the specified clearing conditions.

Note 2. After reading 1 from this bit, this bit is cleared when one of the following three conditions is met:

- A software reset (SSIFCR.SSIRST = 1) is done
- After 1 has been read, writing of 0 is complete
- 1 PCLKB cycle passes after 1 has been written to SSICR.REN.

Note 3. After communication is enabled (by changing the value of SSICR.REN bit from 0 to 1), the reception error flags (RUIRQ and ROIRQ in the SSISR register) are cleared. If, however, the SSISR register is read continuously, the cleared status of the reception error flags might be unable to be read.

[Setting condition]

At completion of receiving new data while SSIFRDR is full.

[Setting timing]

3 PCLKB cycles after reception is complete.

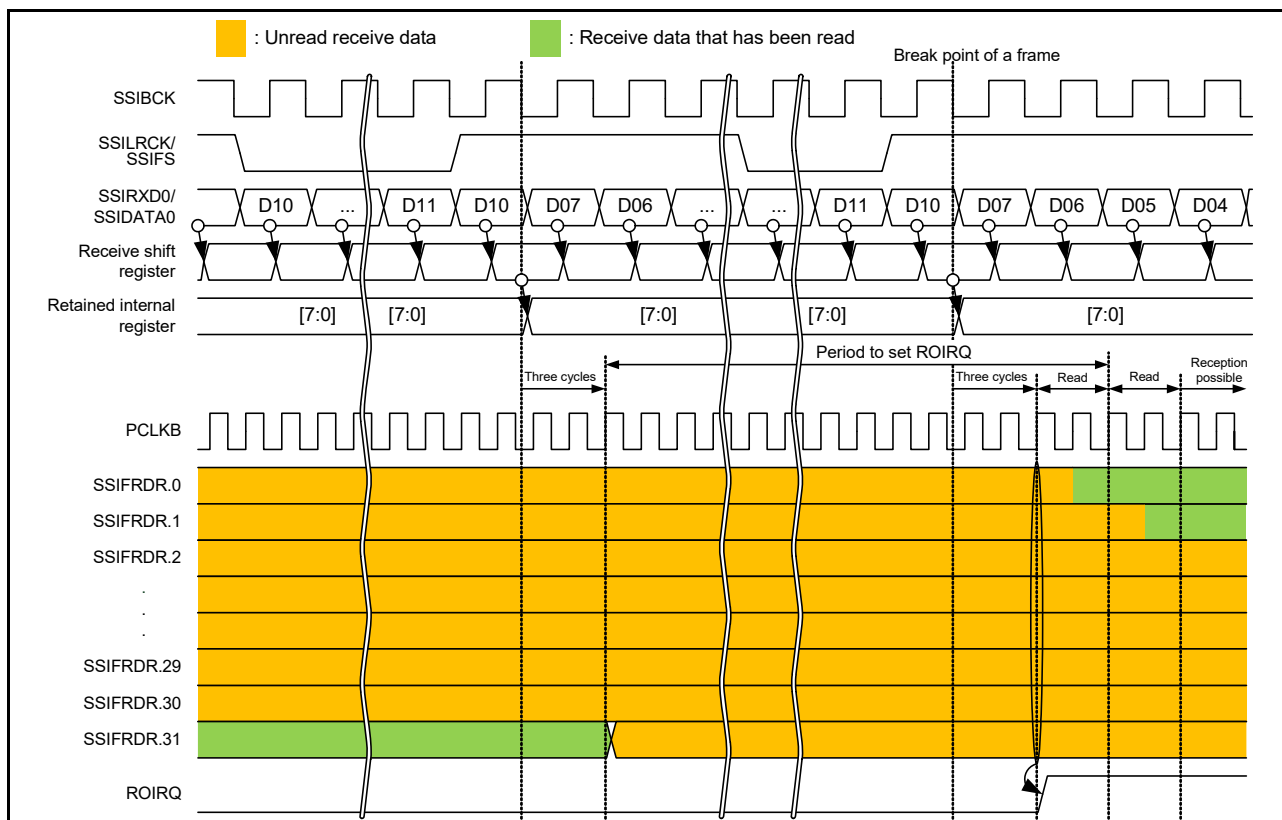


Figure 39.16 ROIRQ setting timing

**RUIRQ bit (Receive Underflow Error Status Flag)**

The RUIRQ is a status flag that indicates a receive underflow error. This flag is set by automatic determination but it must be cleared by register access. This flag indicates that SSIFRDR is read while it is empty. Data read from SSIFRDR where a receive underflow error is generated is invalid. See section 39.8.6, Error Handling for the error recovery procedure. This flag is not cleared by a Receive FIFO Data Register Reset (SSIFCR.RFRST). Note, however, that this flag is not set even if the SSIFRDR register is read while the Receive FIFO Data Register is reset (by setting SSIFCR.RFRST to 1).

[Priority order for setting and clearing]

Setting is prioritized.\*1

[Clearing condition]

When either of the following operations is done:

1. Writing 0 to this bit after reading 1 from this bit.\*2
2. Enabling communication (changing SSICR.REN from 0 to 1).

[Clearing timing]

Clearing timing corresponding to the specified clearing condition:

1. When 0 is written to this bit after reading 1 from this bit (same as the timing in Figure 39.19).
2. 1 PCLKB cycle after writing 1 to SSICR.REN.\*3

Note 1. This bit is cleared by a software reset (SSIFCR.SSIRST = 1). Software reset has priority over all the specified clearing conditions.

Note 2. After reading 1 from this bit, this bit is cleared when one of the following three conditions is met:

- A software reset (SSIFCR.SSIRST = 1) is done
- After 1 has been read, writing of 0 is complete
- 1 PCLKB cycle passes after 1 has been written to SSICR.REN.



Note 3. After communication is enabled (by changing the value of SSICR.REN bit from 0 to 1), the reception error flags (RUIRQ and ROIRQ in the SSISR register) are cleared. If, however, the SSISR register is read continuously, the cleared status of the reception error flags might be unable to be read.

[Setting condition]

Reading from SSIFRDR while it is empty.

[Setting timing]

At completion of reading from SSIFRDR. See [Figure 39.17](#).

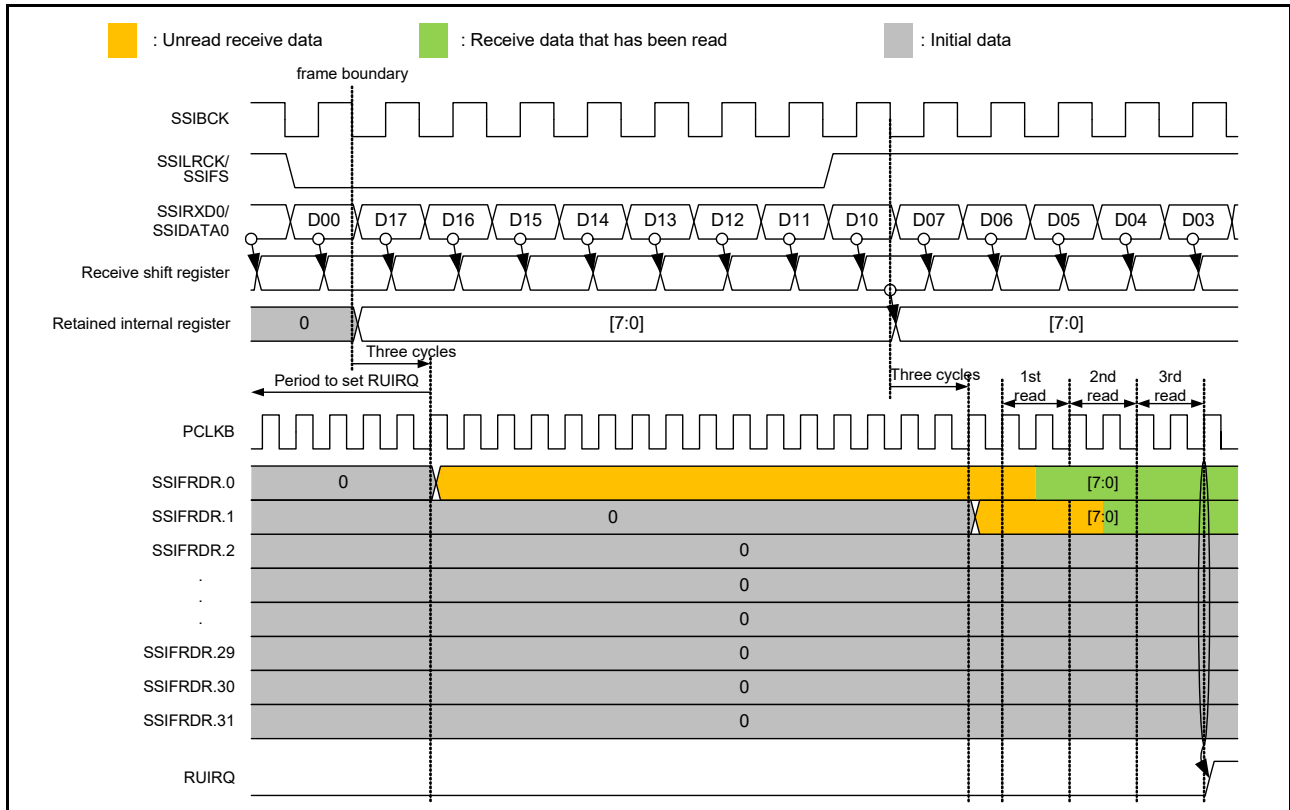


Figure 39.17 RUIRQ setting timing

**TOIRQ bit (Transmit Overflow Error Status Flag)**

The TOIRQ is a status flag that indicates a transmit overflow error. This flag is set by automatic determination but it must be cleared by register access. This flag indicates that an attempt has been made to write data to the SSIFTDR register when the register is full of data. The data writing that causes a transmit overflow is ignored. For the procedure to recover from the overflow error, see [section 39.8.6, Error Handling](#). This flag is not cleared by a Transmit FIFO Data Register Reset (SSIFCR.TFRST).

[Priority order for setting and clearing]

Setting is prioritized.\*1

[Clearing condition]

When either of the following operations is done:

- (1) Writing 0 to this bit after reading 1 from this bit.\*2
- (2) Enabling communication (changing SSICR.TEN from 0 to 1).

[Clearing timing]

Clearing timing corresponding to the specified clearing condition:

- (1) When 0 is written to this bit after reading 1 from this bit (same as the timing in [Figure 39.19](#)).
- (2) 1 PCLKB cycle after writing 1 to SSICR.TEN.\*3

Note 1. This bit is cleared by a software reset (SSIFCR.SSIRST = 1). Software reset has priority over all the specified clearing conditions.

Note 2. After reading 1 from this bit, this bit is cleared when one of the following three conditions is met:

- A software reset (SSIFCR.SSIRST = 1) is done
- After 1 has been read, writing of 0 is complete
- 1 PCLKB cycle passes after 1 has been written to SSICR.TEN.

Note 3. After communication is enabled (by changing the value of SSICR.TEN bit from 0 to 1), the transmission error flags (TOIRQ and TUIRQ in the SSISR register) are cleared. If, however, the SSISR register is read continuously, the cleared status of the transmission error flags might be unable to be read.

[Setting condition]

An attempt was made to write data to the SSIFTDR register when the register is full of data.

[Setting timing]

At completion of writing to SSIFTDR. For details, see [Figure 39.18](#).

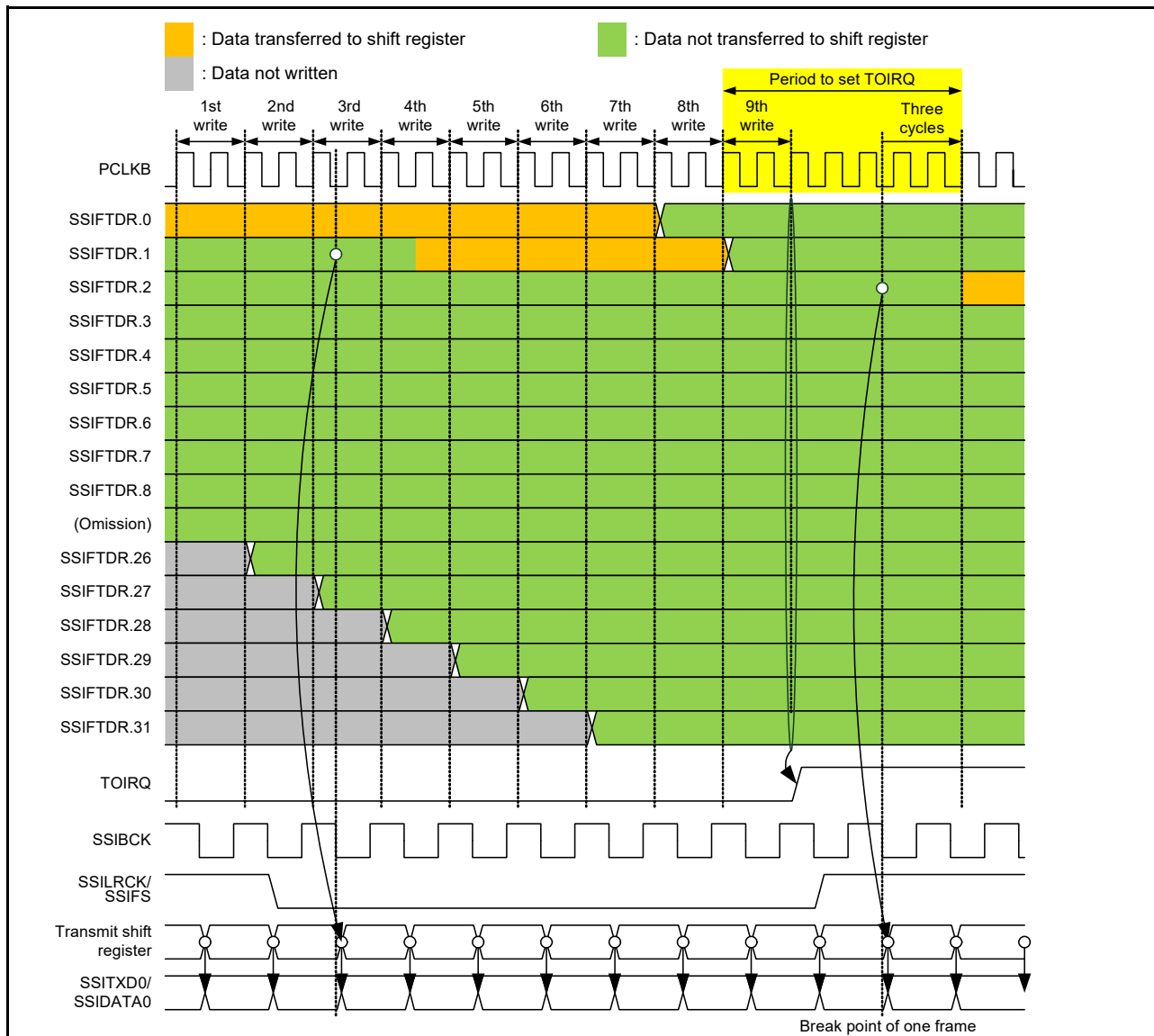


Figure 39.18 TOIRQ setting timing

### TUIRQ bit (Transmit Underflow Error Status flag)

The TUIRQ is a status flag that indicates a transmit underflow error. This flag is set by automatic determination but it must be cleared by register access. This flag indicates that writing the serial data required for a frame to SSIFTDR did not catch up with transmission of the frame. Even if this flag is cleared after it has been set, the SSITXD0/SSIDATA0 output remains to be 0. To output the data written to the Transmit FIFO Data Register (SSIFTDR) to the SSITXD0/SSIDATA0 pin, follow the communication stop procedure in [Figure 39.56](#) and error-handling procedure in [Figure 39.57](#). For the procedure to recover from an error, see [section 39.8.6, Error Handling](#). This flag is not cleared by a Reset Of Transmit FIFO Data Register (by the SSIFCR.TFRST signal).

[Priority order for setting and clearing]

Setting is prioritized.\*1

[Clearing condition]

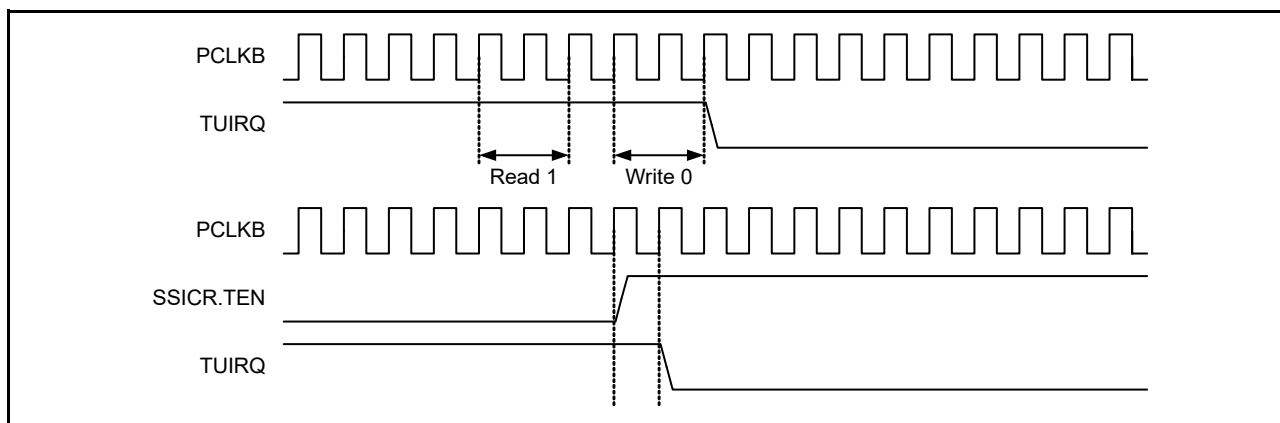
When either of the following operations is done:

1. Writing 0 to this bit after reading 1 from this bit.\*2
2. Enabling communication (changing SSICR.TEN from 0 to 1).

[Clearing timing]

Clearing timing corresponding to the specified clearing condition:

1. When 0 is written to this bit after reading 1 from this bit.
2. 1 PCLKB cycle after writing 1 to SSICR.TEN.\*3



**Figure 39.19 TUIRQ clearing timing**

Note 1. This bit is cleared by a software reset (SSIFCR.SSIRST = 1). Software reset has priority over all the specified clearing conditions.

Note 2. After reading 1 from this bit, this bit is cleared when one of the following three conditions is met:

- A software reset (SSIFCR.SSIRST = 1) is done
- After 1 has been read, writing of 0 is complete
- 1 PCLKB cycle passes after 1 has been written to SSICR.TEN.

Note 3. After communication is enabled (by changing the value of SSICR.TEN bit from 0 to 1), the transmission error flags (TOIRQ and TUIRQ in the SSISR register) are cleared. If, however, the SSISR register is read continuously, the cleared status of the transmission error flags might be unable to be read.

[Setting condition]

When the communication continues over a frame boundary, the transmit data required for the next frame has not been written to SSIFTDR. For details, see [Figure 39.20](#) and [Figure 39.21](#).

[Setting timing]

3 PCLKB cycles after the frame boundary. For details, see [Figure 39.20](#).

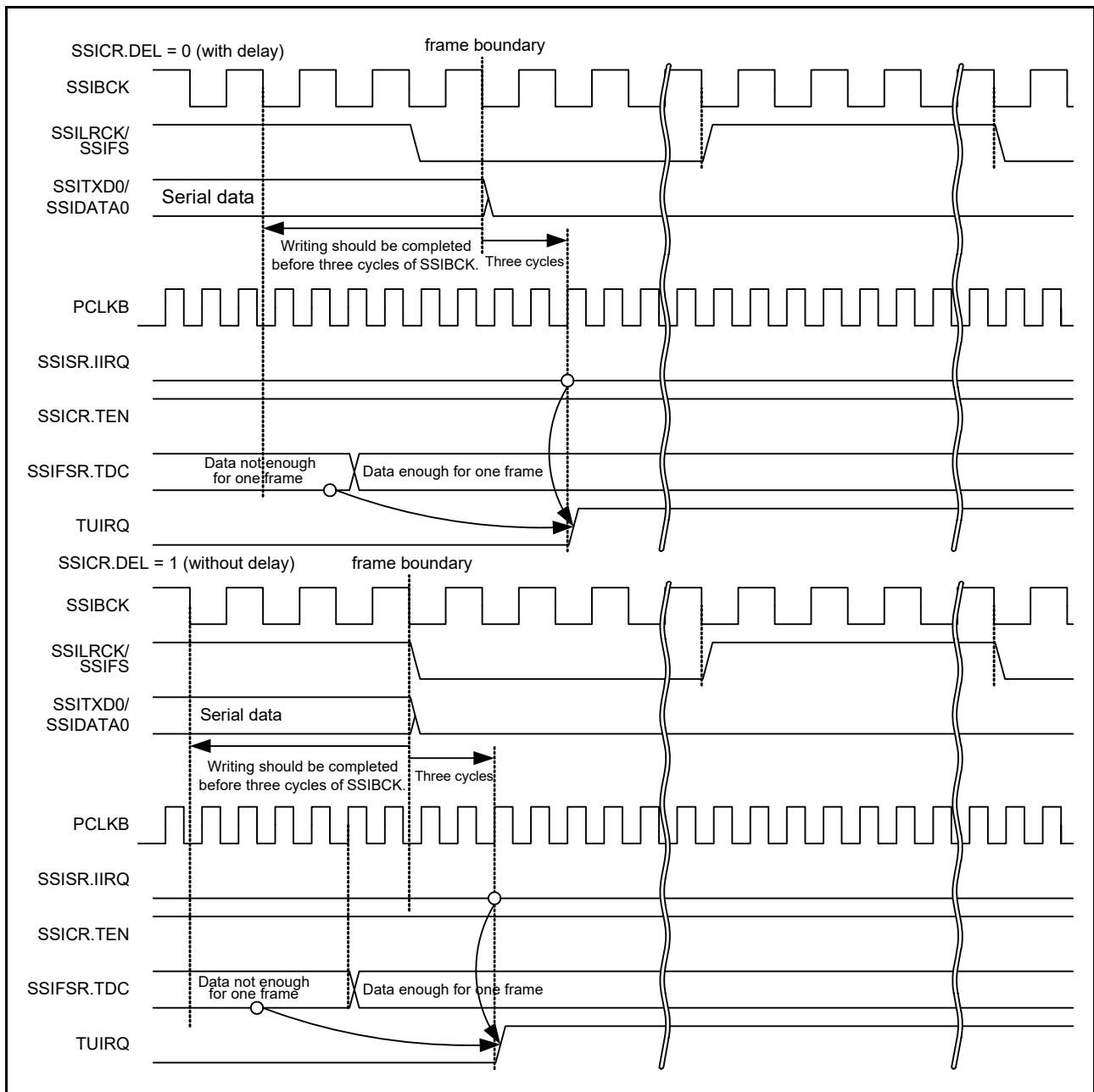


Figure 39.20 TUIRQ setting timing (when communication continues)

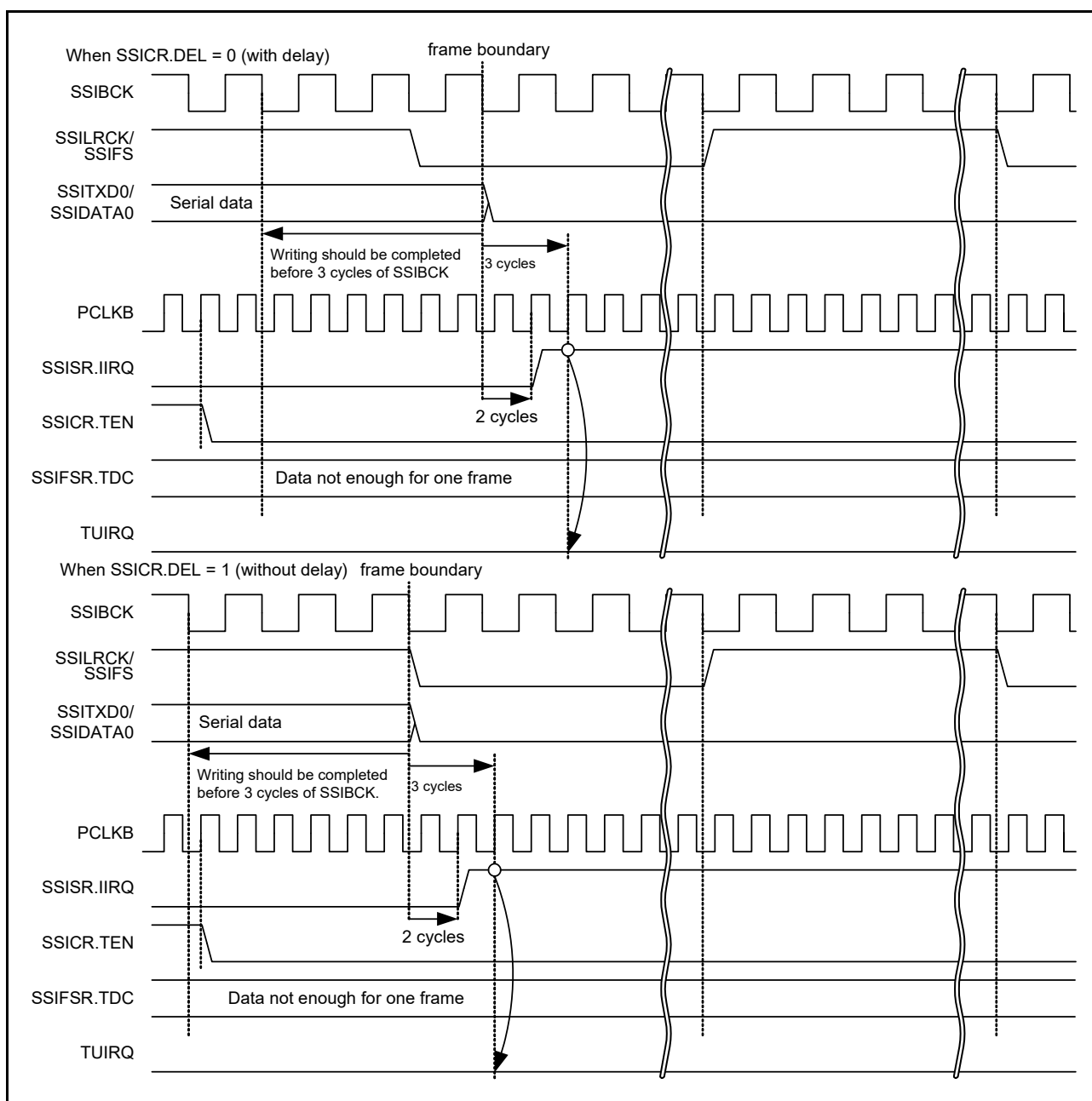


Figure 39.21 TUIRQ setting timing (when communication stops)

### 39.4.3 FIFO Control Register (SSIFCR)

Address(es): SSIE0.SSIFCR 4004 E010h

|                    |       |     |     |     |     |     |     |     |     |     |     |     |     |     |       |        |
|--------------------|-------|-----|-----|-----|-----|-----|-----|-----|-----|-----|-----|-----|-----|-----|-------|--------|
|                    | b31   | b30 | b29 | b28 | b27 | b26 | b25 | b24 | b23 | b22 | b21 | b20 | b19 | b18 | b17   | b16    |
|                    | AUCKE | —   | —   | —   | —   | —   | —   | —   | —   | —   | —   | —   | —   | —   | —     | SSIRST |
| Value after reset: | 0     | 0   | 0   | 0   | 0   | 0   | 0   | 0   | 0   | 0   | 0   | 0   | 0   | 0   | 0     | 0      |
|                    | b15   | b14 | b13 | b12 | b11 | b10 | b9  | b8  | b7  | b6  | b5  | b4  | b3  | b2  | b1    | b0     |
|                    | —     | —   | —   | —   | BSW | —   | —   | —   | —   | —   | —   | —   | TIE | RIE | TFRST | RFRST  |
| Value after reset: | 0     | 0   | 0   | 0   | 0   | 0   | 0   | 0   | 0   | 0   | 0   | 0   | 0   | 0   | 0     | 0      |

| Bit        | Symbol | Bit name  | Description   | R/W |
|------------|--------|---|---|-----|
| b0         | RFRST  | Receive FIFO Data Register Reset* <sup>1</sup>              | 0: Clears a receive data FIFO reset condition<br>1: Sets a receive data FIFO reset condition.   | R/W |
| b1         | TFRST  | Transmit FIFO Data Register Reset* <sup>1</sup>             | 0: Clears a transmit data FIFO reset condition<br>1: Sets a transmit data FIFO reset condition. | R/W |
| b2         | RIE    | Receive Data Full Interrupt Output Enable                   | 0: Disables receive data full interrupts<br>1: Enables receive data full interrupts.            | R/W |
| b3         | TIE    | Transmit Data Empty Interrupt Output Enable                 | 0: Disables transmit data empty interrupts<br>1: Enables transmit data empty interrupts.        | R/W |
| b10 to b4  | —      | Reserved  | These bits are read as 0. The write value should be 0.  | R/W |
| b11        | BSW    | Byte Swap Enable* <sup>1</sup>                              | 0: Disables byte swap<br>1: Enables byte swap.  | R/W |
| b15 to b12 | —      | Reserved  | These bits are read as 0. The write value should be 0.  | R/W |
| b16        | SSIRST | Software Reset  | 0: Clears a software reset condition<br>1: Sets a software reset condition.                     | R/W |
| b30 to b17 | —      | Reserved  | These bits are read as 0. The write value should be 0.  | R/W |
| b31        | AUCKE  | AUDIO_MCK Enable in Master-mode Communication* <sup>1</sup> | 0: Disables supply of AUDIO_MCK<br>1: Enables supply of AUDIO_MCK.                              | R/W |

Note 1. Writing to these bits while SSIE is in a communication state (SSISR.IIRQ = 0) is prohibited. If the value of these bits is changed by rewriting, subsequent operation is unpredictable.

This register sets a software reset, byte swap, and enable/disable of interrupt requests.

#### RFRST bit (Receive FIFO Data Register Reset)

The RFRST bit sets a software reset of the Receive FIFO Data Register (SSIFRDR). Writing 1 to this bit initializes the internal state related to SSIFRDR. The register bits subject to the software reset triggered by this bit are indicated by shading in Table 39.5. Because this bit is not automatically cleared after it has been set, write 0 to this bit to release the register bits from the software reset. After writing 0 to this bit, be sure to check that this bit is 0 before starting the next procedural step.

This bit is subject to the software reset by the SSIRST bit. Because the software reset by the SSIRST bit has priority over the reset by this bit, setting this bit is ignored when the SSIRST bit is set.

**Table 39.5 Bits subject to software reset by the RFRST bit**

| Symbol  | Address (BASE+) |    | +0          |      |          |           |        |        |           |          | +1        |    |          |           |          |     |           |        |
|---------|-----------------|----|-------------|------|----------|-----------|--------|--------|-----------|----------|-----------|----|----------|-----------|----------|-----|-----------|--------|
|         |                 |    | 31          | 30   | 29       | 28        | 27     | 26     | 25        | 24       | 23        | 22 | 21       | 20        | 19       | 18  | 17        | 16     |
|         |                 |    | 15          | 14   | 13       | 12        | 11     | 10     | 9         | 8        | 7         | 6  | 5        | 4         | 3        | 2   | 1         | 0      |
| SSICR   | 00h             | +0 | —           | CKS  | TUI EN   | TOI EN    | RUI EN | ROI EN | IIEN      | —        | FRM[1:0]  |    | DWL[2:0] |           | SWL[2:0] |     |           |        |
|         |                 | +2 | —           | MS T | BCK P    | LRC KP    | SPD P  | SDT A  | PDT A     | DEL      | CKDV[3:0] |    |          | MU EN     | —        | TEN | RE N      |        |
| SSISR   | 04h             | +0 | —           | —    | TUI RQ   | TOI RQ    | RUI RQ | ROI RQ | IIRQ      | —        | —         | —  | —        | —         | —        | —   | —         |        |
|         |                 | +2 | —           | —    | —        | —         | —      | —      | —         | —        | —         | —  | —        | —         | —        | —   | —         |        |
| SSIFCR  | 10h             | +0 | AUC KE      | —    | —        | —         | —      | —      | —         | —        | —         | —  | —        | —         | —        | —   | SSI RST   |        |
|         |                 | +2 | —           | —    | —        | —         | BS W   | —      | —         | —        | —         | —  | —        | —         | TIE      | RIE | TFR ST    | RFR ST |
| SSIFSR  | 14h             | +0 | —           | —    | TDC[5:0] |           |        |        |           | —        | —         | —  | —        | —         | —        | —   | TDE       |        |
|         |                 | +2 | —           | —    | RDC[5:0] |           |        |        |           | —        | —         | —  | —        | —         | —        | —   | RDF       |        |
| SSIFTDR | 18h             | +0 | FTDR[31:16] |      |          |           |        |        |           |          |           |    |          |           |          |     |           |        |
|         |                 | +2 | FTDR[15:0]  |      |          |           |        |        |           |          |           |    |          |           |          |     |           |        |
| SSIFRDR | 1ch             | +0 | FRDR[31:16] |      |          |           |        |        |           |          |           |    |          |           |          |     |           |        |
|         |                 | +2 | FRDR[15:0]  |      |          |           |        |        |           |          |           |    |          |           |          |     |           |        |
| SSIOFR  | 20h             | +0 | —           | —    | —        | —         | —      | —      | —         | —        | —         | —  | —        | —         | —        | —   | —         |        |
|         |                 | +2 | —           | —    | —        | —         | —      | —      | BCK AST P | LRC ON T | —         | —  | —        | —         | —        | —   | OMOD[1:0] |        |
| SSISCR  | 24h             | +0 | —           | —    | —        | —         | —      | —      | —         | —        | —         | —  | —        | —         | —        | —   | —         |        |
|         |                 | +2 | —           | —    | —        | TDES[4:0] |        |        |           |          | —         | —  | —        | RDFS[4:0] |          |     |           |        |

**TFRST bit (Transmit FIFO Data Register Reset)**

The TFRST bit sets a software reset of the Transmit FIFO Data Register (SSIFTDR). Writing 1 to this bit initializes the internal state related to SSIFTDR. The register bits subject to the software reset triggered by this bit are indicated by shading in Table 39.6. Because this bit is not automatically cleared after it has been set, write 0 to this bit to release the register bits from the software reset. After writing 0 to this bit, be sure to check that this bit is 0 before starting the next procedural step.

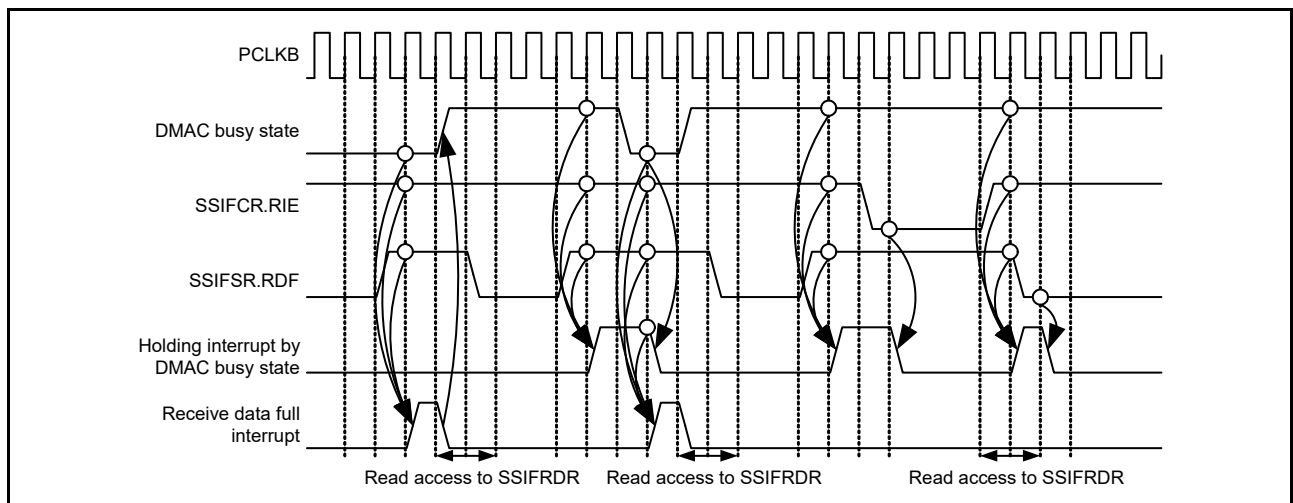
This bit is subject to a software reset by the SSIRST bit. Because the software reset by the SSIRST bit has priority over the reset by this bit, setting this bit is ignored when the SSIRST bit is set.

**Table 39.6 Bits subject to software reset by the TFRST bit**

| Symbol  | Address (BASE+) |    | +0          |      |          |           |        |        |           |          | +1        |          |    |           |          |     |           |        |
|---------|-----------------|----|-------------|------|----------|-----------|--------|--------|-----------|----------|-----------|----------|----|-----------|----------|-----|-----------|--------|
|         |                 |    | 31          | 30   | 29       | 28        | 27     | 26     | 25        | 24       | 23        | 22       | 21 | 20        | 19       | 18  | 17        | 16     |
|         |                 |    | 15          | 14   | 13       | 12        | 11     | 10     | 9         | 8        | 7         | 6        | 5  | 4         | 3        | 2   | 1         | 0      |
| SSICR   | 00h             | +0 | —           | CKS  | TUI EN   | TOI EN    | RUI EN | ROI EN | IIEN      | —        | FRM[1:0]  | DWL[2:0] |    |           | SWL[2:0] |     |           |        |
|         |                 | +2 | —           | MS T | BCK P    | LRC KP    | SPD P  | SDT A  | PDT A     | DEL      | CKDV[3:0] |          |    | MU EN     | —        | TEN | RE N      |        |
| SSISR   | 04h             | +0 | —           | —    | TUI RQ   | TOI RQ    | RUI RQ | ROI RQ | IIRQ      | —        | —         | —        | —  | —         | —        | —   | —         |        |
|         |                 | +2 | —           | —    | —        | —         | —      | —      | —         | —        | —         | —        | —  | —         | —        | —   | —         |        |
| SSIFCR  | 10h             | +0 | AUC KE      | —    | —        | —         | —      | —      | —         | —        | —         | —        | —  | —         | —        | —   | SSI RST   |        |
|         |                 | +2 | —           | —    | —        | —         | BS W   | —      | —         | —        | —         | —        | —  | —         | TIE      | RIE | TFR ST    | RFR ST |
| SSIFSR  | 14h             | +0 | —           | —    | TDC[5:0] |           |        |        |           | —        | —         | —        | —  | —         | —        | —   | TDE       |        |
|         |                 | +2 | —           | —    | RDC[5:0] |           |        |        |           | —        | —         | —        | —  | —         | —        | —   | RDF       |        |
| SSIFTDR | 18h             | +0 | FTDR[31:16] |      |          |           |        |        |           |          |           |          |    |           |          |     |           |        |
|         |                 | +2 | FTDR[15:0]  |      |          |           |        |        |           |          |           |          |    |           |          |     |           |        |
| SSIFRDR | 1ch             | +0 | FRDR[31:16] |      |          |           |        |        |           |          |           |          |    |           |          |     |           |        |
|         |                 | +2 | FRDR[15:0]  |      |          |           |        |        |           |          |           |          |    |           |          |     |           |        |
| SSIOFR  | 20h             | +0 | —           | —    | —        | —         | —      | —      | —         | —        | —         | —        | —  | —         | —        | —   | —         |        |
|         |                 | +2 | —           | —    | —        | —         | —      | —      | BCK AST P | LRC ON T | —         | —        | —  | —         | —        | —   | OMOD[1:0] |        |
| SSISCR  | 24h             | +0 | —           | —    | —        | —         | —      | —      | —         | —        | —         | —        | —  | —         | —        | —   | —         |        |
|         |                 | +2 | —           | —    | —        | TDES[4:0] |        |        |           |          | —         | —        | —  | RDFS[4:0] |          |     |           |        |

**RIE bit (Receive Data Full Interrupt Output Enable)**

The RIE bit enables/disables output of receive data full interrupts. Use a receive data full interrupt as an interrupt to trigger data reading from the receive FIFO data register. Write 1 to this bit after specifying the setting condition for receive data full interrupt (by using the SSISCR.RDFS[4:0] bit). Figure 39.22 shows the timing of generating the receive data full interrupt.

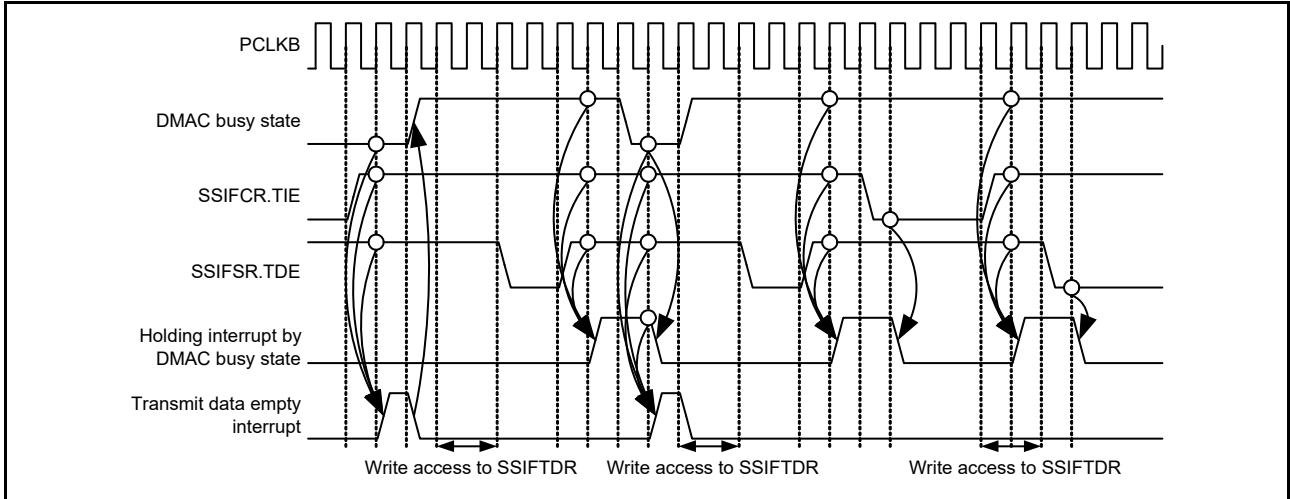


**Figure 39.22 Timing of receive data full interrupt**



**TIE bit (Transmit Data Empty Interrupt Output Enable)**

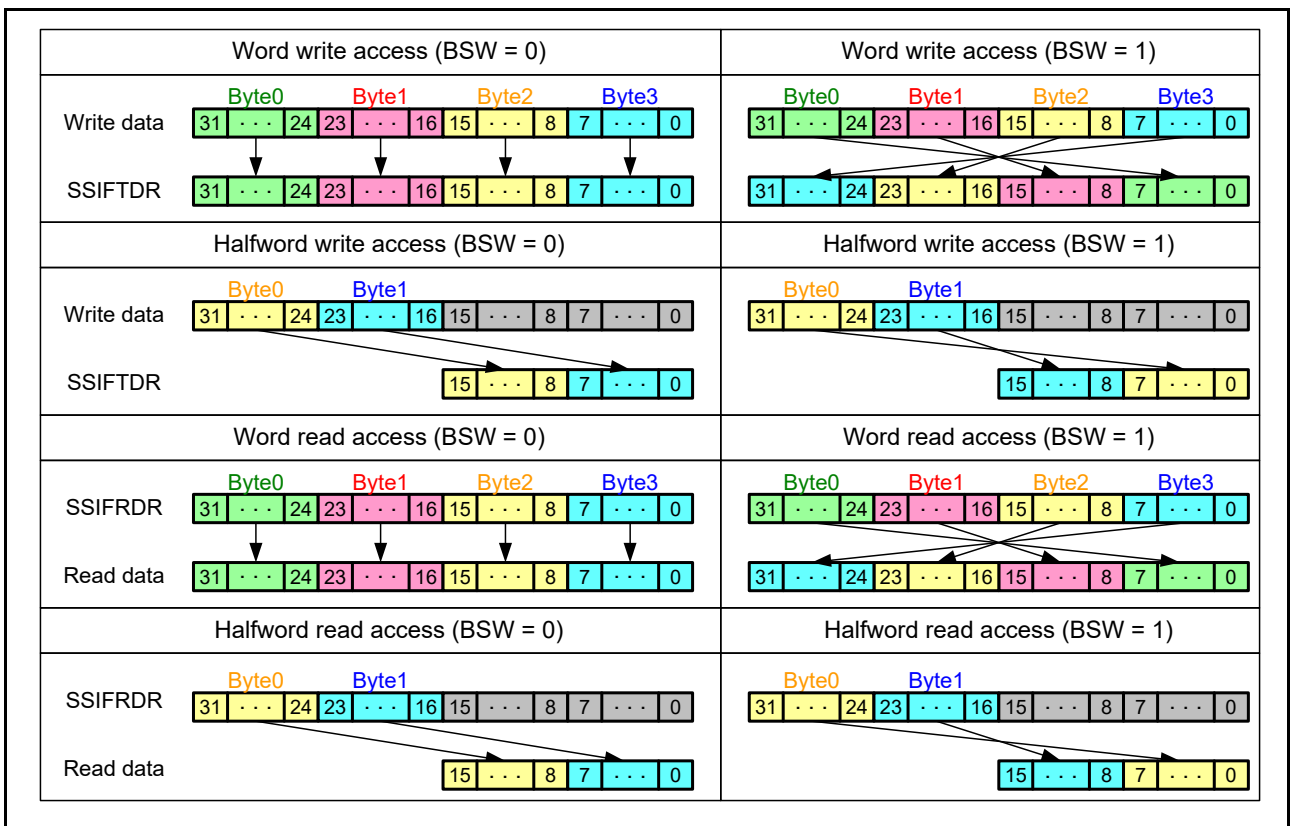
The TIE bit enables/disables the output of transmit data empty interrupts. Use a transmit data empty interrupt as an interrupt to trigger data writing to the transmit FIFO data register. Write 1 to this bit after specifying the setting condition for Transmit Data Empty Interrupt (by using the SSISCR.TDES[4:0] bit). Figure 39.23 shows the timing of generating the Transmit Data Empty Interrupt.



**Figure 39.23** Timing of transmit data empty interrupt

**BSW bit (Byte Swap Enable)**

The BSW bit enables/disables the byte swap of register access for the Transmit FIFO Data Register (SSIFTDR) and the Receive FIFO Data Register (SSIFRDR). This bit is valid only with 16-bit access or 32-bit access to SSIFTDR and SSIFRDR. For details, see Figure 39.24.



**Figure 39.24** Operation example of byte swap

**SSIRST bit (Software Reset)**

The SSIRST bit sets a software reset of SSIE. Writing 1 to this bit initializes the internal state of SSIE. The register bits subject to the software reset triggered by this bit are indicated by the shading in Table 39.7. Because this bit is not automatically cleared after it has been set, write 0 to this bit to release the register bits from the software reset. After writing 0 to this bit, be sure to check that this bit is 0 before starting the next procedural step.

To stop communication of SSIE immediately, after turning off the peripheral functions, write 1 to this bit. Initialization by a software reset is performed without any relation to the bit clock.

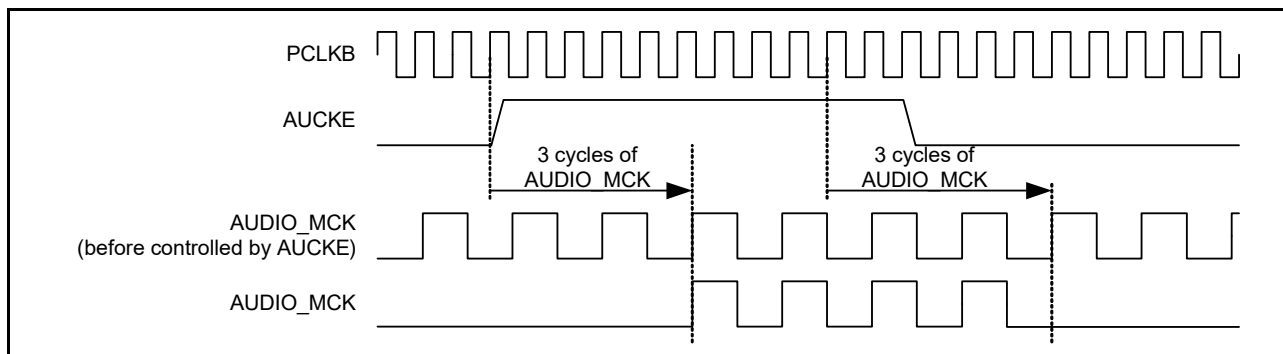
**Table 39.7 Bits subject to software reset by the SSIRST bit**

| Symbol  | Address (BASE+) |    | +0          |     |          |           |        |        |          |         | +1        |          |    |           |          |     |         |           |
|---------|-----------------|----|-------------|-----|----------|-----------|--------|--------|----------|---------|-----------|----------|----|-----------|----------|-----|---------|-----------|
|         |                 |    | 31          | 30  | 29       | 28        | 27     | 26     | 25       | 24      | 23        | 22       | 21 | 20        | 19       | 18  | 17      | 16        |
|         |                 |    | 15          | 14  | 13       | 12        | 11     | 10     | 9        | 8       | 7         | 6        | 5  | 4         | 3        | 2   | 1       | 0         |
| SSICR   | 00h             | +0 | —           | CKS | TUI EN   | TOI EN    | RUI EN | ROI EN | I IEN    | —       | FRM[1:0]  | DWL[2:0] |    |           | SWL[2:0] |     |         |           |
|         |                 | +2 | —           | MST | BCKP     | LRC KP    | SPDP   | SDTA   | PDTA     | DEL     | CKDV[3:0] |          |    | MUEN      | —        | TEN | REN     |           |
| SSISR   | 04h             | +0 | —           | —   | TUI RQ   | TOI RQ    | RUI RQ | ROI RQ | IIRQ     | —       | —         | —        | —  | —         | —        | —   | —       |           |
|         |                 | +2 | —           | —   | —        | —         | —      | —      | —        | —       | —         | —        | —  | —         | —        | —   | —       |           |
| SSIFCR  | 10h             | +0 | AUC KE      | —   | —        | —         | —      | —      | —        | —       | —         | —        | —  | —         | —        | —   | SSI RST |           |
|         |                 | +2 | —           | —   | —        | —         | BSW    | —      | —        | —       | —         | —        | —  | —         | TIE      | RIE | TFR ST  | RFR ST    |
| SSIFSR  | 14h             | +0 | —           | —   | TDC[5:0] |           |        |        |          | —       | —         | —        | —  | —         | —        | —   | TDE     |           |
|         |                 | +2 | —           | —   | RDC[5:0] |           |        |        |          | —       | —         | —        | —  | —         | —        | —   | —       | RDF       |
| SSIFTDR | 18h             | +0 | FTDR[31:16] |     |          |           |        |        |          |         |           |          |    |           |          |     |         |           |
|         |                 | +2 | FTDR[15:0]  |     |          |           |        |        |          |         |           |          |    |           |          |     |         |           |
| SSIFRDR | 1ch             | +0 | FRDR[31:16] |     |          |           |        |        |          |         |           |          |    |           |          |     |         |           |
|         |                 | +2 | FRDR[15:0]  |     |          |           |        |        |          |         |           |          |    |           |          |     |         |           |
| SSIOFR  | 20h             | +0 | —           | —   | —        | —         | —      | —      | —        | —       | —         | —        | —  | —         | —        | —   | —       |           |
|         |                 | +2 | —           | —   | —        | —         | —      | —      | BCK ASTP | LRC ONT | —         | —        | —  | —         | —        | —   | —       | OMOD[1:0] |
| SSISCR  | 24h             | +0 | —           | —   | —        | —         | —      | —      | —        | —       | —         | —        | —  | —         | —        | —   | —       |           |
|         |                 | +2 | —           | —   | —        | TDES[4:0] |        |        |          |         | —         | —        | —  | RDFS[4:0] |          |     |         |           |

**AUCKE bit (AUDIO\_MCK Enable in Master-mode Communication)**

The AUCKE bit enables/disables the supply to AUDIO\_MCK while in master-mode communication (MST = 1).

Changing the value of this bit must be performed only after specifying the settings related to AUDIO\_MCK (by using the CKS, MST, BCKP, and CKDV bits in the SSICR register).



**Figure 39.25 Stop/resume of AUDIO\_MCK**

Note: In slave-mode communication (SSICR.MST = 0), SSIE needs supply of SSIBCK. To stop BCK on the master side, make sure that SSIE is in the idle state (SSISR.IIRQ = 1). If BCK is stopped before SSIE becomes idle, take the procedure to start communication in Figure 39.52 or wait for an idle state by taking the procedure to resume communication in Figure 39.58.

In master-mode communication (SSICR.MST = 1), SSIE operates with the audio clock (AUDIO\_MCK). To stop SSIE completely, make sure that SSIE is in the idle state (SSISR.IIRQ = 1) and then, write 0 to SSIFCR.ADCKE. If 0 is written to SSIFCR.ADCKE before SSIE becomes idle, take the procedure to start communication in Figure 39.52.

Figure 39.26 and Figure 39.27 show the timings of signal operation in the period from setting this bit to 1 to the output to the SSIBCK pin.

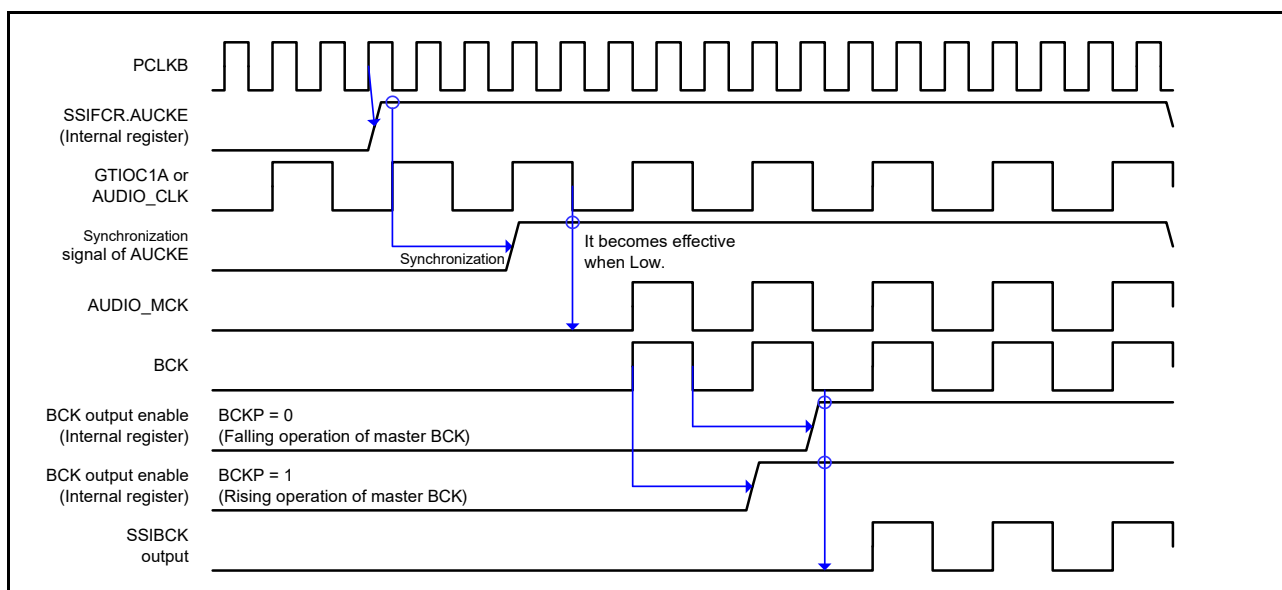


Figure 39.26 Timing diagram for the operation from system reset to start of master-mode communication

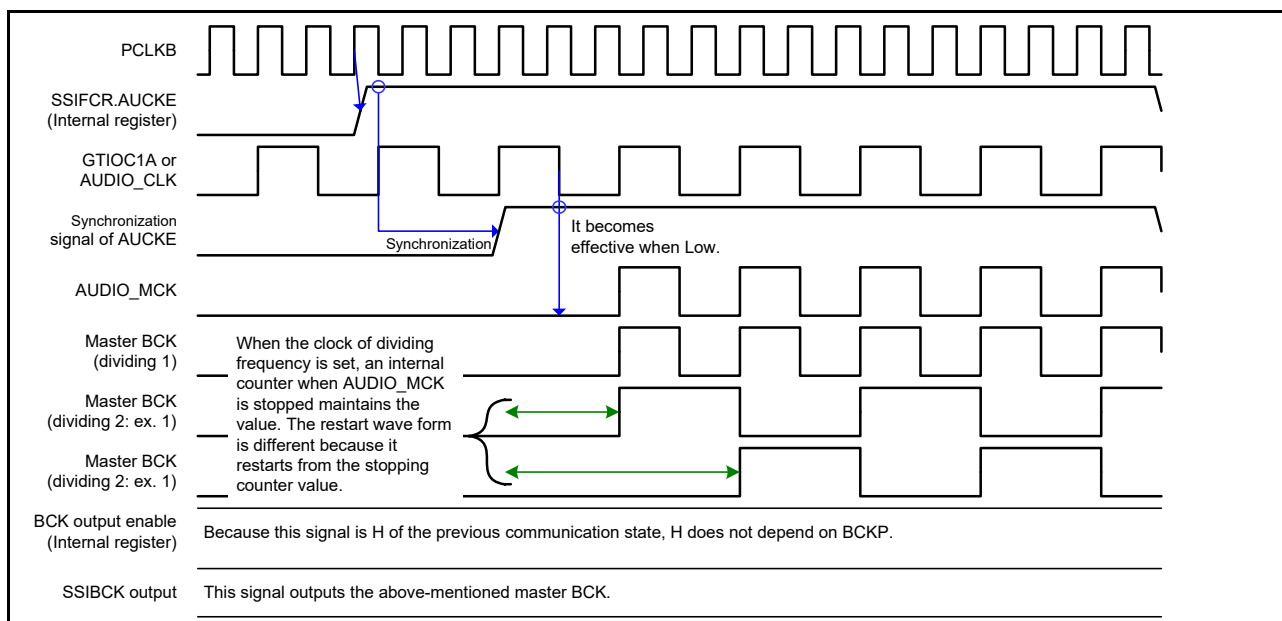
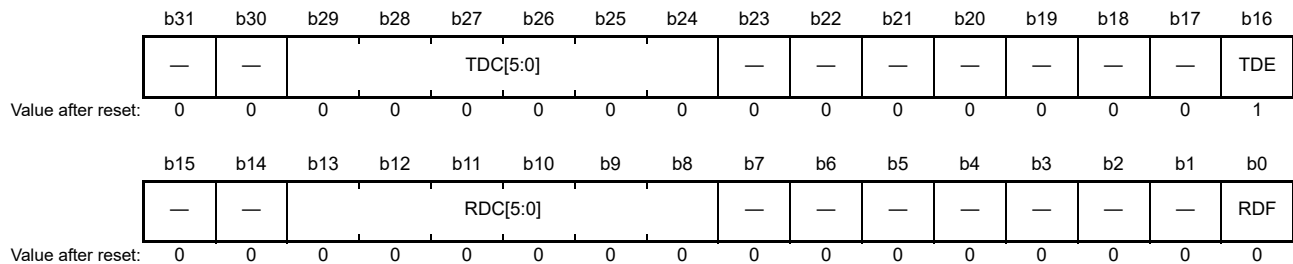


Figure 39.27 Timing diagram for the operation from stop of communication to start of master-mode communication

Note: If the supply of AUDIO\_MCK stops, the value of the SSIBCK pin is held. Therefore, the SSIBCK signal might stop at the H (high level) state.

### 39.4.4 FIFO Status Register (SSIFSR)

Address(es): SSIE0.SSIFSR 4004 E014h



| Bit        | Symbol   | Bit name                                     | Description  | R/W |
|------------|----------|--|--|-----|
| b0         | RDF      | Receive Data Full Flag                       | 0: The size of received data in SSIFRDR is not more than the value of SSISCR.RDFS[4:0]<br>1: The size of received data in SSIFRDR is not less than the value of SSISCR.RDFS[4:0] plus one. | R/W |
| b7 to b1   | —        | Reserved                                     | These bits are read as 0. The write value should be 0.   | R/W |
| b13 to b8  | RDC[5:0] | Number of Receive FIFO Data Indication Flag  | Number of receive FIFO data indication flag  | R   |
| b15, b14   | —        | Reserved                                     | These bits are read as 0. The write value should be 0.   | R/W |
| b16        | TDE      | Transmit Data Empty Flag                     | 0: The free space of SSIFTDR is not more than the value of SSISCR.TDES[4:0]<br>1: The free space of SSIFTDR is not less than the value of SSISCR.TDES[4:0] plus one.                       | R/W |
| b23 to b17 | —        | Reserved                                     | These bits are read as 0. The write value should be 0.   | R/W |
| b29 to b24 | TDC[5:0] | Number of Transmit FIFO Data Indication Flag | Number of transmit FIFO data indication flag   | R   |
| b31, b30   | —        | Reserved                                     | These bits are read as 0. The write value should be 0.   | R/W |

The SSIFSR register is configured with status flags that indicate the status of the transmit FIFO data register and the receive FIFO data register.

#### RDF bit (Receive Data Full Flag)

The RDF bit indicates that the Receive FIFO Data Register (SSIFRDR) has unread received data not less than the amount set with the SSISCR.RDFS[4:0] bit plus one. This flag is set by automatic determination, but it must be cleared by register access.

[Priority order for setting and clearing]

Clearing is prioritized.

[Clearing condition]

Either of the following two:\*1

1. Writing 0 to this bit after reading 1 from this bit (CPU operation).\*2
2. Last access (DTC/DMAC operation) to read data from SSIFRDR by an interrupt routine using the DTC and DMAC.

[Clearing timing]

Clearing timing corresponding to the specified clearing condition:

1. When 0 is written to this bit after reading 1 from this bit (same as the timing in [Figure 39.19](#)).
2. After the PCLKB cycle in which the last access instruction is issued to read data from SSIFRDR by an interrupt routine using the DTC and DMAC.

Note 1. These bits are cleared by a software reset (SSIFCR.SSIRST = 1) and Receive FIFO Data Register Reset (SSIFCR.RFRST = 1). Reset conditions available for these bits are the software reset and Receive FIFO Data Register Reset in addition to the specified clearing conditions.

Note 2. After reading 1 from this bit, this bit is cleared when one of the following four conditions is met:

- A software reset is done (SSIFCR.SSIRST = 1)
- A receive FIFO data register reset is done (SSIFCR.RFRST = 1)
- After 1 has been read, writing of 0 is complete
- Last access is performed to read data from SSIFRDR by an interrupt routine using the DTC and DMAC.

[Setting condition]

SSIFRDR has data that is not less than the amount set with the SSISCR.RDFS[4:0] bit plus one.

[Setting timing]

At completion of transfer from the shift register that results in SSIFRDR having data that is not less than the amount set with the SSISCR.RDFS[4:0] bit plus one.

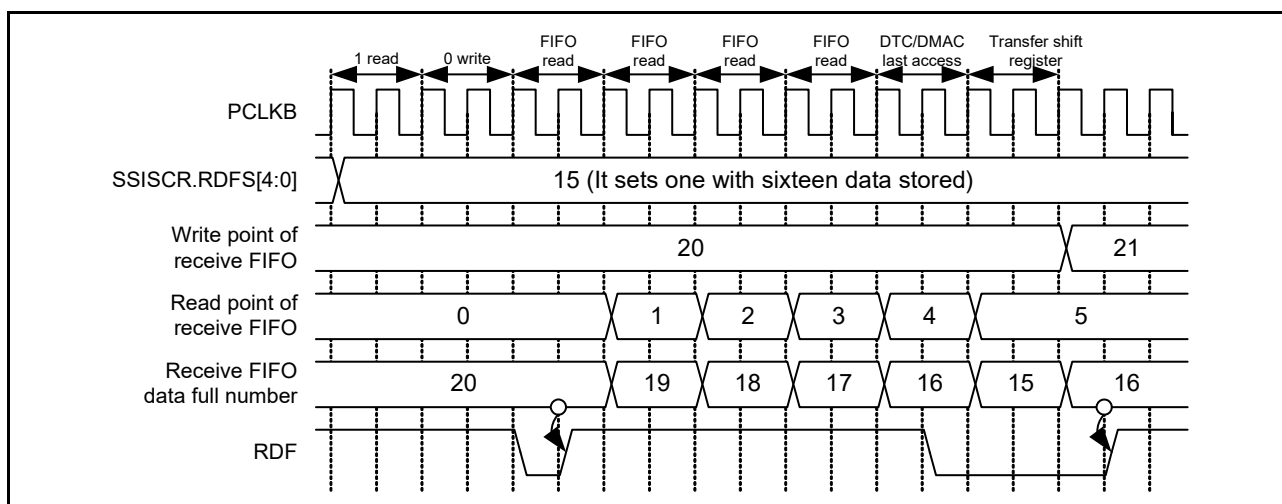


Figure 39.28 Timing diagram for setting and clearing RDF

**RDC[5:0] bits (Number of Receive FIFO Data Indication Flag)**

The RDC[5:0] bits indicate the number of valid data that are stored in the Receive FIFO Data Register (SSIFRDR). With this flag as 0h, there is no received data. With 20h, the register is filled with received data and there is no free space.

**TDE bit (Transmit Data Empty Flag)**

The TDE bit indicates that the Transmit FIFO Data Register (SSIFTDR) has free space not less than the amount set with the SSIFCR.TTRG bit plus one. This flag is set by automatic determination but it must be cleared by register access.

[Priority order for setting and clearing]

Clearing is prioritized.\*1

[Clearing condition]

Either of the following two:

1. Writing 0 to this bit after reading 1 from this bit (CPU operation).\*2
2. Last access (DTC/DMAC operation) to write data to SSIFTDR by an interrupt routine using the DTC and DMAC.

[Clearing timing]

Clearing timing corresponding to the specified clearing condition:

- (1) When 0 is written to this bit after reading 1 from this bit (same as the timing in Figure 39.19).
- (2) Last access (DTC/DMAC operation) to write data to SSIFTDR by an interrupt routine using the DTC and DMAC.

Note 1. This bit is cleared by a software reset (SSIFCR.SSIRST = 1) and transmit FIFO data register reset (SSIFCR.TFRST = 1). The software reset and transmit FIFO data register reset have priority over all the specified clearing conditions.

Note 2. After reading 1 from this bit, this bit is cleared when one of the following four conditions is met:

- A software reset is done (SSIFCR.SSIRST = 1)
- A transmit FIFO data register reset is done (SSIFCR.TFRST = 1)
- After 1 has been read, writing of 0 is complete
- Last access is performed to write data to SSIFTDR by an interrupt routine using the DTC and DMAC.

[Setting condition]

SSIFTDR has free space that is not less than the amount set with the SSIFCR.TTRG bit plus one.

[Setting timing]

While operating on PCLKB, SSIFTDR is found to have free space that is not less than “size set in the SSISCR.TDES[4:0] bits + 1.”

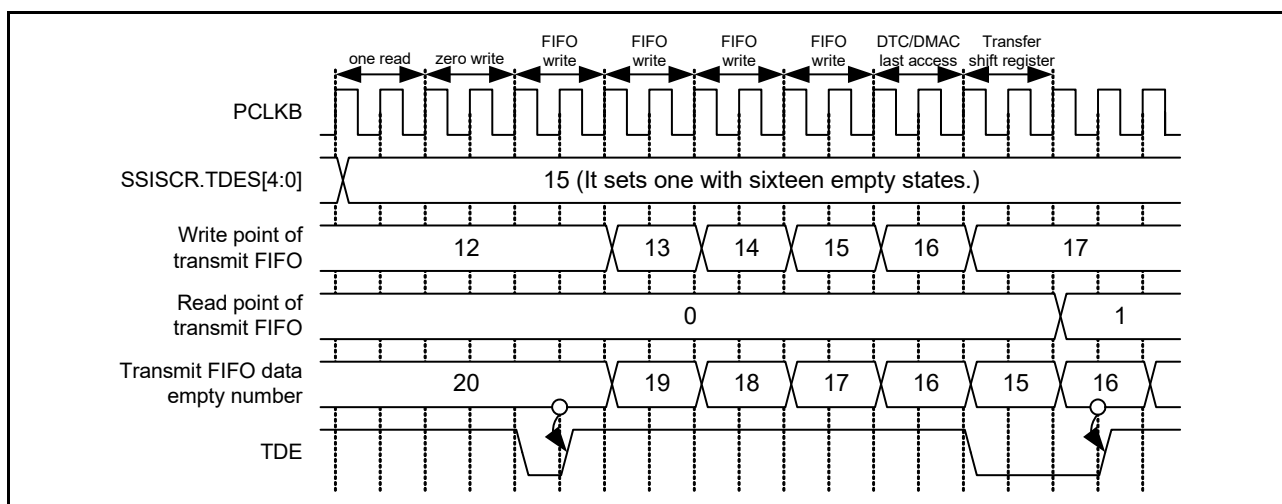


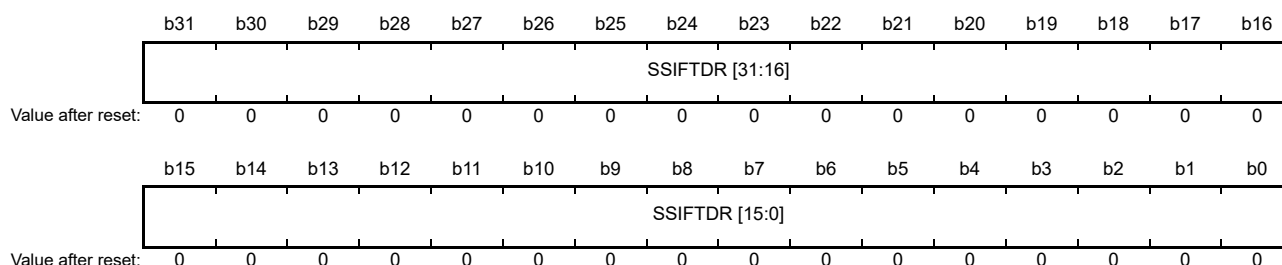
Figure 39.29 Timing diagram for setting and clearing TDE

### TDC[5:0] bits (Number of Transmit FIFO Data Indication Flag)

The TDC[5:0] bits indicate the number of valid data that are stored in the Transmit FIFO Data Register (SSIFTDR). With this flag as 0h, there is no data to be transmitted. With 20h, there is no space to write data.

### 39.4.5 Transmit FIFO Data Register (SSIFTDR)

Address(es): SSIE0.SSIFTDR 4004 E018h



| Bit       | Symbol        | Bit name           | Description        | R/W |
|-----------|---------------|--------------------|--------------------|-----|
| b31 to b0 | SSIFTDR[31:0] | Transmit FIFO Data | Transmit FIFO data | W   |

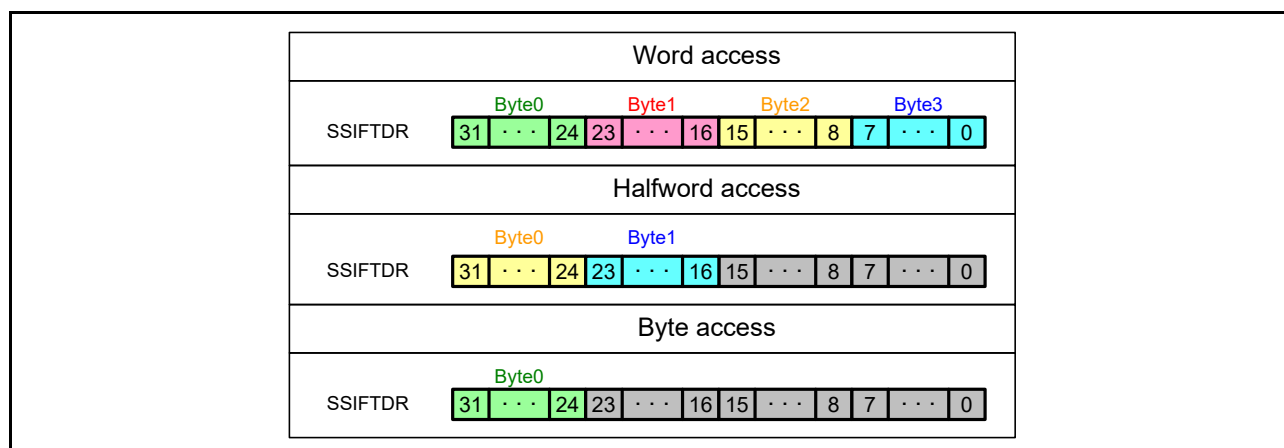
The SSIFTDR register stores data to be serially transmitted. 0 is returned when this register is read.

When you use this register for transmission, specify data writing to this register as the DTC/DMAC operation that is triggered by a transmit data empty interrupt. Determine the access size to this register according to the data word length to be communicated in [Table 39.8](#).

**Table 39.8 Register access restriction to FIFOs**

| SSICR.DWL[2:0] | Access Size        |      |          |      |
|----------------|--------------------|------|----------|------|
|                | Data Word Length   | Byte | Halfword | Word |
| 000b           | 8                  | √    | —        | —    |
| 001b           | 16                 | —    | √        | —    |
| 010b           | 18                 | —    | —        | √    |
| 011b           | 20                 | —    | —        | √    |
| 100b           | 22                 | —    | —        | √    |
| 101b           | 24                 | —    | —        | √    |
| 110b           | 32                 | —    | —        | √    |
| 111b           | Setting prohibited | —    | —        | —    |

[Figure 39.30](#) shows register access to the transmit FIFO data register.



**Figure 39.30 Example of register access to the transmit FIFO data register**

Figure 39.31 shows the configurations and operation examples of the Transmit FIFO Data Register and Transmit Shift Register. The configurations are for storing data to FIFO and are not related with communication.

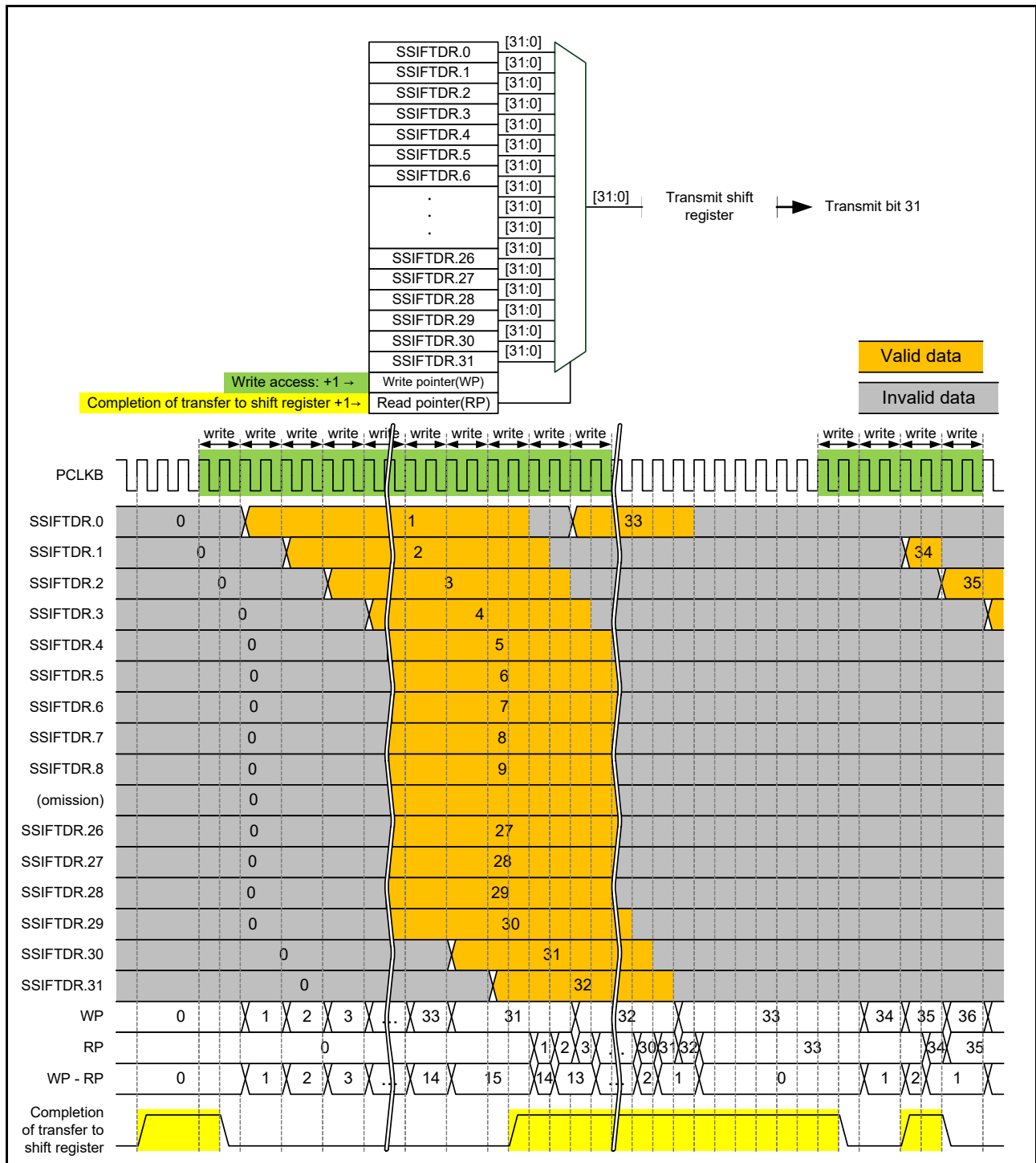
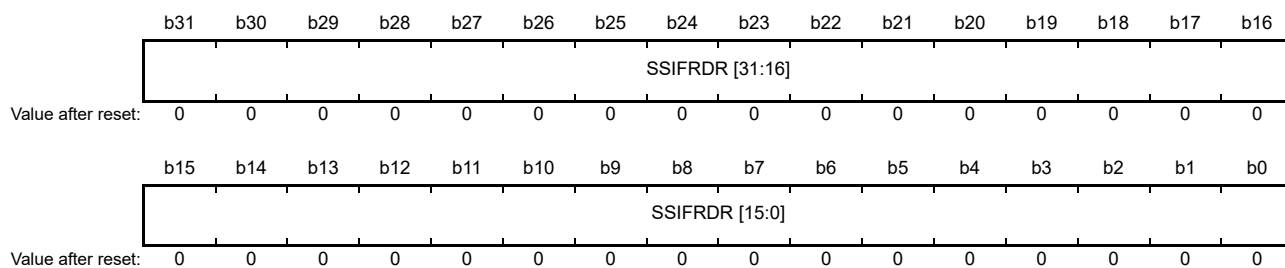


Figure 39.31 Configuration of the transmit FIFO data register and transmit shift register, and FIFO operation example



### 39.4.6 Receive FIFO Data Register (SSIFRDR)

Address(es): SSIE0.SSIFRDR 4004 E01Ch



| Bit       | Symbol        | Bit name          | Description        | R/W |
|-----------|---------------|-------------------|--------------------|-----|
| b31 to b0 | SSIFRDR[31:0] | Receive FIFO Data | Receive FIFO data. | R   |

When you use the SSIFRDR register for reception, specify data reading from this register as the DTC/DMAC operation that is triggered by a receive data full interrupt. Determine the access size to this register according to the data word length to be communicated in [Table 39.8](#).

Register access to the Receive FIFO Data Register is same as for the Transmit FIFO Data Register.

Figure 39.32 shows the configurations and operation examples of the receive FIFO data register and receive shift register.

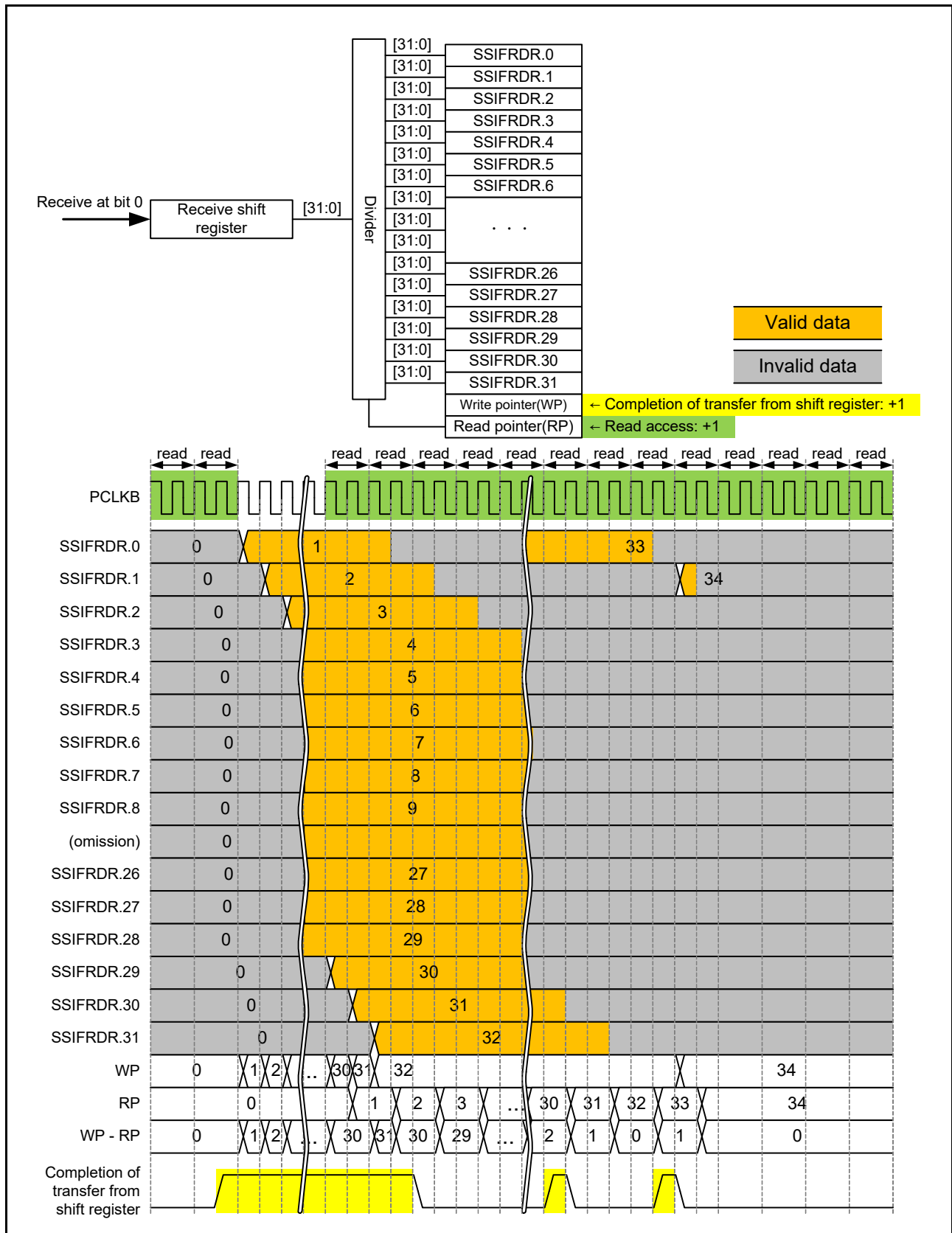


Figure 39.32 Configuration of the transmit FIFO data register and transmit shift register, and FIFO operation example

### 39.4.7 Audio Format Register (SSIOFR)

Address(es): SSIE0.SSIOFR 4004 E020h

|                    |     |     |     |     |     |     |             |            |     |     |     |     |     |     |     |           |
|--------------------|-----|-----|-----|-----|-----|-----|-------------|------------|-----|-----|-----|-----|-----|-----|-----|-----------|
|                    | b31 | b30 | b29 | b28 | b27 | b26 | b25         | b24        | b23 | b22 | b21 | b20 | b19 | b18 | b17 | b16       |
|                    | —   | —   | —   | —   | —   | —   | —           | —          | —   | —   | —   | —   | —   | —   | —   | —         |
| Value after reset: | 0   | 0   | 0   | 0   | 0   | 0   | 0           | 0          | 0   | 0   | 0   | 0   | 0   | 0   | 0   | 0         |
|                    | b15 | b14 | b13 | b12 | b11 | b10 | b9          | b8         | b7  | b6  | b5  | b4  | b3  | b2  | b1  | b0        |
|                    | —   | —   | —   | —   | —   | —   | BCKAS<br>TP | LRCON<br>T | —   | —   | —   | —   | —   | —   | —   | OMOD[1:0] |
| Value after reset: | 0   | 0   | 0   | 0   | 0   | 0   | 0           | 0          | 0   | 0   | 0   | 0   | 0   | 0   | 0   | 0         |

| Bit        | Symbol    | Bit name  | Description   | R/W |
|------------|-----------|---|---|-----|
| b1, b0     | OMOD[1:0] | Audio Format Select*3, *4   | 00: I <sup>2</sup> S format<br>01: TDM format<br>10: Monaural format<br>11: Setting prohibited.       | R/W |
| b7 to b2   | —         | Reserved  | These bits are read as 0. The write value should be 0.  | R/W |
| b8         | LRCONT    | Whether to Enable LRCK/FS Continuation*1, *2                            | 0: Disables LRCK/FS continuation<br>1: Enables LRCK/FS continuation.                                  | R/W |
| b9         | BCKASTP   | Whether to Enable Stopping BCK Output When SSIE is in Idle Status*1, *2 | 0: Always outputs BCK to the SSIBCK pin<br>1: Automatically controls output of BCK to the SSIBCK pin. | R/W |
| b31 to b10 | —         | Reserved  | These bits are read as 0. The write value should be 0.  | R/W |

Note 1. This bit is valid only in master-mode communication (SSICR.MST = 1). The setting is invalid in slave-mode communication (SSICR.MST = 0).

Note 2. The BCKASTP and LRCONT bits must not be set to 1 together.

Note 3. While SSIE is communicating (SSISR.IIRQ = 0), writing to these bits is prohibited. If the value of these bits is changed by writing, subsequent operation is unpredictable.

Note 4. If the communication format of the other-party device is compatible with a communication format of SSIE, specify and use the communication format that enables communication with the other-party device.

The SSIOFR register is used to set an audio format (which involves the settings of communication format, LR clock/frame synchronization continuation mode, and BCK output stop).

#### OMOD[1:0] bits (Audio Format Select)

The OMOD[1:0] bits set an audio format. Writing to these bits must be performed when the LR clock supply to the SSILRCK/SSIFS pin is stopped. For details about the output of LR clock, see the detailed description of the LRCONT bit in [reference 39.4.7](#).

#### LRCONT bit (Whether to Enable LRCK/FS Continuation)

The LRCONT bit enables or disables the output from the SSILRCK/SSIFS pin when the communication mode is master-mode communication (SSICR.MST = 1) and SSIE is in the idle state (SSISR.IIRQ = 1).

Even in the idle state, a signal can output from the SSILRCK/SSIFS pin when this bit is set to 1 (to enable LR clock/frame synchronization continuation) in master mode (SSICR.MST = 1).

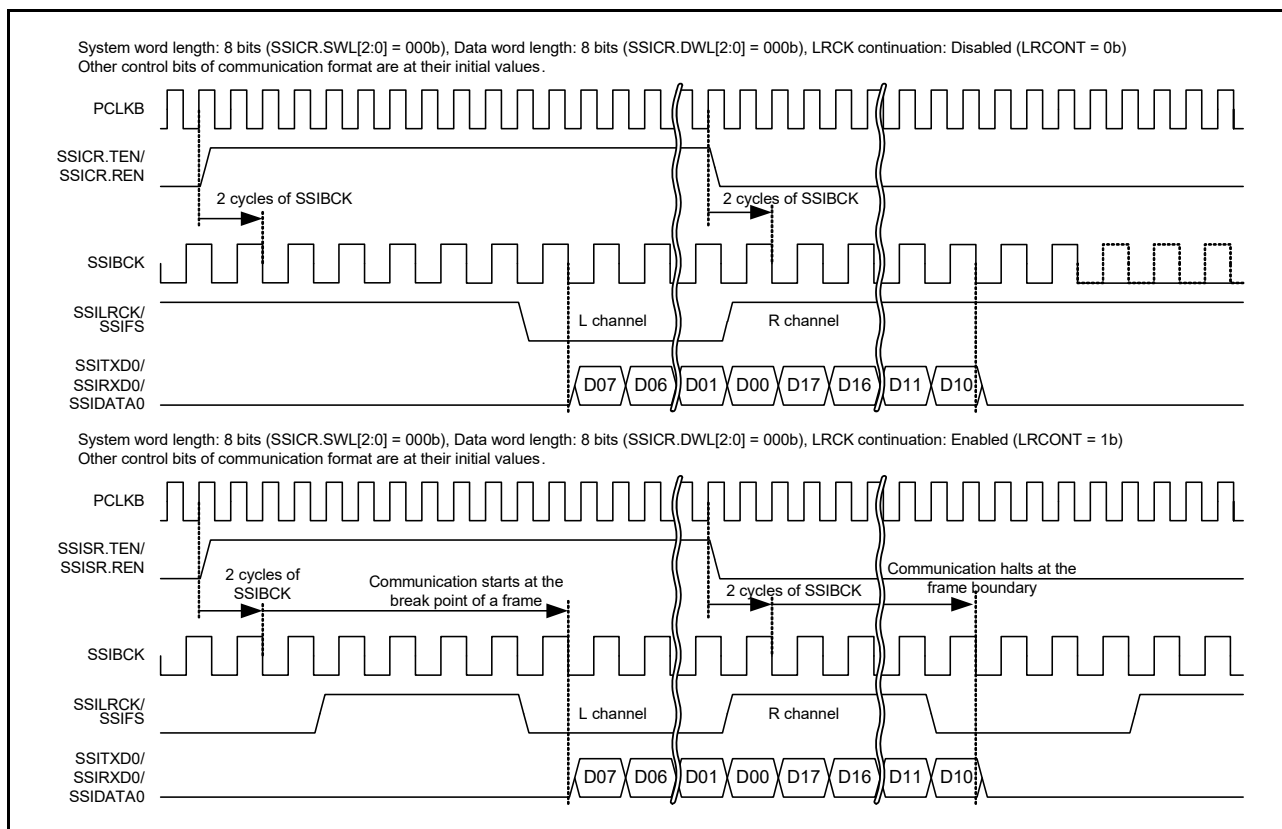


Figure 39.33 Example of LR clock/frame synchronization continuation operation

**BCKASTP bit (Whether to Enable Stopping BCK Output When SSIE is in Idle Status)**

The BCKASTP bit turns on or off the function to output BCK to the SSIBCK pin according to the communication shown in Figure 39.34 and Figure 39.35 in master-mode communication (SSICR.MST = 1).

Changing the value of this bit must be performed only after setting the communication format to be used.

This bit must be used in the following way:

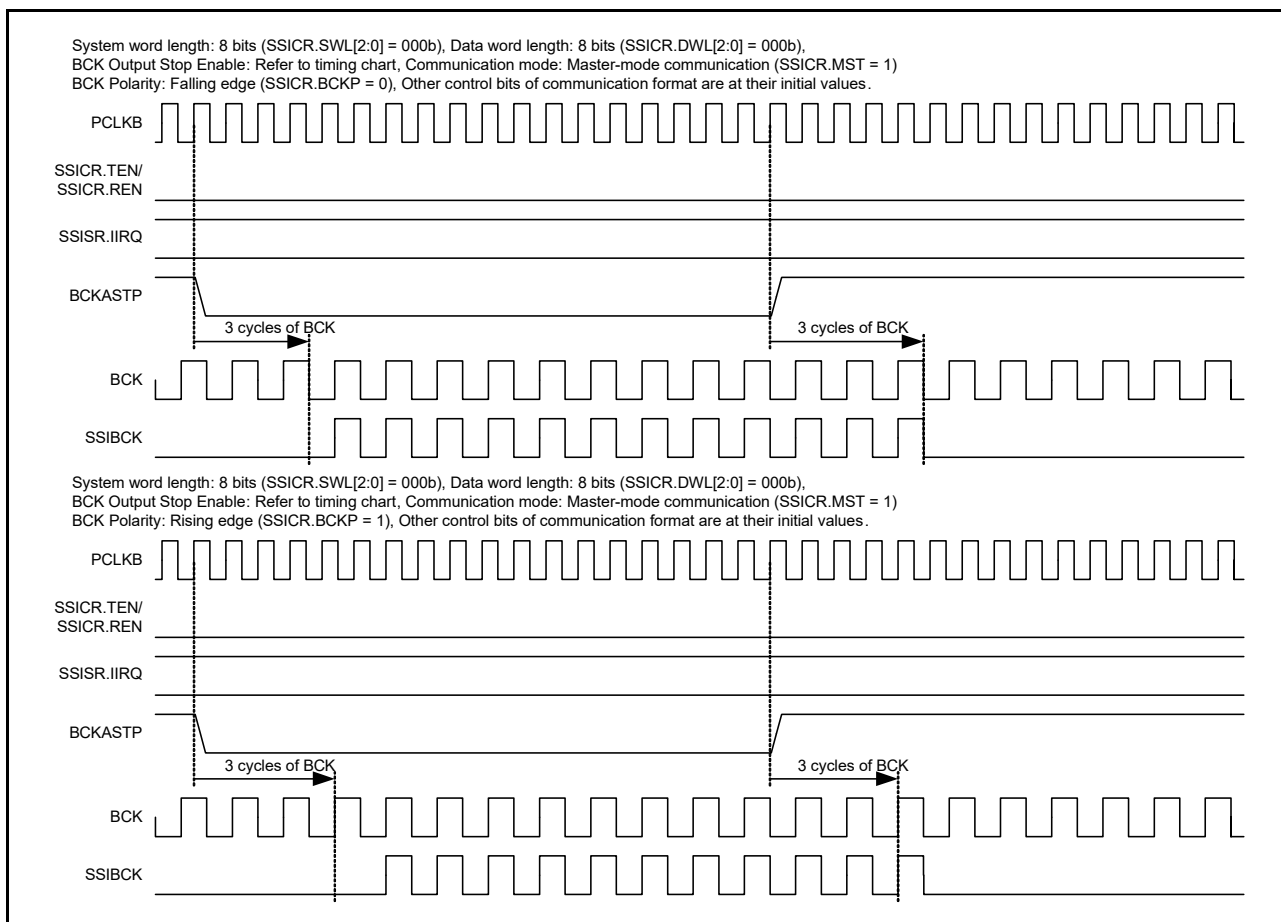
Write 0 to the BCKASTP bit, and then start communication. During the communication, write 1 to the BCKASTP bit. By this operation, the bit clock output to the SSIBCK pin stops automatically when the communication stops. To resume the communication, set SSIE to the idle state (SSICR.IIRQ = 1), enable the supply of AUDIO\_MCK (SSIFCR.AUCKE = 1), and then write 0 to the BCKASTP bit.

When the communication mode is master-mode communication (SSICR.MST = 1) and SSIE is in the idle state (SSICR.IIRQ = 1):

Table 39.9 BCKASTP bit status and SSIBCK pin output

| BCKASTP Bit | SSIBCK Pin Output Status |
|-------------|--------------------------|
| 0           | Output                   |
| 1           | Stopped                  |

Note: The BCKASTP bit cannot be used when the other-party device (which is a slave) requires the clock output from the SSIBCK pin before and during communication. In such a case, use the BCKASTP bit to stop the clock only after communication. For the timing of enabling the clock stop function, see Figure 39.34.



**Figure 39.34 Example operation of the BCKASTP bit (idle state)**

When the communication mode is master-mode communication (SSICR.MST = 1) and the BCK output stop function is enabled (BCKASTP = 1):

Details of the BCK output to the SSIBCK pin are as follows:

- Output start timing: BCK is output in appropriate timing so that a valid edge is generated when the LR clock/frame synchronization signal shifts to a valid value.
- Output stop timing: 1 to 1.5 clock cycles after a frame boundary.

For details about the timings, see the timing diagram in [Figure 39.35](#).

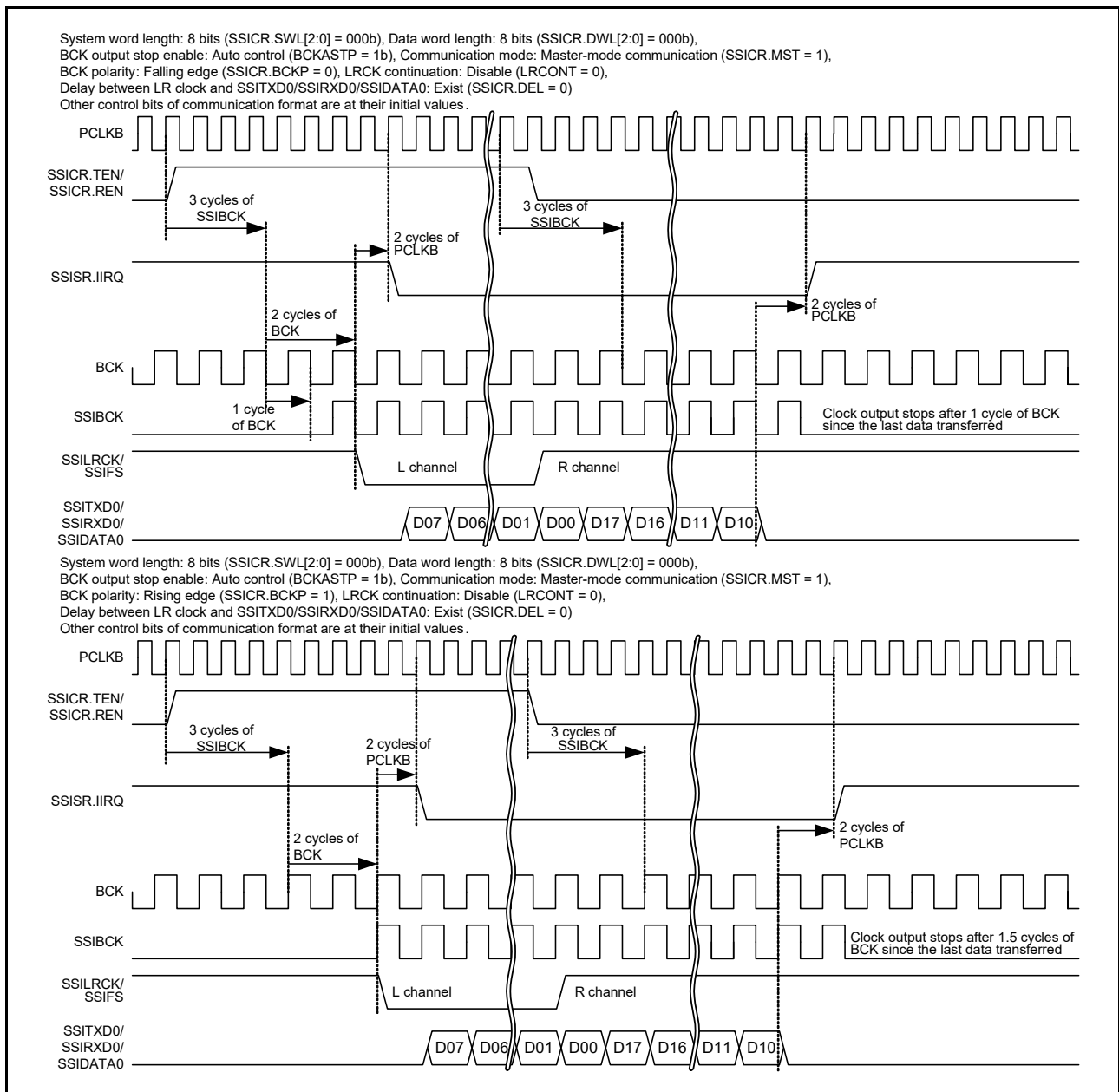
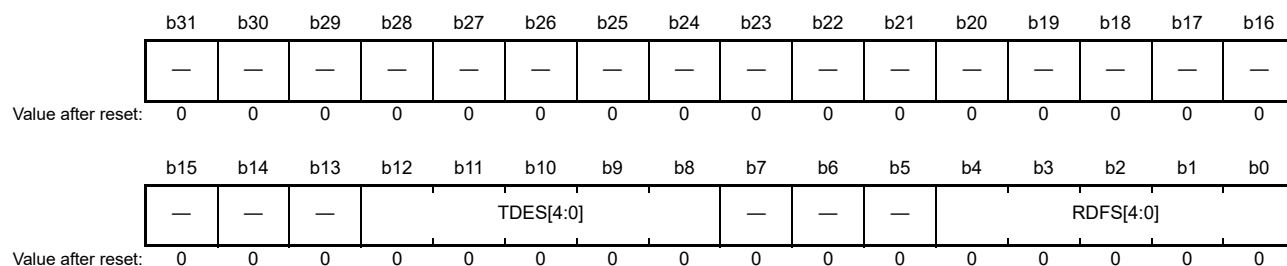


Figure 39.35 Example cycle operation of the BCKASTP bit (communication operation with BCKASTP = 1)

### 39.4.8 Status Control Register (SSISCR)

Address(es): SSIE0.SSISCR 4004 E024h



| Bit        | Symbol                    | Bit name                       | Description   | R/W |
|------------|---------------------------|--------------------------------|---|-----|
| b4 to b0   | <a href="#">RDFS[4:0]</a> | RDF Setting Condition Select*1 | b4 b0<br>0 0 0 0: SSIFRDR has one stage or more data size<br>0 0 0 1: SSIFRDR has two stages or more data size (snip)<br>1 1 1 0: SSIFRDR has thirty-one stages or more data size<br>1 1 1 1: SSIFRDR has thirty-two stages or more data size.      | R/W |
| b7 to b5   | —                         | Reserved                       | These bits are read as 0. The write value should be 0.  | R/W |
| b12 to b8  | <a href="#">TDES[4:0]</a> | TDE Setting Condition Select*1 | b12 b8<br>0 0 0 0: SSIFTDR has one stage or more free space<br>0 0 0 1: SSIFTDR has two stages or more free space (snip)<br>1 1 1 0: SSIFTDR has thirty-one stages or more free space<br>1 1 1 1: SSIFTDR has thirty-two stages or more free space. | R/W |
| b31 to b13 | —                         | Reserved                       | These bits are read as 0. The write value should be 0.  | R/W |

Note 1. Writing to these bits while SSIE is in a communication state (SSISR.IIRQ = 0) is prohibited. If written, the operation performed immediately after writing is not guaranteed.

#### [RDFS\[4:0\] bits \(RDF Setting Condition Select\)](#)

The RDFS[4:0] bits set the setting condition of the Receive Data Full Flag (RDF).

#### [TDES\[4:0\] bits \(TDE Setting Condition Select\)](#)

The TDES[4:0] bits set the setting condition of the Transmit Data Empty Flag (TDE).

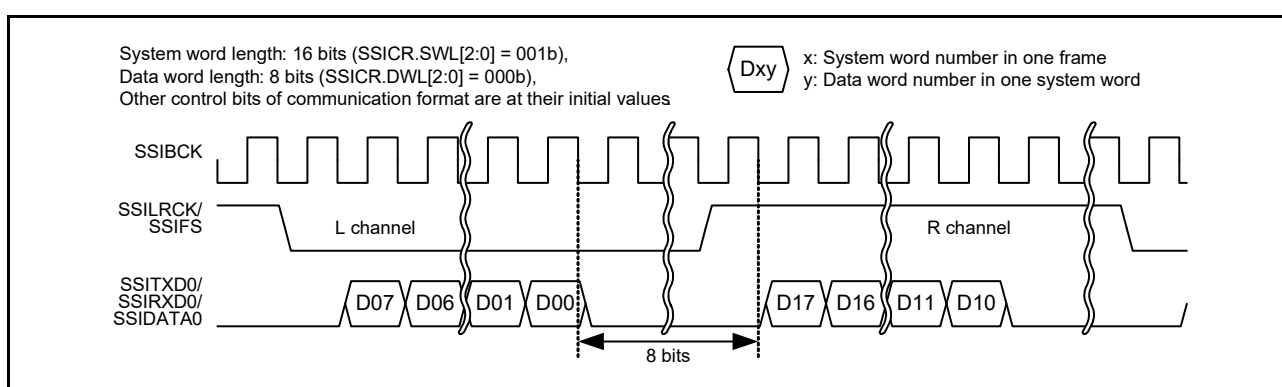
### 39.5 Communication Formats

SSIE supports three communication formats. Table 39.10 shows supported communication formats.

**Table 39.10 Supported communication formats**

| Communication Format    | SSIOFR.OMOD[1:0] |
|-------------------------|------------------|
| I <sup>2</sup> S format | 00               |
| TDM format              | 01               |
| Monaural format         | 10               |

The following describes the serial data structure shared by communication formats. A serial data structure is defined by the system word length (set in SSICR.SWL[2:0]) and the data word length (set in SSICR.DWL[2:0]). If the data word length is shorter than the system word length, padding bits are transferred in the serial data. For details, see Figure 39.36.



**Figure 39.36 Example of padding bit transfer (I<sup>2</sup>S format: system word length > data word length)**

Table 39.11 lists the number of padding bits to be transferred with each combination of system word length (SSICR.SWL[2:0]) and data word length (SSICR.DWL[2:0]). “-” indicates that the setting is prohibited.

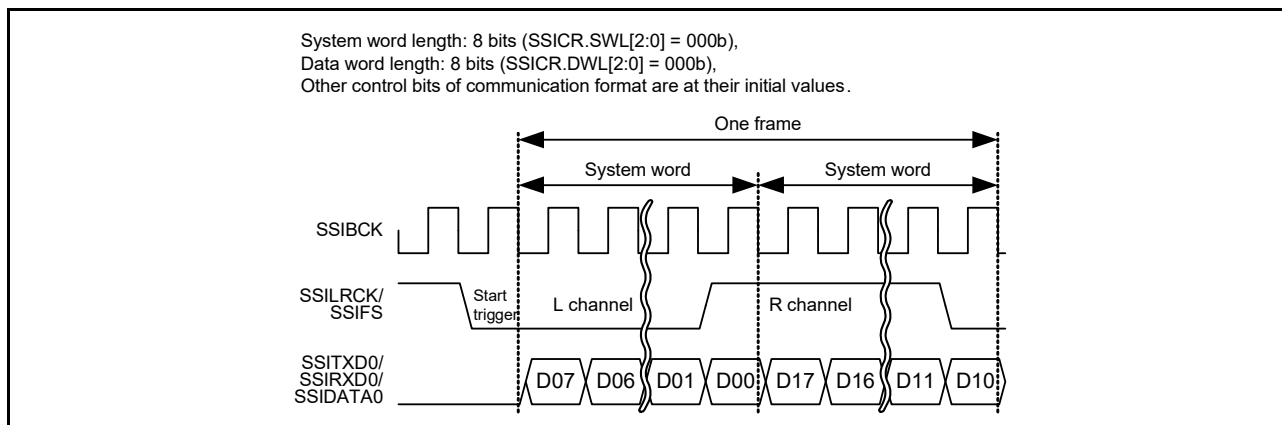
**Table 39.11 Number of padding bits**

|                |                    | SSICR.DWL[2:0] | 000b | 001b | 010b | 011b | 100b | 101b | 110b | 111b               |
|----------------|--------------------|----------------|------|------|------|------|------|------|------|--------------------|
| SSICR.SWL[2:0] | System Word Length |                | 8    | 16   | 18   | 20   | 22   | 24   | 32   | Setting prohibited |
| 000b           | 8                  |                | 0    | —    | —    | —    | —    | —    | —    | —                  |
| 001b           | 16                 |                | 8    | 0    | —    | —    | —    | —    | —    | —                  |
| 010b           | 24                 |                | 16   | 8    | 6    | 4    | 2    | 0    | —    | —                  |
| 011b           | 32                 |                | 24   | 16   | 14   | 12   | 10   | 8    | 0    | —                  |
| 100b           | 48                 |                | 40   | 32   | 30   | 28   | 26   | 24   | 16   | —                  |
| 101b           | 64                 |                | 56   | 48   | 46   | 44   | 42   | 40   | 32   | —                  |
| 110b           | 128                |                | 120  | 112  | 110  | 108  | 106  | 104  | 96   | —                  |
| 111b           | 256                |                | 248  | 240  | 238  | 236  | 234  | 232  | 224  | —                  |



### 39.5.1 I<sup>2</sup>S Format

The I<sup>2</sup>S format is a communication format used for connection with I<sup>2</sup>S-compatible serial devices. With this format setting (SSIOFR.OMOD[1:0] = 00b), one frame is configured with two system words, one for the channel L and the other for channel R. The SSILRCK/SSIFS signals are at a low level for the channel L and at a high level for the channel R. Set the polarity of the signals with the SSICR.LRCKP bit. Figure 39.37 shows the I<sup>2</sup>S format without padding. See Figure 39.36 for the format with padding.



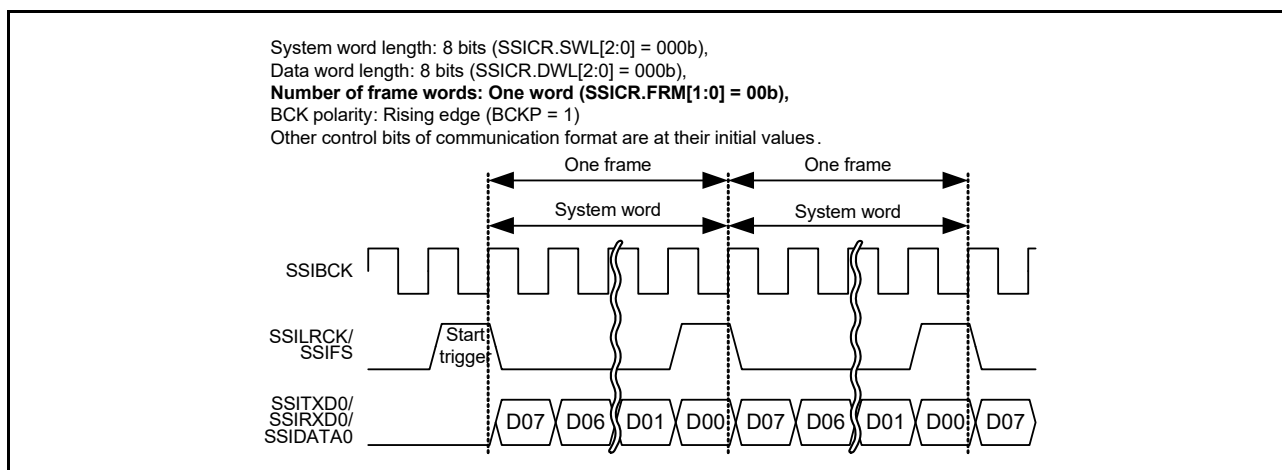
**Figure 39.37 I<sup>2</sup>S format (without padding: system word length = data word length)**

For the state of external pins when SSIE is in the idle state, see reference 39.7.1.

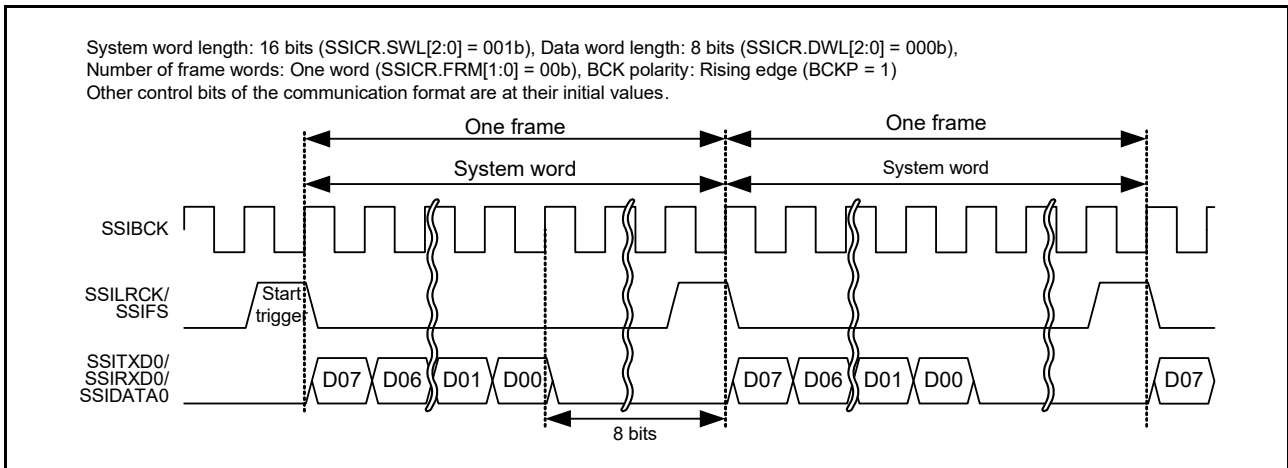
Note: SSIE has the SSILRCK/SSIFS pin, which indicates the synchronization of communication. When SSIE is in slave mode (SSICR.MST = 0), the communication format that SSIE uses must match that of the other-party device to communicate. SSIE uses the signal input by the SSILRCK/SSIFS pin only as a trigger to start communication.

### 39.5.2 Monaural Format

The monaural format is a communication format used for connection with monaural-compatible serial devices. When the monaural format is specified (SSIOFR.OMOD[1:0] = 10b) for use, one frame consists of one system word. Also, a rising edge of the SSILRCK/SSIFS signal indicates a communication start trigger. Figure 39.38 and Figure 39.39 respectively show the monaural formats without and with padding.



**Figure 39.38 Short frame in monaural format (without padding: system word length = data word length)**



**Figure 39.39 Short frame in monaural format (with padding: system word length > data word length)**

The monaural formats supported by SSIE consist of short frames and long frames. See [reference 39.5.2.1](#) and [reference 39.5.2.2](#) for the difference between these two frames.

For the state of external pins state when SSIE is in the idle state, see [reference 39.7.1](#).

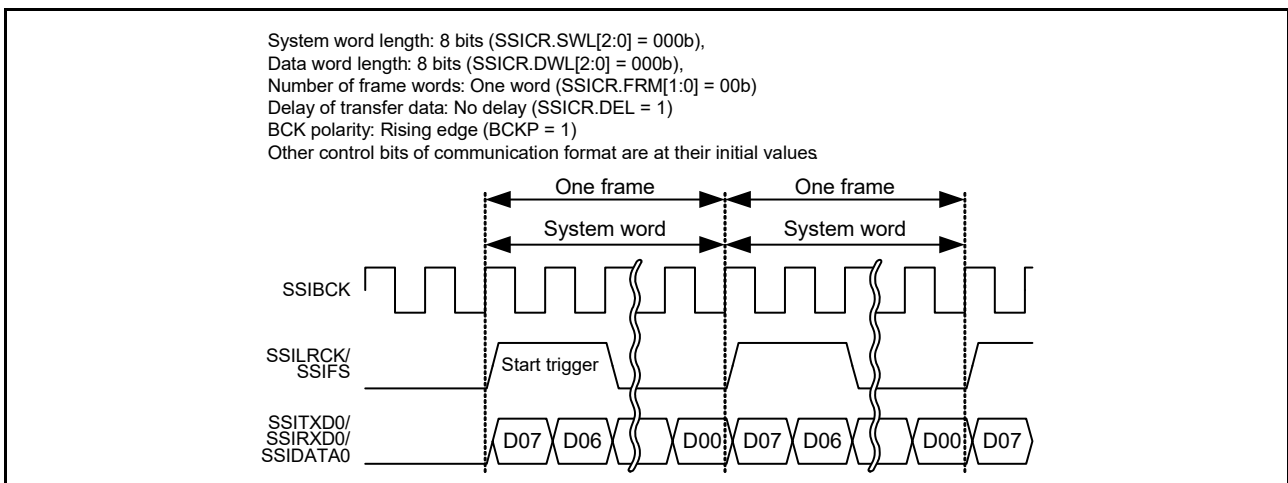
Note: SSIE has the SSILRCK/SSIFS pin, which indicates the synchronization of communication. When SSIE is in slave mode (SSICR.MST = 0), the communication format SSIE uses must match that of the other-party device to communicate. SSIE uses the signal input by the SSILRCK/SSIFS pin only as a trigger to start communication.

### 39.5.2.1 Short frame

When a short frame is used (SSICR.DEL = 0), the SSILRCK/SSIFS signal indicating the start of serial data is set to high level only for 1 cycle of SSIBCK. Data transfer starts at the falling edge of the signal.

### 39.5.2.2 Long frame

When a long frame is used (SSICR.DEL = 1), the SSILRCK/SSIFS signal indicating the start of serial data is set to high level only for 2 cycles of SSIBCK. See [Figure 39.40](#). Data transfer starts at the rising edge of the signal.



**Figure 39.40 Long frame in monaural format (without padding)**

### 39.5.3 TDM Format

The TDM format is a communication format used for connection with TDM-compatible multi-channel devices. With this format setting (SSIOFR.OMOD[1:0] = 01b), one frame is configured with four to eight system words set with the SSICR.FRM[1:0] bits. With this format, the SSILRCK/SSIFS signal is at a high level for the first one system word and at a low level for the rest. The pulse generated on the SSILRCK/SSIFS signal is defined as the SYNC pulse and its rising edge indicates the start of one frame. Figure 39.41 and Figure 39.42 show the TDM formats without and with padding, respectively.

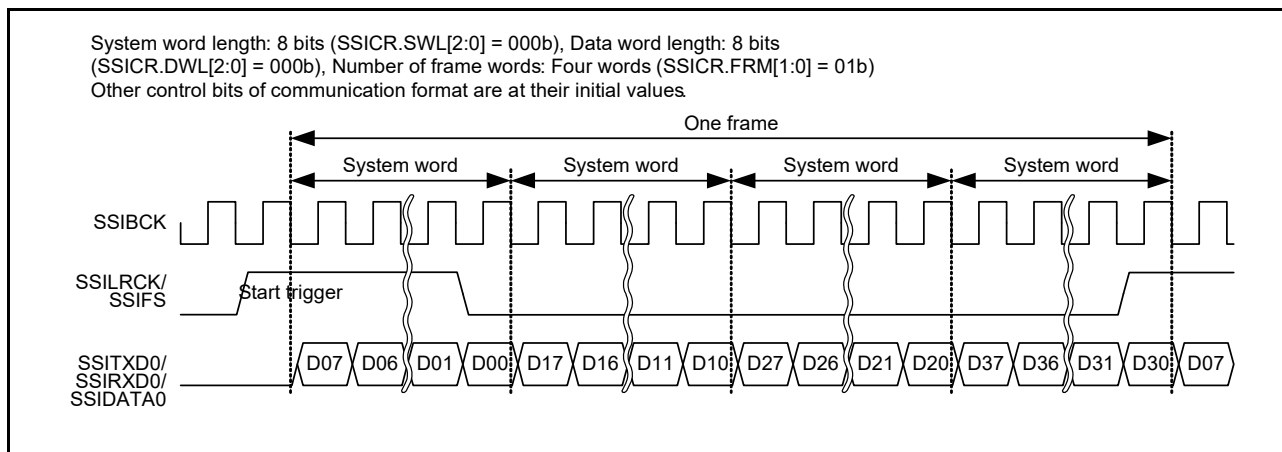


Figure 39.41 TDM format (without padding: system word length = data word length)

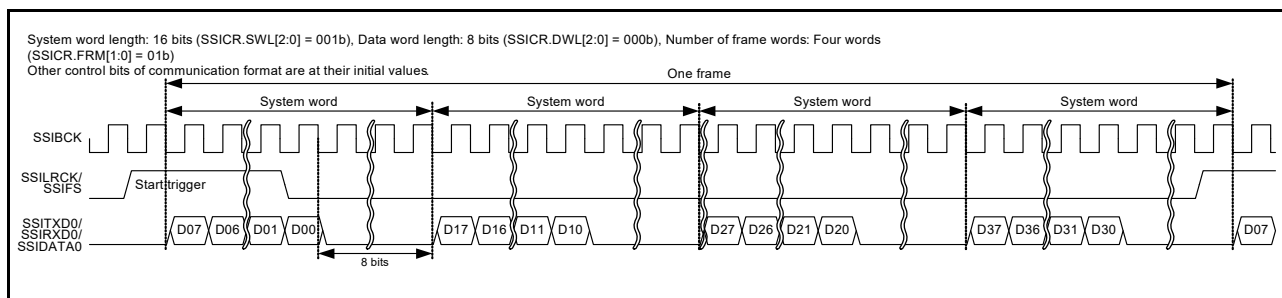


Figure 39.42 TDM format (with padding: system word length > data word length)

For the state of external pins when SSIE is in the idle state, see [reference 39.7.1](#).

Note: SSIE has the SSILRCK/SSIFS pin, which indicates the synchronization of communication. When SSIE is in slave mode (SSICR.MST = 0), the communication format that SSIE uses must match that of the other-party device to communicate. SSIE uses the signal input by the SSILRCK/SSIFS pin only as a trigger to start communication.

## 39.6 Communication Modes

SSIE supports the following communication modes. Table 39.13 lists the control bits that are not available with each communication mode. See reference 39.6.1 to reference 39.6.5 for details of these communication modes.

**Table 39.12 Communication modes**

| Communication Mode                     | SSICR.MST Bit | SSICR.REN Bit | SSICR.TEN Bit |
|--|---------------|---------------|---------------|
| Slave-mode transmission                | 0             | 0             | 1             |
| Slave-mode reception                   | 0             | 1             | 0             |
| Slave-mode transmission and reception  | 0             | 1             | 1             |
| Master-mode transmission               | 1             | 0             | 1             |
| Master-mode reception                  | 1             | 1             | 0             |
| Master-mode transmission and reception | 1             | 1             | 1             |

**Table 39.13 Control bits that cannot be used in each communication mode**

| Control Bit      | Communication Mode   |                         |                                       |                       |                          |  |
|------------------|----------------------|-------------------------|---------------------------------------|-----------------------|--------------------------|--|
|                  | Slave-mode Reception | Slave-mode Transmission | Slave-mode Transmission and Reception | Master-mode Reception | Master-mode Transmission | Master-mode Transmission and Reception |
| SSICR.CKS        | Invalid              | Invalid                 | Invalid                               | Available             | Available                | Available                              |
| SSICR.CKDV       | Invalid              | Invalid                 | Invalid                               | Available             | Available                | Available                              |
| SSICR.MUEN       | Invalid              | Available               | Available                             | Invalid               | Available                | Available                              |
| SSICR.TEN        | Invalid              | Available               | Available                             | Invalid               | Available                | Available                              |
| SSICR.REN        | Available            | Invalid                 | Available                             | Available             | Invalid                  | Available                              |
| SSIFCR.AUCKEN    | Invalid              | Invalid                 | Invalid                               | Available             | Available                | Available                              |
| SSIFCR.TIE       | Invalid              | Available               | Available                             | Invalid               | Available                | Available                              |
| SSIFCR.RIE       | Available            | Invalid                 | Available                             | Available             | Invalid                  | Available                              |
| SSIFCR.TFRST     | Invalid              | Available               | Available                             | Invalid               | Available                | Available                              |
| SSIFCR.RFRST     | Available            | Invalid                 | Available                             | Available             | Invalid                  | Available                              |
| SSIOFR.BCKASTP   | Invalid              | Invalid                 | Invalid                               | Available             | Available                | Available                              |
| SSIOFR.LRCONT    | Invalid              | Invalid                 | Invalid                               | Available             | Available                | Available                              |
| SSIOFR.OMOD      | Available            | Available               | Available                             | Available             | Available                | Available                              |
| SSISCR.TDES[4:0] | Invalid              | Available               | Available                             | Invalid               | Available                | Available                              |
| SSISCR.RDFS[4:0] | Available            | Invalid                 | Available                             | Available             | Invalid                  | Available                              |

“Invalid” means it has no effect on operation. Writing is possible.

### 39.6.1 Slave-mode Communication

SSIE operates in slave mode with SSICR.MST = 0. The SSIBCK and SSILRCK/SSIFS signals to be used for serial-data communication must be supplied from an external device. If these signals do not match the communication format set for SSIE, operation is not guaranteed.

### 39.6.2 Master-mode Communication

SSIE operates in master mode with SSICR.MST = 1. The SSIBCK and SSILRCK/SSIFS signals to be used for serial-data communication must be internally generated from the audio clock. These signals use the format according to the setting of SSIE. If the communication format that the slave device uses does not match the communication format set for SSIE, the operation is unpredictable.

### 39.6.3 Transmission

SSIE transmits serial data to the other-party device when the SSICR.TEN bit is 1 and the SSICR.REN bit is 0. If the communication format that the other-party device uses does not match the communication format set for SSIE, the operation is unpredictable.

### 39.6.4 Reception

SSIE receives serial data from the other-party device when the SSICR.TEN bit is 0 and the SSICR.REN bit is 1. If the communication format that the other-party device uses does not match the communication format set for SSIE, the operation is unpredictable.

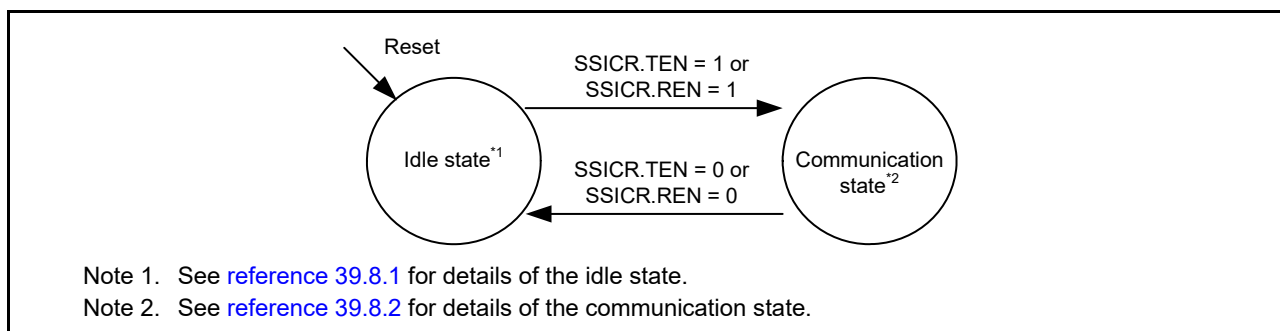
### 39.6.5 Transmission and Reception

SSIE transmits and receives serial data to and from the other-party device when the SSICR.TEN bit is 1 and the SSICR.REN bit is 1. If the communication format the other-party device uses does not match the communication format set for SSIE, the operation is unpredictable.

## 39.7 Operation

SSIE has the following two main operation states. [Figure 39.43](#) shows the SSIE state transition.

- Idle state (SSISR.IIRQ = 1)
- Communication state (SSISR.IIRQ = 0).



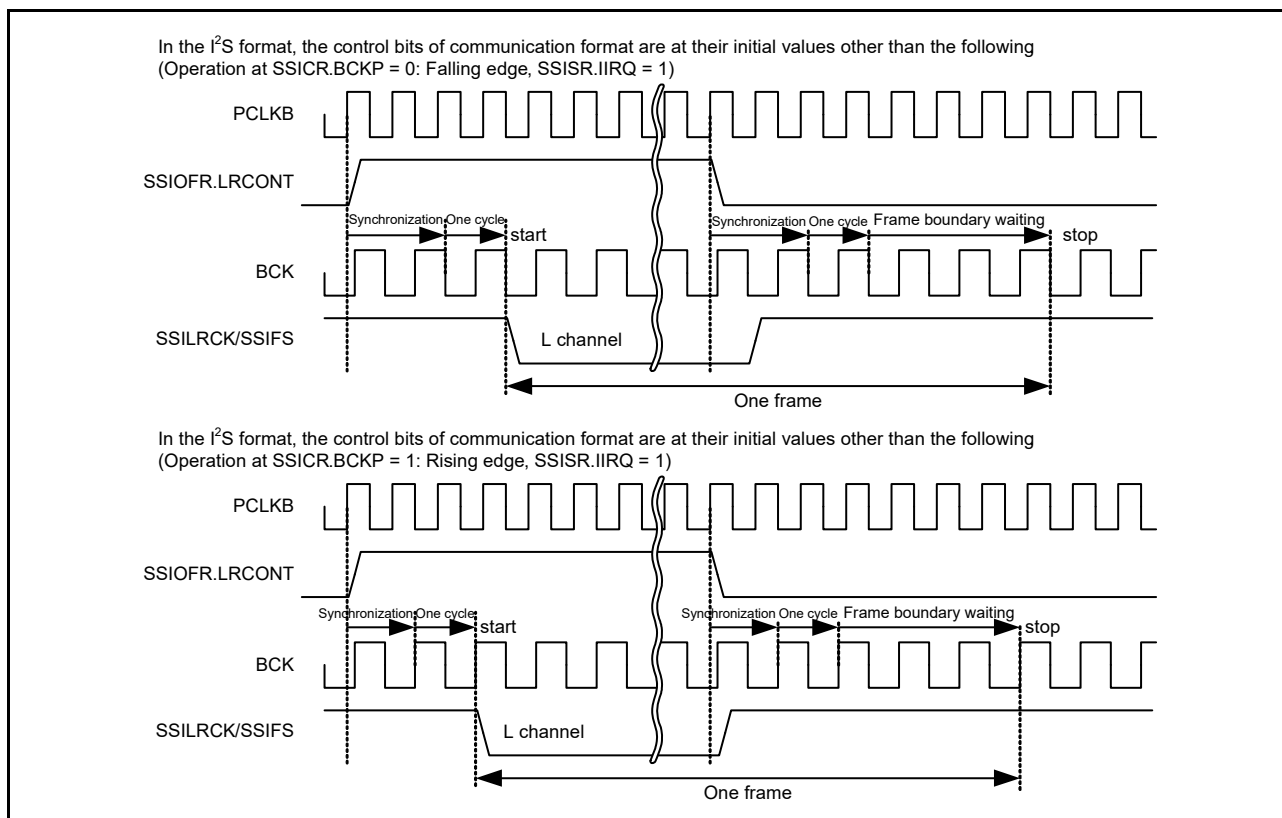
**Figure 39.43 SSIE state transition**

### 39.7.1 Idle State

In this state, communication of SSIE is halted. If, however, the SSICR.MST bit is 1, the output of BCK and LR clock/frame synchronization signals to external pins can be controlled according to the settings of the SSIOFR.BCKASTP and SSIOFR.LRCONT bits. This function is common to all formats. For details, see [Table 39.14](#).

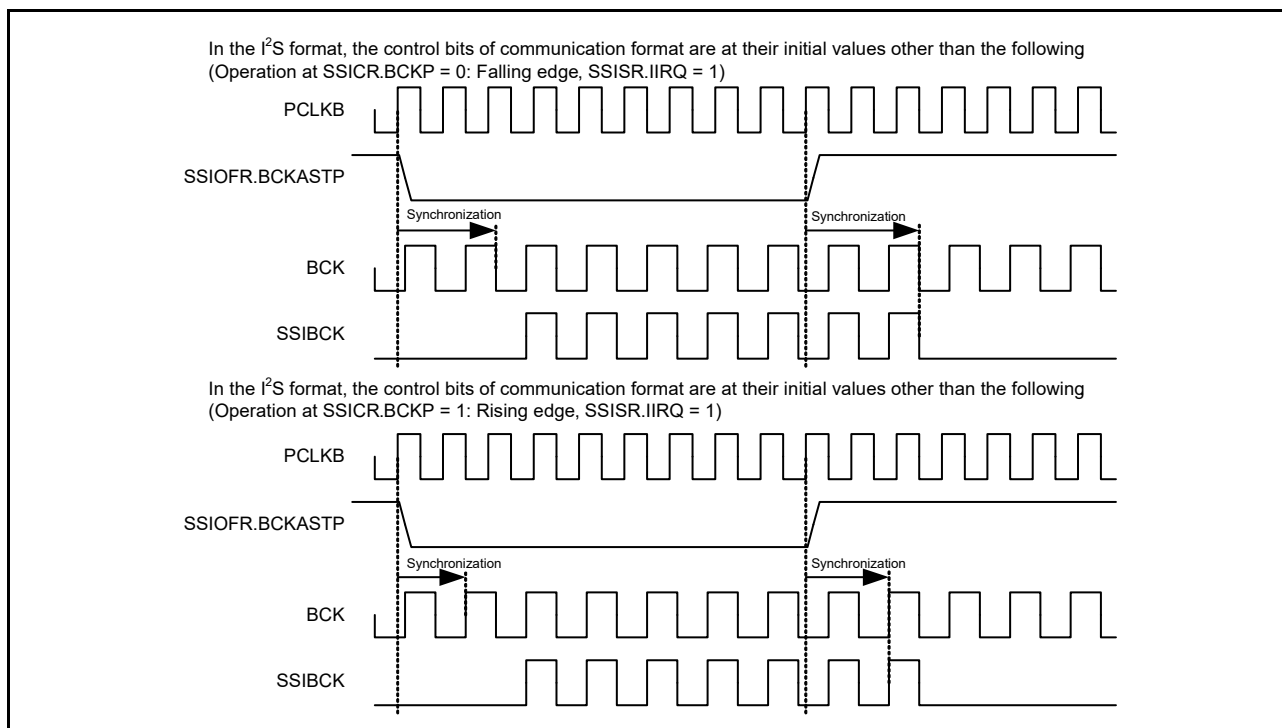
**Table 39.14 Output from external pins in the idle state**

| SSICR.MST | SSIOFR.BCKASTP | SSIOFR.LRCONT | Output from Pins |               |                  |
|-----------|----------------|---------------|------------------|---------------|------------------|
|           |                |               | SSIBCK           | SSILRCK/SSIFS | SSITXD0/SSIDATA0 |
| 0         | —              | —             | Stop             | Stop          | Stop             |
| 1         | 0              | 0             | Supply           | Stop          | Stop             |
| 1         | 0              | 1             | Supply           | Supply        | Stop             |
| 1         | 1              | 0             | Stop             | Stop          | Stop             |
| 1         | 1              | 1             | Stop             | Supply        | Stop             |



**Figure 39.44 Example of disabling LR clock/frame synchronization continuation by SSIOFR.LRCONT**

Note: To stop the output to the SSILRCK/SSIFS pin with SSIOFR.LRCONT when SSIE is in the idle state in master-mode communication (SSICR.MST = 1), note that the output stops when the value of the SSIOFR.LRCONT bit is changed from 1 to 0. Make sure that the other-party device is not affected.

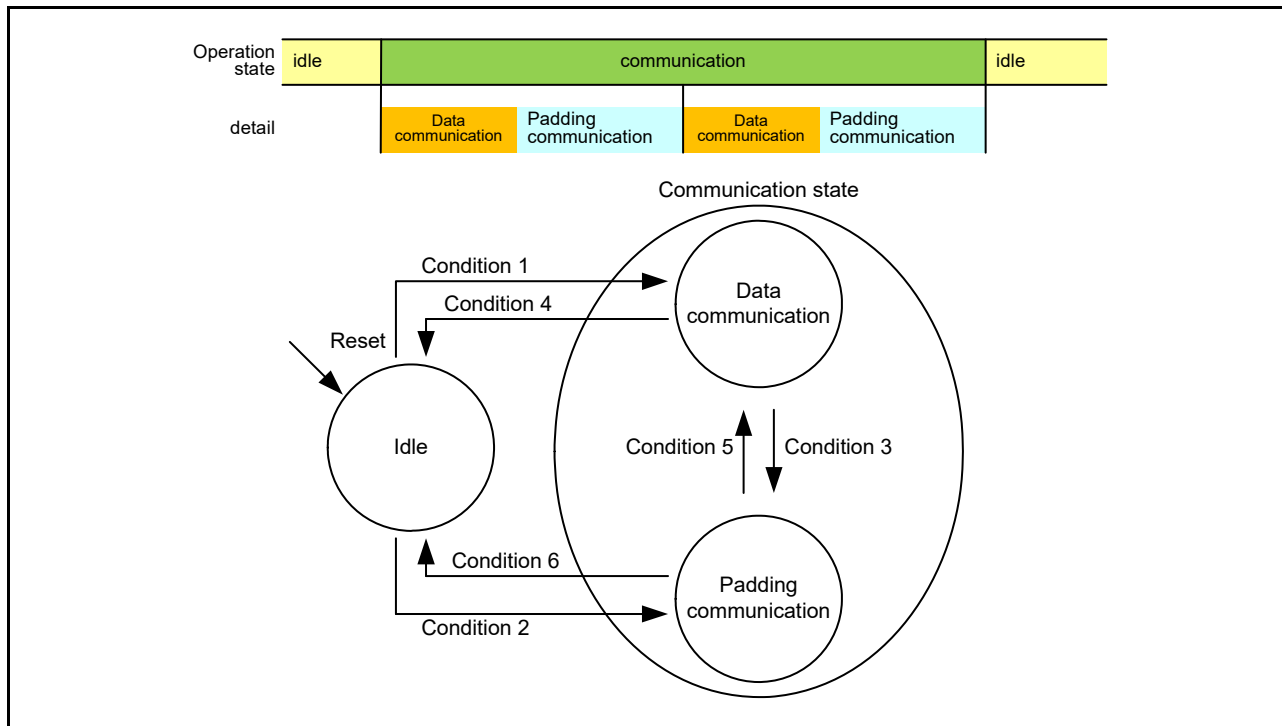


**Figure 39.45 Example of stopping SSIBCK with SSIOPFR.BCKASTP**

Note: To stop the output to the SSIBCK pin with SSIOPFR.BCKASTP in master-mode communication (SSICR.MST = 1) and while SSIE is in the idle state, note that the output stops when the value of the SSIOPFR.BCKASTP bit is changed from 0 to 1. So, make sure that the other-party device is not affected.

### 39.7.2 Communication States

In this state, SSIE is in communication. [Figure 39.46](#) shows the transitions of communication states and [Table 39.15](#) lists the conditions for transition. If the transition condition is not satisfied, the state does not transit.



**Figure 39.46** Communication state transition

**Table 39.15** Condition for communication state transition

| Condition Number | Condition for Transition  |
|------------------|---|
| 1                | Writing SSICR.TEN = 1 or SSICR.REN = 1 while SSICR.SDTA = 0 or in the setting without padding bits.   |
| 2                | Writing SSICR.TEN = 1 or SSICR.REN = 1 while SSICR.SDTA = 1 and in the setting with padding bits.   |
| 3                | The following three conditions are all met: <ul style="list-style-type: none"> <li>• SSICR.TEN = 1 or SSICR.REN = 1</li> <li>• In the setting with padding bits</li> <li>• The last bit of the data words has been transferred.</li> </ul>              |
| 4                | Both the following two conditions are met: <ul style="list-style-type: none"> <li>• SSICR.SDTA = 1 or without padding bits</li> <li>• While SSICR.TEN = 0 and SSICR.REN = 0, the last bit of the data words in a frame has been transferred.</li> </ul> |
| 5                | Transfer of the last padding bit is complete while SSICR.TEN = 1 or SSICR.REN = 1   |
| 6                | Both the following two conditions are met: <ul style="list-style-type: none"> <li>• SSICR.SDTA = 0 and with padding bits</li> <li>• While SSICR.TEN = 0 and SSICR.REN = 0, the last padding bit has been transferred.</li> </ul>                        |

See [Table 39.11](#) for the setting with/without padding bits.

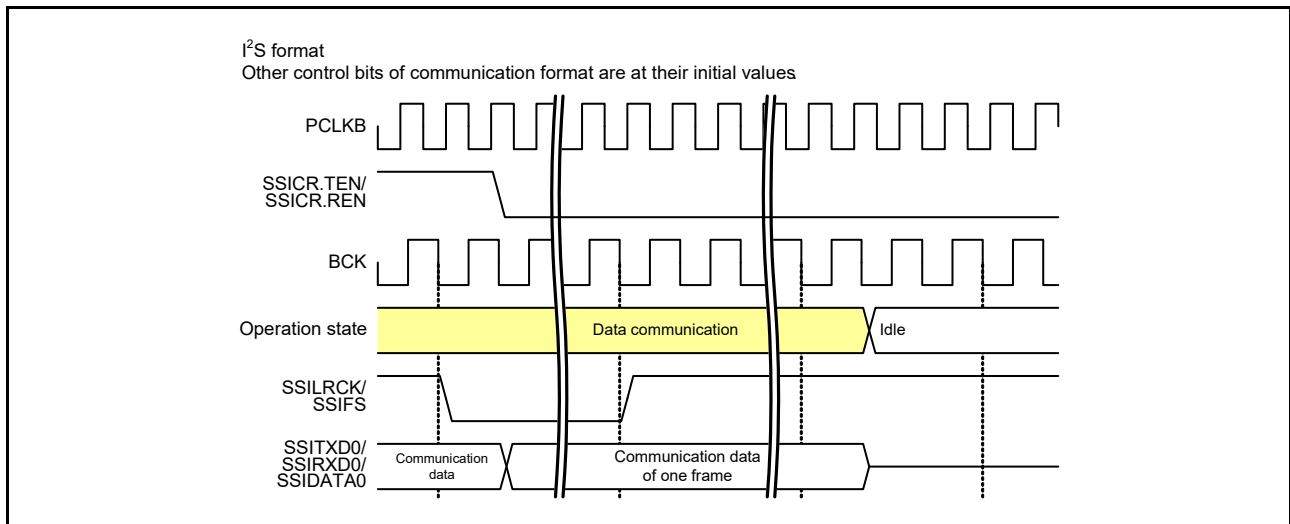
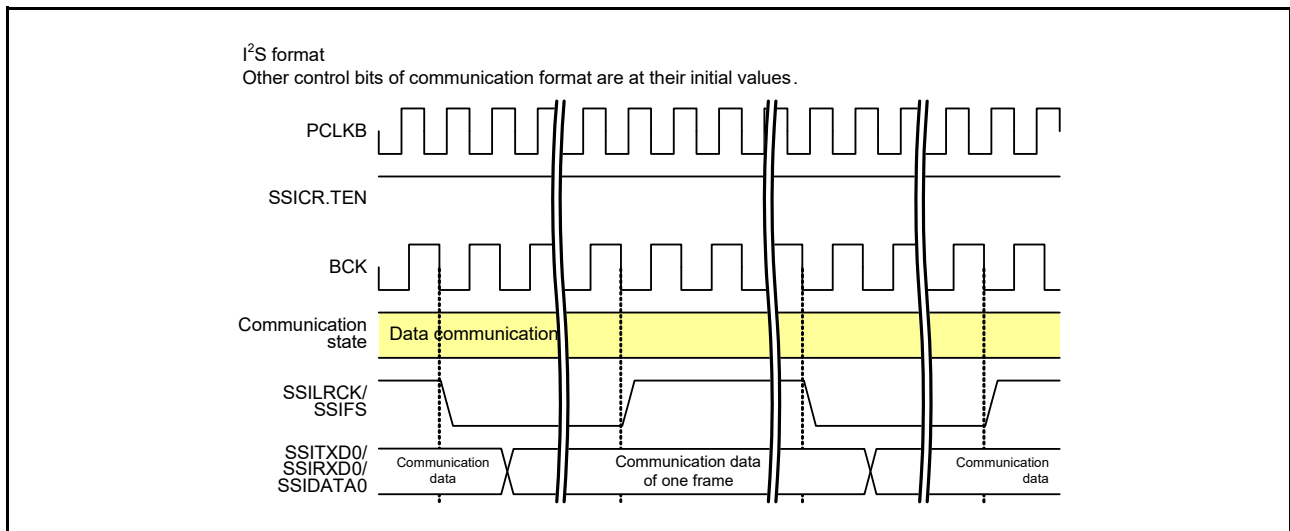


### 39.7.2.1 Data communication state

In this state, SSIE is in communication. Data of the data word length set with the SSICR.DWL[2:0] bits is transmitted, received, or transmitted and received.

- State Transition in the Setting without Padding Bits

During communication (SSISR.IIRQ = 0), SSIE is in data communication for the entire time. By disabling transmission and reception (SSICR.TEN = 0, SSICR.REN = 0), SSIE transits to the idle state. For details, see [Figure 39.47](#) and [Figure 39.48](#).



- State Transition in the Setting with Padding Bits

When SSIE ends the transfer of the last bit of a data word during communication (SSISR.IIRQ = 0), SSIE transitions from the data communication state to the padding communication state in [Figure 39.49](#). Except in the status with SSICR.SDTA = 1 and with transmission and reception disabled (SSICR.TEN = 0 and SSICR.REN = 0), SSIE transitions from the data communication state to the idle state when it stops communication in [Figure 39.51](#).

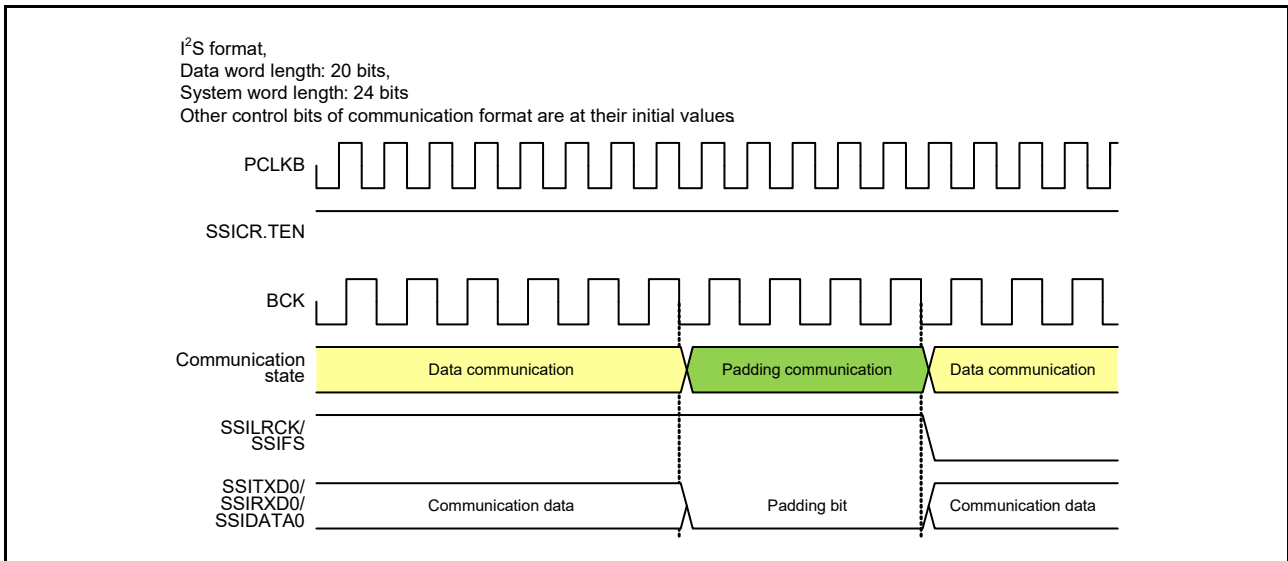


Figure 39.49 Transition from data communication to padding communication

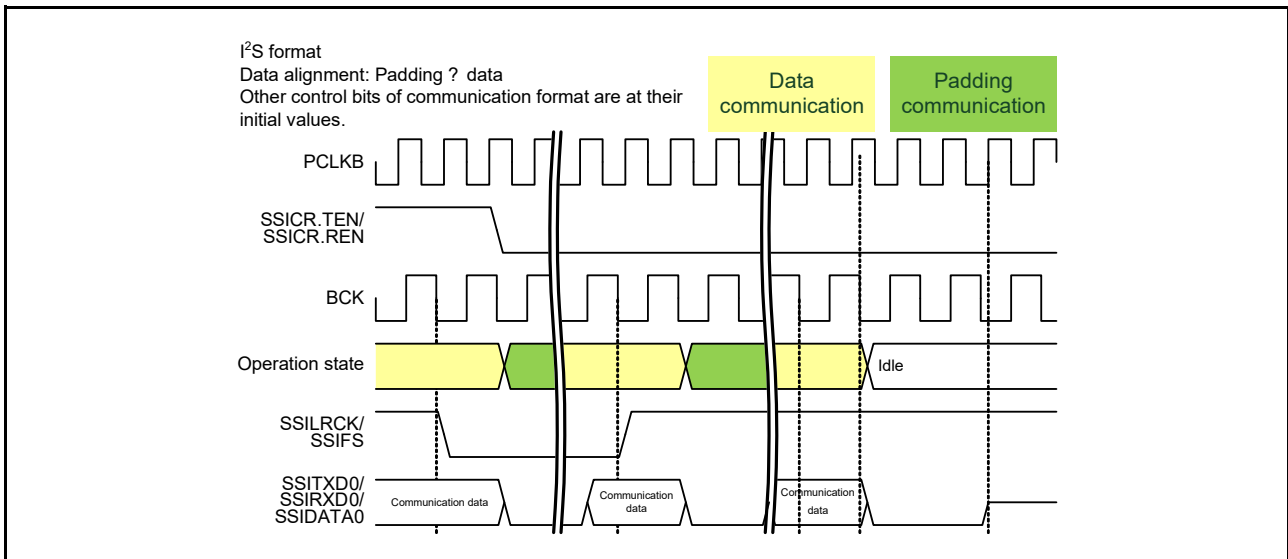


Figure 39.50 Halt from data communication (with padding bits)

### 39.7.2.2 Padding communication

In this state, SSIE is during communication. The padding bits set with the SSICR.SWL[2:0] bits and SSICR.DWL[2:0] bits are transmitted, received, or transmitted and received.

- State Transition in the Setting with Padding Bits

When SSIE ends transfer of the last padding bit during communication (SSISR.IIRQ = 0), SSIE transitions to the data communication state in Figure 39.49. If SSIE is in the status with SSICR.SDTA = 0 and transmission and reception disabled (SSICR.TEN = 0 and SSICR.REN = 0), SSIE transitions from the padding communication state to the idle state when it stops communication in Figure 39.51.

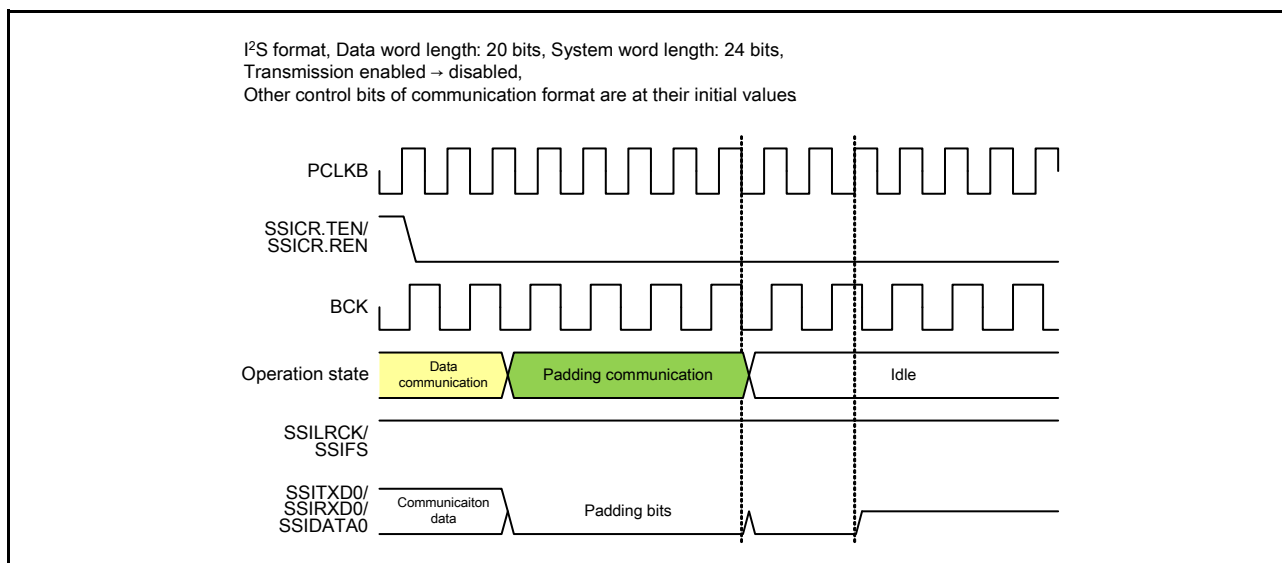


Figure 39.51 Halt from the padding communication

## 39.8 Communication Operation

Figure 39.52 shows the communication flow of SSIE.

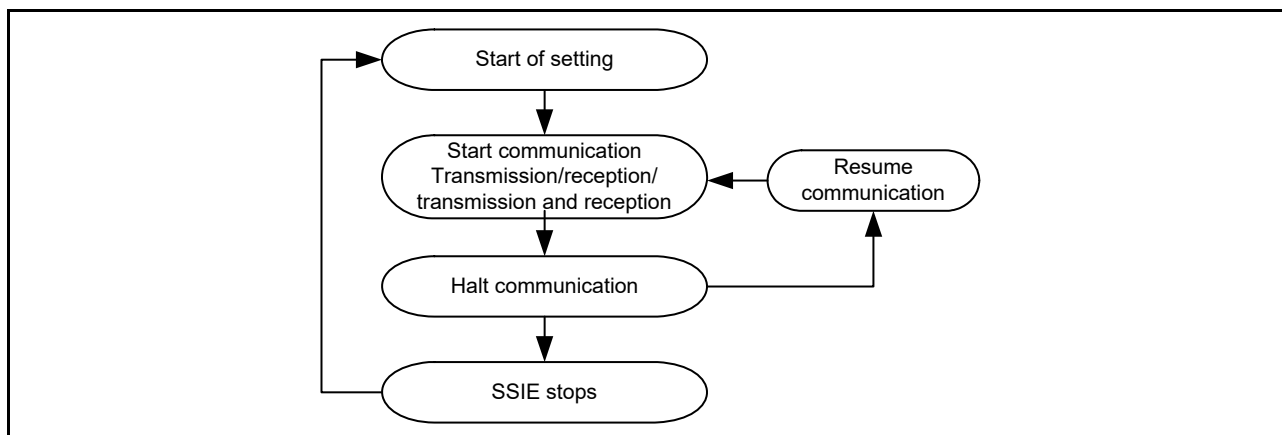


Figure 39.52 SSIE communication operation

The procedure of each operation is described from reference 39.8.1 to reference 39.8.7.

### 39.8.1 Start Communication

This section describes how to start communication of SSIE. Figure 39.53 shows the procedure to start communication. Be sure to follow the procedure. See reference 39.8.2 for transmission operation and reference 39.8.3 for reception operation.

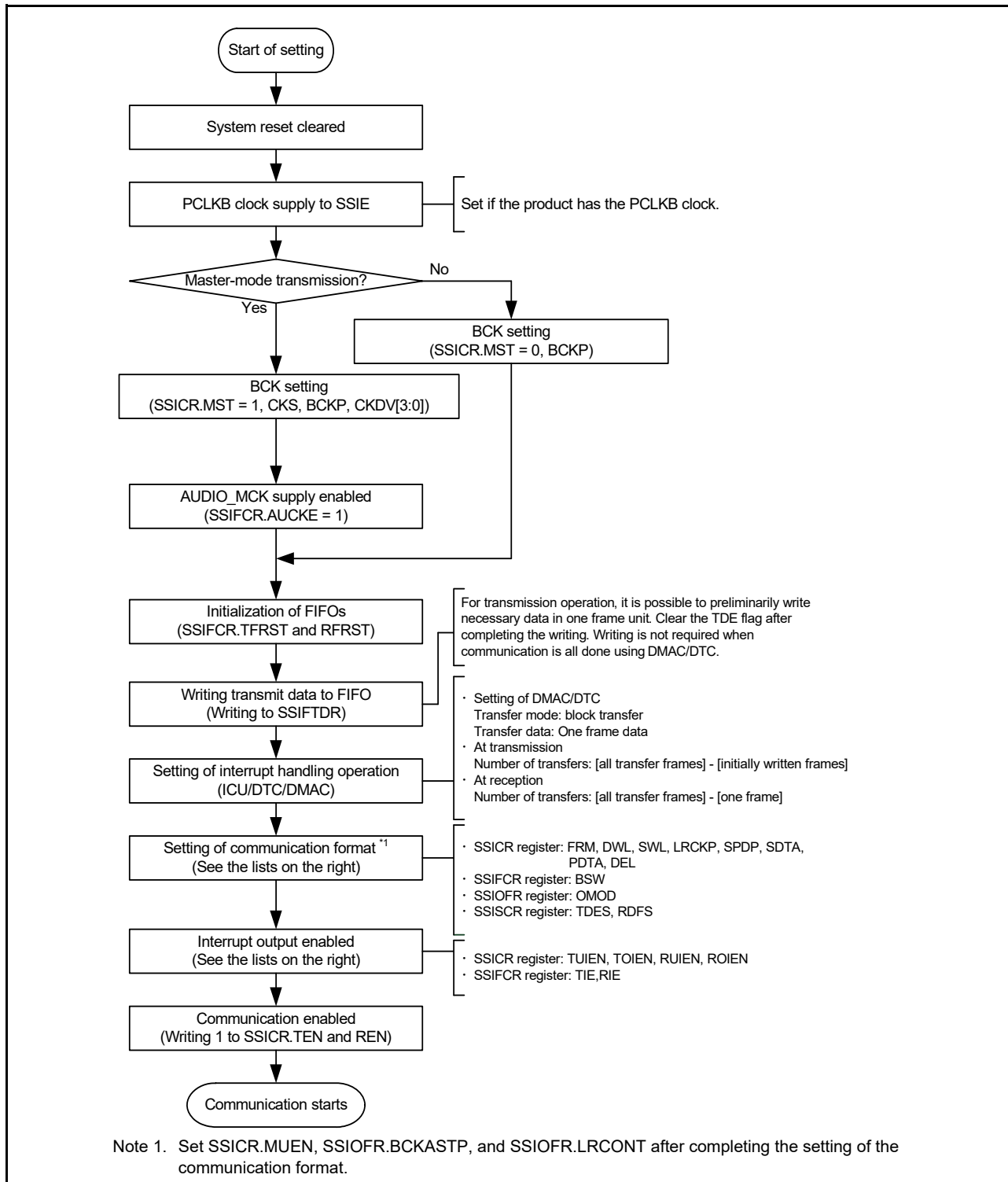


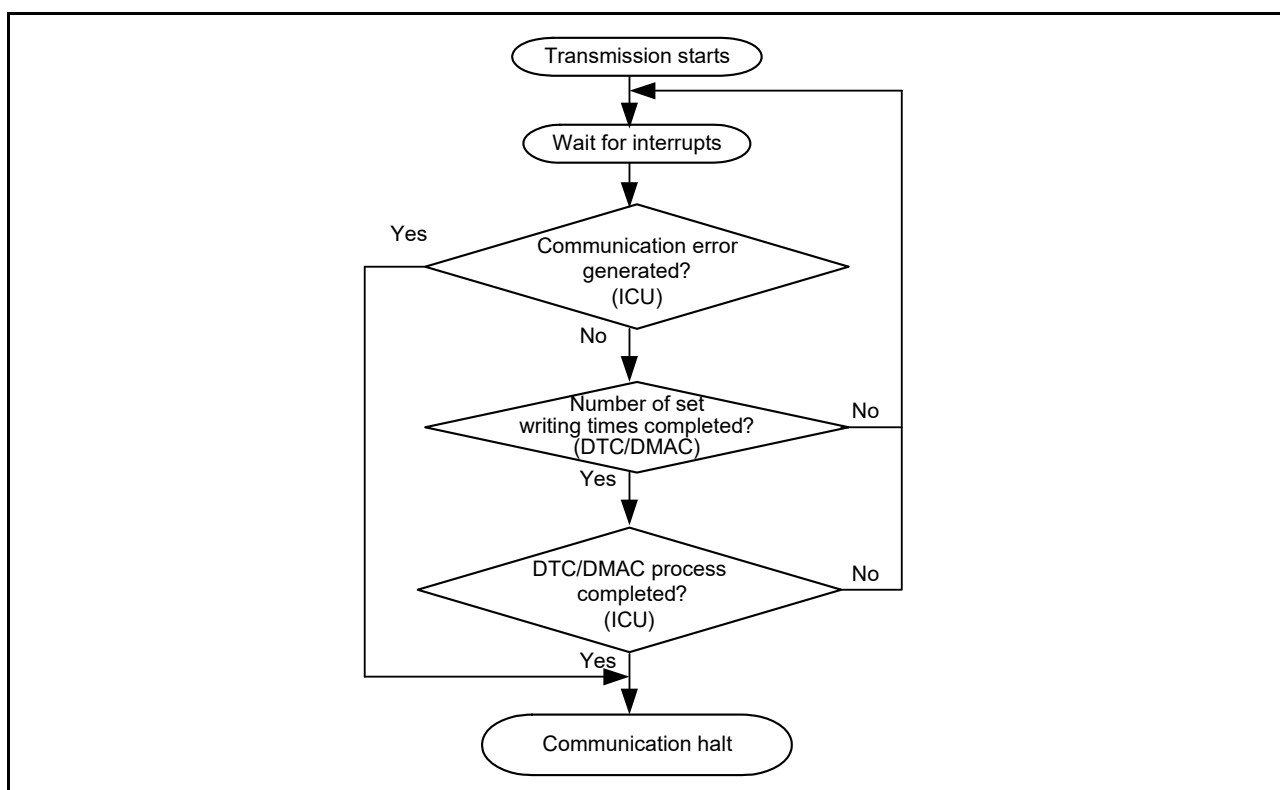
Figure 39.53 Procedure to start communication (CPU operation procedure)

SSIE can perform continuous communication based on interrupts by the DTC/DMAC. For transmission, write 1 to SSIFCR.TIE, SSICR.TUIEN, and SSICR.TOIE. For reception, write 1 to SSIFCR.RIE, SSICR.RUIEN, and SSICR.ROIEN.

### 39.8.2 Transmission

The transmission procedure in [Figure 39.54](#) must be followed throughout a transmission operation.

After transmission is enabled (SSICR.TEN = 1 and SSICR.REN = 0), SSIE starts transmission when a start trigger is generated by SSILRCK/SSIFS with the serial data for at least a frame contained in the Transmit FIFO Data Register (SSIFTDR). SSIE outputs a transmit data empty interrupt to the DTC/DMAC according to the TDE setting condition (SSISCR.TDES[4:0]) and the status of Transmit Data Empty Interrupt Enable (SSIFCR.TIE) bit specified in the communication start procedure. This interrupt requests writing to the Transmit FIFO Data Register (SSIFTDR). In the communication start procedure, specify writing to the Transmit FIFO Data Register (SSIFTDR) as the DTC/DMAC operation in response to the Transmit Data Empty Interrupt. With this setting, SSIE can continuously transmit data not through the CPU. The Transmit Data Empty Interrupt is generated when the free space size of Transmit FIFO Data Register reaches the value set in SSISCR.TDES[4:0]. The number of times of writing must be specified in accordance with the free space size of the Transmit FIFO Data Register indicated by the Transmit Data Empty Interrupt. If an error occurs, perform the error-handling procedure as instructed in the communication stop procedure.



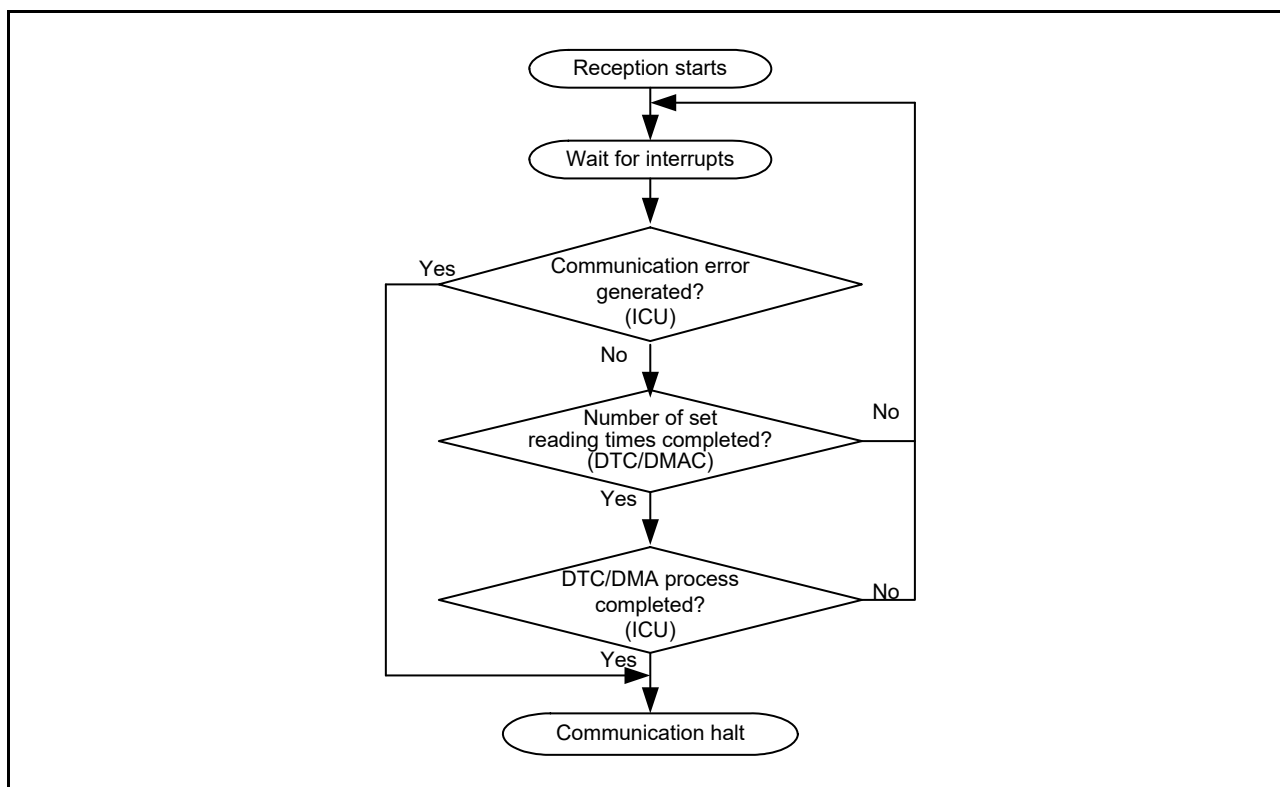
**Figure 39.54** Transmission procedure

Note: The communication flow defined in SSIE uses the DTC/DMAC. If you do not use the DTC/DMAC, perform polling of the value 1 of SSIFSR.TDE to write data to SSIFTDR. The number of times data is written to SSIFTDR by detecting the value 1 in SSIFSR.TDE, must be in accordance with the free space size of the Transmit FIFO Data Register specified by SSISCR.TDES[4:0]. After as much transmit data as the free space size is written to SSIFTDR, the SSIFSR.TDE flag must be cleared. Continuous transmission is enabled by repeating data writing. If the SSIFSR.TDE flag is not cleared, the flag is not cleared automatically.

### 39.8.3 Reception

The reception procedure in [Figure 39.55](#) must be followed throughout a reception operation.

After reception is enabled (SSICR.TEN = 0 and SSICR.REN = 1), SSIE starts reception when a start trigger is generated by SSILRCK/SSIFS. SSIE outputs a receive data full interrupt to the DTC/DMAC according to the RDF Setting Condition Select (SSISCR.RDFS[4:0]) and the status of Receive Data Full Interrupt Enable (SSIFCR.RIE) bit specified in the communication start procedure. This interrupt requests data reading from the Receive FIFO Data Register (SSIFRDR). In the communication start procedure, specify reading from the Receive FIFO Data Register (SSIFRDR) as the DTC/DMAC operation in response to the receive data full interrupt. With this setting, SSIE can continuously read data not through the CPU. The receive data full interrupt is generated when data as much as the capacity of Receive FIFO Data Register has been stored. The number of times of reading must be specified in accordance with the data size of the Receive FIFO Data Register indicated by the receive data full interrupt. If an error occurs, perform the error-handling procedure as instructed in the communication stop procedure.



**Figure 39.55** Reception procedure

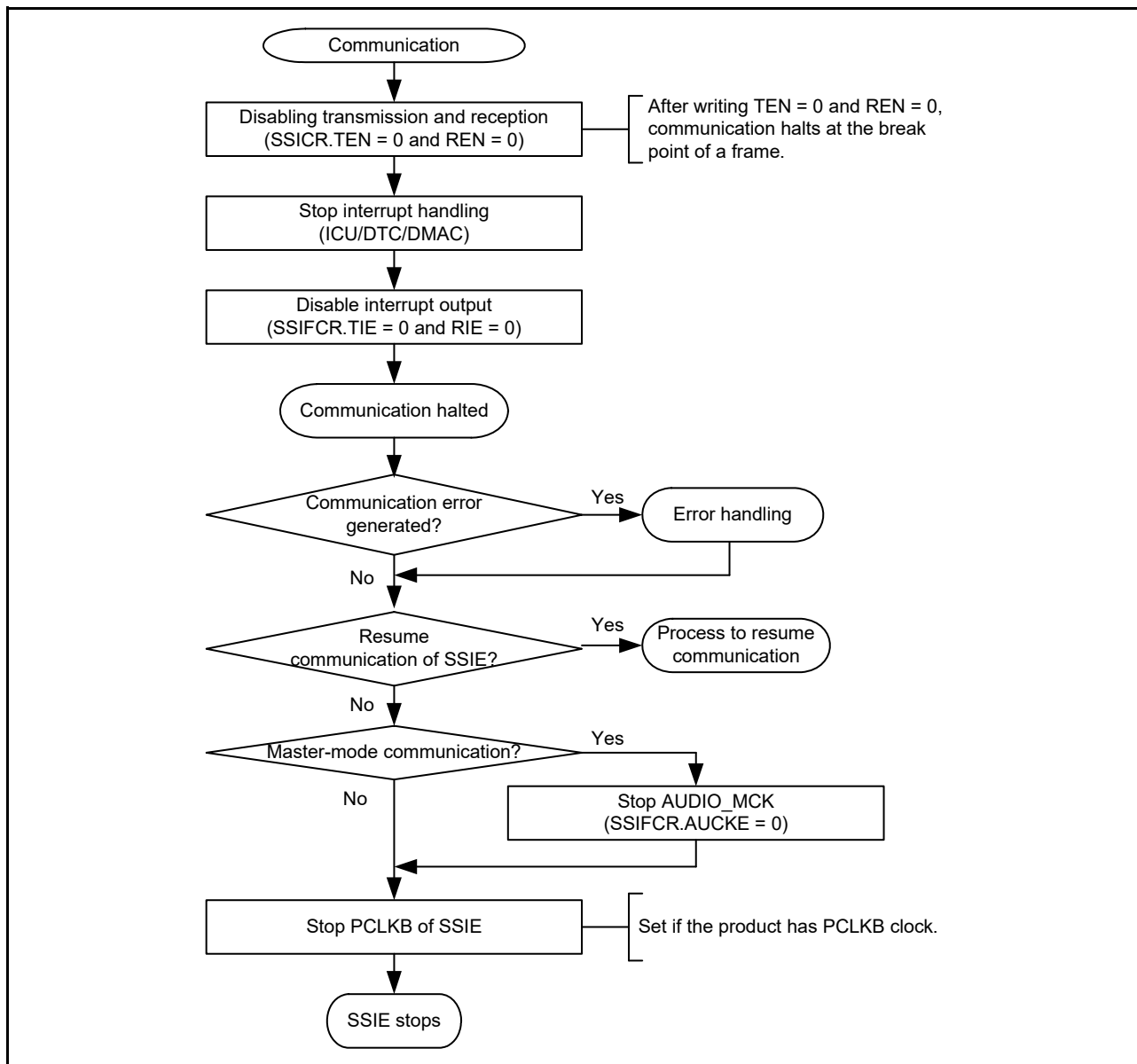
**Note:** The communication flow defined in SSIE uses the DTC/DMAC. If you do not use the DTC/DMAC, perform polling of the value 1 of SSIFSR.RDF to read data from SSIFRDR. The number of times of reading data from SSIFRDR by detecting the value 1 of SSIFSR.RDF must be in accordance with the receive data storage capacity of the Receive FIFO Data Register specified in SSISCR.RDFS[4:0]. After the received data is read from SSIFRDR, the SSIFSR.RDF flag must be cleared. Continuous reception is enabled by repeating data reading. If the SSIFSR.RDF flag is not cleared, the flag is not cleared automatically.

### 39.8.4 Transmission and Reception

After transmission and reception are enabled (SSICR.TEN = 1 and SSICR.REN = 1), SSIE starts transmission and reception when a start trigger is generated by SSILRCK/SSIFS with the serial data for at least a frame contained in the Transmit FIFO Data Register (SSIFTDR). SSIE can continuously transmit and receive data by performing the procedures described in [reference 39.8.2](#) and [reference 39.8.3](#), respectively. For the procedure to stop transmission and reception, see [reference 39.8.5](#).

### 39.8.5 Halt Communication

This section describes how to halt communication of SSIE. [Figure 39.56](#) shows the procedure to halt communication. Be sure to follow the procedure.



**Figure 39.56 Procedure to halt communication (CPU operation procedure)**

To halt the communication of SSIE, supply of the following clocks is required until the SSISR.IIRQ bit indicates an idle state:

- Input clock from the SSIBCK pin when SSICR.MST = 0
- AUDIO\_MCK when SSICR.MST = 1.

To resume the communication of SSIE in the previous setting, see [reference 39.8.7](#).

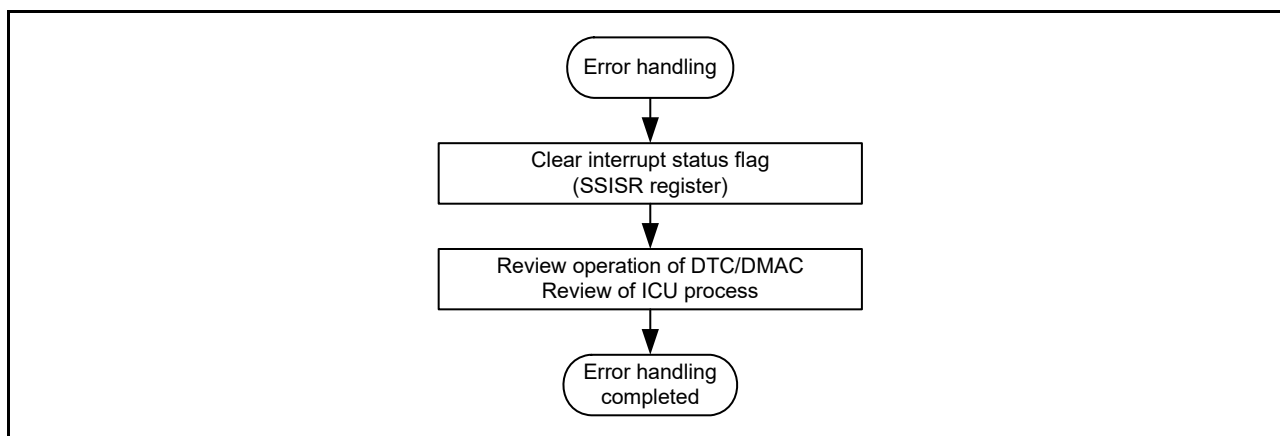
Note: When communication of SSIE is halted according to the procedure to halt communication shown in [Figure 39.56](#), resume the communication according to the procedure to resume communication shown in [Figure 39.58](#).

### 39.8.6 Error Handling

SSIE has the following four errors:

- Transmit underflow error
- Transmit overflow error
- Receive underflow error
- Receive overflow error.

When an underflow error or overflow error is generated, SSIE needs to be restarted. Follow the procedure to halt communication in [Figure 39.56](#) and the error-handling procedure in [Figure 39.57](#).



**Figure 39.57 Error-handling procedure**

Four error operations are described as follows. When the Interrupt Output Enable bit of the SSICR register is enabled and the error flags are set, an error interrupt is generated. See the descriptions of flags in [reference 39.4.2](#) for the setting conditions of the error flags.

#### (1) Transmit Underflow Error

If a transmit underflow error occurs, review the number of times of writing data to the transmit FIFO data register (SSIFTDR) in response to a transmit data empty interrupt. After a transmit underflow error occurs, SSIE outputs 0s as data. To normally output the serial data written to the Transmit FIFO Data Register (SSIFTDR) to the SSITXD0/SSIDATA0 pin, follow the procedure to halt communication in [Figure 39.56](#) and the error-handling procedure in [Figure 39.57](#). After this error occurs, serial data is consumed as usual. If you resume communication, write the serial data from the beginning.

#### (2) Transmit Overflow Error

If a transmit overflow error occurs, review the number of times of writing data to the Transmit FIFO Data Register (SSIFTDR) in response to transmit data empty interrupts. The serial data written to the Transmit FIFO Data Register (SSIFTDR) that caused the transmit overflow error becomes invalid. This error can occur regardless of whether a transmission operation is being done. To recover from the error, follow the procedure to halt communication in [Figure 39.56](#) and the error-handling procedure in [Figure 39.57](#). When you resume communication, deal with the invalid serial data appropriately.

#### (3) Receive Underflow Error

If a receive underflow error occurs, review the number of times of reading data from the Receive FIFO Data Register (SSIFRDR) in response to receive data full interrupts. The values read from the Receive FIFO Data Register (SSIFRDR) that caused the receive underflow error are undefined. This error can occur regardless of whether a reception operation is being done. To recover from the error, follow the procedure to halt communication in [Figure 39.56](#) and the error-handling procedure in [Figure 39.57](#).

#### (4) Receive Overflow Error

If a receive overflow error occurs, review the number of times of reading data from the Receive FIFO Data Register



(SSIFRDR) in response to receive data full interrupts. The receive data that caused the receive overflow error cannot be stored in the Receive FIFO Data Register (SSIFRDR). To recover from the error, follow the procedure to halt communication in [Figure 39.56](#) and the error-handling procedure in [Figure 39.57](#).

### 39.8.7 Resume Communication

When you resume the communication using SSIE, follow the communication resume procedure in [Figure 39.58](#). The communication resume procedure is designed with the assumption that you resume the communication that is stopped by the communication stop procedure without changing any settings. If you want to change the clock and slave/master settings, follow the communication start procedure in [Figure 39.53](#). For details about the transmission operation and reception operation after starting communication, see [reference 39.8.2](#) and [reference 39.8.3](#), respectively.

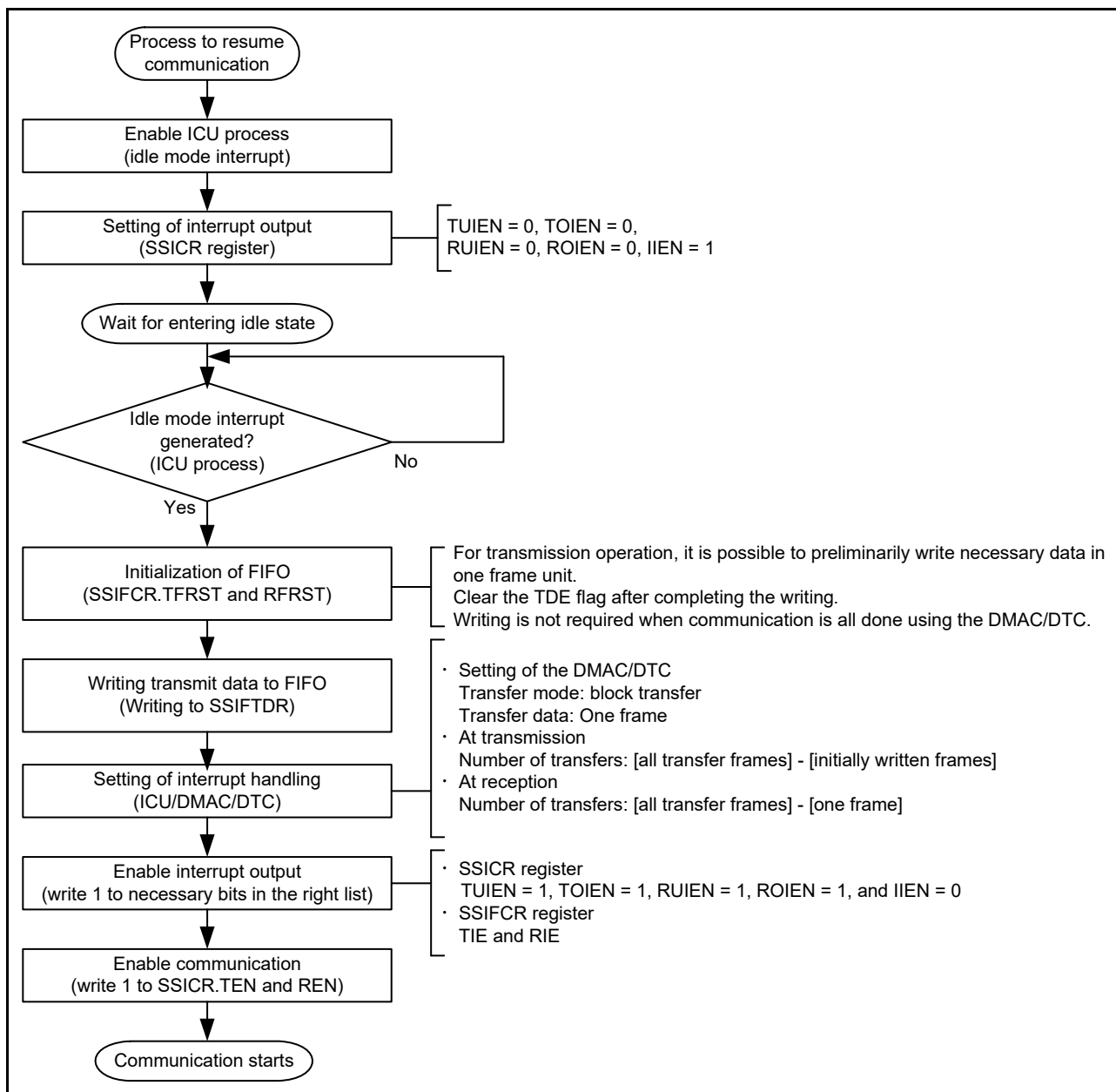


Figure 39.58 Procedure to resume communication (CPU operation procedure)

## 39.9 Interrupts

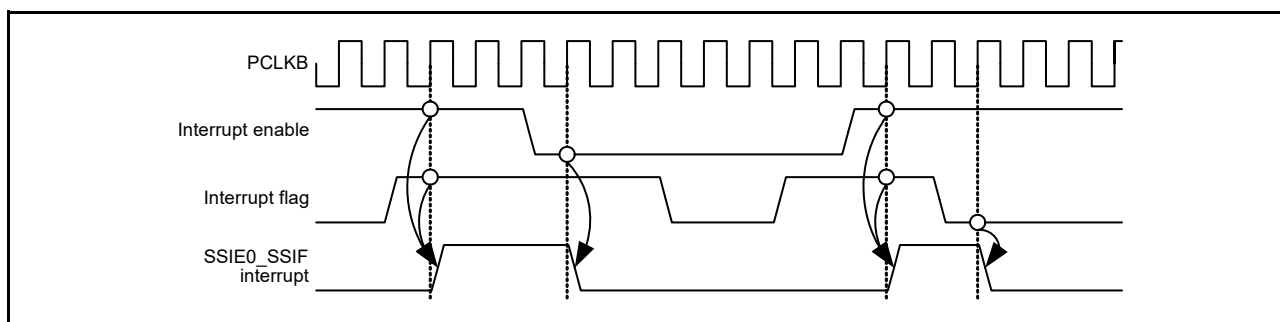
Table 39.16 lists the interrupt sources. Set enable/disable of interrupt output of each source with the TUIEN, TOIEN, RUIEN, ROIEN, and I IEN bits in the SSICR register, and the TIE and RIE bits in the SSIFCR register.

**Table 39.16 SSIE interrupt sources**

| Channel                      | Interrupt source | Description                    | Interrupt flag | DMAC/DTC activation |
|------------------------------|------------------|--------------------------------|----------------|---------------------|
| SSIE0                        | SSIE0_SSIF       | • Transmit underflow interrupt | SSISR.TUIRQ    | Not possible        |
|                              |                  | • Transmit overflow interrupt  | SSISR.TOIRQ    |                     |
|                              |                  | • Receive underflow interrupt  | SSISR.RUIRQ    |                     |
| • Receive overflow interrupt |                  | SSISR.ROIHQ                    |                |                     |
| • Idle interrupt.            |                  | SSISR.IIRQ                     |                |                     |
|                              | SSIE0_SSIRXI     | Receive data full interrupt    | SSIFSR.RDF     | Possible            |
|                              | SSIE0_SSITXI     | Transmit data empty interrupt  | SSIFSR.TDE     | Possible            |

### 39.9.1 SSIE0\_SSIF Interrupt

This interrupt source combines five interrupts. Enable the output of the necessary interrupts before using SSIE. The five interrupts are operated by using the flags assigned to individual interrupts and the interrupt output enable bits. To clear an interrupt, set the interrupt enable to 0 or clear the interrupt flag to 0.



**Figure 39.59 Timing Diagram of the common interrupt source, SSIE0\_SSIF**

- Transmit underflow interrupt

As the transmit underflow interrupt, SSISR.TUIRQ is output while SSICR.TUIEN = 1. When you use SSIE for transmission, enable the output of this interrupt (SSICR.TUIRQ = 1). If this interrupt occurs, follow the instructions in the procedure to halt communication in Figure 39.56 and the error-handling procedure in Figure 39.57.

- Transmit overflow interrupt

As the transmit overflow interrupt, SSISR.TOIRQ is output while SSICR.TOIRQ = 1. When you use SSIE for transmission, enable the output of this interrupt (SSICR.TOIRQ = 1). If this interrupt occurs, follow the instructions in the procedure to halt communication in Figure 39.56 and the error-handling procedure in Figure 39.57.

- Receive underflow interrupt

As the receive underflow interrupt, SSISR.RUIRQ is output while SSICR.RUIRQ = 1. When you use SSIE for reception, enable the output of this interrupt (SSICR.RUIRQ = 1). If this interrupt occurs, follow the instructions in the procedure to halt communication in Figure 39.56 and the error-handling procedure in Figure 39.57.

- Receive overflow interrupt

As the receive overflow interrupt, SSISR.ROIHQ is output while SSICR.ROIHQ = 1. When you use SSIE for reception, enable the output of this interrupt (SSICR.ROIHQ = 1). If this interrupt occurs, follow the instructions in the procedure to halt communication in Figure 39.56 and error-handling procedure in Figure 39.57.

- Idle mode interrupt

As the idle mode interrupt, SSISR.IIRQ is output while SSICR.I IEN = 1. This interrupt is used to make sure that communication has stopped fully.

### 39.9.2 SSIE0\_SSITXI Interrupt [Full-duplex communication]

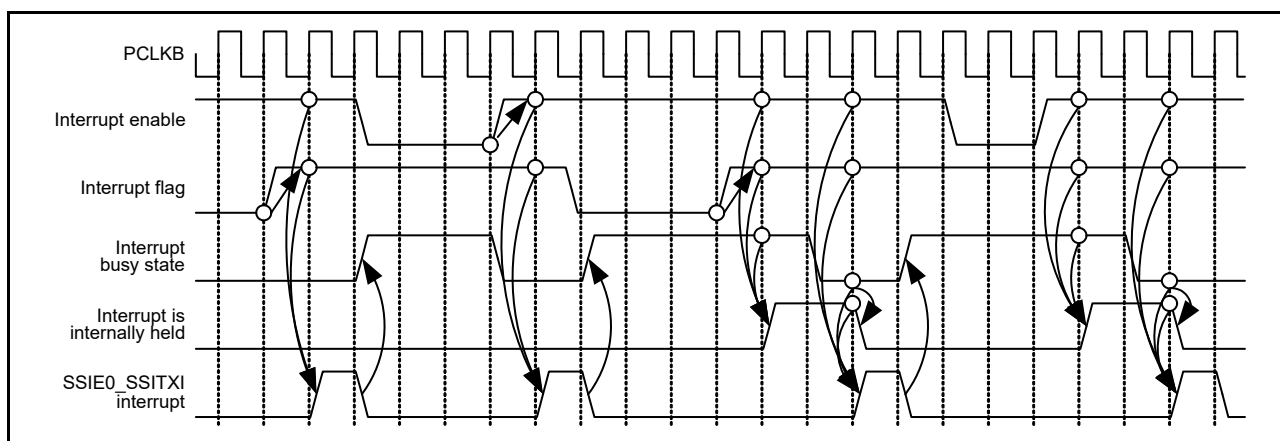
The transmit data empty interrupt is a pulse interrupt that is output when the following condition is met:

- SSIFCR.TIE = 1 and SSIFSR.TDE = 1

SSIE operation: When the value of SSIFSR.TDE changes from 0 to 1 while the value of SSIFCR.TIE is 1

CPU instruction: When the value of SSIFCR.TIE changes from 0 to 1 while the value of SSIFSR.TDE is 1

This interrupt is subject to the interrupt suppression function. If an interrupt condition for this interrupt occurs when the DTC/DMAC is busy (when the DTC/DMAC cannot accept interrupts), the interrupt suppression function holds the output of this interrupt. The held interrupt will be output after the DTC/DMAC is enabled to accept interrupts. For details, see [Figure 39.60](#).



**Figure 39.60** SSIE0\_SSITXI interrupt timing diagram

### 39.9.3 SSIE0\_SSIRXI Interrupt

The receive data full interrupt is a pulse interrupt that is output when the following condition is met:

- SSIFCR.RIE = 1 and SSIFSR.RDF = 1

SSIE operation: When the value of SSIFSR.RDF changes from 0 to 1 while the value of SSIFCR.RIE is 1

CPU instruction: When the value of SSIFCR.RIE changes from 0 to 1 while the value of SSIFSR.RDE is 1

This interrupt is subject to the interrupt suppression function. If an interrupt condition for this interrupt occurs when the DTC/DMAC is busy (when the DTC/DMAC cannot accept interrupts), the interrupt suppression function holds the output of this interrupt. The held interrupt is output after the DTC/DMAC is enabled to accept interrupts. The behavior of this interrupt is the same as the behavior shown in [Figure 39.60](#).

## 39.10 Software Resets

SSIE has three software reset bits to reset its states:

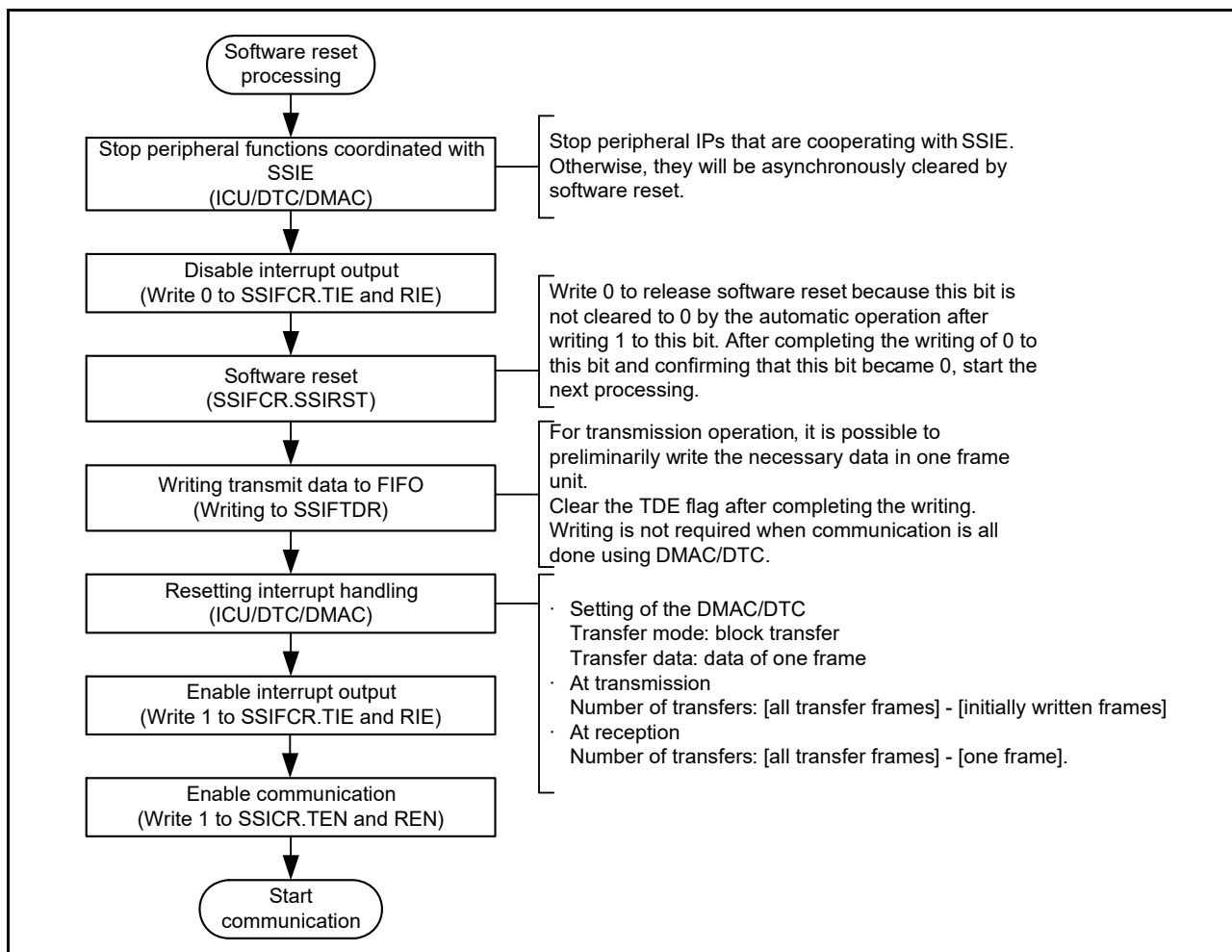
- SSIE software reset (SSIFCR.SSIRST)
- Transmit FIFO data register reset (SSIFCR.TFRST)
- Receive FIFO data register reset (SSIFCR.RFRST).

This section describes the procedures for the three types of software resets.

### 39.10.1 Software Reset Procedure

#### (1) SSIE Software Reset

For the SSIE Software Reset bit (SSIFCR.SSIRST), follow the procedure shown in [Figure 39.61](#). After a reset, the same setting is applied when it is resumed. To change the settings of clocks and slave/master mode, follow the procedure to start communication in [Figure 39.53](#). See [reference 39.8.2](#) and [reference 39.8.3](#) respectively for transmission and reception after communication is resumed.



**Figure 39.61 Software reset procedure (CPU operation procedure)**

## (2) Transmit FIFO data register reset

To perform a Transmit FIFO Data Register reset, follow the instructions in the procedure to start communication shown in [Figure 39.53](#) and the procedure to resume communication as shown in [Figure 39.58](#).

## (3) Receive FIFO data register reset

To perform a Receive FIFO Data Register Reset, follow the instructions in the procedure to start communication shown in [Figure 39.53](#) and the procedure to resume communication as shown in [Figure 39.58](#).

## 39.11 Notes

### 39.11.1 Notes for Slave-mode Communication

#### 39.11.1.1 ADCKE control

In slave-mode communication (SSICR.MST = 0), SSIE needs the supply of SSIBCK. To stop BCK on the master side, make sure that SSIE is in the idle state (SSISR.IIRQ = 1). If BCK is stopped before SSIE becomes idle, follow the procedure to start communication in [Figure 39.53](#) or wait for an idle state by using the procedure to resume communication as shown in [Figure 39.58](#).

#### 39.11.1.2 SSILRCK/SSIFS pin

SSIE has the SSILRCK/SSIFS pin, which indicates the synchronization of communication. When SSIE is in slave mode (SSICR.MST = 0), the communication format that SSIE uses must match that of the other-party device to communicate. SSIE uses the signal input by the SSILRCK/SSIFS pin only as a trigger to start communication.

## 39.11.2 Notes for Master-mode Communication

### 39.11.2.1 ADCKE control

In master-mode communication (SSICR.MST = 1), SSIE operates with the audio clock (AUDIO\_MCK). To stop SSIE completely, make sure that SSIE is in the idle state (SSISR.IIRQ = 1) and then write 0 to SSIFCR.ADCKE.

### 39.11.2.2 LRCONT control

To stop the output to the SSILRCK/SSIFS pin with SSIOFR.LRCONT when SSIE is in the idle state in master-mode communication (SSICR.MST = 1), note that the output stops when the value of the SSIOFR.LRCONT bit is changed from 1 to 0. Make sure that the other-party device is not affected. For details, see [Figure 39.44](#).

### 39.11.2.3 BCKASTP control

To stop the output to the SSIBCK pin with SSIOFR.BCKASTP in master-mode communication (SSICR.MST = 1) and while SSIE is in the idle state, note that the output stops when the value of the SSIOFR.BCKASTP bit is changed from 0 to 1. So, make sure that the other-party device is not affected. For details, see [Figure 39.45](#).

The BCKASTP bit cannot be used when the other-party device (which is a slave) requires the clock output from the SSIBCK pin before and during communication.

## 39.11.3 Notes for Communication Flow

### 39.11.3.1 When an error interrupt is generated

SSIE has the following four errors:

- Transmit underflow error
- Transmit overflow error
- Receive underflow error
- Receive overflow error.

When an underflow error or overflow error is generated, SSIE needs to be restarted. Follow the procedure to halt communication in [Figure 39.56](#) and the error-handling procedure in [Figure 39.57](#).

#### (1) Transmit Underflow Error

If a transmit underflow error occurs, review the number of times that data is written to the Transmit FIFO Data Register (SSIFTDR) in response to a transmit data empty interrupt. After a transmit underflow error occurs, SSIE outputs 0s as data. To normally output the serial data written to the Transmit FIFO Data Register (SSIFTDR) to the SSITXD0/SSIDATA0 pin, follow the procedure to halt communication as shown in [Figure 39.56](#) and the error-handling procedure in [Figure 39.57](#). After this error occurs, serial data is consumed as usual. If you resume communication, write the serial data from the beginning.

#### (2) Transmit Overflow Error

If a transmit overflow error occurs, review the number of times data is written to the Transmit FIFO Data Register (SSIFTDR) in response to transmit data empty interrupts. The serial data written to the Transmit FIFO Data Register (SSIFTDR) that caused the transmit overflow error becomes invalid. This error can occur regardless of whether a transmission operation is being done. To recover from the error, follow the procedure to halt communication as shown in [Figure 39.56](#) and the error-handling procedure in [Figure 39.57](#). When you resume communication, deal with the invalid serial data appropriately.

#### (3) Receive Underflow Error

If a receive underflow error occurs, review the number of times that data is read from the Receive FIFO Data Register (SSIFRDR) in response to receive data full interrupts. The values read from the Receive FIFO Data Register (SSIFRDR) that caused the receive underflow error are undefined. This error can occur regardless of whether a reception operation is being done. To recover from the error, follow the procedure to halt communication as shown in [Figure 39.56](#) and the error-handling procedure in [Figure 39.57](#).

#### (4) Receive Overflow Error

If a receive overflow error occurs, review the number of times that data is read from the Receive FIFO Data Register (SSIFRDR) in response to receive data full interrupts. The receive data that caused the receive overflow error cannot be stored in the receive FIFO Data Register (SSIFRDR). To recover from the error, follow the procedure to halt communication shown in [Figure 39.56](#) and the error-handling procedure in [Figure 39.57](#).

#### 39.11.3.2 Transmit data empty interrupt

The communication flow defined in SSIE uses the DTC/DMAC. If you do not use the DTC/DMAC, perform polling of the value 1 of SSIFSR.TDE to write data to SSIFTDR. The number of times that data is written to SSIFTDR on detecting 1 in SSIFSR.TDE must be in accordance with the free space size of the transmit FIFO data register specified by SSISCR.TDES[4:0]. After as much transmit data as the free space size is written to SSIFTDR, the SSIFSR.TDE flag must be cleared. Continuous transmission is enabled by repeating data writing. If the SSIFSR.TDE flag is not cleared, the flag is not cleared automatically.

#### 39.11.3.3 Receive data full interrupt

The communication flow defined in SSIE uses the DTC/DMAC. If you do not use the DTC/DMAC, perform polling of the value 1 of SSIFSR.RDF to read data from SSIFRDR. The number of times that data is read from SSIFRDR on detecting 1 in SSIFSR.RDF must be in accordance with the receive data storage capacity of the receive FIFO data register specified by SSISCR.RDFS[4:0]. After received data is read from SSIFRDR, the SSIFSR.RDF flag must be cleared. Continuous reception is enabled by repeating data reading. If the SSIFSR.RDF flag is not cleared, the flag is not cleared automatically.

#### 39.11.3.4 Switching transfer modes

1. For state transition from transmission, reception, and transmission and reception, disable transmission and reception (SSICR.TEN = 0, SSICR.REN = 0).
2. Confirm it is in the idle state (SSISR.IIRQ = 1).
3. In the idle state, set the SSICR.TEN bit and the SSICR.REN bit again and resume transfer.

#### 39.11.3.5 Resume communication after halting SSIE

When communication of SSIE is halted according to the procedure to halt communication in [Figure 39.56](#), resume communication according to the procedure to resume communication in [Figure 39.58](#).

### 39.11.4 Write Access Restriction

#### 39.11.4.1 SSICR register

If the TEN bit or REN bit is rewritten, make sure that the SSISR.IIRQ bit is in the desired status. If the value of the TEN or REN bit is changed by rewriting, subsequent operation is unpredictable. For example, when transmission or reception is enabled, check that SSISR.IIRQ is 0; when transmission or reception is disabled, check that SSISR.IIRQ is 1.

##### (1) TEN Bit and REN Bit

These bits enable/disable transmission and reception. When 1 is written to one of these bits, the corresponding communication operation starts in synchronization with a start trigger by the SSILRCK/SSIFS signal. For details, see [reference 39.8.2](#), [reference 39.8.3](#), and [reference 39.8.4](#). When 0 is written to this bit, the current communication operation stops at the next frame boundary. To use SSIE for both transmission and reception, always write 1 to these bits together. When stopping the communication using SSIE, always disable both transmission and reception (write 0 to the TEN and REN bits).

#### 39.11.4.2 SSISR register

##### (1) Clearing TUIRQ and TOIRQ

After communication is enabled (by changing the value of SSICR.TEN bit from 0 to 1), the transmission error flags (TOIRQ and TUIRQ in the SSISR register) are cleared. If, however, the SSISR register is read continuously, the cleared status of the transmission error flags might be unable to be read.

## (2) Clearing RUIRQ and ROIRQ

After communication is enabled (by changing the value of SSICR.REN bit from 0 to 1), the reception error flags (RUIRQ and ROIRQ in the SSISR register) are cleared. If, however, the SSISR register is read continuously, the cleared status of the reception error flags might be unable to be read.

## 39.11.4.3 Communication state

Writing to the bits with the shaded area in Table 39.17 is prohibited. If written, the operation performed immediately after the writing is not guaranteed.

Table 39.17 Bits protected from writing during communication

| Symbol  | Address (BASE+) |    | +0          |      |          |           |        |        |           |          | +1        |    |           |       |          |     |         |           |
|---------|-----------------|----|-------------|------|----------|-----------|--------|--------|-----------|----------|-----------|----|-----------|-------|----------|-----|---------|-----------|
|         |                 |    | 31          | 30   | 29       | 28        | 27     | 26     | 25        | 24       | 23        | 22 | 21        | 20    | 19       | 18  | 17      | 16        |
|         |                 |    | 15          | 14   | 13       | 12        | 11     | 10     | 9         | 8        | 7         | 6  | 5         | 4     | 3        | 2   | 1       | 0         |
| SSICR   | 00h             | +0 | —           | CKS  | TUI EN   | TOI EN    | RUI EN | ROI EN | IIEN      | —        | FRM[1:0]  |    | DWL[2:0]  |       | SWL[2:0] |     |         |           |
|         |                 | +2 | —           | MS T | BCK P    | LRC KP    | SPD P  | SDT A  | PDT A     | DEL      | CKDV[3:0] |    |           | MU EN | —        | TEN | REN     |           |
| SSISR   | 04h             | +0 | —           | —    | TUI RQ   | TOI RQ    | RUI RQ | ROI RQ | IIRQ      | —        | —         | —  | —         | —     | —        | —   | —       |           |
|         |                 | +2 | —           | —    | —        | —         | —      | —      | —         | —        | —         | —  | —         | —     | —        | —   | —       |           |
| SSIFCR  | 10h             | +0 | AUC KE      | —    | —        | —         | —      | —      | —         | —        | —         | —  | —         | —     | —        | —   | SSI RST |           |
|         |                 | +2 | —           | —    | —        | —         | BS W   | —      | —         | —        | —         | —  | —         | —     | TIE      | RIE | TFR ST  | RFR ST    |
| SSIFSR  | 14h             | +0 | —           | —    | TDC[5:0] |           |        |        |           | —        | —         | —  | —         | —     | —        | —   | TDE     |           |
|         |                 | +2 | —           | —    | RDC[5:0] |           |        |        |           | —        | —         | —  | —         | —     | —        | —   | RDF     |           |
| SSIFTDR | 18h             | +0 | FTDR[31:16] |      |          |           |        |        |           |          |           |    |           |       |          |     |         |           |
|         |                 | +2 | FTDR[15:0]  |      |          |           |        |        |           |          |           |    |           |       |          |     |         |           |
| SSIFRDR | 1ch             | +0 | FRDR[31:16] |      |          |           |        |        |           |          |           |    |           |       |          |     |         |           |
|         |                 | +2 | FRDR[15:0]  |      |          |           |        |        |           |          |           |    |           |       |          |     |         |           |
| SSIOFR  | 20h             | +0 | —           | —    | —        | —         | —      | —      | —         | —        | —         | —  | —         | —     | —        | —   | —       |           |
|         |                 | +2 | —           | —    | —        | —         | —      | —      | BCK AST P | LRC ON T | —         | —  | —         | —     | —        | —   | —       | OMOD[1:0] |
| SSISCR  | 24h             | +0 | —           | —    | —        | —         | —      | —      | —         | —        | —         | —  | —         | —     | —        | —   | —       |           |
|         |                 | +2 | —           | —    | —        | TDES[4:0] |        |        |           | —        | —         | —  | RDFS[4:0] |       |          |     |         |           |

## 40. Sampling Rate Converter (SRC)

### 40.1 Overview

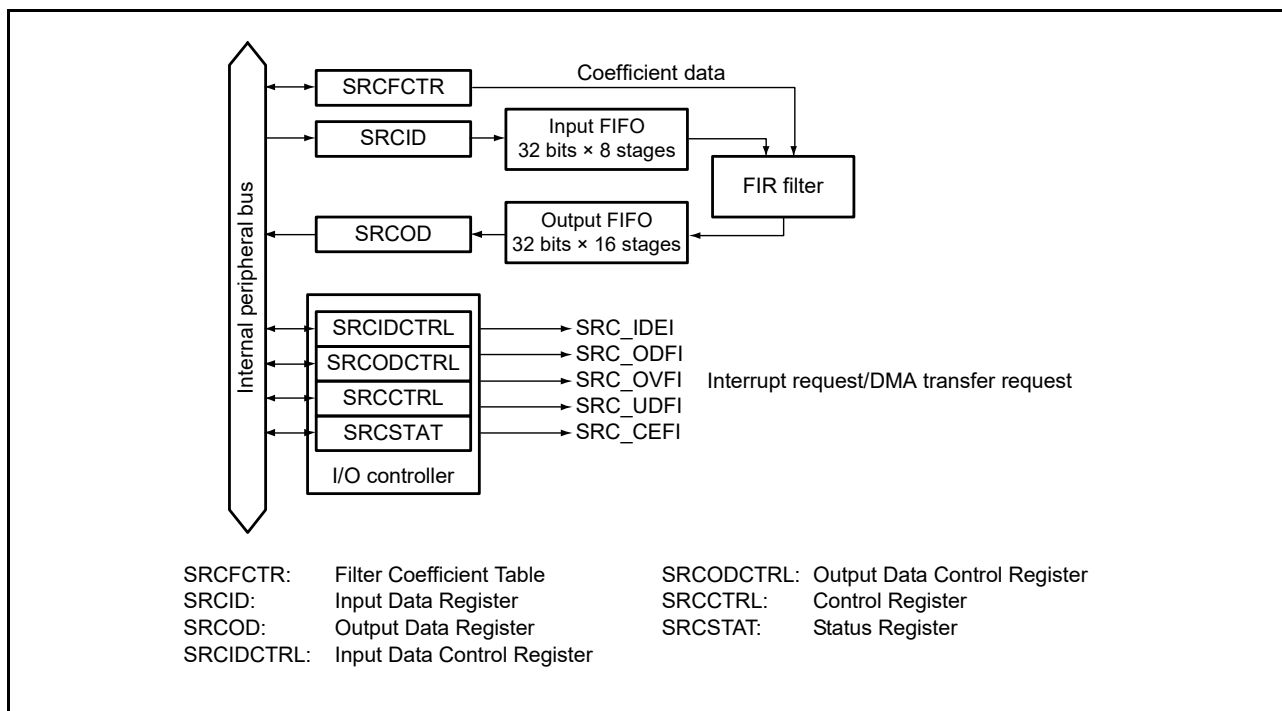
The Sampling Rate Converter (SRC) is used to convert the sampling rate of data produced by various audio decoders, including WMA, MP3, and AAC. Both 16-bit stereo and monaural data are supported. The sampling rate of the input signal can be one of the following (in kHz): 8, 11.025, 12, 16, 22.05, 24, 32, 44.1, or 48. The sampling rate of the output signal can be one of the following (in kHz): 8, 16, 32, 44.1, or 48. Independent FIFOs are provided for input and output. In a typical application, a DMA controller can be used to transfer PCM audio data from the SRAM (for example) to the SRC. Sample-converted audio data from the SRC can then be transferred using the DMA Controller to the SSIE interface, from where it can be transmitted to an external audio codec.

Table 40.1 shows the SRC specifications and Figure 40.1 shows a block diagram.

**Table 40.1 SRC specifications**

| Parameter            | Specifications  |
|----------------------|---|
| Data size            | 16 bits (stereo/monaural)   |
| Sampling rates       | Input: Selectable to 8, 11.025, 12, 16, 22.05, 24, 32, 44.1, or 48 kHz                                      |
|                      | Output: Selectable to 8*1, 16*1, 32, 44.1, or 48 kHz  |
| Processing capacity  | Maximum of 7.7 $\mu$ s for one sample output interval (PCLKB = 60 MHz, 462 clocks)                          |
| SNR                  | 80 db or higher   |
| Interrupt sources    | Five<br>Input FIFO empty, output FIFO full, output FIFO overflow, output FIFO underflow, and conversion end |
| DMA transfer sources | Two<br>Input FIFO empty and output FIFO full  |
| Module-stop function | Module-stop state can be set to reduce power consumption  |

Note 1. Only when input of 44.1 kHz is selected.



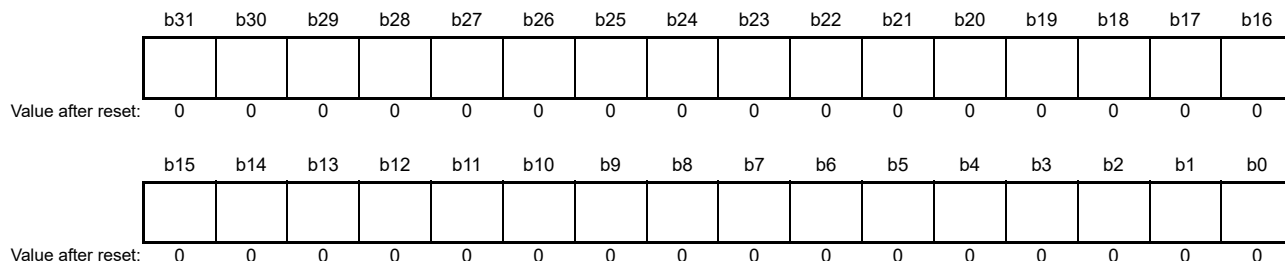
**Figure 40.1 SRC block diagram**



## 40.2 Register Descriptions

### 40.2.1 Input Data Register (SRCID)

Address(es): SRC.SRCID 4004 DFF0h



The SRCID register is a 32-bit write-only register used to input the data before sampling rate conversion. All the bits are read as 0. The data input to SRCID is stored in the 8-stage input FIFO. When the number of data units in the input FIFO is 8, writing to SRCID has no effect.

For stereo data, bits [31:16] are for Lch data, and bits [15:0] are for Rch data. For monaural data, data in bits [31:16] is valid, and data in bits [15:0] is invalid.

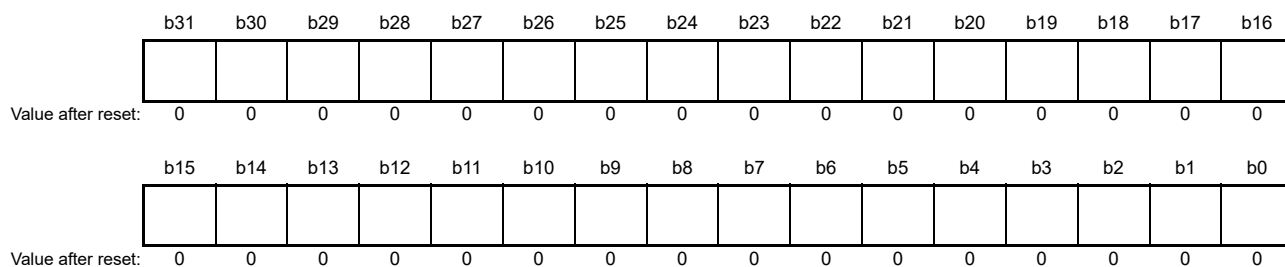
The data subject to sampling rate conversion is aligned differently depending on the IED setting in SRCIDCTRL. Table 40.2 shows the correspondence between the IED setting and data alignment.

**Table 40.2 Data alignment before sampling rate conversion**

| IED | Lch[15:8]    | Lch[7:0]     | Rch[15:8]   | Rch[7:0]    |
|-----|--------------|--------------|-------------|-------------|
| 0   | SRCID[31:24] | SRCID[23:16] | SRCID[15:8] | SRCID[7:0]  |
| 1   | SRCID[23:16] | SRCID[31:24] | SRCID[7:0]  | SRCID[15:8] |

### 40.2.2 Output Data Register (SRCOD)

Address(es): SRC.SRCOD 4004 DFF4h



The SRCOD register is a 32-bit read-only register used to output the data after sampling rate conversion. The data in the 16-stage output FIFO is read through SRCOD. When the output FIFO is empty after the start of conversion, the value previously read is read again.

The data in SRCOD is aligned differently depending on the OCH and OED settings in SRCODCTRL. Table 40.3 shows the correspondence between the OCH and OED settings and data alignment in SRCOD.

**Table 40.3 Data alignment in SRCOD (1 of 2)**

| OCH | OED | SRCOD[31:24] | SRCOD[23:16] | SRCOD[15:8] | SRCOD[7:0]  |
|-----|-----|--------------|--------------|-------------|-------------|
| 0   | 0   | Lch[15:8]    | Lch[7:0]     | Rch[15:8]*1 | Rch[7:0]*1  |
|     | 1   | Lch[7:0]     | Lch[15:8]    | Rch[7:0]*1  | Rch[15:8]*1 |

**Table 40.3 Data alignment in SRCOD (2 of 2)**

| OCH | OED | SRCOD[31:24] | SRCOD[23:16] | SRCOD[15:8] | SRCOD[7:0] |
|-----|-----|--------------|--------------|-------------|------------|
| 1*2 | 0   | Rch[15:8]    | Rch[7:0]     | Lch[15:8]   | Lch[7:0]   |
|     | 1   | Rch[7:0]     | Rch[15:8]    | Lch[7:0]    | Lch[15:8]  |

Note 1. When processing monaural data, the data in these bits is invalid. Discard the invalid data after reading from SRCOD in 32-bit units.

Note 2. When processing monaural data, the data in these bits is invalid.

### 40.2.3 Input Data Control Register (SRCIDCTRL)

Address(es): SRC.SRCIDCTRL 4004 DFF8h

|     |     |     |     |     |     |     |     |    |    |    |    |    |    |            |    |
|-----|-----|-----|-----|-----|-----|-----|-----|----|----|----|----|----|----|------------|----|
| b15 | b14 | b13 | b12 | b11 | b10 | b9  | b8  | b7 | b6 | b5 | b4 | b3 | b2 | b1         | b0 |
| —   | —   | —   | —   | —   | —   | IED | IEN | —  | —  | —  | —  | —  | —  | IFTRG[1:0] | —  |
| 0   | 0   | 0   | 0   | 0   | 0   | 0   | 0   | 0  | 0  | 0  | 0  | 0  | 0  | 0          | 0  |

Value after reset:

| Bit        | Symbol     | Bit name                          | Description  | R/W |
|------------|------------|-----------------------------------|--|-----|
| b1, b0     | IFTRG[1:0] | Input FIFO Data Triggering Number | b1 b0<br>0 0: 0<br>0 1: 2<br>1 0: 4<br>1 1: 6.                                   | R/W |
| b7 to b2   | —          | Reserved                          | These bits are read as 0. The write value should be 0.                           | R/W |
| b8         | IEN        | Input FIFO Empty Interrupt Enable | 0: Disable input FIFO empty interrupts<br>1: Enable input FIFO empty interrupts. | R/W |
| b9         | IED        | Input Data Endian*1               | 0: Little endian<br>1: Big endian.   | R/W |
| b15 to b10 | —          | Reserved                          | These bits are read as 0. The write value should be 0.                           | R/W |

Note 1. Only rewrite this bit while the SRCCTRL.SRCEN bit is 0.

The SRCIDCTRL register is a 16-bit read/write register that specifies the endian format of input data, enables or disables the interrupt requests, and specifies the triggering number of data units.

#### IFTRG[1:0] bits (Input FIFO Data Triggering Number)

The IFTRG[1:0] bits specify the data unit count at which the IINT flag in the Status Register (SRCSTAT) is set to 1. When the number of data units stored in the input FIFO is equal to or less than the specified triggering number, the IINT flag is set to 1.

#### IEN bit (Input FIFO Empty Interrupt Enable)

The IEN bit enables or disables the issuing of the input FIFO empty interrupt request when the number of data units in the input FIFO is equal to or less than the triggering number specified in the IFTRG[1:0] bits, resulting in the IINT flag in the Status Register (SRCSTAT) setting to 1.

#### IED bit (Input Data Endian)

The IED bit specifies the endian format of the input data.

### 40.2.4 Output Data Control Register (SRCODCTRL)

Address(es): SRC.SRCODCTRL 4004 DFFAh

|     |     |     |     |     |     |     |     |    |    |    |    |    |    |            |    |
|-----|-----|-----|-----|-----|-----|-----|-----|----|----|----|----|----|----|------------|----|
| b15 | b14 | b13 | b12 | b11 | b10 | b9  | b8  | b7 | b6 | b5 | b4 | b3 | b2 | b1         | b0 |
| —   | —   | —   | —   | —   | OCH | OED | OEN | —  | —  | —  | —  | —  | —  | OFTRG[1:0] | —  |
| 0   | 0   | 0   | 0   | 0   | 0   | 0   | 0   | 0  | 0  | 0  | 0  | 0  | 0  | 0          | 0  |

Value after reset:

| Bit        | Symbol     | Bit name                          | Description  | R/W |
|------------|------------|-----------------------------------|--|-----|
| b1, b0     | OFTRG[1:0] | Output FIFO Data Trigger Number   | b1 b0<br>0 0: 1<br>0 1: 4<br>1 0: 8<br>1 1: 12.  | R/W |
| b7 to b2   | —          | Reserved                          | These bits are read as 0. The write value should be 0.   | R/W |
| b8         | OEN        | Output FIFO Full Interrupt Enable | 0: Disable output FIFO full interrupts<br>1: Enable output FIFO full interrupts.   | R/W |
| b9         | OED        | Output Data Endian                | 0: Little endian<br>1: Big endian.   | R/W |
| b10        | OCH        | Output Data Channel Exchange *1   | 0: Do not exchange channels (use same order as data input)<br>1: Exchange channels (use opposite order from data input). | R/W |
| b15 to b11 | —          | Reserved                          | These bits are read as 0. The write value should be 0.   | R/W |

Note 1. Only rewrite this bit while the SRCCTRL.SRCEN bit is 0.

The SRCODCTRL register is a 16-bit read/write register that specifies whether to exchange the channels for the output data, specifies the endian format of output data, enables or disables the interrupt requests, and specifies the triggering number of data units.

#### OFTRG[1:0] bits (Output FIFO Data Trigger Number)

The OFTRG[1:0] bits specify the data unit count at which the OINT flag in the Status Register (SRCSTAT) is set to 1. When the number of data units in the output FIFO becomes equal to or greater than the specified triggering number, the OINT flag is set to 1.

#### OEN bit (Output FIFO Full Interrupt Enable)

The OEN bit enables or disables issuing of the output FIFO full interrupt request when the number of data units in the output FIFO becomes equal to or greater than the number specified in the OFTRG[1:0] bits, resulting in the OINT flag in the Status Register (SRCSTAT) setting to 1.

#### OED bit (Output Data Endian)

The OED bit specifies the endian format of the output data.

#### OCH bit (Output Data Channel Exchange)

The OCH bit specifies whether to exchange the channels for the Output Data Register (SRCOD). Do not set this bit to 1 when processing monaural data.

## 40.2.5 Control Register (SRCCTRL)

Address(es): SRC.SRCCTRL 4004 DFFCh

|                    |     |      |       |      |      |    |    |          |    |    |    |          |    |    |    |
|--------------------|-----|------|-------|------|------|----|----|----------|----|----|----|----------|----|----|----|
| b15                | b14 | b13  | b12   | b11  | b10  | b9 | b8 | b7       | b6 | b5 | b4 | b3       | b2 | b1 | b0 |
| FICRAE             | —   | CEEN | SRCEN | UDEN | OVEN | FL | CL | IFS[3:0] |    |    | —  | OFS[2:0] |    |    |    |
| Value after reset: | 0   | 0    | 0     | 0    | 0    | 0  | 0  | 0        | 0  | 0  | 0  | 0        | 0  | 0  | 0  |

| Bit      | Symbol          | Bit name                               | Description   | R/W |
|----------|-----------------|--|---|-----|
| b2 to b0 | <b>OFS[2:0]</b> | Output Sampling Rate                   | b2 b0<br>0 0 0: 44.1 kHz<br>0 0 1: 48.0 kHz<br>0 1 0: 32.0 kHz<br>0 1 1: Setting prohibited<br>1 0 0: 8.0 kHz*1<br>1 0 1: 16.0 kHz.*1<br>Other settings are prohibited.   | R/W |
| b3       | —               | Reserved                               | This bit is read as 0. The write value should be 0.   | R/W |
| b7 to b4 | <b>IFS[3:0]</b> | Input Sampling Rate                    | b7 b4<br>0 0 0 0: 8.0 kHz<br>0 0 0 1: 11.025 kHz<br>0 0 1 0: 12.0 kHz<br>0 0 1 1: Setting prohibited<br>0 1 0 0: 16.0 kHz<br>0 1 0 1: 22.05 kHz<br>0 1 1 0: 24.0 kHz<br>0 1 1 1: Setting prohibited<br>1 0 0 0: 32.0 kHz<br>1 0 0 1: 44.1 kHz<br>1 0 1 0: 48.0 kHz.<br>Other settings are prohibited. | R/W |
| b8       | <b>CL</b>       | Internal Work Memory Clear             | Writing 1 to this bit clears the input FIFO, output FIFO, input buffer memory, intermediate memory, and accumulator   | R/W |
| b9       | <b>FL</b>       | Internal Work Memory Flush             | Writing 1 to this bit starts conversion of the sampling rate for all data in the input FIFO, input buffer memory, and intermediate memory (flush processing)  | R/W |
| b10      | <b>OVEN</b>     | Output FIFO Overflow Interrupt Enable  | 0: Disable output FIFO overflow interrupts<br>1: Enable output FIFO overflow interrupts.  | R/W |
| b11      | <b>UDEN</b>     | Output FIFO Underflow Interrupt Enable | 0: Disable output FIFO underflow interrupts<br>1: Enable output FIFO underflow interrupts.  | R/W |
| b12      | <b>SRCEN</b>    | Module Enable                          | 0: Disable SRC module operation<br>1: Enable SRC module operation.*2  | R/W |
| b13      | <b>CEEN</b>     | Conversion End Interrupt Enable        | 0: Disable conversion end interrupts<br>1: Enable conversion end interrupts.  | R/W |
| b14      | —               | Reserved                               | This bit is read as 0. The write value should be 0.   | R/W |
| b15      | <b>FICRAE</b>   | Filter Coefficient Table Access Enable | 0: Disable reads to and writes from filter coefficient table RAM<br>1: Enable reads to and writes from filter coefficient table RAM.  | R/W |

Note 1. Only valid when the IFS[3:0] bits are 1001b.

Note 2. When SRCEN = 1, do not change the settings of the following bits:

IED bit in SRCIDCTRL, OED and OCH bits in SRCODCTRL, OFS[2:0], IFS[3:0], and FICRAE bits in SRCCTRL.

The SRCCTRL register is a 16-bit read/write register that enables or disables access to the Filter Coefficient Table, module operations, and interrupt requests, and specifies flush processing, clear processing of the internal work memory, and the input and output sampling rates.

### **OFS[2:0] bits (Output Sampling Rate)**

The OFS[2:0] bits specify the output sampling rate.

**IFS[3:0] bits (Input Sampling Rate)**

The IFS[3:0] bits specify the input sampling rate.

**CL bit (Internal Work Memory Clear)**

Writing 1 to the CL bit clears the input FIFO, output FIFO, input buffer memory, intermediate buffer memory, and accumulator, and then clears the CL bit to 0. This bit is read as 0. Even if SRCEN is 0, writing 1 to this bit clears the processing.

**FL bit (Internal Work Memory Flush)**

Writing 1 to the FL bit initiates flush processing by starting the conversion of the sampling rate of all the data in the input FIFO, input buffer memory, and intermediate memory. This bit is read as 0. When SRCEN is 0, writing 1 to this bit does not trigger flush processing.

In addition, when 1 is written to the FL bit while the number of data units in the input buffer memory is less than the values shown in [Table 40.6](#), valid output data cannot be received. The internal work memory is cleared without triggering the flush processing.

**OVEN bit (Output FIFO Overflow Interrupt Enable)**

The OVEN bit enables or disables the issuing of the output FIFO overflow interrupt request when the OVF flag in the Status Register (SRCSTAT) is set to 1.

When OVEN = 1, conversion processing stops until the OVF flag is cleared by the CPU accessing SRCSTAT when the output FIFO overflow interrupt is generated. Writing of conversion results to the output FIFO also stops.

When OVEN = 0, the OVF flag automatically clears when the output FIFO has space, and conversion processing can be continued.

**UDEN bit (Output FIFO Underflow Interrupt Enable)**

The UDEN bit enables or disables the issuing of the output FIFO underflow interrupt request when the output FIFO is read and the UDF flag in the Status Register (SRCSTAT) is set to 1 while the number of data units in the output FIFO is zero.

**SRCEN bit (Module Enable)**

The SRCEN bit enables or disables SRC operation. Writing 1 to these bits while SRCEN is 0 clears the internal work memory.

**CEEN bit (Conversion End Interrupt Enable)**

The CEEN bit enables or disables issuing of a conversion end interrupt request when the CEF flag in the Status Register (SRCSTAT) is set to 1 after flush processing is complete and all the output data is read.

**FICRAE bit (Filter Coefficient Table Access Enable)**

The FICRAE bit enables or disables access to the filter coefficient table RAM. After flush processing is complete, the number of output data units obtained as a result of the conversion can be calculated using the following formulas:

$$\frac{\text{Number of output data units} - 1}{\text{Output sampling rate}} = \frac{\text{Number of input data units} \times n - 1}{\text{Input sampling rate} \times n}$$

$$\text{Number of output data units} = \left[ (\text{Number of input data units} \times n - 1) \times \frac{\text{Output sampling rate}}{\text{Input sampling rate} \times n} \right] + 1$$

The value of n can be obtained from [Table 40.4](#). The number of input data units must be equal to or greater than the values in [Table 40.5](#).

**Table 40.4 Sampling rate settings and value of n**

| OFS[2:0] setting<br>(output sampling rate<br>[kHz]) | IFS[3:0] setting (input sampling rate [kHz]) |                   |                 |                 |                  |                 |                 |                 |                 |
|---|--|-------------------|-----------------|-----------------|------------------|-----------------|-----------------|-----------------|-----------------|
|   | 0000b<br>(8.0)                               | 0001b<br>(11.025) | 0010b<br>(12.0) | 0100b<br>(16.0) | 0101b<br>(22.05) | 0110b<br>(24.0) | 1000b<br>(32.0) | 1001b<br>(44.1) | 1010b<br>(48.0) |
| 000b (44.1)   | 6  | 4                 | 4               | 3               | 2                | 2               | 3               | —               | 1               |
| 001b (48.0)   | 6  | 4                 | 4               | 3               | 2                | 2               | 3               | 1               | —               |
| 010b (32.0)   | 4  | 8                 | 4               | 2               | 4                | 2               | —               | 2               | 1               |
| 100b (8.0)  | —  | —                 | —               | —               | —                | —               | —               | 1               | —               |
| 101b (16.0)   | —  | —                 | —               | —               | —                | —               | —               | 1               | —               |

Conversion processing does not start, and so output data is not obtained until the specified number of data units are input. The minimum number of input data units necessary for obtaining the first output data depends on the IFS and OFS bit settings. [Table 40.5](#) shows the relation between the settings in the IFS and OFS bits and the number of initial input data required. [Table 40.6](#) shows the relation between the settings in the IFS and OFS bits and the number of initial input data required for processing.

**Table 40.5 Relation between sampling rate settings and number of initial input data units required**

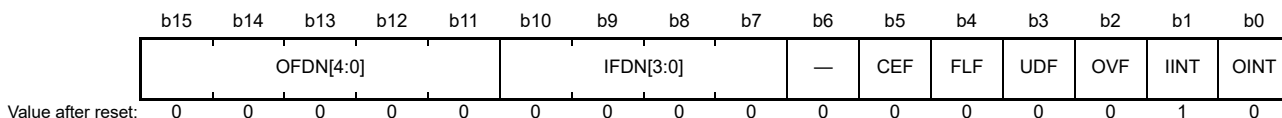
| OFS[2:0] setting<br>(output sampling rate<br>[kHz]) | IFS[3:0] setting (input sampling rate [kHz]) |                   |                 |                 |                  |                 |                 |                 |                 |
|---|--|-------------------|-----------------|-----------------|------------------|-----------------|-----------------|-----------------|-----------------|
|   | 0000b<br>(8.0)                               | 0001b<br>(11.025) | 0010b<br>(12.0) | 0100b<br>(16.0) | 0101b<br>(22.05) | 0110b<br>(24.0) | 1000b<br>(32.0) | 1001b<br>(44.1) | 1010b<br>(48.0) |
| 000b (44.1)   | 38   | 40                | 40              | 43              | 48               | 48              | 43              | —               | 63              |
| 001b (48.0)   | 38   | 40                | 40              | 43              | 48               | 48              | 43              | 32              | —               |
| 010b (32.0)   | 40   | 37                | 40              | 48              | 40               | 48              | —               | 48              | 63              |
| 100b (8.0)  | —  | —                 | —               | —               | —                | —               | —               | 63              | —               |
| 101b (16.0)   | —  | —                 | —               | —               | —                | —               | —               | 63              | —               |

**Table 40.6 Relation between sampling rate settings and number of input data units required for flush processing**

| OFS[2:0] setting<br>(output sampling rate<br>[kHz]) | IFS[3:0] setting (input sampling rate [kHz]) |                   |                 |                 |                  |                 |                 |                 |                 |
|---|--|-------------------|-----------------|-----------------|------------------|-----------------|-----------------|-----------------|-----------------|
|   | 0000b<br>(8.0)                               | 0001b<br>(11.025) | 0010b<br>(12.0) | 0100b<br>(16.0) | 0101b<br>(22.05) | 0110b<br>(24.0) | 1000b<br>(32.0) | 1001b<br>(44.1) | 1010b<br>(48.0) |
| 000b (44.1)   | 27   | 24                | 24              | 22              | 16               | 16              | 22              | —               | 1               |
| 001b (48.0)   | 27   | 24                | 24              | 22              | 16               | 16              | 22              | 32              | —               |
| 010b (32.0)   | 24   | 29                | 24              | 16              | 24               | 16              | —               | 16              | 1               |
| 100b (8.0)  | —  | —                 | —               | —               | —                | —               | —               | 1               | —               |
| 101b (16.0)   | —  | —                 | —               | —               | —                | —               | —               | 1               | —               |

## 40.2.6 Status Register (SRCSTAT)

Address(es): SRC.SRCSTAT 4004 DFFEh



| Bit        | Symbol    | Bit name                                     | Description   | R/W         |
|------------|-----------|--|---|-------------|
| b0         | OINT      | Output FIFO Full Interrupt Request Flag      | 0: Number of data units in output FIFO has not become equal to or greater than specified triggering number<br>1: Number of data units in output FIFO has become equal to or greater than specified triggering number. | R/(W)<br>*1 |
| b1         | IINT      | Input FIFO Empty Interrupt Request Flag      | 0: Number of data units in input FIFO has not become equal to or smaller than specified triggering number<br>1: Number of data units in input FIFO has become equal to or smaller than specified triggering number.   | R/(W)<br>*1 |
| b2         | OVF       | Output FIFO Overflow Interrupt Request Flag  | 0: No output FIFO overflow occurred<br>1: Output FIFO overflow occurred.  | R/(W)<br>*1 |
| b3         | UDF       | Output FIFO Underflow Interrupt Request Flag | 0: No output FIFO underflow occurred<br>1: Output FIFO underflow occurred.  | R/(W)<br>*1 |
| b4         | FLF       | Flush Processing Status Flag                 | 0: Flush processing complete<br>1: Flush processing in progress.  | R           |
| b5         | CEF       | Conversion End Flag                          | 0: Not all output data read<br>1: All output data read.   | R/(W)<br>*1 |
| b6         | —         | Reserved                                     | This bit is read as 0. The write value should be 0.   | R/W         |
| b10 to b7  | IFDN[3:0] | Input FIFO Data Count                        | Indicates the number of data units in the input FIFO.   | R           |
| b15 to b11 | OFDN[4:0] | Output FIFO Data Count                       | Indicates the number of data units in the output FIFO.  | R           |

Note 1. Only 0 can be written after having read as 1.

The SRCSTAT register is a 16-bit read/write register that indicates the number of data units in the input and output FIFOs, whether the various interrupt sources were generated, and the flush processing status.

### OINT flag (Output FIFO Full Interrupt Request Flag)

The OINT flag indicates that the number of data units in the output FIFO has become equal to or greater than the triggering number specified in the OFTRG[1:0] bits in the Output Data Control Register (SRCODCTRL).

[Setting condition]

- When the number of data units in the output FIFO becomes equal to or greater than the specified triggering number.

[Clearing conditions]

- Writing 0 to the OINT flag after reading it as 1
- When the last DMA transfer is executed
- Writing 1 to the SRCCTRL.CL bit
- Writing 1 to the SRCCTRL.SRCEN bit while it is 0.

### IINT flag (Input FIFO Empty Interrupt Request Flag)

The IINT flag indicates that the number of data units in the input FIFO has become equal to or smaller than the triggering number specified in the IFTRG[1:0] bits in the Input Data Control Register (SRCIDCTRL).

[Setting conditions]

- When the number of data units in the input FIFO becomes equal to or smaller than the specified triggering number

- Writing 1 to the SRCCTRL.CL bit
- Writing 1 to the SRCCTRL.SRCEN bit while it is 0.

[Clearing conditions]

- Writing 0 to the IINT flag after reading is as 1
- When the last DMA transfer is executed.

#### **OVF flag (Output FIFO Overflow Interrupt Request Flag)**

The OVF flag indicates that the sampling rate conversion for the next data completes when the output FIFO is full. The conversion stops until the OVF flag is cleared.

[Setting condition]

- When the sampling rate conversion for the next data completes when the output FIFO is full.

[Clearing conditions]

- Writing 0 to the OVF flag after reading it as 1 while the SRCCTRL.OVEN bit is 1
- When the number of data units in the output FIFO decreases after reading SRCOD while the SRCCTRL.OVEN bit is 0
- Writing 1 to the SRCCTRL.CL bit
- Writing 1 to the SRCCTRL.SRCEN bit while it is 0.

#### **UDF flag (Output FIFO Underflow Interrupt Request Flag)**

The UDF flag indicates that the output FIFO is read when the number of data units in the output FIFO is zero.

[Setting condition]

- When the output FIFO is read while the number of data units in the output FIFO is zero.

[Clearing conditions]

- Writing 0 to the UDF flag after reading it as 1
- Writing 1 to the SRCCTRL.CL bit
- Writing 1 to the SRCCTRL.SRCEN bit while it is 0.

#### **FLF flag (Flush Processing Status Flag)**

The FLF flag indicates whether flush processing is in progress or not.

[Setting condition]

- Writing 1 to the SRCCTRL.FL bit.  
When flush processing is not in progress, however, FLF does not set to 1.

[Clearing conditions]

- When flush processing completes
- Writing 1 to the SRCCTRL.CL bit
- Writing 1 to the SRCCTRL.SRCEN bit while it is 0.

#### **CEF flag (Conversion End Flag)**

The CEF flag indicates that all the output data is read after flush processing completes.

[Setting condition]

- When the number of data units in the output FIFO is zero on completion of flush processing.

[Clearing conditions]

- Writing 0 to the CEF flag after reading it as 1.



- Writing 1 to the SRCCTRL.CL bit
- Writing 1 to the SRCCTRL.SRCEN bit while it is 0.

**IFDN[3:0] bits (Input FIFO Data Count)**

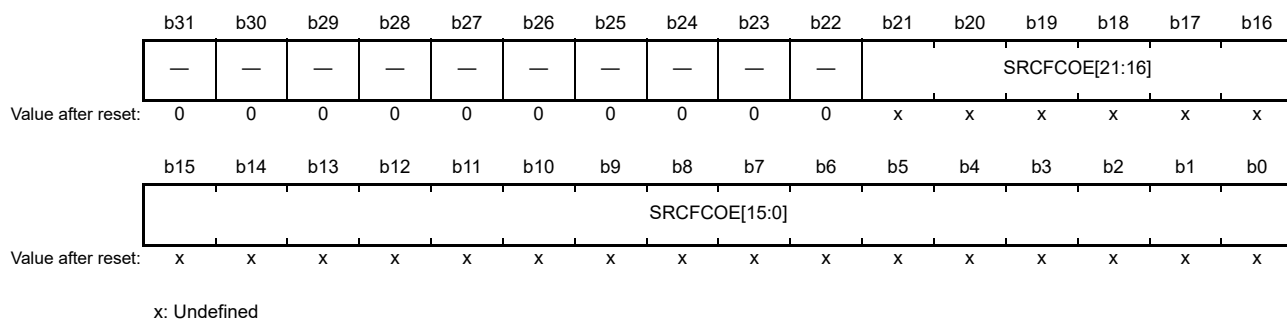
The IFDN[3:0] bits indicate the number of data units in the input FIFO.

**OFDN[4:0] bits (Output FIFO Data Count)**

The OFDN[4:0] bits indicate the number of data units in the output FIFO.

**40.2.7 Filter Coefficient Table n (SRCFCTRn) (n = 0 to 5551)**

Address(es): SRCRAM.SRCFCTR0 to 5551 4004 8000h to 4004 D6BFh



| Bit        | Symbol        | Bit name                 | Description  | R/W |
|------------|---------------|--------------------------|--|-----|
| b21 to b0  | SRCFCOE[21:0] | Filter Coefficient Table | Stores the filter coefficient value.                   | R/W |
| b31 to b22 | —             | Reserved                 | These bits are read as 0. The write value should be 0. | R/W |

SRCFCTR0 to SRCFCTR5551 are 32-bit read/write SRAM modules that store the filter coefficients to be used for sampling rate conversion. This SRAM can be read from and written to through the peripheral bus only when the FICRAE bit is 1 and the SRCEN bit is 0 in SRCCTRL. Bits [31:22] are reserved and are read as 0, and their write values should be 0. Bits [21:0] are used for storage of the filter coefficient values, whose initial values are undefined.

**40.3 Operation**

**40.3.1 Initial Settings**

Figure 40.2 shows an example flow for the initial settings. After the module-stop state is released, the filter coefficient data stored in the flash and other areas must be transferred to the Filter Coefficient Table (SRCFCTR) before the SRC conversion starts. When a filter coefficient value is already stored in the Filter Coefficient Table, skip this transfer and set the required parameters to start the conversion.

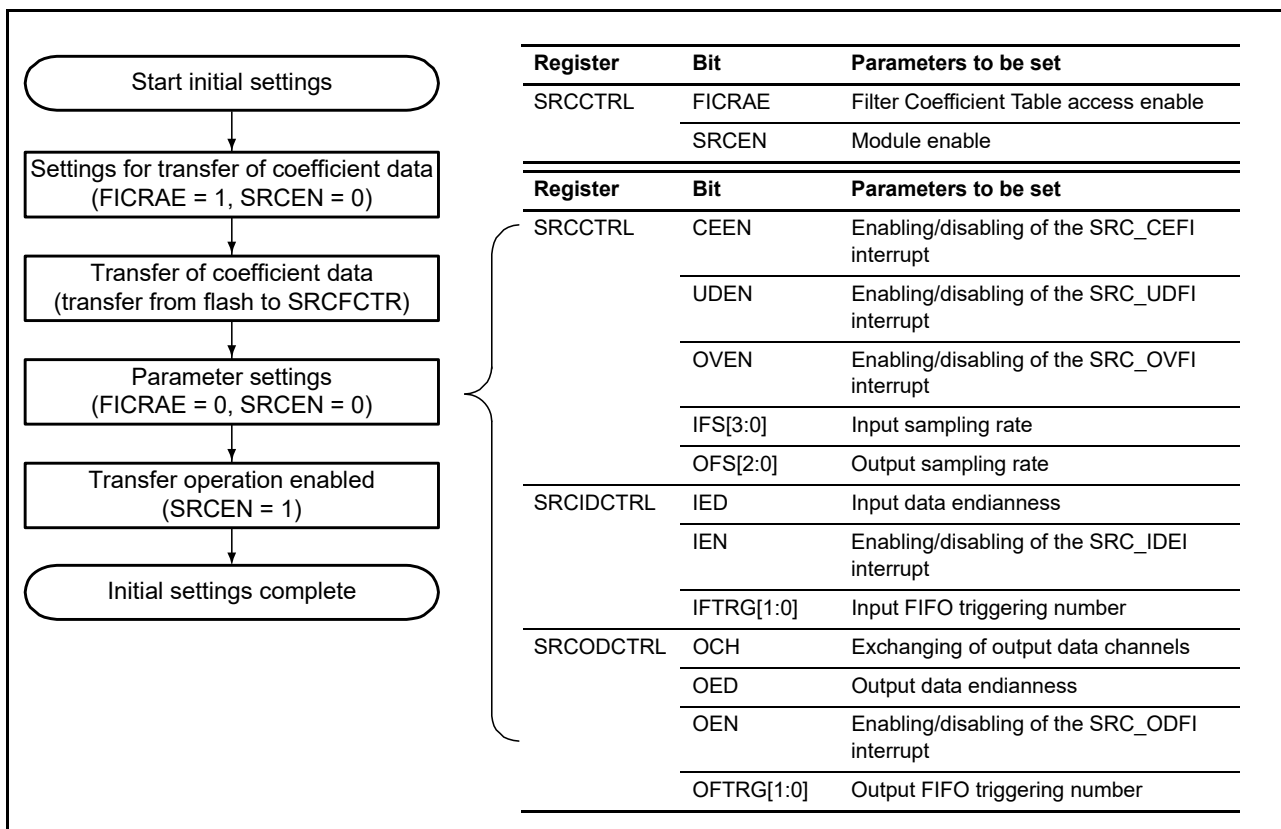


Figure 40.2 Example flow for initial settings

### 40.3.2 Data Input

Figure 40.3 shows an example flow for data input.

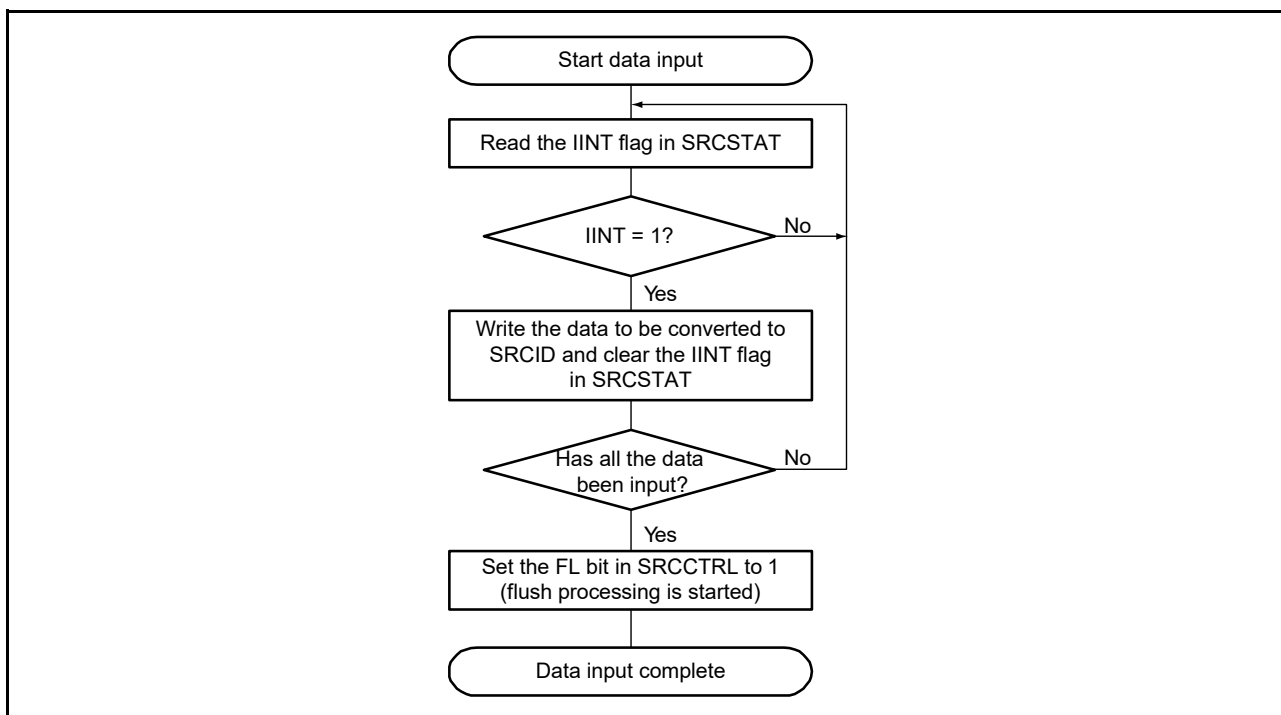


Figure 40.3 Data input flow

**(1) When issuing interrupts to the CPU**

1. Set the IEN bit in SRCIDCTRL to 1.
2. When the IINT flag in SRCSTAT is set to 1, the IDEI interrupt request is issued. In the interrupt processing routine, read the IINT flag and confirm that it is 1, write data to SRCID, and write 0 to the IINT flag. Then return from the interrupt processing routine.
3. Repeat step 2 until all the data is input, and write 1 to the FL bit in SRCCTRL.

**(2) When using interrupts to activate the DMAC**

1. Assign the SRC\_IDEI interrupt of the SRC to one channel of the DMAC.
2. Set the IEN bit in SRCIDCTRL to 1.
3. When the IINT flag in SRCSTAT is set to 1, the SRC\_IDEI interrupt request is issued, activating the DMAC. When data is written to the SRCID register using DMA transfer, and when the number of data units in the input FIFO exceeds the triggering number specified in the IFTRG[1:0] bits in SRCIDCTRL, the IINT flag in SRCSTAT clears to 0.
4. Repeat step 3 until all the data is input, and write 1 to the FL bit in SRCCTRL.

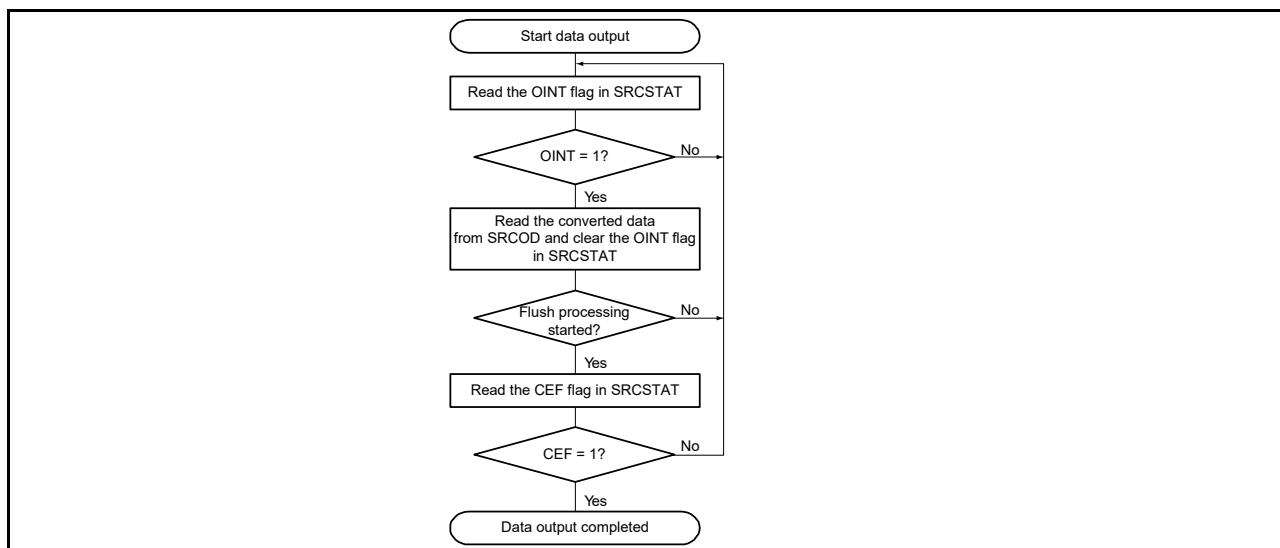
**(3) When using SSIE interface interrupts to activate the DMAC to transfer input data from the SSIE interface**

1. Assign the SSIE interface to one channel of the DMAC as a DMA transfer request source. Set SSIFRDR of the SSIE interface as a transfer source and SRCID of the SRC as a transfer destination, and set the SSIE interface to enable reception operation.
2. When the RDF bit in SSIFSR is set to 1, the SSIE interface issues an interrupt request, activating the DMAC. The DMAC then reads data from SSIFRDR and writes the data to SRCID.
3. Repeat step 2 until all the data is input, and write 1 to the FL bit in SRCCTRL.

**Note:** The input FIFO has eight stages. The number of data units that can be transferred (the empty space in the FIFO) when an SRC\_IDEI interrupt request is issued depends on the settings in the IFTRG[1:0] bits in SRCIDCTRL. Because the input FIFO is not equipped with a function to prevent or detect overflow, the transferred data is destroyed when overflow occurs. To prevent this, take the settings in the IFTRG[1:0] bits in SRCCTRL into consideration when setting the number of data units to be continuously transferred by the DMA.

**40.3.3 Data Output**

Figure 40.4 shows an example flow for data output.



**Figure 40.4** Data output flow

**(1) When issuing interrupts to the CPU**

1. Set the OEN bit in SRCODCTRL to 1.
2. When the OINT flag in SRCSTAT is set to 1, the SRC\_ODFI interrupt request is issued. In the interrupt processing routine, read the OINT flag and confirm that it is 1, read data from SRCOD, and write 0 to the OINT flag. Then, return from the interrupt processing routine.
3. After flush processing starts, repeat step 2 until the CEF flag in SRCSTAT is read as 1.

**(2) When using interrupts to activate the DMAC**

1. Assign the SRC\_ODFI interrupt of the SRC to one channel of the DMAC.
2. Set the OEN bit in SRCODCTRL to 1.
3. When the OINT flag in SRCSTAT is set to 1, the SRC\_ODFI interrupt request is issued, activating the DMAC. When data is read from SRCOD using DMA transfer, and when the number of data units in the output data FIFO becomes equal to or less than the triggering number specified in the OFTRG[1:0] bits, the OINT flag in SRCSTAT clears to 0.
4. After flush processing starts, repeat step 3 until the FLF flag in SRCSTAT is read as 0.

**(3) When using SSIE interface interrupts to activate the DMAC to transfer output data to the SSIE interface**

1. Set the OVEN bit in SRCCTRL to 0 to disable SRC\_OVFI interrupt request generation.
2. Assign the SSIE interface to one channel of the DMAC as a DMA transfer request source. Set SRCID of the SRC as a transfer source and SSIFTDR of the SSIE interface as a transfer destination, and set the SSIE interface to enable transmission operation.
3. When the TDE bit in SSIFSR is set to 1, the SSIE interface issues an interrupt request, activating the DMAC. The DMAC then reads data from SRCOD and writes the data to SSIFTDR.
4. After the flush processing starts, repeat step 3 until the CEF flag in SRCSTAT is read as 1.

Note 1. The output FIFO has 16 stages. The conversion stops when no data is read and an overflow occurs in the output FIFO. Even in an overflow state, data can be read from the output FIFO, but the procedure to restart conversion might be required depending on the settings. For details, see the OVEN bit in SRCCTRL.

Note 2. When the number of data units in the output FIFO is zero, incorrect data is read. To prevent this, take the settings of the OFTRG[1:0] bits into consideration when setting the number of data units to be continuously transferred by the DMAC.

## 40.4 Interrupts

The SRC interrupt sources include:

- Input FIFO empty (SRC\_IDEI)
- Output FIFO full (SRC\_ODFI)
- Output FIFO overflow (SRC\_OVFI)
- Output FIFO underflow (SRC\_UDFI)
- Conversion end (SRC\_CEFI).

Table 40.7 lists the interrupt request types and generation conditions.

**Table 40.7 Interrupt requests and generation conditions (1 of 2)**

| Interrupt request    | Abbreviation | Interrupt condition              | DMAC activation |
|----------------------|--------------|----------------------------------|-----------------|
| Input FIFO empty     | SRC_IDEI     | IINT = 1, IEN = 1, and SRCEN = 1 | Possible        |
| Output FIFO full     | SRC_ODFI     | OINT = 1, OEN = 1, and SRCEN = 1 | Possible        |
| Output FIFO overflow | SRC_OVFI     | OVF = 1, OVEN = 1, and SRCEN = 1 | Not possible    |

**Table 40.7** Interrupt requests and generation conditions (2 of 2)

| Interrupt request     | Abbreviation | Interrupt condition              | DMAC activation |
|-----------------------|--------------|----------------------------------|-----------------|
| Output FIFO underflow | SRC_UDFI     | UDF = 1, UDEN = 1, and SRCEN = 1 | Not possible    |
| Conversion end        | SRC_CEFI     | CEF = 1, CEEN = 1, and SRCEN = 1 | Not possible    |

When an interrupt condition is satisfied, the CPU executes the interrupt exception handling routine. Clear the interrupt source flags during this routine.

The SRC\_IDEI and SRC\_ODFI interrupts can activate the DMAC. If the DMAC is activated, the interrupts from the SRC are not sent to the CPU.

Do not clear the IINT and OINT flags through a write by the CPU (writing 0 after reading 1) during the DMA transfer.

## 40.5 Usage Notes

### 40.5.1 Notes on Accessing Registers

The following writes to SRCCTRL require 3 cycles of the peripheral clock (PCLKB) for the values to be updated in SRCSTAT:

- Writes of 1 to the FL bit in SRCCTRL, for the FLF flag in SRCSTAT to set
- Writes of 1 to the CL bit in SRCCTRL, for each bit in SRCSTAT to initialize
- Writes of 1 to the SRCEN bit in SRCCTRL while the SRCEN bit is 0, for each bit in SRCSTAT to initialize.

However, because the CPU executes any subsequent instruction without waiting for the completion of writes to a register, the updated state of SRCSTAT cannot be correctly read by an instruction immediately after the write instruction to SRCCTRL. To check the updated state of SRCSTAT, perform a dummy read of SRCCTRL or SRCSTAT after the instruction used to write to SRCCTRL.

### 40.5.2 Notes on Flush Processing

When 1 is written to the FL bit in the SRC Control Register (SRCCTRL), the SRC continues conversion processing by adding 0-data to the input data endpoint. Because of this, only execute flush processing when the audio data endpoint is input and there is no subsequent data.

To perform conversion again after flush processing, clear the internal work memory in either of the following ways.

- Write 1 to the CL bit in SRCCTRL
- Write 0 and then 1 to the SRCEN bit in SRCCTRL.

### 40.5.3 Notes on DMAC or DTC Transfer

When the DMAC or DTC is used for data transfer to the I/O data registers (SRCID and SRCOD), do not clear the IINT and OINT flags in the Status Register (SRCSTAT) through the CPU (writing 0 after reading 1) during transfer by the DMAC or DTC.

### 40.5.4 Notes on SRC Operation

Do not access the Filter Coefficient Table while the SRC is operating (SRCCTRL.SRCEN = 1).

### 40.5.5 Settings for the Module-Stop Function

SRC operation can be disabled or enabled using Module Stop Control Register C (MSTPCRC). The SRC module is initially stopped after reset. Releasing the module-stop state enables access to the registers. For details, see [section 11, Low Power Modes](#).

## 41. SD/MMC Host Interface (SDHI)

### 41.1 Overview

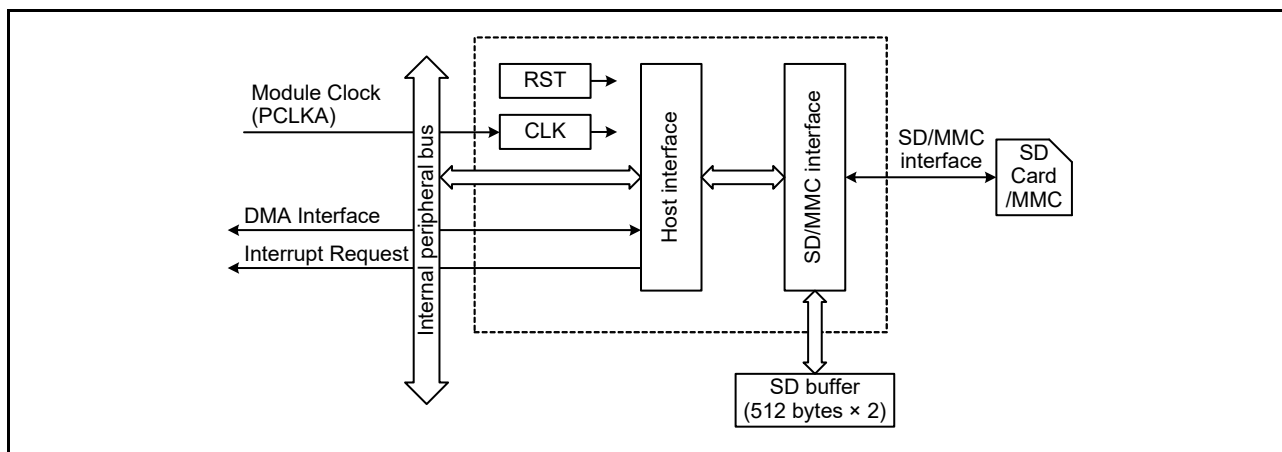
The Secure Digital Host Interface (SDHI) and MultiMediaCard (MMC) Interface provide the functionality required to connect a variety of external memory cards with the MCU. The SDHI supports both 1-bit and 4-bit buses for connecting different memory cards that support SD, SDHC, and SDXC formats. When developing host devices that are compliant with the SD Specifications, you must comply with the SD Host/Ancillary Product License Agreement (SD HALA).

The MMC interface supports 1-bit, 4-bit, and 8-bit MMC buses that provide eMMC 4.51 (JEDEC Standard JESD 84-B451) device access. This interface also provides backward compatibility and support for high-speed SDR transfer modes.

Table 41.1 lists the SD/MMC Host Interface specifications and Figure 41.1 shows a block diagram.

**Table 41.1 SD/MMC Host Interface specifications**

| Interface         | Parameter             | Specifications   |
|-------------------|-----------------------|--|
| SD                | SD bus interface      | <ul style="list-style-type: none"> <li>Compatible with SD memory card and SDIO card</li> <li>Transfer bus mode selectable from 4-bit wide bus mode or 1-bit default bus mode</li> <li>Compatible with SD, SDHC, and SDXC formats.</li> </ul> |
| SD and MMC shared | SDHI clock frequency  | The SDHI clock is generated by dividing PCLKA by $2^n$ ( $n = 1$ to $9$ )  |
|                   | Error check functions | CRC7 (command/response), CRC16 (transfer data)   |
|                   | Interrupt sources     | Card access interrupt (SDHI_MMCn_ACCS), SDIO access interrupt (SDHI_MMCn_SDIO), Card detection interrupt (SDHI_MMCn_CARD) ( $n = 0$ to $1$ )   |
|                   | DMA transfer sources  | DMAC and DTC triggerable by the SBFAI interrupt<br>SD buffer is read and write accessible using the DMAC   |
|                   | Other functions       | <ul style="list-style-type: none"> <li>Card detect function</li> <li>Write protect support.</li> </ul>   |
| MMC               | MMC bus interface     | Transfer bus mode selectable from 1-bit, 4-bit, or 8-bit   |
|                   | Transfer modes        | Backward compatible mode or high-speed SDR mode selectable   |
|                   | Other functions       | e.MMC device access supported  |



**Figure 41.1 SD/MMC Host Interface block diagram**

**Table 41.2 SDHI I/O pins**

| Channel | Pin name | I/O    | Description                    |
|---------|----------|--------|--------------------------------|
| Ch 0    | SD0CLK   | Output | SDHI clock                     |
|         | SD0CMD   | I/O    | Command output, response input |
|         | SD0DAT0  | I/O    | Data 0 (DAT0)                  |
|         | SD0DAT1  | I/O    | Data 1 (DAT1), SDIO interrupt  |
|         | SD0DAT2  | I/O    | Data 2 (DAT2), SDIO Read wait  |
|         | SD0DAT3  | I/O    | Data 3 (DAT3), SD Card detect  |
|         | SD0DAT4  | I/O    | MMC Data 4 (DAT4)              |
|         | SD0DAT5  | I/O    | MMC Data 5 (DAT5)              |
|         | SD0DAT6  | I/O    | MMC Data 6 (DAT6)              |
|         | SD0DAT7  | I/O    | MMC Data 7 (DAT7)              |
|         | SD0CD    | Input  | SD card detection              |
|         | SD0WP    | Input  | SD card write protection       |
| Ch 1    | SD1CLK   | Output | SDHI clock                     |
|         | SD1CMD   | I/O    | Command output, response input |
|         | SD1DAT0  | I/O    | Data 0 (DAT0)                  |
|         | SD1DAT1  | I/O    | Data 1 (DAT1), SDIO interrupt  |
|         | SD1DAT2  | I/O    | Data 2 (DAT2), SDIO Read wait  |
|         | SD1DAT3  | I/O    | Data 3 (DAT3), SD Card detect  |
|         | SD1DAT4  | I/O    | MMC Data 4 (DAT4)              |
|         | SD1DAT5  | I/O    | MMC Data 5 (DAT5)              |
|         | SD1DAT6  | I/O    | MMC Data 6 (DAT6)              |
|         | SD1DAT7  | I/O    | MMC Data 7 (DAT7)              |
|         | SD1CD    | Input  | SD card detection              |

## 41.2 Register Descriptions

### 41.2.1 Command Type Register (SD\_CMD)

Address(es): SDHI0.SD\_CMD 4006 2000h, SDHI1.SD\_CMD 4006 2400h

|  |     |       |       |       |            |     |     |           |     |             |     |     |     |     |     |
|--|-----|-------|-------|-------|------------|-----|-----|-----------|-----|-------------|-----|-----|-----|-----|-----|
| b31  | b30 | b29   | b28   | b27   | b26        | b25 | b24 | b23       | b22 | b21         | b20 | b19 | b18 | b17 | b16 |
| —  | —   | —     | —     | —     | —          | —   | —   | —         | —   | —           | —   | —   | —   | —   | —   |
| Value after reset: 0 0 0 0 0 0 0 0 0 0 0 0 0 0 0 0 |     |       |       |       |            |     |     |           |     |             |     |     |     |     |     |
| b15  | b14 | b13   | b12   | b11   | b10        | b9  | b8  | b7        | b6  | b5          | b4  | b3  | b2  | b1  | b0  |
| CMD12AT[1:0]                                       |     | TRSTP | CMDRW | CMDTP | RSPTP[2:0] |     |     | ACMD[1:0] |     | CMDIDX[5:0] |     |     |     |     |     |
| Value after reset: 0 0 0 0 0 0 0 0 0 0 0 0 0 0 0 0 |     |       |       |       |            |     |     |           |     |             |     |     |     |     |     |

| Bit        | Symbol                       | Bit name                         | Description  | R/W |
|------------|------------------------------|----------------------------------|--|-----|
| b5 to b0   | <a href="#">CMDIDX[5:0]</a>  | Command Index Field Value Select | These bits configure the command index field value. The examples shown include the bit values for the ACMD[1:0] bits.<br>b7 b6<br>0 0 0 0 1 1 0: CMD6<br>0 0 0 1 0 0 1 0: CMD18<br>0 1 0 0 1 1 0 1: ACMD13.  | R/W |
| b7, b6     | <a href="#">ACMD[1:0]</a>    | Command Type Select              | b7 b6<br>0 0: CMD<br>0 1: ACMD.<br>Other settings are prohibited.  | R/W |
| b10 to b8  | <a href="#">RSPTP[2:0]</a>   | Response Type Select*1           | b10 b8<br>0 0 0: Normal mode<br>Depending on the command, the response type and transfer method are selected in the ACMD[1:0] and CMDIDX[5:0] bits. At this time, the values for b15 to b11 in this register are invalid.<br>0 1 1: Extended mode and no response<br>1 0 0: Extended mode and R1, R5, R6, or R7 response<br>1 0 1: Extended mode and R1b response<br>1 1 0: Extended mode and R2 response<br>1 1 1: Extended mode and R3 or R4 response.<br>Other settings are prohibited. | R/W |
| b11        | <a href="#">CMDTP</a>        | Data Transfer Select*2           | 0: Do not include data transfer (bc, bcr, or ac) in command<br>1: Include data transfer (adtc) in command.   | R/W |
| b12        | <a href="#">CMDRW</a>        | Data Transfer Direction Select*3 | 0: Write (SD/MMC Host Interface → SD card/MMC)<br>1: Read (SD/MMC Host Interface ← SD card/MMC).   | R/W |
| b13        | <a href="#">TRSTP</a>        | Block Transfer Select*3          | 0: Single block transfer<br>1: Multiple blocks transfer.   | R/W |
| b15, b14   | <a href="#">CMD12AT[1:0]</a> | CMD12 Automatic Issue Select*4   | b15 b14<br>0 0: Automatically issue CMD12 during multiblock transfer<br>0 1: Do not automatically issue CMD12 during multiblock transfer.<br>Other settings are prohibited.  | R/W |
| b31 to b16 | —                            | Reserved                         | These bits are read as 0. The write value should be 0.   | R/W |

Note 1. Some commands cannot be used in normal mode.

Note 2. The CMDTP bit is only valid when the RSPTP[2:0] bits are 011b, 100b, 101b, 110b, or 111b.

Note 3. Bits CMDRW and TRSTP are only valid when the RSPTP[2:0] bits are 011b, 100b, 101b, 110b, or 111b, and the CMDTP bit is 1.

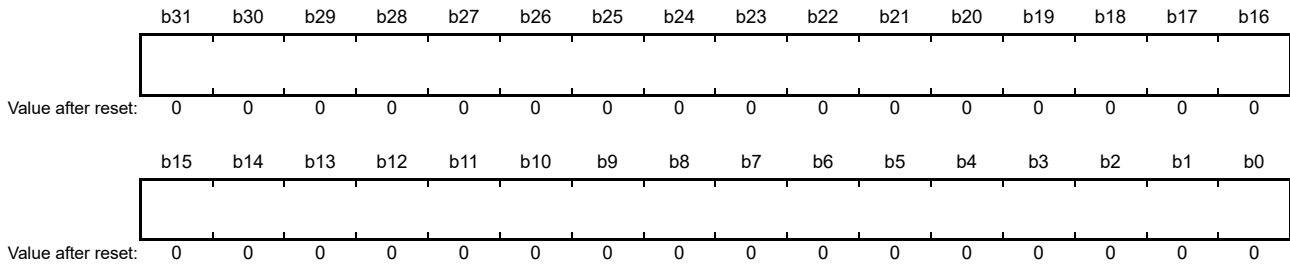
Note 4. The CMD12AT[1:0] bits are only valid when the RSPTP[2:0] bits are 011b, 100b, 101b, 110b, or 111b, and the TRSTP bit is 1.

The command type and response type are set in the SD\_CMD register. The command type and transfer mode must be set when the RSPTP[2:0] bits are 011b, 100b, 101b, 110b, or 111b. The sequence starts when a value is written to this register. See [Table 41.8](#) and [Table 41.9](#) for setting examples. Do not write to the SD\_CMD register when the SD\_INFO2.CBSY flag is 1.



### 41.2.2 SD Command Argument Register (SD\_ARG)

Address(es): SDHI0.SD\_ARG 4006 2008h, SDHI1.SD\_ARG 4006 2408h

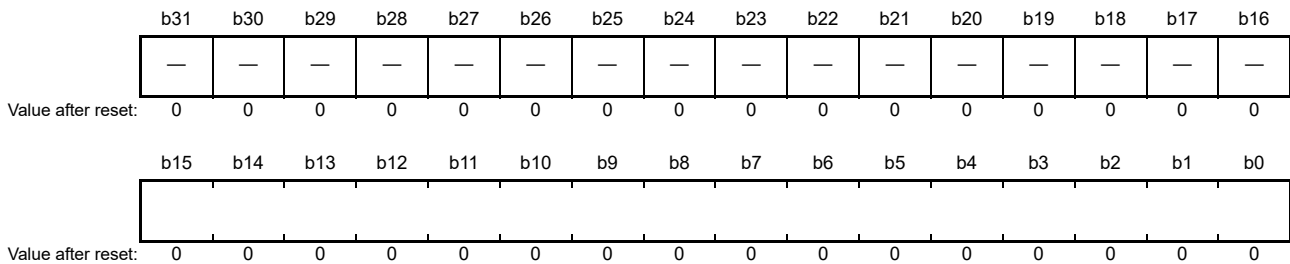


| Bit       | Symbol | Bit name | Description  | R/W |
|-----------|--------|----------|--|-----|
| b31 to b0 | —      | —        | These bits specify command format[39:8] (argument) | R/W |

The SD\_ARG register is used for setting the argument field value. Set the SD\_ARG register before setting the SD\_CMD register. The argument field value of the automatically issued CMD12 is 0000 0000h regardless of the SD\_ARG register value.

### 41.2.3 SD Command Argument Register 1 (SD\_ARG1)

Address(es): SDHI0.SD\_ARG1 4006 200Ch, SDHI1.SD\_ARG1 4006 240Ch



| Bit        | Symbol | Bit name | Description   | R/W |
|------------|--------|----------|---|-----|
| b15 to b0  | —      | —        | These bits specify command format[39:24] (argument) | R/W |
| b31 to b16 | —      | Reserved | These bits are read as 0                            | R   |

The SD\_ARG1 register is used for setting the argument field value. Set the SD\_ARG1 register before setting the SD\_CMD register. The argument field value of the automatically issued CMD12 is 0000 0000h regardless of the SD\_ARG1 register value.

### 41.2.4 Data Stop Register (SD\_STOP)

Address(es): SDHI0.SD\_STOP 4006 2010h, SDHI1.SD\_STOP 4006 2410h

|                    |     |     |     |     |     |     |     |     |     |     |     |     |     |     |     |     |
|--------------------|-----|-----|-----|-----|-----|-----|-----|-----|-----|-----|-----|-----|-----|-----|-----|-----|
|                    | b31 | b30 | b29 | b28 | b27 | b26 | b25 | b24 | b23 | b22 | b21 | b20 | b19 | b18 | b17 | b16 |
|                    | —   | —   | —   | —   | —   | —   | —   | —   | —   | —   | —   | —   | —   | —   | —   | —   |
| Value after reset: | 0   | 0   | 0   | 0   | 0   | 0   | 0   | 0   | 0   | 0   | 0   | 0   | 0   | 0   | 0   | 0   |
|                    | b15 | b14 | b13 | b12 | b11 | b10 | b9  | b8  | b7  | b6  | b5  | b4  | b3  | b2  | b1  | b0  |
|                    | —   | —   | —   | —   | —   | —   | —   | SEC | —   | —   | —   | —   | —   | —   | —   | STP |
| Value after reset: | 0   | 0   | 0   | 0   | 0   | 0   | 0   | 0   | 0   | 0   | 0   | 0   | 0   | 0   | 0   | 0   |

| Bit       | Symbol | Bit name                             | Description  | R/W |
|-----------|--------|--------------------------------------|--|-----|
| b0        | STP    | Transfer Stop                        | Data transfer stops when this bit is set to 1                              | R/W |
| b7 to b1  | —      | Reserved                             | These bits are read as 0. The write value should be 0.                     | R/W |
| b8        | SEC    | Block Count Register Value Select *1 | 0: Disable SD_SECCNT register value<br>1: Enable SD_SECCNT register value. | R/W |
| b31 to b9 | —      | Reserved                             | These bits are read as 0. The write value should be 0.                     | R/W |

Note 1. Do not rewrite this bit when the SD\_INFO2.CBSY flag is 1.

The SD\_STOP register stops data transfer. During a multiblock transfer sequence, the SD\_SECCNT register value (number of blocks to be transferred) can be set to valid or invalid by setting the SD\_STOP register.

#### STP bit (Transfer Stop)

When the STP bit is set to 1 during a multiple block transfer, CMD12 is issued to halt the transfer through the SDHI. However, if a command sequence is halted because of a communications error or timeout, CMD12 is not issued. Although continued buffer access is possible even after STP is set to 1, the buffer access error bit (ILR or ILW) in SD\_INFO2 is set accordingly.

When STP is set to 1 during the transfer for a single block write, the access end flag sets when SD\_BUF becomes empty, and CMD12 is not issued. If SD\_BUF does contain data, the access end flag sets on completion of the reception of the busy state without CMD12 being issued.

When STP is set to 1 during transfer for a single block read, the access end flag sets immediately after the STP bit is set, and CMD12 is not issued.

When STP is set to 1 during reception of the busy state after an R1b response, the access end flag sets on completion of reception of the busy state without CMD12 being issued.

When STP is set to 1 after a command sequence is complete, CMD12 is not issued and the access end flag does not set.

Set STP to 1 after the response end flag sets.

Set STP to 0 after the access end flag sets.

#### SEC bit (Block Count Register Value Select)

When SD\_CMD is set in the following section to start the command sequence while the SEC bit is set to 1, CMD12 is automatically issued to stop multiblock transfer with the number of blocks set in SD\_SECCNT.

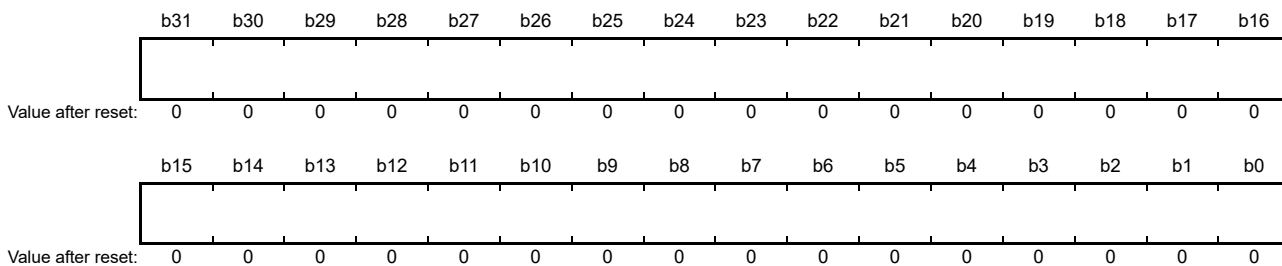
CMD18 or CMD25 in normal mode (SD\_CMD[10:8] = 000)

SD\_CMD[15:13] = 001 in extended mode (CMD12 is automatically issued, multiple block transfer)

When the command sequence is halted because of a communications error or timeout, CMD12 is not automatically issued.

### 41.2.5 Block Count Register (SD\_SECCNT)

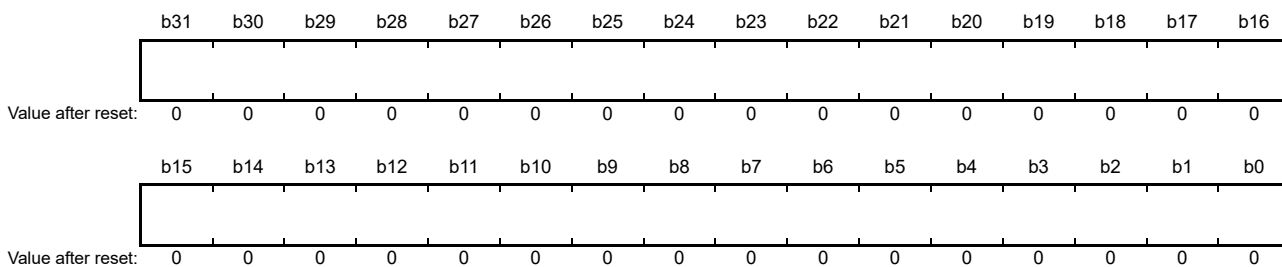
Address(es): SDHI0.SD\_SECCNT 4006 2014h, SDHI1.SD\_SECCNT 4006 2414h



When performing a multiblock transfer, SD\_SECCNT is a read/write register used to set the number of blocks to be transferred. For example, when the register value is 0000 0001h, 1 block is transferred. When the register value is 0000 FFFFh, 65,535 blocks are transferred, and when the register value is FFFF FFFFh, 4,294,967,295 blocks are transferred. Do not set this register to 0000 0000h. Do not rewrite the SD\_SECCNT register when the SD\_INFO2.CBSY flag is 1.

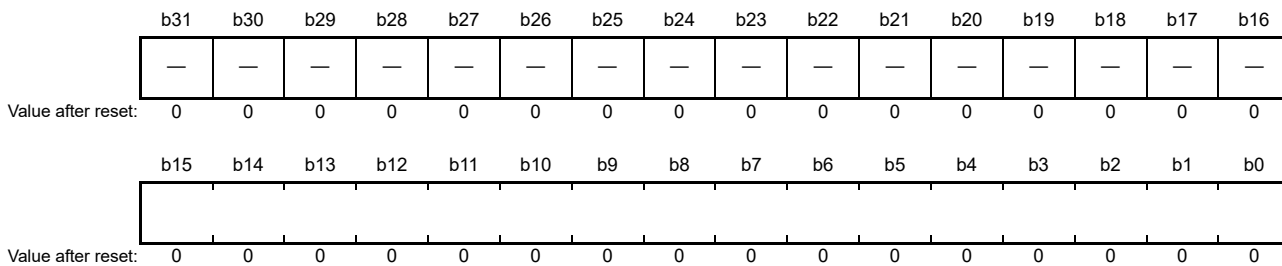
### 41.2.6 SD Card Response Register 10 (SD\_RSP10), SD Card Response Register 32 (SD\_RSP32), SD Card Response Register 54 (SD\_RSP54)

Address(es): SDHI0.SD\_RSP10 4006 2018h, SDHI1.SD\_RSP10 4006 2418h, SDHI0.SD\_RSP32 4006 2020h, SDHI1.SD\_RSP32 4006 2420h, SDHI0.SD\_RSP54 4006 2028h, SDHI1.SD\_RSP54 4006 2428h



### 41.2.7 SD Card Response Register 1 (SD\_RSP1), SD Card Response Register 3 (SD\_RSP3), SD Card Response Register 5 (SD\_RSP5)

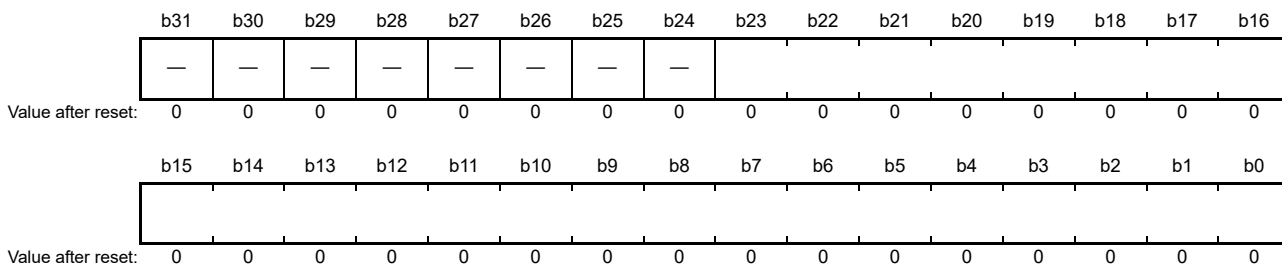
Address(es): SDHI0.SD\_RSP1 4006 201Ch, SDHI1.SD\_RSP1 4006 241Ch, SDHI0.SD\_RSP3 4006 2024h, SDHI1.SD\_RSP3 4006 2424h, SDHI0.SD\_RSP5 4006 202Ch, SDHI1.SD\_RSP5 4006 242Ch



| Bit        | Symbol | Bit name | Description  | R/W |
|------------|--------|----------|--|-----|
| b15 to b0  | —      | —        | These bits store the response from the SD card/MMC | R   |
| b31 to b16 | —      | Reserved | These bits are read as 0                           | R   |

### 41.2.8 SD Card Response Register 76 (SD\_RSP76)

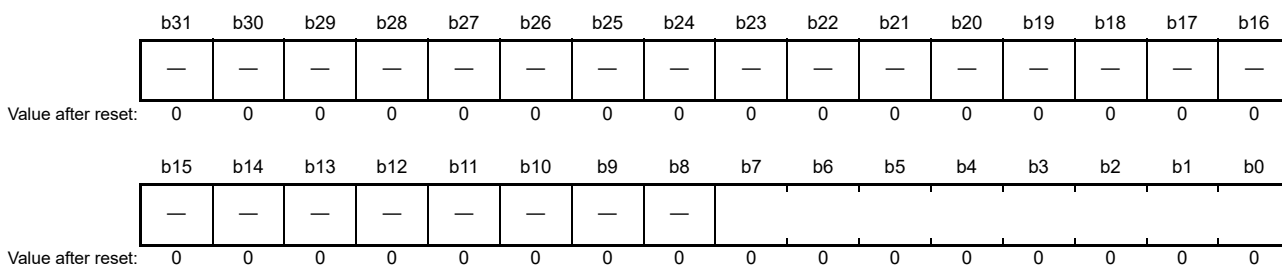
Address(es): SDHI0.SD\_RSP76 4006 2030h, SDHI1.SD\_RSP76 4006 2430h



| Bit        | Symbol | Bit name | Description  | R/W |
|------------|--------|----------|--|-----|
| b23 to b0  | —      | —        | These bits store the response from the SD card/MMC | R   |
| b31 to b24 | —      | Reserved | These bits are read as 0                           | R   |

### 41.2.9 SD Card Response Register 7 (SD\_RSP7)

Address(es): SDHI0.SD\_RSP7 4006 2034h, SDHI1.SD\_RSP7 4006 2434h



| Bit       | Symbol | Bit name | Description  | R/W |
|-----------|--------|----------|--|-----|
| b7 to b0  | —      | —        | These bits store the response from the SD card/MMC | R   |
| b31 to b8 | —      | Reserved | These bits are read as 0                           | R   |

SD\_RSP10, SD\_RSP32, SD\_RSP54, SD\_RSP1, SD\_RSP3, SD\_RSP5, SD\_RSP76, and SD\_RSP7 are read-only registers that store the response from the SD card/MMC. Depending on the type of response from the SD card/MMC, the SD/MMC Host Interface divides and stores the response among the four registers.

Table 41.3 lists the correspondence between the response type and its storage destination.

**Table 41.3 Correspondence between response type and storage destination**

| Response type | SD_RSP10 register | SD_RSP32 register | SD_RSP54 register | SD_RSP1 register | SD_RSP3 register | SD_RSP5 register | SD_RSP76 register | SD_RSP7 register |
|---------------|-------------------|-------------------|-------------------|------------------|------------------|------------------|-------------------|------------------|
| R1            | [39:8]            | —                 | [39:8]*1          | —                | —                | —                | —                 | —                |
| R1b           | [39:8]            | —                 | [39:8]*1          | —                | —                | —                | —                 | —                |
| R2            | [39:8]            | [71:40]           | [103:72]          | —                | —                | —                | [127:104]         | —                |
| R3            | [39:8]            | —                 | —                 | —                | —                | —                | —                 | —                |
| R4            | [39:8]            | —                 | —                 | —                | —                | —                | —                 | —                |
| R5            | [39:8]            | —                 | —                 | —                | —                | —                | —                 | —                |
| R6            | [39:8]            | —                 | —                 | —                | —                | —                | —                 | —                |
| R7            | [39:8]            | —                 | —                 | —                | —                | —                | —                 | —                |

Note 1. The responses for CMD18 and CMD25 are stored in registers SD\_RSP10 and SD\_RSP54. Therefore, even if the SD\_RSP10 register is overwritten with the response for the automatically issued CMD12, the response for CMD18 or CMD25 can be confirmed by reading the SD\_RSP54 register.

## 41.2.10 SD Card Interrupt Flag Register 1 (SD\_INFO1)

Address(es): SDHI0.SD\_INFO1 4006 2038h, SDHI1.SD\_INFO1 4006 2438h

|                    |     |     |     |     |     |             |            |            |             |     |             |            |            |       |     |            |
|--------------------|-----|-----|-----|-----|-----|-------------|------------|------------|-------------|-----|-------------|------------|------------|-------|-----|------------|
|                    | b31 | b30 | b29 | b28 | b27 | b26         | b25        | b24        | b23         | b22 | b21         | b20        | b19        | b18   | b17 | b16        |
|                    | —   | —   | —   | —   | —   | —           | —          | —          | —           | —   | —           | —          | —          | —     | —   | —          |
| Value after reset: | 0   | 0   | 0   | 0   | 0   | 0           | 0          | 0          | 0           | 0   | 0           | 0          | 0          | 0     | 0   | 0          |
|                    | b15 | b14 | b13 | b12 | b11 | b10         | b9         | b8         | b7          | b6  | b5          | b4         | b3         | b2    | b1  | b0         |
|                    | —   | —   | —   | —   | —   | SDD3M<br>ON | SDD3I<br>N | SDD3R<br>M | SDWP<br>MON | —   | SDCD<br>MON | SDCDI<br>N | SDDCR<br>M | ACEND | —   | RSPEN<br>D |
| Value after reset: | 0   | 0   | 0   | 0   | 0   | x           | 0          | 0          | x           | 0   | x           | 0          | 0          | 0*1   | 0   | 0*1        |

x: Undefined

| Bit        | Symbol    | Bit name                    | Description   | R/W     |
|------------|-----------|-----------------------------|---|---------|
| b0         | RSPEND    | Response End Detection Flag | 0: Response end not detected<br>1: Response end detected.   | R/(W)*2 |
| b1         | —         | Reserved                    | This bit is read as 0. The write value should be 0.   | R/W     |
| b2         | ACEND     | Access End Detection Flag   | 0: Access end not detected<br>1: Access end detected.   | R/(W)*2 |
| b3         | SDCDRM    | SDnCD Removal Flag          | 0: SD card/MMC removal not detected by the SDnCD pin<br>1: SD card/MMC removal detected by the SDnCD pin.         | R/(W)*2 |
| b4         | SDCDIN    | SDnCD Insertion Flag        | 0: SD card/MMC insertion not detected by the SDnCD pin<br>1: SD card/MMC insertion detected by the SDnCD pin.     | R/(W)*2 |
| b5         | SDCDMON   | SDnCD Pin Monitor Flag      | 0: SDnCD pin level is high*3<br>1: SDnCD pin level is low.*3  | R       |
| b6         | —         | Reserved                    | This bit is read as 0. The write value should be 0.   | R/W     |
| b7         | SDWPMON*4 | SD0WP Pin Monitor Flag      | 0: SD0WP pin level is high<br>1: SD0WP pin level is low.  | R       |
| b8         | SDD3RM    | SDnDAT3 Removal Flag        | 0: SD card/MMC removal not detected by the SDnDAT3 pin<br>1: SD card/MMC removal detected by the SDnDAT3 pin.     | R/(W)*2 |
| b9         | SDD3IN    | SDnDAT3 Insertion Flag      | 0: SD card/MMC insertion not detected by the SDnDAT3 pin<br>1: SD card/MMC insertion detected by the SDnDAT3 pin. | R/(W)*2 |
| b10        | SDD3MON   | SDnDAT3 Pin Monitor Flag    | 0: SDnDAT3 pin level is low<br>1: SDnDAT3 pin level is high.  | R       |
| b31 to b11 | —         | Reserved                    | These bits are read as 0. The write value should be 0.  | R/W     |

Note 1. The value is initialized by a reset and also on a reset triggered by the SOFT\_RST.SDRST flag.

Note 2. The flag does not change even if set to 1. Writing 0 changes the flag value to 0.

Note 3. The flag changes when the pin level continues for the period set in the SD\_OPTION.CTOP[3:0] bits or longer.

Note 4. The SDWPMON bit is supported only by SDHI0 (SD0WP). Bit [7] is reserved in SHDI1.

The SD\_INFO1 register indicates the detection of a response end or access end for a command sequence. The SD\_INFO1 register also indicates the detection SD card/MMC insertion/removal and the write protection status.

During a multiblock transfer sequence, if CMD12 or CMD52 (SDIO abort) is issued, the ACEND flag is set to 1, but the RSPEND flag remains set to 0.

If the command sequence is stopped because of a communication error or timeout, the ACEND flag or RSPEND flag is set to 1.

After a reset is canceled, the SDD3MON bit, SDD3IN flag, and SDD3RM flag values are changed in accordance with the status of the SDnDAT3 (n = 0, 1) pin, and their values are changed when data is being transferred in wide bus mode. These 3 bits are used only for SD card. Set the flags to be cleared to 0. Set the flags that are not being cleared to 1.

**RSPEND flag (Response End Detection Flag)**

The RSPEND flag indicates that a response end was detected.

[Setting conditions]

- When reception of the response is complete
- When transmission of a command without response is complete
- When reception of the busy state after R1b response is complete
- When reception of the response to CMD52 that was issued by setting the C52PUB bit to 1 is complete for the transfer of multiple block read
- When reception of the response to CMD52 that was issued by setting the C52PUB bit to 1 is complete for the transfer of multiple block write
- This bit is set when a command sequence is halted because of a communications error or timeout.

[Clearing conditions]

- When 0 is written to RSPEND
- When a command without data is issued.

Note: When a command is issued in absence of data transfer, the RSPEND flag becomes 1 after the command sequence ends.

**ACEND flag (Access End Detection Flag)**

The ACEND flag indicates that an access end was detected.

[Setting conditions]

- When read access to the buffer is complete for the transfer of a single block read
- When read access to the buffer for the last block of data is complete for the transfer of a multiple block read
- When read access to the buffer and reception of the response to CMD12 are completed for the transfer of a multiple block read with automatic issuing of CMD12
- When reception of the busy state after a reception of the CRC status is complete for transfer of a single block write
- When reception of the busy state after a reception of the CRC status of the last block of data is complete for the transfer of a multiple block write
- When reception of the response busy state for CMD12 is complete for the transfer of a multiple block write with automatic issuing of CMD12
- When reception of the response to CMD12 that was issued by setting the STP bit to 1 is complete for transfer of a multiple block read
- When reception of the response busy state for CMD12 that was issued by setting the STP bit to 1 is complete for the transfer of a multiple block write
- When reception of the response to CMD52 that was issued by setting the IOABT bit to 1 is complete for transfer of a multiple block read
- When reception of the response to CMD52 that was issued by setting the IOABT bit to 1 is complete for transfer of a multiple block write
- This bit is set when a command sequence is halted because of a communications error or timeout.

[Clearing conditions]

- When 0 is written to ACEND
- When the access end bit is set to 1.

Note: The ACEND flag becomes 1 after the command sequence ends.

**SDCDRM flag (SDnCD Removal Flag)**

The SDCDRM flag indicates that SDnCD was removed.

[Setting condition]

- After a change in SDnCD from 0 to 1, Mcycle elapsed with SDnCD held at 1.

[Clearing conditions]

- When 0 is written to SDCDRM.

Note: Mcycle is set in bits [3:0] in SD\_OPTION.

**SDCDIN flag (SDnCD Insertion Flag)**

The SDCDIN flag indicates that SDnCD was inserted.

[Setting condition]

- After a change in SDnCD from 1 to 0, Mcycle elapsed with SDnCD held at 0.

[Clearing conditions]

- When 0 is written to SDCDIN.

Note: Mcycle is set in bits [3:0] in SD\_OPTION.

**SDD3RM flag (SDnDAT3 Removal Flag)**

The SDD3RM flag indicates that SDnDAT3 was removed.

[Setting condition]

- After a change in SDnDAT3 from 1 to 0, 2 cycles of PCLKA elapsed with SDnDAT3 held at 0.

[Clearing condition]

- When 0 is written to SDD3RM.

**SDD3IN flag (SDnDAT3 Insertion Flag)**

The SDD3IN flag indicates that SDnDAT3 was inserted.

[Setting condition]

- After a change in SDnDAT3 from 0 to 1, 2 cycles of PCLKA elapsed with SDnDAT3 held at 1.

[Clearing condition]

- When 0 is written to SDD3IN.

## 41.2.11 SD Card Interrupt Flag Register 2 (SD\_INFO2)

Address(es): SDHI0.SD\_INFO2 4006 203Ch, SDHI1.SD\_INFO2 4006 243Ch

|  |      |                |     |     |     |     |     |         |       |     |     |     |      |      |      |
|--|------|----------------|-----|-----|-----|-----|-----|---------|-------|-----|-----|-----|------|------|------|
| b31  | b30  | b29            | b28 | b27 | b26 | b25 | b24 | b23     | b22   | b21 | b20 | b19 | b18  | b17  | b16  |
| —  | —    | —              | —   | —   | —   | —   | —   | —       | —     | —   | —   | —   | —    | —    | —    |
| Value after reset: 0 0 0 0 0 0 0 0 0 0 0 0 0 0 0 0                         |      |                |     |     |     |     |     |         |       |     |     |     |      |      |      |
| b15  | b14  | b13            | b12 | b11 | b10 | b9  | b8  | b7      | b6    | b5  | b4  | b3  | b2   | b1   | b0   |
| ILA  | CBSY | SD_CLK_CTRLLEN | —   | —   | —   | BWE | BRE | SDD0MON | RSPTO | ILR | ILW | DTO | ENDE | CRCE | CMDE |
| Value after reset: 0*1 0*1 1*1 0 0 0 0*1 0*1 x 0*1 0*1 0*1 0*1 0*1 0*1 0*1 |      |                |     |     |     |     |     |         |       |     |     |     |      |      |      |

x: Undefined

| Bit        | Symbol         | Bit name                                    | Description  | R/W   |
|------------|----------------|---|--|-------|
| b0         | CMDE           | Command Error Detection Flag                | 0: Command error not detected<br>1: Command error detected.  | R/W*1 |
| b1         | CRCE           | CRC Error Detection Flag                    | 0: CRC error not detected<br>1: CRC error detected.  | R/W*1 |
| b2         | ENDE           | End Bit Error Detection Flag                | 0: End bit error not detected<br>1: End bit error detected.  | R/W*1 |
| b3         | DTO            | Data Timeout Detection Flag                 | 0: Data timeout not detected<br>1: Data timeout detected.  | R/W*1 |
| b4         | ILW            | SD_BUF0 Illegal Write Access Detection Flag | 0: Illegal write access to the SD_BUF0 register not detected<br>1: Illegal write access to the SD_BUF0 register detected.  | R/W*1 |
| b5         | ILR            | SD_BUF0 Illegal Read Access Detection Flag  | 0: Illegal read access to the SD_BUF0 register not detected<br>1: Illegal read access to the SD_BUF0 register detected.  | R/W*1 |
| b6         | RSPTO          | Response Timeout Detection Flag             | 0: Response timeout not detected<br>1: Response timeout detected.  | R/W*1 |
| b7         | SDD0MON        | SDHI_D0 Pin Status Flag                     | 0: SDnDAT0 pin is low<br>1: SDnDAT0 pin is high.   | R     |
| b8         | BRE            | SD_BUF0 Read Enable Flag                    | 0: Disable read access to the SD_BUF0 register<br>1: Enable read access to the SD_BUF0 register.   | R/W*1 |
| b9         | BWE            | SD_BUF0 Write Enable Flag                   | 0: Disable write access to the SD_BUF0 register<br>1: Enable write access to the SD_BUF0 register.   | R/W*1 |
| b12 to b10 | —              | Reserved                                    | These bits are read as 0. The write value should be 0.   | R/W   |
| b13        | SD_CLK_CTRLLEN | SD_CLK_CTRL Write Enable Flag               | 0: SD/MMC bus (CMD and DAT lines) is busy, so write access to the SD_CLK_CTRL.CLKEN and CLKSEL[7:0] bits is disabled<br>1: SD/MMC bus (CMD and DAT lines) is not busy, so write access to the SD_CLK_CTRL.CLKEN and CLKSEL[7:0] bits is enabled. | R     |
| b14        | CBSY           | Command Sequence Status Flag                | 0: Command sequence complete<br>1: Command sequence in progress (busy).  | R     |
| b15        | ILA            | Illegal Access Error Detection Flag         | 0: Illegal access error not detected<br>1: Illegal access error detected.  | R/W*1 |
| b31 to b16 | —              | Reserved                                    | These bits are read as 0. The write value should be 0.   | R/W   |

Note 1. The flag does not change even if set to 1. Writing 0 changes the flag value to 0.

The SD\_INFO2 register indicates the status of the SD buffer and the status of the SD card/MMC. Set the flags to be cleared to 0. Set the flags that are not being cleared to 1.

**CMDE flag (Command Error Detection Flag)**

The CMDE flag indicates that a command error was detected. The command sequence stops when a command error occurs. When the SDIO\_MODE.C52PUB bit is set to 1 and CMD52 is automatically issued, if a communication error or



response timeout occurs, the command sequence is not completed. Perform the error processing shown in [section 41.3.12, IO\\_RW\\_EXTENDED Command \(SD: CMD53/Multiple Block Read\)](#) or [section 41.3.13, IO\\_RW\\_EXTENDED Command \(SD: CMD53/Multiple Block Write\)](#), and complete the command sequence.

[Setting conditions]

- The command index of the transmitted command differs from the command index of the received response
- The command index of a command issued within a command sequence differs from the command index of the received response.

[Clearing condition]

- When 0 is written to CMDE.

#### **CRCE flag (CRC Error Detection Flag)**

The CRCE flag indicates that a CRC error was detected. The command sequence stops when a CRC error occurs. When the SDIO\_MODE.C52PUB bit is set to 1 and CMD52 is automatically issued, if a communication error or response timeout occurs, the command sequence is not completed. Perform the error processing shown in [section 41.3.12, IO\\_RW\\_EXTENDED Command \(SD: CMD53/Multiple Block Read\)](#) or [section 41.3.13, IO\\_RW\\_EXTENDED Command \(SD: CMD53/Multiple Block Write\)](#), and complete the command sequence.

[Setting conditions]

- When an error occurs in the CRC status
- When a CRC error occurs in the read data
- When a CRC error occurs in the response
- A CRC error in the response to a command issued within a command sequence.

[Clearing condition]

- When 0 is written to CRCE.

#### **ENDE flag (End Bit Error Detection Flag)**

The ENDE flag indicates that an end bit error was detected. The command sequence is stopped when an end bit error occurs. When the SDIO\_MODE.C52PUB bit is set to 1 and CMD52 is automatically issued, if a communication error or response timeout occurs, the command sequence is not completed. Perform the error processing shown in [section 41.3.12, IO\\_RW\\_EXTENDED Command \(SD: CMD53/Multiple Block Read\)](#) or [section 41.3.13, IO\\_RW\\_EXTENDED Command \(SD: CMD53/Multiple Block Write\)](#), and complete the command sequence.

[Setting conditions]

- When an error occurs in the response length (and the end bit is not detected)
- When an error occurs in the read data length (and the end bit is not detected among the valid bits)
- When an error occurs in the CRC status length (and the end bit is not detected)
- An error in the length of a response to a command issued within a command sequence, for example when the end bit is not detected.

[Clearing condition]

- When 0 is written to ENDE.

#### **DTO flag (Data Timeout Detection Flag)**

The DTO flag indicates that a data timeout was detected. The command sequence stops when a data timeout occurs.

[Setting conditions]

- After R1b response, the busy state (SDnDAT0 = 0) continues for longer than Ncycle
- After CRC status, the busy state (SDnDAT0 = 0) continues for longer than Ncycle
- After write data, the CRC status is not received though Ncycle has elapsed

- After read command, read data is not received though a time longer than Ncycle has elapsed
- After CMD12 is issued within a command sequence, the busy state (SDnDAT0 = 0) continues for longer than Ncycle
- After the reception of read data, read data for the next block are not received though a time longer than Ncycle has elapsed
- After release of the read wait state, read data for the next block are not received though a time longer than Ncycle has elapsed.

Note: Ncycle is set in bits [7:4] in SD\_OPTION.

[Clearing condition]

- When 0 is written to DTO.

#### **ILW flag (SD\_BUF0 Illegal Write Access Detection Flag)**

The ILW flag indicates that an SD\_BUF0 illegal write access was detected.

[Setting conditions]

- When data is written to SD\_BUF0 while it is not in the data read/write command state
- When data is written to SD\_BUF0 while SD\_BUF is full
- When data is written to SD\_BUF0 while an error occurs in the CRC status or CRC status length
- When data is written to SD\_BUF0 while a busy state after the CRC status continues for longer than Ncycle.

Note: Ncycle is set in bits [7:4] in SD\_OPTION.

[Clearing condition]

- When 0 is written to ILW.

#### **ILR flag (SD\_BUF0 Illegal Read Access Detection Flag)**

The ILR flag indicates that an SD\_BUF0 illegal read access was detected.

[Setting conditions]

- When SD\_BUF is empty while SD\_BUF0 is read
- When data with a CRC error or END error is read from SD\_BUF0.

[Clearing condition]

- When 0 is written to ILR.

#### **RSPTO flag (Response Timeout Detection Flag)**

The RSPTO flag indicates that a response timeout was detected. The command sequence is stopped when a response timeout occurs. When the SDIOMD.C52PUB bit is set to 1 and CMD52 is automatically issued, if a communication error or response timeout occurs, the command sequence is not completed. Perform the error processing shown in [section 41.3.12, IO\\_RW\\_EXTENDED Command \(SD: CMD53/Multiple Block Read\)](#) or [section 41.3.13, IO\\_RW\\_EXTENDED Command \(SD: CMD53/Multiple Block Write\)](#), and complete the command sequence.

[Setting condition]

- When a response is not received though a time longer than 640 cycles of SD/MMC clock has elapsed (including a response to a command issued within a command sequence).

[Clearing condition]

- When 0 is written to RSPTO.

#### **SDD0MON flag (SDHI\_D0 Pin Status Flag)**

The SDD0MON flag indicates the status of the SDHI\_D0 pin. If the data timeout (DTO) is set but the response timeout (RSPTO) is not set after the Erase command is issued, the end of the Erase sequence (SDD0MON = 1) is confirmed by polling DAT0.

If a communication error or timeout occurs during a write sequence, the DAT0 bit might retain the value 0.

While the SD/MMC clock is stopped, the DAT0 bit retains the value before the clock is stopped.

#### **BRE flag (SD\_BUF0 Read Enable Flag)**

The BRE flag indicates that SD\_BUF0 is enabled for reading.

[Setting conditions]

- When data set in SD\_SIZE is stored in SD\_BUF0 at single block transfer
- When data set in SD\_SIZE is stored in either bank 1 or bank 2 of SD\_BUF0 at multiple block transfer.

[Clearing conditions]

- When 0 is written to BRE
- Reading of a block of data from SD\_BUF0 by DMA transfer.

When data is read from SD\_BUF0 by the CPU, clear BRE, then read the amount of data specified in SD\_SIZE.

Even if a CRC error or an END error occurs while block data is read, data is stored in SD\_BUF0 and BRE is set.

#### **BWE flag (SD\_BUF0 Write Enable Flag)**

The BWE flag indicates that SD\_BUF0 is enabled for writing.

[Setting conditions]

- When SD\_BUF0 is empty at single block transfer
- When either bank 1 or bank 2 of SD\_BUF0 is empty at multiple block transfer.

[Clearing conditions]

- When 0 is written to BWE
- Writing of a block of data to SD\_BUF0 by DMA transfer.

When data is written to SD\_BUF0 by the CPU, clear BWE, and then write the amount of data specified in SD\_SIZE.

#### **SD\_CLK\_CTRLLEN flag (SD\_CLK\_CTRL Write Enable Flag)**

When a command sequence is started by writing to SD\_CMD, the CBSY bit is set to 1 and, at the same time, the SD\_CLK\_CTRLLEN bit is set to 0. The SD\_CLK\_CTRLLEN bit is set to 1 after 8 cycles of SDCLK have elapsed after the CBSY bit clears to 0 on completion of the command sequence.

#### **ILA flag (Illegal Access Error Detection Flag)**

The ILA flag indicates that an illegal access error was detected.

[Setting conditions]

- Writing of data to SD\_CMD within a command sequence (CBSY = 1)
- When SD\_CMD[11] = 1 (command with data transfer) and SD\_CMD[7:0] = 0000 1100b (CMD12) are set in SD\_CMD.

[Clearing condition]

- When 0 is written to ILA.

## 41.2.12 SD\_INFO1 Interrupt Mask Register (SD\_INFO1\_MASK)

Address(es): SDHI0.SD\_INFO1\_MASK 4006 2040h, SDHI1.SD\_INFO1\_MASK 4006 2440h

|                    |     |     |     |     |     |     |             |             |     |     |     |             |             |            |     |             |
|--------------------|-----|-----|-----|-----|-----|-----|-------------|-------------|-----|-----|-----|-------------|-------------|------------|-----|-------------|
|                    | b31 | b30 | b29 | b28 | b27 | b26 | b25         | b24         | b23 | b22 | b21 | b20         | b19         | b18        | b17 | b16         |
|                    | —   | —   | —   | —   | —   | —   | —           | —           | —   | —   | —   | —           | —           | —          | —   | —           |
| Value after reset: | 0   | 0   | 0   | 0   | 0   | 0   | 0           | 0           | 0   | 0   | 0   | 0           | 0           | 0          | 0   | 0           |
|                    | b15 | b14 | b13 | b12 | b11 | b10 | b9          | b8          | b7  | b6  | b5  | b4          | b3          | b2         | b1  | b0          |
|                    | —   | —   | —   | —   | —   | —   | SDD3I<br>NM | SDD3R<br>MM | —   | —   | —   | SDCDI<br>NM | SDCDR<br>MM | ACEND<br>M | —   | RSPEN<br>DM |
| Value after reset: | 0   | 0   | 0   | 0   | 0   | 0   | 1           | 1           | 0   | 0   | 0   | 1           | 1           | 1          | 0   | 1           |

| Bit        | Symbol  | Bit name                                 | Description  | R/W |
|------------|---------|--|--|-----|
| b0         | RSPENDM | Response End Interrupt Request Mask      | 0: Do not mask response end interrupt request<br>1: Mask response end interrupt request.   | R/W |
| b1         | —       | Reserved                                 | This bit is read as 0 and cannot be modified   | R   |
| b2         | ACENDM  | Access End Interrupt Request Mask        | 0: Do not mask access end interrupt request<br>1: Mask access end interrupt request.   | R/W |
| b3         | SDCDRMM | SDnCD Removal Interrupt Request Mask     | 0: Do not mask SD card/MMC removal interrupt request by the SDnCD pin<br>1: Mask SD card/MMC removal interrupt request by the SDnCD pin.         | R/W |
| b4         | SDCDINM | SDnCD Insertion Interrupt Request Mask   | 0: Do not mask SD card/MMC insertion interrupt request by the SDnCD pin<br>1: Mask SD card/MMC insertion interrupt request by the SDnCD pin.     | R/W |
| b7 to b5   | —       | Reserved                                 | These bits are read as 0. Writing to these bits has no effect.   | R   |
| b8         | SDD3RMM | SDnDAT3 Removal Interrupt Request Mask   | 0: Do not mask SD card/MMC removal interrupt request by the SDnDAT3 pin<br>1: Mask SD card/MMC removal interrupt request by the SDnDAT3 pin.     | R/W |
| b9         | SDD3INM | SDnDAT3 Insertion Interrupt Request Mask | 0: Do not mask SD card/MMC insertion interrupt request by the SDnDAT3 pin<br>1: Mask SD card/MMC insertion interrupt request by the SDnDAT3 pin. | R/W |
| b31 to b10 | —       | Reserved                                 | These bits are read as 0. Writing to these bits has no effect.   | R   |

The SD\_INFO1\_MASK register enables or disables interrupt requests from the status flags in the SD\_INFO1 register. See [Table 41.5, Interrupt sources](#), for details on the relationship between the status flags and the requested interrupt source.

### 41.2.13 SD INFO2 Interrupt Mask Register (SD\_INFO2\_MASK)

Address(es): SDHI0.SD\_INFO2\_MASK 4006 2044h, SDHI1.SD\_INFO2\_MASK 4006 2444h

|                    |      |     |     |     |     |     |      |      |     |        |      |      |      |       |       |       |
|--------------------|------|-----|-----|-----|-----|-----|------|------|-----|--------|------|------|------|-------|-------|-------|
|                    | b31  | b30 | b29 | b28 | b27 | b26 | b25  | b24  | b23 | b22    | b21  | b20  | b19  | b18   | b17   | b16   |
|                    | —    | —   | —   | —   | —   | —   | —    | —    | —   | —      | —    | —    | —    | —     | —     | —     |
| Value after reset: | 0    | 0   | 0   | 0   | 0   | 0   | 0    | 0    | 0   | 0      | 0    | 0    | 0    | 0     | 0     | 0     |
|                    | b15  | b14 | b13 | b12 | b11 | b10 | b9   | b8   | b7  | b6     | b5   | b4   | b3   | b2    | b1    | b0    |
|                    | ILAM | —   | —   | —   | —   | —   | BWEM | BREM | —   | RSPTOM | ILRM | ILWM | DTOM | ENDEM | CRCEM | CMDEM |
| Value after reset: | 1    | 0   | 0   | 0   | 1   | 0   | 1    | 1    | 0   | 1      | 1    | 1    | 1    | 1     | 1     | 1     |

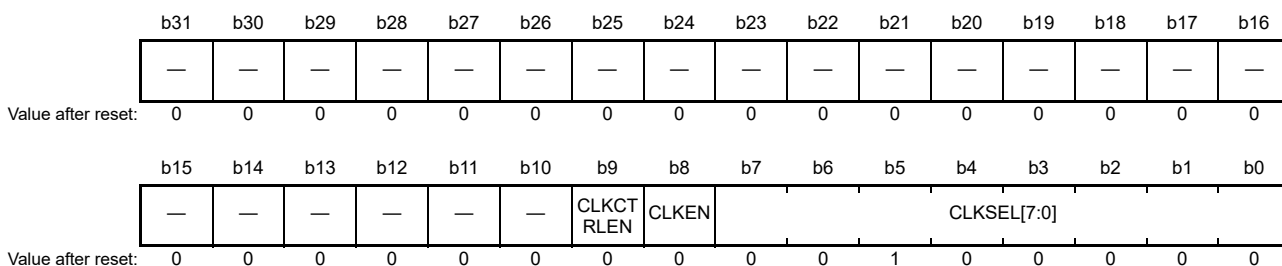
| Bit        | Symbol | Bit name  | Description  | R/W |
|------------|--------|---|--|-----|
| b0         | CMDEM  | Command Error Interrupt Request Mask                  | 0: Do not mask command error interrupt request<br>1: Mask command error interrupt request.   | R/W |
| b1         | CRCEM  | CRC Error Interrupt Request Mask                      | 0: Do not mask CRC error interrupt request<br>1: Mask CRC error interrupt request.   | R/W |
| b2         | ENDEM  | End Bit Error Interrupt Request Mask                  | 0: Do not mask end bit detection error interrupt request<br>1: Mask end bit detection error interrupt request.   | R/W |
| b3         | DTOM   | Data Timeout Interrupt Request Mask                   | 0: Do not mask data timeout interrupt request<br>1: Mask data timeout interrupt request.   | R/W |
| b4         | ILWM   | SD_BUF0 Register Illegal Write Interrupt Request Mask | 0: Do not mask illegal write detection interrupt request for the SD_BUF0 register<br>1: Mask illegal write detection interrupt request for the SD_BUF0 register. | R/W |
| b5         | ILRM   | SD_BUF0 Register Illegal Read Interrupt Request Mask  | 0: Do not mask illegal read detection interrupt request for the SD_BUF0 register<br>1: Mask illegal read detection interrupt request for the SD_BUF0 register.   | R/W |
| b6         | RSPTOM | Response Timeout Interrupt Request Mask               | 0: Do not mask response timeout interrupt request<br>1: Mask response timeout interrupt request.   | R/W |
| b7         | —      | Reserved  | This bit is 0 when read and cannot be modified.  | R   |
| b8         | BREM   | BRE Interrupt Request Mask                            | 0: Do not mask read enable interrupt request for the SD buffer<br>1: Mask read enable interrupt request for the SD buffer.                                       | R/W |
| b9         | BWEM   | BWE Interrupt Request Mask                            | 0: Do not mask write enable interrupt request for the SD_BUF0 register<br>1: Mask write enable interrupt request for the SD_BUF0 register.                       | R/W |
| b10        | —      | Reserved  | This bit is read as 0  | R   |
| b11        | —      | Reserved  | This bit is read as 1. The write value should be 1.  | R/W |
| b14 to b12 | —      | Reserved  | These bits are read as 0   | R   |
| b15        | ILAM   | Illegal Access Error Interrupt Request Mask           | 0: Do not mask illegal access error interrupt request<br>1: Mask illegal access error interrupt request.   | R/W |
| b31 to b16 | —      | Reserved  | These bits are read as 0. The write value should be 0.   | R   |

Note 1. When the SD\_INFO2\_MASK.BWEM bit is 0 or the SD\_INFO2\_MASK.BREM bit is 0, set the SD\_DMAEN.DMAEN bit to 0.  
When the SD\_DMAEN.DMAEN bit is 1, set the SD\_INFO2\_MASK.BWEM bit to 1 and the SD\_INFO2\_MASK.BREM bit to 1.

The SD\_INFO2\_MASK register enables or disables interrupt requests from the status flags in the SD\_INFO2 register. See Table 41.5 for details on the relationship between the status flags and the requested interrupt source.

### 41.2.14 SD Clock Control Register (SD\_CLK\_CTRL)

Address(es): SDHI0.SD\_CLK\_CTRL 4006 2048h, SDHI1.SD\_CLK\_CTRL 4006 2448h



| Bit        | Symbol                      | Bit name                                     | Description  | R/W |
|------------|-----------------------------|--|--|-----|
| b7 to b0   | <a href="#">CLKSEL[7:0]</a> | SDHI Clock Frequency Select*1                | b7      b0<br>0 0 0 0 0 0 0 0: PCLKA/2<br>0 0 0 0 0 0 0 1: PCLKA/4<br>0 0 0 0 0 0 1 0: PCLKA/8<br>0 0 0 0 0 1 0 0: PCLKA/16<br>0 0 0 0 1 0 0 0: PCLKA/32<br>0 0 0 1 0 0 0 0: PCLKA/64<br>0 0 1 0 0 0 0 0: PCLKA/128<br>0 1 0 0 0 0 0 0: PCLKA/256<br>1 0 0 0 0 0 0 0: PCLKA/512.<br>Other settings are prohibited. | R/W |
| b8         | <a href="#">CLKEN</a>       | SD/MMC Clock Output Control*1                | 0: Disable SD/MMC clock output (fix SDnCLK signal low)<br>1: Enable SD/MMC clock output.   | R/W |
| b9         | <a href="#">CLKCTRLLEN</a>  | SD/MMC Clock Output Automatic Control Select | 0: Disable automatic control of SD/MMC clock output<br>1: Enable automatic control of SD/MMC clock output.   | R/W |
| b31 to b10 | —                           | Reserved                                     | These bits are read as 0. The write value should be 0.   | R/W |

Note 1. Bits CLKSEL[7:0] and CLKEN cannot be write accessed when the SD\_INFO2.SD\_CLK\_CTRLLEN flag is 0.

The SDCLKCTRL register controls the SD/MMC clock frequency settings and output. Set the CLKEN bit to 1 before writing to the SD\_CMD register to start a command sequence. Do not write to the SDCLKCTRL register when the SD\_INFO2.SD\_CLK\_CTRLLEN flag is 0.

#### **CLKCTRLLEN bit (SD/MMC Clock Output Automatic Control Select)**

The CLKCTRLLEN bit enables or disables the automatic control function for SD/MMC clock output, which causes the SD/MMC clock to output only within a command sequence.

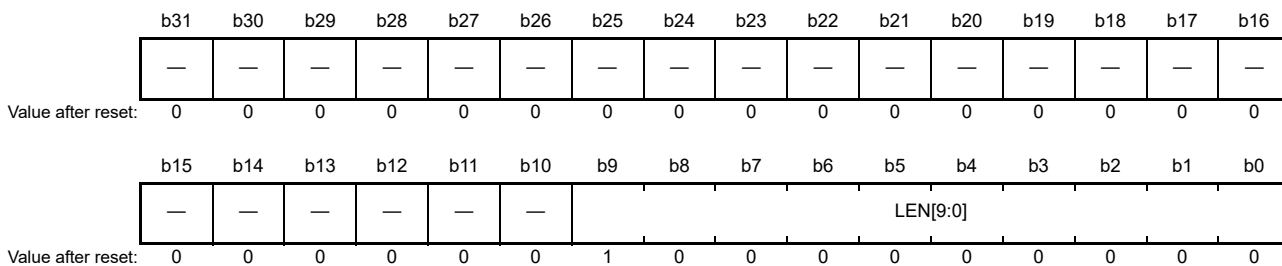
The timing with which SD/MMC clock output starts and stops is as follows:

- SD/MMC clock output starts after writing to SD\_CMD
- SD/MMC clock output stops when 8 cycles of SD/MMC clock have elapsed after the end of the command sequence.

In addition, SD/MMC clock is fixed to 0 while CLKEN of SD\_CLK\_CTRL is 0, regardless of the value of this bit.

### 41.2.15 Transfer Data Length Register (SD\_SIZE)

Address(es): SDHI0.SD\_SIZE 4006 204Ch, SDHI1.SD\_SIZE 4006 244Ch



| Bit        | Symbol   | Bit name                   | Description  | R/W |
|------------|----------|----------------------------|--|-----|
| b9 to b0   | LEN[9:0] | Transfer Data Size Setting | These bits specify the transfer data size*1            | R/W |
| b31 to b10 | —        | Reserved                   | These bits are read as 0. The write value should be 0. | R   |

Note 1. Do not rewrite these bits when the SD\_INFO2.CBSY flag is 1.

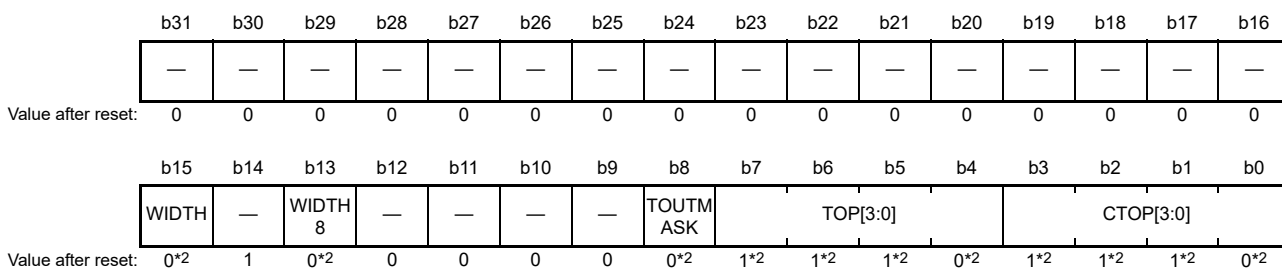
The SD\_SIZE register sets the transfer data size.

#### LEN[9:0] bits (Transfer Data Size Setting)

When using single block transfer, the transfer data size can be set in the LEN[9:0] bits from 1 byte to 512 bytes. When CMD12 is automatically issued during a multiblock transfer sequence (CMD18 and CMD25), the transfer data size can only be set to 512 bytes. When CMD12 is not automatically issued during a multiblock transfer sequence, the transfer data size can be set to 32, 64, 128, 256, or 512 bytes. However, a 32-, 64-, 128-, or 256-byte multiblock read transfer can only be performed during an SDIO multiblock transfer (CMD53). Do not set these bits to 0 when using a command that includes data transfer.

### 41.2.16 SD Card Access Control Option Register (SD\_OPTION)

Address(es): SDHI0.SD\_OPTION 4006 2050h, SDHI1.SD\_OPTION 4006 2450h



| Bit      | Symbol                  | Bit name                       | Description   | R/W |    |    |    |          |                         |          |                         |          |                         |          |                         |          |                         |          |                         |          |                         |          |                         |          |                         |          |                         |          |                         |          |                         |          |                         |          |                         |          |                         |          |                     |     |
|----------|-------------------------|--------------------------------|---|-----|----|----|----|----------|-------------------------|----------|-------------------------|----------|-------------------------|----------|-------------------------|----------|-------------------------|----------|-------------------------|----------|-------------------------|----------|-------------------------|----------|-------------------------|----------|-------------------------|----------|-------------------------|----------|-------------------------|----------|-------------------------|----------|-------------------------|----------|-------------------------|----------|---------------------|-----|
| b3 to b0 | CTOP[3:0]               | Card Detection Time Counter *1 | <table border="0"> <tr> <td>b3</td> <td>b0</td> <td>b3</td> <td>b0</td> </tr> <tr> <td>0 0 0 0:</td> <td>PCLKA × 2<sup>10</sup></td> <td>1 0 0 0:</td> <td>PCLKA × 2<sup>18</sup></td> </tr> <tr> <td>0 0 0 1:</td> <td>PCLKA × 2<sup>11</sup></td> <td>1 0 0 1:</td> <td>PCLKA × 2<sup>19</sup></td> </tr> <tr> <td>0 0 1 0:</td> <td>PCLKA × 2<sup>12</sup></td> <td>1 0 1 0:</td> <td>PCLKA × 2<sup>20</sup></td> </tr> <tr> <td>0 0 1 1:</td> <td>PCLKA × 2<sup>13</sup></td> <td>1 0 1 1:</td> <td>PCLKA × 2<sup>21</sup></td> </tr> <tr> <td>0 1 0 0:</td> <td>PCLKA × 2<sup>14</sup></td> <td>1 1 0 0:</td> <td>PCLKA × 2<sup>22</sup></td> </tr> <tr> <td>0 1 0 1:</td> <td>PCLKA × 2<sup>15</sup></td> <td>1 1 0 1:</td> <td>PCLKA × 2<sup>23</sup></td> </tr> <tr> <td>0 1 1 0:</td> <td>PCLKA × 2<sup>16</sup></td> <td>1 1 1 0:</td> <td>PCLKA × 2<sup>24</sup></td> </tr> <tr> <td>0 1 1 1:</td> <td>PCLKA × 2<sup>17</sup></td> <td>1 1 1 1:</td> <td>Setting prohibited.</td> </tr> </table> | b3  | b0 | b3 | b0 | 0 0 0 0: | PCLKA × 2 <sup>10</sup> | 1 0 0 0: | PCLKA × 2 <sup>18</sup> | 0 0 0 1: | PCLKA × 2 <sup>11</sup> | 1 0 0 1: | PCLKA × 2 <sup>19</sup> | 0 0 1 0: | PCLKA × 2 <sup>12</sup> | 1 0 1 0: | PCLKA × 2 <sup>20</sup> | 0 0 1 1: | PCLKA × 2 <sup>13</sup> | 1 0 1 1: | PCLKA × 2 <sup>21</sup> | 0 1 0 0: | PCLKA × 2 <sup>14</sup> | 1 1 0 0: | PCLKA × 2 <sup>22</sup> | 0 1 0 1: | PCLKA × 2 <sup>15</sup> | 1 1 0 1: | PCLKA × 2 <sup>23</sup> | 0 1 1 0: | PCLKA × 2 <sup>16</sup> | 1 1 1 0: | PCLKA × 2 <sup>24</sup> | 0 1 1 1: | PCLKA × 2 <sup>17</sup> | 1 1 1 1: | Setting prohibited. | R/W |
| b3       | b0                      | b3                             | b0  |     |    |    |    |          |                         |          |                         |          |                         |          |                         |          |                         |          |                         |          |                         |          |                         |          |                         |          |                         |          |                         |          |                         |          |                         |          |                         |          |                         |          |                     |     |
| 0 0 0 0: | PCLKA × 2 <sup>10</sup> | 1 0 0 0:                       | PCLKA × 2 <sup>18</sup>   |     |    |    |    |          |                         |          |                         |          |                         |          |                         |          |                         |          |                         |          |                         |          |                         |          |                         |          |                         |          |                         |          |                         |          |                         |          |                         |          |                         |          |                     |     |
| 0 0 0 1: | PCLKA × 2 <sup>11</sup> | 1 0 0 1:                       | PCLKA × 2 <sup>19</sup>   |     |    |    |    |          |                         |          |                         |          |                         |          |                         |          |                         |          |                         |          |                         |          |                         |          |                         |          |                         |          |                         |          |                         |          |                         |          |                         |          |                         |          |                     |     |
| 0 0 1 0: | PCLKA × 2 <sup>12</sup> | 1 0 1 0:                       | PCLKA × 2 <sup>20</sup>   |     |    |    |    |          |                         |          |                         |          |                         |          |                         |          |                         |          |                         |          |                         |          |                         |          |                         |          |                         |          |                         |          |                         |          |                         |          |                         |          |                         |          |                     |     |
| 0 0 1 1: | PCLKA × 2 <sup>13</sup> | 1 0 1 1:                       | PCLKA × 2 <sup>21</sup>   |     |    |    |    |          |                         |          |                         |          |                         |          |                         |          |                         |          |                         |          |                         |          |                         |          |                         |          |                         |          |                         |          |                         |          |                         |          |                         |          |                         |          |                     |     |
| 0 1 0 0: | PCLKA × 2 <sup>14</sup> | 1 1 0 0:                       | PCLKA × 2 <sup>22</sup>   |     |    |    |    |          |                         |          |                         |          |                         |          |                         |          |                         |          |                         |          |                         |          |                         |          |                         |          |                         |          |                         |          |                         |          |                         |          |                         |          |                         |          |                     |     |
| 0 1 0 1: | PCLKA × 2 <sup>15</sup> | 1 1 0 1:                       | PCLKA × 2 <sup>23</sup>   |     |    |    |    |          |                         |          |                         |          |                         |          |                         |          |                         |          |                         |          |                         |          |                         |          |                         |          |                         |          |                         |          |                         |          |                         |          |                         |          |                         |          |                     |     |
| 0 1 1 0: | PCLKA × 2 <sup>16</sup> | 1 1 1 0:                       | PCLKA × 2 <sup>24</sup>   |     |    |    |    |          |                         |          |                         |          |                         |          |                         |          |                         |          |                         |          |                         |          |                         |          |                         |          |                         |          |                         |          |                         |          |                         |          |                         |          |                         |          |                     |     |
| 0 1 1 1: | PCLKA × 2 <sup>17</sup> | 1 1 1 1:                       | Setting prohibited.   |     |    |    |    |          |                         |          |                         |          |                         |          |                         |          |                         |          |                         |          |                         |          |                         |          |                         |          |                         |          |                         |          |                         |          |                         |          |                         |          |                         |          |                     |     |

| Bit        | Symbol                         | Bit name          | Description   | R/W |     |    |    |             |                              |          |                              |          |                              |             |                              |          |                              |          |                              |          |                              |          |                              |          |                              |          |                              |          |                              |          |                              |          |                              |          |                              |          |                                |          |                     |     |
|------------|--------------------------------|-------------------|---|-----|-----|----|----|-------------|------------------------------|----------|------------------------------|----------|------------------------------|-------------|------------------------------|----------|------------------------------|----------|------------------------------|----------|------------------------------|----------|------------------------------|----------|------------------------------|----------|------------------------------|----------|------------------------------|----------|------------------------------|----------|------------------------------|----------|------------------------------|----------|--------------------------------|----------|---------------------|-----|
| b7 to b4   | <a href="#">TOP[3:0]</a>       | Timeout Counter*1 | <table border="0"> <tr> <td>b7</td> <td>b4</td> <td>b7</td> <td>b4</td> </tr> <tr> <td>0 0 0 0:</td> <td>SDHI clock × 2<sup>13</sup></td> <td>1 0 0 0:</td> <td>SDHI clock × 2<sup>21</sup></td> </tr> <tr> <td>0 0 0 1:</td> <td>SDHI clock × 2<sup>14</sup></td> <td>1 0 0 1:</td> <td>SDHI clock × 2<sup>22</sup></td> </tr> <tr> <td>0 0 1 0:</td> <td>SDHI clock × 2<sup>15</sup></td> <td>1 0 1 0:</td> <td>SDHI clock × 2<sup>23</sup></td> </tr> <tr> <td>0 0 1 1:</td> <td>SDHI clock × 2<sup>16</sup></td> <td>1 0 1 1:</td> <td>SDHI clock × 2<sup>24</sup></td> </tr> <tr> <td>0 1 0 0:</td> <td>SDHI clock × 2<sup>17</sup></td> <td>1 1 0 0:</td> <td>SDHI clock × 2<sup>25</sup></td> </tr> <tr> <td>0 1 0 1:</td> <td>SDHI clock × 2<sup>18</sup></td> <td>1 1 0 1:</td> <td>SDHI clock × 2<sup>26</sup></td> </tr> <tr> <td>0 1 1 0:</td> <td>SDHI clock × 2<sup>19</sup></td> <td>1 1 1 0:</td> <td>SDHI clock × 2<sup>27</sup></td> </tr> <tr> <td>0 1 1 1:</td> <td>SDHI clock × 2<sup>20</sup>.</td> <td>1 1 1 1:</td> <td>Setting prohibited.</td> </tr> </table> | b7  | b4  | b7 | b4 | 0 0 0 0:    | SDHI clock × 2 <sup>13</sup> | 1 0 0 0: | SDHI clock × 2 <sup>21</sup> | 0 0 0 1: | SDHI clock × 2 <sup>14</sup> | 1 0 0 1:    | SDHI clock × 2 <sup>22</sup> | 0 0 1 0: | SDHI clock × 2 <sup>15</sup> | 1 0 1 0: | SDHI clock × 2 <sup>23</sup> | 0 0 1 1: | SDHI clock × 2 <sup>16</sup> | 1 0 1 1: | SDHI clock × 2 <sup>24</sup> | 0 1 0 0: | SDHI clock × 2 <sup>17</sup> | 1 1 0 0: | SDHI clock × 2 <sup>25</sup> | 0 1 0 1: | SDHI clock × 2 <sup>18</sup> | 1 1 0 1: | SDHI clock × 2 <sup>26</sup> | 0 1 1 0: | SDHI clock × 2 <sup>19</sup> | 1 1 1 0: | SDHI clock × 2 <sup>27</sup> | 0 1 1 1: | SDHI clock × 2 <sup>20</sup> . | 1 1 1 1: | Setting prohibited. | R/W |
| b7         | b4                             | b7                | b4  |     |     |    |    |             |                              |          |                              |          |                              |             |                              |          |                              |          |                              |          |                              |          |                              |          |                              |          |                              |          |                              |          |                              |          |                              |          |                              |          |                                |          |                     |     |
| 0 0 0 0:   | SDHI clock × 2 <sup>13</sup>   | 1 0 0 0:          | SDHI clock × 2 <sup>21</sup>  |     |     |    |    |             |                              |          |                              |          |                              |             |                              |          |                              |          |                              |          |                              |          |                              |          |                              |          |                              |          |                              |          |                              |          |                              |          |                              |          |                                |          |                     |     |
| 0 0 0 1:   | SDHI clock × 2 <sup>14</sup>   | 1 0 0 1:          | SDHI clock × 2 <sup>22</sup>  |     |     |    |    |             |                              |          |                              |          |                              |             |                              |          |                              |          |                              |          |                              |          |                              |          |                              |          |                              |          |                              |          |                              |          |                              |          |                              |          |                                |          |                     |     |
| 0 0 1 0:   | SDHI clock × 2 <sup>15</sup>   | 1 0 1 0:          | SDHI clock × 2 <sup>23</sup>  |     |     |    |    |             |                              |          |                              |          |                              |             |                              |          |                              |          |                              |          |                              |          |                              |          |                              |          |                              |          |                              |          |                              |          |                              |          |                              |          |                                |          |                     |     |
| 0 0 1 1:   | SDHI clock × 2 <sup>16</sup>   | 1 0 1 1:          | SDHI clock × 2 <sup>24</sup>  |     |     |    |    |             |                              |          |                              |          |                              |             |                              |          |                              |          |                              |          |                              |          |                              |          |                              |          |                              |          |                              |          |                              |          |                              |          |                              |          |                                |          |                     |     |
| 0 1 0 0:   | SDHI clock × 2 <sup>17</sup>   | 1 1 0 0:          | SDHI clock × 2 <sup>25</sup>  |     |     |    |    |             |                              |          |                              |          |                              |             |                              |          |                              |          |                              |          |                              |          |                              |          |                              |          |                              |          |                              |          |                              |          |                              |          |                              |          |                                |          |                     |     |
| 0 1 0 1:   | SDHI clock × 2 <sup>18</sup>   | 1 1 0 1:          | SDHI clock × 2 <sup>26</sup>  |     |     |    |    |             |                              |          |                              |          |                              |             |                              |          |                              |          |                              |          |                              |          |                              |          |                              |          |                              |          |                              |          |                              |          |                              |          |                              |          |                                |          |                     |     |
| 0 1 1 0:   | SDHI clock × 2 <sup>19</sup>   | 1 1 1 0:          | SDHI clock × 2 <sup>27</sup>  |     |     |    |    |             |                              |          |                              |          |                              |             |                              |          |                              |          |                              |          |                              |          |                              |          |                              |          |                              |          |                              |          |                              |          |                              |          |                              |          |                                |          |                     |     |
| 0 1 1 1:   | SDHI clock × 2 <sup>20</sup> . | 1 1 1 1:          | Setting prohibited.   |     |     |    |    |             |                              |          |                              |          |                              |             |                              |          |                              |          |                              |          |                              |          |                              |          |                              |          |                              |          |                              |          |                              |          |                              |          |                              |          |                                |          |                     |     |
| b8         | <a href="#">TOUTMASK</a>       | Timeout Mask      | 0: Activate timeout<br>1: Inactivate timeout (do not set RSPTO and DTO bits of SD_INFO2 or E6 to E0 bits of SDERRSTS2).<br>When timeout occurs because of an inactivated timeout, execute a software reset to terminate the command sequence.   | R/W |     |    |    |             |                              |          |                              |          |                              |             |                              |          |                              |          |                              |          |                              |          |                              |          |                              |          |                              |          |                              |          |                              |          |                              |          |                              |          |                                |          |                     |     |
| b12 to b9  | —                              | Reserved          | These bits are read as 0  | R   |     |    |    |             |                              |          |                              |          |                              |             |                              |          |                              |          |                              |          |                              |          |                              |          |                              |          |                              |          |                              |          |                              |          |                              |          |                              |          |                                |          |                     |     |
| b13        | <a href="#">WIDTH8*2</a>       | Bus Width         | See bit 15 WIDTH bit  | R/W |     |    |    |             |                              |          |                              |          |                              |             |                              |          |                              |          |                              |          |                              |          |                              |          |                              |          |                              |          |                              |          |                              |          |                              |          |                              |          |                                |          |                     |     |
| b14        | —                              | Reserved          | This bit is read as 1   | R   |     |    |    |             |                              |          |                              |          |                              |             |                              |          |                              |          |                              |          |                              |          |                              |          |                              |          |                              |          |                              |          |                              |          |                              |          |                              |          |                                |          |                     |     |
| b15        | <a href="#">WIDTH</a>          | Bus Width*2       | <table border="0"> <tr> <td>b15</td> <td>b13</td> </tr> <tr> <td>0</td> <td>1:</td> <td>8-bit width</td> </tr> <tr> <td>0</td> <td>0:</td> <td>4-bit width</td> </tr> <tr> <td>1</td> <td>0:</td> <td>1-bit width</td> </tr> <tr> <td>1</td> <td>1:</td> <td>1-bit width.</td> </tr> </table> For 1-byte write transfers, set 4-bit or 1-bit width. Do not set 8-bit width.   | b15 | b13 | 0  | 1: | 8-bit width | 0                            | 0:       | 4-bit width                  | 1        | 0:                           | 1-bit width | 1                            | 1:       | 1-bit width.                 | R/W      |                              |          |                              |          |                              |          |                              |          |                              |          |                              |          |                              |          |                              |          |                              |          |                                |          |                     |     |
| b15        | b13                            |                   |   |     |     |    |    |             |                              |          |                              |          |                              |             |                              |          |                              |          |                              |          |                              |          |                              |          |                              |          |                              |          |                              |          |                              |          |                              |          |                              |          |                                |          |                     |     |
| 0          | 1:                             | 8-bit width       |   |     |     |    |    |             |                              |          |                              |          |                              |             |                              |          |                              |          |                              |          |                              |          |                              |          |                              |          |                              |          |                              |          |                              |          |                              |          |                              |          |                                |          |                     |     |
| 0          | 0:                             | 4-bit width       |   |     |     |    |    |             |                              |          |                              |          |                              |             |                              |          |                              |          |                              |          |                              |          |                              |          |                              |          |                              |          |                              |          |                              |          |                              |          |                              |          |                                |          |                     |     |
| 1          | 0:                             | 1-bit width       |   |     |     |    |    |             |                              |          |                              |          |                              |             |                              |          |                              |          |                              |          |                              |          |                              |          |                              |          |                              |          |                              |          |                              |          |                              |          |                              |          |                                |          |                     |     |
| 1          | 1:                             | 1-bit width.      |   |     |     |    |    |             |                              |          |                              |          |                              |             |                              |          |                              |          |                              |          |                              |          |                              |          |                              |          |                              |          |                              |          |                              |          |                              |          |                              |          |                                |          |                     |     |
| b31 to b16 | —                              | Reserved          | These bits are read as 0  | R   |     |    |    |             |                              |          |                              |          |                              |             |                              |          |                              |          |                              |          |                              |          |                              |          |                              |          |                              |          |                              |          |                              |          |                              |          |                              |          |                                |          |                     |     |

Note 1. Do not rewrite these bits when the SD\_INFO2.CBSY flag is 1.

Note 2. The initial value is applied at a reset and when the SOFT\_RST.SDRST flag is 0.

The SD bus width and timeout counter are set in the SD\_OPTION register.

#### 41.2.17 SD Error Status Register 1 (SD\_ERR\_STS1)

Address(es): [SDHI0.SD\\_ERR\\_STS1 4006 2058h](#), [SDHI1.SD\\_ERR\\_STS1 4006 2458h](#)

|                    | b31 | b30        | b29 | b28 | b27     | b26     | b25       | b24       | b23 | b22 | b21      | b20     | b19       | b18       | b17   | b16   |
|--------------------|-----|------------|-----|-----|---------|---------|-----------|-----------|-----|-----|----------|---------|-----------|-----------|-------|-------|
|                    | —   | —          | —   | —   | —       | —       | —         | —         | —   | —   | —        | —       | —         | —         | —     | —     |
| Value after reset: | x   | x          | x   | x   | x       | x       | x         | x         | x   | x   | x        | x       | x         | x         | x     | x     |
|                    | b15 | b14        | b13 | b12 | b11     | b10     | b9        | b8        | b7  | b6  | b5       | b4      | b3        | b2        | b1    | b0    |
|                    | —   | CRCTK[2:0] |     |     | CRCTK E | RDCR CE | RSPCR CE1 | RSPCR CE0 | —   | —   | CRCLE NE | RDLEN E | RSPLE NE1 | RSPLE NE0 | CMDE1 | CMDE0 |
| Value after reset: | x   | 0*3        | 1*3 | 0*3 | 0*3     | 0*3     | 0*3       | 0*3       | 0   | 0   | 0*3      | 0*3     | 0*3       | 0*3       | 0*3   | 0*3   |

x: Undefined

| Bit | Symbol                   | Bit name                     | Description  | R/W |
|-----|--------------------------|------------------------------|--|-----|
| b0  | <a href="#">CMDE0</a>    | Command Error Flag 0         | 0: No error exists in command index field value of a command*1 response<br>1: Error exists in command index field value of a command*1 response.   | R   |
| b1  | <a href="#">CMDE1</a>    | Command Error Flag 1         | 0: No error exists in command index field value of a command*2 response<br>1: Error exists in command index field value of a command*2 response (with SD_CMD.CMDIDX[5:0] setting, an error that occurs with CMD12 issue is indicated in the CMDE0 flag). | R   |
| b2  | <a href="#">RSPLENE0</a> | Response Length Error Flag 0 | 0: No error exists in command*1 response length<br>1: Error exists in command*1 response length.   | R   |



| Bit        | Symbol     | Bit name                           | Description   | R/W |
|------------|------------|------------------------------------|---|-----|
| b3         | RSPLENE1   | Response Length Error Flag 1       | 0: No error exists in command*2 response length<br>1: Error exists in command*2 response length (with SD_CMD.CMDIDX[5:0] setting, an error that occurs with CMD12 issue is indicated in the RSPLENE0 flag). | R   |
| b4         | RDLLEN     | Read Data Length Error Flag        | 0: No read data length error occurred<br>1: Read data length error occurred.  | R   |
| b5         | CRCLLEN    | CRC Status Token Length Error Flag | 0: No CRC status token length error occurred<br>1: CRC status token length error occurred.  | R   |
| b7, b6     | —          | Reserved                           | These bits are read as 0  | R   |
| b8         | RSPCRCE0   | Response CRC Error Flag 0          | 0: No CRC error detected in command*1 response<br>1: CRC error detected in command*1 response.  | R   |
| b9         | RSPCRCE1   | Response CRC Error Flag 1          | 0: No CRC error detected in command*2 response (with SD_CMD.CMDIDX[5:0] setting, an error that occurs with CMD12 issue is indicated in the RSPCRCE0 flag)<br>1: CRC error detected in command*2 response.   | R   |
| b10        | RDCRCE     | Read Data CRC Error Flag           | 0: No CRC error detected in read data<br>1: CRC error detected in read data.  | R   |
| b11        | CRCTKE     | CRC Status Token Error Flag        | 0: No error detected in CRC status token<br>1: Error detected in CRC status token.  | R   |
| b14 to b12 | CRCTK[2:0] | CRC Status Token                   | These bits store the CRC status token value (normal value is 010b)  | R   |
| b15        | —          | Reserved                           | This bit is read as 0   | R   |
| b31 to b16 | —          | Reserved                           | These bits are read as undefined  | R   |

Note 1. CMD other than CMD12 when automatic issuing is enabled for multiple block transfer by the setting in SD\_CMD, CMD12 when the STP bit in SD\_STOP is set to 1, or CMD52 when the C52PUB or IOABT bit in SDIO\_MODE is set to 1.

Note 2. CMD12 when automatic issuing is enabled for multiple block transfer by the setting in SD\_CMD, CMD12 when the STP bit in SD\_STOP is set to 1, or CMD52 when the C52PUB or IOABT bit in SDIO\_MODE is set to 1.

Note 3. The initial value is applied at a reset and when the SOFT\_RST.SDRST flag is 0.

The SD\_ERR\_STS1 register indicates the CRC status token, CRC error, end bit error, and command error.

#### 41.2.18 SD Error Status Register 2 (SD\_ERR\_STS2)

Address(es): SDHI0.SD\_ERR\_STS2 4006 205Ch, SDHI1.SD\_ERR\_STS2 4006 245Ch

|                    | b31 | b30 | b29 | b28 | b27 | b26 | b25 | b24 | b23 | b22       | b21   | b20  | b19     | b18     | b17     | b16     |
|--------------------|-----|-----|-----|-----|-----|-----|-----|-----|-----|-----------|-------|------|---------|---------|---------|---------|
|                    | —   | —   | —   | —   | —   | —   | —   | —   | —   | —         | —     | —    | —       | —       | —       | —       |
| Value after reset: | 0   | 0   | 0   | 0   | 0   | 0   | 0   | 0   | 0   | 0         | 0     | 0    | 0       | 0       | 0       | 0       |
|                    | b15 | b14 | b13 | b12 | b11 | b10 | b9  | b8  | b7  | b6        | b5    | b4   | b3      | b2      | b1      | b0      |
|                    | —   | —   | —   | —   | —   | —   | —   | —   | —   | CRCBS YTO | CRCTO | RDTO | BSYTO 1 | BSYTO 0 | RSPTO 1 | RSPTO 0 |
| Value after reset: | 0   | 0   | 0   | 0   | 0   | 0   | 0   | 0   | 0   | 0*4       | 0*4   | 0*4  | 0*4     | 0*4     | 0*4     | 0*4     |

| Bit | Symbol | Bit name                | Description   | R/W |
|-----|--------|-------------------------|---|-----|
| b0  | RSPTO0 | Response Timeout Flag 0 | 0: After command*1 was issued, response was received in less than 640 cycles of the SD/MMC clock<br>1: After command*1 was issued, response was not received in 640 or more cycles of the SD/MMC clock.   | R   |
| b1  | RSPTO1 | Response Timeout Flag 1 | 0: After command*2 was issued, response was received in less than 640 cycles of the SD/MMC clock<br>1: After command*2 was issued, response was not received after 640 or more cycles of the SD/MMC clock (with SD_CMD.CMDIDX[5:0] setting, an error that occurs with CMD12 issue is indicated in the RSPTO0 flag). | R   |

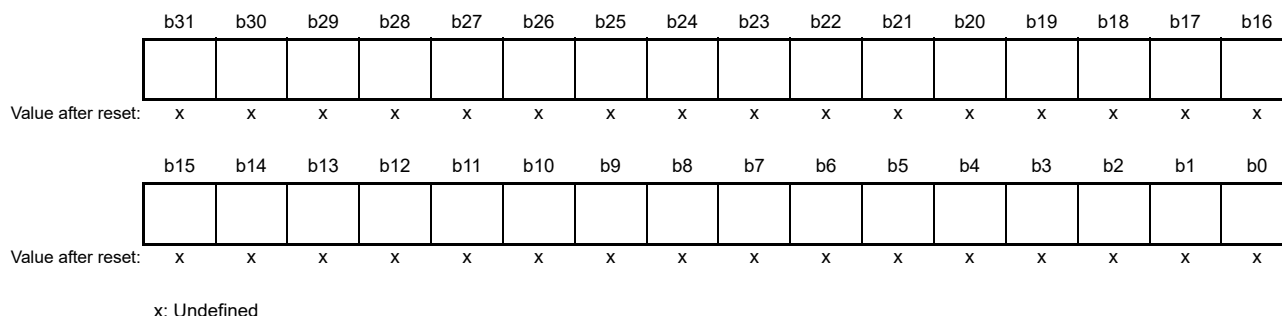
| Bit       | Symbol   | Bit name                           | Description  | R/W |
|-----------|----------|------------------------------------|--|-----|
| b2        | BSYTO0   | Busy Timeout Flag 0                | 0: After R1b response was received, SD/MMC was released from the busy state during the specified period*3<br>1: After R1b response was received, SD/MMC was in the busy state after the specified period*3 elapsed.  | R   |
| b3        | BSYTO1   | Busy Timeout Flag 1                | 0: After CMD12 was automatically issued, SD/MMC was released from the busy state during the specified period*3<br>1: After CMD12 was automatically issued, SD/MMC was in the busy state after the specified period*3 elapsed (with SD_CMD.CMDIDX[5:0] setting, an error that occurs with CMD12 issue is indicated in the BSYTO0 flag).   | R   |
| b4        | RDTO     | Read Data Timeout Flag             | When a read command is issued, this flag is set to 1 when read data is not received after the specified period*3 elapses.<br>When read data is received, this flag is set to 1 when the next block of read data is not received after the specified period*3 elapses.<br>When the SD/MMC exits the read wait state, this flag is set to 1 when the next block of read data is not received after the specified period*3 elapses. | R   |
| b5        | CRCTO    | CRC Status Token Timeout Flag      | 0: After CRC data was written to the SD card/MMC, a CRC status token was received during the specified period*3<br>1: After CRC data was written to the SD card/MMC, a CRC status token was not received after the specified period*3 elapsed.   | R   |
| b6        | CRCBSYTO | CRC Status Token Busy Timeout Flag | 0: After a CRC status token was received, the SD/MMC was released from the busy state during the specified period*3<br>1: After a CRC status token was received, the SD/MMC was in the busy state after the specified period*3 elapsed.  | R   |
| b31 to b7 | —        | Reserved                           | These bits are read as 0   | R   |

- Note 1. CMD other than CMD12 when automatic issuing is enabled for multiple block transfer by the setting in SD\_CMD, CMD12 when the STP bit in SD\_STOP is set to 1, or CMD52 when the C52PUB or IOABT bit in SDIO\_MODE is set to 1.
- Note 2. CMD12 when automatic issuing is enabled for multiple block transfer by the setting in SD\_CMD, CMD12 when the STP bit in SD\_STOP is set to 1, or CMD52 when the C52PUB or IOABT bit in SDIO\_MODE is set to 1.
- Note 3. Set the SD\_OPTION.TOP[3:0] bits to select the number of *n* cycles.
- Note 4. The initial value is applied at a reset and when the SOFT\_RST.SDRST flag is 0.

The SD\_ERR\_STS2 register indicates the timeout status.

### 41.2.19 SD Buffer Register (SD\_BUF0)

Address(es): SDHI0.SD\_BUF0 4006 2060h, SDHI1.SD\_BUF0 4006 2460h



When writing to the SD card, write data is written to this register. When reading from the SD card, read data is read from this register. This register is internally connected to two 512-byte buffers.

If both buffers are not empty when executing multiple block read, the SD card/MMC clock is stopped to suspend receiving data. When one of the buffers is empty, the SD card/MMC clock is supplied to resume receiving data.

### 41.2.20 SDIO Mode Control Register (SDIO\_MODE)

Address(es): SDHI0.SDIO\_MODE 4006 2068h, SDHI1.SDIO\_MODE 4006 2468h

|                    |     |     |     |     |     |     |        |       |     |     |     |     |     |       |     |       |
|--------------------|-----|-----|-----|-----|-----|-----|--------|-------|-----|-----|-----|-----|-----|-------|-----|-------|
|                    | b31 | b30 | b29 | b28 | b27 | b26 | b25    | b24   | b23 | b22 | b21 | b20 | b19 | b18   | b17 | b16   |
|                    | —   | —   | —   | —   | —   | —   | —      | —     | —   | —   | —   | —   | —   | —     | —   | —     |
| Value after reset: | 0   | 0   | 0   | 0   | 0   | 0   | 0      | 0     | 0   | 0   | 0   | 0   | 0   | 0     | 0   | 0     |
|                    | b15 | b14 | b13 | b12 | b11 | b10 | b9     | b8    | b7  | b6  | b5  | b4  | b3  | b2    | b1  | b0    |
|                    | —   | —   | —   | —   | —   | —   | C52PUB | IOABT | —   | —   | —   | —   | —   | RWREQ | —   | INTEN |
| Value after reset: | 0   | 0   | 0   | 0   | 0   | 0   | 0      | 0     | 0   | 0   | 0   | 0   | 0   | 0     | 0   | 0     |

| Bit        | Symbol | Bit name                                       | Description   | R/W |
|------------|--------|--|---|-----|
| b0         | INTEN  | SDIO Interrupt Acceptance Enable* <sup>1</sup> | 0: Disable SDIO interrupt acceptance<br>1: Enable SDIO interrupt acceptance.  | R/W |
| b1         | —      | Reserved                                       | This bit is read as 0   | R   |
| b2         | RWREQ  | Read Wait Request                              | 0: Allow SD/MMC to exit read wait state<br>1: Request for SD/MMC to enter read wait state.  | R/W |
| b7 to b3   | —      | Reserved                                       | These bits are read as 0  | R   |
| b8         | IOABT  | SDIO Abort                                     | If this bit is set to 1 during multiblock transfer triggered by CMD53, CMD52 is immediately issued, and the command sequence is aborted                             | R/W |
| b9         | C52PUB | SDIO None Abort                                | If this bit is set to 1 during multiblock transfer triggered by CMD53, CMD52 is issued after the transfer process is complete, and the command sequence is complete | R/W |
| b31 to b10 | —      | Reserved                                       | These bits are read as 0  | R   |

Note 1. Do not rewrite this bit when the SD\_INFO2.CBSY flag is 1.

The SDIO\_MODE register controls reception of the SDIO interrupt, CMD52 issuance during multiblock transfer, and the read wait request. Do not set bits C52PUB and IOABT to 1 at the same time.

#### RWREQ bit (Read Wait Request)

When RWREQ is set to 1 in the CMD53 (multiple block) read sequence, the block transfer enters the read wait state between blocks.

[Read wait state releasing]

- The read wait state is released, when RWREQ is cleared to 0 in the read wait state
- When IOABT is set to 1 in the read wait state, RWREQ is automatically cleared to 0 after CMD52 is issued, and then the read wait state is released
- When C52PUB and RWREQ are set to 1 simultaneously in the CMD53 (multiple block) read sequence, the read wait state is not automatically released. Therefore, after the CMD52 response is received, clear RWREQ. You must set RWREQ and C52PUB simultaneously.

When RWREQ is set to 1 while the last block in the CMD53 (multiple block) read sequence is transferred, the read wait state is not entered and RWREQ is automatically cleared to 0 by setting access end. Set RWREQ to 1 after the response end flag sets.

#### IOABT bit (SDIO Abort)

When the IOABT bit is set to 1 in a CMD53 (multiple block) sequence, the CMD53 sequence is halted and CMD52 is issued. However, if a command sequence is halted because of a communication error or timeout, CMD52 is not issued. Although continued buffer access is possible even after IOABT is set to 1, the buffer access error bit (ILR or ILW) in SD\_INFO2 is set accordingly. Set SD\_ARG before setting IOABT to 1.

When IOABT is set to 1 during the transfer for a single block write, the access end flag sets when SD\_BUF0 becomes

empty, and CMD52 is not issued. If SD\_BUF0 contains data, the access end flag sets on the completion of reception of the busy state without CMD52 being issued.

When IOABT is set to 1 during transfer for single block read, the access end flag sets immediately after IOABT is set, and CMD52 is not issued.

When IOABT is set to 1 during reception of the busy state after an R1b response, the access end flag sets on completion of reception of the busy state without CMD52 being issued.

When IOABT is set to 1 after a command sequence is complete, CMD52 is not issued and the access end flag does not set.

Set IOABT to 1 after the response end flag sets.

Set IOABT to 0 after the access end flag sets.

**C52PUB bit (SDIO None Abort)**

When the C52PUB bit is set to 1 in the CMD53 (multiple block) write sequence, CMD52 is automatically issued between blocks if SD\_BUF0 becomes empty. C52PUB is automatically cleared to 0 after the reception of the response to CMD52 is complete. Additionally, if C52PUB is set to 1 while the last block is being transferred, CMD52 is not issued. In this case, C52PUB is automatically cleared to 0 after the access end flag is set to 1.

When C52PUB and RWREQ are set to 1 in the CMD53 (multiple block) read sequence, the block transfer enters the read wait state between blocks and CMD52 is automatically issued. C52PUB is automatically cleared to 0 after the reception of the response to CMD52 is complete. Additionally, if C52PUB is set to 1 while the last block is being transferred, CMD52 is not issued. In this case, C52PUB is automatically cleared to 0 after the access end flag is set to 1.

If C52PUB is set to 1 in the CMD53 (multiple block) read sequence, you must set RWREQ to 1 in addition to C52PUB.

Set SD\_ARG before setting C52PUB to 1.

Set C52PUB to 1 after the response end flag sets.

**41.2.21 SDIO Interrupt Flag Register (SDIO\_INFO1)**

Address(es): SDHI0.SDIO\_INFO1 4006 206Ch, SDHI1.SDIO\_INFO1 4006 246Ch

|                    |      |         |     |     |     |     |     |     |     |     |     |     |     |     |     |       |   |
|--------------------|------|---------|-----|-----|-----|-----|-----|-----|-----|-----|-----|-----|-----|-----|-----|-------|---|
|                    | b31  | b30     | b29 | b28 | b27 | b26 | b25 | b24 | b23 | b22 | b21 | b20 | b19 | b18 | b17 | b16   |   |
|                    | —    | —       | —   | —   | —   | —   | —   | —   | —   | —   | —   | —   | —   | —   | —   | —     |   |
| Value after reset: | 0    | 0       | 0   | 0   | 0   | 0   | 0   | 0   | 0   | 0   | 0   | 0   | 0   | 0   | 0   | 0     |   |
|                    | b15  | b14     | b13 | b12 | b11 | b10 | b9  | b8  | b7  | b6  | b5  | b4  | b3  | b2  | b1  | b0    |   |
|                    | EXWT | EXPUB52 | —   | —   | —   | —   | —   | —   | —   | —   | —   | —   | —   | —   | —   | IOIRQ |   |
| Value after reset: | 0    | 0       | 0   | 0   | 0   | 0   | 0   | 0   | 0   | 0   | 0   | 0   | 0   | 0   | x   | x     | 0 |

x: Undefined

| Bit        | Symbol  | Bit name                   | Description  | R/W     |
|------------|---------|----------------------------|--|---------|
| b0         | IOIRQ   | SDIO Interrupt Status Flag | 0: No SDIO interrupt detected<br>1: SDIO interrupt detected. | R/(W)*1 |
| b2, b1     | —       | Reserved                   | The read value is undefined. The write value should be 1.    | R/W     |
| b13 to b3  | —       | Reserved                   | These bits are read as 0. The write value should be 0.       | R/W     |
| b14        | EXPUB52 | EXPUB52 Status Flag        | Indicates the status of the EXPUB52                          | R/(W)*1 |
| b15        | EXWT    | EXWT Status Flag           | Indicates the status of the EXWT                             | R/(W)*1 |
| b31 to b16 | —       | Reserved                   | These bits are read as 0. The write value should be 0.       | R/W     |

Note 1. Only 0 can be written to clear the bit.

The SDIO\_INFO1 register indicates the status of the SDIO card access. Set the flags to be cleared to 0. Set the flags that are not being cleared to 1.

**IOIRQ flag (SDIO Interrupt Status Flag)**

The IOIRQ flag indicates that an SDIO interrupt occurred.

[Setting condition]

- When SDIO interrupt from an SDIO card is received while INTEN in SDIO\_MODE is set to 1.

[Clearing condition]

- When 0 is written to IOIRQ.\*1

Note 1. Before clearing this bit, access the SDIO card to negate the SDIO interrupt signal from the SDIO card. If the interrupt signal is not negated, this bit can be set again.

**EXPUB52 flag (EXPUB52 Status Flag)**

The EXPUB52 flag indicates the EXPUB52 status.

[Setting conditions]

- While the last block in the CMD53 (multiple block) sequence is transferred, C52PUB in SDIO\_MODE is set to 1
- While C52PUB is set to 1 in the CMD53 (multiple block) write sequence, the last block is transferred.

[Clearing condition]

- When 0 is written to EXPUB52.

**EXWT flag (EXWT Status Flag)**

The EXWT flag indicates the EXWT status.

[Setting condition]

- While the last block in the CMD53 (multiple block) read sequence is transferred, RWREQ in SDIO\_MODE is set to 1.

[Clearing condition]

- When 0 is written to EXWT.

**41.2.22 SDIO INFO1 Interrupt Mask Register (SDIO\_INFO1\_MASK)**

Address(es): SDHI0.SDIO\_INFO1\_MASK 4006 2070h, SDHI1.SDIO\_INFO1\_MASK 4006 2470h

|                    |           |              |     |     |     |     |     |     |     |     |     |     |     |     |     |            |
|--------------------|-----------|--------------|-----|-----|-----|-----|-----|-----|-----|-----|-----|-----|-----|-----|-----|------------|
|                    | b31       | b30          | b29 | b28 | b27 | b26 | b25 | b24 | b23 | b22 | b21 | b20 | b19 | b18 | b17 | b16        |
|                    | —         | —            | —   | —   | —   | —   | —   | —   | —   | —   | —   | —   | —   | —   | —   | —          |
| Value after reset: | 0         | 0            | 0   | 0   | 0   | 0   | 0   | 0   | 0   | 0   | 0   | 0   | 0   | 0   | 0   | 0          |
|                    | b15       | b14          | b13 | b12 | b11 | b10 | b9  | b8  | b7  | b6  | b5  | b4  | b3  | b2  | b1  | b0         |
|                    | EXWT<br>M | EXPUB<br>52M | —   | —   | —   | —   | —   | —   | —   | —   | —   | —   | —   | —   | —   | IOIRQ<br>M |
| Value after reset: | 1         | 1            | 0   | 0   | 0   | 0   | 0   | 0   | 0   | 0   | 0   | 0   | 0   | 1   | 1   | 1          |

| Bit       | Symbol   | Bit name                               | Description  | R/W |
|-----------|----------|--|--|-----|
| b0        | IOIRQM   | IOIRQ Interrupt Mask Control           | 0: Do not mask IOIRQ interrupts<br>1: Mask IOIRQ interrupts.                     | R/W |
| b2, b1    | —        | Reserved                               | These bits are read as 1. The write value should be 1.                           | R/W |
| b13 to b3 | —        | Reserved                               | These bits are read as 0. The write value should be 0.                           | R/W |
| b14       | EXPUB52M | EXPUB52 Interrupt Request Mask Control | 0: Do not mask EXPUB52 interrupt requests<br>1: Mask EXPUB52 interrupt requests. | R/W |

| Bit        | Symbol | Bit name                            | Description  | R/W |
|------------|--------|-------------------------------------|--|-----|
| b15        | EXWTM  | EXWT Interrupt Request Mask Control | 0: Do not mask EXWT interrupt requests<br>1: Mask EXWT interrupt requests. | R/W |
| b31 to b16 | —      | Reserved                            | These bits are read as 0. The write value should be 0.                     | R/W |

The SDIO\_INFO1\_MASK register enables or disables interrupt requests from the status flags in the SDIO\_INFO1 register. See [Table 41.5, Interrupt sources](#) for details on the relationship between the status flags and the requested interrupt source.

### 41.2.23 DMA Mode Enable Register (SD\_DMAEN)

Address(es): SDHI0.SD\_DMAEN 4006 21B0h, SDHI1.SD\_DMAEN 4006 25B0h

|                    |     |     |     |     |     |     |     |     |     |     |     |     |     |     |       |     |
|--------------------|-----|-----|-----|-----|-----|-----|-----|-----|-----|-----|-----|-----|-----|-----|-------|-----|
|                    | b31 | b30 | b29 | b28 | b27 | b26 | b25 | b24 | b23 | b22 | b21 | b20 | b19 | b18 | b17   | b16 |
|                    | —   | —   | —   | —   | —   | —   | —   | —   | —   | —   | —   | —   | —   | —   | —     | —   |
| Value after reset: | 0   | 0   | 0   | 0   | 0   | 0   | 0   | 0   | 0   | 0   | 0   | 0   | 0   | 0   | 0     | 0   |
|                    | b15 | b14 | b13 | b12 | b11 | b10 | b9  | b8  | b7  | b6  | b5  | b4  | b3  | b2  | b1    | b0  |
|                    | —   | —   | —   | —   | —   | —   | —   | —   | —   | —   | —   | —   | —   | —   | DMAEN | —   |
| Value after reset: | 0   | 0   | 0   | 1   | 0   | 0   | 0   | 0   | 0   | 0   | 0   | 1   | 0   | 0   | 0     | 0   |

| Bit        | Symbol | Bit name                  | Description  | R/W |
|------------|--------|---------------------------|--|-----|
| b0         | —      | Reserved                  | This bit is read as 0  | R   |
| b1         | DMAEN  | DMA Transfer Enable*1, *2 | 0: Disable use of DMA transfer to access SD_BUF0 register<br>1: Enable use of DMA transfer to access SD_BUF0 register. | R/W |
| b3, b2     | —      | Reserved                  | These bits are read as 0   | R   |
| b4         | —      | Reserved                  | This bit is read as 1  | R   |
| b5         | —      | Reserved                  | This bit is read as 0. The write value should be 0.  | R/W |
| b7, b6     | —      | Reserved                  | These bits are read as 0   | R   |
| b9, b8     | —      | Reserved                  | These bits are read as 0. The write value should be 0.   | R/W |
| b11, b10   | —      | Reserved                  | These bits are read as 0   | R   |
| b12        | —      | Reserved                  | This bit is read as 1  | R   |
| b31 to b13 | —      | Reserved                  | These bits are read as 0   | R   |

Note 1. Do not rewrite this bit when the SD\_INFO2.CBSY bit is 1.

Note 2. When the SD\_INFO2\_MASK.BWEM bit is 0 or the SD\_INFO2\_MASK.BREM bit is 0, set the SD\_DMAEN.DMAEN bit to 0. When the SD\_DMAEN.DMAEN bit is 1, set the SD\_INFO2\_MASK.BWEM bit to 1 and the SD\_INFO2\_MASK.BREM bit to 1.

The SD\_DMAEN register enables or disables DMA transfers.

#### DMAEN bit (DMA Transfer Enable)

When using DMA transfer to access the SD buffer, set the DMAEN bit to 1 before setting the SD\_CMD register.

### 41.2.24 Software Reset Register (SOFT\_RST)

Address(es): SDHI0.SOFT\_RST 4006 21C0h, SDHI1.SOFT\_RST 4006 25C0h

|                    |     |     |     |     |     |     |     |     |     |     |     |     |     |     |     |       |
|--------------------|-----|-----|-----|-----|-----|-----|-----|-----|-----|-----|-----|-----|-----|-----|-----|-------|
|                    | b31 | b30 | b29 | b28 | b27 | b26 | b25 | b24 | b23 | b22 | b21 | b20 | b19 | b18 | b17 | b16   |
|                    | —   | —   | —   | —   | —   | —   | —   | —   | —   | —   | —   | —   | —   | —   | —   | —     |
| Value after reset: | 0   | 0   | 0   | 0   | 0   | 0   | 0   | 0   | 0   | 0   | 0   | 0   | 0   | 0   | 0   | 0     |
|                    | b15 | b14 | b13 | b12 | b11 | b10 | b9  | b8  | b7  | b6  | b5  | b4  | b3  | b2  | b1  | b0    |
|                    | —   | —   | —   | —   | —   | —   | —   | —   | —   | —   | —   | —   | —   | —   | —   | SDRST |
| Value after reset: | 0   | 0   | 0   | 0   | 0   | 0   | 0   | 0   | 0   | 0   | 0   | 0   | 0   | 0   | 1   | 1     |

| Bit       | Symbol | Bit name               | Description   | R/W |
|-----------|--------|------------------------|---|-----|
| b0        | SDRST  | Software Reset Control | 0: Reset SD/MMC Host Interface software<br>1: Cancel reset of SD/MMC Host Interface software. | R/W |
| b2, b1    | —      | Reserved               | These bits are read as 1  | R   |
| b31 to b3 | —      | Reserved               | These bits are read as 0  | R   |

Table 41.4 lists the bits and flags initialized by SD/MMC Host Interface software reset.

**Table 41.4 Bits and flags initialized by SD/MMC Host Interface software reset**

| Register    | Bit/flag   |
|-------------|--|
| SD_STOP     | SEC  |
| SD_INFO1    | RSPEND, ACEND  |
| SD_INFO2    | CMDE, CRCE, ENDE, DTO, ILW, ILR, RSPTO, SDD0MON, BRE, BWE, SD_CLK_CTRLLEN, ILA   |
| SD_CLK_CTRL | CLKEN  |
| SD_OPTION   | CTOP[3:0], TOP[3:0], WIDTH<br>Bits b8 and b13 in the SD_OPTION register are also initialized by the SDHI software reset. |
| SD_ERR_STS1 | CMDE0, CMDE1, RSPLNE0, RSPLNE1, RDLENE, CRCLNE, RSPCRCE0, RSPCRCE1, RDCRCE, CRCTKE, CRCTK[2:0]                           |
| SD_ERR_STS2 | RSPTO0, RSPTO1, BSYTO0, BSYTO1, RDTO, CRCTO, CRCBSYTO  |
| SDIO_INFO1  | IOIRQ, EXPUB52, EXWT   |

### 41.2.25 SD Interface Mode Setting Register (SDIF\_MODE)

Address(es): SDHI0.SDIF\_MODE 4006 21CCh, SDHI1.SDIF\_MODE 4006 25CCh

|  |     |     |     |     |     |     |         |     |     |     |     |     |     |     |     |
|--|-----|-----|-----|-----|-----|-----|---------|-----|-----|-----|-----|-----|-----|-----|-----|
| b31  | b30 | b29 | b28 | b27 | b26 | b25 | b24     | b23 | b22 | b21 | b20 | b19 | b18 | b17 | b16 |
| —  | —   | —   | —   | —   | —   | —   | —       | —   | —   | —   | —   | —   | —   | —   | —   |
| Value after reset: 0 0 0 0 0 0 0 0 0 0 0 0 0 0 0 0 |     |     |     |     |     |     |         |     |     |     |     |     |     |     |     |
| b15  | b14 | b13 | b12 | b11 | b10 | b9  | b8      | b7  | b6  | b5  | b4  | b3  | b2  | b1  | b0  |
| —  | —   | —   | —   | —   | —   | —   | NOCHKCR | —   | —   | —   | —   | —   | —   | —   | —   |
| Value after reset: 0 0 0 0 0 0 0 0 0 0 0 0 0 0 0 0 |     |     |     |     |     |     |         |     |     |     |     |     |     |     |     |

| Bit       | Symbol  | Bit name       | Description   | R/W |
|-----------|---------|----------------|---|-----|
| b7 to b0  | —       | Reserved       | These bits are read as 0. The write value should be 0.  | R/W |
| b8        | NOCHKCR | CRC Check Mask | CRC check mask bit for MMC test commands. Set when CRC16 or CRC status value check is not executed.<br>0: Enable CRC check<br>1: Disable CRC Check (ignore CRC16 valued when reading and ignore CRC status value when writing). | R/W |
| b31 to b9 | —       | Reserved       | These bits are read as 0. The write value should be 0.  | R/W |

#### NOCHKCR bit (CRC Check Mask)

The NOCHKCR bit is used for MMC test commands. This bit is set when CRC16 or CRC status value check is not executed.

### 41.2.26 Swap Control Register (EXT\_SWAP)

Address(es): SDHI0.EXT\_SWAP 4006 21E0h, SDHI1.EXT\_SWAP 4006 25E0h

|  |     |     |     |     |     |     |     |       |       |     |     |     |     |     |     |
|--|-----|-----|-----|-----|-----|-----|-----|-------|-------|-----|-----|-----|-----|-----|-----|
| b31  | b30 | b29 | b28 | b27 | b26 | b25 | b24 | b23   | b22   | b21 | b20 | b19 | b18 | b17 | b16 |
| —  | —   | —   | —   | —   | —   | —   | —   | —     | —     | —   | —   | —   | —   | —   | —   |
| Value after reset: 0 0 0 0 0 0 0 0 0 0 0 0 0 0 0 0 |     |     |     |     |     |     |     |       |       |     |     |     |     |     |     |
| b15  | b14 | b13 | b12 | b11 | b10 | b9  | b8  | b7    | b6    | b5  | b4  | b3  | b2  | b1  | b0  |
| —  | —   | —   | —   | —   | —   | —   | —   | BRSWP | BWSWP | —   | —   | —   | —   | —   | —   |
| Value after reset: 0 0 0 0 0 0 0 0 0 0 0 0 0 0 0 0 |     |     |     |     |     |     |     |       |       |     |     |     |     |     |     |

| Bit       | Symbol | Bit name             | Description  | R/W |
|-----------|--------|----------------------|--|-----|
| b0        | —      | Reserved             | This bit is read as 0 and cannot be modified   | R   |
| b1        | —      | Reserved             | This bit is read as 0. The write value should be 0.  | R/W |
| b2        | —      | Reserved             | This bit is read as 0 and cannot be modified   | R   |
| b4, b3    | —      | Reserved             | These bits are read as 0. The write value should be 0.   | R/W |
| b5        | —      | Reserved             | This bit is read as 0 and cannot be modified   | R   |
| b6        | BWSWP  | SD_BUF0 Swap Write*1 | 0: Normal write operation<br>1: Swap the byte endian order before writing to SD_BUF0 register. | R/W |
| b7        | BRSWP  | SD_BUF0 Swap Read*1  | 0: Normal read operation<br>1: Swap the byte endian order before reading SD_BUF0 register.     | R/W |
| b10 to b8 | —      | Reserved             | These bits are read as 0. Writing to these bits has no effect.                                 | R   |
| b12, b11  | —      | Reserved             | These bits are read as 0. The write value should be 0.   | R/W |
| b14, b13  | —      | Reserved             | These bits are read as 0. Writing to these bits has no effect.                                 | R   |



| Bit        | Symbol | Bit name | Description  | R/W |
|------------|--------|----------|--|-----|
| b15        | —      | Reserved | This bit is read as 0. The write value should be 0.            | R/W |
| b31 to b16 | —      | Reserved | These bits are read as 0. Writing to these bits has no effect. | R   |

Note 1. Do not rewrite this bit when the SD\_INFO2.CBSY flag is 1.

The EXT\_SWAP register selects whether or not the byte endian order is swapped when accessing the SD\_BUF0 register. See section 41.3.1 for details on the differences in accessing the SD\_BUF0 register based on the EXT\_SWAP register value.

### 41.3 Operation

#### 41.3.1 SD/MMC Interface

When data is read from the SD card/MMC, the process is as follows:

1. The SD/MMC Host Interface receives data from the SD card/MMC through the SDnDAT signal (see Figure 41.2 and Figure 41.3).
2. The received data is stored in SD\_BUF of the MMC Host Interface (see Figure 41.4).
3. The data stored in SD\_BUF is read from SD\_BUF0 (see Figure 41.5).

When data is written to the SD card/MMC, the specified procedure is reversed.

When accessing SD\_BUF0, pay attention to the transfer order in SDnDAT and the store order in SD\_BUF. If required, you can change the byte endian of the data read from or written to SD\_BUF0 using the SDSWAP register. See Figure 41.6.

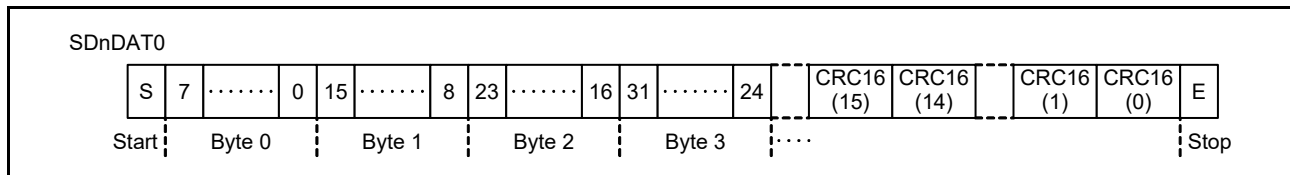


Figure 41.2 SDnDAT in 1-bit width mode

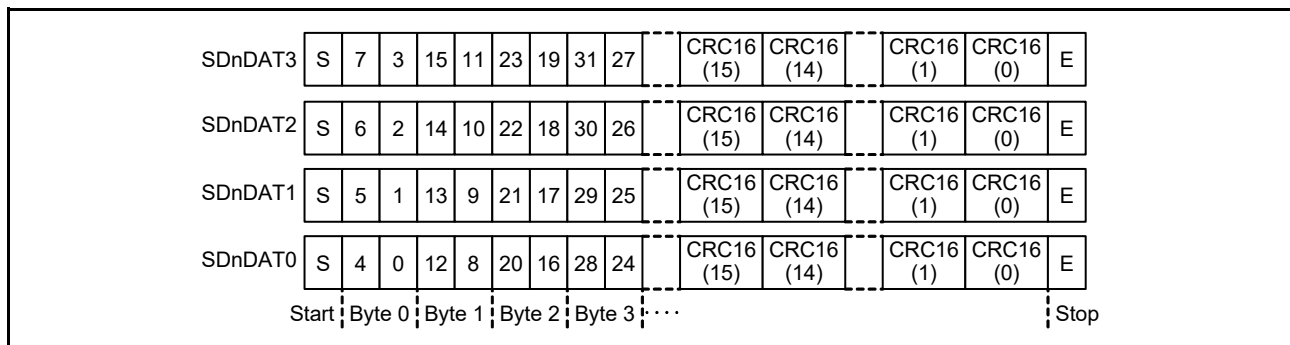


Figure 41.3 SDnDAT in 4-bit width mode

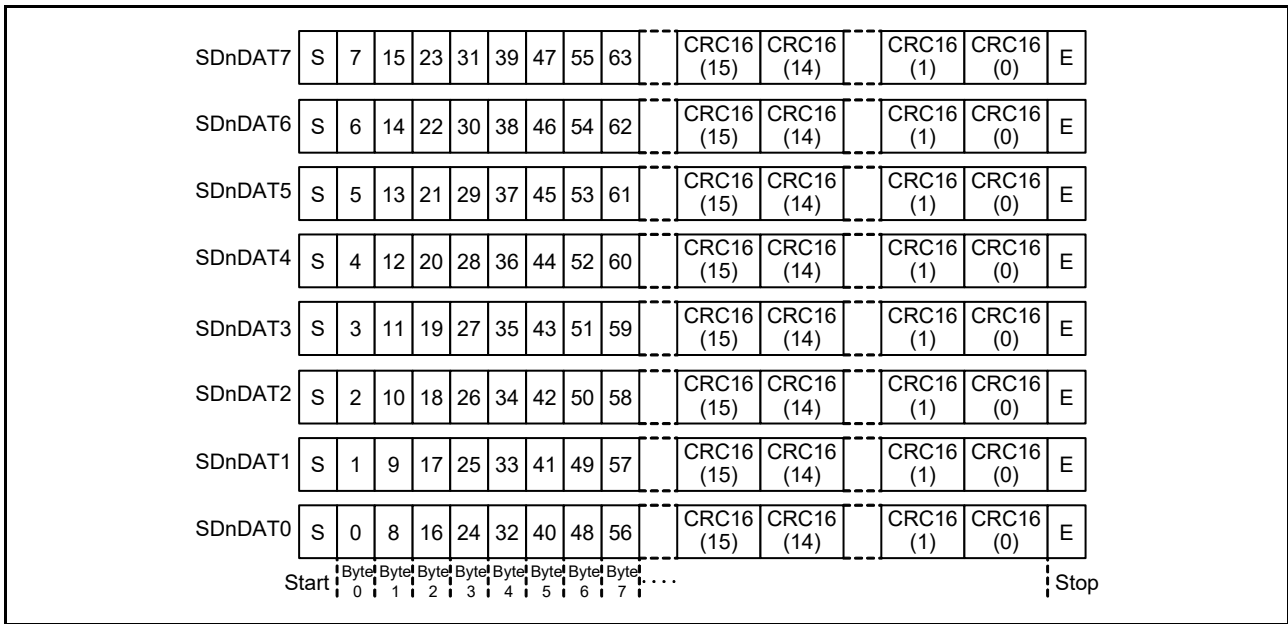


Figure 41.4 SDnDAT in 8-bit width mode

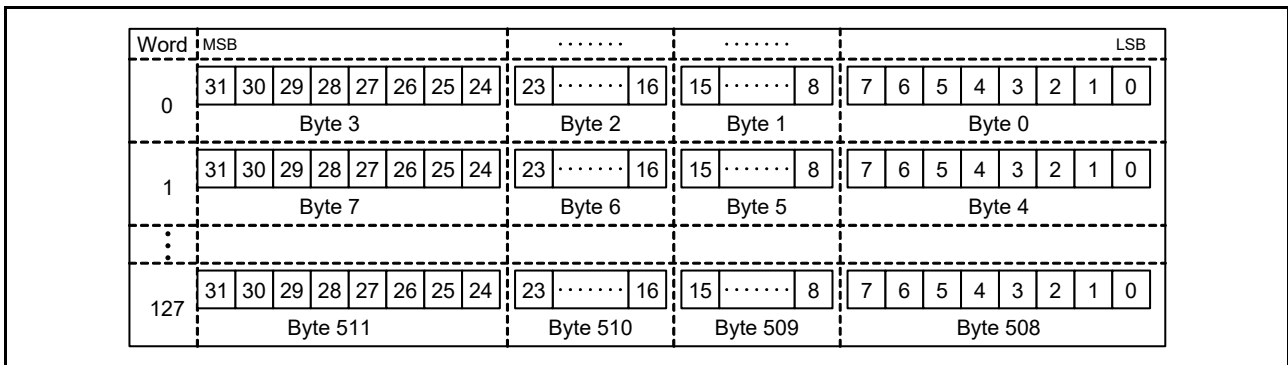


Figure 41.5 SD\_BUF store data

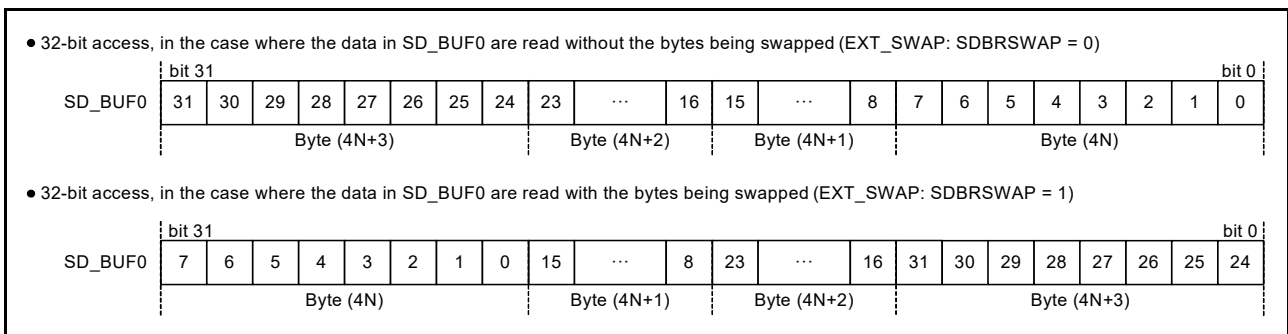


Figure 41.6 Read from SD\_BUF0

### 41.3.2 Card Detect/Write Protect

#### 41.3.2.1 Card detect

The SD/MMC Host Interface has two types of card detect functions.

##### (1) Card detect with SDnCD (n = 0, 1)

Figure 41.7 shows the timing for card detect using SDnCD. SDnCD is connected to the card socket and pulled up on the host device. The resistance of the pull-up resistor is determined by the specification of the SD/MMC host device.

##### (2) Card insertion

SDnCD is pulled down when a card is inserted. At this point, if SDnCD is pulled down for the Mcycle period (set in SD\_OPTION), SDCDIN in SD\_INFO1 is set to 1. It is cleared by writing 0.

##### (3) Card removal

SDnCD is pulled up when a card is removed. At this point, if SDnCD is pulled up for the Mcycle period (set in SD\_OPTION), SDCDRM in SD\_INFO1 is set to 1. It is cleared by writing 0.

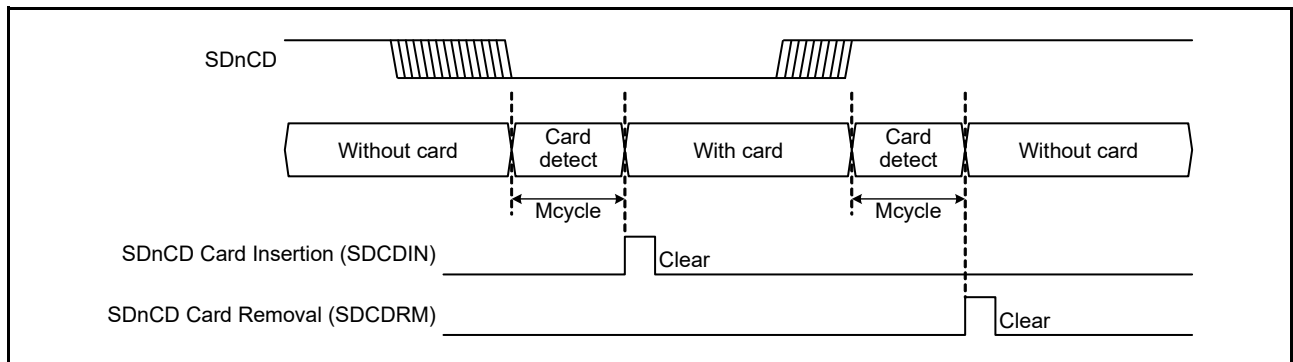


Figure 41.7 Example of card detect with SDnCD

##### (4) SD card detect with SDnDAT3 (n = 0, 1)

Figure 41.8 shows the timing when the SD card is detected with SDnDAT3. In addition, SDnDAT3 is pulled down by the host device, and the resistance value for pulling down is determined by the specification of the SD host device.

##### (5) Card insertion

When an SD card is inserted, SDnDAT3 is pulled up and SDD3IN in SD\_INFO1 is set to 1. It is cleared by writing 0.

##### (6) Card removal

When an SD card is removed, SDnDAT3 is pulled down and SDD3RM in SD\_INFO1 is set to 1. It is cleared by writing 0.

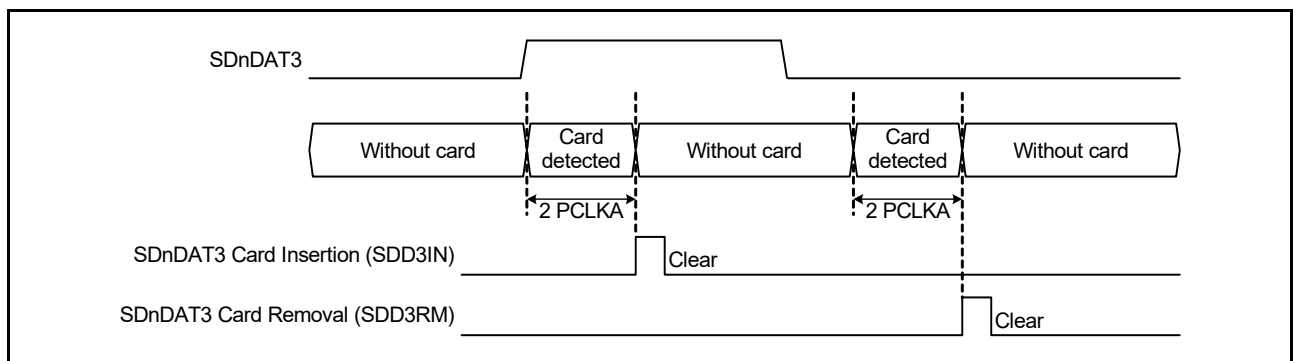


Figure 41.8 SD card detect with SDnDAT3

### 41.3.2.2 Write protect

The SD/MMC Host Interface has two types of write protect functions.

#### (1) Write protect with SD0WP

SD0WP is connected to the card socket and pulled up or pulled down by the card insertion. The selection of pulling up or pulling down and the resistance value is determined by the specification of the SD host device. When the SD0WP state is reflected to SDWPMON in SD\_INFO1, the write protect state is set after the SD card is inserted.

#### (2) Write protect with command

The internal write protection of the card and the lock/unlock operation of the card are realized by the command.

### 41.3.3 Interrupt Request and DMA Transfer Request

#### 41.3.3.1 Interrupts

Table 41.5 lists the SDHI interrupt sources. The SDHI requests an interrupt when:

- The status flags in registers SD\_INFO1, SD\_INFO2, and SDIO\_INFO1 set to 1
- The associated bits in the SD\_INFO1\_MASK, SD\_INFO2\_MASK, and SDIO\_INFO1\_MASK registers are 0.

When clearing the status flags in registers SD\_INFO1, SD\_INFO2, and SDIO\_INFO1, write 0 to the status flags to be cleared, and write 1 to the status flags that are not being cleared.

**Table 41.5** Interrupt sources

| Interrupt sources             | Status flag register |            | Interrupt mask register |            | Interrupt name     |                    |
|-------------------------------|----------------------|------------|-------------------------|------------|--------------------|--------------------|
|                               | Register symbol      | Bit symbol | Register symbol         | Bit symbol | Ch 0               | Ch 1               |
| Card Access Interrupt (CACI)  | SD_INFO1             | ACEND      | SD_INFO1_MASK           | ACENDM     | SDHI_MM<br>C0_ACCS | SDHI_MM<br>C1_ACCS |
|                               |                      | RSPEND     |                         | RSPENDM    |                    |                    |
|                               | SD_INFO2             | ILA        | SD_INFO2_MASK           | ILAM       |                    |                    |
|                               |                      | BWE        |                         | BWEM       |                    |                    |
|                               |                      | BRE        |                         | BREM       |                    |                    |
|                               |                      | RSPTO      |                         | RSPTOM     |                    |                    |
|                               |                      | ILR        |                         | ILRM       |                    |                    |
|                               |                      | ILW        |                         | ILWM       |                    |                    |
|                               |                      | DTO        |                         | DTOM       |                    |                    |
|                               |                      | ENDE       |                         | ENDEM      |                    |                    |
| CRCE                          | CRCEM                |            |                         |            |                    |                    |
| CMDE                          | CMDEM                |            |                         |            |                    |                    |
| SDIO Access Interrupt (SDACI) | SDIO_INFO1           | EXWT       | SDIO_INFO1_MASK         | EXWTM      | SDHI_MM<br>C0_SDIO | SDHI_MM<br>C1_SDIO |
|                               |                      | EXPUB52    |                         | EXPUB52M   |                    |                    |
|                               |                      | IOIRQ      |                         | IOIRQM     |                    |                    |
| Card Detect Interrupt (CDETI) | SD_INFO1             | SDD3IN     | SD_INFO1_MASK           | SDD3INM    | SDHI_MM<br>C0_CARD | SDHI_MM<br>C1_CARD |
|                               |                      | SDD3RM     |                         | SDD3RMM    |                    |                    |
|                               |                      | SDCDIN     |                         | SDCDINM    |                    |                    |
|                               |                      | SDCDRM     |                         | SDCDRMM    |                    |                    |

### 41.3.3.2 DMA transfer requests (SDHI\_MMCh\_ODMSDBREQ, n = 0 to 1)

The SD/MMC Host Interface has two types of DMA transfer requests.

#### (1) SD\_BUF write DMA transfer request

- When the BWE bit in SD\_INFO2 is set to 1 while the DMAEN bit in SD\_DMAEN is set to 1, the SD\_BUF write DMA transfer request is asserted
- The SD\_BUF write DMA transfer request is negated when the last data in one block (based on the transfer data size set in SD\_SIZE) is transferred. The SD\_BUF write DMA transfer request is also negated by clearing the SDRST bit in SOFT\_RST to 0 or setting the STP bit in SD\_STOP to 1. However, if a communications error or timeout occurs at the DMA transfer, the SD\_BUF write DMA transfer request is not negated.
- The BWE bit in SD\_INFO2 is cleared after the transfer of the last data in one block following a request for writing to SD\_BUF by DMA transfer
- The number of DMA transfers must be n x one block (n = integer, one block = the transfer data size set in SD\_SIZE)
- When the IOABT bit in SDIO\_MODE is set to 1, the SD\_BUF write DMA transfer request is negated
- The DMA transfer request is also negated by clearing the DMAEN bit to 0. However, the DMA transfer request is asserted again when the DMAEN bit is set to 1 before writing to SD\_CMD.
- Because the BWE bit in SD\_INFO2 is not cleared in response to setting of the STP/IOABT bit, or to a communications error or timeout, clear the bit to 0 before issuing the next command. The next request to write to SD\_BUF by DMA transfer is not issued while the BWE bit is set.

#### (2) SD\_BUF read DMA transfer request

- When the BRE bit in SD\_INFO2 is set to 1 while the DMAEN bit in the SD\_DMAEN register is set to 1, the SD\_BUF read DMA transfer request is asserted
- The SD\_BUF read DMA transfer request is negated when the last data in one block (based on the transfer data size set in SD\_SIZE) is transferred. The SD\_BUF read DMA transfer request is also negated by clearing the SDRST bit in SOFT\_RST to 0 or setting the STP bit in SD\_STOP to 1. However, if a communications error or timeout occurs at the DMA transfer, the SD\_BUF read DMA transfer request is not negated.
- The BRE bit in SD\_INFO2 is cleared after the transfer of the last data in one block following a request to write to SD\_BUF by DMA transfer
- The number of DMA transfers must be n x one block (n = integer, one block = the transfer data size set in SD\_SIZE)
- When the IOABT bit in SDIO\_MODE is set to 1, the SD\_BUF read DMA transfer request is negated
- The DMA transfer request is also negated by clearing the DMAEN bit to 0. However, the DMA transfer request is asserted again when the DMAEN bit is set to 1 before writing to SD\_CMD.
- Because the BRE bit in SD\_INFO2 is not cleared in response to setting of the STP/IOABT bit or in response to a communications error or timeout, clear the bit to 0 before issuing the next command. The next request to write to SD\_BUF by DMA transfer is not issued while the BRE bit is set.

### 41.3.4 Communication Errors and Timeouts

When a communication error or timeout error occurs, depending on the type of error, the associated status flag in the SD\_INFO2 register is set to 1. Also, depending on the source of the error, the associated flag in the SD\_ERR\_STS1 or SD\_ERR\_STS2 register is set to 1.

The status flags in SD\_ERR\_STS1 and SD\_ERR\_STS2 registers clear to 0 by writing to the SD\_CMD register, or by setting the SOFT\_RST.SDRST bit to 0.

**Table 41.6 Communication errors**

| Communication error | Interrupt flag register |            | Error status register  |            | This occurs when...                     |
|---------------------|-------------------------|------------|--|------------|---|
|                     | Register symbol         | Bit symbol | Register symbol  | Bit symbol |   |
| End bit error       | SD_INFO2                | ENDE       | SD_ERR_STS1  | CRCLNE     | The CRC status token length is in error |
|                     |                         |            |  | RDLENE     | The read data length is in error        |
|                     |                         |            |  | RSPLNE1    | The response length is in error*1       |
|                     |                         |            |  | RSPLNE0    | The response length is in error*2       |
| CRC error           |                         | CRCE       |  | CRCTKE     | The CRC status token is in error        |
|                     |                         |            |  | RDCRCE     | There is a CRC error in the read data   |
|                     |                         |            |  | RSPCRCE1   | There is a CRC error in the response*1  |
|                     |                         |            |  | RSPCRCE0   | There is a CRC error in the response*2  |
| Command error       | CMDE                    | CMDE1      | The command index field value for the transmitted command and received response do not match*1 |            |   |
|                     |                         | CMDE0      | The command index field value for the transmitted command and received response do not match*2 |            |   |

Note 1. CMD12 when automatic issuing is enabled for multiple block transfer by the setting in SD\_CMD, CMD12 when the STP bit in SD\_STOP is set to 1, or CMD52 when the C52PUB or IOABT bit in SDIO\_MODE is set to 1.

Note 2. CMD other than CMD12 when automatic issuing is enabled for multiple block transfer by the setting in SD\_CMD, CMD12 when the STP bit in SD\_STOP is set to 1, or CMD52 when the C52PUB or IOABT bit in SDIO\_MODE is set to 1.

Table 41.7 Timeouts

| Timeout                                   | Interrupt flag register |            | Error status register |            | This occurs when...   |   |
|---|-------------------------|------------|-----------------------|------------|---|---|
|   | Register symbol         | Bit symbol | Register symbol       | Bit symbol |   |   |
| Response timeout                          | SD_INFO2                | RSPTO      | SD_ERR_STS2           | RSPTO1     | A response is not received even after a minimum of 640 SDHI clock cycles elapse*1   |   |
|   |                         |            |                       | RSPTO0     |   | A response is not received even after a minimum of 640 SDHI clock cycles elapse*2   |
| Data timeout (excluding response timeout) |                         | DTO        |                       | CRCBSYTO   | After the CRC status token is received, the SDHI is busy for at least the period set*3  |   |
|   |                         |            |                       | CRCTO      | After the write data is transmitted, the CRC status token is not received even after at least the period set*3 elapses                                |   |
|   |                         |            |                       | RDTO       |   | After the read command is issued, the read data is not received even after at least the period set*3 elapses                    |
|   |                         |            |                       |            |   | After the read data is received, the next block read data is not received even after at least the period set*3 elapses          |
|   |                         |            |                       |            |   | After the SDHI exits the read wait state, the next block read data is not received even after at least the period set*3 elapses |
|   |                         |            |                       |            | BSYTO1  | After CMD12 is issued during the command sequence, the SDHI is busy for at least the period set*3                               |
|   |                         |            |                       | BSYTO0     | After the R1b response is received, the SDHI is busy for at least the period set*3 (a command other than CMD12 is issued during the command sequence) |   |

Note 1. CMD12 when automatic issuing is enabled for multiple block transfer by the setting in SD\_CMD, CMD12 when the STP bit in SD\_STOP is set to 1, or CMD52 when the C52PUB or IOABT bit in SDIO\_MODE is set to 1.

Note 2. CMD other than CMD12 when automatic issuing is enabled for multiple block transfer by the setting in SD\_CMD, CMD12 when the STP bit in SD\_STOP bit is set to 1, or CMD52 when the C52PUB or IOABT bit in SDIO\_MODE is set to 1.

Note 3. The period is set in the SD\_OPTION.TOP[3:0] bits.

### 41.3.5 Command without Data Transfer (SD/MMC)

Figure 41.9 and Figure 41.10 show example flows.

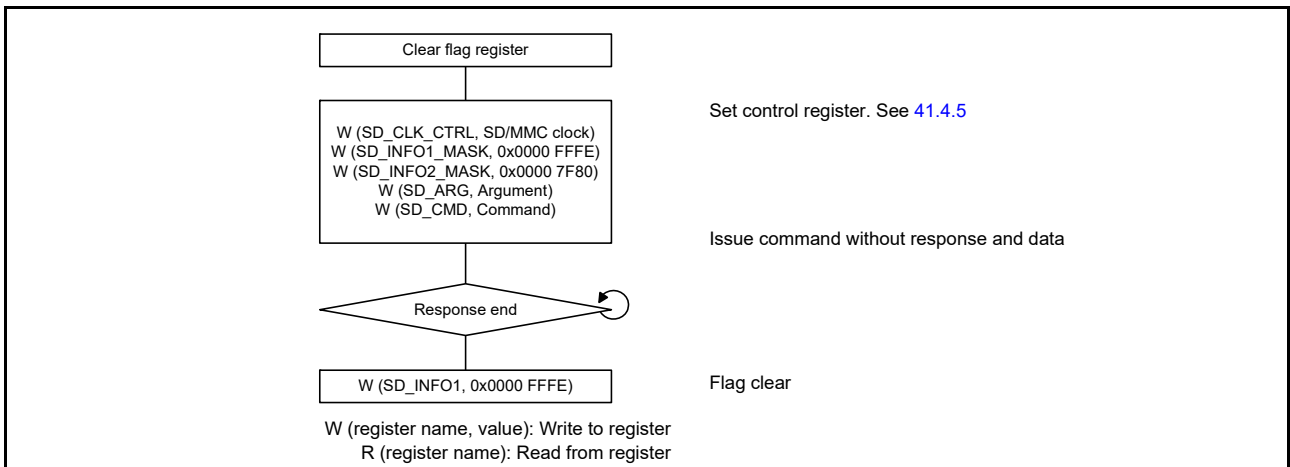


Figure 41.9 Example flow of command without response and data

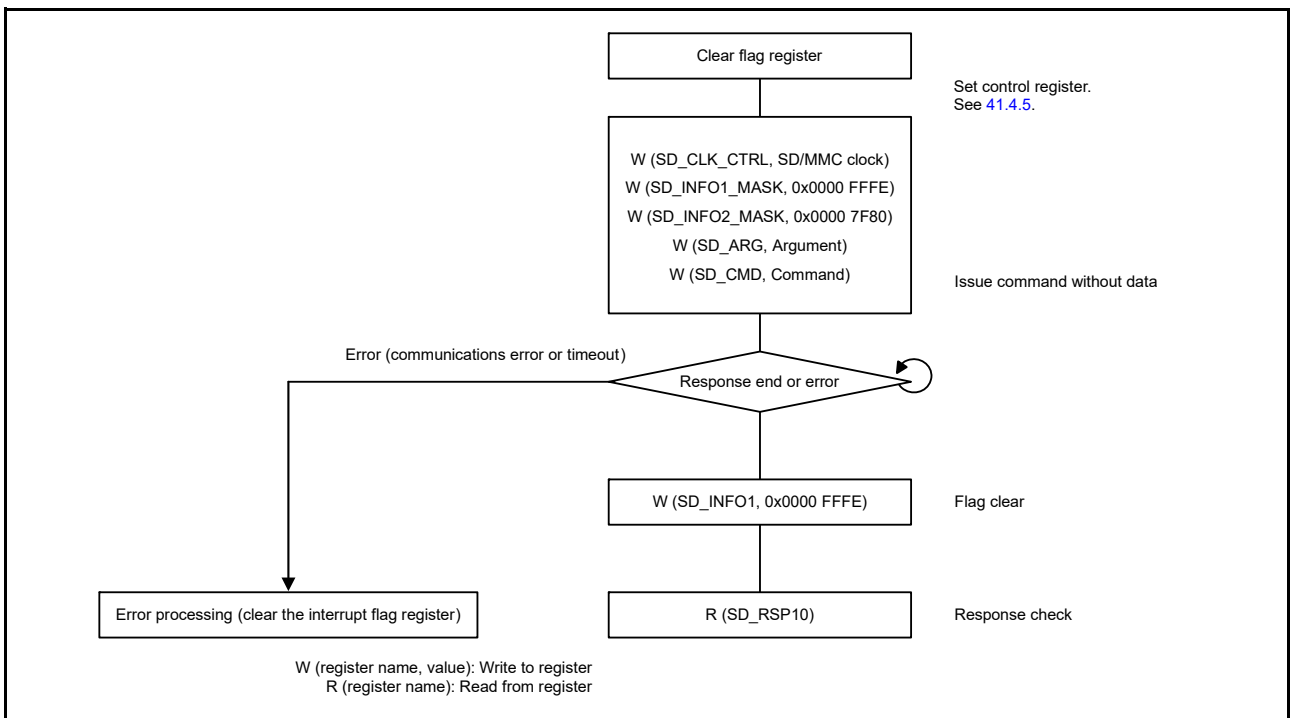


Figure 41.10 Example flow of command without data



### 41.3.5.1 Operation for command without data transfer

The following legend is used for the description of register read/write.

W (register name, value): Write to the register

R (register name): Read from the register

The operation is described in the following section.

#### (1) Command without response and data

- a. Flag register clear  
First, clear the bits in the flag register (SD\_INFO1 and SD\_INFO2).
- b. Control register set  
Set the SD/MMC clock and interrupt masking (SD\_CLK\_CTRL, SD\_INFO1\_MASK, and SD\_INFO2\_MASK).
- c. Command issue  
Set CMD argument in SD\_ARG and write to SD\_CMD.  
Accordingly, CMD is issued, and the operation is started.
- d. Flag clear  
When transmission of a command is complete, RSPEND (response end) in SD\_INFO1 is set to 1 to generate an interrupt. Clear RSPEND to 0.

#### (2) Command without data

- a. Flag register clear  
First, clear the bits in the flag register (SD\_INFO1 and SD\_INFO2).
- b. Control register set  
Set the SD/MMC clock and interrupt masking (SD\_CLK\_CTRL, SD\_INFO1\_MASK, and SD\_INFO2\_MASK).
- c. Command issue  
Set CMD argument in SD\_ARG and write to the SD\_CMD.  
Accordingly, CMD is issued, and the operation is started.
- d. Flag clear  
When a response is received, RSPEND (response end) in SD\_INFO1 is set to 1 to generate an interrupt. Clear RSPEND to 0.
- e. Read a response from SD\_RSP10. Additionally, perform error processing (clear the interrupt flag register) if a communication error or timeout occurs.

### 41.3.6 Single Block Read (SD/MMC)

Figure 41.11 shows an example flow of a single block read operation.

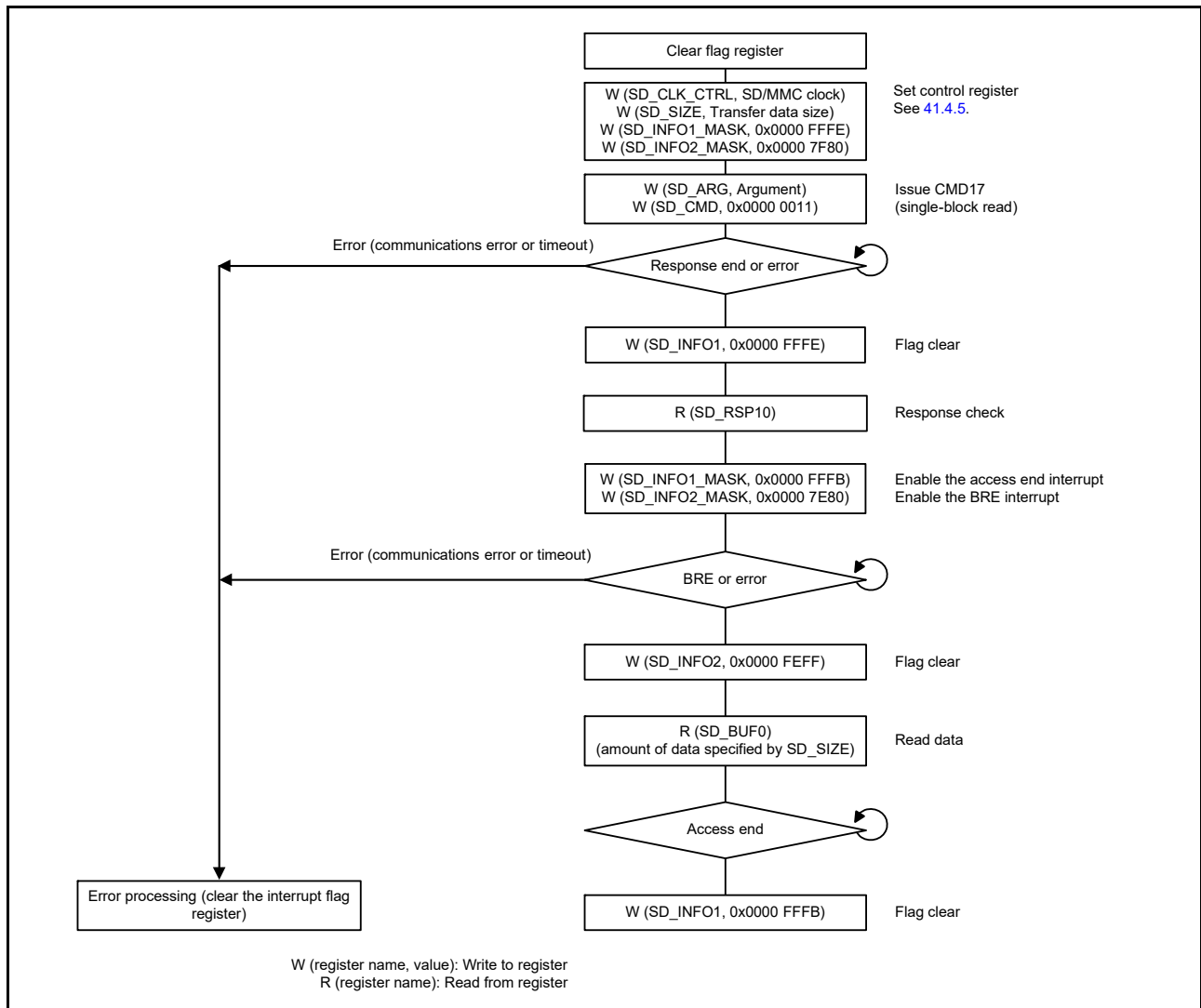


Figure 41.11 Example flow of single block read operation

### 41.3.6.1 Single block read operation

The operation of the single block read is described as follows:

- a. Flag register clear  
First, clear the bits in the flag register (SD\_INFO1 and SD\_INFO2).
- b. Control register set  
Set the SD/MMC clock, transfer data size, interrupt mask (SD\_CLK\_CTRL, SD\_SIZE, SD\_INFO1\_MASK, and SD\_INFO2\_MASK).
- c. Command issue (CMD17)  
Set CMD17 argument in SD\_ARG and write 0x0000 0011 to SD\_CMD. CMD17 is issued and the single block read operation is started.
- d. Response check  
On receiving the response, RSPEND (response end) in SD\_INFO1 is set to 1 to generate an interrupt. Clear RSPEND to 0 and read the response from SD\_RSP10. If the result of the response decoding is an error, the command sequence can be halted by setting the STP bit in SD\_STP or the IOABT bit in SDIO\_MODE to 1. In addition, this causes CMD12 and CMD52 to not be issued. If the ACEND bit (access end) in SD\_INFO1 is set, halting the command sequence also leads to the generation of an interrupt.
- e. Data receive from SD card/MMC and data read  
Write 0x0000 FFFB to SD\_INFO1\_MASK to enable the access end interrupt. In addition, write 0x0000 7E80 to SD\_INFO2\_MASK to enable the BRE interrupt. When the data received from the SD card/MMC is complete, the BRE bit in SD\_INFO2 is set to 1 to generate an interrupt. Clear the BRE bit to 0 and read the amount of data specified in SD\_SIZE from SD\_BUF0.  
A communication error or timeout might be generated if data is being received while the reading of SD\_BUF0 is in progress.
- f. Operation complete  
When the data read from SD\_BUF0 is complete, ACEND (access end) in SD\_INFO1 is set to 1 to generate an interrupt. Clear ACEND to 0 to end the single block read operation.  
Additionally, perform error processing (clear the interrupt flag register) if a communication error or timeout occurs.

### 41.3.7 Single Block Write (SD/MMC)

Figure 41.12 shows an example flow of a single block write operation.

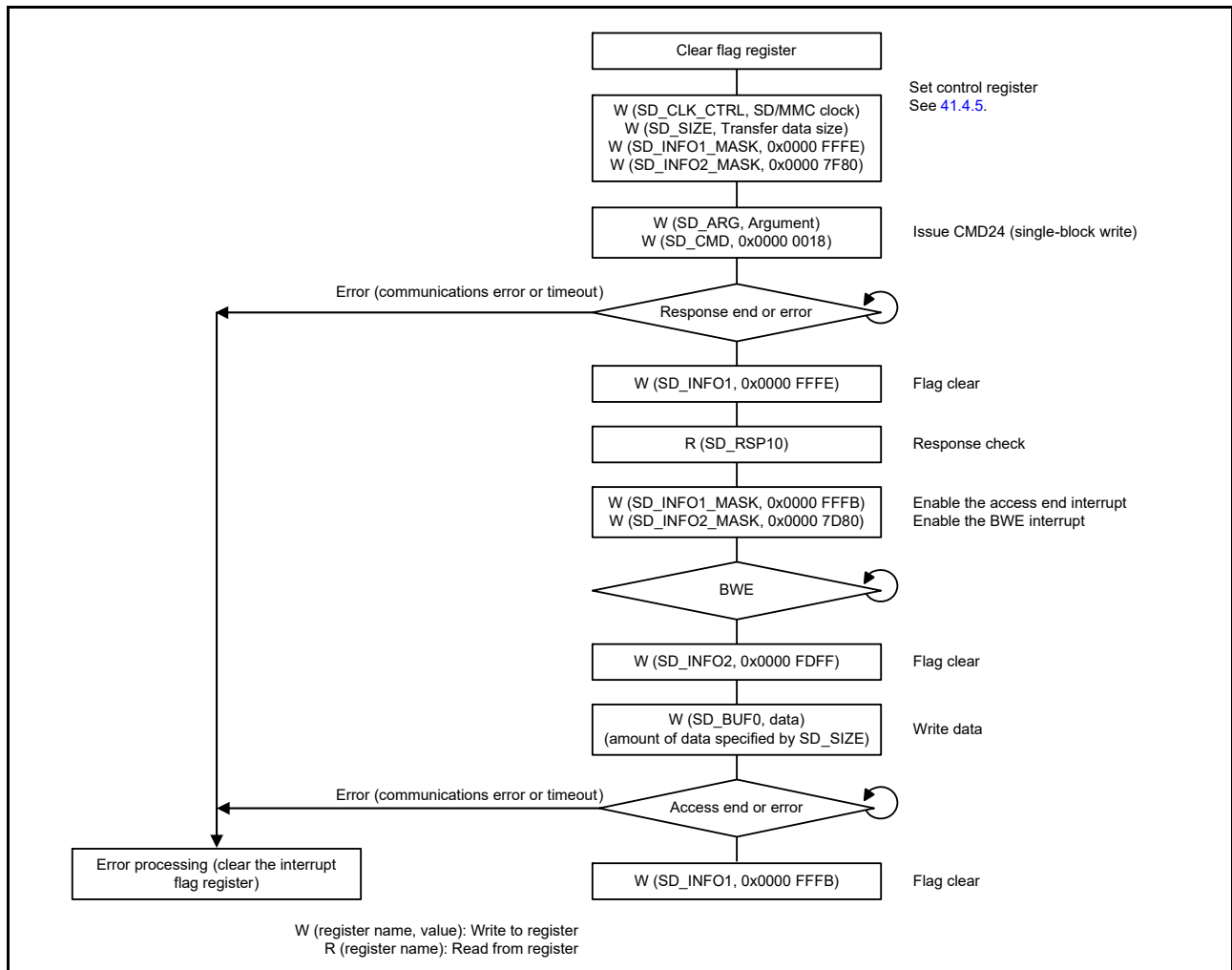


Figure 41.12 Example of single block write operation

### 41.3.7.1 Single block write operation

The operation of the single block write is described as follows:

- a. Flag register clear  
First, clear the bits in the flag register (SD\_INFO1 and SD\_INFO2).
- b. Control register set  
Set the SD/MMC clock, transfer data size, interrupt mask (SD\_CLK\_CTRL, SD\_SIZE, SD\_INFO1\_MASK, and SD\_INFO2\_MASK).
- c. Command issue (CMD24)  
Set CMD24 argument in SD\_ARG and write 0x0000 0018 to SD\_CMD. CMD24 is issued and the single block write operation is started.
- d. Response check  
On receiving the response, RSPEND (response end) in SD\_INFO1 is set to 1 to generate an interrupt. Clear RSPEND to 0 and read the response from SD\_RSP10. If the result of response decoding is an error, the command sequence can be halted by setting the STP bit in SD\_STP or the IOABT bit in SDIO\_MODE to 1. In addition, this causes CMD12 and CMD52 to not be issued. If the ACEND bit (access end) in SD\_INFO is set, halting the command sequence also leads to the generation of an interrupt.
- e. Data write and data transmit to SD card/MMC  
Write 0x0000 FFFB to SD\_INFO1\_MASK to enable the access end interrupt. In addition, write 0x0000 7D80 to SD\_INFO2\_MASK to enable the BWE interrupt. When SD\_BUF0 is ready for the data to be written, the BWE bit in SD\_INFO2 is set to 1 to generate an interrupt. Clear the BWE bit to 0 and write the amount of data specified in SD\_SIZE to SD\_BUF0. When the data write to SD\_BUF0 is complete, data is transmitted to the SD card. Then, the CRC status and busy state are received from the SD card/MMC.  
However, a communications error or timeout might be generated if data is being transmitted after writing to SD\_BUF0.
- f. Operation complete  
When the CRC status and busy state are received from the SD card/MMC, ACEND (access end) in SD\_INFO1 is set to 1 to generate an interrupt. Clear the ACEND bit to 0 to end the single block write operation.  
In addition, perform error processing (clear the interrupt flag register) if a communication error or timeout occurs.

### 41.3.8 Multiple Block Read (SD/MMC)

Figure 41.13 shows an example flow of a multiple block read operation.

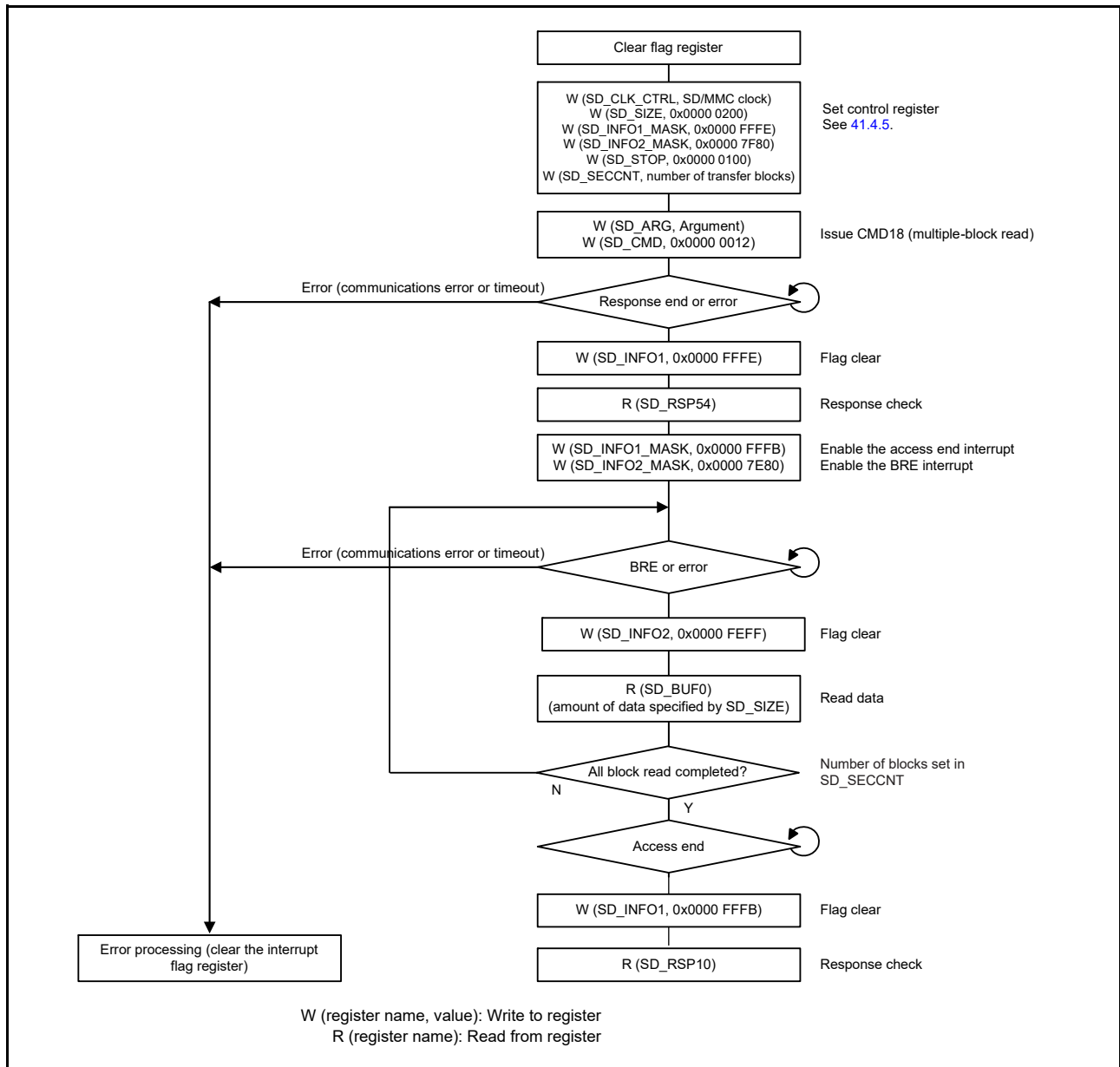


Figure 41.13 Example of multiple block read operation

### 41.3.8.1 Multiple block read operation

The operation of the multiple block read is described as follows:

- a. Flag register clear  
First, clear the bits in the flag register (SD\_INFO1 and SD\_INFO2).
- b. Control register set  
Set the SD/MMC clock, transfer data size, interrupt mask (SD\_CLK\_CTRL, SD\_SIZE, SD\_INFO1\_MASK, and SD\_INFO2\_MASK).  
Set SEC in SD\_STOP to 1, and set the number of transfer blocks in SD\_SECCNT.
- c. Command issue (CMD18)  
Set CMD18 argument in SD\_ARG and write 0x0000 0012 to SD\_CMD. CMD18 is issued and the multiple block read operation is started.
- d. Response check  
On receiving the response, RSPEND (response end) in SD\_INFO1 is set to 1 to generate an interrupt. Clear RSPEND to 0 and read the response from SD\_RSP54. If the result of response decoding is an error, the command sequence can be halted by setting the STP bit in SD\_STP to 1. Setting the STP bit to 1 also causes CMD12 to be issued and the response received. If the command sequence is halted because the access end interrupt is enabled, an interrupt is generated when the ACEND bit (access end) bit in SD\_INFO1 is set to 1 on completion of response reception. Clear the ACEND bit to 0 and read the response.
- e. Data receive from SD card/MMC and data read  
Write 0x0000 FFFB to SD\_INFO1\_MASK to enable the access end interrupt. In addition, write 0x0000 7E80 to SD\_INFO2\_MASK to enable the BRE interrupt. When reception of one-block of data from the SD card/MMC is complete, the BRE bit in SD\_INFO2 is set to 1 to generate an interrupt. Clear the BRE bit to 0 and read the amount of data specified in SD\_SIZE from SD\_BUF0. Doing this repeats the transfer of the number of blocks set in SD\_SECCNT. However, a communication error or timeout might be generated if data is being received while reading of SD\_BUF0 is in progress. CMD12 is automatically issued to stop a multiblock transfer with the number of blocks that is set to SD\_SECCNT, and the response is received. At this point, CMD12 argument is automatically set to 0x0000 0000.
- f. Operation complete  
When all-block data read and the CMD12 response received are completed, ACEND (access end) in SD\_INFO1 is set to 1 to generate an interrupt. Clear ACEND to 0 to read the response. This is the end of a multiple block read operation. In addition, perform error processing (clear the interrupt flag register) if a communication error or timeout occurs.

### 41.3.9 Multiple Block Write (SD/MMC Using Internal Timer)

Figure 41.14 shows an example flow of a multiple block write using the internal timer.

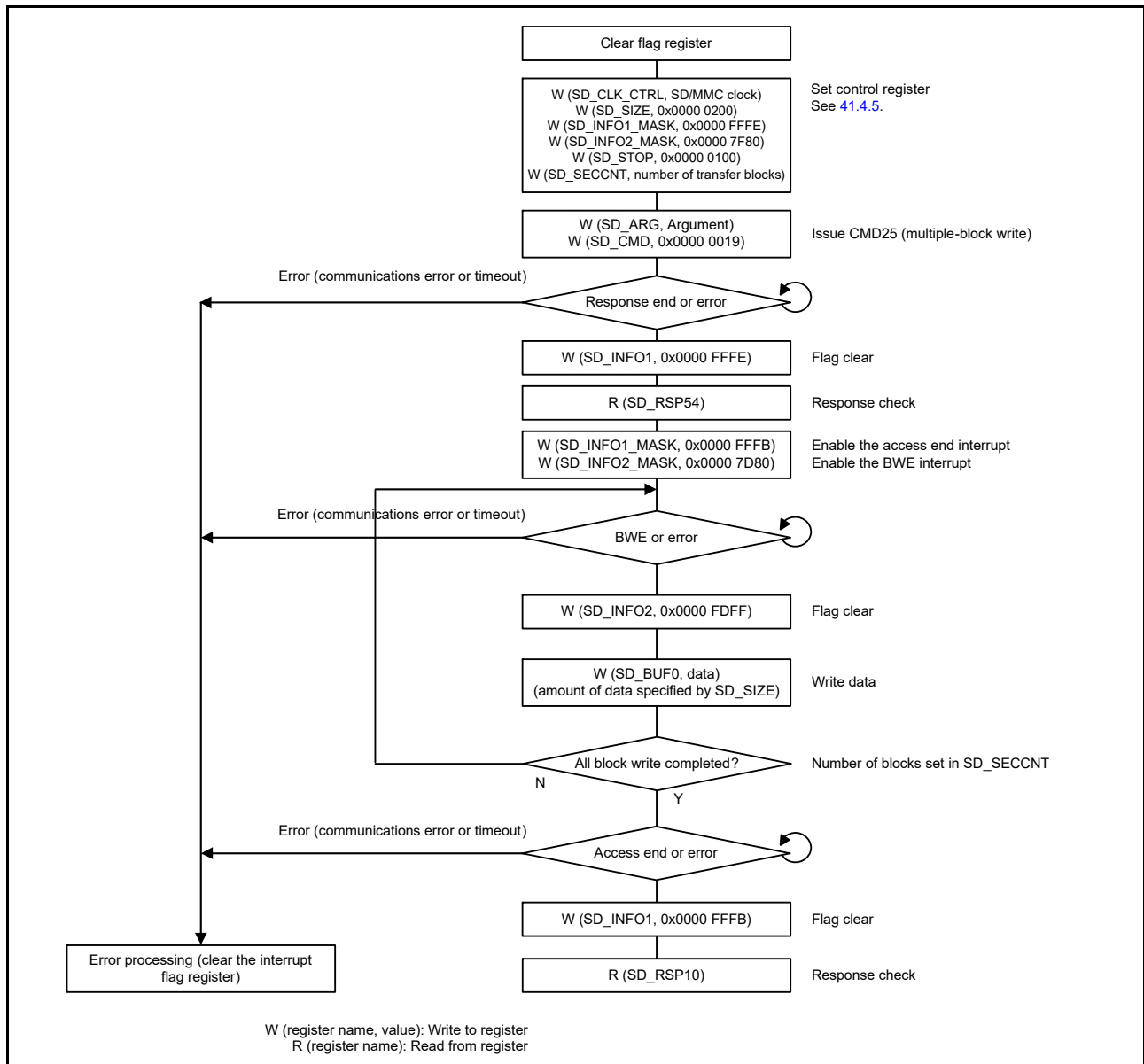


Figure 41.14 Example of multiple block write operation using internal timer



### 41.3.9.1 Multiple block write operation using internal timer

The operation of a multiple block write is described as follows:

- a. Flag register clear  
First, clear the bits in the flag register (SD\_INFO1 and SD\_INFO2).
- b. Control register set  
Set the SD/MMC clock, transfer data size, interrupt mask (SD\_CLK\_CTRL, SD\_SIZE, SD\_INFO1\_MASK, and SD\_INFO2\_MASK).  
Set the SEC bit in SD\_STOP to 1, and set the number of transfer blocks in SD\_SECCNT.
- c. Command issue (CMD25)  
Set the CMD25 argument in SD\_ARG and write 0x0000 0019 to SD\_CMD. CMD25 is issued and the multiple block write operation is started.
- d. Response check  
On receiving the response, the RSPEND bit (response end) in SD\_INFO1 is set to 1 to generate an interrupt. Clear the RSPEND bit to 0 and read the response from SD\_RSP54. If the result of response decoding is an error, the command sequence can be halted by setting the STP bit in SD\_STP to 1. Setting the STP bit to 1 also causes CMD12 to be issued and the response is received. If the command sequence is halted because the access end interrupt is enabled, an interrupt is generated by when the ACEND bit (access end) bit in SD\_INFO1 is set to 1 on completion of response reception. Clear the ACEND bit to 0 and read the response.
- e. Data write and data transmit to SD card/MMC  
Write 0x0000 FFFB to SD\_INFO1\_MASK to enable the access end interrupt. In addition, write 0x0000 7D80 to SD\_INFO2\_MASK to enable the BWE interrupt. When SD\_BUF0 is ready for the data to be written, the BWE bit in the SD\_INFO2 register is set to 1 to generate an interrupt. Clear the BWE bit to 0 and write the amount of data specified in SD\_SIZE to SD\_BUF0. When the data write to SD\_BUF0 is complete, data is transmitted to the SD card/MMC. The CRC status and busy state are received from the SD card/MMC. This repeats the transfer of the number of blocks set in SD\_SECCNT. However, a communication error or timeout might be generated if data is being received while writing to SD\_BUF0 is in progress. CMD12 is automatically issued to stop multiblock transfer with the number of blocks set in SD\_SECCNT and the response is received. At this point, CMD12 argument is automatically set to 0x0000 0000.
- f. Operation complete  
When all-block data transmit and the CRC status receive are completed, the ACEND bit (access end) in SD\_INFO1 is set to 1 to generate an interrupt. Clear the ACEND bit to 0 to read the response. This is the end of a multiple block write operation. Additionally, perform error processing (clear the interrupt flag register) if a communications error or timeout occurs.

### 41.3.10 Multiple Block Write (MMC using external timer)

Figure 41.15 shows an example flow of a multiple block write using an external timer.

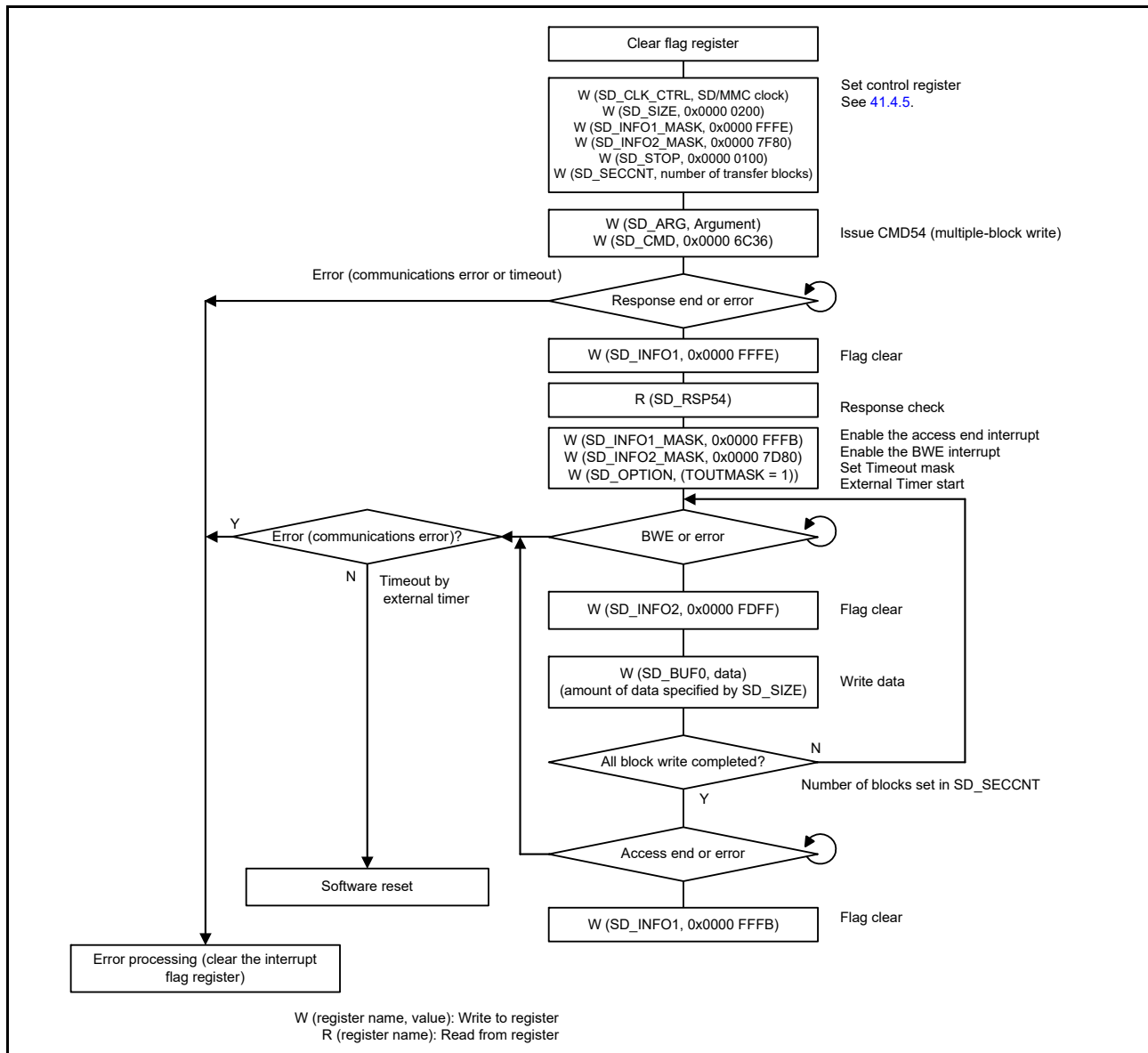


Figure 41.15 Example of multiple block write operation using external timer

### 41.3.10.1 Multiple block write operation using external timer

The operation of a multiple block write is described as follows:

- a. Flag register clear  
First, clear the bits in the flag register (SD\_INFO1 and SD\_INFO2).
- b. Control register set  
Set the MMC clock, transfer data size, interrupt mask (SD\_CLK\_CTRL, SD\_SIZE, SD\_INFO1\_MASK, and SD\_INFO2\_MASK).  
Set the SEC bit in SD\_STOP to 1, and set the number of transfer blocks in SD\_SECCNT.
- c. Command issue (CMD54)  
Set CMD54 Argument in SD\_ARG and write 0x0000 6C36 to SD\_CMD. CMD54 is issued and the multiple block write operation is started.
- d. Response check  
On receiving the response, the RSPEND bit (response end) in SD\_INFO1 is set to 1 to generate an interrupt. Clear the RSPEND bit to 0 and read the response from SD\_RSP54. If the result of the response decoding is an error, the command sequence can be halted by setting the STP bit in SD\_STP to 1. Setting the STP bit to 1 also causes CMD12 to be issued and the response is received. If the command sequence is halted because the access end interrupt is enabled, an interrupt is generated by when the ACEND bit (access end) bit in SD\_INFO1 is set to 1 on completion of the response reception. Clear the ACEND bit to 0 and read the response.
- e. Data write and data transmit to MMC  
Write 0x0000 FFFB to SD\_INFO1\_MASK to enable the access end interrupt, write 0x0000 7D80 to SD\_INFO2\_MASK to enable the BWE interrupt, and set 1 to TOUTMASK of SD\_OPTION to deactivate the timeout. In addition, start the external timer. When SD\_BUF0 is ready for the data to be written, the BWE bit in the SD\_INFO2 register is set to 1 to generate an interrupt. Clear the BWE bit to 0 and write the amount of data specified in SD\_SIZE to SD\_BUF0. When the data write to SD\_BUF0 is complete, data is transmitted to the MMC. The CRC status and busy state are received from the MMC. Doing this repeats the transfer of the number of blocks set in SD\_SECCNT. However, a communication error or timeout might be generated if data is being received while writing to SD\_BUF0 is in progress.
- f. Operation complete  
When all-block data transmit and the CRC status receive are completed, the ACEND bit (access end) in SD\_INFO1 is set to 1 to generate an interrupt. Clear the ACEND bit to 0 to read the response. This is the end of a multiple block write operation. Additionally, perform error processing (clear the interrupt flag register) if a communications error or timeout occurs when receiving a response. Execute software reset if a timeout by the external timer occurs when transmitting data.

### 41.3.11 IO\_RW\_DIRECT Command (SD: CMD52)

Figure 41.16 shows an example flow of an IO\_DIRECT command (CMD52) operation.

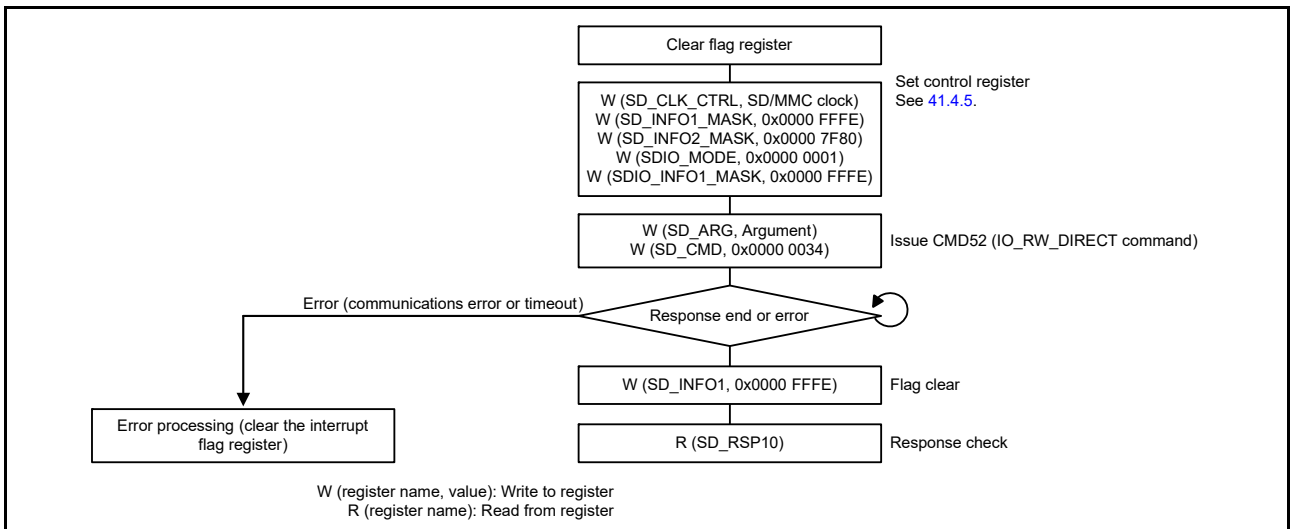


Figure 41.16 Example of IO\_RW\_DIRECT command (CMD52) operation

### 41.3.12 IO\_RW\_EXTENDED Command (SD: CMD53/Multiple Block Read)

Figure 41.17 shows an example flow for a CMD53 multiple block read operation.

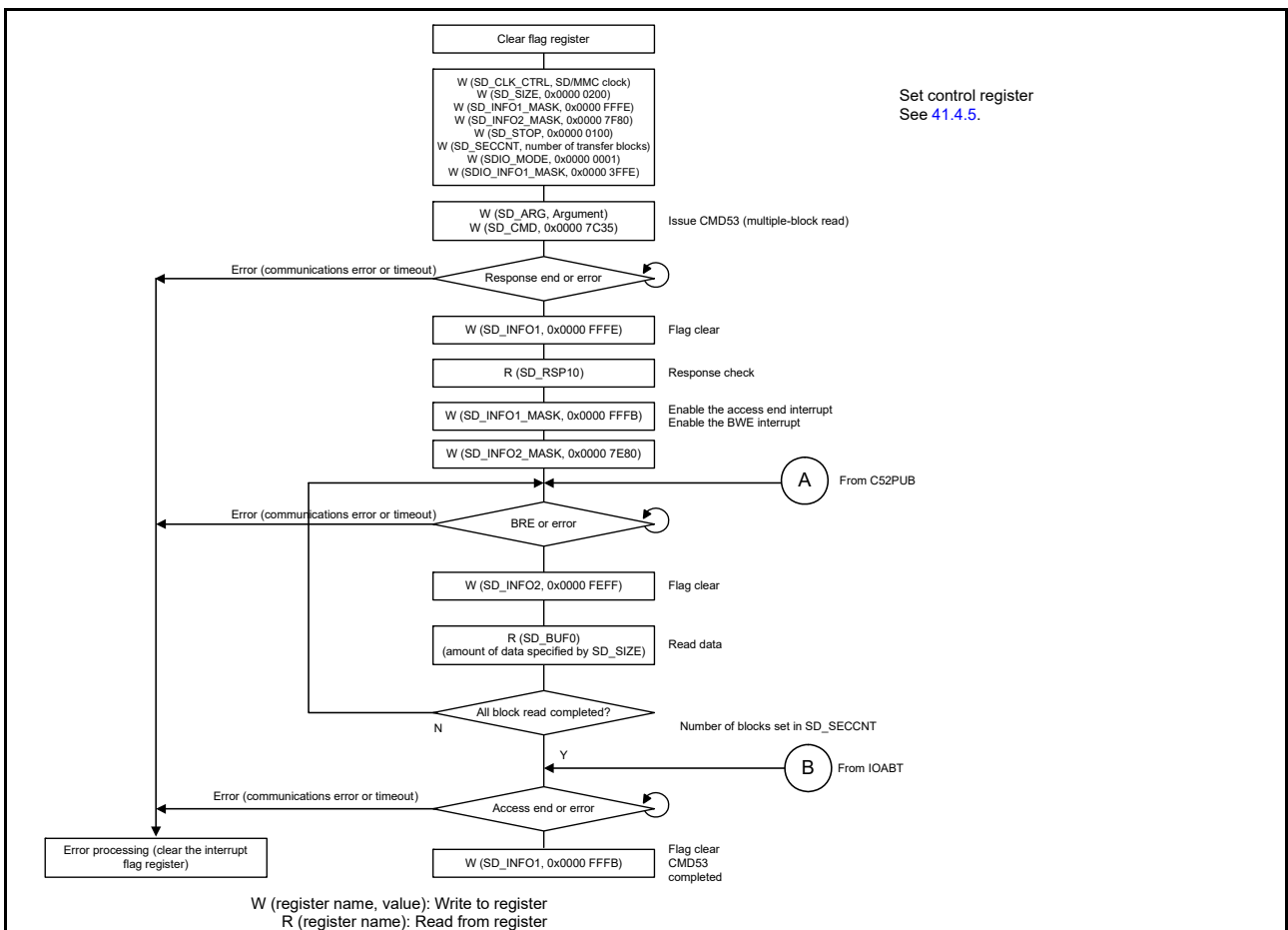
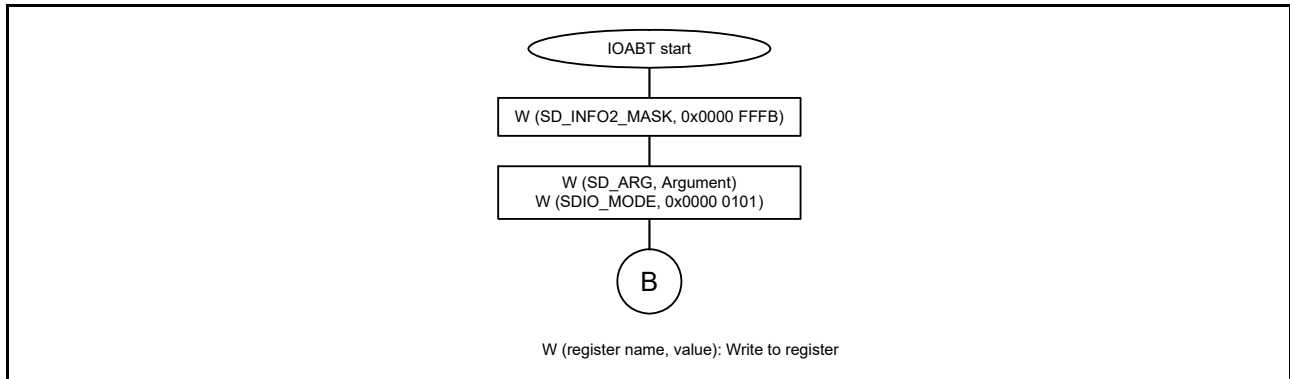


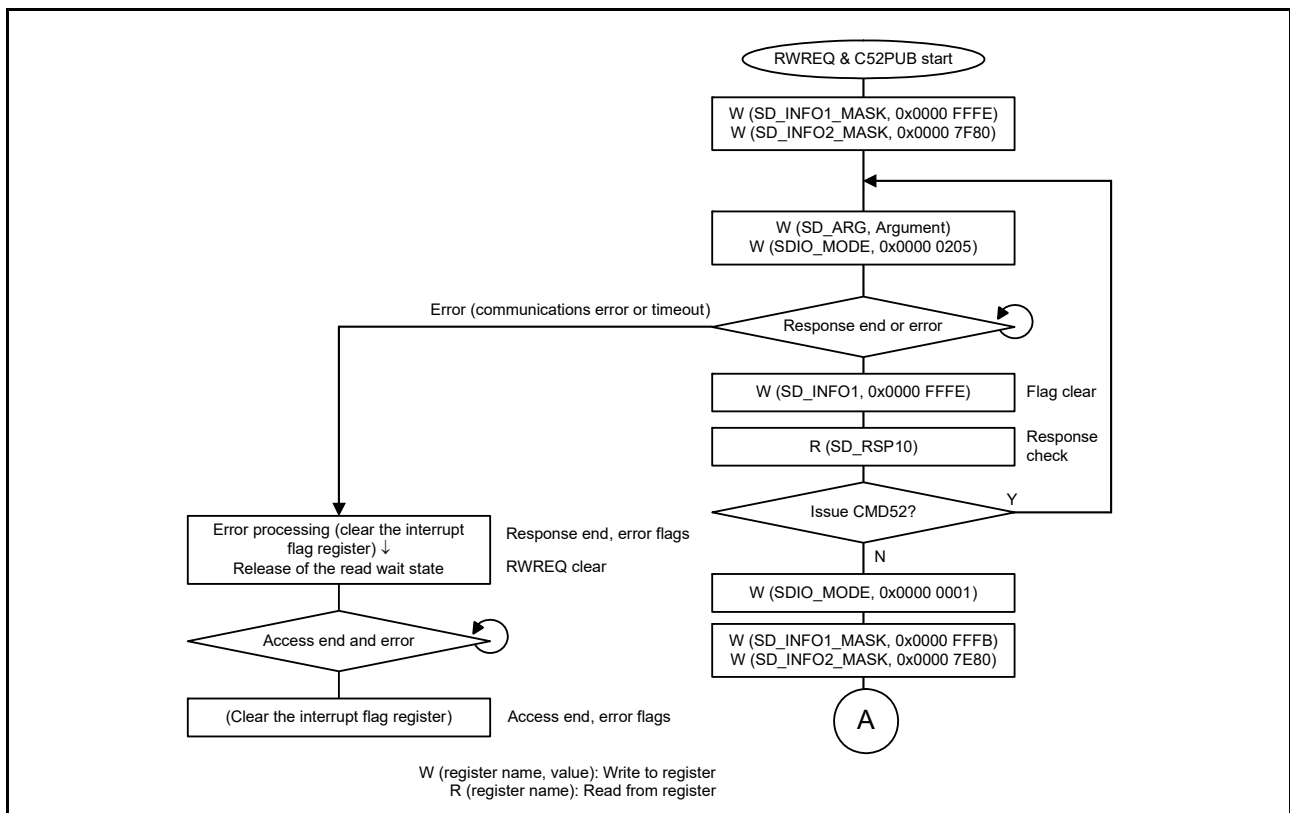
Figure 41.17 Example of IO\_RW\_EXTENDED command (CMD53) for multiple block read operation

Figure 41.18 shows an example flow when CMD52 (SDIO abort) is issued during a CMD53 multiple block read.



**Figure 41.18** Flow when CMD52 (SDIO abort) is issued during a CMD53 multiple block read

Figure 41.19 shows an example flow when CMD52 (SDIO none abort) is issued at a CMD53 multiple block read while the SDHI is in the read wait state.



**Figure 41.19** Flow when CMD52 (SDIO no abort) is issued during a CMD53 multiple block read while the SD Host Interface is in read wait state

### 41.3.13 IO\_RW\_EXTENDED Command (SD: CMD53/Multiple Block Write)

Figure 41.20 shows an example flow for a CMD53 multiple block write.

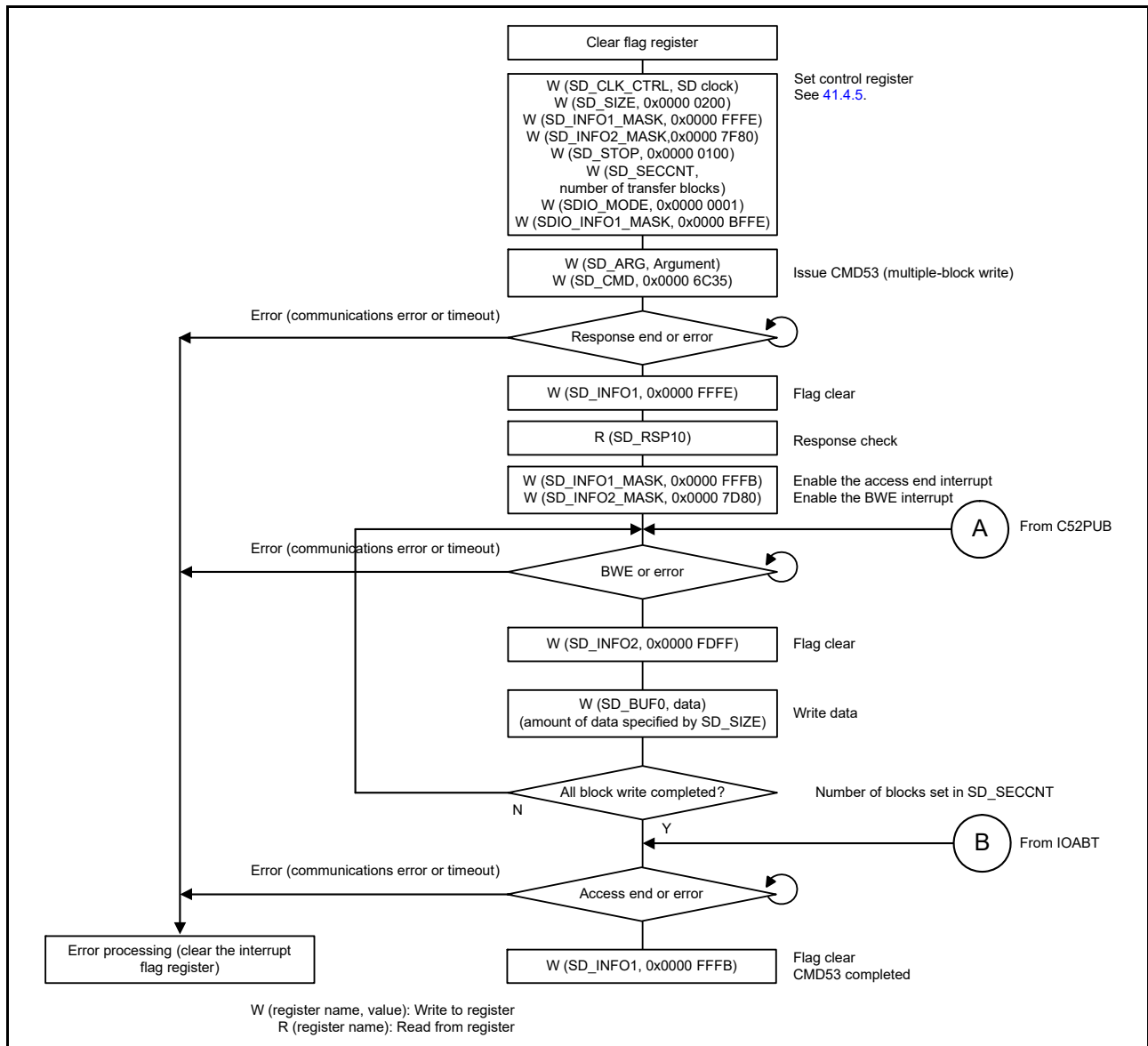


Figure 41.20 Example of IO\_RW\_EXTENDED command during a CMD53 multiple block write operation

Figure 41.21 shows an example flow when CMD52 (SDIO abort) is issued at CMD53 multiple block write.

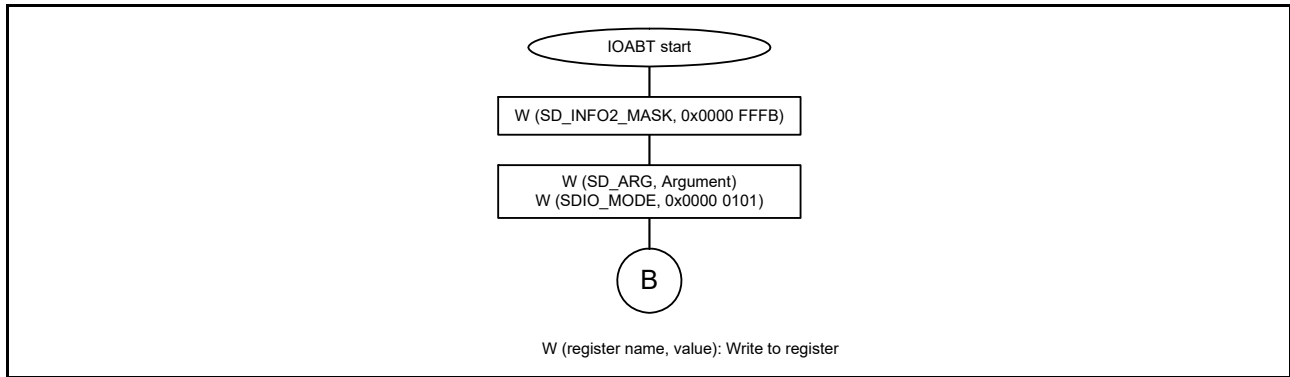


Figure 41.21 Flow when CMD52 (SDIO Abort) is issued during a CMD53 multiple block write

Figure 41.22 shows an example flow when CMD52 (SDIO none abort) is issued at CMD53 multiple block write.

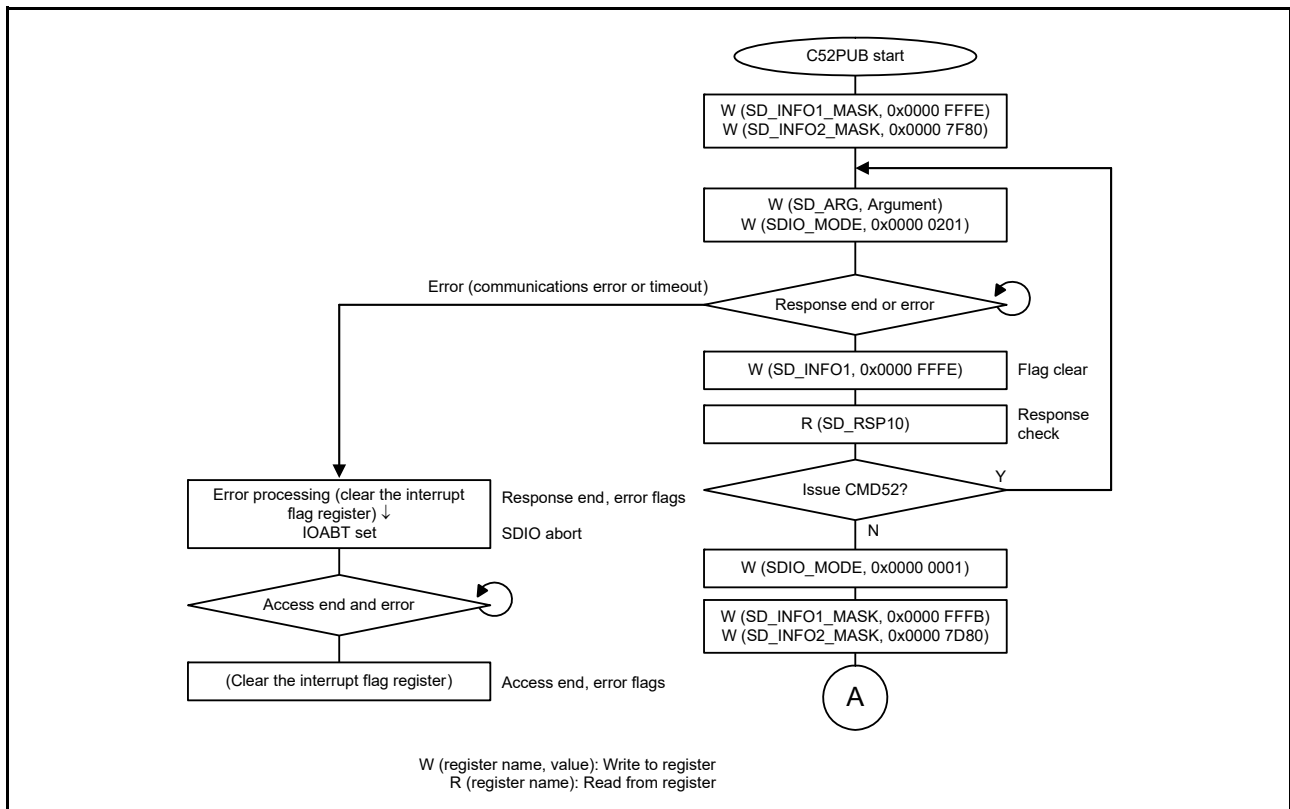


Figure 41.22 Flow when CMD52 (SDIO no abort) is issued during a CMD53 multiple block write

41.3.14 DMA Transfer (SD/MMC)

41.3.14.1 SD\_BUF DMA transfer

Figure 41.23 shows an example flow for SD\_BUF DMA read when CMD18 multiple block read is issued.

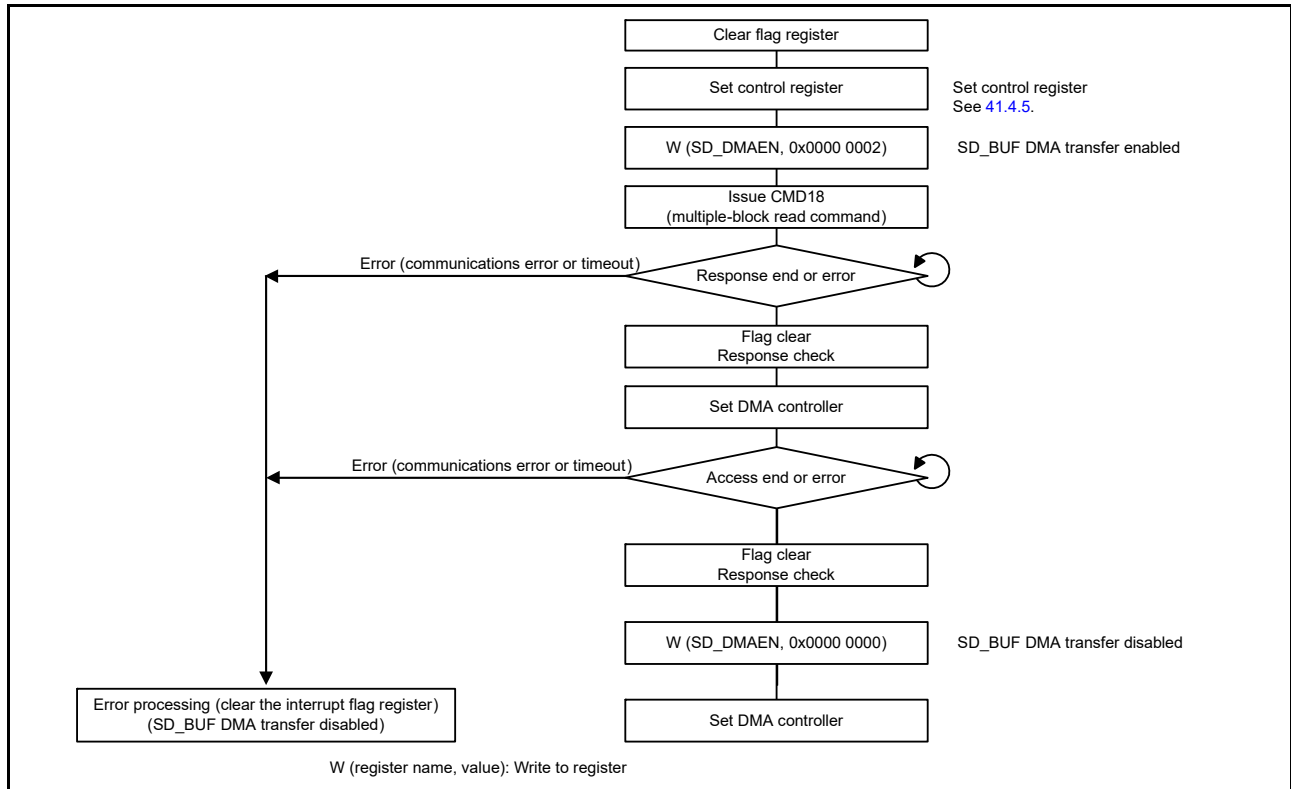


Figure 41.23 Example of SD\_BUF\_DMA read operation



Figure 41.24 shows an example flow for SD\_BUF DMA write when CMD25 multiple block write is issued.

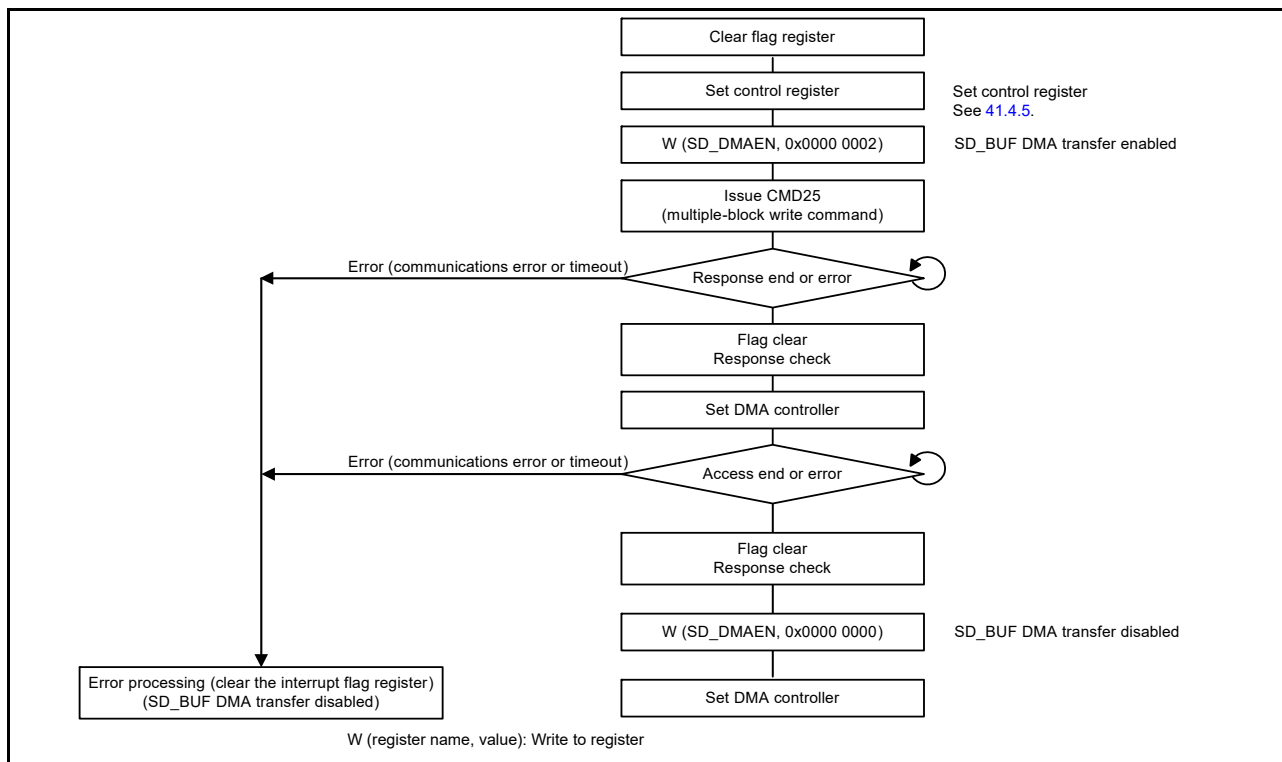


Figure 41.24 Example of SD\_BUF\_DMA write operation

### 41.3.15 Example of SD\_CMD Register Setting

Table 41.8 and Table 41.9 list the SD\_CMD register setting.

**Table 41.8 Example SD\_CMD register settings for SD (1 of 2)**

| Type        | Command    | Example SD_CMD register setting  | Remark  |
|-------------|------------|--|---|
| CMD         | CMD0       | 0000 0000h   |   |
|             | CMD2       | 0000 0002h   |   |
|             | CMD3       | 0000 0003h   |   |
|             | CMD4       | 0000 0004h   |   |
|             | CMD5       | 0000 0705h or 0000 0005h   |   |
|             | CMD6       | 0000 1C06h or 0000 0006h   |   |
|             | CMD7       | 0000 0007h   | When the card is placed in a deselected state, the response timeout flag sets because there is no response. |
|             | CMD8       | 0000 0408h or 0000 0008h   |   |
|             | CMD9       | 0000 0009h   |   |
|             | CMD10      | 0000 000Ah   |   |
|             | CMD11      | 0000 040Bh or 0000 000Bh   |   |
|             | CMD12      | 0000 000Ch   |   |
|             | CMD13      | 0000 000Dh   |   |
|             | CMD15      | 0000 000Fh   |   |
|             | CMD16      | 0000 0010h   |   |
|             | CMD17      | 0000 0011h   |   |
|             | CMD18      | 0000 0012h   | With automatic CMD12  |
|             | CMD20      | 0000 0514h or 0000 0014h   |   |
|             | CMD24      | 0000 0018h   |   |
|             | CMD25      | 0000 0019h   | With automatic CMD12  |
|             | CMD27      | 0000 001Bh   |   |
|             | CMD28      | 0000 001Ch   |   |
|             | CMD29      | 0000 001Dh   |   |
|             | CMD30      | 0000 001Eh   |   |
|             | CMD32      | 0000 0020h   |   |
|             | CMD33      | 0000 0021h   |   |
|             | CMD38      | 0000 0026h   |   |
|             | CMD42      | 0000 002Ah   |   |
|             | CMD52      | 0000 0434h or 0000 0034h   |   |
|             | CMD53      | 0000 1C35h   | Single read   |
|             |            | 0000 0C35h   | Single write  |
|             |            | 0000 7C35h   | Multiple read   |
| 0000 6C35h  |            | Multiple write   |   |
| 0000 S0035h |            | The value on the left can be set for both single and multiple operations. However, the CF39 bit in SD_ARG must be set as follows.<br>Read: 0, Write: 1 |   |
| CMD55       | 0000 0037h |  |   |
| CMD56       | 0000 0038h |  |   |

**Table 41.8 Example SD\_CMD register settings for SD (2 of 2)**

| Type | Command | Example SD_CMD register setting | Remark |
|------|---------|---------------------------------|--------|
| ACMD | ACMD6   | 0000 0046h                      |        |
|      | ACMD13  | 0000 004Dh                      |        |
|      | ACMD22  | 0000 0056h                      |        |
|      | ACMD23  | 0000 0057h                      |        |
|      | ACMD41  | 0000 0069h                      |        |
|      | ACMD42  | 0000 006Ah                      |        |
|      | ACMD51  | 0000 0073h                      |        |

**Table 41.9 Example SD\_CMD register settings for MMC (1 of 2)**

| Type | Command | Example SD_CMD register setting | Remark |  |
|------|---------|---------------------------------|--------|--|
| CMD  | CMD0    | 0000 0000h                      |        |  |
|      | CMD1    | 0000 0701h                      |        |  |
|      | CMD2    | 0000 0002h                      |        |  |
|      | CMD3    | 0000 0003h                      |        |  |
|      | CMD4    | 0000 0004h                      |        |  |
|      | CMD5    | 0000 0505h                      |        |  |
|      | CMD6    | 0000 0506h                      |        | With response busy   |
|      |         | 0000 0406h                      |        | Without response busy  |
|      | CMD7    | 0000 0007h                      |        | When the card is placed in a deselected state, the response timeout flag sets because there is no response |
|      | CMD8    | 0000 1C08h                      |        |  |
|      | CMD9    | 0000 0009h                      |        |  |
|      | CMD10   | 0000 000Ah                      |        |  |
|      | CMD12   | 0000 000Ch                      |        |  |
|      | CMD13   | 0000 000Dh                      |        |  |
|      | CMD14   | 0000 1C0Eh                      |        | Required setting: SD_IFMODE = 0000 0100h (CRC check is invalid)  |
|      | CMD15   | 0000 000Fh                      |        |  |
|      | CMD16   | 0000 0010h                      |        |  |
|      | CMD17   | 0000 0011h                      |        |  |
|      | CMD18   | 0000 7C12h                      |        | Pre-defined  |
|      | CMD19   | 0000 0C13h                      |        | Required setting: SD_IFMODE = 0000 0100h (CRC check is invalid)  |
|      | CMD21   | 0000 1C15h                      |        | DDR mode is inhibited  |
|      | CMD23   | 0000 0017h                      |        |  |
|      | CMD24   | 0000 0018h                      |        |  |
|      | CMD25   | 0000 6C19h                      |        | Pre-defined  |
|      | CMD26   | 0000 0C1Ah                      |        |  |
|      | CMD27   | 0000 001Bh                      |        |  |
|      | CMD28   | 0000 001Ch                      |        |  |
|      | CMD29   | 0000 001Dh                      |        |  |
|      | CMD30   | 0000 001Eh                      |        |  |
|      | CMD31   | 0000 1C1Fh                      |        |  |

**Table 41.9 Example SD\_CMD register settings for MMC (2 of 2)**

| Type | Command | Example SD_CMD register setting | Remark |
|------|---------|---------------------------------|--------|
| CMD  | CMD35   | 0000 0423h                      | -      |
|      | CMD36   | 0000 0424h                      | -      |
|      | CMD38   | 0000 0026h                      | -      |
|      | CMD39   | 0000 0427h                      | -      |
|      | CMD40   | 0000 0428h                      | -      |
|      | CMD42   | 0000 002Ah                      | -      |
|      | CMD49   | 0000 0C31h                      | -      |
|      | CMD53   | 0000 7C35h                      | -      |
|      | CMD54   | 0000 6C36h                      | -      |
|      | CMD55   | 0000 0037h                      | -      |
|      | CMD56   | 0000 0038h                      | -      |

## 41.4 Usage Notes

### 41.4.1 SD\_BUF Illegal Write Access (SD/MMC)

When writing data to SD\_BUF0 after a single block write or multi block write command is issued, data of the size specified in SD\_SIZE must be written.

If data exceeding the size specified in SD\_SIZE is written, the ERR4 bit in SD\_INFO2 is set to 1. In addition, the data written to SD\_BUF0 might not be transmitted and the SD\_CLK\_CTRLLEN bit in SD\_INFO2 is held at the value of 0. If this occurs, clearing the SDRST bit in SOFT\_RST to 0 and then restoring its value to 1 clears the SD\_CLK\_CTRLLEN bit to 1.

However, this does not apply to the single byte or three bytes when the SD\_SIZE setting is odd, or to the fraction of bytes when the SD\_SIZE setting is even (the 2 bytes that are not in a 4-byte unit), because the portion of dummy data writing is regarded as excess data and ignored.

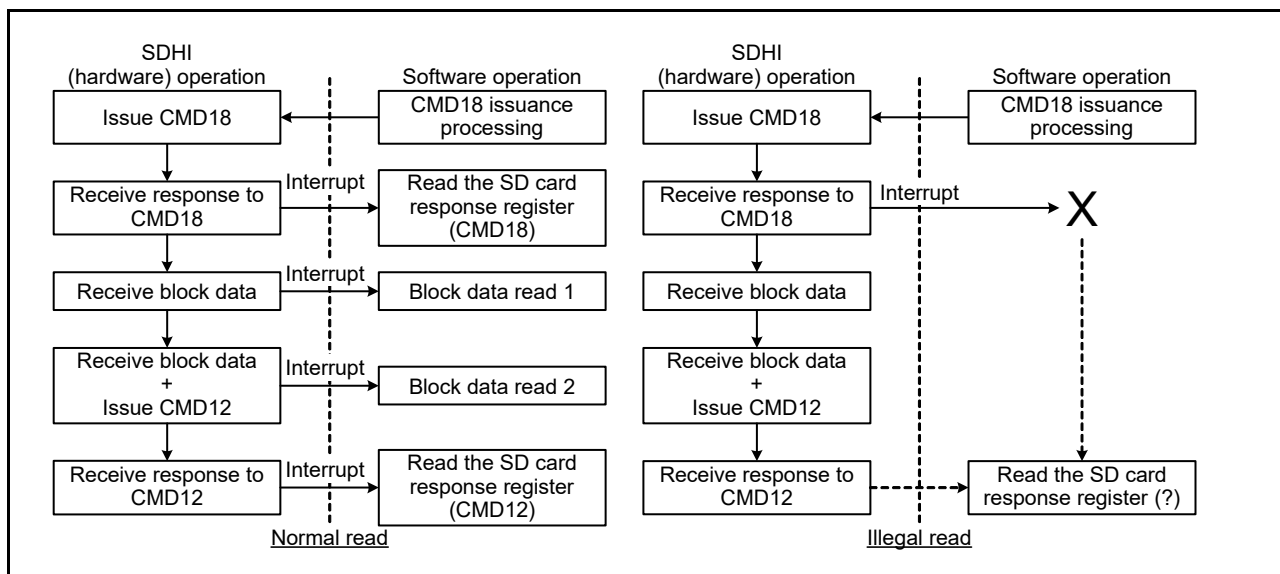
### 41.4.2 Block Number Constraint for Multiple Block Read (SD)]

When performing a multiple block read of one or two blocks, depending on the timing with which the SD card response register is read, the response value might not be read properly. To prevent this, do one of the following:

1. When receiving one or two blocks of data, use single block reading.
2. Read the response to CMD18 from SD\_RSP54.

#### 41.4.2.1 Mechanism of incorrect reading

Figure 41.25 shows the processing flows of the SDHI (hardware) operation and software operation when a multiple block read is performed on two blocks. As shown in the incorrect operation in Figure 41.25, when an interrupt is generated on reception of the CMD18 response and the timing with which the SD card response register (SD\_RSP10) is read by the interrupt is delayed, the data during the CMD12 response reception or the CMD12 response might be read. This problem does not occur for multiple block reads of three or more blocks, because CMD12 is not issued until the block of data is read. The problem also does not occur for multiple block writes, because the CMD25 response is read before the block of data is sent.



**Figure 41.25 Multiple block read operation flow chart (two blocks)**

#### 41.4.3 Automatic Control of SD/MMC Clock Output (SD/MMC)

In the SD Card/MMC standard, 74 cycles of SD/MMC clock must be output before the initialization of the card. For this reason, use automatic control of SD/MMC clock output after 74 cycles of SD/MMC clock are output. In addition, if automatic control of SD/MMC clock output is in use, SD/MMC clock output is stopped on completion of the sequence for a communications error or timeout. When state transitions within the SD card/MMC are necessary after the completion of the sequence, release automatic control of the SD/MMC clock output and restart the supply of the SD/MMC clock to the SD card/MMC.

#### 41.4.4 Control of the C52PUB Setting for Multiple Block Write (SD)

If the C52PUB bit in SDIO\_MODE is set to 1 during a sequence of multiple block writes because of CMD53, CMD52 is not issued until SD\_BUF becomes empty. For this reason, set the C52PUB bit after suspending writing to SD\_BUF by using one of the following procedures, as appropriate:

##### (a) When DMA transfer is not in use

1. Before setting the C52PUB bit, suspend writing to SD\_BUF by setting SD\_INFO2 to disable BWE interrupts.
2. Set the C52PUB bit in SDIO\_MODE to 1 (so that CMD52 is issued when SD\_BUF becomes empty).
3. After the RSPEND interrupt processing in SD\_INFO1 due to the issuing of CMD52 is complete, restart writing to SD\_BUF by setting SD\_INFO2 to enable BWE interrupts.

##### (b) When DMA transfer is in use

1. Every time a DMA transfer of the value set in SD\_SIZE × n blocks (where n = 1, 2,...) proceeds, suspend writing to SD\_BUF by DMA transfer before the C52PUB bit is set.
2. Set the C52PUB bit in SDIO\_MODE to 1 so that CMD52 is issued when SD\_BUF becomes empty.
3. After the RSPEND interrupt processing in SD\_INFO1 due to the issuing of CMD52 is complete, restart writing to SD\_BUF by DMA transfer.

#### 41.4.5 Notes on SD\_CLK\_CTRL Register Settings (SD/MMC)

When the SD\_CLK\_CTRLLEN bit in SD\_INFO2 is 0, SD\_CLK\_CTRL cannot be written to. Before writing to SD\_CLK\_CTRL, you must check that the SD\_CLK\_CTRLLEN bit in SD\_INFO2 is 1.

#### 41.4.6 Specification Limitations

1. The Suspend/Resume operation of the SDIO is not supported.
2. The SPI bus is not supported (SD/MMC).
3. The shared bus and 8-bit SD bus of the embedded SDIO are not supported.
4. Stream transfer of MMC is not supported.
5. High Priority Interrupt (HPI) of MMC is not supported.
6. Boot Operation/Alternative Boot Operation of MMC is not supported.
7. Open-ended multiple block transfer of MMC is not supported.

#### 41.4.7 STP Bit Setting during Multiple Block Read (SD/MMC)

During the execution of a multiple block read with automatic CMD12 execution by setting the SEC bit in SD\_STOP to 1, even if the STP bit in SD\_STOP is set to 1 to forcibly stop the execution, the command sequence might not stop, depending on the timing of setting of the STP bit.

To avoid this, when setting the STP bit in SD\_STOP to 1 during multiple block transfer, clear the SEC bit in SD\_STOP to 0 at the same time. Even when the SD\_CLK\_CTRLLEN bit in SD\_INFO2 is 0, change the SEC bit from 1 to 0.

When the command sequence does not stop because the SEC bit was not cleared to 0, the command sequence can be stopped by clearing the SDRST bit in SOFT\_RST to 0.

When forcibly terminating the CMD53 multiple block transfer through the IOABT bit in SDIO\_MODE, you must leave the SEC bit in SD\_STOP as 1.

#### 41.4.8 Register Setting Notes

1. All registers in [section 41.2, Register Descriptions](#) are accessed in 32-bit access-only.
2. When setting registers, set them after the I/O Port Register setting.

## 42. Parallel Data Capture Unit (PDC)

### 42.1 Overview

The MCU provides one Parallel Data Capture Unit (PDC). The PDC communicates with external I/O devices, including image sensors, and transfers parallel data such as image output from the external I/O device through the DTC or DMAC to the on-chip SRAM and the external address spaces (the CS and SDRAM areas). [Table 42.1](#) lists the PDC specifications, [Figure 42.1](#) shows a block diagram, and [Table 42.2](#) lists the I/O pins.

**Table 42.1 PDC specifications**

| Parameter                             | Specifications   |
|---------------------------------------|--|
| Capture range                         | Any amount of parallel data within the following ranges in the vertical and horizontal directions: <ul style="list-style-type: none"> <li>Vertical direction: 1 to 4095 lines</li> <li>Horizontal direction: 4 to 4095 bytes.</li> </ul>     |
| Parallel transfer clock (PIXCLK)      | Operating frequency: 1 to 27 MHz <sup>*1</sup>   |
| Interrupt sources                     | <ul style="list-style-type: none"> <li>Receive data ready</li> <li>Frame end</li> <li>Overrun</li> <li>Underrun</li> <li>Error in the setting for the number of lines</li> <li>Error in setting for the number of bytes per line.</li> </ul> |
| Startup of DTC or DMAC                | Frame end and receive data ready interrupts can start DTC or DMAC  |
| Parallel transfer clock output (PCKO) | <ul style="list-style-type: none"> <li>Operating frequency: 1 to 30 MHz<sup>*2</sup></li> <li>Clock source: Peripheral module clock B (PCLKB)</li> <li>Frequency division ratio: Selectable from 2, 4, 6, 8, 10, 12, 14, and 16.</li> </ul>  |
| Other functions                       | <ul style="list-style-type: none"> <li>PDC reset function</li> <li>Selectable active polarity for VSYNC and HSYNC signals</li> <li>Monitoring of VSYNC and HSYNC signals</li> <li>Endian order selectable.</li> </ul>                        |
| Module-stop function                  | Module-stop state can be set to reduce power consumption   |
| Internal bus interface                | Internal peripheral bus 5  |

Note 1. Set the frequency of the parallel data transfer clock (PIXCLK) to a value less than that of  $0.6 \times \text{PCLKB}$  (peripheral module clock).

Note 2. The operating frequency is 30 MHz when peripheral module clock B (PCLKB) frequency is 60 MHz and the frequency division ratio is 2.

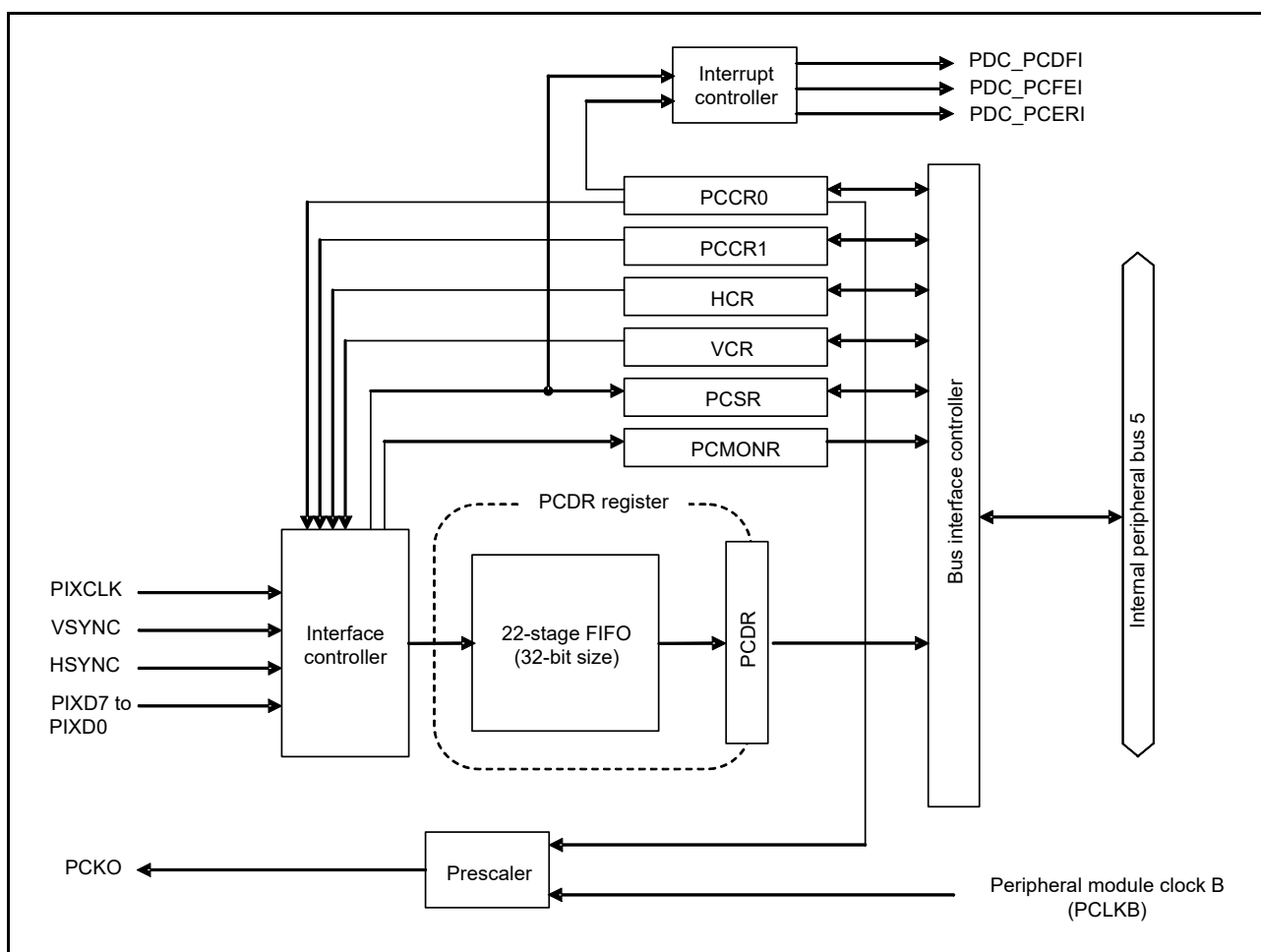


Figure 42.1 PDC block diagram

Table 42.2 PDC I/O pins

| Pin name       | I/O    | Description                            |
|----------------|--------|--|
| PIXCLK         | Input  | Parallel transfer clock                |
| VSYNC          | Input  | Vertical synchronization signal        |
| HSYNC          | Input  | Horizontal synchronization signal      |
| PIXD7 to PIXD0 | Input  | 8-bit data                             |
| PCKO           | Output | Output for the parallel transfer clock |



## 42.2 Register Descriptions

### 42.2.1 PDC Control Register 0 (PCCR0)

Address(es): PDC.PCCR0 4009 4000h

|  |     |             |     |       |       |       |       |      |      |      |      |     |     |      |     |
|--|-----|-------------|-----|-------|-------|-------|-------|------|------|------|------|-----|-----|------|-----|
| b31  | b30 | b29         | b28 | b27   | b26   | b25   | b24   | b23  | b22  | b21  | b20  | b19 | b18 | b17  | b16 |
| —  | —   | —           | —   | —     | —     | —     | —     | —    | —    | —    | —    | —   | —   | —    | —   |
| Value after reset: 0 0 0 0 0 0 0 0 0 0 0 0 0 0 0 0 |     |             |     |       |       |       |       |      |      |      |      |     |     |      |     |
| b15  | b14 | b13         | b12 | b11   | b10   | b9    | b8    | b7   | b6   | b5   | b4   | b3  | b2  | b1   | b0  |
| —  | EDS | PCKDIV[2:0] |     | PCKOE | HERIE | VERIE | UDRIE | OVIE | FEIE | DFIE | PRST | HPS | VPS | PCKE |     |
| Value after reset: 0 0 0 0 0 0 0 0 0 0 0 0 0 0 0 0 |     |             |     |       |       |       |       |      |      |      |      |     |     |      |     |

| Bit        | Symbol      | Bit name  | Description  | R/W         |
|------------|-------------|---|--|-------------|
| b0         | PCKE        | PIXCLK Input Enable                                   | 0: Disable PIXCLK input<br>1: Enable PIXCLK input.   | R/W         |
| b1         | VPS         | VSYNC Signal Polarity Select                          | 0: Set VSYNC signal to active-high<br>1: Set VSYNC signal to active-low.   | R/W         |
| b2         | HPS         | HSYNC Signal Polarity Select                          | 0: Set HSYNC signal to active-high<br>1: Set HSYNC signal to active-low.   | R/W         |
| b3         | PRST        | PDC Reset   | 0: Do not apply PDC reset<br>1: Reset PDC.   | R/(W)<br>*1 |
| b4         | DFIE        | Receive Data Ready Interrupt Enable                   | 0: Disable receive data ready interrupt requests<br>1: Enable receive data ready interrupt requests.   | R/W         |
| b5         | FEIE        | Frame End Interrupt Enable                            | 0: Disable frame end interrupt requests<br>1: Enable frame end interrupt requests.   | R/W         |
| b6         | OVIE        | Overflow Interrupt Enable                             | 0: Disable overflow interrupt requests<br>1: Enable overflow interrupt requests.   | R/W         |
| b7         | UDRIE       | Underrun Interrupt Enable                             | 0: Disable underrun interrupt requests<br>1: Enable underrun interrupt requests.   | R/W         |
| b8         | VERIE       | Vertical Line Number Setting Error Interrupt Enable   | 0: Disable vertical line number setting error interrupt requests<br>1: Enable vertical line number setting error interrupt requests.                         | R/W         |
| b9         | HERIE       | Horizontal Byte Number Setting Error Interrupt Enable | 0: Disable horizontal byte number setting error interrupt requests<br>1: Enable horizontal byte number setting error interrupt requests.                     | R/W         |
| b10        | PCKOE       | PCKO Output Enable                                    | 0: Disable PCKO output (fix to high level)<br>1: Enable PCKO output.   | R/W         |
| b13 to b11 | PCKDIV[2:0] | PCKO Frequency Division Ratio Select                  | b13 b11<br>0 0 0: PCLKB/2<br>0 0 1: PCLKB/4<br>0 1 0: PCLKB/6<br>0 1 1: PCLKB/8<br>1 0 0: PCLKB/10<br>1 0 1: PCLKB/12<br>1 1 0: PCLKB/14<br>1 1 1: PCLKB/16. | R/W         |
| b14        | EDS         | Endian Select   | 0: Little endian<br>1: Big endian.   | R/W         |
| b31 to b15 | —           | Reserved  | These bits are read as 0. The write value should be 0.   | R/W         |

Note 1. Only 1 can be written to this bit.  
Only set the PCCR0 register while the PCE bit in the PCCR1 register is 0.

**PCKE bit (PIXCLK Input Enable)**

The PCKE bit enables or disables input through the PIXCLK pin. Set this bit to 1 before enabling reception. After enabling input through the PIXCLK pin, use the PRST bit to initialize the PDC.

Disable reception operations before setting this bit to 0.

**VPS bit (VSYNC Signal Polarity Select)**

The VPS bit selects the active polarity of the VSYNC signal.

**HPS bit (HSYNC Signal Polarity Select)**

The HPS bit selects the active polarity of the HSYNC signal.

**PRST bit (PDC Reset)**

The PRST bit initializes the internal status of the PDC and the PDC registers targeted by reset. See [section 42.3.11, Reset State](#), for the target registers. Set the PCKE bit to 1 before resetting the PDC.

When 1 is written to the PRST bit, initialization starts in synchronization with the PIXCLK. After initialization completes, the PRST bit clears to 0. After a PDC reset, ensure that the PIXCLK pin has an input signal. Also, after 1 is written to the PRST bit, do not proceed to the next step until after verifying that the bit has returned to 0.

For consecutive PDC resets, wait for at least 1 PIXCLK cycle after verifying that the PRST bit has returned to 0.

**DFIE bit (Receive Data Ready Interrupt Enable)**

The DFIE bit enables or disables the generation of receive data ready interrupt requests.

**FEIE bit (Frame End Interrupt Enable)**

The FEIE bit enables or disables the generation of frame end interrupt requests.

**OVIE bit (Overrun Interrupt Enable)**

The OVIE bit enables or disables the generation of overrun interrupt requests.

**UDRIE bit (Underrun Interrupt Enable)**

The UDRIE bit enables or disables the generation of underrun interrupt requests.

**VERIE bit (Vertical Line Number Setting Error Interrupt Enable)**

The VERIE bit enables or disables the generation of vertical line number setting error interrupt requests.

**HERIE bit (Horizontal Byte Number Setting Error Interrupt Enable)**

The HERIE bit enables or disables the generation of horizontal byte number setting error interrupt requests.

**PCKOE bit (PCKO Output Enable)**

The PCKOE bit enables or disables an output from the PCKO. When the PCKOE bit is cleared to 0 during a low output of PCKO, it might cause a high output on clearing, resulting in corruption of the duty cycle.

**PCKDIV[2:0] bits (PCKO Frequency Division Ratio Select)**

The PCKDIV[2:0] bits select the frequency division ratio of the PCKO. The PCKO output is a clock signal derived by dividing the PCLKB clock signal by a value from 2 to 16, based on the setting in the PCKDIV[2:0] bits. The PCKO operating frequency, the resulting PCLKB division, must fall within the range from 1 to 30 MHz.

**EDS bit (Endian Select)**

The EDS bit selects the endian order for the captured data.

### 42.2.2 PDC Control Register 1 (PCCR1)

Address(es): PDC.PCCR1 4009 4004h

|                    |     |     |     |     |     |     |     |     |     |     |     |     |     |     |     |     |
|--------------------|-----|-----|-----|-----|-----|-----|-----|-----|-----|-----|-----|-----|-----|-----|-----|-----|
|                    | b31 | b30 | b29 | b28 | b27 | b26 | b25 | b24 | b23 | b22 | b21 | b20 | b19 | b18 | b17 | b16 |
|                    | —   | —   | —   | —   | —   | —   | —   | —   | —   | —   | —   | —   | —   | —   | —   | —   |
| Value after reset: | 0   | 0   | 0   | 0   | 0   | 0   | 0   | 0   | 0   | 0   | 0   | 0   | 0   | 0   | 0   | 0   |
|                    | b15 | b14 | b13 | b12 | b11 | b10 | b9  | b8  | b7  | b6  | b5  | b4  | b3  | b2  | b1  | b0  |
|                    | —   | —   | —   | —   | —   | —   | —   | —   | —   | —   | —   | —   | —   | —   | —   | PCE |
| Value after reset: | 0   | 0   | 0   | 0   | 0   | 0   | 0   | 0   | 0   | 0   | 0   | 0   | 0   | 0   | 0   | 0   |

| Bit       | Symbol | Bit name             | Description  | R/W |
|-----------|--------|----------------------|--|-----|
| b0        | PCE    | PDC Operation Enable | 0: Disable reception operation<br>1: Enable reception operation. | R/W |
| b31 to b1 | —      | Reserved             | These bits are read as 0. The write value should be 0.           | R/W |

#### PCE bit (PDC Operation Enable)

The PCE bit enables or disables reception operation. When the PCE bit is set to 1 during assertion of the VSYNC signal, the PDC starts reception operation from the next valid edge of the VSYNC signal.

Only clear the PCE bit to 0 while reception or continued reception operations are stopped, including for the frame end interrupt. For more on continued reception, see [section 42.3.6, Continued Reception Operations at Frame End](#).

### 42.2.3 PDC Status Register (PCSR)

Address(es): PDC.PCSR 4009 4008h

|                    |     |     |     |     |     |     |     |     |     |      |      |      |      |     |       |      |
|--------------------|-----|-----|-----|-----|-----|-----|-----|-----|-----|------|------|------|------|-----|-------|------|
|                    | b31 | b30 | b29 | b28 | b27 | b26 | b25 | b24 | b23 | b22  | b21  | b20  | b19  | b18 | b17   | b16  |
|                    | —   | —   | —   | —   | —   | —   | —   | —   | —   | —    | —    | —    | —    | —   | —     | —    |
| Value after reset: | 0   | 0   | 0   | 0   | 0   | 0   | 0   | 0   | 0   | 0    | 0    | 0    | 0    | 0   | 0     | 0    |
|                    | b15 | b14 | b13 | b12 | b11 | b10 | b9  | b8  | b7  | b6   | b5   | b4   | b3   | b2  | b1    | b0   |
|                    | —   | —   | —   | —   | —   | —   | —   | —   | —   | HERF | VERF | UDRF | OVRF | FEF | FEMPF | FBSY |
| Value after reset: | 0   | 0   | 0   | 0   | 0   | 0   | 0   | 0   | 0   | 0    | 0    | 0    | 0    | 0   | 1     | 0    |

| Bit       | Symbol | Bit name                                  | Description  | R/W         |
|-----------|--------|---|--|-------------|
| b0        | FBSY   | Frame Busy Flag                           | 0: Reception operations are stopped<br>1: Reception operations are ongoing.                              | R           |
| b1        | FEMPF  | FIFO Empty Flag                           | 0: FIFO is not empty<br>1: FIFO is empty.  | R           |
| b2        | FEF    | Frame End Flag                            | 0: No frame end occurred<br>1: Frame end occurred.   | R/(W)<br>*1 |
| b3        | OVRF   | Overflow Flag                             | 0: No FIFO overrun occurred<br>1: FIFO overrun occurred.   | R/(W)<br>*1 |
| b4        | UDRF   | Underrun Flag                             | 0: No underrun occurred<br>1: Underrun occurred.   | R/(W)<br>*1 |
| b5        | VERF   | Vertical Line Number Setting Error Flag   | 0: No vertical line number setting error occurred<br>1: Vertical line number setting error occurred.     | R/(W)<br>*1 |
| b6        | HERF   | Horizontal Byte Number Setting Error Flag | 0: No horizontal byte number setting error occurred<br>1: Horizontal byte number setting error occurred. | R/(W)<br>*1 |
| b31 to b7 | —      | Reserved                                  | These bits are read as 0. The write value should be 0.   | R           |

Note 1. Only 0 can be written to these flags, to clear them after they are read as 1.

#### FBSY flag (Frame Busy Flag)

The FBSY flag indicates the state of PDC operations.

[Setting condition]

- On detection of the valid edge of the VSYNC signal after the enabling of reception operations.

[Clearing conditions]

- On reception of one frame of data in accordance with the settings in the VCR and HCR registers\*1
- When an overrun, underrun, vertical line number setting error, or horizontal byte number setting error occurs
- When the PCCR1.PCE bit is 0.

Note 1. This flag is 0 during continued reception operations.

#### FEMPF flag (FIFO Empty Flag)

The FEMPF flag indicates the state of the FIFO when a vertical line number setting error or a horizontal byte number setting error occurs. It clears to 0 following an overrun and is undefined following an underrun.

[Setting conditions]

- On reading of the PCDR register while the FIFO is empty
- On detection of a valid edge of the VSYNC signal
- On PDC reset.

[Clearing condition]

- On storage of the data captured in the FIFO.

### **FEF flag (Frame End Flag)**

The FEF flag indicates the end of a frame.

[Setting condition]

- Reception of one frame of data in accordance with the settings in the VCR and HCR registers.\*1

[Clearing conditions]

- On PDC reset
- On writing 0 to the flag after it is read as 1.

Note 1. For continued reception operations, this flag is set to 1 on their completion.

### **OVRF flag (Overflow Flag)**

The OVRF flag indicates the occurrence of an overrun.

[Setting condition]

- When receive data arrives while the FIFO is full.

[Clearing conditions]

- On PDC reset
- On writing 0 to the flag after it is read as 1.

### **UDRF flag (Underrun Flag)**

The UDRF flag indicates the occurrence of an underrun.

[Setting condition]

- On reading of the PCDR register while the FIFO is empty.

[Clearing conditions]

- On PDC reset
- On writing 0 to the flag after it is read as 1.

### **VERF flag (Vertical Line Number Setting Error Flag)**

The VERF flag indicates an error in the setting for the number of lines.

[Setting condition]

- When the VSYNC signal is negated because fewer lines were captured than the value in the VCR register.

[Clearing conditions]

- On PDC reset
- On writing 0 to the flag after it is read as 1.

### **HERF flag (Horizontal Byte Number Setting Error Flag)**

The HERF flag indicates an error in the number of bytes in a line.

[Setting condition]

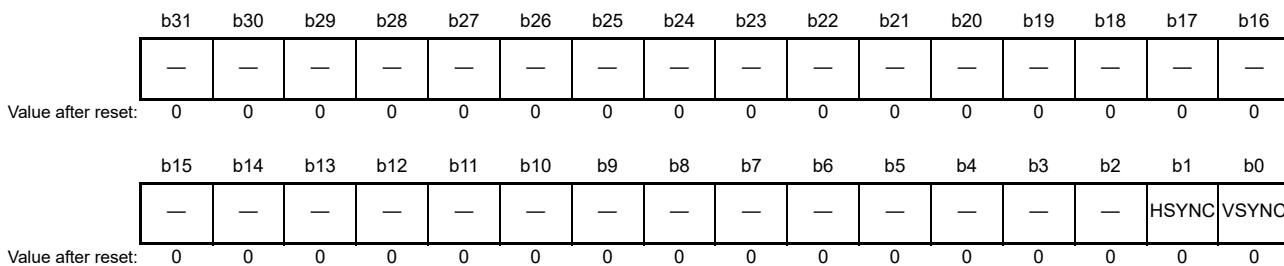
- When the HSYNC signal is negated because fewer bytes in a line were captured than the value in the HCR register.

[Clearing conditions]

- On PDC reset
- On writing 0 to the flag after it is read as 1.

### 42.2.4 PDC Pin Monitor Register (PCMONR)

Address(es): PDC.PCMONR 4009 400Ch



| Bit       | Symbol | Bit name                 | Description  | R/W |
|-----------|--------|--------------------------|--|-----|
| b0        | VSYNC  | VSYNC Signal Status Flag | 0: VSYNC signal level is low<br>1: VSYNC signal level is high. | R   |
| b1        | HSYNC  | HSYNC Signal Status Flag | 0: HSYNC signal level is low<br>1: HSYNC signal level is high. | R   |
| b31 to b2 | —      | Reserved                 | These bits are read as 0.                                      | R   |

#### VSYNC flag (VSYNC Signal Status Flag)

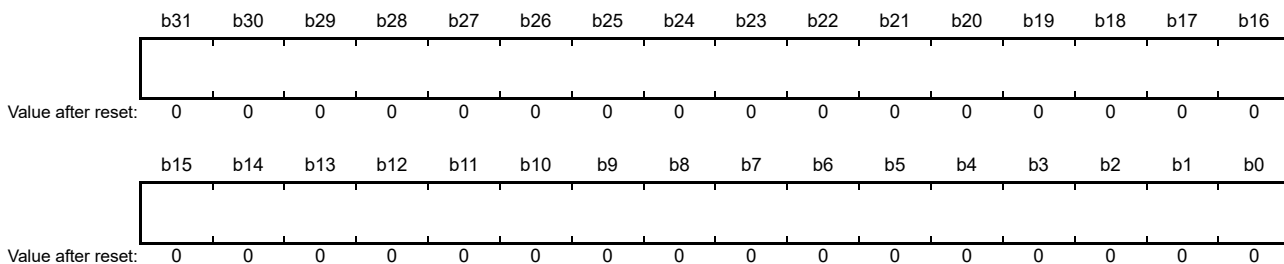
The VSYNC flag indicates the state of the VSYNC signal.

#### HSYNC flag (HSYNC Signal Status Flag)

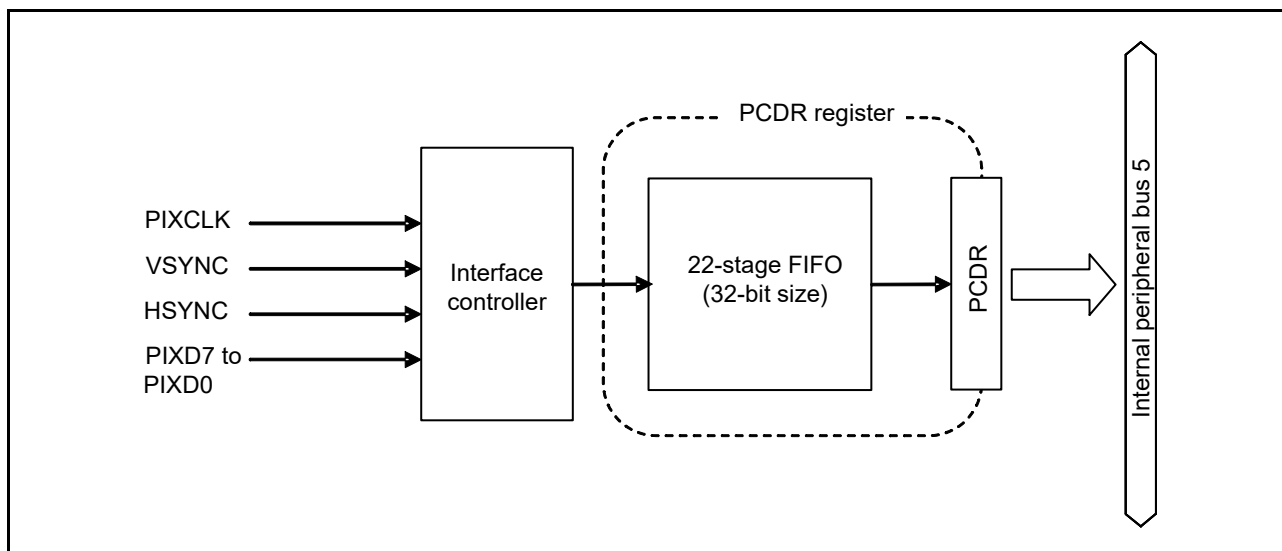
The HSYNC flag indicates the state of the HSYNC signal.

### 42.2.5 PDC Receive Data Register (PCDR)

Address(es): PDC.PCDR 4009 4010h

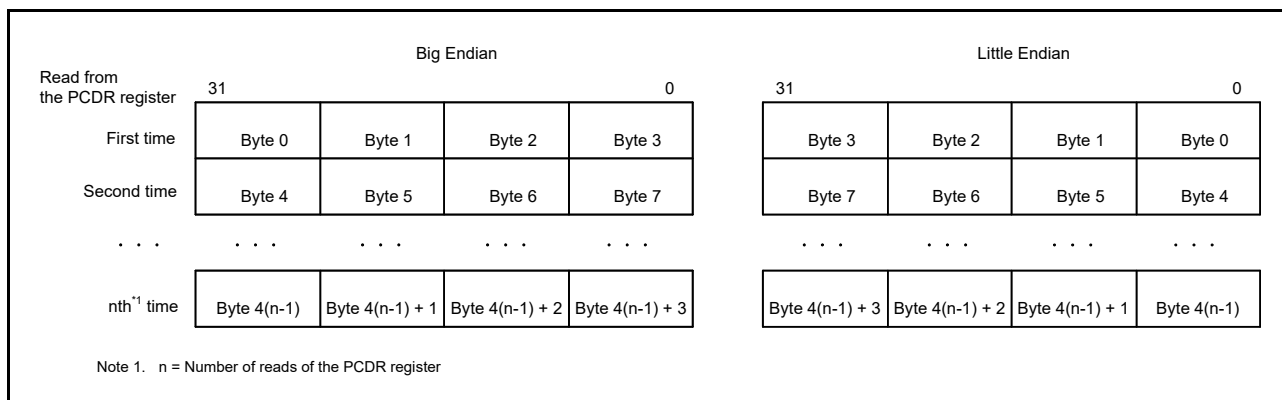


The PDC includes a 32-bit-wide, 22-stage FIFO for the storage of captured data. The FIFO is mapped to the 4-byte PCDR register and four bytes of data are read from the PCDR register at a time. The receive data ready flag sets for every 32 bytes of received data, and this also results in a receive data ready interrupt if the DFIE bit in the PCCR0 register is set to 1. When a receive data ready interrupt is generated, read the PCDR register eight times. Figure 42.2 shows a schematic view of the PCDR register.



**Figure 42.2 Schematic view of PCDR register**

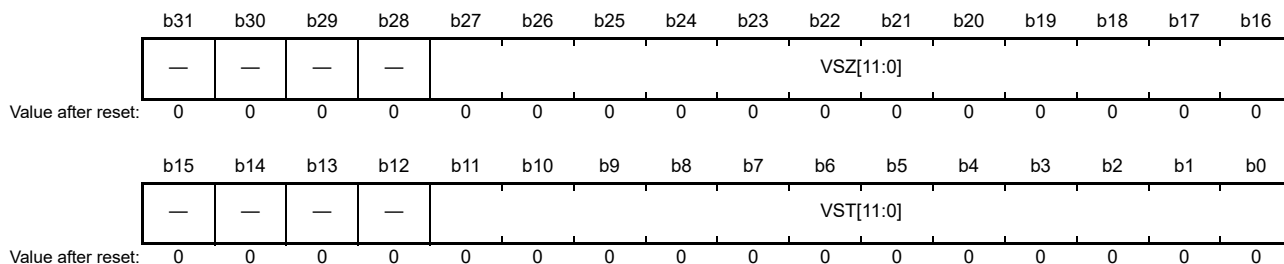
For the format of the captured data, either big or little endian can be selected in the EDS bit of the PCCR0 register. [Figure 42.3](#) shows the data arrangements for the endian formats.



**Figure 42.3 Endian formats**

## 42.2.6 Vertical Capture Register (VCR)

Address(es): PDC.VCR 4009 4014h



| Bit        | Symbol    | Bit name                             | Description   | R/W |
|------------|-----------|--------------------------------------|---|-----|
| b11 to b0  | VST[11:0] | Vertical Capture Start Line Position | These bits specify the number of the line where capture is to start | R/W |
| b15 to b12 | —         | Reserved                             | These bits are read as 0. The write value should be 0.              | R/W |
| b27 to b16 | VSZ[11:0] | Vertical Capture Size                | These bits specify the number of lines to be captured               | R/W |
| b31 to b28 | —         | Reserved                             | These bits are read as 0. The write value should be 0.              | R/W |

For the relationship between the VCR register setting and the capture range, see [section 42.3.3, VCR and HCR Register Settings and the Capture Range](#). Only set the VCR register while the PCE bit in the PCCR1 register is 0.

### VST[11:0] bits (Vertical Capture Start Line Position)

The VST[11:0] bits specify the number of the line where the capture is to start. To set the first line, set these bits to 000h; to set the 4095th line, set them to FFEh. The VST[11:0] setting must be within the range from 000h to FFEh and, in combination with the VSZ[11:0] setting, satisfy the following relationship:

$$\text{Setting range of the VST[11:0] bits: } 1 \leq \text{VST[11:0]} + \text{VSZ[11:0]} \leq \text{FFFh.}$$

### VSZ[11:0] bits (Vertical Capture Size)

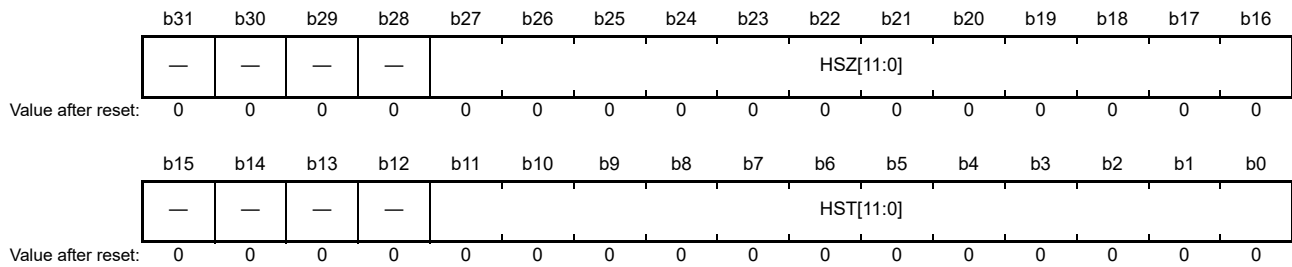
The VSZ[11:0] bits specify the number of lines to be captured. To set one line, set these bits to 001h; to set 4095 lines, set them to FFFh. The VSZ[11:0] setting must be within the range from 001h to FFFh and, in combination with the VST[11:0] setting, satisfy the following relationship:

$$\text{Setting range of the VSZ[11:0] bits: } 1 \leq \text{VST[11:0]} + \text{VSZ[11:0]} \leq \text{FFFh.}$$



### 42.2.7 Horizontal Capture Register (HCR)

Address(es): PDC.HCR 4009 4018h



| Bit        | Symbol    | Bit name                               | Description   | R/W |
|------------|-----------|--|---|-----|
| b11 to b0  | HST[11:0] | Horizontal Capture Start Byte Position | These bits specify the horizontal position in bytes where capture is to start | R/W |
| b15 to b12 | —         | Reserved                               | These bits are read as 0. The write value should be 0.                        | R/W |
| b27 to b16 | HSZ[11:0] | Horizontal Capture Size                | These bits specify the number of bytes to be captured horizontally            | R/W |
| b31 to b28 | —         | Reserved                               | These bits are read as 0. The write value should be 0.                        | R/W |

For the relationship between the HCR register setting and the capture range, see [section 42.3.3, VCR and HCR Register Settings and the Capture Range](#). Only set the HCR register while the PCE bit in the PCCR1 register is 0.

#### HST[11:0] bits (Horizontal Capture Start Byte Position)

The HST[11:0] bits specify the horizontal position in bytes where the capture is to start. To set the first byte, set these bits to 000h; to set the 4092th byte, set them to FFBh. The HST[11:0] setting must be within the range from 000h to FFBh and, in combination with the HSZ[11:0] setting, satisfy the following relationship:

$$\text{Setting range of the HST[11:0] bits: } 1 \leq \text{HST[11:0]} + \text{HSZ[11:0]} \leq \text{FFFh.}$$

#### HSZ[11:0] bits (Horizontal Capture Size)

The HSZ[11:0] bits specify the number of bytes to be captured per line. To set four bytes, set these bits to 004h; to set 4095 bytes, set them to FFFh. The HSZ[11:0] setting must be within the range from 004h to FFFh and, in combination with the HST[11:0] setting, satisfy the following relationship:

$$\text{Setting range of the HSZ[11:0] bits: } 1 \leq \text{HST[11:0]} + \text{HSZ[11:0]} \leq \text{FFFh.}$$

### 42.3 Operation

#### 42.3.1 Transfer Formats

The PDC supports the four transfer formats shown in Figure 42.4 to Figure 42.7. The format is determined by the settings in the VPS and HPS bits in the PCCR0 register.

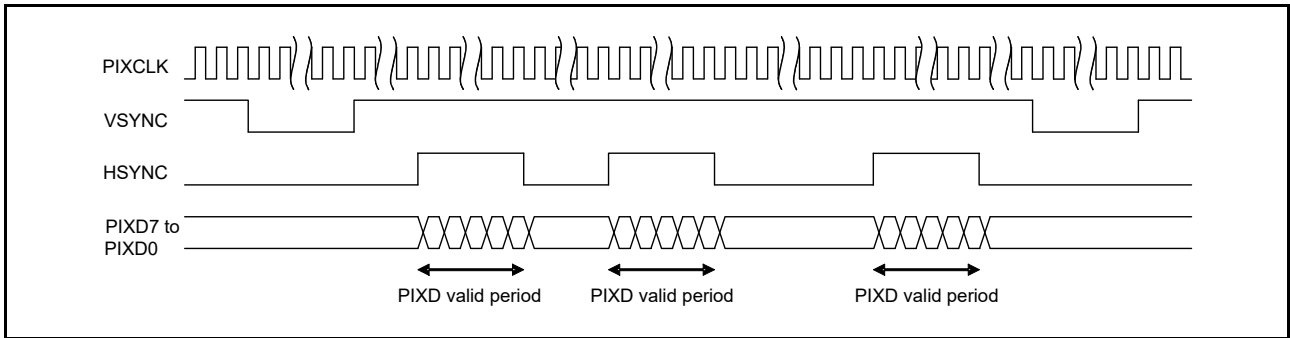


Figure 42.4 PDC transfer format when VPS = 0 and HPS = 0

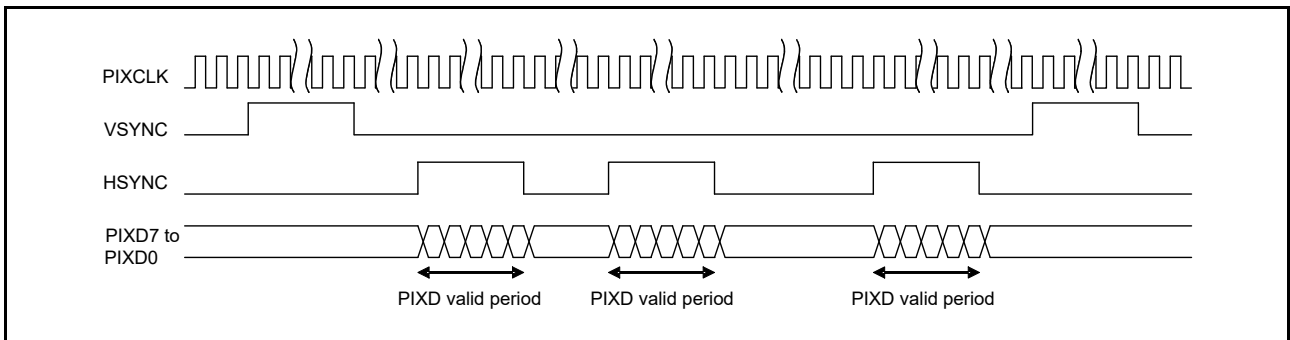


Figure 42.5 PDC transfer format when VPS = 1 and HPS = 0

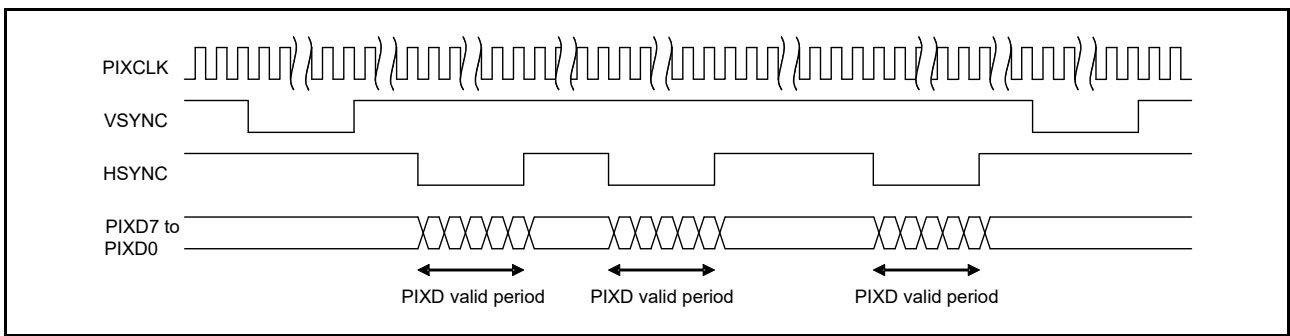


Figure 42.6 PDC transfer format when VPS = 0 and HPS = 1

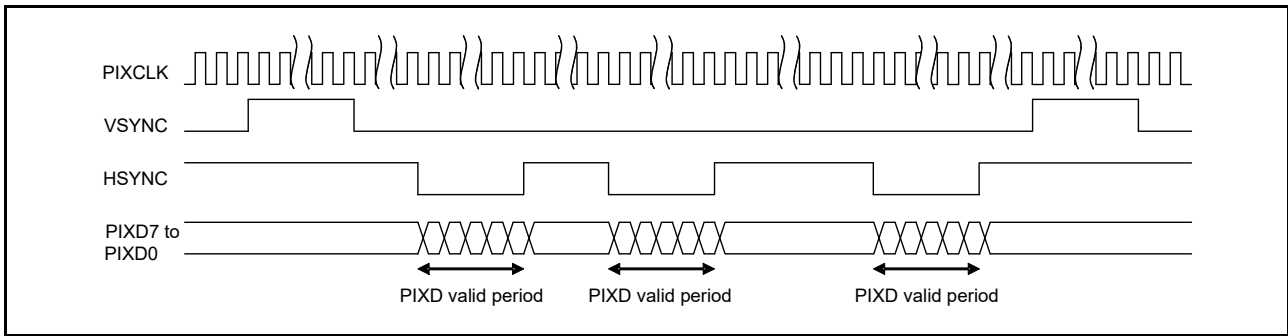


Figure 42.7 PDC transfer format when VPS = 1 and HPS = 1

### 42.3.2 Transfer Timing

Figure 42.8 and Table 42.3 show the timing of transfers by the PDC.

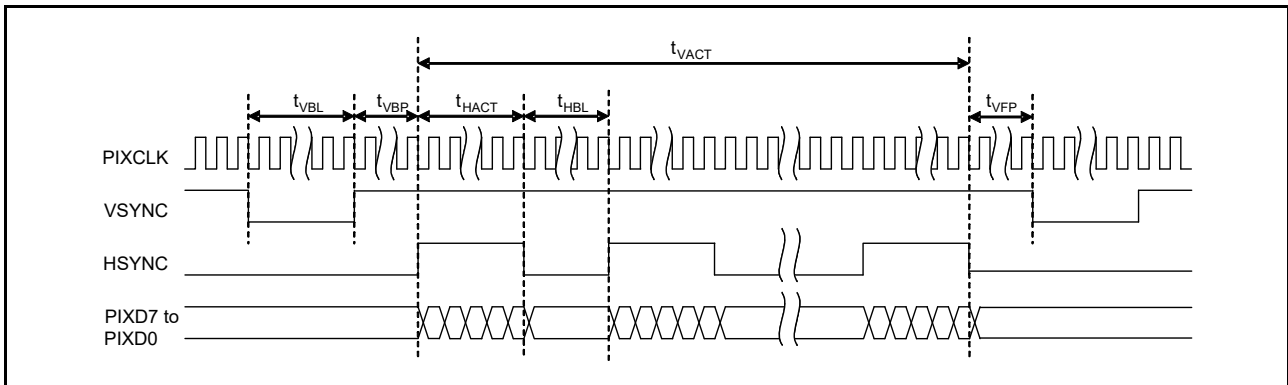


Figure 42.8 PDC transfer timing when VPS = 0 and HPS = 0

Table 42.3 PDC transfer timing when VPS = 0 and HPS = 0

| Parameter                  | Symbol     | Min <sup>*1</sup> | Max  | Unit   |
|----------------------------|------------|-------------------|------|--------|
| Vertical blanking period   | $t_{VBL}$  | 128               | -    | PIXCLK |
| Vertical backporch         | $t_{VBP}$  | 10                | -    | PIXCLK |
| Horizontal valid period    | $t_{HACT}$ | 4                 | 4095 | PIXCLK |
| Horizontal blanking period | $t_{HBL}$  | 128               | -    | PIXCLK |
| Vertical frontporch        | $t_{VFP}$  | 10                | -    | PIXCLK |
| Vertical valid period      | $t_{VACT}$ | 1                 | 4095 | Line   |

Note 1. The minimum values are that the lowest the PDC is capable of achieving. Operation at these values cannot guarantee the avoidance of overruns, the vertical line number setting errors, or the horizontal byte number setting errors.

### 42.3.3 VCR and HCR Register Settings and the Capture Range

Figure 42.9 and Figure 42.10 show the relationship between the settings in the VCR and HCR registers and the capture range.

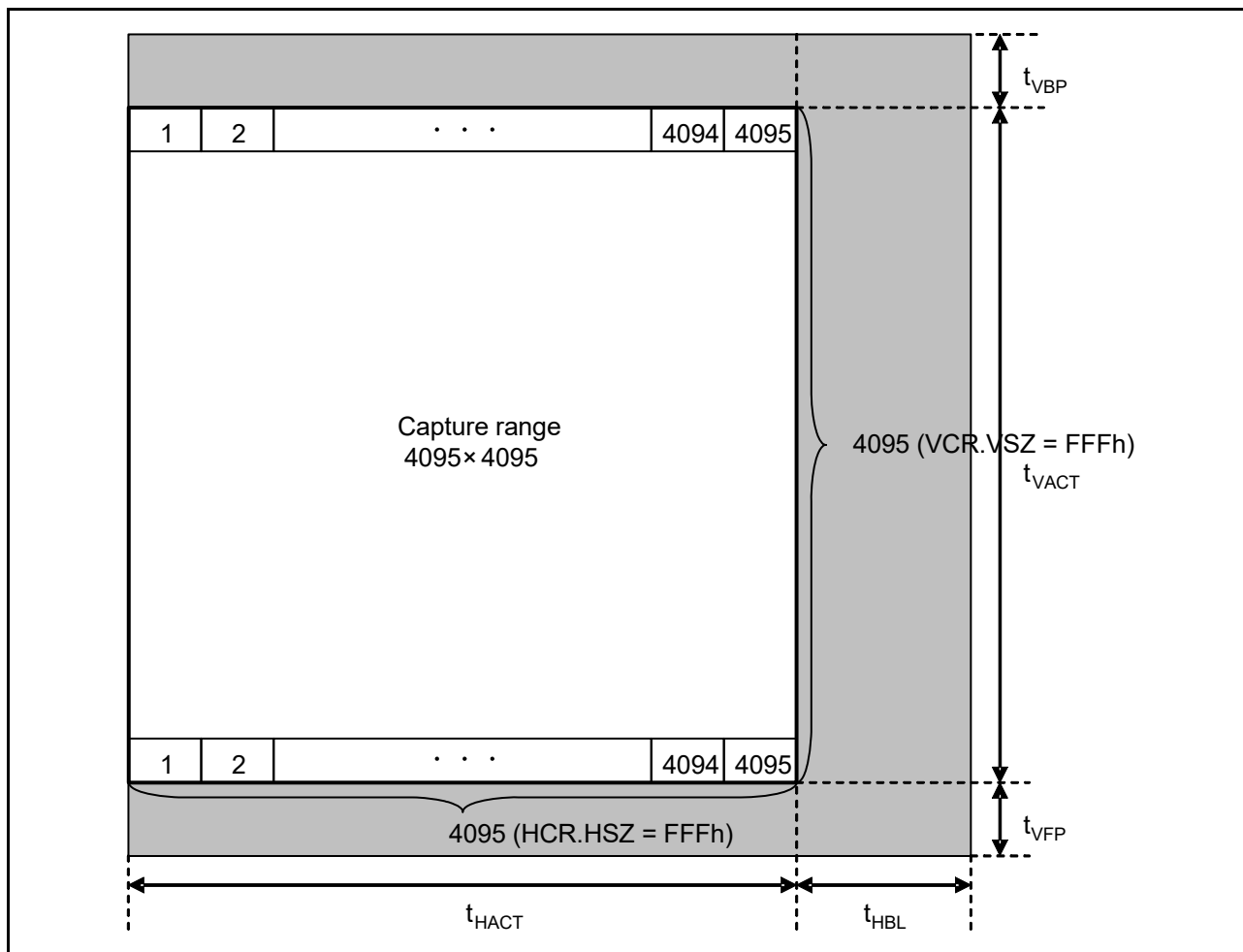


Figure 42.9 Settings in the VCR and HCR registers and the capture range when VCR = 0FFF 0000h and HCR = 0FFF 0000h

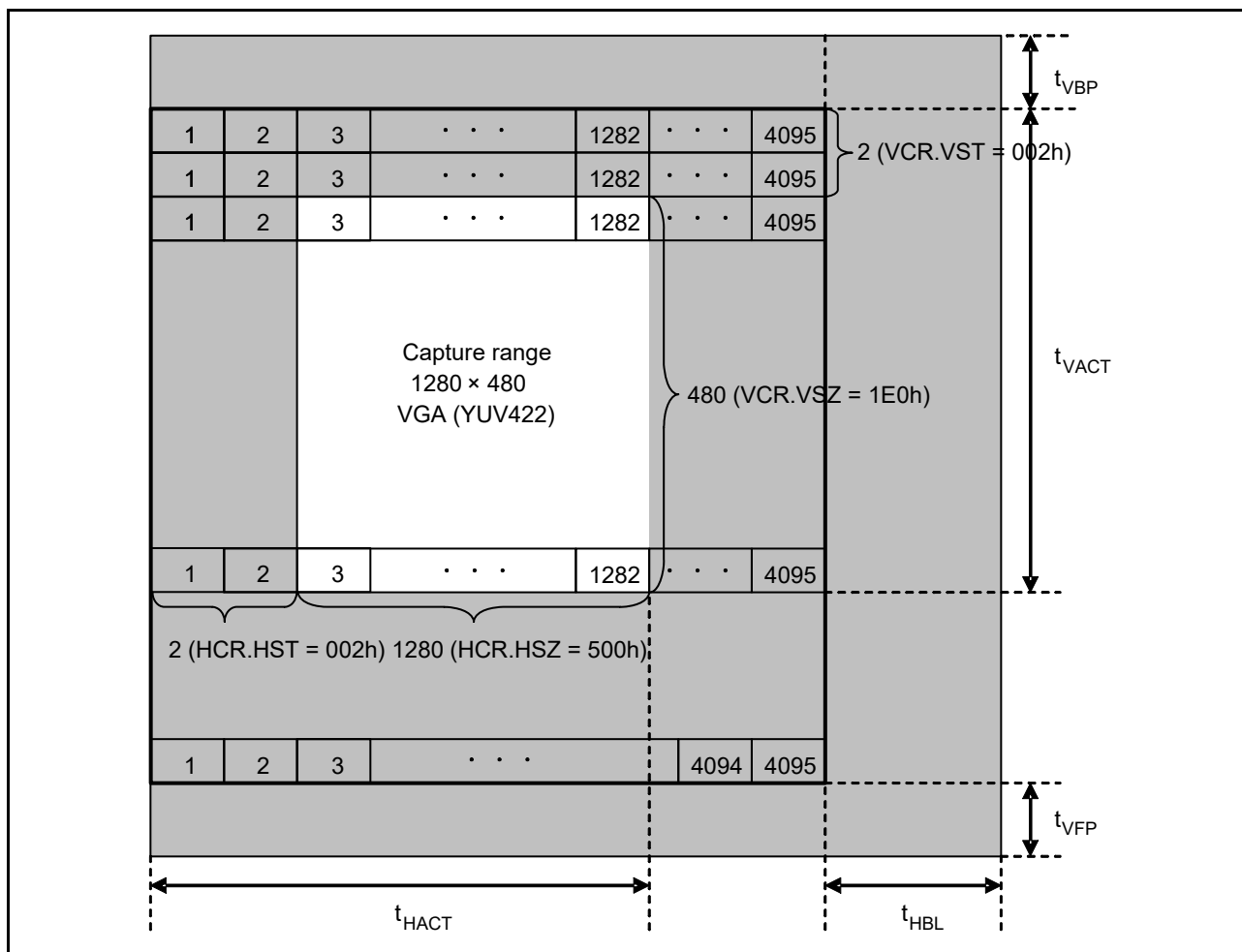
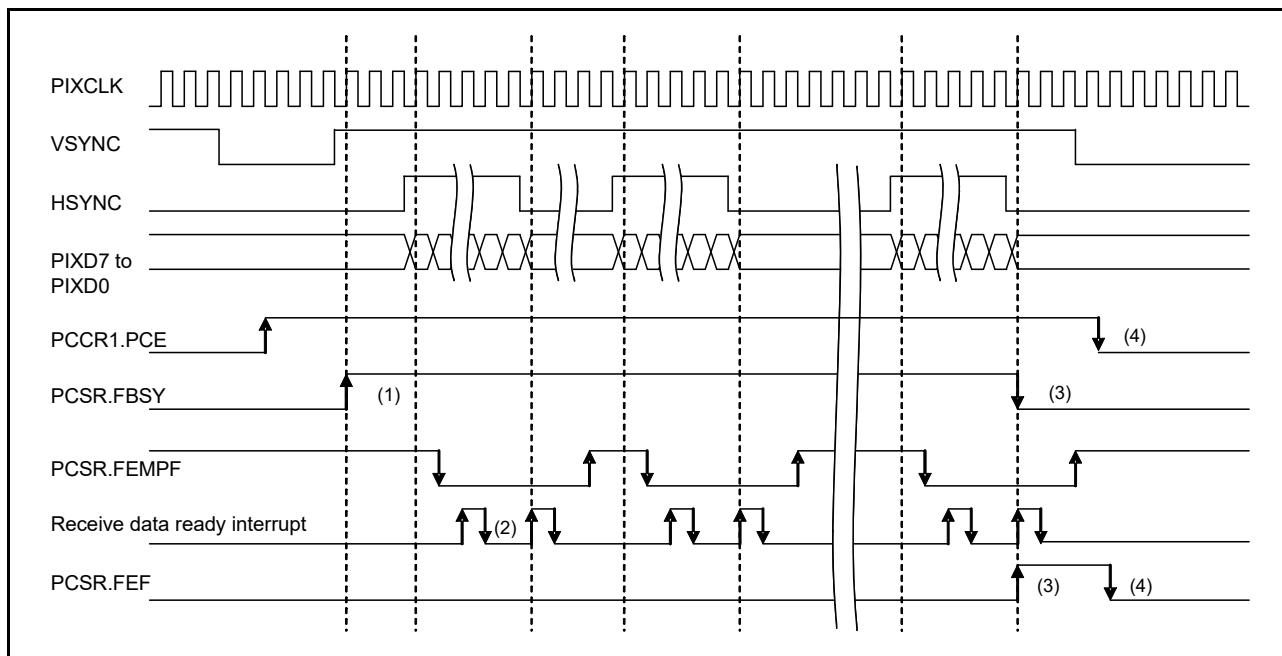


Figure 42.10 Settings in the VCR and HCR registers and the capture range when VCR = 01E0 0002h and HCR = 0500 0002h

### 42.3.4 Reception Operation

Figure 42.11 shows an example of reception operations when receive data ready interrupts (to start the DTC or DMAC) and frame end interrupts are in use.



**Figure 42.11 Example of reception operations**

This section describes the actual operations at the times indicated by (1), (2), (3), and (4) in Figure 42.11.

When a valid edge of the VSYNC signal is detected after the PCE bit in the PCCR1 register is set to 1, the FEMPF flag in the PCSR register is set to 1, and the FIFO is initialized. Concurrently, the FBSY flag in the PCSR register is set to 1 and reception operations start.

When data within the capture range set in the VCR and HCR registers is received, the data is stored in the FIFO. The PDC generates a receive data ready interrupt every time it receives 32 bytes of data, and the interrupt starts the transfer of the captured data by the DTC or DMAC to the on-chip SRAM or an external address space. The FIFO is likely to overrun if reading of the PCDR register takes more time than reception of the data. Check the OVRF flag in the PCSR register to verify an overrun.

After the reception of the last byte of data is complete, the FBSY flag in the PCSR register clears to 0 and the FEF flag in the PCSR register is set to 1 so that a receive data ready interrupt and frame end interrupt are generated.

The FEMPF flag in the PCSR register is polled by the frame end interrupt, after which the program must verify the completion of data transfer by the DTC or DMAC. After the PCE bit in the PCCR1 register is cleared to 0, the FEF flag in the PCSR register also clears to 0, and the reception of one frame of data is complete.

If the FEF flag in the PCSR register is set to 1 before the PCE bit in the PCCR1 register is set to 1, valid edges of the VSYNC signal are not detected, and reception operations are not started. Clear the FEF flag in the PCSR register to 0 to start the data reception operations.

### 42.3.5 Operation during Horizontal Blanking Period

If the horizontal blanking period begins but the number of received data bytes has not reached 32 bytes since the previous receive data ready, the count of the received data bytes is retained and carried over to the next valid period. Figure 42.12 shows an example of operation during the horizontal blanking period.

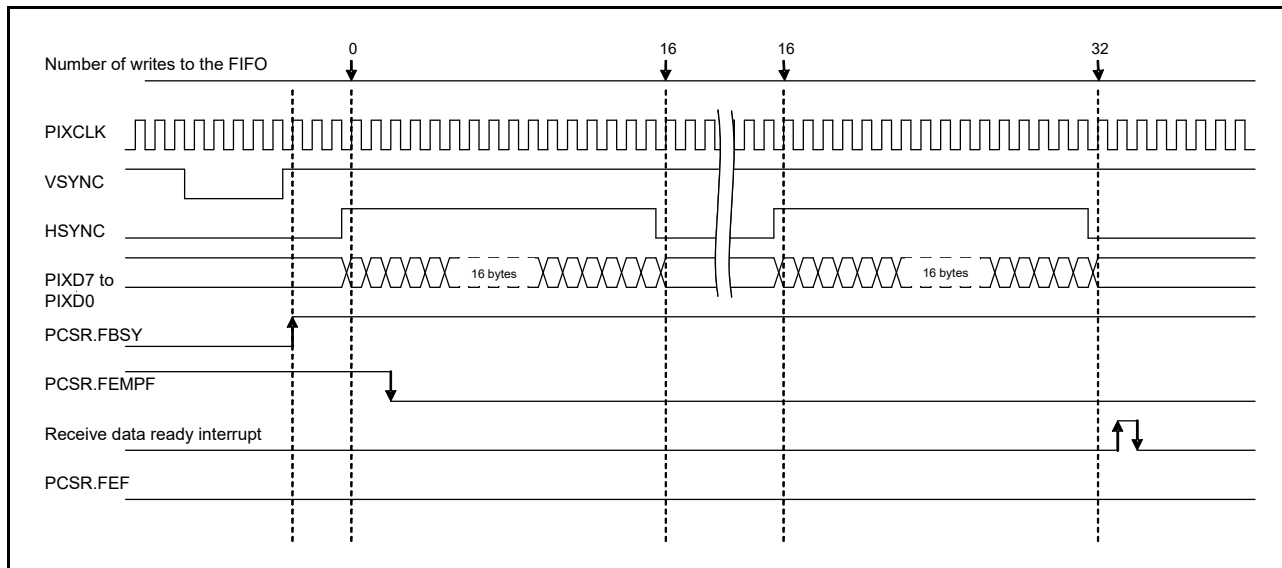


Figure 42.12 Example operation during horizontal blanking period

### 42.3.6 Continued Reception Operations at Frame End

When the last of the data is received but fewer than 32 bytes of data have been received since the previous receive data ready, the PDC continues to receive data until the number reaches 32, in an operation called *continued reception*. When continued reception ends, the PDC generates a receive data ready interrupt and a frame end interrupt. Always input PIXCLK during continued reception. If the data stored in the FIFO is read during this operation, the values are undefined. Figure 42.13 shows an example operation at frame end.

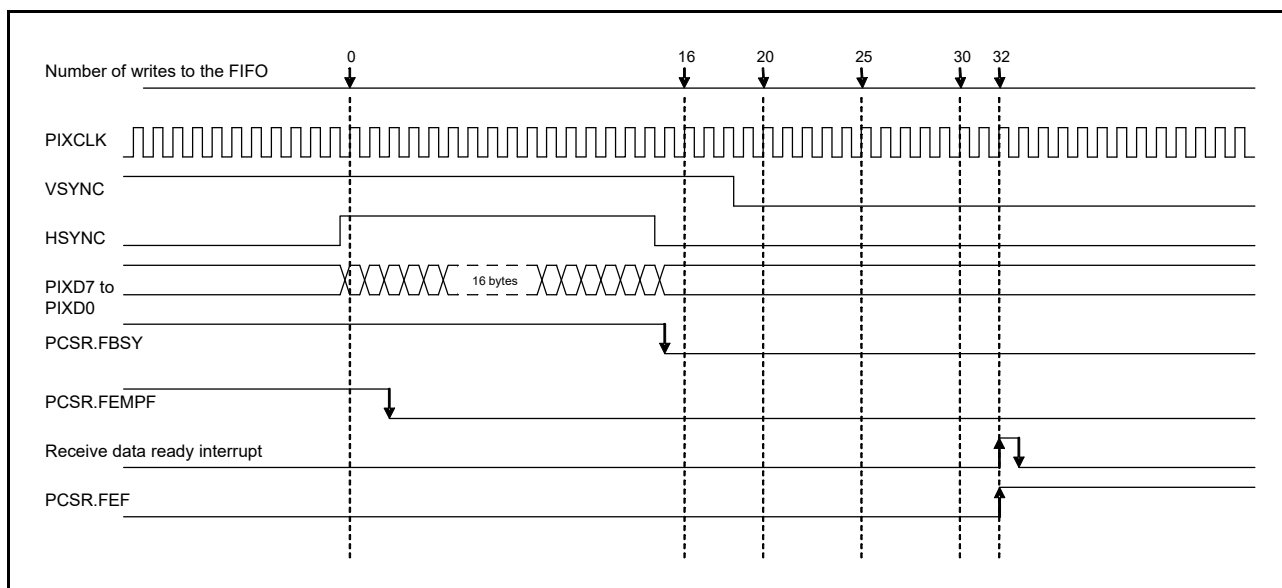


Figure 42.13 Example of continued reception operations at frame end

### 42.3.7 Error Detection

The PDC provides error detection capabilities, enabling software to respond to errors during reception operations. [Table 42.4](#) summarizes the conditions for each type of error and the interrupt flags that are set in response.

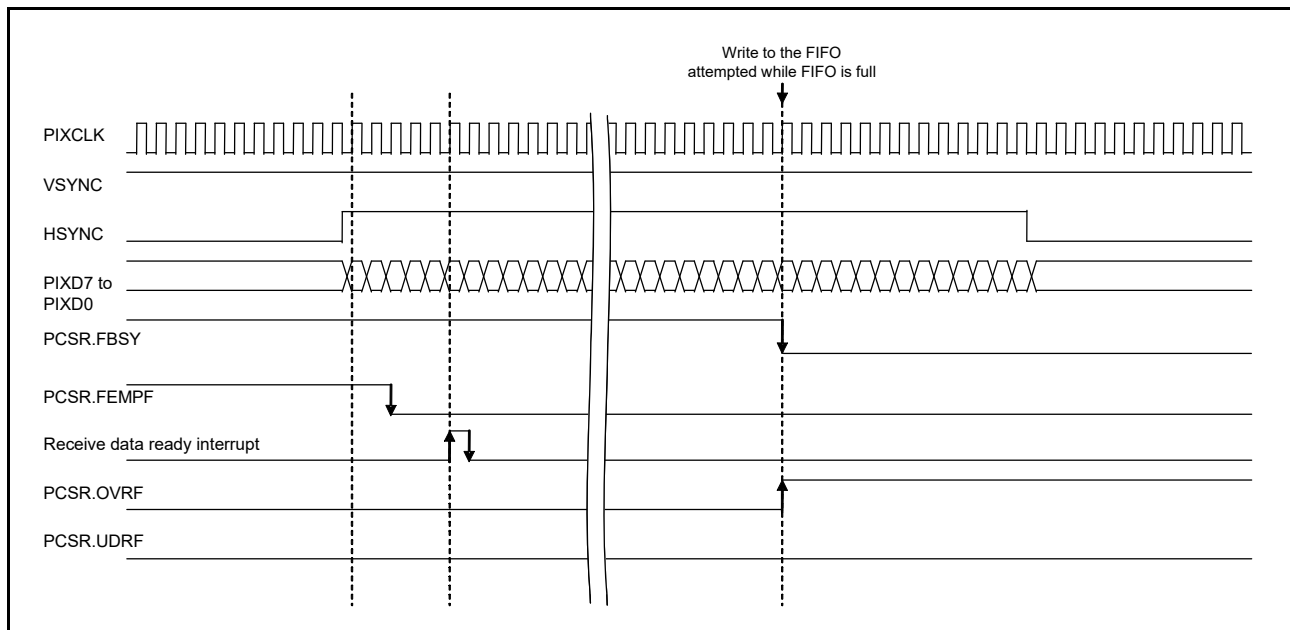
**Table 42.4 Error detection**

| Error factor                 | Conditions for error detection   | Interrupt flag | Operation example            |
|------------------------------|--|----------------|------------------------------|
| Overrun                      | Receive data arrives while the FIFO is full*1  | PCSR.OVRF      | <a href="#">Figure 42.14</a> |
| Underrun                     | PCDR register is read while the FIFO is empty  | PCSR.UDRF      | <a href="#">Figure 42.15</a> |
| Vertical line number error   | VSYNC signal is negated when the number of captured lines is less than the value set in the VCR register           | PCSR.VERF      | <a href="#">Figure 42.16</a> |
| Horizontal byte number error | HSYNC signal is negated when the number of bytes captured in a line is less than the value set in the HCR register | PCSR.HERF      | <a href="#">Figure 42.17</a> |

Note 1. This includes data reception during continued reception operations.

When an error is detected, the PDC sets the associated interrupt flag to 1 to stop reception operations. While the interrupt flag is 1, the PDC does not detect the valid edges of the VSYNC signal and does not start reception operations. Clear all the error source interrupt flags to 0 to start reception operations.

When an error occurs, data stored in the FIFO is disabled.



**Figure 42.14 Operation when an overrun is detected**



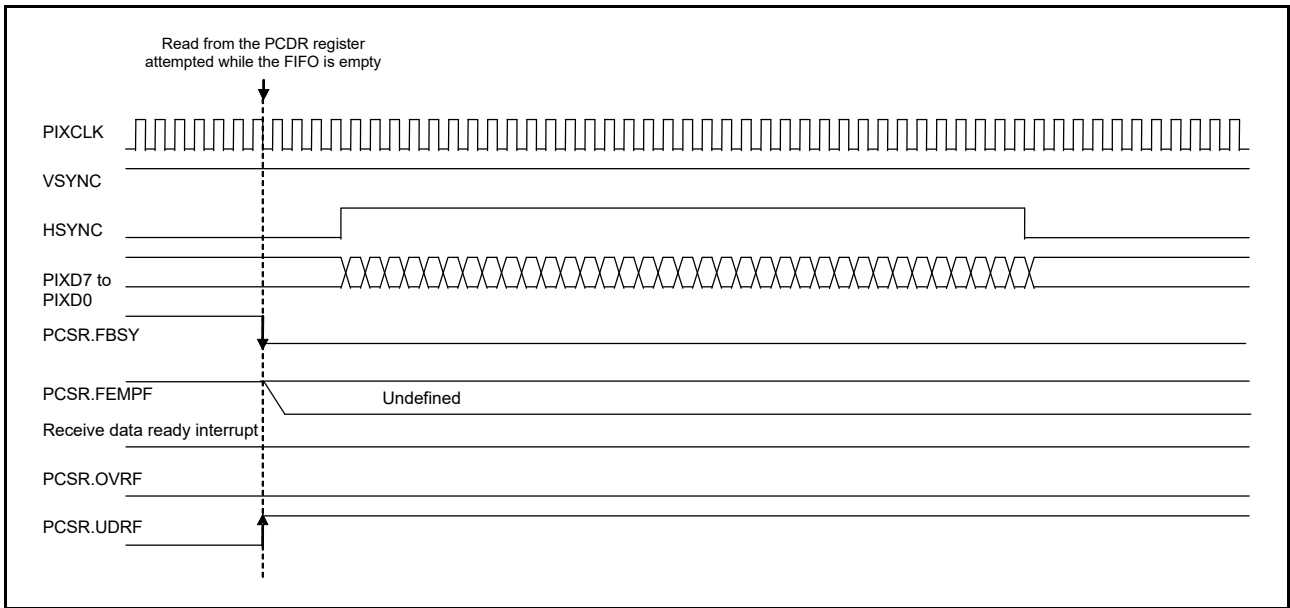


Figure 42.15 Operation when an underrun is detected

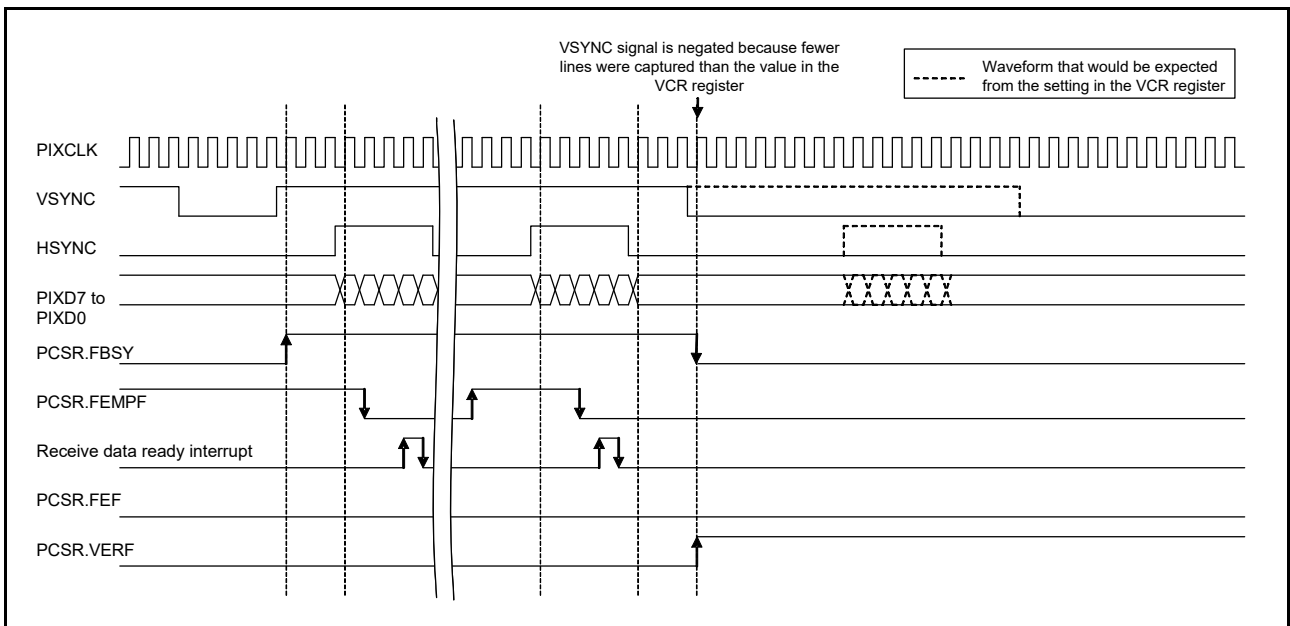


Figure 42.16 Operation when a vertical line number setting error is detected

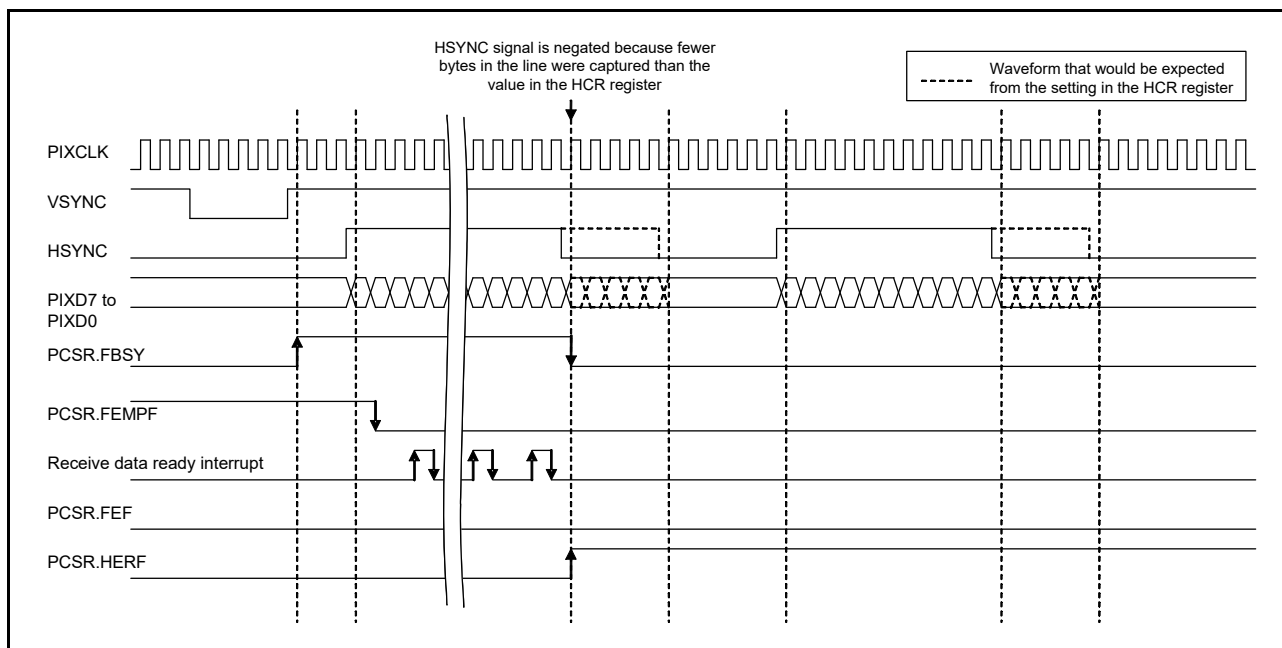


Figure 42.17 Operation when a horizontal byte number setting error is detected

### 42.3.8 Initial Settings

Figure 42.18 shows an example flow for initial settings. For a description of how to set up the input and output ports and the Interrupt Controller Unit (ICU), see the descriptions provided in the sections on the relevant blocks.

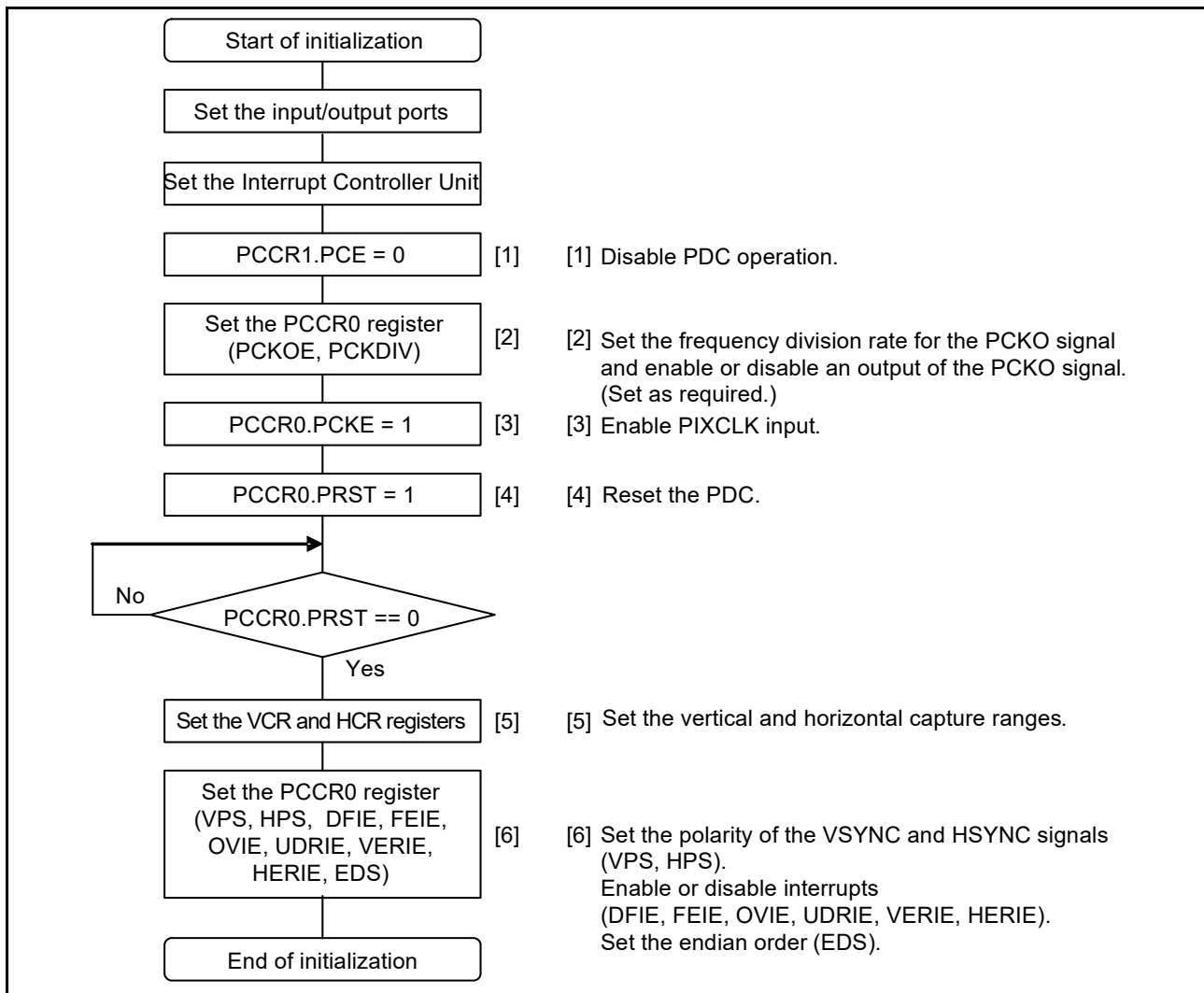


Figure 42.18 Example flow for initial PDC settings

### 42.3.9 Operation Flows

Figure 42.19 shows an example operation flow when the receive data ready interrupt (to start the DTC or DMAC) and frame end interrupt are in use. For a description on how to set up the DTC or DMAC, see section 17, DMA Controller (DMAC), and section 18, Data Transfer Controller (DTC).

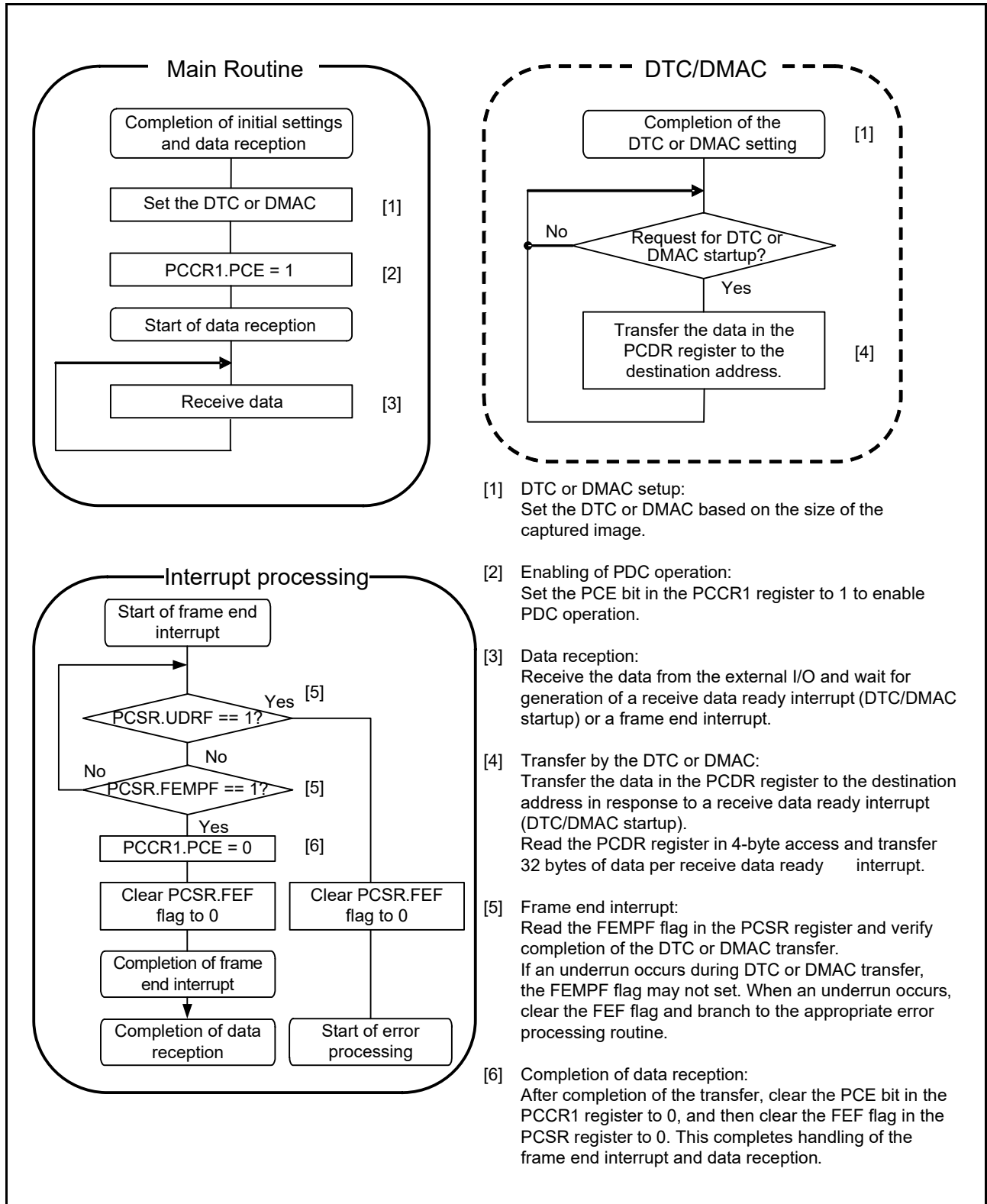


Figure 42.19 Example operation flow

Figure 42.20 shows an example of the operation flow when responding to an error interrupt.

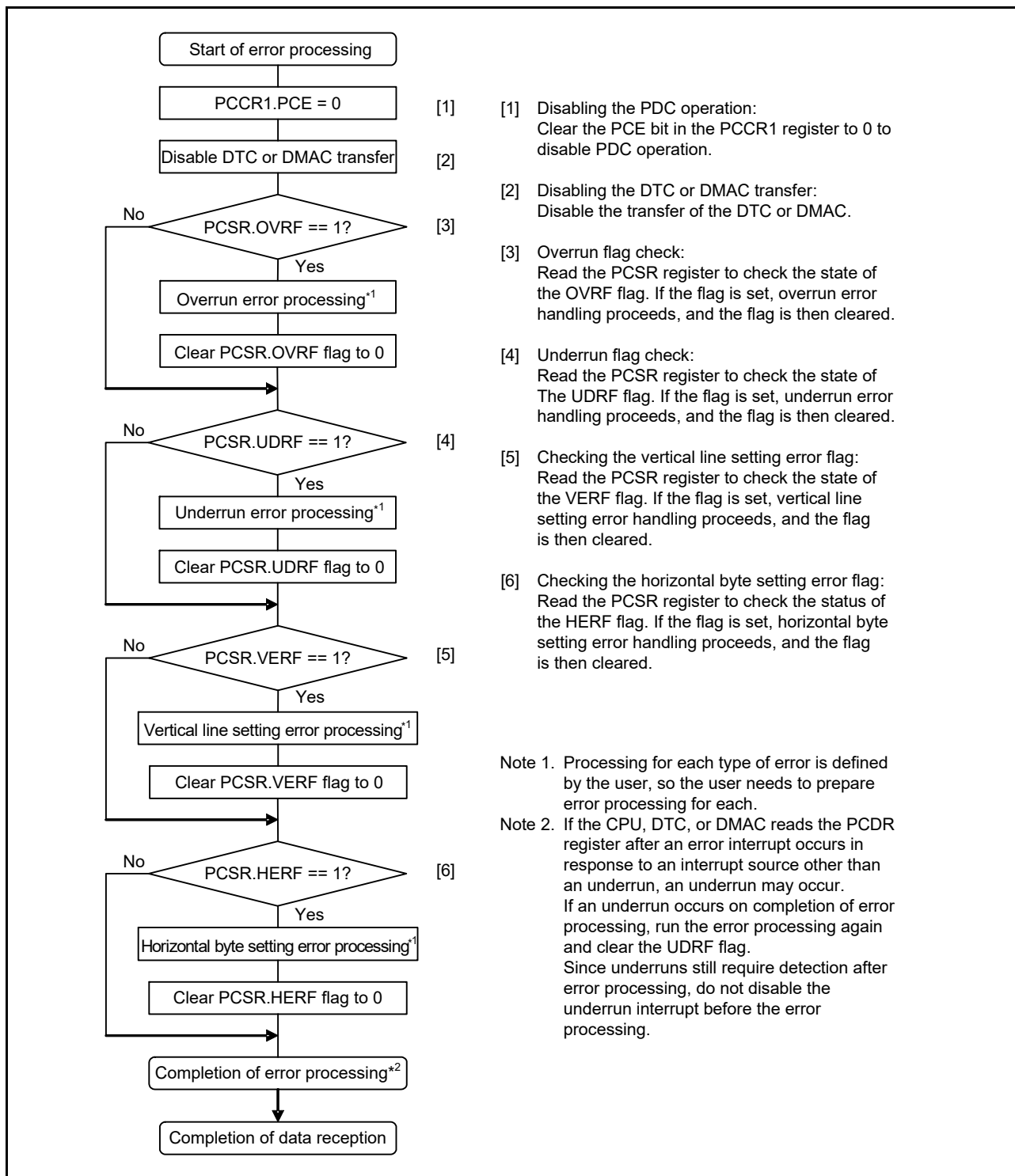


Figure 42.20 Example error processing flow

### 42.3.10 Interrupt Sources

The PDC interrupt sources include:

- Receive data ready
- Frame end
- Overrun
- Underrun
- Vertical line number setting error
- Horizontal byte number setting error.

The PDC can start the DTC or DMAC in response to a receive data ready interrupt request for the transfer of data.

Table 42.5 summarizes the PDC interrupt sources. When an interrupt condition listed in Table 42.5 is satisfied, the associated interrupt is generated. For receive data ready interrupts, the program can clear the interrupt source flag by reading the PCDR register. For the frame end interrupts, clear the FEF flag in the PCSR register. For an overrun, underrun, vertical line number setting error, or horizontal byte number setting error, the program must check the flags to identify the error source flag, because their interrupt vectors are allocated to the same address by PDC\_PCERI. After identifying the source, the program must clear the associated error interrupt source flag (OVRF, UDRF, VERF, or HERF) in the PCSR register.

When the DTC or DMAC module is to handle the data transfer, first select the module. After enabling the module for transfers, set up the PDC. For information on setting up the DTC and DMAC, see [section 17, DMA Controller \(DMAC\)](#), and [section 18, Data Transfer Controller \(DTC\)](#).

On completion of the output, the request flag clears automatically. An interrupt request signal retained internally can also be cleared by setting the associated interrupt enable bit (the DFIE bit in the PCCR0 register) to 0.

**Table 42.5 PDC interrupt sources**

| Interrupt source   | Abbreviation | Interrupt conditions  | DTC/DMAC activation |
|--------------------|--------------|---|---------------------|
| Receive Data Ready | PDC_PCDFI    | Receive data ready occurs while the DFIE bit in the PCCR0 register is 1   | Possible            |
| Frame End          | PDC_PCFEI    | Frame end occurs while the FEIE bit in the PCCR0 register is 1  | Impossible          |
| Errors             | PDC_PCERI    | <ul style="list-style-type: none"> <li>• An overrun occurs while the OVIE bit in the PCCR0 register is 1</li> <li>• An underrun occurs while the UDRIE bit in the PCCR0 register is 1</li> <li>• A vertical line number setting error occurs while the VERIE bit in the PCCR0 register is 1</li> <li>• A horizontal byte number setting error occurs while the HERIE bit in the PCCR0 register is 1.</li> </ul> | Impossible          |

### 42.3.11 Reset State

The PDC has two types of resets: a PDC reset (writing 1 to PCCR0.PRST bit) and other resets.

Other resets include:

- RES pin reset
- Power-on reset
- Voltage monitor reset 0
- Voltage monitor reset 1
- Voltage monitor reset 2
- Deep Software Standby reset
- Independent watchdog timer reset
- Watchdog timer reset
- Software reset
- SRAM parity error reset
- SRAM ECC error reset
- Illegal instruction reset
- Oscillation stop detection reset
- Bus master MPU error reset
- Bus slave MPU error reset
- Stack pointer error reset
- Watchdog timer reset in reset sequence.

Table 42.6 shows the register states following the two types of resets.

**Table 42.6 Register states on reset**

| PDC register | PDC reset | Other resets |
|--------------|-----------|--------------|
| PCCR0        | Retained  | Reset        |
| PCCR1        | Retained  | Reset        |
| PCSR         | Reset     | Reset        |
| PCMONR       | Retained  | Reset        |
| PCDR         | Retained  | Reset        |
| VCR          | Retained  | Reset        |
| HCR          | Retained  | Reset        |

## 42.4 Usage Notes

### 42.4.1 Settings for the Module-Stop Function

PDC operation can be disabled or enabled using the MSTPC2 bit in Module Stop Control Register C (MSTPCRC). The PDC is initially stopped (MSTPC2 =1) after reset. Releasing the module-stop state enables access to the registers. For details, see [section 11, Low Power Modes](#).

### 42.4.2 Constraints on the Low Power Function

When reducing PDC power consumption by using the low power function, set the PCE bit in the PCCR1 register to 0 to disable reception operations, and set the PCKE bit in the PCCR0 register to 0 to disable the input through the PIXCLK pin. Use the low power function after these settings are complete.

If the PCKOE bit in the PCCR0 register is set to 1, set it to 0 to stop the output of the PCKO signal, in addition to disabling input through the PIXCLK pin in PCKE. Use the low power function after these settings are complete.

### 42.4.3 Constraints on Error Interrupts

When an error interrupt occurs, the DTC or DMAC might still be transmitting parallel data, depending on its operation state. Because of this, the error interrupt processing routine must prohibit data transmission by the DTC or DMAC immediately after prohibiting PDC operation (PCCR1.PCE = 0).

### 42.4.4 Constraints on Using the DTC

When the DTC is used with the receive data ready interrupt, set the DISEL bit in the MRB register to 0 and the SZ bit in the MRA register to 10b.

The maximum number of blocks that the DTC can transfer in block transfer mode is 65,536. If 32 bytes are transferred per block transfer, this represents a total of up to 2,097,152 bytes. If more data is to be transferred, set up the DTC again during the horizontal blanking period. For details, see [section 18, Data Transfer Controller \(DTC\)](#).

### 42.4.5 Constraints on Using the DMAC

When the DMAC is used with the receive data ready interrupt, set the SZ bit in the DMTMD register to 10b, and configure the DESL[8:0] bits in the DELSRn register (n = 0 to 7) appropriately.

The maximum number of blocks that the DMAC can transfer in block transfer mode is 65,536. If 32 bytes are transferred per block transfer, this represents a total of up to 2,097,152 bytes. If more data is to be transferred, set up the DMAC again during the horizontal blanking period. For details, see [section 14, Interrupt Controller Unit \(ICU\)](#) and [section 17, DMA Controller \(DMAC\)](#).



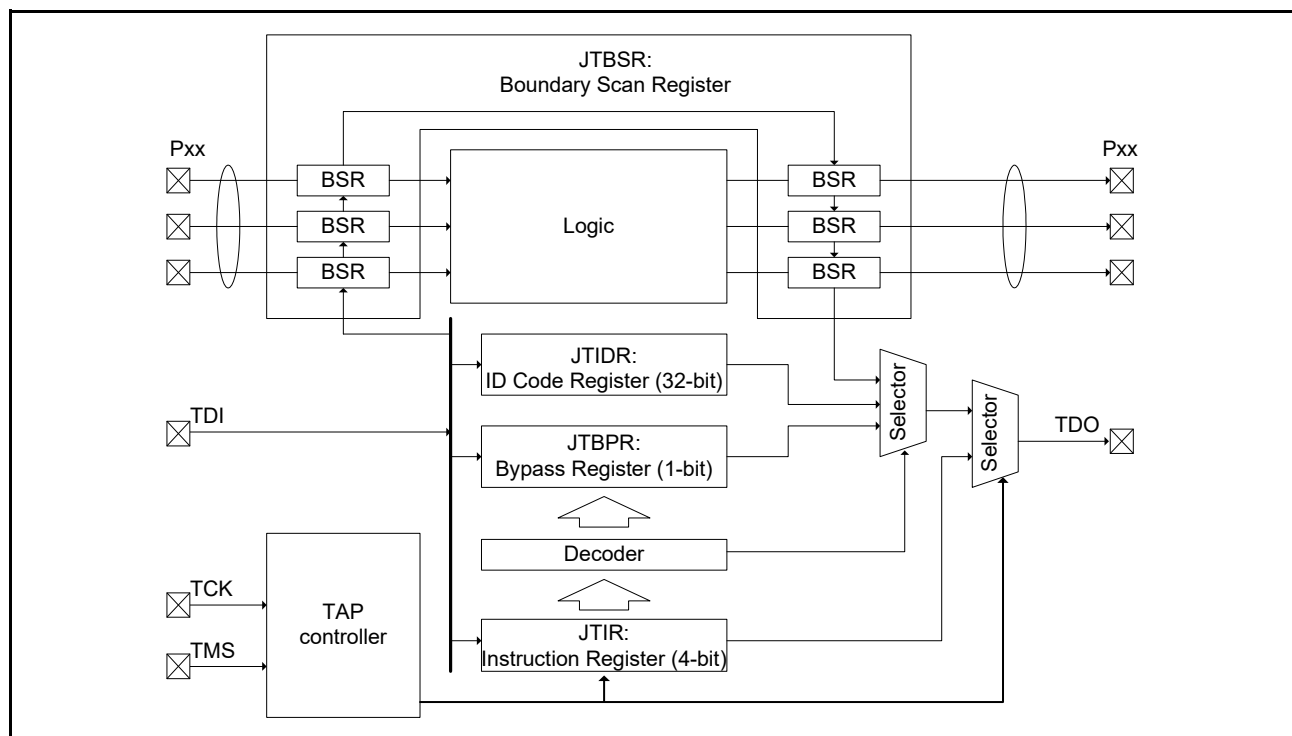
## 43. Boundary Scan

### 43.1 Overview

The boundary scan function provides a serial I/O interface based on the JTAG (Joint Test Action Group), IEEE Std. 1149.1, and IEEE Standard Test Access Port, and Boundary Scan Architecture. [Table 43.1](#) lists the boundary scan specifications, [Figure 43.1](#) shows a block diagram, and [Table 43.2](#) lists the I/O pins.

**Table 43.1** Boundary scan specifications

| Parameter           | Specifications  |
|---------------------|---|
| Execution condition | Boundary scan must be executed when the RES pin is driven low   |
| Test modes          | <ul style="list-style-type: none"> <li>• BYPASS mode</li> <li>• EXTEST mode</li> <li>• SAMPLE/PRELOAD mode</li> <li>• CLAMP mode</li> <li>• HIGHZ mode</li> <li>• IDCODE mode.</li> </ul> |



**Figure 43.1** Boundary scan function block diagram

**Table 43.2** Boundary scan I/O pins

| Pin name | I/O    | Description   |
|----------|--------|---|
| TCK      | Input  | Test clock input pin.<br>Clock signal for boundary scan. The input clock duty cycle is 50% when the boundary scan function is used. |
| TMS      | Input  | Test mode select pin  |
| TDI      | Input  | Test data input pin   |
| TDO      | Output | Test data output pin  |

Note: This MCU does not support the TRST pin for the JTAG interface.

### 43.2 Register Descriptions

Table 43.3 lists the boundary scan registers.

**Table 43.3 Boundary scan registers**

| Register name          | Symbol | Value after reset |
|------------------------|--------|-------------------|
| Instruction Register   | JTIR   | Eh                |
| ID Code Register       | JTIDR  | 0838 D447h        |
| Bypass Register        | JTBPR  | Undefined         |
| Boundary Scan Register | JTBSR  | Undefined         |

Usage notes for the boundary scan registers:

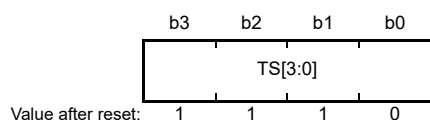
- Instructions can be input to the Instruction Register (JTIR) through the TDI pin by serial transfer
- The Bypass Register (JTBPR), which is a 1-bit register, is connected between the TDI and TDO pins in BYPASS mode
- The Boundary Scan Register (JTBSR), which is configured according to the BSDL description, is connected between the TDI and TDO pins when test data is being shifted in.

Table 43.4 shows the availability of serial transfer for the registers.

**Table 43.4 Serial transfer for registers**

| Register name                  | Serial input | Serial output |
|--------------------------------|--------------|---------------|
| Instruction Register (JTIR)    | Available    | Available     |
| ID Code Register (JTIDR)       | Available    | Available     |
| Bypass Register (JTBPR)        | Available    | Available     |
| Boundary Scan Register (JTBSR) | Available    | Available     |

#### 43.2.1 Instruction Register (JTIR)



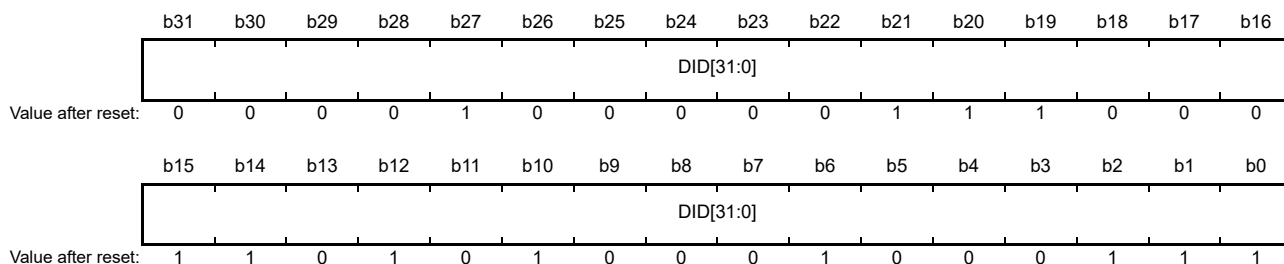
| Bit      | Symbol  | Bit name     | Description   | R/W |
|----------|---------|--------------|---|-----|
| b3 to b0 | TS[3:0] | Test Bit Set | The command configuration for these bits is shown in Table 43.5 | —   |

**Table 43.5 Command configuration**

| TS3            | TS2 | TS1 | TS0 | Instruction           |
|----------------|-----|-----|-----|-----------------------|
| 0              | 0   | 0   | 0   | EXTEST                |
| 0              | 0   | 0   | 1   | SAMPLE/PRELOAD        |
| 0              | 0   | 1   | 1   | IDCODE (Renesas code) |
| 0              | 1   | 0   | 1   | CLAMP                 |
| 0              | 1   | 1   | 0   | HIGHZ                 |
| 1              | 1   | 1   | 1   | BYPASS                |
| Other settings |     |     |     | Reserved              |

JTAG instructions can be transferred to the JTIR register by serial input from the TDI pin. The JTIR register is initialized when a power-on reset occurs, or when the TAP controller is in the Test-Logic-Reset state.

### 43.2.2 ID Code Register (JTIDR)



| Bit       | Symbol    | Bit name  | Description   | R/W |
|-----------|-----------|-----------|---|-----|
| b31 to b0 | DID[31:0] | Device ID | These bits store the fixed value that indicates the device IDCODE | —   |

JTIDR data is output from the TDO pin when the IDCODE instruction is executed. After a reset release, the IDCODE of JTIDR changes into the Arm® debug code. See the *ARM® CoreSight™ SoC-400 Technical Reference Manual* (ARM DDI 0480F).

### 43.2.3 Bypass Register (JTBPR)

JTBPR is a 1-bit register and is connected between the TDI and TDO pins when the JTIR register is set to BYPASS mode. The JTBPR register cannot be read from or written to by the CPU.

### 43.2.4 Boundary Scan Register (JTBSR)

JTBSR is a shift register used for controlling the external input and output pins of the MCU, and is distributed across the pads. To apply the JTBSR register in boundary-scan testing, issue the EXTEST, SAMPLE/PRELOAD, CLAMP, and HIGHZ instructions. The BSDL file describes the associations between the JTBSR bits and the MCU pins. The value after reset is undefined.

## 43.3 Operation

During a reset, the JTAG ports, TCK, TMS, TDI, and TDO, are assigned as default pin functions. The TCK, TMS, and TDI pins are pulled up by the pull-up resistors. Boundary scan testing can be executed after the setup time elapses, when POR is negated, and RES is driven low.

### 43.3.1 TAP Controller

Figure 43.2 shows the state transition diagram of the TAP controller. All transitions are controlled by the TMS signal.

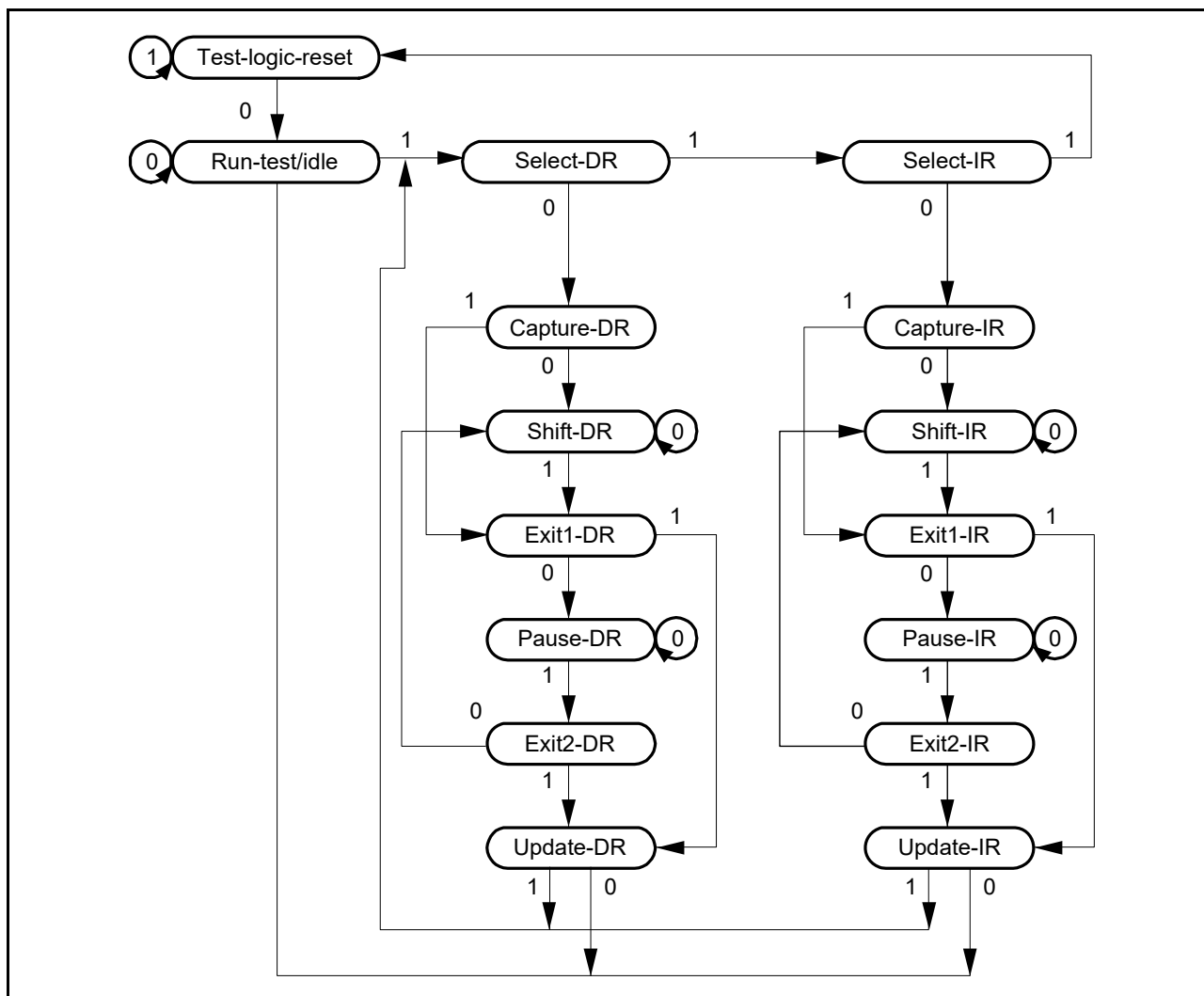


Figure 43.2 State transition diagram of TAP controller

### 43.3.2 Commands

#### (1) BYPASS

The BYPASS instruction drives the Bypass Register (JTBPR). This instruction shortens the shift path, facilitating the transfer of serial data to the other LSIs on a printed circuit board at higher speeds. While this instruction is being executed, the test circuit has no effect on the system circuits.

The Bypass Register (JTBPR) is connected between the TDI and TDO pins. Bypass operation is initiated from the Shift-DR operation. The TDO is low in the first clock cycle in the Shift-DR state. In the subsequent clock cycles, the TDI signal is output on the TDO pin.

#### (2) EXTEST

The EXTEST instruction is used to test external circuits when the MCU is installed on the printed circuit board. If this instruction is executed, the output pins are used to output test data (specified in the SAMPLE/PRELOAD instruction) from the Boundary Scan Register (JTBSR) to the print circuit board, and the input pins are used to input the test result.

#### (3) SAMPLE/PRELOAD

The SAMPLE/PRELOAD instruction is used to input data from the internal circuits of the MCU to the Boundary Scan Register (JTBSR), output data from the scan path, and reload the data to the scan path. While this instruction is executed, the input signals are directly input to the MCU and output signals are also directly output to the external circuits. The MCU system circuit is not affected by this instruction.

In SAMPLE operation, the Boundary Scan Register (JTBSR) latches a snapshot of the data transferred from the input pins to the internal circuit, or data transferred from the internal circuit to the output pins. The latched data is read from the scan path. The JTBSR register latches the data snapshot on the rising edge of the TCK pin in the Capture-DR state. The data snapshot is only transferred from the internal circuit to the output pins during a reset.

In PRELOAD operation, the initial value is written from the scan path to the parallel output latch of the Boundary Scan Register (JTBSR) prior to the EXTEST instruction execution. If EXTEST is executed without executing this PRELOAD operation, undefined values are output from the beginning of the EXTEST sequence to the end (transfer to the output latch). In the EXTEST instruction, output parallel latches are always output to the output pins.

#### (4) IDCODE

When the IDCODE instruction is selected, the ID Code Register (JTIDR) value is output to the TDO pin in the Shift-DR state of the TAP controller. In this case, the JTIDR register value is output LSB-first. During this instruction execution, the test circuit does not affect the system circuit.

#### (5) CLAMP

When the CLAMP instruction is selected, the output pins output the Boundary Scan Register (JTBSR) value that was specified in the SAMPLE/PRELOAD instruction in advance. While the CLAMP instruction is selected, the status of the JTBSR register is maintained regardless of the TAP controller state.

The Bypass Register (JTBPR) is connected between the TDI and TDO pins, leading to the same operation as when the BYPASS instruction is selected.

#### (6) HIGHZ

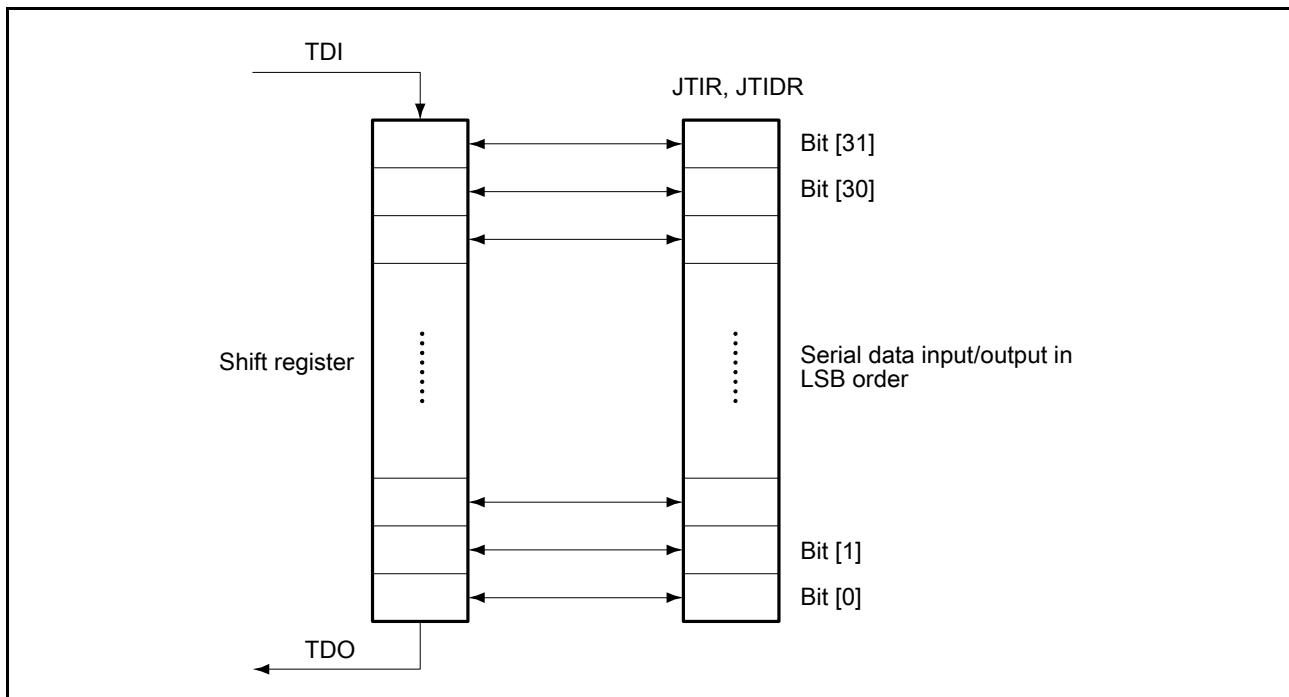
When the HIGHZ instruction is selected, all output pins enter a high-impedance state. While the HIGHZ instruction is selected, the status of Boundary Scan Register (JTBSR) is maintained regardless of the state of the TAP controller.

The Bypass Register (JTBPR) is connected between the TDI and TDO pins, leading to the same operation as when the BYPASS instruction is selected.

### 43.4 Usage Notes

The boundary scan function is subject to the following constraints:

- The boundary scan must be executed when the RES pin is driven low
- Serial data input/output is in LSB order, as shown in [Figure 43.3](#).



**Figure 43.3** Serial data input/output

The following pins cannot be boundary-scanned:

- Power supply pins (VCC, VCL, VCL0, VSS, VBATT, AVCC0, AVSS0, VCC\_USB, and VSS\_USB)
- Analog reference pins (VREFH0, VREFL0, VREFH, VREFL)
- Clock pins (EXTAL, XTAL, XCIN, and XCOU)
- Reset signal (RES)
- USB-dedicated pins (USB\_DP, USB\_DM)
- The boundary-scan pins (TCK, TMS, TDI, and TDO).

## 44. Secure Cryptographic Engine (SCE7)

The MCU incorporates a Secure Cryptographic Engine (SCE7) module to provide security functions. The module consists of an access management circuit, encryption engine, and random number generator. In combination with the Renesas Synergy Software Package (SSP) Crypto library, the SCE7 can prevent eavesdropping (confidentiality), falsification of information (integrity), and impersonation (authenticity).

The SCE7 module can only be used with the SSP Crypto library. For details, see the Crypto Framework and the SCE Crypto Driver sections in the *Renesas Synergy™ Software Package (SSP) User's Manual*.

### 44.1 Overview

Table 44.1 shows the SCE7 specifications and Figure 44.1 shows the block diagram.

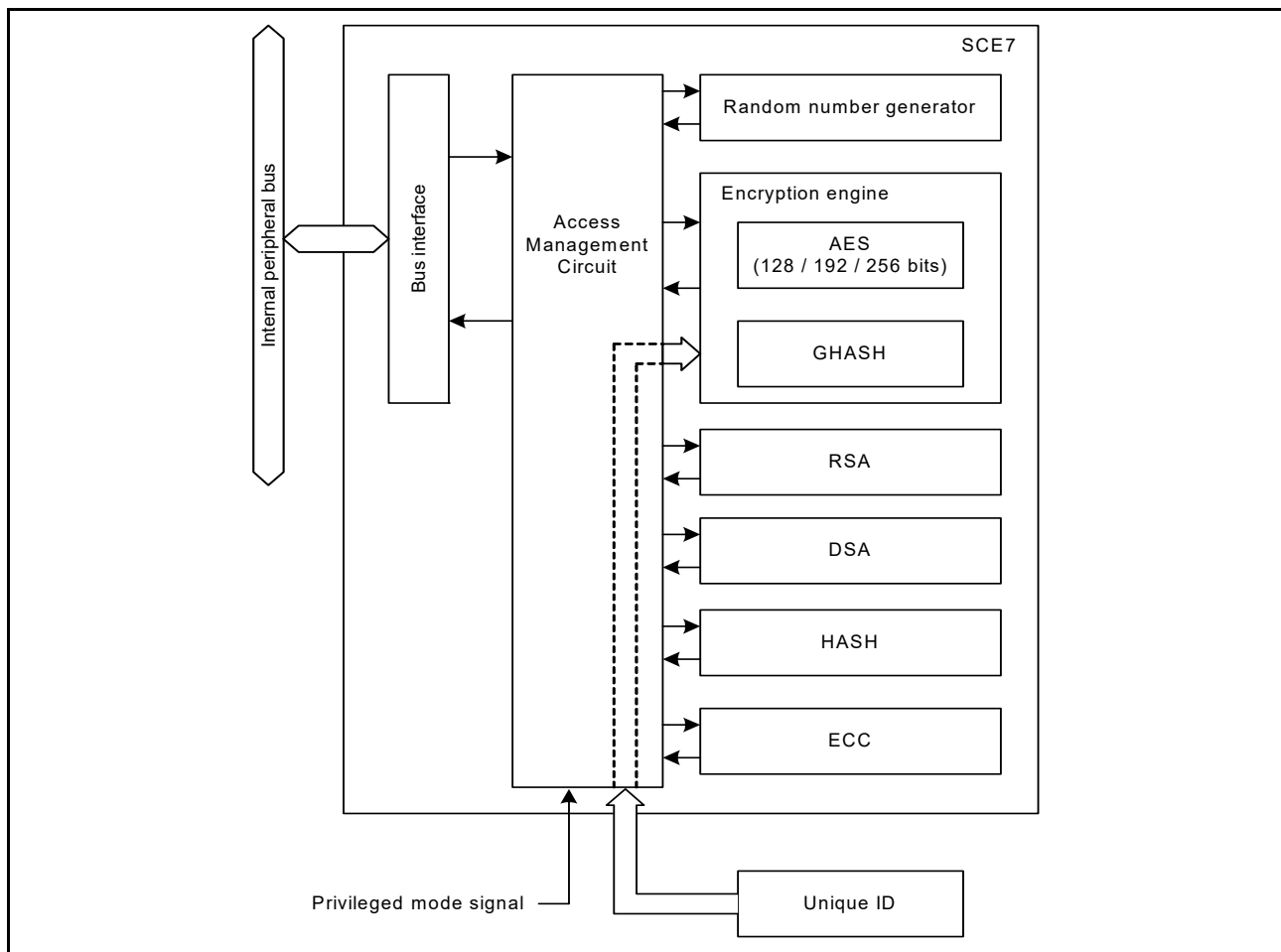
**Table 44.1 SCE7 specifications (1 of 2)**

| Parameter                    | Description  |
|------------------------------|--|
| Access control               | Access management circuit <ul style="list-style-type: none"> <li>In case of irregular access to the SCE7 due to a falsified program or runaway execution of a program, this circuit blocks all subsequent accesses and stops the output of data from the SCE7.</li> </ul>  |
| Encryption engine            | Advanced Encryption Standard (AES): Compliant with NIST FIPS PUB 197 algorithm <ul style="list-style-type: none"> <li>Key sizes: 128, 192, or 256 bits</li> <li>Block size: 128 bits</li> <li>Chaining modes               <ul style="list-style-type: none"> <li>ECB, CBC, CTR: Compliant with NIST SP 800-38A</li> <li>GCM: Compliant with NIST SP 800-38D</li> <li>XTS: Compliant with NIST SP 800-38E.</li> </ul> </li> </ul><br>GCTR <ul style="list-style-type: none"> <li>Throughput for 128-bit data               <ul style="list-style-type: none"> <li>11 PCLKB cycles for 128-bit key</li> <li>15 PCLKB cycles for 256-bit key*1.</li> </ul> </li> </ul><br>AES-GCM <ul style="list-style-type: none"> <li>AES-GCM is realized by combining AES-GCTR and GHASH.</li> </ul><br>Triple Data Encryption Standard (3DES) <ul style="list-style-type: none"> <li>192-bit key length</li> <li>Operates on a fixed 8-byte block of data</li> <li>Used in legacy Secure Socket Layer (SSL) and Transport Layer Security (TLS) protocols</li> <li>Throughput for 64-bit data               <ul style="list-style-type: none"> <li>16 PCLKB cycles for 56-bit key.</li> </ul> </li> </ul><br>Alleged RC4 (ARC4) <ul style="list-style-type: none"> <li>2048-bit key length</li> <li>Throughput for 128-bit data               <ul style="list-style-type: none"> <li>16 PCLKB cycles for 2048-bit key.</li> </ul> </li> </ul><br>Key management <ul style="list-style-type: none"> <li>Wrapped keys are only valid within the SCE7.</li> </ul> |
| Generation of random numbers | 128-bit true random number generator   |

**Table 44.1 SCE7 specifications (2 of 2)**

| Parameter                             | Description   |
|---------------------------------------|---|
| Signature generation and verification | <p>RSA</p> <ul style="list-style-type: none"> <li>Support for 1024-bit and 2048-bit key sizes</li> <li>Signature generation, signature verification, public-key encryption, private-key decryption.</li> </ul> <p>DSA</p> <ul style="list-style-type: none"> <li>Support for DSA key sizes:                             <ul style="list-style-type: none"> <li>(1024-bit, 160-bit)</li> <li>(2048-bit, 224-bit)</li> <li>(2048-bit, 256-bit).</li> </ul> </li> <li>Signature generation, signature verification.</li> </ul> <p>ECC</p> <ul style="list-style-type: none"> <li>Support for curve P-192, P-224, P-256, and P-384</li> <li>Signature generation, signature verification</li> <li>Scalar multiplication.</li> </ul> |
| Message digest computation            | <p>HASH</p> <ul style="list-style-type: none"> <li>SHA1, SHA224, SHA256, and MD5.</li> </ul>  |
| Unique ID                             | <ul style="list-style-type: none"> <li>An ID unique to the MCU (unique ID) is accessible from the access management circuit through the dedicated bus</li> <li>Combining the unique ID with the key generation information prevents illicit copying of data to another MCU.</li> </ul>  |
| Privileged mode                       | <ul style="list-style-type: none"> <li>The privileged mode signal is connected to the access management circuit and is used to limit control of the SCE7 module to privileged mode only.</li> </ul>   |
| Low power consumption                 | Setting of the module-stop state is possible.   |

Note 1. This does not include the overhead for calling functions of the SSP Crypto library.



**Figure 44.1 SCE7 block diagram**

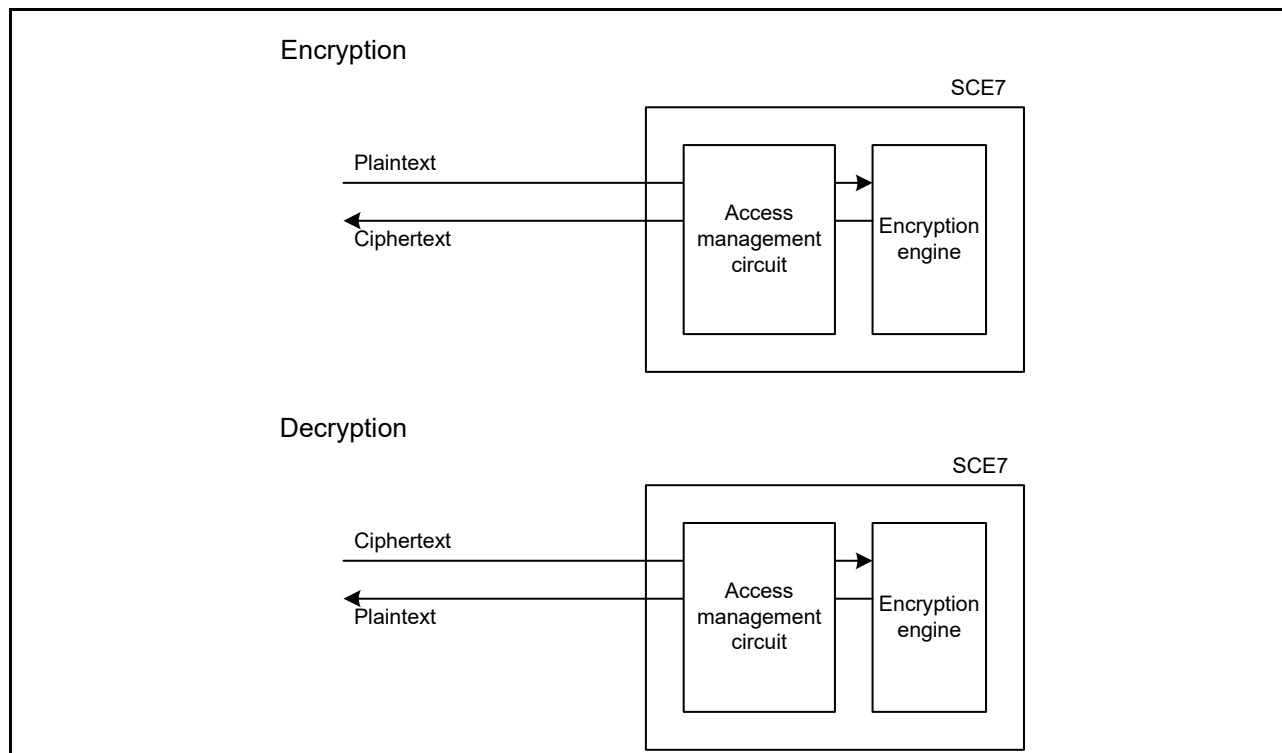


## 44.2 Operation

### 44.2.1 Encryption Engine

The encryption engine performs the following operation in hardware (see [Figure 44.2](#)):

- Plaintext to ciphertext encryption
- Ciphertext to plaintext decryption.



**Figure 44.2** Encryption and decryption processes by encryption engine

### 44.2.2 Encryption and Decryption

To encrypt or decrypt data:

1. Input the data to encrypt or decrypt in the SCE7.

The SCE7 converts the plaintext data to ciphertext or ciphertext data to plaintext.

2. Read the converted data.

The encryption engine has an input buffer and an output buffer, enabling encryption/decryption to proceed in parallel with data input/output. Figure 44.3 shows the encryption engine timing.

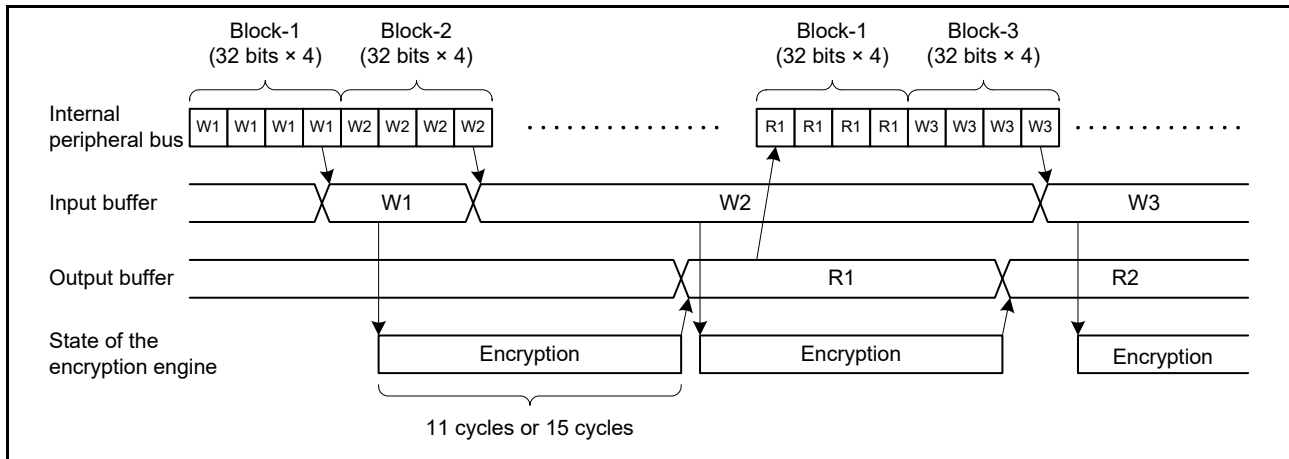


Figure 44.3 Encryption and decryption timing (AES)

## 44.3 Usage Notes

### 44.3.1 Software Standby Mode

When Software Standby mode is entered while the encryption engine is processing, proper processing cannot be resumed after exiting Software Standby mode. Software Standby mode should therefore be entered while the encryption engine is not running.

### 44.3.2 Settings for the Module-Stop Function

SCE7 operation can be disabled or enabled using Module Stop Control Register C (MSTPCRC). The SCE7 module is initially stopped after reset. Releasing the module-stop state enables access to the registers.

## 45. 12-Bit A/D Converter (ADC12)

### 45.1 Overview

The MCU provides two 12-bit successive approximation A/D converter (ADC12) units. In unit 0, up to 13 analog input channels are selectable. In unit 1, up to 9 analog input channels, the temperature sensor output, and internal reference voltage are selectable for conversion. The A/D conversion accuracy is selectable from 12-, 10-, and 8-bit conversion, making it possible to optimize the trade-off between speed and resolution in generating a digital value.

ADC12 features include:

- 13 channels (unit 0), 9 channels (unit 1)
- PCLKB = 60 MHz (maximum)
- PCLKC = 60 MHz (maximum)
- Analog channels: AN000 to AN007, AN016 to AN020 (unit 0), AN100 to AN102, AN105 to AN107, AN116 to AN118 (unit 1)
- Resolution: 12-bit, 10-bit, 8-bit
- Dedicated sample-and-hold circuit embedded.

The ADC12 supports the following operating modes:

- Single scan mode for converting analog inputs of arbitrarily selected channels in ascending order of channel number
- Continuous scan mode for sequentially converting analog inputs of arbitrarily selected channels continuously in ascending order of channel number
- Group scan mode for arbitrarily dividing the analog inputs of channels into two groups (A and B) and converting the analog input of the selected channel for each group in ascending order of channel number.

In group scan mode, you can start group A and group B A/D conversion at different times by individually selecting their scan start conditions. In addition, when a priority control operation for group A is set, the ADC12 accepts group A scan starting during group B A/D conversion, suspending group B conversion. This allows you to assign higher priority to A/D conversion start for group A.

In double-trigger mode, the analog input of an arbitrarily selected channel is converted in single scan mode or group scan mode (group A), and the data converted by the first and second A/D conversion start triggers are stored in different registers, providing duplexing of A/D-converted data.

Self-diagnosis is performed once at the beginning of each scan, and one of the three voltage values generated in the ADC12 is A/D-converted.

The temperature sensor output and the internal reference voltage are selectable at the same time as the analog input of the channel. First A/D conversion is performed for the analog input of the channel, next the temperature sensor output, and then the internal reference voltage.

The ADC12 provides a compare function (Window A and Window B). This compare function specifies the upper reference value for Window A and lower reference value for Window B, and outputs an interrupt request when the A/D-converted value of the selected channel meets the comparison conditions.

Table 45.1 lists the ADC12 specifications and Table 45.2 list the functions. Figure 45.1 shows a block diagram of ADC12 unit 0 and Figure 45.2 shows a block diagram of ADC12 unit 1. Table 45.3 lists the I/O pins.

**Table 45.1 ADC12 specifications (1 of 2)**

| Parameter                           | Specifications   |
|-------------------------------------|--|
| Number of units                     | Two units, 0 and 1   |
| Input channels                      | <ul style="list-style-type: none"> <li>Unit 0: Up to 13 channels</li> <li>Unit 1: Up to 9 channels</li> </ul>  |
| Extended analog function            | Temperature sensor output, internal reference voltage  |
| A/D conversion method               | Successive approximation method  |
| Resolution                          | 12 bits, selectable to 12-bit, 10-bit, or 8-bit conversion   |
| Conversion time                     | 0.4 $\mu$ s/channel, when A/D conversion clock PCLKC (ADCLK) is operating at 60 MHz<br>(See Table 55.35 and Table 55.36 about the condition)   |
| A/D conversion clock                | Peripheral module clock PCLKB*1 and A/D conversion clock PCLKC (ADCLK)*1 can be set with the following division ratios:<br>PCLKB to PCLKC (ADCLK) frequency ratios = 1:1, 2:1, 4:1, 8:1, 1:2, 1:4  |
| Data registers                      | <ul style="list-style-type: none"> <li>22 registers for analog input (13 for unit 0, 9 for unit 1), one for A/D-converted data duplication in double-trigger mode in each unit, and 2 for A/D-converted data duplication in extended operation in double-trigger mode in each unit</li> <li>One register for temperature sensor output</li> <li>One register for internal reference voltage</li> <li>One register for self-diagnosis</li> <li>Storing of A/D conversion results in A/D data registers</li> <li>8-, 10-, and 12-bit accuracy output for A/D conversion results</li> <li>A/D-converted value addition mode, in which the sum of all A/D conversion results are stored in the A/D data registers as the conversion accuracy bit count + 2 bits*4</li> <li>Double-trigger mode (selectable in single scan and group scan modes):<br/>The first unit of A/D-converted analog-input data on one selected channel is stored in the data register for the channel, and the second unit is stored in the duplexing register</li> <li>Extended operation in double-trigger mode (available for specific triggers):<br/>A/D-converted analog-input data on one selected channel is stored in the duplexing register provided for the associated trigger.</li> </ul>   |
| Operating modes                     | <ul style="list-style-type: none"> <li>Single scan mode: <ul style="list-style-type: none"> <li>A/D conversion is performed only once on the analog inputs of arbitrarily selected channels, on the temperature sensor output, and on the internal reference voltage</li> </ul> </li> <li>Continuous scan mode: <ul style="list-style-type: none"> <li>A/D conversion is performed repeatedly on the analog inputs of arbitrarily selected channels, on the temperature sensor output, and on the internal reference voltage</li> </ul> </li> <li>Group scan mode: <ul style="list-style-type: none"> <li>Analog inputs of arbitrarily selected channels, the temperature sensor output, and the internal reference voltage are divided into group A and group B, and A/D conversion of the analog input selected on a group basis is performed only once.</li> <li>The scan start conditions can be independently selected for group A and group B, allowing A/D conversion of group A and group B to be started independently.</li> </ul> </li> <li>Group scan mode (when group A is given priority): <ul style="list-style-type: none"> <li>If a group A trigger is input during A/D conversion on group B, the A/D conversion on group B stops and A/D conversion is processed on group A.</li> <li>Restart (rescan) of group B conversion after completion of group A conversion can be set.</li> </ul> </li> </ul> |
| Conditions for A/D conversion start | <ul style="list-style-type: none"> <li>Software trigger</li> <li>Synchronous triggers from the Event Link Controller (ELC)</li> <li>Asynchronous triggering by the external trigger pins, ADTRG0 (unit 0) and ADTRG1 (unit 1).</li> </ul>  |
| Functions                           | <ul style="list-style-type: none"> <li>Dedicated sample-and-hold function with optional constant sampling and 3 channels in units 0 and 1</li> <li>Variable sampling state count</li> <li>Self-diagnosis of ADC12</li> <li>Selectable A/D-converted value addition mode or average mode</li> <li>Analog input disconnection detection function (discharge and precharge functions)</li> <li>Double-trigger mode (duplication of A/D conversion data)</li> <li>Switching function for 8-, 10-, and 12-bit conversion*2</li> <li>Automatic clear function for A/D data registers</li> <li>Digital comparison of values in the comparison and data registers, and between values in the data registers</li> </ul>   |

**Table 45.1 ADC12 specifications (2 of 2)**

| Parameter                        | Specifications   |
|----------------------------------|--|
| Interrupt sources and ELC events | <ul style="list-style-type: none"> <li>• ADC12i_ADI: A/D scan end interrupt</li> <li>• ADC12i_GBADI: A/D scan end interrupt for group B</li> <li>• ADC12i_CMPAI: Window A compare match</li> <li>• ADC12i_CMPBI: Window B compare match</li> <li>• ADC12i_WCMPPM: compare match</li> <li>• ADC12i_WCMPUM: compare mismatch.</li> </ul> |
| ELC interface                    | Scan can be started by a trigger from the ELC  |
| Bus interface                    | Bus clock synchronized with peripheral clock (PCLKB), maximum frequency = 60 MHz   |
| Reference voltage                | <ul style="list-style-type: none"> <li>• Unit 0:<br/>VREFH0 is the high potential reference voltage.<br/>VREFL0 is the low potential reference voltage.</li> <li>• Unit 1:<br/>VREFH is the high potential reference voltage.<br/>VREFL is the low potential reference voltage.</li> </ul>   |
| Module-stop function             | Module-stop state can be set to reduce power consumption*3   |

i = 0 for unit 0, and i = 1 for unit 1.

Note 1. Peripheral module clock, PCLKB is specified in the SCKDIVCR.PCKB[2:0] bits, and the A/D conversion clock, ADCLK is specified in the SCKDIVCR.PCKC[2:0] bits in units 0 and 1.

Note 2. Changing the A/D conversion accuracy also changes the A/D conversion time. For details, see [section 45.3.6, Analog Input Sampling and Scan Conversion Time](#).

Note 3. For details, see [section 11, Low Power Modes](#).

Note 4. The number of extended bits for addition varies with the A/D conversion accuracy and the number of addition times. A 2-bit extension is up to 4 times conversion (3 times addition) when the A/D conversion accuracy is 8, 10, or 12 bits. A 4-bit extension is 16 times conversion (15 times addition) when the A/D conversion accuracy is 12 bits.

**Table 45.2 ADC12 functions**

| Parameter                                  |  |                   | Unit 0 (ADC120)  | Unit 1 (ADC121)   |
|--|--|-------------------|--|---|
| Analog input channel                       |  |                   | AN000 to AN007,<br>AN016 to AN020<br>Internal reference voltage<br>Temperature sensor output | AN100 to AN102,<br>AN105 to AN107,<br>AN116 to AN118<br>Internal reference voltage<br>Temperature sensor output |
| Conditions for A/D conversion start        | Software                               | Software trigger  | Enabled  | Enabled   |
|  | External trigger                       | Trigger input pin | ADTRG0   | ADTRG1  |
|  | Synchronous trigger (trigger from ELC) | ELC trigger       | ELC_AD00, ELC_AD01   | ELC_AD10, ELC_AD11  |
| Channel-dedicated sample-and-hold function | Target channel                         |                   | AN000 to AN002   | AN100 to AN102  |
| Interrupt                                  |  |                   | ADC120_ADI<br>ADC120_GBADI<br>ADC120_CMPAI<br>ADC120_CMPBI                                   | ADC121_ADI<br>ADC121_GBADI<br>ADC121_CMPAI<br>ADC121_CMPBI  |
| Output to ELC                              |  |                   | ADC120_ADI<br>ADC120_WCMPPM<br>ADC120_WCMPUM   | ADC121_ADI<br>ADC121_WCMPPM<br>ADC121_WCMPUM  |
| Module-stop function settings*1, *2        |  |                   | MSTPCRD.MSTPD16 bit  | MSTPCRD.MSTPD15 bit   |

Note 1. For details, see [section 11, Low Power Modes](#).

Note 2. Wait for 1  $\mu$ s or longer to start A/D conversion after release from the module-stop state.

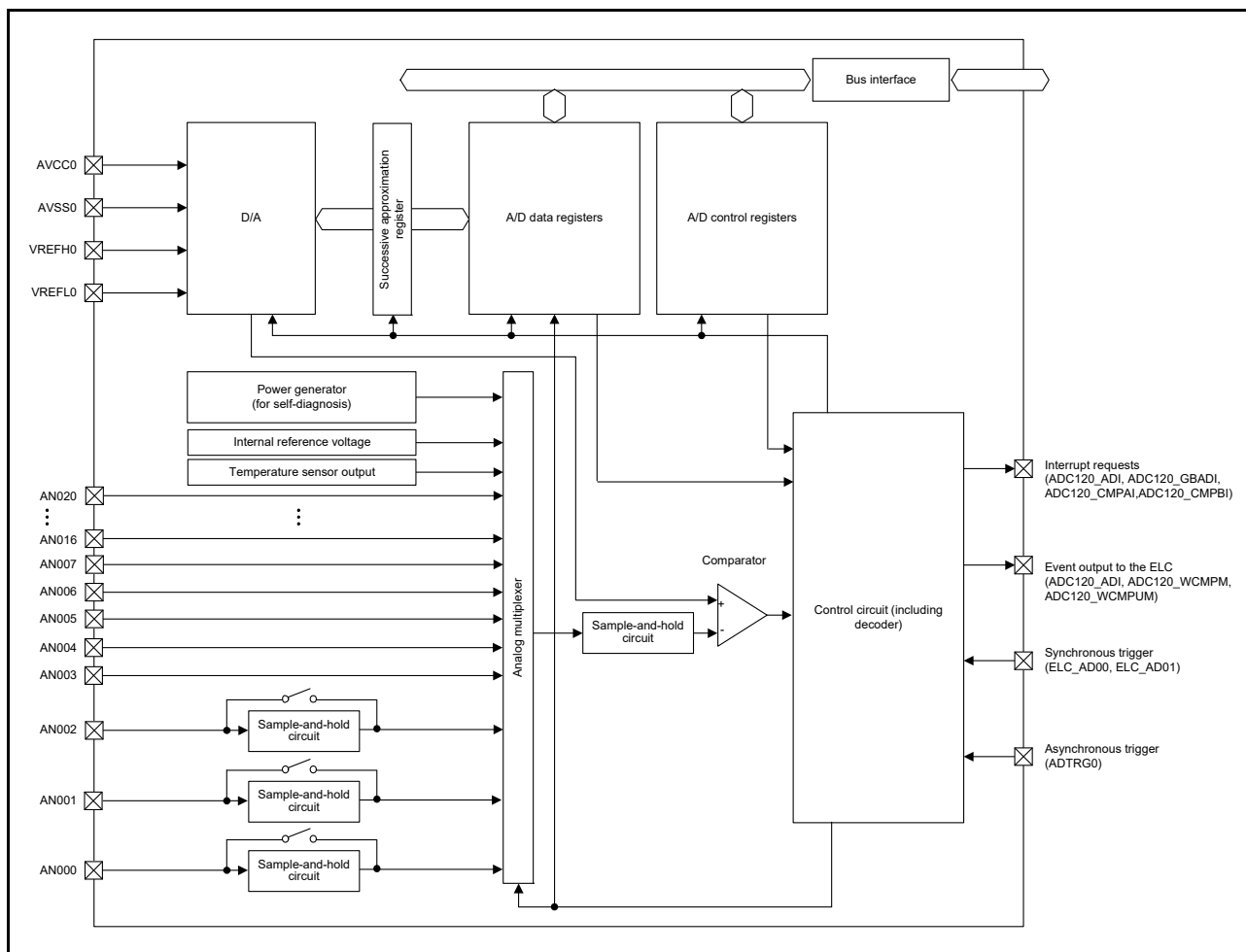


Figure 45.1 ADC12 unit 0 block diagram

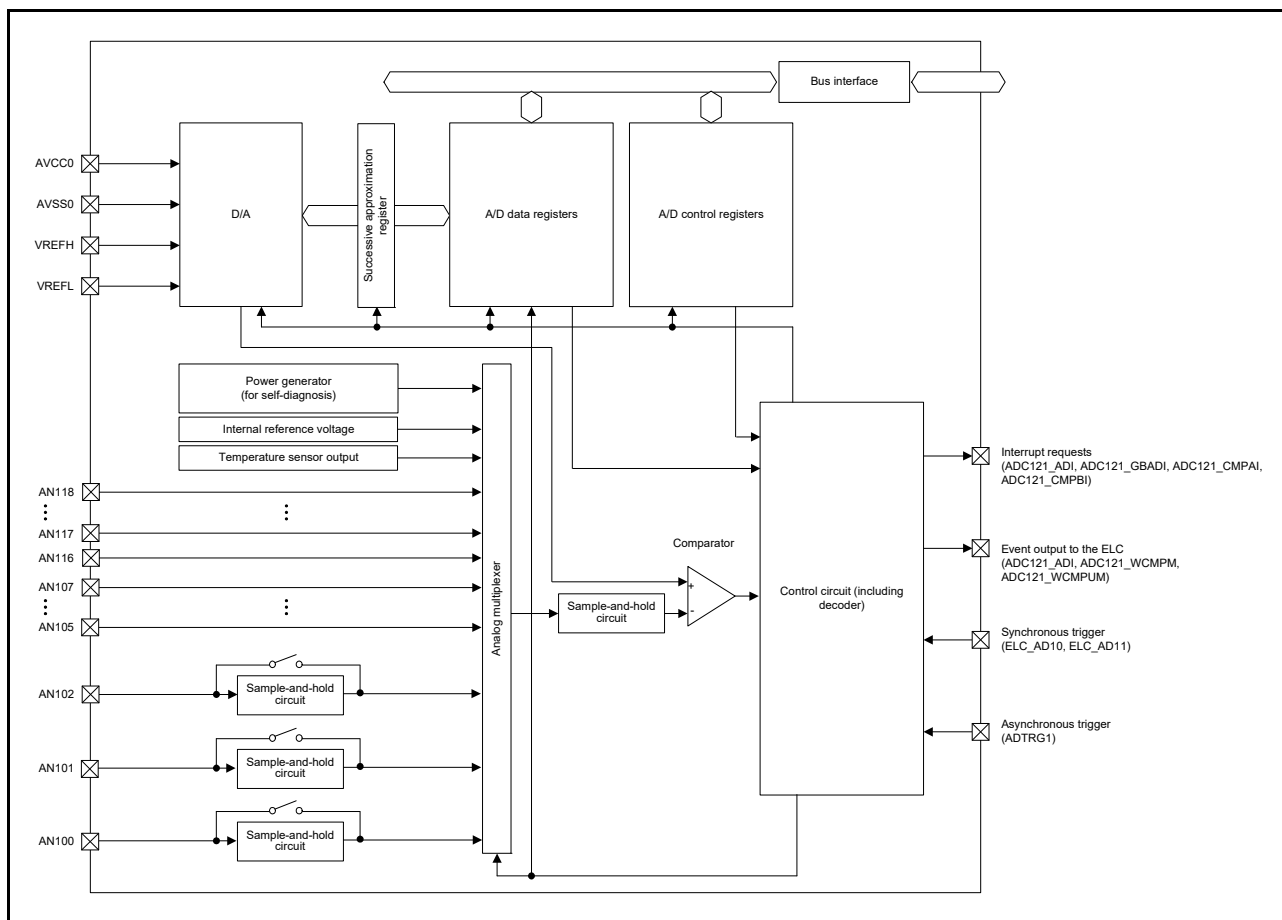


Figure 45.2 ADC12 unit 1 block diagram

Table 45.3 ADC12 I/O pins

| Unit   | Pin name   | I/O   | Function   |
|--------|--|-------|--|
| Unit 0 | AVCC0  | Input | Analog block power supply pin                                      |
|        | AVSS0  | Input | Analog block power supply ground pin                               |
|        | VREFH0   | Input | Reference power supply pin   |
|        | VREFL0   | Input | Reference power supply ground pin                                  |
|        | AN000 to AN007,<br>AN016 to AN020                    | Input | Analog input pins 0 to 7 and 16 to 20                              |
|        | ADTRG0   | Input | External trigger input pin for starting A/D conversion, active-low |
| Unit 1 | AVCC0  | Input | Analog block power supply pin                                      |
|        | AVSS0  | Input | Analog block power supply ground pin                               |
|        | VREFH  | Input | Reference power supply pin for ADC12 unit 1 and DAC                |
|        | VREFL  | Input | Reference power supply ground pin for ADC12 unit 1 and DAC         |
|        | AN100 to AN102,<br>AN105 to AN107,<br>AN116 to AN118 | Input | Analog input pins 0 to 2, 5 to 7, and 16 to 18                     |
|        | ADTRG1   | Input | External trigger input pin for starting A/D conversion, active-low |

## 45.2 Register Descriptions

### 45.2.1 A/D Data Registers y (ADDRy), A/D Data Duplexing Register (ADDBLDR), A/D Data Duplexing Register A (ADDBLDRA), A/D Data Duplexing Register B (ADDBLDRB), A/D Temperature Sensor Data Register (ADTSDR), A/D Internal Reference Voltage Data Register (ADOCDR)

The data registers include:

- ADDRy registers (y = 0 to 7, 16 to 20 in unit 0 and y = 0 to 2, 5 to 7, 16 to 18 in unit 1): 16-bit read-only registers for storing the A/D conversion results
- ADDBLDR register: 16-bit read-only register for storing the A/D conversion results in response to the second trigger in double-trigger mode
- ADDBLDRA and ADDBLDRB registers: 16-bit read-only registers for storing the A/D conversion results in response to the respective triggers during extended operation in double-trigger mode
- ADTSDR register: 16-bit read-only register for storing the A/D conversion result of the temperature sensor output
- ADOCDR register: 16-bit read-only register for storing the A/D result of the internal reference voltage.

The following conditions determine the formats for data in these registers:

- The setting in the A/D Data Register Format Select bit (ADCER.ADRFMT) (flush-left or flush-right setting)
- The setting in the A/D Conversion Accuracy Specify bits (ADCER.ADPRC[1:0]) (8-, 10-, or 12-bit setting).

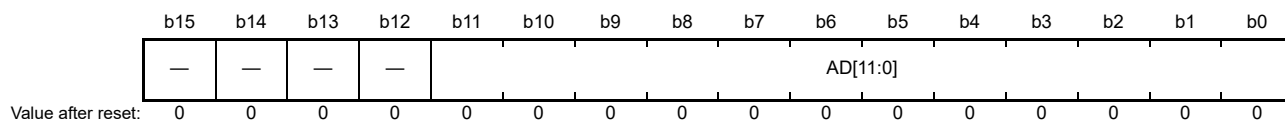
This section describes the data formats for these conditions in different modes.

#### (1) When A/D-converted value addition/average mode is not selected

The data formats for each condition are as follows:

##### Settings for flush-right data with 12-bit accuracy

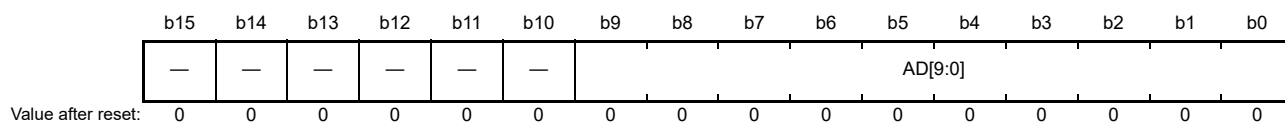
Address(es): [ADC120.ADDR0 4005 C020h to ADC120.ADDR7 4005 C02Eh](#), [ADC120.ADDR16 4005 C040h to ADC120.ADDR20 4005 C048h](#), [ADC120.ADDBLDR 4005 C018h](#), [ADC120.ADDBLDRA 4005 C084h](#), [ADC120.ADDBLDRB 4005 C086h](#), [ADC120.ADTSDR 4005 C01Ah](#), [ADC120.ADOCDR 4005 C01Ch](#), [ADC121.ADDR0 4005 C220h to ADC121.ADDR2 4005 C224h](#), [ADC121.ADDR5 4005 C22Ah to ADC121.ADDR7 4005 C22Eh](#), [ADC121.ADDR16 4005 C240h to ADC121.ADDR18 4005 C244h](#), [ADC121.ADDBLDR 4005 C218h](#), [ADC121.ADDBLDRA 4005 C284h](#), [ADC121.ADDBLDRB 4005 C286h](#), [ADC121.ADTSDR 4005 C21Ah](#), [ADC121.ADOCDR 4005 C21Ch](#)



| Bit        | Symbol   | Bit name                | Description                | R/W |
|------------|----------|-------------------------|----------------------------|-----|
| b11 to b0  | AD[11:0] | Converted Value 11 to 0 | 12-bit A/D-converted value | R   |
| b15 to b12 | —        | Reserved                | These bits are read as 0   | R   |

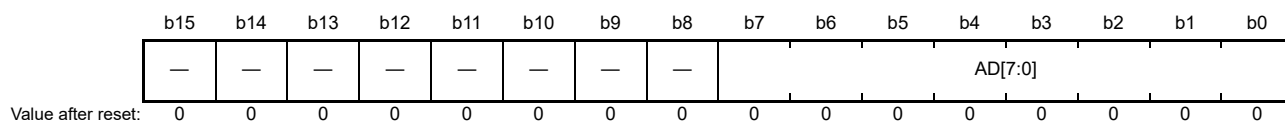


**Settings for flush-right data with 10-bit accuracy**



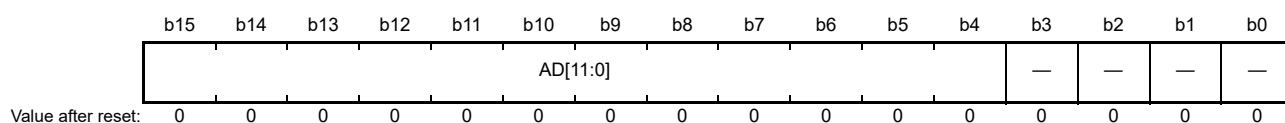
| Bit        | Symbol  | Bit name               | Description                | R/W |
|------------|---------|------------------------|----------------------------|-----|
| b9 to b0   | AD[9:0] | Converted Value 9 to 0 | 10-bit A/D-converted value | R   |
| b15 to b10 | —       | Reserved               | These bits are read as 0   | R   |

**Settings for flush-right data with 8-bit accuracy**



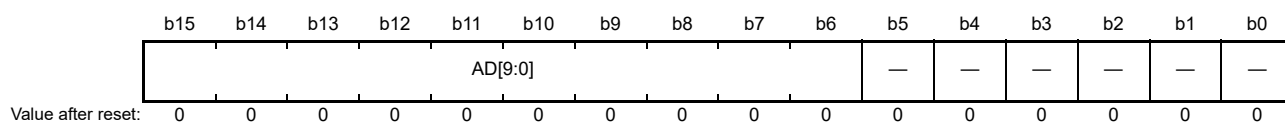
| Bit       | Symbol  | Bit name               | Description               | R/W |
|-----------|---------|------------------------|---------------------------|-----|
| b7 to b0  | AD[7:0] | Converted Value 7 to 0 | 8-bit A/D-converted value | R   |
| b15 to b8 | —       | Reserved               | These bits are read as 0  | R   |

**Settings for flush-left data with 12-bit accuracy**



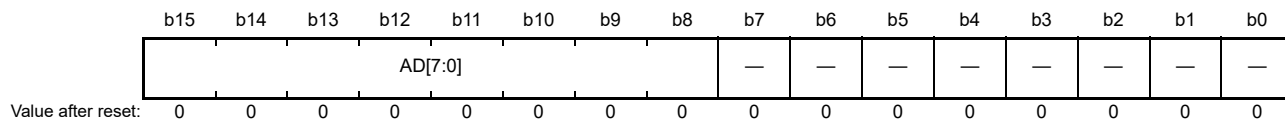
| Bit       | Symbol   | Bit name                | Description                | R/W |
|-----------|----------|-------------------------|----------------------------|-----|
| b3 to b0  | —        | Reserved                | These bits are read as 0   | R   |
| b15 to b4 | AD[11:0] | Converted Value 11 to 0 | 12-bit A/D-converted value | R   |

**Settings for flush-left data with 10-bit accuracy**



| Bit       | Symbol  | Bit name               | Description                | R/W |
|-----------|---------|------------------------|----------------------------|-----|
| b5 to b0  | —       | Reserved               | These bits are read as 0   | R   |
| b15 to b6 | AD[9:0] | Converted Value 9 to 0 | 10-bit A/D-converted value | R   |

**Settings for flush-left data with 8-bit accuracy**



| Bit       | Symbol  | Bit name               | Description               | R/W |
|-----------|---------|------------------------|---------------------------|-----|
| b7 to b0  | —       | Reserved               | These bits are read as 0  | R   |
| b15 to b8 | AD[7:0] | Converted Value 7 to 0 | 8-bit A/D-converted value | R   |

**(2) When A/D-converted value average mode is selected**

A/D-converted value average mode can be selected when 2 or 4 times is specified in A/D-converted value addition mode. When A/D-converted value average mode is selected, this register indicates the mean of the A/D-converted values on the specified channel. The value is stored in the A/D data register based on the setting in the A/D Data Register Format Select bit in the same way as for normal A/D conversion.

**(3) When A/D-converted value addition mode is selected**

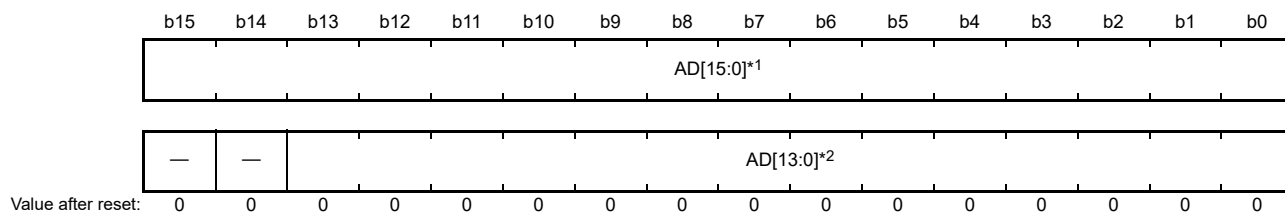
For 8-, 10-, or 12-bit accuracy (ADPRC bit setting), 1, 2, 3 or 4 times can be selected for A/D-converted value addition. 16 times can also be selected for addition mode, but only with 12-bit accuracy selected. In addition mode, this register indicates the value that is obtained by adding the A/D-converted values on a specific channel. The sum of conversion results is retained in the A/D data register as a 2-bit-extended value of the specified conversion accuracy. The value is stored in the A/D data register based on the setting in the A/D Data Register Format Select bit in the same way as in the case of normal A/D conversion.

When converting 1, 2, 3, or 4 times in addition mode with 8-, 10-, or 12-bit accuracy specified, the conversion result is stored in the A/D data register as a 2-bit-extended value of the specified accuracy.

When converting 16 times in addition mode with 12-bit accuracy specified, the conversion result is stored in the A/D data register as a 4-bit-extended value of the specified accuracy.

The data formats for each condition are as follows:

**Settings for flush-right data with 12-bit accuracy in A/D-converted value addition mode**

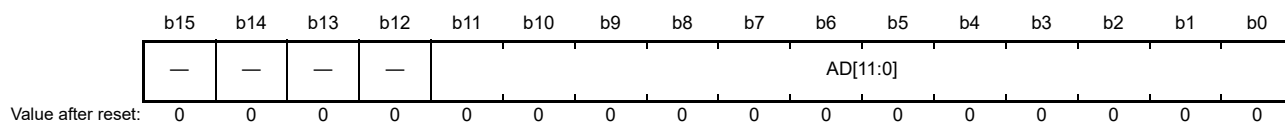


| Bit       | Symbol     | Bit name            | Description                           | R/W |
|-----------|------------|---------------------|---------------------------------------|-----|
| b15 to b0 | AD[15:0]*1 | Added Value 15 to 0 | 16 -bit sum of A/D conversion results | R   |

| Bit       | Symbol     | Bit name            | Description                          | R/W |
|-----------|------------|---------------------|--------------------------------------|-----|
| b13 to b0 | AD[13:0]*2 | Added Value 13 to 0 | 14-bit sum of A/D conversion results | R   |
| b15, b14  | —          | Reserved            | These bits are read as 0             | R   |

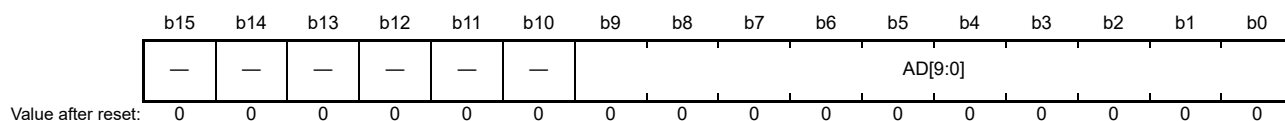
Note 1. Used when a value of 16 conversion times is specified in A/D-converted value addition mode.  
 Note 2. Used when a value of 1, 2, 3, or 4 conversion times is specified in A/D-converted value addition mode.

**Settings for flush-right data with 10-bit accuracy in A/D-converted value addition mode**



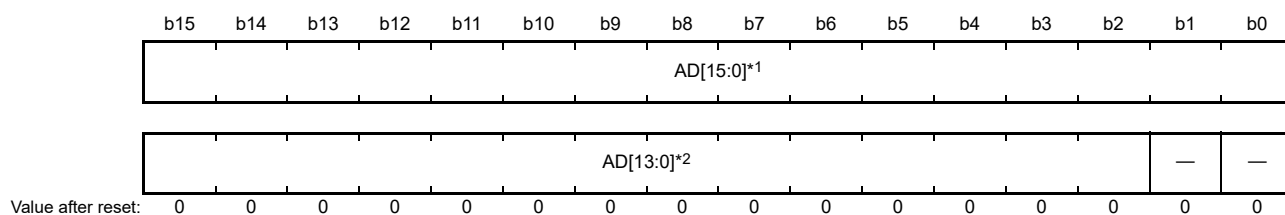
| Bit        | Symbol   | Bit name            | Description                          | R/W |
|------------|----------|---------------------|--------------------------------------|-----|
| b11 to b0  | AD[11:0] | Added Value 11 to 0 | 12-bit sum of A/D conversion results | R   |
| b15 to b12 | —        | Reserved            | These bits are read as 0             | R   |

**Settings for flush-right data with 8-bit accuracy in A/D-converted value addition mode**



| Bit        | Symbol  | Bit name           | Description                          | R/W |
|------------|---------|--------------------|--------------------------------------|-----|
| b9 to b0   | AD[9:0] | Added Value 9 to 0 | 10-bit sum of A/D conversion results | R   |
| b15 to b10 | —       | Reserved           | These bits are read as 0             | R   |

**Settings for flush-left data with 12-bit accuracy in A/D-converted value addition mode**

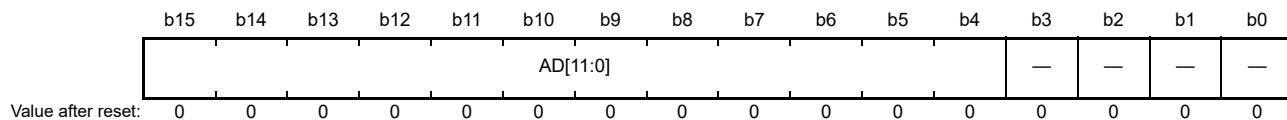


| Bit       | Symbol     | Bit name            | Description                          | R/W |
|-----------|------------|---------------------|--------------------------------------|-----|
| b15 to b0 | AD[15:0]*1 | Added Value 15 to 0 | 16-bit sum of A/D conversion results | R   |

| Bit       | Symbol     | Bit name            | Description                          | R/W |
|-----------|------------|---------------------|--------------------------------------|-----|
| b1, b0    | —          | Reserved            | These bits are read as 0             | R   |
| b15 to b2 | AD[13:0]*2 | Added Value 13 to 0 | 14-bit sum of A/D conversion results | R   |

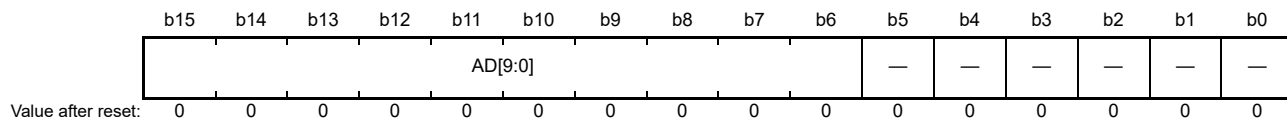
Note 1. Used when a value of 16 conversion times is specified in A/D-converted value addition mode.  
 Note 2. Used when a value of 1, 2, 3, or 4 conversion times is specified in A/D-converted value addition mode.

**Settings for flush-left data with 10-bit accuracy in A/D-converted value addition mode**



| Bit       | Symbol   | Bit name            | Description                          | R/W |
|-----------|----------|---------------------|--------------------------------------|-----|
| b3 to b0  | —        | Reserved            | These bits are read as 0             | R   |
| b15 to b4 | AD[11:0] | Added Value 11 to 0 | 12-bit sum of A/D conversion results | R   |

**Settings for flush-left data with 8-bit accuracy in A/D-converted value addition mode**



| Bit       | Symbol  | Bit name           | Description                          | R/W |
|-----------|---------|--------------------|--------------------------------------|-----|
| b5 to b0  | —       | Reserved           | These bits are read as 0             | R   |
| b15 to b6 | AD[9:0] | Added Value 9 to 0 | 10-bit sum of A/D conversion results | R   |

**45.2.2 A/D Self-Diagnosis Data Register (ADRD)**

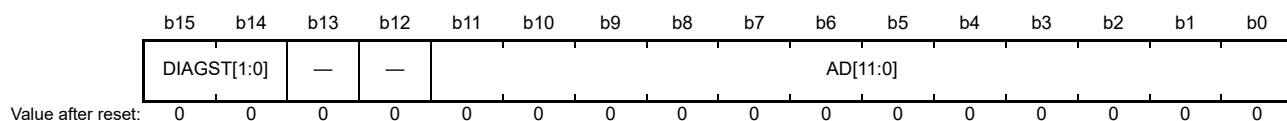
ADRD is a 16-bit read-only register that holds the A/D conversion results based on the self-diagnosis of the ADC12. In addition to the AD[11:0] bits indicating the A/D-converted value, it includes the self-diagnosis status bit (DIAGST).

The following conditions determine the formats for data in this registers:

- The setting in the A/D Data Register Format Select bit (ADCER.ADRFMT) (flush-left or flush-right setting)
- The setting in the A/D Conversion Accuracy Specify bits (ADCER.ADPRC[1:0]) (8-, 10-, or 12-bit setting).

The A/D-converted value addition and average modes cannot be applied to the A/D self-diagnosis function. For details on self-diagnosis, see [section 45.2.11, A/D Control Extended Register \(ADCER\)](#). This section describes the data formats for each condition.

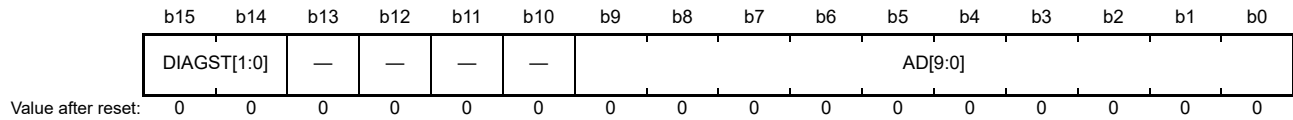
**Settings for flush-right data with 12-bit accuracy**



| Bit       | Symbol      | Bit name                | Description  | R/W |
|-----------|-------------|-------------------------|--|-----|
| b11 to b0 | AD[11:0]    | Converted Value 11 to 0 | 12-bit A/D-converted value   | R   |
| b13, b12  | —           | Reserved                | These bits are read as 0   | R   |
| b15, b14  | DIAGST[1:0] | Self-Diagnosis Status   | b15 b14<br>0 0: Self-diagnosis not executed after power-on<br>0 1: Self-diagnosis was executed using the 0 V voltage<br>1 0: Self-diagnosis was executed using the reference power supply*1 voltage x 1/2<br>1 1: Self-diagnosis was executed using the reference power supply*1 voltage.<br>For details on self-diagnosis, see <a href="#">section 45.2.11, A/D Control Extended Register (ADCER)</a> . | R   |

Note 1. The reference voltage refers to VREFH0 for unit 0 and to VREFH for unit 1.

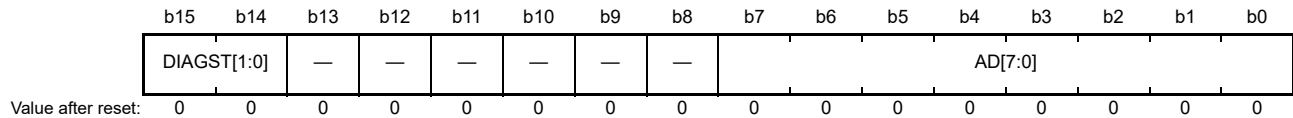
### Settings for flush-right data with 10-bit accuracy



| Bit        | Symbol                      | Bit name               | Description  | R/W |
|------------|-----------------------------|------------------------|--|-----|
| b9 to b0   | <a href="#">AD[9:0]</a>     | Converted Value 9 to 0 | 10-bit A/D-converted value   | R   |
| b13 to b10 | —                           | Reserved               | These bits are read as 0   | R   |
| b15, b14   | <a href="#">DIAGST[1:0]</a> | Self-Diagnosis Status  | b15 b14<br>0 0: Self-diagnosis not executed after power-on<br>0 1: Self-diagnosis was executed using the 0 V voltage<br>1 0: Self-diagnosis was executed using the reference power supply*1 voltage x 1/2<br>1 1: Self-diagnosis was executed using the reference power supply*1 voltage.<br>For details on self-diagnosis, see <a href="#">section 45.2.11, A/D Control Extended Register (ADCER)</a> . | R   |

Note 1. The reference voltage refers to VREFH0 for unit 0 and to VREFH for unit 1.

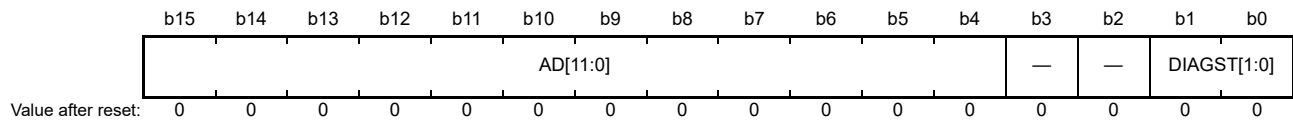
### Settings for flush-right data with 8-bit accuracy



| Bit       | Symbol                      | Bit name               | Description  | R/W |
|-----------|-----------------------------|------------------------|--|-----|
| b7 to b0  | <a href="#">AD[7:0]</a>     | Converted Value 7 to 0 | 8-bit A/D-converted value  | R   |
| b13 to b8 | —                           | Reserved               | These bits are read as 0   | R   |
| b15, b14  | <a href="#">DIAGST[1:0]</a> | Self-Diagnosis Status  | b15 b14<br>0 0: Self-diagnosis not executed after power-on<br>0 1: Self-diagnosis was executed using the 0 V voltage<br>1 0: Self-diagnosis was executed using the reference power supply*1 voltage x 1/2<br>1 1: Self-diagnosis was executed using the reference power supply*1 voltage.<br>For details on self-diagnosis, see <a href="#">section 45.2.11, A/D Control Extended Register (ADCER)</a> . | R   |

Note 1. The reference voltage refers to VREFH0 for unit 0 and to VREFH for unit 1.

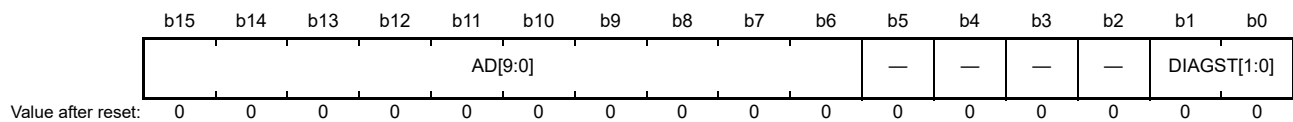
### Settings for flush-left data with 12-bit accuracy



| Bit       | Symbol      | Bit name                | Description   | R/W |
|-----------|-------------|-------------------------|---|-----|
| b1, b0    | DIAGST[1:0] | Self-Diagnosis Status   | b1 b0<br>0 0: Self-diagnosis not executed after power-on<br>0 1: Self-diagnosis using the voltage of 0 V was executed<br>1 0: Self-diagnosis using the voltage of reference power supply*1 × 1/2 was executed<br>1 1: Self-diagnosis using the voltage of reference power supply*1 was executed.<br>For details on self-diagnosis, see <a href="#">section 45.2.11, A/D Control Extended Register (ADCER)</a> . | R   |
| b3, b2    | —           | Reserved                | These bits are read as 0  | R   |
| b15 to b4 | AD[11:0]    | Converted Value 11 to 0 | 12-bit A/D-converted value  | R   |

Note 1. The reference voltage refers to VREFH0 for unit 0 and to VREFH for unit 1.

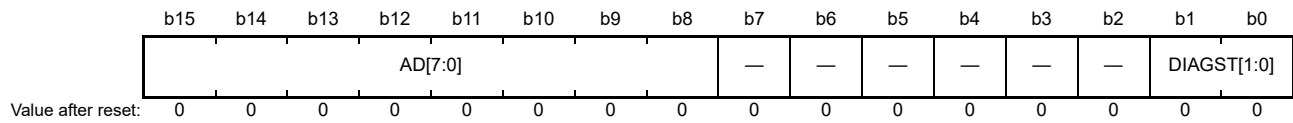
### Settings for flush-left data with 10-bit accuracy



| Bit       | Symbol      | Bit name               | Description  | R/W |
|-----------|-------------|------------------------|--|-----|
| b1, b0    | DIAGST[1:0] | Self-Diagnosis Status  | b1 b0<br>0 0: Self-diagnosis not executed after power-on<br>0 1: Self-diagnosis was executed using the 0 V voltage<br>1 0: Self-diagnosis was executed using the reference power supply*1 × 1/2 voltage<br>1 1: Self-diagnosis was executed using the reference power supply*1 voltage.<br>For details on self-diagnosis, see <a href="#">section 45.2.11, A/D Control Extended Register (ADCER)</a> . | R   |
| b5 to b2  | —           | Reserved               | These bits are read as 0   | R   |
| b15 to b6 | AD[9:0]     | Converted Value 9 to 0 | 10-bit A/D-converted value   | R   |

Note 1. The reference voltage refers to VREFH0 for unit 0 and to VREFH for unit 1.

## Settings for flush-left data with 8-bit accuracy



| Bit       | Symbol      | Bit name               | Description  | R/W |
|-----------|-------------|------------------------|--|-----|
| b1, b0    | DIAGST[1:0] | Self-Diagnosis Status  | b1 b0<br>0 0: Self-diagnosis not executed after power-on<br>0 1: Self-diagnosis was executed using the 0 V voltage<br>1 0: Self-diagnosis was executed using the reference power supply*1 × 1/2 voltage<br>1 1: Self-diagnosis was executed using the reference power supply*1 voltage.<br>For details on self-diagnosis, see <a href="#">section 45.2.11, A/D Control Extended Register (ADCER)</a> . | R   |
| b7 to b2  | —           | Reserved               | These bits are read as 0   | R   |
| b15 to b8 | AD[7:0]     | Converted Value 7 to 0 | 8-bit A/D-converted value  | R   |

Note 1. The reference voltage refers to VREFH0 for unit 0 and to VREFH for unit 1.

## 45.2.3 A/D Control Register (ADCSR)

Address(es): [ADC120.ADCSR 4005 C000h](#), [ADC121.ADCSR 4005 C200h](#)



| Bit        | Symbol      | Bit name  | Description   | R/W |
|------------|-------------|---|---|-----|
| b4 to b0   | DBLANS[4:0] | Double Trigger Channel Select                   | These bits select one analog input channel for double-triggered operation. The setting is only valid in double-trigger mode.  | R/W |
| b5         | —           | Reserved  | This bit is read as 0. The write value should be 0.   | R/W |
| b6         | GBADIE      | Group B Scan End Interrupt and ELC Event Enable | 0: Disable ADC12i_GBADI interrupt generation on group B scan completion<br>1: Enable ADC12i_GBADI interrupt generation on group B scan completion.<br>Group B scan only works in group scan mode. | R/W |
| b7         | DBLE        | Double Trigger Mode Select                      | 0: Deselect double-trigger mode<br>1: Select double-trigger mode.   | R/W |
| b8         | EXTRG       | Trigger Select*1                                | 0: Start A/D conversion by a synchronous trigger (ELC)<br>1: Start A/D conversion by the asynchronous trigger (ADTRGi).   | R/W |
| b9         | TRGE        | Trigger Start Enable                            | 0: Disable A/D conversion to be started by the synchronous or asynchronous trigger<br>1: Enable A/D conversion to be started by the synchronous or asynchronous trigger.                          | R/W |
| b12 to b10 | —           | Reserved  | These bits are read as 0. The write value should be 0.  | R/W |
| b14, b13   | ADCS[1:0]   | Scan Mode Select                                | b14 b13<br>0 0: Single scan mode<br>0 1: Group scan mode<br>1 0: Continuous scan mode<br>1 1: Setting prohibited.   | R/W |
| b15        | ADST        | A/D Conversion Start                            | 0: Stop A/D conversion process<br>1: Start A/D conversion process.  | R/W |

$i = 0$  for unit 0, and  $i = 1$  for unit 1.

Note 1. To start A/D conversion using an external pin (asynchronous trigger), after a high-level signal is input to the external pin (ADTRG0 in unit 0; ADTRG1 in unit 1), write 1 to both the TRGE and EXTRG bits in ADCSR and drive the external pin signals low. With these settings, the scan conversion process starts on detection of the falling edge of ADTRG0 in unit 0 and ADTRG1 in unit 1. For this configuration, the pulse width of the low-level input must be at least 1.5 PCLKB clock cycles.

#### DBLANS[4:0] bits (Double Trigger Channel Select)

The DBLANS[4:0] bits select one of the channels for A/D conversion data duplication in double-trigger mode. The A/D conversion results from the specified analog input channel are stored in A/D Data Register  $y$  when conversion is started by the first trigger, and in the A/D Data Duplexing Register when conversion is started by the second trigger. Table 45.4 shows the channel selection settings for double-triggered operation.

A/D-converted value addition/average mode can be set with double-trigger mode for the channel selected in the DBLANS[4:0] bits by using the ADADS0 and ADADS1 registers. In double-trigger mode, the channels selected in the ADANSA0 and ADANSA1 registers are invalid, and the channel selected in the DBLANS[4:0] bits is A/D-converted instead.

When double-trigger mode is used in group scan mode, double-trigger control is only applied to group A and not to group B. This means that the multi-channel analog input, temperature sensor output, and internal reference voltage can be selected for group B even in double-trigger mode.

Only set the DBLANS[4:0] bits while the ADST bit is 0. Do not set them at the same time that you write 1 to the ADST bit.

To enter the A/D-converted value addition/average mode when in double-trigger mode, set the channel selected in the DBLANS[4:0] bits in the ADANSA0 and ADANSA1 registers.

**Table 45.4 Relationship between DBLANS bit settings and double-trigger enabled channels**

| Unit 0      |                     | Unit 1      |                     |
|-------------|---------------------|-------------|---------------------|
| DBLANS[4:0] | Duplication channel | DBLANS[4:0] | Duplication channel |
| 00000       | AN000               | 00000       | AN100               |
| 00001       | AN001               | 00001       | AN101               |
| 00010       | AN002               | 00010       | AN102               |
| 00011       | AN003               | 00011       | —                   |
| 00100       | AN004               | 00100       | —                   |
| 00101       | AN005               | 00101       | AN105               |
| 00110       | AN006               | 00110       | AN106               |
| 00111       | AN007               | 00111       | AN107               |
| Unit 0      |                     | Unit 1      |                     |
| DBLANS[4:0] | Duplication channel | DBLANS[4:0] | Duplication channel |
| 10000       | AN016               | 10000       | AN116               |
| 10001       | AN017               | 10001       | AN117               |
| 10010       | AN018               | 10010       | AN118               |
| 10011       | AN019               | 10011       | —                   |
| 10100       | AN020               | 10100       | —                   |

Note: A/D-converted data from the self-diagnosis function, temperature sensor output, and internal reference voltage cannot be used in double-trigger mode. Settings other than those listed in Table 45.4 are prohibited.

#### GBADIE bit (Group B Scan End Interrupt and ELC Event Enable)

The GBADIE bit enables or disables group B scan end interrupt (ADC12 $_i$ \_GBADI ( $i = 0, 1$ )) in group scan mode.

#### DBLE bit (Double Trigger Mode Select)

The DBLE bit selects or deselects double-trigger mode. Double-trigger mode can only be operated by the synchronous trigger (ELC) selected in the ADSTRGR.TRSA[5:0] bits.

Double-trigger operation is as follows:



1. The ADC12i\_ADI (i = 0, 1) interrupt is not output on completion of the first conversion but on the completion of the second conversion.
2. The A/D conversion results from the duplication channel (selected in DBLANS[4:0]) started by the first trigger are stored in A/D Data Register y and those started by the second trigger are stored in the A/D Data Duplexing Register.

When DBLE is set, selecting double-trigger mode, the channels specified in the ADANSA0 and ADANSA1 registers are invalid. Double-trigger mode is deselected by setting DBLE to 0. Setting DBLE to 1 again enables the same double-trigger operation described in 1. and 2. for the first time scanning with the first trigger.

Do not select double-trigger mode in continuous scan mode. Additionally, do not select double-trigger mode for conversion of the temperature sensor output or internal reference voltage except for group B scan in group scan mode. Software triggering cannot be set in double-trigger mode. Always clear the ADST bit to 0 before setting the DBLE bit. In other words, do not set the DBLE bit at that same time as writing 1 to the ADST bit.

#### **EXTRG bit (Trigger Select)**

The EXTRG bit selects the synchronous or asynchronous trigger as the trigger for starting A/D conversion.

#### **TRGE bit (Trigger Start Enable)**

The TRGE bit enables or disables A/D conversion by the synchronous and asynchronous triggers. In group scan mode, set this bit to 1.

#### **ADCS[1:0] bits (Scan Mode Select)**

The ADCS[1:0] bits select the scan mode.

In single scan mode, A/D conversion is performed for the analog inputs up to a maximum of 13 channels in unit 0, and 9 channels in unit 1, and selected in the ADANSA0 and ADANSA1 registers in ascending order of the channel number. When 1 cycle of A/D conversion completes for all the selected channels, the scan conversion stops. When the temperature sensor output or internal reference voltage is selected, A/D conversion of the designated analog input channels is followed by A/D conversion of the temperature sensor output and the internal reference voltage, in that order.

In continuous scan mode, while the ADCSR.ADST bit is 1, A/D conversion is performed for the analog inputs selected in the ADANSA0 and ADANSA1 registers in ascending order of channel number, and when 1 cycle of A/D conversion completes for all the selected channels, A/D conversion is repeated from the first channel. If the ADCSR.ADST bit is set to 0 during continuous scan, A/D conversion stops even if scanning is in progress. When the temperature sensor output or internal reference voltage is selected, A/D conversion of the designated analog input channels is followed by A/D conversion of the temperature sensor output and the internal reference voltage, in that order.

In group scan mode, scanning is started by the synchronous trigger (ELC) selected in the TRSA[5:0] bits in ADSTRGR. A/D conversion is performed on the group A analog inputs, up to the maximum channels selected in the ADANSA0 and ADANSA1 registers, in ascending order of channel number. When 1 cycle of A/D conversion completes for all the selected channels, A/D conversion stops. On the same trigger, A/D conversion is also performed on the group B analog inputs, up to the maximum channels selected in the ADANSB0 and ADANSB1 registers, in ascending order of channel number. When 1 cycle of A/D conversion completes for all the selected channels, A/D conversion stops. If the conversion processes in group A and group B occur at the same time, those conversions cannot be controlled separately. In this case, set the group A Priority Control Setting bit (ADGSPCR.PGS) in the A/D Group Scan Priority Control Register (ADGSPCR) to 1 to give priority to group A conversion. When the temperature sensor output or internal reference voltage is selected, A/D conversion of the designated analog input channels is followed by A/D conversion of the temperature sensor output and the internal reference voltage, in that order.

In group scan mode, select different channels and triggers for group A and group B. Clear the ADST bit to 0 before setting the ADCS[1:0] bits. In other words, do not set the ADCS[1:0] bits at the same time, while writing 1 to the ADST bit.

**Table 45.5 Selectable targets for A/D conversion depending on scan and double-trigger mode settings**

| Scan mode setting | Double-trigger mode setting | Targets for A/D conversion |                                  |                        |                           |                            |
|-------------------|-----------------------------|----------------------------|----------------------------------|------------------------|---------------------------|----------------------------|
|                   |                             | Self-diagnosis             | Analog input (including group A) | Analog input (group B) | Temperature sensor output | Internal reference voltage |
| Single scan       | DBLE = 0                    | ✓                          | ✓                                | -                      | ✓                         | ✓                          |
|                   | DBLE = 1                    | -                          | ✓ (1 ch only)                    | -                      | -                         | -                          |
| Continuous scan   | DBLE = 0                    | ✓                          | ✓                                | -                      | ✓                         | ✓                          |
|                   | DBLE = 1                    | -                          | -                                | -                      | -                         | -                          |
| Group scan        | DBLE = 0                    | ✓                          | ✓                                | ✓                      | ✓                         | ✓                          |
|                   | DBLE = 1                    | -                          | ✓ (1 ch only)                    | ✓                      | ✓                         | ✓                          |

✓: Selectable. -: Not selectable.

### ADST bit (A/D Conversion Start)

The ADST bit starts or stops the A/D conversion process. Before setting the ADST bit to 1, set the A/D conversion clock, conversion mode, and analog input for the conversion target.

#### [Setting conditions]

- 1 is written by software
- The synchronous trigger (ELC) selected in the ADSTRGR.TRSA[5:0] bits is detected when ADCSR.EXTRG is 0 and ADCSR.TRGE is 1
- The synchronous trigger (ELC) selected in the ADSTRGR.TRSA[5:0] bits is detected when ADCSR.TRGE is set to 1 in group scan mode
- The asynchronous trigger is detected when the ADCSR.TRGE and ADCSR.EXTRG bits are set to 1 and the ADSTRGR.TRSA[5:0] bits are set to 000000b
- When group A priority control operation mode is enabled (ADCSR.ADCS[1:0] bits = 01b and ADGSPCR.PGS bit = 1), the ADGSPCR.GBRP bit is set to 1, and A/D conversion of group B starts each time.

#### [Clearing conditions]

- 0 is written by software
- The A/D conversion of all the selected channels, the temperature sensor output or the internal reference voltage completes in single scan mode
- Group A scan completes in group scan mode
- Group B scan completes in group scan mode
- When group A priority control operation mode is enabled (ADCSR.ADCS[1:0] bits = 01b and ADGSPCR.PGS bit = 1), the ADGSPCR.GBRP bit is set to 1, and scanning of group B completes each time.

Note: When group A priority control operation mode is enabled (ADCSR.ADCS[1:0] bits = 01b, do not set the ADST bit to 1.

When group A priority control operation mode is enabled (ADCSR.ADCS[1:0] bits = 01b and ADGSPCR.PGS bit = 1) and ADGSPCR.GBRP bit = 1, do not set the ADST bit to 0. When forcing A/D conversion to terminate, follow the procedure for clearing the ADST bit.

Note: If the single scan continuous function is used (ADGSPCR.GBRP = 1) when the group priority operation mode is enabled (ADCSR.ADCS[1:0] = 01b and ADGSPCR.PGS = 1), the ADST bit is retained to 1.

### 45.2.4 A/D Channel Select Register A0 (ADANSA0)

Address(es): [ADC120.ADANSA0 4005 C004h](#), [ADC121.ADANSA0 4005 C204h](#)

|                    |     |     |     |     |     |    |    |            |            |            |            |            |            |            |            |
|--------------------|-----|-----|-----|-----|-----|----|----|------------|------------|------------|------------|------------|------------|------------|------------|
| b15                | b14 | b13 | b12 | b11 | b10 | b9 | b8 | b7         | b6         | b5         | b4         | b3         | b2         | b1         | b0         |
| —                  | —   | —   | —   | —   | —   | —  | —  | ANSA0<br>7 | ANSA0<br>6 | ANSA0<br>5 | ANSA0<br>4 | ANSA0<br>3 | ANSA0<br>2 | ANSA0<br>1 | ANSA0<br>0 |
| Value after reset: | 0   | 0   | 0   | 0   | 0   | 0  | 0  | 0          | 0          | 0          | 0          | 0          | 0          | 0          | 0          |

| Bit       | Symbol   | Bit name                       | Description  | R/W |
|-----------|--|--------------------------------|--|-----|
| b7 to b0  | <a href="#">ANSA07</a> to <a href="#">ANSA00</a> | A/D Conversion Channels Select | 0: Do not select associated input channel<br>1: Select associated input channel. | R/W |
| b15 to b8 | -  | Reserved.                      | These bits are read as 0. The write value should be 0.                           | R/W |

#### ANSAn bits (n = 00 to 07) (A/D Conversion Channels Select)

The ADANSA0.ANSAn bits select or deselect the analog input channels for A/D conversion for AN000 to AN007 (unit 0) and AN100 to AN102 and AN105 to AN107 (unit 1). The channels and the number of channels can be set arbitrarily. In unit 0, the ANSA00 bit is associated with AN000 and the ANSA07 bit with AN007. In unit 1, the ANSA00 bit is associated with AN100 and the ANSA07 bit with AN107.

In double-trigger mode, the channel selected in the ADANSA0 register is invalid, and the channel selected in the ADCSR.DBLANS[4:0] bits is selected in group A instead.

In group scan mode, do not select the channels specified in A/D Channel Select Register B0 (ADANSB0) and A/D Channel Select Register B1 (ADANSB1).

Only set the ADANSA0 register while the ADCSR.ADST bit is 0.

### 45.2.5 A/D Channel Select Register A1 (ADANSA1)

Address(es): [ADC120.ADANSA1 4005 C006h](#), [ADC121.ADANSA1 4005 C206h](#)

|                    |     |     |     |     |     |    |    |    |    |    |            |            |            |            |            |
|--------------------|-----|-----|-----|-----|-----|----|----|----|----|----|------------|------------|------------|------------|------------|
| b15                | b14 | b13 | b12 | b11 | b10 | b9 | b8 | b7 | b6 | b5 | b4         | b3         | b2         | b1         | b0         |
| —                  | —   | —   | —   | —   | —   | —  | —  | —  | —  | —  | ANSA2<br>0 | ANSA1<br>9 | ANSA1<br>8 | ANSA1<br>7 | ANSA1<br>6 |
| Value after reset: | 0   | 0   | 0   | 0   | 0   | 0  | 0  | 0  | 0  | 0  | 0          | 0          | 0          | 0          | 0          |

| Bit       | Symbol   | Bit name                       | Description  | R/W |
|-----------|--|--------------------------------|--|-----|
| b4 to b0  | <a href="#">ANSA20</a> to <a href="#">ANSA16</a> | A/D Conversion Channels Select | 0: Do not select associated input channel<br>1: Select associated input channel. | R/W |
| b15 to b5 | —  | Reserved                       | These bits are read as 0. The write value should be 0.                           | R/W |

#### ANSAn bits (n = 16 to 20) (A/D Conversion Channels Select)

The ADANSA1.ANSAn bits select or deselect the analog input channels for A/D conversion for AN016 to AN020 (unit 0) and AN116 to AN118 (unit 1). The channels and the number of channels can be set arbitrarily. In unit 0, the ANSA16 bit is associated with AN016 and the ANSA20 bit with AN020. In unit 1, the ANSA16 bit is associated with AN116, and the ANSA18 bit with AN118.

In double-trigger mode, the ANSA1[15:0] bits are invalid, and the channel selected in the ADCSR.DBLANS[15:0] bits is selected in group A instead.

In group scan mode, do not select the channels specified in A/D Channel Select Register B0 (ADANSB0) and A/D Channel Select Register B1 (ADANSB1).

Only set the ADANSA1 register while the ADCSR.ADST bit is 0.

### 45.2.6 A/D Channel Select Register B0 (ADANSB0)

Address(es): [ADC120.ADANSB0 4005 C014h](#), [ADC121.ADANSB0 4005 C214h](#)

|  |     |     |     |     |     |    |    |            |            |            |            |            |            |            |            |
|--|-----|-----|-----|-----|-----|----|----|------------|------------|------------|------------|------------|------------|------------|------------|
| b15  | b14 | b13 | b12 | b11 | b10 | b9 | b8 | b7         | b6         | b5         | b4         | b3         | b2         | b1         | b0         |
| —  | —   | —   | —   | —   | —   | —  | —  | ANSB0<br>7 | ANSB0<br>6 | ANSB0<br>5 | ANSB0<br>4 | ANSB0<br>3 | ANSB0<br>2 | ANSB0<br>1 | ANSB0<br>0 |
| Value after reset: 0 0 0 0 0 0 0 0 0 0 0 0 0 0 0 0 |     |     |     |     |     |    |    |            |            |            |            |            |            |            |            |

| Bit       | Symbol   | Bit name                       | Description  | R/W |
|-----------|--|--------------------------------|--|-----|
| b7 to b0  | <a href="#">ANSB07</a> to <a href="#">ANSB00</a> | A/D Conversion Channels Select | 0: Do not select associated input channel<br>1: Select associated input channel. | R/W |
| b15 to b8 | -  | Reserved                       | These bits are read as 0. The write value should be 0.                           | R/W |

#### ANSBn bits (n = 00 to 07) (A/D Conversion Channels Select)

The ADANSB0.ANSBn bits select the analog input channels for A/D conversion for AN000 to AN007 (unit 0) and AN100 to AN102 and AN105 to AN107 (unit 1) in group B in group scan mode. The ADANSB0 register is only used for group scan mode, not for any other modes. Exclude the channels specified in group A (the channels associated with group A, selected in the ADANSA0 and ADANSA1 registers and the ADCSR.DBLANS[4:0] bits in double-trigger mode), both the selected channels and the number of channels to be set.

In unit 0, the ANSB00 bit is associated with AN000 and the ANSB07 bit with AN007. In unit 1, the ANSB00 bit is associated with AN100 and the ANSB07 bit with AN107.

Only set the ADANSB0 register while the ADCSR.ADST bit is 0.

### 45.2.7 A/D Channel Select Register B1 (ADANSB1)

Address(es): [ADC120.ADANSB1 4005 C016h](#), [ADC121.ADANSB1 4005 C216h](#)

|  |     |     |     |     |     |    |    |    |    |    |            |            |            |            |            |
|--|-----|-----|-----|-----|-----|----|----|----|----|----|------------|------------|------------|------------|------------|
| b15  | b14 | b13 | b12 | b11 | b10 | b9 | b8 | b7 | b6 | b5 | b4         | b3         | b2         | b1         | b0         |
| —  | —   | —   | —   | —   | —   | —  | —  | —  | —  | —  | ANSB2<br>0 | ANSB1<br>9 | ANSB1<br>8 | ANSB1<br>7 | ANSB1<br>6 |
| Value after reset: 0 0 0 0 0 0 0 0 0 0 0 0 0 0 0 0 |     |     |     |     |     |    |    |    |    |    |            |            |            |            |            |

| Bit       | Symbol   | Bit name                       | Description  | R/W |
|-----------|--|--------------------------------|--|-----|
| b4 to b0  | <a href="#">ANSB20</a> to <a href="#">ANSB16</a> | A/D Conversion Channels Select | 0: Do not select the associated input channel<br>1: Select the associated input channel. | R/W |
| b15 to b5 | —  | Reserved                       | These bits are read as 0. The write value should be 0.                                   | R/W |

#### ANSBn bits (n = 16 to 20) (A/D Conversion Channels Select)

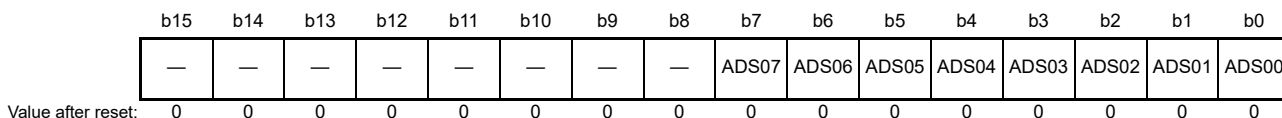
The ADANSB1.ANSBn bits select the analog input channels for A/D conversion for AN016 to AN020 (unit 0) and AN116 to AN118 (unit 1) in group B in group scan mode. The ADANSB1 register is only used for group scan mode, not for any other modes. Exclude the channels specified in group A (the channels associated with group A, selected in the ADANSA0 and ADANSA1 registers and the ADCSR.DBLANS[4:0] bits in double-trigger mode), both the selected channels and the number of channels to be set.

In unit 0, the ANSB16 bit is associated with AN016, and the ANSB20 bit is associated with AN020. In unit 1, the ANSB16 bit is associated with AN116, and the ANSB18 bit is associated with AN118.

Only set the ADANSB1 register bits while the ADST bit is 0.

### 45.2.8 A/D-Converted Value Addition/Average Channel Select Register 0 (ADADS0)

Address(es): ADC120.ADADS0 4005 C008h, ADC121.ADADS0 4005 C208h



| Bit       | Symbol         | Bit name  | Description  | R/W |
|-----------|----------------|---|--|-----|
| b7 to b0  | ADS07 to ADS00 | A/D-Converted Value Addition/Average Channel Select | 0: Do not select associated input channel<br>1: Select associated input channel. | R/W |
| b15 to b8 | -              | Reserved  | These bits are read as 0. The write value should be 0.                           | R/W |

#### ADS<sub>n</sub> bits (n = 00 to 07) (A/D-Converted Value Addition/Average Channel Select)

When the ADS<sub>n</sub> bit with the same number as the A/D-converted channel selected in the ANSA<sub>n</sub> bits (n = 00 to 07) in ADANSA0 or the ADCSR.DBLANS[4:0] bits and the ANSB<sub>n</sub> bits (n = 00 to 07) in ADANSB0 is set to 1, A/D conversion of the analog input of the selected channels is performed successively 1 to 16 times, as specified in the ADC[2:0] bits in ADADC. When the ADADC.AVEE bit is 0, the value obtained by addition (integration) is stored in the A/D data register. When the ADADC.AVEE bit is 1, the mean value of the results obtained by addition (integration) is stored in the A/D data register. In the A/D-converted channels for which addition or average mode is not selected, a normal one-time conversion is executed, and the conversion result is stored in the A/D data register.

In unit 0, the ADS00 bit is associated with AN000, and the ADS07 bit is associated with AN007. In unit 1, the ADS00 bit is associated with AN100, and the ADS07 bit is associated with AN107.

Only set the ADADS0 register bits while the ADCSR.ADST bit is 0.

### 45.2.9 A/D-Converted Value Addition/Average Channel Select Register 1 (ADADS1)

Address(es): ADC120.ADADS1 4005 C00Ah, ADC121.ADADS1 4005 C20Ah



| Bit       | Symbol         | Bit name  | Description  | R/W |
|-----------|----------------|---|--|-----|
| b4 to b0  | ADS20 to ADS16 | A/D-Converted Value Addition/Average Channel Select | 0: Do not select associated input channel<br>1: Select associated input channel. | R/W |
| b15 to b5 | —              | Reserved  | These bits are read as 0. The write value should be 0.                           | R/W |

#### ADS<sub>n</sub> bits (n = 16 to 20) (A/D-Converted Value Addition/Average Channel Select)

When the ADS<sub>n</sub> bit with the same number as the A/D-converted channel selected in the ANSA<sub>n</sub> bits (n = 16 to 20) in ADANSA1 or ADCSR.DBLANS[4:0] bits and ANSB<sub>n</sub> bits (n = 16 to 18) in ADANSB1 is set to 1, A/D conversion of the analog input of the selected channels is performed successively 1 to 16 times, as specified in the ADC[2:0] bits in ADADC. When the ADADC.AVEE bit is 0, the value obtained by addition (integration) is stored in the A/D data register. When the ADADC.AVEE bit is 1, the mean value of the results obtained by addition (integration) is stored in the A/D data register. For A/D-converted channels for which addition/average mode is not selected, a normal one-time conversion is executed, and the conversion result is stored in the A/D data register.

In unit 0, the ADS16 bit is associated with AN016 and the ADS20 bit with AN020. In unit 1, the ADS16 bit is associated with AN116 and the ADS18 bit with AN118.

Only set the ADADS1 register while the ADCSR.ADST bit is 0.

Figure 45.3 shows a scanning operation sequence in which both the ADADS0.ADS02 and ADS06 bits are set to 1.

In this example, addition mode is selected (ADADC.AVEE = 0), the time conversion is set to 4 (ADADC.ADC[1:0] = 11b), and the AN000 to AN006 channels are selected (ADANSA0.ANSA0[15:0] = 007Fh) in continuous scan mode (ADCSR.ADCS[1:0] = 10b). The conversion process begins with AN000. The AN002 conversion is performed successively 4 times, and the added (integrated) value is returned to A/D data register ADDR2. Next, the AN003 conversion process starts. The AN006 conversion is performed successively 4 times and the added (integrated) value is returned to the A/D data register ADDR6. After conversion of AN006, the conversion operation is once again performed in the same sequence from AN000.

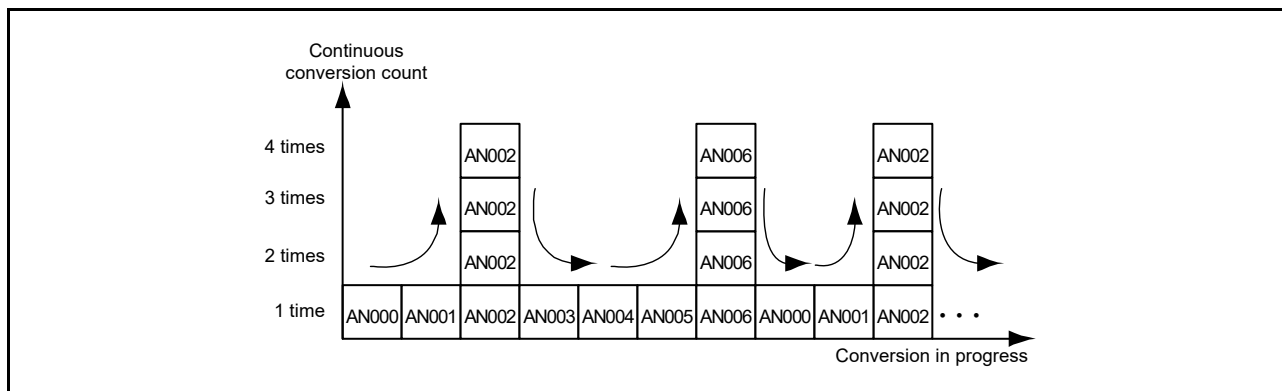
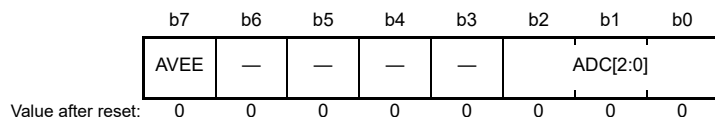


Figure 45.3 Scan conversion sequence with ADADC.ADC[2:0] = 011b, ADADS0.ADS02 = 1, and ADS06 = 1

### 45.2.10 A/D-Converted Value Addition/Average Count Select Register (ADADC)

Address(es): ADC120.ADADC 4005 C00Ch, ADC121.ADADC 4005 C20Ch



| Bit      | Symbol   | Bit name  | Description   | R/W |    |  |   |   |   |   |   |                                     |   |   |                                      |   |   |  |   |   |                                       |     |
|----------|----------|---|---|-----|----|--|---|---|---|---|---|-------------------------------------|---|---|--------------------------------------|---|---|--|---|---|---------------------------------------|-----|
| b2 to b0 | ADC[2:0] | Count Select  | <table border="0"> <tr> <td>b2</td> <td>b0</td> <td></td> </tr> <tr> <td>0</td> <td>0</td> <td>0: 1-time conversion (no addition; same as normal conversion)</td> </tr> <tr> <td>0</td> <td>0</td> <td>1: 2-time conversion (one addition)</td> </tr> <tr> <td>0</td> <td>1</td> <td>0: 3-time conversion (two additions)</td> </tr> <tr> <td>0</td> <td>1</td> <td>1: 4 time conversion (three additions)</td> </tr> <tr> <td>1</td> <td>0</td> <td>1: 16-time conversion (15 additions).</td> </tr> </table> Other settings are prohibited. | b2  | b0 |  | 0 | 0 | 0: 1-time conversion (no addition; same as normal conversion) | 0 | 0 | 1: 2-time conversion (one addition) | 0 | 1 | 0: 3-time conversion (two additions) | 0 | 1 | 1: 4 time conversion (three additions) | 1 | 0 | 1: 16-time conversion (15 additions). | R/W |
| b2       | b0       |   |   |     |    |  |   |   |   |   |   |                                     |   |   |                                      |   |   |  |   |   |                                       |     |
| 0        | 0        | 0: 1-time conversion (no addition; same as normal conversion) |   |     |    |  |   |   |   |   |   |                                     |   |   |                                      |   |   |  |   |   |                                       |     |
| 0        | 0        | 1: 2-time conversion (one addition)                           |   |     |    |  |   |   |   |   |   |                                     |   |   |                                      |   |   |  |   |   |                                       |     |
| 0        | 1        | 0: 3-time conversion (two additions)                          |   |     |    |  |   |   |   |   |   |                                     |   |   |                                      |   |   |  |   |   |                                       |     |
| 0        | 1        | 1: 4 time conversion (three additions)                        |   |     |    |  |   |   |   |   |   |                                     |   |   |                                      |   |   |  |   |   |                                       |     |
| 1        | 0        | 1: 16-time conversion (15 additions).                         |   |     |    |  |   |   |   |   |   |                                     |   |   |                                      |   |   |  |   |   |                                       |     |
| b6 to b3 | —        | Reserved  | These bits are read as 0. The write value should be 0.  | R/W |    |  |   |   |   |   |   |                                     |   |   |                                      |   |   |  |   |   |                                       |     |
| b7       | AVEE     | Average Mode Enable   | 0: Disable average mode*1<br>1: Enable average mode.*2  | R/W |    |  |   |   |   |   |   |                                     |   |   |                                      |   |   |  |   |   |                                       |     |

- Note 1. When average mode is deselected by setting the ADADC.AVEE bit to 0, set the addition count to 1, 2, 3, 4 or 16-times. 16-time conversion can only be used with 12-bit accuracy selected.
- Note 2. When average mode is selected by setting the ADADC.AVEE bit to 1, set the addition count to 1-, 2-, or 4-time conversion. Do not set the addition count to 3- or 16-time conversion (ADC[2:0] = 010b or 101b).

#### ADC[2:0] bits (Count Select)

The ADC[2:0] bits set the count for all channels for which A/D conversion and addition/average mode are selected, including the channels selected in double-trigger mode in the ADCSR.DBLANS[4:0] bits. The count also applies to A/D conversion of the temperature sensor output and internal reference voltage.

When average mode is selected by setting the ADADC.AVEE bit to 1, do not set the count to 3-time conversion

(ADADC.ADC[2:0] = 010b). Additionally, the combination of 16-time conversion (ADADC.ADC[2:0] = 101b) with a conversion accuracy setting of 8 or 10 bits (ADCER.ADPRC[1:0] = 10b or 01b) is a prohibited setting, as described in section 45.2.2.

Only set the ADC[2:0] bits while the ADCSR.ADST bit is 0. When self-diagnosis is executed (ADCER.DIAGM = 1), do not set the ADC[2:0] bits to any value other than 000b. When the conversion accuracy is 8 or 10 bits (ADCER.ADPRC[1:0] = 10b or 01b), do not set the ADC[2:0] bits to 101b.

### AVEE bit (Average Mode Enable)

The AVEE bit selects addition or average mode for all channels for which A/D conversion and addition/average mode are selected, including the channels selected in double-trigger mode in the ADCSR.DBLANS[4:0] bits, temperature sensor output, and internal reference voltage.

When average mode is selected by setting the ADADC.AVEE bit to 1, do not set the addition count to 3-time conversion (ADADC.ADC[2:0] = 010b).

Only set the AVEE bits while the ADCSR.ADST bit is 0.

## 45.2.11 A/D Control Extended Register (ADCER)

Address(es): ADC120.ADCER 4005 C00Eh, ADC121.ADCER 4005 C20Eh

|                    | b15    | b14 | b13 | b12 | b11   | b10    | b9           | b8 | b7 | b6  | b5 | b4 | b3         | b2 | b1 | b0 |
|--------------------|--------|-----|-----|-----|-------|--------|--------------|----|----|-----|----|----|------------|----|----|----|
|                    | ADRFMT | —   | —   | —   | DIAGM | DIAGLD | DIAGVAL[1:0] | —  | —  | ACE | —  | —  | ADPRC[1:0] | —  | —  | —  |
| Value after reset: | 0      | 0   | 0   | 0   | 0     | 0      | 0            | 0  | 0  | 0   | 0  | 0  | 0          | 0  | 0  | 0  |

| Bit        | Symbol       | Bit name                                    | Description  | R/W |
|------------|--------------|---|--|-----|
| b0         | —            | Reserved                                    | This bit is read as 0. The write value should be 0.  | R/W |
| b2, b1     | ADPRC[1:0]   | A/D Conversion Accuracy Specify             | b2 b1<br>0 0: 12-bit accuracy<br>0 1: 10-bit accuracy<br>1 0: 8-bit accuracy<br>1 1: Setting prohibited.   | R/W |
| b4, b3     | —            | Reserved                                    | These bits are read as 0. The write value should be 0.   | R/W |
| b5         | ACE          | A/D Data Register Automatic Clearing Enable | 0: Disable automatic clearing<br>1: Enable automatic clearing.   | R/W |
| b7, b6     | —            | Reserved                                    | These bits are read as 0. The write value should be 0.   | R/W |
| b9, b8     | DIAGVAL[1:0] | Self-Diagnosis Conversion Voltage Select    | b9 b8<br>0 0: Setting prohibited when self-diagnosis is enabled<br>0 1: 0 V<br>1 0: Reference power supply voltage*1 x 1/2<br>1 1: Reference power supply voltage.*1 | R/W |
| b10        | DIAGLD       | Self-Diagnosis Mode Select                  | 0: Select rotation mode for self-diagnosis voltage<br>1: Select fixed mode for self-diagnosis voltage.   | R/W |
| b11        | DIAGM        | Self-Diagnosis Enable                       | 0: Disable ADC12 self-diagnosis<br>1: Enable ADC12 self-diagnosis.   | R/W |
| b14 to b12 | —            | Reserved                                    | These bits are read as 0. The write value should be 0.   | R/W |
| b15        | ADRFMT       | A/D Data Register Format Select             | 0: Select flush-right for the A/D data register format<br>1: Select flush-left for the A/D data register format.   | R/W |

Note 1. The reference voltage refers to VREFH0 for unit 0 and to VREFH for unit 1.

### ADPRC[1:0] bits (A/D Conversion Accuracy Specify)

The ADPRC[1:0] bits set the A/D conversion accuracy to 8-, 10-, or 12-bit accuracy. Changing the A/D conversion accuracy also changes the bit width of valid data stored in the result register and the A/D conversion time. For details, see section 45.3.6, Analog Input Sampling and Scan Conversion Time.

Only set the ADPRC[1:0] bits while the ADCSR.ADST bit is 0.

**ACE bit (A/D Data Register Automatic Clearing Enable)**

The ACE bit enables or disables automatic clearing (all 0s) of ADDRy, ADDR, ADDBLDR, ADDBLDRA, ADDBLDRB, ADTSDR, or ADOCDR registers after any of these registers is read by the CPU, DTC, or DMAC. Automatic clearing of the A/D data registers enables detection of failures that do not update the A/D data registers.

**DIAGVAL[1:0] bits (Self-Diagnosis Conversion Voltage Select)**

The DIAGVAL[1:0] bits select the voltage value used in self-diagnosis fixed voltage mode. For details, see the ADCER.DIAGLD bit description.

Do not execute self-diagnosis by setting the ADCER.DIAGLD bit to 1 when the ADCER.DIAGVAL[1:0] bits are set to 00b.

**DIAGLD bit (Self-Diagnosis Mode Select)**

The DIAGLD bit selects whether the three voltage values are rotated, or fixed voltage is used in self-diagnosis. Setting this bit to 0 allows conversion of the voltages in rotation mode where 0 V, the reference power supply  $\times 1/2$ , and the reference power supply are converted, in that order. After reset, when the self-diagnosis voltage rotation mode is selected, self-diagnosis is executed from 0 V. The fixed voltage specified in the ADCER.DIAGVAL[1:0] bits is converted when self-diagnosis fixed voltage mode is selected. In self-diagnosis voltage rotation mode, the self-diagnosis voltage value does not return to 0 when scan conversion completes. When scan conversion restarts, rotation starts at the voltage value following the previous value. If fixed mode is switched to rotation mode, rotation starts at the fixed voltage value.

Only set the DIAGLD bit while the ADCSR.ADST bit is 0.

**DIAGM bit (Self-Diagnosis Enable)**

The DIAGM bit enables or disables self-diagnosis. Self-diagnosis is used to detect a failure of the ADC12. In self-diagnosis mode, one of the internally generated voltage values (0, the reference power supply  $\times 1/2$ , or the reference power supply) is converted. When conversion completes, information on the converted voltage and the conversion result is stored in the A/D Self-Diagnosis Data Register (ADDRD). ADDRd can be read by software to determine whether the conversion result falls within the normal range (normal) or not (abnormal). Self-diagnosis is executed once at the beginning of each scan, and one of the three voltages is converted. When the double-trigger mode is set (ADCSR.DBLE = 1), always deselect self-diagnosis (DIAGM = 0). When self-diagnosis is selected in group scan mode, self-diagnosis is executed separately on group A and group B.

Only set the DIAGM bit while the ADCSR.ADST bit is 0.

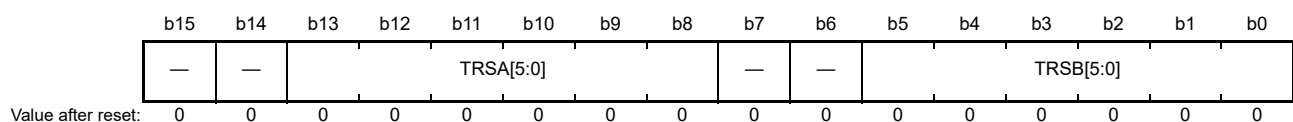
**ADRFMT bit (A/D Data Register Format Select)**

The ADRFMT bit specifies flush-right or flush-left for the data to be stored in ADDRy, ADDBLDR, ADDBLDRA, ADDBLDRB, ADTSDR, ADOCDR, ADCMPDR0/1, ADWINLLB, ADWINULB, or ADDRd.

Only set the ADRFMT bit the ADCSR.ADST bit is 0.

**45.2.12 A/D Conversion Start Trigger Select Register (ADSTRGR)**

Address(es): [ADC120.ADSTRGR 4005 C010h](#), [ADC121.ADSTRGR 4005 C210h](#)



| Bit      | Symbol                    | Bit name  | Description   | R/W |
|----------|---------------------------|---|---|-----|
| b5 to b0 | <a href="#">TRSB[5:0]</a> | A/D Conversion Start Trigger Select for Group B | These bits specify the A/D conversion start trigger for group B in group scan mode. | R/W |
| b7, b6   | —                         | Reserved  | These bits are read as 0. The write value should be 0.                              | R/W |



| Bit       | Symbol    | Bit name                            | Description  | R/W |
|-----------|-----------|-------------------------------------|--|-----|
| b13 to b8 | TRSA[5:0] | A/D Conversion Start Trigger Select | These bits specify the A/D conversion start trigger in single scan mode and continuous mode. In group scan mode, the A/D conversion start trigger for group A is selected. | R/W |
| b15, b14  | —         | Reserved                            | These bits are read as 0. The write value should be 0.   | R/W |

#### TRSB[5:0] bits (A/D Conversion Start Trigger Select for Group B)

The TRSB[5:0] bits select the trigger to start scanning of the analog input selected in group B. The TRSB[5:0] bits must only be set in group scan mode and are not used in any other scan mode. For the scan conversion start trigger for group B, setting a software trigger or an asynchronous trigger is prohibited. In group scan mode, set the TRSB[5:0] bits to a value other than 000000b, and set the ADCSR.TRGE bit to 1.

When group A is given priority in group scan mode, setting the ADGSPCR.GBRP bit to 1 allows group B to continuously operate in single scan mode. When setting the ADGSPCR.GBRP bit to 1, set the TRSB[5:0] bits to 3Fh. The issuance period for a conversion trigger must be more than or equal to the actual scan conversion time (tSCAN). If the issuance period is less than tSCAN, A/D conversion by the trigger might have no effect.

When the trigger from a module operated at 120 MHz (GPT) is selected as an A/D conversion start trigger, a delay for synchronization processing occurs. For details, see [section 45.3.6, Analog Input Sampling and Scan Conversion Time](#).

[Table 45.6](#) lists the A/D conversion startup sources selected in the TRSB[5:0] bits.

#### TRSA[5:0] bits (A/D Conversion Start Trigger Select)

The TRSA[5:0] bits select the trigger to start A/D conversion in single scan mode and continuous scan mode. In group scan mode, the trigger to start scanning of the analog input selected in group A is selected. When scanning is executed in group scan mode or double-trigger mode, setting a software trigger or an asynchronous trigger is prohibited.

When using a synchronous trigger (ELC) as the A/D conversion start source, set the TRGE bit in ADCSR to 1 and the EXTRG bit in ADCSR to 0.

When using the asynchronous trigger (ADTRGn), set the TRGE bit in ADCSR to 1 and the EXTRG bit in ADCSR to 1.

The software trigger (ADCSR.ADST) is enabled regardless of the settings in the ADCSR.TRGE bit, the ADCSR.EXTRG bit, or the TRSA[5:0] bits. The issuance period for a conversion trigger must be more than or equal to the actual scan conversion time (tSCAN). If the issuance period is less than tSCAN, A/D conversion by the trigger might have no effect.

When the trigger from a module operated at 120 MHz (GPT) is selected as an A/D conversion start trigger, a delay period for synchronization processing occurs. For details, see [section 45.3.6, Analog Input Sampling and Scan Conversion Time](#).

[Table 45.7](#) lists the A/D conversion start sources selected in the TRSA[5:0] bits.

**Table 45.6 Selection of A/D conversion start sources in the TRSB[5:0] bits**

| Source   | Remarks | TRSB[5] | TRSB[4] | TRSB[3] | TRSB[2] | TRSB[1] | TRSB[0] |
|--|---------|---------|---------|---------|---------|---------|---------|
| Trigger source deselected state                              |         | 1       | 1       | 1       | 1       | 1       | 1       |
| ELC_ADC00 (unit 0),<br>ELC_ADC10 (unit 1)                    | ELC     | 0       | 0       | 1       | 0       | 0       | 1       |
| ELC_ADC01 (unit 0),<br>ELC_ADC11 (unit 1)                    | ELC     | 0       | 0       | 1       | 0       | 1       | 0       |
| ELC_ADC00/ELC_ADC01 (unit 0)<br>ELC_ADC10/ELC_ADC11 (unit 1) | ELC     | 0       | 0       | 1       | 0       | 1       | 1       |

**Table 45.7 Selection of A/D activation sources in the TRSA[5:0] bits (1 of 2)**

| Source                          | Remarks | TRSA[5] | TRSA[4] | TRSA[3] | TRSA[2] | TRSA[1] | TRSA[0] |
|---------------------------------|---------|---------|---------|---------|---------|---------|---------|
| Trigger source deselected state |         | 1       | 1       | 1       | 1       | 1       | 1       |

**Table 45.7 Selection of A/D activation sources in the TRSA[5:0] bits (2 of 2)**

| Source   | Remarks                   | TRSA[5] | TRSA[4] | TRSA[3] | TRSA[2] | TRSA[1] | TRSA[0] |
|--|---------------------------|---------|---------|---------|---------|---------|---------|
| ADTRGn   | Input pin for the trigger | 0       | 0       | 0       | 0       | 0       | 0       |
| ELC_ADC00 (unit 0), ELC_ADC10 (unit 1)                       | ELC                       | 0       | 0       | 1       | 0       | 0       | 1       |
| ELC_ADC01 (unit 0), ELC_ADC11 (unit 1)                       | ELC                       | 0       | 0       | 1       | 0       | 1       | 0       |
| ELC_ADC00/ELC_ADC01 (unit 0)<br>ELC_ADC10/ELC_ADC11 (unit 1) | ELC                       | 0       | 0       | 1       | 0       | 1       | 1       |

## 45.2.13 A/D Conversion Extended Input Control Register (ADEXICR)

Address(es): [ADC120.ADEXICR 4005 C012h](#), [ADC121.ADEXICR 4005 C212h](#)

|                    | b15 | b14 | b13 | b12 | b11  | b10  | b9   | b8   | b7 | b6 | b5 | b4 | b3 | b2 | b1    | b0    |
|--------------------|-----|-----|-----|-----|------|------|------|------|----|----|----|----|----|----|-------|-------|
|                    | —   | —   | —   | —   | OCSB | TSSB | OCSA | TSSA | —  | —  | —  | —  | —  | —  | OCSAD | TSSAD |
| Value after reset: | 0   | 0   | 0   | 0   | 0    | 0    | 0    | 0    | 0  | 0  | 0  | 0  | 0  | 0  | 0     | 0     |

| Bit        | Symbol                | Bit name  | Description   | R/W |
|------------|-----------------------|---|---|-----|
| b0         | <a href="#">TSSAD</a> | Temperature Sensor Output A/D-Converted Value Addition/Average Mode Select  | 0: Do not select addition/average mode for temperature sensor output<br>1: Select addition/average mode for temperature sensor output.                          | R/W |
| b1         | <a href="#">OCSAD</a> | Internal Reference Voltage A/D-Converted Value Addition/Average Mode Select | 0: Do not select addition/average mode for internal reference voltage<br>1: Select addition/average mode for internal reference voltage.                        | R/W |
| b7 to b2   | —                     | Reserved  | These bits are read as 0. The write value should be 0.  | R/W |
| b8         | <a href="#">TSSA</a>  | Temperature Sensor Output A/D Conversion Select                             | 0: Disable A/D conversion of temperature sensor output<br>1: Enable A/D conversion of temperature sensor output.  | R/W |
| b9         | <a href="#">OCSA</a>  | Internal Reference Voltage A/D Conversion Select                            | 0: Disable A/D conversion of internal reference voltage<br>1: Enable A/D conversion of internal reference voltage.  | R/W |
| b10        | <a href="#">TSSB</a>  | Temperature Sensor Output A/D Conversion Select for Group B                 | Selection for group B in group scan mode.<br>0: Disable A/D conversion of temperature sensor output<br>1: Enable A/D conversion of temperature sensor output.   | R/W |
| b11        | <a href="#">OCSB</a>  | Internal Reference Voltage A/D Conversion Select for Group B                | Selection for group B in group scan mode.<br>0: Disable A/D conversion of internal reference voltage<br>1: Enable A/D conversion of internal reference voltage. | R/W |
| b15 to b12 | —                     | Reserved  | These bits are read as 0. The write value should be 0.  | R/W |

### [TSSAD bit \(Temperature Sensor Output A/D-Converted Value Addition/Average Mode Select\)](#)

When the TSSAD bit is set to 1, A/D conversion of the temperature sensor output is selected and performed successively the number of times specified in the ADC[2:0] bits in ADADC. The maximum addition count differs depending on the conversion accuracy (see [section 45.2.2, A/D Self-Diagnosis Data Register \(ADRD\)](#)). When the ADADC.AVEE bit is 0, the value obtained by addition (integration) is returned to the A/D Temperature sensor Data Register (ADTSDR). When the ADADC.AVEE bit is 1, the mean value is returned to ADTSDR.

Only set the TSSAD bit while the ADCSR.ADST bit is 0.

### [OCSAD bit \(Internal Reference Voltage A/D-Converted Value Addition/Average Mode Select\)](#)

When the OCSAD bit is set to 1, A/D conversion of the internal reference voltage is selected and performed successively for the number of times specified in the ADC[2:0] bits in ADADC. The maximum addition count differs depending on the conversion accuracy (see [45.2.2 A/D Self-Diagnosis Data Register \(ADRD\)](#)). When the ADADC.AVEE bit is 0, the value obtained by addition (integration) is returned to the A/D Internal Reference Voltage Data Register (ADOCDR).

When the ADADC.AVEE bit is 1, the mean value is returned to ADOCDR.

Only set the OCSAD bit while the ADCSR.ADST bit is 0.

#### TSSA bit (Temperature Sensor Output A/D Conversion Select)

The TSSA bit selects A/D conversion of the temperature sensor output for group A in single scan mode, continuous scan mode, or group scan mode. When A/D conversion of the temperature sensor output is selected and performed, set the ADCSR.DBLE bit to 0.

Only set the TSSA bit while the ADCSR.ADST bit is 0.

#### OCSA bit (Internal Reference Voltage A/D Conversion Select)

The OCSA bit selects A/D conversion of the internal reference voltage for group A in single scan mode, continuous scan mode, or group scan mode. When A/D conversion of the internal reference voltage is selected and performed, set the ADCSR.DBLE bit to 0.

Only set the OCSA bit while the ADCSR.ADST bit is 0. In addition, wait for 400 ns or more after the OCSA bit is set to 1 before starting A/D conversion.

#### TSSB bit (Temperature Sensor Output A/D Conversion Select for Group B)

The TSSB bit selects A/D conversion of the temperature sensor output for group B in group scan mode.

Only set the TSSB bit while the ADCSR.ADST bit is 0. Do not set the TSSB bit to 1 while the TSSA bit is 1.

#### OCSB bit (Internal Reference Voltage A/D Conversion Select for Group B)

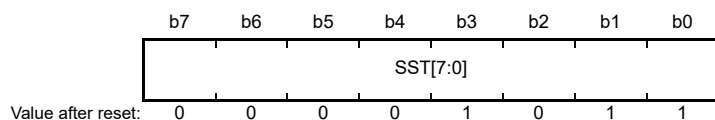
The OCSB bit selects A/D conversion of the internal reference voltage for group B in group scan mode.

Only set the OCSB bit while the ADCSR.ADST bit is 0. Do not set the OCSB bit to 1 while the OCSA bit is 1.

Moreover, start the A/D conversion after waiting for 400 ns or more after the OCSB bit is set to 1.

### 45.2.14 A/D Sampling State Register n (ADSSTRn) (n = 00 to 07, L, T, O)

Address(es): ADC120.ADSSTR00 4005 C0E0h to ADC120.ADSSTR07 4005 C0E7h,  
ADC120.ADSSTRL 4005 C0DDh, ADC120.ADSSTRT 4005 C0DEh, ADC120.ADSSTRO 4005 C0DFh,  
ADC121.ADSSTR00 4005 C2E0h to ADC121.ADSSTR03 4005 C2E3h,  
ADC121.ADSSTR05 4005 C2E5h to ADC121.ADSSTR07 4005 C2E7h,  
ADC121.ADSSTRL 4005 C2DDh, ADC121.ADSSTRT 4005 C2DEh, ADC121.ADSSTRO 4005 C2DFh



| Bit      | Symbol   | Bit name              | Description  | R/W |
|----------|----------|-----------------------|--|-----|
| b7 to b0 | SST[7:0] | Sampling Time Setting | These bits set the sampling time in the range from 5 to 255 states | R/W |

The ADSSTRn register sets the sampling time for the analog input. If one state is 1 ADCLK (A/D conversion clock) cycle and the ADCLK clock is 60 MHz, one state is 16.7 ns. The initial value is 11 states. The sampling time can be adjusted if the impedance of the analog input signal source is too high to secure sufficient sampling time, or if the ADCLK clock is slow.

Only set the SST[7:0] bits while the ADCSR.ADST bit is 0.

The lower limit of the sampling time setting depends on the frequency ratio, as follows:

- If the frequency ratio of PCLKB to PCLKC(ADCLK) = 1:1, 2:1, 4:1, or 8:1, the sampling time must be set to a value of more than 5 states
- If the frequency ratio of PCLKB to PCLKC(ADCLK) = 1:2 or 1:4, the sampling time must be set to a value of more than 6 states.

Table 45.8 shows the relationship between the A/D Sampling State Register and the associated channels.

For details, see [section 45.3.6, Analog Input Sampling and Scan Conversion Time](#).

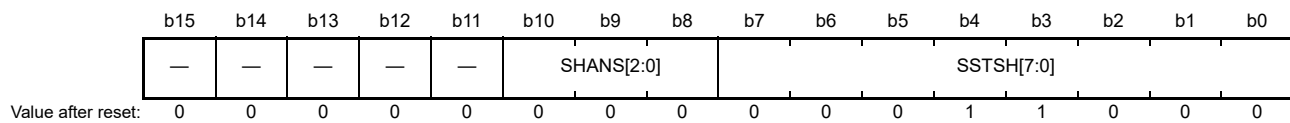
**Table 45.8 Relationship between A/D sampling state register and associated channels**

| Bit name                 | Associated channels        |                            |
|--------------------------|----------------------------|----------------------------|
|                          | Unit 0                     | Unit 1                     |
| ADSSTR00.SST[7:0] bits*1 | AN000                      | AN100                      |
| ADSSTR01.SST[7:0] bits   | AN001                      | AN101                      |
| ADSSTR02.SST[7:0] bits   | AN002                      | AN102                      |
| ADSSTR03.SST[7:0] bits   | AN003                      | -                          |
| ADSSTR04.SST[7:0] bits   | AN004                      | -                          |
| ADSSTR05.SST[7:0] bits   | AN005                      | AN105                      |
| ADSSTR06.SST[7:0] bits   | AN006                      | AN106                      |
| ADSSTR07.SST[7:0] bits   | AN007                      | AN107                      |
| ADSSTR.L.SST[7:0] bits   | AN016 to AN020             | AN116 to AN118             |
| ADSSTR.T.SST[7:0] bits   | Temperature sensor output  | Temperature sensor output  |
| ADSSTR.O.SST[7:0] bits   | Internal reference voltage | Internal reference voltage |

Note 1. When the self-diagnosis function is selected, the sampling time set in the ADSSTR00.SST[7:0] bits is applied.

## 45.2.15 A/D Sample and Hold Circuit Control Register (ADSHCR)

Address(es): [ADC120.ADSHCR 4005 C066h](#), [ADC121.ADSHCR 4005 C266h](#)



| Bit        | Symbol                     | Bit name  | Description   | R/W |
|------------|----------------------------|---|---|-----|
| b7 to b0   | <a href="#">SSTSH[7:0]</a> | Channel-Dedicated Sample-and-Hold Circuit Sampling Time Setting | Sampling time (4 to 255 states)   | R/W |
| b10 to b8  | <a href="#">SHANS[2:0]</a> | Channel-Dedicated Sample-and-Hold Circuit Bypass Select         | Select whether to use or bypass channel-dedicated sample-and-hold circuits for AN000 to AN002 (unit 0) and AN100 to AN102 (unit 1).<br>0: Bypass the circuits<br>1: Use the circuits. | R/W |
| b15 to b11 | —                          | Reserved  | These bits are read as 0. The write value should be 0.  | R/W |

### [SSTSH\[7:0\] bits \(Channel-Dedicated Sample-and-Hold Circuit Sampling Time Setting\)](#)

The SSTSH[7:0] bits set the sampling time for the channel-dedicated sample-and-hold circuits. If one state is 1 ADCLK (A/D conversion clock) cycle and the ADCLK clock is 60 MHz, one state is 16.7 ns. The initial value is 24 states. The sampling time can be adjusted if the impedance of the analog input signal source is too high to secure sufficient sampling time, or if the ADCLK clock is slow.

Only set the SSTSH[7:0] bits while the ADCSR.ADST bit is 0. The sampling time must be set to a value that is 4 states or more and 255 or less.

### [SHANS\[2:0\] bits \(Channel-Dedicated Sample-and-Hold Circuit Bypass Select\)](#)

The SHANS[2:0] bits select whether to use or bypass the channel-dedicated sample-and-hold circuits for AN000 to AN002 (unit 0) and AN100 to AN102 (unit 1). In unit 0, the SHANS[0] bit is associated with AN000, the SHANS[1] bit with AN001, and the SHANS[2] bit with AN002. In unit 1, the SHANS[0] bit is associated with AN100, the SHANS[1] bit with AN101, and the SHANS[2] bit with AN102.

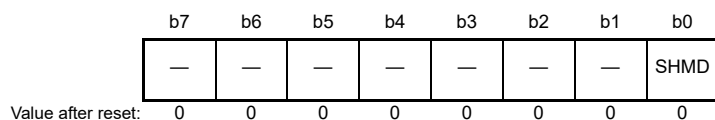
If any channel from among AN000 to AN002 (unit 0) or AN100 to AN102 (unit 1) is selected for group B while operation is in group scan mode under group A priority control, use this setting to bypass the dedicated sample-and-hold

circuit of the channel.

Only set the SHANS[2:0] bits while the ADCSR.ADST bit is 0 and the ADShMSR.SHMD bit is 0.

#### 45.2.16 A/D Sample and Hold Operation Mode Selection Register (ADSHMSR)

Address(es): [ADC120.ADSHMSR 4005 C07Ch](#), [ADC121.ADSHMSR 4005 C27Ch](#)



| Bit      | Symbol | Bit name                     | Description  | R/W |
|----------|--------|------------------------------|--|-----|
| b0       | SHMD   | Sampling Operation Selection | 0: Disable continuous sampling function<br>1: Enable continuous sampling function. | R/W |
| b7 to b1 | —      | Reserved                     | These bits are read as 0. The write value should be 0.                             | R/W |

##### SHMD bit (Sampling Operation Selection)

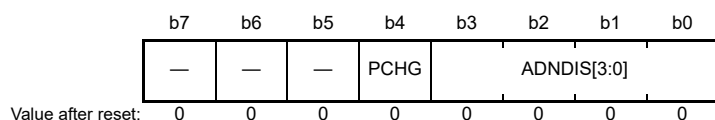
Setting SHMD to 1 enables the constant sampling function of the channel-dedicated sample-and-hold selected in the ADShCR.SHANS[2:0] bits. Only set the SHMD bit while the ADCSR.ADST bit is 0.

When the sampling function is enabled, the sample-and-hold circuit operates sampling while the ADC12 is not operating, and it operates holding while the ADC12 is operating.

Note: The ADCSR.ADST bit must become 1 after a time of 400 ns or more elapses after the SHMD bit is set to 1 (when the permissible signal source impedance is 1 kΩ). The sampling period of the sample-and-hold circuit must be 400 ns or more (when the permissible signal source impedance is 1 kΩ).

#### 45.2.17 A/D Disconnection Detection Control Register (ADDISCR)

Address(es): [ADC120.ADDISCR 4005 C07Ah](#), [ADC121.ADDISCR 4005 C27Ah](#)



| Bit      | Symbol      | Bit name                               | Description  | R/W |
|----------|-------------|--|--|-----|
| b3 to b0 | ADNDIS[3:0] | Disconnection Detection Assist Setting | b3 to b0<br>0000: The disconnection detection assist function is disabled<br>0001: Setting prohibited<br>Others: The number of states for the discharge or precharge period. | R/W |
| b4       | PCHG        | PCHG Precharge/Discharge Select        | 0: Discharge<br>1: Precharge.  | R/W |
| b7 to b5 | —           | Reserved                               | These bits are read as 0. The write value should be 0.   | R/W |

The ADDISCR register selects either precharge or discharge, and the period of precharge or discharge for the A/D disconnection detection assist function.

Only set the ADDISCR register when the ADCSR.ADST bit is 0. If any of the following functions are used, the disconnection detection assist function must be disabled:

- The temperature sensor

- The internal reference voltage
- A/D Self-diagnosis.

### ADNDIS[3:0] bits (Disconnection Detection Assist Setting)

The ADNDIS[3:0] bits specify the period of precharge or discharge. When ADNDIS[3:0] = 0000b, the disconnection detection assist function is disabled. Setting the ADNDIS[3:0] bits to 0001b is prohibited. Except when ADNDIS[3:0] = 0000b or 0001b, the specified value indicates the number of states for the period of precharge or discharge. When the ADNDIS[3:0] bits are set to any values other than 0000b or 0001b, the disconnection detection assistance function is enabled.

### PCHG bit (PCHG Precharge/Discharge Select)

Setting the PCHG bit to 1 selects precharge, and setting the PCHG bit to 0 selects discharge.

## 45.2.18 A/D Group Scan Priority Control Register (ADGSPCR)

Address(es): ADC120.ADGSPCR 4005 C080h, ADC121.ADGSPCR 4005 C280h

|                    |     |     |     |     |     |    |    |    |    |    |    |    |    |        |     |
|--------------------|-----|-----|-----|-----|-----|----|----|----|----|----|----|----|----|--------|-----|
| b15                | b14 | b13 | b12 | b11 | b10 | b9 | b8 | b7 | b6 | b5 | b4 | b3 | b2 | b1     | b0  |
| GBRP               | —   | —   | —   | —   | —   | —  | —  | —  | —  | —  | —  | —  | —  | GBRSCN | PGS |
| Value after reset: | 0   | 0   | 0   | 0   | 0   | 0  | 0  | 0  | 0  | 0  | 0  | 0  | 0  | 0      | 0   |

| Bit       | Symbol | Bit name   | Description   | R/W |
|-----------|--------|--|---|-----|
| b0        | PGS    | group A Priority Control Setting* <sup>1</sup>     | 0: Operate without group A priority control<br>1: Operate with group A priority control.  | R/W |
| b1        | GBRSCN | Group B Restart Setting                            | Enabled only when PGS = 1. Reserved when PGS = 0.<br>0: Do not restart group B scanning after it is stopped by group A priority control<br>1: Restart group B scanning after it is stopped by group A priority control. | R/W |
| b14 to b2 | —      | Reserved   | These bits are read as 0. The write value should be 0.  | R/W |
| b15       | GBRP   | Group B Single Scan Continuous Start* <sup>2</sup> | Enabled only when PGS = 1. Reserved when PGS = 0.<br>0: Do not continuously activate single scan for group B<br>1: Continuously activate single scan for group B.   | R/W |

Note 1. The ADCSR.ADCS[1:0] bits must be set to 01b (group scan mode) before setting PGS to 1. Operation is not guaranteed if these bits are set to any other value.

Note 2. When the GBRP bit is set to 1, single scan is performed continuously for group B regardless of the setting in the GBRSCN bit.

### PGS bit (group A Priority Control Setting\*<sup>1</sup>)

Set the PGS bit to 1 to give priority to operation on group A. The ADCSR.ADCS[1:0] bits must be set to 01b (group scan mode) before setting the PGS bit to 1. Operation is not guaranteed if the bits are set to any other value.

When the PGS bit is set to 0, a clear operation must be performed by software as described in [section 45.6.2, Constraints on Stopping A/D Conversion](#). When the PGS bit is set to 1, use the settings described in [section 45.3.4.3, Operation with group A priority control](#).

### GBRSCN bit (Group B Restart Setting)

The GBRSCN bit controls the restarting of scan operation on group B when operation on group A is given priority. If a scan operation on group B is stopped by a group A trigger input with the GBRSCN bit set to 1, the scan operation is restarted on completion of group A conversion. Also, if a group B trigger is input during A/D conversion on group A, the scan operation on group B is restarted on completion of group A conversion.

When the GBRSCN bit is set to 0, triggers input during A/D conversion are ignored. Only set the GBRSCN bit while the ADCSR.ADST bit is 0.

The setting in the GBRSCN bit is valid when the PGS bit is 1.

**GBRP bit (Group B Single Scan Continuous Start\*2)**

Set the GBRP bit to perform a single scan operation continuously on group B. Setting the GBRP bit to 1 starts a single scan on group B. On completion of the scan, another single scan on group B starts automatically. If a group B conversion stops because of an operation on group A, group A operation takes priority, and single scan on group B restarts automatically on completion of the group A conversion.

Disable group B trigger input before setting the GBRP bit to 1. Setting the GBRP bit to 1 invalidates the setting in the GBRSCN bit. Only set the GBRP bit while the ADCSR.ADST is 0.

The setting in the GBRP bit is valid when the PGS bit is 1.

**45.2.19 A/D Compare Function Control Register (ADCMPCR)**

Address(es): [ADC120.ADCMPCR 4005 C090h](#), [ADC121.ADCMPCR 4005 C290h](#)

|        |        |        |     |       |     |       |    |    |    |    |    |    |    |            |    |
|--------|--------|--------|-----|-------|-----|-------|----|----|----|----|----|----|----|------------|----|
| b15    | b14    | b13    | b12 | b11   | b10 | b9    | b8 | b7 | b6 | b5 | b4 | b3 | b2 | b1         | b0 |
| CMPAIE | WCMPPE | CMPBIE | —   | CMPAE | —   | CMPBE | —  | —  | —  | —  | —  | —  | —  | CMPAB[1:0] | —  |
| 0      | 0      | 0      | 0   | 0     | 0   | 0     | 0  | 0  | 0  | 0  | 0  | 0  | 0  | 0          | 0  |

| Bit      | Symbol     | Bit name                                | Description  | R/W |
|----------|------------|---|--|-----|
| b1, b0   | CMPAB[1:0] | Window A/B Composite Conditions Setting | b1 b0<br>0 0: Output ADC12i_WCMPM when Window A OR Window B comparison conditions are met; otherwise, output ADC12i_WCMPUM<br>0 1: Output ADC12i_WCMPM when Window A EXOR Window B comparison conditions are met; otherwise, output ADC12i_WCMPUM<br>1 0: Output ADC12i_WCMPM when Window A AND Window B comparison conditions are met; otherwise, output ADC12i_WCMPUM<br>1 1: Setting prohibited.<br>These bits are valid when both Window A and Window B are enabled (CMPAE = 1 and CMPBE = 1). | R/W |
| b8 to b2 | —          | Reserved                                | These bits are read as 0. The write value should be 0.   | R/W |
| b9       | CMPBE      | Compare Window B Operation Enable       | 0: Disable compare Window B operation. Disable ADC12i_WCMPM and ADC12i_WCMPUM outputs.<br>1: Enable compare Window B operation.  | R/W |
| b10      | —          | Reserved                                | This bit is read as 0. The write value should be 0.  | R/W |
| b11      | CMPAE      | Compare Window A Operation Enable       | 0: Disable compare Window A operation. Disable ADC12i_WCMPM and ADC12i_WCMPUM outputs.<br>1: Enable compare Window A operation.  | R/W |
| b12      | —          | Reserved                                | This bit is read as 0. The write value should be 0.  | R/W |
| b13      | CMPBIE     | Compare B Interrupt Enable              | 0: Disable ADC12i_CMPBI interrupt when comparison conditions (Window B) are met<br>1: Enable ADC12i_CMPBI interrupt when comparison conditions (Window B) are met.   | R/W |
| b14      | WCMPPE     | Window Function Setting                 | 0: Disable window function. Window A and Window B operate as a comparator to compare the single value on the lower side with the A/D conversion result.<br>1: Enable window function. Window A and Window B operate as a comparator to compare the two values on the upper and lower sides with the A/D conversion result.   | R/W |
| b15      | CMPAIE     | Compare A Interrupt Enable              | 0: Disable ADC12i_CMPAI interrupt when comparison conditions (Window A) are met<br>1: Enable ADC12i_CMPAI interrupt when comparison conditions (Window A) are met.   | R/W |

Note: i = 0: unit 0, i = 1: unit 1.

**CMPAB[1:0] bits (Window A/B Composite Conditions Setting)**

The CMPAB[1:0] bits are valid when both Window A and Window B are enabled (CMPAE = 1 and CMPBE = 1) in single scan mode. These bits specify the compare function match/mismatch event output conditions and monitoring conditions of ADWINMON.MONCONB.

Only set the CMPAB[1:0] bits while the ADCSR.ADST bit is 0.

**CMPBE bit (Compare Window B Operation Enable)**

The CMPBE bit enables or disables the compare Window B operation. Set the CMPBE bit while the ADCSR.ADST bit is 0.

Set this bit to 0 before setting the following registers:

- A/D Channel Select Registers, ADANSA0, ADANSA1, ADANSB0, and ADANSB1
- OCSB, TSSB, OCSA, or TSSA bits in the A/D Conversion Extended Input Control Register (ADEXICR)
- CMPCHB[5:0] bits in the Window B Channel Select Register (ADCMPBNSR).

**CMPAE bit (Compare Window A Operation Enable)**

The CMPAE bit enables or disables the compare Window A operation. Set the CMPAE bit while the ADCSR.ADST bit is 0.

Set this bit to 0 before setting the following registers:

- A/D Channel Select Registers, ADANSA0, ADANSA1, ADANSB0, and ADANSB1
- OCSB, TSSB, OCSA, or TSSA bits in the A/D Conversion Extended Input Control Register (ADEXICR)
- Window A Channel Select Registers 0 and 1 (ADCMPANSR0 and ADCMPANSR1)
- Window A Extended Input Select Register (ADCMPANSER).

**CMPBIE bit (Compare B Interrupt Enable)**

The CMPBIE bit enables or disables the ADC12i\_CMPBI (i = 0, 1) interrupt output when the comparison conditions (Window B) are met.

**WCMPE bit (Window Function Setting)**

The WCMPE bit enables or disables the window function. Set the WCMPE bit while the ADCSR.ADST bit is 0.

**CMPAIE bit (Compare A Interrupt Enable)**

The CMPAIE bit enables or disables the ADC12i\_CMPAI (i = 0, 1) interrupt output when the comparison conditions (Window A) are met.

**45.2.20 A/D Compare Function Window A Channel Select Register 0 (ADCMPANSR0)**

Address(es): ADC120.ADCMPANSR0 4005 C094h, ADC121.ADCMPANSR0 4005 C294h

|                    |     |     |     |     |     |    |    |              |              |              |              |              |              |              |              |
|--------------------|-----|-----|-----|-----|-----|----|----|--------------|--------------|--------------|--------------|--------------|--------------|--------------|--------------|
| b15                | b14 | b13 | b12 | b11 | b10 | b9 | b8 | b7           | b6           | b5           | b4           | b3           | b2           | b1           | b0           |
| —                  | —   | —   | —   | —   | —   | —  | —  | CMPC<br>HA07 | CMPC<br>HA06 | CMPC<br>HA05 | CMPC<br>HA04 | CMPC<br>HA03 | CMPC<br>HA02 | CMPC<br>HA01 | CMPC<br>HA00 |
| Value after reset: | 0   | 0   | 0   | 0   | 0   | 0  | 0  | 0            | 0            | 0            | 0            | 0            | 0            | 0            | 0            |

| Bit      | Symbol                  | Bit name                           | Description  | R/W |
|----------|-------------------------|------------------------------------|--|-----|
| b7 to b0 | CMPCHA07 to<br>CMPCHA00 | Compare Window A Channel<br>Select | 0: Disable compare function for associated input channel<br>1: Enable compare function for associated input channel.<br>In unit 0, bit [7] (CMPCHA07) is associated with AN007 and<br>bit 0 (CMPCHA00) with AN000.<br>In unit 1, bit [7] (CMPCHA07) is associated with AN107 and<br>bit 0 (CMPCHA00) with AN100. | R/W |



| Bit       | Symbol | Bit name | Description  | R/W |
|-----------|--------|----------|--|-----|
| b15 to b8 | —      | Reserved | These bits are read as 0. The write value should be 0. | R/W |

#### CMPCHAN bits (n = 00 to 07) (Compare Window A Channel Select)

The compare function is enabled by writing 1 to the CMPCHAN bit with the same number as the A/D conversion channel selected in the ADANSA0.ANSAn bits (n = 00 to 07) and the ADANSB0.ANSBn bits (n = 00 to 07).

Set the CMPCHAN bits while the ADCSR.ADST bit is 0.

#### 45.2.21 A/D Compare Function Window A Channel Select Register 1 (ADCOMPANSR1)

Address(es): ADC120.ADCOMPANSR1 4005 C096h, ADC121.ADCOMPANSR1 4005 C296h

|                    | b15 | b14 | b13 | b12 | b11 | b10 | b9 | b8 | b7 | b6 | b5 | b4           | b3           | b2           | b1           | b0           |
|--------------------|-----|-----|-----|-----|-----|-----|----|----|----|----|----|--------------|--------------|--------------|--------------|--------------|
|                    | —   | —   | —   | —   | —   | —   | —  | —  | —  | —  | —  | CMPC<br>HA20 | CMPC<br>HA19 | CMPC<br>HA18 | CMPC<br>HA17 | CMPC<br>HA16 |
| Value after reset: | 0   | 0   | 0   | 0   | 0   | 0   | 0  | 0  | 0  | 0  | 0  | 0            | 0            | 0            | 0            | 0            |

| Bit       | Symbol                  | Bit name                           | Description  | R/W |
|-----------|-------------------------|------------------------------------|--|-----|
| b4 to b0  | CMPCHA20 to<br>CMPCHA16 | Compare Window A Channel<br>Select | 0: Disable compare function for associated input channel<br>1: Enable compare function for associated input channel.<br>In unit 0, bit [4] (CMPCHA20) is associated with AN020 and bit 0<br>(CMPCHA16) with AN016.<br>In unit 1, bit [2] (CMPCHA18) is associated with AN118 and bit 0<br>(CMPCHA16) with AN116. | R/W |
| b15 to b6 | —                       | Reserved                           | These bits are read as 0. The write value should be 0.   | R/W |

#### CMPCHAN bits (n = 16 to 20) (Compare Window A Channel Select)

The compare function is enabled by writing 1 to the CMPCHAN bit with the same number as the A/D conversion channel selected in the ADANSA1.ANSAn bits (n = 16 to 20) and the ADANSB1.ANSBn bits (n = 16 to 20).

Set the CMPCHAN bits while the ADCSR.ADST bit is 0.

#### 45.2.22 A/D Compare Function Window A Extended Input Select Register (ADCOMPANSER)

Address(es): ADC120.ADCOMPANSER 4005 C092h, ADC121.ADCOMPANSER 4005 C292h

|                    | b7 | b6 | b5 | b4 | b3 | b2 | b1         | b0         |
|--------------------|----|----|----|----|----|----|------------|------------|
|                    | —  | —  | —  | —  | —  | —  | CMPO<br>CA | CMPTS<br>A |
| Value after reset: | 0  | 0  | 0  | 0  | 0  | 0  | 0          | 0          |

| Bit      | Symbol | Bit name                                     | Description  | R/W |
|----------|--------|--|--|-----|
| b0       | CMPTSA | Temperature Sensor<br>Output Compare Select  | 0: Exclude the temperature sensor output from the compare Window<br>A target range<br>1: Include the temperature sensor output in the compare Window A<br>target range.    | R/W |
| b1       | CMPOCA | Internal Reference<br>Voltage Compare Select | 0: Exclude the internal reference voltage from the compare Window A<br>target range.<br>1: Include the internal reference voltage in the compare Window A<br>target range. | R/W |
| b7 to b2 | —      | Reserved                                     | These bits are read as 0. The write value should be 0.   | R/W |

**CMPTSA bit (Temperature Sensor Output Compare Select)**

The compare Window A function is enabled by setting the CMPTSA bit to 1 while the ADEXICR.TSSA bit or the ADEXICR.TSSB bit is 1. Set the CMPTSA bit while the ADCSR.ADST bit is 0.

**CMPOCA bit (Internal Reference Voltage Compare Select)**

The compare Window A function is enabled by setting the CMPOCA bit to 1 while the ADEXICR.OCSA bit or the ADEXICR.OCSB bit is 1. Set the CMPOCA bit while the ADCSR.ADST bit is 0.

**45.2.23 A/D Compare Function Window A Comparison Condition Setting Register 0 (ADCMPLR0)**

Address(es): ADC120.ADCMPLR0 4005 C098h, ADC121.ADCMPLR0 4005 C298h

|     |     |     |     |     |     |    |    |               |               |               |               |               |               |               |               |
|-----|-----|-----|-----|-----|-----|----|----|---------------|---------------|---------------|---------------|---------------|---------------|---------------|---------------|
| b15 | b14 | b13 | b12 | b11 | b10 | b9 | b8 | b7            | b6            | b5            | b4            | b3            | b2            | b1            | b0            |
| —   | —   | —   | —   | —   | —   | —  | —  | CMPLC<br>HA07 | CMPLC<br>HA06 | CMPLC<br>HA05 | CMPLC<br>HA04 | CMPLC<br>HA03 | CMPLC<br>HA02 | CMPLC<br>HA01 | CMPLC<br>HA00 |
| 0   | 0   | 0   | 0   | 0   | 0   | 0  | 0  | 0             | 0             | 0             | 0             | 0             | 0             | 0             | 0             |

Value after reset:

| Bit       | Symbol                    | Bit name   | Description   | R/W |
|-----------|---------------------------|--|---|-----|
| b7 to b0  | CMPLCHA07 to<br>CMPLCHA00 | Compare Window A<br>Comparison Condition<br>Select | These bits set comparison conditions for channels, selected from AN000 to AN007 (unit 0) and AN100 to AN102, AN105 to AN107 (unit 1), to which Window A comparison conditions are applied. Comparison conditions are shown in <a href="#">Figure 45.4</a> . <ul style="list-style-type: none"> <li>When window function is disabled (ADCMPCR.WCMPE = 0) <ul style="list-style-type: none"> <li>0: ADCMPDR0 value &gt; A/D-converted value</li> <li>1: ADCMPDR0 value &lt; A/D-converted value.</li> </ul> </li> <li>When window function is enabled (ADCMPCR.WCMPE = 1) <ul style="list-style-type: none"> <li>0: A/D-converted value &lt; ADCMPDR0 value, or<br/>ADCMPDR1 value &lt; A/D-converted value</li> <li>1: ADCMPDR0 value &lt; A/D-converted value &lt; ADCMPDR1 value.</li> </ul> </li> </ul> | R/W |
| b15 to b8 | —                         | Reserved   | These bits are read as 0. The write value should be 0.  | R/W |

**CMPLCHAN bits (n = 00 to 07) (Compare Window A Comparison Condition Select)**

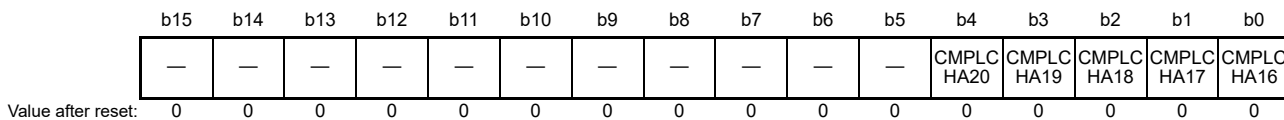
The CMPLCHAN bits specify the comparison conditions for channels, selected from AN000 to AN007 (unit 0) and AN100 to AN102, AN105 to AN107 (unit 1), to which Window A comparison conditions are applied. These bits can be set for each analog input to be compared. In unit 0, CMPLCHA00 is associated with AN000 and CMPLCHA07 with AN007. In unit 1, CMPLCHA00 is associated with AN100 and CMPLCHA07 with AN107. When the comparison result of each analog input meets the set condition, the ADCMPSR0.CMPSTCHAN flag is set to 1, and a compare interrupt (ADC12i\_CMPAI (i = 0, 1)) is generated.

|   |         |   |         |
|---|---------|---|---------|
| Comparison conditions when the window function is disabled      |         |   |         |
| C MPLCHAN = 0   |         | C MPLCHAN = 1                             |         |
| ADCMPDR0 value $\leq$ A/D converted value                       | Not met | ADCMPDR0 value $<$ A/D converted value    | Met     |
| ADCMPDR0 value $>$ A/D converted value                          | Met     | ADCMPDR0 value $\geq$ A/D converted value | Not met |
| Comparison conditions when the window function is enabled       |         |   |         |
| C MPLCHAN = 0   |         |   |         |
| ADCMPDR1 value $<$ A/D converted value                          |         | Met                                       |         |
| ADCMPDR0 value $\leq$ A/D converted value $\leq$ ADCMPDR1 value |         | Not met                                   |         |
| A/D converted value $<$ ADCMPDR0 value                          |         | Met                                       |         |
| C MPLCHAN = 1   |         |   |         |
| ADCMPDR1 value $\leq$ A/D converted value                       |         | Not met                                   |         |
| ADCMPDR0 value $<$ A/D converted value $<$ ADCMPDR1 value       |         | Met                                       |         |
| A/D converted value $\leq$ ADCMPDR0 value                       |         | Not met                                   |         |

Figure 45.4 Explanation of comparison conditions for compare function Window A

### 45.2.24 A/D Compare Function Window A Comparison Condition Setting Register 1 (ADCMPLR1)

Address(es): ADC120.ADCMPLR1 4005 C09Ah, ADC121.ADCMPLR1 4005 C29Ah



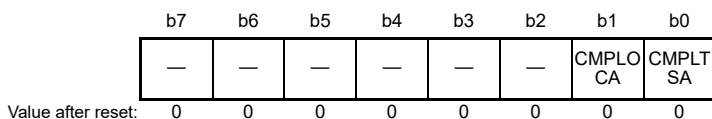
| Bit       | Symbol                    | Bit name   | Description   | R/W |
|-----------|---------------------------|--|---|-----|
| b4 to b0  | CMPLCHA20 to<br>CMPLCHA16 | Compare Window A<br>Comparison Condition<br>Select | These bits set comparison conditions for channels, selected from AN016 to AN020 (unit 0) and AN116 to AN118 (unit 1), to which Window A comparison conditions are applied. Comparison conditions are shown in <a href="#">Figure 45.4</a> . <ul style="list-style-type: none"> <li>• When window function is disabled (ADCMPCR.WCMPE = 0)<br/>0: ADCMPDR0 value &gt; A/D-converted value<br/>1: ADCMPDR0 value &lt; A/D-converted value.</li> <li>• When window function is enabled (ADCMPCR.WCMPE = 1)<br/>0: A/D-converted value &lt; ADCMPDR0 value, or<br/>ADCMPDR1 value &lt; A/D-converted value<br/>1: ADCMPDR0 value &lt; A/D-converted value &lt; ADCMPDR1 value.</li> </ul> | R/W |
| b15 to b5 | —                         | Reserved   | These bits are read as 0. The write value should be 0.  | R/W |

#### CMPLCHAN bits (n = 16 to 20) (Compare Window A Comparison Condition Select)

The CMPLCHAN bits specify the comparison conditions for channels, selected from AN016 to AN020 (unit 0) and AN116 to AN118 (unit 1) to which Window A comparison conditions are applied. These bits can be set for each analog input to be compared. In unit 0, CMPLCHA16 is associated with AN016 and CMPLCHA20 with AN020. In unit 1, CMPLCHA16 is associated with AN116 and CMPLCHA18 with AN118. When the comparison result of each analog input meets the set condition, the ADCMPSR1.CMPSTCHAN flag is set to 1 and a compare interrupt (ADC12i\_CMPAI (i = 0, 1)) is generated.

### 45.2.25 A/D Compare Function Window A Extended Input Comparison Condition Setting Register (ADCMPLER)

Address(es): ADC120.ADCMPLER 4005 C093h, ADC121.ADCMPLER 4005 C293h



| Bit | Symbol  | Bit name  | Description  | R/W  |
|-----|---------|---|--|------|
| b0  | CMPLTSA | Compare Window A<br>Temperature Sensor<br>Output Comparison<br>Condition Select | Comparison conditions are shown in <a href="#">Figure 45.4</a> . <ul style="list-style-type: none"> <li>• When window function is disabled (ADCMPCR.WCMPE = 0)<br/>0: ADCMPDR0 value &gt; A/D-converted value<br/>1: ADCMPDR0 value &lt; A/D-converted value.</li> <li>• When window function is enabled (ADCMPCR.WCMPE = 1)<br/>0: A/D-converted value &lt; ADCMPDR0 value, or<br/>A/D-converted value &gt; ADCMPDR1 value<br/>1: ADCMPDR0 value &lt; A/D-converted value &lt; ADCMPDR1 value.</li> </ul> | R/W. |

| Bit      | Symbol  | Bit name  | Description  | R/W |
|----------|---------|---|--|-----|
| b1       | CMPLOCA | Compare Window A Internal Reference Voltage Comparison Condition Select | Comparison conditions are shown in <a href="#">Figure 45.4</a> . <ul style="list-style-type: none"> <li>When window function is disabled (ADCMPCR.WCMPE = 0)                             <ul style="list-style-type: none"> <li>0: ADCMPDR0 register value &gt; A/D-converted value</li> <li>1: ADCMPDR0 register value &lt; A/D-converted value.</li> </ul> </li> <li>When window function is enabled (ADCMPCR.WCMPE = 1)                             <ul style="list-style-type: none"> <li>0: A/D-converted value &lt; ADCMPDR0 register value, or A/D-converted value &gt; ADCMPDR1 register value</li> <li>1: ADCMPDR0 register value &lt; A/D-converted value &lt; ADCMPDR1 register value.</li> </ul> </li> </ul> | R/W |
| b7 to b2 | —       | Reserved  | These bits are read as 0. The write value should be 0.   | R   |

**CMPLTSA bit (Compare Window A Temperature Sensor Output Comparison Condition Select)**

The CMPLTSA bit specifies the comparison conditions when the temperature sensor output is the target for the Window A comparison condition. When the temperature sensor output comparison result meets the set condition, the ADCMPSER.CMPSTTSA flag is set to 1 and a compare interrupt (ADC12i\_CMPAI (i = 0, 1)) is generated.

**CMPLOCA bit (Compare Window A Internal Reference Voltage Comparison Condition Select)**

The CMPLOCA bit specifies the comparison conditions when the internal reference voltage is the target for the Window A comparison condition. When the internal reference voltage comparison result meets the set condition, the ADCMPSER.CMPSTOCA flag is set to 1 and a compare interrupt (ADC12i\_CMPAI) is generated.

**45.2.26 A/D Compare Function Window A Lower-Side Level Setting Register (ADCMPDR0), A/D Compare Function Window A Upper-Side Level Setting Register (ADCMPDR1), A/D Compare Function Window B Lower-Side Level Setting Register (ADWINLLB), A/D Compare Function Window B Upper-Side Level Setting Register (ADWINULB)**

Address(es): [ADC120.ADCMPDR0 4005 C09Ch](#), [ADC120.ADCMPDR1 4005 C09Eh](#), [ADC120.ADWINLLB 4005 C0A8h](#), [ADC120.ADWINULB 4005 C0AAh](#), [ADC121.ADCMPDR0 4005 C29Ch](#), [ADC121.ADCMPDR1 4005 C29Eh](#), [ADC121.ADWINLLB 4005 C2A8h](#), [ADC121.ADWINULB 4005 C2AAh](#)



| Bit       | Symbol | Bit name | Description     | R/W |
|-----------|--------|----------|-----------------|-----|
| b15 to b0 | —      | —        | Reference value | R/W |

The ADCMPDR<sub>y</sub> (y = 0,1) register specifies the reference data when the compare Window A function is used. ADCMPDR0 sets the lower reference for Window A, and ADCMPDR1 sets the upper reference for Window A.

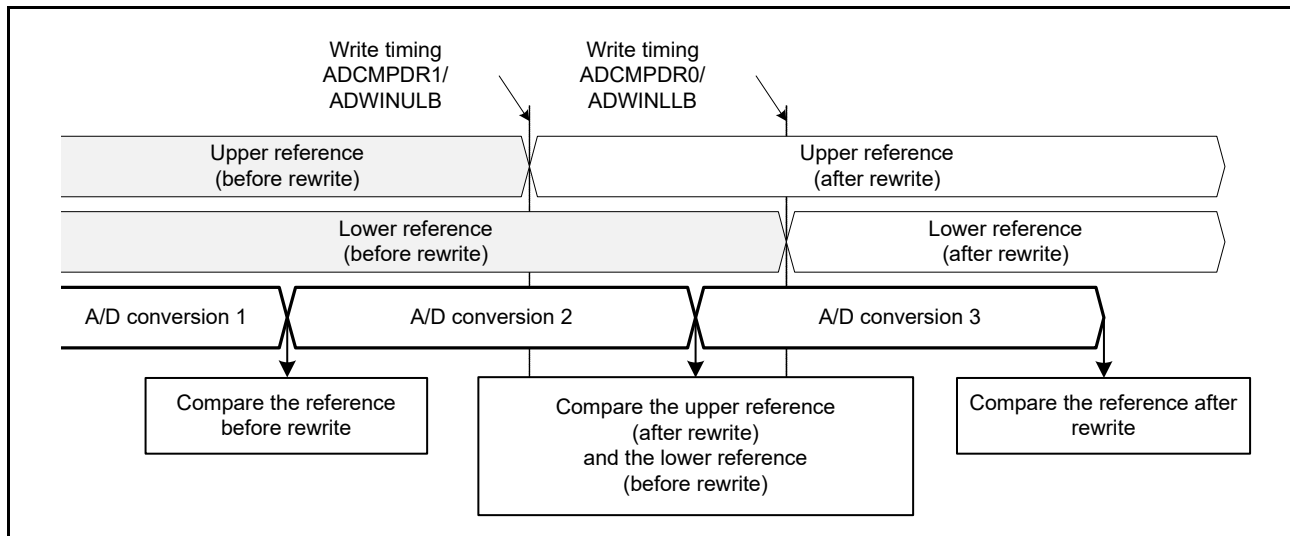
ADWINULB and ADWINLLB specify the reference data when the compare Window B function is used. ADWINLLB sets the lower reference for Window B, and ADWINULB sets the upper reference for Window B. The ADCMPDR<sub>y</sub>, ADWINULB, and ADWINLLB are read/write registers.

ADCMPDR<sub>y</sub>, ADWINULB, and ADWINLLB can be written to, even during A/D conversion. The reference data can be dynamically changed by rewriting register values during A/D conversion.

Set these registers so that the upper reference is not less than the lower reference (ADCMPDR1 ≥ ADCMPDR0 and ADWINULB ≥ ADWINLLB). ADCMPDR1 and ADWINULB are not used when the window function is disabled.

The lower and the upper references are changed when each register is written. For example, when the upper reference value is changed and the lower reference value is being changed, the MCU compares the upper reference (after a rewrite), and the lower reference (before a rewrite) with the A/D conversion result. (See [Figure 45.5](#).) If the comparison

during the rewriting of these two references is erroneous, then rewrite these reference values when both ADCSR.ADST and the associated compare window operation enable bit (ADCMPCR.CMPAE or ADCMPCR.CMPBE) is 0.



**Figure 45.5 Comparison between upper and lower references before and after a rewrite**

The ADCMPDRy, ADWINLLB, and ADWINULB registers use different formats depending on the following conditions:

- The value in the A/D Data Register Format Select bit (flush-right or flush-left)
- The value in the A/D Conversion Accuracy Specify bit (12-bit, 10-bit, or 8-bit)
- The value in the A/D-Converted Value Addition/Average Channel Select bits (A/D-converted value addition mode selected or not selected).

The data formats for each condition are as follows:

(1) When A/D-converted value addition mode is not selected

- Flush-right data with 12-bit accuracy: Lower 12 bits ([11:0]) are valid
- Flush-right data with 10-bit accuracy: Lower 10 bits ([9:0]) are valid
- Flush-right data with 8-bit accuracy: Lower 8 bits ([7:0]) are valid
- Flush-left data with 12-bit accuracy: Upper 12 bits ([15:4]) are valid
- Flush-left data with 10-bit accuracy: Upper 10 bits ([15:6]) are valid
- Flush-left data with 8-bit accuracy: Upper 8 bits ([15:8]) are valid.

(2) When A/D-converted value addition mode is selected

- Flush-right data with 12-bit accuracy: Lower 14 bits ([13:0]) are valid
- Flush-right data with 10-bit accuracy: Lower 12 bits ([11:0]) are valid
- Flush-right data with 8-bit accuracy: Lower 10 bits ([9:0]) are valid
- Flush-left data with 12-bit accuracy: Upper 14 bits ([15:2]) are valid
- Flush-left data with 10-bit accuracy: Upper 12 bits ([15:4]) are valid
- Flush-left data with 8-bit accuracy: Upper 10 bits ([15:6]) are valid.

### 45.2.27 A/D Compare Function Window A Channel Status Register 0 (ADCMPSR0)

Address(es): ADC120.ADCMPSR0 4005 C0A0h, ADC121.ADCMPSR0 4005 C2A0h

|                    |     |     |     |     |     |    |    |                |                |                |                |                |                |                |                |
|--------------------|-----|-----|-----|-----|-----|----|----|----------------|----------------|----------------|----------------|----------------|----------------|----------------|----------------|
| b15                | b14 | b13 | b12 | b11 | b10 | b9 | b8 | b7             | b6             | b5             | b4             | b3             | b2             | b1             | b0             |
| —                  | —   | —   | —   | —   | —   | —  | —  | CMPST<br>CHA07 | CMPST<br>CHA06 | CMPST<br>CHA05 | CMPST<br>CHA04 | CMPST<br>CHA03 | CMPST<br>CHA02 | CMPST<br>CHA01 | CMPST<br>CHA00 |
| Value after reset: | 0   | 0   | 0   | 0   | 0   | 0  | 0  | 0              | 0              | 0              | 0              | 0              | 0              | 0              | 0              |

| Bit       | Symbol                      | Bit name              | Description  | R/W |
|-----------|-----------------------------|-----------------------|--|-----|
| b7 to b0  | CMPSTCHA07 to<br>CMPSTCHA00 | Compare Window A Flag | When Window A operation is enabled (ADCMPCR.CMPAE = 1b), these bits indicate the comparison result of the channels, selected from AN000 to AN007 (unit 0) and AN100 to AN102, AN105 to AN107 (unit 1), to which Window A comparison conditions are applied.<br>0: Comparison conditions are not met<br>1: Comparison conditions are met. | R/W |
| b15 to b8 | —                           | Reserved              | These bits are read as 0. The write value should be 0.   | R/W |

#### CMPSTCHAn flags (n = 00 to 07) (Compare Window A Flag)

The CMPSTCHAn flags indicate the comparison results for channels, selected from AN000 to AN007 (unit 0) and AN100 to AN102, AN105 to AN107 (unit 1), to which Window A comparison conditions are applied. When a comparison condition set in ADCMPLR0.CMPLCHAN is met at the end of A/D conversion, the associated CMPSTCHAn flag is set to 1. When the ADCMPCR.CMPAIE bit is 1, a compare interrupt request (ADC12i\_CMPAI (i = 0, 1)) is generated when this flag is set to 1. In unit 0, CMPSTCHA00 is associated with AN000, and CMPSTCHA07 is associated with AN007. In unit 1, CMPSTCHA00 is associated with AN100, and CMPSTCHA07 is associated with AN107.

Writing 1 to the CMPSTCHAn flags is invalid.

[Setting condition]

- The condition set in ADCMPLR0.CMPLCHAN is met when ADCMPCR.CMPAE = 1.

[Clearing condition]

- Writing 0 after reading 1.

### 45.2.28 A/D Compare Function Window A Channel Status Register1 (ADCMPSR1)

Address(es): ADC120.ADCMPSR1 4005 C0A2h, ADC121.ADCMPSR1 4005 C2A2h

|                    |     |     |     |     |     |    |    |    |    |    |                |                |                |                |                |
|--------------------|-----|-----|-----|-----|-----|----|----|----|----|----|----------------|----------------|----------------|----------------|----------------|
| b15                | b14 | b13 | b12 | b11 | b10 | b9 | b8 | b7 | b6 | b5 | b4             | b3             | b2             | b1             | b0             |
| —                  | —   | —   | —   | —   | —   | —  | —  | —  | —  | —  | CMPST<br>CHA20 | CMPST<br>CHA19 | CMPST<br>CHA18 | CMPST<br>CHA17 | CMPST<br>CHA16 |
| Value after reset: | 0   | 0   | 0   | 0   | 0   | 0  | 0  | 0  | 0  | 0  | 0              | 0              | 0              | 0              | 0              |

| Bit       | Symbol                      | Bit name              | Description  | R/W |
|-----------|-----------------------------|-----------------------|--|-----|
| b4 to b0  | CMPSTCHA20 to<br>CMPSTCHA16 | Compare Window A Flag | When Window A operation is enabled (ADCMPCR.CMPAE = 1), these bits indicate the comparison result of channels to which Window A comparison conditions are applied, selected from AN016 to AN020 (unit 0) and AN116 to AN118 (unit 1).<br>0: Comparison conditions are not met<br>1: Comparison conditions are met. | R/W |
| b15 to b5 | —                           | Reserved              | These bits are read as 0. The write value should be 0.   | R/W |

#### CMPSTCHAn flags (n = 16 to 20) (Compare Window A Flag)

The CMPSTCHAn flags indicate the comparison results for channels to which Window A comparison conditions are

applied, selected from AN016 to AN020 (unit 0) and AN116 to AN118 (unit 1). When the comparison condition set in ADCMPLR1.CMPLCHAN is met at the end of A/D conversion, the associated CMPSTCHAN flag is set to 1. When the ADCMPCR.CMPAIE bit is 1, a compare interrupt request (ADC12i\_CMPAI (i = 0, 1)) is generated when this flag is set to 1. In unit 0, CMPSTCHA16 is associated with AN016 and CMPSTCHA20 with AN020. In unit 1, CMPSTCHA16 is associated with AN116 and CMPSTCHA18 with AN118.

Writing 1 to the CMPSTCHAN flags is invalid.

[Setting condition]

- The condition set in ADCMPLR1.CMPLCHAN is met when ADCMPCR.CMPAE = 1.

[Clearing condition]

- Writing 0 after reading 1.

### 45.2.29 A/D Compare Function Window A Extended Input Channel Status Register (ADCMPSER)

Address(es): ADC120.ADCMPSER 4005 C0A4h, ADC121.ADCMPSER 4005 C2A4h

|                    |    |    |    |    |    |    |              |              |
|--------------------|----|----|----|----|----|----|--------------|--------------|
|                    | b7 | b6 | b5 | b4 | b3 | b2 | b1           | b0           |
|                    | —  | —  | —  | —  | —  | —  | CMPST<br>OCA | CMPST<br>TSA |
| Value after reset: | 0  | 0  | 0  | 0  | 0  | 0  | 0            | 0            |

| Bit      | Symbol          | Bit name   | Description   | R/W |
|----------|-----------------|--|---|-----|
| b0       | <b>CMPSTTSA</b> | Compare Window A Temperature Sensor Output Compare Flag  | When Window A operation is enabled (ADCMPCR.CMPAE = 1), this bit indicates the temperature sensor output comparison result.<br>0: Comparison conditions are not met<br>1: Comparison conditions are met.  | R/W |
| b1       | <b>CMPSTOCA</b> | Compare Window A Internal Reference Voltage Compare Flag | When Window A operation is enabled (ADCMPCR.CMPAE = 1), this bit indicates the internal reference voltage comparison result.<br>0: Comparison conditions are not met<br>1: Comparison conditions are met. | R/W |
| b7 to b2 | —               | Reserved   | These bits are read as 0. The write value should be 0.  | R/W |

#### **CMPSTTSA flag (Compare Window A Temperature Sensor Output Compare Flag)**

The CMPSTTSA flag indicates the temperature sensor output comparison result. When the comparison condition set in ADCMPLR1.CMPLTSA is met at the end of A/D conversion, this flag is set to 1. When the ADCMPCR.CMPAIE bit is 1, a compare interrupt request (ADC12i\_CMPAI (i = 0, 1)) is generated when this flag is set to 1.

Writing 1 to the CMPSTTSA flag is invalid.

[Setting condition]

- The condition set in ADCMPLR1.CMPLTSA is met when ADCMPCR.CMPAE = 1.

[Clearing condition]

- Writing 0 after reading 1.

#### **CMPSTOCA flag (Compare Window A Internal Reference Voltage Compare Flag)**

The CMPSTOCA flag indicates the internal reference voltage comparison result. When the comparison condition set in ADCMPLR1.CMPLOCA is met at the end of A/D conversion, this flag is set to 1. When the ADCMPCR.CMPAIE bit is 1, a compare interrupt request (ADC12i\_CMPAI) is generated when this flag is set to 1.

Writing 1 to the CMPSTOCA flag is invalid.

[Setting condition]



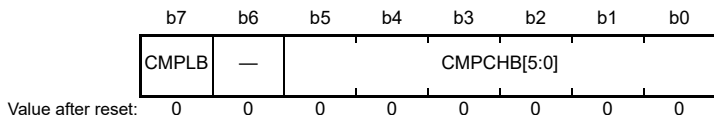
- The condition set in ADCMPLER.CMPLOCA is met when ADCMPPCR.CMPAE = 1.

[Clearing condition]

- Writing 0 after reading 1.

### 45.2.30 A/D Compare Function Window B Channel Select Register (ADCMPBNSR)

Address(es): ADC120.ADCMPBNSR 4005 C0A6h, ADC121.ADCMPBNSR 4005 C2A6h



| Bit      | Symbol      | Bit name                                      | Description   | R/W |
|----------|-------------|---|---|-----|
| b5 to b0 | CMPCHB[5:0] | Compare Window B Channel Select               | These bits select the channels to be compared with the compare Window B conditions. The maximum channel is AN020 in unit 0 and AN118 in unit 1.<br>b5                      b0    Unit 0    Unit 1<br>0 0 0 0 0 0: AN000 AN100<br>0 0 0 0 0 1: AN001 AN101<br>0 0 0 0 1 0: AN002 AN102<br>0 0 0 0 1 1: AN003    —<br>0 0 0 1 0 0: AN004    —<br>0 0 0 1 0 1: AN005 AN105<br>0 0 0 1 1 0: AN006 AN106<br>0 0 0 1 1 1: AN007 AN107<br>0 1 0 0 0 0: AN016 AN116<br>:                      :<br>0 1 0 0 1 0: AN018 AN118<br>0 1 0 0 1 1: AN019    —<br>0 1 0 1 0 0: AN020    —<br>1 0 0 0 0 0: Temperature sensor<br>1 0 0 0 0 1: Internal reference voltage<br>1 1 1 1 1 1: Do no select.<br>Other settings are prohibited. | R/W |
| b6       | —           | Reserved                                      | This bit is read as 0. The write value should be 0.   | R/W |
| b7       | CMPPLB      | Compare Window B Comparison Condition Setting | This bit sets comparison conditions for channels for Window B. The comparison conditions are shown in Figure 45.6.<br>• When window function is disabled (ADCMPPCR.WCMPE = 0):<br>0: ADWINLLB value > A/D-converted value<br>1: ADWINLLB value < A/D-converted value.<br>• When window function is enabled (ADCMPPCR.WCMPE = 1):<br>0: A/D-converted value < ADWINLLB value, or<br>ADWINULB value < A/D-converted value<br>1: ADWINLLB value < A/D-converted value < ADWINULB value.  | R/W |

#### CMPCHB[5:0] bits (Compare Window B Channel Select)

The CMPCHB[5:0] bits specify the channels to be compared with the compare Window B conditions, from AN000 to AN007 and AN016 to AN020 (unit 0), AN100 to AN102, AN105 to AN107, and AN116 to AN118 (unit 1), the temperature sensor, and the internal reference voltage. The compare Window B function is enabled by specifying the hexadecimal number of the A/D conversion channel selected in the following bits:

Unit 0:

- ADANSA0.ANSA00 to ANSA07 bits
- ADANSA1.ANSA16 to ANSA20 bits
- ADANSB0.ANSB00 to ANSB07 bits
- ADANSB1.ANSB16 to ANSB20 bits.

Unit 1:

- ADANSA0.ANSA00 to ANSA02 bits
- ADANSA0.ANSA05 to ANSA07 bits
- ADANSA1.ANSA16 to ANSA18 bits
- ADANSB0.ANSB00 to ANSB02 bits
- ADANSB0.ANSB05 to ANSB07 bits
- ADANSB1.ANSB16 to ANSB18 bits.

Set the CMPCHB[5:0] bits while the ADCSR.ADST bit is 0.

### CMPLB bit (Compare Window B Comparison Condition Setting)

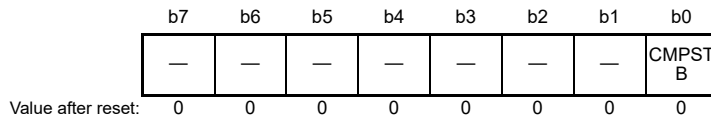
The CMPLB bit specifies the comparison conditions for the channels for Window B. When the comparison result of an analog input meets the set condition, the associated ADCMPBSR.CMPSTB flag is set to 1 and a compare interrupt request (ADC12i\_CMPBI) (i = 0, 1) is generated.

| Compare conditions when the window function is disabled         |         |
|---|---------|
| CMPLB = 0   |         |
| ADWINLLB value $\leq$ A/D converted value                       | Not met |
| ADWINLLB value $>$ A/D converted value                          | Met     |
| CMPLB = 1   |         |
| ADWINLLB value $<$ A/D converted value                          | Met     |
| ADWINLLB value $\geq$ A/D converted value                       | Not met |
| Compare conditions when the window function is enabled          |         |
| CMPLB = 0   |         |
| A/D converted value $>$ ADWINULB value                          | Met     |
| ADWINLLB value $\leq$ A/D converted value $\leq$ ADWINULB value | Not met |
| A/D converted value $<$ ADWINLLB value                          | Met     |
| CMPLB = 1   |         |
| A/D converted value $\geq$ ADWINULB value                       | Not met |
| ADWINLLB value $<$ A/D converted value $<$ ADWINULB value       | Met     |
| A/D converted value $\leq$ ADWINLLB value                       | Not met |

**Figure 45.6** Explanation of compare conditions for compare function Window B

### 45.2.31 A/D Compare Function Window B Status Register (ADCMPBSR)

Address(es): ADC120.ADCMPBSR 4005 C0ACh, ADC121.ADCMPBSR 4005 C2ACh



| Bit      | Symbol | Bit name              | Description  | R/W |
|----------|--------|-----------------------|--|-----|
| b0       | CMPSTB | Compare Window B Flag | When Window B operation is enabled (ADCMPCR.CMPBE = 1), this bit indicates the comparison result of the channels to which Window B comparison conditions are applied, selected from AN000 to AN007 and AN016 to AN020 (unit 0), AN100 to AN102, AN105 to AN107, and AN116 to AN118 (unit 1), temperature sensor output, and internal reference voltage.<br>0: Comparison conditions are not met<br>1: Comparison conditions are met. | R/W |
| b7 to b1 | —      | Reserved              | These bits are read as 0. The write value should be 0.   | R/W |

#### CMPSTB flag (Compare Window B Flag)

The CMPSTB flag indicates the comparison result of channels to which Window B comparison conditions are applied, selected from AN000 to AN007 and AN016 to AN020 (unit 0), AN100 to AN102, AN105 to AN107, and AN116 to AN118 (unit 1), the temperature sensor, and the internal reference voltage. When the comparison condition set in ADCMPBNSR.CMPLB is met at the end of A/D conversion, this flag is set to 1. When the ADCMPCR.CMPBIE bit is 1, a compare interrupt request (ADC12i\_CMPBI (i = 0, 1)) is generated when this flag is set to 1.

Writing 1 to the CMPSTB flag is invalid.

[Setting condition]

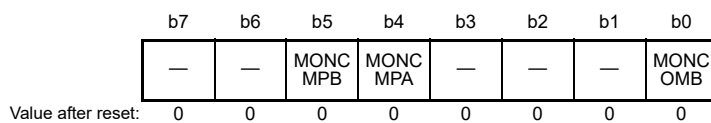
- The condition set in ADCMPBNSR.CMPLB is met when ADCMPCR.CMPBE = 1.

[Clearing condition]

- Writing 0 after reading 1.

### 45.2.32 A/D Compare Function Window A/B Status Monitor Register (ADWINMON)

Address(es): ADC120.ADWINMON 4005 C08Ch, ADC121.ADWINMON 4005 C28Ch



| Bit      | Symbol  | Bit name                    | Description   | R/W |
|----------|---------|-----------------------------|---|-----|
| b0       | MONCOMB | Combination Result Monitor  | This bit indicates the combination result. This bit is valid when both Window A and Window B operations are enabled.<br>0: Window A/B composite conditions are not met<br>1: Window A/B composite conditions are met. | R   |
| b3 to b1 | —       | Reserved                    | These bits are read as 0.   | R   |
| b4       | MONCMPA | Comparison Result Monitor A | 0: Window A comparison conditions are not met<br>1: Window A comparison conditions are met.   | R   |
| b5       | MONCMPB | Comparison Result Monitor B | 0: Window B comparison conditions are not met<br>1: Window B comparison conditions are met.   | R   |
| b7, b6   | —       | Reserved                    | These bits are read as 0.   | R   |

**MONCOMB bit (Combination Result Monitor)**

The read-only MONCOMB bit indicates the combined result of the comparison condition results A and B based on the combination condition set in the ADCMPCR.CMPAB[1:0] bits.

[Setting condition]

- The combined result meets the combination condition set in the ADCMPCR.CMPAB[1:0] bits when ADCMPCR.CMPAE = 1 and ADCMPCR.CMPBE = 1.

[Clearing conditions]

- The combined result does not meet the combination condition set in the ADCMPCR.CMPAB[1:0] bits
- ADCMPCR.CMPAE = 0 or ADCMPCR.CMPBE = 0.

**MONCMPA bit (Comparison Result Monitor A)**

The read-only MONCMPA bit is read as 1 when the A/D-converted value of the Window A target channel meets the condition set in ADCMPLR0/ADCMPLR1 and ADCMPLER. Otherwise, it is read as 0.

[Setting condition]

- The A/D-converted value meets the condition set in ADCMPLR0.CMPLCHAN when ADCMPCR.CMPAE = 1.

[Clearing conditions]

- The A/D-converted value does not meet the condition set in ADCMPLR0.CMPLCHAN when ADCMPCR.CMPAE = 1
- ADCMPCR.CMPAE = 0 (automatically cleared when the ADCMPCR.CMPAE value changes from 1 to 0).

**MONCMPB bit (Comparison Result Monitor B)**

The read-only MONCMPB bit is read as 1 when the A/D-converted value of the Window B target channel meets the condition set in the ADCMPBNSR.CMPLB bit. Otherwise, it is read as 0.

[Setting condition]

- The A/D-converted value meets the condition set in ADCMPBNSR.CMPLB when ADCMPCR.CMPBE = 1.

[Clearing conditions]

- The A/D-converted value does not meet the condition set in ADCMPBNSR.CMPLB when ADCMPCR.CMPBE = 1
- ADCMPCR.CMPBE = 0 (automatically cleared when the ADCMPCR.CMPBE value changes from 1 to 0).

## 45.3 Operation

### 45.3.1 Scanning Operation

In scanning, A/D conversion is performed sequentially on the analog inputs of the specified channels.

Scan conversion is performed in three operating modes: single scan mode, continuous scan mode, and group scan mode. In single scan mode, one or more specified channels are scanned once. In continuous scan mode, one or more specified channels are scanned repeatedly until software clears the ADCSR.ADST bit to 0 from 1. In group scan mode, the selected channels in group A and the selected channels in group B are scanned once after the scan starts in response to the respective synchronous trigger (ELC).

In single scan mode and continuous scan mode, A/D conversion is performed for the ANn channels selected in the ADANSA0 and ADANSA1 registers, starting from the channel with the smallest number n. In group scan mode, A/D conversion is performed for the ANn channels in group A selected in the ADANSA0 and ADANSA1 registers first, and then for the ANn channels in group B selected in the ADANSB0 and ADANSB1 registers, starting from the channel with the smallest number n.

When self-diagnosis is selected, it is executed once at the beginning of each scan, and one of the three voltages generated internally in the ADC12 is converted.

The temperature sensor output and internal reference voltage can be selected at the same time as the analog input of the

channels, and A/D conversion is performed on the analog input of channels, temperature sensor output, and internal reference voltage, in that order.

Double-trigger mode can be used with single scan mode or group scan mode. With double-trigger mode enabled (ADCSR.DBLE = 1), A/D conversion data of a channel selected in the ADCSR.DBLANS[4:0] bits is duplicated only if the conversion is started by the synchronous trigger (ELC) selected in the TRSA[5:0] bits in ADSTRGR. Only group A in group scan mode can use the double-trigger mode.

The extended operation of double-trigger mode means that the A/D conversion operation is generated from the synchronous trigger combination. This trigger combination is selected in ADSTRGR.TRSA[5:0] in double-trigger mode. ELC\_AD00 and ELC\_AD01 are associated with unit 0. ELC\_AD10 and ELC\_AD11 are associated with unit 1.

In the extended operation of double-trigger mode, in addition to normal double-trigger operation, A/D conversion data from the ELC\_AD00 (unit 0) and ELC\_AD10 (unit 1) triggers is stored in A/D Data Duplexing Register A (ADDBLDRA), and A/D conversion data from the ELC\_AD01 (unit 0) and ELC\_AD11 (unit 1) triggers is stored in A/D Data Duplexing Register B (ADDBLDRB). In the extended operation of double-trigger mode, when a combination of triggers occurs at the same time, the data duplexing register settings for the specified triggers do not work, and A/D conversion data is stored in A/D Data Duplexing Register B (ADDBLDRB).

When one synchronous trigger is input during the A/D conversion started by another synchronous trigger, the subsequent trigger is input when the other A/D conversion is canceled.

When any of the channels AN000 to AN002 (unit 0), and AN100 to AN102 (unit 1) are set as a channel-dedicated sample-and-hold circuit in the SHANS[2:0] bits in ADSHCR, the target analog input specified is sampled and held before the first A/D conversion of each scan.

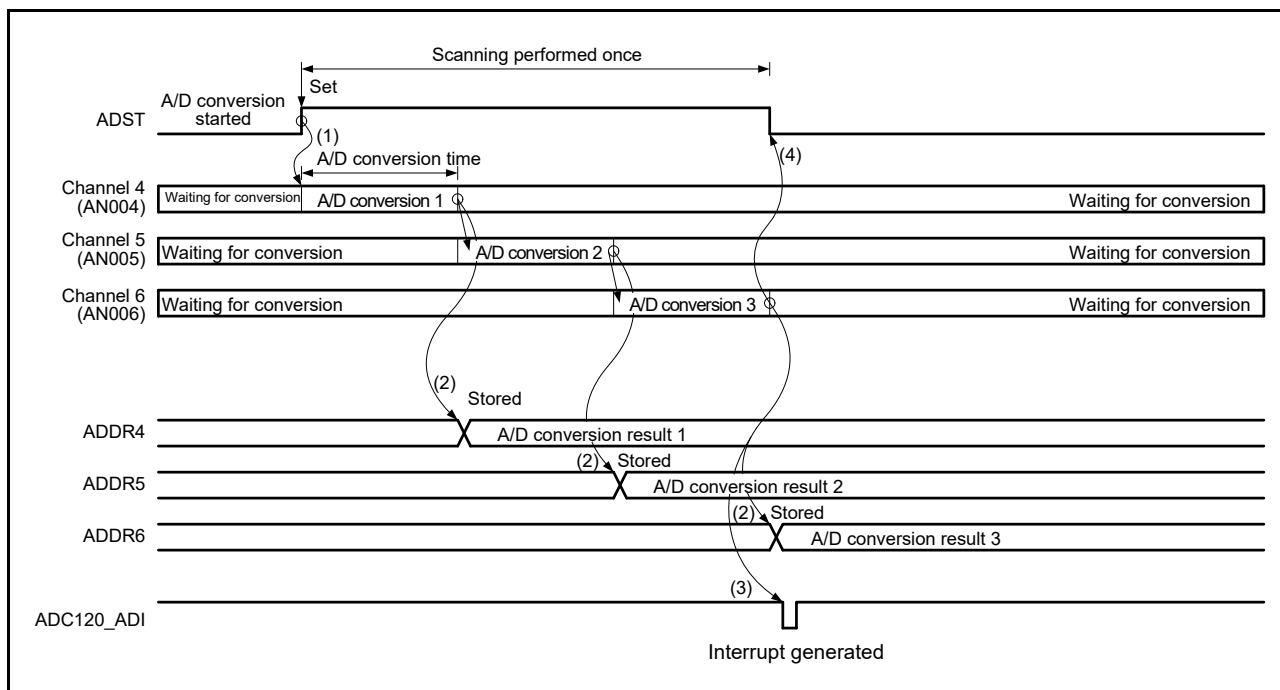
### 45.3.2 Single Scan Mode

#### 45.3.2.1 Basic operation without channel-dedicated sample-and-hold circuits

In the basic operation of single scan mode, A/D conversion is performed on the analog input of the specified channels once.

The operation is as follows:

1. When the ADCSR.ADST bit is set to 1 (A/D conversion start) by a software trigger, synchronous trigger input (ELC), or asynchronous trigger input, A/D conversion is performed for the AN<sub>n</sub> channels selected in the ADANSA0 and ADANSA1 registers, starting from the channel with the smallest number n.
2. Each time A/D conversion of a single channel completes, the A/D conversion result is stored in the associated A/D data register (ADDR<sub>y</sub>).
3. When A/D conversion of all the selected channels completes, an ADC12<sub>i</sub>\_ADI (i = 0, 1) interrupt request is generated (no register setting).
4. The ADST bit remains 1 (A/D conversion start) during A/D conversion, and is automatically cleared to 0 when A/D conversion of all the selected channels completes. Then, the ADC12 enters a wait state.



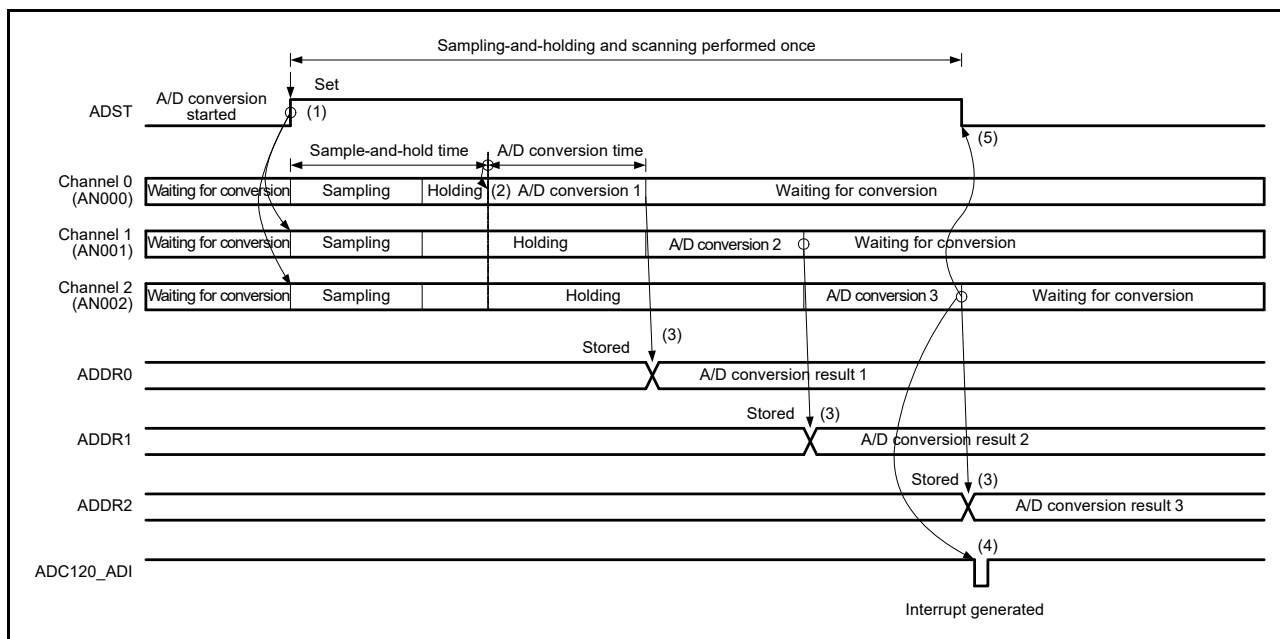
**Figure 45.7** Example basic operation in single scan mode when AN004 to AN006 are selected

#### 45.3.2.2 Basic operation with channel-dedicated sample-and-hold circuits and continuous sampling disabled

When the channel-dedicated sample-and-hold circuit is used, sample-and-hold operation is first performed, and then A/D conversion is performed on the analog input of all the specified channels once. The channels whose dedicated sample-and-hold circuit is to be used can be selected in the SHANS[2:0] bits in ADSHCR.

The operation is as follows:

1. Analog input sampling of all channels whose dedicated sample-and-hold circuit is to be used starts when the ADCSR.ADST bit is set to 1 (A/D conversion start) by a software trigger, synchronous trigger input (ELC), or asynchronous trigger input.
2. After the sample-and-hold operation, A/D conversion is performed on the ANn channels selected in the ADANSA0 and ADANSA1 registers, starting from the channel with the smallest number n.
3. Each time A/D conversion of a single channel completes, the A/D conversion result is stored in the associated A/D data register (ADDRy).
4. When A/D conversion of all the selected channels completes, an ADC12i\_ADI (i = 0, 1) interrupt request is generated (no register setting).
5. The ADST bit remains 1 (A/D conversion start) during A/D conversion, and is automatically cleared to 0 when A/D conversion of all the selected channels completes. Then, the ADC12 enters a wait state.



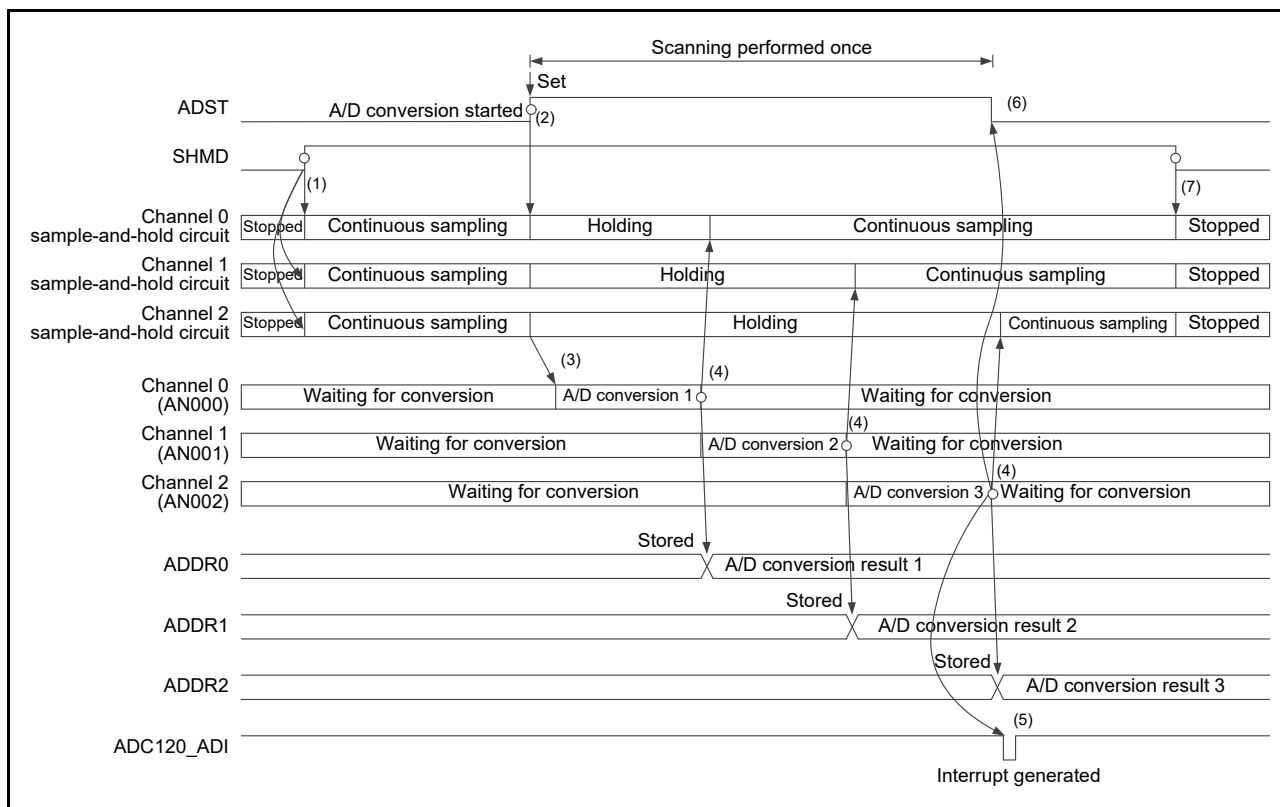
**Figure 45.8** Example operation in single scan mode when the channel-dedicated sample-and-hold circuits are used and AN000 to AN002 are selected

#### 45.3.2.3 Basic operation with channel-dedicated sample-and-hold circuits and continuous sampling enabled

When a channel-dedicated sample-and-hold circuit is used while continuous sampling is enabled, sample-and-hold operations are performed first, followed by A/D conversion on the analog inputs on all selected channels, once. The ADSHCR.SHANS[2:0] bits specify the channels for which the channel-dedicated sample-and-hold circuits are to be used.

The operation is as follows:

- When the ADSHMSR.SHMD bit is set to 1, the sample-and-hold circuits selected in the ADSHCR.SHANS[2:0] bits start continuous sampling.
- Analog input holding starts for all the channels for which the channel-dedicated sample-and-hold circuits are to be used when the ADCSR.ADST bit is set to 1 (A/D conversion start) by a software trigger, input of a synchronous trigger signal (ELC), or input of an asynchronous trigger.
- After the stabilization time of the sample-and-hold circuits elapses, A/D conversion is performed on the AN<sub>n</sub> channels selected in the ADANSA0 and ADANSA1 registers, starting from the channel with the smallest number *n*.
- Each time A/D conversion of a single channel completes, the A/D conversion result is stored in the associated A/D data register (ADDR<sub>y</sub>), and the sample-and-hold circuit restarts continuous sampling.
- When A/D conversion of all the selected channels completes, an ADC12<sub>i</sub>\_ADI (*i* = 0, 1) interrupt request is generated (no register setting).
- The ADCSR.ADST bit remains 1 (A/D conversion start) during A/D conversion, and is automatically cleared to 0 when A/D conversion of all the selected channels completes. Then, the ADC12 enters a wait state. If this is followed by single scanning, set the continuous sampling time for the sample-and-hold circuits to at least 400 ns (when the permissible signal source impedance is 1 kΩ).
- When the ADSHMSR.SHMD bit is set to 0, the sample-and-hold circuits stop.



**Figure 45.9** Example operation in single scan mode when channel-dedicated sample-and-hold circuits are used, AN000 to AN002 are selected, and continuous sampling is enabled

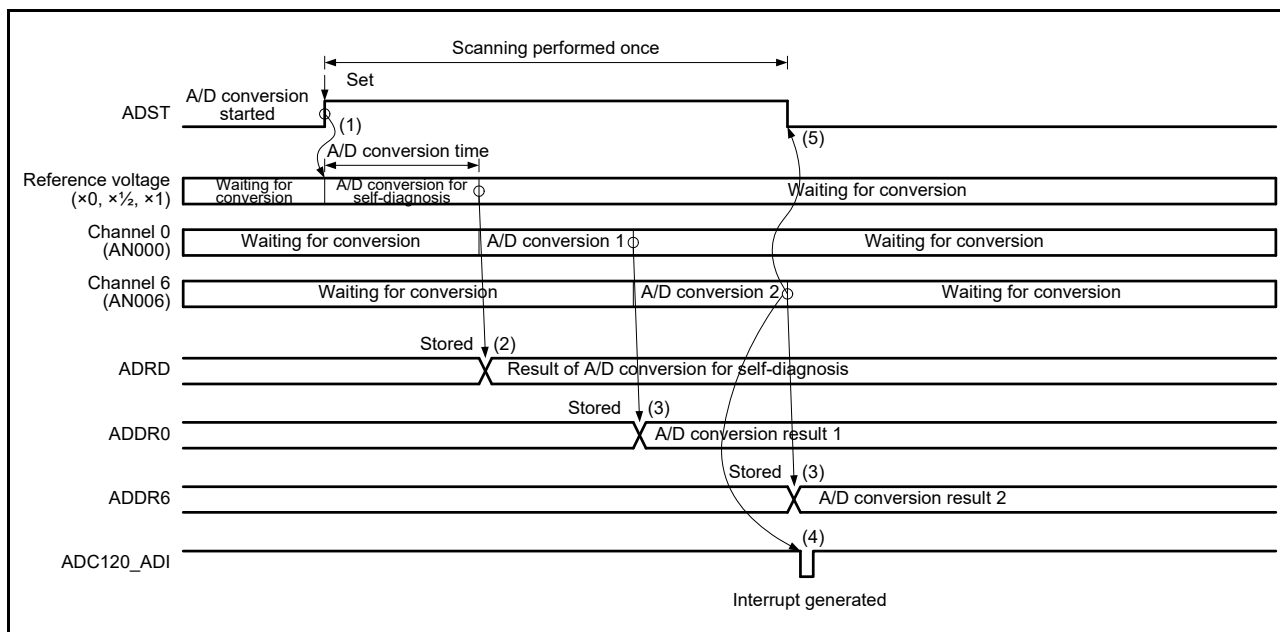
#### 45.3.2.4 Channel selection and self-diagnosis without channel-dedicated sample-and-hold circuits

When the channels and self-diagnosis are selected, A/D conversion is performed first for the reference voltage VREFH0 (unit 0) or VREFH1 (unit 1) ( $\times 0$ ,  $\times 1/2$ , or  $\times 1$ ) supplied to the ADC12, and then once on the analog input of the specified channels.

The operation is as follows:

1. A/D conversion for self-diagnosis is first started when the ADCSR.ADST bit is set to 1 (A/D conversion start) by a software trigger, synchronous trigger input (ELC), or asynchronous trigger input.
2. When A/D conversion for self-diagnosis completes, the A/D conversion result is stored in the A/D Self-Diagnosis Data Register (ADRD). A/D conversion is then performed for the ANn channels selected in the ADANSA0 and ADANSA1 registers, starting from the channel with the smallest number n.
3. Each time A/D conversion of a single channel completes, the A/D conversion result is stored in the associated A/D data register (ADDRy).
4. When A/D conversion of all the selected channels completes, an ADC12i\_ADI (i = 0, 1) interrupt request is generated (no register setting).
5. The ADST bit remains 1 (A/D conversion start) during A/D conversion, and is automatically cleared to 0 when A/D conversion of all the selected channels completes. Then, the ADC12 enters a wait state.





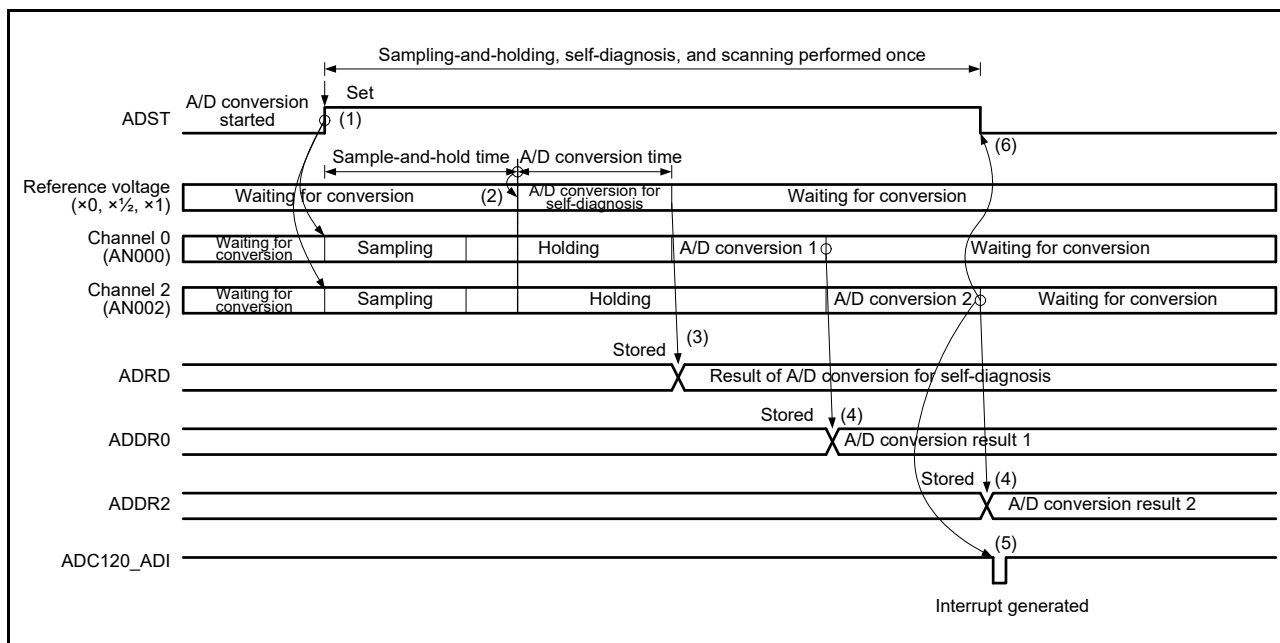
**Figure 45.10** Example basic operation in single scan mode when AN000 and AN006 are selected with self-diagnosis

#### 45.3.2.5 Channel selection and self-diagnosis with channel-dedicated sample-and-hold circuits and continuous sampling disabled

When channels and self-diagnosis are selected and a channel-dedicated sample-and-hold circuit is used while continuous sampling is disabled, the sample-and-hold operation is performed first, and then A/D conversion is performed once for the reference voltage VREFH0 (unit 0) or VREFH (unit 1) ( $\times 0$ ,  $\times 1/2$ , or  $\times 1$ ) supplied to the ADC12. After that, A/D conversion is performed only once on the analog input of the selected channels.

The operation is as follows:

1. Analog input sampling starts for all channels whose dedicated sample-and-hold circuit is to be used when the ADCSR.ADST bit is set to 1 (A/D conversion start) by a software trigger, synchronous trigger input (ELC), or asynchronous trigger input.
2. After the sample-and-hold operation, A/D conversion for self-diagnosis starts.
3. When A/D conversion for self-diagnosis completes, the A/D conversion result is stored in the A/D Self-Diagnosis Data Register (ADRD). A/D conversion is then performed for the ANn channels selected in the ADANSA0 and ADANSA1 registers, starting from the channel with the smallest number n.
4. Each time A/D conversion of a single channel completes, the A/D conversion result is stored in the associated A/D Data Register y (ADDRy).
5. When A/D conversion of all the selected channels completes, an ADC12i\_ADI (i = 0, 1) interrupt request is generated (no register setting).
6. The ADST bit remains 1 (A/D conversion start) during A/D conversion, and is automatically cleared to 0 when A/D conversion of all the selected channels completes. Then, the ADC12 enters a wait state.



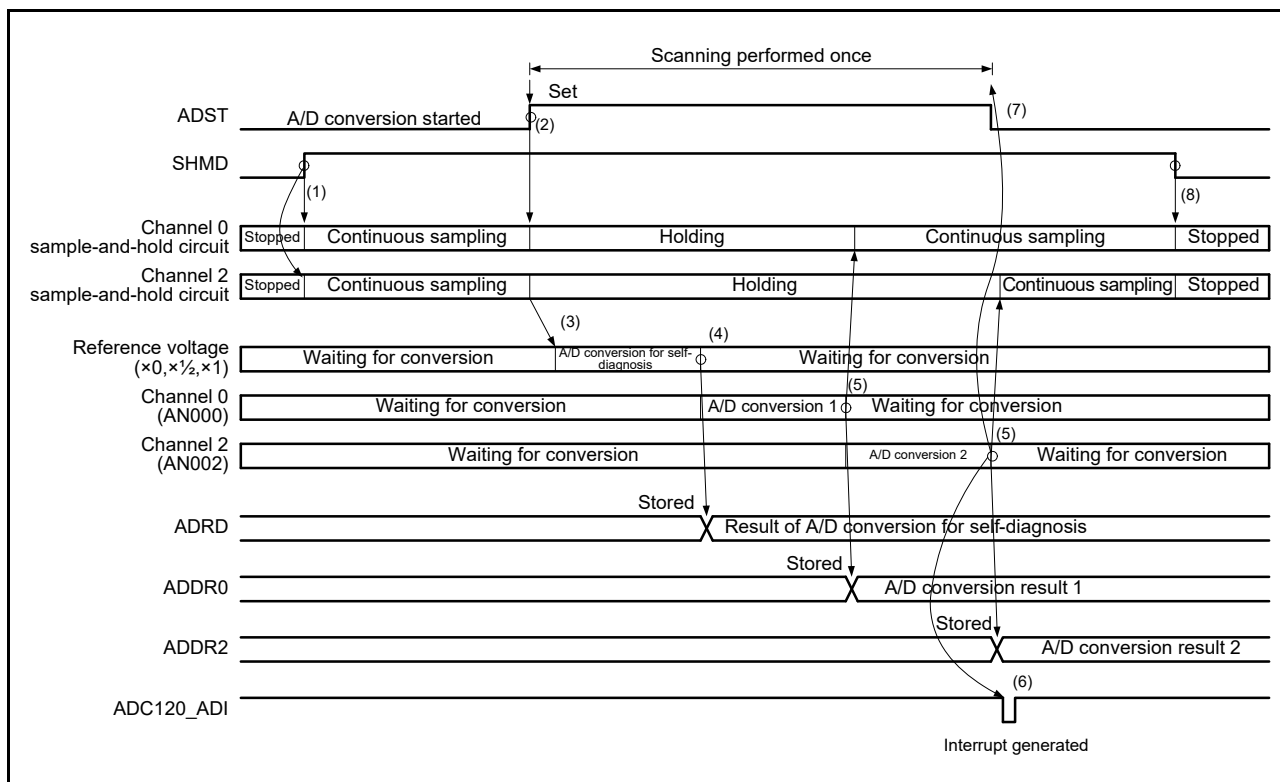
**Figure 45.11** Example operation in single scan mode when channel-dedicated sample-and-hold circuits are used, AN000 and AN002 are selected with self-diagnosis, and continuous sampling is disabled

#### 45.3.2.6 Channel selection and self-diagnosis with channel-dedicated sample-and-hold circuits and continuous sampling enabled

When channels and self-diagnosis are selected and a channel-dedicated sample-and-hold circuit is used while continuous sampling is enabled, sample-and-hold operations are performed first, followed by A/D conversion of the reference voltage VREFH0 (unit 0) or VREFH (unit 1) supplied to the ADC12. After that, A/D conversion is performed only once on the analog input of the selected channels.

The operation is as follows:

1. When the ADSHMSR.SHMD bit is set to 1, the sample-and-hold circuits selected in the ADSHCR.SHANS[2:0] bits start continuous sampling.
2. Analog input holding starts for all the channels for which the channel-dedicated sample-and-hold circuits are to be used when the ADCSR.ADST bit is set to 1 (A/D conversion start) by a software trigger, input of a synchronous trigger signal (ELC), or input of an asynchronous trigger. Set the ADCSR.ADST bit to 1 after at least 400 ns (when the permissible signal source impedance is 1 k $\Omega$ ) elapse after the ADSHMSR.SHMD bit is set to 1.
3. After the stabilization time of the sample-and-hold circuits elapse, A/D conversion for self-diagnosis starts.
4. When A/D conversion for self-diagnosis completes, the A/D conversion result is stored in the A/D Self-Diagnosis Data Register (ADRD). A/D conversion is then performed for the ANn channels selected in the ADANSA0 and ADANSA1 registers, starting from the channel with the smallest number n.
5. Each time A/D conversion of a single channel completes, the A/D conversion result is stored in the associated A/D Data Register y (ADDRy), and the sample-and-hold circuit restarts continuous sampling.
6. When A/D conversion of all the selected channels completes, an ADC12i\_ADI (i = 0, 1) interrupt request is generated (no register setting).
7. The ADCSR.ADST bit remains 1 (A/D conversion start) during A/D conversion, and is automatically cleared to 0 when A/D conversion of all the selected channels completes. Then, the ADC12 enters a wait state. If this is followed by single scanning, set the continuous sampling time for the sample-and-hold circuits to at least 400 ns (when the permissible signal source impedance is 1 k $\Omega$ ).
8. When the ADSHMSR.SHMD bit is set to 0, the sample-and-hold circuits stop.



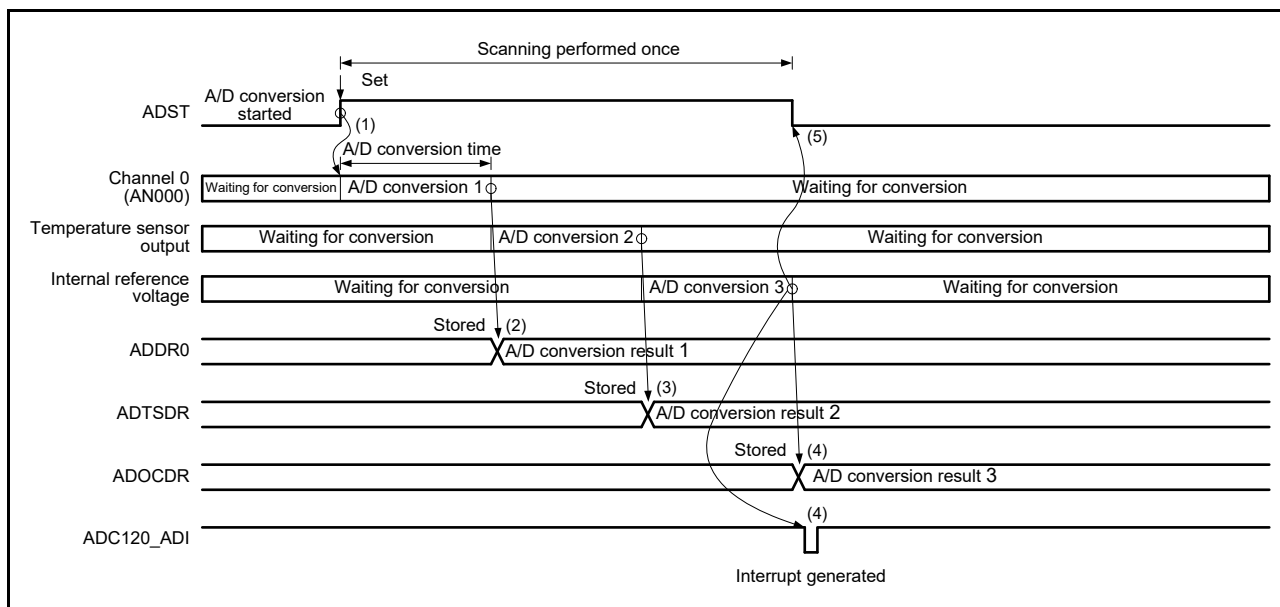
**Figure 45.12** Example operation in single scan mode when channel-dedicated sample-and-hold circuits are used, AN000 to AN002 are selected with self-diagnosis, and continuous sampling is enabled

#### 45.3.2.7 A/D conversion of temperature sensor output or internal reference voltage

When the channels and temperature sensor output or internal reference voltage are selected at the same time, A/D conversion is performed first on the analog input of the selected channels, and once on the temperature sensor output or internal reference voltage. When both temperature sensor output and internal reference voltage are selected, A/D conversion of the temperature sensor output and internal reference voltage is performed, in that order. With the channels deselected, selecting only the temperature sensor output or internal reference voltage is also possible.

The operation is as follows:

1. When a software trigger, synchronous trigger (ELC), or asynchronous trigger sets the ADCSR.ADST bit to 1 (A/D conversion start), A/D conversion is performed for the AN<sub>n</sub> channels selected in the ADANSA0 and ADANSA1 registers, starting from the channel with the smallest number n.
2. On completion of A/D conversion on the channels, the result is stored in the associated A/D Data Register y (ADDR<sub>y</sub>), and then A/D conversion of the temperature sensor output starts.
3. On completion of A/D conversion of the temperature sensor output, the result is stored in the associated A/D Temperature Sensor Data Register (ADTSSDR), and then A/D conversion of the internal reference voltage starts.
4. On completion of A/D conversion of the internal reference voltage, the result is stored in the associated A/D Internal Reference Voltage Data Register (ADOCADR), and an ADC12<sub>i</sub>\_ADI (i = 0, 1) interrupt request is generated (no register setting).
5. The ADCSR.ADST bit remains 1 (A/D conversion start) during A/D conversion, and is automatically cleared to 0 on completion of A/D conversion. Then, the ADC12 enters a wait state.



**Figure 45.13** Example basic operation in single scan mode when AN000 and temperature sensor output or internal reference voltage are selected

#### 45.3.2.8 A/D conversion in double-trigger mode

When double-trigger mode is selected in single scan mode, two rounds of single scan operation started by a synchronous trigger (ELC) are performed in sequence.

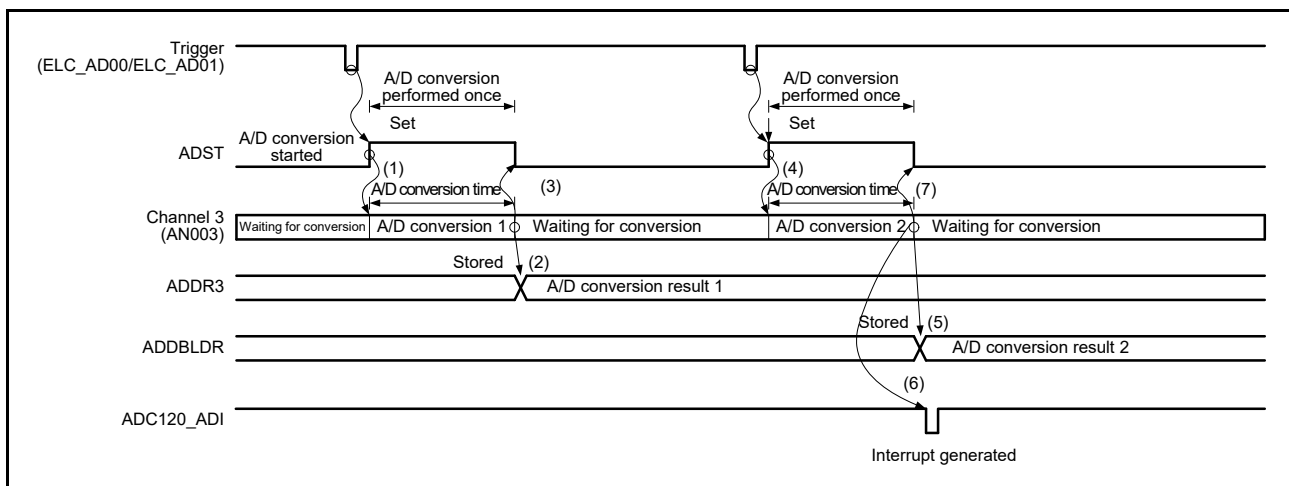
Deselect self-diagnosis, and set the addition/average mode select bits for both temperature sensor output (ADEXICR.TSSA) and internal reference voltage (ADEXICR.OCSA) to 0.

Duplication of A/D conversion data is enabled by setting the channel numbers to be duplicated in the ADCSR.DBLANS[4:0] bits and setting the ADCSR.DBLE bit to 1. When the ADCSR.DBLE bit is set to 1, channel selection using the ADANSA0 and ADANSA1 registers is invalid.

In double-trigger mode, select a synchronous trigger (ELC) using the ADSTRGR.TRSA[5:0] bits, and in the ADCSR register, set the EXTRG bit to 0 and the TRGE bit to 1. Do not use a software trigger.

The operation is as follows:

1. When the ADCSR.ADST bit is set to 1 (A/D conversion start) by a synchronous trigger input (ELC), A/D conversion starts on the single channel selected in the ADCSR.DBLANS[4:0] bits.
2. Each time the A/D conversion of a single channel completes, the A/D conversion result is stored in the associated A/D Data Register y (ADDRy).
3. The ADST bit is automatically cleared to 0 and the ADC12 enters a wait state. An ADC12i\_ADI (i = 0, 1) interrupt request is not generated.
4. When the ADCSR.ADST bit is set to 1 (A/D conversion start) by the second trigger input, A/D conversion starts on the single channel selected in the ADCSR.DBLANS[4:0] bits.
5. When A/D conversion completes, the result is stored in the A/D Data Duplexing Register (ADDBLDR), which is exclusively used in double-trigger mode.
6. An ADC12i\_ADI (i = 0, 1) interrupt request is generated (no register setting).
7. The ADST bit remains 1 (A/D conversion start) during A/D conversion, and is automatically cleared to 0 when A/D conversion completes. Then, the ADC12 enters a wait state.



**Figure 45.14** Example operation in single scan mode when double-trigger mode is selected and AN003 is duplicated

### 45.3.2.9 Extended operations when double-trigger mode is selected

When double-trigger mode is selected in single scan mode, and a synchronous trigger (ELC\_AD00/ELC\_AD01 (unit 0), ELC\_AD10/ELC\_AD11 (unit 1)) is selected as the trigger for the start of A/D conversion, two rounds of single scan operations are performed.

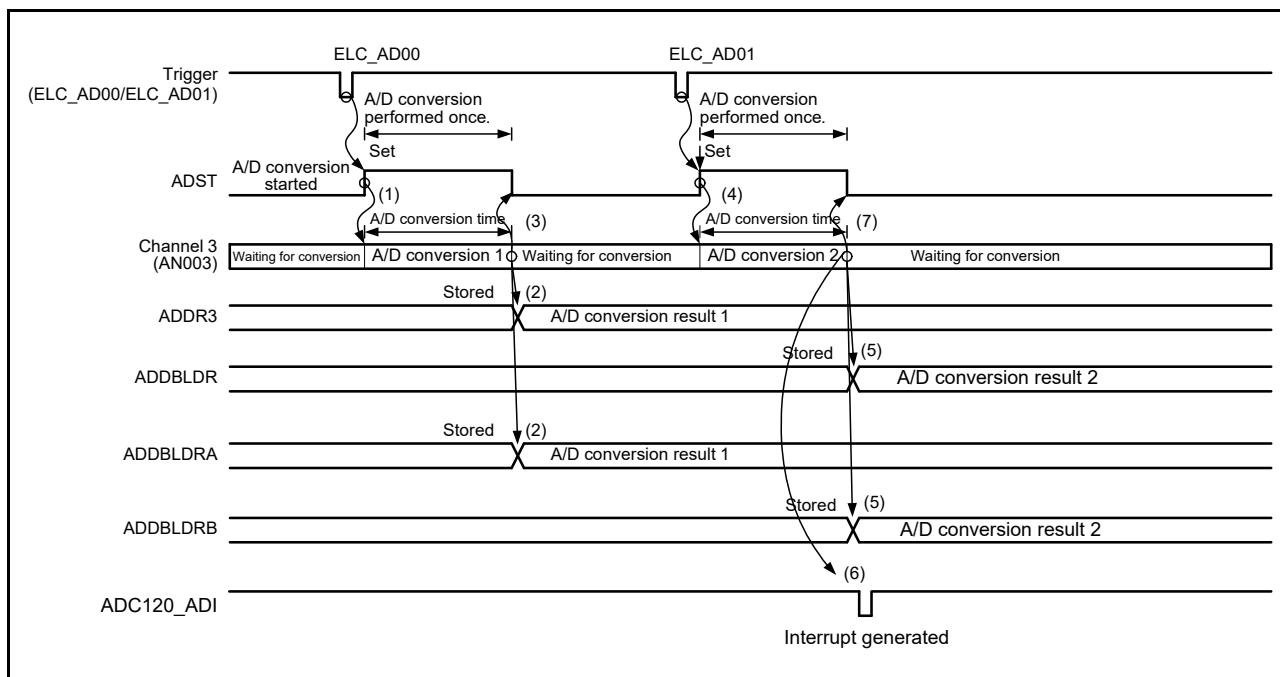
Deselect self-diagnosis, and set the addition/average mode select bits for both the temperature sensor output (ADEXICR.TSSA and ADEXICR.TSSB) and internal reference voltage (ADEXICR.OCSA and ADEXICR.OCSB) to 0.

Duplication of A/D conversion data is enabled by setting the channel numbers to be duplicated in the ADCSR.DBLANS[4:0] bits and setting the ADCSR.DBLE bit to 1. When the ADCSR.DBLE bit is set to 1, channel selection using the ADANSA0 and ADANSA1 registers is invalid.

In extended double-trigger mode, select a synchronous trigger (ELC\_AD00/ELC\_AD01 (unit 0), ELC\_AD10/ELC\_AD11 (unit 1)) by setting the ADSTRGR.TRSA[5:0] bits to 0Bh, and in ADCSR, set the EXTRG bit to 0 and the TRGE bit to 1. Do not use a software trigger.

The operation is as follows:

1. When the ADCSR.ADST bit is set to 1 (A/D conversion start) by a synchronous trigger input (ELC\_AD00/ELC\_AD01 (unit 0), ELC\_AD10/ELC\_AD11 (unit 1)), A/D conversion starts on the single channel selected in the ADCSR.DBLANS[4:0] bits.
2. When A/D conversion of a single channel completes, the A/D conversion result is stored in the associated A/D Data Register y (ADDRy) and in the A/D Data Duplexing Register A (ADDBLDRA) or A/D Data Duplexing Register B (ADDBLDRB) when the trigger of ELC\_ADi0 or ELC\_ADi1 is input respectively (i = 0, 1).
3. The ADCSR.ADST bit is automatically cleared to 0 and the ADC12 enters a wait state. An ADC12i\_ADI (i = 0, 1) interrupt request is not generated.
4. When the ADCSR.ADST bit is set to 1 (A/D conversion start) by the second trigger input (ELC\_AD00/ELC\_AD01 (unit 0), ELC\_AD10/ELC\_AD11 (unit 1)), A/D conversion starts on the single channel selected in the ADCSR.DBLANS[4:0] bits.
5. When A/D conversion completes, the result is stored in the A/D Data Duplexing Register (ADDBLDR) and in the A/D Data Duplexing Register A (ADDBLDRA) or A/D Data Duplexing Register B (ADDBLDRB) when the trigger of ELC\_ADi0 or ELC\_ADi1 is input respectively (i = 0, 1).
6. An ADC12i\_ADI (i = 0, 1) interrupt request is generated (no register setting).
7. The ADCSR.ADST bit remains 1 (A/D conversion start) during A/D conversion and is automatically cleared to 0 when the A/D conversion completes. Then, the ADC12 enters a wait state.



**Figure 45.15** Example extended operation in double-trigger mode (1) when duplication is selected for AN003 and ELC\_AD00/ELC\_AD01 is selected

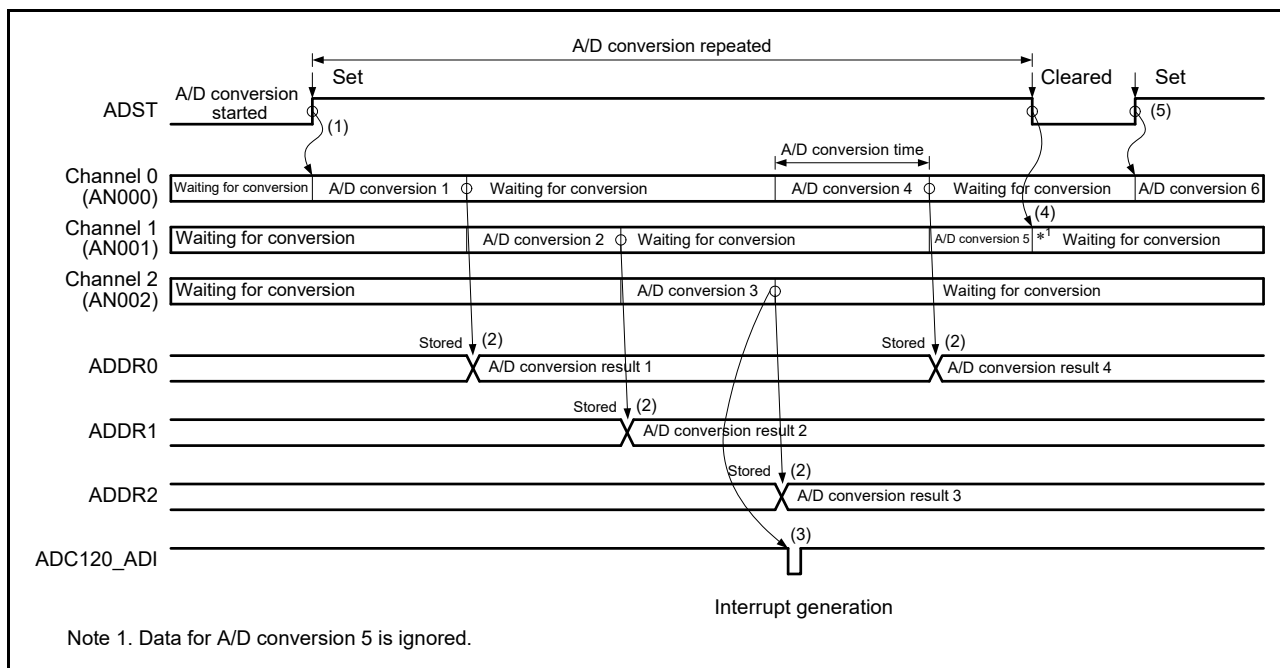
### 45.3.3 Continuous Scan Mode

#### 45.3.3.1 Basic operation without channel-dedicated sample-and-hold circuits

In the basic operation of continuous scan mode, A/D conversion is performed repeatedly on the analog input of the specified channels.

The operation is as follows:

1. When the ADCSR.ADST bit is set to 1 (A/D conversion start) by a software trigger, synchronous trigger input (ELC), or asynchronous trigger input, A/D conversion is performed for the ANn channels selected in the ADANSA0 and ADANSA1 registers, starting from the channel with the smallest number n.
2. Each time A/D conversion of a single channel completes, the A/D conversion result is stored in the associated A/D Data Register y (ADDRy).
3. When A/D conversion of all the selected channels completes, an ADC12i\_ADI (i = 0,1) interrupt request is generated (no register setting). The ADC12 sequentially starts A/D conversion for the ANn channels selected in the ADANSA0 and ADANSA1 registers, starting from the channel with the smallest number n.
4. The ADCSR.ADST bit is not automatically cleared, and steps 2 and 3 are repeated as long as the bit remains 1 (A/D conversion start). When the ADCSR.ADST bit is set to 0 (A/D conversion stop), A/D conversion stops and the ADC12 enters a wait state.
5. When the ADST bit is then set to 1 (A/D conversion start), A/D conversion starts again for the ANn channels selected in the ADANSA0 and ADANSA1 registers, starting from the channel with the smallest number n.



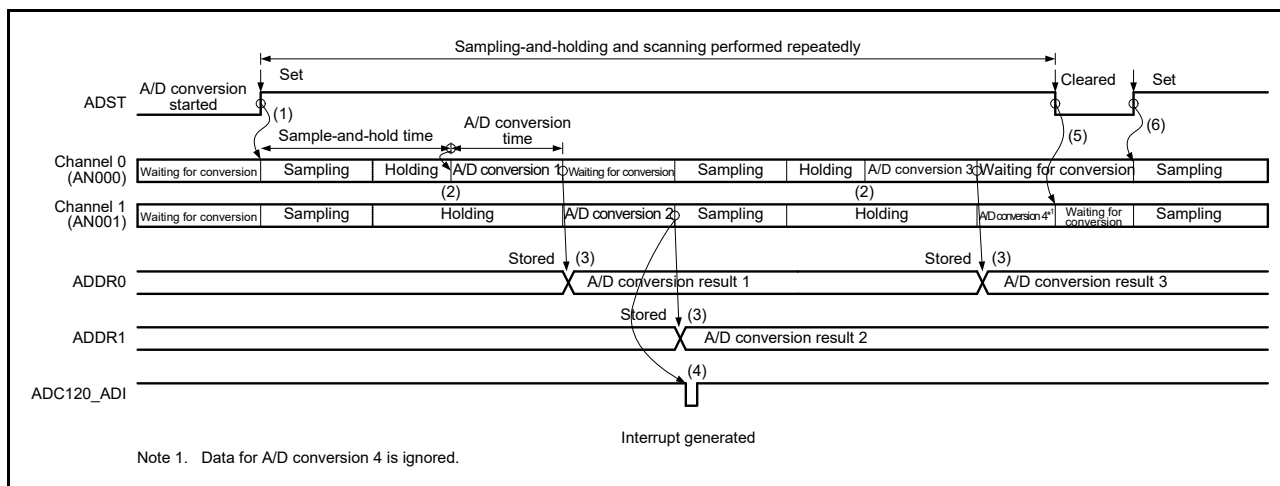
**Figure 45.16** Example basic operation in continuous scan mode when AN000 to AN002 are selected

#### 45.3.3.2 Basic operation with channel-dedicated sample-and-hold circuits and continuous sampling disabled

When the channel-dedicated sample-and-hold circuit is used with the continuous sampling disabled, sample-and-hold operation is performed first, and then A/D conversion is repeated on the analog input of all the specified channels. The channels whose dedicated sample-and-hold circuit is to be used can be selected in the SHANS[2:0] bits in ADSHCR.

The operation is as follows:

1. Analog input sampling starts for all channels whose dedicated sample-and-hold circuit is to be used when the ADCSR.ADST bit is set to 1 (A/D conversion start) by a software trigger, synchronous trigger input (ELC), or asynchronous trigger input.
2. After the sample-and-hold operation, A/D conversion is performed for the ANn channels selected in the ADANSA0 and ADANSA1 registers, starting from the channel with the smallest number n.
3. Each time A/D conversion of a single channel completes, the A/D conversion result is stored in the associated A/D Data Register y (ADDRy).
4. When A/D conversion of all the selected channels completes, an ADC12i\_ADI (i = 0, 1) interrupt request is generated (no register setting). At the same time, analog input sampling starts for all channels whose dedicated sample-and-hold circuit is to be used.
5. The ADST bit is not automatically cleared, and steps 2 to 4 are repeated as long as the bit remains 1. When the ADST bit is set to 0 (A/D conversion stop), A/D conversion stops and the ADC12 enters a wait state.
6. When the ADST bit is then set to 1 (A/D conversion start), analog input sampling starts again for all the channels whose dedicated sample-and-hold circuit is to be used.



**Figure 45.17** Example operation in continuous scan mode when channel-dedicated sample-and-hold circuits are used and AN000 and AN001 are selected

### 45.3.3.3 Basic operation with channel-dedicated sample-and-hold circuits and continuous sampling enabled

When a channel-dedicated sample-and-hold circuit is used while continuous sampling is enabled, sample-and-hold operations are performed first, after which the analog inputs on all the selected channels are A/D-converted as described in this section. The channels for which the channel-dedicated sample-and-hold circuits are to be used can be selected in the ADSHCR.SHANS[2:0] bits.

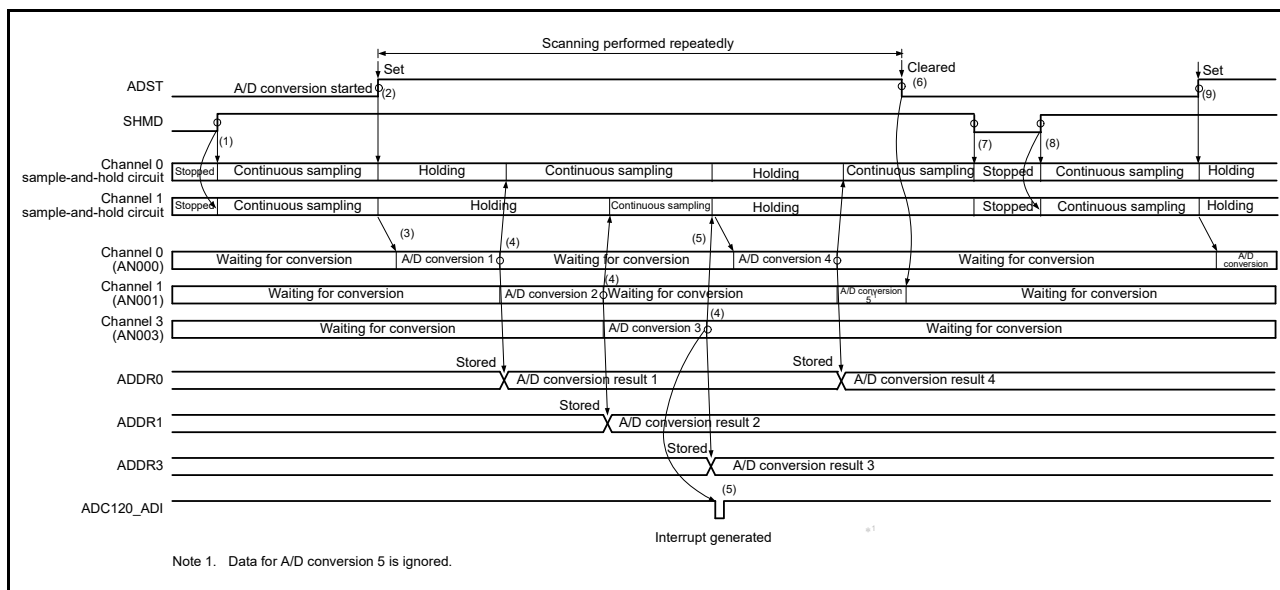
The operation is as follows:

1. When the ADSHMSR.SHMD bit is set to 1, the sample-and-hold circuits selected in the ADSHCR.SHANS[2:0] bits start continuous sampling.
2. Analog input holding starts for all channels for which the channel-dedicated sample-and-hold circuits are to be used when the ADCSR.ADST bit is set to 1 (A/D conversion start) by a software trigger, input of a synchronous trigger signal (ELC), or input of an asynchronous trigger. Set the ADCSR.ADST bit to 1 after at least 400 ns (when the permissible signal source impedance is 1 k $\Omega$ ) elapse after the ADSHMSR.SHMD bit is set to 1.
3. After the stabilization time of the sample-and-hold circuits elapses, A/D conversion is performed for the AN $n$  channels selected in the ADANSA0 and ADANSA1 registers, starting from the channel with the smallest number  $n$ .
4. Each time A/D conversion of a single channel completes, the A/D conversion result is stored in the associated A/D Data Register  $y$  (ADDR $y$ ), and the sample-and-hold circuit restarts continuous sampling.
5. When A/D conversion of all the selected channels completes, an ADC12 $i$ \_ADI ( $i = 0, 1$ ) interrupt request is generated (no register setting). Also, analog input holding starts for all channels for which the channel-dedicated sample-and-hold circuits are to be used.
6. The ADCSR.ADST bit is not automatically cleared, and steps 3 to 5 are repeated as long as the bit remains 1. When the ADCSR.ADST bit is set to 0 (A/D conversion stop), A/D conversion stops and the ADC12 enters a wait state.
7. When the ADSHMSR.SHMD bit is set to 0, the sample-and-hold circuits stop.
8. When the ADSHMSR.SHMD bit is then set to 1, the sample-and-hold circuits selected in the ADSHCR.SHANS[2:0] bits start continuous sampling.
9. When the ADCSR.ADST bit is then set to 1 (A/D conversion start), analog input holding starts for all channels for which the channel-dedicated sample-and-hold circuits are to be used.

**Note:** If continuous scanning is performed when only those channels with the sample-and-hold circuits are selected, time for continuous sampling cannot be secured in the second and subsequent continuous scans. When continuous sampling by the channel-dedicated sample-and-hold circuits is enabled for continuous scanning, select one or more channels among AN003 to AN007 and AN016 to AN020, temperature sensor output, and internal reference voltage for unit 0, and AN105 to AN107 and AN116 to AN118, temperature sensor output, and



internal reference voltage for unit 1, and set the continuous sampling time for the sample-and-hold circuits to at least 400 ns (when the permissible signal source impedance is 1 k $\Omega$ ).



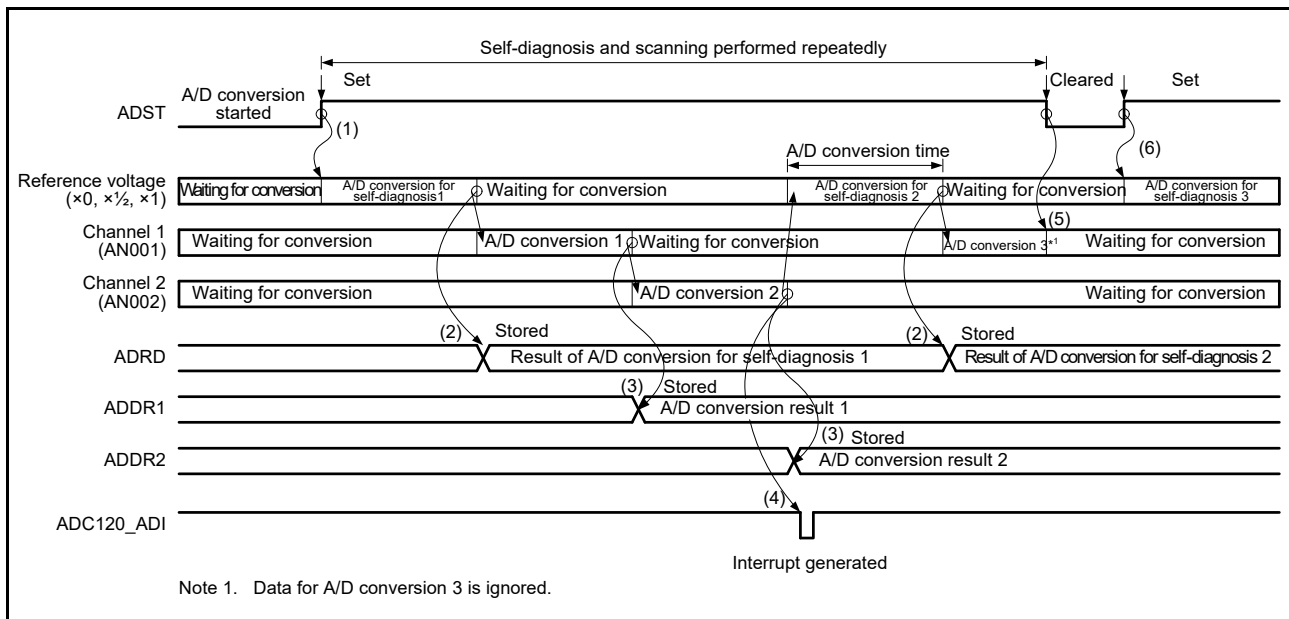
**Figure 45.18** Example operation in continuous scan mode when channel-dedicated sample-and-hold circuits are used, AN000, AN001, and AN003 are selected, and continuous sampling is enabled

#### 45.3.3.4 Channel selection and self-diagnosis without channel-dedicated sample-and-hold circuits

When channels and self-diagnosis are selected at the same time, A/D conversion is first performed for the reference voltage VREFH0 (unit 0) or VREFH (unit 1) ( $\times 0$ ,  $\times 1/2$ , or  $\times 1$ ) supplied to the ADC12, and then A/D conversion is performed on the analog input of the selected channels, and this sequence is repeated.

The operation is as follows:

1. A/D conversion for self-diagnosis is first started when the ADCSR.ADST bit is set to 1 (A/D conversion start) by a software trigger, synchronous trigger input (ELC), or asynchronous trigger input.
2. When A/D conversion for self-diagnosis completes, the A/D conversion result is stored in the A/D Self-Diagnosis Data Register (ADDRD). A/D conversion is then performed for the ANn channels selected in the ADANSA0 and ADANSA1 registers, starting from the channel with the smallest number n.
3. Each time A/D conversion of a single channel completes, the A/D conversion result is stored in the associated A/D Data Register y (ADDRy).
4. When A/D conversion of all the selected channels completes, an ADC12i\_ADI (i = 0, 1) interrupt request is generated (no register setting). At the same time, the ADC12 starts A/D conversion for self-diagnosis and then starts A/D conversion on ANn channels selected in the ADANSA0 and ADANSA1 registers, starting from the channel with the smallest number n.
5. The ADST bit is not automatically cleared, and steps 2 to 4 are repeated as long as the bit remains 1. When the ADST bit is set to 0 (A/D conversion stop), A/D conversion stops and the ADC12 enters a wait state.
6. The ADST bit remains 1 (A/D conversion start) during A/D conversion, and is automatically cleared to 0 when A/D conversion of all the selected channels completes. Then, the ADC12 enters a wait state.



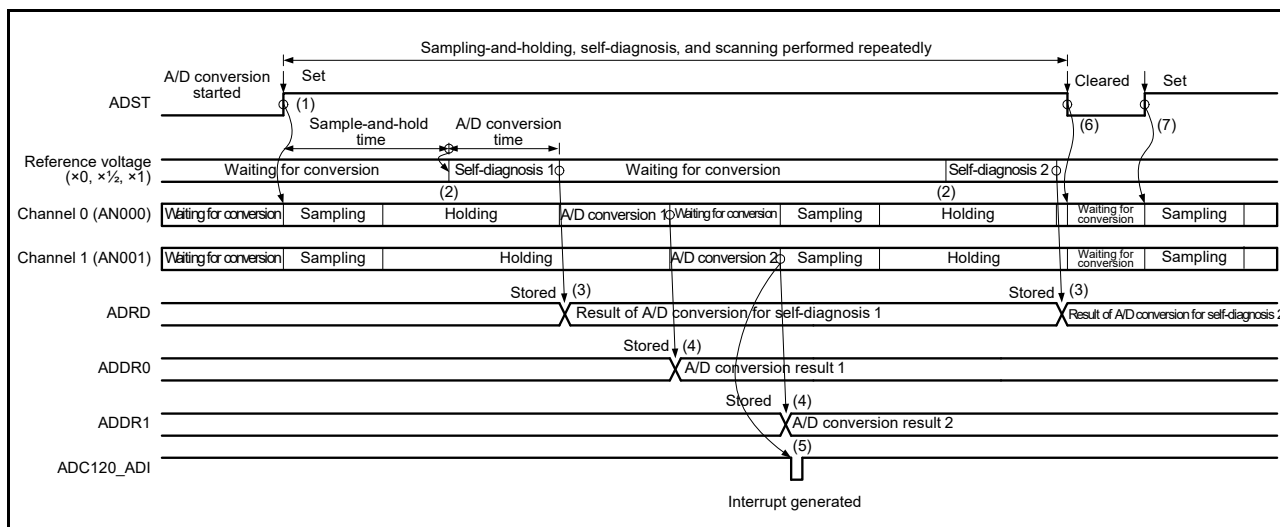
**Figure 45.19** Example basic operation in continuous scan mode when AN001 and AN002 are selected with self-diagnosis

#### 45.3.3.5 Channel selection and self-diagnosis with channel-dedicated sample-and-hold circuits and continuous sampling disabled

When the channels and self-diagnosis are selected and a channel-dedicated sample-and-hold circuit is used while continuous sampling is disabled, sample-and-hold operation is performed first, and then A/D conversion is performed for the reference voltage VREFH0 (unit 0) or VREFH (unit 1) ( $\times 0$ ,  $\times 1/2$ , or  $\times 1$ ) supplied to the ADC12, and then A/D conversion is performed on the analog input of the selected channels, and this sequence is repeated.

The operation is as follows:

1. Analog input sampling starts for all channels whose dedicated sample-and-hold circuit is to be used when the ADCSR.ADST bit is set to 1 (A/D conversion start) by a software trigger, synchronous trigger input (ELC), or asynchronous trigger input.
2. After the sample-and-hold operation, A/D conversion for self-diagnosis starts.
3. When A/D conversion for self-diagnosis completes, the A/D conversion result is stored in the A/D Self-Diagnosis Data Register (ADRD). A/D conversion is then performed for the ANn channels selected in the ADANSA0 and ADANSA1 registers, starting from the channel with the smallest number n.
4. Each time A/D conversion of a single channel completes, the A/D conversion result is stored in the associated A/D Data Register y (ADDRy).
5. When A/D conversion of all the selected channels completes, an ADC12i\_ADI (i = 0, 1) interrupt request is generated (no register setting). At the same time, analog input sampling starts for all channels whose dedicated sample-and-hold circuit is to be used.
6. The ADST bit is not automatically cleared, and steps 2 to 5 are repeated as long as the bit remains 1. When the ADST bit is set to 0 (A/D conversion stop), A/D conversion stops and the ADC12 enters a wait state.
7. When the ADST bit is then set to 1 (A/D conversion start), analog input sampling starts again for all the channels whose dedicated sample-and-hold circuits are to be used.



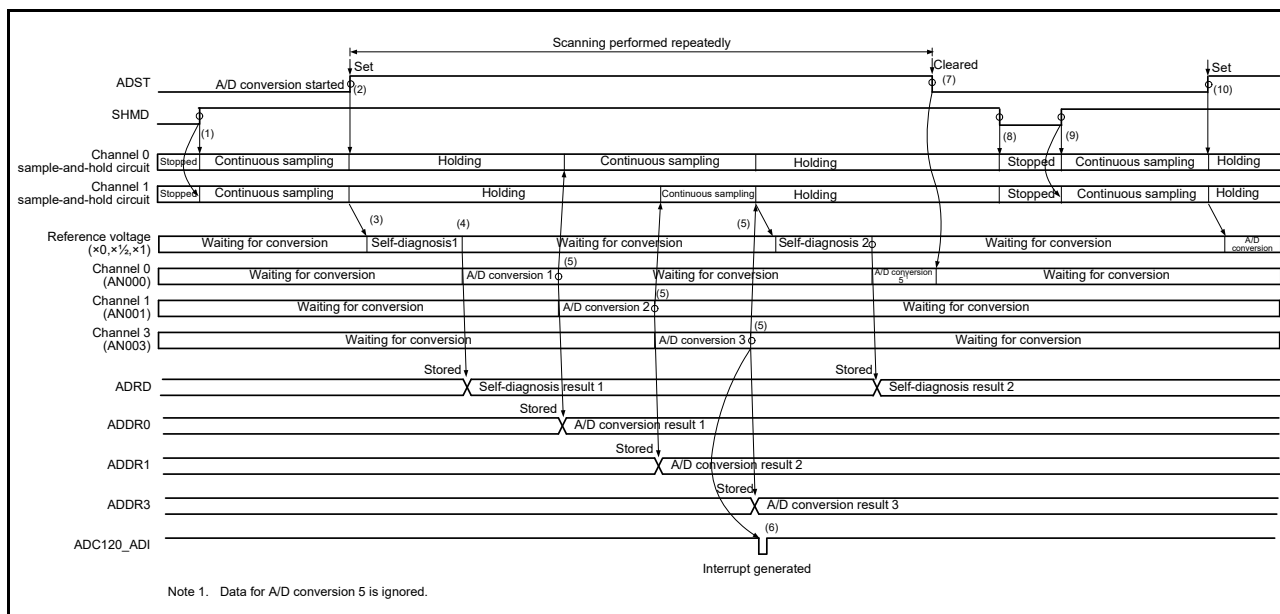
**Figure 45.20** Example operation in continuous scan mode when channel-dedicated sample-and-hold circuits are used and AN000 and AN001 are selected with self-diagnosis

### 45.3.3.6 Channel selection and self-diagnosis with channel-dedicated sample-and-hold circuits and continuous sampling enabled

When channels and self-diagnosis are selected and a channel-dedicated sample-and-hold circuit is used while continuous sampling is enabled, the sample-and-hold operation is performed first, and followed by A/D conversion of the reference voltage VREFH0 (unit 0) or VREFH (unit 1) ( $\times 0$ ,  $\times 1/2$ , or  $\times 1$ ) supplied to the ADC12. After that, A/D conversion is performed on the analog input of the selected channels, and this sequence is repeated.

The operation is as follows:

1. When the ADSHMSR.SHMD bit is set to 1, the sample-and-hold circuits selected in the ADSHCR.SHANS[2:0] bits start continuous sampling.
2. Analog input holding starts for all channels for which the channel-dedicated sample-and-hold circuits are to be used when the ADCSR.ADST bit is set to 1 (A/D conversion start) by a software trigger, input of a synchronous trigger signal (ELC), or input of an asynchronous trigger. Set the ADCSR.ADST bit to 1 after at least 400 ns (when the permissible signal source impedance is 1 k $\Omega$ ) elapse after the ADSHMSR.SHMD bit is set to 1.
3. After the stabilization time of the sample-and-hold circuits elapses, A/D conversion for self-diagnosis starts.
4. When A/D conversion for self-diagnosis completes, the A/D conversion result is stored in the A/D Self-Diagnosis Data Register (ADRD). A/D conversion is then performed for the ANn channels selected in the ADANSA0 and ADANSA1 registers, starting from the channel with the smallest number n.
5. Each time A/D conversion of a single channel completes, the A/D conversion result is stored in the associated A/D Data Register y (ADDRy), and the sample-and-hold circuit restarts continuous sampling.
6. When A/D conversion of all the selected channels completes, an ADC12i\_ADI (i = 0, 1) interrupt request is generated (no register setting). Also, analog input holding starts for all channels for which the channel-dedicated sample-and-hold circuits are to be used.
7. The ADCSR.ADST bit is not automatically cleared, and steps 3 to 6 are repeated as long as the bit remains 1. When the ADCSR.ADST bit is set to 0 (A/D conversion stop), A/D conversion stops and the ADC12 enters a wait state.
8. When the ADSHMSR.SHMD bit is set to 0, the sample-and-hold circuits stop.
9. When the ADSHMSR.SHMD bit is then set to 1, the sample-and-hold circuits selected in the ADSHCR.SHANS[2:0] bits start continuous sampling.
10. When the ADCSR.ADST bit is then set to 1 (A/D conversion start), analog input holding starts for all channels for which the channel-dedicated sample-and-hold circuits are to be used.



**Figure 45.21** Example operation in continuous scan mode when channel-dedicated sample-and-hold circuits are used, AN000, AN001, and AN003 are selected with self-diagnosis, and continuous sampling is enabled

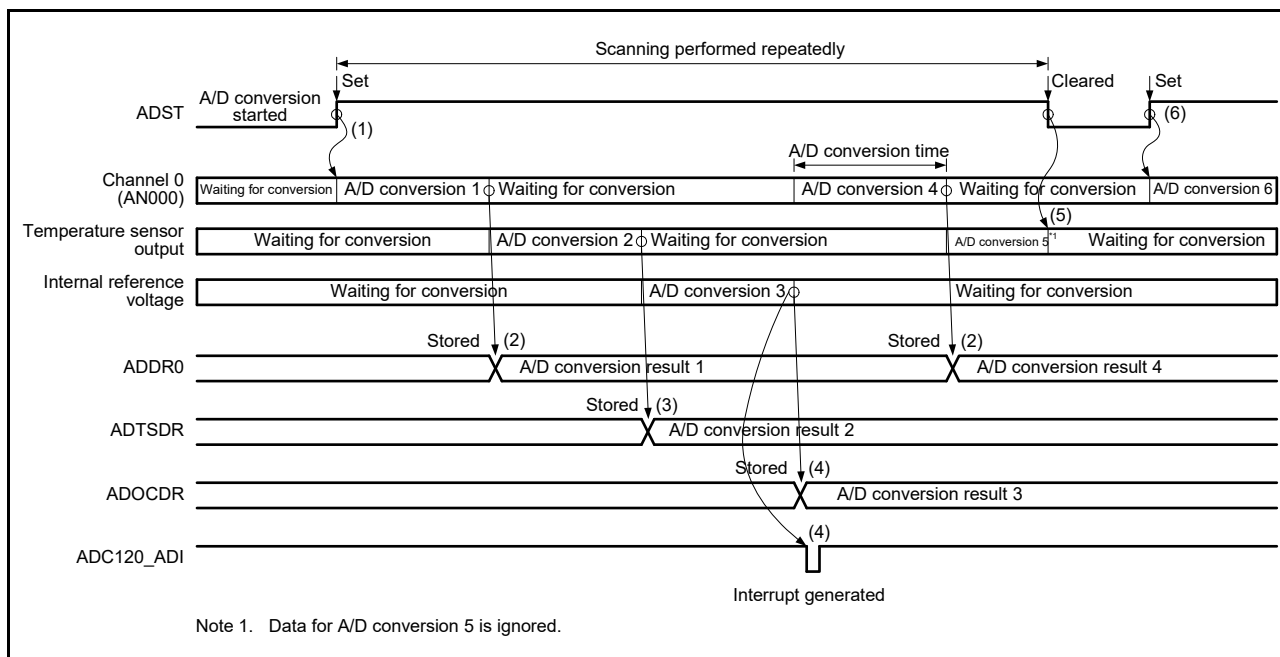
#### 45.3.3.7 A/D conversion of temperature sensor output or internal reference voltage

When the channels and temperature sensor output or internal reference voltage are selected at the same time, A/D conversion is first performed on the analog input of the selected channels, and then the A/D conversion of the temperature sensor output or internal reference voltage is repeated. When both the temperature sensor output and internal reference voltage are selected, A/D conversion of the temperature sensor output and internal reference voltage is performed, in that order.

With the channels deselected, selecting only the temperature sensor output or internal reference voltage is also possible.

The operation is as follows:

1. When a software trigger, synchronous trigger (ELC), or asynchronous trigger sets the ADCSR.ADST bit to 1 (A/D conversion start), A/D conversion is performed for the ANn channels selected in the ADANSA0 and ADANSA1 registers, starting from the channel with the smallest number n.
2. On completion of A/D conversion on the channels, the result is stored in the associated A/D Data Register y (ADDRy), and then A/D conversion of temperature sensor output starts.
3. On completion of A/D conversion of the temperature sensor output, the result is stored in the associated A/D Temperature Sensor Data Register (ADTSDR), and then A/D conversion of the internal reference voltage starts.
4. On completion of A/D conversion of the internal reference voltage, the result is stored in the associated A/D Internal Reference Voltage Data Register (ADOCDR), and an ADC12i\_ADI interrupt request is generated. In addition, the ADC12 continuously starts A/D conversion for the ANn channels selected in the ADANSA0 and ADANSA1 registers, starting from the channel with the lowest number n.
5. The ADCSR.ADST bit is not cleared automatically, and steps 2 to 4 are repeated as long as this bit remains set to 1. When the ADCSR.ADST bit is set to 0 (A/D conversion stop), A/D conversion stops and the ADC12 enters a wait state.
6. When the ADCSR.ADST bit is then set to 1 (A/D conversion start), A/D conversion starts again for the ANn channels selected in the ADANSA0 and ADANSA1 registers, starting from the channel with the lowest number n.



**Figure 45.22** Example basic operation in continuous scan mode when AN000 and temperature sensor output or internal reference voltage are selected

### 45.3.4 Group Scan Mode

#### 45.3.4.1 Basic operation

In group scan mode, A/D conversion is performed once on the analog inputs of all the specified channels in group A and group B after scanning is started by a synchronous trigger (ELC). The scan operation of each group is similar to the scan operation in single scan mode.

The synchronous triggers can be selected in the ADSTRGR.TRSA[5:0] bits for group A and in the ADSTRGR.TRSB[5:0] bits for group B. Use different triggers for group A and group B to prevent simultaneous A/D conversion of the two groups. Do not use a software trigger.

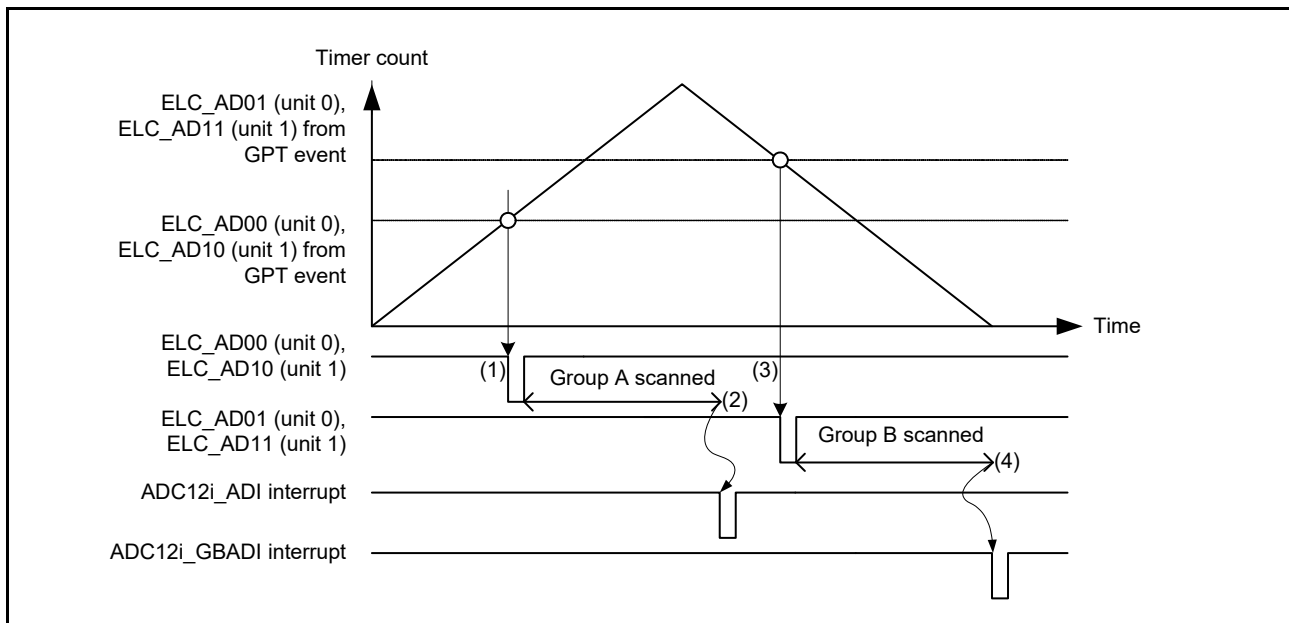
Group A channels to be A/D-converted are selected using the ADANSA0 and ADANSA1 registers and the ADEXICR.TSSA and OCSA bits, while the group B channels to be A/D-converted are selected using the ADANSB0 and ADANSB1 registers, and the ADEXICR.TSSB and OCSB bits. Group A and group B cannot use the same channels.

When self-diagnosis is selected in group scan mode, self-diagnosis is separately executed for group A and group B.

The following describes operation in group scan mode using a synchronous trigger from the ELC. In this example, the ELC\_AD00 and ELC\_AD01 (unit 0), and ELC\_AD10 and ELC\_AD11 (unit 1) triggers from the ELC are used to start conversion of group A and group B, respectively. Also, ELC\_AD00 and ELC\_AD01 (unit 0), and ELC\_AD10 and ELC\_AD11 (unit 1) are selected for the GPT event in the associated ELC.ELSRn registers.

The operation is as follows:

1. Scanning of group A is started by ELC\_AD00 (unit 0) or ELC\_AD10 (unit 1).
2. When group A scanning completes, an ADC12i\_ADI (i = 0, 1) interrupt is generated (no register setting).
3. Scanning of group B is started by ELC\_AD01 (unit 0) or ELC\_AD11 (unit 1).
4. When group B scanning completes, an ADC12i\_GBADI interrupt is generated if the ADCSR.GBADIE bit is 1 (ADC12i\_GBADI interrupt when scanning completion is enabled).



**Figure 45.23** Example basic operation in group scan mode when synchronous triggers from the ELC are used

#### 45.3.4.2 A/D conversion in double-trigger mode

When double-trigger mode is selected in group scan mode, two rounds of single scan operation started by a synchronous trigger (ELC) are performed as a sequence for group A. For group B, single scan operation started by a synchronous trigger (ELC) is performed once.

In group scan mode, the synchronous triggers can be selected in the TRSA[5:0] bits in ADSTRGR for group A and in the TRSB[5:0] bits in ADSTRGR for group B. Use different triggers for group A and group B to prevent simultaneous A/D conversion of the two groups. Do not use a software trigger or an asynchronous trigger (ADTRGn).

When ELC\_AD00/ELC\_AD01 (unit 0), ELC\_AD10/ELC\_AD11 (unit 1) are selected as the group A synchronous triggers by setting the ADSTRGR.TRSA[5:0] bits to 0Bh, operation proceeds in extended double-trigger mode.

The channels to be A/D-converted are selected in the DBLANS[4:0] bits in the ADCSR register for group A and in the ADANSB0 and ADANSB1 registers for group B. The same channels cannot be selected for both groups.

When double-trigger mode is selected in group scan mode, set the A/D conversion select bits for both the temperature sensor output (ADEXICR.TSSA) and the internal reference voltage (ADEXICR.OCSA) to 0 (deselected). Self-diagnosis cannot be selected when double-trigger mode is selected in group scan mode.

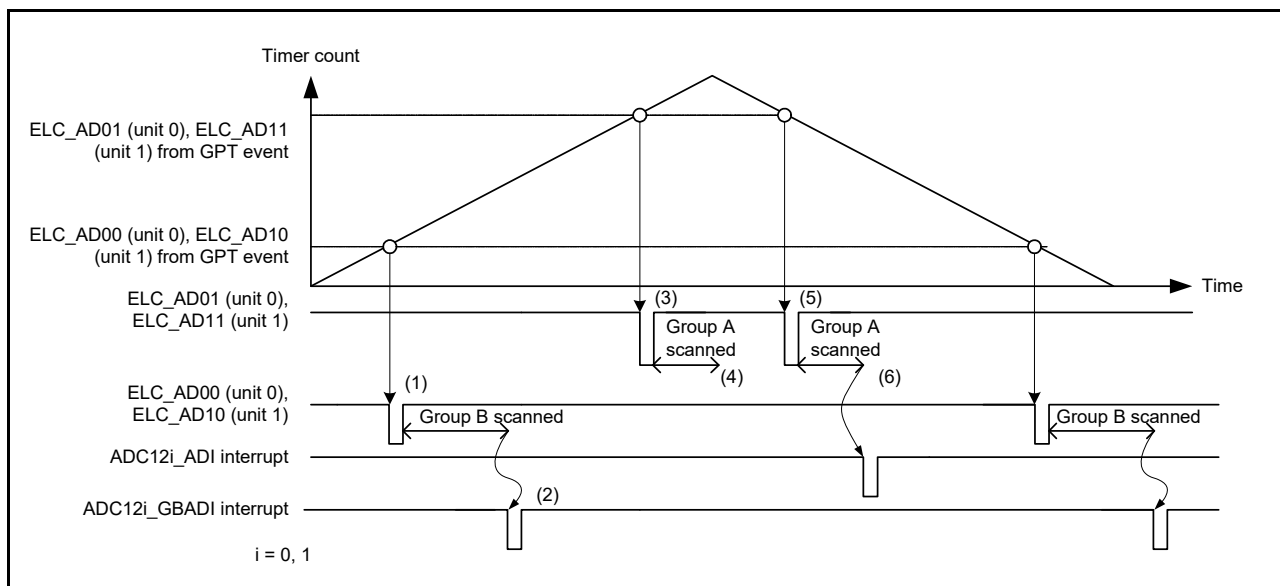
Duplication of A/D conversion data is enabled by setting the channel numbers to be duplicated to the ADCSR.DBLANS[4:0] bits and setting the DBLE bit in ADCSR to 1.

The following describes operation in group scan mode with double-trigger mode using a synchronous trigger from the ELC. In this example, the ELC\_AD00 and ELC\_AD01 (unit 0), ELC\_AD10 and ELC\_AD11 (unit 1) triggers from the ELC are used to start conversion of group A and group B, respectively. Also, ELC\_AD00 and ELC\_AD01 (unit 0), ELC\_AD10 and ELC\_AD11 (unit 1) are selected for the GPT event in the associated ELC.ELSRn registers.

The operation is as follows:

1. Scanning of group B is started by the ELC\_AD00 (unit 0) or ELC\_AD10 (unit 1) trigger from the ELC.
2. When group B scanning completes, an ADC12i\_GBADI (i = 0, 1) interrupt is generated if the GBADIE bit in ADCSR is 1 (ADC12i\_GBADI interrupt when scanning completion is enabled).
3. The first scan of group A is started by the first ELC\_AD01 (unit 0) or ELC\_AD11 (unit 1) trigger.
4. When the first scan of group A completes, the conversion result is stored in the associated A/D Data Register y (ADDRy). An ADC12i\_ADI interrupt request is not generated, regardless of the ADIE bit setting in ADCSR.
5. The second scan of group A is started by the second ELC\_AD01 (unit 0) or ELC\_AD11 (unit 1) trigger.

6. When the second scan of group A completes, the conversion result is stored in ADDBLDR. An ADC12i\_ADI interrupt is generated.



**Figure 45.24** Example basic operation in group scan mode with double-trigger mode when synchronous triggers from the ELC are used

#### 45.3.4.3 Operation with group A priority control

Setting the ADGSPCR.PGS bit to 1 in group scan mode makes the operation proceed under group A priority control. When setting the PGS bit in the ADGSPCR register to 1, follow the procedure shown in [Figure 45.25](#). If the procedure is not followed, A/D conversion operation and stored data are not guaranteed.

In basic group scan mode, while A/D conversion is underway for group A or group B, the input of the trigger for A/D conversion for the other group is ignored. Under group A priority control, if a group A trigger is input during A/D conversion for group B, A/D conversion for group B is discontinued and A/D conversion for group A proceeds. If the setting in the ADGSPCR.GBRSCN bit is 0, ADC12 enters a wait state on the completion of the A/D conversion for group A. If the setting in the ADGSPCR.GBRSCN bit is 1, ADC12 automatically restarts scanning for group B from the head of the group after completion of the A/D conversion for group A. [Table 45.9](#) summarizes operations in response to the input of a trigger during A/D conversion with the settings in the ADGSPCR.GBRSCN bit.

Scan operations in group A or group B are the same in single scan mode. Additionally, single scanning continues to proceed if the ADGSPCR.GBRP bit is set to 1 during scanning operations for group B.

For the trigger settings in group scan mode, select a synchronous trigger for group A using the ADSTRGR.TRSA[5:0] bits, and select a synchronous trigger for group B, different from that of group A, using the ADSTRGR.TRSB[5:0] bits. Set the ADSTRGR.TRSB[5:0] bits to 3Fh when setting the ADGSPCR.GBRP bit to 1.

Additionally, as targets for A/D conversion, select channels for group A using the ADANSA0 and ADANSA1 registers and the ADEXICR.TSSA and OCSA bits, and for group B, select channels different from those for group A using the ADANSB0 and ADANSB1 registers and the ADEXICR.TSSB and OCSB bits.

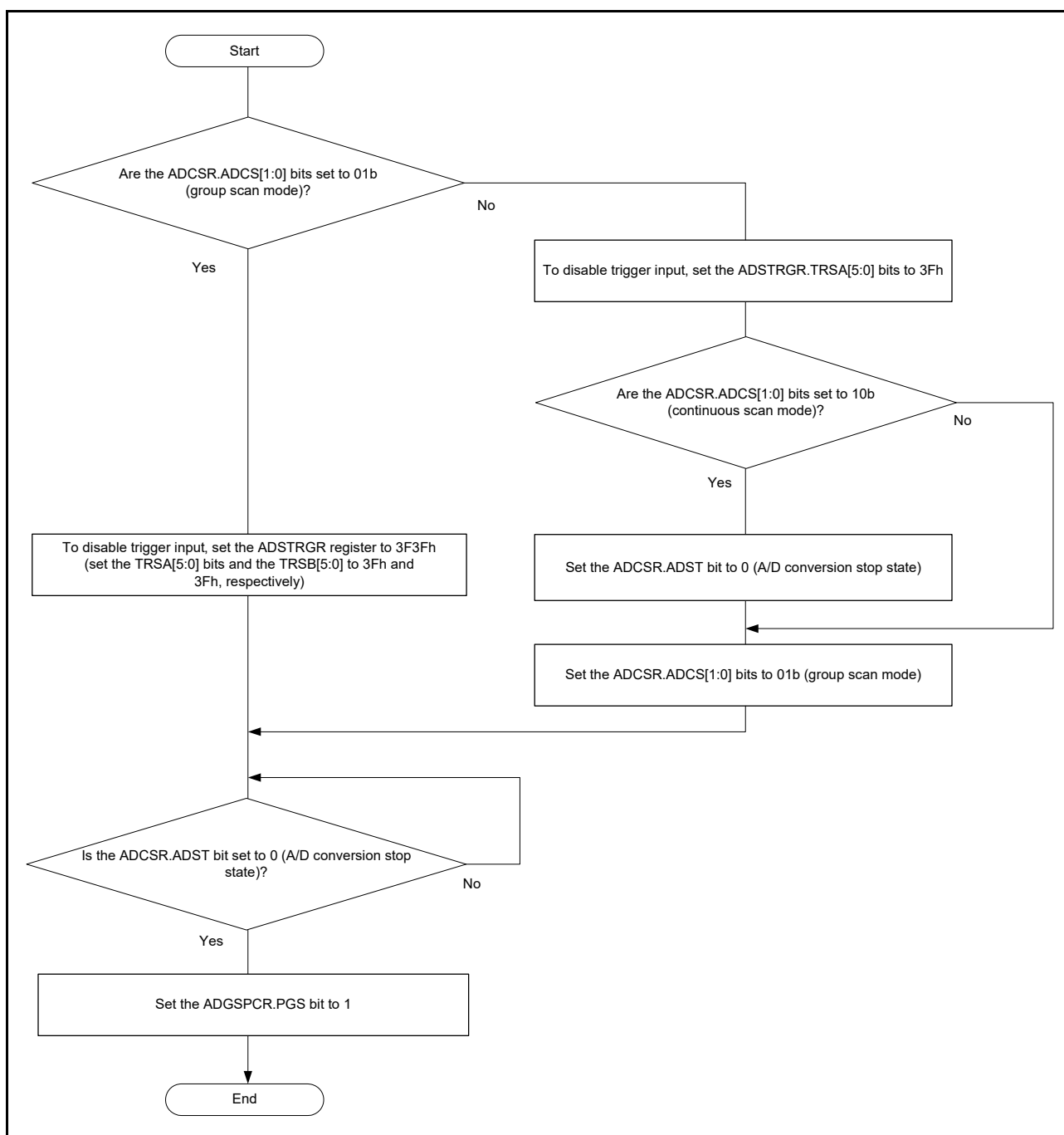


Figure 45.25 Flow for ADGSPCR.PGS bit setting

Table 45.9 Control of A/D conversion operations based on the ADGSPCR.GBRSCN bit settings

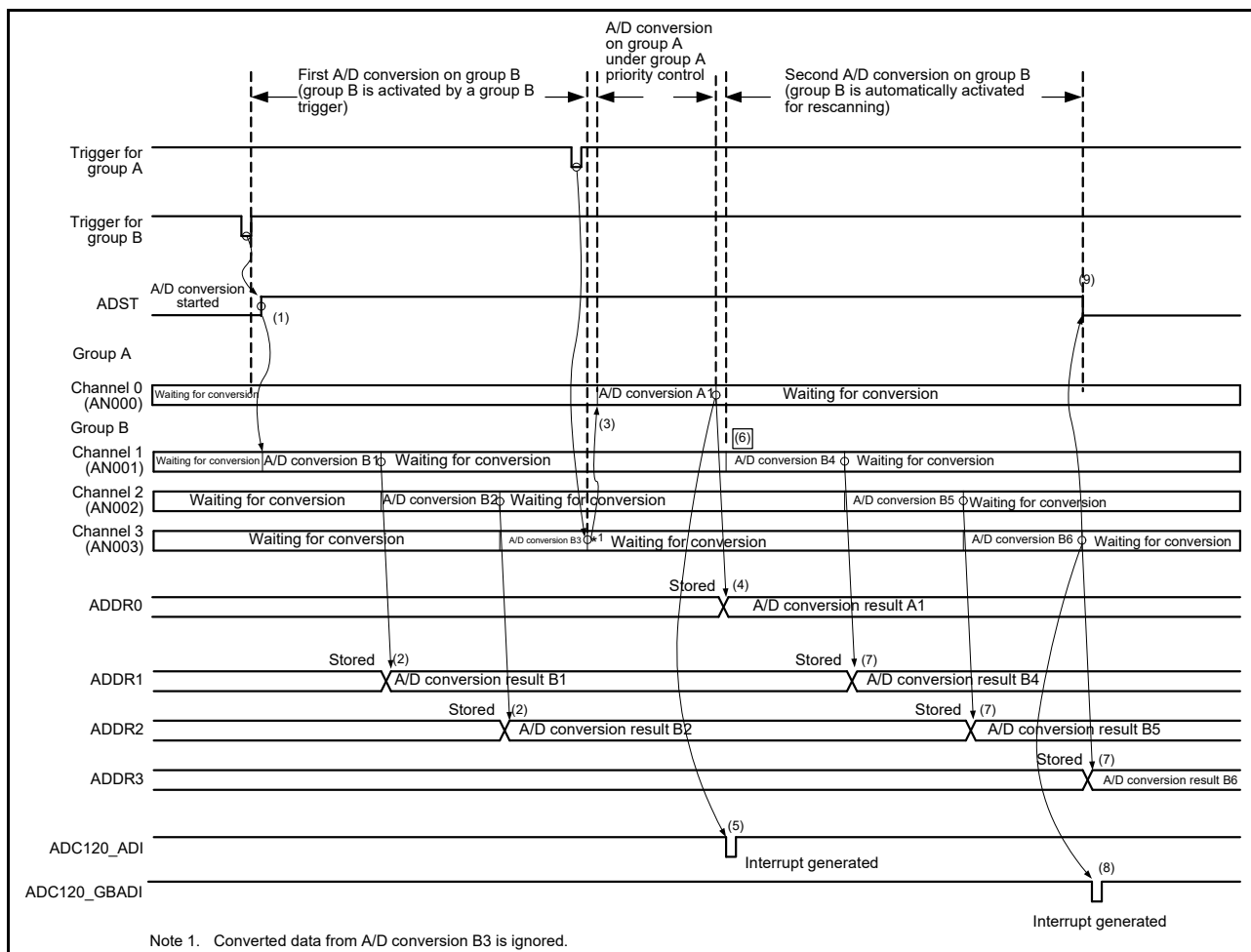
| A/D conversion operation                       | Trigger input            | ADGSPCR.GBRSCN = 0                                     | ADGSPCR.GBRSCN = 1  |
|--|--------------------------|--|---|
| When A/D conversion for group A is in progress | Input of group A trigger | Trigger input is invalid                               | Trigger input is invalid  |
|  | Input of group B trigger | Trigger input is invalid                               | Group B is converted after group A conversion completes   |
| When A/D conversion for group B is in progress | Input of group A trigger | Group B conversion stops and group A conversion starts | <ul style="list-style-type: none"> <li>Group B conversion stops and group A conversion starts</li> <li>Group B Conversion starts after group A conversion completes.</li> </ul> |
|  | Input of group B trigger | Trigger input is invalid                               | Trigger input is invalid  |



The following describes the operations in group scan mode under group A priority control (ADGSPCR.GBRSCN = 1 and ADGSPCR.GBRP = 0) when channel 0 is selected for group A and channels 1 to 3 are selected for group B.

The operation is as follows:

1. When input of a trigger for group B sets the ADCSR.ADST bit to 1 (A/D conversion start), conversion for the ANn channels selected in the ADANSB0 and ADANSB1 registers starts from the channel with the smallest number n.
2. On completion of A/D conversion, the result is stored in the associated A/D Data Register y (ADDRy).
3. When a group A trigger is input while A/D conversion for group B is in progress, and A/D conversion for group B is discontinued with the ADCSR.ADST bit remains 1, A/D conversion for the ANn channels selected in the ADANSA0 and ADANSA1 registers starts in order from the channel with the smallest number n. If A/D conversion is not complete when the A/D conversion of group B is interrupted, the A/D conversion result is not stored in the A/D Data Register (ADDRy).
4. On completion of A/D conversion on a single channel, the result is stored in the associated A/D Data Register y (ADDRy).
5. An ADC12i\_ADI (i = 0, 1) interrupt request is generated (no register setting).
6. A/D conversion for the ANn channels in group B selected in the ADANSB0 and ADANSB1 registers restarts in order from the channel with the smallest number n with the ADCSR.ADST bit remains 1.
7. On completion of A/D conversion on a single channel, the result is stored in the associated A/D Data Register y (ADDRy).
8. An ADC12i\_GBADI interrupt request is generated if the setting in the ADCSR.GBADIE bit is 1 (ADC12i\_GBADI interrupt when group B scanning completion is enabled).
9. The ADCSR.ADST bit is automatically cleared and ADC12 enters the wait state when A/D conversion is complete.



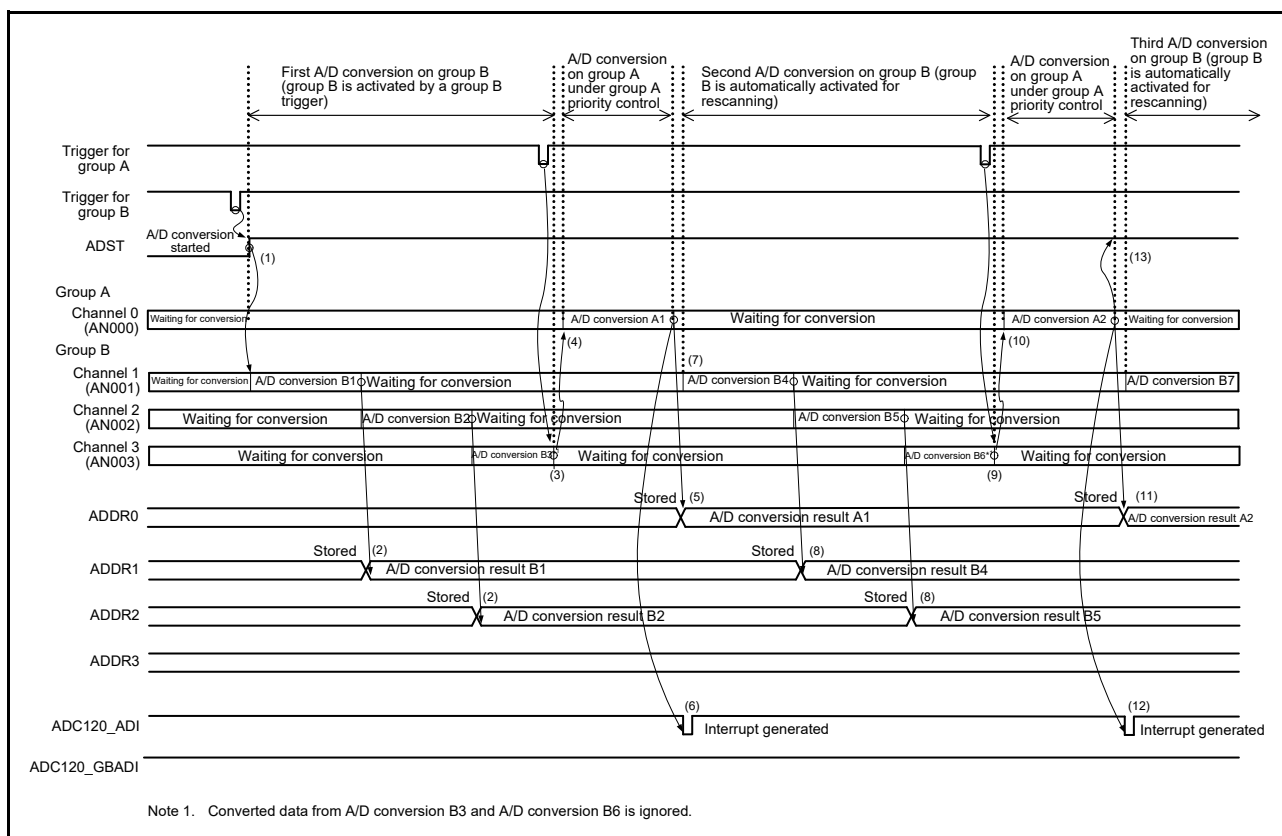
**Figure 45.26 Example operation with group A priority control (1), when ADGSPCR.GBRSCN = 1 and ADGSPCR.GBRP = 0**

This section provides an example operation when a group A trigger is input again during rescanning operation on group B. In this example, channel 0 is selected for group A and channels 1 to 3 are selected for group B when operation on group A is given priority (ADGSPCR.GBRSCN = 1 and ADGSPCR.GBRP = 0).

The operation is as follows:

1. When a group B trigger input sets the ADCSR.ADST bit to 1 (A/D conversion start), conversion for the ANn channels in group B selected in the ADANSB0 and ADANSB1 registers starts from the channel with the smallest number n.
2. On completion of A/D conversion on a single channel, the result is stored in the associated A/D Data Register y (ADDRy).
3. When a group A trigger is input while A/D conversion for group B is in progress, A/D conversion for group B is discontinued with the ADCSR.ADST bit remains 1. If A/D conversion is not complete when A/D conversion of group B is interrupted, the A/D conversion result is not stored in the A/D Data Register (ADDRy).
4. A/D conversion for the ANn group A channels selected in the ADANSA0 and ADANSA1 registers starts from the channel with the smallest number n.
5. On completion of A/D conversion on a single channel, the result is stored in the associated A/D Data Register y (ADDRy).
6. An ADC12i\_ADI (i = 0, 1) interrupt request is generated (no register setting).
7. If the ADGSPCR.GBRSCN bit is 1, when A/D conversion of group A is complete, the ADCSR.ADST bit remains 1 and group B is rescanned. A/D conversion for the ANn group B channels selected in the ADANSB0 and ADANSB1 registers starts again in order from the channel with the smallest number n.

8. On completion of A/D conversion on a single channel, the result is stored in the associated A/D Data Register y (ADDRy).
9. If a group A trigger is input during A/D conversion on group B for rescanning, the ADCSR.ADST bit remains 1 and the ongoing A/D conversion for group B is discontinued.
10. A/D conversion for the ANn group A channels selected in the ADANSA0 and ADANSA1 registers starts from the channel with the smallest number n.
11. On completion of A/D conversion on a single channel, the result is stored in the associated A/D Data Register y (ADDRy).
12. An ADC12i\_ADI interrupt request is generated (no register setting).
13. If the ADGSPCR.GBRSCN bit is 1, when the A/D conversion of group A is complete, the ADCSR.ADST bit remains 1 and group B is rescanned. Next, A/D conversion for the ANn group B channels selected in the ADANSB0 and ADANSB1 registers starts again in order from the channel with the smallest number n.
14. If a group A trigger is input during A/D conversion on group B for rescanning, steps 9. to 13. are repeated. If a group A trigger is not input, the ADCSR.ADST bit is cleared automatically on completion of the A/D conversion on group B, and the ADC12 enters a wait state.



**Figure 45.27 Example operation with group A priority control (2), when ADGSPCR.GBRSCN = 1 and ADGSPCR.GBRP = 0**

This section provides an example of a rescanning operation in which a group B trigger is input during A/D conversion on group A. In this example, channels 1 to 3 are selected for group A and channel 0 is selected for group B when operation on group A is given priority (ADGSPCR.GBRSCN = 1, ADGSPCR.GBRP = 0).

The operation is as follows:

1. When input of a trigger for group A sets the ADCSR.ADST bit to 1 (A/D conversion start), conversion for the ANn channels selected in the ADANSA0 and ADANSA1 registers starts from the channel with the smallest number n.
2. On completion of A/D conversion on a single channel, the result is stored in the associated A/D Data Register y (ADDRy).

3. If a group B trigger is input during A/D conversion on group A, A/D conversion on group B can be performed after the A/D conversion on group A completes. However, if group A triggers are input continuously, the scan operation on group B is canceled by group A and is not performed.
4. On completion of the A/D conversion on group A, an ADC12i\_ADI (i = 0, 1) interrupt request is generated (no register setting).
5. On completion of group A conversion, the ADCSR.ADST bit remains 1, and group B is rescanned. Next, A/D conversion for the ANn channels of group B selected in the ADANSB0 and ADANSB1 registers starts in order from the channel with the smallest number n.
6. On completion of A/D conversion on a single channel, the result is stored in the associated A/D Data Register y (ADDRy).
7. On completion of the rescanning operation on group B, an ADC12i\_GBADI interrupt request is generated if the setting in the ADCSR.GBADIE bit is 1 (ADC12i\_GBADI interrupt when scanning completion is enabled).
8. The ADCSR.ADST bit is automatically cleared, and the ADC12 enters the wait state when A/D conversion is complete.

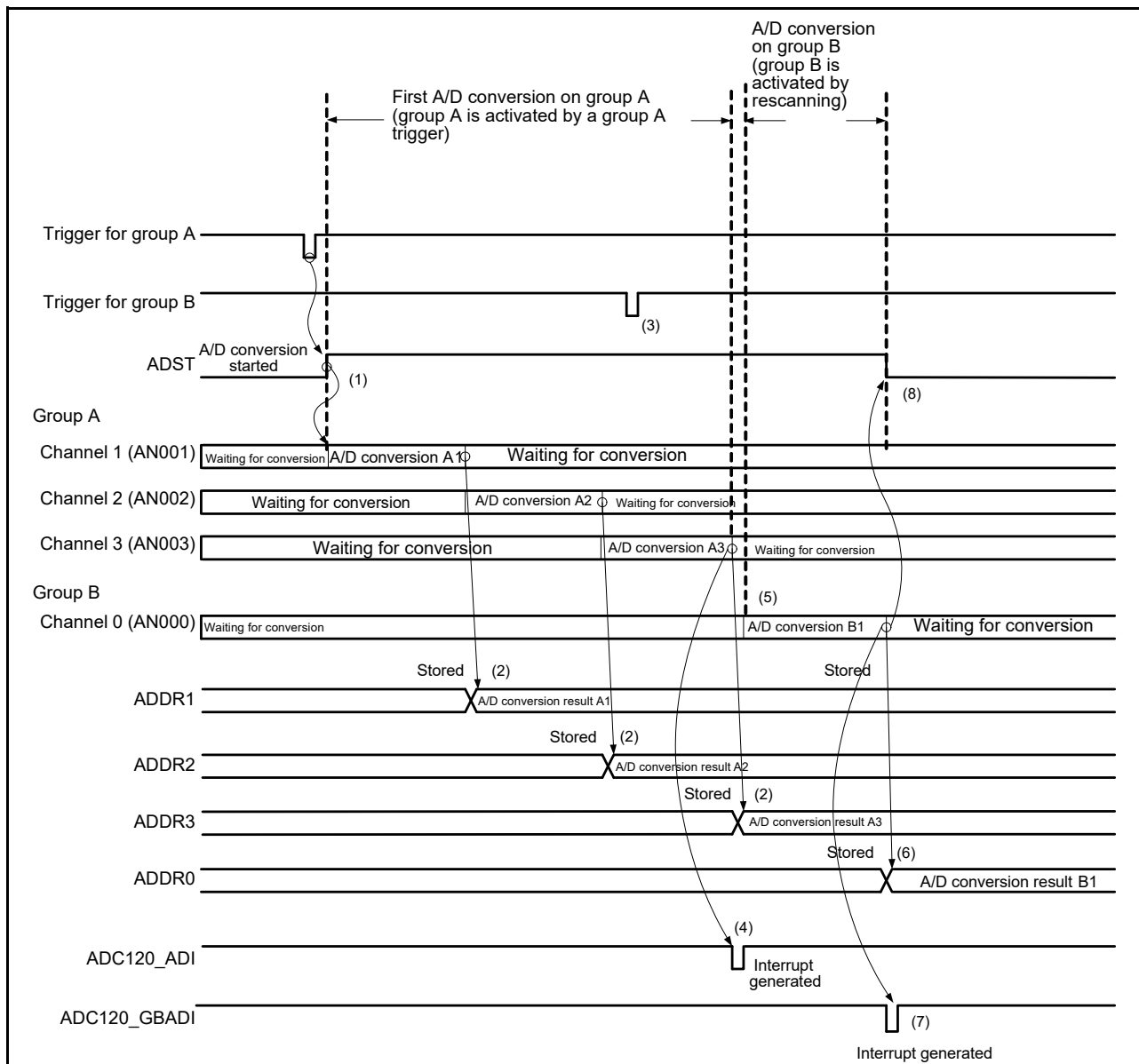
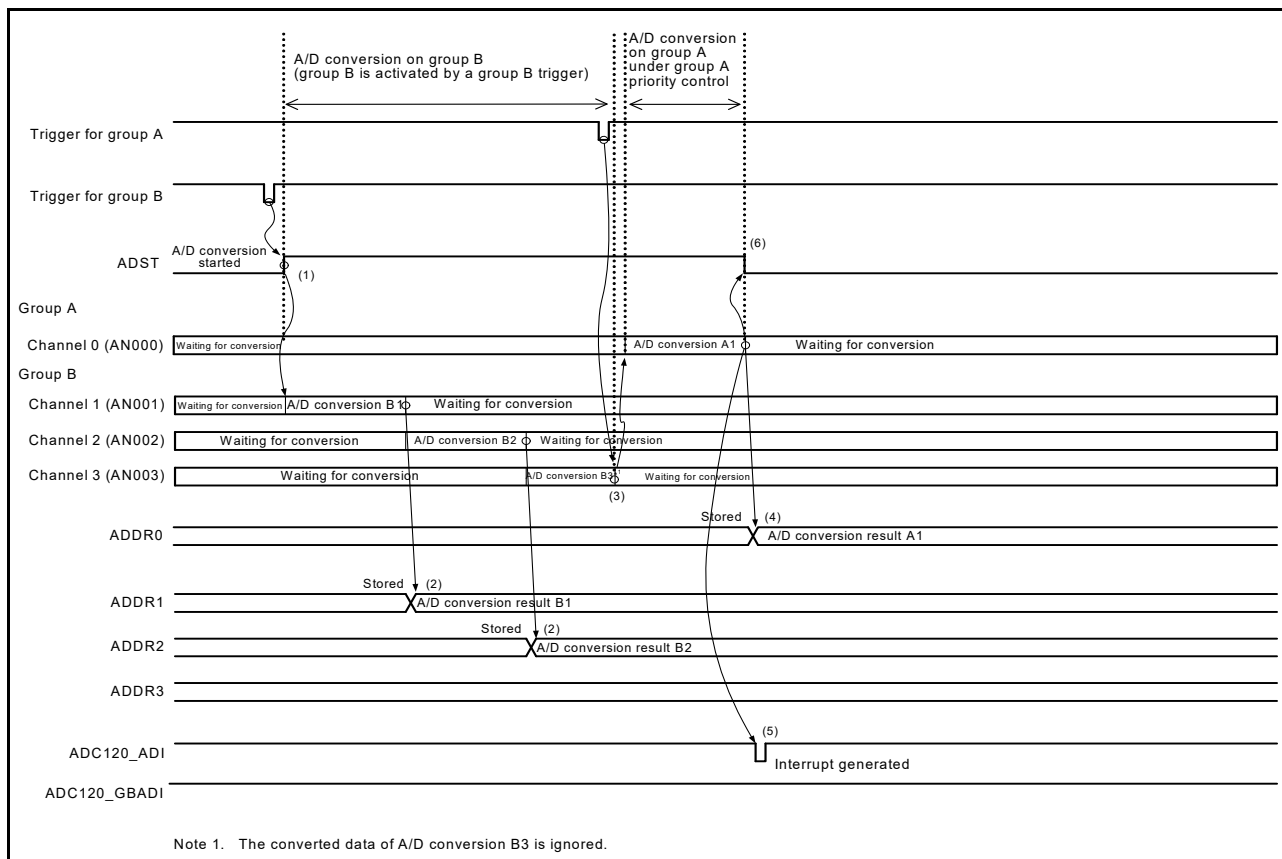


Figure 45.28 Example operation with group A priority control (3), when ADGSPCR.GBRSCN = 1 and ADGSPCR.GBRP = 0

This section provides an example of operation under group A priority control in which channel 0 is selected for group A and channels 1 to 3 are selected for group B (ADGSPCR.GBRSCN = 0, ADGSPCR.GBRP = 0).

The operation is as follows:

1. When the input of a trigger for group B sets the ADCSR.ADST bit to 1 (A/D conversion start), conversion for the ANn channels selected in the ADANSB0 and ADANSB1 registers starts from the channel with the smallest number n.
2. On completion of A/D conversion on a single channel, the result is stored in the associated A/D Data Register y (ADDRy).
3. If a group A trigger is input while A/D conversion for group B is in progress, A/D conversion for group B is discontinued with the ADCSR.ADST bit remains 1. Next, A/D conversion for the ANn channels selected in the ADANSA0 and ADANSA1 registers starts in order from the channel with the smallest number n.
4. On completion of A/D conversion on a single channel, the result is stored in the associated A/D Data Register y (ADDRy).
5. An ADC12i\_ADI (i = 0, 1) interrupt request is generated (no register setting).
6. The ADCSR.ADST bit is automatically cleared, and the ADC12 enters the wait state when A/D conversion is complete.



**Figure 45.29 Example operation with group A priority control (4), when ADGSPCR.GBRSCN = 0 and ADGSPCR.GBRP = 0**

This section provides an example of operation under group A priority control in which channel 0 is selected for group A and channels 1 to 3 are selected for group B (ADGSPCR.GBRP = 1).

The operation is as follows:

1. The ADCSR.ADST bit is set to 1 (A/D conversion start) when ADGSPCR.GBRP is set to 1, and conversion for the ANn channels selected in the ADANSB0 and ADANSB1 registers starts from the channel with the smallest number n.

2. On completion of A/D conversion on a single channel, the result is stored in the associated A/D Data Register y (ADDRy).
3. If a group A trigger is input while A/D conversion for group B is in progress, A/D conversion for group B is discontinued with the ADCSR.ADST bit remains 1. Next, A/D conversion for the ANn channels selected in the ADANSA0 and ADANSA1 registers starts in order from the channel with the smallest number n.
4. On the completion of A/D conversion on a single channel, the result is stored in the associated A/D Data Register y (ADDRy).
5. An ADC12i\_ADI (i = 0, 1) interrupt request is generated (no register setting).
6. A/D conversion for the ANn channels in group B selected in the ADANSB0 and ADANSB1 registers restarts in order from the channel with the smallest number n with the ADCSR.ADST bit remains 1.
7. On the completion of A/D conversion on a single channel, the result is stored in the associated A/D Data Register y (ADDRy).
8. An ADC12i\_GBADI interrupt request is generated if the setting in the ADCSR.GBADIE bit is 1.
9. A/D conversion for the ANn channels selected in the ADANSB0 and ADANSB1 registers starts in order from the channel with the smallest number n. Steps 6. to 9. are repeated as long as the ADGSPCR.GBRP bit remains 1. Clearing of the ADCSR.ADST bit to 0 is prohibited while the ADGSPCR.GBRP bit is set to 1. Follow the procedure for clearing the ADCSR.ADST bit through software, shown in Figure 45.40, to force A/D conversion to stop while ADGSPCR.GBRP = 1.

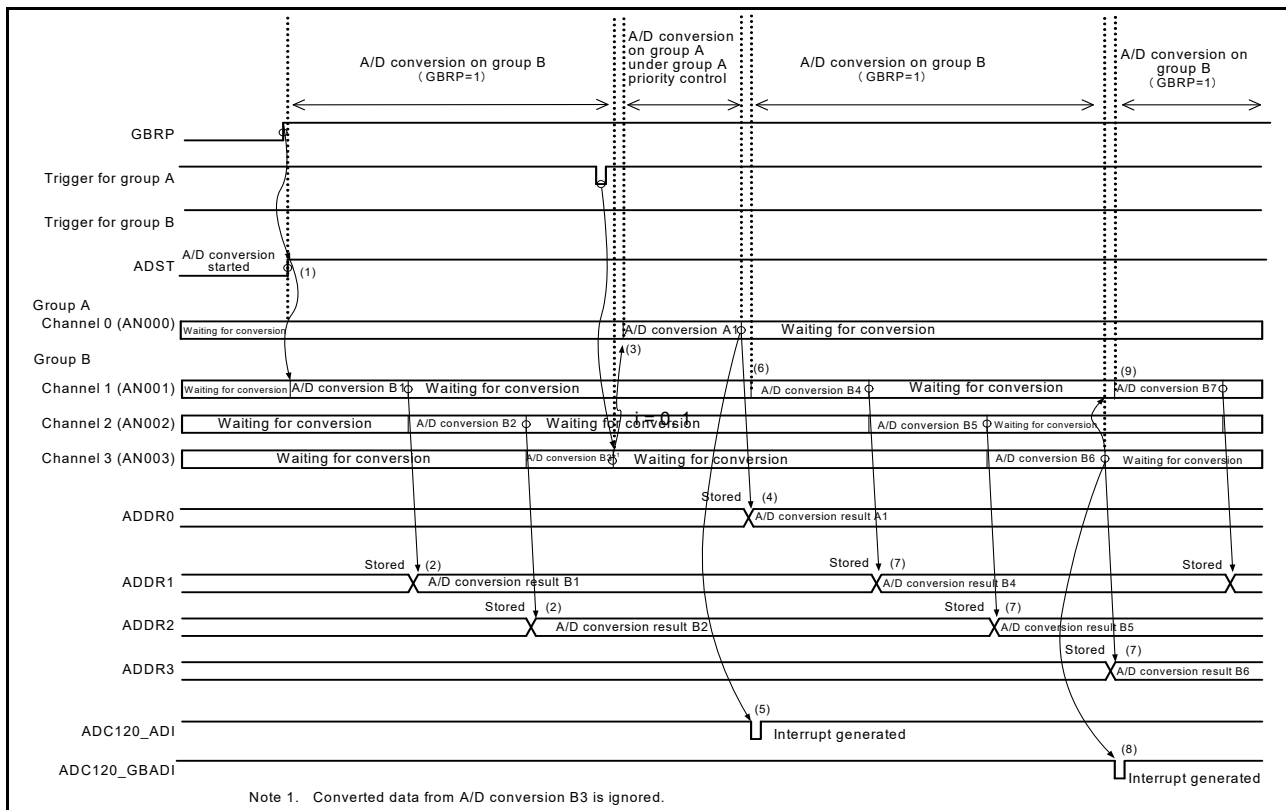


Figure 45.30 Example operation with group A priority control (5), when ADGSPCR.GBRP = 1

### 45.3.5 Compare Function for Windows A and B

#### 45.3.5.1 Compare function

The compare function compares a reference value with the A/D conversion result. The reference value can be set for Window A and Window B independently. When the compare function is in use, the self-diagnosis function and double-trigger mode cannot be used. The main differences between Window A and Window B are their different interrupt output signals and the constraint on Window B of only one selectable channel.

This section provides an example operation that combines continuous scan mode and the compare function.

The operation is as follows:

1. When the ADCSR.ADST bit is set to 1 (A/D conversion start) by software, a synchronous trigger (ELC) or an asynchronous trigger, A/D conversion starts for the selected channels, temperature sensor, and internal reference voltage.
2. On completion of A/D conversion, the A/D conversion result is stored in the associated A/D Data Register y (ADDRy, ADTSDR, or ADOCDR). When ADCMPCR.CMPAE = 1, if bits in the ADCMPANSRy register or the ADCMPANSER register are set for Window A, the A/D conversion result is compared with the set ADCMPDR0/1 register value. When ADCMPCR.CMPBE = 1, if bits in the ADCMPBNSR register are set for Window B, the A/D conversion result is compared with the ADWINULB/ADWINLLB register setting.
3. As a result of the comparison, when Window A meets the condition set in ADCMPLR0/1 or ADCMPLER, the Compare Window A Flag (ADCMPSR0.CMPSTCHA0n, ADCMPSR1.CMPSTCHA1n, ADCMPSER.CMPSTTSA, or ADCMPSER.CMPSTOCA) sets 1. At this time, if the ADCMPCR.CMPAIE bit is 1, an ADC12i\_CMPAI (i = 0, 1) interrupt request is generated. In the same way, when Window B meets the condition set in ADCMPBNSR.CMPLB, the Compare Window B Flag (ADCMPBSR.CMPSTB) is set to 1. At this time, if the ADCMPCR.CMPBIE bit is 1, an ADC12i\_CMPBI interrupt request is generated.
4. On completion of all selected A/D conversions and comparisons, scan restarts.
5. After the ADC12i\_CMPAI and ADC12i\_CMPBI interrupts are accepted, the ADCSR.ADST bit is set to 0 (A/D conversion stop) and processing is performed for channels for which the compare flag is set to 1.
6. When all compare flags of Window A are cleared, the ADC12i\_CMPAI interrupt request is canceled. In the same way, when all compare flags of Window B are cleared, the ADC12i\_CMPBI interrupt request is reset. To perform comparison again, restart the A/D conversion.

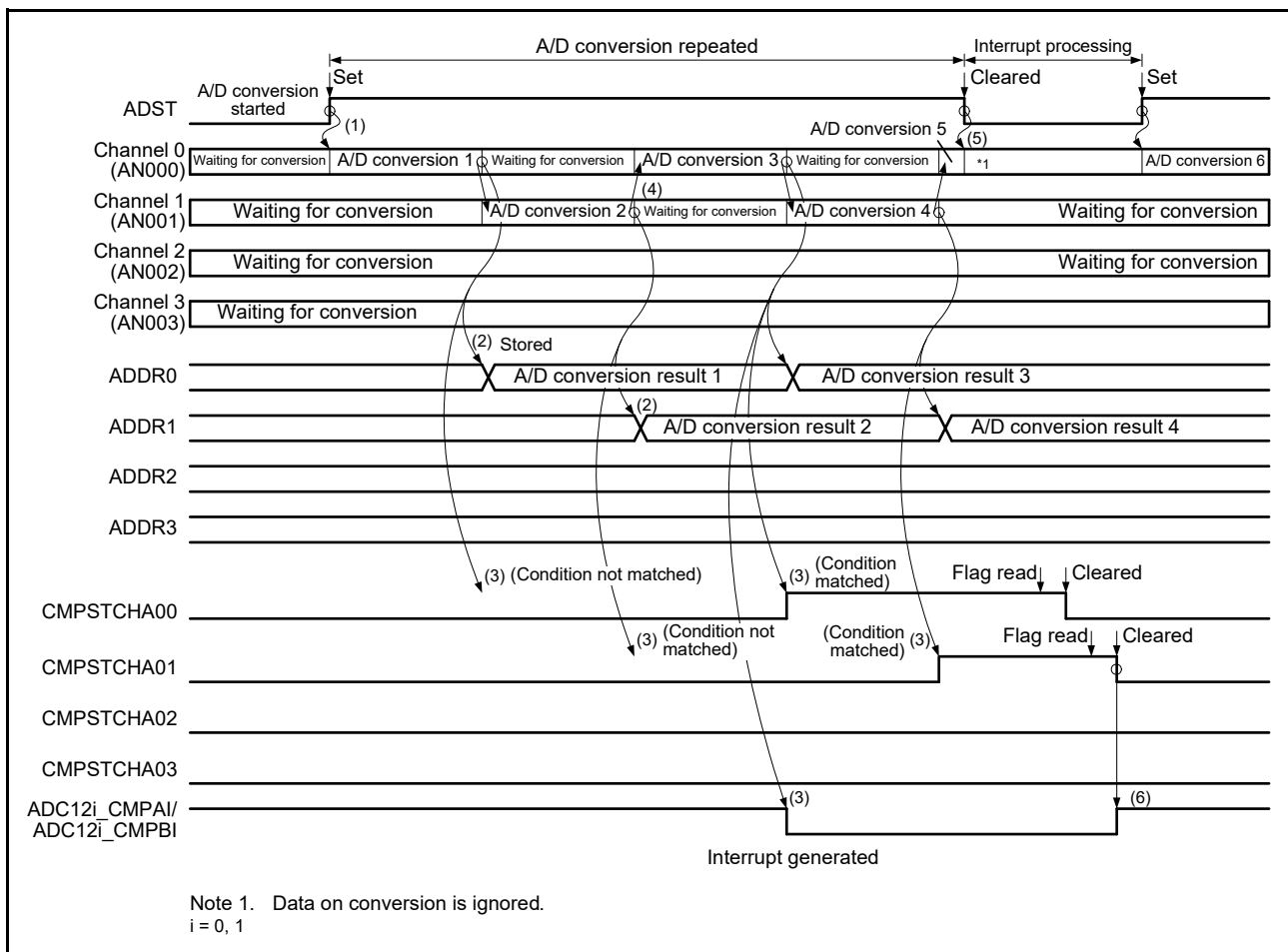


Figure 45.31 Example of compare function operation, when AN000 to AN003 are compared

### 45.3.5.2 Event output of compare function

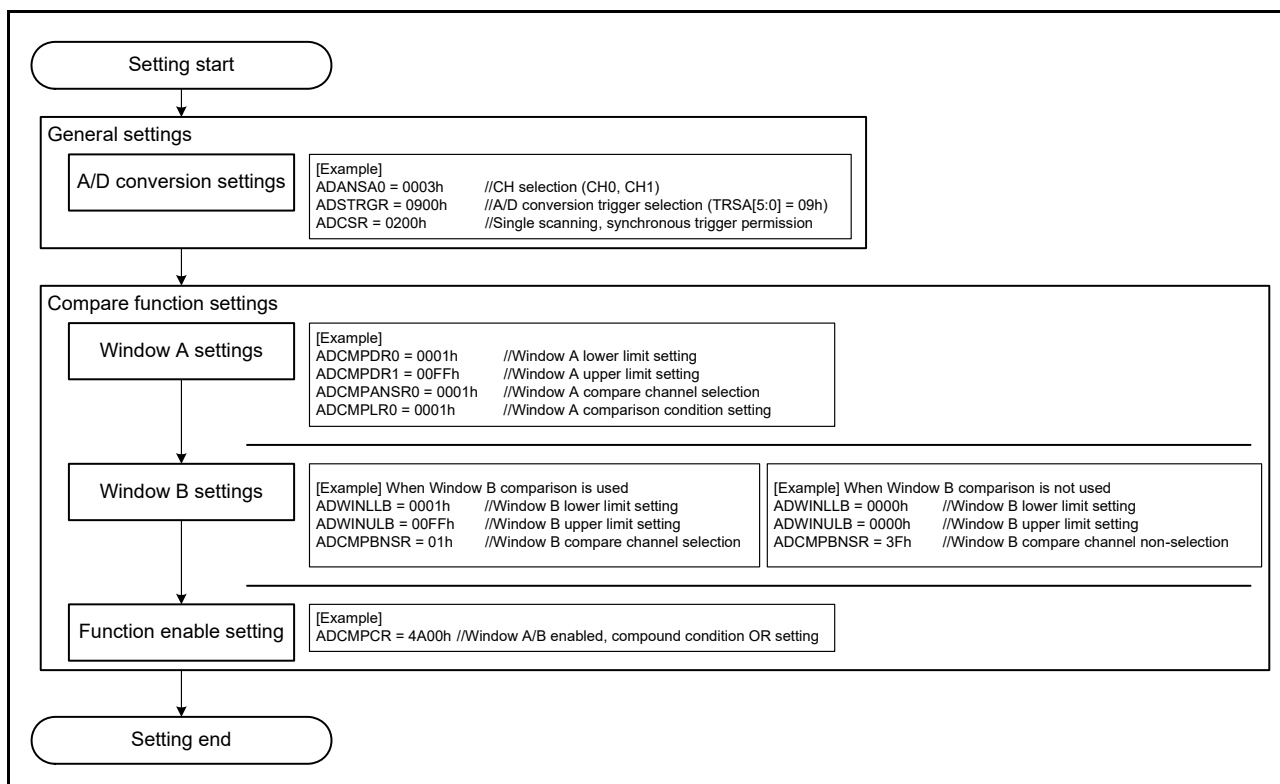
The event output of the compare function specifies the upper reference voltage value for Window A and the lower reference voltage value for Window B, compares the A/D-converted value of the selected channel with the upper and lower reference voltage values, and then outputs the ADC12i\_WCMPLM and ADC12i\_WCMPUM ( $i = 0, 1$ ) events based on the event conditions (A OR B, A AND B, A XOR B) and comparison results of Window A and Window B.

If more than one channel is selected for Window A, and even one channel in Window A meets the comparison condition, the comparison result of Window A becomes met. When using this function, perform A/D conversion in single scan mode. Any channels from AN000 to AN007 and AN016 to AN020 (unit 0), and AN100 to AN102, AN105 to AN107, and AN116 to AN118 (unit 1), internal reference voltage, and temperature sensor output are selectable for Window A.

This section provides the setting procedure and example when using the event output of the compare function.

To set up the event output for the compare function:

1. Confirm that the value in the ADCSR.ADCS bits is 00b (single scan mode).
2. Select the channel for Window A in ADCMPANSR0/1 and ADCMPANSER. Set the window comparison conditions in the ADCMPLR0/1 and ADCMPLER registers. Set the upper and lower reference values in the ADCMPDR0 and 1 registers.
3. Select the channel and comparison conditions for Window B in the ADCMPBNSR register, and set the upper and lower reference values in the ADWINULB and ADWINLLB registers.
4. Set composite conditions for Window A/B, Window A/B operation enable, and interrupt output enable in ADCMPCR.



**Figure 45.32 Setting example when using the event output of the compare function**

Notes on the event output usage when using only the Window A for compare function:

- Enable both Window A and Window B (ADCMPCR.CMPAE = 1, ADCMPCR.CMPBE = 1)
- Set the compound condition of Window A and Window B to “OR condition” (ADCMPCR.CMPAB[1:0] = 00b)
- Set the compared channel of Window B to “Do not select” (ADCMPBNSR.CMPCHB[5:0] = 111111b)
- Set the compare condition of Window B to “0 < results < 0 always means mismatch”. (ADCMPCR.WCMPE = 1,



ADWINLLB.ADWINLLB[15:0] = ADWINULB.ADWINULB[15:0] = 0000h, and ADCMPBNSR.CMPLB = 1)

Figure 45.33 shows the event output operation example of the compare function.

A scan end event (ADC12i\_ADI) is output with the same timing as a one-time single scan completion. A match or mismatch event (ADC12i\_WCMPPM or ADC12i\_WCMPUM) is output with a clock delay of 1 PCLKB set in ADCMPCR.CMPAB[1:0].

Note: The match and mismatch events are exclusive, so both events are never output simultaneously.

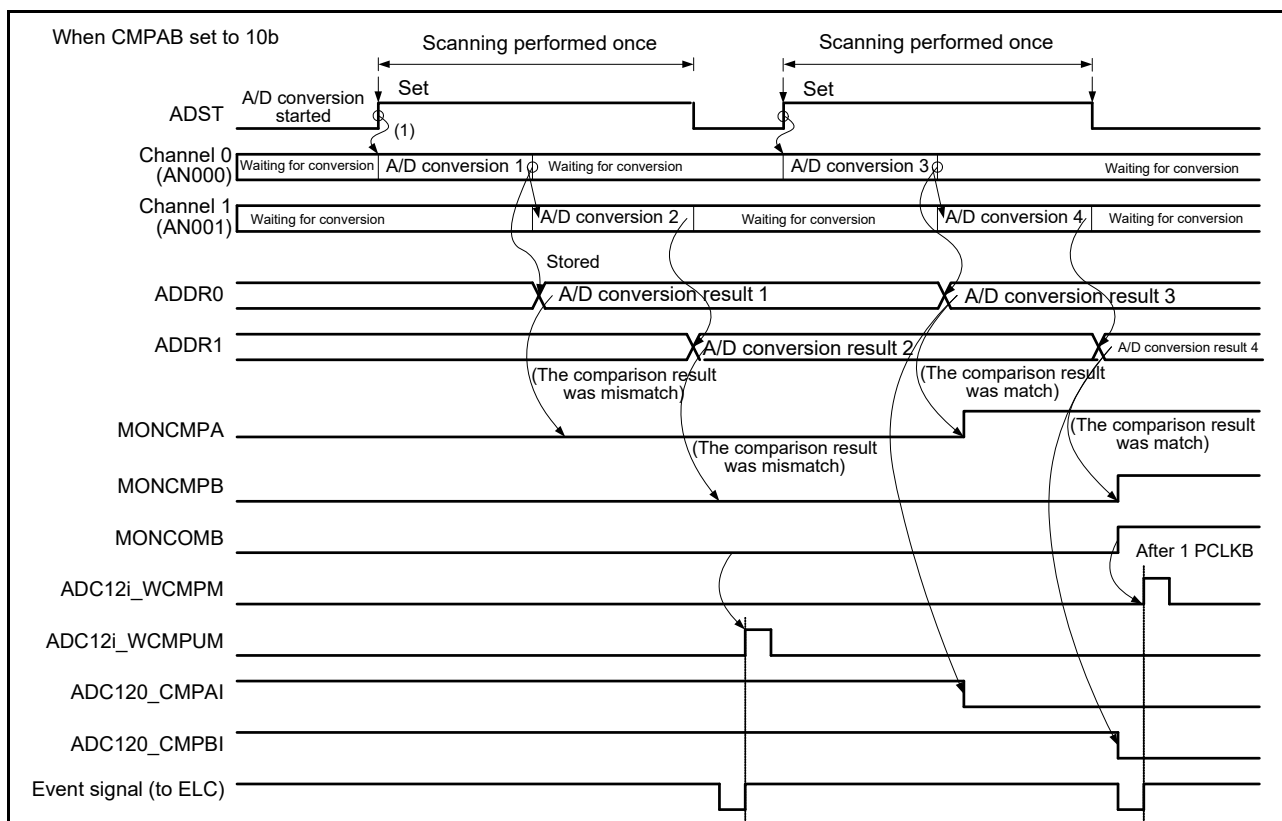


Figure 45.33 Example operation of the compare function event output, when AN000 to AN001 are compared

- Note 1. Event output of the compare function outputs match/mismatch from the comparison results of Window A and Window B, based on the ADCMPCR.CMPAB[1:0] settings.
- Note 2. The comparison result of Window A is the logical addition of the comparison results of the comparison target channels of Window A. The comparison results of Window A and Window B are updated by each A/D conversion, and are kept even when single scan ends. Set ADCMPCR.CMPAE and ADCMPCR.CMPBE to 0 to clear the comparison results to 0.

### 45.3.5.3 Restrictions on the compare function

The following restrictions apply for the compare function:

- The compare function cannot be used together with the self-diagnosis function or double-trigger mode. (The compare function is not available for ADRD, ADDBLDR, ADDBLDRA, and ADDBLDRB.)
- Specify single scan mode when using match/mismatch event outputs.
- When the temperature sensor output or internal reference voltage is selected for Window A, Window B operations are disabled.
- When the temperature sensor output or internal reference voltage is selected for Window B, Window A operations are disabled.
- Setting the same channel for Window A and Window B is prohibited.

- Set the reference voltage values so that the high-potential reference voltage value is equal to or larger than the low-potential reference voltage value.

### 45.3.6 Analog Input Sampling and Scan Conversion Time

Scan conversion can be activated by a software trigger, a synchronous trigger (ELC), or an asynchronous trigger (ADTRGn). After the start-of-scanning-delay ( $t_D$ ) elapses, processing by the channel-dedicated sample-and-hold circuits, processing for disconnection detection assistance, and processing of conversion for self-diagnosis all proceed, followed by processing for A/D conversion.

Figure 45.34 shows the scan conversion timing, in which scan conversion is activated by a software trigger or a synchronous trigger (ELC). Figure 45.35 shows the scan conversion timing, in which scan conversion is activated by an asynchronous trigger, ADTRGn. The scan conversion time ( $t_{SCAN}$ ) includes the start-of-scanning-delay ( $t_D$ ), channel-dedicated sample-and-hold circuit processing time ( $t_{SPLSH}$ ),<sup>\*1</sup> disconnection detection assistance processing time ( $t_{DIS}$ ),<sup>\*2</sup> self-diagnosis A/D conversion processing time ( $t_{DIAG}$ ),<sup>\*3</sup> A/D conversion processing time ( $t_{CONV}$  and  $t_{DSD}$ ), channel-dedicated sample-and-hold circuit end time ( $t_{SHED}$ ),<sup>\*4</sup> and end-of-scanning-delay ( $t_{ED}$ ).

The A/D conversion processing time ( $t_{CONV}$ ) consists of the input sampling time ( $t_{SPL}$ ) and time for conversion by successive approximation ( $t_{SAM}$ ). The sampling time ( $t_{SPL}$ ) is used to charge sample-and-hold circuits in the ADC12. If the sampling time is not sufficient because of the high impedance of an analog input signal source, or if the A/D conversion clock (ADCLK) is slow, the sampling time can be adjusted using the ADSSTR register.

The time for conversion by successive approximation ( $t_{SAM}$ ) is 13 ADCLK states with 12-bit accuracy selected, 11 ADCLK states with 10-bit accuracy selected, and 9 ADCLK states with 8-bit accuracy selected.

The scan conversion time ( $t_{SCAN}$ ) in single scan mode for which the number of selected channels is  $n$ , can be determined as follows:

$$t_{SCAN} = t_D + t_{SPLSH} + (t_{DIS} \times n) + t_{DIAG} + (t_{CONV} \times n) + t_{ED}$$

The scan conversion time for the first cycle in continuous scan mode is  $t_{SCAN}$  for single scan minus  $t_{ED}$  plus  $t_{SHED}$ . The scan conversion time for the second and subsequent cycles in continuous scan mode is fixed at  $t_{SPLSH} + (t_{DIS} \times n) + t_{DIAG} + t_{DSD} + (t_{CONV} \times n) + t_{SHED}$ .

Note 1. When no channel-dedicated sample-and-hold circuits are used,  $t_{SPLSH} = 0$ .

Note 2. When disconnection detection assistance is not selected,  $t_{DIS} = 0$ .

Note 3. When the self-diagnosis function is not used,  $t_{DIAG} = 0$ ,  $t_{DSD} = 0$ .

Note 4. When no channel-dedicated sample-and-hold circuits are used,  $t_{SHED} = 0$ , assuming continuous scan mode is active. In single scan mode and group scan mode,  $t_{SHED}$  is included in the end-of-scanning-delay ( $t_{ED}$ ).

Note 5. When input sampling times ( $t_{SPL}$ ) of all selected channels are the same, this element equals  $t_{CONV} \times n$ . If each channel has a different sampling time, this element equals that of  $t_{SPL}$  and  $t_{SAM}$  set to each selected channel.

**Table 45.10 Conversion times during scanning (in numbers of cycles of ADCLK and PCLKB)**

| Parameter   |   |  | Symbol      | Type/conditions                           |  |                  | Unit   |
|---|---|--|-------------|---|--|------------------|--------|
|   |   |  |             | Synchronous trigger*4                     | Asynchronous trigger   | Software trigger |        |
| Scan start processing time*1, *2  | A/D conversion on group A under group A priority control.                         | Group B is to be stopped (group A is activated after group B is stopped by an A/D conversion source from group A). | $t_D$       | 3 PCLKB + 6 ADCLK<br>5 PCLKB + 3 ADCLK *5 | -  | -                | Cycles |
|   |   | Group B is not to be stopped (activation by an A/D conversion source from group A).                                |             | 2 PCLKB + 4 ADCLK                         | -  | -                |        |
|   | A/D conversion when self-diagnosis is enabled                                     | A/D conversion for self-diagnosis is to be started   |             | 2 PCLKB + 6 ADCLK                         | 4 PCLKB + 6 ADCLK  | 6 ADCLK          |        |
|   | All other   | 2 PCLKB + 4 ADCLK  |             | 2 PCLKB + 4 ADCLK                         | 4 ADCLK  |                  |        |
| Channel-dedicated sample-and-hold processing time*1   | Sampling time   |  | $t_{SPLSH}$ | $t_{SH}$                                  | Without continuous sampling: setting in ADSHCR.SSTSH[7:0] (initial value = 18h × ADCLK)<br>With continuous sampling: 0 |                  |        |
|   | Wait time between sampling and A/D Conversion                                     |  |             | $t_W$                                     | 12   |                  |        |
| Disconnection detection assistance processing time  |   |  | $t_{DIS}$   |   | Setting in ADNDIS[3:0] (initial value = 0h) × ADCLK  |                  |        |
| Self-diagnosis conversion processing time*1   | Sampling time   |  | $t_{DIAG}$  | $t_{SPL}$                                 | Setting in ADSSTR00 (initial value = 0Bh) × ADCLK*3  | -                | -      |
|   | Time for conversion by successive approximation                                   | 12-bit conversion accuracy   |             | $t_{SAM}$                                 | 15 ADCLK   | -                | -      |
|   |   | 10-bit conversion accuracy   |             |   | 13 ADCLK   | -                | -      |
|   |   | 8-bit conversion accuracy  |             |   | 11 ADCLK   | -                | -      |
|   | Wait time between self-diagnosis conversion end and analog channel sampling start |  |             | $t_{DED}$                                 | 2 ADCLK  |                  |        |
| Wait time between last channel conversion end and self-diagnosis sampling start in continuous scan mode |   | $t_{DSD}$  |             | 2 ADCLK                                   |  |                  |        |
| A/D conversion processing time*1  | Sampling time   |  | $t_{CONV}$  | $t_{SPL}$                                 | Setting in ADSSTRn (n = 00 to 07, L, T, O) (initial value = 0Bh) × ADCLK + 0.5 ADCLK                                   |                  |        |
|   | Time for conversion by successive approximation                                   | 12-bit conversion accuracy   |             | $t_{SAM}$                                 | 13 ADCLK   |                  |        |
|   |   | 10-bit conversion accuracy   |             |   | 11 ADCLK   |                  |        |
|   |   | 8-bit conversion accuracy  |             |   | 9 ADCLK  |                  |        |
| Channel-dedicated sample-and-hold end processing time   |   |  | $t_{SHED}$  |   | 2 ADCLK  |                  |        |
| Scan end processing time*1  |   |  | $t_{ED}$    |   | 1 PCLKB + 3 ADCLK<br>2 PCLKB + 3 ADCLK*5   |                  |        |

Note 1. See Figure 45.34 and Figure 45.35 for an illustration of times  $t_D$ ,  $t_{SPLSH}$ ,  $t_{DIAG}$ ,  $t_{CONV}$ , and  $t_{ED}$ .

Note 2. This is the maximum time required from software writing or trigger input to A/D conversion start.

Note 3. The sampling time setting must satisfy the electrical characteristics.

Note 4. This does not include the time consumed in the path from timer output to trigger input.

Note 5. If ADCLK is faster than PCLKB (PCLKB to ADCLK frequency ratio = 1:2 or 1:4), the scan end processing time changes.

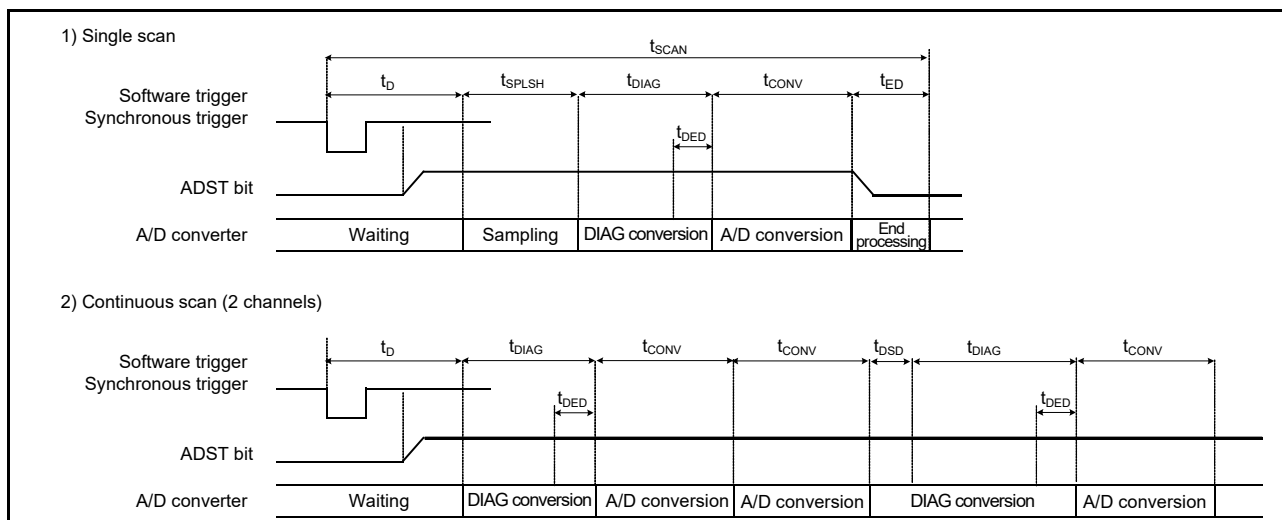


Figure 45.34 Scan conversion timing when activated by software or a synchronous trigger input (ELC)

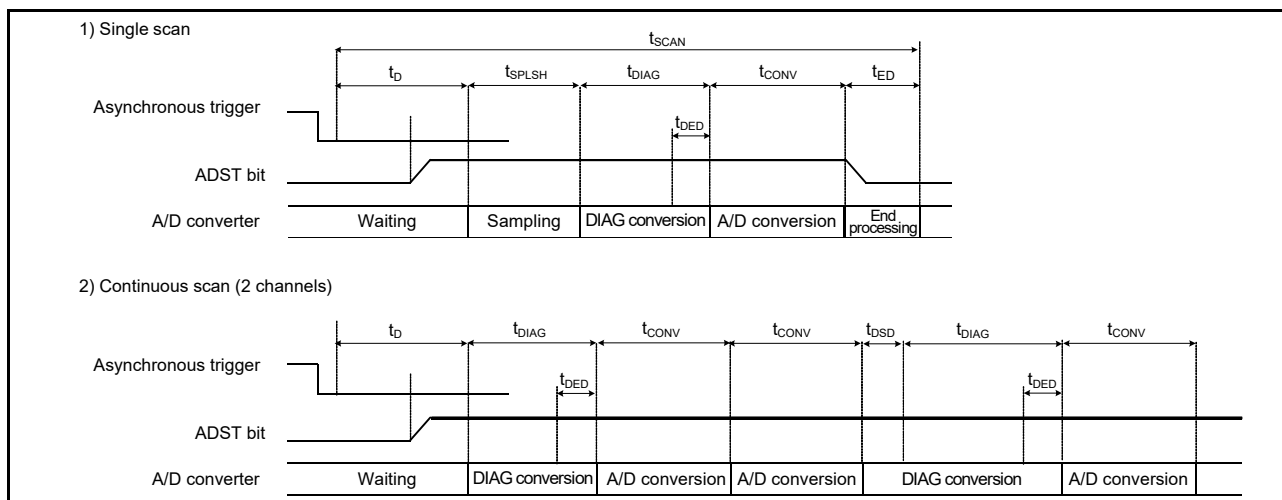


Figure 45.35 Scan conversion timing when activated by an asynchronous trigger input (ADTRG0)

### 45.3.7 Usage Example of A/D Data Register Automatic Clearing Function

A/D-converted value addition/average mode can be used when A/D conversion of the analog input of the selected channels, temperature sensor output, or internal reference voltage is selected.

Setting the ACE bit in ADCER to 1 automatically clears the data registers (ADDRy, ADDR, ADDBLDR, ADDBLDRA, ADDBLDRB, ADTSDR, and ADOCDR) to 0000h when the data registers are read by the CPU, DTC, or DMAC. This function enables the detection of update failures by the data registers. In the following examples, the function to automatically clear the ADDRy register is enabled and disabled.

- If the ACE bit in ADCER is 0 (automatic clearing disabled) and if for some reason, the A/D conversion result (0222h) is not written to the ADDRy register, the ADDRy value retains the old data (0111h). In addition, if this ADDRy value is read into a general-purpose register using an A/D scan end interrupt, the old data (0111h) can be saved in the general-purpose register. When checking whether there is an update failure, it is necessary to frequently save the old data in the SRAM or in a general-purpose register.
- If the ACE bit in ADCER is 1 (automatic clearing enabled), when ADDRy = 0111h is read by the CPU, DTC, or DMAC, ADDRy is automatically cleared to 0000h. Next, if the A/D conversion result 0222h cannot be transferred to ADDRy for some reason, the cleared data (0000h) remains as the ADDRy value. If this ADDRy value is read into a general-purpose register using an A/D scan end interrupt at this point, 0000h is saved in the general-purpose register. The occurrence of an ADDRy update failure can be determined by checking that the read data value is 0000h.

### 45.3.8 A/D-Converted Value Addition/Average Mode

In A/D-converted value addition mode, the same channel is A/D-converted 1, 2, 3, 4, or  $16^{*1}$  consecutive times, and the sum of the converted values is stored in the data register. In A/D-converted value average mode, the same channel is A/D-converted 2 or 4 consecutive times, and the mean of the converted values is stored in the data register. The use of the average of these results can improve the accuracy of A/D conversion, depending on the types of noise components that are present. However, this function cannot always guarantee an improvement in A/D conversion accuracy.

The A/D-converted value addition or average mode can be specified for the A/D conversion of the channel select analog input, temperature sensor output, or internal reference voltage.

Note 1. The addition count can be set to 16 only when 12-bit accuracy is selected.

### 45.3.9 Disconnection Detection Assist Function

This converter incorporates a function that fixes the charge for the sampling capacitance to the specified state (VREFH0 or VREFL0 for unit 0, VREFH or VREFL for unit 1) before the start of A/D conversion. This function enables disconnection detection in the wiring of analog inputs.

When using the disconnection detection assist function for the channel-dedicated sample-and-hold circuit, set the ADHMSR.SHMD bit to 0 (select disable continuous sampling function).

If any of the following functions are used, the disconnection detection assist function must be disabled:

- The temperature sensor
- The internal reference voltage
- A/D self-diagnosis.

Figure 45.36 shows the A/D conversion operation when the disconnection detection assist function is used. Figure 45.37 shows an example of disconnection detection when precharge is selected. Figure 45.38 shows an example of disconnection detection when discharge is selected.

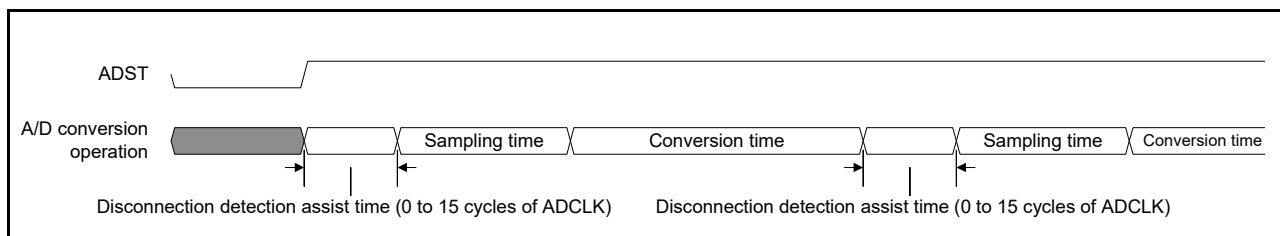


Figure 45.36 A/D conversion operation when the disconnection detection assist function is used

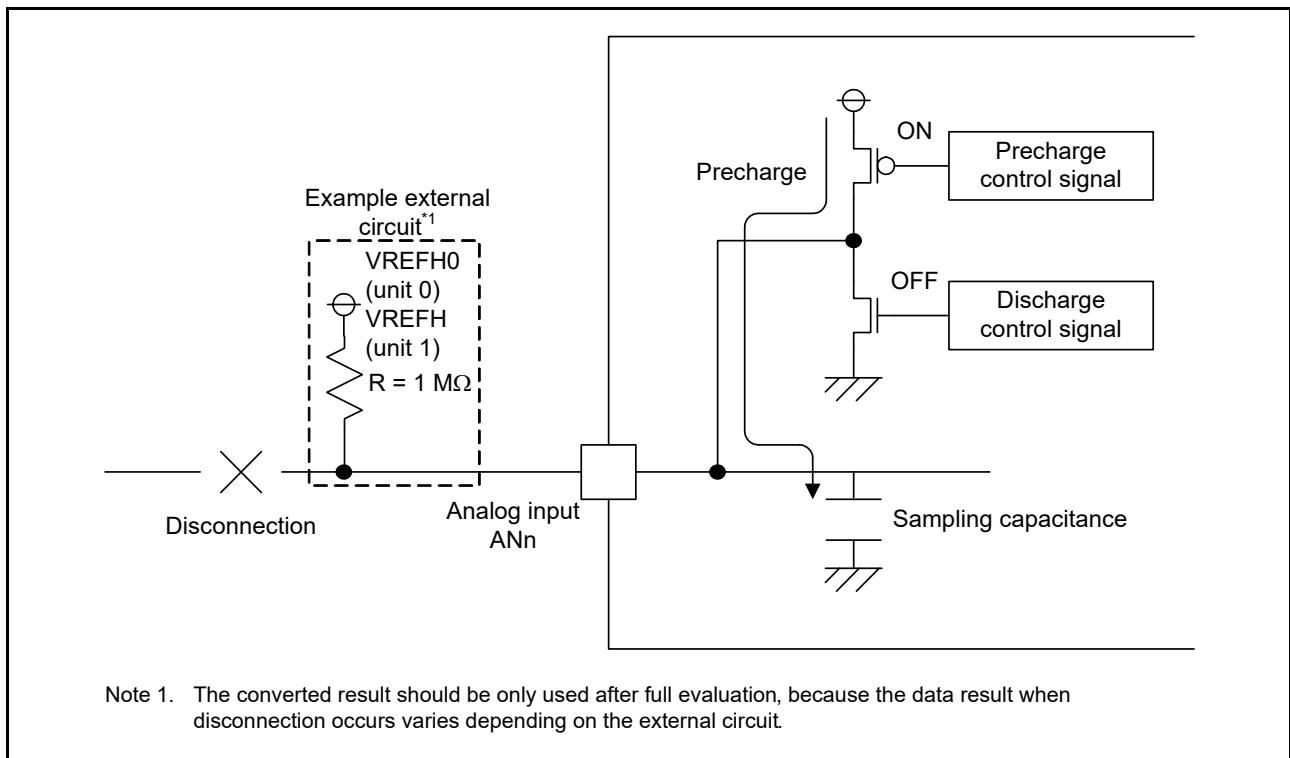


Figure 45.37 Example of disconnection detection when precharge is selected

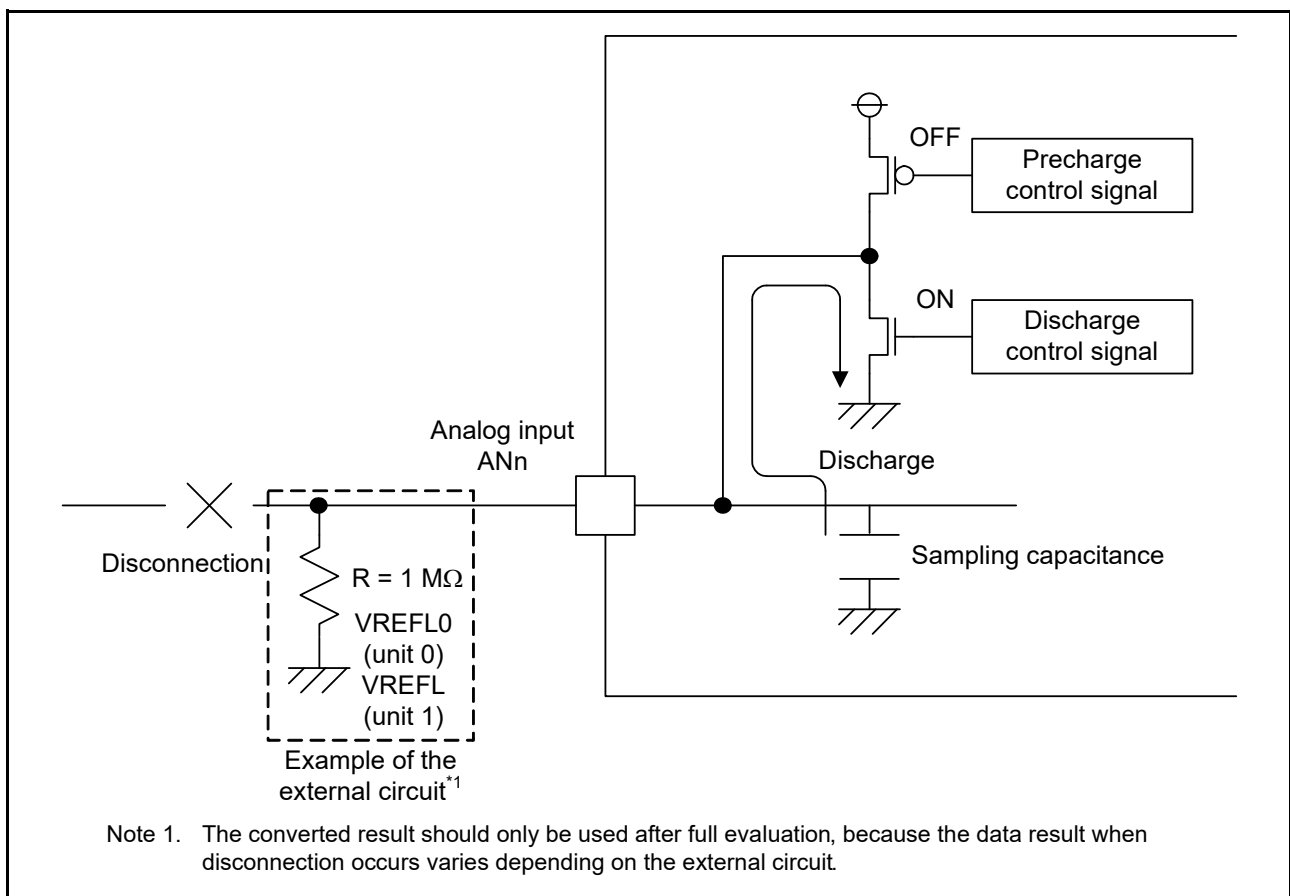
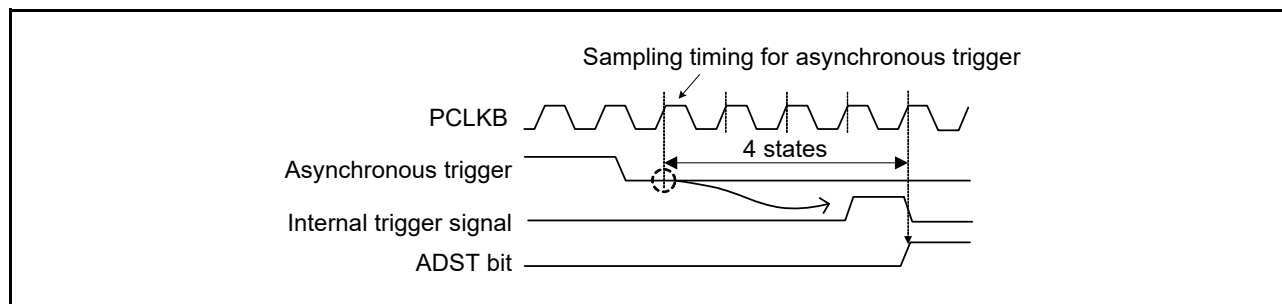


Figure 45.38 Example of disconnection detection when discharge is selected

### 45.3.10 Starting A/D Conversion with an Asynchronous Trigger

A/D conversion can be started by the input of an asynchronous trigger. To start the ADC12 by an asynchronous trigger, first set the pin function in the PmnPFS register, next set the A/D Conversion Start Trigger Select bits (ADSTRGR.TRSA[5:0]) to 000000b, and then input a high-level signal to the asynchronous trigger (ADTRGn pin). Finally, set both the ADCSR.TRGE and ADCSR.EXTRG bits to 1. [Figure 45.39](#) shows timing of the asynchronous trigger input.

An asynchronous trigger cannot be selected in the A/D conversion start trigger select bits (ADSTRGR.TRSB[5:0]) for group B used in group scan mode. For details on setting the pin function, see [section 20, I/O Ports](#).



**Figure 45.39** Asynchronous trigger input timing

### 45.3.11 Starting A/D Conversion with a Synchronous Trigger from a Peripheral Module

A/D conversion can be started by a synchronous trigger (ELC). To start the A/D conversion by a synchronous trigger, set the ADCSR.TRGE bit to 1, clear the ADCSR.EXTRG bit to 0, and select the relevant sources in the ADSTRGR.TRSA[5:0] and ADSTRGR.TRSB[5:0] bits.

## 45.4 Interrupt Sources and DTC/DMAC Transfer Requests

### 45.4.1 Interrupt Requests

The ADC12 can send scan end interrupt requests, ADC12i\_ADI ( $i = 0, 1$ ) and ADC12i\_GBADI, to the CPU. The module also generates the ADC12i\_CMPAI and ADC12i\_CMPBI interrupts to the CPU in response to matches with a comparison condition.

An ADC12i\_ADI interrupt is always generated. An ADC12i\_GBADI interrupt can be generated by setting the ADCSR.GBADIE bit to 1. Similarly, ADC12i\_CMPAI and ADC12i\_CMPBI interrupts can be generated by setting the ADCMPCR.CMPAIE and ADCMPCR.CMPBIE bits to 1.

In addition, the DTC or DMAC can be started when an ADC12i\_ADI or ADC12i\_GBADI interrupt, or ADC12i\_WCMPI or ADC12i\_WCMPUM event is generated. Using these interrupts or events to allow the DTC or DMAC to read the converted data enables continuous conversion without burdening the software.

For details on the DTC settings, see [section 18, Data Transfer Controller \(DTC\)](#), and for details on the DMAC settings, see [section 17, DMA Controller \(DMAC\)](#).

[Table 45.11](#) describes the interrupt sources and ELC events available for the ADC12.

Table 45.11 ADC12 events (1 of 2)

✓: available x: unavailable

| Operation               |                         | Interrupt request or ELC event    |               |               | Inter-<br>rupt<br>re-<br>quest | DTC/<br>DMAC<br>activa-<br>tion | ELC<br>event<br>re-<br>quest  | Function   |
|-------------------------|-------------------------|-----------------------------------|---------------|---------------|--------------------------------|---------------------------------|---|--|
| Scan mode               | Double-<br>trigger mode | Compare<br>function<br>Window A/B | Unit 0        | Unit 1        |                                |                                 |   |  |
| Single scan<br>mode     | Deselected              | Deselected                        | ADC120_ADI    | ADC121_ADI    | ✓                              | ✓                               | ✓   | ADC12i_ADI<br>generated at the end<br>of single scan   |
|                         |                         | Selected                          | ADC120_ADI    | ADC121_ADI    | ✓                              | ✓                               | ✓   | ADC12i_ADI<br>generated at the end<br>of single scan   |
|                         |                         |                                   | ADC120_CMPAI  | ADC121_CMPAI  | ✓                              | x                               | x   | ADC12i_CMPAI<br>generated on a match<br>comparison condition<br>of Window A                    |
|                         |                         |                                   | ADC120_CMPBI  | ADC121_CMPBI  | ✓                              | x                               | x   | ADC12i_CMPBI<br>generated on a match<br>comparison condition<br>of Window B                    |
|                         |                         |                                   | ADC120_WCMPPM | ADC121_WCMPPM | x                              | ✓                               | ✓   | ADC12i_WCMPPM<br>generated on a match<br>condition of the<br>Window A/B compare<br>function    |
|                         |                         |                                   | ADC120_WCMPUM | ADC121_WCMPUM | x                              | ✓                               | ✓   | ADC12i_WCMPUM<br>generated on a<br>mismatch condition of<br>the Window A/B<br>compare function |
|                         | Deselected              | ADC120_ADI                        | ADC121_ADI    | ✓             | ✓                              | ✓                               | ADC12i_ADI<br>generated at the end<br>of scans in the even-<br>numbered times |  |
| Continuous<br>scan mode | Deselected              | Deselected                        | ADC120_ADI    | ADC121_ADI    | ✓                              | ✓                               | ✓   | ADC12i_ADI<br>generated at the end<br>of scan of all selected<br>channels                      |
|                         |                         | Selected                          | ADC120_CMPAI  | ADC121_CMPAI  | ✓                              | x                               | x   | ADC12i_CMPAI<br>generated on a match<br>comparison condition<br>of Window A                    |
|                         |                         |                                   | ADC120_CMPBI  | ADC121_CMPBI  | ✓                              | x                               | x   | ADC12i_CMPBI<br>generated on a match<br>comparison condition<br>of Window B                    |



Table 45.11 ADC12 events (2 of 2)

✓: available x: unavailable

| Operation          |                         | Interrupt request or ELC event    |              |              | Inter-<br>rupt<br>re-<br>quest | DTC/<br>DMAC<br>activa-<br>tion | ELC<br>event<br>re-<br>quest | Function  |
|--------------------|-------------------------|-----------------------------------|--------------|--------------|--------------------------------|---------------------------------|------------------------------|---|
| Scan mode          | Double-<br>trigger mode | Compare<br>function<br>Window A/B | Unit 0       | Unit 1       |                                |                                 |                              |   |
| Group scan<br>mode | Deselected              | Deselected                        | ADC120_ADI   | ADC121_ADI   | ✓                              | ✓                               | ✓                            | ADC12i_ADI<br>generated at the end<br>of group A scan                                   |
|                    |                         |                                   | ADC120_GBADI | ADC121_GBADI | ✓                              | ✓                               | x                            | ADC12i_GBADI<br>dedicated to group B<br>generated at the end<br>of group B scan         |
|                    |                         | Selected                          | ADC120_ADI   | ADC121_ADI   | ✓                              | ✓                               | ✓                            | ADC12i_ADI<br>generated at the end<br>of group A scan                                   |
|                    |                         |                                   | ADC120_GBADI | ADC121_GBADI | ✓                              | ✓                               | x                            | ADC12i_GBADI<br>dedicated to group B<br>generated at the end<br>of group B scan         |
|                    |                         |                                   | ADC120_CMPAI | ADC121_CMPAI | ✓                              | x                               | x                            | ADC12i_CMPAI<br>generated on a match<br>comparison condition<br>of Window A             |
|                    |                         |                                   | ADC120_CMPBI | ADC121_CMPBI | ✓                              | x                               | x                            | ADC12i_CMPBI<br>generated on a match<br>comparison condition<br>of Window B             |
|                    | Selected                | Deselected                        | ADC120_ADI   | ADC121_ADI   | ✓                              | ✓                               | ✓                            | ADC12i_ADI<br>generated at the end<br>of group A scans in<br>the even-numbered<br>times |
|                    |                         |                                   | ADC120_GBADI | ADC121_GBADI | ✓                              | ✓                               | x                            | ADC12i_GBADI<br>dedicated to group B<br>generated at the end<br>of group B scan         |

Note: i = 0: unit 0, i = 1: unit 1.

## 45.5 Event Link Function

### 45.5.1 Event Output to the ELC

The ELC uses the ADC12i\_ADI interrupt request signal as an event signal, enabling link operation for the preset module. The ADC12i\_GBADI interrupt and ADC12i\_CMPAI/ADC12i\_CMPBI interrupts cannot be used as event signals. For details, see [Table 45.11](#).

### 45.5.2 ADC12 Operation through an Event from the ELC

The ADC12 can start A/D conversion by the preset event specified in the ELSRn settings for the ELC as follows:

- Select the ELC\_AD00 (unit 0) signal in the ELC.ELSR8 register
- Select the ELC\_AD01 (unit 0) signal in the ELC.ELSR9 register
- Select the ELC\_AD10 (unit 1) signal in the ELC.ELSR10 register
- Select the ELC\_AD11 (unit 1) signal in the ELC.ELSR11 register.

If an ELC\_ADi0 or ELC\_ADi1 event occurs during A/D conversion, the event is disabled.

## 45.6 Usage Notes

### 45.6.1 Constraints on Reading the Data Registers

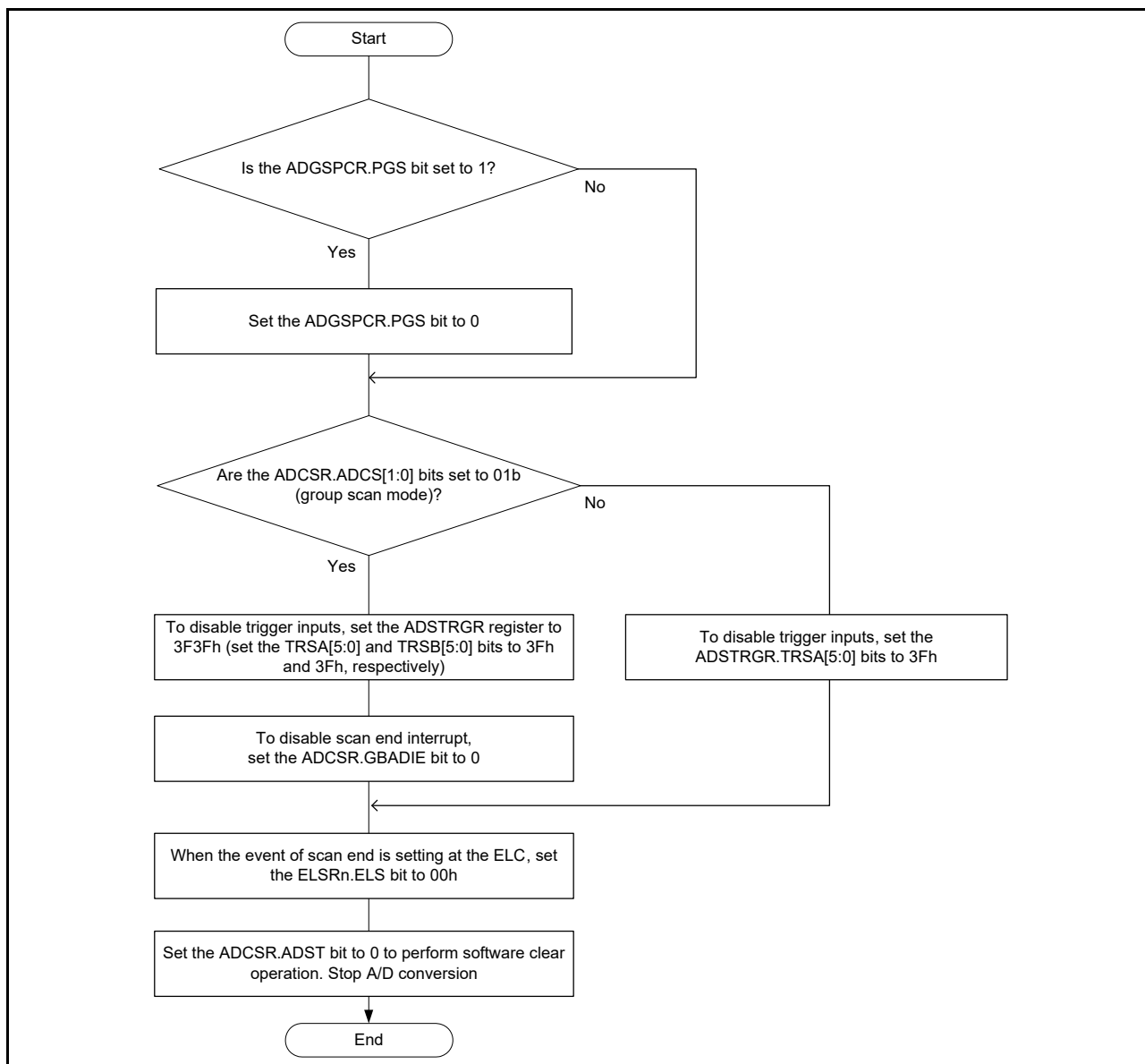
The following registers must be read in halfword units:

- A/D Data Registers
- A/D Data Duplexing Register
- A/D Data Duplexing Register A
- A/D Data Duplexing Register B
- A/D Temperature Sensor Data Register
- A/D Internal Reference Voltage Register
- A/D Self-Diagnosis Data Register.

If a register is read twice in byte units, that is, the upper byte and lower byte are read separately, the A/D-converted value read initially might disagree with the A/D-converted value read subsequently. To prevent this, never read the data registers in byte units.

### 45.6.2 Constraints on Stopping A/D Conversion

To stop A/D conversion when an asynchronous trigger or a synchronous trigger is selected as the condition for starting A/D conversion, follow the procedure shown in [Figure 45.40](#).



**Figure 45.40 Procedure for clearing the ADCSR.ADST bit by software**

### 45.6.3 A/D Conversion Restart and Termination Timing

A maximum of 6 ADCLK cycles are required for the idle analog unit of the ADC12 to restart on setting the ADCSR.ADST bit to 1. A maximum of 2 ADCLK cycles are required for the operating analog unit of the ADC12 to be terminated on setting the ADCSR.ADST bit to 0.

### 45.6.4 Constraints on Scan End Interrupt Handling

When scanning the same analog input twice using any trigger, the first A/D-converted data is overwritten with the second A/D-converted data if the CPU does not finish reading the A/D-converted data by the time the A/D conversion of the first analog input for the second scan ends after the first scan end interrupt is generated.

### 45.6.5 Settings for the Module-Stop Function

ADC12 operation can be disabled or enabled using the Module Stop Control Register. The ADC12 is initially stopped after reset. Releasing the module-stop state enables access to the registers. After release from the module-stop state, wait for at least 1  $\mu$ s before starting the A/D conversion. For details, see [section 11.4, Module-Stop Function](#).

### 45.6.6 Notes on Entering the Low-Power States

Before entering the module-stop state or Software Standby mode, you must stop A/D conversion. At this point, set the ADCSR.ADST bit to 0 and secure a period of time until the analog unit of the ADC12 stops.

To secure this time, follow the procedure shown in [Figure 45.40](#) for clearing the ADCSR.ADST bit through software. Next, wait for 2 clock cycles of ADCLK before entering the module-stop state or Software Standby mode.

### 45.6.7 Error in Absolute Accuracy When Disconnection Detection Assistance Is in Use

Using disconnection detection assistance leads to an error in the absolute accuracy of the ADC12. This error arises because an erroneous voltage is input to the analog input pins because of the resistive voltage division between the pull-up or pull-down resistor ( $R_p$ ) and the resistance of the signal source ( $R_s$ ). This error in absolute accuracy is calculated from the following formula.

$$\text{Maximum error in absolute accuracy (LSB)} = (2^{\text{Resolution}} - 1) \times R_s / (R_s + R_p), \text{ where Resolution} = 12, 10, 8.$$

Only use disconnection detection assistance after thorough evaluation.

### 45.6.8 Constraints on Operating Modes and Status Bits

The voltage values in self-diagnosis, the determination of first or second scan in double-trigger mode, and the data buffer pointer and status monitor in the compare function are initialized or set again individually, if required.

- The voltage values in self-diagnosis can be selected in ADCER.DIAGVAL[1:0] after ADCER.DIAGLD is set to 1.
- The double-trigger mode operates as the first scan after ADCSR.DBLE is set to 1 from 0.
- The status monitor bits (MONCMPA, MONCMPB, and MONCOMB) in the compare function are initialized after ADCMPCR.CMPAE and ADCMPCR.CMPBE are cleared to 0.
- The constant sampling function (ADSHMSR.SHMD = 1) is initialized after ADSSHMSR.SHMD is cleared to 0. When the constant sampling function is used (setting ADSSHMSR.SHMD = 1) again, a wait of 1ADCLK or more is required.

### 45.6.9 Notes on Board Design

The board should be designed so that digital circuits and analog circuits are separated from each other as far as possible.

In addition, digital circuit signal lines and analog circuit signal lines should not intersect or be placed near each other. If these rules are not followed, noise is produced on analog signals and A/D conversion accuracy is affected. The analog input pins (AN000 to AN007, AN016 to AN020, AN100 to AN102, AN105 to AN107, AN116 to AN118), reference power supply pin (VREFH0/VREFH), reference ground pin (VREFL0/VREFL), and analog power supply (AVCC0) should be separated from digital circuits using the analog ground (AVSS0). The analog ground (AVSS0) should be connected to a stable digital ground (VSS) on the board (single-point ground plane connection).

### 45.6.10 Constraints on Noise Prevention

To prevent the analog input pins (AN000 to AN007, AN016 to AN020, AN100 to AN102, AN105 to AN107, and AN116 to AN118) from being destroyed by abnormal voltage such as an excessive surge, insert a capacitor between AVCC0 and AVSS0, between VREFH0 and VREFL0, and between VREFH and VREFL, and connect a protection circuit to protect the analog input pins (AN000 to AN007, AN016 to AN020, AN100 to AN102, AN105 to AN107, and AN116 to AN118) as shown [Figure 45.41](#).

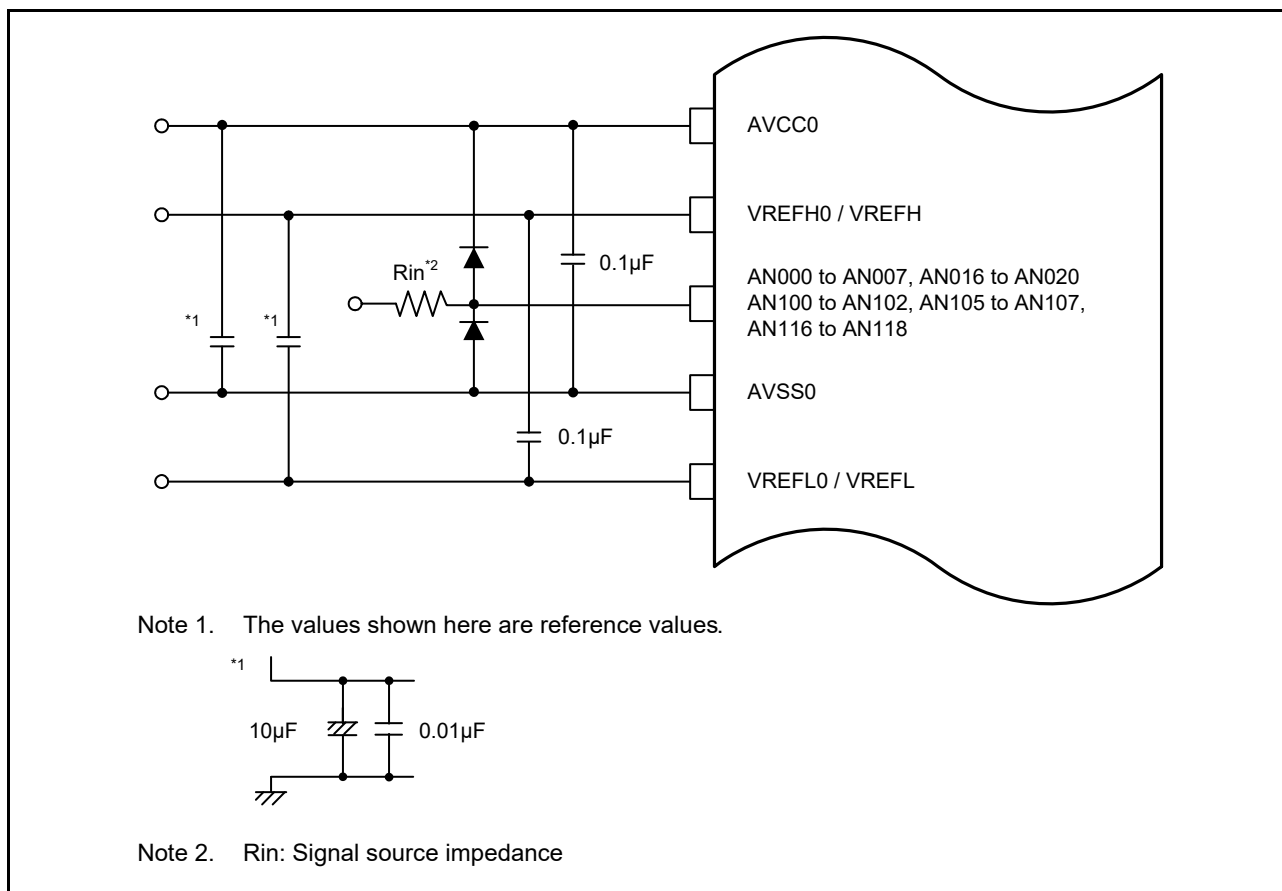


Figure 45.41 Example protection circuit for analog inputs

### 45.6.11 Port Settings When Using the ADC12 Input

When using the high-precision channels, do not use ports 0 as the digital output ports. Renesas also recommends not using the digital output that is also used as the A/D analog input, if normal-precision channels are used. If the digital output that is also used as the A/D analog input is used for output signals, perform A/D conversion several times, eliminate the maximum and minimum values, and obtain the average of the other results.

### 45.6.12 Relationship between ADC12 Units 0 and 1 and the ACMPHS

For the A/D conversion targets in Table 45.12, unit 0 and 1 cannot perform A/D conversion at the same time.

Table 45.12 A/D conversion targets that are mutually exclusive with each other

| A/D conversion target      |           |
|----------------------------|-----------|
| Unit 0                     | Unit 1    |
| Temperature sensor         |           |
| Internal reference voltage |           |
| AN005/DA0                  | AN105/DA0 |
| AN006/DA1                  | AN106/DA1 |

The A/D conversion targets in Table 45.13 should not be selected as ACMPHS input during A/D conversion, because these pins are multiplexed with the ADC12 and ACMPHS.

**Table 45.13 A/D conversion targets that are mutually exclusive with ACPHPS**

| A/D conversion target      |                            |                           |
|----------------------------|----------------------------|---------------------------|
| Unit 0                     | Unit 1                     | ACPHPS                    |
| AN000                      | -                          | ACPHPS0.IVCMP2            |
| AN001                      | -                          | ACPHPS1.IVCMP2            |
| AN002                      | -                          | ACPHPS2.IVCMP2            |
| AN005/DA0                  | -                          | ACPHPS0 to ACPHPS5.IVREF3 |
| AN006/DA1                  | -                          | ACPHPS0 to ACPHPS5.IVCMP1 |
| AN016                      | -                          | ACPHPS0 to ACPHPS5.IVREF0 |
| AN017                      | -                          | ACPHPS0 to ACPHPS5.IVCMP0 |
| Internal reference voltage | -                          | ACPHPS0 to ACPHPS5.IVREF2 |
| -                          | AN100                      | ACPHPS3.IVCMP2            |
| -                          | AN101                      | ACPHPS4.IVCMP2            |
| -                          | AN102                      | ACPHPS5.IVCMP2            |
| -                          | AN105/DA0                  | ACPHPS0 to ACPHPS5.IVREF3 |
| -                          | AN106/DA1                  | ACPHPS0 to ACPHPS5.IVCMP1 |
| -                          | AN116                      | ACPHPS0 to ACPHPS5.IVREF1 |
| -                          | Internal reference voltage | ACPHPS0 to ACPHPS5.IVREF2 |

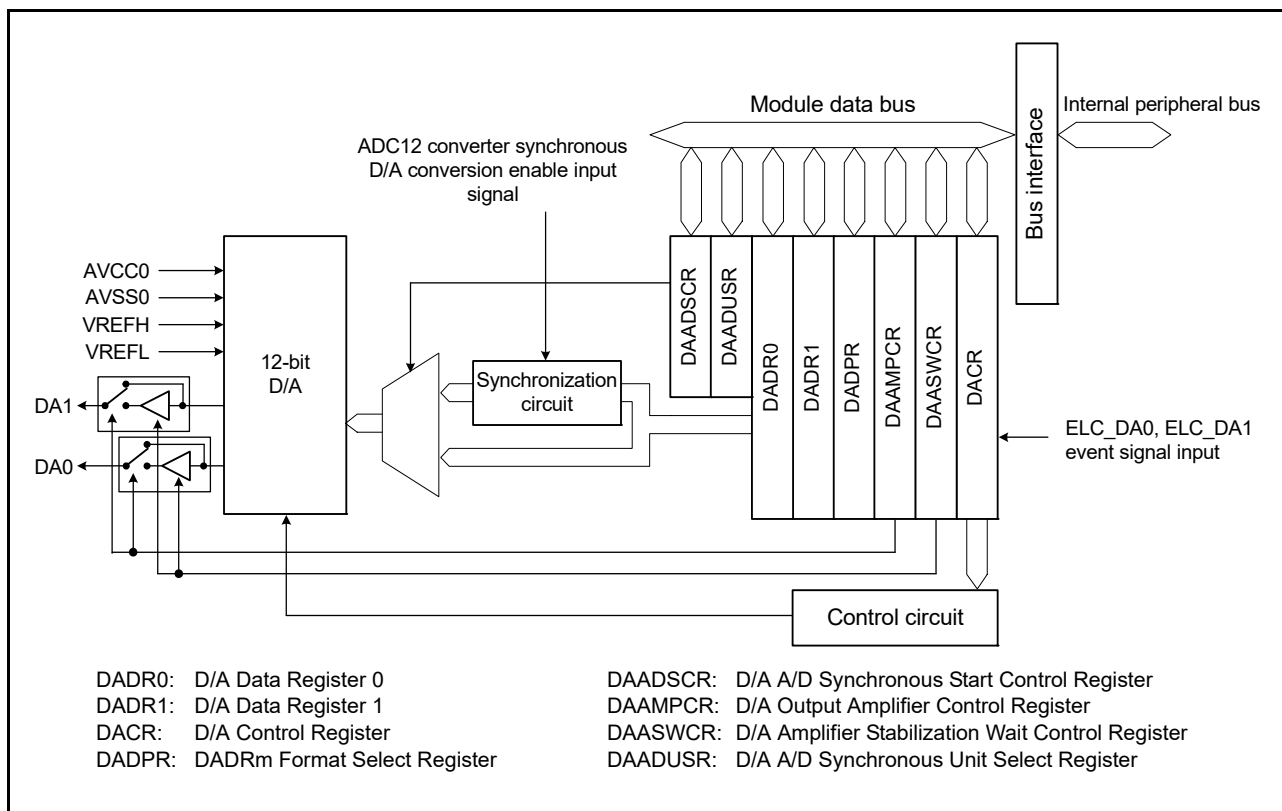
## 46. 12-Bit D/A Converter (DAC12)

### 46.1 Overview

The MCU provides a 12-Bit D/A Converter (DAC12) with an output amplifier. Table 46.1 lists the DAC12 specifications, Figure 46.1 shows a block diagram, and Table 46.2 lists the I/O pins.

**Table 46.1 DAC12 specifications**

| Parameter                                     | Specifications  |
|---|---|
| Resolution                                    | 12 bits   |
| Output channels                               | 2 channels  |
| Interference reduction between analog modules | Methods provided to minimize interference between D/A and A/D conversion: <ul style="list-style-type: none"> <li>• D/A converted data update timing is controlled by the ADC12 synchronous D/A conversion enable input signal from the ADC12 (unit 1)</li> <li>• Degradation of A/D conversion accuracy caused by interference is reduced by controlling the DAC12 inrush current generation timing with the enable signal</li> </ul> |
| Module-stop function                          | Module-stop state can be set to reduce power consumption  |
| Event link function (input)                   | DA0 and DA1 conversion can be started when an event signal is input   |
| D/A output amplifier control function         | Controls whether the output amplifier (for both amplifier-through and amplifier-bias controls) is used  |



**Figure 46.1 DAC12 block diagram**

**Table 46.2 DAC12 I/O pins (1 of 2)**

| Pin name | I/O   | Function  |
|----------|-------|---|
| AVCC0    | Input | Analog power supply pin for ADC12, DAC12, and comparator<br>Connect to VCC when these modules are not used. |
| AVSS0    | Input | Analog ground pin for ADC12, DAC12, and comparator<br>Connect to VSS when these modules are not used.       |

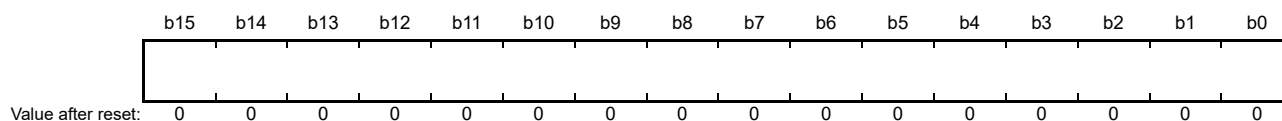
**Table 46.2 DAC12 I/O pins (2 of 2)**

| Pin name | I/O    | Function   |
|----------|--------|--|
| VREFH    | Input  | Analog reference top voltage supply pin for the ADC12 (unit 1) and the DAC12 |
| VREFL    | Input  | Analog reference ground pin for the ADC12 (unit 1) and the DAC12             |
| DA0      | Output | Channel 0 analog output pin  |
| DA1      | Output | Channel 1 analog output pin  |

## 46.2 Register Descriptions

### 46.2.1 D/A Data Register m (DADRm) (m = 0, 1)

Address(es): [DAC12.DADR0 4005 E000h](#), [DAC12.DADR1 4005 E002h](#)



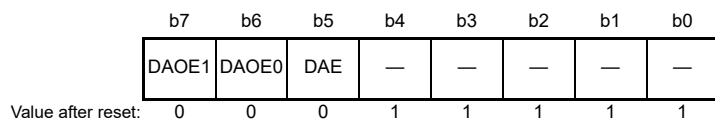
DADRm registers are 16-bit read/write registers that store data for D/A conversion. Whenever an analog output is enabled, the values in DADRm are converted and output to the analog output pins.

12-bit data can be formatted as left- or right-justified in the DADPR.DPSEL bit setting. In right-justified format (DADPR.DPSEL = 0), the lower 12 bits, [11:0], are valid. In left-justified format (DADPR.DPSEL = 1), the upper 12 bits, [15:4], are valid.

For information on using the output amplifier, see [section 46.6.5, Initialization Procedure with the Output Amplifier](#).

### 46.2.2 D/A Control Register (DACR)

Address(es): [DAC12.DACR 4005 E004h](#)



| Bit      | Symbol                | Bit name            | Description   | R/W |
|----------|-----------------------|---------------------|---|-----|
| b4 to b0 | —                     | Reserved            | These bits are read as 1. The write value should be 1.  | R/W |
| b5       | <a href="#">DAE</a>   | D/A Enable*1        | 0: Control D/A conversion of channels 0 and 1 individually<br>1: Control D/A conversion of channels 0 and 1 collectively. | R/W |
| b6       | <a href="#">DAOE0</a> | D/A Output Enable 0 | 0: Disable analog output of channel 0 (DA0)<br>1: Enable D/A conversion of channel 0 (DA0).                               | R/W |
| b7       | <a href="#">DAOE1</a> | D/A Output Enable 1 | 0: Disable analog output of channel 1 (DA1)<br>1: Enable D/A conversion of channel 1 (DA1).                               | R/W |

Note 1. This bit controls D/A conversion in combination with the DAOEi bit (i = 0, 1), which controls the output of the conversion results. For details, see [Table 46.3](#).



**Table 46.3 D/A conversion controls**

| b5  | b7    | b6    | Description   |
|-----|-------|-------|---|
| DAE | DAOE1 | DAOE0 |   |
| 0   | 0     | 0     | Disable D/A conversion and analog output pins (DA0, DA1)*1  |
|     |       | 1     | <ul style="list-style-type: none"> <li>• Enable D/A conversion of channel 0 and disable D/A conversion of channel 1</li> <li>• Enable analog output of channel 0 (DA0) and disable analog output of channel 1 (DA1)*1.</li> </ul> |
|     | 1     | 0     | <ul style="list-style-type: none"> <li>• Disable D/A conversion of channel 0 and enable D/A conversion of channel 1</li> <li>• Disable analog output of channel 0 (DA0)*1 and enable analog output of channel 1 (DA1).</li> </ul> |
| 1   | x     | 1     | <ul style="list-style-type: none"> <li>• Enable D/A conversion of channels 0 and 1</li> <li>• Enable analog output of channels 0 and 1 (DA0, DA1).</li> </ul>   |
|     |       | x     | <ul style="list-style-type: none"> <li>• Enable D/A conversion of channels 0 and 1</li> <li>• Collective enable analog output of channels 0 and 1 (DA0, DA1).</li> </ul>  |

x: Don't care

Note 1. When analog output is disabled, the analog output signal is placed in the Hi-Z state.

Only set this register while the ADC12 is halted when the DAADSCR.DAADST bit is 1 (interference reduction between D/A and A/D conversion is enabled). Only set DACR while the ADCSR.ADST bit is 0 and after selecting the software trigger, for the ADC12 trigger to securely stop the ADC12. This MCU only supports ADC12 unit 1.

#### DAE bit (D/A Enable)

The DAE bit controls D/A conversion, amplifier operation, and analog output in combination with the DAOEi bit (i = 0, 1) and the DAMMPCR.DAAMPi bit (i = 0, 1). See [Table 46.4](#).

When interference prevention between D/A and A/D conversions is enabled (DAADSCR.DAADST = 1), set the ADCSR.ADST bit of the ADC12 (unit 1) to 0. Then, select the software trigger for the ADC12 (unit 1) trigger to securely stop the ADC12 (unit 1).

#### DAOEi bit (D/A Output Enable i)

The DAOEi bit (i = 0, 1) controls D/A conversion, amplifier operation, and analog output in combination with the DAE bit and DAMMPCR.DAAMPi bit (i = 0, 1). See [Table 46.4](#).

When both the DAOEi bit (i = 0, 1) and DAE bit are 0, D/A conversion of channel i (i = 0, 1) is not processed, and no conversion result is output.

When interference prevention between D/A and A/D conversions is enabled (DAADSCR.DAADST = 1), set the DAOEi bit while the ADCSR.ADST bit of the ADC12 (unit 1) is set to 0. Then, select the software trigger for the ADC12 (unit 1) trigger to securely stop the ADC12 (unit 1).

The event link function can be used to set the DAOEi bit to 1. The DAOE0 bit is set to 1 when the event specified in the ELSR12 register of the ELC (ELC\_DA0 event) occurs, and output of the D/A conversion results starts. The DAOE1 bit is set to 1 when the event specified in the ELSR13 register of the ELC (ELC\_DA1 event) occurs, and output of the D/A conversion results starts.

**Table 46.4 D/A conversion and analog output control (1 of 2)**

| DACR |       | DAAMPCR |   | Channel i operation | Amplifier operation of channel i | Analog output of channel i |
|------|-------|---------|---|---------------------|----------------------------------|----------------------------|
| DAE  | DAOEi | DAAMPi  |   |                     |                                  |                            |
| 0    | 0     | 0       | 0 | Stop                | Stop                             | Hi-Z                       |
|      |       | 1       | 1 | Stop                | Stop                             | Hi-Z                       |
|      | 1     | 0       | 0 | Run                 | Stop                             | Amplifier-through          |
|      |       | 1       | 1 | Run                 | Run                              | Amplifier output           |

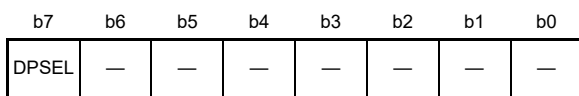
**Table 46.4 D/A conversion and analog output control (2 of 2)**

| DACR |       | DAAMPCR |  | Channel i operation | Amplifier operation of channel i | Analog output of channel i |
|------|-------|---------|--|---------------------|----------------------------------|----------------------------|
| DAE  | DAOEi | DAAMPi  |  |                     |                                  |                            |
| 1    | 0     | 0       |  | Run                 | Stop                             | Amplifier-through          |
|      |       | 1       |  | Run                 | Run                              | Amplifier output           |
|      | 1     | 0       |  | Run                 | Stop                             | Amplifier-through          |
|      |       | 1       |  | Run                 | Run                              | Amplifier output           |

i = 0, 1

### 46.2.3 DADRm Format Select Register (DADPR)

Address(es): DAC12.DADPR 4005 E005h



Value after reset:

| Bit      | Symbol | Bit name            | Description  | R/W |
|----------|--------|---------------------|--|-----|
| b6 to b0 | —      | Reserved            | These bits are read as 0. The write value should be 0. | R/W |
| b7       | DPSEL  | DADRm Format Select | 0: Right-justified format<br>1: Left-justified format. | R/W |

### 46.2.4 D/A A/D Synchronous Start Control Register (DAADSCR)

Address(es): DAC12.DAADSCR 4005 E006h



Value after reset:

| Bit      | Symbol | Bit name                       | Description   | R/W |
|----------|--------|--------------------------------|---|-----|
| b6 to b0 | —      | Reserved                       | These bits are read as 0. The write value should be 0.  | R/W |
| b7       | DAADST | D/A A/D Synchronous Conversion | 0: Do not synchronize DAC12 operation with ADC12 (unit 1) operation (disable interference prevention between D/A and A/D conversion)<br>1: Synchronize DAC12 operation with ADC12 (unit 1) operation (enable interference prevention between D/A and A/D conversion). | R/W |

To minimize interference between D/A and A/D conversion, the DAADSCR register enables synchronization of the start timing of D/A conversion with the ADC12 synchronous D/A conversion enable input signal.

Only set this register while the ADC12 (unit 1) is halted, that is, while the ADCSR.ADST bit is 0 after selecting the software trigger as the ADC12 (unit 1) trigger.

Select unit 1 as the target ADC12 unit before setting the DAADST bit to 1.

Set bit [1] in the DAADUSR register to 1 to select unit 1. This MCU only supports ADC12 unit 1.

#### DAADST bit (D/A A/D Synchronous Conversion)

Setting the DAADST bit to 0 allows the DADRm register value to be converted into analog data at any time. Setting the DAADST bit to 1 allows synchronous D/A conversion with the ADC12 synchronous D/A conversion enable input signal from the ADC12 (unit 1). With this bit set, D/A conversion does not start until the ADC12 (unit 1) completes A/D conversion, even if the DADRm register value is changed.

Set this bit while the ADCSR.ADST bit is set to 0. Then, select the software trigger for the ADC12 (unit 1) trigger to securely stop the ADC12 (unit 1). Set bit [1] in the DAADUSR register to 1 before setting the DAADST bit to 1.

The event link function cannot be used when the DAADST bit is set to 1. Stop the event link function by setting the ELSR12 and ELSR13 registers of the ELC. The setting of the DAADST bit is shared by channels 0 and 1 of the DAC12.

### 46.2.5 D/A Output Amplifier Control Register (DAAMPCR)

Address(es): DAC12.DAAMPCR 4005 E008h

|                    |        |        |    |    |    |    |    |    |
|--------------------|--------|--------|----|----|----|----|----|----|
|                    | b7     | b6     | b5 | b4 | b3 | b2 | b1 | b0 |
|                    | DAAMP1 | DAAMP0 | —  | —  | —  | —  | —  | —  |
| Value after reset: | 0      | 0      | 0  | 0  | 0  | 0  | 0  | 0  |

| Bit      | Symbol | Bit name            | Description  | R/W |
|----------|--------|---------------------|--|-----|
| b5 to b0 | —      | Reserved            | These bits are read as 0. The write value should be 0.                         | R/W |
| b6       | DAAMP0 | Amplifier Control 0 | 0: Do not use channel 0 output amplifier<br>1: Use channel 0 output amplifier. | R/W |
| b7       | DAAMP1 | Amplifier Control 1 | 0: Do not use channel 1 output amplifier<br>1: Use channel 1 output amplifier. | R/W |

The DAAMPCR register selects D/A output with or without using the amplifier.

#### DAAMP0 bit (Amplifier Control 0)

When the DAAMP0 bit is 0, analog values are output for D/A output of channel 0 without using the amplifier. When the DAAMP0 bit is 1, analog values are output for D/A output of channel 0 through the amplifier.

When both the DAE and DAOE0 bits are 0, the amplifier is not used regardless of the setting of the DAAMP0 bit. See Table 46.4 for details.

#### DAAMP1 bit (Amplifier Control 1)

When the DAAMP1 bit is 0, analog values are output for D/A output of channel 1 without using the amplifier. When the DAAMP1 bit is 1, analog values are output for D/A output of channel 1 through the amplifier.

When both the DAE and DAOE1 bits are 0, the amplifier is not used regardless of the setting of the DAAMP1 bit. See Table 46.4 for details.

### 46.2.6 D/A Amplifier Stabilization Wait Control Register (DAASWCR)

Address(es): DAC12.DAASWCR 4005 E01C

|                    |        |        |    |    |    |    |    |    |
|--------------------|--------|--------|----|----|----|----|----|----|
|                    | b7     | b6     | b5 | b4 | b3 | b2 | b1 | b0 |
|                    | DAASW1 | DAASW0 | —  | —  | —  | —  | —  | —  |
| Value after reset: | 0      | 0      | 0  | 0  | 0  | 0  | 0  | 0  |

| Bit      | Symbol | Bit name                           | Description  | R/W |
|----------|--------|------------------------------------|--|-----|
| b5 to b0 | —      | Reserved                           | These bits are read as 0. The write value should be 0.   | R/W |
| b6       | DAASW0 | D/A Amplifier Stabilization Wait 0 | 0: Amplifier stabilization wait off (output) for channel 0<br>1: Amplifier stabilization wait on (high-Z) for channel 0. | R/W |
| b7       | DAASW1 | D/A Amplifier Stabilization Wait 1 | 0: Amplifier stabilization wait off (output) for channel 1<br>1: Amplifier stabilization wait on (high-Z) for channel 1. | R/W |

The DAASWCR register controls D/A output with the output amplifier. This register is used in the initialization procedure to wait for stabilization of the D/A output amplifier. Each bit in DAASWCR should be set to 1 when both the

DAE bit and the DAOEi (i = 0, 1) bit in the DACR register are 0. See [section 46.6.5, Initialization Procedure with the Output Amplifier](#).

#### DAASW0 bit (D/A Amplifier Stabilization Wait 0)

Set the DAASW0 bit to 1 in the initialization procedure to wait for the stabilization of the D/A channel 0 output amplifier. When DAASW0 is set to 1, D/A conversion operates, but the conversion result of D/A is not output from channel 0. When the DAASW0 bit is 0, the stabilization wait time stops, and the D/A conversion result of channel 0 is output through the output amplifier.

#### DAASW1 bit (D/A Amplifier Stabilization Wait 1)

Set the DAASW1 bit to 1 in the initialization procedure to wait for the stabilization of the D/A channel 1 output amplifier. When DAASW1 is set to 1, D/A conversion operates, but the conversion result of D/A is not output from channel 1. When the DAASW1 bit is 0, the stabilization wait time stops, and the D/A conversion result of channel 1 is output through the output amplifier.

### 46.2.7 D/A A/D Synchronous Unit Select Register (DAADUSR)

Address(es): DAC12.DAADUSR 4005 F0C0h

|                    |    |    |    |    |    |          |    |
|--------------------|----|----|----|----|----|----------|----|
| b7                 | b6 | b5 | b4 | b3 | b2 | b1       | b0 |
| —                  | —  | —  | —  | —  | —  | AMADSEL1 | —  |
| Value after reset: | 0  | 0  | 0  | 0  | 0  | 0        | 0  |

| Bit      | Symbol   | Bit name          | Description  | R/W |
|----------|----------|-------------------|--|-----|
| b0       | —        | Reserved          | This bit is read as 0. The write value should be 0.    | R/W |
| b1       | AMADSEL1 | A/D Unit 1 Select | 0: Do not select unit 1<br>1: Select unit 1.           | R/W |
| b7 to b2 | —        | Reserved          | These bits are read as 0. The write value should be 0. | R/W |

The DAADUSR register selects the target ADC12 unit for D/A and A/D synchronous conversions. Set bit [1] to 1 to select unit 1 as the target synchronous unit for the MCU. When setting the DAADSCR.DAADST bit to 1 for synchronous conversions, select the target unit in this register in advance.

Only set the DAADUSR register while the ADCSR.ADST bit of the ADC12 is set to 0 and the DAADSCR.DAADST bit is set to 0.

## 46.3 Operation

The DAC12 includes D/A conversion circuits for two channels, each of which can operate independently. When the DAOEn bit (n = 0, 1) in DACR is set to 1, DAC12 is enabled and the conversion result is output.

The following is an example of D/A conversion on channel 0. [Figure 46.2](#) shows the timing of this operation.

To process D/A conversion on channel 0:

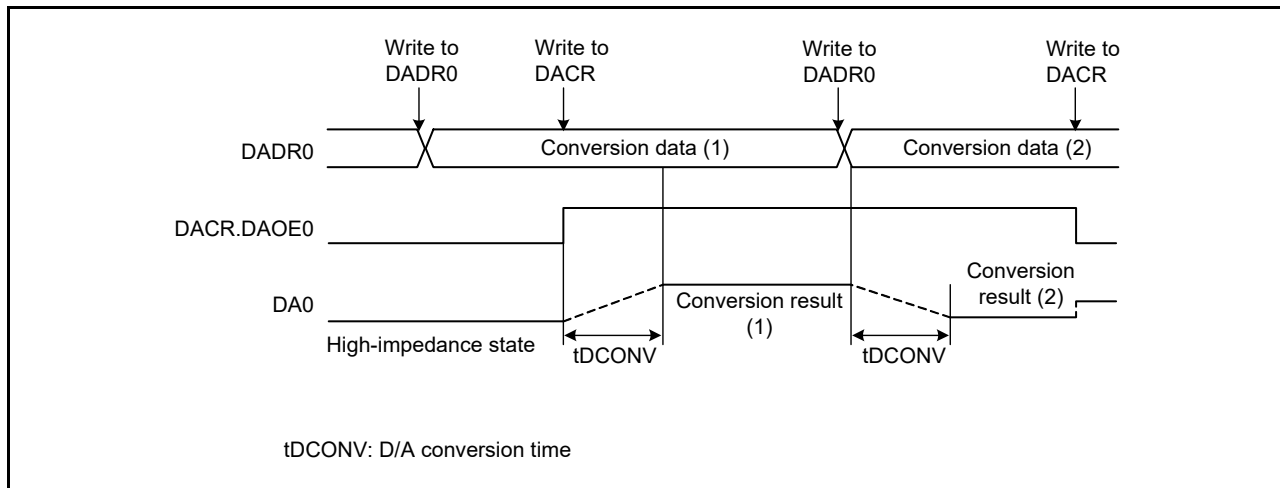
1. Set the data for D/A conversion in the DADPR.DPSEL bit and the DADR0 register.
2. Set the DACR.DAOE0 bit to 1 to start D/A conversion. The conversion result is output from the analog output pin DA0 after the conversion time tDCONV elapses. The conversion result continues to be output until DADR0 is written to again or the DAOE0 bit is cleared to 0. The output value (reference) is expressed by the following formula:

$$\frac{\text{Setting in DADRm}}{4096} \times VREFH$$

3. To start conversion again, write to DADR0 again. The conversion result is output after the conversion time tDCONV elapses.  
When the DAADSCR.DAADST bit is 1 (interference prevention between D/A and A/D conversion is enabled), a

maximum of one A/D conversion time is required for D/A conversion to start. When ADCLK is faster than the peripheral clock, a longer time period might be required.

- To disable analog output, set the DAOE0 bit to 0.



**Figure 46.2 Example of DAC12 operation**

### 46.3.1 Reducing Interference between D/A and A/D Conversion

When D/A conversion starts, the DAC12 generates inrush current. Because the same analog power supply is shared by the DAC12 and ADC12 (unit 1), the generated inrush current might interfere with ADC12 (unit 1) operation.

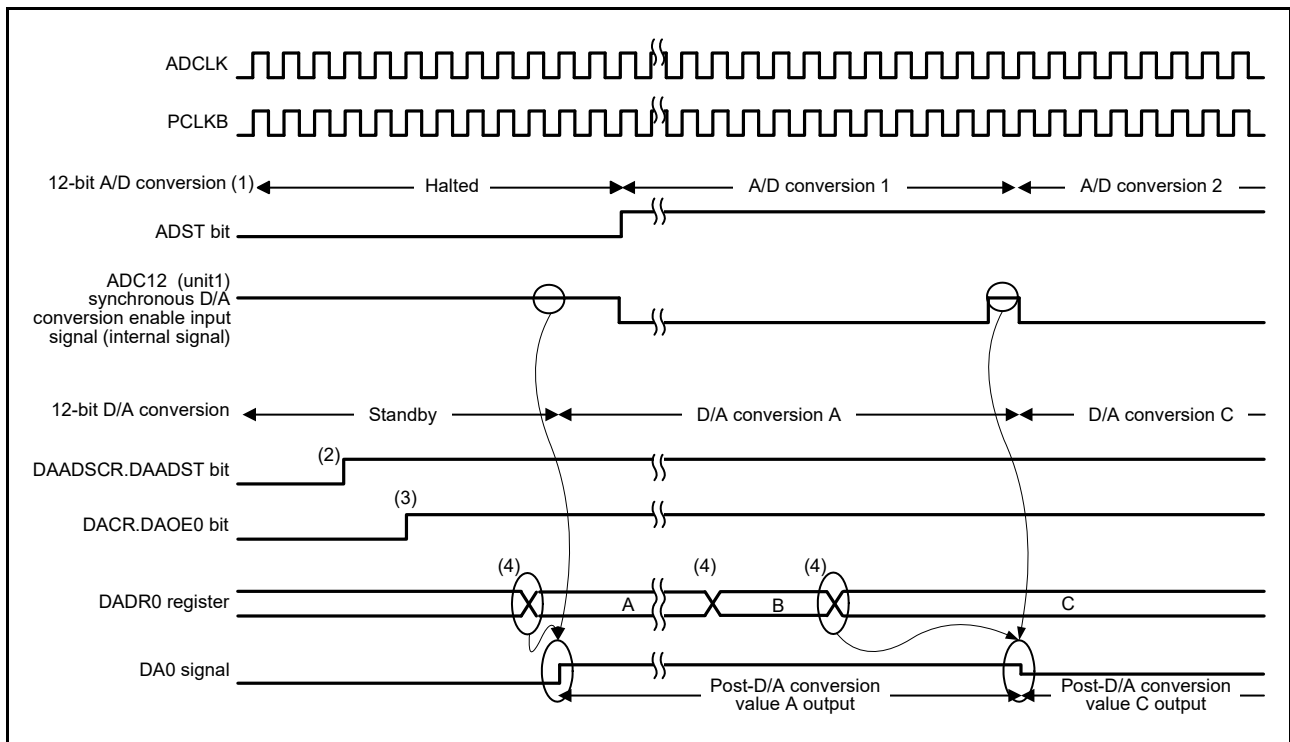
While the DAADSCR.DAADST bit is 1, even if the DADRm register data is changed during ADC12 (unit 1) operation, D/A conversion does not start immediately but starts synchronously with A/D conversion completion. A maximum of one A/D conversion time is required for the DADRm register data update to be reflected as the D/A conversion circuit input. Before reflection, the DADRm register value does not correspond to the analog output value.

When this function is enabled, it is impossible to check through software whether the DADRm register value was D/A converted. When the DADRm register data is changed while the ADC12 (unit 1) is halted, D/A conversion starts in 1 PCLKB cycle, even if DAADSCR.DAADST is 1.

The following sequence provides an example of channel 0 D/A conversion, in which the DAC12 operates synchronously with the ADC12 (unit 1).

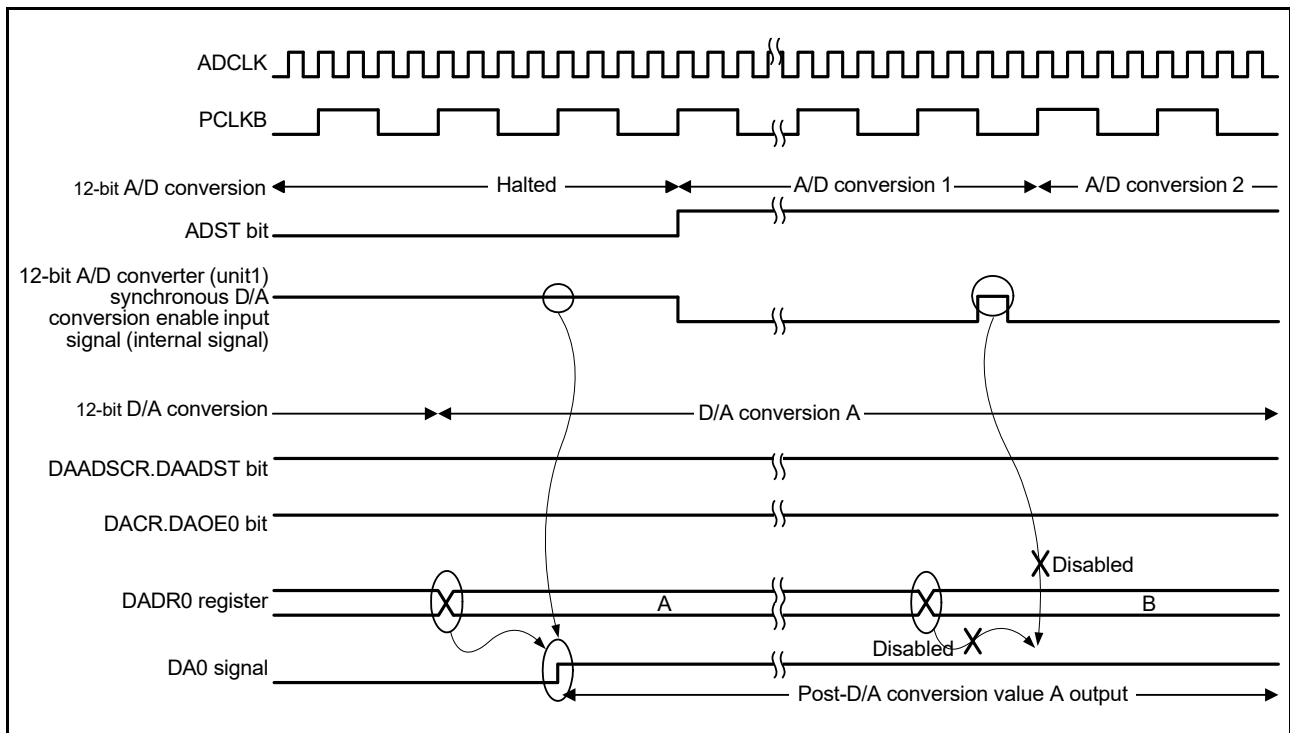
To perform D/A conversion on channel 0 in synchronization with the ADC12 (unit 1):

- Confirm that the ADC12 (unit 1) is halted and set the DAADUSR.AMADSEL1 bit to 1.
- Confirm that the ADC12 (unit 1) is halted and set the DAADSCR.DAADST bit to 1.
- Confirm that the ADC12 (unit 1) is halted and set the DACR.DAOE0 bit to 1.
- Set the DADR0 register. When ADCLK is faster than the peripheral clock, a period longer than one A/D conversion time might be required.
  - If the 12-bit A/D conversion is halted (ADCSR.ADST bit = 0) when the DADR0 register is changed, D/A conversion starts in 1 PCLKB cycle
  - If the 12-bit A/D conversion is in progress (ADCSR.ADST bit = 1) when the DADR0 register is changed, D/A conversion starts on A/D conversion completion. If the DADR0 register is changed twice during A/D conversion, the first update might not be converted.



**Figure 46.3 Example of conversion when the DAC12 is synchronized with the ADC12**

When ADCLK is faster than PCLKB, the DAC12 might not be able to capture an ADC12 (unit 1) synchronous D/A conversion enable input signal for the 1 ADCLK cycle that is output between A/D conversion 1 and A/D conversion 2. Figure 46.4 shows an example of this. In this case, post-D/A conversion value A is continuously output as the DA0 signal.



**Figure 46.4 Example when the DAC12 cannot capture the synchronous D/A conversion enable input signal from the ADC12 (unit 1)**

## 46.4 Event Link Operation Setting Procedure

This section describes the procedures used in event link operation.

### 46.4.1 DA0 Event Link Operation Setting Procedure

To set up DA0 event link operation:

1. Set the DADPR.DPSEL bit and set the data for D/A conversion in the DADR0 register.
2. Set the ELC\_DA0 event signal to be linked to each peripheral module in the ELSR12 register.
3. Set the ELCR.ELCON bit to 1. This enables event link operation for all modules with the event link function selected.
4. Set the event output source module to activate the event link. After the event is output from the module, the DACR.DAOE0 bit is set to 1, and D/A conversion starts on channel 0.
5. Set the ELSR12.ELS[8:0] bits to 000h to stop event link operation on DAC12 channel 0. All event link operation is stopped when the ELCR.ELCON bit is set to 0.

### 46.4.2 DA1 Event Link Operation Setting Procedure

To set up DA1 event link operation:

1. Set the DADPR.DPSEL bit and set the data for D/A conversion in the DADR1 register.
2. Set the ELC\_DA1 event signal to be linked to each peripheral module in the ELSR13 register.
3. Set the ELCR.ELCON bit to 1. This enables the event link operation for all modules with the event link function selected.
4. Set the event output source module to activate the event link. After the event is output from the module, the DACR.DAOE1 bit is set to 1, and D/A conversion starts on channel 1.
5. Set the ELSR13.ELS[8:0] bits to 000h to stop event link operation on DAC12 channel 1. All event link operation is stopped when the ELCR.ELCON bit is set to 0.

## 46.5 Usage Notes on Event Link Operation

- When the event link function is used, do not use the amplifier output function.
- When the event link function is used, set the DACR.DAE bit to 0.
- When the event specified for the ELC\_DA0 event signal is generated while the write cycle is performed on the DACR.DAOE0 bit, the write cycle is stopped, and the generated event takes precedence in setting the bit to 1.
- When the event specified for the ELC\_DA1 event signal is generated while the write cycle is performed on the DACR.DAOE1 bit, the write cycle is stopped, and the generated event takes precedence in setting the bit to 1.
- Use of the event link function is prohibited when the DAADSCR.DAADST bit is set to 1 to reduce interference between D/A and A/D conversions.

## 46.6 Usage Notes

### 46.6.1 Settings for the Module-Stop Function

DAC12 operation can be disabled or enabled using the Module Stop Control Register. The DAC12 is initially stopped after reset. Releasing the module-stop state enables access to the registers. For details, see [section 11, Low Power Modes](#).

### 46.6.2 DAC12 Operation in the Module-Stop State

When the MCU enters the module-stop state with D/A conversion enabled, the D/A outputs are retained, and the analog power supply current is the same as during D/A conversion. If the analog power supply current must be reduced in the module-stop state, disable D/A conversion by setting the DACR.DAOE1, DAOE0, and DAE bits to 0.

### 46.6.3 DAC12 Operation in Software Standby Mode

When the MCU enters Software Standby mode with D/A conversion enabled, the D/A outputs are retained, and the analog power supply current is the same as during D/A conversion. If the analog power supply current must be reduced in Software Standby mode, disable D/A conversion by setting the DACR.DAOE1, DAOE0, and DAE bits to 0.

### 46.6.4 Constraint on Entering Deep Software Standby Mode

When the MCU enters Deep Software Standby mode with D/A conversion enabled, the outputs of the DAC12 are placed in a high impedance state.

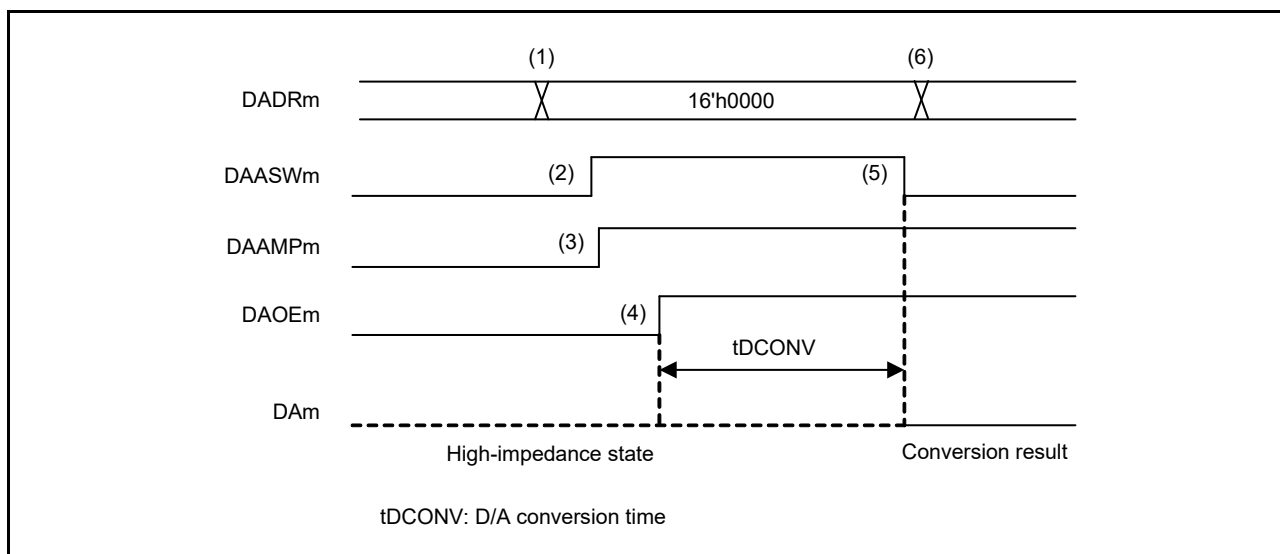
### 46.6.5 Initialization Procedure with the Output Amplifier

Use the following initialization procedures with the output amplifier. The example shows the case for channel 0.

To initialize the DAC12 with the output amplifier:

1. Write 000h to the DADR0 register.
2. Set the DAASWCR.DAASW0 bit to 1.
3. Set the DAAMPCR.DAAMP0 bit to 1.
4. Set the DACR.DAE bit or the DACR.DAOE0 bit to 1 to start operation of the amplifier.
5. Clear the DAASWCR.DAASW0 bit to 0 after waiting for the duration of D/A conversion time  $t_{CONV}$ .
6. Write the value to be converted in the DADR0 register.

While the amplifier is running, clearing the DACR.DAE and DACR.DAOE0 bits to 0 allows the amplifier to stop operation. To use the amplifier again, repeat steps 1 to 6.



**Figure 46.5** Example of the initial flow with the output amplifier in DAC12

### 46.6.6 Restrictions on Usage When Interference Reduction between D/A and A/D Conversion Is Enabled

When the DAADSCR.DAADST bit is 1, enabling interference prevention between D/A and A/D conversion, do not place the ADC12 in the module-stop state. Doing so can halt D/A conversion in addition to A/D conversion.



## 47. Temperature Sensor (TSN)

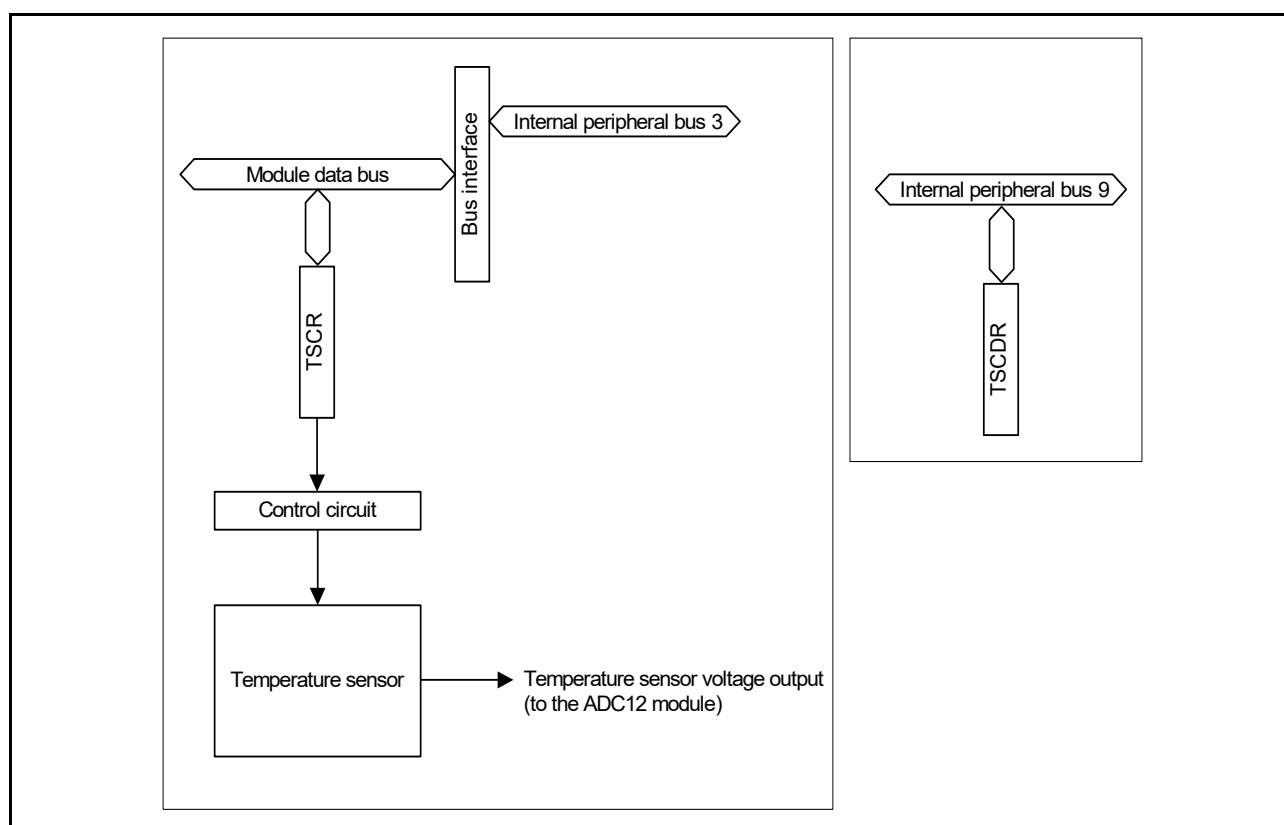
### 47.1 Overview

The on-chip temperature sensor can be used to determine and monitor the die temperature for reliable operation of the device. The sensor outputs a voltage directly proportional to the die temperature, and the relationship between the die temperature and the output voltage is fairly linear. The output voltage is provided to the ADC12 for conversion and can also be used by the end application.

Table 47.1 lists the temperature sensor specifications and Figure 47.1 shows a block diagram.

**Table 47.1 Temperature sensor specifications**

| Parameter                           | Specifications   |
|-------------------------------------|--|
| Temperature sensor voltage output   | Temperature sensor outputs a voltage to the 12-bit A/D Converter (ADC12) |
| Module-stop function                | Module-stop state can be set to reduce power consumption                 |
| Temperature sensor calibration data | Reference data measured for each MCU at factory shipment is stored       |



**Figure 47.1 Temperature sensor block diagram**

## 47.2 Register Descriptions

### 47.2.1 Temperature Sensor Control Register (TSCR)

Address(es): TSN.TSCR 4005 D000h

|                    |      |    |    |      |    |    |    |    |
|--------------------|------|----|----|------|----|----|----|----|
|                    | b7   | b6 | b5 | b4   | b3 | b2 | b1 | b0 |
|                    | TSEN | —  | —  | TSOE | —  | —  | —  | —  |
| Value after reset: | 0    | 0  | 0  | 0    | 0  | 0  | 0  | 0  |

| Bit      | Symbol | Bit name                         | Description  | R/W |
|----------|--------|----------------------------------|--|-----|
| b3 to b0 | —      | Reserved                         | These bits are read as 0. The write value should be 0.   | R/W |
| b4       | TSOE   | Temperature Sensor Output Enable | 0: Disable output from the temperature sensor to the ADC12<br>1: Enable output from the temperature sensor to the ADC12. | R/W |
| b6, b5   | —      | Reserved                         | These bits are read as 0. The write value should be 0.   | R/W |
| b7       | TSEN   | Temperature Sensor Enable        | 0: Stop the temperature sensor<br>1: Start the temperature sensor.   | R/W |

The timing constraints shown in Figure 47.3 apply to the settings of the TSCR register.

### 47.2.2 Temperature Sensor Calibration Data Register (TSCDR)

Address(es): TSD.TSCDR 407F B17Ch

|                    |     |     |     |     |                           |     |     |     |     |     |     |     |     |     |     |     |
|--------------------|-----|-----|-----|-----|---------------------------|-----|-----|-----|-----|-----|-----|-----|-----|-----|-----|-----|
|                    | b31 | b30 | b29 | b28 | b27                       | b26 | b25 | b24 | b23 | b22 | b21 | b20 | b19 | b18 | b17 | b16 |
|                    | —   | —   | —   | —   | —                         | —   | —   | —   | —   | —   | —   | —   | —   | —   | —   | —   |
| Value after reset: | 0   | 0   | 0   | 0   | 0                         | 0   | 0   | 0   | 0   | 0   | 0   | 0   | 0   | 0   | 0   | 0   |
|                    | b15 | b14 | b13 | b12 | b11                       | b10 | b9  | b8  | b7  | b6  | b5  | b4  | b3  | b2  | b1  | b0  |
|                    | —   | —   | —   | —   |                           |     |     |     |     |     |     |     |     |     |     |     |
| Value after reset: | 0   | 0   | 0   | 0   | Unique value for each MCU |     |     |     |     |     |     |     |     |     |     |     |

The TSCDR register stores temperature sensor calibration data measured for each MCU at factory shipment. Temperature sensor calibration data is a digital value obtained using the 12-bit A/D converter unit 0 to convert the voltage output by the temperature sensor under the condition  $T_a = T_j = 127^\circ\text{C}$  and  $AVCC0 = 3.3\text{ V}$ .

The TSCDR register is a 32-bit read-only register and should be read in 32-bit units.

## 47.3 Using the Temperature Sensor

The temperature sensor outputs a voltage which varies with the temperature. This voltage is converted to a digital value by the ADC12. You can then obtain the die temperature by converting the value into the temperature.

### 47.3.1 Preparation for Using the Temperature Sensor

The temperature (T) is proportional to the sensor voltage output ( $V_s$ ), so temperature is calculated with the following formula:

$$T = (V_s - V_1) / \text{Slope} + T_1$$

T: Measured temperature ( $^\circ\text{C}$ )

$V_s$ : Voltage output by the temperature sensor when temperature is measured (V)

$T_1$ : Temperature experimentally measured at one point ( $^\circ\text{C}$ )

V1: Voltage output by the temperature sensor when T1 is measured (V)

T2: Temperature at the experimental measurement of another point (°C)

V2: Voltage output by the temperature sensor when T2 is measured (V)

Slope: Temperature gradient of the temperature sensor (V / °C), Slope = (V2 - V1) / (T2 - T1)

Determine the values for formula parameter (V1, T1, Slope) measurement. These values vary from sensor to sensor, and Renesas recommends making the following experimental measurement at two different temperatures to determine the values for these parameters:

1. Use the ADC12 to measure the voltage V1 output by the temperature sensor at temperature T1.
2. Use the ADC12 to measure the voltage V2 output by the temperature sensor at a different temperature T2. Obtain the temperature gradient (Slope = (V2 - V1) / (T2 - T1)) from these results.
3. Obtain subsequent temperatures by substituting the slope into the formula for the temperature characteristic ( $T = (Vs - V1) / \text{Slope} + T1$ ).

If you are using the temperature slope given in [Table 55.40](#) of [section 55, Electrical Characteristics](#), use the 12-bit A/D converter unit 0 to measure the voltage V1 output by the temperature sensor at temperature T1, then calculate the temperature characteristic by using the following formula:

$$T = (Vs - V1) / \text{Slope} + T1$$

T: Measured temperature (°C)

Vs: Voltage output by the temperature sensor when the temperature is measured (V)

T1: Sample temperature measurement at first point (°C)

V1: Voltage output by the temperature sensor when T1 is measured (V)

Slope: Temperature slope given in [Table 55.40](#) ÷ 1000 (V / °C)

In this MCU, the TSCDR register stores the temperature value (CAL127) of the temperature sensor measured under the condition  $T_a = T_j = 127^\circ\text{C}$  and  $AVCC0 = 3.3\text{ V}$ . By using this value as the sample measurement result at the first point, preparation before using the temperature sensor can be omitted.

If V1 is calculated from CAL127:

$$V1 = 3.3 \times \text{CAL127} / 4096 \text{ [V]}$$

Using this, the measured temperature can be calculated according to the following formula:

$$T = (Vs - V1) / \text{Slope} + 127 \text{ [}^\circ\text{C]}$$

T: Measured temperature (°C)

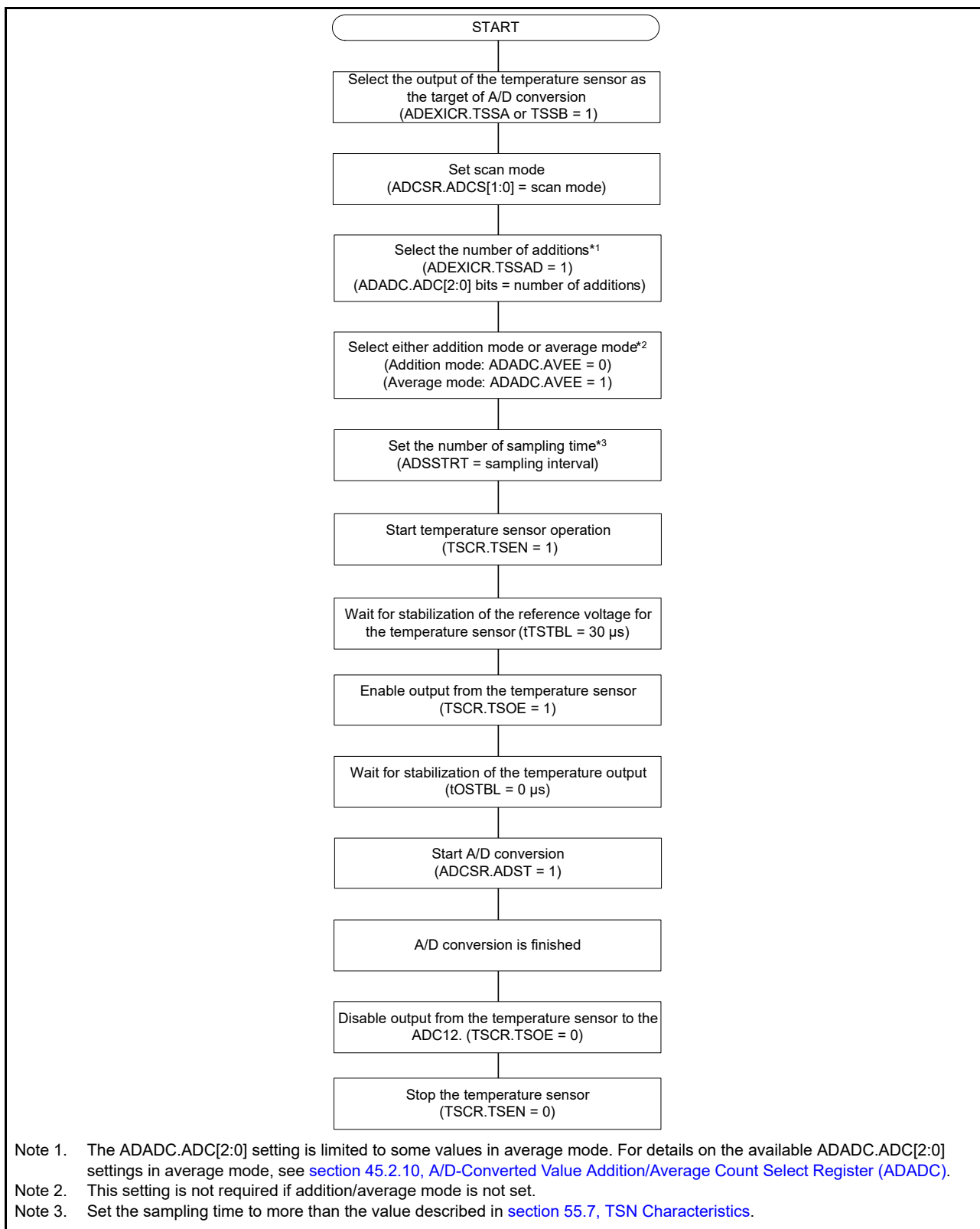
Vs: Voltage output by the temperature sensor when the temperature is measured (V)

V1: Voltage output by the temperature sensor when  $T_a = T_j = 127^\circ\text{C}$  and  $AVCC0 = 3.3\text{ V}$  (V)

Slope: Temperature slope given in [Table 55.40](#) ÷ 1000 (V / °C)

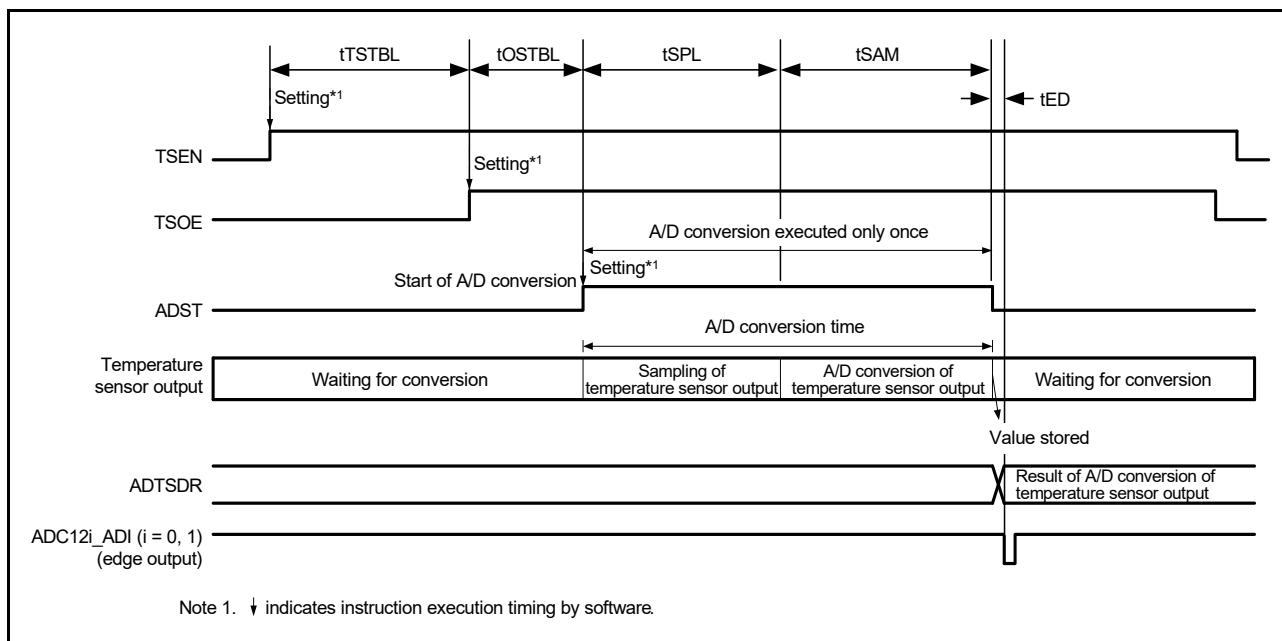
### 47.3.2 Procedures for Using the Temperature Sensor

[Figure 47.2](#) shows the procedure for using the temperature sensor. For the procedure to configure the ADC12, see [section 45, 12-Bit A/D Converter \(ADC12\)](#).



**Figure 47.2 Procedure for using the temperature sensor**

Figure 47.3 shows the timing from the start of temperature sensor operation until the completion of A/D conversion when the ADC12 is in single scan mode (the conversion target is the temperature sensor output only). The times shown in the figure are described in [Table 47.2](#).



**Figure 47.3** Timing from start of temperature sensor operation until completion of A/D conversion

**Table 47.2** Time until completion of A/D conversion after start of temperature sensor operation

| Parameter  | Symbol | Time  |
|--|--------|---|
| Wait time for temperature sensor reference voltage stabilization | tTSTBL | 30 μs (min)   |
| Wait time for temperature sensor output stabilization            | tOSTBL | 0 μs (min)  |
| ADC12 input sampling time  | tSPL   | ADSSTRT setting × ADCLK cycles  |
| A/D conversion time  | tSAM   | See <a href="#">Table 45.10, Conversion times during scanning (in numbers of cycles of ADCLK and PCLKB)</a> |
| Scan conversion end delay  | tED    |   |

## 47.4 Usage Notes

### 47.4.1 Settings for the Module-Stop Function

Temperature sensor operation can be disabled or enabled using the associated bit in Module Stop Control Register D (MSTPCRD). The temperature sensor is initially stopped after reset. Releasing the module-stop state enables access to the registers. For details, see [section 11, Low Power Modes](#).

### 47.4.2 Constraints

It is prohibited to use both channels of the ADC12 simultaneously for temperature sensor measurement.

## 48. High-Speed Analog Comparator (ACMPHS)

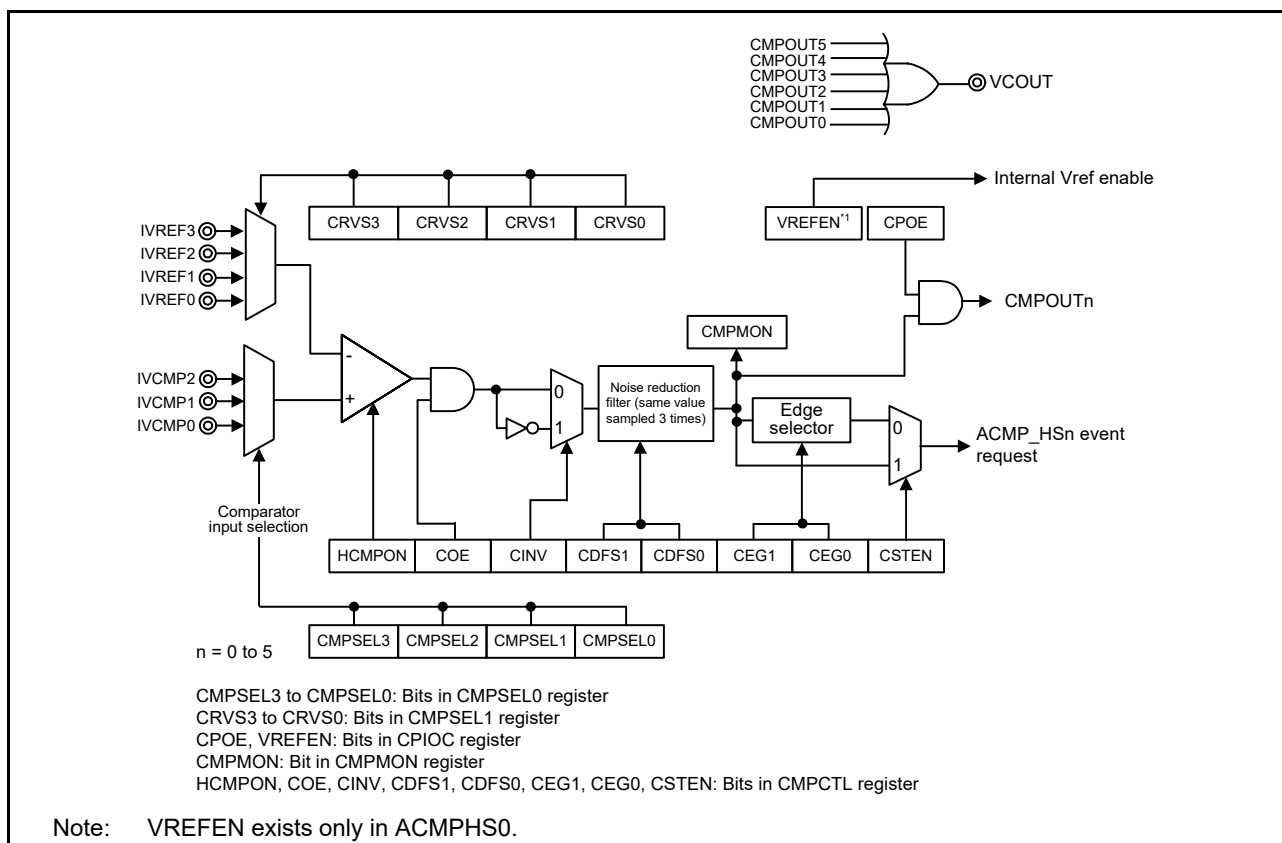
### 48.1 Overview

The High-Speed Analog Comparator (ACMPHS) compares a test voltage with a reference voltage and to provide a digital output based on the result of conversion. Both the test voltage and the reference voltage can be provided to the ACMPHS from internal sources (D/A converter output and internal reference voltage) and an external source. Such flexibility is useful in applications that require go/no-go comparisons to be performed between analog signals without requiring A/D conversion.

Table 48.1 lists the ACMPHS specifications, Figure 48.1 shows a block diagram, and Table 48.2 shows the input source configurations.

**Table 48.1 ACMPHS 0 to 5 specifications**

| Parameter                | Specifications   |
|--------------------------|--|
| Number of channels       | 6 channels: ACMPHS 0 to ACMPHS 5   |
| Analog input voltage     | <ul style="list-style-type: none"> <li>Output from internal D/A converter</li> <li>Input from internal A/D converter input pin (one selectable).</li> </ul>  |
| Reference voltage        | <ul style="list-style-type: none"> <li>Internal reference voltage (Vref)</li> <li>Output from internal D/A converter</li> <li>Input from internal A/D converter input pin (one selectable).</li> </ul> |
| ACMPHS output            | <ul style="list-style-type: none"> <li>Comparison result</li> <li>Generation of ELC event output</li> <li>Monitor output from register.</li> </ul>   |
| Interrupt request signal | <ul style="list-style-type: none"> <li>Interrupt request generated on valid edge detection from comparison result</li> <li>Selectable to rising edge, falling edge, or both edges.</li> </ul>          |
| Digital filter function  | <ul style="list-style-type: none"> <li>Selectable to one of three sampling frequencies</li> <li>Not using the filter function is selectable.</li> </ul>  |



**Figure 48.1 ACMPHS block diagram**

**Table 48.2** Input source configuration of the ACMPHS

| Comparator | Reference voltage input source |        |        |        | Analog voltage input source |        |        | Output pin |
|------------|--------------------------------|--------|--------|--------|-----------------------------|--------|--------|------------|
|            | IVREF3                         | IVREF2 | IVREF1 | IVREF0 | IVCMP2                      | IVCMP1 | IVCMP0 |            |
| ACMPHS0    | DA0*1                          | Vref*2 | AN116  | AN016  | AN000                       | DA1*3  | AN017  | VCOUT*4    |
| ACMPHS1    | DA0*1                          | Vref*2 | AN116  | AN016  | AN001                       | DA1*3  | AN017  |            |
| ACMPHS2    | DA0*1                          | Vref*2 | AN116  | AN016  | AN002                       | DA1*3  | AN017  |            |
| ACMPHS3    | DA0*1                          | Vref*2 | AN116  | AN016  | AN100                       | DA1*3  | AN017  |            |
| ACMPHS4    | DA0*1                          | Vref*2 | AN116  | AN016  | AN101                       | DA1*3  | AN017  |            |
| ACMPHS5    | DA0*1                          | Vref*2 | AN116  | AN016  | AN102                       | DA1*3  | AN017  |            |

Note 1. When D/A converter 0 output is not used, the signal can be used as AN005/AN105 analog input.

Note 2. Internal voltage reference.

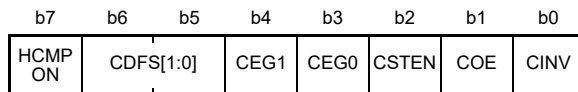
Note 3. When D/A converter 1 output is not used, the signal can be used as AN006/AN106 analog input.

Note 4. ACMPHS0 to ACMPHS5 compare outputs are bundled with the VCOUT pin.

## 48.2 Register Descriptions

### 48.2.1 Comparator Control Register (CMPCTL)

Address(es): [ACMPHS0.CMPCTL 4008 5000h](#), [ACMPHS1.CMPCTL 4008 5100h](#), [ACMPHS2.CMPCTL 4008 5200h](#), [ACMPHS3.CMPCTL 4008 5300h](#), [ACMPHS4.CMPCTL 4008 5400h](#), [ACMPHS5.CMPCTL 4008 5500h](#)



Value after reset: 0 0 0 0 0 0 0 0

| Bit    | Symbol                    | Bit name                                   | Description  | R/W |
|--------|---------------------------|--|--|-----|
| b0     | <a href="#">CINV</a>      | Comparator Output Polarity Selection*2, *3 | 0: Do not invert comparator output<br>1: Invert comparator output.   | R/W |
| b1     | <a href="#">COE</a>       | Comparator Output Enable                   | 0: Disable comparator output (the output signal is low level)<br>1: Enable comparator output.  | R/W |
| b2     | <a href="#">CSTEN</a>     | Interrupt Select*1                         | 0: Output through the edge selector<br>1: Output directly.   | R/W |
| b4, b3 | <a href="#">CEG1/CEG0</a> | Selection of Valid Edge (Edge Selector)    | b4 b3<br>0 0: Do not detect edge<br>0 1: Detect rising edge<br>1 0: Detect falling edge<br>1 1: Detect both edges.   | R/W |
| b6, b5 | <a href="#">CDFS[1:0]</a> | Noise Filter Selection*1, *2, *3, *4       | b6 b5<br>0 0: Do not use noise filter.<br>0 1: Use noise filter sampling frequency of PCLKB/2 <sup>3</sup><br>1 0: Use noise filter sampling frequency of PCLKB/2 <sup>4</sup><br>1 1: Use noise filter sampling frequency of PCLKB/2 <sup>5</sup> . | R/W |
| b7     | <a href="#">HCMPON</a>    | Comparator Operation Control*5             | 0: Stop operation (comparator outputs a low-level signal)<br>1: Enable operation (enables input to the comparator pins).   | R/W |

Note 1. Set the CSTEN bit to 1 and the CDFS[1:0] bits to 00b if the ACMPHS interrupt causes the release of Software Standby or Snooze modes. CSTEN is supported only by ACMPHS0. ACMPHSn.CMPCTL.CTESN (n = 1 to 5) must be set to 0.

Note 2. Disable the ACMPHS output (COE = 0) before changing the CDFS[1:0] and CINV bits.

Note 3. If the CDFS[1:0] and CINV bits are changed, an ACMPHS interrupt request and an ELC event can be generated. Before changing these bits, set the ELSRn register to 0 (the ACMPHS output is not linked). After changing these bits, clear the IR flag in the IELSRn register to 0 to clear the interrupt status.

Note 4. If the CDFS[1:0] bits are changed from 00b (noise filter not used) to a value other than 00b (noise filter used), perform sampling four times, update the filter output, then use the ACMPHS interrupt request or the ELC event.

Note 5. A stabilization wait time is required to permit ACMPHS operation after enabling it (HCMPON = 1). The operation stabilization wait time for ACMPHS modules 0 to 5 is 300 ns.

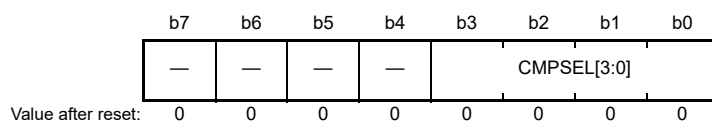
The CMPCTL register does the following:

- Controls the ACMPHS operation
- Enables or disables the ACMPHS output
- Selects the noise filter
- Selects the valid edge of the interrupt signal
- Selects the interrupt.

A reset clears this register to 00h.

### 48.2.2 Comparator Input Select Register (CMPSEL0)

Address(es): [ACMPHS0.CMPSEL0 4008 5004h](#), [ACMPHS1.CMPSEL0 4008 5104h](#), [ACMPHS2.CMPSEL0 4008 5204h](#), [ACMPHS3.CMPSEL0 4008 5304h](#), [ACMPHS4.CMPSEL0 4008 5404h](#), [ACMPHS5.CMPSEL0 4008 5504h](#)



| Bit      | Symbol                      | Bit name                     | Description  | R/W |
|----------|-----------------------------|------------------------------|--|-----|
| b3 to b0 | <a href="#">CMPSEL[3:0]</a> | Comparator Input Selection*1 | b3    b0<br>0 0 0 0: Do not input<br>0 0 0 1: Select IVCMP0*2<br>0 0 1 0: Select IVCMP1*2<br>0 1 0 0: Select IVCMP2.*2<br>Other settings are prohibited. | R/W |
| b7 to b4 | —                           | Reserved                     | These bits are read as 0. The write value should be 0.   | R/W |

Note 1. Use the following procedure to modify the CMPSEL[3:0] bits. Writing a value other than 0000 0000b while the value of the CMPSEL0 register is not 0000 0000b is invalid. Writing 1 to two or more bits is also invalid. In both cases, the previous value is retained.

To change the CMPSEL[3:0] bits:

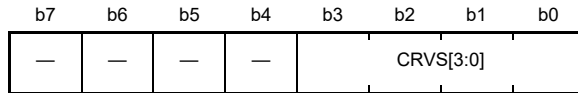
1. Set the CMPCTL.COE bit to 0.
2. Set the CMPSEL0 register to 0000 0000b.
3. Set a new value in the CMPSEL[3:0] bits, with 1 set in only one of the bits.
4. Wait for the input switching stabilization wait time of 200 ns.
5. Set the CMPCTL.COE bit to 1.
6. Clear the IR flag in the IELSRn register to clear the interrupt status.

Note 2. For details, see [Table 48.2, Input source configuration of the ACMPHS](#).



### 48.2.3 Comparator Reference Voltage Select Register (CMPSEL1)

Address(es): [ACMPHS0.CMPSEL1 4008 5008h](#), [ACMPHS1.CMPSEL1 4008 5108h](#), [ACMPHS2.CMPSEL1 4008 5208h](#), [ACMPHS3.CMPSEL1 4008 5308h](#), [ACMPHS4.CMPSEL1 4008 5408h](#), [ACMPHS5.CMPSEL1 4008 5508h](#)



Value after reset: 0 0 0 0 0 0 0 0

| Bit                            | Symbol                    | Bit name                      | Description   | R/W              |    |    |    |  |   |   |   |   |              |   |   |   |   |                 |   |   |   |   |                 |   |   |   |   |                 |   |   |   |   |                  |                                |  |  |  |  |     |
|--------------------------------|---------------------------|-------------------------------|---|------------------|----|----|----|--|---|---|---|---|--------------|---|---|---|---|-----------------|---|---|---|---|-----------------|---|---|---|---|-----------------|---|---|---|---|------------------|--------------------------------|--|--|--|--|-----|
| b3 to b0                       | <a href="#">CRVS[3:0]</a> | Reference Voltage Selection*1 | <table border="0"> <tr> <td>b3</td><td>b2</td><td>b1</td><td>b0</td><td></td> </tr> <tr> <td>0</td><td>0</td><td>0</td><td>0</td><td>Do not input</td> </tr> <tr> <td>0</td><td>0</td><td>0</td><td>1</td><td>Select IVREF0*2</td> </tr> <tr> <td>0</td><td>0</td><td>1</td><td>0</td><td>Select IVREF1*2</td> </tr> <tr> <td>0</td><td>1</td><td>0</td><td>0</td><td>Select IVREF2*2</td> </tr> <tr> <td>1</td><td>0</td><td>0</td><td>0</td><td>Select IVREF3*2.</td> </tr> <tr> <td colspan="5">Other settings are prohibited.</td> </tr> </table> | b3               | b2 | b1 | b0 |  | 0 | 0 | 0 | 0 | Do not input | 0 | 0 | 0 | 1 | Select IVREF0*2 | 0 | 0 | 1 | 0 | Select IVREF1*2 | 0 | 1 | 0 | 0 | Select IVREF2*2 | 1 | 0 | 0 | 0 | Select IVREF3*2. | Other settings are prohibited. |  |  |  |  | R/W |
| b3                             | b2                        | b1                            | b0  |                  |    |    |    |  |   |   |   |   |              |   |   |   |   |                 |   |   |   |   |                 |   |   |   |   |                 |   |   |   |   |                  |                                |  |  |  |  |     |
| 0                              | 0                         | 0                             | 0   | Do not input     |    |    |    |  |   |   |   |   |              |   |   |   |   |                 |   |   |   |   |                 |   |   |   |   |                 |   |   |   |   |                  |                                |  |  |  |  |     |
| 0                              | 0                         | 0                             | 1   | Select IVREF0*2  |    |    |    |  |   |   |   |   |              |   |   |   |   |                 |   |   |   |   |                 |   |   |   |   |                 |   |   |   |   |                  |                                |  |  |  |  |     |
| 0                              | 0                         | 1                             | 0   | Select IVREF1*2  |    |    |    |  |   |   |   |   |              |   |   |   |   |                 |   |   |   |   |                 |   |   |   |   |                 |   |   |   |   |                  |                                |  |  |  |  |     |
| 0                              | 1                         | 0                             | 0   | Select IVREF2*2  |    |    |    |  |   |   |   |   |              |   |   |   |   |                 |   |   |   |   |                 |   |   |   |   |                 |   |   |   |   |                  |                                |  |  |  |  |     |
| 1                              | 0                         | 0                             | 0   | Select IVREF3*2. |    |    |    |  |   |   |   |   |              |   |   |   |   |                 |   |   |   |   |                 |   |   |   |   |                 |   |   |   |   |                  |                                |  |  |  |  |     |
| Other settings are prohibited. |                           |                               |   |                  |    |    |    |  |   |   |   |   |              |   |   |   |   |                 |   |   |   |   |                 |   |   |   |   |                 |   |   |   |   |                  |                                |  |  |  |  |     |
| b7 to b4                       | —                         | Reserved                      | These bits are read as 0. The write value should be 0.  | R/W              |    |    |    |  |   |   |   |   |              |   |   |   |   |                 |   |   |   |   |                 |   |   |   |   |                 |   |   |   |   |                  |                                |  |  |  |  |     |

Note 1. Use the following procedure to change the CRVS[3:0] bits. Writing a value other than 0000 0000b while the value of the CMPSEL1 register is not 0000 0000b is invalid. Writing 1 to two or more bits is also invalid. In both cases, the previous value is retained.

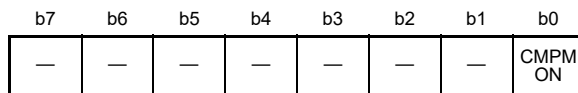
To change the CRVS[3:0] bits:

1. Set the CMPCTL.COE bit to 0.
2. Set the CMPSEL1 register to 0000 0000b.
3. Set a new value in the CRVS[3:0] bits, with 1 set in only one of the bits.
4. Wait for the input switching stabilization wait time (200 ns)
5. Set the CMPCTL.COE bit to 1.
6. Clear the IR flag in the IELSRn register to clear the interrupt status.

Note 2. For details, see [Table 48.2, Input source configuration of the ACMPHS](#).

### 48.2.4 Comparator Output Monitor Register (CMPMON)

Address(es): [ACMPHS0.CMPMON 4008 500Ch](#), [ACMPHS1.CMPMON 4008 510Ch](#), [ACMPHS2.CMPMON 4008 520Ch](#), [ACMPHS3.CMPMON 4008 530Ch](#), [ACMPHS4.CMPMON 4008 540Ch](#), [ACMPHS5.CMPMON 4008 550Ch](#)



Value after reset: 0 0 0 0 0 0 0 0

| Bit      | Symbol                 | Bit name                    | Description  | R/W |
|----------|------------------------|-----------------------------|--|-----|
| b0       | <a href="#">CMPMON</a> | Comparator Output Monitor*1 | 0: Comparator output is low<br>1: Comparator output is high. | R   |
| b7 to b1 | —                      | Reserved                    | These bits are read as 0                                     | R   |

Note 1. When ACMPHS operation is enabled (HCOMPON = COE = 1) but the noise filter is not in use (CDFSS[1:0] = 00b), ensure that the CMPMON bit is read twice and the values are only used after the two consecutive values match.

### 48.2.5 Comparator Output Control Register (CPIOC)

Address(es): [ACMPHS0.CPIOC 4008 5010h](#), [ACMPHS1.CPIOC 4008 5110h](#), [ACMPHS2.CPIOC 4008 5210h](#),  
[ACMPHS3.CPIOC 4008 5310h](#), [ACMPHS4.CPIOC 4008 5410h](#), [ACMPHS5.CPIOC 4008 5510h](#)

|        |    |    |    |    |    |    |      |
|--------|----|----|----|----|----|----|------|
| b7     | b6 | b5 | b4 | b3 | b2 | b1 | b0   |
| VREFEN | —  | —  | —  | —  | —  | —  | CPOE |

Value after reset: 0 0 0 0 0 0 0 0

| Bit      | Symbol | Bit name                    | Description   | R/W |
|----------|--------|-----------------------------|---|-----|
| b0       | CPOE   | Comparator Output Selection | 0: Disable VCOOUT pin output of the comparator (output signal is low)<br>1: Enable VCOOUT pin output of the comparator. | R/W |
| b6 to b1 | —      | Reserved                    | These bits are read as 0. The write value should be 0.  | R/W |
| b7       | VREFEN | Internal Vref Enable*1      | 0: Disable internal Vref<br>1: Enable internal Vref.  | R/W |

Note 1. For ACMPHS modules 0 to 5, VREFEN exists only in ACMPHS0.CPIOC. When using the internal Vref in COMP0 to COMP5, set the VREFEN bit in ACMPHS0.CPIOC to 1. Bit [7] in ACMPHS1.CPIOC to ACMPHS5.CPIOC registers should be 0 regardless of whether or not the internal Vref is used.

### 48.3 Operation

The ACMPHS compares a reference voltage to an analog input voltage. Operation is not guaranteed when the register values are changed during ACMPHS operation. [Table 48.3](#) shows the procedures for setting the registers associated with the ACMPHS.

**Table 48.3 Procedure for setting registers associated with ACMPHSn (n = 0 to 5) (1 of 2)**

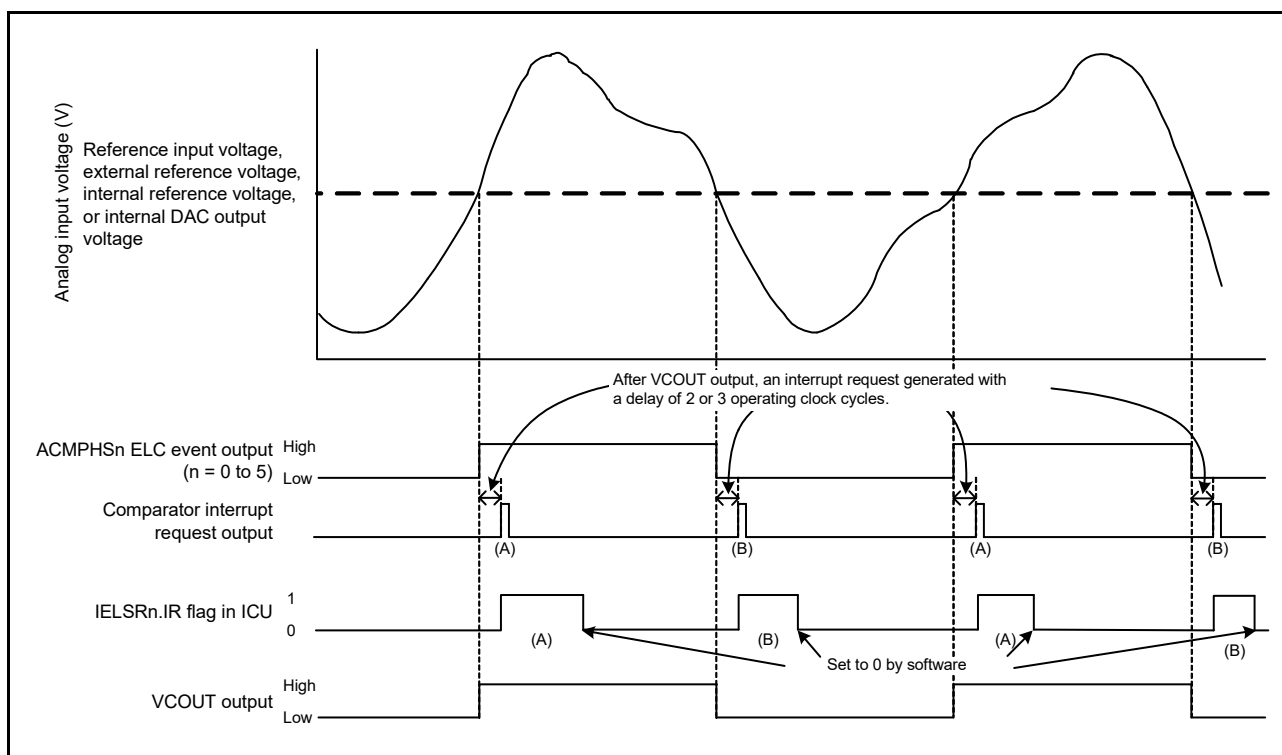
| Step | Register  | Bit                                | Setting   |
|------|---|------------------------------------|---|
| 1    | Associated MSTPCRD register                                 | MSTPD28 to MSTPD23                 | 0: Input clock supply.  |
| 2    | Associated Pin Function Control Register (PFS)              | ASEL                               | 1: Select the function of pins IVREF and IVCMP.                                     |
| 3    | ACMPHS0.CPIOC   | VREFEN                             | 1: When using the internal Vref.  |
| 4    | Associated D/A convertor                                    |                                    | When using the D/A convertor, select in the register.                               |
| 5    | CMPSEL0, CMPSEL1  | CMPSEL0 to CMPSEL3, CRVS0 to CRVS3 | Select the ACMPHSn input, with 1 set in only one of the bits.                       |
| 6    | CMPCTL  | CDFS[1:0], CEG1, CEG0, and CINV    | Set the ACMPHSn control.  |
|      |   | HCM PON                            | 1: Enable ACMPHSn operation.  |
| 7    | Waiting for the ACMPHS stabilization time (minimum 300 ns). |                                    |   |
| 8    | CMPCTL  | COE                                | 1: Enable ACMPHSn output.   |
| 9    | CPIOC   | CPOE                               | Set the VCOOUT output   |
|      | Associated Port mn Pin Function Select Register (PmnPFS)    | PSEL, PMR                          | Select the VCOOUT port function.  |
| 10   | IELSRn  | IR, IELS[8:0]                      | When using an interrupt, select the interrupt status flag and the ICU event link.*1 |
| 11   | ELSRn   | ELS[8:0]                           | When using an ELC, select the event link.*2   |
| 12   | Operation started   |                                    |   |
| 13   | CMPCTL  | COE                                | 0: When changing IVREF or IVCMP, disable ACMPHSn output.                            |

**Table 48.3 Procedure for setting registers associated with ACMPHSn (n = 0 to 5) (2 of 2)**

| Step | Register  | Bit                | Setting  |
|------|---|--------------------|--|
| 14   | CMPSEL1   | CRVS0 to CRVS3     | Change the CMPSEL1 bits as follows:<br>1. Set bits CMPSEL1 to 0000 0000b.<br>2. Set a new value to the CMPSEL1 bits, with 1 set in only one of the bits. |
|      | CMPSEL0   | CMPSEL0 to CMPSEL3 | Change the CMPSEL0 bits as follows:<br>1. Set bits CMPSEL0 to 0000 0000b.<br>2. Set a new value to the CMPSEL0 bits, with 1 set in only one of the bits. |
| 15   | Waiting for the ACMPHS switching stabilization time (minimum 200 ns). |                    |  |
| 16   | CMPCTL  | COE                | 1: Enable ACMPHSn output.  |
| 17   | Operation restarted   |                    |  |

Note 1. After ACMPHSn is set, an unnecessary interrupt might occur until operation becomes stable, so initialize the interrupt flag.  
 Note 2. After ACMPHSn is set, an unnecessary interrupt might occur until operation becomes stable, so initialize the event link select.

Figure 48.2 shows an example of ACMPHS operation. The VCOUT output becomes 1 when the analog input voltage is higher than the ACMPHS reference input voltage, and the VCOUT output becomes 0 when the analog input voltage is lower than the reference voltage. When the ACMPHS output changes, an interrupt request and an ELC event are output.



**Figure 48.2 ACMPHS operation example**

Figure 48.2 applies when CPOE = 1 (pin output enabled), CDFS[1:0] = 00b (filter not used), and CEG1 = CEG0 = 1 (both-edge detection selected). When CINV = 0, CEG0 = 1, and CEG1 = 0 (rising-edge detection selected for non-inversion output signal from the ACMPHS), the IELSRn.IR flag changes as shown by (A) only. When CINV = 0, CEG0 = 0, and CEG1 = 1 (falling-edge detection selected for non-inversion output signal from the ACMPHS), the IR flag changes as shown by (B) only. When CPOE = 1, VCOUT directly outputs the ELC event output.

## 48.4 Noise Filter

The ACMPHS contains a noise filter. The sampling clock can be selected in the CMPCTL.CDFS[1:0] bits. The ACMPHS signal is sampled on each sampling clock. If the same value is sampled three times, the noise filter output at the next sampling clock cycle is used as the ACMPHS output.

Figure 48.3 shows the configuration of the noise filter and edge detector, and Figure 48.4 shows an example of the noise filter and interrupt operation.

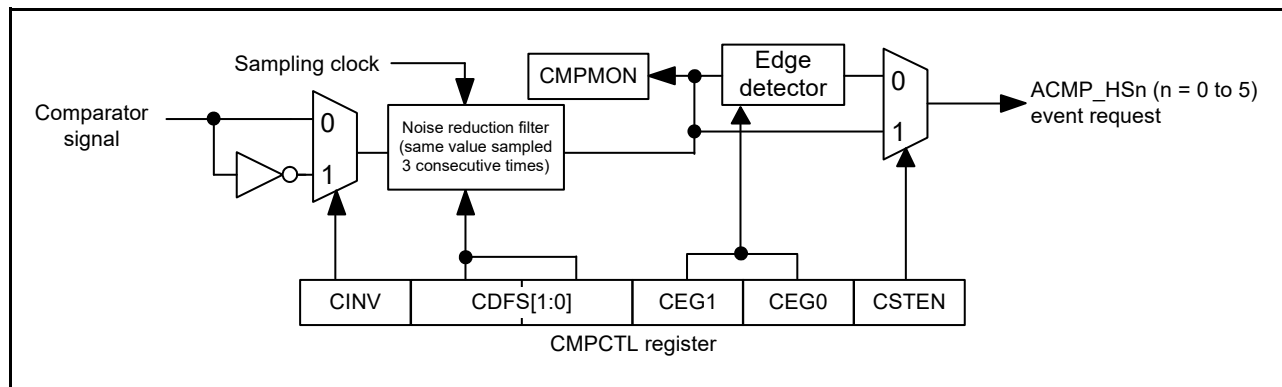


Figure 48.3 Noise filter and edge detection configuration

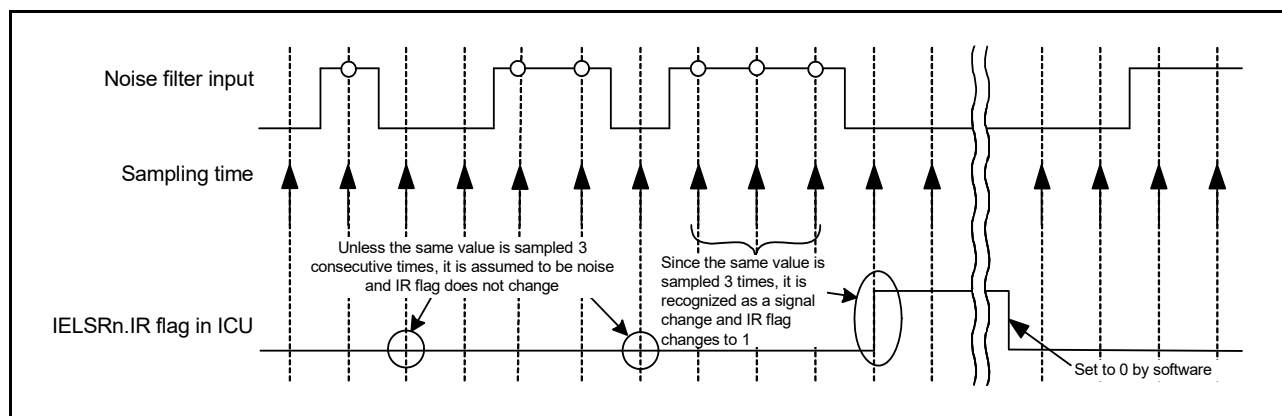


Figure 48.4 Noise filter and interrupt operation example

The operation example in Figure 48.4 applies when the CMPCTL.CDFS[1:0] bits are 01b, 10b, or 11b (noise filter used).

## 48.5 ACMPHS Interrupts

The ACMPHS generates six interrupt requests from sources ACMPHS0 to ACMPHS5. To use an ACMPHS interrupt, select it in the IELSR register in the Interrupt Controller Unit (ICU). Select the interrupt request in the CMPCTL.CSTEN bit, either through the edge selector, or not.

When using the ACMPHS interrupt through the edge selector, set at least one of the CMPCTL.CEG0 and CMPCTL.CEG1 bits to 1 (a value other than 00b for no edge selection). In most cases, set the CMPCTL.CSTEN bit to 0 (output through the edge selector). Setting this bit to 1 is only permitted to release Software Standby or Snooze mode.

To use the ACMPHS interrupt in Software Standby or Snooze mode, set the CMPCTL.CSTEN bit to 1 (direct output), set the CMPCTL.CDFS[1:0] bits to 00b (digital noise filter not used), and set CMPCTL.CINV as follows:

- When detecting compare result 1 to 0, set CMPCTL.CINV to 0 (comparator output not inverted)
- When detecting compare result 0 to 1, set CMPCTL.CINV to 1 (comparator output inverted).

An ACMPHS0 interrupt request can be used to release Software Standby or Snooze modes. ACMPHS1 to ACMPHS5 cannot be used. For details on the register settings related to ACMPHS interrupt requests, see section 48.2.1, [Comparator Control Register \(CMPCTL\)](#).

## 48.6 ACMPHS Output to the Event Link Controller (ELC)

The ELC uses the ACMPHS interrupt request signal as an ELC event signal, enabling link operation for the preset module. To use the ACMPHS ELC event, select it in the ELSRn register in the ELC. When using the ELC event request, set the CMPCTL.CSTEN bit to 0 (output through the edge selector). Also, set at least one of the CMPCTL.CEG0 and CMPCTL.CEG1 bits to 1 (a value other than 00b for no edge selection).

## 48.7 ACMPHS Pin Output

The comparison result from the ACMPHS can be output to external pins. Use the CMPCTL.CINV and CPIOC.CPOE bits to set the output polarity (non-inverted or inverted output) and enable or disable output. To output the ACMPHS comparison result to the VCOOUT output pin, set the associated Port mn Pin Function Select Register (PmnPFS) in the I/O register.

## 48.8 Usage Notes

### 48.8.1 Settings for the Module-Stop Function

The Module Stop Control Register can enable or disable ACMPHS operation. The ACMPHS is initially stopped after reset. Releasing the module-stop state enables access to the registers. For details, see [section 11, Low Power Modes](#).

### 48.8.2 Relationship with the ADC12

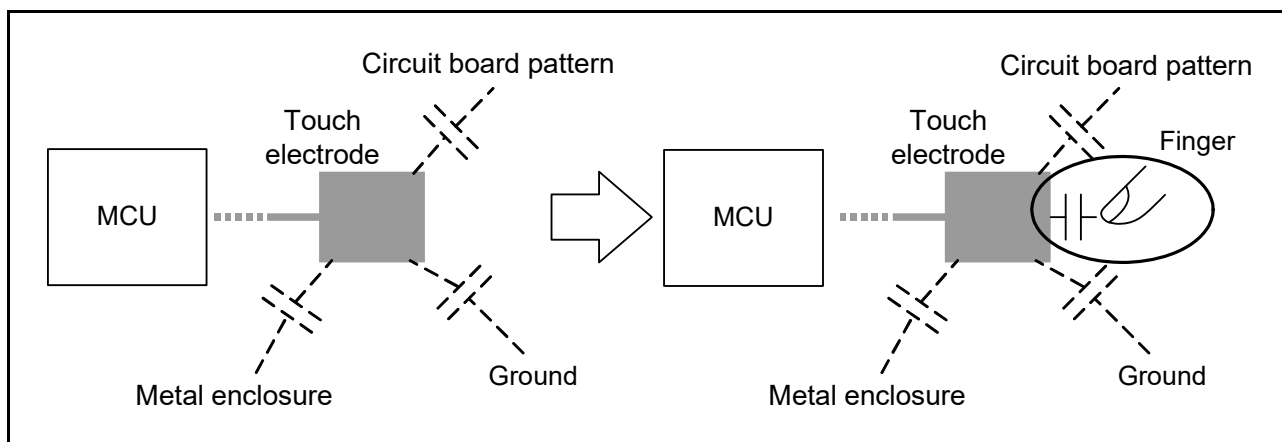
Constraints apply on the simultaneous use of the ACMPHS analog input and ADC12 analog input. For details, see [section 45, Relationship between ADC12 Units 0 and 1 and the ACMPHS](#).

## 49. Capacitive Touch Sensing Unit (CTSUS)

### 49.1 Overview

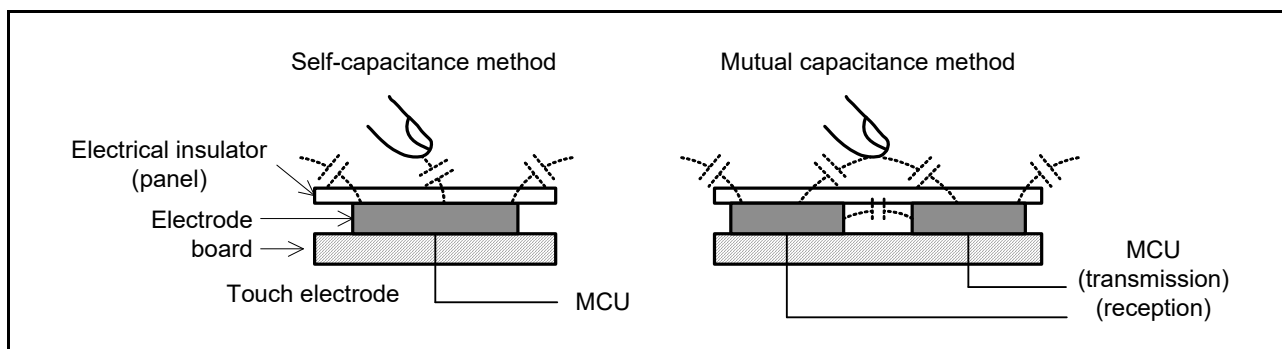
The Capacitive Touch Sensing Unit (CTSUS) measures the electrostatic capacitance of the touch sensor. Changes in the electrostatic capacitance are determined by software that enables the CTSUS to detect whether a finger is in contact with the touch sensor. The electrode surface of the touch sensor is usually enclosed with an electrical insulator so that a finger does not come into direct contact with the electrode.

As [Figure 49.1](#) shows, electrostatic capacitance (parasitic capacitance) exists between the electrode and the surrounding insulators. Because the human body is an electrical conductor, when a finger is placed close to the electrode, the value of electrostatic capacitance increases.



**Figure 49.1** Increased electrostatic capacitance because of the presence of a finger

Electrostatic capacitance is detected by the self-capacitance and mutual capacitance methods. In the self-capacitance method, the CTSUS detects electrostatic capacitance generated between a finger and a single electrode. In the mutual capacitance method, two electrodes are used, one as a transmit electrode and the other as a receive electrode. The CTSUS detects the change in the electrostatic capacitance generated between the two when a finger is placed close to them.



**Figure 49.2** Self-capacitance and mutual capacitance methods

Electrostatic capacitance is measured by counting a clock signal whose frequency changes according to the amount of charged or discharged current, for a specified period. For details on the measurement principles of the CTSUS, see [section 49.3.1, Principles of Measurement Operation](#). [Table 49.1](#) lists the CTSUS specifications and [Figure 49.3](#) shows a block diagram.

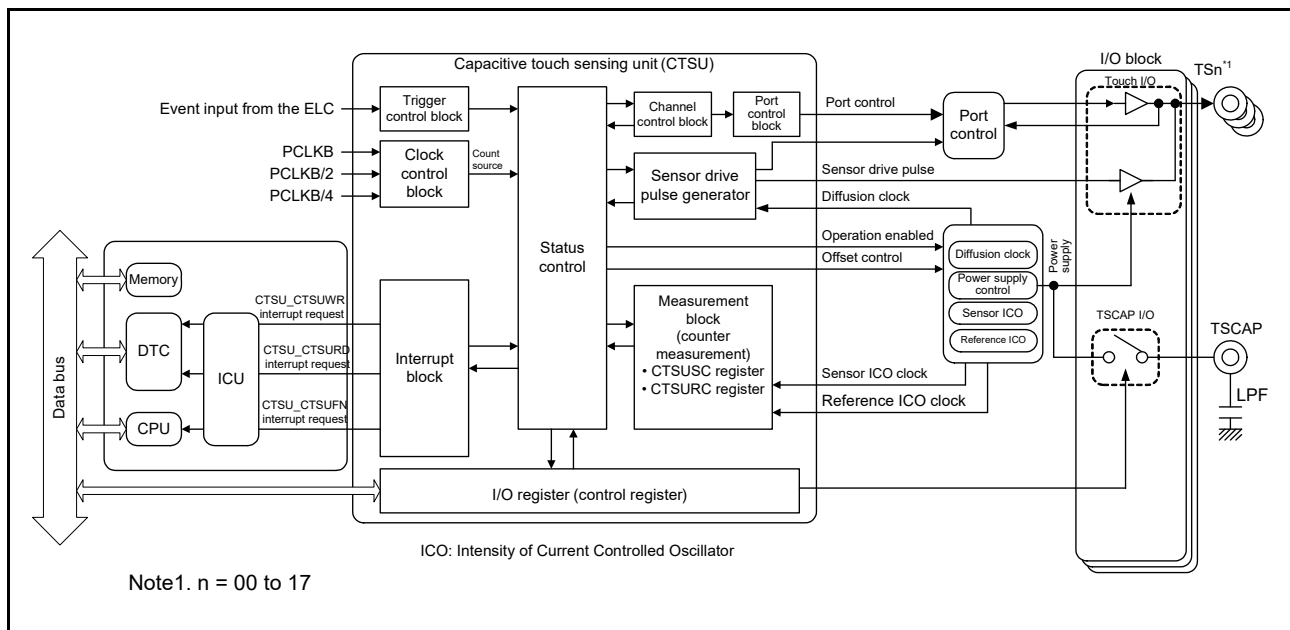
**Table 49.1** CTSUS specifications (1 of 2)

| Parameter       | Specifications             |
|-----------------|----------------------------|
| Operating clock | PCLKB, PCLKB/2, or PCLKB/4 |

**Table 49.1 CTSU specifications (2 of 2)**

| Parameter                    | Specifications   |   |
|------------------------------|--|---|
| Pins                         | Electrostatic capacitance measurement  | 18 channels (TS00 to TS17)  |
|                              | TSCAP  | Low Pass Filter (LPF) connection pin  |
| Measurement modes            | Self-capacitance single scan mode  | Electrostatic capacitance is measured on one channel using the self-capacitance method                      |
|                              | Self-capacitance multiscan mode  | Electrostatic capacitance is measured successively on multiple channels using the self-capacitance method   |
|                              | Mutual capacitance full scan mode  | Electrostatic capacitance is measured successively on multiple channels using the mutual capacitance method |
| Noise prevention             | Synchronous noise prevention, high-pass noise prevention   |   |
| Measurement start conditions | <ul style="list-style-type: none"> <li>• Software trigger</li> <li>• External trigger (ELC_CTSU from the Event Link Controller (ELC))</li> </ul> |   |

As Figure 49.3 shows, the CTSU consists of a status control block, trigger control block, clock control block, channel control block, port control block, sensor drive pulse generator, measurement block, interrupt block, and I/O registers.



**Figure 49.3 CTSU block diagram**

**Table 49.2 CTSU I/O pins**

| Pin name     | I/O   | Function   |
|--------------|-------|--|
| TS00 to TS17 | Input | Electrostatic capacitive measurement pins (touch pins) |
| TSCAP        | -     | LPF connection pin                                     |

## 49.2 Register Descriptions

### 49.2.1 CTSU Control Register 0 (CTSUCR0)

Address(es): CTSU.CTSUCR0 4008 1000h

|                    |    |    |              |    |             |             |              |
|--------------------|----|----|--------------|----|-------------|-------------|--------------|
| b7                 | b6 | b5 | b4           | b3 | b2          | b1          | b0           |
| CTSUT<br>XVSEL     | —  | —  | CTSUI<br>NIT | —  | CTSUS<br>NZ | CTSUC<br>AP | CTSUS<br>TRT |
| Value after reset: | 0  | 0  | 0            | 0  | 0           | 0           | 0            |

| Bit    | Symbol     | Bit name  | Description  | R/W |
|--------|------------|---|--|-----|
| b0     | CTSUSTRT   | CTSU Measurement Operation Start                | 0: Stop measurement operation* <sup>1</sup><br>1: Start measurement operation.   | R/W |
| b1     | CTSUCAP    | CTSU Measurement Operation Start Trigger Select | 0: Software trigger<br>1: External trigger.  | R/W |
| b2     | CTSUSNZ    | CTSU Wait State Power-Saving Enable             | 0: Disable power-saving function during wait state<br>1: Enable power-saving function during wait state.                                     | R/W |
| b3     | —          | Reserved  | This bit read as 0. The write value should be 0.   | R/W |
| b4     | CTSUINIT   | CTSU Control Block Initialization               | Writing 1 to this bit initializes the CTSU control block and CTSUC, CTSURC, CTSUMCH0, CTSUMCH1, and CTSUST registers. This bit is read as 0. | W   |
| b6, b5 | —          | Reserved  | These bits are read as 0. The write value should be 0.   | R/W |
| b7     | CTSUTXVSEL | CTSU Transmission Power Supply Select           | 0: VCC selected<br>1: Internal logic power supply selected.  | R/W |

Note 1. When the CTSU is not used, fix the value of this bit to 0.

Only set the CTSUCAP and CTSUSNZ bits when the CTSUSTRT bit is 0. These bits can be set at the same time that the measurement operation starts.

#### CTSUSTRT bit (CTSU Measurement Operation Start)

The CTSUSTRT bit specifies whether the CTSU operation starts or stops. When the CTSUCAP bit is 0, measurement starts when software writes 1 to the CTSUSTRT bit (software trigger) and stops when the hardware clears the CTSUSTRT bit to 0. When the CTSUCAP bit is 1, the CTSU waits for an external trigger by writing 1 to the CTSUSTRT bit, and measurement starts on the rising edge of the external trigger. When measurement is stopped, the CTSU waits for the next external trigger, and operation continues.

Table 49.3 lists the CTSU states.

**Table 49.3 CTSU states**

| CTSUSTRT bit | CTSUCAP bit | CTSU state  |
|--------------|-------------|---|
| 0            | 0           | Stopped   |
| 0            | 1           | Stopped   |
| 1            | 0           | Measurement in progress   |
| 1            | 1           | Measurement in progress and waiting for an external trigger* <sup>1</sup> |

Note 1. The state can be read from the CTSUST.CTSUSTC[2:0] flags as follows:  
During measurement, CTSUST.CTSUSTC[2:0] flags ≠ 000b  
While waiting for an external trigger, CTSUST.CTSUSTC[2:0] flags = 000b.

If software sets the CTSUSTRT bit to 1 when the bit is already 1, the write is ignored and operation continues. To force operation to stop through software when the CTSUSTRT bit is 1, set the CTSUSTRT bit to 0 and the CTSUINIT bit to 1 at the same time.



**CTSUCAP bit (CTSU Measurement Operation Start Trigger Select)**

The CTSUCAP bit specifies the measurement start condition. For details, see [CTSUSTRT bit \(CTSU Measurement Operation Start\)](#).

**CTSUSNZ bit (CTSU Wait State Power-Saving Enable)**

The CTSUSNZ bit enables or disables the power-saving operation during a wait state. It can also suspend the CTSU power supply, which decreases the power consumption during the wait state. In the suspended state, the CTSU power supply is turned off while the external TSCAP is still charged.

[Table 49.4](#) shows the CTSU power supply state control.

**Table 49.4 CTSU power supply state control**

| CTSUCR1.CTSUPON bit | CTSUSNZ bit | CTSUCAP bit | CTSUSTRT bit | CTSU power supply state |
|---------------------|-------------|-------------|--------------|-------------------------|
| 0                   | 0           | 0           | 0            | Stopped                 |
| 1                   | 0           | —           | —            | Operating               |
| 1                   | 1           | 0           | 0            | Suspended               |

Note: Other settings are prohibited.

To start measurement from the suspended state, set the CTSUSNZ bit to 0, and then set the CTSUSTRT bit to 1. To suspend the module after measurement stops, set the CTSUSNZ bit to 1.

**CTSUINIT bit (CTSU Control Block Initialization)**

Write 1 to the CTSUINIT bit to initialize the internal control registers. To force the current operation to stop, set the CTSUSTRT bit to 0 and the CTSUINIT bit to 1 at the same time. This stops the operation and initializes the internal control registers.

Do not write 1 to the CTSUINIT bit when the CTSUSTRT bit is 1.

**CTSUTXVSEL bit (CTSU Transmission Power Supply Select)**

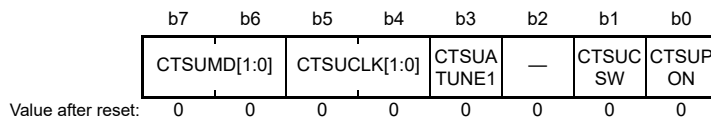
The CTSUTXVSEL bit is used to switch the power supply for the transmit buffer in mutual capacitance full scan mode. Set this bit to 0 for any other mode or when the VCC voltage is lower than 2.7 V. This bit switches the power supply for touch I/O, which is set for transmission by the CTSUCHTRCn registers. [Table 49.5](#) lists the power supply for the TSm pin. When the VCC voltage fluctuates greatly due to switching of the output buffer, switching to the internal logic power supply can reduce the effect on the voltage fluctuation.

**Table 49.5 Power supplied to the TSm pins**

| Setting of CTSUCHTRCn register | CTSUTXVSEL bit | Power supply of TSm pins        |
|--------------------------------|----------------|---------------------------------|
| 0 (Reception)                  | *              | VCC                             |
| 1 (Transmission)               | 0 (VCC)        |                                 |
|                                |                | 1 (Internal logic power supply) |

### 49.2.2 CTSU Control Register 1 (CTSUCR1)

Address(es): CTSU.CTSUCR1 4008 1001h



| Bit    | Symbol       | Bit name                               | Description   | R/W |
|--------|--------------|--|---|-----|
| b0     | CTSUPON      | CTSUS Power Supply Enable              | 0: Power off the CTSU<br>1: Power on the CTSU.  | R/W |
| b1     | CTSUCSW      | CTSUS LPF Capacitance Charging Control | This bit controls charging of the LPF capacitance connected to the TSCAP pin.<br>0: Turn off the capacitance switch<br>1: Turn on the capacitance switch.     | R/W |
| b2     | —            | Reserved                               | This bit is read as 0. The write value should be 0.   | R/W |
| b3     | CTSUA TUNE1  | CTSUS Power Supply Capacity Adjustment | 0: Normal output<br>1: High-current output.   | R/W |
| b5, b4 | CTSUCLK[1:0] | CTSUS Operating Clock Select           | b5 b4<br>0 0: PCLKB<br>0 1: PCLKB/2 (PCLKB divided by 2)<br>1 0: PCLKB/4 (PCLKB divided by 4)<br>1 1: Setting prohibited.                                     | R/W |
| b7, b6 | CTSUMD[1:0]  | CTSUS Measurement Mode Select          | b7 b6<br>0 0: Self-capacitance single scan mode<br>0 1: Self-capacitance multiscan mode<br>1 0: Setting prohibited<br>1 1: Mutual capacitance full scan mode. | R/W |

Only set the CTSUCR1 register when the CTSUCR0.CTSUSTRT bit is 0.

#### CTSUPON bit (CTSUS Power Supply Enable)

The CTSUPON bit controls the power supply to the CTSUS. Set the CTSUPON and CTSUCSW bits to the same value.

#### CTSUCSW bit (CTSUS LPF Capacitance Charging Control)

The CTSUCSW bit controls the charging of the LPF capacitor connected to the TSCAP pin by turning the capacitance switch on or off. After the capacitance switch is turned on, wait until the capacitance connected to the TSCAP pin is charged for the specified time before starting measurement by setting CTSUCR0.CTSUSTRT to 1. Before starting measurement, use an I/O port to output low to the TSCAP pin, and discharge the existing LPF capacitance. Set the CTSUPON and CTSUCSW bits to the same value.

#### CTSUA TUNE1 bit (CTSUS Power Supply Capacity Adjustment)

The CTSUA TUNE1 bit sets the capacity of the CTSUS power supply. Normally, set this bit to 0.

#### CTSUCLK[1:0] bits (CTSUS Operating Clock Select)

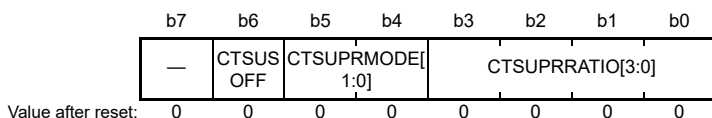
The CTSUCLK[1:0] bits select the operating clock.

#### CTSUMD[1:0] bits (CTSUS Measurement Mode Select)

The CTSUMD[1:0] bits set the measurement mode. For details, see [section 49.3.2, Measurement Modes](#).

### 49.2.3 CTSU Synchronous Noise Reduction Setting Register (CTSUSDPRS)

Address(es): CTSU.CTSUSDPRS 4008 1002h



| Bit      | Symbol                                | Bit name   | Description   | R/W |
|----------|---------------------------------------|--|---|-----|
| b3 to b0 | <a href="#">CTSUPRRATIO<br/>[3:0]</a> | CTSUS Measurement Time and Pulse Count Adjustment    | These bits set the measurement time and the measurement pulse count setting. Recommended setting: 3 (0011b).  | R/W |
| b5, b4   | <a href="#">CTSUPRMODE<br/>[1:0]</a>  | CTSUS Base Period and Pulse Count Setting            | These bits set the base pulse count.<br>b5 b4<br>0 0: 510 pulses<br>0 1: 126 pulses<br>1 0: 62 pulses (recommended setting)<br>1 1: Setting prohibited. | R/W |
| b6       | <a href="#">CTSUSOFF</a>              | CTSUS High-Pass Noise Reduction Function Off Setting | This bit turns spectrum diffusion on or off to reduce high-pass noise.<br>0: Turn on<br>1: Turn off.  | R/W |
| b7       | —                                     | Reserved   | This bit is read as 0. The write value should be 0.   | R/W |

Only set the CTSUSDPRS register when the CTSUCR0.CTSUSTRT bit is 0.

#### [CTSUPRRATIO\[3:0\] bits \(CTSUS Measurement Time and Pulse Count Adjustment\)](#)

The CTSUPRRATIO[3:0] bits are used to determine the measurement time and the measurement pulse count. These values are calculated using the following formulas, where the base pulse count is determined by the CTSUPRMODE[1:0] setting:

$$\text{Measurement pulse count} = \text{base pulse count} \times (\text{CTSUPRRATIO}[3:0] \text{ bits} + 1)$$

$$\text{Measurement time} = (\text{base pulse count} \times (\text{CTSUPRRATIO}[3:0] \text{ bits} + 1) + \text{base pulse count} - 2) \times 0.25 \times \text{base clock cycle.}$$

Note: For details on the base clock cycle, see [section 49.2.17, CTSUS Sensor Offset Register 1 \(CTSUSO1\)](#).

#### [CTSUPRMODE\[1:0\] bits \(CTSUS Base Period and Pulse Count Setting\)](#)

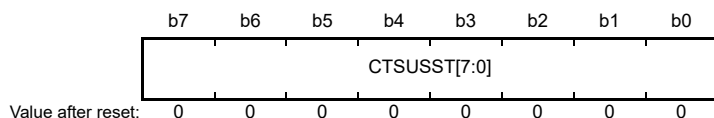
The CTSUPRMODE[1:0] bits select the number of base pulses that occur during measurement.

#### [CTSUSOFF bit \(CTSUS High-Pass Noise Reduction Function Off Setting\)](#)

The CTSUSOFF bit turns on or off the function for reducing high-pass noise. Set this bit to 1 to turn the function off.

### 49.2.4 CTSU Sensor Stabilization Wait Control Register (CTSUSST)

Address(es): CTSU.CTSUSST 4008 1003h



| Bit      | Symbol       | Bit name                               | Description                               | R/W |
|----------|--------------|--|---|-----|
| b7 to b0 | CTSUSST[7:0] | CTSU Sensor Stabilization Wait Control | Fix the value of these bits to 00010000b. | R/W |

Only set the CTSUSST register when the CTSUCR0.CTSUSTRT bit is 0.

#### CTSUSST[7:0] bits (CTSU Sensor Stabilization Wait Control)

The CTSUSST[7:0] bits set the stabilization wait time for the TSCAP pin voltage. Always fix these bits to 00010000b. If these bits are not set, the TSCAP voltage will be unstable at the start of measurement, and the CTSU will be unable to obtain correct touch measurement results.

### 49.2.5 CTSU Measurement Channel Register 0 (CTSUSMCH0)

Address(es): CTSUSMCH0 4008 1004h



| Bit      | Symbol             | Bit name                       | Description  | R/W |    |  |         |   |       |         |   |       |         |   |       |         |   |       |         |   |       |         |   |       |         |   |       |         |   |       |         |   |       |         |   |       |         |   |       |         |   |       |         |   |       |         |   |       |         |   |       |         |   |       |         |   |       |         |   |        |    |    |  |         |   |       |         |   |       |         |   |       |         |   |       |         |   |       |         |   |       |         |   |       |         |   |       |         |   |       |         |   |       |         |   |       |         |   |       |         |   |       |         |   |       |         |   |       |         |   |       |         |   |       |         |   |       |         |   |                                |       |
|----------|--------------------|--------------------------------|--|-----|----|--|---------|---|-------|---------|---|-------|---------|---|-------|---------|---|-------|---------|---|-------|---------|---|-------|---------|---|-------|---------|---|-------|---------|---|-------|---------|---|-------|---------|---|-------|---------|---|-------|---------|---|-------|---------|---|-------|---------|---|-------|---------|---|-------|---------|---|-------|---------|---|--------|----|----|--|---------|---|-------|---------|---|-------|---------|---|-------|---------|---|-------|---------|---|-------|---------|---|-------|---------|---|-------|---------|---|-------|---------|---|-------|---------|---|-------|---------|---|-------|---------|---|-------|---------|---|-------|---------|---|-------|---------|---|-------|---------|---|-------|---------|---|-------|---------|---|-------|---------|---|--------------------------------|-------|
| b4 to b0 | CTSUSMCH0<br>[4:0] | CTSUS Measurement Channel 0    | <p>In self-capacitance single scan mode, these bits set the channel to be measured.</p> <table style="font-family: monospace; font-size: small; border-collapse: collapse;"> <tr><td style="padding-right: 10px;">b4</td><td style="padding-right: 10px;">b0</td><td></td></tr> <tr><td>0 0 0 0</td><td>0</td><td>:TS00</td></tr> <tr><td>0 0 0 1</td><td>1</td><td>:TS01</td></tr> <tr><td>0 0 1 0</td><td>0</td><td>:TS02</td></tr> <tr><td>0 0 1 1</td><td>1</td><td>:TS03</td></tr> <tr><td>0 0 1 0</td><td>0</td><td>:TS04</td></tr> <tr><td>0 0 1 1</td><td>1</td><td>:TS05</td></tr> <tr><td>0 0 1 1</td><td>0</td><td>:TS06</td></tr> <tr><td>0 0 1 1</td><td>1</td><td>:TS07</td></tr> <tr><td>0 1 0 0</td><td>0</td><td>:TS08</td></tr> <tr><td>0 1 0 0</td><td>1</td><td>:TS09</td></tr> <tr><td>0 1 0 1</td><td>0</td><td>:TS10</td></tr> <tr><td>0 1 0 1</td><td>1</td><td>:TS11</td></tr> <tr><td>0 1 1 0</td><td>0</td><td>:TS12</td></tr> <tr><td>0 1 1 0</td><td>1</td><td>:TS13</td></tr> <tr><td>0 1 1 1</td><td>0</td><td>:TS14</td></tr> <tr><td>0 1 1 1</td><td>1</td><td>:TS15</td></tr> <tr><td>1 0 0 0</td><td>0</td><td>:TS16</td></tr> <tr><td>1 0 0 0</td><td>1</td><td>:TS17.</td></tr> </table> <p>Other than when specified, starting the measurement operation by setting CTSUCR0.CTSUSTRT to 1 is prohibited after these bits are set.</p> <p>In other measurement modes, these bits indicate the channel that is currently being measured.</p> <table style="font-family: monospace; font-size: small; border-collapse: collapse;"> <tr><td style="padding-right: 10px;">b4</td><td style="padding-right: 10px;">b0</td><td></td></tr> <tr><td>0 0 0 0</td><td>0</td><td>:TS00</td></tr> <tr><td>0 0 0 1</td><td>1</td><td>:TS01</td></tr> <tr><td>0 0 1 0</td><td>0</td><td>:TS02</td></tr> <tr><td>0 0 1 1</td><td>1</td><td>:TS03</td></tr> <tr><td>0 0 1 0</td><td>0</td><td>:TS04</td></tr> <tr><td>0 0 1 1</td><td>1</td><td>:TS05</td></tr> <tr><td>0 0 1 1</td><td>0</td><td>:TS06</td></tr> <tr><td>0 0 1 1</td><td>1</td><td>:TS07</td></tr> <tr><td>0 1 0 0</td><td>0</td><td>:TS08</td></tr> <tr><td>0 1 0 0</td><td>1</td><td>:TS09</td></tr> <tr><td>0 1 0 1</td><td>0</td><td>:TS10</td></tr> <tr><td>0 1 0 1</td><td>1</td><td>:TS11</td></tr> <tr><td>0 1 1 0</td><td>0</td><td>:TS12</td></tr> <tr><td>0 1 1 0</td><td>1</td><td>:TS13</td></tr> <tr><td>0 1 1 1</td><td>0</td><td>:TS14</td></tr> <tr><td>0 1 1 1</td><td>1</td><td>:TS15</td></tr> <tr><td>1 0 0 0</td><td>0</td><td>:TS16</td></tr> <tr><td>1 0 0 0</td><td>1</td><td>:TS17</td></tr> <tr><td>1 1 1 1</td><td>1</td><td>:Measurement is being stopped.</td></tr> </table> | b4  | b0 |  | 0 0 0 0 | 0 | :TS00 | 0 0 0 1 | 1 | :TS01 | 0 0 1 0 | 0 | :TS02 | 0 0 1 1 | 1 | :TS03 | 0 0 1 0 | 0 | :TS04 | 0 0 1 1 | 1 | :TS05 | 0 0 1 1 | 0 | :TS06 | 0 0 1 1 | 1 | :TS07 | 0 1 0 0 | 0 | :TS08 | 0 1 0 0 | 1 | :TS09 | 0 1 0 1 | 0 | :TS10 | 0 1 0 1 | 1 | :TS11 | 0 1 1 0 | 0 | :TS12 | 0 1 1 0 | 1 | :TS13 | 0 1 1 1 | 0 | :TS14 | 0 1 1 1 | 1 | :TS15 | 1 0 0 0 | 0 | :TS16 | 1 0 0 0 | 1 | :TS17. | b4 | b0 |  | 0 0 0 0 | 0 | :TS00 | 0 0 0 1 | 1 | :TS01 | 0 0 1 0 | 0 | :TS02 | 0 0 1 1 | 1 | :TS03 | 0 0 1 0 | 0 | :TS04 | 0 0 1 1 | 1 | :TS05 | 0 0 1 1 | 0 | :TS06 | 0 0 1 1 | 1 | :TS07 | 0 1 0 0 | 0 | :TS08 | 0 1 0 0 | 1 | :TS09 | 0 1 0 1 | 0 | :TS10 | 0 1 0 1 | 1 | :TS11 | 0 1 1 0 | 0 | :TS12 | 0 1 1 0 | 1 | :TS13 | 0 1 1 1 | 0 | :TS14 | 0 1 1 1 | 1 | :TS15 | 1 0 0 0 | 0 | :TS16 | 1 0 0 0 | 1 | :TS17 | 1 1 1 1 | 1 | :Measurement is being stopped. | R/W*1 |
| b4       | b0                 |                                |  |     |    |  |         |   |       |         |   |       |         |   |       |         |   |       |         |   |       |         |   |       |         |   |       |         |   |       |         |   |       |         |   |       |         |   |       |         |   |       |         |   |       |         |   |       |         |   |       |         |   |       |         |   |       |         |   |        |    |    |  |         |   |       |         |   |       |         |   |       |         |   |       |         |   |       |         |   |       |         |   |       |         |   |       |         |   |       |         |   |       |         |   |       |         |   |       |         |   |       |         |   |       |         |   |       |         |   |       |         |   |       |         |   |       |         |   |                                |       |
| 0 0 0 0  | 0                  | :TS00                          |  |     |    |  |         |   |       |         |   |       |         |   |       |         |   |       |         |   |       |         |   |       |         |   |       |         |   |       |         |   |       |         |   |       |         |   |       |         |   |       |         |   |       |         |   |       |         |   |       |         |   |       |         |   |       |         |   |        |    |    |  |         |   |       |         |   |       |         |   |       |         |   |       |         |   |       |         |   |       |         |   |       |         |   |       |         |   |       |         |   |       |         |   |       |         |   |       |         |   |       |         |   |       |         |   |       |         |   |       |         |   |       |         |   |       |         |   |                                |       |
| 0 0 0 1  | 1                  | :TS01                          |  |     |    |  |         |   |       |         |   |       |         |   |       |         |   |       |         |   |       |         |   |       |         |   |       |         |   |       |         |   |       |         |   |       |         |   |       |         |   |       |         |   |       |         |   |       |         |   |       |         |   |       |         |   |       |         |   |        |    |    |  |         |   |       |         |   |       |         |   |       |         |   |       |         |   |       |         |   |       |         |   |       |         |   |       |         |   |       |         |   |       |         |   |       |         |   |       |         |   |       |         |   |       |         |   |       |         |   |       |         |   |       |         |   |       |         |   |                                |       |
| 0 0 1 0  | 0                  | :TS02                          |  |     |    |  |         |   |       |         |   |       |         |   |       |         |   |       |         |   |       |         |   |       |         |   |       |         |   |       |         |   |       |         |   |       |         |   |       |         |   |       |         |   |       |         |   |       |         |   |       |         |   |       |         |   |       |         |   |        |    |    |  |         |   |       |         |   |       |         |   |       |         |   |       |         |   |       |         |   |       |         |   |       |         |   |       |         |   |       |         |   |       |         |   |       |         |   |       |         |   |       |         |   |       |         |   |       |         |   |       |         |   |       |         |   |       |         |   |                                |       |
| 0 0 1 1  | 1                  | :TS03                          |  |     |    |  |         |   |       |         |   |       |         |   |       |         |   |       |         |   |       |         |   |       |         |   |       |         |   |       |         |   |       |         |   |       |         |   |       |         |   |       |         |   |       |         |   |       |         |   |       |         |   |       |         |   |       |         |   |        |    |    |  |         |   |       |         |   |       |         |   |       |         |   |       |         |   |       |         |   |       |         |   |       |         |   |       |         |   |       |         |   |       |         |   |       |         |   |       |         |   |       |         |   |       |         |   |       |         |   |       |         |   |       |         |   |       |         |   |                                |       |
| 0 0 1 0  | 0                  | :TS04                          |  |     |    |  |         |   |       |         |   |       |         |   |       |         |   |       |         |   |       |         |   |       |         |   |       |         |   |       |         |   |       |         |   |       |         |   |       |         |   |       |         |   |       |         |   |       |         |   |       |         |   |       |         |   |       |         |   |        |    |    |  |         |   |       |         |   |       |         |   |       |         |   |       |         |   |       |         |   |       |         |   |       |         |   |       |         |   |       |         |   |       |         |   |       |         |   |       |         |   |       |         |   |       |         |   |       |         |   |       |         |   |       |         |   |       |         |   |                                |       |
| 0 0 1 1  | 1                  | :TS05                          |  |     |    |  |         |   |       |         |   |       |         |   |       |         |   |       |         |   |       |         |   |       |         |   |       |         |   |       |         |   |       |         |   |       |         |   |       |         |   |       |         |   |       |         |   |       |         |   |       |         |   |       |         |   |       |         |   |        |    |    |  |         |   |       |         |   |       |         |   |       |         |   |       |         |   |       |         |   |       |         |   |       |         |   |       |         |   |       |         |   |       |         |   |       |         |   |       |         |   |       |         |   |       |         |   |       |         |   |       |         |   |       |         |   |       |         |   |                                |       |
| 0 0 1 1  | 0                  | :TS06                          |  |     |    |  |         |   |       |         |   |       |         |   |       |         |   |       |         |   |       |         |   |       |         |   |       |         |   |       |         |   |       |         |   |       |         |   |       |         |   |       |         |   |       |         |   |       |         |   |       |         |   |       |         |   |       |         |   |        |    |    |  |         |   |       |         |   |       |         |   |       |         |   |       |         |   |       |         |   |       |         |   |       |         |   |       |         |   |       |         |   |       |         |   |       |         |   |       |         |   |       |         |   |       |         |   |       |         |   |       |         |   |       |         |   |       |         |   |                                |       |
| 0 0 1 1  | 1                  | :TS07                          |  |     |    |  |         |   |       |         |   |       |         |   |       |         |   |       |         |   |       |         |   |       |         |   |       |         |   |       |         |   |       |         |   |       |         |   |       |         |   |       |         |   |       |         |   |       |         |   |       |         |   |       |         |   |       |         |   |        |    |    |  |         |   |       |         |   |       |         |   |       |         |   |       |         |   |       |         |   |       |         |   |       |         |   |       |         |   |       |         |   |       |         |   |       |         |   |       |         |   |       |         |   |       |         |   |       |         |   |       |         |   |       |         |   |       |         |   |                                |       |
| 0 1 0 0  | 0                  | :TS08                          |  |     |    |  |         |   |       |         |   |       |         |   |       |         |   |       |         |   |       |         |   |       |         |   |       |         |   |       |         |   |       |         |   |       |         |   |       |         |   |       |         |   |       |         |   |       |         |   |       |         |   |       |         |   |       |         |   |        |    |    |  |         |   |       |         |   |       |         |   |       |         |   |       |         |   |       |         |   |       |         |   |       |         |   |       |         |   |       |         |   |       |         |   |       |         |   |       |         |   |       |         |   |       |         |   |       |         |   |       |         |   |       |         |   |       |         |   |                                |       |
| 0 1 0 0  | 1                  | :TS09                          |  |     |    |  |         |   |       |         |   |       |         |   |       |         |   |       |         |   |       |         |   |       |         |   |       |         |   |       |         |   |       |         |   |       |         |   |       |         |   |       |         |   |       |         |   |       |         |   |       |         |   |       |         |   |       |         |   |        |    |    |  |         |   |       |         |   |       |         |   |       |         |   |       |         |   |       |         |   |       |         |   |       |         |   |       |         |   |       |         |   |       |         |   |       |         |   |       |         |   |       |         |   |       |         |   |       |         |   |       |         |   |       |         |   |       |         |   |                                |       |
| 0 1 0 1  | 0                  | :TS10                          |  |     |    |  |         |   |       |         |   |       |         |   |       |         |   |       |         |   |       |         |   |       |         |   |       |         |   |       |         |   |       |         |   |       |         |   |       |         |   |       |         |   |       |         |   |       |         |   |       |         |   |       |         |   |       |         |   |        |    |    |  |         |   |       |         |   |       |         |   |       |         |   |       |         |   |       |         |   |       |         |   |       |         |   |       |         |   |       |         |   |       |         |   |       |         |   |       |         |   |       |         |   |       |         |   |       |         |   |       |         |   |       |         |   |       |         |   |                                |       |
| 0 1 0 1  | 1                  | :TS11                          |  |     |    |  |         |   |       |         |   |       |         |   |       |         |   |       |         |   |       |         |   |       |         |   |       |         |   |       |         |   |       |         |   |       |         |   |       |         |   |       |         |   |       |         |   |       |         |   |       |         |   |       |         |   |       |         |   |        |    |    |  |         |   |       |         |   |       |         |   |       |         |   |       |         |   |       |         |   |       |         |   |       |         |   |       |         |   |       |         |   |       |         |   |       |         |   |       |         |   |       |         |   |       |         |   |       |         |   |       |         |   |       |         |   |       |         |   |                                |       |
| 0 1 1 0  | 0                  | :TS12                          |  |     |    |  |         |   |       |         |   |       |         |   |       |         |   |       |         |   |       |         |   |       |         |   |       |         |   |       |         |   |       |         |   |       |         |   |       |         |   |       |         |   |       |         |   |       |         |   |       |         |   |       |         |   |       |         |   |        |    |    |  |         |   |       |         |   |       |         |   |       |         |   |       |         |   |       |         |   |       |         |   |       |         |   |       |         |   |       |         |   |       |         |   |       |         |   |       |         |   |       |         |   |       |         |   |       |         |   |       |         |   |       |         |   |       |         |   |                                |       |
| 0 1 1 0  | 1                  | :TS13                          |  |     |    |  |         |   |       |         |   |       |         |   |       |         |   |       |         |   |       |         |   |       |         |   |       |         |   |       |         |   |       |         |   |       |         |   |       |         |   |       |         |   |       |         |   |       |         |   |       |         |   |       |         |   |       |         |   |        |    |    |  |         |   |       |         |   |       |         |   |       |         |   |       |         |   |       |         |   |       |         |   |       |         |   |       |         |   |       |         |   |       |         |   |       |         |   |       |         |   |       |         |   |       |         |   |       |         |   |       |         |   |       |         |   |       |         |   |                                |       |
| 0 1 1 1  | 0                  | :TS14                          |  |     |    |  |         |   |       |         |   |       |         |   |       |         |   |       |         |   |       |         |   |       |         |   |       |         |   |       |         |   |       |         |   |       |         |   |       |         |   |       |         |   |       |         |   |       |         |   |       |         |   |       |         |   |       |         |   |        |    |    |  |         |   |       |         |   |       |         |   |       |         |   |       |         |   |       |         |   |       |         |   |       |         |   |       |         |   |       |         |   |       |         |   |       |         |   |       |         |   |       |         |   |       |         |   |       |         |   |       |         |   |       |         |   |       |         |   |                                |       |
| 0 1 1 1  | 1                  | :TS15                          |  |     |    |  |         |   |       |         |   |       |         |   |       |         |   |       |         |   |       |         |   |       |         |   |       |         |   |       |         |   |       |         |   |       |         |   |       |         |   |       |         |   |       |         |   |       |         |   |       |         |   |       |         |   |       |         |   |        |    |    |  |         |   |       |         |   |       |         |   |       |         |   |       |         |   |       |         |   |       |         |   |       |         |   |       |         |   |       |         |   |       |         |   |       |         |   |       |         |   |       |         |   |       |         |   |       |         |   |       |         |   |       |         |   |       |         |   |                                |       |
| 1 0 0 0  | 0                  | :TS16                          |  |     |    |  |         |   |       |         |   |       |         |   |       |         |   |       |         |   |       |         |   |       |         |   |       |         |   |       |         |   |       |         |   |       |         |   |       |         |   |       |         |   |       |         |   |       |         |   |       |         |   |       |         |   |       |         |   |        |    |    |  |         |   |       |         |   |       |         |   |       |         |   |       |         |   |       |         |   |       |         |   |       |         |   |       |         |   |       |         |   |       |         |   |       |         |   |       |         |   |       |         |   |       |         |   |       |         |   |       |         |   |       |         |   |       |         |   |                                |       |
| 1 0 0 0  | 1                  | :TS17.                         |  |     |    |  |         |   |       |         |   |       |         |   |       |         |   |       |         |   |       |         |   |       |         |   |       |         |   |       |         |   |       |         |   |       |         |   |       |         |   |       |         |   |       |         |   |       |         |   |       |         |   |       |         |   |       |         |   |        |    |    |  |         |   |       |         |   |       |         |   |       |         |   |       |         |   |       |         |   |       |         |   |       |         |   |       |         |   |       |         |   |       |         |   |       |         |   |       |         |   |       |         |   |       |         |   |       |         |   |       |         |   |       |         |   |       |         |   |                                |       |
| b4       | b0                 |                                |  |     |    |  |         |   |       |         |   |       |         |   |       |         |   |       |         |   |       |         |   |       |         |   |       |         |   |       |         |   |       |         |   |       |         |   |       |         |   |       |         |   |       |         |   |       |         |   |       |         |   |       |         |   |       |         |   |        |    |    |  |         |   |       |         |   |       |         |   |       |         |   |       |         |   |       |         |   |       |         |   |       |         |   |       |         |   |       |         |   |       |         |   |       |         |   |       |         |   |       |         |   |       |         |   |       |         |   |       |         |   |       |         |   |       |         |   |                                |       |
| 0 0 0 0  | 0                  | :TS00                          |  |     |    |  |         |   |       |         |   |       |         |   |       |         |   |       |         |   |       |         |   |       |         |   |       |         |   |       |         |   |       |         |   |       |         |   |       |         |   |       |         |   |       |         |   |       |         |   |       |         |   |       |         |   |       |         |   |        |    |    |  |         |   |       |         |   |       |         |   |       |         |   |       |         |   |       |         |   |       |         |   |       |         |   |       |         |   |       |         |   |       |         |   |       |         |   |       |         |   |       |         |   |       |         |   |       |         |   |       |         |   |       |         |   |       |         |   |                                |       |
| 0 0 0 1  | 1                  | :TS01                          |  |     |    |  |         |   |       |         |   |       |         |   |       |         |   |       |         |   |       |         |   |       |         |   |       |         |   |       |         |   |       |         |   |       |         |   |       |         |   |       |         |   |       |         |   |       |         |   |       |         |   |       |         |   |       |         |   |        |    |    |  |         |   |       |         |   |       |         |   |       |         |   |       |         |   |       |         |   |       |         |   |       |         |   |       |         |   |       |         |   |       |         |   |       |         |   |       |         |   |       |         |   |       |         |   |       |         |   |       |         |   |       |         |   |       |         |   |                                |       |
| 0 0 1 0  | 0                  | :TS02                          |  |     |    |  |         |   |       |         |   |       |         |   |       |         |   |       |         |   |       |         |   |       |         |   |       |         |   |       |         |   |       |         |   |       |         |   |       |         |   |       |         |   |       |         |   |       |         |   |       |         |   |       |         |   |       |         |   |        |    |    |  |         |   |       |         |   |       |         |   |       |         |   |       |         |   |       |         |   |       |         |   |       |         |   |       |         |   |       |         |   |       |         |   |       |         |   |       |         |   |       |         |   |       |         |   |       |         |   |       |         |   |       |         |   |       |         |   |                                |       |
| 0 0 1 1  | 1                  | :TS03                          |  |     |    |  |         |   |       |         |   |       |         |   |       |         |   |       |         |   |       |         |   |       |         |   |       |         |   |       |         |   |       |         |   |       |         |   |       |         |   |       |         |   |       |         |   |       |         |   |       |         |   |       |         |   |       |         |   |        |    |    |  |         |   |       |         |   |       |         |   |       |         |   |       |         |   |       |         |   |       |         |   |       |         |   |       |         |   |       |         |   |       |         |   |       |         |   |       |         |   |       |         |   |       |         |   |       |         |   |       |         |   |       |         |   |       |         |   |                                |       |
| 0 0 1 0  | 0                  | :TS04                          |  |     |    |  |         |   |       |         |   |       |         |   |       |         |   |       |         |   |       |         |   |       |         |   |       |         |   |       |         |   |       |         |   |       |         |   |       |         |   |       |         |   |       |         |   |       |         |   |       |         |   |       |         |   |       |         |   |        |    |    |  |         |   |       |         |   |       |         |   |       |         |   |       |         |   |       |         |   |       |         |   |       |         |   |       |         |   |       |         |   |       |         |   |       |         |   |       |         |   |       |         |   |       |         |   |       |         |   |       |         |   |       |         |   |       |         |   |                                |       |
| 0 0 1 1  | 1                  | :TS05                          |  |     |    |  |         |   |       |         |   |       |         |   |       |         |   |       |         |   |       |         |   |       |         |   |       |         |   |       |         |   |       |         |   |       |         |   |       |         |   |       |         |   |       |         |   |       |         |   |       |         |   |       |         |   |       |         |   |        |    |    |  |         |   |       |         |   |       |         |   |       |         |   |       |         |   |       |         |   |       |         |   |       |         |   |       |         |   |       |         |   |       |         |   |       |         |   |       |         |   |       |         |   |       |         |   |       |         |   |       |         |   |       |         |   |       |         |   |                                |       |
| 0 0 1 1  | 0                  | :TS06                          |  |     |    |  |         |   |       |         |   |       |         |   |       |         |   |       |         |   |       |         |   |       |         |   |       |         |   |       |         |   |       |         |   |       |         |   |       |         |   |       |         |   |       |         |   |       |         |   |       |         |   |       |         |   |       |         |   |        |    |    |  |         |   |       |         |   |       |         |   |       |         |   |       |         |   |       |         |   |       |         |   |       |         |   |       |         |   |       |         |   |       |         |   |       |         |   |       |         |   |       |         |   |       |         |   |       |         |   |       |         |   |       |         |   |       |         |   |                                |       |
| 0 0 1 1  | 1                  | :TS07                          |  |     |    |  |         |   |       |         |   |       |         |   |       |         |   |       |         |   |       |         |   |       |         |   |       |         |   |       |         |   |       |         |   |       |         |   |       |         |   |       |         |   |       |         |   |       |         |   |       |         |   |       |         |   |       |         |   |        |    |    |  |         |   |       |         |   |       |         |   |       |         |   |       |         |   |       |         |   |       |         |   |       |         |   |       |         |   |       |         |   |       |         |   |       |         |   |       |         |   |       |         |   |       |         |   |       |         |   |       |         |   |       |         |   |       |         |   |                                |       |
| 0 1 0 0  | 0                  | :TS08                          |  |     |    |  |         |   |       |         |   |       |         |   |       |         |   |       |         |   |       |         |   |       |         |   |       |         |   |       |         |   |       |         |   |       |         |   |       |         |   |       |         |   |       |         |   |       |         |   |       |         |   |       |         |   |       |         |   |        |    |    |  |         |   |       |         |   |       |         |   |       |         |   |       |         |   |       |         |   |       |         |   |       |         |   |       |         |   |       |         |   |       |         |   |       |         |   |       |         |   |       |         |   |       |         |   |       |         |   |       |         |   |       |         |   |       |         |   |                                |       |
| 0 1 0 0  | 1                  | :TS09                          |  |     |    |  |         |   |       |         |   |       |         |   |       |         |   |       |         |   |       |         |   |       |         |   |       |         |   |       |         |   |       |         |   |       |         |   |       |         |   |       |         |   |       |         |   |       |         |   |       |         |   |       |         |   |       |         |   |        |    |    |  |         |   |       |         |   |       |         |   |       |         |   |       |         |   |       |         |   |       |         |   |       |         |   |       |         |   |       |         |   |       |         |   |       |         |   |       |         |   |       |         |   |       |         |   |       |         |   |       |         |   |       |         |   |       |         |   |                                |       |
| 0 1 0 1  | 0                  | :TS10                          |  |     |    |  |         |   |       |         |   |       |         |   |       |         |   |       |         |   |       |         |   |       |         |   |       |         |   |       |         |   |       |         |   |       |         |   |       |         |   |       |         |   |       |         |   |       |         |   |       |         |   |       |         |   |       |         |   |        |    |    |  |         |   |       |         |   |       |         |   |       |         |   |       |         |   |       |         |   |       |         |   |       |         |   |       |         |   |       |         |   |       |         |   |       |         |   |       |         |   |       |         |   |       |         |   |       |         |   |       |         |   |       |         |   |       |         |   |                                |       |
| 0 1 0 1  | 1                  | :TS11                          |  |     |    |  |         |   |       |         |   |       |         |   |       |         |   |       |         |   |       |         |   |       |         |   |       |         |   |       |         |   |       |         |   |       |         |   |       |         |   |       |         |   |       |         |   |       |         |   |       |         |   |       |         |   |       |         |   |        |    |    |  |         |   |       |         |   |       |         |   |       |         |   |       |         |   |       |         |   |       |         |   |       |         |   |       |         |   |       |         |   |       |         |   |       |         |   |       |         |   |       |         |   |       |         |   |       |         |   |       |         |   |       |         |   |       |         |   |                                |       |
| 0 1 1 0  | 0                  | :TS12                          |  |     |    |  |         |   |       |         |   |       |         |   |       |         |   |       |         |   |       |         |   |       |         |   |       |         |   |       |         |   |       |         |   |       |         |   |       |         |   |       |         |   |       |         |   |       |         |   |       |         |   |       |         |   |       |         |   |        |    |    |  |         |   |       |         |   |       |         |   |       |         |   |       |         |   |       |         |   |       |         |   |       |         |   |       |         |   |       |         |   |       |         |   |       |         |   |       |         |   |       |         |   |       |         |   |       |         |   |       |         |   |       |         |   |       |         |   |                                |       |
| 0 1 1 0  | 1                  | :TS13                          |  |     |    |  |         |   |       |         |   |       |         |   |       |         |   |       |         |   |       |         |   |       |         |   |       |         |   |       |         |   |       |         |   |       |         |   |       |         |   |       |         |   |       |         |   |       |         |   |       |         |   |       |         |   |       |         |   |        |    |    |  |         |   |       |         |   |       |         |   |       |         |   |       |         |   |       |         |   |       |         |   |       |         |   |       |         |   |       |         |   |       |         |   |       |         |   |       |         |   |       |         |   |       |         |   |       |         |   |       |         |   |       |         |   |       |         |   |                                |       |
| 0 1 1 1  | 0                  | :TS14                          |  |     |    |  |         |   |       |         |   |       |         |   |       |         |   |       |         |   |       |         |   |       |         |   |       |         |   |       |         |   |       |         |   |       |         |   |       |         |   |       |         |   |       |         |   |       |         |   |       |         |   |       |         |   |       |         |   |        |    |    |  |         |   |       |         |   |       |         |   |       |         |   |       |         |   |       |         |   |       |         |   |       |         |   |       |         |   |       |         |   |       |         |   |       |         |   |       |         |   |       |         |   |       |         |   |       |         |   |       |         |   |       |         |   |       |         |   |                                |       |
| 0 1 1 1  | 1                  | :TS15                          |  |     |    |  |         |   |       |         |   |       |         |   |       |         |   |       |         |   |       |         |   |       |         |   |       |         |   |       |         |   |       |         |   |       |         |   |       |         |   |       |         |   |       |         |   |       |         |   |       |         |   |       |         |   |       |         |   |        |    |    |  |         |   |       |         |   |       |         |   |       |         |   |       |         |   |       |         |   |       |         |   |       |         |   |       |         |   |       |         |   |       |         |   |       |         |   |       |         |   |       |         |   |       |         |   |       |         |   |       |         |   |       |         |   |       |         |   |                                |       |
| 1 0 0 0  | 0                  | :TS16                          |  |     |    |  |         |   |       |         |   |       |         |   |       |         |   |       |         |   |       |         |   |       |         |   |       |         |   |       |         |   |       |         |   |       |         |   |       |         |   |       |         |   |       |         |   |       |         |   |       |         |   |       |         |   |       |         |   |        |    |    |  |         |   |       |         |   |       |         |   |       |         |   |       |         |   |       |         |   |       |         |   |       |         |   |       |         |   |       |         |   |       |         |   |       |         |   |       |         |   |       |         |   |       |         |   |       |         |   |       |         |   |       |         |   |       |         |   |                                |       |
| 1 0 0 0  | 1                  | :TS17                          |  |     |    |  |         |   |       |         |   |       |         |   |       |         |   |       |         |   |       |         |   |       |         |   |       |         |   |       |         |   |       |         |   |       |         |   |       |         |   |       |         |   |       |         |   |       |         |   |       |         |   |       |         |   |       |         |   |        |    |    |  |         |   |       |         |   |       |         |   |       |         |   |       |         |   |       |         |   |       |         |   |       |         |   |       |         |   |       |         |   |       |         |   |       |         |   |       |         |   |       |         |   |       |         |   |       |         |   |       |         |   |       |         |   |       |         |   |                                |       |
| 1 1 1 1  | 1                  | :Measurement is being stopped. |  |     |    |  |         |   |       |         |   |       |         |   |       |         |   |       |         |   |       |         |   |       |         |   |       |         |   |       |         |   |       |         |   |       |         |   |       |         |   |       |         |   |       |         |   |       |         |   |       |         |   |       |         |   |       |         |   |        |    |    |  |         |   |       |         |   |       |         |   |       |         |   |       |         |   |       |         |   |       |         |   |       |         |   |       |         |   |       |         |   |       |         |   |       |         |   |       |         |   |       |         |   |       |         |   |       |         |   |       |         |   |       |         |   |       |         |   |                                |       |
| b7 to b5 | —                  | Reserved                       | These bits are read as 0. The write value should be 0.   | R/W |    |  |         |   |       |         |   |       |         |   |       |         |   |       |         |   |       |         |   |       |         |   |       |         |   |       |         |   |       |         |   |       |         |   |       |         |   |       |         |   |       |         |   |       |         |   |       |         |   |       |         |   |       |         |   |        |    |    |  |         |   |       |         |   |       |         |   |       |         |   |       |         |   |       |         |   |       |         |   |       |         |   |       |         |   |       |         |   |       |         |   |       |         |   |       |         |   |       |         |   |       |         |   |       |         |   |       |         |   |       |         |   |       |         |   |                                |       |

Note 1. Writing to these bits is only enabled in self-capacitance single scan mode (CTSUCR1.CTSUMD[1:0] bits = 00b).

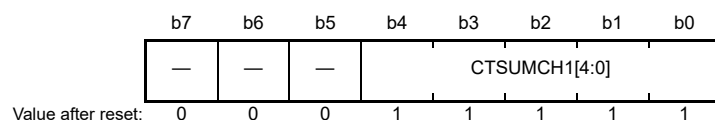
Only set the CTSUSMCH0 register when the CTSUCR0.CTSUSTRT bit is 0.

**CTSUSMCH0[4:0] bits (CTSUS Measurement Channel 0)**

In self-capacitance single scan mode, the CTSUSMCH0[4:0] bits set the channel to be measured. In this mode, only specify the enabled channels (00000b to 10001b). In other modes, these indicate the receive channel that is being measured, and writing to these bits has no effect.

**49.2.6 CTSUS Measurement Channel Register 1 (CTSUSMCH1)**

Address(es): CTSUS.CTSUSMCH1 4008 1005h



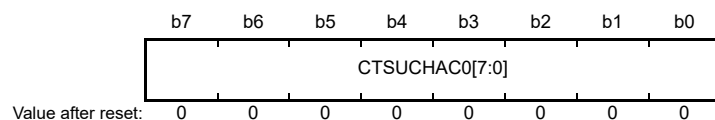
| Bit      | Symbol                         | Bit name                    | Description   | R/W |
|----------|--------------------------------|-----------------------------|---|-----|
| b4 to b0 | <a href="#">CTSUSMCH1[4:0]</a> | CTSUS Measurement Channel 1 | b4      b0<br>0 0 0 0:TS00<br>0 0 0 1:TS01<br>0 0 1 0:TS02<br>0 0 1 1:TS03<br>0 0 1 0:TS04<br>0 0 1 1:TS05<br>0 0 1 1:TS06<br>0 0 1 1:TS07<br>0 1 0 0:TS08<br>0 1 0 1:TS09<br>0 1 0 1:TS10<br>0 1 0 1:TS11<br>0 1 1 0:TS12<br>0 1 1 1:TS13<br>0 1 1 1:TS14<br>0 1 1 1:TS15<br>1 0 0 0:TS16<br>1 0 0 1:TS17<br>1 1 1 1:Measurement is being stopped. | R   |
| b7 to b5 | —                              | Reserved                    | These bits are read as 0.   | R   |

**CTSUSMCH1[4:0] bits (CTSUS Measurement Channel 1)**

In full scan mode, the CTSUSMCH1[4:0] bits indicate the transmit channel that is being measured. They are always 11111b when measurement is stopped, or in self-capacitance single scan and multi-scan modes.

**49.2.7 CTSUS Channel Enable Control Register 0 (CTSUSCHAC0)**

Address(es): CTSUS.CTUSCHAC0 4008 1006h



| Bit      | Symbol                          | Bit name                       | Description   | R/W |
|----------|---------------------------------|--------------------------------|---|-----|
| b7 to b0 | <a href="#">CTSUSCHAC0[7:0]</a> | CTSUS Channel Enable Control 0 | These bits select whether the associated TS pin is measured.<br>0: Do not measure<br>1: Measure.<br>These bits specify the TS00 to TS07 pins. | R/W |

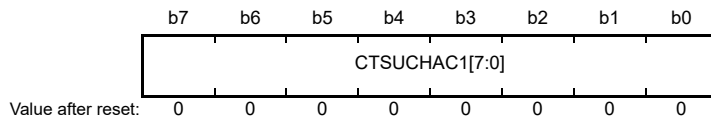
Only set the CTSUSCHAC0 register when the CTSUCR0.CTUSSTRT bit is 0.

**CTSUCHAC0[7:0] bits (CTSUS Channel Enable Control 0)**

The CTSUCHAC0[7:0] bits select the receive and transmit pins whose electrostatic capacitance is to be measured. CTSUCHAC0[0] is associated with TS00, and CTSUCHAC0[7] is associated with TS07.

**49.2.8 CTSUS Channel Enable Control Register 1 (CTSUCHAC1)**

Address(es): CTSUS.CTSUCHAC1 4008 1007h



| Bit      | Symbol         | Bit name                       | Description   | R/W |
|----------|----------------|--------------------------------|---|-----|
| b7 to b0 | CTSUCHAC1[7:0] | CTSUS Channel Enable Control 1 | These bits select whether the associated TS pin is measured.<br>0: Do not measure<br>1: Measure.<br>These bits specify the TS08 to TS15 pins. | R/W |

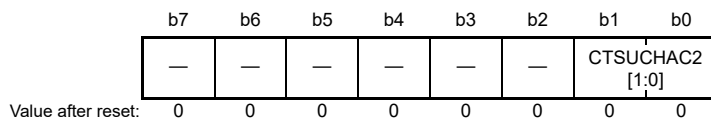
Only set the CTSUCHAC1 register when the CTSUCR0.CTSUSTRT bit is 0.

**CTSUCHAC1[7:0] bits (CTSUS Channel Enable Control 1)**

The CTSUCHAC1[7:0] bits select the receive and transmit pins whose electrostatic capacitance is to be measured. CTSUCHAC1[0] is associated with TS08, and CTSUCHAC1[7] is associated with TS15.

**49.2.9 CTSUS Channel Enable Control Register 2 (CTSUCHAC2)**

Address(es): CTSUS.CTSUCHAC2 4008 1008h



| Bit      | Symbol          | Bit name                       | Description   | R/W |
|----------|-----------------|--------------------------------|---|-----|
| b1 to b0 | CTSUCHAC2 [1:0] | CTSUS Channel Enable Control 2 | These bits select whether the associated TS pin is measured.<br>0: Do not measure<br>1: Measure.<br>These bits specify the TS16 to TS17 pins. | R/W |
| b7 to b2 | —               | Reserved                       | These bits are read as 0. The write value should be 0.  | R/W |

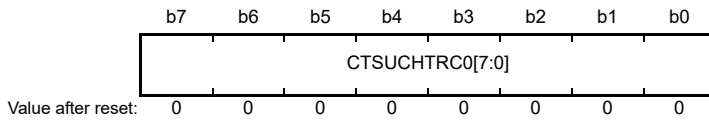
Only set the CTSUCHAC2 register when the CTSUCR0.CTSUSTRT bit = 0.

**CTSUCHAC2 [1:0] bits (CTSUS Channel Enable Control 2)**

The CTSUCHAC2 [1:0] bits select the receive and transmit pins whose electrostatic capacitance is to be measured. CTSUCHAC2[0] is associated with TS16, and CTSUCHAC2[1] is associated with TS17.

### 49.2.10 CTSU Channel Transmit/Receive Control Register 0 (CTSUCHTRC0)

Address(es): CTSU.CTSUCHTRC0 4008 100Bh



| Bit      | Symbol          | Bit name                                | Description   | R/W |
|----------|-----------------|---|---|-----|
| b7 to b0 | CTSUCHTRC0[7:0] | CTSU Channel Transmit/Receive Control 0 | 0: Reception<br>1: Transmission.<br>These bits specify the TS00 to TS07 pins. | R/W |

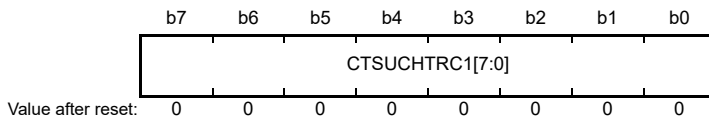
Only set the CTSUCHTRC0 register when the CTSUCR0.CTSUSTRT bit is 0.

#### CTSUCHTRC0[7:0] bits (CTSU Channel Transmit/Receive Control 0)

In full scan mode, the CTSUCHTRC0[7:0] bits allocate reception or transmission to the associated TS pins. The setting is ignored in self-capacitance single scan and multi-scan modes. CTSUCHTRC0[0] is associated with TS00, and CTSUCHTRC0[7] is associated with TS07.

### 49.2.11 CTSU Channel Transmit/Receive Control Register 1 (CTSUCHTRC1)

Address(es): CTSU.CTSUCHTRC1 4008 100Ch



| Bit      | Symbol          | Bit name                                | Description   | R/W |
|----------|-----------------|---|---|-----|
| b7 to b0 | CTSUCHTRC1[7:0] | CTSU Channel Transmit/Receive Control 1 | 0: Reception<br>1: Transmission.<br>These bits specify the TS08 to TS15 pins. | R/W |

Only set the CTSUCHTRC1 register when the CTSUCR0.CTSUSTRT bit is 0.

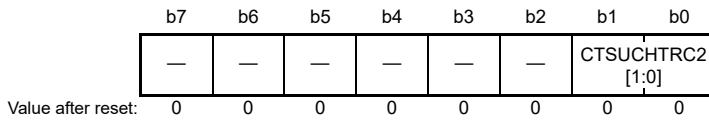
#### CTSUCHTRC1[7:0] bits (CTSU Channel Transmit/Receive Control 1)

In full scan mode, the CTSUCHTRC1[7:0] bits allocate reception or transmission to the associated TS pins. The setting is ignored in self-capacitance single scan and multiscan modes. CTSUCHTRC1[0] is associated with TS08, and CTSUCHTRC1[7] is associated with TS15.



### 49.2.12 CTSU Channel Transmit/Receive Control Register 2 (CTSUCHTRC2)

Address(es): CTSU.CTSUCHTRC2 4008 100Dh



| Bit      | Symbol           | Bit name                                | Description   | R/W |
|----------|------------------|---|---|-----|
| b1 to b0 | CTSUCHTRC2 [1:0] | CTSU Channel Transmit/Receive Control 2 | 0: Reception<br>1: Transmission.<br>These bits specify the TS16 to TS17 pins. | R/W |
| b7 to b2 | —                | Reserved                                | These bits are read as 0. The write value should be 0.                        | R/W |

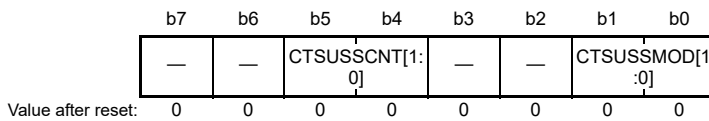
Only set the CTSUCHTRC2 register when the CTSUCR0.CTSUSTRT bit is 0.

#### CTSUCHTRC2 [1:0] bits (CTSUS Channel Transmit/Receive Control 2)

In full scan mode, the CTSUCHTRC2 [1:0] bits allocate reception or transmission to the associated TS pins. The setting is ignored in self-capacitance single scan and multiscan modes. CTSUCHTRC2[0] is associated with TS16, and CTSUCHTRC2 [1] is associated with TS17.

### 49.2.13 CTSU High-Pass Noise Reduction Control Register (CTSUDCLKC)

Address(es): CTSU.CTSUDCLKC 4008 1010h



| Bit    | Symbol         | Bit name                           | Description  | R/W |
|--------|----------------|------------------------------------|--|-----|
| b1, b0 | CTSUSSMOD[1:0] | CTSUS Diffusion Clock Mode Select  | Set these bits to 00b.                                 | R/W |
| b3, b2 | —              | Reserved                           | These bits are read as 0. The write value should be 0. | R/W |
| b5, b4 | CTSUSSCNT[1:0] | CTSUS Diffusion Clock Mode Control | Set these bits to 11b.                                 | R/W |
| b7, b6 | —              | Reserved                           | These bits are read as 0. The write value should be 0. | R/W |

Only set the CTSUDCLKC register when the CTSUCR0.CTSUSTRT bit is 0.

#### CTSUSSMOD[1:0] bits (CTSUS Diffusion Clock Mode Select)

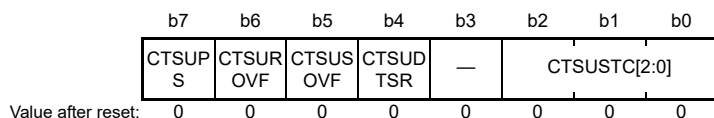
The CTSUSSMOD[1:0] bits set the mode of the spectrum diffusion clock for high-pass noise reduction. When using the high-pass function, always fix these bits to 00b. If these bits are not set, the CTSU will be unable to effectively reduce high-pass noise.

#### CTSUSSCNT[1:0] bits (CTSUS Diffusion Clock Mode Control)

The CTSUSSCNT[1:0] bits adjust the amount of spectrum diffusion applied to reduce high-pass noise. When using the high-pass noise reduction function, always fix these bits to 11b. If these bits are not set, touch measurement might be performed incorrectly.

### 49.2.14 CTSU Status Register (CTSUST)

Address(es): CTSU.CTSUST 4008 1011h



| Bit      | Symbol       | Bit name                             | Description  | R/W |    |  |   |   |             |   |   |             |   |   |             |   |   |             |   |   |             |   |   |              |   |
|----------|--------------|--------------------------------------|--|-----|----|--|---|---|-------------|---|---|-------------|---|---|-------------|---|---|-------------|---|---|-------------|---|---|--------------|---|
| b2 to b0 | CTSUSTC[2:0] | CTSU Measurement Status Counter      | These counters indicate the current measurement status.<br><table border="0"> <tr> <td>b2</td> <td>b0</td> <td></td> </tr> <tr> <td>0</td> <td>0</td> <td>0: Status 0</td> </tr> <tr> <td>0</td> <td>0</td> <td>1: Status 1</td> </tr> <tr> <td>0</td> <td>1</td> <td>0: Status 2</td> </tr> <tr> <td>0</td> <td>1</td> <td>1: Status 3</td> </tr> <tr> <td>1</td> <td>0</td> <td>0: Status 4</td> </tr> <tr> <td>1</td> <td>0</td> <td>1: Status 5.</td> </tr> </table> | b2  | b0 |  | 0 | 0 | 0: Status 0 | 0 | 0 | 1: Status 1 | 0 | 1 | 0: Status 2 | 0 | 1 | 1: Status 3 | 1 | 0 | 0: Status 4 | 1 | 0 | 1: Status 5. | R |
| b2       | b0           |                                      |  |     |    |  |   |   |             |   |   |             |   |   |             |   |   |             |   |   |             |   |   |              |   |
| 0        | 0            | 0: Status 0                          |  |     |    |  |   |   |             |   |   |             |   |   |             |   |   |             |   |   |             |   |   |              |   |
| 0        | 0            | 1: Status 1                          |  |     |    |  |   |   |             |   |   |             |   |   |             |   |   |             |   |   |             |   |   |              |   |
| 0        | 1            | 0: Status 2                          |  |     |    |  |   |   |             |   |   |             |   |   |             |   |   |             |   |   |             |   |   |              |   |
| 0        | 1            | 1: Status 3                          |  |     |    |  |   |   |             |   |   |             |   |   |             |   |   |             |   |   |             |   |   |              |   |
| 1        | 0            | 0: Status 4                          |  |     |    |  |   |   |             |   |   |             |   |   |             |   |   |             |   |   |             |   |   |              |   |
| 1        | 0            | 1: Status 5.                         |  |     |    |  |   |   |             |   |   |             |   |   |             |   |   |             |   |   |             |   |   |              |   |
| b3       | —            | Reserved                             | This bit is read as 0. The write value should be 0.  | R/W |    |  |   |   |             |   |   |             |   |   |             |   |   |             |   |   |             |   |   |              |   |
| b4       | CTSUDTSR     | CTSU Data Transfer Status Flag       | This flag indicates whether the measurement result stored in the sensor counter and the reference counter was read.<br>0: Read<br>1: Not read.   | R   |    |  |   |   |             |   |   |             |   |   |             |   |   |             |   |   |             |   |   |              |   |
| b5       | CTSUSOVF     | CTSU Sensor Counter Overflow Flag    | This flag indicates an overflow on the sensor counter.<br>0: No overflow occurred<br>1: Overflow occurred.   | R/W |    |  |   |   |             |   |   |             |   |   |             |   |   |             |   |   |             |   |   |              |   |
| b6       | CTSUROVF     | CTSU Reference Counter Overflow Flag | This flag indicates an overflow on the reference counter.<br>0: No overflow occurred<br>1: Overflow occurred.  | R/W |    |  |   |   |             |   |   |             |   |   |             |   |   |             |   |   |             |   |   |              |   |
| b7       | CTSUPS       | CTSU Mutual Capacitance Status Flag  | This flag indicates the measurement status in mutual capacitance full scan mode.<br>0: First measurement<br>1: Second measurement.   | R   |    |  |   |   |             |   |   |             |   |   |             |   |   |             |   |   |             |   |   |              |   |

When using the CTSUCR0.CTSUINIT bit to clear an overflow flag, make sure that the CTSUCR0.CTSUSTRT bit is 0.

#### CTSUSTC[2:0] flags (CTSU Measurement Status Counter)

The CTSUSTC[2:0] flags are a counter indicating the current measurement status. For details on each status, see [section 49.3.2.2, Status counter](#).

#### CTSUDTSR flag (CTSU Data Transfer Status Flag)

The CTSUDTSR flag indicates whether the measurement result stored in the sensor counter and the reference counter was read. This flag is set to 1 when measurement completes and to 0 when the reference counter is read by software or the DTC. The flag can also be cleared using the CTSUCR0.CTSUINIT bit.

#### CTSUSOVF flag (CTSU Sensor Counter Overflow Flag)

The CTSUSOVF flag is set to 1 when the sensor counter, CTSUSC, overflows. On overflow, the counter value reads as FFFFh. Measurement processing continues for the specified period.

No interrupt occurs on an overflow. To determine the channel on which the overflow occurred, read the measurement result of each channel after measurement completes, signaled by a measurement end interrupt.

This flag is cleared when 0 is written after 1 is read by software. It can also be cleared using the CTSUCR0.CTSUINIT bit.

**CTSUROVF flag (CTSUS Reference Counter Overflow Flag)**

The CTSUROVF flag is set to 1 when the reference counter, CTSURC, overflows. On overflow, the counter value reads as FFFFh. Measurement processing continues for the specified period.

No interrupt occurs on an overflow. To determine the channel on which the overflow occurred, read the measurement result of each channel after measurement completes, signaled by a measurement end interrupt.

This flag is cleared when 0 is written after 1 is read by software. It can also be cleared using the CTSUCR0.CTSUINIT bit.

**CTSUPS flag (CTSUS Mutual Capacitance Status Flag)**

In mutual capacitance full scan mode, when CTSUCR1.CTSUMD[1:0] = 11b, the CTSUPS flag indicates whether the measurement is the first or second of the two measurements for each channel. When measurement is stopped, or when in other measurement modes, this flag is always 0.

**49.2.15 CTSUS High-Pass Noise Reduction Spectrum Diffusion Control Register (CTSUSSC)**

Address(es): CTSUS.CTSUSSC 4008 1012h

|     |     |     |     |                |     |    |    |    |    |    |    |    |    |    |    |   |
|-----|-----|-----|-----|----------------|-----|----|----|----|----|----|----|----|----|----|----|---|
| b15 | b14 | b13 | b12 | b11            | b10 | b9 | b8 | b7 | b6 | b5 | b4 | b3 | b2 | b1 | b0 |   |
| —   | —   | —   | —   | CTSUSSDIV[3:0] |     |    |    | —  | —  | —  | —  | —  | —  | —  | —  | — |
| 0   | 0   | 0   | 0   | 0              | 0   | 0  | 0  | 0  | 0  | 0  | 0  | 0  | 0  | 0  | 0  |   |

Value after reset:

| Bit        | Symbol         | Bit name  | Description  | R/W |
|------------|----------------|---|--|-----|
| b7 to b0   | —              | Reserved  | These bits are read as 0. The write value should be 0.   | R/W |
| b11 to b8  | CTSUSSDIV[3:0] | CTSUS Spectrum Diffusion Frequency Division Setting | These bits specify the spectrum diffusion frequency division setting based on the base clock frequency division setting. | R/W |
| b15 to b12 | —              | Reserved  | These bits are read as 0. The write value should be 0.   | R/W |

**CTSUSSDIV[3:0] bits (CTSUS Spectrum Diffusion Frequency Division Setting)**

The CTSUSSDIV[3:0] bits specify the spectrum diffusion frequency derived from the base clock frequency division setting. To calculate the correct setting for CTSUSSDIV[3:0], see the relationship between base clock frequencies and the settings in [Table 49.6](#).

**Table 49.6 Relationship between base clock frequencies and CTSUSSDIV[3:0] bit settings (1 of 2)**

| Base clock frequency fb (MHz) | CTSUSSDIV[3:0] bit setting |
|-------------------------------|----------------------------|
| 4.00 ≤ fb                     | 0000b                      |
| 2.00 ≤ fb < 4.00              | 0001b                      |
| 1.33 ≤ fb < 2.00              | 0010b                      |
| 1.00 ≤ fb < 1.33              | 0011b                      |
| 0.80 ≤ fb < 1.00              | 0100b                      |
| 0.67 ≤ fb < 0.80              | 0101b                      |
| 0.57 ≤ fb < 0.67              | 0110b                      |
| 0.50 ≤ fb < 0.57              | 0111b                      |
| 0.44 ≤ fb < 0.50              | 1000b                      |
| 0.40 ≤ fb < 0.44              | 1001b                      |
| 0.36 ≤ fb < 0.40              | 1010b                      |
| 0.33 ≤ fb < 0.36              | 1011b                      |
| 0.31 ≤ fb < 0.33              | 1100b                      |



### 49.2.17 CTSU Sensor Offset Register 1 (CTSUSO1)

Address(es): CTSU.CTSUSO1 4008 1016h



| Bit       | Symbol         | Bit name                              | Description  | R/W |
|-----------|----------------|---------------------------------------|--|-----|
| b7 to b0  | CTSURICOA[7:0] | CTSU Reference ICO Current Adjustment | These bits adjust the input current of the reference ICO.<br>b7 b0<br>0 0 0 0 0 0 0: Current offset is 0<br>0 0 0 0 0 0 1: Current offset is 1<br>0 0 0 0 0 1 0: Current offset is 2<br>:<br>:<br>1 1 1 1 1 1 0: Current offset is 254<br>1 1 1 1 1 1 1: Current offset is maximum.  | R/W |
| b12 to b8 | CTSUSDPA[4:0]  | CTSU Base Clock Setting               | These bits are used to generate the base clock.<br>b12 b8<br>0 0 0 0: Operating clock divided by 2*1<br>0 0 0 1: Operating clock divided by 4<br>0 0 0 1 0: Operating clock divided by 6<br>0 0 0 1 1: Operating clock divided by 8<br>0 0 1 0 0: Operating clock divided by 10<br>0 0 1 0 1: Operating clock divided by 12<br>0 0 1 1 0: Operating clock divided by 14<br>0 0 1 1 1: Operating clock divided by 16<br>0 1 0 0 0: Operating clock divided by 18<br>0 1 0 0 1: Operating clock divided by 20<br>0 1 0 1 0: Operating clock divided by 22<br>0 1 0 1 1: Operating clock divided by 24<br>0 1 1 0 0: Operating clock divided by 26<br>0 1 1 0 1: Operating clock divided by 28<br>0 1 1 1 0: Operating clock divided by 30<br>0 1 1 1 1: Operating clock divided by 32<br>1 0 0 0 0: Operating clock divided by 34<br>1 0 0 0 1: Operating clock divided by 36<br>1 0 0 1 0: Operating clock divided by 38<br>1 0 0 1 1: Operating clock divided by 40<br>1 0 1 0 0: Operating clock divided by 42<br>1 0 1 0 1: Operating clock divided by 44<br>1 0 1 1 0: Operating clock divided by 46<br>1 0 1 1 1: Operating clock divided by 48<br>1 1 0 0 0: Operating clock divided by 50<br>1 1 0 0 1: Operating clock divided by 52<br>1 1 0 1 0: Operating clock divided by 54<br>1 1 0 1 1: Operating clock divided by 56<br>1 1 1 0 0: Operating clock divided by 58<br>1 1 1 0 1: Operating clock divided by 60<br>1 1 1 1 0: Operating clock divided by 62<br>1 1 1 1 1: Operating clock divided by 64. | R/W |
| b14, b13  | CTSUICOG[1:0]  | CTSU ICO Gain Adjustment              | These bits adjust the output frequency gain of the sensor ICO and the reference ICO.<br>b14 b13<br>0 0: 100% gain<br>0 1: 66% gain<br>1 0: 50% gain<br>1 1: 40% gain.  | R/W |
| b15       | —              | Reserved                              | This bit is read as 0. The write value should be 0.  | R/W |

Note 1. Do not set the CTSUSDPA[4:0] bits set to 00000b while the high-pass noise reduction function is turned off (CTSUSDPRS.CTSUSOFF bit = 1) in mutual capacitance full scan mode (CTSUCR1.CTSUMD[1:0] bits = 11b).

After a CTSU\_CTSUWR interrupt occurs, write first to the CTSUSSC register, next to the CTSUSO0 register, and then to the CTSUSO1 register. The write to the CTSUSO1 register causes a transition to Status 3. (See Table 49.7 and Table 49.8.) Set all of the bits in a single operation when writing to the CTSUSO1 register.

#### CTSURICOA[7:0] bits (CTSU Reference ICO Current Adjustment)

The CTSURICOA[7:0] bits adjust the oscillation frequency using the input current of the reference ICO.

#### CTSUSDPA[4:0] bits (CTSU Base Clock Setting)

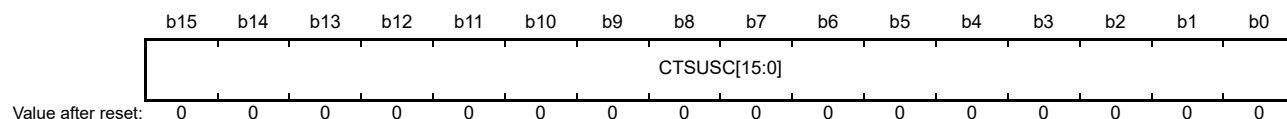
The CTSUSDPA[4:0] bits select the base clock used as the source for the sensor drive pulse by dividing the operating clock. For details on the setting procedure, see section 49.3.2.1, Initial settings flow.

#### CTSUICOG[1:0] bits (CTSU ICO Gain Adjustment)

The CTSUICOG[1:0] bits adjust the output frequency gain of the sensor ICO and the reference ICO. Normally, set these bits to 00b for the maximum gain. If changes in the capacitance between when the electrode is touched and when it is not touched greatly exceed the dynamic range of the sensor ICO, adjust the gain appropriately with this setting.

### 49.2.18 CTSU Sensor Counter (CTSUSC)

Address(es): CTSU.CTSUSC 4008 1018h



| Bit       | Symbol       | Bit name            | Description  | R/W |
|-----------|--------------|---------------------|--|-----|
| b15 to b0 | CTSUSC[15:0] | CTSU Sensor Counter | These bits indicate the measurement result of the sensor ICO. They read FFFFh when an overflow occurs. | R   |

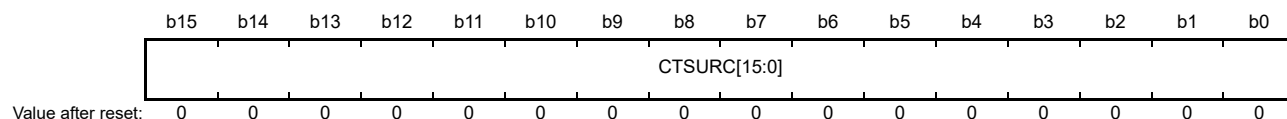
After a CTSU\_CTSURD interrupt occurs, read first from the CTSUSC counter and then from the CTSURC counter.

#### CTSUSC[15:0] bits (CTSU Sensor Counter)

The CTSUSC[15:0] bits are configured as an increment counter for the sensor ICO clock. Read these bits after a CTSU\_CTSURD interrupt occurs. After the CTSURC counter is read, these bits are cleared immediately before a CTSU measurement status counter value changes to Status 4 (the CTSUST.CTSUSTC[2:0] flags changes to 100b) in the next measurement. They can also be cleared using the CTSUCR0.CTSUINIT bit.

### 49.2.19 CTSU Reference Counter (CTSURC)

Address(es): CTSU.CTSURC 4008 101Ah



| Bit       | Symbol       | Bit name               | Description   | R/W |
|-----------|--------------|------------------------|---|-----|
| b15 to b0 | CTSURC[15:0] | CTSU Reference Counter | These bits indicate the measurement result of the reference ICO. They read FFFFh when an overflow occurs. | R   |

After a CTSU\_CTSURD interrupt occurs, read first from the CTSUSC counter and then from the CTSURC counter. Status 3 continues until the CTSURC counter is read, even if the stabilization time specified for Status 3 elapses.

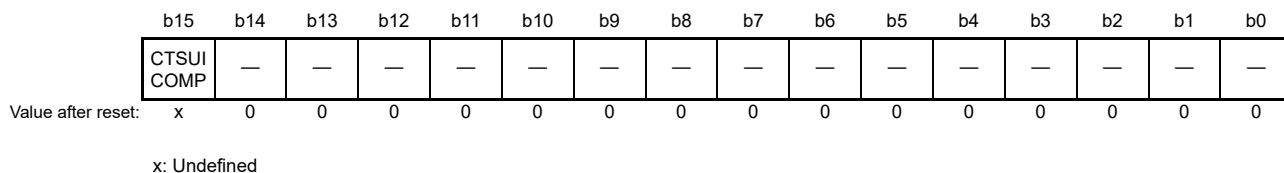
**CTSURC[15:0] bits (CTSU Reference Counter)**

The CTSURC[15:0] bits are configured as an increment counter for the reference ICO clock. The reference ICO optimizes touch measurement performed by the sensor ICO. There is some deviation depending on the internal sensor ICO and the reference ICO in the CTSU, but both ICOs have almost the same characteristics, including the dynamic range and the current-to-frequency characteristics. The range of current amount that can be set in the reference ICO current adjustment bits is about the same as the dynamic range of both ICOs, and the current amount input to the sensor ICO must be within this dynamic range. To ensure this, use the reference ICO to check the differences between the ICOs and measure the current-to-oscillation frequency characteristics. Because the reference ICO oscillation frequency can be obtained from the reference ICO counter, the ICO oscillation frequency (counter value/measurement time) for the input current amount can be measured by setting the value in the reference ICO current adjustment bits and measuring the reference ICO counter. The reference ICO counter value measured using the maximum value in the reference ICO current adjustment bits is the maximum value of the ICO dynamic range. The current to the sensor ICO must be offset in the offset adjustment bits so that the sensor ICO counter value does not exceed this value.

Read the CTSURC[15:0] bits after a CTSU\_CTSURD interrupt occurs. After these bits are read, they are cleared immediately before the CTSU measurement status counter value changes to Status 4 (the CTSUST.CTSUSTC[2:0] flags changes to 100b) in the next measurement. They can also be cleared using the CTSUCR0.CTSUINIT bit.

**49.2.20 CTSU Error Status Register (CTSUERRS)**

Address(es): CTSU.CTSUERRS 4008 101Ch



| Bit       | Symbol    | Bit name                    | Description   | R/W |
|-----------|-----------|-----------------------------|---|-----|
| b14 to b0 | —         | Reserved                    | These bits are read as 0.   | R   |
| b15       | CTSUICOMP | TSCAP Voltage Error Monitor | This bit monitors the error status of the TSCAP voltage.<br>0: Normal TSCAP voltage<br>1: Abnormal TSCAP voltage.*1 | R   |

Note 1. When CTSUCR1.CTSUPON bit is 0, this bit is set to 1.

**CTSUICOMP bit (TSCAP Voltage Error Monitor)**

The CTSUICOMP bit monitors the TSCAP voltage and it is set to 1 if the voltage becomes abnormal.

If the offset current amount set in the CTSUSO1 register exceeds the sensor ICO input current during touch measurement, the TSCAP voltage becomes abnormal and touch measurement cannot be performed correctly.

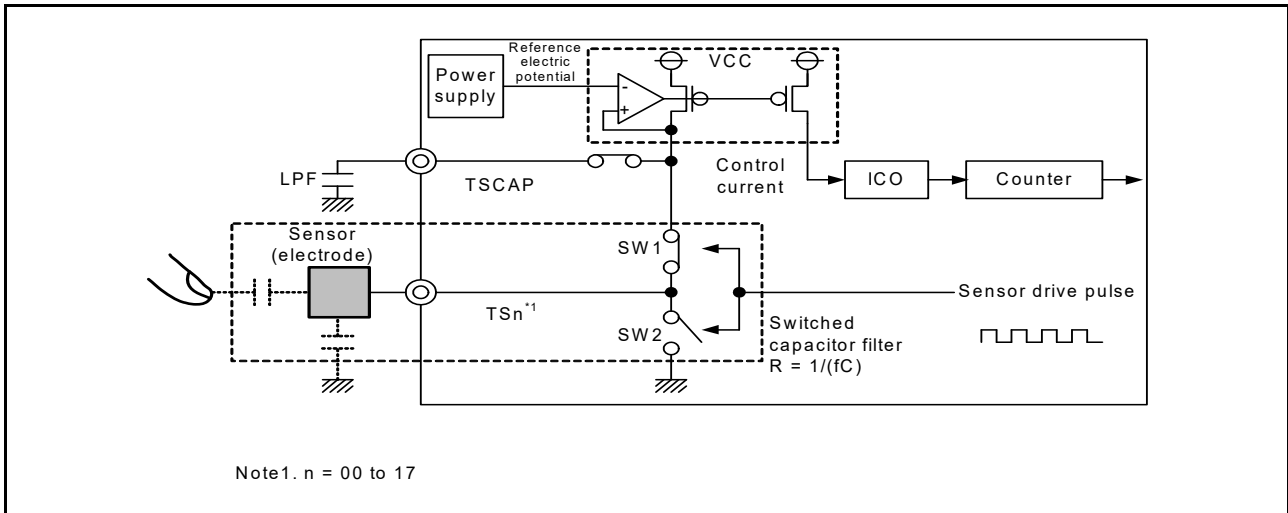
If the TSCAP voltage becomes abnormal, the sensor ICO counter value becomes undefined, but touch measurement completes normally, so it is difficult to detect an abnormality by reading the sensor ICO counter value. If the CTSU reference ICO current adjustment bits (CTSURICOA[7:0]) in the CTSUSO1 register are set to any value other than 0, always check this bit when touch measurement completes.

This bit is cleared by writing 0 to the CTSUCR1.CTSUPON bit and turning off the power supply.

### 49.3 Operation

#### 49.3.1 Principles of Measurement Operation

Figure 49.4 shows the measurement circuit.



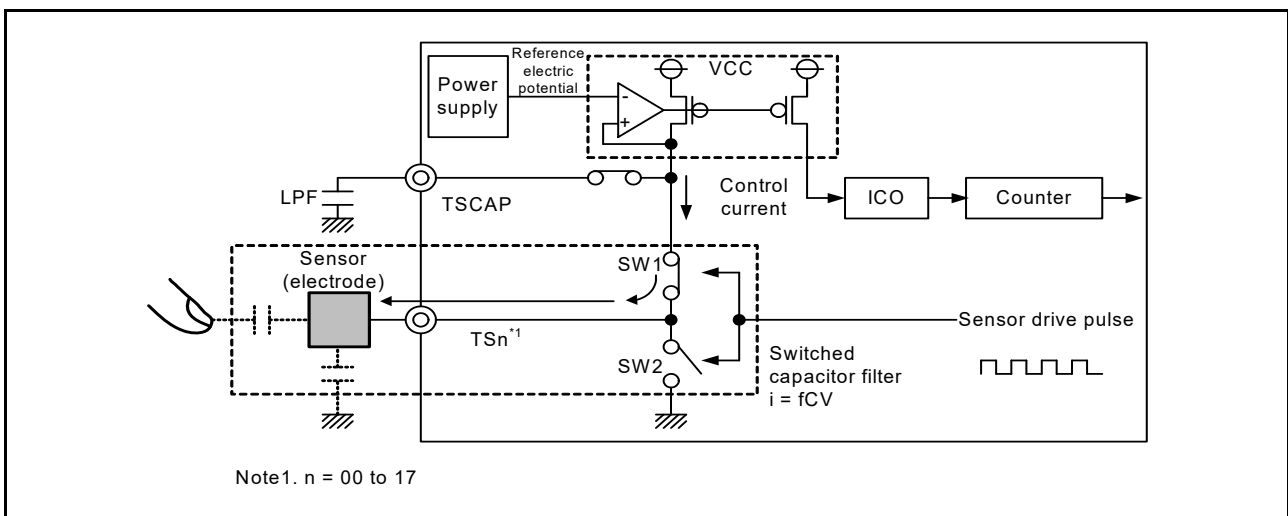
**Figure 49.4 Measurement circuit**

Figure 49.5 to Figure 49.7 explain the electrostatic capacitance measurement operation principles of the CTSU current frequency conversion method.

The electrostatic capacitance of the electrode is charged by turning SW1 on and SW2 off (Figure 49.5).

The charged capacitance is discharged by turning SW1 off and SW2 on (Figure 49.6).

Current flows to the switched capacitor filter by switching between charging and discharging. At this point, if a finger is in close proximity, the capacitance and the flowing current change. A clock is generated by supplying the control current, which is proportional to the amount of current flowing through the switched capacitor filter, from the circuit that generates the TSCAP power supply to the ICO. The counter measures the clock frequency that changes depending on whether a finger is in close proximity. Software uses the value read from the counter to determine contact with a finger (Figure 49.7).



**Figure 49.5 Charging operation**



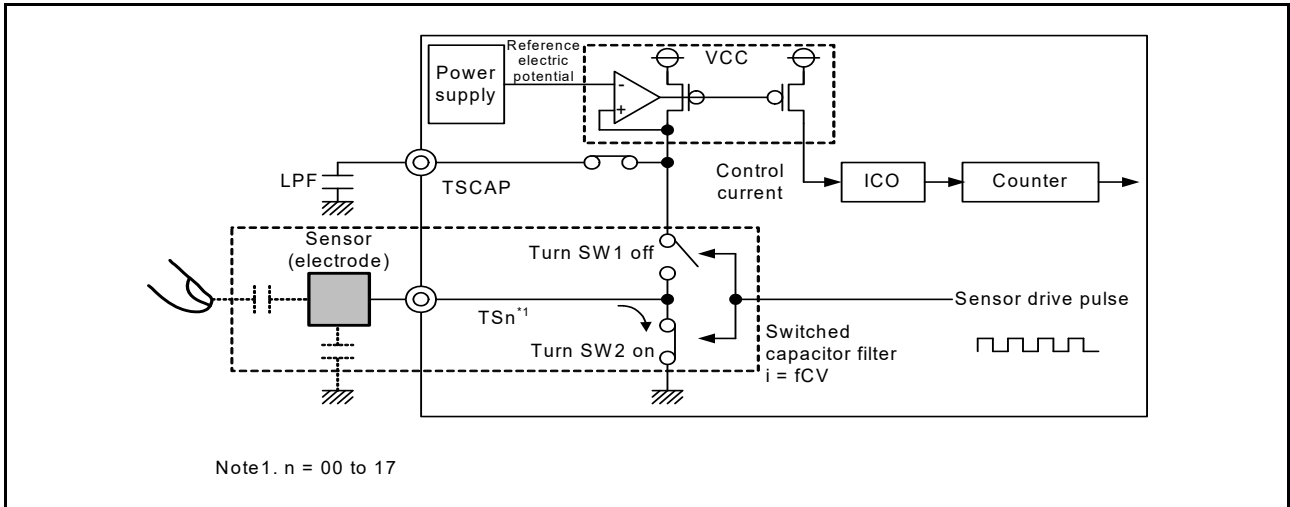


Figure 49.6 Discharging operation

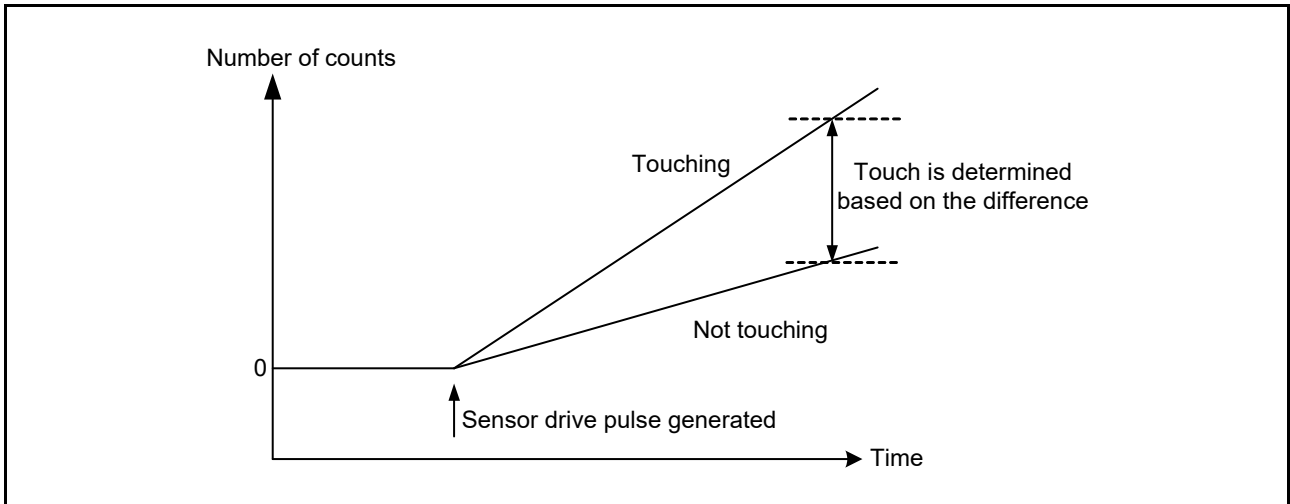


Figure 49.7 Change in measured value when finger is touching and not touching

### 49.3.2 Measurement Modes

The CTSU supports self-capacitance and mutual capacitance methods. [Figure 49.8](#) illustrates these methods.

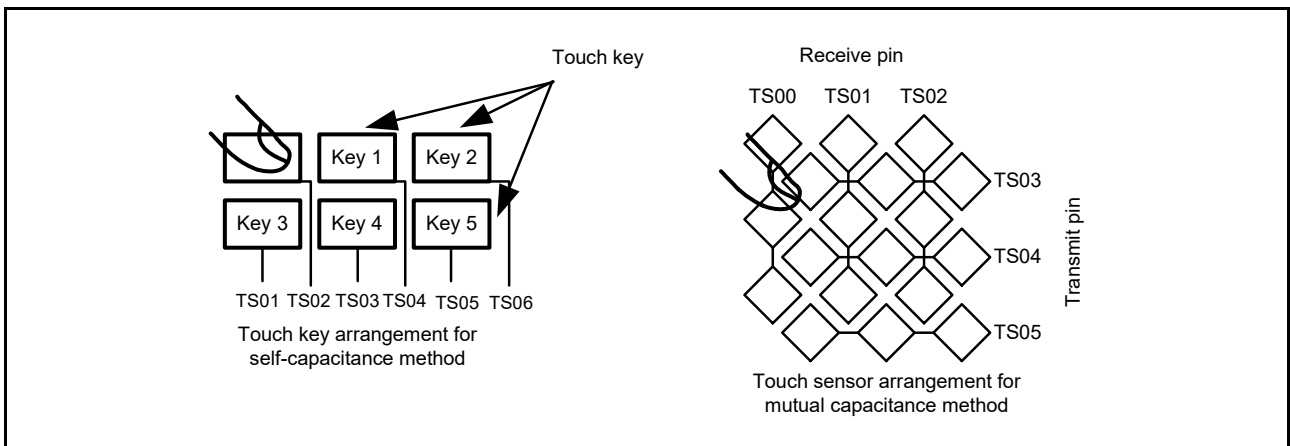


Figure 49.8 Overview of self-capacitance method and mutual capacitance method

In the self-capacitance method, a single touch pin is allocated to a single touch key to measure the individual electrostatic capacitance when a finger is in close proximity. In this method, capacitance can be measured in both single scan and multiscan modes. In the mutual capacitance method, the capacitance between two opposing electrodes (transmit and receive pins) is measured.

### 49.3.2.1 Initial settings flow

Figure 49.9 shows the flow for the CTSU initial settings.

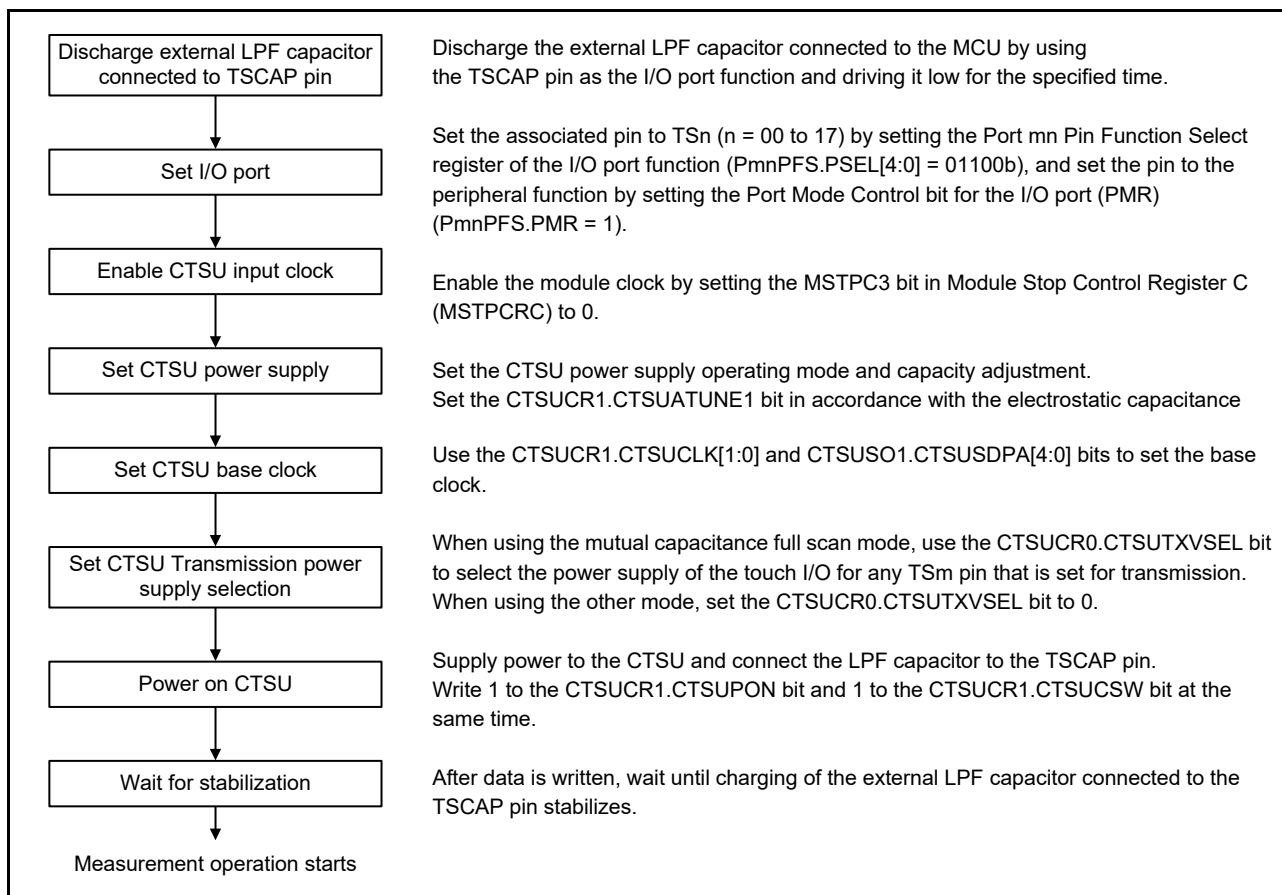


Figure 49.9 CTSU initial settings flow

Figure 49.10 shows the flow for stopping CTSU operation and invoking the standby state.

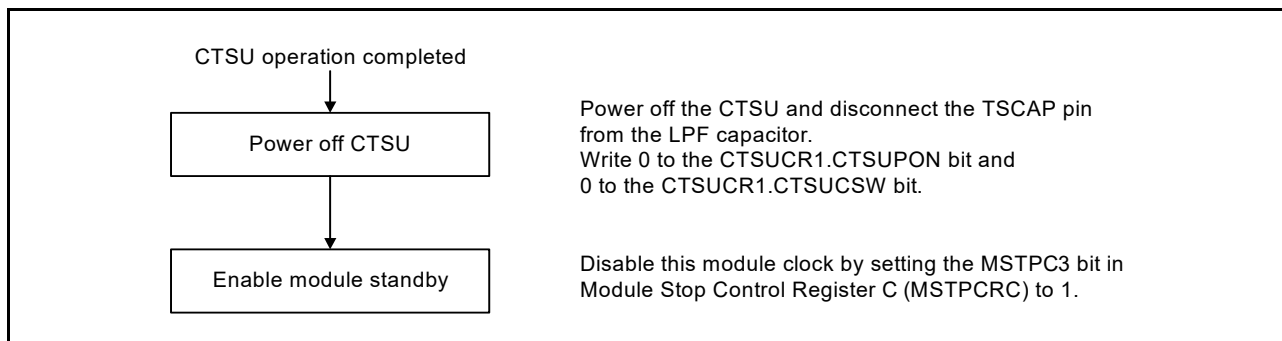
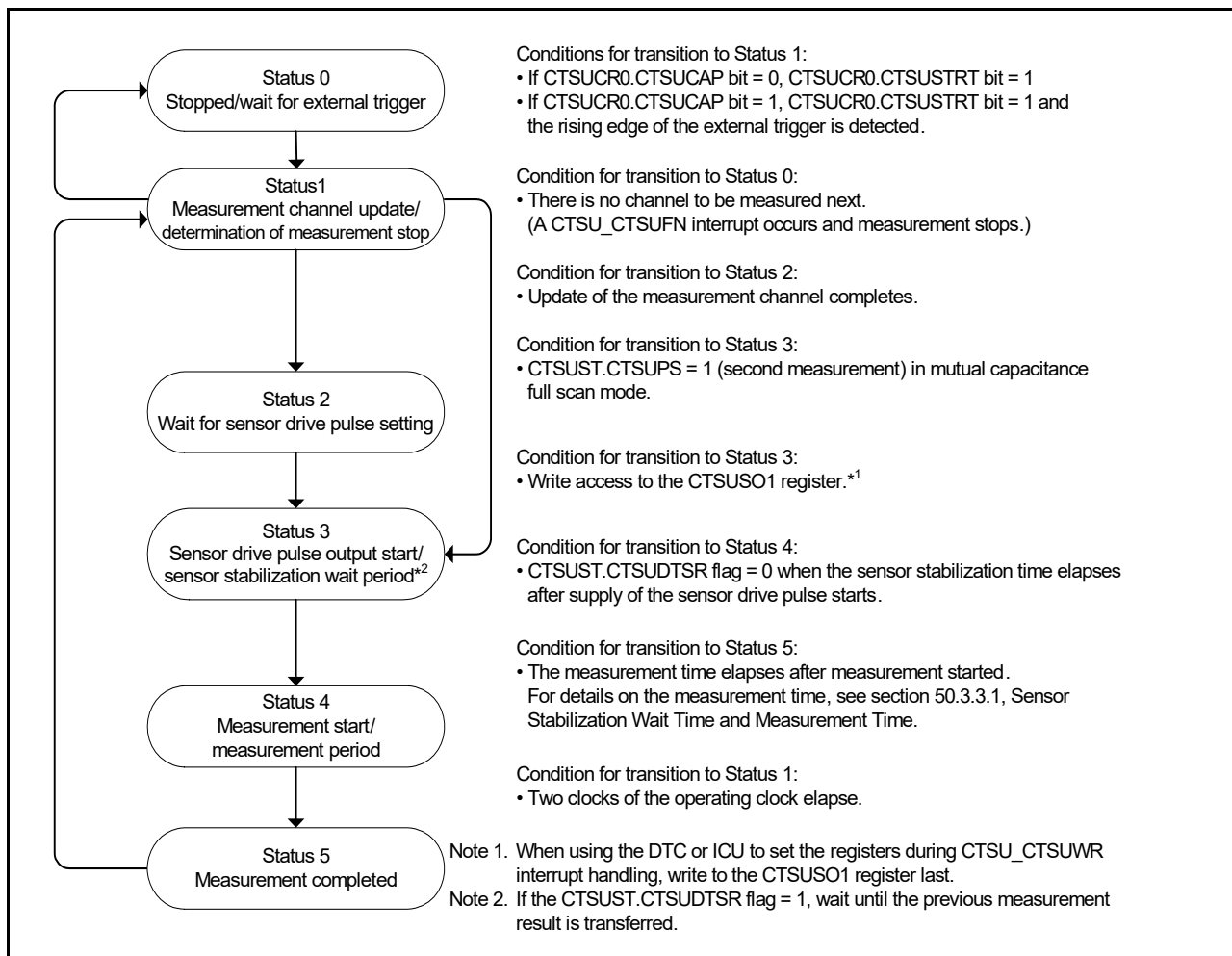


Figure 49.10 CTSU stopping flow

When restarting operation after it stops, follow the initial setting flow shown in Figure 49.9.

### 49.3.2.2 Status counter

The measurement status counter of the CTSU Status Register (CTSUST) indicates the current measurement status. The measurement status is shared by all three modes. Figure 49.11 shows the status operation transitions.



**Figure 49.11 Status operation transitions**

The status counter transitions to Status 0 when all of the specified measurement channels are measured.

The CTSUCR0.CTSUSTRT bit is cleared to 0 by hardware when a software trigger is used. When an external trigger is used, the value of 1 is retained, and the CTSU waits for the next trigger.

When operation is forced to stop during measurement or the trigger wait state, by a simultaneous 0 write to the CTSUCR0.CTSUSTRT bit and a 1 write to the CTSUCR0.CTSUINIT bit, the status transitions to Status 0 and measurement stops.

If the channel to be measured is not set in the CTSUCHAC0 to CTSUCHAC2, or CTSUCHTRC0 to CTSUCHTRC2 registers, a CTSU\_CTSUFN interrupt occurs immediately after a transition to Status 1, and then the status transitions to Status 0.

In the following situations, there is no channel to be measured:

- No measurement target channel is specified in the CTSUCHAC0 to CTSUCHAC2 registers
- In self-capacitance single scan mode, the channel specified in the CTSUMCH0 register is not a measurement target in the CTSUCHAC0 to CTSUCHAC2 registers
- In full scan modes, there is no transmit channel or receive channel to be measured based on the combined settings of the CTSUCHAC0 to CTSUCHAC2 and CTSUCHTRC0 to CTSUCHTRC2 registers.

### 49.3.2.3 Self-capacitance single scan mode operation

In self-capacitance single scan mode, electrostatic capacitance on one channel is measured. Figure 49.12 shows the software flow and an operation example, and Figure 49.13 shows the timing.

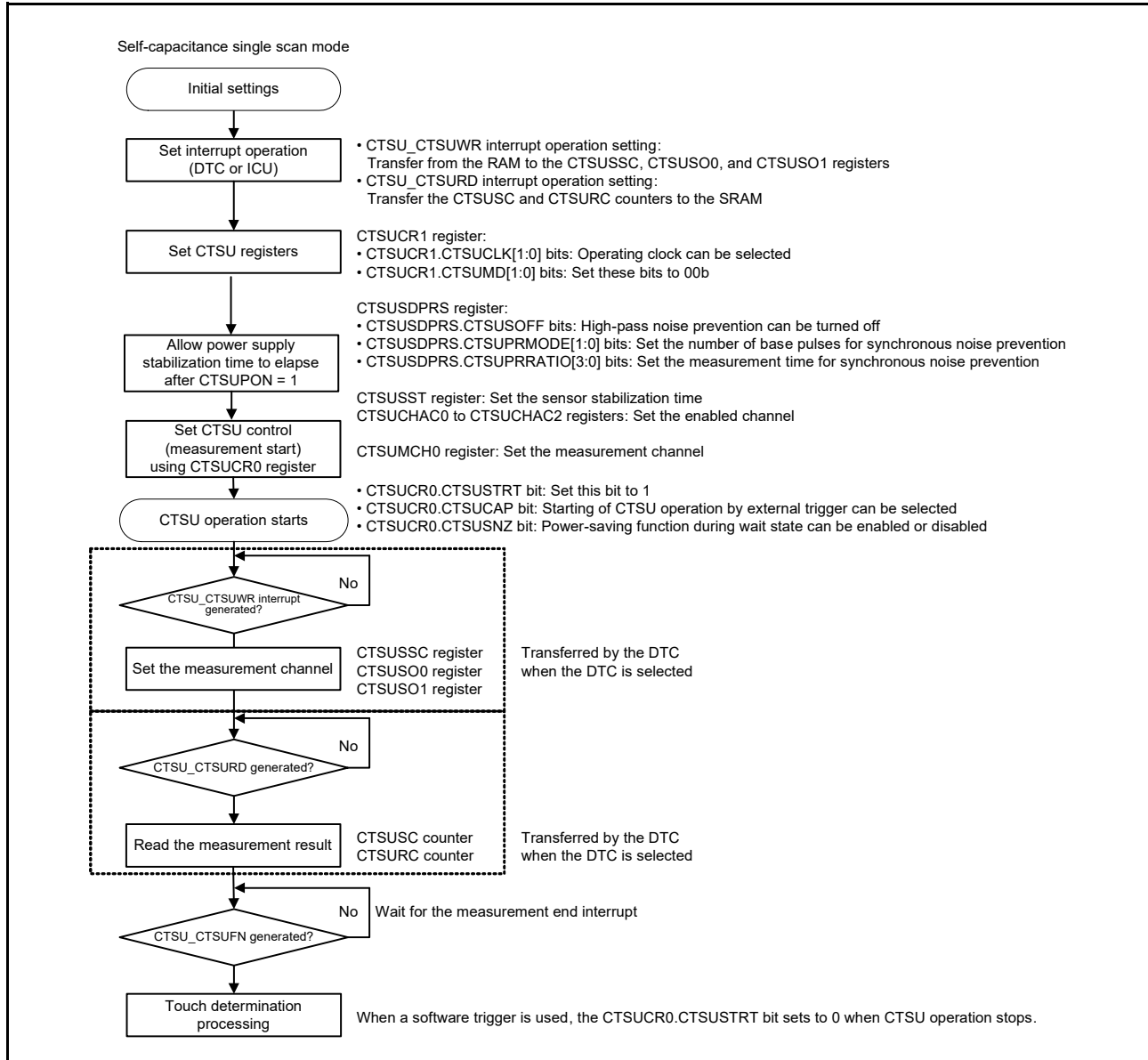
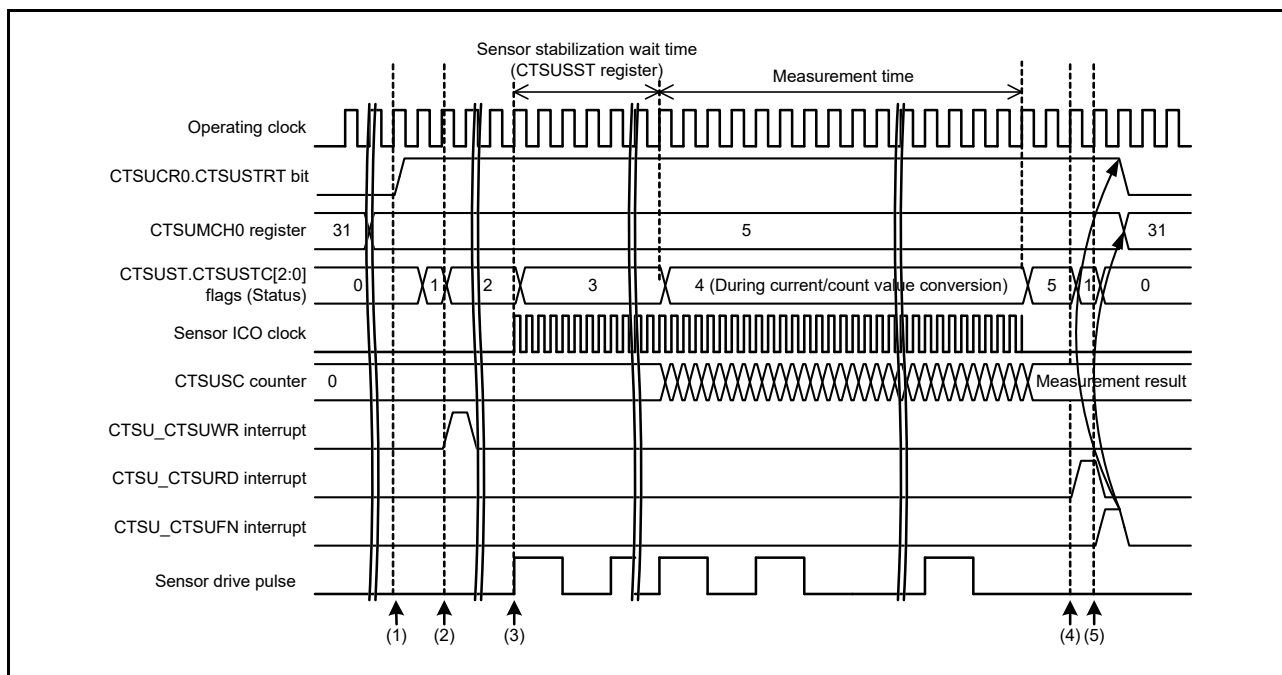


Figure 49.12 Software flow and example operation for self-capacitance single scan mode



**Figure 49.13** Timing of self-capacitance single scan mode when the measurement start condition is a software trigger

The following describes the operation shown in Figure 49.13.

1. After the initial settings are made, operation is started by writing 1 to the CTSUCR0.CTSUSTRT bit.
2. After the channel to be measured is determined in accordance with the preset conditions, a request for setting the channel (CTSU\_CTSUWR) is output.
3. On completion of writing the measurement channel settings (CTSUSSC, CTSUSO0, and CTSUSO1 registers), the sensor drive pulse is output and the sensor ICO clock and reference ICO clock operate.
4. After the sensor stabilization wait time and the measurement time elapse, and measurement stops, and a measurement result read request (CTSU\_CTSURD) is output.
5. A measurement end interrupt (CTSU\_CTSUFN) is output and measurement stops (transition to Status 0).

Table 49.7 lists the touch pin states in self-capacitance single scan mode.

**Table 49.7** Touch pin states in self-capacitance single scan mode

| Status | Touch pin        |                      |
|--------|------------------|----------------------|
|        | Measured channel | Non-measured channel |
| 0      | Low              | Low                  |
| 1      | Low              | Low                  |
| 2      | Low              | Low                  |
| 3      | Pulse            | Low                  |
| 4      | Pulse            | Low                  |
| 5      | Low              | Low                  |

### 49.3.2.4 Self-capacitance multi-scan mode operation

In self-capacitance multi-scan mode, electrostatic capacitance on all channels that are specified as measurement targets in the CTSUCHAC0 to CTSUCHAC2 registers is measured sequentially in ascending order. Figure 49.14 shows the software flow and an operation example, and Figure 49.15 shows the timing.

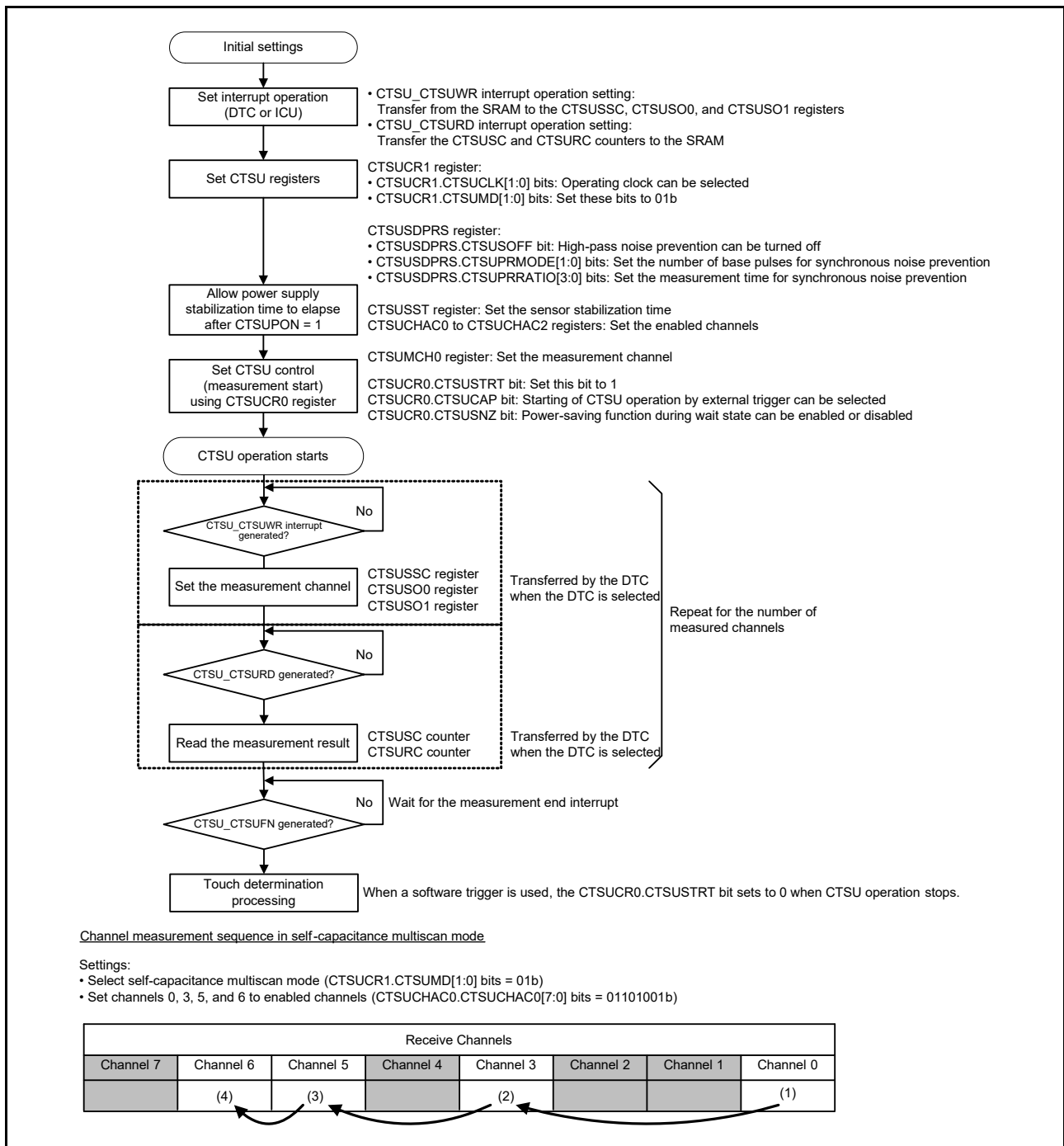
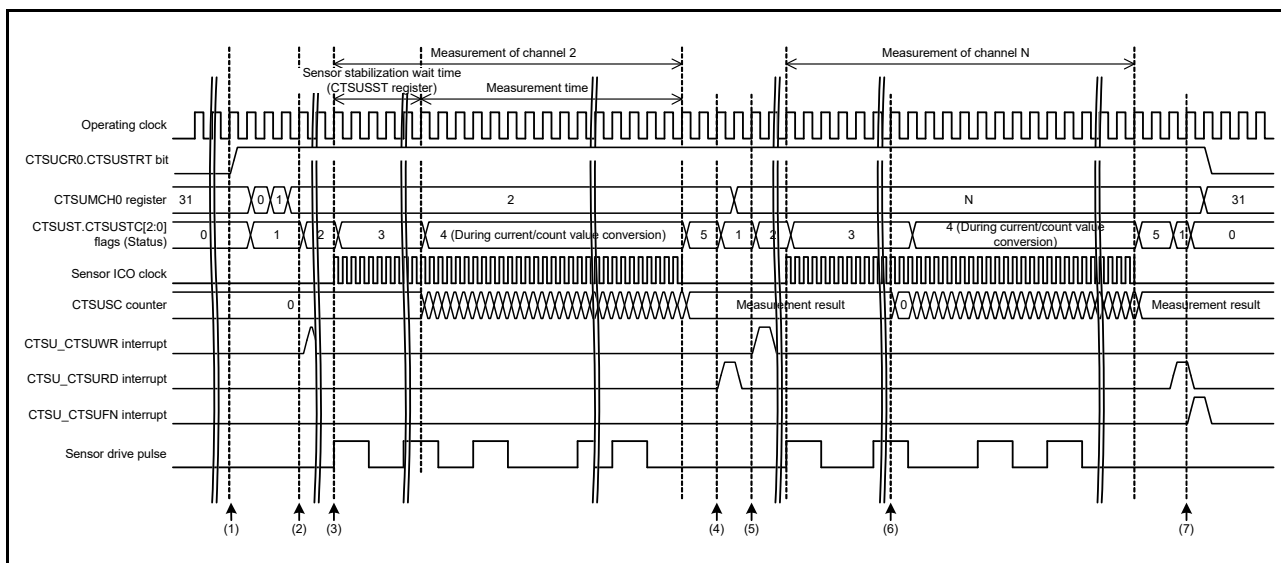


Figure 49.14 Software flow and example operation for self-capacitance multi-scan mode



**Figure 49.15** Timing of self-capacitance multi-scan mode when the measurement start condition is a software trigger

The following describes the operation shown in Figure 49.15:

1. After initial settings are made, operation is started by writing 1 to the CTSUCR0.CTSUSTRT bit.
2. After the channel to be measured is determined in accordance with the preset conditions, a request for setting the channel (CTSU\_CTSUWR) is output.
3. On completion of writing the measurement channel settings (CTSUSSC, CTSUSO0, and CTSUSO1 registers), the sensor drive pulse is output, and the sensor ICO clock, and the reference ICO clock operate.
4. After the sensor stabilization wait time and the measurement time elapse, and measurement stops, and a measurement result read request (CTSU\_CTSURD) is output.
5. After the channel to be measured next is determined, a measurement channel setting request (CTSU\_CTSUWR) is output.
6. After the stabilization wait time elapses and when the previous measurement is read, the result is cleared and measurement starts.
7. On completion of all measurement channels, a measurement end interrupt (CTSU\_CTSUFN) is output and measurement is stopped (transition to Status 0).

Table 49.8 lists the touch pin states in self-capacitance multi-scan mode.

**Table 49.8** Touch pin states in self-capacitance multi-scan mode

| Status | Touch pin        |                      |
|--------|------------------|----------------------|
|        | Measured channel | Non-measured channel |
| 0      | Low              | Low                  |
| 1      | Low              | Low                  |
| 2      | Low              | Low                  |
| 3      | Pulse            | Low                  |
| 4      | Pulse            | Low                  |
| 5      | Low              | Low                  |

### 49.3.2.5 Mutual capacitance full scan mode operation

In mutual capacitance full scan mode, measurement is performed during the high-level period of the sensor drive pulse on the receive channel by applying the edge to the target transmit channel to be measured. A single measurement target is measured twice, on the rising and falling edges. The difference between the data of these two measurements determines whether or not the electrode was touched, which results in a higher touch sensitivity.

Electrostatic capacitance is measured sequentially on channels set to transmission or reception in the CTSUCHTRC0 to CTSUCHTRC2 registers, and specified as measurement targets in the CTSUCHAC0 to CTSUCHAC2 registers. The capacitance is measured by combining these signals. Figure 49.16 shows the software flow and an operation example, and Figure 49.17 shows the timing.

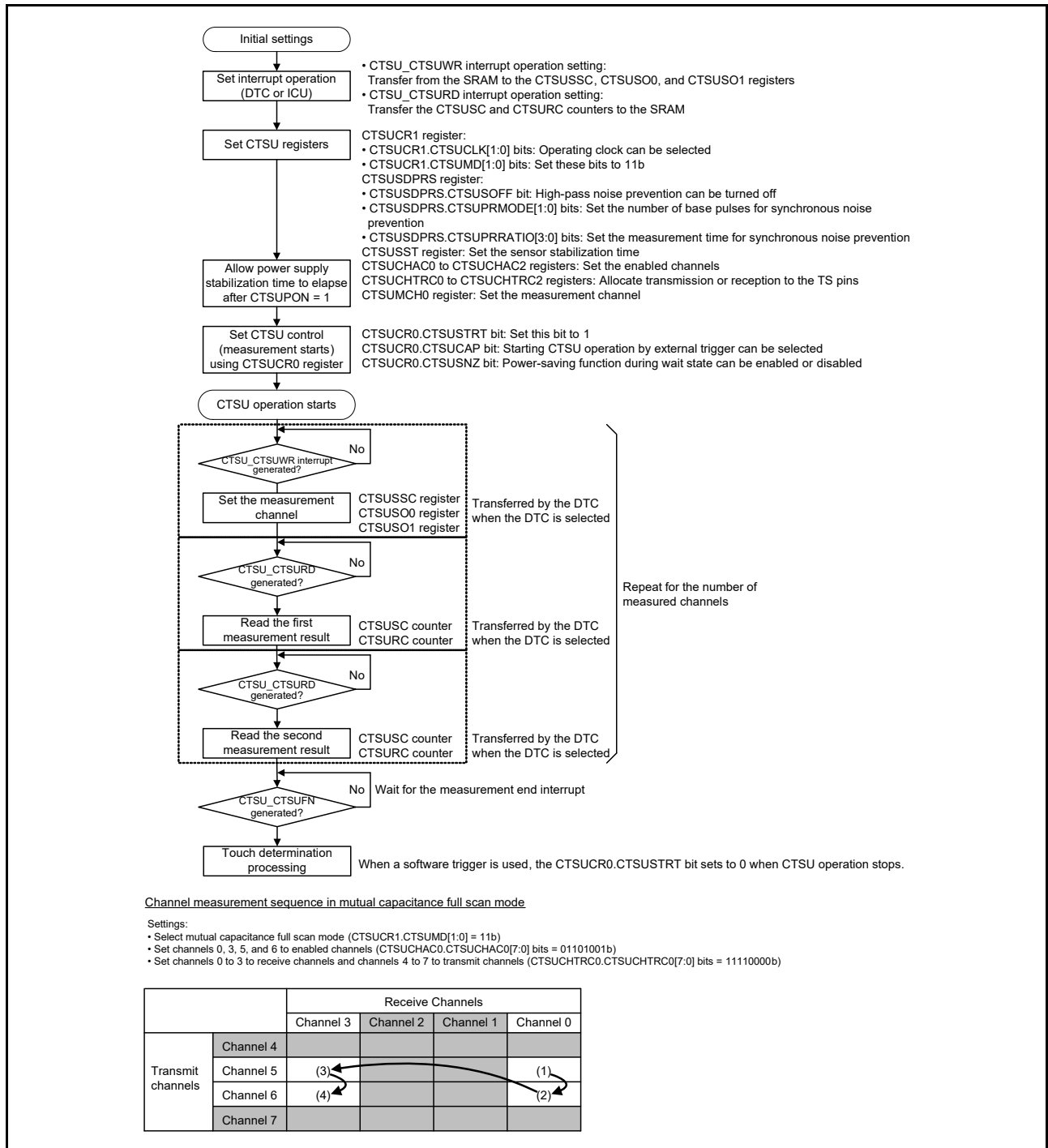
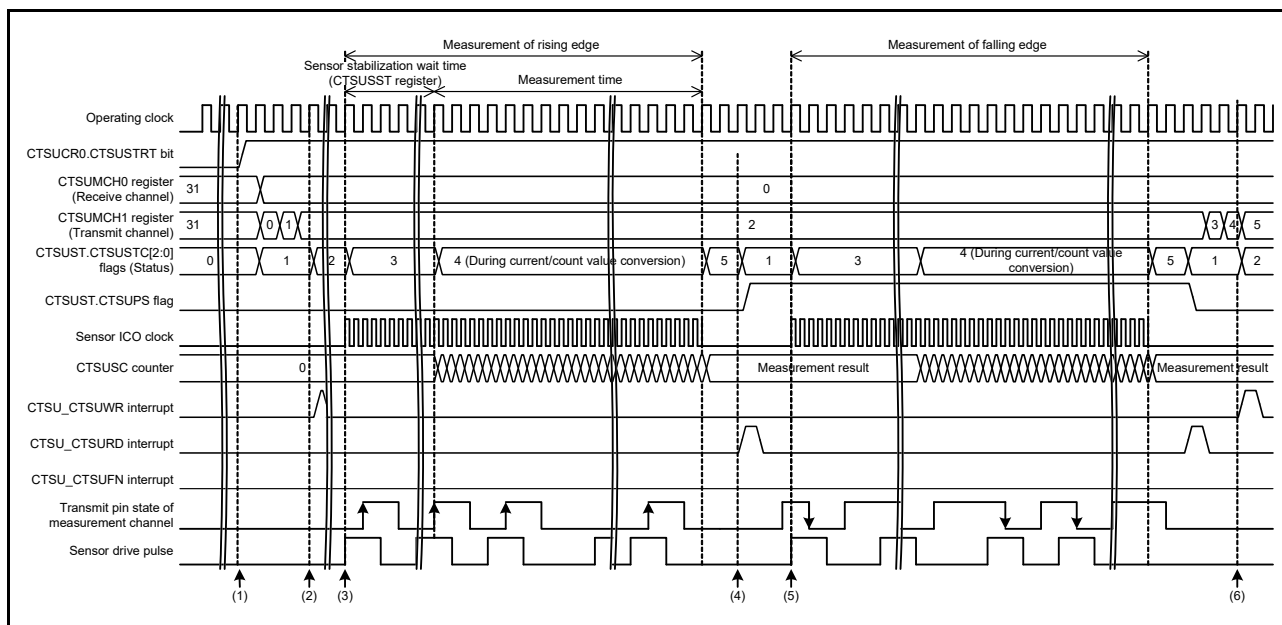


Figure 49.16 Software flow and example operation for mutual capacitance full scan mode





**Figure 49.17** Timing of mutual capacitance full scan mode when the measurement start condition is a software trigger

The following describes the operation shown in Figure 49.17.

1. After the initial settings are made, operation is started by writing 1 to the CTSUCR0.CTSUSTRT bit.
2. After the channel to be measured is determined in accordance with the preset conditions, a request for setting the channel (CTSU\_CTSUWR) is output.
3. On completion of writing the measurement channel settings (CTSUSSC, CTSUSO0, and CTSUSO1 registers), the sensor drive pulse is output and the sensor ICO clock and the reference ICO clock operate. At the same time, a pulse detected on the rising edge is output to the transmit pin on the measurement channel during the high-level period of the sensor drive pulse.
4. After the sensor stabilization wait time and the measurement time elapsed and measurement stops, a measurement result read request (CTSU\_CTSURD) is output.
5. The same channel is measured by outputting a pulse detected on the falling edge during the high-level period of the sensor drive pulse.
6. After the same channel is measured twice, the channel to be measured next is determined and measured in the same way.
7. On completion of all measurement channels, a measurement end interrupt (CTSU\_CTSUFN) is output and measurement stops (transition to Status 0).

The CTSU Mutual Capacitance Status flag (CTSUST.CTSUPS bit) changes when Status 5 transitions to Status 1.

Table 49.9 lists the touch pin states in mutual capacitance full scan mode.

**Table 49.9** Touch pin states in mutual capacitance full scan mode (1 of 2)

| Status | Touch pins for receive channels |                      | Touch pins for transmit channels |                      | Remarks |
|--------|---------------------------------|----------------------|----------------------------------|----------------------|---------|
|        | Measured channel                | Non-measured channel | Measured channel                 | Non-measured channel |         |
| 0      | Low                             | Low                  | Low                              | Low                  | -       |
| 1      | Low                             | Low                  | Low/high                         | Low                  | -       |
| 2      | Low                             | Low                  | Low                              | Low                  | -       |

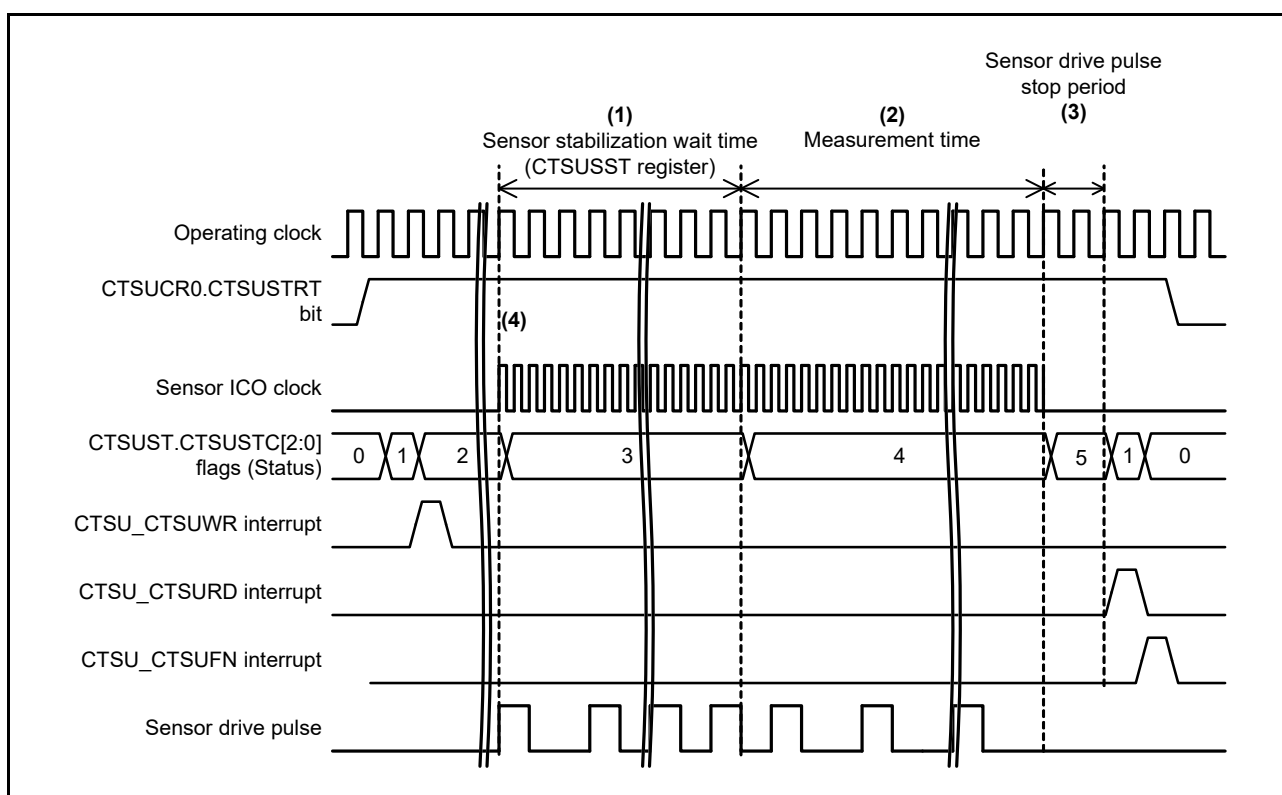
**Table 49.9 Touch pin states in mutual capacitance full scan mode (2 of 2)**

| Status | Touch pins for receive channels |                      | Touch pins for transmit channels |                      | Remarks   |
|--------|---------------------------------|----------------------|----------------------------------|----------------------|---|
|        | Measured channel                | Non-measured channel | Measured channel                 | Non-measured channel |   |
| 3      | Pulse                           | Low                  | Pulse                            | Low                  | The phase pulse is the same as that of the receive channel on the first measurement and opposite on the second measurement. |
| 4      | Pulse                           | Low                  | Pulse                            | Low                  | -   |
| 5      | Low                             | Low                  | Low                              | Low                  | -   |

### 49.3.3 Parameters Common to Multiple Modes

#### 49.3.3.1 Sensor stabilization wait time and measurement time

Figure 49.18 shows the timing of the sensor stabilization wait and measurement.



**Figure 49.18 Sensor stabilization wait and measurement timing**

The following describes the operation shown in Figure 49.18:

1. In response to the CTSU\_CTSUWR interrupt request, output of the sensor drive pulse is started by a write access to the CTSUSO1 register. The CTSU waits for the stabilization time set in the CTSUSST register.
2. When the sensor stabilization time elapses and the CTSUST.CTSUDTSR flag clears to 0, measurement starts on transition to Status 4. The measurement time is determined by the base clock cycle setting and the CTSUSDPRS.CTSUPRMODE[1:0], CTSUPRRATIO[3:0], and CTSUSO0.CTSUSNUM[5:0] bits. When the measurement time elapses, measurement of the channel stops.
3. After the measurement time elapses, the status transitions to Status 1 after two operating clock cycles, and a CTSU\_CTSURD interrupt occurs. Read the data from the CTSUSC and CTSURC counters. At this time, the sensor drive pulse is output at the low level. When measurement of all specified channels is complete, the CTSUCR0.CTSUSTRT bit clears to 0.
4. The sensor ICO clock oscillates while the CTSUST.CTSUSTC[2:0] flags are equal to 011b (Status 3) or 100b (Status 4).

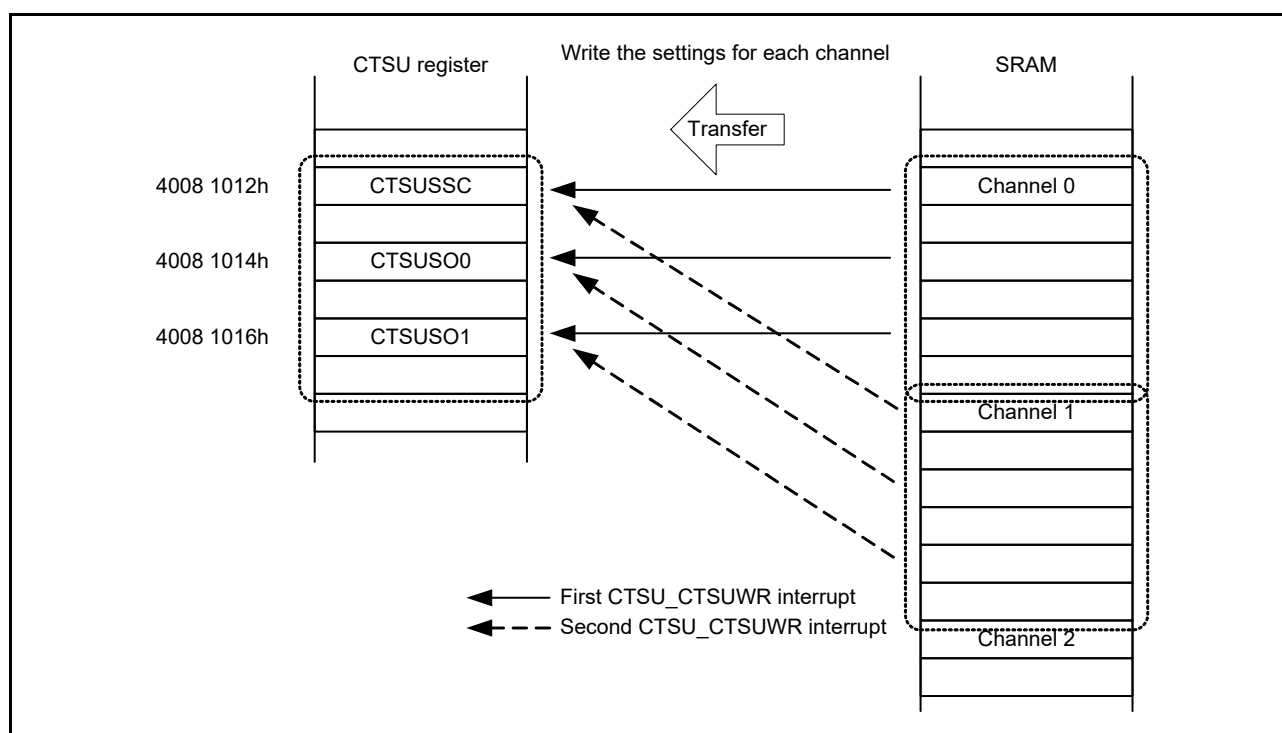
### 49.3.3.2 Interrupts

The CTSU supports the following interrupts:

- Write request interrupt for setting registers for each channel (CTSU\_CTSUWR)
- Measurement data transfer request interrupt (CTSU\_CTSURD)
- Measurement end interrupt (CTSU\_CTSUFN).

#### (1) Write request interrupt for setting registers for each channel (CTSU\_CTSUWR)

Store the settings for each measurement channel in the SRAM, and set up the DTC or ICU transfer associated with the CTSU\_CTSUWR interrupt in advance. The CTSU\_CTSUWR interrupt is output when Status 1 transitions to Status 2. Write the settings for the selected channel from the SRAM to the CTSUSSC, CTSUSO0, and CTSUSO1 registers (Figure 49.19). Because write access to the CTSUSO1 register controls the transition to the next status, you must set this register last.



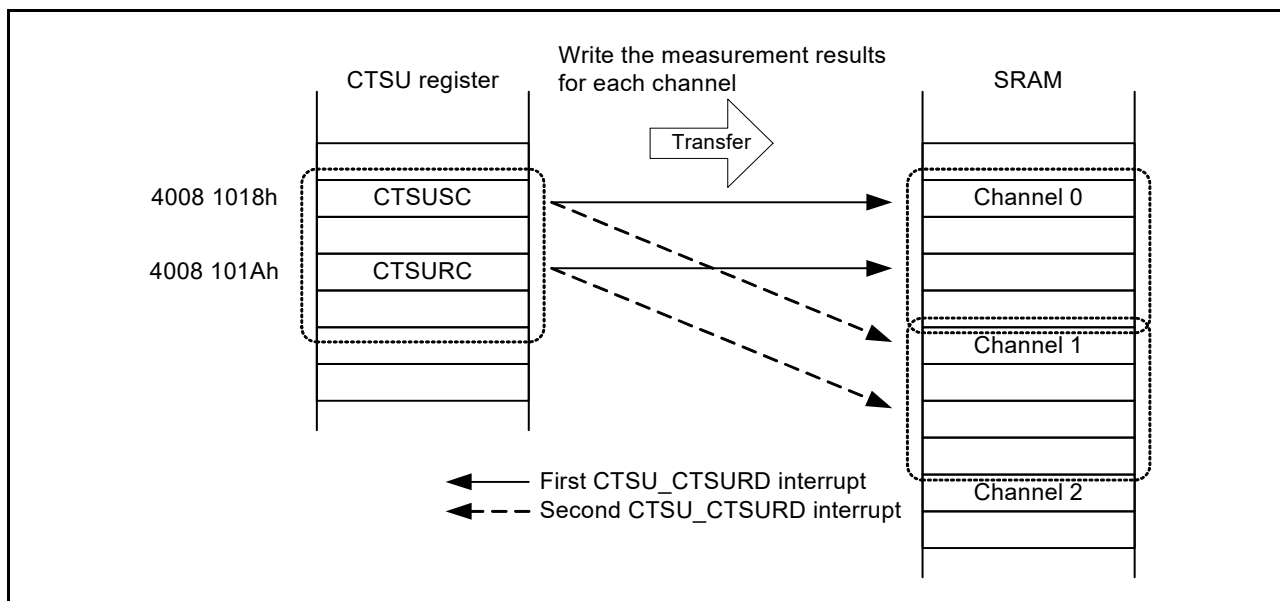
**Figure 49.19 Example of DTC transfer operation using the CTSU\_CTSUWR interrupt**

The registers to be set (CTSUSSC, CTSUSO0, and CTSUSO1) are allocated at sequential addresses. On CTSU\_CTSUWR interrupt generation, set up the operation as follows:

- Transfer destination address: CTSUSSC register address
- Handling at the transfer destination address: Transfer 2-byte data three times with a single interrupt. The address of the start byte is fixed
- Transfer source address: CTSUSSC register data storage address for the lowest number channel in the settings stored in the SRAM
- Handling at the transfer source address: Transfer 2-byte data three times with a single interrupt. The address of the first byte is continued from the previous interrupt handling
- Number of transfers per interrupt: Specify the number of measurements.

#### (2) Measurement data transfer request interrupt (CTSU\_CTSURD)

Set up the DTC or ICU transfer associated with the CTSU\_CTSURD interrupt in advance. The CTSU\_CTSURD interrupt is output when Status 5 transitions to Status 1. Read the measurement result from the CTSUSC and CTSURC counters (Figure 49.20).



**Figure 49.20 Example of DTC transfer operation using the CTSU\_CTSURD interrupt**

The measurement result registers (CTSUSC and CTSURC counters) used as transfer sources are allocated at sequential addresses. On CTSU\_CTSURD interrupt generation, set up the operation as follows:

- Transfer source address: CTSUSC counter address
- Handling at the transfer source address: Transfer 2-byte data twice with a single interrupt. The start address is fixed
- Transfer destination address: CTSUSC counter data storage address for the lowest number channel in the settings stored in the SRAM
- Handling at the transfer destination address: Transfer 2-byte data twice with a single interrupt. The start address is continued from the previous interrupt handling
- Number of transfers per interrupt: Specify the number of measurements.

### (3) Measurement end interrupt (CTSU\_CTSUFN)

When all channels are measured, an interrupt occurs when Status 1 transitions to Status 0. In the software, check the overflow flags (CTSUST.CTSUSOVF and CTSUROVF) and read the measurement results to determine whether or not the electrode was touched. Interrupt requests are accepted or disabled in the interrupt control block.

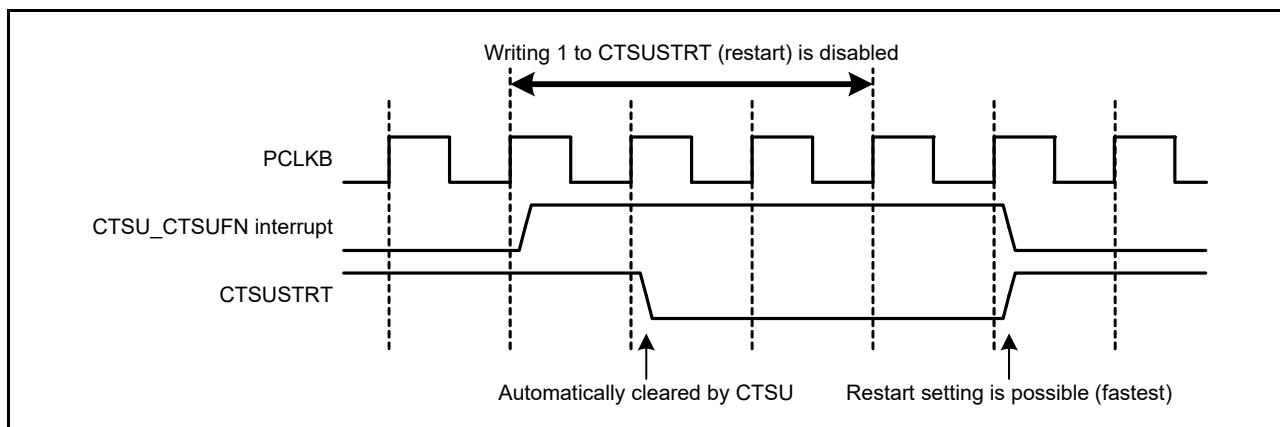
## 49.4 Usage Notes

### 49.4.1 Measurement Result Data (CTSUSC and CTSURC Counters)

Read access during measurement is prohibited. If the measurement result data is accessed, an incorrect value might be read because of asynchronous operation.

### 49.4.2 Constraint on Software Trigger

When 10b (PCLKB/4) is selected in the CTSUCR1.CTSUCLK[1:0] bits, to restart measurement by writing 1 to the CTSUR0.CTSUSTRT bit after measurement is complete, wait for at least 3 cycles to elapse after an interrupt occurs, and then write to the CTSUCR0.CTSUSTRT bit.



**Figure 49.21** Notes on restarting measurement

### 49.4.3 Constraints on External Triggers

- If an external trigger is input during the measurement time, measurement does not start. The next external event is enabled after 1 cycle of the operating clock when a CTSU\_CTSUFN interrupt occurs.
- To stop external trigger mode, write 0 to the CTSUCR0.CTSUSTRT bit and 0 to the CTSUCR0.CTSUINIT bit at the same time (forced stop).

### 49.4.4 Constraints on Forced Stops

To force the current operation to stop, write 0 to the CTSUCR0.CTSUSTRT bit and 1 to the CTSUCR0.CTSUINIT bit at the same time. After this setting, the operation is stopped and the internal control registers are initialized.

When the CTSUCR0.CTSUINIT bit is used for initialization, the following registers are initialized in addition to the initialization of the internal measurement state.

- CTSUMCH0 register
- CTSUMCH1 register
- CTSUST register
- CTSUSC counter
- CTSURC counter.

If operation is forced to stop, an interrupt request might be generated depending on the internal state. After a forced stop, also perform the processing for stopping and disabling the DTC or ICU. If a DTC transfer is stopped in an installed system for some reason, also perform the processing for forcing the stop and to initialize the CTSU.

### 49.4.5 TSCAP Pin

The TSCAP pin requires an external decoupling capacitor to stabilize the CTSU internal voltage. The traces between the TSCAP pin and the capacitor, and the capacitor and ground should be as short and wide as physically possible.

The capacitor connected to the TSCAP pin should be fully discharged using the I/O port control to output a low level, before turning on the switch (CTSUCR1.CTSUCSW bit = 1) to establish a connection.

### 49.4.6 Constraints on Measurement Operation (CTSUCR0.CTSUSTRT Bit = 1)

During measurement (CTSUCR0.CTSUSTRT bit = 1), do not use the settings for stopping the peripheral clock or changing the port settings related to the touch pins (TSn and TSCAP pins) and transmission power supply selection (CTSUCR0.CTSUTXVSEL) in the higher layers of the system.

If control settings non-compliant with these constraints are made, and operation is forced to stop (CTSUCR0.CTSUSTRT bit = 0 and CTSUCR0.CTSUINIT bit = 1), write 0 to the CTSUCR1.CTSUPON bit and 0 to the CTSUCR1.CTSUCSW bit at the same time, and set the CTSUCR0.CTSUSNZ bit to 0. Next, restart from the initial settings flow shown in [Figure 49.9](#).

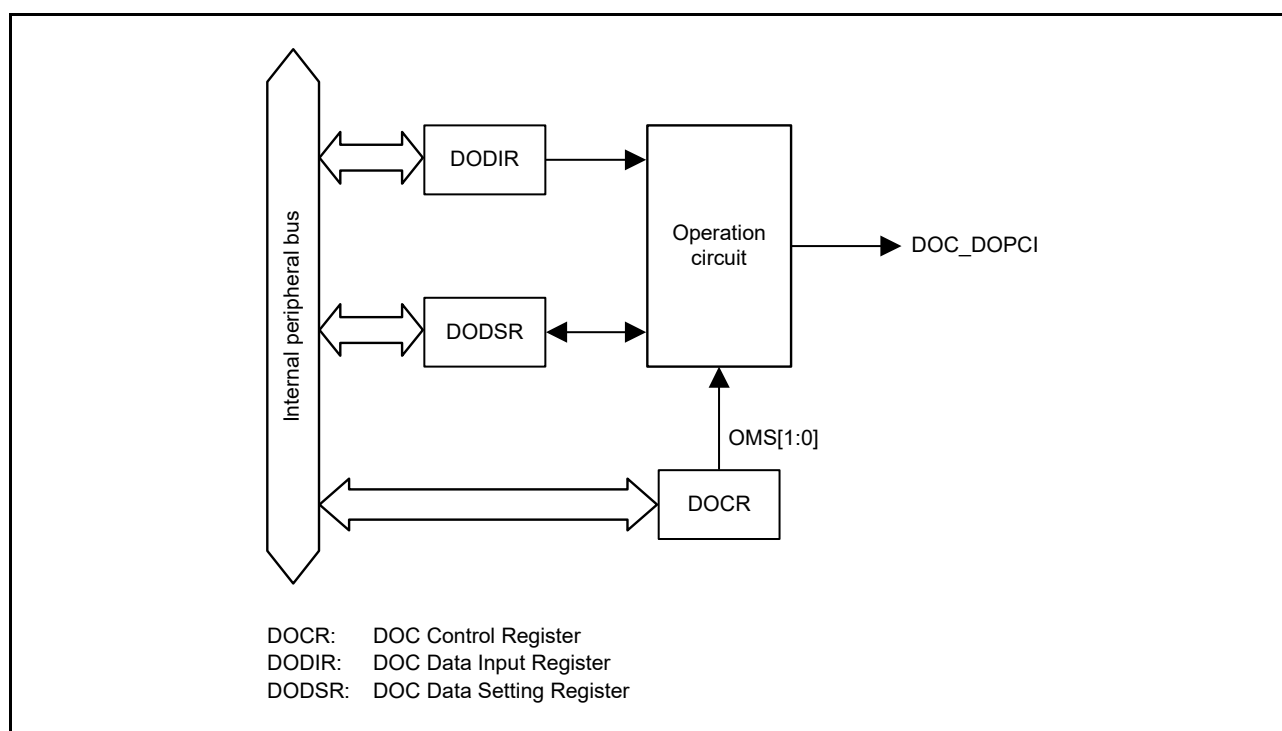
## 50. Data Operation Circuit (DOC)

### 50.1 Overview

The Data Operation Circuit (DOC) is used to compare, add, and subtract 16-bit data. When a selected condition applies, 16-bit data is compared and an interrupt can be generated. [Table 50.1](#) lists the DOC specifications and [Figure 50.1](#) shows a block diagram.

**Table 50.1 DOC specifications**

| Parameter                                      | Specifications   |
|--|--|
| Data operation function                        | 16-bit data comparison, addition, and subtraction  |
| Module-stop function                           | Module-stop state can be set to reduce power consumption   |
| Interrupts and event link function (DOC_DOPCI) | An interrupt occurs on the following conditions: <ul style="list-style-type: none"> <li>• Compared values either match or mismatch</li> <li>• Data addition result is greater than FFFFh</li> <li>• Data subtraction result is less than 0000h.</li> </ul> |

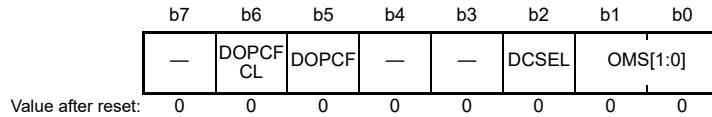


**Figure 50.1 DOC block diagram**

## 50.2 Register Descriptions

### 50.2.1 DOC Control Register (DOCR)

Address(es): DOC.DOCR 4005 4100h



| Bit    | Symbol   | Bit name                    | Description   | R/W |
|--------|----------|-----------------------------|---|-----|
| b1, b0 | OMS[1:0] | Operating Mode Select       | b1 b0<br>0 0: Data comparison mode<br>0 1: Data addition mode<br>1 0: Data subtraction mode<br>1 1: Setting prohibited. | R/W |
| b2     | DCSEL*1  | Detection Condition Select  | 0: Set DOPCF when data mismatch detected<br>1: Set DOPCF when data match detected.                                      | R/W |
| b4, b3 | —        | Reserved                    | These bits are read as 0. The write value should be 0.  | R/W |
| b5     | DOPCF    | Data Operation Circuit Flag | Indicates the result of an operation.   | R   |
| b6     | DOPCFCL  | DOPCF Clear                 | 0: Retain DOPCF flag state<br>1: Clear DOPCF flag.  | R/W |
| b7     | —        | Reserved                    | This bit is read as 0. The write value should be 0.   | R/W |

Note 1. Only valid when data comparison mode is selected.

#### OMS[1:0] bits (Operating Mode Select)

The OMS[1:0] bits select the operating mode of the DOC.

#### DCSEL bit (Detection Condition Select)

The DCSEL bit selects the detection condition in data comparison mode. This bit is only valid when data comparison mode is selected.

#### DOPCF flag (Data Operation Circuit Flag)

The DOPCF flag indicates the result of an operation.

[Setting conditions]

- The condition selected in the DCSEL bit is met
- A data addition result is greater than FFFFh
- A data subtraction result is less than 0000h.

[Clearing condition]

- Writing 1 to the DOPCFCL bit.

#### DOPCFCL bit (DOPCF Clear)

Setting the DOPCFCL bit to 1 clears the DOPCF flag. This bit is read as 0.

### 50.2.2 DOC Data Input Register (DODIR)

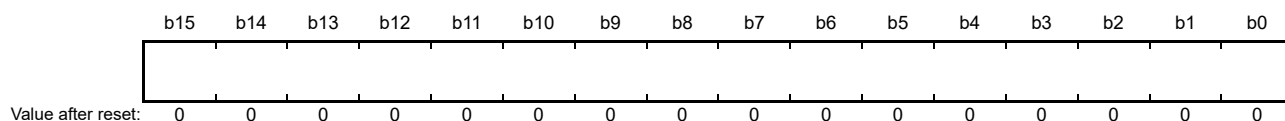
Address(es): DOC.DODIR 4005 4102h



DODIR is a 16-bit read/write register that stores 16-bit data used in the operations.

### 50.2.3 DOC Data Setting Register (DODSR)

Address(es): DOC.DODSR 4005 4104h



DODSR is a 16-bit read/write register that stores 16-bit data used as a reference in data comparison mode. This register also stores the results of operations in data addition and subtraction modes.

## 50.3 Operation

### 50.3.1 Data Comparison Mode

Figure 50.2 shows an example of the steps involved in data comparison mode operation by the DOC. The following is an example operation when DCSEL is set to 0 (data mismatch is detected as a result of data comparison):

1. Write 00b to the DOCR.OMS[1:0] bits to select data comparison mode.
2. Set 16-bit reference data in DODSR.
3. Write 16-bit data for comparison to DODIR.
4. Continue writing 16-bit data until all data for comparison is written to DODIR.
5. If a value written to DODIR does not match that in DODSR,\*1 the DOCR.DOPCF flag is set to 1.

Note 1. When DOCR.DCSEL = 0

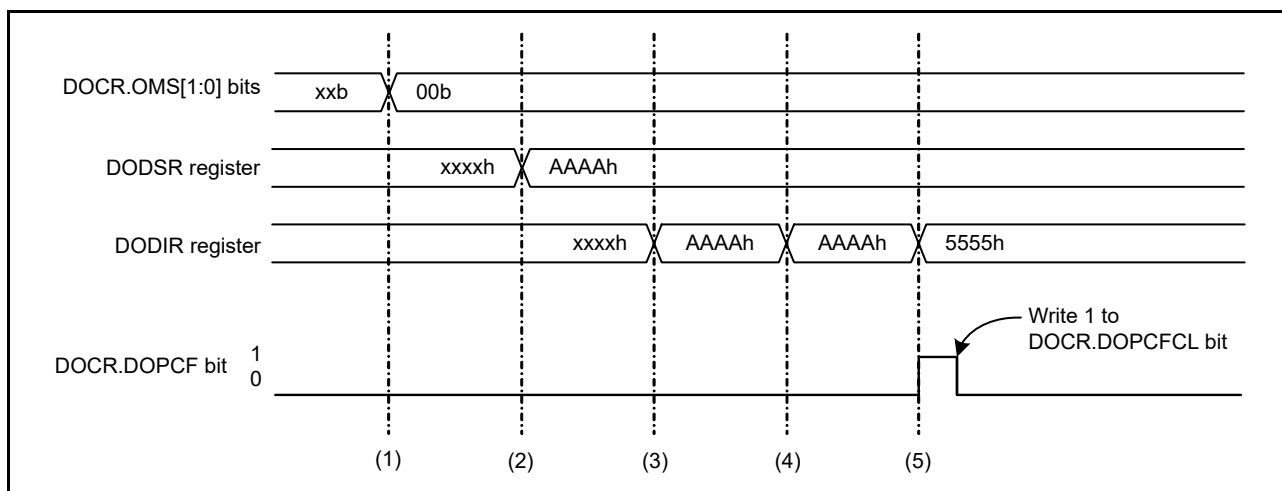


Figure 50.2 Example of operation in data comparison mode



### 50.3.2 Data Addition Mode

Figure 50.3 shows an example of the steps involved in data addition mode operation by the DOC:

1. Write 01b to the DOCR.OMS[1:0] bits to select data addition mode.
2. Set 16-bit data in the DODSR register as the initial value.
3. Write 16-bit data to be added to DODIR. The result of the operation is stored in DODSR.
4. Continue writing 16-bit data until all data for addition is written to DODIR.
5. If the result of an operation is greater than FFFFh, the DOCR.DOPCF flag is set to 1.

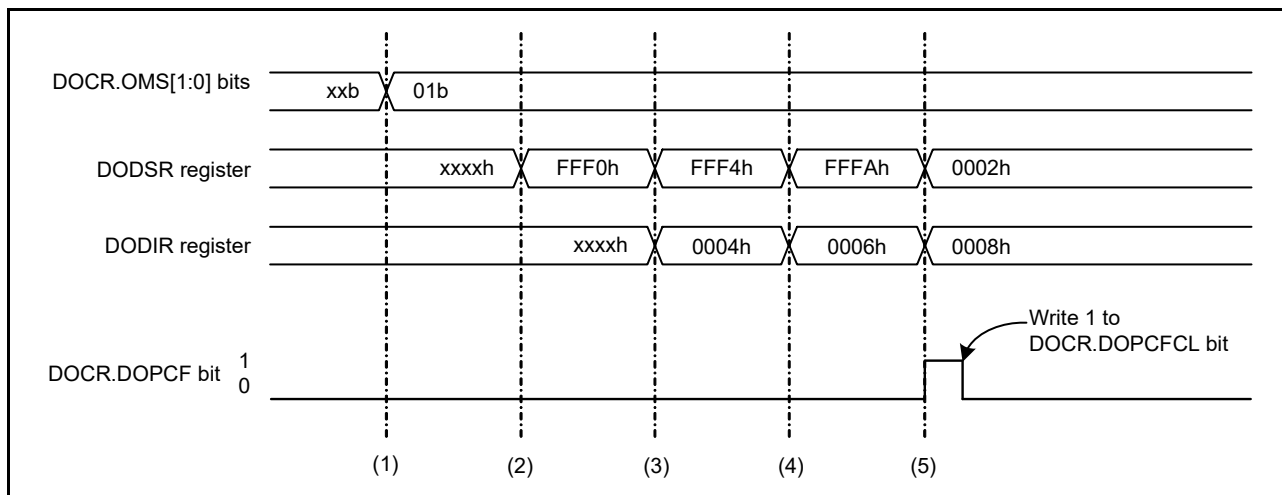


Figure 50.3 Example of operation in data addition mode

### 50.3.3 Data Subtraction Mode

Figure 50.4 shows an example of the steps involved in data subtraction mode operation by the DOC:

1. Write 10b to the DOCR.OMS[1:0] bits to select data subtraction mode.
2. Set 16-bit data in the DODSR register as the initial value.
3. Write 16-bit data to be subtracted to DODIR. The result of the operation is stored in DODSR.
4. Continue writing 16-bit data until all data for subtraction is written to DODIR.
5. If the result of an operation is less than 0000h, the DOCR.DOPCF flag is set to 1.

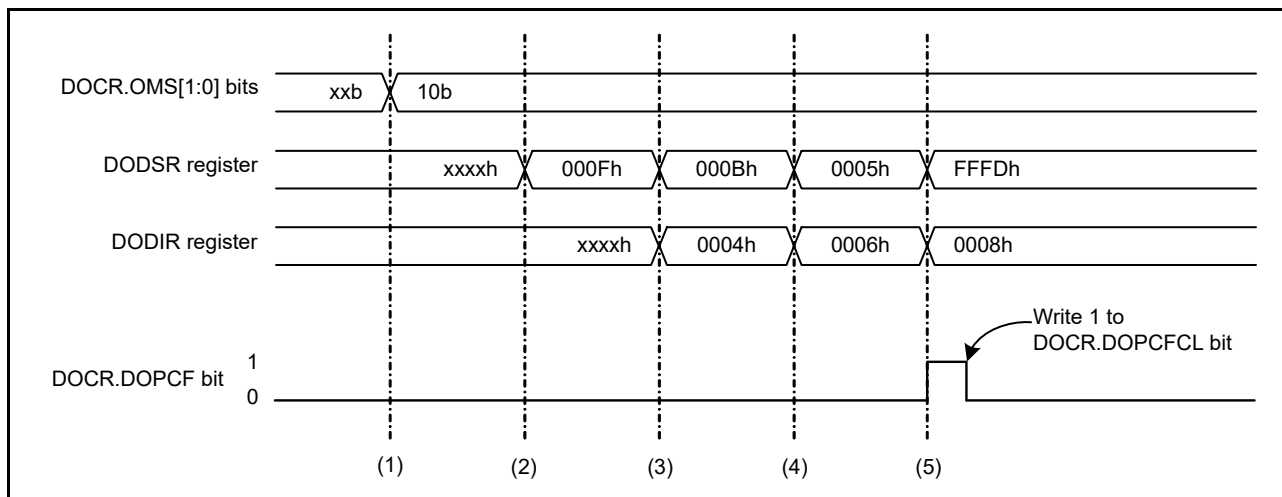


Figure 50.4 Example of operation in data subtraction mode

## 50.4 Interrupt Request and Output to the Event Link Controller (ELC)

The DOC outputs an event signal for the ELC under the following conditions:

- The compared values either match or mismatch
- The data addition result is greater than FFFFh
- The data subtraction result is less than 0000h.

This signal can be used to initiate operations by other modules selected in advance and also can be used as an interrupt request. When an event signal is generated, the Data Operation Circuit Flag (DOCR.DOPCF) is set to 1.

## 50.5 Usage Notes

### 50.5.1 Settings for the Module-Stop Function

DOC operation can be disabled or enabled using the Module Stop Control Register C (MSTPCRC). The DOC is initially stopped after reset. Releasing the module-stop state enables access to the registers. For details, see [section 11, Low Power Modes](#).

## 51. SRAM

### 51.1 Overview

The MCU provides on-chip high-speed SRAM modules with either parity-bit checking or ECC (error correction code). The area of the first 32 KB of SRAM0 is subject to ECC. Parity check is performed on other areas. [Table 51.1](#) lists the SRAM specifications.

**Table 51.1 SRAM specifications**

| Parameter            | Specifications without ECC  | Specifications with ECC   | SRAMHS specifications                          |
|----------------------|---|---|--|
| SRAM capacity        | SRAM0: 224 KB   | SRAM0 (ECC area): 32 KB   | SRAMHS: 128 KB                                 |
| SRAM addresses*2     | SRAM0: 2000 8000h to 2003 FFFFh   | SRAM0 (ECC area): 2000 0000h to 2000 7FFFh  | SRAMHS: 1FFE 0000h to 1FFF FFFFh               |
| Access*1             | Wait states are inserted into the read cycle by default. If the ICLK frequency is faster than 60 (up to 120) MHz, a wait state is required. If the ICLK frequency is 60 MHz or less, a wait state is not required. For details, see <a href="#">section 51.4, Usage Notes</a> . | Wait states are inserted into the read cycle by default. If the ICLK frequency is faster than 60 (up to 120) MHz, wait state is required. If the ICLK frequency is 60 MHz or less, a wait state is not required. For details, see <a href="#">section 51.4, Usage Notes</a> . | Access to the SRAMHS is always a no wait state |
| Data retention       | Not available in Deep Software Standby mode   |   |  |
| Module-stop function | Module-stop state can be set to reduce power consumption  |   |  |
| Parity               | Even-parity (data: 8 bits, parity: 1 bit)   | No parity   | Even-parity (data: 8 bits, parity: 1 bit)      |
| Error checking       | Even-parity error check   | Detection up to 2-bit errors  | Even-parity error check                        |

Note 1. For details, see [section 51.3.7, Access Cycles](#).

Note 2. The Cortex-M4 processor supports ARMv7 unaligned accesses. In this product, SRAMHS and SRAM0 are adjacent to each other and there is a boundary between them in terms of access. Therefore, when SRAMHS and SRAM0 are used as a continuous area of memory space, access that straddles the boundary must not be produced. Such access may lead to accessing data other than that intended. For details, see the *ARM Cortex-M4 Processor Technical Reference Manual*.

### 51.2 Register Descriptions

#### 51.2.1 SRAM Parity Error Operation After Detection Register (PARIOAD)

Address(es): [SRAM.PARIOAD 4000 2000h](#)

|    |    |    |    |    |    |    |     |
|----|----|----|----|----|----|----|-----|
| b7 | b6 | b5 | b4 | b3 | b2 | b1 | b0  |
| —  | —  | —  | —  | —  | —  | —  | OAD |

Value after reset: 0 0 0 0 0 0 0 0

| Bit      | Symbol              | Bit name                  | Description  | R/W |
|----------|---------------------|---------------------------|--|-----|
| b0       | <a href="#">OAD</a> | Operation after Detection | 1: Reset<br>0: Non-maskable interrupt.                 | R/W |
| b7 to b1 | —                   | Reserved                  | These bits are read as 0. The write value should be 0. | R/W |

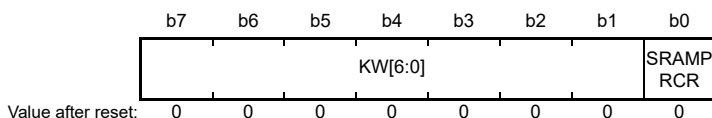
The PARIOAD register controls the operation on detection of a parity error. The SRAM Protection Register (SRAMPRCR) protects this register against writing. Set the SRAMPRCR bit in the SRAMPRCR register to enabled before writing to this register. Do not write to the PARIOAD register while access to the SRAM is in progress.

#### [OAD bit \(Operation after Detection\)](#)

The OAD bit specifies the generation of either a reset or a non-maskable interrupt when a parity error is detected. The OAD bit in the PARIOAD register is shared by SRAM0 (without ECC), SRAMHS, and the Standby SRAM.

### 51.2.2 SRAM Protection Register (SRAMPRCR)

Address(es): SRAM.SRAMPRCR 4000 2004h



| Bit      | Symbol   | Bit name               | Description  | R/W |
|----------|----------|------------------------|--|-----|
| b0       | SRAMPRCR | Register Write Control | 0: Disable writes to protected registers<br>1: Enable writes to protected registers. | R/W |
| b7 to b1 | KW[6:0]  | Write Key Code         | These bits enable or disable writing to the SRAMPRCR bit                             | R/W |

#### SRAMPRCR bit (Register Write Control)

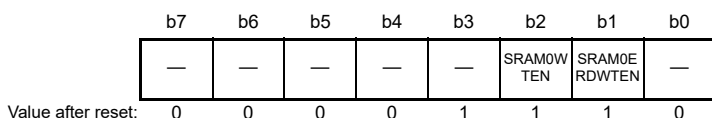
The SRAMPRCR bit controls the write mode of the SRAMWTSC and PARLOAD registers. When this bit is set to 1, writing to the SRAMWTSC and PARLOAD registers is enabled. When you write to this bit, write 78h to the KW[6:0] bits simultaneously.

#### KW[6:0] bits (Write Key Code)

The KW[6:0] bits enable or disable writes to the SRAMPRCR bit. When you write to the SRAMPRCR bit, write 78h to the KW[6:0] bits simultaneously. When a value other than 78h is written to KW[6:0], the SRAMPRCR bit is not updated. The KW[6:0] bits are always read as 00h.

### 51.2.3 SRAM Wait State Control Register (SRAMWTSC)

Address(es): SRAM.SRAMWTSC 4000 2008h



| Bit      | Symbol       | Bit name                          | Description  | R/W |
|----------|--------------|-----------------------------------|--|-----|
| b0       | —            | Reserved                          | This bit is read as 0. The write value should be 0.  | R/W |
| b1       | SRAM0ERDWTEN | SRAM0 (ECC area) Read Wait Enable | 1: Add wait state in read access cycle to SRAM0 (ECC area)<br>0: Do not add wait state in read access cycle to SRAM0 (ECC area). | R/W |
| b2       | SRAM0WTEN    | SRAM0 Wait Enable                 | 1: Add wait state in read access cycle to SRAM0<br>0: Do not add wait state in read access cycle to SRAM0.                       | R/W |
| b3       | —            | Reserved                          | This bit is read as 1. The write value should be 1.  | R/W |
| b7 to b4 | —            | Reserved                          | These bits are read as 0. The write value should be 0.   | R/W |

The SRAMWTSC register controls the wait states in the SRAM modules. The SRAM Protection Register (SRAMPRCR) protects this register against writing. Set the SRAMPRCR bit in the SRAMPRCR register to enabled before writing to this register. Do not write to the SRAMWTSC register while access to the SRAM is in progress.

#### SRAM0ERDWTEN bit (SRAM0 (ECC area) Read Wait Enable)

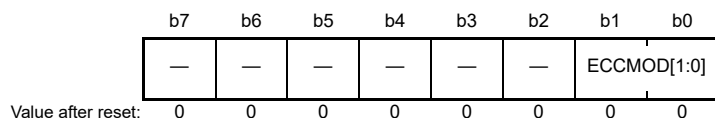
The SRAM0ERDWTEN bit enables the wait cycle for reads from the ECC area in SRAM0. When this bit is set to 1, 1 wait cycle is inserted into the read cycle of the ECC area in SRAM0. When the read access frequency is more than 60 MHz, this wait cycle setting of 1 is required.

### SRAM0WTEN bit (SRAM0 Wait Enable)

The SRAM0WTEN bit enables the wait cycle for reads from SRAM0. When this bit is set to 1, 1 wait cycle is inserted into the read cycle of SRAM0. When the read access frequency is more than 60 MHz, this wait cycle setting of 1 is required.

### 51.2.4 ECC Operating Mode Control Register (ECCMODE)

Address(es): SRAM.ECCMODE 4000 20C0h



| Bit      | Symbol      | Bit name                  | Description   | R/W |
|----------|-------------|---------------------------|---|-----|
| b1, b0   | ECCMOD[1:0] | ECC Operating Mode Select | b1 b0<br>0 0: Disable ECC function<br>0 1: Setting prohibited<br>1 0: Enable ECC function without error checking<br>1 1: Enable ECC function with error checking. | R/W |
| b7 to b2 | —           | Reserved                  | These bits are read as 0. The write value should be 0.  | R/W |

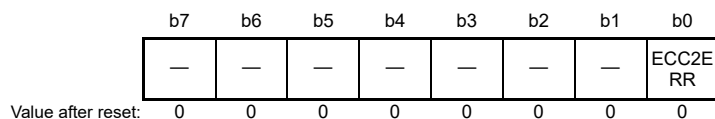
The ECCMODE register specifies the ECC operating mode. The ECC Protection Register (ECCPRCR) protects this register against writing. Set the ECCPRCR bit in the ECCPRCR register to enabled before writing to this register. Do not write to the ECCMODE register while access to the SRAM is in progress.

#### ECCMOD[1:0] bit (ECC Operating Mode Select)

The ECCMOD[1:0] bit sets the access mode for the ECC area in SRAM0.

### 51.2.5 ECC 2-Bit Error Status Register (ECC2STS)

Address(es): SRAM.ECC2STS 4000 20C1h



| Bit      | Symbol  | Bit name               | Description  | R/W     |
|----------|---------|------------------------|--|---------|
| b0       | ECC2ERR | ECC 2-Bit Error Status | 0: No 2-bit ECC error occurred<br>1: 2-bit ECC error occurred. | R/(W)*1 |
| b7 to b1 | —       | Reserved               | These bits are read as 0. The write value should be 0.         | R/W     |

Note 1. Only 0 can be written to clear the bit.

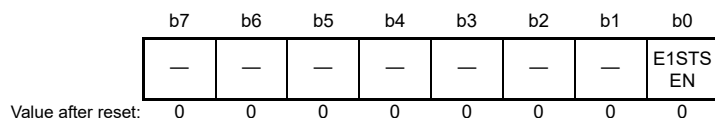
#### ECC2ERR bit (ECC 2-Bit Error Status)

The ECC2ERR bit indicates whether a 2-bit ECC error occurred in the ECC area of the SRAM. When ECC operations are enabled and error correction is selected, this bit is set to 1 if a 2-bit error is detected. The SRAM error signal is also asserted. Writing 0 to the ECC2ERR bit negates the SRAM error signal triggered by the 2-bit ECC error.

The SRAM error can be specified as a non-maskable interrupt or reset in the ECCOAD register. Do not access the ECC area in the SRAM while writing 0 to this register.

### 51.2.6 ECC 1-Bit Error Information Update Enable Register (ECC1STSEN)

Address(es): SRAM.ECC1STSEN 4000 20C2h



| Bit      | Symbol  | Bit name                                  | Description  | R/W |
|----------|---------|---|--|-----|
| b0       | E1STSEN | ECC 1-Bit Error Information Update Enable | 0: Disable updating of 1-bit ECC error information<br>1: Enable updating of 1-bit ECC error information. | R/W |
| b7 to b1 | —       | Reserved                                  | These bits are read as 0. The write value should be 0.   | R/W |

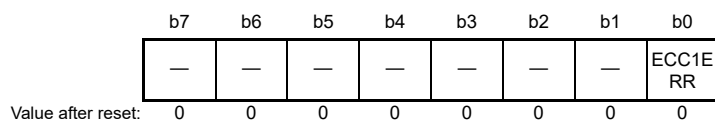
The ECC1STSEN register enables or disables updating of the ECC 1-Bit Error Status Register (ECC1STS) in response to a 1-bit ECC error in the SRAM (ECC area). The ECC Protection Register (ECCPRCR) protects this register against writing. Set the ECCPRCR bit in the ECCPRCR register to the enabled setting before writing to this bit.

#### E1STSEN bit (ECC 1-Bit Error Information Update Enable)

The E1STSEN bit enables or disables updating of the SRAM (ECC area) 1-Bit Error Status Register (ECC1STS) in response to a 1-bit error in the ECC area of SRAM. The register also functions as an interrupt and reset mask.

### 51.2.7 ECC 1-Bit Error Status Register (ECC1STS)

Address(es): SRAM.ECC1STS 4000 20C3h



| Bit      | Symbol  | Bit name               | Description  | R/W     |
|----------|---------|------------------------|--|---------|
| b0       | ECC1ERR | ECC 1-Bit Error Status | 0: No 1-bit ECC error occurred<br>1: 1-bit ECC error occurred. | R/(W)*1 |
| b7 to b1 | —       | Reserved               | These bits are read as 0. The write value should be 0.         | R/W     |

Note 1. Only 0 can be written to clear the bit.

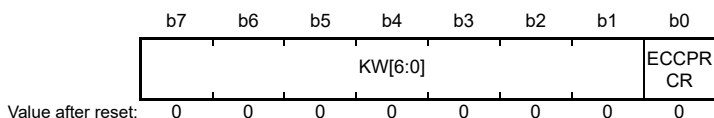
#### ECC1ERR bit (ECC 1-Bit Error Status)

The ECC1ERR bit indicates whether a 1-bit ECC error occurred in the ECC area of the SRAM. When ECC operations are enabled and error correction is selected, and updating of the 1-bit error information is enabled, this bit is set to 1 if a 1-bit error is detected. The SRAM error signal is also asserted. Writing 0 to the ECC1ERR bit negates the SRAM error signal triggered by the 1-bit ECC error.

The SRAM error can be specified as a non-maskable interrupt or reset in the ECCOAD register. Do not access the ECC area in the SRAM while writing 0 to this register.

### 51.2.8 ECC Protection Register (ECCPRCR)

Address(es): SRAM.ECCPRCR 4000 20C4h



| Bit      | Symbol  | Bit name               | Description  | R/W |
|----------|---------|------------------------|--|-----|
| b0       | ECCPRCR | Register Write Control | 0: Disable writes to protected registers<br>1: Enable writes to protected registers. | R/W |
| b7 to b1 | KW[6:0] | Write Key Code         | These bits enable or disable writes to the ECCPRCR bit.                              | R/W |

#### ECCPRCR bit (Register Write Control)

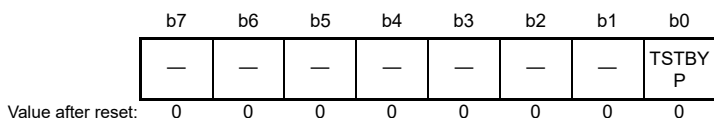
The ECCPRCR bit controls the write mode of the ECCMODE, ECC1STSEN, and ECCOAD registers. When the bit is set to 1, writing to the ECCMODE, ECC1STSEN, and ECCOAD registers is enabled. When you write to this bit, write 78h to the KW[6:0] simultaneously.

#### KW[6:0] bits (Write Key Code)

The KW[6:0] bits enable or disable writes to the ECCPRCR bit. When you write to the ECCPRCR bit, write 78h to the KW[6:0] bits simultaneously. When a value other than 78h is written to KW[6:0], the ECCPRCR bit is not updated. The KW[6:0] bits are always read as 0.

### 51.2.9 ECC Test Control Register (ECCETST)

Address(es): SRAM.ECCETST 4000 20D4h



| Bit      | Symbol | Bit Name          | Description  | R/W |
|----------|--------|-------------------|--|-----|
| b0       | TSTBYP | ECC Bypass Select | 0: Disable ECC bypass<br>1: Enable ECC bypass.         | R/W |
| b7 to b1 | —      | Reserved          | These bits are read as 0. The write value should be 0. | R/W |

The ECC Protection Register (ECCPRCR2) protects this register against writing. Change the ECCPRCR2 bit in the ECCPRCR2 register to the enabled setting before writing to this bit. Do not write to the ECCETST register while access to SRAM is in progress.

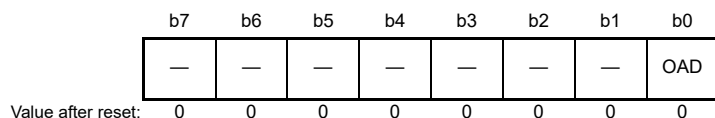
#### TSTBYP bit (ECC Bypass Select)

The TSTBYP bit enables direct access to the ECC code by bypassing the ECC function. The ECC bypass function is used when the ECCMOD[1:0] bits in the ECCMODE register are set to 00b. Access the same address with 32-bit access size as the data that is checked by ECC. The lower 7 bits of 32-bit write data can be written as an ECC code when the ECC bypass is enabled. The upper 25 bits in the write data are ignored. The lower 7 bits of the 32-bit read data can be used as ECC code. The upper 25 bits in the read data are unknown.

Note: For details of ECC test, see [section 51.3.4, ECC Decoder Testing](#).

### 51.2.10 SRAM ECC Error Operation After Detection Register (ECCOAD)

Address(es): [SRAM.ECCOAD 4000 20D8h](#)



| Bit      | Symbol              | Bit name                  | Description  | R/W |
|----------|---------------------|---------------------------|--|-----|
| b0       | <a href="#">OAD</a> | Operation after Detection | 1: Reset<br>0: Non-maskable interrupt.                 | R/W |
| b7 to b1 | —                   | Reserved                  | These bits are read as 0. The write value should be 0. | R/W |

The ECCOAD register controls the operation on detection of a ECC error. The ECC Protection Register (ECCPRCR) protects this register against writing. Set the ECCPRCR bit in the ECCPRCR register to enabled before writing to this register. Do not write to the ECCOAD register while access to the SRAM is in progress.

#### **OAD bit (Operation after Detection)**

The OAD bit specifies the generation of either a reset or a non-maskable interrupt when an ECC error is detected. The OAD bit in the ECCOAD register is used for the SRAM (ECC area).

## 51.3 Operation

### 51.3.1 Low-Power Functions

Power consumption can be reduced by setting the Module Stop Control Register A (MSTPCRA) to stop the supply of the clock signal to the SRAM. The control bits for each module are as follows:

- Setting both the MSTPA0 and MSTPA6 bits in the MSTPCRA to 1 stops the supply of the clock signal to SRAM0\*1
- Setting the MSTPA5 bit in MSTPCRA to 1 stops the supply of the clock signal to the SRAMHS
- Setting the MSTPA7 bit in MSTPCRA to 1 stops the supply of the clock signal to the Standby SRAM.

Stopping the clock signal supply places the SRAM in the module-stop state. The SRAM operates after a reset.

The SRAM is not accessible in the module-stop state. Do not transition to the module-stop state while access to the SRAM is in progress. Access to the SRAM in the module-stop state is prohibited. If access is attempted, correct operation is not guaranteed.

For details on the MSTPCRA register, see [section 11, Low Power Modes](#).

Note 1. The settings in the MSTPA0 and MSTPA6 bits in the MSTPCRA register must be the same.

### 51.3.2 ECC Function

The ECC function can be enabled or disabled in the ECCMODE register setting. In the initial state, the ECC function is disabled. The ECC check type is SEC-DED (Single-Error Correction and Double-Error Detection Code).

When the ECC function is enabled, 7-bit check bits are appended to 32-bit data for writing. For reading, 39-bit (data: 32 bits, check bits: 7 bits) data is read out from the SRAM (ECC area).

When the ECC function and error checking are enabled, error correction is done if a 1-bit error occurs and the ECC1ERR bit in the ECC1STS register is set to 1, if the E1STSEN bit in the ECC1STSEN register is 1. If a 2-bit error occurs, error detection is done and the ECC2ERR bit in the ECC2STS register is set to 1, though error correction is not performed.

When the ECC function is enabled and error checking is disabled, error correction is done if a 1-bit error occurs but the ECC1ERR bit in the ECC1STS register is not updated although the E1STSEN bit in the ECC1STSEN register is 1. If a 2-bit error occurs, this error is detected but the ECC2ERR bit in the ECC2STS register is not updated, and error



correction is not performed.

When the ECC function is disabled, neither error correction nor error detection is done even if a 1-bit or 2-bit error occurs. So, the ECC1ERR bit and ECC2ERR bit are not updated.

There is no way to confirm the location where the error was found. Therefore, after an error occurs, update all the data. When updating all the data after an error occurs, only 32-bit data writing is supported.

Because the SRAM data is undefined after power on and release from Deep Software Standby mode, accessing the SRAM when the ECC function is enabled and error checking is selected causes an ECC error to occur. Therefore, before using the ECC function, initial writing with 32-bit data size should be done to the area to be used in the SRAM.

When a read access is executed in a row after a write access, read access is executed with priority. Therefore, during initialization, please do not perform the read access in a row after the write access.

### 51.3.3 ECC Error Generation

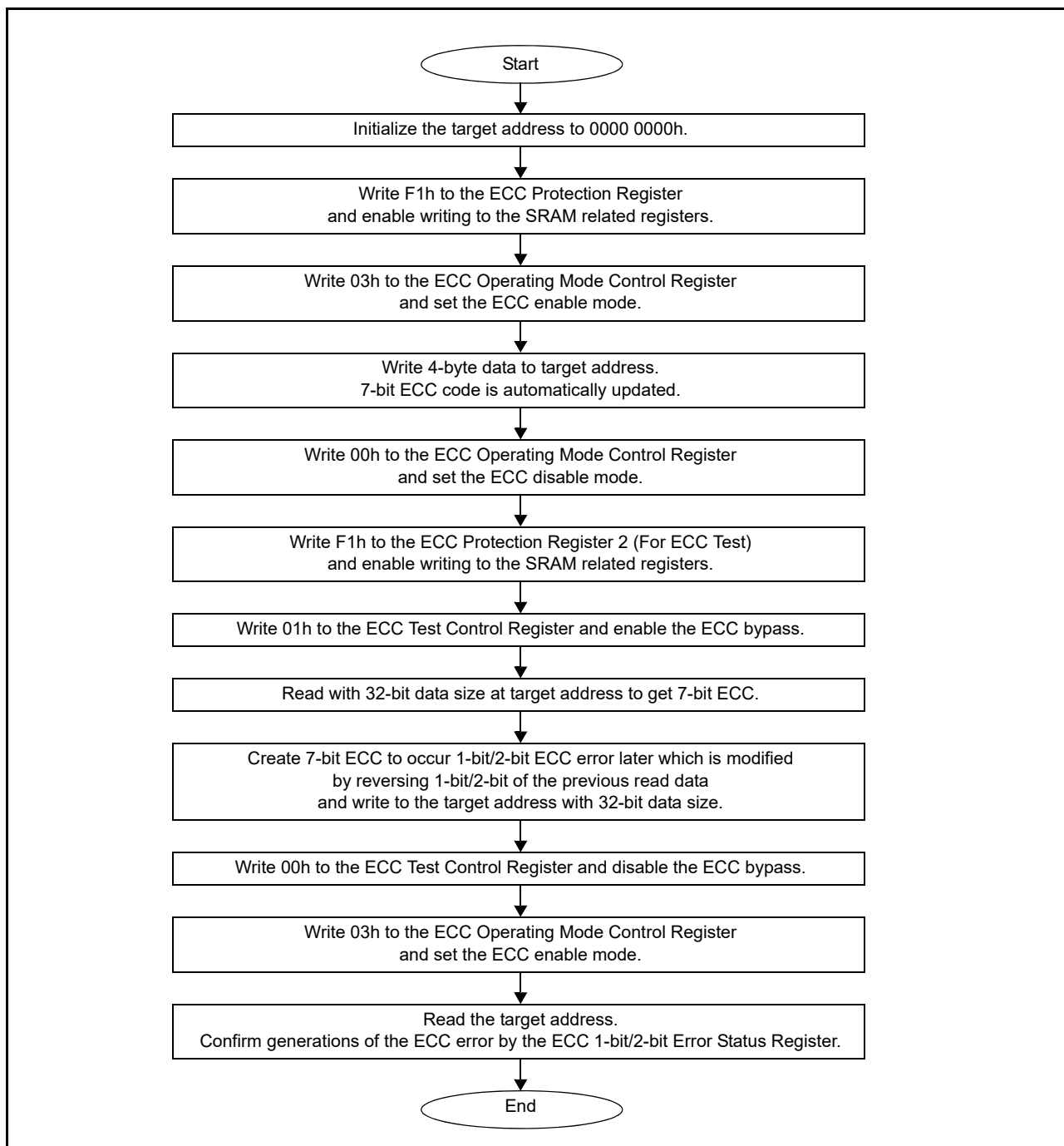
When the ECC function is enabled and error checking is applied to the SRAM (ECC area), an ECC error occurs when either the ECC2ERR bit in the ECC2STS register or the ECC1ERR bit in the ECC1STS register becomes 1 to indicate that the ECC checking revealed a 2-bit error or a 1-bit error, respectively.

An ECC error is output with a pulse width of ICLK. When the ECC 1-bit error is to be masked, set the ECC1STSEN.E1STSEN bit to 0 to disable updating of the ECC1ERR bit. An ECC error will not be generated while the ECC function is disabled or when the ECC function is enabled but error checking is not selected.

The ECCOAD register can choose the ECC error to be a non maskable interrupt or a reset. When the OAD bit in the ECCOAD register is set to 1, an ECC error is output to the reset function. When the OAD bit in the ECCOAD register is set to 0, an ECC error interrupt is output to the ICU as a non-maskable interrupt.

### 51.3.4 ECC Decoder Testing

[Figure 51.1](#) shows the ECC decoder testing.



**Figure 51.1** ECC Decoder Testing

### 51.3.5 Parity Calculation Function

The IEC60730 standard requires the checking of SRAM data. A parity bit is therefore added to every 8-bit data unit in the SRAM modules that have a 32-bit data width. With this SRAM parity error detection function, the parity bit is appended when data is written, and the parity is checked when the data is read. When a parity error occurs, a parity-error notification is generated. This function can also be used to trigger a reset. The specification for SRAM0 without ECC, SRAMHS, and Standby SRAM is even parity.

Parity error notification can be specified as either a non-maskable interrupt or a reset in the PARIOAD register. When the OAD bit in the PARIOAD register is set to 1, a parity error is output to the reset function. When the OAD bit in the PARIOAD register is set to 0, a parity error is output to the ICU as a non-maskable interrupt.

Parity errors often occur because of noise. To confirm whether the cause is noise or corruption, see the parity check flows

in Figure 51.2 and Figure 51.3.

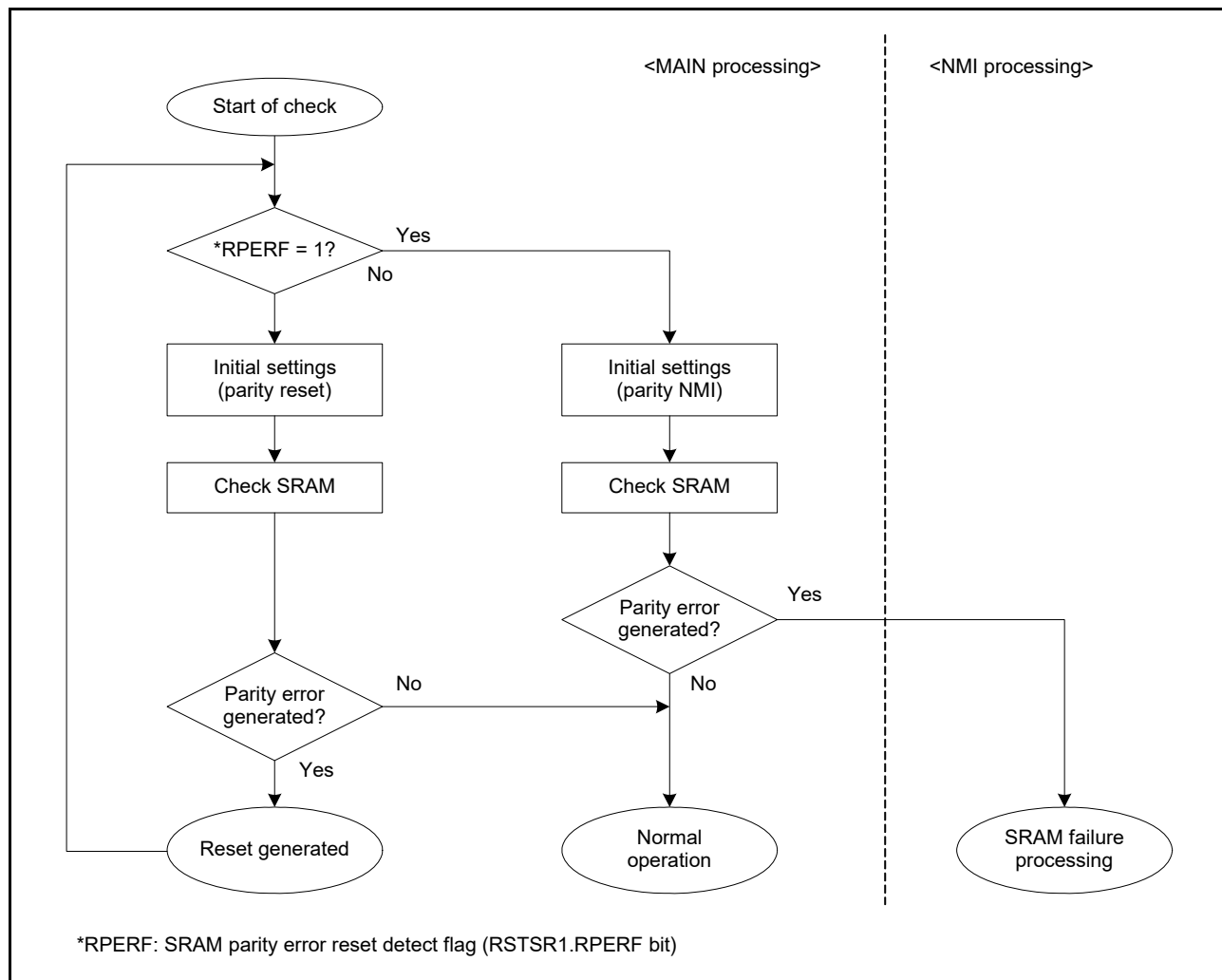


Figure 51.2 Flow of SRAM parity check when SRAM parity reset is enabled

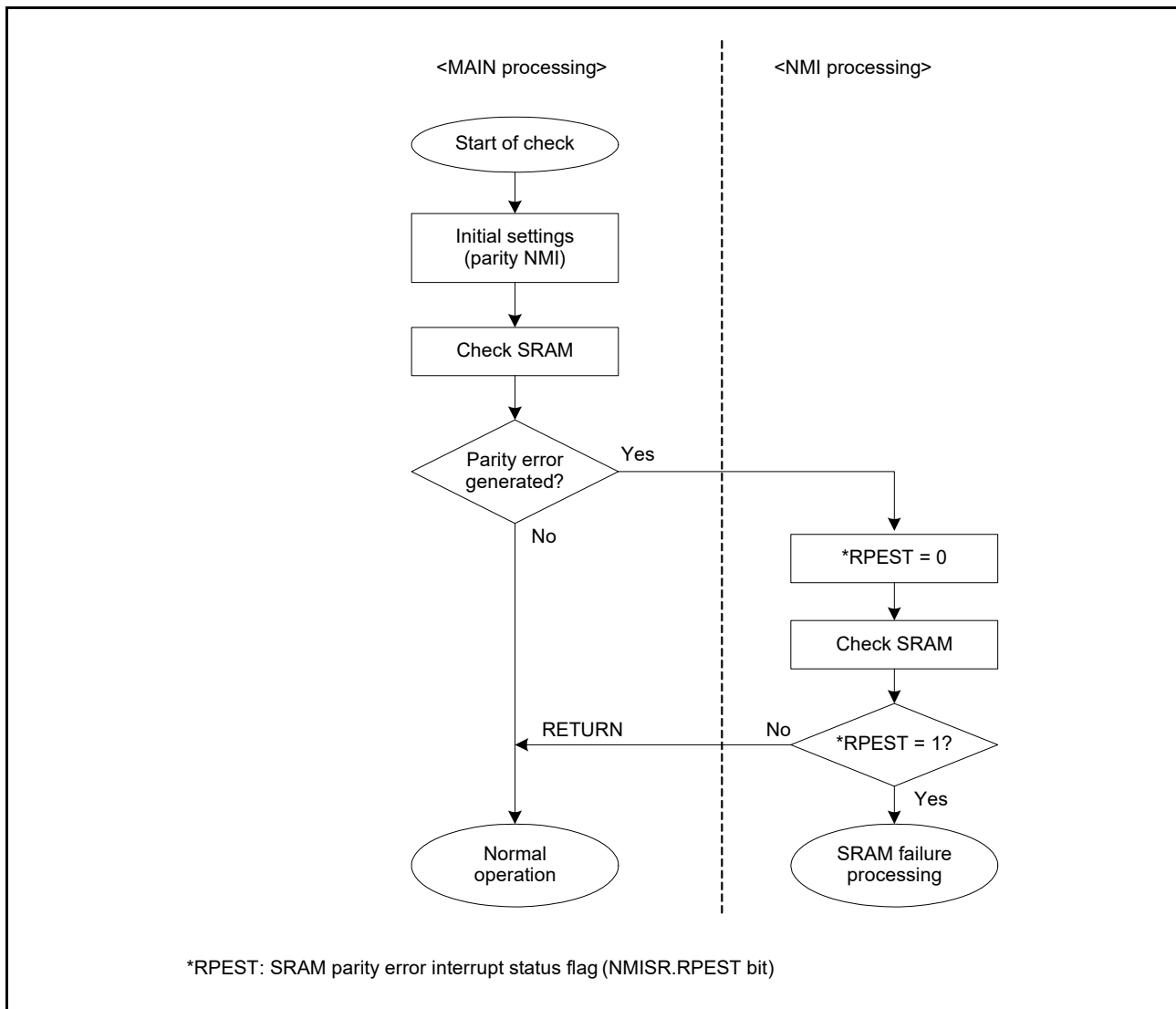


Figure 51.3 Flow of SRAM parity check when SRAM parity interrupt is enabled

### 51.3.6 SRAM Error Sources

The SRAM error sources are ECC errors and parity errors. ECC errors can be specified as non-maskable interrupts or resets in the OAD bit in the ECCOAD register, and parity errors can be specified as non-maskable interrupts or resets in the PARIOD register.

Table 51.2 SRAM error sources

| Interrupt source                              | DTC activation | DMAC activation |
|---|----------------|-----------------|
| ECC error (SRAM0 area with ECC)               | Not possible   | Not possible    |
| Parity error (SRAM0 area without ECC, SRAMHS) | Not possible   | Not possible    |

### 51.3.7 Access Cycles

Table 51.3 SRAMHS (parity area 1FFE 0000h to 1FFF FFFFh)

| Read (cycles) |                      | Write (cycles) |                      |
|---------------|----------------------|----------------|----------------------|
| Word access   | Halfword/byte access | Word access    | Halfword/byte access |
| 2             |                      | 2              |                      |

**Table 51.4 SRAM0 (ECC area 2000 0000h to 2000 7FFFh)**

| Bit settings             |                  | Read (cycles) |                         | Write (cycles) |                         |
|--------------------------|------------------|---------------|-------------------------|----------------|-------------------------|
|                          |                  | Word access   | Halfword or byte access | Word access    | Halfword or byte access |
| ECC Off<br>ECCMOD[1] = 0 | SRAM0ERDWTEN = 0 | 2             |                         | 2              |                         |
|                          | SRAM0ERDWTEN = 1 | 3             |                         | 2              |                         |
| ECC On<br>ECCMOD[1] = 1  | SRAM0ERDWTEN = 0 | 2             |                         | 2              | 4                       |
|                          | SRAM0ERDWTEN = 1 | 3             |                         | 2              | 4                       |

**Table 51.5 SRAM0 (parity area 2000 8000h to 2003 FFFFh)**

| Bit settings  | Read (cycles) |                         | Write (cycles) |                         |
|---------------|---------------|-------------------------|----------------|-------------------------|
|               | Word access   | Halfword or byte access | Word access    | Halfword or byte access |
| SRAM0WTEN = 0 | 2             |                         | 2              |                         |
| SRAM0WTEN = 1 | 3             |                         | 2              |                         |

## 51.4 Usage Notes

### 51.4.1 Wait State Insertion

Set the number of SRAM wait cycles in the SRAMWTSC register based on the following:

- SRAM0
  - 1 wait:  $60 \text{ MHz} < \text{ICLK} \leq 120 \text{ MHz}$
  - No wait:  $\text{ICLK} \leq 60 \text{ MHz}$

### 51.4.2 Instruction Fetch from the SRAM Area

When using SRAM0 or the SRAMHS to operate a program, initialize the SRAM area so that the CPU can correctly prefetch data. If the CPU prefetches data from an SRAM area that is not initialized, an ECC error or a parity error might occur. Initialize the additional 12-byte area from the end address of the program with the 4-byte boundary. Renesas recommends using the NOP instruction for data initialization.

### 51.4.3 Store Buffer of SRAM

For fast access between the SRAM and CPU, a store buffer is used. When a load instruction is executed from the same address after a store instruction to the SRAM, the load instruction might read out data from the buffer instead of data from the SRAM. To read data on the SRAM correctly, use either of the following procedures:

- After writing to the SRAM (address = A), use the NOP instruction, then read the SRAM (address = A)
- After writing to the SRAM (address = A), read data from an area other than SRAM (address = A), then read the SRAM (address = A).

## 52. Standby SRAM

### 52.1 Overview

An on-chip SRAM is provided to retain data in Deep Software Standby mode. [Table 52.1](#) lists the Standby SRAM specifications.

**Table 52.1 Standby SRAM specifications**

| Parameter            | Specifications  |
|----------------------|---|
| SRAM capacity        | 8 KB  |
| SRAM address         | 200F E000h to 200F FFFFh  |
| Access               | The number of accesses depends on the frequency between ICLK and PCLKB. See <a href="#">section 52.2.4, Access Cycle</a> for details. |
| Data retention       | Data can be retained in Deep Software Standby mode  |
| Parity               | Even parity (data: 8 bits, parity: 1 bit)   |
| Module-stop function | Module-stop state can be set to reduce power consumption  |

### 52.2 Operation

#### 52.2.1 Data Retention

The power supply to the Standby SRAM in Deep Software Standby mode is enabled by the DPSBYCR.DEEPCUT[1:0] bits. If the DPSBYCR.DEEPCUT[1:0] bits are set to 00b, data in the Standby SRAM is retained in Deep Software Standby mode. See [section 11, Low Power Modes](#), for details on the DPSBYCR.DEEPCUT[1:0] bits.

#### 52.2.2 Low Power Function

Power consumption can be reduced by setting Module Stop Control Register A (MSTPCRA) to stop supply of the clock signal to the SRAM. Setting the MSTPA7 bit in MSTPCRA to 1 stops supply of the clock signal to the Standby SRAM. The Standby SRAM is then placed in the module-stop state by stopping supply of the clock signals. The Standby SRAM operates after a reset. The Standby SRAM is not accessible if it is in the module-stop state. Do not transition to the module-stop state while access to the Standby SRAM is in progress. For details on the MSTPCRA register, see [section 11, Low Power Modes](#).

#### 52.2.3 Parity Calculation Function

The parity calculation function for Standby SRAM is the same as for SRAM0 without error correction code (ECC). The function of the OAD bit in the PARIOAD register and the flow of the SRAM parity check are shared by the Standby SRAM modules. For details, see [section 51.3.5, Parity Calculation Function](#) and [section 51.3.6, SRAM Error Sources](#).

#### 52.2.4 Access Cycle

**Table 52.2 Standby SRAM access cycle**

| Frequency                           | Read (cycles)               |                      | Write (cycles)              |                      |
|-------------------------------------|-----------------------------|----------------------|-----------------------------|----------------------|
|                                     | Word access                 | Halfword/byte access | Word access                 | Halfword/byte access |
| Same Frequency<br>ICLK = PCLKB      | 3 ICLK                      |                      | 2 ICLK                      |                      |
| Different Frequency<br>ICLK > PCLKB | 1 ICLK<br>+<br>2 to 3 PCLKB |                      | 1 ICLK<br>+<br>1 to 2 PCLKB |                      |

## 52.3 Usage Notes

### 52.3.1 Instruction Fetch from the Standby SRAM area

When using Standby SRAM to operate a program, initialize the Standby SRAM area so that the CPU can correctly prefetch data. A parity error might occur if the CPU prefetches from an area that is not initialized. Initialize the additional 12-byte area from the end address of the program with the 4-byte boundary. Renesas recommends using the NOP instruction for data initialization.

## 53. Flash Memory

### 53.1 Overview

The MCU provides up to 1-MB code flash memory and 32-KB data flash memory. The Flash Control Unit (FCU) controls the programming and erasure of the flash memory. The Flash Application Command Interface (FACI) controls the FCU in accordance with the specified FACI commands.

[Table 53.1](#) lists the specifications of the code flash memory and data flash memory, and [Figure 53.1](#) shows a block diagram of the related modules. [Figure 53.2](#) shows the configuration of the code flash memory, and [Figure 53.3](#) shows the configuration of the data flash memory.

**Table 53.1 Specifications of the code flash memory and data flash memory**

| Parameter                         | Code flash memory specifications   | Data flash memory specifications   |
|-----------------------------------|--|--|
| Memory capacity                   | <ul style="list-style-type: none"> <li>Up to 1 MB</li> </ul>   | 32 KB  |
| Read cycle                        | <ul style="list-style-type: none"> <li>80 MHz &lt; ICLK frequency ≤ 120 MHz:<br/>Cache hit: 1 cycle<br/>Cache miss: 3 cycles</li> <li>40 MHz &lt; ICLK frequency ≤ 80 MHz:<br/>Cache hit: 1 cycle<br/>Cache miss: 2 cycles</li> <li>ICLK frequency ≤ 40 MHz:<br/>Cache hit: 1 cycle<br/>Cache miss: 1 cycle.</li> </ul>  | A read operation takes 7 cycles of FCLK in words or bytes (FCLK frequency is up to 60 MHz)   |
| Value after erasure               | FFh  | Undefined  |
| Programming/erasing methods       | <ul style="list-style-type: none"> <li>Programming and erasing of code and data flash memory handled by FACI commands specified in the FACI command issuing area (407E 0000h)</li> <li>Programming by dedicated flash-memory programmer transfer through a serial interface (serial programming)</li> <li>Programming of flash memory by user program (self-programming)</li> </ul>  |  |
| Security function                 | Protection against illicit tampering with or reading of data in flash memory   |  |
| Protection                        | Protection against erroneous overwriting of flash memory   |  |
| Background operations (BGOs)      | <ul style="list-style-type: none"> <li>Code flash memory can be read during data flash memory programming</li> <li>Data flash memory can be read during code flash memory programming</li> </ul>   |  |
| Units of programming and erasure  | <ul style="list-style-type: none"> <li>128-byte units for programming in user area</li> <li>Block units for erasure in user area</li> </ul>  | <ul style="list-style-type: none"> <li>4/8/16-byte units for programming in data area</li> <li>64/128/256-byte units for erasure in data area</li> </ul> |
| Other functions                   | Interrupts can be accepted during self-programming<br>An expansion area of flash memory (option bytes) can be set in the initial MCU settings  |  |
| On-board programming (four types) | Programming in serial programming mode (SCI boot mode): <ul style="list-style-type: none"> <li>Asynchronous serial interface (SCI9) used</li> <li>Transfer rate adjusted automatically</li> </ul> Programming in serial programming mode (USB boot mode): <ul style="list-style-type: none"> <li>USBFS used</li> <li>Dedicated hardware not required, so direct connection to PC is possible</li> </ul> Programming in On-chip debug mode: <ul style="list-style-type: none"> <li>JTAG or SWD interface used</li> <li>Dedicated hardware not required</li> </ul> Programming by a routine for code and data flash memory programming within the user program: <ul style="list-style-type: none"> <li>Allows code and data flash memory programming without resetting the system</li> </ul> |  |



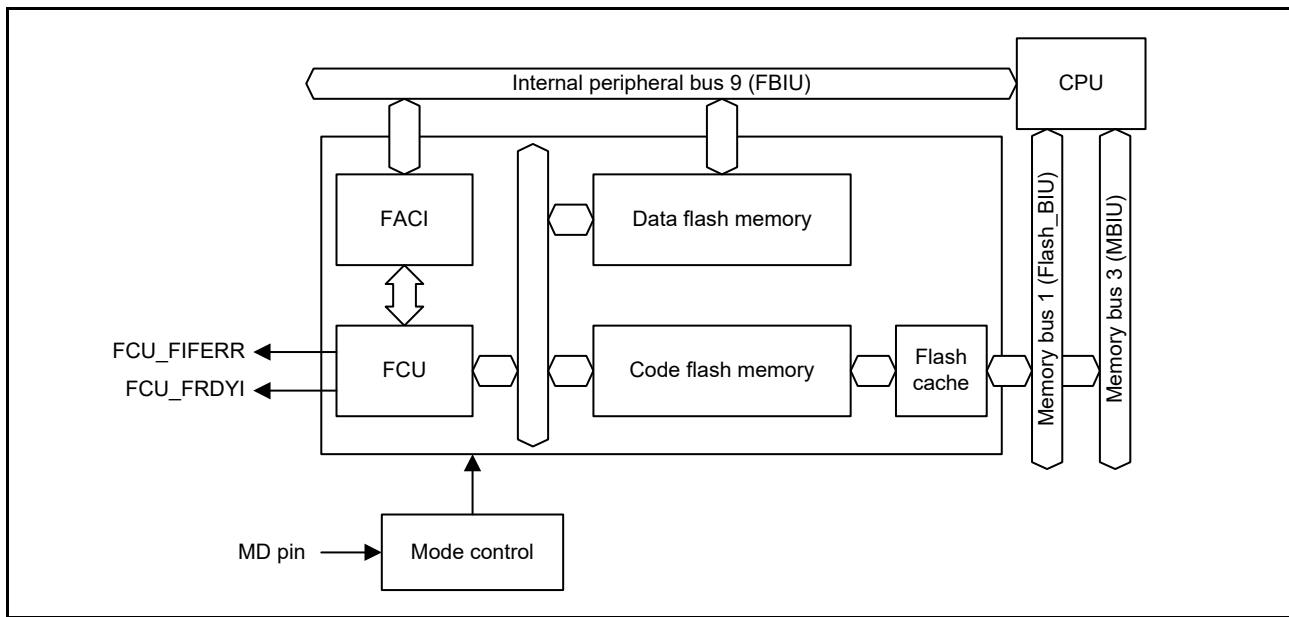


Figure 53.1 Block diagram of flash memory-related modules

### 53.2 Structure of Memory

Figure 53.2 shows the mapping of the code flash memory, and Table 53.2 shows the read and programming/erasure addresses by product. The user space of the code flash memory is divided into 8- and 32-KB blocks, which serve as the units of erasure. The user area is available for storing the user program.

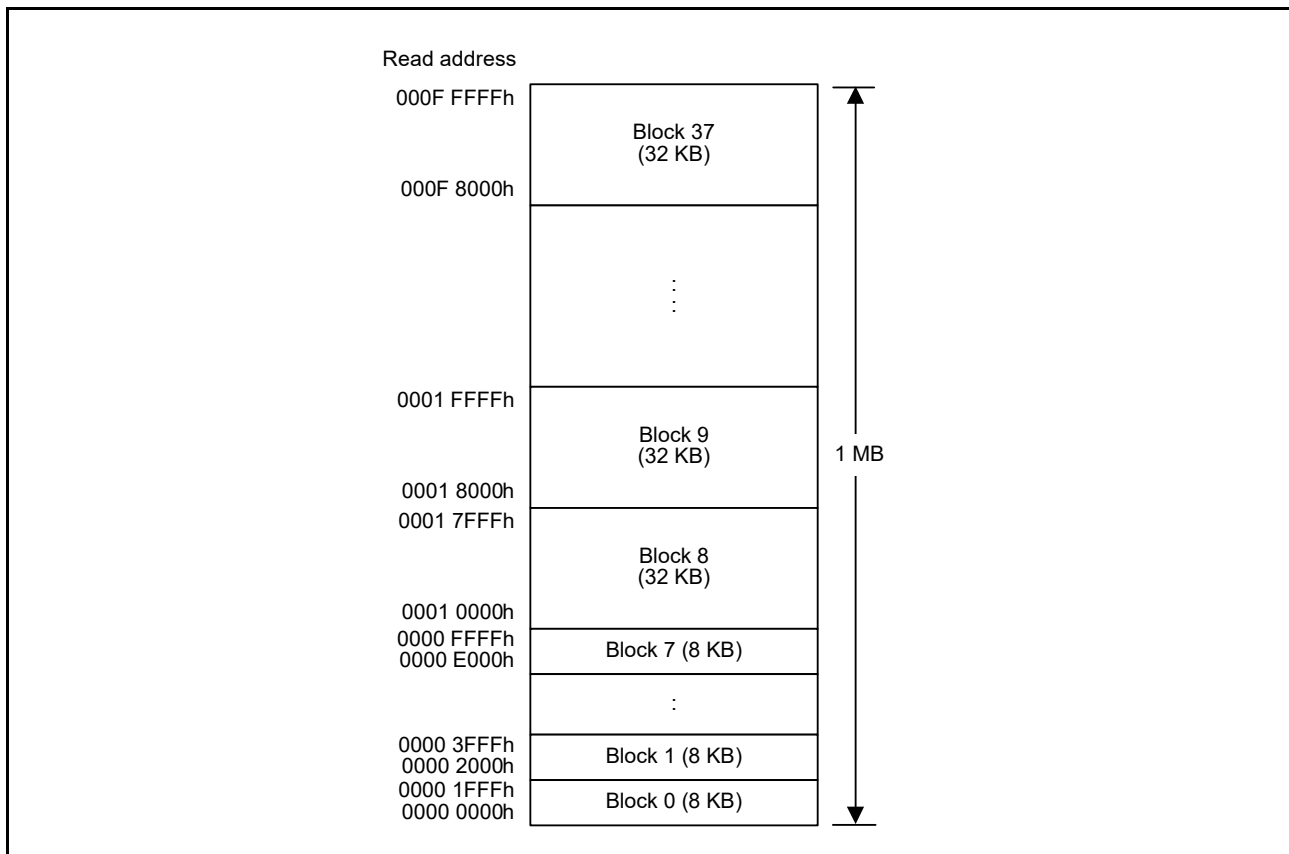
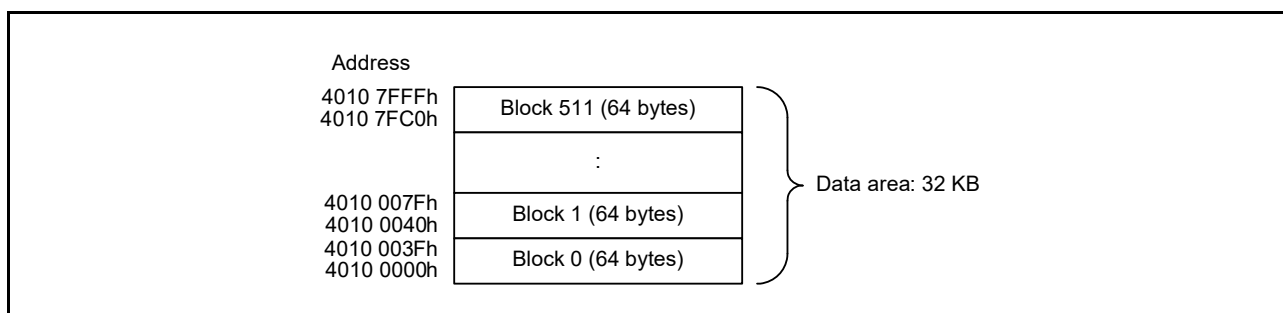


Figure 53.2 Mapping of the code flash memory

**Table 53.2 Read and P/E addresses by product for the code flash memory**

| Product        | Read address             | P/E address              | Number of blocks |
|----------------|--------------------------|--------------------------|------------------|
| 1-MB product   | 0000 0000h to 000F FFFFh | 0000 0000h to 000F FFFFh | 0 to 37          |
| 512-KB product | 0000 0000h to 0007 FFFFh | 0000 0000h to 0007 FFFFh | 0 to 21          |

The data area of the data flash memory is divided into 64-byte blocks, with each being a unit for erasure. [Figure 53.3](#) shows the mapping of the data flash memory.

**Figure 53.3 Mapping of the data flash memory**

## 53.3 Flash Cache

### 53.3.1 Overview

The flash cache (FCACHE) speeds up read access from the bus master to the flash memory. The FCACHE includes:

- FCACHE1, for CPU instruction fetches
- FCACHE2, for CPU operand access and DMA
- FLPF, for the prefetch access in CPU instruction fetches.

**Table 53.3 Flash cache overview**

| Parameter           | Flash cache 1 (FCACHE1)   | Flash cache 2 (FCACHE2)   | Prefetch buffer (FLPF)   |
|---------------------|---|---|--|
| Cache target region | 0000 0000h - 000F FFFFh   | 0000 0000h - 000F FFFFh   | 0000 0000h - 000F FFFFh  |
| Target bus master   | CPU instruction fetch   | CPU Operand Access and Access from other than CPU   | FLPF   |
| Capacity            | 256 bytes   | 16 bytes  | 32 bytes   |
| Associativity       | <ul style="list-style-type: none"> <li>• 8-way set associative</li> <li>• 128 bits/entry (128-bit aligned data)</li> <li>• 2 entries/way</li> </ul> | <ul style="list-style-type: none"> <li>• Fully associative</li> <li>• 128 bits/entry (128-bit aligned data)</li> <li>• 1 entry for FCACHE2</li> </ul> | <ul style="list-style-type: none"> <li>• Fully associative</li> <li>• 128 bits/entry (128-bit aligned data)</li> <li>• 2 entries</li> </ul>    |
| Access cycles       | <ul style="list-style-type: none"> <li>• Cache hit: 0 waits</li> <li>• Cache miss: Number of waits set in Flash Wait Cycle Register</li> </ul>      | <ul style="list-style-type: none"> <li>• Cache hit: 0 waits</li> <li>• Cache miss: Number of waits set in Flash Wait Cycle Register</li> </ul>        | <ul style="list-style-type: none"> <li>• Cache hit: 0 waits</li> <li>• Cache miss: Number of waits set in Flash Wait Cycle Register</li> </ul> |

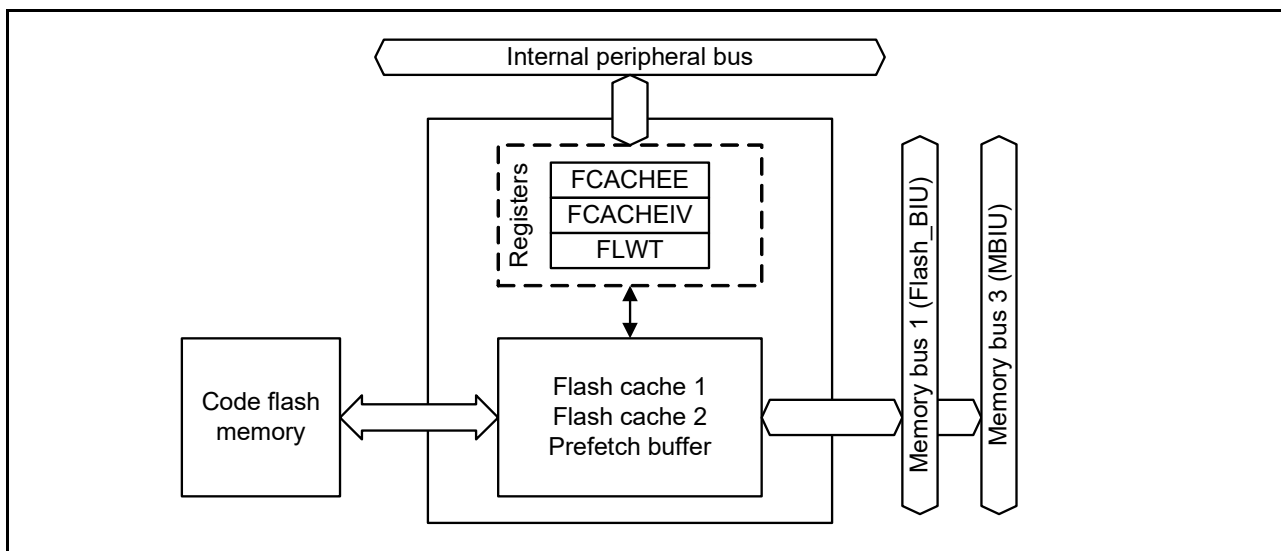


Figure 53.4 FCACHE block diagram

### 53.3.2 Register Descriptions

#### 53.3.2.1 Flash Cache Enable Register (FCACHEE)

Address(es): FCACHE.FCACHEE 4001 C100h

|                    |     |     |     |     |     |     |    |    |    |    |    |    |    |    |    |          |
|--------------------|-----|-----|-----|-----|-----|-----|----|----|----|----|----|----|----|----|----|----------|
|                    | b15 | b14 | b13 | b12 | b11 | b10 | b9 | b8 | b7 | b6 | b5 | b4 | b3 | b2 | b1 | b0       |
|                    | —   | —   | —   | —   | —   | —   | —  | —  | —  | —  | —  | —  | —  | —  | —  | FCACHEEN |
| Value after reset: | 0   | 0   | 0   | 0   | 0   | 0   | 0  | 0  | 0  | 0  | 0  | 0  | 0  | 0  | 0  | 0        |

| Bit       | Symbol   | Bit name      | Description                            | R/W |
|-----------|----------|---------------|--|-----|
| b0        | FCACHEEN | FCACHE Enable | 0: Disable FCACHE<br>1: Enable FCACHE. | R/W |
| b15 to b1 | —        | Reserved      | These bits are read as 0.              | R   |

The FCACHEE.FCACHEEN bit enables or disables the flash cache function of FCACHE1, FCACHE2, and FLPF. This bit does not affect FCACHEIV.FCACHEIV. When FCACHE is enabled, the HPROT[3] determines whether it is cacheable or non-cacheable. See section 15.8 for details on HPROT[3].

### 53.3.2.2 Flash Cache Invalidate Register (FCACHEIV)

Address(es): FCACHE.FCACHEIV 4001 C104h

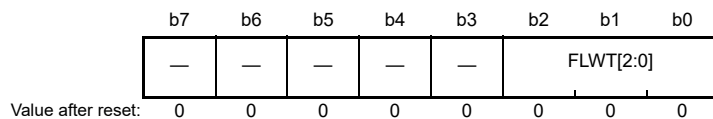


| Bit       | Symbol   | Bit name          | Description  | R/W |
|-----------|----------|-------------------|--|-----|
| b0        | FCACHEIV | FCACHE Invalidate | <ul style="list-style-type: none"> <li>Reads:               <ul style="list-style-type: none"> <li>0: Do not invalidate</li> <li>1: Invalidate.</li> </ul> </li> <li>Writes:               <ul style="list-style-type: none"> <li>When write value is 1, FCACHE is invalidated. When write value is 0, this setting is ignored.</li> </ul> </li> </ul> | R/W |
| b15 to b1 | —        | Reserved          | These bits are read as 0.  | R   |

When 1 is written to the FCACHEIV.FCACHEIV bit, the flash cache data in FCACHE1, FCACHE2, and FLPF is invalidated.

### 53.3.2.3 Flash Wait Cycle Register (FLWT)

Address(es): FCACHE.FLWT 4001 C11Ch



| Bit       | Symbol      | Bit name         | Description   | R/W |
|-----------|-------------|------------------|---|-----|
| b2 to b0  | FLWT[2:0]*1 | Flash Wait Cycle | b2 b0<br>0 0 0: 0 wait (ICLK ≤ 40 MHz)<br>0 0 1: 1 wait (40 MHz < ICLK ≤ 80 MHz)<br>0 1 0: 2 waits (80 MHz < ICLK ≤ 120 MHz).<br>Other settings are reserved. | R/W |
| b15 to b3 | —           | Reserved         | These bits are read as 0.   | R   |

Note 1. Settings other than 000b are prohibited in the Subosc-speed mode.

The Flash Wait Cycle Register (FLWT) sets the access wait count for the flash memory. For faster clock frequencies, set FLWT.FLWT before changing the clock frequency. For slower clock frequencies, set FLWT.FLWT after changing the clock frequency.

## 53.4 Operation

Use the FCACHEE register to set up and enable flash operation.

To set up the flash cache and prepare to rewrite the flash memory:

1. Disable the flash cache by resetting FCACHEE.FCACHEEN.\*1
2. Invalidate the flash cache by setting FCACHEIV.FCACHEIV.
3. Check that FCACHEIV.FCACHEIV is 0.
4. Enable the flash cache by setting FCACHEE.FCACHEEN.

Note 1. It is not necessary to disable the flash cache on the first setup after reset.

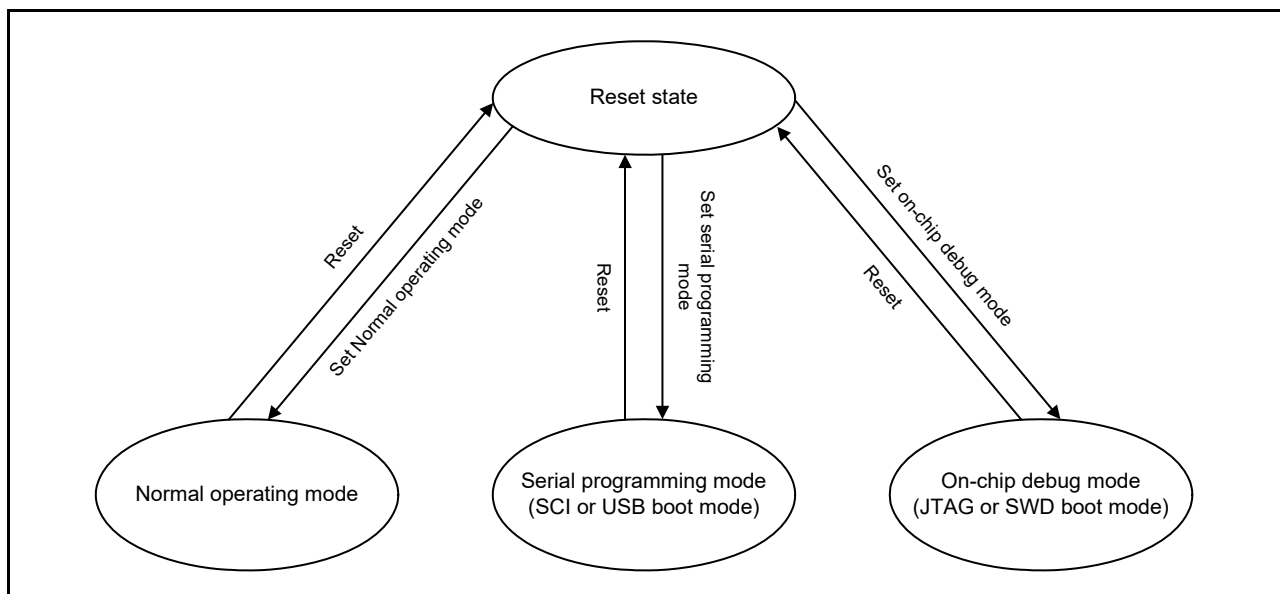
### 53.4.1 Notice to use Flash Cache

When accessing the Flash cache from the CPU, Arm MPU should also be set to cacheable.

See the *ARMv7-M Architecture Reference Manual* and the *Cortex-M4 Devices Generic User Guide*.

## 53.5 Operating Modes Associated with the Flash Memory

Figure 53.5 shows a diagram of the mode transitions associated with the flash memory. For the procedures for setting the modes, see section 3, *Operating Modes*.



**Figure 53.5 Mode transitions associated with flash memory**

The flash memory areas where programming and erasure are permitted and where the boot program executes after a reset, differ with the mode. Table 53.4 shows the differences between the modes.

**Table 53.4 Difference between modes**

| Parameter                       | Normal operating mode  | Serial programming mode (SCI or USB boot mode)   | On-chip debug mode (JTAG or SWD boot mode)   |
|---------------------------------|--|--|--|
| Programmable and erasable areas | <ul style="list-style-type: none"> <li>Code flash memory</li> <li>Data flash memory</li> </ul> | <ul style="list-style-type: none"> <li>Code flash memory</li> <li>Data flash memory</li> </ul> | <ul style="list-style-type: none"> <li>Code flash memory</li> <li>Data flash memory</li> </ul> |
| Erasure in block units          | Possible   | Possible   | Possible   |
| Boot program at a reset         | User area program  | Embedded program for serial programming  | Depends on debug command   |

### 53.5.1 ID Code Protection

This function prohibits programming and on-chip debugging. The device validates or invalidates the ID code and determines the ID code based on an ID code stored in the flash memory. When ID code protection is enabled, the ID code sent from the host is compared with the ID code in the flash memory to determine whether they match. Programming and on-chip debugging are enabled only when the two match. The ID code in flash memory consists of four 32-bit words.

ID code bits [127] and [126] determine whether ID code protection is enabled and the method of authentication to use with the host. Table 53.5 shows how the ID code determines the method of authentication.

**Table 53.5 Specifications for ID code protection**

| Operating mode on boot up                   | ID code   | State of protection | Operations on connection with the programmer or on-chip debugger  |
|---|---|---------------------|---|
| Serial programming mode (SCI/USB boot mode) | FFh, ..., FFh<br>(All bytes = FFh)  | Protection disabled | ID code validation is not performed, the ID code always matches, and connection to the programmer or the on-chip debugger is permitted  |
| On-chip debug mode (JTAG/SWD boot mode)     | Bit [127] = 1, Bit [126] = 1, and at least one of the 16 bytes is not FFh | Protection enabled  | Matching ID code: Authentication ends and connection to the programmer or on-chip debugger is permitted.<br>Mismatching ID code: Additional transition to the ID code protection waiting state.<br>When the ID code sent from the programmer or the on-chip debugger is "ALeRASE" in ASCII code (414C_6552_4153_45FF_FFFF_FFFF_FFFF_FFFFh), the contents of the user flash (code and data) area and configuration area are erased.<br>However, forced erasure is not executed when the AWS.FSPR*1 bit is 0. |
|   | Bit [127] = 1 and bit [126] = 0   | Protection enabled  | Matching ID code: Authentication ends and connection to the programmer or the on-chip debugger is permitted.<br>Mismatching ID code: Additional transition to the ID code protection waiting state.   |
|   | Bit [127] = 0   | Protection enabled  | ID code validation is not performed, the ID code is always mismatching, and connection to the programmer or the on-chip debugger is prohibited.   |

Note 1. For details on the AWS.FSPR bit, see [section 7.2.3, Access Window Setting Register \(AWS\)](#).

## 53.6 Overview of Functions

By using a dedicated flash-memory programmer to program the on-chip flash memory through a serial interface (serial programming) or JTAG/SWD interface (on-chip debug mode), the device can be programmed before or after it is mounted on the target system.

Additionally, security functions to prohibit overwriting of the user program written to the on-chip flash memory are incorporated to prevent tampering by third parties.

Programming by the user program (self-programming) is available for applications that might require updating after system manufacturing or shipment. Protection features for safely overwriting the flash memory area are also provided. Additionally, interrupt processing during self-programming is supported so that the programming can proceed while processing external communications and other functions. [Table 53.6](#) lists the programming methods and the corresponding operating modes.

**Table 53.6 Programming methods (1 of 2)**

| Programming method | Functional overview   | Operating mode          |
|--------------------|---|-------------------------|
| Serial programming | A dedicated flash-memory programmer through the SCI or USBFS interface enables on-board programming of the flash memory after the device is mounted on the target system.   | Serial programming mode |
|                    | A dedicated flash-memory programmer through the SCI or USBFS interface and a dedicated programming adapter board allow off-board programming of the flash memory, for example, programming of the device before it is mounted on the target system. |                         |

**Table 53.6 Programming methods (2 of 2)**

| Programming method      | Functional overview  | Operating mode        |
|-------------------------|--|-----------------------|
| Self-programming        | A user program written to memory in advance of serial programming execution can also program the flash memory. The background operation capability makes it possible to fetch instructions or otherwise read data from the code flash memory while the data flash memory is programmed. As a result, a program resident in the code flash memory can program the data flash memory.<br>For background operations that are not possible, instructions in the code flash memory cannot be fetched and data cannot be accessed while the code flash memory is being programmed by self-programming. In such cases, a program for programming from the internal SRAM or external memory must be transferred in advance and executed. | Normal operating mode |
| JTAG or SWD programming | A dedicated flash-memory programmer or an on-chip debugger through JTAG or SWD enables on-board programming of the flash memory after the device is mounted on the target system.<br>A dedicated flash-memory programmer or an on-chip debugger through JTAG or SWD and a dedicated programming adapter board allow off-board programming of the flash memory, for example, programming of the device before it is mounted on the target system.   | On-chip debug mode    |

Table 53.7 lists the functions of the on-chip flash memory. The functions in serial programming are realized by serial programmer commands, while the functions in self-programming are realized by reading of the on-chip flash memory by a FOCI command or the user program.

**Table 53.7 Basic functions**

| Function                 | Functional overview   | Availability  |   |
|--------------------------|---|---|---|
|                          |   | Serial programming  | Self-programming  |
| Blank check              | Checks a specified block to ensure that writing to it has not already proceeded. Results of reading from data flash memory to which nothing is written after erasure are not guaranteed, so use blank checking to confirm that writing to memory has not proceeded after erasure. | Not supported   | Supported (data flash programming only)   |
| Block erasure            | Erases the memory contents in the specified block   | Supported   | Supported   |
| Programming              | Writes to the specified address   | Supported   | Supported   |
| Read                     | Reads data programmed in the flash memory   | Supported   | Not supported (read by user program is possible)                                |
| ID code check            | Compares the ID code sent by the host with the code stored in the ROM, and if the two match, the FCU enters the wait state for programming and erasure commands from the host.  | Supported   | Not supported (ID authentication is not performed)                              |
| Security configuration   | Configures the security function for serial programming   | Supported with conditions (only switching from enabled to disabled configuration is possible) | Supported with conditions (Only switching from enabled to disabled is possible) |
| Protection configuration | Configures the access window for flash area protection in the code flash memory   | Supported   | Supported   |

The on-chip flash memory supports the ID code security function. Authentication of ID codes is a security function for use with serial programming and with JTAG or SWD programming. Table 53.8 lists the security functions supported by the on-chip flash memory, and Table 53.9 lists the available operations and security settings.

**Table 53.8 Security functions**

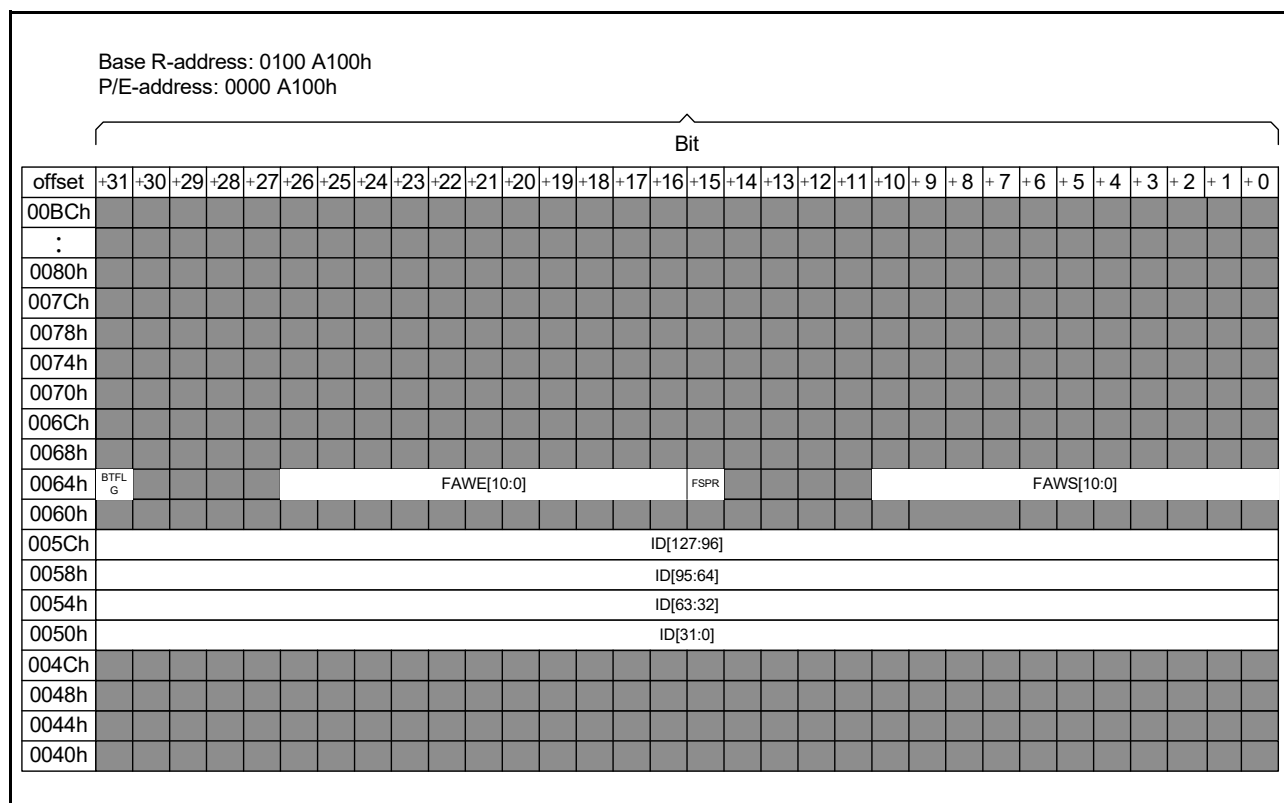
| Function          | Description   |
|-------------------|---|
| ID authentication | Result of ID authentication can be used to control the connection of a serial programmer for serial programming |

**Table 53.9 Available operations and security settings**

| Function          | All security settings and erasure, programming, and read operations  |   | Cautions regarding the security setting configuration |
|-------------------|--|---|---|
|                   | Serial programming and on-chip debug mode  | Self-programming mode   | Self-programming mode                                 |
| ID authentication | When ID codes do not match: <ul style="list-style-type: none"> <li>Block erasure commands: Not supported</li> <li>Programming commands: Not supported</li> <li>Read commands: Not supported</li> <li>Security configuration commands: Not supported</li> <li>Protection configuration commands: Not supported.</li> </ul> When ID codes match: <ul style="list-style-type: none"> <li>Block erasure commands: Supported</li> <li>Programming commands: Supported</li> <li>Read commands: Supported</li> <li>Security configuration commands: Supported</li> <li>Protection configuration commands: Supported.</li> </ul> | (ID authentication is not performed.) <ul style="list-style-type: none"> <li>Blank check: Supported</li> <li>Block erasure: Supported</li> <li>Programming: Supported</li> <li>Security configuration: Supported</li> <li>Protection configuration: Supported.</li> </ul> | ID authentication is not performed                    |

### 53.6.1 Configuration Area Bit Map

Figure 53.6 shows the configuration area bit map. The boot program must use these bits as hexadecimal data.



**Figure 53.6 Configuration area bit map**



### 53.6.2 Startup Area Select

The startup area select function allows the boot program to be safely updated. The size of the startup area is 8 KB, and the startup area is located in the user area. FACI controls the address of the startup area based on the startup area select flag (AWS.BTFLG) that is located in the configuration area. The startup area can be locked by the AWS.FSPR\*1 bit.

Note 1. For the AWS.FSPR bit, see [section 7.2.3, Access Window Setting Register \(AWS\)](#).

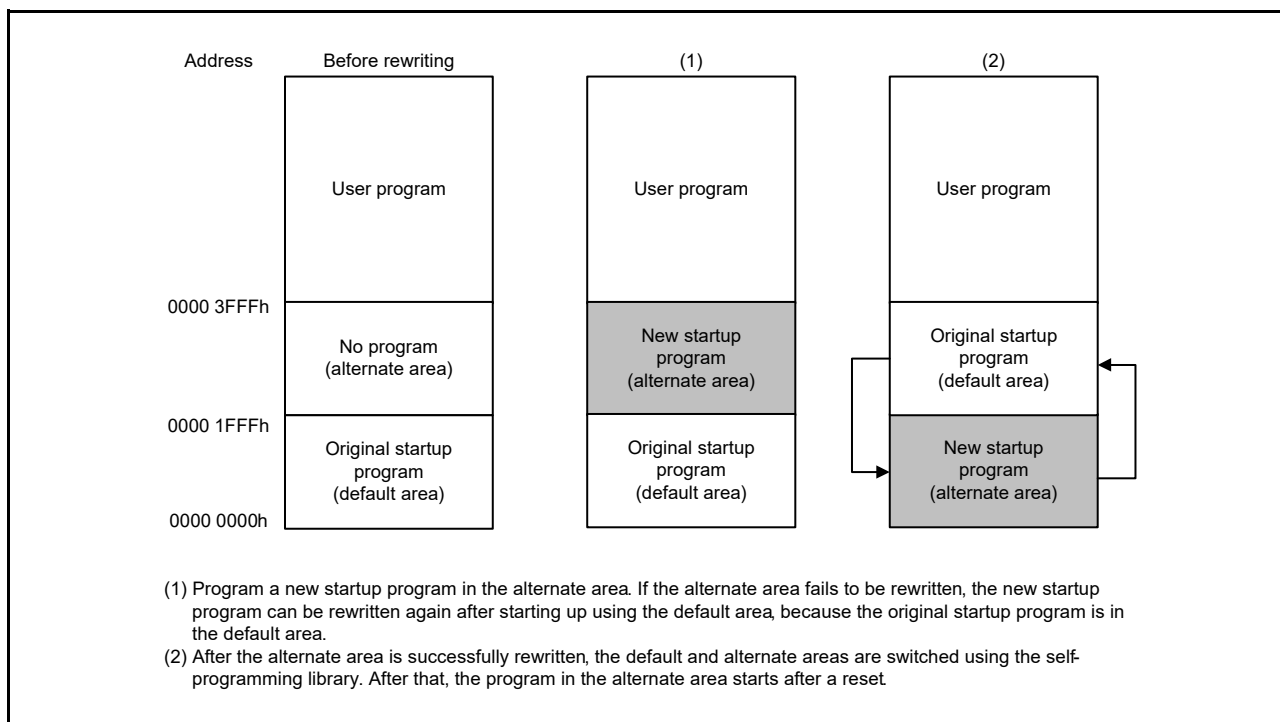


Figure 53.7 Overview of startup program protection

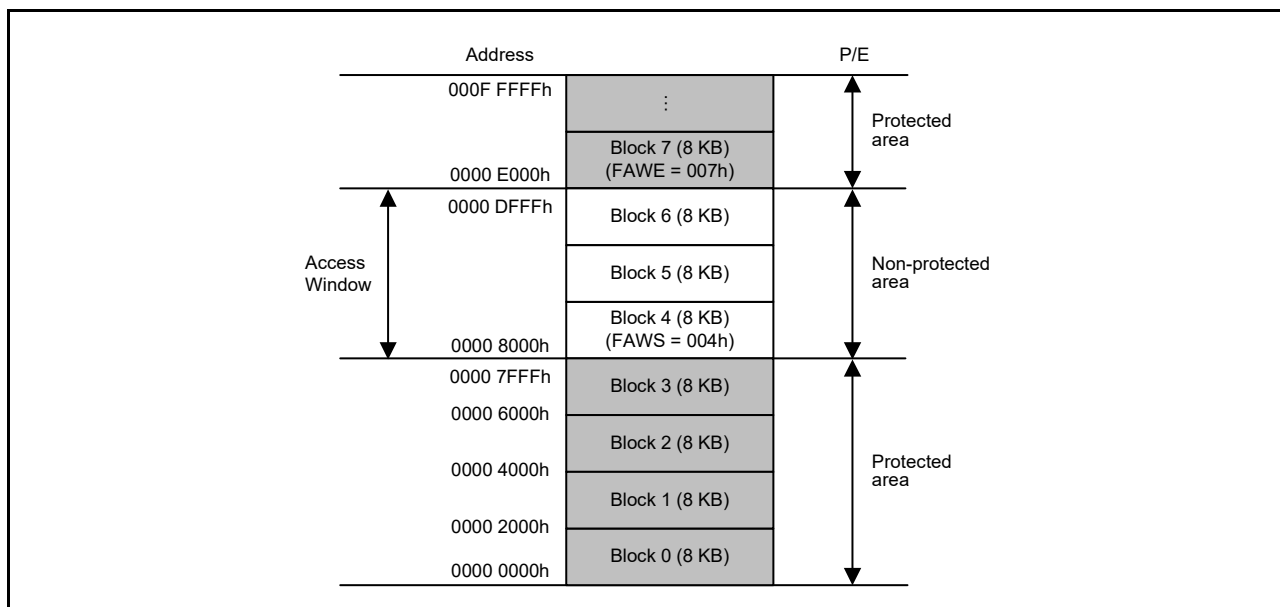
### 53.6.3 Protection by Access Window

Issuing the program or block erase command to a flash memory area outside of the access window results in the command-locked state. The access window is only valid in the user area of the code flash memory. The access window provides protection in self-programming mode, serial programming mode, and on-chip debug mode.

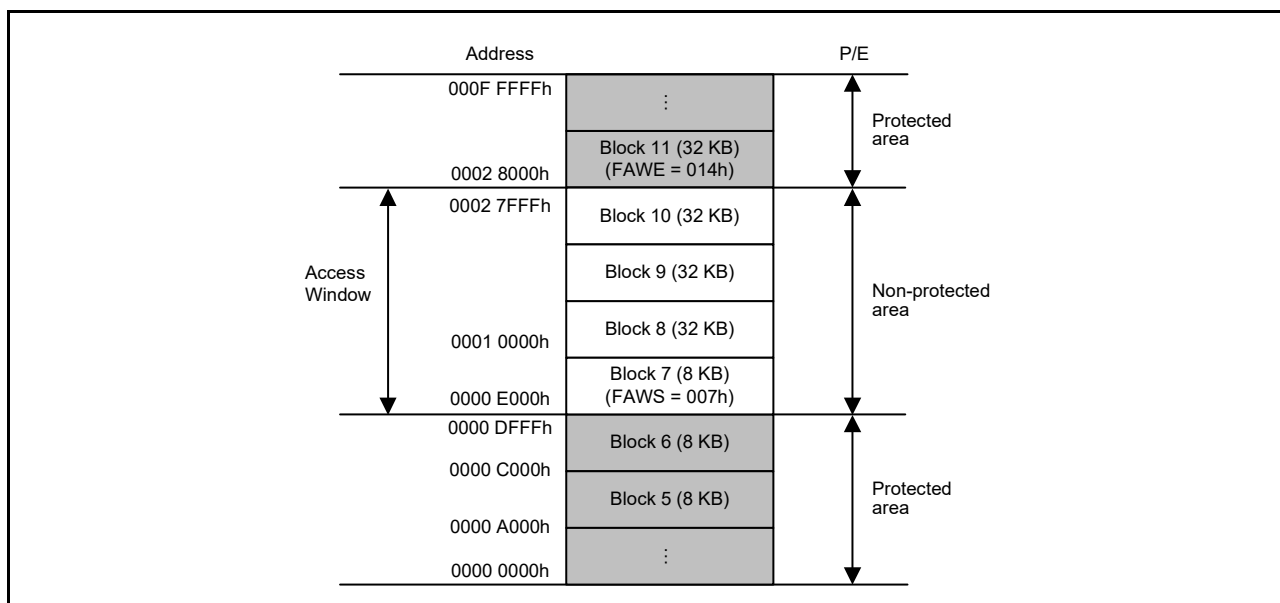
The access window is specified in both the AWS.FAWS[10:0] and AWS.FAWE[10:0]\*1 bits. The following describes how to set the FAWS and FAWE bits in different conditions:

- FAWE = FAWS: The P/E command can execute anywhere in the user area of the code flash memory
- FAWE > FAWS: The P/E command can only execute in the window from the block pointed to by the FAWS bits to one block lower than the one pointed to by the FAWE bits
- FAWE < FAWS: The P/E command cannot execute anywhere in the user area of the code flash memory.

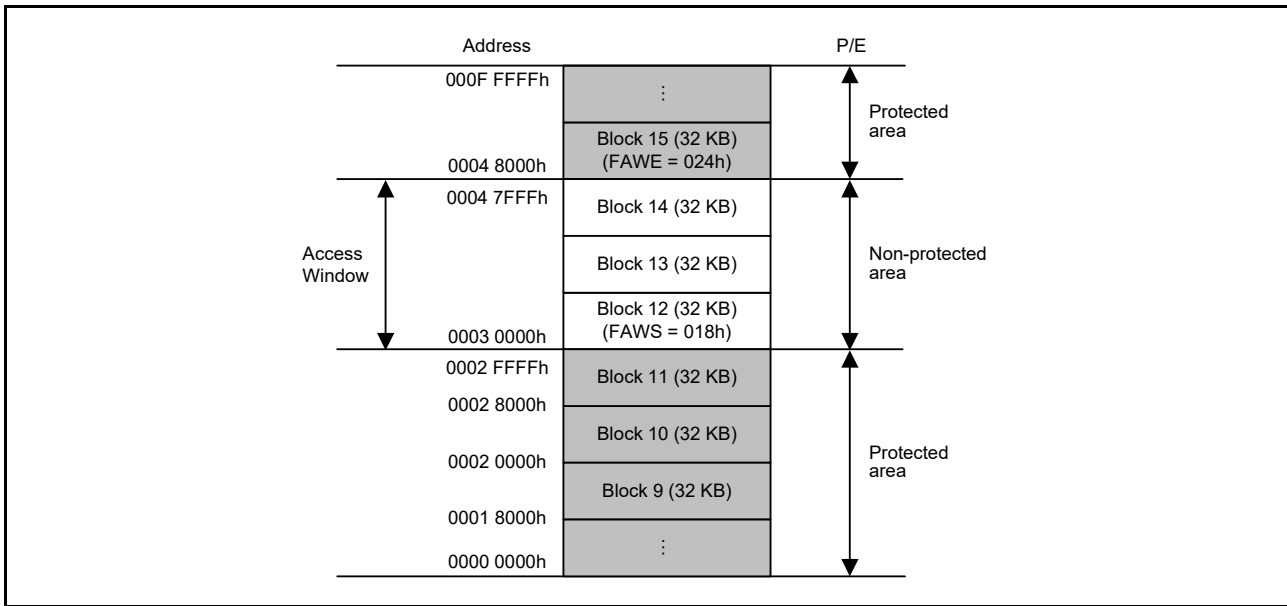
Note 1. For information on the AWS.FAWS and AWS.FAWE bits, see [section 7.2.4, OCD/Serial Programmer ID Setting Register \(OSIS\)](#).



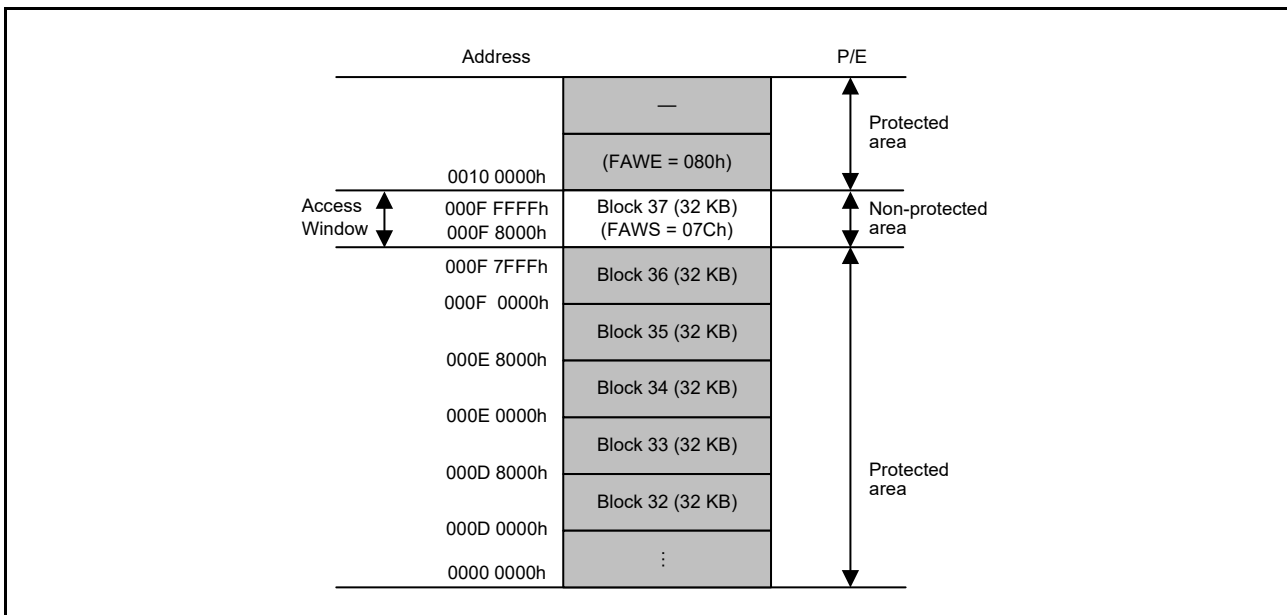
**Figure 53.8** Start block address (FAWS) and end block address (FAWE) of access window when the access window only includes the 8-KB block size



**Figure 53.9** Start block address (FAWS) and end block address (FAWE) of access window when the access window includes 8-KB and 32-KB block sizes



**Figure 53.10** Start block address (FAWS) and end block address (FAWE) of access window when the access window only includes the 32-KB block size



**Figure 53.11** Start block address (FAWS) and end block address (FAWE) of access window when the access window only includes the final block

### 53.7 Programming Commands

The FSCI controls the FCU in accordance with the specified FSCI commands.

### 53.8 Suspend Operation

Reading from the code or data flash memory is not possible during programming or erasure when the address ranges do not satisfy the conditions for background operation. When a P/E suspend command is issued to suspend the programming or erasure of the code or data flash memory, reading from the memory is enabled. One suspend command mode is available for programming and two suspend command modes are available for erasure (suspension priority mode and erasure priority mode). The P/E resume command is available for resuming suspended programming or erasure.

## 53.9 Protection

Protection types provided include:

- Software protection
- Error protection
- Boot program protection.

## 53.10 Serial Programming Mode

The serial programming modes include:

- Boot mode with SCI9
- USB boot mode with the USBFS.

Table 53.10 lists the I/O pins for the flash memory-related modules.

**Table 53.10 I/O pins for flash memory-related modules**

| Pin name       | I/O    | Applicable modes  | Function  |
|----------------|--------|---|---|
| MD             | Input  | SCI boot mode<br>USB boot mode<br>(Serial programming mode) | Selection of operating mode                             |
| P110/RXD9      | Input  | SCI boot mode   | For host communication, to receive data through SCI     |
| P109/TXD9      | Output |   | For host communication, to transmit data through SCI    |
| USB_DP, USB_DM | I/O    | USB boot mode   | USB data I/O  |
| USB_VBUS       | Input  |   | Detection of connection and disconnection of USB cables |

### 53.10.1 SCI Boot Mode

In boot mode, the host sends control commands and data for programming, and the code and data flash memory area are programmed or erased accordingly. An on-chip SCI handles transfer between the host and the MCU in asynchronous mode. Tools for transmission of control commands and the data for programming must be prepared in the host.

When the MCU is activated in boot mode, the embedded program for serial programming is executed. This program automatically adjusts the bit rate of the SCI and controls programming and erasure by receiving control commands from the host. The USB cable must not be connected on reset release.

Figure 53.12 shows the system configuration for operations in boot mode.

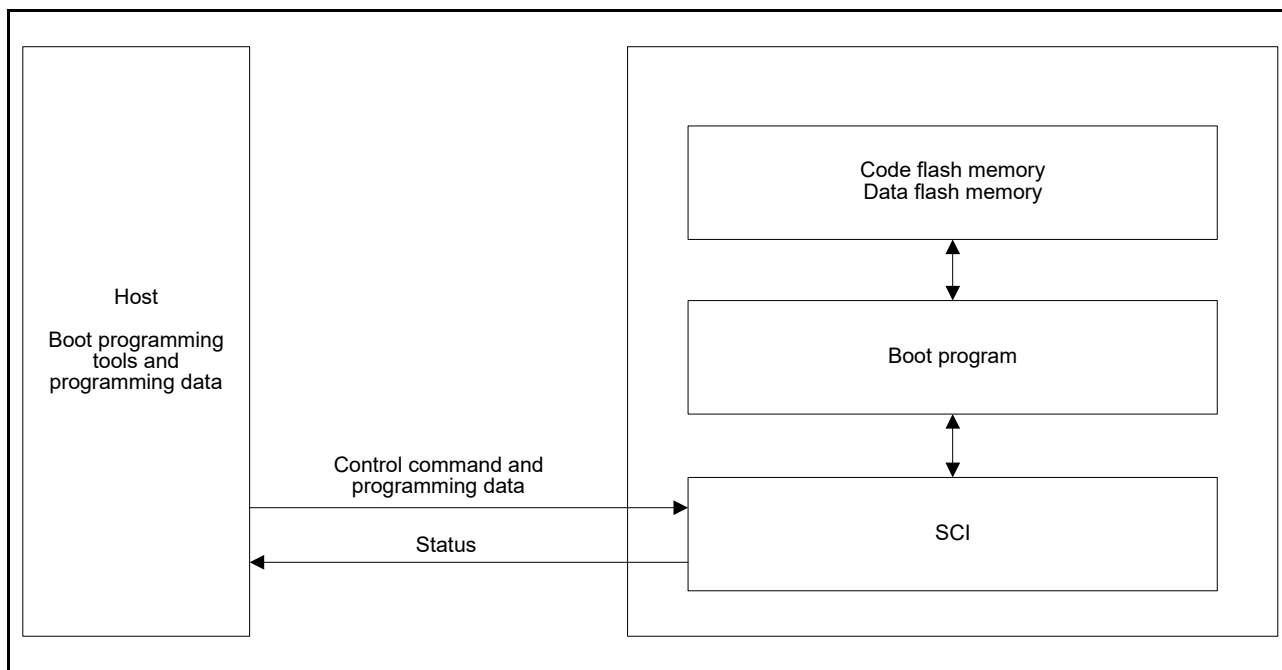


Figure 53.12 System configuration in SCI boot mode

### 53.10.2 USB Boot Mode

In USB boot mode, the code and data flash memory are programmed or erased by control commands and data for programming transmitted from an externally connected host through the USB interface.

Using USB boot mode requires preparation on the host side of the tools for transmitting control commands and data for programming, and of the data. Figure 53.13 shows the configuration of a system for use in USB boot mode. The USB cable must be connected on reset release.

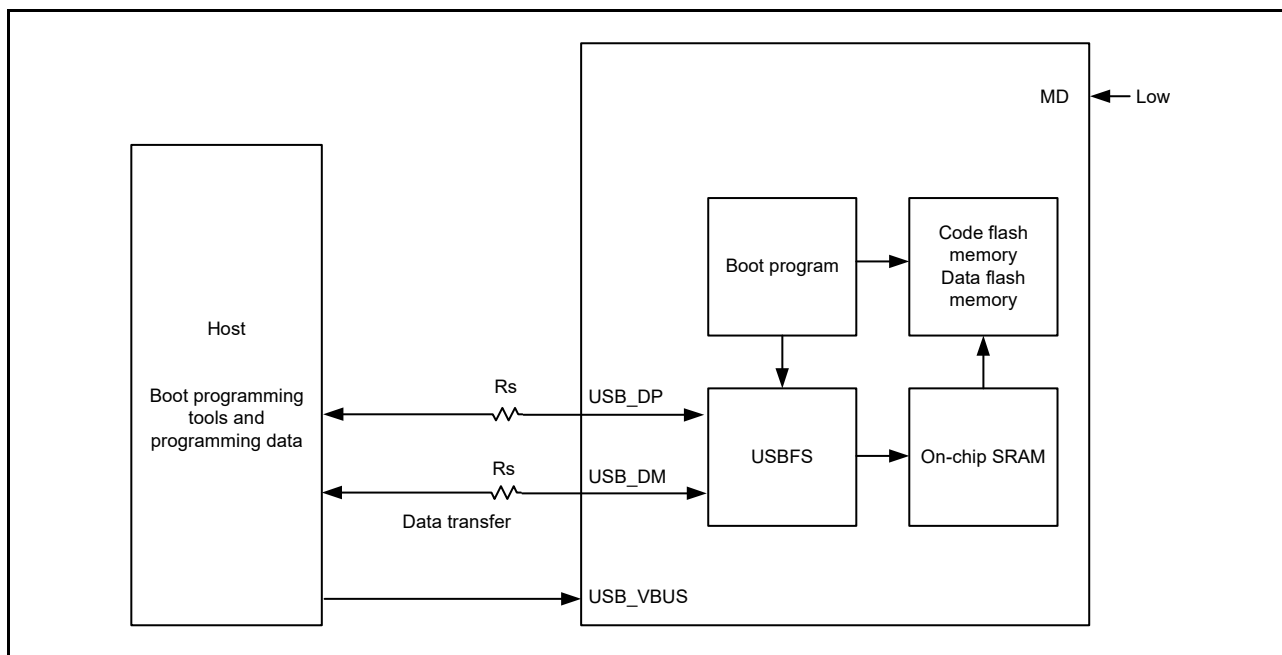


Figure 53.13 System configuration in USB boot mode

### 53.11 Using a Serial Programmer for Programming

A dedicated flash memory programmer can be used to program the flash memory in serial programming mode.

### 53.11.1 Serial Programming

The MCU is mounted on the system board for serial programming. A connector to the board allows programming by the flash memory programmer to proceed.

### 53.11.2 Programming Environments

Figure 53.14 shows the environments that Renesas recommends for programming the flash memory of the MCU with data.

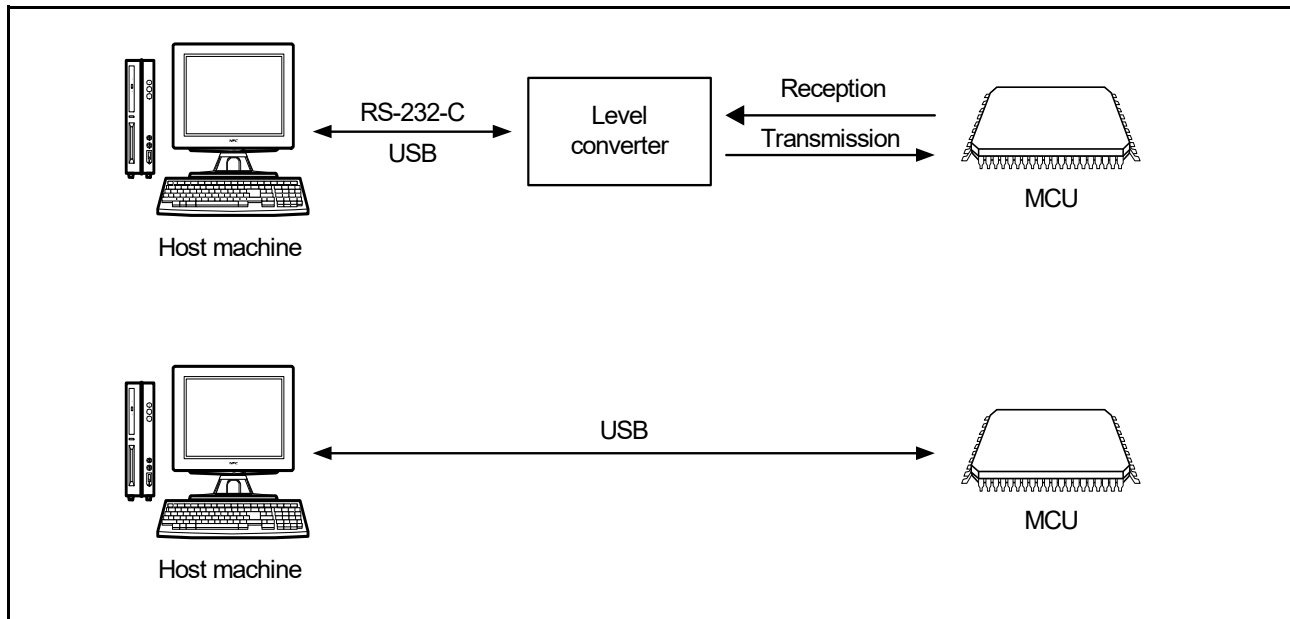


Figure 53.14 Environments for writing programs to the flash memory

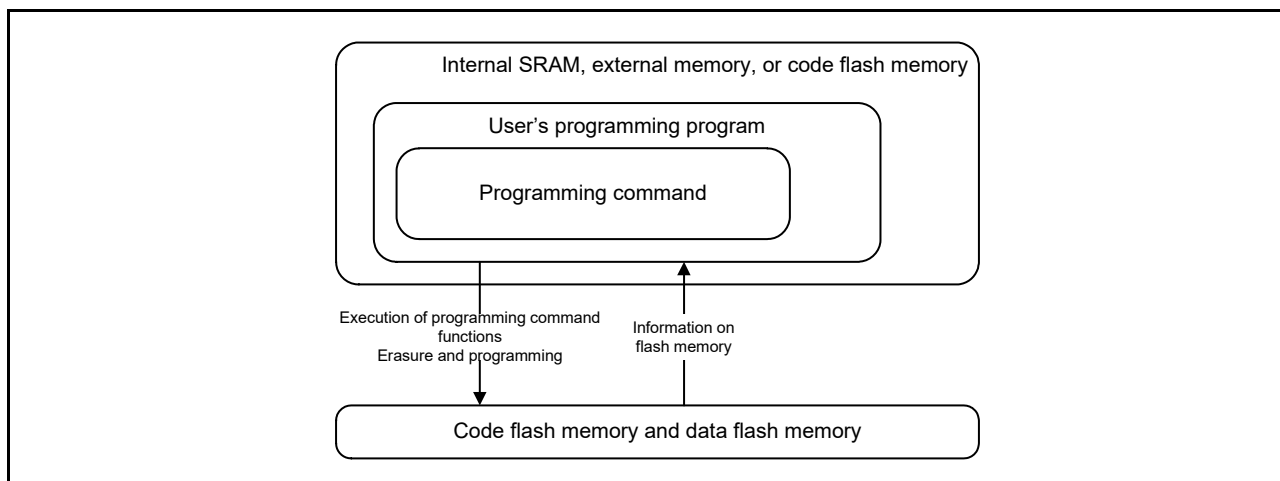
## 53.12 Programming through Self-Programming

### 53.12.1 Overview

The MCU supports programming of the flash memory by the user program itself. The programming commands can be used with user programs for writing to both the code and data flash memory. This enables upgrading of user programs and overwriting of constant data fields.

For data flash memory programming, the background operation facility makes it possible to program the memory from a programming program in the code flash memory. This programming program can also be copied in advance to and executed from the internal SRAM or external memory.

For code flash memory programming, a programming program can be copied to and executed from the internal SRAM or external memory.



**Figure 53.15 Schematic view of self-programming**

### 53.12.2 Background Operation

Background operation can be used when a combination of the flash memory for writing and reading is any of those listed in [Table 53.11](#).

**Table 53.11 Conditions under which background operation is available**

| Product      | Range for writing | Range for reading |
|--------------|-------------------|-------------------|
| All products | Data flash memory | Code flash memory |
|              | Code flash memory | Data flash memory |

## 53.13 Reading the Flash Memory

### 53.13.1 Reading the Code Flash Memory

No special settings are required to read the code flash memory in Normal mode. Data can be read through access to addresses in the code flash memory. Values read from code flash memory that was erased but not yet reprogrammed, such as code flash memory in the non-programmed state, are all read as 1s.

### 53.13.2 Reading the Data Flash Memory

No special settings are required to read the data flash memory in Normal mode. Data can be read through access to addresses in the data flash memory. Values read from data flash memory that was erased but not yet reprogrammed again, such as data flash memory in the non-programmed state, are undefined. Use blank checking to confirm that an area is in the non-programmed state.

## 53.14 Usage Notes

### 53.14.1 Reading Areas Where Programming or Erasure Was Interrupted

When programming or erasure of an area of flash memory is interrupted, the data stored in the area become undefined. To avoid reading undefined data, which can be a source of faulty operation, do not fetch instructions or read data from areas where programming or erasure was interrupted.

### 53.14.2 Constraint on Additional Writes

Other than the configuration area, no other area can be written to twice. After a write to a flash memory area is complete, erase the area before attempting to overwrite data in that area. The configuration area can be overwritten.

### 53.14.3 Resets during Programming and Erasure

After a reset is triggered by a signal assertion on the RES pin during programming and erasure, wait for  $t_{RESW}$  until the operating voltage is within the range specified in the electrical characteristics before releasing the device from the reset state. For details on  $t_{RESW}$ , see [section 55.3.3, Reset Timing](#).

### 53.14.4 Allocation of Vectors for Interrupts and Other Exceptions during Programming and Erasure

Generation of an interrupt or other exception during programming or erasure might lead to fetching of the vector from the code flash memory. If the vector allocation does not satisfy the conditions for using background operation, set the address for vector fetching to an address that is not in the code flash memory.

### 53.14.5 Constraints during Programming and Erasure

During programming and erasure, do not:

- Permit the operating voltage from the power supply to go beyond the allowed range
- Change the frequency of the peripheral clock.

### 53.14.6 Abnormal Termination of Programming and Erasure

When programming or erasure ends abnormally because of the generation of a reset by the RES pin, the programming or erasure state of the flash memory with undefined data cannot be verified or checked. For the area where programming or erasure ends abnormally, the blank check function cannot determine whether the area was erased successfully. Erase the area again to ensure that the corresponding area is completely erased before use.



## 54. Internal Voltage Regulator

### 54.1 Overview

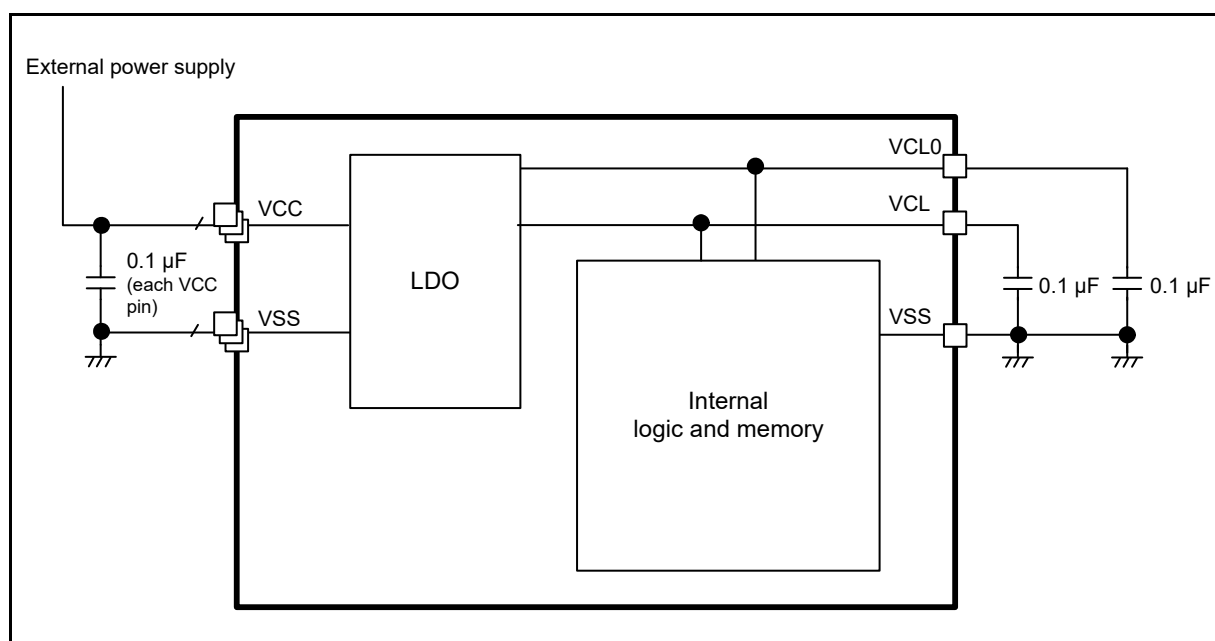
The MCU includes a linear regulator (LDO) that supplies voltage to the internal circuits and memory except for I/O, analog, USB, and battery backup power domain.

### 54.2 Operation

Table 54.1 lists the setting descriptions for the LDO mode pins, and Figure 54.1 shows the LDO mode settings. In LDO mode, the internal voltage is generated from VCC.

**Table 54.1** Setting descriptions for the LDO mode pins

| Parameter         | Description   |
|-------------------|---|
| All VCC pins      | <ul style="list-style-type: none"> <li>Connect each pin to the system power supply.</li> <li>Connect each pin to VSS through a 0.1-<math>\mu</math>F multilayer ceramic capacitor. Place the capacitor close to the pin.</li> </ul> |
| VCL and VCL0 pins | Connect each pin to VSS through a 0.1- $\mu$ F multilayer ceramic capacitor. Place the capacitor close to the pin.  |



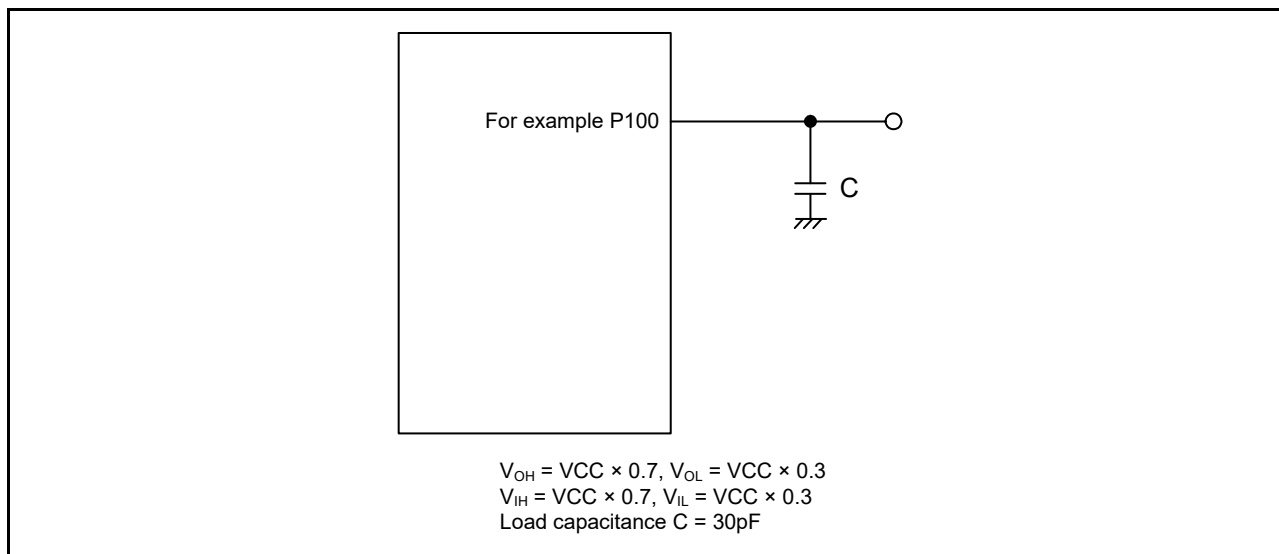
**Figure 54.1** LDO mode settings

## 55. Electrical Characteristics

Unless otherwise specified, the electrical characteristics of the MCU are defined under the following conditions:

- $VCC = AVCC0 = VCC\_USB = VBATT = 2.7$  to  $3.6$  V
- $2.7 \leq VREFH0/VREFH \leq AVCC0$
- $VSS = AVSS0 = VREFL0/VREFL = VSS\_USB = 0$  V
- $T_a = T_{opr}$

Figure 55.1 shows the timing conditions.



**Figure 55.1** Input or output timing measurement conditions

The recommended measurement conditions for the timing specification of each peripheral provided are for the best peripheral operation. Make sure to adjust the driving abilities of each pin to meet your conditions.

### 55.1 Absolute Maximum Ratings

**Table 55.1** Absolute maximum ratings

| Parameter                                       | Symbol             | Value                          | Unit |
|---|--------------------|--------------------------------|------|
| Power supply voltage                            | $VCC, VCC\_USB$ *2 | -0.3 to +4.0                   | V    |
| VBATT power supply voltage                      | VBATT              | -0.3 to +4.0                   | V    |
| Input voltage (except for 5 V-tolerant ports*1) | $V_{in}$           | -0.3 to $VCC + 0.3$            | V    |
| Input voltage (5 V-tolerant ports*1)            | $V_{in}$           | -0.3 to $VCC + 4.0$ (max. 5.8) | V    |
| Reference power supply voltage                  | VREFH/VREFH0       | -0.3 to $AVCC0 + 0.3$          | V    |
| Analog power supply voltage                     | AVCC0 *2           | -0.3 to +4.0                   | V    |
| Analog input voltage                            | $V_{AN}$           | -0.3 to $AVCC0 + 0.3$          | V    |
| Operating temperature*3, *4, *5                 | $T_{opr}$          | -40 to +85<br>-40 to +105      | °C   |
| Storage temperature                             | $T_{stg}$          | -55 to +125                    | °C   |

**Caution:** Permanent damage to the MCU might result if absolute maximum ratings are exceeded.

Note 1. Ports P205, P206, P400, P401, P407 to P415, P511, P512, and P708 to P713 are 5 V tolerant.

Note 2. Connect AVCC0 and VCC\_USB to VCC.

Note 3. See [section 55.2.1, T<sub>j</sub>/T<sub>a</sub> Definition](#).

Note 4. Contact a Renesas Electronics sales office for information on derating operation when  $T_a = +85^\circ\text{C}$  to  $+105^\circ\text{C}$ . Derating is the systematic reduction of load for improved reliability.

Note 5. The upper limit of operating temperature is  $85^\circ\text{C}$  or  $105^\circ\text{C}$ , depending on the product. For details, see [section 1.3, Part Numbering](#).

**Table 55.2 Recommended operating conditions**

| Parameter                    | Symbol  | Value                      | Min | Typ | Max | Unit |
|------------------------------|---------|----------------------------|-----|-----|-----|------|
| Power supply voltages        | VCC     | When USB/SDRAM is not used | 2.7 | -   | 3.6 | V    |
|                              |         | When USB/SDRAM is used     | 3.0 | -   | 3.6 | V    |
|                              | VSS     |                            | -   | 0   | -   | V    |
| USB power supply voltages    | VCC_USB |                            | -   | VCC | -   | V    |
|                              | VSS_USB |                            | -   | 0   | -   | V    |
| VBATT power supply voltage   | VBATT   |                            | 1.8 | -   | 3.6 | V    |
| Analog power supply voltages | AVCC0*1 |                            | -   | VCC | -   | V    |
|                              | AVSS0   |                            | -   | 0   | -   | V    |

Note 1. Connect AVCC0 to VCC. When the A/D converter, the D/A converter, or the comparator are not in use, do not leave the AVCC0, VREFH/VREFH0, AVSS0, and VREFL/VREFL0 pins open. Connect the AVCC0 and VREFH/VREFH0 pins to VCC, and the AVSS0 and VREFL/VREFL0 pins to VSS, respectively.

## 55.2 DC Characteristics

### 55.2.1 $T_j/T_a$ Definition

**Table 55.3 DC characteristics**

Conditions: Products with operating temperature ( $T_a$ ) -40 to +105°C.

| Parameter                        | Symbol | Typ | Max   | Unit | Test conditions  |
|----------------------------------|--------|-----|-------|------|--|
| Permissible junction temperature | $T_j$  | -   | 125   | °C   | High-speed mode<br>Low-speed mode<br>Subosc-speed mode |
|                                  |        |     | 105*1 |      |  |

Note: Make sure that  $T_j = T_a + \theta_{ja} \times \text{total power consumption (W)}$ ,  
where total power consumption =  $(V_{CC} - V_{OH}) \times \Sigma I_{OH} + V_{OL} \times \Sigma I_{OL} + I_{CCmax} \times V_{CC}$ .

Note 1. The upper limit of operating temperature is 85°C or 105°C, depending on the product. For details, see [section 1.3, Part Numbering](#). If the part number shows the operation temperature to 85°C, then  $T_j$  max is 105°C, otherwise, it is 125°C.

### 55.2.2 I/O $V_{IH}$ , $V_{IL}$

**Table 55.4 I/O  $V_{IH}$ ,  $V_{IL}$  (1 of 2)**

| Parameter  |                               | Symbol   | Min                 | Typ                         | Max                 | Unit                |   |
|--|-------------------------------|--|---------------------|-----------------------------|---------------------|---------------------|---|
| Input voltage<br>(except for<br>Schmitt trigger<br>input pins) | Peripheral<br>function<br>pin | EXTAL(external clock input), WAIT, SPI (except<br>RSPCK) | $V_{IH}$            | $V_{CC} \times 0.8$         | -                   | -                   | V |
|  |                               |  | $V_{IL}$            | -                           | -                   | $V_{CC} \times 0.2$ |   |
|  | D00 to D15, DQ00 to DQ15      | $V_{IH}$   | $V_{CC} \times 0.7$ | -                           | -                   |                     |   |
|  |                               | $V_{IL}$   | -                   | -                           | $V_{CC} \times 0.3$ |                     |   |
|  | ETHERC                        | $V_{IH}$   | 2.3                 | -                           | -                   |                     |   |
|  |                               | $V_{IL}$   | -                   | -                           | $V_{CC} \times 0.2$ |                     |   |
|  | IIC (SMBus)*1                 | $V_{IH}$   | 2.1                 | -                           | -                   |                     |   |
|  |                               | $V_{IL}$   | -                   | -                           | 0.8                 |                     |   |
| IIC (SMBus)*2  | $V_{IH}$                      | 2.1  | -                   | $V_{CC} + 3.6$<br>(max 5.8) |                     |                     |   |
|  | $V_{IL}$                      | -  | -                   | 0.8                         |                     |                     |   |
| Schmitt trigger<br>input voltage                               | Peripheral<br>function<br>pin | IIC (except for SMBus)*1                                 | $V_{IH}$            | $V_{CC} \times 0.7$         | -                   | -                   | V |
|  |                               |  | $V_{IL}$            | -                           | -                   | $V_{CC} \times 0.3$ |   |
|  |                               |  | $\Delta V_T$        | $V_{CC} \times 0.05$        | -                   | -                   |   |

Table 55.4 I/O  $V_{IH}$ ,  $V_{IL}$  (2 of 2)

| Parameter                     |  |                          |              | Symbol                                 | Min                                 | Typ                      | Max                      | Unit |   |   |
|-------------------------------|--|--------------------------|--------------|--|-------------------------------------|--------------------------|--------------------------|------|---|---|
| Schmitt trigger input voltage | Peripheral function pin                    | IIC (except for SMBus)*2 |              | $V_{IH}$                               | $VCC \times 0.7$                    | -                        | $VCC + 3.6$<br>(max 5.8) | V    |   |   |
|                               |  |                          |              | $V_{IL}$                               | -                                   | -                        | $VCC \times 0.3$         |      |   |   |
|                               |  |                          |              | $\Delta V_T$                           | $VCC \times 0.05$                   | -                        | -                        |      |   |   |
|                               |  | 5 V-tolerant ports*3, *7 |              | $V_{IH}$                               | $VCC \times 0.8$                    | -                        | $VCC + 3.6$<br>(max 5.8) |      |   |   |
|                               |  |                          |              | $V_{IL}$                               | -                                   | -                        | $VCC \times 0.2$         |      |   |   |
|                               |  |                          |              | $\Delta V_T$                           | $VCC \times 0.05$                   | -                        | -                        |      |   |   |
|                               |  | RTCIC0, RTCIC1, RTCIC2   |              | When using the Battery Backup Function | When VBATT power supply is selected | $V_{IH}$                 | $V_{BATT} \times 0.8$    |      | - | $V_{BATT} + 0.3$  |
|                               |  |                          |              |  |                                     | $V_{IL}$                 | -                        |      | - | $V_{BATT} \times 0.2$                                     |
|                               |  |                          |              |  |                                     | $\Delta V_T$             | $V_{BATT} \times 0.05$   |      | - | -   |
|                               |  |                          |              | When VCC power supply is selected      |                                     | $V_{IH}$                 | $VCC \times 0.8$         |      | - | Higher voltage either $VCC + 0.3$ V or $V_{BATT} + 0.3$ V |
|                               |  |                          |              |  |                                     | $V_{IL}$                 | -                        |      | - | $VCC \times 0.2$  |
|                               |  |                          |              |  |                                     | $\Delta V_T$             | $VCC \times 0.05$        |      | - | -   |
|                               | When not using the Battery Backup Function |                          | $V_{IH}$     | $VCC \times 0.8$                       | -                                   | $VCC + 0.3$              |                          |      |   |   |
|                               |  |                          | $V_{IL}$     | -                                      | -                                   | $VCC \times 0.2$         |                          |      |   |   |
|                               |  |                          | $\Delta V_T$ | $VCC \times 0.05$                      | -                                   | -                        |                          |      |   |   |
|                               | Other input pins*4                         |                          | $V_{IH}$     | $VCC \times 0.8$                       | -                                   | -                        |                          |      |   |   |
|                               |  |                          | $V_{IL}$     | -                                      | -                                   | $VCC \times 0.2$         |                          |      |   |   |
|                               |  |                          | $\Delta V_T$ | $VCC \times 0.05$                      | -                                   | -                        |                          |      |   |   |
| Ports                         | 5 V-tolerant ports*5, *7                   |                          | $V_{IH}$     | $VCC \times 0.8$                       | -                                   | $VCC + 3.6$<br>(max 5.8) | V                        |      |   |   |
|                               |  |                          | $V_{IL}$     | -                                      | -                                   | $VCC \times 0.2$         |                          |      |   |   |
|                               | Other input pins*6                         |                          | $V_{IH}$     | $VCC \times 0.8$                       | -                                   | -                        |                          |      |   |   |
|                               |  |                          | $V_{IL}$     | -                                      | -                                   | $VCC \times 0.2$         |                          |      |   |   |
|                               |  |                          | $\Delta V_T$ | $VCC \times 0.05$                      | -                                   | -                        |                          |      |   |   |

Note 1. SCL0\_B (P204), SCL1\_B, SDA1\_B (total 3 pins).

Note 2. SCL0\_A, SDA0\_A, SCL0\_B (P408), SDA0\_B, SCL1\_A, SDA1\_A, SCL2, SDA2 (total 8 pins).

Note 3. RES and peripheral function pins associated with P205, P206, P400, P401, P407 to P415, P511, P512, P708 to P713 (total 22 pins).

Note 4. All input pins except for the peripheral function pins already described in the table.

Note 5. P205, P206, P400, P401, P407 to P415, P511, P512, P708 to P713 (total 21 pins).

Note 6. All input pins except for the ports already described in the table.

Note 7. When VCC is less than 2.7 V, the input voltage of 5 V-tolerant ports should be less than 3.6 V, otherwise breakdown may occur because 5 V-tolerant ports are electrically controlled so as not to violate the break down voltage.

55.2.3 I/O  $I_{OH}$ ,  $I_{OL}$ Table 55.5 I/O  $I_{OH}$ ,  $I_{OL}$ 

| Parameter   |  |                | Symbol                 | Min      | Typ | Max  | Unit |    |
|---|--|----------------|------------------------|----------|-----|------|------|----|
| Permissible output current<br>(average value per pin)         | Ports P000 to P009, P201   | -              | $I_{OH}$               | -        | -   | -2.0 | mA   |    |
|   |  |                | $I_{OL}$               | -        | -   | 2.0  | mA   |    |
|   | Ports P014, P015   | -              | $I_{OH}$               | -        | -   | -4.0 | mA   |    |
|   |  |                | $I_{OL}$               | -        | -   | 4.0  | mA   |    |
|   | Ports P205, P206, P407 to P415,<br>P602, P708 to P713 (total 18 pins)    | Low drive*1    |                        | $I_{OH}$ | -   | -    | -2.0 | mA |
|   |  |                |                        | $I_{OL}$ | -   | -    | 2.0  | mA |
|   |  | Middle drive*2 |                        | $I_{OH}$ | -   | -    | -4.0 | mA |
|   |  |                |                        | $I_{OL}$ | -   | -    | 4.0  | mA |
|   |  | High drive*3   |                        | $I_{OH}$ | -   | -    | -20  | mA |
|   |  |                |                        | $I_{OL}$ | -   | -    | 20   | mA |
|   | Other output pins*4  | Low drive*1    |                        | $I_{OH}$ | -   | -    | -2.0 | mA |
|   |  |                |                        | $I_{OL}$ | -   | -    | 2.0  | mA |
|   |  | Middle drive*2 |                        | $I_{OH}$ | -   | -    | -4.0 | mA |
|   |  |                |                        | $I_{OL}$ | -   | -    | 4.0  | mA |
|   |  | High drive*3   |                        | $I_{OH}$ | -   | -    | -16  | mA |
|   |  |                |                        | $I_{OL}$ | -   | -    | 16   | mA |
| Permissible output current<br>(max value per pin)             | Ports P000 to P009, P201   | -              | $I_{OH}$               | -        | -   | -4.0 | mA   |    |
|   |  |                | $I_{OL}$               | -        | -   | 4.0  | mA   |    |
|   | Ports P014, P015   | -              | $I_{OH}$               | -        | -   | -8.0 | mA   |    |
|   |  |                | $I_{OL}$               | -        | -   | 8.0  | mA   |    |
|   | Ports P205, P206, P407 to P415,<br>P602, P708 to P713<br>(total 18 pins) | Low drive*1    |                        | $I_{OH}$ | -   | -    | -4.0 | mA |
|   |  |                |                        | $I_{OL}$ | -   | -    | 4.0  | mA |
|   |  | Middle drive*2 |                        | $I_{OH}$ | -   | -    | -8.0 | mA |
|   |  |                |                        | $I_{OL}$ | -   | -    | 8.0  | mA |
|   |  | High drive*3   |                        | $I_{OH}$ | -   | -    | -40  | mA |
|   |  |                |                        | $I_{OL}$ | -   | -    | 40   | mA |
|   | Other output pins*4  | Low drive*1    |                        | $I_{OH}$ | -   | -    | -4.0 | mA |
|   |  |                |                        | $I_{OL}$ | -   | -    | 4.0  | mA |
|   |  | Middle drive*2 |                        | $I_{OH}$ | -   | -    | -8.0 | mA |
|   |  |                |                        | $I_{OL}$ | -   | -    | 8.0  | mA |
|   |  | High drive*3   |                        | $I_{OH}$ | -   | -    | -32  | mA |
|   |  |                |                        | $I_{OL}$ | -   | -    | 32   | mA |
| Permissible output current<br>(maxvalue of total of all pins) | Maximum of all output pins   |                | $\Sigma I_{OH} (\max)$ | -        | -   | -80  | mA   |    |
|   |  |                | $\Sigma I_{OL} (\max)$ | -        | -   | 80   | mA   |    |

**Caution:** To protect the reliability of the MCU, the output current values should not exceed the values in this table. The average output current indicates the average value of current measured during 100  $\mu$ s.

Note 1. This is the value when low driving ability is selected in the Port Drive Capability bit in the PmnPFS register. The selected driving ability is retained in Deep Software Standby mode.

Note 2. This is the value when middle driving ability is selected in the Port Drive Capability bit in the PmnPFS register. The selected driving ability is retained in Deep Software Standby mode.

Note 3. This is the value when high driving ability is selected in the Port Drive Capability bit in the PmnPFS register. The selected driving ability is retained in Deep Software Standby mode.

Note 4. Except for P200, which is an input port.

55.2.4 I/O  $V_{OH}$ ,  $V_{OL}$ , and Other CharacteristicsTable 55.6 I/O  $V_{OH}$ ,  $V_{OL}$ , and other characteristics

| Parameter                               |   | Symbol     | Min       | Typ | Max | Unit          | Test conditions  |
|---|---|------------|-----------|-----|-----|---------------|--|
| Output voltage                          | IIC   | $V_{OL}$   | -         | -   | 0.4 | V             | $I_{OL} = 3.0 \text{ mA}$  |
|   |   | $V_{OL}$   | -         | -   | 0.6 |               | $I_{OL} = 6.0 \text{ mA}$  |
|   | IIC*1   | $V_{OL}$   | -         | -   | 0.4 |               | $I_{OL} = 15.0 \text{ mA}$<br>(ICFER.FMPE = 1)   |
|   |   | $V_{OL}$   | -         | 0.4 | -   |               | $I_{OL} = 20.0 \text{ mA}$<br>(ICFER.FMPE = 1)   |
|   | ETHERC  | $V_{OH}$   | VCC - 0.5 | -   | -   |               | $I_{OH} = -1.0 \text{ mA}$   |
|   |   | $V_{OL}$   | -         | -   | 0.4 |               | $I_{OL} = 1.0 \text{ mA}$  |
|   | Ports P205, P206, P407 to P415, P602, P708 to P713 (total of 18 pins)*2 | $V_{OH}$   | VCC - 1.0 | -   | -   |               | $I_{OH} = -20 \text{ mA}$<br>VCC = 3.3 V   |
|   |   | $V_{OL}$   | -         | -   | 1.0 |               | $I_{OL} = 20 \text{ mA}$<br>VCC = 3.3 V  |
|   | Other output pins   | $V_{OH}$   | VCC - 0.5 | -   | -   |               | $I_{OH} = -1.0 \text{ mA}$   |
|   |   | $V_{OL}$   | -         | -   | 0.5 |               | $I_{OL} = 1.0 \text{ mA}$  |
| Input leakage current                   | RES   | $ I_{in} $ | -         | -   | 5.0 | $\mu\text{A}$ | $V_{in} = 0 \text{ V}$<br>$V_{in} = 5.5 \text{ V}$   |
|   | Port P200   |            | -         | -   | 1.0 |               | $V_{in} = 0 \text{ V}$<br>$V_{in} = VCC$   |
| Three-state leakage current (off state) | 5 V-tolerant ports  | $ I_{TS} $ | -         | -   | 5.0 | $\mu\text{A}$ | $V_{in} = 0 \text{ V}$<br>$V_{in} = 5.5 \text{ V}$   |
|   | Other ports (except for port P200)                                      |            | -         | -   | 1.0 |               | $V_{in} = 0 \text{ V}$<br>$V_{in} = VCC$   |
| Input pull-up MOS current               | Ports P0 to PB  | $I_p$      | -300      | -   | -10 | $\mu\text{A}$ | VCC = 2.7 to 3.6 V<br>$V_{in} = 0 \text{ V}$   |
| Input capacitance                       | USB_DP, USB_DM, and ports P014, P015, P400, P401, P511, P512            | $C_{in}$   | -         | -   | 16  | pF            | $V_{bias} = 0 \text{ V}$<br>$V_{amp} = 20 \text{ mV}$<br>$f = 1 \text{ MHz}$<br>$T_a = 25^\circ\text{C}$ |
|   | Other input pins  |            | -         | -   | 8   |               |  |

Note 1. SCL0\_A, SDA0\_A (total 2 pins).

Note 2. This is the value when high driving ability is selected in the Port Drive Capability bit in the PmnPFS register. The selected driving ability is retained in Deep Software Standby mode.

### 55.2.5 Operating and Standby Current

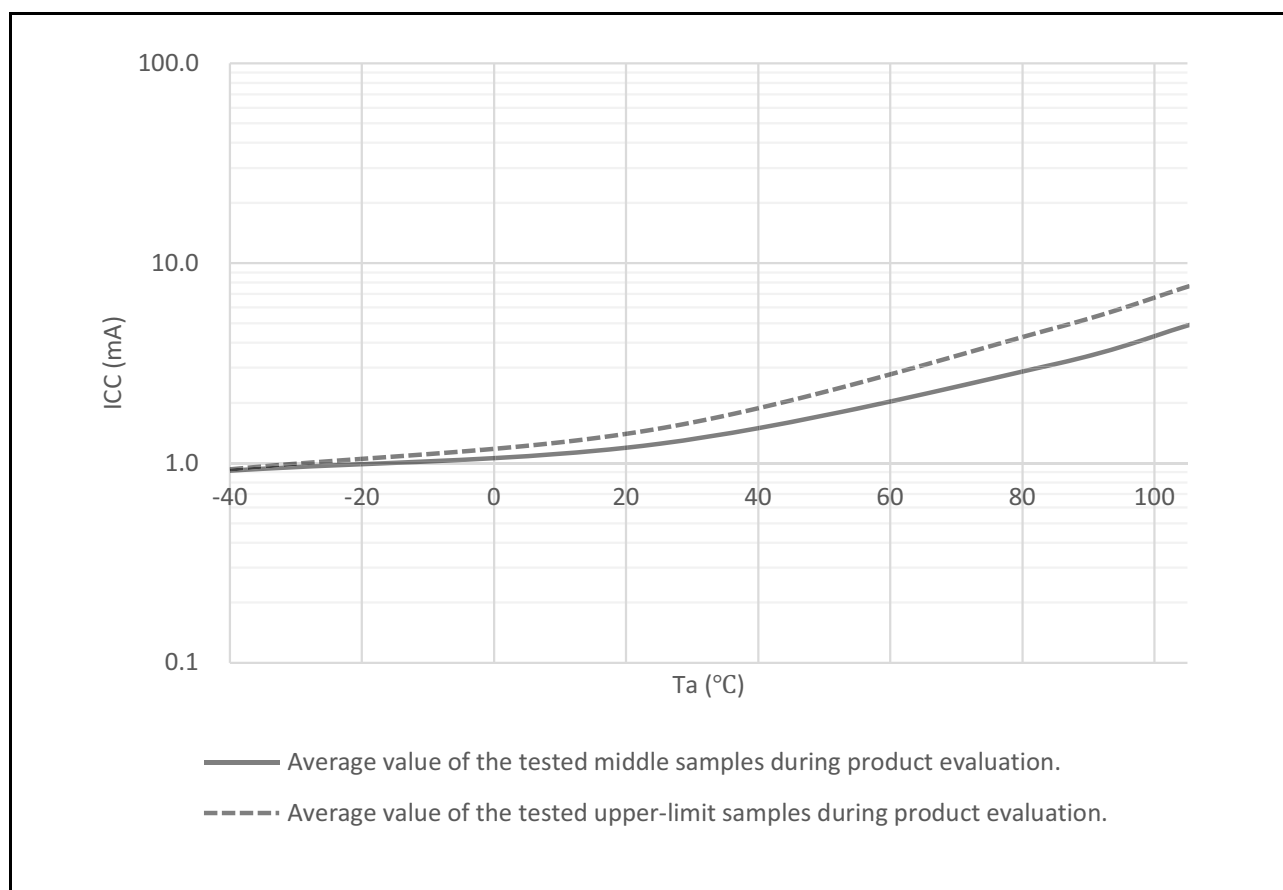
**Table 55.7 Operating and standby current (1 of 2)**

| Parameter  | Symbol   | Min  | Typ                                  | Max        | Unit                                 | Test conditions   |   |   |  |     |      |                   |            |            |
|--|--|------|--------------------------------------|------------|--------------------------------------|---|---|---|--|-----|------|-------------------|------------|------------|
| Supply current*1   | I <sub>CC</sub> *3   | -    | -                                    | 102*2      | mA                                   | ICLK = 120 MHz<br>PCLKA = 120 MHz*7<br>PCLKB = 60 MHz<br>PCLKC = 60 MHz<br>PCLKD = 120 MHz<br>FCLK = 60 MHz<br>BCLK = 120 MHz |   |   |  |     |      |                   |            |            |
|  |  |      |                                      |            |                                      |   | Maximum*2   |   |  |     |      |                   |            |            |
|  |  |      |                                      |            |                                      |   | CoreMark®*5   |   |  |     |      |                   |            |            |
|  |  |      |                                      |            |                                      |   | Normal mode   | All peripheral clocks enabled, while (1) code executing from flash*4      |  |     |      |                   |            |            |
|  |  |      |                                      |            |                                      |   |   | All peripheral clocks disabled, while (1) code executing from flash*5, *6 |  |     |      |                   |            |            |
|  |  |      |                                      |            |                                      |   | Sleep mode*5, *6  |   |  |     |      |                   |            |            |
|  |  |      |                                      |            |                                      |   | Increase during BGO operation                               | Data flash P/E  |  |     |      |                   |            |            |
|  |  |      |                                      |            |                                      |   |   | Code flash P/E  |  |     |      |                   |            |            |
|  |  |      |                                      |            |                                      |   | Low-speed mode*5  | -   | 1.3  | -   |      | ICLK = 1 MHz      |            |            |
|  |  |      |                                      |            |                                      |   | Subosc-speed mode*5   | -   | 1.2  | -   |      | ICLK = 32.768 kHz |            |            |
|  |  |      |                                      |            |                                      |   | Software Standby mode                                       | -   | 1.3  | 15  |      | Ta ≤ 85°C         |            |            |
|  |  |      |                                      |            |                                      |   |   | -   | 1.3  | 24  |      | Ta ≤ 105°C        |            |            |
|  |  |      |                                      |            |                                      |   | Deep Software Standby mode                                  | Power supplied to Standby SRAM and USB resume detecting unit              | -  | 29  | 67   | µA                | Ta ≤ 85°C  |            |
|  |  |      |                                      |            |                                      |   |   |   | -  | 29  | 96   |                   | Ta ≤ 105°C |            |
|  |  |      |                                      |            |                                      |   |   | Power not supplied to SRAM or USB resume detecting unit                   | Power-on reset circuit low power function disabled     | -   | 11.6 |                   | 32.4       | Ta ≤ 85°C  |
|  |  |      |                                      |            |                                      |   |   |   | Power-on reset circuit low power function enabled      | -   | 11.6 |                   | 40         | Ta ≤ 105°C |
|  |  |      |                                      |            |                                      |   |   | Increase when the RTC and AGT are operating                               | When the low-speed on-chip oscillator (LOCO) is in use | -   | 4.4  |                   | -          | Ta ≤ 85°C  |
| When a crystal oscillator for low clock loads is in use  | -  | 1.0  | -                                    | Ta ≤ 105°C |                                      |   |   |   |  |     |      |                   |            |            |
| When a crystal oscillator for standard clock loads is in use   | -  | 1.4  | -                                    | -          |                                      |   |   |   |  |     |      |                   |            |            |
| RTC operating while VCC is off (with the battery backup function, only the RTC and sub-clock oscillator operate) | When a crystal oscillator for low clock loads is in use      | -    | 0.9                                  | -          | V <sub>BATT</sub> = 1.8 V, VCC = 0 V |   |   |   |  |     |      |                   |            |            |
|  |  | -    | 1.1                                  | -          | V <sub>BATT</sub> = 3.3 V, VCC = 0 V |   |   |   |  |     |      |                   |            |            |
|  | When a crystal oscillator for standard clock loads is in use | -    | 1.0                                  | -          | V <sub>BATT</sub> = 1.8 V, VCC = 0 V |   |   |   |  |     |      |                   |            |            |
| -  | 1.6  | -    | V <sub>BATT</sub> = 3.3 V, VCC = 0 V |            |                                      |   |   |   |  |     |      |                   |            |            |
| Analog power supply current  | A <sub>ICC</sub>   | -    | 0.8                                  | 1.1        | mA                                   | -   |   |   |  |     |      |                   |            |            |
|  |  |      |                                      |            |                                      |   | During 12-bit A/D conversion                                |   |  |     |      |                   |            |            |
|  |  |      |                                      |            |                                      |   | During 12-bit A/D conversion with S/H amp                   |   |  |     |      |                   |            |            |
|  |  |      |                                      |            |                                      |   | ACMPHS (1 unit)   |   |  |     |      |                   |            |            |
|  |  |      |                                      |            |                                      |   | Temperature sensor  |   |  |     |      |                   |            |            |
|  |  |      |                                      |            |                                      |   | During D/A conversion (per unit)                            | Without AMP output  |  |     |      |                   |            |            |
|  |  |      |                                      |            |                                      |   |   | With AMP output   |  |     |      |                   |            |            |
|  |  |      |                                      |            |                                      |   | Waiting for A/D, D/A conversion (all units)                 |   |  |     |      |                   |            |            |
| ADC12, DAC12 in standby modes (all units)*8  |  |      |                                      |            |                                      |   |   |   |  |     |      |                   |            |            |
| Reference power supply current (VREFH0)  | A <sub>IREFH0</sub>  | -    | 70                                   | 120        | µA                                   | -   |   |   |  |     |      |                   |            |            |
|  |  |      |                                      |            |                                      |   | During 12-bit A/D conversion (unit 0)                       |   |  |     |      |                   |            |            |
|  |  |      |                                      |            |                                      |   | Waiting for 12-bit A/D conversion (unit 0)                  |   |  |     |      |                   |            |            |
| ADC12 in standby modes (unit 0)  | -  | 0.07 | 0.5                                  | µA         | -                                    |   |   |   |  |     |      |                   |            |            |
| Reference power supply current (VREFH)   | A <sub>IREFH</sub>   | -    | 70                                   | 120        | µA                                   | -   |   |   |  |     |      |                   |            |            |
|  |  |      |                                      |            |                                      |   | During 12-bit A/D conversion (unit 1)                       |   |  |     |      |                   |            |            |
|  |  |      |                                      |            |                                      |   | During D/A conversion (per unit)                            | Without AMP output  |  |     |      |                   |            |            |
|  |  |      |                                      |            |                                      |   |   | With AMP output   |  |     |      |                   |            |            |
|  |  |      |                                      |            |                                      |   | Waiting for 12-bit A/D (unit 1), D/A (all units) conversion | -   | 0.07   | 0.8 | µA   | -                 |            |            |
| ADC12 unit 1 in standby modes  | -  | 0.07 | 0.8                                  | µA         | -                                    |   |   |   |  |     |      |                   |            |            |

**Table 55.7 Operating and standby current (2 of 2)**

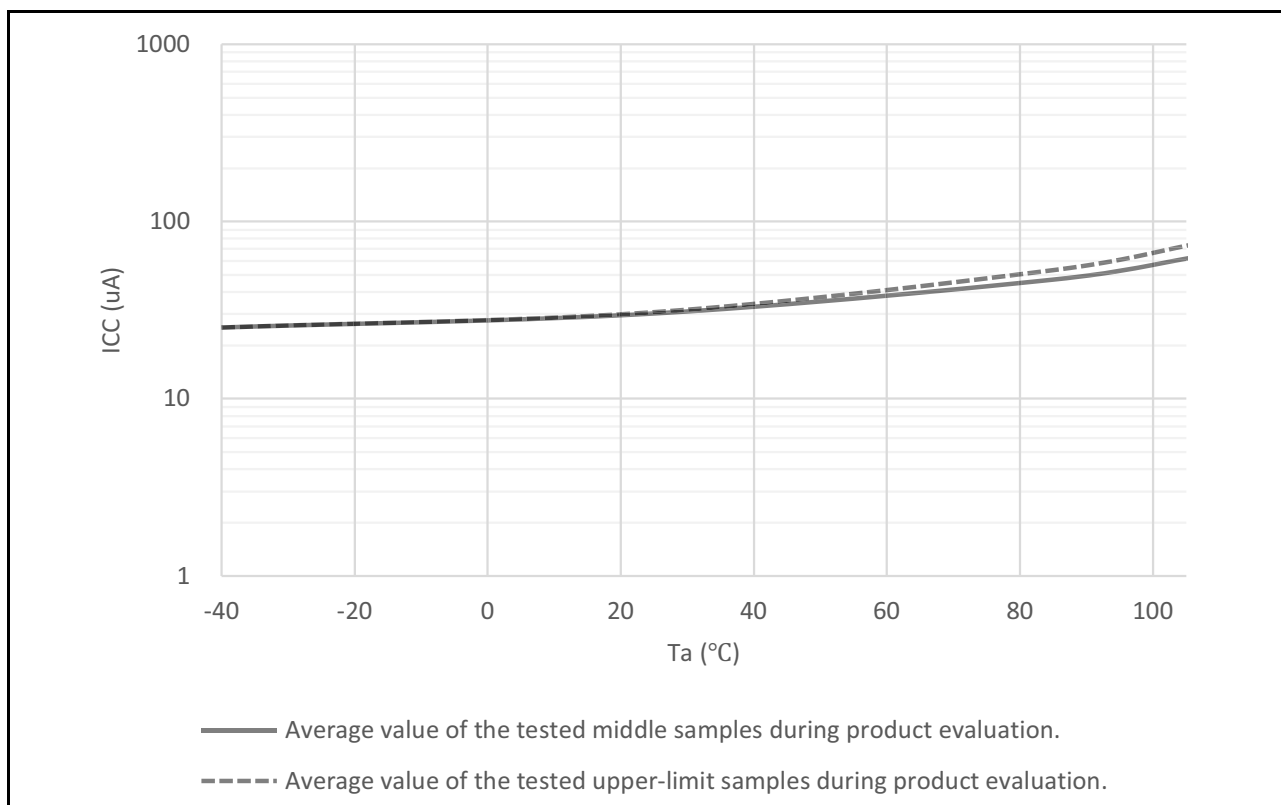
| Parameter             |            |     | Symbol               | Min | Typ | Max  | Unit | Test conditions |
|-----------------------|------------|-----|----------------------|-----|-----|------|------|-----------------|
| USB operating current | Low speed  | USB | I <sub>CCUSBLS</sub> | -   | 3.5 | 6.5  | mA   | VCC_USB         |
|                       | Full speed | USB | I <sub>CCUSBFS</sub> | -   | 4.0 | 10.0 | mA   | VCC_USB         |

- Note 1. Supply current values are with all output pins unloaded and all input pull-up MOS transistors in the off state.
- Note 2. Measured with clocks supplied to the peripheral functions. This does not include the BGO operation.
- Note 3. I<sub>CC</sub> depends on f (ICLK) as follows. (ICLK:PCLKA:PCLKB:PCLKC:PCLKD:BCK:EBCLK = 2:2:1:1:2:1:1)  
 I<sub>CC</sub> Max. = 0.61 × f + 29 (maximum operation in High-speed mode)  
 I<sub>CC</sub> Typ. = 0.08 × f + 2.6 (normal operation in High-speed mode)  
 I<sub>CC</sub> Typ. = 0.1 × f + 1.2 (Low-speed mode)  
 I<sub>CC</sub> Max. = 0.09 × f + 29 (Sleep mode).
- Note 4. This does not include the BGO operation.
- Note 5. Supply of the clock signal to peripherals is stopped in this state. This does not include the BGO operation.
- Note 6. FCLK, BCLK, PCLKA, PCLKB, PCLKC, and PCLKD are set to divided by 64 (3.75 MHz).
- Note 7. When using ETHERC, PCLKA frequency is such that PCLKA = ICLK.
- Note 8. When the MCU is in Software Standby mode or the MSTPCRD.MSTPD16 (12-bit A/D Converter 0 Module Stop bit) and MSTPCRD.MSTPD15 (12-bit A/D Converter 1 Module Stop bit) are in the module-stop state.

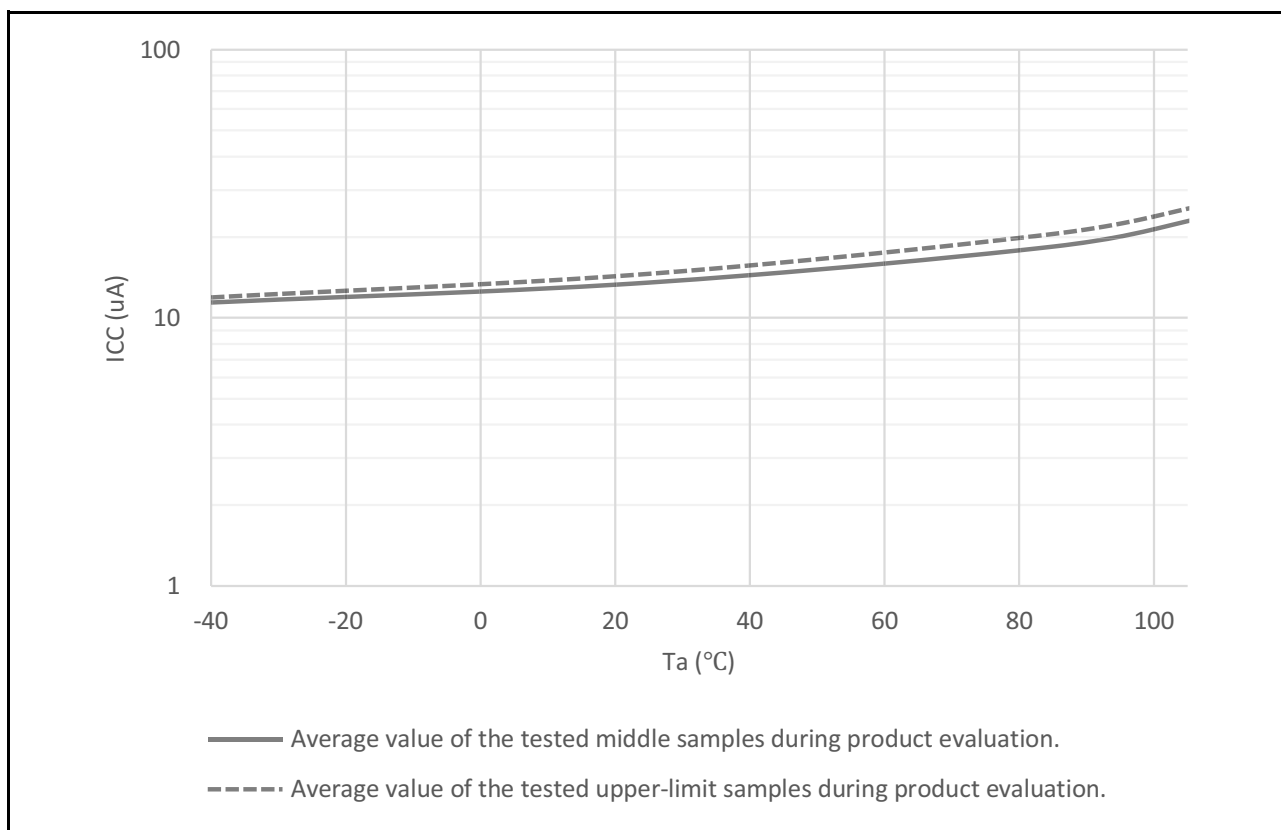


**Figure 55.2 Temperature dependency in Software Standby mode (reference data)**

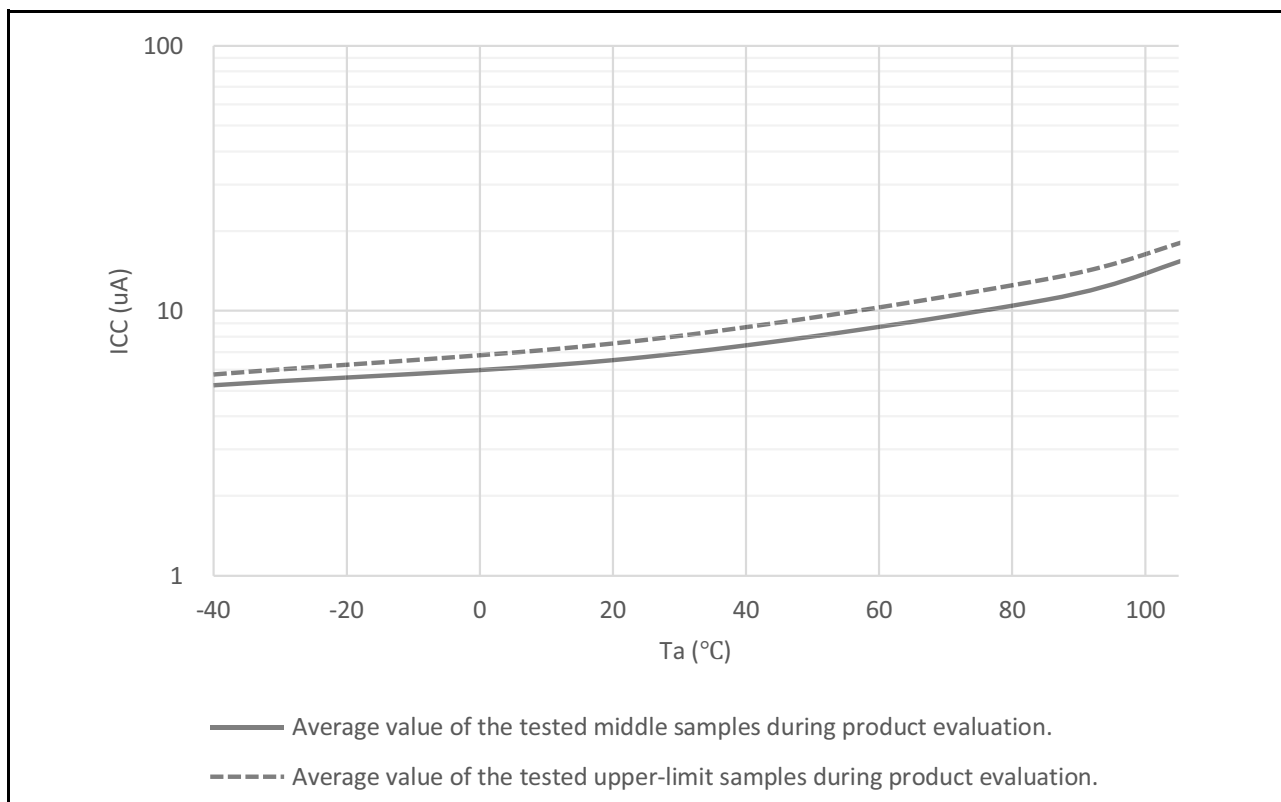




**Figure 55.3** Temperature dependency in Deep Software Standby mode, power supplied to standby SRAM and USB resume detecting unit (reference data)



**Figure 55.4** Temperature dependency in Deep Software Standby mode, power not supplied to SRAM or USB resume detecting unit, power-on reset circuit low power function disabled (reference data)



**Figure 55.5** Temperature dependency in Deep Software Standby mode, power not supplied to SRAM or USB resume detecting unit, power-on reset circuit low power function enabled (reference data)

### 55.2.6 VCC Rise and Fall Gradient and Ripple Frequency

**Table 55.8** Rise and fall gradient characteristics

| Parameter              |   | Symbol | Min    | Typ | Max | Unit | Test conditions |
|------------------------|---|--------|--------|-----|-----|------|-----------------|
| VCC rising gradient    | Voltage monitor 0 reset disabled at startup | SrVCC  | 0.0084 | -   | 20  | ms/V | -               |
|                        | Voltage monitor 0 reset enabled at startup  |        | 0.0084 | -   | -   |      | -               |
|                        | SCI/USB boot mode*1                         |        | 0.0084 | -   | 20  |      | -               |
| VCC falling gradient*2 |   | SrVCC  | 0.0084 | -   | -   | ms/V | -               |

Note 1. At boot mode, the reset from voltage monitor 0 is disabled regardless of the value of the OFS1.LVDAS bit.

Note 2. This applies when VBATT is used.

**Table 55.9** Rise and fall gradient and ripple frequency characteristics

The ripple voltage must meet the allowable ripple frequency  $f_{r(VCC)}$  within the range between the VCC upper limit (3.6 V) and lower limit (2.7 V). When the VCC change exceeds  $VCC \pm 10\%$ , the allowable voltage change rising and falling gradient  $dt/dVCC$  must be met.

| Parameter  | Symbol       | Min | Typ | Max | Unit | Test conditions                                  |
|--|--------------|-----|-----|-----|------|--|
| Allowable ripple frequency                           | $f_{r(VCC)}$ | -   | -   | 10  | kHz  | Figure 55.6<br>$V_{r(VCC)} \leq VCC \times 0.2$  |
|  |              | -   | -   | 1   | MHz  | Figure 55.6<br>$V_{r(VCC)} \leq VCC \times 0.08$ |
|  |              | -   | -   | 10  | MHz  | Figure 55.6<br>$V_{r(VCC)} \leq VCC \times 0.06$ |
| Allowable voltage change rising and falling gradient | $dt/dVCC$    | 1.0 | -   | -   | ms/V | When VCC change exceeds $VCC \pm 10\%$           |

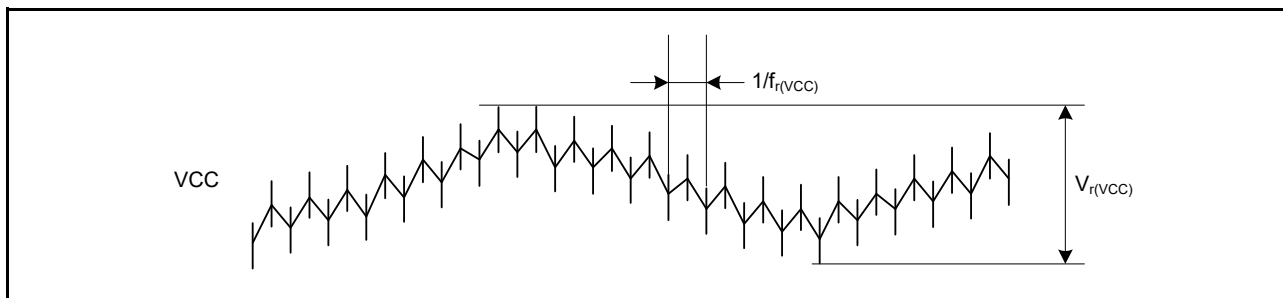


Figure 55.6 Ripple waveform

### 55.3 AC Characteristics

#### 55.3.1 Frequency

Table 55.10 Operation frequency value in high-speed mode

| Parameter           |                                   | Symbol      | Min | Typ | Max | Unit |
|---------------------|-----------------------------------|-------------|-----|-----|-----|------|
| Operation frequency | System clock (ICLK)*2             | f           | -   | -   | 120 | MHz  |
|                     | Peripheral module clock (PCLKA)*2 |             | -   | -   | 120 |      |
|                     | Peripheral module clock (PCLKB)*2 |             | -   | -   | 60  |      |
|                     | Peripheral module clock (PCLKC)*2 | _*3         | -   | -   | 60  |      |
|                     | Peripheral module clock (PCLKD)*2 |             | -   | -   | 120 |      |
|                     | Flash interface clock (FCLK)*2    | _*1         | -   | -   | 60  |      |
|                     | External bus clock (BCLK)*2       |             | -   | -   | 120 |      |
|                     | EBCLK pin output                  |             | -   | -   | 60  |      |
|                     | SDCLK pin output                  | VCC ≥ 3.0 V |     | -   | -   |      |

Note 1. FCLK must run at a frequency of at least 4 MHz when programming or erasing the flash memory.

Note 2. See section 9, Clock Generation Circuit for the relationship between the ICLK, PCLKA, PCLKB, PCLKC, PCLKD, FCLK, and BCLK frequencies.

Note 3. When the ADC12 is used, the PCLKC frequency must be at least 1 MHz.

Table 55.11 Operation frequency value in low-speed mode

| Parameter           |                                       | Symbol | Min | Typ | Max | Unit |
|---------------------|---------------------------------------|--------|-----|-----|-----|------|
| Operation frequency | System clock (ICLK)*2                 | f      | -   | -   | 1   | MHz  |
|                     | Peripheral module clock (PCLKA)*2     |        | -   | -   | 1   |      |
|                     | Peripheral module clock (PCLKB)*2     |        | -   | -   | 1   |      |
|                     | Peripheral module clock (PCLKC)*2, *3 | _*3    | -   | -   | 1   |      |
|                     | Peripheral module clock (PCLKD)*2     |        | -   | -   | 1   |      |
|                     | Flash interface clock (FCLK)*1, *2    |        | -   | -   | 1   |      |
|                     | External bus clock (BCLK)             |        | -   | -   | 1   |      |
|                     | EBCLK pin output                      |        | -   | -   | 1   |      |

Note 1. Programming or erasing the flash memory is disabled in low-speed mode.

Note 2. See section 9, Clock Generation Circuit for the relationship between the ICLK, PCLKA, PCLKB, PCLKC, PCLKD, FCLK, and BCLK frequencies.

Note 3. When the ADC12 is used, the PCLKC frequency must be set to at least 1 MHz.

**Table 55.12 Operation frequency value in Subosc-speed mode**

| Parameter           | Symbol                                | Min  | Typ  | Max  | Unit |     |
|---------------------|---------------------------------------|------|------|------|------|-----|
| Operation frequency | System clock (ICLK)*2                 | f    | 29.4 | -    | 36.1 | kHz |
|                     | Peripheral module clock (PCLKA)*2     | -    | -    | 36.1 |      |     |
|                     | Peripheral module clock (PCLKB)*2     | -    | -    | 36.1 |      |     |
|                     | Peripheral module clock (PCLKC)*2, *3 | -    | -    | 36.1 |      |     |
|                     | Peripheral module clock (PCLKD)*2     | -    | -    | 36.1 |      |     |
|                     | Flash interface clock (FCLK)*1, *2    | 29.4 | -    | 36.1 |      |     |
|                     | External bus clock (BCLK)*2           | -    | -    | 36.1 |      |     |
|                     | EBCLK pin output                      | -    | -    | 36.1 |      |     |

Note 1. Programming or erasing the flash memory is disabled in Subosc-speed mode.

Note 2. See [section 9, Clock Generation Circuit](#) for the relationship between the ICLK, PCLKA, PCLKB, PCLKC, PCLKD, FCLK, and BCLK frequencies.

Note 3. The ADC12 cannot be used.

### 55.3.2 Clock Timing

**Table 55.13 Clock timing except for sub-clock oscillator (1 of 2)**

| Parameter   | Symbol          | Min     | Typ    | Max     | Unit    | Test conditions |
|---|-----------------|---------|--------|---------|---------|-----------------|
| EBCLK pin output cycle time                                 | $t_{Bcyc}$      | 16.6    | -      | -       | ns      | Figure 55.7     |
| EBCLK pin output high pulse width                           | $t_{CH}$        | 3.3     | -      | -       | ns      |                 |
| EBCLK pin output low pulse width                            | $t_{CL}$        | 3.3     | -      | -       | ns      |                 |
| EBCLK pin output rise time                                  | $t_{Cr}$        | -       | -      | 5.0     | ns      |                 |
| EBCLK pin output fall time                                  | $t_{Cf}$        | -       | -      | 5.0     | ns      |                 |
| SDCLK pin output cycle time                                 | $t_{SDcyc}$     | 8.33    | -      | -       | ns      | Figure 55.8     |
| SDCLK pin output high pulse width                           | $t_{CH}$        | 1.0     | -      | -       | ns      |                 |
| SDCLK pin output low pulse width                            | $t_{CL}$        | 1.0     | -      | -       | ns      |                 |
| SDCLK pin output rise time                                  | $t_{Cr}$        | -       | -      | 3.0     | ns      |                 |
| SDCLK pin output fall time                                  | $t_{Cf}$        | -       | -      | 3.0     | ns      |                 |
| EXTAL external clock input cycle time                       | $t_{EXcyc}$     | 41.66   | -      | -       | ns      | Figure 55.8     |
| EXTAL external clock input high pulse width                 | $t_{EXH}$       | 15.83   | -      | -       | ns      |                 |
| EXTAL external clock input low pulse width                  | $t_{EXL}$       | 15.83   | -      | -       | ns      |                 |
| EXTAL external clock rise time                              | $t_{Exr}$       | -       | -      | 5.0     | ns      |                 |
| EXTAL external clock fall time                              | $t_{Exf}$       | -       | -      | 5.0     | ns      |                 |
| Main clock oscillator frequency                             | $f_{MAIN}$      | 8       | -      | 24      | MHz     | -               |
| Main clock oscillation stabilization wait time (crystal) *1 | $t_{MAINOSCWT}$ | -       | -      | -*1     | ms      | Figure 55.9     |
| LOCO clock oscillation frequency                            | $f_{LOCO}$      | 29.4912 | 32.768 | 36.0448 | kHz     | -               |
| LOCO clock oscillation stabilization wait time              | $t_{LOCOWT}$    | -       | -      | 60.4    | $\mu$ s | Figure 55.10    |
| ILOCO clock oscillation frequency                           | $f_{ILOCO}$     | 13.5    | 15     | 16.5    | kHz     | -               |
| MOCO clock oscillation frequency                            | $F_{MOCO}$      | 6.8     | 8      | 9.2     | MHz     | -               |
| MOCO clock oscillation stabilization wait time              | $t_{MOCOWT}$    | -       | -      | 15.0    | $\mu$ s | -               |

**Table 55.13 Clock timing except for sub-clock oscillator (2 of 2)**

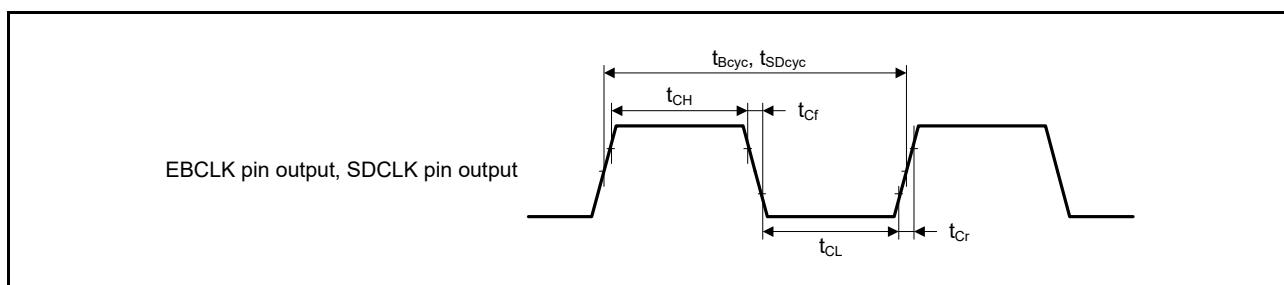
| Parameter  |             | Symbol       | Min    | Typ | Max    | Unit    | Test conditions  |
|--|-------------|--------------|--------|-----|--------|---------|--|
| HOCO clock oscillator oscillation frequency      | Without FLL | $f_{HOCO16}$ | 15.78  | 16  | 16.22  | MHz     | $-20 \leq Ta \leq 105^{\circ}C$  |
|  |             | $f_{HOCO18}$ | 17.75  | 18  | 18.25  |         |  |
|  |             | $f_{HOCO20}$ | 19.72  | 20  | 20.28  |         |  |
|  | With FLL    | $f_{HOCO16}$ | 15.71  | 16  | 16.29  |         | $-40 \leq Ta \leq -20^{\circ}C$  |
|  |             | $f_{HOCO18}$ | 17.68  | 18  | 18.32  |         |  |
|  |             | $f_{HOCO20}$ | 19.64  | 20  | 20.36  |         |  |
|  |             | $f_{HOCO16}$ | 15.955 | 16  | 16.045 |         | $-40 \leq Ta \leq 105^{\circ}C$<br>Sub-clock frequency accuracy is $\pm 50$ ppm. |
|  |             | $f_{HOCO18}$ | 17.949 | 18  | 18.051 |         |  |
|  |             | $f_{HOCO20}$ | 19.944 | 20  | 20.056 |         |  |
| HOCO clock oscillation stabilization wait time*2 |             | $t_{HOCOWT}$ | -      | -   | 64.7   | $\mu s$ | -  |
| FLL stabilization wait time                      |             | $t_{FLLWT}$  | -      | -   | 1.8    | ms      | -  |
| PLL clock frequency                              |             | $f_{PLL}$    | 120    | -   | 240    | MHz     | -  |
| PLL clock oscillation stabilization wait time    |             | $t_{PLLWT}$  | -      | -   | 174.9  | $\mu s$ | Figure 55.11   |

- Note 1. When setting up the main clock oscillator, ask the oscillator manufacturer for an oscillation evaluation, and use the results as the recommended oscillation stabilization time. Set the MOSCWTCR register to a value equal to or greater than the recommended value.  
After changing the setting in the MOSCCR.MOSTP bit to start main clock operation, read the OSCSF.MOSCSF flag to confirm that it is 1, and then start using the main clock oscillator.
- Note 2. This is the time from release from reset state until the HOCO oscillation frequency ( $f_{HOCO}$ ) reaches the range for guaranteed operation.

**Table 55.14 Clock timing for the sub-clock oscillator**

| Parameter                                     | Symbol         | Min | Typ    | Max | Unit | Test conditions |
|---|----------------|-----|--------|-----|------|-----------------|
| Sub-clock frequency                           | $f_{SUB}$      | -   | 32.768 | -   | KHz  | -               |
| Sub-clock oscillation stabilization wait time | $t_{SUBOSCWT}$ | -   | -      | -*1 | s    | Figure 55.12    |

- Note 1. When setting up the sub-clock oscillator, ask the oscillator manufacturer for an oscillation evaluation and use the results as the recommended oscillation stabilization time.  
After changing the setting in the SOSCCR.SOSTP bit to start sub-clock operation, only start using the sub-clock oscillator after the sub-clock oscillation stabilization time elapses with an adequate margin. A value that is two times the value shown is recommended.



**Figure 55.7 EBCLK and SDCLK output timing**

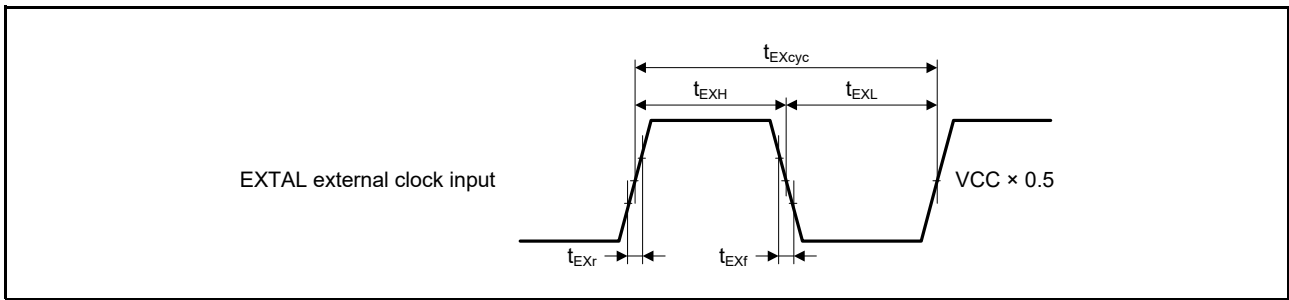


Figure 55.8 EXTAL external clock input timing

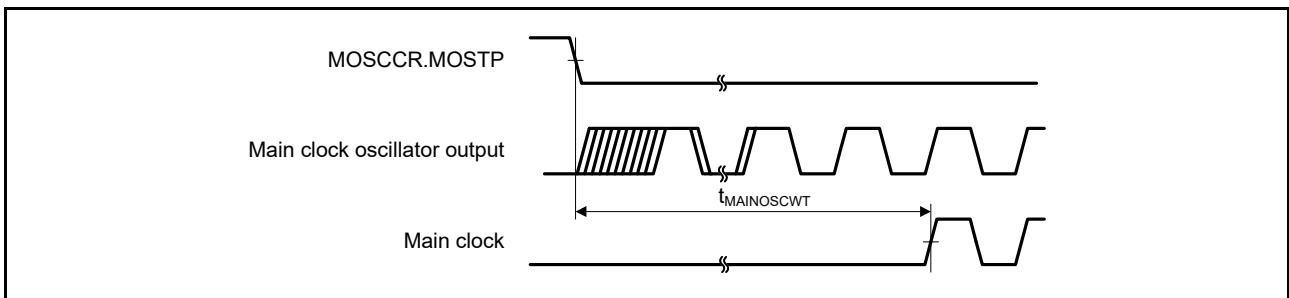


Figure 55.9 Main clock oscillation start timing

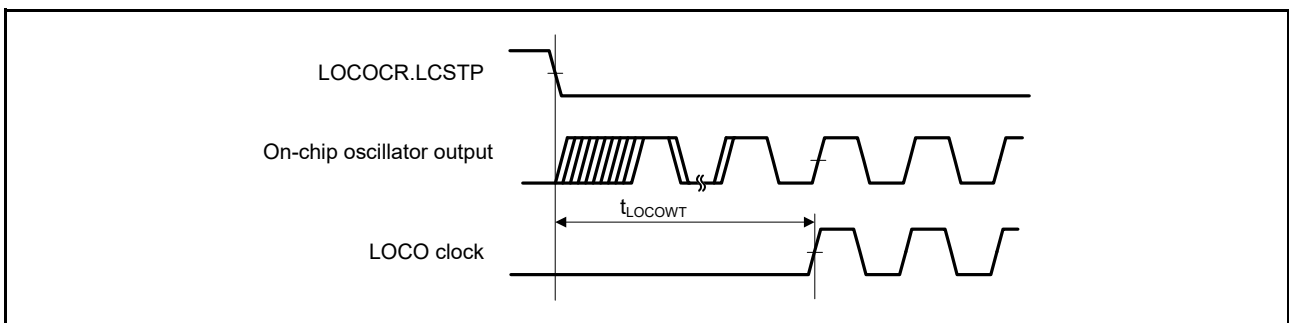


Figure 55.10 LOCO clock oscillation start timing

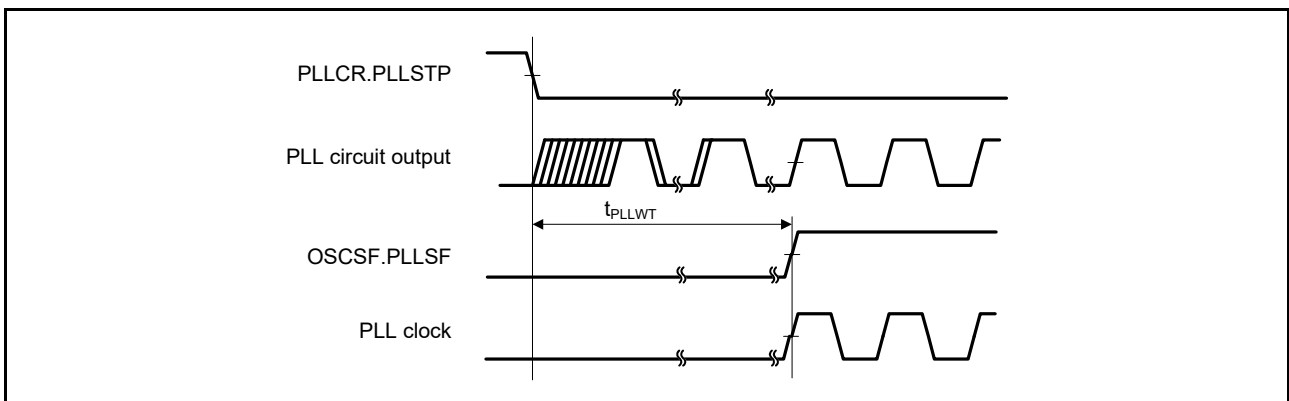


Figure 55.11 PLL clock oscillation start timing

Note: Only operate the PLL after the main clock oscillation has stabilized.

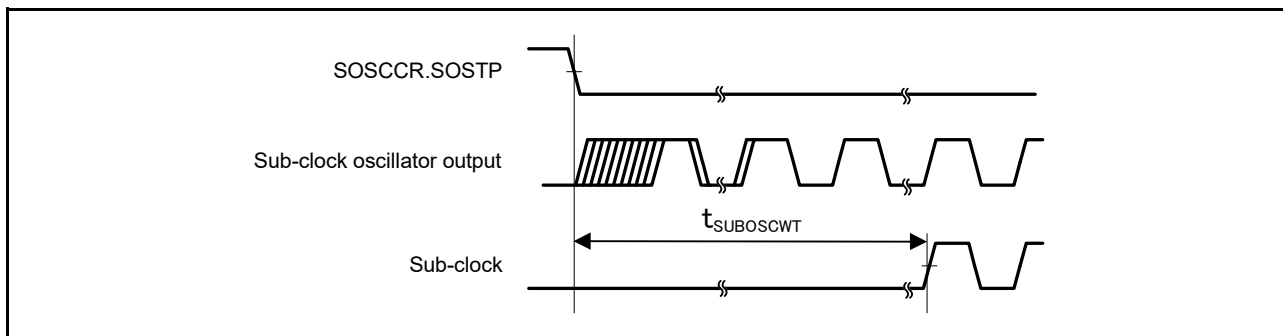


Figure 55.12 Sub-clock oscillation start timing

### 55.3.3 Reset Timing

Table 55.15 Reset timing

| Parameter  |  | Symbol      | Min | Typ | Max | Unit    | Test conditions |
|--|--|-------------|-----|-----|-----|---------|-----------------|
| RES pulse width  | Power-on                                 | $t_{RESWP}$ | 1   | -   | -   | ms      | Figure 55.13    |
|  | Deep Software Standby mode               | $t_{RESWD}$ | 0.6 | -   | -   | ms      | Figure 55.14    |
|  | Software Standby mode, Subosc-speed mode | $t_{RESWS}$ | 0.3 | -   | -   | ms      |                 |
|  | All other                                | $t_{RESW}$  | 200 | -   | -   | $\mu$ s |                 |
| Wait time after RES cancellation   |  | $t_{RESWT}$ | -   | 29  | 32  | $\mu$ s | Figure 55.13    |
| Wait time after internal reset cancellation (IWDT reset, WDT reset, software reset, SRAM parity error reset, SRAM ECC error reset, bus master MPU error reset, bus slave MPU error reset, stack pointer error reset) |  | $t_{RESW2}$ | -   | 320 | 390 | $\mu$ s | -               |

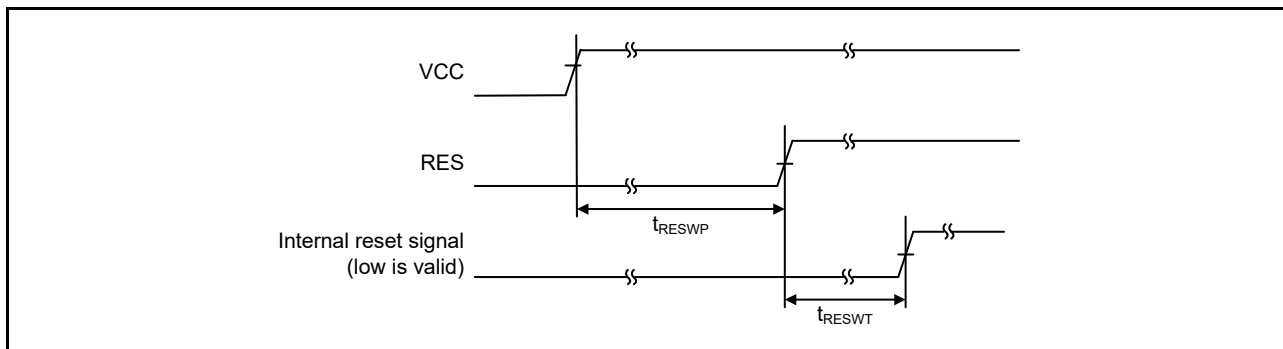


Figure 55.13 Power-on reset timing

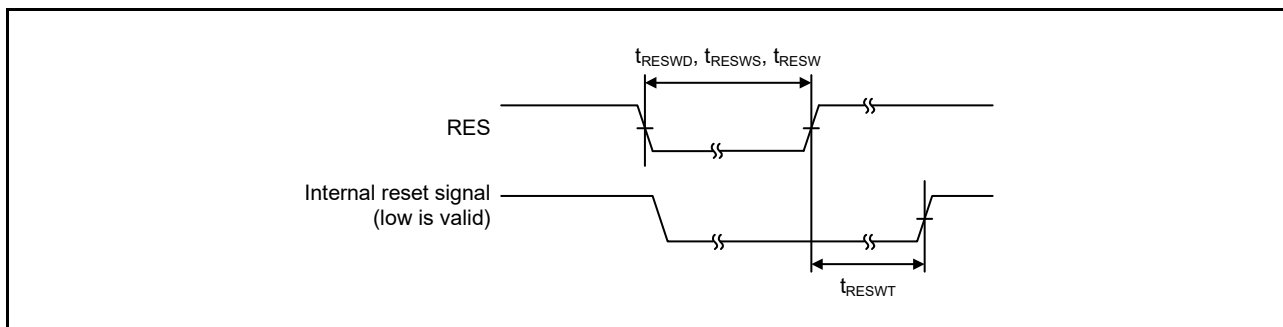


Figure 55.14 Reset input timing

## 55.3.4 Wakeup Timing

Table 55.16 Timing of recovery from low power modes

| Parameter  |   |   | Symbol       | Min | Typ        | Max        | Unit      | Test conditions   |
|--|---|---|--------------|-----|------------|------------|-----------|---|
| Recovery time from Software Standby mode*1                 | Crystal resonator connected to main clock oscillator      | System clock source is main clock oscillator*2          | $t_{SBYMC}$  | -   | 2.4*9      | 2.8*9      | ms        | Figure 55.15<br>The division ratio of all oscillators is 1. |
|  |   | System clock source is PLL with main clock oscillator*3 | $t_{SBYPC}$  | -   | 2.7*9      | 3.2*9      | ms        |   |
|  | External clock input to main clock oscillator             | System clock source is main clock oscillator*4          | $t_{SBYEX}$  | -   | 230*9      | 280*9      | $\mu$ s   |   |
|  |   | System clock source is PLL with main clock oscillator*5 | $t_{SBYPE}$  | -   | 570*9      | 700*9      | $\mu$ s   |   |
|  | System clock source is sub-clock oscillator*8             |   | $t_{SBYSC}$  | -   | 1.2*9      | 1.3*9      | ms        |   |
|  | System clock source is LOCO*8                             |   | $t_{SBYLO}$  | -   | 1.2*9      | 1.4*9      | ms        |   |
|  | System clock source is HOCO clock oscillator*6            |   | $t_{SBYHO}$  | -   | 240*9, *10 | 300*9, *10 | $\mu$ s   |   |
|  | System clock source is MOCO clock oscillator*7            |   | $t_{SBYMO}$  | -   | 220*9      | 300*9      | $\mu$ s   |   |
| Recovery time from Deep Software Standby mode              |   |   | $t_{DSBY}$   | -   | 0.65       | 1.0        | ms        | Figure 55.16  |
| Wait time after cancellation of Deep Software Standby mode |   |   | $t_{DSBYWT}$ | 34  | -          | 35         | $t_{cyc}$ |   |
| Recovery time from Software Standby mode to Snooze mode    | High-speed mode when system clock source is HOCO (20 MHz) |   | $t_{SNZ}$    | -   | 35*9, *10  | 70*9, *10  | $\mu$ s   | Figure 55.17  |
|  | High-speed mode when system clock source is MOCO (8 MHz)  |   | $t_{SNZ}$    | -   | 11*9       | 14*9       | $\mu$ s   |   |

- Note 1. The recovery time is determined by the system clock source. When multiple oscillators are active, the recovery time can be determined with the following equation:  
Total recovery time = recovery time for an oscillator as the system clock source + the longest oscillation stabilization time of any oscillators requiring longer stabilization times than the system clock source + 2 LOCO cycles (when LOCO is operating) + 3 SOSC cycles (when Subosc is oscillating and MSTPC0 = 0 (CAC module stop)).
- Note 2. When the frequency of the crystal is 24 MHz (Main Clock Oscillator Wait Control Register (MOSCWTCR) is set to 05h). For other settings (MOSCWTCR is set to Xh), the recovery time can be determined with the following equation:  
 $t_{SBYMC}$  (MOSCWTCR = Xh) =  $t_{SBYMC}$  (MOSCWTCR = 05h) + ( $t_{MAINOSCWT}$  (MOSCWTCR = Xh) -  $t_{MAINOSCWT}$  (MOSCWTCR = 05h))
- Note 3. When the frequency of PLL is 240 MHz (Main Clock Oscillator Wait Control Register (MOSCWTCR) is set to 05h). For other settings (MOSCWTCR is set to Xh), the recovery time can be determined with the following equation:  
 $t_{SBYMC}$  (MOSCWTCR = Xh) =  $t_{SBYMC}$  (MOSCWTCR = 05h) + ( $t_{MAINOSCWT}$  (MOSCWTCR = Xh) -  $t_{MAINOSCWT}$  (MOSCWTCR = 05h))
- Note 4. When the frequency of the external clock is 24 MHz (Main Clock Oscillator Wait Control Register (MOSCWTCR) is set to 00h). For other settings (MOSCWTCR is set to Xh), the recovery time can be determined with the following equation:  
 $t_{SBYMC}$  (MOSCWTCR = Xh) =  $t_{SBYMC}$  (MOSCWTCR = 00h) + ( $t_{MAINOSCWT}$  (MOSCWTCR = Xh) -  $t_{MAINOSCWT}$  (MOSCWTCR = 00h))
- Note 5. When the frequency of PLL is 240 MHz (Main Clock Oscillator Wait Control Register (MOSCWTCR) is set to 00h). For other settings (MOSCWTCR is set to Xh), the recovery time can be determined with the following equation:  
 $t_{SBYMC}$  (MOSCWTCR = Xh) =  $t_{SBYMC}$  (MOSCWTCR = 00h) + ( $t_{MAINOSCWT}$  (MOSCWTCR = Xh) -  $t_{MAINOSCWT}$  (MOSCWTCR = 00h))
- Note 6. The HOCO frequency is 20 MHz.
- Note 7. The MOCO frequency is 8 MHz.
- Note 8. In Subosc-speed mode, the sub-clock oscillator or LOCO continues oscillating in Software Standby mode.
- Note 9. When the SNZCR.RXDREQEN bit is set to 0, the following time is added as the power supply recovery time:  
STCONR.STCON[1:0] = 00b:16  $\mu$ s (typical), 34  $\mu$ s (maximum)  
STCONR.STCON[1:0] = 11b:16  $\mu$ s (typical), 104  $\mu$ s (maximum).
- Note 10. When the SNZCR.RXDREQEN bit is set to 0, 16  $\mu$ s (typical) or 18  $\mu$ s (maximum) is added as the HOCO wait time.



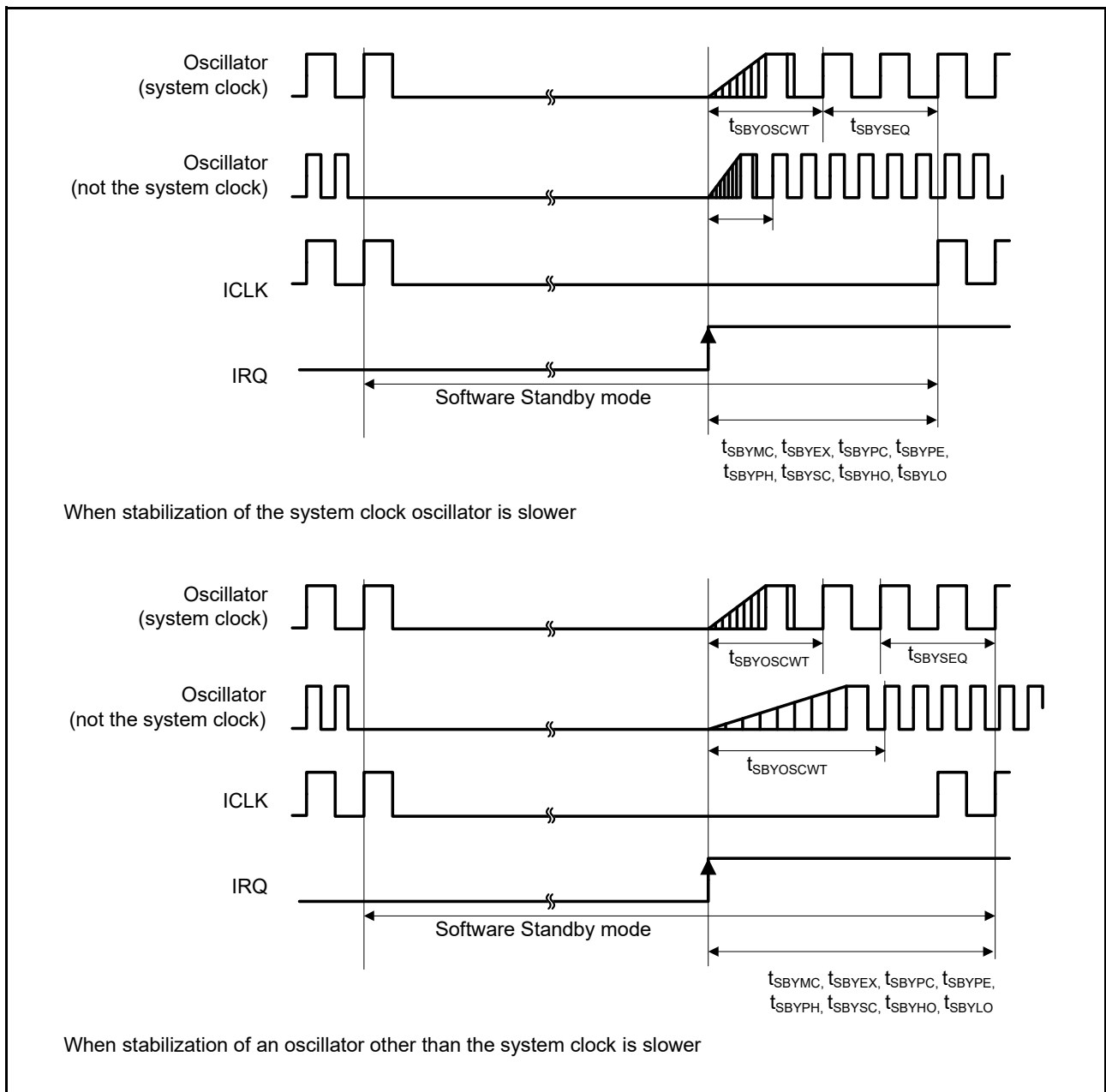


Figure 55.15 Software Standby mode cancellation timing

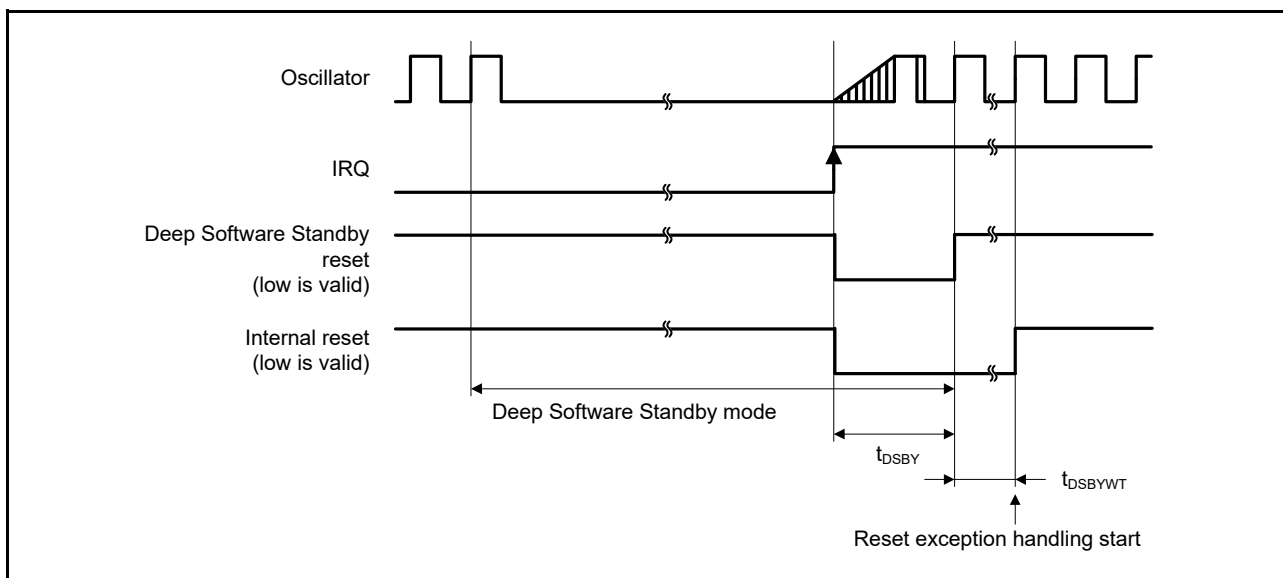


Figure 55.16 Deep Software Standby mode cancellation timing

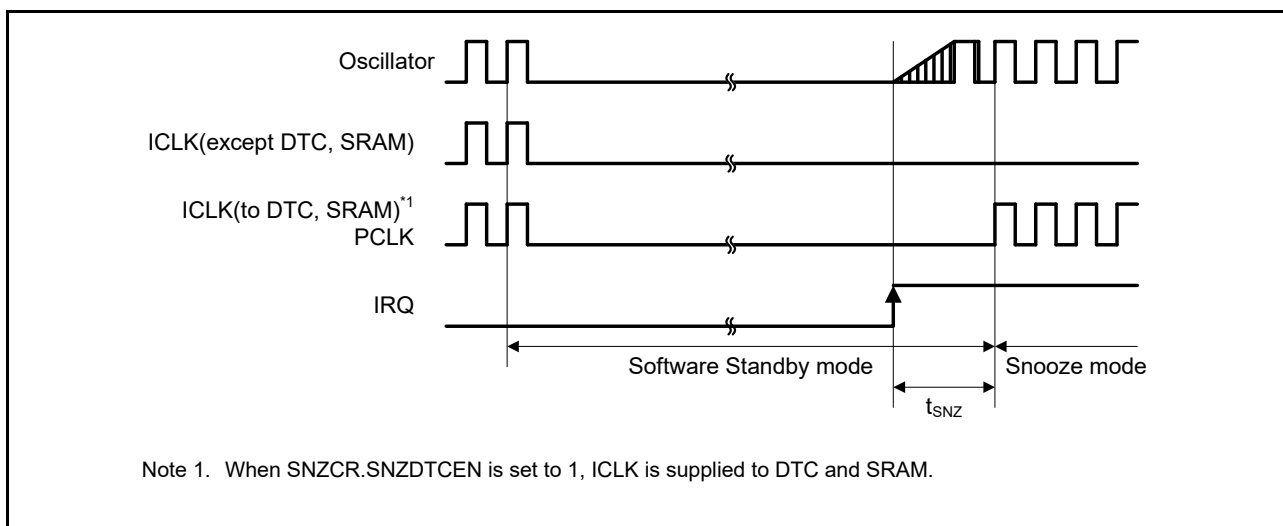


Figure 55.17 Recovery timing from Software Standby mode to Snooze mode

### 55.3.5 NMI and IRQ Noise Filter

Table 55.17 NMI and IRQ noise filter

| Parameter       | Symbol     | Min                         | Typ | Max | Unit | Test conditions             |                                  |
|-----------------|------------|-----------------------------|-----|-----|------|-----------------------------|----------------------------------|
| NMI pulse width | $t_{NMIW}$ | 200                         | -   | -   | ns   | NMI digital filter disabled |                                  |
|                 |            | $t_{Pcyc} \times 2^{*1}$    | -   | -   |      |                             | $t_{Pcyc} \times 2 > 200$ ns     |
|                 |            | 200                         | -   | -   |      | NMI digital filter enabled  | $t_{NMICK} \times 3 \leq 200$ ns |
|                 |            | $t_{NMICK} \times 3.5^{*2}$ | -   | -   |      |                             | $t_{NMICK} \times 3 > 200$ ns    |
| IRQ pulse width | $t_{IRQW}$ | 200                         | -   | -   | ns   | IRQ digital filter disabled |                                  |
|                 |            | $t_{Pcyc} \times 2^{*1}$    | -   | -   |      |                             | $t_{Pcyc} \times 2 > 200$ ns     |
|                 |            | 200                         | -   | -   |      | IRQ digital filter enabled  | $t_{IRQCK} \times 3 \leq 200$ ns |
|                 |            | $t_{IRQCK} \times 3.5^{*3}$ | -   | -   |      |                             | $t_{IRQCK} \times 3 > 200$ ns    |

Note: 200 ns minimum in Software Standby mode.

Note: If the clock source is switched, add 4 clock cycles of the switched source.

- Note 1.  $t_{Pcyc}$  indicates the PCLKB cycle.
- Note 2.  $t_{NMICK}$  indicates the cycle of the NMI digital filter sampling clock.
- Note 3.  $t_{IRQCK}$  indicates the cycle of the IRQi digital filter sampling clock.

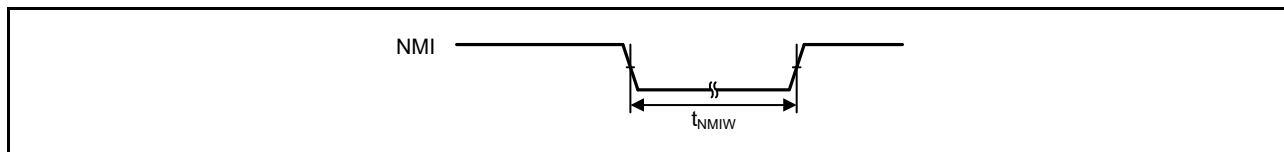


Figure 55.18 NMI interrupt input timing

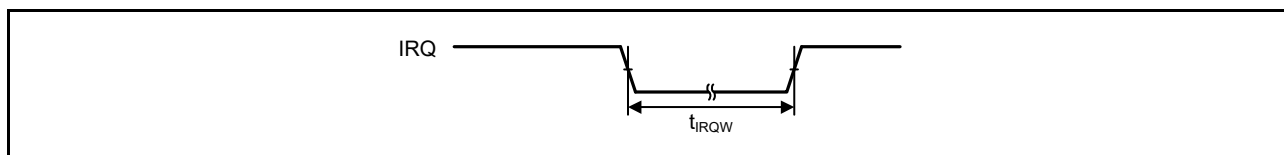


Figure 55.19 IRQ interrupt input timing

### 55.3.6 Bus Timing

**Table 55.18 Bus timing (1 of 2)**

Condition 1: When using the CS area controller (CSC).  
 BCLK = 8 to 120 MHz, EBCLK = 8 to 60 MHz.  
 VCC = AVCC0 = VCC\_USB = VBATT = 2.7 to 3.6 V, VREFH/VREFH0 = 2.7 V to AVCC0.  
 Output load conditions: VOH = VCC × 0.5, VOL = VCC × 0.5, C = 30 pF.  
 EBCLK: High drive output is selected in the Port Drive Capability bit in the PmnPFS register.  
 Others: Middle drive output is selected in the Port Drive Capability bit in the PmnPFS register.

Condition 2: When using the SDRAM area controller (SDRAMC).  
 BCLK = SDCLK = 8 to 120 MHz.  
 VCC = AVCC0 = VCC\_USB = VBATT = 3.0 to 3.6 V, VREFH/VREFH0 = 3.0 V to AVCC0.  
 Output load conditions: VOH = VCC × 0.5, VOL = VCC × 0.5, C = 15 pF.  
 High drive output is selected in the Port Drive Capability bit in the PmnPFS register.

Condition 3: When using the SDRAM area controller (SDRAMC) and CS area controller (CSC) simultaneously.  
 BCLK = SDCLK = 8 to 60 MHz.  
 VCC = AVCC0 = VCC\_USB = VBATT = 3.0 to 3.6 V, VREFH/VREFH0 = 3.0 V to AVCC0.  
 Output load conditions: VOH = VCC × 0.5, VOL = VCC × 0.5, C = 15 pF.  
 High drive output is selected in the Port Drive Capability bit in the PmnPFS register.

| Parameter            | Symbol     | Min  | Max  | Unit | Test conditions                 |
|----------------------|------------|------|------|------|---------------------------------|
| Address delay        | $t_{AD}$   | -    | 12.5 | ns   | Figure 55.20 to<br>Figure 55.25 |
| Byte control delay   | $t_{BCD}$  | -    | 12.5 | ns   |                                 |
| CS delay             | $t_{CSD}$  | -    | 12.5 | ns   |                                 |
| ALE delay time       | $t_{ALEd}$ | -    | 12.5 | ns   |                                 |
| RD delay             | $t_{RSD}$  | -    | 12.5 | ns   |                                 |
| Read data setup time | $t_{RDS}$  | 12.5 | -    | ns   |                                 |
| Read data hold time  | $t_{RDH}$  | 0    | -    | ns   |                                 |
| WR/WRn delay         | $t_{WRD}$  | -    | 12.5 | ns   |                                 |
| Write data delay     | $t_{WDD}$  | -    | 12.5 | ns   |                                 |
| Write data hold time | $t_{WDH}$  | 0    | -    | ns   |                                 |
| WAIT setup time      | $t_{WTS}$  | 12.5 | -    | ns   | Figure 55.26                    |
| WAIT hold time       | $t_{WTH}$  | 0    | -    | ns   |                                 |

**Table 55.18 Bus timing (2 of 2)**

Condition 1: When using the CS area controller (CSC).

BCLK = 8 to 120 MHz, EBCLK = 8 to 60 MHz.

VCC = AVCC0 = VCC\_USB = VBATT = 2.7 to 3.6 V, VREFH/VREFH0 = 2.7 V to AVCC0.

Output load conditions: VOH = VCC × 0.5, VOL = VCC × 0.5, C = 30 pF.

EBCLK: High drive output is selected in the Port Drive Capability bit in the PmnPFS register.

Others: Middle drive output is selected in the Port Drive Capability bit in the PmnPFS register.

Condition 2: When using the SDRAM area controller (SDRAMC).

BCLK = SDCLK = 8 to 120 MHz.

VCC = AVCC0 = VCC\_USB = VBATT = 3.0 to 3.6 V, VREFH/VREFH0 = 3.0 V to AVCC0.

Output load conditions: VOH = VCC × 0.5, VOL = VCC × 0.5, C = 15 pF.

High drive output is selected in the Port Drive Capability bit in the PmnPFS register.

Condition 3: When using the SDRAM area controller (SDRAMC) and CS area controller (CSC) simultaneously.

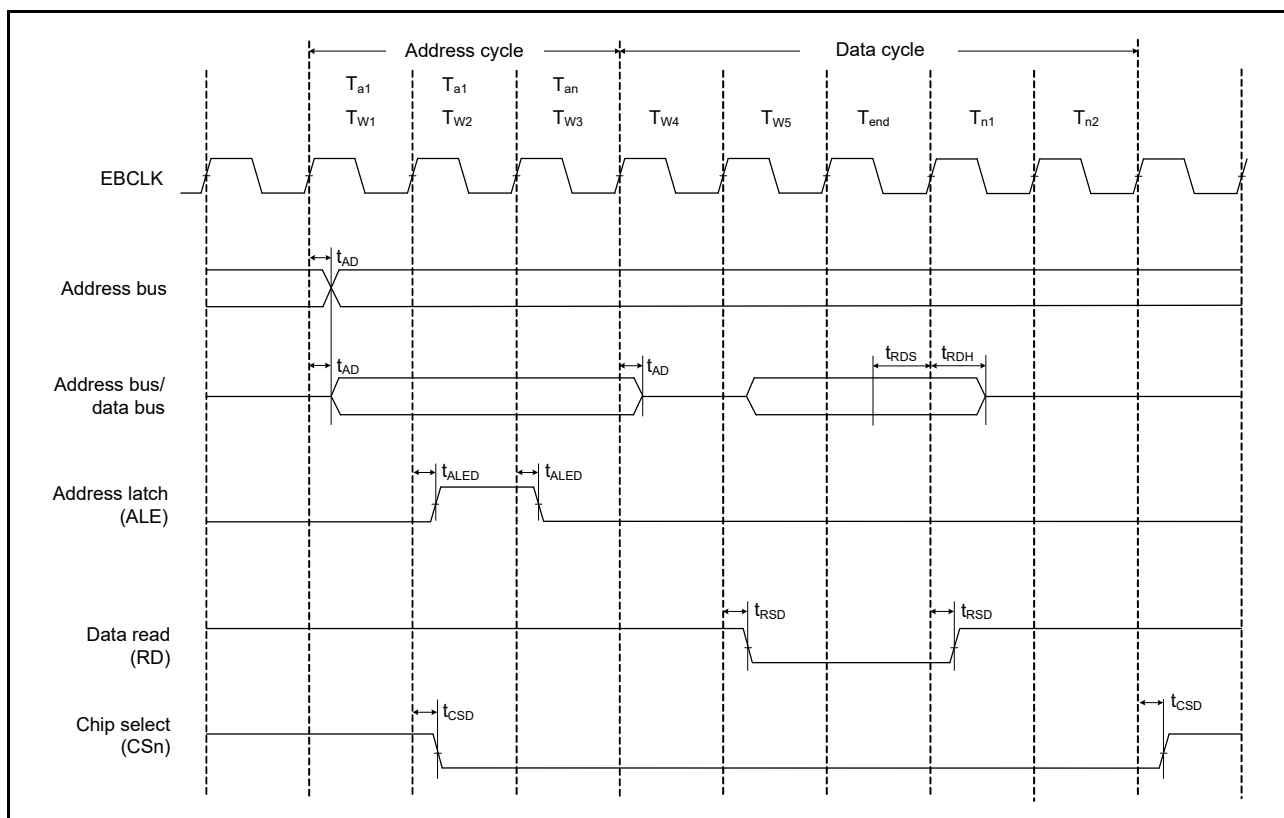
BCLK = SDCLK = 8 to 60 MHz.

VCC = AVCC0 = VCC\_USB = VBATT = 3.0 to 3.6 V, VREFH/VREFH0 = 3.0 V to AVCC0.

Output load conditions: VOH = VCC × 0.5, VOL = VCC × 0.5, C = 15 pF.

High drive output is selected in the Port Drive Capability bit in the PmnPFS register.

| Parameter                      | Symbol     | Min | Max | Unit | Test conditions              |
|--------------------------------|------------|-----|-----|------|------------------------------|
| Address delay 2 (SDRAM)        | $t_{AD2}$  | 0.8 | 6.8 | ns   | Figure 55.27 to Figure 55.30 |
| CS delay 2 (SDRAM)             | $t_{CSD2}$ | 0.8 | 6.8 | ns   |                              |
| DQM delay (SDRAM)              | $t_{DQMD}$ | 0.8 | 6.8 | ns   |                              |
| CKE delay (SDRAM)              | $t_{CKED}$ | 0.8 | 6.8 | ns   |                              |
| Read data setup time 2 (SDRAM) | $t_{RDS2}$ | 2.9 | -   | ns   |                              |
| Read data hold time 2 (SDRAM)  | $t_{RDH2}$ | 1.5 | -   | ns   |                              |
| Write data delay 2 (SDRAM)     | $t_{WDD2}$ | -   | 6.8 | ns   |                              |
| Write data hold time 2 (SDRAM) | $t_{WDH2}$ | 0.8 | -   | ns   |                              |
| WE delay (SDRAM)               | $t_{WED}$  | 0.8 | 6.8 | ns   |                              |
| RAS delay (SDRAM)              | $t_{RASD}$ | 0.8 | 6.8 | ns   |                              |
| CAS delay (SDRAM)              | $t_{CASD}$ | 0.8 | 6.8 | ns   |                              |



**Figure 55.20 Address/data multiplexed bus read access timing**

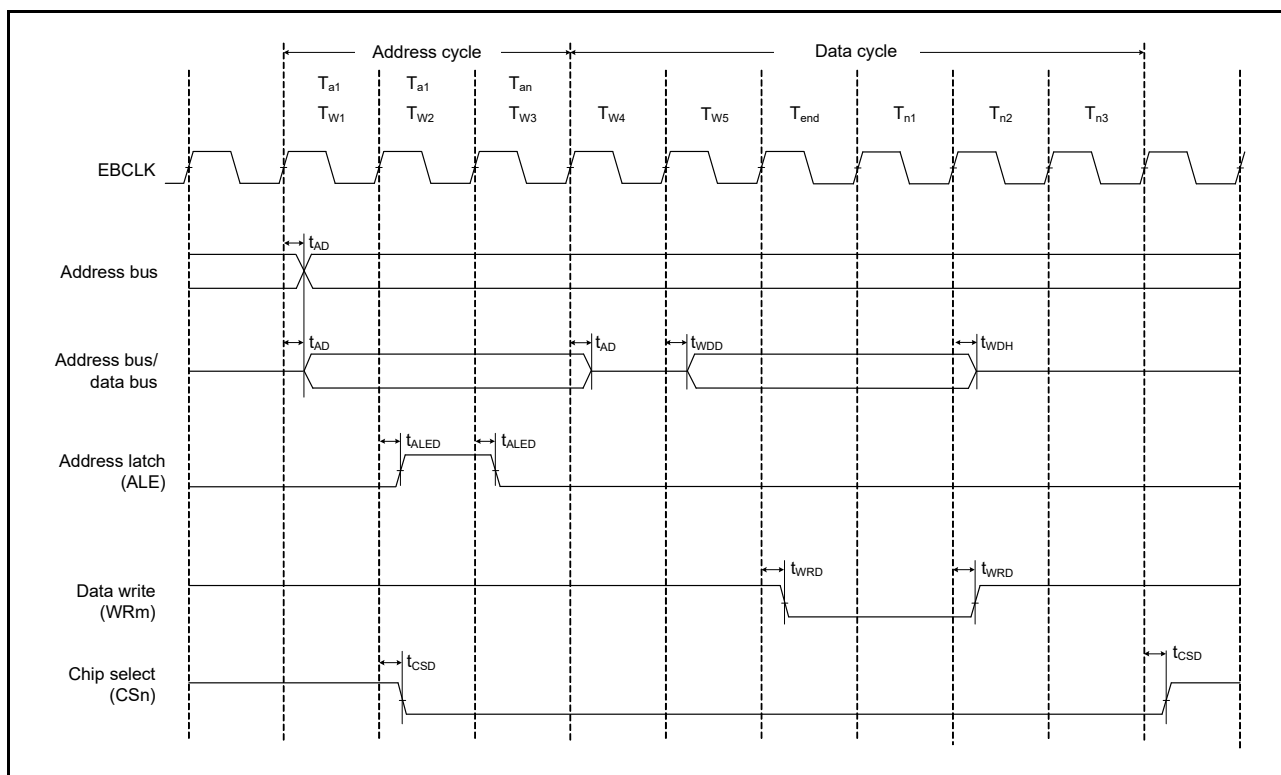


Figure 55.21 Address/data multiplexed bus write access timing

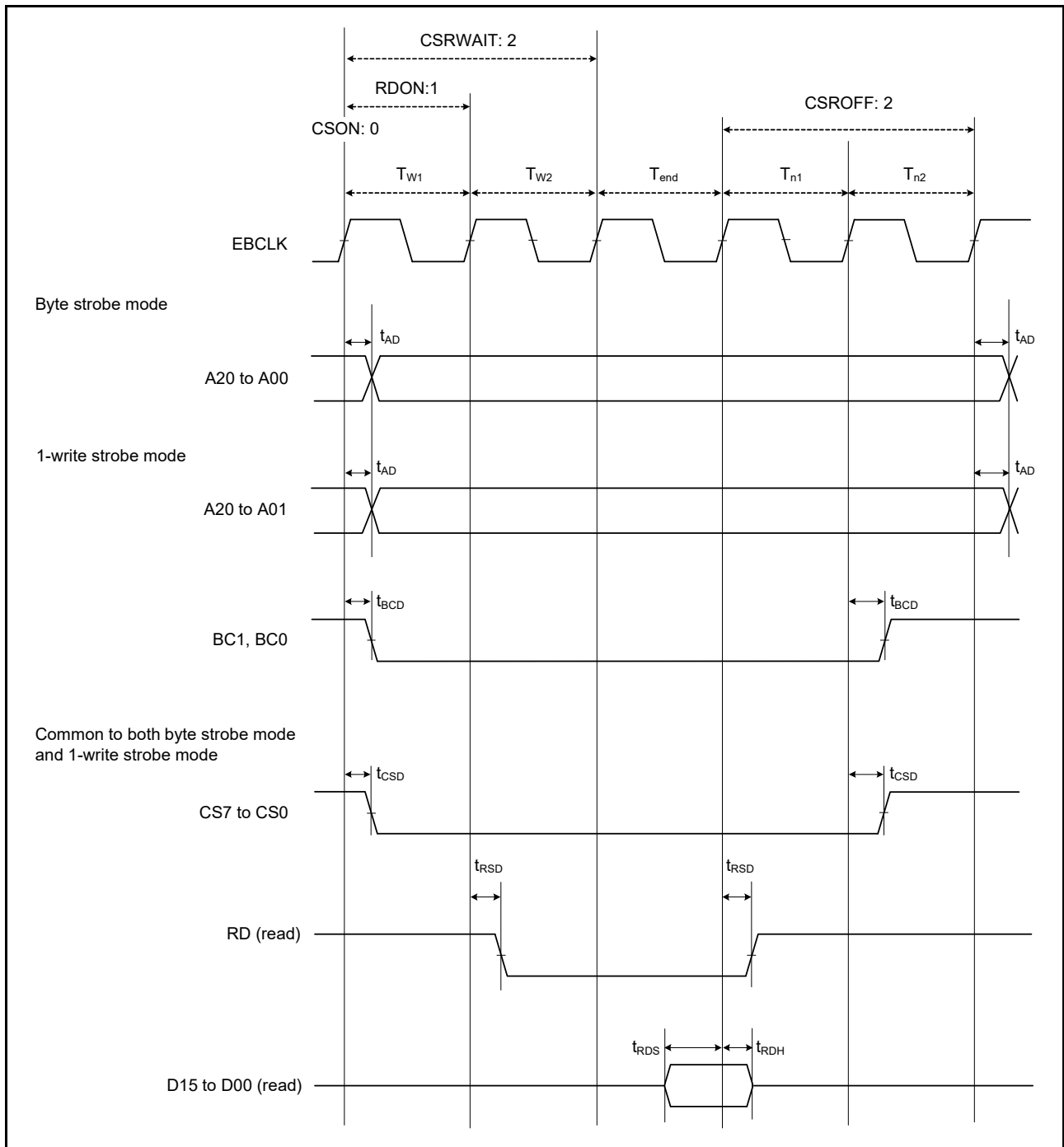


Figure 55.22 External bus timing for normal read cycle with bus clock synchronized

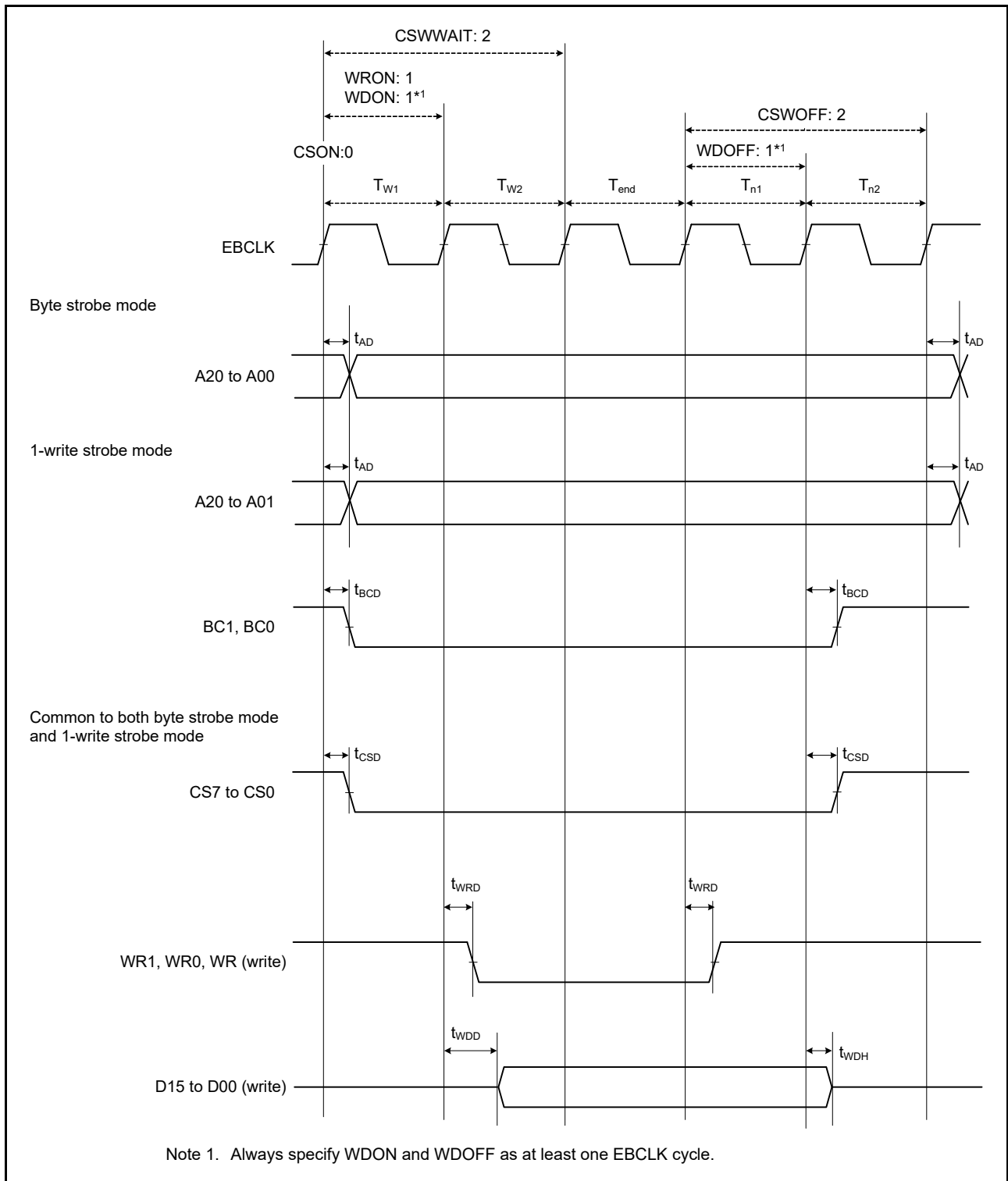


Figure 55.23 External bus timing for normal write cycle with bus clock synchronized

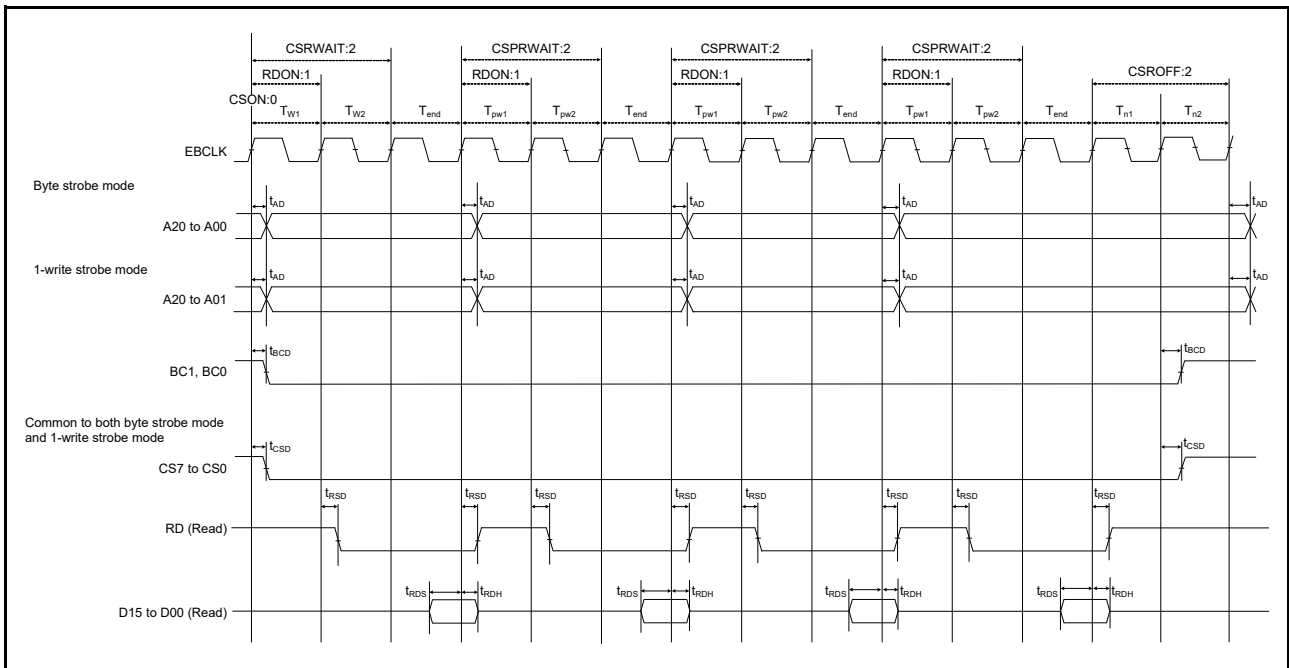
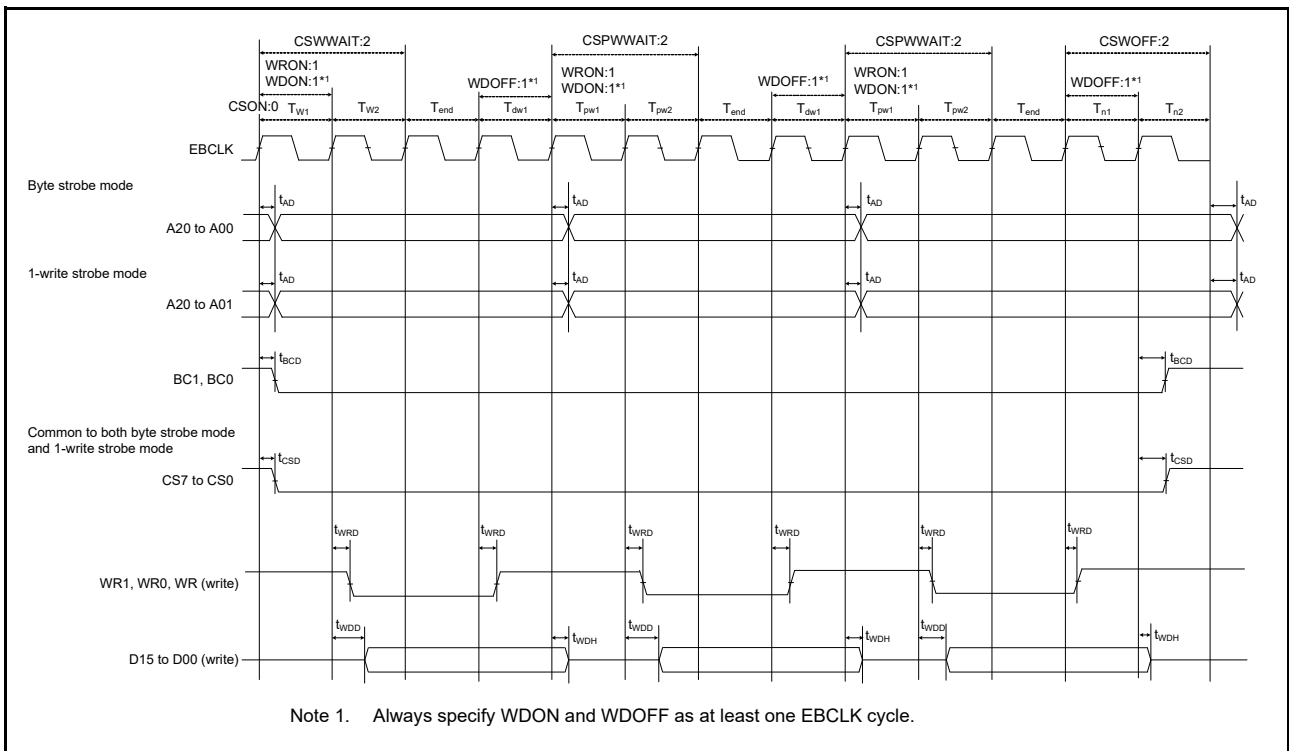


Figure 55.24 External bus timing for page read cycle with bus clock synchronized



Note 1. Always specify WDON and WDOFF as at least one EBCLK cycle.

Figure 55.25 External bus timing for page write cycle with bus clock synchronized



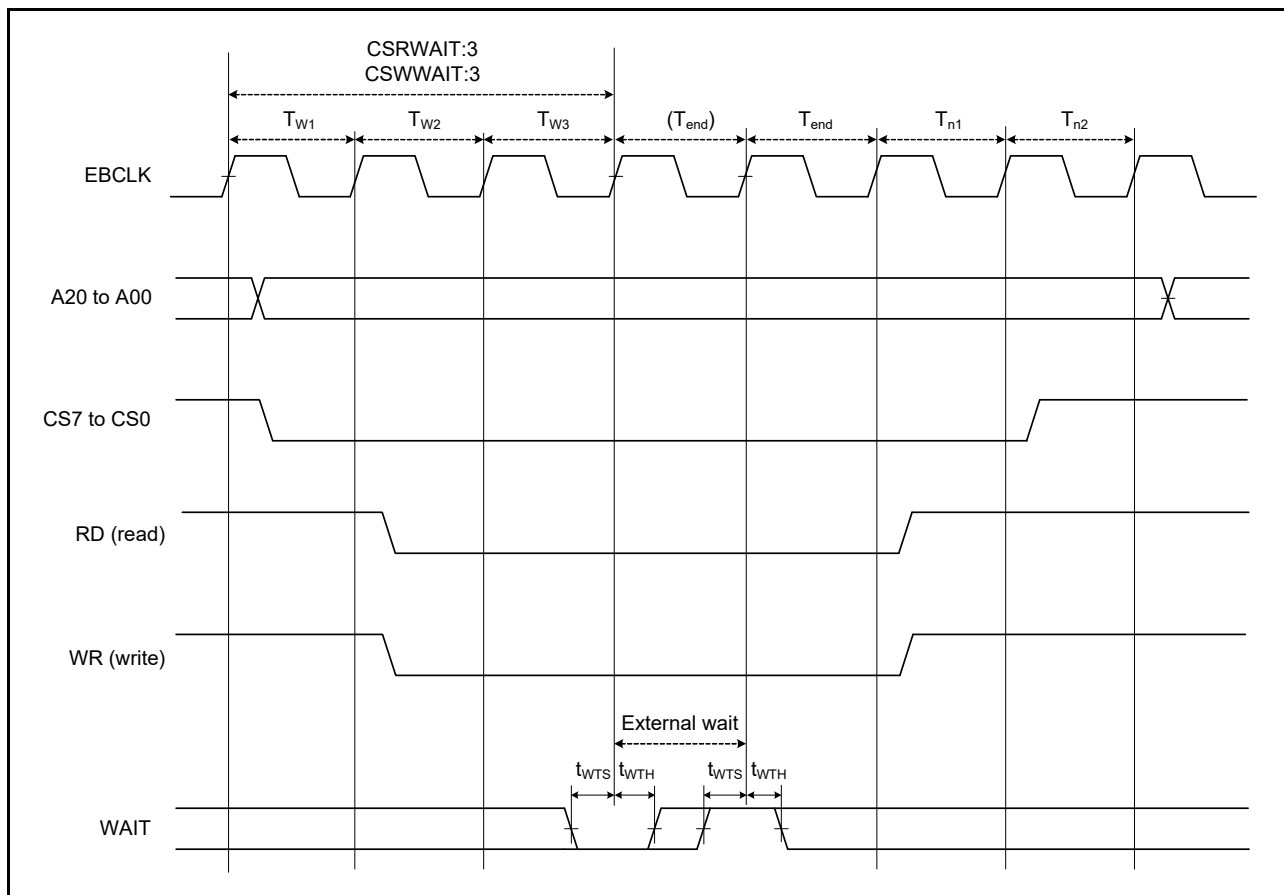


Figure 55.26 External bus timing for external wait control

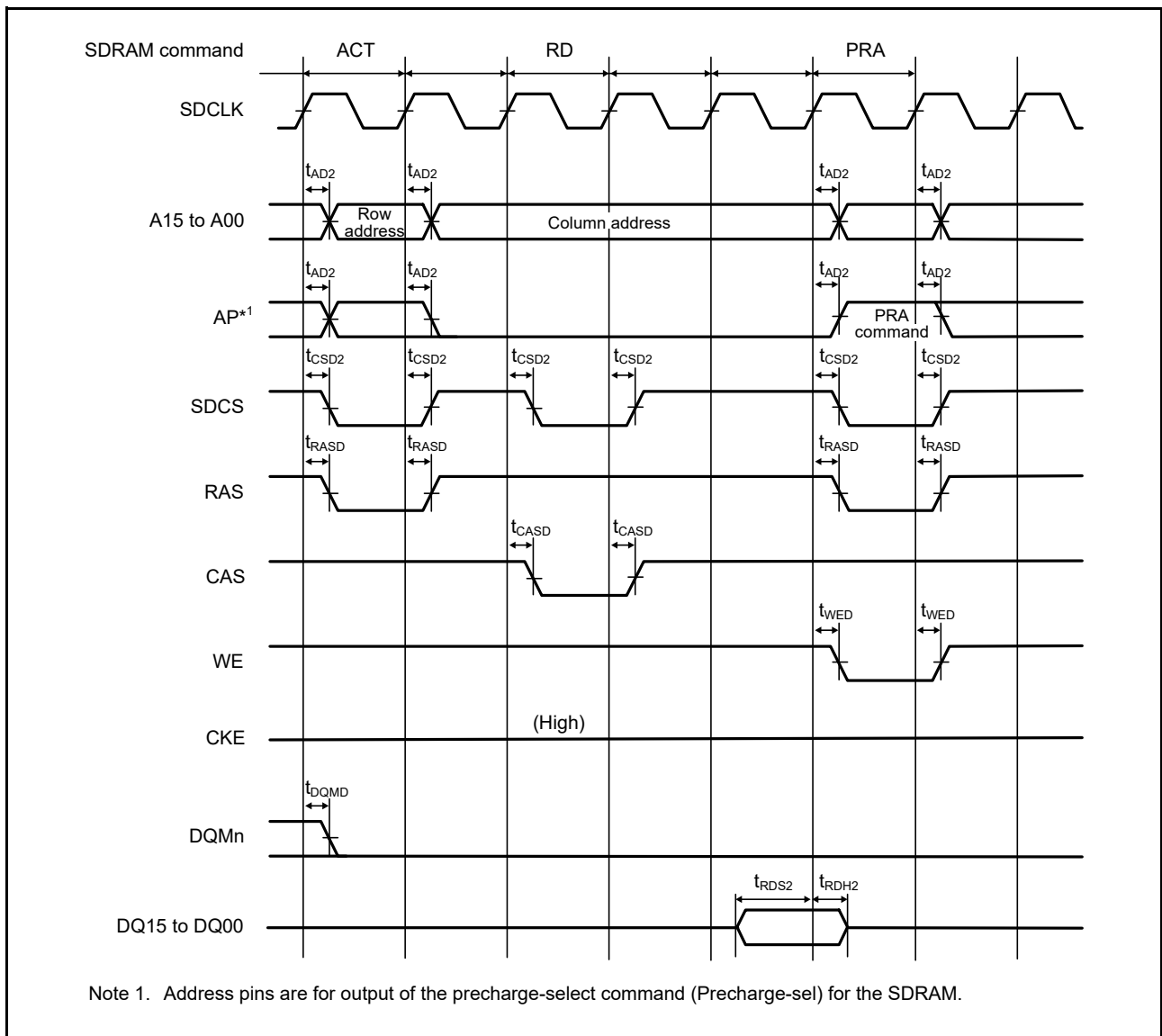


Figure 55.27 SDRAM single read timing

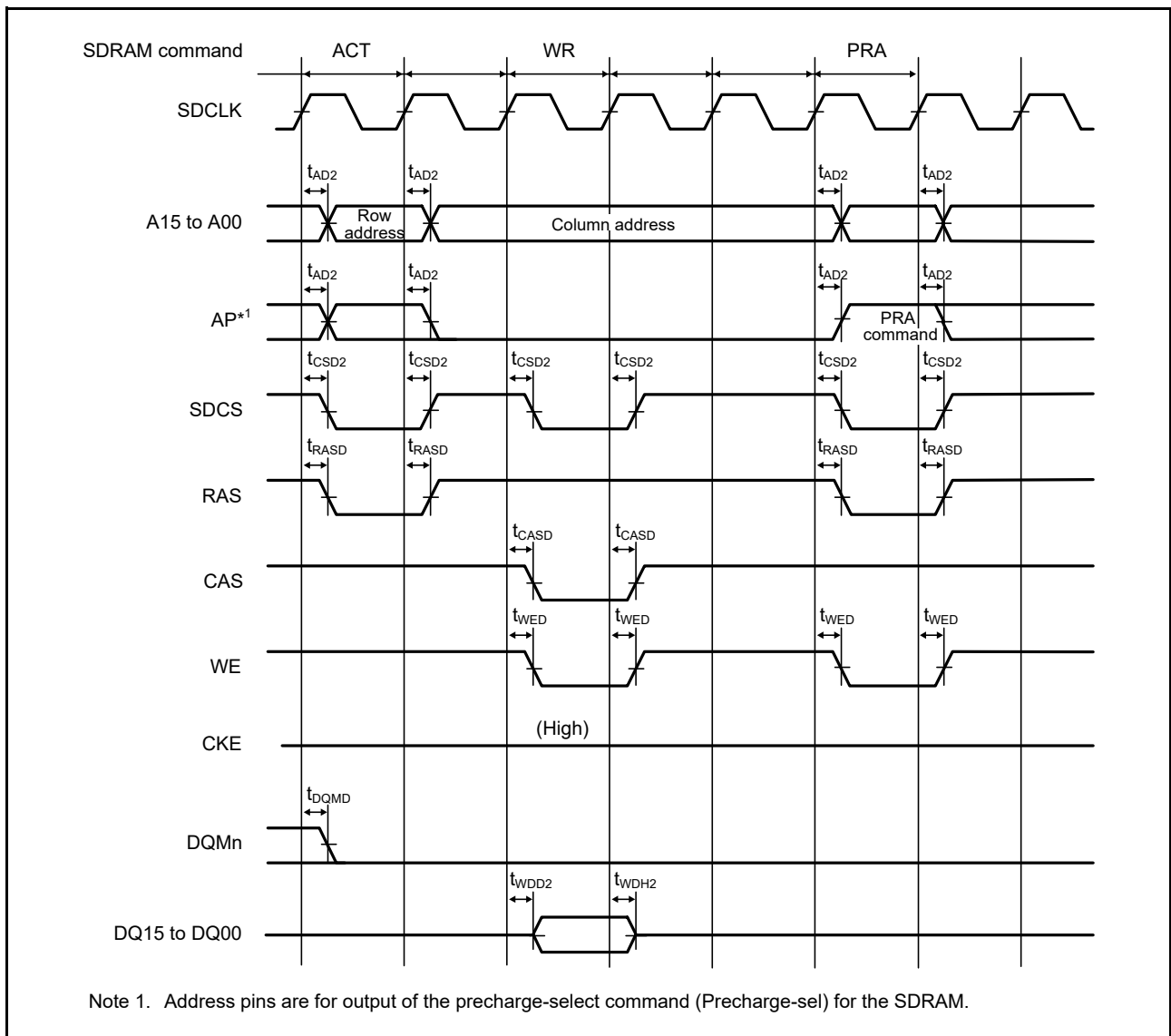


Figure 55.28 SDRAM single write timing

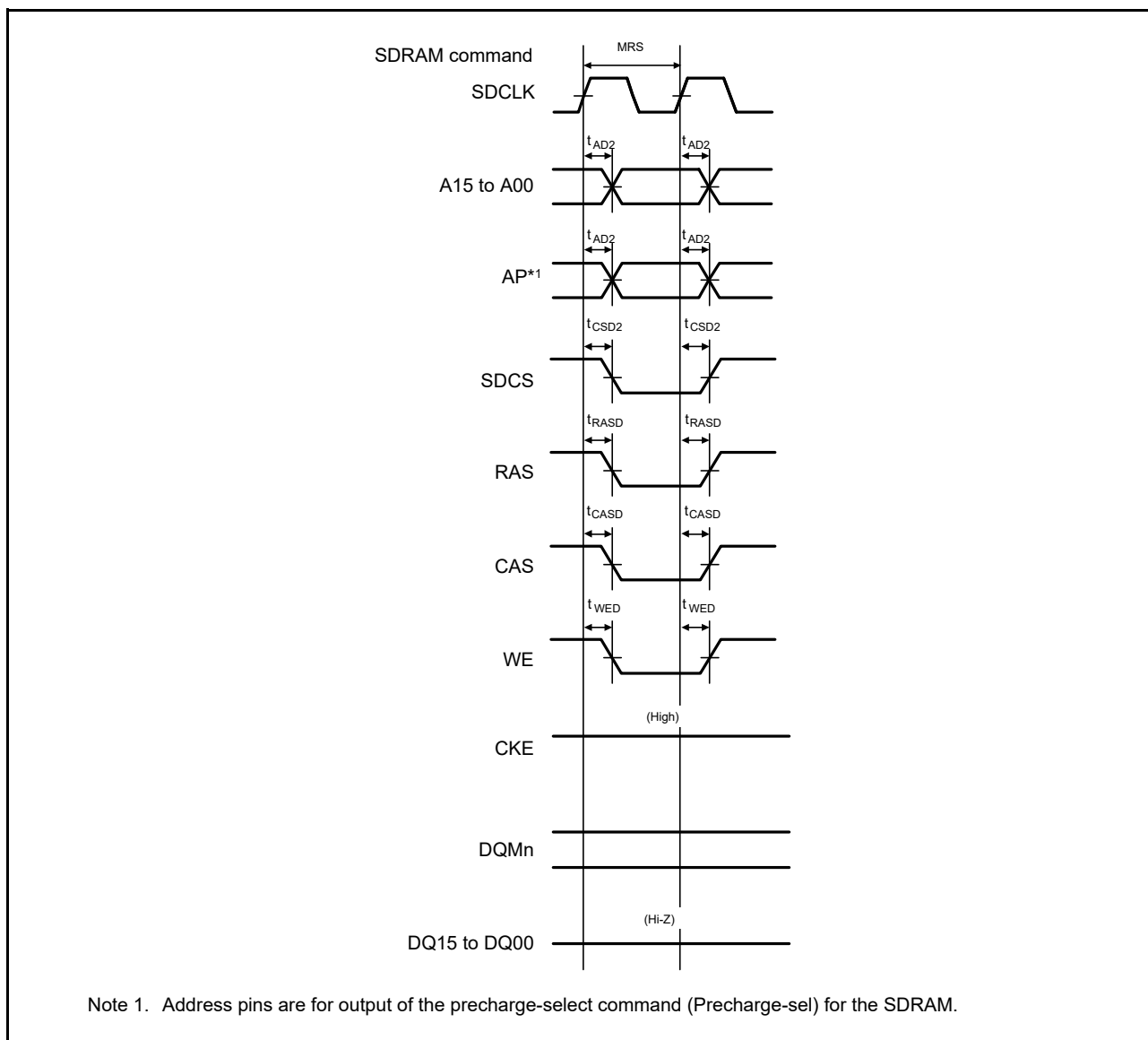


Figure 55.29 SDRAM mode register set timing

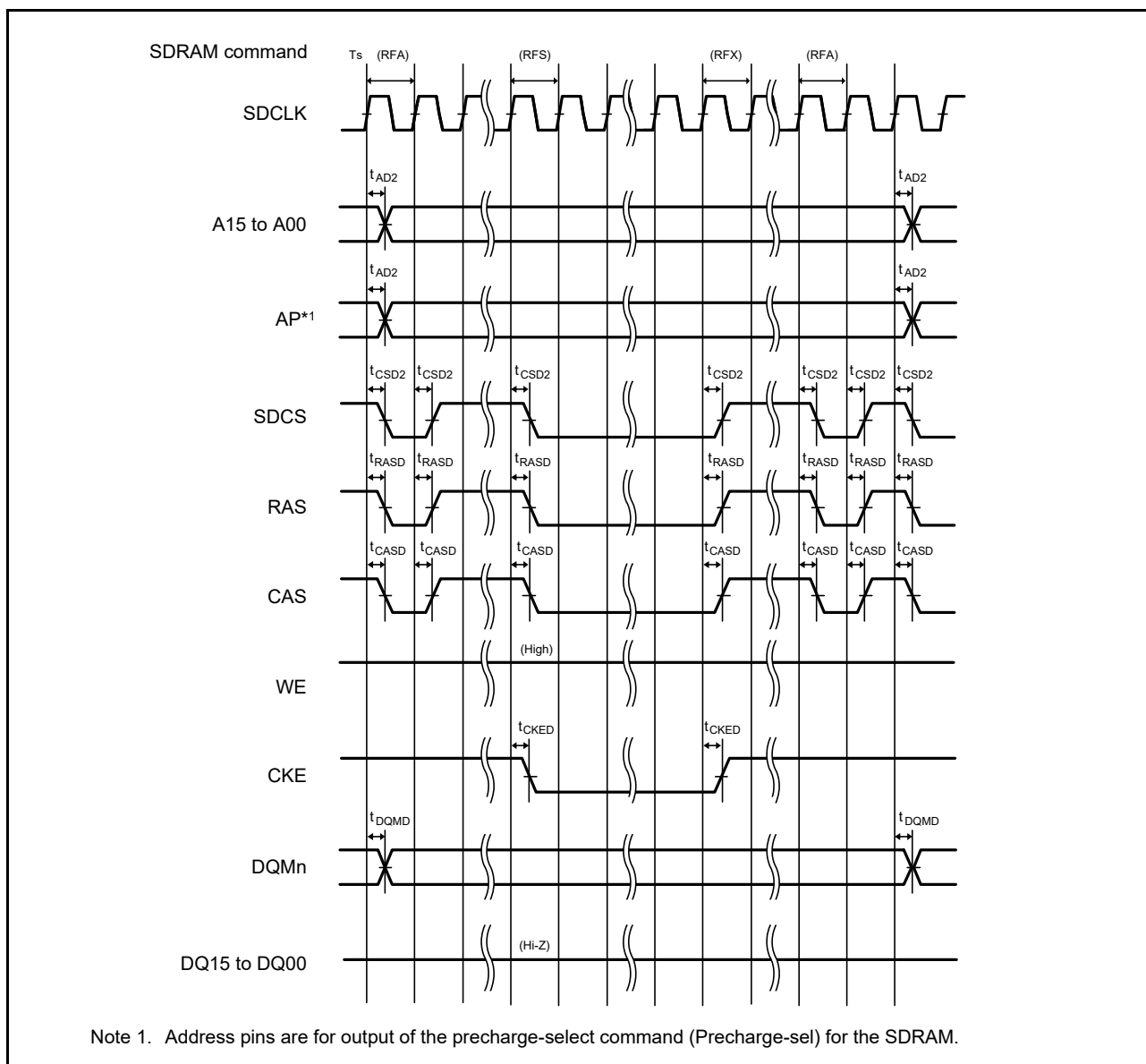


Figure 55.30 SDRAM self-refresh timing

55.3.7 I/O Ports, POEG, GPT32, AGT, KINT, and ADC12 Trigger Timing

Table 55.19 I/O ports, POEG, GPT32, AGT, KINT, and ADC12 trigger timing (1 of 2)

GPT32 Conditions:

High drive output is selected in the Port Drive Capability bit in the PmnPFS register.

AGT Conditions:

Middle drive output is selected in the Port Drive Capability bit in the PmnPFS register.

| Parameter |                                | Symbol            | Min | Max | Unit              | Test conditions |
|-----------|--------------------------------|-------------------|-----|-----|-------------------|-----------------|
| I/O ports | Input data pulse width         | t <sub>PRW</sub>  | 1.5 | -   | t <sub>Pcyc</sub> | Figure 55.31    |
| POEG      | POEG input trigger pulse width | t <sub>POEW</sub> | 3   | -   | t <sub>Pcyc</sub> | Figure 55.32    |

**Table 55.19 I/O ports, POEG, GPT32, AGT, KINT, and ADC12 trigger timing (2 of 2)**

GPT32 Conditions:

High drive output is selected in the Port Drive Capability bit in the PmnPFS register.

AGT Conditions:

Middle drive output is selected in the Port Drive Capability bit in the PmnPFS register.

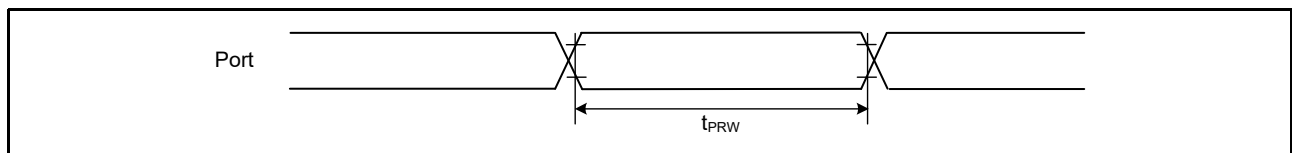
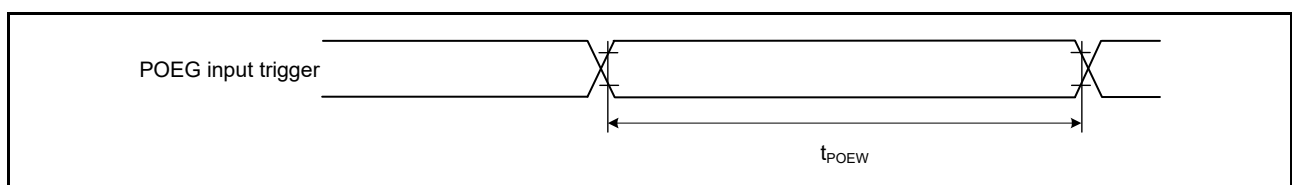
| Parameter  |  | Symbol                       | Min              | Max | Unit       | Test conditions |              |
|--|--|------------------------------|------------------|-----|------------|-----------------|--------------|
| GPT32  | Input capture pulse width                                | Single edge                  | $t_{GTICW}$      | 1.5 | -          | $t_{PDcyc}$     | Figure 55.33 |
|  |  | Dual edge                    |                  | 2.5 | -          |                 |              |
| GPT32  | GTIOCxY output skew<br>(x = 0 to 7, Y = A or B)          | Middle drive buffer          | $t_{GTISK}^{*1}$ | -   | 4          | ns              | Figure 55.34 |
|  |  | High drive buffer            |                  | -   | 4          |                 |              |
|  | GTIOCxY output skew<br>(x = 8 to 13, Y = A or B)         | Middle drive buffer          |                  | -   | 4          |                 |              |
|  |  | High drive buffer            |                  | -   | 4          |                 |              |
|  | GTIOCxY output skew<br>(x = 0 to 13, Y = A or B)         | Middle drive buffer          |                  | -   | 6          |                 |              |
|  |  | High drive buffer            |                  | -   | 6          |                 |              |
| OPS output skew<br>GTOUUP, GTOULO, GTOVUP,<br>GTOVLO, GTOWUP, GTOWLO |  | $t_{GTOSK}$                  | -                | 5   | ns         | Figure 55.35    |              |
| GPT(PWM<br>Delay<br>Generation<br>Circuit)                           | GTIOCxY_Z output skew<br>(x = 0 to 3, Y = A or B, Z = A) | $t_{HRSK}^{*2}$              | -                | 2.0 | ns         | Figure 55.36    |              |
| AGT  | AGTIO, AGTEE input cycle                                 | $t_{ACYC}^{*3}$              | 100              | -   | ns         | Figure 55.37    |              |
|  | AGTIO, AGTEE input high width, low width                 | $t_{ACKWH}$ ,<br>$t_{ACKWL}$ | 40               | -   | ns         |                 |              |
|  | AGTIO, AGTO, AGTOA, AGTOB output cycle                   | $t_{ACYC2}$                  | 62.5             | -   | ns         |                 |              |
| ADC12  | ADC12 trigger input pulse width                          | $t_{TRGW}$                   | 1.5              | -   | $t_{Pcyc}$ | Figure 55.38    |              |
| KINT   | KRn (n = 00 to 07) pulse width                           | $t_{KR}$                     | 250              | -   | ns         | Figure 55.39    |              |

Note:  $t_{Pcyc}$ : PCLKB cycle,  $t_{PDcyc}$ : PCLKD cycle.

Note 1. This skew applies when the same driver I/O is used. If the I/O of the middle and high drivers is mixed, operation is not guaranteed.

Note 2. The load is 30 pF.

Note 3. Constraints on input cycle:

When not switching the source clock:  $t_{Pcyc} \times 2 < t_{ACYC}$  should be satisfied.When switching the source clock:  $t_{Pcyc} \times 6 < t_{ACYC}$  should be satisfied.**Figure 55.31 I/O ports input timing****Figure 55.32 POEG input trigger timing**

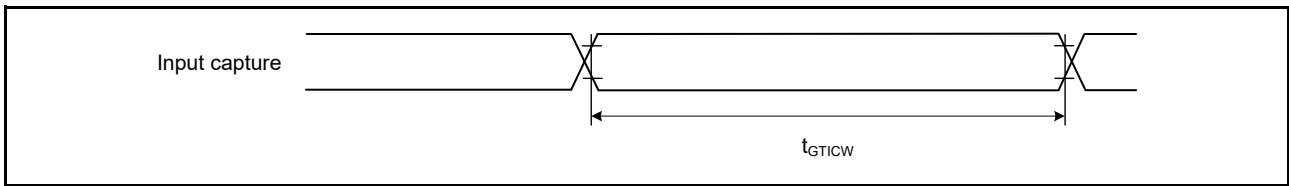


Figure 55.33 GPT32 input capture timing

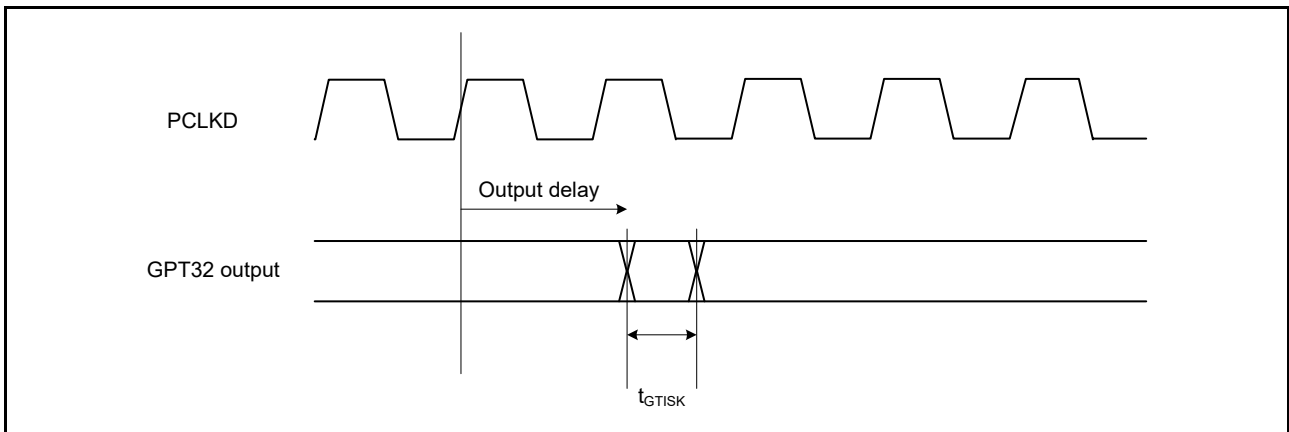


Figure 55.34 GPT32 output delay skew

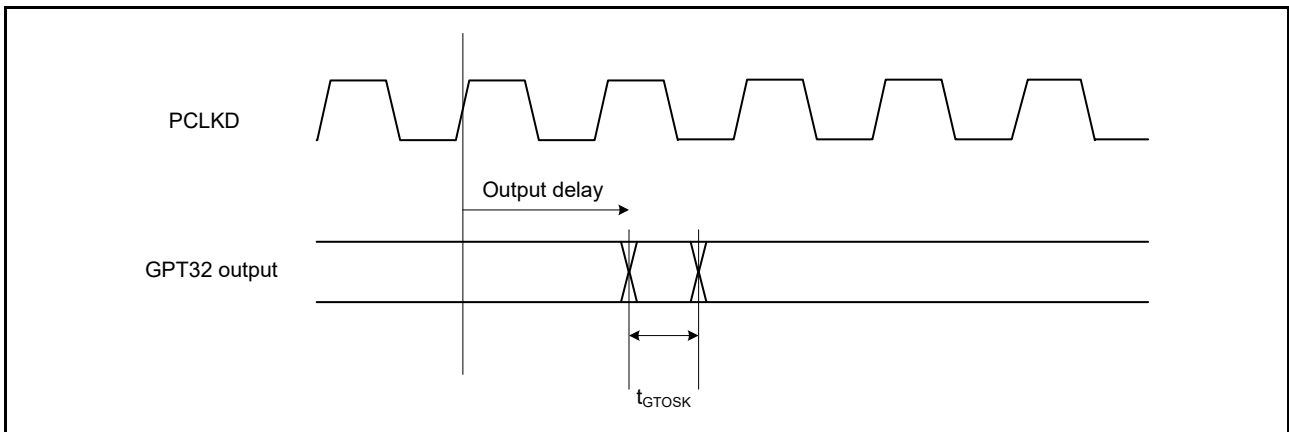


Figure 55.35 GPT32 output delay skew for OPS

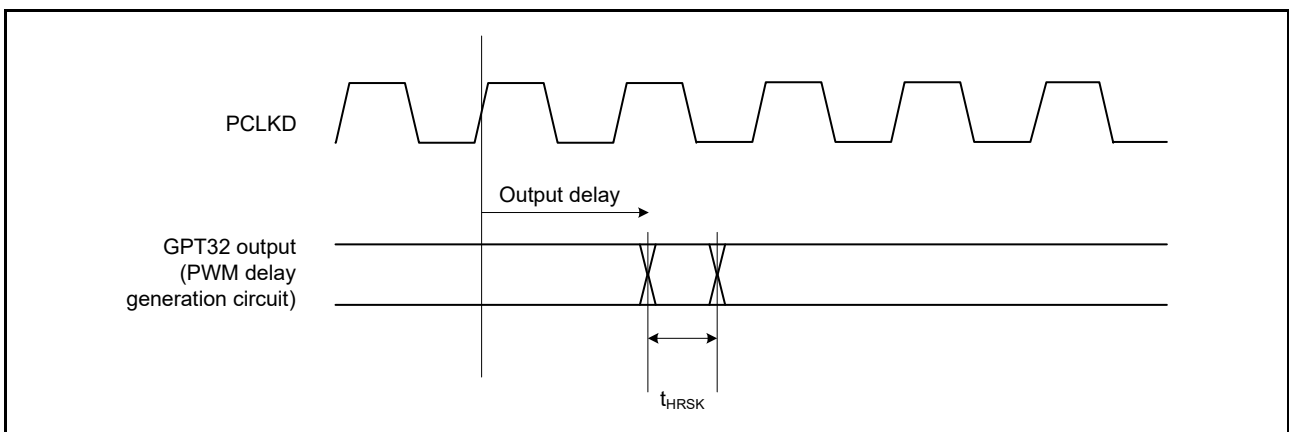


Figure 55.36 GPT32 (PWM Delay Generation Circuit) output delay skew

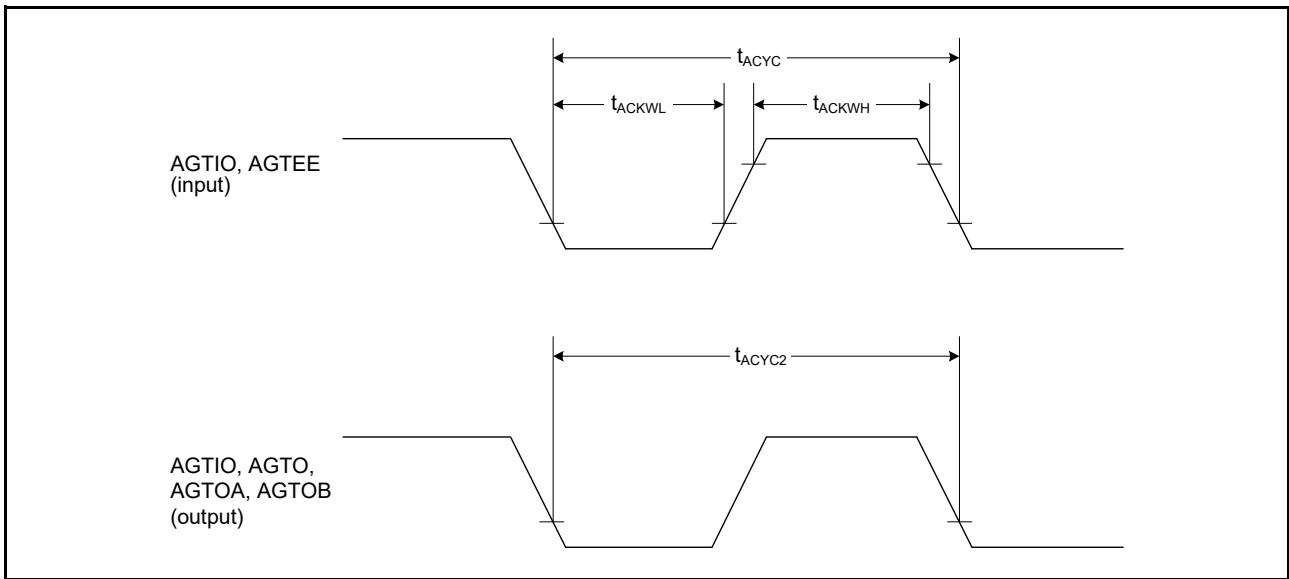


Figure 55.37 AGT input/output timing

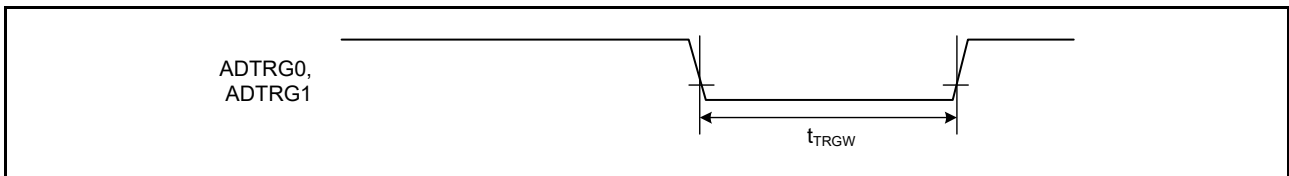


Figure 55.38 ADC12 trigger input timing

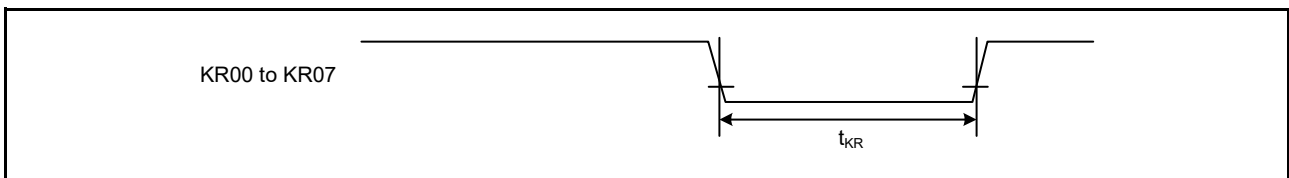


Figure 55.39 Key interrupt input timing

### 55.3.8 PWM Delay Generation Circuit Timing

Table 55.20 PWM Delay Generation Circuit timing

| Parameter           | Min | Typ  | Max | Unit | Test conditions |
|---------------------|-----|------|-----|------|-----------------|
| Operation frequency | 80  | -    | 120 | MHz  | -               |
| Resolution          | -   | 260  | -   | ps   | PCLKD = 120 MHz |
| DNL*1               | -   | ±2.0 | -   | LSB  | -               |

Note 1. This value normalizes the differences between lines in 1-LSB resolution.

### 55.3.9 CAC Timing

Table 55.21 CAC timing

| Parameter |                          | Symbol       | Min                               | Typ                                       | Max | Unit | Test conditions |
|-----------|--------------------------|--------------|-----------------------------------|---|-----|------|-----------------|
| CAC       | CACREF input pulse width | $t_{CACREF}$ | $t_{PBcyc} \leq t_{cac} \times 2$ | $4.5 \times t_{cac} + 3 \times t_{PBcyc}$ | -   | -    | ns              |
|           |                          |              | $t_{PBcyc} > t_{cac} \times 2$    | $5 \times t_{cac} + 6.5 \times t_{PBcyc}$ | -   | -    | ns              |



Note 1.  $t_{pBcyc}$ : PCLKB cycle.

Note 2.  $t_{cac}$ : CAC count clock source cycle.

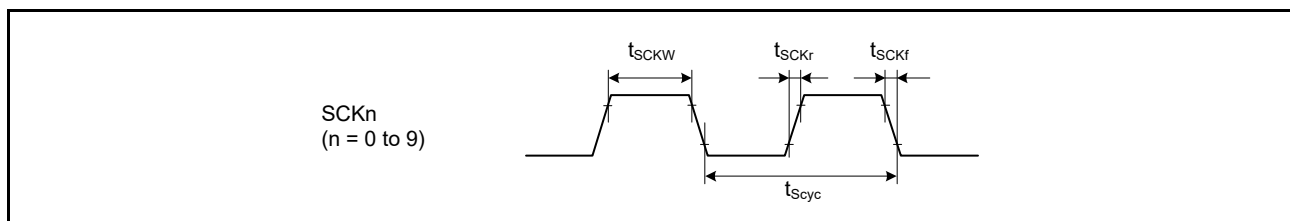
### 55.3.10 SCI Timing

**Table 55.22 SCI timing (1)**

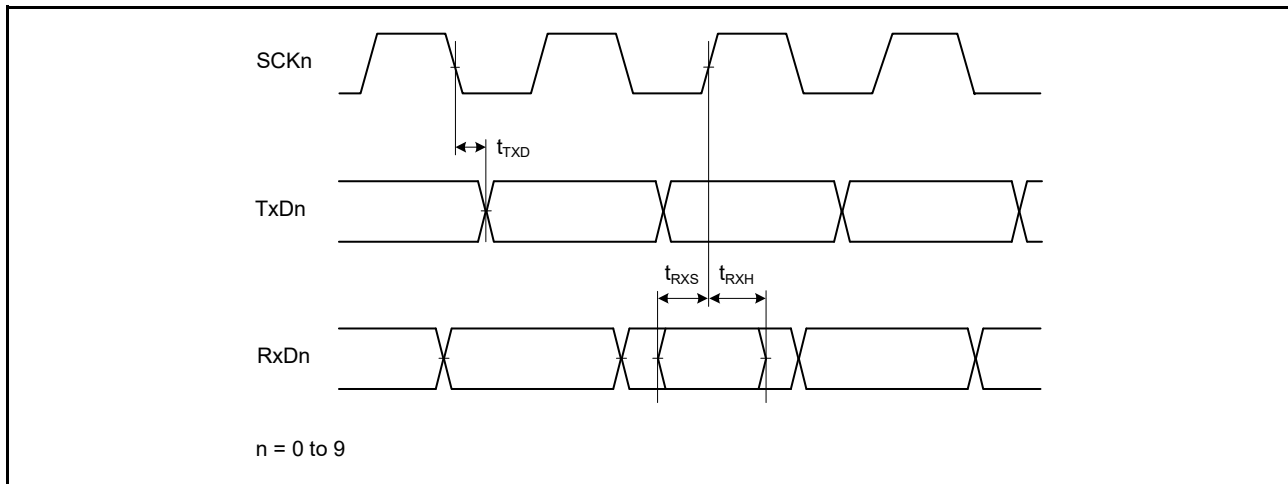
Conditions: High drive output is selected in the Port Drive Capability bit in the PmnPFS register for the following pins: SCK0 to SCK9. For other pins, middle drive output is selected in the Port Drive Capability bit in the PmnPFS register.

| Parameter                |                   | Symbol            | Min        | Max | Unit*1     | Test conditions |              |
|--------------------------|-------------------|-------------------|------------|-----|------------|-----------------|--------------|
| SCI                      | Input clock cycle | Asynchronous      | $t_{Scyc}$ | 4   | -          | $t_{Pcyc}$      | Figure 55.40 |
|                          |                   | Clock synchronous |            | 6   | -          |                 |              |
| Input clock pulse width  |                   | $t_{SCKW}$        | 0.4        | 0.6 | $t_{Scyc}$ |                 |              |
| Input clock rise time    |                   | $t_{SCKr}$        | -          | 5   | ns         |                 |              |
| Input clock fall time    |                   | $t_{SCKf}$        | -          | 5   | ns         |                 |              |
| Output clock cycle       | Asynchronous      | $t_{Scyc}$        | 6          | -   | $t_{Pcyc}$ |                 |              |
|                          | Clock synchronous |                   | 4          | -   |            |                 |              |
| Output clock pulse width |                   | $t_{SCKW}$        | 0.4        | 0.6 | $t_{Scyc}$ |                 |              |
| Output clock rise time   |                   | $t_{SCKr}$        | -          | 5   | ns         |                 |              |
| Output clock fall time   |                   | $t_{SCKf}$        | -          | 5   | ns         |                 |              |
| Transmit data delay      | Clock synchronous | $t_{TXD}$         | -          | 25  | ns         | Figure 55.41    |              |
| Receive data setup time  | Clock synchronous | $t_{RXS}$         | 15         | -   | ns         |                 |              |
| Receive data hold time   | Clock synchronous | $t_{RXH}$         | 5          | -   | ns         |                 |              |

Note 1.  $t_{Pcyc}$ : PCLKA cycle.



**Figure 55.40 SCK clock input/output timing**



**Figure 55.41** SCI input/output timing in clock synchronous mode

**Table 55.23** SCI timing (2)

Conditions: High drive output is selected in the Port Drive Capability bit in the PmnPFS register for the following pins: SCK0 to SCK9. For other pins, middle drive output is selected in the Port Drive Capability bit in the PmnPFS register.

| Parameter  |                                 | Symbol                    | Min                                       | Max                                       | Unit        | Test conditions              |
|------------|---------------------------------|---------------------------|---|---|-------------|------------------------------|
| Simple SPI | SCK clock cycle output (master) | $t_{SPCyc}$               | 4 (PCLKA ≤ 60 MHz)<br>8 (PCLKA > 60 MHz)  | 65536                                     | $t_{Pcyc}$  | Figure 55.42 to Figure 55.46 |
|            | SCK clock cycle input (slave)   | -                         | 6 (PCLKA ≤ 60 MHz)<br>12 (PCLKA > 60 MHz) | 65536                                     |             |                              |
|            | SCK clock high pulse width      | $t_{SPCKWH}$              | 0.4                                       | 0.6                                       | $t_{SPCyc}$ |                              |
|            | SCK clock low pulse width       | $t_{SPCKWL}$              | 0.4                                       | 0.6                                       | $t_{SPCyc}$ |                              |
|            | SCK clock rise and fall time    | $t_{SPCKr}$ , $t_{SPCKf}$ | -   | 20  | ns          |                              |
|            | Data input setup time           | $t_{SU}$                  | 33.3                                      | -   | ns          |                              |
|            | Data input hold time            | $t_H$                     | 33.3                                      | -   | ns          |                              |
|            | SS input setup time             | $t_{LEAD}$                | 1   | -   | $t_{SPCyc}$ |                              |
|            | SS input hold time              | $t_{LAG}$                 | 1   | -   | $t_{SPCyc}$ |                              |
|            | Data output delay               | $t_{OD}$                  | -   | 33.3                                      | ns          |                              |
|            | Data output hold time           | $t_{OH}$                  | -10                                       | -   | ns          |                              |
|            | Data rise and fall time         | $t_{Dr}$ , $t_{Df}$       | -   | 16.6                                      | ns          |                              |
|            | SS input rise and fall time     | $t_{SSLr}$ , $t_{SSLf}$   | -   | 16.6                                      | ns          |                              |
|            | Slave access time               | $t_{SA}$                  | -   | 4 (PCLKA ≤ 60 MHz)<br>8 (PCLKA > 60 MHz)  | $t_{Pcyc}$  |                              |
|            | Slave output release time       | $t_{REL}$                 | -   | 5 (PCLKA ≤ 60 MHz)<br>10 (PCLKA > 60 MHz) | $t_{Pcyc}$  |                              |

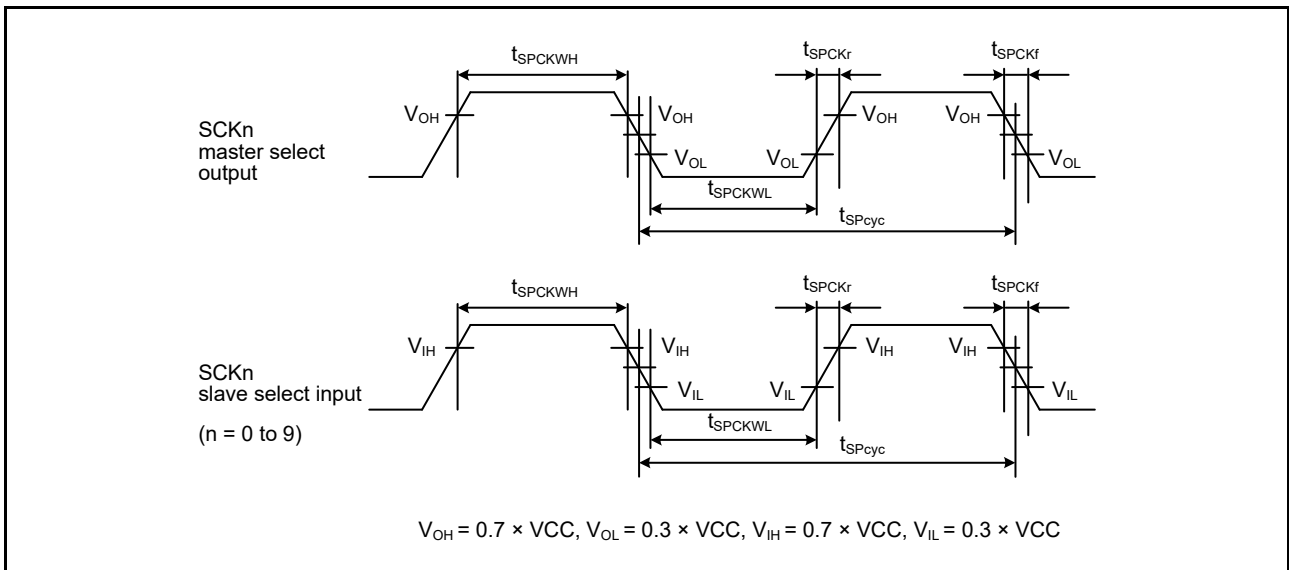


Figure 55.42 SCI simple SPI mode clock timing

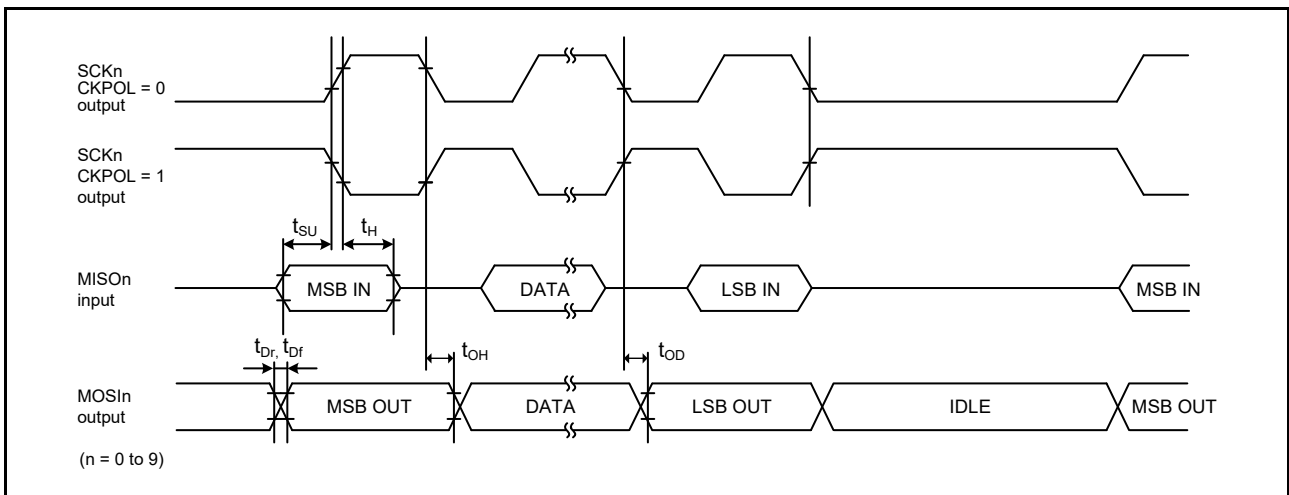


Figure 55.43 SCI simple SPI mode timing for master when CKPH = 1

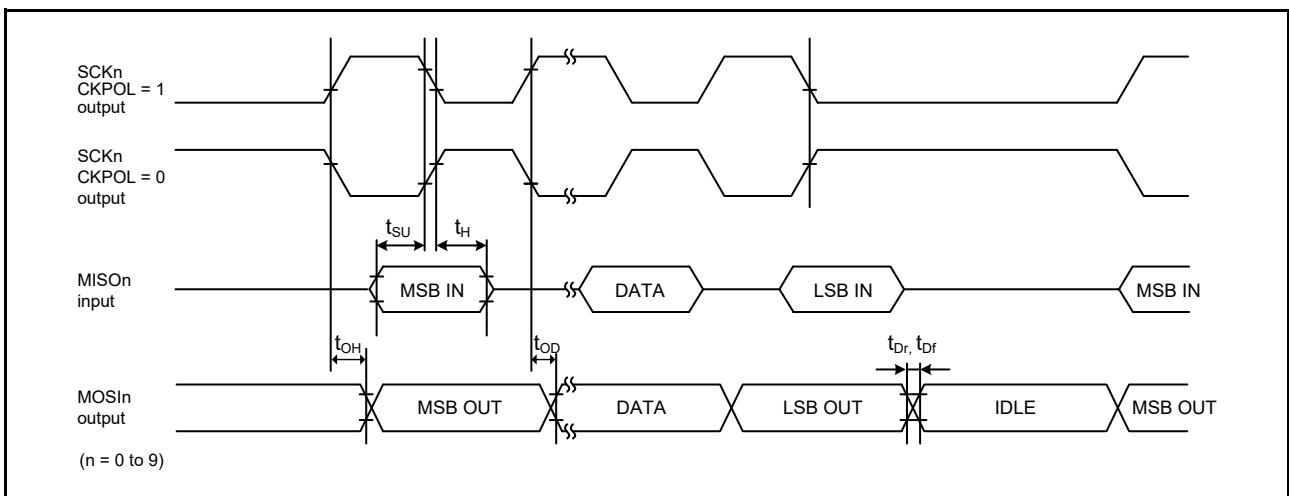


Figure 55.44 SCI simple SPI mode timing for master when CKPH = 0

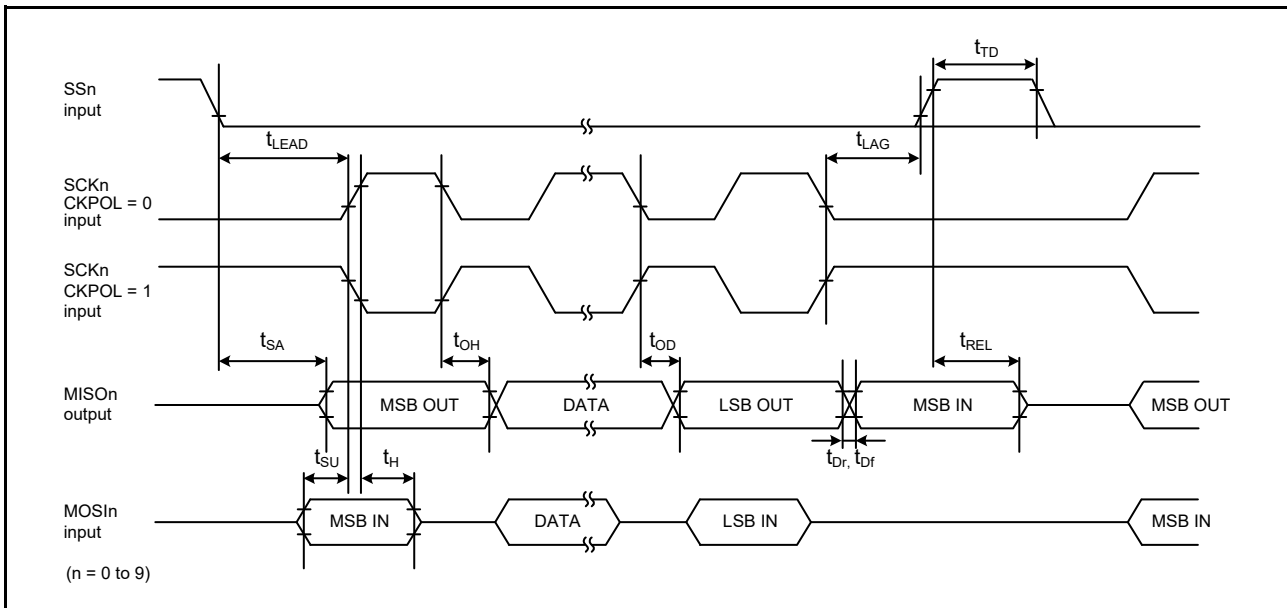


Figure 55.45 SCI simple SPI mode timing for slave when CKPH = 1

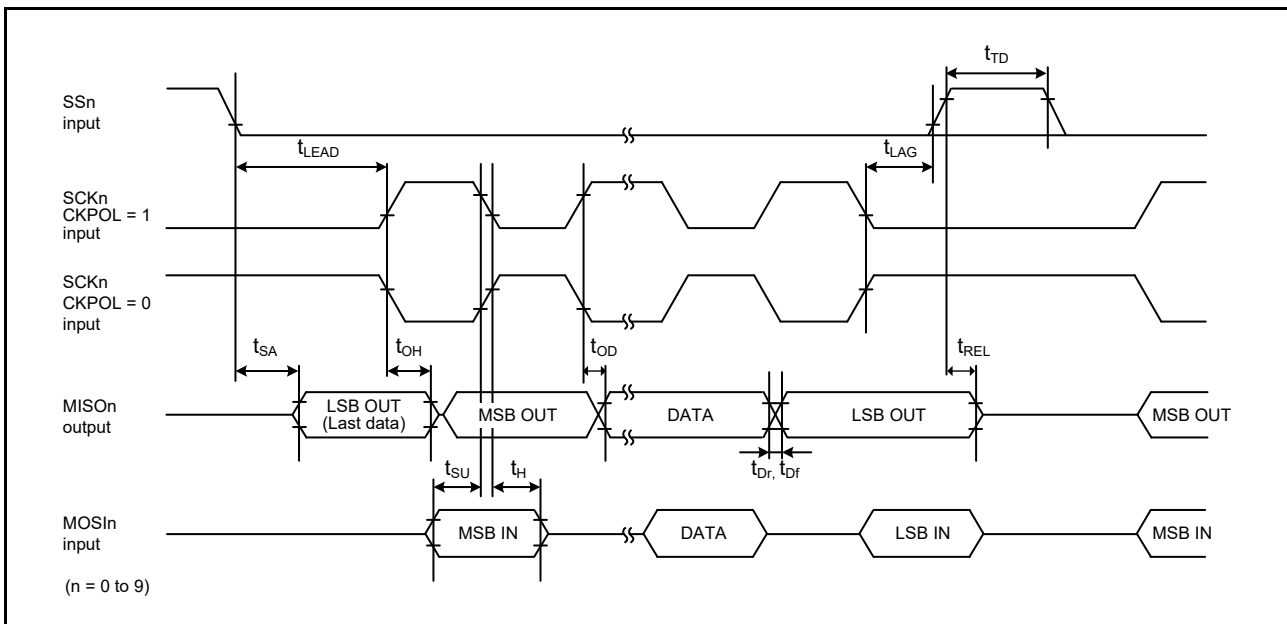


Figure 55.46 SCI simple SPI mode timing for slave when CKPH = 0

Table 55.24 SCI timing (3) (1 of 2)

Conditions: Middle drive output is selected in the Port Drive Capability bit in the PmnPFS register.

| Parameter                     | Symbol                             | Min        | Max | Unit                  | Test conditions |              |
|-------------------------------|------------------------------------|------------|-----|-----------------------|-----------------|--------------|
| Simple IIC<br>(Standard mode) | SDA input rise time                | $t_{Sr}$   | -   | 1000                  | ns              | Figure 55.47 |
|                               | SDA input fall time                | $t_{Sf}$   | -   | 300                   | ns              |              |
|                               | SDA input spike pulse removal time | $t_{SP}$   | 0   | $4 \times t_{IIcCyc}$ | ns              |              |
|                               | Data input setup time              | $t_{SDAS}$ | 250 | -                     | ns              |              |
|                               | Data input hold time               | $t_{SDAH}$ | 0   | -                     | ns              |              |
|                               | SCL, SDA capacitive load           | $C_b^{*1}$ | -   | 400                   | pF              |              |

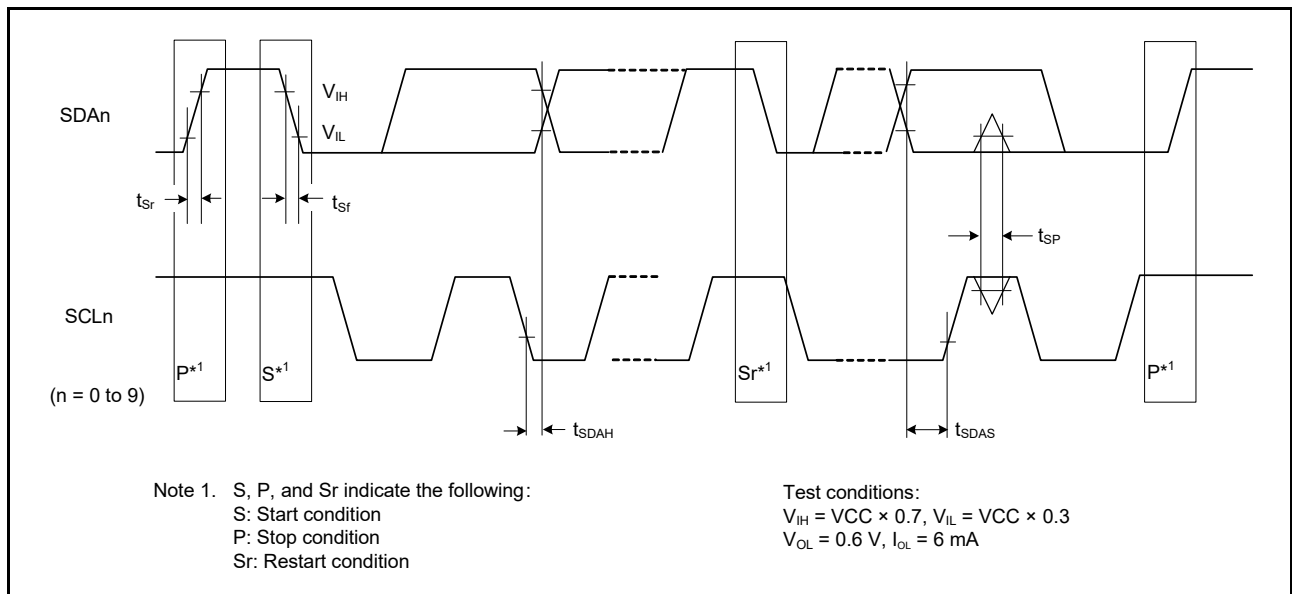
**Table 55.24 SCI timing (3) (2 of 2)**

Conditions: Middle drive output is selected in the Port Drive Capability bit in the PmnPFS register.

| Parameter              | Symbol                             | Min        | Max | Unit                 | Test conditions |              |
|------------------------|------------------------------------|------------|-----|----------------------|-----------------|--------------|
| Simple IIC (Fast mode) | SDA input rise time                | $t_{Sr}$   | -   | 300                  | ns              | Figure 55.47 |
|                        | SDA input fall time                | $t_{Sf}$   | -   | 300                  | ns              |              |
|                        | SDA input spike pulse removal time | $t_{SP}$   | 0   | $4 \times t_{IICyc}$ | ns              |              |
|                        | Data input setup time              | $t_{SDAS}$ | 100 | -                    | ns              |              |
|                        | Data input hold time               | $t_{SDAH}$ | 0   | -                    | ns              |              |
|                        | SCL, SDA capacitive load           | $C_b^{*1}$ | -   | 400                  | pF              |              |

Note:  $t_{IICyc}$ : IIC internal reference clock (IIC $\phi$ ) cycle.

Note 1.  $C_b$  indicates the total capacity of the bus line.



**Figure 55.47 SCI simple IIC mode timing**

## 55.3.11 SPI Timing

**Table 55.25 SPI timing**

Conditions:

For RSPCKA and RSPCKB pins, high drive output is selected with the Port Drive Capability bit in the PmnPFS register.

For other pins, middle drive output is selected in the Port Drive Capability bit in the PmnPFS register.

| Parameter                        |  | Symbol           | Min   | Max                                      | Unit*1                                   | Test conditions*2                             |                           |  |
|----------------------------------|--|------------------|---|--|--|---|---------------------------|--|
| SPI                              | RSPCK clock cycle  | Master           | $t_{SPCyc}$                                   | 2 (PCLKA ≤ 60 MHz)<br>4 (PCLKA > 60 MHz) | 4096                                     | $t_{PCyc}$                                    | Figure 55.48<br>C = 30 pF |  |
|                                  |  | Slave            |   | 4  | 4096                                     |   |                           |  |
| RSPCK clock high pulse width     | Master   | $t_{SPCKWH}$     | $(t_{SPCyc} - t_{SPCKr} - t_{SPCKf}) / 2 - 3$ | -  | ns                                       |   |                           |  |
|                                  | Slave  |                  |   | $2 \times t_{PCyc}$                      | -  |   |                           |  |
| RSPCK clock low pulse width      | Master   | $t_{SPCKWL}$     | $(t_{SPCyc} - t_{SPCKr} - t_{SPCKf}) / 2 - 3$ | -  | ns                                       |   |                           |  |
|                                  | Slave  |                  |   | $2 \times t_{PCyc}$                      | -  |   |                           |  |
| RSPCK clock rise and fall time   | Master   | $t_{SPCKr}$      | -   | 5  | ns                                       |   |                           |  |
|                                  | Slave  | $t_{SPCKf}$      | -   | 1  | μs                                       |   |                           |  |
| Data input setup time            | Master   | $t_{SU}$         |   | 4  | -  | ns  |                           | Figure 55.49 to<br>Figure 55.54<br>C = 30 pF |
|                                  | Slave  |                  |   | 5  | -  |   |                           |  |
| Data input hold time             | Master<br>(PCLKA division ratio set to 1/2)                    | $t_{HF}$         | 0   | -  | ns                                       |   |                           |  |
|                                  | Master<br>(PCLKA division ratio set to a value other than 1/2) | $t_H$            | $t_{PCyc}$                                    | -  |  |   |                           |  |
|                                  | Slave  | $t_H$            | 20  | -  |  |   |                           |  |
| SSL setup time                   | Master   | $t_{LEAD}$       |   | $N \times t_{SPCyc} - 10^3$              | $N \times t_{SPCyc} + 100^3$             | ns  |                           |  |
|                                  | Slave  |                  |   | $6 \times t_{PCyc}$                      | -  | ns  |                           |  |
| SSL hold time                    | Master   | $t_{LAG}$        |   | $N \times t_{SPCyc} - 10^4$              | $N \times t_{SPCyc} + 100^4$             | ns  |                           |  |
|                                  | Slave  |                  |   | $6 \times t_{PCyc}$                      | -  | ns  |                           |  |
| Data output delay                | Master   | $t_{OD}$         |   | -  | 6.3                                      | ns  |                           |  |
|                                  | Slave  |                  |   | -  | 20                                       |   |                           |  |
| Data output hold time            | Master   | $t_{OH}$         |   | 0  | -  | ns  |                           |  |
|                                  | Slave  |                  |   | 0  | -  |   |                           |  |
| Successive transmission delay    | Master   | $t_{TD}$         |   | $t_{SPCyc} + 2 \times t_{PCyc}$          | $8 \times t_{SPCyc} + 2 \times t_{PCyc}$ | ns  |                           |  |
|                                  | Slave  |                  |   | $6 \times t_{PCyc}$                      |  |   |                           |  |
| MOSI and MISO rise and fall time | Output   | $t_{Dr}, t_{Df}$ |   | -  | 5  | ns  |                           |  |
|                                  | Input  |                  |   | -  | 1  |   | μs                        |  |
| SSL rise and fall time           | Output   | $t_{SSLr}$       | -   | 5  | ns                                       |   |                           |  |
|                                  | Input  | $t_{SSLf}$       | -   | 1  | μs                                       |   |                           |  |
| Slave access time                |  | $t_{SA}$         | -   | $2 \times t_{PCyc} + 28$                 | ns                                       | Figure 55.53 and<br>Figure 55.54<br>C = 30 pF |                           |  |
| Slave output release time        |  | $t_{REL}$        | -   | $2 \times t_{PCyc} + 28$                 |  |   |                           |  |

Note 1.  $t_{PCyc}$ : PCLKA cycle.

- Note 2. Must use pins that have a letter appended to their name, for instance “\_A”, “\_B”, to indicate group membership. For the SPI interface, the AC portion of the electrical characteristics is measured for each group.
- Note 3. N is set to an integer from 1 to 8 by the SPCKD register.
- Note 4. N is set to an integer from 1 to 8 by the SSLND register.

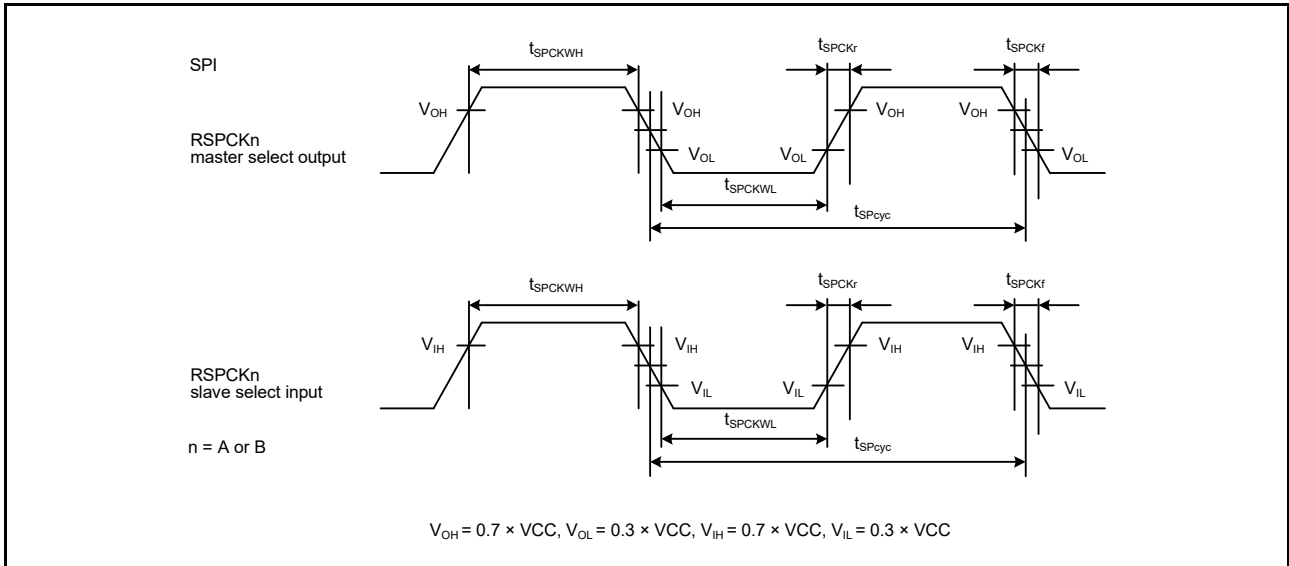


Figure 55.48 SPI clock timing

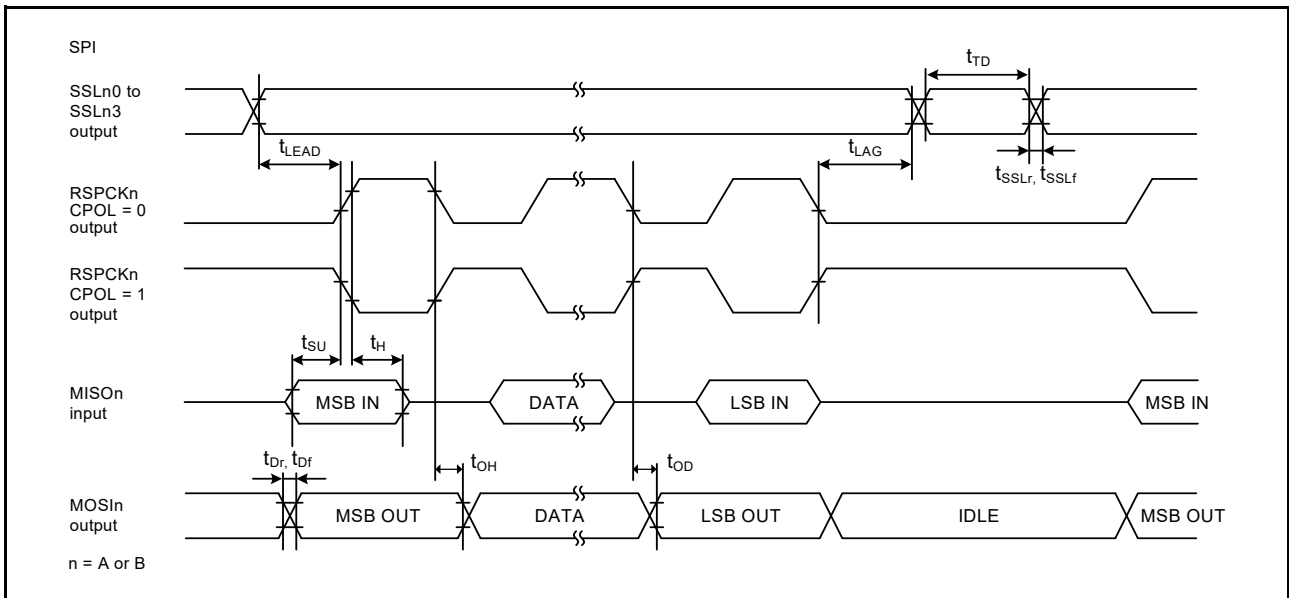


Figure 55.49 SPI timing for master when CPHA = 0

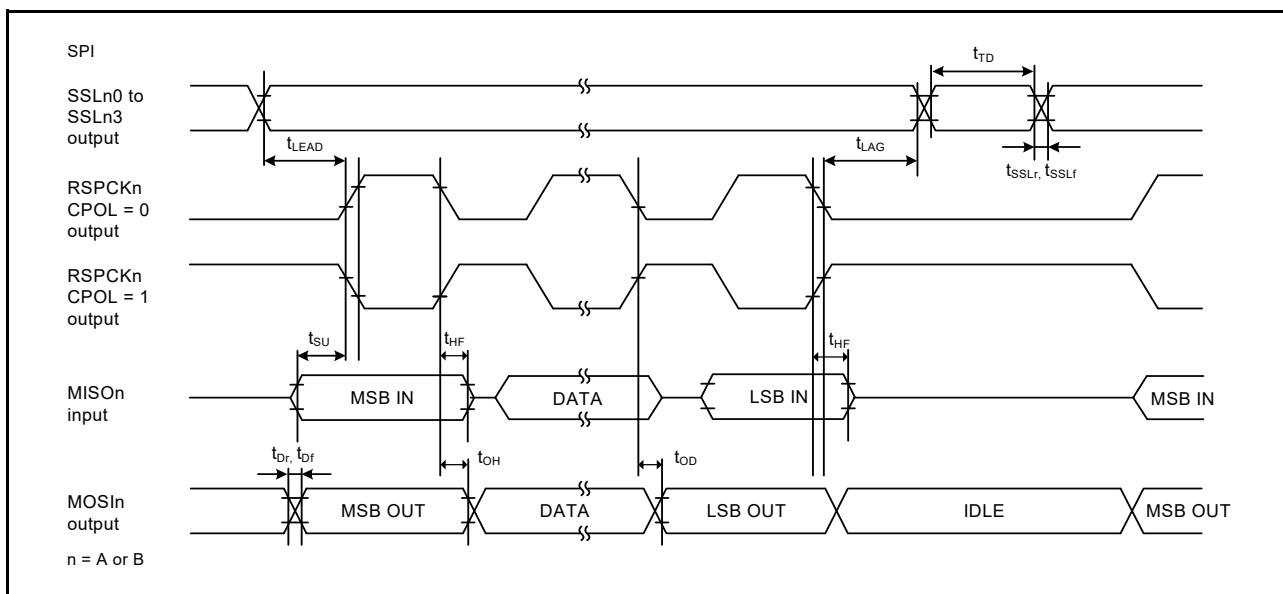


Figure 55.50 SPI timing for master when CPHA = 0 and the bit rate is set to PCLKA/2

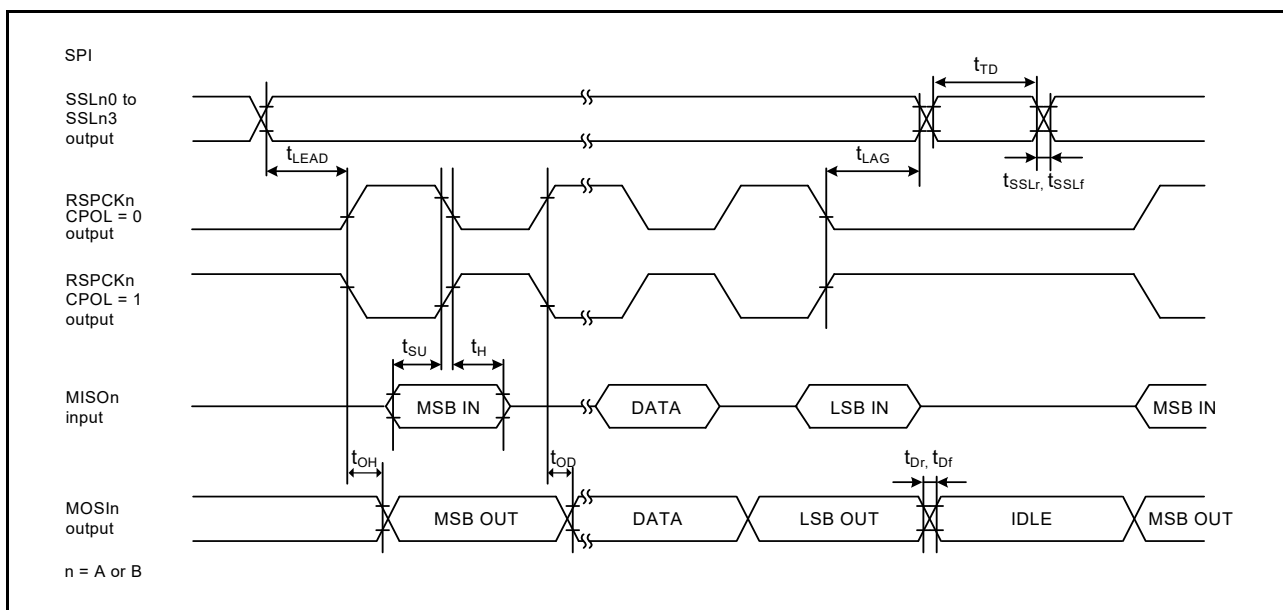


Figure 55.51 SPI timing for master when CPHA = 1



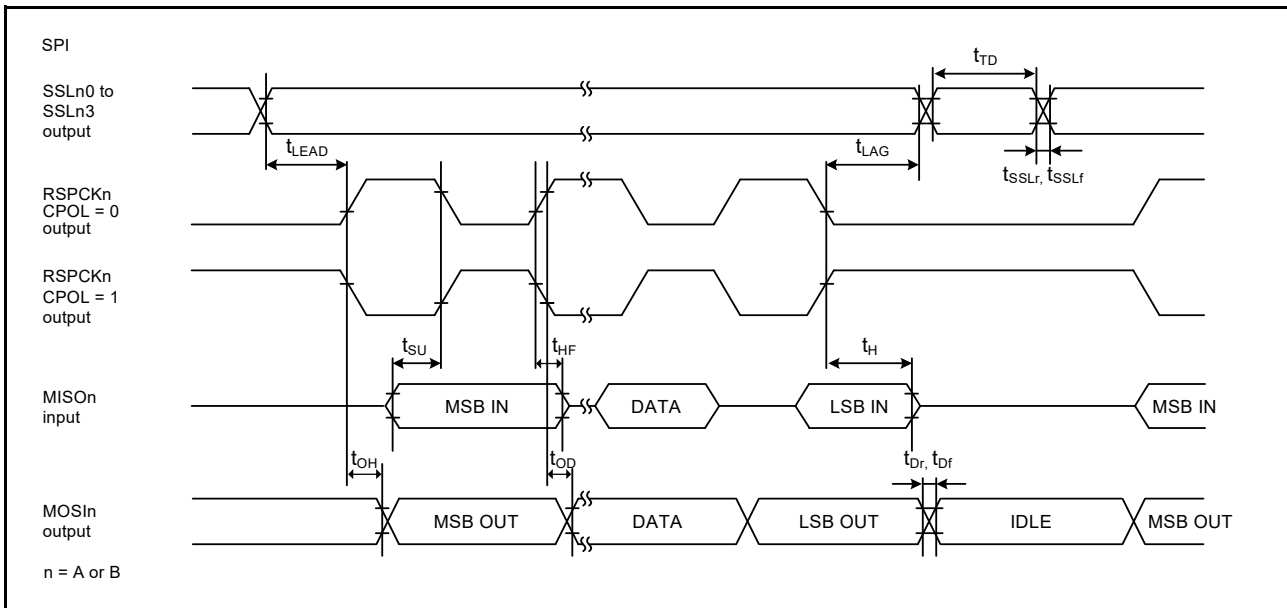


Figure 55.52 RSPI timing for master when CPHA = 1 and the bit rate is set to PCLKA/2

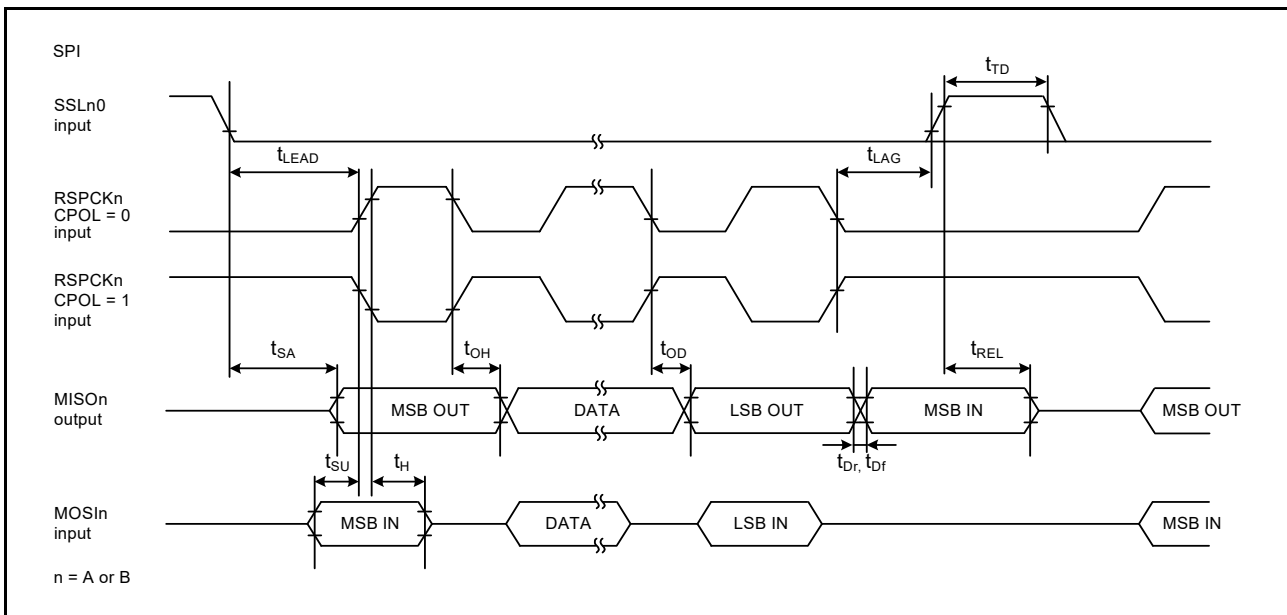


Figure 55.53 SPI timing for slave when CPHA = 0

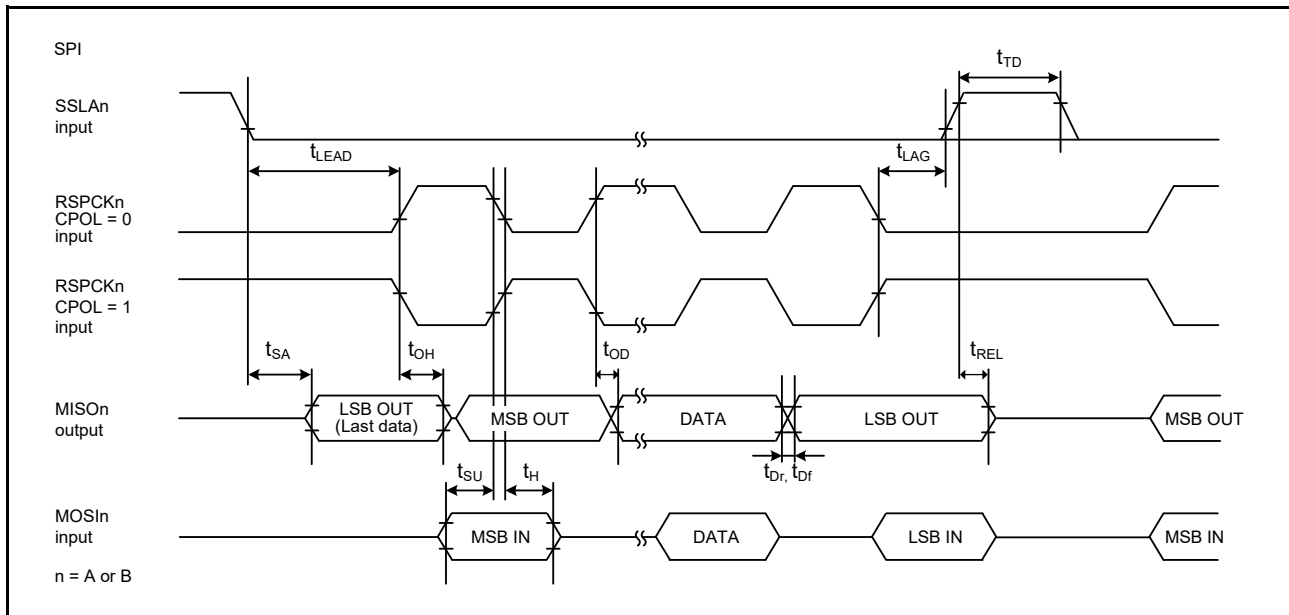


Figure 55.54 SPI timing for slave when CPHA = 1

55.3.12 QSPI Timing

Table 55.26 QSPI timing

Conditions: High drive output is selected in the Port Drive Capability bit in the PmnPFS register.

| Parameter | Symbol                        | Min         | Max                               | Unit*1                              | Test conditions |              |
|-----------|-------------------------------|-------------|-----------------------------------|-------------------------------------|-----------------|--------------|
| QSPI      | QSPCK clock cycle             | $t_{QScyc}$ | 2                                 | 48                                  | $t_{Pcyc}$      | Figure 55.55 |
|           | QSPCK clock high pulse width  | $t_{QSWH}$  | $t_{QScyc} \times 0.4$            | -                                   | ns              |              |
|           | QSPCK clock low pulse width   | $t_{QSWL}$  | $t_{QScyc} \times 0.4$            | -                                   | ns              |              |
| QSPI      | Data input setup time         | $t_{Su}$    | 8                                 | -                                   | ns              | Figure 55.56 |
|           | Data input hold time          | $t_{IH}$    | 0                                 | -                                   | ns              |              |
|           | QSSL setup time               | $t_{LEAD}$  | $(N+0.5) \times t_{QScyc} - 5 *2$ | $(N+0.5) \times t_{QScyc} + 100 *2$ | ns              |              |
|           | QSSL hold time                | $t_{LAG}$   | $(N+0.5) \times t_{QScyc} - 5 *3$ | $(N+0.5) \times t_{QScyc} + 100 *3$ | ns              |              |
|           | Data output delay             | $t_{OD}$    | -                                 | 4                                   | ns              |              |
|           | Data output hold time         | $t_{OH}$    | -3.3                              | -                                   | ns              |              |
|           | Successive transmission delay | $t_{TD}$    | 1                                 | 16                                  | $t_{QScyc}$     |              |

Note 1.  $t_{Pcyc}$ : PCLKA cycle.

Note 2. N is set to 0 or 1 in SFMSLD.

Note 3. N is set to 0 or 1 in SFMSHD.

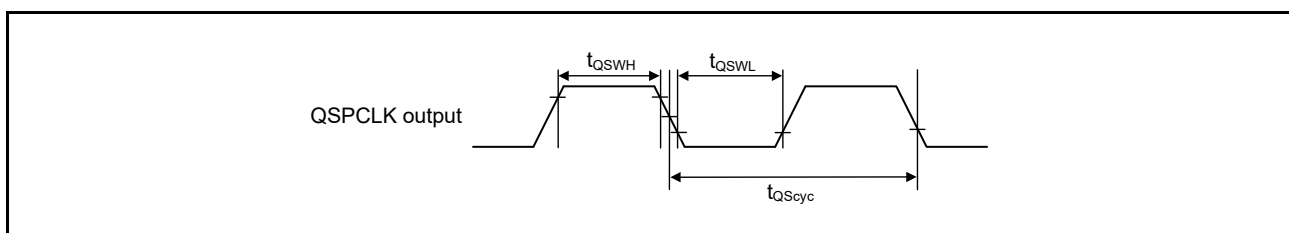


Figure 55.55 QSPI clock timing

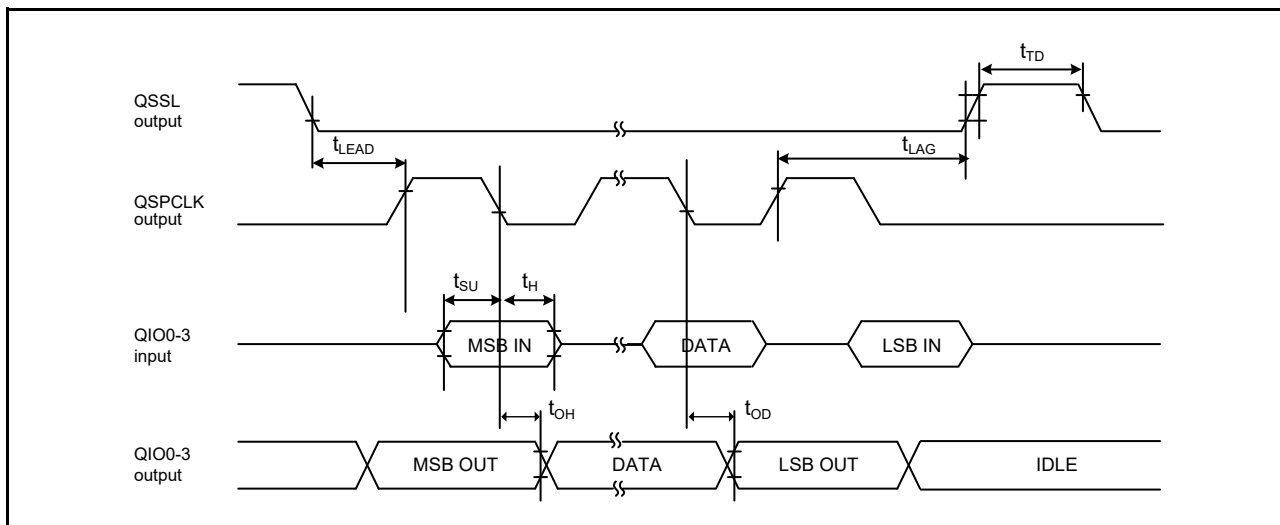


Figure 55.56 Transmit and receive timing

55.3.13 IIC Timing

Table 55.27 IIC timing (1) (1 of 2)

- (1) Conditions: Middle drive output is selected in the Port Drive Capability bit in the PmnPFS register for the following pins: SDA0\_B, SCL0\_B, SDA1\_A, SCL1\_A, SDA1\_B, SCL1\_B.
- (2) The following pins do not require setting: SCL0\_A, SDA0\_A, SCL2, SDA2.
- (3) Use pins that have a letter appended to their names, for instance “\_A” or “\_B”, to indicate group membership. For the IIC interface, the AC portion of the electrical characteristics is measured for each group.

| Parameter  | Symbol   | Min*1      | Max   | Unit                      | Test conditions*3 |              |
|--|--|------------|---|---------------------------|-------------------|--------------|
| IIC<br>(Standard mode,<br>SMBus)<br>ICFER.FMPE = 0 | SCL input cycle time   | $t_{SCL}$  | $6 (12) \times t_{IICcyc} + 1300$                   | -                         | ns                | Figure 55.57 |
|  | SCL input high pulse width                                       | $t_{SCLH}$ | $3 (6) \times t_{IICcyc} + 300$                     | -                         | ns                |              |
|  | SCL input low pulse width  | $t_{SCLL}$ | $3 (6) \times t_{IICcyc} + 300$                     | -                         | ns                |              |
|  | SCL, SDA input rise time   | $t_{Sr}$   | -   | 1000                      | ns                |              |
|  | SCL, SDA input fall time   | $t_{Sf}$   | -   | 300                       | ns                |              |
|  | SCL, SDA input spike pulse removal time                          | $t_{SP}$   | 0   | $1 (4) \times t_{IICcyc}$ | ns                |              |
|  | SDA input bus free time when wakeup function is disabled         | $t_{BUF}$  | $3 (6) \times t_{IICcyc} + 300$                     | -                         | ns                |              |
|  | SDA input bus free time when wakeup function is enabled          | $t_{BUF}$  | $3 (6) \times t_{IICcyc} + 4 \times t_{Pcyc} + 300$ | -                         | ns                |              |
|  | START condition input hold time when wakeup function is disabled | $t_{STAH}$ | $t_{IICcyc} + 300$                                  | -                         | ns                |              |
|  | START condition input hold time when wakeup function is enabled  | $t_{STAH}$ | $1 (5) \times t_{IICcyc} + t_{Pcyc} + 300$          | -                         | ns                |              |
|  | Repeated START condition input setup time                        | $t_{STAS}$ | 1000  | -                         | ns                |              |
|  | STOP condition input setup time                                  | $t_{STOS}$ | 1000  | -                         | ns                |              |
|  | Data input setup time  | $t_{SDAS}$ | $t_{IICcyc} + 50$                                   | -                         | ns                |              |
|  | Data input hold time   | $t_{SDAH}$ | 0   | -                         | ns                |              |
|  | SCL, SDA capacitive load   | $C_b$      | -   | 400                       | pF                |              |

**Table 55.27 IIC timing (1) (2 of 2)**

(1) Conditions: Middle drive output is selected in the Port Drive Capability bit in the PmnPFS register for the following pins: SDA0\_B, SCL0\_B, SDA1\_A, SCL1\_A, SDA1\_B, SCL1\_B.

(2) The following pins do not require setting: SCL0\_A, SDA0\_A, SCL2, SDA2.

(3) Use pins that have a letter appended to their names, for instance “\_A” or “\_B”, to indicate group membership. For the IIC interface, the AC portion of the electrical characteristics is measured for each group.

| Parameter                | Symbol   | Min*1      | Max   | Unit                      | Test conditions*3 |              |
|--------------------------|--|------------|---|---------------------------|-------------------|--------------|
| IIC<br>(Fast mode)       | SCL input cycle time   | $t_{SCL}$  | $6 (12) \times t_{IICcyc} + 600$                    | -                         | ns                | Figure 55.57 |
|                          | SCL input high pulse width                                       | $t_{SCLH}$ | $3 (6) \times t_{IICcyc} + 300$                     | -                         | ns                |              |
|                          | SCL input low pulse width  | $t_{SCLL}$ | $3 (6) \times t_{IICcyc} + 300$                     | -                         | ns                |              |
|                          | SCL, SDA input rise time   | $t_{Sr}$   | $20 \times (\text{external pullup voltage}/5.5V)^2$ | 300                       | ns                |              |
|                          | SCL, SDA input fall time   | $t_{Sf}$   | $20 \times (\text{external pullup voltage}/5.5V)^2$ | 300                       | ns                |              |
|                          | SCL, SDA input spike pulse removal time                          | $t_{SP}$   | 0   | $1 (4) \times t_{IICcyc}$ | ns                |              |
|                          | SDA input bus free time when wakeup function is disabled         | $t_{BUF}$  | $3 (6) \times t_{IICcyc} + 300$                     | -                         | ns                |              |
|                          | SDA input bus free time when wakeup function is enabled          | $t_{BUF}$  | $3 (6) \times t_{IICcyc} + 4 \times t_{Pcyc} + 300$ | -                         | ns                |              |
|                          | START condition input hold time when wakeup function is disabled | $t_{STAH}$ | $t_{IICcyc} + 300$                                  | -                         | ns                |              |
|                          | START condition input hold time when wakeup function is enabled  | $t_{STAH}$ | $1 (5) \times t_{IICcyc} + t_{Pcyc} + 300$          | -                         | ns                |              |
|                          | Repeated START condition input setup time                        | $t_{STAS}$ | 300   | -                         | ns                |              |
|                          | STOP condition input setup time                                  | $t_{STOS}$ | 300   | -                         | ns                |              |
|                          | Data input setup time  | $t_{SDAS}$ | $t_{IICcyc} + 50$                                   | -                         | ns                |              |
|                          | Data input hold time   | $t_{SDAH}$ | 0   | -                         | ns                |              |
| SCL, SDA capacitive load | $C_b$  | -          | 400   | pF                        |                   |              |

Note:  $t_{IICcyc}$ : IIC internal reference clock (IIC $\phi$ ) cycle,  $t_{Pcyc}$ : PCLKB cycle.

Note 1. Values in parentheses apply when ICMR3.NF[1:0] is set to 11b while the digital filter is enabled with ICFER.NFE set to 1.

Note 2. Only supported for SCL0\_A, SDA0\_A, SCL2, and SDA2.

Note 3. Must use pins that have a letter appended to their name, for instance “\_A”, “\_B”, to indicate group membership. For the IIC interface, the AC portion of the electrical characteristics is measured for each group.

**Table 55.28 IIC timing (2)**

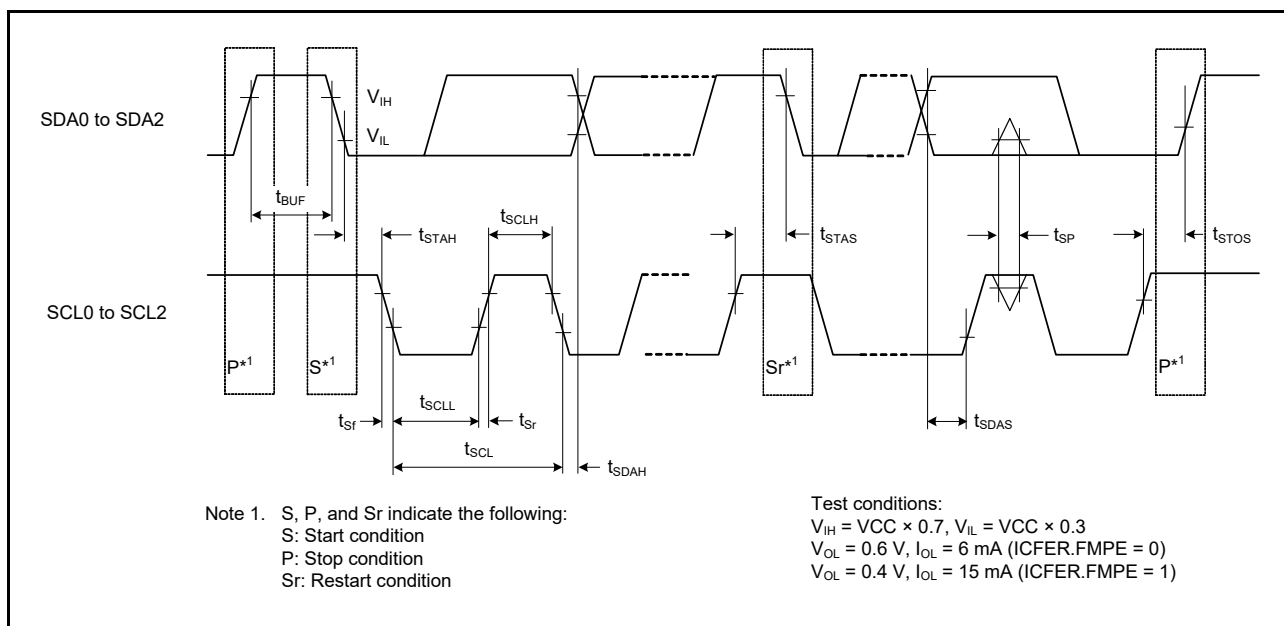
Setting of the SCL0\_A, SDA0\_A pins is not required with the Port Drive Capability bit in the PmnPFS register.

| Parameter                             | Symbol   | Min*1,*2   | Max   | Unit                      | Test conditions |              |
|---------------------------------------|--|------------|---|---------------------------|-----------------|--------------|
| IIC<br>(Fast-mode+)<br>ICFER.FMPE = 1 | SCL input cycle time   | $t_{SCL}$  | $6 (12) \times t_{IICcyc} + 240$                    | -                         | ns              | Figure 55.57 |
|                                       | SCL input high pulse width                                       | $t_{SCLH}$ | $3 (6) \times t_{IICcyc} + 120$                     | -                         | ns              |              |
|                                       | SCL input low pulse width  | $t_{SCLL}$ | $3 (6) \times t_{IICcyc} + 120$                     | -                         | ns              |              |
|                                       | SCL, SDA input rise time   | $t_{Sr}$   | -   | 120                       | ns              |              |
|                                       | SCL, SDA input fall time   | $t_{Sf}$   | -   | 120                       | ns              |              |
|                                       | SCL, SDA input spike pulse removal time                          | $t_{SP}$   | 0   | $1 (4) \times t_{IICcyc}$ | ns              |              |
|                                       | SDA input bus free time when wakeup function is disabled         | $t_{BUF}$  | $3 (6) \times t_{IICcyc} + 120$                     | -                         | ns              |              |
|                                       | SDA input bus free time when wakeup function is enabled          | $t_{BUF}$  | $3 (6) \times t_{IICcyc} + 4 \times t_{Pcyc} + 120$ | -                         | ns              |              |
|                                       | Start condition input hold time when wakeup function is disabled | $t_{STAH}$ | $t_{IICcyc} + 120$                                  | -                         | ns              |              |
|                                       | START condition input hold time when wakeup function is enabled  | $t_{STAH}$ | $1 (5) \times t_{IICcyc} + t_{Pcyc} + 120$          | -                         | ns              |              |
|                                       | Restart condition input setup time                               | $t_{STAS}$ | 120   | -                         | ns              |              |
|                                       | Stop condition input setup time                                  | $t_{STOS}$ | 120   | -                         | ns              |              |
|                                       | Data input setup time  | $t_{SDAS}$ | $t_{IICcyc} + 30$                                   | -                         | ns              |              |
|                                       | Data input hold time   | $t_{SDAH}$ | 0   | -                         | ns              |              |
|                                       | SCL, SDA capacitive load   | $C_b$      | -   | 550                       | pF              |              |

Note:  $t_{IICcyc}$ : IIC internal reference clock (IIC $\phi$ ) cycle,  $t_{Pcyc}$ : PCLKB cycle.

Note 1. Values in parentheses apply when ICMR3.NF[1:0] is set to 11b while the digital filter is enabled with ICFER.NFE set to 1.

Note 2.  $C_b$  indicates the total capacity of the bus line.



**Figure 55.57 I2C bus interface input/output timing**

## 55.3.14 SSIE Timing

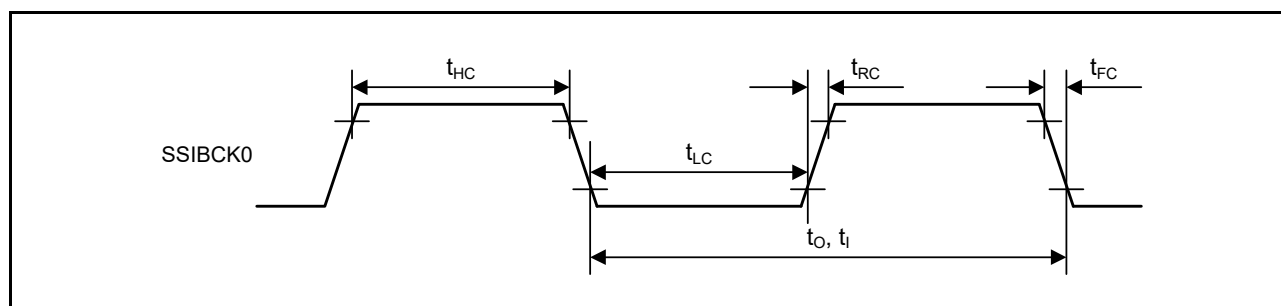
**Table 55.29 SSIE timing**

(1) High drive output is selected with the Port Drive Capability bit in the PmnPFS register.

(2) Use pins that have a letter appended to their names, for instance "\_A" or "\_B" to indicate group membership. For the SSIE interface, the AC portion of the electrical characteristics is measured for each group.

| Parameter   |   | Symbol                  | Target specification |      | Unit        | Comments    |                               |
|---|---|-------------------------|----------------------|------|-------------|-------------|-------------------------------|
|   |   |                         | Min.                 | Max. |             |             |                               |
| SSIBCK0   | Cycle   | Master                  | $t_O$                | 80   | -           | ns          | Figure 55.58                  |
|   |   | Slave                   | $t_I$                | 80   | -           | ns          |                               |
|   | High level/ low level                               | Master                  | $t_{HC}/t_{LC}$      | 0.35 | -           | $t_O$       |                               |
|   |   | Slave                   |                      | 0.35 | -           | $t_I$       |                               |
|   | Rising time/falling time                            | Master                  | $t_{RC}/t_{FC}$      | -    | 0.15        | $t_O / t_I$ |                               |
|   |   | Slave                   |                      | -    | 0.15        | $t_O / t_I$ |                               |
| SSILRCK0/SSIFS0,<br>SSITXD0, SSIRXD0,<br>SSIDATA0 | Input set up time                                   | Master                  | $t_{SR}$             | 12   | -           | ns          | Figure 55.60,<br>Figure 55.61 |
|   |   | Slave                   |                      | 12   | -           | ns          |                               |
|   | Input hold time                                     | Master                  | $t_{HR}$             | 8    | -           | ns          |                               |
|   |   | Slave                   |                      | 15   | -           | ns          |                               |
|   | Output delay time                                   | Master                  | $t_{DTR}$            | -10  | 5           | ns          | Figure 55.60,<br>Figure 55.61 |
|   |   | Slave                   |                      | 0    | 20          | ns          |                               |
|   | Output delay time from<br>SSILRCK0/SSIFS0<br>change | Slave                   | $t_{DTRW}$           | -    | 20          | ns          | Figure 55.62*1                |
|   | GTIOC1A,<br>AUDIO_CLK                               | Cycle                   | $t_{EXcyc}$          | 20   | -           | ns          | Figure 55.59                  |
| High level/ low level                             |   | $t_{EXL}/$<br>$t_{EXH}$ | 0.4                  | 0.6  | $t_{EXcyc}$ |             |                               |

Note 1. For slave-mode transmission, SSIE has a path, through which the signal input from the SSILRCK0/SSIFS0 pin is used to generate transmit data, and the transmit data is logically output to the SSITXD0 or SSIDATA0 pin.

**Figure 55.58 SSIE clock input/output timing**

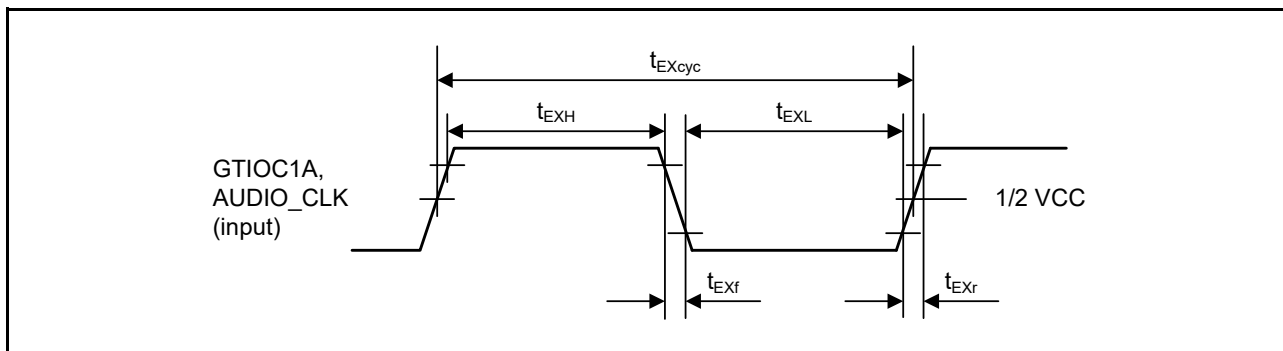


Figure 55.59 Clock input timing

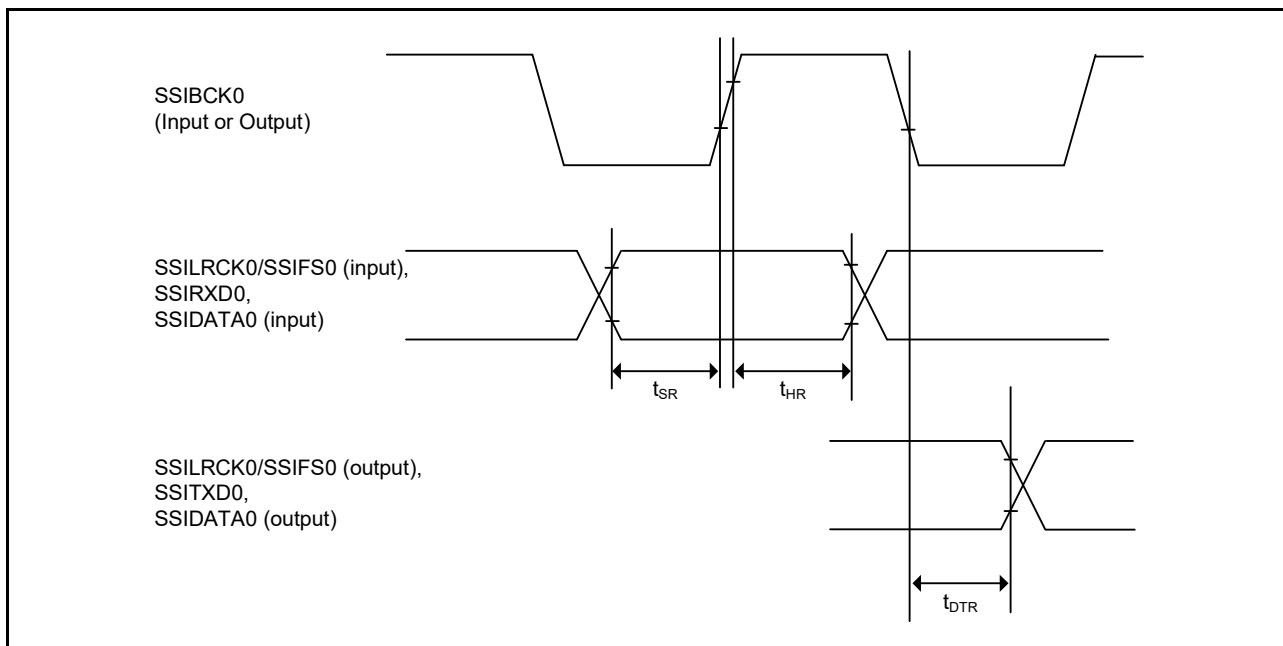


Figure 55.60 SSIE data transmit and receive timing when SSICR.BCKP = 0

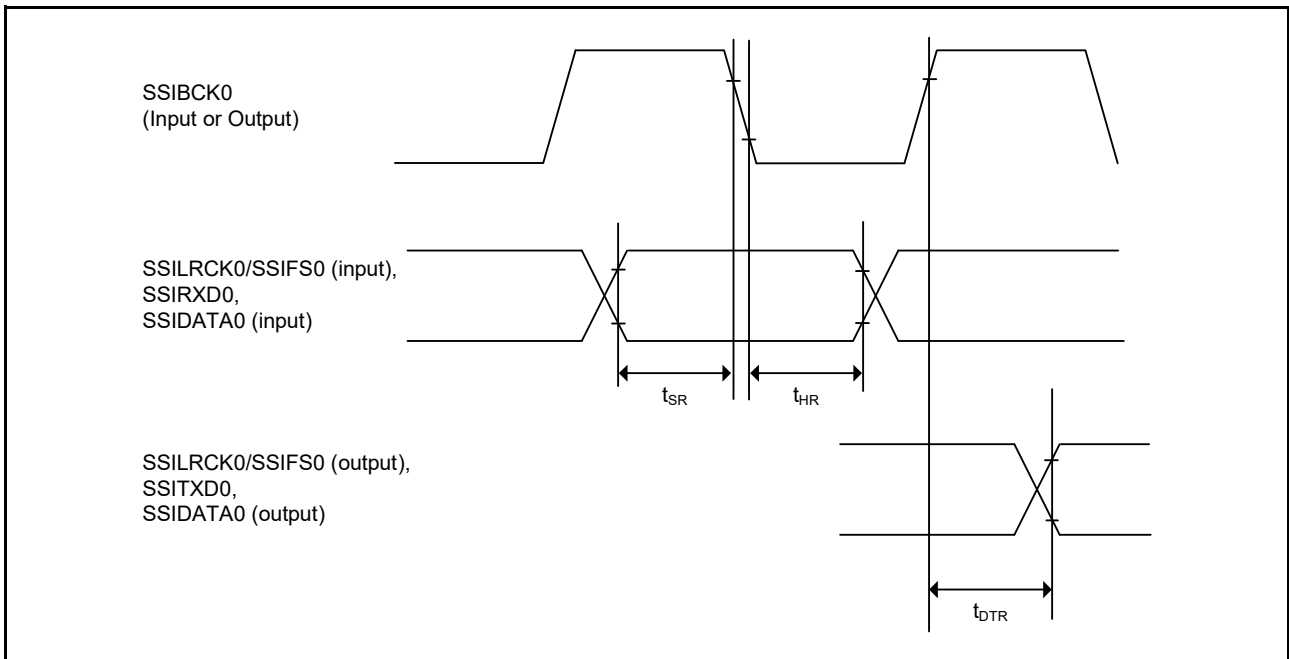


Figure 55.61 SSIE data transmit and receive timing when SSICR.BCKP = 1

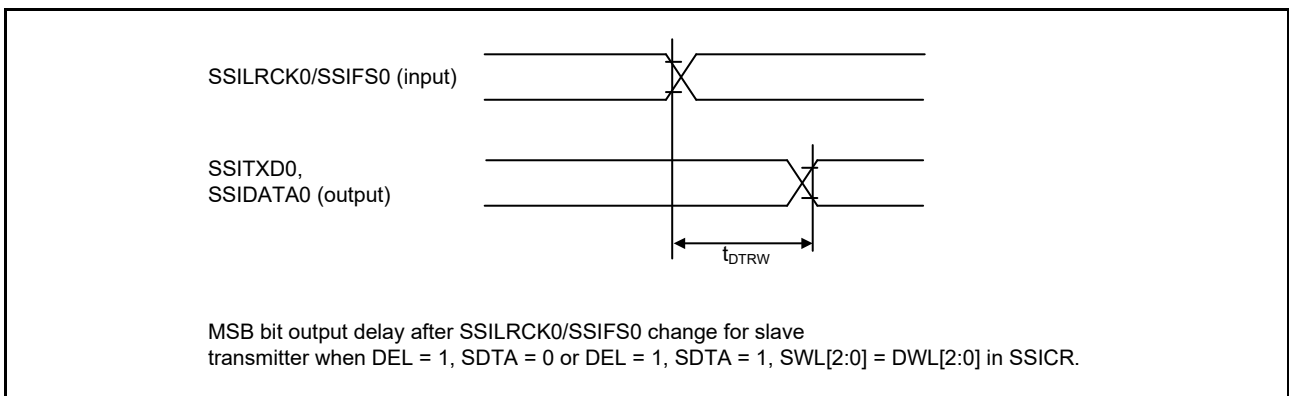


Figure 55.62 SSIE data output delay after SSILRCK0/SSIFS0 change

### 55.3.15 SD/MMC Host Interface Timing

Table 55.30 SD/MMC Host Interface signal timing

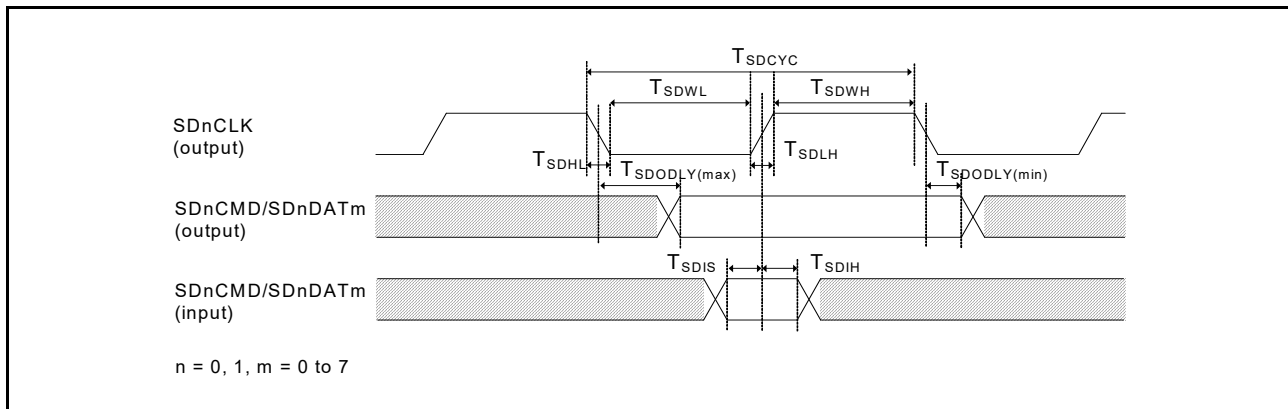
Conditions: High drive output is selected in the Port Drive Capability bit in the PmnPFS register.  
Clock duty ratio is 50%.

| Parameter                     | Symbol       | Min | Max | Unit | Test conditions*1 |
|-------------------------------|--------------|-----|-----|------|-------------------|
| SDCLK clock cycle             | $T_{SDCYC}$  | 20  | -   | ns   | Figure 55.63      |
| SDCLK clock high pulse width  | $T_{SDWH}$   | 6.5 | -   | ns   |                   |
| SDCLK clock low pulse width   | $T_{SDWL}$   | 6.5 | -   | ns   |                   |
| SDCLK clock rise time         | $T_{SDLH}$   | -   | 3   | ns   |                   |
| SDCLK clock fall time         | $T_{SDHL}$   | -   | 3   | ns   |                   |
| SDCMD/SDDAT output data delay | $T_{SDODLY}$ | -6  | 5   | ns   |                   |
| SDCMD/SDDAT input data setup  | $T_{SDIS}$   | 4   | -   | ns   |                   |
| SDCMD/SDDAT input data hold   | $T_{SDIH}$   | 2   | -   | ns   |                   |

Note 1. Must use pins that have a letter appended to their name, for instance “\_A”, “\_B”, to indicate group membership.



For the SD/MMC Host interface, the AC portion of the electrical characteristics is measured for each group.



**Figure 55.63** SD/MMC Host Interface signal timing

### 55.3.16 ETHERC Timing

**Table 55.31** ETHERC timing

Conditions: ETHERC (RMII): Middle drive output is selected in the Port Drive Capability bit in the PmnPFS register for the following pins: ET0\_MDC, ET0\_MDIO.

For other pins, high drive output is selected in the Port Drive Capability bit in the PmnPFS register.

ETHERC (MII): Middle drive output is selected in the Port Drive Capability bit in the PmnPFS register.

| Parameter     | Symbol                             | Min           | Max | Unit         | Test conditions*3 |                              |              |
|---------------|------------------------------------|---------------|-----|--------------|-------------------|------------------------------|--------------|
| ETHERC (RMII) | REF50CK0 cycle time                | $T_{ck}$      | 20  | -            | ns                | Figure 55.64 to Figure 55.67 |              |
|               | REF50CK0 frequency, typical 50 MHz | -             | -   | 50 + 100 ppm | MHz               |                              |              |
|               | REF50CK0 duty                      | -             | 35  | 65           | %                 |                              |              |
|               | REF50CK0 rise/fall time            | $T_{ckr/ckf}$ | 0.5 | 3.5          | ns                |                              |              |
|               | RMII_XXXX*1 output delay           | $T_{co}$      | 2.5 | 12.0         | ns                |                              |              |
|               | RMII_XXXX*2 setup time             | $T_{su}$      | 3   | -            | ns                |                              |              |
|               | RMII_XXXX*2 hold time              | $T_{hd}$      | 1   | -            | ns                |                              |              |
|               | RMII_XXXX*1, *2 rise/fall time     | $T_r/T_f$     | 0.5 | 4            | ns                |                              |              |
|               | ET0_WOL output delay               | $t_{WOLd}$    | 1   | 23.5         | ns                | Figure 55.68                 |              |
| ETHERC (MII)  | ET0_TX_CLK cycle time              | $t_{Tcyc}$    | 40  | -            | ns                | -                            |              |
|               | ET0_TX_EN output delay             | $t_{TEND}$    | 1   | 20           | ns                | Figure 55.69                 |              |
|               | ET0_ETXD0 to ET_ETXD3 output delay | $t_{MTDd}$    | 1   | 20           | ns                | Figure 55.70                 |              |
|               | ET0_CRS setup time                 | $t_{CRSs}$    | 10  | -            | ns                |                              |              |
|               | ET0_CRS hold time                  | $t_{CRSh}$    | 10  | -            | ns                |                              |              |
|               | ET0_COL setup time                 | $t_{COLs}$    | 10  | -            | ns                |                              |              |
|               | ET0_COL hold time                  | $t_{COLh}$    | 10  | -            | ns                |                              |              |
|               | ET0_RX_CLK cycle time              | $t_{TRcyc}$   | 40  | -            | ns                |                              | -            |
|               | ET0_RX_DV setup time               | $t_{RDVs}$    | 10  | -            | ns                |                              | Figure 55.71 |
|               | ET0_RX_DV hold time                | $t_{RDVh}$    | 10  | -            | ns                |                              |              |
|               | ET0_ERXD0 to ET_ERXD3 setup time   | $t_{MRDs}$    | 10  | -            | ns                | Figure 55.72                 |              |
|               | ET0_ERXD0 to ET_ERXD3 hold time    | $t_{MRDh}$    | 10  | -            | ns                |                              |              |
|               | ET0_RX_ER setup time               | $t_{RERs}$    | 10  | -            | ns                |                              |              |
|               | ET0_RX_ER hold time                | $t_{RESh}$    | 10  | -            | ns                |                              |              |
|               | ET0_WOL output delay               | $t_{WOLd}$    | 1   | 23.5         | ns                | Figure 55.73                 |              |

Note 1. RMII\_TXD\_EN, RMII\_TXD1, RMII\_TXD0.

Note 2. RMII\_CRS\_DV, RMII\_RXD1, RMII\_RXD0, RMII\_RX\_ER.

Note 3. The following pins must use pins that have a letter appended to their name, for instance “\_A”, “\_B”, to indicate group membership. For the ETHERC (RMII) Host interface, the AC portion of the electrical characteristics is measured for each group.  
 REF50CK0\_A, REF50CK0\_B, RMII0\_xxxx\_A, RMII0\_xxxx\_B.

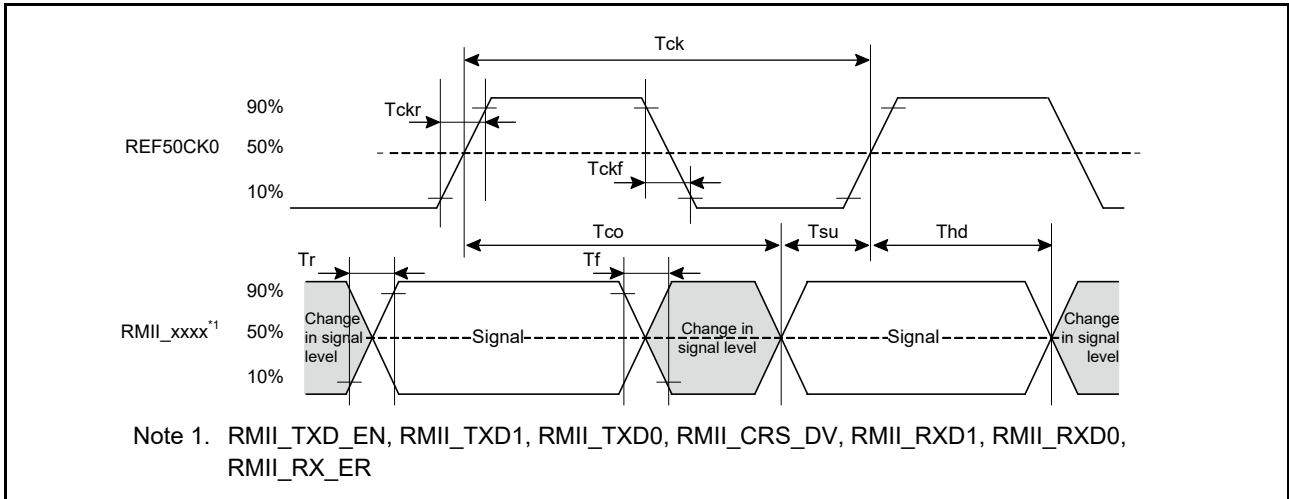


Figure 55.64 REF50CK0 and RMII signal timing

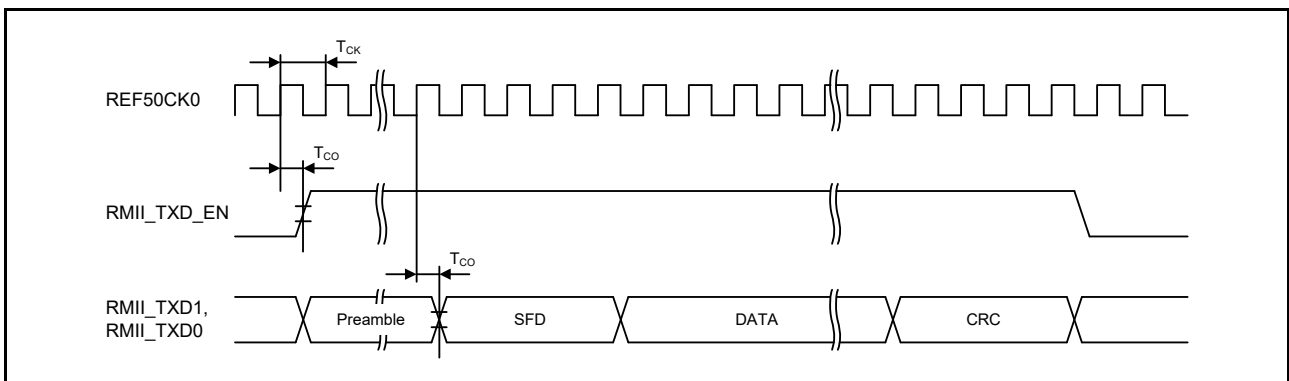


Figure 55.65 RMII transmission timing

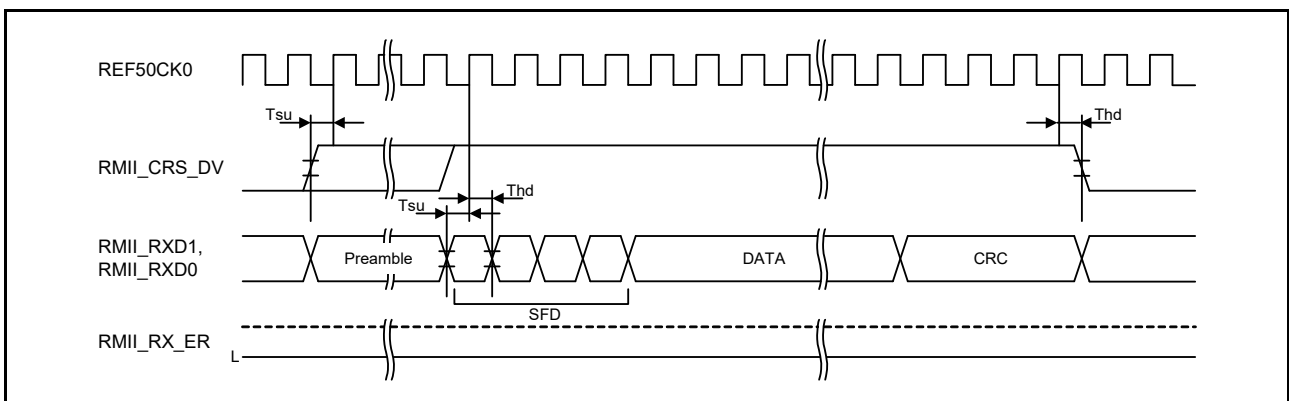


Figure 55.66 RMII reception timing in normal operation

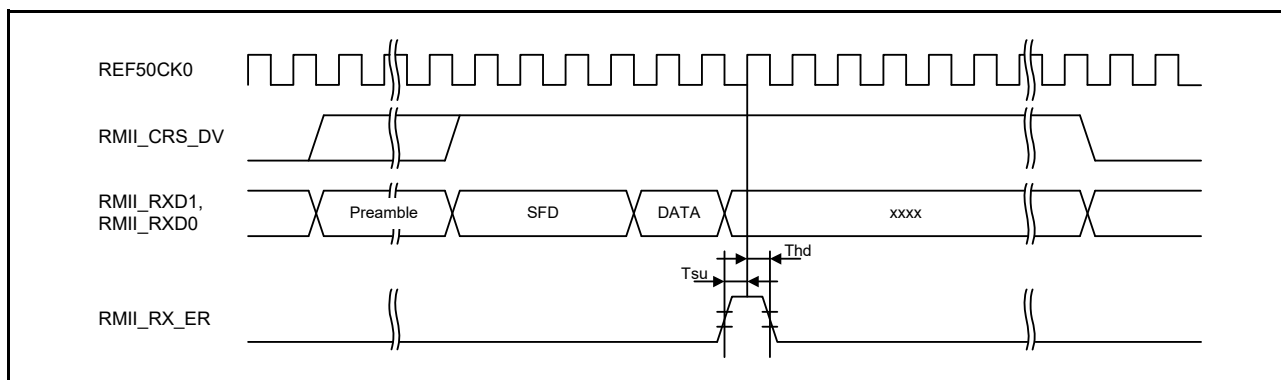


Figure 55.67 RMI reception timing when an error occurs

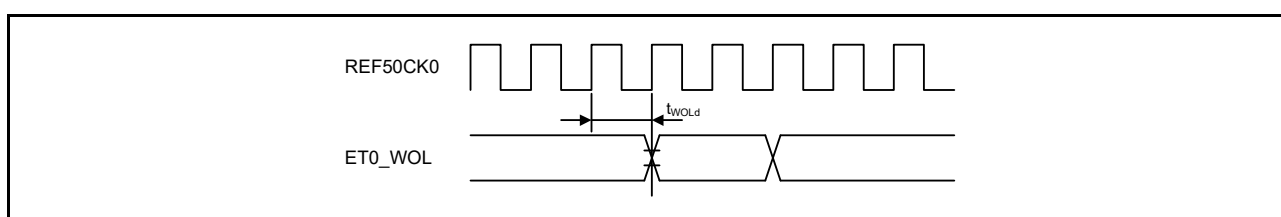


Figure 55.68 WOL output timing for RMI

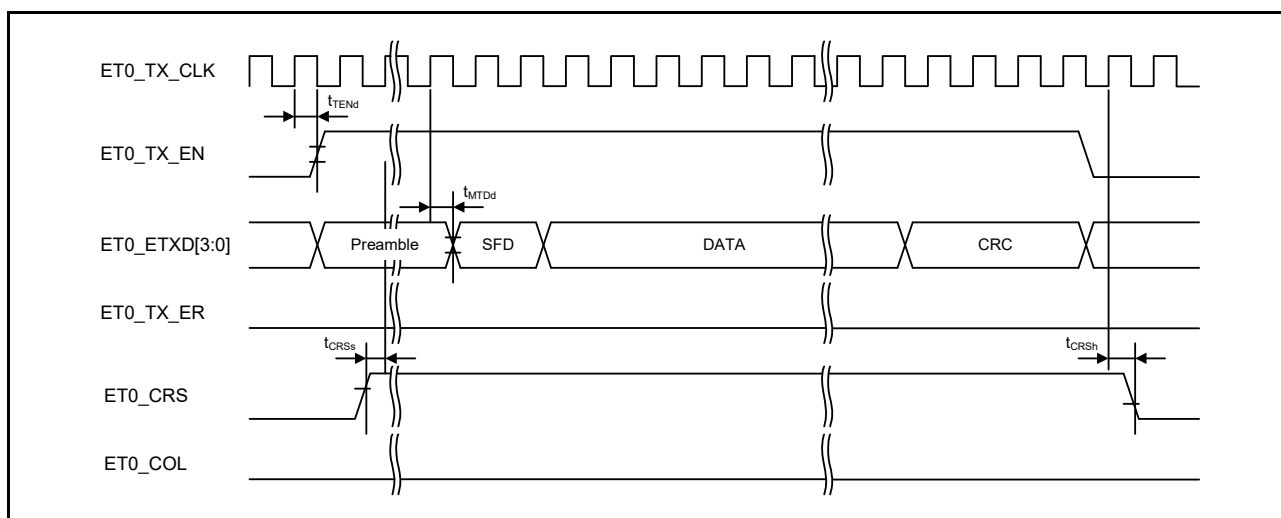


Figure 55.69 MII transmission timing in normal operation

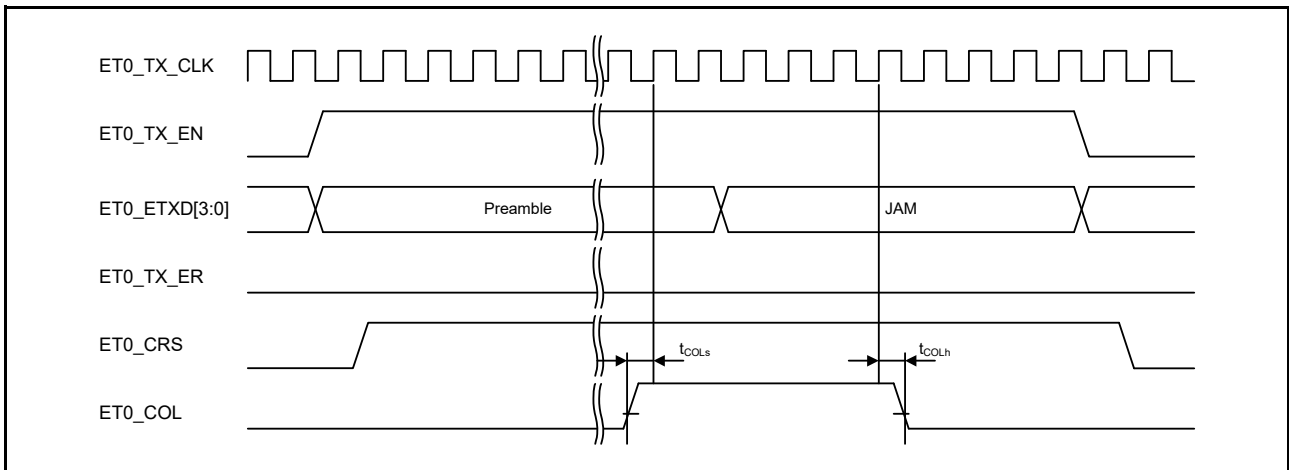


Figure 55.70 MII transmission timing when a conflict occurs

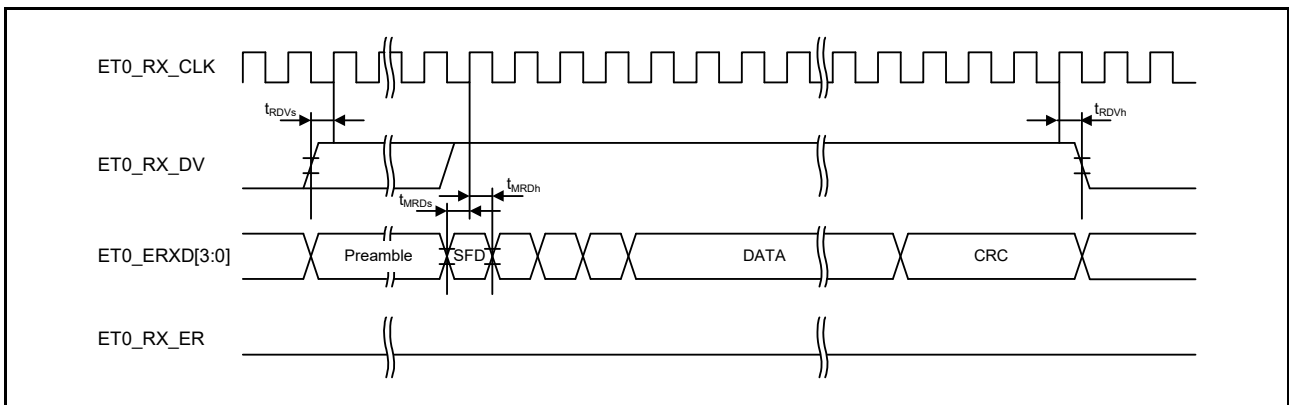


Figure 55.71 MII reception timing in normal operation

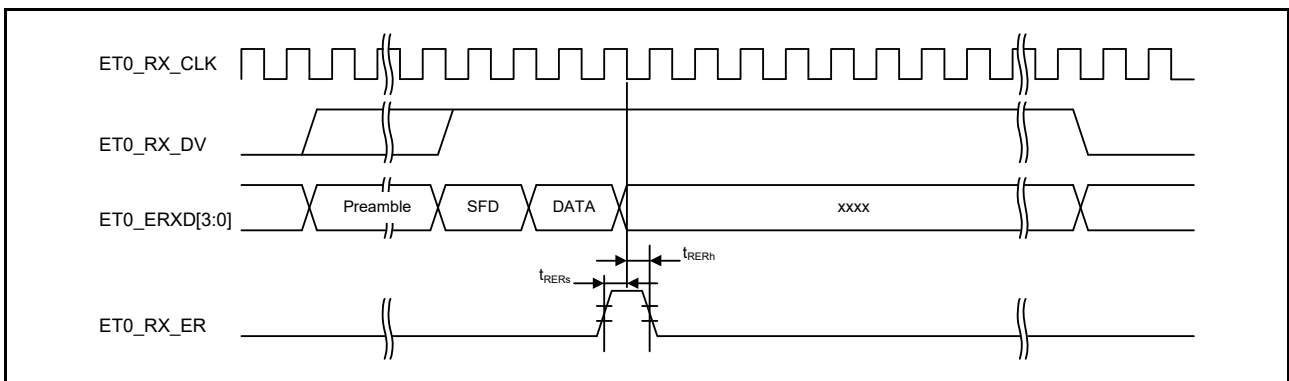


Figure 55.72 MII reception timing when an error occurs

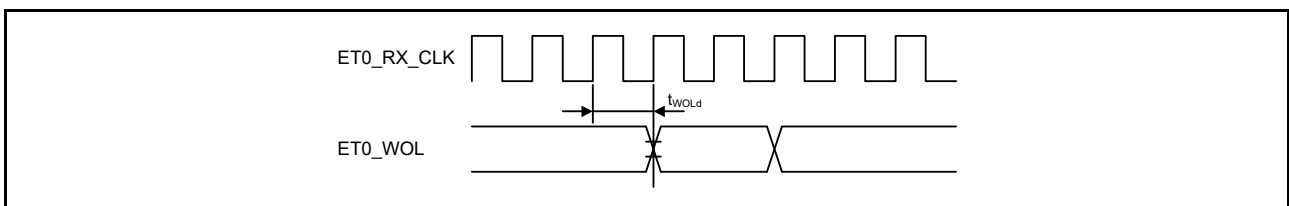


Figure 55.73 WOL output timing for MII

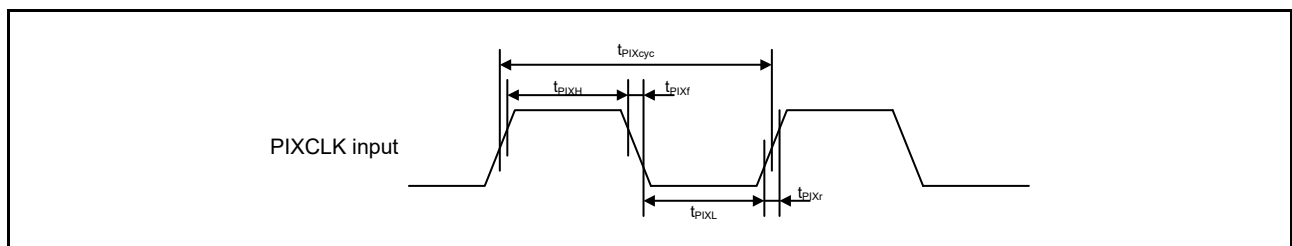
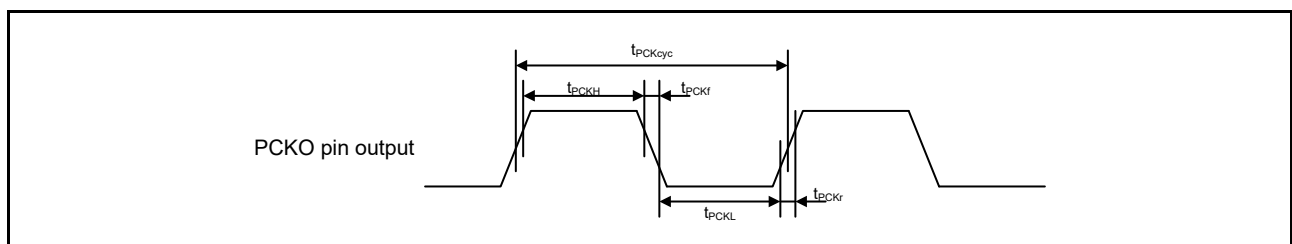
## 55.3.17 PDC Timing

**Table 55.32 PDC timing**

Conditions: Middle drive output is selected in the port drive capability bit in the PmnPFS register.  
Output load conditions:  $V_{OH} = V_{CC} \times 0.5$ ,  $V_{OL} = V_{CC} \times 0.5$ ,  $C = 30$  pF

| Parameter | Symbol                        | Min          | Max  | Unit | Test conditions |              |
|-----------|-------------------------------|--------------|--|------|-----------------|--------------|
| PDC       | PIXCLK input cycle time       | $t_{PIXcyc}$ | 37   | -    | ns              | Figure 55.74 |
|           | PIXCLK input high pulse width | $t_{PIXH}$   | 10   | -    | ns              |              |
|           | PIXCLK input low pulse width  | $t_{PIXL}$   | 10   | -    | ns              |              |
|           | PIXCLK rise time              | $t_{PIXr}$   | -  | 5    | ns              |              |
|           | PIXCLK fall time              | $t_{PIXf}$   | -  | 5    | ns              |              |
| PDC       | PCKO output cycle time        | $t_{PCKcyc}$ | $2 \times t_{PBcyc}$                       | -    | ns              | Figure 55.75 |
|           | PCKO output high pulse width  | $t_{PCKH}$   | $(t_{PCKcyc} - t_{PCKr} - t_{PCKf})/2 - 3$ | -    | ns              |              |
|           | PCKO output low pulse width   | $t_{PCKL}$   | $(t_{PCKcyc} - t_{PCKr} - t_{PCKf})/2 - 3$ | -    | ns              |              |
|           | PCKO rise time                | $t_{PCKr}$   | -  | 5    | ns              |              |
|           | PCKO fall time                | $t_{PCKf}$   | -  | 5    | ns              |              |
| PDC       | VSYNV/HSYNC input setup time  | $t_{SYNCS}$  | 10   | -    | ns              | Figure 55.76 |
|           | VSYNV/HSYNC input hold time   | $t_{SYNCH}$  | 5  | -    | ns              |              |
|           | PIXD input setup time         | $t_{PIXDS}$  | 10   | -    | ns              |              |
|           | PIXD input hold time          | $t_{PIXDH}$  | 5  | -    | ns              |              |

Note 1.  $t_{PBcyc}$ : PCLKB cycle.

**Figure 55.74 PDC input clock timing****Figure 55.75 PDC output clock timing**

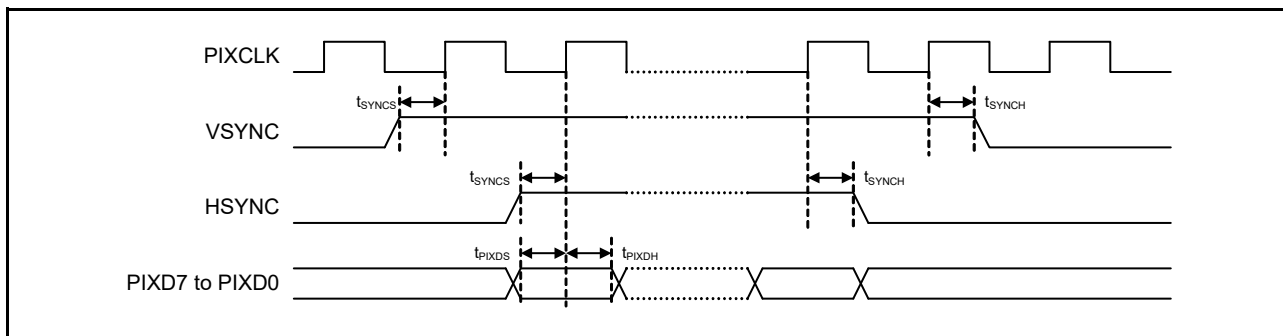


Figure 55.76 PDC AC timing

### 55.4 USB Characteristics

#### 55.4.1 USBFS Timing

Table 55.33 USBFS low-speed characteristics for host only (USB\_DP and USB\_DM pin characteristics)  
 Conditions: VCC = AVCC0 = VCC\_USB = VBATT = 3.0 to 3.6V, 2.7 ≤ VREFH0/VREFH ≤ AVCC0, UCLK = 48 MHz

| Parameter                             | Symbol   | Min                               | Typ   | Max | Unit  | Test conditions |                                   |
|---------------------------------------|--|-----------------------------------|-------|-----|-------|-----------------|-----------------------------------|
| Input characteristics                 | Input high voltage   | V <sub>IH</sub>                   | 2.0   | -   | -     | V               | -                                 |
|                                       | Input low voltage  | V <sub>IL</sub>                   | -     | -   | 0.8   | V               | -                                 |
|                                       | Differential input sensitivity                                 | V <sub>DI</sub>                   | 0.2   | -   | -     | V               | USB_DP - USB_DM                   |
|                                       | Differential common-mode range                                 | V <sub>CM</sub>                   | 0.8   | -   | 2.5   | V               | -                                 |
| Output characteristics                | Output high voltage  | V <sub>OH</sub>                   | 2.8   | -   | 3.6   | V               | I <sub>OH</sub> = -200 μA         |
|                                       | Output low voltage   | V <sub>OL</sub>                   | 0.0   | -   | 0.3   | V               | I <sub>OL</sub> = 2 mA            |
|                                       | Cross-over voltage   | V <sub>CRS</sub>                  | 1.3   | -   | 2.0   | V               | Figure 55.77                      |
|                                       | Rise time  | t <sub>LR</sub>                   | 75    | -   | 300   | ns              |                                   |
|                                       | Fall time  | t <sub>LF</sub>                   | 75    | -   | 300   | ns              |                                   |
|                                       | Rise/fall time ratio   | t <sub>LR</sub> / t <sub>LF</sub> | 80    | -   | 125   | %               | t <sub>LR</sub> / t <sub>LF</sub> |
| Pull-up and pull-down characteristics | USB_DP and USB_DM pull-down resistance in host controller mode | R <sub>pd</sub>                   | 14.25 | -   | 24.80 | kΩ              | -                                 |

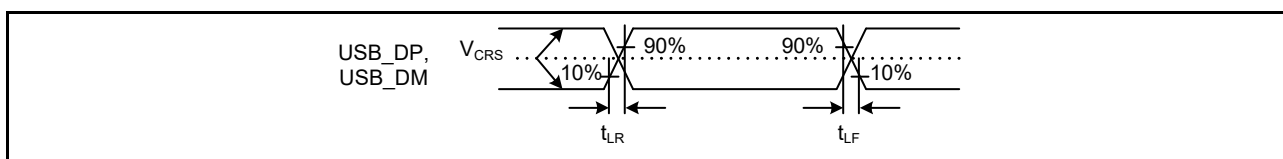


Figure 55.77 USB\_DP and USB\_DM output timing in low-speed mode

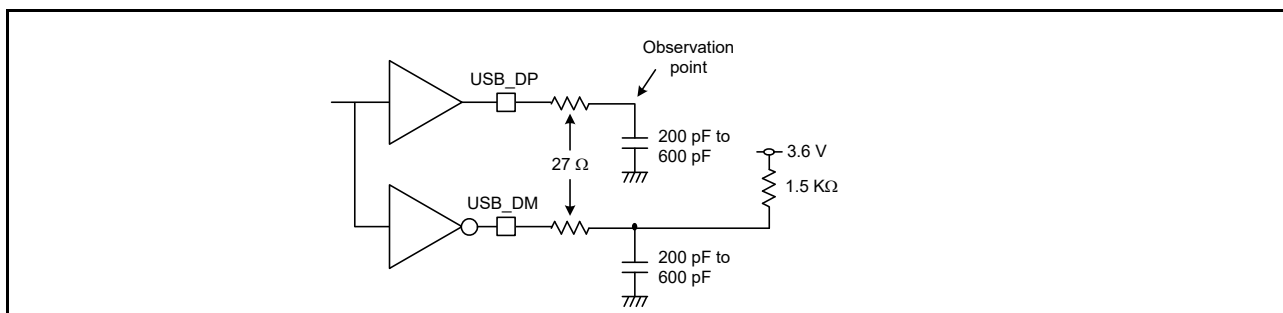
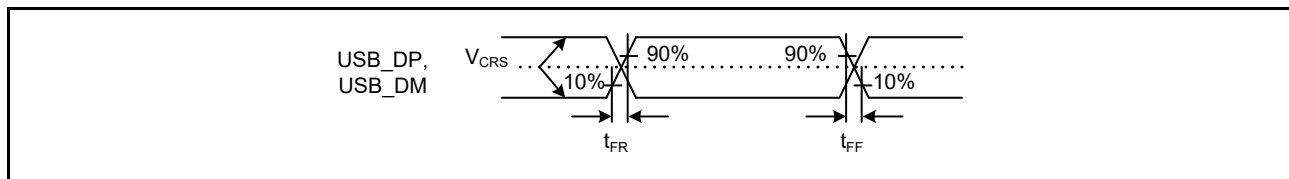
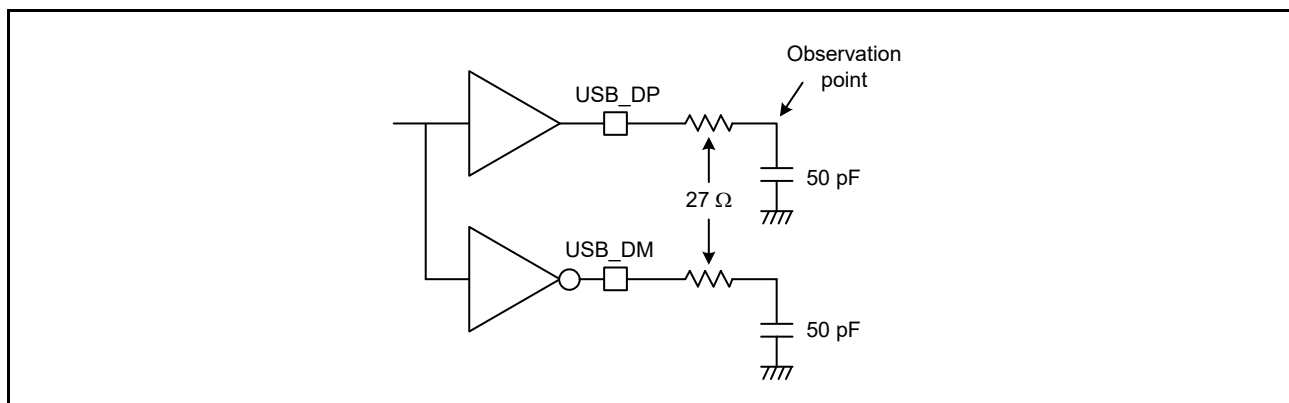


Figure 55.78 Test circuit in low-speed mode

**Table 55.34 USBFS full-speed characteristics (USB\_DP and USB\_DM pin characteristics)**Conditions:  $V_{CC} = AV_{CC0} = V_{CC\_USB} = V_{BATT} = 3.0$  to  $3.6$  V,  $2.7 \leq V_{REFH0}/V_{REFH} \leq AV_{CC0}$ ,  $U_{CLK} = 48$  MHz

| Parameter                             | Symbol   | Min               | Typ   | Max | Unit   | Test conditions |                                   |
|---------------------------------------|--|-------------------|-------|-----|--------|-----------------|-----------------------------------|
| Input characteristics                 | Input high voltage   | $V_{IH}$          | 2.0   | -   | -      | V               | -                                 |
|                                       | Input low voltage  | $V_{IL}$          | -     | -   | 0.8    | V               | -                                 |
|                                       | Differential input sensitivity                                 | $V_{DI}$          | 0.2   | -   | -      | V               | $ USB\_DP - USB\_DM $             |
|                                       | Differential common-mode range                                 | $V_{CM}$          | 0.8   | -   | 2.5    | V               | -                                 |
| Output characteristics                | Output high voltage  | $V_{OH}$          | 2.8   | -   | 3.6    | V               | $I_{OH} = -200 \mu A$             |
|                                       | Output low voltage   | $V_{OL}$          | 0.0   | -   | 0.3    | V               | $I_{OL} = 2$ mA                   |
|                                       | Cross-over voltage   | $V_{CRS}$         | 1.3   | -   | 2.0    | V               | Figure 55.79                      |
|                                       | Rise time  | $t_{LR}$          | 4     | -   | 20     | ns              |                                   |
|                                       | Fall time  | $t_{LF}$          | 4     | -   | 20     | ns              |                                   |
|                                       | Rise/fall time ratio   | $t_{LR} / t_{LF}$ | 90    | -   | 111.11 | %               | $t_{FR} / t_{FF}$                 |
|                                       | Output resistance  | $Z_{DRV}$         | 28    | -   | 44     | $\Omega$        | USBFS: $R_s = 27 \Omega$ included |
| Pull-up and pull-down characteristics | DM pull-up resistance in device controller mode                | $R_{pu}$          | 0.900 | -   | 1.575  | k $\Omega$      | During idle state                 |
|                                       |  | $R_{pu}$          | 1.425 | -   | 3.090  | k $\Omega$      | During transmission and reception |
|                                       | USB_DP and USB_DM pull-down resistance in host controller mode | $R_{pd}$          | 14.25 | -   | 24.80  | k $\Omega$      | -                                 |

**Figure 55.79 USB\_DP and USB\_DM output timing in full-speed mode****Figure 55.80 Test circuit in full-speed mode**

## 55.5 ADC12 Characteristics

**Table 55.35 A/D conversion characteristics for unit 0 (1 of 2)**Conditions:  $P_{CLKC} = 1$  to 60 MHz

| Parameter                | Min | Typ | Max | Unit | Test conditions |
|--------------------------|-----|-----|-----|------|-----------------|
| Frequency                | 1   | -   | 60  | MHz  | -               |
| Analog input capacitance | -   | -   | 30  | pF   | -               |

**Table 55.35 A/D conversion characteristics for unit 0 (2 of 2)**

Conditions: PCLKC = 1 to 60 MHz

| Parameter  |   |   | Min                 | Typ           | Max  | Unit | Test conditions  |
|--|---|---|---------------------|---------------|------|------|--|
| Quantization error   |   |   | -                   | ±0.5          | -    | LSB  | -  |
| Resolution   |   |   | -                   | -             | 12   | Bits | -  |
| Channel-dedicated sample-and-hold circuits in use*3 (AN000 to AN002)   | Conversion time*1 (operation at PCLKC = 60 MHz)     | Permissible signal source impedance Max. = 1 kΩ | 1.06 (0.4 + 0.25)*2 | -             | -    | μs   | <ul style="list-style-type: none"> <li>Sampling of channel-dedicated sample-and-hold circuits in 24 states</li> <li>Sampling in 15 states</li> </ul> |
|  | Offset error  |   | -                   | ±1.5          | ±3.5 | LSB  | AN000 to AN002 = 0.25 V  |
|  | Full-scale error                                    |   | -                   | ±1.5          | ±3.5 | LSB  | AN000 to AN002 = VREFH0 - 0.25 V   |
|  | Absolute accuracy                                   |   | -                   | ±2.5          | ±5.5 | LSB  | -  |
|  | DNL differential nonlinearity error                 |   | -                   | ±1.0          | ±2.0 | LSB  | -  |
|  | INL integral nonlinearity error                     |   | -                   | ±1.5          | ±3.0 | LSB  | -  |
|  | Holding characteristics of sample-and hold circuits |   | -                   | -             | 20   | μs   | -  |
| Dynamic range  |   | 0.25  | -                   | VREFH0 - 0.25 | V    | -    |  |
| Channel-dedicated sample-and-hold circuits not in use (AN000 to AN002) | Conversion time*1 (operation at PCLKC = 60 MHz)     | Permissible signal source impedance Max. = 1 kΩ | 0.48 (0.267)*2      | -             | -    | μs   | Sampling in 16 states  |
|  | Offset error  |   | -                   | ±1.0          | ±2.5 | LSB  | -  |
|  | Full-scale error                                    |   | -                   | ±1.0          | ±2.5 | LSB  | -  |
|  | Absolute accuracy                                   |   | -                   | ±2.0          | ±4.5 | LSB  | -  |
|  | DNL differential nonlinearity error                 |   | -                   | ±0.5          | ±1.5 | LSB  | -  |
|  | INL integral nonlinearity error                     |   | -                   | ±1.0          | ±2.5 | LSB  | -  |
| High-precision channels (AN003 to AN007)                               | Conversion time*1 (operation at PCLKC = 60 MHz)     | Permissible signal source impedance Max. = 1 kΩ | 0.48 (0.267)*2      | -             | -    | μs   | Sampling in 16 states  |
|  |   | Max. = 400 Ω                                    | 0.40 (0.183)*2      | -             | -    | μs   | Sampling in 11 states<br>VCC = AVCC0 = 3.0 to 3.6 V<br>3.0 V ≤ VREFH0 ≤ AVCC0  |
|  | Offset error  |   | -                   | ±1.0          | ±2.5 | LSB  | -  |
|  | Full-scale error                                    |   | -                   | ±1.0          | ±2.5 | LSB  | -  |
|  | Absolute accuracy                                   |   | -                   | ±2.0          | ±4.5 | LSB  | -  |
|  | DNL differential nonlinearity error                 |   | -                   | ±0.5          | ±1.5 | LSB  | -  |
|  | INL integral nonlinearity error                     |   | -                   | ±1.0          | ±2.5 | LSB  | -  |
| Normal-precision channels (AN016 to AN020)                             | Conversion time*1 (Operation at PCLKC = 60 MHz)     | Permissible signal source impedance Max. = 1 kΩ | 0.88 (0.667)*2      | -             | -    | μs   | Sampling in 40 states  |
|  | Offset error  |   | -                   | ±1.0          | ±5.5 | LSB  | -  |
|  | Full-scale error                                    |   | -                   | ±1.0          | ±5.5 | LSB  | -  |
|  | Absolute accuracy                                   |   | -                   | ±2.0          | ±7.5 | LSB  | -  |
|  | DNL differential nonlinearity error                 |   | -                   | ±0.5          | ±4.5 | LSB  | -  |
|  | INL integral nonlinearity error                     |   | -                   | ±1.0          | ±5.5 | LSB  | -  |

Note: These specification values apply when there is no access to the external bus during A/D conversion. If access occurs during A/D conversion, values might not fall within the indicated ranges.

The use of PORT0 as digital outputs is not allowed when the 12-bit A/D converter is used.

The characteristics apply when AVCC0, AVSS0, VREFH0, VREFH, VREFL0, VREFL, and 12-bit A/D converter input voltage are stable.

Note 1. The conversion time includes the sampling and comparison times. The number of sampling states is indicated for the test conditions.

Note 2. Values in parentheses indicate the sampling time.

Note 3. When simultaneously using channel-dedicated sample-and-hold circuits in unit 0 and unit 1, see [Table 55.37](#).



**Table 55.36 A/D conversion characteristics for unit 1**

Conditions: PCLKC = 1 to 60 MHz

| Parameter  |   |   | Min                    | Typ  | Max          | Unit | Test conditions  |
|--|---|---|------------------------|------|--------------|------|--|
| Frequency  |   |   | 1                      | -    | 60           | MHz  | -  |
| Analog input capacitance   |   |   | -                      | -    | 30           | pF   | -  |
| Quantization error   |   |   | -                      | ±0.5 | -            | LSB  | -  |
| Resolution   |   |   | -                      | -    | 12           | Bits | -  |
| Channel-dedicated sample-and-hold circuits in use*3 (AN100 to AN102)   | Conversion time*1 (operation at PCLKC = 60 MHz)     | Permissible signal source impedance Max. = 1 kΩ | 1.06<br>(0.4 + 0.25)*2 | -    | -            | μs   | <ul style="list-style-type: none"> <li>Sampling of channel-dedicated sample-and-hold circuits in 24 states</li> <li>Sampling in 15 states</li> </ul> |
|  | Offset error  |   | -                      | ±1.5 | ±3.5         | LSB  | AN100 to AN102 = 0.25 V  |
|  | Full-scale error                                    |   | -                      | ±1.5 | ±3.5         | LSB  | AN100 to AN102 = VREFH - 0.25 V  |
|  | Absolute accuracy                                   |   | -                      | ±2.5 | ±5.5         | LSB  | -  |
|  | DNL differential nonlinearity error                 |   | -                      | ±1.0 | ±2.0         | LSB  | -  |
|  | INL integral nonlinearity error                     |   | -                      | ±1.5 | ±3.0         | LSB  | -  |
|  | Holding characteristics of sample-and hold circuits |   | -                      | -    | 20           | μs   | -  |
| Dynamic range  |   |   | 0.25                   | -    | VREFH - 0.25 | V    | -  |
| Channel-dedicated sample-and-hold circuits not in use (AN100 to AN102) | Conversion time*1 (Operation at PCLKC = 60 MHz)     | Permissible signal source impedance Max. = 1 kΩ | 0.48<br>(0.267)*2      | -    | -            | μs   | Sampling in 16 states  |
|  | Offset error  |   | -                      | ±1.0 | ±2.5         | LSB  | -  |
|  | Full-scale error                                    |   | -                      | ±1.0 | ±2.5         | LSB  | -  |
|  | Absolute accuracy                                   |   | -                      | ±2.0 | ±4.5         | LSB  | -  |
|  | DNL differential nonlinearity error                 |   | -                      | ±0.5 | ±1.5         | LSB  | -  |
|  | INL integral nonlinearity error                     |   | -                      | ±1.0 | ±2.5         | LSB  | -  |
| High-precision channels (AN105 to AN107)                               | Conversion time*1 (Operation at PCLKC = 60 MHz)     | Permissible signal source impedance Max. = 1 kΩ | 0.48<br>(0.267)*2      | -    | -            | μs   | Sampling in 16 states  |
|  |   | Max. = 400 Ω                                    | 0.40<br>(0.183)*2      | -    | -            | μs   | Sampling in 11 states<br>VCC = AVCC0 = 3.0 to 3.6 V<br>3.0 V ≤ VREFH ≤ AVCC0   |
|  | Offset error  |   | -                      | ±1.0 | ±2.5         | LSB  | -  |
|  | Full-scale error                                    |   | -                      | ±1.0 | ±2.5         | LSB  | -  |
|  | Absolute accuracy                                   |   | -                      | ±2.0 | ±4.5         | LSB  | -  |
|  | DNL differential nonlinearity error                 |   | -                      | ±0.5 | ±1.5         | LSB  | -  |
|  | INL integral nonlinearity error                     |   | -                      | ±1.0 | ±2.5         | LSB  | -  |
| Normal-precision channels (AN116 to AN118)                             | Conversion time*1 (Operation at PCLKC = 60 MHz)     | Permissible signal source impedance Max. = 1 kΩ | 0.88<br>(0.667)*2      | -    | -            | μs   | Sampling in 40 states  |
|  | Offset error  |   | -                      | ±1.0 | ±5.5         | LSB  | -  |
|  | Full-scale error                                    |   | -                      | ±1.0 | ±5.5         | LSB  | -  |
|  | Absolute accuracy                                   |   | -                      | ±2.0 | ±7.5         | LSB  | -  |
|  | DNL differential nonlinearity error                 |   | -                      | ±0.5 | ±4.5         | LSB  | -  |
|  | INL integral nonlinearity error                     |   | -                      | ±1.0 | ±5.5         | LSB  | -  |

Note: These specification values apply when there is no access to the external bus during A/D conversion. If access occurs during A/D conversion, values might not fall within the indicated ranges.

The use of PORT0 as digital outputs is not allowed when the 12-bit A/D converter is used.

The characteristics apply when AVCC0, AVSS0, VREFH0, VREFH, VREFL0, VREFL, and 12-bit A/D converter input voltage are stable.

Note 1. The conversion time includes the sampling and comparison times. The number of sampling states is indicated for the test conditions.

Note 2. Values in parentheses indicate the sampling time.

Note 3. When simultaneously using channel-dedicated sample-and-hold circuits in unit 0 and unit 1, see [Table 55.37](#).

**Table 55.37 A/D conversion characteristics for simultaneous use of channel-dedicated sample-and-hold circuits in unit0 and unit1**

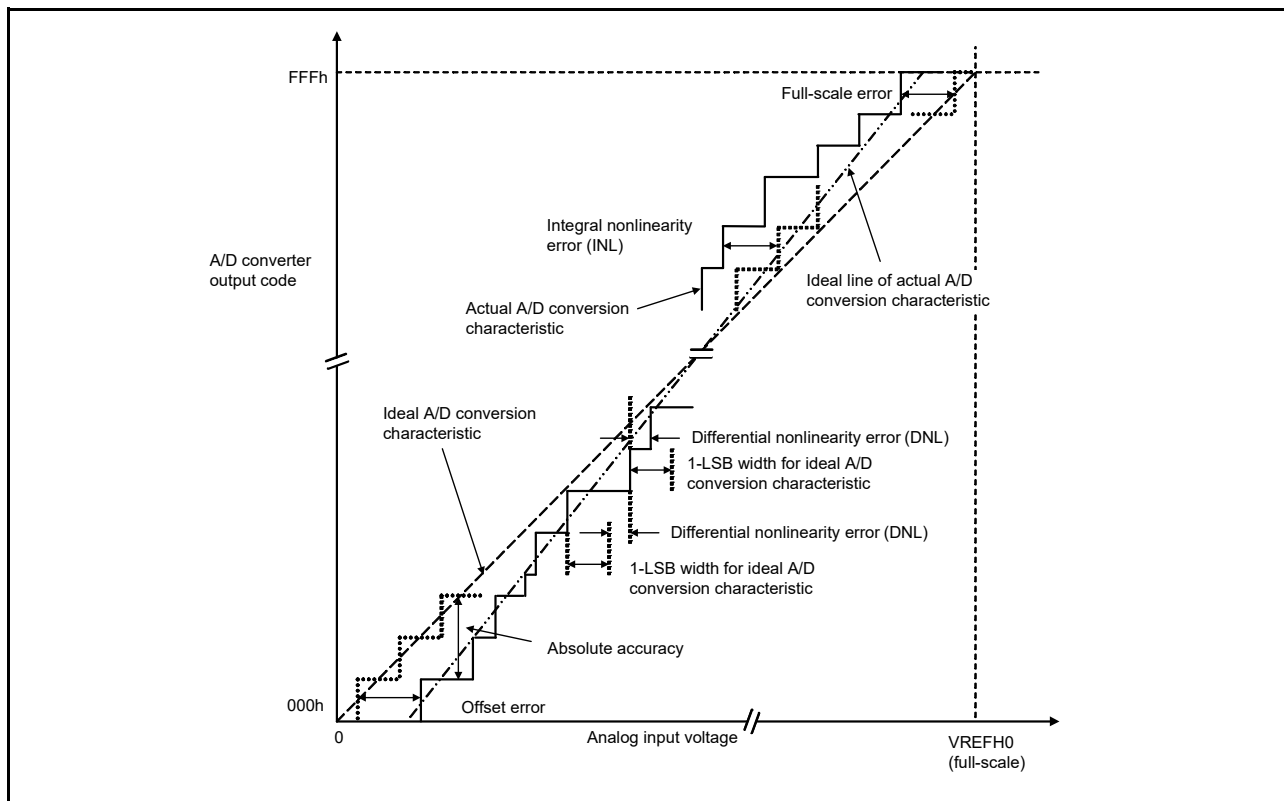
Conditions: PCLKC = 30/60 MHz

| Parameter  | Min               | Typ | Max  | Test conditions |   |
|--|-------------------|-----|------|-----------------|---|
| Channel-dedicated sample-and-hold circuits in use with continuous sampling function enabled (AN000 to AN002) | Offset error      | -   | ±1.5 | ±5.0            | <ul style="list-style-type: none"> <li>• PCLKC = 60 MHz</li> <li>• Sampling in 15 states</li> </ul> |
|  | Full-scale error  | -   | ±2.5 | ±5.0            |   |
|  | Absolute accuracy | -   | ±4.0 | ±8.0            |   |
| Channel-dedicated sample-and-hold circuits in use with continuous sampling function enabled (AN100 to AN102) | Offset error      | -   | ±1.5 | ±5.0            |   |
|  | Full-scale error  | -   | ±2.5 | ±5.0            |   |
|  | Absolute accuracy | -   | ±4.0 | ±8.0            |   |
| Channel-dedicated sample-and-hold circuits in use with continuous sampling function enabled (AN000 to AN002) | Offset error      | -   | ±1.5 | ±3.5            | <ul style="list-style-type: none"> <li>• PCLKC = 30 MHz</li> <li>• Sampling in 7 states</li> </ul>  |
|  | Full-scale error  | -   | ±1.5 | ±3.5            |   |
|  | Absolute accuracy | -   | ±3.0 | ±5.5            |   |
| Channel-dedicated sample-and-hold circuits in use with continuous sampling function enabled (AN100 to AN102) | Offset error      | -   | ±1.5 | ±3.5            |   |
|  | Full-scale error  | -   | ±1.5 | ±3.5            |   |
|  | Absolute accuracy | -   | ±3.0 | ±5.5            |   |

Note: When simultaneously using channel-dedicated sample-and-hold circuits in unit0 and unit1, setting the AD SHMSR.SHMD bit to 1 is recommended.

**Table 55.38 A/D internal reference voltage characteristics**

| Parameter                      | Min  | Typ  | Max  | Unit | Test conditions |
|--------------------------------|------|------|------|------|-----------------|
| A/D internal reference voltage | 1.13 | 1.18 | 1.23 | V    | -               |
| Sampling time                  | 4.15 | -    | -    | µs   | -               |



**Figure 55.81 Illustration of ADC12 characteristic terms**

### Absolute accuracy

Absolute accuracy is the difference between output code based on the theoretical A/D conversion characteristics, and the actual A/D conversion result. When measuring absolute accuracy, the voltage at the midpoint of the width of the analog input voltage (1-LSB width), which can meet the expectation of outputting an equal code based on the theoretical A/D conversion characteristics, is used as an analog input voltage. For example, if 12-bit resolution is used and the reference voltage  $V_{REFH0} = 3.072$  V, then the 1-LSB width becomes 0.75 mV, and 0 mV, 0.75 mV, and 1.5 mV are used as the analog input voltages. If the analog input voltage is 6 mV, an absolute accuracy of  $\pm 5$  LSB means that the actual A/D conversion result is in the range of 003h to 00Dh, though an output code of 008h can be expected from the theoretical A/D conversion characteristics.

### Integral nonlinearity error (INL)

Integral nonlinearity error is the maximum deviation between the ideal line when the measured offset and full-scale errors are zeroed, and the actual output code.

### Differential nonlinearity error (DNL)

Differential nonlinearity error is the difference between the 1-LSB width based on the ideal A/D conversion characteristics and the width of the actual output code.

### Offset error

Offset error is the difference between the transition point of the ideal first output code and the actual first output code.

### Full-scale error

Full-scale error is the difference between the transition point of the ideal last output code and the actual last output code.

## 55.6 DAC12 Characteristics

**Table 55.39 D/A conversion characteristics**

| Parameter                | Min | Typ       | Max              | Unit       | Test conditions  |
|--------------------------|-----|-----------|------------------|------------|--|
| Resolution               | -   | -         | 12               | Bits       | -  |
| Without output amplifier |     |           |                  |            |  |
| Absolute accuracy        | -   | -         | $\pm 24$         | LSB        | Resistive load 2 M $\Omega$                            |
| INL                      | -   | $\pm 2.0$ | $\pm 8.0$        | LSB        | Resistive load 2 M $\Omega$                            |
| DNL                      | -   | $\pm 1.0$ | $\pm 2.0$        | LSB        | -  |
| Output impedance         | -   | 8.5       | -                | k $\Omega$ | -  |
| Conversion time          | -   | -         | 3.0              | $\mu$ s    | Resistive load 2 M $\Omega$ ,<br>Capacitive load 20 pF |
| Output voltage range     | 0   | -         | $V_{REFH}$       | V          | -  |
| With output amplifier    |     |           |                  |            |  |
| INL                      | -   | $\pm 2.0$ | $\pm 4.0$        | LSB        | -  |
| DNL                      | -   | $\pm 1.0$ | $\pm 2.0$        | LSB        | -  |
| Conversion time          | -   | -         | 4.0              | $\mu$ s    | -  |
| Resistive load           | 5   | -         | -                | k $\Omega$ | -  |
| Capacitive load          | -   | -         | 50               | pF         | -  |
| Output voltage range     | 0.2 | -         | $V_{REFH} - 0.2$ | V          | -  |

## 55.7 TSN Characteristics

Table 55.40 TSN characteristics

| Parameter                     | Symbol             | Min  | Typ  | Max | Unit  | Test conditions |
|-------------------------------|--------------------|------|------|-----|-------|-----------------|
| Relative accuracy             | -                  | -    | ±1.0 | -   | °C    | -               |
| Temperature slope             | -                  | -    | 4.0  | -   | mV/°C | -               |
| Output voltage (at 25°C)      | -                  | -    | 1.24 | -   | V     | -               |
| Temperature sensor start time | t <sub>START</sub> | -    | -    | 30  | µs    | -               |
| Sampling time                 | -                  | 4.15 | -    | -   | µs    | -               |

## 55.8 OSC Stop Detect Characteristics

Table 55.41 Oscillation stop detection circuit characteristics

| Parameter      | Symbol          | Min | Typ | Max | Unit | Test conditions |
|----------------|-----------------|-----|-----|-----|------|-----------------|
| Detection time | t <sub>dr</sub> | -   | -   | 1   | ms   | Figure 55.82    |

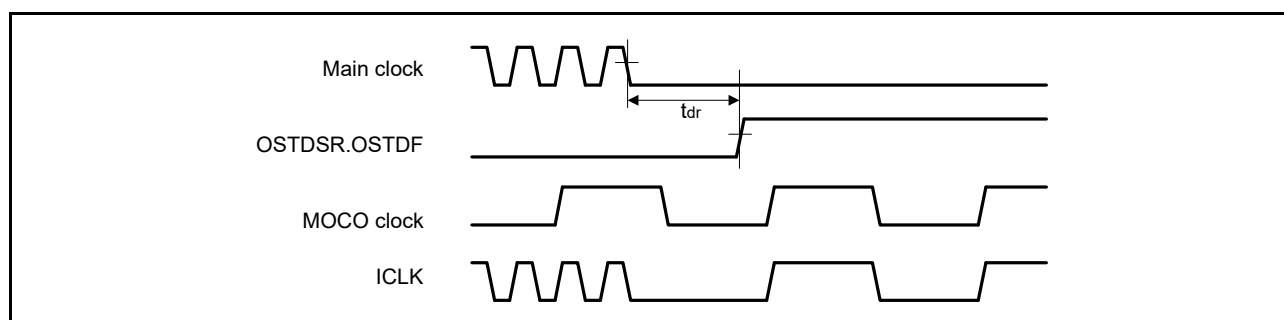


Figure 55.82 Oscillation stop detection timing

## 55.9 POR and LVD Characteristics

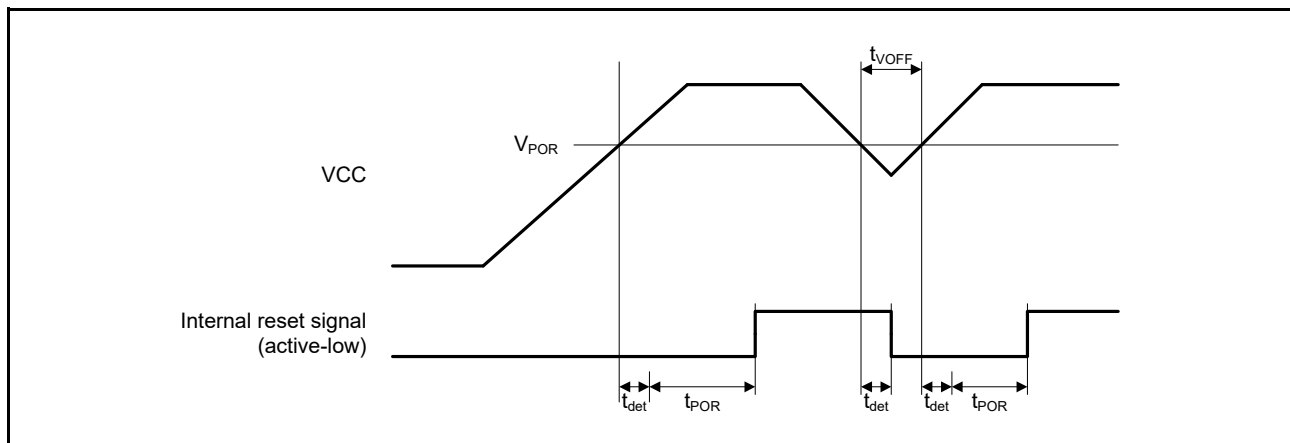
Table 55.42 Power-on reset circuit and voltage detection circuit characteristics (1 of 2)

| Parameter                        |                      | Symbol                            | Min              | Typ  | Max  | Unit | Test conditions |              |
|----------------------------------|----------------------|-----------------------------------|------------------|------|------|------|-----------------|--------------|
| Voltage detection level          | Power-on reset (POR) | DPSBYCR.DEEPCUT[1:0] = 00b or 01b | V <sub>POR</sub> | 2.5  | 2.6  | 2.7  | V               | Figure 55.83 |
|                                  |                      | DPSBYCR.DEEPCUT[1:0] = 11b        |                  | 1.8  | 2.25 | 2.7  |                 |              |
| Voltage detection circuit (LVD0) |                      | V <sub>det0_1</sub>               | 2.84             | 2.94 | 3.04 |      | Figure 55.84    |              |
|                                  |                      | V <sub>det0_2</sub>               | 2.77             | 2.87 | 2.97 |      |                 |              |
|                                  |                      | V <sub>det0_3</sub>               | 2.70             | 2.80 | 2.90 |      |                 |              |
| Voltage detection circuit (LVD1) |                      | V <sub>det1_1</sub>               | 2.89             | 2.99 | 3.09 |      | Figure 55.85    |              |
|                                  |                      | V <sub>det1_2</sub>               | 2.82             | 2.92 | 3.02 |      |                 |              |
|                                  |                      | V <sub>det1_3</sub>               | 2.75             | 2.85 | 2.95 |      |                 |              |
| Voltage detection circuit (LVD2) |                      | V <sub>det2_1</sub>               | 2.89             | 2.99 | 3.09 |      | Figure 55.86    |              |
|                                  |                      | V <sub>det2_2</sub>               | 2.82             | 2.92 | 3.02 |      |                 |              |
|                                  |                      | V <sub>det2_3</sub>               | 2.75             | 2.85 | 2.95 |      |                 |              |

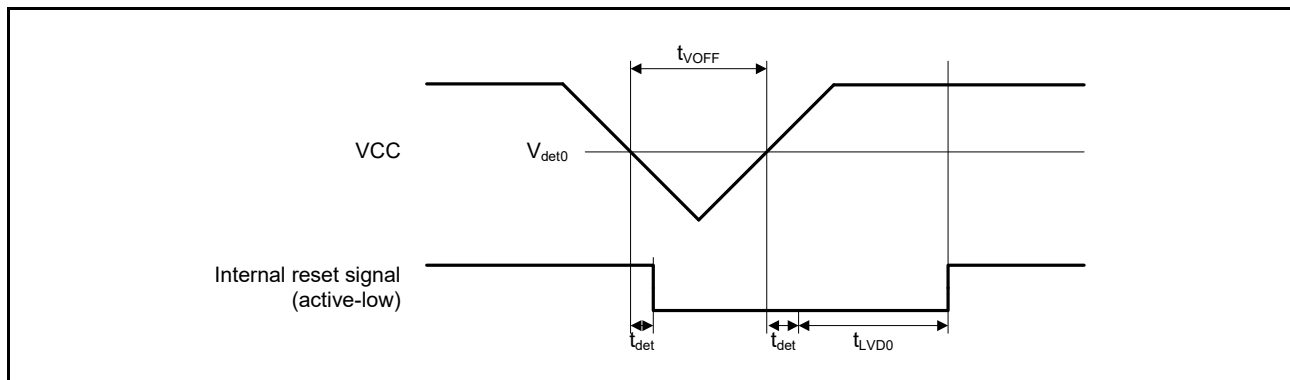
**Table 55.42 Power-on reset circuit and voltage detection circuit characteristics (2 of 2)**

| Parameter   | Symbol              | Min        | Typ | Max  | Unit    | Test conditions              |
|---|---------------------|------------|-----|------|---------|------------------------------|
| Internal reset time                                     | Power-on reset time | $t_{POR}$  | -   | 4.5  | -       | ms                           |
|   | LVD0 reset time     | $t_{LVD0}$ | -   | 0.51 | -       |                              |
|   | LVD1 reset time     | $t_{LVD1}$ | -   | 0.38 | -       |                              |
|   | LVD2 reset time     | $t_{LVD2}$ | -   | 0.38 | -       |                              |
| Minimum VCC down time*1                                 | $t_{VOFF}$          | 200        | -   | -    | $\mu$ s | Figure 55.83, Figure 55.84   |
| Response delay  | $t_{det}$           | -          | -   | 200  | $\mu$ s | Figure 55.83 to Figure 55.86 |
| LVD operation stabilization time (after LVD is enabled) | $t_{d(E-A)}$        | -          | -   | 10   | $\mu$ s | Figure 55.85, Figure 55.86   |
| Hysteresis width (LVD1 and LVD2)                        | $V_{LVH}$           | -          | 70  | -    | mV      |                              |

Note 1. The minimum VCC down time indicates the time when VCC is below the minimum value of voltage detection levels  $V_{POR}$ ,  $V_{det1}$ , and  $V_{det2}$  for POR and LVD.



**Figure 55.83 Power-on reset timing**



**Figure 55.84 Voltage detection circuit timing ( $V_{det0}$ )**

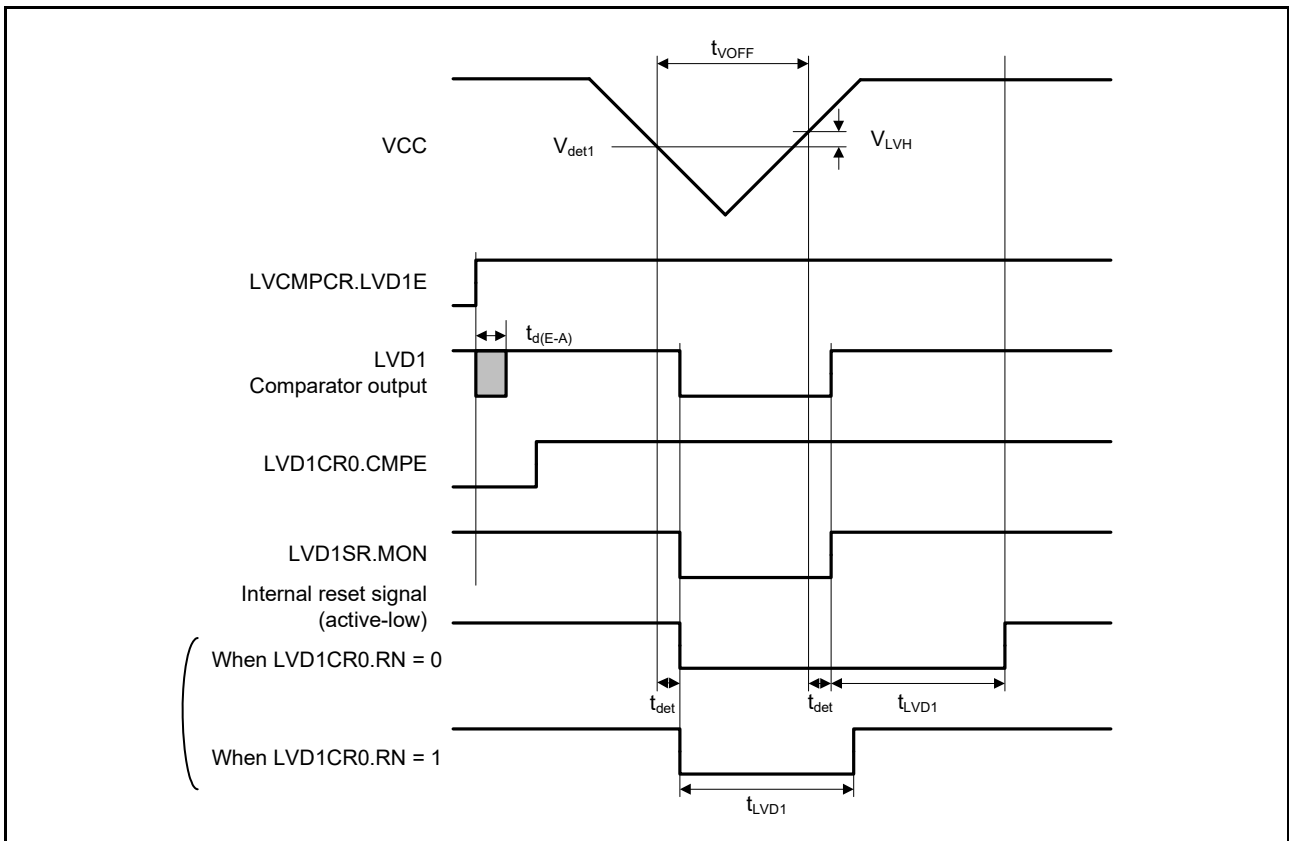


Figure 55.85 Voltage detection circuit timing ( $V_{det1}$ )

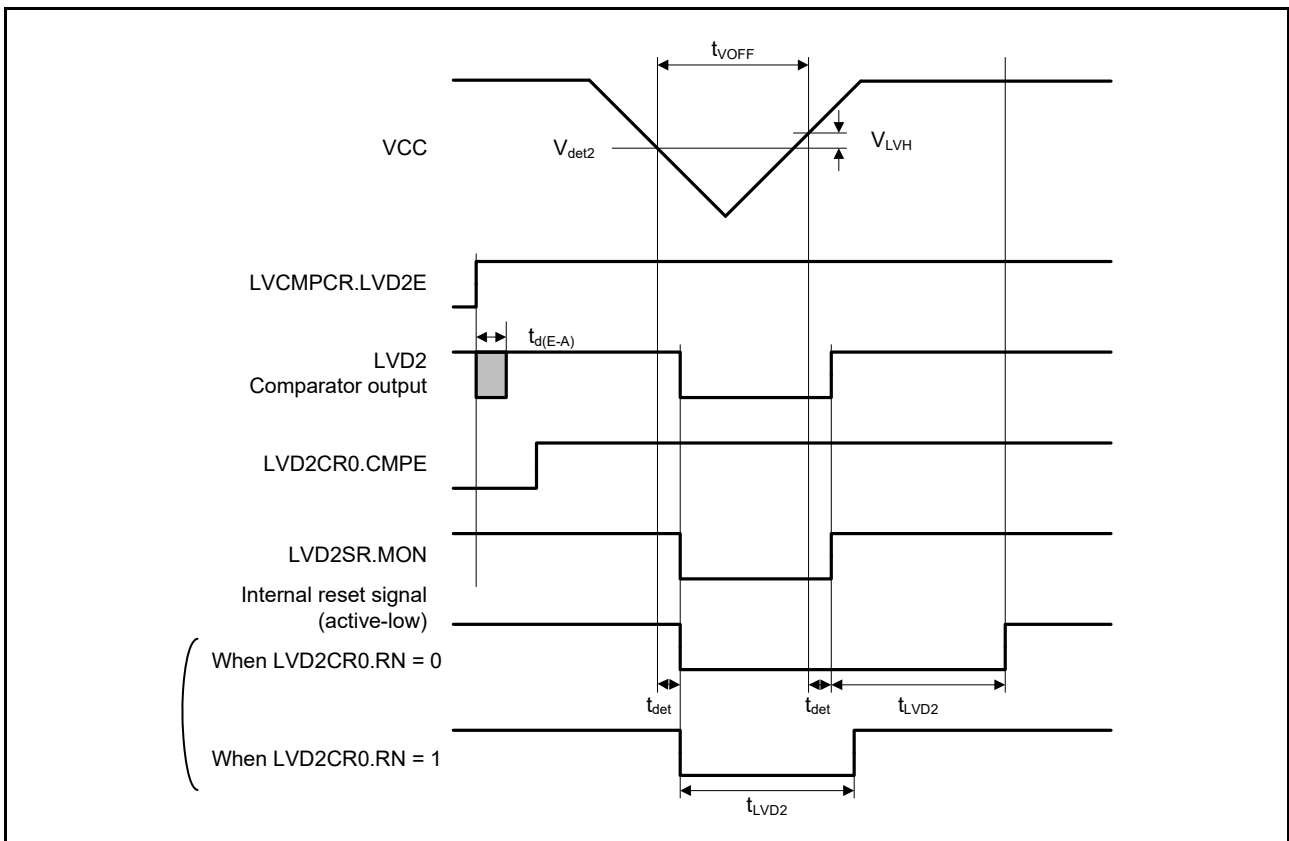


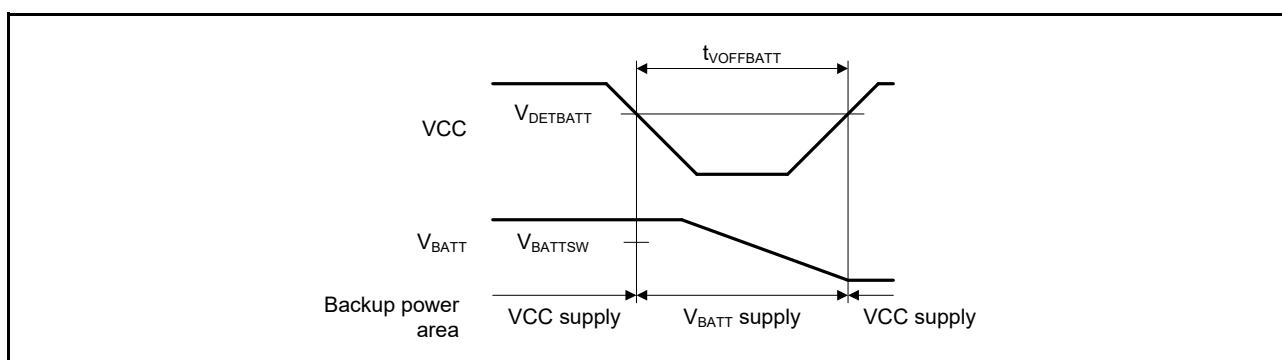
Figure 55.86 Voltage detection circuit timing ( $V_{det2}$ )

## 55.10 VBATT Characteristics

**Table 55.43 Battery backup function characteristics**Conditions:  $VCC = AVCC0 = VCC\_USB = 2.7$  to  $3.6$  V,  $2.7 \leq VREFH0/VREFH \leq AVCC0$ ,  $VBATT = 1.8$  to  $3.6$  V

| Parameter   | Symbol             | Min  | Typ  | Max  | Unit    | Test conditions |
|---|--------------------|------|------|------|---------|-----------------|
| Voltage level for switching to battery backup                                   | $V_{DET\ BATT}$    | 2.50 | 2.60 | 2.70 | V       | Figure 55.87    |
| Lower-limit VBATT voltage for power supply switching caused by VCC voltage drop | $V_{BATT\ SW}$     | 2.70 | -    | -    | V       |                 |
| VCC-off period for starting power supply switching                              | $t_{V\ OFF\ BATT}$ | 200  | -    | -    | $\mu$ s |                 |

Note: The VCC-off period for starting power supply switching indicates the period in which VCC is below the minimum value of the voltage level for switching to battery backup ( $V_{DET\ BATT}$ ).

**Figure 55.87 Battery backup function characteristics**

## 55.11 CTSU Characteristics

**Table 55.44 CTSU characteristics**

| Parameter                                   | Symbol          | Min | Typ | Max | Unit | Test conditions                               |
|---|-----------------|-----|-----|-----|------|---|
| External capacitance connected to TSCAP pin | $C_{tscap}$     | 9   | 10  | 11  | nF   | -   |
| TS pin capacitive load                      | $C_{base}$      | -   | -   | 50  | pF   | -   |
| Permissible output high current             | $\Sigma I_{oH}$ | -   | -   | -40 | mA   | When the mutual capacitance method is applied |

## 55.12 ACPHPS Characteristics

**Table 55.45 ACPHPS characteristics**

| Parameter                  | Symbol | Min  | Typ  | Max   | Unit | Test conditions        |
|----------------------------|--------|------|------|-------|------|------------------------|
| Reference voltage range    | VREF   | 0    | -    | AVCC0 | V    | -                      |
| Input voltage range        | VI     | 0    | -    | AVCC0 | V    | -                      |
| Output delay*1             | Td     | -    | 50   | 100   | ns   | VI = VREF $\pm$ 100 mV |
| Internal reference voltage | Vref   | 1.13 | 1.18 | 1.23  | V    | -                      |

Note 1. This value is the internal propagation delay.

## 55.13 Flash Memory Characteristics

### 55.13.1 Code Flash Memory Characteristics

**Table 55.46 Code flash memory characteristics**

Conditions: Program or erase: FCLK = 4 to 60 MHz

Read: FCLK ≤ 60 MHz

| Parameter  |          | Symbol      | FCLK = 4 MHz |      |      | 20 MHz ≤ FCLK ≤ 60 MHz |      |     | Unit  | Test conditions |
|--|----------|-------------|--------------|------|------|------------------------|------|-----|-------|-----------------|
|  |          |             | Min          | Typ  | Max  | Min                    | Typ  | Max |       |                 |
| Programming time<br>$N_{PEC} \leq 100$ times                 | 128-byte | $t_{P128}$  | -            | 0.75 | 13.2 | -                      | 0.34 | 6.0 | ms    |                 |
|  | 8-KB     | $t_{P8K}$   | -            | 49   | 176  | -                      | 22   | 80  | ms    |                 |
|  | 32-KB    | $t_{P32K}$  | -            | 194  | 704  | -                      | 88   | 320 | ms    |                 |
| Programming time<br>$N_{PEC} > 100$ times                    | 128-byte | $t_{P128}$  | -            | 0.91 | 15.8 | -                      | 0.41 | 7.2 | ms    |                 |
|  | 8-KB     | $t_{P8K}$   | -            | 60   | 212  | -                      | 27   | 96  | ms    |                 |
|  | 32-KB    | $t_{P32K}$  | -            | 234  | 848  | -                      | 106  | 384 | ms    |                 |
| Erase time<br>$N_{PEC} \leq 100$ times                       | 8-KB     | $t_{E8K}$   | -            | 78   | 216  | -                      | 43   | 120 | ms    |                 |
|  | 32-KB    | $t_{E32K}$  | -            | 283  | 864  | -                      | 157  | 480 | ms    |                 |
| Erase time<br>$N_{PEC} > 100$ times                          | 8-KB     | $t_{E8K}$   | -            | 94   | 260  | -                      | 52   | 144 | ms    |                 |
|  | 32-KB    | $t_{E32K}$  | -            | 341  | 1040 | -                      | 189  | 576 | ms    |                 |
| Reprogramming/erase cycle*4                                  |          | $N_{PEC}$   | 10000*1      | -    | -    | 10000*1                | -    | -   | Times |                 |
| Suspend delay during programming                             |          | $t_{SPD}$   | -            | -    | 264  | -                      | -    | 120 | μs    |                 |
| First suspend delay during erasure in suspend priority mode  |          | $t_{SESD1}$ | -            | -    | 216  | -                      | -    | 120 | μs    |                 |
| Second suspend delay during erasure in suspend priority mode |          | $t_{SESD2}$ | -            | -    | 1.7  | -                      | -    | 1.7 | ms    |                 |
| Suspend delay during erasure in erasure priority mode        |          | $t_{SEED}$  | -            | -    | 1.7  | -                      | -    | 1.7 | ms    |                 |
| Forced stop command  |          | $t_{FD}$    | -            | -    | 32   | -                      | -    | 20  | μs    |                 |
| Data hold time*2   |          | $t_{DRP}$   | 10*2, *3     | -    | -    | 10*2, *3               | -    | -   | Years | Ta = +85°C      |
|  |          |             | 30*2, *3     | -    | -    | 30*2, *3               | -    | -   |       |                 |

Note 1. This is the minimum number of times to guarantee all the characteristics after reprogramming. The guaranteed range is from 1 to the minimum value.

Note 2. This indicates the minimum value of the characteristic when reprogramming is performed within the specified range.

Note 3. This result is obtained from reliability testing.

Note 4. The reprogram/erase cycle is the number of erasures for each block. When the reprogram/erase cycle is n times (n = 10,000), erasing can be performed n times for each block. For example, when 128-byte programming is performed 64 times for different addresses in 8-KB blocks, and then the entire block is erased, the reprogram/erase cycle is counted as one. However, programming the same address several times as one erasure is not enabled. Overwriting is prohibited.



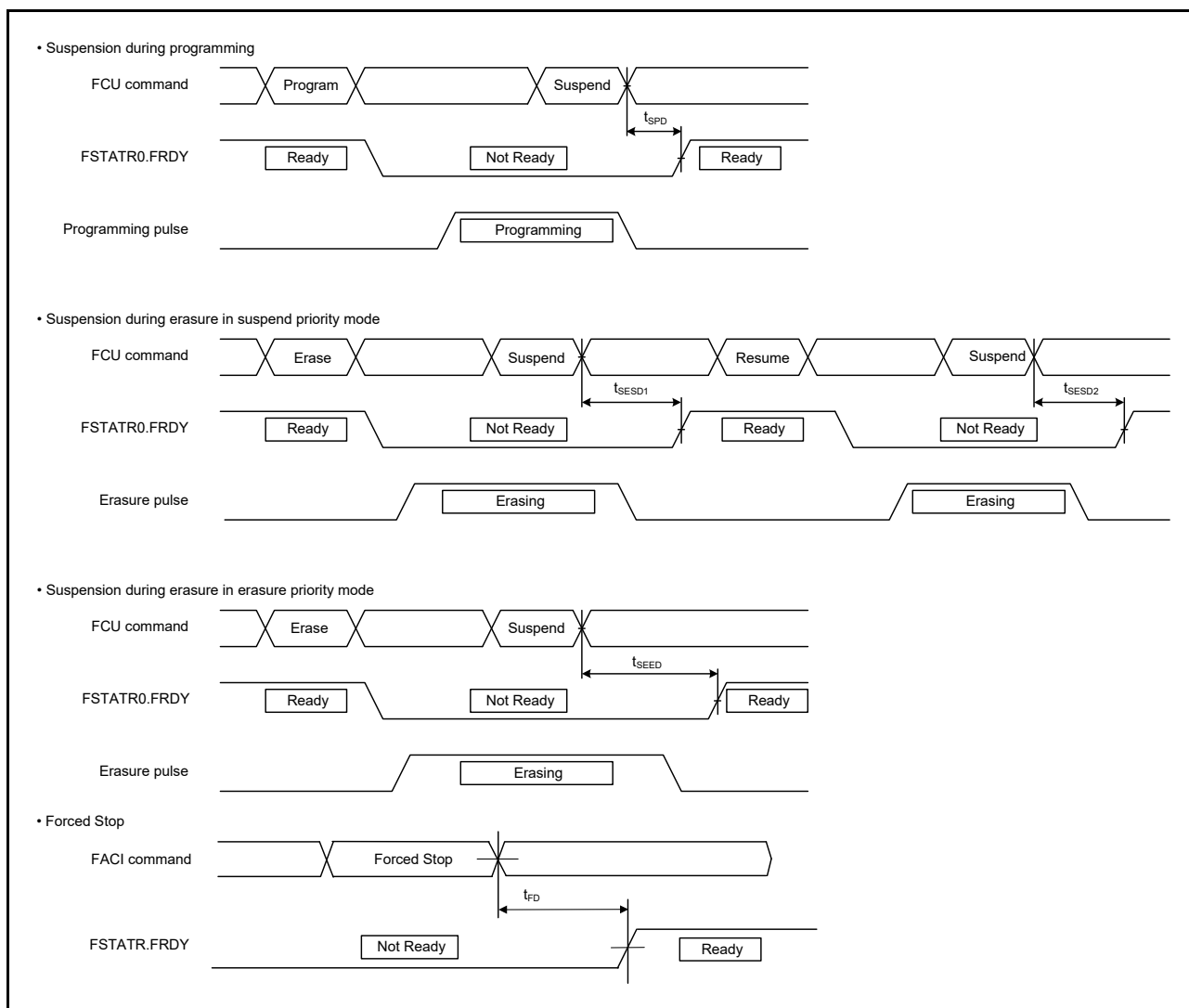


Figure 55.88 Suspension and forced stop timing for flash memory programming and erasure

## 55.13.2 Data Flash Memory Characteristics

**Table 55.47 Data flash memory characteristics**

Conditions: Program or erase: FCLK = 4 to 60 MHz

Read: FCLK ≤ 60 MHz

| Parameter  |          | Symbol              | FCLK = 4 MHz |      |     | 20 MHz ≤ FCLK ≤ 60 MHz |      |     | Unit | Test conditions |
|--|----------|---------------------|--------------|------|-----|------------------------|------|-----|------|-----------------|
|  |          |                     | Min          | Typ  | Max | Min                    | Typ  | Max |      |                 |
| Programming time   | 4-byte   | t <sub>DP4</sub>    | -            | 0.36 | 3.8 | -                      | 0.16 | 1.7 | ms   |                 |
|  | 8-byte   | t <sub>DP8</sub>    | -            | 0.38 | 4.0 | -                      | 0.17 | 1.8 |      |                 |
|  | 16-byte  | t <sub>DP16</sub>   | -            | 0.42 | 4.5 | -                      | 0.19 | 2.0 |      |                 |
| Erasure time   | 64-byte  | t <sub>DE64</sub>   | -            | 3.1  | 18  | -                      | 1.7  | 10  | ms   |                 |
|  | 128-byte | t <sub>DE128</sub>  | -            | 4.7  | 27  | -                      | 2.6  | 15  |      |                 |
|  | 256-byte | t <sub>DE256</sub>  | -            | 8.9  | 50  | -                      | 4.9  | 28  |      |                 |
| Blank check time   | 4-byte   | t <sub>DBC4</sub>   | -            | -    | 84  | -                      | -    | 30  | μs   |                 |
| Reprogramming/erasure cycle*1                                |          | N <sub>DPEC</sub>   | 125000*2     | -    | -   | 125000*2               | -    | -   | -    |                 |
| Suspend delay during programming                             | 4-byte   | t <sub>DSPD</sub>   | -            | -    | 264 | -                      | -    | 120 | μs   |                 |
|  | 8-byte   |                     | -            | -    | 264 | -                      | -    | 120 |      |                 |
|  | 16-byte  |                     | -            | -    | 264 | -                      | -    | 120 |      |                 |
| First suspend delay during erasure in suspend priority mode  | 64-byte  | t <sub>DSESD1</sub> | -            | -    | 216 | -                      | -    | 120 | μs   |                 |
|  | 128-byte |                     | -            | -    | 216 | -                      | -    | 120 |      |                 |
|  | 256-byte |                     | -            | -    | 216 | -                      | -    | 120 |      |                 |
| Second suspend delay during erasure in suspend priority mode | 64-byte  | t <sub>DSESD2</sub> | -            | -    | 300 | -                      | -    | 300 | μs   |                 |
|  | 128-byte |                     | -            | -    | 390 | -                      | -    | 390 |      |                 |
|  | 256-byte |                     | -            | -    | 570 | -                      | -    | 570 |      |                 |
| Suspend delay during erasing in erasure priority mode        | 64-byte  | t <sub>DSEED</sub>  | -            | -    | 300 | -                      | -    | 300 | μs   |                 |
|  | 128-byte |                     | -            | -    | 390 | -                      | -    | 390 |      |                 |
|  | 256-byte |                     | -            | -    | 570 | -                      | -    | 570 |      |                 |
| Forced stop command  |          | t <sub>FD</sub>     | -            | -    | 32  | -                      | -    | 20  | μs   |                 |
| Data hold time*3   |          | t <sub>DRP</sub>    | 10*3,*4      | -    | -   | 10*3,*4                | -    | -   | Year | Ta = +85°C      |
|  |          |                     | 30*3,*4      | -    | -   | 30*3,*4                | -    | -   |      |                 |

Note 1. The reprogram/erase cycle is the number of erasures for each block. When the reprogram/erase cycle is n times (n = 125,000), erasing can be performed n times for each block. For example, when 4-byte programming is performed 16 times for different addresses in 64-byte blocks, and then the entire block is erased, the reprogram/erase cycle is counted as one. However, programming the same address several times as one erasure is not enabled. Overwriting is prohibited.

Note 2. This is the minimum number of times to guarantee all the characteristics after reprogramming. The guaranteed range is from 1 to the minimum value.

Note 3. This indicates the minimum value of the characteristic when reprogramming is performed within the specified range.

Note 4. This result is obtained from reliability testing.

## 55.14 Boundary Scan

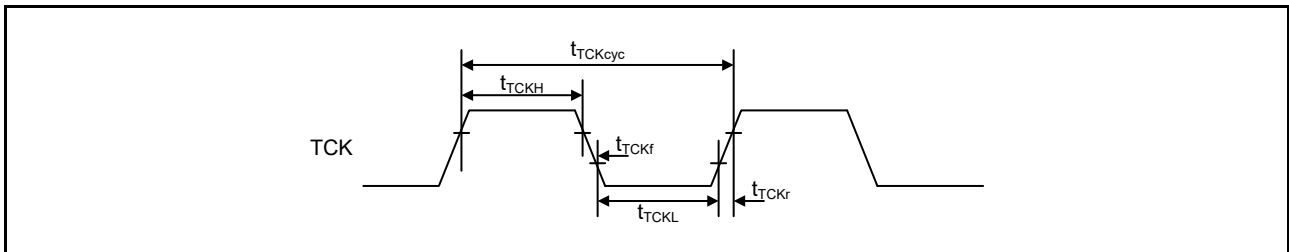
**Table 55.48 Boundary scan characteristics (1 of 2)**

| Parameter                  | Symbol              | Min | Typ | Max | Unit | Test conditions |
|----------------------------|---------------------|-----|-----|-----|------|-----------------|
| TCK clock cycle time       | t <sub>TCKcyc</sub> | 100 | -   | -   | ns   | Figure 55.89    |
| TCK clock high pulse width | t <sub>TCKH</sub>   | 45  | -   | -   | ns   |                 |
| TCK clock low pulse width  | t <sub>TCKL</sub>   | 45  | -   | -   | ns   |                 |
| TCK clock rise time        | t <sub>TCKr</sub>   | -   | -   | 5   | ns   |                 |
| TCK clock fall time        | t <sub>TCKf</sub>   | -   | -   | 5   | ns   |                 |

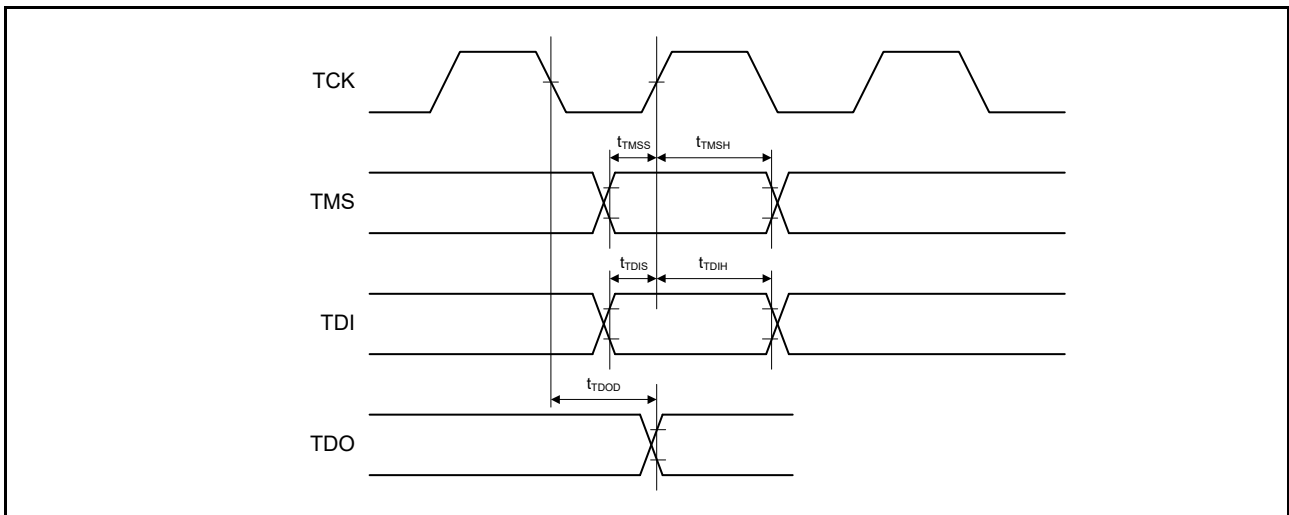
**Table 55.48 Boundary scan characteristics (2 of 2)**

| Parameter                            | Symbol       | Min         | Typ | Max | Unit | Test conditions |
|--------------------------------------|--------------|-------------|-----|-----|------|-----------------|
| TMS setup time                       | $t_{TMSS}$   | 20          | -   | -   | ns   | Figure 55.90    |
| TMS hold time                        | $t_{TMSH}$   | 20          | -   | -   | ns   |                 |
| TDI setup time                       | $t_{TDIS}$   | 20          | -   | -   | ns   |                 |
| TDI hold time                        | $t_{TDIH}$   | 20          | -   | -   | ns   |                 |
| TDO data delay                       | $t_{TDOD}$   | -           | -   | 40  | ns   |                 |
| Boundary scan circuit startup time*1 | $T_{BSSTUP}$ | $t_{RESWP}$ | -   | -   | -    | Figure 55.91    |

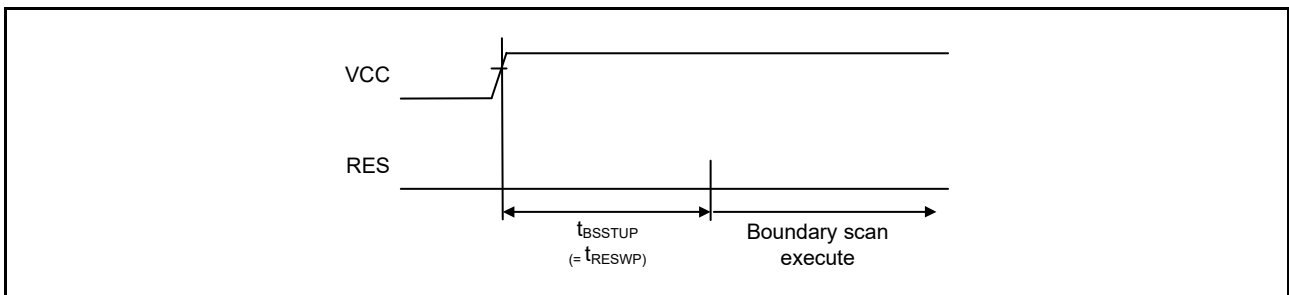
Note 1. Boundary scan does not function until the power-on reset becomes negative.



**Figure 55.89 Boundary scan TCK timing**



**Figure 55.90 Boundary scan input/output timing**

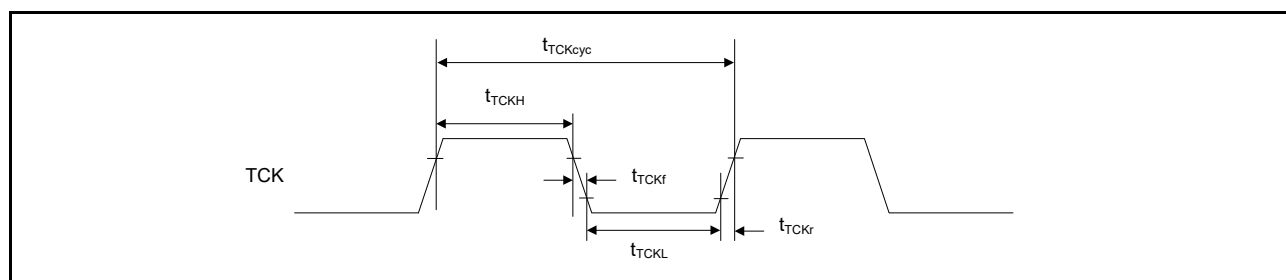


**Figure 55.91 Boundary scan circuit startup timing**

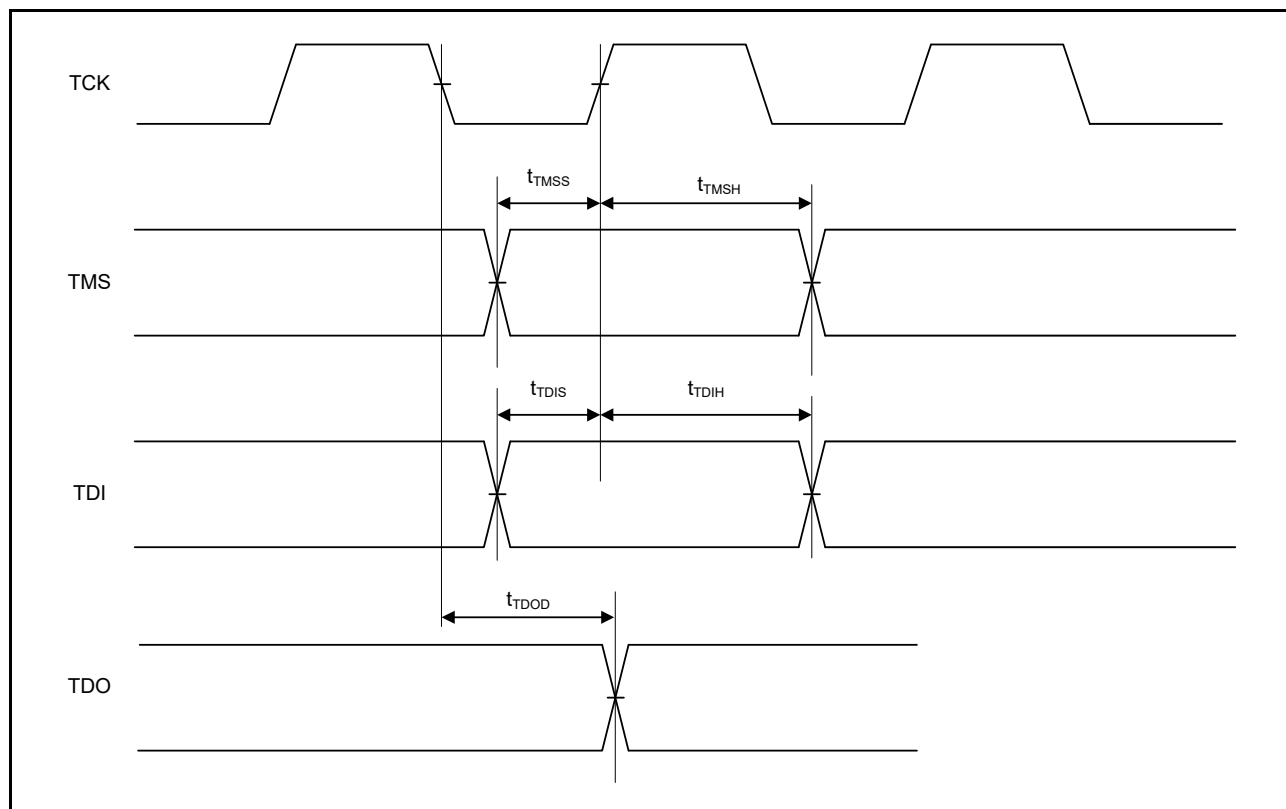
### 55.15 Joint Test Action Group (JTAG)

**Table 55.49 JTAG**

| Parameter                  | Symbol       | Min | Typ | Max | Unit | Test conditions |
|----------------------------|--------------|-----|-----|-----|------|-----------------|
| TCK clock cycle time       | $t_{TCKcyc}$ | 40  | -   | -   | ns   | Figure 55.89    |
| TCK clock high pulse width | $t_{TCKH}$   | 15  | -   | -   | ns   |                 |
| TCK clock low pulse width  | $t_{TCKL}$   | 15  | -   | -   | ns   |                 |
| TCK clock rise time        | $t_{TCKr}$   | -   | -   | 5   | ns   |                 |
| TCK clock fall time        | $t_{TCKf}$   | -   | -   | 5   | ns   |                 |
| TMS setup time             | $t_{TMSS}$   | 8   | -   | -   | ns   | Figure 55.90    |
| TMS hold time              | $t_{TMSh}$   | 8   | -   | -   | ns   |                 |
| TDI setup time             | $t_{TDis}$   | 8   | -   | -   | ns   |                 |
| TDI hold time              | $t_{TDIH}$   | 8   | -   | -   | ns   |                 |
| TDO data delay time        | $t_{TDOD}$   | -   | -   | 20  | ns   |                 |



**Figure 55.92 JTAG TCK timing**



**Figure 55.93 JTAG input/output timing**

55.16 Serial Wire Debug (SWD)

Table 55.50 SWD

| Parameter                    | Symbol         | Min | Typ | Max | Unit | Test conditions |
|------------------------------|----------------|-----|-----|-----|------|-----------------|
| SWCLK clock cycle time       | $t_{SWCLKcyc}$ | 40  | -   | -   | ns   | Figure 55.94    |
| SWCLK clock high pulse width | $t_{SWCKH}$    | 15  | -   | -   | ns   |                 |
| SWCLK clock low pulse width  | $t_{SWCKL}$    | 15  | -   | -   | ns   |                 |
| SWCLK clock rise time        | $t_{SWCKr}$    | -   | -   | 5   | ns   |                 |
| SWCLK clock fall time        | $t_{SWCKf}$    | -   | -   | 5   | ns   |                 |
| SWDIO setup time             | $t_{SWDS}$     | 8   | -   | -   | ns   | Figure 55.95    |
| SWDIO hold time              | $t_{SWDH}$     | 8   | -   | -   | ns   |                 |
| SWDIO data delay time        | $t_{SWDD}$     | 2   | -   | 28  | ns   |                 |

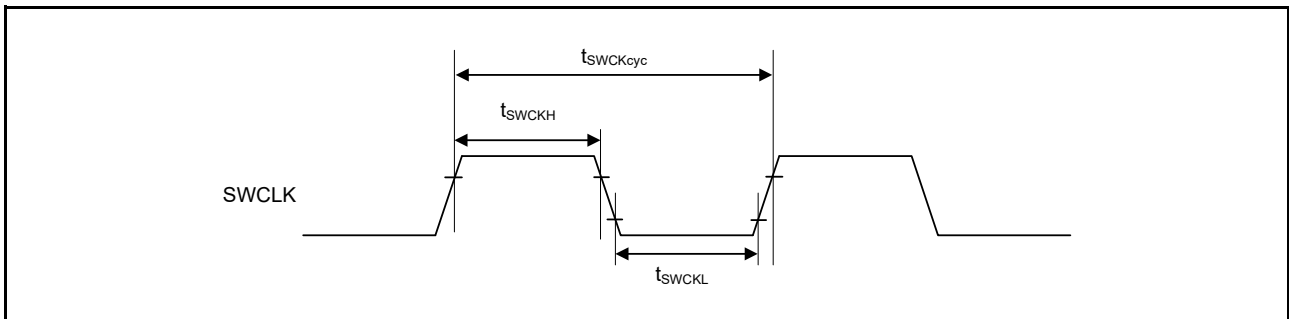


Figure 55.94 SWD SWCLK timing

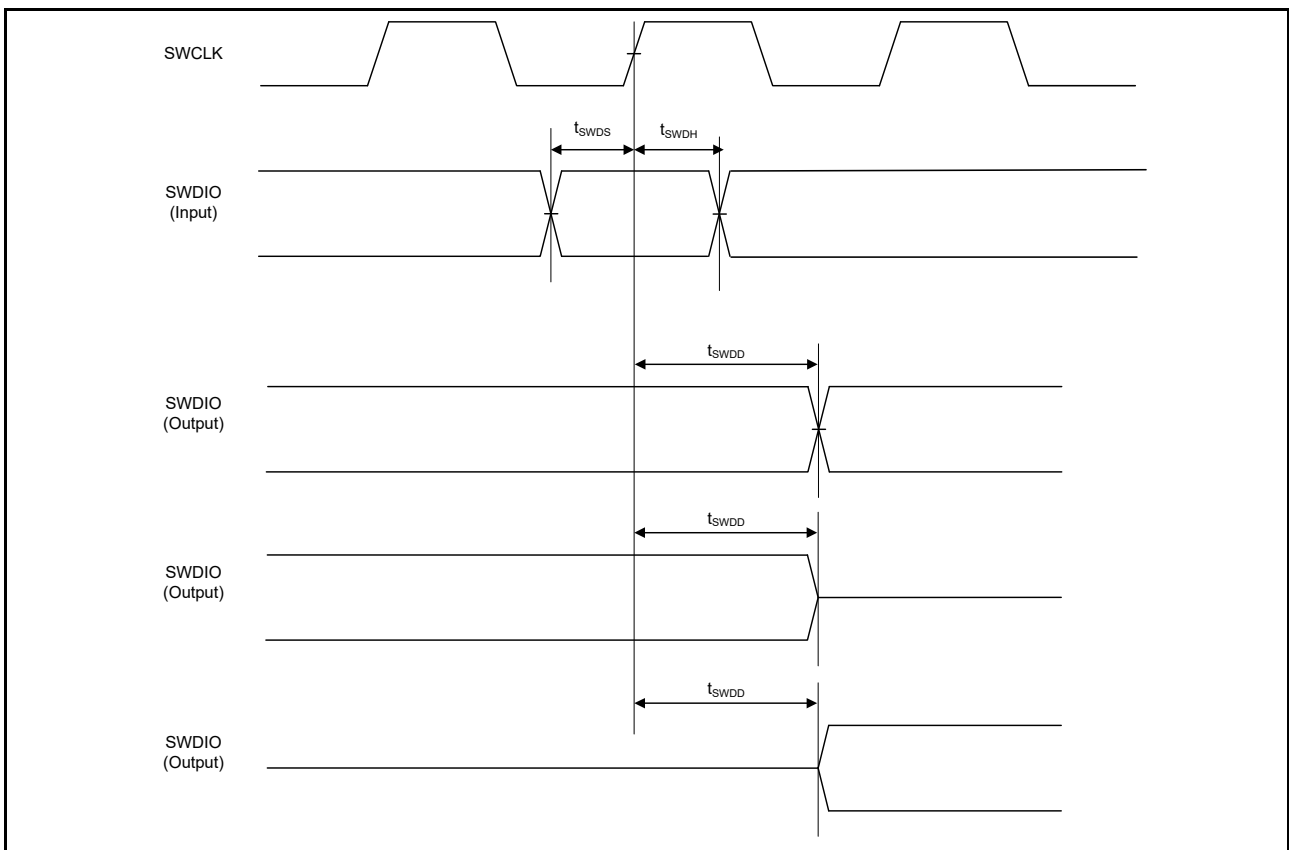


Figure 55.95 SWD input/output timing

### 55.17 Embedded Trace Macro Interface (ETM)

**Table 55.51 ETM**

Conditions: High drive output is selected in the Port Drive Capability bit in the PmnPFS register.

| Parameter                    | Symbol           | Min  | Typ | Max | Unit | Test conditions |
|------------------------------|------------------|------|-----|-----|------|-----------------|
| TCLK clock cycle time        | $t_{TCLK_{cyc}}$ | 33.3 | -   | -   | ns   | Figure 55.96    |
| TCLK clock high pulse width  | $t_{TCLKH}$      | 13.6 | -   | -   | ns   |                 |
| TCLK clock low pulse width   | $t_{TCLKL}$      | 13.6 | -   | -   | ns   |                 |
| TCLK clock rise time         | $t_{TCLKr}$      | -    | -   | 3   | ns   |                 |
| TCLK clock fall time         | $t_{TCLKf}$      | -    | -   | 3   | ns   |                 |
| TDATA[3:0] output setup time | $t_{TRDS}$       | 3.5  | -   | -   | ns   | Figure 55.97    |
| TDATA[3:0] output hold time  | $t_{TRDH}$       | 2.5  | -   | -   | ns   |                 |

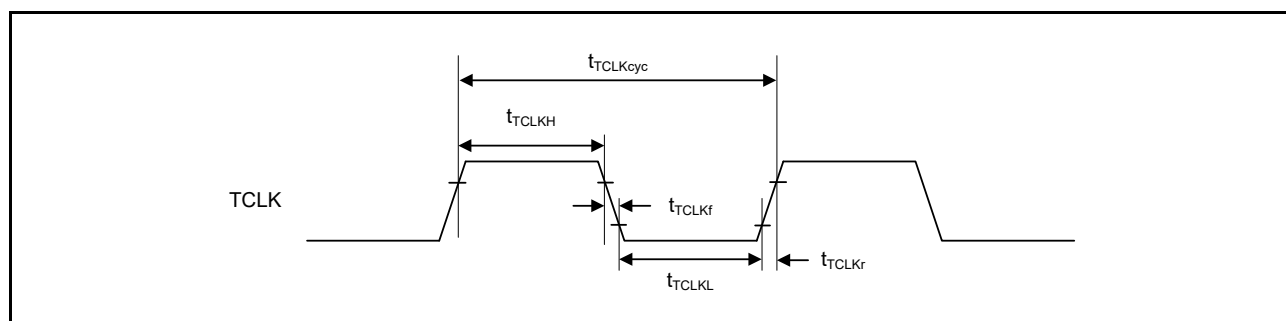


Figure 55.96 ETM TCLK timing

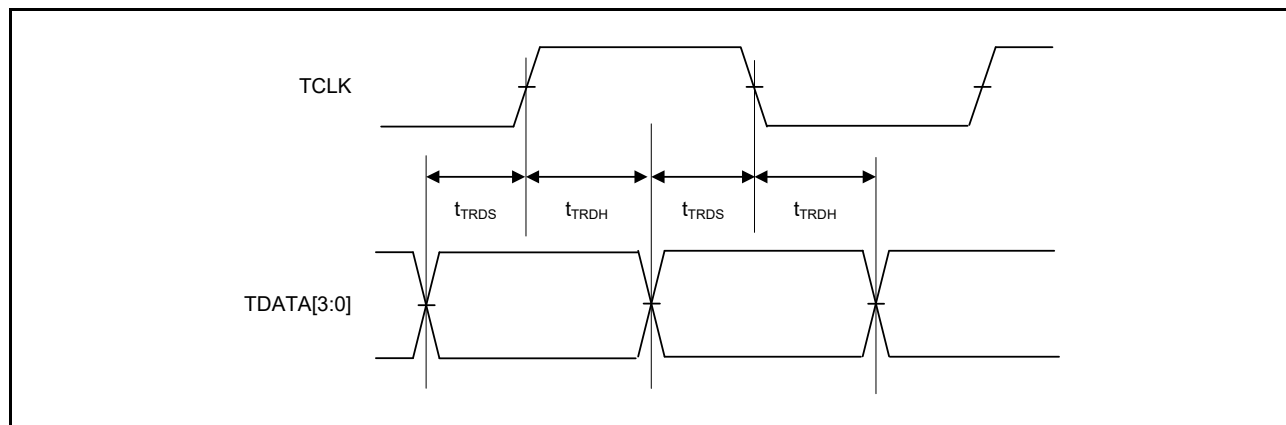


Figure 55.97 ETM output timing

## Appendix 1. Port States in Each Processing Mode

Table 1.1 Port states in each processing state (1 of 5)

| Port name  | Reset   | Software Standby mode   |         | Deep Software Standby mode | After Deep Software Standby mode is canceled (return to startup mode) |                         |
|--|---------|---|---------|----------------------------|---|-------------------------|
|  |         | OPE = 0   | OPE = 1 |                            | IOKEEP = 0  | IOKEEP = 1 <sup>1</sup> |
| P000/IRQ6-DS,<br>P001/IRQ7-DS,<br>P002/IRQ8-DS       | Hi-Z    | Keep-O <sup>2</sup>   |         | Keep-O <sup>3</sup>        | Hi-Z  | Keep                    |
| P003   | Hi-Z    | Keep-O  |         | Keep                       | Hi-Z  | Keep                    |
| P004/IRQ9-DS,<br>P005/IRQ10-DS,<br>P006/IRQ11-DS     | Hi-Z    | Keep-O <sup>2</sup>   |         | Keep-O <sup>3</sup>        | Hi-Z  | Keep                    |
| P007   | Hi-Z    | Keep-O  |         | Keep                       | Hi-Z  | Keep                    |
| P008/IRQ12-DS,<br>P009/IRQ13-DS                      | Hi-Z    | Keep-O <sup>2</sup>   |         | Keep-O <sup>3</sup>        | Hi-Z  | Keep                    |
| P014/DA0   | Hi-Z    | [DA0 output (DAOE0 = 1)]<br>D/A output retained<br>[All other (DAOE0 = 0)]<br>Keep-O              |         | Keep                       | Hi-Z  | Keep                    |
| P015/IRQ13/DA1                                       | Hi-Z    | [DA1 output (DAOE1 = 1)]<br>D/A output retained<br>[All other (DAOE1 = 0)]<br>Keep-O <sup>2</sup> |         | Keep                       | Hi-Z  | Keep                    |
| P100/D00[A00/D00]/<br>DQ00/KR00/AGTIO0/<br>RXD0/IRQ2 | Hi-Z    | [D00 output]<br>Hi-Z<br>[DQ00 output]<br>Hi-Z<br>[All other]<br>Keep-O <sup>2</sup>               |         | Keep                       | Hi-Z  | Keep                    |
| P101/D01[A01/D01]/<br>DQ01/KR01/IRQ1                 | Hi-Z    | [D01 output]<br>Hi-Z<br>[DQ01 output]<br>Hi-Z<br>[All other]<br>Keep-O <sup>2</sup>               |         | Keep                       | Hi-Z  | Keep                    |
| P102/D02[A02/D02]/<br>DQ02/KR02                      | Hi-Z    | [D02 output]<br>Hi-Z<br>[DQ02 output]<br>Hi-Z<br>[All other]<br>Keep-O <sup>2</sup>               |         | Keep                       | Hi-Z  | Keep                    |
| P103/D03[A03/D03]/<br>DQ03/KR03                      | Hi-Z    | [D03 output]<br>Hi-Z<br>[DQ03 output]<br>Hi-Z<br>[All other]<br>Keep-O <sup>2</sup>               |         | Keep                       | Hi-Z  | Keep                    |
| P104/D04[A04/D04]/<br>DQ04/KR04/IRQ1                 | Hi-Z    | [D04 output]<br>Hi-Z<br>[DQ04 output]<br>Hi-Z<br>[All other]<br>Keep-O <sup>2</sup>               |         | Keep                       | Hi-Z  | Keep                    |
| P105/D05[A05/D05]/<br>DQ05/KR05/IRQ0                 | Hi-Z    | [D05 output]<br>Hi-Z<br>[DQ05 output]<br>Hi-Z<br>[All other]<br>Keep-O <sup>2</sup>               |         | Keep                       | Hi-Z  | Keep                    |
| P106/D06[A06/D06]/<br>DQ06/KR06                      | Hi-Z    | [D06 output]<br>Hi-Z<br>[DQ06 output]<br>Hi-Z<br>[All other]<br>Keep-O <sup>2</sup>               |         | Keep                       | Hi-Z  | Keep                    |
| P107/D07[A07/D07]/<br>DQ07/KR07                      | Hi-Z    | [D07 output]<br>Hi-Z<br>[DQ07 output]<br>Hi-Z<br>[All other]<br>Keep-O <sup>2</sup>               |         | Keep                       | Hi-Z  | Keep                    |
| P108/TMS   | Pull-up | Keep-O  |         | Keep                       | Pull-up   | Keep                    |

Table 1.1 Port states in each processing state (2 of 5)

| Port name                              | Reset      | Software Standby mode  |   | Deep Software Standby mode                                 | After Deep Software Standby mode is canceled (return to startup mode) |  |
|--|------------|--|---|--|---|--|
|  |            | OPE = 0  | OPE = 1   |  | IOKEEP = 0  | IOKEEP = 1 <sup>1</sup>                                    |
| P109/TDO/CLKOUT                        | TDO output | [CLKOUT selected]<br>CLKOUT output<br>[All other]<br>Keep-O                                      |   | [TDO output]<br>TDO output retained<br>[All other]<br>Keep | [TDO output]<br>TDO output retained<br>[All other]<br>Hi-Z            | [TDO output]<br>TDO output retained<br>[All other]<br>Keep |
| P110/IRQ3/TDI/VCOUT                    | Pull-up    | [ACMPHS selected]<br>VCOUT output<br>[All other]<br>Keep-O <sup>2</sup>                          |   | Keep   | Pull-up   | Keep   |
| P111/A05/IRQ4                          | Hi-Z       | [A05 output]<br>Hi-Z<br>[All other]<br>Keep-O <sup>2</sup>                                       | [A05 output]<br>Address output retained<br>[All other]<br>Keep-O <sup>2</sup>                                       | Keep   | Hi-Z  | Keep   |
| P112/A04                               | Hi-Z       | [A04 output]<br>Hi-Z<br>[All other]<br>Keep-O  | [A04 output]<br>Address output retained<br>[All other]<br>Keep-O  | Keep   | Hi-Z  | Keep   |
| P113/A03                               | Hi-Z       | [A03 output]<br>Hi-Z<br>[All other]<br>Keep-O  | [A03 output]<br>Address output retained<br>[All other]<br>Keep-O  | Keep   | Hi-Z  | Keep   |
| P114/A02                               | Hi-Z       | [A02 output]<br>Hi-Z<br>[All other]<br>Keep-O  | [A02 output]<br>Address output retained<br>[All other]<br>Keep-O  | Keep   | Hi-Z  | Keep   |
| P115/A01                               | Hi-Z       | [A01 output]<br>Hi-Z<br>[All other]<br>Keep-O  | [A01 output]<br>Address output retained<br>[All other]<br>Keep-O  | Keep   | Hi-Z  | Keep   |
| P200/NMI                               | Hi-Z       | Hi-Z   |   | Keep   | Hi-Z  | Keep   |
| P201                                   | Pull-up    | Keep-O   |   | Keep   | Pull-up   | Keep   |
| P202/WR1/BC1/IRQ3-DS                   | Hi-Z       | [WR1/BC1 output]<br>Hi-Z<br>[All other]<br>Keep-O <sup>2</sup>                                   | [WR1/BC1 output]<br>H<br>[All other]<br>Keep-O <sup>2</sup>   | Keep-O <sup>3</sup>  | Hi-Z  | Keep   |
| P203/A19/IRQ2-DS                       | Hi-Z       | [A19 output]<br>Hi-Z<br>[All other]<br>Keep-O <sup>2</sup>                                       | [A19 output]<br>Address output retained<br>[All other]<br>Keep-O <sup>2</sup>                                       | Keep-O <sup>3</sup>  | Hi-Z  | Keep   |
| P204/A18/AGTIO1/SCL0_B/USB_OVRCURB-DS  | Hi-Z       | [A18 output]<br>Hi-Z<br>[All other]<br>Keep-O <sup>2</sup>                                       | [A18 output]<br>Address output retained<br>[All other]<br>Keep-O <sup>2</sup>                                       | Keep-O <sup>3</sup>  | Hi-Z  | Keep   |
| P205/A16/USB_OVRCURA-DS/CLKOUT/IRQ1-DS | Hi-Z       | [A16 output]<br>Hi-Z<br>[CLKOUT selected]<br>CLKOUT output<br>[All other]<br>Keep-O <sup>2</sup> | [A16 output]<br>Address output retained<br>[CLKOUT selected]<br>CLKOUT output<br>[All other]<br>Keep-O <sup>2</sup> | Keep-O <sup>3</sup>  | Hi-Z  | Keep   |
| P206/WAIT/IRQ0-DS                      | Hi-Z       | Keep-O <sup>2</sup>  |   | Keep-O <sup>3</sup>  | Hi-Z  | Keep   |
| P207/A17                               | Hi-Z       | [A17 output]<br>Hi-Z<br>[All other]<br>Keep-O  | [A17 output]<br>Address output retained<br>[All other]<br>Keep-O  | Keep   | Hi-Z  | Keep   |
| P208/CS4                               | Hi-Z       | [CS4 output]<br>Hi-Z<br>[All other]<br>Keep-O  | [CS4 output]<br>H<br>[All other]<br>Keep-O  | Keep   | Hi-Z  | Keep   |
| P209/CS5                               | Hi-Z       | [CS5 output]<br>Hi-Z<br>[All other]<br>Keep-O  | [CS5 output]<br>H<br>[All other]<br>Keep-O  | Keep   | Hi-Z  | Keep   |
| P210/CS6                               | Hi-Z       | [CS6 output]<br>Hi-Z<br>[All other]<br>Keep-O  | [CS6 output]<br>H<br>[All other]<br>Keep-O  | Keep   | Hi-Z  | Keep   |
| P211/CS7                               | Hi-Z       | [CS7 output]<br>Hi-Z<br>[All other]<br>Keep-O  | [CS7 output]<br>H<br>[All other]<br>Keep-O  | Keep   | Hi-Z  | Keep   |
| P212/IRQ3/EXTAL,<br>P213/IRQ2/XTAL     | Hi-Z       | Keep-O <sup>2</sup>  |   | Keep   | Hi-Z  | Keep   |
| P214                                   | Hi-Z       | Keep-O   |   | Keep   | Hi-Z  | Keep   |
| P300/TCK                               | Pull-up    | Keep-O   |   | Keep   | Pull-up   | Keep   |



Table 1.1 Port states in each processing state (3 of 5)

| Port name   | Reset | Software Standby mode  |  | Deep Software Standby mode | After Deep Software Standby mode is canceled (return to startup mode) |                         |
|---|-------|--|--|----------------------------|---|-------------------------|
|   |       | OPE = 0  | OPE = 1  |                            | IOKEEP = 0  | IOKEEP = 1 <sup>1</sup> |
| P301/A06/AGTIO0/IRQ6  | Hi-Z  | [A06 output]<br>Hi-Z<br>[All other]<br>Keep-O <sup>2</sup>                 | [A06 output]<br>Address output retained<br>[All other]<br>Keep-O <sup>2</sup>                          | Keep                       | Hi-Z  | Keep                    |
| P302/A07/IRQ5   | Hi-Z  | [A07 output]<br>Hi-Z<br>[All other]<br>Keep-O <sup>2</sup>                 | [A07 output]<br>Address output retained<br>[All other]<br>Keep-O <sup>2</sup>                          | Keep                       | Hi-Z  | Keep                    |
| P303/A08  | Hi-Z  | [A08 output]<br>Hi-Z<br>[All other]<br>Keep-O                              | [A08 output]<br>Address output retained<br>[All other]<br>Keep-O                                       | Keep                       | Hi-Z  | Keep                    |
| P304/A09/IRQ9   | Hi-Z  | [A09 output]<br>Hi-Z<br>[All other]<br>Keep-O <sup>2</sup>                 | [A09 output]<br>Address output retained<br>[All other]<br>Keep-O <sup>2</sup>                          | Keep                       | Hi-Z  | Keep                    |
| P305/A10/IRQ8   | Hi-Z  | [A10 output]<br>Hi-Z<br>[All other]<br>Keep-O <sup>2</sup>                 | [A10 output]<br>Address output retained<br>[All other]<br>Keep-O <sup>2</sup>                          | Keep                       | Hi-Z  | Keep                    |
| P306/A11  | Hi-Z  | [A11 output]<br>Hi-Z<br>[All other]<br>Keep-O                              | [A11 output]<br>Address output retained<br>[All other]<br>Keep-O                                       | Keep                       | Hi-Z  | Keep                    |
| P307/A12  | Hi-Z  | [A12 output]<br>Hi-Z<br>[All other]<br>Keep-O                              | [A12 output]<br>Address output retained<br>[All other]<br>Keep-O                                       | Keep                       | Hi-Z  | Keep                    |
| P308/A13  | Hi-Z  | [A13 output]<br>Hi-Z<br>[All other]<br>Keep-O                              | [A13 output]<br>Address output retained<br>[All other]<br>Keep-O                                       | Keep                       | Hi-Z  | Keep                    |
| P309/A14  | Hi-Z  | [A14 output]<br>Hi-Z<br>[All other]<br>Keep-O                              | [A14 output]<br>Address output retained<br>[All other]<br>Keep-O                                       | Keep                       | Hi-Z  | Keep                    |
| P310/A15  | Hi-Z  | [A15 output]<br>Hi-Z<br>[All other]<br>Keep-O                              | [A15 output]<br>Address output retained<br>[All other]<br>Keep-O                                       | Keep                       | Hi-Z  | Keep                    |
| P311/CS2/RAS  | Hi-Z  | [CS2 output]<br>Hi-Z<br>[RAS output]<br>Hi-Z<br>[All other]<br>Keep-O      | [CS2 output]<br>H<br>[RAS output]<br>SDSELF.SFEN = 0: H<br>SDSELF.SFEN = 1: L<br>[All other]<br>Keep-O | Keep                       | Hi-Z  | Keep                    |
| P312/CS3/CAS  | Hi-Z  | [CS3 output]<br>Hi-Z<br>[CAS output]<br>Hi-Z<br>[All other]<br>Keep-O      | [CS3 output]<br>H<br>[CAS output]<br>SDSELF.SFEN = 0: H<br>SDSELF.SFEN = 1: L<br>[All other]<br>Keep-O | Keep                       | Hi-Z  | Keep                    |
| P313/A20  | Hi-Z  | [A20 output]<br>Hi-Z<br>[All other]<br>Keep-O                              | [A20 output]<br>Address output retained<br>[All other]<br>Keep-O                                       | Keep                       | Hi-Z  | Keep                    |
| P400/AGTIO1/<br>SCL0_A/IRQ0   | Hi-Z  | Keep-O <sup>2</sup>  |  | Keep                       | Hi-Z  | Keep                    |
| P401/SDA0_A/<br>IRQ5-DS,<br>P402/IRQ4-DS/<br>RTCIC0/<br>AGTIO0/AGTIO1,<br>P403/RTCIC1/<br>AGTIO0/AGTIO1,<br>P404/RTCIC2 | Hi-Z  | Keep-O <sup>2</sup>  |  | Keep-O <sup>3</sup>        | Hi-Z  | Keep                    |
| P405, P406  | Hi-Z  | Keep-O   |  | Keep                       | Hi-Z  | Keep                    |
| P407/AGTIO0/<br>SDA0_B/USB_VBUS/<br>RTCCOUT   | Hi-Z  | [RTCCOUT selected]<br>RTCCOUT output<br>[All other]<br>Keep-O <sup>2</sup> |  | Keep-O <sup>3</sup>        | Hi-Z  | Keep                    |
| P408/SCL0_C/IRQ7,<br>P409/IRQ6,<br>P410/RXD0/IRQ5,<br>P411/IRQ4   | Hi-Z  | Keep-O <sup>2</sup>  |  | Keep                       | Hi-Z  | Keep                    |

Table 1.1 Port states in each processing state (4 of 5)

| Port name   | Reset | Software Standby mode  |  | Deep Software Standby mode | After Deep Software Standby mode is canceled (return to startup mode) |                         |
|---|-------|--|--|----------------------------|---|-------------------------|
|   |       | OPE = 0  | OPE = 1  |                            | IOKEEP = 0  | IOKEEP = 1 <sup>1</sup> |
| P412, P413  | Hi-Z  | Keep-O   |  | Keep                       | Hi-Z  | Keep                    |
| P414/IRQ9,<br>P415/IRQ8   | Hi-Z  | Keep-O <sup>2</sup>  |  | Keep                       | Hi-Z  | Keep                    |
| P500  | Hi-Z  | Keep-O   |  | Keep                       | Hi-Z  | Keep                    |
| P501/<br>USB_OVRCURA/<br>IRQ11,<br>P502/<br>USB_OVRCURB/<br>IRQ12 | Hi-Z  | Keep-O <sup>2</sup>  |  | Keep                       | Hi-Z  | Keep                    |
| P503  | Hi-Z  | Keep-O   |  | Keep                       | Hi-Z  | Keep                    |
| P504/ALE  | Hi-Z  | [ALE output]<br>Hi-Z<br>[All other]<br>Keep-O  | [ALE output]<br>L<br>[All other]<br>Keep-O   | Keep                       | Hi-Z  | Keep                    |
| P505/IRQ14,<br>P506/IRQ15   | Hi-Z  | Keep-O <sup>2</sup>  |  | Keep                       | Hi-Z  | Keep                    |
| P508  | Hi-Z  | Keep-O   |  | Keep                       | Hi-Z  | Keep                    |
| P511/IRQ15,<br>P512/IRQ14   | Hi-Z  | Keep-O <sup>2</sup>  |  | Keep                       | Hi-Z  | Keep                    |
| P600/RD/CLKOUT  | Hi-Z  | [RD output]<br>Hi-Z<br>[CLKOUT selected]<br>CLKOUT output<br>[All other]<br>Keep-O             | [RD output]<br>H<br>[CLKOUT selected]<br>CLKOUT output<br>[All other]<br>Keep-O  | Keep                       | Hi-Z  | Keep                    |
| P601/WR0/WR/DQM0  | Hi-Z  | [WR0/WR output]<br>Hi-Z<br>[DQM0 output]<br>Hi-Z<br>[All other]<br>Keep-O                      | [WR0/WR output]<br>H<br>[DQM0 output]<br>DQM0 output retained<br>[All other]<br>Keep-O   | Keep                       | Hi-Z  | Keep                    |
| P602/EBCLK/SDCLK  | Hi-Z  | [EBCLK output]<br>H<br>[SDCLK output]<br>H<br>[All other]<br>Keep-O                            |  | Keep                       | Hi-Z  | Keep                    |
| P603/D13[A13/D13]/<br>DQ13  | Hi-Z  | [D13 output]<br>Hi-Z<br>[DQ13 output]<br>Hi-Z<br>[All other]<br>Keep-O                         |  | Keep                       | Hi-Z  | Keep                    |
| P604/D12[A12/D12]/<br>DQ12  | Hi-Z  | [D12 output]<br>Hi-Z<br>[DQ12 output]<br>Hi-Z<br>[All other]<br>Keep-O                         |  | Keep                       | Hi-Z  | Keep                    |
| P605/D11[A11/D11]/<br>DQ11  | Hi-Z  | [D11 output]<br>Hi-Z<br>[DQ11 output]<br>Hi-Z<br>[All other]<br>Keep-O                         |  | Keep                       | Hi-Z  | Keep                    |
| P608/A00/BC0/DQM1   | Hi-Z  | [A00 output]<br>Hi-Z<br>[BC0 output]<br>Hi-Z<br>[DQM1 output]<br>Hi-Z<br>[All other]<br>Keep-O | [A00 output]<br>Address output retained<br>[BC0 output]<br>H<br>[DQM1 output]<br>DQM1 output retained<br>[All other]<br>Keep-O | Keep                       | Hi-Z  | Keep                    |
| P609/CS1/CKE  | Hi-Z  | [CS1 output]<br>Hi-Z<br>[CKE output]<br>Hi-Z<br>[All other]<br>Keep-O                          | [CS1 output]<br>H<br>[CKE output]<br>SDSELF.SFEN = 0: H<br>SDSELF.SFEN = 1: L<br>[All other]<br>Keep-O                         | Keep                       | Hi-Z  | Keep                    |
| P610/CS0/WE   | Hi-Z  | [CS0 output]<br>Hi-Z<br>[WE output]<br>Hi-Z<br>[All other]<br>Keep-O                           | [CS0 output]<br>H<br>[WE output]<br>H<br>[All other]<br>Keep-O   | Keep                       | Hi-Z  | Keep                    |

**Table 1.1 Port states in each processing state (5 of 5)**

| Port name                  | Reset | Software Standby mode  |  | Deep Software Standby mode | After Deep Software Standby mode is canceled (return to startup mode) |                         |
|----------------------------|-------|--|--|----------------------------|---|-------------------------|
|                            |       | OPE = 0  | OPE = 1  |                            | IOKEEP = 0  | IOKEEP = 1 <sup>1</sup> |
| P611/SDCS/CLKOUT           | Hi-Z  | [SDCS output]<br>Hi-Z<br>[CLKOUT selected]<br>CLKOUT output<br>[All Other]<br>Keep-O | [SDCS output]<br>SDSELF.SFEN = 0: H<br>SDSELF.SFEN = 1: L<br>[CLKOUT selected]<br>CLKOUT output<br>[All other]<br>Keep-O | Keep                       | Hi-Z  | Keep                    |
| P612/D08[A08/D08]/<br>DQ08 | Hi-Z  | [D08 output]<br>Hi-Z<br>[DQ08 output]<br>Hi-Z<br>[All other]<br>Keep-O               |  | Keep                       | Hi-Z  | Keep                    |
| P613/D09[A09/D09]/<br>DQ09 | Hi-Z  | [D09 output]<br>Hi-Z<br>[DQ09 output]<br>Hi-Z<br>[All other]<br>Keep-O               |  | Keep                       | Hi-Z  | Keep                    |
| P614/D10[A10/D10]/<br>DQ10 | Hi-Z  | [D10 output]<br>Hi-Z<br>[DQ10 output]<br>Hi-Z<br>[All other]<br>Keep-O               |  | Keep                       | Hi-Z  | Keep                    |
| P700 to P702               | Hi-Z  | Keep-O   |  | Keep                       | Hi-Z  | Keep                    |
| P703/VCOUT                 | Hi-Z  | [ACMPHS selected]<br>VCOUT output<br>[All other]<br>Keep-O                           |  | Keep                       | Hi-Z  | Keep                    |
| P704                       | Hi-Z  | Keep-O   |  | Keep                       | Hi-Z  | Keep                    |
| P705/AGTIO0                | Hi-Z  | Keep-O <sup>2</sup>  |  | Keep                       | Hi-Z  | Keep                    |
| P708/IRQ11,<br>P709/IRQ10  | Hi-Z  | Keep-O <sup>2</sup>  |  | Keep                       | Hi-Z  | Keep                    |
| P710 to P713               | Hi-Z  | Keep-O   |  | Keep                       | Hi-Z  | Keep                    |
| P800/D14[A14/D14]/<br>DQ14 | Hi-Z  | [D14 output]<br>Hi-Z<br>[DQ14 output]<br>Hi-Z<br>[All other]<br>Keep-O               |  | Keep                       | Hi-Z  | Keep                    |
| P801/D15[A15/D15]/<br>DQ15 | Hi-Z  | [D15 output]<br>Hi-Z<br>[DQ15 output]<br>Hi-Z<br>[All other]<br>Keep-O               |  | Keep                       | Hi-Z  | Keep                    |
| USB_DP                     | Hi-Z  | Keep-O <sup>4</sup>  |  | Hi-Z <sup>3</sup>          | Hi-Z  |                         |
| USB_DM                     | Hi-Z  | Keep-O <sup>4</sup>  |  | Hi-Z <sup>3</sup>          | Hi-Z  |                         |

H: High-level

L: Low-level

Hi-Z: High-impedance

Keep-O: Output pins retain their previous values. Input pins go to high-impedance.

Keep: Pin states are retained during periods in Software Standby mode.

Note 1. Retains the I/O port state until the DPSBYCR.IOKEEP bit is cleared to 0.

Note 2. Input is enabled if the pin is specified as the Software Standby canceling source while it is used as an external interrupt pin.

Note 3. Input is enabled if the pin is specified as the Deep Software Standby canceling source.

Note 4. Input is enabled while the pin is used as an input pin.

## Appendix 2. Package Dimensions

For information on the latest version of the package dimensions or mountings, go to “Packages” on the Renesas Electronics Corporation website.

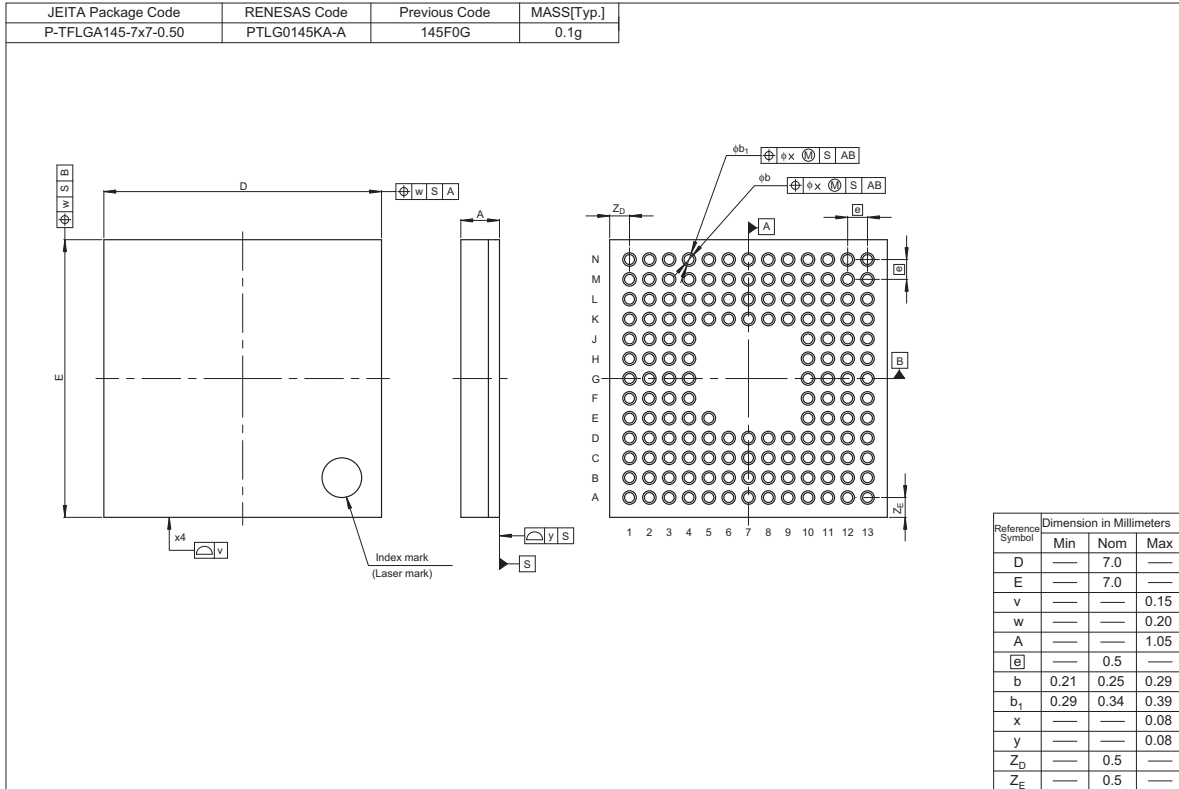


Figure 2.1 145-pin LGA

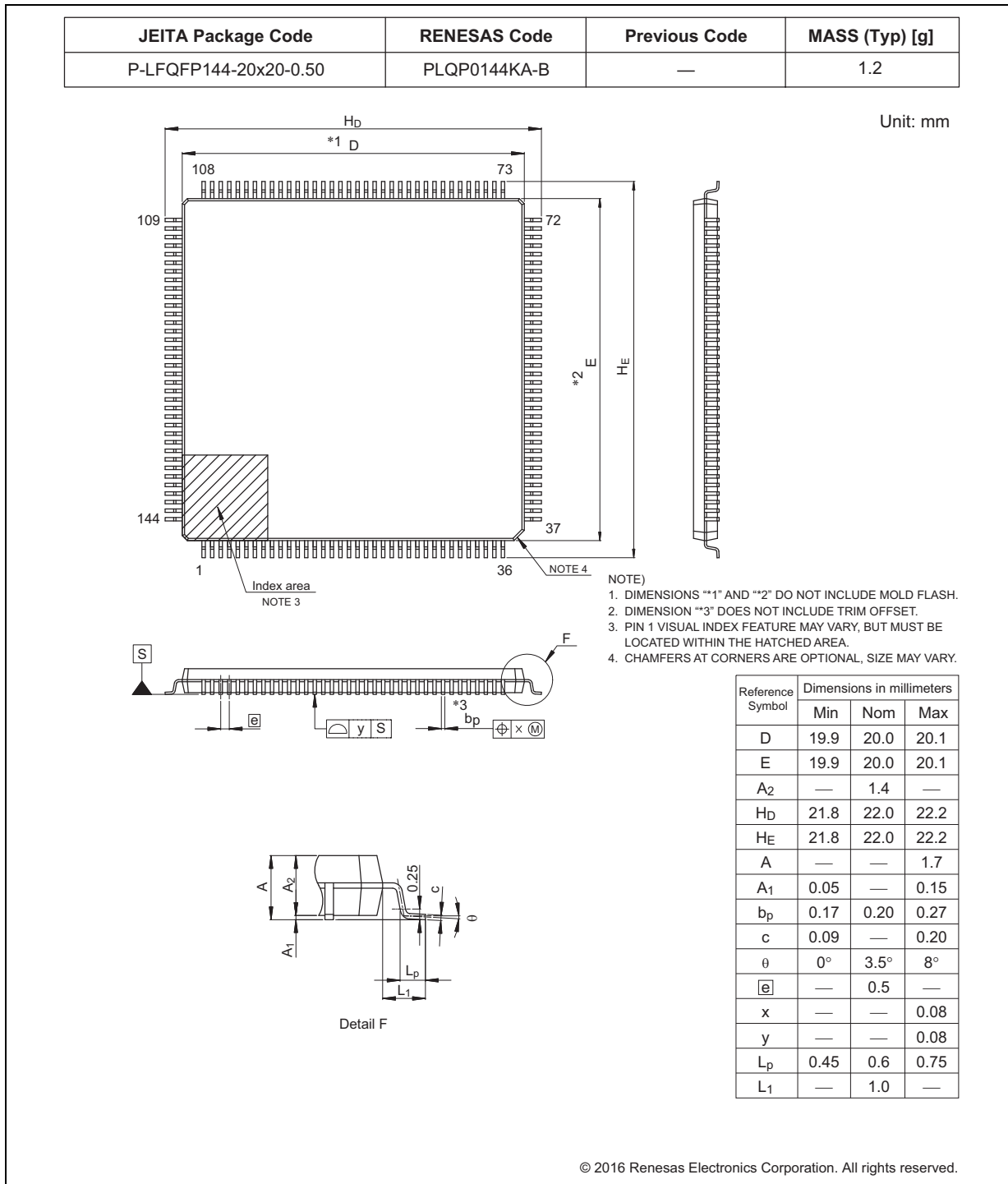
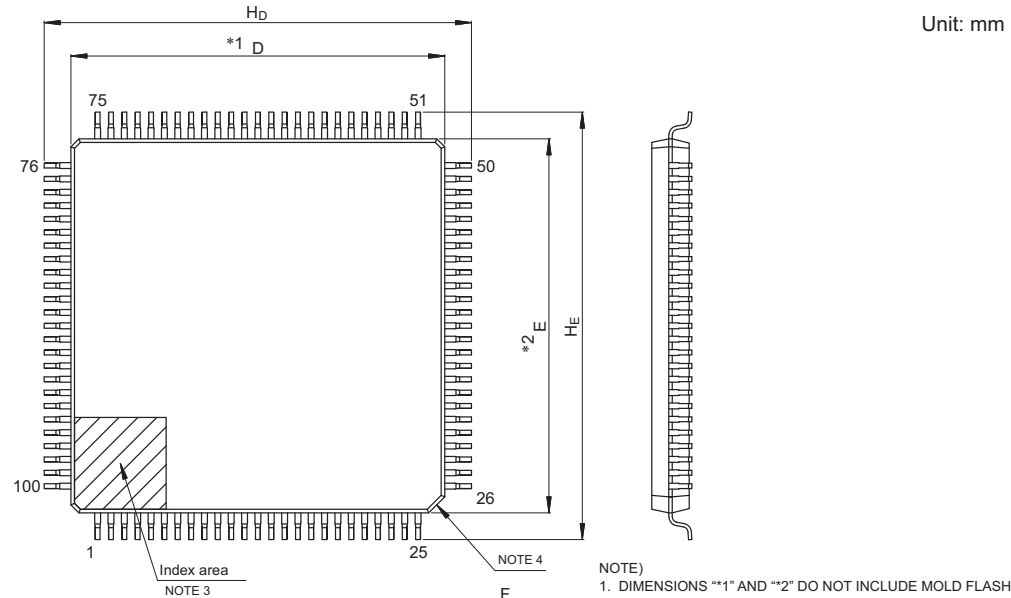


Figure 2.2 144-pin LQFP

| JEITA Package Code    | RENESAS Code | Previous Code | MASS (Typ) [g] |
|-----------------------|--------------|---------------|----------------|
| P-LFQFP100-14x14-0.50 | PLQP0100KB-B | —             | 0.6            |



- NOTE)
1. DIMENSIONS \*\*1" AND \*\*2" DO NOT INCLUDE MOLD FLASH.
  2. DIMENSION \*\*3" DOES NOT INCLUDE TRIM OFFSET.
  3. PIN 1 VISUAL INDEX FEATURE MAY VARY, BUT MUST BE LOCATED WITHIN THE HATCHED AREA.
  4. CHAMFERS AT CORNERS ARE OPTIONAL, SIZE MAY VARY.

| Reference Symbol | Dimensions in millimeters |      |      |
|------------------|---------------------------|------|------|
|                  | Min                       | Nom  | Max  |
| D                | 13.9                      | 14.0 | 14.1 |
| E                | 13.9                      | 14.0 | 14.1 |
| A <sub>2</sub>   | —                         | 1.4  | —    |
| H <sub>D</sub>   | 15.8                      | 16.0 | 16.2 |
| H <sub>E</sub>   | 15.8                      | 16.0 | 16.2 |
| A                | —                         | —    | 1.7  |
| A <sub>1</sub>   | 0.05                      | —    | 0.15 |
| b <sub>p</sub>   | 0.15                      | 0.20 | 0.27 |
| c                | 0.09                      | —    | 0.20 |
| θ                | 0°                        | 3.5° | 8°   |
| ⓔ                | —                         | 0.5  | —    |
| x                | —                         | —    | 0.08 |
| y                | —                         | —    | 0.08 |
| L <sub>p</sub>   | 0.45                      | 0.6  | 0.75 |
| L <sub>1</sub>   | —                         | 1.0  | —    |

© 2015 Renesas Electronics Corporation. All rights reserved.

Figure 2.3 100-pin LQFP

## Appendix 3. I/O Registers

This appendix describes I/O register addresses, access cycles, and reset values by function.

### 3.1 Peripheral Base Addresses

This section provides the base addresses for peripherals described in this manual.

Table 3.1 shows the name, description, and the base address of each peripheral.

**Table 3.1 Peripheral base address (1 of 3)**

| Name   | Description                                  | Base address |
|--------|--|--------------|
| MMPU   | Bus Master MPU                               | 0x40000000   |
| SMPU   | Bus Slave MPU                                | 0x40000C00   |
| SPMON  | CPU Stack Pointer Monitor                    | 0x40000D00   |
| MMF    | Memory Mirror Function                       | 0x40001000   |
| SRAM   | SRAM Control                                 | 0x40002000   |
| BUS    | BUS Control                                  | 0x40003000   |
| DMAC0  | Direct memory access controller 0            | 0x40005000   |
| DMAC1  | Direct memory access controller 1            | 0x40005040   |
| DMAC2  | Direct memory access controller 2            | 0x40005080   |
| DMAC3  | Direct memory access controller 3            | 0x400050C0   |
| DMAC4  | Direct memory access controller 4            | 0x40005100   |
| DMAC5  | Direct memory access controller 5            | 0x40005140   |
| DMAC6  | Direct memory access controller 6            | 0x40005180   |
| DMAC7  | Direct memory access controller 7            | 0x400051C0   |
| DMA    | DMAC Module Activation                       | 0x40005200   |
| DTC    | Data Transfer Controller                     | 0x40005400   |
| ICU    | Interrupt Controller                         | 0x40006000   |
| DBG    | Debug Function                               | 0x4001B000   |
| FCACHE | Flash Cache                                  | 0x4001C000   |
| SYSTEM | System Control                               | 0x4001E000   |
| PORT0  | Port 0 Control Registers                     | 0x40040000   |
| PORT1  | Port 1 Control Registers                     | 0x40040020   |
| PORT2  | Port 2 Control Registers                     | 0x40040040   |
| PORT3  | Port 3 Control Registers                     | 0x40040060   |
| PORT4  | Port 4 Control Registers                     | 0x40040080   |
| PORT5  | Port 5 Control Registers                     | 0x400400A0   |
| PORT6  | Port 6 Control Registers                     | 0x400400C0   |
| PORT7  | Port 7 Control Registers                     | 0x400400E0   |
| PORT8  | Port 8 Control Registers                     | 0x40040100   |
| PFS    | Pmn Pin Function Control Register            | 0x40040800   |
| PMISC  | Miscellaneous Port Control Register          | 0x40040D00   |
| ELC    | Event Link Controller                        | 0x40041000   |
| POEG   | Port Output Enable Module for GPT            | 0x40042000   |
| RTC    | Realtime Clock                               | 0x40044000   |
| WDT    | Watchdog Timer                               | 0x40044200   |
| IWDT   | Independent Watchdog Timer                   | 0x40044400   |
| CAC    | Clock Frequency Accuracy Measurement Circuit | 0x40044600   |
| MSTP   | Module Stop Control B,C,D                    | 0x40047000   |

**Table 3.1 Peripheral base address (2 of 3)**

| Name     | Description   | Base address |
|----------|---|--------------|
| SRCRAM   | Sampling Rate Converter RAM                           | 0x40048000   |
| SRC      | Sampling Rate Converter                               | 0x4004DFF0   |
| SSIE0    | Serial Sound Interface Enhanced (SSIE)                | 0x4004E000   |
| CAN0     | CAN0 Module   | 0x40050000   |
| CAN1     | CAN1 Module   | 0x40051000   |
| IIC0     | Inter-Integrated Circuit 0                            | 0x40053000   |
| IIC1     | Inter-Integrated Circuit 1                            | 0x40053100   |
| IIC2     | Inter-Integrated Circuit 2                            | 0x40053200   |
| DOC      | Data Operation Circuit                                | 0x40054100   |
| ADC120   | 12-bit A/D Converter 0                                | 0x4005C000   |
| ADC121   | 12-bit A/D Converter 1                                | 0x4005C200   |
| TSN      | Temperature Sensor                                    | 0x4005D000   |
| DAC12    | 12-bit D/A converter                                  | 0x4005E000   |
| SDHI0    | SD Host Interface 0                                   | 0x40062000   |
| SDHI1    | SD Host Interface 1                                   | 0x40062400   |
| EDMAC0   | DMA Controller for the Ethernet Controller Channel 0  | 0x40064000   |
| ETHERC0  | Ethernet Controller Channel 0                         | 0x40064100   |
| SCI0     | Serial Communication Interface 0                      | 0x40070000   |
| SCI1     | Serial Communication Interface 1                      | 0x40070020   |
| SCI2     | Serial Communication Interface 2                      | 0x40070040   |
| SCI3     | Serial Communication Interface 3                      | 0x40070060   |
| SCI4     | Serial Communication Interface 4                      | 0x40070080   |
| SCI5     | Serial Communication Interface 5                      | 0x400700A0   |
| SCI6     | Serial Communication Interface 6                      | 0x400700C0   |
| SCI7     | Serial Communication Interface 7                      | 0x400700E0   |
| SCI8     | Serial Communication Interface 8                      | 0x40070100   |
| SCI9     | Serial Communication Interface 9                      | 0x40070120   |
| IRDA     | Infrared Data Association                             | 0x40070F00   |
| SPI0     | Serial Peripheral Interface 0                         | 0x40072000   |
| SPI1     | Serial Peripheral Interface 1                         | 0x40072100   |
| CRC      | CRC Calculator  | 0x40074000   |
| GPT32EH0 | General PWM Timer 0 (32-bit Enhanced High Resolution) | 0x40078000   |
| GPT32EH1 | General PWM Timer 1 (32-bit Enhanced High Resolution) | 0x40078100   |
| GPT32EH2 | General PWM Timer 2 (32-bit Enhanced High Resolution) | 0x40078200   |
| GPT32EH3 | General PWM Timer 3 (32-bit Enhanced High Resolution) | 0x40078300   |
| GPT32E4  | General PWM Timer 4 (32-bit Enhanced)                 | 0x40078400   |
| GPT32E5  | General PWM Timer 5 (32-bit Enhanced)                 | 0x40078500   |
| GPT32E6  | General PWM Timer 6 (32-bit Enhanced)                 | 0x40078600   |
| GPT32E7  | General PWM Timer 7 (32-bit Enhanced)                 | 0x40078700   |
| GPT328   | General PWM Timer 8 (32-bit)                          | 0x40078800   |
| GPT329   | General PWM Timer 9 (32-bit)                          | 0x40078900   |
| GPT3210  | General PWM Timer 10 (32-bit)                         | 0x40078A00   |
| GPT3211  | General PWM Timer 11 (32-bit)                         | 0x40078B00   |
| GPT3212  | General PWM Timer 12 (32-bit)                         | 0x40078C00   |
| GPT3213  | General PWM Timer 13 (32-bit)                         | 0x40078D00   |



**Table 3.1 Peripheral base address (3 of 3)**

| Name    | Description                          | Base address |
|---------|--------------------------------------|--------------|
| GPT_OPS | Output Phase Switching Controller    | 0x40078FF0   |
| GPT_ODC | PWM Delay Generation Circuit         | 0x4007B000   |
| KINT    | Key Interrupt Function               | 0x40080000   |
| CTSU    | Capacitive Touch Sensing Unit        | 0x40081000   |
| AGT0    | Asynchronous General purpose Timer 0 | 0x40084000   |
| AGT1    | Asynchronous General purpose Timer 1 | 0x40084100   |
| ACMPHS0 | High-Speed Analog Comparator 0       | 0x40085000   |
| ACMPHS1 | High-Speed Analog Comparator 1       | 0x40085100   |
| ACMPHS2 | High-Speed Analog Comparator 2       | 0x40085200   |
| ACMPHS3 | High-Speed Analog Comparator 3       | 0x40085300   |
| ACMPHS4 | High-Speed Analog Comparator 4       | 0x40085400   |
| ACMPHS5 | High-Speed Analog Comparator 5       | 0x40085500   |
| USBFS   | USB 2.0 FS Module                    | 0x40090000   |
| PDC     | Parallel Data Capture Unit           | 0x40094000   |
| QSPI    | Quad-SPI                             | 0x64000000   |

Name = Peripheral name

Description = Peripheral functionality

Base address = Lowest reserved address or address used by the peripheral

## 3.2 Access Cycles

This section provides access cycle information for the I/O registers described in this manual.

The following information applies to [Table 3.2](#):

- Registers are grouped by associated module
- The number of access cycles indicates the number of cycles based on the specified reference clock
- In the internal I/O area, reserved addresses that are not allocated to registers must not be accessed, otherwise operations cannot be guaranteed
- The number of I/O access cycles depends on bus cycles of the internal peripheral bus, divided clock synchronization cycles, and wait cycles of each module. Divided clock synchronization cycles differ depending on the frequency ratio between ICLK and PCLK.
- When the frequency of ICLK is equal to that of PCLK, the number of divided clock synchronization cycles is always constant.
- When the frequency of ICLK is greater than that of PCLK, at least 1 PCLK cycle is added to the number of divided clock synchronization cycles.

Note: This applies to the number of cycles when access from the CPU does not conflict with the instruction fetching to the external memory or bus access from other bus masters such as DTC or DMAC.

[Table 3.2](#) shows the register access cycles.

Table 3.2 Access cycles (1 of 2)

| Peripherals  | Address    |            | Number of access cycles |       |               |       | Cycle unit | Related function  |
|--|------------|------------|-------------------------|-------|---------------|-------|------------|---|
|  |            |            | ICLK = PCLK             |       | ICLK > PCLK*1 |       |            |   |
|  |            |            | Read                    | Write | Read          | Write |            |   |
| MMPU, SMPU, SPMON, MMF, SRAM, BUS, DMACn, DMA, DTC, ICU, DBG, FCACHE | 4000 0000h | 4001 CFFFh | 4                       |       |               |       | ICLK       | Memory Protection Unit, Memory Mirror Function, SRAM, Buses, DMA Controller, Data Transfer Controller, Interrupt Controller, CPU, Flash Memory  |
| SYSTEM   | 4001 E000h | 4001 E3FFh | 5                       |       |               |       | ICLK       | Low Power Modes, Resets, Low Voltage Detection, Clock Generation Circuit, Register Write Protection   |
| SYSTEM   | 4001 E400h | 4001 E6FFh | 9                       |       | 5 ~ 8         |       | PCLKB      | Low Power Modes, Resets, Low Voltage Detection, Battery Backup Function   |
| PORTn, PFS, PMISC, ELC, POEG, RTC, WDT, IWDT, CAC, MSTP              | 4004 0000h | 4004 7FFFh | 3                       |       | 2 ~ 3         |       | PCLKB      | I/O Ports, Event Link Controller, Port Output Enable for GPT, Realtime Clock, Watchdog Timer, Independent Watchdog Timer, Clock Frequency Accuracy Measurement Circuit, Module Stop Control |
| SRCRAM   | 4004 8000h | 4004 DFEFh | 4                       | 3     | 3 ~ 4         | 2 ~ 3 | PCLKB      | Sampling Rate Converter   |
| SRC  | 4004 DFF0h | 4004 DFF7h | 5                       |       | 4 ~ 5         |       | PCLKB      |   |
| SRC  | 4004 DFF8h | 4004 DFFFh | 3                       |       | 2 ~ 3         |       | PCLKB      |   |
| SSIE0, CANn, IICn, DOC, ADC12n, TSN, DAC12                           | 4004 E000h | 4005 FFFFh | 3                       |       | 2 ~ 3         |       | PCLKB      | Serial Sound Interface Enhanced, Controller Area Network Module, I <sup>2</sup> C Bus Interface, Data Operation Circuit, 12-bit A/D Converter, Temperature Sensor, 12-bit D/A Converter     |
| SDHIn  | 4006 2000h | 4006 2FFFh | 3                       |       | 2 ~ 3         |       | PCLKA      | SD/MMC Host Interface   |
| EDMAC0   | 4006 4000h | 4006 40FFh | 4                       |       | -             |       | PCLKA      | Ethernet DMA Controller   |
| ETHERC0  | 4006 4100h | 4006 41FFh | 13                      |       | -             |       | PCLKA      | Ethernet MAC Controller   |
| ETHERC0  | 4006 4500h | 4006 45BFh | (1+wait cycle)          |       | -             |       | PCLKA      | Ethernet MAC Controller   |
| SCI0 to SCI9   | 4007 0000h | 4007 0EFFh | 3*2                     |       | 2 ~ 3*2       |       | PCLKA      | Serial Communications Interface   |
| IRDA   | 4007 0F00h | 4007 0FFFh | 3                       |       | 2 ~ 3         |       | PCLKA      | IrDA Interface  |
| SPI0, SPI1   | 4007 2000h | 4007 2FFFh | 3*3                     |       | 2 ~ 3*3       |       | PCLKA      | Serial Peripheral Interface   |
| CRC  | 4007 4000h | 4007 4FFFh | 3                       |       | 2 ~ 3         |       | PCLKA      | CRC Calculator  |
| GPT32EHi, GPT32Ej, GPT32k, GPT_OPS                                   | 4007 8000h | 4007 8FFFh | 5                       | 3     | 4 ~ 5         | 2 ~ 3 | PCLKA      | General PWM Timer   |
| GPT_ODC  | 4007 B000h | 4007 BFFFh | 2                       |       | 1 ~ 2         |       | PCLKA      | PWM Delay Generation Circuit  |
| KINT, CTSU   | 4008 0000h | 4008 1FFFh | 2                       |       | 1 ~ 2         |       | PCLKB      | Key Interrupt Function, Capacitive Touch Sensing Unit   |
| AGTn   | 4008 4000h | 4008 4FFFh | 5                       | 3     | 4 ~ 5         | 2 ~ 3 | PCLKB      | Asynchronous General Purpose Timer  |
| ACMPHSn  | 4008 5000h | 4008 5FFFh | 2                       |       | 1 ~ 2         |       | PCLKB      | High-Speed Analog Comparator  |
| USBFS  | 4009 0000h | 4009 03FFh | 4                       |       | 3 ~ 4         |       | PCLKB      | USB 2.0 Full-Speed Module   |
| USBFS  | 4009 0400h | 4009 04FFh | 2                       |       | 1 ~ 2         |       | PCLKB      | USB 2.0 Full-Speed Module   |

**Table 3.2 Access cycles (2 of 2)**

| Peripherals | Address    |            | Number of access cycles |         |               |         | Cycle unit | Related function                 |
|-------------|------------|------------|-------------------------|---------|---------------|---------|------------|----------------------------------|
|             |            |            | ICLK = PCLK             |         | ICLK > PCLK*1 |         |            |                                  |
|             | From       | To         | Read                    | Write   | Read          | Write   |            |                                  |
| PDC         | 4009 4000h | 4009 4FFFh | 3                       |         | 2 ~ 3         |         | PCLKB      | Parallel Data Capture Unit       |
| QSPI        | 6400 0000h | 6400 000Fh | 3                       | 13 ~ *4 | 2 ~ 3         | 12 ~ *4 | PCLKA      | Quad Serial Peripheral Interface |
| QSPI        | 6400 0010h | 6400 0013h | 24 ~ *4                 | 5 ~ *4  | 23 ~ *4       | 4 ~ *4  | PCLKA      | Quad Serial Peripheral Interface |
| QSPI        | 6400 0014h | 6400 0037h | 3                       | 13 ~ *4 | 2 ~ 3         | 12 ~ *4 | PCLKA      | Quad Serial Peripheral Interface |
| QSPI        | 6400 0804h | 6400 0807h | 2                       | 2       | 1 ~ 2         | 1 ~ 2   | PCLKA      | Quad Serial Peripheral Interface |

Note 1. If the number of PCLK cycles is non-integer (for example 1.5), the minimum value is without the decimal point, and the maximum value is rounded up to the decimal point. For example, 1.5 ~ 2.5 is 1 ~ 3.

Note 2. When accessing a 16-bit register (FTDRHL, FRDRHL, FCR, FDR, LSR, and CDR), access is 2 cycles more than the value shown in Table 3.2. When accessing an 8-bit register (FTDRH, FTDL, FRDRH, and FRDL), the access cycles are as shown in Table 3.2.

Note 3. When accessing the 32-bit register (SPDR), access is 2 cycles more than the value in Table 3.2. When accessing an 8-bit or 16-bit register (SPDR\_HA), the access cycles are as shown in Table 3.2.

Note 4. The access cycles depend on the QSPI bus cycles.

### 3.3 Register Descriptions

This section provides information associated with registers described in this manual.

Table 3.3 shows a list of registers including address offsets, address sizes, access rights, and reset values.

**Table 3.3 Register description (1 of 36)**

| Peripheral | Dim | Dim incr. | Dim index | Register name | Description                               | Address offset | Size | Access     | Reset value | Reset mask  |
|------------|-----|-----------|-----------|---------------|---|----------------|------|------------|-------------|-------------|
| MMPU       | 2   | 0x400     | A,B       | MMPUCTL%s     | Bus Master MPU Control Register           | 0x000          | 16   | read/write | 0x0000      | 0xFFFF      |
|            | -   | -         | -         | MMPUPTA       | Group A Protection of Register            | 0x102          | 16   | read/write | 0x0000      | 0xFFFF      |
|            | 32  | 0x010     | 0-31      | MMPUACA%s     | Group A Region %s Access Control Register | 0x200          | 16   | read/write | 0x0000      | 0xFFFF      |
|            | 32  | 0x010     | 0-31      | MMPUSA%s      | Group A Region %s Start Address Register  | 0x204          | 32   | read/write | 0x0000 0000 | 0x0000 0003 |
|            | 32  | 0x010     | 0-31      | MMPUEA%s      | Group A Region %s End Address Register    | 0x208          | 32   | read/write | 0x0000 0003 | 0x0000 0003 |
|            | -   | -         | -         | MMPUPTB       | Group B Protection of Register            | 0x502          | 16   | read/write | 0x0000      | 0xFFFF      |
|            | 8   | 0x010     | 0-7       | MMPUACB%s     | Group B Region %s Access Control Register | 0x600          | 16   | read/write | 0x0000      | 0xFFFF      |
|            | 8   | 0x010     | 0-7       | MMPUSB%s      | Group B Region %s Start Address Register  | 0x604          | 32   | read/write | 0x0000 0000 | 0x0000 0003 |
|            | 8   | 0x010     | 0-7       | MMPUEB%s      | Group B Region %s End Address Register    | 0x608          | 32   | read/write | 0x0000 0003 | 0x0000 0003 |

Table 3.3 Register description (2 of 36)

| Peripheral | Dim | Dim incr. | Dim index | Register name | Description  | Address offset | Size | Access     | Reset value | Reset mask  |
|------------|-----|-----------|-----------|---------------|--|----------------|------|------------|-------------|-------------|
| SMPU       | -   | -         | -         | SMPUCTL       | Slave MPU Control Register                               | 0x00           | 16   | read/write | 0x0000      | 0xFFFF      |
|            |     |           |           | SMPUMBIU      | Access Control Register for MBIU                         | 0x10           | 16   | read/write | 0x2000      | 0xFFFF      |
|            |     |           |           | SMPUFBIU      | Access Control Register for FBIU                         | 0x14           | 16   | read/write | 0x00C0      | 0xFFFF      |
|            | 2   | 0x4       | 0,1       | SMPUSRAM%s    | Access Control Register for SRAM%s                       | 0x18           | 16   | read/write | 0x0000      | 0xFFFF      |
|            | 3   | 0x4       | 0,2,6     | SMPUP%sBIU    | Access Control Register for P%sBIU                       | 0x20           | 16   | read/write | 0x00F0      | 0xFFFF      |
|            | -   | -         | -         | SMPUEXBIU     | Access Control Register for EXBIU                        | 0x30           | 16   | read/write | 0x0000      | 0xFFFF      |
|            |     |           |           | SMPUEXBIU2    | Access Control Register for EXBIU2                       | 0x34           | 16   | read/write | 0x0000      | 0xFFFF      |
| SPMON      | -   | -         | -         | MSPMPUOAD     | Stack Pointer Monitor Operation After Detection Register | 0x00           | 16   | read/write | 0x0000      | 0xFFFF      |
|            |     |           |           | MSPMPUCTL     | Stack Pointer Monitor Access Control Register            | 0x04           | 16   | read/write | 0x0000      | 0xFEFF      |
|            |     |           |           | MSPMPUPT      | Stack Pointer Monitor Protection Register                | 0x06           | 16   | read/write | 0x0000      | 0xFFFF      |
|            |     |           |           | MSPMPUSA      | Main Stack Pointer Monitor Start Address Register        | 0x08           | 32   | read/write | 0x00000000  | 0x00000003  |
|            |     |           |           | MSPMPUEA      | Main Stack Pointer Monitor End Address Register          | 0x0C           | 32   | read/write | 0x00000003  | 0x00000003  |
|            |     |           |           | PSPMPUOAD     | Stack Pointer Monitor Operation After Detection Register | 0x10           | 16   | read/write | 0x0000      | 0xFFFF      |
|            |     |           |           | PSPMPUCTL     | Stack Pointer Monitor Access Control Register            | 0x14           | 16   | read/write | 0x0000      | 0xFEFF      |
|            |     |           |           | PSPMPUPT      | Stack Pointer Monitor Protection Register                | 0x16           | 16   | read/write | 0x0000      | 0xFFFF      |
|            |     |           |           | PSPMPUSA      | Process Stack Pointer Monitor Start Address Register     | 0x18           | 32   | read/write | 0x00000000  | 0x00000003  |
|            |     |           |           | PSPMPUEA      | Process Stack Pointer Monitor End Address Register       | 0x1C           | 32   | read/write | 0x00000003  | 0x00000003  |
| MMF        | -   | -         | -         | MMSFR         | MemMirror Special Function Register                      | 0x00           | 32   | read/write | 0x00000000  | 0xFFFF FFFF |
|            |     |           |           | MMEN          | MemMirror Enable Register                                | 0x04           | 32   | read/write | 0x00000000  | 0xFFFF FFFF |
| SRAM       | -   | -         | -         | PARIOAD       | SRAM Parity Error Operation After Detection Register     | 0x00           | 8    | read/write | 0x00        | 0xFF        |
|            |     |           |           | SRAMPRCR      | SRAM Protection Register                                 | 0x04           | 8    | read/write | 0x00        | 0xFF        |

Table 3.3 Register description (3 of 36)

| Peripheral | Dim                   | Dim incr. | Dim index | Register name | Description   | Address offset | Size | Access     | Reset value | Reset mask |
|------------|-----------------------|-----------|-----------|---------------|---|----------------|------|------------|-------------|------------|
| SRAM       | -                     | -         | -         | SRAMWTSC      | RAM Wait State Control Register                       | 0x08           | 8    | read/write | 0x0E        | 0xFF       |
|            |                       |           |           | ECCMODE       | ECCRAM Operating Mode Control Register                | 0xC0           | 8    | read/write | 0x00        | 0xFF       |
|            |                       |           |           | ECC2STS       | ECCRAM 2-Bit Error Status Register                    | 0xC1           | 8    | read/write | 0x00        | 0xFF       |
|            |                       |           |           | ECC1STSEN     | ECCRAM 1-Bit Error Information Update Enable Register | 0xC2           | 8    | read/write | 0x00        | 0xFF       |
|            |                       |           |           | ECC1STS       | ECCRAM 1-Bit Error Status Register                    | 0xC3           | 8    | read/write | 0x00        | 0xFF       |
|            |                       |           |           | ECCPRCR       | ECCRAM Protection Register                            | 0xC4           | 8    | read/write | 0x00        | 0xFF       |
|            |                       |           |           | ECCTST        | ECC Test Control Register                             | 0xD4           | 8    | read/write | 0x00        | 0xFF       |
|            |                       |           |           | ECROAD        | RAM ECC Error Operation After Detection Register      | 0xD8           | 8    | read/write | 0x00        | 0xFF       |
| BUS        | 8                     | 0x10      | 0-7       | CS%sMOD       | CS%s Mode Register                                    | 0x0002         | 16   | read/write | 0x0000      | 0xFFFF     |
|            | 8                     | 0x10      | 0-7       | CS%sWCR1      | CS%s Wait Control Register 1                          | 0x0004         | 32   | read/write | 0x07070707  | 0xFFFFFFF  |
|            | 8                     | 0x10      | 0-7       | CS%sWCR2      | CS%s Wait Control Register 2                          | 0x0008         | 32   | read/write | 0x00000007  | 0xFFFFFFF  |
|            | -                     | -         | -         | CS0CR         | CS0 Control Register                                  | 0x0802         | 16   | read/write | 0x0021      | 0xFFFF     |
|            | 8                     | 0x10      | 0-7       | CS%sREC       | CS%s Recovery Cycle Register                          | 0x080A         | 16   | read/write | 0x0000      | 0xFFFF     |
|            | 7                     | 0x10      | 1-7       | CS%sCR        | CS%s Control Register                                 | 0x0812         | 16   | read/write | 0x0000      | 0xFFFF     |
|            | -                     | -         | -         | CSRECEN       | CS Recovery Cycle Insertion Enable Register           | 0x0880         | 16   | read/write | 0x3E3E      | 0xFFFF     |
|            |                       |           |           | SDCCR         | SDC Control Register                                  | 0x0C00         | 8    | read/write | 0x00        | 0xFF       |
|            |                       |           |           | SDCMOD        | SDC Mode Register                                     | 0x0C01         | 8    | read/write | 0x00        | 0xFF       |
|            |                       |           |           | SDSELF        | SDRAM Self-Refresh Control Register                   | 0x0C10         | 8    | read/write | 0x00        | 0xFF       |
|            |                       |           |           | SDRFCR        | SDRAM Refresh Control Register                        | 0x0C14         | 16   | read/write | 0x0001      | 0xFFFF     |
|            |                       |           |           | SDRFEN        | SDRAM Auto-Refresh Control Register                   | 0x0C16         | 8    | read/write | 0x00        | 0xFF       |
|            |                       |           |           | SDICR         | SDRAM Initialization Sequence Control Register        | 0x0C20         | 8    | read/write | 0x00        | 0xFF       |
|            |                       |           |           | SDIR          | SDRAM Initialization Register                         | 0x0C24         | 16   | read/write | 0x0010      | 0xFFFF     |
|            |                       |           |           | SDADR         | SDRAM Address Register                                | 0x0C40         | 8    | read/write | 0x00        | 0xFF       |
|            |                       |           |           | SDTR          | SDRAM Timing Register                                 | 0x0C44         | 32   | read/write | 0x00000002  | 0xFFFFFFF  |
| SDMOD      | SDRAM Mode Register   | 0x0C48    | 16        | read/write    | 0x0000  | 0xFFFF         |      |            |             |            |
| SDSR       | SDRAM Status Register | 0x0C50    | 8         | read-only     | 0x00  | 0xFF           |      |            |             |            |

Table 3.3 Register description (4 of 36)

| Peripheral | Dim  | Dim incr. | Dim index          | Register name                | Description                       | Address offset | Size      | Access     | Reset value | Reset mask  |
|------------|------|-----------|--------------------|------------------------------|-----------------------------------|----------------|-----------|------------|-------------|-------------|
| BUS        | 2    | 0x4       | M4I, M4D           | BUSMCNT%s                    | Master Bus Control Register %s    | 0x1000         | 16        | read/write | 0x0000      | 0xFFFF      |
|            | -    | -         | -                  | BUSMCNTSYS                   | Master Bus Control Register SYS   | 0x1008         | 16        | read/write | 0x0000      | 0xFFFF      |
|            |      |           |                    | BUSMCNTDMA                   | Master Bus Control Register DMA   | 0x100C         | 16        | read/write | 0x0000      | 0xFFFF      |
|            | 1    | 0x4       | EDM                | BUSMCNT%s                    | Master Bus Control Register %s    | 0x1010         | 16        | read/write | 0x0000      | 0xFFFF      |
|            | 2    | 0x4       | FLI, RAMH          | BUSSCNT%s                    | Slave Bus Control Register %s     | 0x1100         | 16        | read/write | 0x0000      | 0xFFFF      |
|            | -    | -         | -                  | BUSSCNTMBIU                  | Slave Bus Control Register MBIU   | 0x1108         | 16        | read/write | 0x0000      | 0xFFFF      |
|            | 2    | 0x4       | RAM0, RAM1         | BUSSCNT%s                    | Slave Bus Control Register %s     | 0x110C         | 16        | read/write | 0x0000      | 0xFFFF      |
|            | 4    | 0x4       | P0B, P2B, P3B, P4B | BUSSCNT%s                    | Slave Bus Control Register %s     | 0x1114         | 16        | read/write | 0x0000      | 0xFFFF      |
|            | 1    | 0x4       | P6B                | BUSSCNT%s                    | Slave Bus Control Register %s     | 0x1128         | 16        | read/write | 0x0000      | 0xFFFF      |
|            | 3    | 0x4       | FBU, EXT, EXT2     | BUSSCNT%s                    | Slave Bus Control Register %s     | 0x1130         | 16        | read/write | 0x0000      | 0xFFFF      |
|            | 5    | 0x10      | 1-5                | BUS%sERRADD                  | Bus Error Address Register %s     | 0x1800         | 32        | read-only  | 0x00000000  | 0x00000000  |
| 5          | 0x10 | 1-5       | BUS%sERRSTAT       | Bus Error Status Register %s | 0x1804                            | 8              | read-only | 0x00       | 0xFE        |             |
| DMAC0-7    | -    | -         | -                  | DMSAR                        | DMA Source Address Register       | 0x00           | 32        | read/write | 0x00000000  | 0xFFFF FFFF |
|            |      |           |                    | DMDAR                        | DMA Destination Address Register  | 0x04           | 32        | read/write | 0x00000000  | 0xFFFF FFFF |
|            |      |           |                    | DMCRA                        | DMA Transfer Count Register       | 0x08           | 32        | read/write | 0x00000000  | 0xFFFF FFFF |
|            |      |           |                    | DMCRB                        | DMA Block Transfer Count Register | 0x0C           | 16        | read/write | 0x0000      | 0xFFFF      |
|            |      |           |                    | DMTMD                        | DMA Transfer Mode Register        | 0x10           | 16        | read/write | 0x0000      | 0xFFFF      |
|            |      |           |                    | DMINT                        | DMA Interrupt Setting Register    | 0x13           | 8         | read/write | 0x00        | 0xFF        |
|            |      |           |                    | DMAMD                        | DMA Address Mode Register         | 0x14           | 16        | read/write | 0x0000      | 0xFFFF      |
|            |      |           |                    | DMOFR                        | DMA Offset Register               | 0x18           | 32        | read/write | 0x00000000  | 0xFFFF FFFF |
|            |      |           |                    | DMCNT                        | DMA Transfer Enable Register      | 0x1C           | 8         | read/write | 0x00        | 0xFF        |
|            |      |           |                    | DMREQ                        | DMA Software Start Register       | 0x1D           | 8         | read/write | 0x00        | 0xFF        |
|            |      |           |                    | DMSTS                        | DMAC Module Activation Register   | 0x1E           | 8         | read/write | 0x00        | 0xFF        |
| DMA        | -    | -         | -                  | DMAST                        | DMA Module Activation Register    | 0x00           | 8         | read/write | 0x00        | 0xFF        |
| DTC        | -    | -         | -                  | DTCCR                        | DTC Control Register              | 0x00           | 8         | read/write | 0x08        | 0xFF        |

Table 3.3 Register description (5 of 36)

| Peripheral | Dim                                 | Dim incr. | Dim index | Register name                       | Description                                  | Address offset | Size       | Access         | Reset value    | Reset mask     |
|------------|-------------------------------------|-----------|-----------|-------------------------------------|--|----------------|------------|----------------|----------------|----------------|
| DTC        | -                                   | -         | -         | DTCVBR                              | DTC Vector Base Register                     | 0x04           | 32         | read/write     | 0x0000<br>0000 | 0xFFFF<br>FFFF |
|            |                                     |           |           | DTCST                               | DTC Module Start Register                    | 0x0C           | 8          | read/write     | 0x00           | 0xFF           |
|            |                                     |           |           | DTCSTS                              | DTC Status Register                          | 0x0E           | 16         | read-only      | 0x0000         | 0xFFFF         |
| ICU        | 16                                  | 0x1       | 0-15      | IRQCR%s                             | IRQ Control Register %s                      | 0x000          | 8          | read/write     | 0x00           | 0xFF           |
|            | -                                   | -         | -         | NMICR                               | NMI Pin Interrupt Control Register           | 0x100          | 8          | read/write     | 0x00           | 0xFF           |
|            |                                     |           |           | NMIER                               | Non-Maskable Interrupt Enable Register       | 0x120          | 16         | read/write     | 0x0000         | 0xFFFF         |
|            |                                     |           |           | NMICLR                              | Non-Maskable Interrupt Status Clear Register | 0x130          | 16         | write-only     | 0x0000         | 0xFFFF         |
|            |                                     |           |           | NMISR                               | Non-Maskable Interrupt Status Register       | 0x140          | 16         | read-only      | 0x0000         | 0xFFFF         |
|            |                                     |           |           | WUPEN                               | Wake Up interrupt enable register            | 0x1A0          | 32         | read/write     | 0x0000<br>0000 | 0xFFFF<br>FFFF |
|            |                                     |           |           | SELSR0                              | SYS Event Link Setting Register              | 0x200          | 16         | read/write     | 0x0000         | 0xFFFF         |
| 8          | 0x4                                 | 0-7       | DELSR%s   | DMAC Event Link Setting Register %s | 0x280  | 32             | read/write | 0x0000<br>0000 | 0xFFFF<br>FFFF |                |
| 96         | 0x4                                 | 0-95      | IELSR%s   | INT Event Link Setting Register %s  | 0x300  | 32             | read/write | 0x0000<br>0000 | 0xFFFF<br>FFFF |                |
| DBG        | -                                   | -         | -         | DBGSTR                              | Debug Status Register                        | 0x000          | 32         | read-only      | 0x0000<br>0000 | 0xFFFF<br>FFFF |
|            |                                     |           |           | DBGSTOPCR                           | Debug Stop Control Register                  | 0x010          | 32         | read/write     | 0x0000<br>0003 | 0xFFFF<br>FFFF |
|            |                                     |           |           | TRACECTR                            | Trace Control Register                       | 0x020          | 32         | read/write     | 0x0000<br>0000 | 0xFFFF<br>FFFF |
| FCACHE     | -                                   | -         | -         | FCACHEE                             | Flash Cache Enable Register                  | 0x100          | 16         | read/write     | 0x0000         | 0xFFFF         |
|            |                                     |           |           | FCACHEIV                            | Flash Cache Invalidate Register              | 0x104          | 16         | read/write     | 0x0000         | 0xFFFF         |
|            |                                     |           |           | FLWT                                | Flash Wait Cycle Register                    | 0x11C          | 8          | read/write     | 0x00           | 0xFF           |
| SYSTEM     | -                                   | -         | -         | SBYCR                               | Standby Control Register                     | 0x00C          | 16         | read/write     | 0x4000         | 0xFFFF         |
|            |                                     |           |           | MSTPCRA                             | Module Stop Control Register A               | 0x01C          | 32         | read/write     | 0xFFBF<br>FF1C | 0xFFFF<br>FFFF |
|            |                                     |           |           | SCKDIVCR                            | System Clock Division Control Register       | 0x020          | 32         | read/write     | 0x2202<br>2222 | 0xFFFF<br>FFFF |
|            |                                     |           |           | SCKDIVCR2                           | System Clock Division Control Register 2     | 0x024          | 8          | read/write     | 0x40           | 0xFF           |
|            |                                     |           |           | SCKSCR                              | System Clock Source Control Register         | 0x026          | 8          | read/write     | 0x01           | 0xFF           |
|            |                                     |           |           | PLLCCR                              | PLL Clock Control Register                   | 0x028          | 16         | read/write     | 0x1300         | 0xFFFF         |
|            |                                     |           |           | PLLCR                               | PLL Control Register                         | 0x02A          | 8          | read/write     | 0x01           | 0xFF           |
| BCKCR      | External Bus Clock Control Register | 0x030     | 8         | read/write                          | 0x00   | 0xFF           |            |                |                |                |

Table 3.3 Register description (6 of 36)

| Peripheral | Dim | Dim incr. | Dim index        | Register name                                      | Description   | Address offset | Size              | Access  | Reset value    | Reset mask     |
|------------|-----|-----------|------------------|--|---|----------------|-------------------|---|----------------|----------------|
| SYSTEM     | -   | -         | -                | MOSCCR   | Main Clock Oscillator Control Register              | 0x032          | 8                 | read/write  | 0x01           | 0xFF           |
|            |     |           |                  | HOCOCCR  | High-Speed On-Chip Oscillator Control Register      | 0x036          | 8                 | read/write  | 0x00           | 0xFE           |
|            |     |           |                  | MOCOCCR  | Middle-Speed On-Chip Oscillator Control Register    | 0x038          | 8                 | read/write  | 0x00           | 0xFF           |
|            |     |           |                  | FLLCR1   | FLL Control Register 1                              | 0x039          | 8                 | read/write  | 0x00           | 0xFF           |
|            |     |           |                  | FLLCR2   | FLL Control Register 2                              | 0x03A          | 16                | read/write  | 0x0000         | 0xFFFF         |
|            |     |           |                  | OSCSF  | Oscillation Stabilization Flag Register             | 0x03C          | 8                 | read-only   | 0x00           | 0xFE           |
|            |     |           |                  | CKOCR  | Clock Out Control Register                          | 0x03E          | 8                 | read/write  | 0x00           | 0xFF           |
|            |     |           |                  | TRCKCR   | Trace Clock Control Register                        | 0x03F          | 8                 | read/write  | 0x01           | 0xFF           |
|            |     |           |                  | OSTDCR   | Oscillation Stop Detection Control Register         | 0x040          | 8                 | read/write  | 0x00           | 0xFF           |
|            |     |           |                  | OSTDSR   | Oscillation Stop Detection Status Register          | 0x041          | 8                 | read/write  | 0x00           | 0xFF           |
|            |     |           |                  | EBCOCR   | External Bus Clock Output Control Register          | 0x052          | 8                 | read/write  | 0x00           | 0xFF           |
|            |     |           |                  | SDCKOCR  | SDRAM Clock Output Control Register                 | 0x053          | 8                 | read/write  | 0x00           | 0xFF           |
|            |     |           |                  | MOCOUTCR   | MOCO User Trimming Control Register                 | 0x061          | 8                 | read/write  | 0x00           | 0xFF           |
|            |     |           |                  | HOCOUTCR   | HOCO User Trimming Control Register                 | 0x062          | 8                 | read/write  | 0x00           | 0xFF           |
|            |     |           |                  | SNZCR  | Snooze Control Register                             | 0x092          | 8                 | read/write  | 0x00           | 0xFF           |
|            |     |           |                  | SNZEDCR  | Snooze End Control Register                         | 0x094          | 8                 | read/write  | 0x00           | 0xFF           |
|            |     |           |                  | SNZREQCR   | Snooze Request Control Register                     | 0x098          | 32                | read/write  | 0x0000<br>0000 | 0xFFFF<br>FFFF |
|            |     |           |                  | OPCCR  | Operating Power Control Register                    | 0x0A0          | 8                 | read/write  | 0x00           | 0xFF           |
|            |     |           |                  | MOSCWTCR   | Main Clock Oscillator Wait Control Register         | 0x0A2          | 8                 | read/write  | 0x05           | 0xFF           |
|            |     |           |                  | HOCOWTCR   | High-speed on-chip oscillator wait control register | 0x0A5          | 8                 | read/write  | 0x02           | 0xFF           |
|            |     |           |                  | SOPCCR   | Sub Operating Power Control Register                | 0x0AA          | 8                 | read/write  | 0x00           | 0xFF           |
|            |     |           |                  | RSTSR1   | Reset Status Register 1                             | 0x0C0          | 16                | read/write  | 0x0000         | 0xE0F8         |
|            |     |           |                  | 2  | 0x2   | 1,2            | LVD% <i>s</i> CR1 | Voltage Monitor % <i>s</i> Circuit Control Register 1 | 0x0E0          | 8              |
| 2          | 0x2 | 1,2       | LVD% <i>s</i> SR | Voltage Monitor % <i>s</i> Circuit Status Register | 0x0E1   | 8              | read/write        | 0x02  | 0xFF           |                |
| -          | -   | -         | PRCR             | Protect Register                                   | 0x3FE   | 16             | read/write        | 0x0000  | 0xFFFF         |                |
| -          | -   | -         | DPSBYCR          | Deep Standby Control Register                      | 0x400   | 8              | read/write        | 0x01  | 0xFF           |                |



Table 3.3 Register description (7 of 36)

| Peripheral | Dim | Dim incr. | Dim index | Register name | Description   | Address offset | Size | Access     | Reset value                                   | Reset mask |
|------------|-----|-----------|-----------|---------------|---|----------------|------|------------|---|------------|
| SYSTEM     | -   | -         | -         | DPSIER0       | Deep Standby Interrupt Enable Register 0                | 0x402          | 8    | read/write | 0x00  | 0xFF       |
|            |     |           |           | DPSIER1       | Deep Standby Interrupt Enable Register 1                | 0x403          | 8    | read/write | 0x00  | 0xFF       |
|            |     |           |           | DPSIER2       | Deep Standby Interrupt Enable Register 2                | 0x404          | 8    | read/write | 0x00  | 0xFF       |
|            |     |           |           | DPSIER3       | Deep Standby Interrupt Enable Register 3                | 0x405          | 8    | read/write | 0x00  | 0xFF       |
|            |     |           |           | DPSIFR0       | Deep Standby Interrupt Flag Register 0                  | 0x406          | 8    | read/write | 0x00  | 0xFF       |
|            |     |           |           | DPSIFR1       | Deep Standby Interrupt Flag Register 1                  | 0x407          | 8    | read/write | 0x00  | 0xFF       |
|            |     |           |           | DPSIFR2       | Deep Standby Interrupt Flag Register 2                  | 0x408          | 8    | read/write | 0x00  | 0xFF       |
|            |     |           |           | DPSIFR3       | Deep Standby Interrupt Flag Register 3                  | 0x409          | 8    | read/write | 0x00  | 0xFF       |
|            |     |           |           | DPSIEGR0      | Deep Standby Interrupt Edge Register 0                  | 0x40A          | 8    | read/write | 0x00  | 0xFF       |
|            |     |           |           | DPSIEGR1      | Deep Standby Interrupt Edge Register 1                  | 0x40B          | 8    | read/write | 0x00  | 0xFF       |
|            |     |           |           | DPSIEGR2      | Deep Standby Interrupt Edge Register 2                  | 0x40C          | 8    | read/write | 0x00  | 0xFF       |
|            |     |           |           | SYOCDRCR      | System Control OCD Control Register                     | 0x40E          | 8    | read/write | 0x00  | 0xFE       |
|            |     |           |           | STCONR        | Standby Condition Register                              | 0x40F          | 8    | read/write | 0xC3  | 0xFF       |
|            |     |           |           | RSTSR0        | Reset Status Register 0                                 | 0x410          | 8    | read/write | 0x00  | 0x70       |
|            |     |           |           | RSTSR2        | Reset Status Register 2                                 | 0x411          | 8    | read/write | 0x00  | 0xFE       |
|            |     |           |           | MOMCR         | Main Clock Oscillator Mode Oscillation Control Register | 0x413          | 8    | read/write | 0x00  | 0xFF       |
|            |     |           |           | FWEPROR       | Flash P/E Protect Register                              | 0x416          | 8    | read/write | 0x02  | 0xFF       |
|            |     |           |           | LVCMPCR       | Voltage Monitor Circuit Control Register                | 0x417          | 8    | read/write | 0x00  | 0xFF       |
|            |     |           |           | LVDLVLRL      | Voltage Detection Level Select Register                 | 0x418          | 8    | read/write | 0xF3  | 0xFF       |
|            |     |           |           |               | 2   | 0x1            | 1,2  | LVD%SCR0   | Voltage Monitor %s Circuit Control Register 0 | 0x41A      |
|            | -   | -         | -         | SOSCCR        | Sub-clock oscillator control register                   | 0x480          | 8    | read/write | 0x00  | 0xFF       |
|            |     |           |           | SOMCR         | Sub Clock Oscillator Mode Control Register              | 0x481          | 8    | read/write | 0x00  | 0xFD       |
|            |     |           |           | LOCOCR        | Low-Speed On-Chip Oscillator Control Register           | 0x490          | 8    | read/write | 0x00  | 0xFF       |
|            |     |           |           | LOCOUTCR      | LOCO User Trimming Control Register                     | 0x492          | 8    | read/write | 0x00  | 0xFF       |
|            |     |           |           | VBTICTLR      | VBATT Input Control Register                            | 0x4BB          | 8    | read/write | 0x00  | 0xF8       |
|            | 512 | 0x1       | 0-511     | VBTBKR[%s]    | VBATT Backup Register [%s]                              | 0x500          | 8    | read/write | 0x00  | 0x00       |

Table 3.3 Register description (8 of 36)

| Peripheral | Dim                                | Dim incr. | Dim index   | Register name | Description                         | Address offset | Size | Access     | Reset value                        | Reset mask  |
|------------|------------------------------------|-----------|-------------|---------------|-------------------------------------|----------------|------|------------|------------------------------------|-------------|
| PORT0, 5-8 | -                                  | -         | -           | PCNTR1        | Port Control Register 1             | 0x00           | 32   | read/write | 0x0000 0000                        | 0xFFFF FFFF |
|            |                                    |           |             | PODR          | Output data register                | 0x00           | 16   | read/write | 0x0000                             | 0xFFFF      |
|            |                                    |           |             | PDR           | Data direction register             | 0x02           | 16   | read/write | 0x0000                             | 0xFFFF      |
|            |                                    |           |             | PCNTR2        | Port Control Register 2             | 0x04           | 32   | read-only  | 0x0000 0000                        | 0xFFFF 0000 |
|            |                                    |           |             | PIDR          | Input data register                 | 0x06           | 16   | read-only  | 0x0000                             | 0x0000      |
|            |                                    |           |             | PCNTR3        | Port Control Register 3             | 0x08           | 32   | write-only | 0x0000 0000                        | 0xFFFF FFFF |
|            |                                    |           |             | PORR          | Output reset register               | 0x08           | 16   | write-only | 0x0000                             | 0xFFFF      |
|            |                                    |           |             | POSR          | Output set register                 | 0x0A           | 16   | write-only | 0x0000                             | 0xFFFF      |
| PORT1-4    | -                                  | -         | -           | PCNTR1        | Port Control Register 1             | 0x00           | 32   | read/write | 0x0000 0000                        | 0xFFFF FFFF |
|            |                                    |           |             | PODR          | Output data register                | 0x00           | 16   | read/write | 0x0000                             | 0xFFFF      |
|            |                                    |           |             | PDR           | Data direction register             | 0x02           | 16   | read/write | 0x0000                             | 0xFFFF      |
|            |                                    |           |             | PCNTR2        | Port Control Register 2             | 0x04           | 32   | read-only  | 0x0000 0000                        | 0xFFFF 0000 |
|            |                                    |           |             | EIDR          | Event input data register           | 0x04           | 16   | read-only  | 0x0000                             | 0x0000      |
|            |                                    |           |             | PIDR          | Input data register                 | 0x06           | 16   | read-only  | 0x0000                             | 0x0000      |
|            |                                    |           |             | PCNTR3        | Port Control Register 3             | 0x08           | 32   | write-only | 0x0000 0000                        | 0xFFFF FFFF |
|            |                                    |           |             | PORR          | Output set register                 | 0x08           | 16   | write-only | 0x0000                             | 0xFFFF      |
|            |                                    |           |             | POSR          | Output reset register               | 0x0A           | 16   | write-only | 0x0000                             | 0xFFFF      |
|            |                                    |           |             | PCNTR4        | Port Control Register 4             | 0x0C           | 32   | read/write | 0x0000 0000                        | 0xFFFF FFFF |
|            |                                    |           |             | EORR          | Event output set register           | 0x0C           | 16   | read/write | 0x0000                             | 0xFFFF      |
|            |                                    |           |             | EOSR          | Event output reset register         | 0x0E           | 16   | read/write | 0x0000                             | 0xFFFF      |
|            |                                    |           |             | PFS           | -                                   | -              | -    | P000PFS    | P000 Pin Function Control Register | 0x000       |
| P000PFS_HA | P000 Pin Function Control Register | 0x002     | 16          |               |                                     |                |      | read/write | 0x8000                             | 0xFFFFD     |
| P000PFS_BY | P000 Pin Function Control Register | 0x003     | 8           |               |                                     |                |      | read/write | 0x00                               | 0xFD        |
| 7          | 0x4                                | 1-7       | P00%sPFS    |               | P00%s Pin Function Control Register | 0x004          | 32   | read/write | 0x0000 8000                        | 0xFFFF FFFD |
| 7          | 0x4                                | 1-7       | P00%sPFS_HA |               | P00%s Pin Function Control Register | 0x006          | 16   | read/write | 0x8000                             | 0xFFFFD     |
| 7          | 0x4                                | 1-7       | P00%sPFS_BY |               | P00%s Pin Function Control Register | 0x007          | 8    | read/write | 0x00                               | 0xFD        |

Table 3.3 Register description (9 of 36)

| Peripheral | Dim | Dim incr. | Dim index | Register name | Description                         | Address offset                     | Size  | Access     | Reset value | Reset mask  |             |
|------------|-----|-----------|-----------|---------------|-------------------------------------|------------------------------------|-------|------------|-------------|-------------|-------------|
| PFS        | 2   | 0x4       | 8-9       | P00%sPFS      | P00%s Pin Function Control Register | 0x020                              | 32    | read/write | 0x0000 0000 | 0xFFFF FFFD |             |
|            | 2   | 0x4       | 8-9       | P00%sPFS_HA   | P00%s Pin Function Control Register | 0x022                              | 16    | read/write | 0x0000      | 0xFFFFD     |             |
|            | 2   | 0x4       | 8-9       | P00%sPFS_BY   | P00%s Pin Function Control Register | 0x023                              | 8     | read/write | 0x00        | 0xFD        |             |
|            | 2   | 0x4       | 14-15     | P0%sPFS       | P0%s Pin Function Control Register  | 0x038                              | 32    | read/write | 0x0000 0000 | 0xFFFF FFFD |             |
|            | 2   | 0x4       | 14-15     | P0%sPFS_HA    | P0%s Pin Function Control Register  | 0x03A                              | 16    | read/write | 0x0000      | 0xFFFFD     |             |
|            | 2   | 0x4       | 14-15     | P0%sPFS_BY    | P0%s Pin Function Control Register  | 0x03B                              | 8     | read/write | 0x00        | 0xFD        |             |
|            | -   | -         | -         | P100PFS       | P100 Pin Function Control Register  | 0x040                              | 32    | read/write | 0x0000 0000 | 0xFFFF FFFD |             |
|            |     |           |           |               | P100PFS_HA                          | P100 Pin Function Control Register | 0x042 | 16         | read/write  | 0x0000      | 0xFFFFD     |
|            |     |           |           |               | P100PFS_BY                          | P100 Pin Function Control Register | 0x043 | 8          | read/write  | 0x00        | 0xFD        |
|            | 7   | 0x4       | 1-7       | P10%sPFS      | P10%s Pin Function Control Register | 0x044                              | 32    | read/write | 0x0000 0000 | 0xFFFF FFFD |             |
|            | 7   | 0x4       | 1-7       | P10%sPFS_HA   | P10%s Pin Function Control Register | 0x046                              | 16    | read/write | 0x0000      | 0xFFFFD     |             |
|            | 7   | 0x4       | 1-7       | P10%sPFS_BY   | P10%s Pin Function Control Register | 0x047                              | 8     | read/write | 0x00        | 0xFD        |             |
|            | -   | -         | -         | P108PFS       | P108 Pin Function Control Register  | 0x060                              | 32    | read/write | 0x0001 0410 | 0xFFFF FFFD |             |
|            |     |           |           |               | P108PFS_HA                          | P108 Pin Function Control Register | 0x062 | 16         | read/write  | 0x0410      | 0xFFFFD     |
|            |     |           |           |               | P108PFS_BY                          | P108 Pin Function Control Register | 0x063 | 8          | read/write  | 0x10        | 0xFD        |
|            |     |           |           |               | P109PFS                             | P109 Pin Function Control Register | 0x064 | 32         | read/write  | 0x0001 0410 | 0xFFFF FFFD |
|            |     |           |           |               | P109PFS_HA                          | P109 Pin Function Control Register | 0x066 | 16         | read/write  | 0x0410      | 0xFFFFD     |
|            |     |           |           |               | P109PFS_BY                          | P109 Pin Function Control Register | 0x067 | 8          | read/write  | 0x10        | 0xFD        |
|            |     |           |           |               | P110PFS                             | P110 Pin Function Control Register | 0x068 | 32         | read/write  | 0x0001 0010 | 0xFFFF FFFD |
|            |     |           |           |               | P110PFS_HA                          | P110 Pin Function Control Register | 0x06A | 16         | read/write  | 0x0010      | 0xFFFFD     |
|            |     |           |           |               | P110PFS_BY                          | P110 Pin Function Control Register | 0x06B | 8          | read/write  | 0x10        | 0xFD        |
|            | 5   | 0x4       | 11-15     | P1%sPFS       | P1%s Pin Function Control Register  | 0x06C                              | 32    | read/write | 0x0000 0000 | 0xFFFF FFFD |             |
|            | 5   | 0x4       | 11-15     | P1%sPFS_HA    | P1%s Pin Function Control Register  | 0x06E                              | 16    | read/write | 0x0000      | 0xFFFFD     |             |
|            | 5   | 0x4       | 11-15     | P1%sPFS_BY    | P1%s Pin Function Control Register  | 0x06F                              | 8     | read/write | 0x00        | 0xFD        |             |
|            | -   | -         | -         | P200PFS       | P200 Pin Function Control Register  | 0x080                              | 32    | read/write | 0x0000 0000 | 0xFFFF FFFD |             |
|            |     |           |           |               | P200PFS_HA                          | P200 Pin Function Control Register | 0x082 | 16         | read/write  | 0x0000      | 0xFFFFD     |

Table 3.3 Register description (10 of 36)

| Peripheral | Dim | Dim incr. | Dim index | Register name | Description                         | Address offset | Size | Access     | Reset value | Reset mask |
|------------|-----|-----------|-----------|---------------|-------------------------------------|----------------|------|------------|-------------|------------|
| PFS        | -   | -         | -         | P200PFS_BY    | P200 Pin Function Control Register  | 0x083          | 8    | read/write | 0x00        | 0xFD       |
|            |     |           |           | P201PFS       | P201 Pin Function Control Register  | 0x084          | 32   | read/write | 0x00000010  | 0xFFFFFFFD |
|            |     |           |           | P201PFS_HA    | P201 Pin Function Control Register  | 0x086          | 16   | read/write | 0x0010      | 0xFFFFD    |
|            |     |           |           | P201PFS_BY    | P201 Pin Function Control Register  | 0x087          | 8    | read/write | 0x10        | 0xFD       |
|            | 8   | 0x4       | 2-9       | P20%sPFS      | P20%s Pin Function Control Register | 0x088          | 32   | read/write | 0x00000000  | 0xFFFFFFFD |
|            | 8   | 0x4       | 2-9       | P20%sPFS_HA   | P20%s Pin Function Control Register | 0x08A          | 16   | read/write | 0x0000      | 0xFFFFD    |
|            | 8   | 0x4       | 2-9       | P20%sPFS_BY   | P20%s Pin Function Control Register | 0x08B          | 8    | read/write | 0x00        | 0xFD       |
|            | 5   | 0x4       | 10-14     | P2%sPFS       | P2%s Pin Function Control Register  | 0x0A8          | 32   | read/write | 0x00000000  | 0xFFFFFFFD |
|            | 5   | 0x4       | 10-14     | P2%sPFS_HA    | P2%s Pin Function Control Register  | 0x0AA          | 16   | read/write | 0x0000      | 0xFFFFD    |
|            | 5   | 0x4       | 10-14     | P2%sPFS_BY    | P2%s Pin Function Control Register  | 0x0AB          | 8    | read/write | 0x00        | 0xFD       |
|            | -   | -         | -         | P300PFS       | P300 Pin Function Control Register  | 0x0C0          | 32   | read/write | 0x00010010  | 0xFFFFFFFD |
|            |     |           |           | P300PFS_HA    | P300 Pin Function Control Register  | 0x0C2          | 16   | read/write | 0x0010      | 0xFFFFD    |
|            |     |           |           | P300PFS_BY    | P300 Pin Function Control Register  | 0x0C3          | 8    | read/write | 0x10        | 0xFD       |
|            | 9   | 0x4       | 1-9       | P30%sPFS      | P30%s Pin Function Control Register | 0x0C4          | 32   | read/write | 0x00000000  | 0xFFFFFFFD |
|            | 9   | 0x4       | 1-9       | P30%sPFS_HA   | P30%s Pin Function Control Register | 0x0C6          | 16   | read/write | 0x0000      | 0xFFFFD    |
|            | 9   | 0x4       | 1-9       | P30%sPFS_BY   | P30%s Pin Function Control Register | 0x0C7          | 8    | read/write | 0x00        | 0xFD       |
|            | 4   | 0x4       | 10-13     | P3%sPFS       | P3%s Pin Function Control Register  | 0x0E8          | 32   | read/write | 0x00000000  | 0xFFFFFFFD |
|            | 4   | 0x4       | 10-13     | P3%sPFS_HA    | P3%s Pin Function Control Register  | 0x0EA          | 16   | read/write | 0x0000      | 0xFFFFD    |
|            | 4   | 0x4       | 10-13     | P3%sPFS_BY    | P3%s Pin Function Control Register  | 0x0EB          | 8    | read/write | 0x00        | 0xFD       |
|            | 10  | 0x4       | 0-9       | P40%sPFS      | P40%s Pin Function Control Register | 0x100          | 32   | read/write | 0x00000000  | 0xFFFFFFFD |
|            | 10  | 0x4       | 0-9       | P40%sPFS_HA   | P40%s Pin Function Control Register | 0x102          | 16   | read/write | 0x0000      | 0xFFFFD    |
|            | 10  | 0x4       | 0-9       | P40%sPFS_BY   | P40%s Pin Function Control Register | 0x103          | 8    | read/write | 0x00        | 0xFD       |
|            | 6   | 0x4       | 10-15     | P4%sPFS       | P4%s Pin Function Control Register  | 0x128          | 32   | read/write | 0x00000000  | 0xFFFFFFFD |
|            | 6   | 0x4       | 10-15     | P4%sPFS_HA    | P4%s Pin Function Control Register  | 0x12A          | 16   | read/write | 0x0000      | 0xFFFFD    |
|            | 6   | 0x4       | 10-15     | P4%sPFS_BY    | P4%s Pin Function Control Register  | 0x12B          | 8    | read/write | 0x00        | 0xFD       |
|            | 7   | 0x4       | 0-6       | P50%sPFS      | P50%s Pin Function Control Register | 0x140          | 32   | read/write | 0x00000000  | 0xFFFFFFFD |

Table 3.3 Register description (11 of 36)

| Peripheral | Dim | Dim incr. | Dim index | Register name            | Description                                     | Address offset | Size | Access     | Reset value | Reset mask |
|------------|-----|-----------|-----------|--------------------------|---|----------------|------|------------|-------------|------------|
| PFS        | 7   | 0x4       | 0-6       | P50% <sub>s</sub> PFS_HA | P50% <sub>s</sub> Pin Function Control Register | 0x142          | 16   | read/write | 0x0000      | 0xFFFFD    |
|            | 7   | 0x4       | 0-6       | P50% <sub>s</sub> PFS_BY | P50% <sub>s</sub> Pin Function Control Register | 0x143          | 8    | read/write | 0x00        | 0xFD       |
|            | -   | -         | -         | P508PFS                  | P50% <sub>s</sub> Pin Function Control Register | 0x160          | 32   | read/write | 0x00000000  | 0xFFFFFFFD |
|            |     |           |           | P508PFS_HA               | P50% <sub>s</sub> Pin Function Control Register | 0x162          | 16   | read/write | 0x0000      | 0xFFFFD    |
|            |     |           |           | P508PFS_BY               | P50% <sub>s</sub> Pin Function Control Register | 0x163          | 8    | read/write | 0x00        | 0xFD       |
|            | 2   | 0x4       | 11-12     | P5% <sub>s</sub> PFS     | P5% <sub>s</sub> Pin Function Control Register  | 0x16C          | 32   | read/write | 0x00000000  | 0xFFFFFFFD |
|            | 2   | 0x4       | 11-12     | P5% <sub>s</sub> PFS_HA  | P5% <sub>s</sub> Pin Function Control Register  | 0x16E          | 16   | read/write | 0x0000      | 0xFFFFD    |
|            | 2   | 0x4       | 11-12     | P5% <sub>s</sub> PFS_BY  | P5% <sub>s</sub> Pin Function Control Register  | 0x16F          | 8    | read/write | 0x00        | 0xFD       |
|            | 6   | 0x4       | 0-5       | P60% <sub>s</sub> PFS    | P60% <sub>s</sub> Pin Function Control Register | 0x180          | 32   | read/write | 0x00000000  | 0xFFFFFFFD |
|            | 6   | 0x4       | 0-5       | P60% <sub>s</sub> PFS_HA | P60% <sub>s</sub> Pin Function Control Register | 0x182          | 16   | read/write | 0x0000      | 0xFFFFD    |
|            | 6   | 0x4       | 0-5       | P60% <sub>s</sub> PFS_BY | P60% <sub>s</sub> Pin Function Control Register | 0x183          | 8    | read/write | 0x00        | 0xFD       |
|            | 2   | 0x4       | 8-9       | P60% <sub>s</sub> PFS    | P60% <sub>s</sub> Pin Function Control Register | 0x1A0          | 32   | read/write | 0x00000000  | 0xFFFFFFFD |
|            | 2   | 0x4       | 8-9       | P60% <sub>s</sub> PFS_HA | P60% <sub>s</sub> Pin Function Control Register | 0x1A2          | 16   | read/write | 0x0000      | 0xFFFFD    |
|            | 2   | 0x4       | 8-9       | P60% <sub>s</sub> PFS_BY | P60% <sub>s</sub> Pin Function Control Register | 0x1A3          | 8    | read/write | 0x00        | 0xFD       |
|            | 5   | 0x4       | 10-14     | P6% <sub>s</sub> PFS     | P6% <sub>s</sub> Pin Function Control Register  | 0x1A8          | 32   | read/write | 0x00000000  | 0xFFFFFFFD |
|            | 5   | 0x4       | 10-14     | P6% <sub>s</sub> PFS_HA  | P6% <sub>s</sub> Pin Function Control Register  | 0x1AA          | 16   | read/write | 0x0000      | 0xFFFFD    |
|            | 5   | 0x4       | 10-14     | P6% <sub>s</sub> PFS_BY  | P6% <sub>s</sub> Pin Function Control Register  | 0x1AB          | 8    | read/write | 0x00        | 0xFD       |
|            | 6   | 0x4       | 0-5       | P70% <sub>s</sub> PFS    | P70% <sub>s</sub> Pin Function Control Register | 0x1C0          | 32   | read/write | 0x00000000  | 0xFFFFFFFD |
|            | 6   | 0x4       | 0-5       | P70% <sub>s</sub> PFS_HA | P70% <sub>s</sub> Pin Function Control Register | 0x1C2          | 16   | read/write | 0x0000      | 0xFFFFD    |
|            | 6   | 0x4       | 0-5       | P70% <sub>s</sub> PFS_BY | P70% <sub>s</sub> Pin Function Control Register | 0x1C3          | 8    | read/write | 0x00        | 0xFD       |
|            | 2   | 0x4       | 8-9       | P70% <sub>s</sub> PFS    | P70% <sub>s</sub> Pin Function Control Register | 0x1E0          | 32   | read/write | 0x00000000  | 0xFFFFFFFD |
|            | 2   | 0x4       | 8-9       | P70% <sub>s</sub> PFS_HA | P70% <sub>s</sub> Pin Function Control Register | 0x1E2          | 16   | read/write | 0x0000      | 0xFFFFD    |
|            | 2   | 0x4       | 8-9       | P70% <sub>s</sub> PFS_BY | P70% <sub>s</sub> Pin Function Control Register | 0x1E3          | 8    | read/write | 0x00        | 0xFD       |
|            | 4   | 0x4       | 10-13     | P70% <sub>s</sub> PFS    | P70% <sub>s</sub> Pin Function Control Register | 0x1E8          | 32   | read/write | 0x00000000  | 0xFFFFFFFD |
|            | 4   | 0x4       | 10-13     | P70% <sub>s</sub> PFS_HA | P70% <sub>s</sub> Pin Function Control Register | 0x1EA          | 16   | read/write | 0x0000      | 0xFFFFD    |
|            | 4   | 0x4       | 10-13     | P70% <sub>s</sub> PFS_BY | P70% <sub>s</sub> Pin Function Control Register | 0x1EB          | 8    | read/write | 0x00        | 0xFD       |

Table 3.3 Register description (12 of 36)

| Peripheral | Dim | Dim incr. | Dim index | Register name                   | Description                                      | Address offset | Size       | Access     | Reset value | Reset mask  |
|------------|-----|-----------|-----------|---------------------------------|--|----------------|------------|------------|-------------|-------------|
| PFS        | 2   | 0x4       | 0-1       | P80%sPFS                        | P80%s Pin Function Control Register              | 0x200          | 32         | read/write | 0x0000 0000 | 0xFFFF FFFD |
|            | 2   | 0x4       | 0-1       | P80%sPFS_HA                     | P80%s Pin Function Control Register              | 0x202          | 16         | read/write | 0x0000      | 0xFFFFD     |
|            | 2   | 0x4       | 0-1       | P80%sPFS_BY                     | P80%s Pin Function Control Register              | 0x203          | 8          | read/write | 0x00        | 0xFD        |
| PMISC      | -   | -         | -         | PFENET                          | Ethernet Control Register                        | 0x00           | 8          | read/write | 0x00        | 0xFF        |
|            | -   | -         | -         | PWPR                            | Write-Protect Register                           | 0x03           | 8          | read/write | 0x80        | 0xFF        |
| ELC        | -   | -         | -         | ELCR                            | Event Link Controller Register                   | 0x00           | 8          | read/write | 0x00        | 0xFF        |
|            | 2   | 0x2       | 0,1       | ELSEGR%s                        | Event Link Software Event Generation Register %s | 0x02           | 8          | read/write | 0x80        | 0xFF        |
|            | 19  | 0x4       | 0-18      | ELSR%s                          | Event Link Setting Register %s                   | 0x10           | 16         | read/write | 0x0000      | 0xFFFF      |
| POEG       | 4   | 0x100     | A,B,C,D   | POEGG%s                         | POEG Group %s Setting Register                   | 0x00           | 32         | read/write | 0x0000 0000 | 0xFFFF FFFF |
| RTC        | -   | -         | -         | R64CNT                          | 64-Hz Counter                                    | 0x00           | 8          | read-only  | 0x00        | 0x80        |
|            | -   | -         | -         | RSECCNT                         | Second Counter                                   | 0x02           | 8          | read/write | 0x00        | 0x00        |
|            | -   | -         | -         | BCNT0                           | Binary Counter 0                                 | 0x02           | 8          | read/write | 0x00        | 0x00        |
|            | -   | -         | -         | RMINCNT                         | Minute Counter                                   | 0x04           | 8          | read/write | 0x00        | 0x00        |
|            | -   | -         | -         | BCNT1                           | Binary Counter 1                                 | 0x04           | 8          | read/write | 0x00        | 0x00        |
|            | -   | -         | -         | RHRCNT                          | Hour Counter                                     | 0x06           | 8          | read/write | 0x00        | 0x00        |
|            | -   | -         | -         | BCNT2                           | Binary Counter 2                                 | 0x06           | 8          | read/write | 0x00        | 0x00        |
|            | -   | -         | -         | RWKCNT                          | Day-of-Week Counter                              | 0x08           | 8          | read/write | 0x00        | 0x00        |
|            | -   | -         | -         | BCNT3                           | Binary Counter 3                                 | 0x08           | 8          | read/write | 0x00        | 0x00        |
|            | -   | -         | -         | RDAYCNT                         | Day Counter                                      | 0x0A           | 8          | read/write | 0x00        | 0xC0        |
|            | -   | -         | -         | RMONCNT                         | Month Counter                                    | 0x0C           | 8          | read/write | 0x00        | 0xE0        |
|            | -   | -         | -         | RYRCNT                          | Year Counter                                     | 0x0E           | 16         | read/write | 0x0000      | 0xFF00      |
|            | -   | -         | -         | RSECAR                          | Second Alarm Register                            | 0x10           | 8          | read/write | 0x00        | 0x00        |
|            | -   | -         | -         | BCNT0AR                         | Binary Counter 0 Alarm Register                  | 0x10           | 8          | read/write | 0x00        | 0x00        |
|            | -   | -         | -         | RMINAR                          | Minute Alarm Register                            | 0x12           | 8          | read/write | 0x00        | 0x00        |
| -          | -   | -         | BCNT1AR   | Binary Counter 1 Alarm Register | 0x12   | 8              | read/write | 0x00       | 0x00        |             |
| -          | -   | -         | RHRAR     | Hour Alarm Register             | 0x14   | 8              | read/write | 0x00       | 0x00        |             |

Table 3.3 Register description (13 of 36)

| Peripheral | Dim  | Dim incr. | Dim index | Register name              | Description                            | Address offset | Size      | Access                           | Reset value | Reset mask |            |      |      |
|------------|------|-----------|-----------|----------------------------|--|----------------|-----------|----------------------------------|-------------|------------|------------|------|------|
| RTC        | -    | -         | -         | BCNT2AR                    | Binary Counter 2 Alarm Register        | 0x14           | 8         | read/write                       | 0x00        | 0x00       |            |      |      |
|            |      |           |           | RWKAR                      | Day-of-Week Alarm Register             | 0x16           | 8         | read/write                       | 0x00        | 0x00       |            |      |      |
|            |      |           |           | BCNT3AR                    | Binary Counter 3 Alarm Register        | 0x16           | 8         | read/write                       | 0x00        | 0x00       |            |      |      |
|            |      |           |           | RDAYAR                     | Date Alarm Register                    | 0x18           | 8         | read/write                       | 0x00        | 0x00       |            |      |      |
|            |      |           |           | BCNT0AER                   | Binary Counter 0 Alarm Enable Register | 0x18           | 8         | read/write                       | 0x00        | 0x00       |            |      |      |
|            |      |           |           | RMONAR                     | Month Alarm Register                   | 0x1A           | 8         | read/write                       | 0x00        | 0x00       |            |      |      |
|            |      |           |           | BCNT1AER                   | Binary Counter 1 Alarm Enable Register | 0x1A           | 8         | read/write                       | 0x00        | 0x00       |            |      |      |
|            |      |           |           | RYRAR                      | Year Alarm Register                    | 0x1C           | 16        | read/write                       | 0x0000      | 0xFF00     |            |      |      |
|            |      |           |           | BCNT2AER                   | Binary Counter 2 Alarm Enable Register | 0x1C           | 16        | read/write                       | 0x0000      | 0xFF00     |            |      |      |
|            |      |           |           | RYRAREN                    | Year Alarm Enable Register             | 0x1E           | 8         | read/write                       | 0x00        | 0x00       |            |      |      |
|            |      |           |           | BCNT3AER                   | Binary Counter 3 Alarm Enable Register | 0x1E           | 8         | read/write                       | 0x00        | 0x00       |            |      |      |
|            |      |           |           | RCR1                       | RTC Control Register 1                 | 0x22           | 8         | read/write                       | 0x00        | 0x0A       |            |      |      |
|            |      |           |           | RCR2                       | RTC Control Register 2                 | 0x24           | 8         | read/write                       | 0x00        | 0x0E       |            |      |      |
|            |      |           |           | RCR4                       | RTC Control Register 4                 | 0x28           | 8         | read/write                       | 0x00        | 0xFE       |            |      |      |
|            |      |           |           | RFRH                       | Frequency Register H                   | 0x2A           | 16        | read/write                       | 0x0000      | 0xFFFE     |            |      |      |
|            |      |           |           | RFRL                       | Frequency Register L                   | 0x2C           | 16        | read/write                       | 0x0000      | 0x0000     |            |      |      |
|            |      |           |           | RADJ                       | Time Error Adjustment Register         | 0x2E           | 8         | read/write                       | 0x00        | 0x00       |            |      |      |
|            |      |           |           | 3                          | 0x2                                    | 0-2            | RTCCR%s   | Time Capture Control Register %s | 0x40        | 8          | read/write | 0x00 | 0x00 |
|            |      |           |           | 3                          | 0x10                                   | 0-2            | RSECCP%s  | Second Capture Register %s       | 0x52        | 8          | read-only  | 0x00 | 0x00 |
|            |      |           |           | 3                          | 0x10                                   | 0-2            | BCNT0CP%s | BCNT0 Capture Register %s        | 0x52        | 8          | read-only  | 0x00 | 0x00 |
| 3          | 0x10 | 0-2       | RMINCP%s  | Minute Capture Register %s | 0x54                                   | 8              | read-only | 0x00                             | 0x00        |            |            |      |      |
| 3          | 0x10 | 0-2       | BCNT1CP%s | BCNT1 Capture Register %s  | 0x54                                   | 8              | read-only | 0x00                             | 0x00        |            |            |      |      |
| 3          | 0x10 | 0-2       | RHRCP%s   | Hour Capture Register %s   | 0x56                                   | 8              | read-only | 0x00                             | 0x00        |            |            |      |      |
| 3          | 0x10 | 0-2       | BCNT2CP%s | BCNT2 Capture Register %s  | 0x56                                   | 8              | read-only | 0x00                             | 0x00        |            |            |      |      |
| 3          | 0x10 | 0-2       | RDAYCP%s  | Date Capture Register %s   | 0x5A                                   | 8              | read-only | 0x00                             | 0x00        |            |            |      |      |
| 3          | 0x10 | 0-2       | BCNT3CP%s | BCNT3 Capture Register %s  | 0x5A                                   | 8              | read-only | 0x00                             | 0x00        |            |            |      |      |

Table 3.3 Register description (14 of 36)

| Peripheral | Dim      | Dim incr. | Dim index  | Register name | Description                            | Address offset | Size | Access     | Reset value | Reset mask  |
|------------|----------|-----------|------------|---------------|--|----------------|------|------------|-------------|-------------|
| RTC        | 3        | 0x10      | 0-2        | RMONCP%s      | Month Capture Register %s              | 0x5C           | 8    | read-only  | 0x00        | 0x00        |
| WDT        | -        | -         | -          | WDTRR         | WDT Refresh Register                   | 0x00           | 8    | read/write | 0xFF        | 0xFF        |
|            |          |           |            | WDTCR         | WDT Control Register                   | 0x02           | 16   | read/write | 0x33F3      | 0xFFFF      |
|            |          |           |            | WDTSR         | WDT Status Register                    | 0x04           | 16   | read/write | 0x0000      | 0xFFFF      |
|            |          |           |            | WDTRCR        | WDT Reset Control Register             | 0x06           | 8    | read/write | 0x80        | 0xFF        |
|            |          |           |            | WDCSTPR       | WDT Count Stop Control Register        | 0x08           | 8    | read/write | 0x80        | 0xFF        |
| IWDT       | -        | -         | -          | IWDTRR        | IWDT Refresh Register                  | 0x00           | 8    | read/write | 0xFF        | 0xFF        |
|            |          |           |            | IWDTSR        | IWDT Status Register                   | 0x04           | 16   | read/write | 0x0000      | 0xFFFF      |
| CAC        | -        | -         | -          | CACR0         | CAC Control Register 0                 | 0x00           | 8    | read/write | 0x00        | 0xFF        |
|            |          |           |            | CACR1         | CAC Control Register 1                 | 0x01           | 8    | read/write | 0x00        | 0xFF        |
|            |          |           |            | CACR2         | CAC Control Register 2                 | 0x02           | 8    | read/write | 0x00        | 0xFF        |
|            |          |           |            | CAICR         | CAC Interrupt Control Register         | 0x03           | 8    | read/write | 0x00        | 0xFF        |
|            |          |           |            | CASTR         | CAC Status Register                    | 0x04           | 8    | read-only  | 0x00        | 0xFF        |
|            |          |           |            | CAULVR        | CAC Upper-Limit Value Setting Register | 0x06           | 16   | read/write | 0x0000      | 0xFFFF      |
|            |          |           |            | CALLVR        | CAC Lower-Limit Value Setting Register | 0x08           | 16   | read/write | 0x0000      | 0xFFFF      |
|            |          |           |            | CACNTBR       | CAC Counter Buffer Register            | 0x0A           | 16   | read-only  | 0x0000      | 0xFFFF      |
| MSTP       | -        | -         | -          | MSTPCRB       | Module Stop Control Register B         | 0x00           | 32   | read/write | 0xFFFF FFFF | 0xFFFF FFFF |
|            |          |           |            | MSTPCRC       | Module Stop Control Register C         | 0x04           | 32   | read/write | 0xFFFF FFFF | 0xFFFF FFFF |
|            |          |           |            | MSTPCRD       | Module Stop Control Register D         | 0x08           | 32   | read/write | 0xFFFF FFFF | 0xFFFF FFFF |
| SRCRAM     | 555<br>2 | 0x4       | 0-<br>5551 | SRCFCTR[%s]   | Filter Coefficient Table [%s]          | 0x00           | 32   | read/write | 0x0000 0000 | 0xFFC0 0000 |
| SRC        | -        | -         | -          | SRCID         | Input Data Register                    | 0x00           | 32   | write-only | 0x0000 0000 | 0xFFFF FFFF |
|            |          |           |            | SRCOD         | Output Data Register                   | 0x04           | 32   | read-only  | 0x0000 0000 | 0xFFFF FFFF |
|            |          |           |            | SRCIDCTRL     | Input Data Control Register            | 0x08           | 16   | read/write | 0x0000      | 0xFFFF      |
|            |          |           |            | SRCODCTRL     | Output Data Control Register           | 0x0A           | 16   | read/write | 0x0000      | 0xFFFF      |
|            |          |           |            | SRCCTRL       | Control Register                       | 0x0C           | 16   | read/write | 0x0000      | 0xFFFF      |
|            |          |           |            | SRCSTAT       | Status Register                        | 0x0E           | 16   | read/write | 0x0002      | 0xFFFF      |



Table 3.3 Register description (15 of 36)

| Peripheral | Dim | Dim incr. | Dim index   | Register name                         | Description   | Address offset | Size       | Access     | Reset value    | Reset mask     |
|------------|-----|-----------|-------------|---------------------------------------|---|----------------|------------|------------|----------------|----------------|
| SSIE0      | -   | -         | -           | SSICR                                 | Control Register  | 0x00           | 32         | read/write | 0x0000<br>0000 | 0xFFFF<br>FFFF |
|            |     |           |             | SSISR                                 | Status Register   | 0x04           | 32         | read/write | 0x0200<br>0013 | 0x3E00<br>007F |
|            |     |           |             | SSIFCR                                | FIFO Control Register                                   | 0x10           | 32         | read/write | 0x0000<br>0000 | 0xFFFF<br>FFFF |
|            |     |           |             | SSIFSR                                | FIFO Status Register                                    | 0x14           | 32         | read/write | 0x0001<br>0000 | 0xFFFF<br>FFFF |
|            |     |           |             | SSIFTDR                               | Transmit FIFO Data Register                             | 0x18           | 32         | write-only | 0x0000<br>0000 | 0x0000<br>0000 |
|            |     |           |             | SSIFRDR                               | Receive FIFO Data Register                              | 0x1C           | 32         | read-only  | 0x0000<br>0000 | 0x0000<br>0000 |
|            |     |           |             | SSIOFR                                | Audio Format Register                                   | 0x20           | 32         | read/write | 0x0000<br>0000 | 0xFFFF<br>FFFF |
|            |     |           |             | SSISCR                                | Status Control Register                                 | 0x24           | 32         | read/write | 0x0000<br>0000 | 0xFFFF<br>FFFF |
| CAN0,1     | 32  | 0x10      | 0-31        | MB%s_ID                               | Mailbox Register  | 0x200          | 32         | read/write | 0x0000<br>0000 | 0x0000<br>0000 |
|            | 32  | 0x10      | 0-31        | MB%s_DL                               | Mailbox Register  | 0x204          | 16         | read/write | 0x0000         | 0x0000         |
|            | 32  | 0x10      | 0-31        | MB%s_D0                               | Mailbox Register  | 0x206          | 8          | read/write | 0x00           | 0x00           |
|            | 32  | 0x10      | 0-31        | MB%s_D1                               | Mailbox Register  | 0x207          | 8          | read/write | 0x00           | 0x00           |
|            | 32  | 0x10      | 0-31        | MB%s_D2                               | Mailbox Register  | 0x208          | 8          | read/write | 0x00           | 0x00           |
|            | 32  | 0x10      | 0-31        | MB%s_D3                               | Mailbox Register  | 0x209          | 8          | read/write | 0x00           | 0x00           |
|            | 32  | 0x10      | 0-31        | MB%s_D4                               | Mailbox Register  | 0x20A          | 8          | read/write | 0x00           | 0x00           |
|            | 32  | 0x10      | 0-31        | MB%s_D5                               | Mailbox Register  | 0x20B          | 8          | read/write | 0x00           | 0x00           |
|            | 32  | 0x10      | 0-31        | MB%s_D6                               | Mailbox Register  | 0x20C          | 8          | read/write | 0x00           | 0x00           |
|            | 32  | 0x10      | 0-31        | MB%s_D7                               | Mailbox Register  | 0x20D          | 8          | read/write | 0x00           | 0x00           |
|            | 32  | 0x10      | 0-31        | MB%s_TS                               | Mailbox Register  | 0x20E          | 16         | read/write | 0x0000         | 0x0000         |
|            | 8   | 0x4       | 0-7         | MKR[%s]                               | Mask Register   | 0x400          | 32         | read/write | 0x0000<br>0000 | 0x0000<br>0000 |
|            | 2   | 0x4       | 0,1         | FIDCR%s                               | FIFO Received ID Compare Registers                      | 0x420          | 32         | read/write | 0x0000<br>0000 | 0x0000<br>0000 |
|            | -   | -         | -           | MKIVLR                                | Mask Invalid Register                                   | 0x428          | 32         | read/write | 0x0000<br>0000 | 0x0000<br>0000 |
|            |     |           |             | MIER                                  | Mailbox Interrupt Enable Register                       | 0x42C          | 32         | read/write | 0x0000<br>0000 | 0x0000<br>0000 |
|            |     |           |             | MIER_FIFO                             | Mailbox Interrupt Enable Register for FIFO Mailbox Mode | 0x42C          | 32         | read/write | 0x0000<br>0000 | 0x0000<br>0000 |
| 32         | 0x1 | 0-31      | MCTL_TX[%s] | Message Control Register for Transmit | 0x820   | 8              | read/write | 0x00       | 0xFF           |                |
| 32         | 0x1 | 0-31      | MCTL_RX[%s] | Message Control Register for Receive  | 0x820   | 8              | read/write | 0x00       | 0xFF           |                |

Table 3.3 Register description (16 of 36)

| Peripheral | Dim                                | Dim incr. | Dim index | Register name | Description                            | Address offset | Size | Access     | Reset value | Reset mask  |
|------------|------------------------------------|-----------|-----------|---------------|--|----------------|------|------------|-------------|-------------|
| CAN0,1     | -                                  | -         | -         | CTLR          | Control Register                       | 0x840          | 16   | read/write | 0x0500      | 0xFFFF      |
|            |                                    |           |           | STR           | Status Register                        | 0x842          | 16   | read-only  | 0x0500      | 0xFFFF      |
|            |                                    |           |           | BCR           | Bit Configuration Register             | 0x844          | 32   | read/write | 0x00000000  | 0xFFFF FFFF |
|            |                                    |           |           | RFCR          | Receive FIFO Control Register          | 0x848          | 8    | read/write | 0x80        | 0xFF        |
|            |                                    |           |           | RFPCR         | Receive FIFO Pointer Control Register  | 0x849          | 8    | write-only | 0x00        | 0x00        |
|            |                                    |           |           | TFCR          | Transmit FIFO Control Register         | 0x84A          | 8    | read/write | 0x80        | 0xFF        |
|            |                                    |           |           | TFPCR         | Transmit FIFO Pointer Control Register | 0x84B          | 8    | write-only | 0x00        | 0x00        |
|            |                                    |           |           | EIER          | Error Interrupt Enable Register        | 0x84C          | 8    | read/write | 0x00        | 0xFF        |
|            |                                    |           |           | EIFR          | Error Interrupt Factor Judge Register  | 0x84D          | 8    | read/write | 0x00        | 0xFF        |
|            |                                    |           |           | RECR          | Receive Error Count Register           | 0x84E          | 8    | read-only  | 0x00        | 0xFF        |
|            |                                    |           |           | TECR          | Transmit Error Count Register          | 0x84F          | 8    | read-only  | 0x00        | 0xFF        |
|            |                                    |           |           | ECSR          | Error Code Store Register              | 0x850          | 8    | read/write | 0x00        | 0xFF        |
|            |                                    |           |           | CSSR          | Channel Search Support Register        | 0x851          | 8    | read/write | 0x00        | 0x00        |
|            |                                    |           |           | MSSR          | Mailbox Search Status Register         | 0x852          | 8    | read-only  | 0x80        | 0xFF        |
|            |                                    |           |           | MSMR          | Mailbox Search Mode Register           | 0x853          | 8    | read/write | 0x00        | 0xFF        |
|            |                                    |           |           | TSR           | Time Stamp Register                    | 0x854          | 16   | read-only  | 0x0000      | 0xFFFF      |
| AFSR       | Acceptance Filter Support Register | 0x856     | 16        | read/write    | 0x0000                                 | 0x0000         |      |            |             |             |
| TCR        | Test Control Register              | 0x858     | 8         | read/write    | 0x00                                   | 0xFF           |      |            |             |             |
| IIC0       | -                                  | -         | -         | ICCR1         | I2C Bus Control Register 1             | 0x00           | 8    | read/write | 0x1F        | 0xFF        |
|            |                                    |           |           | ICCR2         | I2C Bus Control Register 2             | 0x01           | 8    | read/write | 0x00        | 0xFF        |
|            |                                    |           |           | ICMR1         | I2C Bus Mode Register 1                | 0x02           | 8    | read/write | 0x08        | 0xFF        |
|            |                                    |           |           | ICMR2         | I2C Bus Mode Register 2                | 0x03           | 8    | read/write | 0x06        | 0xFF        |
|            |                                    |           |           | ICMR3         | I2C Bus Mode Register 3                | 0x04           | 8    | read/write | 0x00        | 0xFF        |
|            |                                    |           |           | ICFER         | I2C Bus Function Enable Register       | 0x05           | 8    | read/write | 0x72        | 0xFF        |
|            |                                    |           |           | ICSER         | I2C Bus Status Enable Register         | 0x06           | 8    | read/write | 0x09        | 0xFF        |
|            |                                    |           |           | ICIER         | I2C Bus Interrupt Enable Register      | 0x07           | 8    | read/write | 0x00        | 0xFF        |

Table 3.3 Register description (17 of 36)

| Peripheral | Dim    | Dim incr. | Dim index | Register name | Description                          | Address offset             | Size | Access     | Reset value | Reset mask |      |
|------------|--------|-----------|-----------|---------------|--------------------------------------|----------------------------|------|------------|-------------|------------|------|
| IIC0       | -      | -         | -         | ICSR1         | I2C Bus Status Register 1            | 0x08                       | 8    | read/write | 0x00        | 0xFF       |      |
|            |        |           |           | ICSR2         | I2C Bus Status Register 2            | 0x09                       | 8    | read/write | 0x00        | 0xFF       |      |
|            | 3      | 0x2       | 0-2       | SARL%s        | Slave Address Register L%s           | 0x0A                       | 8    | read/write | 0x00        | 0xFF       |      |
|            | 3      | 0x2       | 0-2       | SARU%s        | Slave Address Register U%s           | 0x0B                       | 8    | read/write | 0x00        | 0xFF       |      |
|            | -      | -         | -         | ICBRL         | I2C Bus Bit Rate Low-Level Register  | 0x10                       | 8    | read/write | 0xFF        | 0xFF       |      |
|            |        |           |           | ICBRH         | I2C Bus Bit Rate High-Level Register | 0x11                       | 8    | read/write | 0xFF        | 0xFF       |      |
|            |        |           |           | ICDRT         | I2C Bus Transmit Data Register       | 0x12                       | 8    | read/write | 0xFF        | 0xFF       |      |
|            |        |           |           | ICDRR         | I2C Bus Receive Data Register        | 0x13                       | 8    | read-only  | 0x00        | 0xFF       |      |
|            |        |           |           | ICWUR         | I2C Bus Wake Up Unit Register        | 0x16                       | 8    | read/write | 0x00        | 0xFF       |      |
|            |        |           |           | ICWUR2        | I2C Bus Wake Up Unit Register 2      | 0x17                       | 8    | read-only  | 0x03        | 0xFF       |      |
|            | IIC1,2 | -         | -         | -             | ICCR1                                | I2C Bus Control Register 1 | 0x00 | 8          | read/write  | 0x1F       | 0xFF |
|            |        |           |           |               | ICCR2                                | I2C Bus Control Register 2 | 0x01 | 8          | read/write  | 0x00       | 0xFF |
| ICMR1      |        |           |           |               | I2C Bus Mode Register 1              | 0x02                       | 8    | read/write | 0x08        | 0xFF       |      |
| ICMR2      |        |           |           |               | I2C Bus Mode Register 2              | 0x03                       | 8    | read/write | 0x06        | 0xFF       |      |
| ICMR3      |        |           |           |               | I2C Bus Mode Register 3              | 0x04                       | 8    | read/write | 0x00        | 0xFF       |      |
| ICFER      |        |           |           |               | I2C Bus Function Enable Register     | 0x05                       | 8    | read/write | 0x72        | 0xFF       |      |
| ICSER      |        |           |           |               | I2C Bus Status Enable Register       | 0x06                       | 8    | read/write | 0x09        | 0xFF       |      |
| ICIER      |        |           |           |               | I2C Bus Interrupt Enable Register    | 0x07                       | 8    | read/write | 0x00        | 0xFF       |      |
| ICSR1      |        |           |           |               | I2C Bus Status Register 1            | 0x08                       | 8    | read/write | 0x00        | 0xFF       |      |
| ICSR2      |        |           |           |               | I2C Bus Status Register 2            | 0x09                       | 8    | read/write | 0x00        | 0xFF       |      |
| 3          |        | 0x2       | 0-2       | SARL%s        | Slave Address Register L%s           | 0x0A                       | 8    | read/write | 0x00        | 0xFF       |      |
| 3          |        | 0x2       | 0-2       | SARU%s        | Slave Address Register U%s           | 0x0B                       | 8    | read/write | 0x00        | 0xFF       |      |
| -          |        | -         | -         | ICBRL         | I2C Bus Bit Rate Low-Level Register  | 0x10                       | 8    | read/write | 0xFF        | 0xFF       |      |
|            |        |           |           | ICBRH         | I2C Bus Bit Rate High-Level Register | 0x11                       | 8    | read/write | 0xFF        | 0xFF       |      |
|            |        |           |           | ICDRT         | I2C Bus Transmit Data Register       | 0x12                       | 8    | read/write | 0xFF        | 0xFF       |      |
|            |        |           |           | ICDRR         | I2C Bus Receive Data Register        | 0x13                       | 8    | read-only  | 0x00        | 0xFF       |      |

Table 3.3 Register description (18 of 36)

| Peripheral | Dim                                      | Dim incr. | Dim index | Register name | Description  | Address offset | Size   | Access               | Reset value  | Reset mask |           |            |        |        |
|------------|--|-----------|-----------|---------------|--|----------------|--------|----------------------|--|------------|-----------|------------|--------|--------|
| DOC        | -  | -         | -         | DOCR          | DOC Control Register   | 0x00           | 8      | read/write           | 0x00   | 0xFF       |           |            |        |        |
|            |  |           |           | DODIR         | DOC Data Input Register  | 0x02           | 16     | read/write           | 0x0000   | 0xFFFF     |           |            |        |        |
|            |  |           |           | DODSR         | DOC Data Setting Register                                      | 0x04           | 16     | read/write           | 0x0000   | 0xFFFF     |           |            |        |        |
| ADC120     | -  | -         | -         | ADCSR         | A/D Control Register   | 0x000          | 16     | read/write           | 0x0000   | 0xFFFF     |           |            |        |        |
|            |  |           |           | ADANSA0       | A/D Channel Select Register A0                                 | 0x004          | 16     | read/write           | 0x0000   | 0xFFFF     |           |            |        |        |
|            |  |           |           | ADANSA1       | A/D Channel Select Register A1                                 | 0x006          | 16     | read/write           | 0x0000   | 0xFFFF     |           |            |        |        |
|            |  |           |           | ADADS0        | A/D-Converted Value Addition/Average Channel Select Register 0 | 0x008          | 16     | read/write           | 0x0000   | 0xFFFF     |           |            |        |        |
|            |  |           |           | ADADS1        | A/D-Converted Value Addition/Average Channel Select Register 1 | 0x00A          | 16     | read/write           | 0x0000   | 0xFFFF     |           |            |        |        |
|            |  |           |           | ADADC         | A/D-Converted Value Addition/Average Count Select Register     | 0x00C          | 8      | read/write           | 0x00   | 0xFF       |           |            |        |        |
|            |  |           |           | ADCER         | A/D Control Extended Register                                  | 0x00E          | 16     | read/write           | 0x0000   | 0xFFFF     |           |            |        |        |
|            |  |           |           | ADSTRGR       | A/D Conversion Start Trigger Select Register                   | 0x010          | 16     | read/write           | 0x0000   | 0xFFFF     |           |            |        |        |
|            |  |           |           | ADEXICR       | A/D Conversion Extended Input Control Register                 | 0x012          | 16     | read/write           | 0x0000   | 0xFFFF     |           |            |        |        |
|            |  |           |           | ADANSB0       | A/D Channel Select Register B0                                 | 0x014          | 16     | read/write           | 0x0000   | 0xFFFF     |           |            |        |        |
|            |  |           |           | ADANSB1       | A/D Channel Select Register B1                                 | 0x016          | 16     | read/write           | 0x0000   | 0xFFFF     |           |            |        |        |
|            |  |           |           | ADDBLDR       | A/D Data Duplication Register                                  | 0x018          | 16     | read-only            | 0x0000   | 0xFFFF     |           |            |        |        |
|            |  |           |           | ADTSDR        | A/D Temperature Sensor Data Register                           | 0x01A          | 16     | read-only            | 0x0000   | 0xFFFF     |           |            |        |        |
|            |  |           |           | ADOCDR        | A/D Internal Reference Voltage Data Register                   | 0x01C          | 16     | read-only            | 0x0000   | 0xFFFF     |           |            |        |        |
|            |  |           |           | ADRD          | A/D Self-Diagnosis Data Register                               | 0x01E          | 16     | read-only            | 0x0000   | 0xFFFF     |           |            |        |        |
|            |  |           |           | 8             | 0x2  | 0-7            | ADDR%s | A/D Data Register %s | 0x020  | 16         | read-only | 0x0000     | 0xFFFF |        |
|            |  |           |           | 5             | 0x2  | 16-20          | ADDR%s | A/D Data Register %s | 0x040  | 16         | read-only | 0x0000     | 0xFFFF |        |
|            |  |           |           | -             | -  | -              | -      | ADSHCR               | A/D Sample and Hold Circuit Control Register       | 0x066      | 16        | read/write | 0x0018 | 0xFFFF |
|            |  |           |           |               |  |                |        | ADDISCR              | A/D Disconnection Detection Control Register       | 0x07A      | 8         | read/write | 0x00   | 0xFF   |
|            |  |           |           |               |  |                |        | ADSHMSR              | A/D Sample and Hold Operation Mode Select Register | 0x07C      | 8         | read/write | 0x00   | 0xFF   |
| ADGSPCR    | A/D Group Scan Priority Control Register | 0x080     | 16        |               |  |                |        | read/write           | 0x0000   | 0xFFFF     |           |            |        |        |
| ADDBLDRA   | A/D Data Duplication Register A          | 0x084     | 16        |               |  |                |        | read-only            | 0x0000   | 0xFFFF     |           |            |        |        |

Table 3.3 Register description (19 of 36)

| Peripheral | Dim | Dim incr. | Dim index | Register name | Description  | Address offset | Size | Access     | Reset value | Reset mask |
|------------|-----|-----------|-----------|---------------|--|----------------|------|------------|-------------|------------|
| ADC120     | -   | -         | -         | ADDBLDRB      | A/D Data Duplication Register B  | 0x086          | 16   | read-only  | 0x0000      | 0xFFFF     |
|            |     |           |           | ADWINMON      | A/D Compare Function Window A/B Status Monitor Register                            | 0x08C          | 8    | read-only  | 0x00        | 0xFF       |
|            |     |           |           | ADCMPCR       | A/D Compare Function Control Register  | 0x090          | 16   | read/write | 0x0000      | 0xFFFF     |
|            |     |           |           | ADCMPSER      | A/D Compare Function Window A Extended Input Select Register                       | 0x092          | 8    | read/write | 0x00        | 0xFF       |
|            |     |           |           | ADCMPLER      | A/D Compare Function Window A Extended Input Comparison Condition Setting Register | 0x093          | 8    | read/write | 0x00        | 0xFF       |
|            |     |           |           | ADCMPSR0      | A/D Compare Function Window A Channel Select Register 0                            | 0x094          | 16   | read/write | 0x0000      | 0xFFFF     |
|            |     |           |           | ADCMPSR1      | A/D Compare Function Window A Channel Select Register 1                            | 0x096          | 16   | read/write | 0x0000      | 0xFFFF     |
|            |     |           |           | ADCMPLR0      | A/D Compare Function Window A Comparison Condition Setting Register 0              | 0x098          | 16   | read/write | 0x0000      | 0xFFFF     |
|            |     |           |           | ADCMPLR1      | A/D Compare Function Window A Comparison Condition Setting Register 1              | 0x09A          | 16   | read/write | 0x0000      | 0xFFFF     |
|            |     |           |           | ADCMPCR0      | A/D Compare Function Window A Lower-Side Level Setting Register                    | 0x09C          | 16   | read/write | 0x0000      | 0xFFFF     |
|            |     |           |           | ADCMPCR1      | A/D Compare Function Window A Upper-Side Level Setting Register                    | 0x09E          | 16   | read/write | 0x0000      | 0xFFFF     |
|            |     |           |           | ADCMPSR0      | A/D Compare Function Window A Channel Status Register 0                            | 0x0A0          | 16   | read/write | 0x0000      | 0xFFFF     |
|            |     |           |           | ADCMPSR1      | A/D Compare Function Window A Channel Status Register 1                            | 0x0A2          | 16   | read/write | 0x0000      | 0xFFFF     |
|            |     |           |           | ADCMPSER      | A/D Compare Function Window A Extended Input Channel Status Register               | 0x0A4          | 8    | read/write | 0x00        | 0xFF       |
|            |     |           |           | ADCMPSR       | A/D Compare Function Window B Channel Selection Register                           | 0x0A6          | 8    | read/write | 0x00        | 0xFF       |
|            |     |           |           | ADWINLLB      | A/D Compare Function Window B Lower-Side Level Setting Register                    | 0x0A8          | 16   | read/write | 0x0000      | 0xFFFF     |
|            |     |           |           | ADWINULB      | A/D Compare Function Window B Upper-Side Level Setting Register                    | 0x0AA          | 16   | read/write | 0x0000      | 0xFFFF     |
|            |     |           |           | ADCMPSR       | A/D Compare Function Window B Status Register                                      | 0x0AC          | 8    | read/write | 0x00        | 0xFF       |
|            |     |           |           | ADSSTR        | A/D Sampling State Register L  | 0x0DD          | 8    | read/write | 0x0B        | 0xFF       |

Table 3.3 Register description (20 of 36)

| Peripheral | Dim | Dim incr. | Dim index | Register name | Description   | Address offset | Size    | Access                                       | Reset value | Reset mask |            |        |        |
|------------|-----|-----------|-----------|---------------|---|----------------|---------|--|-------------|------------|------------|--------|--------|
| ADC120     | -   | -         | -         | ADSSTRT       | A/D Sampling State Register T                                       | 0x0DE          | 8       | read/write                                   | 0x0B        | 0xFF       |            |        |        |
|            |     |           |           | ADSSTRO       | A/D Sampling State Register O                                       | 0x0DF          | 8       | read/write                                   | 0x0B        | 0xFF       |            |        |        |
|            | 8   | 0x1       | 0-7       | ADSSTR0%s     | A/D Sampling State Register %s<br>(Corresponding Channel is AN00%s) | 0x0E0          | 8       | read/write                                   | 0x0B        | 0xFF       |            |        |        |
| ADC121     | -   | -         | -         | ADCSR         | A/D Control Register  | 0x000          | 16      | read/write                                   | 0x0000      | 0xFFFF     |            |        |        |
|            |     |           |           | ADANSA0       | A/D Channel Select Register A0                                      | 0x004          | 16      | read/write                                   | 0x0000      | 0xFFFF     |            |        |        |
|            |     |           |           | ADANSA1       | A/D Channel Select Register A1                                      | 0x006          | 16      | read/write                                   | 0x0000      | 0xFFFF     |            |        |        |
|            |     |           |           | ADADS0        | A/D-Converted Value Addition/Average Channel Select Register 0      | 0x008          | 16      | read/write                                   | 0x0000      | 0xFFFF     |            |        |        |
|            |     |           |           | ADADS1        | A/D-Converted Value Addition/Average Channel Select Register 1      | 0x00A          | 16      | read/write                                   | 0x0000      | 0xFFFF     |            |        |        |
|            |     |           |           | ADADC         | A/D-Converted Value Addition/Average Count Select Register          | 0x00C          | 8       | read/write                                   | 0x00        | 0xFF       |            |        |        |
|            |     |           |           | ADCER         | A/D Control Extended Register                                       | 0x00E          | 16      | read/write                                   | 0x0000      | 0xFFFF     |            |        |        |
|            |     |           |           | ADSTRGR       | A/D Conversion Start Trigger Select Register                        | 0x010          | 16      | read/write                                   | 0x0000      | 0xFFFF     |            |        |        |
|            |     |           |           | ADEXICR       | A/D Conversion Extended Input Control Register                      | 0x012          | 16      | read/write                                   | 0x0000      | 0xFFFF     |            |        |        |
|            |     |           |           | ADANSB0       | A/D Channel Select Register B0                                      | 0x014          | 16      | read/write                                   | 0x0000      | 0xFFFF     |            |        |        |
|            |     |           |           | ADANSB1       | A/D Channel Select Register B1                                      | 0x016          | 16      | read/write                                   | 0x0000      | 0xFFFF     |            |        |        |
|            |     |           |           | ADDBLDR       | A/D Data Duplication Register                                       | 0x018          | 16      | read-only                                    | 0x0000      | 0xFFFF     |            |        |        |
|            |     |           |           | ADTSDR        | A/D Temperature Sensor Data Register                                | 0x01A          | 16      | read-only                                    | 0x0000      | 0xFFFF     |            |        |        |
|            |     |           |           | ADOCDR        | A/D Internal Reference Voltage Data Register                        | 0x01C          | 16      | read-only                                    | 0x0000      | 0xFFFF     |            |        |        |
|            |     |           |           | ADRD          | A/D Self-Diagnosis Data Register                                    | 0x01E          | 16      | read-only                                    | 0x0000      | 0xFFFF     |            |        |        |
|            |     |           |           | 3             | 0x2   | 0-2            | ADDR%s  | A/D Data Register %s                         | 0x020       | 16         | read-only  | 0x0000 | 0xFFFF |
|            |     |           |           | 3             | 0x2   | 5-7            | ADDR%s  | A/D Data Register %s                         | 0x02A       | 16         | read-only  | 0x0000 | 0xFFFF |
|            |     |           |           | 3             | 0x2   | 16-18          | ADDR%s  | A/D Data Register %s                         | 0x040       | 16         | read-only  | 0x0000 | 0xFFFF |
|            |     |           |           | -             | -   | -              | ADSHCR  | A/D Sample and Hold Circuit Control Register | 0x066       | 16         | read/write | 0x0018 | 0xFFFF |
|            |     |           |           |               |   |                | ADDISCR | A/D Disconnection Detection Control Register | 0x07A       | 8          | read/write | 0x00   | 0xFF   |

Table 3.3 Register description (21 of 36)

| Peripheral | Dim | Dim incr. | Dim index | Register name | Description  | Address offset | Size | Access     | Reset value | Reset mask |
|------------|-----|-----------|-----------|---------------|--|----------------|------|------------|-------------|------------|
| ADC121     | -   | -         | -         | ADSHMSR       | A/D Sample and Hold Operation Mode Select Register                                 | 0x07C          | 8    | read/write | 0x00        | 0xFF       |
|            |     |           |           | ADGSPCR       | A/D Group Scan Priority Control Register   | 0x080          | 16   | read/write | 0x0000      | 0xFFFF     |
|            |     |           |           | ADDBLDRA      | A/D Data Duplication Register A  | 0x084          | 16   | read-only  | 0x0000      | 0xFFFF     |
|            |     |           |           | ADDBLDRB      | A/D Data Duplication Register B  | 0x086          | 16   | read-only  | 0x0000      | 0xFFFF     |
|            |     |           |           | ADWINMON      | A/D Compare Function Window A/B Status Monitor Register                            | 0x08C          | 8    | read-only  | 0x00        | 0xFF       |
|            |     |           |           | ADCMPCR       | A/D Compare Function Control Register  | 0x090          | 16   | read/write | 0x0000      | 0xFFFF     |
|            |     |           |           | ADCMANSER     | A/D Compare Function Window A Extended Input Select Register                       | 0x092          | 8    | read/write | 0x00        | 0xFF       |
|            |     |           |           | ADCMPLER      | A/D Compare Function Window A Extended Input Comparison Condition Setting Register | 0x093          | 8    | read/write | 0x00        | 0xFF       |
|            |     |           |           | ADCMANSR0     | A/D Compare Function Window A Channel Select Register 0                            | 0x094          | 16   | read/write | 0x0000      | 0xFFFF     |
|            |     |           |           | ADCMANSR1     | A/D Compare Function Window A Channel Select Register 1                            | 0x096          | 16   | read/write | 0x0000      | 0xFFFF     |
|            |     |           |           | ADCMPLR0      | A/D Compare Function Window A Comparison Condition Setting Register 0              | 0x098          | 16   | read/write | 0x0000      | 0xFFFF     |
|            |     |           |           | ADCMPLR1      | A/D Compare Function Window A Comparison Condition Setting Register 1              | 0x09A          | 16   | read/write | 0x0000      | 0xFFFF     |
|            |     |           |           | ADCMPCR0      | A/D Compare Function Window A Lower-Side Level Setting Register                    | 0x09C          | 16   | read/write | 0x0000      | 0xFFFF     |
|            |     |           |           | ADCMPCR1      | A/D Compare Function Window A Upper-Side Level Setting Register                    | 0x09E          | 16   | read/write | 0x0000      | 0xFFFF     |
|            |     |           |           | ADCMPSR0      | A/D Compare Function Window A Channel Status Register 0                            | 0x0A0          | 16   | read/write | 0x0000      | 0xFFFF     |
|            |     |           |           | ADCMPSR1      | A/D Compare Function Window A Channel Status Register 1                            | 0x0A2          | 16   | read/write | 0x0000      | 0xFFFF     |
|            |     |           |           | ADCMPSER      | A/D Compare Function Window A Extended Input Channel Status Register               | 0x0A4          | 8    | read/write | 0x00        | 0xFF       |
|            |     |           |           | ADCMPSNR      | A/D Compare Function Window B Channel Selection Register                           | 0x0A6          | 8    | read/write | 0x00        | 0xFF       |
|            |     |           |           | ADWINLLB      | A/D Compare Function Window B Lower-Side Level Setting Register                    | 0x0A8          | 16   | read/write | 0x0000      | 0xFFFF     |

Table 3.3 Register description (22 of 36)

| Peripheral | Dim | Dim incr. | Dim index | Register name | Description  | Address offset | Size | Access     | Reset value    | Reset mask     |
|------------|-----|-----------|-----------|---------------|--|----------------|------|------------|----------------|----------------|
| ADC121     | -   | -         | -         | ADWINULB      | A/D Compare Function Window B Upper-Side Level Setting Register  | 0x0AA          | 16   | read/write | 0x0000         | 0xFFFF         |
|            |     |           |           | ADCOMPBSR     | A/D Compare Function Window B Status Register                    | 0x0AC          | 8    | read/write | 0x00           | 0xFF           |
|            |     |           |           | ADSSTRL       | A/D Sampling State Register L                                    | 0x0DD          | 8    | read/write | 0x0B           | 0xFF           |
|            |     |           |           | ADSSTRT       | A/D Sampling State Register T                                    | 0x0DE          | 8    | read/write | 0x0B           | 0xFF           |
|            |     |           |           | ADSSTRO       | A/D Sampling State Register O                                    | 0x0DF          | 8    | read/write | 0x0B           | 0xFF           |
|            | 3   | 0x1       | 0-2       | ADSSTR0%s     | A/D Sampling State Register %s (Corresponding Channel is AN10%s) | 0x0E0          | 8    | read/write | 0x0B           | 0xFF           |
|            | 3   | 0x1       | 5-7       | ADSSTR0%s     | A/D Sampling State Register %s (Corresponding Channel is AN10%s) | 0x0E5          | 8    | read/write | 0x0B           | 0xFF           |
| TSN        | -   | -         | -         | TSCR          | Temperature Sensor Control Register                              | 0x00           | 8    | read/write | 0x00           | 0xFF           |
| DAC12      | 2   | 0x2       | 0,1       | DADR%s        | D/A Data Register %s   | 0x00           | 16   | read/write | 0x0000         | 0xFFFF         |
|            | -   | -         | -         | DACR          | D/A Control Register   | 0x0004         | 8    | read/write | 0x1F           | 0xFF           |
|            |     |           |           | DADPR         | DADRm Format Select Register                                     | 0x0005         | 8    | read/write | 0x00           | 0xFF           |
|            |     |           |           | DAADSCR       | D/A-A/D Synchronous Start Control Register                       | 0x0006         | 8    | read/write | 0x00           | 0xFF           |
|            |     |           |           | DAAMPCR       | D/A Output Amplifier Control Register                            | 0x0008         | 8    | read/write | 0x00           | 0xFF           |
|            |     |           |           | DAASWCR       | D/A Amplifier Stabilization Wait Control Register                | 0x101C         | 8    | read/write | 0x00           | 0xFF           |
|            |     |           |           | DAADUSR       | D/A A/D Synchronous Unit Select Register                         | 0x10C0         | 8    | read/write | 0x00           | 0xFF           |
| SDHI0,1    | -   | -         | -         | SD_CMD        | Command Type Register  | 0x000          | 32   | read/write | 0x0000<br>0000 | 0xFFFF<br>FFFF |
|            |     |           |           | SD_ARG        | SD Command Argument Register                                     | 0x008          | 32   | read/write | 0x0000<br>0000 | 0xFFFF<br>FFFF |
|            |     |           |           | SD_ARG1       | SD Command Argument Register 1                                   | 0x00C          | 32   | read/write | 0x0000<br>0000 | 0xFFFF<br>FFFF |
|            |     |           |           | SD_STOP       | Data Stop Register   | 0x010          | 32   | read/write | 0x0000<br>0000 | 0xFFFF<br>FFFF |
|            |     |           |           | SD_SECCNT     | Block Count Register   | 0x014          | 32   | read/write | 0x0000<br>0000 | 0xFFFF<br>FFFF |
|            |     |           |           | SD_RSP10      | SD Card Response Register 10                                     | 0x018          | 32   | read-only  | 0x0000<br>0000 | 0xFFFF<br>FFFF |
|            |     |           |           | SD_RSP1       | SD Card Response Register 1                                      | 0x01C          | 32   | read-only  | 0x0000<br>0000 | 0xFFFF<br>FFFF |
|            |     |           |           | SD_RSP32      | SD Card Response Register 32                                     | 0x020          | 32   | read-only  | 0x0000<br>0000 | 0xFFFF<br>FFFF |
|            |     |           |           | SD_RSP3       | SD Card Response Register 3                                      | 0x024          | 32   | read-only  | 0x0000<br>0000 | 0xFFFF<br>FFFF |



Table 3.3 Register description (23 of 36)

| Peripheral | Dim                                | Dim incr. | Dim index | Register name   | Description                            | Address offset | Size | Access     | Reset value | Reset mask  |
|------------|------------------------------------|-----------|-----------|-----------------|--|----------------|------|------------|-------------|-------------|
| SDHI0,1    | -                                  | -         | -         | SD_RSP54        | SD Card Response Register 54           | 0x028          | 32   | read-only  | 0x0000 0000 | 0xFFFF FFFF |
|            |                                    |           |           | SD_RSP5         | SD Card Response Register 5            | 0x02C          | 32   | read-only  | 0x0000 0000 | 0xFFFF FFFF |
|            |                                    |           |           | SD_RSP76        | SD Card Response Register 76           | 0x030          | 32   | read-only  | 0x0000 0000 | 0xFFFF FFFF |
|            |                                    |           |           | SD_RSP7         | SD Card Response Register 7            | 0x034          | 32   | read-only  | 0x0000 0000 | 0xFFFF FFFF |
|            |                                    |           |           | SD_INFO1        | SD Card Interrupt Flag Register 1      | 0x038          | 32   | read/write | 0x0000 0000 | 0xFFFF FB5F |
|            |                                    |           |           | SD_INFO2        | SD Card Interrupt Flag Register 2      | 0x03C          | 32   | read/write | 0x0000 2000 | 0xFFFF FF7F |
|            |                                    |           |           | SD_INFO1_MASK   | SD_INFO1 Interrupt Mask Register       | 0x040          | 32   | read/write | 0x0000 031D | 0xFFFF FFFF |
|            |                                    |           |           | SD_INFO2_MASK   | SD_INFO2 Interrupt Mask Register       | 0x044          | 32   | read/write | 0x0000 8B7F | 0xFFFF FFFF |
|            |                                    |           |           | SD_CLK_CTRL     | SD Clock Control Register              | 0x048          | 32   | read/write | 0x0000 0020 | 0xFFFF FFFF |
|            |                                    |           |           | SD_SIZE         | Transfer Data Length Register          | 0x04C          | 32   | read/write | 0x0000 0200 | 0xFFFF FFFF |
|            |                                    |           |           | SD_OPTION       | SD Card Access Control Option Register | 0x050          | 32   | read/write | 0x0000 40EE | 0xFFFF FFFF |
|            |                                    |           |           | SD_ERR_STS1     | SD Error Status Register 1             | 0x058          | 32   | read-only  | 0x0000 2000 | 0xFFFF FFFF |
|            |                                    |           |           | SD_ERR_STS2     | SD Error Status Register 2             | 0x05C          | 32   | read-only  | 0x0000 0000 | 0xFFFF FFFF |
|            |                                    |           |           | SD_BUF0         | SD Buffer Register                     | 0x060          | 32   | read/write | 0x0000 0000 | 0x0000 0000 |
|            |                                    |           |           | SDIO_MODE       | SDIO Mode Control Register             | 0x068          | 32   | read/write | 0x0000 0000 | 0xFFFF FFFF |
|            |                                    |           |           | SDIO_INFO1      | SDIO Interrupt Flag Register 1         | 0x06C          | 32   | read/write | 0x0000 0000 | 0xFFFF FFF9 |
|            |                                    |           |           | SDIO_INFO1_MASK | SDIO_INFO1 Interrupt Mask Register     | 0x070          | 32   | read/write | 0x0000 C007 | 0xFFFF FFFF |
|            |                                    |           |           | SD_DMAEN        | DMA Mode Enable Register               | 0x1B0          | 32   | read/write | 0x0000 1010 | 0xFFFF FFFF |
|            |                                    |           |           | SOFT_RST        | Software Reset Register                | 0x1C0          | 32   | read/write | 0x0000 0007 | 0xFFFF FFFF |
| SDIF_MODE  | SD Interface Mode Setting Register | 0x1CC     | 32        | read/write      | 0x0000 0000                            | 0xFFFF FFFF    |      |            |             |             |
| EXT_SWAP   | Swap Control Register              | 0x1E0     | 32        | read/write      | 0x0000 0000                            | 0xFFFF FFFF    |      |            |             |             |
| EDMAC0     | -                                  | -         | -         | EDMR            | EDMAC Mode Register                    | 0x00           | 32   | read/write | 0x0000 0000 | 0xFFFF FFFF |
|            |                                    |           |           | TRIMD           | Transmit Interrupt Setting Register    | 0x07C          | 32   | read/write | 0x0000 0000 | 0xFFFF FFFF |
|            |                                    |           |           | EDTRR           | EDMAC Transmit Request Register        | 0x08           | 32   | read/write | 0x0000 0000 | 0xFFFF FFFF |
|            |                                    |           |           | TBRAR           | Transmit Buffer Read Address Register  | 0x0D4          | 32   | read-only  | 0x0000 0000 | 0xFFFF FFFF |
|            |                                    |           |           | EDRRR           | EDMAC Receive Request Register         | 0x10           | 32   | read/write | 0x0000 0000 | 0xFFFF FFFF |

Table 3.3 Register description (24 of 36)

| Peripheral | Dim  | Dim incr. | Dim index | Register name | Description   | Address offset | Size | Access     | Reset value | Reset mask  |
|------------|--|-----------|-----------|---------------|---|----------------|------|------------|-------------|-------------|
| EDMAC0     | -  | -         | -         | TDLAR         | Transmit Descriptor List Start Address Register               | 0x18           | 32   | read/write | 0x0000 0000 | 0xFFFF FFFF |
|            |  |           |           | RDLAR         | Receive Descriptor List Start Address Register                | 0x20           | 32   | read/write | 0x0000 0000 | 0xFFFF FFFF |
|            |  |           |           | EESR          | ETHERC/EDMAC Status Register                                  | 0x28           | 32   | read/write | 0x0000 0000 | 0xFFFF FFFF |
|            |  |           |           | EESIPR        | ETHERC/EDMAC Status Interrupt Enable Register                 | 0x30           | 32   | read/write | 0x0000 0000 | 0xFFFF FFFF |
|            |  |           |           | TRSCER        | ETHERC/EDMAC Transmit/Receive Status Copy Enable Register     | 0x38           | 32   | read/write | 0x0000 0000 | 0xFFFF FFFF |
|            |  |           |           | RMFCR         | Missed-Frame Counter Register                                 | 0x40           | 32   | read/write | 0x0000 0000 | 0xFFFF FFFF |
|            |  |           |           | TFTR          | Transmit FIFO Threshold Register                              | 0x48           | 32   | read/write | 0x0000 0000 | 0xFFFF FFFF |
|            |  |           |           | FDR           | Transmit FIFO Threshold Register                              | 0x50           | 32   | read/write | 0x0000 0000 | 0xFFFF FFFF |
|            |  |           |           | RMCR          | Receive Method Control Register                               | 0x58           | 32   | read/write | 0x0000 0000 | 0xFFFF FFFF |
|            |  |           |           | TFUCR         | Transmit FIFO Underflow Counter                               | 0x64           | 32   | read/write | 0x0000 0000 | 0xFFFF FFFF |
|            |  |           |           | RFOCR         | Receive FIFO Overflow Counter                                 | 0x68           | 32   | read/write | 0x0000 0000 | 0xFFFF FFFF |
|            |  |           |           | IOSR          | Independent Output Signal Setting Register                    | 0x6C           | 32   | read/write | 0x0000 0000 | 0xFFFF FFFF |
|            |  |           |           | FCFTR         | Flow Control Start FIFO Threshold Setting Register            | 0x70           | 32   | read/write | 0x0007 0007 | 0xFFFF FFFF |
|            |  |           |           | RPADIR        | Receive Data Padding Insert Register                          | 0x78           | 32   | read/write | 0x0000 0000 | 0xFFFF FFFF |
|            |  |           |           | RBWAR         | Receive Buffer Write Address Register                         | 0xC8           | 32   | read-only  | 0x0000 0000 | 0xFFFF FFFF |
| RDFAR      | Receive Descriptor Fetch Address Register  | 0xCC      | 32        | read-only     | 0x0000 0000   | 0xFFFF FFFF    |      |            |             |             |
| TDFAR      | Transmit Descriptor Fetch Address Register | 0xD8      | 32        | read-only     | 0x0000 0000   | 0xFFFF FFFF    |      |            |             |             |
| ETHERC0    | -  | -         | -         | ECMR          | ETHERC Mode Register  | 0x00           | 32   | read/write | 0x0000 0000 | 0xFFFF FFFF |
|            |  |           |           | RFLR          | Receive Frame Maximum Length Register                         | 0x08           | 32   | read/write | 0x0000 0000 | 0xFFFF FFFF |
|            |  |           |           | ECSR          | ETHERC Status Register  | 0x10           | 32   | read/write | 0x0000 0000 | 0xFFFF FFFF |
|            |  |           |           | ECSIPR        | ETHERC Interrupt Enable Register                              | 0x18           | 32   | read/write | 0x0000 0000 | 0xFFFF FFFF |
|            |  |           |           | PIR           | PHY Interface Register  | 0x20           | 32   | read/write | 0x0000 0000 | 0xFFFF FFF7 |
|            |  |           |           | PSR           | PHY Status Register   | 0x28           | 32   | read-only  | 0x0000 0000 | 0xFFFF FFFE |
|            |  |           |           | RDMLR         | Random Number Generation Counter Upper Limit Setting Register | 0x40           | 32   | read/write | 0x0000 0000 | 0xFFFF FFFF |
|            |  |           |           | IPGR          | IPG Register  | 0x50           | 32   | read/write | 0x0000 0014 | 0xFFFF FFFF |
|            |  |           |           | APR           | Automatic PAUSE Frame Register                                | 0x54           | 32   | read/write | 0x0000 0000 | 0xFFFF FFFF |

Table 3.3 Register description (25 of 36)

| Peripheral | Dim  | Dim incr. | Dim index | Register name | Description                                    | Address offset | Size | Access     | Reset value | Reset mask  |
|------------|--|-----------|-----------|---------------|--|----------------|------|------------|-------------|-------------|
| ETHERC0    | -  | -         | -         | MPR           | Manual PAUSE Frame Register                    | 0x58           | 32   | write-only | 0x0000 0000 | 0xFFFF 0000 |
|            |  |           |           | RFCF          | Received PAUSE Frame Counter                   | 0x60           | 32   | read-only  | 0x0000 0000 | 0xFFFF FFFF |
|            |  |           |           | TPAUSER       | PAUSE Frame Retransmit Count Setting Register  | 0x64           | 32   | read/write | 0x0000 0000 | 0xFFFF FFFF |
|            |  |           |           | TPAUSECR      | PAUSE Frame Retransmit Counter                 | 0x68           | 32   | read-only  | 0x0000 0000 | 0xFFFF FFFF |
|            |  |           |           | BCFRR         | Broadcast Frame Receive Count Setting Register | 0x6C           | 32   | read/write | 0x0000 0000 | 0xFFFF FFFF |
|            |  |           |           | MAHR          | MAC Address Upper Bit Register                 | 0xC0           | 32   | read/write | 0x0000 0000 | 0xFFFF FFFF |
|            |  |           |           | MALR          | MAC Address Lower Bit Register                 | 0xC8           | 32   | read/write | 0x0000 0000 | 0xFFFF FFFF |
|            |  |           |           | TROCR         | Transmit Retry Over Counter Register           | 0xD0           | 32   | read/write | 0x0000 0000 | 0xFFFF FFFF |
|            |  |           |           | CDCR          | Late Collision Detect Counter Register         | 0xD4           | 32   | read/write | 0x0000 0000 | 0xFFFF FFFF |
|            |  |           |           | LCCR          | Lost Carrier Counter Register                  | 0xD8           | 32   | read/write | 0x0000 0000 | 0xFFFF FFFF |
|            |  |           |           | CNDCR         | Carrier Not Detect Counter Register            | 0xDC           | 32   | read/write | 0x0000 0000 | 0xFFFF FFFF |
|            |  |           |           | CEFCR         | CRC Error Frame Receive Counter Register       | 0xE4           | 32   | read/write | 0x0000 0000 | 0xFFFF FFFF |
|            |  |           |           | FRECR         | Frame Receive Error Counter Register           | 0xE8           | 32   | read/write | 0x0000 0000 | 0xFFFF FFFF |
|            |  |           |           | TSFR          | Too-Short Frame Receive Counter Register       | 0xEC           | 32   | read/write | 0x0000 0000 | 0xFFFF FFFF |
|            |  |           |           | TLFR          | Too-Long Frame Receive Counter Register        | 0xF0           | 32   | read/write | 0x0000 0000 | 0xFFFF FFFF |
| RFCR       | Received Alignment Error Frame Counter Register  | 0xF4      | 32        | read/write    | 0x0000 0000                                    | 0xFFFF FFFF    |      |            |             |             |
| MAFCR      | Multicast Address Frame Receive Counter Register | 0xF8      | 32        | read/write    | 0x0000 0000                                    | 0xFFFF FFFF    |      |            |             |             |
| SCI0-9     | -  | -         | -         | SMR           | Serial Mode Register (SCMR.SMIF = 0)           | 0x00           | 8    | read/write | 0x00        | 0xFF        |
|            |  |           |           | SMR_SMCI      | Serial mode register (SCMR.SMIF = 1)           | 0x00           | 8    | read/write | 0x00        | 0xFF        |
|            |  |           |           | BRR           | Bit Rate Register                              | 0x01           | 8    | read/write | 0xFF        | 0xFF        |

Table 3.3 Register description (26 of 36)

| Peripheral | Dim | Dim incr. | Dim index | Register name | Description  | Address offset | Size | Access     | Reset value | Reset mask |
|------------|-----|-----------|-----------|---------------|--|----------------|------|------------|-------------|------------|
| SCI0-9     | -   | -         | -         | SCR           | Serial Control Register (SCMR.SMIF = 0)            | 0x02           | 8    | read/write | 0x00        | 0xFF       |
|            |     |           |           | SCR_SMCI      | Serial Control Register (SCMR.SMIF =1)             | 0x02           | 8    | read/write | 0x00        | 0xFF       |
|            |     |           |           | TDR           | Transmit Data Register                             | 0x03           | 8    | read/write | 0xFF        | 0xFF       |
|            |     |           |           | SSR           | Serial Status Register(SCMR.SMIF = 0 and FCR.FM=0) | 0x04           | 8    | read/write | 0x84        | 0xFF       |
|            |     |           |           | SSR_FIFO      | Serial Status Register(SCMR.SMIF = 0 and FCR.FM=1) | 0x04           | 8    | read/write | 0x80        | 0xFD       |
|            |     |           |           | SSR_SMCI      | Serial Status Register(SCMR.SMIF = 1)              | 0x04           | 8    | read/write | 0x84        | 0xFF       |
|            |     |           |           | RDR           | Receive Data Register                              | 0x05           | 8    | read-only  | 0x00        | 0xFF       |
|            |     |           |           | SCMR          | Smart Card Mode Register                           | 0x06           | 8    | read/write | 0xF2        | 0xFF       |
|            |     |           |           | SEMR          | Serial Extended Mode Register                      | 0x07           | 8    | read/write | 0x00        | 0xFF       |
|            |     |           |           | SNFR          | Noise Filter Setting Register                      | 0x08           | 8    | read/write | 0x00        | 0xFF       |
|            |     |           |           | SIMR1         | I2C Mode Register 1                                | 0x09           | 8    | read/write | 0x00        | 0xFF       |
|            |     |           |           | SIMR2         | I2C Mode Register 2                                | 0x0A           | 8    | read/write | 0x00        | 0xFF       |
|            |     |           |           | SIMR3         | I2C Mode Register 3                                | 0x0B           | 8    | read/write | 0x00        | 0xFF       |
|            |     |           |           | SISR          | I2C Status Register                                | 0x0C           | 8    | read-only  | 0x00        | 0xCB       |
|            |     |           |           | SPMR          | SPI Mode Register                                  | 0x0D           | 8    | read/write | 0x00        | 0xFF       |
|            |     |           |           | TDRHL         | Transmit 9-bit Data Register                       | 0x0E           | 16   | read/write | 0xFFFF      | 0xFFFF     |
|            |     |           |           | FTDRHL        | Transmit FIFO Data Register HL                     | 0x0E           | 16   | write-only | 0xFFFF      | 0xFFFF     |
|            |     |           |           | FTDRH         | Transmit FIFO Data Register H                      | 0x0E           | 8    | write-only | 0xFF        | 0xFF       |
|            |     |           |           | FTDRL         | Transmit FIFO Data Register L                      | 0x0F           | 8    | write-only | 0xFF        | 0xFF       |
|            |     |           |           | RDRHL         | Receive 9-bit Data Register                        | 0x10           | 16   | read-only  | 0x0000      | 0xFFFF     |
|            |     |           |           | FRDRHL        | Receive FIFO Data Register HL                      | 0x10           | 16   | read-only  | 0x0000      | 0xFFFF     |
|            |     |           |           | FRDRH         | Receive FIFO Data Register H                       | 0x10           | 8    | read-only  | 0x00        | 0xFF       |
|            |     |           |           | FRDRL         | Receive FIFO Data Register L                       | 0x11           | 8    | read-only  | 0x00        | 0xFF       |
|            |     |           |           | MDDR          | Modulation Duty Register                           | 0x12           | 8    | read/write | 0xFF        | 0xFF       |
|            |     |           |           | DCCR          | Data Compare Match Control Register                | 0x13           | 8    | read/write | 0x40        | 0xFF       |
|            |     |           |           | FCR           | FIFO Control Register                              | 0x14           | 16   | read/write | 0xF800      | 0xFFFF     |

Table 3.3 Register description (27 of 36)

| Peripheral | Dim | Dim incr. | Dim index | Register name               | Description                              | Address offset | Size       | Access     | Reset value    | Reset mask     |
|------------|-----|-----------|-----------|-----------------------------|--|----------------|------------|------------|----------------|----------------|
| SCI0-9     | -   | -         | -         | FDR                         | FIFO Data Count Register                 | 0x16           | 16         | read-only  | 0x0000         | 0xFFFF         |
|            |     |           |           | LSR                         | Line Status Register                     | 0x18           | 16         | read-only  | 0x0000         | 0xFFFF         |
|            |     |           |           | CDR                         | Compare Match Data Register              | 0x1A           | 16         | read/write | 0x0000         | 0xFFFF         |
|            |     |           |           | SPTR                        | Serial Port Register                     | 0x1C           | 8          | read/write | 0x03           | 0xFF           |
| IRDA       | -   | -         | -         | IRCR                        | IrDA Control Register                    | 0x00           | 8          | read/write | 0x00           | 0xFF           |
| SPI0,1     | -   | -         | -         | SPCR                        | SPI Control Register                     | 0x00           | 8          | read/write | 0x00           | 0xFF           |
|            |     |           |           | SSLP                        | SPI Slave Select Polarity Register       | 0x01           | 8          | read/write | 0x00           | 0xFF           |
|            |     |           |           | SPPCR                       | RSPI Pin Control Register                | 0x02           | 8          | read/write | 0x00           | 0xFF           |
|            |     |           |           | SPSR                        | SPI Status Register                      | 0x03           | 8          | read/write | 0x20           | 0xFF           |
|            |     |           |           | SPDR                        | SPI Data Register                        | 0x04           | 32         | read/write | 0x0000<br>0000 | 0xFFFF<br>FFFF |
|            |     |           |           | SPDR_HA                     | SPI Data Register (halfword access)      | 0x04           | 16         | read/write | 0x0000         | 0xFFFF         |
|            |     |           |           | SPSCR                       | SPI Sequence Control Register            | 0x08           | 8          | read/write | 0x00           | 0xFF           |
|            |     |           |           | SPSSR                       | SPI Sequence Status Register             | 0x09           | 8          | read-only  | 0x00           | 0xFF           |
|            |     |           |           | SPBR                        | SPI Bit Rate Register                    | 0x0A           | 8          | read/write | 0xFF           | 0xFF           |
|            |     |           |           | SPDCR                       | SPI Data Control Register                | 0x0B           | 8          | read/write | 0x00           | 0xFF           |
|            |     |           |           | SPCKD                       | SPI Clock Delay Register                 | 0x0C           | 8          | read/write | 0x00           | 0xFF           |
|            |     |           |           | SSLND                       | SPI Slave Select Negation Delay Register | 0x0D           | 8          | read/write | 0x00           | 0xFF           |
|            |     |           |           | SPND                        | SPI Next-Access Delay Register           | 0x0E           | 8          | read/write | 0x00           | 0xFF           |
|            |     |           |           | SPCR2                       | SPI Control Register 2                   | 0x0F           | 8          | read/write | 0x00           | 0xFF           |
| 8          | 0x2 | 0-7       | SPCMD%s   | SPI Command Register %s     | 0x10                                     | 16             | read/write | 0x070D     | 0xFFFF         |                |
| -          | -   | -         | SPDCR2    | SPI Data Control Register 2 | 0x20                                     | 8              | read/write | 0x00       | 0xFF           |                |

Table 3.3 Register description (28 of 36)

| Peripheral                       | Dim                                  | Dim incr. | Dim index | Register name | Description   | Address offset | Size | Access     | Reset value    | Reset mask     |
|----------------------------------|--------------------------------------|-----------|-----------|---------------|---|----------------|------|------------|----------------|----------------|
| CRC                              | -                                    | -         | -         | CRCCR0        | CRC Control Register0   | 0x00           | 8    | read/write | 0x00           | 0xFF           |
|                                  |                                      |           |           | CRCCR1        | CRC Control Register1   | 0x01           | 8    | read/write | 0x00           | 0xFF           |
|                                  |                                      |           |           | CRCDIR        | CRC Data Input Register   | 0x04           | 32   | read/write | 0x0000<br>0000 | 0xFFFF<br>FFFF |
|                                  |                                      |           |           | CRCDIR_BY     | CRC Data Input Register<br>(byte access)                          | 0x04           | 8    | read/write | 0x00           | 0xFF           |
|                                  |                                      |           |           | CRCDOR        | CRC Data Output Register  | 0x08           | 32   | read/write | 0x0000<br>0000 | 0xFFFF<br>FFFF |
|                                  |                                      |           |           | CRCDOR_HA     | CRC Data Output Register<br>(halfword access)                     | 0x08           | 16   | read/write | 0x0000         | 0xFFFF         |
|                                  |                                      |           |           | CRCDOR_BY     | CRC Data Output Register<br>(byte access)                         | 0x08           | 8    | read/write | 0x00           | 0xFF           |
|                                  |                                      |           |           | CRCSAR        | Snoop Address Register  | 0x0C           | 16   | read/write | 0x0000         | 0xFFFF         |
| GPT32EH<br>0-3,<br>GPT32E4-<br>7 | -                                    | -         | -         | GTWP          | General PWM Timer<br>Write-Protection Register                    | 0x00           | 32   | read/write | 0x0000<br>0000 | 0xFFFF<br>FFFF |
|                                  |                                      |           |           | GTSTR         | General PWM Timer<br>Software Start Register                      | 0x04           | 32   | read/write | 0x0000<br>0000 | 0xFFFF<br>FFFF |
|                                  |                                      |           |           | GTSTP         | General PWM Timer<br>Software Stop Register                       | 0x08           | 32   | read/write | 0xFFFF<br>FFFF | 0xFFFF<br>FFFF |
|                                  |                                      |           |           | GTCLR         | General PWM Timer<br>Software Clear Register                      | 0x0C           | 32   | write-only | 0x0000<br>0000 | 0xFFFF<br>FFFF |
|                                  |                                      |           |           | GTSSR         | General PWM Timer Start<br>Source Select Register                 | 0x10           | 32   | read/write | 0x0000<br>0000 | 0xFFFF<br>FFFF |
|                                  |                                      |           |           | GTCSR         | General PWM Timer Stop<br>Source Select Register                  | 0x14           | 32   | read/write | 0x0000<br>0000 | 0xFFFF<br>FFFF |
|                                  |                                      |           |           | GTCSR         | General PWM Timer Clear<br>Source Select Register                 | 0x18           | 32   | read/write | 0x0000<br>0000 | 0xFFFF<br>FFFF |
|                                  |                                      |           |           | GTUPSR        | General PWM Timer Up<br>Count Source Select<br>Register           | 0x1C           | 32   | read/write | 0x0000<br>0000 | 0xFFFF<br>FFFF |
|                                  |                                      |           |           | GTDNSR        | General PWM Timer Down<br>Count Source Select<br>Register         | 0x20           | 32   | read/write | 0x0000<br>0000 | 0xFFFF<br>FFFF |
|                                  |                                      |           |           | GTICASR       | General PWM Timer Input<br>Capture Source Select<br>Register A    | 0x24           | 32   | read/write | 0x0000<br>0000 | 0xFFFF<br>FFFF |
|                                  |                                      |           |           | GTICBSR       | General PWM Timer Input<br>Capture Source Select<br>Register B    | 0x28           | 32   | read/write | 0x0000<br>0000 | 0xFFFF<br>FFFF |
|                                  |                                      |           |           | GTCR          | General PWM Timer<br>Control Register                             | 0x2C           | 32   | read/write | 0x0000<br>0000 | 0xFFFF<br>FFFF |
|                                  |                                      |           |           | GUDDTYC       | General PWM Timer<br>Count Direction and Duty<br>Setting Register | 0x30           | 32   | read/write | 0x0000<br>0001 | 0xFFFF<br>FFFF |
|                                  |                                      |           |           | GTIOR         | General PWM Timer I/O<br>Control Register                         | 0x34           | 32   | read/write | 0x0000<br>0000 | 0xFFFF<br>FFFF |
|                                  |                                      |           |           | GTINTAD       | General PWM Timer<br>Interrupt Output Setting<br>Register         | 0x38           | 32   | read/write | 0x0000<br>0000 | 0xFFFF<br>FFFF |
| GTST                             | General PWM Timer<br>Status Register | 0x3C      | 32        | read/write    | 0x0000<br>8000  | 0xFFFF<br>FFFF |      |            |                |                |

Table 3.3 Register description (29 of 36)

| Peripheral                       | Dim  | Dim incr. | Dim index | Register name | Description   | Address offset | Size | Access     | Reset value    | Reset mask     |
|----------------------------------|--|-----------|-----------|---------------|---|----------------|------|------------|----------------|----------------|
| GPT32EH<br>0-3,<br>GPT32E4-<br>7 | -  | -         | -         | GTBER         | General PWM Timer Buffer Enable Register  | 0x40           | 32   | read/write | 0x0000<br>0000 | 0xFFFF<br>FFFF |
|                                  |  |           |           | GTITC         | General PWM Timer Interrupt and A/D Converter Start Request Skipping Setting Register | 0x44           | 32   | read/write | 0x0000<br>0000 | 0xFFFF<br>FFFF |
|                                  |  |           |           | GTCNT         | General PWM Timer Counter   | 0x48           | 32   | read/write | 0x0000<br>0000 | 0xFFFF<br>FFFF |
|                                  |  |           |           | GTCCRA        | General PWM Timer Compare Capture Register A  | 0x4C           | 32   | read/write | 0xFFFF<br>FFFF | 0xFFFF<br>FFFF |
|                                  |  |           |           | GTCCRB        | General PWM Timer Compare Capture Register B  | 0x50           | 32   | read/write | 0xFFFF<br>FFFF | 0xFFFF<br>FFFF |
|                                  |  |           |           | GTCCRC        | General PWM Timer Compare Capture Register C  | 0x54           | 32   | read/write | 0xFFFF<br>FFFF | 0xFFFF<br>FFFF |
|                                  |  |           |           | GTCCRE        | General PWM Timer Compare Capture Register E  | 0x58           | 32   | read/write | 0xFFFF<br>FFFF | 0xFFFF<br>FFFF |
|                                  |  |           |           | GTCCRD        | General PWM Timer Compare Capture Register D  | 0x5C           | 32   | read/write | 0xFFFF<br>FFFF | 0xFFFF<br>FFFF |
|                                  |  |           |           | GTCCRF        | General PWM Timer Compare Capture Register F  | 0x60           | 32   | read/write | 0xFFFF<br>FFFF | 0xFFFF<br>FFFF |
|                                  |  |           |           | GTPR          | General PWM Timer Cycle Setting Register  | 0x64           | 32   | read/write | 0xFFFF<br>FFFF | 0xFFFF<br>FFFF |
|                                  |  |           |           | GTPBR         | General PWM Timer Cycle Setting Buffer Register                                       | 0x68           | 32   | read/write | 0xFFFF<br>FFFF | 0xFFFF<br>FFFF |
|                                  |  |           |           | GTPDBR        | General PWM Timer Cycle Setting Double-Buffer Register                                | 0x6C           | 32   | read/write | 0xFFFF<br>FFFF | 0xFFFF<br>FFFF |
|                                  |  |           |           | GTADTRA       | A/D Converter Start Request Timing Register A   | 0x70           | 32   | read/write | 0xFFFF<br>FFFF | 0xFFFF<br>FFFF |
|                                  |  |           |           | GTADTBRA      | A/D Converter Start Request Timing Buffer Register A                                  | 0x74           | 32   | read/write | 0xFFFF<br>FFFF | 0xFFFF<br>FFFF |
|                                  |  |           |           | GTADTBRA      | A/D Converter Start Request Timing Double-Buffer Register A                           | 0x78           | 32   | read/write | 0xFFFF<br>FFFF | 0xFFFF<br>FFFF |
|                                  |  |           |           | GTADTRB       | A/D Converter Start Request Timing Register B   | 0x7C           | 32   | read/write | 0xFFFF<br>FFFF | 0xFFFF<br>FFFF |
|                                  |  |           |           | GTADTRB       | A/D Converter Start Request Timing Buffer Register B                                  | 0x80           | 32   | read/write | 0xFFFF<br>FFFF | 0xFFFF<br>FFFF |
|                                  |  |           |           | GTADTRB       | A/D Converter Start Request Timing Double-Buffer Register B                           | 0x84           | 32   | read/write | 0xFFFF<br>FFFF | 0xFFFF<br>FFFF |
|                                  |  |           |           | GTDTCR        | General PWM Timer Dead Time Control Register  | 0x88           | 32   | read/write | 0x0000<br>0000 | 0xFFFF<br>FFFF |
|                                  |  |           |           | GTDVU         | General PWM Timer Dead Time Value Register U  | 0x8C           | 32   | read/write | 0xFFFF<br>FFFF | 0xFFFF<br>FFFF |
| GTDVD                            | General PWM Timer Dead Time Value Register D | 0x90      | 32        | read/write    | 0xFFFF<br>FFFF  | 0xFFFF<br>FFFF |      |            |                |                |

Table 3.3 Register description (30 of 36)

| Peripheral                       | Dim                                      | Dim incr. | Dim index | Register name | Description   | Address offset | Size | Access     | Reset value    | Reset mask     |
|----------------------------------|--|-----------|-----------|---------------|---|----------------|------|------------|----------------|----------------|
| GPT32EH<br>0-3,<br>GPT32E4-<br>7 | -  | -         | -         | GTDBU         | General PWM Timer Dead Time Buffer Register U                           | 0x94           | 32   | read/write | 0xFFFF<br>FFFF | 0xFFFF<br>FFFF |
|                                  |  |           |           | GTDBD         | General PWM Timer Dead Time Buffer Register D                           | 0x98           | 32   | read/write | 0xFFFF<br>FFFF | 0xFFFF<br>FFFF |
|                                  |  |           |           | GTSOS         | General PWM Timer Output Protection Function Status Register            | 0x9C           | 32   | read-only  | 0x0000<br>0000 | 0xFFFF<br>FFFF |
|                                  |  |           |           | GTSOTR        | General PWM Timer Output Protection Function Temporary Release Register | 0xA0           | 32   | read/write | 0x0000<br>0000 | 0xFFFF<br>FFFF |
| GPT328-<br>13                    | -  | -         | -         | GTWP          | General PWM Timer Write-Protection Register                             | 0x00           | 32   | read/write | 0x0000<br>0000 | 0xFFFF<br>FFFF |
|                                  |  |           |           | GTSTR         | General PWM Timer Software Start Register                               | 0x04           | 32   | read/write | 0x0000<br>0000 | 0xFFFF<br>FFFF |
|                                  |  |           |           | GTSTP         | General PWM Timer Software Stop Register                                | 0x08           | 32   | read/write | 0xFFFF<br>FFFF | 0xFFFF<br>FFFF |
|                                  |  |           |           | GTCLR         | General PWM Timer Software Clear Register                               | 0x0C           | 32   | write-only | 0x0000<br>0000 | 0xFFFF<br>FFFF |
|                                  |  |           |           | GTSSR         | General PWM Timer Start Source Select Register                          | 0x10           | 32   | read/write | 0x0000<br>0000 | 0xFFFF<br>FFFF |
|                                  |  |           |           | GTPSR         | General PWM Timer Stop Source Select Register                           | 0x14           | 32   | read/write | 0x0000<br>0000 | 0xFFFF<br>FFFF |
|                                  |  |           |           | GTCSR         | General PWM Timer Clear Source Select Register                          | 0x18           | 32   | read/write | 0x0000<br>0000 | 0xFFFF<br>FFFF |
|                                  |  |           |           | GTUPSR        | General PWM Timer Up Count Source Select Register                       | 0x1C           | 32   | read/write | 0x0000<br>0000 | 0xFFFF<br>FFFF |
|                                  |  |           |           | GTDNSR        | General PWM Timer Down Count Source Select Register                     | 0x20           | 32   | read/write | 0x0000<br>0000 | 0xFFFF<br>FFFF |
|                                  |  |           |           | GTICASR       | General PWM Timer Input Capture Source Select Register A                | 0x24           | 32   | read/write | 0x0000<br>0000 | 0xFFFF<br>FFFF |
|                                  |  |           |           | GTICBSR       | General PWM Timer Input Capture Source Select Register B                | 0x28           | 32   | read/write | 0x0000<br>0000 | 0xFFFF<br>FFFF |
|                                  |  |           |           | GTCR          | General PWM Timer Control Register                                      | 0x2C           | 32   | read/write | 0x0000<br>0000 | 0xFFFF<br>FFFF |
|                                  |  |           |           | GTUDDTYC      | General PWM Timer Count Direction and Duty Setting Register             | 0x30           | 32   | read/write | 0x0000<br>0001 | 0xFFFF<br>FFFF |
|                                  |  |           |           | GTIOR         | General PWM Timer I/O Control Register                                  | 0x34           | 32   | read/write | 0x0000<br>0000 | 0xFFFF<br>FFFF |
|                                  |  |           |           | GTINTAD       | General PWM Timer Interrupt Output Setting Register                     | 0x38           | 32   | read/write | 0x0000<br>0000 | 0xFFFF<br>FFFF |
|                                  |  |           |           | GTST          | General PWM Timer Status Register                                       | 0x3C           | 32   | read/write | 0x0000<br>8000 | 0xFFFF<br>FFFF |
| GTBER                            | General PWM Timer Buffer Enable Register | 0x40      | 32        | read/write    | 0x0000<br>0000  | 0xFFFF<br>FFFF |      |            |                |                |
| GTCNT                            | General PWM Timer Counter                | 0x48      | 32        | read/write    | 0x0000<br>0000  | 0xFFFF<br>FFFF |      |            |                |                |



Table 3.3 Register description (31 of 36)

| Peripheral | Dim | Dim incr. | Dim index | Register name | Description                                       | Address offset | Size      | Access                                 | Reset value | Reset mask  |            |        |        |
|------------|-----|-----------|-----------|---------------|---|----------------|-----------|--|-------------|-------------|------------|--------|--------|
| GPT328-13  | -   | -         | -         | GTCCRA        | General PWM Timer Compare Capture Register A      | 0x4C           | 32        | read/write                             | 0xFFFF FFFF | 0xFFFF FFFF |            |        |        |
|            |     |           |           | GTCCRB        | General PWM Timer Compare Capture Register B      | 0x50           | 32        | read/write                             | 0xFFFF FFFF | 0xFFFF FFFF |            |        |        |
|            |     |           |           | GTCCRC        | General PWM Timer Compare Capture Register C      | 0x54           | 32        | read/write                             | 0xFFFF FFFF | 0xFFFF FFFF |            |        |        |
|            |     |           |           | GTCCRE        | General PWM Timer Compare Capture Register E      | 0x58           | 32        | read/write                             | 0xFFFF FFFF | 0xFFFF FFFF |            |        |        |
|            |     |           |           | GTCCRD        | General PWM Timer Compare Capture Register D      | 0x5C           | 32        | read/write                             | 0xFFFF FFFF | 0xFFFF FFFF |            |        |        |
|            |     |           |           | GTCCRF        | General PWM Timer Compare Capture Register F      | 0x60           | 32        | read/write                             | 0xFFFF FFFF | 0xFFFF FFFF |            |        |        |
|            |     |           |           | GTPR          | General PWM Timer Cycle Setting Register          | 0x64           | 32        | read/write                             | 0xFFFF FFFF | 0xFFFF FFFF |            |        |        |
|            |     |           |           | GTPBR         | General PWM Timer Cycle Setting Buffer Register   | 0x68           | 32        | read/write                             | 0xFFFF FFFF | 0xFFFF FFFF |            |        |        |
|            |     |           |           | GTDTCR        | General PWM Timer Dead Time Control Register      | 0x88           | 32        | read/write                             | 0x0000 0000 | 0xFFFF FFFF |            |        |        |
|            |     |           |           | GTDVU         | General PWM Timer Dead Time Value Register U      | 0x8C           | 32        | read/write                             | 0xFFFF FFFF | 0xFFFF FFFF |            |        |        |
| GPT_OPS    | -   | -         | -         | OPSCR         | Output Phase Switching Control Register           | 0x00           | 32        | read/write                             | 0x0000 0000 | 0xFFFF FFFF |            |        |        |
| GPT_ODC    | -   | -         | -         | GTDLYCR       | PWM Output Delay Control Register                 | 0x00           | 16        | read/write                             | 0x0000      | 0xFFFF      |            |        |        |
|            |     |           |           | GTDLYCR2      | PWM Output Delay Control Register2                | 0x02           | 16        | read/write                             | 0x0000      | 0xFFFF      |            |        |        |
|            |     |           |           | 4             | 0x4   | 0-3            | GTDLYR%sA | GTIOC%sA Rising Output Delay Register  | 0x18        | 16          | read/write | 0x0000 | 0xFFFF |
|            |     |           |           | 4             | 0x4   | 0-3            | GTDLYR%sB | GTIOC%sB Rising Output Delay Register  | 0x1A        | 16          | read/write | 0x0000 | 0xFFFF |
|            |     |           |           | 4             | 0x4   | 0-3            | GTDLYF%sA | GTIOC%sA Falling Output Delay Register | 0x28        | 16          | read/write | 0x0000 | 0xFFFF |
|            |     |           |           | 4             | 0x4   | 0-3            | GTDLYF%sB | GTIOC%sB Falling Output Delay Register | 0x2A        | 16          | read/write | 0x0000 | 0xFFFF |
| KINT       | -   | -         | -         | KRCTL         | KEY Return Control Register                       | 0x00           | 8         | read/write                             | 0x00        | 0xFF        |            |        |        |
|            |     |           |           | KRF           | KEY Return Flag Register                          | 0x04           | 8         | read/write                             | 0x00        | 0xFF        |            |        |        |
|            |     |           |           | KRM           | KEY Return Mode Register                          | 0x08           | 8         | read/write                             | 0x00        | 0xFF        |            |        |        |
| CTSU       | -   | -         | -         | CTSUCR0       | CTSU Control Register 0                           | 0x00           | 8         | read/write                             | 0x00        | 0xFF        |            |        |        |
|            |     |           |           | CTSUCR1       | CTSU Control Register 1                           | 0x01           | 8         | read/write                             | 0x00        | 0xFF        |            |        |        |
|            |     |           |           | CTSUSDPRS     | CTSU Synchronous Noise Reduction Setting Register | 0x02           | 8         | read/write                             | 0x00        | 0xFF        |            |        |        |
|            |     |           |           | CTSUSST       | CTSU Sensor Stabilization Wait Control Register   | 0x03           | 8         | read/write                             | 0x00        | 0xFF        |            |        |        |

Table 3.3 Register description (32 of 36)

| Peripheral | Dim                        | Dim incr. | Dim index | Register name | Description  | Address offset | Size | Access     | Reset value | Reset mask |
|------------|----------------------------|-----------|-----------|---------------|--|----------------|------|------------|-------------|------------|
| CTSU       | -                          | -         | -         | CTSUMCH0      | CTSU Measurement Channel Register 0                                | 0x04           | 8    | read/write | 0x1F        | 0xFF       |
|            |                            |           |           | CTSUMCH1      | CTSU Measurement Channel Register 1                                | 0x05           | 8    | read-only  | 0x1F        | 0xFF       |
|            |                            |           |           | CTSUCHAC0     | CTSU Channel Enable Control Register 0                             | 0x06           | 8    | read/write | 0x00        | 0xFF       |
|            |                            |           |           | CTSUCHAC1     | CTSU Channel Enable Control Register 1                             | 0x07           | 8    | read/write | 0x00        | 0xFF       |
|            |                            |           |           | CTSUCHAC2     | CTSU Channel Enable Control Register 2                             | 0x08           | 8    | read/write | 0x00        | 0xFF       |
|            |                            |           |           | CTSUCHTRC0    | CTSU Channel Transmit/Receive Control Register 0                   | 0x0B           | 8    | read/write | 0x00        | 0xFF       |
|            |                            |           |           | CTSUCHTRC1    | CTSU Channel Transmit/Receive Control Register 1                   | 0x0C           | 8    | read/write | 0x00        | 0xFF       |
|            |                            |           |           | CTSUCHTRC2    | CTSU Channel Transmit/Receive Control Register 2                   | 0x0D           | 8    | read/write | 0x00        | 0xFF       |
|            |                            |           |           | CTSUDCLKC     | CTSU High-Pass Noise Reduction Control Register                    | 0x10           | 8    | read/write | 0x00        | 0xFF       |
|            |                            |           |           | CTSUST        | CTSU Status Register   | 0x11           | 8    | read/write | 0x00        | 0xFF       |
|            |                            |           |           | CTSUSSC       | CTSU High-Pass Noise Reduction Spectrum Diffusion Control Register | 0x12           | 16   | read/write | 0x0000      | 0xFFFF     |
|            |                            |           |           | CTSUSO0       | CTSU Sensor Offset Register 0                                      | 0x14           | 16   | read/write | 0x0000      | 0xFFFF     |
|            |                            |           |           | CTSUSO1       | CTSU Sensor Offset Register 1                                      | 0x16           | 16   | read/write | 0x0000      | 0xFFFF     |
|            |                            |           |           | CTSUSC        | CTSU Sensor Counter  | 0x18           | 16   | read-only  | 0x0000      | 0xFFFF     |
|            |                            |           |           | CTSURC        | CTSU Reference Counter   | 0x1A           | 16   | read-only  | 0x0000      | 0xFFFF     |
| CTSUERRS   | CTSU Error Status Register | 0x1C      | 16        | read-only     | 0x0000   | 0x7FFF         |      |            |             |            |
| AGT0,1     | -                          | -         | -         | AGT           | AGT Counter Register   | 0x00           | 16   | read/write | 0xFFFF      | 0xFFFF     |
|            |                            |           |           | AGTCMA        | AGT Compare Match A Register                                       | 0x02           | 16   | read/write | 0xFFFF      | 0xFFFF     |
|            |                            |           |           | AGTCMB        | AGT Compare Match B Register                                       | 0x04           | 16   | read/write | 0xFFFF      | 0xFFFF     |
|            |                            |           |           | AGTCR         | AGT Control Register   | 0x08           | 8    | read/write | 0x00        | 0xFF       |
|            |                            |           |           | AGTMR1        | AGT Mode Register 1  | 0x09           | 8    | read/write | 0x00        | 0xFF       |
|            |                            |           |           | AGTMR2        | AGT Mode Register 2  | 0x0A           | 8    | read/write | 0x00        | 0xFF       |
|            |                            |           |           | AGTIOC        | AGT I/O Control Register   | 0x0C           | 8    | read/write | 0x00        | 0xFF       |
|            |                            |           |           | AGTISR        | AGT Event Pin Select Register                                      | 0x0D           | 8    | read/write | 0x00        | 0xFF       |

Table 3.3 Register description (33 of 36)

| Peripheral | Dim | Dim incr. | Dim index | Register name | Description                                  | Address offset | Size | Access     | Reset value | Reset mask |
|------------|-----|-----------|-----------|---------------|--|----------------|------|------------|-------------|------------|
| AGT0,1     | -   | -         | -         | AGTCMSR       | AGT Compare Match Function Select Register   | 0x0E           | 8    | read/write | 0x00        | 0xFF       |
|            |     |           |           | AGTIOSEL      | AGT Pin Select Register                      | 0x0F           | 8    | read/write | 0x00        | 0xFF       |
| ACMPHS0    | -   | -         | -         | CMPCTL        | Comparator Control Register                  | 0x000          | 8    | read/write | 0x00        | 0xFF       |
|            |     |           |           | CMPSEL0       | Comparator Input Select Register             | 0x004          | 8    | read/write | 0x00        | 0xFF       |
|            |     |           |           | CMPSEL1       | Comparator Reference Voltage Select Register | 0x008          | 8    | read/write | 0x00        | 0xFF       |
|            |     |           |           | CMPMON        | Comparator Output Monitor Register           | 0x00C          | 8    | read-only  | 0x00        | 0xFF       |
|            |     |           |           | CPIOC         | Comparator Output Control Register           | 0x010          | 8    | read/write | 0x00        | 0xFF       |
| ACMPHS1-5  | -   | -         | -         | CMPCTL        | Comparator Control Register                  | 0x000          | 8    | read/write | 0x00        | 0xFF       |
|            |     |           |           | CMPSEL0       | Comparator Input Select Register             | 0x004          | 8    | read/write | 0x00        | 0xFF       |
|            |     |           |           | CMPSEL1       | Comparator Reference Voltage Select Register | 0x008          | 8    | read/write | 0x00        | 0xFF       |
|            |     |           |           | CMPMON        | Comparator Output Monitor Register           | 0x00C          | 8    | read-only  | 0x00        | 0xFF       |
|            |     |           |           | CPIOC         | Comparator Output Control Register           | 0x010          | 8    | read/write | 0x00        | 0xFF       |
| USBFS      | -   | -         | -         | SYSCFG        | System Configuration Control Register        | 0x000          | 16   | read/write | 0x0000      | 0xFFFF     |
|            |     |           |           | SYSSTS0       | System Configuration Status Register 0       | 0x004          | 16   | read-only  | 0x0000      | 0x0000     |
|            |     |           |           | DVSTCTR0      | Device State Control Register 0              | 0x008          | 16   | read/write | 0x0000      | 0xFFFF     |
|            |     |           |           | CFIFO         | CFIFO Port Register                          | 0x014          | 16   | read/write | 0x0000      | 0xFFFF     |
|            |     |           |           | CFIFOL        | CFIFO Port Register L                        | 0x014          | 8    | read/write | 0x00        | 0xFF       |
|            |     |           |           | D0FIFO        | D0FIFO Port Register                         | 0x018          | 16   | read/write | 0x0000      | 0xFFFF     |
|            |     |           |           | D0FIFOL       | D0FIFO Port Register L                       | 0x018          | 8    | read/write | 0x00        | 0xFF       |
|            |     |           |           | D1FIFO        | D1FIFO Port Register                         | 0x01C          | 16   | read/write | 0x0000      | 0xFFFF     |
|            |     |           |           | D1FIFOL       | D1FIFO Port Register L                       | 0x01C          | 8    | read/write | 0x00        | 0xFF       |
|            |     |           |           | CFIFOSEL      | CFIFO Port Select Register                   | 0x020          | 16   | read/write | 0x0000      | 0xFFFF     |
|            |     |           |           | CFIFOCTR      | CFIFO Port Control Register                  | 0x022          | 16   | read/write | 0x0000      | 0xFFFF     |
|            |     |           |           | D0FIFOSEL     | D0FIFO Port Select Register                  | 0x028          | 16   | read/write | 0x0000      | 0xFFFF     |
|            |     |           |           | D0FIFOCTR     | D0FIFO Port Control Register                 | 0x02A          | 16   | read/write | 0x0000      | 0xFFFF     |
|            |     |           |           | D1FIFOSEL     | D1FIFO Port Select Register                  | 0x02C          | 16   | read/write | 0x0000      | 0xFFFF     |

Table 3.3 Register description (34 of 36)

| Peripheral | Dim | Dim incr. | Dim index | Register name | Description                       | Address offset | Size | Access     | Reset value | Reset mask |
|------------|-----|-----------|-----------|---------------|-----------------------------------|----------------|------|------------|-------------|------------|
| USBFS      | -   | -         | -         | D1FIFOCTR     | D1FIFO Port Control Register      | 0x02E          | 16   | read/write | 0x0000      | 0xFFFF     |
|            |     |           |           | INTENB0       | Interrupt Enable Register 0       | 0x030          | 16   | read/write | 0x0000      | 0xFFFF     |
|            |     |           |           | INTENB1       | Interrupt Enable Register 1       | 0x032          | 16   | read/write | 0x0000      | 0xFFFF     |
|            |     |           |           | BRDYENB       | BRDY Interrupt Enable Register    | 0x036          | 16   | read/write | 0x0000      | 0xFFFF     |
|            |     |           |           | NRDYENB       | NRDY Interrupt Enable Register    | 0x038          | 16   | read/write | 0x0000      | 0xFFFF     |
|            |     |           |           | BEMPENB       | BEMP Interrupt Enable Register    | 0x03A          | 16   | read/write | 0x0000      | 0xFFFF     |
|            |     |           |           | SOFCFG        | SOF Output Configuration Register | 0x03C          | 16   | read/write | 0x0000      | 0xFFFF     |
|            |     |           |           | INTSTS0       | Interrupt Status Register 0       | 0x040          | 16   | read/write | 0x0000      | 0xFF7F     |
|            |     |           |           | INTSTS1       | Interrupt Status Register 1       | 0x042          | 16   | read/write | 0x0000      | 0xFFFF     |
|            |     |           |           | BRDYSTS       | BRDY Interrupt Status Register    | 0x046          | 16   | read/write | 0x0000      | 0xFFFF     |
|            |     |           |           | NRDYSTS       | NRDY Interrupt Status Register    | 0x048          | 16   | read/write | 0x0000      | 0xFFFF     |
|            |     |           |           | BEMPSTS       | BEMP Interrupt Status Register    | 0x04A          | 16   | read/write | 0x0000      | 0xFFFF     |
|            |     |           |           | FRMNUM        | Frame Number Register             | 0x04C          | 16   | read/write | 0x0000      | 0xFFFF     |
|            |     |           |           | DVCHGR        | Device State Change Register      | 0x04E          | 16   | read/write | 0x0000      | 0xFFFF     |
|            |     |           |           | USBADDR       | USB Address Register              | 0x050          | 16   | read/write | 0x0000      | 0xFFFF     |
|            |     |           |           | USBREQ        | USB Request Type Register         | 0x054          | 16   | read/write | 0x0000      | 0xFFFF     |
|            |     |           |           | USBVAL        | USB Request Value Register        | 0x056          | 16   | read/write | 0x0000      | 0xFFFF     |
|            |     |           |           | USBINDX       | USB Request Index Register        | 0x058          | 16   | read/write | 0x0000      | 0xFFFF     |
|            |     |           |           | USBLENG       | USB Request Length Register       | 0x05A          | 16   | read/write | 0x0000      | 0xFFFF     |
|            |     |           |           | DCPCFG        | DCP Configuration Register        | 0x05C          | 16   | read/write | 0x0000      | 0xFFFF     |
|            |     |           |           | DCPMAXP       | DCP Maximum Packet Size Register  | 0x05E          | 16   | read/write | 0x0040      | 0xFFFF     |
|            |     |           |           | DCPCTR        | DCP Control Register              | 0x060          | 16   | read/write | 0x0040      | 0xFFFF     |
|            |     |           |           | PIPESEL       | Pipe Window Select Register       | 0x064          | 16   | read/write | 0x0000      | 0xFFFF     |
|            |     |           |           | PIPECFG       | Pipe Configuration Register       | 0x068          | 16   | read/write | 0x0000      | 0xFFFF     |
|            |     |           |           | PIPEMAXP      | Pipe Maximum Packet Size Register | 0x06C          | 16   | read/write | 0x0000      | 0xFFBF     |
|            |     |           |           | PIPEPERI      | Pipe Cycle Control Register       | 0x06E          | 16   | read/write | 0x0000      | 0xFFFF     |

Table 3.3 Register description (35 of 36)

| Peripheral | Dim | Dim incr. | Dim index | Register name  | Description                                 | Address offset | Size       | Access     | Reset value | Reset mask |
|------------|-----|-----------|-----------|--|---|----------------|------------|------------|-------------|------------|
| USBFS      | 5   | 0x002     | 1-5       | PIPE%sCTR  | Pipe %s Control Register                    | 0x070          | 16         | read/write | 0x0000      | 0xFFFF     |
|            | 4   | 0x002     | 6-9       | PIPE%sCTR  | Pipe %s Control Register                    | 0x07A          | 16         | read/write | 0x0000      | 0xFFFF     |
|            | 5   | 0x004     | 1-5       | PIPE%sTRE  | Pipe %s Transaction Counter Enable Register | 0x090          | 16         | read/write | 0x0000      | 0xFFFF     |
|            | 5   | 0x004     | 1-5       | PIPE%sTRN  | Pipe %s Transaction Counter Register        | 0x092          | 16         | read/write | 0x0000      | 0xFFFF     |
|            | 6   | 0x002     | 0-5       | DEVADD%s   | Device Address %s Configuration Register    | 0x0D0          | 16         | read/write | 0x0000      | 0xFFFF     |
|            | -   | -         | -         | PHYSLEW  | PHY Cross Point Adjustment Register         | 0x0F0          | 32         | read/write | 0x0000000E  | 0xFF4CFFFF |
|            |     |           | DPUSR0R   | Deep Software Standby USB Transceiver Control/Pin Monitor Register | 0x400                                       | 32             | read/write | 0x00000000 | 0xFF4CFFFF  |            |
|            |     |           | DPUSR1R   | Deep Software Standby USB Suspend/Resume Interrupt Register        | 0x404                                       | 32             | read/write | 0x00000000 | 0xFFFFFFF   |            |
| PDC        | -   | -         | -         | PCCR0  | PDC Control Register 0                      | 0x000          | 32         | read/write | 0x00000000  | 0xFFFFFFF  |
|            |     |           |           | PCCR1  | PDC Control Register 1                      | 0x004          | 32         | read/write | 0x00000000  | 0xFFFFFFF  |
|            |     |           |           | PCSR   | PDC Status Register                         | 0x008          | 32         | read/write | 0x00000002  | 0xFFFFFFF  |
|            |     |           |           | PCMONR   | PDC Pin Monitor Register                    | 0x00C          | 32         | read-only  | 0x00000000  | 0xFFFFFFF  |
|            |     |           |           | PCDR   | PDC Receive Data Register                   | 0x010          | 32         | read-only  | 0x00000000  | 0xFFFFFFF  |
|            |     |           |           | VCR  | Vertical Capture Register                   | 0x014          | 32         | read/write | 0x00000000  | 0xFFFFFFF  |
|            |     |           | HCR       | Horizontal Capture Register  | 0x018                                       | 32             | read/write | 0x00000000 | 0xFFFFFFF   |            |
| QSPI       | -   | -         | -         | SFMSMD   | Transfer Mode Control Register              | 0x000          | 32         | read/write | 0x00000000  | 0xFFFFFFF  |
|            |     |           |           | SFMSSC   | Chip Selection Control Register             | 0x004          | 32         | read/write | 0x00000037  | 0xFFFFFFF  |
|            |     |           |           | SFMSKC   | Clock Control Register                      | 0x008          | 32         | read/write | 0x00000008  | 0xFFFFFFF  |
|            |     |           |           | SFMSST   | Status Register                             | 0x00C          | 32         | read-only  | 0x00000080  | 0xFFFFFFF  |
|            |     |           |           | SFMCOM   | Communication Port Register                 | 0x010          | 32         | read/write | 0x00000000  | 0xFFFFFF00 |
|            |     |           |           | SFMCMD   | Communication Mode Control Register         | 0x014          | 32         | read/write | 0x00000000  | 0xFFFFFFF  |
|            |     |           |           | SFMCST   | Communication Status Register               | 0x018          | 32         | read/write | 0x00000000  | 0xFFFFFFF  |
|            |     |           |           | SFMSIC   | Instruction Code Register                   | 0x020          | 32         | read/write | 0x00000000  | 0xFFFFFFF  |
|            |     |           |           | SFMSAC   | Address Mode Control Register               | 0x024          | 32         | read/write | 0x00000002  | 0xFFFFFFF  |
|            |     |           |           | SFMSDC   | Dummy Cycle Control Register                | 0x028          | 32         | read/write | 0x0000FF00  | 0xFFFFFFF  |
|            |     |           |           | SFMSPC   | SPI Protocol Control Register               | 0x030          | 32         | read/write | 0x00000010  | 0xFFFFFFF  |

**Table 3.3 Register description (36 of 36)**

| Peripheral | Dim | Dim incr. | Dim index | Register name | Description                      | Address offset | Size | Access         | Reset value    | Reset mask     |
|------------|-----|-----------|-----------|---------------|----------------------------------|----------------|------|----------------|----------------|----------------|
| QSPI       | -   | -         | -         | SFMPMD        | Port Control Register            | 0x034          | 32   | read/<br>write | 0x0000<br>0000 | 0xFFFF<br>FFFF |
|            |     |           |           | SFMCNT1       | External QSPI Address Register 1 | 0x804          | 32   | read/<br>write | 0x0000<br>0000 | 0xFFFF<br>FFFF |

Peripheral name = Name of peripheral

Dim = Number of elements in an array of registers

Dim inc = Address increment between two simultaneous registers of a register array in the address map

Dim index = Sub string that replaces the %s placeholder within the register name

Register name = Name of register

Description = Register description

Address offset = Address of the register relative to the base address defined by the peripheral of the register

Size = Bit width of the register

Access = Register access rights:

Read-only: Read access is permitted. Write operations have undefined results.

Write-only: Write access is permitted. Read operations have undefined results.

Read/write: Both read and write accesses are permitted. Writes affect the state of the register and reads return a value related to the register.

Reset value = Default reset value of a register

Reset mask = Identifies which register bits have a defined reset value.

## Appendix 4. Revised Mask Set of the Ethernet Peripheral Interface

The S5D5 mask set has been revised to remove the EDMAC issue previously described in the Renesas Technical Update document TN-SY\*-A031B/E Rev.2.00.

Table 4.1 shows the revised mask set of the S5D5 Ethernet peripheral interface.

**Table 4.1 Revised mask set of the S5D5 Ethernet peripheral interface**

| Item  |                  | Old devices  | New devices (revised mask set)   |
|---|------------------|--|--|
| Reference document  | User's Manual    | S5D5 MCU Group User's Manual Rev.1.10  | S5D5 MCU Group User's Manual Rev.1.20 (this document)  |
|   | Technical Update | TN-SY*-A031B/E Rev.2.00  |  |
| Product part number   | R7FS5D57C2A01CLK | R7FS5D57C2A01CLK#AC0   | R7FS5D57C2A01CLK#AC1   |
|   | R7FS5D57C3A01CFB | R7FS5D57C3A01CFB#AA0   | R7FS5D57C3A01CFB#AA1   |
|   | R7FS5D57C3A01CFP | R7FS5D57C3A01CFP#AA0   | R7FS5D57C3A01CFP#AA1   |
|   | R7FS5D57A2A01CLK | R7FS5D57A2A01CLK#AC0   | R7FS5D57A2A01CLK#AC1   |
|   | R7FS5D57A3A01CFB | R7FS5D57A3A01CFB#AA0   | R7FS5D57A3A01CFB#AA1   |
|   | R7FS5D57A3A01CFP | R7FS5D57A3A01CFP#AA0   | R7FS5D57A3A01CFP#AA1   |
| Functional differences of the Ethernet Peripheral Interface | EDMAC            | Limitation (limited RPADIR.PADS[1:0] = 0)  | No limitation (usable RPADIR.PADS[1:0] = 0, 1, 2, or 3)  |
|   | MAC filter       | No support in Synergy Software Package (SSP)   | No support in Synergy Software Package (SSP) and hardware (MAC filter circuit removed)   |
|   | Note             | Renesas provided a software workaround in the Synergy Software Package (SSP) that addressed the EDMAC limitation by adding a small CPU overhead. The Ethernet driver (sf_el_nx) sets PADS[1:0] bits to 0 (no hardware data padding). | The new devices removed the CPU overhead, including the MAC filter circuit to correct the EDMAC limitation. Because MAC filter was not supported in Synergy Software Package (SSP) in the old devices, the removal of the MAC filter circuit in the new devices has no impact. |

|                  |  |
|------------------|--|
| Revision History | S5D5 Microcontroller Group User's Manual |
|------------------|--|

| Rev. | Date         | Chapter  | Summary  |
|------|--------------|--|--|
| 1.00 | May 10, 2017 | -  | Internal - Non-public release  |
| 1.10 | Jul 5, 2017  | -  | First release  |
|      |              | <a href="#">section 7, Option-Setting Memory</a>                     | Modified description for the HOCOEN bit in <a href="#">section 7.2.2, Option Function Select Register 1 (OFS1)</a><br>Updated the FAWE[10:0] and FAWS[10:0] bits in <a href="#">section 7.2.3, Access Window Setting Register (AWS)</a>  |
|      |              | <a href="#">section 8, Low Voltage Detection (LVD)</a>               | Updated <a href="#">Figure 8.4, Example of voltage monitor 0 reset operation</a>   |
|      |              | <a href="#">section 9, Clock Generation Circuit</a>                  | Updated the CAN clock signal in <a href="#">Figure 9.1, Clock generation circuit block diagram</a>   |
|      |              | <a href="#">section 20, I/O Ports</a>                                | Updated <a href="#">section 20.2.1</a> , <a href="#">section 20.2.3</a> , and <a href="#">section 20.2.4</a>   |
|      |              | <a href="#">section 22, Port Output Enable for GPT (POEG)</a>        | Updated <a href="#">Table 22.1</a>   |
|      |              | <a href="#">section 23, General PWM Timer (GPT)</a>                  | Updated <a href="#">section 23.2.8</a> , <a href="#">section 23.2.9</a> , <a href="#">section 23.2.13</a> , <a href="#">section 23.2.24</a> , <a href="#">section 23.2.29</a> , and <a href="#">section 23.2.31</a><br>Updated <a href="#">section 23.3.4</a><br>Updated <a href="#">Figure 23.93</a><br>Modified description for the GPT pin settings after reset in <a href="#">section 23.9.1, Pin Settings after Reset</a> |
|      |              | <a href="#">section 25, Asynchronous General-Purpose Timer (AGT)</a> | Updated <a href="#">Figure 25.1, AGT block diagram</a><br>Modified description for the timing of rewrite operation to the reload register in <a href="#">section 25.3.1, Reload Register and Counter Rewrite Operation</a>   |
|      |              | <a href="#">section 27, Watchdog Timer (WDT)</a>                     | Updated <a href="#">Figure 27.3, Operation example in register start mode</a>  |
|      |              | <a href="#">section 31, USB 2.0 Full-Speed Module (USBFS)</a>        | Updated <a href="#">section 31.2.5</a>   |
|      |              | <a href="#">section 32, Serial Communications Interface (SCI)</a>    | Corrected SCK8 pin name to SCL8 in <a href="#">Table 32.2, SCI input/output pins</a><br>Updated <a href="#">section 32.6.5, Initialization of the SCI</a><br>Modified description of the noise cancellation function in simple IIC mode  |
|      |              | <a href="#">section 37, Quad Serial Peripheral Interface (QSPI)</a>  | Updated the Note describing the size of the serial flash devices in <a href="#">section 37.6.2, Standard Read Instruction</a>  |
|      |              | <a href="#">section 41, SD/MMC Host Interface (SDHI)</a>             | Updated <a href="#">Figure 41.6, Read from SD_BUF0</a>   |
|      |              | <a href="#">section 55, Electrical Characteristics</a>               | Updated <a href="#">Table 55.7, Operating and standby current</a><br>Added <a href="#">Figure 55.2</a> , <a href="#">Figure 55.3</a> , <a href="#">Figure 55.4</a> , and <a href="#">Figure 55.5</a> to <a href="#">section 55.2.5, Operating and Standby Current</a>  |
|      |              | Throughout document  | Editorial changes  |



| Rev.   | Date   | Chapter  | Summary  |
|--|--|--|--|
| 1.20   | Jun 3, 2019  | -  | Second release   |
|  |  | Features                                       | Updated <a href="#">Features</a>   |
|  |  | section 1, Overview                            | Updated <a href="#">Table 1.13, Security</a>   |
|  |  |  | Updated <a href="#">Table 1.14, Product list</a>   |
|  |  | section 44, Secure Cryptographic Engine (SCE7) | Updated <a href="#">section 44, Secure Cryptographic Engine (SCE7)</a>                                       |
|  |  | section 1, Overview                            | Updated definition of Clock Frequency Accuracy Measurement Circuit in <a href="#">Table 1.3</a>              |
|  |  |  | Updated <a href="#">Figure 1.2</a>   |
|  |  | section 2, CPU                                 | Updated <a href="#">Table 2.1</a>  |
|  |  |  | Updated <a href="#">section 2.6.5.2, MCU Status Register (MCUSTAT)</a>                                       |
|  |  |  | Added a column for "When not in use" in <a href="#">Table 2.3, JTAG/SWD pins</a>                             |
|  |  |  | Updated <a href="#">section 2.11.3.4, Connecting sequence and JTAG/SWD authentication</a>                    |
|  |  | section 4, Address Space                       | Updated <a href="#">Figure 4.1</a> and <a href="#">Figure 4.2</a>  |
|  |  | section 5, Memory Mirror Function (MMF)        | Updated description in <a href="#">section 5.3.1, MMF Operation</a>  |
|  |  | section 6, Resets                              | Updated the Deep Software Standby Reset column for the USBFS registers in <a href="#">Table 6.3</a>          |
|  |  |  | Updated <a href="#">Note 2.</a> in <a href="#">Table 6.3</a>   |
|  |  | section 7, Option-Setting Memory               | Updated description in <a href="#">Table 7.1</a>   |
|  |  |  | Added a <a href="#">Note:</a> in <a href="#">Changing the option-setting memory by self-programming</a>      |
|  |  | section 8, Low Voltage Detection (LVD)         | Updated the DET flag in <a href="#">section 8.2.2</a> and <a href="#">section 8.2.4</a>                      |
|  |  | section 9, Clock Generation Circuit            | Updated <a href="#">Figure 9.1</a> and <a href="#">Table 9.2</a>   |
|  |  |  | Removed <a href="#">Note 3</a> from <a href="#">section 9.2.4, PLL Clock Control Register (PLL-CCR)</a>      |
|  |  | section 14, Interrupt Controller Unit (ICU)    | Updated <a href="#">section 14.2.1</a>   |
|  |  | section 15, Buses                              | Updated <a href="#">Table 15.1</a> , <a href="#">Table 15.2</a> , and <a href="#">Table 15.14</a>            |
|  |  | section 16, Memory Protection Unit (MPU)       | Updated <a href="#">section 16.2, CPU Stack Pointer Monitor</a>  |
|  |  |  | Updated <a href="#">section 16.4.1.1</a> and <a href="#">section 16.4.1.2</a>                                |
|  |  |  | Updated <a href="#">section 16.5.2.1</a>   |
|  |  |  | Updated <a href="#">section 16.6.1.1</a>   |
|  |  | section 17, DMA Controller (DMAC)              | Updated <a href="#">Figure 17.1</a>  |
|  |  | section 18, Data Transfer Controller (DTC)     | Updated <a href="#">Figure 18.1</a> and <a href="#">Figure 18.2</a>  |
|  |  | section 19, Event Link Controller (ELC)        | Updated <a href="#">Figure 19.1</a>  |
|  |  |  | Added <a href="#">section 19.4.4, ELC Delay Time</a>   |
|  |  | section 20, I/O Ports                          | Updated bit names in <a href="#">section 20.2.2</a>  |
|  |  |  | Updated <a href="#">section 20.2.1</a> , <a href="#">section 20.2.2</a> , and <a href="#">section 20.2.5</a> |
|  |  |  | Updated <a href="#">Figure 20.2</a> and <a href="#">Figure 20.4</a>  |
|  | Updated <a href="#">Table 20.3</a>   |  |  |
| section 23, General PWM Timer (GPT)                  | Updated <a href="#">Table 23.2</a>   |  |  |
|  | Updated bit [20] of <a href="#">section 23.2.32</a>                          |  |  |
|  | Updated <a href="#">Figure 23.81</a> through <a href="#">Figure 23.85</a>    |  |  |
|  | Removed <a href="#">section 23.3.11.4</a> Rotation direction control section |  |  |
|  | Updated register description in <a href="#">section 23.2.18</a>              |  |  |
|  | Updated <a href="#">Table 23.20</a> and <a href="#">Table 23.21</a>          |  |  |
|  | Updated text after <a href="#">Figure 23.94</a>                              |  |  |
|  | Updated <a href="#">23.10.4</a>  |  |  |
| section 25, Asynchronous General-Purpose Timer (AGT) | Updated <a href="#">Figure 25.7</a> and <a href="#">Figure 25.8</a>          |  |  |
| section 26, Realtime Clock (RTC)                     | Updated <a href="#">section 26.2.22</a>                                      |  |  |
|  | Updated <a href="#">Figure 26.7</a>  |  |  |
| section 27, Watchdog Timer (WDT)                     | Updated <a href="#">Figure 27.4</a>  |  |  |

| Rev. | Date        | Chapter  | Summary  |
|------|-------------|--|--|
| 1.20 | Jun 3, 2019 | section 29, Ethernet MAC Controller (ETHERC)   | Updated <a href="#">Table 29.1</a>   |
|      |             |  | Updated <a href="#">Figure 29.1</a>  |
|      |             |  | Removed sections 29.2.27 through 29.2.31   |
|      |             |  | Added a new <a href="#">section 29.3.8, MAC Filter</a>   |
|      |             |  | Removed section 29.5.3 Wait Cycles for Register Access   |
|      |             |  | Added <a href="#">section 29.5.3</a>   |
|      |             |  | Updated <a href="#">Figure 29.13, Figure 29.14</a>   |
|      |             | section 30, Ethernet DMA Controller (EDMAC)  | Updated <a href="#">Figure 30.1</a> and <a href="#">Figure 30.2</a>  |
|      |             |  | Updated <a href="#">section 30.2.17</a>  |
|      |             | section 31, USB 2.0 Full-Speed Module (USBFS)  | Updated description of IFIS bit (Isochronous IN Buffer Flush) bit in <a href="#">section 31.2.31</a>   |
|      |             |  | Updated <a href="#">Table 31.6</a> and <a href="#">Table 31.21</a>   |
|      |             | section 32, Serial Communications Interface (SCI)  | Updated description for the RDRF and TDRE flags in <a href="#">section 32.2.13</a> and <a href="#">section 32.2.15</a>                             |
|      |             |  | Updated description for the RDF and TDF flags in <a href="#">section 32.2.14</a>   |
|      |             |  | Removed reference to Note 2 from bit [3] of <a href="#">section 32.2.16</a>  |
|      |             |  | Updated <a href="#">Table 32.13, Table 32.15</a> through <a href="#">Table 32.18</a>   |
|      |             |  | Updated <a href="#">section 32.2.19</a>  |
|      |             |  | Updated description of the DCME bit in <a href="#">section 32.2.30</a>   |
|      |             |  | Updated <a href="#">section 32.2.31</a>  |
|      |             |  | Updated <a href="#">section 32.3</a>   |
|      |             |  | Updated <a href="#">section 32.3.6</a>   |
|      |             |  | Updated <a href="#">Figure 32.5</a> and <a href="#">Figure 32.6</a>  |
|      |             |  | section 34, I <sup>2</sup> C Bus Interface (IIC)   |
|      |             | Updated <a href="#">Figure 34.26, Figure 34.31, Figure 34.36, Figure 34.37, Figure 34.45, Figure 34.50</a> |  |
|      |             | Updated <a href="#">section 34.15, State of Registers when Issuing each Condition</a>                      |  |
|      |             | section 35, Controller Area Network (CAN) Module   | Updated bits [27:26] in <a href="#">section 35.2.2</a>   |
|      |             |  | Updated <a href="#">35.2.4</a>   |
|      |             |  | Updated <a href="#">Note 1.</a> in <a href="#">section 35.2.6</a>  |
|      |             | section 36, Serial Peripheral Interface (SPI)  | Updated <a href="#">Figure 36.29, Figure 36.30</a>   |
|      |             | section 37, Quad Serial Peripheral Interface (QSPI)  | Updated <a href="#">Figure 37.3</a> and <a href="#">Figure 37.12</a>   |
|      |             |  | Updated <a href="#">Note 2.</a> in <a href="#">Table 37.6, Table 37.7,</a> and <a href="#">Table 37.8</a>  |
|      |             | section 41, SD/MMC Host Interface (SDHI)   | Updated <a href="#">section 41.2.10</a>  |
|      |             |  | Updated <a href="#">section 41.2.17</a>  |
|      |             | section 43, Boundary Scan  | Updated <a href="#">section 43.2.2</a>   |
|      |             |  | Updated <a href="#">section 43.4</a>   |
|      |             | section 45, 12-Bit A/D Converter (ADC12)   | Updated description for ADST bit in <a href="#">section 45.2.3, A/D Control Register (ADCSR)</a>   |
|      |             |  | Updated description for the CMPCHB[5:0] bits in <a href="#">section 45.2.30, A/D Compare Function Window B Channel Select Register (ADCMPBNSR)</a> |
|      |             |  | Updated <a href="#">Figure 45.26</a> through <a href="#">Figure 45.30</a>  |
|      |             |  | Updated <a href="#">section 45.3.2.8</a>   |
|      |             |  | Updated <a href="#">section 45.3.4.3</a>   |
|      |             |  | Updated <a href="#">Table 45.10</a>  |

| Rev.   | Date   | Chapter  | Summary  |
|--|--|--|--|
| 1.20   | Jun 3, 2019  | section 47, Temperature Sensor (TSN)                 | Updated Table 47.1   |
|  |  |  | Updated Figure 47.1  |
|  |  |  | Added section 47.2.2, Temperature Sensor Calibration Data Register (TSCDR)   |
|  |  |  | Updated section 47.3.1, Preparation for Using the Temperature Sensor   |
|  |  | section 49, Capacitive Touch Sensing Unit (CTSU)     | Updated section 49.2.1, CTSU Control Register 0 (CTSUCR0)  |
|  |  | section 51, SRAM                                     | Updated Table 51.1   |
|  |  |  | Updated description of E1STSEN bit of section 51.2.6, ECC 1-Bit Error Information Update Enable Register (ECC1STSEN)   |
|  |  | section 55, Electrical Characteristics               | Updated Table 55.14  |
|  |  |  | Updated Figure 55.12   |
|  |  | section 1, Port States in Each Processing Mode       | Updated Table 1.1  |
| section 3, I/O Registers   | Updated Table 3.3  |  |  |
| section 4, Revised Mask Set of the Ethernet Peripheral Interface | Added Appendix 4.  |  |  |
| 1.30   | Aug 30, 2019   | section 9, Clock Generation Circuit                  | Updated section 9.2.3, System Clock Source Control Register (SCK-SCR)  |
|  |  |  | Updated section 9.7.1 and section 9.7.2  |
|  |  | section 18, Data Transfer Controller (DTC)           | Updated section 18.6.3, Chain Transfer when Counter = 0  |
|  |  | section 25, Asynchronous General-Purpose Timer (AGT) | Added section 25.4.11, When Switching Source Clock   |
|  |  |  | Added Note 3. to AGTIO Pin Select* <sup>1</sup> ,* <sup>3</sup> in section 25.2.10, AGT Pin Select Register (AGTIOSEL) |
|  |  | section 26, Realtime Clock (RTC)                     | Added section 26.6.8, When Switching Source Clock  |
|  |  | section 46, 12-Bit D/A Converter (DAC12)             | Updated the address of section 46.2.6, D/A Amplifier Stabilization Wait Control Register (DAASWCR)                     |
| section 55, Electrical Characteristics                           | Removed Note 2 and Note 3 from Table 55.42, Power-on reset circuit and voltage detection circuit characteristics |  |  |
|  | Added a Note to Table 55.17, NMI and IRQ noise filter  |  |  |

---

S5D5 Microcontroller Group User's Manual

Publication Date: Rev.1.30 Aug 30, 2019

Published by: Renesas Electronics Corporation

---

**SALES OFFICES**

Renesas Electronics Corporation

<http://www.renesas.com>Refer to "<http://www.renesas.com/>" for the latest and detailed information.**Renesas Electronics Corporation**

TOYOSU FORESIA, 3-2-24 Toyosu, Koto-ku, Tokyo 135-0061, Japan

**Renesas Electronics America Inc.**1001 Murphy Ranch Road, Milpitas, CA 95035, U.S.A.  
Tel: +1-408-432-8888, Fax: +1-408-434-5351**Renesas Electronics Canada Limited**9251 Yonge Street, Suite 8309 Richmond Hill, Ontario Canada L4C 9T3  
Tel: +1-905-237-2004**Renesas Electronics Europe GmbH**Arcadiastrasse 10, 40472 Düsseldorf, Germany  
Tel: +49-211-6503-0, Fax: +49-211-6503-1327**Renesas Electronics (China) Co., Ltd.**Room 101-T01, Floor 1, Building 7, Yard No. 7, 8th Street, Shangdi, Haidian District, Beijing 100085, China  
Tel: +86-10-8235-1155, Fax: +86-10-8235-7679**Renesas Electronics (Shanghai) Co., Ltd.**Unit 301, Tower A, Central Towers, 555 Langao Road, Putuo District, Shanghai 200333, China  
Tel: +86-21-2226-0888, Fax: +86-21-2226-0999**Renesas Electronics Hong Kong Limited**Unit 1601-1611, 16/F., Tower 2, Grand Century Place, 193 Prince Edward Road West, Mongkok, Kowloon, Hong Kong  
Tel: +852-2265-6688, Fax: +852 2886-9022**Renesas Electronics Taiwan Co., Ltd.**13F, No. 363, Fu Shing North Road, Taipei 10543, Taiwan  
Tel: +886-2-8175-9600, Fax: +886 2-8175-9670**Renesas Electronics Singapore Pte. Ltd.**80 Bendemeer Road, Unit #06-02 Hyflux Innovation Centre, Singapore 339949  
Tel: +65-6213-0200, Fax: +65-6213-0300**Renesas Electronics Malaysia Sdn.Bhd.**Unit No 3A-1 Level 3A Tower 8 UOA Business Park, No 1 Jalan Pengaturcara U1/51A, Seksyen U1, 40150 Shah Alam, Selangor, Malaysia  
Tel: +60-3-5022-1288, Fax: +60-3-5022-1290**Renesas Electronics India Pvt. Ltd.**No.777C, 100 Feet Road, HAL 2nd Stage, Indiranagar, Bangalore 560 038, India  
Tel: +91-80-67208700**Renesas Electronics Korea Co., Ltd.**17F, KAMCO Yangjae Tower, 262, Gangnam-daero, Gangnam-gu, Seoul, 06265 Korea  
Tel: +82-2-558-3737, Fax: +82-2-558-5338