

## Illuminated Slide Series

### Application

- ✓ Audio, Precision Apparatus, Office equipment, Musical Instruments, Industrial control, etc.

### Feature

- ✓ Slim type, insulated lever
- ✓ Option of LED color



### ■ Specification

Travel Distance	20mm, 25mm, 30mm, 45mm
Insulation Resistance	100 MΩ or more at 250V DC
Dielectric Strength	300V AC, 1 minute
Operating Temperature Range	-10 °C~70 °C
Operating Force	30~250 gf.cm
Sliding Life	15,000 cycles

### ■ How to order

RA2045F – 20 A – 15LC – B10K

Model

Option of LED color

Code	Color
A	Amber
B	Blue
G	Green
R	Red

Lever Type

Taper and Resistance Value

Ex:

Code	Taper	Resistance Value
A100K	Audio/Log/A	100KΩ
B1M	Linear/B	1MΩ

Taper : A and B

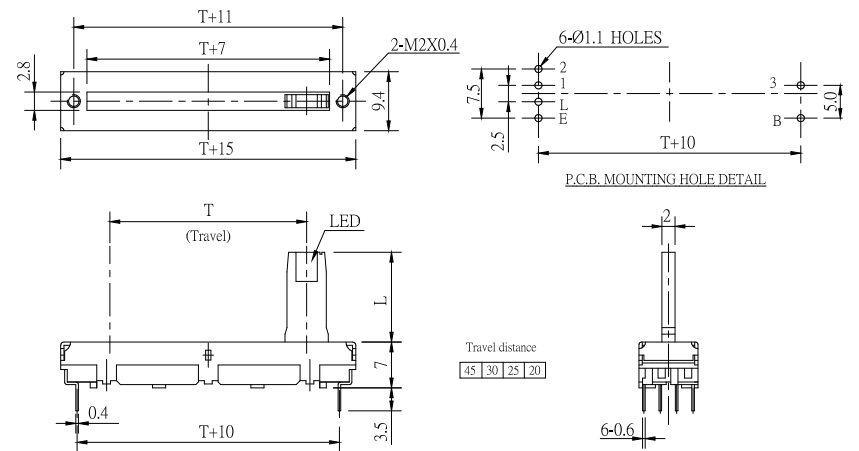
Resistance Value: 1KΩ to 500KΩ and 1MΩ

\*Contact us for other requirements.

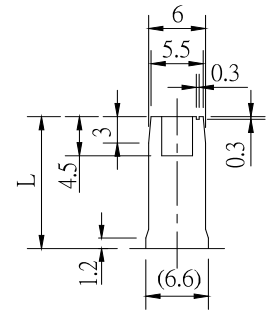
## Illuminated Slide Series

### Model Description

Model	Number of Unit	Travel Distance	Type of Terminal	LED Color	Mounting Height
RA2045F-20	Single Unit	20mm	PC board (vertical)	A, B, G, R	7mm
RA2545F-20	Single Unit	25mm	PC board (vertical)	A, B, G, R	7mm
RA3045F-20	Single Unit	30mm	PC board (vertical)	A, B, G, R	7mm
RA4545F-20	Single Unit	45mm	PC board (vertical)	A, B, G, R	7mm

Order code	Outline Drawing
RA2045F-20 RA2545F-20 RA3045F-20 RA4545F-20	 <p>The drawing includes a perspective view of the potentiometer on the left. The main technical drawing shows a top view with dimensions: total length T+11, travel distance T+7, and terminal spacing T+15. It also shows a 2-M2X0.4 screw hole and 6-Ø1.1 mounting holes. A side view shows the LED height L, terminal height 7, and PCB thickness 3.5. A detail view shows the PCB mounting hole with dimensions 2, 2.5, 3, and 5.0. A travel distance table is provided: 45   30   25   20. A bottom view shows a 6-0.6 dimension.</p>

### Lever Type and Dimension

Model	RA□□45F	
Lever Type	Insulated Lever	
	LC	
Dimension		
Length(L)	10	15

Design and specifications presented here are for the standard parts only. Please kindly contact us for your special requests and ask for the current technical specifications before purchase and/or use.

[Back to top](#)