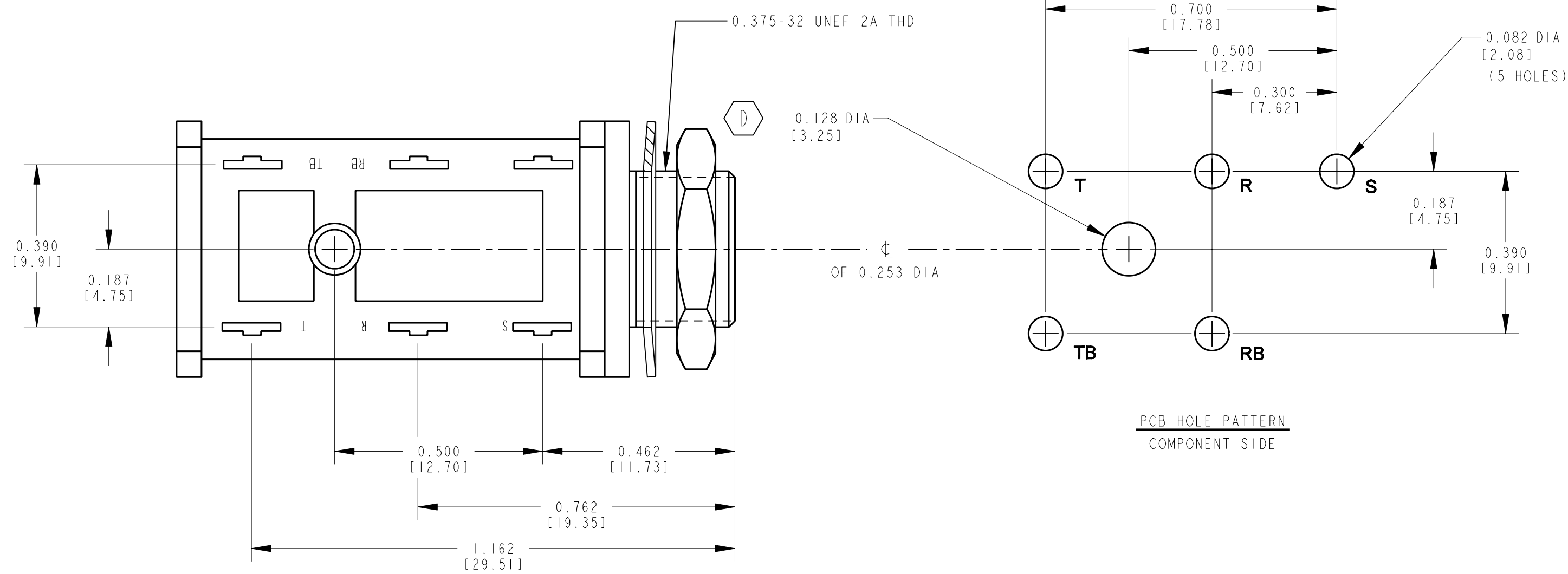


MATERIAL SPECIFICATIONS
 HOUSING: BLACK THERMOPLASTIC POLYESTER, 94V0
 CONTACT SPRINGS: TIN PLATED SPRING TEMP. NICKEL SILVER.
 HARDWARE: NICKEL PLATED BRASS.

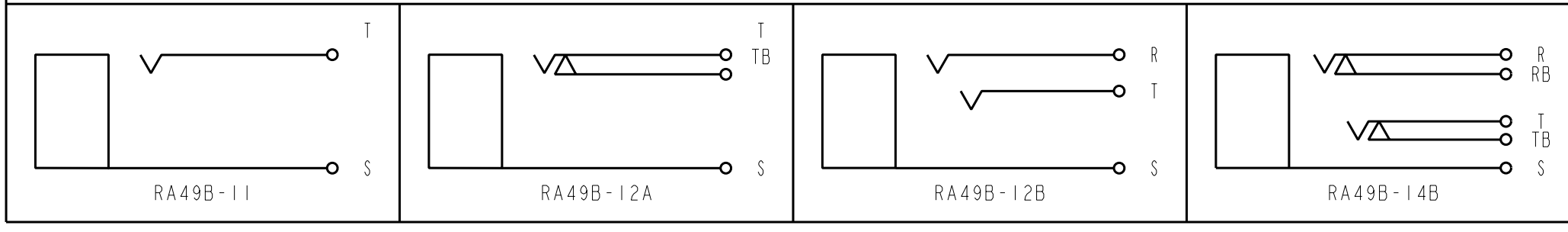


PCB HOLE PATTERN
 COMPONENT SIDE

CUSTOMER DRAWING

CAD/CAM DWG. NO.
 s.ra49b_cd
 SHEET 1 OF 1

SCHMATIC



UNLESS OTHERWISE SPECIFIED				SIZE	WIDTH	MULT	LBS./M	TEMPER
E	ECO #19704	3-24-95	RC GHJ					
D	ECO#15763	2-16-90	LR VL					
C	ECO 15105	10-11-89	TW VL					
B	RELEASED TO PROD	4-21-89	RLD AS					
DA	PRELIM CUST DWG	3-11-88	RLD					
ISSUE	CHANGE NO.	DATE	BY	APP'D				

1. ALL DIMENSIONS IN INCHES 2. DECIMAL DIMENSIONS ±.005 3. FRACTIONAL DIMENSIONS ±1/64 4. ANGLES ±1/2° 5. ALL DIA'S CONCENTRIC WITHIN .005 T.I.R. 6. REMOVE ALL BURRS 7. MAKE NO DIMENSIONAL ALLOWANCES FOR APPLIED FINISHES, I.E., PLATING, PAINTING, ETC. 8. HOLES ON THE SAME CENTERLINE MUST BE ALIGNED WITHIN ±.002				THIS DRAWING DESCRIBES A DESIGN CONSIDERED PROPRIETARY IN NATURE, DEVELOPED AND MANUFACTURED BY SWITCHCRAFT INC. AND IS RELEASED ON A CONFIDENTIAL BASIS FOR IDENTIFICATION PURPOSE ONLY.			
FINISH		SPEC. NO.		SCALE		MATERIAL	
FIRST USED ON		DATE DRAWN		BY		TEMPER	
3-11-88		3-11-88		RLD		AS	
NAME		DATE		BY		TEMPER	
JACK ASSY		5-1-89		AS		AS	
(INSULATED BUSHING)		5-2-89		AS		AS	
PART NO.		ISSUE		SCALE		MATERIAL	
RA49B-SER		E		1 = 0.25		Switchcraft®	

