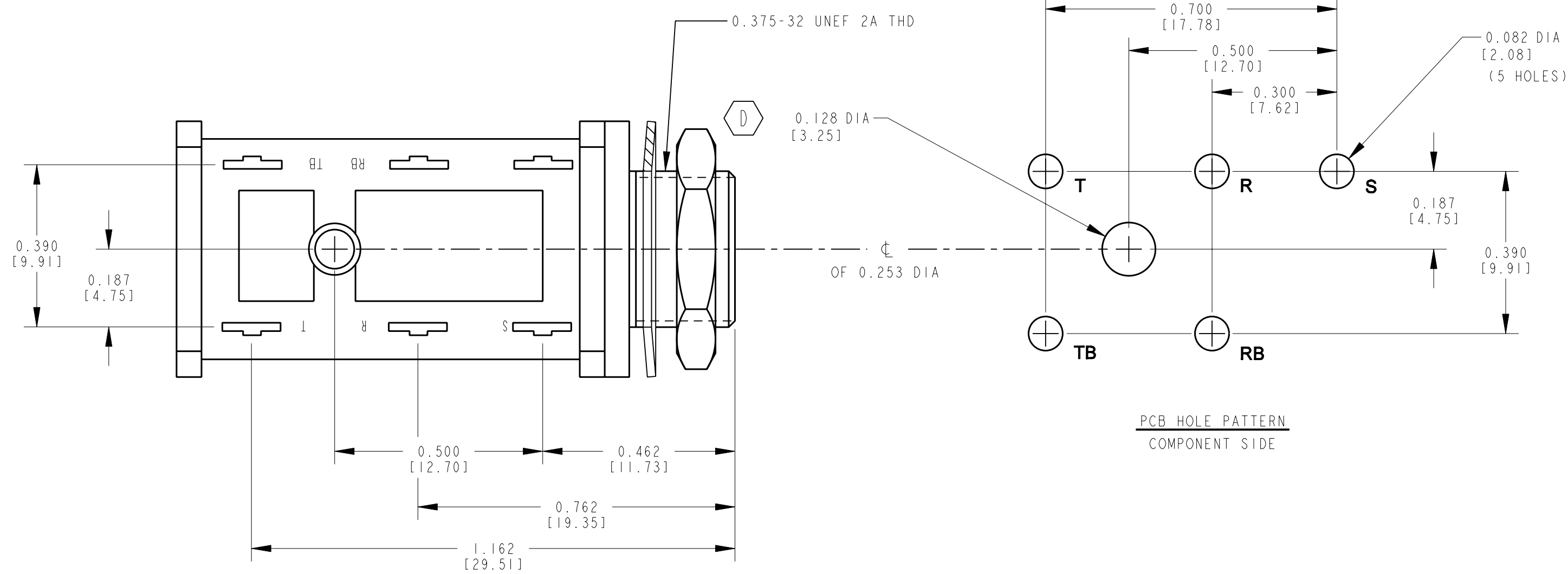


MATERIAL SPECIFICATIONS
 HOUSING: BLACK THERMOPLASTIC
 POLYESTER, 94V0
 CONTACT SPRINGS: TIN PLATED
 SPRING TEMP. NICKEL SILVER.
 HARDWARE: NICKEL PLATED BRASS.

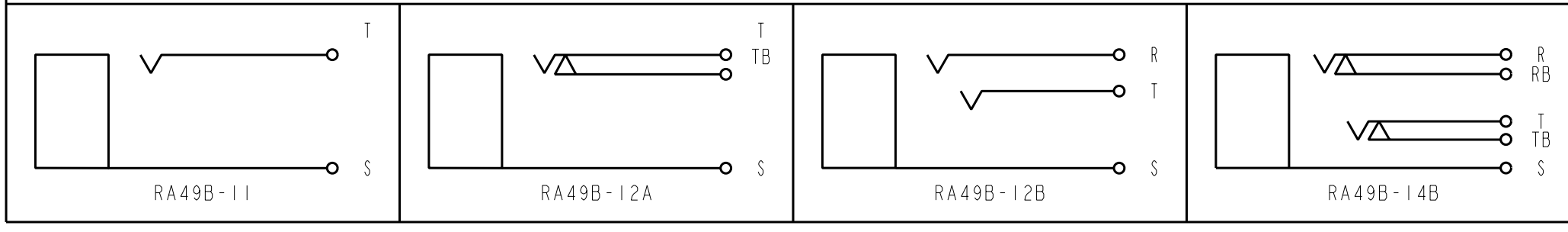


PCB HOLE PATTERN
 COMPONENT SIDE

CUSTOMER DRAWING

CAD/CAM DWG. NO.
 s.ra49b_cd
 SHEET 1 OF 1

SCHMATIC



REVISIONS				DO NOT SCALE DRAWING					
ISSUE	CHANGE NO.	DATE	BY	APP'D	SIZE	WIDTH	MULT	LBS./M	TEMPER
E	ECO #19704	3-24-95	RC	GHJ					
D	ECO#15763	2-16-90	LR	VL					
C	ECO 15105	10-11-89	TW	VL					
B	RELEASED TO PROD	4-21-89	RLD	AS					
0A	PRELIM CUST DWG	3-11-88	RLD						

UNLESS OTHERWISE SPECIFIED				THIS DRAWING DESCRIBES A DESIGN CONSIDERED PROPRIETARY IN NATURE, DEVELOPED AND MANUFACTURED BY SWITCHCRAFT INC. AND IS RELEASED ON A CONFIDENTIAL BASIS FOR IDENTIFICATION PURPOSE ONLY.			
FINISH				SCALE			
SPEC. NO.				1 = 0.25			
FIRST USED ON				DATE DRAWN			
3-11-88		BY RLD		CHK'D VL		APP'D AS	
3-11-88		5-1-89		5-2-89			
NAME JACK ASSY (INSULATED BUSHING)				PART NO. RA49B-SER			
ISSUE				ISSUE			

