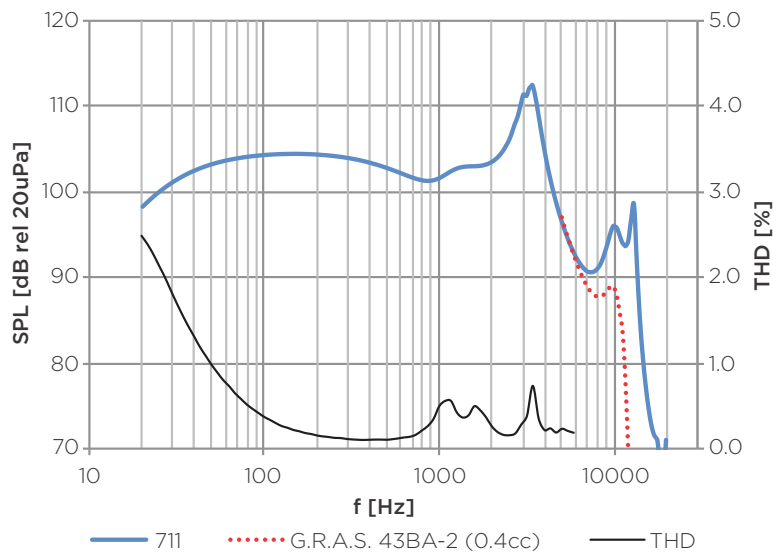


# BALANCED ARMATURE DRIVER



## FREQUENCY RESPONSE AND THD



## PRODUCT FEATURES

- Excellent bandwidth for small size
- Also midrange-tweeter in hybrids
- Excellent price - performance ratio
- RoHS compliant
- IPx7 compliant

## TYPICAL PERFORMANCE AT 1KHZ

Impedance	41	Ohms
Sensitivity to 100mV	101	db SPL
Sensitivity to 1mW	108	db SPL
Max SPLa	116	dB SPL
THD at 94dB SPL	0.3	%
THD at 100dB SPL	0.4	%

a) SPL at 10% THD

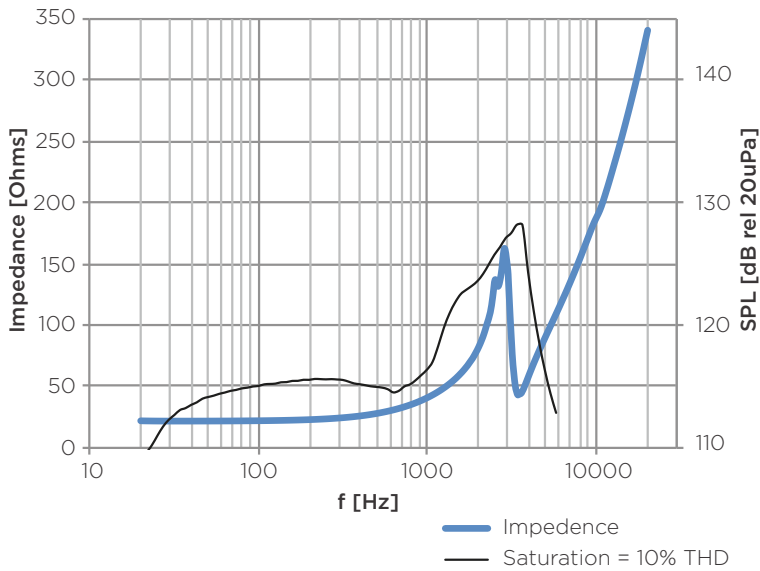
## TESTING CONDITION

using 100mV rms drive signal

- IEC60318-4 (711) coupler
- ..... G.R.A.S. 43BA-2 (0.4cc)
- THD

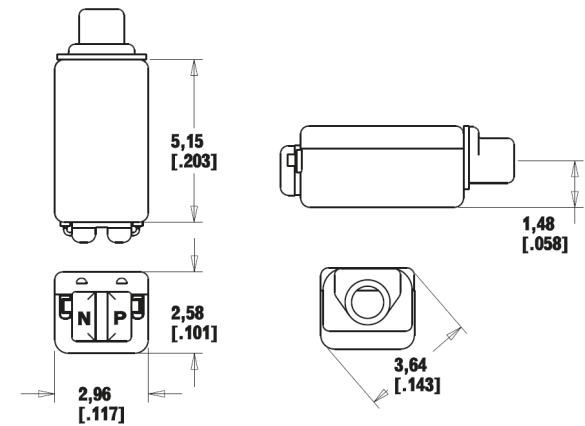


## IMPEDANCE AND SATURATION SPL



## OUTLINE DRAWING

mm (inches)



### NOTES:

Ask about custom assembly options (lead wires, customer specified materials, etc.)

To prevent heat damage, follow soldering guidelines in application note AN13 (knowles.com)

Measurement data for reference only. Refer to model specification for full dimensions and performance.

## REFERENCE DESIGN EARPHONE MODEL NUMBER

Straight rubber cable with inline mic - <b>Standard</b>	TC-32282-B86
Straight rubber cable without mic - <b>Special order</b>	TC-32211-B86

