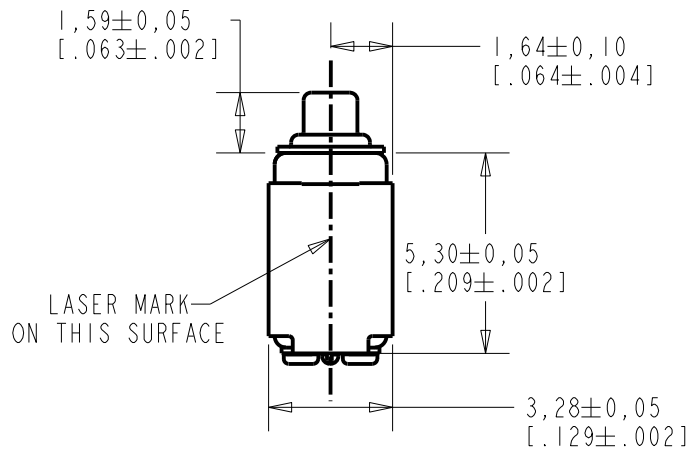
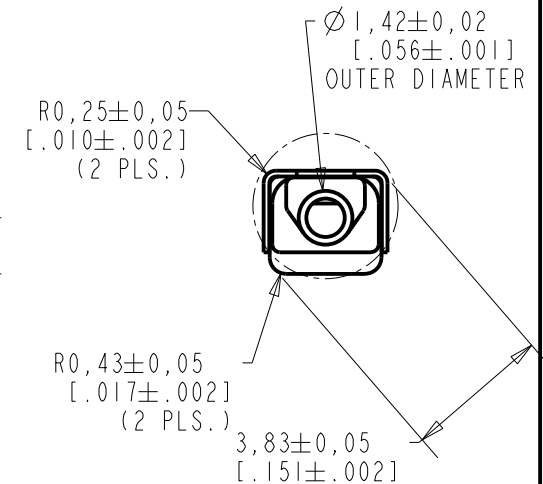
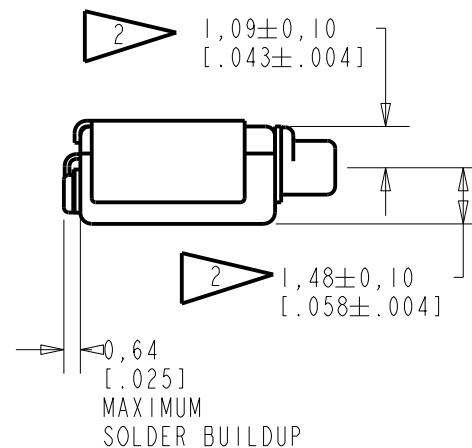
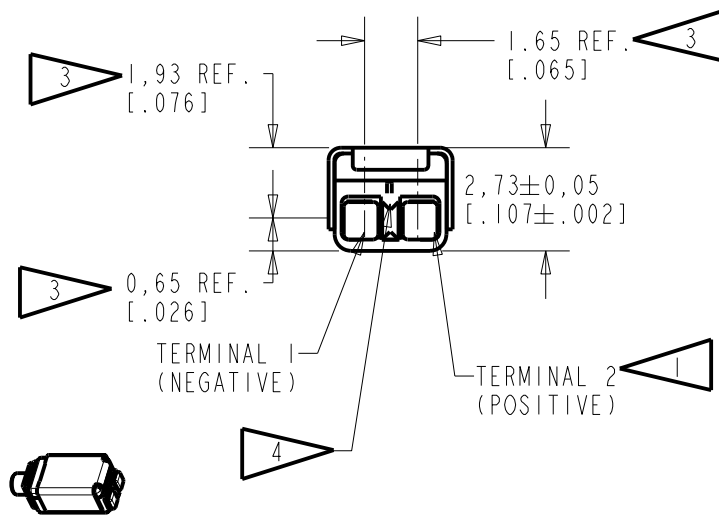


RAB-32066-000

SHT 1.1



- NOTE:
- 1 A POSITIVE GOING VOLTAGE AT TERMINAL 2, RELATIVE TO TERMINAL 1, CAUSES AN INCREASE IN PRESSURE AT THE SOUND OUTLET.
 - 2 LOCATED FROM TWO SURFACES FOR CUSTOMER CONVENIENCE. ONLY APPLICABLE FROM ONE SURFACE, NOT TO BE USED TOGETHER.
 - 3 DIMENSION TO APPROXIMATE CENTER OF TERMINAL PAD.
 - 4 TERMINAL ELECTRICALLY CONNECTED TO CASE.



Revision	C.O. #	Implementation Date	RELEASE LEVEL	REVISION
C	CI0116723P	5-05-15	Active	C
B	CI0116018	6-23-14		
A	CI0115511P	3-25-14		

SCALE: 5:1		DR. BY	DATE
DO NOT SCALE DRAWING		LW	3-25-14
TITLE: RECEIVER		CK. BY	DATE
RAB-32066-000		GJP	4-2-14
SHT 1.1		APP. BY	DATE
		GJP	4-2-14

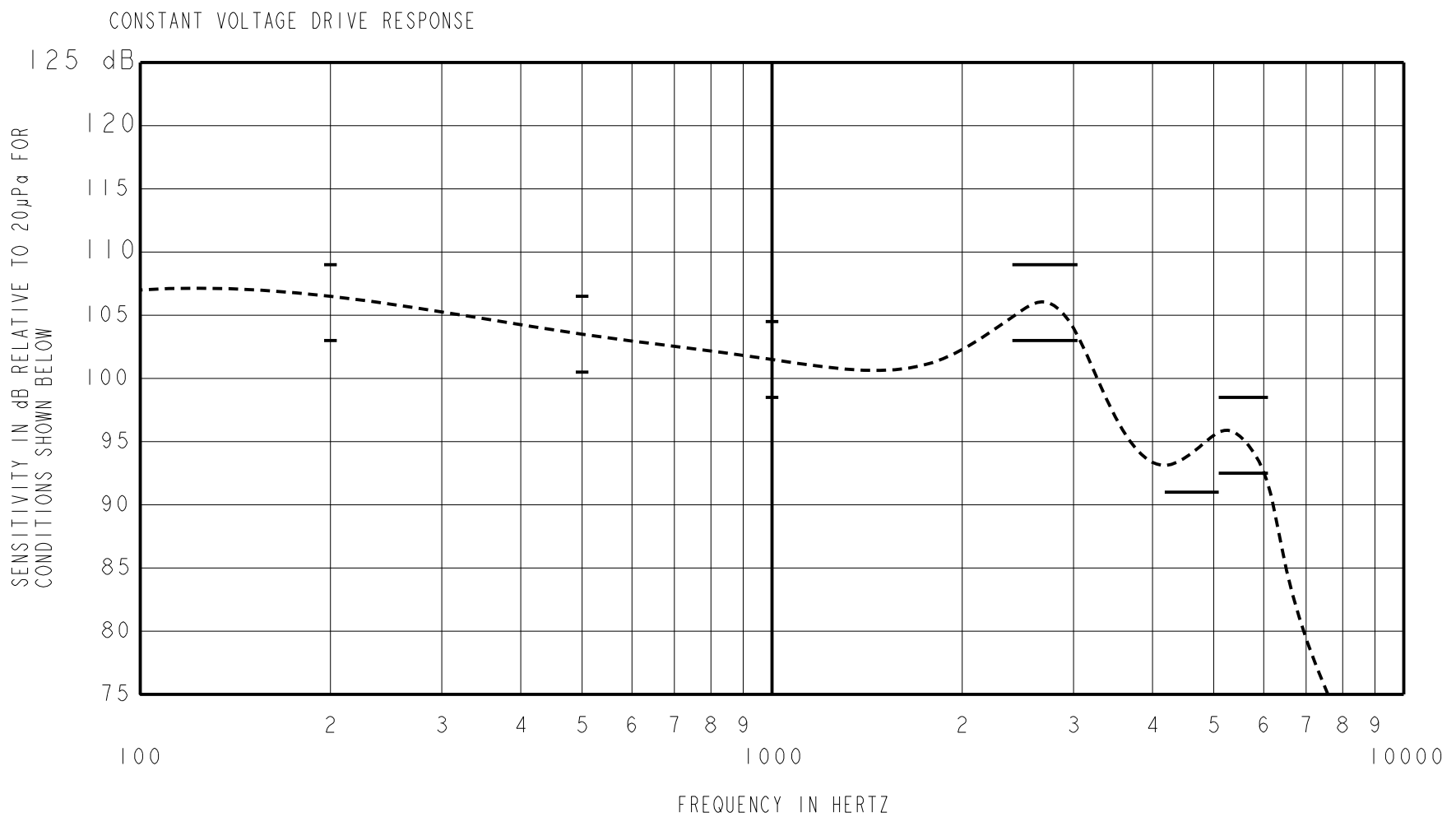
KNOWLES ELECTRONICS
ITASCA, ILLINOIS U.S.A.

THIS IS AN UNDAMPED MAGNETIC BALANCED ARMATURE RECEIVER WITH 3- SIDED MAGNETIC SHIELD ADDED INTENDED FOR USE IN HEARING INSTRUMENTS.

NO DAMPING

RAB-32066-000

SHEET 2.1



ACOUSTICAL

SENSITIVITY
DEVICE WILL PRODUCE THE SPL LISTED BELOW WITH THE TEST CONDITIONS DESCRIBED IN TABLE 3. NOMINAL SENSITIVITY AT 1 kHz IS dB RELATIVE TO 20µPa. ALL OTHER VALUES IN dB RELATIVE TO THE SENSITIVITY AT 1 kHz.

LIMIT TYPE	FREQUENCY (Hz)	MINIMUM	NOMINAL	MAXIMUM
REL	200	+1.5	+4.5	+7.5
REL	500	-1.0	+2.0	+5.0
REF	1000	-3.0	101.5	+3.0
PEAK 1	2450-3050	+1.5	+4.5	+7.5
VALLEY	4200-5200	-10.5	---	---
PEAK 2	5100-6100	-9.0	-6.0	-3.0

TABLE 1.

TOTAL HARMONIC DISTORTION
DEVICE WILL NOT EXCEED TOTAL HARMONIC DISTORTION LEVELS LISTED BELOW.

FREQUENCY (Hz)	DRIVE (Vrms)	LIMIT (%)
1/3 PEAK1 (TYP. 917)	0.180	5
1/2 PEAK1 (TYP. 1375)	0.180	5

TABLE 2.

TEST CONDITIONS

NOMINAL SOURCE VOLTAGE	0.115 Vrms,
SOURCE IMPEDANCE	< 1 Ω
TUBING	10 mm (.394) LONG, 1 mm (.039) ID.
COUPLER CAVITY	2CC SIMULATED ANSI S3.7 TYPE HA-3, (IEC 60318-5)

TABLE 3.

ELECTRICAL

DC RESISTANCE	65.0 Ω ±10%
IMPEDANCE @ 500 Hz	90.0 Ω ±20%
IMPEDANCE @ 1 kHz	135.0 Ω ±15%
INDUCTANCE @ 500 Hz	19.8 mH TYPICAL

TABLE 4.

ISOLATION: THE CASE WILL BE ELECTRICALLY ISOLATED FROM THE COIL CIRCUIT

MECHANICAL

PORT LOCATION: 12S

SOLDER TYPE: ROHS COMPLIANT
SAC305

TEMPERATURE

OPERATING: SENSITIVITY WILL NOT VARY MORE THAN
+1/-3 dB FROM 0°C TO 63°C
STORAGE: -40°C TO 63°C

KNOWLES ELECTRONICS
ITASCA, ILLINOIS U.S.A.

Revision	C.O. #	Implementation Date	RELEASE LEVEL	REVISION
C	C10116723P	5-05-15	Active	C
B	C10116018	6-23-14		
A	C10115511P	3-25-14		
WHEN TEST LIMITS ARE USED TO ESTABLISH INCOMING INSPECTION ACCEPTANCE/REJECTION CRITERIA, CORRELATION OF TEST EQUIPMENT WITH KNOWLES IS ALSO REQUIRED FOR ELIMINATION OF EQUIPMENT AND TEST METHOD VARIATION			DR. BY	DATE
TITLE: RECEIVER PERFORMANCE SPECIFICATION			LW	3-25-14
			RAB-32066-000 SHT 2.1	
			CK. BY	DATE
			GJP	4-2-14
			APP. BY	DATE
			GJP	4-2-14