

Balanced Armature Driver



Premium Audio

RAU-34832-B148

Balanced Armature Supertweeter

Features

- . Best in class treble performance for audiophile & professional in-ear monitors
- . Supports Hi-Res Audio Wireless for TWS earphones
- . Easy to drive; no transformer or high voltage amplifier required
- . Higher treble output in a fraction of the volume of electrostatic tweeters
- . RoHS compliant



Typical Performance at 10kHz

| | | |
|-------------------------------|-----|--------|
| Impedance | 14 | Ohms |
| Sensitivity to 100mV | 103 | dB SPL |
| Max SPL ^a | 122 | dB SPL |
| THD at 94dB SPL ^b | 0.3 | % |
| THD at 100dB SPL ^b | 0.3 | % |

a) SPL at 10% THD at 10kHz

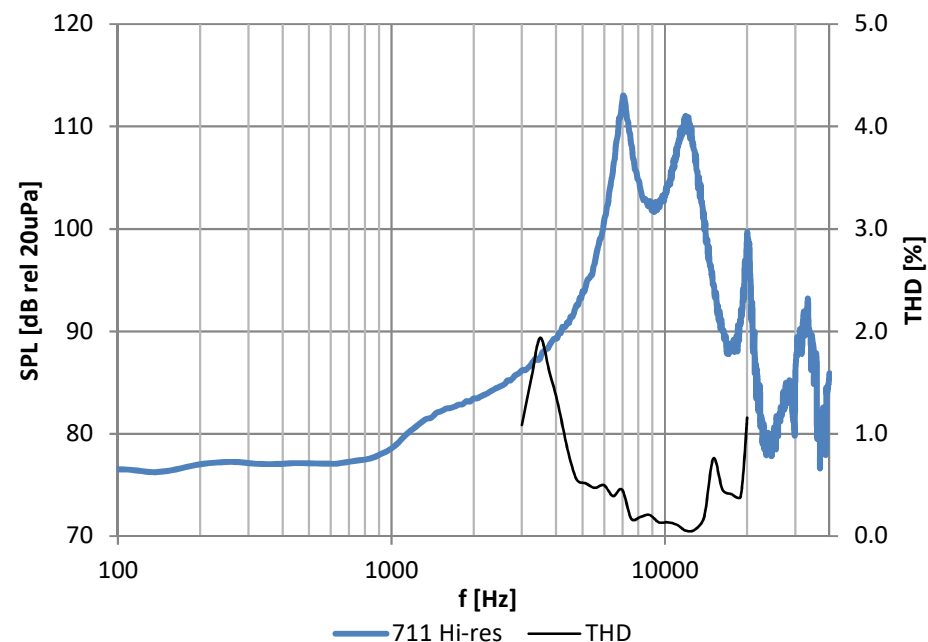
b) THD at 10kHz

Testing Condition

using 100mV rms drive signal

- 711 Hi-RES GRAS 403
- THD

Frequency Response and THD

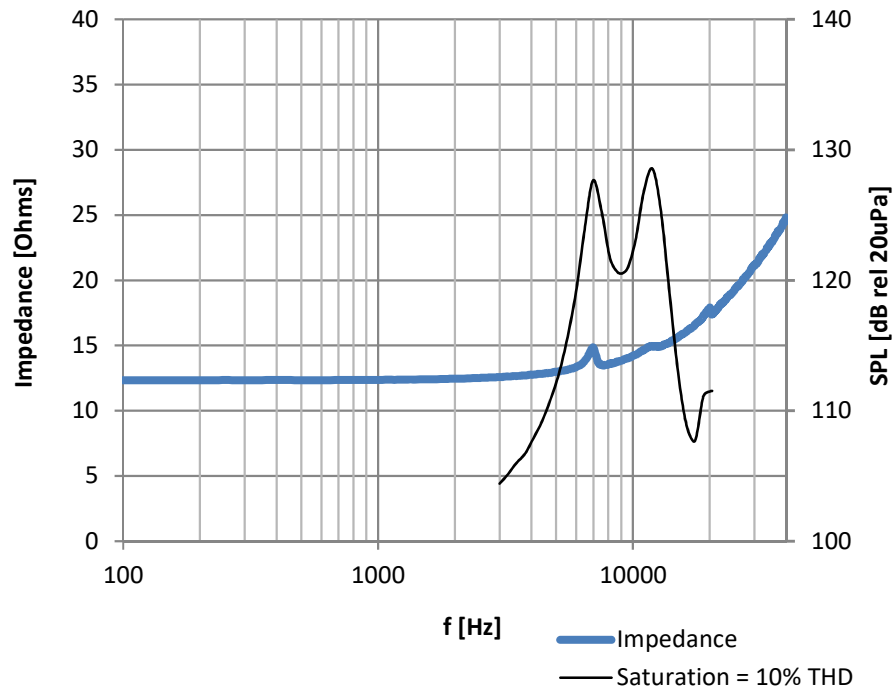


Balanced Armature Driver

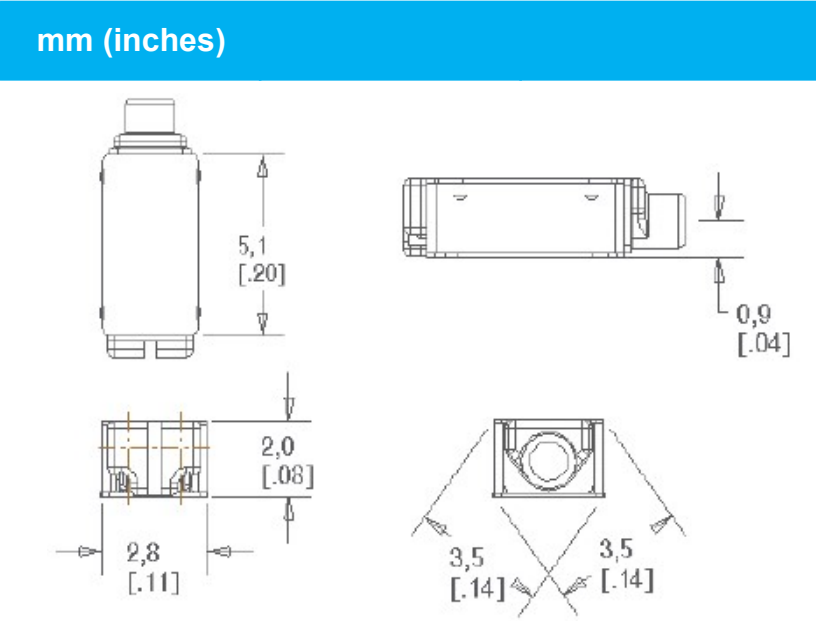
RAU-34832-B148

Balanced Armature Supertweeter

Impedance and Saturation SPL



Outline Drawing



Notes

- Ask about custom assembly options (lead wires, customer-specified materials, etc.)
- To prevent heat damage, follow soldering guidelines in application note AN13 (knowles.com)
- Measurement data for reference only. Refer to model specification for full dimensions and performance.