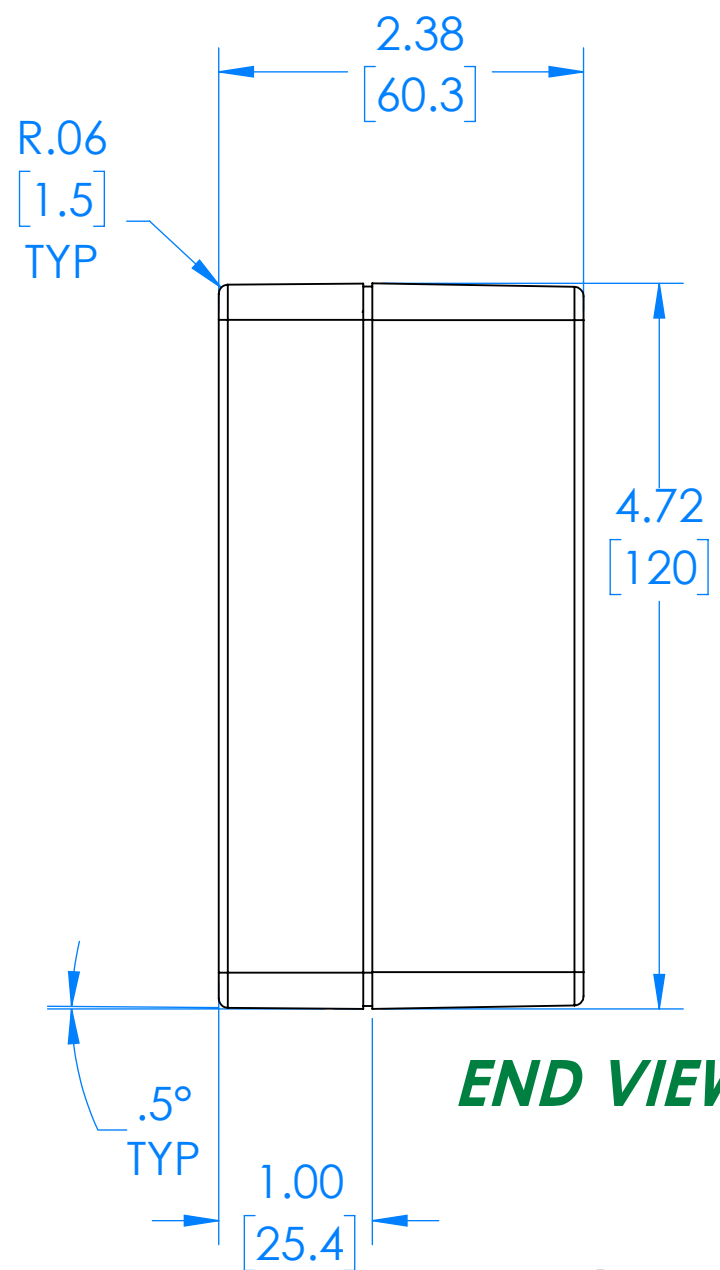
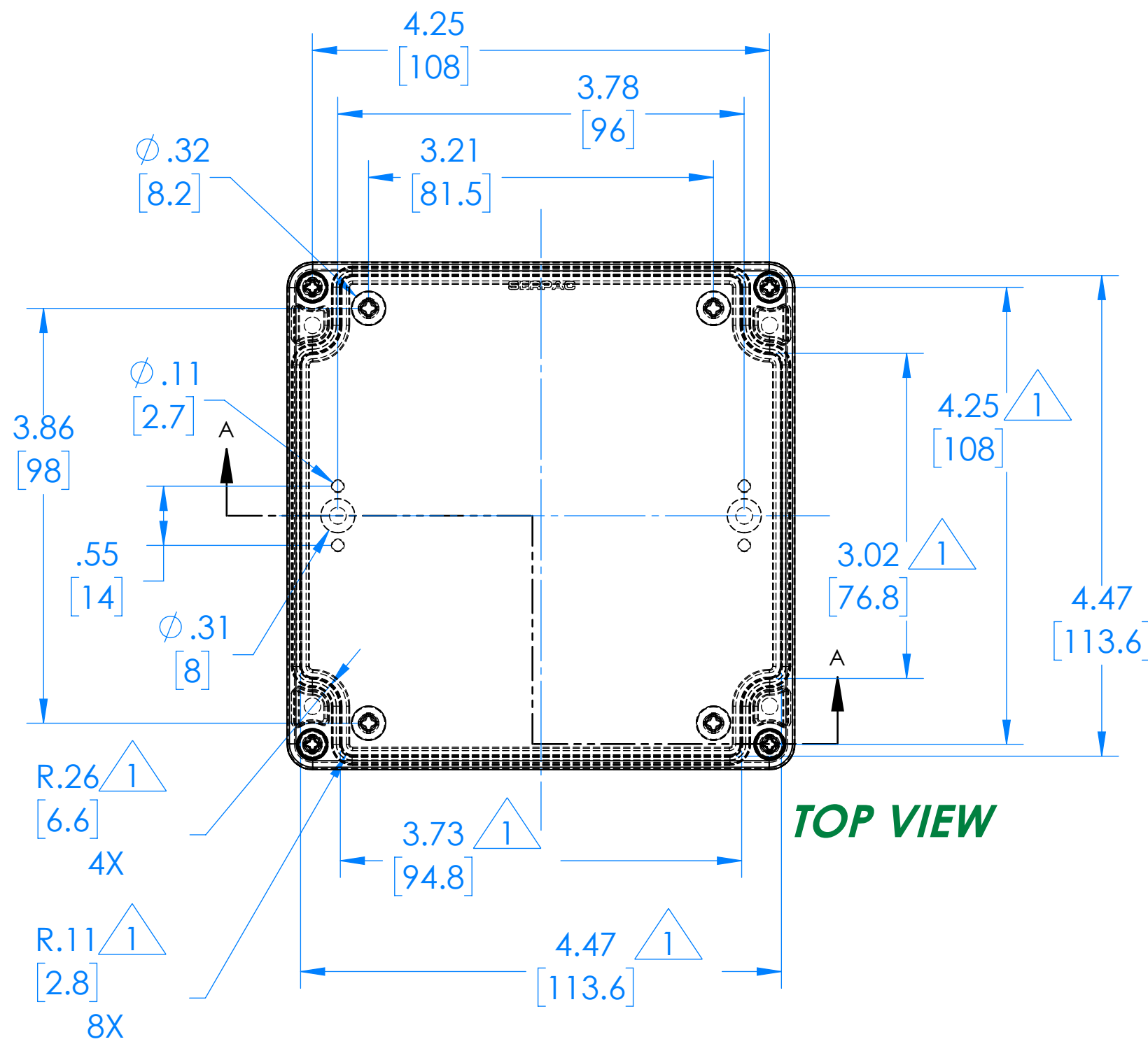


# SERPAC RB55X14Y10Y 2

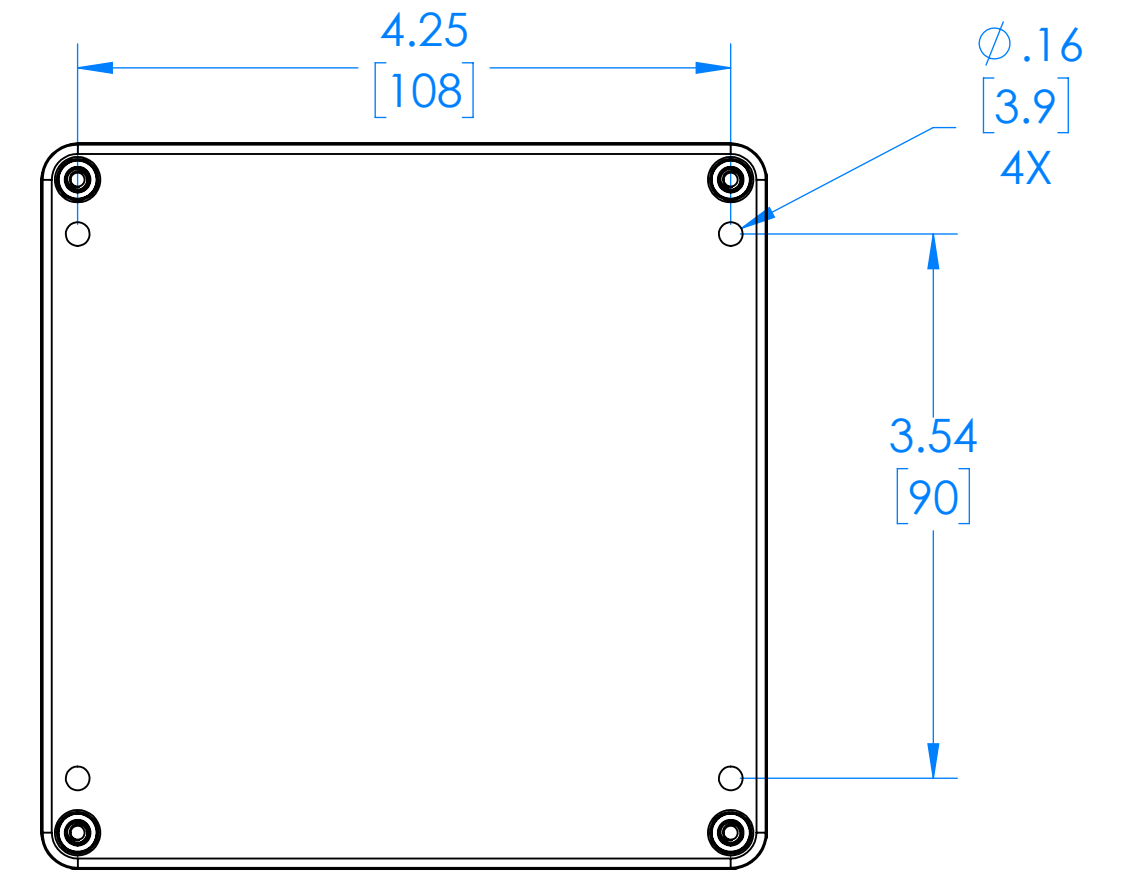
Electronic Enclosures



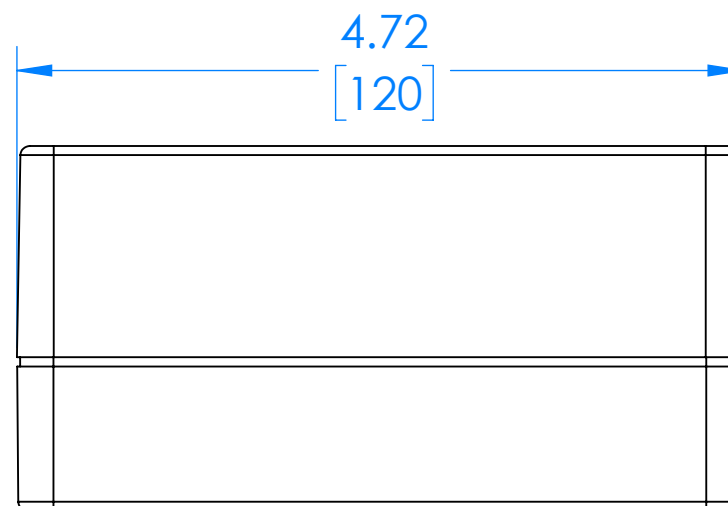
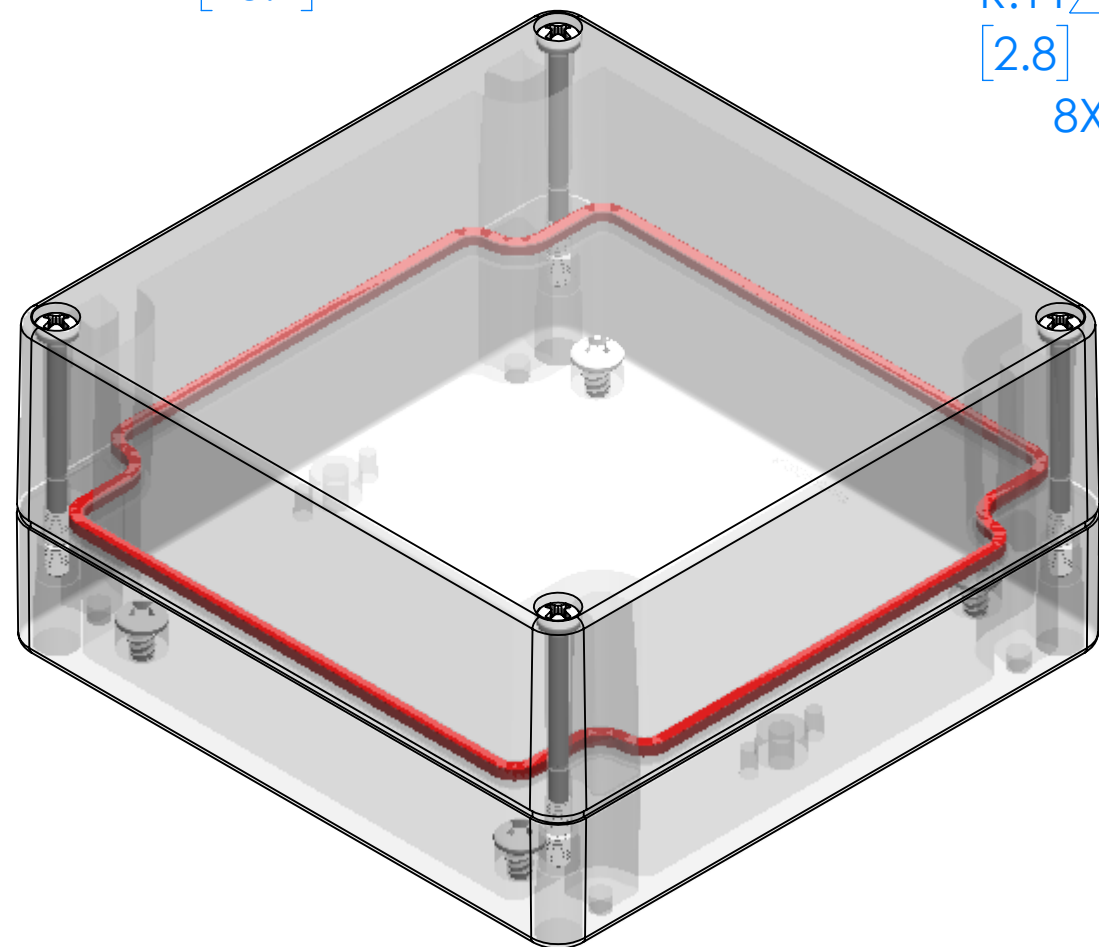
**END VIEW**



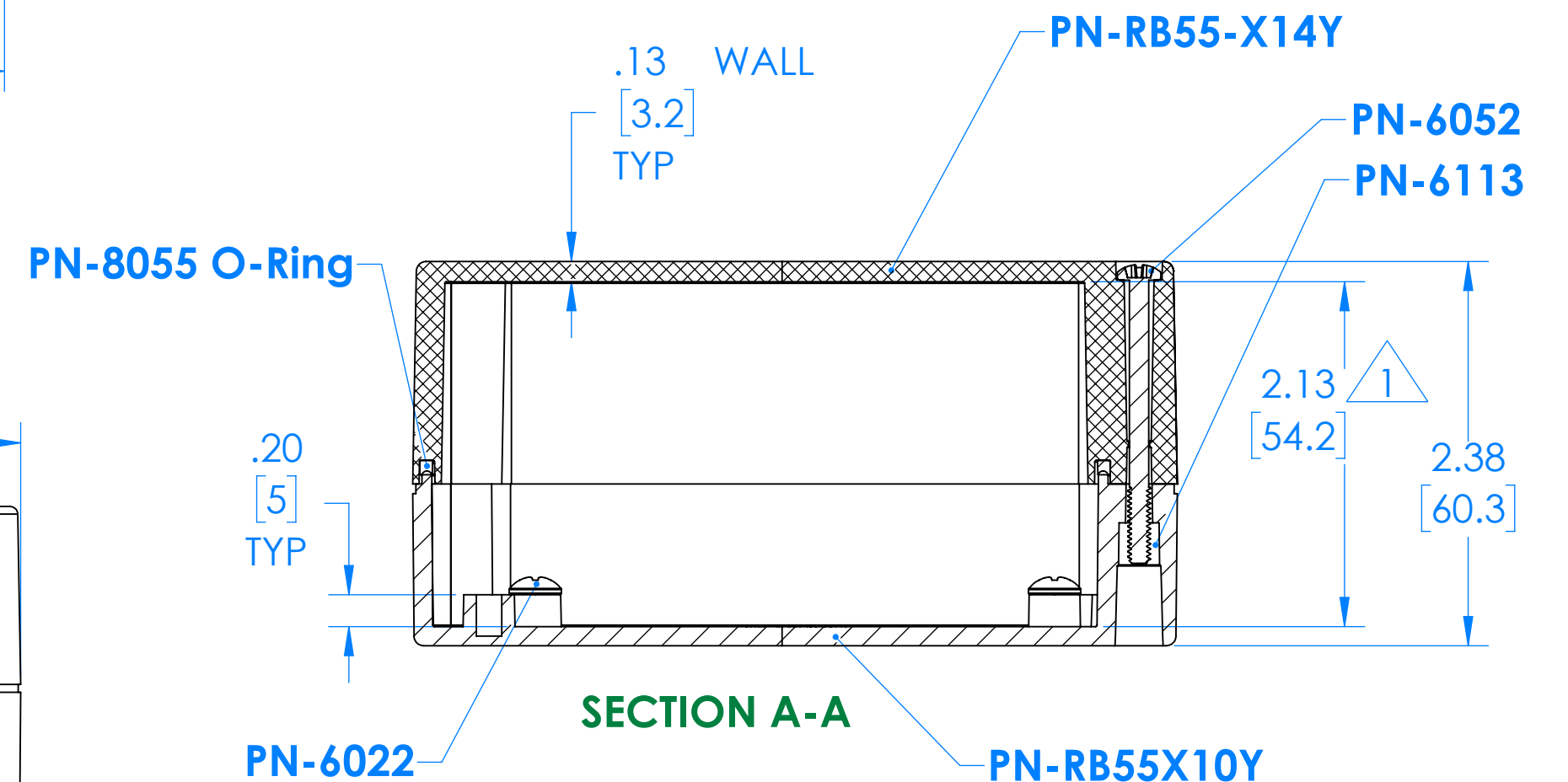
**TOP VIEW**



**BOTTOM VIEW**



**SIDE VIEW**



**SECTION A-A**

**RB55X14C16C 2**  
(Part shown, no material (X) specified)

PN	Description
RB55-X14Y	(1) RB55X14Y, Top
RB55X10Y	(1) RB55X10Y, Bottom
8055	(1) RB55 O-Ring
6052	(4) #6-32 Combo Hd captive Screw
6022	(4) #10 High/Low Pan Hd x 1/4"
6113	(4) #6-32 Threaded Insert

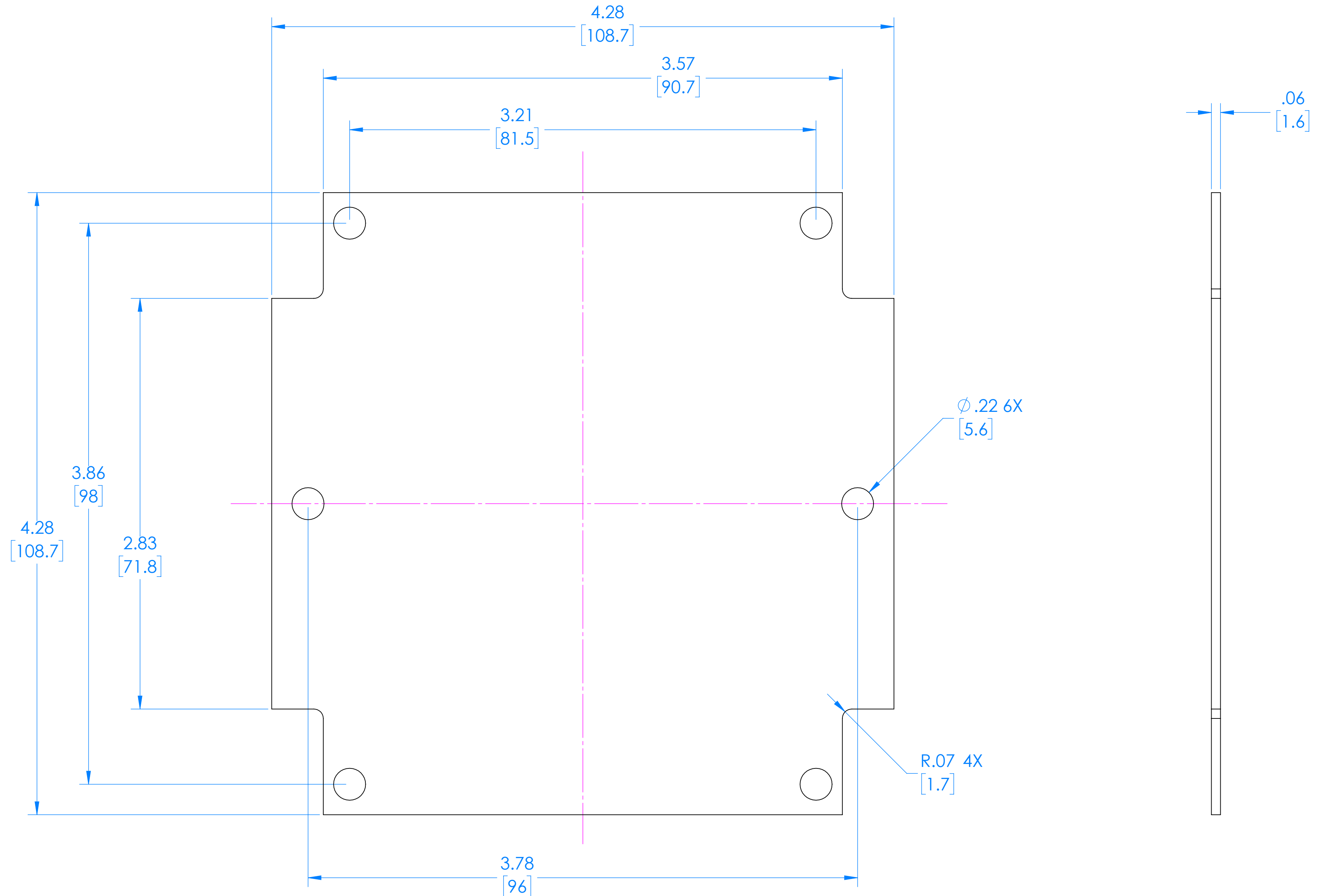
- 1 =INTERIOR DIMENSIONS (@ BOTTOM)
- 2 =STANDARD COLORS (Y) ARE: BLACK (B), CLEAR (C) AND GRAY (G)  
TOPS AND BOTTOMS ALL POSSIBLE COMBINATIONS AVAILABLE  
STANDARD MATERIALS (X) IS: POLYCARBONATE (P)

-Watertight enclosure meets or exceed Nema 4 and or IP67.

Dimensions represent Polycarbonate material.  
Dim's in Inch  
[ mm]

ALL DIMENSIONS ARE  $\pm .010''$  8/04/2021  
2009 Wright Street, La Verne, Ca. 91750  
Ph. (626) 331-0517 Fx. (626) 331-8584 serpac.com

# RB55 Circuit Board (Fits all Parts starting with RB55)



(REFERENCE ONLY)