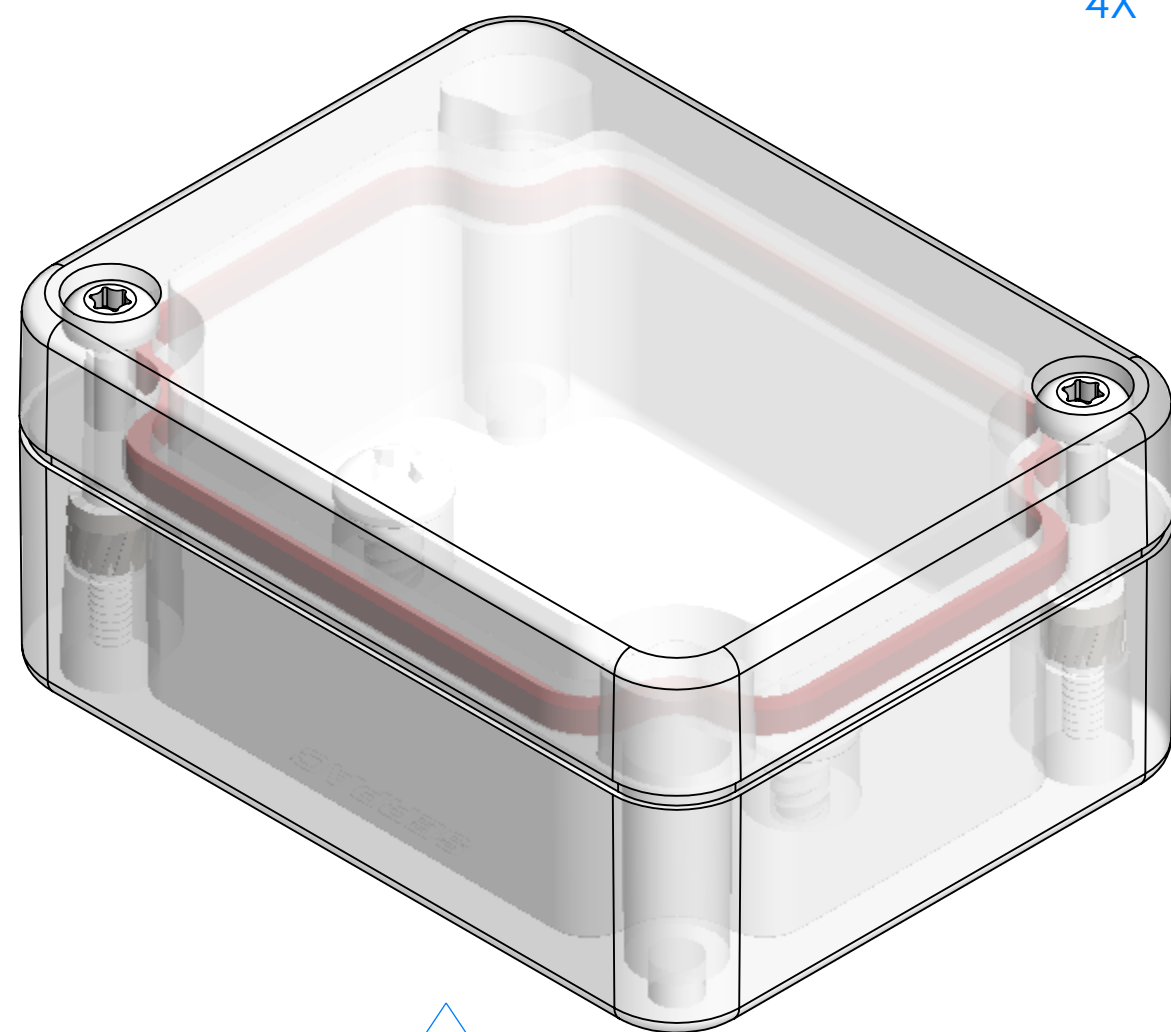
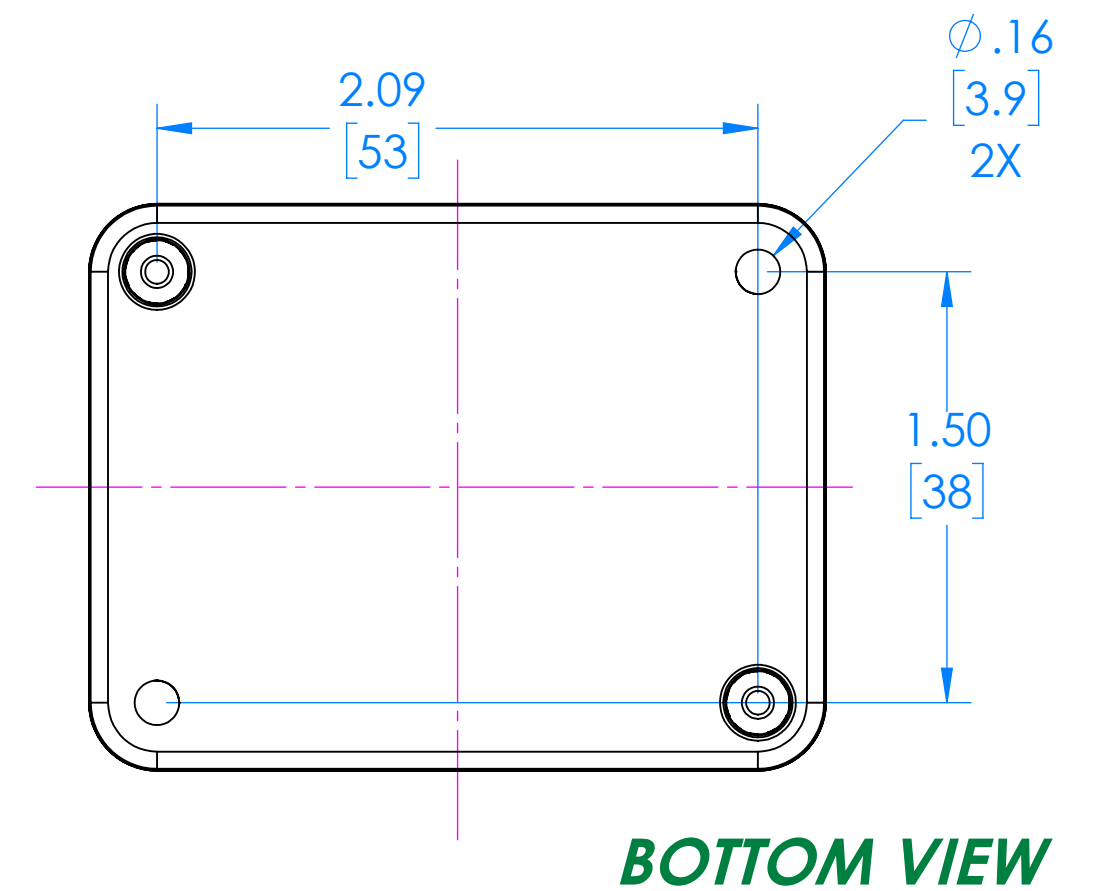
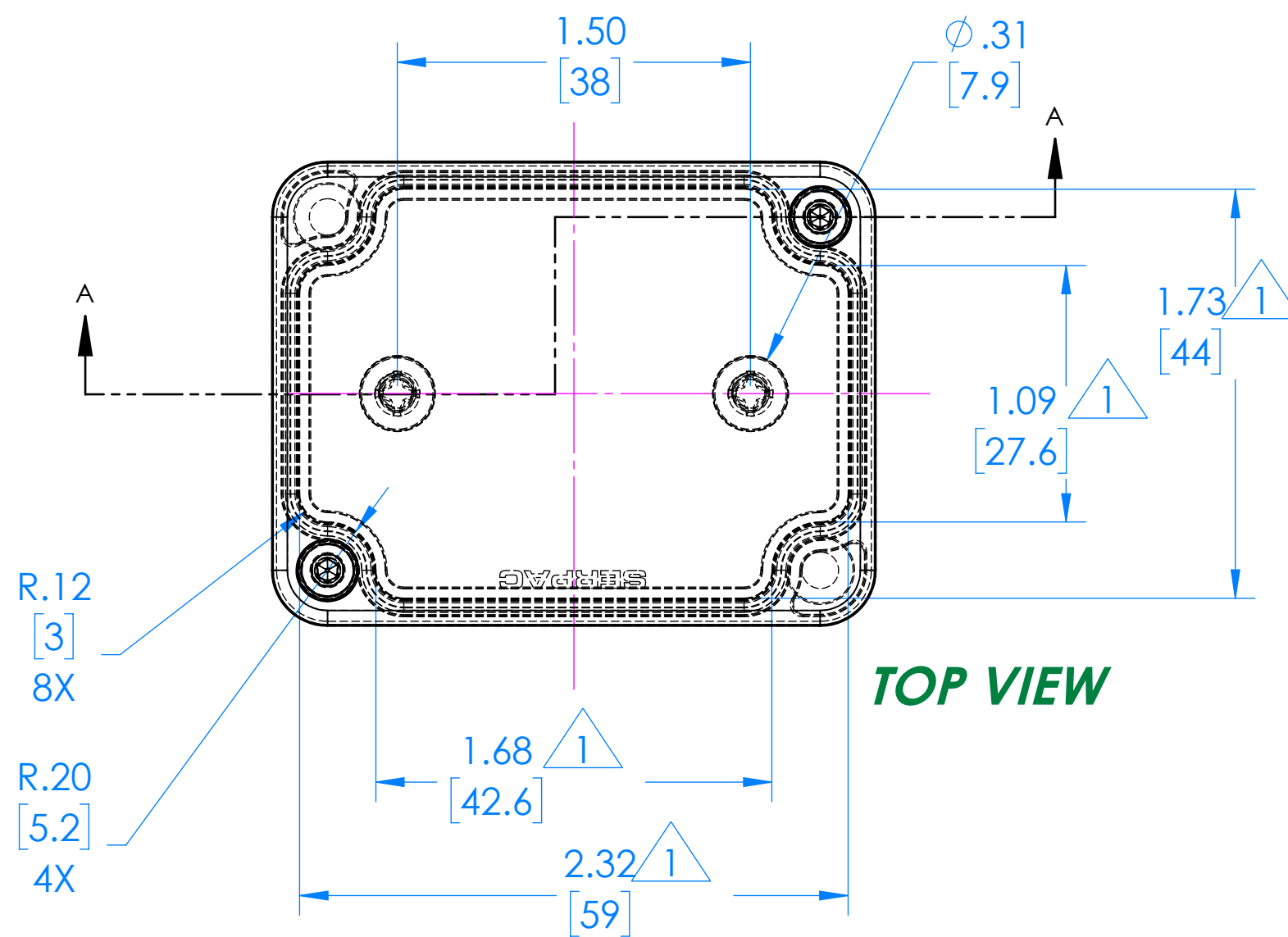
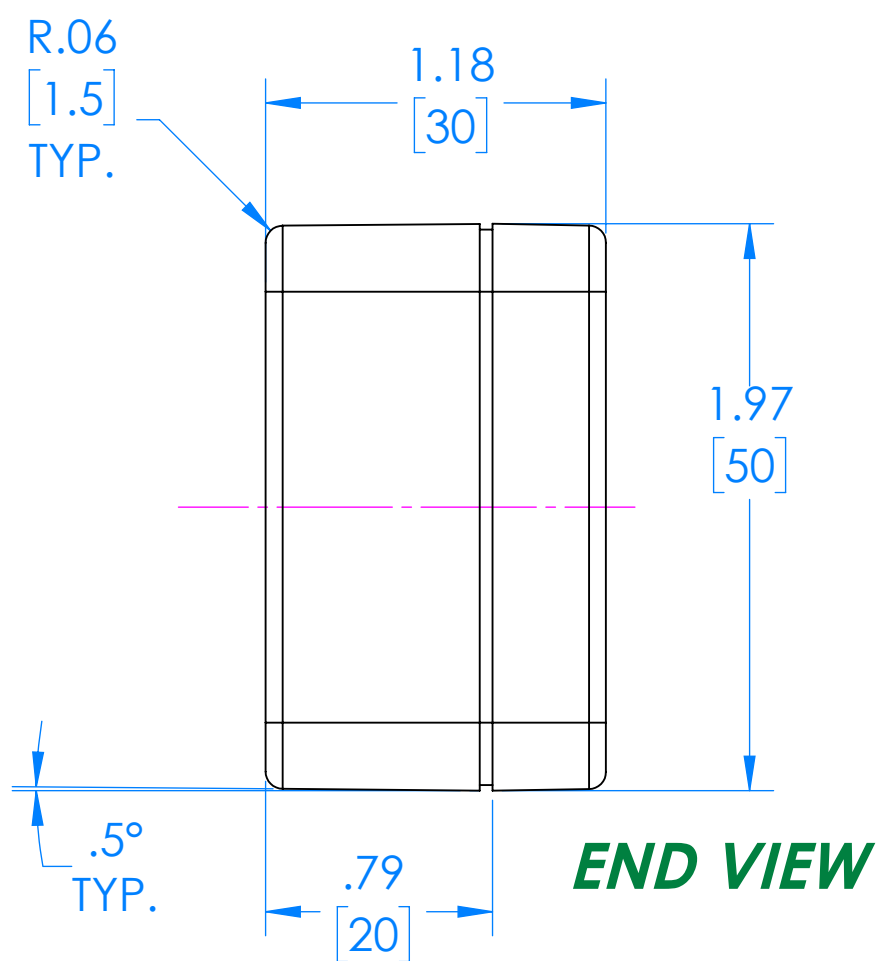
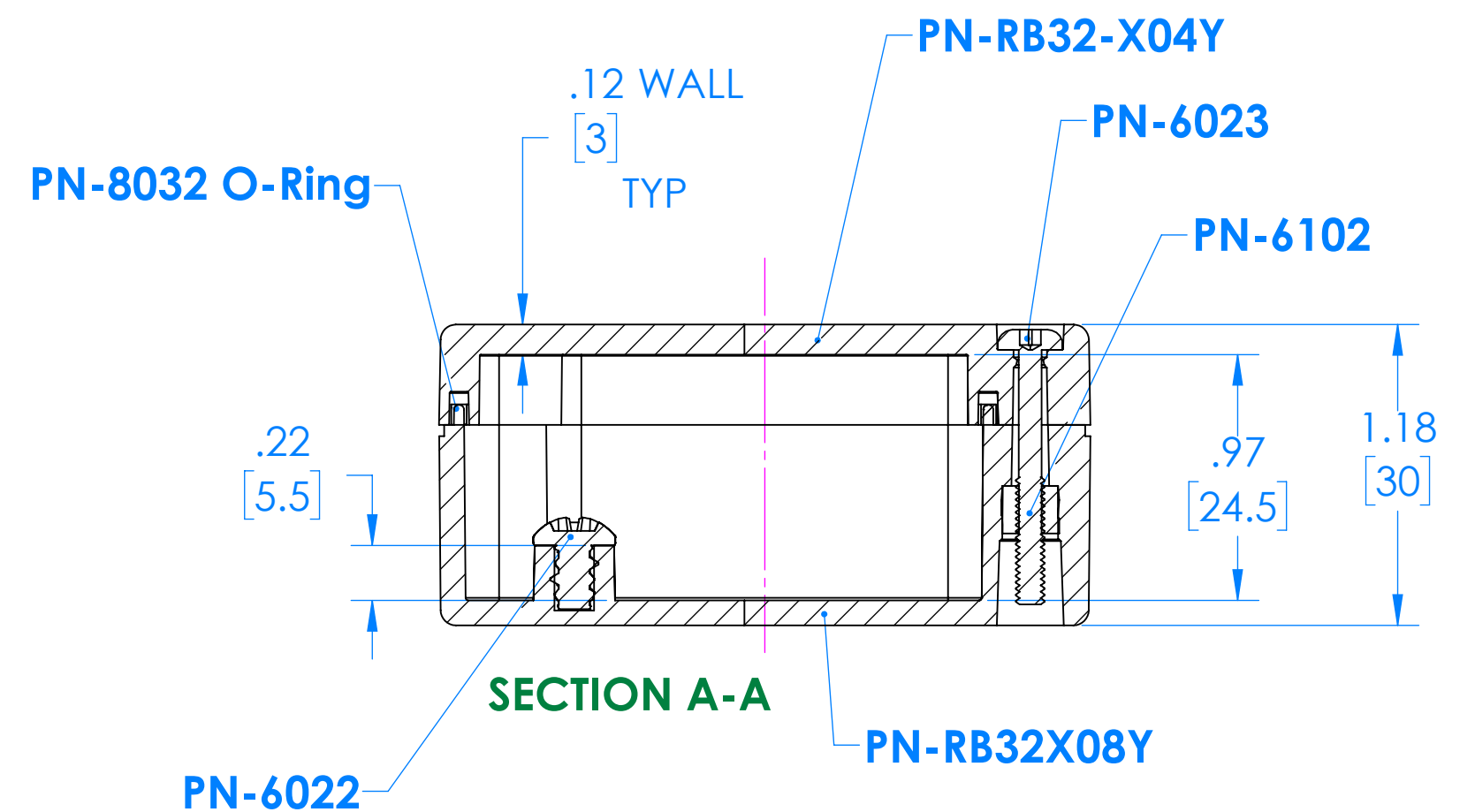
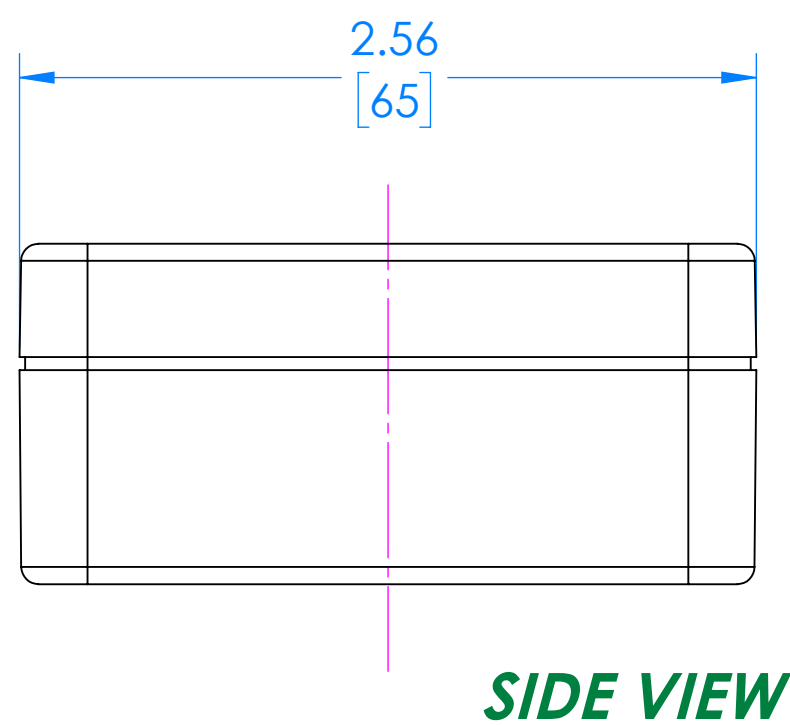


SERPAC RB32X04Y08Y 2

Electronic Enclosures



RB32X04C08C 2
(Part shown, no material (X) specified)



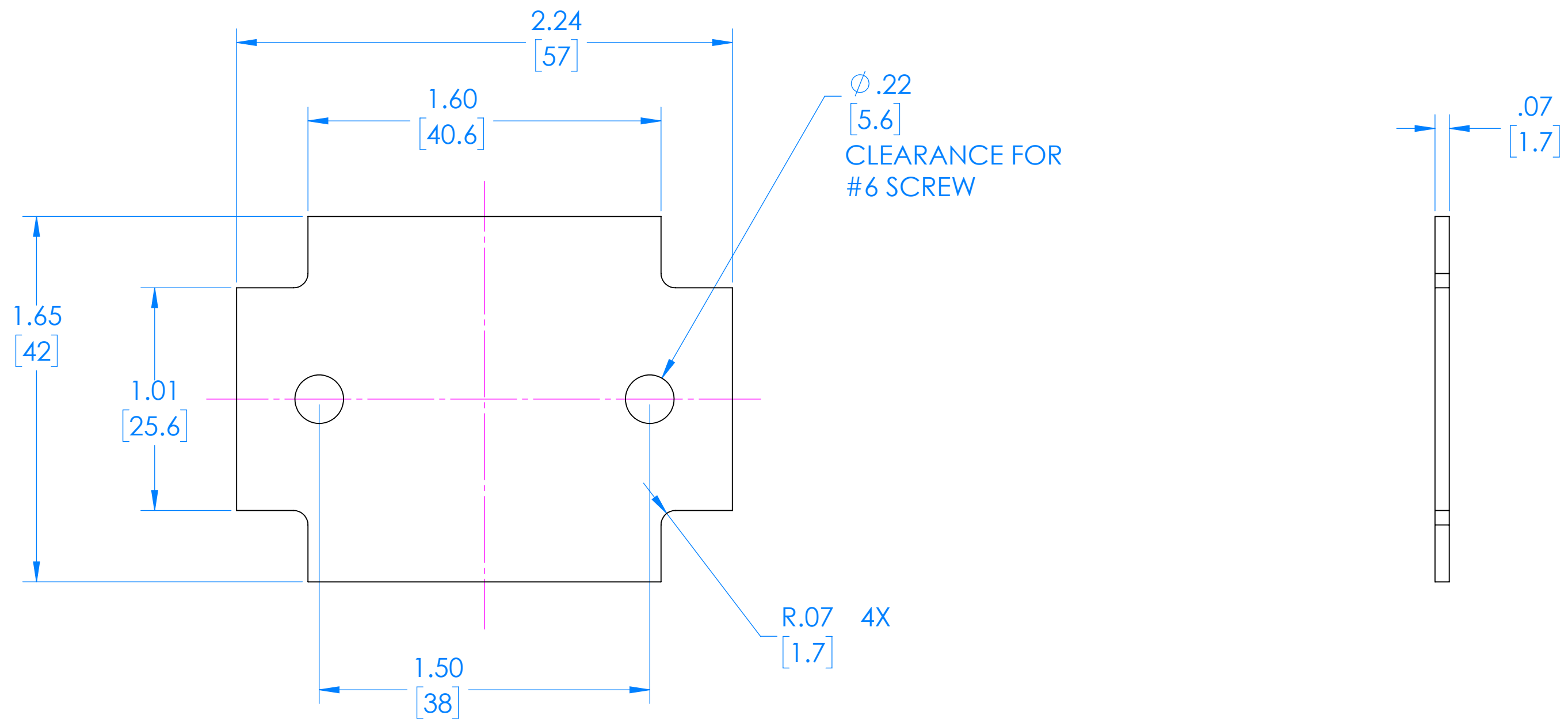
PN	Description
RB32-X04Y	(1) RB32-X04Y, Top
RB32X08Y	(1) RB32X08Y, Bottom
8032	(1) RB32 O-Ring
6023	(4) #4-40 Torx 10 Hd Screw
6022	(4) #10 High/Low Pan Hd x 1/4"
6102	(4) #4-40 Threaded Insert

- 1 =INTERIOR DIMENSIONS (@ BOTTOM)
- 2 =STANDARD COLORS (Y) ARE: BLACK (B), CLEAR (C) AND GRAY (G)
TOPS AND BOTTOMS ALL POSSIBLE COMBINATIONS AVAILABLE
STANDARD MATERIALS (X) IS: POLYCARBONATE (P)

-Watertight enclosure meets or exceed Nema 4 and or IP67.

DIMENSIONS in Inch [mm]

RB32 Circuit Board (Fits all Parts starting with RB32)



(REFERENCE ONLY)