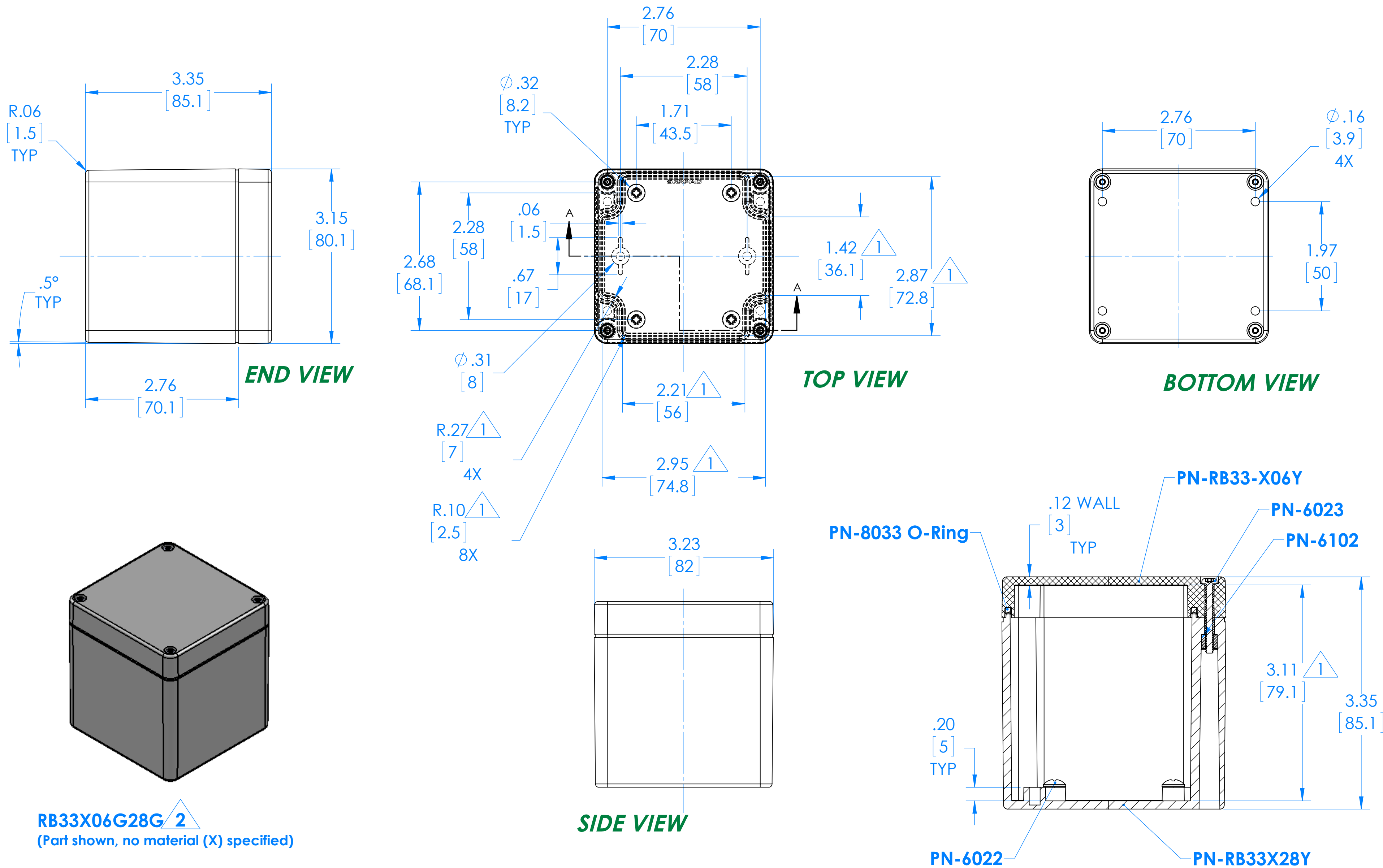


# SERPAC RB33X06Y28Y 2

Electronic Enclosures



**RB33X06G28G 2**  
 (Part shown, no material (X) specified)

| PN        | Description                    |
|-----------|--------------------------------|
| RB33-X06Y | (1) RB33-X06Y, Top             |
| RB33X28Y  | (1) RB33X28Y, Bottom           |
| 8033      | (1) RB33 O-Ring                |
| 6023      | (4) #4-40 Torx 10 Hd Screw     |
| 6022      | (4) #10 High/Low Pan Hd x 1/4" |
| 6102      | (4) #4-40 Threaded Insert      |

$\triangle$ 1 = INTERIOR DIMENSIONS (@ BOTTOM)  
 $\triangle$ 2 = STANDARD COLORS (Y) ARE: BLACK (B), CLEAR (C) AND GRAY (G)  
 TOPS AND BOTTOMS ALL POSSIBLE COMBINATIONS AVAILABLE  
 STANDARD MATERIALS (X) ARE: POLYCARBONATE (P) AND ABS (A)

-Watertight enclosure meets or exceed Nema 4 and or IP67.

DIMENSIONS in Inch [mm]