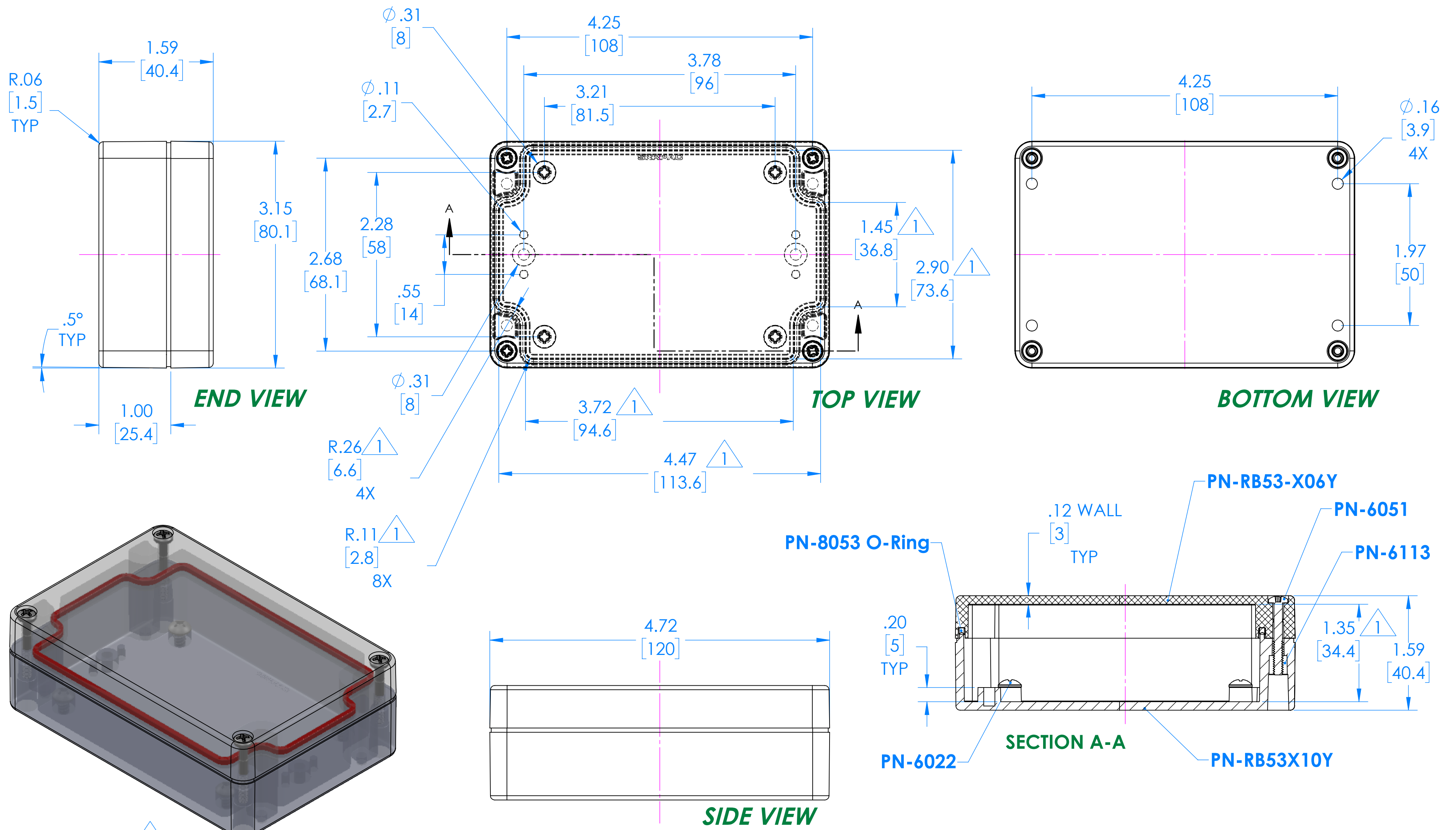


SERPAC RB53X06Y10Y 2

Electronic Enclosures



RB53X06C10C 2
 (Part shown, no material (X) specified)

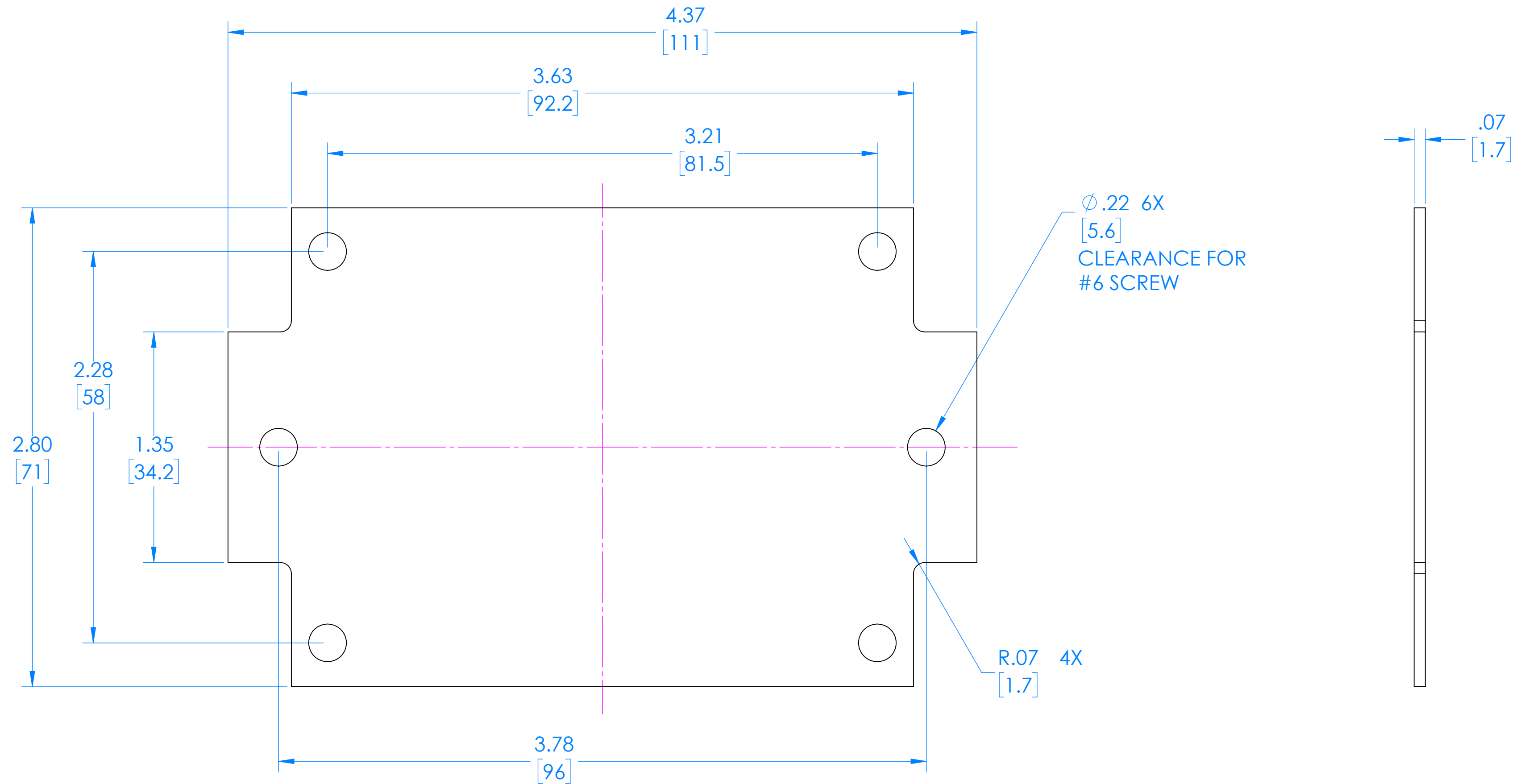
PN	Description
RB53-X06Y	(1) RB53 06, Top
RB53X10Y	(1) RB53 10, Bottom
8053	(1) RB53 O-Ring
6051	(4) #6-32 SS Combo Hd captive Screw
6022	(4) #10 High/Low Pan Hd x 1/4"
6113	(4) #6-32 SS Threaded Insert

- 1 =INTERIOR DIMENSIONS (@ BOTTOM)
- 2 =STANDARD COLORS (Y) ARE: BLACK (B), CLEAR (C) AND GRAY (G)
 TOPS AND BOTTOMS ALL POSSIBLE COMBINATIONS AVAILABLE
 STANDARD MATERIALS (X) ARE: POLYCARBONATE (P) AND ABS (A)

-Watertight enclosure meets or exceed Nema 4 and or IP67.

DIMENSIONS in Inch [mm]

RB53 Circuit Board (Fits all Parts starting with RB53)



(REFERENCE ONLY)