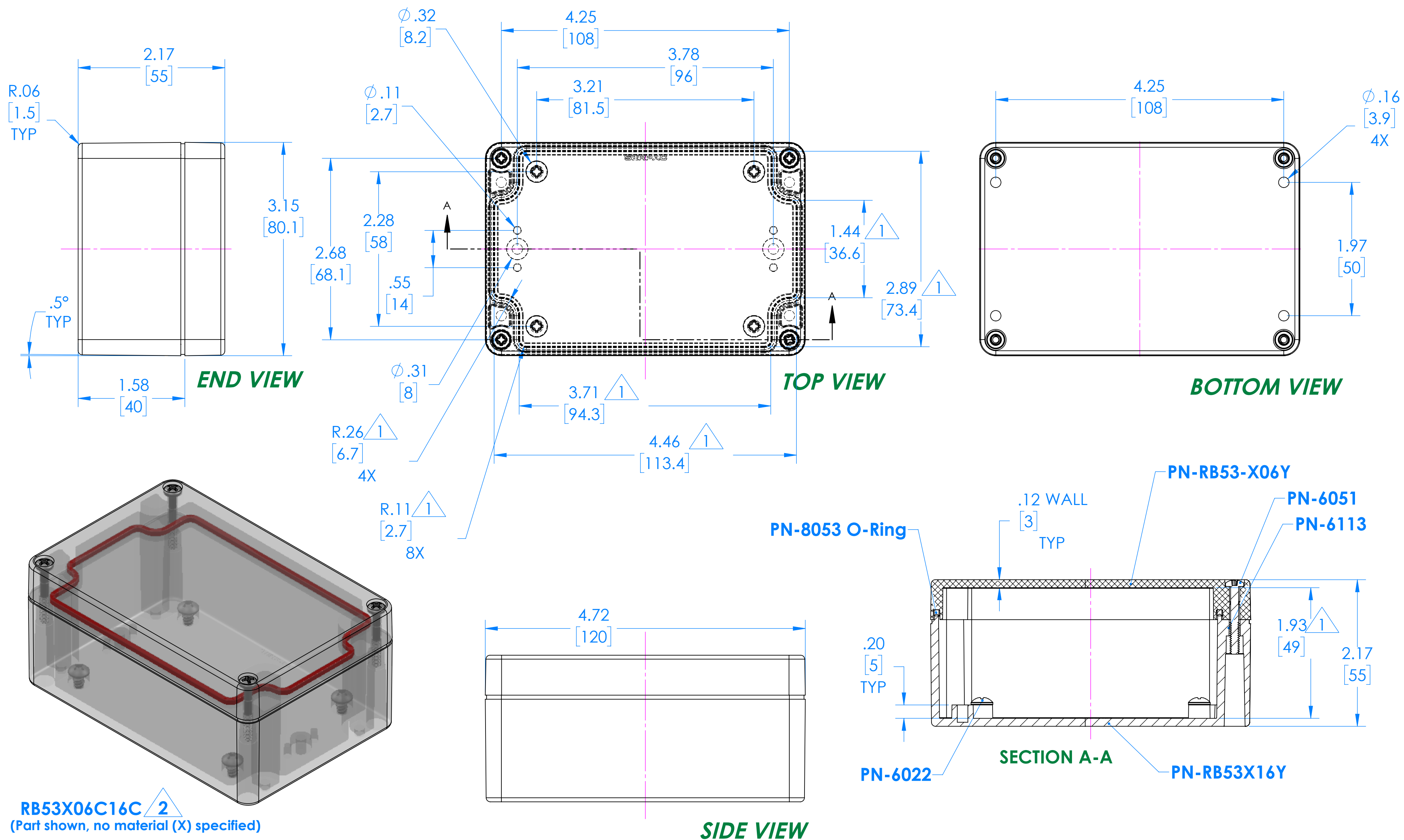


SERPAC RB53X06Y16Y 2

Electronic Enclosures



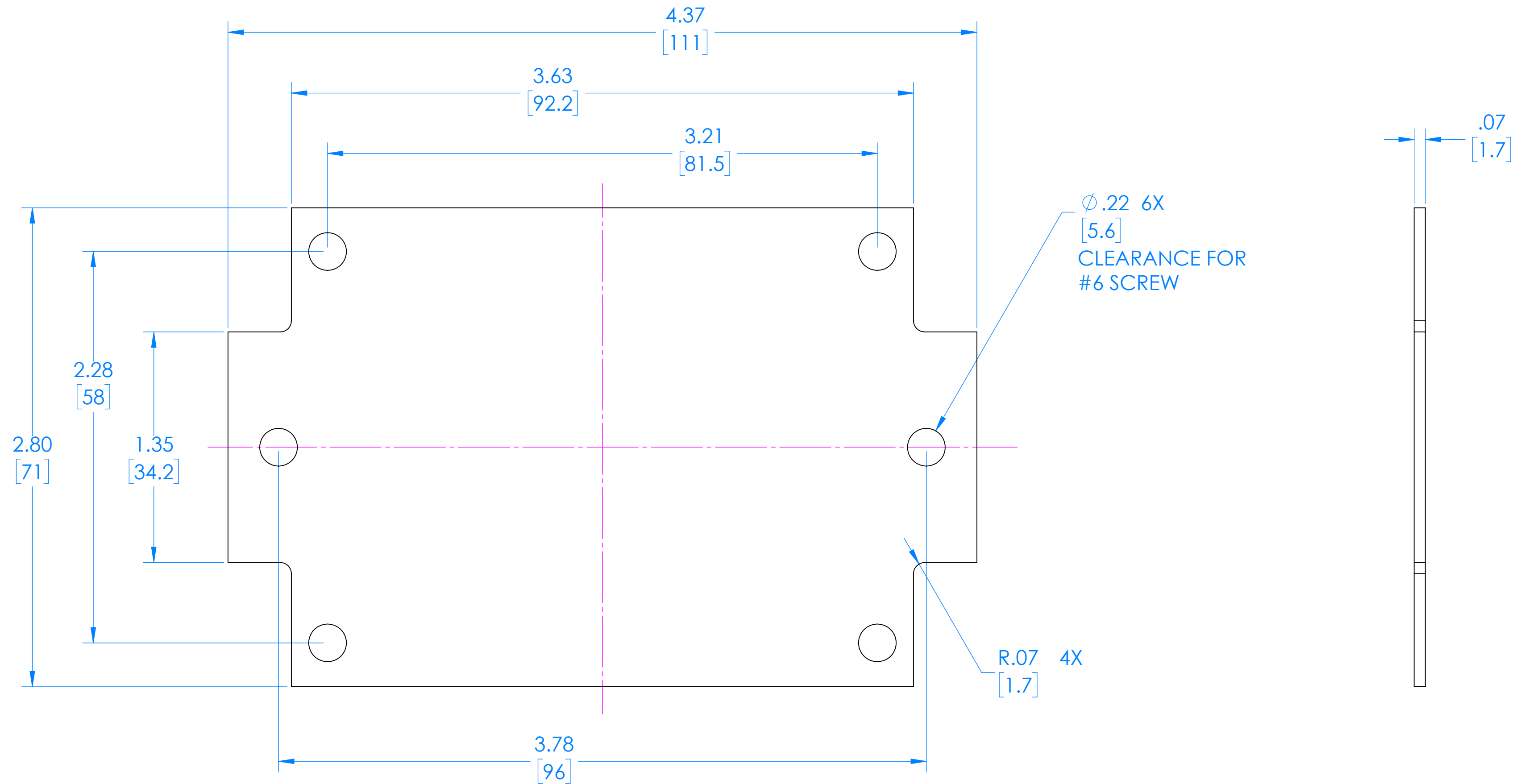
PN	Description
RB53-X06Y	(1) RB53 06, Top
RB53X16Y	(1) RB53 16, Bottom
8053	(1) RB53 O-Ring
6051	(4) #6-32 Combo Hd captive Screw
6022	(4) #10 High/Low Pan Hd x 1/4"
6113	(4) #6-32 SS Threaded Insert

1 = INTERIOR DIMENSIONS (@ BOTTOM)
2 = STANDARD COLORS (Y) ARE: BLACK (B), CLEAR (C) AND GRAY (G)
 TOPS AND BOTTOMS ALL POSSIBLE COMBINATIONS AVAILABLE
 STANDARD MATERIALS (X) IS: POLYCARBONATE (P)

-Watertight enclosure meets or exceed Nema 4 and or IP67.

DIMENSIONS in Inch [mm]

RB53 Circuit Board (Fits all Parts starting with RB53)



(REFERENCE ONLY)