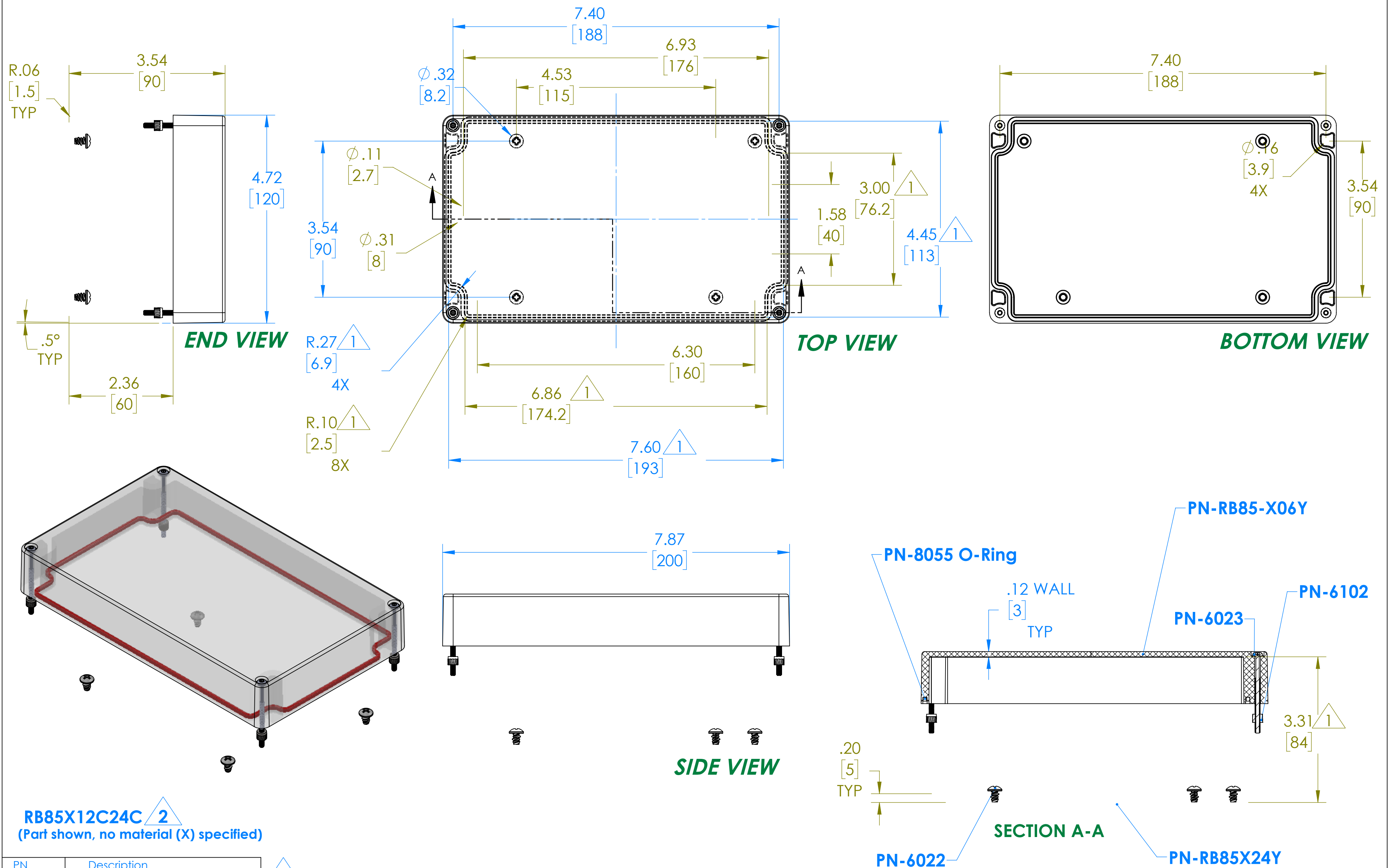


SERPAC RB85X12Y24Y

Electronic Enclosures

2



RB85X12C24C 2
 (Part shown, no material (X) specified)

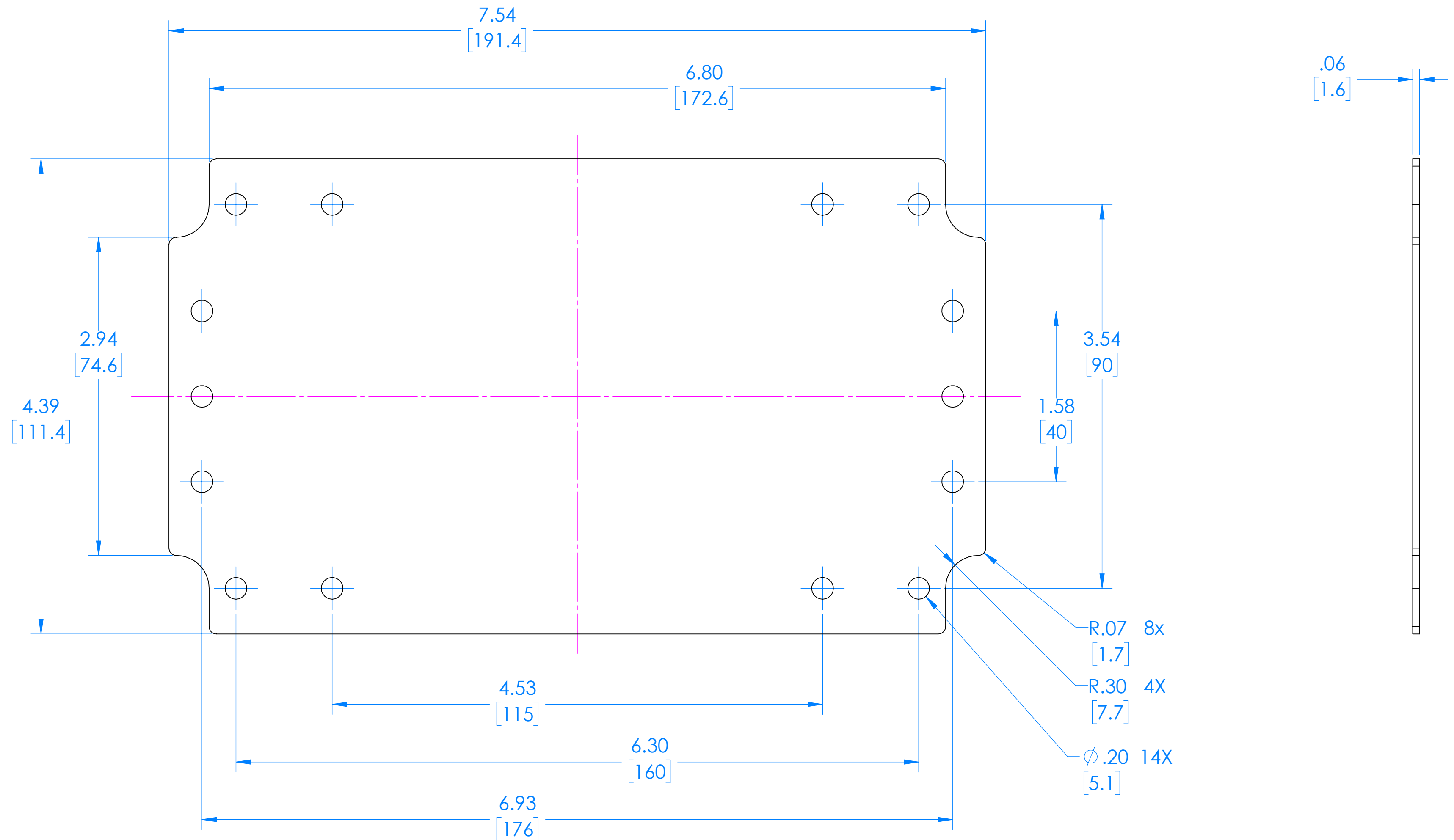
PN	Description
RB85-X12Y	(1) RB85-X12Y, Top
RB85X24Y	(1) RB85X24Y, Bottom
8085	(1) RB85 O-Ring
6032	(4) #4-40 X 1 3/4" Torx 10 Hd Screw
6022	(4) #10 High/Low Pan Hd x 1/4"
6102	(4) #4-40 Threaded Insert

1 = INTERIOR DIMENSIONS (@ BOTTOM)
 2 = STANDARD COLORS (Y) ARE: BLACK (B), CLEAR (C) AND GRAY (G)
 TOPS AND BOTTOMS ALL POSSIBLE COMBINATIONS AVAILABLE
 STANDARD MATERIALS (X) IS: POLYCARBONATE (P)

-Watertight enclosure meets or exceed Nema 4 and or IP67.

DIMENSIONS in Inch [mm]

RB85 Circuit Board (Fits all Parts starting with RB85)



(REFERENCE ONLY)