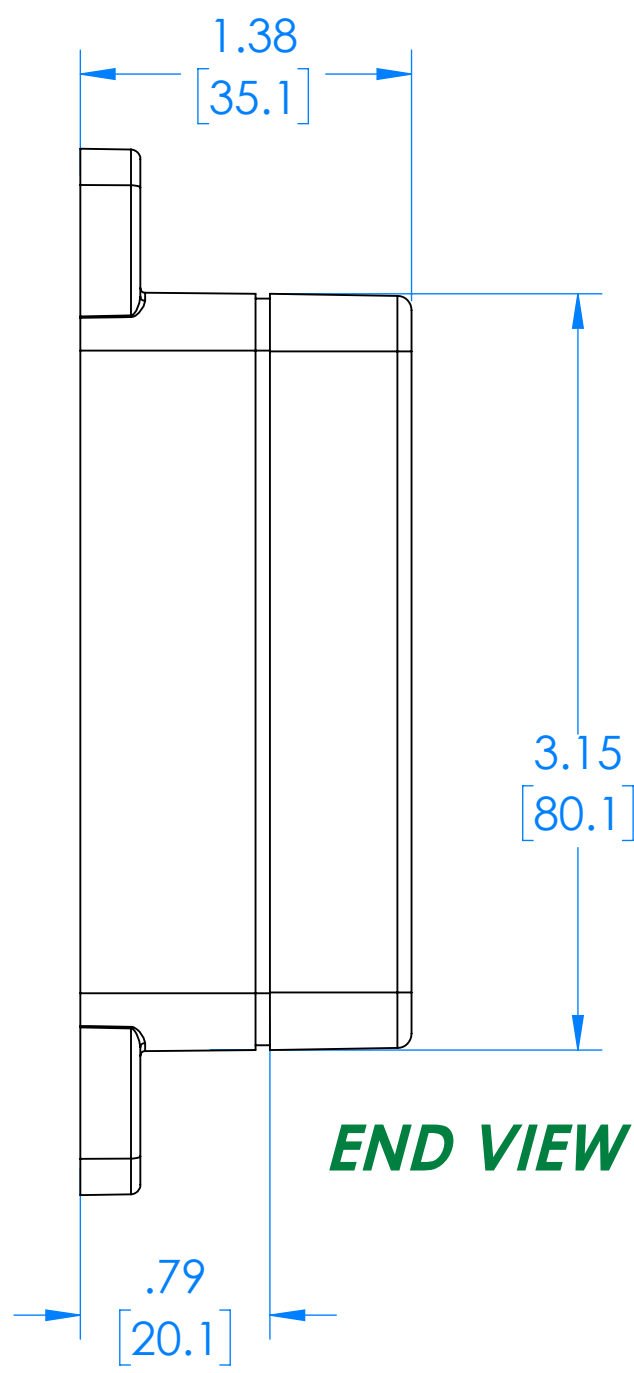


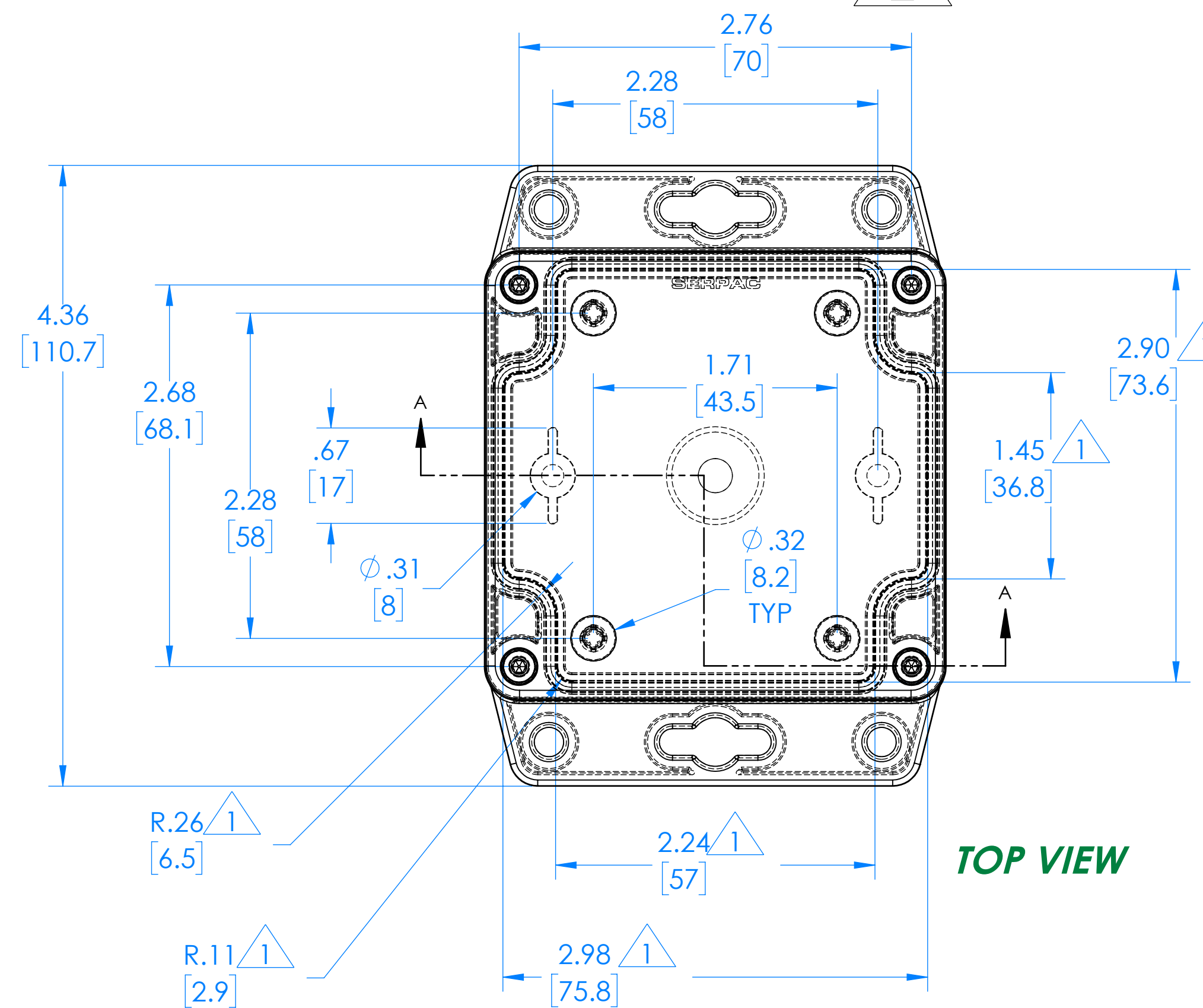
SERPAC RBF33X06Y08Y

Electronic Enclosures

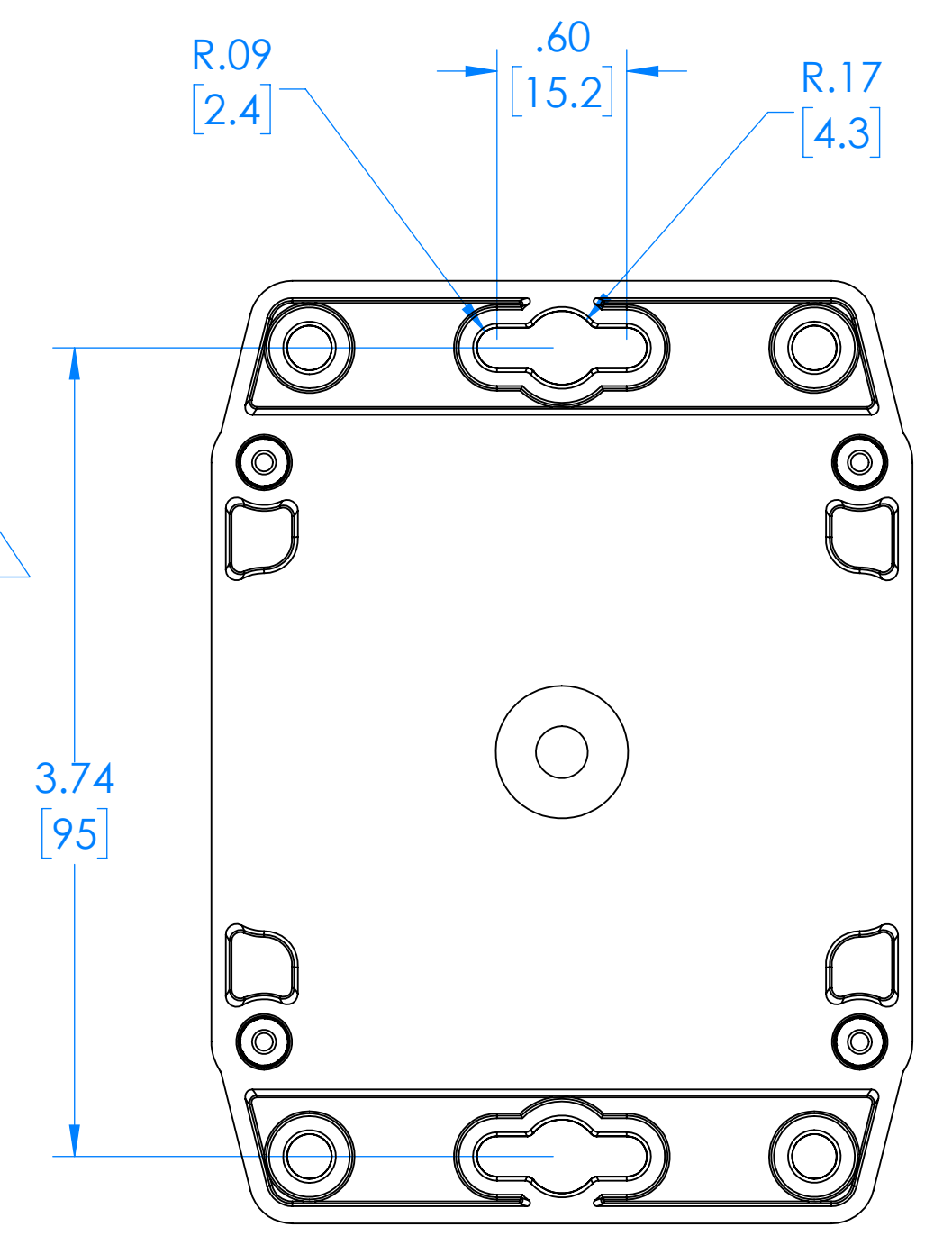
2



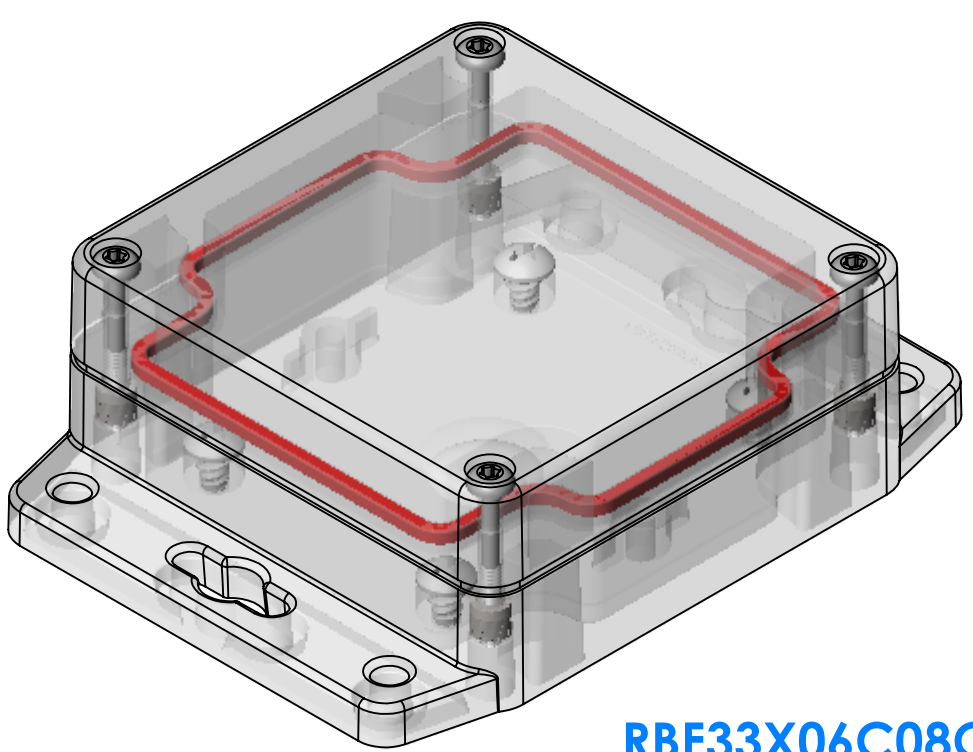
END VIEW



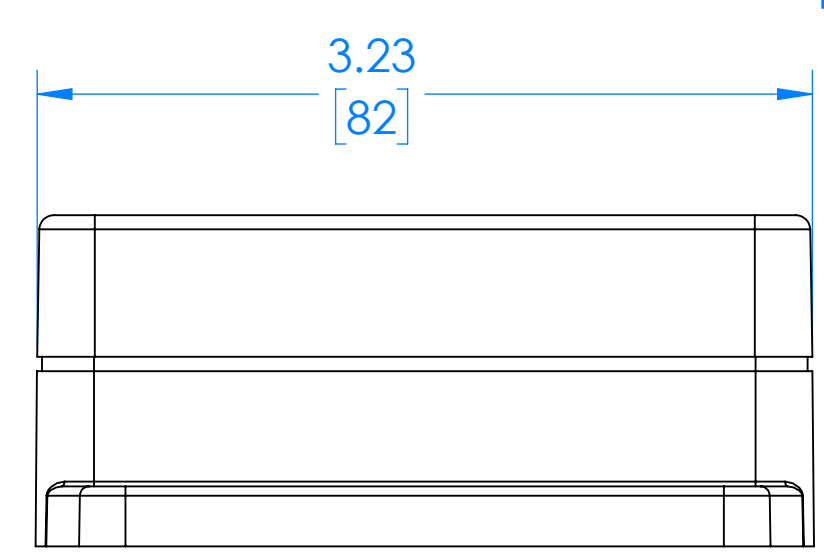
TOP VIEW



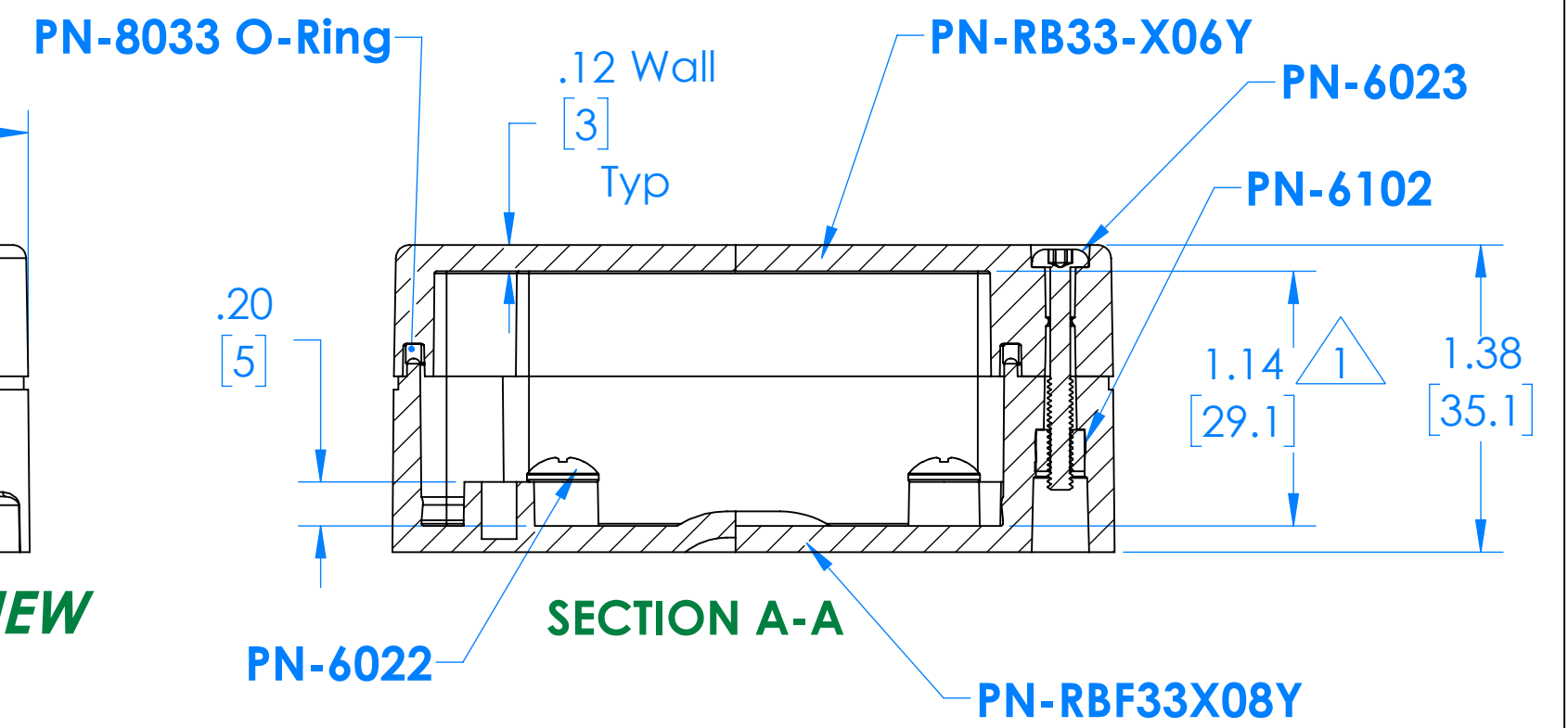
BOTTOM VIEW



RBF33X06C08C 2
(Part shown, no material (X) specified)



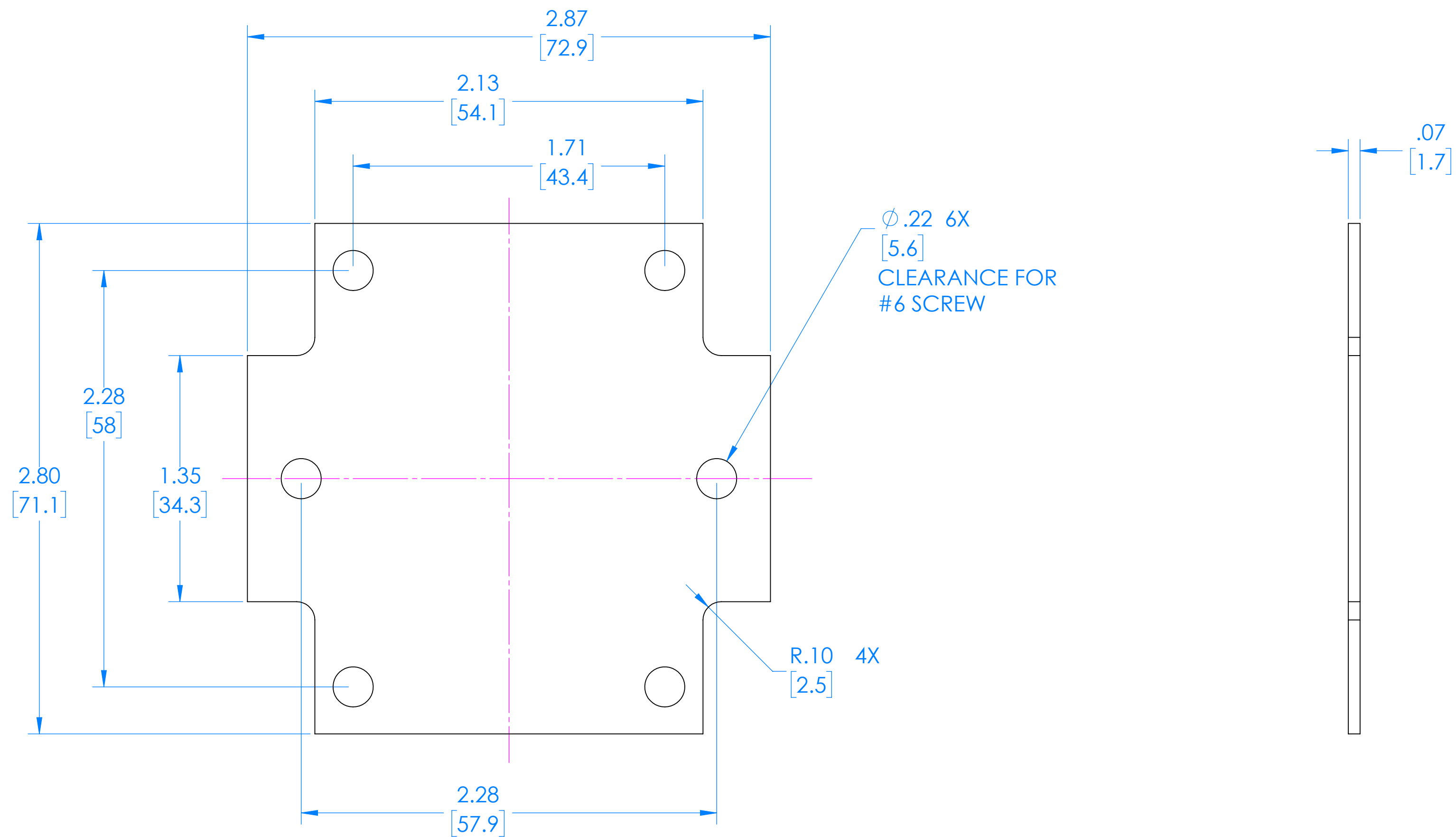
SIDE VIEW



SECTION A-A

PN	Description
RB33-X06Y	(1) RB33-X06Y, Top
RBF33X08Y	(1) RBF33X08Y, Bottom
8033	(1) RB33 O-Ring
6023	(4) #4-40 Torx 10 Hd Screw
6022	(4) #10 High/Low Pan Hd x 1/4"
6102	(4) #4-40 Threaded Insert

1 = INTERIOR DIMENSIONS (@ BOTTOM)
 2 = STANDARD COLORS (Y) ARE: BLACK (B), CLEAR (C) AND GRAY (G)
 TOPS AND BOTTOMS ALL POSSIBLE COMBINATIONS AVAILABLE
 STANDARD MATERIALS (X) IS: POLYCARBONATE (P)
 DIMENSIONS in Inch [mm]
 -Watertight enclosure meets or exceed Nema 4 and or IP67.



(REFERENCE ONLY)