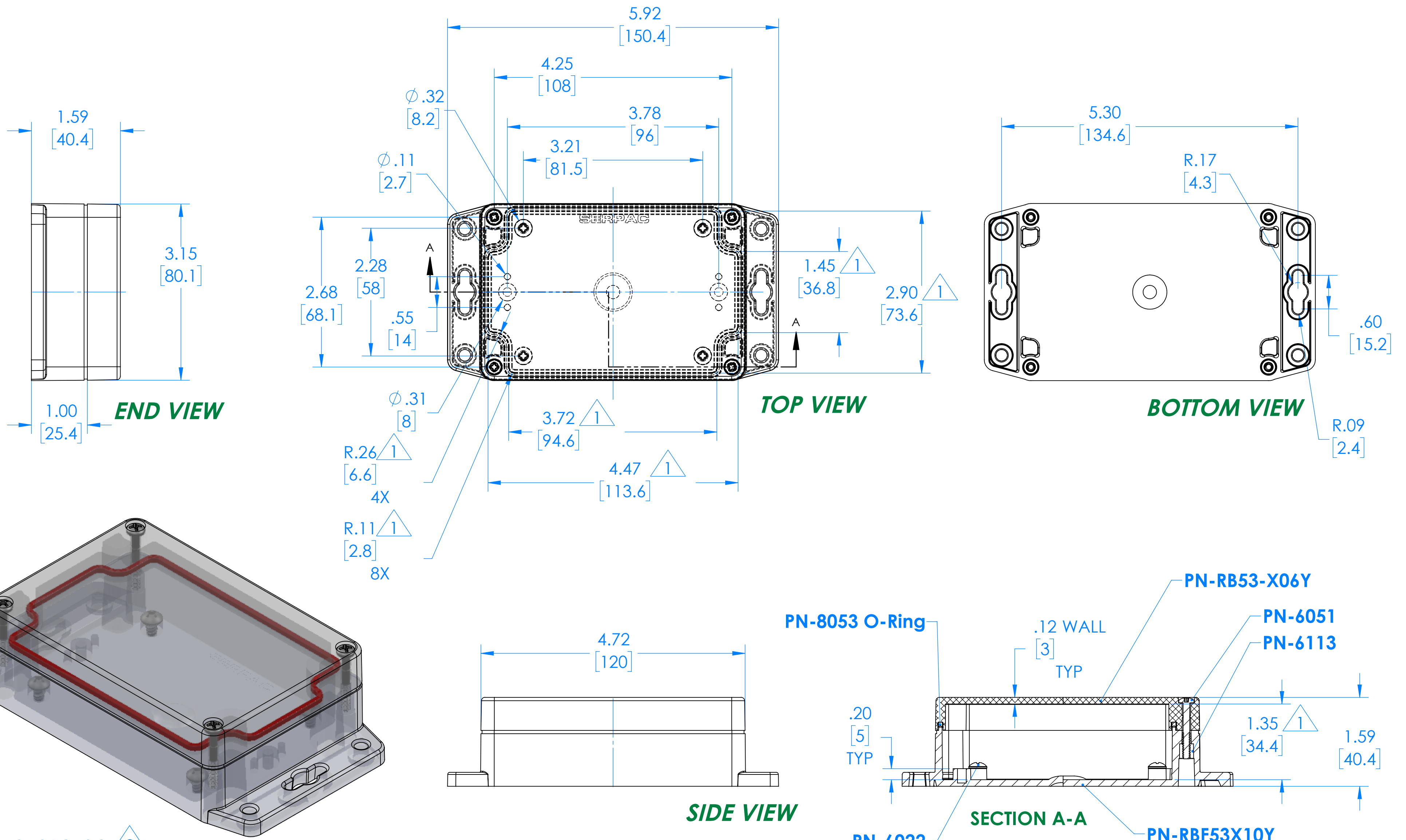


SERPAC RBF53X06Y10Y 2

Electronic Enclosures



RBF53X06C10C 2
 (Part shown, no material (X) specified)

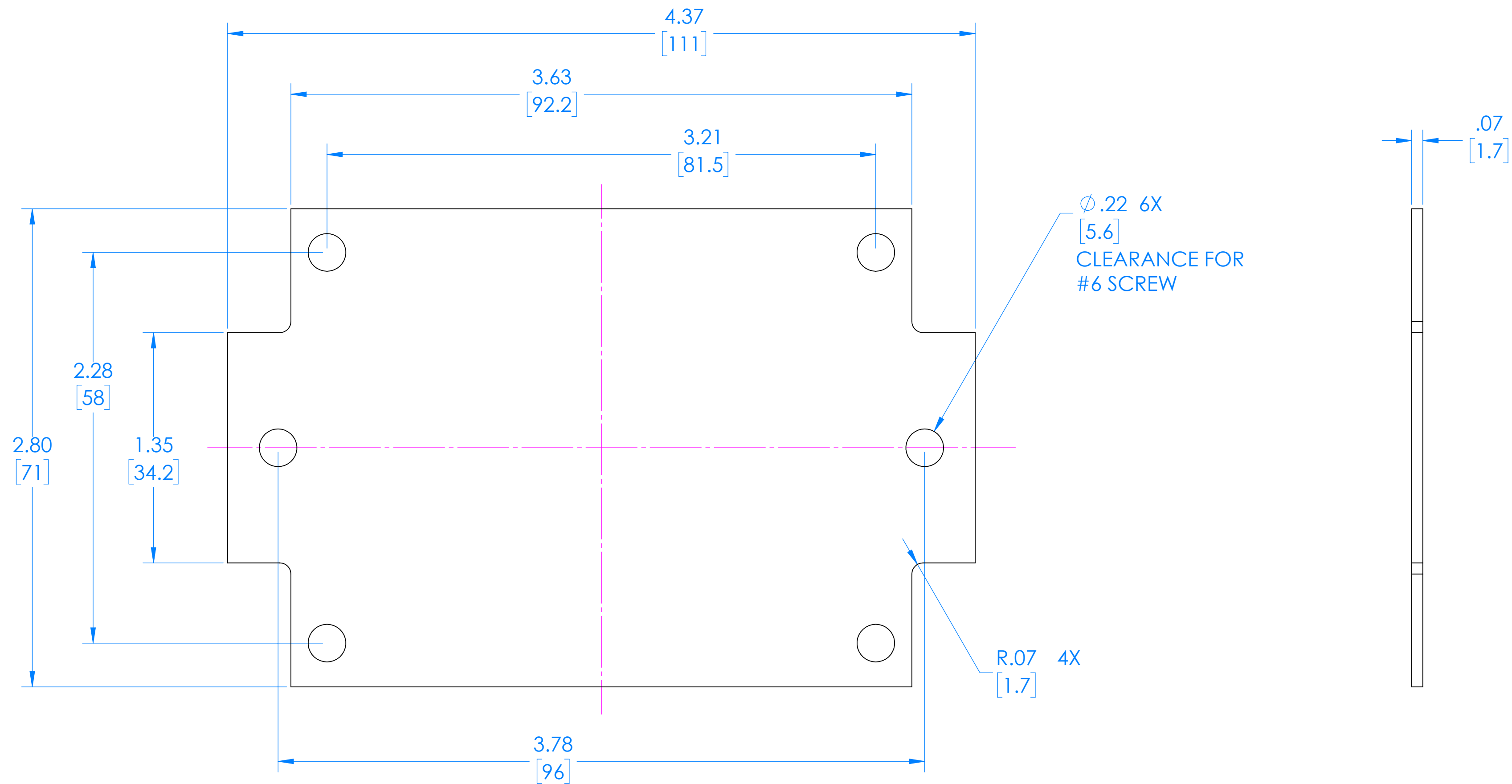
| PN | Description |
|-----------|----------------------------------|
| RB53-X06Y | (1) RB53 06, Top |
| RBF53X10Y | (1) RBF53 10, Bottom |
| 8053 | (1) RB53 O-Ring |
| 6051 | (4) #6-32 Combo Hd captive Screw |
| 6022 | (4) #10 High/Low Pan Hd x 1/4" |
| 6113 | (4) #6-32 Threaded Insert |

1 =INTERIOR DIMENSIONS (@ BOTTOM)
2 =STANDARD COLORS (Y) ARE: BLACK (B), CLEAR (C) AND GRAY (G)
 TOPS AND BOTTOMS ALL POSSIBLE COMBINATIONS AVAILABLE
 STANDARD MATERIALS (X) IS: POLYCARBONATE (P)

DIMENSIONS in Inch [mm]

-Watertight enclosure meets or exceed Nema 4 and or IP67.

RBF53 Circuit Board (Fits all Parts starting with RBF53)



(REFERENCE ONLY)