

Tilt Sensor Switch

Item No.	RBS021102T	Description	Ball-Contact	Version	14
Page	1 of 8		Publish Date	Jun. 21, 2018	

● **FUNCTIONS**

1. Horizontal Tilt Detecting
2. Vertical Rotation Detecting
3. Shock Detecting

● **APPLICATIONS**

1. Screen Rotation
2. Web Camera
3. Alarm System
4. Iron Position Detecting
5. Bicycle lights flashing
6. Step Counter



● **FEATURES**

1. Suitable for horizontal PCB.
2. Switch state: SMD Normal Open.
3. Tiny size, suitable for small space.
4. Wing-shaped terminals, a feature enables half body of the sensor switch to be buried into PCB.
5. Gold-plated ball and terminals, low possibility of oxidization.
6. All plastic materials subject to industrial purpose, resist high temperature and meet fireproof function.
7. Simple ON and OFF signals, easy for design.
8. RoHS compliance, an ideal substitute for mercury switch.
9. A more economical tilt and rotation detection option than IC design solution.
10. All made in Taiwan and examined before shipment.

● **PATENTS**

1. Taiwan Patent NO.390563
2. China Patent NO.ZL 200710123228.X

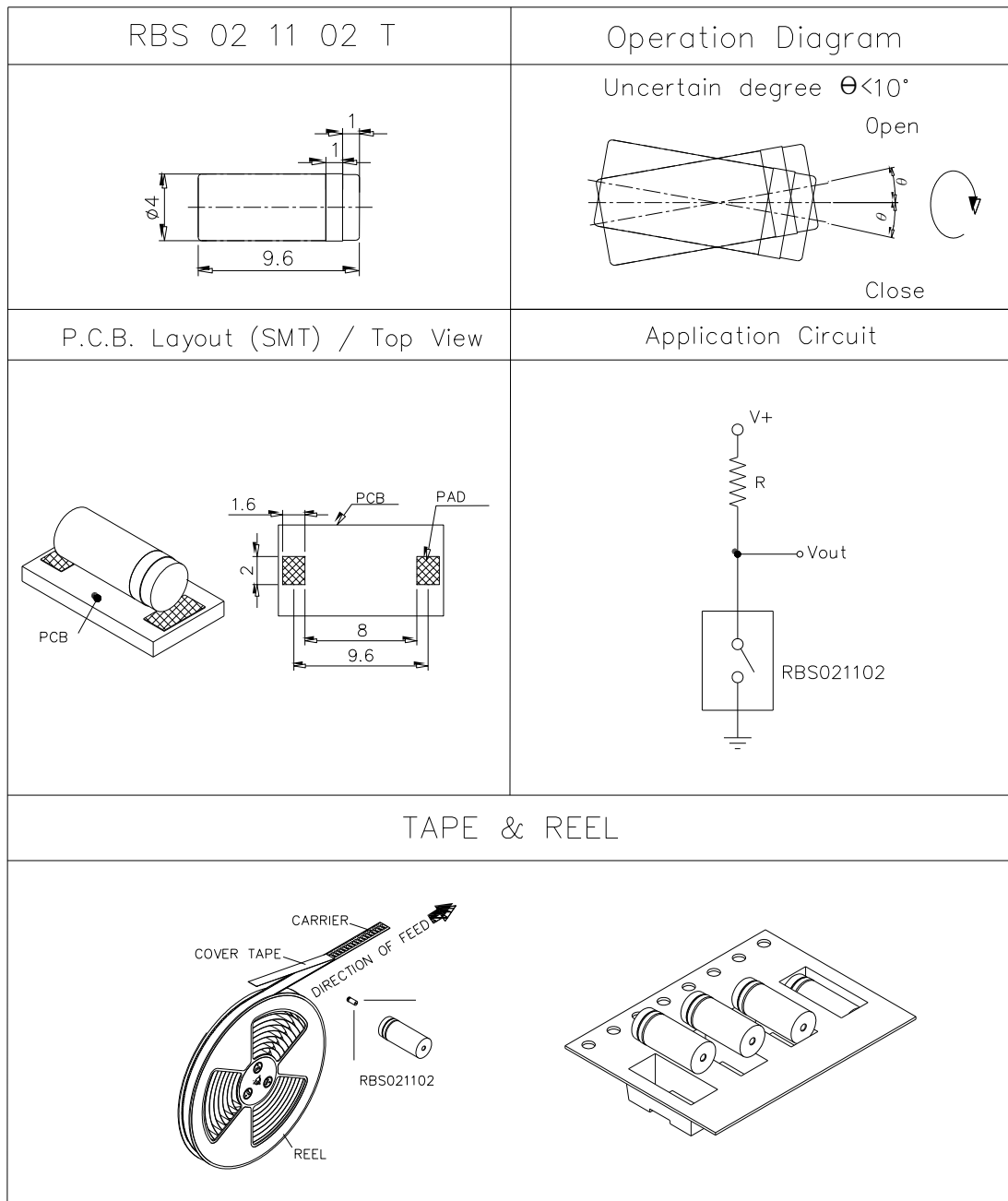


Tilt Sensor Switch

Item No.	RBS021102T	Description	Ball-Contact	Version	14
Page	2 of 8		Publish Date	Jun. 21, 2018	

● DIMENSIONS / OPERATION / P.C.B. LAYOUT (Unit: mm, Tolerance: ±0.25mm)

Fig. 1



Tilt Sensor Switch

Item No.	RBS021102T	Description	Ball-Contact	Version	14
Page	3 of 8		Publish Date	Jun. 21, 2018	

● Current/Voltage Suggested

Input Current (mA)	Operating Voltage (V)	Condition
1.0	5	--

● ELECTRICAL CHARACTERISTICS

1.	Contact Rating	10mA, 5VDC
2.	Contact Resistance	10Ω max.
3.	Operation Diagram	Refer to Fig .1
4.	Insulation Resistance	50MΩ min. at 100VDC
5.	Dielectric Strength	50VDC min. for 1 minute
6.	Capacitance	5pF max.
7.	Conductive Rate	90% min.



Tilt Sensor Switch

Item No.	RBS021102T	Description	Ball-Contact	Version	14
Page	4 of 8		Publish Date	Jun. 21, 2018	

● RELIABLE TEST ITEMS

Reliable Test for RBS021102T

	Test Item	Contents
1	IR Reflow	Peak temp.=255~260°C
2	Operating Temperature	-25°C ~ 85°C
3	Storage Temperature	-40°C ~ 85°C
4	Humidity	40 °C / 95%RH
5	Mechanical Life	2 Hz, horizontal 1,000,000 times
6	Electrical Life	100,000 times

● SOLDERING CONDITION

Following soldering conditions are for reference only, please use soldering information that solder paste manufacturer recommends.

Condition	Soldering Temperature	Soldering Time	Wattage of Manual Soldering	Type
Suitable Production Process				
IR Reflow	Please refer to following < Table of classification Reflow profile > and Fig. 2		-	SMD
Manual Soldering	300±5°C	< 3 seconds max.	30W or Temperature-controlled manual soldering	SMD

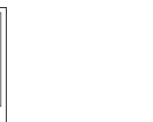


Tilt Sensor Switch

Item No.	RBS021102T	Description	Ball-Contact	Version	14
Page	5 of 8		Publish Date	Jun. 21, 2018	

< Table of classification Reflow profile >

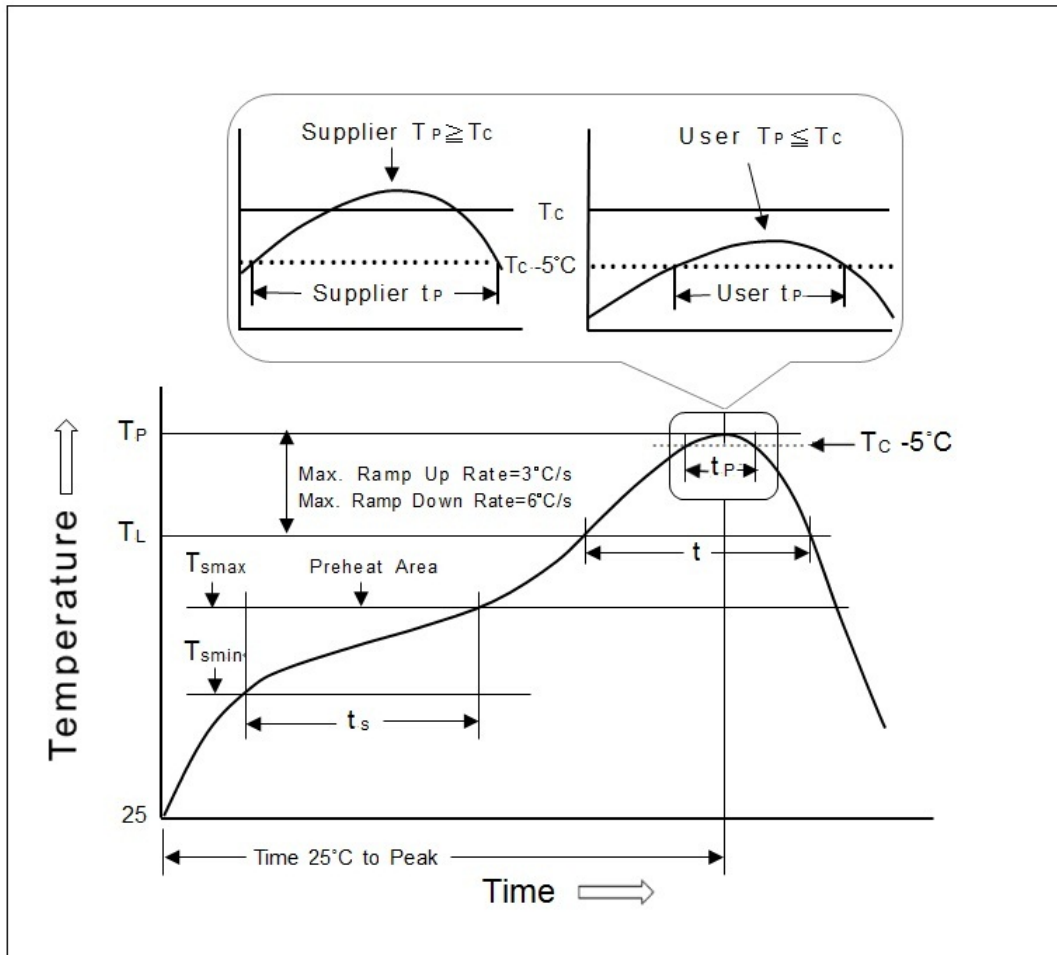
Item	Pb process	Pb free process
Pre-heat and Soak		
Temperature min.(T _{min})	100 °C	150 °C
Temperature max.(T _{max})	150 °C	200 °C
Time (T _{min} to T _{max})(t _s)	60-120 seconds	60-120 seconds
Average Rate of temperature rising up (T _{max} to T _p)	3 °C/second max.	3 °C/second max.
Liquidous Temperature (T _L)	183 °C	217 °C
Time at Liquidous (t _L)	60-150 seconds	60-150 seconds
Peak package body Temperature (T _p)*	230 °C ~235 °C *	255 °C ~260 °C *
Classification temperature(T _c)	235 °C	260 °C
Time(tp)** within 5 °C of the specified classification temperature (T _c)	20** seconds	30** seconds
Average ram-down Rate (T _p to T _{max})	6 °C/second max.	6 °C/second max.
Time 25 °C to peak temperature	6 minutes max.	8 minutes max.
* Tolerance for peak profile temperature (T _p) is defined as a supplier minimum and a user maximum. ** Tolerance for time at peak profile temperature (tp) is defined as a supplier minimum and a user maximum.		



Tilt Sensor Switch

Item No.	RBS021102T	Description	Ball-Contact	Version	14
Page	6 of 8		Publish Date	Jun. 21, 2018	

Fig. 2



Tilt Sensor Switch

Item No.	RBS021102T	Description	Ball-Contact	Version	14
Page	7 of 8		Publish Date	Jun. 21, 2018	

● PACKAGE

	Part Number	Package	Quantity	Total	Dimension(mm)
1.	RBS021102	PE Bag	1,000 pcs	1,000 pcs	205L*145W
		Inner Box	10 PE Bags	10,000 pcs	348L*191W*85H
		Carton	3 Boxes	30,000 pcs	364L*278W*213H

※ Package shown as below for reference.



	Part Number	Package	Quantity	Total	Dimension(mm)
2.	RBS021102T	Tape & reel	2,000 pcs	2,000 pcs	φ330*25H
		Inner Box	2 Reels	4,000 pcs	355L*340W*68H
		Carton	4 Boxes	16,000 pcs	373L*358W*309H

※ Package shown as below for reference.

