

**SINGLE-PHASE GLASS PASSIVATED  
SILICON BRIDGE RECTIFIER**  
VOLTAGE RANGE 50 to 1000 Volts CURRENT 6.0 Amperes

**FEATURES**

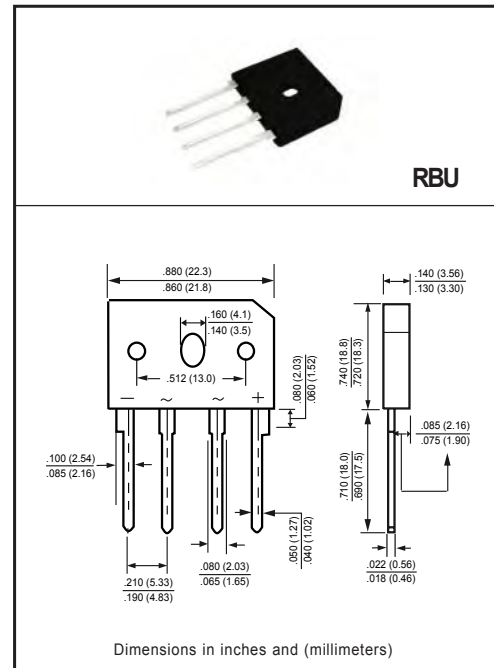
- \* Low leakage
- \* Low forward voltage
- \* Silver-plated copper leads
- \* Surge overload rating: 150 amperes peak
- \* Mounting position: Any

**MECHANICAL DATA**

- \* Epoxy: Device has UL flammability classification 94V-0

**MAXIMUM RATINGS AND ELECTRICAL CHARACTERISTICS**

Ratings at 25 °C ambient temperature unless otherwise specified.  
Single phase, half wave, 60 Hz, resistive or inductive load.  
For capacitive load, derate current by 20%.



**MAXIMUM RATINGS (@ TA=25 °C unless otherwise noted)**

| RATINGS   | SYMBOL                            | RBU601M      | RBU602M | RBU603M | RBU604M | RBU605M | RBU606M | RBU607M | UNITS            |
|---|-----------------------------------|--------------|---------|---------|---------|---------|---------|---------|------------------|
| Maximum Recurrent Peak Reverse Voltage  | V <sub>RRM</sub>                  | 50           | 100     | 200     | 400     | 600     | 800     | 1000    | Volts            |
| Maximum RMS Voltage   | V <sub>RMS</sub>                  | 35           | 70      | 140     | 280     | 420     | 560     | 700     | Volts            |
| Maximum DC Blocking Voltage   | V <sub>DC</sub>                   | 50           | 100     | 200     | 400     | 600     | 800     | 1000    | Volts            |
| Maximum Average Forward Rectified Current at T <sub>C</sub> = *100 °C (Note 3)                    | I <sub>O</sub>                    | 6.0          |         |         |         |         |         |         | Amps             |
| Peak Forward Surge Current 8.3 ms single half sine-wave superimposed on rated load (JEDEC method) | I <sub>FSM</sub>                  | 150          |         |         |         |         |         |         | Amps             |
| Typical Current Squared Time  | I <sup>2</sup> t                  | 93.38        |         |         |         |         |         |         | A <sup>2</sup> S |
| Typical Thermal Resistance (Note 1)   | R <sub>θJC</sub>                  | 3.5          |         |         |         |         |         |         | °C/W             |
|   | R <sub>θJA</sub>                  | 26           |         |         |         |         |         |         |                  |
| Operating and Storage Temperature Range   | T <sub>J</sub> , T <sub>STG</sub> | -55 to + 150 |         |         |         |         |         |         | °C               |

**ELECTRICAL CHARACTERISTICS (@TA=25 °C unless otherwise noted)**

| CHARACTERISTICS   | SYMBOL         | TYP                      | MAX  | UNITS |
|---|----------------|--------------------------|------|-------|
| Instantaneous Forward Voltage at 6.0A DC                | V <sub>F</sub> | @T <sub>A</sub> = 25 °C  | .95  | 1.0   |
|   |                | @T <sub>A</sub> = 125 °C | .845 |       |
| Maximum DC Reverse Current at Rated DC Blocking Voltage | I <sub>R</sub> | @T <sub>A</sub> = 25 °C  | 1.0  |       |
|   |                | @T <sub>A</sub> = 125 °C | 500  |       |

NOTES : 1. Thermal Resistance : Heat-sink case mounted or if PCB mounted.  
2. " ROHS compliant"  
3. \*\*\* Heat Sink Temperature.

2019-12  
REV: B

## RATING AND CHARACTERISTICS CURVES ( RBU601M THRU RBU607M )

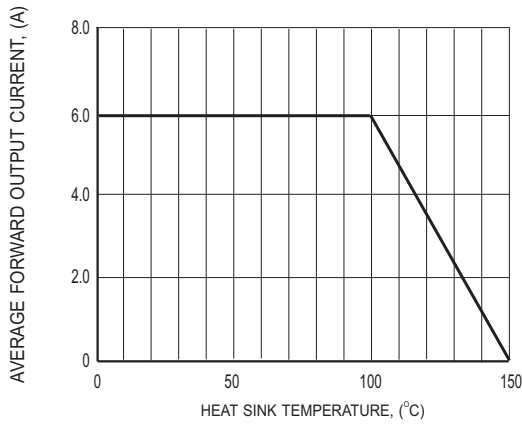


FIG.1 TYPICAL FORWARD CURRENT DERATING CURVE

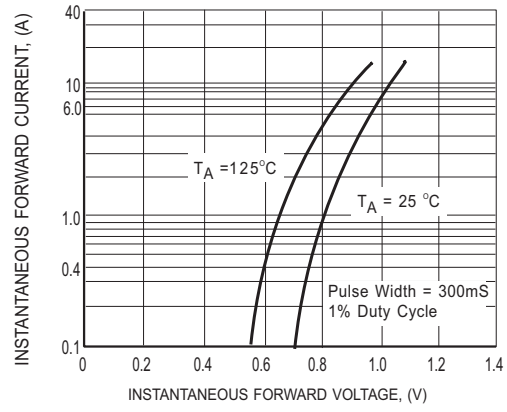


FIG.2 TYPICAL INSTANTANEOUS FORWARD CHARACTERISTICS

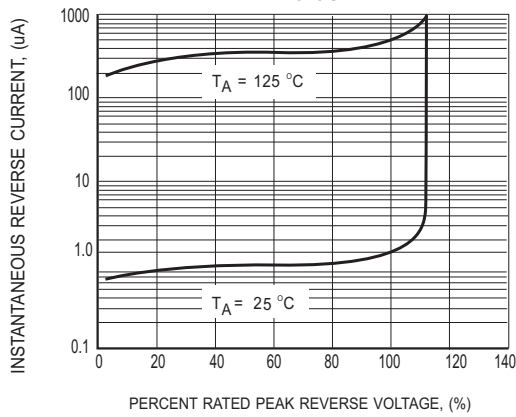


FIG.3 MAXIMUM REVERSE CHARACTERISTICS

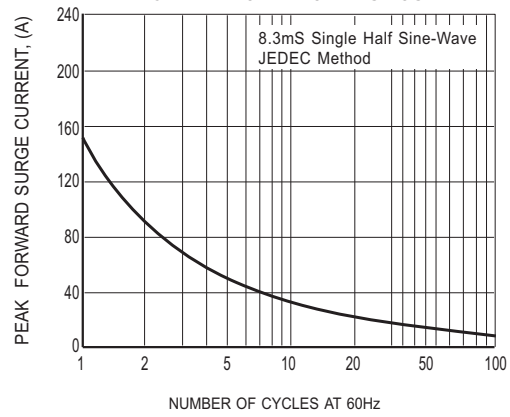
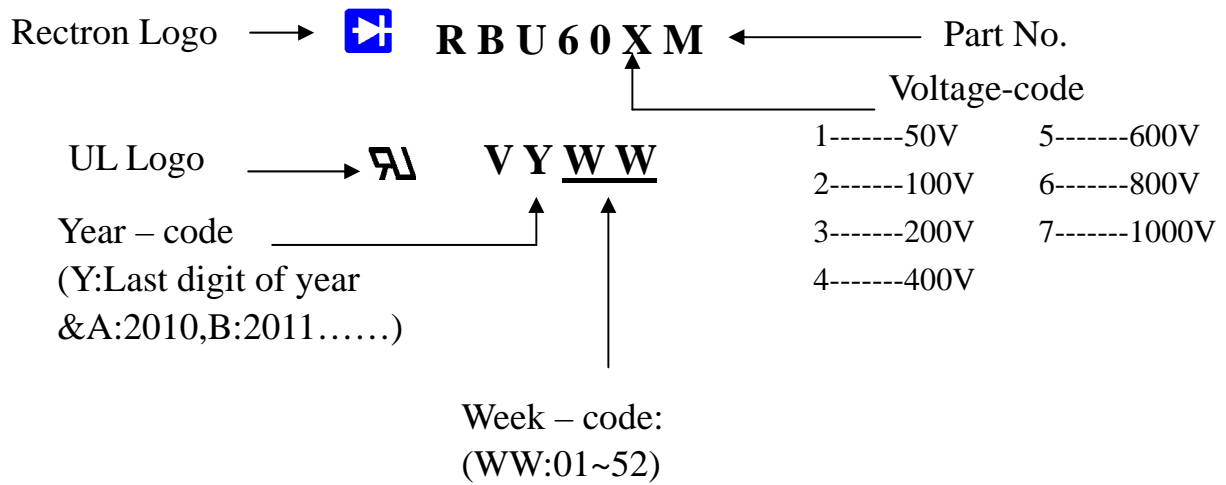


FIG.4 MAXIMUM NON-REPETITIVE FORWARD SURGE CURRENT

## Marking Description



## PACKAGING OF DIODE AND BRIDGE RECTIFIERS

### TUBE PACK

| PACKAGE | PACKING CODE | EA PER BOX | INNER BOX SIZE<br>(mm) | CARTON SIZE<br>(mm) | EA PER CARTON | WEIGHT(Kg) |
|---------|--------------|------------|------------------------|---------------------|---------------|------------|
| RBU     | -C           | 1,000      | 490*135*110            | 510*293*131         | 2,000         | 13.62      |