

# Rogowski - Current Sensor

RC01-SSS-0 Series  
RC03-SSS-LLLL-0 Series  
RC05-SSS-LLLL-0 Series



- Ⓢ Dynamic Range from 1 to 2500 Amps
- Ⓢ Meets IEC 61869-10 Accuracy Class 1
- Ⓢ Meets ANSI C12.20 Accuracy Class 1.0
- Ⓢ Phase error <0.03 degree @ 50 Hz / 60 Hz
- Ⓢ Bandwidth up to 50kHz
- Ⓢ Immune to external AC magnetic fields
- Ⓢ Immune to DC current & magnetic fields
- Ⓢ Low temperature coefficient

## Electrical Specifications @ 25°C - Operating Temperature -20°C to +80°C

Description	Part Number	Sensitivity mV/kA			Wire length mm	typ. Resonance frequency kHz	typ. Temperature coefficient ppm / K	typ. external electromagnetic field %	typ. external electrical voltage potential mA (@230VAC / 50Hz)
		50 Hz	60 Hz	Tolerance					
<b>RC01-SSS-0</b>									
Rogowski Coil Size 01 - 100mV/kA	RC01-100	100	120	±1%	n.A.	370	30	0,2	60
Rogowski Coil Size 01 - 100mV/kA - Shielded	RC01-100-S								25
Rogowski Coil Size 01 - 200mV/kA	RC01-200	200	240	±1%	n.A.	200	25	0,2	40
Rogowski Coil Size 01 - 200mV/kA - Shielded	RC01-200-S								25
Rogowski Coil Size 01 - 300mV/kA	RC01-300	300	360	±1%	n.A.	150	25	0,2	35
Rogowski Coil Size 01 - 300mV/kA - Shielded	RC01-300-S								25
<b>RC03-SSS-LLLL-0</b>									
Rogowski Coil Size 03 - 200mV/kA	RC03-200-0250	200	240	±1%	250 ± 10	170	25	0,2	125
Rogowski Coil Size 03 - 200mV/kA - Shielded	RC03-200-0250-S								50
Rogowski Coil Size 03 - 400mV/kA	RC03-400-0250	400	480	±1%	250 ± 10	90	6	0,2	85
Rogowski Coil Size 03 - 400mV/kA - Shielded	RC03-400-0250-S								45
Rogowski Coil Size 03 - 600mV/kA	RC03-600-0250	600	720	±1%	250 ± 10	70	3	0,2	80
Rogowski Coil Size 03 - 600mV/kA - Shielded	RC03-600-0250-S								45
<b>RC05-SSS-LLLL-0</b>									
Rogowski Coil Size 05 - 150mV/kA	RC05-150-1000	150	180	±1%	1000 ± 20	110	28	0,2	140
Rogowski Coil Size 05 - 150mV/kA - Shielded	RC05-150-1000-S								20
Rogowski Coil Size 05 - 300mV/kA	RC05-300-1000	300	360	±1%	1000 ± 20	60	25	0,2	110
Rogowski Coil Size 05 - 300mV/kA - Shielded	RC05-300-1000-S								40
Rogowski Coil Size 05 - 450mV/kA	RC05-450-1000	450	540	±1%	1000 ± 20	45	21	0,2	80
Rogowski Coil Size 05 - 450mV/kA - Shielded	RC05-450-1000-S								20

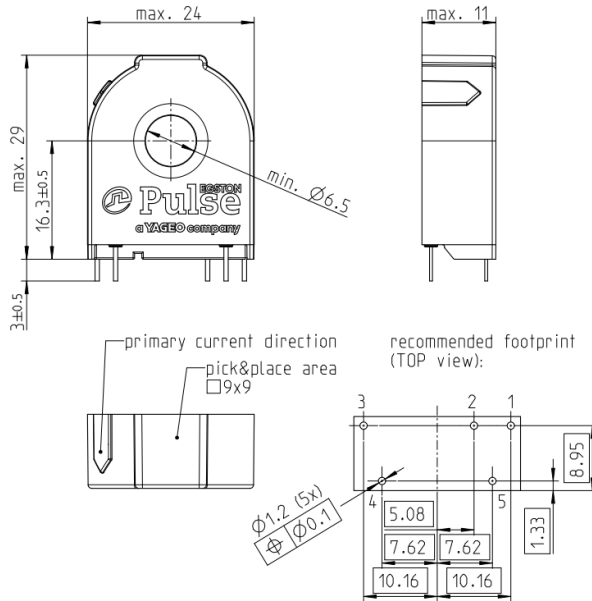
# Rogowski - Current Sensor

RC01-SSS-0 Series  
 RC03-SSS-LLLL-0 Series  
 RC05-SSS-LLLL-0 Series

## Mechanicals

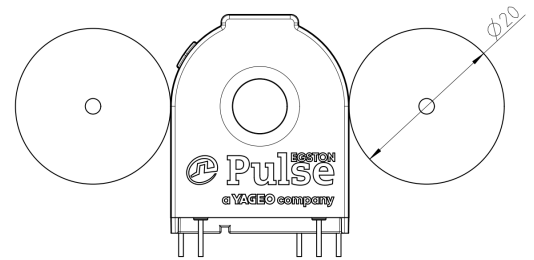
### RC01-SSS-0

Weight: approx. 7g    Dimensions in mm



polarity + : Pin 1  
 polarity - : Pin 2  
 shielding: Pin 3

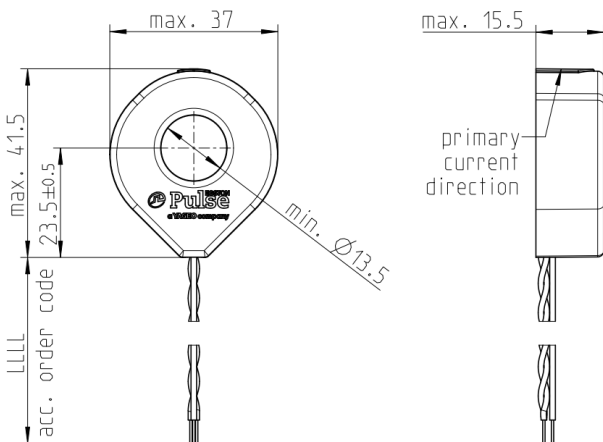
Test setup for external electromagnetic field current conductor is close to the housing with the specified diameter.



## Mechanicals

### RC03-SSS-LLLL-0

Weight: approx. 23g (without cable)    Dimensions in mm



polarity +: yellow  
 polarity -: green  
 shielding: blue

Test setup for external electromagnetic field current conductor is close to the housing with the specified diameter.

