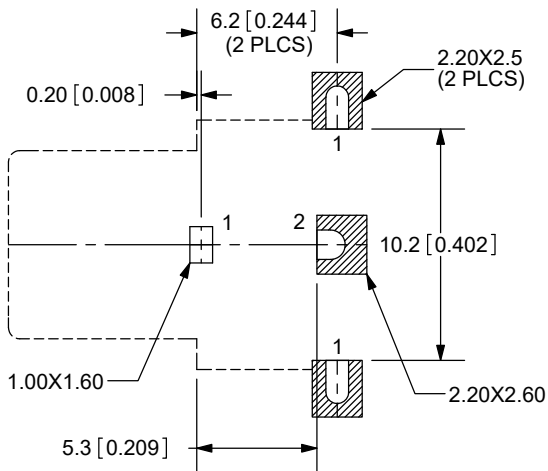
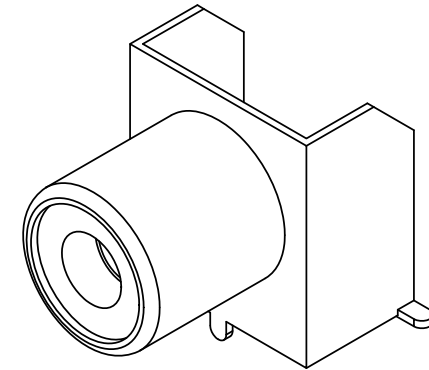
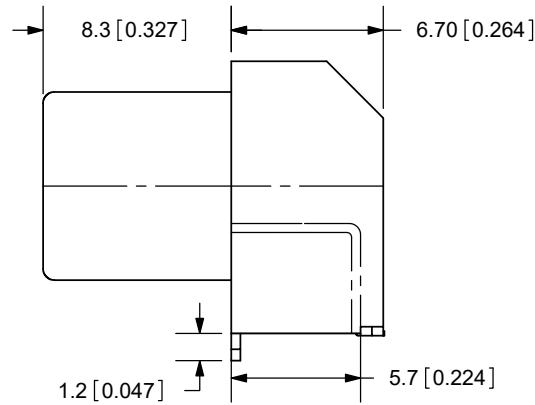
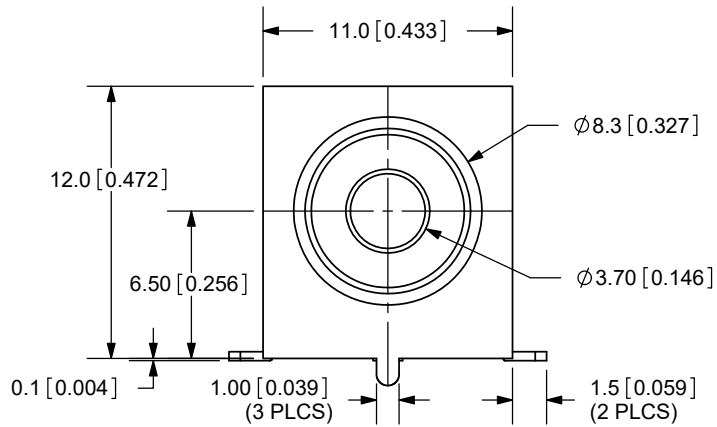
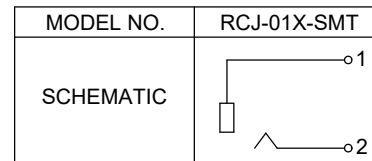


REV.	DESCRIPTION	DATE
A	NEW DRAWING	3/2/2006
B	added TR package option	11/7/2012
C	logo, brand update	10/28/2022



PCB LAYOUT  
TOP VIEW



Note:  
Add suffix "-TR" to the model number for  
tape & reel packaging

TOLERANCE:  
X.X ±0.2mm  
X.XX ±0.1mm  
X.XXX ±0.05mm



COLOR INDEX	
PART NO.	COLOR
RCJ-011-SMT	Black
RCJ-012-SMT	Red
RCJ-013-SMT	White
RCJ-014-SMT	Yellow
RCJ-017-SMT	Orange

  
**CUI DEVICES**  
 6405 SW Rosewood St, Suite C  
 Lake Oswego, OR 97035  
 Phone: 877-323-3576  
 Website: [www.cuidevices.com](http://www.cuidevices.com)

**SPECIFICATIONS:**  
 CONTACT RESISTANCE: 25m OHMS MAX  
 INSULATION RESISTANCE: 100M OHMS MIN: 500V DC  
 VOLTAGE WITHSTAND: 500V AC R.M.S. FOR 1 MINUTE  
 LIFE: 5,000 CYCLES  
 OPERATING TEMP: -25~85C

	MATERIAL	PLATING
SHELL	Brass	Tin
BRACKET	C.R. Steel	Tin
CENTER CONTACT	Brass	Tin
INSULATOR	PA66	

TITLE: SMD RCA SOCKET		REV: C
PART NO. RCJ-01X-SMT		UNITS: MM [INCHES]
DRAWN BY: RDS	APPROVED BY:	SCALE: 3:1

PC FILE NAME:  
RCJ-01X-SMT

COPYRIGHT 2022 BY CUI DEVICES