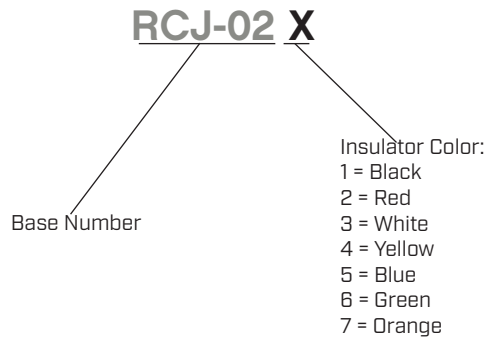


SERIES: RCJ-02 | **DESCRIPTION:** RCA JACK**FEATURES**

- through hole
- 2 conductors, 2 contacts

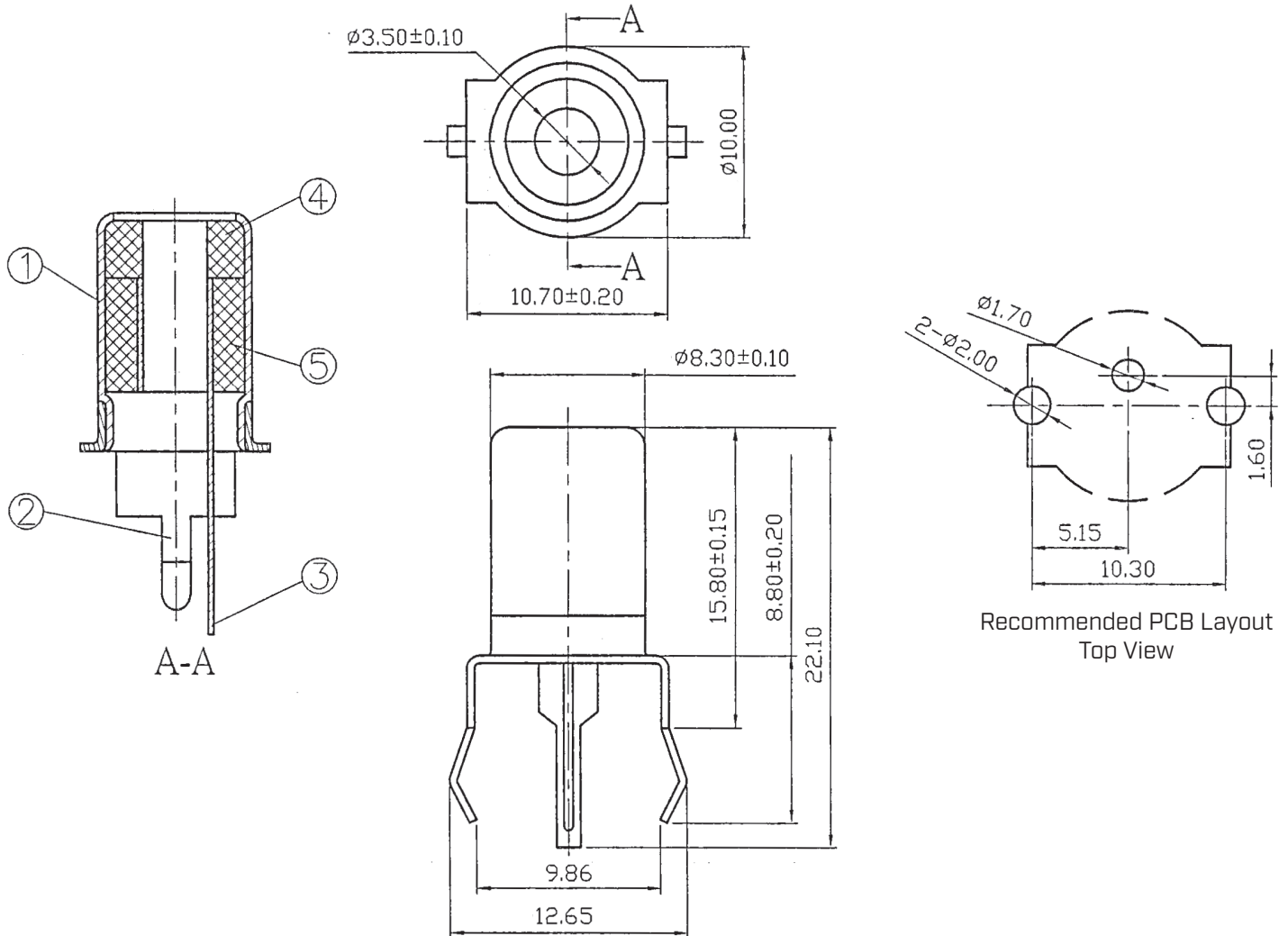
**PART NUMBER KEY****SPECIFICATIONS**

parameter	conditions/description	min	typ	max	units
contact resistance				30	mΩ
insulation resistance	at 500 Vdc	100			MΩ
voltage withstand	for 1 minute			500	Vac
life			5,000		cycles
flammability rating	UL94V-0				
RoHS	yes				

MECHANICAL DRAWING

units: mm
tolerance: ±0.3 mm

ITEM	DESCRIPTION	MATERIAL	PLATING/COLOR
1	shell	brass	nickel
2	mounting bracket	iron	tin
3	terminal	brass	tin
4	insulator	PBT	see color code
5	insulator	PA9T	black



Model No.	RCJ-02
Schematic	