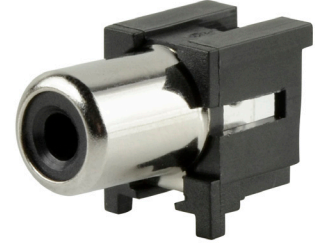




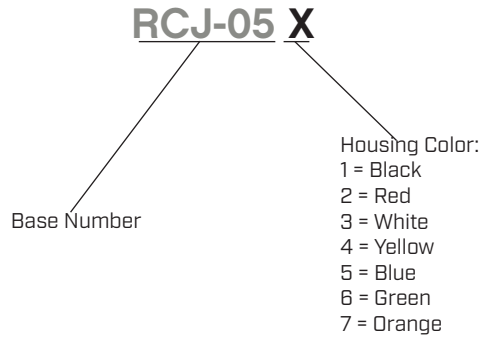
SERIES: RCJ-05 | **DESCRIPTION:** RCA JACK

FEATURES

- through hole
- 2 conductors, 2 contacts



PART NUMBER KEY

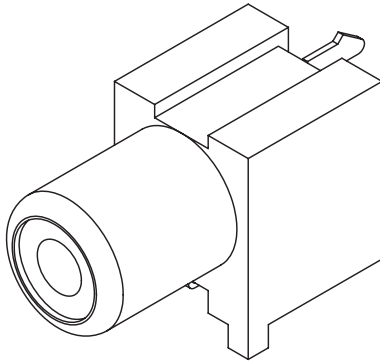


SPECIFICATIONS

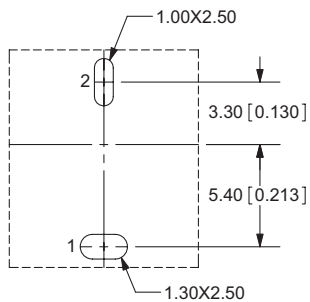
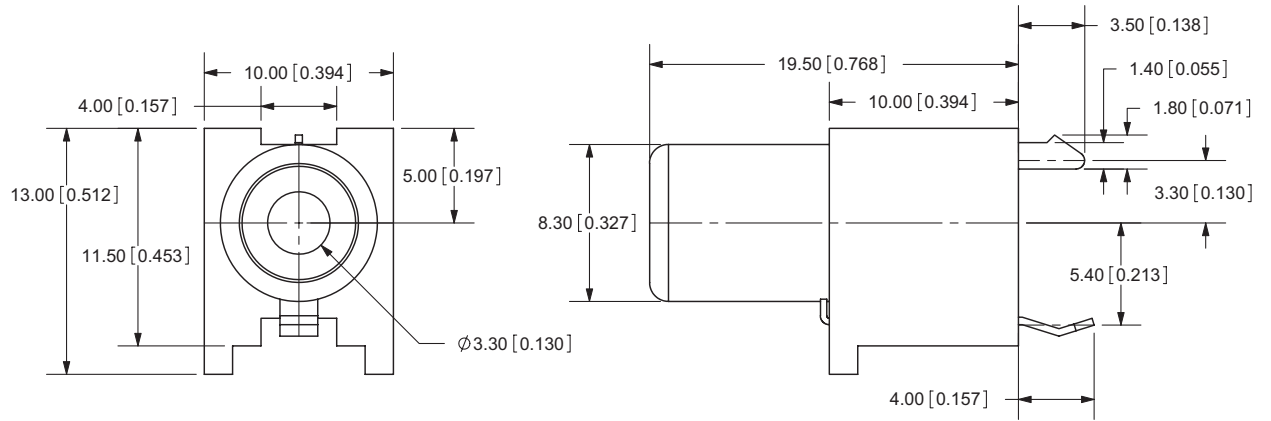
parameter	conditions/description	min	typ	max	units
contact resistance				30	mΩ
insulation resistance	at 500 Vdc	100			MΩ
voltage withstand	for 1 minute			500	Vac
life			5,000		cycles
operating temperature		-20		85	°C
flammability rating	UL94V-0				
RoHS	yes				

MECHANICAL DRAWING

units: mm
tolerance: ±0.3 mm



	MATERIAL	PLATING
terminal 1	brass	nickel
terminal 2	brass	tin
housing	PA66	nickel



Recommended PCB Layout
Top View

Model No.	RCJ-05
Schematic	