

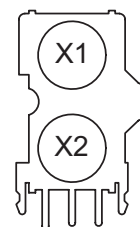
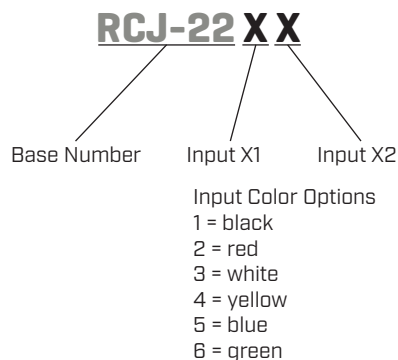
SERIES: RCJ-22 | **DESCRIPTION:** RCA JACK

FEATURES

- through hole
- mounting tab
- metal bushing



PART NUMBER KEY



Example part number: **RCJ-2221**

input 1 = red
input 2 = black

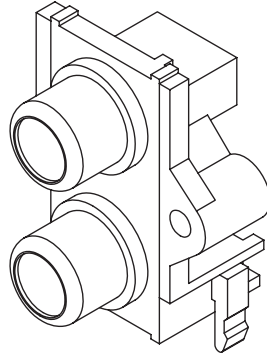
SPECIFICATIONS

| parameter | conditions/description | min | typ | max | units |
|-----------------------|------------------------|-----|-------|-----|--------|
| contact resistance | | | | 30 | mΩ |
| insulation resistance | at 500 Vdc | 100 | | | MΩ |
| voltage withstand | for 1 minute | | | 500 | Vac |
| life | | | 5,000 | | cycles |
| RoHS | yes | | | | |

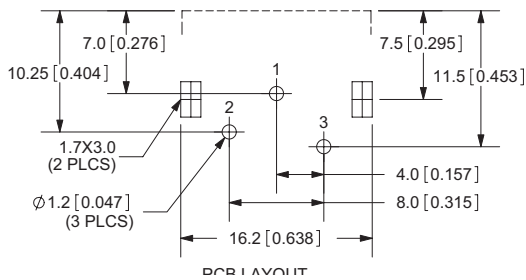
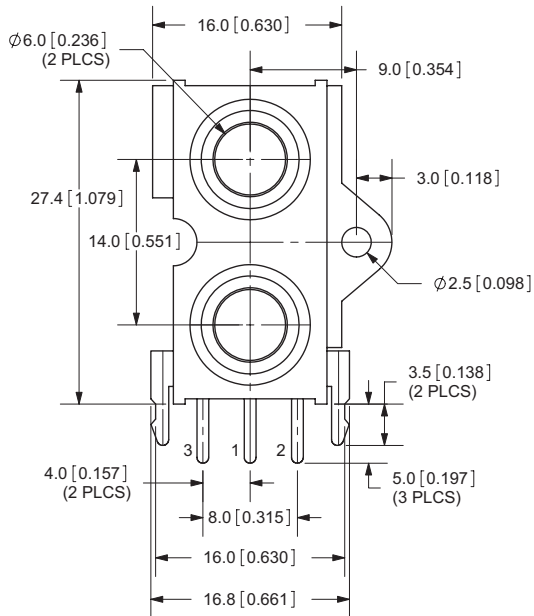
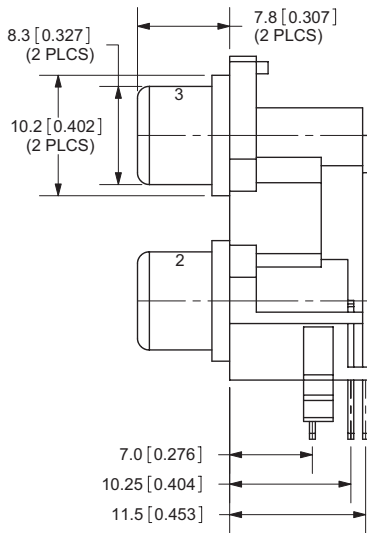
MECHANICAL DRAWING

units: mm[inches]

TOLERANCE:
±0.3mm (unless otherwise specified)



| | MATERIAL | PLATING |
|------------------------|----------|---------|
| barrel terminal [1] | brass | nickel |
| center terminal [2, 3] | brass | tin |
| insulator [X1, X2] | PBT | |
| housing | ABS | black |
| cover | ABS | black |



| | |
|-----------|----------|
| Model No. | RCJ-22XX |
| Schematic | |