

PROTECTION PRODUCTS

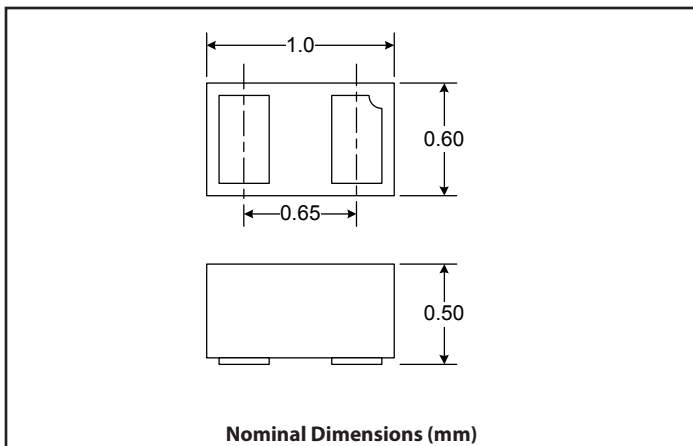
Description

RailClamp[®] TVS arrays are ultra low capacitance ESD protection devices designed to protect high speed data interfaces. This series has been specifically designed to protect sensitive components which are connected to high-speed data and transmission lines from overvoltage caused by ESD (electrostatic discharge), CDE (Cable Discharge Events), and EFT (electrical fast transients).

RClamp[®]0521PA has a maximum capacitance of only 0.5pF. This allows it to be used on circuits operating in excess of 10GHz without signal attenuation. They may be used to meet the ESD immunity requirements of IEC 61000-4-2, Level 4 ($\pm 15\text{kV}$ air, $\pm 12\text{kV}$ contact discharge).

RClamp0521PA is in a 2-pin SLP1006P2 package measuring 1.0 x 0.6 x 0.5mm. The leads are spaced at a pitch of 0.65mm and feature a lead-free finish. Each device will protect one high-speed line operating at 5 volts. It gives the designer the flexibility to protect single lines in applications where arrays are not practical. The combination of small size, low capacitance, and high ESD surge capability makes them ideal for use in applications such as cellular phones and digital video interfaces.

Package Dimension



Features

- High ESD withstand Voltage: $\pm 12\text{kV}$ (Contact) and $\pm 15\text{kV}$ (Air) per IEC 61000-4-2
- Ultra-small package (1.0 x 0.6 x 0.5mm)
- Protects one data or I/O line
- Low ESD clamping voltage
- Working voltage: $\pm 5.0\text{V}$
- Low capacitance: 0.5pF Max.
- Low leakage current
- Solid-state silicon-avalanche technology

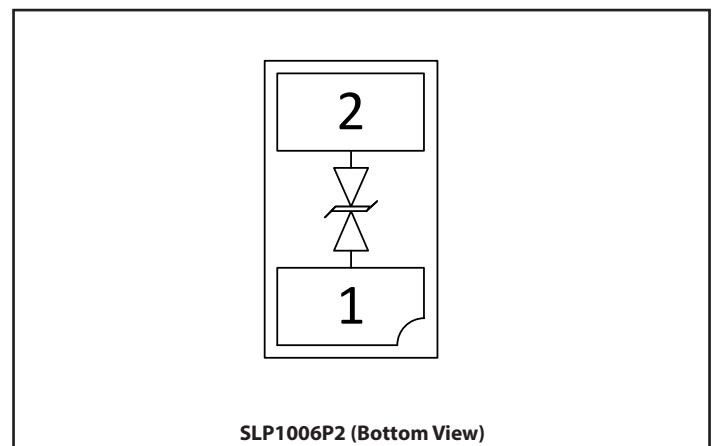
Mechanical Characteristics

- SLP1006P2 package
- Molding compound flammability rating: UL 94V-0
- Pb-Free, Halogen Free, RoHS/WEEE Compliant
- Lead Finish: NiPdAu
- Marking: Marking code
- Packaging: Tape and Reel

Applications

- Cellular Handsets & Accessories
- Digital Visual Interface (DVI)
- Display Port
- MDDI Ports
- USB Ports
- PCI Express
- Serial ATA

Schematic & Pin Configuration



Absolute Maximum Rating

Rating	Symbol	Value	Units
Peak Pulse Power ($t_p = 8/20\mu s$)	P_{PK}	100	W
Peak Pulse Current ($t_p = 8/20\mu s$)	I_{PP}	4	A
ESD per IEC 61000-4-2 (Air) ⁽¹⁾ ESD per IEC 61000-4-2 (Contact) ⁽¹⁾	V_{ESD}	± 15 ± 12	kV
Operating Temperature	T_J	-55 to +125	°C
Storage Temperature	T_{STG}	-55 to +150	°C

Electrical Characteristics (T=25°C unless otherwise specified)

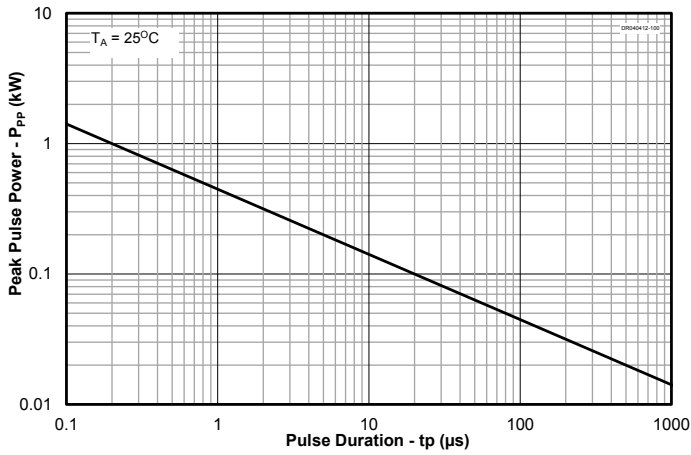
Parameter	Symbol	Conditions	Min.	Typ.	Max.	Units
Reverse Stand-Off Voltage	V_{RWM}	Pin 1 to 2 or 2 to 1			5	V
Reverse Breakdown Voltage	V_{BR}	$I_t = 1\text{mA}$, Pin 1 to 2 or 2 to 1	6	9.3	11	V
Reverse Leakage Current	I_R	$V_{RWM} = 5\text{V}$, Pin 1 to 2 or 2 to 1		0.025	1	μA
Clamping Voltage	V_C	$I_{PP} = 1\text{A}$, $t_p = 8/20\mu s$			15	V
		$I_{PP} = 4\text{A}$, $t_p = 8/20\mu s$			25	
ESD Clamping Voltage ²	V_C	$I_{PP} = 4\text{A}$, $t_p = 0.2/100\text{ns}$ (TLP)		16.4		V
		$I_{PP} = 16\text{A}$, $t_p = 0.2/100\text{ns}$ (TLP)		30.7		
Dynamic Resistance ^{2,3}		$t_p = 0.2/100\text{ns}$ (TLP)		1.2		Ohms
Junction Capacitance	C_J	$V_R = 0\text{V}$, $f = 1\text{MHz}$		0.30	0.50	pF

Notes:

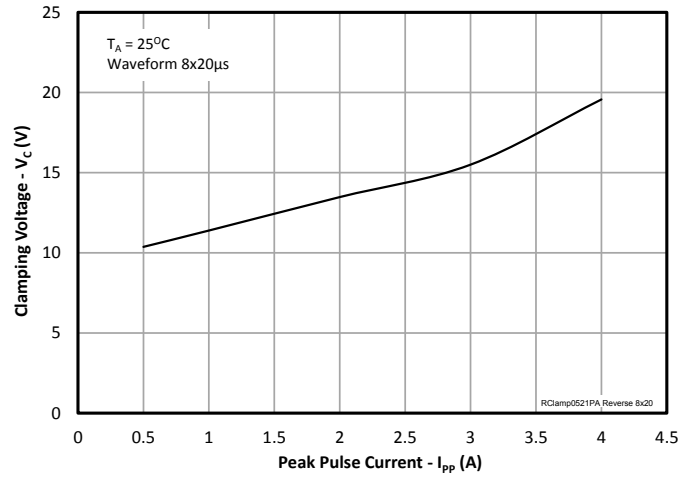
- ESD gun return path connected to ESD ground plane
- Transmission Line Pulse Test (TLP) Settings: $t_p = 100\text{ns}$, $t_r = 0.2\text{ns}$, I_{TLP} and V_{TLP} averaging window: $t_1 = 70\text{ns}$ to $t_2 = 90\text{ns}$.
- Dynamic resistance calculated from $I_{TLP} = 4\text{A}$ to $I_{TLP} = 16\text{A}$

Typical Characteristics

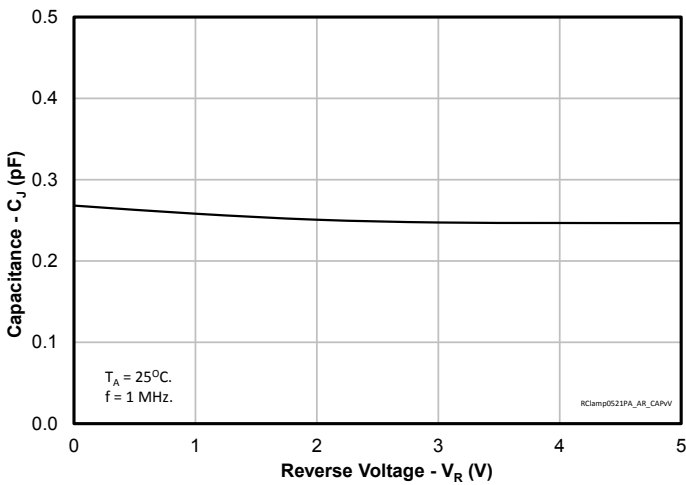
Non-Repetitive Peak Pulse Power vs. Pulse Time



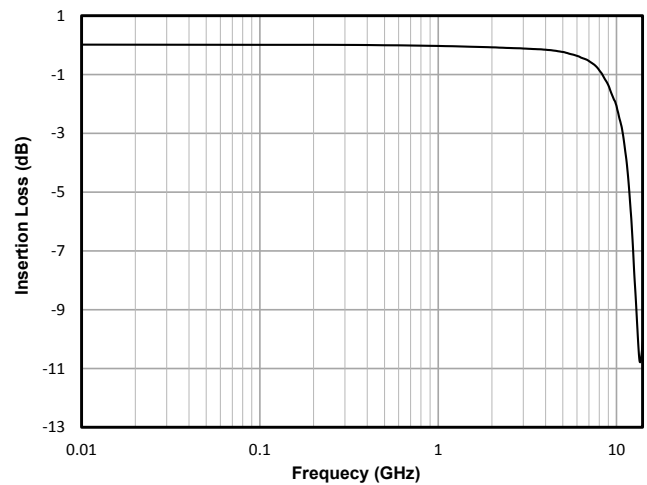
Clamping Voltage vs. Peak Pulse Current ($t_p = 8/20\mu\text{s}$)



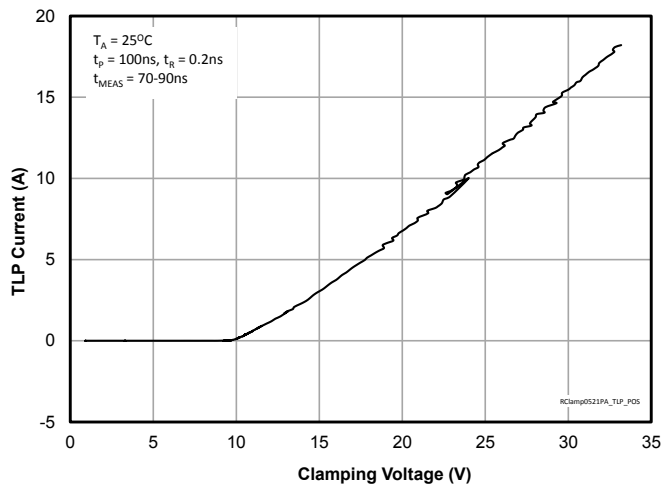
Capacitance vs. Reverse Voltage



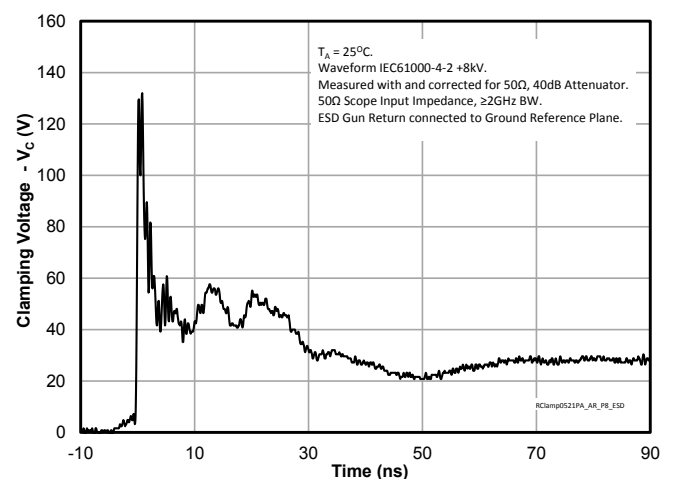
Insertion Loss



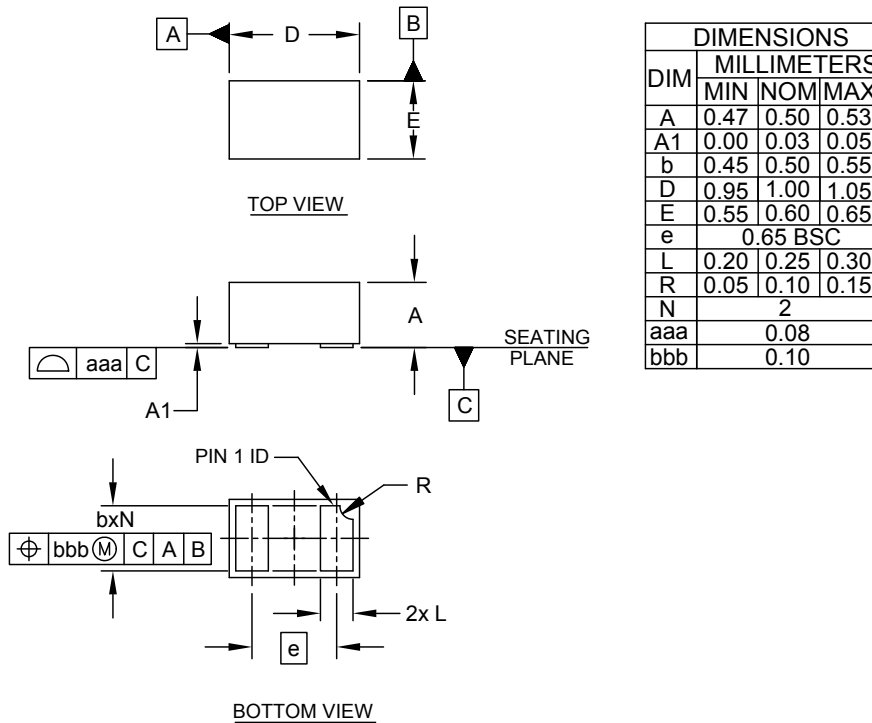
TLP Characteristic (Pin 1 to 2 or 2 to 1)



ESD Clamping (+8kV Contact per IEC 61000-4-2)



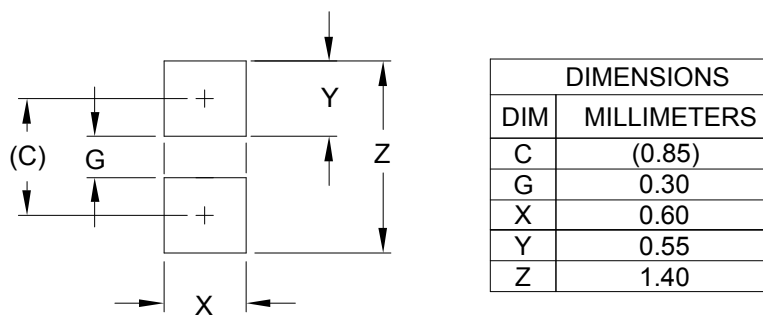
Outline Drawing - SLP1006P2



NOTES:

1. CONTROLLING DIMENSIONS ARE IN MILLIMETERS (ANGLES IN DEGREES).

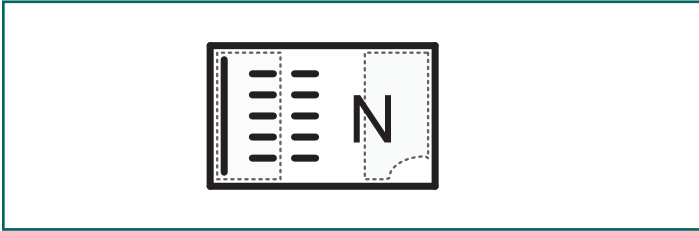
Land Pattern - SLP1006P2



NOTES:

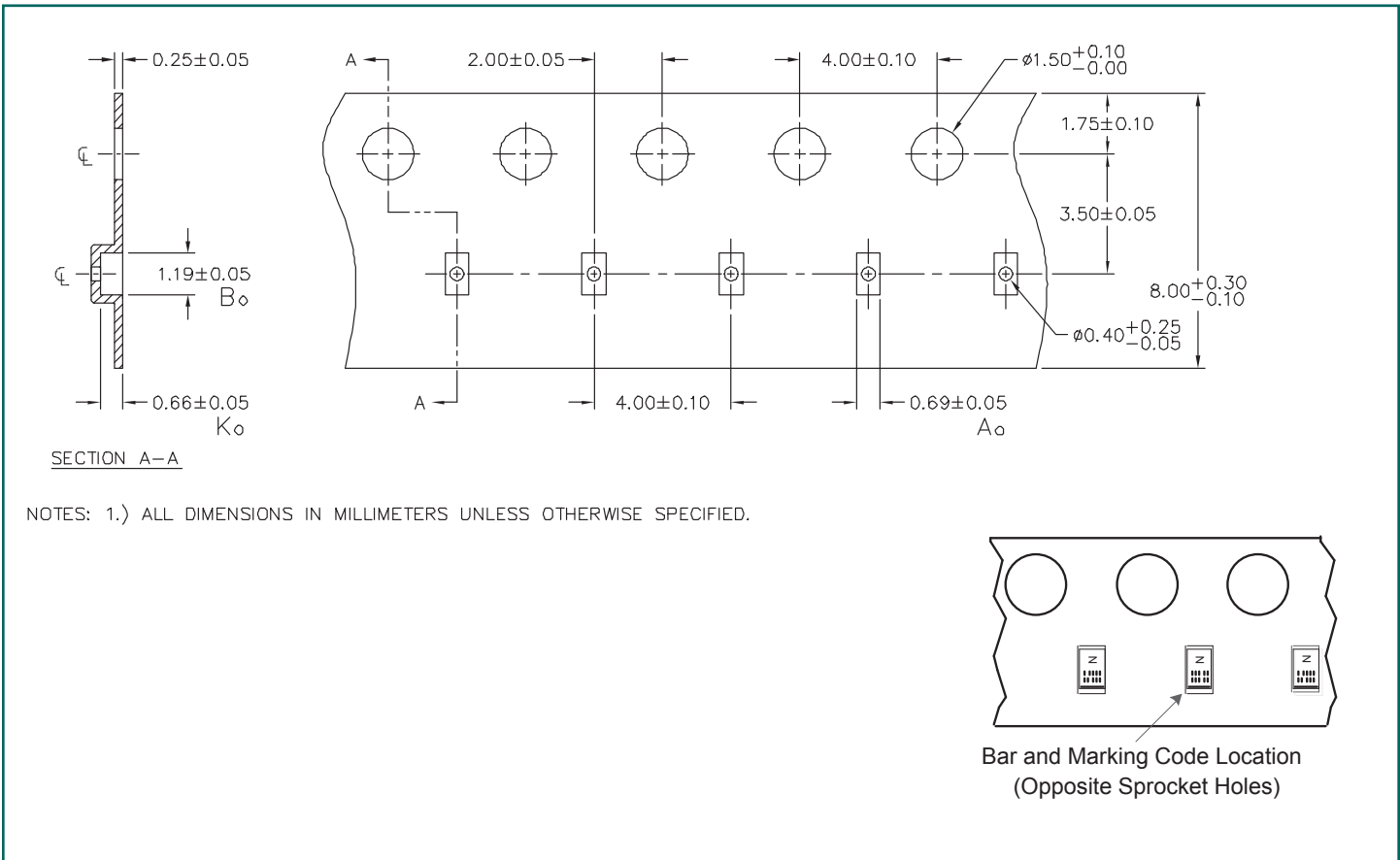
1. CONTROLLING DIMENSIONS ARE IN MILLIMETERS (ANGLES IN DEGREES).
2. THIS LAND PATTERN IS FOR REFERENCE PURPOSES ONLY. CONSULT YOUR MANUFACTURING GROUP TO ENSURE YOUR COMPANY'S MANUFACTURING GUIDELINES ARE MET.

Marking Code



- Note:
1. Marking will also include line matrix date code.
 2. Device is electrically symmetrical.

Tape and Reel Specification



Ordering Information

Part Number	Qty per Reel	Reel Size
RClamp0521PATCT	3,000	7 Inch
RailClamp and RClamp are registered trademarks of Semtech Corporation.		