

RD6R1A Rotary Type

Long-life sensor supporting absolute linearity



Typical Specifications

Items	Specifications
Rated Voltage	5V DC
Operating life	500,000 cycles
Total resistance	3.8kΩ
Operating temperature range	-40°C to +85°C

Product Line

Mounting method	Linearity guarantee range	Linearity	Hollow shaft variation	Minimum order unit (pcs.)		Model No.
				Japan	Export	
Connector type	310°	±2%	φ3.53	1,800	1,800	RD6R1A0008

Note

Other varieties are also available. Please inquire.

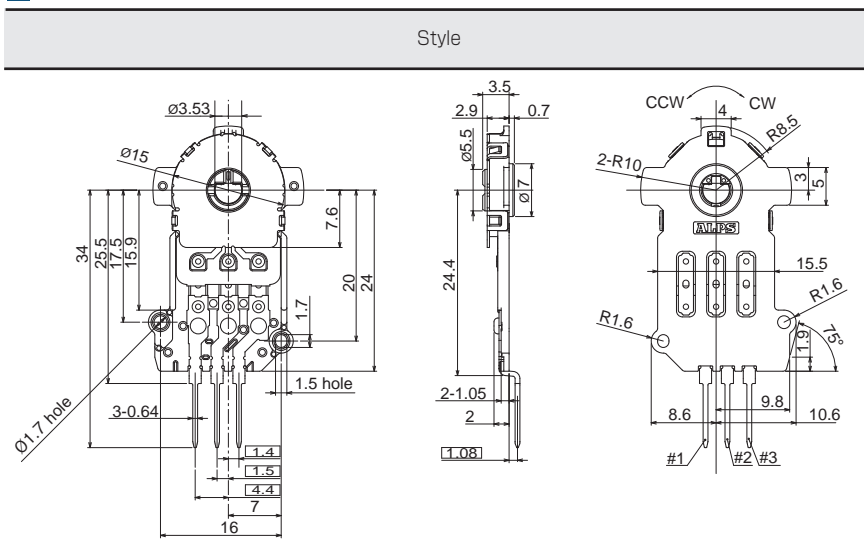
Packing Specifications

Tray

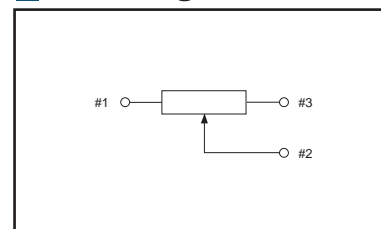
Number of packages (pcs.)		Export package measurements (mm)
1 case /Japan	1 case /export packing	
1,800	1,800	540×360×250

Dimensions

Unit:mm







Circuit Diagram



Refer to P.426 for product specifications.

Resistive Position Sensors

List of Varieties

Type	Rotary Type		
Series	RDC50		RD6R1A
Photo			
Direction of lever	Vertical	Horizontal	Vertical
Reference taper	100%/333.3°		100%/320°
Linearity guarantee range	320°		310°
Operating temperature range	-40°C to +120°C		-40°C to +85°C
Operating life	1,000,000 cycles		500,000 cycles
Available for automotive use	●		●
Life cycle (availability)			
Mechanical performance	Rotational torque	2mN·m max.	
Electrical performance	Total resistance tolerance	±30%	
	Linearity	±2%	±2% (320°)
	Rated voltage	5V DC	
Environmental performance	Cold	-40°C 168h	
	Dry heat	120°C 168h	95°C 168h
	Damp heat	60°C, 90 to 95%RH 96h	80°C, 90 to 95%RH 96h
Terminal style		Insertion / Reflow	Connector
Page		417	420

Resistive Position Sensors Measurement and Test Methods	426
Resistive Position Sensors Soldering Conditions	427
Resistive Position Sensors Cautions	428

Note

● Indicates applicability to all products in the series.

Resistive Position Sensors

Rotary Type

Linear Type