

## 9mm Single Metal Shaft, Multi-Ganged Series

### Application

- ✓ Audio, Home appliance, Automotive, Communication, and Others



### Feature

- ✓ Durable Structure with less wobble metal shaft

### ■Specification

Total Rotational Angle	300±5°
Maximum Operating Voltage	50V AC
Insulation Resistance	More than 100MΩ at 250V DC
Dielectric Strength	300V AC , 1 minute
Rotational Torque	20-250 gf.cm
Rotational Stop Strength of the Shaft	4 kgf.cm / Min.
Rotation Life	15,000 cycles

### ■How to order

RD901F-20 E1 – 15F - B10K – 00D

#### Model

EX. RD901F - Single unit  
RD902F - Dual units

#### Bracket

Order Code	Description
Blank	Without Bracket
00D	With Bracket

#### Bushing Type

Order Code	Dimensions	
Blank	Ø7mm	5mm
B3	Ø7mm	7mm
B6	Ø7mm	10mm
E1	Ø9mm	5mm
E3	Ø9mm	7mm
E6	Ø9mm	10mm

#### Taper and Resistance Value

Order Code	Taper	Resistance Value
A100K	Log/A	100KΩ
B1M	Linear/B	1MΩ
C500K	Rev-log/C	500KΩ

Taper: A, B and C

Resistance Value: 1KΩ to 500KΩ and 1MΩ

\*Contact us for other requirements.

#### Shaft Type

## 9mm Single Metal Shaft, Multi-Ganged Series

### ■ Model Description


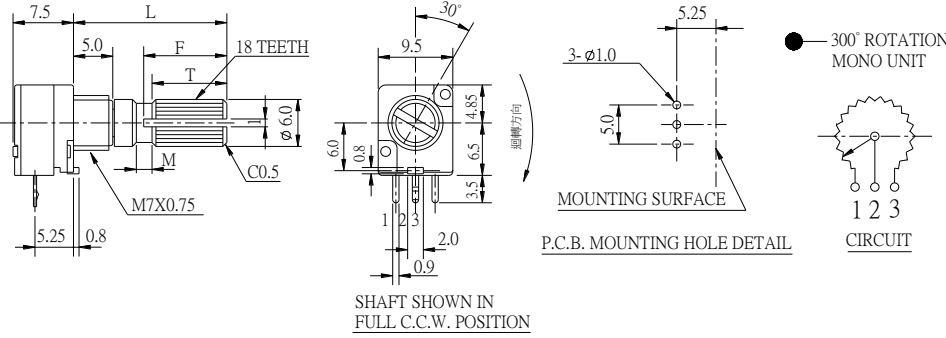
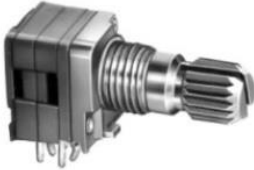
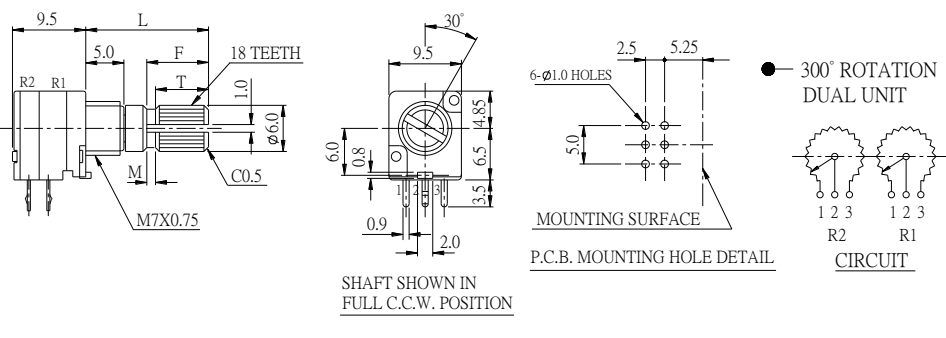
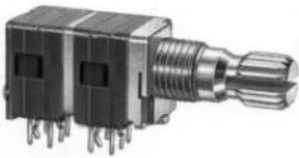
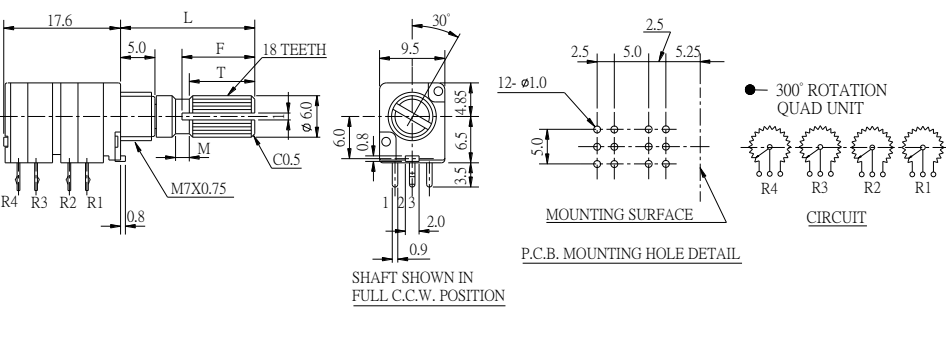
Model	Number of Unit	Terminal Type	With Switch	With Bracket
<a href="#">RD901F-20</a>	Single Unit	Horizontal	Without Switch	Without Bracket
<a href="#">RD902F-20</a>	Dual Units	Horizontal	Without Switch	Without Bracket
<a href="#">RD904F-20</a>	Four Units	Horizontal	Without Switch	Without Bracket
<a href="#">RD902PF-20B6</a>	Dual Units	Horizontal	Without Switch	Without Bracket
<a href="#">RD901F-20E1-00D</a>	Single Unit	Horizontal	Without Switch	With Bracket
<a href="#">RD901F-30</a>	Single Unit	Vertical	Without Switch	Without Bracket
<a href="#">RD901F-40E1/E3/E6-00D</a>	Single Unit	Vertical	Without Switch	With Bracket
<a href="#">RD902F-20E1/E3/E6-00D</a>	Dual Units	Horizontal	Without Switch	With Bracket
<a href="#">RD901F-40-00D</a>	Single Unit	Vertical	Without Switch	With Bracket
<a href="#">RD902F-40-00D</a>	Dual Units	Vertical	Without Switch	With Bracket
<a href="#">RD901SF-20</a>	Single Unit	Horizontal	Rotary Switch (S.P.S.T)	Without Bracket
<a href="#">RD901B21F-20</a>	Single Unit	Horizontal	Push-Pull Switch (S.P.D.T)	Without Bracket
<a href="#">RD901B22F-20</a>	Single Unit	Horizontal	Push-Pull Switch (D.P.D.T)	Without Bracket
<a href="#">RD902B21F-20</a>	Dual Units	Horizontal	Push-Pull Switch (S.P.D.T)	Without Bracket
<a href="#">RD902B22F-20</a>	Dual Units	Horizontal	Push-Pull Switch (D.P.D.T)	Without Bracket

# POTENTIOMETERS




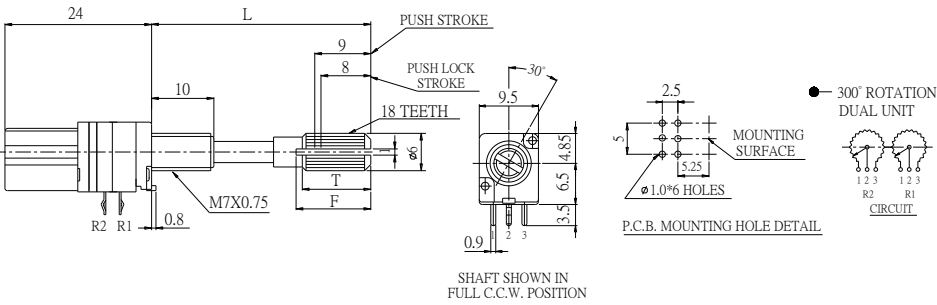
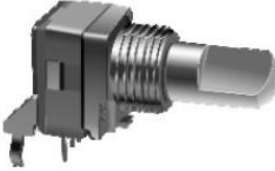
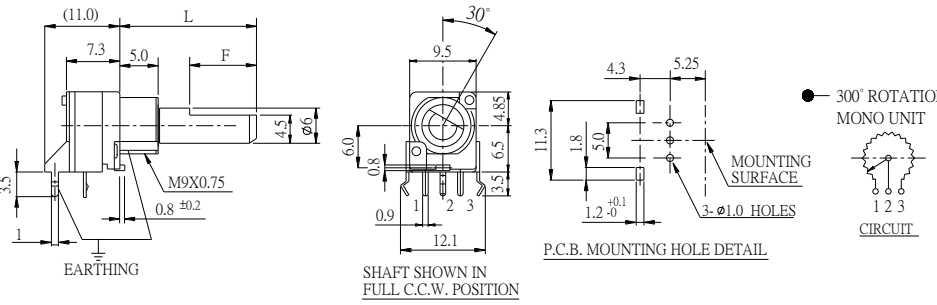
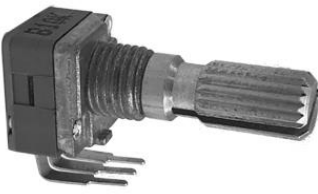
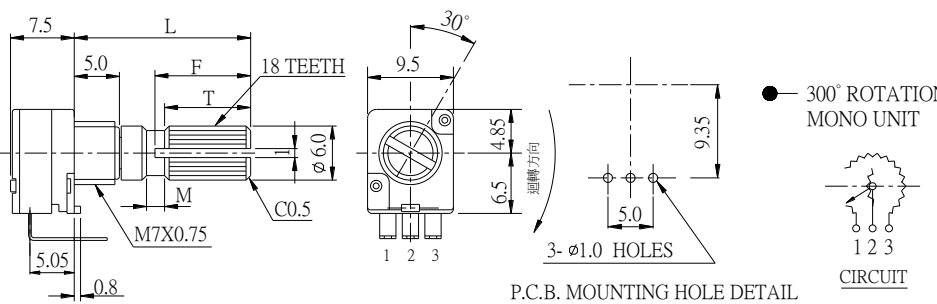

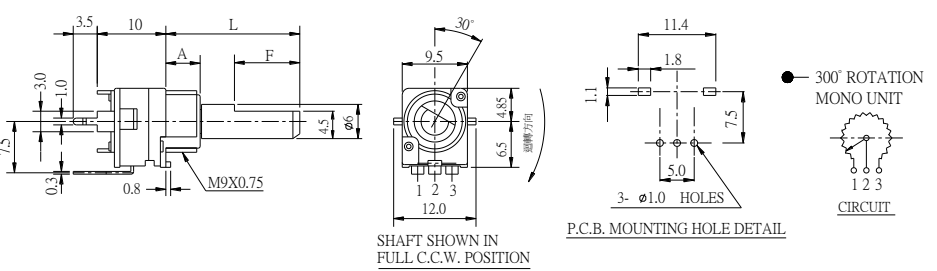
## 9mm Single Metal Shaft, Multi-Ganged Series

[Back to top](#)

Order Code	Outline Drawing
<p>RD901F-20</p> 	 <p>SHAFT SHOWN IN FULL C.C.W. POSITION</p>
<p>RD902F-20</p> 	 <p>SHAFT SHOWN IN FULL C.C.W. POSITION</p>
<p>RD904F-20</p> 	 <p>SHAFT SHOWN IN FULL C.C.W. POSITION</p>

[Back to top](#)

## 9mm Single Metal Shaft, Multi-Ganged Series

Order code	Outline Drawing
<p>RD902PF-20B6</p> 	 <p>RD901PF (single unit) is also available.</p>
<p>RD901F-20E1-00D</p> 	
<p>RD901F-30</p> 	
<p>RD901F-40E1/40E3/40E6-00D</p> 	


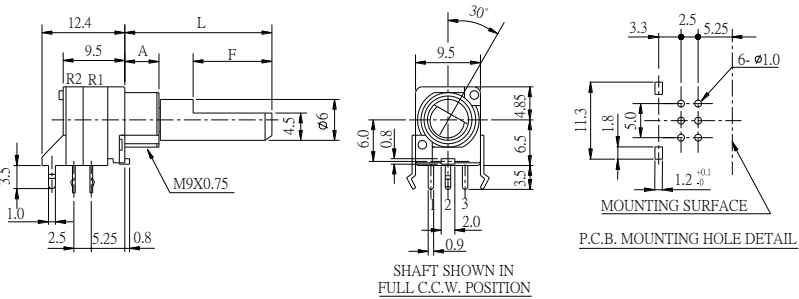
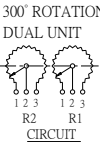

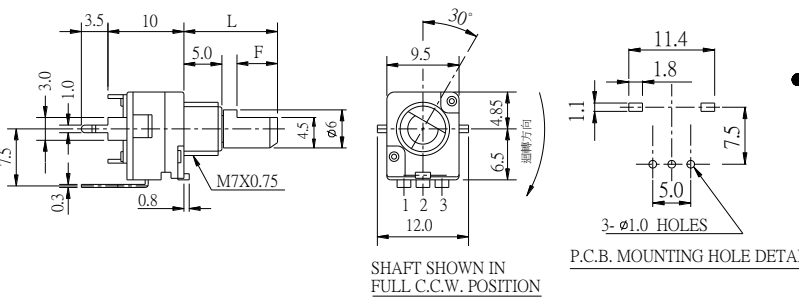
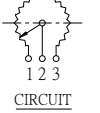

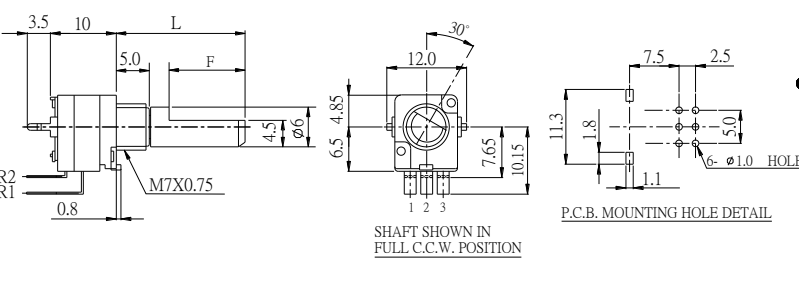
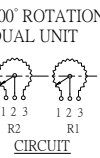

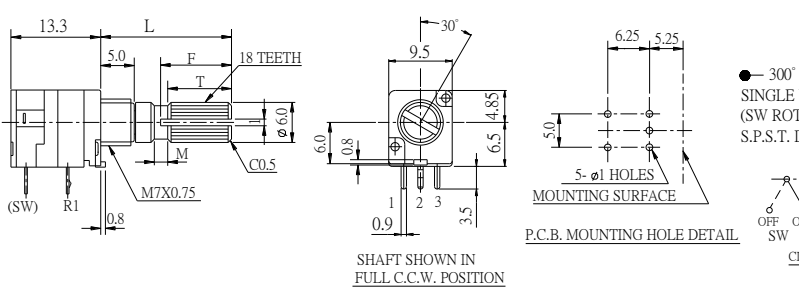
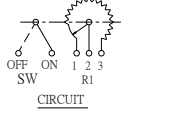
[Back to top](#)

# POTENTIOMETERS



ALPHA

## 9mm Single Metal Shaft, Multi-Ganged Series

Order code	Outline Drawing
<p>RD902F-20E1/20E3/20E6-00D</p> 	 <p>SHAFT SHOWN IN FULL C.C.W. POSITION</p> <p>P.C.B. MOUNTING HOLE DETAIL</p> <p>300° ROTATION DUAL UNIT</p>  <p>CIRCUIT</p>
<p>RD901F-40-00D</p> 	 <p>SHAFT SHOWN IN FULL C.C.W. POSITION</p> <p>P.C.B. MOUNTING HOLE DETAIL</p> <p>300° ROTATION MONO UNIT</p>  <p>CIRCUIT</p>
<p>RD902F-40-00D</p> 	 <p>SHAFT SHOWN IN FULL C.C.W. POSITION</p> <p>P.C.B. MOUNTING HOLE DETAIL</p> <p>300° ROTATION DUAL UNIT</p>  <p>CIRCUIT</p>
<p>RD901SF-20</p> 	 <p>SHAFT SHOWN IN FULL C.C.W. POSITION</p> <p>P.C.B. MOUNTING HOLE DETAIL</p> <p>300° ROTATION SINGLE UNIT WITH SWITCH (SW ROTARY SWITCH) S.P.S.T. D.C 12V 3A</p>  <p>CIRCUIT</p>

RD902SF (dual units) is also available.


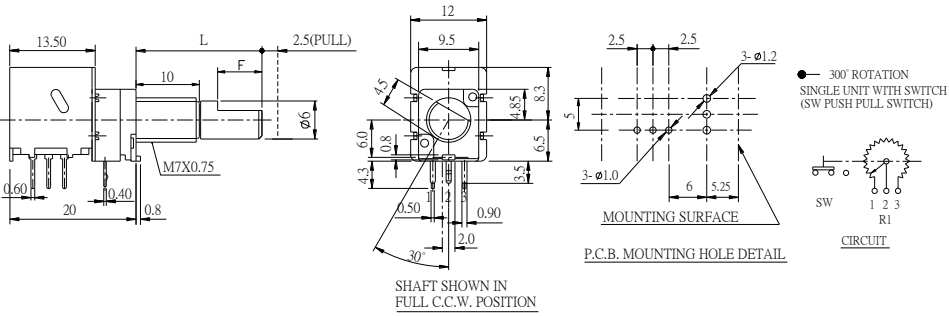

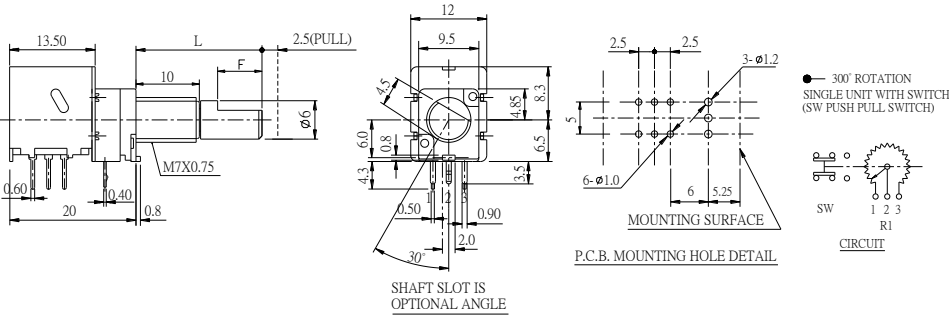

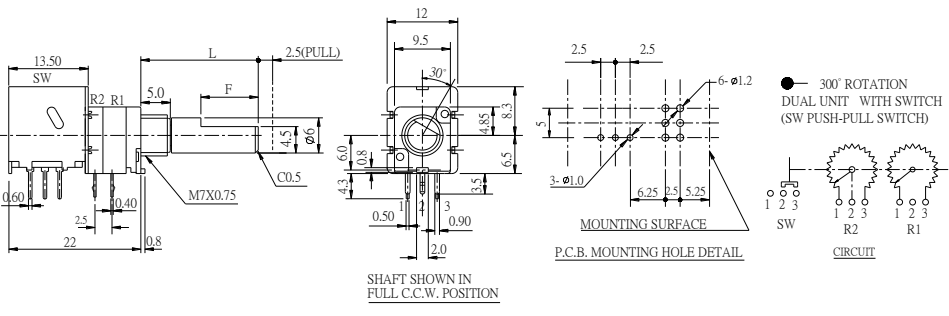

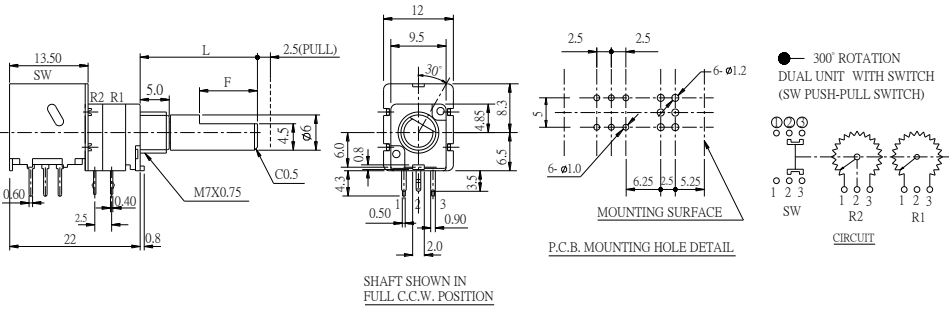
[Back to top](#)

# POTENTIOMETERS



ALPHA

## 9mm Single Metal Shaft, Multi-Ganged Series

Order code	Outline Drawing
<p>RD901B21F-20(S.P.D.T)</p> 	 <p>SHAFT SHOWN IN FULL C.C.W. POSITION</p> <p>300° ROTATION SINGLE UNIT WITH SWITCH (SW PUSH PULL SWITCH)</p> <p>CIRCUIT</p>
<p>RD901B22F-20(D.P.D.T)</p> 	 <p>SHAFT SLOT IS OPTIONAL ANGLE</p> <p>300° ROTATION SINGLE UNIT WITH SWITCH (SW PUSH PULL SWITCH)</p> <p>CIRCUIT</p>
<p>RD902B21F-20(S.P.D.T)</p> 	 <p>SHAFT SHOWN IN FULL C.C.W. POSITION</p> <p>300° ROTATION DUAL UNIT WITH SWITCH (SW PUSH-PULL SWITCH)</p> <p>CIRCUIT</p>
<p>RD902B22F-20(D.P.D.T)</p> 	 <p>SHAFT SHOWN IN FULL C.C.W. POSITION</p> <p>300° ROTATION DUAL UNIT WITH SWITCH (SW PUSH-PULL SWITCH)</p> <p>CIRCUIT</p>

[Back to top](#)