

RDC10 Linear Type

The high accuracy space saving design contributes to reduced weight and size of sets



Typical Specifications

Items	Specifications
Rated Voltage	5V DC
Operating life	50,000 cycles (RDC1010) 200,000 cycles 100,000 cycles (RDC1087)
Total resistance	10kΩ
Operating temperature range	-30°C to +85°C

Product Line

Travel (mm)	Linearity	Length of lever (mm)	Length of terminal (mm)	Minimum order unit (pcs.)		Model No.	Drawing No.
				Japan	Export		
10	±0.5%	1.3	0.8	980	2,940	RDC1010A12	1
14		4.5	2	2,400	4,800	RDC1014A09	2
22				2,100	4,200	RDC1022A05	
32				900	1,800	RDC10320RB	
47				1,000	2,000	RDC1047A03	
87	±1.0%	4.4	5.5	540	540	RDC1087A01	3

Notes

- RDC1014, RDC1022, RDC1032 and RDC1047 Series can be for automotive use.
- RDC1014, RDC1022, RDC1032 and RDC1047 Series are available in different varieties to the above.
See Product Varieties (P.423).

Packing Specifications

Tray


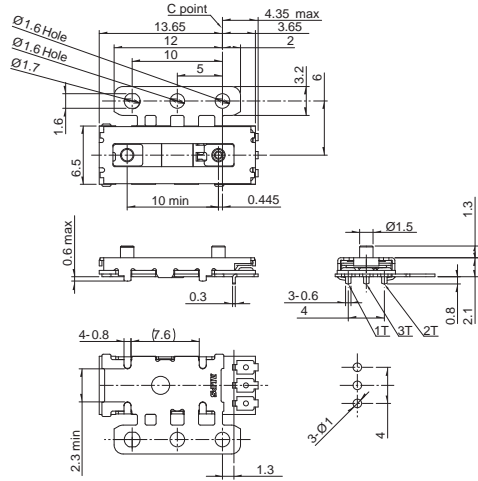


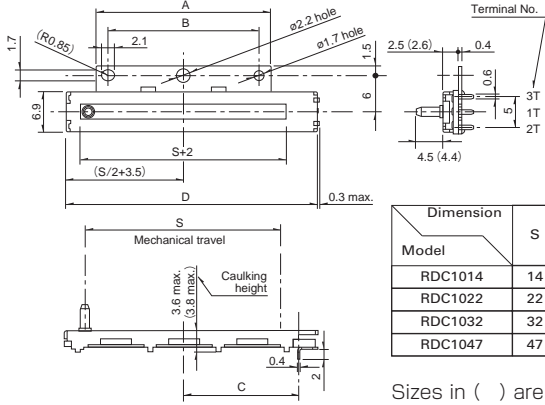


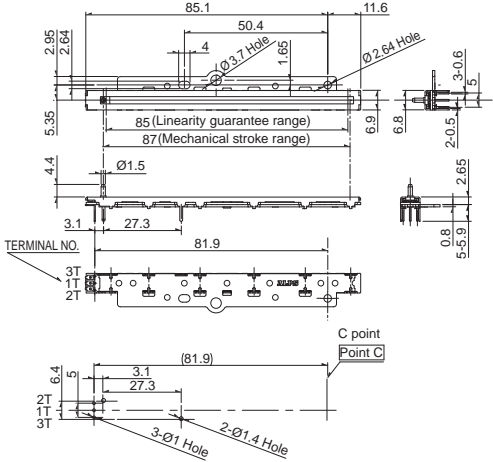
Model No.	Number of packages (pcs.)		Export package measurements (mm)
	1 case /Japan	1 case /export packing	
RDC1010	980	2,940	360×270×230
RDC1014	2,400	4,800	508×374×272
RDC1022	2,100	4,200	508×374×302
RDC1032	900	1,800	540×360×205
RDC1047	1,000	2,000	508×374×272
RDC1087	540	540	540×360×130

Refer to P.423 for product varieties.
Refer to P.426 for product specifications.
Refer to P.427 for soldering conditions.

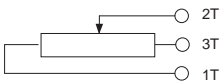
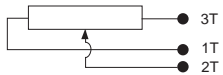
RDC10 Linear Type

Dimensions

Unit:mm

No.	Photo	Style																														
1																																
2	 	 <table border="1" data-bbox="1061 1079 1417 1236"> <thead> <tr> <th>Dimension</th> <th>S</th> <th>A</th> <th>B</th> <th>C</th> <th>D</th> </tr> </thead> <tbody> <tr> <td>RDC1014</td> <td>14</td> <td>19</td> <td>15</td> <td>10</td> <td>23.3</td> </tr> <tr> <td>RDC1022</td> <td>22</td> <td>19</td> <td>15</td> <td>14</td> <td>31.5</td> </tr> <tr> <td>RDC1032</td> <td>32</td> <td>29</td> <td>25</td> <td>19</td> <td>41.5</td> </tr> <tr> <td>RDC1047</td> <td>47</td> <td>37</td> <td>33</td> <td>26.5</td> <td>56.5</td> </tr> </tbody> </table> <p>Sizes in () are applicable to RDC1047 only.</p>	Dimension	S	A	B	C	D	RDC1014	14	19	15	10	23.3	RDC1022	22	19	15	14	31.5	RDC1032	32	29	25	19	41.5	RDC1047	47	37	33	26.5	56.5
Dimension	S	A	B	C	D																											
RDC1014	14	19	15	10	23.3																											
RDC1022	22	19	15	14	31.5																											
RDC1032	32	29	25	19	41.5																											
RDC1047	47	37	33	26.5	56.5																											
3	 																															

Circuit Diagram

<p>RDC1010</p> 	<p>RDC10/RDC1087</p> 
-----------------------------------------------------------------------------------------------------------	-----------------------------------------------------------------------------------------------------------------

Linear Type / Product Varieties

In addition to the products listed, we can accommodate the follow specifications.

Applicable to **RDC1014, RDC1022, RDC1032, RDC1047** only

■ Lever Variety * Sizes in () are applicable to RDC1047 only Unit:mm

Length	4.5 (4.4)	3.7 (3.6)	3 (2.9)	2.5 (2.4)
Dimensions				

■ Terminal Variety
For printed wiring Unit:mm

Dimensions				
Length L ₂	1.5	2	4	5.5

For lead wiring Unit:mm







Dimensions	
------------	--

Note

Shows the specification recommended by Alps Alpine.

Resistive Position Sensors

List of Varieties

Type	Linear Type				
Series	RDC1010	RDC10		※ RD7	
Photo					
Direction of lever	Vertical			Horizontal	Vertical
Linearity guarantee range	9.2mm	12mm 21mm 31mm 46mm	85mm	6mm 9mm	6mm 7mm 9mm
Travel	10mm	14mm 22mm 32mm 47mm	87mm	8mm 12mm	8mm 9mm 12mm
Operating temperature range	-30°C to +85°C			-40°C to +105°C	
Operating life	50,000 cycles	200,000 cycles	100,000 cycles	100,000 cycles	
Available for automotive use	—	●	—	●	
Life cycle (availability)					
Mechanical performance	Operating force	0.25N max.			2N max.
Electrical performance	Total resistance tolerance	±30%			±20%
	Linearity (%)	±0.5	±1	±1	
	Rated voltage (V DC)	5			12
Environmental performance	Cold	-40°C 240h			-40°C 96h
	Dry heat	80°C 240h	90°C 240h	85°C 240h	105°C 96h
	Damp heat	60°C, 90 to 95%RH 240h			40°C, 90 to 95%RH 96h
Terminal style	Insertion	Lead terminal/ Insertion	Insertion	Insertion	
Page	421			424	

Resistive Position Sensors Measurement and Test Methods	426
Resistive Position Sensors Soldering Conditions	427
Resistive Position Sensors Cautions	428

Notes

- ※ The RD7 series are used to detect vehicle headlight angles.
- Indicates applicability to all products in the series.

Resistive Position Sensors

Rotary Type

Linear Type

Method for Regulating the Linearity

Model RDC50 / RDC90 / RD6R1A

- Reference taper : 100%/A
- Index point (0°) is 50% output point (RDC50/RDC90)
The center (0°) is in the configuration diagram condition (RD6R1A)

Series	A	B	C
RDC50	333.3°	±160°	±2%
RDC90	80°	±30°	±3%
	260°	±122°	
RD6R1A	320°	±155°	±2%

Model RDC10 / RD7

With rated voltage applied between terminals 1 and 3, the straight line which connects the measured output values V_B and V_A at specified reference positions B and A is assumed to be an ideal straight line, so that deviation against the ideal straight line when the voltage applied between terminals 1 and 3 is assumed to be 100% can be expressed as a percentage.

Resistive Position Sensors / Measurement and Test Methods

Resistive Position Sensor

[Total Resistance]

Unless otherwise specified, total resistance is the resistance measured between resistor terminals 1 and 3.

[Rating Voltage]

The rating voltage corresponding to the rated power shall be determined by the following equation. When the resulting rated voltage exceeds the maximum operating voltage of a specific resistor, the maximum operating voltage shall be taken as the rated voltage.

$$E = \sqrt{P \cdot R}$$

E : Rated voltage (V)
P : Rated power (W)
R : Total nominal resistance (Ω)