

Balanced Armature Driver



Premium Audio

RDI-34006-000

Dual Woofer

Features

- . Delivers warm, rich bass as part of a multi-driver system
- . Very high drive capability for low distortion at typical levels
- . Dual element construction for high efficiency and low mechanical vibration
- . Customization possible (impedance, damping, porting, etc.)
- . RoHS compliant

Typical Performance at 1kHz

Impedance	25	Ohms
Sensitivity to 100mV	124	dB SPL
Sensitivity to 1mW	122	dB SPL
Max SPL ^a	136	dB SPL
THD at 94dB SPL	0.4	%
THD at 100dB SPL	0.5	%

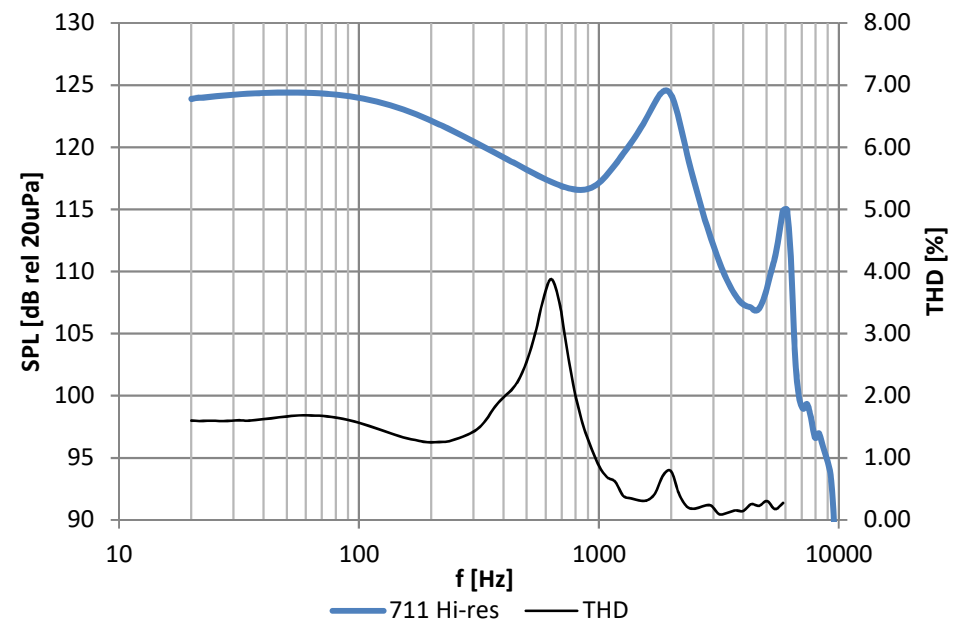
a) SPL at 10% THD

Testing Condition

using 100mV rms drive signal

- 711 Hi-RES GRAS 403
- THD

Frequency Response and THD

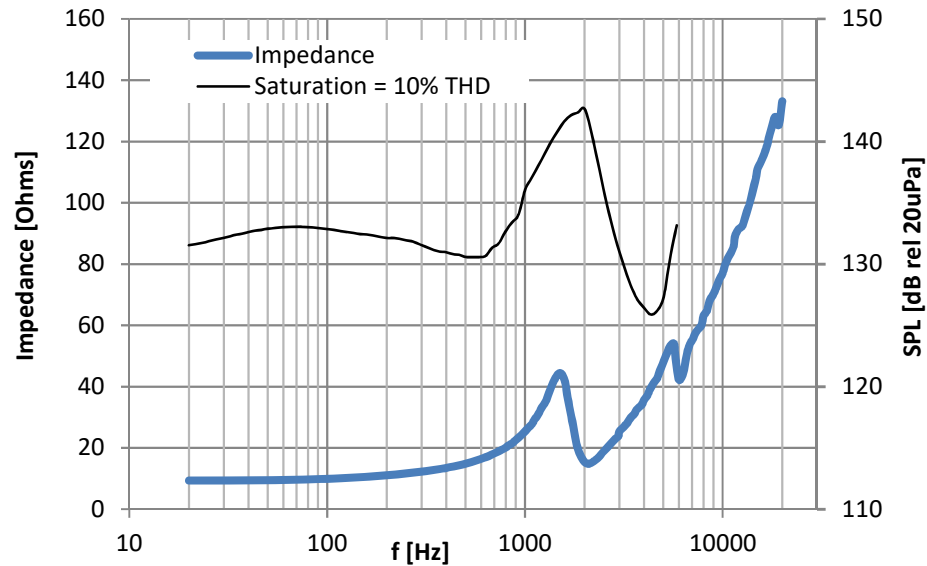


Balanced Armature Driver

RDI-34006-000

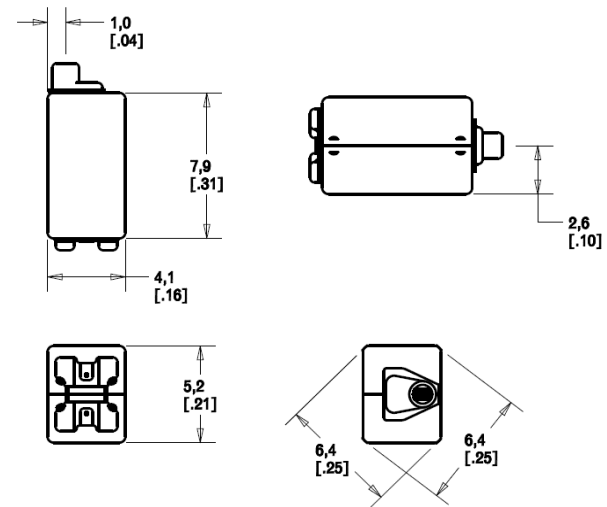
Dual Woofer

Impedance and Saturation SPL



Outline Drawing

mm (inches)



Application Note

This model has a precision laser diaphragm pierce to equalize the front and back air pressure in any design.

Notes

- Ask about custom assembly options (lead wires, customer-specified materials, etc.)
- To prevent heat damage, follow soldering guidelines in application note AN13 (knowles.com)
- Measurement data for reference only. Refer to model specification for full dimensions and performance.