

Product Description

The RFFM4552 provides a complete integrated solution in a single front end module (FEM) for Wi-Fi 802.11a/n/ac systems. The ultra-small factor and integrated matching minimizes layout area in the customer's application and greatly reduces the number of external components. Performance is focused on linear output power under a number of conditions including duty cycle and packet length while balancing power consumption needs of leading edge device platforms. This simplifies the total front end solution by reducing the bill of materials, system footprint, and manufacturing cost.

The RFFM4552 integrates a 5GHz power amplifier (PA), single pole two throw switch (SP2T) and an LNA with bypass. Also this FEM includes integrated 2nd and 3rd Harmonic filters and integrated out of band rejection filters. The device is provided in a 3.0mm x 3.0mm x 0.98mm, 16-pin package. This module meets or exceeds the RF front end needs of IEEE 802.11a/n/ac Wi-Fi RF systems.

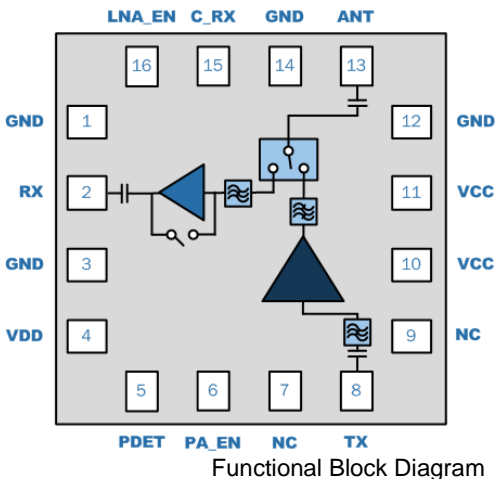


Package: Laminate, 16-pin
3.0mm x 3.0mm x 0.98mm

Feature Overview

- 5.0V Operation
- P_{OUT} = +20dBm, 802.11ac, 80MHz MCS9 at 1.8% Dynamic EVM
- P_{OUT} = +21dBm, 802.11n, MCS7 HT20/40 at 3.0% Dynamic EVM
- P_{OUT} = +24dBm, MCS0 HT20 at Spectral Mask Compliance
- High efficiency
- Input and Output Matched to 50Ω
- Integrated 5GHz PA, SP2T, LNA with Bypass and power detector.
- Integrated RX notch filter @ 2.5GHz for DBDC operation.
- High Impedance PA Enable

Functional Block Diagram



Applications

- Customer Premise Equipment
- Set-Top Boxes
- Netbooks/Notebooks
- Mobile Routers/Access Points
- Data Cards
- TV/Monitors/Video

Ordering Information

PART NUMBER	DESCRIPTION
RFFM4552SB	Standard 5 piece sample bag
RFFM4552SQ	Standard 25 piece sample bag
RFFM4552SR	Standard 100 piece reel
RFFM4552TR7	Standard 2500 piece reel
RFFM4552PCK-410	Fully assemble EVB + 5pcs sample bag

Solderability

Compatible with both lead-free and tin/lead reflow solder processes. Recommended solder profiles are available at www.qorvo.com

RoHS Compliance

The part is compliant with EU 2002/95/EC RoHS directive (Restrictions on the Use of Certain Hazardous Substances in Electrical and Electronic Equipment)

- Lead Free
- Halogen Free (Chlorine and Bromine)
- Antimony Free
- TBBP-A Free
- PFOS Free
- SVHC Free
- Qorvo Green



Contact Information

For the latest specifications, additional product information, worldwide sales and distribution locations:

Web: www.qorvo.com

Tel: 1-844-890-8163

Email: customer.support@qorvo.com

For information about the merger of RFMD and TriQuint as Qorvo:

Web: www.qorvo.com

Important Notice

The information contained herein is believed to be reliable. Qorvo makes no warranties regarding the information contained herein. Qorvo assumes no responsibility or liability whatsoever for any of the information contained herein. Qorvo assumes no responsibility or liability whatsoever for the use of the information contained herein. The information contained herein is provided "AS IS, WHERE IS" and with all faults, and the entire risk associated with such information is entirely with the user. All information contained herein is subject to change without notice. Customers should obtain and verify the latest relevant information before placing orders for Qorvo products. The information contained herein or any use of such information does not grant, explicitly or implicitly, to any party any patent rights, licenses, or any other intellectual property rights, whether with regard to such information itself or anything described by such information.

Qorvo products are not warranted or authorized for use as critical components in medical, life-saving, or life-sustaining applications, or other applications where a failure would reasonably be expected to cause severe personal injury or death.

©2015 Qorvo, Inc. | Qorvo is a trademark of Qorvo, Inc.