

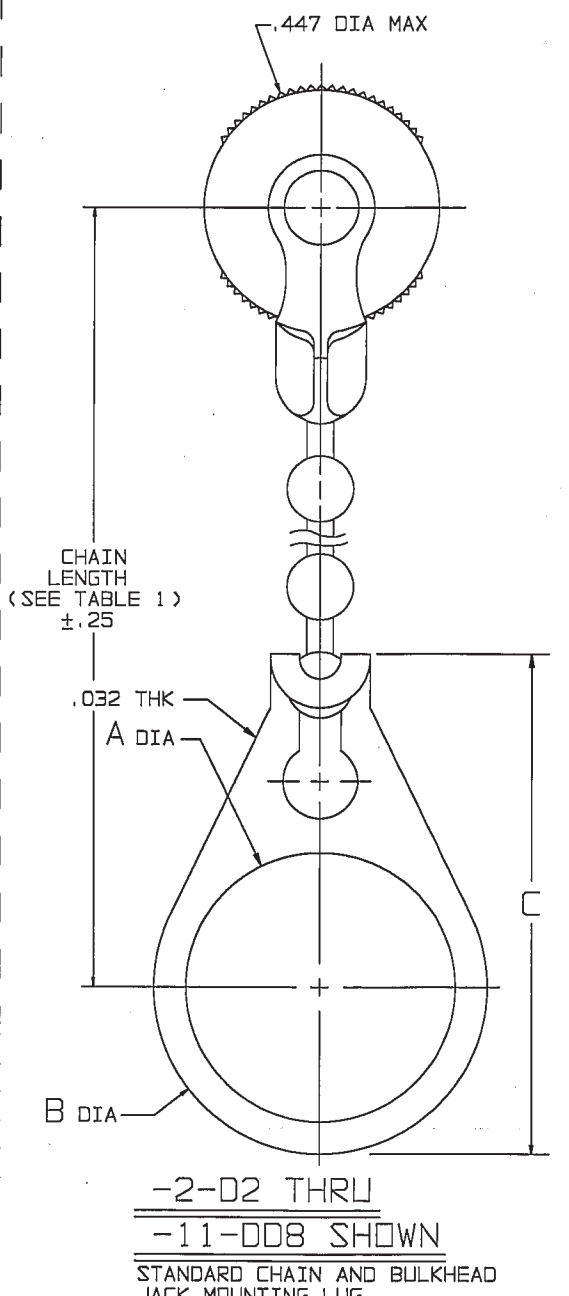
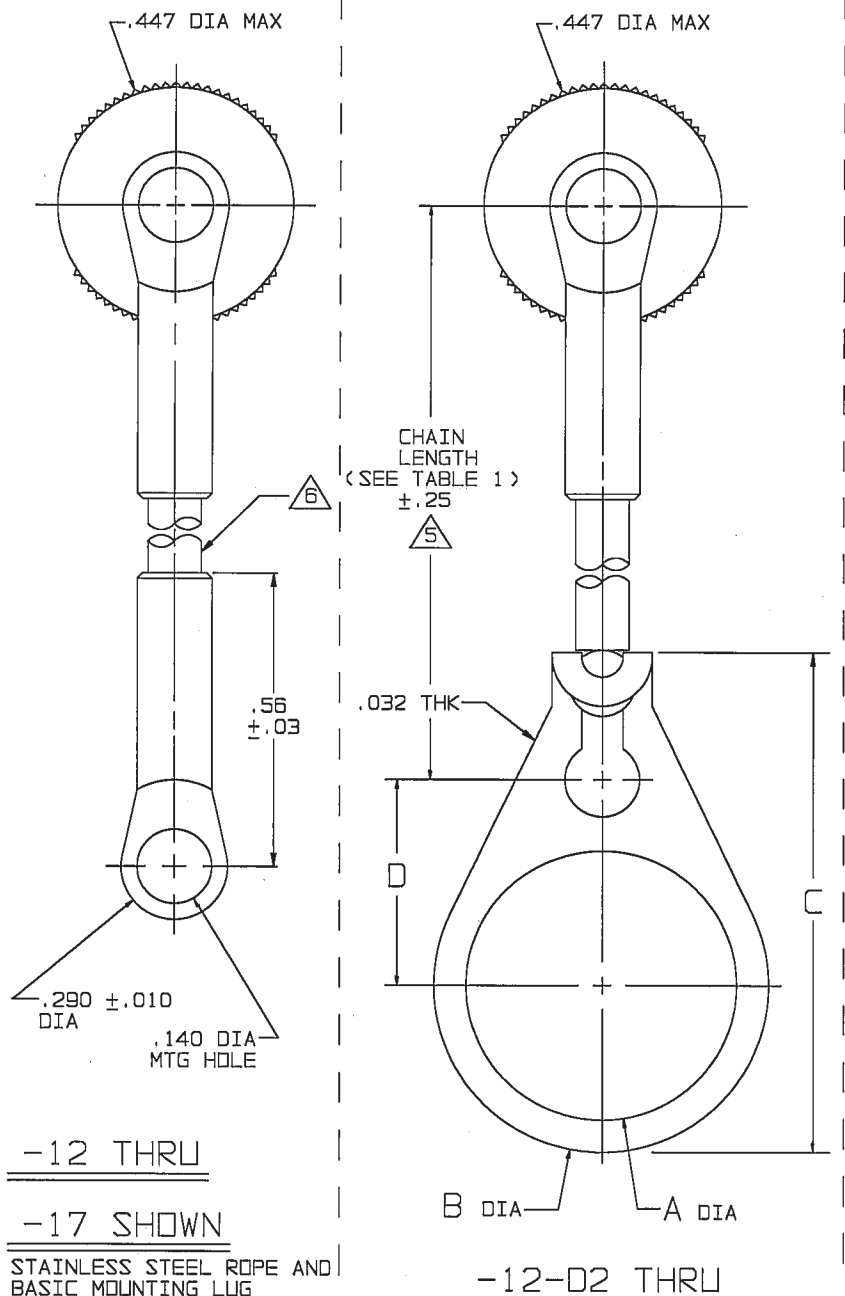
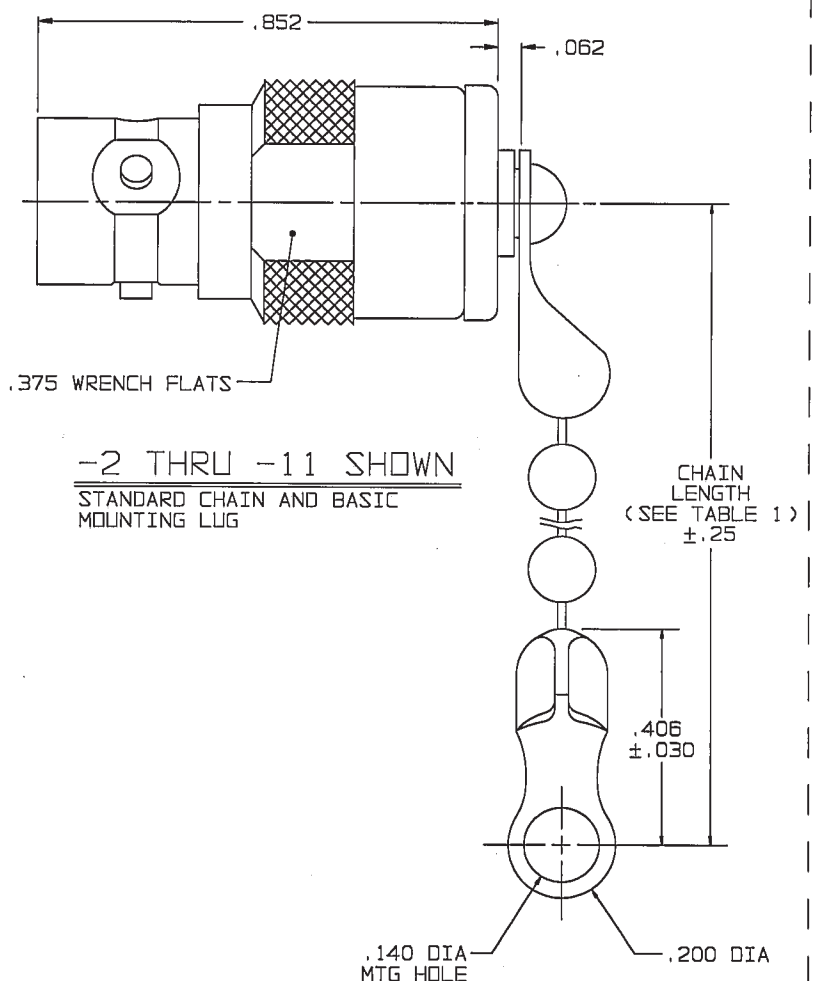
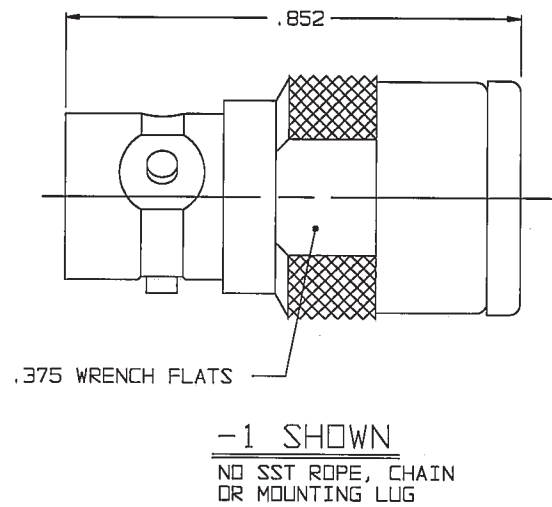
RED INDICATES ORIGINAL

REVISIONS				1-0067	SH 1
REV	ED	DESCRIPTION	DWN	APPROVED	DATE
A	12356	REVISED GENERAL UPDATE; SEE ECC	DKC	<i>[Signature]</i>	11/1/98

DASH NO	DESCRIPTION
-1	CAP (NO CHAIN)
-2	CAP WITH 2.5 INCH BRASS CHAIN
-3	CAP WITH 2.5 INCH NYLON CHAIN
-4	CAP WITH 3.0 INCH BRASS CHAIN
-5	CAP WITH 3.0 INCH NYLON CHAIN
-6	CAP WITH 6.0 INCH BRASS CHAIN
-7	CAP WITH 6.0 INCH NYLON CHAIN
-8	CAP WITH 4.0 INCH BRASS CHAIN
-9	CAP WITH 4.0 INCH NYLON CHAIN
-10	CAP WITH 10.0 INCH BRASS CHAIN
-11	CAP WITH 10.0 INCH NYLON CHAIN
-12	CAP WITH 2.5 INCH SST ROPE
-13	CAP WITH 3.0 INCH SST ROPE
-14	CAP WITH 6.0 INCH SST ROPE
-15	CAP WITH 4.0 INCH SST ROPE
-16	CAP WITH 7.0 INCH SST ROPE
-17	CAP WITH 4.5 INCH SST ROPE

MODEL NO	LTR CODE	TYPE
RFI157	A	3-LUG
RFI157FL	B	4-LUG
RFI357	C	THREADED
RFI3157		

TABLE 3				INCH		MM		INCH		MM		INCH		MM		INCH		MM	
DASH NO	*A* DIA	*B* DIA	*C* DIM	*D* DIM															
-02	.630	.750	1.066	.450	.005	0.13	.290	7.37	.406	10.31	.567	14.40	.878	22.30					
-03	.505	.625	.941	.388	.010	0.25	.295	7.49	.419	10.64	.610	15.49	.925	23.50					
-04	.439	.562	.878	.355	.030	0.76	.300	7.62	.437	11.10	.625	15.88	.941	23.90					
-05	.380	.500	.816	.325	.032	0.81	.317	8.05	.439	11.15	.630	16.00	1.003	25.48					
-06	.317	.437	.753	.295	.062	1.58	.325	8.26	.447	11.35	.687	17.45	1.066	27.08					
-07	.281	.406	.722	.278	.140	3.56	.330	8.38	.450	11.43	.722	18.34	2.5	63.50					
-08	.610	.750	1.066	.450	.200	5.08	.355	9.02	.500	12.70	.750	19.05	3.0	76.20					
-09	.567	.687	1.003	.419	.278	7.06	.380	9.65	.56	14.22	.816	20.73	6.0	152.40					
-D08	.330	.450	.925	.300	.281	7.14	.388	9.86	.562	14.28	.852	21.64	7.0	177.80					



- Ⓟ 1/16 DIA BLACK NYLON JACKET OVER 3/64, 7 X 7 SST ROPE
- Ⓟ NOTE THAT CHAIN LENGTH FOR SST ROPE WITH MOUNTING LUG OPTION IS NOT MEASURED TO CENTER OF BULKHEAD MOUNTING LUG
- 4. EXAMPLE OF COMPLETE MODEL NO:
RFI157-2-03
 - BASIC MODEL NO
 - BULKHEAD JACK MOUNTING LUG (OPTIONAL) (SEE TABLE 3)
 - CHAIN/ROPE MATL AND LENGTH (SEE TABLE 1)
- 3. MALE 3 & 4-LUG & THREADED STYLE SUBMINIATURE RFI DUST CAP WITH OR WITHOUT CHAIN OR JACKETED STAINLESS STEEL ROPE AND MOUNTING OPTION
- 2. FINISH: TFS-1A (NICKEL)
- 1. ALL DIM ARE IN INCHES

QTY	DESCRIPTION	PART NUMBER	ITEM
TOL UNLESS SPECIFIED			
.XX ± .005			
.XXX ± .0005			
ANGLES			
DWN DKC 5-20-98	MATERIAL	CODE IDENT	DRAWING NO.
CHK IAM 5-29-98		14949	1-0067
ENGR			REV A
APPR	SCALE 6/1	DATE 8-18-89	SHEET 1 OF 2