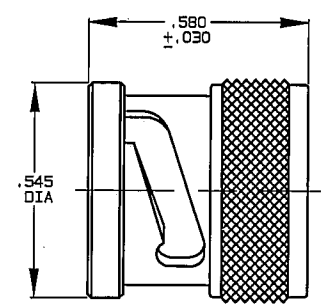


DATA CONTAINED IN THIS DOCUMENT IS PROPRIETARY TO TROMPETER ELECTRONICS INC. AND SHALL NOT BE DISCLOSED, COPIED OR USED FOR PROCUREMENT OR MANUFACTURE WITHOUT EXPRESS WRITTEN PERMISSION OF TROMPETER ELECTRONICS INC.

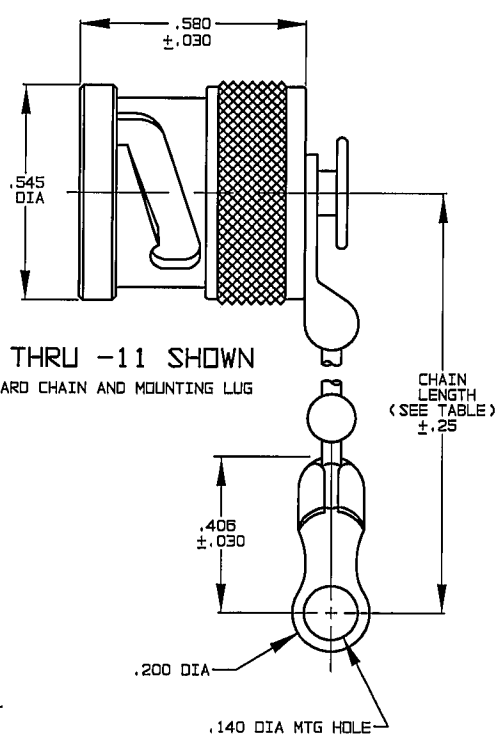
REVISIONS		305-0029	SH 1C
REV	DESCRIPTION	DATE	APPROVED
L	REVISED PER ECO #13616	11/6/00	<i>[Signature]</i>

TABLE 1	
DASH NO	DESCRIPTION
-1	TERM (NO CHAIN)
-2	TERM WITH 2.5 BRASS CHAIN
-3	TERM WITH 2.5 NYLON CHAIN
-4	TERM WITH 3.0 BRASS CHAIN
-5	TERM WITH 3.0 NYLON CHAIN
-6	TERM WITH 6.0 BRASS CHAIN
-7	TERM WITH 6.0 NYLON CHAIN
-8	TERM WITH 4.0 BRASS CHAIN
-9	TERM WITH 4.0 NYLON CHAIN
-10	TERM WITH 10.0 BRASS CHAIN
-11	TERM WITH 10.0 NYLON CHAIN
-12	TERM WITH 2.5 SST ROPE
-13	TERM WITH 3.0 SST ROPE
-14	TERM WITH 6.0 SST ROPE
-15	TERM WITH 4.0 SST ROPE
-16	TERM WITH 7.5 SST ROPE
-17	TERM WITH 4.5 SST ROPE

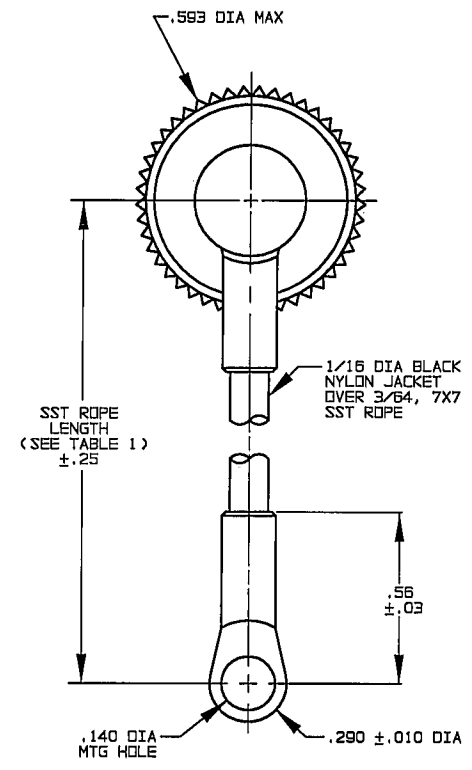
TABLE 2				
DASH NO	"A" DIA	"B" DIA	"C" DIM	"D" DIM
-D2	.630	.750	1.066	.450
-D3	.505	.625	.941	.388
-D4	.439	.562	.878	.355
-D5	.380	.500	.816	.325
-D6	.317	.437	.753	.295
-D7	.281	.406	.722	.278
-D8	.610	.750	1.066	.450
-D9	.567	.687	1.003	.419
-D10	.192	.312	.628	.231
-D11	1.005	1.125	1.441	.638
-DD8	.330	.450	.766	.300



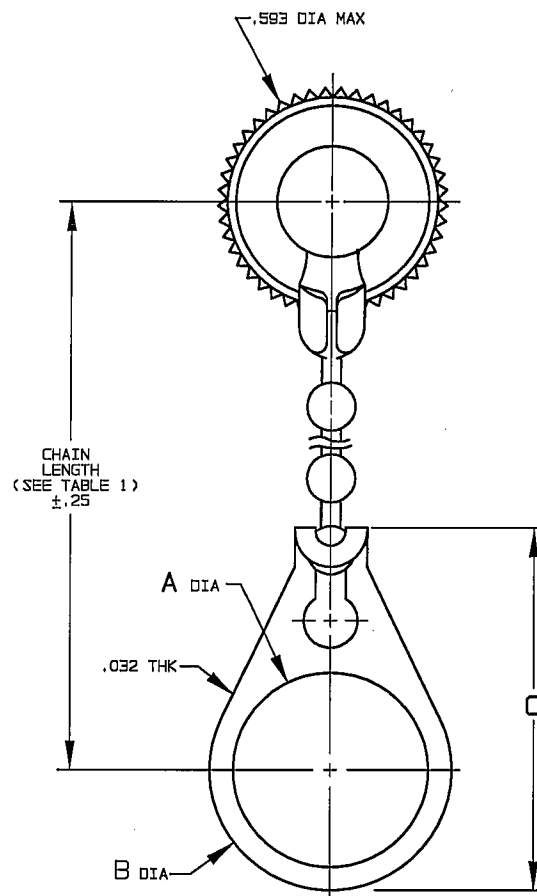
**-1 SHOWN**  
NO CHAIN/ROPE OR MOUNTING LUG



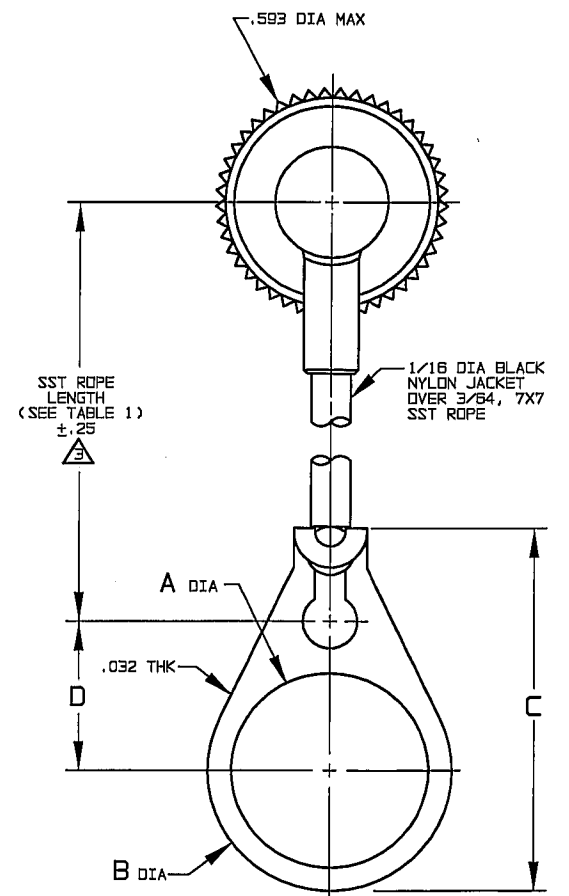
**-2 THRU -11 SHOWN**  
STANDARD CHAIN AND MOUNTING LUG



**-12 THRU -17**  
STAINLESS STEEL ROPE AND MOUNTING LUG



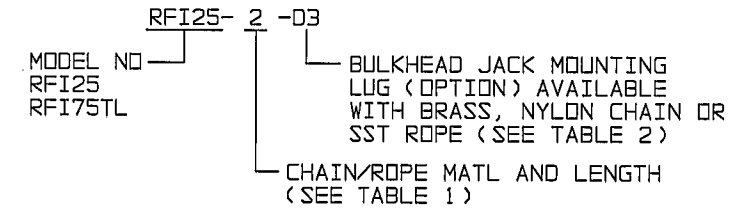
**-2-D2 THRU**  
**-11-DD8 SHOWN**  
STANDARD CHAIN AND BULKHEAD BULKHEAD JACK MOUNTING LUG



**-12-D2 THRU**  
**-17-DD8 SHOWN**  
STAINLESS STEEL ROPE AND BULKHEAD JACK MOUNTING LUG

NOTE THAT LENGTH FOR SST ROPE WITH MOUNTING LUG OPTION IS NOT MEASURED TO CENTER OF BULKHEAD MOUNTING LUG

2. EXAMPLE OF COMPLETE MODEL NO:



1. MALE BNC/2-LUG TRB CAP WITH CHAIN/ROPE AND MOUNTING LUG OPTIONS

INTERPRET DRAWING PER MIL-STD-100 DIMENSIONS ARE IN INCHES AND INCLUDE FINISH THICKNESS UNLESS OTHERWISE SPECIFIED

TOL: UNLESS SPECIFIED  
.XX  
.XXX ±.005  
.XXXX ANGLS

DRAWN: DKC  
DATE: 11-1-00  
CHECKED: *[Signature]*  
APPROVED: *[Signature]*

MATERIAL:  
FINISH: TFS-1A (NICKEL)

**TROMPETER**  
ELECTRONICS, INC.

TITLE: RFI25/RFI75TL

NEXT ASSY	CAD FILE NO. 305-00291L	DO NOT SCALE DWG	SIZE: B	CAGE CODE: 14949	DRAWING NO. 305-0029	REV. L
			SCALE: 2/1	DATE: 9-11-69	SHEET: 1C	