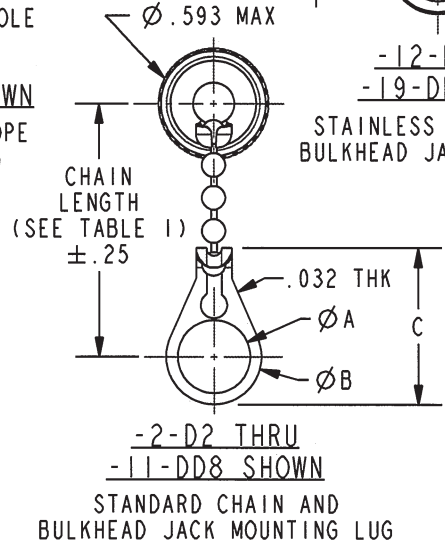
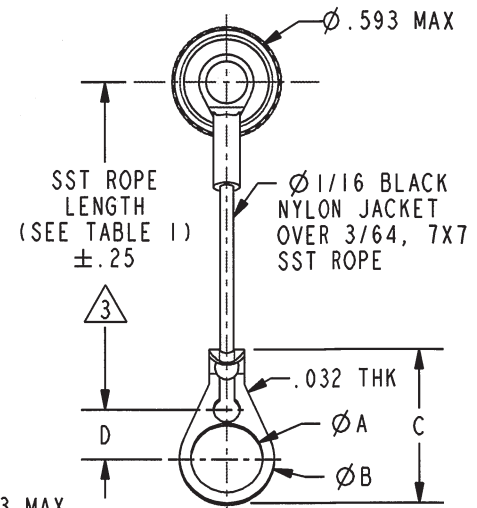
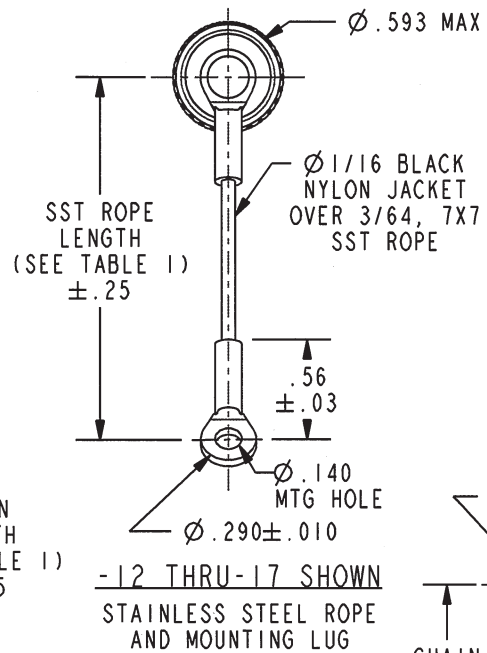
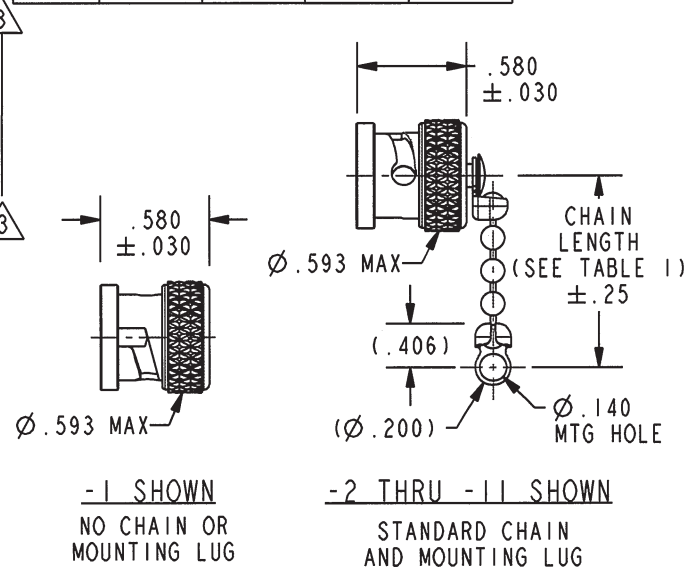


TABLE 1	
DASH NO	DESCRIPTION
-1	NO CHAIN
-2	2.5 BRASS CHAIN
-3	2.5 NYLON CHAIN
-4	3.0 BRASS CHAIN
-5	3.0 NYLON CHAIN
-6	6.0 BRASS CHAIN
-7	6.0 NYLON CHAIN
-8	4.0 BRASS CHAIN
-9	4.0 NYLON CHAIN
-10	10.0 BRASS CHAIN
-11	10.0 NYLON CHAIN
-12	2.5 SST ROPE
-13	3.0 SST ROPE
-14	6.0 SST ROPE
-15	4.0 SST ROPE
-16	7.0 SST ROPE
-17	4.5 SST ROPE
-18	12.0 SST ROPE
-19	18.0 SST ROPE

TABLE 2				
DASH NO	ØA	ØB	C DIM	D DIM
-D1	.755	.875	1.191	.513
-D2	.630	.750	1.066	.450
-D3	.505	.625	.941	.388
-D4	.439	.562	.878	.355
-D5	.380	.500	.816	.325
-D6	.317	.437	.753	.295
-D7	.281	.406	.722	.278
-D8	.610	.750	1.066	.450
-D9	.567	.687	1.003	.419
-D10	.192	.312	.628	.231
-DD8	.330	.450	.766	.300

DATA CONTAINED IN THIS DOCUMENT IS PROPRIETARY TO TROMPETER ELECTRONICS INC. AND SHALL NOT BE DISCLOSED, COPIED OR USED FOR PROCUREMENT OR MANUFACTURE WITHOUT EXPRESS WRITTEN PERMISSION.

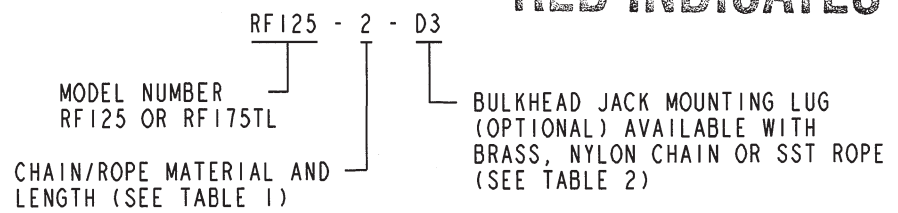
REVISIONS			
REV	DESCRIPTIONS	DATE	APPROVED
M	REVISED PER ECO # 16846	2/6/09	RM/CS



NOTE: LENGTHS FOR STAINLESS STEEL ROPE WITH MOUNTING LUG OPTION IS NOT MEASURED TO CENTER OF BULKHEAD MOUNTING LUG

2. EXAMPLE OF COMPLETE MODEL NUMBER:

RED INDICATES ORIGINAL



1. MALE BNC/2-LUG TRB CAP WITH CHAIN/ROPE AND MOUNTING LUG OPTIONS

NOTES: UNLESS OTHERWISE SPECIFIED.

INTERPRET DRAWING PER MIL-STD-100. DIMENSIONS ARE IN INCHES AND INCLUDE FINISH THICKNESS UNLESS OTHERWISE SPECIFIED.	TOL: UNLESS SPECIFIED. .XX ± .02 .XXX ± .010 ANGLE ± 1°	TROMPETER RF connectivity <small>a cinch connectivity solutions brand</small>	
DRN J. CARPENTER 01-27-09	MATERIAL:	TITLE: RF125/RF175TL	
CHR M 2/6/09	QUALITY	SIZE A 14949	DRAWING NO. 305-0029
MANUF	FINISH:	REV. M	
APPROVED M 2/6/09	PROVE FILE NO. 305-0029	SCALE 1/1	DATE 9-11-69
NEXT ASSY	DO NOT SCALE DWG	SHEET 1C	