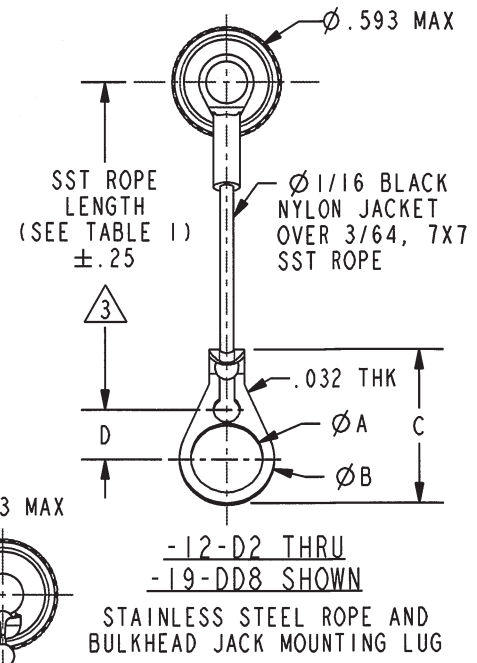
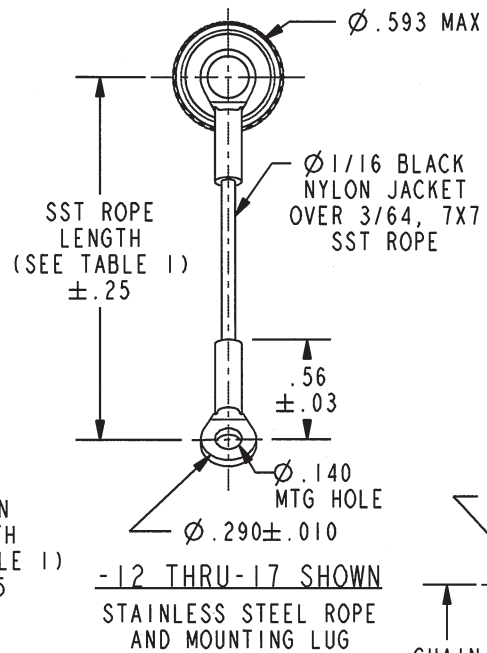


| TABLE 1 | |
|---------|------------------|
| DASH NO | DESCRIPTION |
| -1 | NO CHAIN |
| -2 | 2.5 BRASS CHAIN |
| -3 | 2.5 NYLON CHAIN |
| -4 | 3.0 BRASS CHAIN |
| -5 | 3.0 NYLON CHAIN |
| -6 | 6.0 BRASS CHAIN |
| -7 | 6.0 NYLON CHAIN |
| -8 | 4.0 BRASS CHAIN |
| -9 | 4.0 NYLON CHAIN |
| -10 | 10.0 BRASS CHAIN |
| -11 | 10.0 NYLON CHAIN |
| -12 | 2.5 SST ROPE |
| -13 | 3.0 SST ROPE |
| -14 | 6.0 SST ROPE |
| -15 | 4.0 SST ROPE |
| -16 | 7.0 SST ROPE |
| -17 | 4.5 SST ROPE |
| -18 | 12.0 SST ROPE |
| -19 | 18.0 SST ROPE |

| TABLE 2 | | | | |
|---------|------|------|-------|-------|
| DASH NO | ØA | ØB | C DIM | D DIM |
| -D1 | .755 | .875 | 1.191 | .513 |
| -D2 | .630 | .750 | 1.066 | .450 |
| -D3 | .505 | .625 | .941 | .388 |
| -D4 | .439 | .562 | .878 | .355 |
| -D5 | .380 | .500 | .816 | .325 |
| -D6 | .317 | .437 | .753 | .295 |
| -D7 | .281 | .406 | .722 | .278 |
| -D8 | .610 | .750 | 1.066 | .450 |
| -D9 | .567 | .687 | 1.003 | .419 |
| -D10 | .192 | .312 | .628 | .231 |
| -DD8 | .330 | .450 | .766 | .300 |

DATA CONTAINED IN THIS DOCUMENT IS PROPRIETARY TO TROMPETER ELECTRONICS INC. AND SHALL NOT BE DISCLOSED, COPIED OR USED FOR PROCUREMENT OR MANUFACTURE WITHOUT EXPRESS WRITTEN PERMISSION.

| REVISIONS | | | |
|-----------|-------------------------|--------|----------|
| REV | DESCRIPTIONS | DATE | APPROVED |
| M | REVISED PER ECO # 16846 | 2/6/09 | RM/CS |



NOTE: LENGTHS FOR STAINLESS STEEL ROPE WITH MOUNTING LUG OPTION IS NOT MEASURED TO CENTER OF BULKHEAD MOUNTING LUG

2. EXAMPLE OF COMPLETE MODEL NUMBER:

RED INDICATES ORIGINAL



1. MALE BNC/2-LUG TRB CAP WITH CHAIN/ROPE AND MOUNTING LUG OPTIONS
 NOTES: UNLESS OTHERWISE SPECIFIED.

| | | | |
|--|--|--|------------------------|
| INTERPRET DRAWING PER MIL-STD-100. DIMENSIONS ARE IN INCHES AND INCLUDE FINISH THICKNESS UNLESS OTHERWISE SPECIFIED. | TOL: UNLESS SPECIFIED. .XX ± .02 .XXX ± .010 ANGLE ± 1° | TROMPETER RF connectivity <small>a cinch connectivity solutions brand</small> | |
| DRN J. CARPENTER 01-27-09 | MATERIAL: | TITLE: RF125/RF175TL | |
| CHR <i>Am</i> 2/6/09 | QUALITY | SIZE A | CAGE CODE 14949 |
| MANUF | FINISH: | DRAWING NO. 305-0029 | REV. M |
| APPROVED <i>Am</i> 2/6/09 | PROVE FILE NO. 305-0029 | SCALE 1/1 | DATE 9-11-69 |
| NEXT ASSY | DO NOT SCALE DWG | SHEET 1C | |