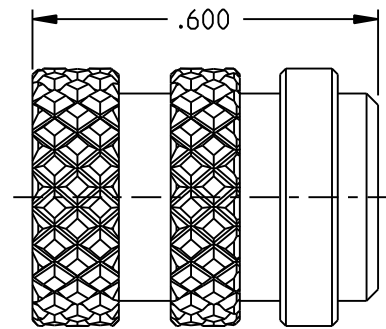
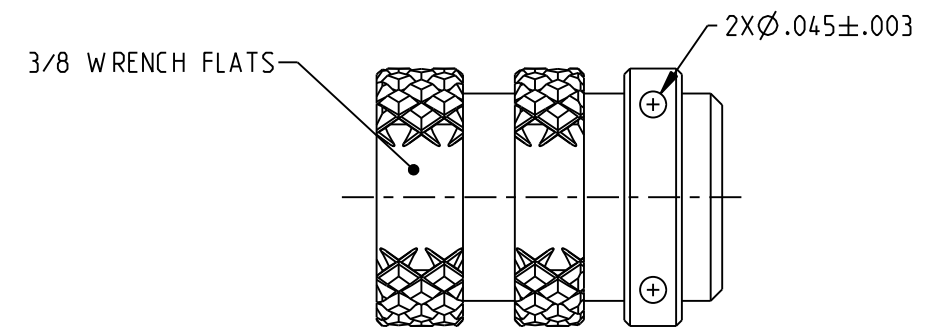


TABLE 1	
LANYARD OPTION	LANYARD MATERIAL & LENGTH
-1	CAP ONLY (NO LANYARD)
-2	2.5 BRASS BEAD CHAIN
-3	2.5 NYLON BEAD CHAIN
-4	3.0 BRASS BEAD CHAIN
-5	3.0 NYLON BEAD CHAIN
-6	6.0 BRASS BEAD CHAIN
-7	6.0 NYLON BEAD CHAIN
-8	4.0 BRASS BEAD CHAIN
-9	4.0 NYLON BEAD CHAIN
-10	10.0 BRASS BEAD CHAIN
-11	10.0 NYLON BEAD CHAIN
-12	2.5 STAINLESS STEEL ROPE
-13	3.0 STAINLESS STEEL ROPE
-14	6.0 STAINLESS STEEL ROPE
-15	4.0 STAINLESS STEEL ROPE
-16	7.0 STAINLESS STEEL ROPE
-17	4.5 STAINLESS STEEL ROPE
-18	18.0 STAINLESS STEEL ROPE (-D2 THROUGH -DD8 ONLY)

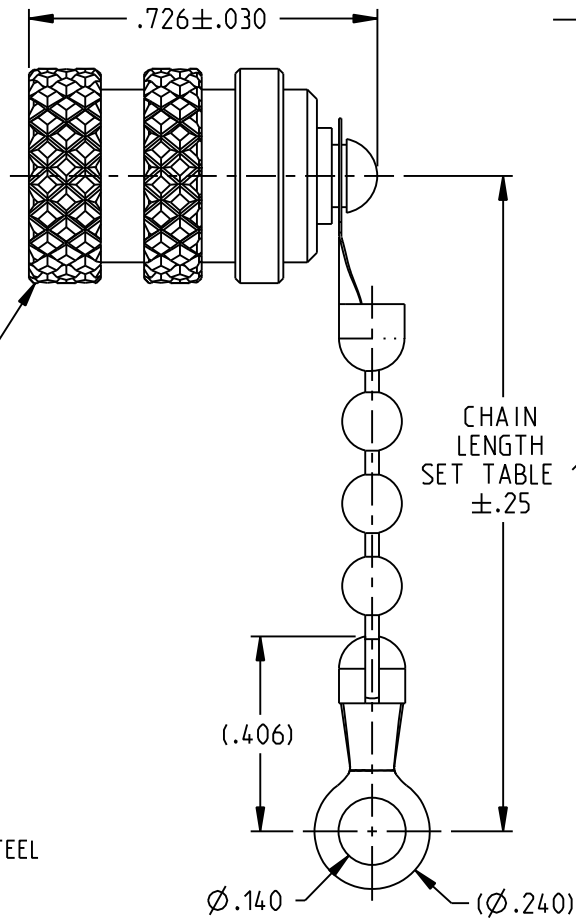
TABLE 2					
BLKHD JACK MTG LUG OPTION	Ø"A"	Ø"B"	"C"	"D"	
-D2	.630	.750	1.066	.450	
-D3	.505	.625	.941	.388	
-D4	.439	.562	.878	.355	
-D5	.380	.500	.816	.325	
-D6	.317	.437	.753	.295	
-D7	.281	.406	.722	.278	
-D8	.610	.750	1.066	.450	
-D9	.567	.687	1.003	.419	
-D10	.192	.312	.628	.231	
-DD8	.330	.450	.766	.300	



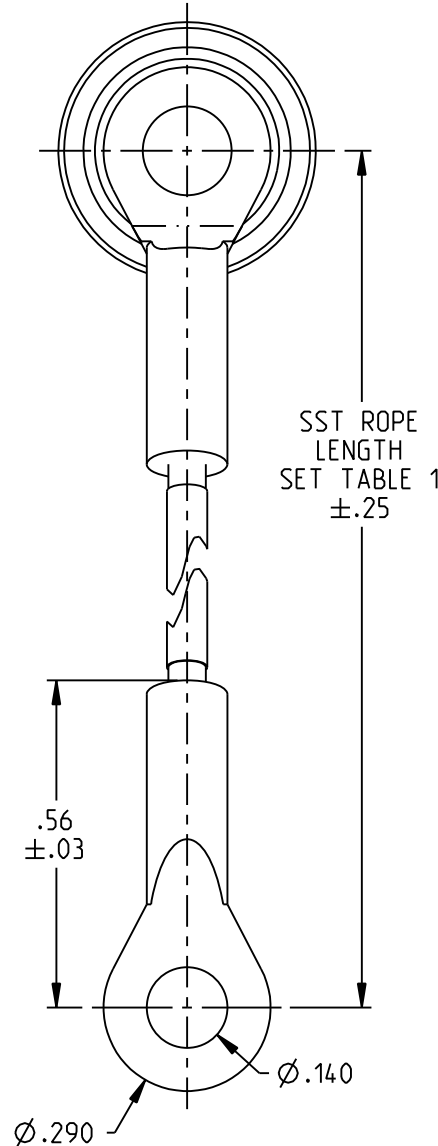
RF13455-1 SHOWN NO LANYARD OPTION



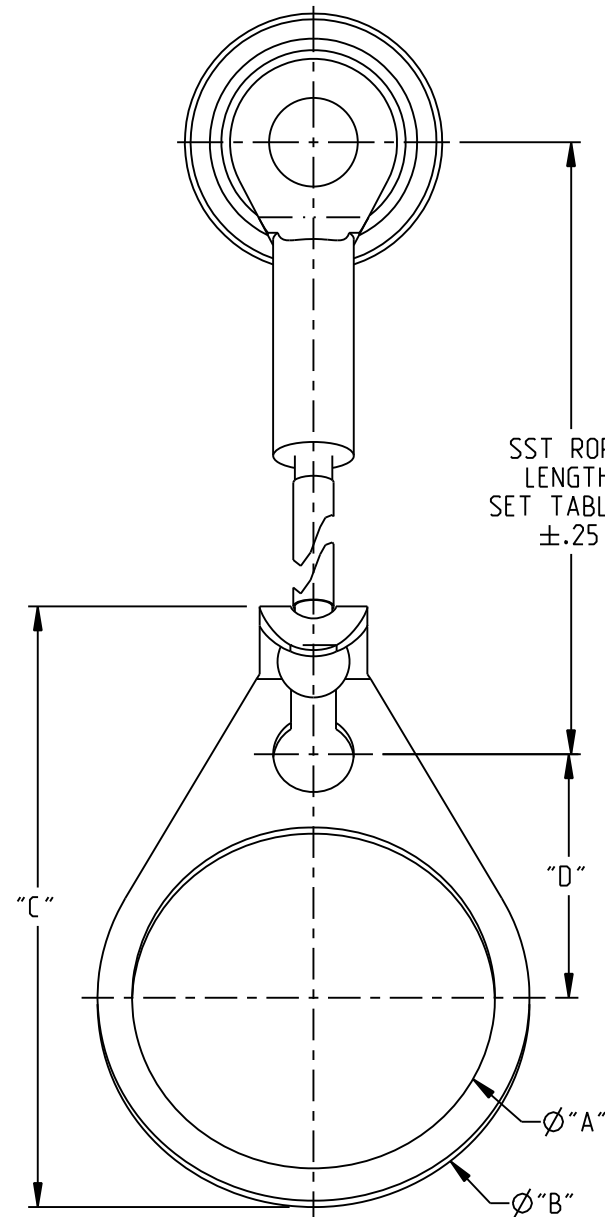
RF13455S-1 SHOWN NO LANYARD OPTION w/SAFETY WIRE OPTION



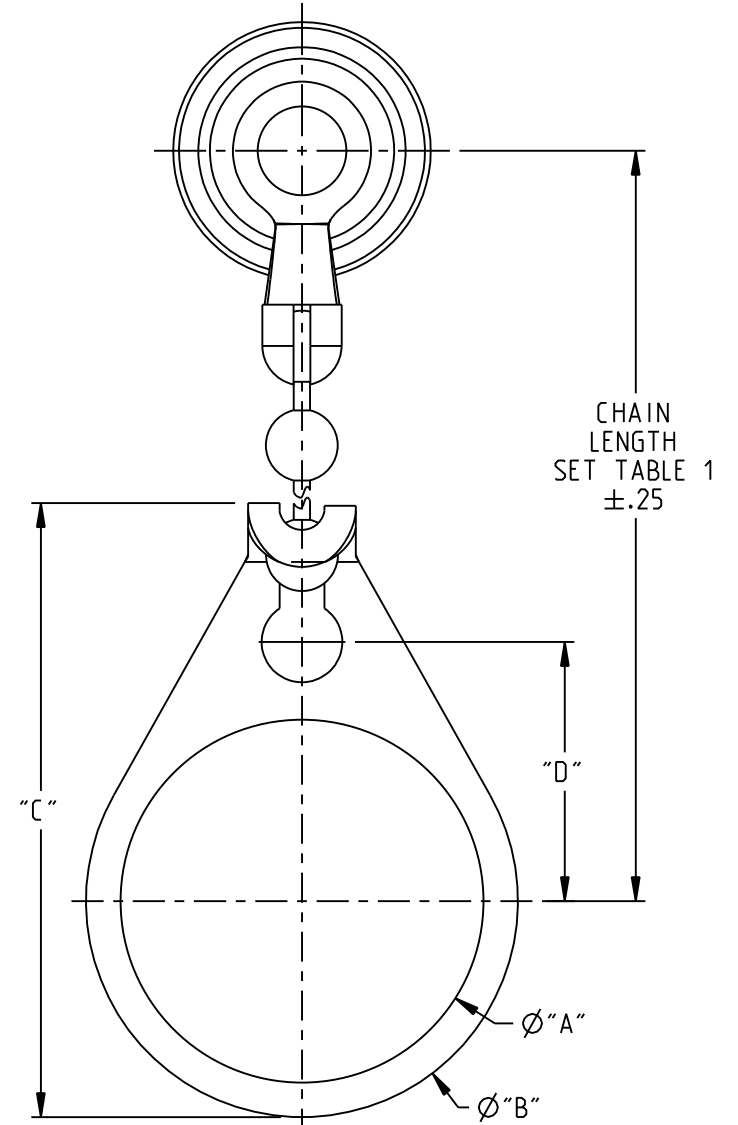
RF13455-2 THRU RF13455-11 BEAD CHAIN & END RING



RF13455-12 THRU RF13455-17 SST ROPE & MTG LUG



RF13455-12-D2 THRU RF13455-18-DD8 SST ROPE w/BULKHEAD MTG LUG



RF13455-2-D2 THRU RF13455-11-DD8 BEAD CHAIN w/BULKHEAD MTG LUG

NOTES: UNLESS OTHERWISE SPECIFIED.

- MATERIAL & FINISH:
 - BAYONET SLEEVE: NICKEL PLATED BRASS
 - GASKET: SILICONE RUBBER
 - DRIVE SCREW: PASSIVATED STAINLESS STEEL
 - BEAD CHAIN ASSY:
 - NICKEL PLATED BRASS
 - NYLON, WHITE
 - #6 END RING: NICKEL PLATED BRASS
 - STAINLESS STEEL ROPE ASSY:
 - CABLE: STAINLESS STEEL COVERED w/BLACK NYLON JACKET
 - END RING: PASSIVATED STAINLESS STEEL
 - BULKHEAD MOUNTING LUG: NICKEL PLATED BRASS

2. EXAMPLE OF COMPLETE MODEL NUMBER:

RF13455S-12-D2
 └── MTG LUG OPTION PER TABLE 2
 └── LANYARD OPTION PER TABLE 1
 └── SAFETY WIRE HOLES OPTION
 └── BASIC MODEL NUMBER

3. NOTE THAT LENGTH FOR THE SST ROPE WITH BULKHEAD MOUNTING LUG OPTION IS NOT MEASURED TO THE CENTER OF THE BULKHEAD MOUNTING LUG.

UNLESS OTHERWISE SPECIFIED DIMENSIONS COMMON TO ALL MODEL NUMBERS

<p>NOTICE: The information in this drawing is PROPRIETARY and must not be used without the permission of Cinch Connectivity Solutions. It may contain data whose export is restricted. Verify status prior to exporting.</p> <p>INTERPRET DRAWING IN ACCORDANCE WITH ASME Y14.5-2018</p>		TROMPETER Title: RF1/DUST CAP, TRL SERIES
	RoHS2 2015/863/EU	Model No. RF13455X-YY-ZZZ
	.XX ±.02 .XXX ±.010 ANGLES ±2°	Size B DO NOT SCALE DRAWING
	Date: 10/11/2021	Sheet: 1 OF 1