

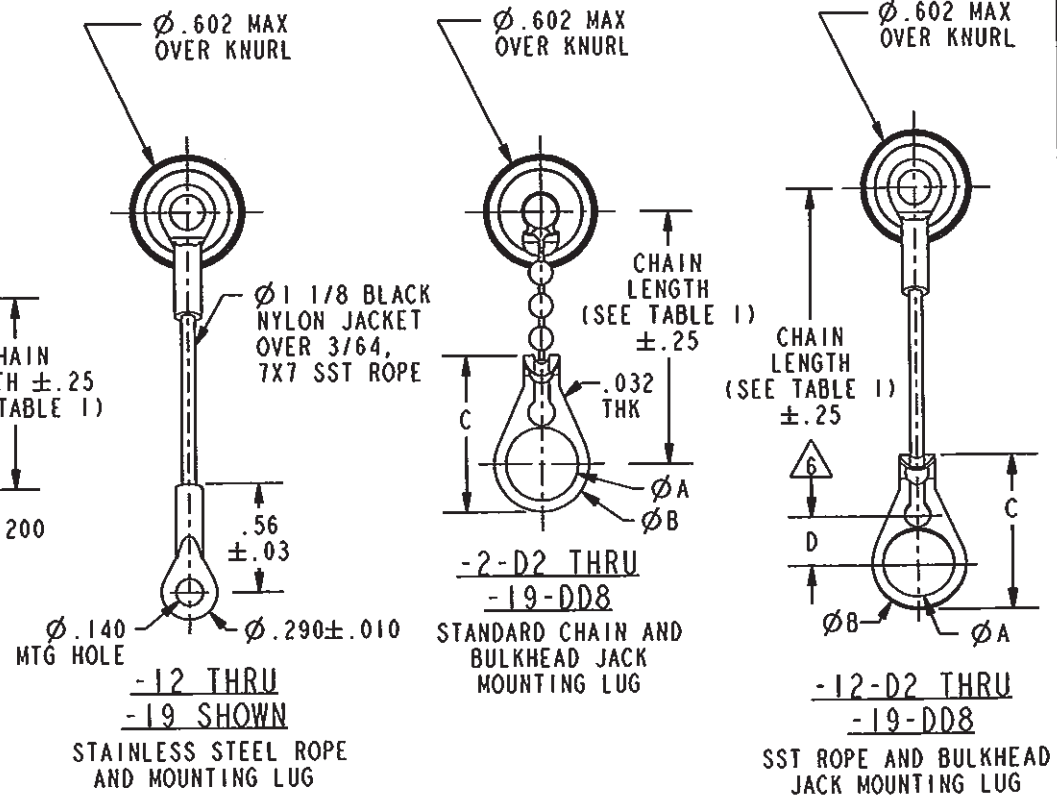
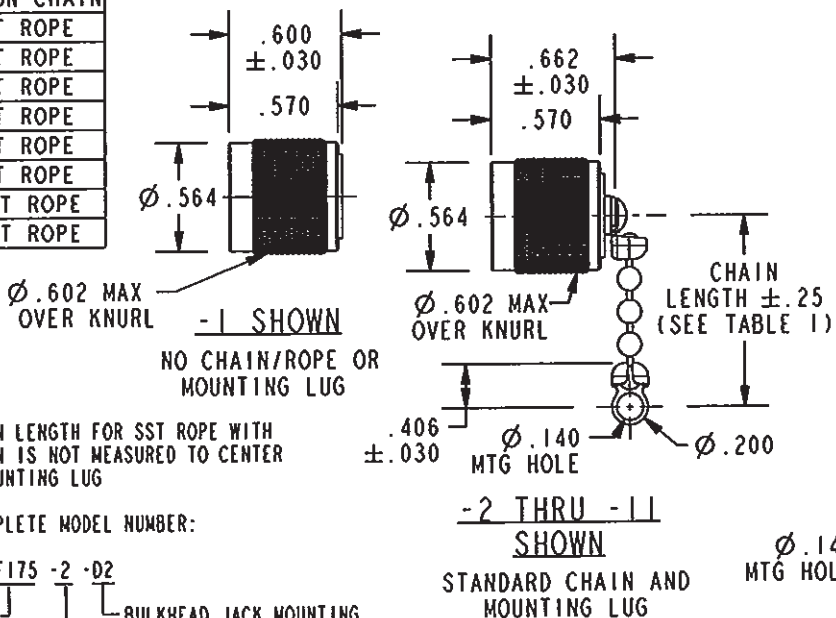
| TABLE 1 | |
|---------|------------------|
| DASH NO | DESCRIPTION |
| -1 | NO CHAIN |
| -2 | 2.5 BRASS CHAIN |
| -3 | 2.5 NYLON CHAIN |
| -4 | 3.0 BRASS CHAIN |
| -5 | 3.0 NYLON CHAIN |
| -6 | 6.0 BRASS CHAIN |
| -7 | 6.0 NYLON CHAIN |
| -8 | 4.0 BRASS CHAIN |
| -9 | 4.0 NYLON CHAIN |
| -10 | 10.0 BRASS CHAIN |
| -11 | 10.0 NYLON CHAIN |
| -12 | 2.5 SST ROPE |
| -13 | 3.0 SST ROPE |
| -14 | 6.0 SST ROPE |
| -15 | 4.0 SST ROPE |
| -16 | 7.0 SST ROPE |
| -17 | 4.5 SST ROPE |
| -18 | 12.0 SST ROPE |
| -19 | 18.0 SST ROPE |

| TABLE 2 | | | | | |
|---------|------|------|-------|-------|--|
| DASH NO | ØA | ØB | C DIM | D DIM | |
| -D2 | .630 | .750 | 1.066 | .450 | |
| -D3 | .505 | .625 | .941 | .388 | |
| -D4 | .439 | .562 | .878 | .355 | |
| -D5 | .380 | .500 | .816 | .325 | |
| -D6 | .317 | .437 | .753 | .295 | |
| -D7 | .281 | .406 | .722 | .278 | |
| -D8 | .610 | .750 | 1.066 | .450 | |
| -D9 | .567 | .687 | 1.003 | .419 | |
| -D10 | .192 | .312 | .628 | .231 | |
| -DD8 | .330 | .450 | .766 | .300 | |

DATA CONTAINED IN THIS DOCUMENT IS PROPRIETARY TO TROMPETER ELECTRONICS INC. AND SHALL NOT BE DISCLOSED, COPIED OR USED FOR PROCUREMENT OR MANUFACTURE WITHOUT EXPRESS WRITTEN PERMISSION.

| REVISIONS | | | |
|-----------|-------------------------|----------|--------------------|
| REV | DESCRIPTIONS | DATE | APPROVED |
| J | REVISED PER ECO # 16768 | 10/14/08 | <i>[Signature]</i> |

| TABLE 3 | |
|--------------|--|
| MODEL NUMBER | |
| RF145 | |
| RF1375 | |
| RFIS45 | |
| RFIS375 | |



NOTE THAT CHAIN LENGTH FOR SST ROPE WITH MOUNTING OPTION IS NOT MEASURED TO CENTER OF BULKHEAD MOUNTING LUG

5. EXAMPLE OF COMPLETE MODEL NUMBER:
 3 4 RF175 -2 -D2
 BASIC MODEL NO (SEE TABLE 3)
 DASH NO FOR CHAIN/ROPE MATL AND LENGTH (SEE TABLE 1)
 BULKHEAD JACK MOUNTING LUG (OPTIONAL) ONLY AVAILABLE WITH BRASS, NYLON CHAIN OR SST ROPE (SEE TABLE 2)

IF SAFETY WIRE TYPE IS REQUIRED, ADD SUFFIX "S" TO MODEL NUMBER. (E.G. RFIS)

MODEL NUMBER. RF1375-N WHEN USED FOR TEI 370 (TRT) SERIES CONNECTORS

2. FINISH: TFS-1A (NICKEL)

1. TNC RF1/DUST CAP WITH OR WITHOUT CHAIN OR JACKETED STAINLESS STEEL ROPE AND MOUNTING LUG OPTION

NOTES: UNLESS OTHERWISE SPECIFIED.

RED INDICATES ORIGINAL

| | |
|------------------------------------------------------------------------------------------------------------|------------------------------------------------------------------|
| INTERPRET DRAWING PER MIL-STD-100. DIMENSIONS ARE IN INCHES AND INCLUDE FINISH UNLESS OTHERWISE SPECIFIED. | TOL: UNLESS SPECIFIED. .XX ± .02 .XXX ± .010 ANGLE ± 1° |
| APP'D J. CARPENTER 09-24-08 | MATERIAL: |
| CHK M.J. 10-13-08 | FINISH: |
| APPROVED [Signature] 10-13-08 | DATE |
| NEXT ASSY | DO NOT SCALE DWG |

TROMPETER
RF connectivity
a cinch connectivity solutions brand

| | | | |
|-------------------------------------------|--------------------|-------------------------|-----------|
| TITLE: RF145/RF1375/ RFIS45/RFIS375 | | | |
| SIZE A | CAGE CODE 14949 | DRAWING NO. 105-0600 | REV. J |
| SCALE 2/1 | DATE 11-11-74 | SHEET 1C | |