

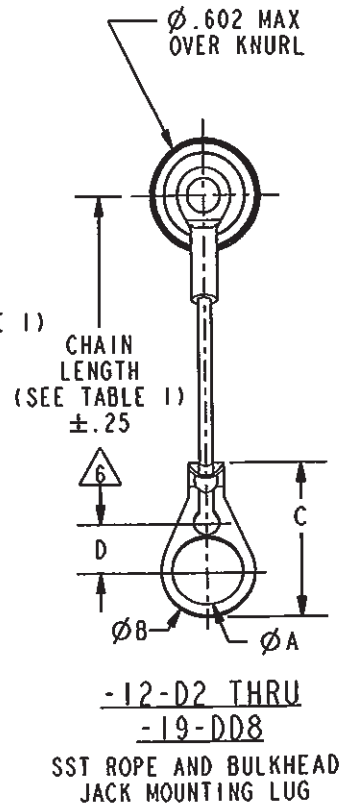
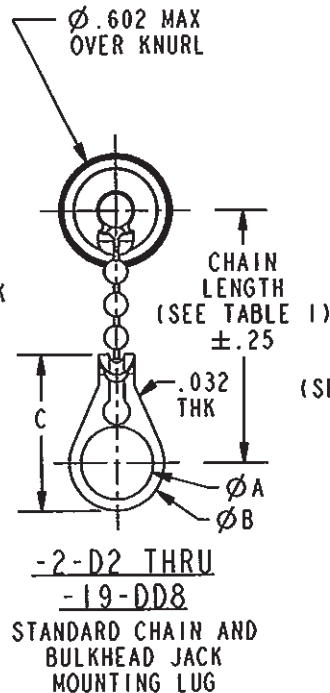
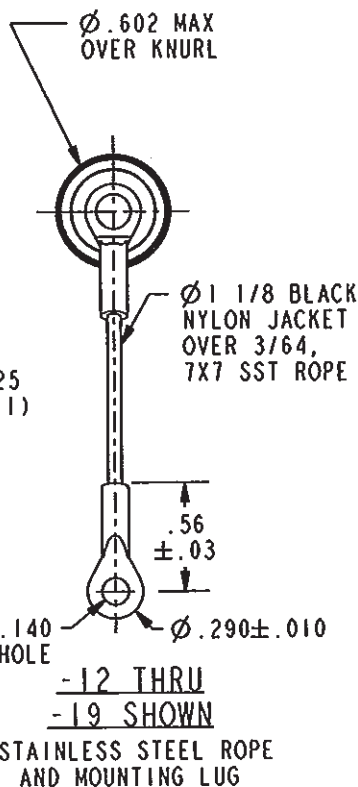
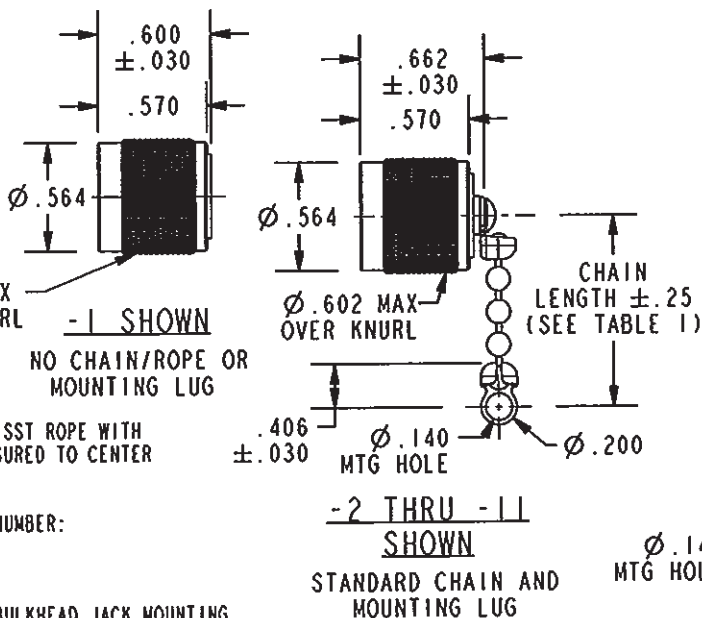
| TABLE 1 |                  |
|---------|------------------|
| DASH NO | DESCRIPTION      |
| -1      | NO CHAIN         |
| -2      | 2.5 BRASS CHAIN  |
| -3      | 2.5 NYLON CHAIN  |
| -4      | 3.0 BRASS CHAIN  |
| -5      | 3.0 NYLON CHAIN  |
| -6      | 6.0 BRASS CHAIN  |
| -7      | 6.0 NYLON CHAIN  |
| -8      | 4.0 BRASS CHAIN  |
| -9      | 4.0 NYLON CHAIN  |
| -10     | 10.0 BRASS CHAIN |
| -11     | 10.0 NYLON CHAIN |
| -12     | 2.5 SST ROPE     |
| -13     | 3.0 SST ROPE     |
| -14     | 6.0 SST ROPE     |
| -15     | 4.0 SST ROPE     |
| -16     | 7.0 SST ROPE     |
| -17     | 4.5 SST ROPE     |
| -18     | 12.0 SST ROPE    |
| -19     | 18.0 SST ROPE    |

| TABLE 2 |      |      |       |       |  |
|---------|------|------|-------|-------|--|
| DASH NO | ØA   | ØB   | C DIM | D DIM |  |
| -D2     | .630 | .750 | 1.066 | .450  |  |
| -D3     | .505 | .625 | .941  | .388  |  |
| -D4     | .439 | .562 | .878  | .355  |  |
| -D5     | .380 | .500 | .816  | .325  |  |
| -D6     | .317 | .437 | .753  | .295  |  |
| -D7     | .281 | .406 | .722  | .278  |  |
| -D8     | .610 | .750 | 1.066 | .450  |  |
| -D9     | .567 | .687 | 1.003 | .419  |  |
| -D10    | .192 | .312 | .628  | .231  |  |
| -DD8    | .330 | .450 | .766  | .300  |  |

DATA CONTAINED IN THIS DOCUMENT IS PROPRIETARY TO TROMPETER ELECTRONICS INC. AND SHALL NOT BE DISCLOSED, COPIED OR USED FOR PROCUREMENT OR MANUFACTURE WITHOUT EXPRESS WRITTEN PERMISSION.

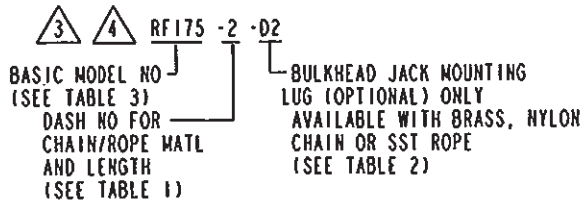
| REVISIONS |                         |          |                    |
|-----------|-------------------------|----------|--------------------|
| REV       | DESCRIPTIONS            | DATE     | APPROVED           |
| J         | REVISED PER ECO # 16768 | 10/14/08 | <i>[Signature]</i> |

| TABLE 3      |  |
|--------------|--|
| MODEL NUMBER |  |
| RF145        |  |
| RF1375       |  |
| RFIS45       |  |
| RFIS375      |  |



NOTE THAT CHAIN LENGTH FOR SST ROPE WITH MOUNTING OPTION IS NOT MEASURED TO CENTER OF BULKHEAD MOUNTING LUG

EXAMPLE OF COMPLETE MODEL NUMBER:



RED INDICATES ORIGINAL

IF SAFETY WIRE TYPE IS REQUIRED, ADD SUFFIX "S" TO MODEL NUMBER. (E.G. RFIS)

MODEL NUMBER. RF1375-N WHEN USED FOR TEI 370 (TRT) SERIES CONNECTORS

FINISH: TFS-1A (NICKEL)

TNC RF1/DUST CAP WITH OR WITHOUT CHAIN OR JACKETED STAINLESS STEEL ROPE AND MOUNTING LUG OPTION

NOTES: UNLESS OTHERWISE SPECIFIED.

|                                                                                                            |                                                                  |
|------------------------------------------------------------------------------------------------------------|------------------------------------------------------------------|
| INTERPRET DRAWING PER MIL-STD-100. DIMENSIONS ARE IN INCHES AND INCLUDE FINISH UNLESS OTHERWISE SPECIFIED. | TOL: UNLESS SPECIFIED.<br>.XX ± .02<br>.XXX ± .010<br>ANGLE ± 1° |
| DATE: 09-24-08<br>BY: J. CARPENTER<br>CHK: M.J.<br>QUALITY: [ ]<br>MATERIAL: [ ]<br>FINISH: [ ]            | TITLE: RF145/RF1375/<br>RFIS45/RFIS375                           |
| APPROVED: [Signature]<br>DATE: 10-13-08<br>PART FILE NO. 105-0600                                          | SIZE: A<br>CAGE CODE: 14949<br>DRAWING NO.: 105-0600<br>REV.: J  |
| NEXT ASSY                                                                                                  | SCALE: 2/1<br>DATE: 11-11-74<br>SHEET: 1C                        |

**TROMPETER**  
RF connectivity  
a cinch connectivity solutions brand