

TABLE 1	
DASH NO	DESCRIPTION
-1	CAP (NO CHAIN)
-2	CAP WITH 2.5 INCH BRASS CHAIN
-3	CAP WITH 2.5 INCH NYLON CHAIN
-4	CAP WITH 3.0 INCH BRASS CHAIN
-5	CAP WITH 3.0 INCH NYLON CHAIN
-6	CAP WITH 6.0 INCH BRASS CHAIN
-7	CAP WITH 6.0 INCH NYLON CHAIN
-8	CAP WITH 4.0 INCH BRASS CHAIN
-9	CAP WITH 4.0 INCH NYLON CHAIN
-10	CAP WITH 10.0 INCH BRASS CHAIN
-11	CAP WITH 10.0 INCH NYLON CHAIN
-12	CAP WITH 2.5 INCH SST ROPE
-13	CAP WITH 3.0 INCH SST ROPE
-14	CAP WITH 6.0 INCH SST ROPE
-15	CAP WITH 4.0 INCH SST ROPE
-16	CAP WITH 7.0 INCH SST ROPE
-17	CAP WITH 4.5 INCH SST ROPE
-18	CAP WITH 12 INCH SST ROPE

TABLE 2	
MODEL NO	TYPE
RFI155	3-LUG
RFI155FL	4-LUG
RFI1355	THREADED
RFI3155	

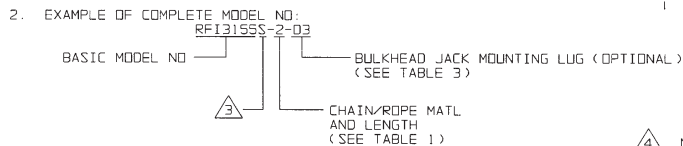
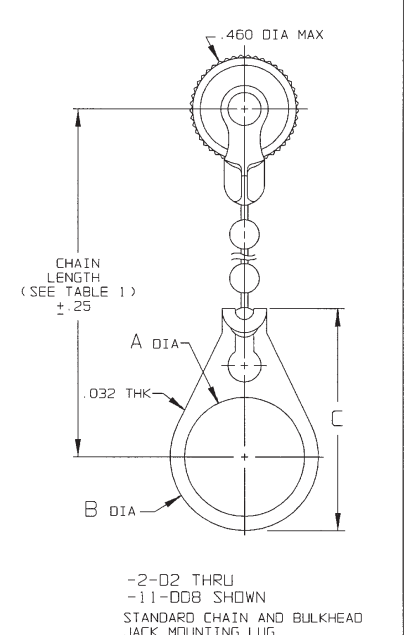
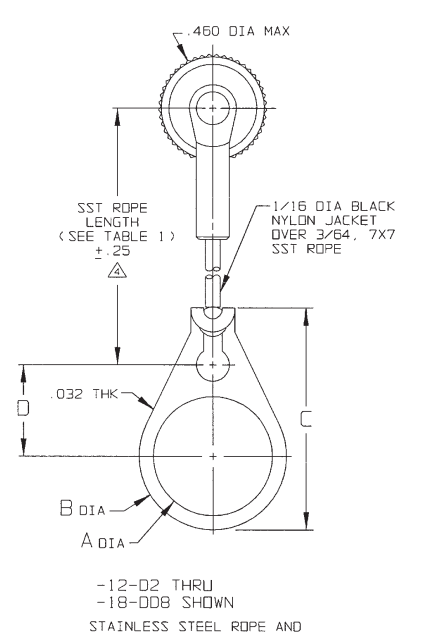
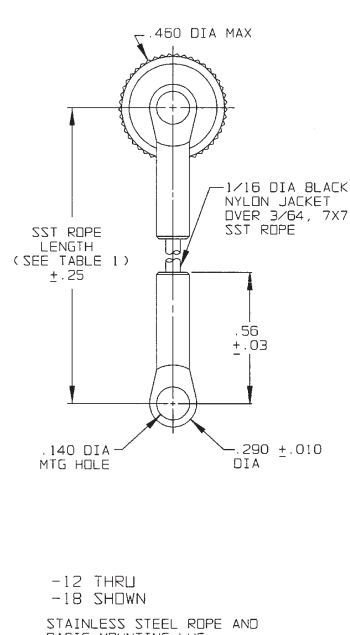
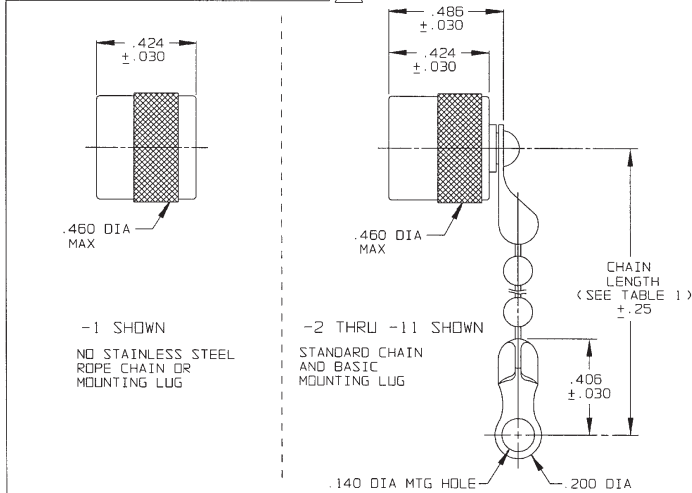
TABLE 3				
DASH NO	"A" DIA	"B" DIA	"C" DIM	"D" DIM
-02	.630	.750	1.066	.450
-03	.505	.625	.941	.388
-04	.439	.562	.878	.355
-05	.380	.500	.816	.325
-06	.317	.437	.753	.295
-07	.281	.406	.722	.278
-08	.610	.750	1.066	.450
-09	.567	.687	1.003	.419
-010	.192	.312	.628	.231
-011	1.005	1.125	1.441	.638
-008	.330	.450	.766	.300

DATA CONTAINED IN THIS DOCUMENT IS PROPRIETARY TO TROMPETER ELECTRONICS INC AND SHALL NOT BE DISCLOSED, COPIED OR USED FOR REPRODUCTION BY MANUFACTURERS WITHOUT EXPRESS WRITTEN PERMISSION OF TROMPETER ELECTRONICS INC

**REVISIONS**

REV	DESCRIPTION	DATE	APPROVED
M	REVISED PER ECO 15018	4-10-03	MM

**RED INDICATES ORIGINAL**



- NOTE THAT CHAIN LENGTH FOR SST ROPE WITH MOUNTING LUG OPTION IS NOT MEASURED TO CENTER OF BULKHEAD MOUNTING LUG
- IF SAFETY WIRE REQUIRED ADD SUFFIX "S" TO MODEL NO. (i.e. RFI3155S)

- 1. MALE 3 & 4-LUG & THREADED STYLE SUBMINIATURE RFI DUST CAP WITH OR WITHOUT CHAIN OR JACKETED STAINLESS STEEL ROPE AND MOUNTING OPTION

INTERPRET DRAWING PER	TOL: UNLESS SPECIFIED
NO. 510-100	XX
DIMENSIONS ARE IN INCHES	XXX ± .005
NO INCLUDE FINISH DIMENSIONS	XXXX
UNLESS OTHERWISE SPECIFIED	ANGLES
DRAWN: AAH	DATE: 4-9-03
CHECKED: [Signature]	MATERIAL:
DATE: 4/9/03	TITLE: RFI155/RFI155/ RFI155FL/RFI155FL/ RFI355/RFI3155
QUALITY: [Signature]	FINISH:
DATE: 4/10/03	SIZE: B
DATE: 4/10/03	CAGE CODE: 14949
CAD FILE NO: 1-0151M	DRAWING NO: 1-0151
	SCALE: 2/1
	DATE: 2-22-77
	SHEET: 1C



NEXT ASSY	DO NOT SCALE DIM	REV. M
-----------	------------------	--------