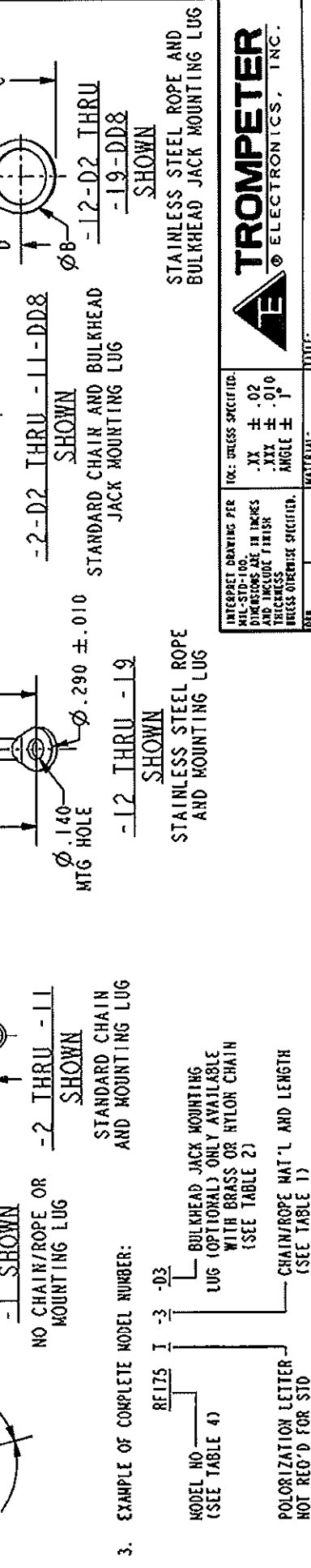
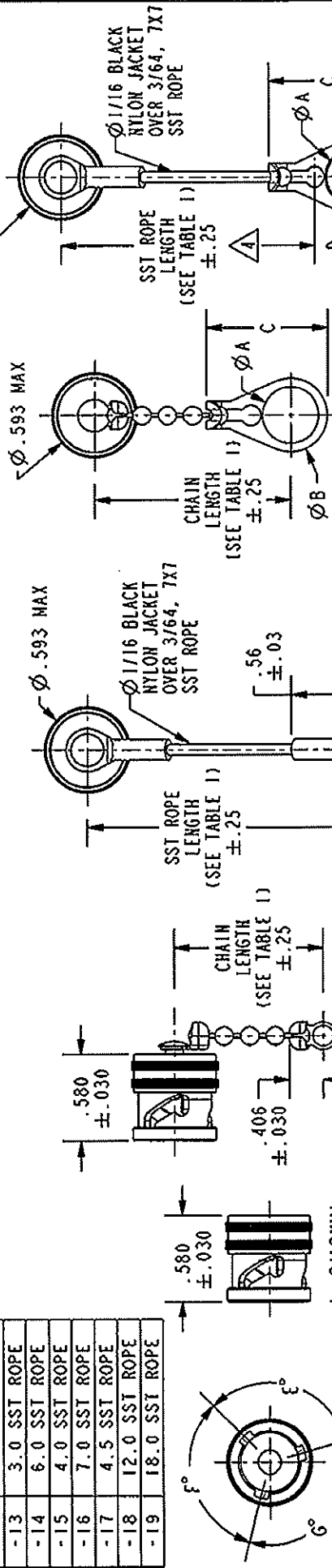


TABLE 1		TABLE 2				
DASH NO	DESCRIPTION	DASH NO	ØA	ØB	C DIM	D DIM
-1	NO CHAIN	-D2	.630	.750	1.066	.450
-2	2.5 BRASS CHAIN	-D3	.505	.625	.941	.388
-3	2.5 NYLON CHAIN	-D4	.439	.562	.878	.355
-4	3.0 BRASS CHAIN	-D5	.380	.500	.816	.325
-5	3.0 NYLON CHAIN	-D6	.317	.437	.753	.295
-6	6.0 BRASS CHAIN	-D7	.281	.406	.722	.278
-7	6.0 NYLON CHAIN	-D8	.610	.750	1.066	.450
-8	4.0 BRASS CHAIN	-D9	.567	.687	1.003	.419
-9	4.0 NYLON CHAIN	-D10	.192	.312	.628	.231
-10	10.0 BRASS CHAIN	-DD8	.330	.450	.766	.300
-11	10.0 NYLON CHAIN					
-12	2.5 SST ROPE					
-13	3.0 SST ROPE					
-14	6.0 SST ROPE					
-15	4.0 SST ROPE					
-16	7.0 SST ROPE					
-17	4.5 SST ROPE					
-18	12.0 SST ROPE					
-19	18.0 SST ROPE					

TABLE 3		TABLE 4	
KEYING LETTER	DEGREES	G DEGREES	MODEL NUMBER
NONE	120°	NONE	RF175
T	100°	150°	RF175FL
U	120°	130°	3-LUG
V	115°	130°	4-LUG
W	125°	110°	
X	130°	100°	
Y	110°	140°	
Z	100°	160°	
S	135°	135°	



3. EXAMPLE OF COMPLETE MODEL NUMBER:  
 RF175 I -3 -D3  
 MODEL NO (SEE TABLE 4)  
 POLARIZATION LETTER NOT REQ'D FOR STD POLARIZATION (SEE TABLE 3)  
 CHAIN/ROPE MAT'L AND LENGTH (SEE TABLE 1)  
 BULKHEAD JACK MOUNTING LUG (OPTIONAL) ONLY AVAILABLE WITH BRASS OR NYLON CHAIN (SEE TABLE 2)  
 FINISH: TFS-1A (NICKEL)

NOTE: UNLESS OTHERWISE SPECIFIED.

NOTE THAT LENGTH FOR SST ROPE WITH MOUNTING LUG OPTION IS NOT MEASURED TO CENTER OF BULKHEAD MOUNTING LUG.

**RED INDICATES ORIGINAL.**

REVISIONS

REV	DESCRIPTIONS	DATE	APPROVED
U	REVISED PER ECO # 16769	10/14/68	DR/mae

DATA CONTAINED IN THIS DOCUMENT IS PROPRIETARY TO TROMPETER ELECTRONICS, INC. AND SHALL NOT BE DISCLOSED, COPIED OR USED FOR PROMOTION OR MANUFACTURE WITHOUT EXPRESS WRITER PERMISSION.

INTERPRET DRAWING PER MIL-STD-100. DIMENSIONS ARE IN INCHES AND INCLUDE FINISH THICKNESS. BRASS OTHERWISE SPECIFIED.

TOK: UNLESS SPECIFIED:  
 .XX ± .02  
 .XXX ± .010  
 ANGLE ± 1°

MATERIAL: CARPENTER 09-12-08  
 FINISH: M J 10-17-68  
 DATE: 10-13-68  
 DRAWING NO: 305-0001  
 SCALE: 2/1  
 DO NOT SCALE DIM

TROMPETER ELECTRONICS, INC.

RF175/RF175FL  
 T/U/V/W/X/Y/Z/S

SIZE: A 14949  
 DRAWING NO: 305-0001  
 SHEET: 10-4-67  
 IC