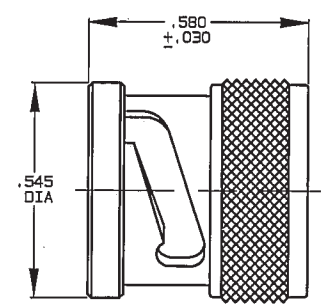


DATA CONTAINED IN THIS DOCUMENT IS PROPRIETARY TO TROMPETER ELECTRONICS INC. AND SHALL NOT BE DISCLOSED, COPIED OR USED FOR PROCUREMENT OR MANUFACTURE WITHOUT EXPRESS WRITTEN PERMISSION OF TROMPETER ELECTRONICS INC.

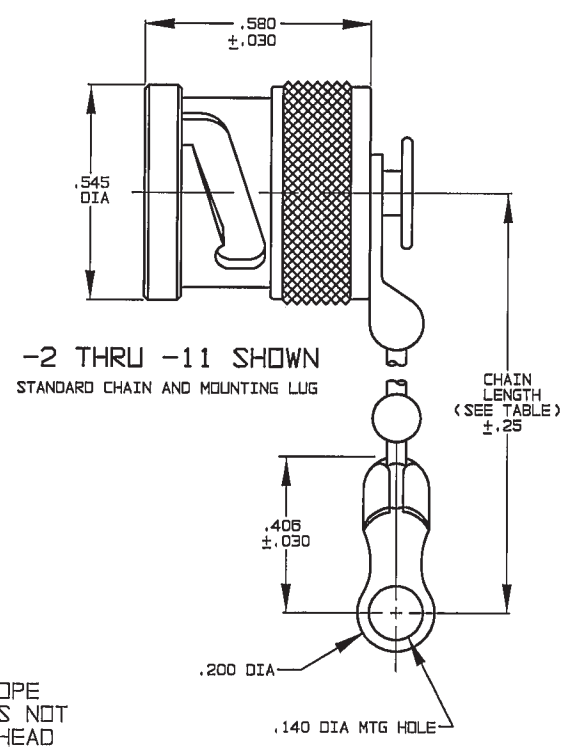
REVISIONS		305-0029	SH 1C
REV	DESCRIPTION	DATE	APPROVED
L	REVISED PER ECO #13616	11/6/00	[Signature]

DASH NO	DESCRIPTION
-1	TERM (NO CHAIN)
-2	TERM WITH 2.5 BRASS CHAIN
-3	TERM WITH 2.5 NYLON CHAIN
-4	TERM WITH 3.0 BRASS CHAIN
-5	TERM WITH 3.0 NYLON CHAIN
-6	TERM WITH 6.0 BRASS CHAIN
-7	TERM WITH 6.0 NYLON CHAIN
-8	TERM WITH 4.0 BRASS CHAIN
-9	TERM WITH 4.0 NYLON CHAIN
-10	TERM WITH 10.0 BRASS CHAIN
-11	TERM WITH 10.0 NYLON CHAIN
-12	TERM WITH 2.5 SST ROPE
-13	TERM WITH 3.0 SST ROPE
-14	TERM WITH 6.0 SST ROPE
-15	TERM WITH 4.0 SST ROPE
-16	TERM WITH 7.5 SST ROPE
-17	TERM WITH 4.5 SST ROPE

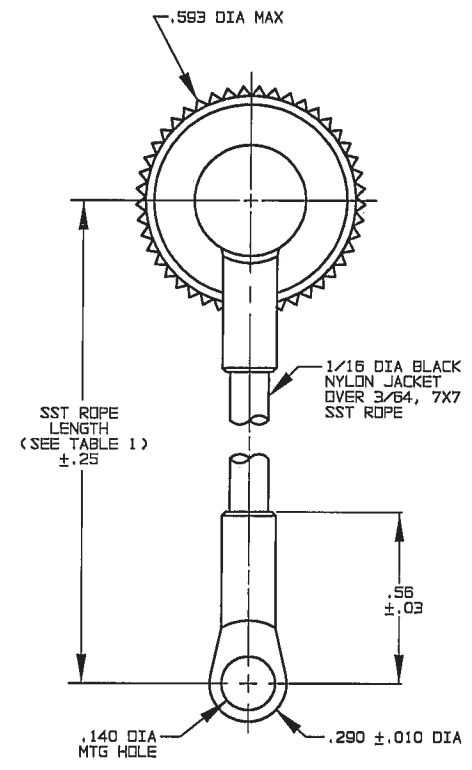
DASH NO	"A" DIA	"B" DIA	"C" DIM	"D" DIM
-D2	.630	.750	1.066	.450
-D3	.505	.625	.941	.388
-D4	.439	.562	.878	.355
-D5	.380	.500	.816	.325
-D6	.317	.437	.753	.295
-D7	.281	.406	.722	.278
-D8	.610	.750	1.066	.450
-D9	.567	.687	1.003	.419
-D10	.192	.312	.628	.231
-D11	1.005	1.125	1.441	.638
-DD8	.330	.450	.766	.300



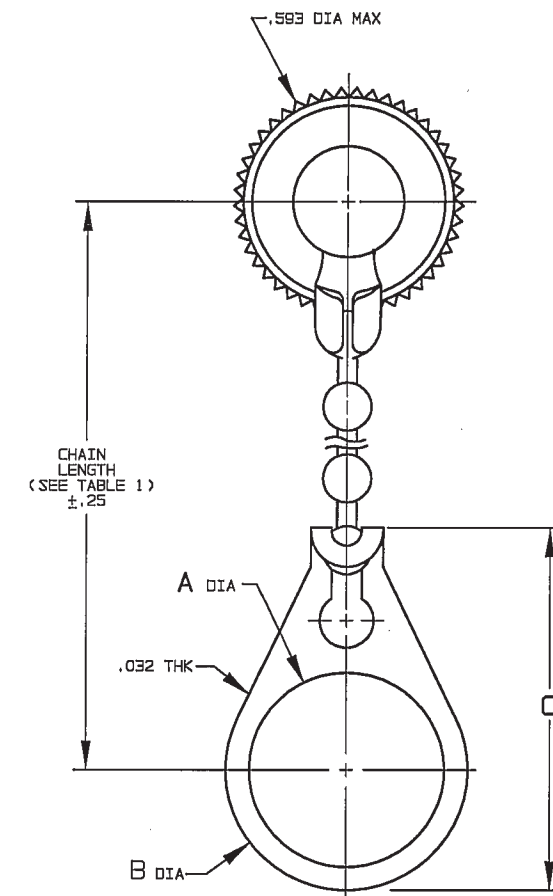
-1 SHOWN  
NO CHAIN/ROPE OR MOUNTING LUG



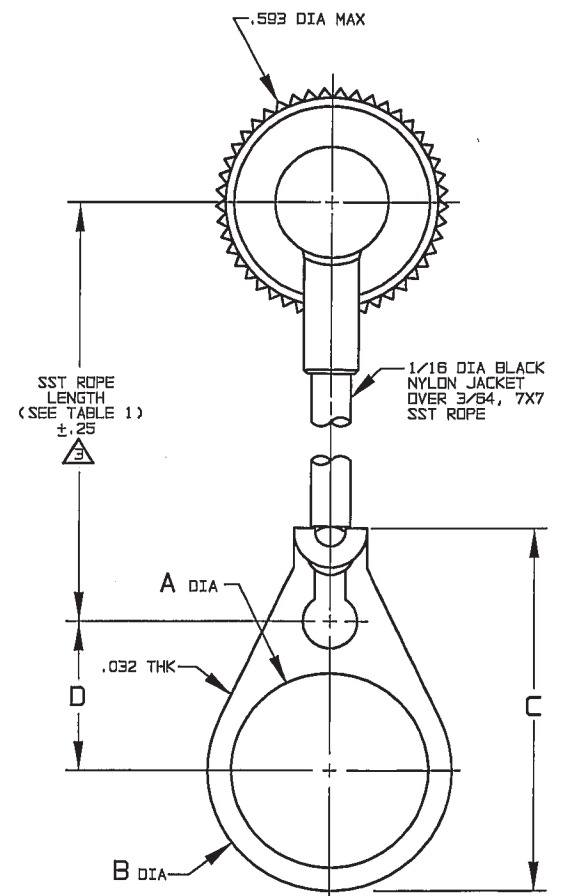
-2 THRU -11 SHOWN  
STANDARD CHAIN AND MOUNTING LUG  
CHAIN LENGTH (SEE TABLE 1) ±.25



-12 THRU -17  
STAINLESS STEEL ROPE AND MOUNTING LUG  
SST ROPE LENGTH (SEE TABLE 1) ±.25



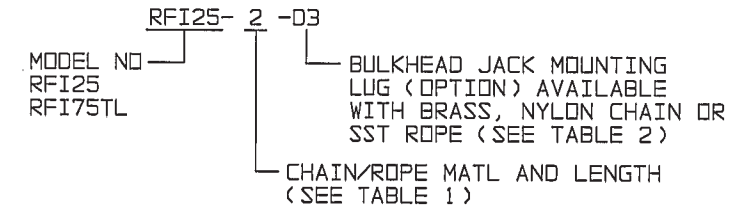
-2-D2 THRU  
-11-DD8 SHOWN  
STANDARD CHAIN AND BULKHEAD BULKHEAD JACK MOUNTING LUG



-12-D2 THRU  
-17-DD8 SHOWN  
STAINLESS STEEL ROPE AND BULKHEAD JACK MOUNTING LUG

NOTE THAT LENGTH FOR SST ROPE WITH MOUNTING LUG OPTION IS NOT MEASURED TO CENTER OF BULKHEAD MOUNTING LUG

2. EXAMPLE OF COMPLETE MODEL NO:



1. MALE BNC/2-LUG TRB CAP WITH CHAIN/ROPE AND MOUNTING LUG OPTIONS

INTERPRET DRAWING PER MIL-STD-100 DIMENSIONS ARE IN INCHES AND INCLUDE FINISH THICKNESS UNLESS OTHERWISE SPECIFIED

TOL: UNLESS SPECIFIED .XX .XXX ±.005 .XXXX ANGLS

DRAWN DKC DATE 11-1-00 CHECKED [Signature] DATE 11/2/00 APPROVED [Signature] DATE 11-3-00

MATERIAL: FINISH: TFS-1A (NICKEL)



TITLE: RFI25/RFI75TL

NEXT ASSY	CAD FILE NO. 305-00291L	DO NOT SCALE DWG	SCALE 2/1	DATE: 9-11-69	SHEET 1C
-----------	-------------------------	------------------	-----------	---------------	----------

SIZE B	CAGE CODE 14949	DRAWING NO. 305-0029	REV. L
--------	-----------------	----------------------	--------