

| DASH NO | DESCRIPTION                                |
|---------|--|
| -1      | CAP (NO CHAIN)                             |
| -2      | CAP WITH 2.5 BRASS CHAIN                   |
| -3      | CAP WITH 2.5 NYLON CHAIN                   |
| -4      | CAP WITH 3.0 BRASS CHAIN                   |
| -5      | CAP WITH 3.0 NYLON CHAIN                   |
| -6      | CAP WITH 5.0 BRASS CHAIN                   |
| -7      | CAP WITH 5.0 NYLON CHAIN                   |
| -8      | CAP WITH 4.0 BRASS CHAIN                   |
| -9      | CAP WITH 4.0 NYLON CHAIN                   |
| -10     | CAP WITH 10.0 BRASS CHAIN                  |
| -11     | CAP WITH 10.0 NYLON CHAIN                  |
| -12     | CAP WITH 2.5 JACKETED STAINLESS STEEL ROPE |
| -13     | CAP WITH 3.0 JACKETED STAINLESS STEEL ROPE |
| -14     | CAP WITH 5.0 JACKETED STAINLESS STEEL ROPE |

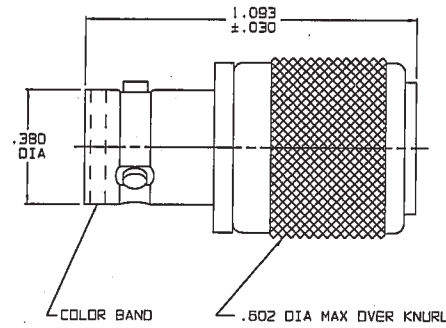
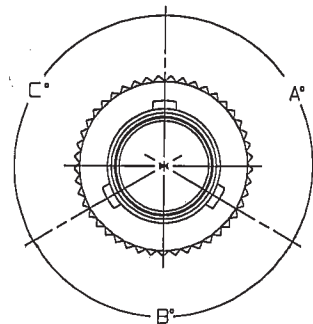
| MODEL NO | TYPE CONN | POLARIZATION |          |          |          |        | COLOR BAND |
|----------|-----------|--------------|----------|----------|----------|--------|------------|
|          |           | A DEGREE     | B DEGREE | C DEGREE | D DEGREE |        |            |
| RF177    | 3 LUG     | 120°         | 120°     | 120°     |          |        |            |
| RF177FL  | 4 LUG     | 90°          | 90°      | 90°      | 90°      |        |            |
| RF177T   | 3 LUG     | 100°         | 150°     | 110°     |          | RED    |            |
| RF177U   |           | 120°         | 130°     | 110°     |          | ORANGE |            |
| RF177V   |           | 115°         | 130°     | 115°     |          | YELLOW |            |
| RF177W   |           | 125°         | 110°     | 125°     |          | GREEN  |            |
| RF177X   |           | 130°         | 100°     | 130°     |          | BLUE   |            |
| RF177Y   |           | 110°         | 140°     | 110°     |          | VIOLET |            |
| RF177Z   |           | 100°         | 160°     | 100°     |          | GRAY   |            |
| RF177S   |           | 135°         | 135°     | 90°      |          | WHITE  |            |

| DASH NO | "A" DIA | "B" DIA | "C" DIM |
|---------|---------|---------|---------|
| -D2     | .630    | .750    | 1.066   |
| -D3     | .505    | .625    | .941    |
| -D4     | .439    | .562    | .878    |
| -D5     | .380    | .500    | .816    |
| -D6     | .317    | .437    | .753    |
| -D7     | .281    | .406    | .722    |
| -D8     | .610    | .750    | 1.066   |
| -D9     | .567    | .687    | 1.003   |

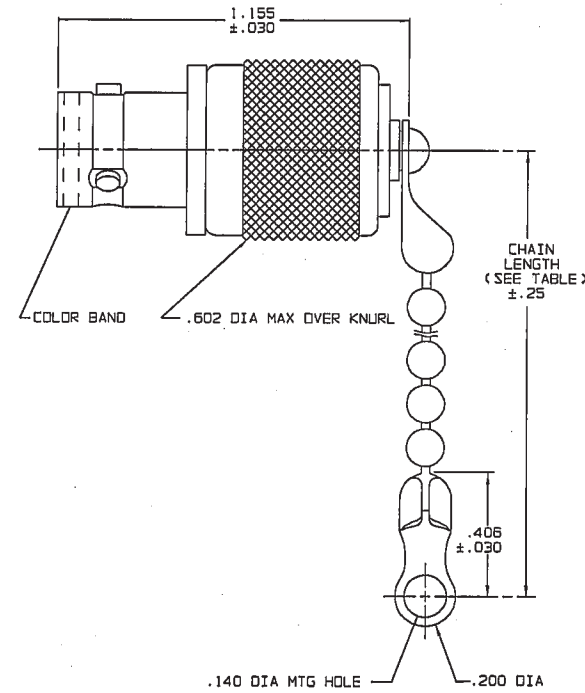
DATA CONTAINED IN THIS DOCUMENT IS PROPRIETARY TO TROMPETER ELECTRONICS INC. AND SHALL NOT BE DISCLOSED, COPIED OR USED FOR PROCUREMENT OR MANUFACTURE WITHOUT EXPRESS WRITTEN PERMISSION OF TROMPETER ELECTRONICS INC.

| REVISIONS |                       | 1-0325  | SH 1     |
|-----------|-----------------------|---------|----------|
| REV       | DESCRIPTION           | DATE    | APPROVED |
| N         | REVISED PER ECD 14475 | 4-12-02 | W/M      |

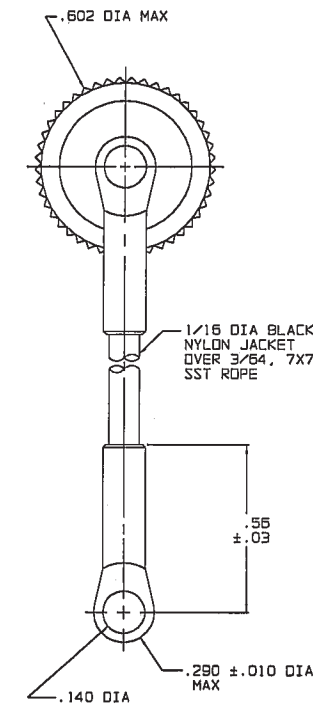
RED INDICATES ORIGINAL



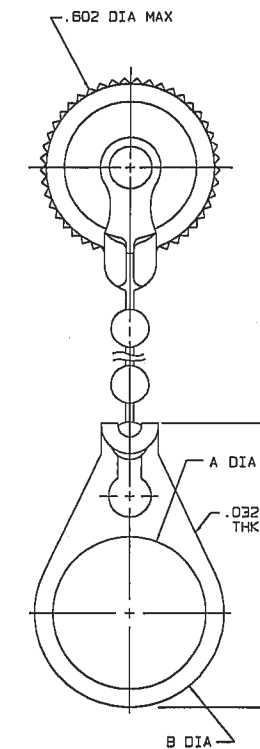
-1 SHOWN  
NO CHAIN/ROPE  
OR MOUNTING LUG



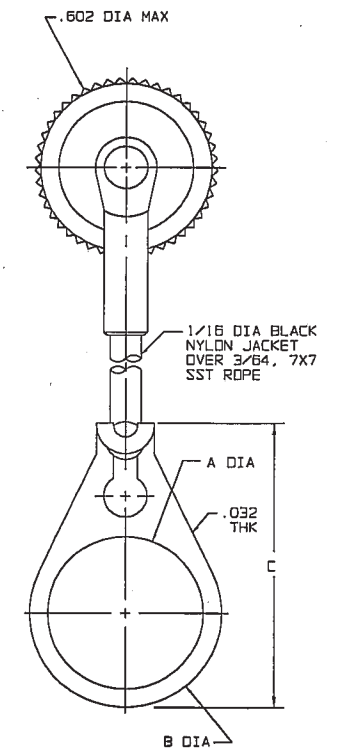
-2 THRU  
-11 SHOWN  
STANDARD CHAIN AND  
MOUNTING LUG



-12-THRU  
-14-SHOWN  
STAINLESS STEEL ROPE  
AND MOUNTING LUG



-2-D2 THRU  
-11-D9 SHOWN  
STANDARD CHAIN AND  
BULKHEAD MOUNTING LUG



-12-D2 THRU  
-14-D9 SHOWN  
STAINLESS STEEL ROPE  
AND MOUNTING LUG

4. EXAMPLE OF COMPLETE MODEL NO:  
RF177 I - 3 - D2
- BASIC MODEL NO:  
RF177 (3-LUG)  
RF177FL (4-LUG)
- POLARIZATION LETTER  
NONE REQUIRED FOR  
STANDARD POLARIZATION  
(SEE TABLE 2)
- BULKHEAD JACK MOUNTING LUG  
(OPTIONAL SEE TABLE 3)
- CHAIN/ROPE MATL & LENGTH  
(SEE TABLE 1)
3. 3 AND 4 LUG BNC STYLE DUST CAP WITH OR WITHOUT  
CHAIN OR SST ROPE AND MOUNTING LUG OPTION
2. FINISH: TFS-1A (NICKEL)
1. ALL DIMENSIONS ARE IN INCHES

|  |   |  |
|--|---|--|
| INTERPRET DRAWING PER MIL-STD-100 DIMENSIONS ARE IN INCHES AND INCLUDE FINISH THICKNESS UNLESS OTHERWISE SPECIFIED | TOL: UNLESS SPECIFIED<br>.XX<br>.XXX ±.005<br>.XXXX |  |
| DRAWN: AAH DATE: 4-12-02   | MATERIAL:   |  |
| CHECKED: [Signature] DATE: 4-12-02   | FINISH:   | TITLE:<br>RF177/RF177FL                              |
| QUALITY: [Signature] DATE: 4-12-02   |   | SIZE: B CAGE CODE: 14949 DRAWING NO.: 1-0325 REV.: N |
| MANUFACTURED: [Signature] DATE: 4/12/02  |   | SCALE: 2/1 DATE: 8-15-73 SHEET: 1 OF 2               |
| APPROVED: [Signature] DATE: 4/12/02  |   |  |
| NEXT ASSY: CAD FILE NO: 1-0325N1   | DO NOT SCALE DWG                                    |  |