

# RED INDICATES ORIGINAL

DATA CONTAINED IN THIS DOCUMENT IS PROPRIETARY TO TROMPETER ELECTRONICS INC. AND SHALL NOT BE DISCLOSED, COPIED OR USED FOR REPRODUCTION OR MANUFACTURE WITHOUT EXPRESS WRITTEN PERMISSION.

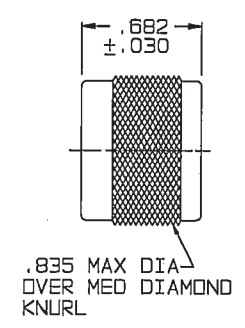
REV		EO	DESCRIPTION	OWN	APPROVED	DATE
F	13357		ADDED -12-D1 THRU -17-DD8, -A12-D1 THRU -A17-DD8, -B12-D1 THRU -B17-DD8 AND ITEM 16 TO BOM FOR SST WITH D-LUG 8-3265-1; UPGRADE TO LARGER FORMAT, UPGRADE TABLE 1 AND 2; ADDED VIEW FOR SST ROPE & D-LUG; CHANGED NOTE 4; .56 ±.03 WAS .560 ±.030; GENERAL UPDATE; SEE ECO	DKC		11/4/00

DASH NO	DESCRIPTION
-1	CAP (NO CHAIN)
-2	CAP WITH 2.5 BRASS CHAIN
-3	CAP WITH 2.5 NYLON CHAIN
-4	CAP WITH 3.0 BRASS CHAIN
-5	CAP WITH 3.0 NYLON CHAIN
-6	CAP WITH 6.0 BRASS CHAIN
-7	CAP WITH 6.0 NYLON CHAIN
-8	CAP WITH 4.0 BRASS CHAIN
-9	CAP WITH 4.0 NYLON CHAIN
-10	CAP WITH 10.0 BRASS CHAIN
-11	CAP WITH 10.0 NYLON CHAIN
-12	CAP WITH 2.5 INCH SST ROPE
-13	CAP WITH 3.0 INCH SST ROPE
-14	CAP WITH 6.0 INCH SST ROPE
-15	CAP WITH 4.0 INCH SST ROPE
-16	CAP WITH 7.0 INCH SST ROPE
-17	CAP WITH 4.5 INCH SST ROPE

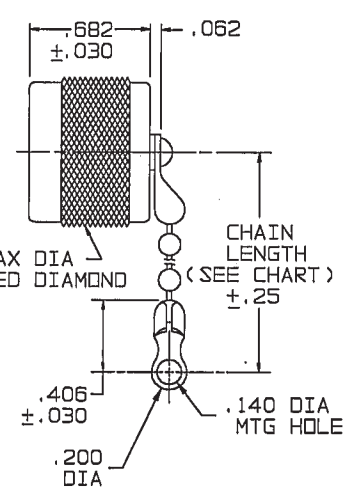
MODEL NO	TYPE
RFI85	2-LUG
RFI853	3-LUG
RFI385	THREAD

DASH NO	"A" DIA	"B" DIA	"C" DIM	"D" DIM
-D1	0.755	0.875	1.191	0.513
-D2	0.630	0.750	1.066	0.450
-D3	0.505	0.625	0.941	0.388
-D4	0.439	0.562	0.878	0.356
-D5	0.380	0.500	0.816	0.325
-D6	0.317	0.437	0.753	0.294
-D7	0.281	0.406	0.722	0.278
-D8	0.610	0.750	1.066	0.450
-D9	0.567	0.687	1.003	0.419
-D10	0.192	0.312	0.628	0.231
-D11	1.005	1.125	1.441	0.638
-DD8	0.330	0.450	0.766	0.300

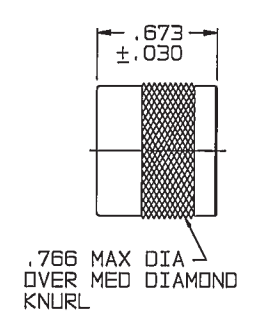
INCH		MM		INCH		MM		INCH		MM		INCH		MM		INCH		MM	
.005	0.13	.278	7.06	.380	9.65	.56	14.22	.687	17.45	1.003	25.48	6.00	152.40						
.010	0.25	.281	7.14	.388	9.86	.562	14.27	.722	18.34	1.005	25.53	7.00	177.80						
.030	0.76	.290	7.37	.406	10.31	.567	14.40	.750	19.05	1.066	27.08	10.00	254.00						
.032	0.81	.294	7.47	.419	10.64	.610	15.49	.755	19.18	1.125	28.58								
.062	1.57	.300	7.62	.437	11.10	.625	15.88	.766	19.46	1.191	30.25								
.140	3.56	.312	7.92	.439	11.15	.628	15.95	.816	20.73	1.441	36.60								
.192	4.88	.317	8.05	.450	11.43	.630	16.00	.835	21.21	2.50	63.50								
.200	5.08	.325	8.26	.500	12.70	.638	16.21	.875	22.23	3.00	76.20								
.231	5.87	.330	8.38	.505	12.83	.673	17.09	.878	22.30	4.00	101.60								
.25	6.35	.356	9.04	.513	13.03	.682	17.32	.941	23.90	4.50	114.30								



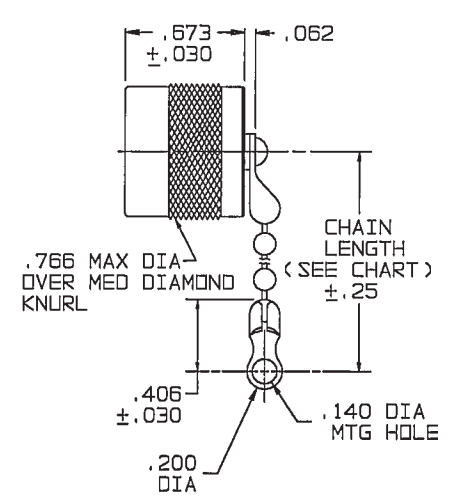
RFI385-1  
SHOWN  
NO CHAIN/ROPE OR MOUNTING LUG



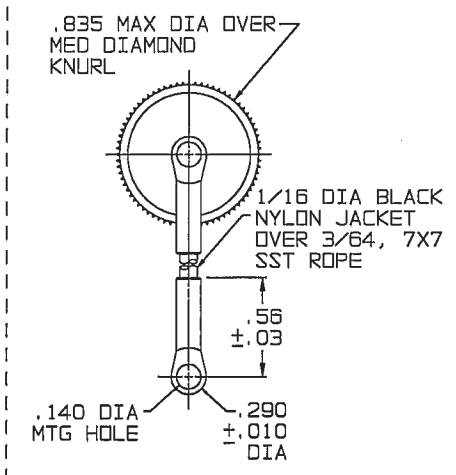
RFI385-2 THRU  
-11 SHOWN  
STANDARD CHAIN & MOUNTING LUG



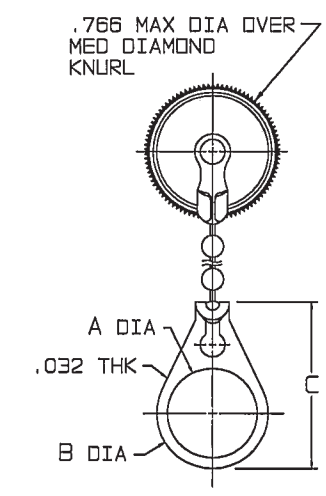
RFI85/  
RFI853-1  
SHOWN  
NO CHAIN/ROPE OR MOUNTING LUG



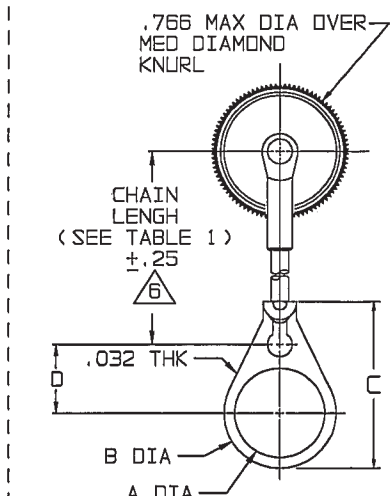
RFI85/RFI853-2 THRU  
-11 SHOWN  
STANDARD CHAIN & MOUNTING LUG



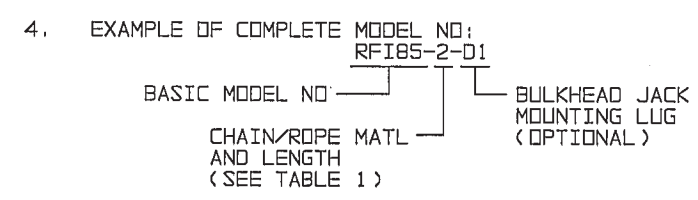
RFI385-12 THRU  
-17 SHOWN  
STAINLESS STEEL ROPE AND MOUNTING LUG



RFI85/RFI853-2-D1  
THRU -11-DD8 SHOWN  
STANDARD CHAIN AND BULKHEAD JACK MOUNTING LUG



RFI85/RFI853-12-D1  
THRU -17-DD8 SHOWN  
SST ROPE AND BULKHEAD JACK MOUNTING LUG



3. MALE "C" STYLE DUST CAP
2. FINISH: TFS-1A (NICKEL)
1. ALL DIM ARE IN INCHES

QTY	DESCRIPTION	PART NUMBER	ITEM
TOL UNLESS SPECIFIED .XX ± .XXX ± .XXXX ± ANGLES		RFI 85/853/385	
DWN DKC	3-21-00	MATERIAL	CODE IDENT
CHK	14949	DRAWING NO.	REV
ENGR		305-0137	F
APPR		SCALE 2/1	DATE 11-14-73
NEXT ASSY			SHEET 1C