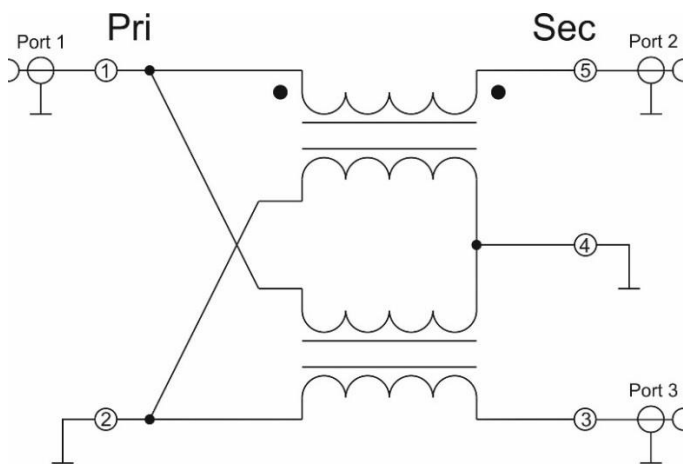


### Product Description

The RFXF0008H transformer is designed for applications that require small, low cost and highly reliable surface mount components. Applications may be found in broadband, wireless and other communications systems. These units are built lead-free and RoHS compliant. S-Parameters are available on request.

### Functional Block Diagram



Package: SP6

### Product Features

- 45MHz to 1218MHz Operation
- Low Cost and RoHS Compliant
- Industry Standard SMT Package
- Available in Tape-and-Reel
- 75  $\Omega$  Characteristic Impedance

### Applications

- Broadband / CATV
- Wireless

### Ordering Information

Part No.	Description
RFXF0008HSB	Sample bag with 5 pcs
RFXF0008HSQ	Sample bag with 25 pcs
RFXF0008HSR	13" Sample reel with 100 pcs
RFXF0008HTR13	13" Sample reel with 1000 pcs

## RFXF0008H Absolute Maximum Ratings

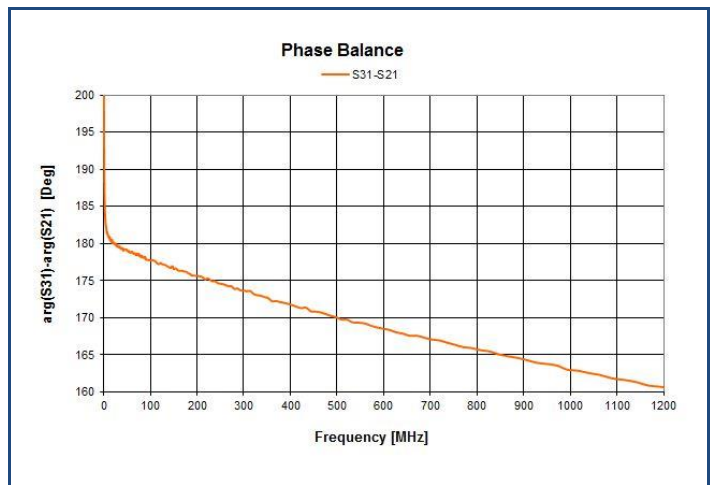
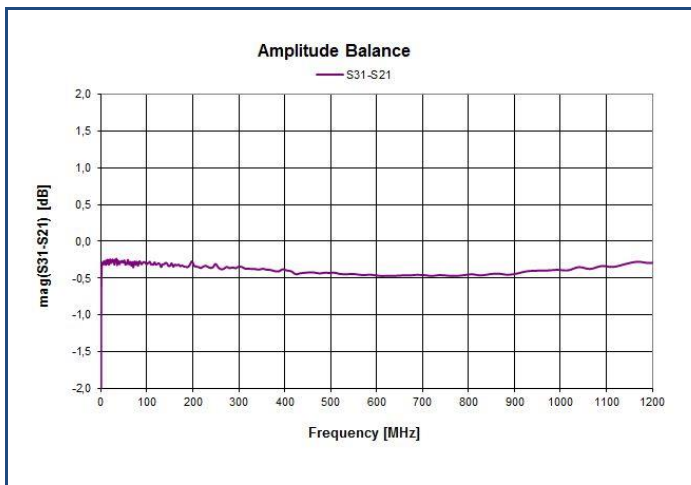
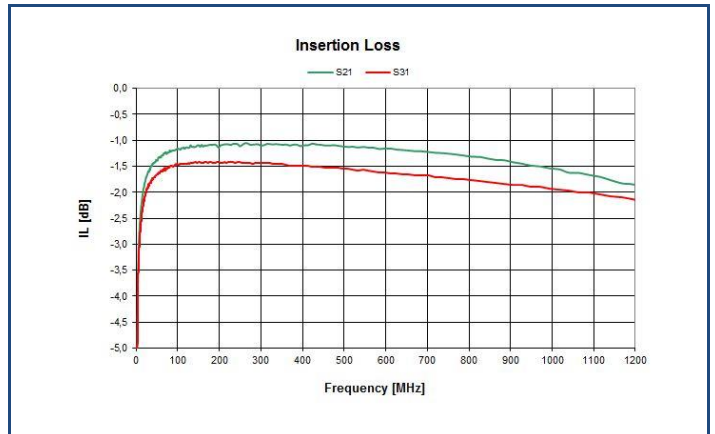
Parameter	Value / Range
RF Power	2 W
Storage Temperature Range	-55 to 100 °C
Operating Temperature Range	-40 to 100 °C

Operation of this device outside the parameter ranges given above may cause permanent damage.

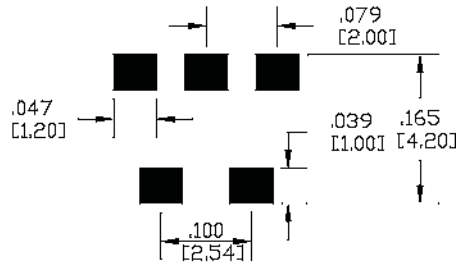
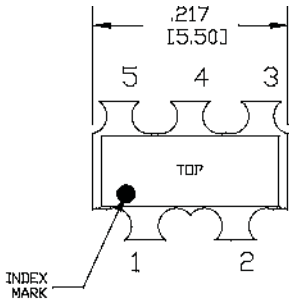
## Nominal Operating Parameters

Parameter	Test Conditions: $T_{MB}=25^{\circ}C$	Min	Typ	Max	Unit
General Performance. Typical values represent Mid Band performance at $T=25^{\circ}C$					
Operational Frequency Range	–	40	–	1218	MHz
Insertion Loss	$f_o=$ 45 to 200 MHz		1.6	2.0	dB
	$f_o=$ 200 to 600 MHz		1.5	2.0	
	$f_o=$ 600 to 1000 MHz		1.9	2.5	
	$f_o=$ 1000 to 1218 MHz		2.2	2.8	
Input Return Loss	$f_o=$ 45 MHz	12	14		dB
	$f_o=$ 45 to 100 MHz	12	14		dB
	$f_o=$ 100 to 400 MHz	15	17		dB
	$f_o=$ 400 to 700 MHz	14	16		dB
	$f_o=$ 700 to 1000 MHz	12	16		dB
	$f_o=$ 1000 to 1218 MHz	11	14		dB
Amplitude Balance	$f_o=$ 45 to 200 MHz		0.3	0.5	dB
	$f_o=$ 200 to 600 MHz		0.4	1.0	dB
	$f_o=$ 600 to 1000 MHz		0.4	1.0	dB
	$f_o=$ 1000 to 1218 MHz		0.4	1.0	dB
Phase Balance	$f_o=$ 45 MHz, Nominal Phase Difference is $180^{\circ}$		2	3	$^{\circ}$
	$f_o=$ 45 to 300 MHz, Nominal Phase Difference is $180^{\circ}$		5	10	$^{\circ}$
	$f_o=$ 300 to 600 MHz, Nominal Phase Difference is $180^{\circ}$		13	18	$^{\circ}$
	$f_o=$ 600 to 1000 MHz, Nominal Phase Difference is $180^{\circ}$		20	26	$^{\circ}$
	$f_o=$ 1000 to 1218 MHz, Nominal Phase Difference is $180^{\circ}$		21	26	$^{\circ}$
DC Current Capability (in CT)				500	mA
Impedance Ratio		1:2.78			
Type - Transmission Line		Balanced to Balanced			

Typical Performance: T=25°C unless otherwise noted



Package Outline, Pin Out and Branding Drawing (Dimensions in inches [mm])



PCB FOOTPRINT

