

# RGC2, RGC3



## 3-phase solid state relays with integrated heatsink



### Description

This product is intended to replace mechanical contactors especially when switching is frequent. The smallest product width in the **RGC2, RGC3** range is 54 mm (3xDIN) and goes up to 70 mm. 2-pole and 3-pole switching options are available.

Apart from resistive and slightly inductive loads, the **RGC** is certified for motor switching with associated motor ratings. A green LED gives indication of control voltage presence. Fan operation is controlled for the versions which have an integrated fan.

Detection of SSR overheat, mains loss, SSR malfunction and load loss is possible with the **RGC..M** versions. An EMR alarm output is available for remote signaling. An additional feature with the **RGC..M** is the electronic auxiliary output. The RGC..M has additional LEDs for load status and alarm status indication.

Specifications are at a surrounding temperature of 25°C unless otherwise specified.

### Applications

Plastic injection machines, Extrusion machines, Blow moulding machines, Thermoformers, Dryers, Electrical ovens, Fryers, Shrink tunnels, Air handling units, Sterilisation equipment, Climatic chambers, Ovens and furnaces.

### Main features

- 3-phase zero cross switching solid state contactor for 3-pole or 2-pole switching
- Ratings up to 660 VAC 75 AAC/pole (RGC2A), 65 AAC/pole (RGC3A) @  $T_A$  40°C
- Optionally integrated monitoring for SSR and load malfunction with alarm output for remote signalling with the RGC..M

### Benefits

- **Panel space savings.** Concentrated power; the RGC 3-phase switching range can handle up to 65 AAC per pole (or 75 AAC for 2-pole switching) in a 70 mm wide footprint.
- **Long lifetime.** Wire bonding technology reduces thermal and mechanical stresses of the output chips resulting in a larger number of possible operational cycles compared to other assembly technologies.
- **Low machine downtime.** Integrated overvoltage protection prevents the solid state relay from breaking down due to uncontrolled transients that may occur on the lines.
- **Ease of use.** The RGC2A and RGC3A are ready to use solutions provided with integrated heatsink thus eliminating the need for the user to calculate the size of heatsink needed for adequate thermal dissipation.
- **Fast wiring.** Power connections for models rated  $\geq 30$  A are equipped with terminals that can handle cables up to 25 mm<sup>2</sup> / AWG3 cables.
- **Integrated monitoring for timely detection of malfunctions.** Optional feature on the 3-phase RGC series that enables detection of mains loss, over temperature and solid state relay or load malfunction.
- **Accommodates UL508A requirements for Industrial Control Panels.** The RGC 3-phase range is certified as a listed product. All models carry a 100 kArms Short Circuit Current Rating.

## Order code

 RGC2A       E

Enter the code entering the corresponding option instead of . Refer to selection guide section for valid part numbers.

| Code                     | Option | Description   | Comments  |
|--------------------------|--------|---|---|
| R                        | -      | Solid State Relay (RG)  |   |
| G                        | -      | With integrated heatsink  |   |
| C                        | -      | 2-pole switching, 1-pole direct   |   |
| 2                        | -      | Switching mode: zero cross  |   |
| A                        | -      | Rated voltage: 42-242 VAC, 800 Vp   |   |
| <input type="checkbox"/> | 22     | Rated voltage: 42-660 VAC, 1200 Vp  | 90 - 660 VAC for RGC..M                                     |
| <input type="checkbox"/> | 60     | Control voltage: 5-32 VDC   |   |
| <input type="checkbox"/> | D      | Control voltage: 20-275 VAC, 24-190 VDC   | AC control range for RGC..A..A.. limited to 20-275 VAC only |
| <input type="checkbox"/> | A      | Rated current   |   |
| <input type="checkbox"/> | 10     | Rated current   |   |
| <input type="checkbox"/> | 25     | Rated current   |   |
| <input type="checkbox"/> | 40     | Rated current   |   |
| <input type="checkbox"/> | 75     | Rated current   |   |
| <input type="checkbox"/> | K      | Screw connection for control terminals  |   |
| <input type="checkbox"/> | G      | Box clamp connection for control terminals  | For RGC..M, RGC..F  |
| <input type="checkbox"/> | K      | Screw connection for power terminals  | For RGC..10, RGC..25  |
| <input type="checkbox"/> | G      | Box clamp connection for power terminals  | For RGC..40, RGC..75  |
| E                        | -      | Contactor configuration   |   |
| <input type="checkbox"/> | D      | External supply: 24 VDC   | For RGC..F or RGC..M only                                   |
| <input type="checkbox"/> | A      | External supply: 90-250 VAC   | For RGC..F or RGC..M only                                   |
| <input type="checkbox"/> | F      | Integrated fan with over temperature protection (OTP) and EMR alarm output  | For RGC..75   |
| <input type="checkbox"/> | M      | Monitoring for mains loss, load loss, SSR short circuit, open circuit and over-temperature with EMR alarm output and auxiliary output | RGC..M is suitable only for resistive loads                 |

## Selection guide - 2-pole switching, 1-pole direct (RGC2)

| Rated voltage | Control voltage        | Features   | External supply, Us    | Rated operational current per pole @ 40°C |                                |                                |                                    |
|---------------|------------------------|------------|------------------------|---|--------------------------------|--------------------------------|------------------------------------|
|               |                        |            |                        | 10 AAC (1800 A <sup>2</sup> s)            | 25 AAC (1800 A <sup>2</sup> s) | 40 AAC (6600 A <sup>2</sup> s) | 75 AAC (15000 A <sup>2</sup> s)    |
|               |                        |            |                        | Product width                             |                                |                                |                                    |
|               |                        |            |                        | 54 mm                                     | 54 mm                          | 70 mm                          | 70 mm + fan                        |
| 220 VAC       | 5 - 32 VDC             | -          | -                      | -   | RGC2A22D25KKE                  | -                              | -                                  |
|               | 20-275 VAC, 24-190 VDC | -          | -                      | -   | RGC2A22A25KKE                  | -                              | -                                  |
| 600 VAC       | 5 - 32 VDC             | OTP<br>OTP | 24 VDC<br>90 - 250 VAC | RGC2A60D10KKE                             | RGC2A60D25KKE                  | RGC2A60D40KGE                  | -                                  |
|               |                        |            |                        | -   | -                              | -                              | RGC2A60D75GGEDF<br>RGC2A60D75GGEAF |
|               | 20-275 VAC, 24-190 VDC | -          | -                      | RGC2A60A10KKE                             | RGC2A60A25KKE                  | RGC2A60A40KGE                  | -                                  |
|               | 20-275 VAC             | OTP        | 90 - 250 VAC           | -   | -                              | -                              | RGC2A60A75GGEAF                    |

## Selection guide - 2-pole switching, 1-pole direct with monitoring (RGC2..M)

| Rated voltage | Control voltage | Features   | External supply, Us  | Rated operational current per pole @ 40°C |                                    |                                    |                                      |
|---------------|-----------------|------------|----------------------|---|------------------------------------|------------------------------------|--------------------------------------|
|               |                 |            |                      | -   | 25 AAC (1800 A <sup>2</sup> s)     | 40 AAC (6600 A <sup>2</sup> s)     | 75 AAC (15000 A <sup>2</sup> s)      |
|               |                 |            |                      | Product width                             |                                    |                                    |                                      |
|               |                 |            |                      | -   | 54 mm                              | 70 mm                              | 70 mm + fan                          |
| 600 VAC       | 5 - 32 VDC      | Monitoring | 24 VDC<br>90-250 VAC | -   | RGC2A60D25GKEDM<br>RGC2A60D25GKEAM | RGC2A60D40GGEDM<br>RGC2A60D40GGEAM | RGC2A60D75GGEDFM<br>RGC2A60D75GGEAFM |
|               | 20-275 VAC      | Monitoring | 90-250 VAC           | -   | RGC2A60A25GKEAM                    | RGC2A60A40GGEAM                    | RGC2A60A75GGEAFM                     |

KKE: input terminals = screw, output terminals = screw  
 KGE: input terminals = screw, output terminals = box clamp  
 GKE: input terminals = box clamp, output terminals = screw  
 GGE: input terminals = box clamp, output terminals = box clamp







## Selection guide - 3-pole switching (RGC3) - DIN rail mount versions

| Rated voltage | Control voltage        | Features        | External supply, Us         | Rated operational current @ 40°C per pole |                                |                                |                                |                                |  |
|---------------|------------------------|-----------------|-----------------------------|---|--------------------------------|--------------------------------|--------------------------------|--------------------------------|--|
|               |                        |                 |                             | 10 AAC (1800 A <sup>2</sup> s)            | 20 AAC (1800 A <sup>2</sup> s) | 25 AAC (1800 A <sup>2</sup> s) | 30 AAC (6600 A <sup>2</sup> s) | 40 AAC (6600 A <sup>2</sup> s) | 65 AAC (15000 A <sup>2</sup> s)          |
|               |                        |                 |                             | Product width                             |                                |                                |                                |                                |  |
|               |                        |                 |                             | 54 mm                                     | 54 mm                          | 70 mm                          | 70 mm                          | 54 mm + fan                    | 70 mm + fan                              |
| 220 VAC       | 5 - 32 VDC             | -               | -                           | RGC3A22D10KKE                             | RGC3A22D20KKE                  | -                              | -                              | -                              | -  |
|               | 20-275 VAC, 24-190 VDC | -               | -                           | RGC3A22A10KKE                             | RGC3A22A20KKE                  | -                              | -                              | -                              | -  |
| 600 VAC       | 5 - 32 VDC             | -<br>OTP<br>OTP | -<br>24 VDC<br>90 - 250 VAC | RGC3A60D10KKE<br>-<br>-                   | RGC3A60D20KKE<br>-<br>-        | RGC3A60D25KKE<br>-<br>-        | RGC3A60D30KGE<br>-<br>-        | -<br>RGC3A60D40GGEDF<br>-      | -<br>RGC3A60D65GGEDF<br>RGC3A60D65GGGEAF |
|               | 20-275 VAC, 24-190 VDC | -               | -                           | RGC3A60A10KKE                             | RGC3A60A20KKE                  | RGC3A60A25KKE                  | RGC3A60A30KGE                  | -                              | -  |
|               | 20-275 VAC             | OTP             | 90 - 250 VAC                | -   | -                              | -                              | -                              | RGC3A60A40GGGEAF               | RGC3A60A65GGGEAF                         |

## Selection guide - 3-pole switching with monitoring (RGC3..M) - DIN rail mount versions

| Rated voltage | Control voltage | Features   | External supply, Us  | Rated operational current @ 40°C per pole |                                    |                                    |                                    |   |                                       |
|---------------|-----------------|------------|----------------------|---|------------------------------------|------------------------------------|------------------------------------|---|---------------------------------------|
|               |                 |            |                      | -   | 20 AAC (1800 A <sup>2</sup> s)     | 25 AAC (1800 A <sup>2</sup> s)     | 30 AAC (6600 A <sup>2</sup> s)     | - | 65 AAC (15000 A <sup>2</sup> s)       |
|               |                 |            |                      | Product width                             |                                    |                                    |                                    |   |                                       |
|               |                 |            |                      | -   | 54 mm                              | 70 mm                              | 70 mm                              | - | 70 mm + fan                           |
| 600 VAC       | 5 - 32 VDC      | Monitoring | 24 VDC<br>90-250 VAC | -   | RGC3A60D20GKEDM<br>RGC3A60D20GKEAM | RGC3A60D25GKEDM<br>RGC3A60D25GKEAM | RGC3A60D30GGEDM<br>RGC3A60D30GGEAM | - | RGC3A60D65GGEDFM<br>RGC3A60D65GGGEAFM |
|               | 20-275 VAC      | Monitoring | 90-250 VAC           | -   | RGC3A60A20GKEAM                    | RGC3A60A25GKEAM                    | RGC3A60A30GGEAM                    | - | RGC3A60A65GGGEAFM                     |

## Selection guide - 3-pole switching (RGC3) - Panel mount versions

| Rated voltage | Control voltage | Features   | External supply, Us | Rated operational current @ 40°C per pole |  |
|---------------|-----------------|------------|---------------------|---|--|
|               |                 |            |                     | 48 AAC (15000 A <sup>2</sup> s)           |  |
|               |                 |            |                     | Product width                             |  |
|               |                 |            |                     | 157 mm                                    |  |
| 600 VAC       | 5 - 32 VDC      | -          | -                   | RGC3A60D48KGE                             |  |
|               |                 | Monitoring | 24 VDC              | RGC3A60D48GGEDM                           |  |
|               | 20-275 VAC      | -          | -                   | RGC3A60A48KGE                             |  |
|               |                 | Monitoring | 90-250 VAC          | RGC3A60A48GGEAM                           |  |

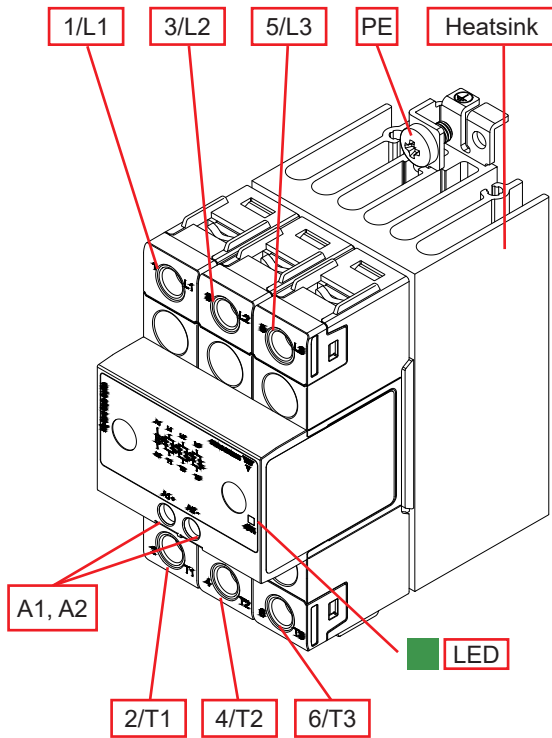
KKE: input terminals = screw, output terminals = screw  
 KGE: input terminals = screw, output terminals = box clamp  
 GKE: input terminals = box clamp, output terminals = screw  
 GGE: input terminals = box clamp, output terminals = box clamp

## Carlo Gavazzi compatible components

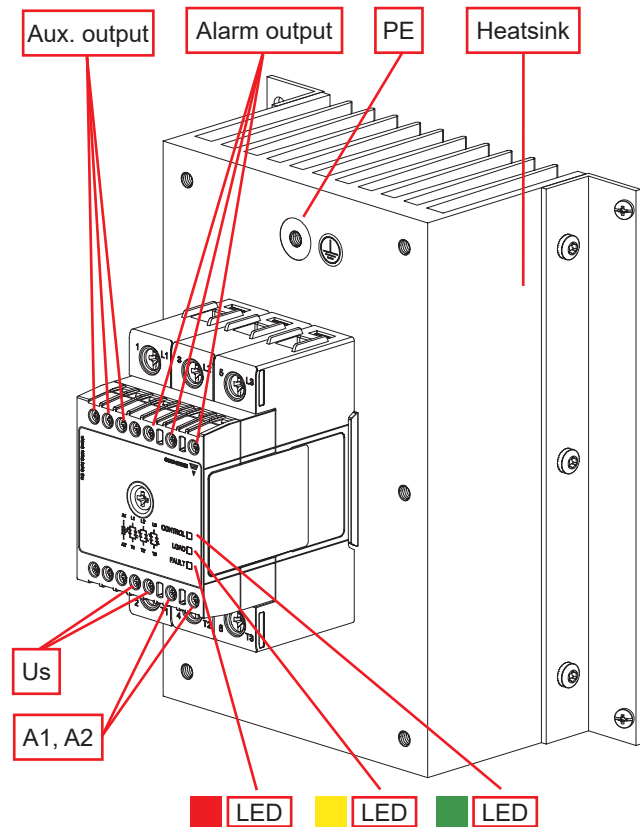
| Description | Component code | Notes                                   |
|-------------|----------------|---|
| Fans        | RG3FAN40       | Fan accessory for RGC3..40              |
|             | RG3FAN60       | Fan accessory for RGC2..75 and RGC3..65 |

# Structure

RGC



RGC..M



| Element          | Component                | Function   |
|------------------|--------------------------|--|
| 1/L1, 3/L2, 5/L3 | Power connections        | Mains connections  |
| 2/T1, 4/T2, 6/T3 | Power connections        | Load connections   |
| Aux. output      | Auxiliary output         | Changes state with change of state of SSR output         |
| Alarm output     | Electro mechanical relay | Alarm output; normally open, normally closed             |
| A1, A2           | Control connection       | Terminals for control voltage                            |
| Us               | Supply connection        | Terminals for supply voltage                             |
| Green LED        | CONTROL indicator        | Indicates presence of control voltage and supply voltage |
| Yellow LED       | LOAD indicator           | Indicates the load status                                |
| Red LED          | ALARM indicator          | Indicates presence of an alarm condition                 |
| Heatsink         | Integrated heatsink      | DIN rail and panel mount versions available              |
| PE               | Protective Earth         | Connection for Protective Earth                          |

Both RGC and RGC..M are available in DIN rail and panel mount versions. DIN rail mount solutions at higher current ratings include forced ventilation. Check 'Dimensions' sections for further information.

## Features

### General data

|                             |   |
|-----------------------------|---|
| <b>Material</b>             | PA66 (UL94 V0), RAL7035<br>850°C, 750°C/2s according to GWIT and GWFI requirements of EN 60335-1  |
| <b>Mounting</b>             | DIN rail (RGC3..48: Panel mount)  |
| <b>Touch Protection</b>     | IP20  |
| <b>Overvoltage Category</b> | III, 6 kV (1.2/50 µs) rated impulse withstand voltage   |
| <b>Isolation</b>            | Input and Output to Case: 4000 Vrms<br>Input to Output: 4000 Vrms (RGC..M: 2500 Vrms)   |
| <b>Weight</b>               | RGC..10: approx. 470 g<br>RGC2..25, RGC3..20 (M): approx. 600 g (680 g)<br>RGC2..40, RGC3..25, RGC3..30 (M): approx. 850 g (920 g)<br>RGC3..40: approx. 740 g<br>RGC3..48 (M): approx. 2400 g (2400 g)<br>RGC2..75, RGC3..65: approx. 980 g |

## Performance


### RGC2.. Output

|  | RGC2..22..25          | RGC2..60..10                          | RGC2..60..25          | RGC2..60..40          | RGC2..60..75           |
|--|-----------------------|---------------------------------------|-----------------------|-----------------------|------------------------|
| <b>Operational voltage range, Ue</b>   | 42 - 242 VAC          | 42 - 660 VAC<br>90 - 660 VAC (RGC..M) |                       |                       |                        |
| <b>Permissible voltage unbalance</b>   | 15% between L1/L2/L3  |                                       |                       |                       |                        |
| <b>Blocking voltage</b>  | 800 Vp                | 1200 Vp                               |                       |                       |                        |
| <b>Max. operational current per pole<sup>1</sup>: AC-51 @ Ta=25°C</b>  | 32 AAC                | 10 AAC                                | 32 AAC                | 50 AAC                | 85 AAC                 |
| <b>Max. operational current per pole<sup>1</sup>: AC-51 @ Ta=40°C</b>  | 27 AAC                | 10 AAC                                | 27 AAC                | 40 AAC                | 75 AAC                 |
| <b>Max. operational current per pole<sup>1</sup>: AC-53a @ Ta=40°C</b>   | 11.5 AAC              | 5 AAC                                 | 11.5 AAC              | 16.5 AAC              | 28 AAC                 |
| <b>Operational frequency range</b>   | 45 to 65 Hz           |                                       |                       |                       |                        |
| <b>Output protection</b>   | Integrated varistor   |                                       |                       |                       |                        |
| <b>Leakage current @ rated voltage</b>   | 5 mAAC                |                                       |                       |                       |                        |
| <b>Minimum operational current<br/>RGC..F, RGC..M</b>  | 250 mAAC<br>1.2 AAC   | 250 mAAC<br>-                         | 250 mAAC<br>1.2 AAC   | 400 mAAC<br>1.2 AAC   | 500 mAAC<br>1.2 AAC    |
| <b>Repetitive overload current<br/>(Motor rating) UL508: Ta=40°C,<br/>t<sub>ON</sub>=1 s, t<sub>OFF</sub>=9 s, 50 cycles</b> | 61 AAC                | 30 AAC                                | 61 AAC                | 107 AAC               | 154 AAC                |
| <b>Non-repetitive surge current<br/>(I<sub>TSM</sub>), t=10 ms</b>   | 600 Ap                | 600 Ap                                | 600 Ap                | 1150 Ap               | 1750 Ap                |
| <b>I<sup>2</sup>t for fusing (t=10 ms), minimum</b>  | 1800 A <sup>2</sup> s | 1800 A <sup>2</sup> s                 | 1800 A <sup>2</sup> s | 6600 A <sup>2</sup> s | 15000 A <sup>2</sup> s |
| <b>No. of motor starts per hour<sup>2</sup><br/>(x: 6, Tx:6s, F:50%) @ 40°C</b>  | 30                    |                                       |                       |                       |                        |
| <b>Power factor</b>  | >0.5 at rated voltage |                                       |                       |                       |                        |
| <b>Critical dV/dt (@T<sub>j</sub> init = 40°C)</b>   | 1000 V/µs             |                                       |                       |                       |                        |

1. Refer to Current Derating Curves. Max. VDE AC-51 rating for RGC2..10 is 9AAC

2. Overload profile for AC-53a;

le: AC-53a: xle-Tx: F-S, where le = nominal current (AC-53a AAC), xle = overload current (AAC), Tx = duration of overload current (s), F = duty cycle (%), S = number of starts. Example; 5A: AC-53a: 30 - 6 : 50 - 10 = max. 10 starts for the RGC2..10 with an overload profile of 30 A for 6 seconds with a duty cycle of 50%.


**RGC3.. Output**

|   | RGC3..22..10                          | RGC3..22..20          | RGC3..60..10                          | RGC3..60..20           | RGC3..60..25          |
|---|---------------------------------------|-----------------------|---------------------------------------|------------------------|-----------------------|
| Operational voltage range, Ue   | 42 - 242 VAC                          |                       | 42 - 660 VAC<br>90 - 660 VAC (RGC..M) |                        |                       |
| Permissible voltage unbalance   | 15% between L1/L2/L3                  |                       |                                       |                        |                       |
| Blocking voltage  | 800 Vp                                |                       | 1200 Vp                               |                        |                       |
| Max. operational current per pole <sup>1</sup> : AC-51 @ Ta=25°C  | 10 AAC                                | 25 AAC                | 10 AAC                                | 25 AAC                 | 32 AAC                |
| Max. operational current per pole <sup>1</sup> : AC-51 @ Ta=40°C  | 10 AAC                                | 20 AAC                | 10 AAC                                | 20 AAC                 | 28 AAC                |
| Max. operational current per pole <sup>1</sup> : AC-53a @ Ta=40°C   | 5 AAC                                 | 10 AAC                | 5 AAC                                 | 10 AAC                 | 11 AAC                |
| Operational frequency range   | 45 to 65 Hz                           |                       |                                       |                        |                       |
| Output protection   | Integrated varistor                   |                       |                                       |                        |                       |
| Leakage current @ rated voltage   | 5 mAAC                                |                       |                                       |                        |                       |
| Minimum operational current<br>RGC..F, RGC..M   | 250 mAAC<br>-                         | 250 mAAC<br>1.2 AAC   | 250 mAAC<br>-                         | 250 mAAC<br>1.2 AAC    | 250 mAAC<br>1.2 AAC   |
| Repetitive overload current<br>(Motor rating) UL508: Ta=40°C,<br>t <sub>ON</sub> =1 s, t <sub>OFF</sub> =9 s, 50 cycles | 30 AAC                                | 61 AAC                | 30 AAC                                | 61 AAC                 | 84 AAC                |
| Non-repetitive surge current<br>(I <sub>TSM</sub> ), t=10 ms  | 600 Ap                                | 600 Ap                | 600 Ap                                | 600 Ap                 | 600 Ap                |
| I <sup>2</sup> t for fusing (t=10 ms), minimum  | 1800 A <sup>2</sup> s                 | 1800 A <sup>2</sup> s | 1800 A <sup>2</sup> s                 | 1800 A <sup>2</sup> s  | 1800 A <sup>2</sup> s |
| No. of motor starts per hour <sup>2</sup><br>(x: 6, Tx:6s, F:50%) @ 40°C  | 30                                    |                       |                                       |                        |                       |
| Power factor  | >0.5 at rated voltage                 |                       |                                       |                        |                       |
| Critical dV/dt (@T <sub>j</sub> init = 40°C)  | 1000 V/μs                             |                       |                                       |                        |                       |
|   | RGC3..60..30                          | RGC3..60..40          | RGC3..60..48                          | RGC3..60..65           |                       |
| Operational voltage range, Ue   | 42 - 660 VAC<br>90 - 660 VAC (RGC..M) |                       |                                       |                        |                       |
| Permissible voltage unbalance   | 15% between L1/L2/L3                  |                       |                                       |                        |                       |
| Blocking voltage  | 1200 Vp                               |                       |                                       |                        |                       |
| Max. operational current per pole <sup>1</sup> : AC-51 @ Ta=25°C  | 37 AAC                                | 42 AAC                | 55 AAC                                | 71 AAC                 |                       |
| Max. operational current per pole <sup>1</sup> : AC-51 @ Ta=40°C  | 30 AAC                                | 42 AAC                | 48 AAC                                | 66 AAC                 |                       |
| Max. operational current per pole <sup>1</sup> : AC-53a @ Ta=40°C   | 14 AAC                                | 17 AAC                | 23 AAC                                | 25 AAC                 |                       |
| Operational frequency range   | 45 to 65 Hz                           |                       |                                       |                        |                       |
| Output protection   | Integrated varistor                   |                       |                                       |                        |                       |
| Leakage current @ rated voltage   | 5 mAAC                                |                       |                                       |                        |                       |
| Minimum operational current<br>RGC..F, RGC..M   | 400 mAAC<br>1.2 AAC                   | 400 mAAC<br>1.2 AAC   | 500 mAAC<br>1.2 AAC                   | 500 mAAC<br>1.2 AAC    |                       |
| Repetitive overload current<br>(Motor rating) UL508: Ta=40°C,<br>t <sub>ON</sub> =1 s, t <sub>OFF</sub> =9 s, 50 cycles | 107 AAC                               | 107 AAC               | 154 AAC                               | 154 AAC                |                       |
| Non-repetitive surge current<br>(I <sub>TSM</sub> ), t=10 ms  | 1150 Ap                               | 1150 Ap               | 1750 Ap                               | 1750 Ap                |                       |
| I <sup>2</sup> t for fusing (t=10 ms), minimum  | 6600 A <sup>2</sup> s                 | 6600 A <sup>2</sup> s | 15000 A <sup>2</sup> s                | 15000 A <sup>2</sup> s |                       |
| No. of motor starts per hour <sup>2</sup><br>(x: 6, Tx:6s, F:50%) @ 40°C  | 30                                    |                       |                                       |                        |                       |
| Power factor  | >0.5 at rated voltage                 |                       |                                       |                        |                       |
| Critical dV/dt (@T <sub>j</sub> init = 40°C)  | 1000 V/μs                             |                       |                                       |                        |                       |

1. Refer to Current Derating Curves. Max. VDE AC-51 rating for RGC2..10 is 9 AAC

2. Overload profile for AC-53a



## Motor Ratings: HP (UL508) / kW (EN/IEC 60947-4-2) @ 40°C

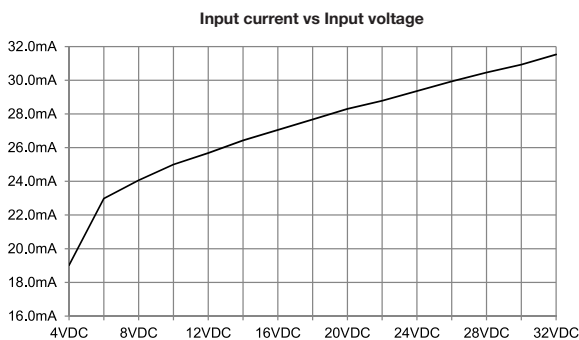
|          | 115 VAC        | 230 VAC        | 400 VAC         | 480 VAC         | 600 VAC         |
|----------|----------------|----------------|-----------------|-----------------|-----------------|
| RGC2..10 | ½ HP / 0.37 kW | 1 HP / 1.1 kW  | 2 HP / 1.5 kW   | 3 HP / 2.2 kW   | 3 HP / 3 kW     |
| RGC2..25 | 1½ HP / 1.1 kW | 3 HP / 3.0 kW  | 5 HP / 5.5 kW   | 7½ HP / 5.5 kW  | 10 HP / 9.0 kW  |
| RGC2..40 | 3 HP / 1.5 kW  | 5 HP / 4.0 kW  | 10 HP / 7.5 kW  | 10 HP / 9.0 kW  | 15 HP / 11.0 kW |
| RGC2..75 | 5 HP / 3.0 kW  | 10 HP / 7.5 kW | 15 HP / 11.0 kW | 20 HP / 15.0 kW | 25 HP / 22.0 kW |
| RGC3..10 | ½ HP / 0.37 kW | 1 HP / 1.1 kW  | 2 HP / 1.5 kW   | 3 HP / 2.2 kW   | 3 HP / 3 kW     |
| RGC3..20 | 1 HP / 0.75 kW | 3 HP / 2.2 kW  | 5 HP / 4.0 kW   | 7½ HP / 5.5 kW  | 10 HP / 7.5 kW  |
| RGC3..25 | 2 HP / 1.1 kW  | 3 HP / 2.2 kW  | 7½ HP / 4.0 kW  | 10 HP / 5.5 kW  | 10 HP / 7.5 kW  |
| RGC3..30 | 2 HP / 1.5 kW  | 5 HP / 3.0 kW  | 10 HP / 5.5 kW  | 10 HP / 7.5 kW  | 15 HP / 11.0 kW |
| RGC3..40 | 2 HP / 1.5 kW  | 5 HP / 4.0 kW  | 10 HP / 7.5 kW  | 10 HP / 9.0 kW  | 15 HP / 11.0 kW |
| RGC3..48 | 3 HP / 3.0 kW  | 10 HP / 5.5 kW | 15 HP / 11.0 kW | 20 HP / 15.0 kW | 25 HP / 20.0 kW |
| RGC3..65 | 3 HP / 3.0 kW  | 10 HP / 5.5 kW | 15 HP / 11.0 kW | 20 HP / 15.0 kW | 25 HP / 20.0 kW |

## Inputs

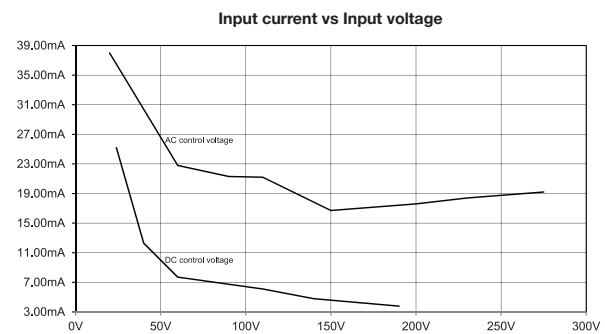
|                                    | RG..D..                        | RG..A..                           | RG..D..D..<br>RG..D..A..     | RG..A..A..            |
|------------------------------------|--------------------------------|-----------------------------------|------------------------------|-----------------------|
| Control voltage range, UC (A1, A2) | 5 - 32 VDC                     | 20-275 VAC,<br>24 (-10%) -190 VDC | 5 - 32 VDC                   | 20-275 VAC            |
| Pick-up voltage                    | 4.8 VDC                        | 20 VAC/DC                         | 4.8 VDC                      | 20 VAC                |
| Drop-out voltage                   | 1.0 VDC                        | 5 VAC/DC                          | 1.0 VDC                      | 5 VAC                 |
| Maximum reverse voltage            | 32 VDC                         | -                                 | 32 VDC                       | -                     |
| Maximum response time              | 0.5 cycle + 500 µs @<br>24 VDC | 2 cycles @<br>230 VAC/110 VDC     | 1 cycle + 500 µs @<br>24 VDC | 5 cycles @<br>230 VAC |
| Input current @ 40°C               | See diagrams below             |                                   |                              |                       |

## Input current vs input voltage

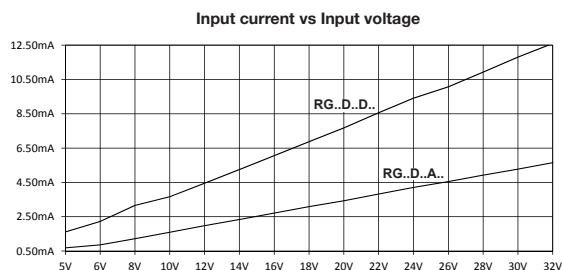
### RG..D



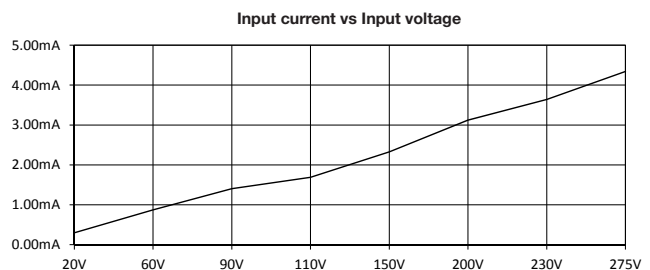
### RG..A



### RG..D..D., RG..D..A..



### RG..A..A..



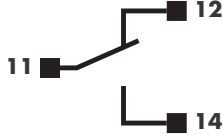
### Power supply specifications (Us)

|   | RG..D..D..                        | RG..D..A..<br>RG..A..A..              |
|---|-----------------------------------|---------------------------------------|
| Supply voltage range, Us  | 24 VDC, -15% / +20%               | 90-250 VAC                            |
| Reverse polarity protection                                     | Yes                               | n/a                                   |
| Max. supply current<br>no fan, RG..M<br>with fan, RG..F, RG..FM | 80 mA<br>150 mA                   | 60 mA<br>80 mA                        |
| Surge protection <sup>3</sup>                                   | 500 V PC1 with integrated transil | L-L 1 kV, L-E 2 kV PC1 <sup>3,4</sup> |

3. Refer to Electromagnetic Compatibility section for further details

4. When supplied from secondary circuit with short circuit limit of 1500 VA

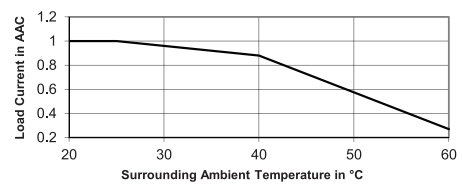
### Alarm output specifications (12, 14, 11)

|                | RG..F<br>RG..M  |
|----------------|---|
| Function       | Operates in case of an alarm condition on the RG..F or the RG..M  |
| Output type    | EMR, 1 Form C (SPDT)<br>Normally closed (12-11)<br>Normally open (14-11)  |
| Contact rating | 2A @ 250 VAC / 30 VDC   |
| Isolation      | 1000 VAC  |

## Auxiliary output specifications (22, 24, 21)

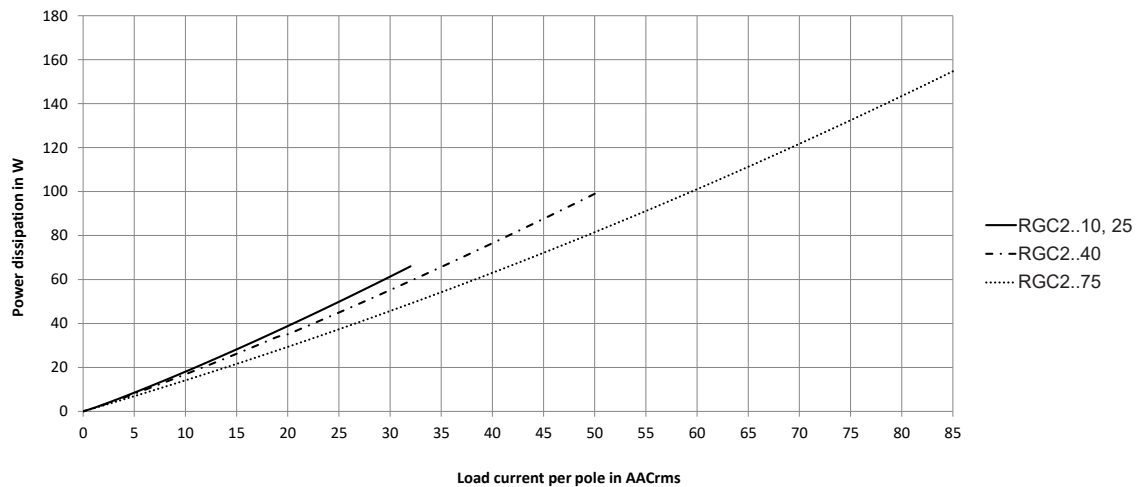
|   | RG..D..D..<br>RG..D..A..   | RG..A..A..   |
|---|--|--|
| Output type   | PNP darlington, Normally closed (22-21)<br>NPN darlington, Normally open (24-21) | Triac, Normally closed (22-21)<br>Triac, Normally open (24-21) |
| Rated voltage                                       | 24 VDC +/-20%  | 90-250 VAC   |
| On-state voltage drop, typical                      | 4 VDC  | < 2 VAC  |
| Blocking voltage                                    | -  | 800 Vp   |
| Maximum current rating                              | 50 mADC  | 1 AAC @ 25°C <sup>5</sup>                                      |
| Delay from SSR output switching to auxiliary output | 5 cycles   | 5 cycles   |

5. Refer to Derating Curve for Auxiliary Output rating @ higher operating temperature

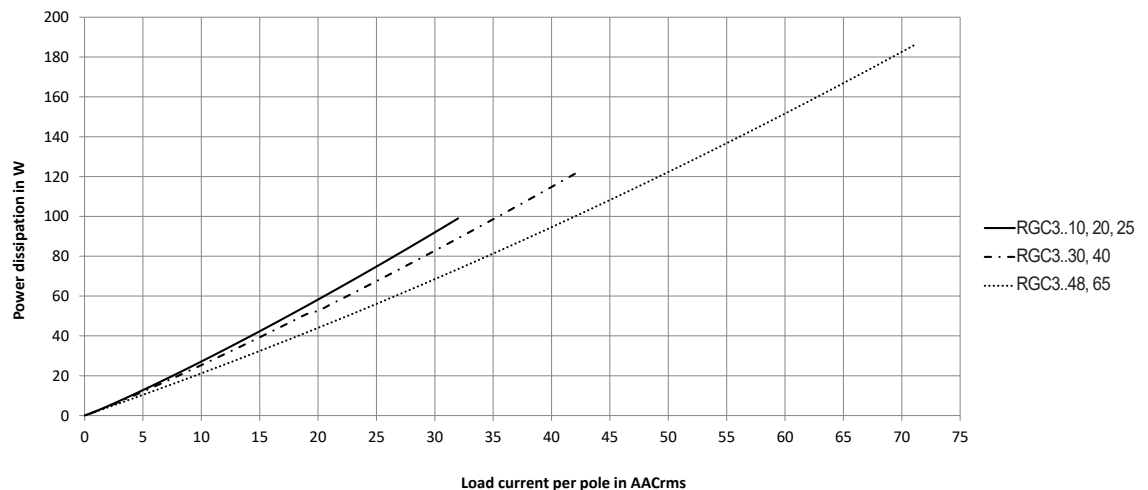


## Output power dissipation

### RGC2

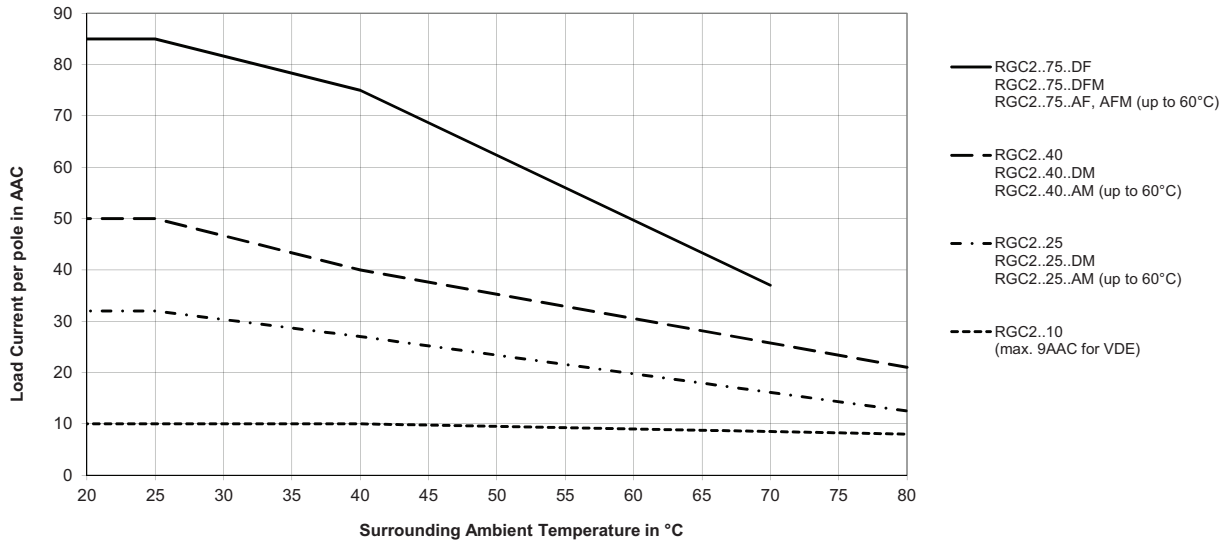


### RGC3

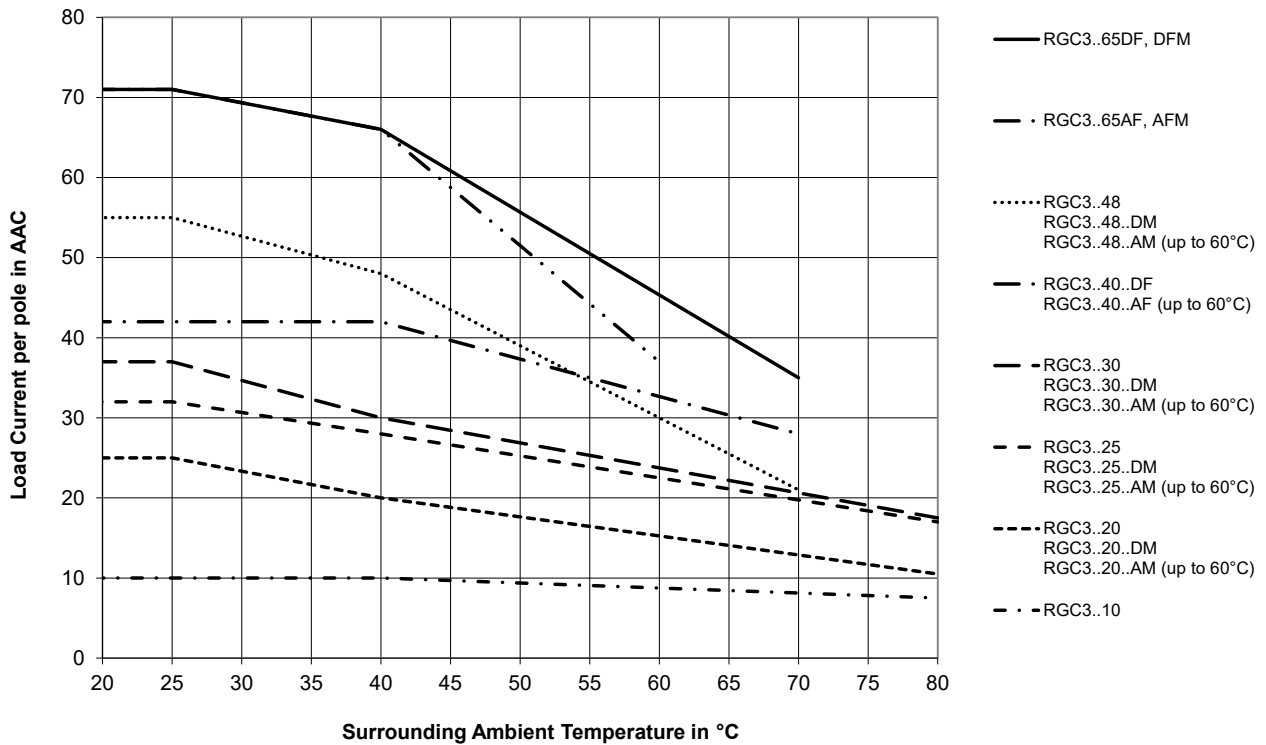


## Current derating

### RGC2



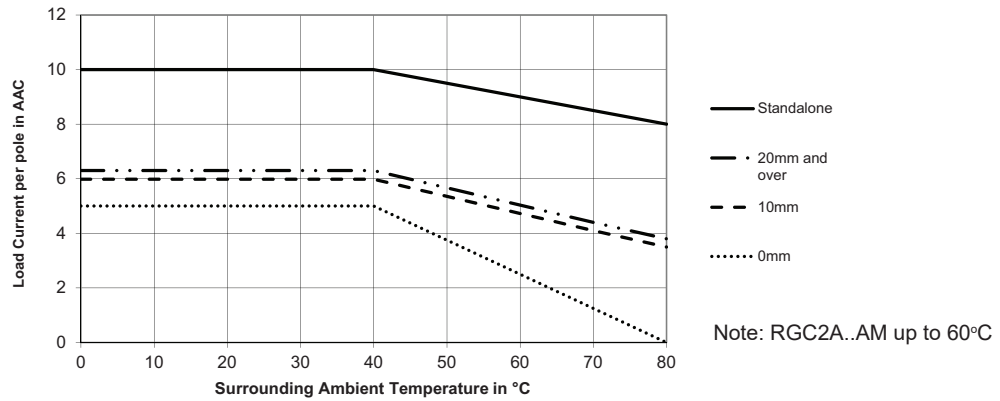
### RGC3



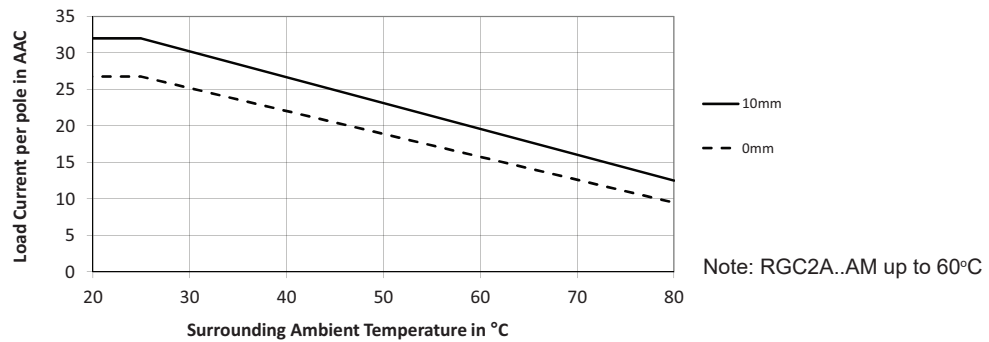


## Derating vs. Spacing Curves

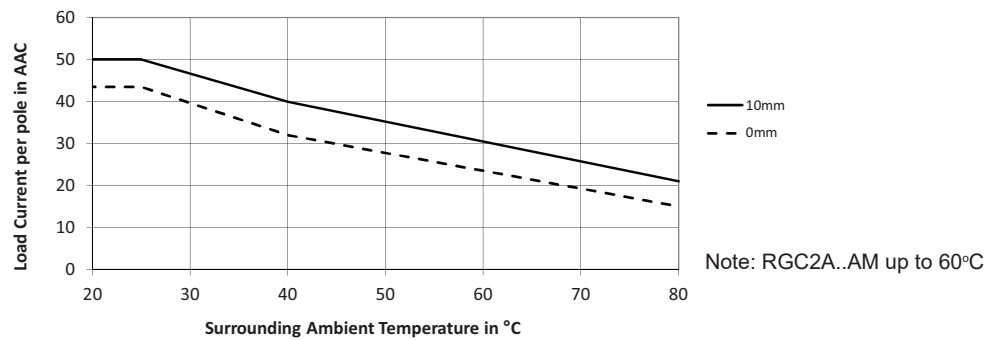
### RGC2..10



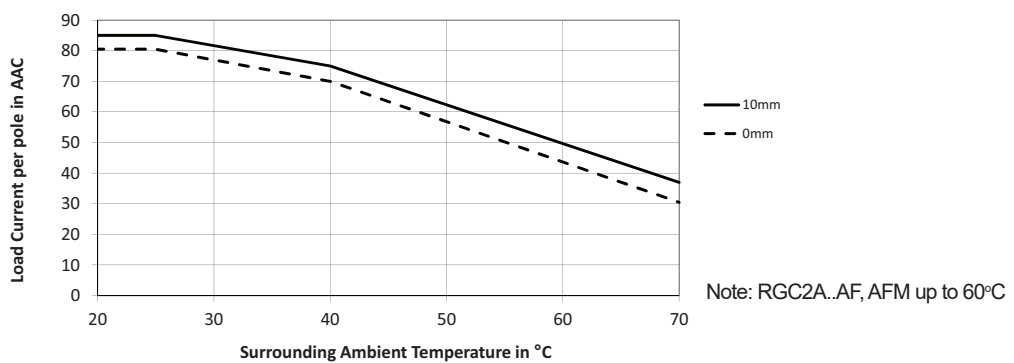
### RGC2..25



### RGC2..40

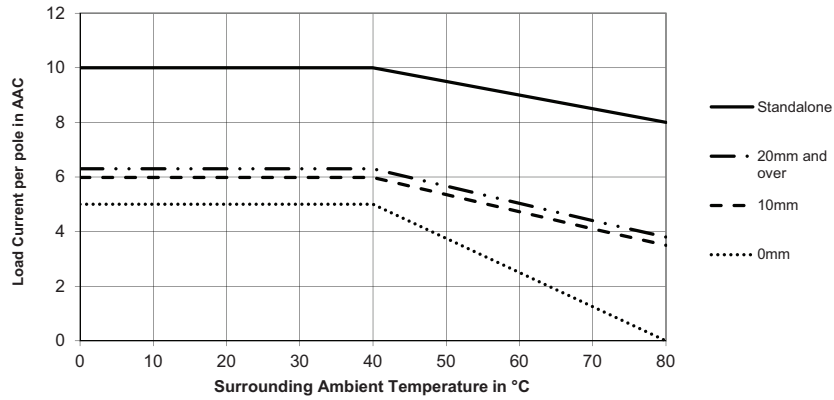


### RGC2..75

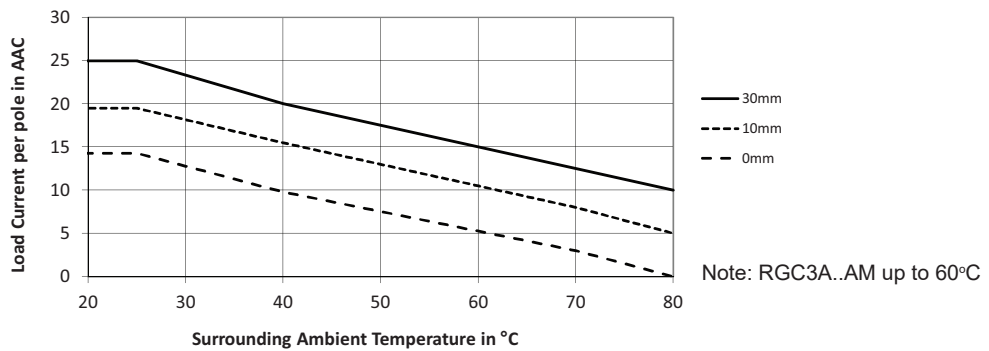


**Derating vs. Spacing Curves**

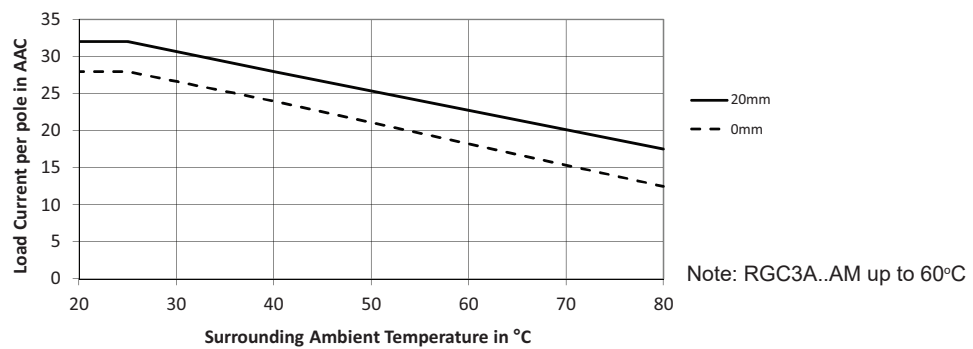
**RGC3..10**



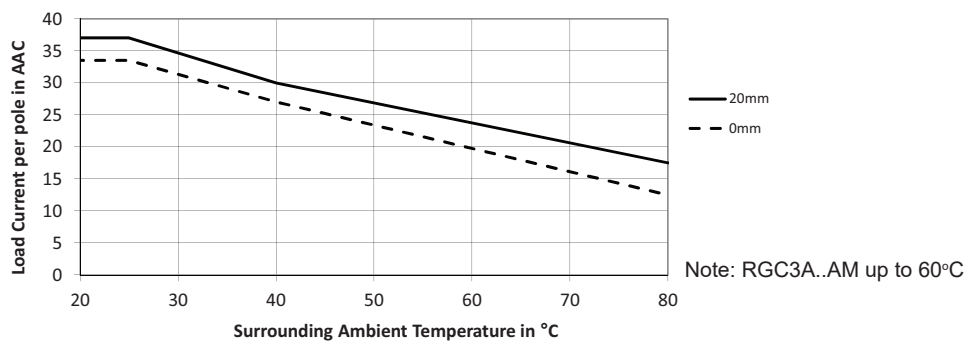
**RGC3..20**



**RGC3..25**

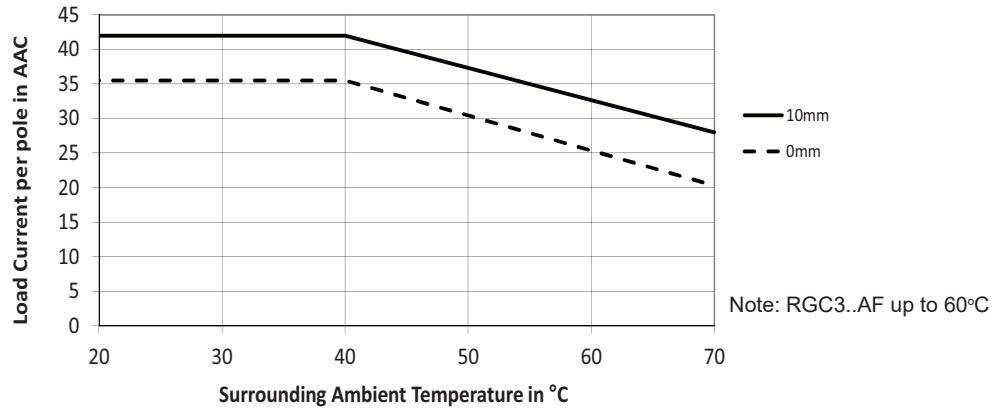


**RGC3..30**

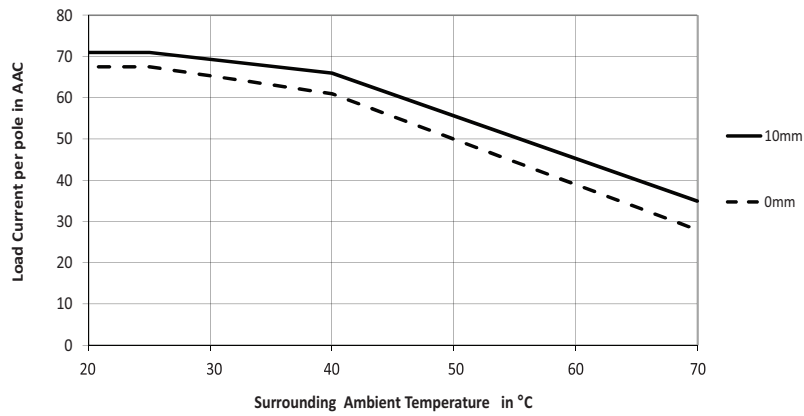


**Derating vs. Spacing Curves**

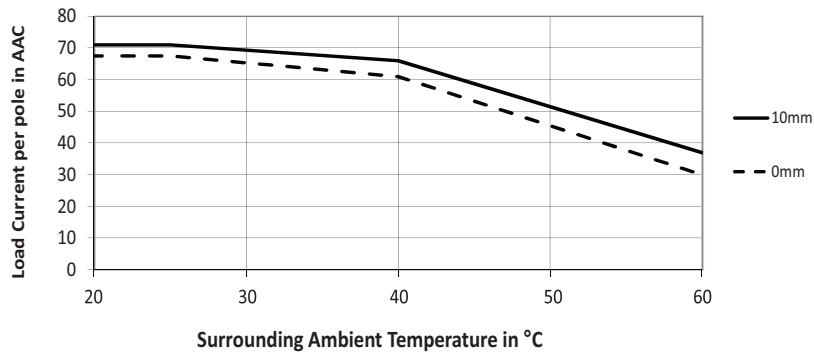
**RGC3..40**



**RGC3..65DF, DFM**



**RGC3..65AF, AFM**





**Compatibility and conformance**

|  |   |
|--|---|
| <b>Approvals</b>                       |   |
| <b>Standards compliance</b>            | LVD: EN/IEC 60947-4-2, EN/IEC 60947-4-3<br>EMC/EN 60947-4-3<br>UL: UL508, E172877<br>cUL: C22.2 No. 14-13, E172877<br>CCC, GB/T 14048.5-2017 (IEC 60947-5-1)<br>VDE 0660-117 (DIN EN 60947-4-2), VDE 0700-1 (DIN EN 60335-1) <sup>7</sup> |
| <b>UL short circuit current rating</b> | 100k Arms (refer to short circuit current section, Type 1 – UL508)  |

6. Not applicable for RGC...48

7. Applicable only to RGC...10

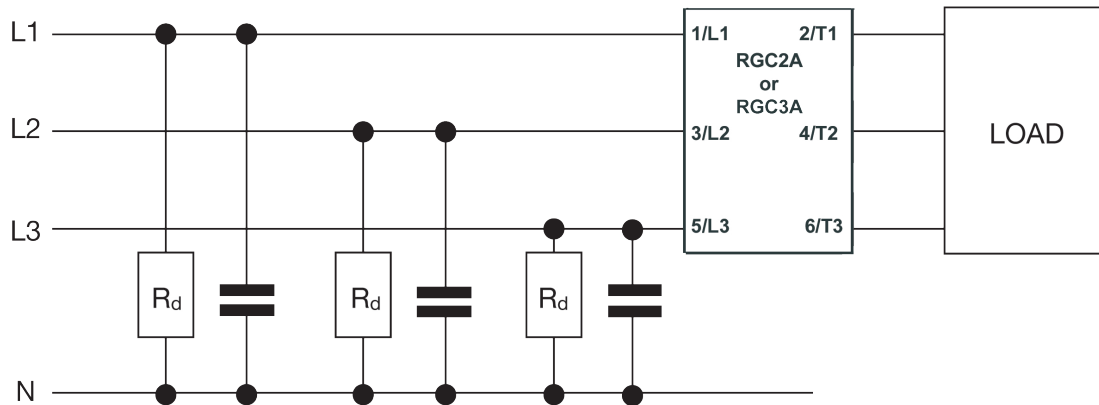
**Electromagnetic compatibility (EMC) - Immunity**

|   |   |
|---|---|
| <b>Electrostatic discharge (ESD)</b>  | EN/IEC 61000-4-2<br>8 kV air discharge, 4 kV contact (PC2)  |
| <b>Radiated radio frequency</b>   | EN/IEC 61000-4-3<br>10 V/m, from 80 MHz to 1 GHz (PC1)<br>10 V/m, from 1.4 to 2 GHz (PC1)<br>10 V/m, from 2 to 2.7 GHz (PC1)  |
| <b>Electrical fast transient (burst)</b><br><b>RGC..M</b>   | EN/IEC 61000-4-4<br>Output: 2 kV, 5 kHz (PC1)<br>Input: 1 kV, 5 kHz (PC1)<br>Signal: 1 kV, 5 kHz (PC1)  |
| <b>Conducted radio frequency</b>  | EN/IEC 61000-4-6<br>10 V/m, from 0.15 to 80 MHz (PC1)   |
| <b>Electrical surge</b><br><b>RGC..D..D</b><br><b>RGC..D..A, RGC..A..A</b><br><b>RGC..D..D</b><br><b>RGC..D..A, RGC..A..A</b> | EN/IEC 61000-4-5<br>Output, line to line: 1 kV (PC2)<br>Output, line to earth: 2 kV (PC2)<br>Input, line to line: 500 V (PC2)<br>Input, line to earth: 500 V (PC2)<br>Signal, line to line, 500 V (Us, 21, 22, 24) (PC1)<br>Signal, line to line, 1 kV (Us, 21, 22, 24) (PC1)<br>Signal, line to earth, 500 V (Us, 21, 22, 24) (PC1)<br>Signal, line to earth, 1 kV (Us, 21, 22, 24) (PC1)<br>11, 12, 14, line to line, 1 kV (PC1)<br>11, 12, 14, line to earth, 2 kV (PC1) |
| <b>Voltage dips</b>   | EN/IEC 61000-4-11<br>0% for 0.5, 1 cycle (PC2)<br>40% for 10 cycles (PC2)<br>70% for 25 cycles (PC2)<br>80% for 250 cycles (PC2)  |
| <b>Voltage interruptions</b>  | EN/IEC 61000-4-11<br>0% for 5000 ms (PC2)   |

**Electromagnetic compatibility (EMC) - Emissions**

|   |  |
|---|--|
| <b>Radio interference field emission (radiated)</b>     | EN/IEC 55011<br>Class A: from 30 to 1000 MHz   |
| <b>Radio interference voltage emissions (conducted)</b> | EN/IEC 55011<br>Class A: from 0.15 to 30 MHz<br>(External filter may be required - refer to Filtering section) |

## Filter connection diagram




## Filtering

| Part number | Suggested filter for EN 55011 Class A compliance | Maximum heater current [AAC] |
|-------------|--|------------------------------|
| RGC2A60..10 | 220 nF / 760 V / X1                              | 10 AAC                       |
| RGC2A22..25 | 220 nF / 275 V / X1                              | 25 AAC                       |
| RGC2A60..25 | 220 nF / 760 V / X1                              | 25 AAC                       |
| RGC2A60..40 | 330 nF / 760 V / X1                              | 40 AAC                       |
| RGC2A60..75 | 470 nF / 760 V / X1                              | 65 AAC                       |
| RGC3A22..10 | 220 nF / 275 V / X1                              | 10 AAC                       |
| RGC3A60..10 | 220 nF / 760 V / X1                              | 10 AAC                       |
| RGC3A22..20 | 220 nF / 275 V / X1                              | 25 AAC                       |
| RGC3A60..20 | 220 nF / 760 V / X1                              | 25 AAC                       |
| RGC3A60..25 | 330 nF / 760 V / X1                              | 25 AAC                       |
| RGC3A60..30 | 470 nF / 760 V / X1                              | 30 AAC                       |
| RGC3A60..40 | 470 nF / 760 V / X1                              | 40 AAC                       |
| RGC3A60..48 | 470 nF / 760 V / X1                              | 48 AAC                       |
| RGC3A60..65 | 470 nF / 760 V / X1                              | 65 AAC                       |


### Note:


- Control input lines must be installed together to maintain products' susceptibility to Radio Frequency interference.
- Use of AC solid state relays may, according to the application and the load current, cause conducted radio interferences. Use of mains filters may be necessary for cases where the user must meet E.M.C requirements. The capacitor values given inside the filtering specification tables should be taken only as indications, the filter attenuation will depend on the final application.
- This product has been designed for Class A equipment. Use of this product in domestic environments may cause radio interference, in which case the user may be required to employ additional mitigation methods.
- Surge tests on RGC..A, RGC..A..A.. models were carried out with the signal line impedance network. In case the line impedance is less than 40Ω, it is suggested that AC supply is provided through a secondary circuit where the short circuit limit between conductors or between conductors and ground is 1500 VA or less.
- \* For conformance to EN/IEC 61000-6-4, an external capacitor class X1, 220 nF, 275 VAC is to be connected across the input control lines A1-A2 for AC control versions.
- \*\* With external varistor 275 V (S05K275) Type 2 connected between terminals 22 - 21 or terminals 24 - 21.

- Performance Criteria 1 (PC1): No degradation of performance or loss of function is allowed when the product is operated as intended.
- Performance Criteria 2 (PC2): During the test, degradation of performance or partial loss of function is allowed. However when the test is complete the product should return operating as intended by itself.
- Performance Criteria 3 (PC3): Temporary loss of function is allowed, provided the function can be restored by manual operation of the controls.


**Additional conformance to railway standards**

|  |  |
|--|--|
| <b>Applicable to variants</b>                                  | RGC..D.. (not applicable for RGC..M)   |
| <b>Additional conformance specific to railway applications</b> | EN 50155<br>EN 45545-2<br>EN 50121-3-2   |
| <b>Hazardous level conformance according to EN 45545-2</b>     | HL1, HL2 for requirement R23<br>HL1 for requirement R22  |
| <b>Operating temperature class according to EN 50155</b>       | OT3 (-25 °C to +70 °C )  |
| <b>Vibration and shock</b>                                     | EN 61373 Category 1, Class B   |
| <b>Additional EMC conformance</b>                              | according to EN 50121-3-2  |
| <b>Radiated radio frequency immunity</b>                       | EN/IEC 61000-4-3<br>20 V/m, from 80 MHz to 1 GHz (PC1)<br>10 V/m, from 1.4 to 2 GHz (PC1)<br>5 V/m, from 2 to 2.7 GHz (PC1)<br>3V/m, 5.1 - 6 GHz (PC1) |
| <b>Power quality measurement</b>                               | EN/IEC 61000-4-30<br>50 Hz - 2 kHz, <8% THD (PASS)   |


**Environmental specifications**

|  |  |
|--|--|
| <b>Operating temperature</b><br>RGC...DF, DFM<br>RGC...AM, AF, AFM | -40°C to +80°C (-40°F to +176°F)<br>-40°C to +70°C (-40°F to +158°F)<br>-40°C to +60°C (-40°F to +140°F) |
| <b>Storage temperature</b>   | -40 to +100 °C (-40 to +212 °F)  |
| <b>Relative humidity</b>   | 95% non-condensing @ 40°C  |
| <b>Pollution degree</b>  | 2  |
| <b>Installation altitude</b>                                       | 0-1000 m. Above 1000 m derate linearly by 1% of FLC per 100 m up to a maximum of 2000 m                  |
| <b>Vibration resistance</b>  | 2g / axis (2-100Hz, IEC 60068-2-6, EN 50155, EN 61373)   |
| <b>Impact resistance</b>   | 15/11 g/ms (EN50155, EN61373)  |
| <b>EU RoHS compliant</b>   | Yes  |
| <b>China RoHS</b>  |                         |

The declaration in this section is prepared in compliance with People's Republic of China Electronic Industry Standard SJ/T11364-2014: Marking for the Restricted Use of Hazardous Substances in Electronic and Electrical Products.

| Part Name  | Toxic or Harardous Substances and Elements |              |              |                              |                                |                                       |
|--|--|--------------|--------------|------------------------------|--------------------------------|---------------------------------------|
|  | Lead (Pb)                                  | Mercury (Hg) | Cadmium (Cd) | Hexavalent Chromium (Cr(VI)) | Polybrominated biphenyls (PBB) | Polybrominated diphenyl ethers (PBDE) |
| <b>Power Unit Assembly</b>   | x  | 0            | 0            | 0                            | 0                              | 0                                     |
| <p>O: Indicates that said hazardous substance contained in homogeneous materials for this part are below the limit requirement of GB/T 26572.</p> <p>X: Indicates that said hazardous substance contained in one of the homogeneous materials used for this part is above the limit requirement of GB/T 26572.</p> |  |              |              |                              |                                |                                       |

这份申明根据中华人民共和国电子工业标准  
SJ/T11364-2014：标注在电子电气产品中限定使用的有害物质

| 零件名称   | 有毒或有害物质与元素 |        |        |              |             |              |
|--|------------|--------|--------|--------------|-------------|--------------|
|  | 铅 (Pb)     | 汞 (Hg) | 镉 (Cd) | 六价铬 (Cr(VI)) | 多溴化联苯 (PBB) | 多溴联苯醚 (PBDE) |
| 功率单元   | x          | 0      | 0      | 0            | 0           | 0            |
| <p>O:此零件所有材料中含有的该有害物低于GB/T 26572的限定。</p> <p>X: 此零件某种材料中含有的该有害物高于GB/T 26572的限定。</p> |            |        |        |              |             |              |

## Short circuit protection

### Protection Co-ordination, Type 1 vs Type 2:

Type 1 protection implies that after a short circuit, the device under test will no longer be in a functioning state. In Type 2 co-ordination the device under test will still be functional after the short circuit. In both cases, however the short circuit has to be interrupted. The fuse between enclosure and supply shall not open. The door or cover of the enclosure shall not be blown open. There shall be no damage to conductors or terminals and the conductors shall not separate from terminals. There shall be no breakage or cracking of insulating bases to the extent that the integrity of the mounting of live parts is impaired. Discharge of parts or any risk of fire shall not occur.

The product variants listed in the table hereunder are suitable for use on a circuit capable of delivering not more than 100,000 Arms Symmetrical Amperes, 600 Volts maximum when protected by fuses. Tests at 100,000 A were performed with Class J fuses, fast acting; please refer to the table below for maximum allowed ampere rating of the fuse. Use fuses only.

Tests with Class J fuses are representative of Class CC fuses.

| Protection co-ordination Type 1 according to UL 508    |   |                   |         |               |
|--|---|-------------------|---------|---------------|
| Part No.   | Prospective short circuit current [kArms] | Max fuse size [A] | Class   | Voltage [VAC] |
| RGC2..10, RGC2..25,<br>RGC3..10, RGC3..20,<br>RGC3..25 | 100                                       | 30                | J or CC | Max. 600      |
| RGC2..40,<br>RGC3..30, RGC3..40                        |   | 40                | J       |               |
| RGC2..75,<br>RGC3..48, RGC3..65                        |   | 60 <sup>8</sup>   | J       |               |

8. Consult a Carlo Gavazzi sales representative for use of 70 A class J fuses

| Protection co-ordination Type 2 for motor load applications |   |                         |             |                   |               |               |
|---|---|-------------------------|-------------|-------------------|---------------|---------------|
| Part No.  | Prospective short circuit current [kArms] | Ferraz Shawmut (Mersen) |             | Siba              |               | Voltage [VAC] |
|   |   | Max fuse size [A]       | Part number | Max fuse size [A] | Part number   |               |
| RGC2..10  | 100                                       | 40                      | A70QS40-4   | 32                | 50 142 06 32  | 600           |
| RGC2..25  |   | 40                      | A70QS40-4   | 32                | 50 142 06 32  |               |
| RGC2..40  |   | 60                      | A70QS60-4   | 63                | 50 194 20 63  |               |
| RGC2..75  |   | 100                     | A70QS100-4  | 125               | 50 196 20 125 |               |
| RGC3..10  |   | 40                      | A70QS40-4   | 32                | 50 142 06 32  |               |
| RGC3..20  |   | 40                      | A70QS40-4   | 32                | 50 142 06 32  |               |
| RGC3..25  |   | 40                      | A70QS40-4   | 32                | 50 142 06 32  |               |
| RGC3..30  |   | 40                      | A70QS40-4   | 40                | 50 194 20 40  |               |
| RGC3..40  |   | 50                      | A70QS50-4   | 50                | 50 194 20 50  |               |
| RGC3..48  |   | 70                      | A70QS70-4   | 63                | 50 194 20 63  |               |
| RGC3..65  |   | 100                     | A70QS100-4  | 125               | 50 196 20 125 |               |



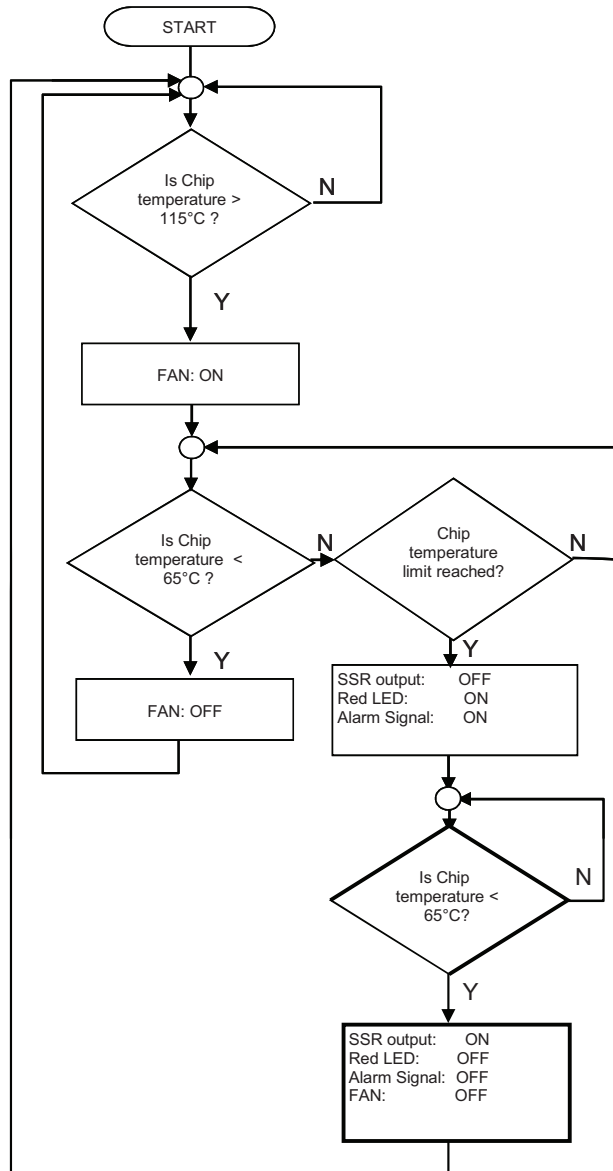
| Protection co-ordination Type 2 for heater load applications |   |                         |                         |                   |               |               |
|--|---|-------------------------|-------------------------|-------------------|---------------|---------------|
| Part No.   | Prospective short circuit current [kArms] | Ferraz Shawmut (Mersen) |                         | Siba              |               | Voltage [VAC] |
|  |   | Max fuse size [A]       | Part number             | Max fuse size [A] | Part number   |               |
| RGC2..10<br>RGC2..25   | 10  | 40                      | 660 URC 14x51/40        | 32                | 50 142 06 32  | 600           |
|  |   | 40                      | 6.9xx gRC URD 22x58/40  |                   |               |               |
|  | 100                                       | 40                      | 660 URD 22x58/40        |                   |               |               |
|  |   | 40                      | A70QS40-4               |                   |               |               |
| RGC2..40   | 10  | 63                      | 6.9xx gRC URC 14x51/63  | 63                | 50 194 20 63  | 600           |
|  | 100                                       | 63                      | 6.9xx gRC URD 22x58/63  |                   |               |               |
|  |   | 60                      | A70QS60-4               |                   |               |               |
| RGC2..75   | 10  | 100                     | 6.9xx gRC URD 22x58/100 | 125               | 50 196 20 125 | 600           |
|  | 100                                       | 100                     | 660 URQ 27x60/100       |                   |               |               |
|  |   | 100                     | A70QS100-4              |                   |               |               |
| RGC3..10<br>RGC3..20   | 10  | 32                      | 6.9xx gRC URC 14x51/32  | 32                | 50 142 06 32  | 600           |
|  | 100                                       | 32                      | 6.9xx gRC URC 14x51/32  |                   |               |               |
|  |   | 40                      | A70QS40-4               |                   |               |               |
| RGC3..25   | 10  | 40                      | 660 URC 14x51/40        | 32                | 50 142 06 32  | 600           |
|  |   | 40                      | 6.9xx gRC URD 22x58/40  |                   |               |               |
|  | 100                                       | 40                      | 660 URD 22x58/40        |                   |               |               |
|  |   | 40                      | A70QS40-4               |                   |               |               |
| RGC3..30   | 10  | 40                      | 6.9xx gRC URC 14x51/40  | 40                | 50 194 20 40  | 600           |
|  | 100                                       | 40                      | 6.9xx gRC URC 14x51/40  |                   |               |               |
|  |   | 40                      | A70QS40-4               |                   |               |               |
| RGC3..40   | 10  | 63                      | 6.9xx gRC URC 14x51/63  | 50                | 50 194 20 50  | 600           |
|  | 100                                       | 63                      | 6.9xx gRC URC 22x58/63  |                   |               |               |
|  |   | 50                      | A70QS50-4               |                   |               |               |
| RGC3..48   | 10  | 63                      | 6.9xx gRC URC 14x51/63  | 63                | 50 194 20 63  | 600           |
|  | 100                                       | 63                      | 6.9xx CP GRC 22x58/63   |                   |               |               |
|  |   | 70                      | A70QS70-4               |                   |               |               |
| RGC3..65   | 10  | 100                     | 6.9xx gRC URC 22x58/100 | 125               | 50 196 20 125 | 600           |
|  | 100                                       | 90                      | 660 URD 22x58/90        |                   |               |               |
|  |   | 100                     | A70QS100-4              |                   |               |               |

| Protection co-ordination Type 2 with Miniature Circuit Breakers (M.C.B.s)           |   |   |  |  |
|---|---|---|--|--|
| Solid State Relay type  | ABB Model no. for Z - type M. C. B. (rated current)         | ABB Model no. for B - type M. C. B. (rated current) | Wire cross sectional area [mm <sup>2</sup> ] | Minimum length of Cu wire conductor [m] <sup>a</sup> |
| RGC2..10<br>RGC2..25<br>RGC3..10<br>RGC3..20<br>RGC3..25<br>(1800 A <sup>2</sup> s) | S203 - Z10 (10 A)   | S203 - B4 (4 A)                                     | 1.0  | 7.6  |
|   |   |   | 1.5  | 11.4   |
|   |   |   | 2.5  | 19.0   |
|   | S203 - Z16 (16 A)   | S203 - B6 (6 A)                                     | 1.0  | 5.2  |
|   |   |   | 1.5  | 7.8  |
|   |   |   | 2.5  | 13.0   |
|   |   |   | 4.0  | 20.8   |
|   | S203 - Z20 (20 A)   | S203 - B10 (10A)                                    | 1.5  | 12.6   |
|   |   |   | 2.5  | 21.0   |
|   | S203 - Z25 (25 A)   | S203 - B13 (13 A)                                   | 2.5  | 25.0   |
|   |   |   | 4.0  | 40.0   |
|   | RGC2..40<br>RGC3..30<br>RGC3..40<br>(6600 A <sup>2</sup> s) | S203 - Z20 (20 A)                                   | S203 - B10 (10 A)                            | 1.5  |
| 2.5   |   |   |  | 7.0  |
| 4.0   |   |   |  | 11.2   |
| S203 - Z32 (32 A)   |   | S203 - B16 (16 A)                                   | 2.5  | 13   |
|   |   |   | 4.0  | 20.8   |
|   |   |   | 6.0  | 31.2   |
| RGC2..75<br>RGC3..48<br>RGC3..65<br>(15000 A <sup>2</sup> s)                        | S203 - Z25 (25 A)   | S203 - B16 (16 A)                                   | 2.5  | 3.1  |
|   |   |   | 4.0  | 5.0  |
|   |   |   | 6.0  | 7.5  |
|   | S203 - Z50 (50 A)   | S203 - B25 (25 A)                                   | 4.0  | 8.0  |
|   |   |   | 6.0  | 12.0   |
|   |   |   | 10.0   | 20.0   |
|   |   |   | 16.0   | 32.0   |
|   | S203 - Z63 (63 A)   | S203 - B32 (32 A)                                   | 6.0  | 11.3   |
|   |   |   | 10.0   | 18.8   |
| 16.0  |   |   | 30.0   |  |

9. Between MCB and Load (including return path which goes back to the mains)

Note: A prospective current of 6 kA and a 230 / 400 V power supply is assumed for the above suggested specifications. For cables with different cross section than those mentioned above please consult Carlo Gavazzi's Technical Support Group.

**Fan operation for versions with integrated fan**



## RGC..M Mode of Operation

The RGC..M versions are suitable only for use with resistive loads.

The 'M' suffix versions integrate monitoring circuitry that can detect the status of the Mains, Load, and Solid State Relay (SSR) status. The fault conditions that can be detected with the RGC..M include:

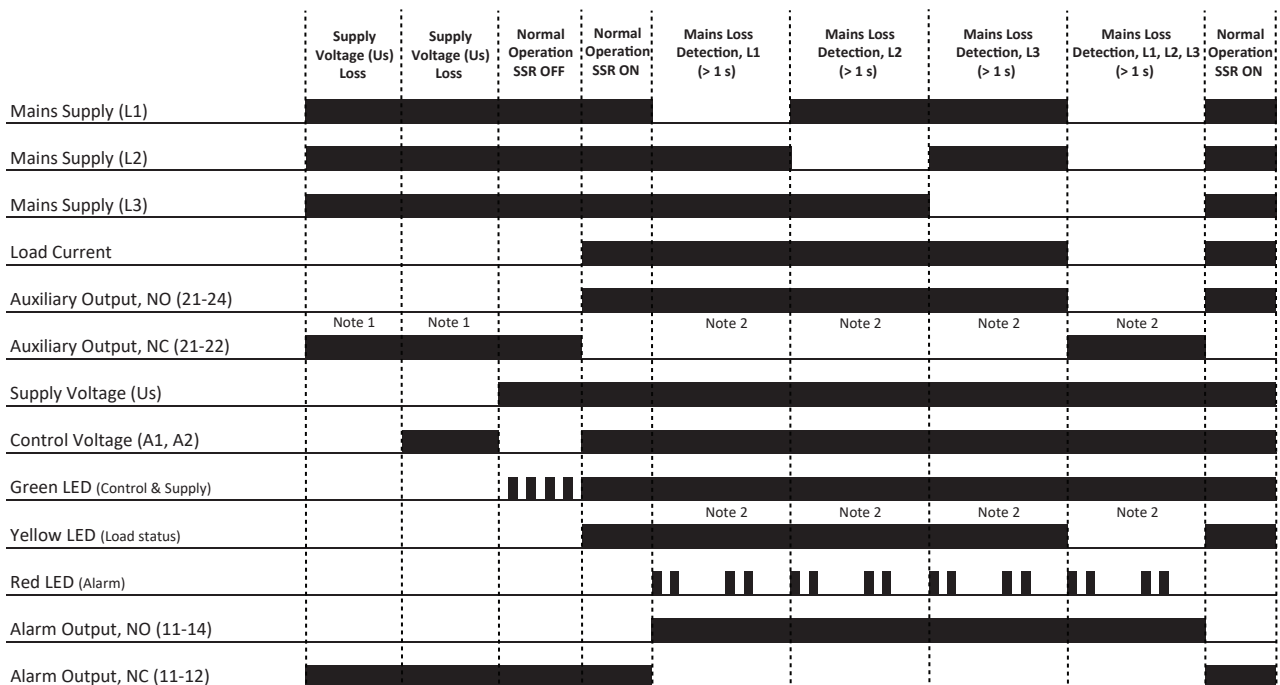
- Mains loss
- Load loss
- SSR open circuit
- SSR short circuit
- SSR over temperature

An external supply, 24 VDC or 90-250 VAC, selectable through part no. configuration, is required for the operation of the RGC..M models. In the case of a fault condition, an EMR alarm output is available through terminals 11, 12, 14 for remote indication. Alarm visual indication is provided by a flashing red LED. The flash rate of the red LED gives an indication of the type of alarm condition detected.

The RGC..M is also equipped with an auxiliary output which operates in synchronisation with the output of the SSR. This electronic auxiliary output with normally open or normally closed user selectable contacts is available through terminals 21, 22, 24. A yellow LED gives indication of the SSR output status.

### Mains Loss:

The mains loss alarm is issued if the mains voltage is missing from either terminals L1, L2 or L3 for more than 1 second. This alarm type is indicated by 2 flashes of the red LED. The alarm resets automatically once the mains voltage is restored and is present on terminals L1, L2 and/or L3 for more than 1 second. In case of mains frequency outside the specified limits, the mains loss alarm is activated. The SSR output is not affected in this condition; this means that if control is ON, the SSR output remains ON.



Note 1: For the AC external supply versions (RGC..A..A), the Auxiliary output, NC (21-22) will be closed only when the external supply Us is present.

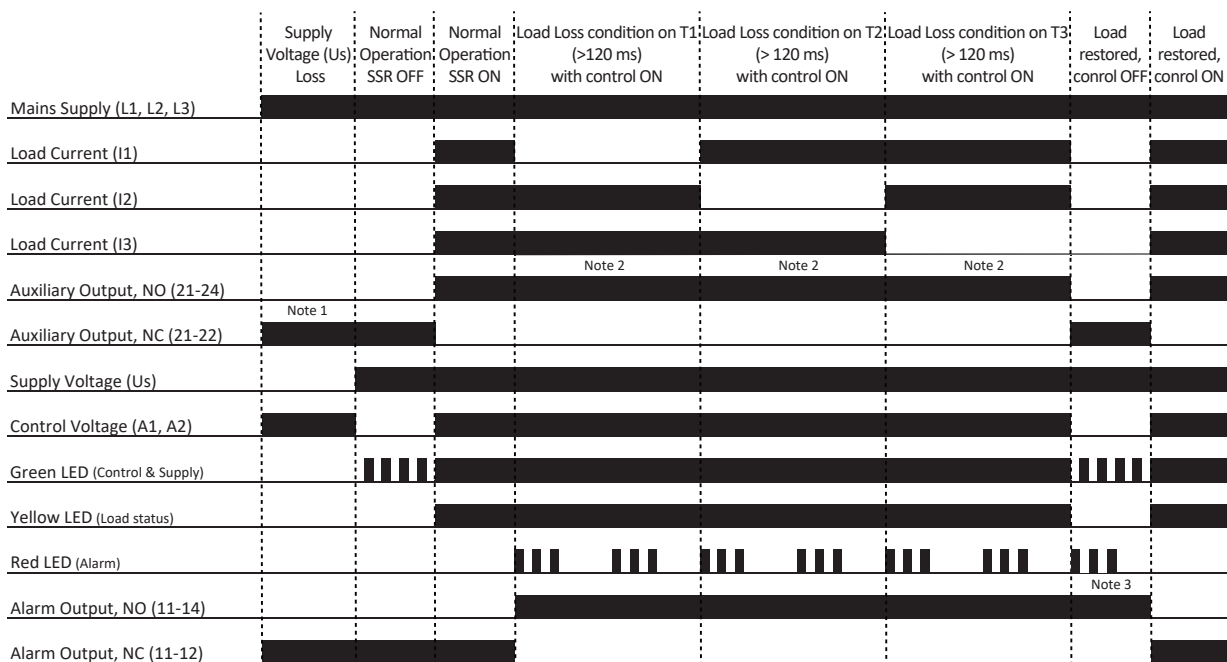
Note 2: Yellow LED and hence load current is OFF only if all phases L1, L2 and L3 are missing. If any 2 phases are present and control voltage is applied, the yellow LED and auxiliary output will be ON.

## RGC..M Mode of Operation (continued)

### Load Loss:

Detection of load loss is possible only with control ON. This alarm is issued in the absence of a load termination or an open load on terminals T1, T2 and/or T3 for more than 120ms. When the load loss alarm is triggered, the SSR output is not turned OFF as long as control voltage is present on the RGC..M. The fault condition is automatically restored once the fault is cleared.

The RGC..M permits a total combined load and supply unbalance of 40%, where individually load unbalance shall not exceed 40% and supply unbalance shall not exceed 15%. If these limits are exceeded erratic behaviour and false alarms may be expected.



Note 1: For the AC external supply versions (RGC..A..A), the Auxiliary output, NC (21-22) will be closed only when the external supply Us is present.

Note 2: Yellow LED and Auxiliary output is OFF if all the loads connected to the 3 poles T1, T2 and T3 are missing.

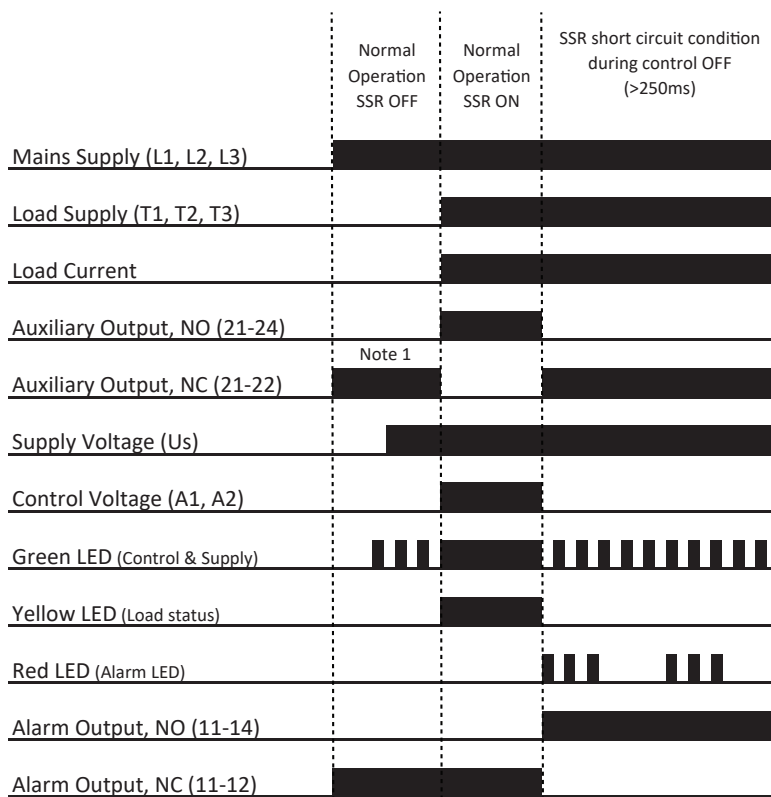
Note 3: The Load loss alarm will reset only with control ON.

**RGC..M Mode of Operation (continued)**

**SSR Short Circuit:**

This condition is detected when the SSR output remains ON for more than 250 ms without control voltage. Upon this alarm, an attempt is made to switch OFF the SSR output but this may not be possible in case of a damaged SSR output(s). Alarm indication is given by 3 flashes of the red LED (same as the load loss alarm indication). In case of a self recovery, the SSR will automatically reset.

During an SSR short circuit condition, the SSR output is ON unintentionally. In this case the auxiliary output does not work in synchronisation with the SSR output.

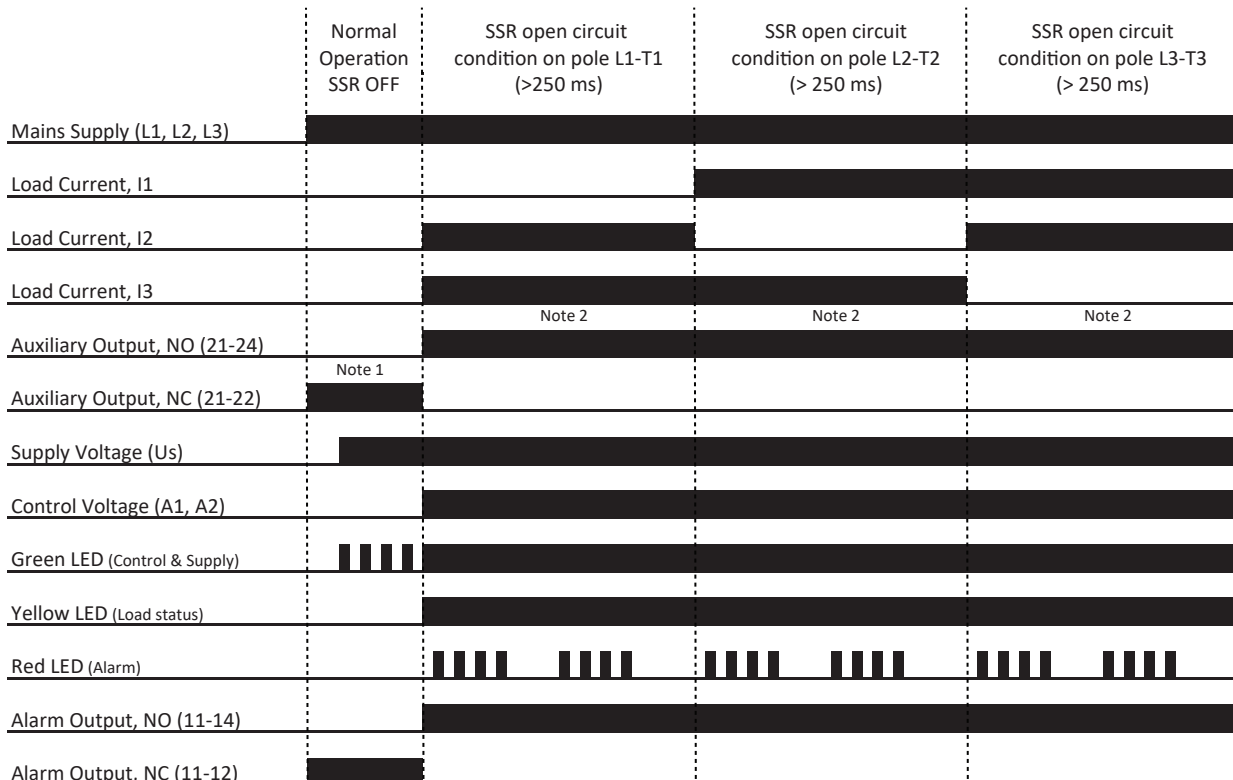


Note 1: For the AC external supply versions (RGC..A..A), the Auxiliary output, NC (21-22) will be closed only when the external supply Us is present.

## RGC..M Mode of Operation (continued)

### SSR Open Circuit:

This alarm is issued when either one of the poles or all 3 poles do not switch ON within 250 ms when control voltage is applied. This alarm type is identified by 4 flashes of the red LED. In the case of an open circuit on only 1 pole the load will switch on 2 phases. The alarm output remains active (with control ON) until the alarm condition is removed.



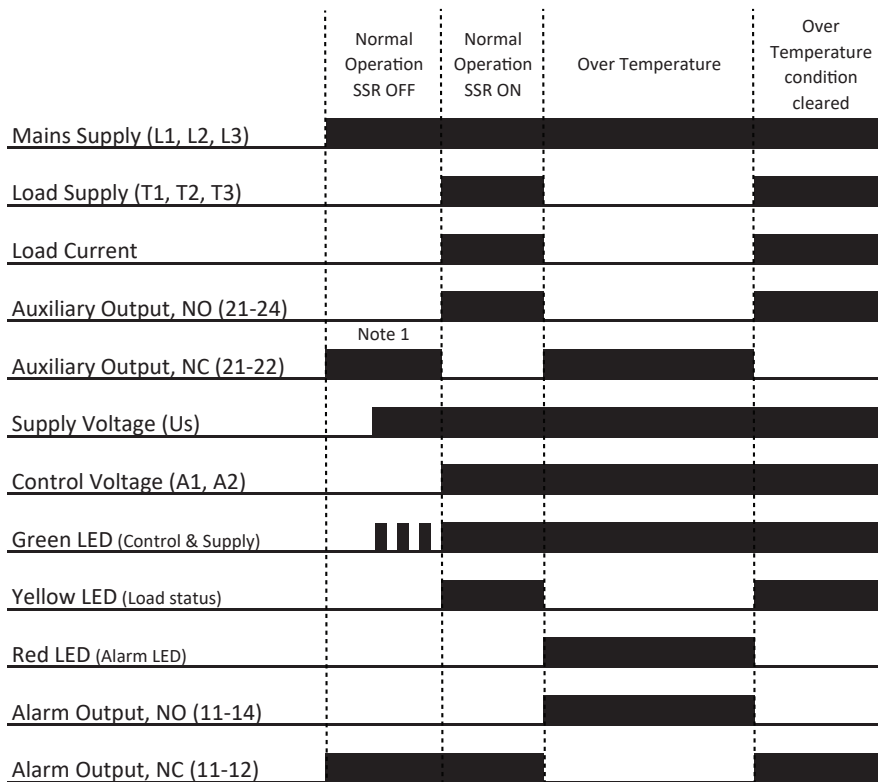
Note 1: For the AC external supply versions (RGC..A..A), the Auxiliary output, NC (21-22) will be closed only when the external supply Us is present.

Note 2: Yellow LED and Auxiliary output is OFF if all the loads connected to the 3 poles T1, T2 and T3 are missing.

**RGC..M Mode of Operation (continued)**

**SSR Over Temperature:**

The SSR is equipped with internal temperature monitoring to prevent SSR damage in case of overheating conditions. Upon detection of such a condition the SSR output is switched OFF and an alarm is issued accordingly. This alarm is visually indicated by the red LED which is fully ON. Once the temperature cools down, the alarm is cleared and if control is still ON an attempt to re-start the SSR is made.





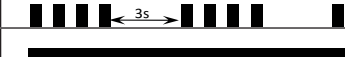
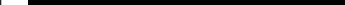
Note 1: For the AC external supply versions (RGC..A..A), the Auxiliary output, NC (21-22) will be closed only when the external supply Us is present.



## LED indicators

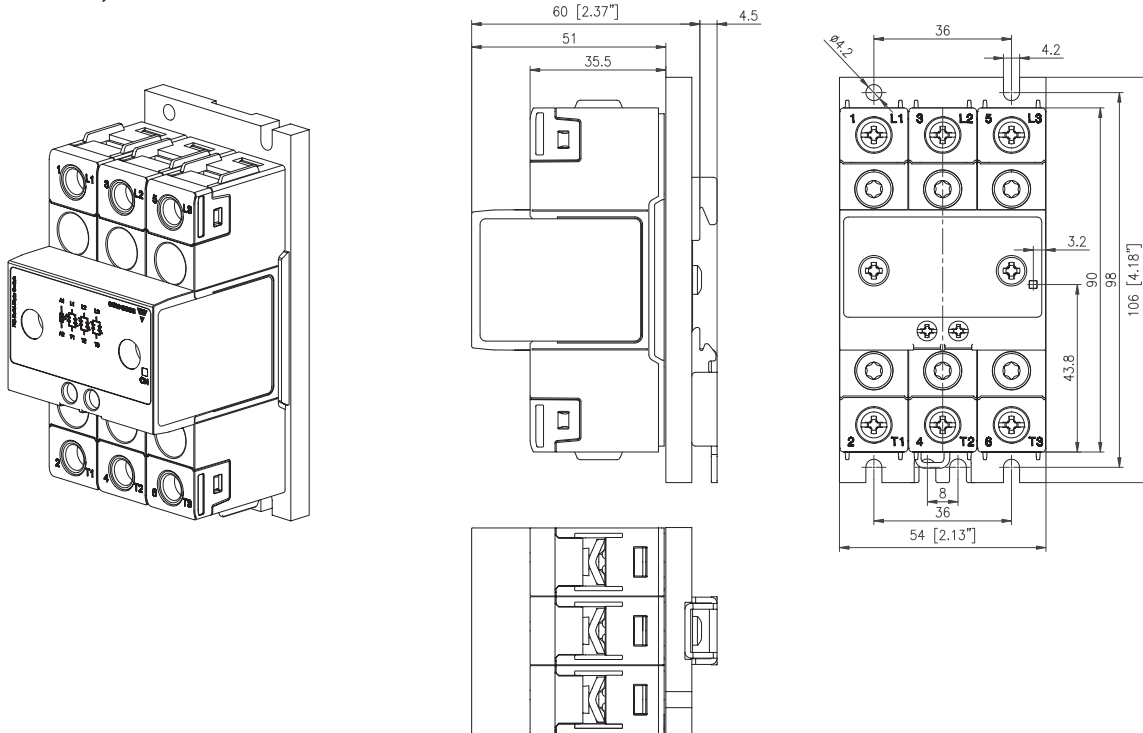
|                |  | RGC  | RGC..F   | RGC..M   |
|----------------|--|--|--|--|
| <b>CONTROL</b> | Green <span style="color: green;">■</span>   | Full intensity: Control ON<br>OFF: Control OFF | Full intensity:<br>Supply ON, Control ON<br>Flashing:<br>0.5 s ON, 0.5 s OFF Supply<br>ON, Control OFF | Full intensity:<br>Supply ON, Control ON<br>Flashing:<br>0.5 s ON, 0.5 s OFF Supply<br>ON, Control OFF |
| <b>LOAD</b>    | Yellow <span style="color: yellow;">■</span> | -  | -  | Full intensity: Load ON  |
| <b>ALARM</b>   | Red <span style="color: red;">■</span>       | -  | Full intensity: SSR over<br>temperature alarm  | Full intensity or Flashing:<br>Alarm condition present.<br>Refer to Alarm Management<br>section.       |

## Alarm management

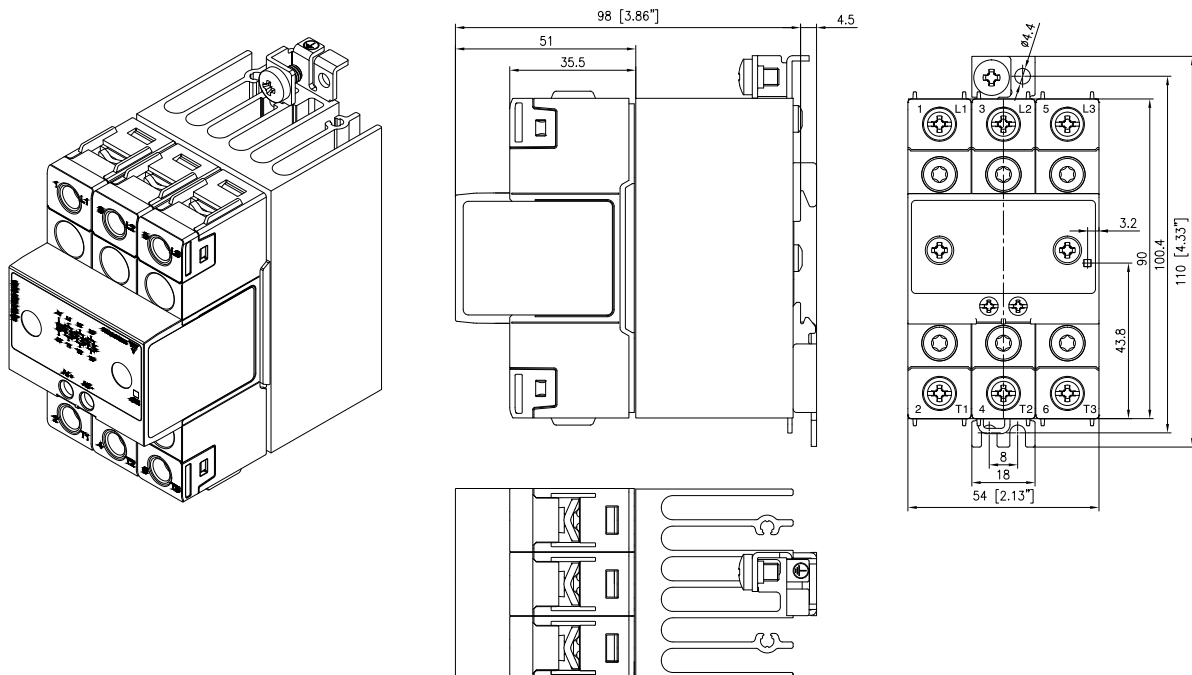
| Flashes | Description of Fault           | Timing Diagram   |
|---------|--------------------------------|--|
| 2       | Mains loss                     |    |
| 3       | Load loss or SSR short circuit |   |
| 4       | SSR open circuit               |  |
| 100%    | SSR over temperature           |  |

## Dimensions

### RGC2..10KKE, RGC3..10KKE



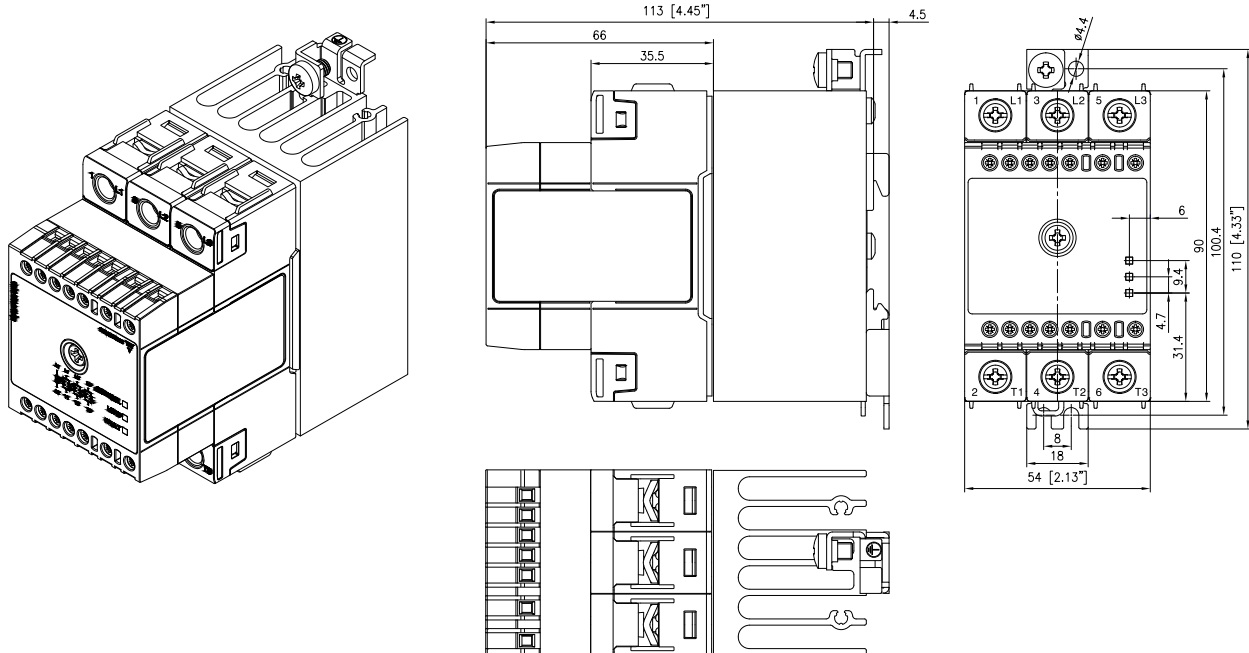
### RGC2..25KKE, RGC3..20KKE



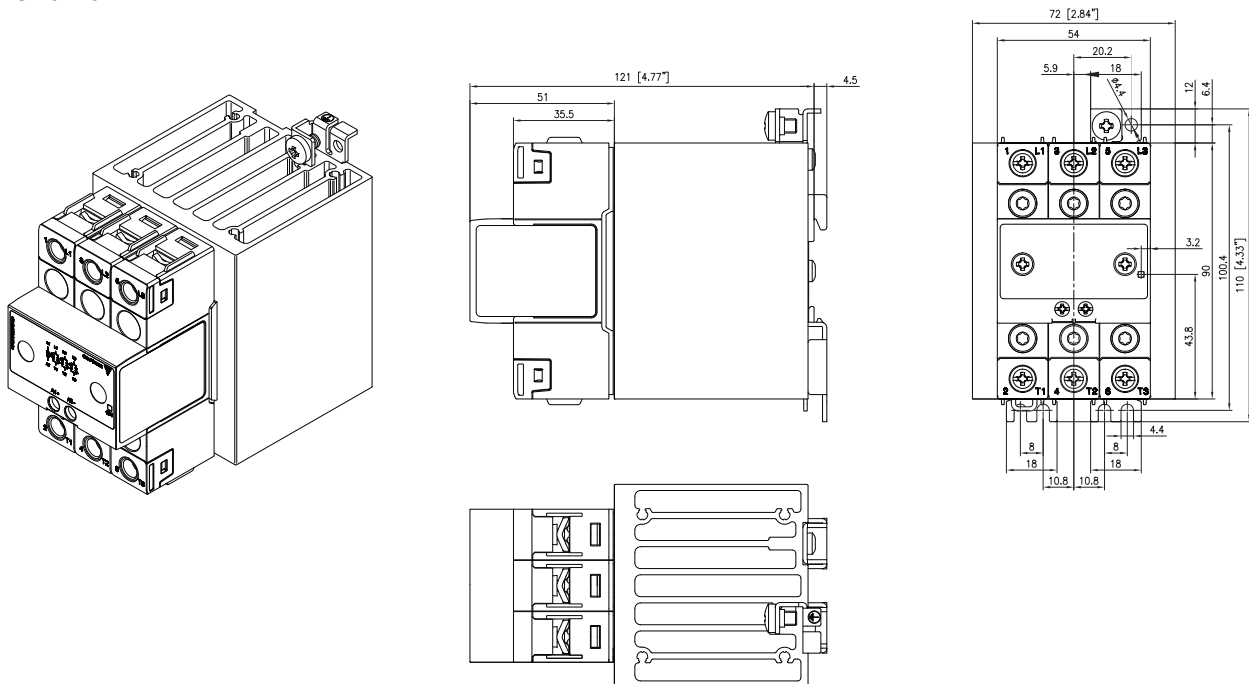
Housing width tolerance +0.5mm, -0mm as per DIN 43880.  
 All other tolerances +/- 0.5mm.  
 Dimensions in mm.

## Dimensions

### RGC2..25GKE.M, RGC3..20GKE.M



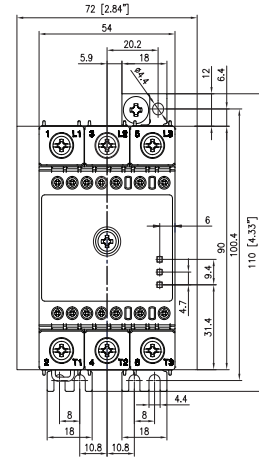
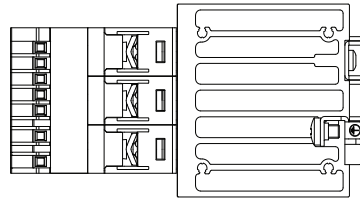
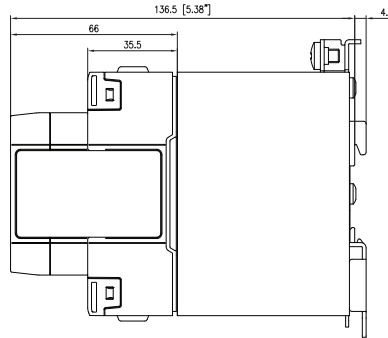
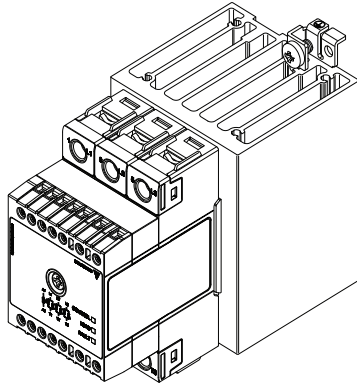
### RGC3..25KKE



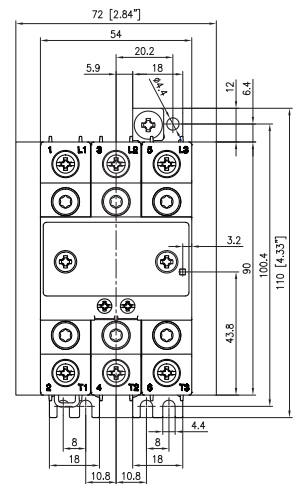
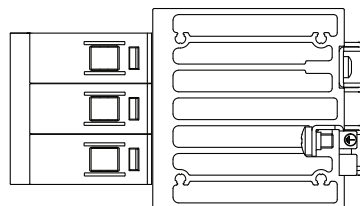
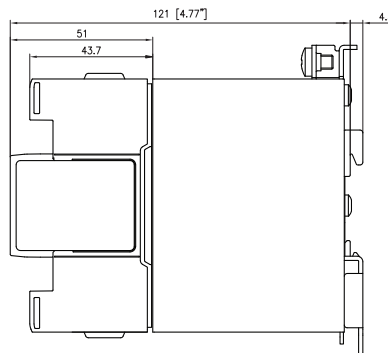
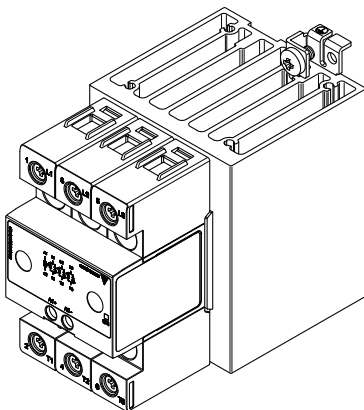
Housing width tolerance +0.5mm, -0mm as per DIN 43880.  
 All other tolerances +/- 0.5mm.  
 Dimensions in mm.

## Dimensions

### RGC3..25GKE.M



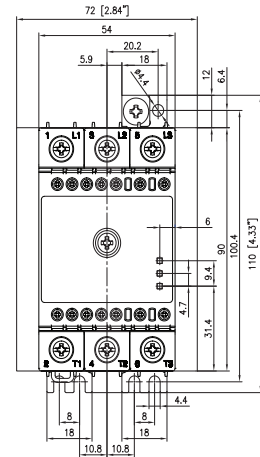
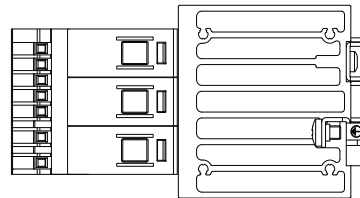
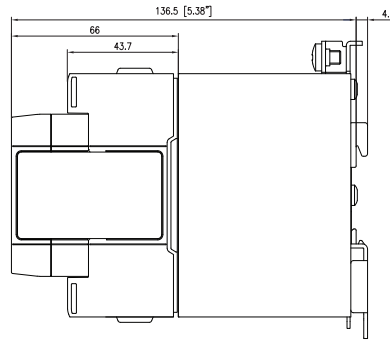
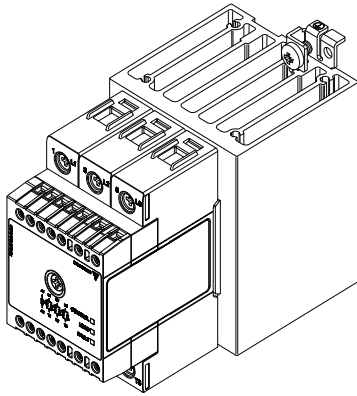
### RGC2..40KGE, RGC3..30KGE



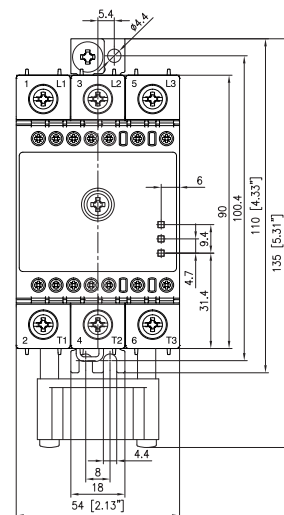
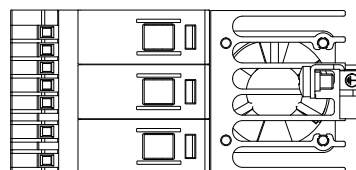
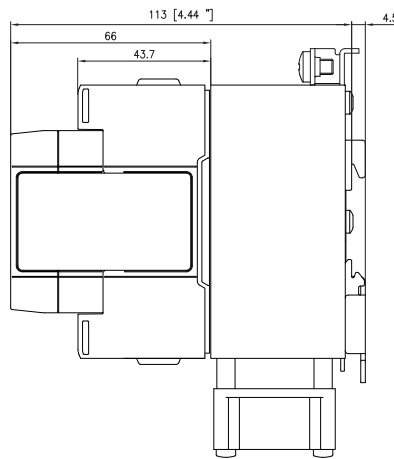
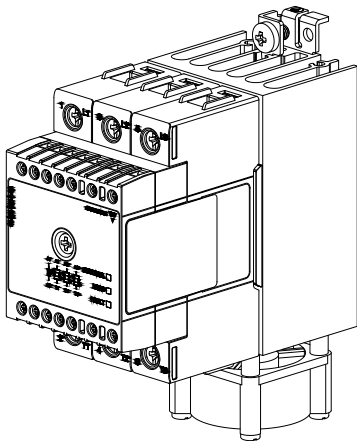
Housing width tolerance +0.5mm, -0mm as per DIN 43880.  
 All other tolerances +/- 0.5mm.  
 Dimensions in mm.

## Dimensions

### RGC2..40GGE.M, RGC3..30GGE.M



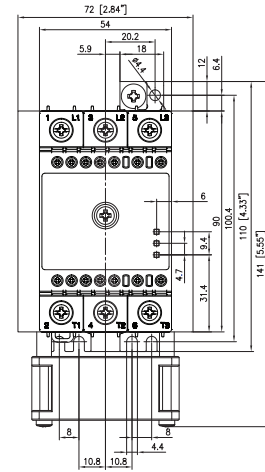
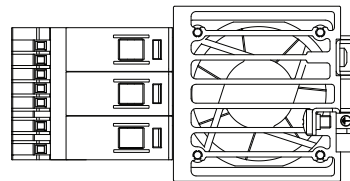
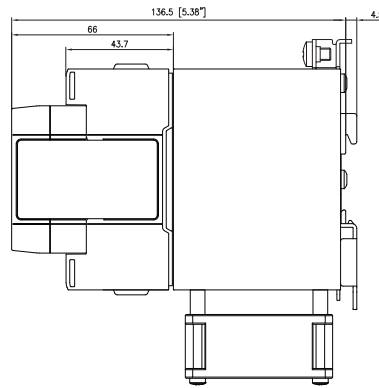
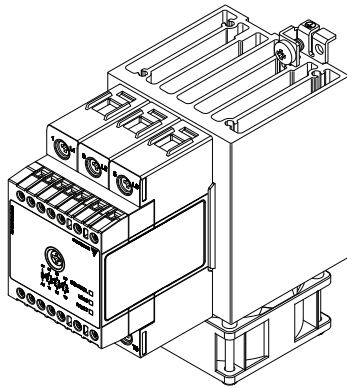
### RGC3..40GGE.F



Housing width tolerance +0.5mm, -0mm as per DIN 43880.  
 All other tolerances +/- 0.5mm.  
 Dimensions in mm.

## Dimensions

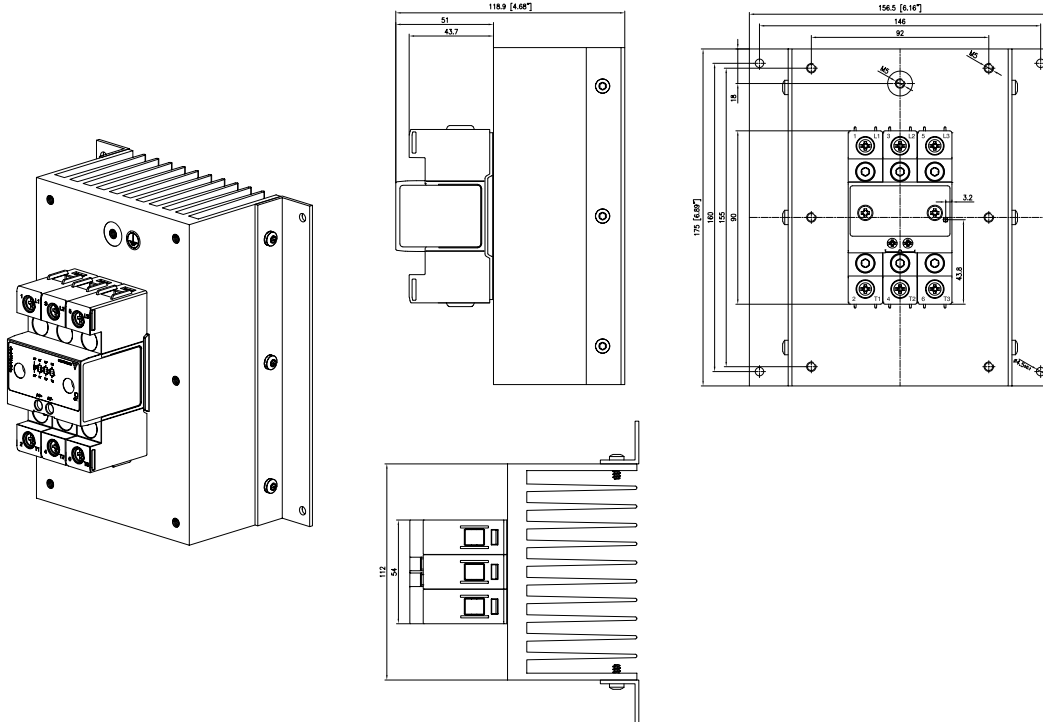
RGC2..75GGE.., RGC3..65GGE..



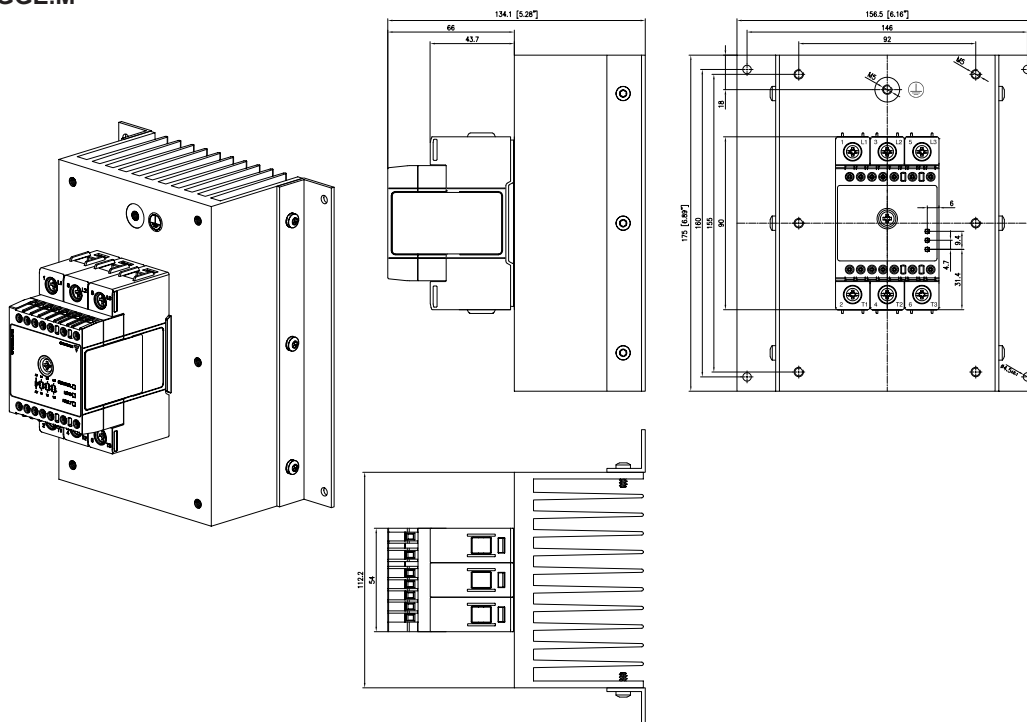
Housing width tolerance +0.5mm, -0mm as per DIN 43880.  
 All other tolerances +/- 0.5mm.  
 Dimensions in mm.

## Dimensions

### RGC3..48KGE

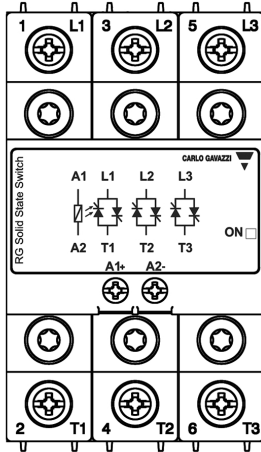


### RGC3..48GGE.M

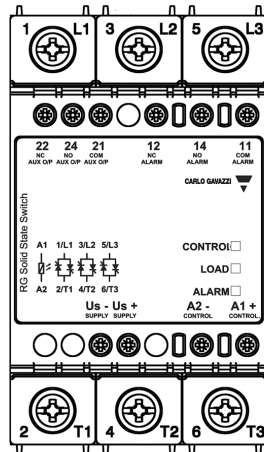


Housing width tolerance +0.5mm, -0mm as per DIN 43880.  
 All other tolerances +/- 0.5mm.  
 Dimensions in mm.

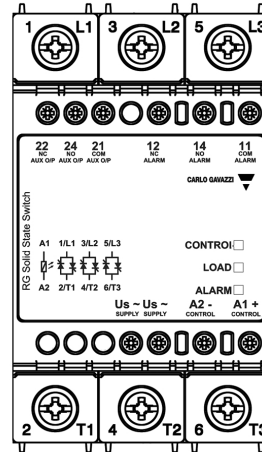
## Terminal layout



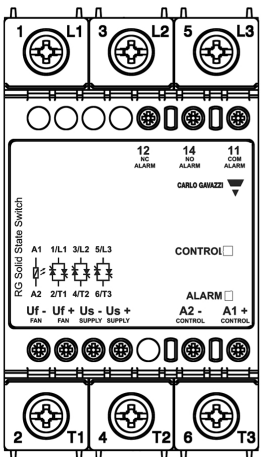
RGC2..10, RGC2..25, RGC2..40  
RGC3..10, RGC3..20,  
RGC3..25, RGC3..30



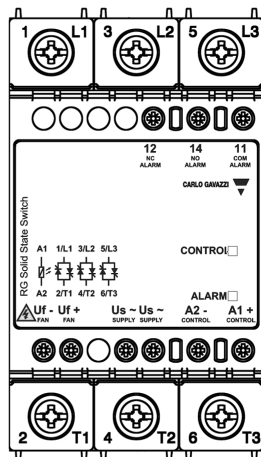
RGC2..25..DM, RGC2..40..DM  
RGC3..20..DM, RGC3..25..DM,  
RGC3..30..DM



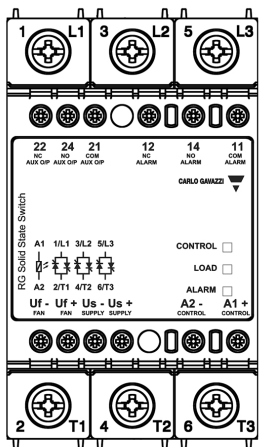
RGC2..25..AM, RGC2..40..AM  
RGC3..20..AM, RGC3..25..AM,  
RGC3..30..AM



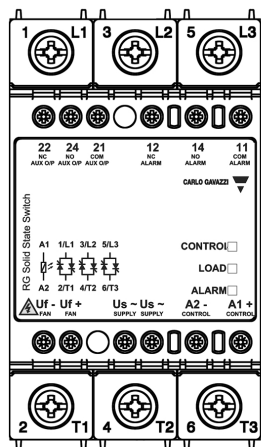
RGC2..75..DF  
RGC3..40..DF, RGC3..65..DF



RGC2..75..AF  
RGC3..40..AF, RGC3..65..AF



RGC2..75..DFM  
RGC3..65..DFM



RGC2..75..AFM  
RGC3..65..AFM

### Terminals labelling:

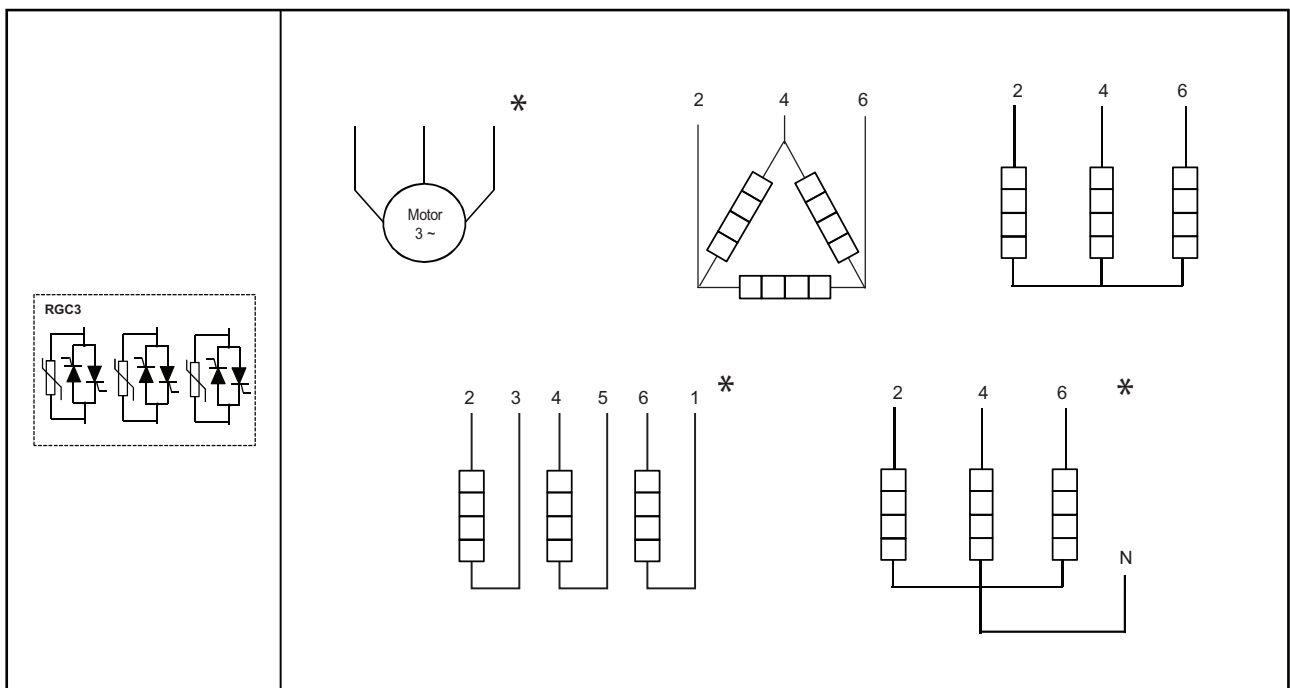
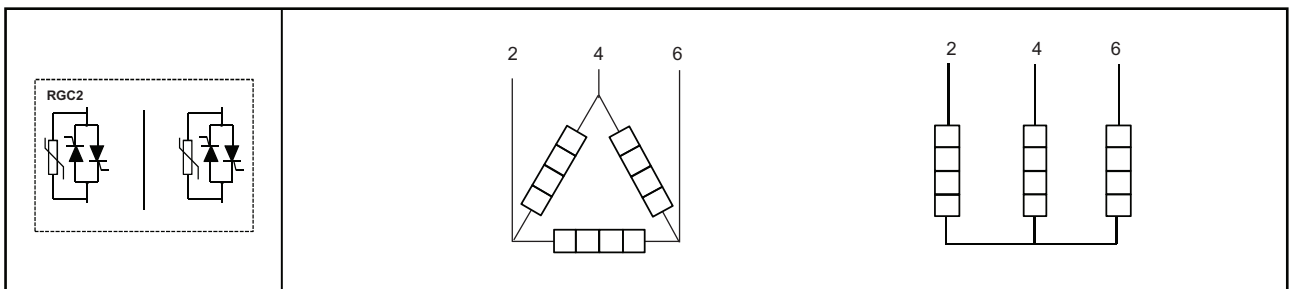
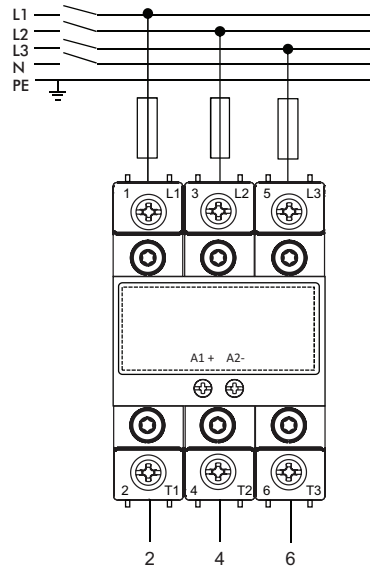
- 1/L1, 2/L2, 3/L3: Mains connections
- 2/T1, 4/T2, 6/T3: Load connections
- A1 (+): Positive control signal
- A2 (-): Control ground
- Us (+): External supply positive signal
- Us (-): External supply ground
- Us (~): AC external supply
- Uf (+): Fan supply positive signal (no connection required by end user)
- Uf (-): Fan supply ground (no connection required by end user)
- 12: Alarm EMR, normally closed
- 14: Alarm EMR, normally open
- 11: Alarm EMR, common terminal
- 22: Auxiliary output, normally closed
- 24: Auxiliary output, normally open
- 21: Auxiliary output, common terminal



Connections to Uf+, Uf- are provided readily terminated by manufacturer. However, in case of needed user intervention on terminals Uf+, Uf- for the RGC..A..AF and RGC..A..AFM models, the mains supply has to be turned off first to avoid risk of electrical shock.



# Connection Diagram

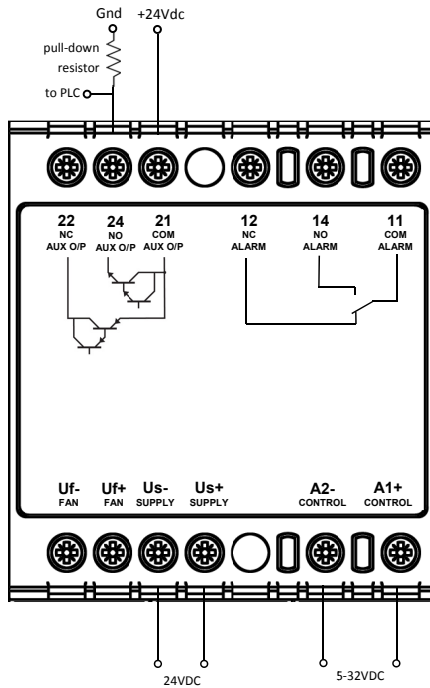


\* Not suitable for use with RGC...M versions

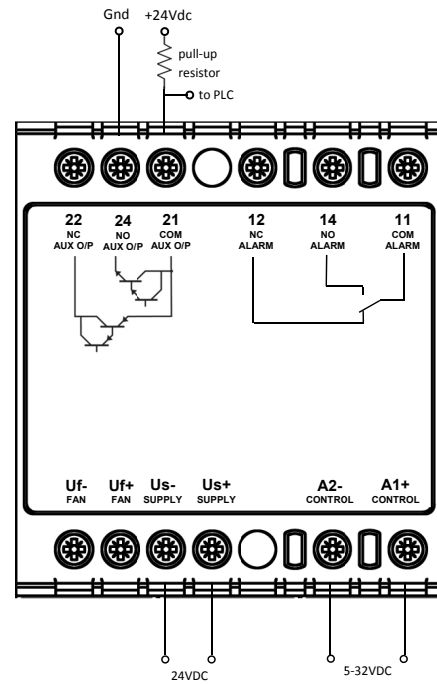
## Connection configuration for auxiliary output

**Versions: RGC..D..DM, RGC..D..DFM**

Auxiliary output signal 24 VDC, 50 mA; DC control, Uc (5-32 VDC); DC external supply, Us (24 VDC)



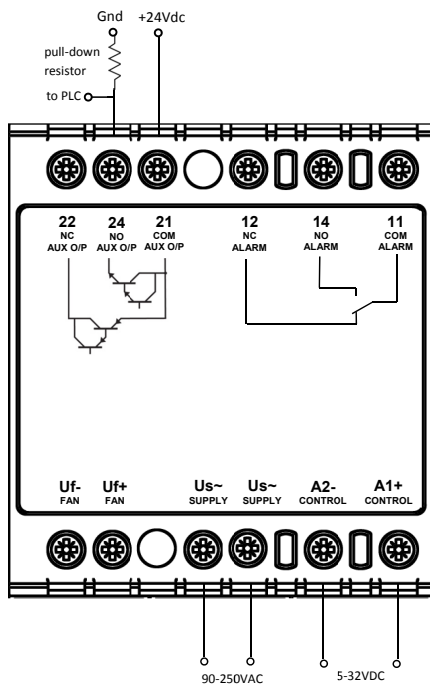
Connection of normally open auxiliary output (24-21) in a 'pnp' style



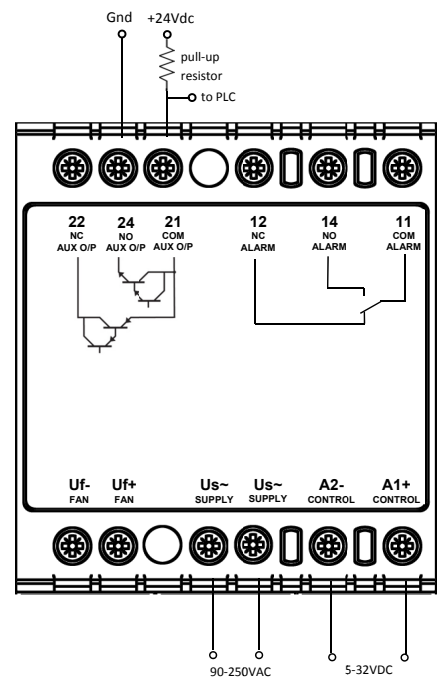
Connection of normally open auxiliary output (24-21) in an 'nnp' style

**Versions: RGC..D..AM, RGC..D..AFM**

Auxiliary output signal 24 VDC, 50 mA; DC control, Uc (5-32 VDC); AC external supply, Us (90-250 VAC)



Connection of normally open auxiliary output (24-21) in a 'pnp' style

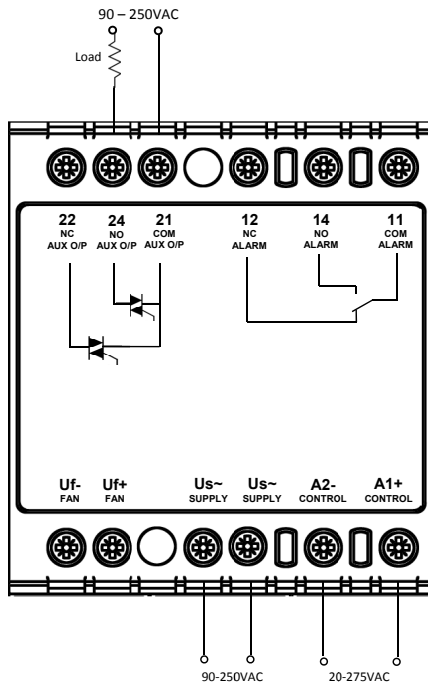


Connection of normally open auxiliary output (24-21) in an 'nnp' style

## Connection configuration for auxiliary output (continued)

### Versions: RGC..A..AM, RGC..A..AFM

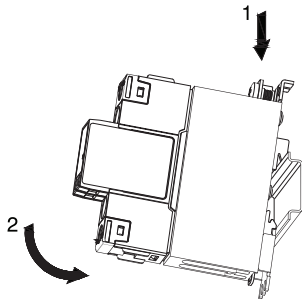
Auxiliary output signal 90-250 VAC, max. 1 A @ 25°C; AC control, U<sub>c</sub> (20-275 VAC); AC external supply, U<sub>s</sub> (90-250 VAC)



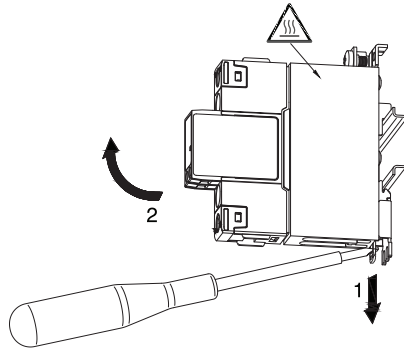
Connection of normally open auxiliary output (24-21) to an AC load

Note: In relation to the auxiliary output terminals 22, 24, 21; it is not possible to connect all 3 terminals to the auxiliary circuit. Preference shall be given to either a normally open (24-21) or normally closed (22-21) contact. The respective terminations shall be chosen and configured accordingly.

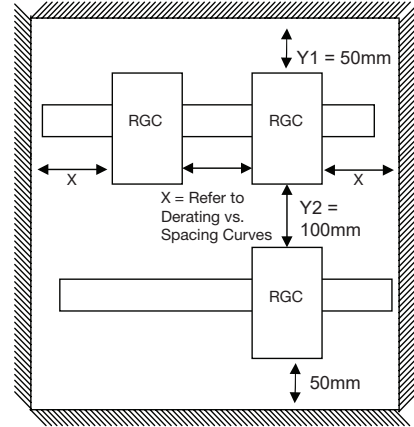
## Installation



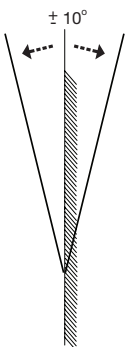
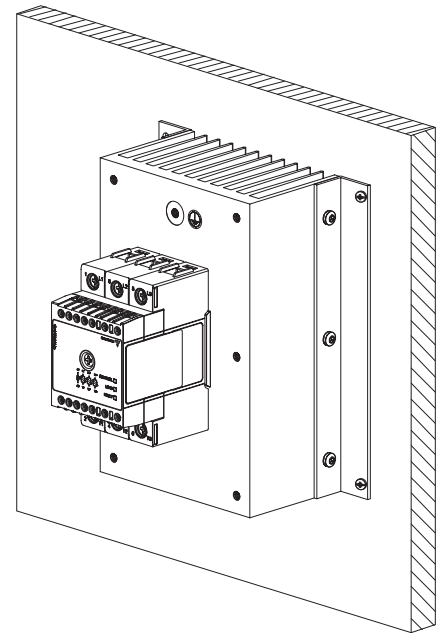
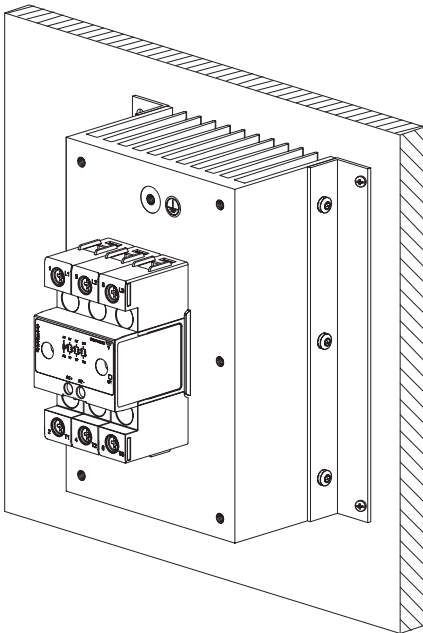
Mounting on DIN rail



Dismounting from DIN rail



## Installation for panel mount version



Ensure heatsink is mounted in an upright position for optimal airflow.