

# Solid State Relays Accessories

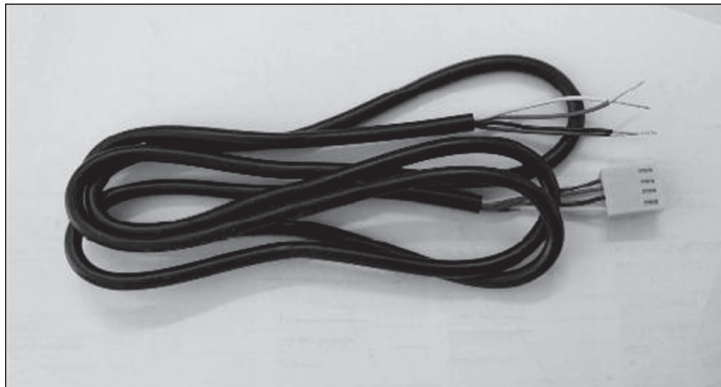


## Contents

|                            |       |
|----------------------------|-------|
| Cables                     | pg 3  |
| Thermal interface          | pg 4  |
| Screw kits                 | pg 5  |
| DIN adaptors               | pg 6  |
| Heatsinks                  | pg 9  |
| Protection covers          | pg 11 |
| Fans                       | pg 13 |
| Terminal adaptors          | pg 14 |
| Varistors                  | pg 18 |
| Temperature limit switches | pg 20 |



# Solid State Relays Accessories, Cables Types RC..



## Ordering Key

**RCS 3 -100 -1**

R-System cable \_\_\_\_\_  
 No. of wires \_\_\_\_\_  
 Cable length in cm \_\_\_\_\_  
 Termination at one end \_\_\_\_\_

## Selection Guide

| Part No.   | No. of wires | Cable length (cm) | Type          | Cable size          | Termination                         |
|------------|--------------|-------------------|---------------|---------------------|-------------------------------------|
| RCS3-100-1 | 3            | 100               | UL style 2547 | 0.14mm <sup>2</sup> | 3-pin socket to mate with RM1E..V.. |
| RCS4-100-1 | 4            | 100               | UL style 2464 | 0.14mm <sup>2</sup> | 4-pin socket to mate with RA2A..C   |
| RCS4-400-1 | 4            | 400               | UL style 2464 | 0.14mm <sup>2</sup> | 4-pin socket to mate with RA2A..C   |
| RCS5-200-1 | 5            | 200               | UL style 2464 | 0.25mm <sup>2</sup> | 5-pin socket to mate with RA..S     |
| RCK4-100-1 | 4            | 100               | UL style 2464 | 0.14mm <sup>2</sup> | 4-pin socket to mate with RKD2..C   |
| RCK2-100-1 | 2            | 100               | UL style 2464 | 0.14mm <sup>2</sup> | 2-pin socket to mate with RK2..C    |



## Ordering Key

**RCRGN -150 - 2**

Cable for NRG system \_\_\_\_\_  
 Cable length in cm \_\_\_\_\_  
 Termination at both ends \_\_\_\_\_

## Selection Guide

| Part No.    | No. of wires | Cable length (cm) | Packing qty. | Type          | Termination   |
|-------------|--------------|-------------------|--------------|---------------|---|
| RCRGN-010-2 | 5            | 10                | 4            | UL style 2464 | Micro-USB termination to mate with NRG system components. |
| RCRGN-025-2 | 5            | 25                | 1            |               |   |
| RCRGN-075-2 | 5            | 75                | 1            |               |   |
| RCRGN-150-2 | 5            | 150               | 1            |               |   |
| RCRGN-350-2 | 5            | 350               | 1            |               |   |
| RCRGN-500-2 | 5            | 500               | 1            |               |   |



## Ordering Key

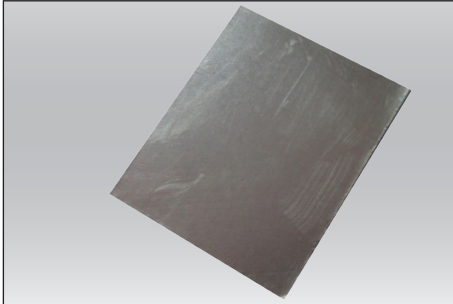
**RGN - TERMRES**

RGN-TERMRES termination resistor to be fitted on the last RG..N on the NRG bus chain. Packing qty. 4 pc.

# Solid State Relays Accessories, Thermal Interface



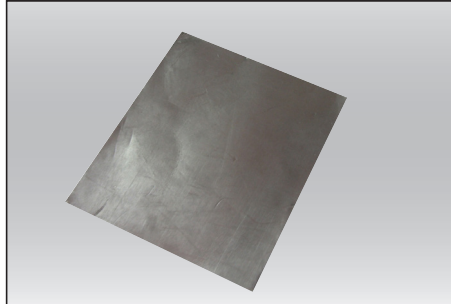
## Thermal Pads



### Ordering Key

#### KK071CUT

- Graphite thermal pad for RA, RD, RM, RAM and RS series with adhesive on one side
- Width x Height x Thickness = 35 x 43 x 0.25 mm
- Packing qty. 50 pcs.



### Ordering Key

#### RZHT

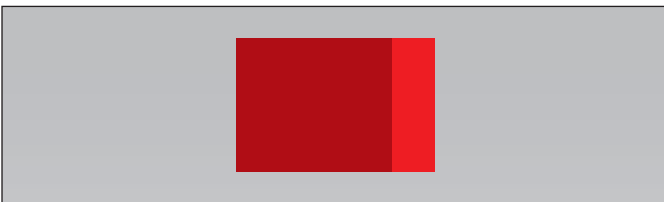
- Graphite thermal pad for RZ3 series with adhesive on one side
- Width x Height x Thickness = 70 x 77 x 0.25 mm
- Packing qty. 10 pcs.



### Ordering Key

#### RGHT

- Graphite thermal pad for RG series with adhesive on one side
- Width x Height x Thickness = 14 x 35 x 0.13 mm
- Packing qty. 10 pcs.



### Ordering Key

#### RFHT

- Phase change thermal pad for RF1
- Width x Height x Thickness = 19 x 17 x 0.13 mm
- Packing qty. 10 pcs.

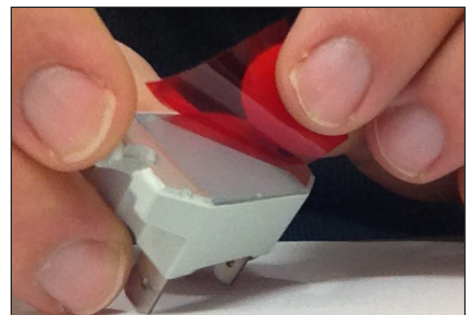
## Mounting of RFHT on SSR



1 Remove thermal pad from its protective layer.



2 Ensure that surface is clean. Mount on the back of the SSR.



3 Leave for 30 minutes and peel off liner.

## Thermal Paste



### Ordering Key

#### HTS02S

- Silicone based thermal paste sachet
- Volume = 2.38ml (5g sachet)
- Packing qty. 1pc.

# Solid State Relays Accessories, Screw Kits Types SRWKIT...



## Ordering Key **SRWKIT M5 X 10MM**

Screw Kit \_\_\_\_\_  
Screw size \_\_\_\_\_  
Screw length \_\_\_\_\_

## Selection Guide

| Part No.      | Screw size | Length | Packing qty. | Screw head    |
|---------------|------------|--------|--------------|---------------|
| SRWKITM5X10MM | M5         | 10mm   | 20           | Pozidrive PZ2 |
| SRWKITM4X15MM | M4         | 15mm   | 20           | Philips       |
| SRWKITM5X23MM | M5         | 23mm   | 20           | Torx T20      |
| SRWKITM5X30MM | M5         | 30mm   | 20           | Torx T20      |

Please refer to SSR datasheet and / or heatsink datasheet, as applicable, for reference to the type of screw suitable for mounting a specific SSR model on a specific heatsink

# Solid State Relays Accessories, DIN Adaptors



## DIN Adaptors for PCB SSRs

DIN rail adaptor module for mounting RP series SSRs on DIN rail. The RPM1 is intended for max. operational voltage of 250V, whilst the RPM2 can be used up to 600V.

The RP SSR is not included. Suffix 'M1' or 'M2' is added to the SSR part no. for a factory mounted solution.

Note that when the RP..10 is mounted on DIN rail (vertical mounting), a derating factor has to be applied.

### Ordering Key

**RPM 1 -**

RP DIN rail adaptor module

Module size

Options

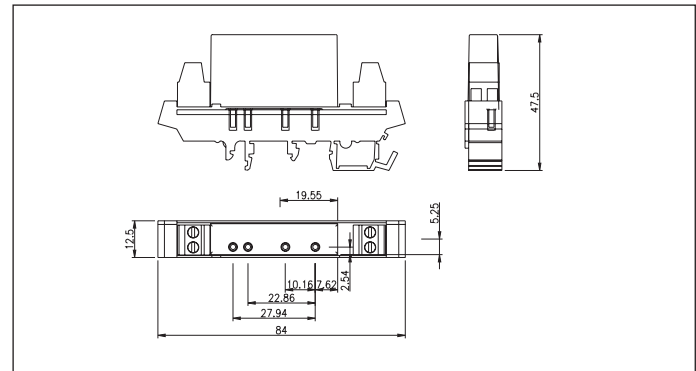
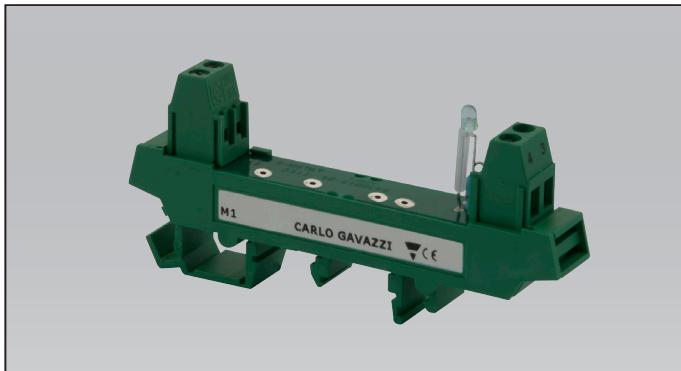
## Selection Guide

| Part No.              | Description   | Packing qty. |
|-----------------------|---|--------------|
| RPM1 <sup>1,2</sup>   | 250V module with LED                                    | 1            |
| RPM1V <sup>1,2</sup>  | 250V module with LED + varistor across output terminals | 1            |
| RPM1P                 | 250V module with pins for easy removal of RP unit       | 1            |
| RPM1PD <sup>1,2</sup> | 250V module with pins for easy removal of RP unit + LED | 1            |
| RPM2 <sup>2</sup>     | 600V module with LED                                    | 2            |

1: Not suitable for use with RP1A23A6

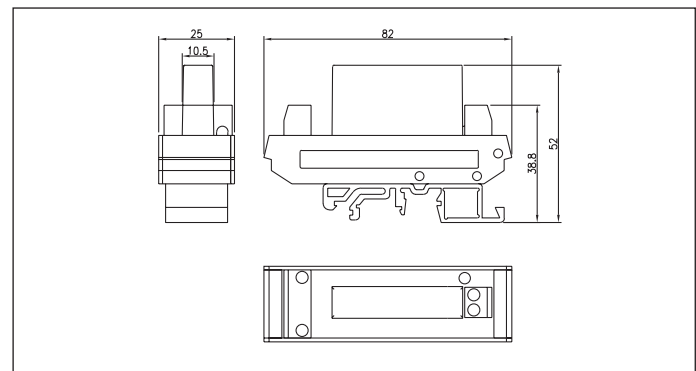
2: Control voltage to be applied to the RPMx terminal block differs from the RP1... control voltage. Refer to the RP1... datasheet for further details.

## RPM1



Dimensions in mm including SSR

## RPM2



Dimensions in mm including SSR

# DIN Adaptors



## Housing Specifications

|                                     |                                      |
|-------------------------------------|--------------------------------------|
| Housing material                    | PA, green, UL94 V0                   |
| Weight                              | RPM1 approx. 15g<br>RPM2 approx. 20g |
| Terminal screws                     | M3                                   |
| Terminal cable size max. (stranded) | 1.5mm <sup>2</sup>                   |

|                       |                                     |
|-----------------------|-------------------------------------|
| Mounting torque max.  | 0.5 Nm                              |
| Operating temperature | -20° to + 70°C<br>[-4 to +158°F]    |
| Storage temperature   | -40° to + 100°C<br>[-40° to +212°F] |
| DIN rail guide        | DIN EN 50022, 50035                 |

## DIN Adaptor for 1-phase SSRs

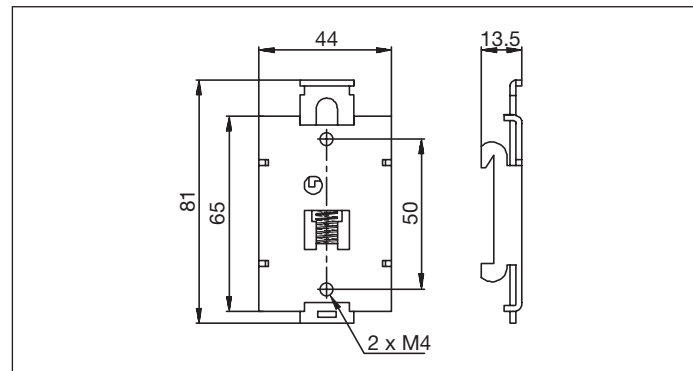
DIN rail adaptor module for mounting the 1-phase SSR series RA, RD, RM, RS and RAM directly on DIN rail.

Suffix H8 added to SSR part no. refers to factory mounted DIN clip. Conditions apply. Please ask your Sales representative for further details.

## Ordering Key

**RHS00**

|                    |                     |
|--------------------|---------------------|
| Material           | Electroplated steel |
| Thermal resistance | 12.3 °C/W (>10W)    |

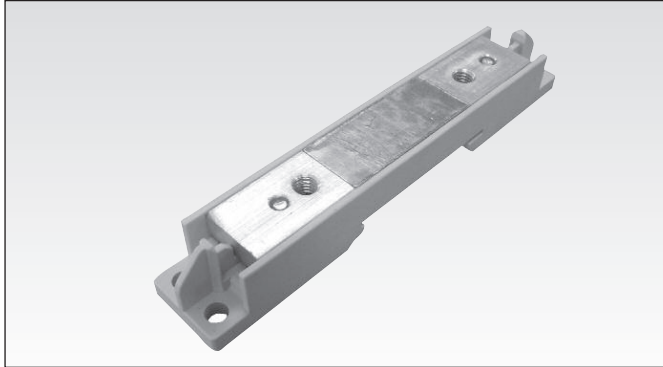


Dimensions in mm

# DIN Adaptors



## DIN Adaptor for RGS SSRs



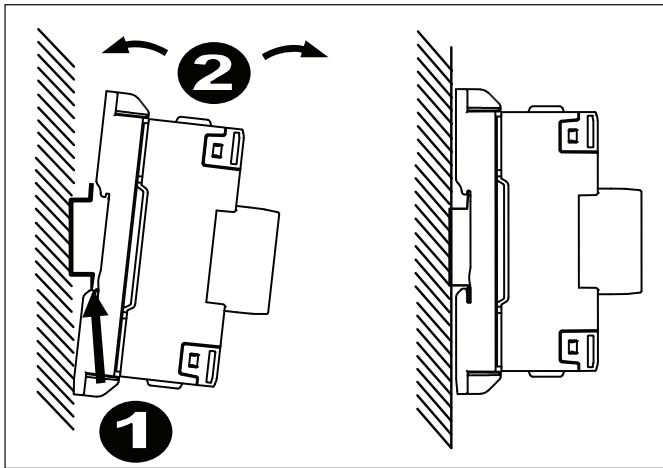
### Ordering Key

**RGS1DIN**

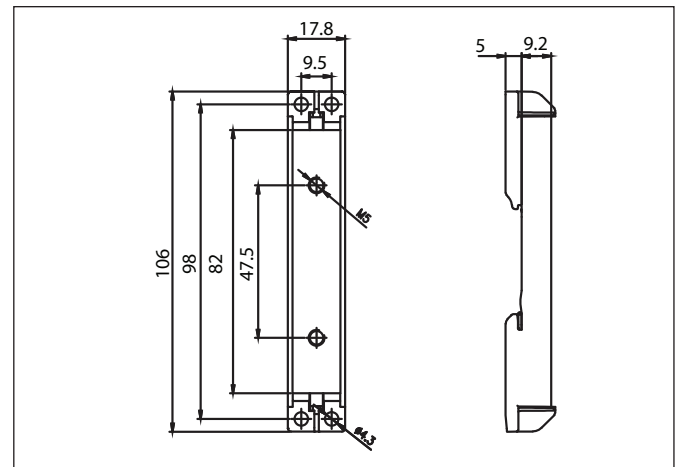
DIN rail adaptor module for mounting the RGS series on DIN rail.

This adaptor integrates an aluminium plate which allows the RGS with mounted RGS1DIN to be used for load current of minimum 10AAC @ 40°C. Refer to RGS datasheet for derating characteristics.

### Installation Instructions

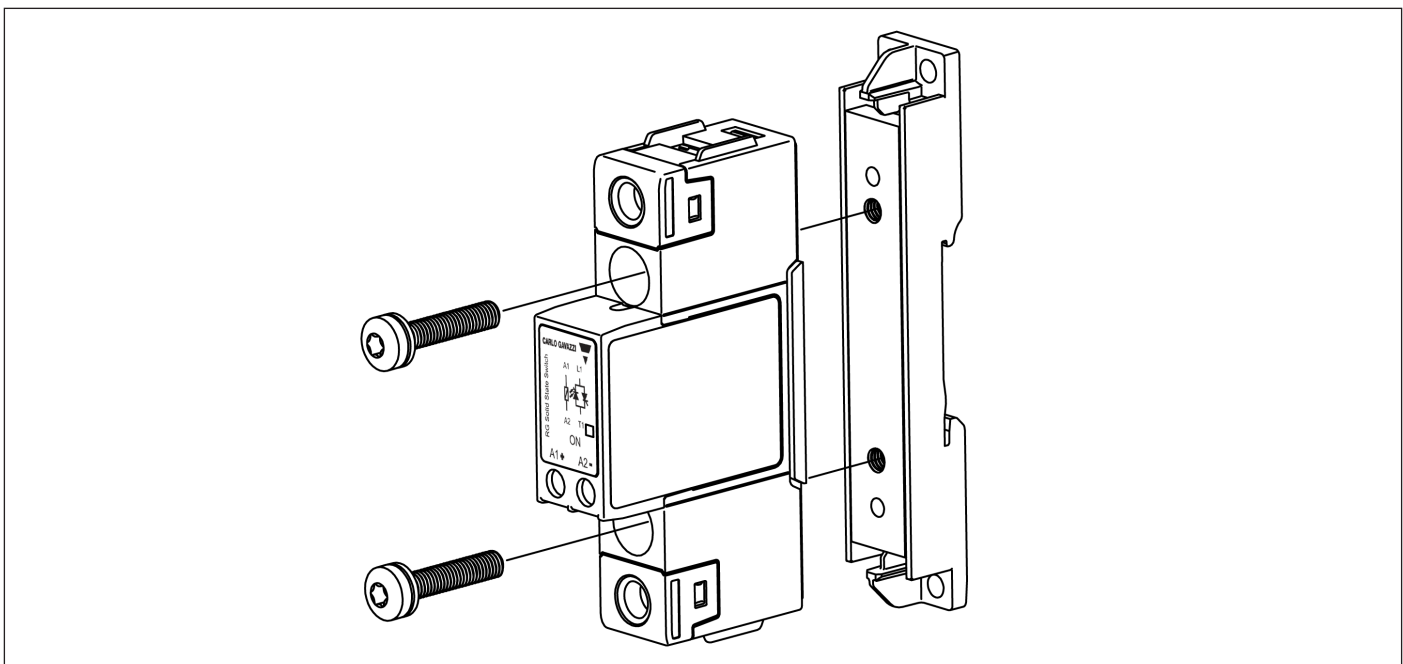


### Dimensions



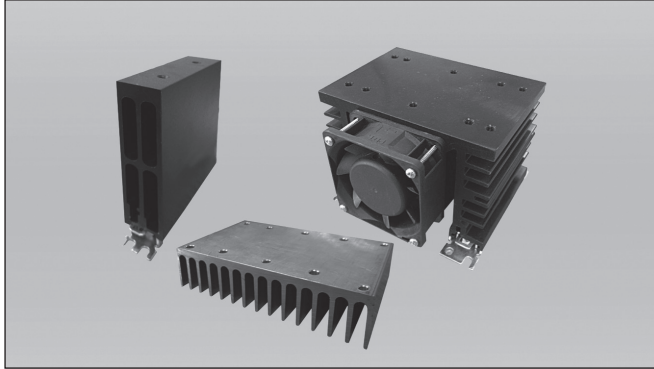
Dimensions in mm

### Mounting Instructions





# Solid State Relays Accessories, Heatsinks Types RHS..



## Ordering Key

**RHS**

The tables below give an overview of the range of Carlo Gavazzi heatsinks. For specific details refer to the individual datasheet of each heatsink model.

An online **Heatsink Selector Tool** available at [www.productselection.net](http://www.productselection.net) indicates the most suitable heatsink for a specific application.

## DIN mount heatsinks

| Heatsink reference | Mounted fan | Thermal resistance | Overall dimensions<br>not including SSR<br>Width x Height x<br>Depth (mm) | Max. number of SSRs per series per heatsink      |        |          |           |          |       |
|--------------------|-------------|--------------------|---|--|--------|----------|-----------|----------|-------|
|                    |             |                    |   | RA..<br>RD..<br>RK..<br>RM1..<br>RAM1..<br>RS1.. | RGS1.. | RGS1S..E | RGS1S..U. | RGS1P..E | RZ3.. |
| RHS00              | -           | 12.3 °C/W (>10W)   | 44 x 82 x 16  | 1  | -      | -        | -         | -        | -     |
| RHS300             | -           | 5.40 °C/W (>30W)   | 105 x 82 x 20   | -  | -      | -        | -         | -        | 1     |
| RHS37A             | -           | 4.00 °C/W (>20W)   | 18 x 110 x 52   | -  | 1      | 1        | -         | -        | -     |
| RHS10015           | -           | 4.00 °C/W (>30W)   | 100 x 82 x 32   | 2  | -      | -        | -         | -        | -     |
| RHS100, RHS100D    | -           | 3.10 °C/W (>25W)   | 44 x 82 x 48  | 1  | -      | -        | -         | -        | -     |
| RHS45C, RHS45CD    | -           | 2.20 °C/W (>45W)   | 45 x 103 x 55   | 1  | -      | -        | -         | -        | -     |
| RHS52A             | -           | 2.00 °C/W (>45W)   | 22.5 x 110 x 90   | -  | 1      | 1        | -         | -        | -     |
| RHS45B, RHS45BD    | -           | 1.85 °C/W (>50W)   | 45 x 103 x 80   | 1  | -      | -        | -         | -        | -     |
| RHS540, RHS540D    | -           | 1.85 °C/W (>60W)   | 54 x 110 x 51   | 1  | 3      | 1        | 1         | 1        | -     |
| RHS542, RHS542D    | -           | 1.85 °C/W (>60W)   | 54 x 110 x 51   | -  | 2      | 2        | -         | 1        | -     |
| RHS703, RHS703D    | -           | 1.10 °C/W (>60W)   | 72 x 110 x 75   | 1  | 3      | 2        | 2         | 1        | -     |
| RHS90A, RHS90AD    | -           | 0.97 °C/W (>60W)   | 90 x 103 x 80   | 1  | -      | -        | -         | -        | -     |
| RHS301, RHS301D    | -           | 0.82 °C/W (>80W)   | 119 x 82 x 94   | 2  | -      | -        | -         | -        | 1     |
| RHS112A, RHS112AD  | -           | 0.76 °C/W (>100W)  | 112 x 103 x 80  | 2  | -      | -        | -         | -        | 1     |
| RHS11267DIND       | -           | 0.54 °C/W (>150W)  | 119 x 125 x 94  | 1  | 3      | 3        | 2         | 2        | 1     |
| RHS540F40-24       | 24VDC       | 0.65 °C/W          | 54 x 135 x 51   | 1  | 3      | 1        | 1         | 1        | -     |
| RHS542F40-24       | 24VDC       | 0.65 °C/W          | 54 x 135 x 51   | -  | 2      | 2        | -         | 1        | -     |
| RHS703F60-24       | 24VDC       | 0.37 °C/W          | 72 x 141 x 75   | 1  | 3      | 2        | 2         | 1        | -     |
| RHS703F60-230      | 220-240VAC  | 0.37 °C/W          | 72 x 141 x 75   | 1  | 3      | 2        | 2         | 1        | -     |
| RHS112AF60-24      | 24VDC       | 0.35 °C/W          | 112 x 120 x 80  | 2  | -      | -        | -         | -        | 1     |
| RHS112AF60-230     | 220-240VAC  | 0.35 °C/W          | 112 x 120 x 80  | 2  | -      | -        | -         | -        | 1     |
| RHS301F115C        | 115VAC      | 0.28 °C/W          | 124 x 146 x 122   | 2  | -      | -        | -         | -        | 1     |
| RHS301F230C        | 220-240VAC  | 0.28 °C/W          | 124 x 146 x 122   | 2  | -      | -        | -         | -        | 1     |
| RHS28009F80-24P    | 24VDC       | 0.12 °C/W          | 280 x 87 x 122  | 4  | 9      | 9        | 4         | 4        | -     |
| RHS28011F80-24P    | 24VDC       | 0.12 °C/W          | 280 x 87 x 122  | 3  | 11     | 6        | 5         | -        | -     |

## Thru wall mount heatsinks

| Heatsink reference | Mounted fan | Thermal resistance | Overall dimensions not including SSR<br>Width x Height x Depth (mm) | Max. number of SSRs per series per heatsink |  |        |           |           |          |       |
|--------------------|-------------|--------------------|---|---|--|--------|-----------|-----------|----------|-------|
|                    |             |                    |   | RF1...                                      | RA..<br>RD..<br>RK..<br>RM1..<br>RAM1..<br>RS1.. | RGS1.. | RGS1S..E. | RGS1S..U. | RGS1P..E | RZ3.. |
| RHS38ARFD          | -           | 2.85 °C/W (>40W)   | 46 x 76 x 33  | 1   | -  | -      | -         | -         | -        | -     |
| RHS10025D          | -           | 1.85 °C/W (>60W)   | 100 x 100 x 25  | -   | 1  | 3      | 2         | 1         | 1        | -     |
| RHS16225D          | -           | 1.30 °C/W (>90W)   | 162 x 100 x 25  | -   | 3  | 3      | 3         | 3         | 2        | 1     |
| RHS16225LD         | -           | 0.84 °C/W (>120W)  | 162 x 250 x 25  | -   | 3  | 3      | 3         | 3         | 2        | 1     |
| RHS11267D          | -           | 0.54 °C/W (>150W)  | 112 x 125 x 67  | -   | 1  | 3      | 2         | 2         | 1        | -     |
| RHS30040D          | -           | 0.40 °C/W (>180W)  | 300 x 200 x 40  | -   | 8  | 12     | 12        | 5         | 6        | -     |

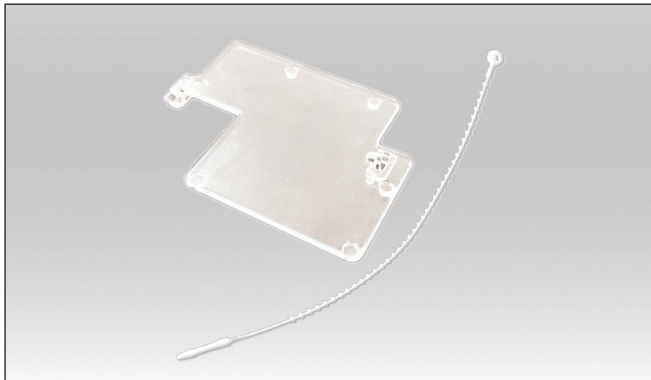
## Panel mount heatsinks

| Heatsink reference | Mounted fan | Thermal resistance | Overall dimensions not including SSR<br>Width x Height x Depth (mm) | Max. number of SSRs per series per heatsink |  |        |           |           |          |       |
|--------------------|-------------|--------------------|---|---|--|--------|-----------|-----------|----------|-------|
|                    |             |                    |   | RF1...                                      | RA..<br>RD..<br>RK..<br>RM1..<br>RAM1..<br>RS1.. | RGS1.. | RGS1S..E. | RGS1S..U. | RGS1P..E | RZ3.. |
| RHS5050D           | -           | 3.50 °C/W (>25W)   | 80 x 50 x 51  | -   | 1  | -      | -         | -         | -        | -     |
| RHS5050RFD         | -           | 3.50 °C/W (>25W)   | 80 x 50 x 51  | 1   | -  | -      | -         | -         | -        | -     |
| RHS38AD            | -           | 2.85 °C/W (>40W)   | 46 x 76 x 33  | -   | 1  | -      | -         | -         | -        | -     |
| RHS38ARFD          | -           | 2.85 °C/W (>40W)   | 46 x 76 x 33  | 1   | -  | -      | -         | -         | -        | -     |
| RHS10025D          | -           | 1.85 °C/W (>60W)   | 100 x 100 x 25  | -   | 1  | 3      | 2         | 1         | 1        | -     |
| RHS5840D           | -           | 1.80 °C/W (>60W)   | 81 x 100 x 40   | -   | 1  | 3      | 2         | 1         | 1        | -     |
| RHS10067D          | -           | 1.70 °C/W (>20W)   | 121 x 76 x 67   | -   | 1  | -      | -         | -         | -        | -     |
| RHS16225D          | -           | 1.30 °C/W (>90W)   | 162 x 100 x 25  | -   | 3  | 3      | 3         | 3         | 2        | 1     |
| RHS10067LD         | -           | 0.88 °C/W (>80W)   | 121 x 140 x 67  | -   | 2  | 2      | -         | -         | 1        | -     |
| RHS16225LD         | -           | 0.84 °C/W (>120W)  | 162 x 250 x 25  | -   | 3  | 3      | 3         | 3         | 2        | 1     |
| RHS320             | -           | 0.40 °C/W (>120W)  | 240 x 100 x 93  | -   | 3  | 3      | 3         | 3         | 3        | 1     |

# Solid State Relays Accessories, Protection Covers



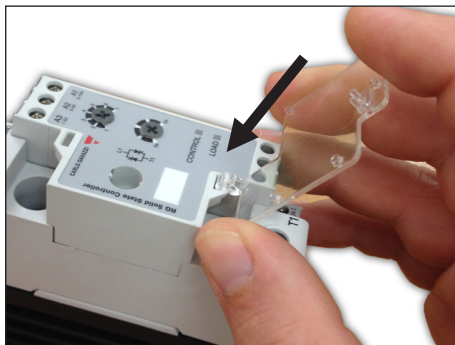
**RGTMP**



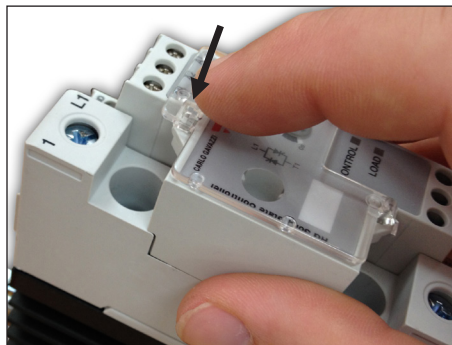
## Ordering Key

Tamper proof accessory kit for RGS1P, RGC1P series containing:  
 - x5 transparent covers  
 - x5 secureness ties

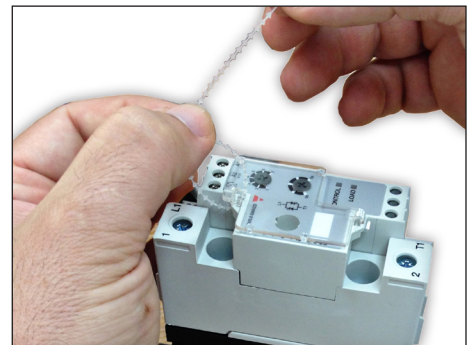
## Installation



1: Clip hook of the transparent cover to the bottom loop of the RGx1P control module



2: Close the cover by clipping to the top loop of the RGx1P control module



3: Secure with provided tie.

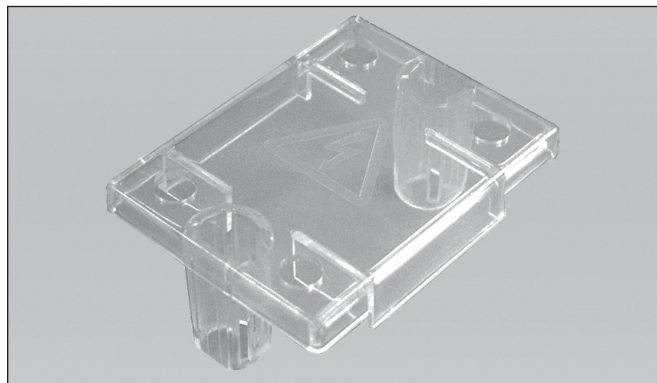


## Ordering Key

**RKIP20**

- IP20 touch protection cover for RK series  
 - Packing qty. 10pcs.

# Protection Covers



## Ordering Key

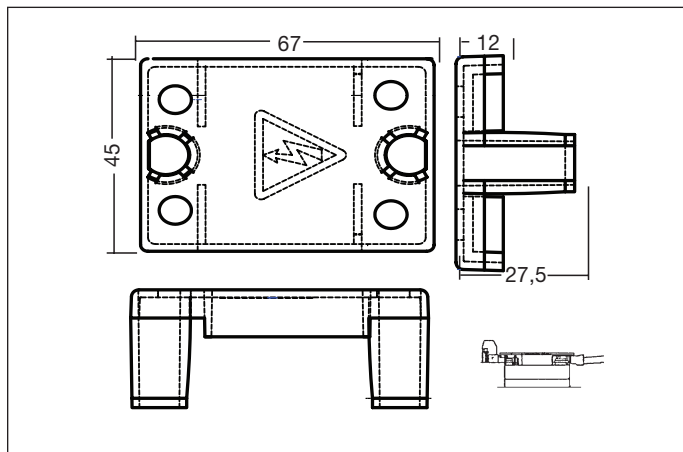
**BBR**

- IP20 touch protection cover for RA & RD series
- Packing qty. 25 pcs.

## Ordering Key

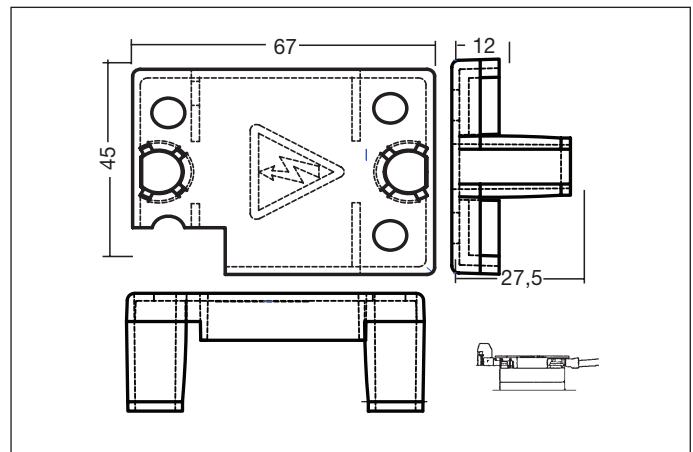
**BBR - S**

- IP20 touch protection cover for RA..S series
- Packing qty. 25 pcs.



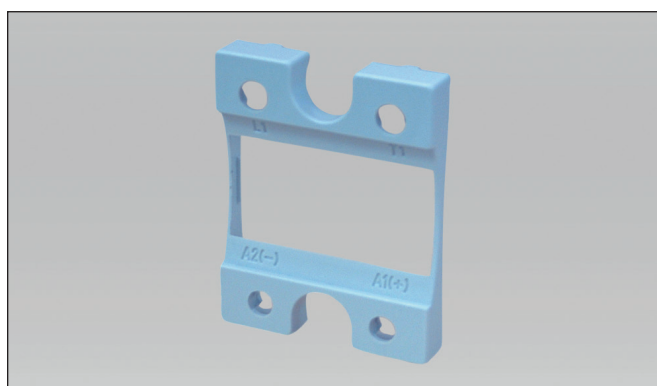
**BBR**

Dimensions in mm



**BBR-S**

Dimensions in mm

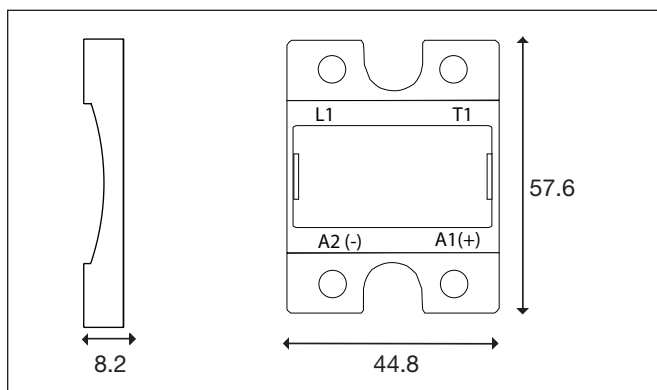


## Ordering Key

**RMIP20**

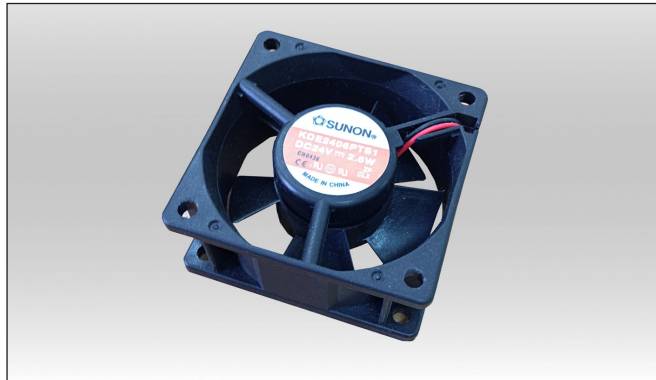
- IP20 touch protection cover for RM, RS and RAM series
- Packing qty. 20 pcs.

Note: Cover not suitable with RM1E..V..



Dimensions in mm

# Solid State Relays Accessories, Fans



## Ordering Key

**RHSF..**

Fans for mounting to heatsinks RHS45C, RHS45B, RHS90A, RHS112A, RHS540, RHS542, RHS703, RHS301 for higher thermal resistance.

Assemblies with pre mounted fans are also available. Refer to Heatsinks datasheet for further details.

## Selection Guide

| Part No.   | Size Width x Height x Depth (mm) | Current Consumption | Voltage rating         | Power consumption | Suitable for mounting to heatsink |
|------------|----------------------------------|---------------------|------------------------|-------------------|-----------------------------------|
| RHSF40-24  | 40 x 40 x 20                     | 33 mA               | 24VDC                  | 0.92 Watts        | RHS45C, RHS45B, RHS540, RHS542    |
| RHSF60-24  | 60 x 60 x 20                     | 75 mA               | 24VDC                  | 1.8 Watts         | RHS90A, RHS112A, RHS703           |
| RHSF60-230 | 60 x 60 x 20                     | 198 mA / 211 mA     | 220 - 240 VAC, 50/60Hz | 4.1 / 4.4 Watts   | RHS90A, RHS112A, RHS703           |
| RHS301F115 | 120 x 120 x 38 (plus bracket)    | 210 mA / 180 mA     | 115 VAC 50/60Hz        | 20 / 18 Watts     | RHS301                            |
| RHS301F230 | 120 x 120 x 38 (plus bracket)    | 125 mA / 110 mA     | 220 - 240 VAC, 50/60Hz | 20 / 19 Watts     | RHS301                            |

# Solid State Relays Accessories, Terminal Adaptors



## Fork Terminals

These fork terminals are suitable for use with the RM, RS and RAM series. The maximum cross sectional area that these connectors can handle is 35mm<sup>2</sup>/AWG2. A version with touch protection is also available.

## Ordering Key

**RM 635 FK**

RM, RAM, RS solid state relay

Size

Fork terminal

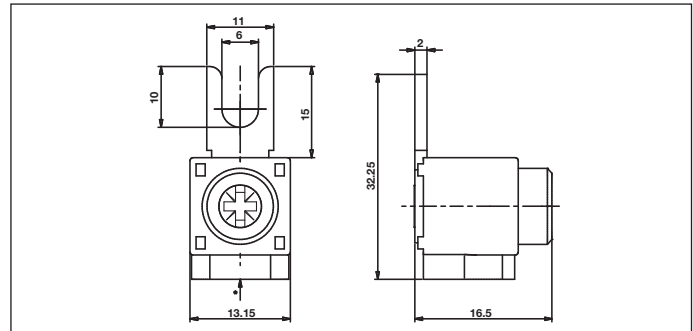
Options

## Selection Guide

| Part No. | Max. cross sectional area<br>(flexible conductor) | Touch protection | Packing qty. |
|----------|---|------------------|--------------|
| RM625FK  | 16mm <sup>2</sup>                                 | No               | 10           |
| RM635FK  | 35mm <sup>2</sup>                                 | No               | 10           |
| RM635FKP | 35mm <sup>2</sup>                                 | Yes              | 10           |



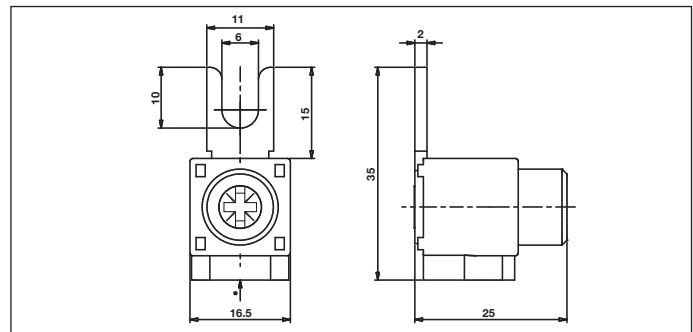
RM625FK



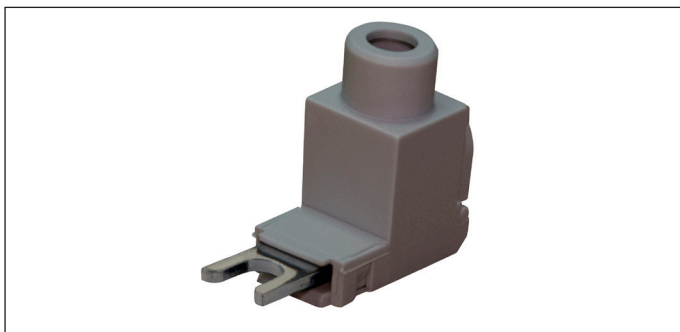
Dimensions in mm



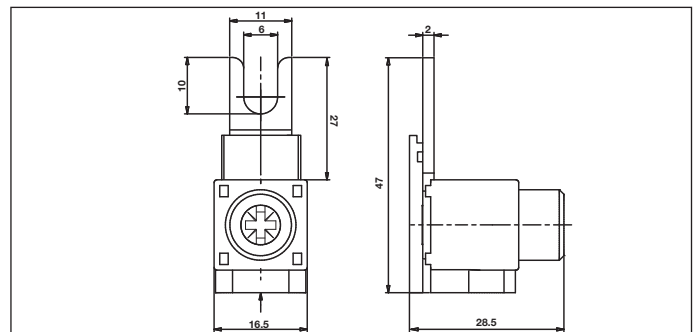
RM635FK



Dimensions in mm



RM635FKP



Dimensions in mm

# Terminal Adaptors



## General Specifications

|                        |                                |  |
|------------------------|--------------------------------|--|
| Housing                | RM625FK, RM635FK<br>RM635FKP   | Cycloy UL94 V0<br>PA66 UL94 V0   |
| Connection lug         |                                | CuZn37 with surface Zn4ymcA RAL 7035   |
| Max. fastening torque  | RM625FK, RM635FK<br>RM635FKP   | 2 Nm (17.7 lb-in)<br>3-3,5 Nm (26.55 - 30.97 lb-in), 6mm <sup>2</sup> (AWG 10)<br>4-4,5 Nm (35.40 - 39.82 lb-in), 10-16mm <sup>2</sup> (AWG 8-6)<br>5-5,5 Nm (44.25 - 48.68 lb-in), 25-50mm <sup>2</sup> (AWG 4-1) |
| Wire acceptance        |                                |  |
| Solid Cu conductor     | RM625FK<br>RM635FK<br>RM635FKP | 6 - 25mm <sup>2</sup> (AWG 10 - 4)<br>6 - 50mm <sup>2</sup> (AWG 10 - 1)<br>6 - 50mm <sup>2</sup> (AWG 10 - 1)   |
| Flexible Cu conductor  | RM625FK<br>RM635FK<br>RM635FKP | 6 - 16mm <sup>2</sup> (AWG 10 - 6)<br>6 - 35mm <sup>2</sup> (AWG 10 - 3)<br>6 - 35mm <sup>2</sup> (AWG 10 - 3)   |
| Max. handling current  | RM635FK<br>RM635FKP            | 100 A<br>160A  |
| Max. operating voltage |                                | 600 VAC  |

## FASTON Terminals



### Ordering Key

**RM 48 F4**

RM, RAM, RS solid state relay

Tab size

Tab orientation

FASTON tabs for screw mounting on RM, RS, RAM series. Tabs are tin plated brass with dimensions according to DIN46342 part 1.

## Selection Guide

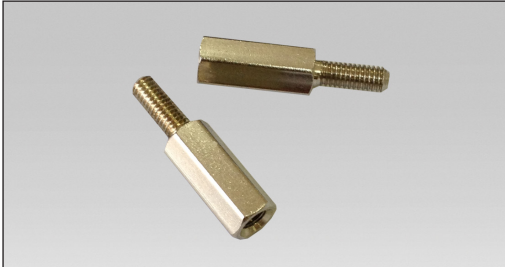
| Part No. | Tab size               | Tab orientation | Packing qty. |
|----------|------------------------|-----------------|--------------|
| RM48F4   | 4.8 x 0.8mm for input  | Angled 45°      | 20           |
| RM48F0   | 4.8 x 0.8mm for input  | Flat 0°         | 20           |
| RM63F4   | 6.3 x 0.8mm for output | Angled 45°      | 20           |
| RM63F0   | 6.3 x 0.8mm for output | Flat 0°         | 20           |



# Terminal Adaptors



## Hex Spacers



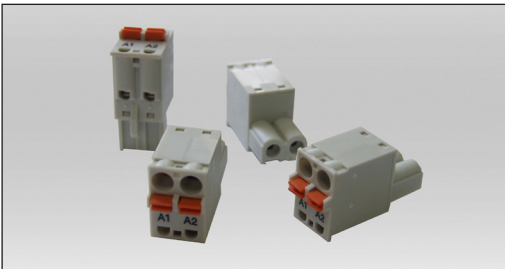
### Ordering Key

**RMSP03**

- Dimensions M3 x 12mm
- Packing qty. 20 pcs.

Hex tin plated brass spacer M3x12mm for mounting on input terminals of RM, RS and RAM series to allow for mounting of PCB on top of SSR.

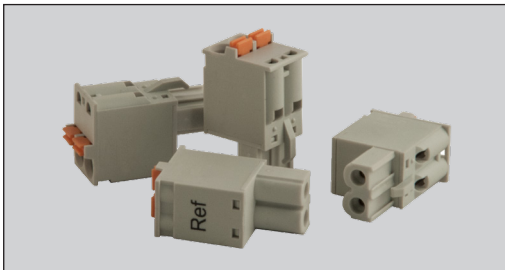
## Plug Terminals



### Ordering Key

**RGM25**

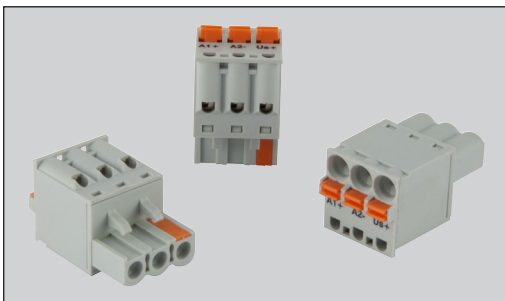
- Spring loaded plug terminal for RG series
- 2 pole, 1x 0.2-2.5mm<sup>2</sup> (24 - 12 AWG)
- Packing qty. 10 pcs.



### Ordering Key

**RGMREF**

- Spring loaded plug terminal for NRG system
- 2 pole, 1x 0.2-2.5mm<sup>2</sup> (24 - 12 AWG)
- Packing qty. 10 pcs.



### Ordering Key

Spring plug labelled 'NC NO COM'

**RG3M15AL**

Spring plug labelled 'A1+ A2- Us+'

**RG3M15CTR**

- Spring plugs for RG..M, 5.00mm pitch
- 3 pole, 1 x 0.2 - 2.5 mm<sup>2</sup> (26 - 12 AWG)
- Packing qty. 10 pcs.



### Ordering Key

**RG3G25**

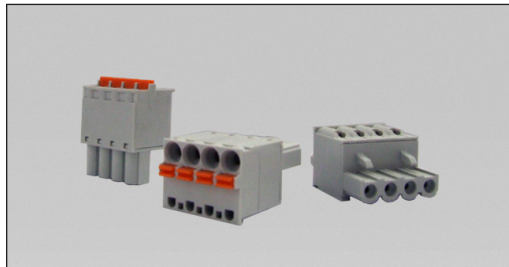
- Box clamp plug terminal for RGCM series
- 3 way 2 pole, 1x 0.2-2.5mm<sup>2</sup> (24 - 12 AWG)
- Packing qty. 10 pcs.



# Terminal Adaptors



## Plug Terminals

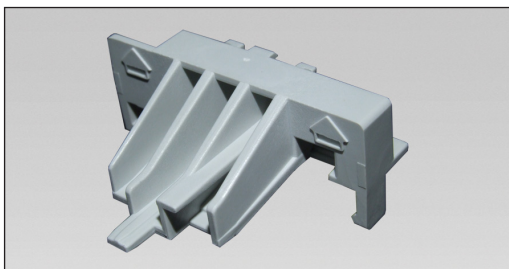


### Ordering Key

**RK4MT, RK2MT**

- Spring plugs for RK..P, 5.08mm pitch
- RK2MT, 4-way, 2-pole for RK2..P
- RK4MT, 4-way, 4-pole for RKD2..P
- Packing qty. 10 pcs.

## Motor Overload Relay Adaptor



### Ordering Key

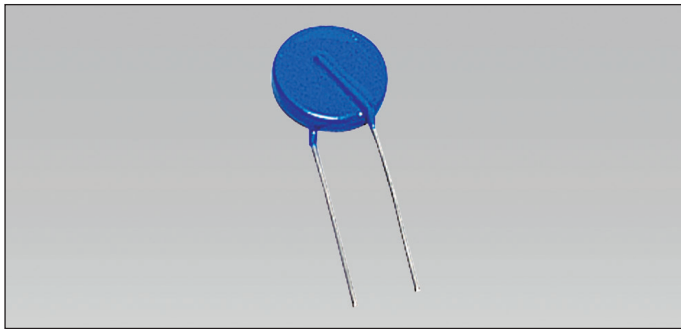
**REC3ADAPTOR**

This plastic adaptor can be fitted to the RGCM housing cover to facilitate mounting of overload protection relays. This adaptor is compatible with:

| Manufacturers | Series | Example      |
|---------------|--------|--------------|
| ABB           | TA     | TA25DU-8.5   |
| Siemens       | 3RU11  | 3RU1126-1FB0 |

Packing qty. 5 pcs.

# Solid State Relays Accessories, Varistors Type RV



- Transient protection devices for Solid State Relays

## Product Description

A metal oxide varistor (MOV) is a voltage dependent resistor with a symmetrical V/I characteristics curve whose resistance decreases with increasing voltage. Varistors are ideally suited for protecting sensitive electronic circuits and components (power semiconductors)

against voltage transients caused either by the mains or by other application parts. Connected in parallel with the electronic device that is to be guarded, they form a low resistance shunt when voltage increases and thus prevent any further V/I in the over voltage.

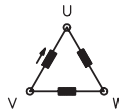
## Ordering Key

**RV 04**

Solid State Relay \_\_\_\_\_  
Varistor \_\_\_\_\_  
Varistor voltage \_\_\_\_\_

## Type Selection

### 3-phase mains without neutral

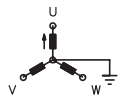


| Mains | Uc * | Carlo Gavazzi** | Epcos        | AVX         | Nippon<br>Chemi-Con | ACPA/<br>Song Long |
|-------|------|-----------------|--------------|-------------|---------------------|--------------------|
| 230 V | 710  | <b>RV 02</b>    | SIOV-S20K275 | VF20M10431K | TND 20V-431         | 431KD20            |
| 400 V | 1120 | <b>RV 04</b>    | SIOV-S20K420 | VF20M10681K | TND 20V-681         | 681KD20            |
| 480 V | 1355 | <b>RV 05</b>    | SIOV-S20K510 | VF20M10821K | TND 20V-821         | 821KD20            |
| 600 V | 1650 | <b>RV 06</b>    | SIOV-S20K625 | VF20M10102K | TND20V-102          | 102KD20            |
| 660 V | 1815 | <b>RV 07</b>    | SIOV-S20K680 | -           | TND20V-112          | 112KD20            |

\* Uc @ 100 Ap (SIOV-S20K...)

\*\* Pack of 10 pieces

### 3-phase mains without neutral

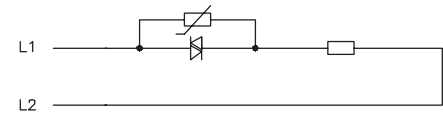
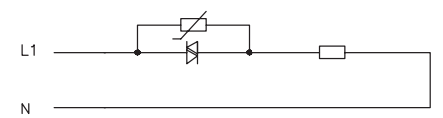
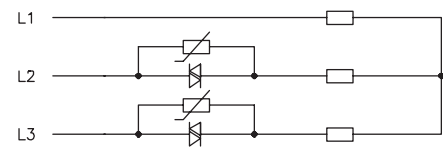
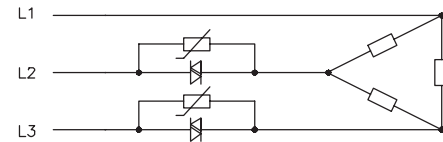
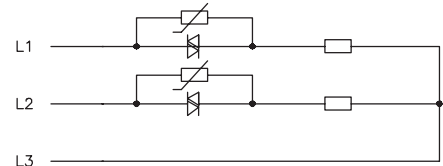
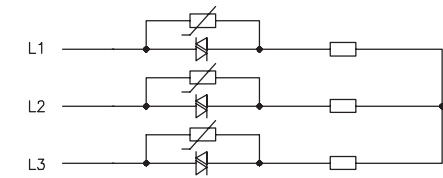
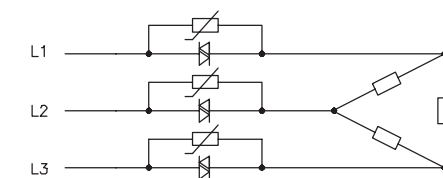
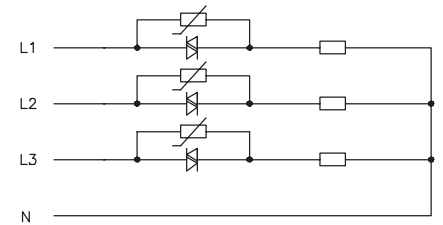


| Mains   | Uc * | Carlo Gavazzi** | Epcos        | AVX         | Nippon<br>Chemi-Con | ACPA/<br>Song Long |
|---------|------|-----------------|--------------|-------------|---------------------|--------------------|
| 120/240 | 710  | <b>RV 02</b>    | SIOV-S20K275 | VF20M10431K | TND 20V-431         | 431KD20            |
| 230/400 | 710  | <b>RV 02</b>    | SIOV-S20K275 | VF20M10431K | TND 20V-431         | 631KD20            |
| 400/690 | 1120 | <b>RV 04</b>    | SIOV-S20K420 | VF20M10681K | TND 20V-681         | 681KD20            |

\* Uc @ 100 Ap (SIOV-S20K...)

\*\* Pack of 10 pieces

## Wiring Diagrams

|                | Mains without neutral  | Mains with neutral  |
|----------------|--|---|
| <b>1-phase</b> |    |    |
| <b>2-phase</b> | <br><br> |   |
| <b>3-phase</b> | <br>   |  |