

Rigid-732

Extreme Rugged, Intel® Core™ 2 Duo P8400, Fanless Embedded Controller



Features

- **Wide Operating Temperature (-40 ~ 70°C)**
- **Fanless Design**
- Wide Range DC power Input (10 ~ 28V)
- Support Various Video Interfaces (Analog RGB, DVI, DisplayPort, TV-out)
- Support Outside Accessible CF Slot
- Support Optional WiFi Connection
- Rugged Design for Shock/Vibration Protection
- Easy Installation/Maintenance
- Intel® SSD Compatible

System

CPU	Intel® Core™ 2 Duo P8400 2.26GHz processor
Memory	2 x 200-pin DDR2 SO-DIMM sockets, supporting 667/800MHz SDRAM up to 4GB 2GB WT DDR2 memory module installed
Chipset	Intel® GM45 + ICH9M
Graphics	Intel® GM45 integrated GMA X4500, supporting DirectX 10, Shader Model 4.0
ATA	2 x Serial ATA ports with 300MB/s HDD transfer rate
LAN Chipset	2 x Realtek 8111 GbE controllers
Watchdog Timer	1~255 levels reset

I/O

Serial Port	1 x DB-44 female connector Support 4 x RS-232 ports (COM4 is RS-232/422/485 selectable)
USB Port	8 x USB 2.0 ports
LAN	2 x RJ-45 ports for GbE 1 x DB-15 female connector for Analog RGB
Video Port	1 x DisplayPort 1 x DVI-D female connector for Digital Video output
TV-out	1 x 6-pin mini-DIN connector, supporting S-Video output or Composite output via external cable DVI-D by default, can be changed to DIO or LPT
Selectable Port	1 x 16-bit digital I/O, 8 in/8 out SPP/EPP/ECP mode selectable for LPT
Audio	Mic-in/Line-out (6W pre-amplified)
KB/MS	1 x 6-pin Mini-DIN for keyboard and mouse
Expansion Bus	2 x PCI slots 1 x Mini-card slot for optional WiFi module

Environmental

Operating Temp.	-40 ~ 70°C (-40 ~ 158°F), ambient w/ air flow
Storage Temp.	-40 ~ 85°C (-40 ~ 185°F)
Operating Humidity	10 ~ 95% @ 70°C (non-condensing)
Vibration	3 Grms/5~500Hz/random operation
Shock	Operating 40G (11ms), Non-operating 60G with CF/SSD

Qualification

Certification	CE, FCC Class A
----------------------	-----------------

Power Requirement

Power Input	DC 10~28V input (w/ 4-pin DC input terminal block with remote power on/off switch)
Power Consumption	Max. 50W (w/o I/O card)

Storage

Type	1 x 2.5" drive bay for HDD/SSD 1 x CompactFlash Type II socket, can be outside accessible
-------------	--

Mechanical

Construction	Aluminum alloy
Mounting	Wall-mount (default is integrated)
Weight	4.2 kg (9.24 lb)
Dimensions (W x D x H)	195 x 268 x 100 mm (7.68" x 10.55" x 3.93")

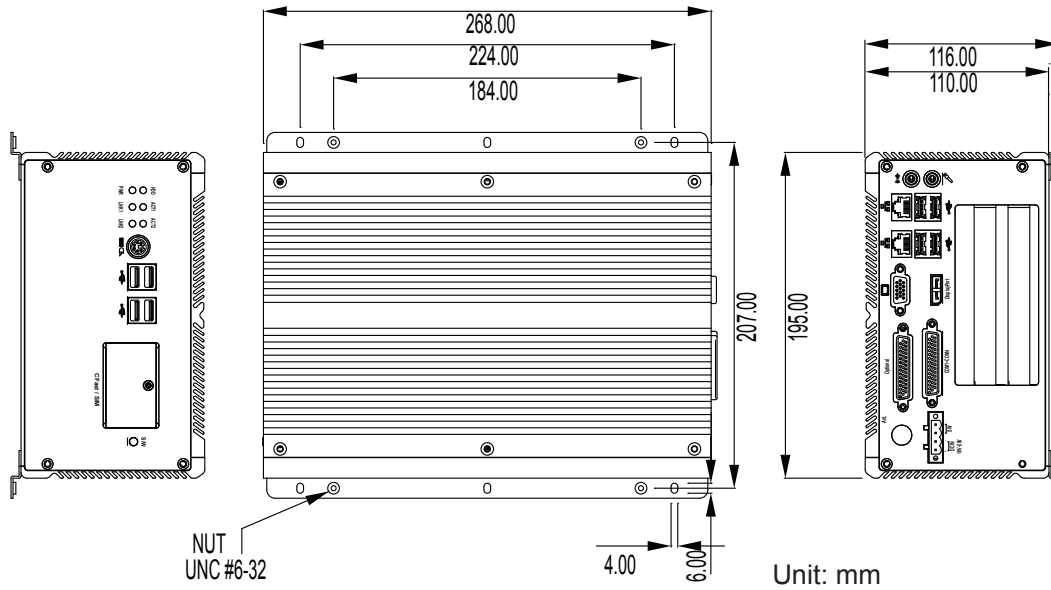
OS Support

Windows XP Embedded / Windows XP Professional / Windows Embedded 7 Professional / Windows Embedded 7 Standard

Ordering Information

Rigid-732	Fanless embedded controller
------------------	-----------------------------

Dimensions



Standard Accessories

PAC-B120W-FSP 19V/6.32A 120W AC/DC adapter kit



CBL-7100-COM 4 x COM ports converter cable

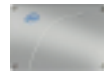


WMK-7000 Wall-mount kit for FPC-7XXX Series



Optional Configuration (CTOS* Kit)

SSD-25040 Intel® 2.5" 40GB SATAII SSD kit



WIFI-IN1300 Intel® Centrino® Advanced-N 6205 WiFi module w/ 20cm internal wiring



ANT-D11 1 x WiFi Dual-band 2.4G/5G antenna



MK-2I-2G-2 Industrial 2GB DDR2 SDRAM DIMM2 kit



*CTOS means Configure to Order Service.

» Front-access CF for Easy Maintenance



Unscrew and pull down the door



Insert CF card