

# RK08H Without Knob Type

Compact type potentiometer suitable for volume and tone controls



## Typical Specifications

Items	Specifications
Total resistance tolerance	±30%
Maximum operating voltage	50V AC 20V DC (Single-unit only)
Total rotational angle	200° ± 10°
Rotational torque	1 to 10mN·m 0.5 to 10mN·m (Reflow type)
Operating life	Without detent 10,000 cycles With detent 5,000 cycles
Operating temperature range	-10°C to +60°C

## Product Line

Number of resistor elements	Mounting method	Length of the shaft (mm)	Center detent	Total resistance(kΩ)	Resistance taper	Minimum order unit (pcs.)		Products No.	Drawing No.
						Japan	Export		
Single-unit	Manual	1	Without	10	1B	1,000	1,000	RK08H11100UD	1
			With					RK08H11100RB	
	Reflow		RK08H113003Q					2	
Dual-unit	Manual	Without	15A	15A	1,000	1,000	RK08H12100GZ	1	
	Reflow						RK08H1230012	2	

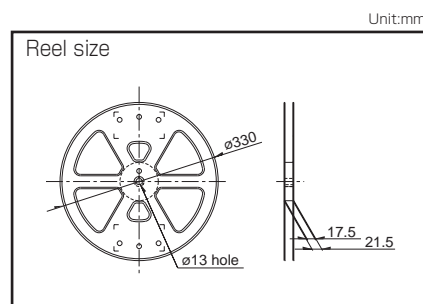
## Notes

- Other varieties are also available. Refer to "Other Specifications" (P.336).
- The above products are compatible with dip soldering. If required, please specify "dip soldering type."
- We recommend print boards with a thickness of 0.8mm to 1.2mm. For 1.6mm thickness board applications, please contact us.

## Packing Specifications

Bulk / Taping

Mounting method	Packing specifications	Number of packages (pcs.)			Tape width (mm)	Export package measurements (mm)
		1 reel	1 case / Japan	1 case / export packing		
Manual	Bulk	—	5,000	10,000	—	528×369×178
Reflow	Taping	1,000	4,000	4,000	16	401×397×139



Refer to P.336 for other specifications.  
Refer to P.336 for soldering conditions.  
Refer to P.341 for ordering products not listed.

# RK08H Without Knob Type

## Dimensions

Unit:mm

No.	Photo	Style
1	<p><b>Manual</b> Single-shaft, single-unit RK08H1110 Single-shaft, dual-unit RK08H1210</p>	<p>M1.4×0.3depth3.2 Shaft shown in full CCW position</p>
2	<p><b>Reflow</b> Single-shaft, single-unit RK08H1130 Single-shaft, dual-unit RK08H1230</p>	<p>M1.4×0.3depth3.2 Shaft shown in full CCW position</p>

## PC Board Mounting Hole Dimensions / Terminal Layout

Manual (Viewed from mounting side)

Unit:mm

<p>Single-shaft, single-unit</p>	<p>Single-shaft, dual-unit</p>	<p>Single-shaft, dual-unit (Resistance taper 15C)</p>
----------------------------------	--------------------------------	---

Reflow (Viewed from mounting side)

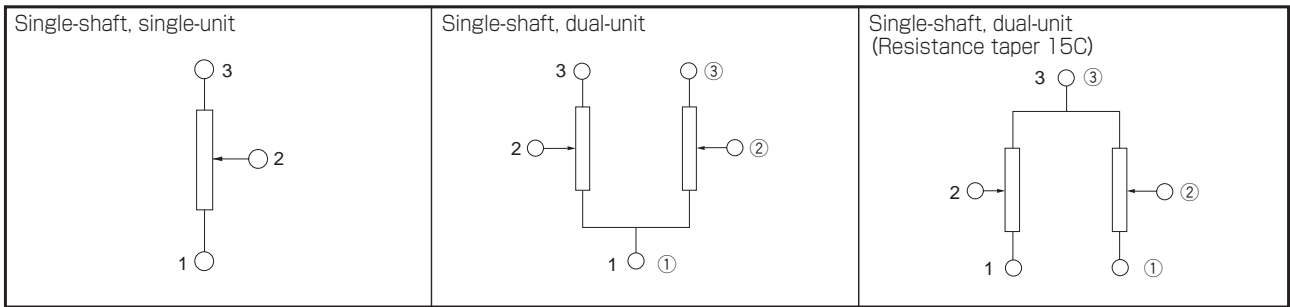
Unit:mm

<p>Single-shaft, single-unit</p> <p>Shaded area: Solder land</p>	<p>Single-shaft, dual-unit</p> <p>Shaded area: Solder land</p>	<p>Single-shaft, dual-unit (Resistance taper 15C)</p> <p>Shaded area: Solder land</p>
--	--	---

### Note

Keep the DUMMY terminal open in the circuit.

■ Standard Specification Circuit Diagram



Rotary  
Potentiometers

Slide  
Potentiometers

Metal Shaft  
Insulated  
Shaft

Knob  
Operating

Through  
Shaft Type

Ring Type

# Without Knob Type / Other Specifications

In addition to the Product Line, we accommodate the following specifications. Combinations not included in the Product Line are treated as semi-standard products.

## Total Resistance Variety

Total resistance (k Ω)	5	10	20	50	100
------------------------	---	----	----	----	-----

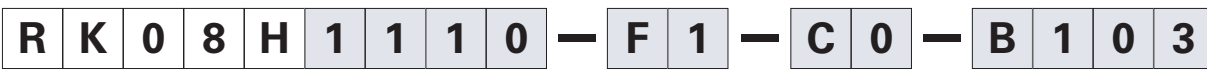
## Resistance Taper

Resistance taper	15A	1B	3B	15C
------------------	-----	----	----	-----

# Without Knob Type / Ordering Products Not Listed

Please refer to the notation example below for specification combinations not included in the Product Line.

## Sample Part Number



Model type

Code	Model type
111	Single-unit Manual
113	Single-unit Reflow
121	Dual-unit Manual
123	Dual-unit Reflow

Length of the shaft (mm)

Code	Length of the shaft
F1	1

\*Only 1mm types are provided with the M1.4 tap screws.

Detent

Code	Center detent
C0	Without
C1	With

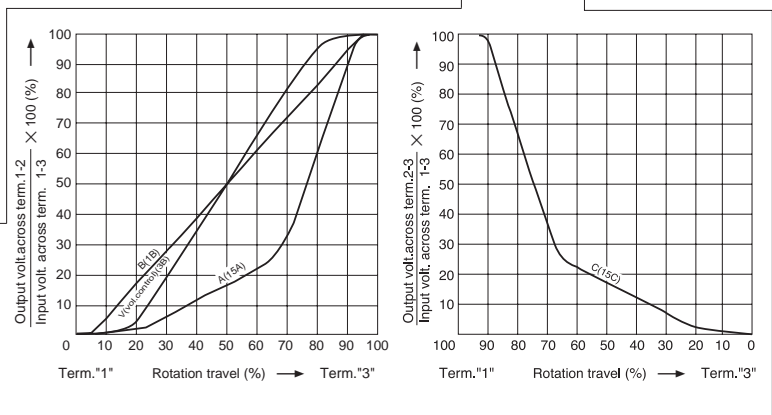
\*Detent can only be specified for non-reflow single-unit types.

Resistance taper

Code	Resistance taper	Code	Resistance taper
A	15A	C	15C
B	1B	V	3B

Total resistance

Code	Total resistance (k Ω)	Code	Total resistance (k Ω)
502	5	503	50
103	10	104	100
203	20	—	—



### Note

Marked are specifications recommended by Alps Alpine.

Rotary Potentiometers

Slide Potentiometers

Metal Shaft

Insulated Shaft







Knob Operating

Through Shaft Type

Ring Type

# Knob Operating Type Potentiometers

## List of Varieties

Type	Without knob type		With knob type		
Series	RK08H1 □ 1	RK08H1 □ 3	RK10J1 □ E	RK10J1 □ R	
	Single-unit/Dual-unit	Single-unit/Dual-unit	Single-unit/Dual-unit	Single-unit/Dual-unit	
Photo					
Terminal orientation	Vertical	Reflow type	—	—	
Operating temperature range	-10°C to +60°C				
Operating life	Without detent 10,000 cycles With detent 5,000 cycles		10,000 cycles		
Automotive use	—	—	—	—	
Life cycle					
Electrical performance	Total resistance (k Ω)	5, 10, 20, 50, 100		10, 20, 50, 100	
	Resistance taper	15A, 1B, 3B, 15C			
	Rated power	0.03W			
	Insulation resistance	—	—	100MΩ min. 100V DC	
	Voltage proof	—	—	100V AC for 1minute	
Mechanical performance	Detent	Without / Center detent		Without	
	Stopper strength	0.1N		70mN·m	
	Push-pull strength	10N		5N	
Terminal style	Insertion	Reflow	Insertion	Reflow	
Page	333		337		

### Residual Resistance

※ Applies only to products with specified residual resistance

Nominal total resistance	※ Residual resistance
$100k\Omega \geq R \geq 50k\Omega$	0.1% or less of nominal total resistance
$50k\Omega > R > 10k\Omega$	30Ω or less
$10k\Omega \geq R$	20Ω or less

### Maximum Attenuation

Nominal total resistance	Maximum attenuation
$R \geq 100k\Omega$	90dB min.
$100k\Omega > R \geq 50k\Omega$	80dB min.
$50k\Omega > R \geq 10k\Omega$	70dB min.
$10k\Omega > R$	60dB min.

Knob Operating Type Potentiometers Soldering Conditions	341
Potentiometers Cautions	384
Potentiometers Measurement and Test Methods	386
Potentiometers Resistance Taper	388