



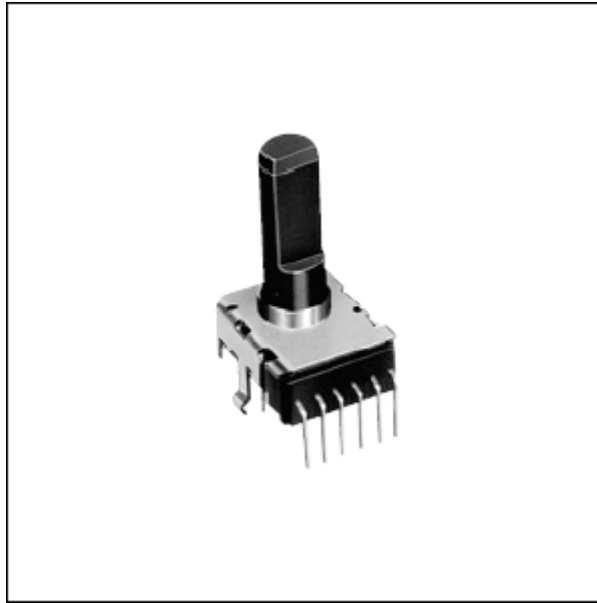
## 12mm Size Insulated Shaft Snap-in Type RK12L Series

### For the mixing console market

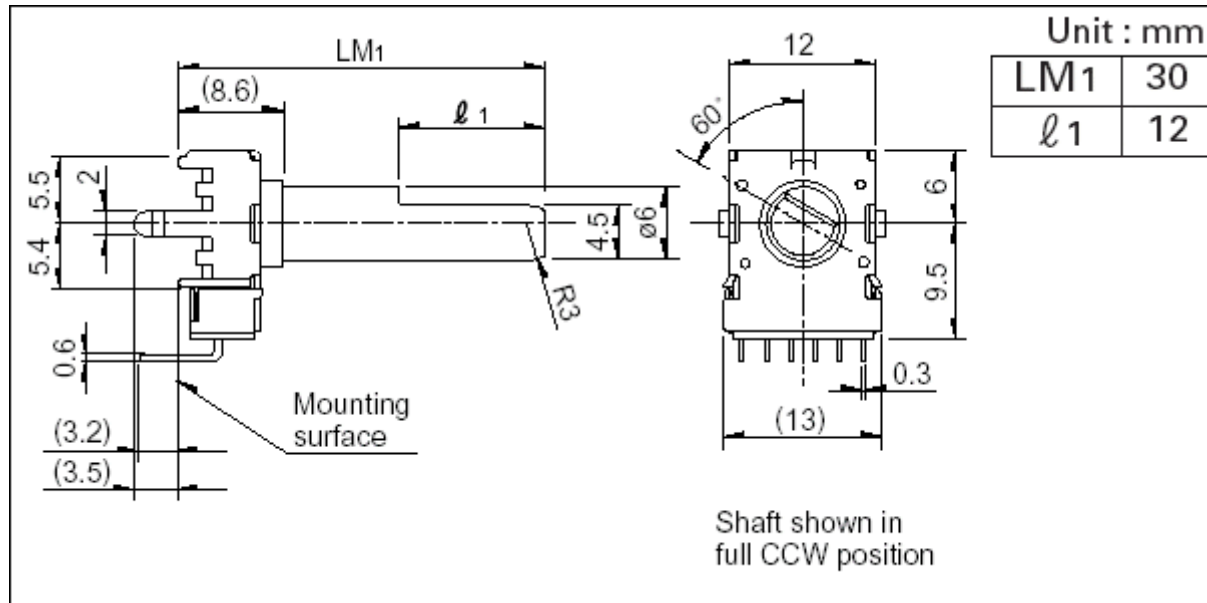
Part number	<b>RK12L1270009</b>	
Number of resistor elements	Dual-unit	
Mounting direction	Vertical type	
Shaft types	Flat	
Length of the shaft LM1	30mm	
Center detent	With	
Total resistance	20kΩ	
Resistance taper	1B	
Operating temperature range	-10°C to +70°C	
Electrical Performance	Total resistance tolerance	±20%
	Rated power	0.05W
	Maximum operating voltage	50V AC for AC only
	Gang error	Within 2dB at center

	Insulation resistance	100M $\Omega$ min. 250V DC
	Voltage proof	300V AC for 1 minute
Mechanical Performance	Total rotational angle	300° $\pm$ 5°
	Rotational torque	2 to 15mN·m
	Stopper strength	0.5N·m
	Push-pull strength	80N max.
	Vibration	10 to 55 to 10Hz/min., the amplitude is 1.5mm for all the frequencies, in the 3 direction of X, Y and Z and for 2 hours respectively
Durability	Operating life	15,000 cycles
Minimum order unit (pcs.)	Japan	800
	Export	1,600

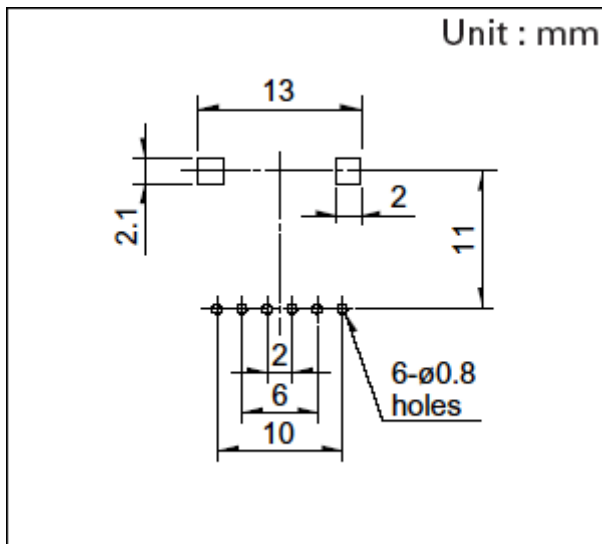
## Photo



Dimensions

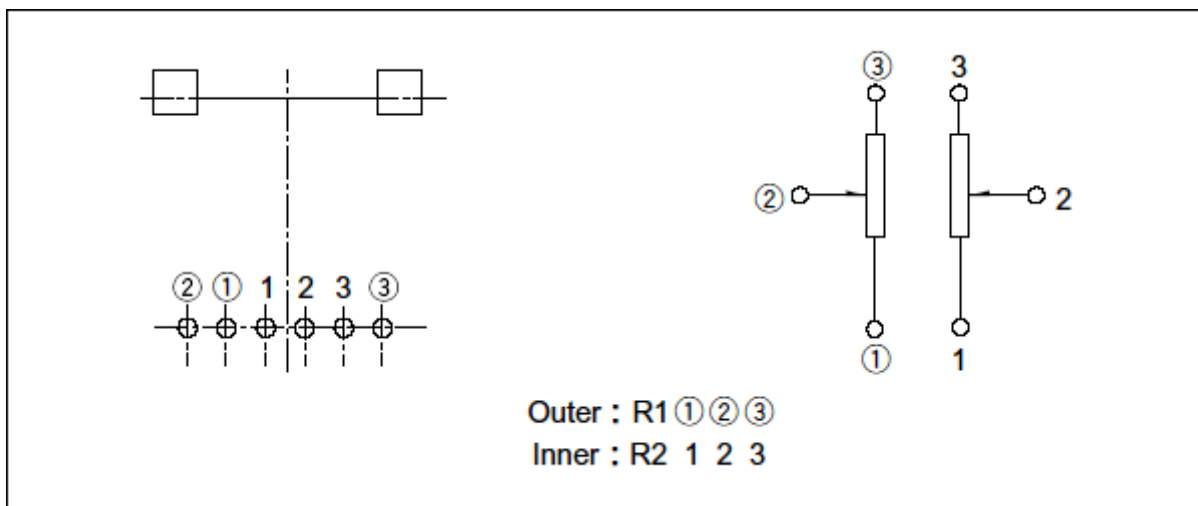


Mounting Hole Dimensions



Viewed from mounting side.

### Terminal Layout / Circuit Diagram



### Packing Specifications

#### Tray

Number of packages 1 case / Japan 800