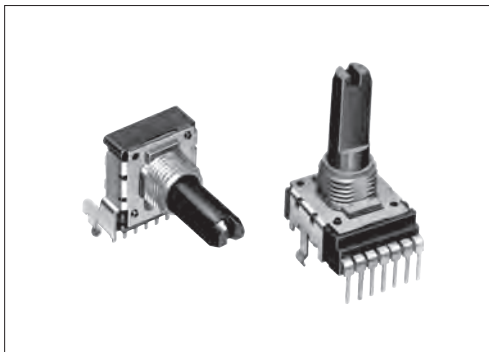


RK14K 14mm Size Insulated Shaft Snap-in Type

A 14mm wide potentiometer for audio, visual, electronic musical instruments and various applications



Typical Specifications



| Items | Specifications |
|-----------------------------|--------------------|
| Total resistance tolerance | ±20% |
| Maximum operating voltage | 50V AC for AC only |
| Total rotational angle | 300° ±5° |
| Rotational torque | 3 to 20mN·m |
| Operating life | 15,000 cycles |
| Operating temperature range | -10°C to +70°C |

Product Line

| Number of resistor elements | Control part orientation | Shaft type | Length of the shaft LM ₁ (mm) | Center detent | Total resistance (kΩ) | Resistance taper | Minimum order unit (pcs.) | | Products No. | Drawing No. |
|-----------------------------|--------------------------|------------|--|---------------|-----------------------|------------------|---------------------------|--------|---------------------|-------------|
| | | | | | | | Japan | Export | | |
| Dual-unit for tone | Vertical | Flat | 22.5 | With | 10 | 1B | 800 | 1,600 | RK14K124003H | 1 |
| | Horizontal | | | | | | | | RK14K1220012 | 2 |
| Dual-unit for vol. | Vertical | | | Without | | 15A | | | RK14K12D0A5V | 1 |
| | Horizontal | | | | | | | | RK14K12B0A0E | 2 |

Notes

- Other varieties are also available. Refer to "Other Specifications" (P.327).
- Nut and washer are not attached. Please specify if required.

Packing Specifications

Tray


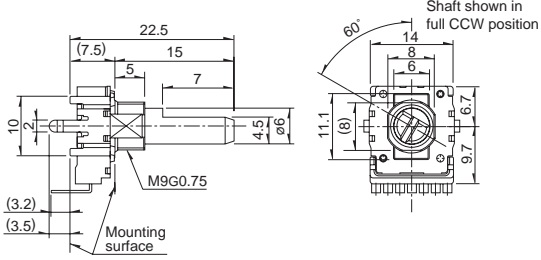
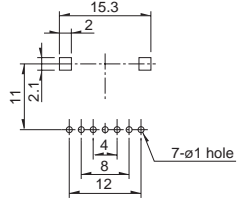

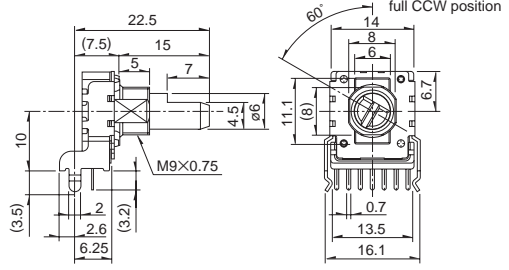
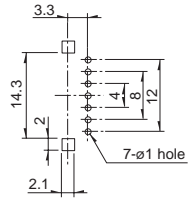
| Number of packages (pcs.) | | Export package measurements (mm) |
|---------------------------|-------------------------|----------------------------------|
| 1 case / Japan | 1 case / export packing | |
| 1,000 | 2,000 | 543×377×250 |

Refer to P.327 for other specifications.
Refer to P.328 for ordering products not listed.
Refer to P.331 for soldering conditions.

RK14K 14mm Size Insulated Shaft Snap-in Type

Dimensions

Unit:mm

| No. | Photo | Style | PC board mounting hole dimensions (Viewed from mounting side) |
|-----|---|---|--|
| 1 | <p>Vertical RK14K124 (For tone control) RK14K12D (For vol. control)</p>  |  |  |
| 2 | <p>Horizontal RK14K122 (For tone control) RK14K12B (For vol. control)</p>  |  |  |

Rotary Potentiometers
Slide Potentiometers

Metal Shaft

Insulated Shaft

Knob Operating

Through Shaft Type

Ring Type

14mm Size Insulated Shaft Snap-in Type / Other Specifications

In addition to the Product Line, we accommodate the following specifications. Combinations not included in the Product Line are treated as semi-standard products.

Total Resistance Variety

| | | | | | |
|------------------------|---|----|----|----|-----|
| Total resistance (k Ω) | 5 | 10 | 20 | 50 | 100 |
|------------------------|---|----|----|----|-----|

Resistance Taper

| | | | | |
|------------------|-----|----|----|-----|
| Resistance taper | 15A | 1B | 3B | 15C |
|------------------|-----|----|----|-----|

Tapped Types are Also Available

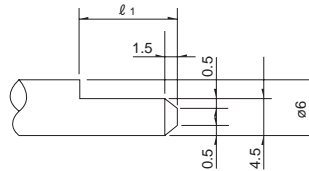
RK14K12 (for audio volume control) is also available with tap.

Shaft Variety

Unit:mm

| Style | Horizontal | | Vertical | | | | |
|-------------------|-----------------|----------------|-----------------|----------------|------|------|------|
| | LM ₁ | L ₁ | LM ₁ | L ₁ | | | |
| Detail dimensions | LM ₁ | 20 | 22.5 | 25 | 27.5 | 30 | 32.5 |
| | L ₁ | 12.5 | 15 | 17.5 | 20 | 22.5 | 25 |
| | ℓ ₁ | 7 | 7 | 12 | 12 | 12 | 12 |
| | L _B | 5 | 5 | 5 | 5 | 5 | 5 |

Detail dimensions



Terminal Layout / Circuit Diagram

| Without tap for volume | With tap for volume | For tone and for volume (15C) |
|------------------------|---------------------|-------------------------------|
| | | |

Note

Marked are specifications recommended by Alps Alpine.

Refer to P.328 for ordering products not listed.

14mm Size Insulated Shaft Snap-in Type / Ordering Products Not Listed

In addition to the Product Line, we accommodate the following specifications. Combinations not included in the Product Line are treated as semi-standard products. Please refer to the notation example below.

Sample Part Number

R K 1 4 K 1 2 4 0 — **F 2 5** — **C 0** — **B 1 0 3**

Model type

| Code | Model type |
|------|---------------------|
| 2 | Horizontal for tone |
| 4 | Vertical for tone |
| B | Horizontal for vol. |
| D | Vertical for vol. |

Shaft type

| Code | Shaft type |
|------|------------|
| F | Flat |

*Only available in flat format.

Length of the shaft LM₁ (mm)

| Code | Length of the shaft | Code | Length of the shaft |
|------|---------------------|------|---------------------|
| 20 | 20 | 25 | 25 |
| 22 | 22.5 | 30 | 30 |
| 27 | 27.5 | 32 | 32.5 |

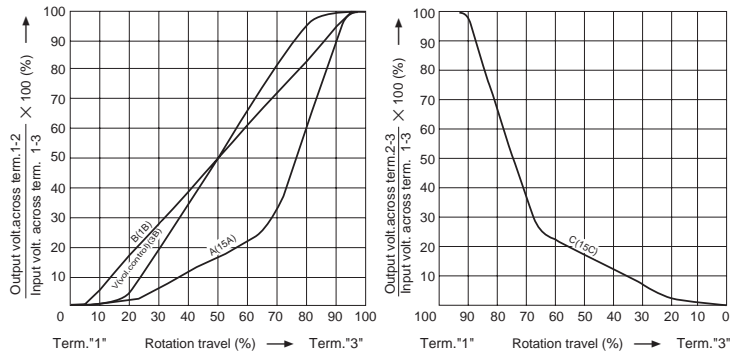
Detent

| Code | Center detent |
|------|---------------|
| C0 | Without |
| C1 | With |

Resistance taper

| Code | Resistance taper | Code | Resistance taper |
|------|------------------|------|------------------|
| A | 15A | C | 15C |
| B | 1B | V | 3B |

B : For tone & general (Model type : 2, 4)
V : For vol. (Model type : B, D)



Total resistance

| Code | Total resistance (k Ω) | Code | Total resistance (k Ω) |
|------|------------------------|------|------------------------|
| 502 | 5 | 503 | 50 |
| 103 | 10 | 104 | 100 |
| 203 | 20 | — | — |

Note

Marked are specifications recommended by Alps Alpine.

Rotary Potentiometers

Slide Potentiometers

Metal Shaft

Insulated Shaft











Knob Operating

Through Shaft Type

Ring Type

Insulated Shaft Potentiometers

List of Varieties

| Type | 9mm size | | 11mm size | 12mm size | 14mm size | |
|------------------------------|---|--|---|---|--|------------------------------------|
| Series | RK09K11 RK09D11 | RK09Y11L | RK11K | RK12L12 | RK14K | |
| | Single-unit | Single-unit | Single-unit | Dual-unit | Dual-unit | |
| Photo |  |  |  |  |  | |
| Control part orientation | Vertical / Horizontal | | Horizontal | Vertical / Horizontal | | |
| Bushing | Without | | With | Without | With | |
| Operating temperature range | -10°C to +70°C | | | | | |
| Operating life | 5,000 cycles | 1,000,000 cycles | 15,000 cycles | | | |
| Available for automotive use | — | — | — | — | — | |
| Life cycle |  |  |  |  |  | |
| Electrical performance | Total resistance (k Ω) | 5, 10, 20, 50, 100, 200 | 10 | 5, 10, 20, 50, 100, 200 | | |
| | Resistance taper | 15A, 1B, 3B, 15C | B | 15A, 1B, 3B, 15C | | |
| | Total resistance tolerance | ±20% | ±30% | ±20% | | |
| | Rated power | 0.05W | 0.01W | 0.05W | | |
| | Maximum operating voltage | 50V AC 20V DC | 50V AC 5V DC | 50V AC 20V DC | 50V AC for AC only | |
| | Gang error | — | — | — | For volume control -40dB to 0dB 3dB max. For tone control within 2dB max. at center | |
| | Insulation resistance | 100MΩ min. 250V DC | | 100MΩ min. 500V DC | 100MΩ min. 250V DC | |
| | Voltage proof | 250V AC for 1minute | | 500V AC for 1minute | 300V AC for 1minute | |
| | Center-taps | Without | | Without / With | Without | Without / With (Volume control) |
| Mechanical performance | Detent | Without, Center | Without | Without, Center | Without | Without, Center |
| | Stopper strength | 0.3N·m | — | Without bushing 0.5N·m With bushing 0.6N·m | 0.5N·m | 0.6N·m |
| | Push-pull strength | 50N max. | 30N max. | 80N max. | | |
| | Vibration | 10 to 55 to 10Hz/min., the amplitude is 1.5mm for all the frequencies, in the 3 direction of X, Y and Z and for 2 hours respectively | | | | |
| Shaft configuration | Flat type, Knob type, Screwdriver type | | Flat type | | | |
| Terminal style | Insertion | | | | | |
| Page | 313 329 (for Mixers) | 318 | 319 329 (for Mixers) | 322 329 (for Mixers) | 325 329 (for Mixers) | |

| | |
|---|-----|
| Insulated Shaft Potentiometers Soldering Conditions | 331 |
| Potentiometers Cautions | 384 |
| Potentiometers Measurement and Test Methods | 386 |
| Potentiometers Resistance Taper | 388 |

Note

● Indicates applicability to all products in the series.

Rotary Potentiometers

Slide Potentiometers

Metal Shaft

Insulated Shaft

Knob Operating

Through Shaft Type

Ring Type