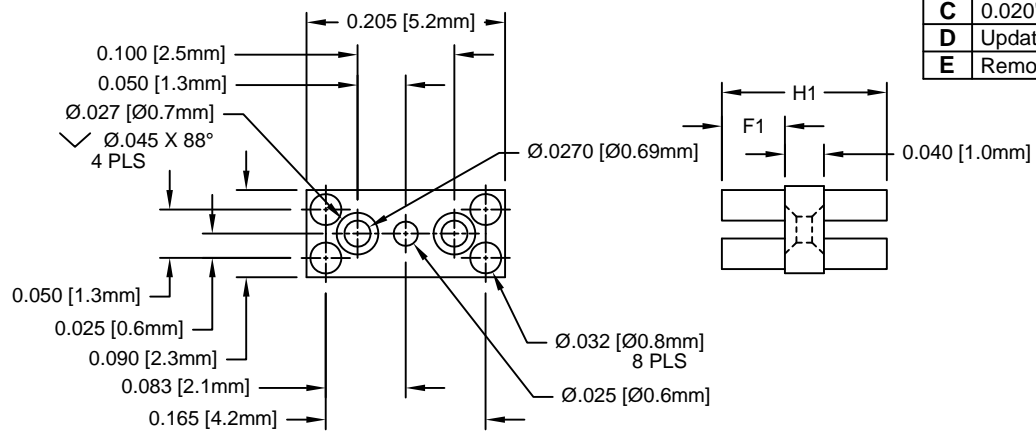
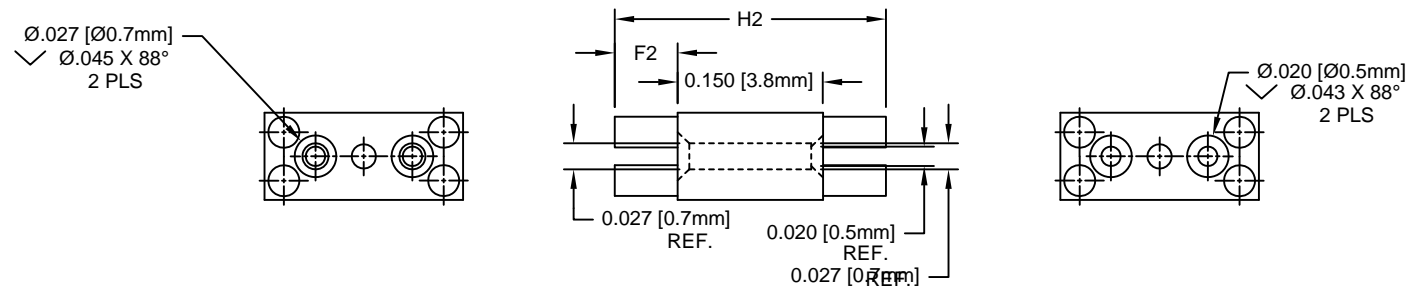


| REV. | DESCRIPTION                           | DATE     | APPROVED |
|------|---------------------------------------|----------|----------|
| B    | 0.027" Lead Hole Specification Update | 10/25/04 | M. C.    |
| C    | 0.020" Lead Hole Specification Update | 07/18/05 | M. C.    |
| D    | Updated Model Views                   | 12/08/09 | T. Y.    |
| E    | Removed Material Code                 | 05/23/16 | J. C.    |

### RL1-XXX


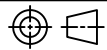


### RL2-XXX



| PART NUMBER | H1           | F1            |
|-------------|--------------|---------------|
| RL1-060     | .060 (1.5mm) | 0.010 (.25mm) |
| RL1-070     | .070 (1.8mm) | 0.015 (.38mm) |
| RL1-080     | .080 (2.0mm) | 0.020 (.51mm) |
| RL1-090     | .090 (2.3mm) | 0.025 (.64mm) |
| RL1-100     | .100 (2.5mm) | 0.030 (.76mm) |
| RL1-110     | .110 (2.8mm) | 0.035 (.89mm) |
| RL1-120     | .120 (3.0mm) | 0.040 (1.0mm) |
| RL1-130     | .130 (3.3mm) | 0.045 (1.1mm) |
| RL1-140     | .140 (3.6mm) | 0.050 (1.3mm) |
| RL1-150     | .150 (3.8mm) | 0.055 (1.4mm) |
| RL1-160     | .160 (4.1mm) | 0.060 (1.5mm) |
| RL1-170     | .170 (4.3mm) | 0.065 (1.7mm) |
| RL1-180     | .180 (4.6mm) | 0.070 (1.8mm) |
| RL1-190     | .190 (4.8mm) | 0.075 (1.9mm) |
| RL1-200     | .200 (5.1mm) | 0.080 (2.0mm) |
| RL1-210     | .210 (5.3mm) | 0.085 (2.2mm) |

| PART NUMBER | H2            | F2            |
|-------------|---------------|---------------|
| RL2-200     | 0.200 (5.1mm) | 0.025 (.64mm) |
| RL2-210     | 0.210 (5.3mm) | 0.030 (.76mm) |
| RL2-220     | 0.220 (5.6mm) | 0.035 (.89mm) |
| RL2-230     | 0.230 (5.8mm) | 0.040 (1.0mm) |
| RL2-240     | 0.240 (6.1mm) | 0.045 (1.1mm) |
| RL2-250     | 0.250 (6.4mm) | 0.050 (1.3mm) |
| RL2-260     | 0.260 (6.6mm) | 0.055 (1.4mm) |
| RL2-270     | 0.270 (6.9mm) | 0.060 (1.5mm) |
| RL2-280     | 0.280 (7.1mm) | 0.065 (1.7mm) |
| RL2-290     | 0.290 (7.4mm) | 0.070 (1.8mm) |
| RL2-300     | 0.300 (7.6mm) | 0.075 (1.9mm) |
| RL2-310     | 0.310 (7.9mm) | 0.080 (2.0mm) |
| RL2-320     | 0.320 (8.1mm) | 0.085 (2.2mm) |
| RL2-330     | 0.330 (8.4mm) | 0.090 (2.3mm) |
| RL2-340     | 0.340 (8.6mm) | 0.095 (2.4mm) |
| RL2-350     | 0.350 (8.9mm) | 0.100 (2.5mm) |

|  |   |                                |   |
|--|---|--------------------------------|---|
| STANDARD TOLERANCE<br>(UNLESS OTHERWISE SPECIFIED)<br>DECIMALS      ANGULAR<br>.X    ± .1      X° ± 1°<br>.XX   ± .01<br>.XXX ± .005 | <br><b>BIVAR</b> <sup>®</sup><br>4 THOMAS, IRVINE, CA. 92618<br>TEL: (949) 951-8808    FAX: (949) 951-3974 |                                |   |
|  |   |                                |  <b>TITLE:</b><br>MOLDED RECTANGULAR LED MOUNT |
| DESIGNED:<br><b>M. Chen</b>  | DATE:<br><b>03/11/03</b>  | <b>PART NO:</b><br>RL1-RL2-XXX | REVISION:<br><b>E</b>   |
| CHECKED:<br><b>D. Green</b>  | DATE:<br><b>03/11/03</b>  | <b>CAGE CODE :</b> 32559       | <b>SHEET #</b> 1 OF 1   |
| CAD GENERATED DOCUMENT. DO NOT MEASURE DRAWING.  |   |                                |   |

- MATERIAL: NYLON 6/6, 94V-0, WHITE.
- GENERAL SPECIFICATIONS: BIVAR MOLDED COMPONENT SPECIFICATION BV00-E101.