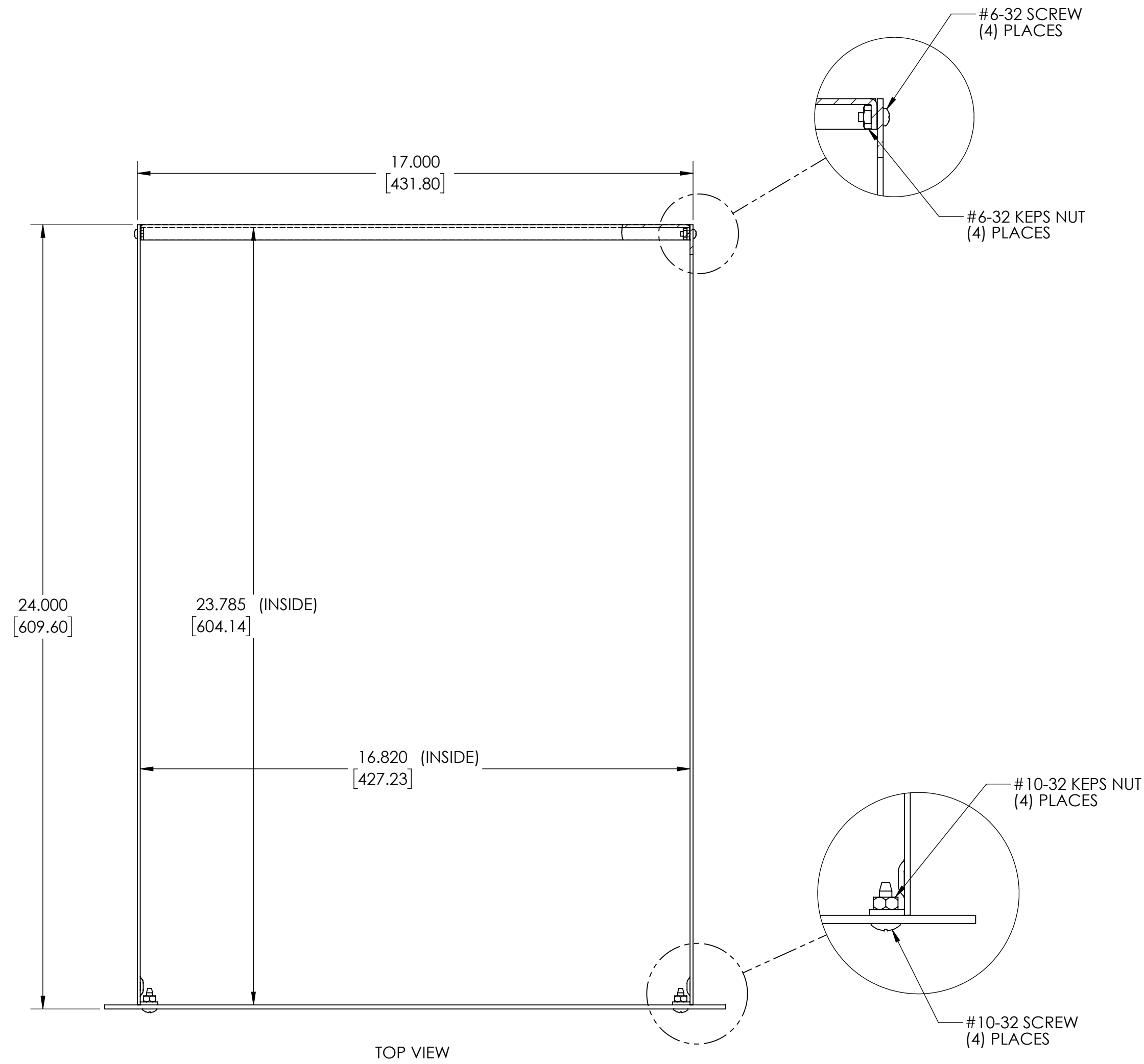
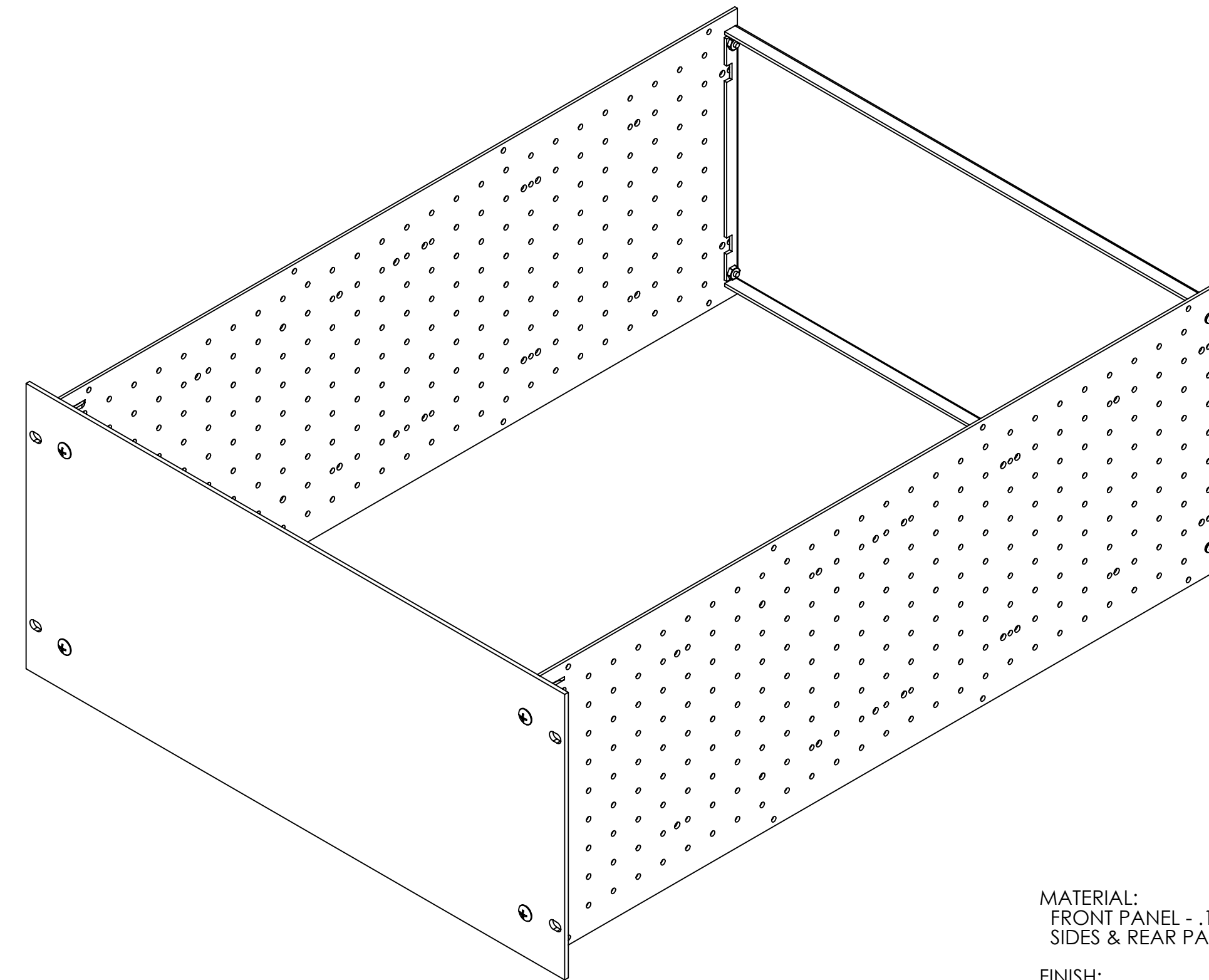


**DRAWING FOR REFERENCE**  
 WE RESERVE THE RIGHT TO MAKE CHANGES TO OUR STANDARD PRODUCTS. PLEASE CONSULT WITH BUD INDUSTRIES PRIOR TO USING THIS DRAWING FOR DESIGN PURPOSE.



TOP VIEW

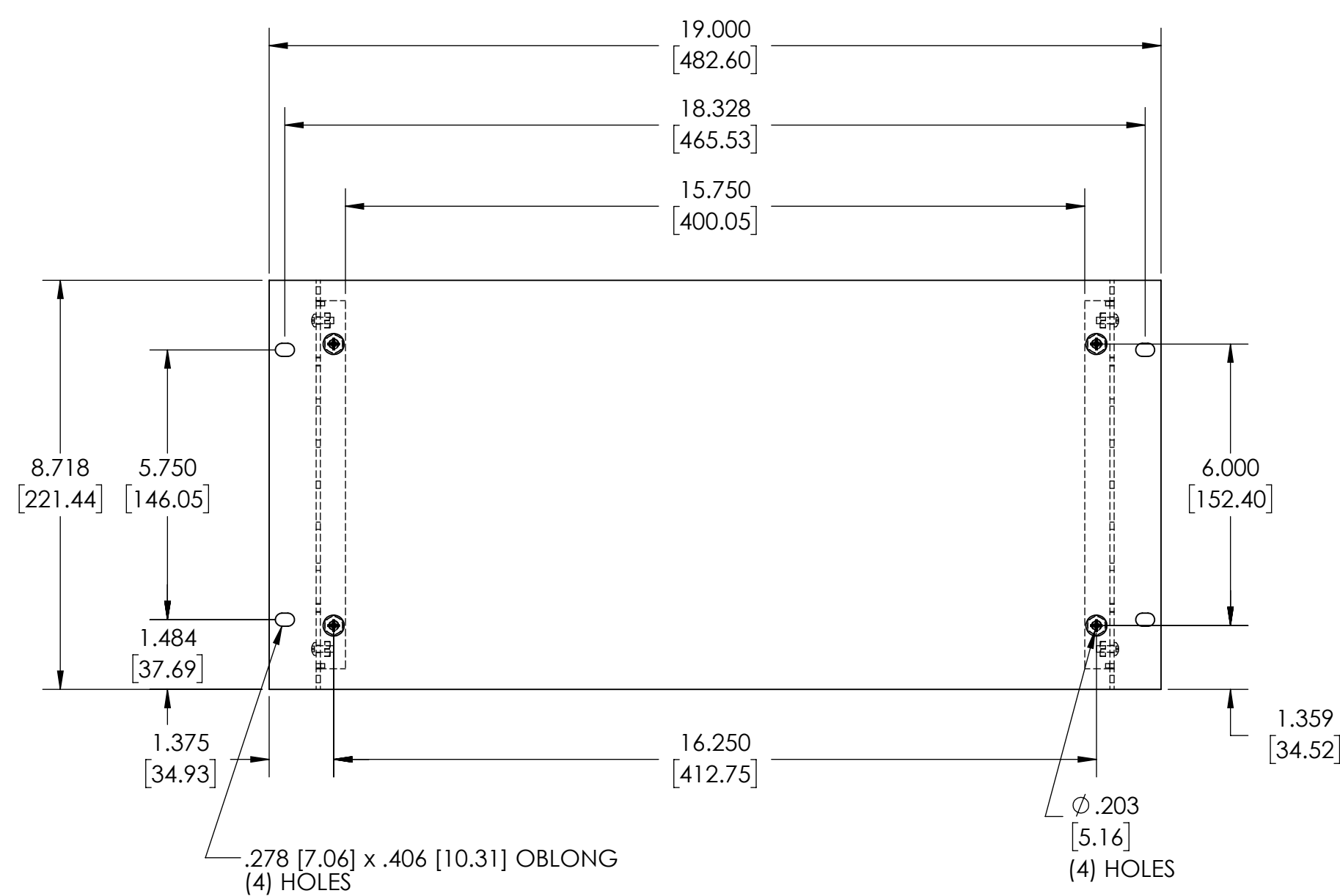


**MATERIAL:**  
 FRONT PANEL - .125 THK. ALUMINUM  
 SIDES & REAR PANEL - .090 THK. ALUMINUM

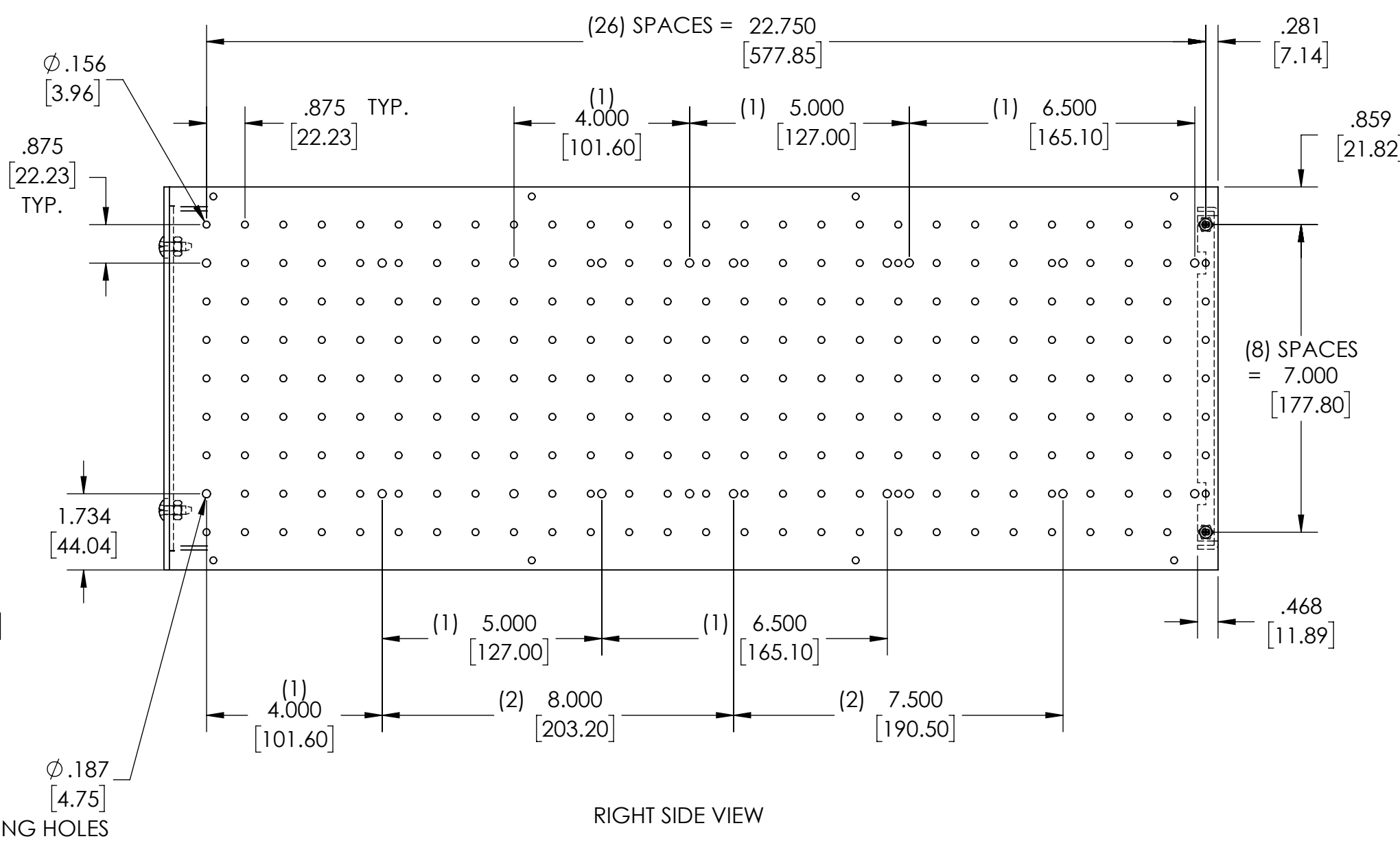
**FINISH:**  
 ALL PARTS - NATURAL

UNIT SHIPPED UNASSEMBLED IN KIT FORM WITH ALL NECESSARY ASSEMBLY HARDWARE  
 25 LB. EQUIPMENT LOAD RATING  
 50 LB. EQUIPMENT LOAD RATING WHEN USING OPTIONAL REAR MOUNTING BRACKET

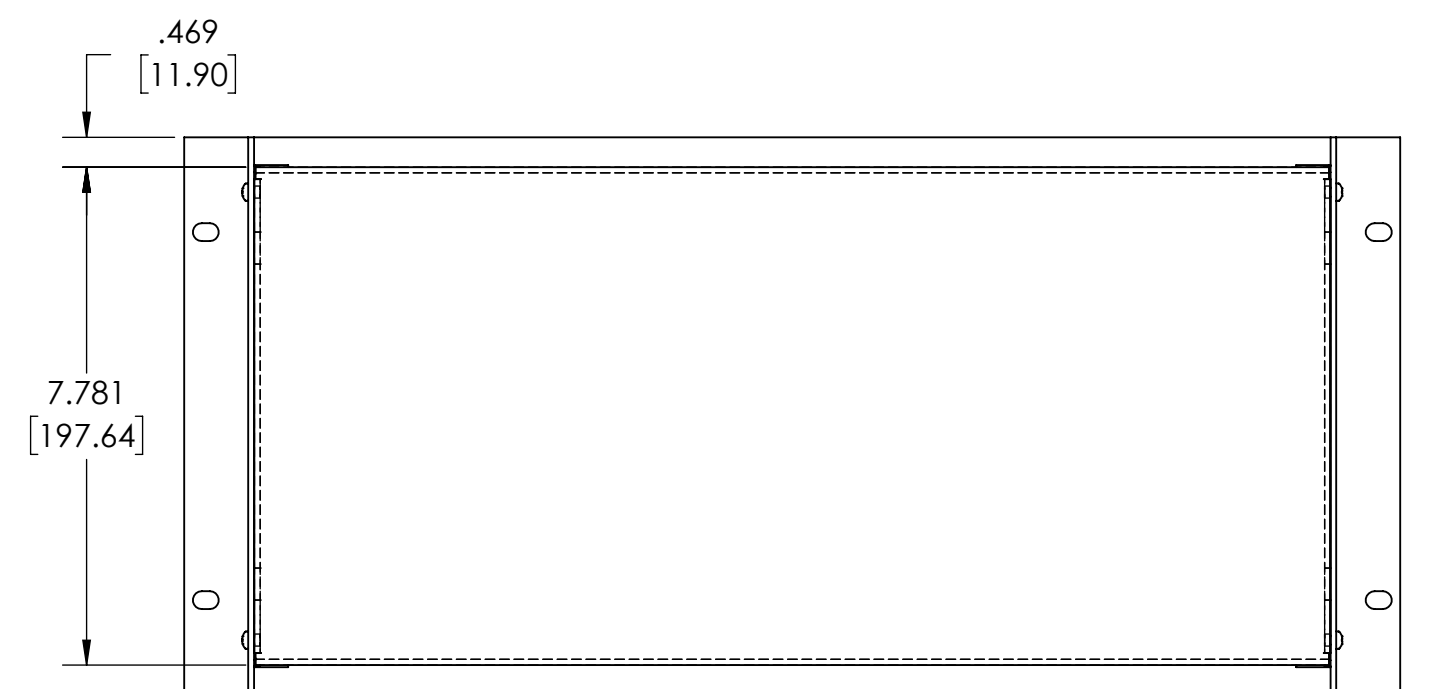
**OPTIONAL ACCESSORIES:**  
 INTERNAL CHASSIS - C-14244  
 SOLID TOP/BOTTOM COVER - TBC-14254  
 VENTILATED TOP/BOTTOM COVER - TBC-14264  
 REAR MOUNTING BRACKET - MB-14273  
 SLIDES - AS-5002-A OR AS-5004-A  
 HANDLES - H-9112-B



FRONT VIEW



RIGHT SIDE VIEW



BACK VIEW

**NOTE:**  
 (1) SLIDE MOUNTING LOCATION FOR AS-5002-A  
 (2) SLIDE MOUNTING LOCATION FOR AS-5004-A