

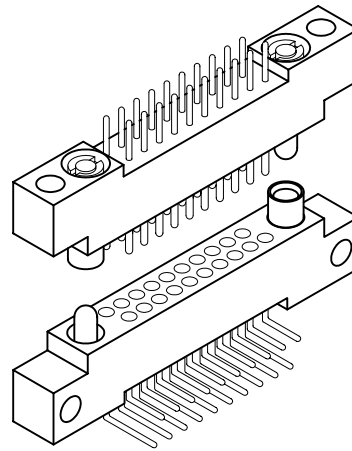
# 2 • ROW Motherboard or Chassis to Daughterboard

.075"

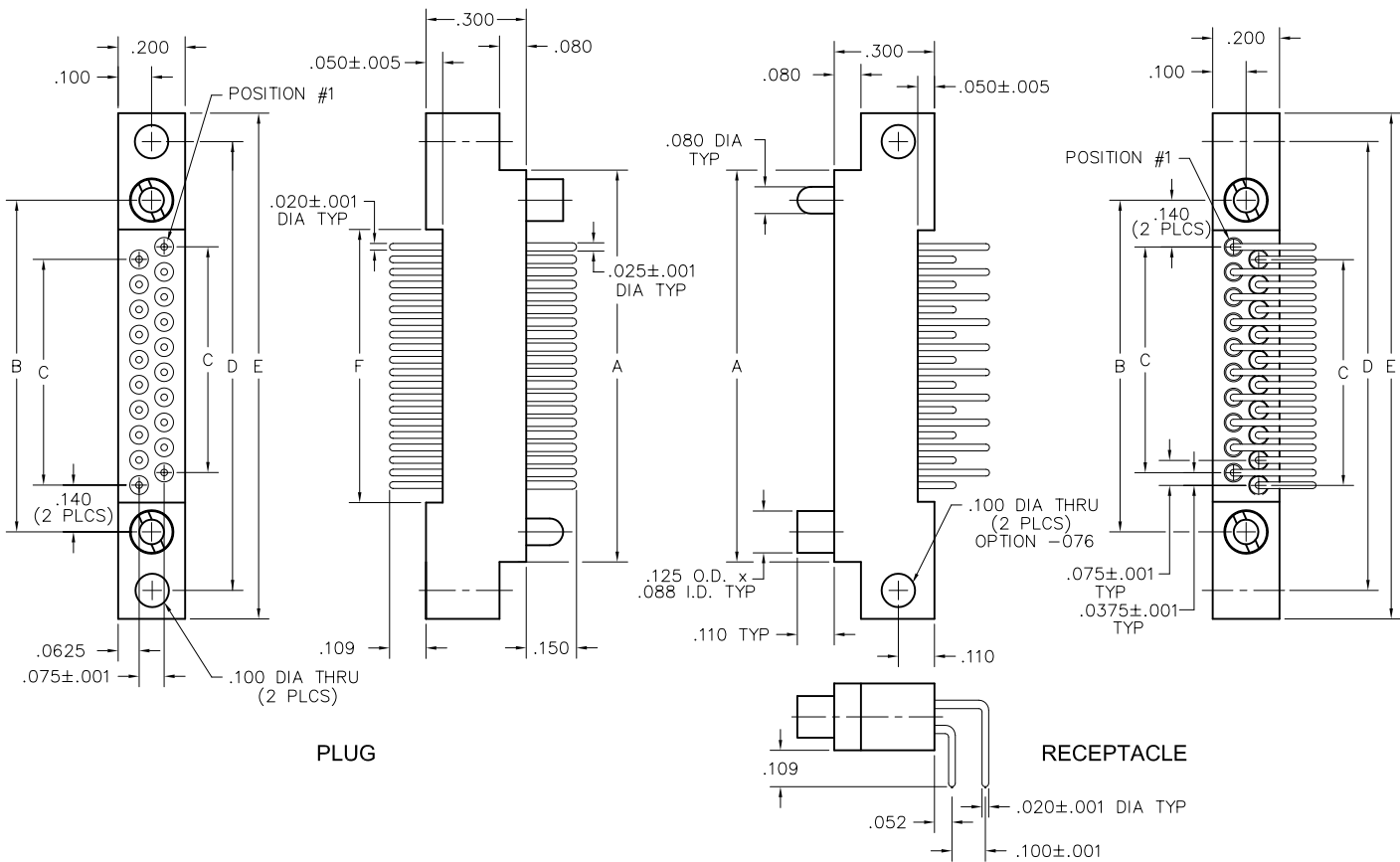
**RM2**

10 thru 100 Contacts

RM212-020-102-5500



RM262-020-442-5500-076



SIZE	DIMENSIONS					
	A	B	C	D	E	F
10	.797	.617	.300	.967	1.137	.442
20	1.172	.992	.675	1.342	1.512	.817
30	1.547	1.367	1.050	1.717	1.887	1.192
40	1.922	1.742	1.425	2.092	2.262	1.567
50	2.297	2.117	1.800	2.467	2.637	1.942
60	2.672	2.492	2.175	2.842	3.012	2.317
70	3.047	2.867	2.550	3.217	3.387	2.692
80	3.422	3.242	2.925	3.592	3.762	3.067
90	3.797	3.617	3.300	3.967	4.137	3.442
100	4.172	3.992	3.675	4.342	4.512	3.817

**PLUG:** RM212-020-102-5500  
**RECEPTACLE:** RM262-020-442-5500-076  
 XXXXX-XXX-XXX-XXXX-XXX

**PLUG**

**RECEPTACLE**

**SERIES**

RM .075" Screw Machine PC Connector | RM .075" Screw Machine PC Connector

**BODY**

2 2-Row | 2 2-Row

**BODY STYLE:**  
 1 Plug, straight, with mounting ears | 6 Receptacle, right angle, with mounting ears  
 3 Plug, straight, without mounting ears | 8 Receptacle, right angle, without mounting ears

**BODY MATERIAL:**  
 2 Polyphenylene sulfide (PPS) | 2 Polyphenylene sulfide (PPS)

**SIZE**

010, 020, 030, 040, 050, 060, 070, 080, 090, 100 | 010, 020, 030, 040, 050, 060, 070, 080, 090, 100

**CONTACTS**

**TYPE CONTACTS/TERMINATIONS:**  
 10 Pin, straight, dip solder, .109" x .020" dia | 44 Socket, right angle, dip solder, .109" x .020" dia  
 11 Pin, straight, solder cup | 45 Socket, right angle, dip solder, .140" x .020" dia  
 12 Pin, straight, dip solder, .140" x .020" dia | 46 Socket, right angle, dip solder, .172" x .020" dia  
 13 Pin, straight, dip solder, .172" x .020" dia | 47 Socket, right angle, dip solder, .250" x .020" dia  
 14 Pin, straight, dip solder, .250" x .020" dia  
 15 Pin, straight, flex, .093" x .017" dia

**PLATING OPTIONS:**  
 1 Gold plated termination | 1 Gold plated termination  
 2 Pre-tinned termination, SnPb alloy (dip solder options only)  | 2 Pre-tinned termination, SnPb alloy   
 3 Pre-tinned termination, SAC305 alloy (dip solder options only) | 3 Pre-tinned termination, SAC305 alloy

**HARDWARE**

**STYLE OF HARDWARE:**  
 (See R-41 & R-42 for all options)  
 0256 None | 0256 None  
 55 Guide set | 55 Guide set  
 57 Two guide pins | 57 Two guide pins  
 58 Two guide sockets | 58 Two guide sockets  
 29 Fixed jackset | 29 Fixed jackset  
 30 Fixed jackset, reversed | 30 Fixed jackset, reversed  
 19 Two fixed jackscrews | 19 Two fixed jackscrews  
 20 Two fixed jacksockets | 20 Two fixed jacksockets  
 59 Hex turning jackset, .200" | 59 Hex turning jackset, .200"  
 60 Hex turning jackset, reversed, .200" | 60 Hex turning jackset, reversed, .200"  
 61 Two hex turning jackscrews, .200" | 61 Two hex turning jackscrews, .200"  
 62 Two hex turning jacksockets, .200" | 62 Two hex turning jacksockets, .200"  
 64 Turning jackset, .490" | 64 Turning jackset, .490"  
 65 Turning jackset, reversed, .490" | 65 Turning jackset, reversed, .490"  
 66 Two turning jackscrews, .490" | 66 Two turning jackscrews, .490"  
 67 Two turning jacksockets, .490" | 67 Two turning jacksockets, .490"

**POLARIZATION:**  
 00 None | 00 None  
 01 thru 68 are special identifiers, see R-38 | 01 thru 68 are special identifiers, see R-38  
 70 Same configuration as 01 without Loctite® (To be keyed by customer) | 70 Same configuration as 01 without Loctite® (To be keyed by customer)

**OPTIONS**

| 076 PWB mounting holes, .100" dia (cross drilled)

= Option not RoHS compliant

**Ask About AirBorn's Accelerated Delivery Service**